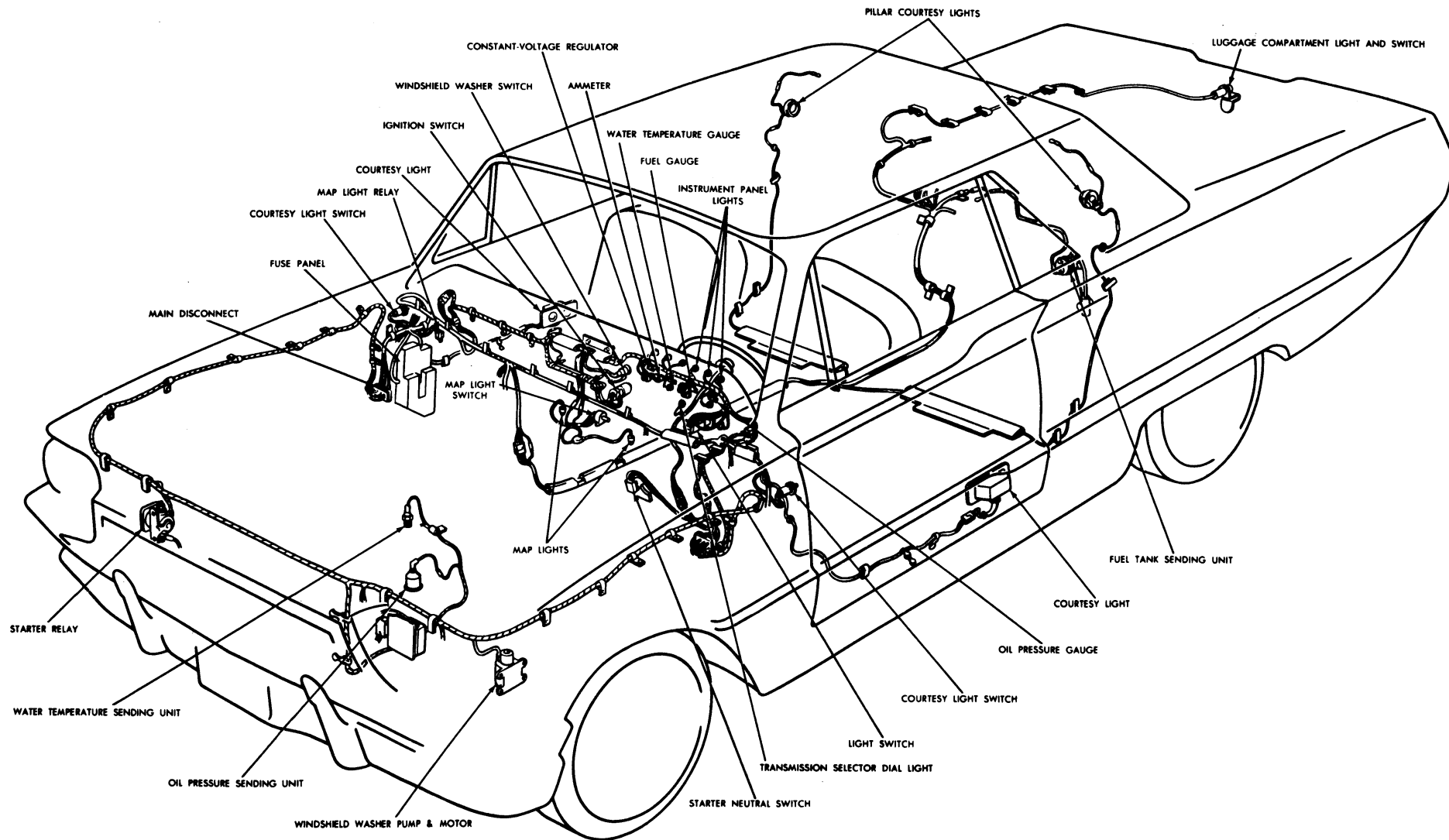
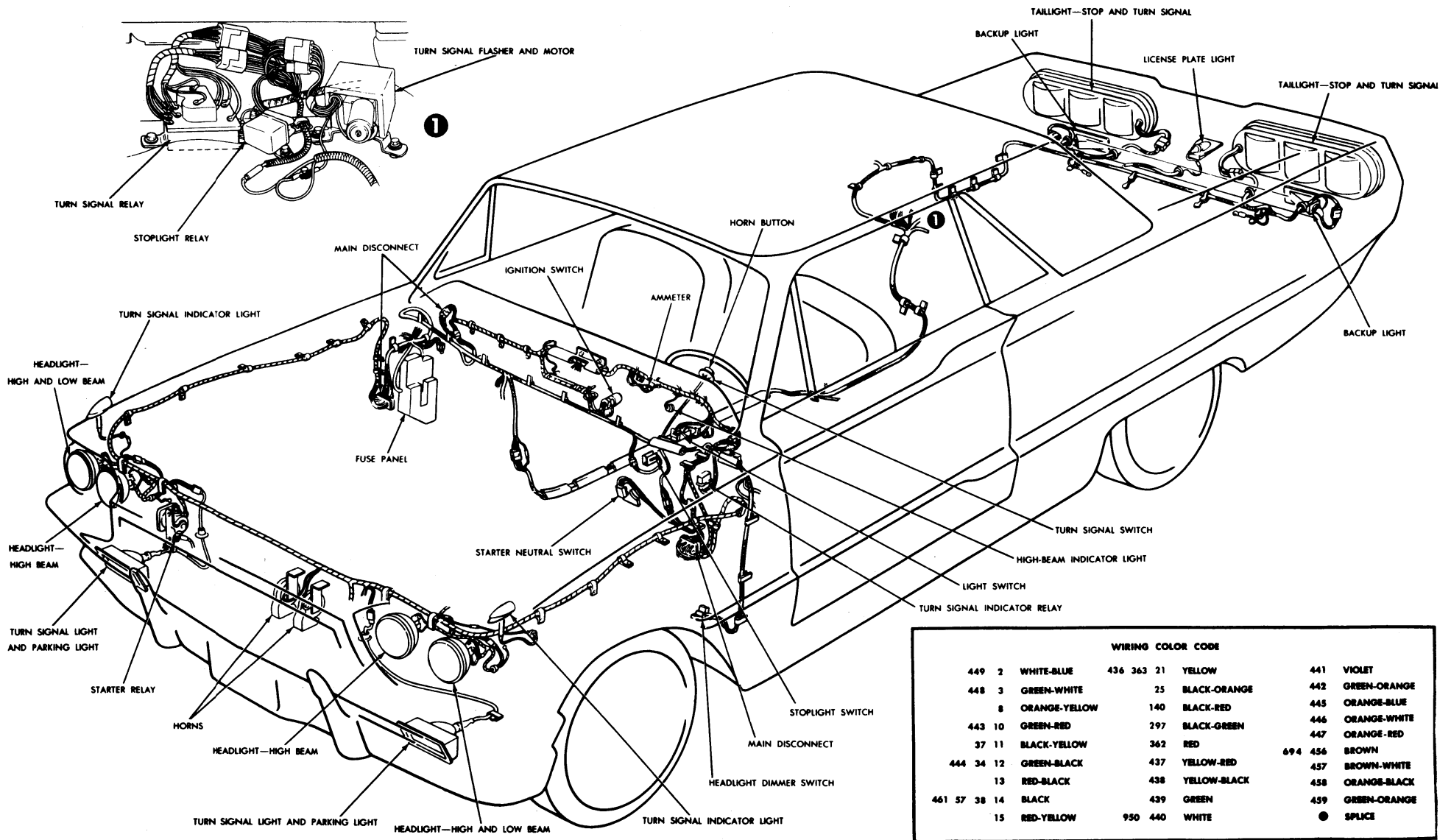


**1965 THUNDERBIRD INTERIOR LIGHTING, WINDSHIELD WASHER AND GAUGES**

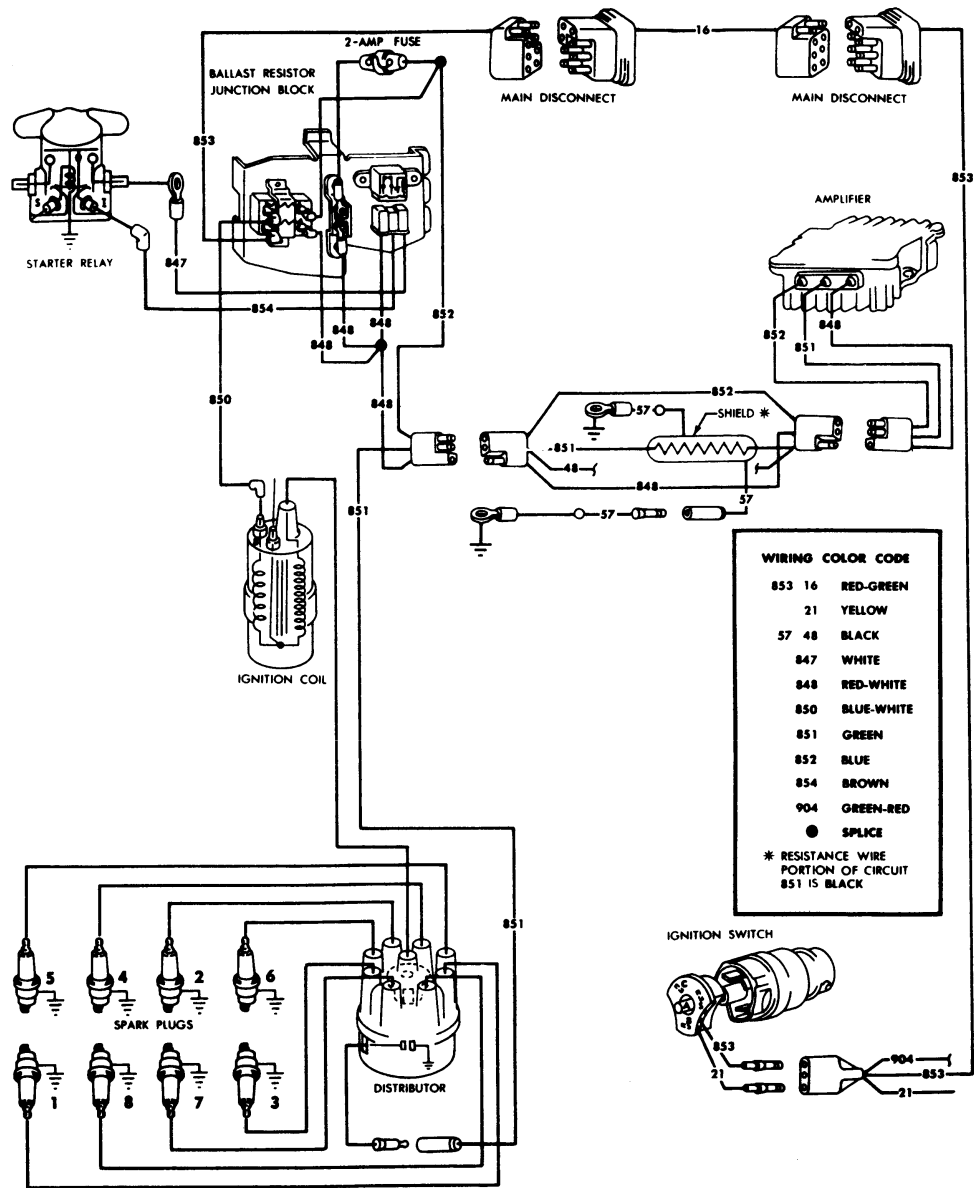
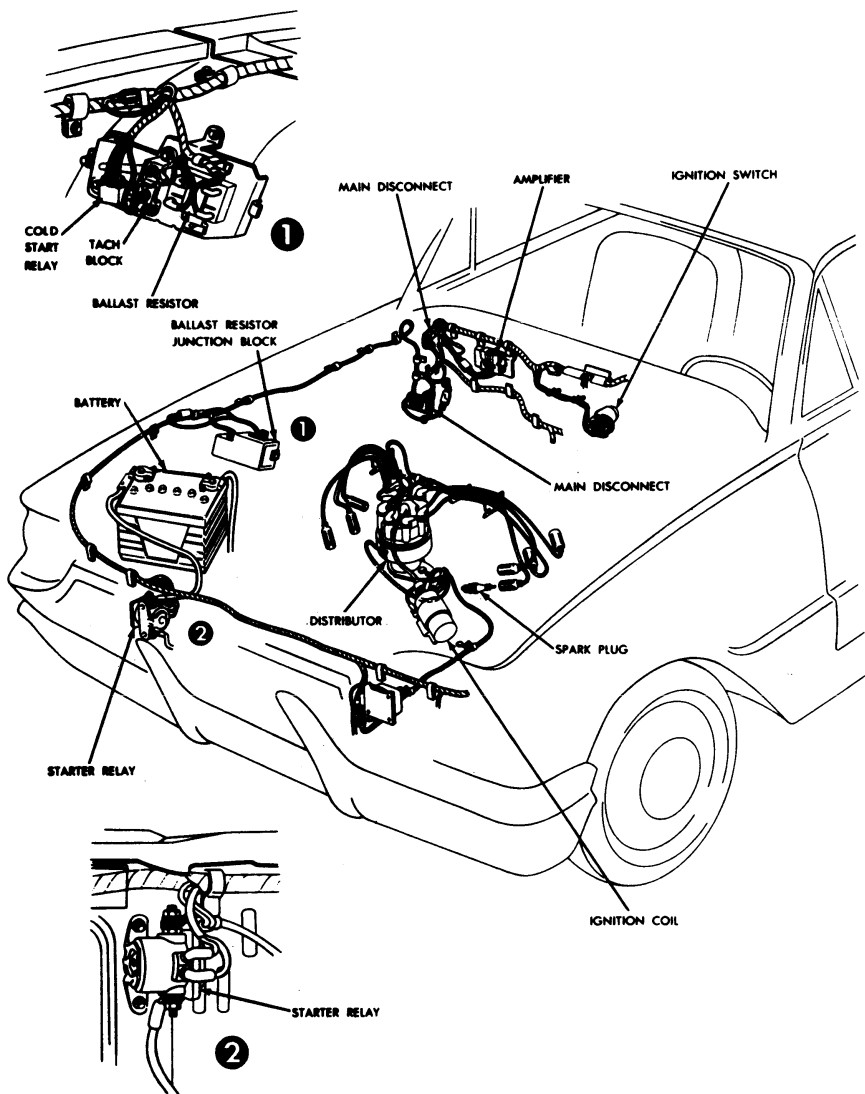


**1965 THUNDERBIRD INTERIOR LIGHTING, WINDSHIELD WASHER AND GAUGES**

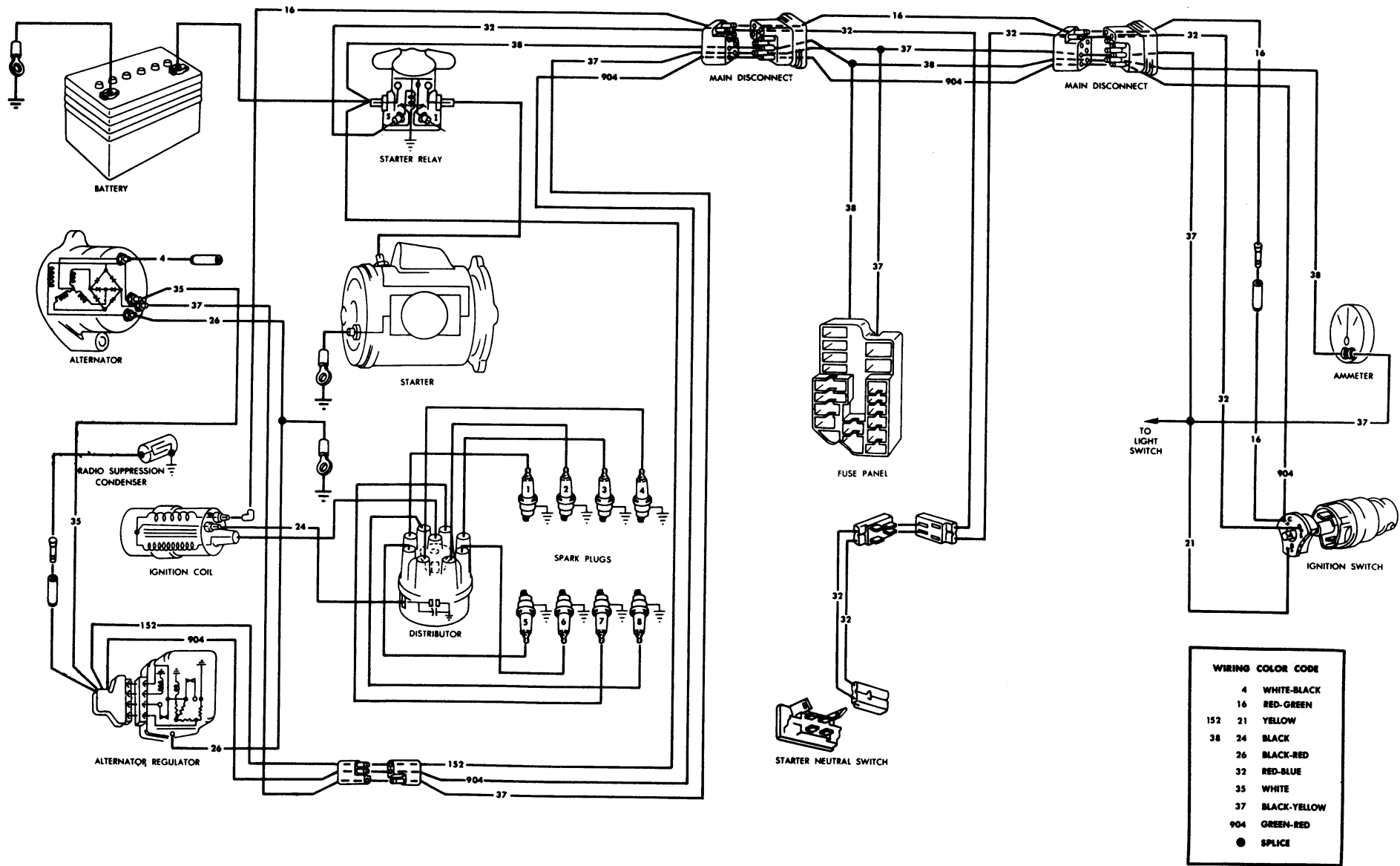


**1965 THUNDERBIRD EXTERIOR LIGHTING, TURN SIGNALS AND HORNS**

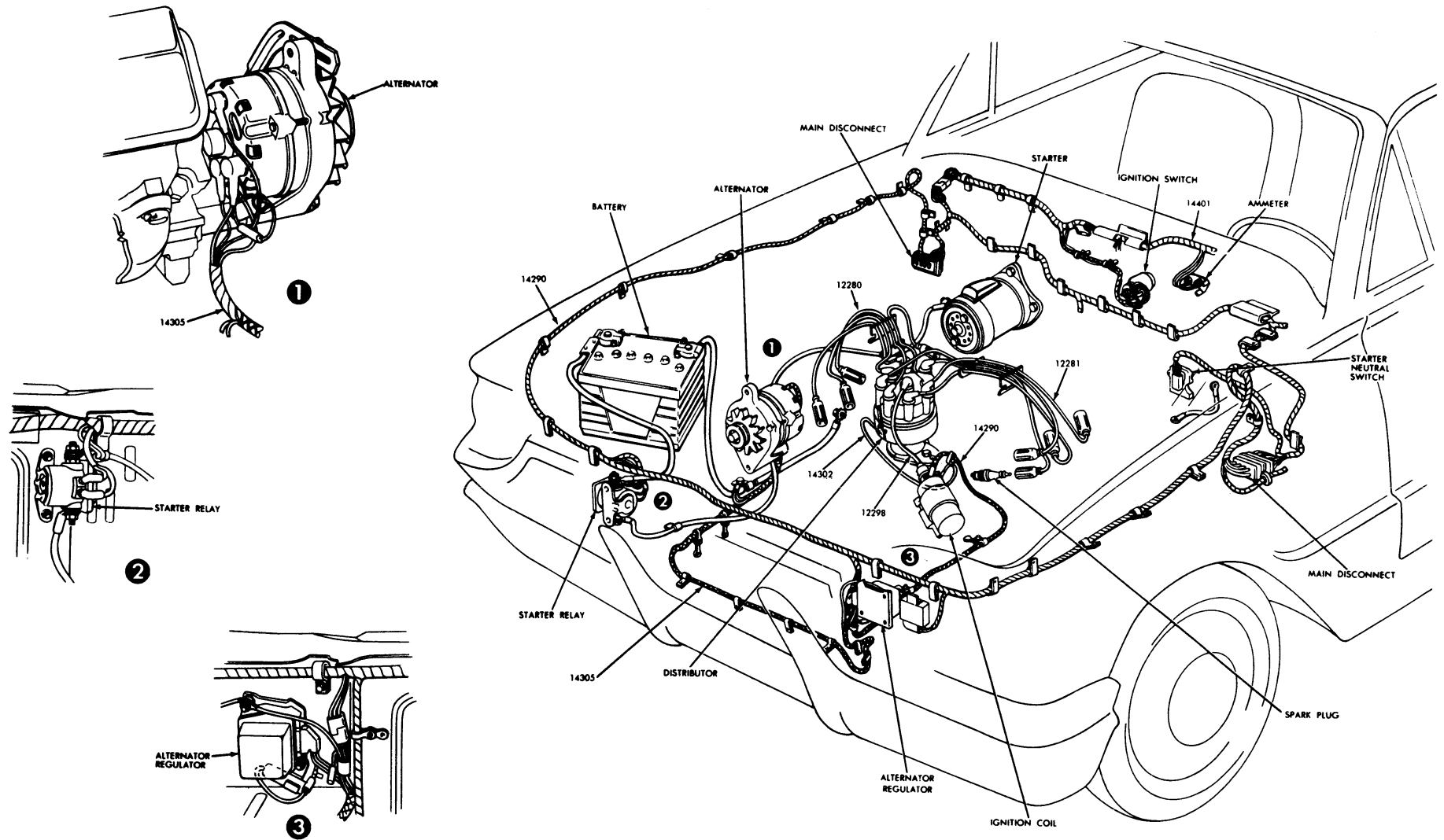




**1965 THUNDERBIRD TRANSISTORIZED IGNITION**



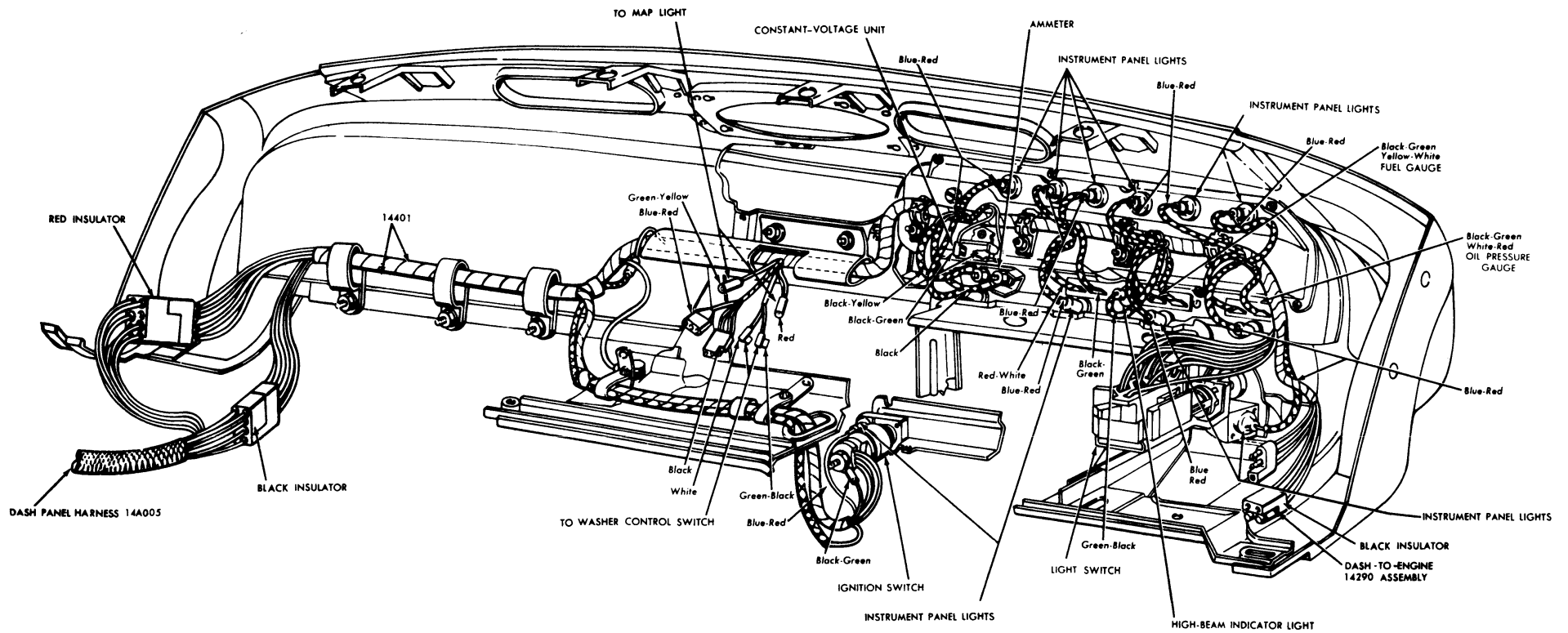
**1965 THUNDERBIRD IGNITION, STARTING AND CHARGING**



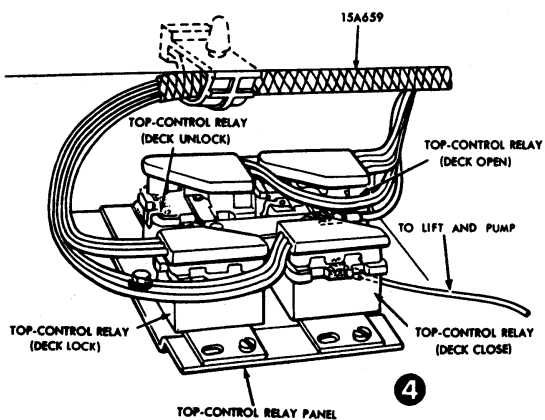
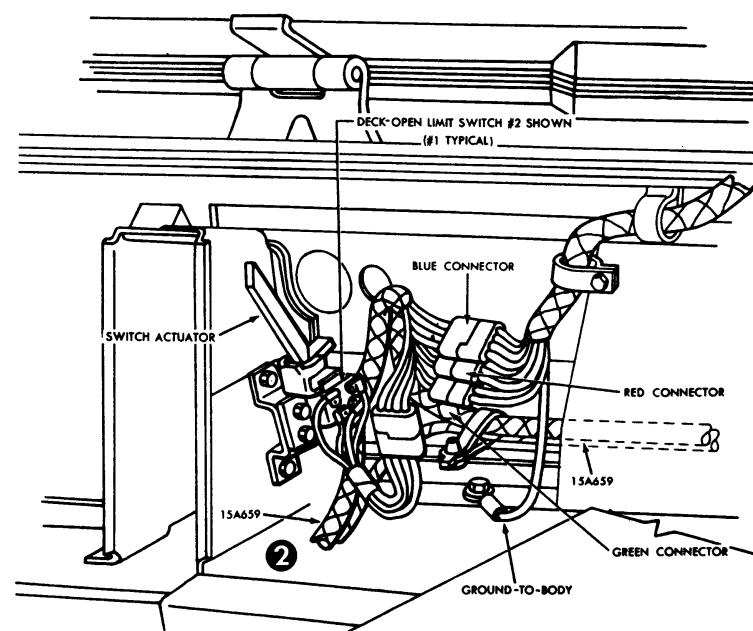
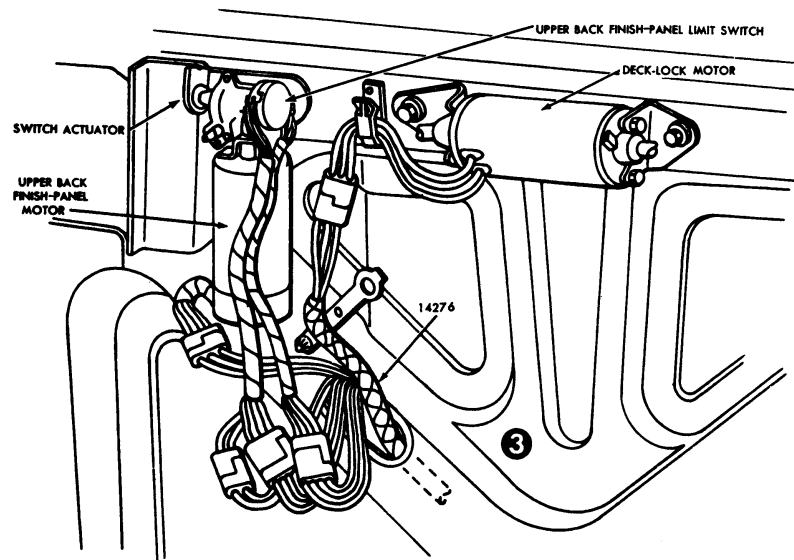
**1965 THUNDERBIRD IGNITION, STARTING AND CHARGING**



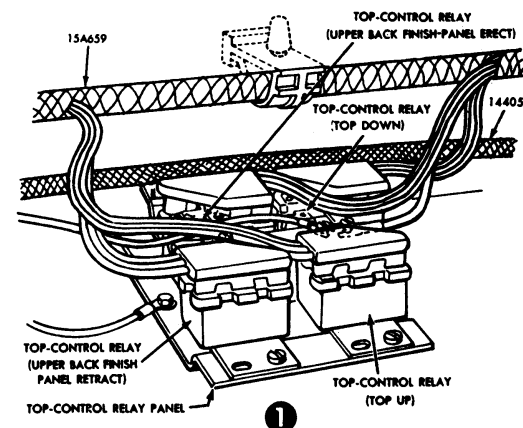




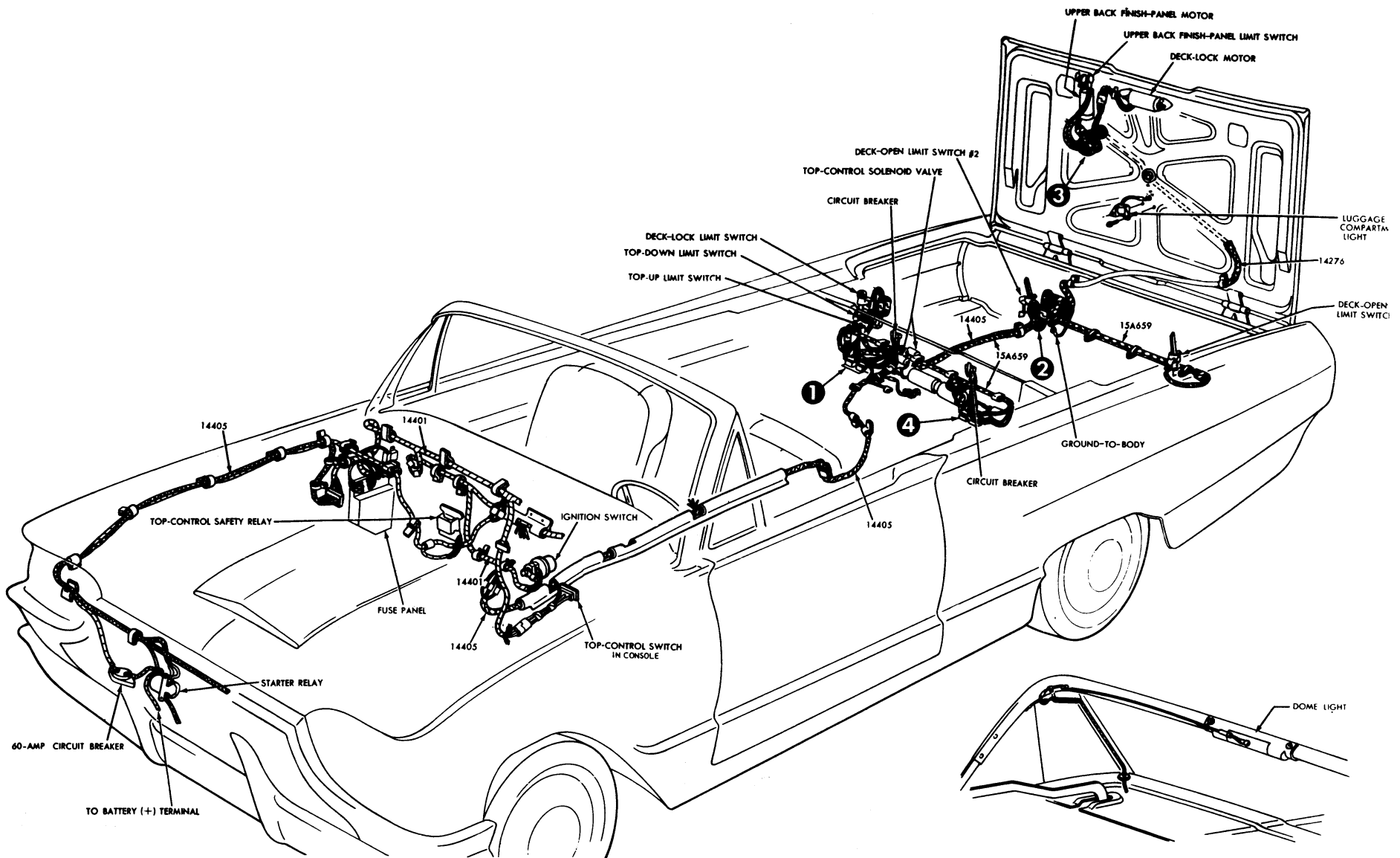
**1965 THUNDERBIRD INSTRUMENT PANEL**



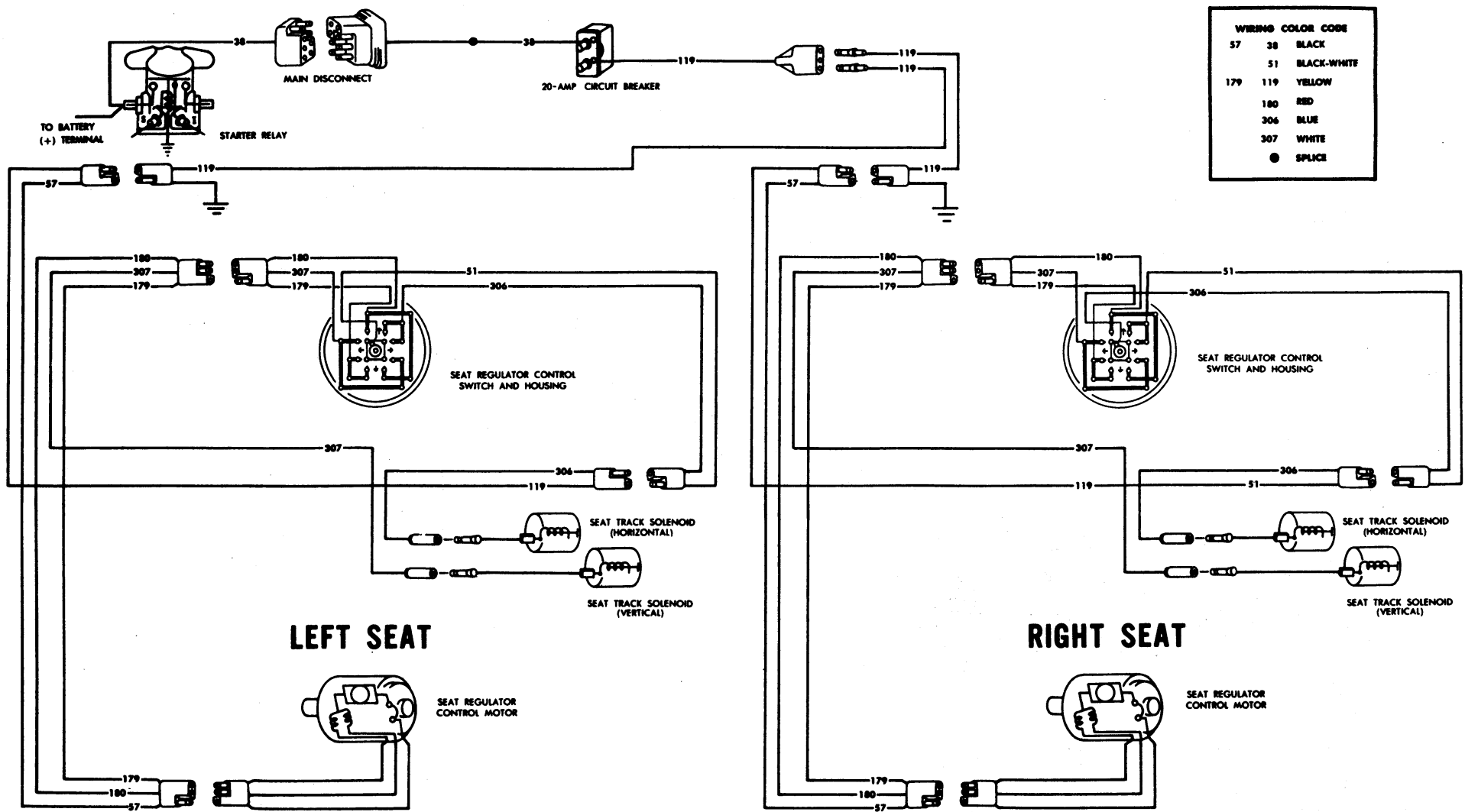
| WIRING COLOR CODE |     |     |     |     |     |            |     |              |             |               |        |            |
|-------------------|-----|-----|-----|-----|-----|------------|-----|--------------|-------------|---------------|--------|------------|
| 702               | 698 | 434 | 370 | 278 | 21  | YELLOW     | 430 | 340          | WHITE-BLUE  | 416           | BROWN  |            |
|                   |     |     |     | 32  |     | RED-BLUE   | 341 | WHITE-RED    | 417         | BROWN-WHITE   |        |            |
|                   |     |     |     | 339 | 35  | WHITE      | 471 | 342          | RED-GREEN   | 422           | GREEN  |            |
|                   |     |     |     | 418 | 53  | BLACK-BLUE | 343 | YELLOW-WHITE | 424         | RED-YELLOW    |        |            |
|                   |     |     |     | 796 | 426 | 175        | 57  | BLACK        | 355         | VIOLET-WHITE  | 425    | YELLOW-RED |
|                   |     |     |     | 722 | 357 | 337        | 242 | BLUE         | 356         | ORANGE-BROWN  | 427    | GRAY       |
|                   |     |     |     | 703 | 699 | 435        | 279 | RED          | 360         | YELLOW-BLUE   | 431    | BLUE-WHITE |
|                   |     |     |     |     | 409 | 293        |     | VIOLET       | 411         | ORANGE        | 472    | RED-WHITE  |
|                   |     |     |     |     | 414 | 297        |     | BLACK-GREEN  | 413         | YELLOW-VIOLET | 701    | BLUE-GREEN |
|                   |     |     |     |     | 338 | BLUE-RED   | 419 | 415          | GREEN-WHITE | ●             | SPLICE |            |



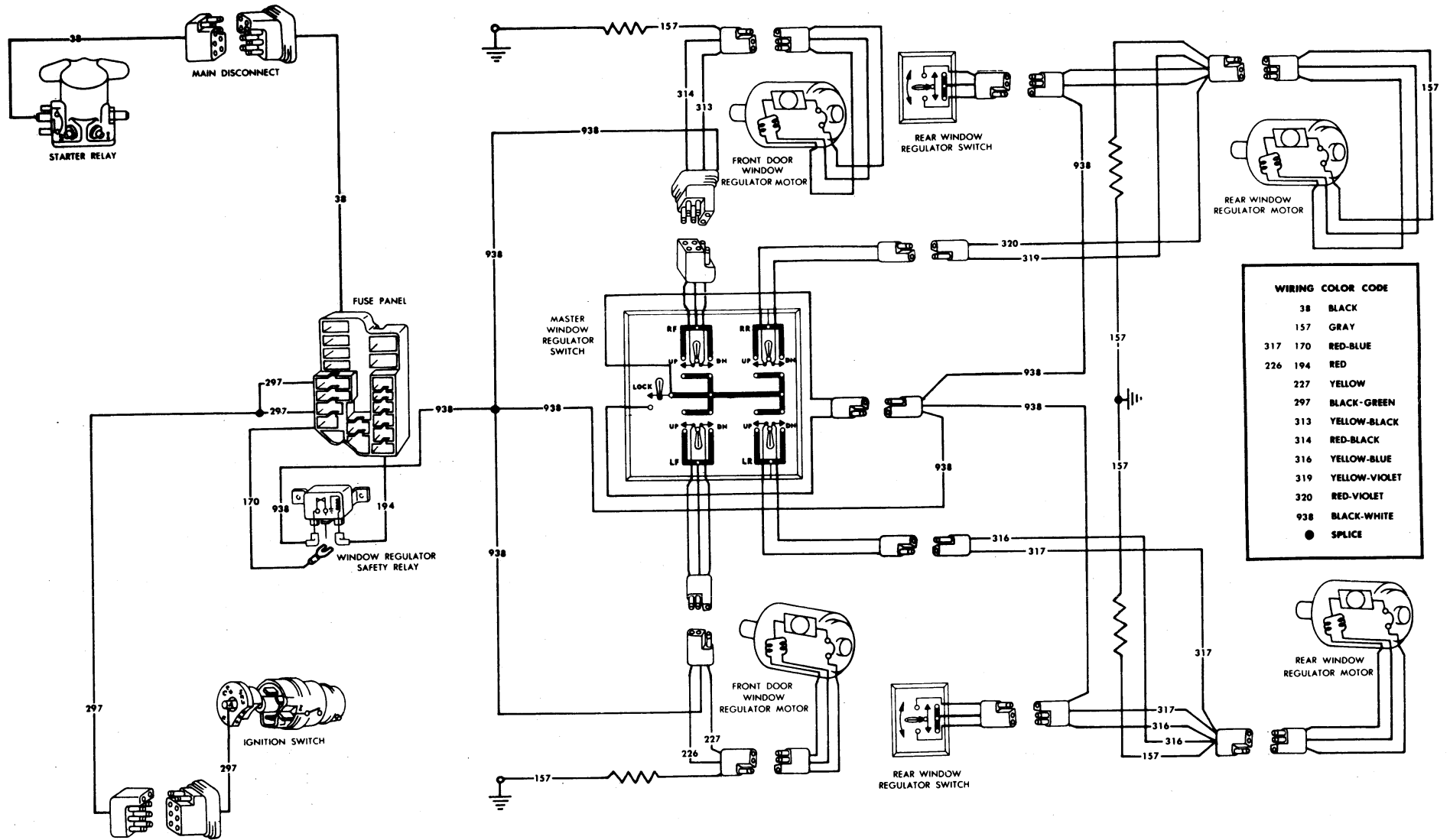
## 1965 THUNDERBIRD POWER TOP DETAILED VIEWS



**1965 THUNDERBIRD POWER TOP**

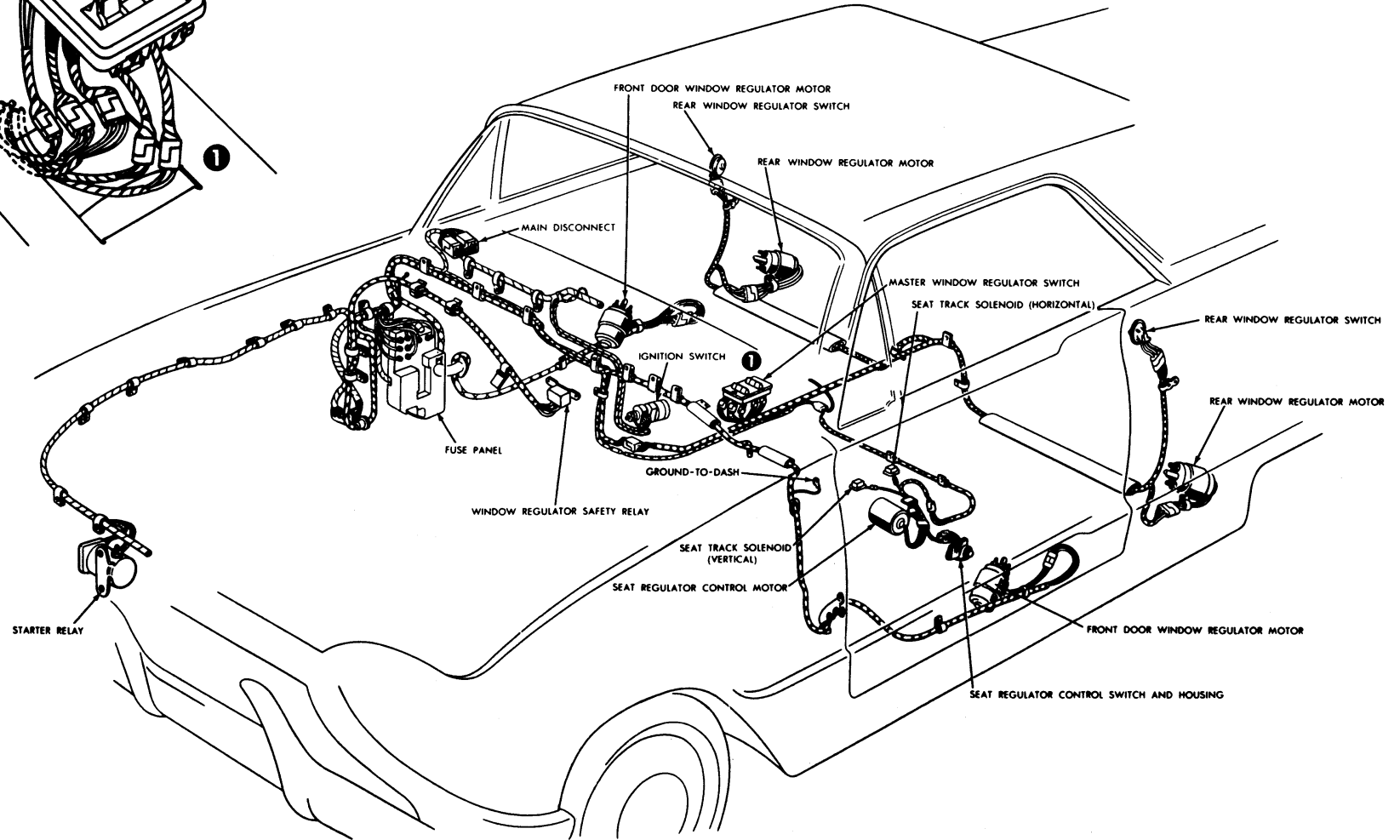
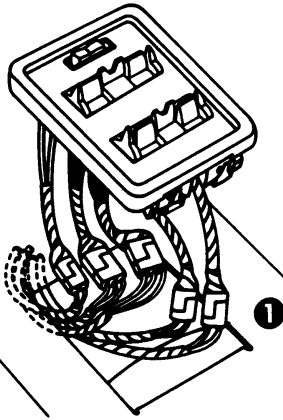


**1965 THUNDERBIRD POWER SEAT (4-WAY)**

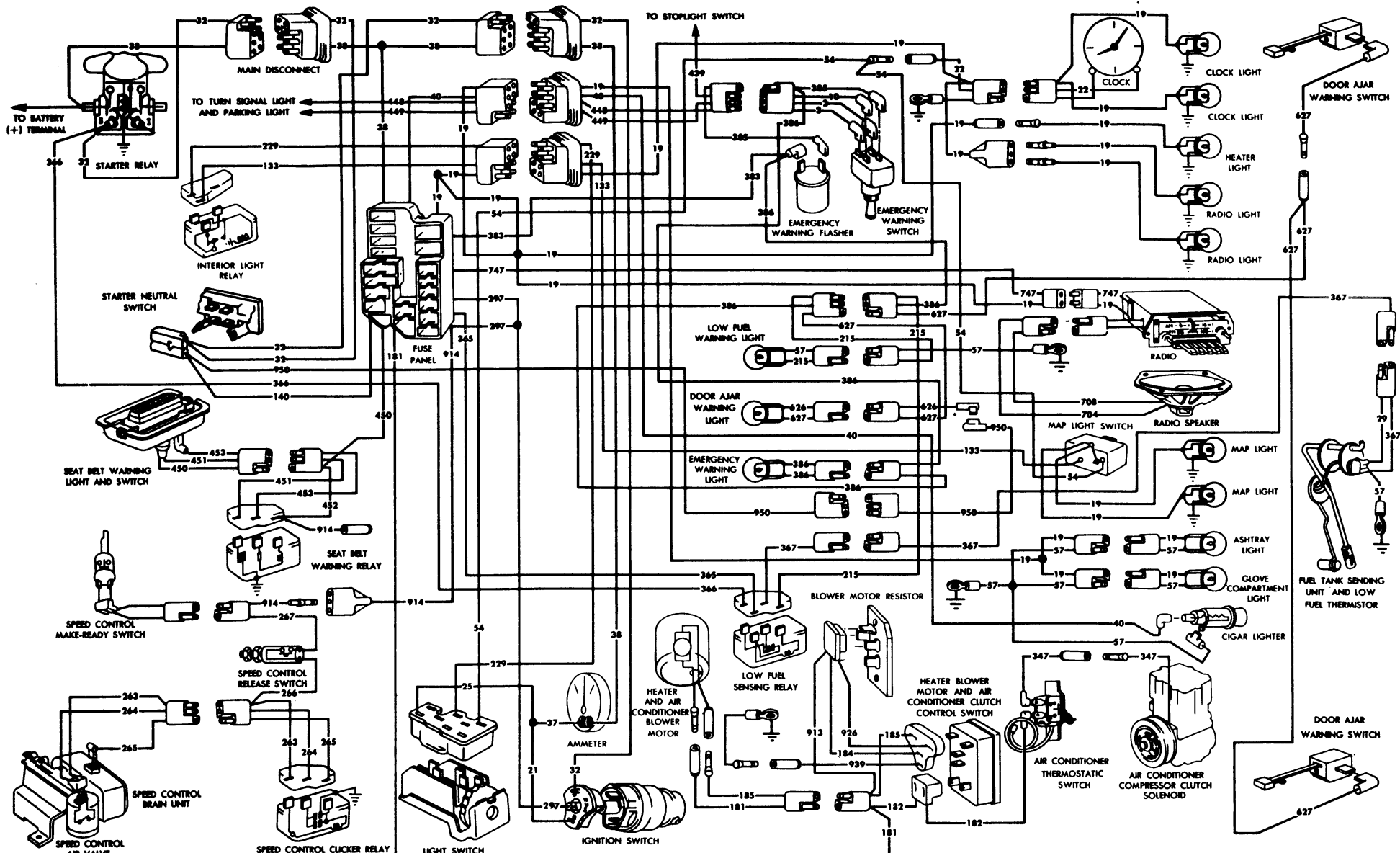


**1965 THUNDERBIRD POWER WINDOWS**

MASTER WINDOW REGULATOR SWITCH



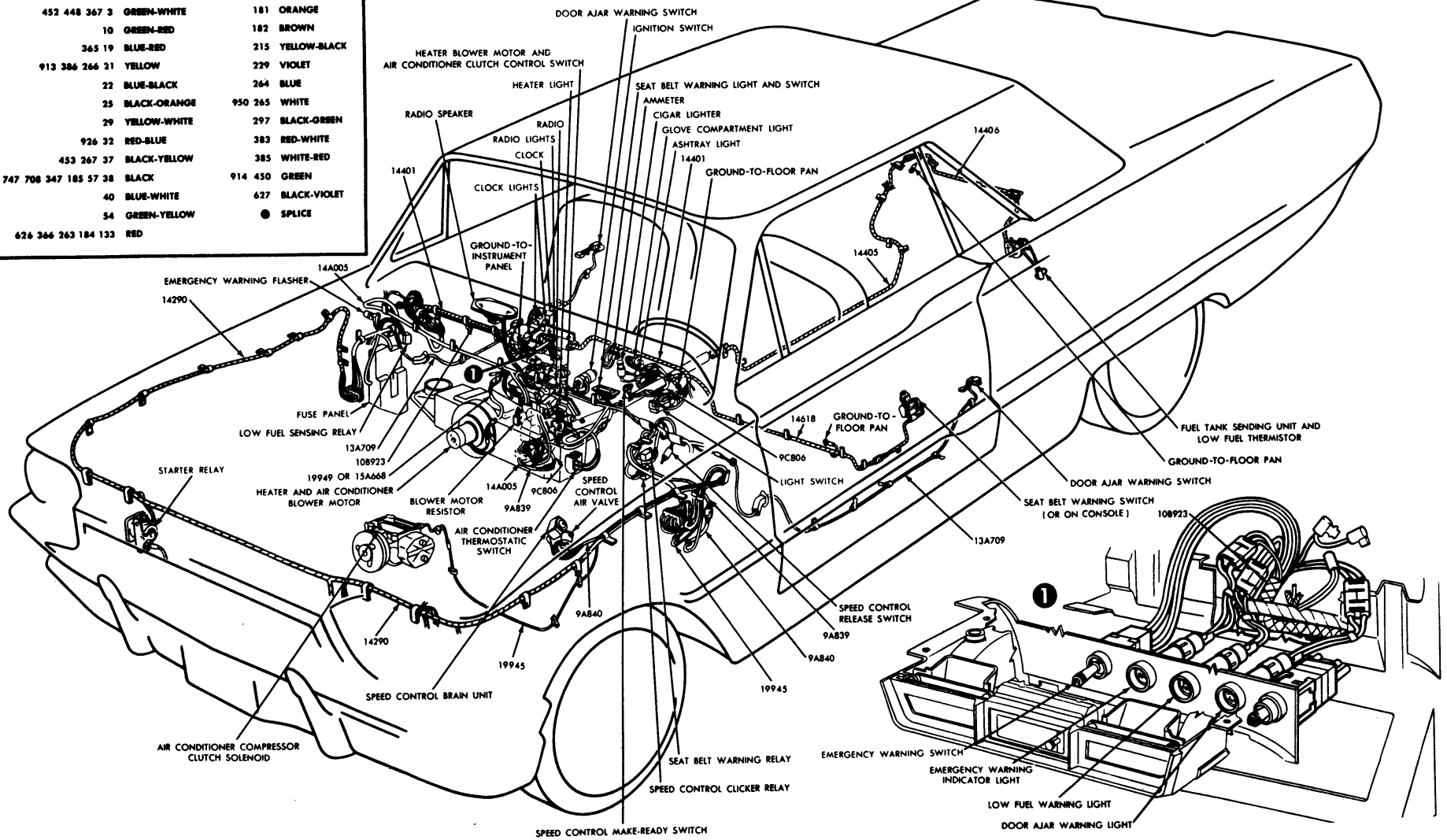
**1965 THUNDERBIRD POWER WINDOWS AND SEAT**



**1965 THUNDERBIRD ACCESSORIES**

**WIRING COLOR CODE**

|                           |              |             |              |
|---------------------------|--------------|-------------|--------------|
| 449 2                     | WHITE-BLUE   | 704 451 140 | BLACK-RED    |
| 452 448 367 3             | GREEN-WHITE  | 181         | ORANGE       |
| 10                        | GREEN-RED    | 182         | BROWN        |
| 365 19                    | BLUE-RED     | 215         | YELLOW-BLACK |
| 913 386 266 21            | YELLOW       | 229         | VIOLET       |
| 22                        | BLUE-BLACK   | 264         | BLUE         |
| 25                        | BLACK-ORANGE | 950 265     | WHITE        |
| 29                        | YELLOW-WHITE | 297         | BLACK-GREEN  |
| 926 32                    | RED-BLUE     | 383         | RED-WHITE    |
| 453 267 37                | BLACK-YELLOW | 385         | WHITE-RED    |
| 939 747 708 347 185 57 38 | BLACK        | 914 450     | GREEN        |
| 40                        | BLUE-WHITE   | 627         | BLACK-VIOLET |
| 54                        | GREEN-YELLOW | ●           | SPLICE       |
| 626 366 263 184 133       | RED          |             |              |



**1965 THUNDERBIRD ACCESSORIES**