

**MASTER PARTS AND ACCESSORIES ILLUSTRATION CATALOG**

**FORM FP 7635-B**

FORD PARTS and SERVICE DIVISION

**GENERAL INSTRUCTIONS**

This Ford Car Master Parts Catalog contains parts illustrations for Bronco, Fairlane/Torino, Falcon, Ford, Maverick, Mustang, Pinto and Thunderbird for model years 1965 to 1972 for U.S. and Canadian built vehicles.

Use this Illustration Catalog in conjunction with the Text Catalog, form FP 7635-A.

For greater convenience this catalog is divided into specific sections, such as brakes, front suspension, engine, transmission, etc. For example, FRONT SUSPENSION appears in Section 30, STEERING in Section 35, REAR AXLE in Section 40, etc.

A separate catalog which contains the text or descriptive information for the same model year is available as form FP 7635-A. The Text Catalog is divided into sections also and like parts are shown under similar section numbers in both the Text and Illustration Catalogs.

A listing of Ford group numbers and their related section numbers appears in the General Information Section of the Text Catalog, form FP 7635-A.

Illustrations contain group numbers only, therefore, it is necessary to refer to the group within the text catalog listing for complete applicable part number.

The driver's side is the left hand side of the vehicle and determines whether such parts as fenders, lamps, etc. are right or left hand.

Model year application is indicated by showing the first year followed by a diagonal line to indicate continued usage in all subsequent years until the insertion of the last year of usage, which is shown after the diagonal line. If no diagonal line is shown the part is applicable only to the year shown.

**Example:**

- 65/72 indicates part used 1965 through 1972 model years
- 65 indicates part used 1965 model year only

For Warranty Plate or Certification Label Data, Catalog Model Codes and Body Type Codes refer to the General Information Section of the Text catalog, form FP 7635-A.

The various car lines and their body types are identified by vehicle catalog codes and body type codes in the text catalog as follows -

VEHICLE	CATALOG CODE	BODY TYPE DESCRIPTION	BODY TYPE CODE
Bronco	U	Convertible	76
Fairlane	B	Four door hardtop	57
Falcon	X	Four door pillared hardtop	53
Ford	A	Four door sedan	54
Maverick	P	Four door station wagon	71
Mustang	F		
Pinto	L	Ranchero	66 or 97
Thunderbird	S	Three door sedan	64
Torino	B	Two door hardtop (fastback roof)	63
		Two door hardtop (formal roof)	65
		Two door sedan	62
		Two door station wagon	59 or 73
THE FOLLOWING SYMBOL APPEARS ON ILLUSTRATIONS AND IS INTERPRETED AS SHOWN BELOW			
*	Indicates Not Serviced - must be improvised or procured locally		



## CHASSIS PARTS ILLUSTRATION INDEX

Following is a general index of the major groups shown in the Chassis and Body Parts Illustration Sections. For more specific information refer to the Index appearing in front of the Section number listed below.

MAJOR GROUP	●TABBED DIVIDER TITLE	INDEX SECTION
Accelerator Linkage	Fuel	90
Accessories	Listed in their appropriate groups as identified in this index	
Air Cleaner	Fuel	90
Air Conditioner	Speedometer, Bumper	175
Alternator	Generator, Alternator, Starter, Distributor	100
Automatic Transmission	Automatic Transmission	A70
Axle (rear)	Rear Axle, Driveshaft	40
Battery	Generator, Alternator, Starter, Distributor	100
Brake System	Wheels, Brakes	10
Bumpers	Speedometer, Bumper	175
Carburetor	Fuel	90
Carrier (Wheel)	Wheels, Brakes	10
Clutch	Standard Transmission, Clutch	70
Cooling System	Cooling, Grille	80
Distributor	Generator, Alternator, Starter, Distributor	100
Driveshaft	Rear Axle, Driveshaft	40
Electrical	Generator, Alternator, Starter, Distributor	100
Electrical	Lamps, Wiring	130
Engine	Engine	60
Exhaust System	Frames, Mufflers, Springs	50
Fan	Cooling, Grille	80
Fenders	Fender, Hood	160
Frame	Frames, Mufflers, Springs	50
Front Suspension	Front Suspension, Steering	30
Fuel Pump	Fuel	90
Fuel System	Fuel	90
Fuel Tank	Fuel	90
Gearshift Lever	Standard Transmission, Clutch	70
Generator	Generator, Alternator, Starter, Distributor	100
Grille	Cooling, Grille	80
Heater	Speedometer, Bumper	175
Hood	Fender, Hood	160
Horn	Lamps, Wiring	130
Instrument Cluster	Generator, Alternator, Starter, Distributor	100
Lamps	Lamps, Wiring	130
Lever (Gearshift)	Standard Transmission, Clutch	70
Manifolds	Fuel	90
Mirrors	Speedometer, Bumper	175
Muffler	Frames, Muffler, Springs	50
Pump (Fuel)	Fuel	90
Pump (Water)	Cooling, Grille	80
Radiator	Cooling, Grille	80
Rear Axle	Rear Axle, Driveshaft	40

● Applicable to Loose Leaf Catalogs only.

### CHASSIS PARTS ILLUSTRATION INDEX - cont'd.

MAJOR GROUP	• TABBED DIVIDER TITLE	INDEX SECTION
Speedometer	Speedometer, Bumper	175
Springs	Frames, Mufflers, Springs	50
Stabilizer (Front)	Front Suspension, Steering	30
Stabilizer (Rear)	Frames, Mufflers, Springs	50
Starter	Generator, Alternator, Starter, Distributor	100
Steering	Front Suspension, Steering	30
Suspension (Front)	Front Suspension, Steering	30
Pachometer	Generator, Alternator, Starter, Distributor	100
Tank (Fuel)	Fuel	90
Transfer Case	Standard Transmission Clutch	70
Transmission (Automatic)	Automatic Transmission	A70
Transmission (Standard)	Standard Transmission, Clutch	70
Voltage Regulator	Generator, Alternator, Starter, Distributor	100
Water Pump	Cooling, Grille	80
Wheels	Wheels, Brakes	10
Windshield Wiper	Speedometer, Bumper	175
Wiring	Lamps, Wiring	130

### BODY PARTS ILLUSTRATION INDEX

Auxiliary Seat	Seat	600
Back Window	Back, Luggage Compartment	400
Body Sheet Metal	Body Sheet Metal	Body Sheet Metal
Console	Body Front, Floor	000
Door (Front)	Body Sides, Quarter	230
Door (Rear)	Body Sides, Quarter	230
Exterior Trim	Exterior Moulding	Exterior Moulding
Floor Sheet Metal	Body Sheet Metal	Body Sheet Metal
Folding Top	Back, Luggage Compartment	400
Front Door	Body Sides, Quarter	230
Front Seat	Seat	600
Front Seat Track	Seat	600
Glove Compartment	Body Front, Floor	000
Instrument Panel	Body Front, Floor	000
Interior Trim	Interior Trim	Interior Trim
Liftgate	Back, Luggage Compartment	400
Luggage Compartment Door Mechanism	Back, Luggage Compartment	400
Luggage Compartment Trim	Interior Trim	Interior Trim
Package Tray	Interior Trim	Interior Trim
Quarter Window	Body Sides, Quarter	230
Rear Door	Body Sides, Quarter	230
Rear Seat	Seat	600
Roof	Back, Luggage Compartment	400
Sheet Metal	Body Sheet Metal	Body Sheet Metal
Tailgate	Back, Luggage Compartment	400
Top (Folding)	Back, Luggage Compartment	400
Track (Front Seat)	Seat	600
Vent System	Body Front, Floor	000
Windshield	Body Front, Floor	000

• Applicable to Loose Leaf Catalogs only.

May, 1975

COPYRIGHT © 1975 —

FORD MOTOR  
COMPANY

— DEARBORN, MICHIGAN

**FINAL ISSUE**

## GENERAL INFORMATION

# FORD CAR PARTS

### PROCEDURE FOR USING CATALOG

There are three ways of finding part numbers

1. By Part Name
2. By Illustration
3. By Identification

Should an inquiry be received for a rear brake backing plate for a 1965 Thunderbird -

#### BY PART NAME

- A. Refer to the Chassis Parts Alphabetical Index in the Text Catalog, form FP 7635-A.
- B. Refer to the alphabetical nomenclature and find the part name "Plate (rear brake backing)". The group number listed is 2211-2.
- C. Refer to group number 2211-2 and locate 1965 in the "YEAR" column. Find the vehicle catalog code "S" (for Thunderbird) in the "MODEL" column.
- D. The part numbers shown are C6SZ 2211-A for right hand and C6SZ 2212-A for left hand.

#### BY ILLUSTRATION

- A. Refer to the tabbed divider marked "WHEELS, BRAKES" in this catalog.
- B. Refer to the index immediately behind the divider and find the illustration titles for 1965 S(Thunderbird).
- C. Under the heading "BRAKES" find the "Brake details (drum rear)" illustration for the 1965 S(Thunderbird).
- D. Refer to the illustration designated (on page 4 of Illustration Section 20.1) and find the group number for the rear brake backing plate to be 2211-2.
- E. Refer to group number 2211-2 in the Text Catalog and locate 1965 in the "YEAR" column. Find the vehicle catalog code "S" (for Thunderbird) in the "MODEL" column.
- F. The part numbers shown are C6SZ 2211-A for right hand and C6SZ 2212-A for left hand.

#### BY IDENTIFICATION

Certain parts and most major assemblies are identified with a part number shown on an attached tag or plate or on the part itself. Reference to identification numbers is made throughout the catalog and cross reference charts are included in some sections to provide immediate knowledge of the service part number when the identification number is known. All identification information other than charts will be preceded by the symbol (#).  
**IMPORTANT** - Identification tags and plates must be retained with the part or assembly with which they are originally supplied.

### HOW TO ORDER PARTS

When ordering parts, always give the complete part number.

In the event the part number is not known, the following information should be included.

- A. Complete description of part.
- B. Model year and body type.
- C. Dimension, number of teeth, size, etc., if possible rough sketch of part.
- D. If applicable to engine, transmission, axle, steering, etc., specify type, such as 400 cubic inch, Automatic Transmission, Power Steering, etc.
- E. Advise how shipment is to be made - Freight, Express, Air, Parcel Post.

### EXPLANATION OF SYMBOL ★

- ★ Symbol indicates part is not supplied for service due to the following
- a. Part is superseded and replaced as indicated in the description column of the text catalog.
  - b. Part can be improvised as indicated in the description column of text catalog.
  - c. Due to its function there would be little or no demand.

NOTE - ALWAYS REFER TO THE DESCRIPTION COLUMN OF THE TEXT FOR POSSIBLE SUBSTITUTION, OR FOR MATERIAL SPECIFICATIONS AND DIMENSIONS WHICH MAY BE HELPFUL IN OBTAINING THE NON-SERVICED PART LOCALLY.

### INDEX

THIS INDEX SECTION INCLUDES BRAKES, WHEELS and RELATED PARTS

TITLE	SECTION	PAGE	ILLUS. NO.
<b>1965</b>			
<b>A (FORD)</b>			
<b>BRAKES</b>			
Brake & clutch pedals	75	1	P-4595
Drum brake system	20	1	P-4610
Brake booster installation			
Booster details (Midland - Ross)	23	2	P-4893
Brake cylinder details - front & rear	20.1	2	P-2284
Brake details - front & rear	20.1	4	P-3380
Brake master cylinder details	20.1	1	P-3098
Parking brake system	20	1	P-4610
<b>WHEELS</b>			
Front & rear wheel, hub, & bearings	10	1	P-1780
Hub cap & wheel cover - refer to text Group 1130			
Spare wheel & jack storage	175.2	1	P-4823
<b>B (FAIRLANE/TORINO)</b>			
<b>BRAKES</b>			
Brake & clutch pedals	75	2	P-3674
Drum brake system	20	3	P-3678
Brake booster installation (Midland - Ross)	20	3	P-3678
Booster details (Midland - Ross)	23	2	P-4893
Brake cylinder details - front & rear	20.1	2	P-3906
Brake details - front & rear	20.1	5	P-3703
Brake master cylinder details	20.1	1	P-3098
Parking brake system	20	3	P-3678
<b>WHEELS</b>			
Front & rear wheel, hub, & bearings	10	1	P-3118
Hub cap & wheel cover - Refer to text Group 1130			
Spare wheel and jack storage - except station wagon	175.2	2	P-3706
- station wagon	175.2	2	P-4824
<b>F (MUSTANG)</b>			
<b>BRAKES</b>			
Brake & clutch pedals	75	5	P-4472
Disc brake system	20	6	P-4470
Brake booster installation (Bendix)	23	1	P-4533
Booster details (Bendix)	23	3	P-4590
Brake cylinder details - rear	20.1	3	P-2990
Brake details - disc front	20.1	8	P-4604
Brake details - drum rear	20.1	5	P-3703
Brake master cylinder details	20.1	1	P-3098
Drum brake system	20	6	P-4470
Brake booster installation (Bendix)	23	1	P-4533
Booster details (Bendix)	23	3	P-4590
Brake cylinder details - front & rear	20.1	3	P-2990
Brake details - front & rear	20.1	5	P-3703
Brake master cylinder details	20.1	1	P-3098
Parking brake system	20	6	P-4470
<b>WHEELS</b>			
Front & rear wheel, hub, & bearings	10	1	P-3118
Hub cap & wheel cover - refer to text Group 1130			
Spare wheel & jack storage	175.2	3	P-4596
Wheel lug nuts (Mustang GT350/500) - refer to text Group 1012			

**INDEX**

TITLE

SECTION

PAGE

ILLUS. NO.

**1965**

**S (THUNDERBIRD)**

**BRAKES**

Brake pedal	20	7	P-4240
Disc brake system	20	7	P-4240
Brake booster installation	20	7	P-4240
Booster details (Bendix)	23	4	P-4892
Brake cylinder details - rear	20.1	2	P-3906
Brake details - disc front	20.1	7	P-4603
Brake details - drum rear	20.1	4	P-3380
Brake master cylinder details	20.1	1	P-3098
Parking brake system	20	7	P-4240

**WHEELS**

Front & rear wheel, hub, & bearings	10	1	P-1780
Hub cap & wheel cover - refer to text Group 1130			
Spare wheel & jack storage	175.2	3	P-4597

**X (FALCON)**

**BRAKES**

Brake & clutch pedal - manual gear shift	75	7	P-3130
Brake pedal - automatic transmission	75	7	P-3131
Drum brake system	20	4	P-3119
Brake booster installation			
Booster details (Bendix)	23	3	P-4590
Brake cylinder - front & rear	20.1	3	P-2990
Brake details - front & rear	20.1	5	P-3703
Brake master cylinder details	20.1	1	P-3098
Parking brake system	20	4	P-3119

**WHEELS**

Front & rear wheel, hub, & bearings	10	1	P-3118
Hub cap & wheel cover - refer to text Group 1130			
Spare wheel & jack storage	175.2	4	P-3916

**1966**

**A (FORD)**

**BRAKES**

Brake & clutch pedals	75	1	P-4595
Disc brake system	20	2	P-5235
Brake booster installation	20	2	P-5235
Booster details (Midland - Ross)	23	2	P-4893
Brake cylinder details - rear	20.1	2	P-2284
Brake details - disc front	20.1	7	P-4603
Brake details - drum rear	20.1	4	P-3380
Brake master cylinder details	20.1	1	P-3098
Drum brake system	20	1	P-4610
Brake cylinder details - front & rear	20.1	2	P-2284
Brake details - front & rear	20.1	4	P-3380
Brake master cylinder details	20.1	1	P-3098
Parking brake system	20	1	P-4610

**WHEELS**

Front & rear wheel, hub, & bearings	10	1	P-1780
Hub cap & wheel cover - refer to text Group 1130			
Spare wheel & jack storage	175.2	1	P-4823

**INDEX**

TITLE	SECTION	PAGE	ILLUS. NO.
-------	---------	------	------------

**1966**

**B (FAIRLANE/TORINO)**

<b>BRAKES</b>			
Brake & clutch pedals	75	4	P-4983
Drum brake system	20	5	P-4985
Brake booster installation	20	5	P-4985
Booster details (Midland - Ross)	23	2	P-4893
Brake cylinder details - front & rear	20.1	2	P-3906
Brake details - front & rear	20.1	5	P-3703
Brake master cylinder details	20.1	1	P-3098
Parking brake system	20	5	P-4985
<b>WHEELS</b>			
Front & rear wheel, hub, & bearings	10	1	P-3118
Hub cap & wheel cover - refer to text Group 1130			
Spare wheel & jack storage - except station wagon	175.2	5	P-5211
- station wagon	175.2	6	P-5212

**F (MUSTANG)**

<b>BRAKES</b>			
Brake & clutch pedals	75	5	P-4472
Disc brake system	20	6	P-4470
Brake booster installation (Bendix)	23	1	P-4533
Booster details (Bendix)	23	3	P-4590
Brake cylinder details - rear	20.1	2	P-3906
Brake details - disc front	20.1	8	P-4604
Brake details - drum rear	20.1	5	P-3703
Brake master cylinder details	20.1	1	P-3098
Drum brake system	20	6	P-4470
Brake booster installation (Bendix)	23	1	P-4533
Booster details (Bendix)	23	3	P-4590
Brake cylinder details - front & rear	20.1	2	P-3906
Brake details - front & rear	20.1	5	P-3703
Brake master cylinder details	20.1	1	P-3098
Parking brake system	20	6	P-4470
<b>WHEELS</b>			
Front & rear wheel, hub, & bearings	10	1	P-3118
Hub cap & wheel cover - refer to text Group 1130			
Spare wheel & jack storage	175.2	3	P-4596
Wheel lug nuts (Mustang GT350/500) - refer to text Group 1012			

**S (THUNDERBIRD)**

<b>BRAKES</b>			
Brake pedal	20	7	P-4240
Disc brake system	20	7	P-4240
Brake booster installation	20	7	P-4240
Booster details (Bendix)	23	4	P-4892
Brake cylinder details - rear	20.1	2	P-3906
Brake details - disc front	20.1	7	P-4603
Brake details - drum rear	20.1	4	P-3380
Brake master cylinder details	20.1	1	P-3098
Parking brake system	20	7	P-4240
<b>WHEELS</b>			
Front & rear wheel, hub, & bearings	10	1	P-1780
Hub cap & wheel cover - refer to text Group 1130			
Spare wheel & jack storage	175.2	3	P-4597

D

**ILLUSTRATION  
SECTION 10**
**FORD CAR PARTS**
**INDEX**

TITLE

SECTION

PAGE

ILLUS. NO.

**1966**
**U (BRONCO)**
**BRAKES**

Brake & clutch pedals	75	6	P-4972
Drum brake system	20	8	P-4974
Brake cylinder details - front & rear	20.1	2	P-3906
Brake details - front & rear	20.1	6	P-6602
Brake master cylinder details	20.1	1	P-3098
Parking brake system	20	8	P-4974

**WHEELS**

Free running hub - Dana (Spicer)	10	3	P-7799
Front hub & bearings	30	7	P-5312
Hub cap & wheel cover - refer to text Group 1130			
Spare wheel & jack storage - Before Ser. 830,001	175.2	8	P-4982
- From Ser. 830,001	175.2	9	P-6599

**X (FALCON)**
**BRAKES**

Brake & clutch pedals	75	4	P-4983
Drum brake system	20	5	P-4985
Brake booster installation	20	5	P-4985
Booster details (Midland - Ross)	23	2	P-4893
Brake cylinder details - front & rear	20.1	2	P-3906
Brake details - front & rear	20.1	5	P-3703
Brake master cylinder details	20.1	1	P-3098
Parking brake system	20	5	P-4985

**WHEELS**

Front & rear wheel, hub, & bearings	10	1	P-3118
Hub cap & wheel cover - refer to text Group 1130			
Spare wheel & jack storage - except Ranchero & station wagon	175.2	5	P-5211
- Ranchero & station wagon	175.2	6	P-5212

**1967**
**A (FORD)**
**BRAKES**

Brake & clutch pedals	75	1	P-4595
Disc brake system	20	10	P-5481
Brake booster installation	20	10	P-5481
Brake cylinder details - rear	20.1	2	P-2284
Brake details - disc front	20.1	7	P-4603
Brake details - drum rear	20.1	4	P-3380
Brake master cylinder details	20.1	1	P-5518
Drum brake system	20	9	P-5482
Brake cylinder details - front & rear	20.1	2	P-2284
Brake details - front & rear	20.1	4	P-3380
Brake master cylinder details	20.1	1	P-5518
Parking brake system	20	9	P-5482

**WHEELS**

Front & rear wheel, hub, & bearings	10	1	P-1780
Hub cap & wheel cover - refer to text Group 1130			
Spare wheel & jack storage	175.2	7	P-5779

**INDEX**

TITLE	SECTION	PAGE	ILLUS. NO.
-------	---------	------	------------

**1967**

**B (FAIRLANE/TORINO)**

**BRAKES**

Brake & clutch pedals	75	9	P-5514
Disc brake system	20	11	P-5515
Brake booster installation	20	11	P-5515
Brake cylinder details - rear	20.1	2	P-3906
Brake details - disc front	20.1	8	P-4604
Brake details - drum rear	20.1	5	P-3703
Brake master cylinder details	20.1	1	P-5518
Drum brake system	20	11	P-5515
Brake booster installation	20	11	P-5515
Brake cylinder details - front & rear	20.1	2	P-3906
Brake details - front & rear	20.1	5	P-3703
Brake master cylinder details	20.1	1	P-5518
Parking brake system	20	11	P-5515

**WHEELS**

Front & rear wheel, hub, & bearings	10	1	P-3118
Hub cap & wheel cover - refer to text Group 1130			
Spare wheel & jack storage - except Ranchero & station wagon	175.2	5	P-5211
- Ranchero & station wagon	175.2	6	P-5212

**F (MUSTANG)**

**BRAKES**

Brake & clutch pedals	75	11	P-5513
Disc brake system	20	12	P-5516
Brake booster installation	20	12	P-5516
Brake cylinder details - rear	20.1	2	P-3906
Brake details - disc front	20.1	8	P-4604
Brake details - drum rear	20.1	5	P-3703
Brake master cylinder details	20.1	1	P-5518
Drum brake system	20	12	P-5516
Brake cylinder details - front & rear	20.1	2	P-3906
Brake details - front & rear	20.1	5	P-3703
Brake master cylinder details	20.1	1	P-5518
Parking brake system	20	12	P-5516

**WHEELS**

Front & rear wheel, hub, & bearings	10	1	P-3118
Hub cap & wheel cover - refer to text Group 1130			
Spare wheel & jack storage	175.2	3	P-4596
Wheel lug nuts (Mustang GT350/500) - refer to text Group 1012			

**S (THUNDERBIRD)**

**BRAKES**

Disc brake system	20	13	P-5480
Brake booster installation	20	13	P-5480
Brake cylinder details - rear	20.1	2	P-3906
Brake details - disc front	20.1	7	P-4603
Brake details - drum rear	20.1	4	P-3380
Brake master cylinder details	20.1	1	P-5518
Parking brake system	20	13	P-5480

**WHEELS**

Front & rear wheel, hub, & bearings	10	1	P-1780
Hub cap & wheel cover - refer to text Group 1130			
Spare wheel & jack storage	175.2	8	P-5780



F

**ILLUSTRATION  
SECTION 10**
**FORD CAR PARTS**
**INDEX**

TITLE	SECTION	PAGE	ILLUS. NO.
-------	---------	------	------------

**1967**
**U (BRONCO)**

<b>BRAKES</b>			
Brake & clutch pedals	75	6	P-4972
Drum brake system	20	8	P-4974
Brake cylinder details - front & rear	20.1	2	P-3906
Brake details - front & rear	20.1	6	P-6602
Brake master cylinder details	20.1	1	P-5518
Parking brake system	20	8	P-4974
<b>WHEELS</b>			
Free running hub - Dana (Spicer)	10	3	P-7799
Front hub, & bearings	30	7	P-5312
Hub cap & wheel cover - refer to text Group I130			
Spare wheel & jack storage	175.2	9	P-6599

**X (FALCON)**

<b>BRAKES</b>			
Brake & clutch pedals	75	9	P-5514
Disc brake system	20	11	P-5515
Brake booster installation	20	11	P-5515
Brake cylinder details - rear	20.1	2	P-3906
Brake details - disc front	20.1	8	P-4604
Brake details - drum rear	20.1	5	P-3703
Brake master cylinder details	20.1	1	P-5518
Drum brake system	20	11	P-5515
Brake booster installation	20	11	P-5515
Brake cylinder details - front & rear	20.1	2	P-3906
Brake details - front & rear	20.1	5	P-3703
Brake master cylinder details	20.1	1	P-5518
Parking brake system	20	11	P-5515
<b>WHEELS</b>			
Front & rear wheel, hub, & bearings	10	1	P-3118
Hub cap & wheel cover - refer to text Group I130			
Spare wheel & jack storage - except station wagon	175.2	5	P-5211
- station wagon	175.2	6	P-5212

**1968**
**A (FORD)**

<b>BRAKES</b>			
Brake & clutch pedals	75	1	P-4595
Disc brake system	20	10	P-5481
Brake booster installation	20	10	P-5481
Brake cylinder details - rear	20.1	2	P-2284
Brake details - disc front	20.1	9	P-6219
Brake details - drum rear	20.1	4	P-3380
Brake master cylinder details	20.1	1	P-5518
Drum brake system	20	9	P-5482
Brake cylinder details - front & rear	20.1	2	P-2284
Brake details - front & rear	20.1	4	P-3380
Brake master cylinder details	20.1	1	P-5518
Parking brake system	20	9	P-5482
<b>WHEELS</b>			
Front & rear wheel, hub, & bearings	10	1	P-1780
Hub cap & wheel cover - refer to text Group I130			
Spare wheel & jack storage	175.2	7	P-5779

**INDEX**

TITLE	SECTION	PAGE	ILLUS. NO.
<b>1968</b>			

**B (FAIRLANE/TORINO)**

<b>BRAKES</b>			
Brake & clutch pedals	75	10	P-6541
Disc brake system	20	11	P-5515
Brake booster installation	20	11	P-5515
Brake cylinder details - rear	20.1	2	P-3906
Brake details - disc front	20.1	10	P-6218
Brake details - drum rear	20.1	5	P-3703
Brake master cylinder details	20.1	1	P-5518
Drum brake system	20	11	P-5515
Brake booster installation	20	11	P-5515
Brake cylinder details - front & rear	20.1	2	P-3906
Brake details - front & rear	20.1	5	P-3703
Brake master cylinder details	20.1	1	P-5518
Parking brake system	20	11	P-5515
<b>WHEELS</b>			
Front & rear wheel, hub, & bearings	10	1	P-3118
Hub cap & wheel cover - refer to text Group 1130			
Spare wheel & jack storage - except Ranchero & station wagon	175.2	5	P-5211
- Ranchero & station wagon	175.2	6	P-5212

**F (MUSTANG)**

<b>BRAKES</b>			
Brake & clutch pedals	75	11	P-5513
Disc brake system	20	12	P-5516
Brake booster installation	20	12	P-5516
Brake cylinder details - rear	20.1	2	P-3906
Brake details - disc front	20.1	10	P-6218
Brake details - drum rear	20.1	5	P-3703
Brake master cylinder details	20.1	1	P-5518
Drum brake system	20	12	P-5516
Brake booster installation	20	12	P-5516
Brake cylinder details - front & rear	20.1	2	P-3906
Brake details - front & rear	20.1	5	P-3703
Brake master cylinder details	20.1	1	P-5518
Parking brake system	20	12	P-5516
<b>WHEELS</b>			
Front & rear wheel, hub, & bearings	10	1	P-3118
Hub cap & wheel cover - refer to text Group 1130			
Spare wheel & jack storage	175.2	3	P-4596
Wheel lug nuts (Mustang GT350/500) - refer to text Group 1012			

**S (THUNDERBIRD)**

<b>BRAKES</b>			
Disc brake system	20	14	P-6399
Brake booster installation	20	14	P-6399
Brake cylinder details - rear	20.1	2	P-3906
Brake details - disc front	20.1	9	P-6219
Brake details - drum rear	20.1	4	P-3380
Brake master cylinder details	20.1	1	P-5518
Parking brake system	20	15	P-6400
<b>WHEELS</b>			
Front & rear wheel, hub, & bearings	10	1	P-1780
Hub cap & wheel cover - refer to text Group 1130			
Spare wheel & jack storage	175.2	8	P-5780

H

ILLUSTRATION  
SECTION 10

## FORD CAR PARTS

## INDEX

TITLE	SECTION	PAGE	ILLUS. NO.
-------	---------	------	------------

1968

## U (BRONCO)

BRAKES			
Brake & clutch pedals	75	6	P-4972
Drum brake system	20	8	P-4974
Brake cylinder details - front & rear	20.1	2	P-3906
Brake details - front & rear	20.1	6	P-6602
Brake master cylinder details	20.1	1	P-5518
Parking brake system	20	8	P-4974
WHEELS			
Free running hub - Dana (Spicer)	10	3	P-7799
Front hub & bearings	30	7	P-5312
Hub cap & wheel cover - refer to text Group 1130			
Jack parts	175.2	10	P-6600
Spare wheel carrier - swing away	10	2	P-6232

## X (FALCON)

BRAKES			
Brake & clutch pedals	75	10	P-6541
Disc brake system	20	11	P-5515
Brake booster installation	20	11	P-5515
Brake cylinder details - rear	20.1	2	P-3906
Brake details - disc front	20.1	10	P-6218
Brake details - drum rear	20.1	5	P-3703
Brake master cylinder details	20.1	1	P-5518
Drum brake system	20	11	P-5515
Brake booster installation	20	11	P-5515
Brake cylinder details - front & rear	20.1	2	P-3906
Brake details - front & rear	20.1	5	P-3703
Brake master cylinder details	20.1	1	P-5518
Parking brake system	20	11	P-5515
WHEELS			
Front & rear wheel, hub, & bearings	10	1	P-3118
Hub cap & wheel cover - refer to text Group 1130			
Spare wheel & jack storage - except station wagon	175.2	5	P-5211
- station wagon	175.2	6	P-5212

1969

## A (FORD)

BRAKES			
Brake & clutch pedals	75	12	P-6724
Disc brake system - power - except New York taxi	20	17	P-6718
- non-power - New York taxi	20	18	P-6720
Brake booster installation	20	17	P-6718
Brake cylinder details - rear	20.1	2	P-2284
Brake details - disc front	20.1	9	P-6219
Brake details - drum rear	20.1	4	P-3380
Brake master cylinder details	20.1	1	P-5518
Drum brake system	20	16	P-6719
Brake cylinder details - front & rear	20.1	2	P-2284
Brake details - front & rear	20.1	4	P-3380
Brake master cylinder details	20.1	1	P-5518
Parking brake system	20	19	P-6721
WHEELS			
Front & rear wheel, hub, & bearings	10	1	P-1780
Hub cap & wheel cover - refer to text Group 1130			
Spare wheel & jack storage - except model 71	175.2	12	P-7055
- model 71	175.2	13	P-7056

**INDEX**

TITLE	SECTION	PAGE	ILLUS. NO.
-------	---------	------	------------

**1969**

**B (FAIRLANE/TORINO)**

<b>BRAKES</b>			
Brake & clutch pedals	75	10	P-6541
Disc brake system	20	11	P-5515
Brake booster installation	20	11	P-5515
Brake cylinder details - rear	20.1	2	P-3906
Brake details - disc front	20.1	10	P-6218
Brake details - drum rear	20.1	5	P-3703
Brake master cylinder details	20.1	1	P-5518
Drum brake system	20	11	P-5515
Brake booster installation	20	11	P-5515
Brake cylinder details - front & rear	20.1	2	P-3906
Brake details - front & rear	20.1	5	P-3703
Brake master cylinder details	20.1	1	P-5518
Parking brake system	20	11	P-5515
<b>WHEELS</b>			
Front & rear wheel, hub, & bearings	10	1	P-3118
Hub cap & wheel cover - refer to text Group 1130			
Spare wheel & jack storage - except Ranchero & station wagon	175.2	5	P-5211
- Ranchero & station wagon	175.2	6	P-5212

**F (MUSTANG)**

<b>BRAKES</b>			
Brake & clutch details	75	13	P-6756
Disc brake system	20	20	P-6754
Brake booster installation	20	20	P-6754
Brake cylinder details - rear	20.1	2	P-3906
Brake details - disc front	20.1	10	P-6218
Brake details - drum rear	20.1	5	P-3703
Brake master cylinder details	20.1	1	P-5518
Drum brake system	20	20	P-6754
Brake cylinder details - front & rear	20.1	2	P-3906
Brake details - front & rear	20.1	5	P-3703
Brake master cylinder details	20.1	1	P-5518
Parking brake system	20	21	P-6755
<b>WHEELS</b>			
Front & rear wheel, hub, & bearings	10	1	P-3118
Hub cap & wheel cover - refer to text Group 1130			
Spare wheel & jack storage	175.2	13	P-7063
Wheel lug nuts (Mustang GT350/500) - refer to text Group 1012			

**S (THUNDERBIRD)**

<b>BRAKES</b>			
Disc brake system	20	14	P-6399
Anti-skid control system	20	22	P-6766
Brake booster installation	20	14	P-6399
Brake cylinder details - rear	20.1	2	P-3906
Brake details - disc front	20.1	9	P-6219
Brake details - drum rear	20.1	4	P-3380
Brake master cylinder details	20.1	1	P-5518
Parking brake system	20	15	P-6400
<b>WHEELS</b>			
Front & rear wheel, hub, & bearings	10	1	P-1780
Hub cap & wheel cover - refer to text Group 1130			
Spare wheel & jack storage	175.2	8	P-5780

K

**ILLUSTRATION  
SECTION 10**
**FORD CAR PARTS**
**INDEX**

TITLE	SECTION	PAGE	ILLUS. NO.
-------	---------	------	------------

**1969**
**U (BRONCO)**
**BRAKES**

Brake & clutch pedals	75	6	P-4972
Drum brake system	20	8	P-4974
Brake cylinder details - front & rear	20.1	2	P-3906
Brake details - front & rear	20.1	6	P-6602
Brake master cylinder details	20.1	1	P-5518
Parking brake system	20	8	P-4974

**WHEELS**

Free running hub - Dana (Spicer)	10	3	P-7799
Front hub & bearings	30	7	P-5312
Hub cap & wheel cover - refer to text Group 1130			
Jack parts	175.2	10	P-6600
Spare wheel carrier - swing away	10	2	P-6232

**X (FALCON)**
**BRAKES**

Brake & clutch pedals	75	10	P-6541
Disc brake system	20	11	P-5515
Brake booster installation	20	11	P-5515
Brake cylinder details - rear	20.1	2	P-3906
Brake details - disc front	20.1	10	P-6218
Brake details - drum rear	20.1	5	P-3703
Brake master cylinder details	20.1	1	P-5518
Drum brake system	20	11	P-5515
Brake booster installation	20	11	P-5515
Brake cylinder details - front & rear	20.1	2	P-3906
Brake details - front & rear	20.1	5	P-3703
Brake master cylinder details	20.1	1	P-5518
Parking brake system	20	11	P-5515

**WHEELS**

Front & rear wheel, hub, & bearings	10	1	P-3118
Hub cap & wheel cover - refer to text Group 1130			
Spare wheel & jack storage - except station wagon	175.2	5	P-5211
- station wagon	175.2	6	P-5212

**1970**
**A (FORD)**
**BRAKES**

Brake & clutch pedals	75	12	P-6724
Disc brake system	20	28	P-7500
Brake booster installation	20	28	P-7500
Brake cylinder details - rear	20.1	2	P-2284
Brake details - disc front	20.1	9	P-6219
Brake details - drum rear	20.1	4	P-3380
Brake master cylinder details	20.1	1	P-5518
Drum brake system	20	27	P-7507
Brake booster installation	20	27	P-7507
Brake cylinder details - front & rear	20.1	2	P-2284
Brake details - front & rear	20.1	4	P-3380
Brake master cylinder details	20.1	1	P-5518
Parking brake system	20	19	P-6721

**WHEELS**

Front & rear wheel, hub & bearing	10	1	P-1780
Hub cap & wheel cover - refer to text Group 1130			
Spare wheel & jack storage - except model 71	175.2	12	P-7055
- model 71	175.2	13	P-7056

**INDEX**

TITLE	SECTION	PAGE	ILLUS. NO.
-------	---------	------	------------

**1970**

**B (FAIRLANE/TORINO)**

**B(FALCON)FROM 1/2/70**

**BRAKES**

Brake & clutch pedals	75	15	P-7306
Disc brake system	20	25	P-7308
Brake booster installation	20	25	P-7308
Brake cylinder details - rear	20.1	2	P-3906
Brake details - disc front	20.1	10	P-6218
Brake details - drum rear	20.1	5	P-3703
Brake master cylinder details	20.1	1	P-5518
Drum brake system	20	25	P-7308
Brake cylinder details - front & rear	20.1	2	P-3906
Brake details - front & rear	20.1	5	P-3703
Brake master cylinder details	20.1	1	P-5518
Parking brake system	20	26	P-7307

**WHEELS**

Front & rear wheel, hub & bearings	10	1	P-3118
Hub cap & wheel cover - refer to text Group 1130			
Spare wheel jack storage - except Ranchero & station wagon	175.2	5	P-5211
- Ranchero & station wagon	175.2	6	P-5212

**F (MUSTANG)**

**BRAKES**

Brake & clutch pedals	75	13	P-6756
Disc brake system	20	20	P-6754
Brake booster installation	20	20	P-6754
Brake cylinder details - rear	20.1	2	P-3906
Brake details - disc front	20.1	10	P-6218
Brake details - drum rear	20.1	5	P-3703
Brake master cylinder details	20.1	1	P-5518
Drum brake system	20	20	P-6754
Brake cylinder details - front & rear	20.1	2	P-3906
Brake details - front & rear	20.1	5	P-3703
Brake master cylinder details	20.1	1	P-5518
Parking brake system	20	21	P-6755

**WHEELS**

Front & rear wheel, hub & bearings	10	1	P-3118
Hub cap & wheel cover - refer to text Group 1130			
Spare wheel & jack storage	175.2	13	P-7063

**P (MAVERICK)**

**BRAKES**

Brake & clutch pedals	75	14	P-6883
Drum brake system	20	23	P-6881
Brake cylinder details - front & rear	20.1	2	P-3906
Brake details - front & rear	20.1	5	P-3703
Brake master cylinder details	20.1	1	P-5518
Parking brake system	20	24	P-6882

**WHEELS**

Front & rear wheel, hub, & bearings	10	1	P-3118
Hub cap & wheel cover - refer to text Group 1130			
Spare wheel & jack storage	175.2	11	P-6925

M

**ILLUSTRATION  
SECTION 10**
**FORD CAR PARTS**
**INDEX**

TITLE	SECTION	PAGE	ILLUS. NO.
<b>1970</b>			
<b>S (THUNDERBIRD)</b>			
<b>BRAKES</b>			
Disc brake system	20	14	P-6399
Anti-skid control system (sure track) - 'Before 1/12/70"	20	29	P-7679
- 'From 1/12/70"	20	30	P-7680
Brake booster installation	20	14	P-6399
Brake cylinder details - rear	20.1	2	P-3906
Brake details - disc front	20.1	9	P-6219
Brake details - drum rear	20.1	4	P-3380
Brake master cylinder details	20.1	1	P-5518
Parking brake system	20	15	P-6400
<b>WHEELS</b>			
Front & rear wheel, hub & bearings	10	1	P-1780
Hub cap & wheel cover - refer to text Group 1130			
Spare wheel & jack storage	175.2	8	P-5780
<b>U (BRONCO)</b>			
<b>BRAKES</b>			
Brake & clutch pedals	75	6	P-4972
Drum brake system	20	8	P-4974
Brake cylinder details - front & rear	20.1	2	P-3906
Brake details - front & rear	20.1	6	P-6602
Brake master cylinder details	20.1	1	P-5518
Parking brake system	20	8	P-4974
<b>WHEELS</b>			
Free running hub - Dana (Spicer)	10	3	P-7799
Front hub & bearings	30	7	P-5312
Hub cap & wheel cover - refer to text Group 1130			
Jack parts	175.2	10	P-8600
Spare wheel carrier - swing away	10	2	P-6232
<b>X (FALCON) BEFORE 1/2/70</b>			
<b>FOR UNITS BUILT FROM 1/2/70, REFER TO B(FALCON)</b>			
<b>BRAKES</b>			
Brake & clutch pedals	75	10	P-6541
Disc brake system	20	11	P-5515
Brake booster installation	20	11	P-5515
Brake cylinder details - rear	20.1	2	P-3906
Brake details - disc front	20.1	10	P-6218
Brake details - drum rear	20.1	5	P-3703
Brake master cylinder details	20.1	1	P-5518
Drum brake system	20	11	P-5515
Brake booster installation	20	11	P-5515
Brake cylinder details - front & rear	20.1	2	P-3906
Brake details - front & rear	20.1	5	P-3703
Brake master cylinder details	20.1	1	P-5518
Parking brake system	20	11	P-5515
<b>WHEELS</b>			
Front & rear wheel, hub & bearings	10	1	P-3118
Hub cap & wheel cover - refer to text Group 1130			
Spare wheel & jack storage - except station wagon	175.2	5	P-5211
- station wagon	175.2	6	P-5212

### INDEX

TITLE

SECTION

PAGE

ILLUS. NO.

# 1971

## A (FORD)

### BRAKES

Brake & clutch pedals	75	12	P-6724
Disc brake system	20	28	P-7500
Brake booster installation	20	28	P-7500
Brake cylinder details - rear	20.1	2	P-2284
Brake details - disc front	20.1	9	P-6219
Brake details - drum rear	20.1	4	P-3380
Brake master cylinder details	20.1	1	P-5518
Drum brake system	20	27	P-7507
Brake booster installation	20	27	P-7507
Brake cylinder details - front & rear	20.1	2	P-2284
Brake details - front & rear	20.1	4	P-3380
Brake master cylinder details	20.1	1	P-5518
Parking brake system	20	19	P-6721

### WHEELS

Front & rear wheel, hub & bearing	10	1	P-1780
Hub cap & wheel cover - refer to text Group 1130			
Spare wheel & jack storage - except model 71	175.2	12	P-7055
- model 71	175.2	13	P-7056

## B (TORINO)

### BRAKES

Brake & clutch pedals	75	15	P-7306
Disc brake system	20	25	P-7308
Brake booster installation	20	25	P-7308
Brake cylinder details - rear	20.1	2	P-3906
Brake details - disc front	20.1	10	P-6218
Brake details - drum rear	20.1	5	P-3703
Brake master cylinder details	20.1	1	P-5518
Drum brake system	20	25	P-7308
Brake cylinder details - front & rear	20.1	2	P-3906
Brake details - front & rear	20.1	5	P-3703
Brake master cylinder details	20.1	1	P-5518
Parking brake system	20	26	P-7307

### WHEELS

Front & rear wheel, hub & bearings	10	1	P-3118
Hub cap & wheel cover - refer to text Group 1130			
Spare wheel jack storage - except Ranchero & station wagon	175.2	5	P-5211
- Ranchero & station wagon	175.2	6	P-5212

## F (MUSTANG)

### BRAKES

Brake & clutch pedals	75	16	P-8144
Disc brake system	20	34	P-8141
Brake booster installation	20	34	P-8141
Brake cylinder details - rear	20.1	2	P-3906
Brake details - disc front	20.1	10	P-6218
Brake details - drum rear	20.1	5	P-3703
Brake master cylinder details	20.1	1	P-5518
Drum brake system	20	36	P-8142
Brake cylinder details - front & rear	20.1	2	P-3906
Brake details - front & rear	20.1	5	P-3703
Brake master cylinder details	20.1	1	P-5518
Parking brake system	20	35	P-8143

### WHEELS

Front & rear wheel, hub & bearings	10	1	P-3118
Hub cap & wheel cover - refer to text Group 1130			
Spare wheel & jack storage	175.2	13	P-7063



## INDEX

TITLE	SECTION	PAGE	ILLUS. NO.
<b>1971</b>			
<b>L (PINTO)</b>			
<b>BRAKES</b>			
Brake and clutch pedals	75	17	P-7933
Disc brake system	20	31	P-7934
Brake cylinder details - rear	20.1	2	P-3906
Brake details - disc front	20.1	11	P-7937
Brake details - drum rear	20.1	5	P-3703
Brake master cylinder details	20.1	1	P-5518
Drum brake system	20	31	P-7934
Brake cylinder details - front & rear	20.1	2	P-3906
Brake details - front & rear	20.1	5	P-3703
Brake master cylinder details	20.1	1	P-5518
Parking brake system	20	32	P-8064
<b>WHEELS</b>			
Front & rear wheel, hub & bearings	10	1	P-3118
Hub cap & wheel cover - Refer to text Group 1130			
Spare wheel and jack storage	175.2	11	P-8407
<b>P (MAVERICK)</b>			
<b>BRAKES</b>			
Brake & clutch pedals	75	14	P-8822
Drum brake system	20	23	P-8881
Brake cylinder details - front & rear	20.1	2	P-3906
Brake details - front & rear	20.1	5	P-3703
Brake master cylinder details	20.1	1	P-5518
Parking brake system	20	24	P-8882
<b>WHEELS</b>			
Front & rear wheel, hub, & bearings	10	1	P-3118
Hub cap & wheel cover - refer to text Group 1130			
<b>S (THUNDERBIRD)</b>			
<b>BRAKES</b>			
Disc brake system	20	33	P-8145
Anti-skid control system (sure track)	20	30	P-7680
Brake booster installation	20	33	P-8145
Brake cylinder details - rear	20.1	2	P-3906
Brake details - disc front	20.1	9	P-6219
Brake details - drum rear	20.1	4	P-3380
Brake master cylinder details	20.1	1	P-5518
Parking brake system	20	15	P-6400
<b>WHEELS</b>			
Front & rear wheel, hub & bearings	10	1	P-1780
Hub cap & wheel cover - refer to text Group 1130			
Spare wheel & jack storage	175.2	8	P-5780
<b>U (BRONCO)</b>			
<b>BRAKES</b>			
Brake & clutch pedals	75	6	P-4972
Drum brake system	20	44	P-10475
Brake cylinder details - front & rear	20.1	2	P-3906
Brake details - front & rear	20.1	6	P-6602
Brake master cylinder details	20.1	1	P-5518
Parking brake system	20	32	P-10474
<b>WHEELS</b>			
Free running hub - Dana (Spicer)	10	3	P-7799
Front hub & bearings	30	7	P-5312
Hub cap & wheel cover - refer to text Group 1130			
Jack parts	175.2	10	P-8600
Spare wheel carrier - swing away	10	2	P-6232

**INDEX**

TITLE	SECTION	PAGE	ILLUS. NO.
-------	---------	------	------------

**1972**

**A (FORD)**

**BRAKES**

Disc brake system	20	43	P-8944
Brake booster installation	20	43	P-8944
Brake cylinder details - rear	20.1	2	P-2284
Brake details - disc front	20.1	9	P-6219
Brake details - drum rear	20.1	4	P-3380
Brake master cylinder details	20.1	1	P-5518
Drum brake system	20	27	P-7507
Brake booster installation	20	27	P-7507
Brake cylinder details - front & rear	20.1	2	P-2284
Brake details - front & rear	20.1	4	P-3380
Brake master cylinder details	20.1	1	P-5518
Parking brake system	20	19	P-6721

**WHEELS**

Front & rear wheel, hub & bearing	10	1	P-1780
Hub cap & wheel cover - refer to text Group 1130			
Spare wheel & jack storage - except model 71	175.2	12	P-7055
- model 71	175.2	13	P-7056

**B (TORINO)**

**BRAKES**

Brake & clutch pedals	75	18	P-8812
Disc brake system	20	39	P-8811
Brake booster installation	20	39	P-8811
Brake cylinder details - rear	20.1	2	P-3906
Brake details - disc front	20.1	12	P-8754
Brake details - drum rear	20.1	5	P-3703
Brake master cylinder details	20.1	1	P-5518
Parking brake system	20	37	P-8584

**WHEELS**

Front & rear wheel, hub & bearings	10	1	P-3118
Hub cap & wheel cover - refer to text Group 1130			
Spare wheel & jack storage - except Ranchero & Station wagon	175.2	14	P-9975
- Ranchero	175.2	15	P-9976
- Station Wagon	175.2	14	P-9974

**F (MUSTANG)**

**BRAKES**

Brake & clutch pedals	75	16	P-8144
Disc brake system	20	34	P-8141
Brake booster installation	20	34	P-8141
Brake cylinder details - rear	20.1	2	P-3906
Brake details - disc front	20.1	10	P-6218
Brake details - drum rear	20.1	5	P-3703
Brake master cylinder details	20.1	1	P-5518
Drum brake system	20	36	P-8142
Brake cylinder details - front & rear	20.1	2	P-3906
Brake details - front & rear	20.1	5	P-3703
Brake master cylinder details	20.1	1	P-5518
Parking brake system	20	35	P-8143

**WHEELS**

Front & rear wheel, hub & bearings	10	1	P-3118
Hub cap & wheel cover - refer to text Group 1130			
Spare wheel & jack storage	175.2	13	P-7063

R

ILLUSTRATION  
SECTION 10

## FORD CAR PARTS

## INDEX

TITLE

SECTION

PAGE

ILLUS. NO.

1972

## L (PINTO)

## BRAKES

Brake and clutch pedals	75	17	P-7933
Disc brake system	20	31	P-7934
Brake cylinder details - rear	20.1	2	P-3906
Brake details - disc front	20.1	11	P-7937
Brake details - drum rear	20.1	5	P-3703
Brake master cylinder details	20.1	1	P-5518
Drum brake system	20	31	P-7934
Brake cylinder details - front & rear	20.1	2	P-3906
Brake details - front & rear	20.1	5	P-3703
Brake master cylinder details	20.1	1	P-5518
Parking brake system	20	32	P-8064

## WHEELS

Front & rear wheel, hub & bearings	10	1	P-3118
Hub cap & wheel cover - Refer to text Group 1130			
Spare wheel and jack storage	175.2	11	P-8407

## P (MAVERICK)

## BRAKES

Brake & clutch pedals	75	14	P-8822
Drum brake system	20	40	P-8813
Brake cylinder details - front & rear	20.1	2	P-3906
Brake details - front & rear	20.1	5	P-3703
Brake master cylinder details	20.1	1	P-5518
Parking brake system	20	24	P-6882

## WHEELS

Front & rear wheel, hub & bearings	10	1	P-3118
Hub cap & wheel cover - refer to text Group 1130			
Spare wheel & jack storage	175.2	11	P-6925

## S (THUNDERBIRD)

## BRAKES

Disc brake system	20	42	P-8819
Anti-skid control system (Sure-track)	20	41	P-8820
Brake booster installation	20	42	P-8819
Brake cylinder details - rear	20.1	2	P-3906
Brake details - disc front	20.1	12	P-8754
Brake details - drum rear	20.1	4	P-3380
Brake master cylinder details	20.1	1	P-5518
Parking brake system	20	38	P-8882

## WHEELS

Front & rear wheel, hub & bearings	10	1	P-1780
Hub cap & wheel cover - refer to text Group 1130			
Spare wheel & jack storage	175.2	15	P-9973

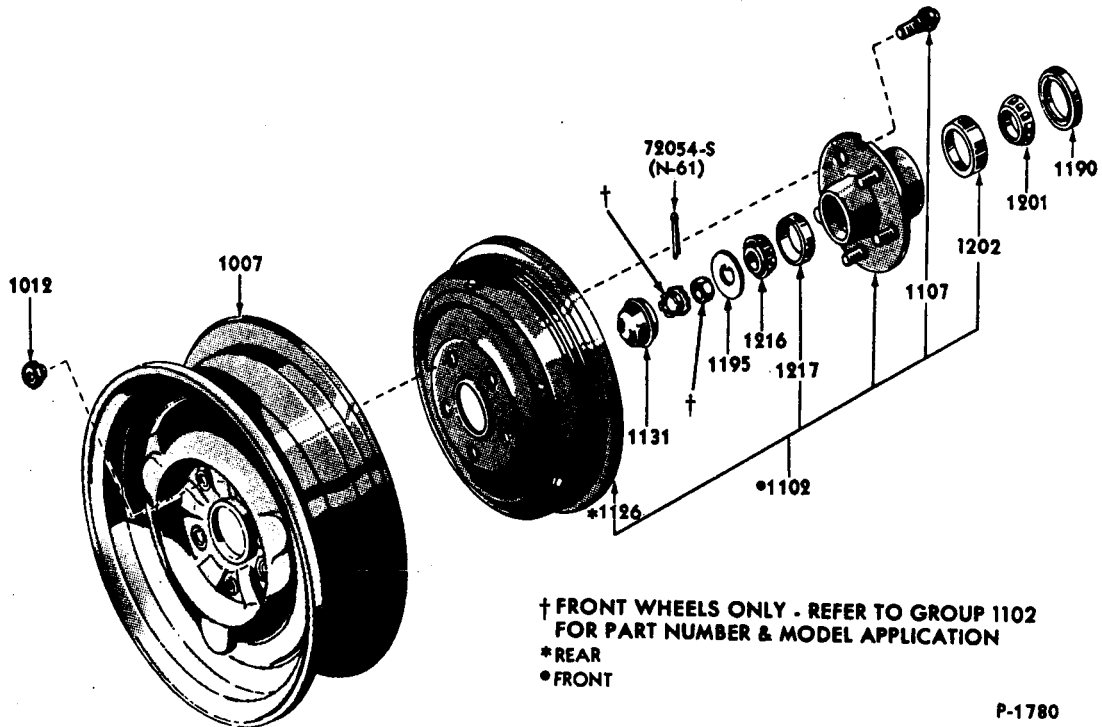
## U (BRONCO)

## BRAKES

Brake & clutch pedals	75	6	P-4972
Drum brake system	20	44	P-10475
Brake cylinder details - front & rear	20.1	2	P-3906
Brake details - front & rear	20.1	6	P-6602
Brake master cylinder details	20.1	1	P-5518
Parking brake system	20	32	P-10474

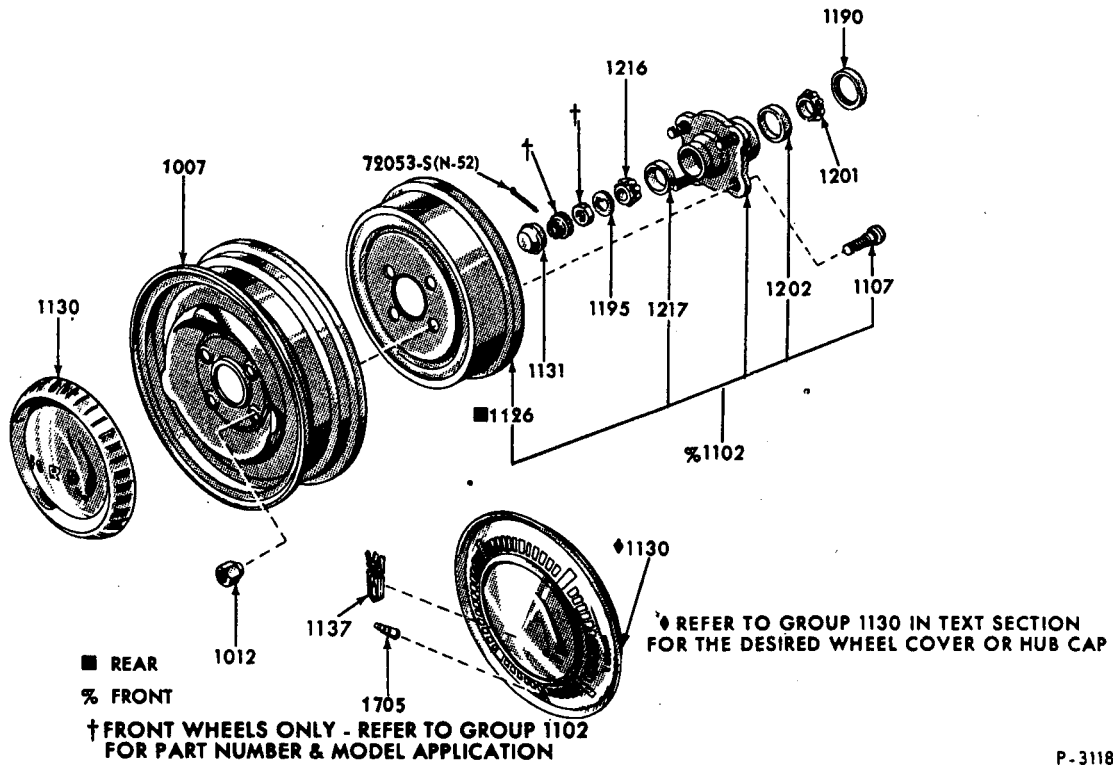
## WHEELS

Free running hub - Dana (Spicer)	10	3	P-7799
Front hub & bearings	30	10	P-8317
Hub cap & wheel cover - refer to text Group 1130			
Jack parts	175.2	10	P-6600
Spare wheel carrier - swing away	10	2	P-6232



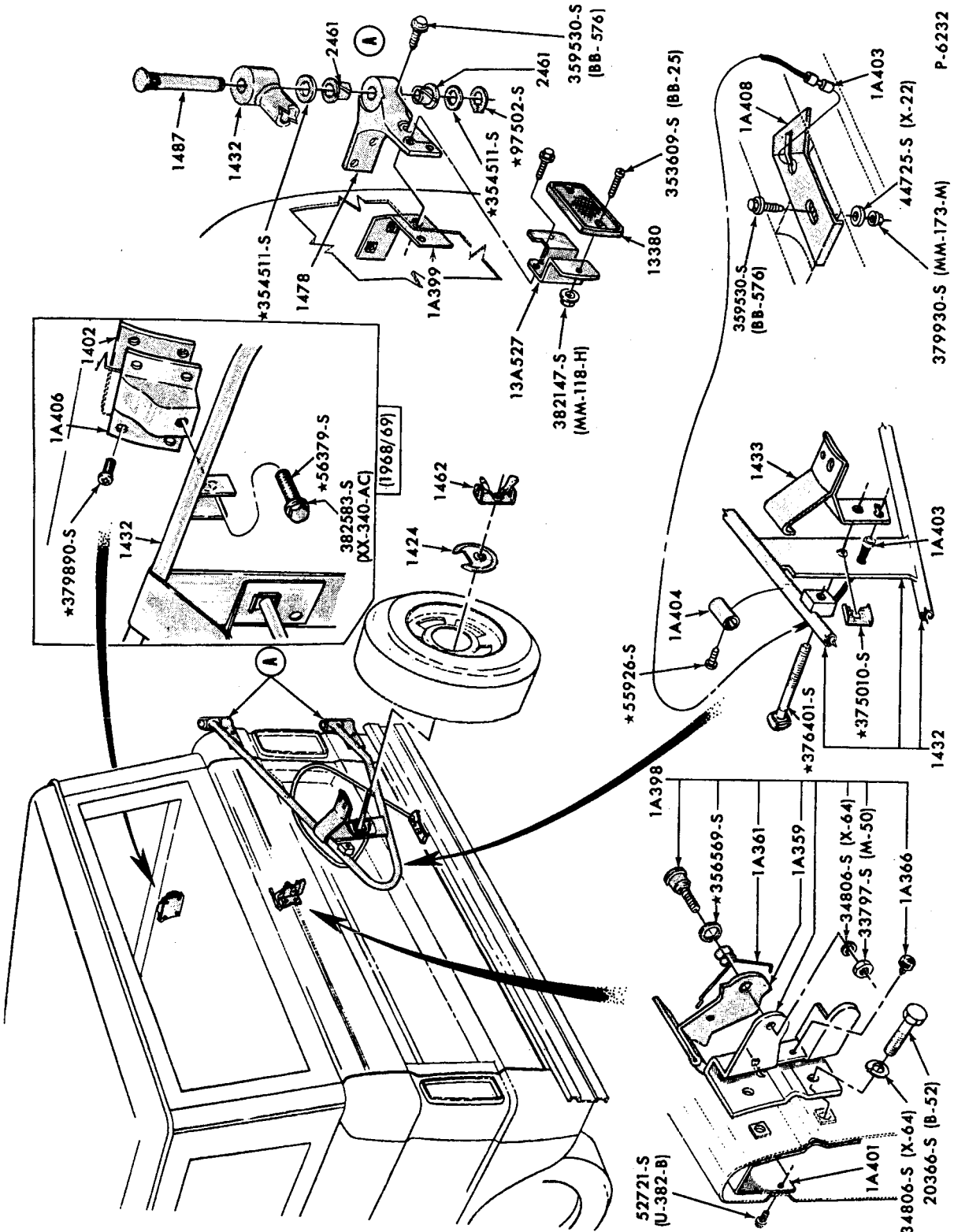
P-1780

**FRONT & REAR WHEEL, HUB, & BEARINGS - TYPICAL  
1965/72 FORD, THUNDERBIRD**



P-3118

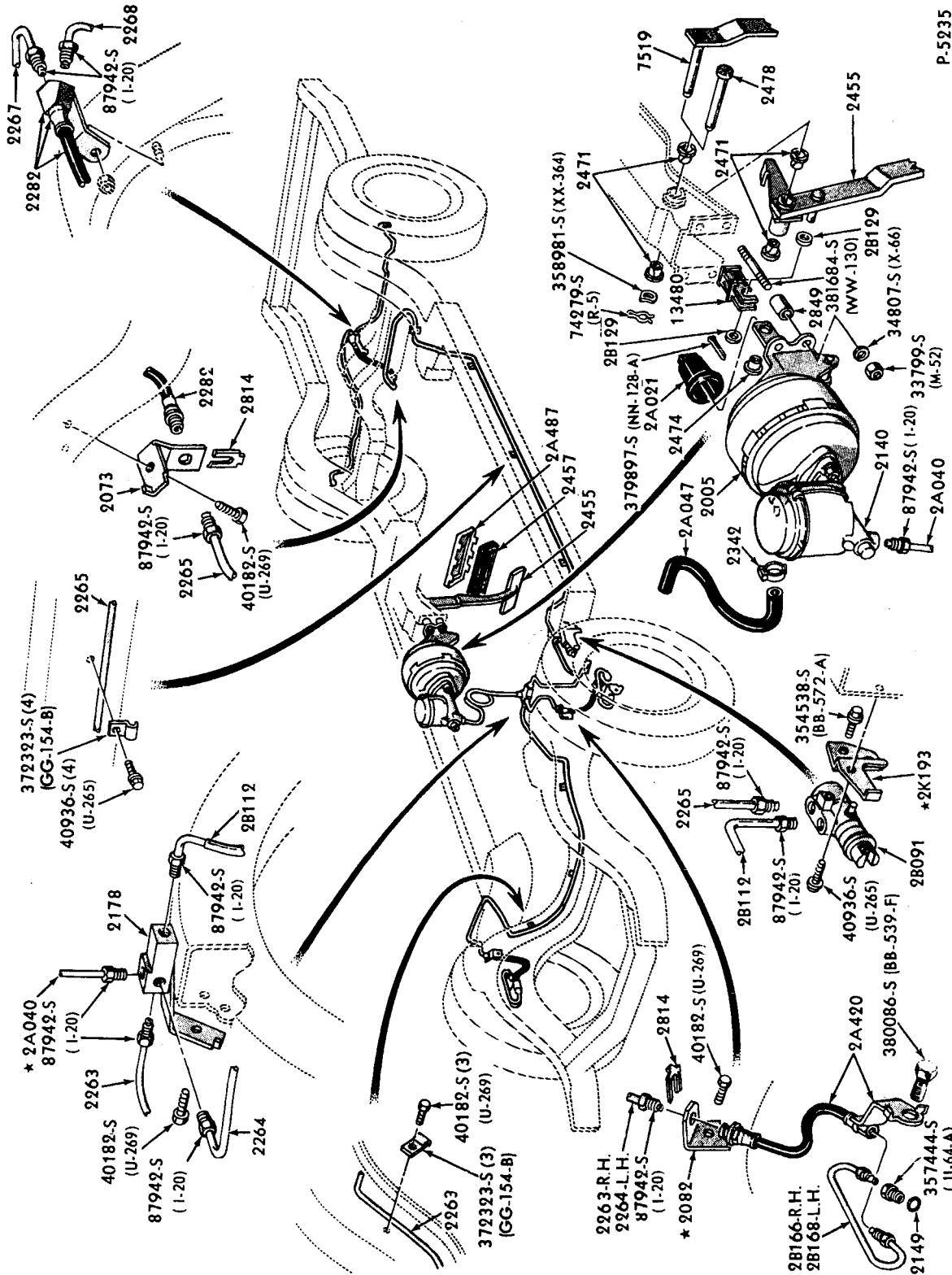
**FRONT & REAR WHEEL, HUB, & BEARINGS - TYPICAL  
1965/72 FAIRLANE/TORINO, FALCON, MAVERICK, MUSTANG 1971 PINTO**



SPARE WHEEL CARRIER (SWING AWAY)  
1968/72 BRONCO



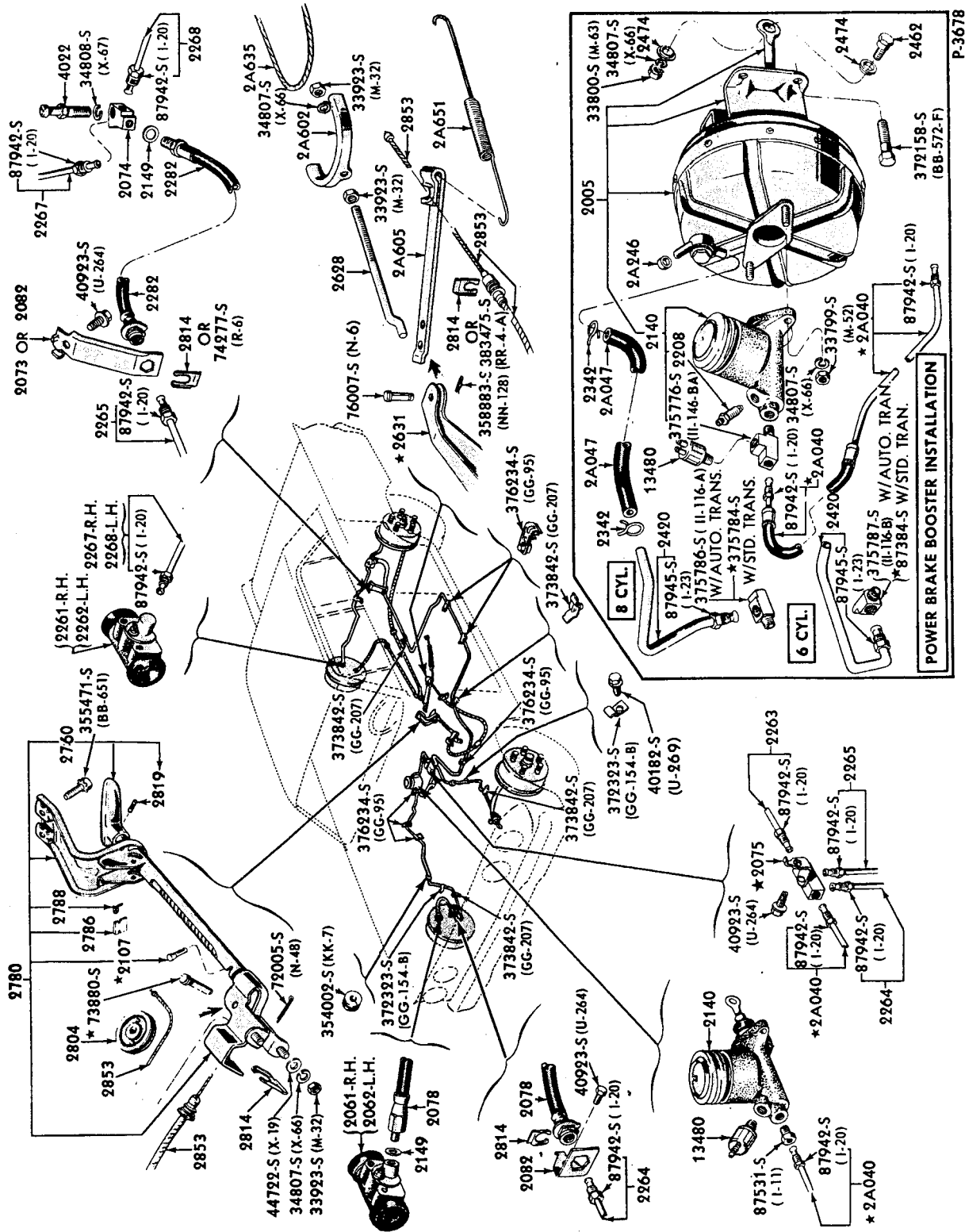




P.5235

DISC BRAKE SYSTEM  
1966 FORD

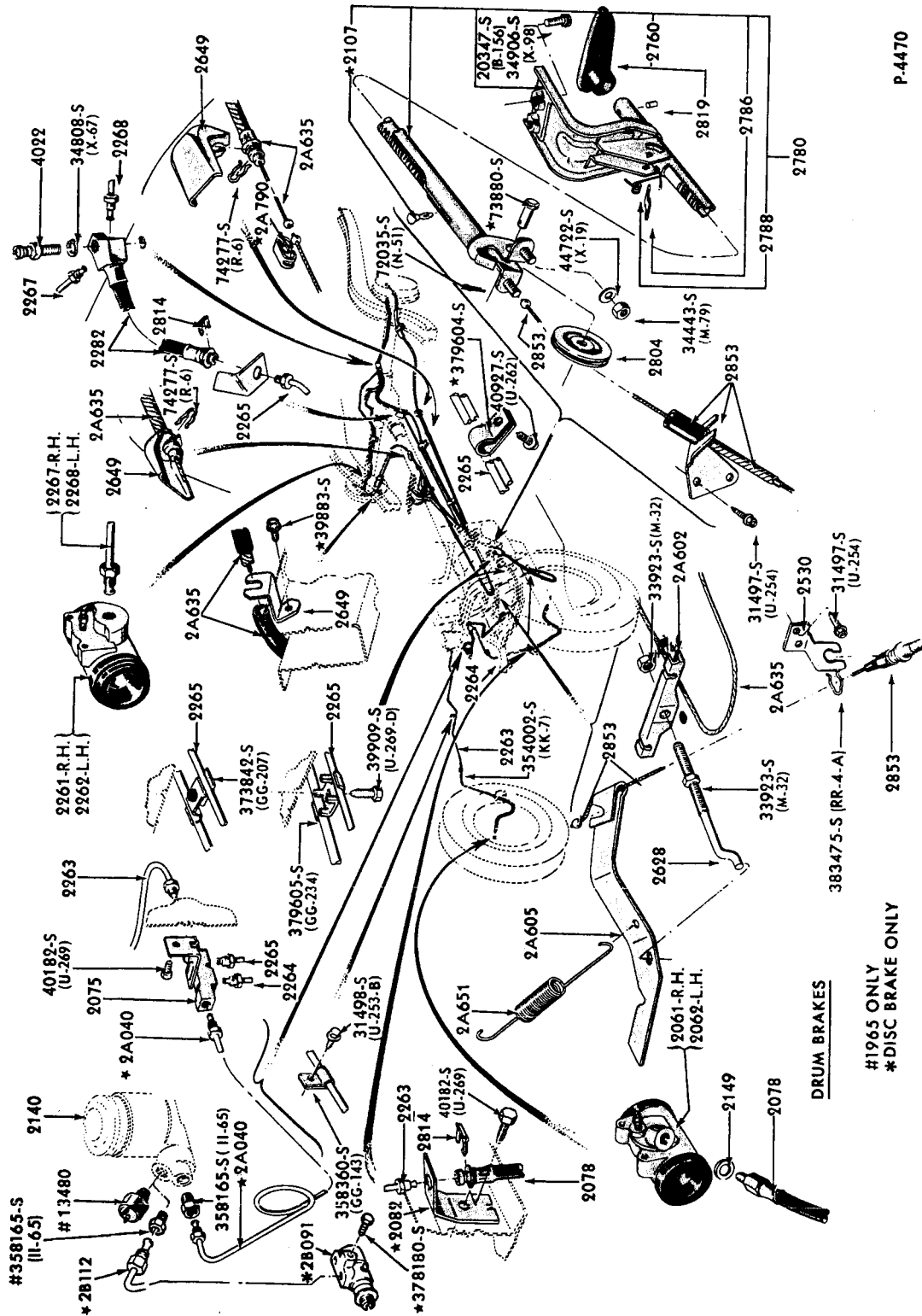




DRUM & PARKING BRAKE SYSTEMS  
1965 FAIRLANE



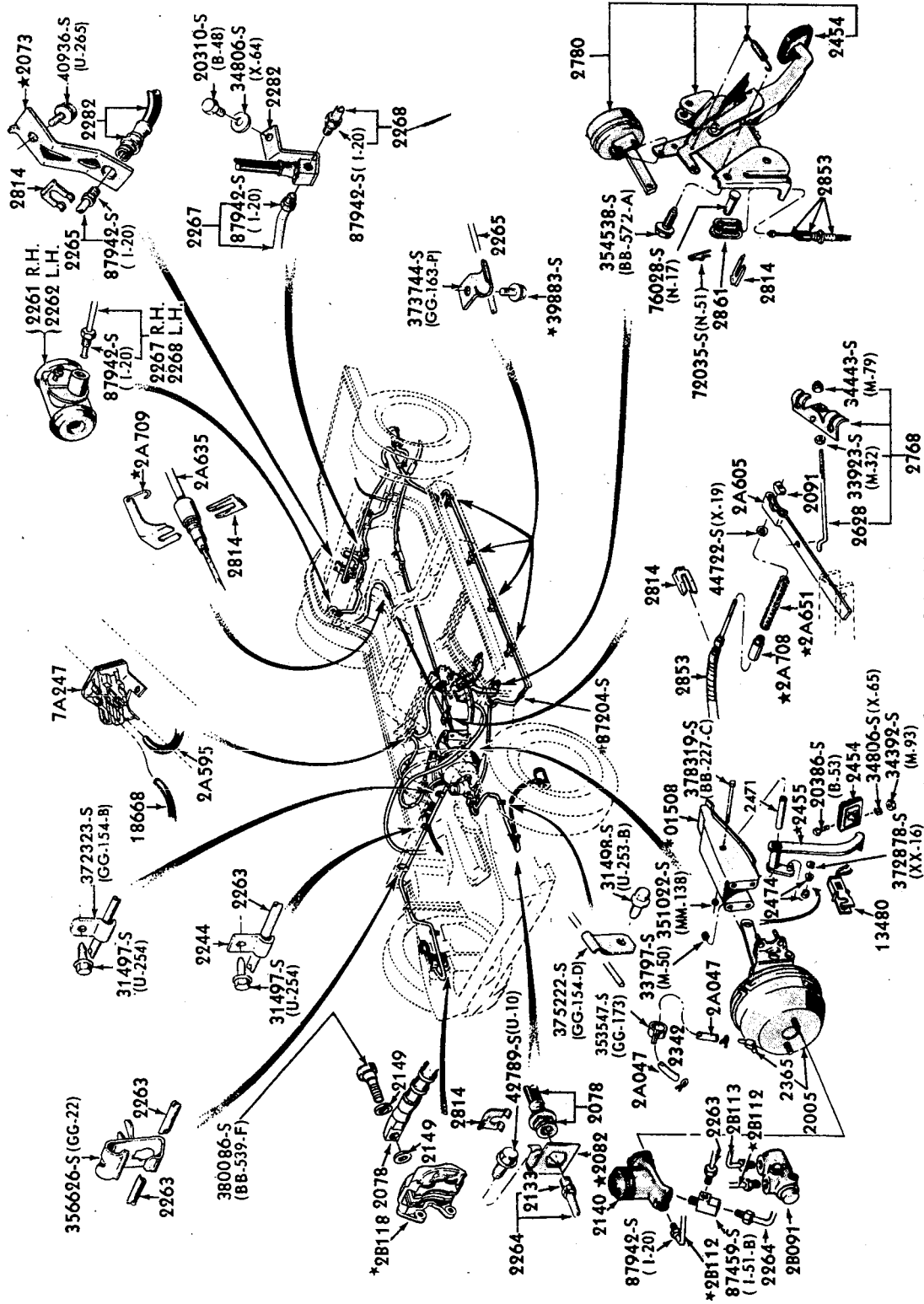




DISC, DRUM & PARKING BRAKE SYSTEMS  
1965/66 MUSTANG

DRUM BRAKES

#1965 ONLY  
\*DISC BRAKE ONLY



P-4240

\*REFER TO BODY GROUP NUMBER

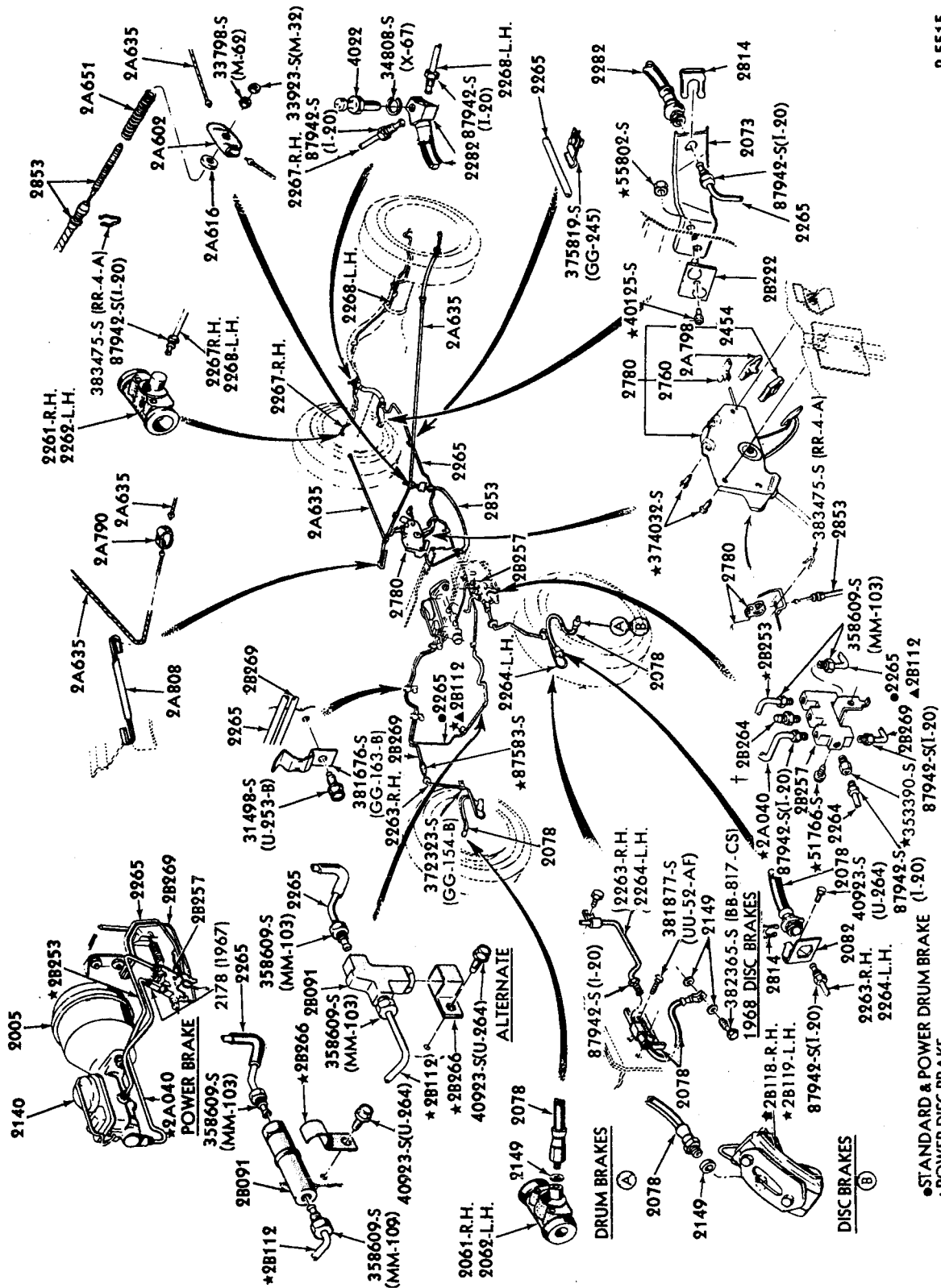
DISC, DRUM & PARKING BRAKE SYSTEMS  
1965/66 THUNDERBIRD











P.5515

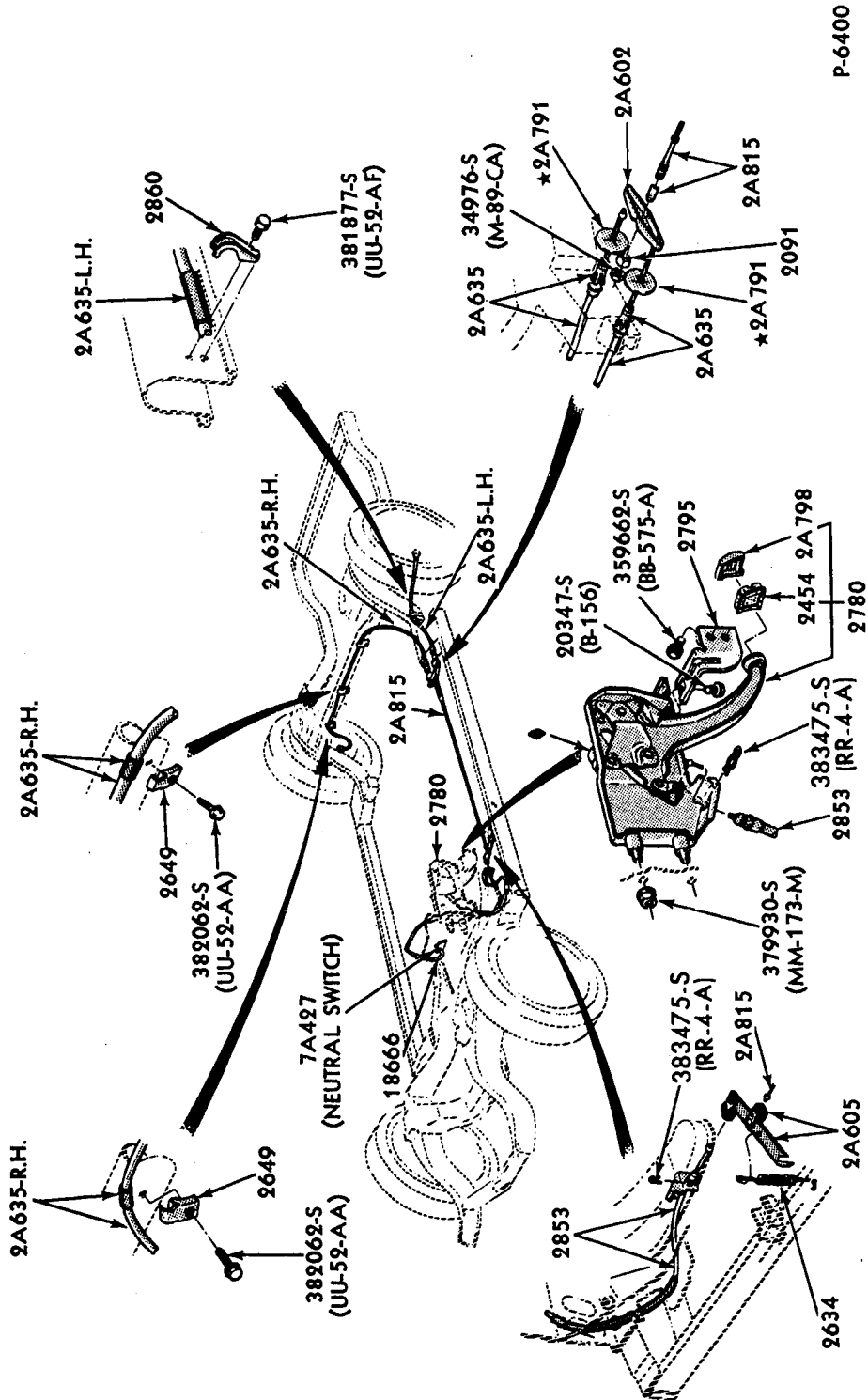
DISC, DRUM & PARKING BRAKE SYSTEMS  
1967/69 FAIRLANE/TORINO & 1967/70 FALCON

● STANDARD & POWER DRUM BRAKE (1-20)  
▲ POWER DISC BRAKE  
† ALSO SERVICED IN 2B257 VALVE ASSY.





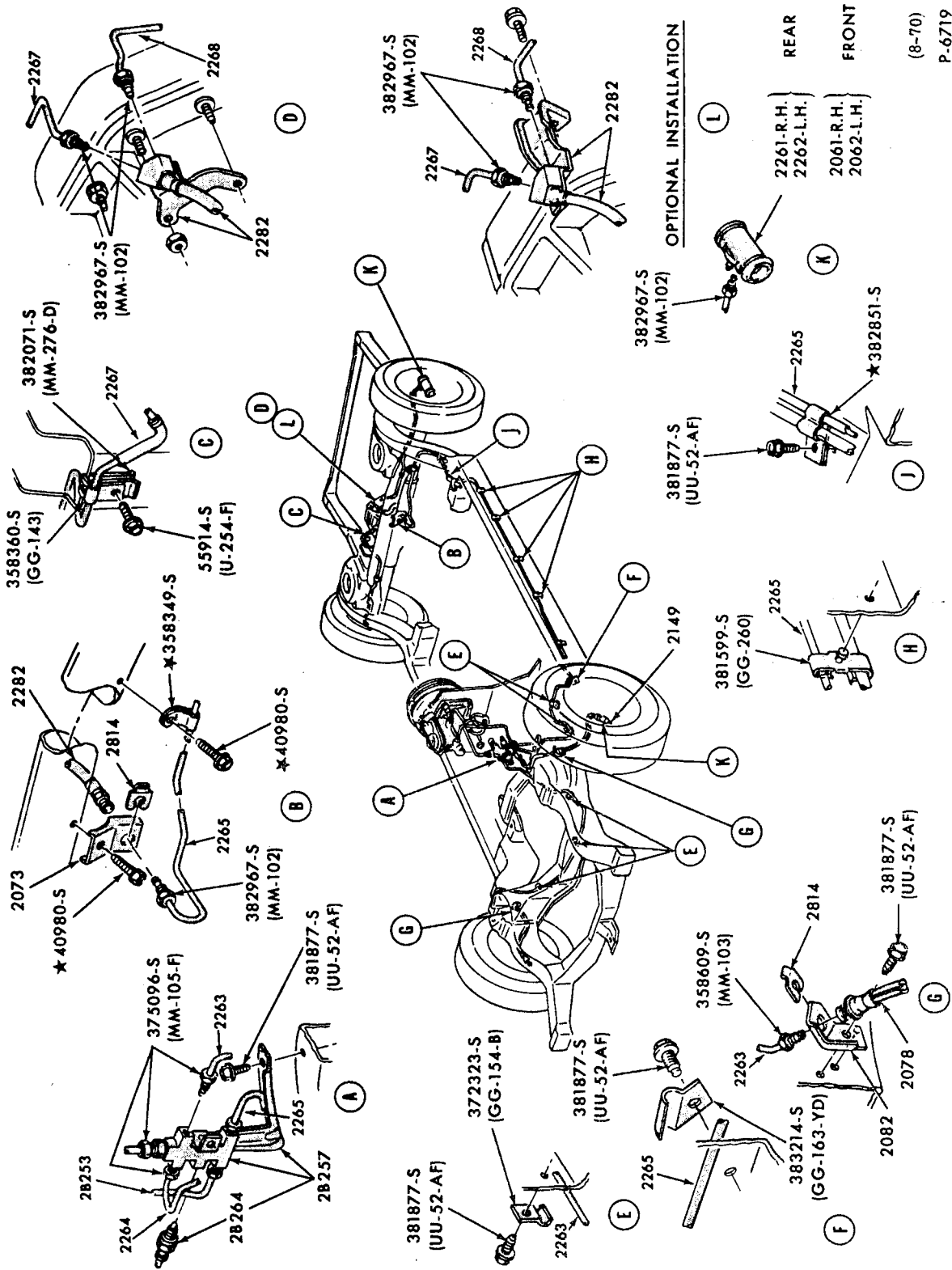




P-6400

◆ VACUUM RELEASE CONTROL MOTOR IS SERVICED ONLY AS PART OF 2780 PARKING BRAKE CONTROL ASSY.

PARKING BRAKE SYSTEM  
1968/71 THUNDERBIRD



DRUM BRAKE SYSTEM  
1969 FORD



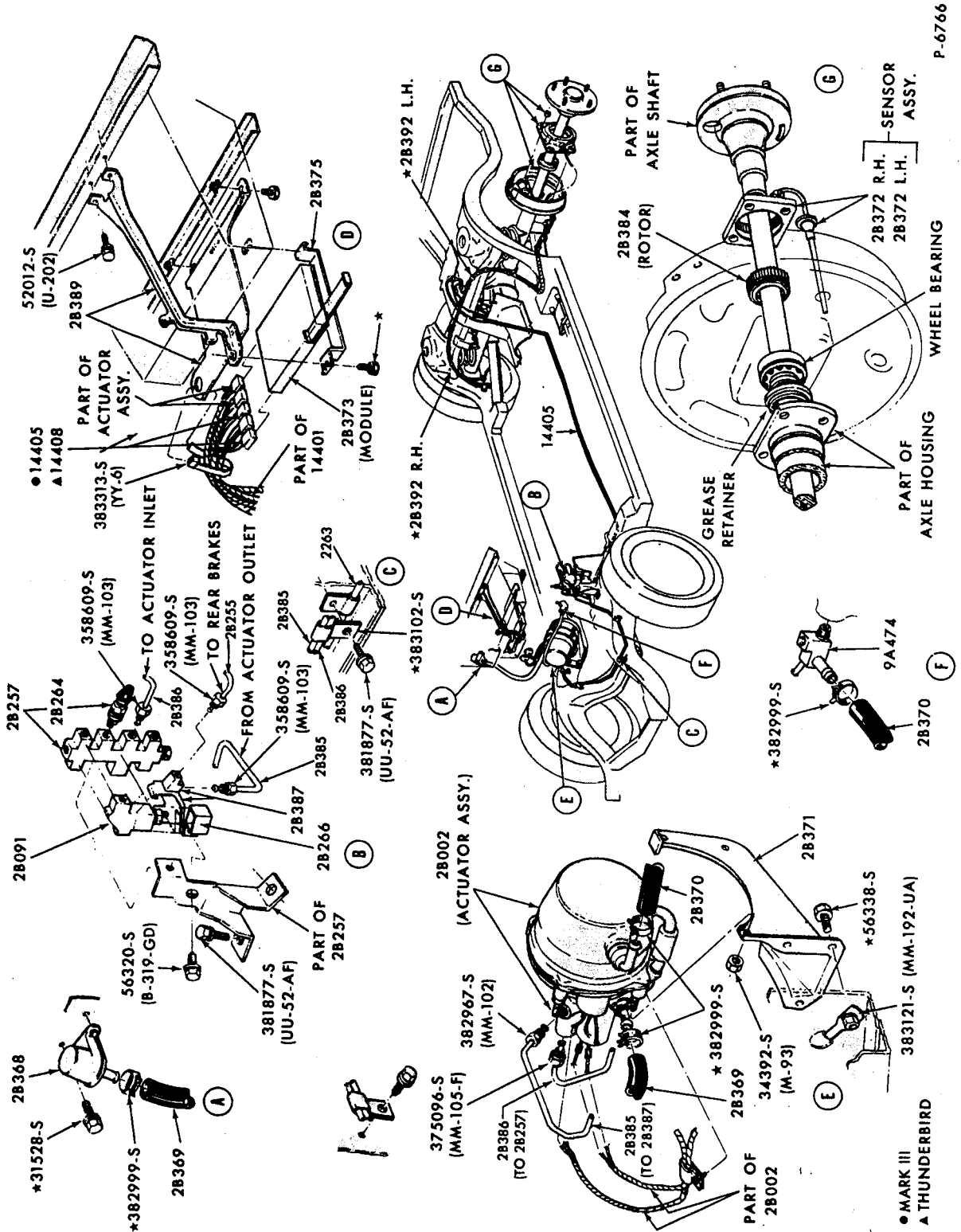












P-6766

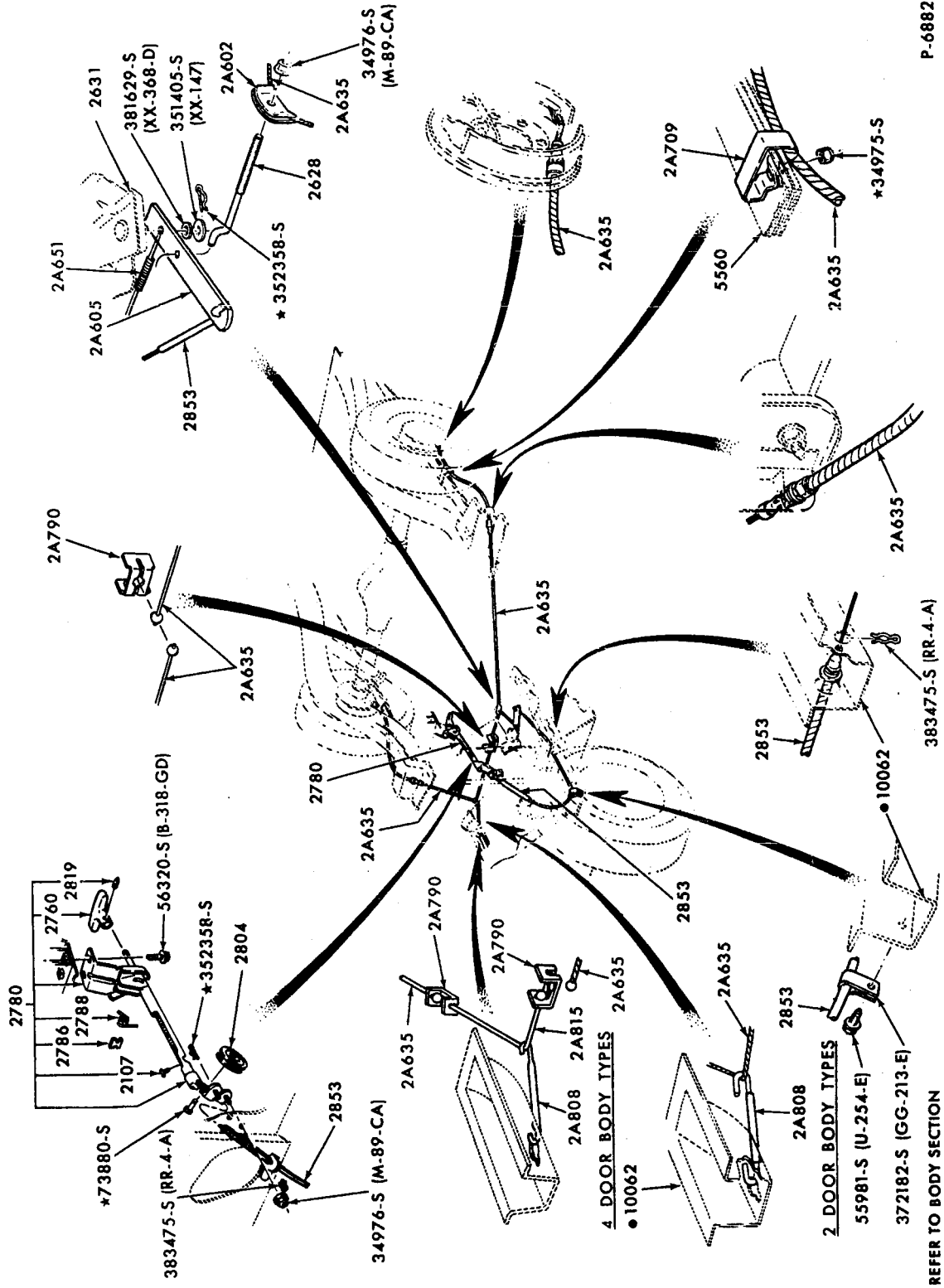
BRAKE ANTI - SKID CONTROL SYSTEM 1989 THUNDERBIRD

MARK III A THUNDERBIRD



ILLUSTRATION SECTION 20

FORD CAR PARTS

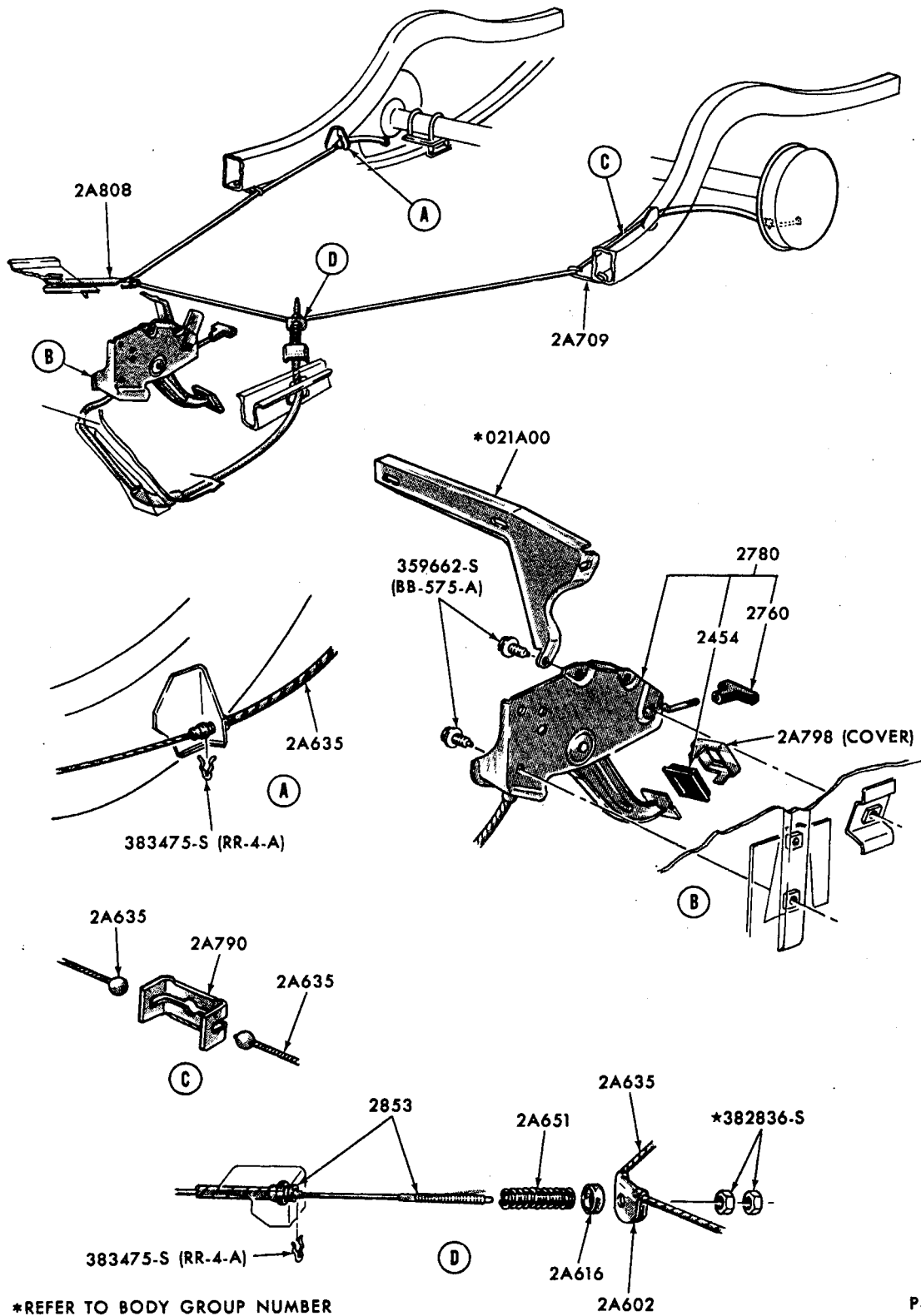


PARKING BRAKE SYSTEM 1970/72 MAVERICK

P-6882

● REFER TO BODY SECTION

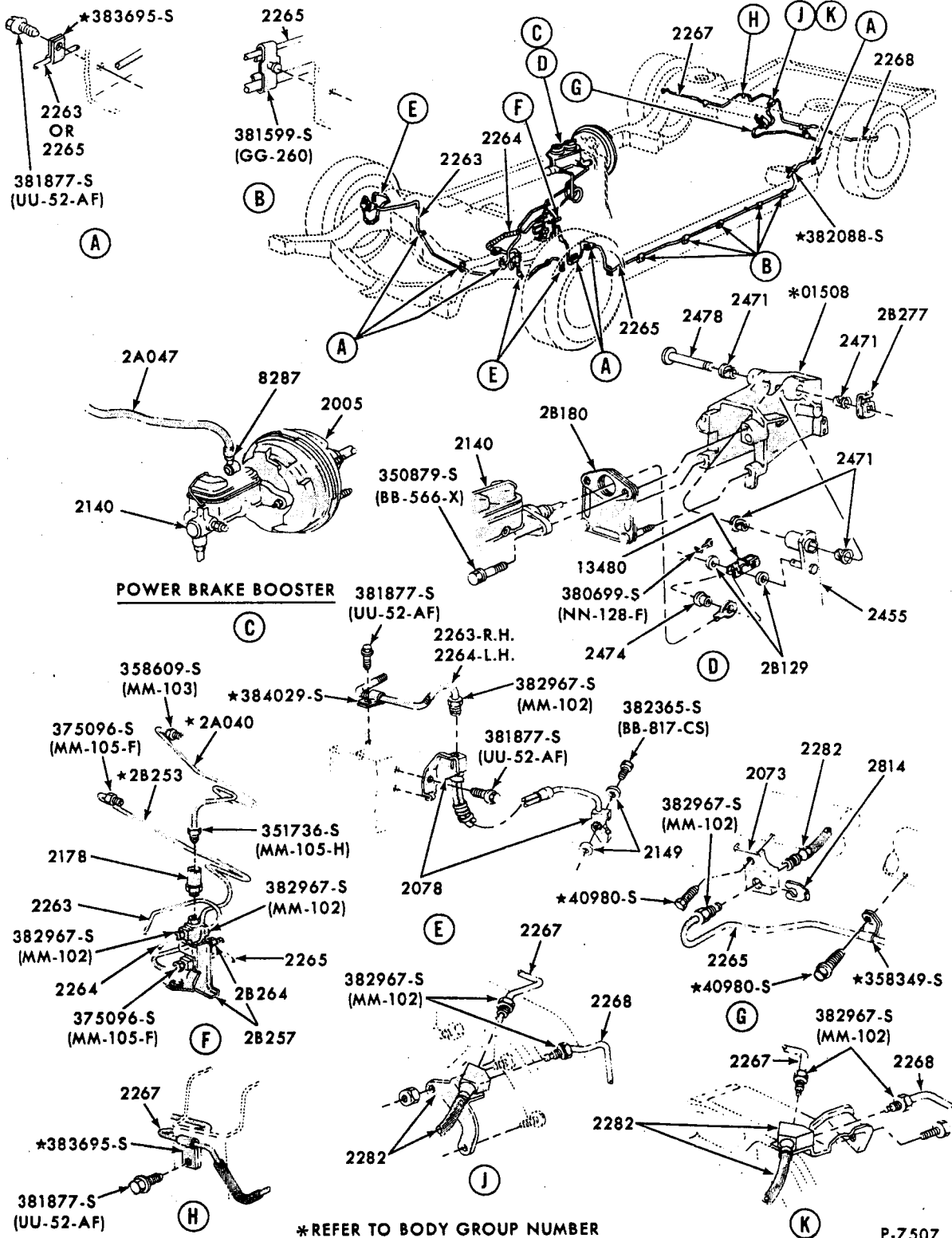




P-7307

PARKING BRAKE SYSTEM  
1970/71 FAIRLANE/TORINO



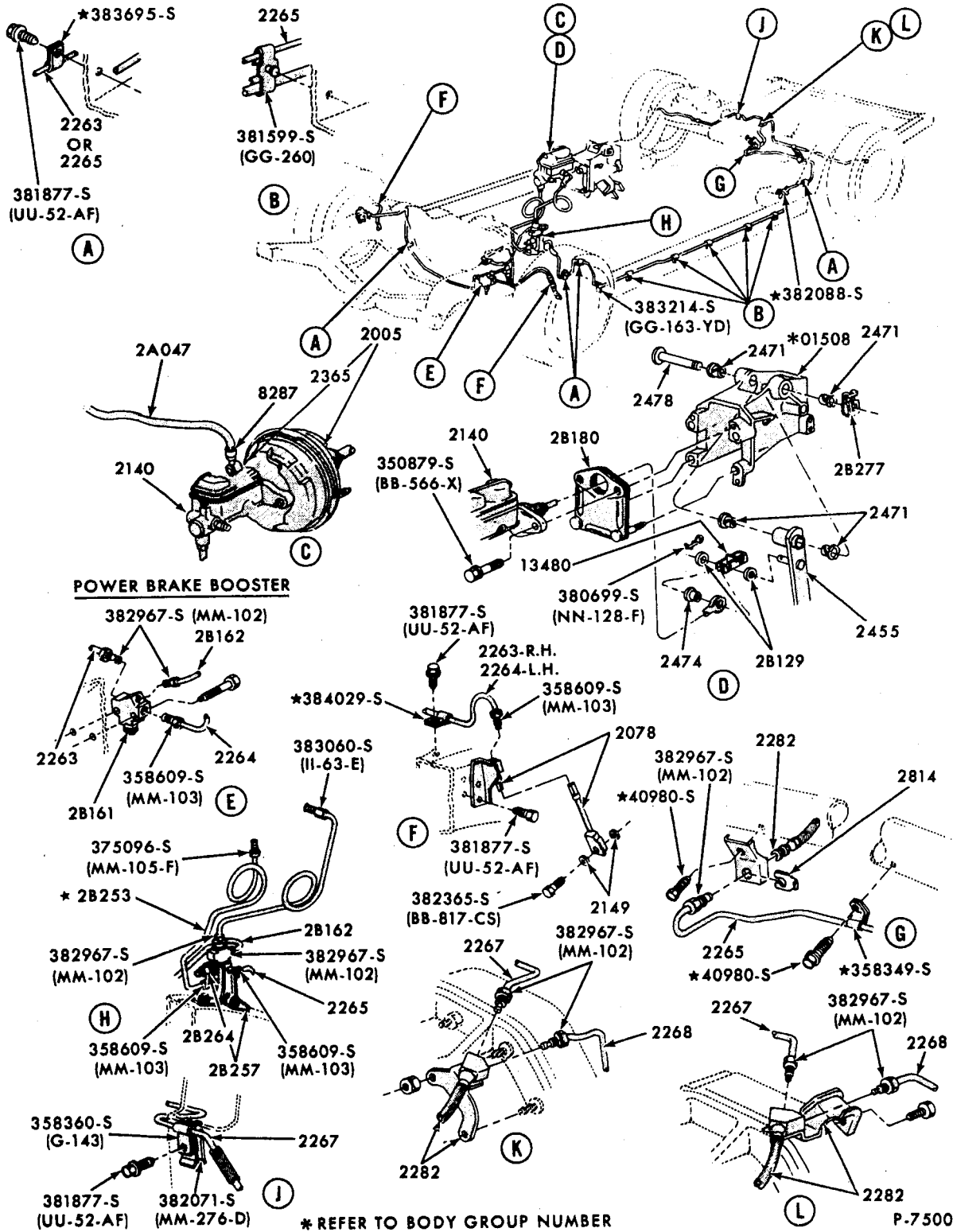


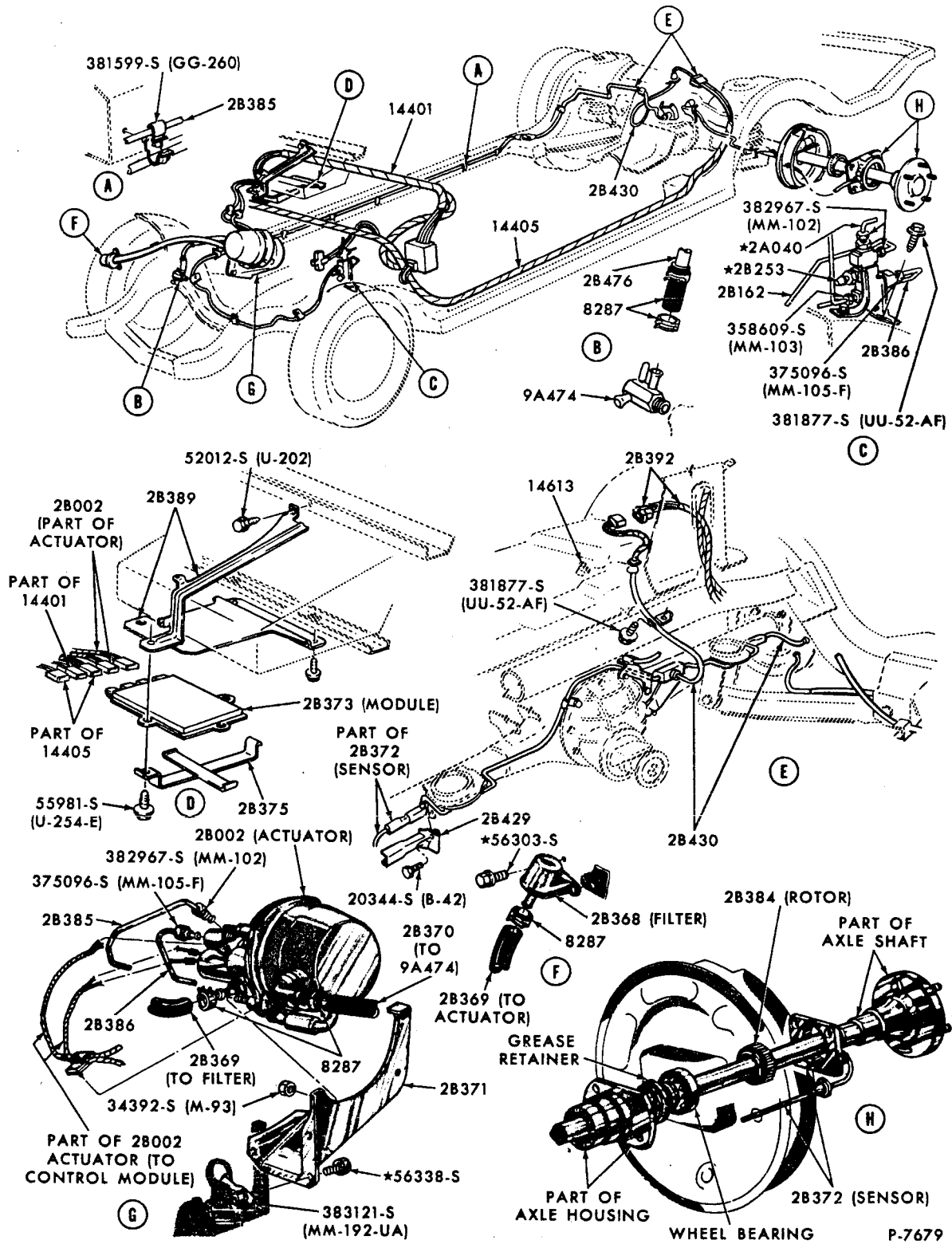
POWER BRAKE BOOSTER

\*REFER TO BODY GROUP NUMBER

DRUM BRAKE SYSTEM  
1970/72 FORD

P-7507

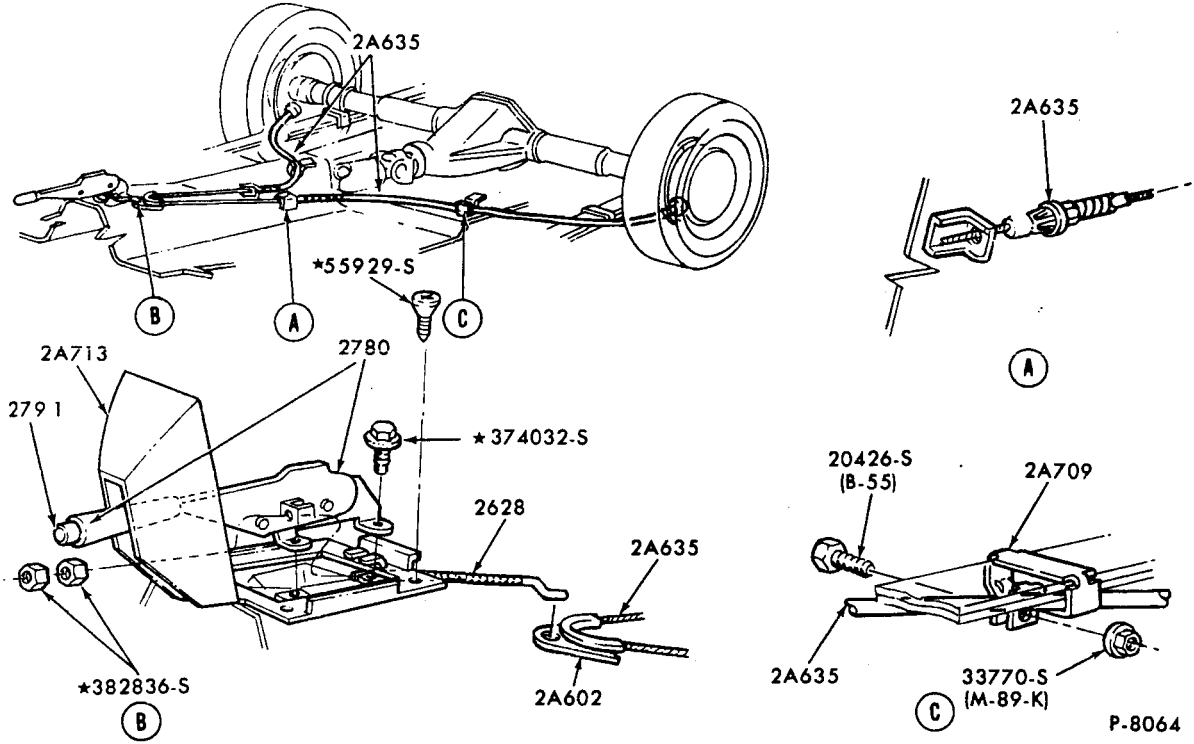




BRAKE ANTI-SKID CONTROL SYSTEM  
1970 THUNDERBIRD - "Before 1/12/70"

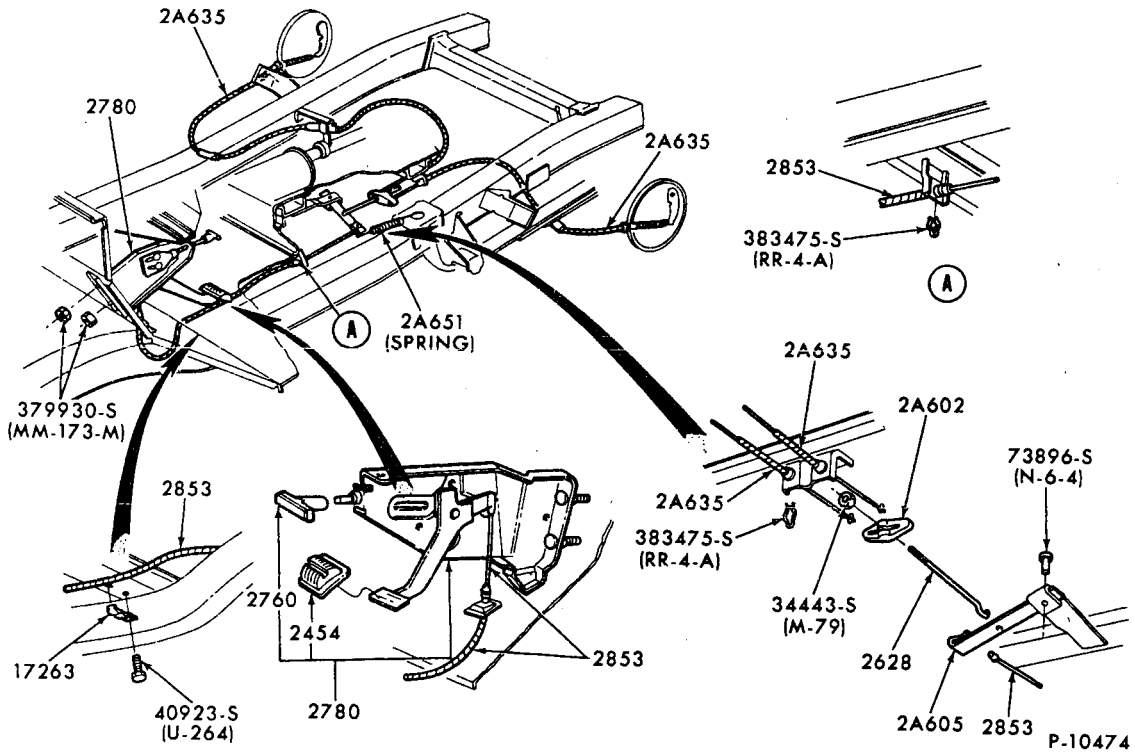






P-8064

PARKING BRAKE SYSTEM  
1971/72 PINTO



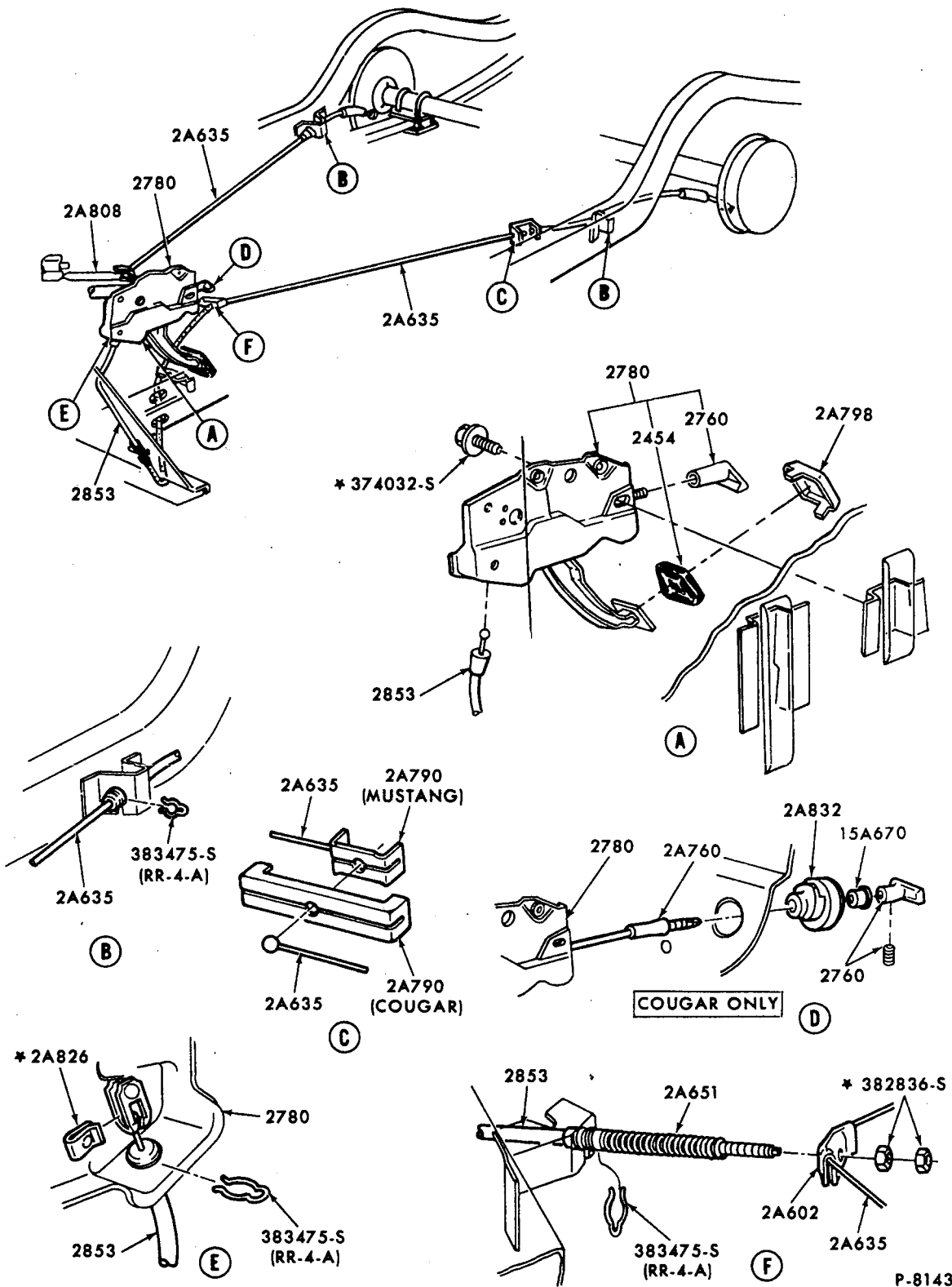
P-10474

PARKING BRAKE SYSTEM  
1971/72 BRONCO





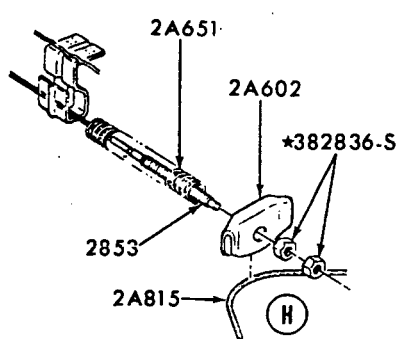
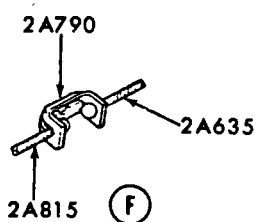
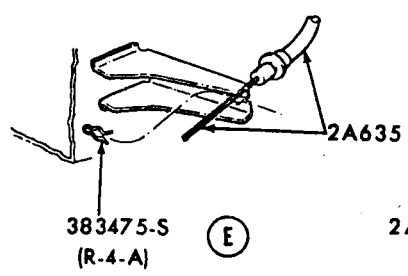
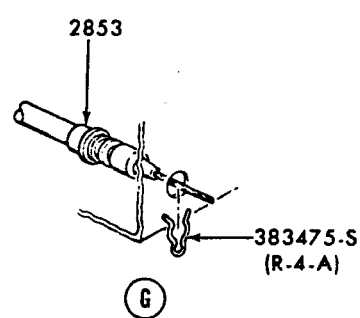
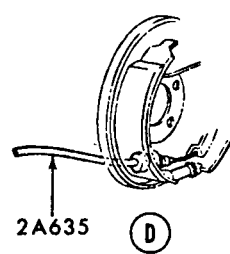
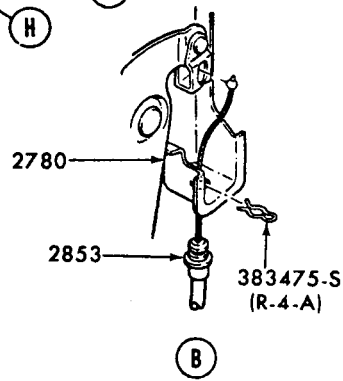
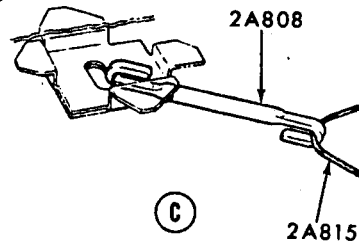
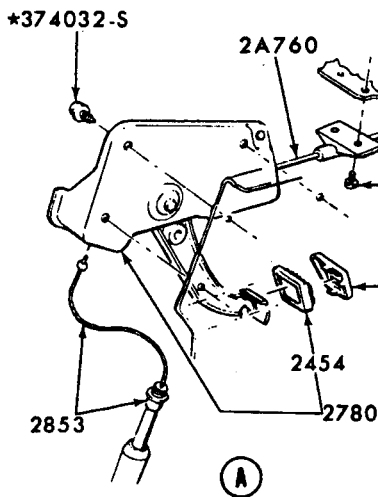
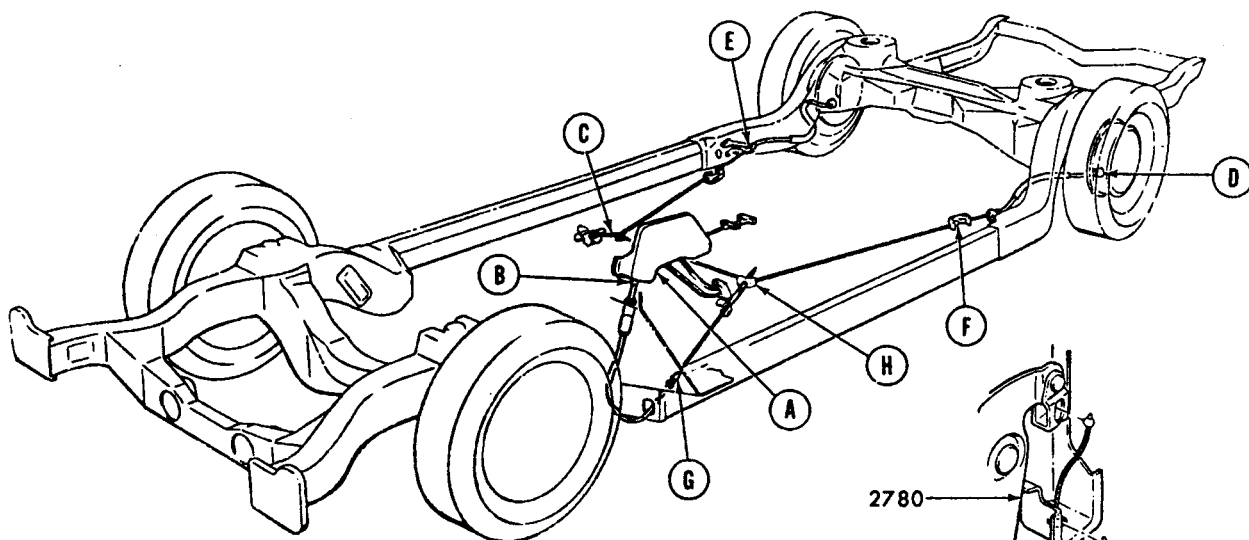




P-8143

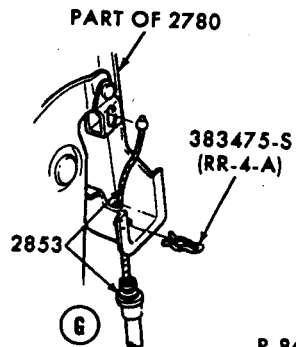
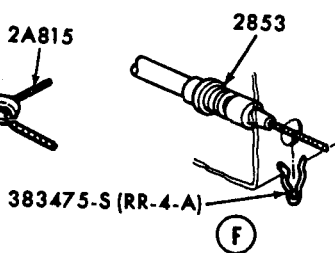
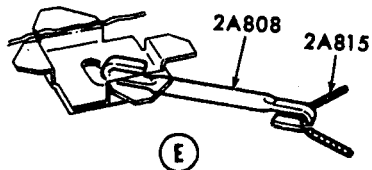
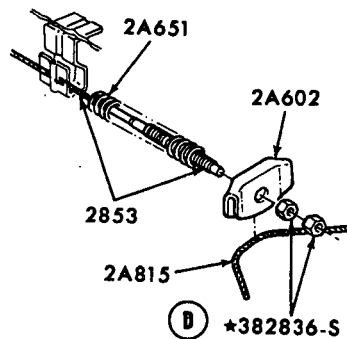
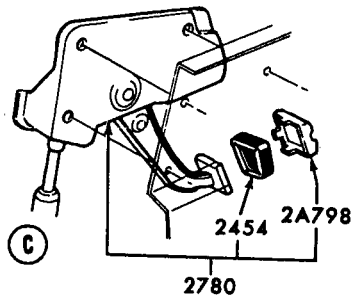
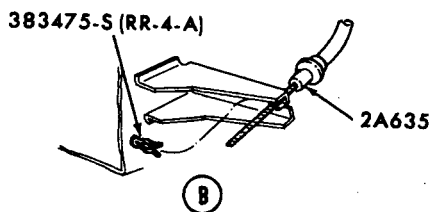
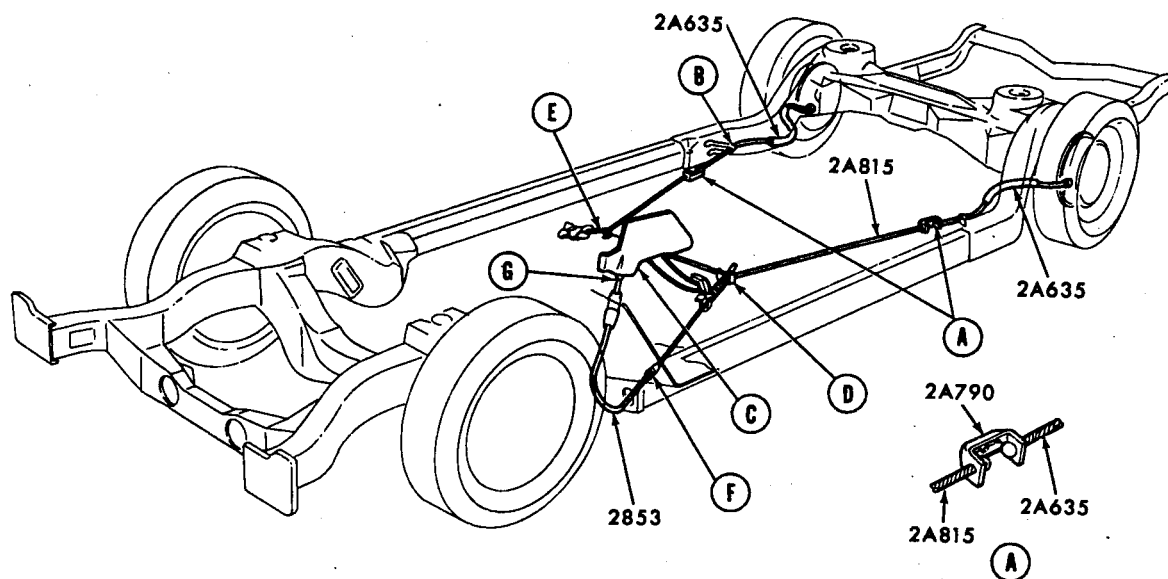
PARKING BRAKE SYSTEM  
1971/72 MUSTANG



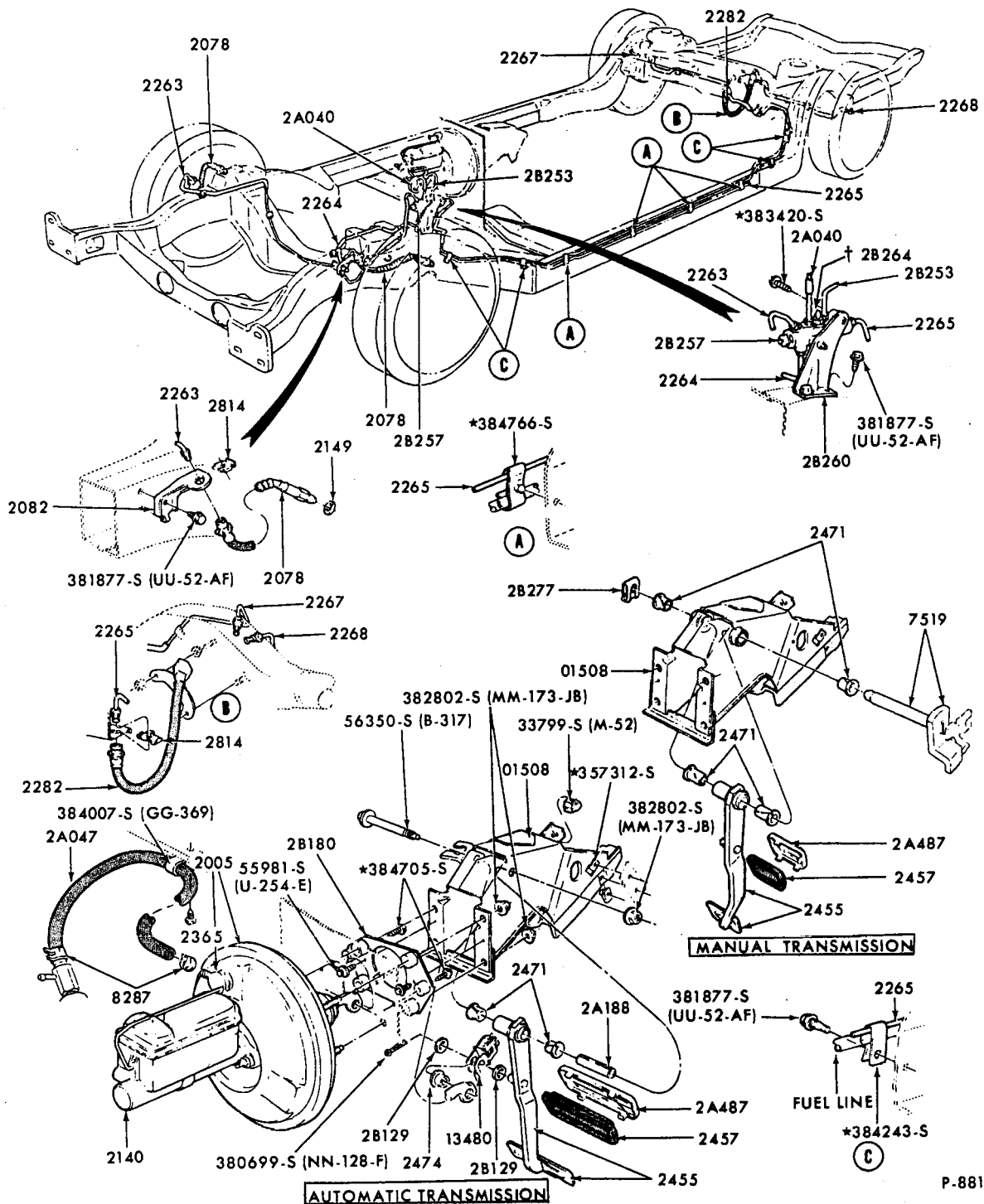


P-8584

PARKING BRAKE SYSTEM  
1972 TORINO



P-8682

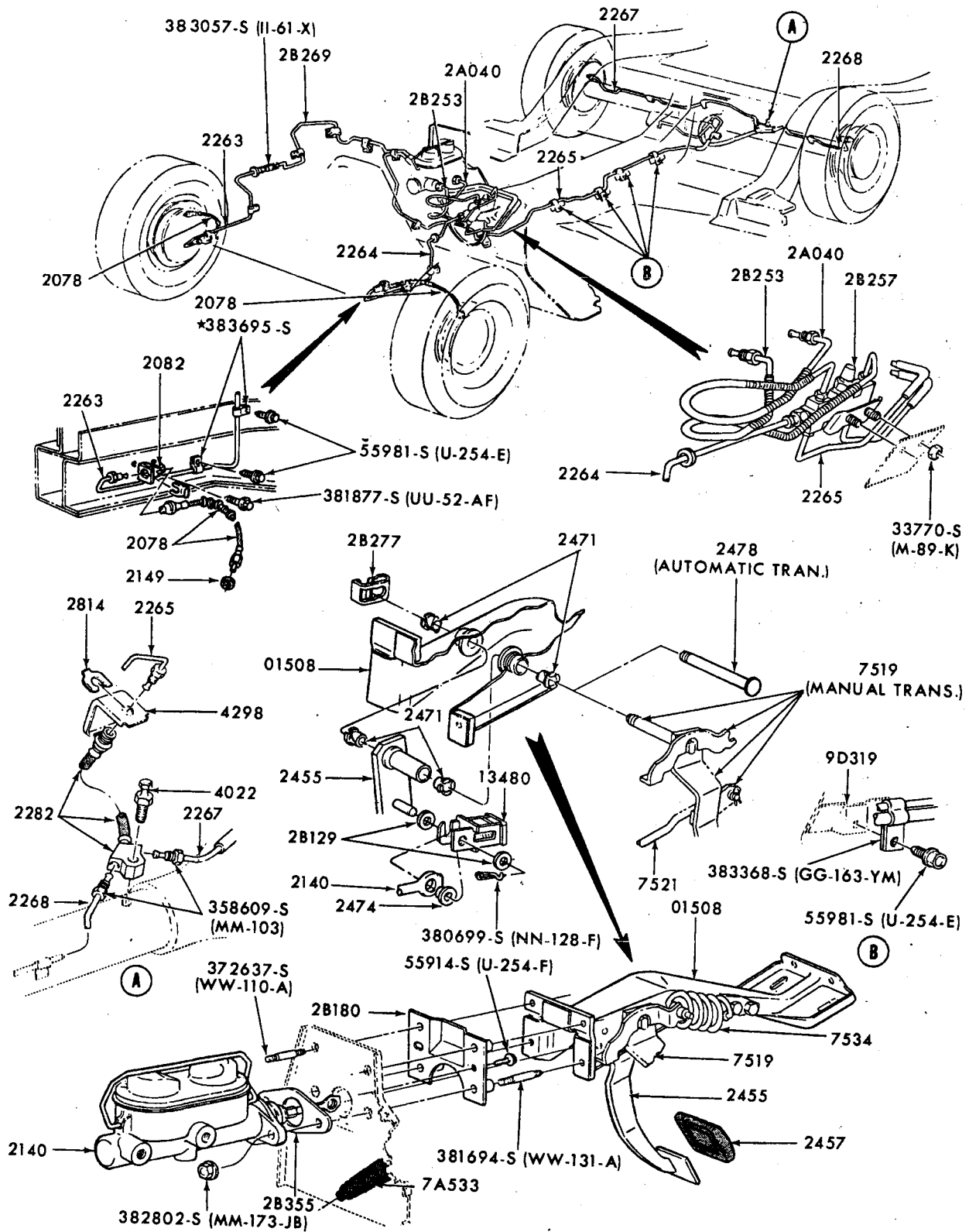


† ALSO SERVICED IN 28257 VALVE ASSY.

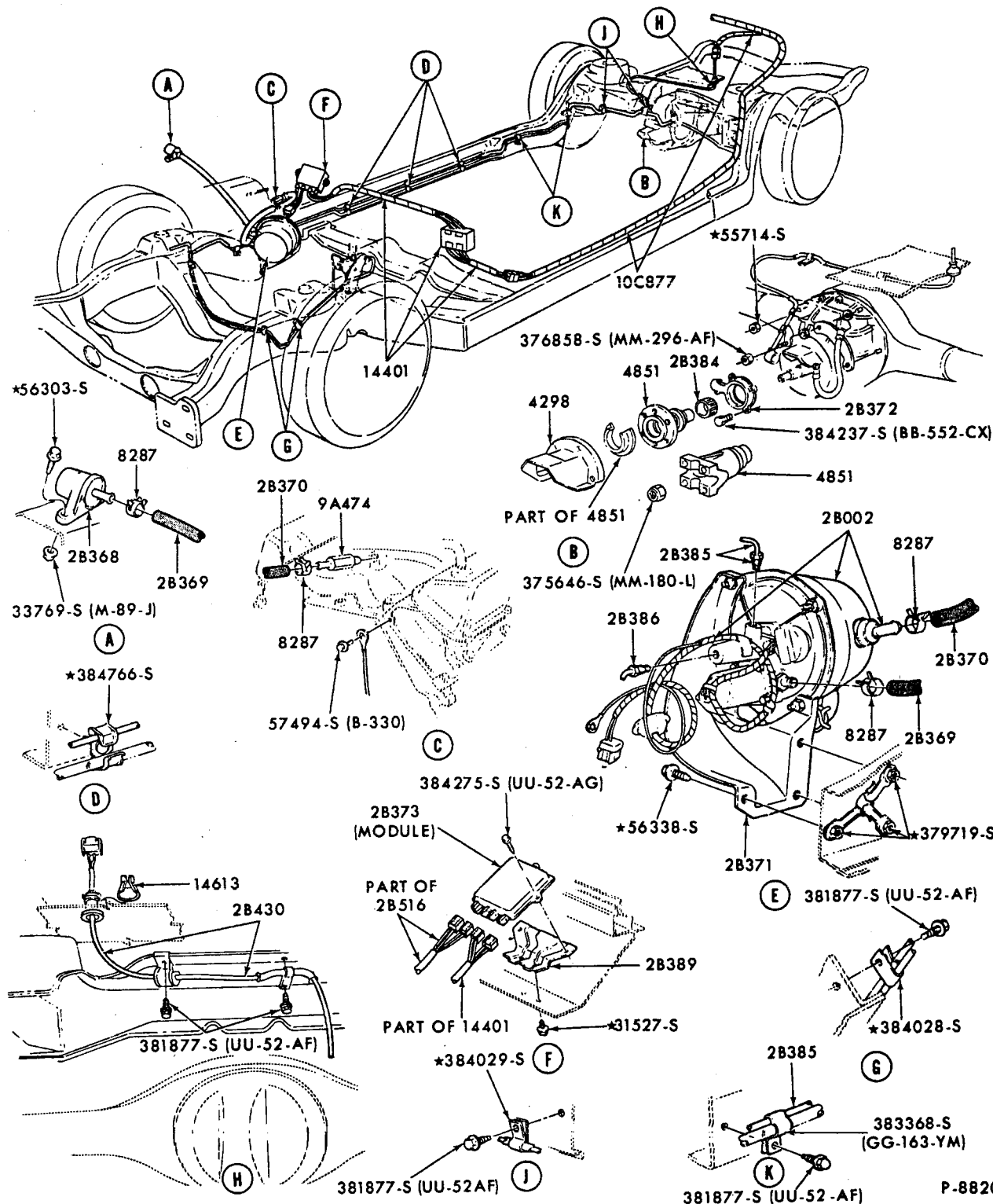
DISC BRAKE SYSTEM  
1972 TORINO

ILLUSTRATION  
SECTION 20

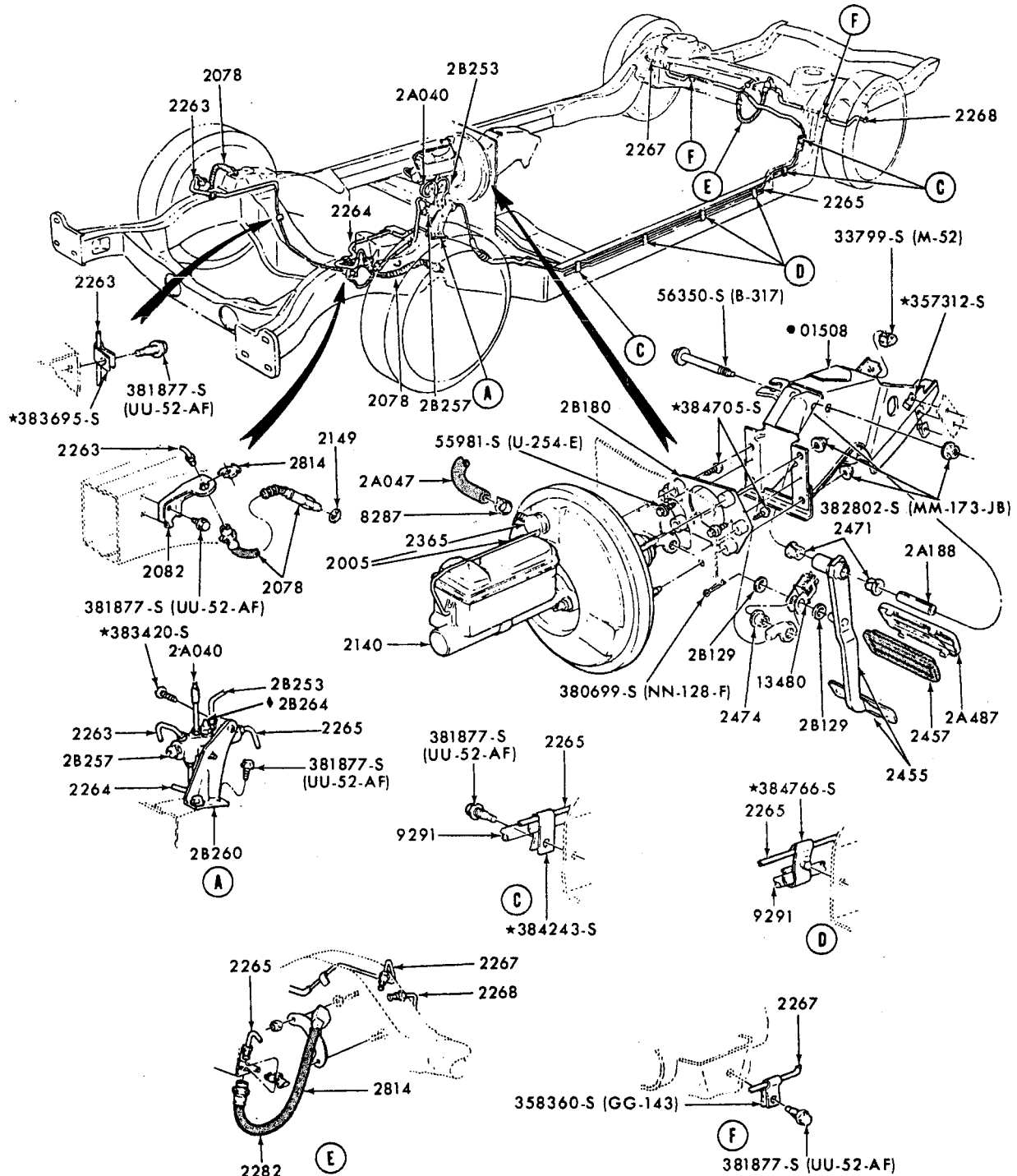
FORD CAR PARTS



DRUM BRAKE SYSTEM  
1972 MAVERICK



BRAKE ANTI-SKID CONTROL SYSTEM (SURE-TRACK)  
1972 THUNDERBIRD



◆ ALSO SERVICED IN 2B257 VALVE ASSY.  
● REFER TO BODY SECTION

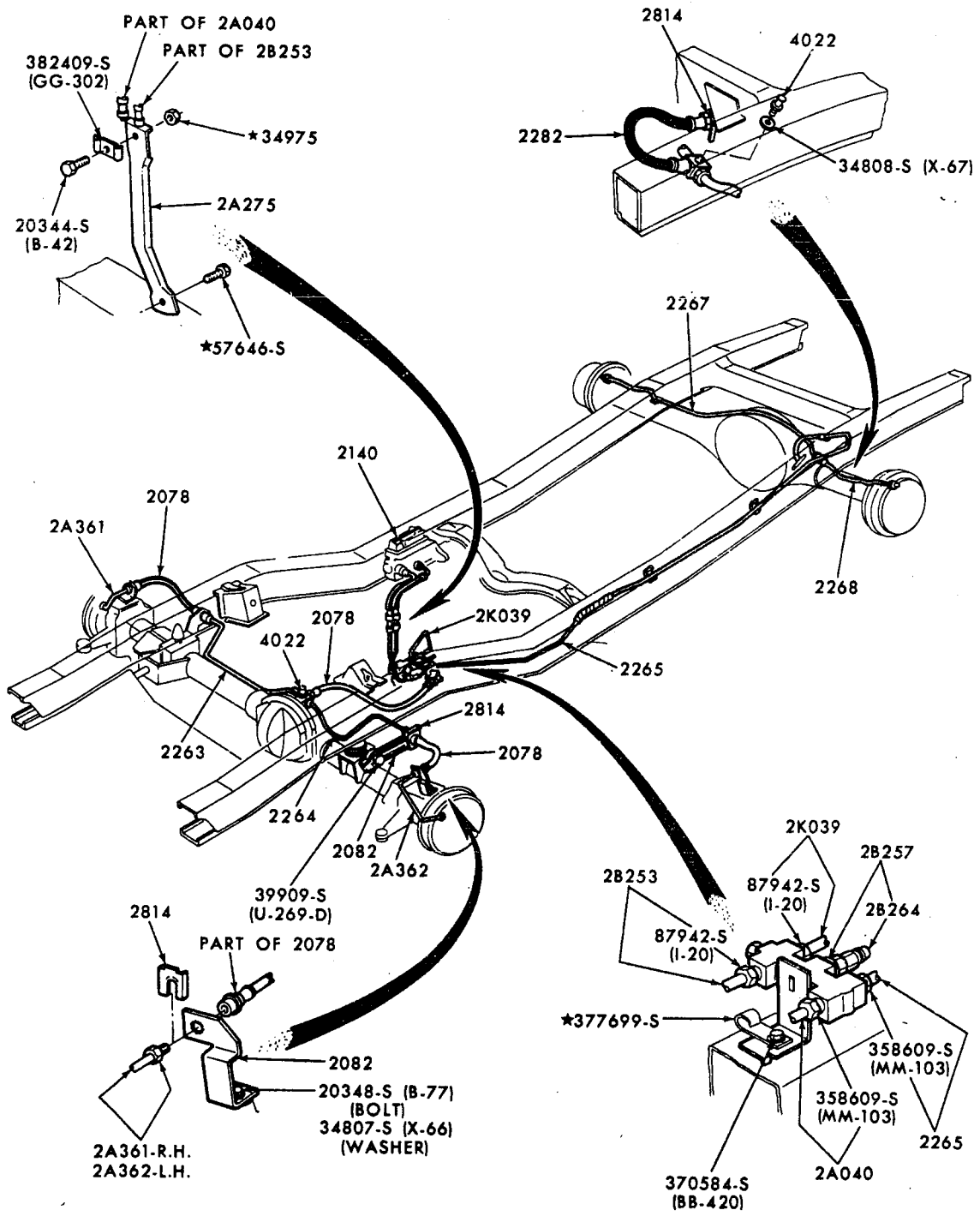
P-8819





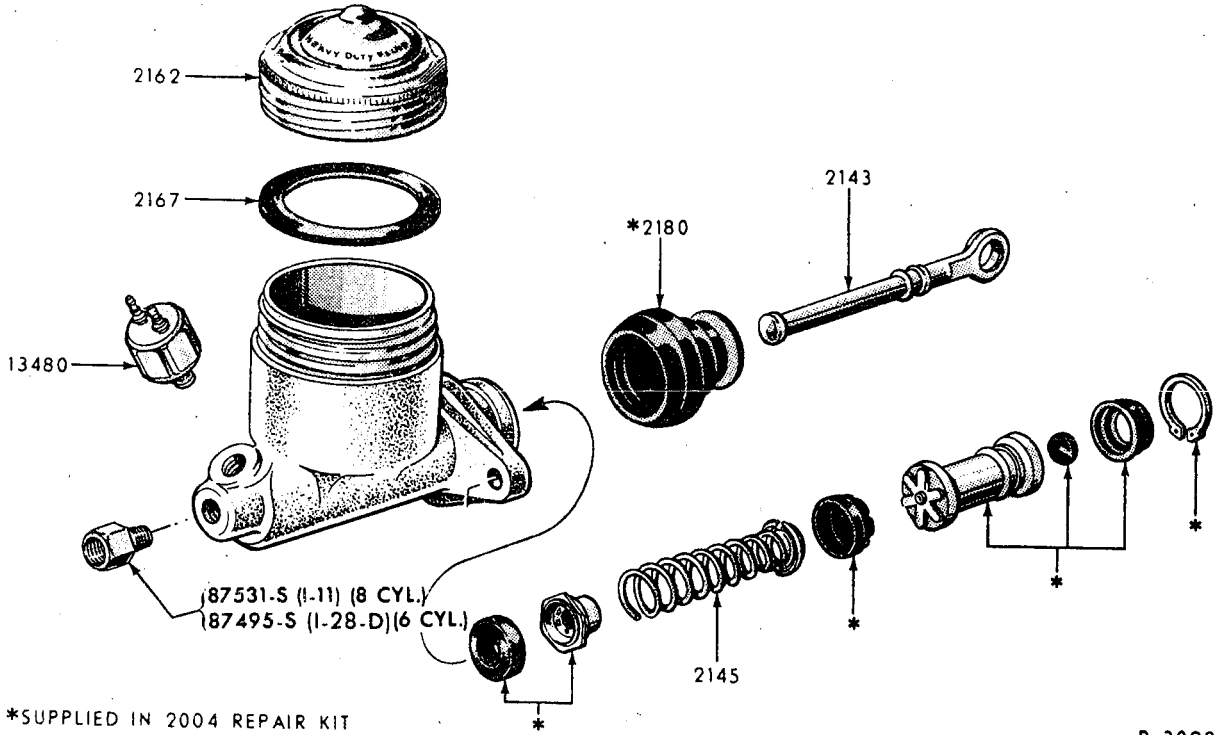
ILLUSTRATION  
SECTION 20

FORD CAR PARTS



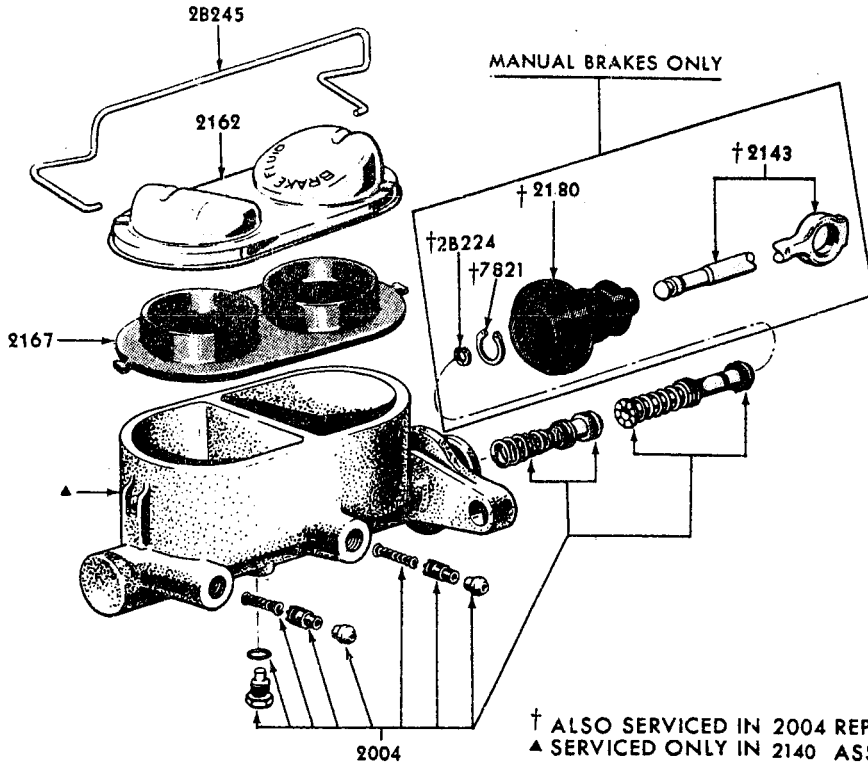
P-10475

DRUM BRAKE SYSTEM  
1971/72 BRONCO



P-3098

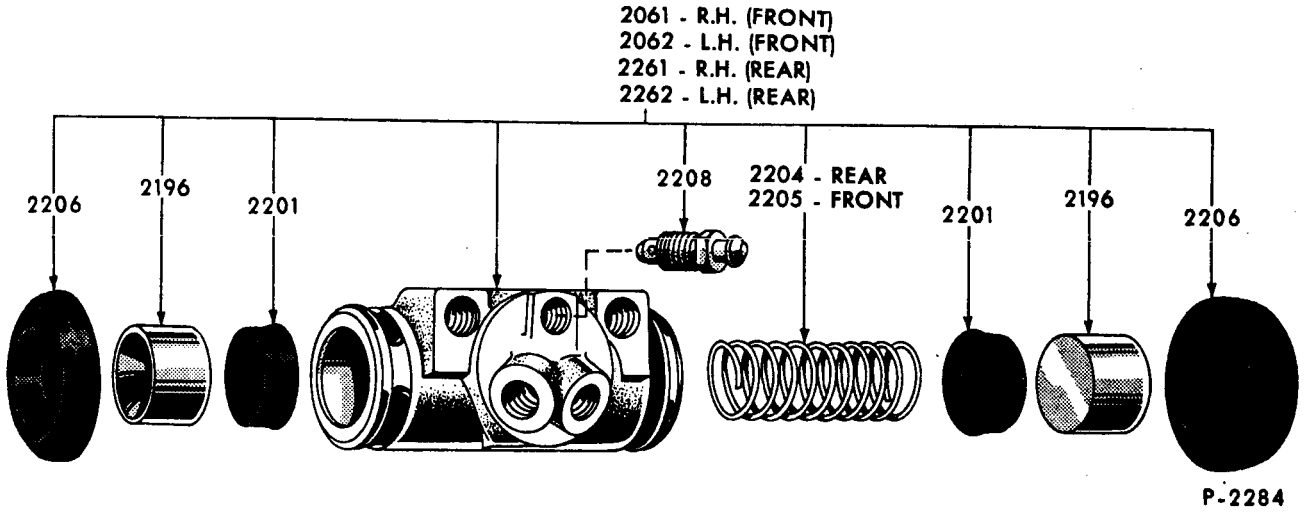
1965/66 FORD, FAIRLANE, FALCON, MUSTANG, THUNDERBIRD and 1966 BRONCO



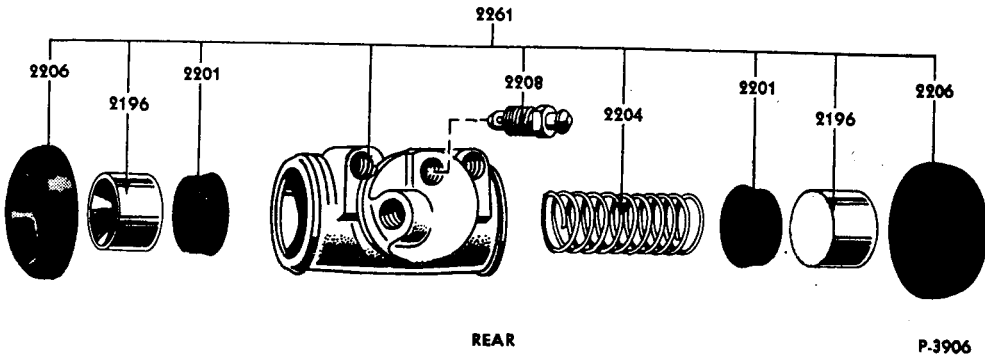
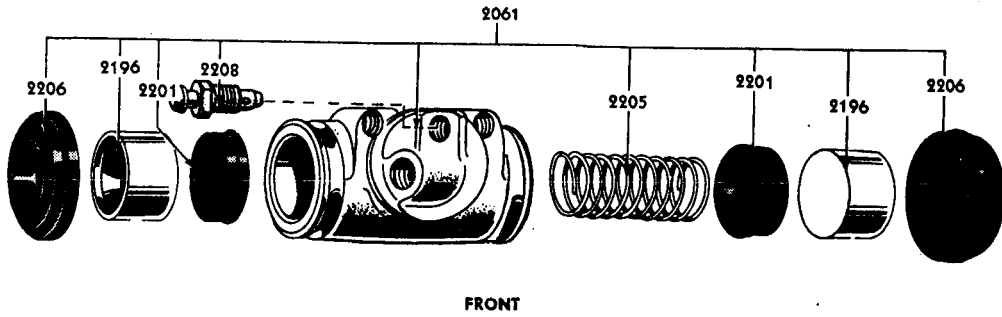
P-5518

1967/72 BRONCO, FORD, FAIRLANE/TORINO, FALCON, PINTO, MAVERICK, MUSTANG, THUNDERBIRD

# FORD CAR PARTS

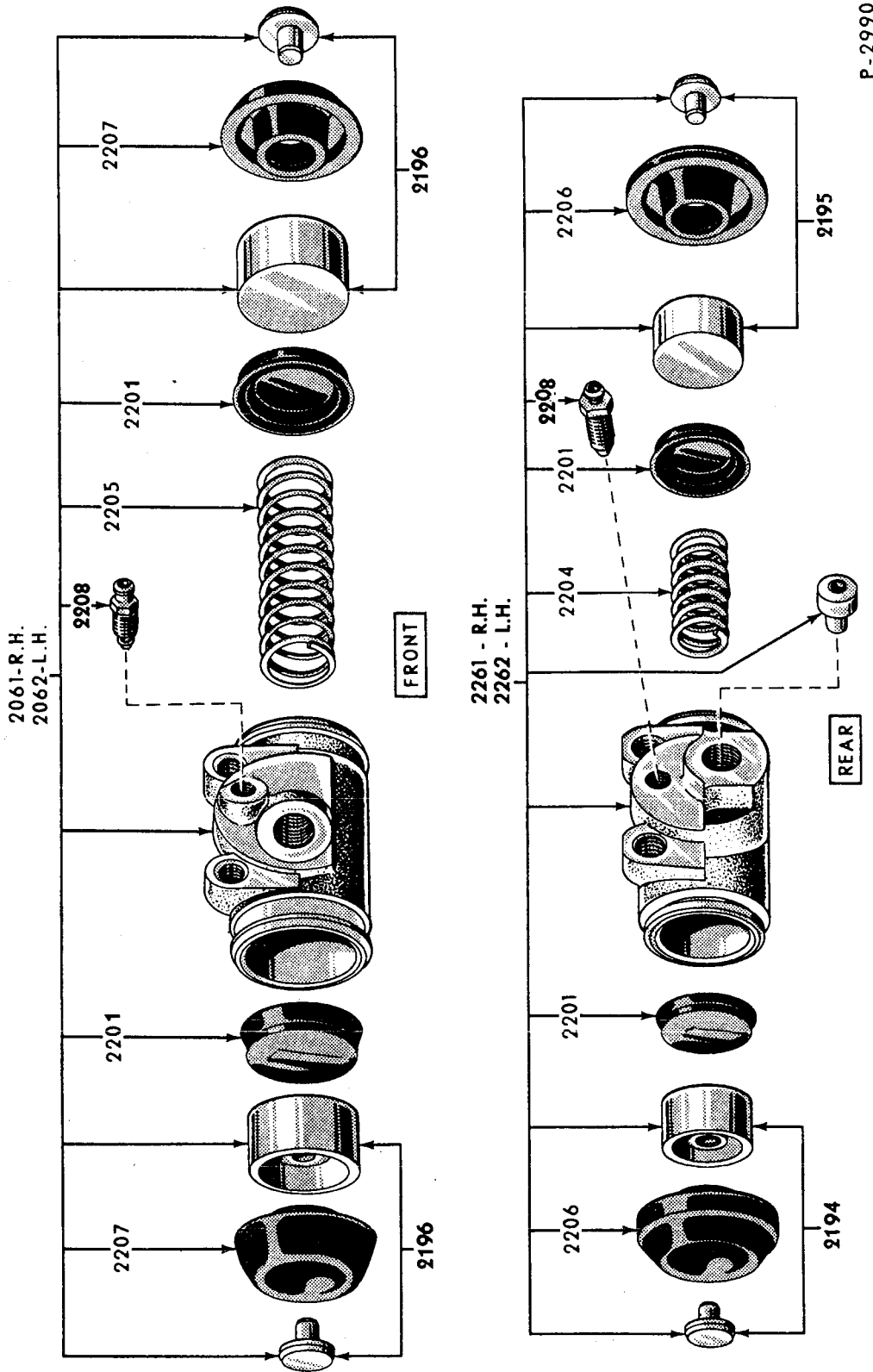


## BRAKE CYLINDER 1965/72 FORD



## BRAKE CYLINDER

1965/72 FAIRLANE/TORINO, THUNDERBIRD  
 1966/72 BRONCO, FALCON, MUSTANG, MAVERICK, 1971/72 PINTO

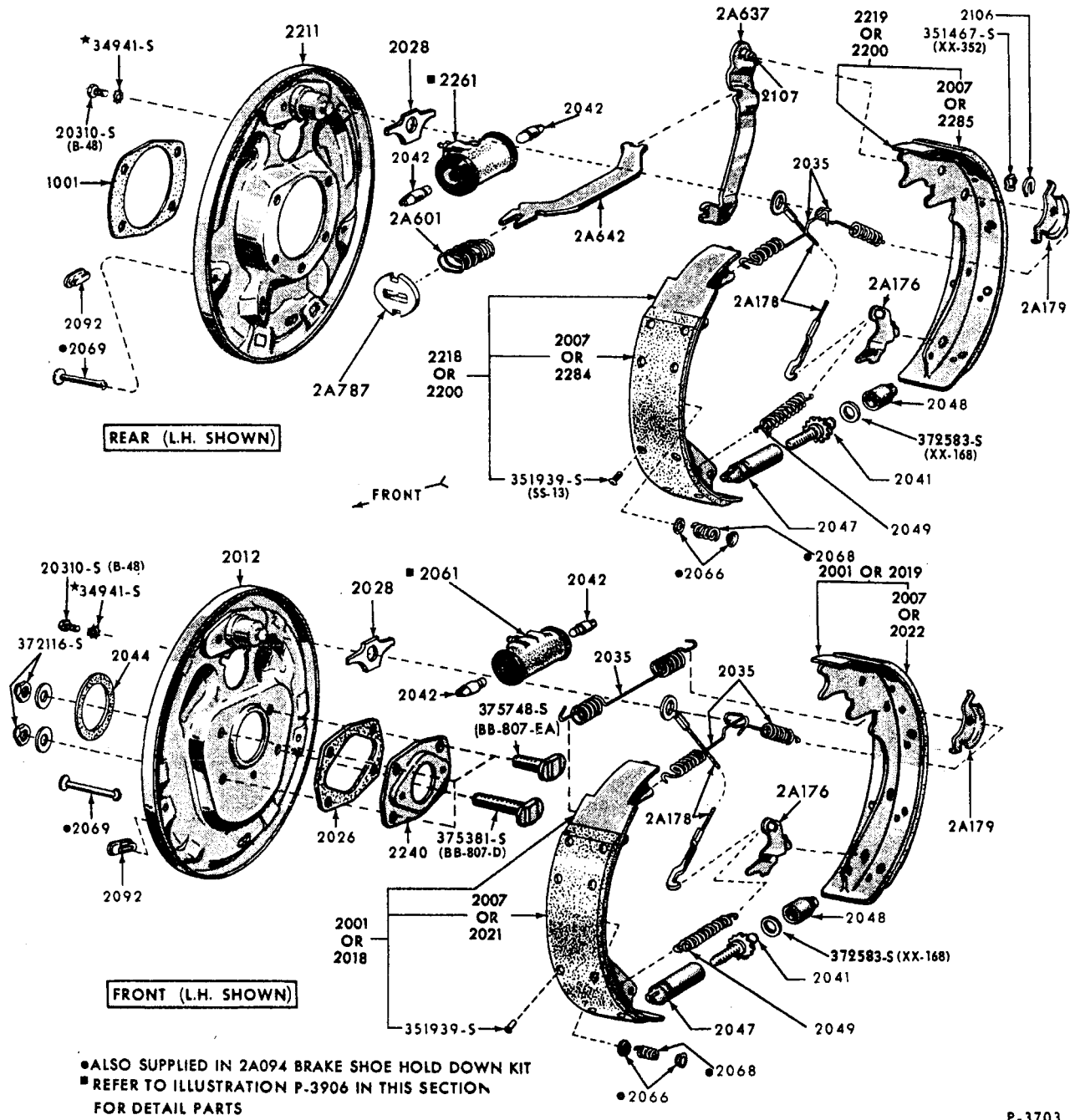


P-2990

BRAKE CYLINDER

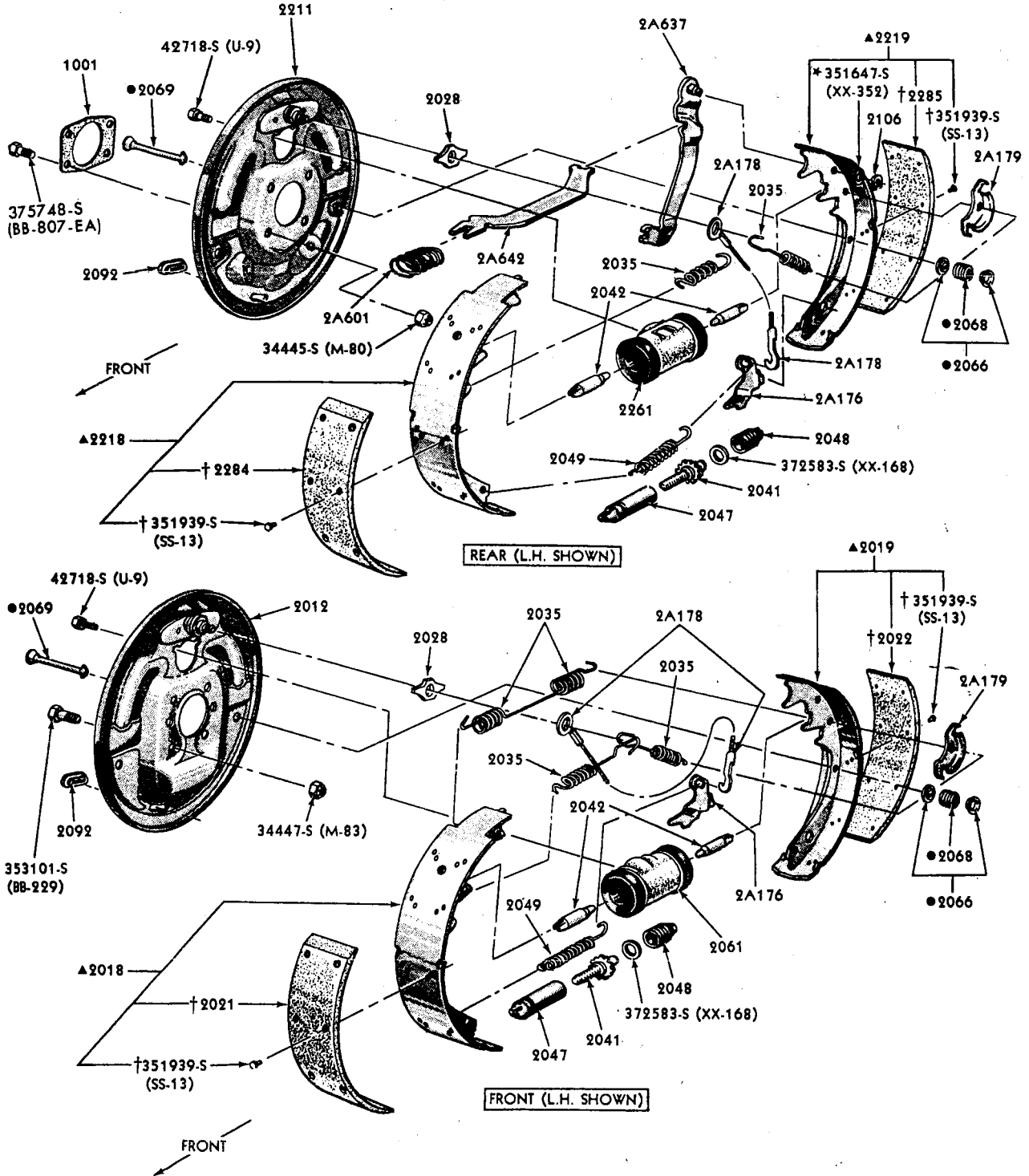
1965 FALCON, MUSTANG





● ALSO SUPPLIED IN 2A094 BRAKE SHOE HOLD DOWN KIT  
 ■ REFER TO ILLUSTRATION P-3906 IN THIS SECTION FOR DETAIL PARTS

P-3703

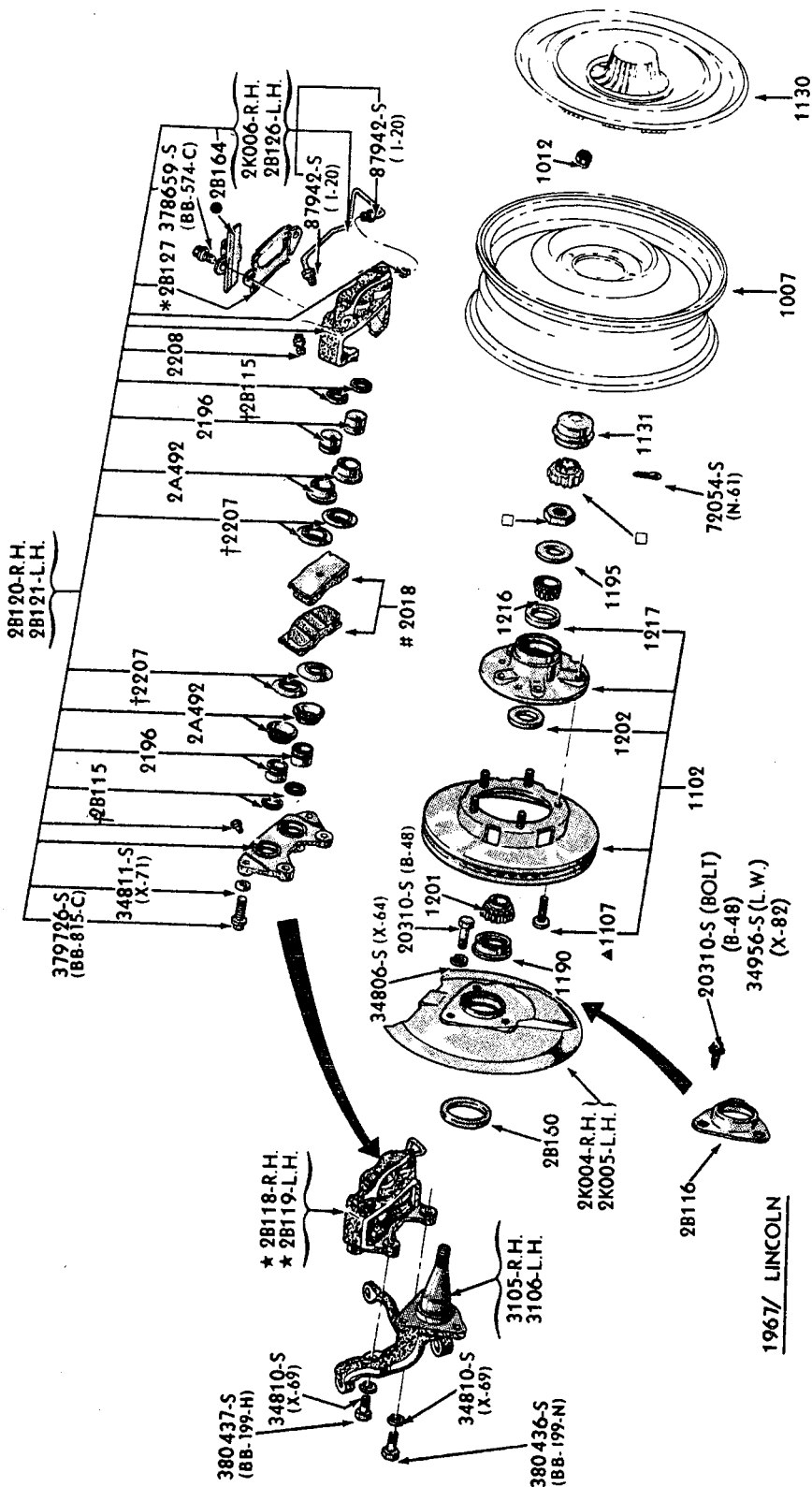


- † SERVICED IN 2007 LINING KIT
- ▲ SERVICED IN 2001 BRAKE SHOE AND LINING KIT
- ALSO SERVICED IN 2A094 BRAKE SHOE HOLD DOWN KIT

P-6602

FRONT & REAR DRUM BRAKES  
1966/72 BRONCO





▲ IF MORE THAN ONE BOLT HAS TO BE REPLACED IN AN ASSEMBLY - COMPLETE HUB AND DRUM MUST BE REPLACED

\* 1965/66

● 1967

□ REFER TO GROUP 1102 FOR PART NUMBER & MODEL APPLICATION

† ALSO SERVICED IN 2221 KIT

# SERVICED IN 2001 KIT

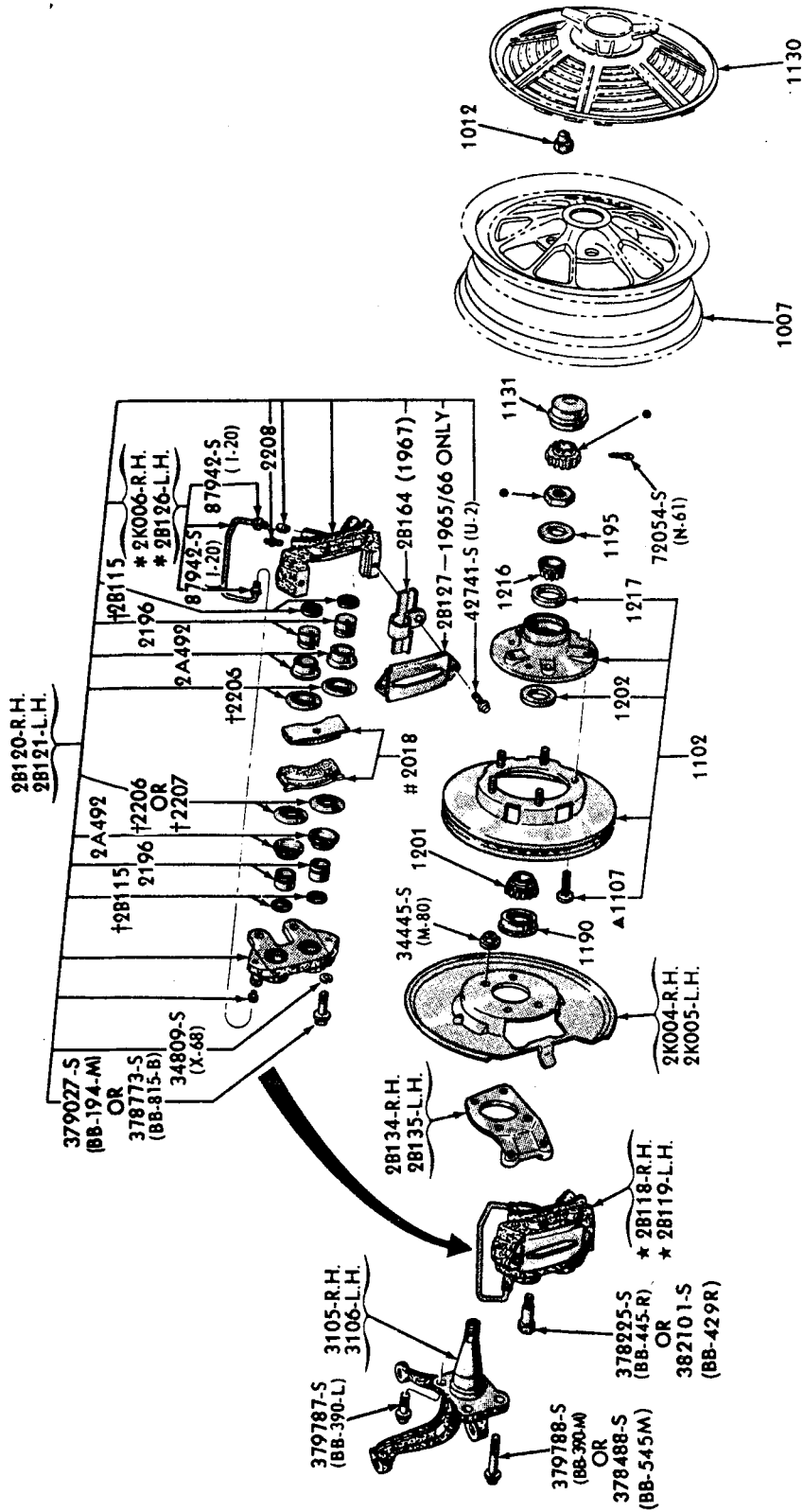
P-4603

10-70

FRONT DISC BRAKE DETAILS

1965/67 THUNDERBIRD, 1966/87 FORD

FORD CAR PARTS

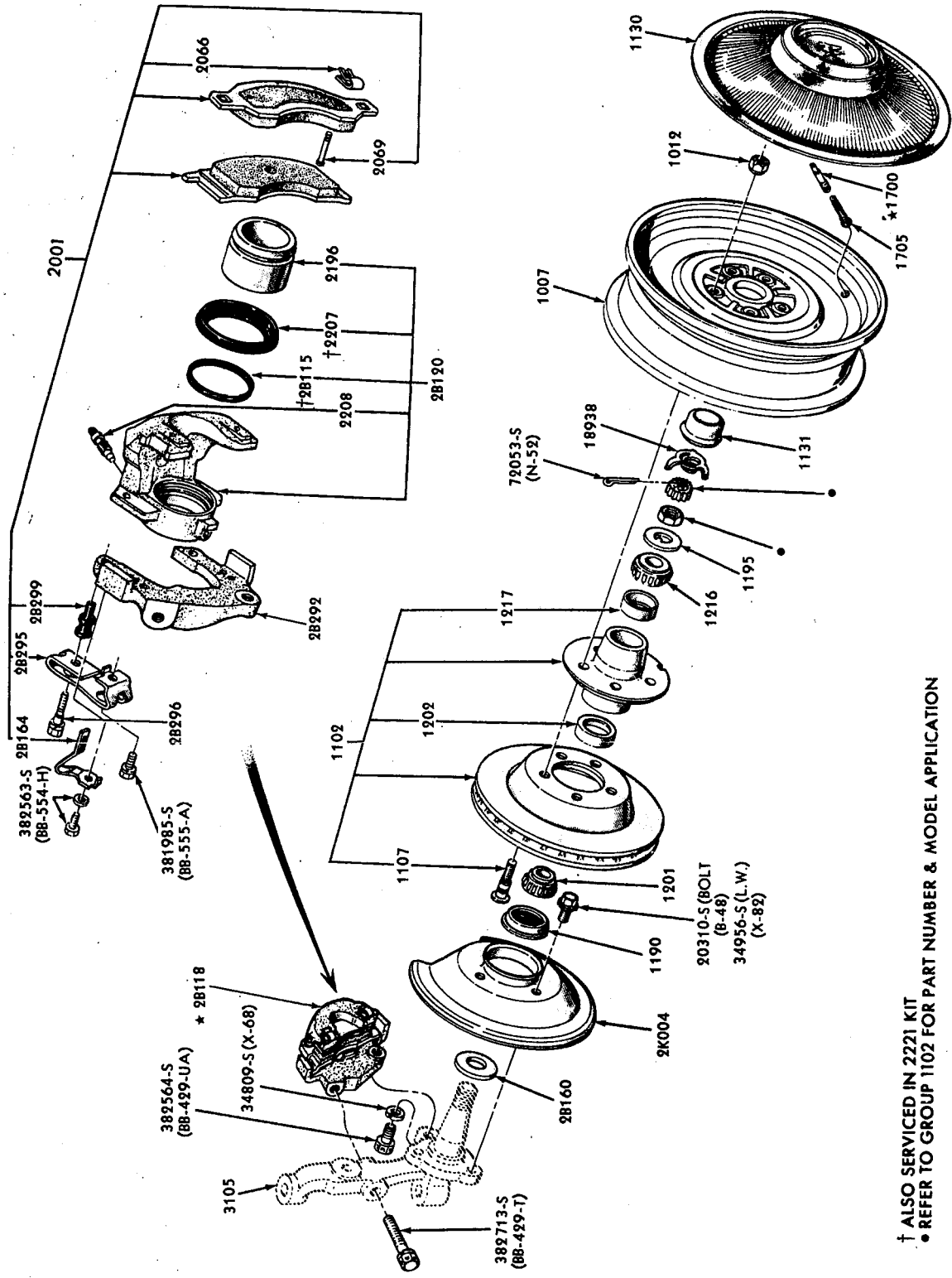


10-70

P-4604

- \* (CUT FROM BULK TUBING)
- ▲ IF MORE THAN ONE BOLT HAS TO BE REPLACED IN AN ASSEMBLY. COMPLETE HUB AND DRUM MUST BE REPLACED
- † ALSO SERVICED IN 2221 KIT
- REFER TO GROUP 1102 FOR PART NUMBER & MODEL APPLICATION
- # SERVICED IN 2001 KIT

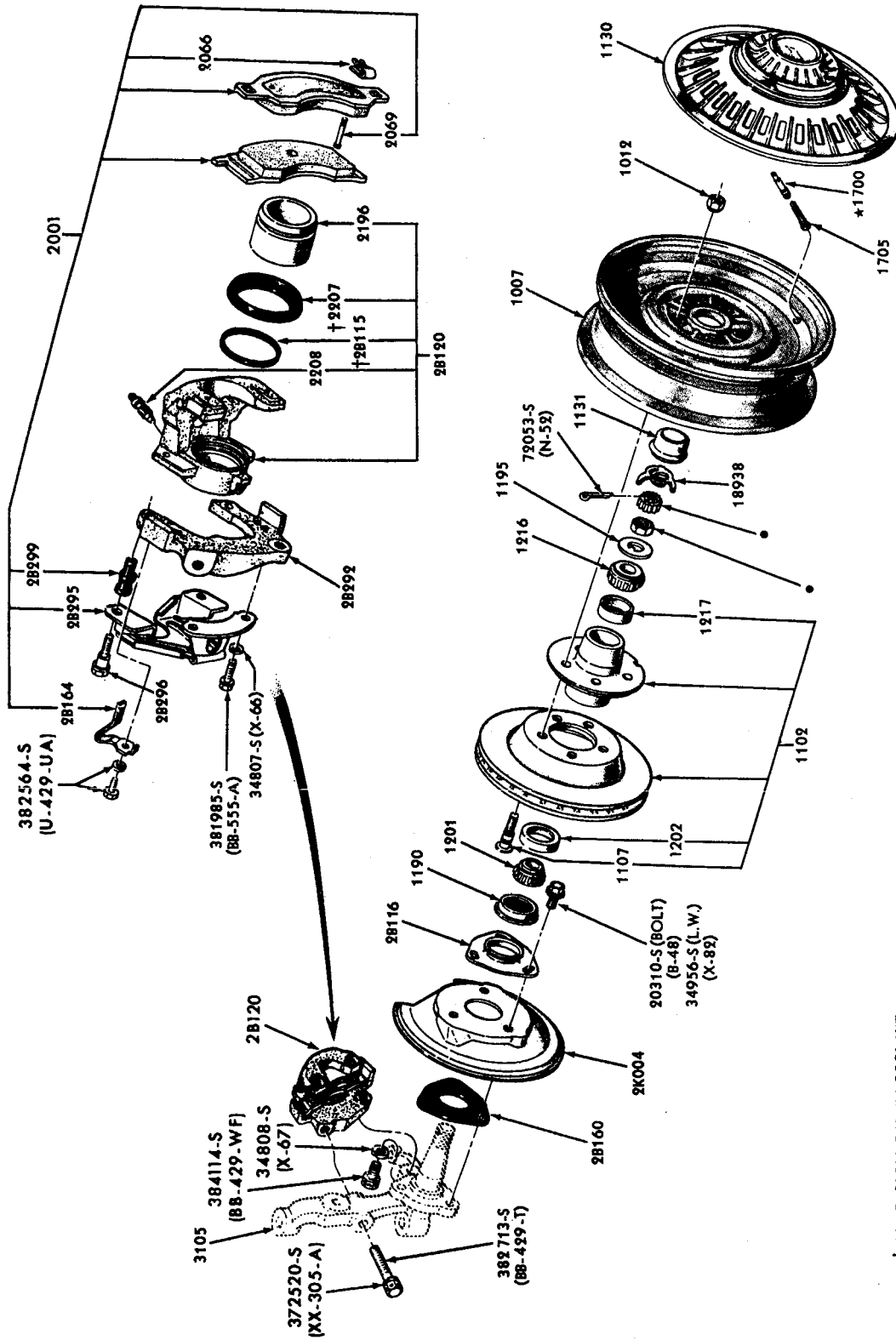
FRONT DISC BRAKE DETAILS  
1965/67 MUSTANG 1967 FAIRLANE/TORINO



P-6219

† ALSO SERVICED IN 2221 KIT  
 • REFER TO GROUP 1102 FOR PART NUMBER & MODEL APPLICATION

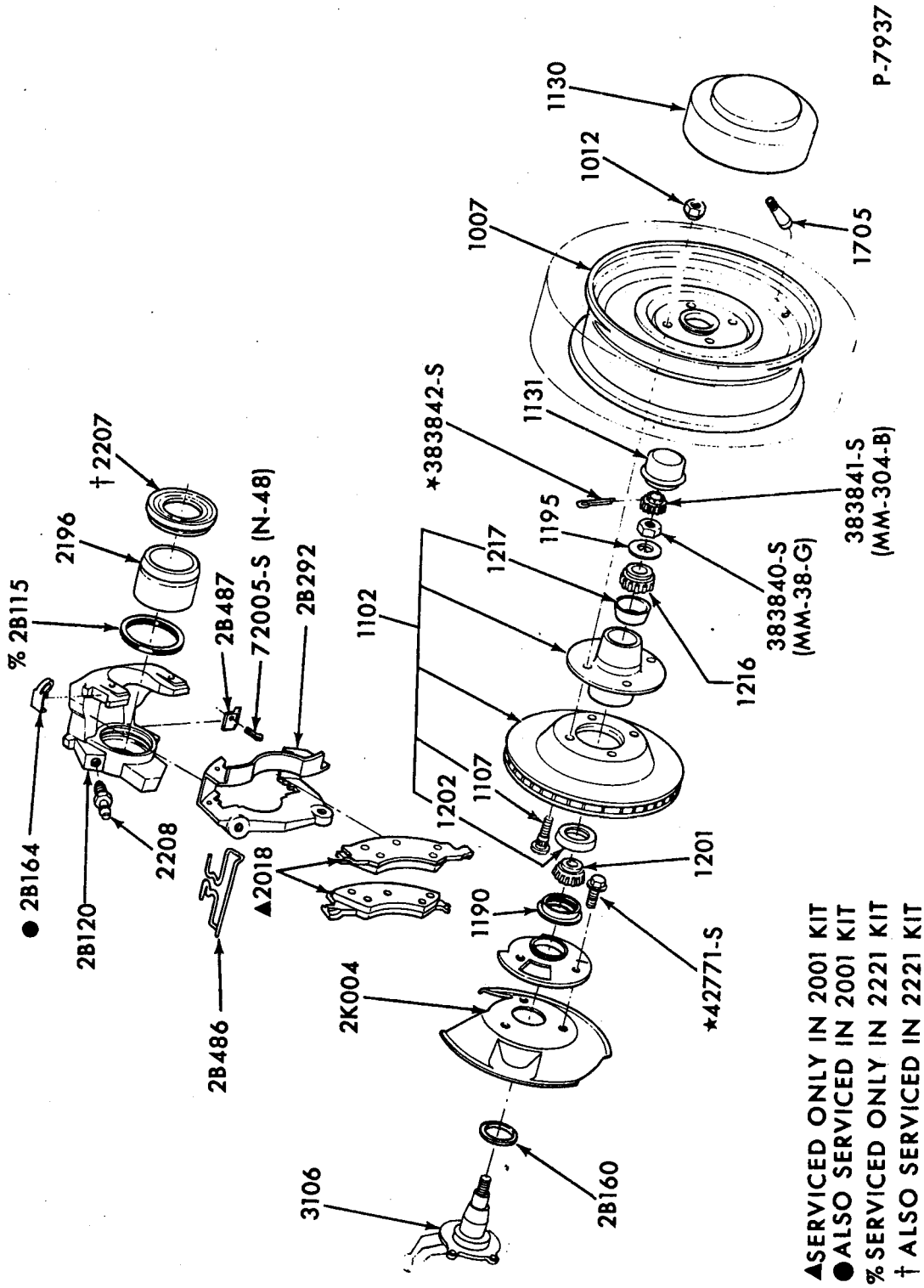
FRONT DISC BRAKE DETAILS  
 1968/72 FORD 1968/71 THUNDERBIRD



P-6218

† ALSO SERVICED IN 2221 KIT  
• REFER TO GROUP 1102 FOR PART NUMBER & MODEL APPLICATION

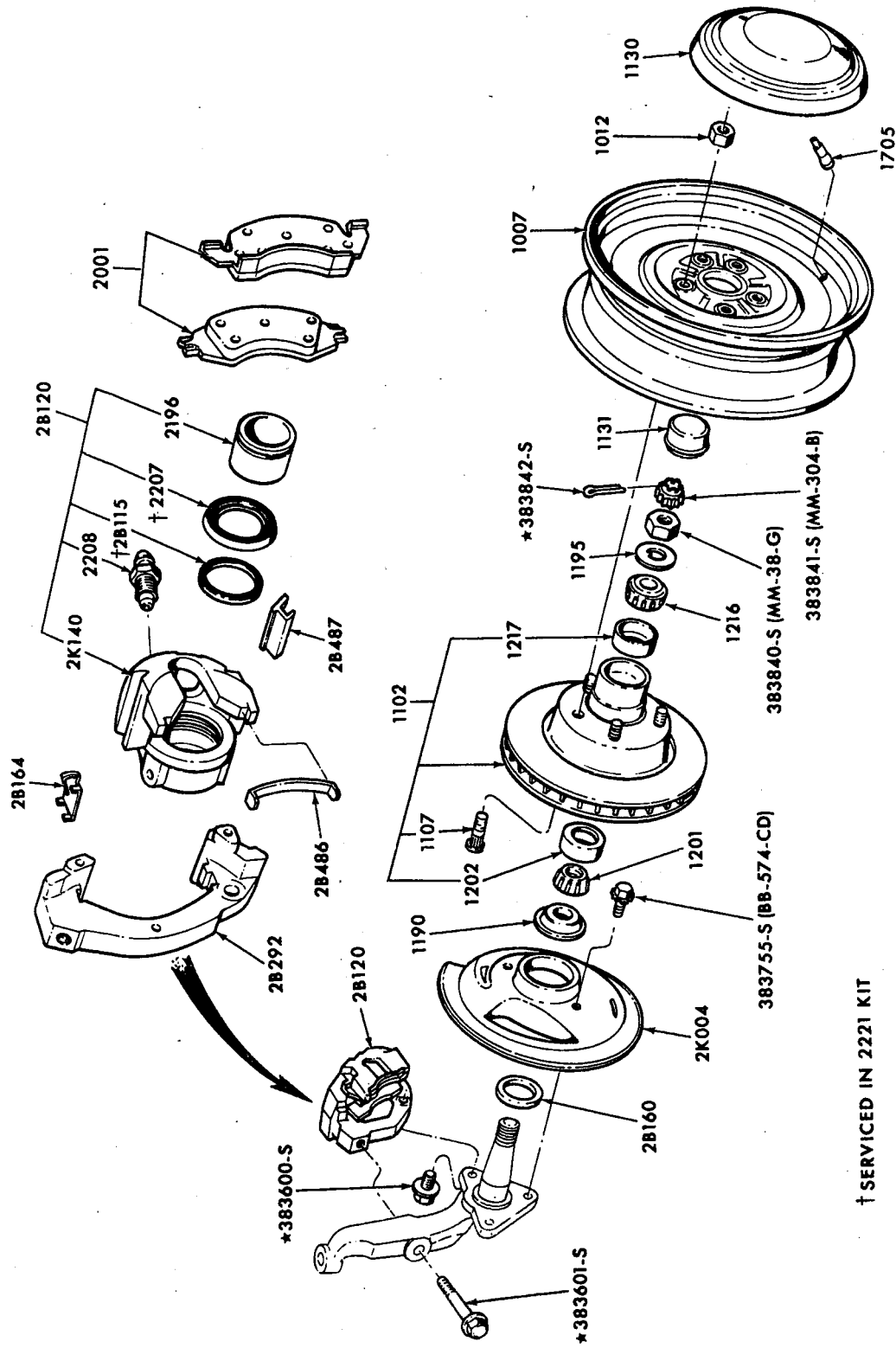
FRONT DISC BRAKE DETAILS  
1968/71 FAIRLANE/TORINO 1968/72 FALCON & MUSTANG



P-7937

FRONT DISC BRAKE DETAILS  
1971/72 PINTO

FORD CAR PARTS



† SERVICED IN 2221 KIT

FRONT DISC BRAKE DETAILS  
1972 THUNDERBIRD, TORINO



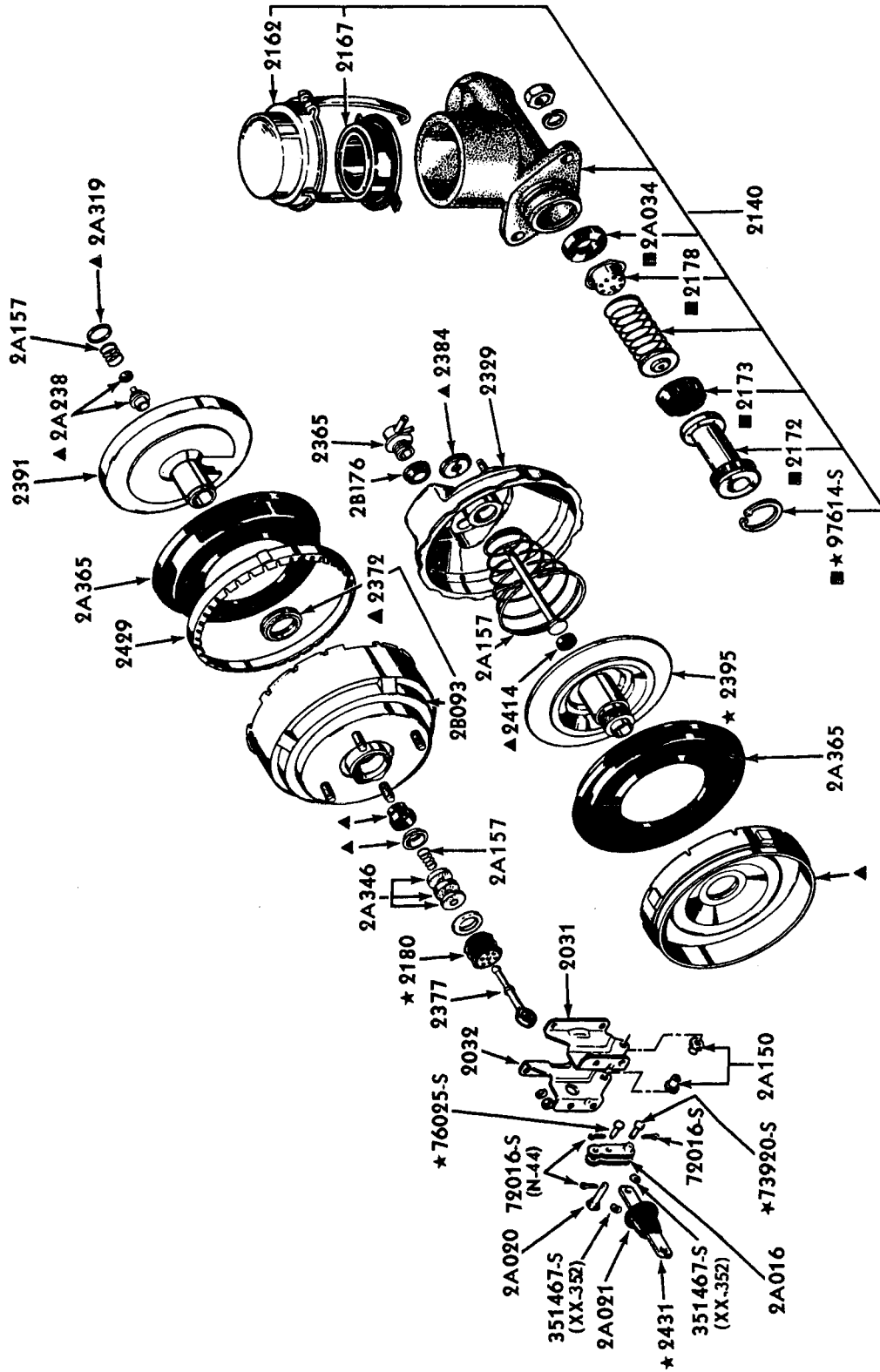






ILLUSTRATION SECTION 23

FORD CAR PARTS



P-4892

▲ SUPPLIED IN 2005 BOOSTER ASSEMBLY ONLY  
 ■ SUPPLIED IN 2005 BOOSTER ASSEMBLY  
 AND 2004 MASTER CYLINDER REPAIR KIT

POWER BRAKE BOOSTER DETAILS ( BENDIX TANDEM DIAPHRAGM)  
 1965/86 THUNDERBIRD



B

**ILLUSTRATION  
SECTION 30**
**FORD CAR PARTS**
**INDEX**
**1965**

TITLE	SECTION	PAGE	ILLUS. NU.
<b>F (MUSTANG) - continued</b>			
Control valve details - 6 cyl.	36.2	5	P-7454
- 8 cyl.	36.2	4	P-7453
Cylinder details	36.2	6	P-4180
<b>S (THUNDERBIRD)</b>			
FRONT SUSPENSION - arms, shock absorbers, spindles, springs, stabilizer	30	5	P-4400
<b>STEERING</b>			
Power steering system	36	7	P-4578
Pump details - Ford type	36.2	2	P-4574
- Eaton type	36.2	1	P-9579
Steering gear details	36.1	2	P-4577
Steering linkage	36	7	P-4578
Steering column - automatic trans. - column shift - fixed	A72	5	P-3284
- movable	A72	6	P-4224
Steering wheel & horn ring	138	2	P-4544
<b>X (FALCON)</b>			
FRONT SUSPENSION - arms, spindles, springs	30	4	P-3120
- shock absorbers	180	1	P-3129
<b>STEERING</b>			
<b>Manual steering system</b>			
Steering gear details	36.1	4	P-3122
Steering linkage - 6 cyl.	32	2	P-3121
- 8 cyl.	32	3	P-4483
Power steering system - 6 cyl.	36	5	P-4606
- 8 cyl.	36	6	P-4605
Control valve details - 6 cyl.	36.2	5	P-7454
- 8 cyl.	36.2	4	P-7453
Cylinder details	36.2	6	P-4180
Pump details - Ford type	36.2	2	P-4574
- Eaton type	36.2	1	P-9579
Steering gear details	36.1	4	P-3122
Steering linkage - 6 cyl.	36	5	P-4606
- 8 cyl.	36	6	P-4605
Steering column - automatic transmission - column shift	A72	7	P-4601
- floor shift	35	4	P-6366
- manual transmission - column shift	72	4	P-4600
- floor shift	35	4	P-6366
Steering wheel & horn ring	138	1	P-4864

**1966**

<b>A (FORD)</b>			
FRONT SUSPENSION - arms, shock absorbers, spindles, springs, stabilizer	30	1	P-4545
<b>STEERING</b>			
<b>Manual steering system</b>			
Steering gear details	36.1	1	P-4607
Steering linkage	36	1	P-4579
Power steering system	36	1	P-4579
Pump details	36.2	2	P-4574
Steering gear details - Ford type	36.1	2	P-4577
- Saginaw type	36.1	3	P-4723
Steering linkage	36	1	P-4579
Steering column - automatic trans. - column shift - fixed	A72	1	P-4930
- movable	A72	2	P-4931
- floor shift	35	1	P-5495
- manual trans. - column shift	72	2	P-4794
- floor shift	35	1	P-5495
Steering wheel & horn ring	138	1	P-4864



D

**ILLUSTRATION  
SECTION 30**
**FORD CAR PARTS**
**INDEX**

TITLE	SECTION	PAGE	ILLUS. NO.
-------	---------	------	------------

**1966**
**U (BRONCO)**

FRONT AXLE	30	7	P-5312
FRONT SUSPENSION - air spring installation	30	12	P-10876
- spindles	30	7	P-5312
- springs, arms, shock absorbers	30	6	P-4938
STEERING			
Manual steering system			
Steering gear details	36.1	6	P-9981
Steering linkage	30	6	P-4938
Steering column - manual transmission - column shift	35	7	P-4962
Steering wheel & horn ring	138	3	P-4953

**X (FALCON)**

FRONT SUSPENSION - arms, shock absorbers, spindles, springs, stabilizer	30	3	P-4945
STEERING			
Manual steering system			
Steering gear details	36.1	6	P-9859
Steering linkage	32	1	P-3669
Power steering system	36	3	P-4986
Control valve details	36.2	5	P-7454
Cylinder details	36.2	6	P-4180
Pump details	36.2	2	P-4574
Steering gear details	36.1	6	P-9859
Steering linkage	36	3	P-4986
Steering column - automatic transmission - column shift	A72	4	P-5001
- floor shift	35	3	P-5138
- manual transmission - column shift	72	5	P-5000
- floor shift	35	3	P-5138
Steering wheel & horn ring	138	3	P-5145

**1967**
**A (FORD)**

FRONT SUSPENSION - arms, shock absorbers, spindles, springs, stabilizer	30	1	P-4545
STEERING			
Manual steering system			
Steering gear details	36.1	1	P-4607
Steering linkage - 6 cyl.	36	8	P-5616
- 8 cyl.	36	9	P-5617
Power steering system - 6 cyl.	36	8	P-5616
- 8 cyl.	36	9	P-5617
Pump details	36.2	3	P-5615
Steering gear details - Ford type	36.1	2	P-4577
- Saginaw type	36.1	3	P-4723
Steering linkage - 6 cyl.	36	8	P-5616
- 8 cyl.	36	9	P-5617
Steering column - automatic transmission - column shift	A72	8	P-5497
- floor shift	35	1	P-5495
- manual transmission - column shift	72	7	P-5496
- floor shift	35	1	P-5495
Steering wheel & horn ring - except wood grain - 2 spoke	138	4	P-5744
- wood grain - 3 spoke	138	6	P-5747



F

**ILLUSTRATION  
SECTION 30**
**FORD CAR PARTS**
**INDEX**

TITLE	SECTION	PAGE	ILLUS. NO.
-------	---------	------	------------

**1967**
**S (THUNDERBIRD)**

FRONT SUSPENSION - arms, shock absorbers, spindles, springs, stabilizer	30	1	P-4545
<b>STEERING</b>			
Power steering system	36	11	P-5618
Pump details	36.2	3	P-5615
Steering gear details	36.1	2	P-4577
Steering linkage	36	11	P-5618
Steering column - automatic transmission - column shift	A72	9	P-5493
Steering wheel & horn ring	138	4	P-5743

**U (BRONCO)**

FRONT AXLE	30	7	P-5312
FRONT SUSPENSION - air spring installation	30	12	P-10676
- arms, shock absorbers, springs	30	6	P-4938
- spindles	30	7	P-5312
<b>STEERING</b>			
Manual steering system			
Steering gear details	36.1	6	P-9981
Steering linkage	30	6	P-4938
Steering column - manual transmission - column shift	35	7	P-4962
Steering wheel & horn ring	138	3	P-4953

**X (FALCON)**

FRONT SUSPENSION - arms, shock absorbers, spindles, springs, stabilizer	30	3	P-4945
<b>STEERING</b>			
Manual steering system			
Steering gear details	36.1	6	P-9859
Steering linkage	32	4	P-5959
Power steering system	36	3	P-4986
Control valve details	36.2	5	P-7454
Cylinder details	36.2	6	P-4180
Pump details	36.2	3	P-5615
Steering gear details	36.1	6	P-9859
Steering linkage	36	3	P-4986
Steering column - automatic transmission - column shift	A72	4	P-5001
- floor shift	35	3	P-5138
- manual transmission - column shift	72	5	P-5000
- floor shift	35	3	P-5138
Steering wheel & horn ring - except wood grain	138	5	P-5745
- wood grain	138	6	P-5747

**1968**
**A (FORD)**

FRONT SUSPENSION - arms, shock absorbers, spindles, springs, stabilizer	30	1	P-4545
<b>STEERING</b>			
Manual steering system			
Steering gear details	36.1	1	P-4607
Steering linkage - 6 cyl.	36	8	P-5616
- 8 cyl.	36	9	P-5617
Power steering system - 6 cyl.	36	8	P-5616
- 8 cyl.	36	9	P-5617
Pump details	36.2	3	P-5615
Steering gear details - Ford type	36.1	2	P-4577
- Saginaw type	36.1	3	P-4723
Steering linkage - 6 cyl.	36	8	P-5616
- 8 cyl.	36	9	P-5617



**INDEX**

TITLE	SECTION	PAGE	ILLUS. NO.
-------	---------	------	------------

**1968**

**A (FORD) - continued**

Steering column - automatic trans. - column shift - fixed wheel	A72	10	P-6017
- tilt wheel	A72	11	P-5986
- floor shift - fixed wheel	35	8	P-5984
- tilt wheel	35	9	P-6016
- manual trans. - column shift	72	8	P-5985
- floor shift - fixed wheel	35	8	P-5984
- tilt wheel	35	9	P-6016
Steering wheel & horn ring	138	7	P-6025

**B (FAIRLANE/TORINO)**

FRONT SUSPENSION - arms, shock absorbers, spindles, springs, stabilizer	30	8	P-6927
<b>STEERING</b>			
Manual steering system			
Steering linkage	32	4	P-5959
Steering gear details	36.1	6	P-9859
Power steering system	36	3	P-4986
Control valve details	36.2	5	P-7454
Cylinder details	36.2	6	P-4180
Pump details	36.2	3	P-5615
Steering gear details	36.1	6	P-9859
Steering linkage	36	3	P-4986
Steering column - automatic transmission - column shift	A72	14	P-6020
- floor shift	35	10	P-6018
- manual transmission - column shift	72	9	P-6019
- floor shift	35	10	P-6018
Steering wheel & horn ring	138	7	P-6025

**F (MUSTANG)**

FRONT SUSPENSION - arms, shock absorbers, spindles, springs, stabilizer	30	8	P-6927
<b>STEERING</b>			
Manual steering system			
Steering linkage	32	4	P-5959
Steering gear details	36.1	6	P-9859
Power steering system	36	10	P-5714
Control valve details	36.2	5	P-7454
Cylinder details	36.2	6	P-4180
Pump details	36.2	3	P-5615
Steering gear details	36.1	6	P-9859
Steering linkage	36	10	P-5714
Steering column - floor shift - tilt wheel	35	11	P-5769
- fixed wheel	35	12	P-5770
Steering wheel & horn ring	138	7	P-6025

**S (THUNDERBIRD)**

FRONT SUSPENSION - arms, shock absorbers, spindles, springs, stabilizer	30	1	P-4545
<b>STEERING</b>			
Power steering system	36	11	P-5618
Pump details	36.2	3	P-5615
Steering gear details	36.1	2	P-4577
Steering linkage	36	11	P-5618
Steering column - automatic transmission - column shift - fixed	A72	15	P-6021
- tilt	A72	16	P-6022
Steering wheel & horn ring - except with speed control	138	7	P-6025
- with speed control	97.1	16	P-6211

## INDEX

TITLE	SECTION	PAGE	ILLUS. NO.
-------	---------	------	------------

1968

## U (BRONCO)

FRONT AXLE	30	7	P-5312
FRONT SUSPENSION - air spring installation	30	12	P-10876
- arms, shock absorbers, springs	30	6	P-4938
- spindles	30	7	P-5312
STEERING			
Manual steering system			
Steering gear details	36.1	6	P-9881
Steering linkage	30	6	P-4938
Steering column - manual transmission - column shift	35	7	P-4962
Steering shock absorber installation	35	7	P-4962
Steering wheel & horn ring	138	3	P-4953

## X (FALCON)

FRONT SUSPENSION - arms, shock absorbers, spindles, springs, stabilizer	30	8	P-6927
STEERING			
Manual steering system			
Steering gear details	36.1	6	P-9859
Steering linkage	32	4	P-5959
Power steering system	36	3	P-4986
Control valve details	36.2	5	P-7454
Cylinder details	36.2	6	P-4180
Pump details	36.2	3	P-5615
Steering gear details	36.1	6	P-9859
Steering linkage	36	3	P-4986
Steering column - automatic transmission - column shift	A72	14	P-6020
- floor shift	35	10	P-6018
- manual transmission - column shift	72	9	P-6019
- floor shift	35	10	P-6018
Steering wheel & horn ring	138	7	P-6025

1969

## A (FORD)

FRONT SUSPENSION - arms, shock absorbers, spindles, springs stabilizer	30	1	P-4545
STEERING			
Manual steering system			
Steering linkage - 6 cyl.	36	8	P-5616
- 8 cyl.	36	9	P-5617
Steering gear details	36.1	1	P-4607
Power steering system - 6 cyl.	36	8	P-5616
- 8 cyl.	36	9	P-5617
Pump details	36.2	3	P-5615
Steering gear details - Ford type	36.1	2	P-4577
- Saginaw type	36.1	3	P-4723
Steering linkage - 6 cyl.	36	8	P-5616
- 8 cyl.	36	9	P-5617
Steering column - automatic trans. - column shift - fixed wheel	A72	12	P-6783
- tilt wheel	A72	13	P-6784
- floor shift - fixed wheel	35	13	P-6786
- tilt wheel	35	14	P-6787
- manual trans. - column shift	72	10	P-6785
- floor shift - fixed wheel	35	13	P-6786
- tilt wheel	35	14	P-6787
Steering wheel & horn ring - 2 spoke - w/o speed control	138	7	P-6025
- w/ speed control	97.1	18	P-6686
- 3 spoke (rim blow)	138	7	P-6823

**INDEX**

TITLE	SECTION	PAGE	ILLUS. NO.
-------	---------	------	------------

**1969**

**B (FAIRLANE/TORINO)**

FRONT SUSPENSION - arms, shock absorbers, spindles, springs, stabilizer	30	8	P-6927
<b>STEERING</b>			
Manual steering system			
Steering gear details	36.1	6	P-9859
Steering linkage	32	4	P-5959
Power steering system			
Control valve details	36.2	5	P-7454
Cylinder details	36.2	6	P-4180
Pump details	36.2	3	P-5615
Pump installation - 6 cyl.	36.4	4	P-6946
- 8 cyl.	36.4	5	P-6947
Steering gear details	36.1	6	P-9859
Steering linkage	36.3	2	P-6906
Steering column - automatic transmission - column shift	A72	14	P-6020
- floor shift	35	10	P-6018
- manual transmission - column shift	72	9	P-6019
- floor shift	35	10	P-6018
Steering wheel & horn ring - 2 spoke	138	7	P-6025
- 3 spoke (rim blow)	138	7	P-6823

**F (MUSTANG)**

FRONT SUSPENSION - arms, shock absorbers, spindles, springs, stabilizer	30	8	P-6927
<b>STEERING</b>			
Manual steering system			
Steering gear details	36.1	6	P-9859
Steering linkage	32	4	P-5959
Power steering system			
Control valve details	36.2	5	P-7454
Cylinder details	36.2	6	P-4180
Pump details	36.2	3	P-5615
Pump installation - 6 cyl.	36.4	4	P-6946
- 8 cyl.	36.4	5	P-6947
Steering gear details	36.1	6	P-9859
Steering linkage	36.3	2	P-6906
Steering column - floor shift - fixed	35	15	P-6781
- tilt	35	16	P-6782
Steering wheel & horn ring - 2 spoke	138	7	P-6025
- 3 spoke (rim blow)	138	7	P-6823

**S (THUNDERBIRD)**

FRONT SUSPENSION - arms, shock absorbers, spindles, springs, stabilizer	30	1	P-4545
<b>STEERING</b>			
Power steering system	36	11	P-5618
Pump details	36.2	3	P-5615
Steering gear details	36.1	2	P-4577
Steering linkage	36	11	P-5618
Steering column - automatic transmission - column shift - fixed	A72	15	P-6021
- tilt	A72	16	P-6022
Steering wheel & horn ring - 2 spoke - w/o speed control	138	7	P-6025
- w/ speed control	97.1	16	P-6211
- 3 spoke (rim blow)	138	7	P-6823

K

**ILLUSTRATION  
SECTION 30**
**FORD CAR PARTS**
**INDEX**

TITLE	SECTION	PAGE	ILLUS. NO.
-------	---------	------	------------

**1969**
**U (BRONCO)**

FRONT AXLE	30	7	P-5312
FRONT SUSPENSION - air spring installation	30	12	P-10676
- arms, shock absorbers, springs	30	6	P-4938
- spindles	30	7	P-5312
STEERING			
Manual steering system			
Steering gear details	36.1	6	P-9981
Steering linkage	30	6	P-4938
Steering column - manual transmission - column shift	35	7	P-4962
Steering shock absorber installation	35	7	P-4962
Steering wheel & horn ring	138	3	P-4953

**X (FALCON)**

FRONT SUSPENSION - arms, shock absorbers, spindles, springs, stabilizer	30	8	P-6927
STEERING			
Manual steering system			
Steering gear details	36.1	6	P-9859
Steering linkage	32	4	P-5959
Power steering system			
Control valve details	36.2	5	P-7454
Cylinder details	36.2	6	P-4180
Pump details	36.2	3	P-5615
Pump installation - 6 cyl.	36.4	4	P-6946
- 8 cyl.	36.4	5	P-6947
Steering linkage	36.3	2	P-6906
Steering gear details	36.1	6	P-9859
Steering column - automatic transmission - column shift	A72	14	P-6020
- floor shift	35	10	P-6018
- manual transmission - column shift	72	9	P-6019
- floor shift	35	10	P-6018
Steering wheel & horn ring - 2 spoke	138	7	P-6025
- 3 spoke (rim blow)	138	7	P-6823

**1970**
**A (FORD)**

FRONT SUSPENSION - arms, shock absorbers, spindles, springs, stabilizer	30	1	P-4545
STEERING			
Manual steering system			
Steering gear details	36.1	1	P-4607
Steering linkage	36.3	1	P-7362
Power steering system			
Pump details	36.2	3	P-5615
Pump installation - 6 cyl. 240	36.4	1	P-7364
- 8 cyl. 302, 351	36.4	9	P-7366
- 8 cyl. 390, 428	36.4	2	P-7367
- 8 cyl. 429	36.4	3	P-7369
Steering gear details	36.1	2	P-4577
Steering linkage	36.3	1	P-7362

INDEX			
TITLE	SECTION	PAGE	ILLUS. NO.
1970			

### A (FORD)

STEERING - continued			
Steering column - automatic trans. - column shift - fixed wheel	A72	18	P-7220
- tilt wheel	A72	19	P-7241
- floor shift - fixed wheel	35	17	P-7243
- tilt wheel	35	18	P-7242
- manual trans. - column shift	72	12	P-7244
- floor shift - fixed wheel	35	17	P-7243
- tilt wheel	35	18	P-7242
Steering wheel - 2 spoke - w/o speed control	138	8	P-7513
- w/speed control	97.1	18	P-6686
- 3 spoke	138	8	P-7514

### B (FAIRLANE/TORINO)

#### B (FALCON) - FROM 1/2/70

FRONT SUSPENSION-arms, shock absorbers, spindles, springs, stabilizer	30	8	P-6927
STEERING			
Manual steering system			
Steering gear details	36.1	6	P-9859
Steering linkage	32	4	P-5959
Power steering system			
Control valve details	36.2	5	P-7454
Cylinder details	36.2	6	P-4180
Pump details	36.2	3	P-5615
Pump installation - 6 cyl.	36.4	4	P-6946
- 8 cyl. 302,351	36.4	6	P-7365
- 8 cyl. 429	36.4	7	P-7368
Steering gear details	36.1	6	P-9859
Steering linkage	36.3	2	P-6906
Steering column - automatic transmission - column shift	A72	20	P-7249
- floor shift	35	19	P-7248
- manual transmission - column shift	72	13	P-7247
- floor shift	35	19	P-7248
Steering wheel - 2 spoke	138	8	P-7513
- 3 spoke-rim blow-with cover	138	8	P-7514
- 3 spoke-rim blow-w/o cover	138	9	P-10685

### F (MUSTANG)

FRONT SUSPENSION-arms, shock absorbers, spindles, springs, stabilizer	30	8	P-6927
STEERING			
Manual steering system			
Steering gear details	36.1	6	P-9859
Steering linkage	32	4	P-5959
Power steering system			
Control valve details	36.2	5	P-7454
Cylinder details	36.2	6	P-4180
Pump details	36.2	3	P-5615
Pump installation - 6 cyl.	36.4	4	P-6946
- 8 cyl. 302,351	36.4	6	P-7365
- 8 cyl. 428	36.4	5	P-6947
Steering gear details	36.1	6	P-9859
Steering linkage	36.3	2	P-6906
Steering column - floor shift - fixed wheel	35	20	P-7245
- tilt wheel	35	21	P-7246
Steering wheel - 2 spoke	138	8	P-7513
- 3 spoke-rim blow-with cover	138	8	P-7514
- 3 spoke-rim blow-w/o cover	138	9	P-10685

M

ILLUSTRATION  
SECTION 30

## FORD CAR PARTS

## INDEX

TITLE	SECTION	PAGE	ILLUS. NO.
<b>1970</b>			
<b>P (MAVERICK)</b>			
FRONT SUSPENSION-arms, shock absorbers, spindles, springs, stabilizer	30	8	P-6927
<b>STEERING</b>			
Manual steering system			
Steering gear details	36.1	6	P-9859
Steering linkage	32	5	P-6929
Power steering system			
Control valve details	36.2	5	P-7454
Cylinder details	36.2	6	P-4180
Pump details	36.2	3	P-5615
Pump installation - 6 cyl.170,200	36.4	8	P-6957
- 6 cyl.250	36.4	4	P-6946
Steering gear details	36.1	6	P-9859
Steering linkage	36.3	3	P-6958
Steering column - automatic transmission - non-locking	A72	17	P-6967
- locking	A72	23	P-7747
- manual transmission - non-locking	72	11	P-6968
- locking	72	14	P-7748
Steering wheel & horn ring (without locking steering column)	138	7	P-6025
Steering wheel & horn ring (with locking steering column)			
- 2 spoke	138	8	P-7513
- 3 spoke	138	8	P-7514
<b>S (THUNDERBIRD)</b>			
FRONT SUSPENSION - arms, shock absorbers, spindles, springs, stabilizer	30	1	P-4545
<b>STEERING</b>			
Power steering system			
Pump details	36.2	3	P-5615
Pump installation	36.4	3	P-7369
Steering gear details	36.1	2	P-4577
Steering linkage	36.3	1	P-7362
Steering column - automatic transmission - fixed	A72	21	P-7219
- tilt	A72	22	P-7218
Steering wheel - 2 spoke - w/o speed control	138	8	P-7513
- w/speed control	97.1	22	P-7698
- 3 spoke	138	8	P-7514
<b>U (BRONCO)</b>			
FRONT AXLE	30	7	P-5312
FRONT SUSPENSION - air spring installation	30	12	P-10676
- arms, shock absorbers, springs	30	6	P-4938
- spindles	30	7	P-5312
<b>STEERING</b>			
Manual steering system			
Steering gear details	36.1	6	P-9981
Steering linkage	30	6	P-4938
Steering column - manual transmission - column shift	35	7	P-4962
Steering shock absorber installation	35	7	P-4962
Steering wheel & horn ring	138	3	P-4953

### INDEX

TITLE	SECTION	PAGE	ILLUS. NO.
-------	---------	------	------------

## 1970

### X (FALCON) - BEFORE 1/2/70 FOR UNITS BUILT FROM 1/2/70 REFER TO B (FALCON)

FRONT SUSPENSION - arms, shock absorbers, spindles, springs, stabilizer	30	8	P-6927
<b>STEERING</b>			
Manual steering system			
Steering gear details	36.1	6	P-9859
Steering linkage	32	4	P-5959
Power steering system			
Control valve details	36.2	5	P-7454
Cylinder details	36.2	6	P-4180
Pump details	36.2	3	P-5615
Pump installation - 6 cyl.	36.4	4	P-6946
- 8 cyl.	36.4	6	P-6947
Steering gear details	36.1	6	P-9859
Steering linkage	36.3	2	P-6906
Steering column - automatic transmission	A72	14	P-6020
- manual transmission	72	9	P-6019
Steering wheel & horn ring - 2 spoke	138	7	P-6025
- 3 spoke (rim blow)	138	7	P-6823

## 1971

### A (FORD)

FRONT SUSPENSION - arms, shock absorbers, spindles, springs, stabilizer	30	1	P-4545
<b>STEERING</b>			
Manual steering system			
Steering gear details	38.1	1	P-4607
Steering linkage	36.3	1	P-7362
Power steering system			
Pump details	36.2	3	P-5615
Pump installation - 6 cyl. 240	36.4	1	P-7364
- 8 cyl. 302	36.4	9	P-7366
- 8 cyl. 390	36.4	2	P-7367
- 8 cyl. 351,400,429	36.4	3	P-7369
Steering gear details	36.1	2	P-4577
Steering linkage	36.3	1	P-7362
Steering column - automatic trans. - column shift - fixed wheel	A72	18	P-7220
- tilt wheel	A72	19	P-7241
- floor shift - fixed wheel	35	17	P-7243
- tilt wheel	35	18	P-7242
- manual trans. - column shift	72	12	P-7244
- floor shift - fixed wheel	35	17	P-7243
- tilt wheel	35	18	P-7242
Steering wheel - 2 spoke - w/o speed control	138	8	P-7513
- w/speed control	97.1	24	P-8310
- 3 spoke - rim blow	138	8	P-7514

### B (TORINO)

FRONT SUSPENSION - arms, shock absorbers, spindles, springs, stabilizer	30	8	P-6927
<b>STEERING</b>			
Manual steering system			
Steering gear details	36.1	6	P-9859
Steering linkage	32	4	P-5959

## INDEX

TITLE

SECTION

PAGE

ILLUS. NO.

1971

## B (TORINO)

TITLE	SECTION	PAGE	ILLUS. NO.
STEERING - continued			
Power steering system			
Control valve details	36.2	5	P-7454
Cylinder details	36.2	6	P-4180
Pump details	36.2	3	P-5615
Pump installation - 6 cyl.	36.4	4	P-6946
- 8 cyl. 302, 351	36.4	6	P-7365
- 8 cyl. 429	36.4	7	P-7368
Steering gear details	36.1	6	P-9859
Steering linkage	36.3	2	P-6906
Steering column - automatic transmission - column shift	A72	20	P-7249
- floor shift	35	19	P-7248
- manual transmission - column shift	72	13	P-7247
- floor shift	35	19	P-7248
Steering wheel - 2 spoke - pad blow	138	8	P-7513
- 3 spoke - rim blow - with cover	138	8	P-7514
- 3 spoke - rim blow - w/o cover	138	9	P-10685

## F (MUSTANG)

FRONT SUSPENSION - arms, shock absorbers, spindles, springs, stabilizer	30	8	P-6927
STEERING			
Manual steering system			
Steering gear details	36.1	6	P-9859
Steering linkage	36.3	4	P-8121
Power steering system			
Pump details	36.2	3	P-5615
Pump installation - 6 cyl. 250	36.4	1	P-7364
- 8 cyl. 302, 351	36.4	10	P-8119
- 8 cyl. 429	36.4	11	P-8120
Steering gear details	36.1	3	P-4723
Steering linkage	36.3	4	P-8121
Steering column - floor shift - fixed wheel	35	20	P-7245
- tilt wheel	35	21	P-7246
Steering wheel - 2 spoke - pad blow	138	8	P-7513
- 2 spoke - button blow	138	9	P-8307
- 3 spoke - rim blow - with cover	138	8	P-7514
- 3 spoke - rim blow - w/o cover	138	9	P-10685

## L (PINTO)

FRONT SUSPENSION - arms, shock absorbers, spindles, springs, stabilizer	30	9	P-7936
STEERING			
Manual steering system			
Steering gear details & linkage	36.1	5	P-7966
Steering column	35	22	P-7961
Steering wheel - 2 spoke wheel - button blow	138	9	P-8309
- 2 spoke wheel - pad blow	138	8	P-7513



**INDEX**

TITLE	SECTION	PAGE	ILLUS. NO.
-------	---------	------	------------

**1971**

**P (MAVERICK)**

FRONT SUSPENSION - arms, shock absorbers, spindles, springs, stabilizer	30	8	P-6927
<b>STEERING</b>			
Manual steering system			
Steering gear details	36.1	6	P-9859
Steering linkage	32	5	P-6929
Power steering system			
Control valve details	36.2	5	P-7454
Cylinder details	36.2	6	P-4180
Pump details	36.2	3	P-5615
Pump installation - 8 cyl.170,200	36.4	8	P-6957
- 6 cyl.250	36.4	4	P-6946
- 8 cyl.302	36.4	8	P-6957
Steering linkage	36.3	3	P-6958
Steering column - automatic transmission - column shift	A72	23	P-7747
- floor shift	35	23	P-8323
- manual transmission	72	13	P-7748
Steering wheel - 2 spoke - pad blow	138	8	P-7513
- 2 spoke - button blow	138	9	P-8309
- 3 spoke - rim blow	138	8	P-7514

**S (THUNDERBIRD)**

FRONT SUSPENSION - arms, shock absorbers, spindles, springs, stabilizer	30	1	P-4545
<b>STEERING</b>			
Power steering system			
Pump details	36.2	3	P-5615
Pump installation	36.4	3	P-7369
Steering gear details	36.1	2	P-4577
Steering linkage	36.3	1	P-7382
Steering column - automatic transmission - fixed	A72	21	P-7219
- tilt	A72	22	P-7218
Steering wheel - 2 spoke - w/o speed control	138	8	P-7513
- w/ speed control	97.1	22	P-7698
- 3 spoke - rim blow	138	8	P-7514

**U (BRONCO)**

FRONT AXLE ("Before Serial No. K20,001")	30	7	P-5312
("From Serial No. K20,001")	30	10	P-8317
FRONT SUSPENSION - air spring installation	30	12	P-10676
- arms, shock absorbers, springs	30	6	P-4938
- spindles ("Before Serial No. K20,001")	30	7	P-5312
- spindles ("From Serial No. K20,001")	30	10	P-8317
<b>STEERING</b>			
Manual steering system			
Steering gear details	36.1	6	P-9981
Steering linkage	30	6	P-4938
Steering column - manual transmission - column shift	35	7	P-4962
Steering shock absorber installation	35	7	P-4962
Steering wheel & horn ring	138	3	P-4953



**INDEX**

TITLE	SECTION	PAGE	ILLUS. NO.
-------	---------	------	------------

**1972**

**F (MUSTANG)**

FRONT SUSPENSION - arms, shock absorbers, spindles, springs, stabilizers	30	8	P-6927
<b>STEERING</b>			
Manual steering system			
Steering gear details	36.1	6	P-9859
Steering linkage	36.3	4	P-8121
Power steering system			
Pump details	36.2	3	P-5615
Pump installation - 6 cyl. 250	36.4	1	P-7364
- 8 cyl. 302,351	36.4	10	P-8119
Steering gear details	36.1	3	P-4723
Steering linkage	36.3	4	P-8121
Steering column - floor shift - fixed wheel	35	20	P-7245
- tilt wheel	35	21	P-7246
Steering wheel - 2 spoke - pad blow	138	8	P-7513
- 2 spoke - button blow	138	9	P-8307
- 3 spoke - rim blow - with cover	138	8	P-7514
- 3 spoke - rim blow - w/o cover	138	9	P-10685

**L (PINTO)**

FRONT SUSPENSION - arms, shock absorbers, spindles, springs, stabilizers	30	9	P-7936
<b>STEERING</b>			
Manual steering system			
Steering gear details & linkage	36.1	5	P-7966
Steering column - "Before 1/7/72"	35	22	P-7961
- "From 1/7/72"	35	25	P-10303
Steering wheel - 2 spoke wheel - button blow	138	9	P-8309
- 2 spoke wheel - pad blow	138	8	P-7513

**P (MAVERICK)**

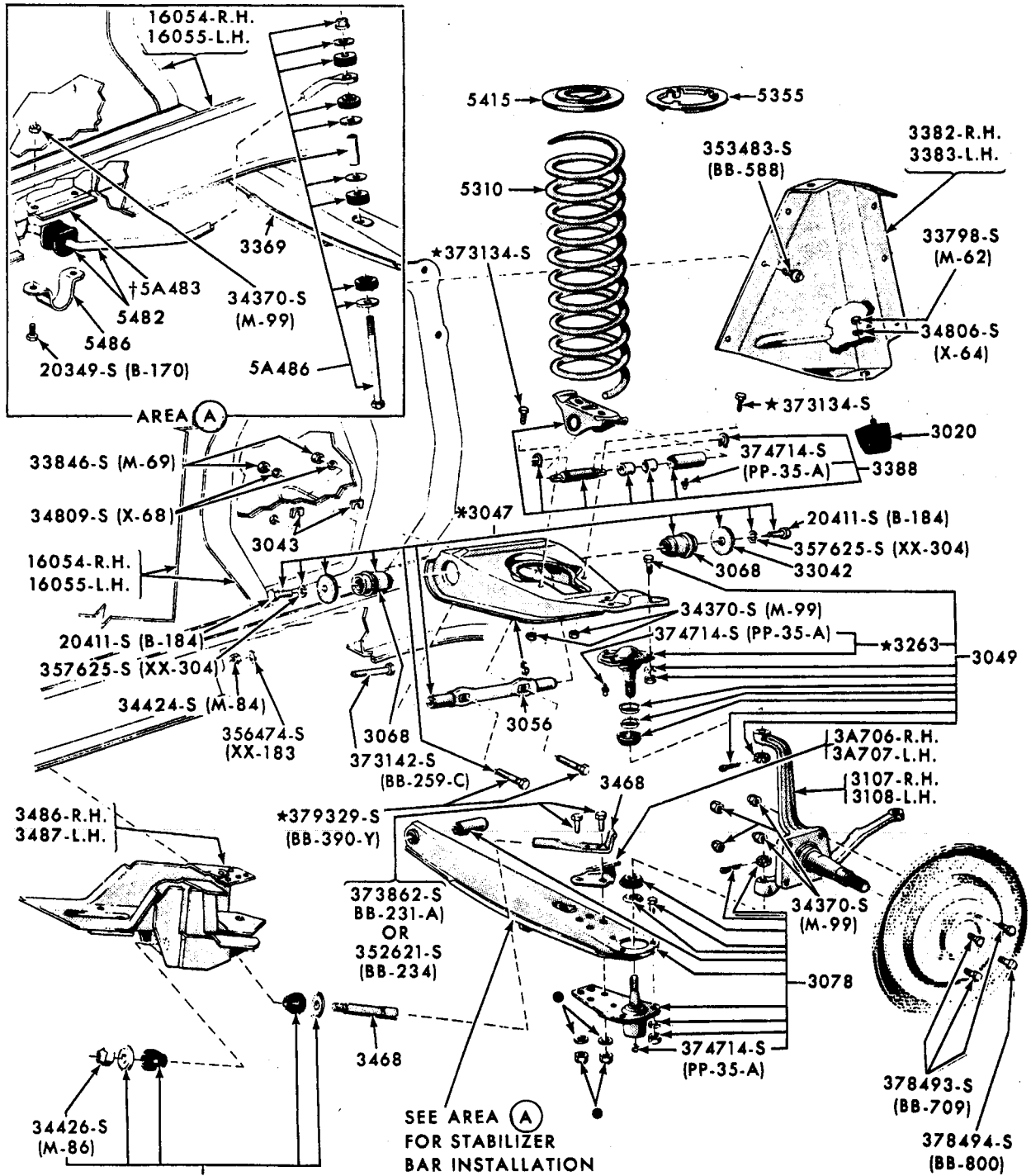
FRONT SUSPENSION - arms, shock absorbers, spindles, springs, stabilizer	30	8	P-6927
<b>STEERING</b>			
Manual steering system			
Steering gear details	36.1	6	P-9859
Steering linkage	32	5	P-6929
Power steering system			
Control valve details	36.2	5	P-7454
Cylinder details	36.2	6	P-4180
Pump details	36.2	3	P-5615
Pump installation - 6 cyl. 170,200	36.4	8	P-6957
- 6 cyl. 250	36.4	4	P-6946
- 8 cyl. 302	36.4	8	P-6957
Steering linkage	36.3	3	P-6958
Steering column - automatic trans. - column shift	A72	23	P-7747
- floor shift	35	23	P-8323
- manual trans.	72	14	P-7748
Steering wheel - 2 spoke - pad blow	138	8	P-7513
- 2 spoke - button blow	138	9	P-8309











† FALCON ONLY

\* ALSO SUPPLIED IN 3082 UPPER ARM, SHAFT AND JOINT ASSEMBLY

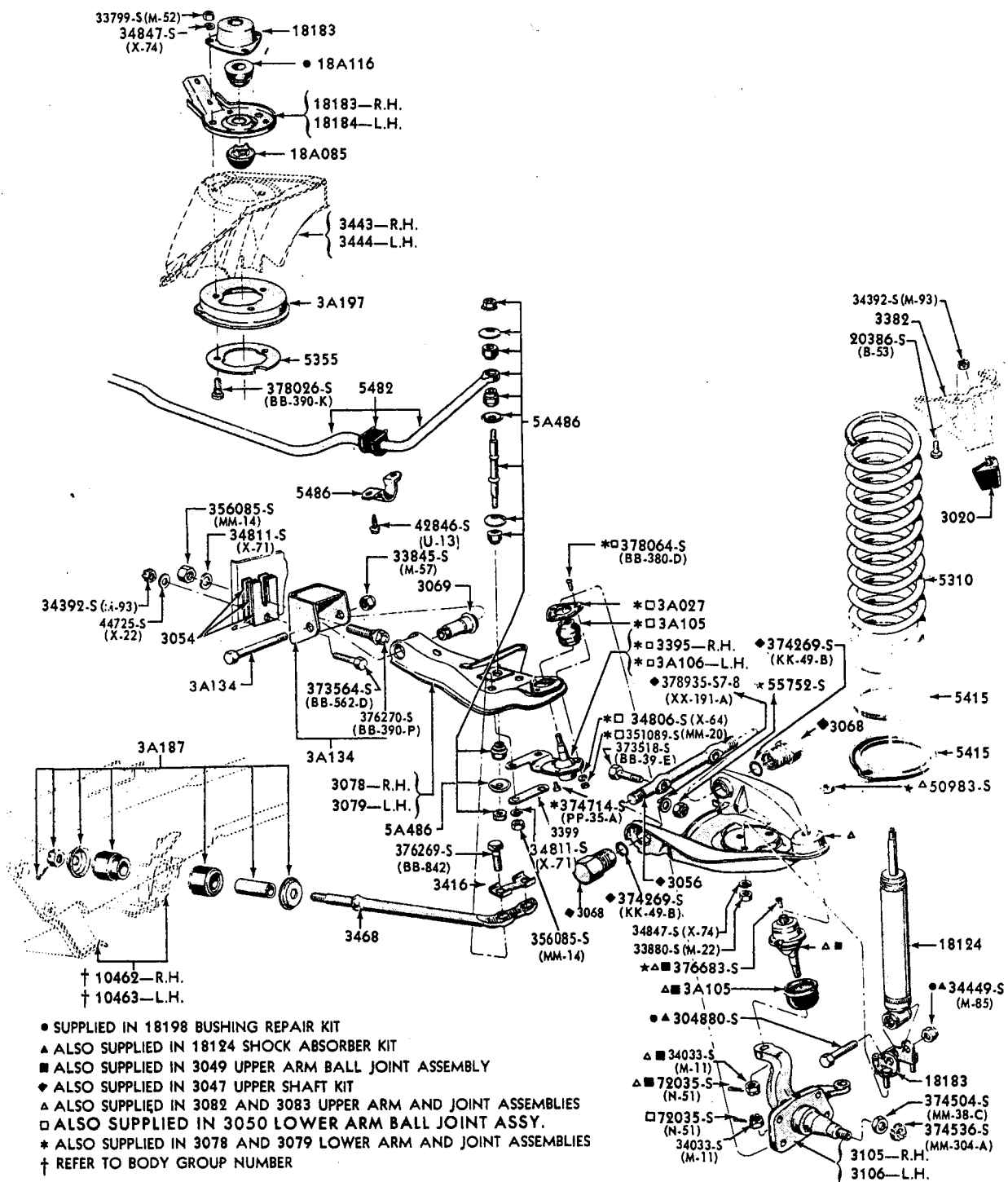
● SUPPLIED IN 3468 LOWER ARM STRUT REPAIR KIT

□ SUPPLIED IN 3082 UPPER ARM ASSY

& SUPPLIED ONLY IN 3082 UPPER ARM, SHAFT AND JOINT ASSEMBLY

P-3120



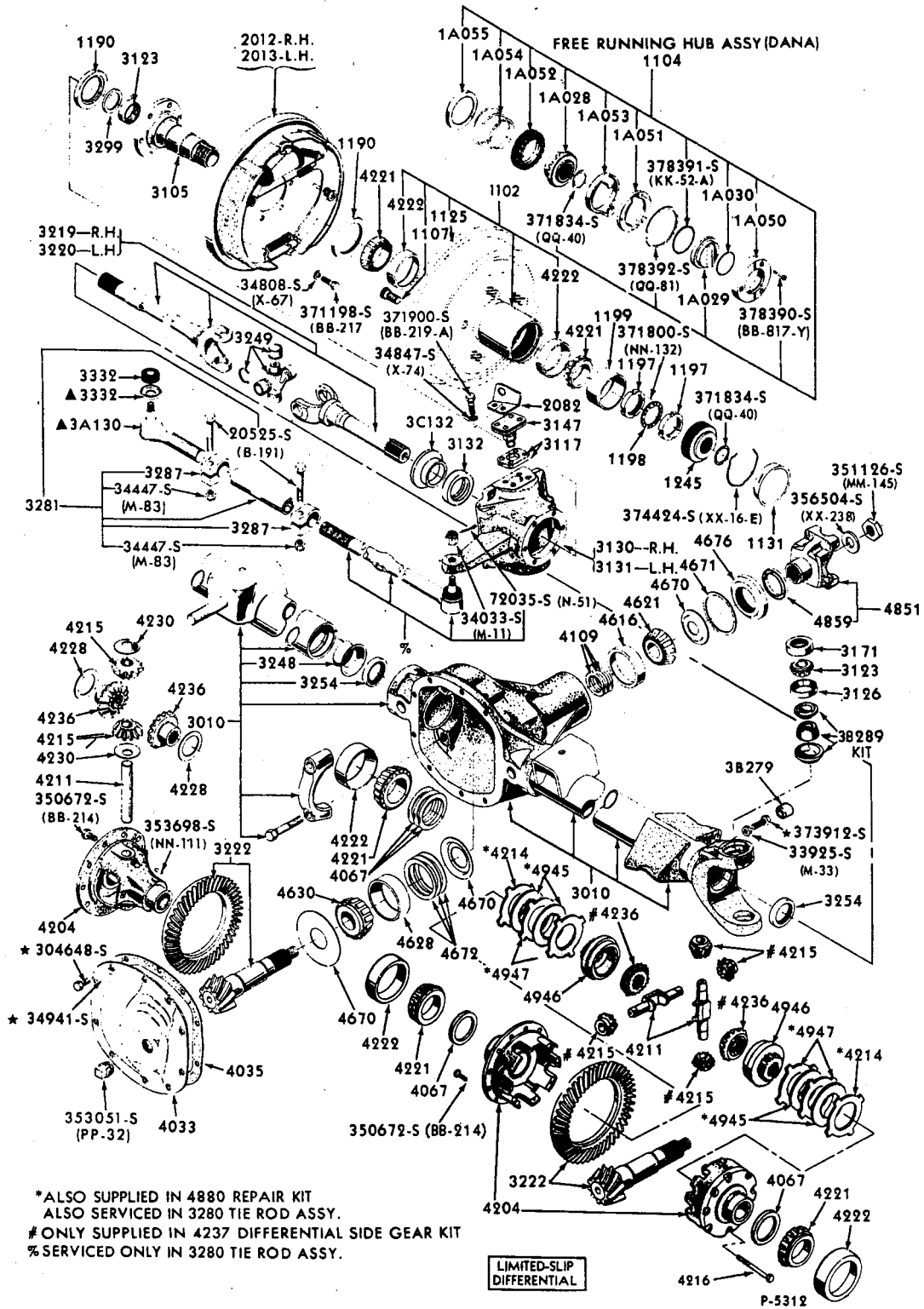


- SUPPLIED IN 18198 BUSHING REPAIR KIT
- ▲ ALSO SUPPLIED IN 18124 SHOCK ABSORBER KIT
- ALSO SUPPLIED IN 3049 UPPER ARM BALL JOINT ASSEMBLY
- ◆ ALSO SUPPLIED IN 3047 UPPER SHAFT KIT
- △ ALSO SUPPLIED IN 3082 AND 3083 UPPER ARM AND JOINT ASSEMBLIES
- ALSO SUPPLIED IN 3050 LOWER ARM BALL JOINT ASSY.
- \* ALSO SUPPLIED IN 3078 AND 3079 LOWER ARM AND JOINT ASSEMBLIES
- † REFER TO BODY GROUP NUMBER

P-4400

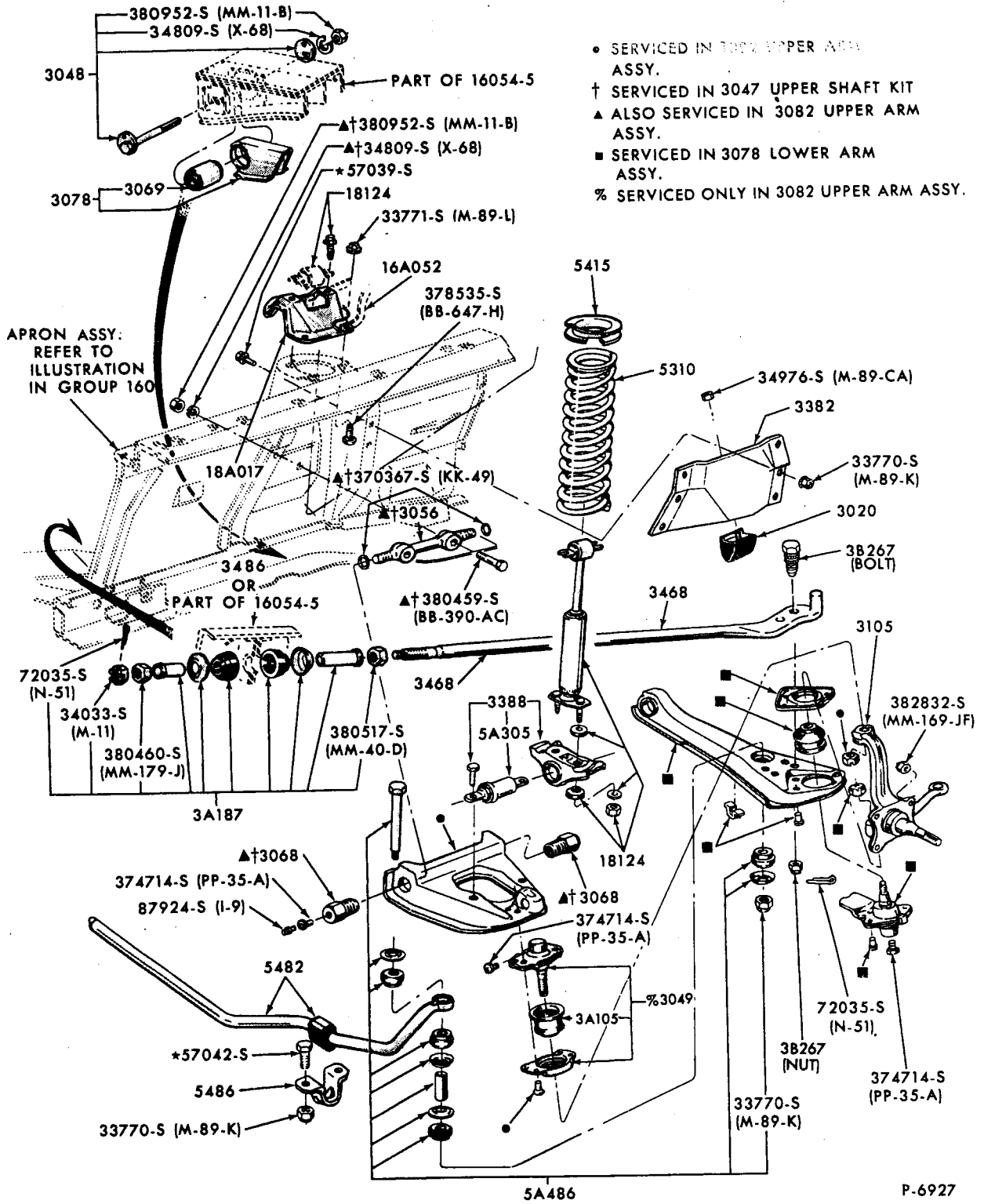
FRONT SUSPENSION  
1965/66 THUNDERBIRD





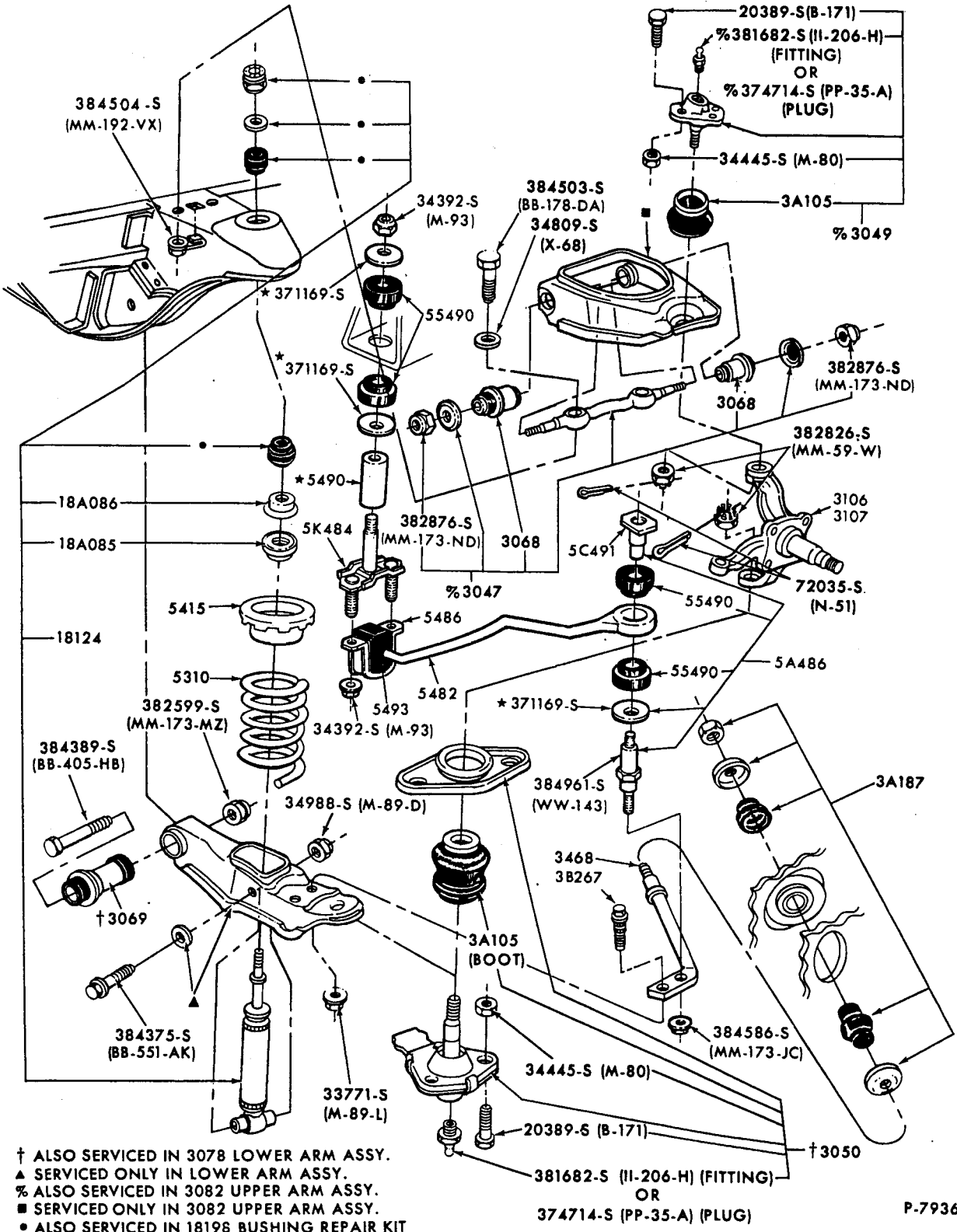
FRONT AXLE

1966/71 BRONCO - "BEFORE SER. K20,001"



- SERVICED IN 3002 UPPER ARM ASSY.
- † SERVICED IN 3047 UPPER SHAFT KIT
- ▲ ALSO SERVICED IN 3082 UPPER ARM ASSY.
- SERVICED IN 3078 LOWER ARM ASSY.
- % SERVICED ONLY IN 3082 UPPER ARM ASSY.

FRONT SUSPENSION  
1968/71 FAIRLANE/TORINO, 1968/70 FALCON, 1970/72 MAVERICK, 1968/72 MUSTANG



† ALSO SERVICED IN 3078 LOWER ARM ASSY.  
 ▲ SERVICED ONLY IN LOWER ARM ASSY.  
 % ALSO SERVICED IN 3082 UPPER ARM ASSY.  
 ■ SERVICED ONLY IN 3082 UPPER ARM ASSY.  
 • ALSO SERVICED IN 18196 BUSHING REPAIR KIT

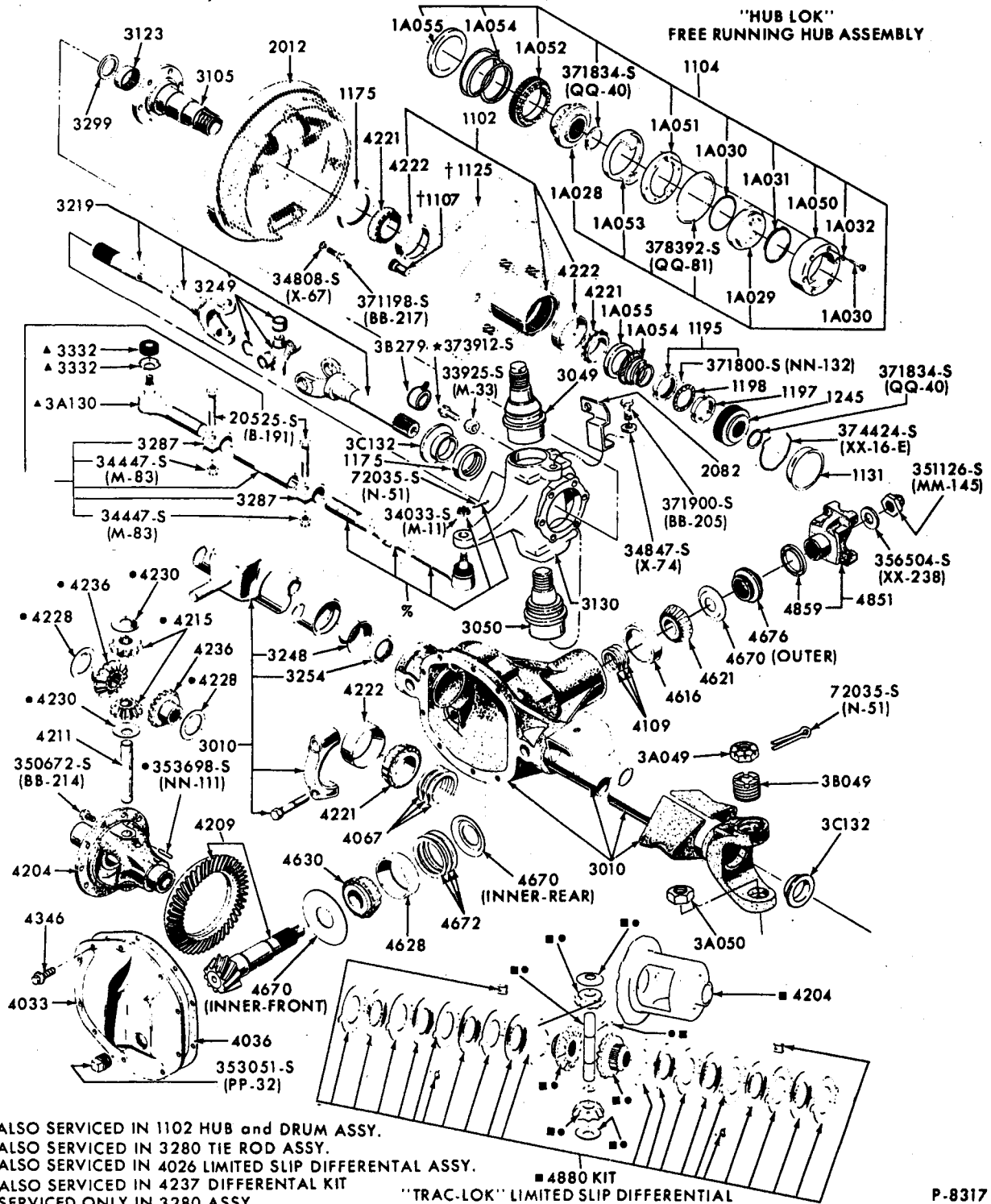
FRONT SUSPENSION  
 1971/72 PINTO

381682-S (II-206-H) (FITTING)  
 OR  
 374714-S (PP-35-A) (PLUG)

P-7936

ILLUSTRATION SECTION 30

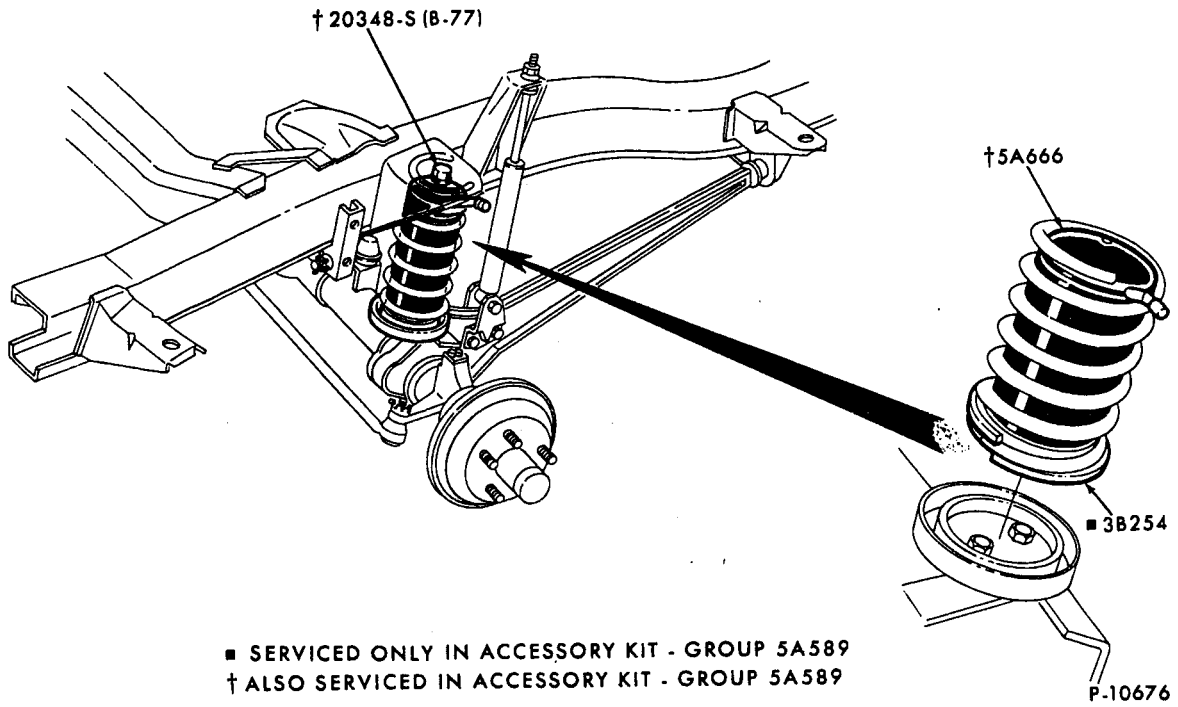
FORD CAR PARTS



P-8317

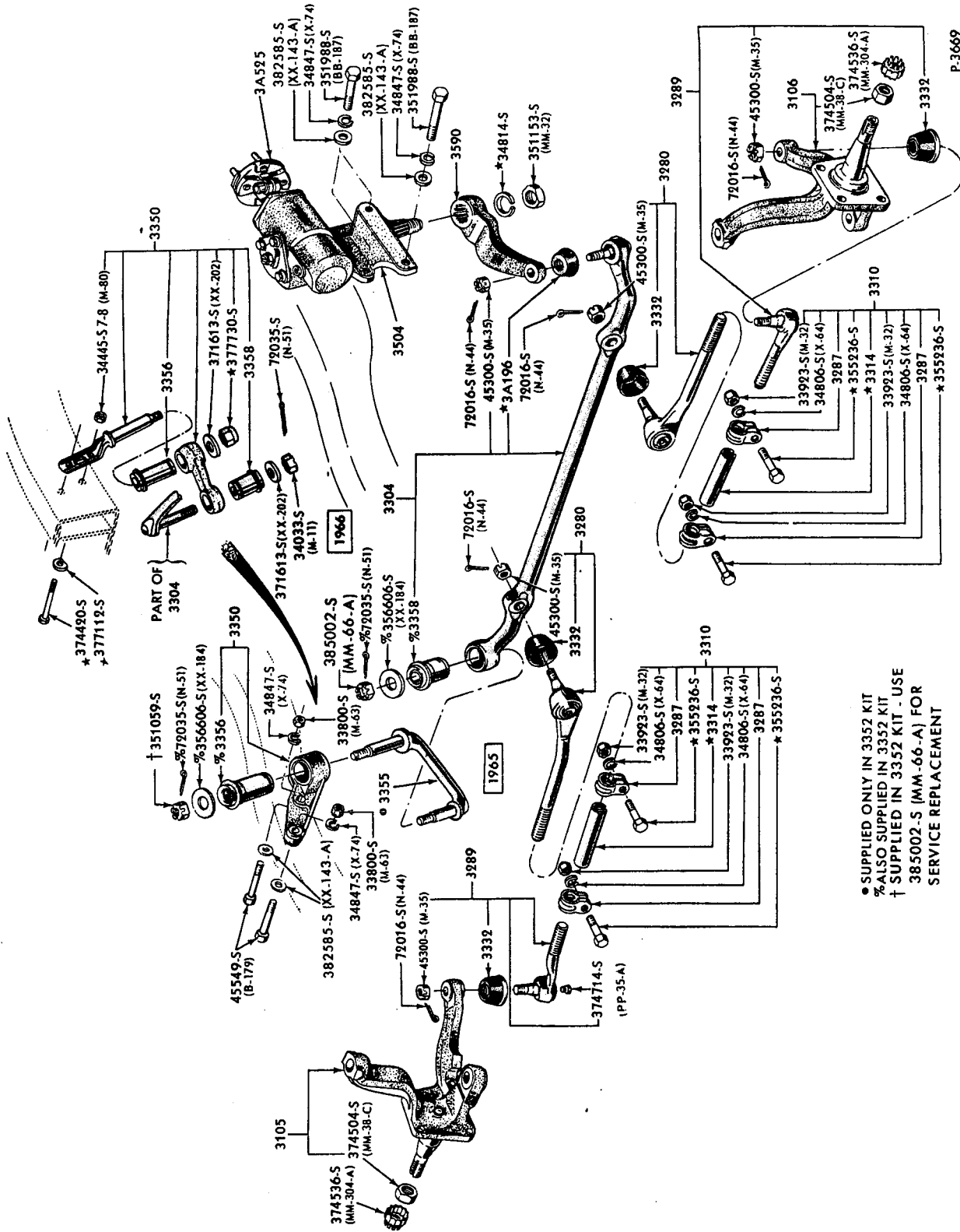
FRONT AXLE  
 1971/72 BRONCO - "FROM SER. K20,001"





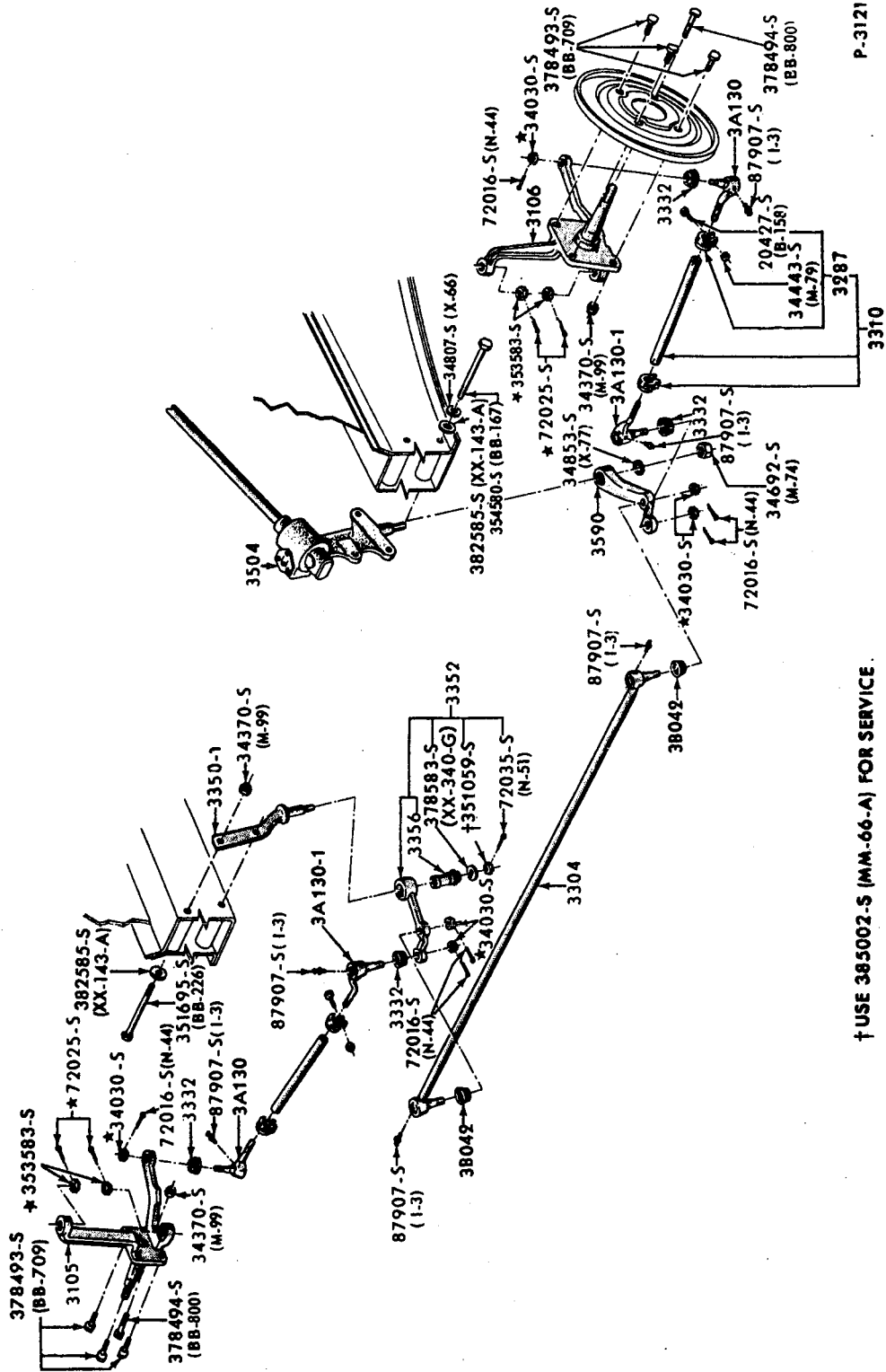
**FRONT SUSPENSION (AIR SPRING INSTALLATION)  
1966/72 BRONCO**





MANUAL STEERING LINKAGE - 6 & 8 CYLINDER  
1965/66 FAIRLANE 1966 FALCON

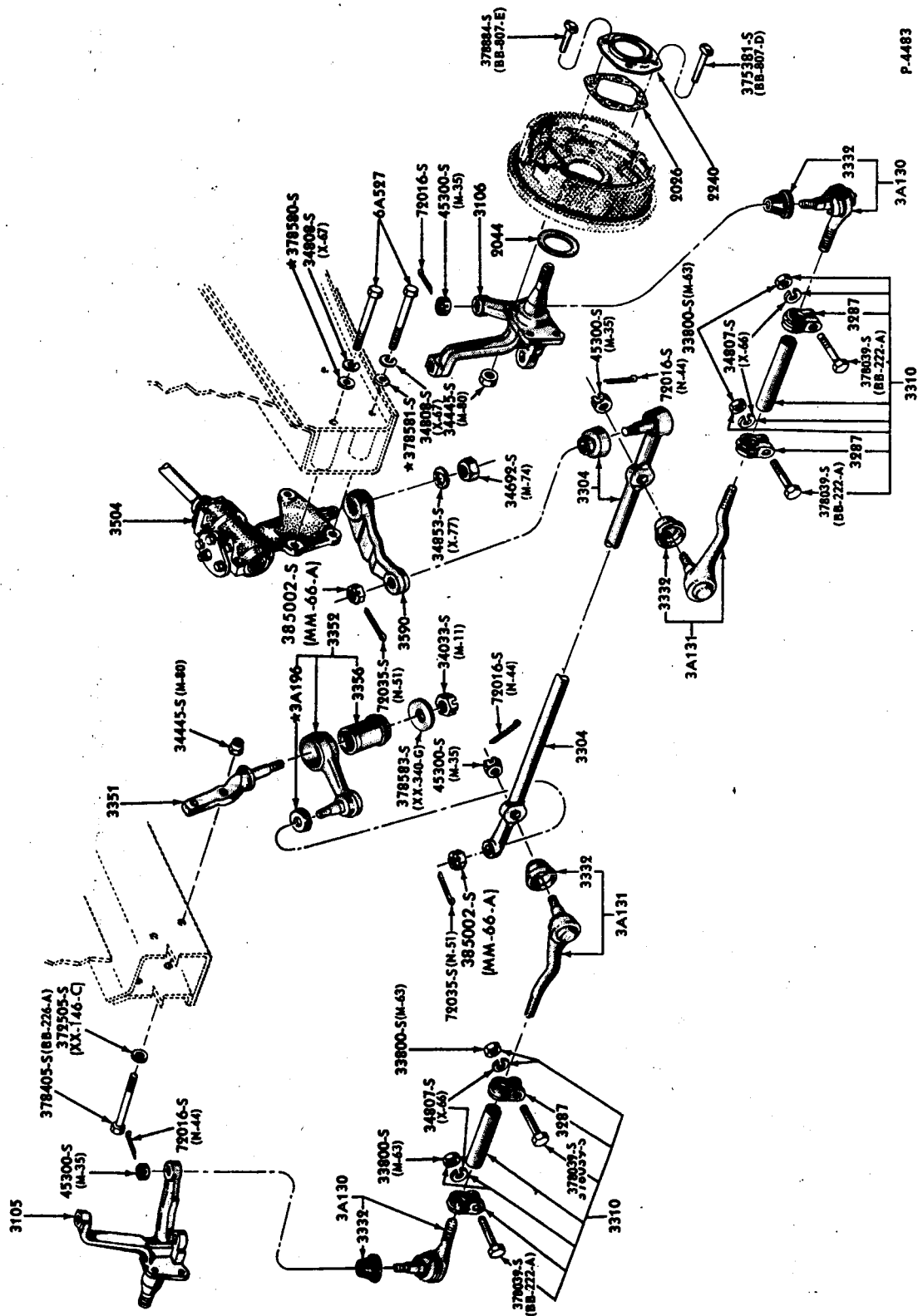
FORD CAR PARTS



P-3121

† USE 385002-S (MM-66-A) FOR SERVICE

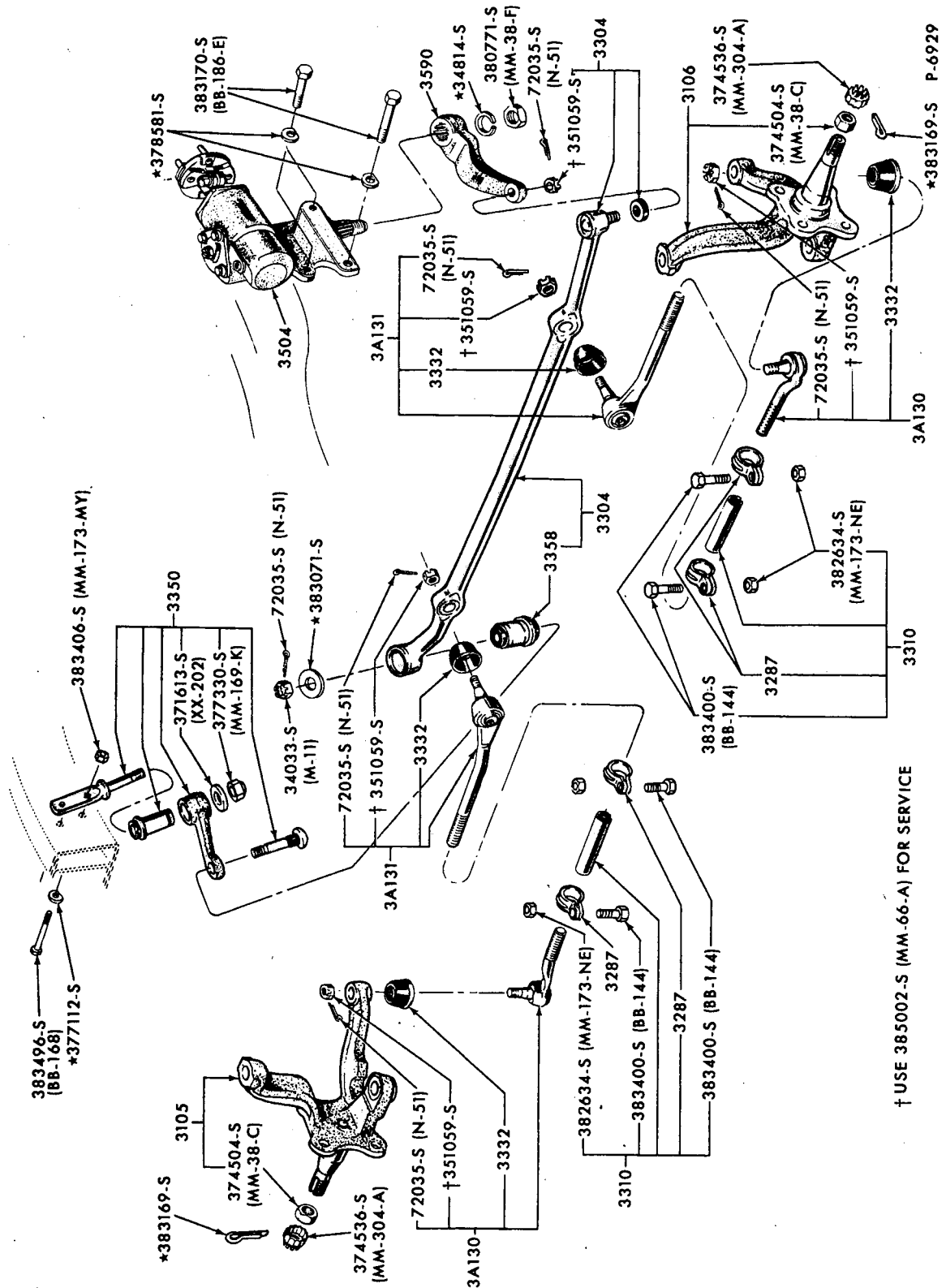
MANUAL STEERING LINKAGE - 6 CYLINDER  
1965 FALCON, 1965/66 MUSTANG



P-4483

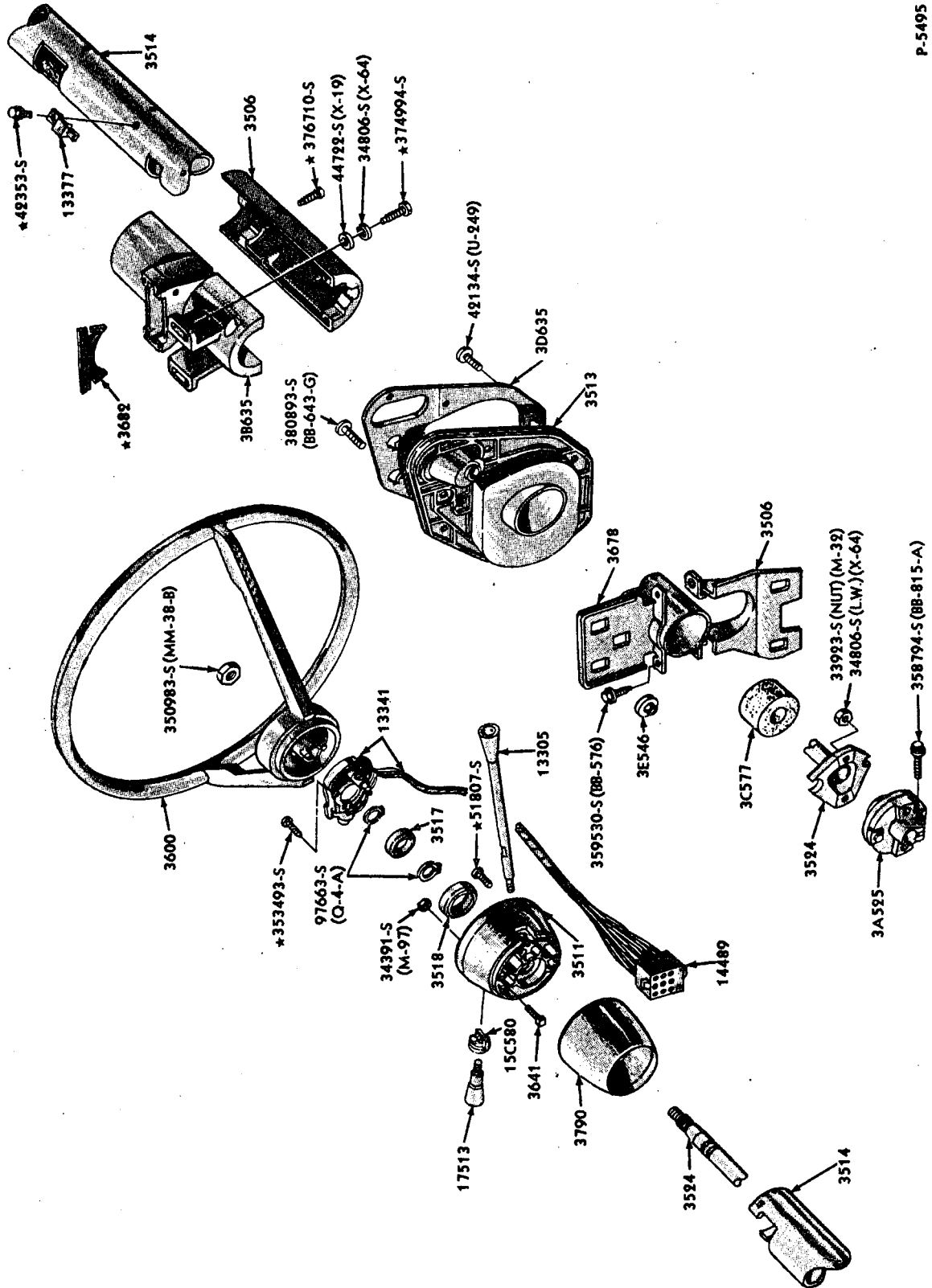
MANUAL STEERING LINKAGE - 8 CYLINDER  
1966 FALCON, 1966/68 MUSTANG





† USE 385002-S (MM-66-A) FOR SERVICE

MANUAL STEERING LINKAGE  
1970/72 MAVERICK



STEERING COLUMN FOR FLOOR OR CONSOLE MOUNTED SHIFT - TYPICAL  
1965/67 FORD



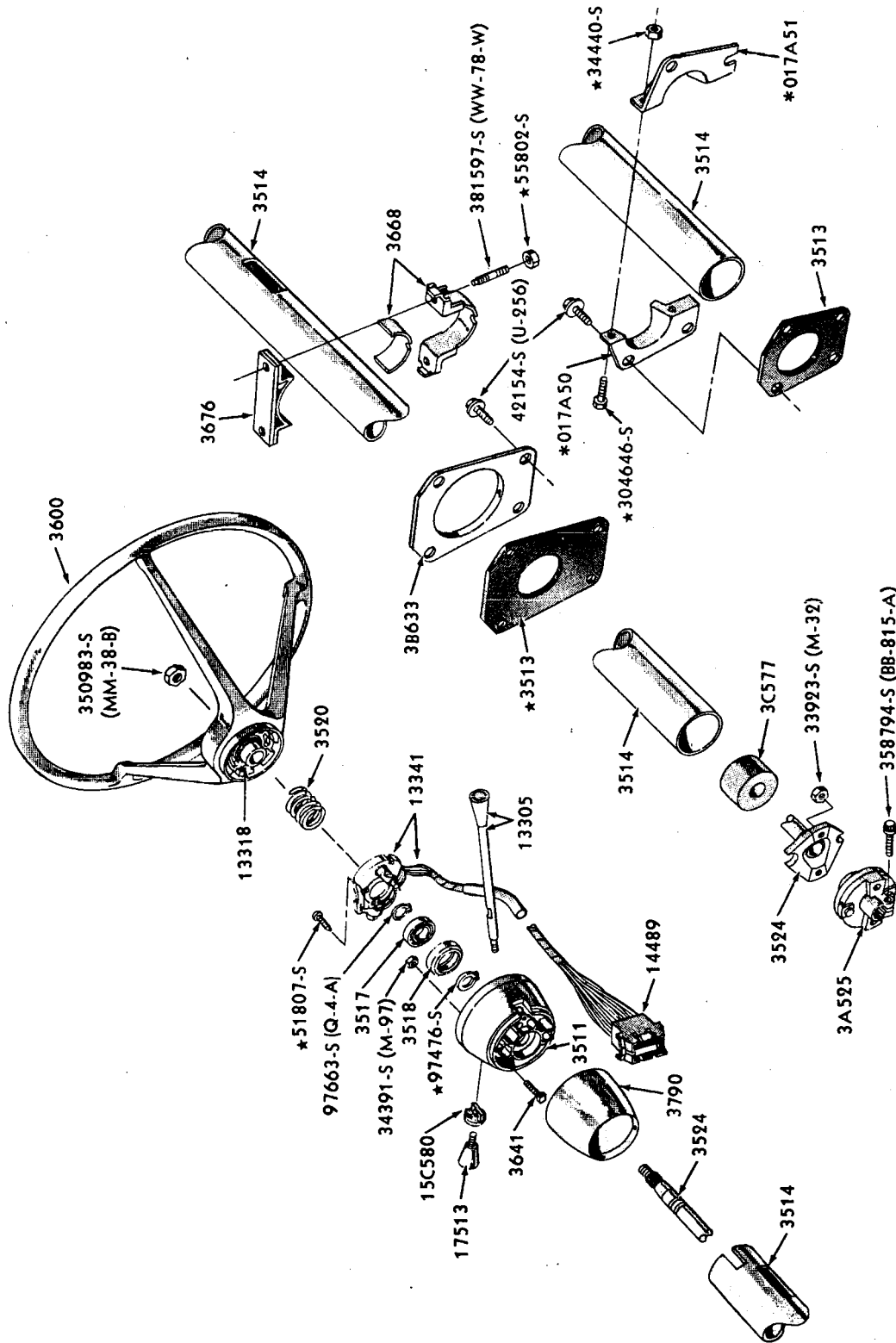








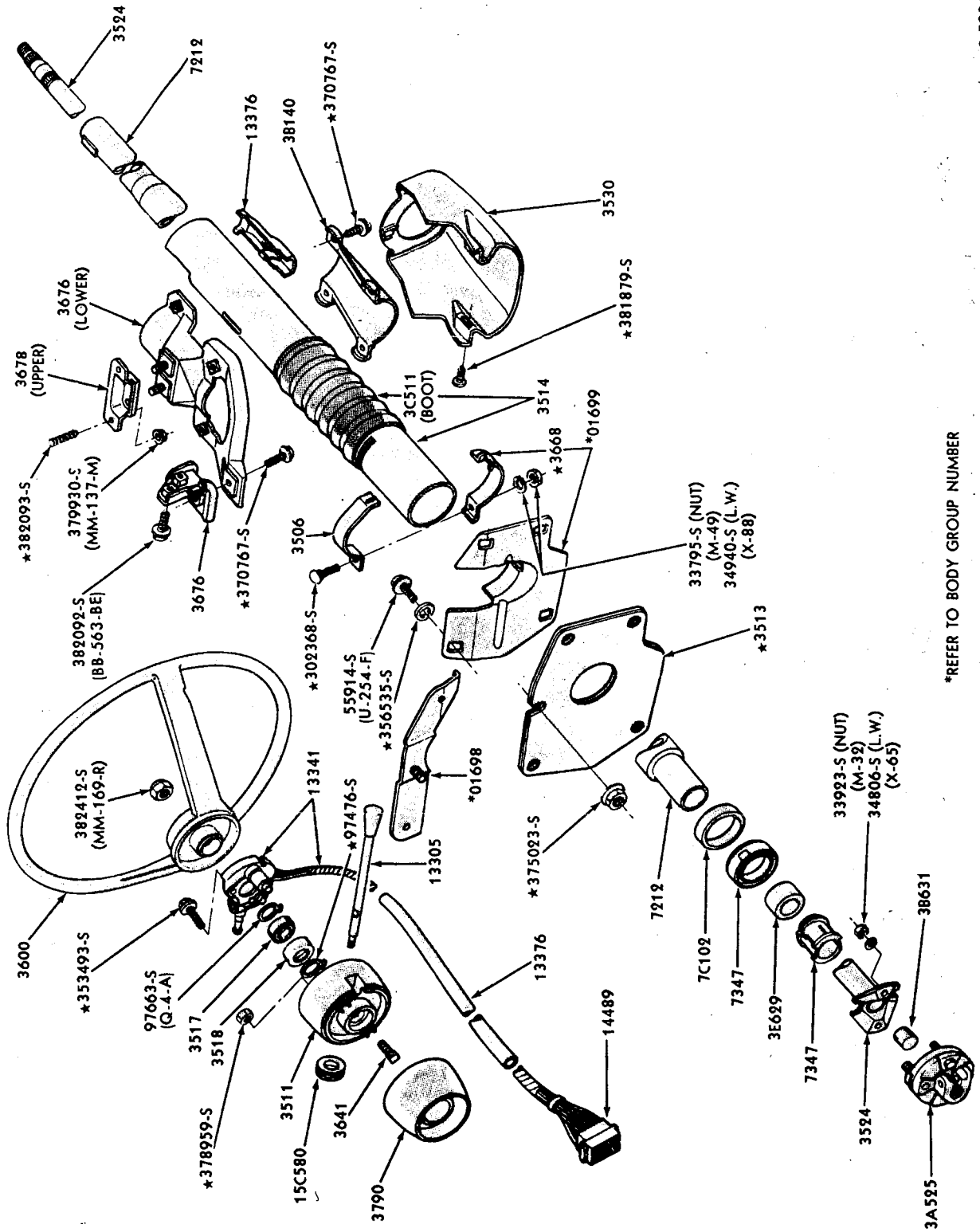
FORD CAR PARTS



\*REFER TO BODY GROUP NUMBER.

STEERING COLUMN FOR FLOOR SHIFT - FIXED WHEEL  
1987 MUSTANG





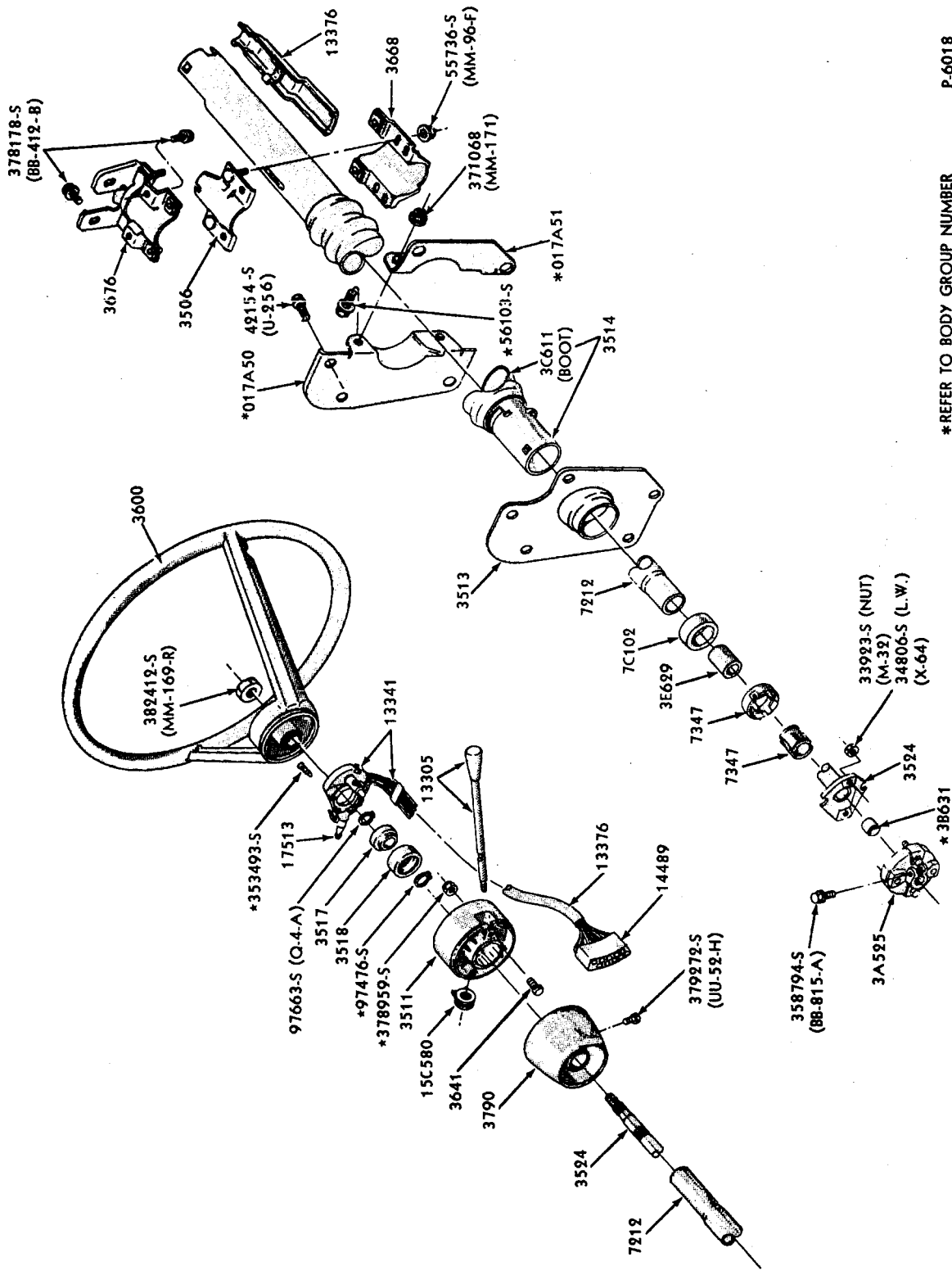
\*REFER TO BODY GROUP NUMBER

STEERING COLUMN FOR FLOOR SHIFT - FIXED WHEEL  
1968 FORD



ILLUSTRATION SECTION 35

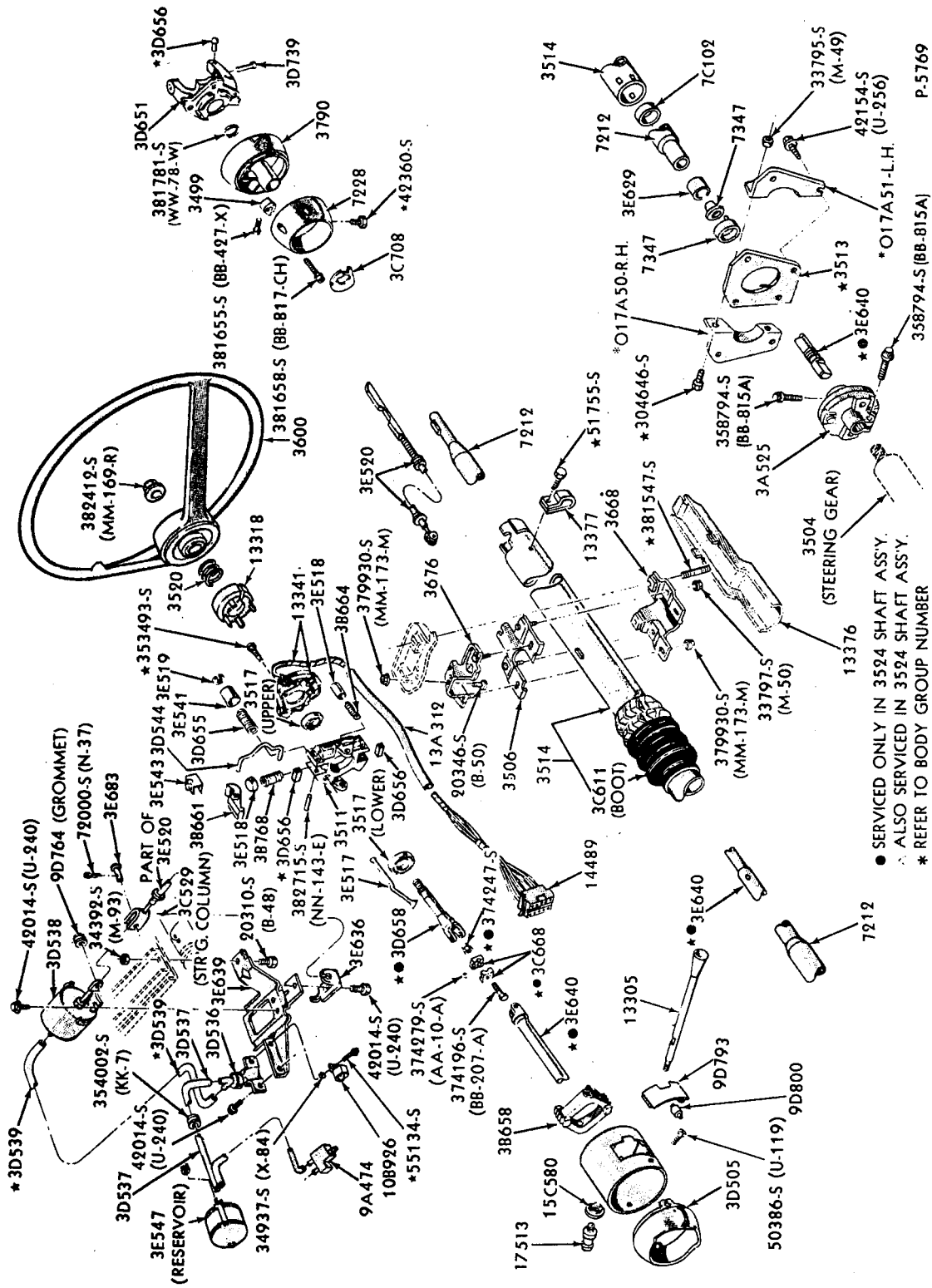
FORD CAR PARTS



P-6018

\*REFER TO BODY GROUP NUMBER

STEERING COLUMN FOR FLOOR SHIFT  
1968/69 FAIRLANE/TORINO & FALCON



● SERVICED ONLY IN 3524 SHAFT ASS'Y.  
 ▲ ALSO SERVICED IN 3524 SHAFT ASS'Y.  
 \* REFER TO BODY GROUP NUMBER

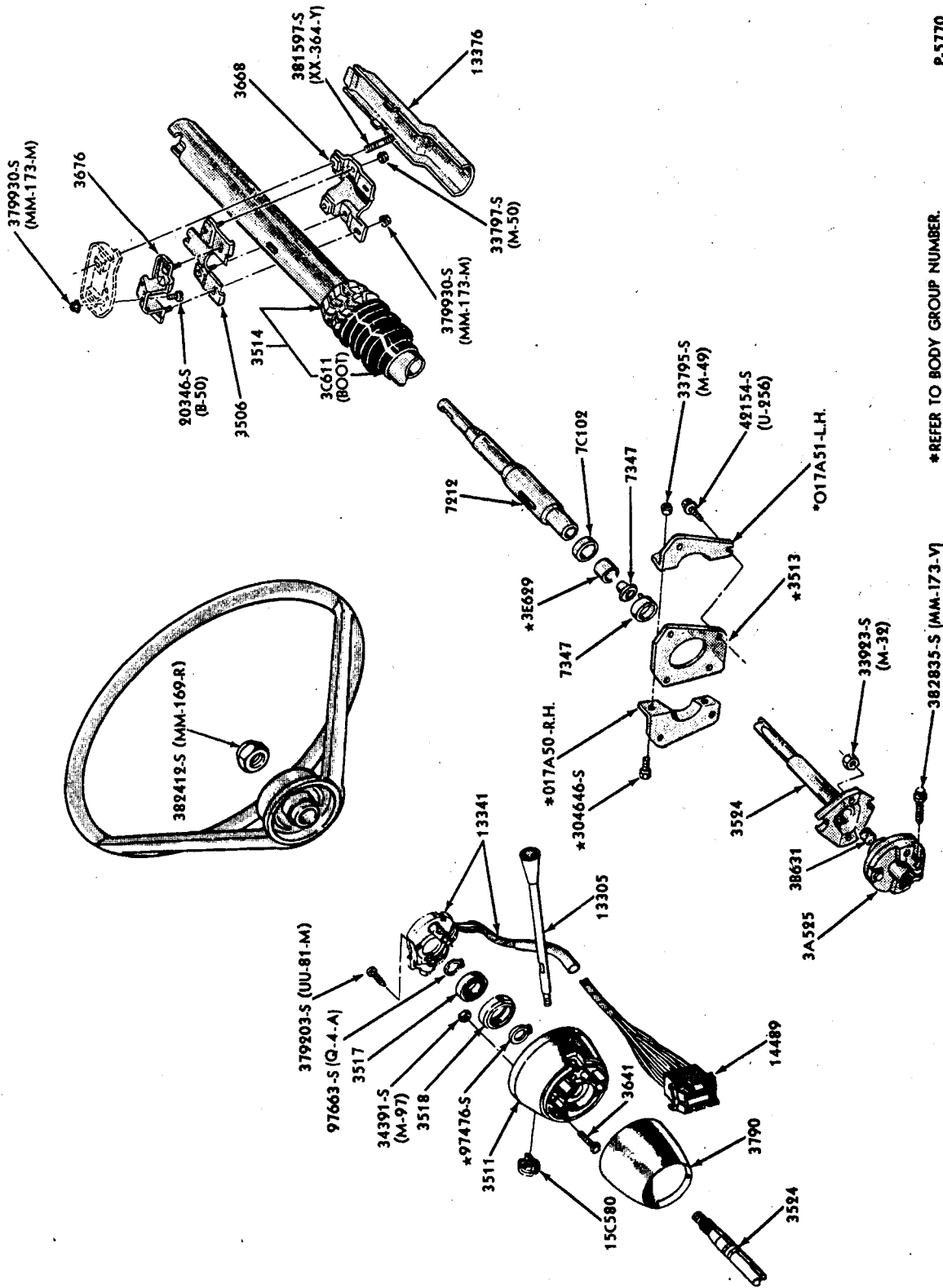
STEERING COLUMN FOR FLOOR SHIFT - TILT WHEEL

1968 MUSTANG



ILLUSTRATION SECTION 35

FORD CAR PARTS

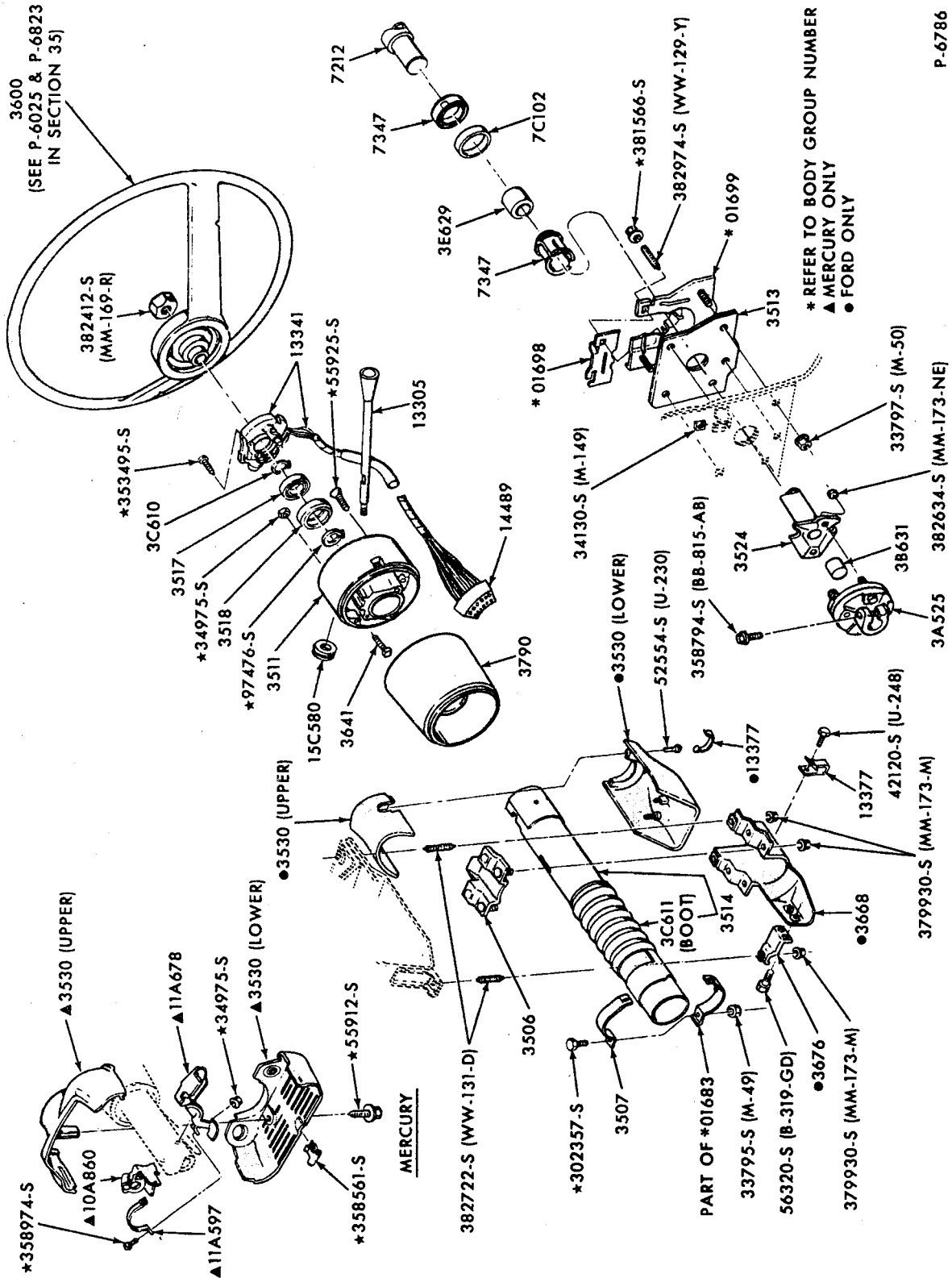


P-5770

\*REFER TO BODY GROUP NUMBER.

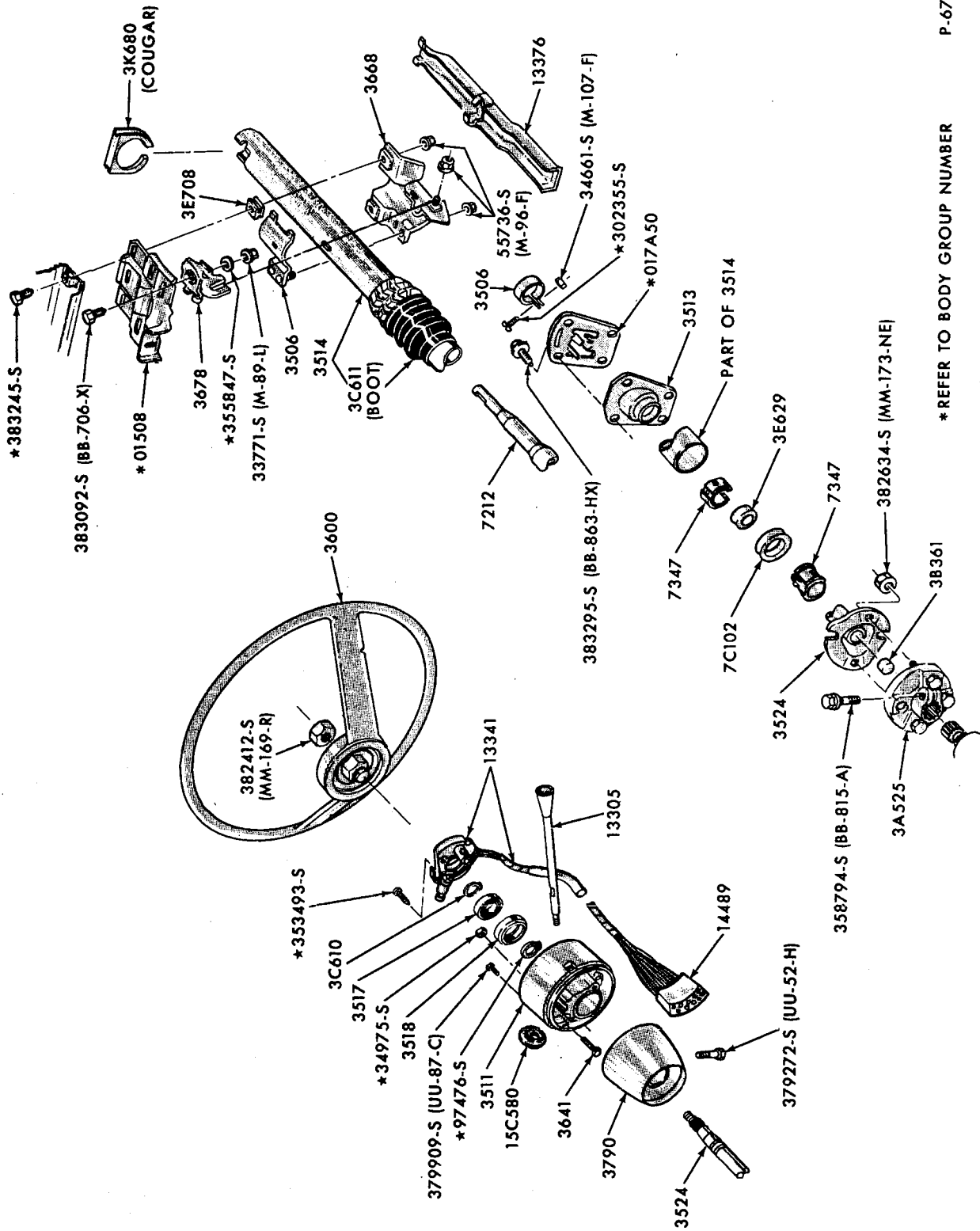
\*REFER TO BODY GROUP NUMBER.

STEERING COLUMN FOR FLOOR SHIFT - FIXED WHEEL  
1968 MUSTANG



STEERING COLUMN FOR FLOOR SHIFT - FIXED WHEEL  
1969 FORD



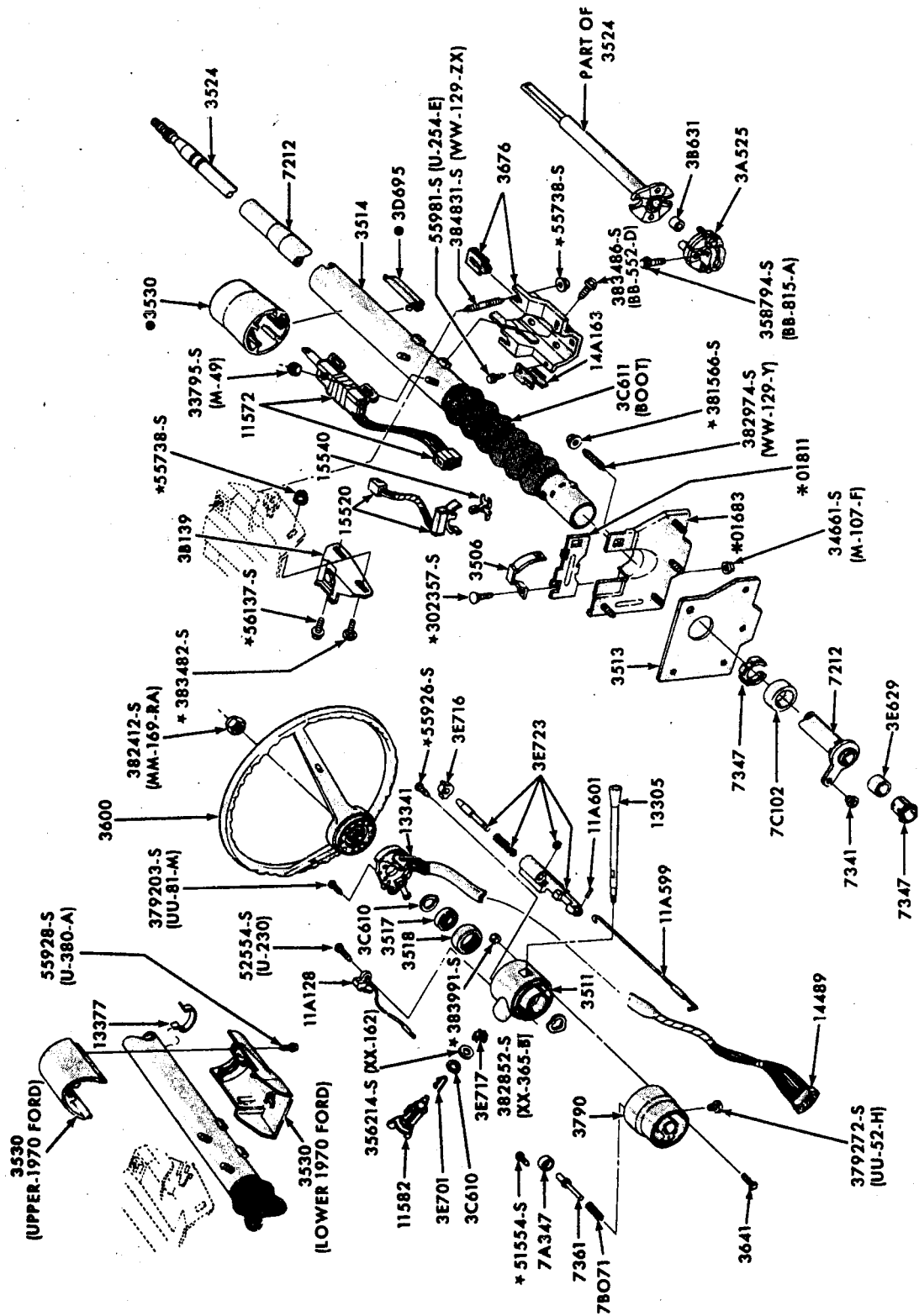


P-6781

\*REFER TO BODY GROUP NUMBER

STEERING COLUMN FOR FLOOR SHIFT - FIXED WHEEL  
1969 MUSTANG





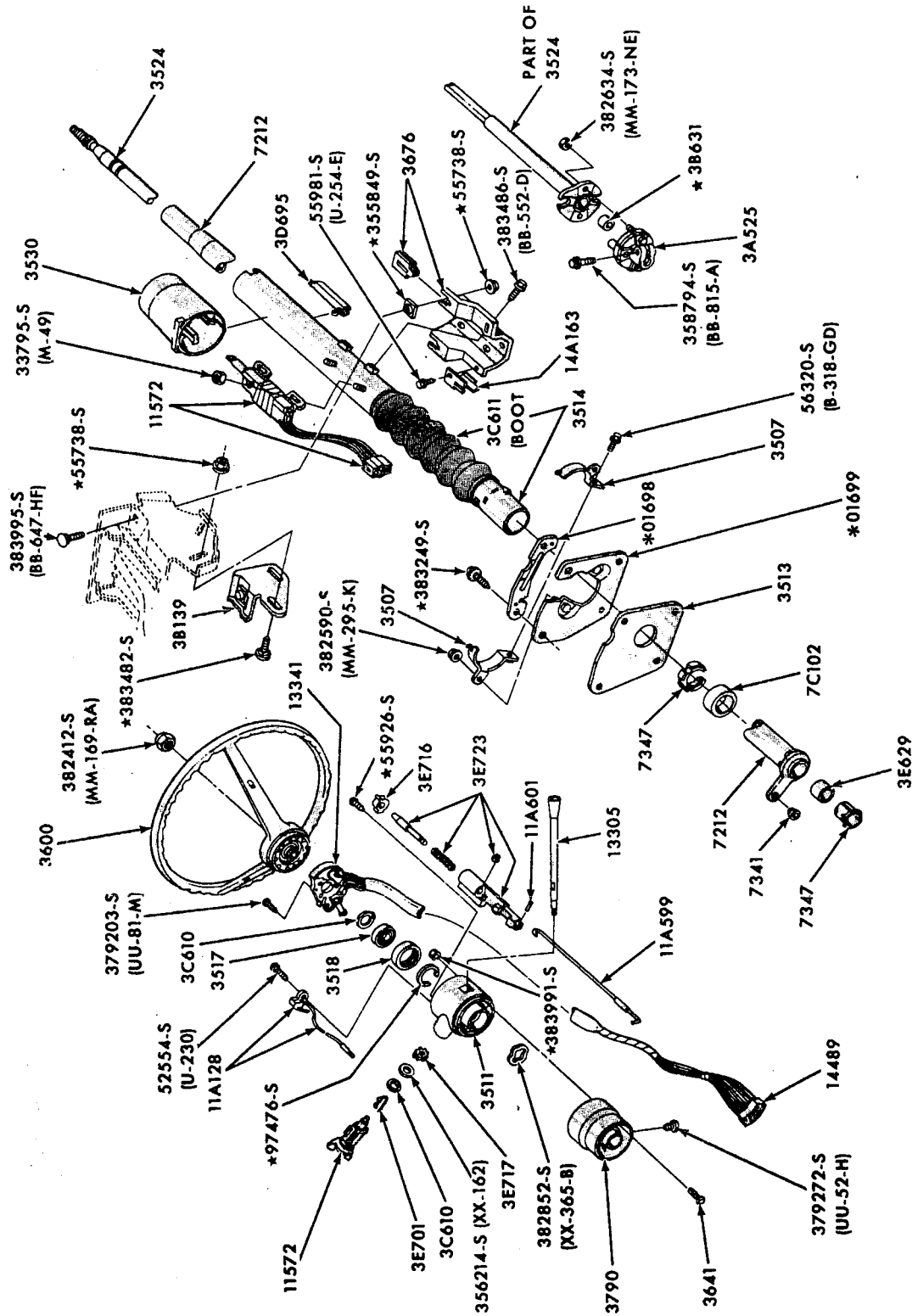
P-7243

o MERCURY(1970/71) FORD(1971)  
 \* REFER TO BODY GROUP NUMBER

STEERING COLUMN FOR FLOOR SHIFT - FIXED WHEEL  
 1970/71 FORD



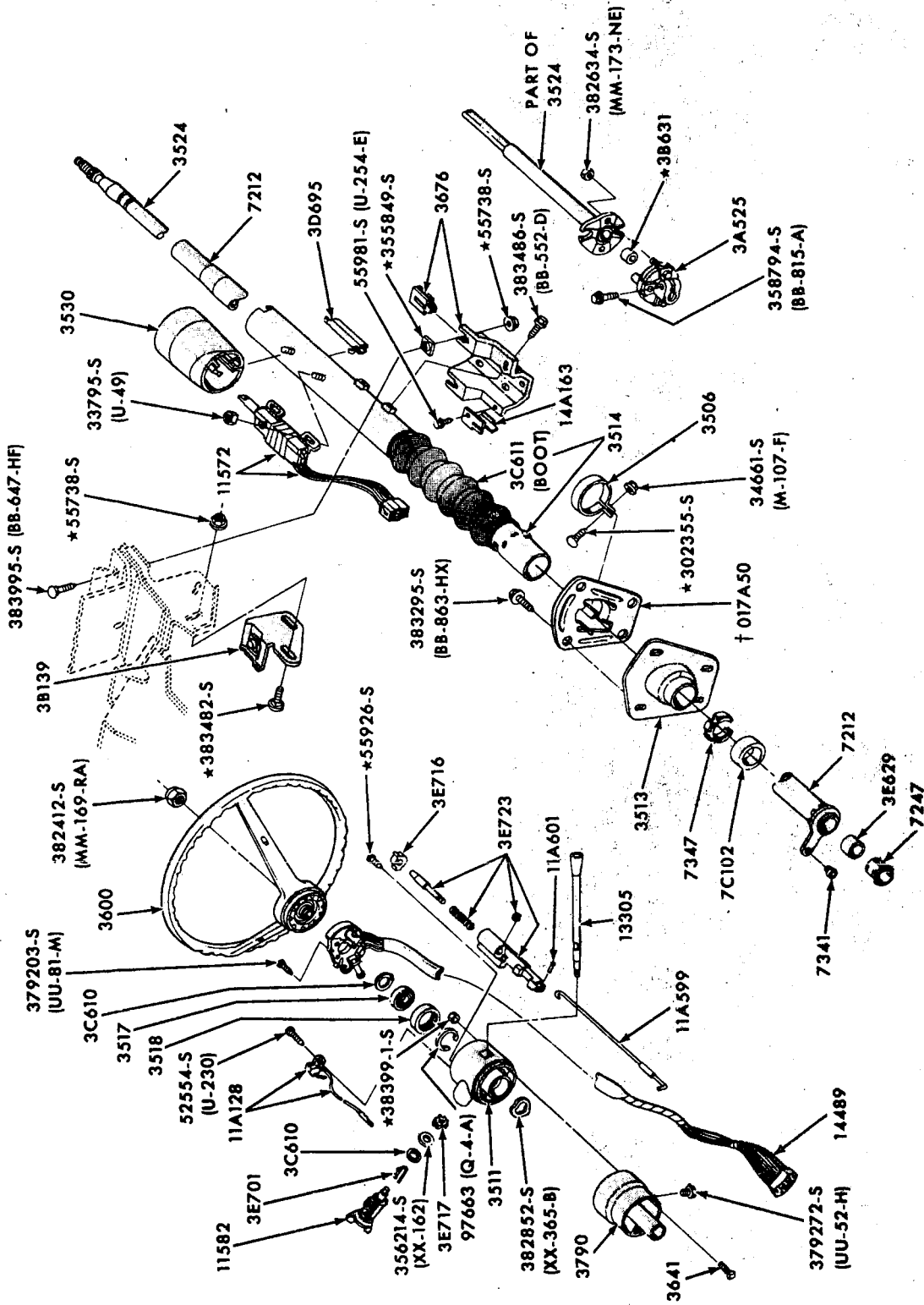
P-7248



STEERING COLUMN FOR FLOOR SHIFT  
1970/71 FAIRLANE/TORINO

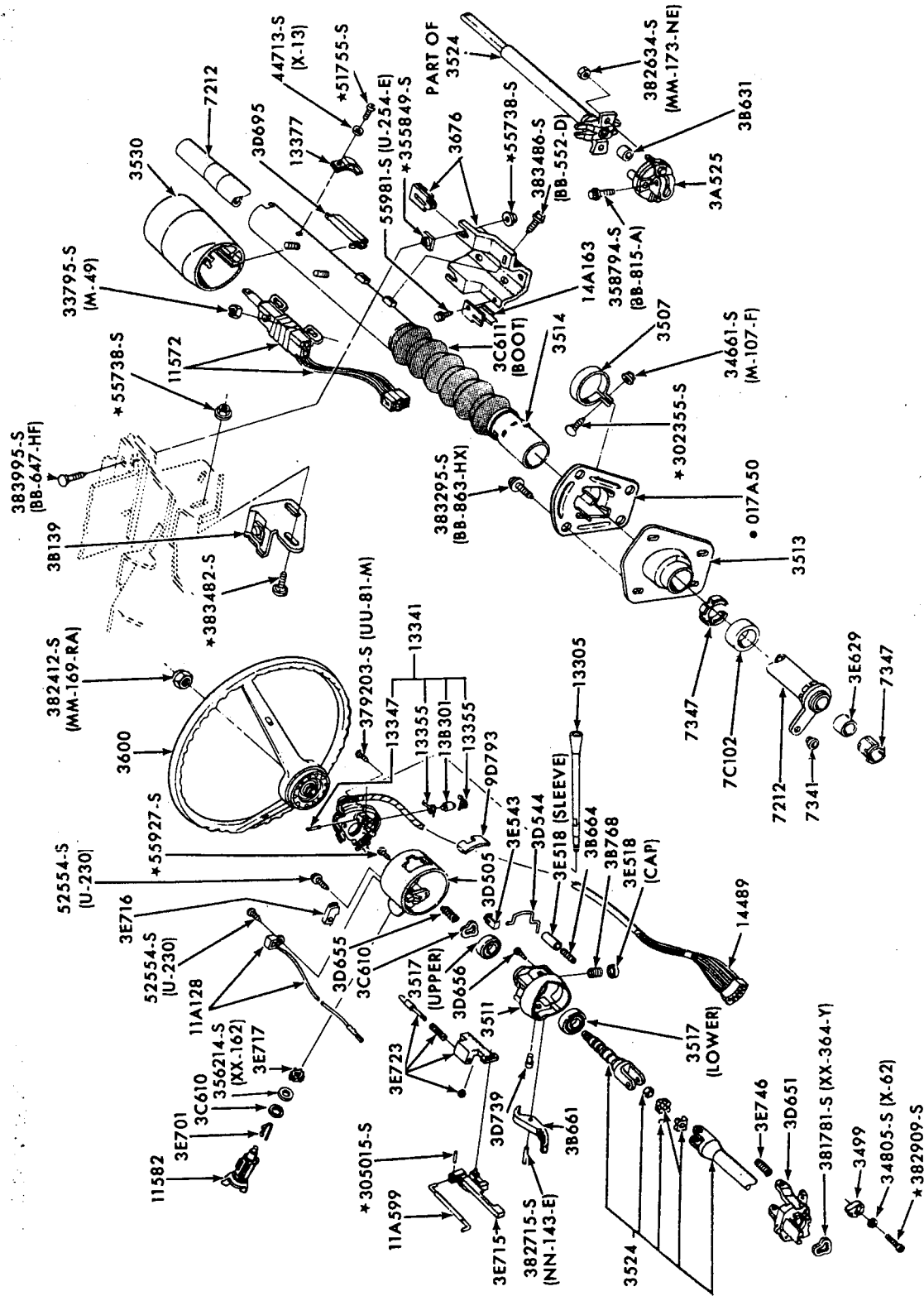
\*REFER TO BODY GROUP NUMBER





STEERING COLUMN FOR FLOOR SHIFT - FIXED WHEEL  
1970/72 MUSTANG

† REFER TO BODY SECTION

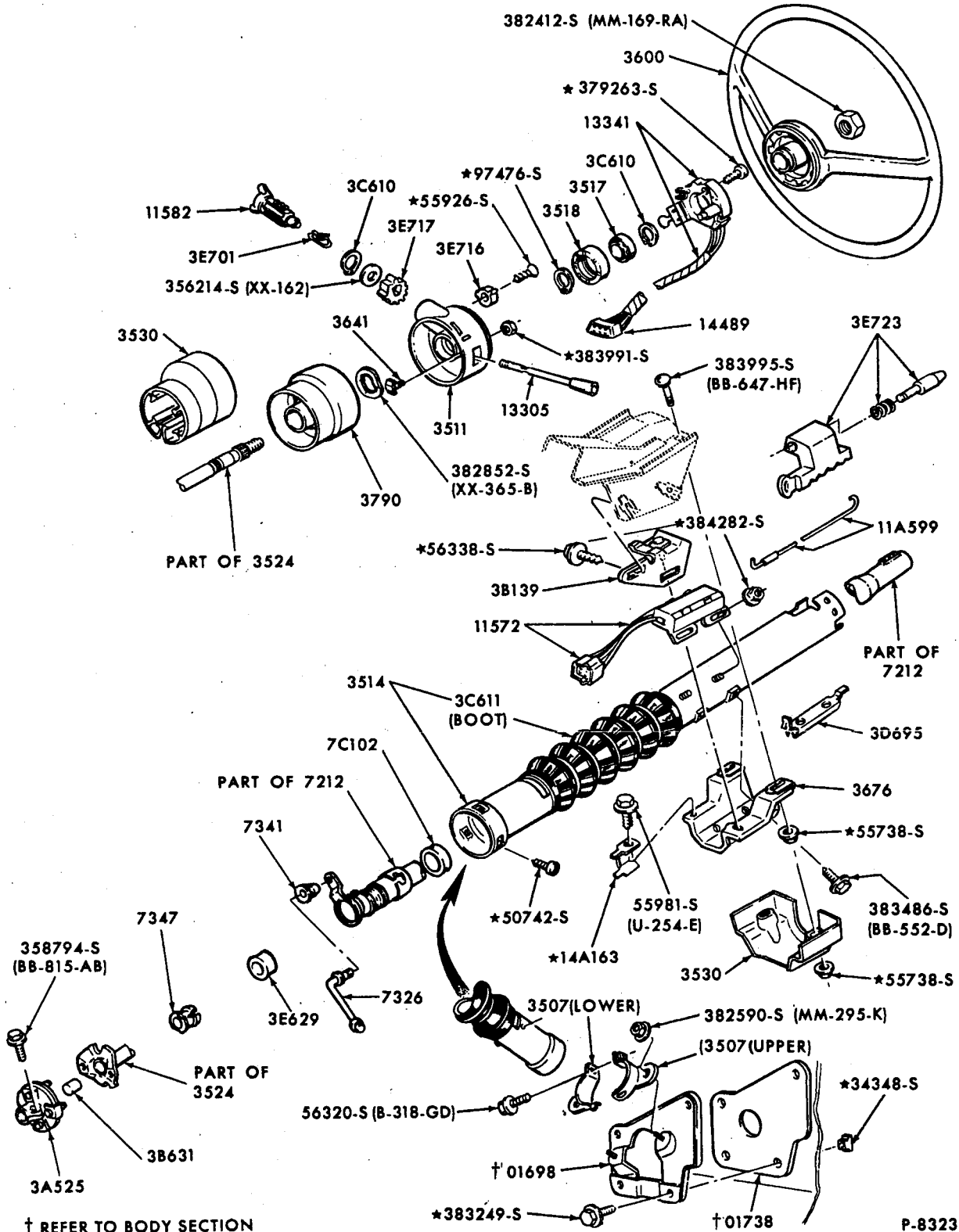


STEERING COLUMN FOR FLOOR SHIFT - TILT WHEEL  
1970/72 MUSTANG

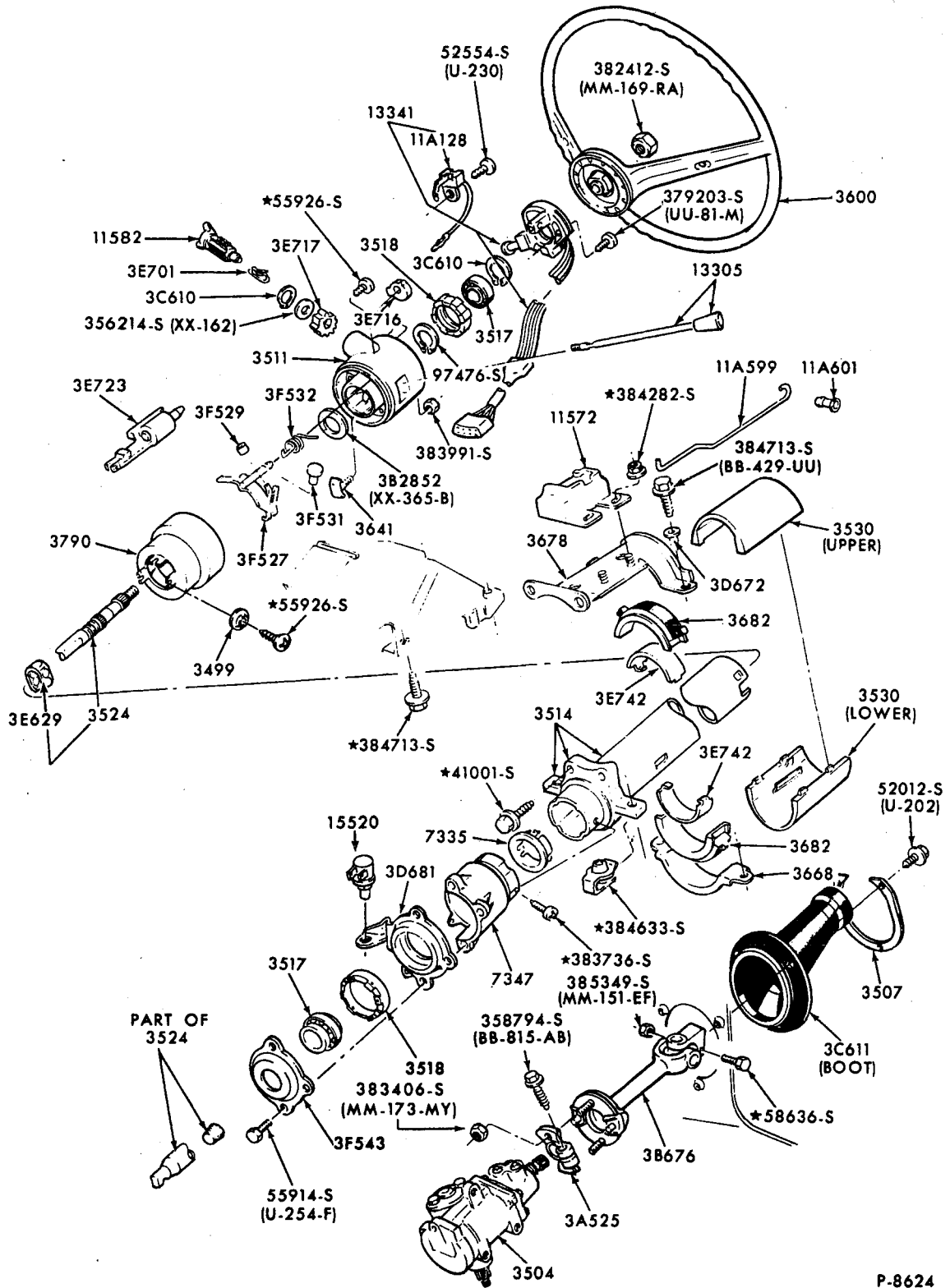
• REFER TO BODY SECTION

P-7246



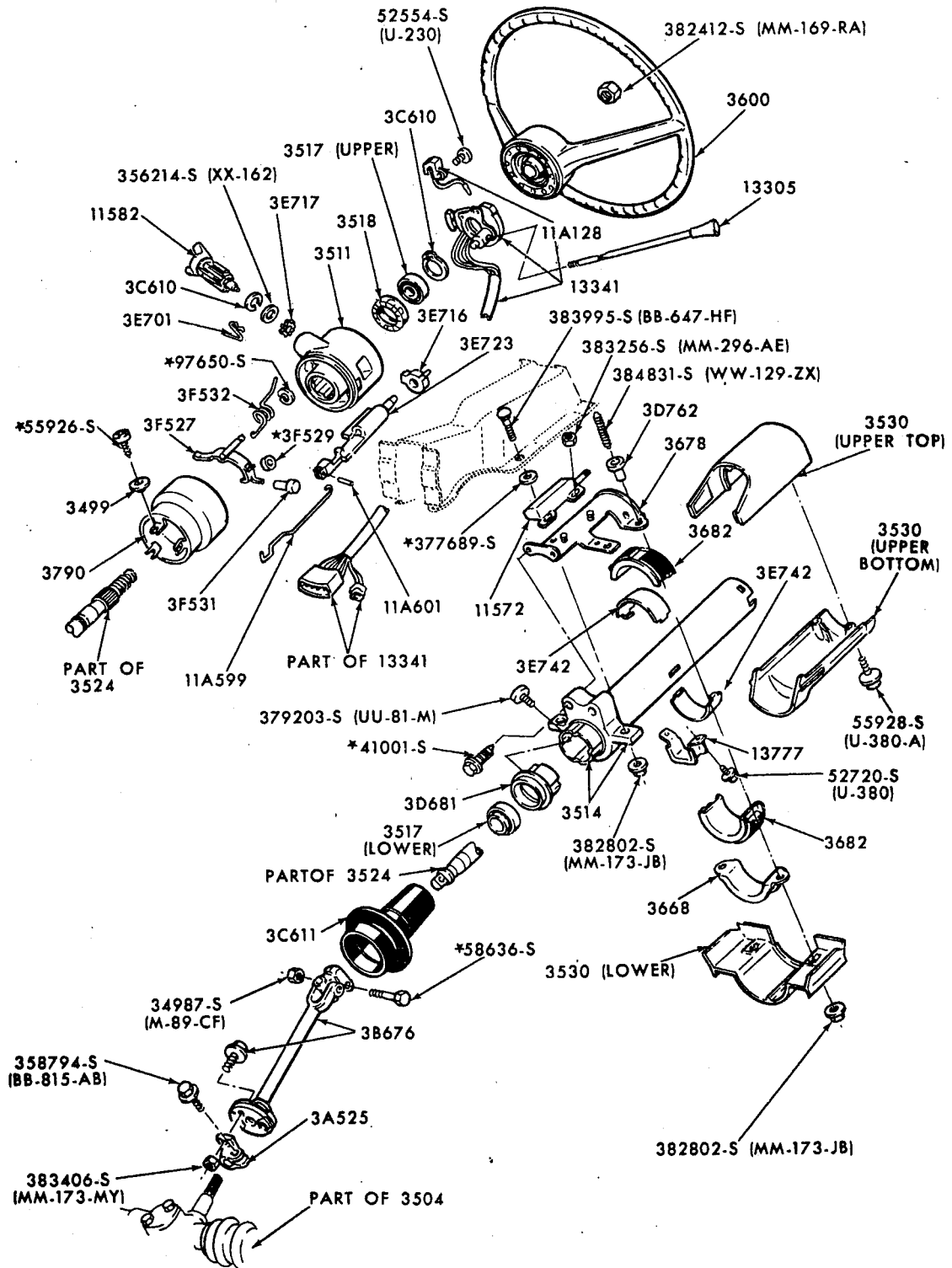


STEERING COLUMN FOR FLOOR SHIFT  
1971/72 MAVERICK



P-8624

STEERING COLUMN FOR FLOOR SHIFT  
1972 TORINO



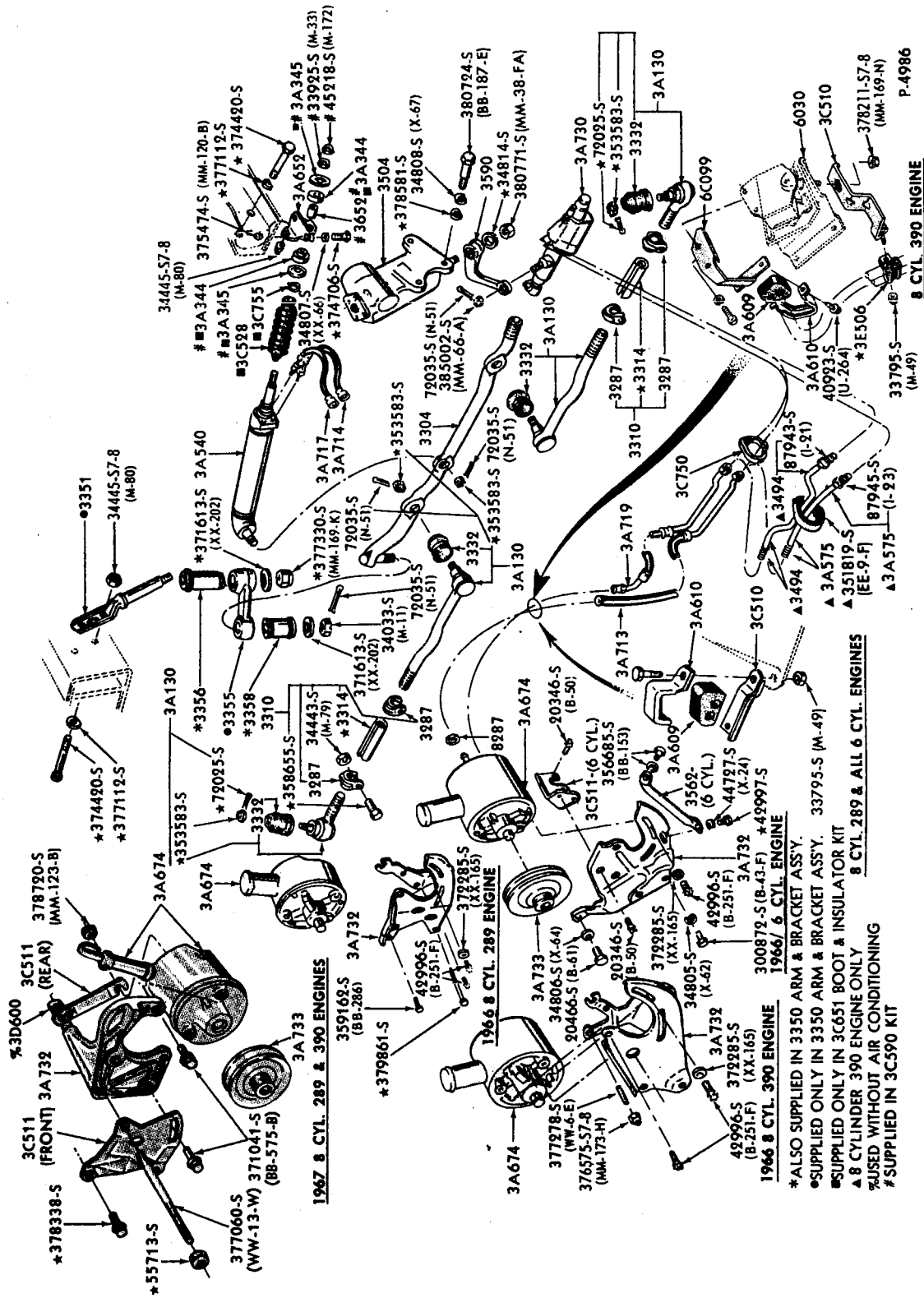
P-10303

STEERING COLUMN FOR FLOOR SHIFT  
1972 PINTO - "FROM 1/1/72"









POWER STEERING SYSTEM - TYPICAL  
1966/68 FAIRLANE/TORINO & FALCON

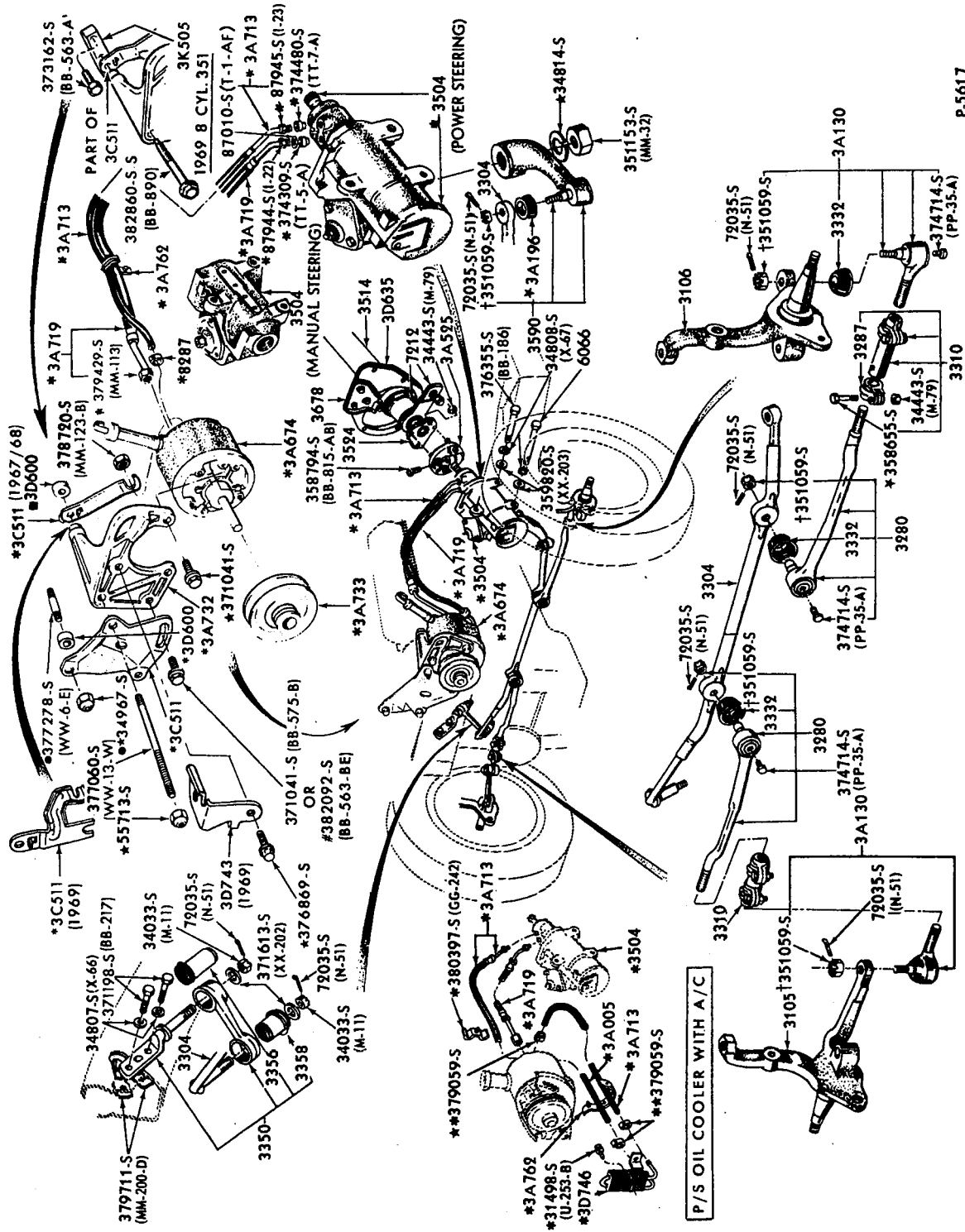












P-5617

† USE 385002-S (MM-66-A) FOR SERVICE

\* POWER STEERING ONLY

■ USED WITH A/C

● 8 CYLINDER 429 WITHOUT A/C

○ 8 CYLINDER 429 ENGINE

POWER STEERING SYSTEM (TYPICAL FOR MANUAL STEERING LINKAGE)  
1967/69 FORD - 8 CYLINDER



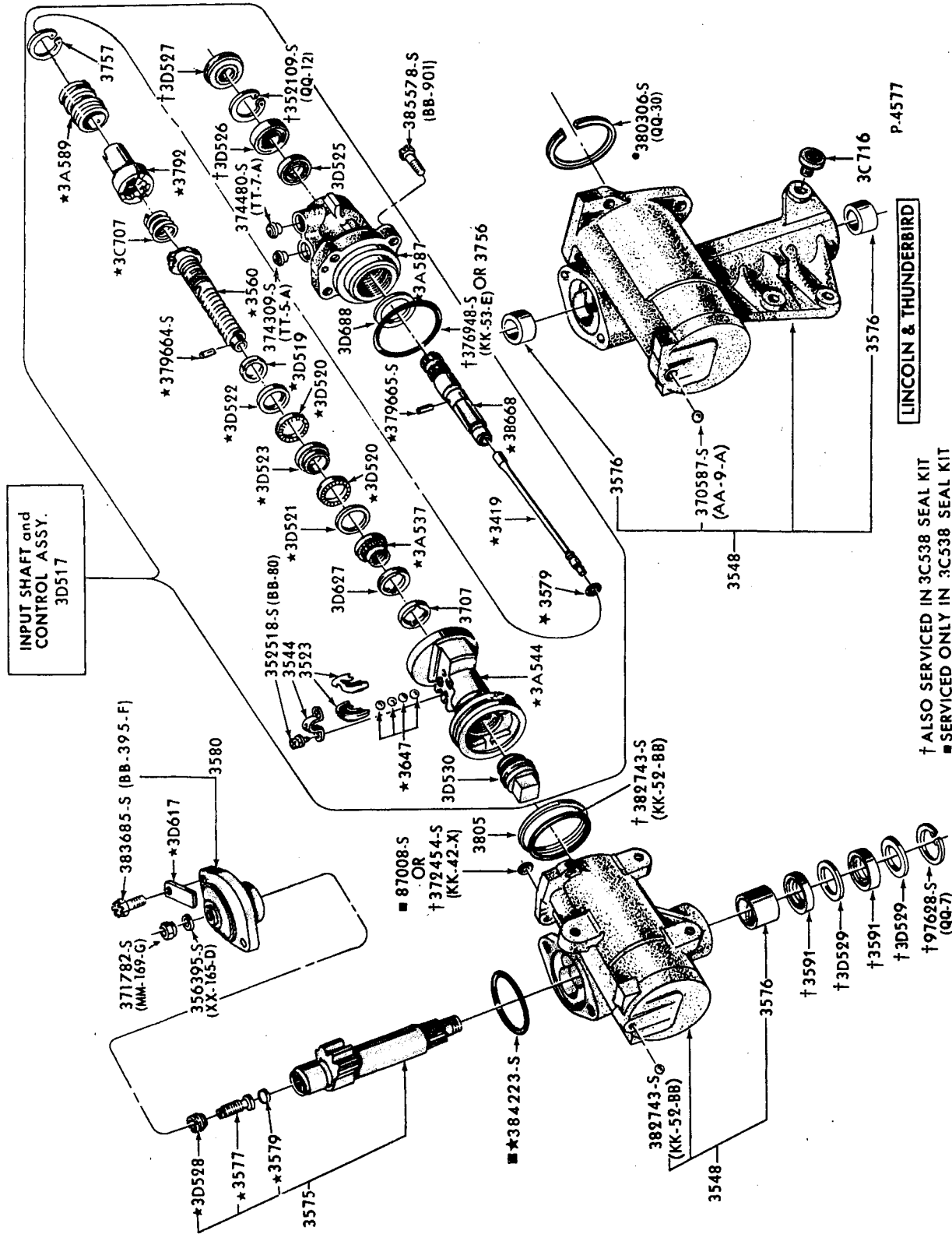






ILLUSTRATION SECTION 36.1

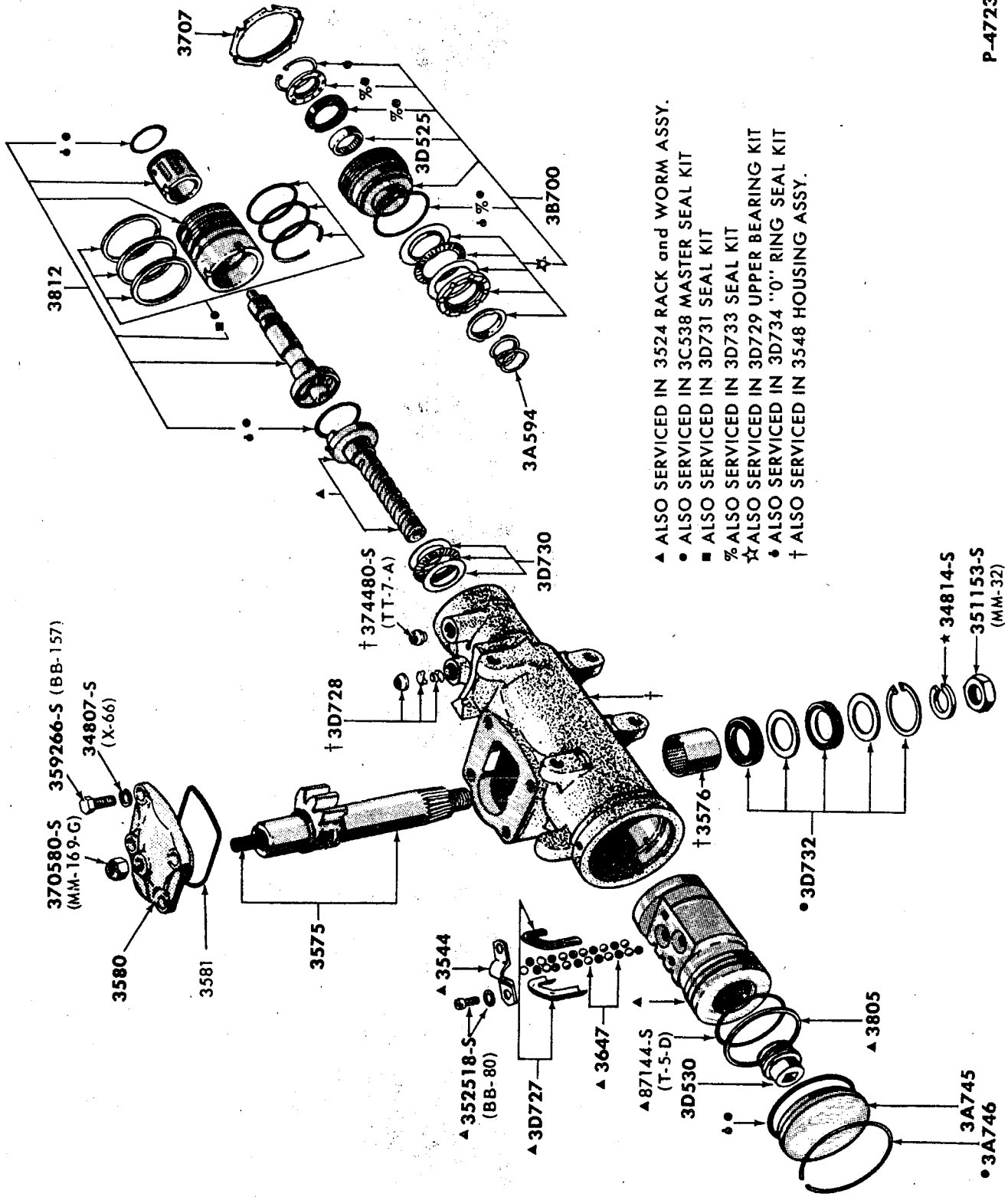
FORD CAR PARTS



LINCOLN & THUNDERBIRD

† ALSO SERVICED IN 3C538 SEAL KIT  
 ■ SERVICED ONLY IN 3C538 SEAL KIT  
 ● ALSO SERVICED IN 3D517 PKG

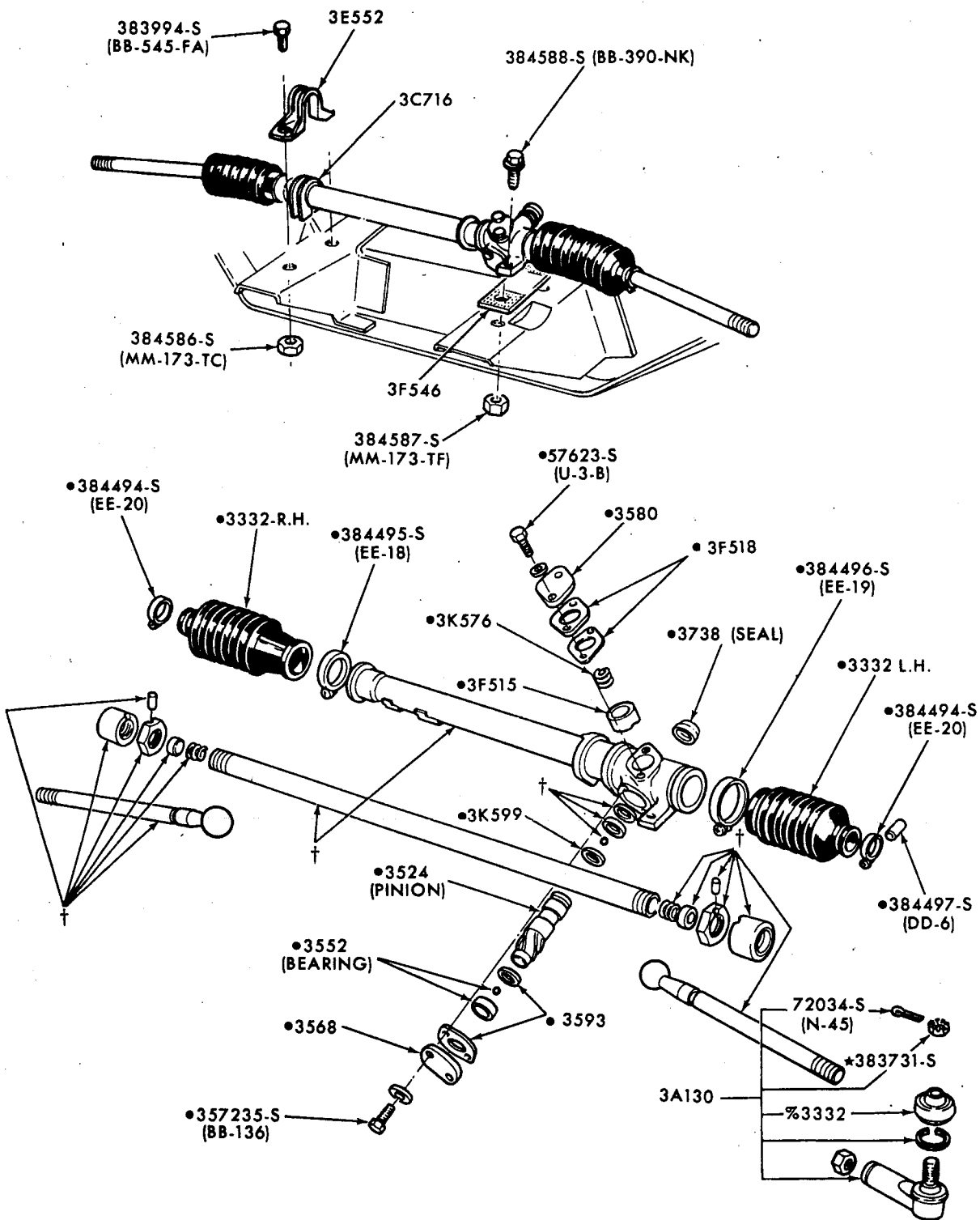
POWER STEERING GEAR DETAILS - FORD DESIGN 1965/72 FORD & THUNDERBIRD, 1972 TORINO



- ▲ ALSO SERVICED IN 3524 RACK and WORM ASSY.
- ALSO SERVICED IN 3C538 MASTER SEAL KIT
- ALSO SERVICED IN 3D731 SEAL KIT
- ◐ ALSO SERVICED IN 3D733 SEAL KIT
- ☆ ALSO SERVICED IN 3D729 UPPER BEARING KIT
- ◆ ALSO SERVICED IN 3D734 "O" RING SEAL KIT
- † ALSO SERVICED IN 3548 HOUSING ASSY.

POWER STEERING GEAR DETAILS - SAGINAW DESIGN  
 1972 BRONCO, 1965/69 FORD, 1971/72 MUSTANG



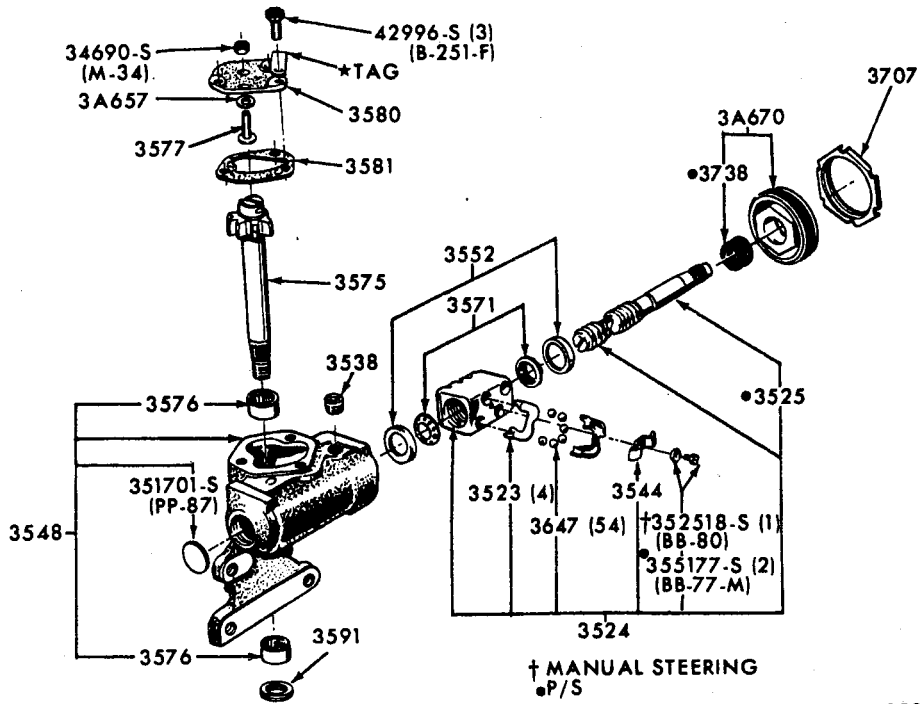


† SERVICED ONLY IN 3504 STEERING GEAR ASSY.  
 • ALSO SERVICED IN 3504 STEERING GEAR ASSY.  
 % 1973 ONLY

P-7966

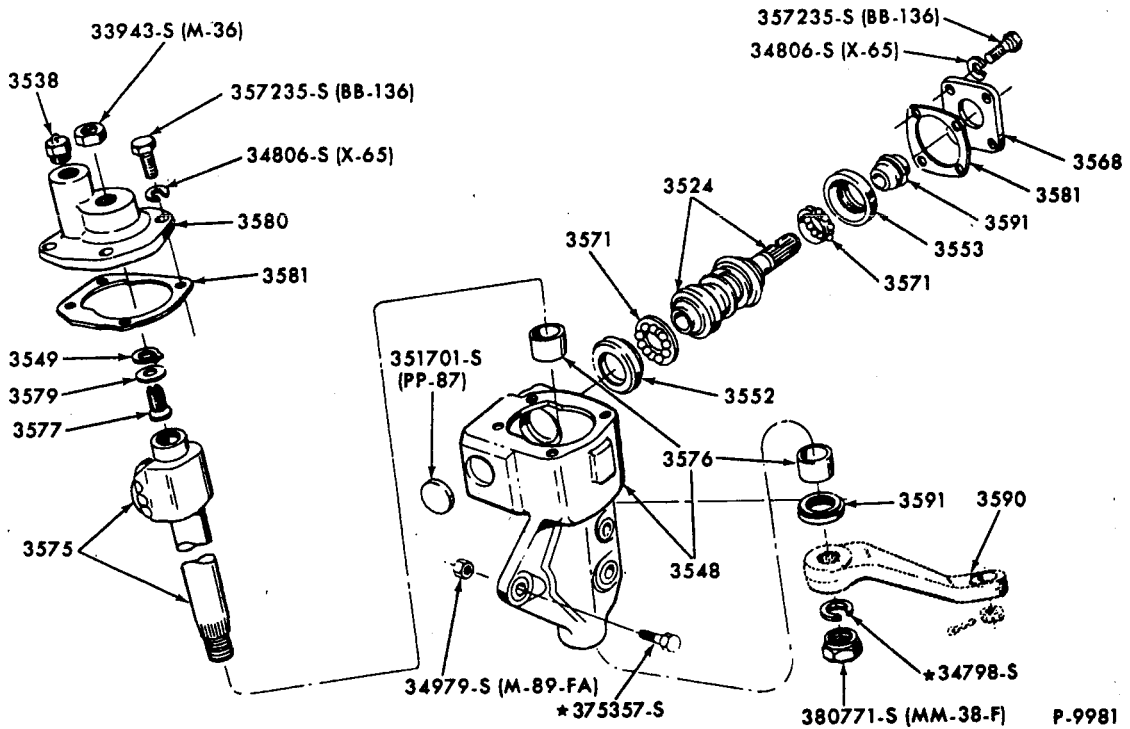
**STEERING GEAR and LINKAGE  
 1971/72 PINTO**

# FORD CAR PARTS



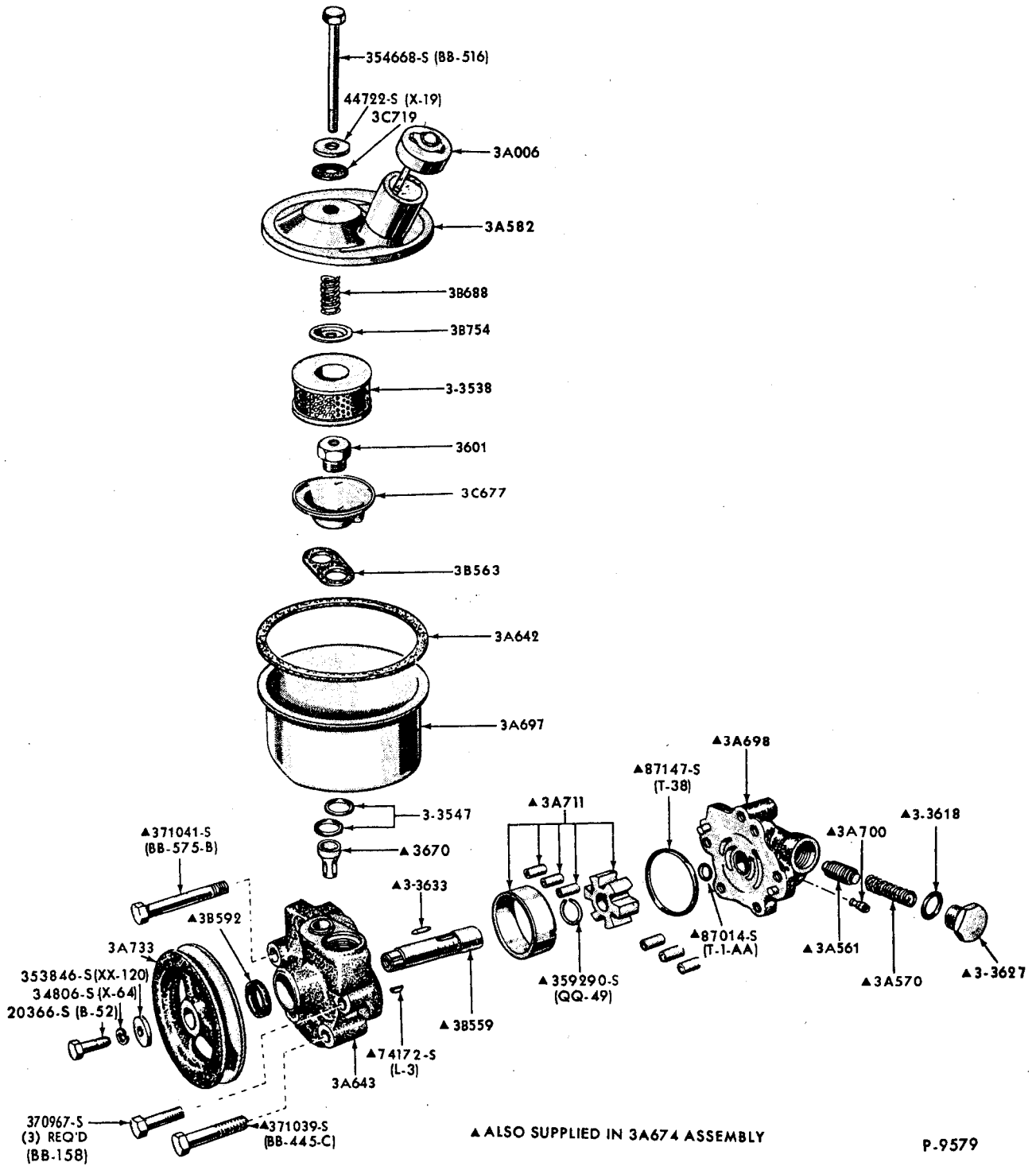
P-9859

STEERING GEAR DETAILS  
1966/71 FAIRLANE/TORINO, 1966/70 FALCON, 1970/72 MAVERICK & 1966/72 MUSTANG



P.9981

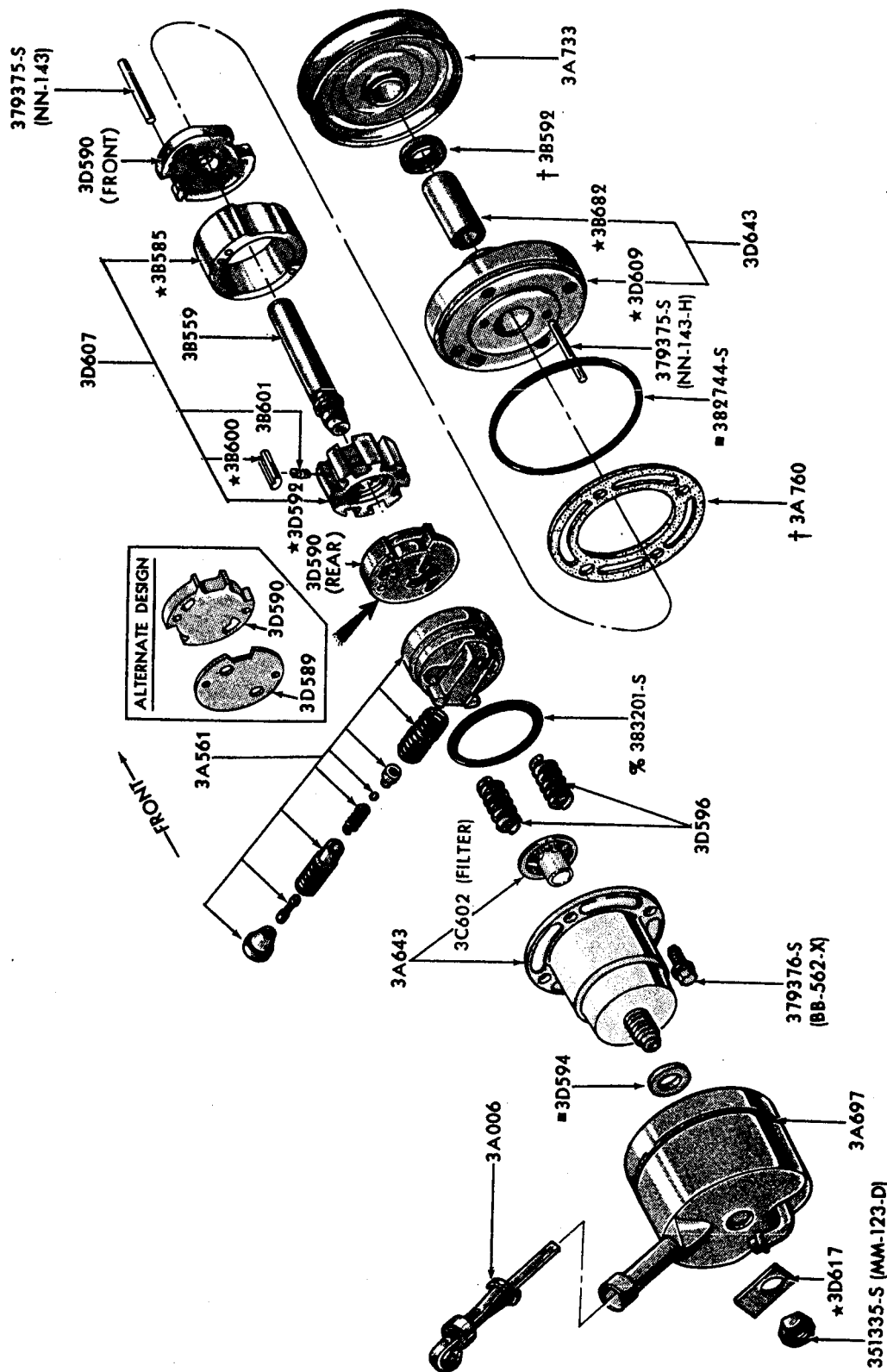
STEERING GEAR DETAILS  
1966/72 BRONCO



POWER STEERING PUMP & RELATED PARTS - (EATON TYPE)  
1965 FORD, FAIRLANE, FALCON, MUSTANG & THUNDERBIRD

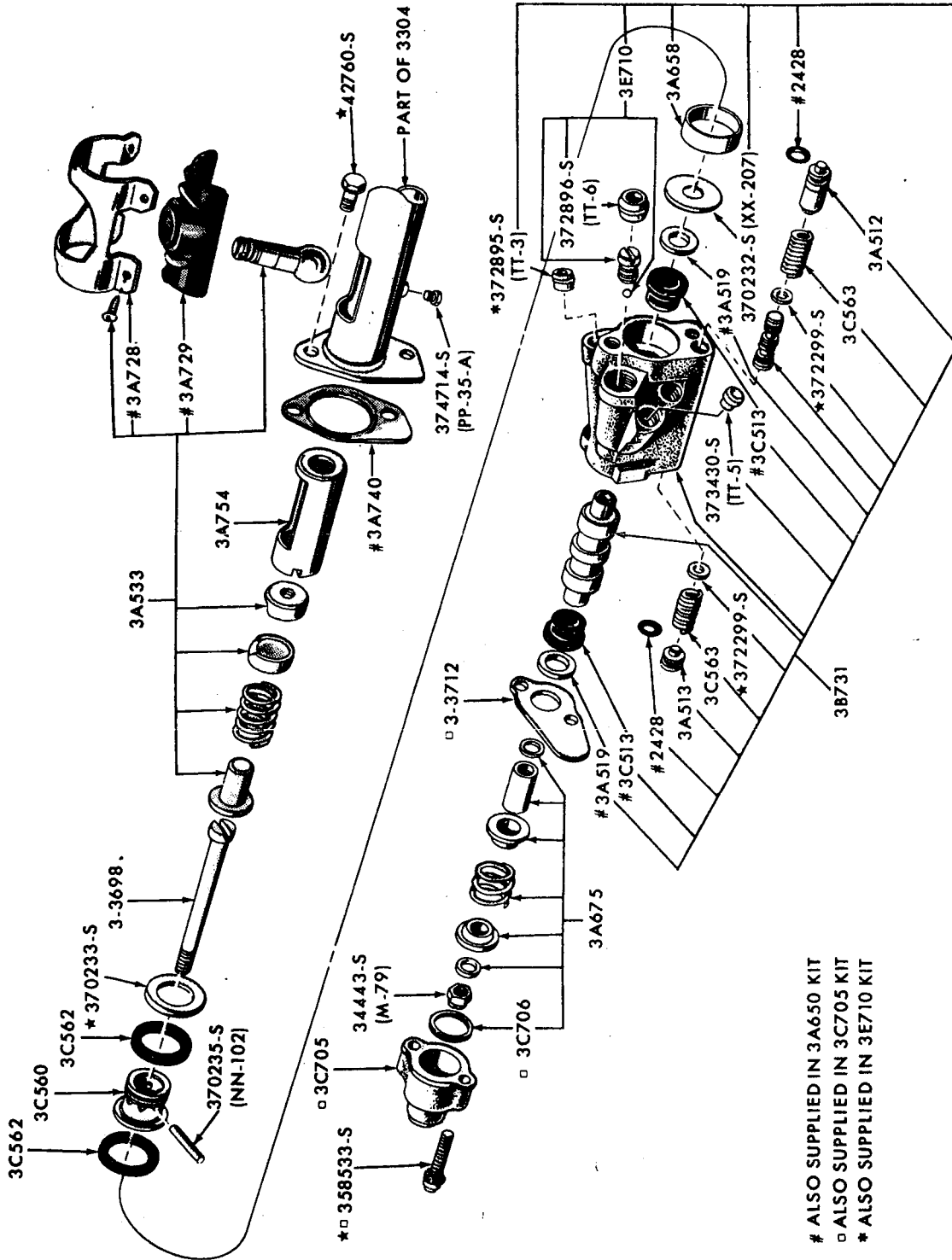




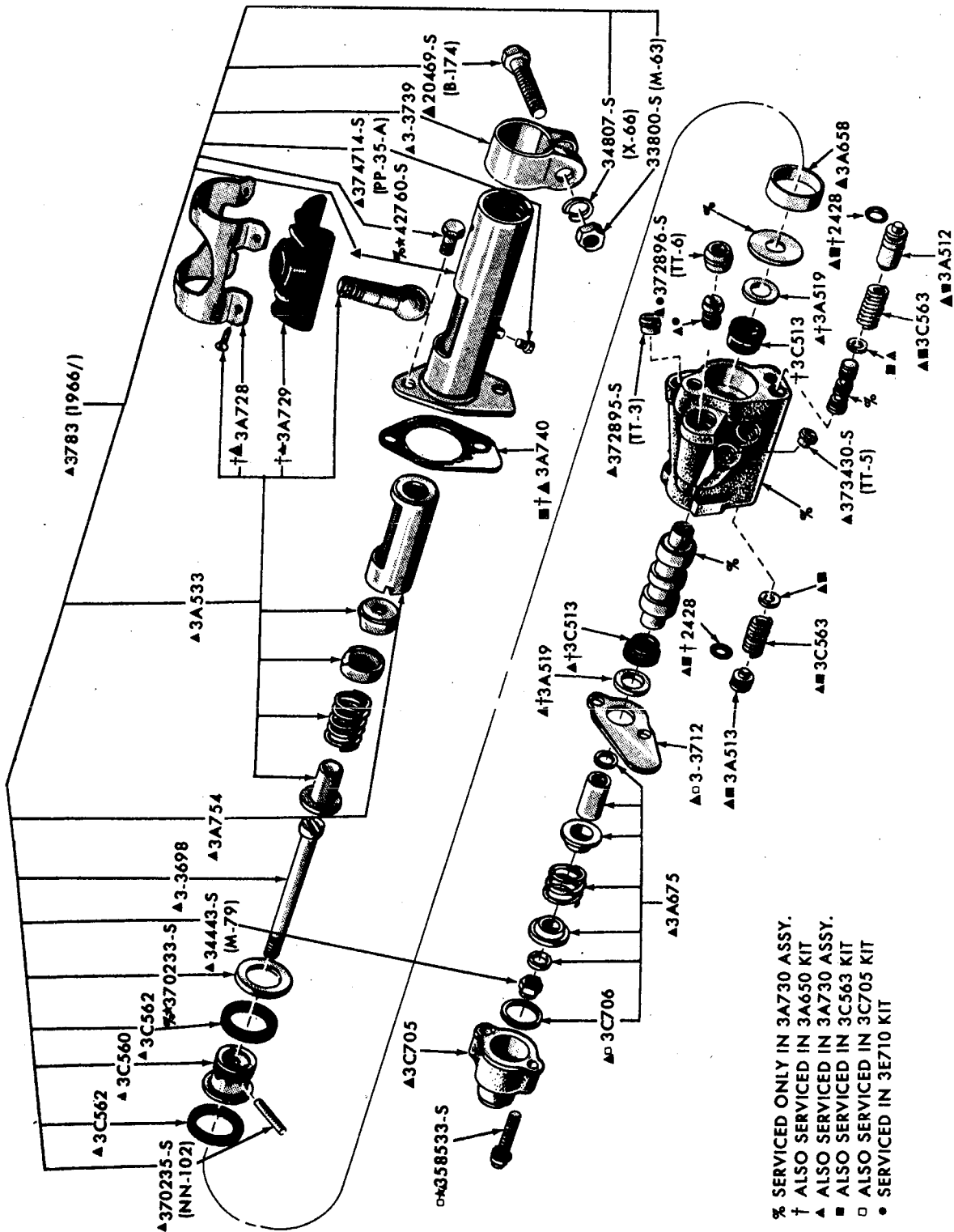


% SERVICED ONLY IN 3B584 KIT  
 ■ SERVICED IN 3B584 and 3D684 KITS  
 † ALSO SERVICED IN 3B584 KIT

POWER STEERING PUMP DETAILS (FORD SLIPPER TYPE)  
 1972 BRONCO, 1967/72 FAIRLANE/TORINO, FALCON, FORD, MUSTANG, 1970/72 MAVERICK, 1967/71 THUNDERBIRD



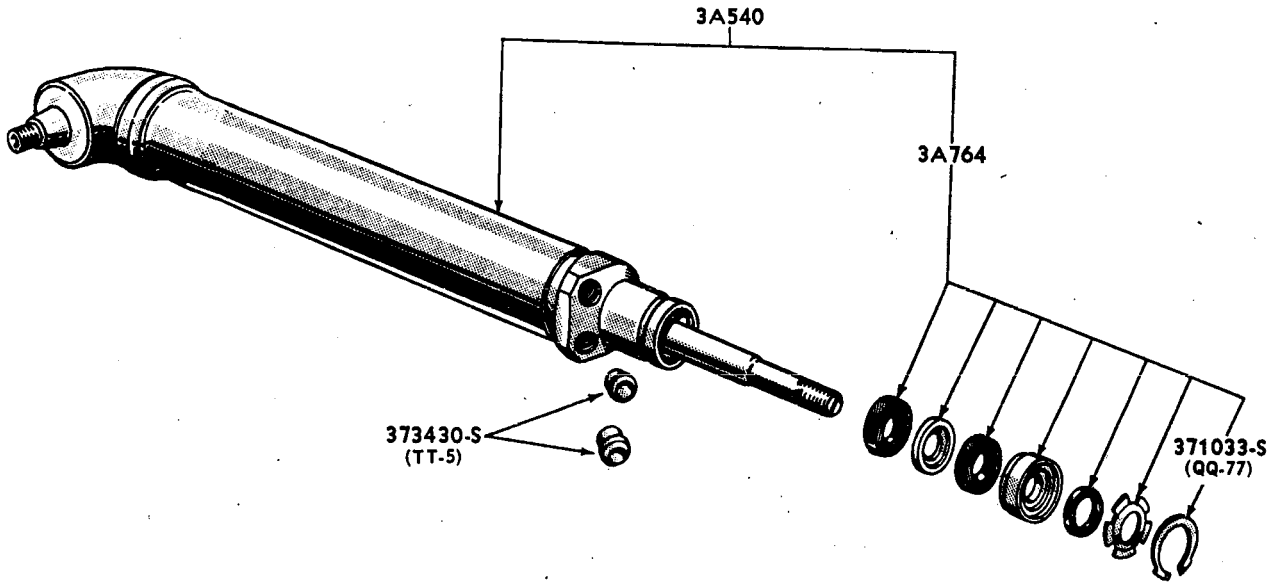
POWER STEERING CONTROL VALVE DETAILS - TYPICAL  
1965 FALCON- 8 CYLINDER, 1965/66 MUSTANG- 8 CYLINDER



% SERVICED ONLY IN 3A730 ASSY.  
 † ALSO SERVICED IN 3A650 KIT  
 ▲ ALSO SERVICED IN 3A730 ASSY.  
 ■ ALSO SERVICED IN 3C563 KIT  
 □ ALSO SERVICED IN 3C705 KIT  
 ● SERVICED IN 3E710 KIT

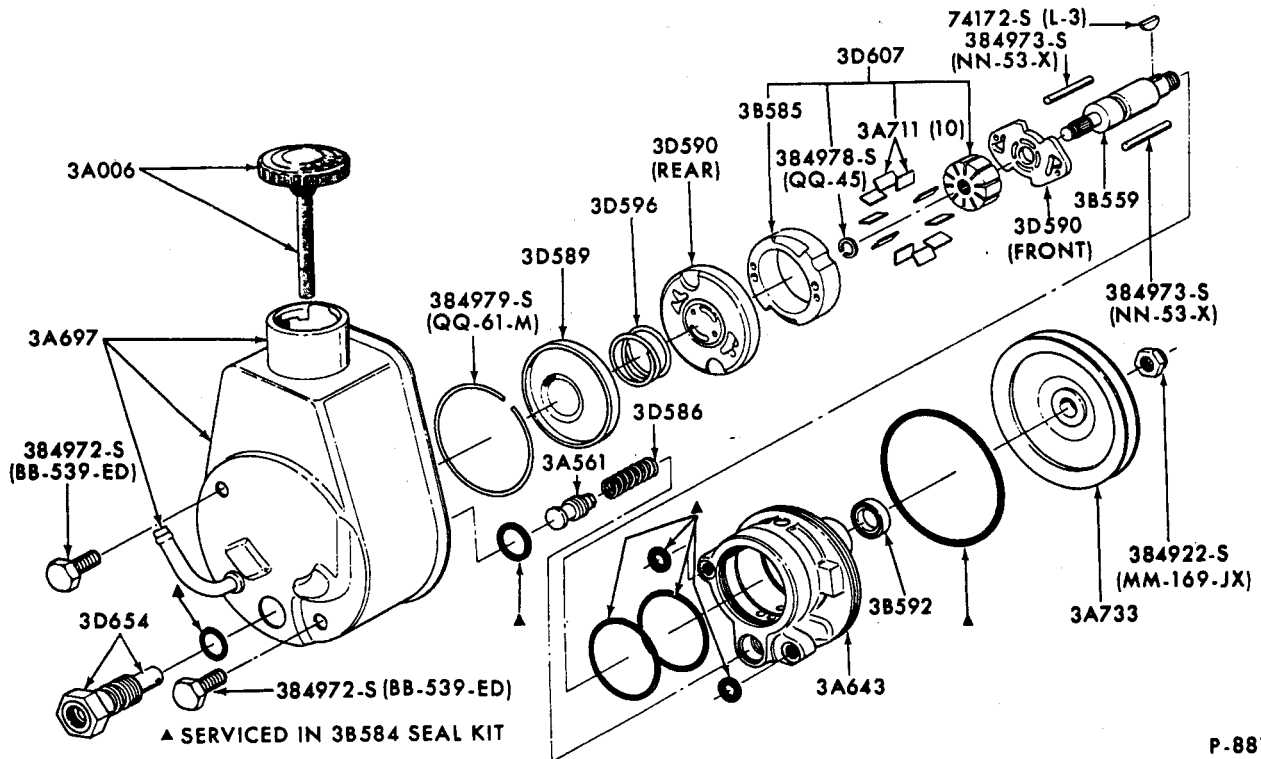
POWER STEERING CONTROL VALVE DETAILS - TYPICAL  
 1965/71 FAIRLANE/TORINO, 1965/70 FALCON - 6 CYL., 1966/70 FALCON - 8 CYL.,  
 1970/72 MAVERICK, 1965/66 MUSTANG - 6 CYL., 1967/70 MUSTANG

# FORD CAR PARTS



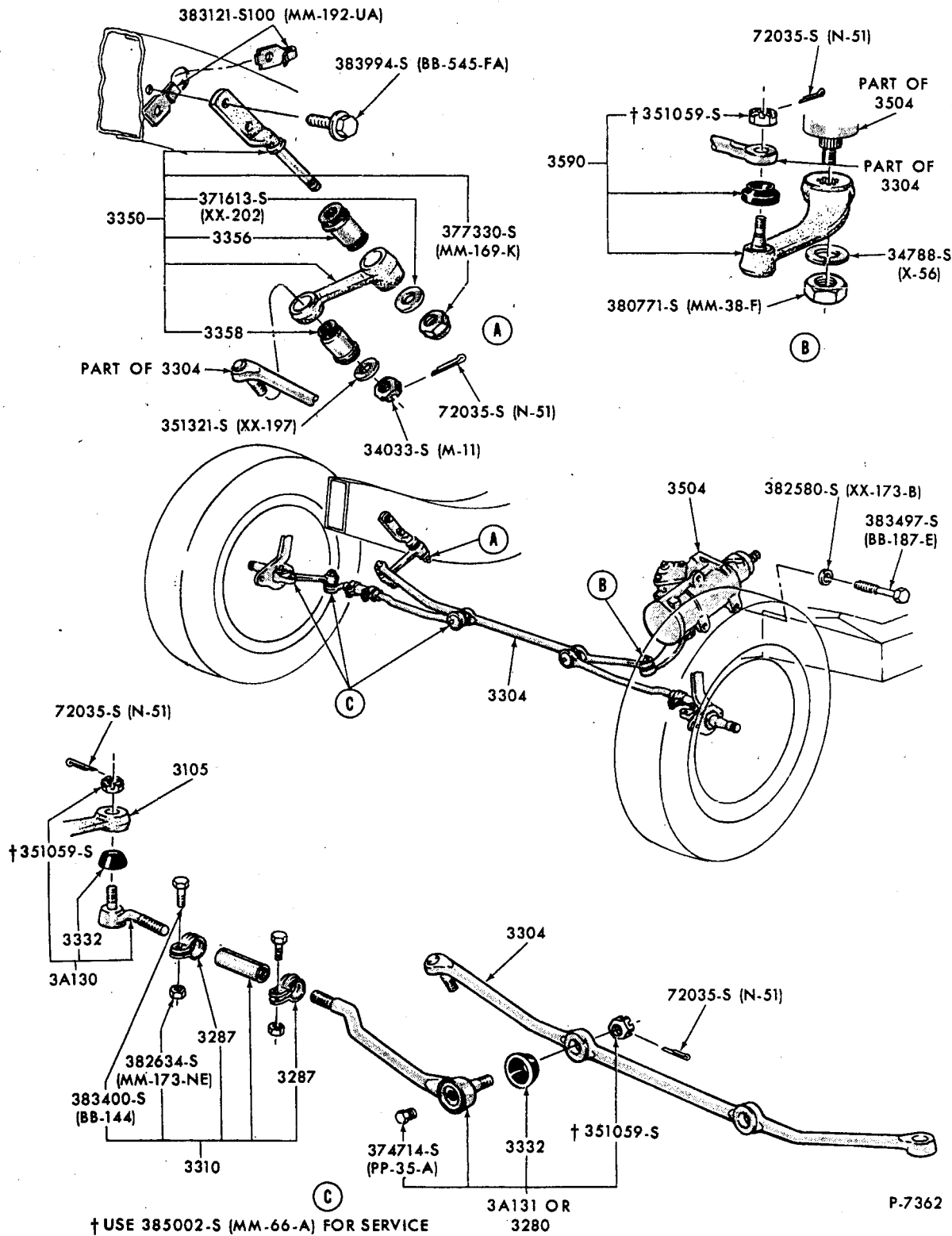
P-4180

POWER STEERING CYLINDER DETAILS - TYPICAL  
 1965/71 FAIRLANE/TORINO, 1965/70 FALCON & MUSTANG, 1970/72 MAVERICK



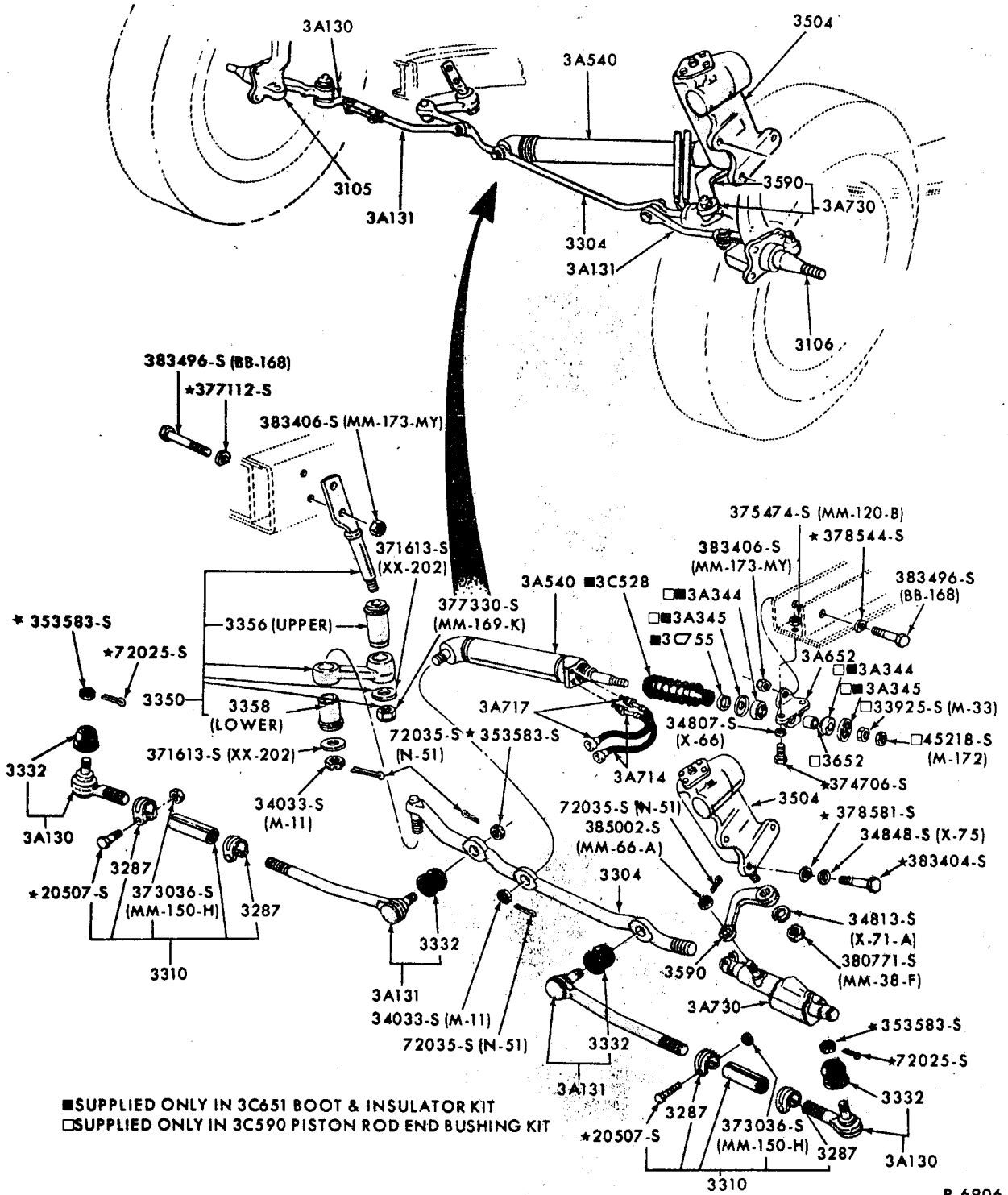
P-8816

POWER STEERING PUMP - SAGINAW DESIGN  
 1972 THUNDERBIRD - 8 CYLINDER 429,460 WITH A/C ONLY



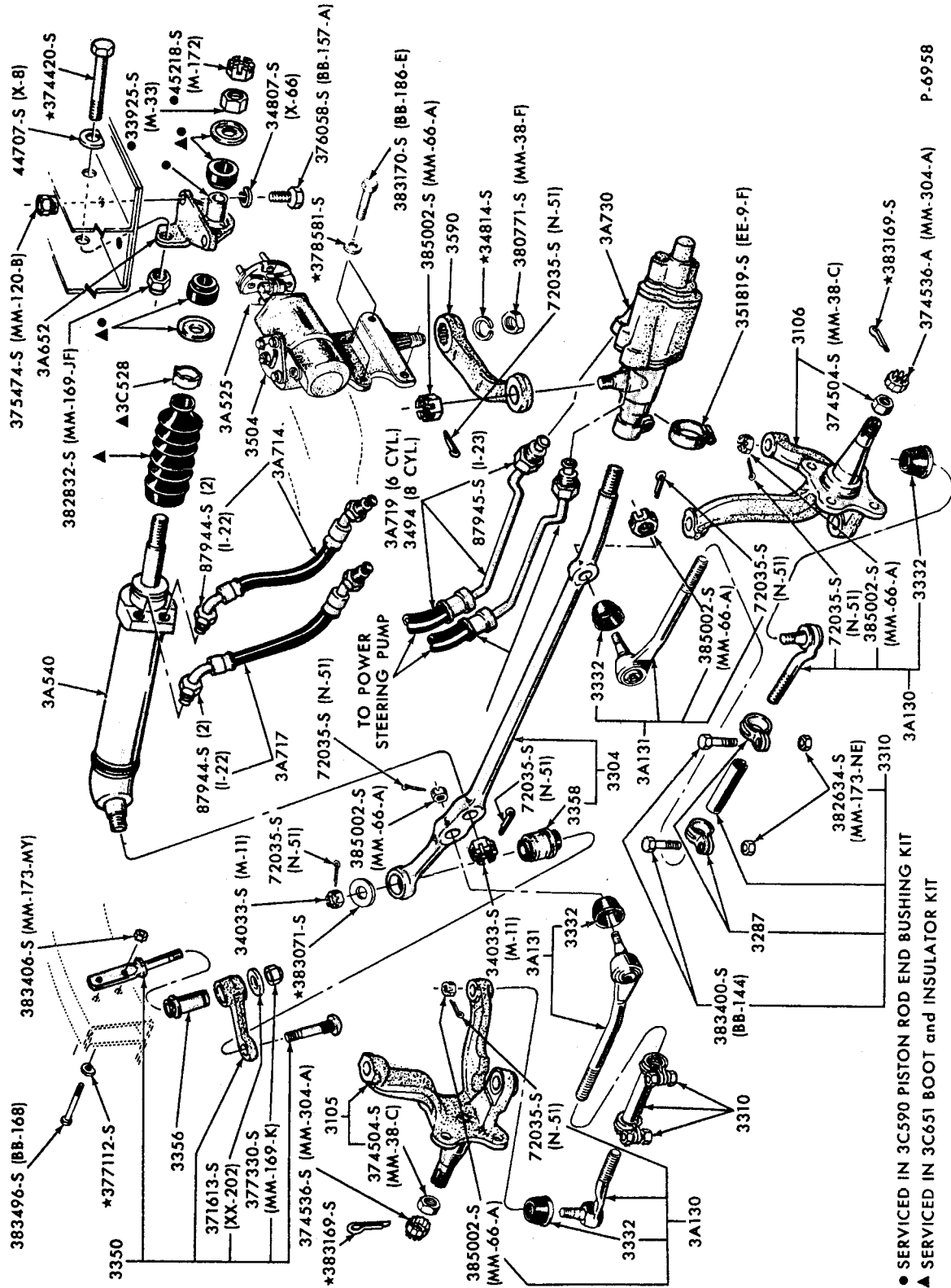
STEERING LINKAGE (POWER and MANUAL) - TYPICAL  
1970/72 FORD, 1970/71 THUNDERBIRD

FORD CAR PARTS



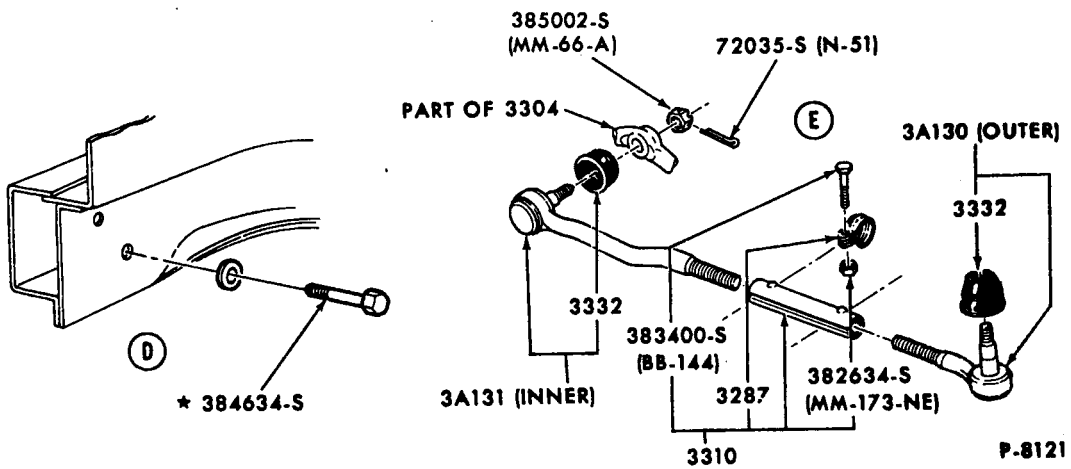
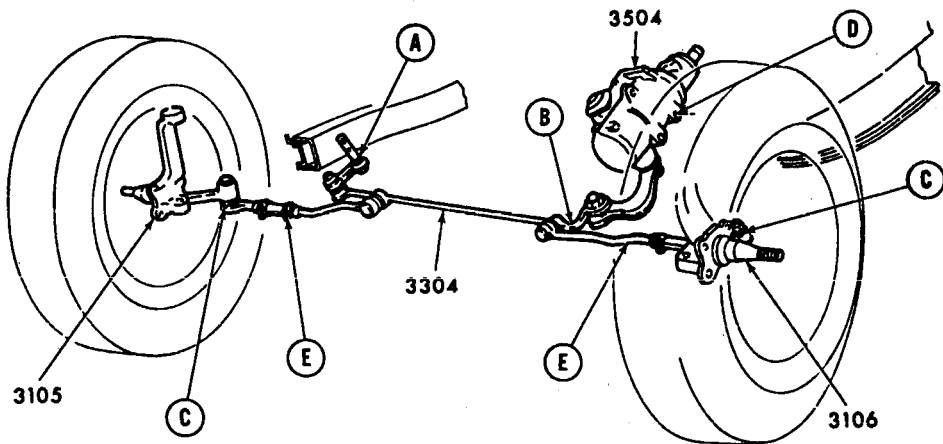
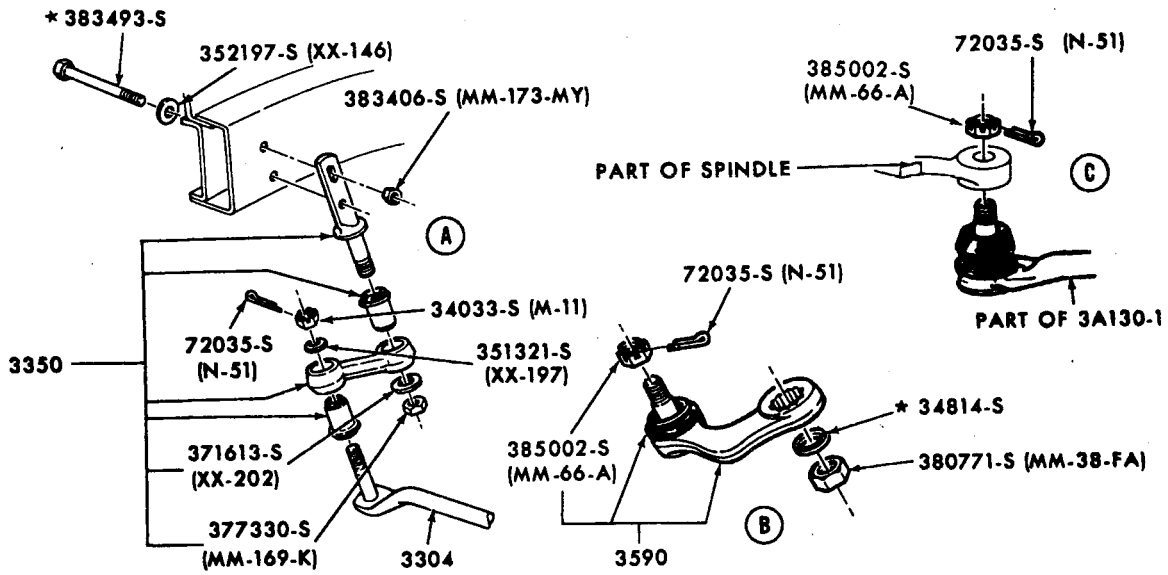
P-6906

POWER STEERING LINKAGE  
1969/71 FAIRLANE/TORINO, 1969/70 FALCON & MUSTANG

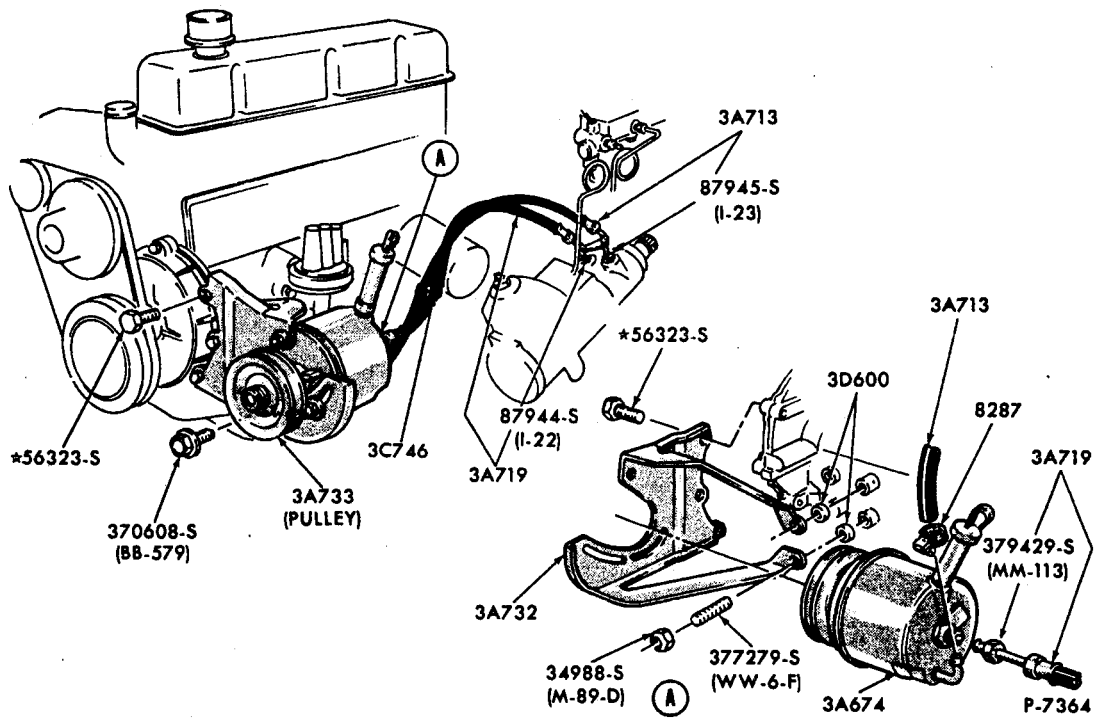


POWER STEERING LINKAGE  
1970/72 MAVERICK

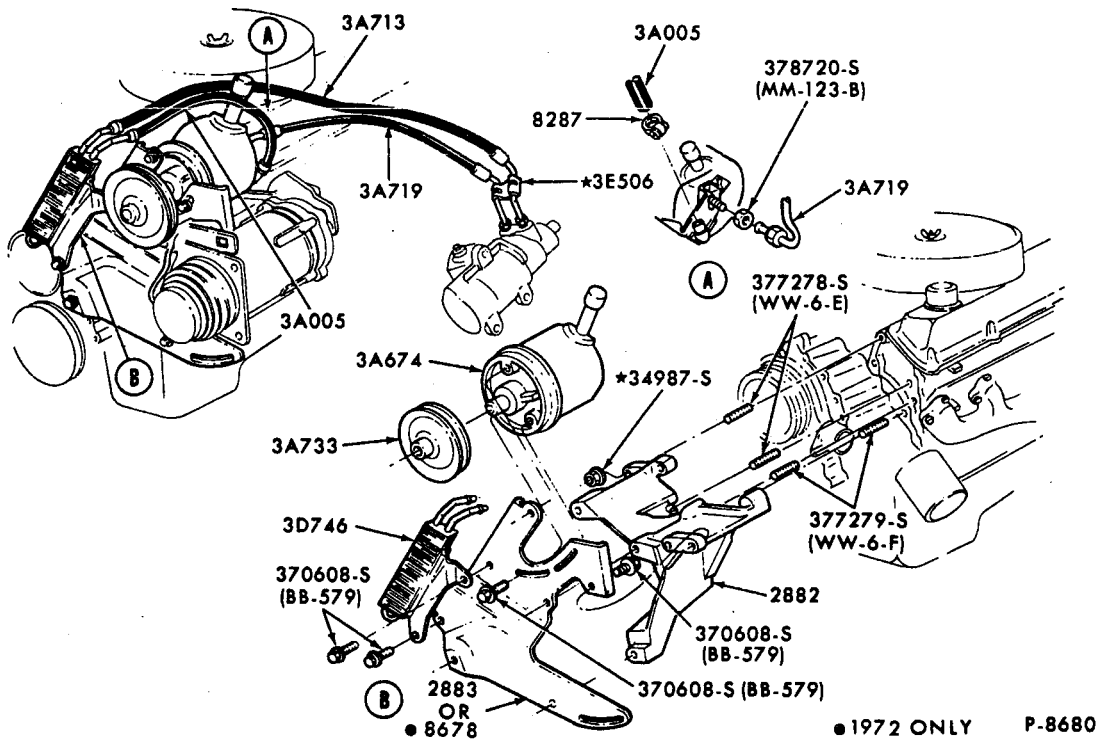




STEERING LINKAGE (POWER & MANUAL) - TYPICAL  
1971/72 MUSTANG, 1972 THUNDERBIRD & TORINO



**POWER STEERING PUMP INSTALLATION - TYPICAL**  
 1970/72 FORD - 6 CYL. 240, 1971/72 MUSTANG, 1972 TORINO - 6 CYL. 250

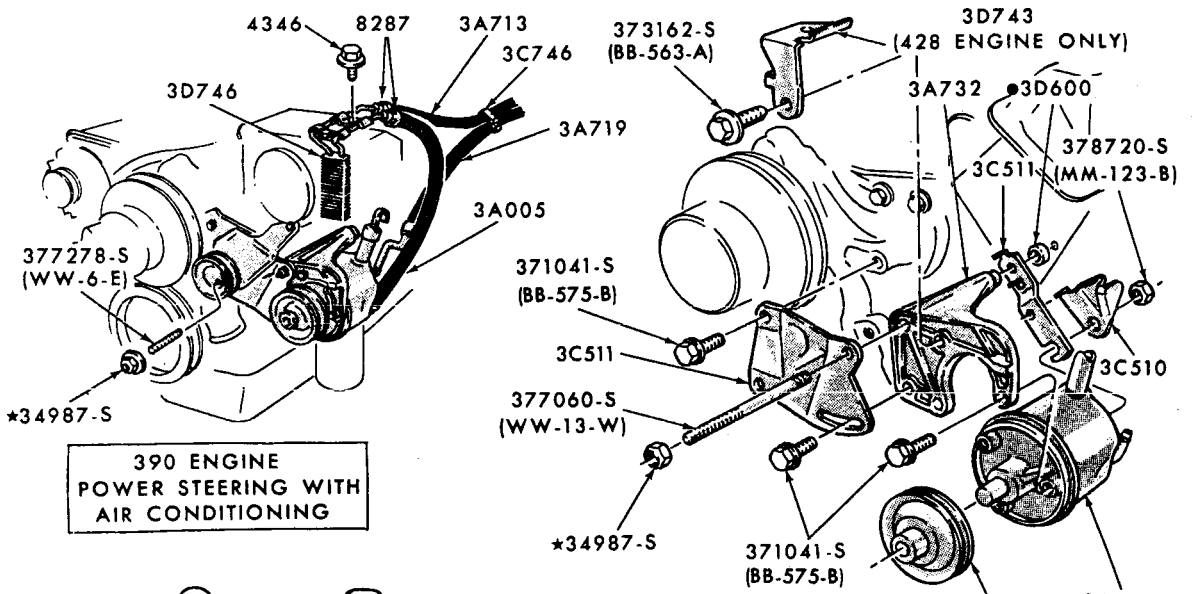


● 1972 ONLY P-8680

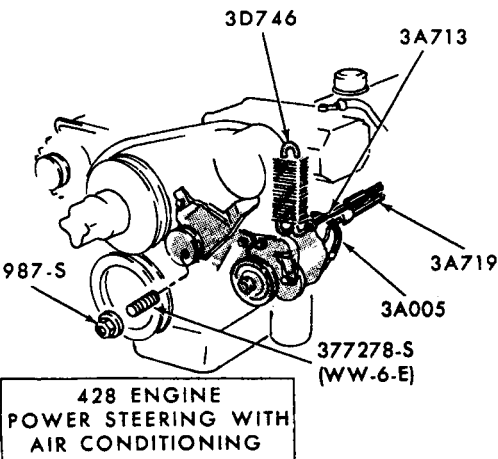
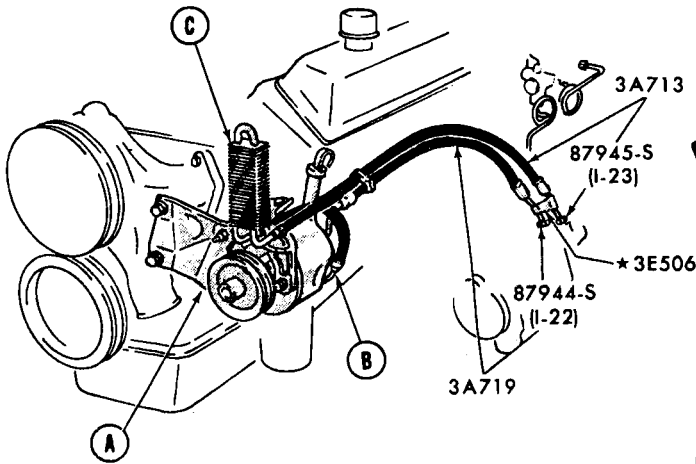
**POWER STEERING PUMP INSTALLATION**  
 1972 THUNDERBIRD - 8 CYL. 429 WITH AIR CONDITIONING AND 8 CYL. 460

ILLUSTRATION SECTION 36.4

FORD CAR PARTS

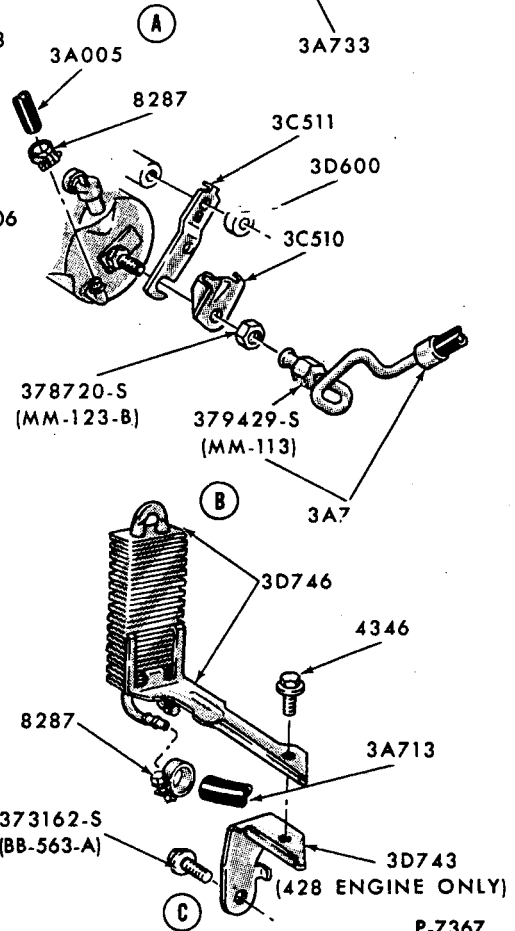


390 ENGINE POWER STEERING WITH AIR CONDITIONING



428 ENGINE POWER STEERING WITH AIR CONDITIONING

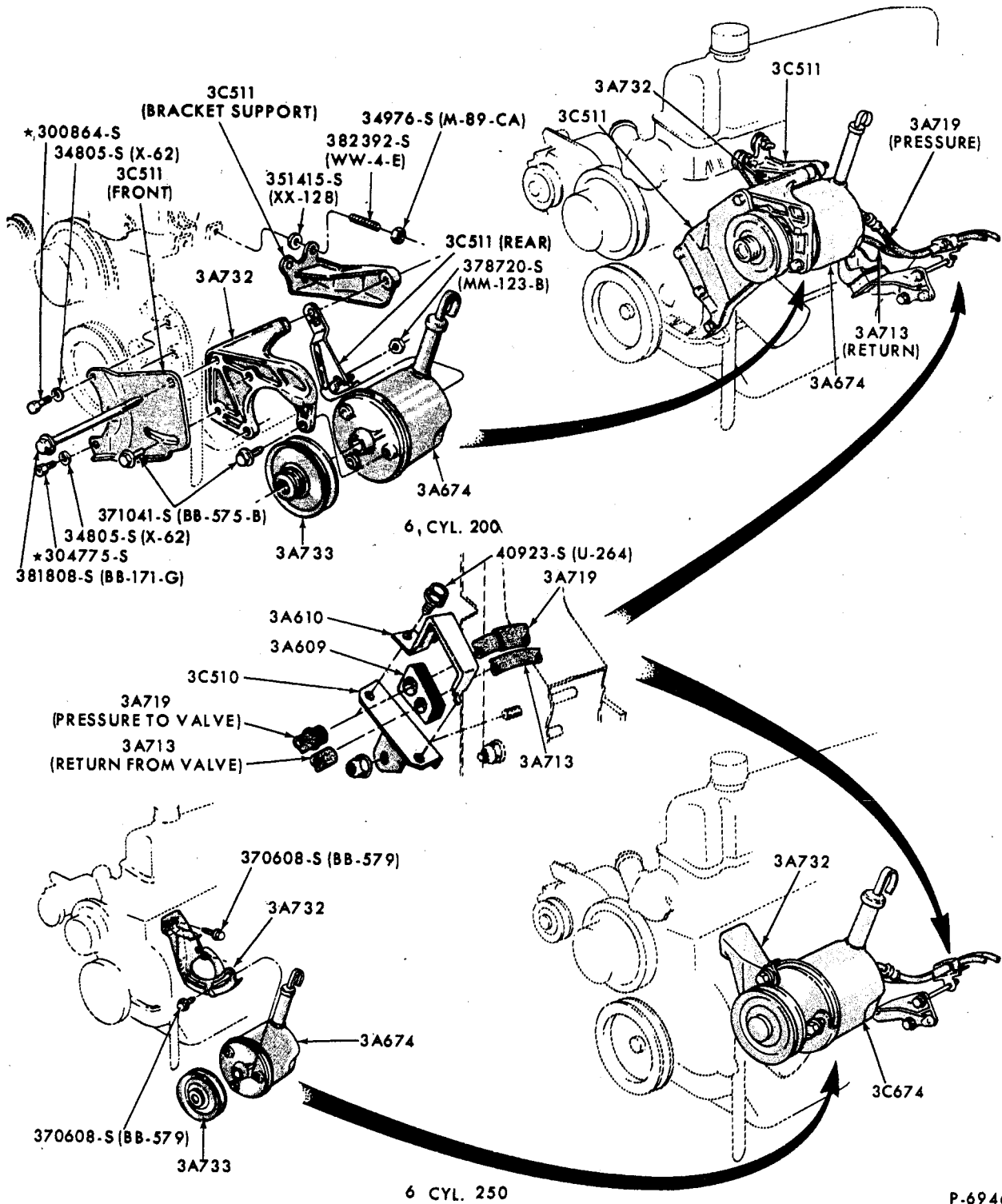
●USED WITHOUT AIR CONDITIONING



POWER STEERING PUMP INSTALLATION  
1970/71 FORD - 8 CYL. 390, 428

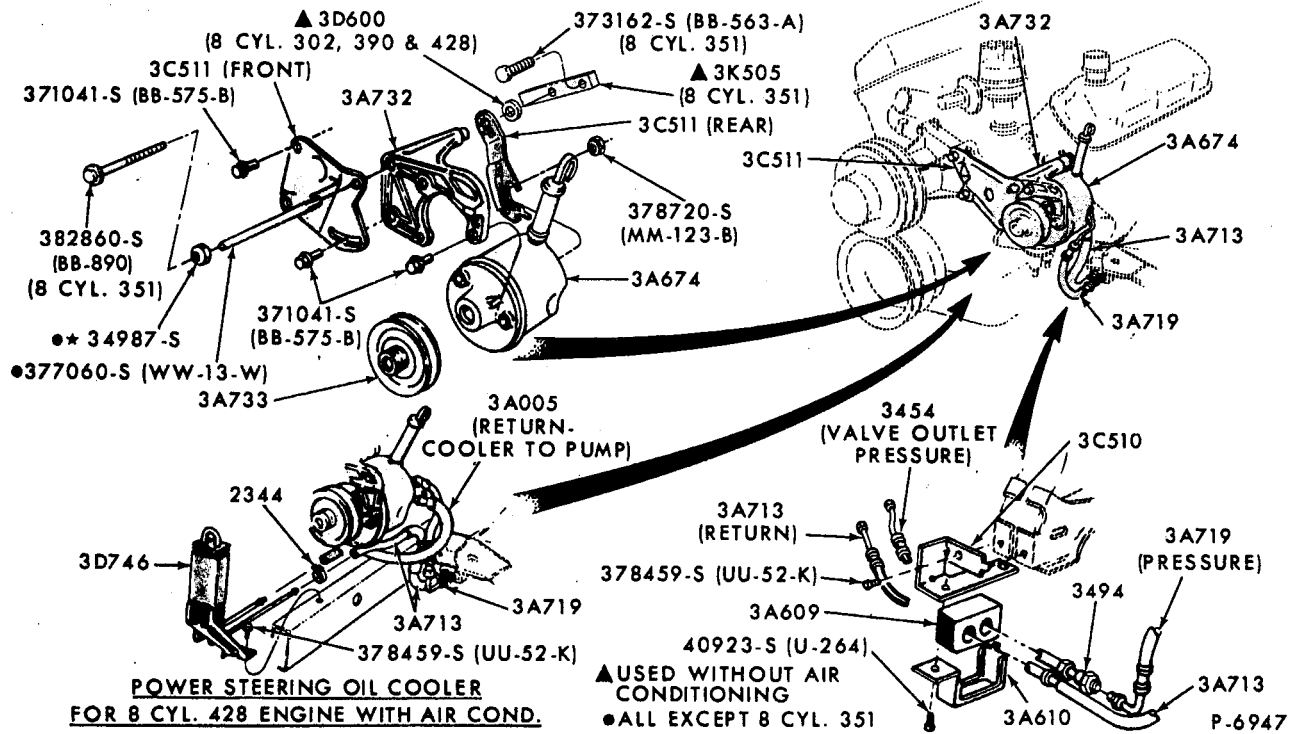


# FORD CAR PARTS



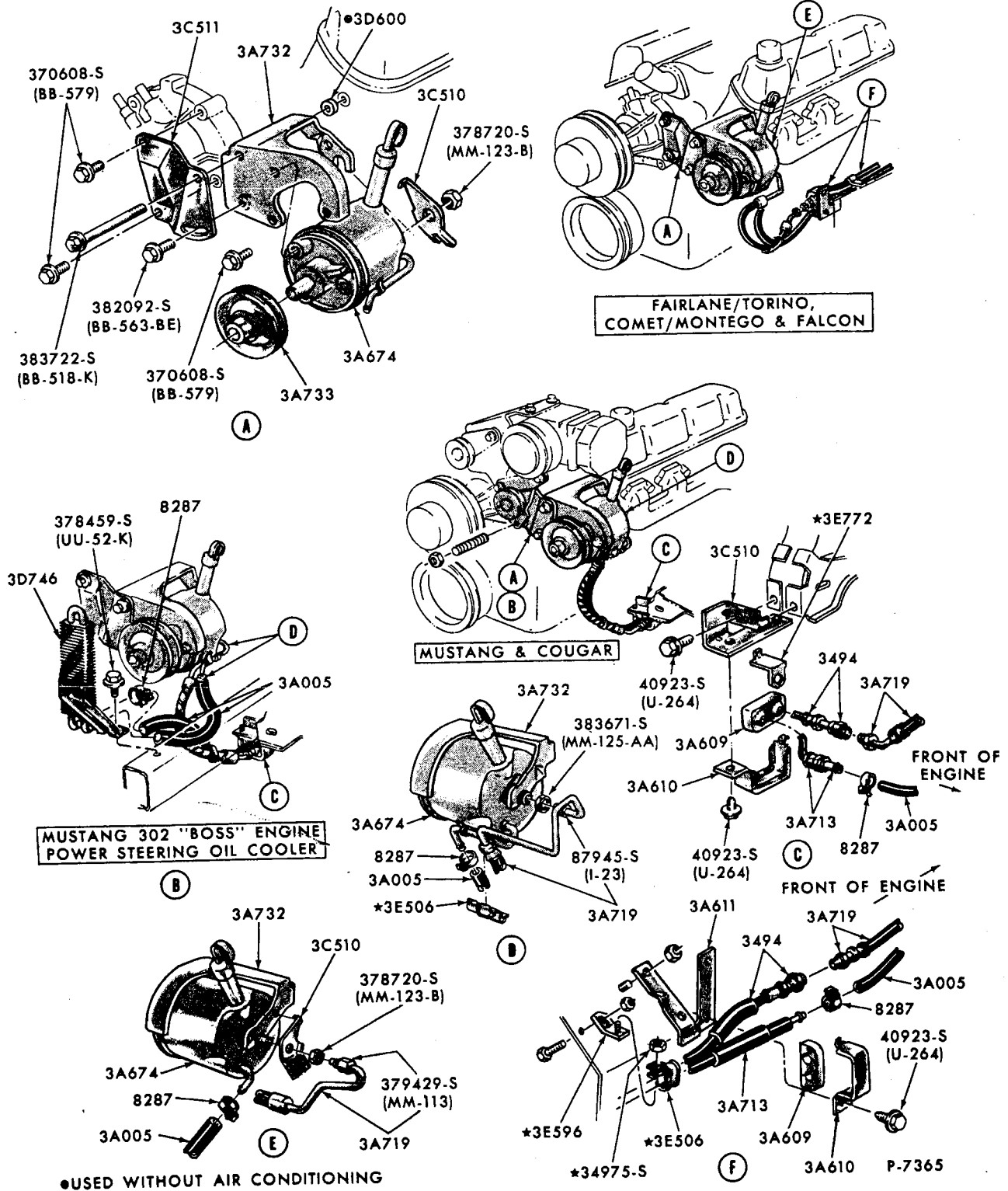
P-6946

POWER STEERING PUMP INSTALLATION - 6 CYL. ENGINE  
 1969/71 FAIRLANE/TORINO, 1969/70 FALCON & MUSTANG  
 1970/72 MAVERICK - 6 CYL. 250



**POWER STEERING PUMP INSTALLATION**  
 1969 FAIRLANE/TORINO, FALCON - 8 CYL., MUSTANG  
 1970 MUSTANG - 8 CYL., 428

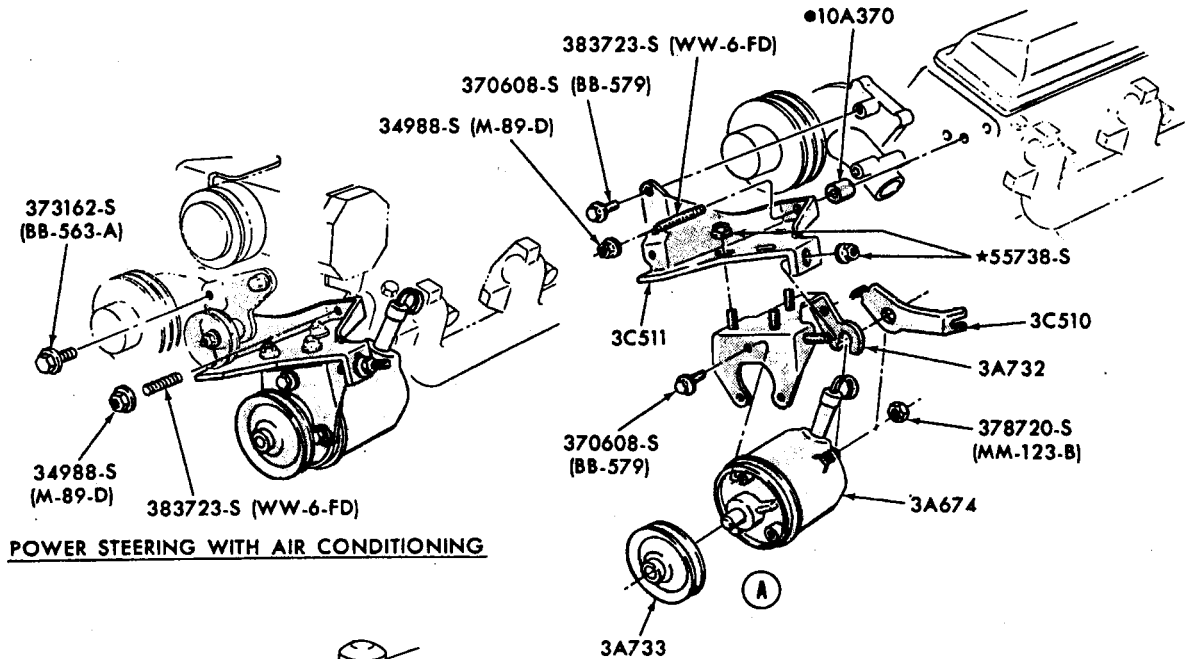
# FORD CAR PARTS



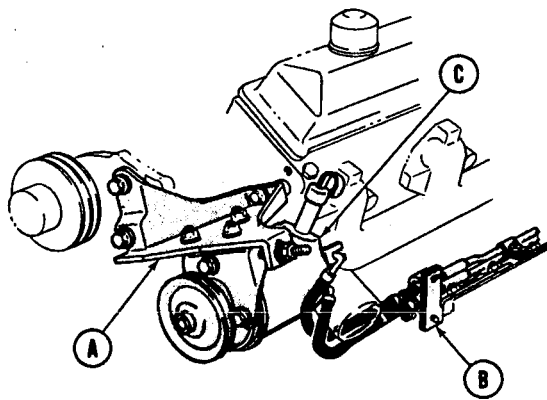
●USED WITHOUT AIR CONDITIONING

### POWER STEERING PUMP INSTALLATION

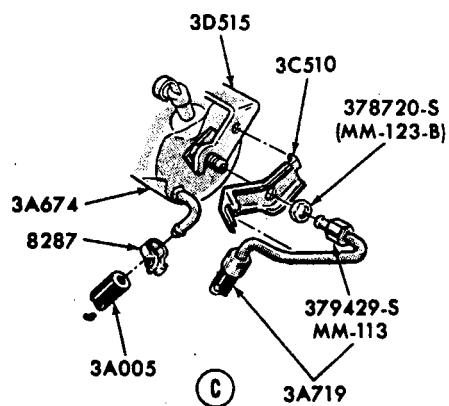
1970/71 FAIRLANE/TORINO - 8 CYL. 302,351, 1970 FALCON, MUSTANG - 8 CYL. 302,351



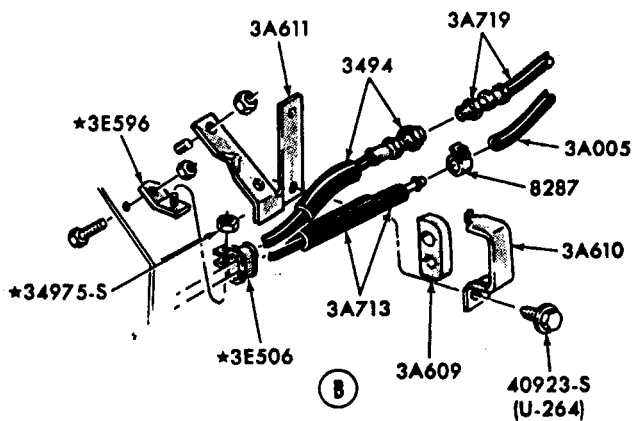
POWER STEERING WITH AIR CONDITIONING



MAIN VIEW



● USED WITHOUT AIR CONDITIONING



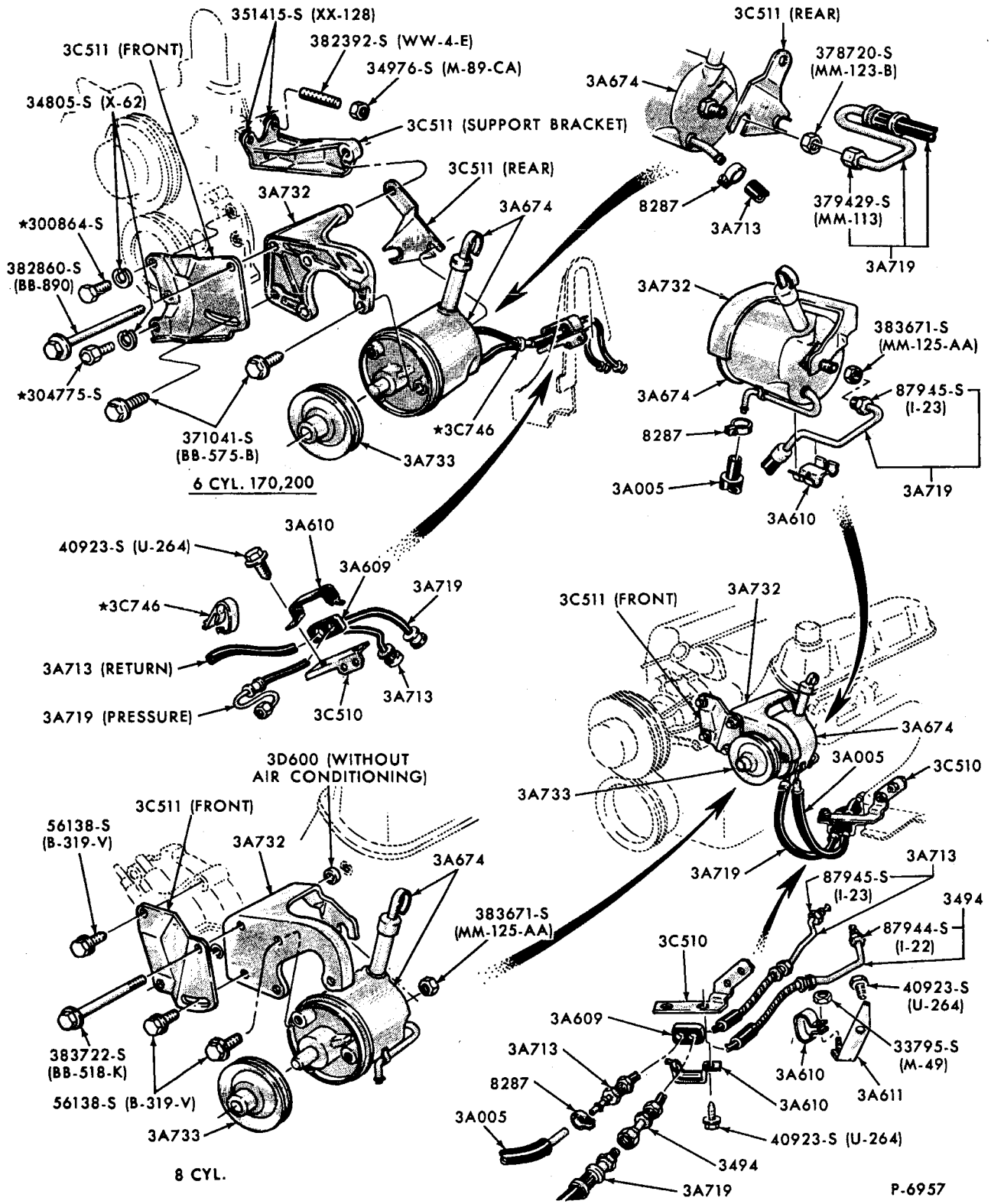
FAIRLANE/TORINO & COMET/MONTEGO

P-7368

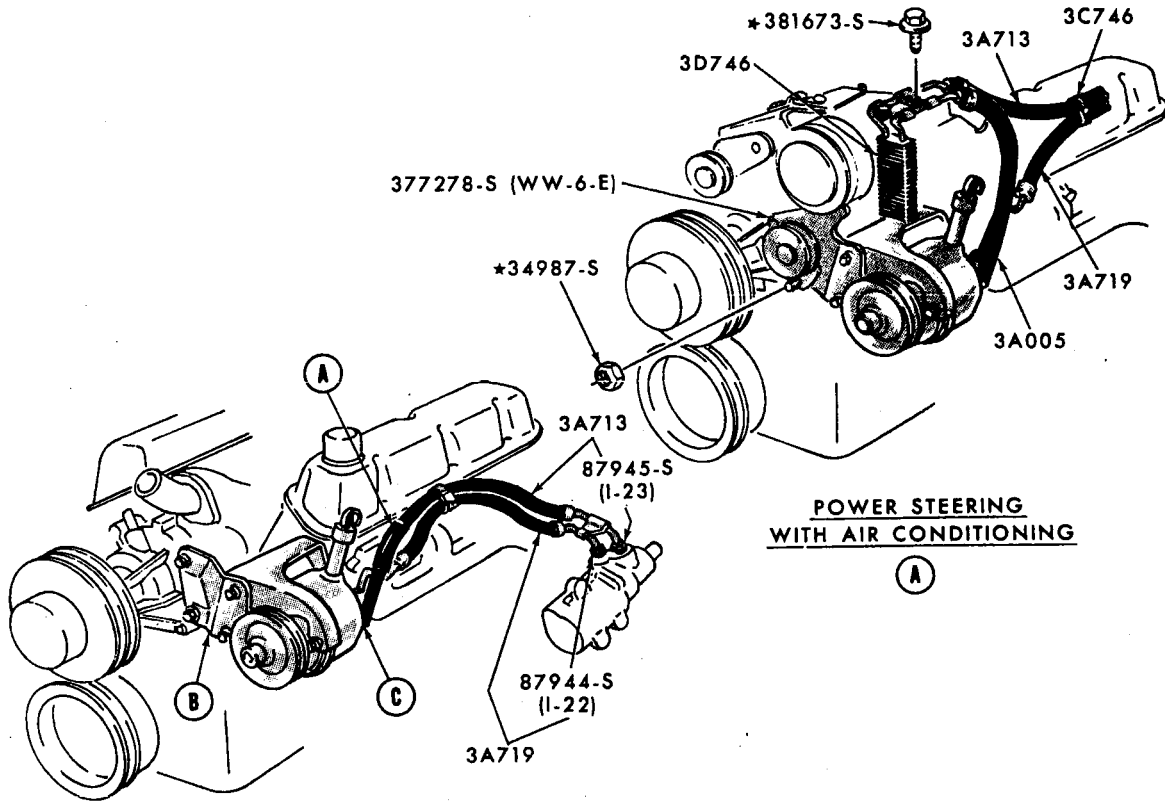
POWER STEERING PUMP INSTALLATION  
1970/71 FAIRLANE/TORINO - 8 CYLINDER 429



FORD CAR PARTS

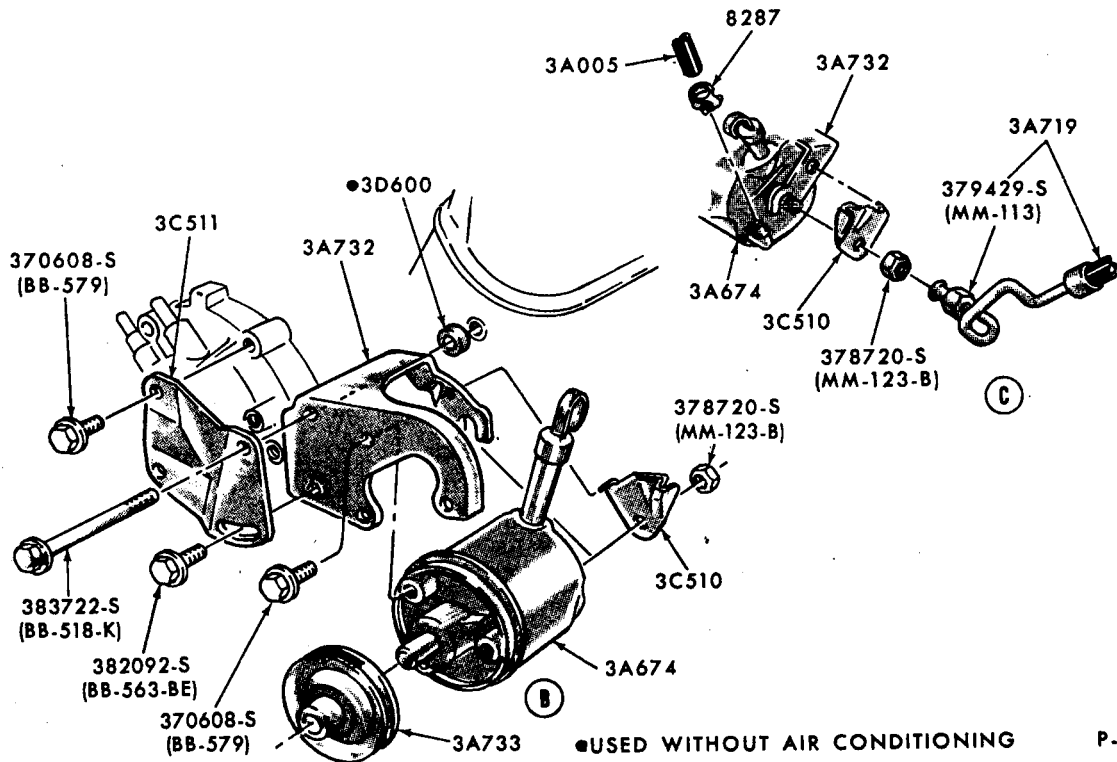


POWER STEERING PUMP INSTALLATION 1970/72 MAVERICK



POWER STEERING WITH AIR CONDITIONING

(A)



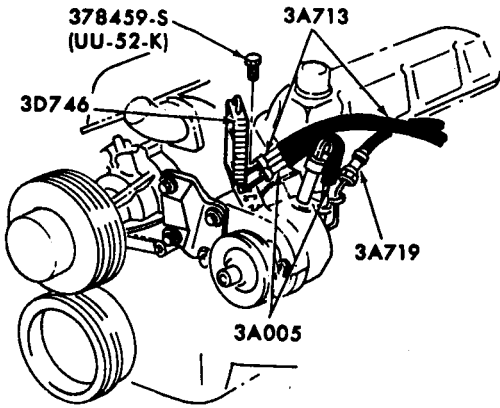
•USED WITHOUT AIR CONDITIONING

P-7366

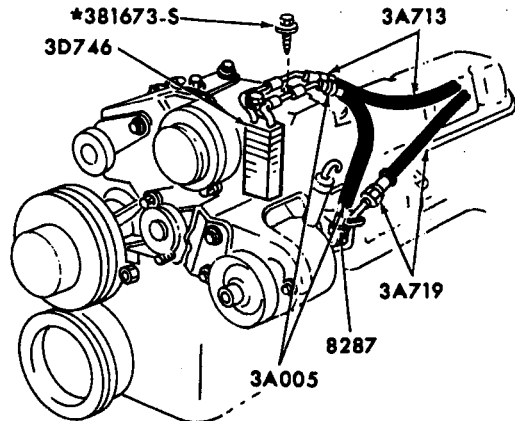
POWER STEERING PUMP INSTALLATION  
1970/72 FORD - 8 CYL. 302  
1970 FORD - 8 CYL. 351

ILLUSTRATION  
SECTION 36.4

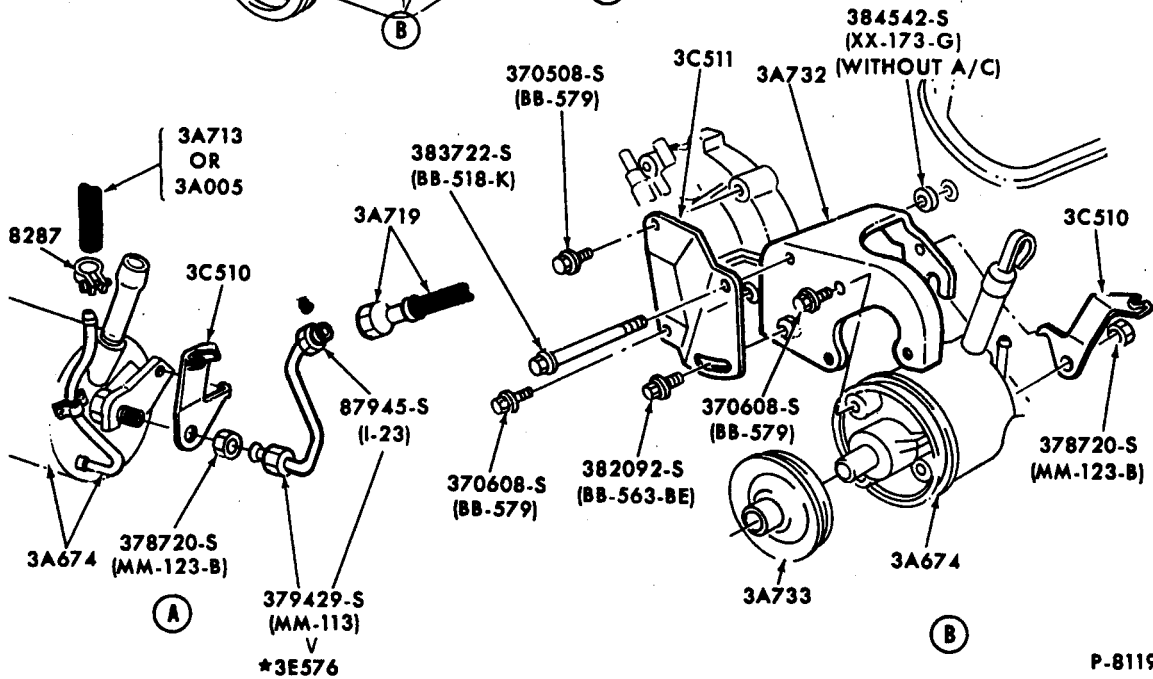
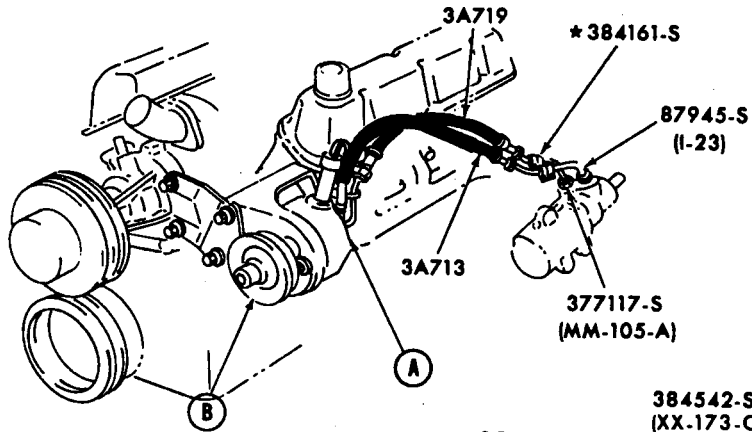
**FORD CAR PARTS**



POWER STEERING WITHOUT  
AIR CONDITIONING



POWER STEERING WITH  
AIR CONDITIONING

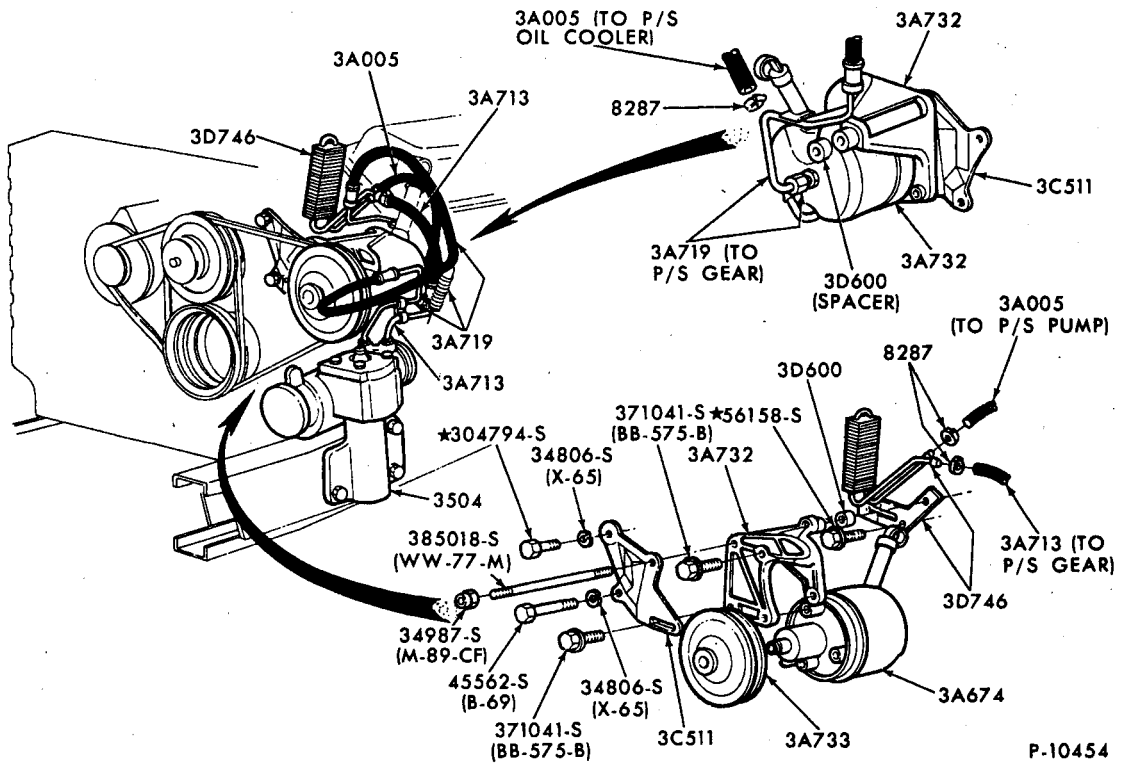


P-8119

**POWER STEERING PUMP INSTALLATION**  
1971/72 MUSTANG - 8 CYL. 302, 351, 1972 TORINO - 8 CYL. 302 (w/o A/C), 351-C



# FORD CAR PARTS



POWER STEERING PUMP INSTALLATION  
1972 BRONCO-8 CYLINDER 302

# FORD CAR PARTS

ILLUSTRATION  
SECTION 40

A

## INDEX

THIS INDEX SECTION INCLUDES THE FOLLOWING MAJOR GROUPS:

DRIVE LINE VIBRATION DAMPER  
DRIVE SHAFT

REAR AXLE

TITLE	SECTION	PAGE	ILLUS. NO.
-------	---------	------	------------

## 1965

### A (FORD)

DRIVE SHAFT	46	1	P-2995
REAR AXLE			
Locking - Equa lock	40	2	P-2819
- Dapco no-spin-9" ring gear - 8 cyl. 427	40	3	P-4721
Non - locking	40	1	P-2130

### B (FAIRLANE)

DRIVE SHAFT	46	1	P-3144
REAR AXLE			
Locking - Equa lock	40	2	P-2819
Non - locking	40	1	P-2130

### F (MUSTANG)

DRIVE SHAFT	46	1	P-3144
REAR AXLE			
Locking - Equa lock - 7 1/4" ring gear (integral carrier)	40	4	P-5796
- 7 3/4", 8", 8 3/4", 9" ring gears (separate carrier)	40	2	P-2819
Non - locking - 7 3/4", 8", 9" ring gears (separate carrier)	40	1	P-2130
- 7 1/4" ring gear - (integral carrier)	40	4	P-5796

### S (THUNDERBIRD)

DRIVE SHAFT	46	1	P-2995
REAR AXLE			
Locking - Equa lock	40	2	P-2819
Non - locking	40	1	P-2130

### X (FALCON)

DRIVE SHAFT	46	1	P-3144
REAR AXLE			
Locking - Equa lock - 7 1/4" ring gear (integral carrier)	40	4	P-5796
- 7 3/4", 8" ring gears (separate carrier)	40	2	P-2819
Non - locking - 7 3/4", 8", 9" ring gears (separate carrier)	40	1	P-2130
- 7 1/4" ring gear (integral carrier)	40	4	P-5796

## 1966

### A (FORD)

DRIVE LINE VIBRATION DAMPER	46	2	P-5498
DRIVE SHAFT	46	1	P-2995
REAR AXLE			
Locking - Dapco no-spin-9" ring gear - 8 cyl. 427	40	3	P-4721
- Equa lock - 8 3/4", 9" ring gears	40	2	P-2819
- 9 3/8" ring gear	40	5	P-9720
Non - locking - 8 3/4", 9" ring gears	40	1	P-2130
- 9 3/8" ring gear	40	5	P-9720

B

**ILLUSTRATION  
SECTION 40**
**FORD CAR PARTS**
**INDEX**

TITLE	SECTION	PAGE	ILLUS. NO.
<b>1966</b>			
<b>B (FAIRLANE)</b>			
DRIVE SHAFT	46	1	P-3144
REAR AXLE			
Locking - Equa lock	40	2	P-2819
Non - locking	40	1	P-2130
<b>F (MUSTANG)</b>			
DRIVE SHAFT	46	1	P-3144
REAR AXLE			
Locking - Equa lock - 7 1/4" ring gear (integral carrier)	40	4	P-5796
- 7 3/4", 8", 8 3/4", 9" ring gears (separate carrier)	40	2	P-2819
Non - locking - 7 3/4", 8", 9" ring gears (separate carrier)	40	1	P-2130
- 7 1/4" ring gear (integral carrier)	40	4	P-5796
<b>S (THUNDERBIRD)</b>			
DRIVE SHAFT	46	1	P-2995
REAR AXLE			
Locking - Equa lock - 8 3/4", 9" ring gears	40	2	P-2819
- 9 3/8" ring gear	40	5	P-9720
Non - locking - 8 3/4", 9" ring gears	40	1	P-2130
- 9 3/8" ring gear	40	5	P-9720
<b>U (BRONCO)</b>			
DRIVE SHAFT	46	5	P-5232
REAR AXLE - Non - locking	40	1	P-2130
- Locking - Equa lock	40	2	P-2819
<b>X (FALCON)</b>			
DRIVE SHAFT	46	1	P-3144
REAR AXLE			
Locking - Equa lock - 7 1/4" ring gear (integral carrier)	40	4	P-5796
- 7 3/4", 8" ring gears (separate carrier)	40	2	P-2819
Non - locking - 7 3/4", 8", 9" ring gears (separate carrier)	40	1	P-2130
- 7 1/4" ring gears (integral carrier)	40	4	P-5796
<b>1967</b>			
<b>A (FORD)</b>			
DRIVE LINE VIBRATION DAMPER	46	2	P-5498
DRIVE SHAFT	46	1	P-2995
REAR AXLE			
Locking - Dapco no-spin-9" ring gear - 8 cyl. 427 (separate carrier)	40	3	P-4721
- Equa lock - 8 3/4", 9" ring gears (separate carrier)	40	2	P-2819
- 9 3/8" ring gear (separate carrier)	40	5	P-9720
Non - locking - 8 3/4", 9" ring gears - (separate carrier)	40	1	P-2130
- 8 1/2" ring gear - (integral carrier)	40	6	P-5471
- 9 3/8" ring gear - (separate carrier)	40	5	P-9720
<b>B (FAIRLANE)</b>			
DRIVE LINE VIBRATION DAMPER	46	3	P-5732
DRIVE SHAFT	46	1	P-3144
REAR AXLE			
Locking - Equa lock	40	2	P-2819
Non - locking	40	1	P-2130

# FORD CAR PARTS

# ILLUSTRATION SECTION 40

C

## INDEX

TITLE	SECTION	PAGE	ILLUS. NO.
-------	---------	------	------------

# 1967

### F (MUSTANG)

DRIVE SHAFT	46	1	P-3144
REAR AXLE			
Locking - Equa lock - 7 1/4" ring gear (integral carrier)	40	4	P-5796
- 7 3/4", 8", 8 3/4", 9" ring gears (separate carrier)	40	2	P-2819
Non - locking - 7 1/4" ring gear (integral carrier)	40	4	P-5796
- 7 3/4", 8", 9" ring gears (separate carrier)	40	1	P-2130

### S (THUNDERBIRD)

DRIVE SHAFT - 2 door	46	1	P-2995
- 4 door	46	3	P-5512
REAR AXLE			
Locking - Equa lock - 9" ring gear	40	2	P-2819
- 9 3/8" ring gear	40	5	P-9720
Non - locking - 9" ring gear	40	1	P-2130
- 9 3/8" ring gear	40	5	P-9720

### U (BRONCO)

DRIVE SHAFT	46	5	P-5232
REAR AXLE - Non - locking	40	1	P-2130
- Locking - Equa lock	40	2	P-2819

### X (FALCON)

DRIVE SHAFT	46	1	P-3144
REAR AXLE			
Locking - Equa lock - 7 1/4" ring gear (integral carrier)	40	4	P-5796
- 7 3/4", 8" ring gears (separate carrier)	40	2	P-2819
Non - locking - 7 3/4", 8", 9" ring gears (separate carrier)	40	1	P-2130
- 7 1/4" ring gears (integral carrier)	40	4	P-5796

# 1968

### A (FORD)

DRIVE LINE VIBRATION DAMPER - slip yoke type	46	4	P-5898
DRIVE SHAFT	46	1	P-2995
REAR AXLE			
Locking - Equa lock - 8 3/4", 9" ring gears (separate carrier)	40	2	P-2819
- 9 3/8" ring gear (separate carrier)	40	5	P-9720
Non - locking - 8 3/4", 9" ring gears - (separate carrier)	40	1	P-2130
- 8 1/2" ring gear - (integral carrier)	40	6	P-5471
- 9 3/8" ring gear - (separate carrier)	40	5	P-9720

### B (FAIRLANE/TORINO)

DRIVE LINE VIBRATION DAMPER	46	4	P-6425
DRIVE SHAFT	46	1	P-3144
REAR AXLE			
Locking - Equa lock	40	2	P-2819
- Traction Lok	40	7	P-6459
Non - locking	40	1	P-2130



D

**ILLUSTRATION  
SECTION 40**
**FORD CAR PARTS**
**INDEX**

TITLE	SECTION	PAGE	ILLUS. NO.
-------	---------	------	------------

**1968**
**F (MUSTANG)**

DRIVE SHAFT	46	1	P-3144
REAR AXLE			
Locking - Equa lock - 7 1/4" ring gear (integral carrier)	40	4	P-5796
- 7 3/4", 8", 8 3/4", 9" ring gears (separate carrier)	40	2	P-2819
- Traction Lok - 9" ring gear (separate carrier)	40	7	P-6459
Non - locking - 7 1/4" ring gear (integral carrier)	40	4	P-5796
- 7 3/4", 8", 9" ring gears (separate carrier)	40	1	P-2130

**S (THUNDERBIRD)**

DRIVE LINE VIBRATION DAMPER	46	4	P-6425
DRIVE SHAFT	46	6	P-5987
REAR AXLE	40	5	P-9720

**U (BRONCO)**

DRIVE SHAFT	46	5	P-5232
REAR AXLE - Non locking	40	1	P-2130
- Locking - Equa lock	40	2	P-2819

**X (FALCON)**

DRIVE SHAFT	46	1	P-3144
REAR AXLE			
Locking - Equa lock - 7 1/4" ring gear (integral carrier)	40	4	P-5796
- 7 3/4", 8", ring gears (separate carrier)	40	2	P-2819
Non - locking - 7 3/4", 8", 9" ring gears (separate carrier)	40	1	P-2130
- 7 1/4" ring gear (integral carrier)	40	4	P-5796

**1969**
**A (FORD)**

DRIVE LINE VIBRATION DAMPER	46	4	P-6425
DRIVE SHAFT	46	1	P-2995
REAR AXLE			
Locking - Equa lock - 8 3/4", 9" ring gears (separate carrier)	40	2	P-2819
- 9 3/8" ring gear (separate carrier)	40	5	P-9720
Non - locking - 9" ring gear (separate carrier)	40	1	P-2130
- 8 1/2", 8 3/4" ring gears - (integral carrier)	40	6	P-5471
- 9 3/8" ring gear - (separate carrier)	40	5	P-9720

**B (FAIRLANE/TORINO)**

DRIVE LINE VIBRATION DAMPER	46	4	P-6425
DRIVE SHAFT	46	1	P-3144
REAR AXLE			
Locking - Traction Lok	40	7	P-6459
Non - locking	40	1	P-2130

**F (MUSTANG)**

DRIVE SHAFT	46	1	P-3144
REAR AXLE			
Locking - Equa lock - 7 1/4" ring gear (integral carrier)	40	4	P-5796
- Traction Lok - 9" ring gear (separate carrier)	40	7	P-6459
Non - locking - 7 1/4" ring gear (integral carrier)	40	4	P-5796
- 7 3/4", 8", 9" ring gears (separate carrier)	40	1	P-2130

### INDEX

TITLE	SECTION	PAGE	ILLUS. NO.
-------	---------	------	------------

## 1969

#### S (THUNDERBIRD)

DRIVE LINE VIBRATION DAMPER	46	4	P-6425
DRIVE SHAFT	46	6	P-5987
REAR AXLE	40	5	P-9720

#### U (BRONCO)

DRIVE SHAFT - Mechanics type - Before Ser. G20,001"	46	5	P-5232
- Dana type - From Ser. G20,001"	46	5	P-7280
REAR AXLE - Non - locking	40	1	P-2130
- Locking - Equa lock	40	2	P-2819

#### X (FALCON)

DRIVE SHAFT	46	1	P-3144
REAR AXLE			
Locking - Equa lock - 7 1/4" ring gear (integral carrier)	40	4	P-5796
- 7 3/4", 8" ring gears (separate carrier)	40	2	P-2819
Non - locking - 7 3/4", 8", 9", ring gears (separate carrier)	40	1	P-2130
- 7 1/4" ring gears (integral carrier)	40	4	P-5796

## 1970

#### A (FORD)

DRIVE LINE VIBRATION DAMPER	46	4	P-6425
DRIVE SHAFT	46	1	P-2995
REAR AXLE			
Locking - Traction Lok -	40	7	P-6459
Non - locking - 9" ring gear (separate carrier)	40	1	P-2130
- 8 3/4" ring gear (integral carrier)	40	6	P-5471
- 9 3/8" ring gear (separate carrier)	40	5	P-9720

#### B (FAIRLANE/TORINO)

#### B (FALCON) - FROM 1/2/70

DRIVE LINE VIBRATION DAMPER	46	4	P-6425
DRIVE SHAFT	46	1	P-3144
REAR AXLE			
Locking - Traction Lok	40	7	P-6459
Non - locking	40	1	P-2130

#### F (MUSTANG)

DRIVE SHAFT	46	1	P-3144
REAR AXLE			
Locking - Equa lock - 7 1/4" ring gear (integral carrier)	40	4	P-5796
- Traction Lok - 8", 9" ring gears (separate carrier)	40	7	P-6459
- Dapco no-spin-9" ring gear (separate carrier)	40	3	P-4721
Non - locking - 7 1/4" ring gears (integral carrier)	40	4	P-5796
- 7 3/4", 8", 9" ring gears (separate carrier)	40	1	P-2130

#### P (MAVERICK)

DRIVE SHAFT	46	1	P-3144
REAR AXLE - 7 1/4" ring gear (integral carrier)	40	4	P-5796

#### S (THUNDERBIRD)

DRIVE LINE VIBRATION DAMPER	46	4	P-6425
DRIVE SHAFT	46	6	P-5987
REAR AXLE			
Non - locking - 9" ring gear	40	1	P-2130
- 9 3/8" ring gears	40	5	P-9720
Locking - Traction lok- 9", 9 3/8" ring gears	40	7	P-6459

F

**ILLUSTRATION  
SECTION 40**
**FORD CAR PARTS**
**INDEX**

TITLE

SECTION

PAGE

ILLUS. NO.

**1970**
**U (BRONCO)**

DRIVE SHAFT - Mechanics type - "Before Ser. G20,001"	46	5	P-5232
- Dana type - "From Ser. G20,001"	46	5	P-7280
REAR AXLE - Non - locking	40	1	P-2130
- Locking - Traction Lok	40	7	P-6459

**X (FALCON) - BEFORE 1/2/70**
**FOR UNITS BUILT FROM 1/2/70 REFER TO B (FALCON)**

DRIVE SHAFT	46	1	P-3144
REAR AXLE			
Locking - Equa lock - 7 1/4" ring gear (integral carrier)	40	4	P-5796
- Traction Lok - 8" ring gear (separate carrier)	40	2	P-2819
Non - locking - 8" ring gears (separate carrier)	40	1	P-2130
- 7 1/4" ring gears (integral carrier)	40	4	P-5796

**1971**
**A (FORD)**

DRIVE LINE VIBRATION DAMPER - slip yoke type (with FMX trans. & integral 8 3/4" R/G rear axle)	46	4	P-5898
DRIVE LINE VIBRATION DAMPER - trans. mounted	46	4	P-6425
DRIVE SHAFT	46	1	P-2995
REAR AXLE			
Locking - Traction Lok	40	7	P-6459
Non - locking - 9" ring gear (separate carrier)	40	1	P-2130
- 8 3/4" ring gear (integral carrier)	40	6	P-5471

**B (FAIRLANE/TORINO)**

DRIVE LINE VIBRATION DAMPER - trans. mounted	46	4	P-6425
DRIVE SHAFT	46	1	P-3144
REAR AXLE			
Locking - Traction Lok	40	7	P-6459
Non - locking	40	1	P-2130

**F (MUSTANG)**

DRIVE SHAFT	46	1	P-3144
REAR AXLE			
Locking - Traction Lok	40	7	P-6459
- Dapco no-spin	40	3	P-4721
Non - locking	40	1	P-2130

**L (PINTO)**

DRIVE SHAFT	46	1	P-3144
REAR AXLE	40	4	P-5796
DRIVE LINE VIBRATION DAMPER - auto. trans. mounted	46	2	P-8324

**P (MAVERICK)**

DRIVE SHAFT	46	1	P-3144
REAR AXLE - Non - locking	40	1	P-2130
- Locking - Traction Lok	40	7	P-6459

**S (THUNDERBIRD)**

DRIVE LINE VIBRATION DAMPER - trans. mounted	46	4	P-6425
DRIVE SHAFT	46	6	P-5987
REAR AXLE - Non - locking	40	1	P-2130
- Locking - Traction Lok	40	7	P-6459

**U (BRONCO)**

DRIVE SHAFT	46	5	P-7280
REAR AXLE - Non - locking	40	1	P-2130
- Locking - Traction Lok	40	7	P-6459

**INDEX**

TITLE SECTION PAGE ILLUS. NO.

**1972**

**A (FORD)**

DRIVE LINE VIBRATION DAMPER - slip yoke type (with FMX trans. & integral 8.7" R, G rear axle)	46	4	P-5898
DRIVE LINE VIBRATION DAMPER - trans. mounted	46	4	P-6425
DRIVE SHAFT	46	1	P-2995
REAR AXLE			
Locking - Traction Lok	40	7	P-6459
Non-locking - 9" ring gear (separate carrier)	40	1	P-2130
- 8.7" ring gear (integral carrier)	40	6	P-5471

**B (FAIRLANE/TORINO)**

DRIVE SHAFT	46	1	P-3144
REAR AXLE			
Locking - Traction Lok	40	7	P-6459
Non-locking	40	1	P-2130

**F (MUSTANG)**

DRIVE SHAFT	46	1	P-3144
REAR AXLE			
Locking - Traction Lok	40	7	P-6459
Non-locking	40	1	P-2130

**L (PINTO)**

DRIVE SHAFT	46	1	P-3144
REAR AXLE	40	4	P-5796
DRIVE LINE VIBRATION DAMPER - auto. trans. mounted	46	2	P-8324

**P (MAVERICK)**

DRIVE SHAFT	46	1	P-3144
REAR AXLE	40	1	P-2130

**S (THUNDERBIRD)**

DRIVE SHAFT - "Before 12/1/71"	46	1	P-2995
- "From 12/1/71"	46	7	P-8946
REAR AXLE - Non-locking	40	1	P-2130
- Locking - Traction Lok	40	7	P-6459

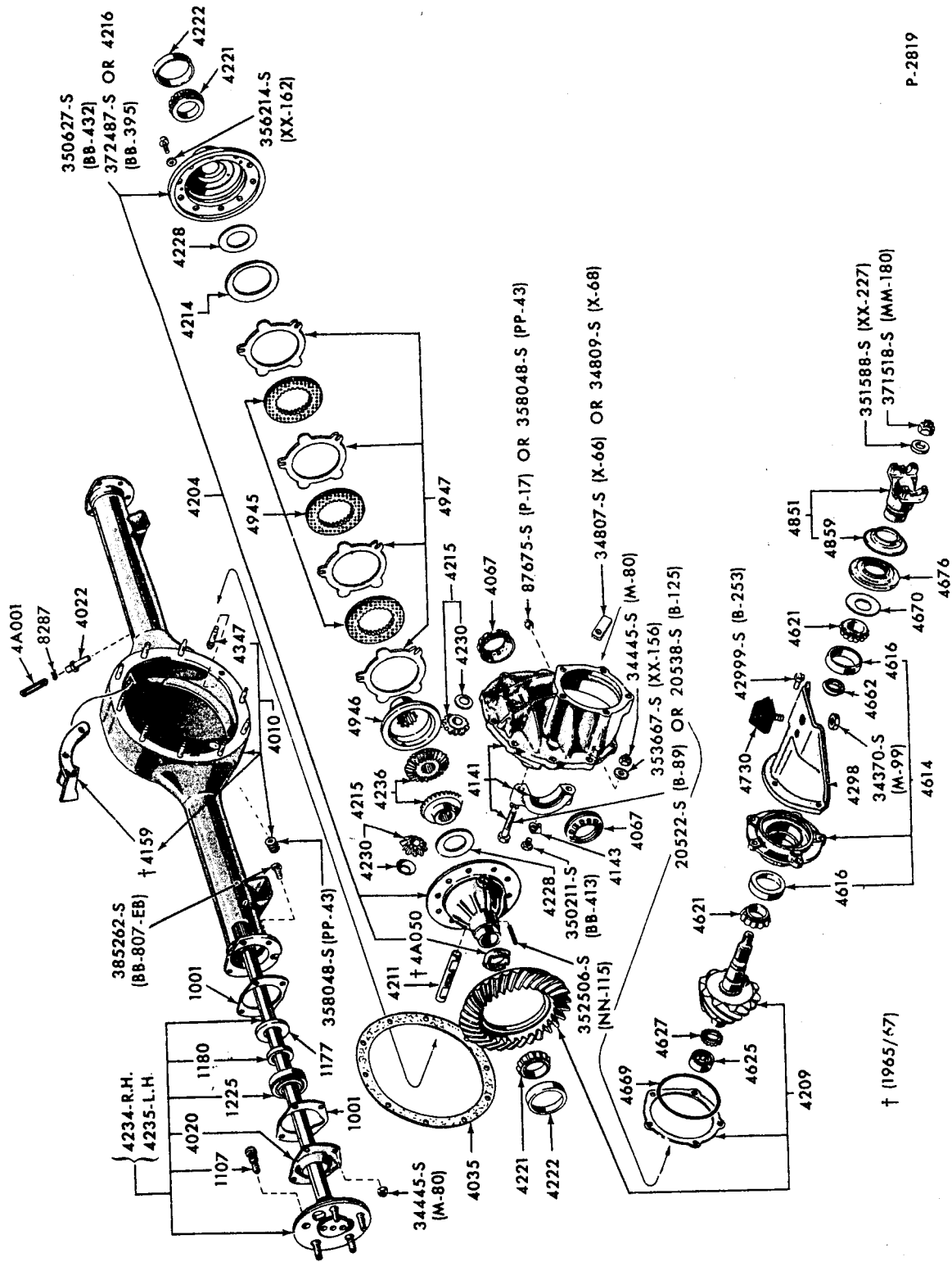
**U (BRONCO)**

DRIVE SHAFT	46	5	P-7280
REAR AXLE - Non-locking	40	1	P-2130
- Locking - Traction Lok	40	7	P-6459



ILLUSTRATION SECTION 40

FORD CAR PARTS

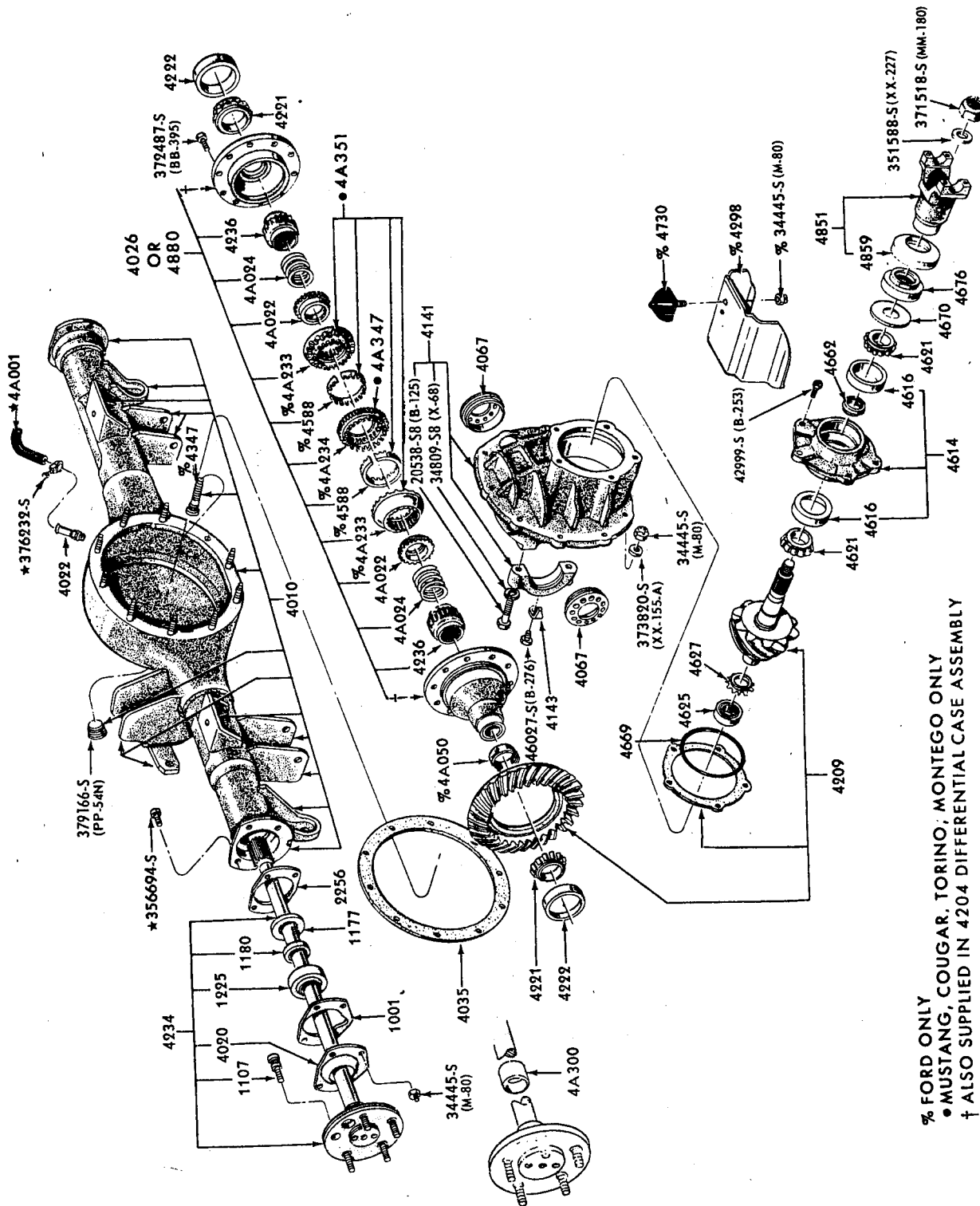


P-2819

REAR AXLE - LOCKING (EQUA LOCK) WITH SEPARATE CARRIER - TYPICAL

7 3/4", 8", 8 3/4", 9" RING GEARS

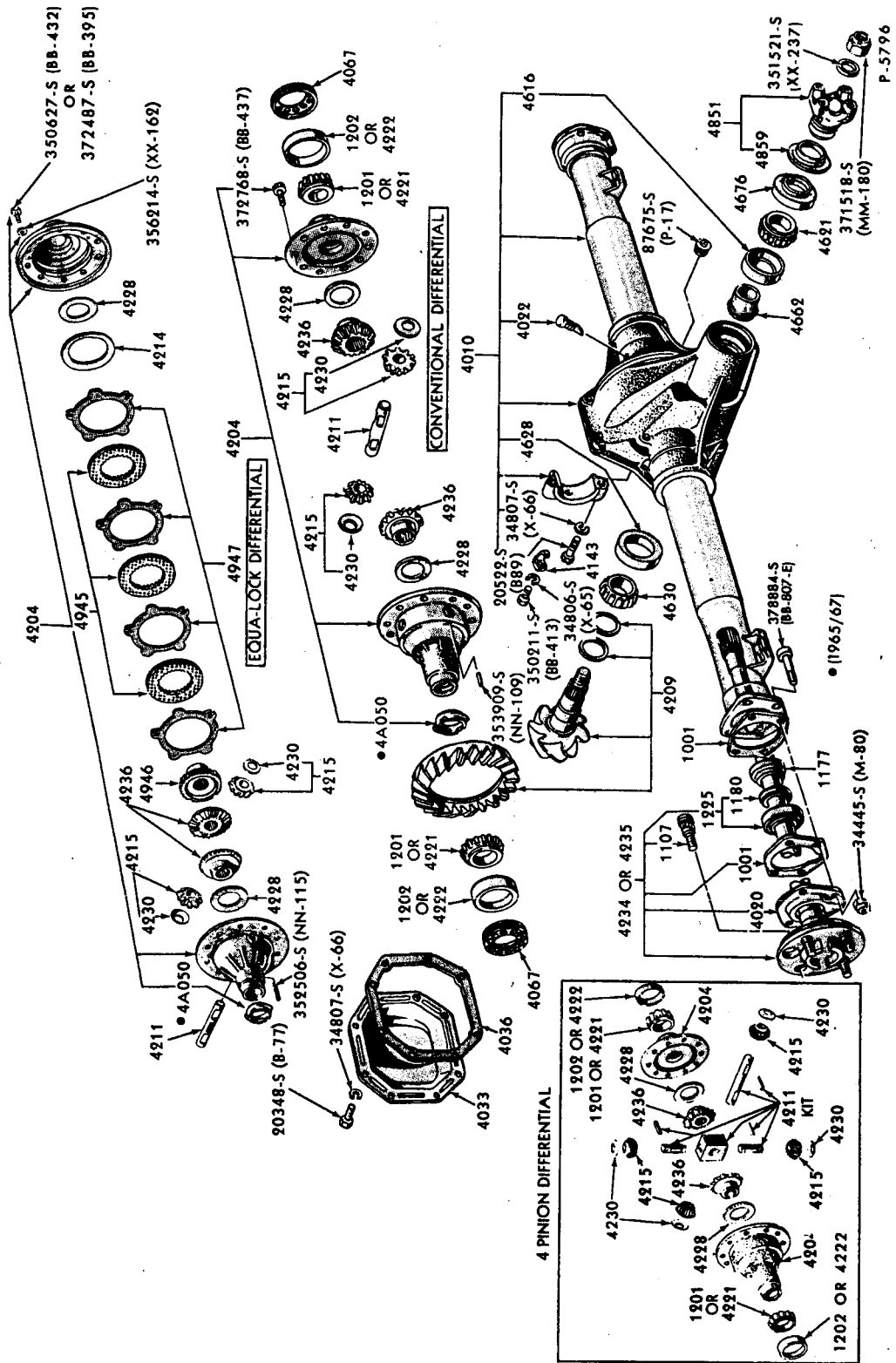
1966/69 BRONCO, 1965/70 FALCON, 1965/68 FAIRLANE/TORINO, MUSTANG, 1965/69 FORD, 1965/67 THUNDERBIRD



P-4721

% FORD ONLY  
 • MUSTANG, COUGAR, TORINO, MONTEGO ONLY  
 † ALSO SUPPLIED IN 4204 DIFFERENTIAL CASE ASSEMBLY

REAR AXLE - LOCKING (DAPCO NO-SPIN) - TYPICAL  
 9" RING GEAR  
 1970/71 FAIRLANE/TORINO, MUSTANG, 1965/67 FORD - 8 CYL. 427

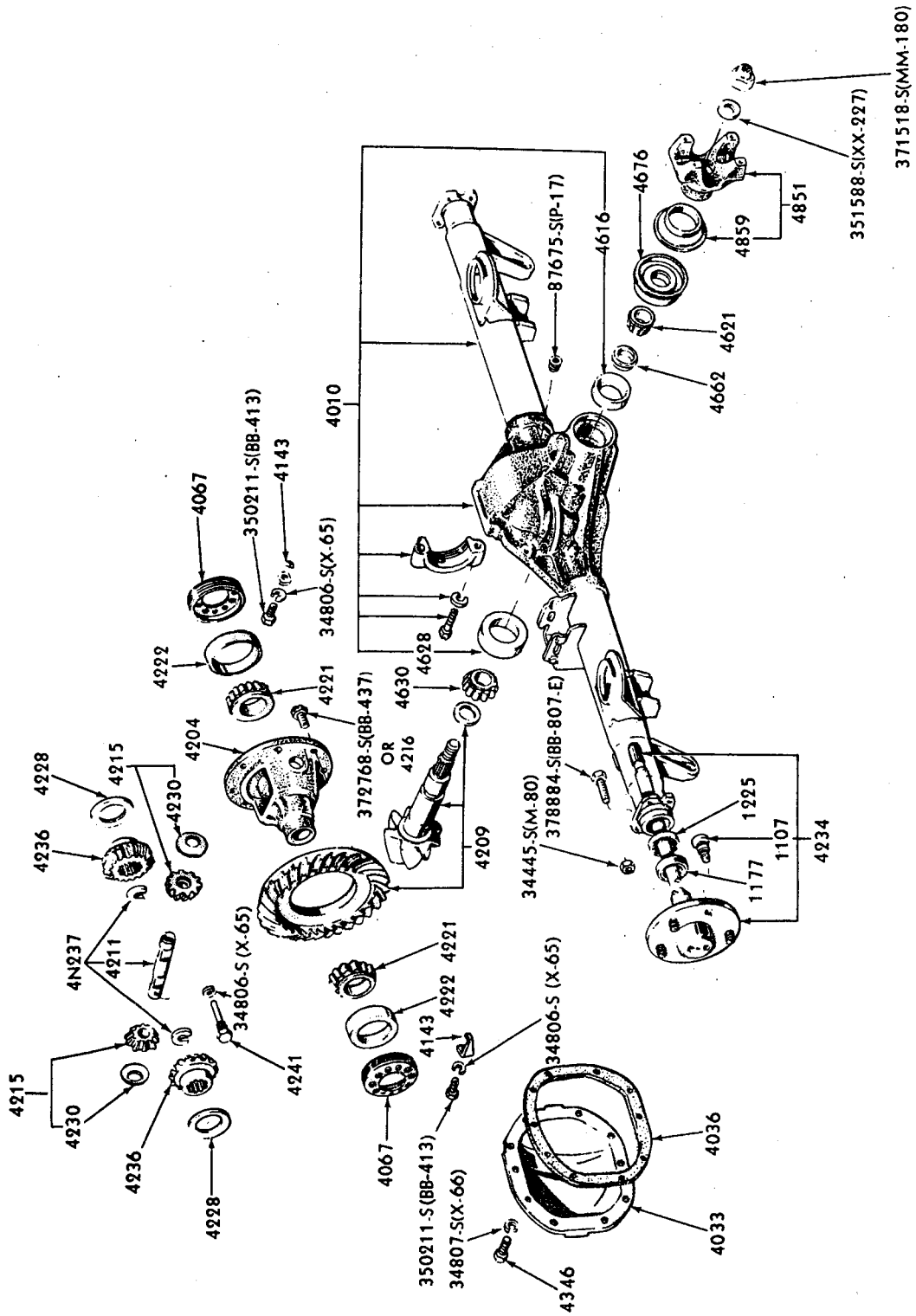


REAR AXLE - LOCKING (EQUA LOCK) & NON-LOCKING WITH INTEGRAL CARRIER - TYPICAL 6 3/4", 7 1/4" RING GEARS

1965/70 FALCON, 1971/72 MAVERICK, 1965/70 MUSTANG, 1971/72 PINTO

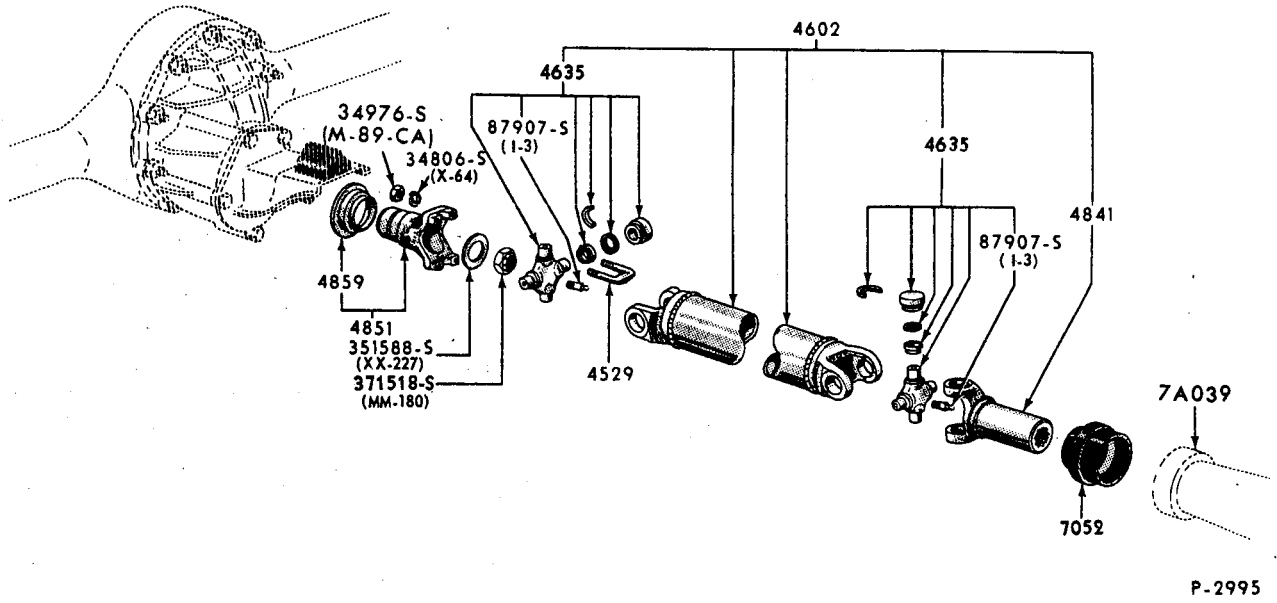




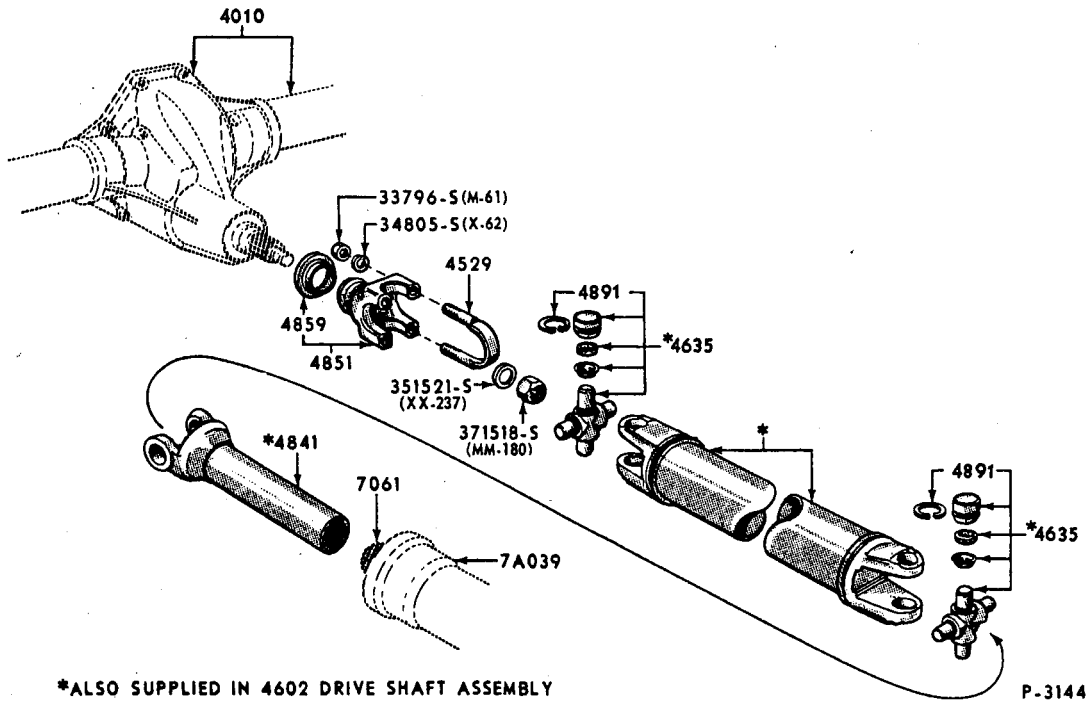


REAR AXLE - NON-LOCKING WITH INTEGRAL CARRIER  
 8 1/2", 8.7" RING GEARS  
 1967/72 FORD



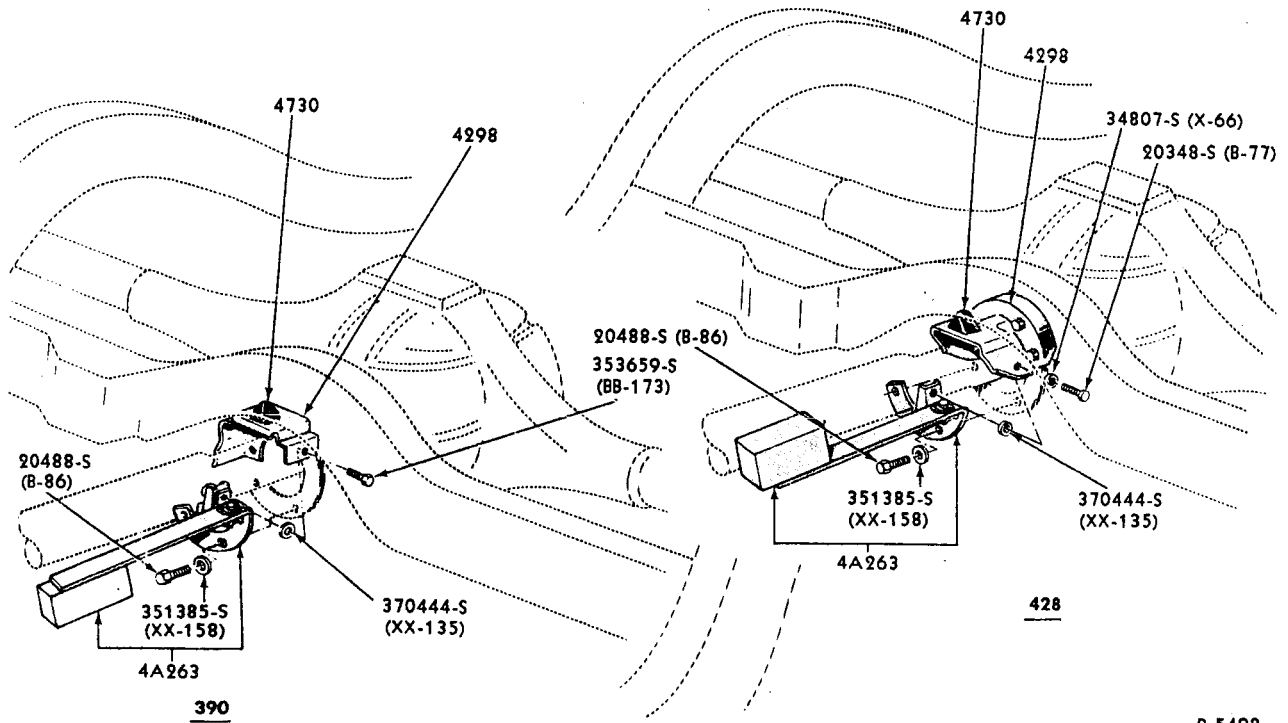


**DRIVE SHAFT - TYPICAL**  
 1965/72 FORD, 1965/67 THUNDERBIRD TWO-DOOR  
 1972 THUNDERBIRD - "BEFORE 12/1/71"

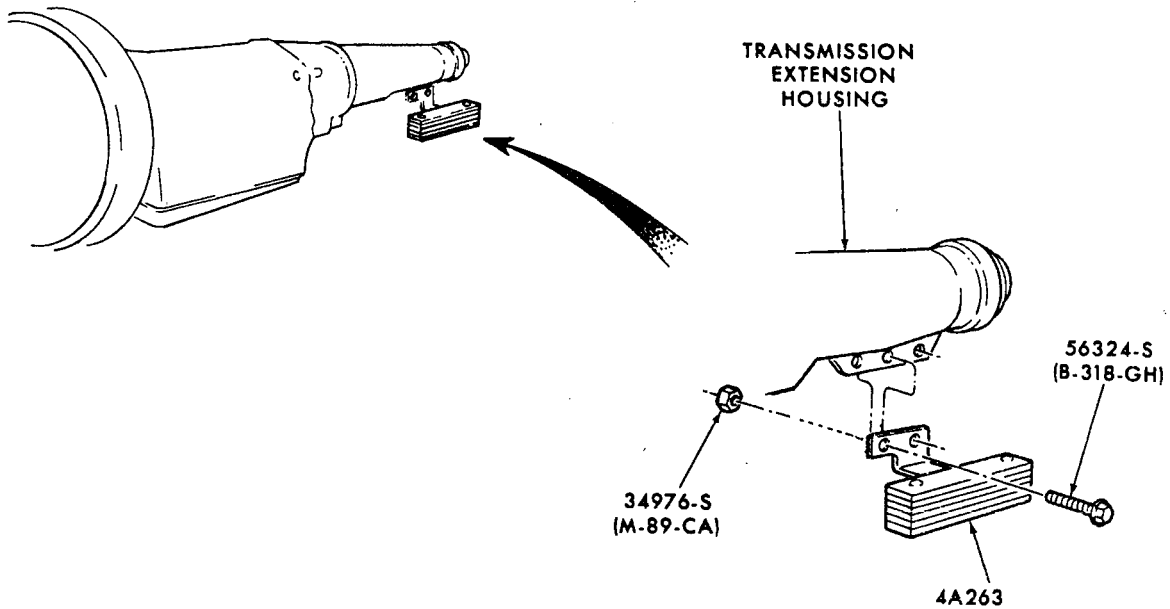


\*ALSO SUPPLIED IN 4602 DRIVE SHAFT ASSEMBLY

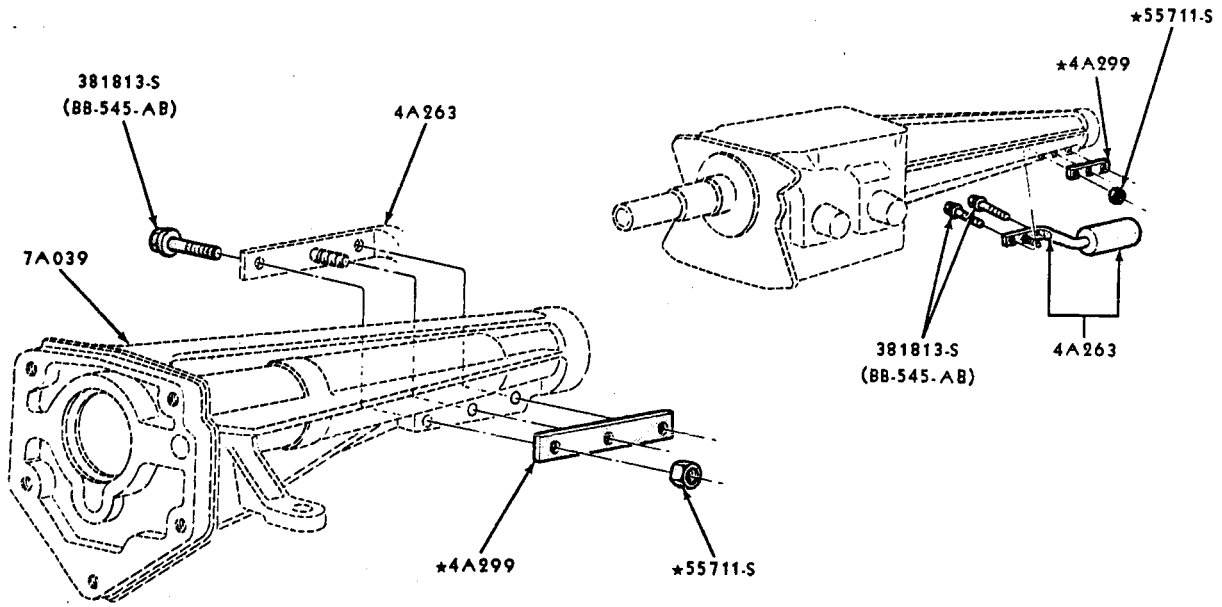
**DRIVE SHAFT - TYPICAL**  
 1965/72 MUSTANG, FAIRLANE/TORINO & 1965/70 FALCON  
 1970/72 MAVERICK, 1971/72 PINTO



VIBRATION DAMPER - DRIVELINE  
1966/67 FORD

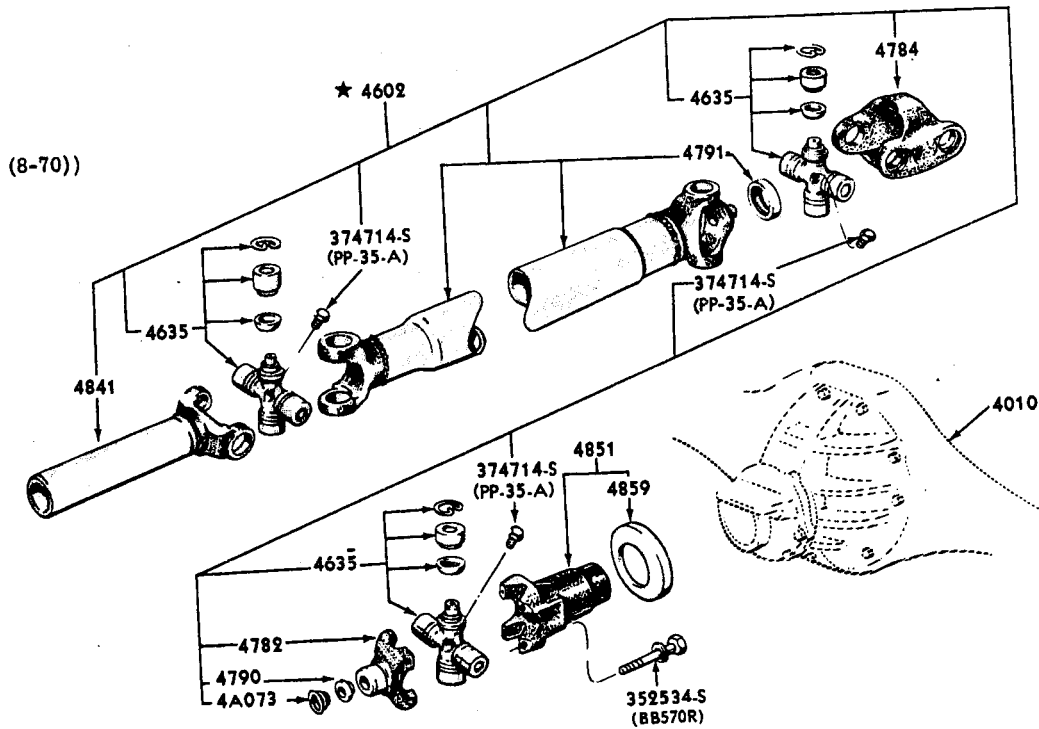


DRIVE LINE VIBRATION DAMPER  
1971/72 PINTO - 4 CYLINDER 122 O.H.C. ENGINE - AUTOMATIC TRANSMISSION



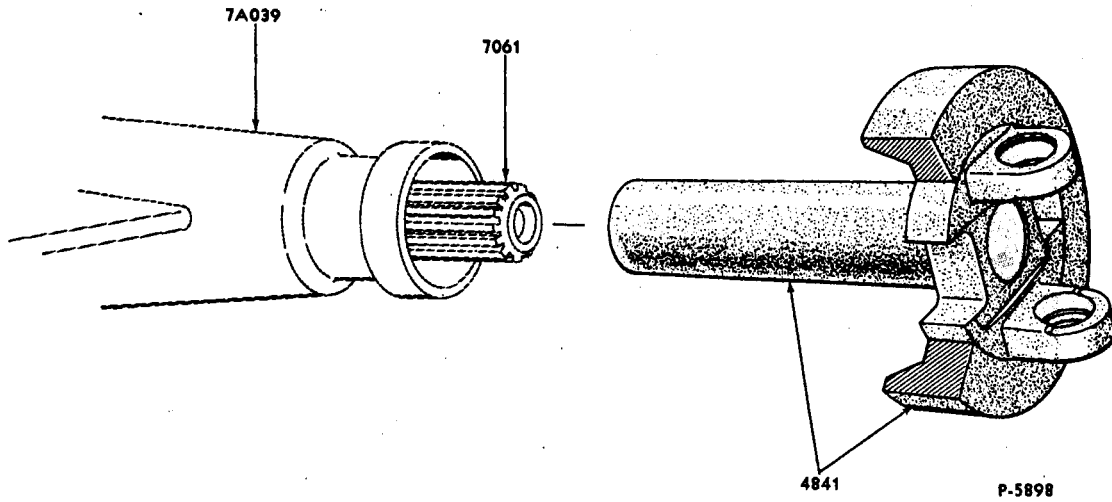
P-5732

DRIVE LINE VIBRATION DAMPER  
1967 FAIRLANE - EXCEPT MODEL 76 (6 CYL & C4 TRANS., 8 CYL 289 2/B & 3/S/T or C4 TRANS.)

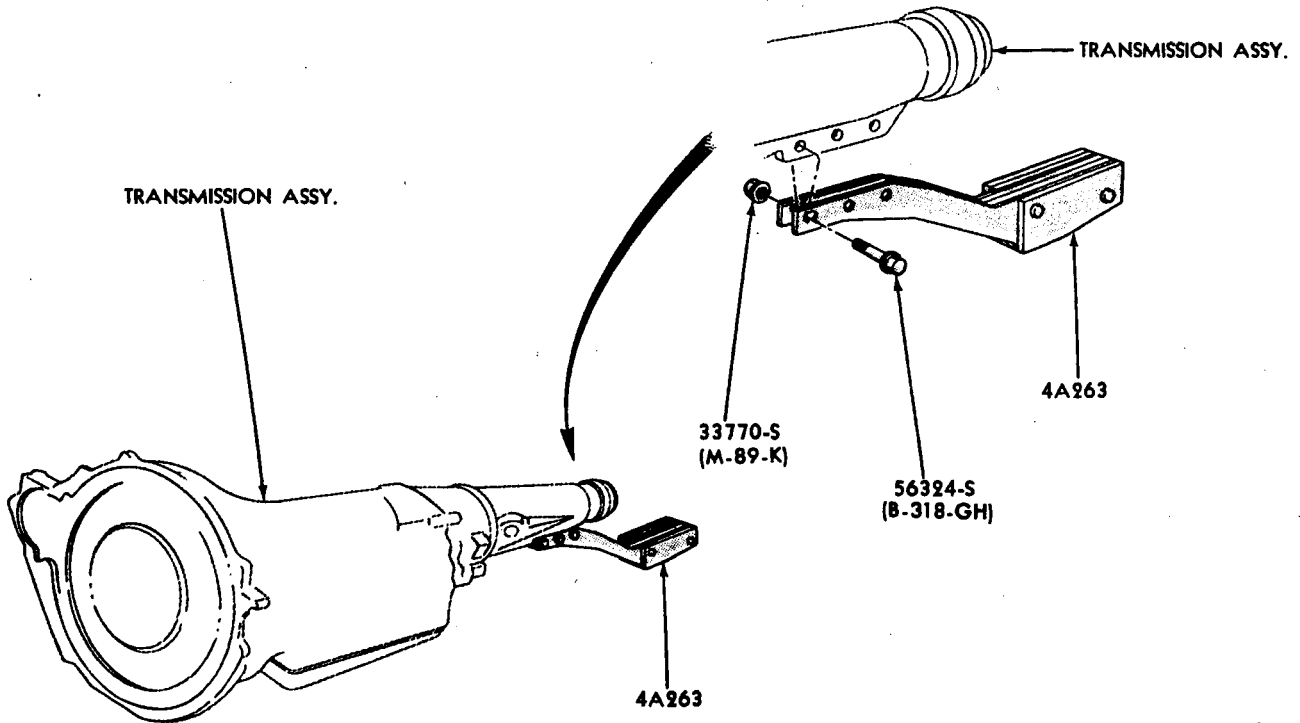


P-5512

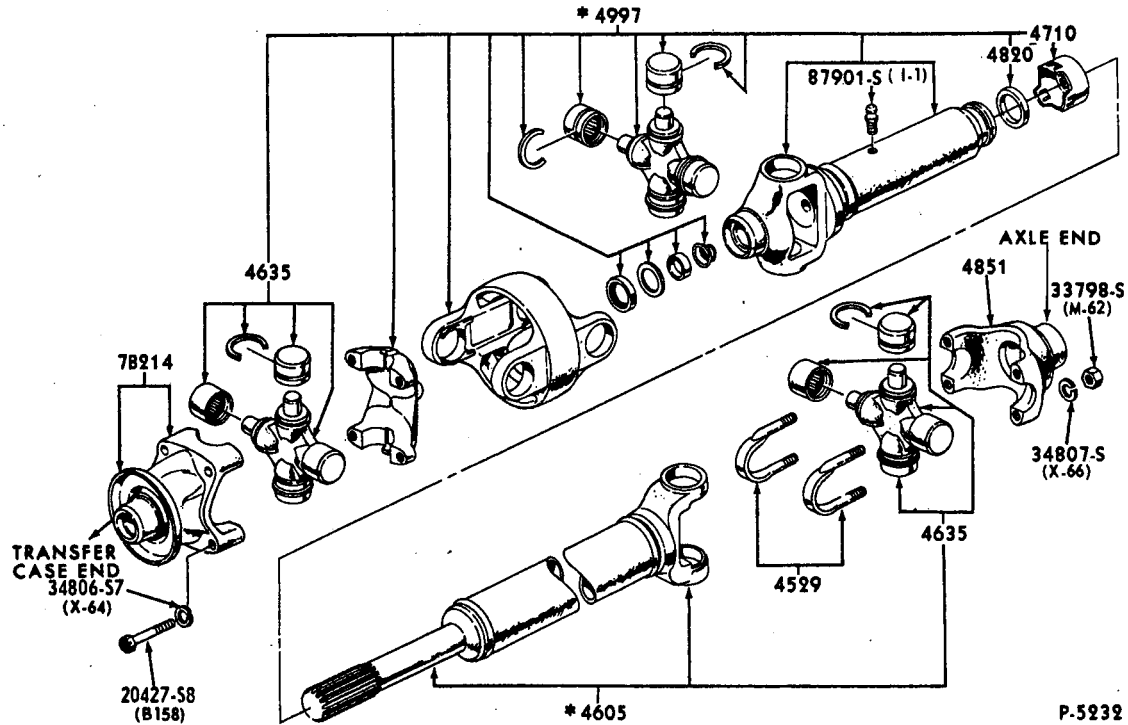
DRIVE SHAFT  
1967 THUNDERBIRD FOUR - DOOR



DRIVE LINE VIBRATION DAMPER - SLIP YOKE TYPE  
1968 FORD, 1971/72 FORD



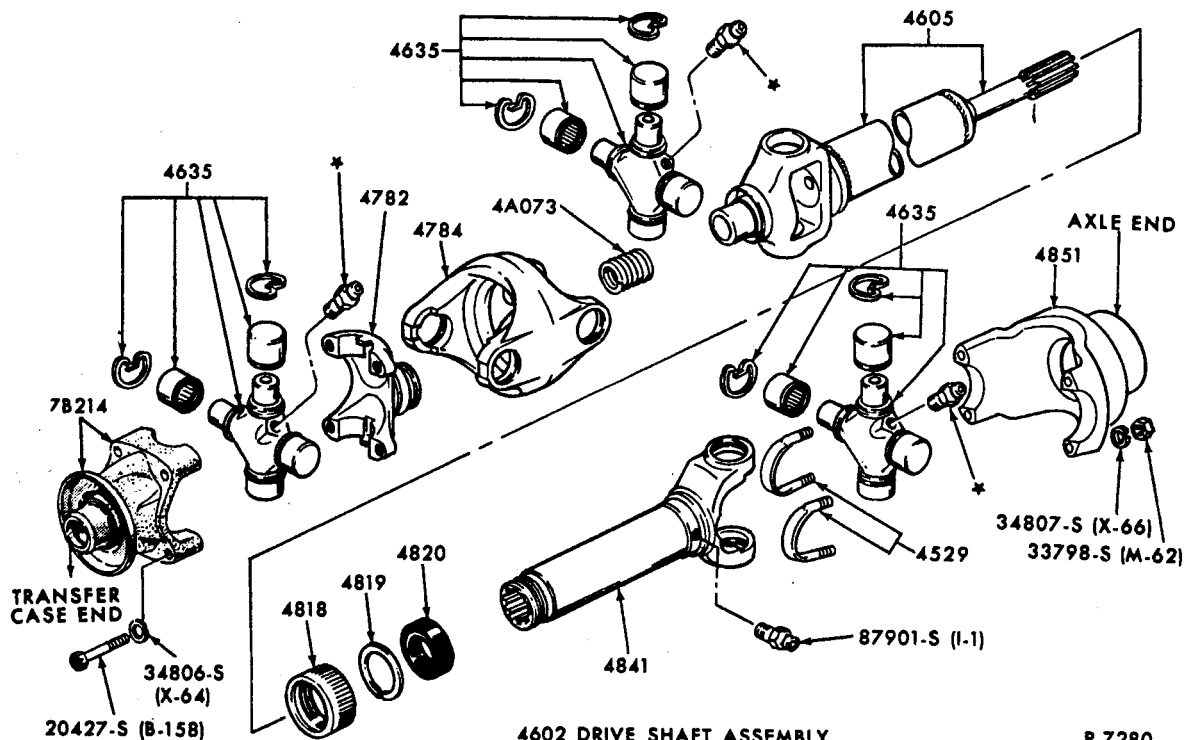
DRIVE LINE VIBRATION DAMPER  
1969/72 FORD, 1968/71 FAIRLANE/TORINO, 1968/72 THUNDERBIRD



P-5232

\*Included in 4602 Assy.

DRIVE SHAFT - MECHANICS TYPE  
1966/70 BRONCO - "BEFORE SER. G70,001"

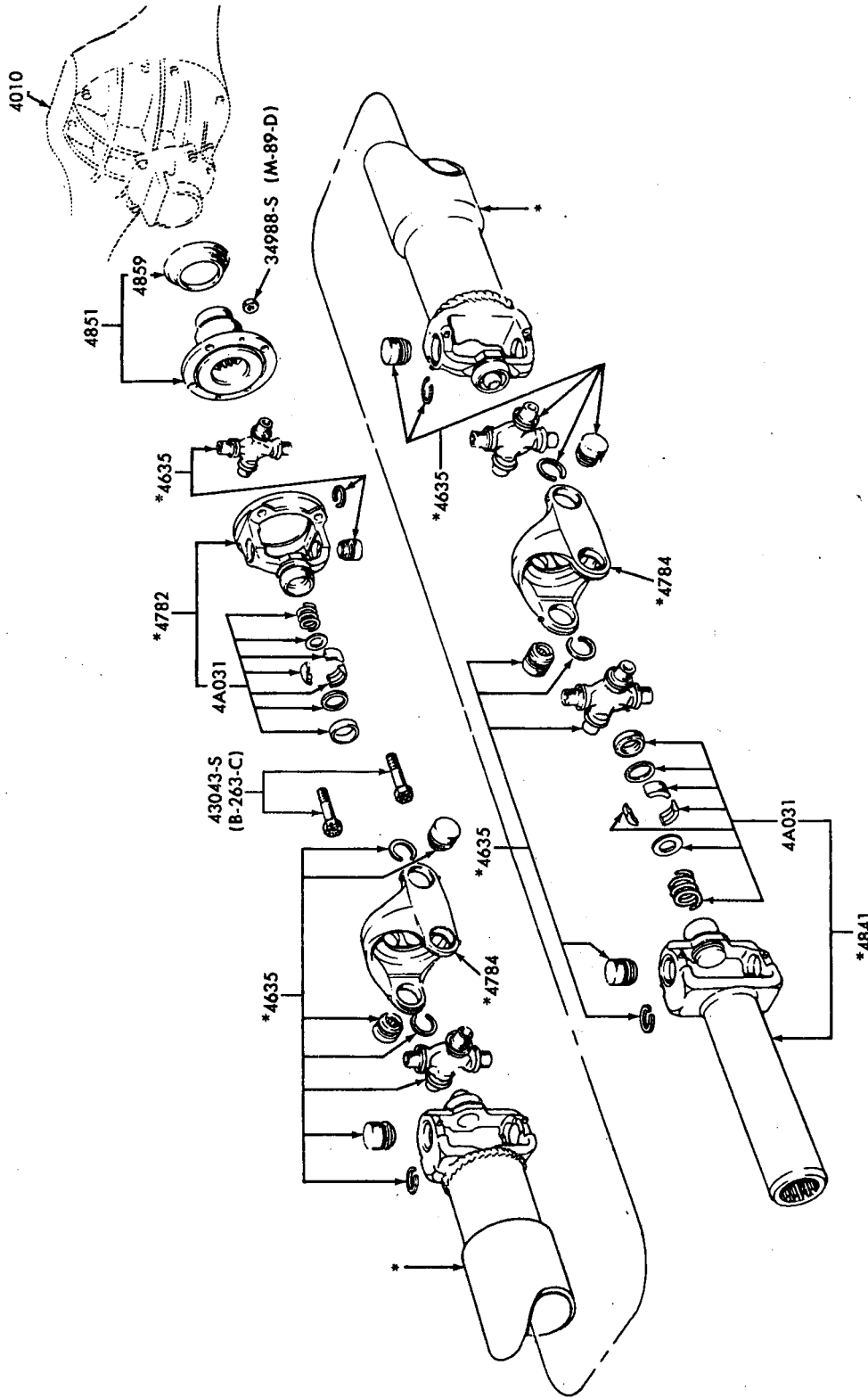


4602 DRIVE SHAFT ASSEMBLY

P-7280

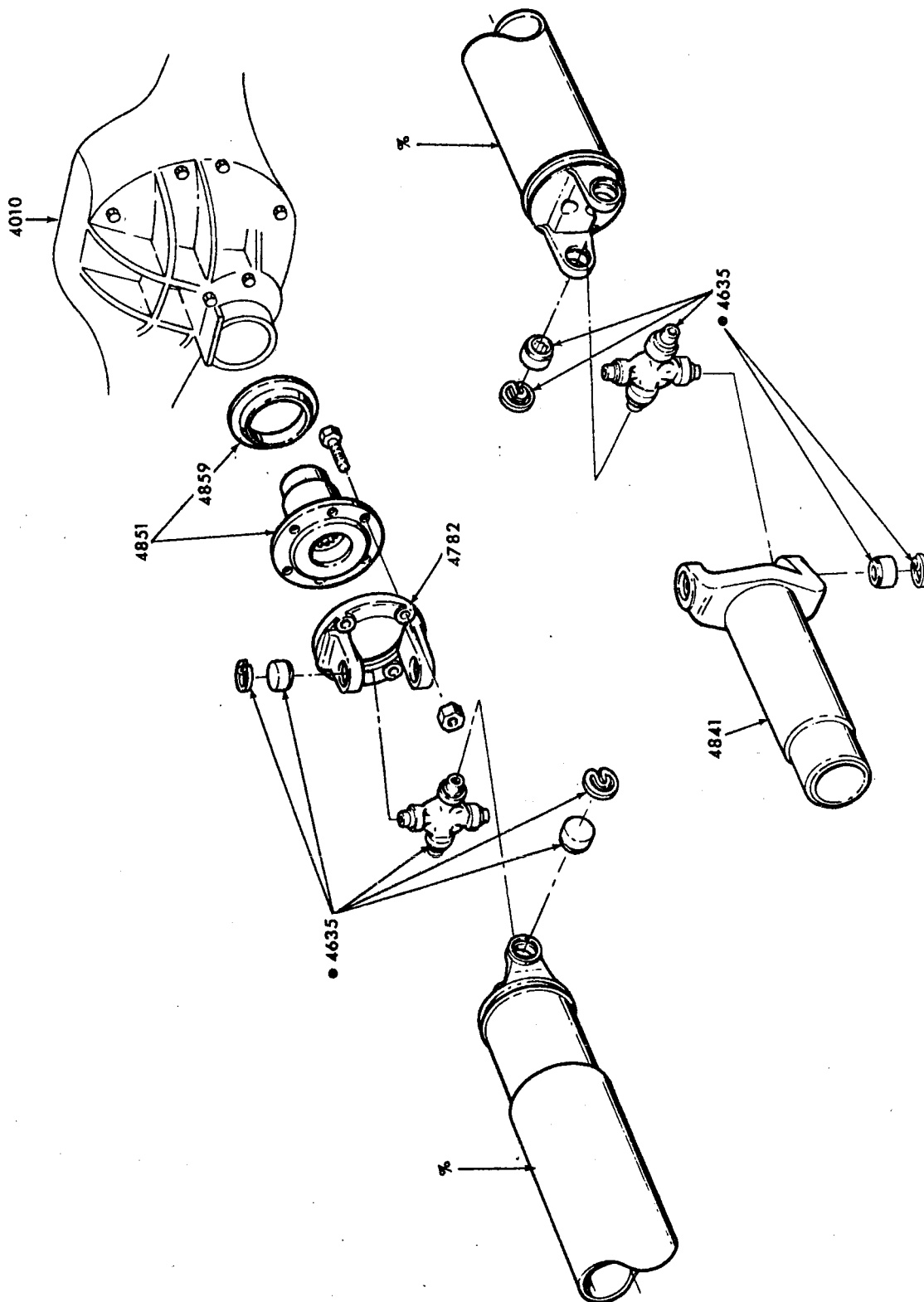
DRIVE SHAFT - DANA TYPE  
1970/72 BRONCO - FROM SER. G70,001





DRIVE SHAFT  
1968/71 THUNDERBIRD

\*ALSO SUPPLIED IN 4602 DRIVESHAFT ASSEMBLY



• SUPPLIED ONLY IN 4602 DRIVESHAFT ASSEMBLY  
• ALSO SUPPLIED IN 4602 DRIVESHAFT ASSEMBLY

DRIVE SHAFT - "FROM 12/1/71"

1972 THUNDERBIRD

### INDEX

THIS ILLUSTRATION INDEX INCLUDES THE FOLLOWING MAJOR GROUPS:

EXHAUST SYSTEM  
FRAMES

FRONT STABILIZER  
REAR SUSPENSION

TITLE	SECTION	PAGE	ILLUS. NO.
<b>1965</b>			
<b>A (FORD)</b>			
BODY BOLTS - refer to Body Text Section 020			
EXHAUST SYSTEM - refer to Text Section 52 on Page 1			
FRAME	50	1	P-4576
FRONT STABILIZER	30	1	P-4545
FRONT SUSPENSION	30	1	P-4545
REAR SUSPENSION - air leveler system	54	2	P-4944
- arms, shock absorbers, springs	54	1	P-4546
<b>B (FAIRLANE)</b>			
EXHAUST SYSTEM - refer to Text Section 52 on Page 1			
FRAME - refer to Sheet Metal Illustration Section			
FRONT STABILIZER	30	2	P-3675
FRONT SUSPENSION	30	2	P-3675
REAR SUSPENSION - shock absorbers, springs	54	3	P-3662
<b>F (MUSTANG)</b>			
EXHAUST SYSTEM - refer to Text Section 52 on Page 1			
FRAME - refer to Sheet Metal Illustration Section			
FRONT SUSPENSION	30	6	P-3120
REAR SUSPENSION - auxiliary air spring installation	54	20	P-10675
- shock absorbers	180	1	P-3137
- springs	54	5	P-3125
<b>S (THUNDERBIRD)</b>			
EXHAUST SYSTEM - refer to Text Section 52 on Page 1			
FRAME - refer to Sheet Metal Illustration Section			
FRONT STABILIZER	30	5	P-4400
FRONT SUSPENSION	30	5	P-4400
REAR SUSPENSION - shock absorbers, springs	54	6	P-4351

B

**ILLUSTRATION  
SECTION 50**
**FORD CAR PARTS**
**INDEX**

TITLE	SECTION	PAGE	ILLUS. NO.
-------	---------	------	------------

**1965**
**X (FALCON)**

EXHAUST SYSTEM - refer to Text Section 52 on Page 1			
FRAME - refer to Sheet Metal Illustration Section			
FRONT SUSPENSION	30	4	P-3120
REAR SUSPENSION - shock absorbers	180	1	P-3137
- springs	54	5	P-3125

**1966**
**A (FORD)**

BODY BOLTS - refer to Body Text Section 020			
EXHAUST SYSTEM - refer to Text Section 52 on Page 1			
FRAME	50	1	P-4576
FRONT STABILIZER	30	1	P-4545
FRONT SUSPENSION	30	1	P-4545
REAR SUSPENSION - air leveler system	54	2	P-4944
- arms, shock absorbers, springs	54	1	P-4546

**B (FAIRLANE)**

EXHAUST SYSTEM - refer to Text Section 52 on Page 1			
FRAME - refer to Sheet Metal Illustration Section			
FRONT STABILIZER	30	3	P-4945
FRONT SUSPENSION	30	3	P-4945
REAR SUSPENSION - auxiliary air spring installation	54	20	P-10675
- shock absorbers, springs	54	4	P-5150

**F (MUSTANG)**

EXHAUST SYSTEM - refer to Text Section 52 on Page 1			
FRAME - refer to Sheet Metal Illustration Section			
FRONT SUSPENSION	30	6	P-3120
REAR SUSPENSION - auxiliary air spring installation	54	20	P-10675
- shock absorbers	180	1	P-3137
- springs	54	5	P-3125



D

**ILLUSTRATION  
SECTION 50**
**FORD CAR PARTS**
**INDEX**

TITLE	SECTION	PAGE	ILLUS. NO.
<b>1967</b>			
<b>F (MUSTANG)</b>			
EXHAUST SYSTEM - refer to Text Section 52 on Page 1			
FRAME - refer to Sheet Metal Illustration Section			
FRONT STABILIZER	30	3	P-4945
FRONT SUSPENSION	30	3	P-4945
REAR SUSPENSION - auxiliary air spring installation	54	20	P-10675
- shock absorbers	180	1	P-3137
- springs	54	5	P-3125
<b>S (THUNDERBIRD)</b>			
BODY BOLTS - refer to Body Text Section 020			
EXHAUST SYSTEM - refer to Text Section 52 on Page 1			
FRAME - refer to Sheet Metal Illustration Section			
FRONT STABILIZER	30	1	P-4545
FRONT SUSPENSION	30	1	P-4545
REAR SUSPENSION - air leveler system with dash control	54	19	P-10678
- air leveler system without dash control	54	2	P-4944
- arms, shock absorbers, springs	54	1	P-4546
<b>U (BRONCO)</b>			
EXHAUST SYSTEM - refer to Text Section 52 on Page 1			
FRAME	50	1	P-4937
FRAME - BODY MOUNTING PARTS	50	4	P-8570
FRONT SUSPENSION	30	6	P-4938
REAR SUSPENSION - air spring installation	30	12	P-10676
- shock absorbers, springs	54	7	P-4939
<b>X (FALCON)</b>			
EXHAUST SYSTEM - refer to Text Section 52 on Page 1			
FRAME - refer to Sheet Metal Illustration Section			
FRONT STABILIZER	30	3	P-4945
FRONT SUSPENSION	30	3	P-4945
REAR SUSPENSION - auxiliary air spring installation	54	20	P-10675
- shock absorbers	180	1	P-3137
- springs	54	4	P-5150
<b>1968</b>			
<b>A (FORD)</b>			
BODY BOLTS - refer to Body Text Section 020			
EXHAUST SYSTEM - refer to Text Section 52 on Page 1			
FRAME	50	1	P-4576
FRONT STABILIZER	30	1	P-4545
FRONT SUSPENSION	30	1	P-4545
REAR SUSPENSION - air leveler system with dash control	54	19	P-10678
- air leveler system without dash control	54	2	P-4944
- arms, shock absorbers, springs	54	1	P-4546
- automatic air leveler system	54	8	P-6220
<b>B (FAIRLANE/TORINO)</b>			
EXHAUST SYSTEM - refer to Text Section 52 on Page 1			
FRAME - refer to Sheet Metal Illustration Section			
FRONT STABILIZER	30	8	P-6927
FRONT SUSPENSION	30	8	P-6927
REAR SUSPENSION - auxiliary air spring installation	54	20	P-10675
- shock absorbers, springs	54	4	P-5150

# FORD CAR PARTS

## ILLUSTRATION SECTION 50

E

### INDEX

TITLE	SECTION	PAGE	ILLUS. NO.
-------	---------	------	------------

## 1968

#### F (MUSTANG)

EXHAUST SYSTEM - refer to Text Section 52 on Page 1			
FRAME - refer to Sheet Metal Illustration Section			
FRONT STABILIZER	30	3	P-4945
FRONT SUSPENSION	30	3	P-4945
REAR SUSPENSION - auxiliary air spring installation	54	20	P-10675
- shock absorbers	180	1	P-3137
- springs	54	5	P-3125

#### S (THUNDERBIRD)

BODY BOLTS - refer to Body Text Section 020			
EXHAUST SYSTEM - refer to Text Section 52 on Page 1			
FRAME	50	2	P-7054
FRONT STABILIZER	30	1	P-4545
FRONT SUSPENSION	30	1	P-4545
REAR SUSPENSION - air leveler system with dash control	54	19	P-10678
- air leveler system without dash control	54	2	P-4944
- arms, shock absorbers, springs	54	1	P-4546

#### U (BRONCO)

EXHAUST SYSTEM - refer to Text Section 52 on Page 1			
FRAME	50	1	P-4937
FRAME - BODY MOUNTING PARTS	50	4	P-8570
FRONT SUSPENSION	30	6	P-4938
REAR SUSPENSION - air spring installation	30	12	P-10678
- shock absorbers, springs	54	7	P-4939

#### X (FALCON)

EXHAUST SYSTEM - refer to Text Section 52 on Page 1			
FRAME - refer to Sheet Metal Illustration Section			
FRONT STABILIZER	30	8	P-6927
FRONT SUSPENSION	30	8	P-6927
REAR SUSPENSION - auxiliary air spring installation	54	20	P-10675
- shock absorbers	180	1	P-3137
- springs	54	4	P-5150

## 1969

#### A (FORD)

BODY BOLTS - refer to Body Text Section 020			
EXHAUST SYSTEM - refer to Text Section 52 on Page 1			
FRAME	50	2	P-7053
FRONT STABILIZER	30	1	P-4545
FRONT SUSPENSION	30	1	P-4545
REAR SUSPENSION - air leveler system with dash control	54	19	P-10678
- air leveler system without dash control	54	2	P-4944
- arms, shock absorbers, springs	54	1	P-4546
- automatic air leveler system	54	10	P-6910
- police maximum handling stabilizer bar	54	9	P-6725

#### B (FAIRLANE/TORINO)

EXHAUST SYSTEM - refer to Text Section 52 on Page 1			
FRAME - refer to Sheet Metal Illustration Section			
FRONT STABILIZER	30	8	P-6927
FRONT SUSPENSION	30	8	P-6927
REAR SUSPENSION - auxiliary air spring installation	54	20	P-10675
- shock absorbers, springs	54	4	P-5150

F

**ILLUSTRATION  
SECTION 50**
**FORD CAR PARTS**
**INDEX**

TITLE

SECTION

PAGE

ILLUS. NO.

**1969**
**F (MUSTANG)**

EXHAUST SYSTEM - refer to Text Section 52 on Page 1			
FRAME - refer to Sheet Metal Illustration Section			
FRONT STABILIZER	30	8	P-6927
FRONT SUSPENSION	30	8	P-6927
REAR SUSPENSION - auxiliary air spring installation	54	20	P-10675
- shock absorbers	180	1	P-3137
- springs	54	5	P-3125

**S (THUNDERBIRD)**

BODY BOLTS - refer to Body Text Section 020			
EXHAUST SYSTEM - refer to Text Section 52 on Page 1			
FRAME	50	2	P-7054
FRONT STABILIZER	30	1	P-4545
FRONT SUSPENSION	30	1	P-4545
REAR SUSPENSION - air leveler system with dash control	54	19	P-10678
- air leveler system without dash control	54	2	P-4944
- arms, shock absorbers, springs	54	1	P-4546

**U (BRONCO)**

EXHAUST SYSTEM - refer to Text Section 52 on Page 1			
FRAME	50	1	P-4937
FRAME - BODY MOUNTING PARTS	50	4	P-8570
FRONT SUSPENSION	30	6	P-4938
REAR SUSPENSION - air spring installation	30	12	P-10676
- shock absorbers, springs	54	7	P-4939

**X (FALCON)**

EXHAUST SYSTEM - refer to Text Section 52 on Page 1			
FRAME - refer to Sheet Metal Illustration Section			
FRONT STABILIZER	30	8	P-6927
FRONT SUSPENSION	30	8	P-6927
REAR SUSPENSION - shock absorbers	180	1	P-3137
- springs	54	4	P-5150

**1970**
**A (FORD)**

BODY BOLTS - refer to Body Text Section 020			
EXHAUST SYSTEM - refer to Text Section 52 on Page 1			
FRAME	50	2	P-7053
FRONT STABILIZER	30	1	P-4545
FRONT SUSPENSION	30	1	P-4545
REAR SUSPENSION - air leveler system with dash control	54	19	P-10678
- air leveler system without dash control	54	2	P-4944
- arms, shock absorbers, springs	54	1	P-4546
- automatic air leveler system	54	10	P-6910
- police maximum handling stabilizer bar	54	9	P-6725

**B (FAIRLANE/TORINO)**
**B (FALCON) FROM 1/2/70**

EXHAUST SYSTEM - refer to Text Section 52 on Page 1			
FRAME - refer to Sheet Metal Illustration Section			
FRONT STABILIZER	30	8	P-6927
FRONT SUSPENSION	30	8	P-6927
REAR SUSPENSION - auxiliary air spring installation	54	20	P-10675
- police maximum handling stabilizer bar	54	14	P-8390
- shock absorbers, springs	54	4	P-5150



**INDEX**

TITLE	SECTION	PAGE	ILLUS. NO.
-------	---------	------	------------

**1970**

**F (MUSTANG)**

EXHAUST SYSTEM - refer to Text Section 52 on Page 1			
FRAME - refer to Sheet Metal Illustration Section			
FRONT STABILIZER	30	8	P-6927
FRONT SUSPENSION	30	8	P-6927
REAR SUSPENSION - auxiliary air spring installation	54	20	P-10675
- maximum handling stabilizer bar	54	9	P-7455
- shock absorbers	180	1	P-3137
- springs	54	5	P-3125

**P (MAVERICK)**

EXHAUST SYSTEM - refer to Text Section 52 on Page 1			
FRAME - refer to Sheet Metal Illustration Section			
FRONT STABILIZER	30	8	P-6927
FRONT SUSPENSION	30	8	P-6927
REAR SUSPENSION - shock absorbers, springs	54	11	P-6887

**S (THUNDERBIRD)**

BODY BOLTS - refer to Body Text Section 020			
EXHAUST SYSTEM - refer to Text Section 52 on Page 1			
FRAME	50	2	P-7054
FRONT STABILIZER	30	1	P-4545
FRONT SUSPENSION	30	1	P-4545
REAR SUSPENSION - air leveler system with dash control	54	19	P-10678
- air leveler system without dash control	54	2	P-4944
- arms, shock absorber, springs	54	21	P-10302

**U (BRONCO)**

EXHAUST SYSTEM - refer to Text Section 52 on Page 1			
FRAME	50	1	P-4937
FRAME - BODY MOUNTING PARTS	50	4	P-8570
FRONT SUSPENSION	30	6	P-4938
REAR SUSPENSION - air spring installation	30	12	P-10676
- shock absorbers, springs	54	7	P-4939

**X (FALCON) BEFORE 1/2/70**

**FOR UNITS BUILT FROM 1/2/70, REFER TO B(FALCON)**

EXHAUST SYSTEM - refer to Text Section 52 on Page 1			
FRAME - refer to Sheet Metal Illustration Section			
FRONT STABILIZER	30	8	P-6927
FRONT SUSPENSION	30	8	P-6927
REAR SUSPENSION - shock absorbers	180	1	P-3137
- springs	54	4	P-5150

## INDEX

TITLE	SECTION	PAGE	ILLUS. NO.
<b>1971</b>			
<b>A (FORD)</b>			
BODY BOLTS - refer to Body Text Section 020			
EXHAUST SYSTEM - refer to Text Section 52 on Page 1			
FRAME	50	2	P-7053
FRONT STABILIZER	30	1	P-4545
FRONT SUSPENSION	30	1	P-4545
REAR SUSPENSION - air leveler system with dash control	54	19	P-10678
- air leveler system without dash control	54	2	P-4944
- arms, shock absorbers, springs	54	1	P-4546
- automatic air leveler system	54	17	P-7334
- police maximum handling stabilizer bar	54	9	P-6725
<b>B (TORINO)</b>			
EXHAUST SYSTEM - refer to Text Section 52 on Page 1			
FRAME - refer to Sheet Metal Illustration Section			
FRONT STABILIZER	30	8	P-6927
FRONT SUSPENSION	30	8	P-6927
REAR SUSPENSION - police maximum handling stabilizer bar	54	14	P-8390
- shock absorbers, springs	54	4	P-5150
<b>F (MUSTANG)</b>			
EXHAUST SYSTEM - refer to Text Section 52 on Page 1			
FRAME - refer to Sheet Metal Illustration Section			
FRONT STABILIZER	30	8	P-6927
FRONT SUSPENSION	30	8	P-6927
REAR SUSPENSION - maximum handling stabilizer bar	54	9	P-7455
- shock absorbers	180	1	P-3137
- springs	54	12	P-5960
<b>L (PINTO)</b>			
EXHAUST SYSTEM - refer to Text Section 52 on Page 1			
REAR SUSPENSION - shock absorbers, springs	54	13	P-7942
<b>P (MAVERICK)</b>			
EXHAUST SYSTEM - refer to Text Section 52 on Page 1			
FRAME - refer to Sheet Metal Illustration Section			
FRONT STABILIZER	30	8	P-6927
FRONT SUSPENSION	30	8	P-6927
REAR SUSPENSION - shock absorbers, springs	54	11	P-6887
<b>S (THUNDERBIRD)</b>			
BODY BOLTS - refer to Body Text Section 020			
EXHAUST SYSTEM - refer to Text Section 52 on Page 1			
FRAME	50	2	P-7054
FRONT STABILIZER	30	1	P-4545
FRONT SUSPENSION	30	1	P-4545
REAR SUSPENSION - air leveler system with dash control	54	19	P-10678
- air leveler system without dash control	54	2	P-4944
- arms, shock absorbers, springs	54	21	P-10302
<b>U (BRONCO)</b>			
EXHAUST SYSTEM - refer to Text Section 52 on Page 1			
FRAME	50	1	P-4937
FRAME - BODY MOUNTING PARTS	50	4	P-8570
FRONT SUSPENSION	30	6	P-4938
REAR SUSPENSION - air spring installation	30	12	P-10676
- shock absorbers, springs	54	7	P-4939

**INDEX**

TITLE	SECTION	PAGE	ILLUS. NO.
-------	---------	------	------------

**1972**

**A (FORD)**

BODY BOLTS - refer to Body Text Section 020			
EXHAUST SYSTEM - refer to Text Section 52 on Page 1			
FRAME	50	2	P-7053
FRONT STABILIZER	30	11	P-8639
FRONT SUSPENSION	30	11	P-8639
REAR SUSPENSION - air leveler system with dash control	54	19	P-10678
- air leveler system without dash control	54	2	P-4944
- arms, shock absorbers, springs	54	21	P-10302
- automatic air leveler system	54	18	P-10674
- police maximum handling stabilizer bar	54	9	P-6725

**B (TORINO)**

BODY BOLTS - refer to Body Text Section 020			
EXHAUST SYSTEM - refer to Text Section 52 on Page 1			
FRAME	50	3	P-8771
FRONT STABILIZER	30	11	P-8639
FRONT SUSPENSION	30	11	P-8639
REAR SUSPENSION - air leveler system with dash control	54	19	P-10678
- air leveler system without dash control	54	2	P-4944
- maximum handling stabilizer bar	54	16	P-8583
- shock absorbers, springs	54	15	P-8638

**F (MUSTANG)**

EXHAUST SYSTEM - refer to Text Section 52 on Page 1			
FRAME - refer to Sheet Metal Illustration Section			
FRONT STABILIZER	30	8	P-6927
FRONT SUSPENSION	30	8	P-6927
REAR SUSPENSION - maximum handling stabilizer bar	54	9	P-7455
- shock absorbers	180	1	P-3137
- springs	54	12	P-5960

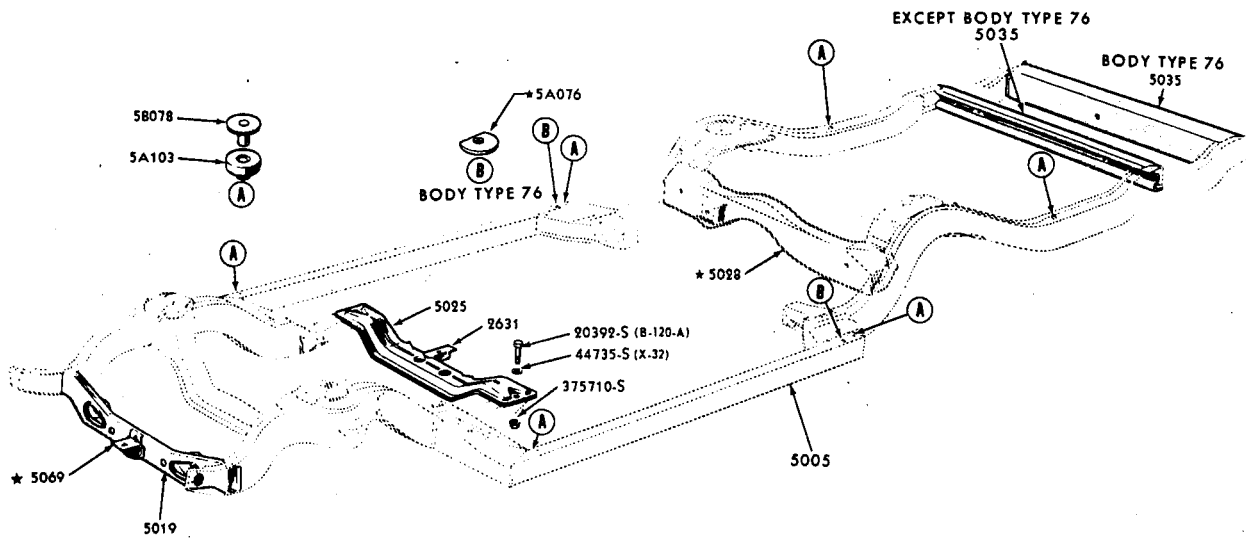
**L (PINTO)**

EXHAUST SYSTEM - refer to Text Section 52 on Page 1			
REAR SUSPENSION - shock absorbers, springs	54	13	P-7942

**P (MAVERICK)**

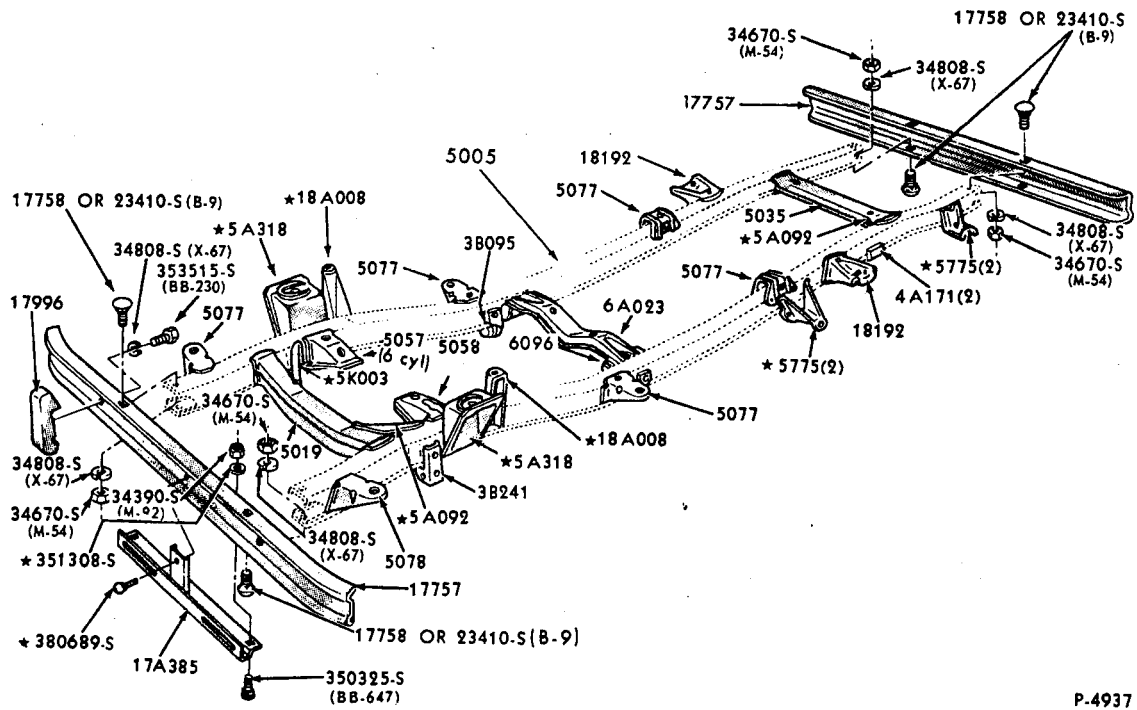
EXHAUST SYSTEM - refer to Text Section 52 on Page 1			
FRAME - refer to Sheet Metal Illustration Section			
FRONT STABILIZER	30	8	P-6927
FRONT SUSPENSION	30	8	P-6927
REAR SUSPENSION - shock absorbers, springs	54	11	P-6887





P-4576

FRAME  
1965/68 FORD

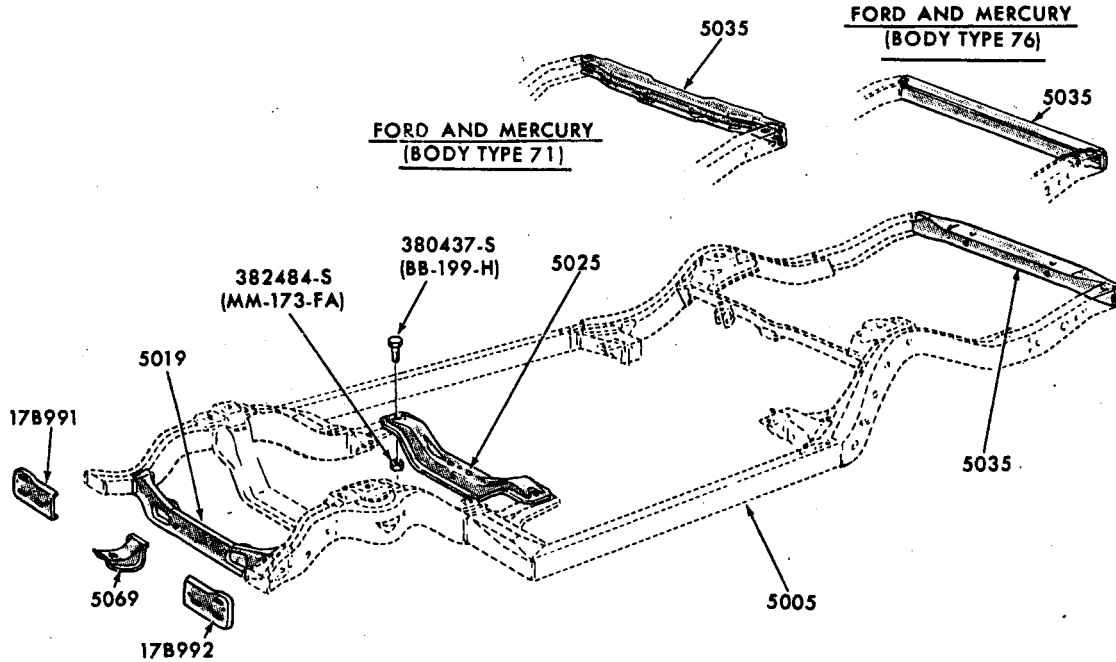


P-4937

FRAME, FRONT & REAR BUMPERS  
1966/72 BRONCO

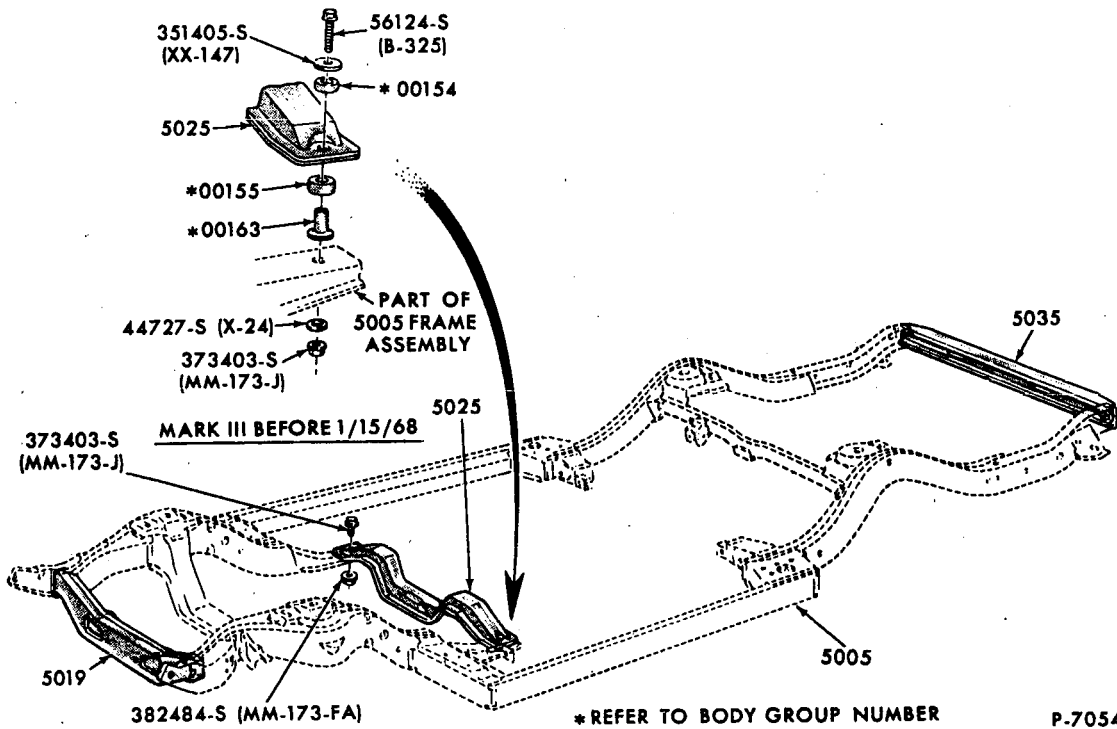
ILLUSTRATION  
SECTION 50

FORD CAR PARTS



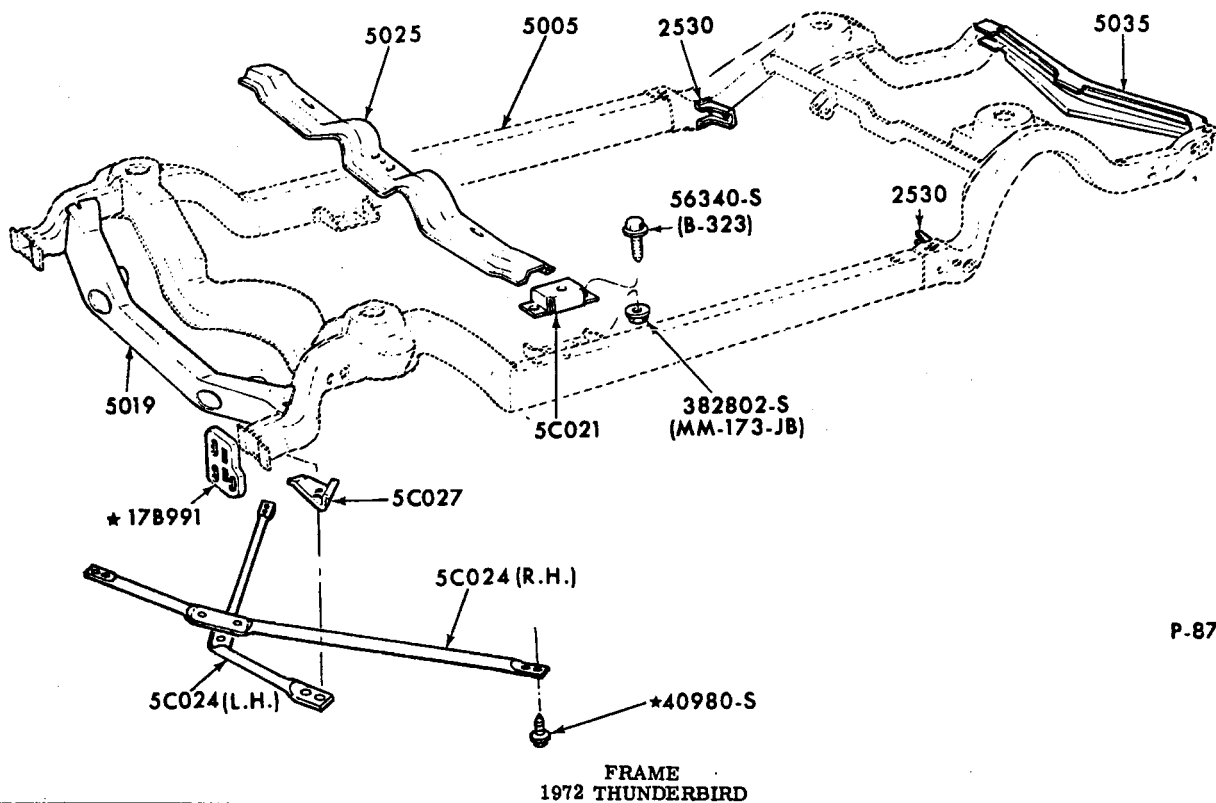
FRAME  
1969/72 FORD

P-7053

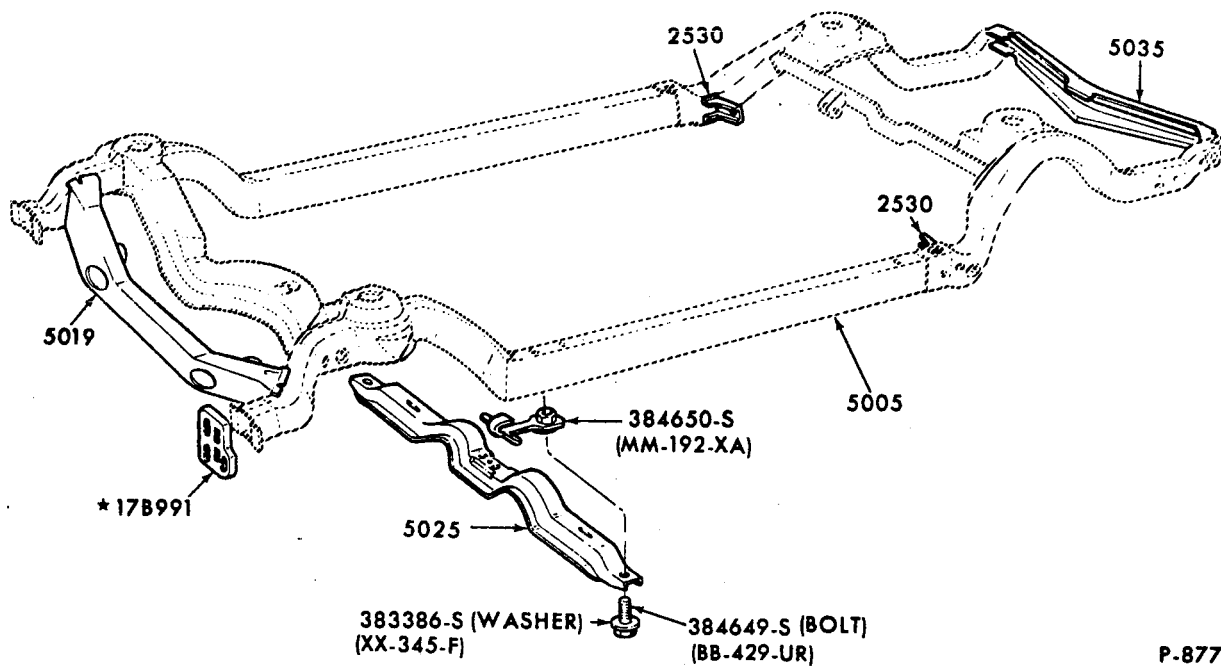


FRAME  
1968/71 THUNDERBIRD

P-7054



P-8770

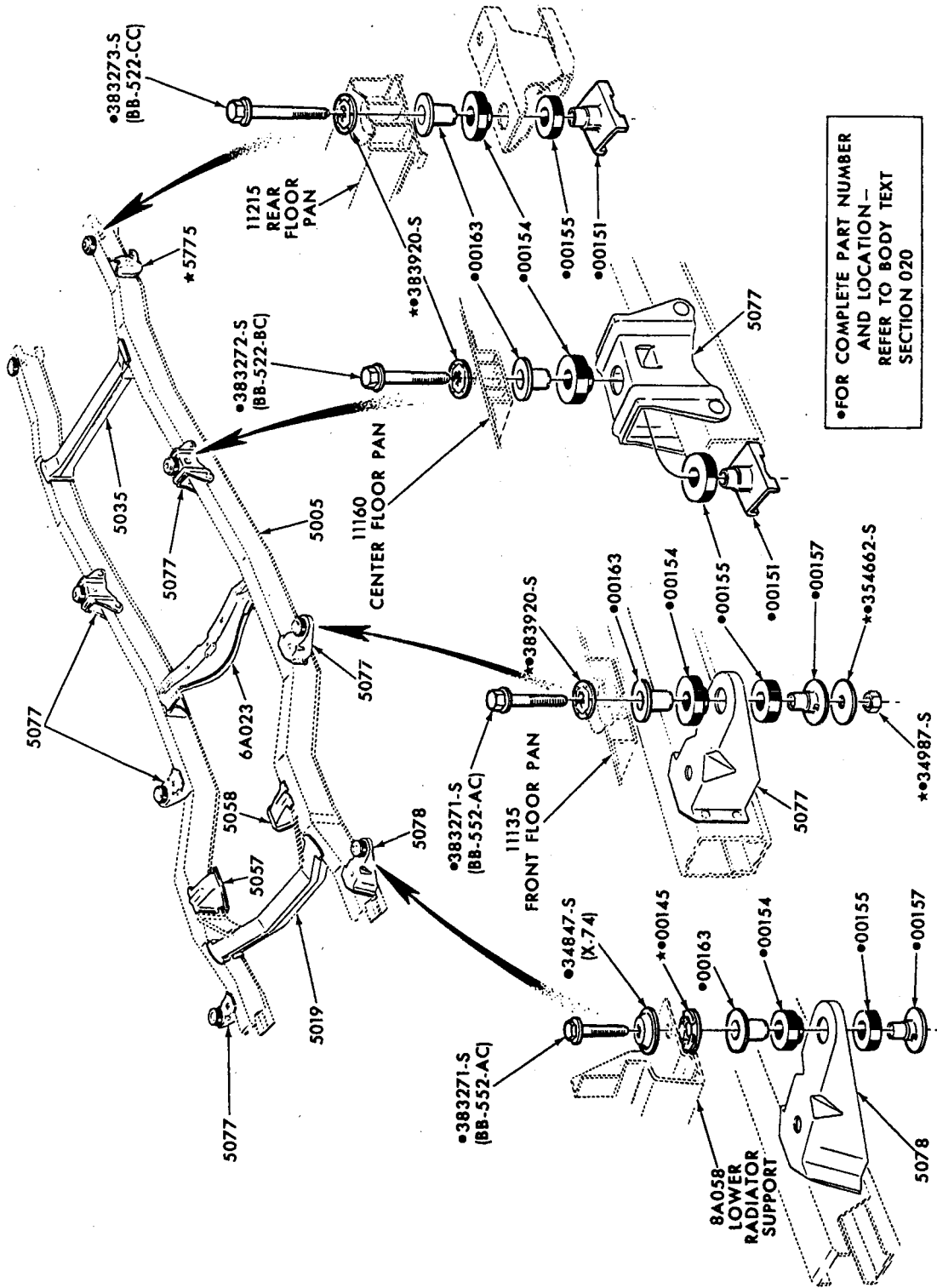


P-8771

ILLUSTRATION  
SECTION 50

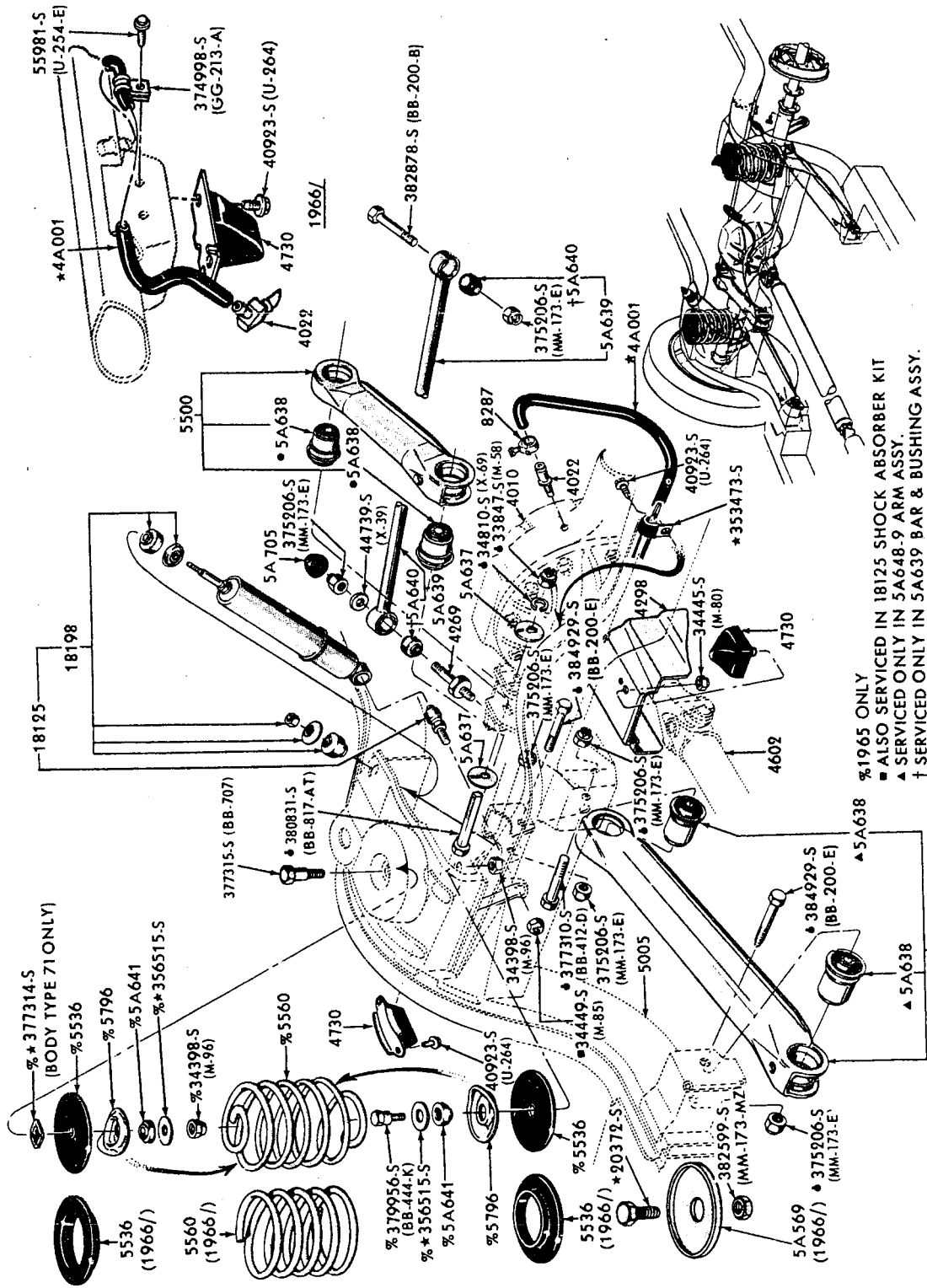
FORD CAR PARTS

P-8570



FRAME - BODY MOUNTING PARTS  
1966/72 BRONCO





\* 1965 ONLY  
 \* ALSO SERVICED IN 18125 SHOCK ABSORBER KIT  
 \* SERVICED ONLY IN 5A648-9 ARM ASSY.  
 † SERVICED ONLY IN 5A639 BAR & BUSHING ASSY.  
 \* SERVICED ONLY IN 5500 ARM & BUSHING ASSY.  
 \* REFER TO GROUPS 5500 and 5A649 FOR MODEL APPLICATION

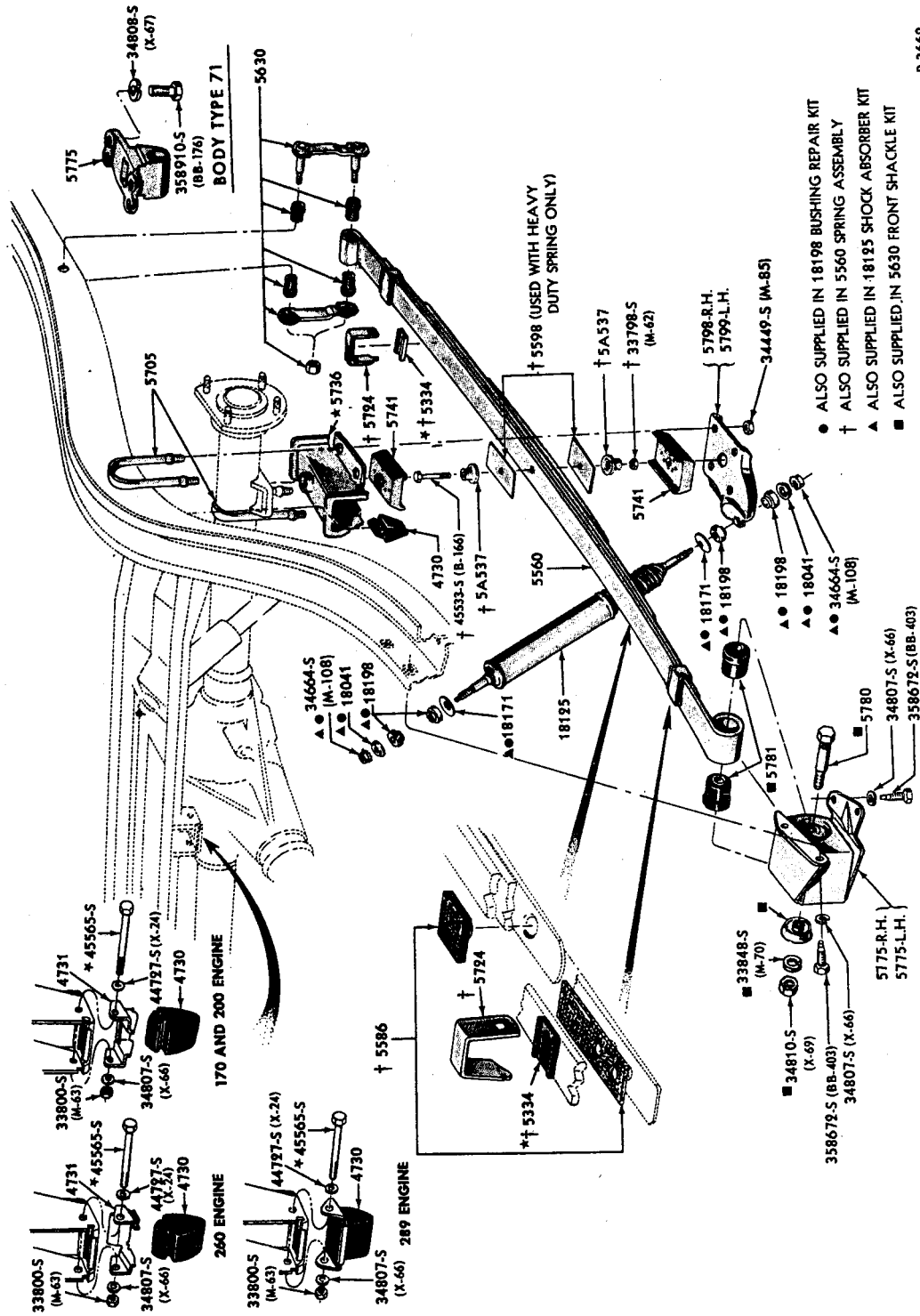
P-4546

REAR SUSPENSION

1965/71 FORD

1967/69 THUNDERBIRD





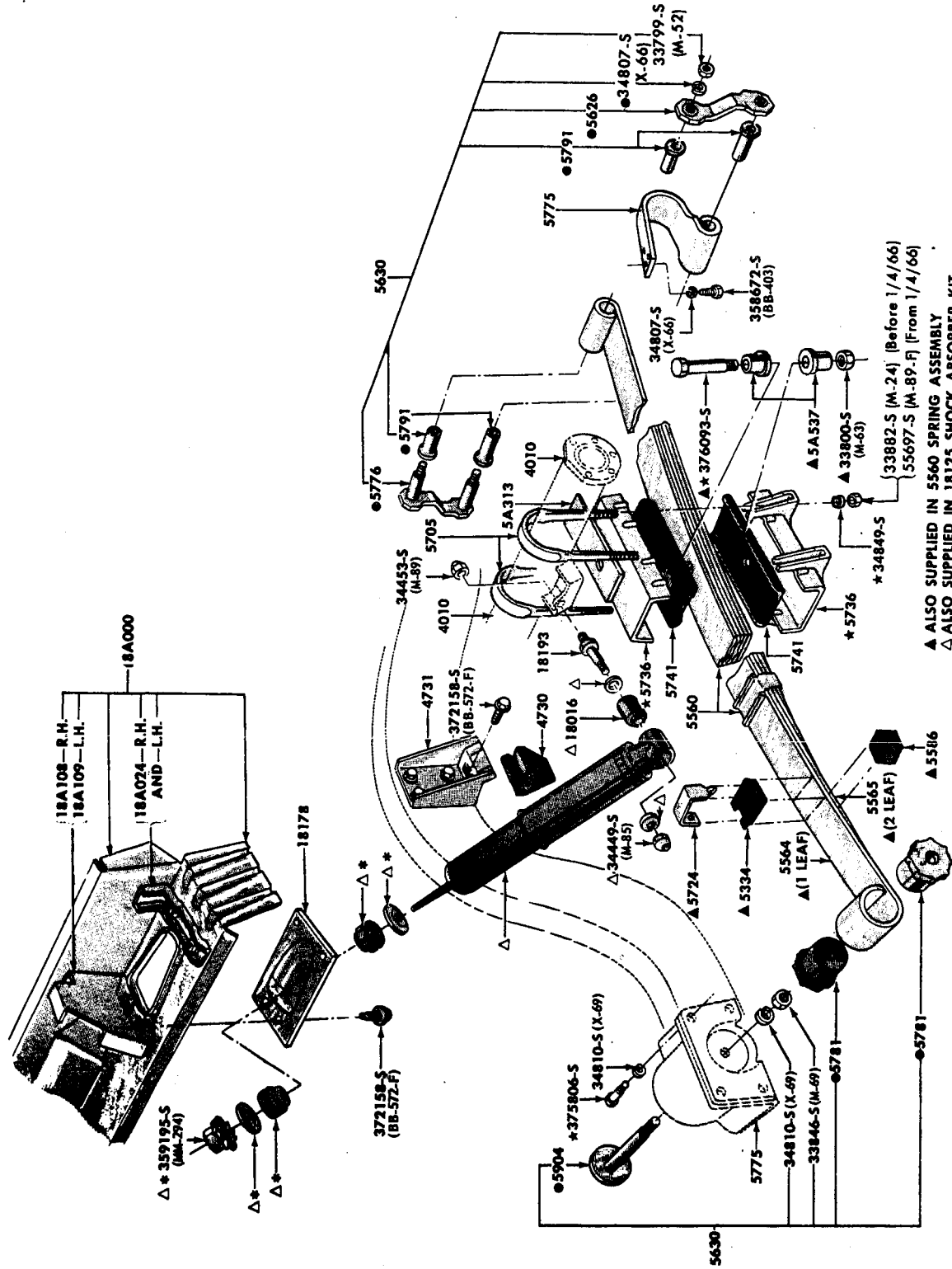
- ALSO SUPPLIED IN 18198 BUSHING REPAIR KIT
- ▲ ALSO SUPPLIED IN 5560 SPRING ASSEMBLY
- ALSO SUPPLIED IN 18125 SHOCK ABSORBER KIT

P-3662

REAR SUSPENSION  
1965 FAIRLANE



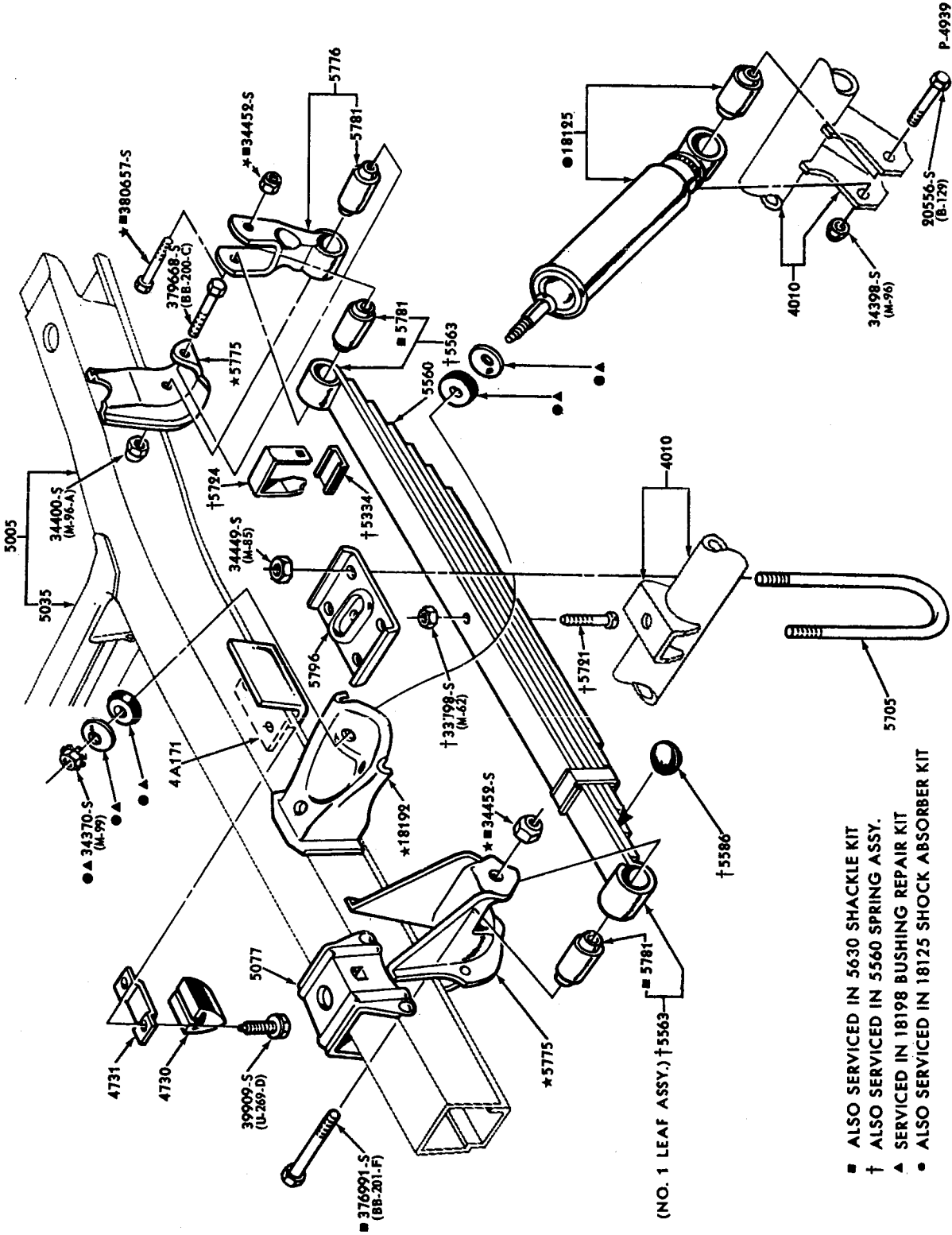




P-4351

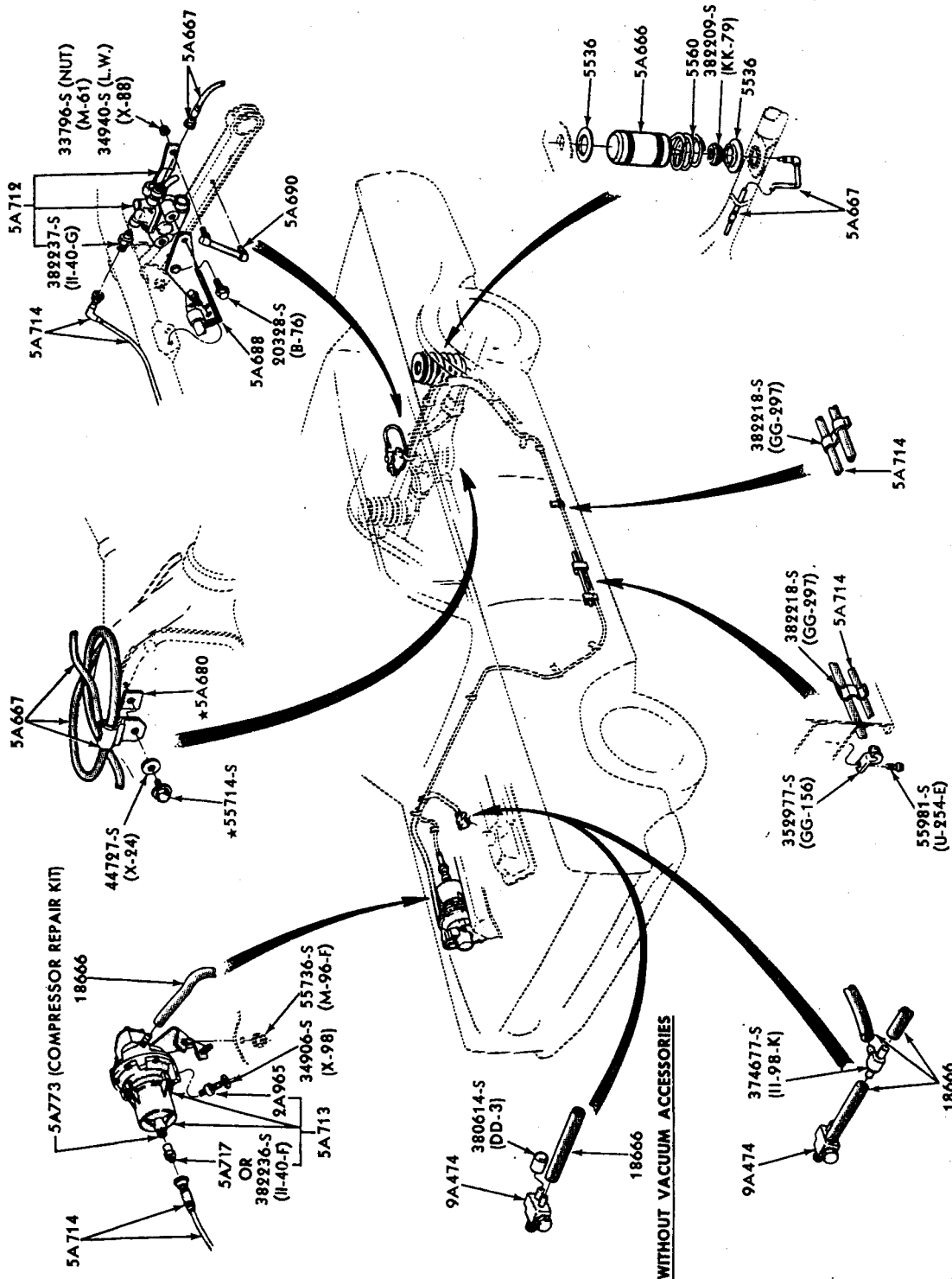
- ▲ ALSO SUPPLIED IN 5660 SPRING ASSEMBLY
- ▲ ALSO SUPPLIED IN 18125 SHOCK ABSORBER KIT
- ▲ ALSO SUPPLIED IN 18198 BUSHING REPAIR KIT
- SUPPLIED IN 5630 SHACKLE KIT

REAR SUSPENSION  
1965/66 THUNDERBIRD



- ALSO SERVICED IN 5630 SHACKLE KIT
- † ALSO SERVICED IN 5560 BUSHING REPAIR KIT
- ▲ SERVICED IN 18198 SHOCK REPAIR KIT
- ALSO SERVICED IN 18125 SHOCK ABSORBER KIT

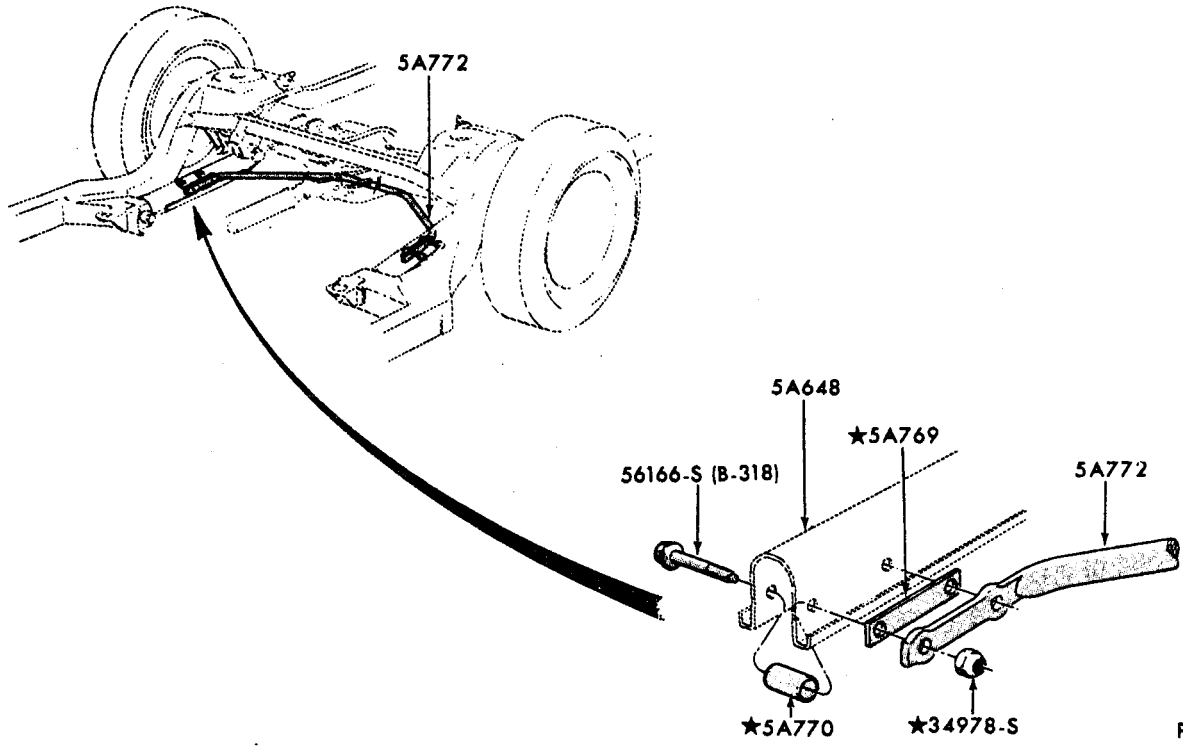
REAR SUSPENSION  
1966/72 BRONCO



REAR SUSPENSION (AUTOMATIC AIR LEVELER SYSTEM)

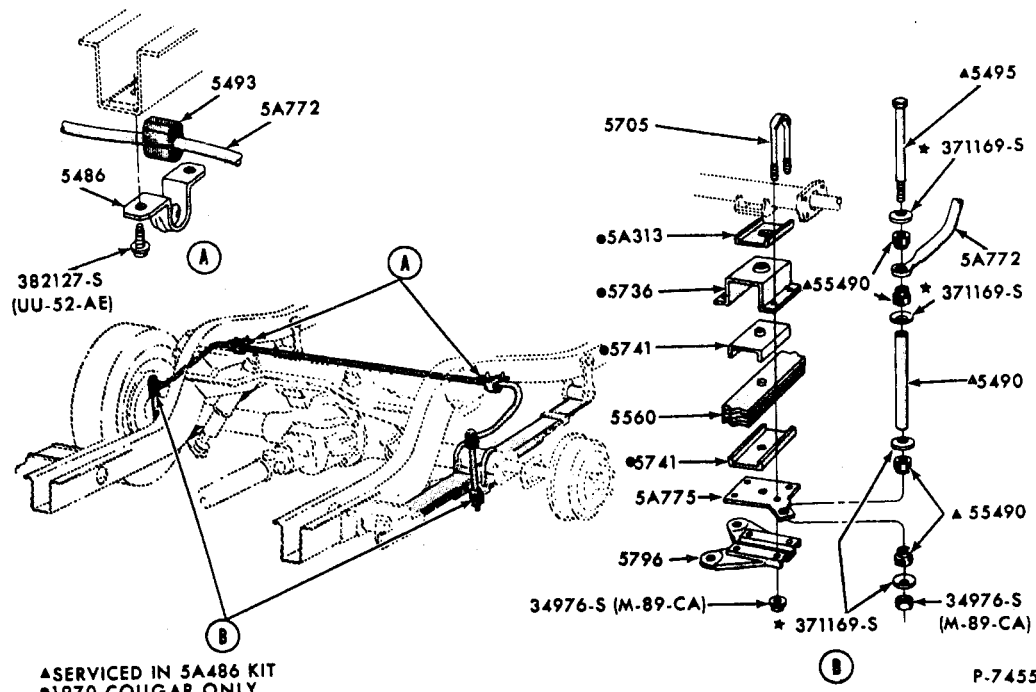
1968 FORD





P-6725

**REAR SUSPENSION (MAXIMUM HANDLING STABILIZER BAR)**  
1969/72 FORD - POLICE

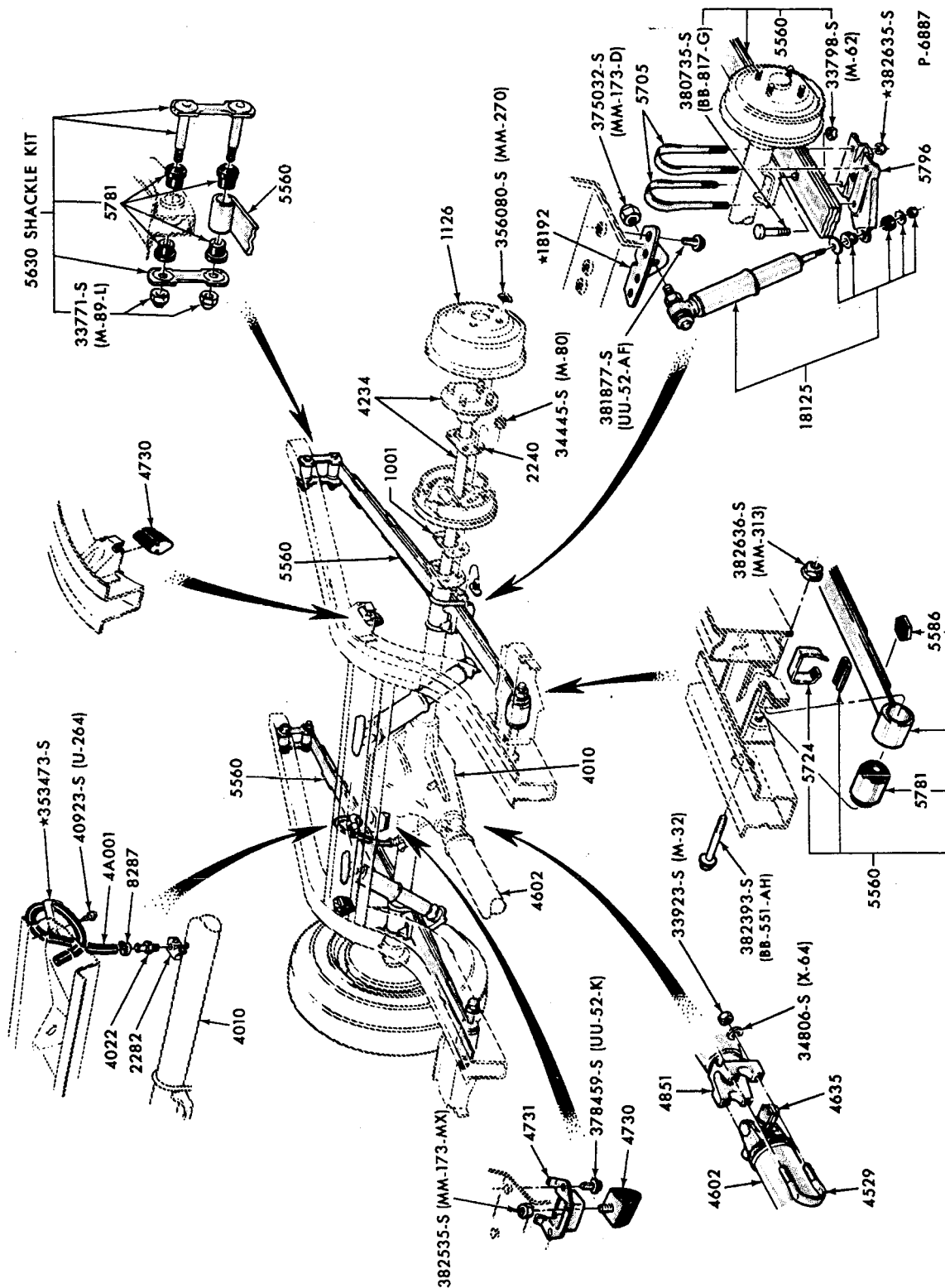


P-7455

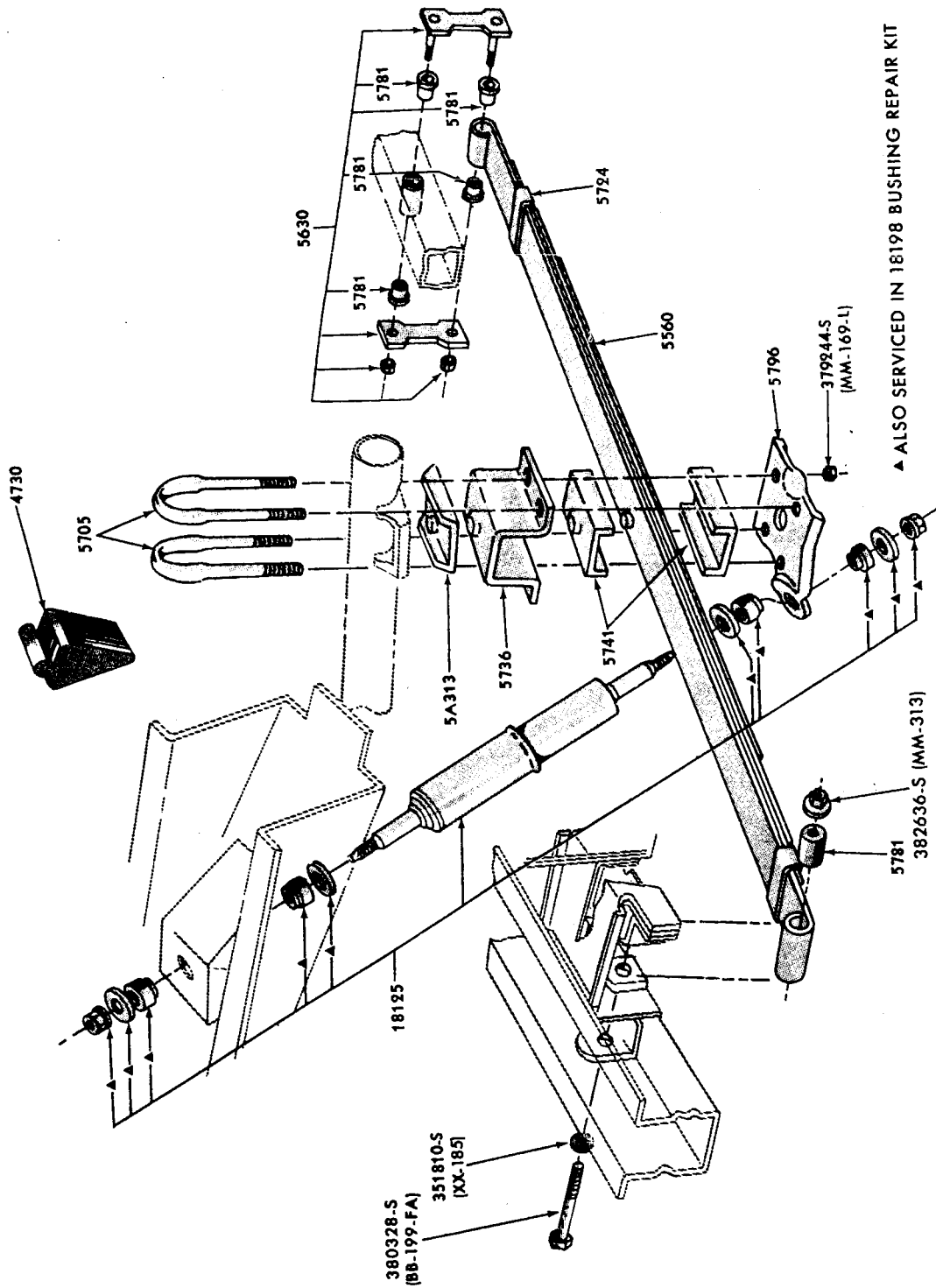
▲SERVICED IN 5A486 KIT  
●1970 COUGAR ONLY

**REAR SUSPENSION (MAXIMUM HANDLING STABILIZER BAR)**  
1970/72 MUSTANG





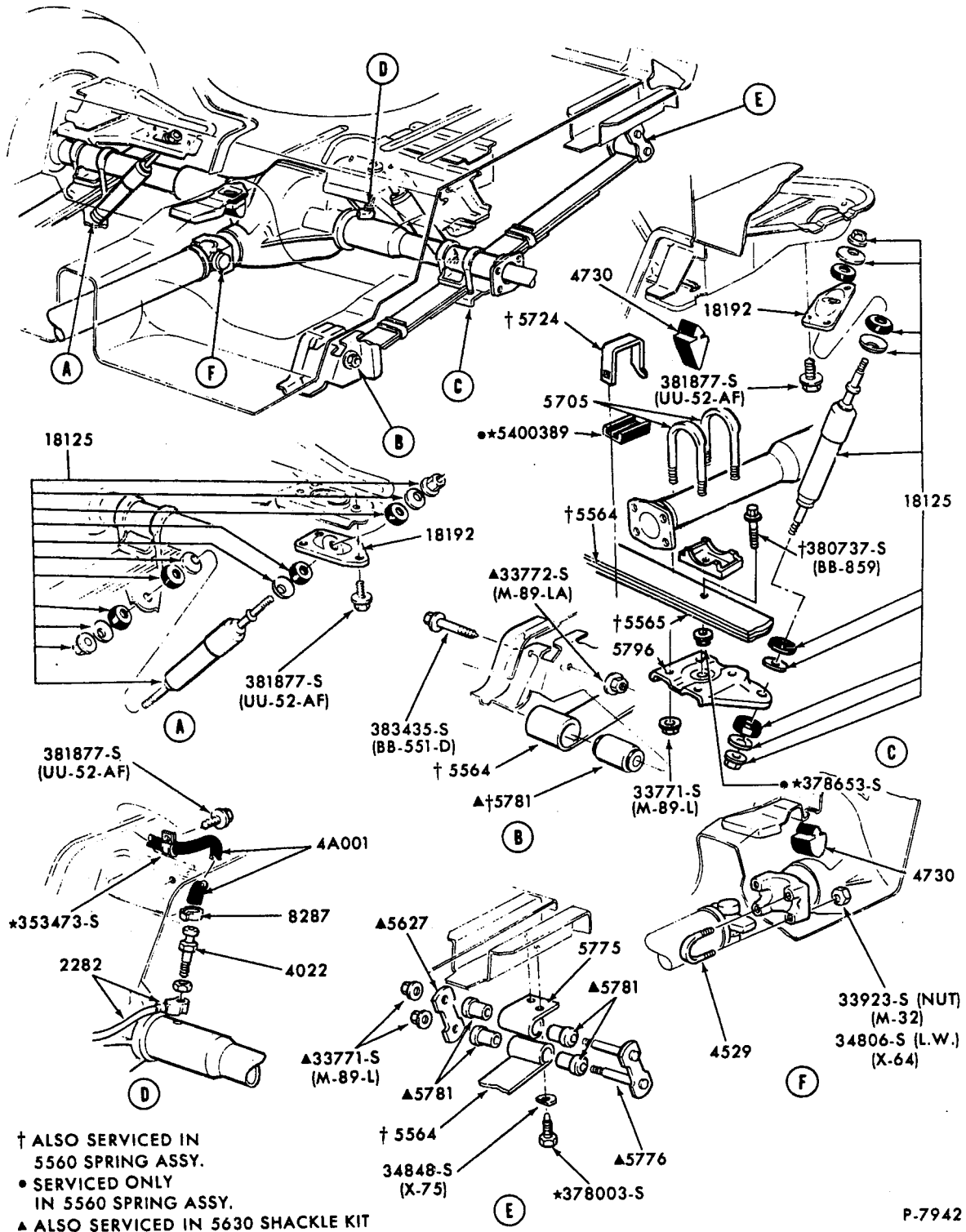
REAR SUSPENSION  
1970/72 MAVERICK



▲ ALSO SERVICED IN 18198 BUSHING REPAIR KIT

P-5960

REAR SUSPENSION  
1971/72 MUSTANG

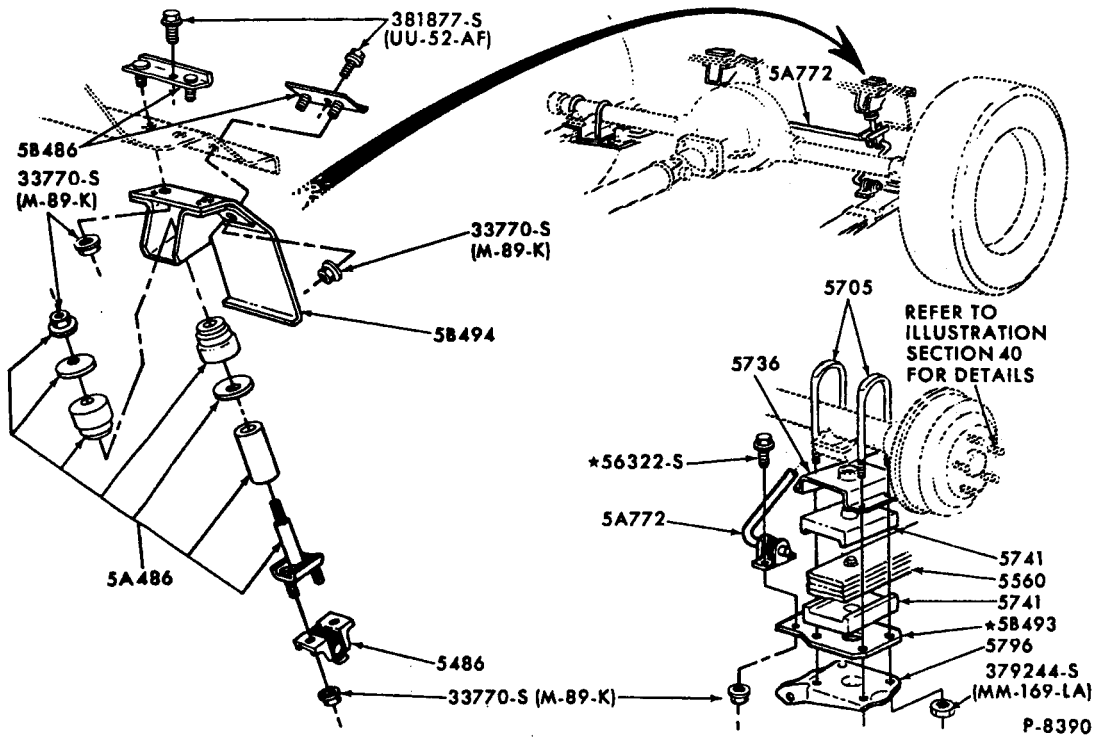


P-7942

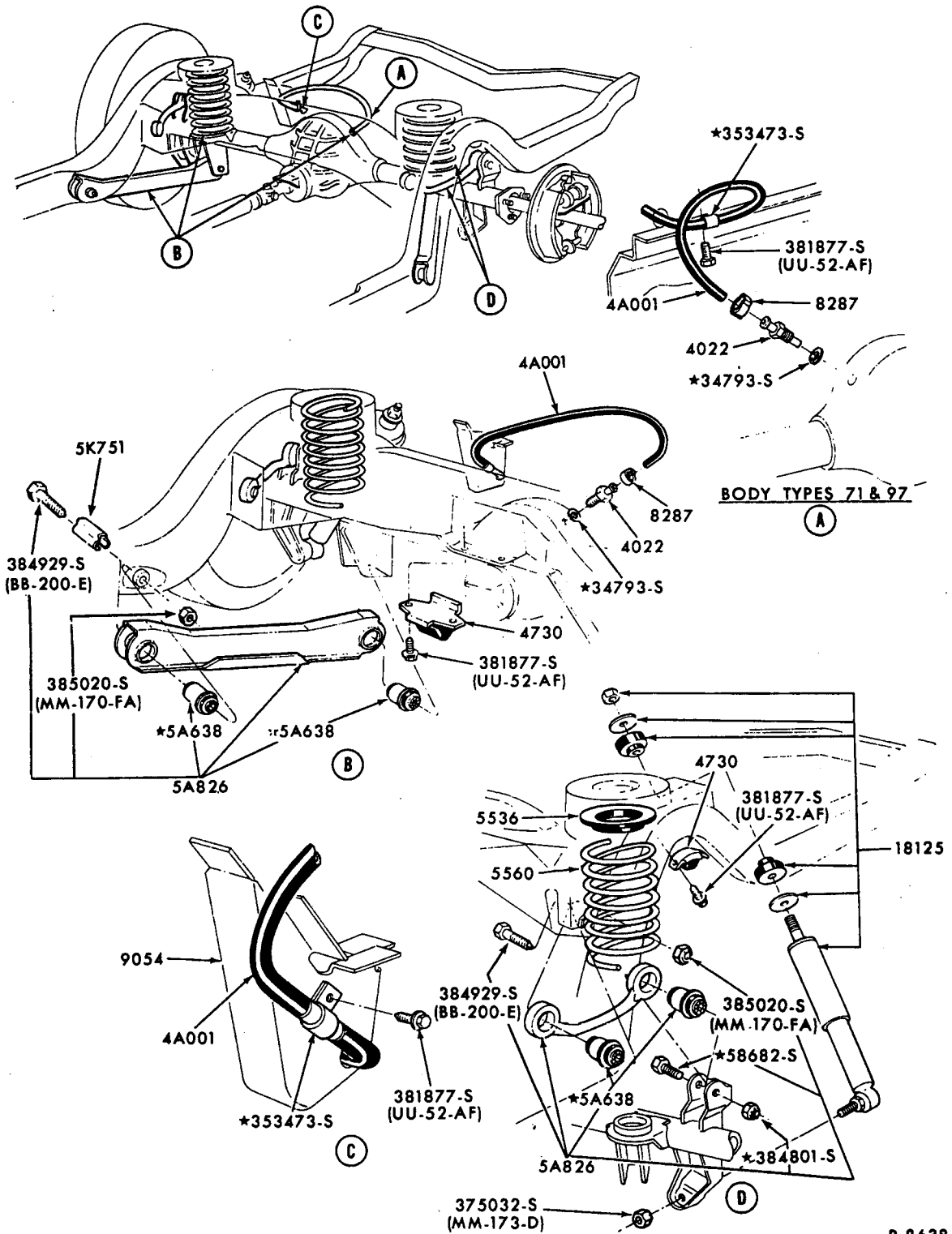
REAR SUSPENSION  
 1971/72 PINTO

**ILLUSTRATION  
SECTION 54**

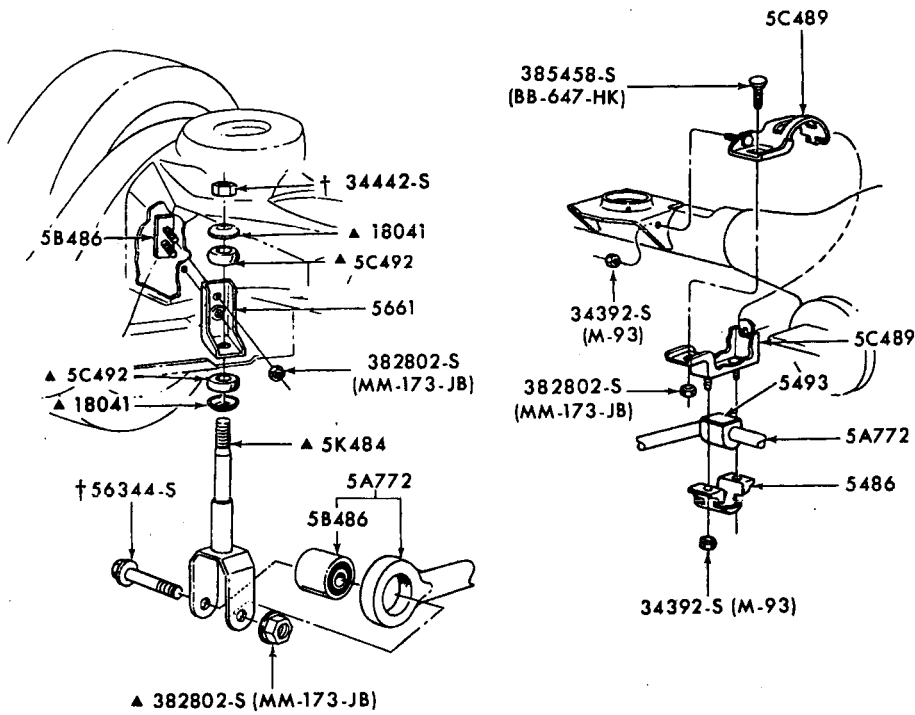
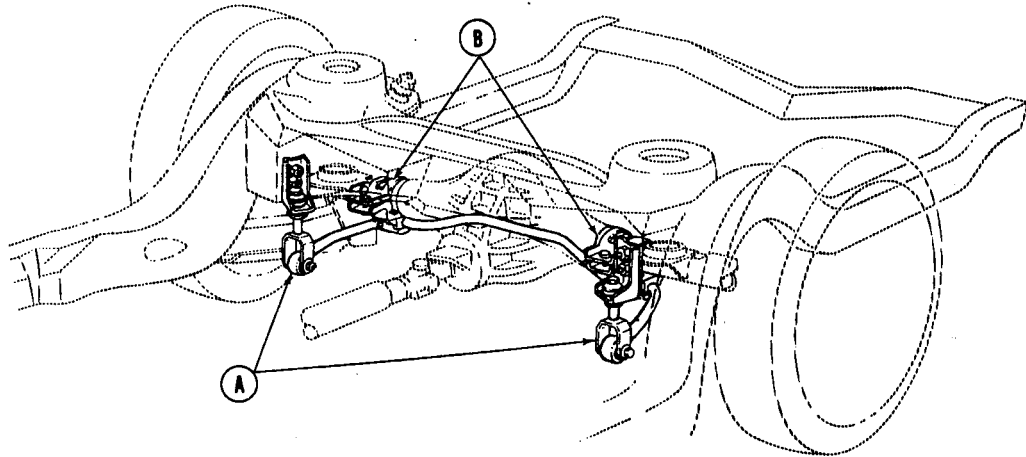
**FORD CAR PARTS**



**REAR SUSPENSION (MAXIMUM HANDLING STABILIZER BAR)  
1970 FAIRLANE/TORINO-POLICE and 1971 TORINO-POLICE**



REAR SUSPENSION  
1972 THUNDERBIRD and TORINO

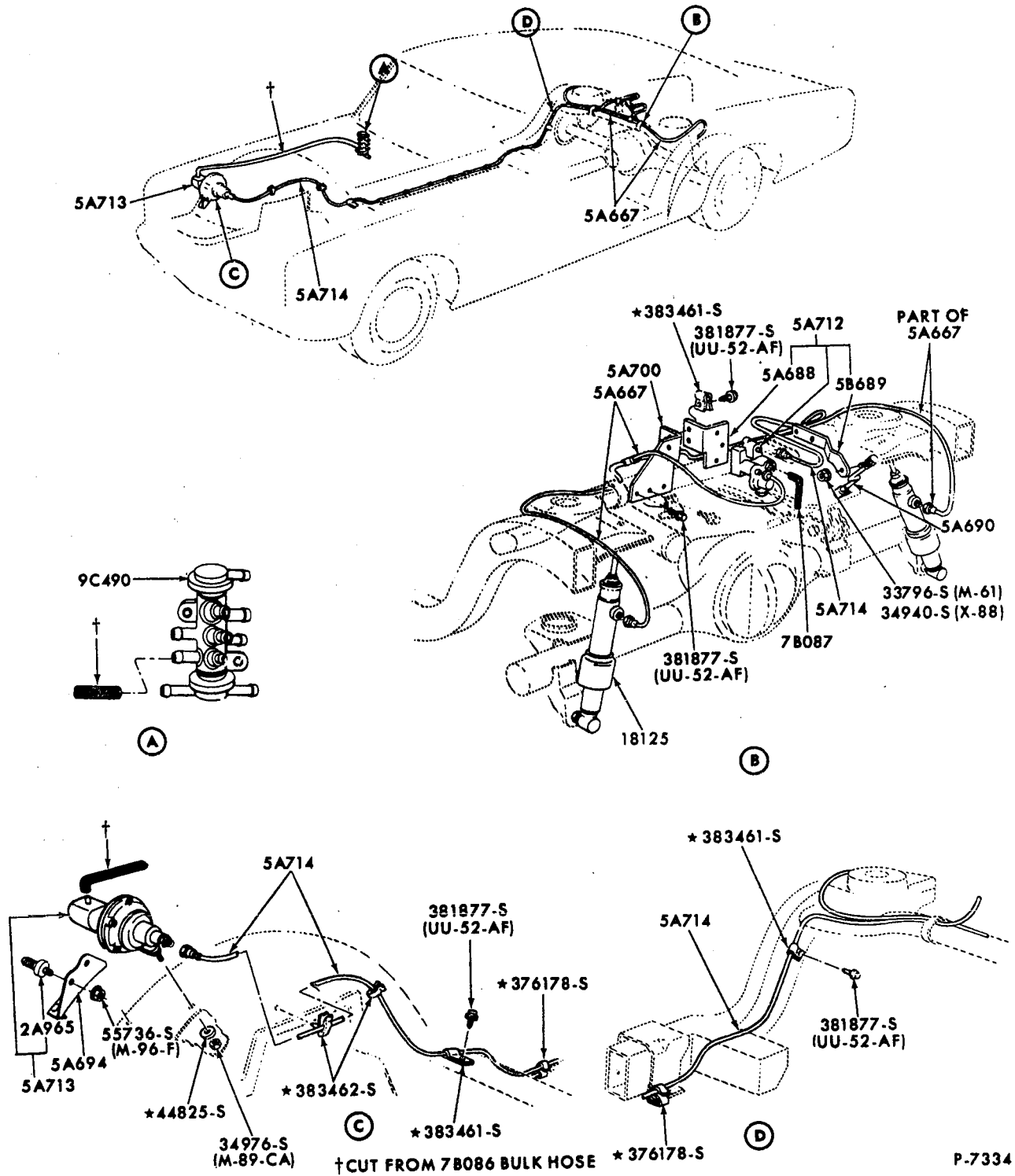


† SERVICED ONLY IN 5A486 REPAIR KIT  
 ▲ ALSO SERVICED IN 5A486 REPAIR KIT

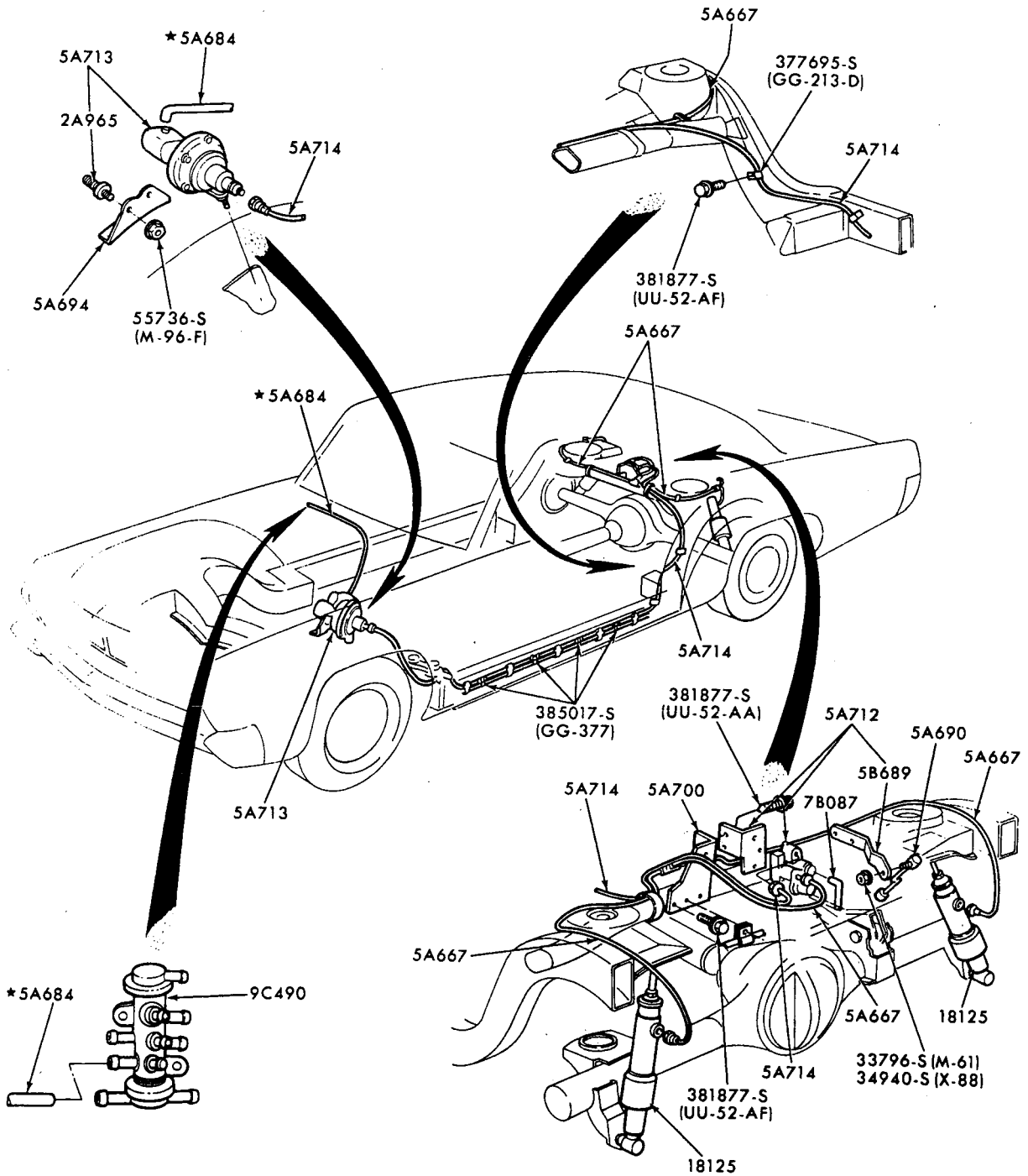
P-8583

REAR SUSPENSION (MAXIMUM HANDLING STABILIZER BAR)  
 1972 THUNDERBIRD and TORINO



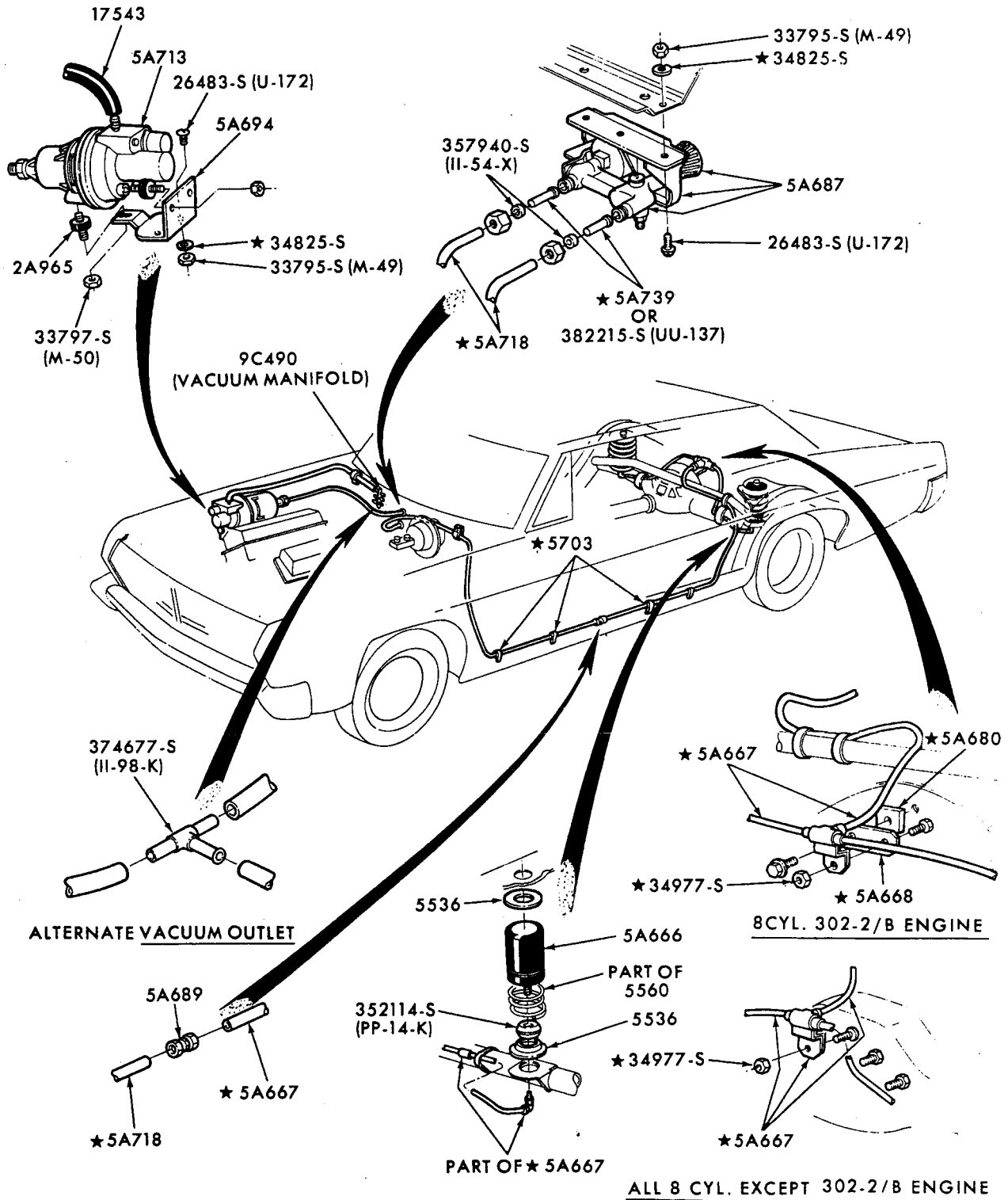


REAR SUSPENSION (AUTOMATIC AIR LEVELER SYSTEM)  
1971 FORD



P-10674

REAR SUSPENSION (AUTOMATIC AIR LEVELER SYSTEM)  
1972 FORD



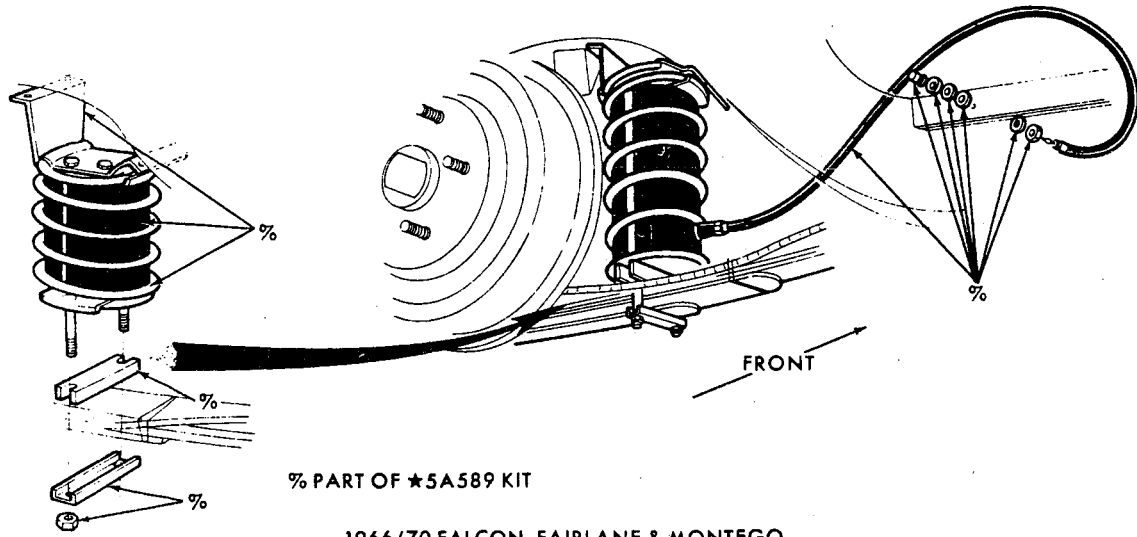
NOTE: ALL PARTS SHOWN ARE SERVICED IN 5A589 ACCESSORY KIT

P-10678

REAR SUSPENSION (AIR LEVELER SYSTEM WITH DASH CONTROL)

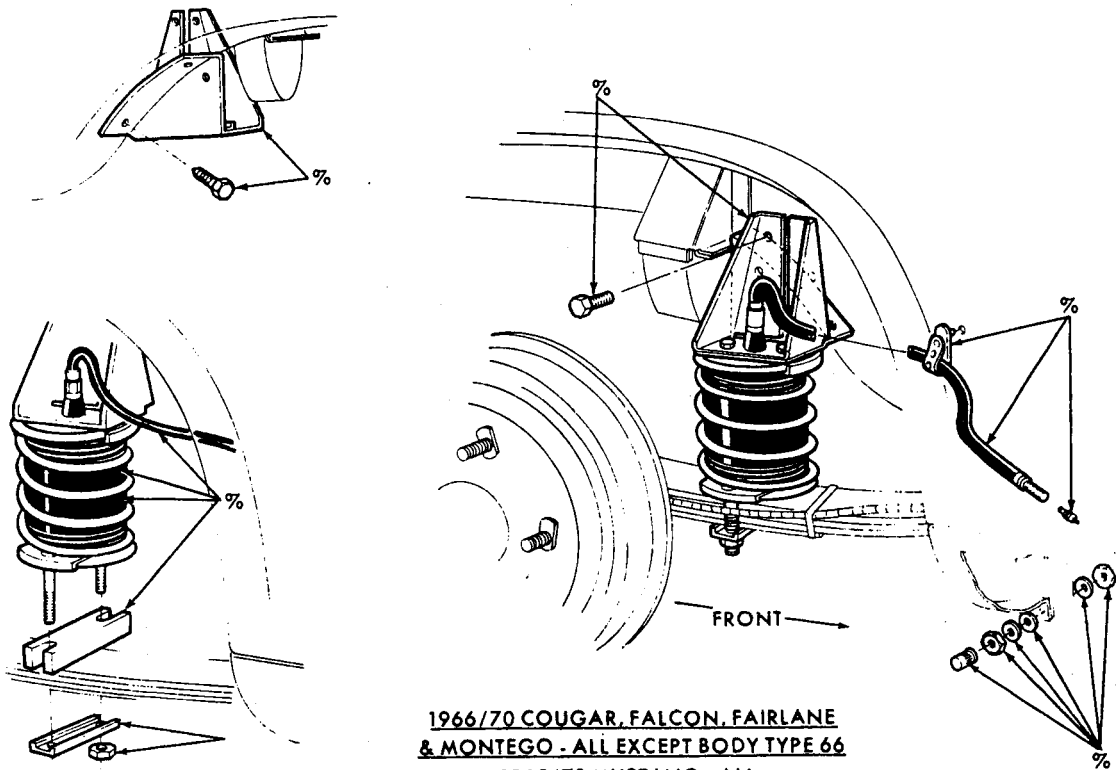
1967/72 FORD, THUNDERBIRD & TORINO

**FORD CAR PARTS**



% PART OF ★5A589 KIT

1966/70 FALCON, FAIRLANE & MONTEGO -  
BODY TYPE 71

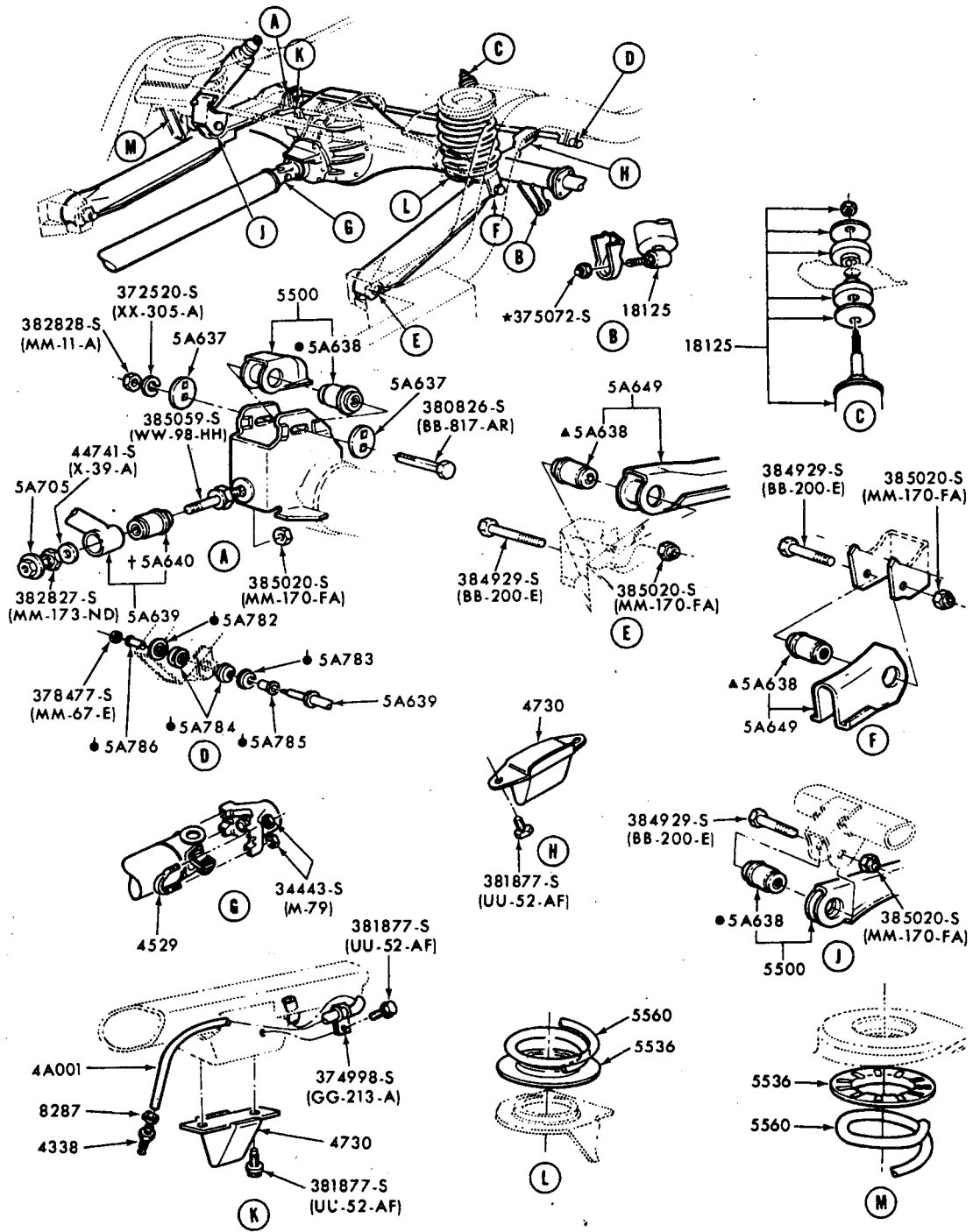


% PART OF ★5A589 KIT

1966/70 COUGAR, FALCON, FAIRLANE  
& MONTEGO - ALL EXCEPT BODY TYPE 66  
1965/70 MUSTANG - ALL

P-10675

REAR SUSPENSION (AUXILIARY AIR SPRING INSTALLATION)  
1966/68 FALCON, 1966/70 FAIRLANE/TORINO AND 1965/70 MUSTANG



- ▲SERVICED ONLY IN 5A649 ARM ASSY.
- SERVICED ONLY IN 5500 ARM AND BUSHING ASSY.
- †SERVICED IN 5A639 BAR AND BUSHING ASSY.
- ◆SERVICED ONLY IN 5B640 BAR KIT.

REAR SUSPENSION-TYPICAL  
1972 FORD, 1970/71 THUNDERBIRD

P-10302

## INDEX

THIS INDEX SECTION INCLUDES THE FOLLOWING MAJOR GROUPS:

AIR CLEANER OIL BREATHER CAP  
 CAMSHAFT  
 CRANKCASE VENT SYSTEM  
 CRANKSHAFT and FLYWHEEL  
 CYLINDER BLOCK and RELATED PARTS  
 CYLINDER HEAD, VALVES and EXHAUST MANIFOLD  
 EMISSION REDUCTION SYSTEM

ENGINE  
 ENGINE SUPPORTS  
 OIL FILTER  
 OIL PUMP and PAN  
 PISTON and CONNECTING ROD  
 VALVES, PUSH RODS and COVERS

TITLE	SECTION	PAGE	ILLUS. NO.
<b>4 CYLINDER 98 C.I.D. - 1.6 LITRE</b>			
Camshaft, gear and bearings	62	3	P-7595
Crankcase vent system	66.1	5	P-8025
Crankshaft and flywheel	63	5	P-7596
Cylinder block	60	15	P-7593
Engine parts - external	60	15	P-7593
Engine Supports - Pinto (front & rear)	60.1	12	P-7873
Engine gasket kit	60	14	P-7597
Oil filter - spin on type	66	5	P-7592
Oil pump	66	5	P-7592
Piston and connecting rod	63	5	P-7596
Splash shield - engine	66	1	P-7598
Valve and push rods	62	3	P-7595
<b>4 CYLINDER 122 C.I.D. (O.H.C.) - 2.0 LITRE</b>			
Cylinder block	60	13	P-8229
Emission reduction system - without hot idle compensator	66.1	8	P-8024
- with hot idle compensator	66.1	8	P-10484
Engine parts - internal	60	12	P-8039
- external	60	13	P-8229
Engine supports - Pinto (front & rear)	60.1	12	P-7873
Oil filter - spin on type	60	13	P-8229
Oil pump	66	5	P-8038
Splash shield - engine	66	1	P-7598
<b>6 CYLINDER 170 C.I.D.</b>			
Camshaft, gear and bearings	62	1	P-2964
Crankshaft and flywheel	63	1	P-2965
Cylinder block	60	5	P-3088
Emission reduction system - Rocker arm cover type - open system (1965/70)	66.1	1	P-4389
Closed system (1971/72)	66.1	6	P-8408
Engine assembly	60	4	P-8398
Engine supports - Bronco (front & rear) (1966/72)	60.1	10	P-4954
Falcon (front) (1965)	60.1	5	P-3617
Falcon (rear) (1965)	60.1	6	P-3094
Falcon (front & rear) (1966/69)	60.1	8	P-4958
Maverick (front & rear) (1970/72)	60.1	12	P-6909
Mustang (front & rear) (1965)	60.1	4	P-4500
Oil filters - cartridge type	66	3	P-1246
spin-on type	66	3	P-2384
Oil pump	66	6	P-2963
Piston and connecting rod	62	1	P-3090
Valves, push rods and rocker arm cover	65	1	P-3089

TITLE	SECTION	PAGE	ILLUS. NO.
<b>6 CYLINDER 200 C.I.D.</b>			
Camshaft, gear and bearings	62	1	P-2964
Crankshaft and flywheel	63	1	P-4899
Cylinder block and cylinder head	60	5	P-3088
Emission reduction system - Rocker arm cover type - open system (1965/70)	66.1	1	P-4389
Closed system (1971/72)	66.1	6	P-8408
Engine assembly	60	4	P-8398
Engine supports - Fairlane (front & rear) (1965)	60.1	2	P-3672
Fairlane (front & rear) (1966/68)	60.1	8	P-4958
Falcon (front) (1965)	60.1	5	P-3617
Falcon (rear) (1965)	60.1	6	P-3094
Falcon (front & rear) (1966/70)	60.1	8	P-4958
Maverick (front & rear) (1970/72)	60.1	12	P-6909
Mustang (front & rear) (1965/66)	60.1	4	P-4500
Mustang (front & rear) (1967/70)	60.1	9	P-5625
Oil filters - cartridge type	66	3	P-1246
spin-on type	66	3	P-2384
Oil pump	66	6	P-2963
Piston and connecting rod	62	1	P-3090
Valves, push rods and rocker arm cover	65	1	P-3089
<b>6 CYLINDER 240 C.I.D.</b>			
Camshaft, gear and bearings	62	2	P-4873
Crankshaft and flywheel	63	2	P-4874
Cylinder block - - external	60	2	P-7851
- internal	60	3	P-7852
Emission reduction system - Rocker arm cover type - open system (1965/70)	66.1	1	P-4389
Closed system (1971/72)	66.1	6	P-8409
Engine assembly	60	1	P-8395
Engine supports - Ford (front & rear) (1965/70)	60.1	1	P-4616
Ford (front & rear) (1971/72)	60.1	13	P-8264
Oil filters - cartridge type	66	3	P-1246
spin-on type	66	3	P-2384
Oil pump	66	1	P-4872
Piston and connecting rod	62	2	P-3732
Valves, push rods and rocker arm cover	65	2	P-3726

## INDEX

TITLE	SECTION	PAGE	ILLUS. NO.	TITLE	SECTION	PAGE	ILLUS. NO.
<b>6 CYLINDER 250 C.I.D.</b>				<b>8 CYLINDER 289 C.I.D.</b>			
Camshaft, gear and bearings	62	1	P-2964	Camshaft, gear and bearing	62	3	P-3733
Crankshaft and flywheel	63	1	P-4899	Crankshaft and flywheel	63	3	P-3734
Cylinder block and cylinder head	60	5	P-3088	Cylinder block and cylinder head	60	7	P-3767
Emission reduction system	66.1	6	P-8408	Emission reduction system- Air cleaner oil breather cap installation-closed system	66.1	4	P-4575
Engine assembly	60	4	P-8398	Intake manifold type-open system	66.1	2	P-4146
Engine supports- Fairlane (front & rear) (1969/71)	60.1	8	P-4958	Rocker arm cover type-open system	66.1	2	P-4592
Maverick (front & rear) (1971/72)	60.1	12	P-6909	Engine assembly	60	10	P-8396
Mustang (front & rear) (1969/70)	60.1	9	P-5625	Engine supports- Bronco (front & rear) (1966/68)	60.1	10	P-4954
Mustang (front & rear) (1971/72)	60.1	15	P-8289	Fairlane (front & rear) (1965)	60.1	3	P-3673
Torino (front & rear) (1972)	60.1	18	P-8585	Fairlane (front & rear) (1966/68)	60.1	8	P-4958
Oil filters- cartridge type	66	3	P-1246	Falcon (front) (1965)	60.1	5	P-4353
spin-on type	66	3	P-2384	Falcon (front & rear) (1966/68)	60.1	8	P-4958
Oil pump	66	6	P-2963	Falcon (rear) (1965)	60.1	6	P-3094
Piston and connecting rod	62	1	P-3090	Ford (front & rear) (1965/67)	60.1	1	P-4616
Valves, push rods and rocker arm cover	65	1	P-3089	Mustang (front & rear) (1965/66)	60.1	4	P-4500
				Mustang (front & rear) (1967/68)	60.1	9	P-5625
				Oil filters- cartridge type	66	3	P-1246
				spin-on type	66	3	P-2384
				Oil pump	66	2	P-3736
				Piston and connecting rod	62	2	P-3732
				Valves, push rods and rocker arm cover	65	2	P-3726
<b>8 CYLINDER 260 C.I.D.</b>				<b>8 CYLINDER 302 C.I.D.</b>			
Camshaft, gear and bearings	62	3	P-3733	Camshaft, gear and bearings	62	3	P-3733
Crankshaft and flywheel	63	3	P-3734	Crankshaft and flywheel	63	3	P-3734
Cylinder block and cylinder head	60	7	P-3767	Cylinder block - - external	60	18	P-8369
Emission reduction system- Intake manifold type-open system	66.1	2	P-4146	- internal	60	19	P-8370
Rocker arm cover type-open system	66.1	2	P-4592	- head - typical	65	2	P-3727
Air cleaner oil breather cap installation-closed system	66.1	4	P-4575	Emission reduction system- Air cleaner oil breather cap installation-closed system (1968/70)	66.1	4	P-4575
Engine assembly	60	6	P-8393	Closed system (1971/72 exc. "Boss")	66.1	7	P-8413
Engine supports- Mustang (front & rear)	60.1	4	P-4500	Closed system (1971 "Boss")	66.1	7	P-8412
Oil filters- cartridge type	66	3	P-1246	Engine assembly	60	17	P-8372
spin-on type	66	3	P-2384	Engine oil cooler system	66	4	P-6984
Oil pump	66	2	P-3736	Engine supports- Bronco (front & rear) (1969/72)	60.1	10	P-4954
Piston and connecting rod	62	2	P-3732	Fairlane (front & rear) (1968/71)	60.1	8	P-4958
Valves, push rods and rocker arm cover	65	2	P-3726	Falcon (front & rear) (1968/70)	60.1	8	P-4958
				Ford (front & rear) (1968/70)	60.1	1	P-4616
				Ford (front & rear) (1971/72)	60.1	13	P-8265
				Maverick (front & rear) (1971/72)	60.1	16	P-6932
				Mustang (front & rear) (1968/70)	60.1	9	P-5625
				Mustang (front & rear) (1971/72)	60.1	17	P-8270
				Torino (front & rear) (1972)	60.1	18	P-8586
				Oil filters- cartridge type	66	3	P-1246
				spin-on type	66	3	P-2384
				Oil pump	66	2	P-3736
				Piston and connecting rod	62	2	P-3732
				Valves, push rods and rocker arm cover	65	2	P-3726

### INDEX

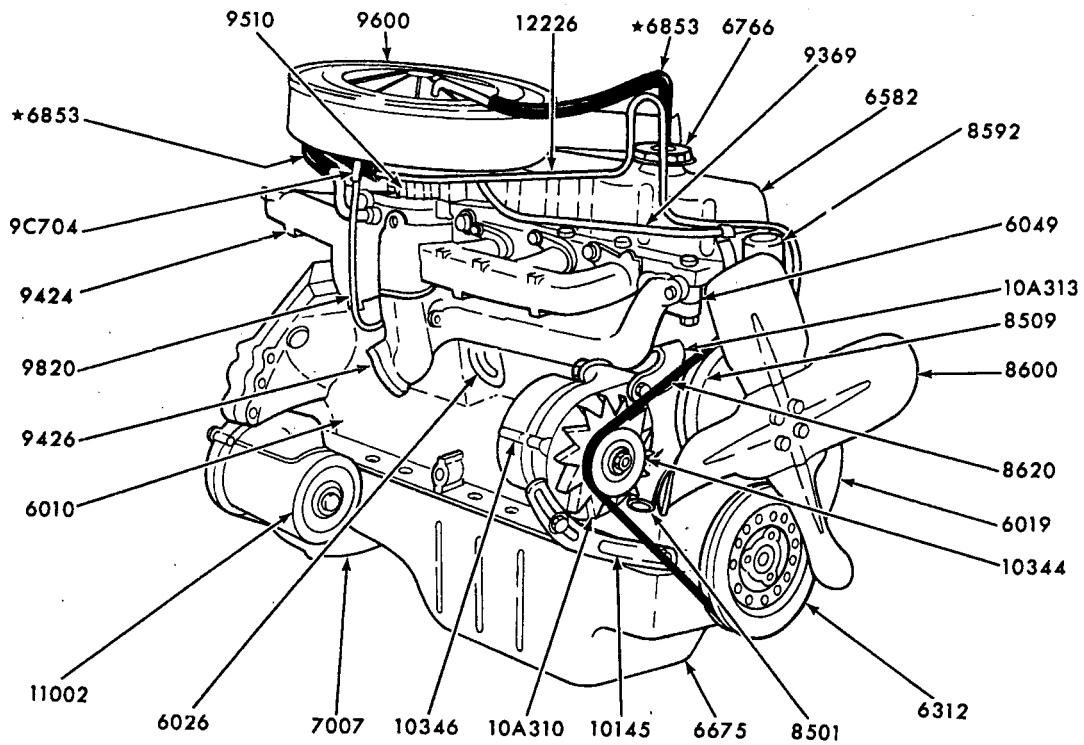
TITLE	SECTION	PAGE	ILLUS. NO.
<b>8 CYLINDER 351 C.I.D.</b>			
Camshaft, gear and bearings	62	3	P-3733
Crankshaft and flywheel	63	3	P-3734
Cylinder block -			
- external (Windsor)	60	18	P-8369
- internal (Windsor)	60	19	P-8370
- external (Cleveland)	60	20	P-8367
- internal (Cleveland)	60	21	P-8368
- head - typical	62	2	P-3727
Emission reduction system	66.1	7	P-8413
Engine assembly	60	17	P-8372
Engine supports-			
Fairlane (front & rear)(1969/71)	60.1	8	P-4958
Ford (front & rear)(1969/70)	60.1	1	P-4616
Ford (front & rear)(1971/72)	60.1	13	P-8265
Mustang (front & rear)(1969/70)	60.1	9	P-5625
Mustang (front & rear)(1971/72)	60.1	17	P-8270
Torino (front & rear)(1972)	60.1	18	P-8586
Oil filters-			
cartridge type	66	3	P-1246
spin-on type	66	3	P-2384
Oil pump	66	2	P-3736
Piston and connecting rod	62	2	P-3732
Valves, push rods and rocker arm cover	65	2	P-3726
<b>8 CYLINDER 352 C.I.D.</b>			
Camshaft, gear and bearings	62	4	P-4878
Crankshaft and flywheel	63	4	P-2488
Cylinder block and cylinder head	60	9	P-2881
Emission reduction system-			
Air cleaner oil breather cap installation-closed system	66.1	4	P-4575
Rocker arm cover type-open system	66.1	2	P-4592
Engine assembly	60	8	P-8397
Engine supports-			
Ford (front & rear)	60.1	1	P-4616
Oil filters-			
Spin-on type	66	3	P-2384
Spin-on type and adapter	66	4	P-2486
Oil pump	66	2	P-2476
Piston and connecting rod	62	4	P-2487
Valves, push rods and rocker arm cover	65	3	P-2485

TITLE	SECTION	PAGE	ILLUS. NO.
<b>8 CYLINDER 390 C.I.D.</b>			
Camshaft, gear and bearings	62	4	P-4878
Crankshaft and flywheel	63	4	P-2488
Cylinder block and cylinder head	60	9	P-2881
Emission reduction system-			
Air cleaner oil breather cap installation-closed system (1965/71)	66.1	4	P-4575
Rocker arm cover type-open system (1965)	66.1	2	P-4592
Rocker arm cover type-open system (1966)	66.1	4	P-5302
Rocker arm cover type-2/B carb. - open system (1967/72)	66.1	2*	P-4592
Rocker arm cover type-4/B carb. - open system (1967/69)	66.1	4	P-5302
Engine assembly			
(1965/67)	60	8	P-8397
(1968/71)	60	16	P-8371
Engine supports-			
Fairlane (front & rear) (1966/69)	60.1	8	P-4958
Ford (front & rear) (1965/70)	60.1	1	P-4616
Ford (front & rear)(1971 )	60.1	14	P-8266
Mustang (front & rear)(1967/69)	60.1	11	P-5626
Thunderbird (front & rear) (1965/66)	60.1	7	P-3396
Thunderbird (front & rear) (1967)	60.1	10	P-5479
Thunderbird (front & rear) (1968)	60.1	21	P-6422
Oil filters-			
spin-on type	66	3	P-2384
spin-on type and adapter	66	4	P-2486
Oil pump	66	2	P-2476
Piston and connecting rod	62	4	P-2487
Valves, push rods and rocker arm cover	65	3	P-2485
<b>8 CYLINDER 400 C.I.D.</b>			
Camshaft, gear and bearings	62	3	P-3733
Crankshaft and flywheel	63	3	P-3734
Cylinder block -			
- external	60	20	P-8367
- internal	60	21	P-8368
- head - typical	65	2	P-3727
Emission reduction system	66.1	7	P-8413
Engine assembly	60	17	P-8372
Engine supports -			
Ford (front & rear)(1971/72)	60.1	15	P-8268
Thunderbird (front & rear)(1972)	60.1	20	P-8683
Torino (front & rear)(1972)	60.1	19	P-8587
Oil filters -			
spin-on type	66	3	P-2384
Oil pump	66	2	P-3736
Piston and connecting rod	62	2	P-3732
Valves, push rods and rocker arm cover	65	2	P-3726

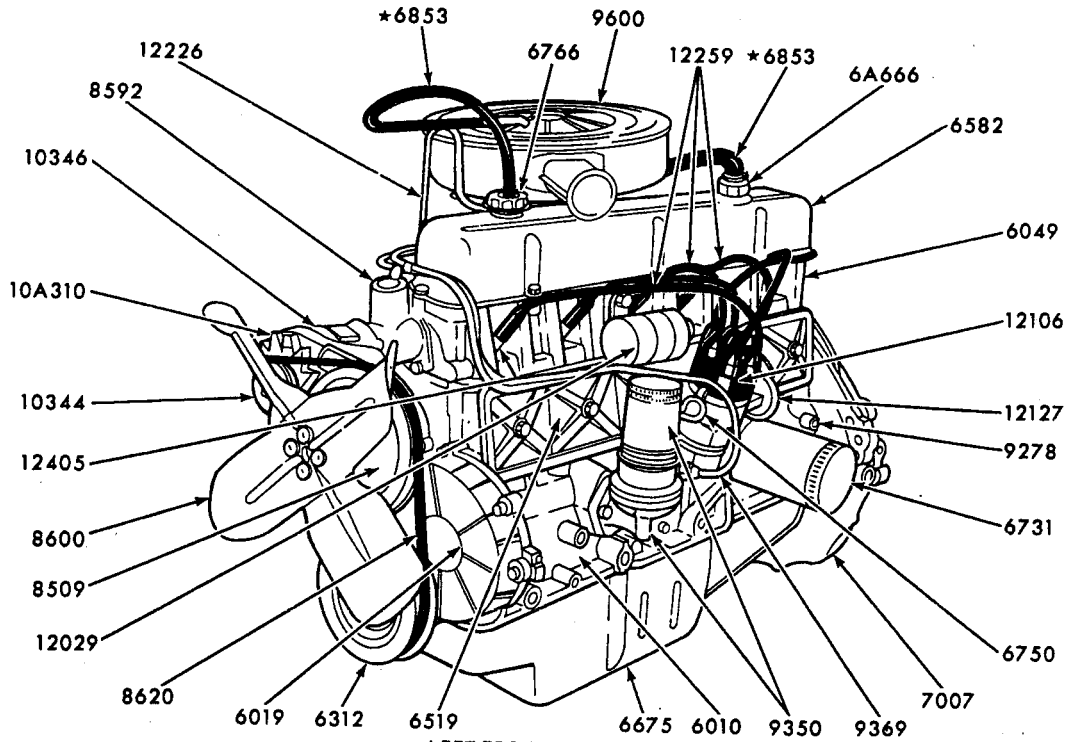


## INDEX

TITLE	SECTION	PAGE	ILLUS. NO.	TITLE	SECTION	PAGE	ILLUS. NO.
<b>8 CYLINDER 427 C.I.D.</b>				<b>8 CYLINDER 429 C.I.D.</b>			
Camshaft, gear and bearings	62	4	P-4878	Camshaft, gear and bearings	62	3	P-3733
Crankshaft and flywheel	63	4	P-2488	Crankshaft and flywheel	63	3	P-3734
Cylinder block and cylinder head	60	9	P-2881	Cylinder block -			
Emission reduction system- Air cleaner oil burner cap Installation-closed system	66.1	4	P-4575	- external	60	18	P-8369
Intake manifold type-open system	66.1	3	P-4107	- internal	60	19	P-8370
Engine assembly (1965/69)	60	8	P-4831	Emission reduction system	66.1	7	P-8413
Engine supports- Fairlane (front & rear)(1967/69)	60.1	8	P-4958	Engine assembly	60	11	P-8403
Ford (front & rear) (1965/68)	60.1	1	P-4616	Engine oil cooler system	66	4	P-6984
Mustang (front & rear) (1968/69)	60.1	11	P-5626	Engine supports- Ford (front & rear) (1969/70)	60.1	1	P-4616
Oil filters- spin-on type	66	3	P-2384	Ford (front & rear) (1971/72)	60.1	14	P-8267
spin-on type and adapter	66	4	P-2486	Fairlane (front & rear)(1970/71)	60.1	8	P-4958
Oil pump	66	2	P-2476	Mustang (front & rear)(1971 )	60.1	16	P-8282
Piston and connecting rod	62	4	P-2487	Thunderbird (front & rear)(1968/71)	60.1	21	P-8422
Valves, push rods and rocker arm cover	65	3	P-2485	Thunderbird (front & rear)(1972)	60.1	20	P-8683
				Torino (front & rear)(1972)	60.1	19	P-8588
				Oil filters- spin-on type	66	3	P-2384
				Oil pump	66	2	P-3736
				Piston and connecting rod	62	2	P-3732
				Valves, push rods and rocker arm cover	65	2	P-3726
<b>8 CYLINDER 428 C.I.D.</b>				<b>8 CYLINDER 460 C.I.D.</b>			
Camshaft, gear and bearings	62	4	P-4878	Camshaft, gear and bearings	62	3	P-3733
Crankshaft and flywheel	63	4	P-2488	Crankshaft and flywheel	63	3	P-3734
Cylinder block and cylinder head	60	9	P-2881	Cylinder block-			
Emission reduction system- Air cleaner oil breather cap Installation-closed system	66.1	4	P-4575	- external	60	18	P-8369
Rocker arm cover type-open system	66.1	4	P-5302	- internal	60	19	P-8370
Engine assembly (1965/67)	60	8	P-8397	Emission reduction system	66.1	7	P-8413
(1968/70)	60	16	P-8371	Engine assembly	60	11	P-8403
Engine oil cooler system	66	4	P-6984	Engine supports- Thunderbird (front & rear) (1972)	60.1	20	P-8683
Engine supports- Fairlane (front & rear) (1968/69)	60.1	8	P-4958	Oil filters- spin-on type	66	3	P-2384
Ford (front & rear) (1966/70)	60.1	1	P-4616	Oil pump	66	2	P-3736
Thunderbird (front & rear) (1967)	60.1	10	P-5479	Piston and connecting rod	62	2	P-3732
Mustang (front & rear)(1968/70)	60.1	11	P-5626	Valves, push rods and rocker arm cover	65	2	P-3726
Oil filters- spin-on type	66	3	P-2384				
spin-on type and adapter	66	4	P-2486				
Oil pump	66	2	P-2476				
Piston and connecting rod	62	4	P-2487				
Valves, push rods and rocker arm cover	65	3	P-2485				



RIGHT-FRONT VIEW

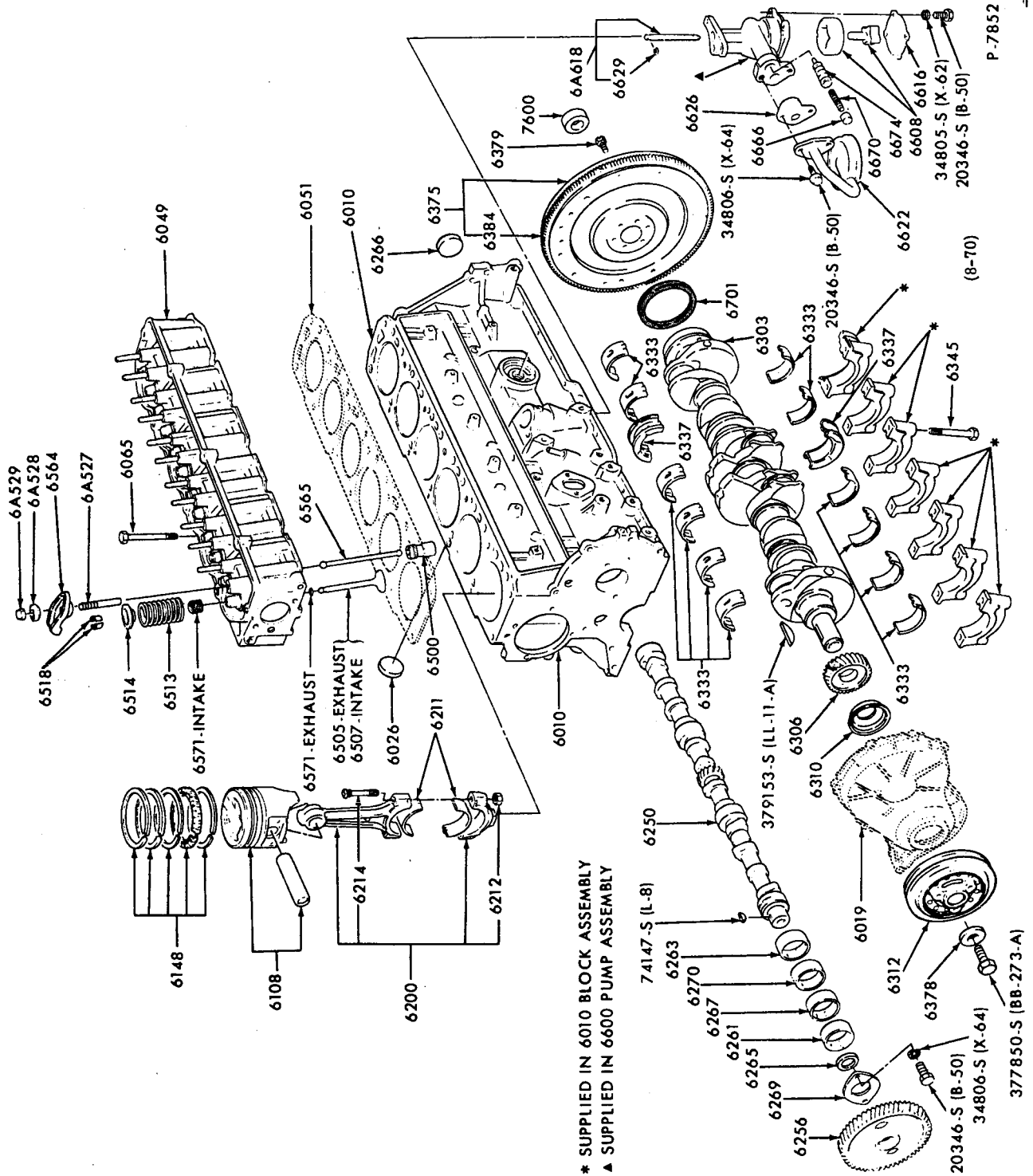


LEFT-FRONT VIEW

P-8395

ENGINE ASSEMBLY - 6 CYLINDER 240 -- TYPICAL  
1965/72





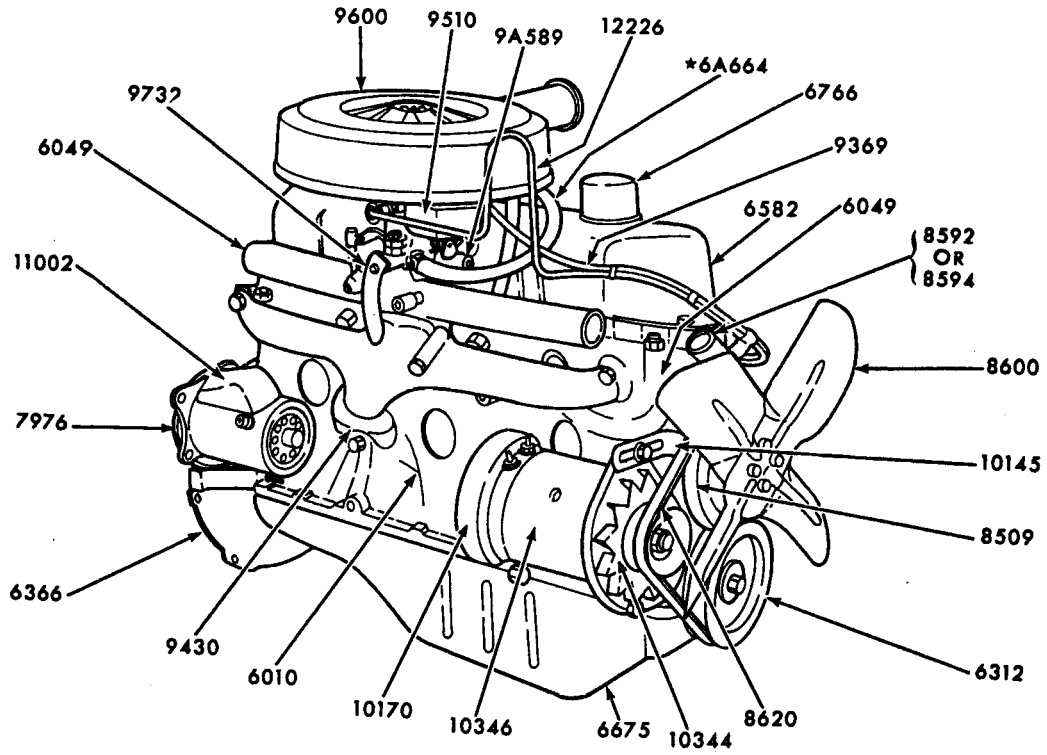
P-7852

\* SUPPLIED IN 6010 BLOCK ASSEMBLY  
 ▲ SUPPLIED IN 6600 PUMP ASSEMBLY

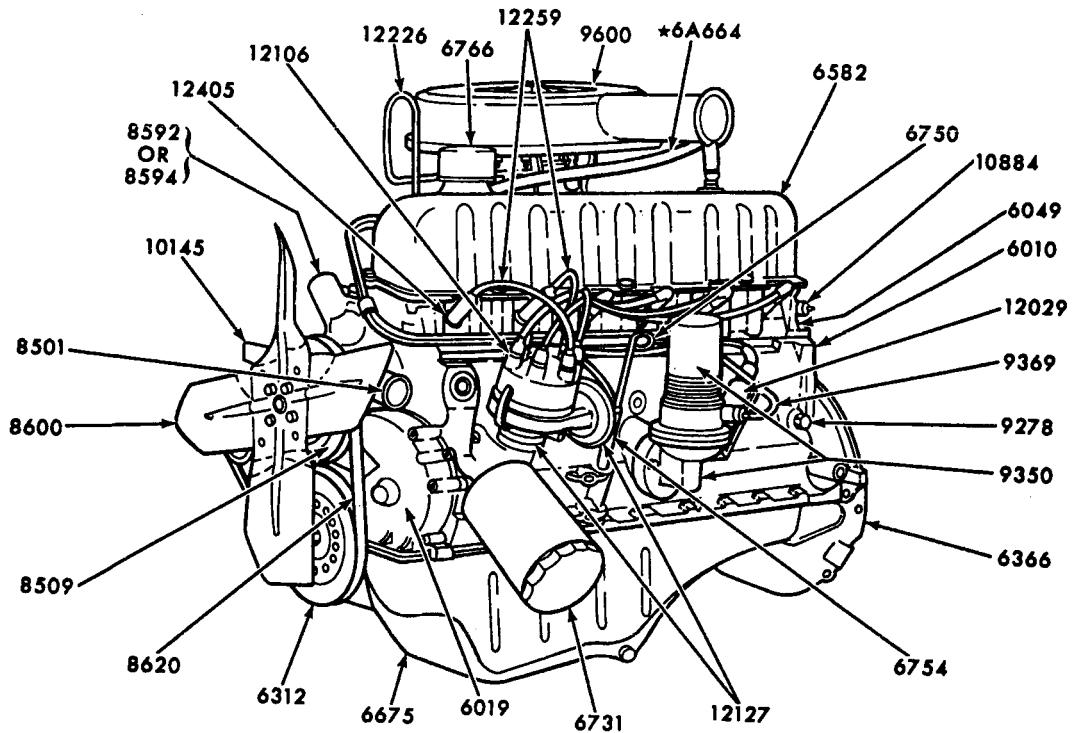
CYLINDER BLOCK and RELATED PARTS - INTERNAL  
 6 CYLINDER 240 ENGINE  
 1965/72

ILLUSTRATION  
SECTION 60

**FORD CAR PARTS**



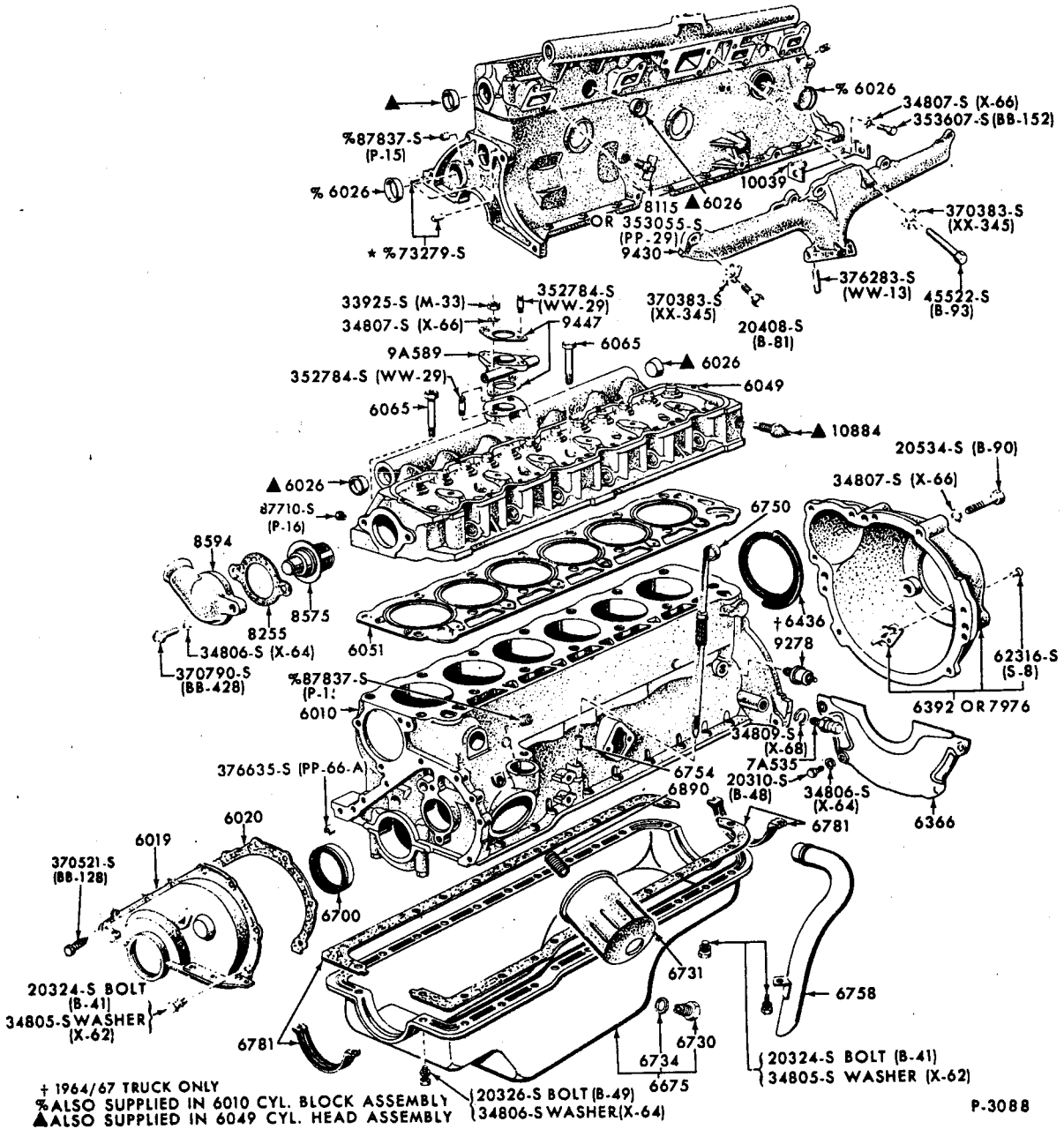
RIGHT-FRONT VIEW



LEFT-FRONT VIEW

P-8398

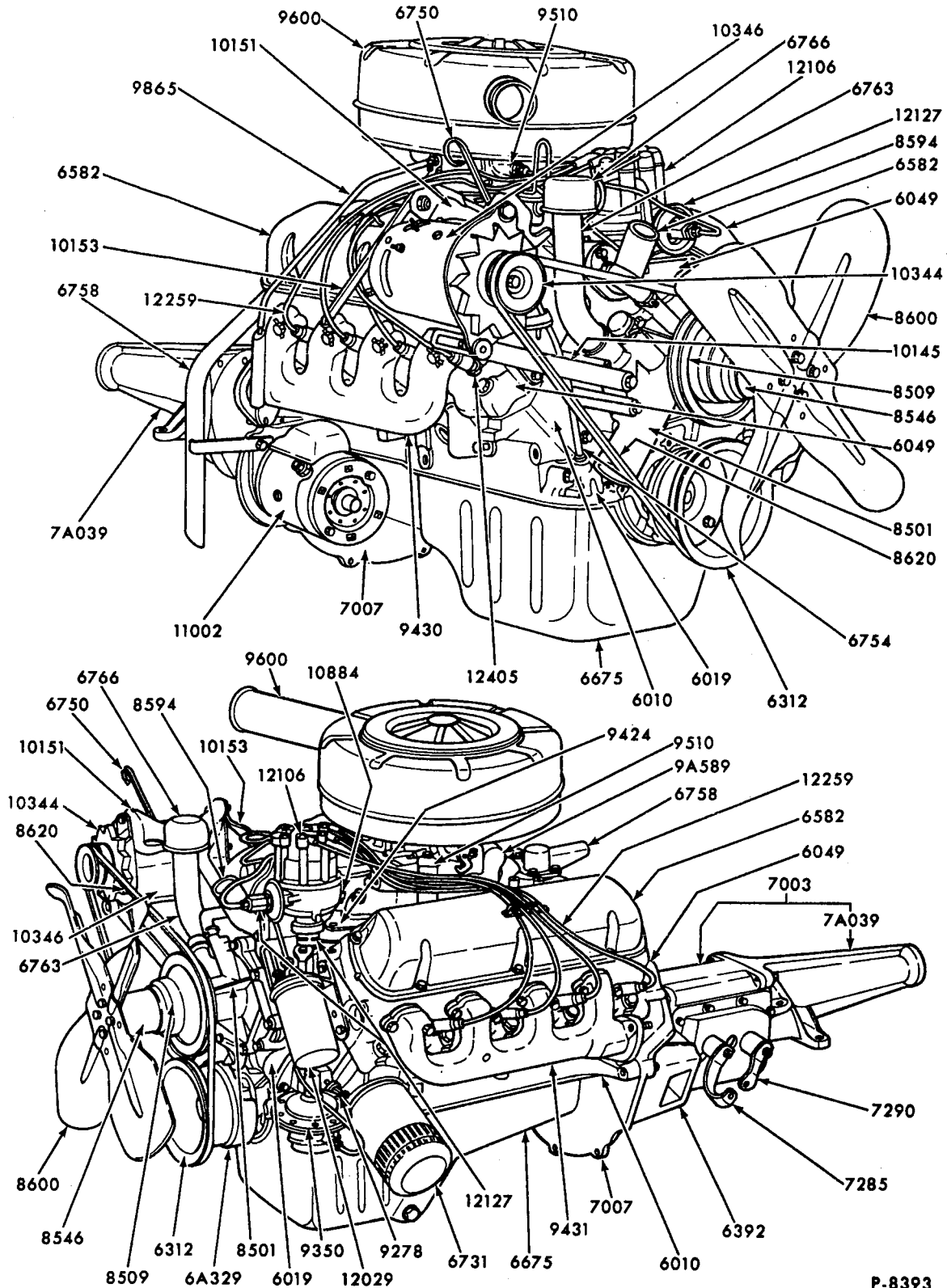
ENGINE ASSEMBLY - 6 CYLINDER 170, 200 and 250 - TYPICAL  
1965/72



CYLINDER BLOCK and RELATED PARTS -  
 6 CYLINDER 170, 200 and 250 ENGINES -- TYPICAL  
 1965/72

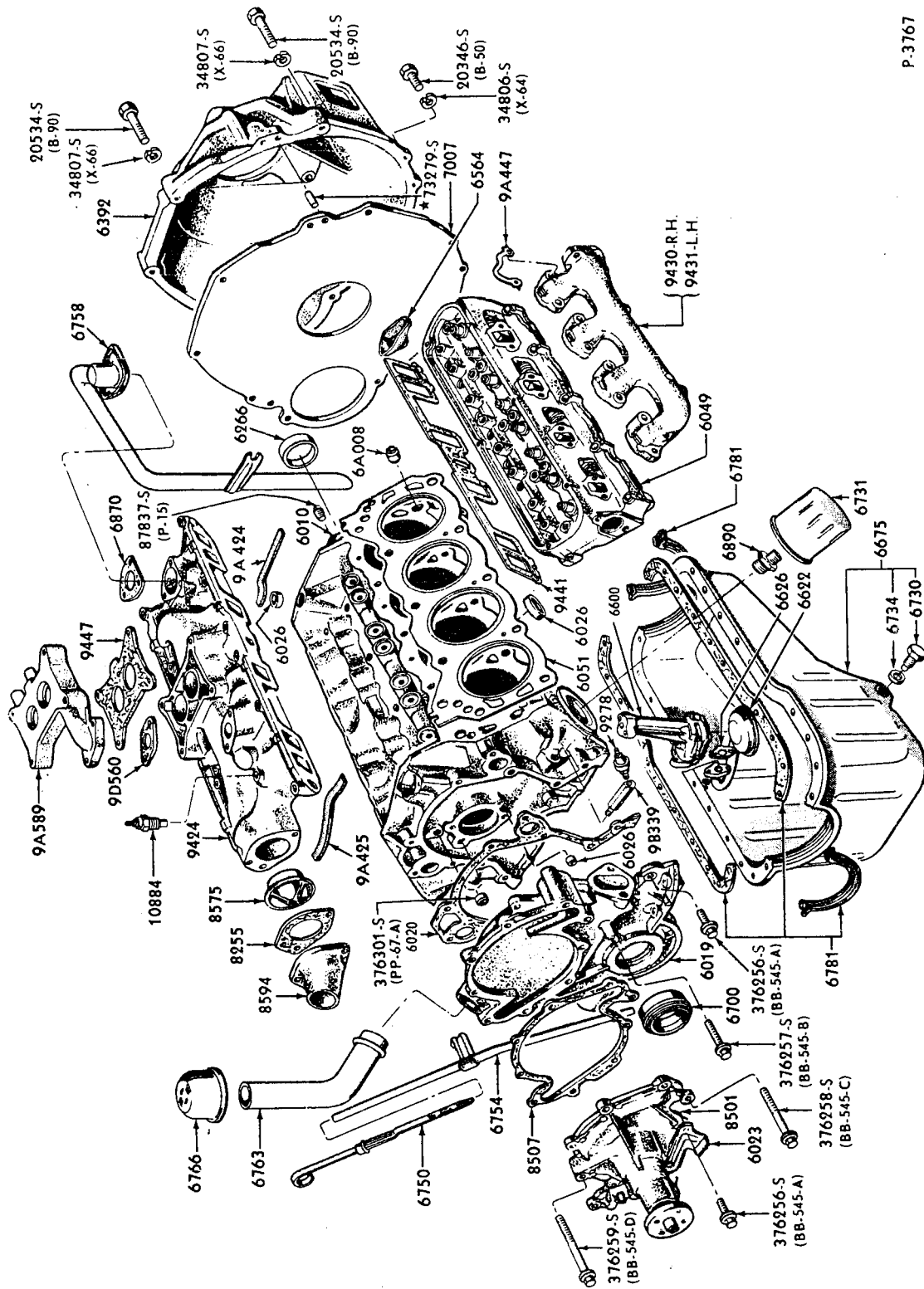
ILLUSTRATION  
SECTION 60

FORD CAR PARTS



P-8393

ENGINE ASSEMBLY - 8 CYLINDER 260 -- TYPICAL  
1965

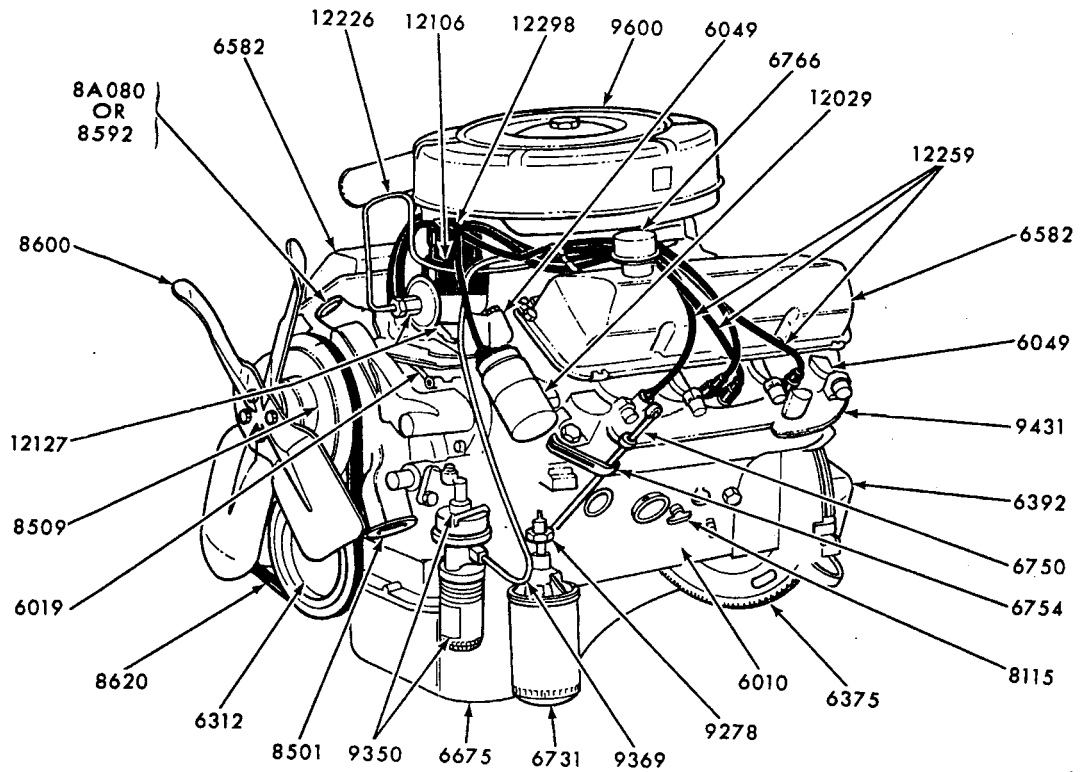


CYLINDER BLOCK and RELATED PARTS -  
8 CYLINDER 260 and 289 ENGINES -- TYPICAL  
1965/68

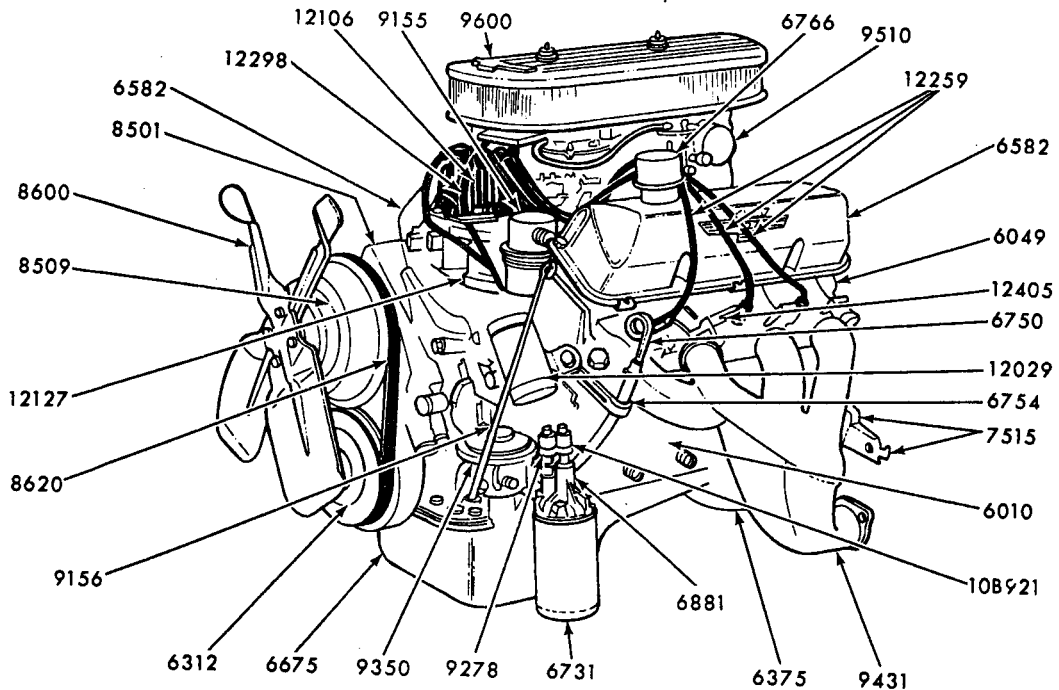


# FORD CAR PARTS

## ILLUSTRATION SECTION 60



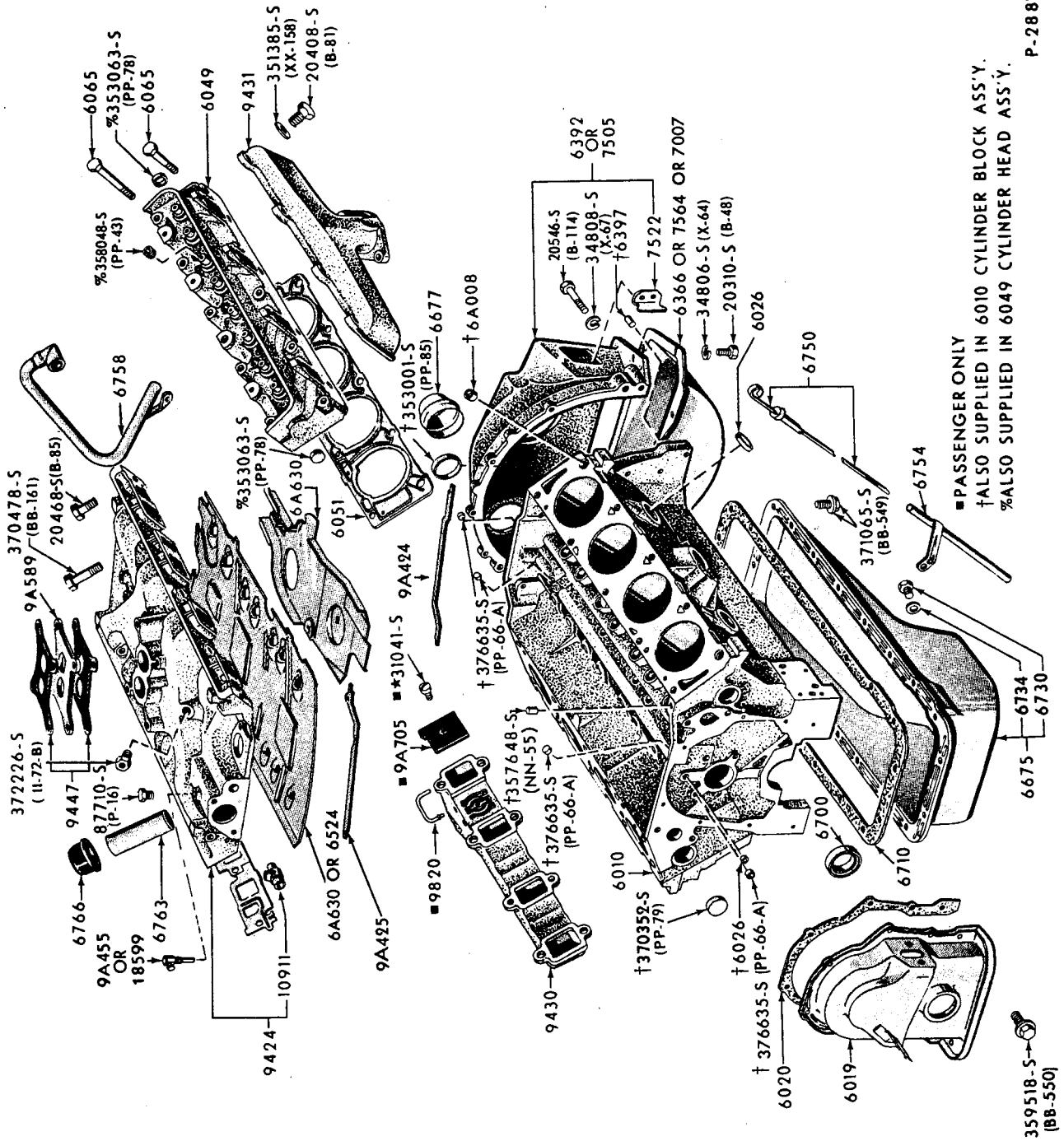
1965/67 LEFT-FRONT VIEW  
(352, 390, 428-TYPICAL)



1965/68 LEFT-FRONT VIEW  
(427 HI-PERFORMANCE-TYPICAL)

1965/67 ENGINE ASSEMBLY - 8 CYLINDER 352, 390, and 428 - TYPICAL  
1965/69 ENGINE ASSEMBLY - 8 CYLINDER 427 - TYPICAL

P-8397



■ PASSENGER ONLY  
 † ALSO SUPPLIED IN 6010 CYLINDER BLOCK ASS'Y.  
 % ALSO SUPPLIED IN 6049 CYLINDER HEAD ASS'Y.

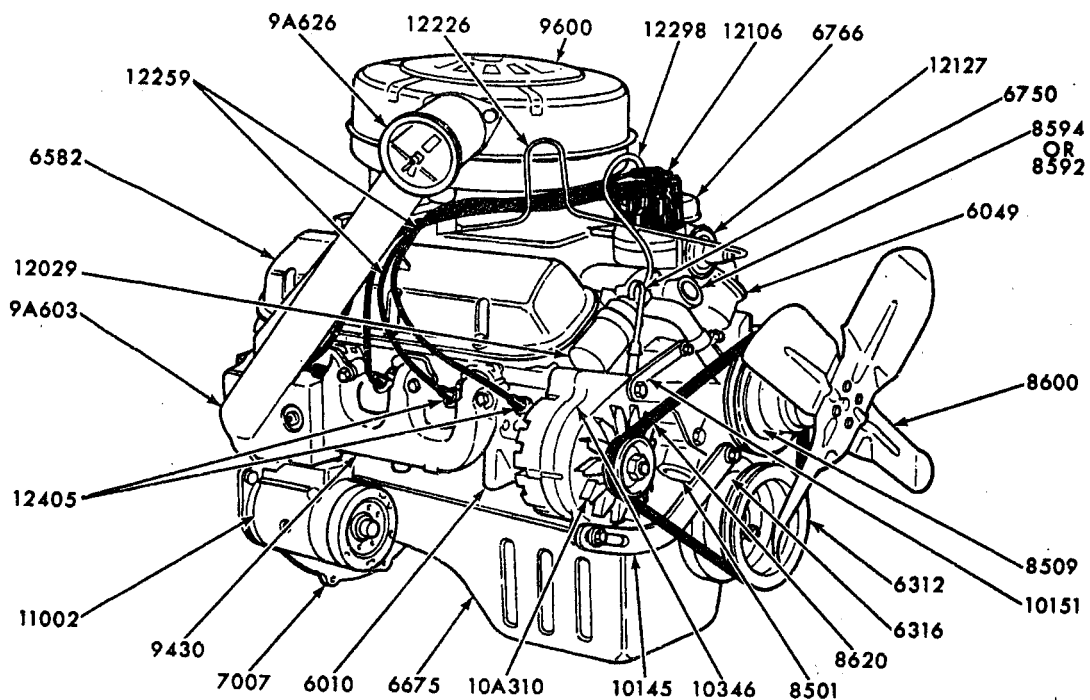
P-2881

CYLINDER BLOCK and RELATED PARTS  
 8 CYLINDER 352, 390, 427 and 428 ENGINES - TYPICAL

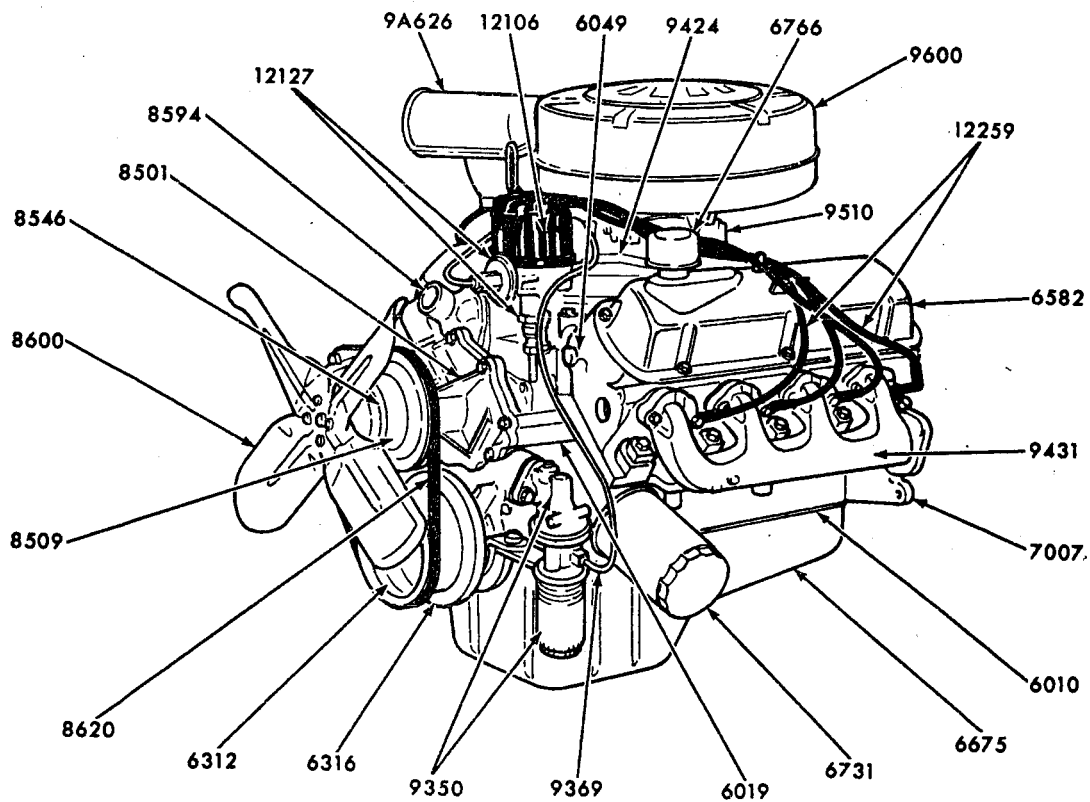
1965/71

ILLUSTRATION  
SECTION 60

FORD CAR PARTS



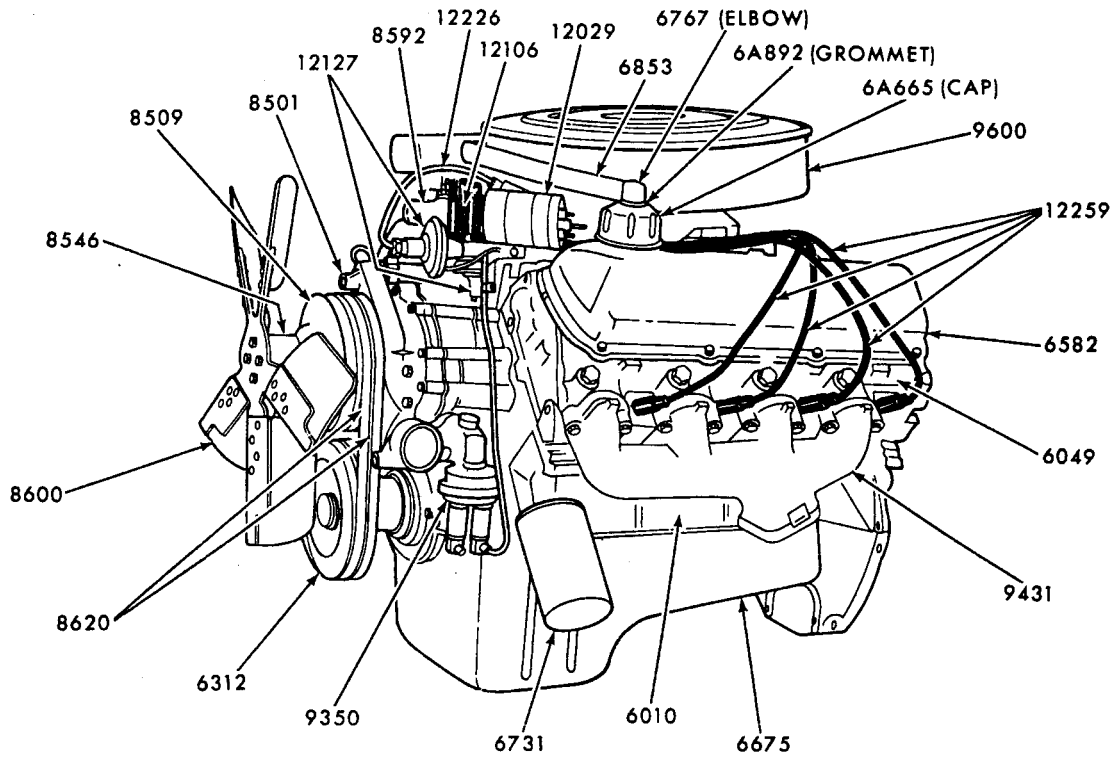
RIGHT-FRONT VIEW



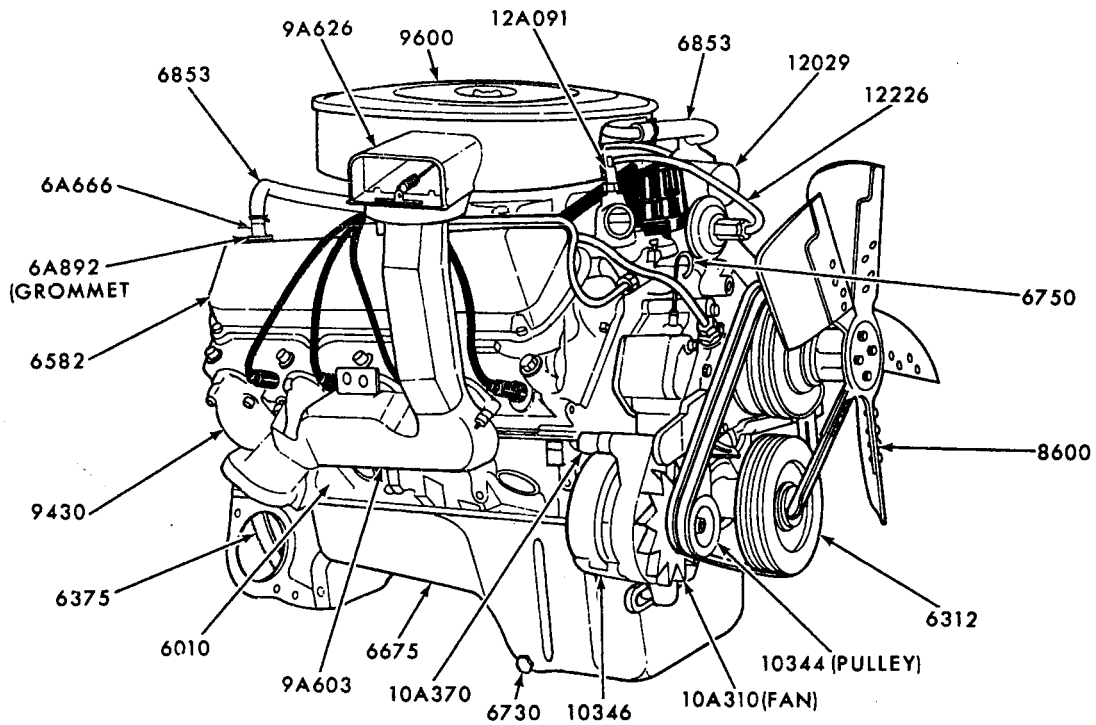
LEFT-FRONT VIEW

ENGINE ASSEMBLY - 8 CYLINDER 289 - TYPICAL  
1965/68

P-8396



LEFT-FRONT VIEW



RIGHT-FRONT VIEW

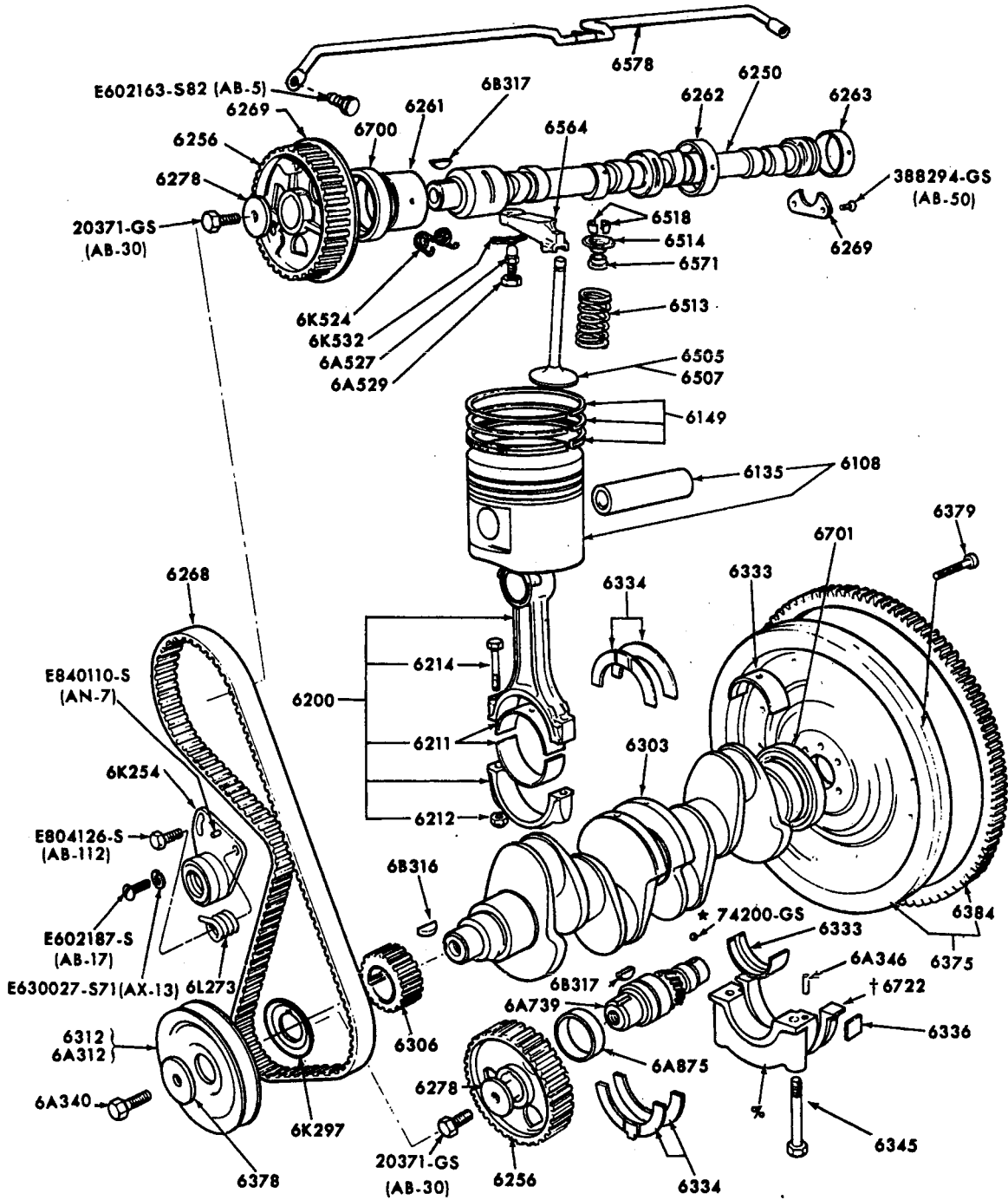
P-8403

ENGINE ASSEMBLY - 8 CYLINDER 429,460

1968/72

FORD MOTOR COMPANY

— DEARBORN, MICHIGAN

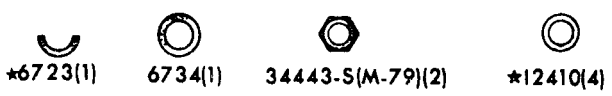
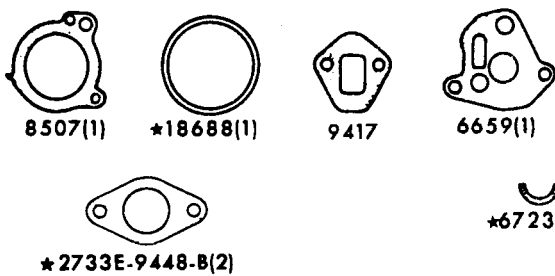
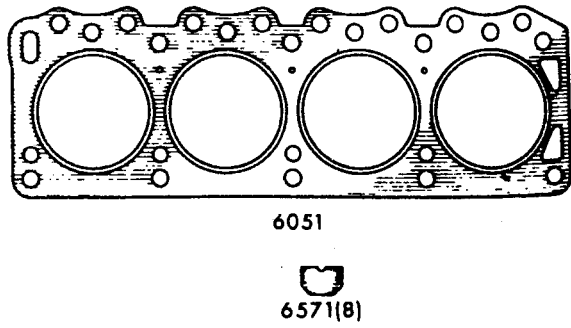
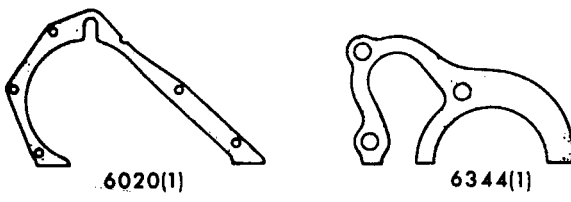
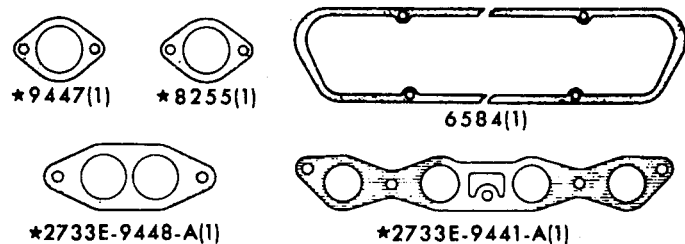
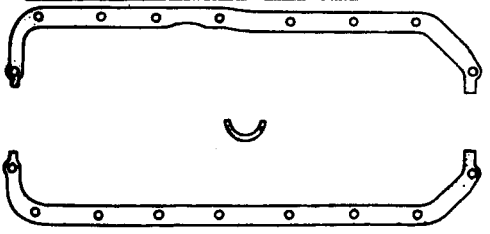
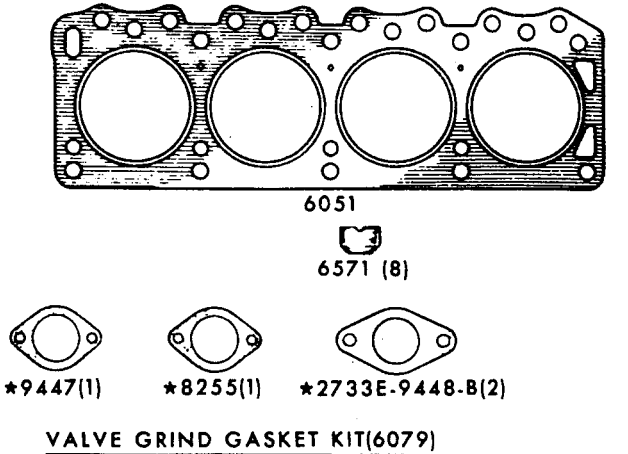
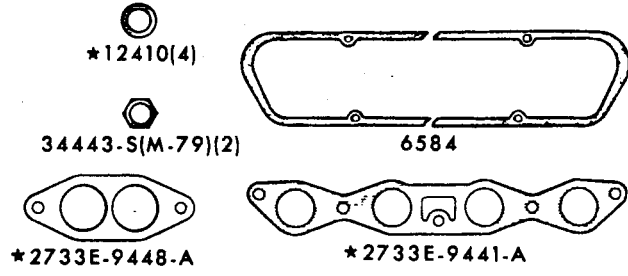
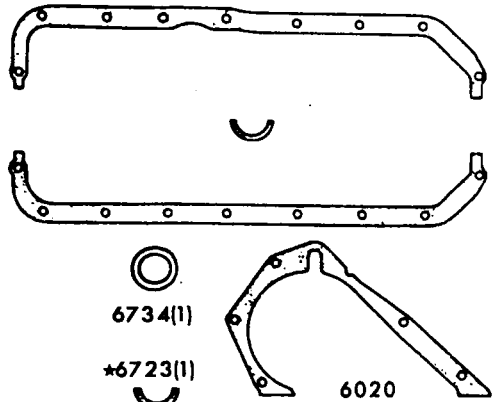
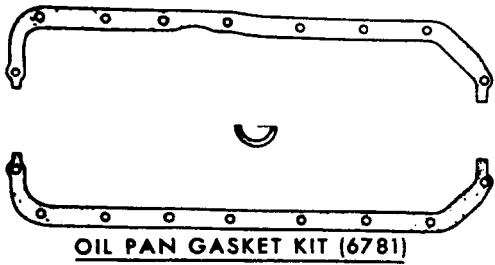


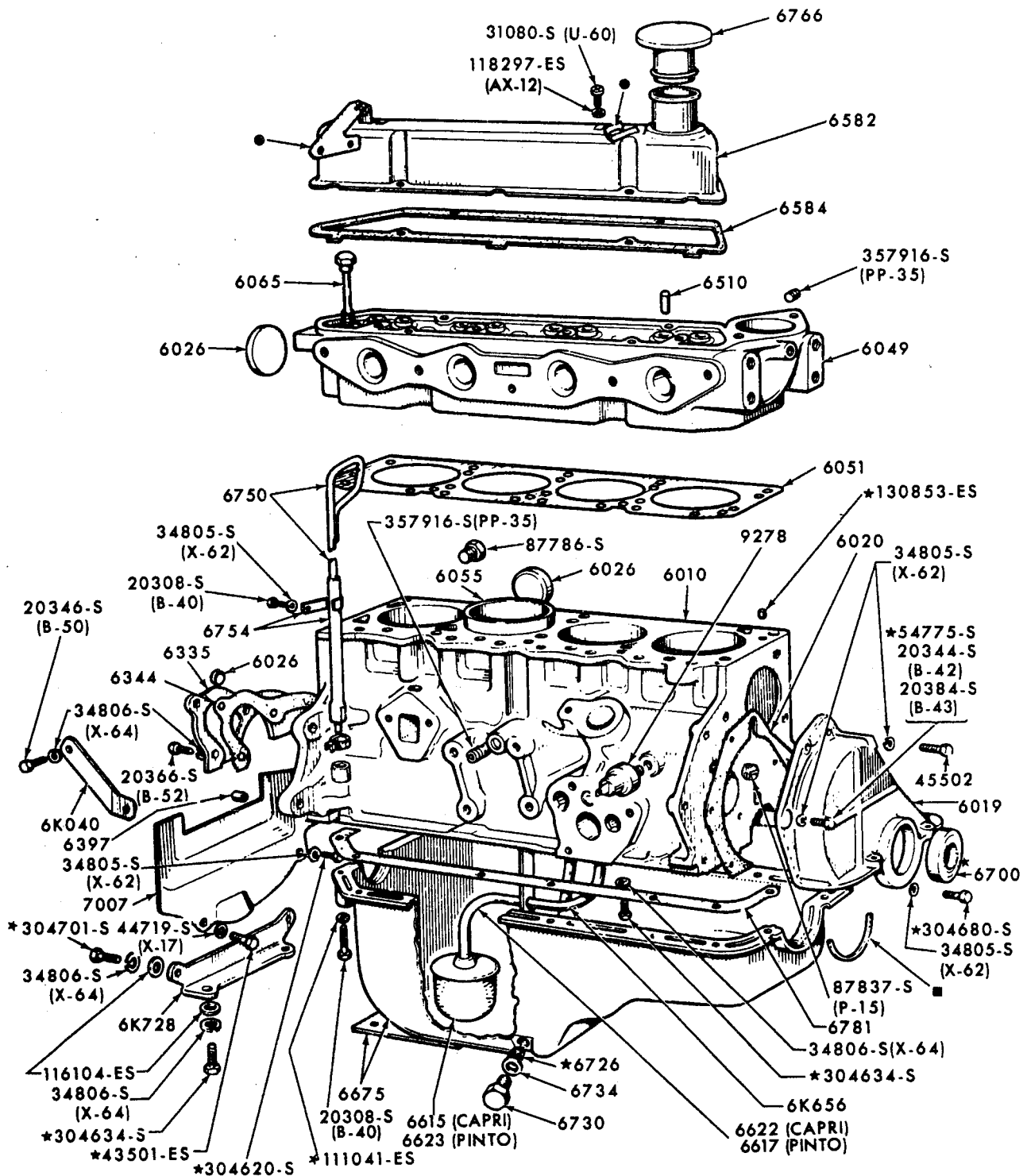
† SERVICED IN 6781 GASKET SET ONLY  
 % SERVICED IN 6010 ASSEMBLY

P-8039

ENGINE COMPONENTS - INTERNAL  
 1971/72 4 CYLINDER 122 (2000 cc) ENGINE







- SERVICED ONLY IN ASSEMBLY-REFER TO GROUP 6582
- SERVICED ONLY IN KIT-REFER TO GROUP 6781

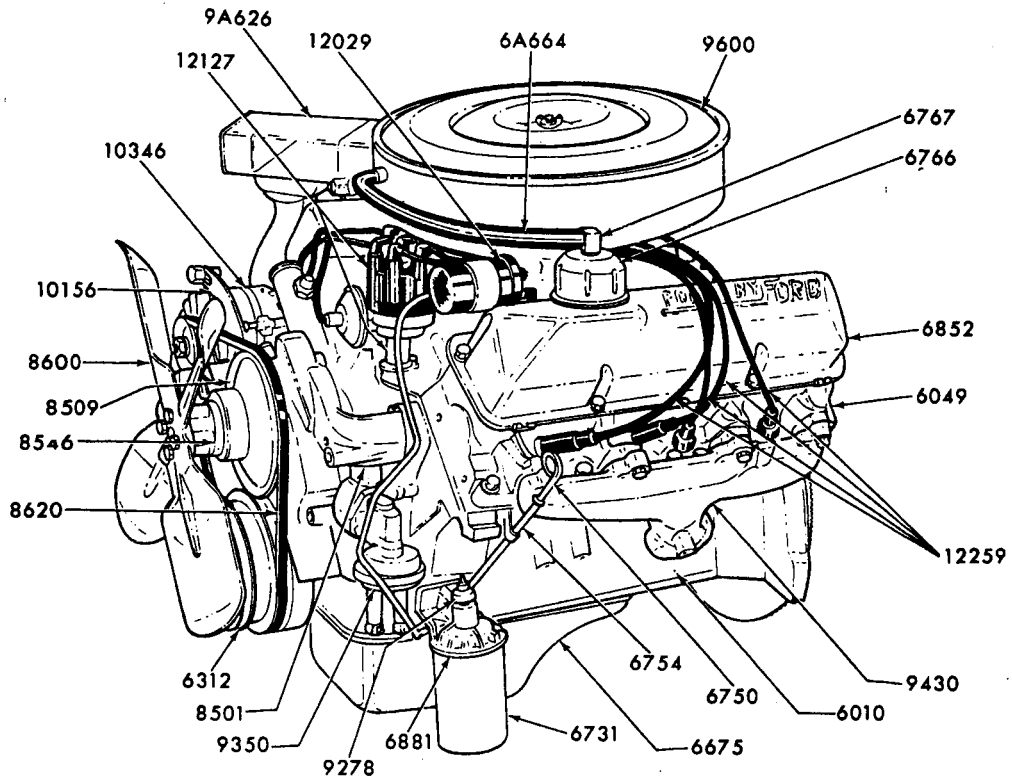
P-7593

ENGINE PARTS - EXTERNAL  
1971/72 4 CYLINDER 98 ENGINE

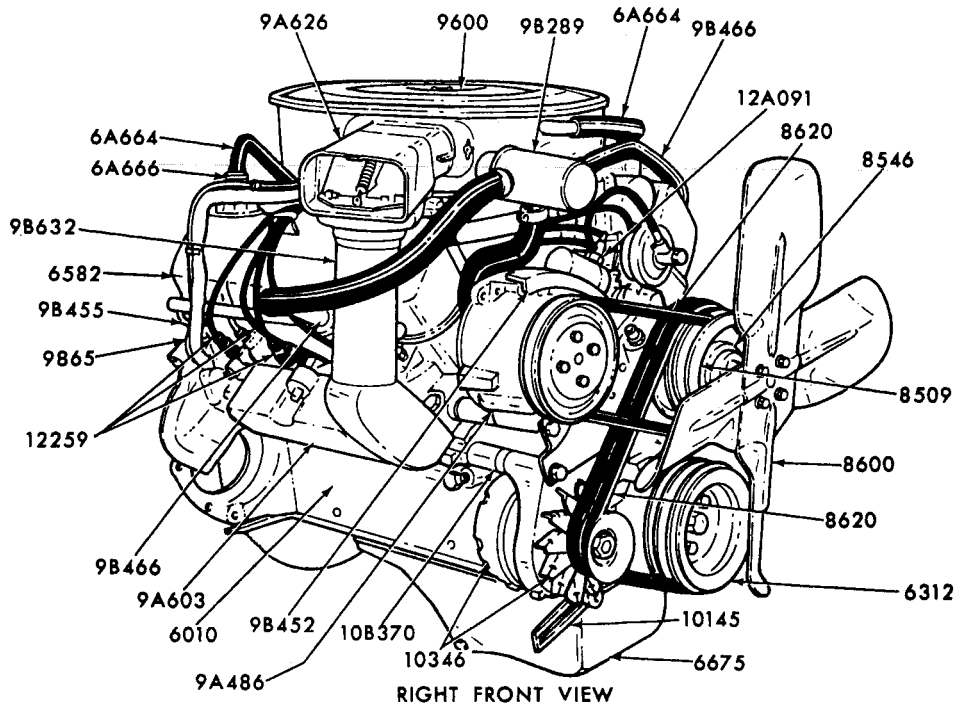


ILLUSTRATION  
SECTION 60

**FORD CAR PARTS**



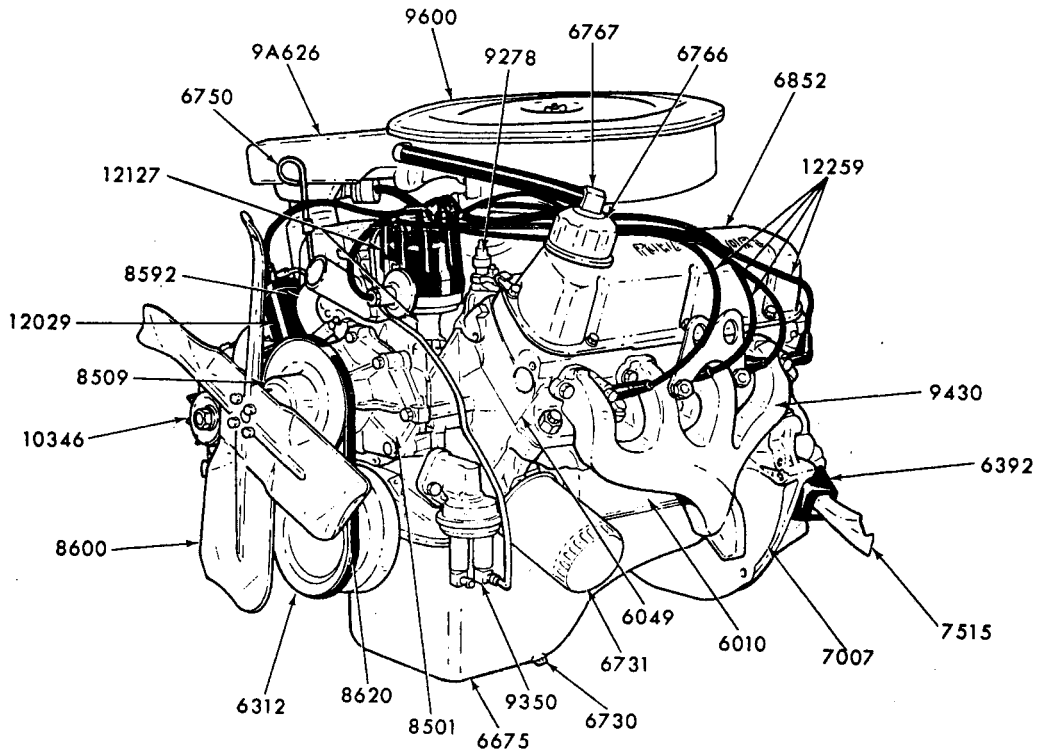
LEFT FRONT VIEW



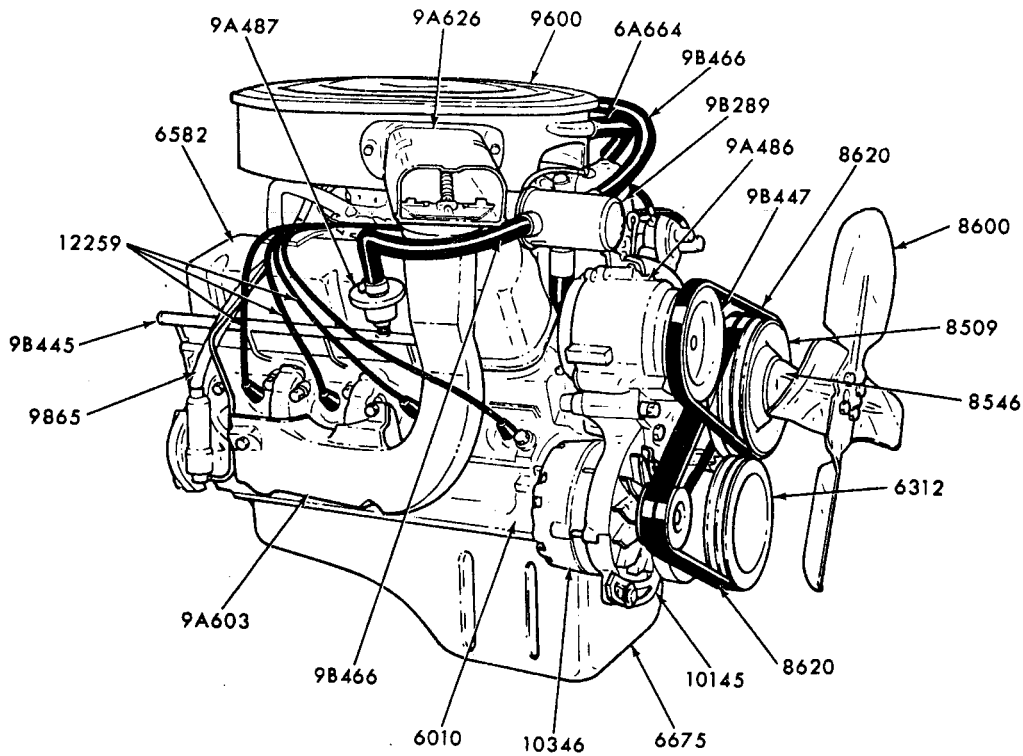
RIGHT FRONT VIEW

ENGINE ASSEMBLY - 8 CYLINDER 390 and 428 - TYPICAL  
1968/71

P-8371

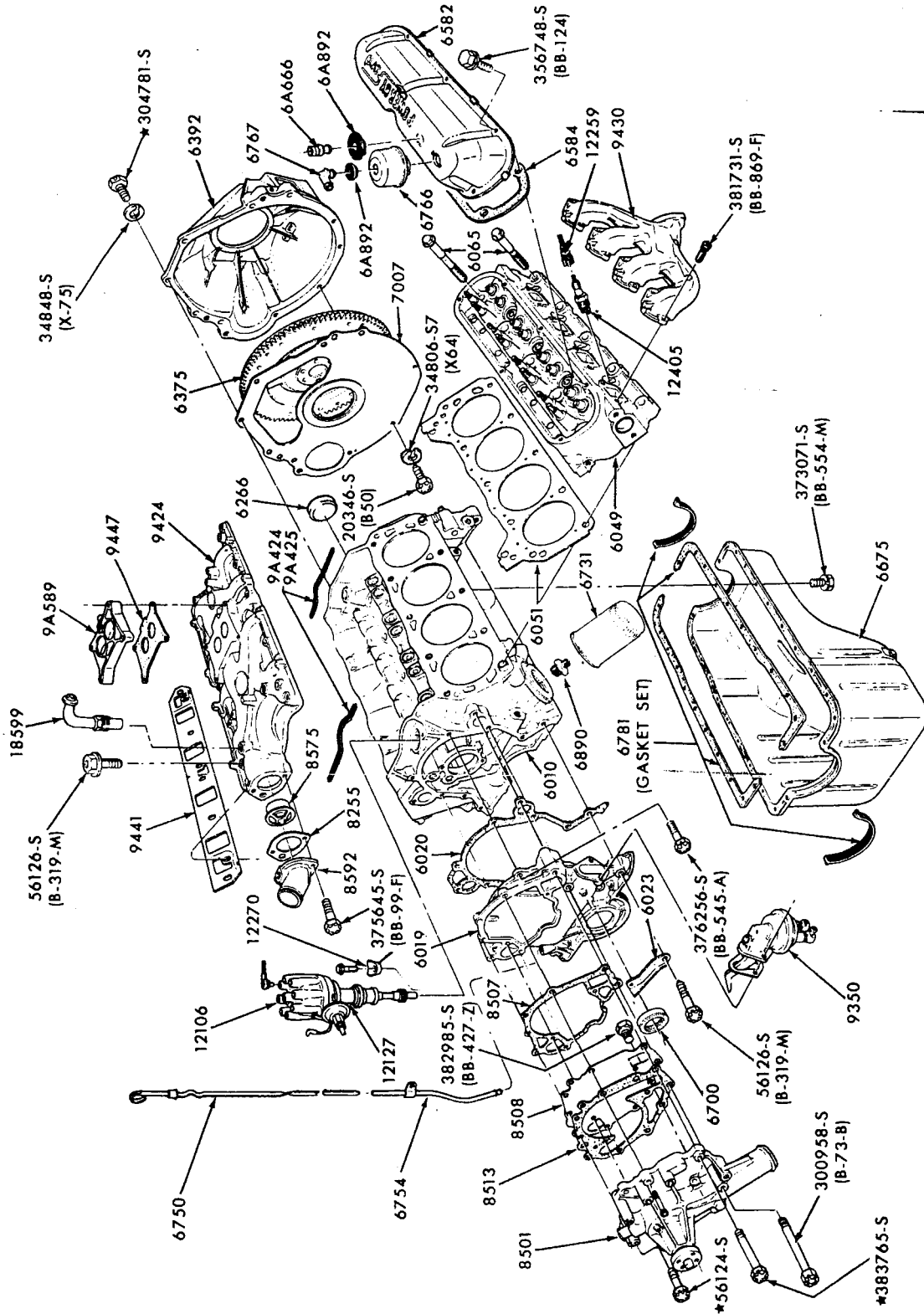


LEFT FRONT VIEW



ENGINE ASSEMBLY - 8 CYLINDER 302, 351 and 400 - TYPICAL  
1968/72

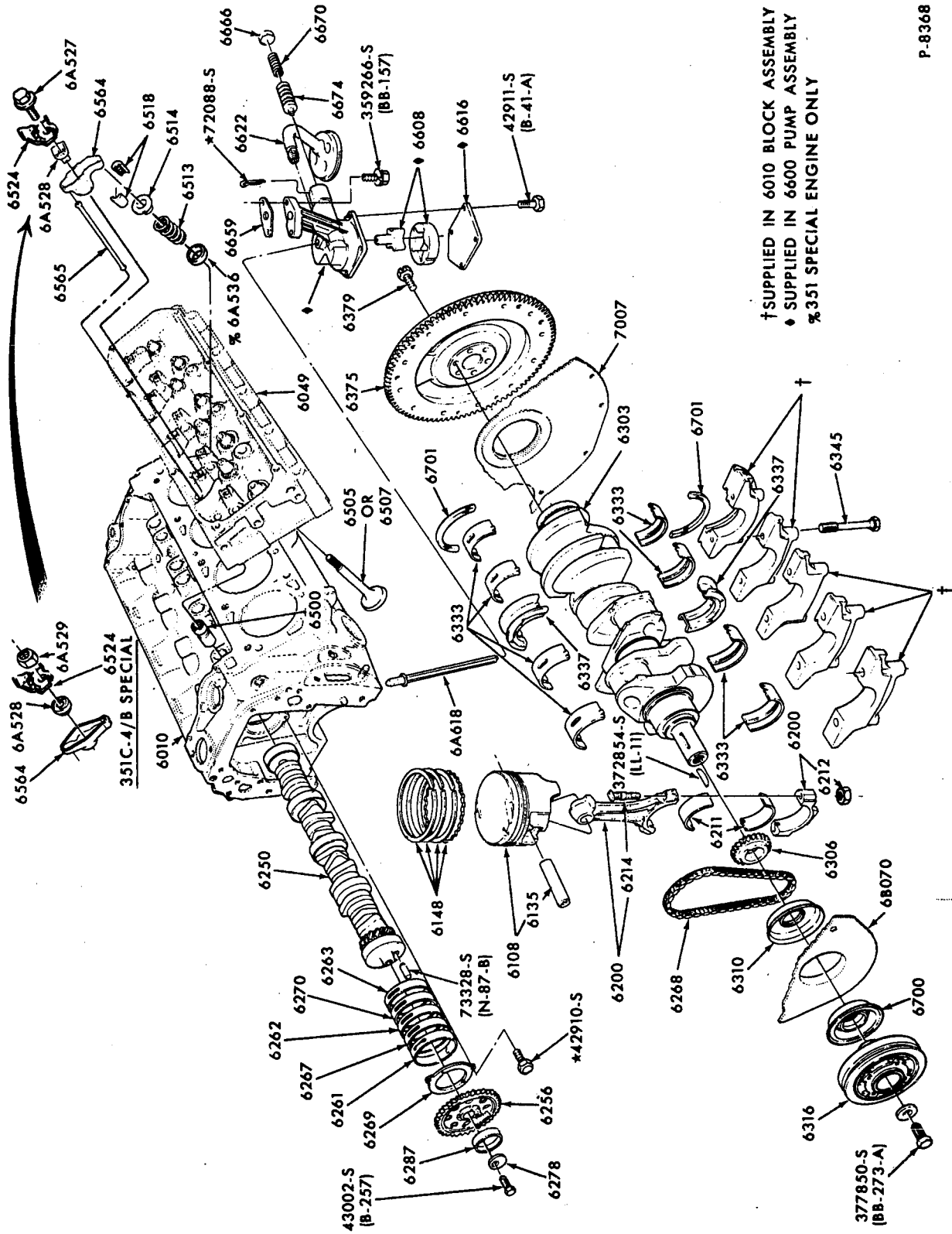
P-8372



CYLINDER BLOCK and RELATED PARTS - EXTERNAL  
 1968/72 8 CYLINDER 429 ENGINE  
 1969/72 8 CYLINDER 302, 351-W and 460 ENGINES



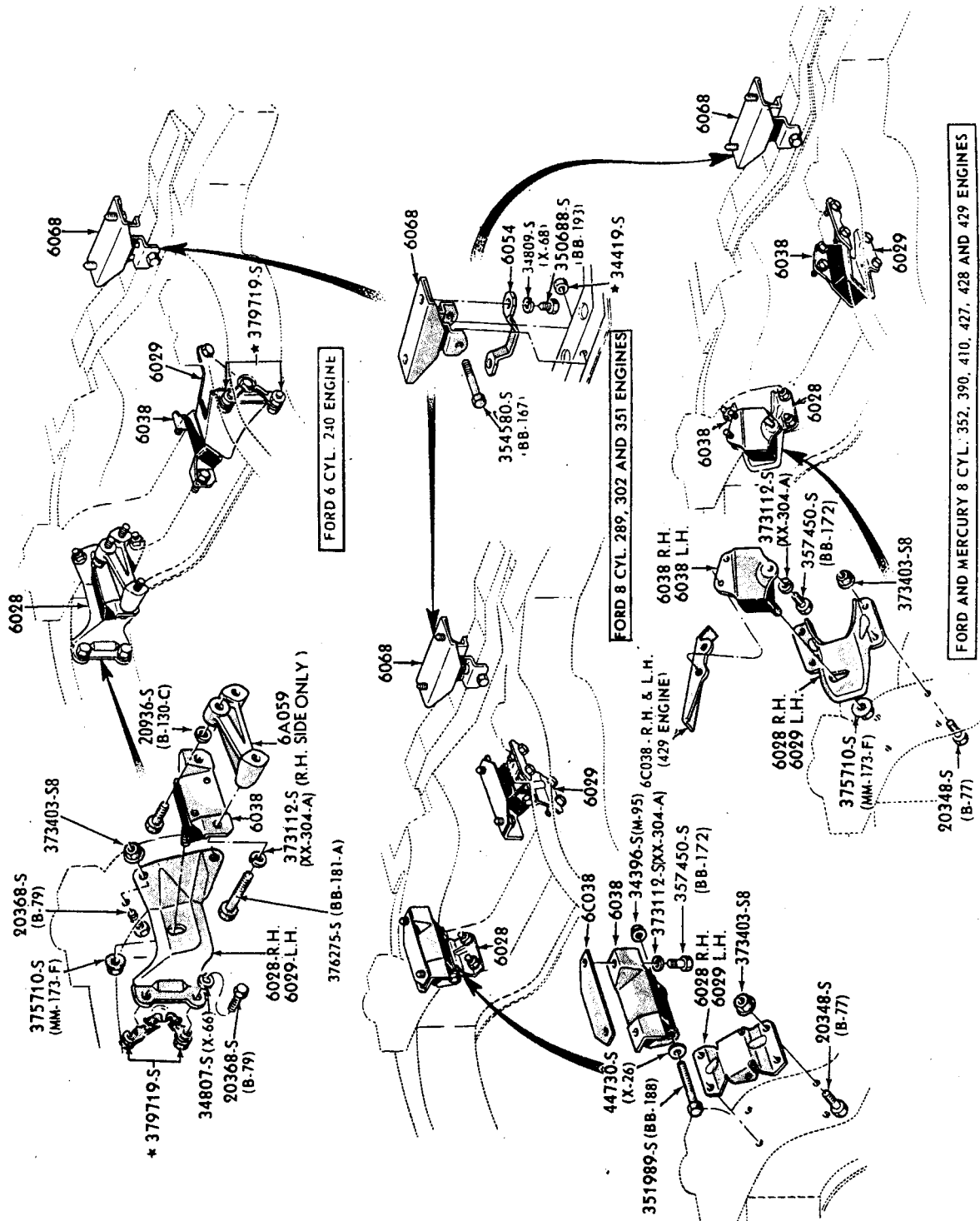




† SUPPLIED IN 6010 BLOCK ASSEMBLY  
 ♦ SUPPLIED IN 6600 PUMP ASSEMBLY  
 % 351 SPECIAL ENGINE ONLY

P-8368

CYLINDER BLOCK and RELATED PARTS-INTERNAL  
 1970/72 8 CYLINDER 351-C, 400 ENGINES



**ENGINE SUPPORTS, INSULATORS and RELATED PARTS - FRONT and REAR**  
 1965/70 FORD - 6 CYLINDER 240 and 8 CYLINDER 289, 302, 351, 352, 390, 427, 428, 429

May, 1975

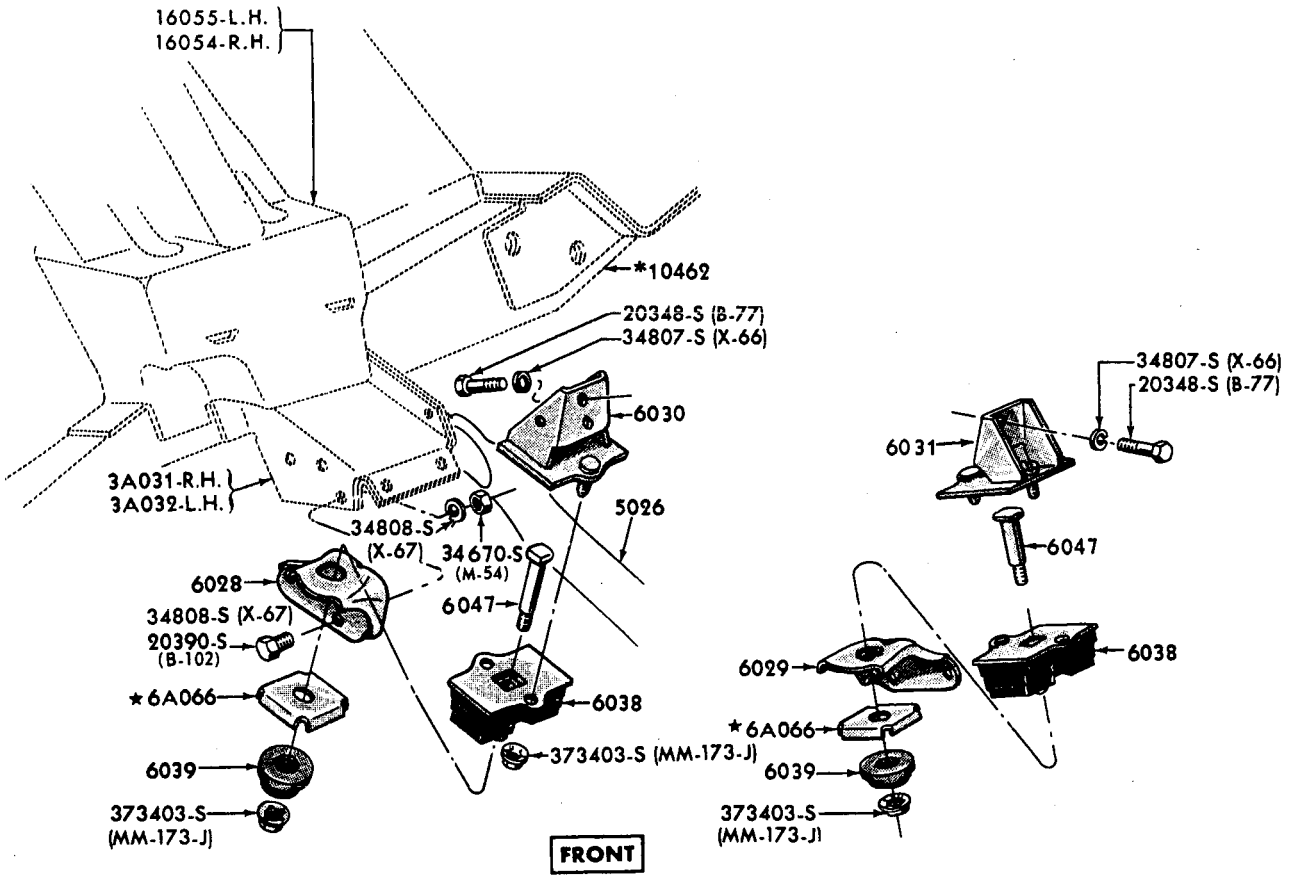
COPYRIGHT © 1975 -

FORD MOTOR COMPANY

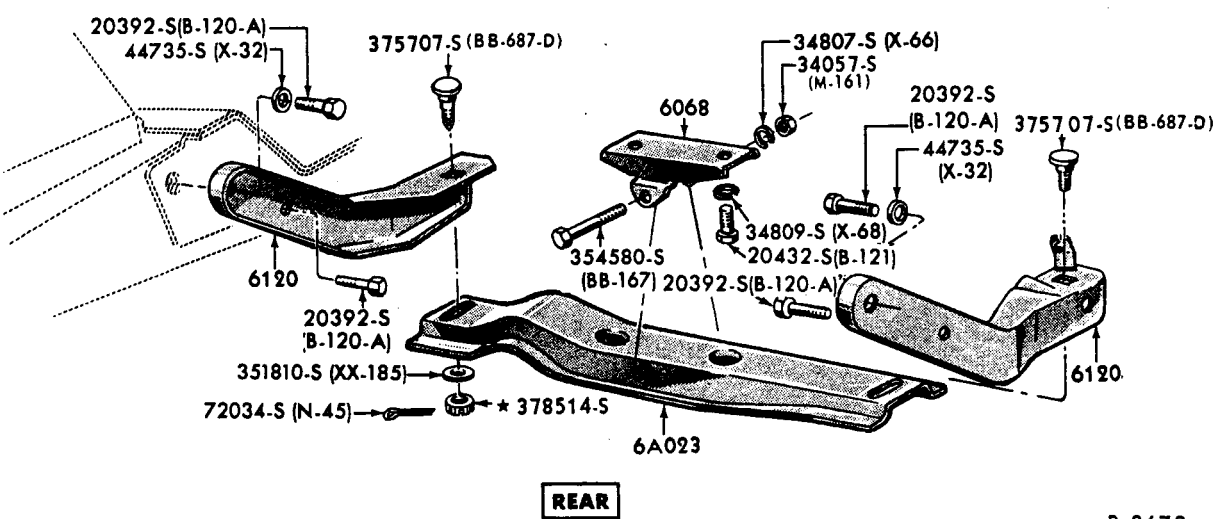
- DEARBORN, MICHIGAN

**FINAL ISSUE**

# FORD CAR PARTS



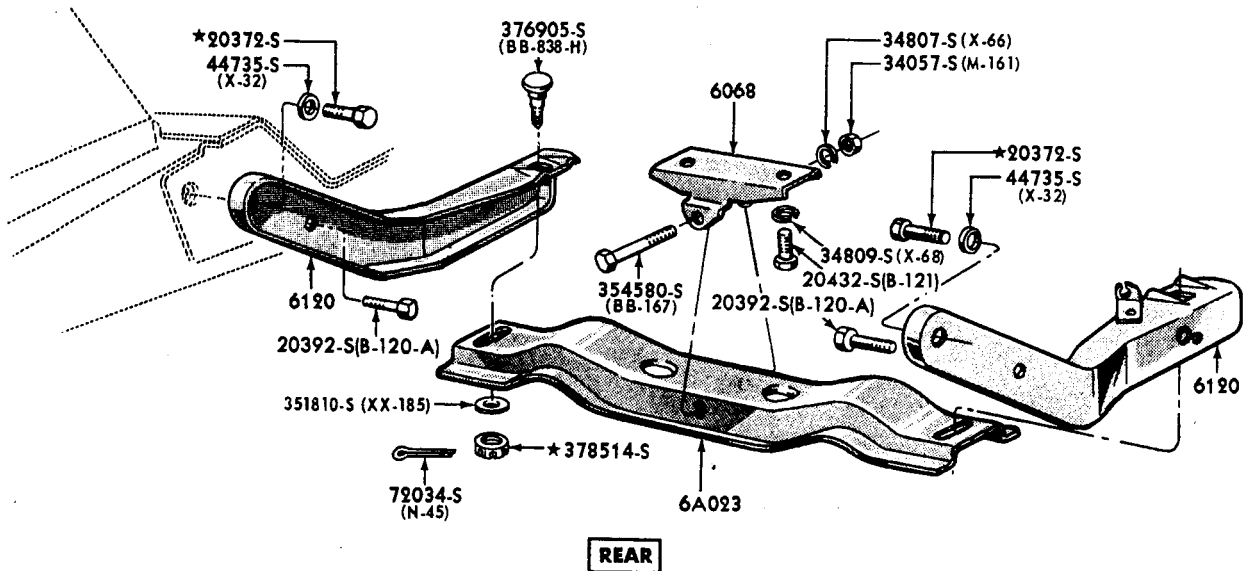
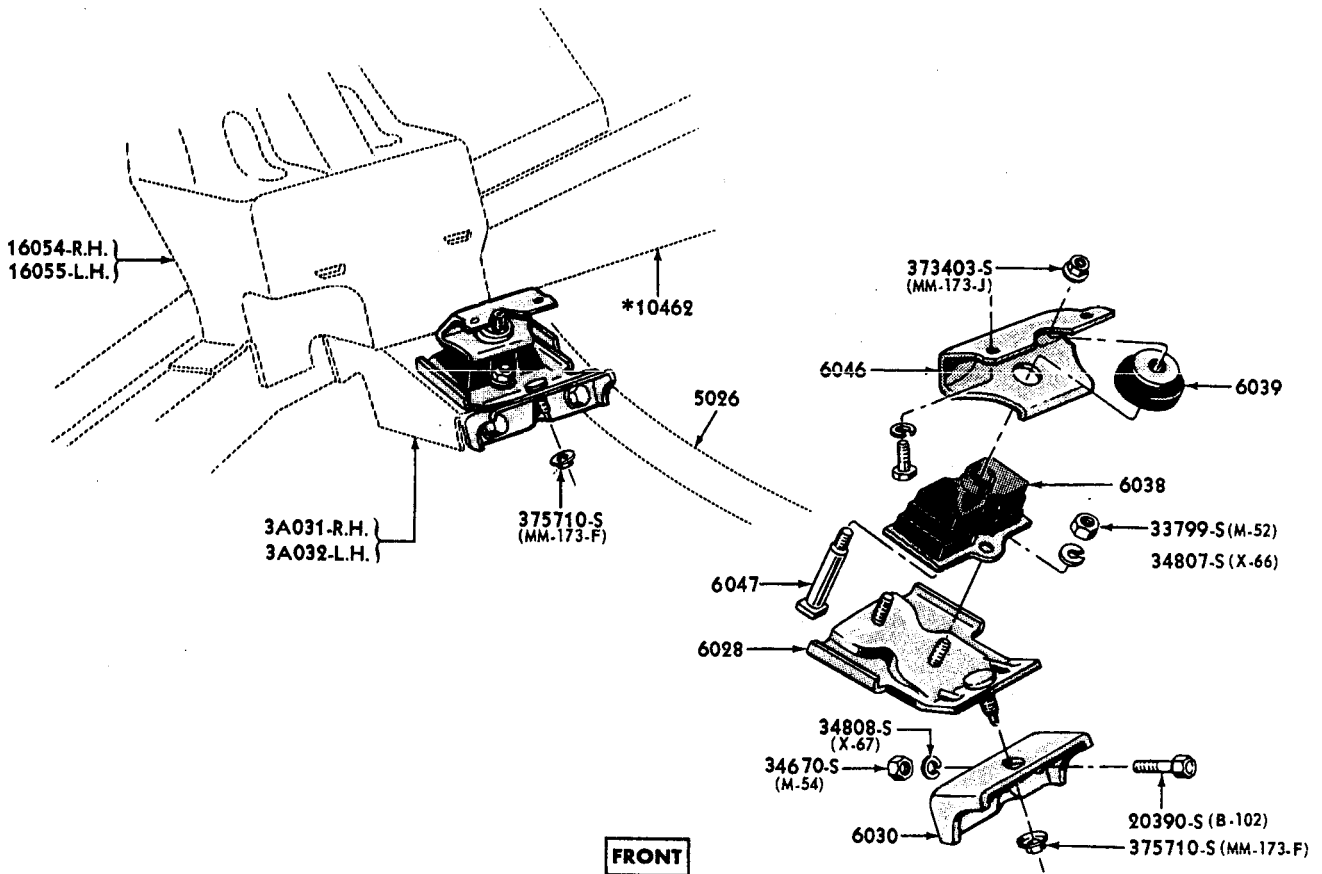
**FRONT**



**REAR**

P-3672

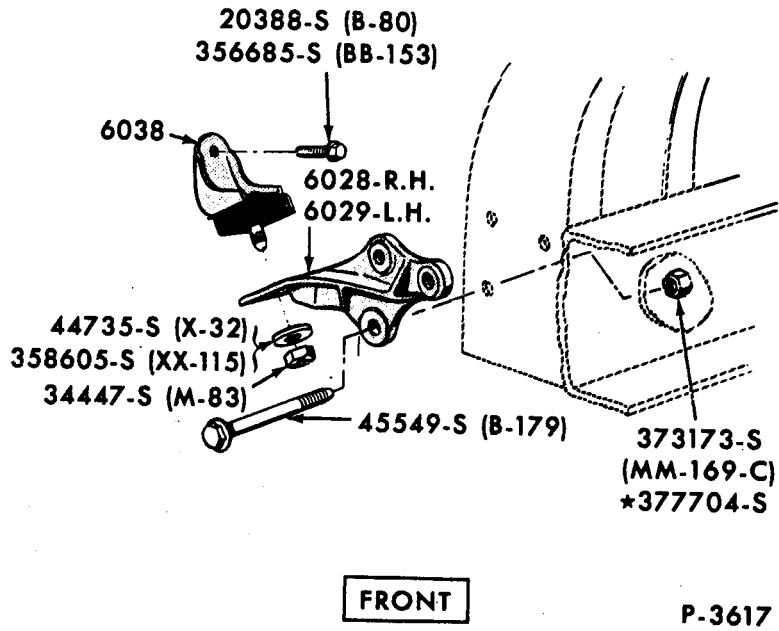




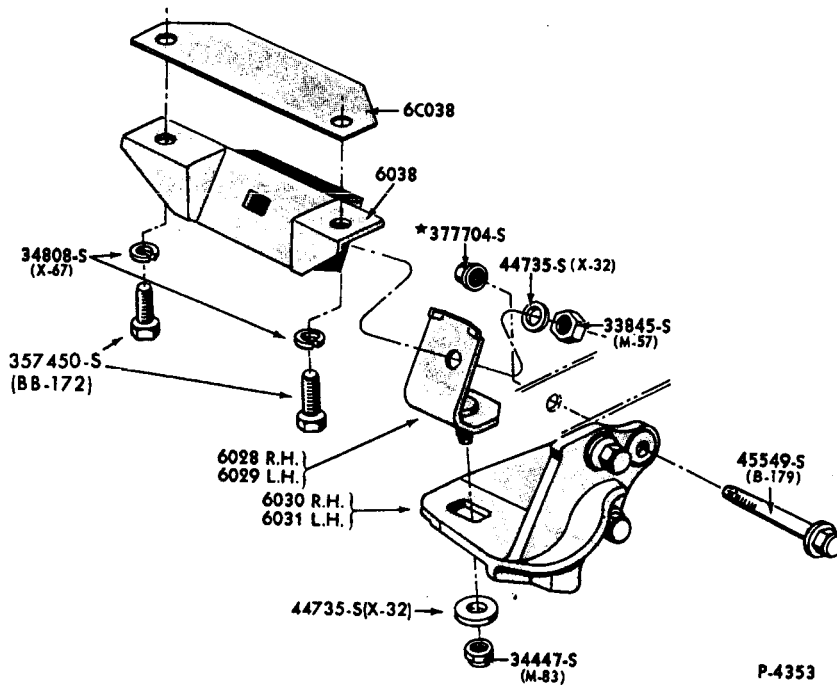
P-3673

ENGINE SUPPORTS, INSULATORS and RELATED PARTS - FRONT and REAR.  
1965 FAIRLANE - 8 CYLINDER 289

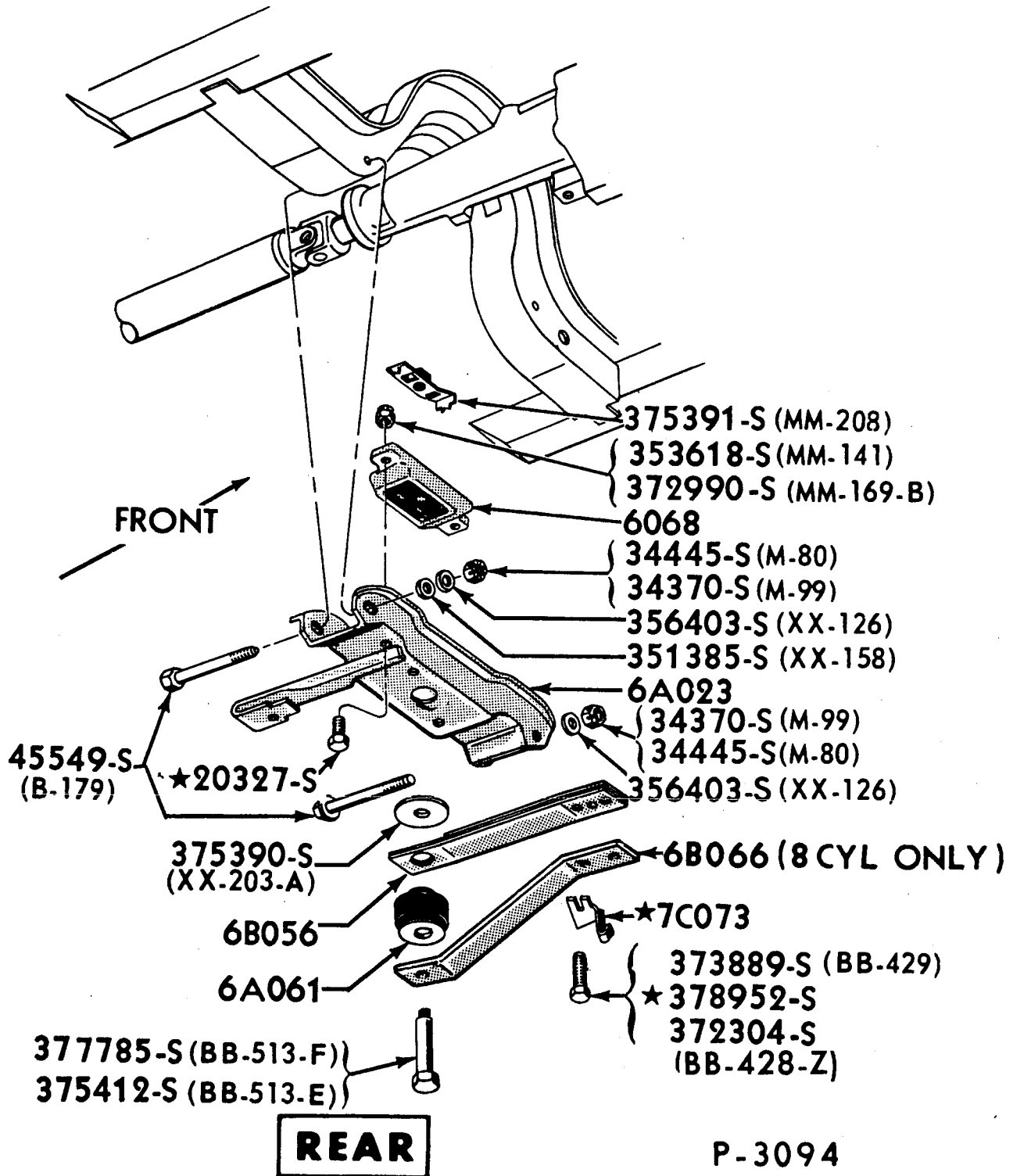




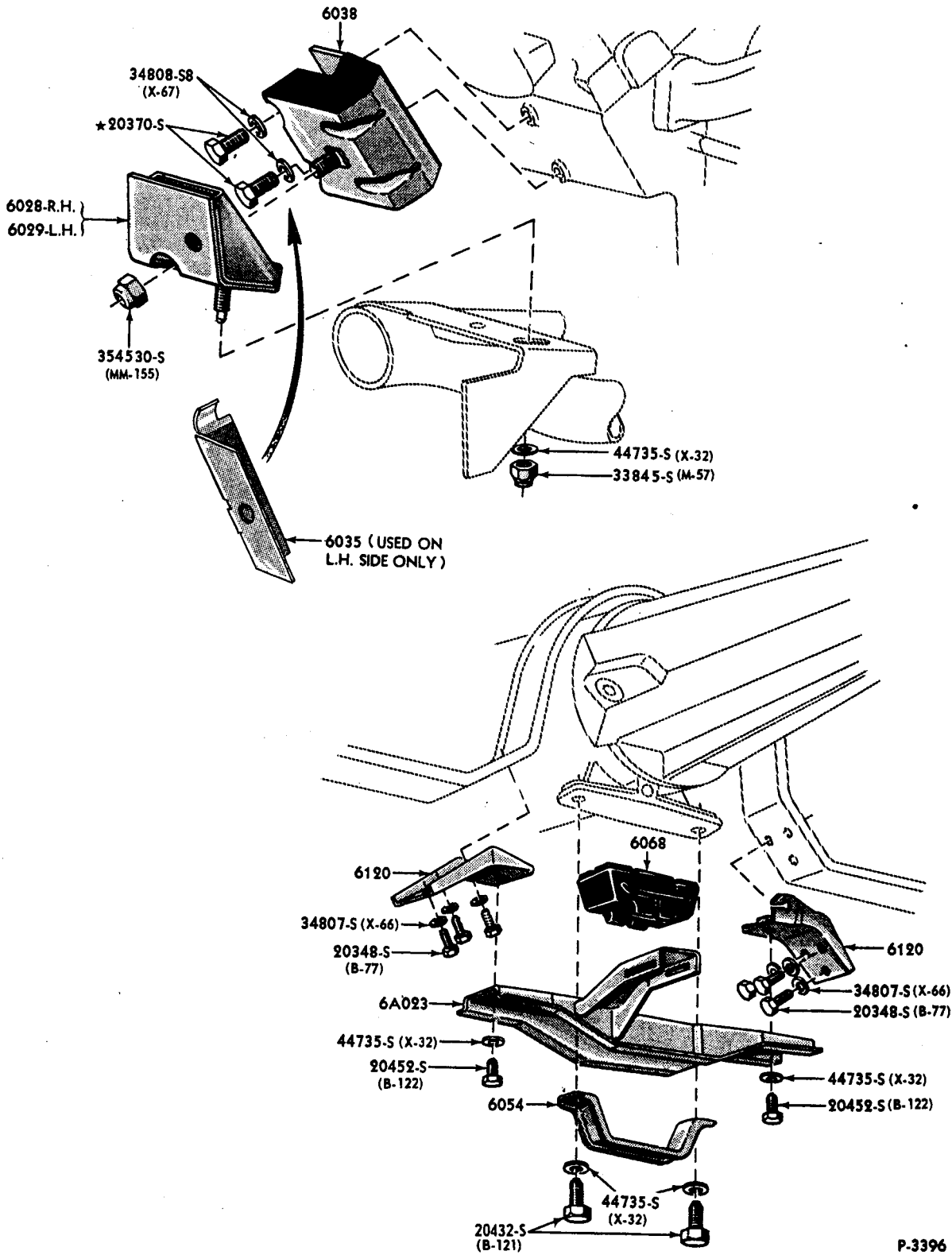
ENGINE SUPPORTS, INSULATORS and RELATED PARTS - FRONT -- TYPICAL  
1965 FALCON - 6 CYLINDER 170 and 200



ENGINE SUPPORTS, INSULATORS and RELATED PARTS - FRONT  
1965 FALCON - 6 CYLINDER 289

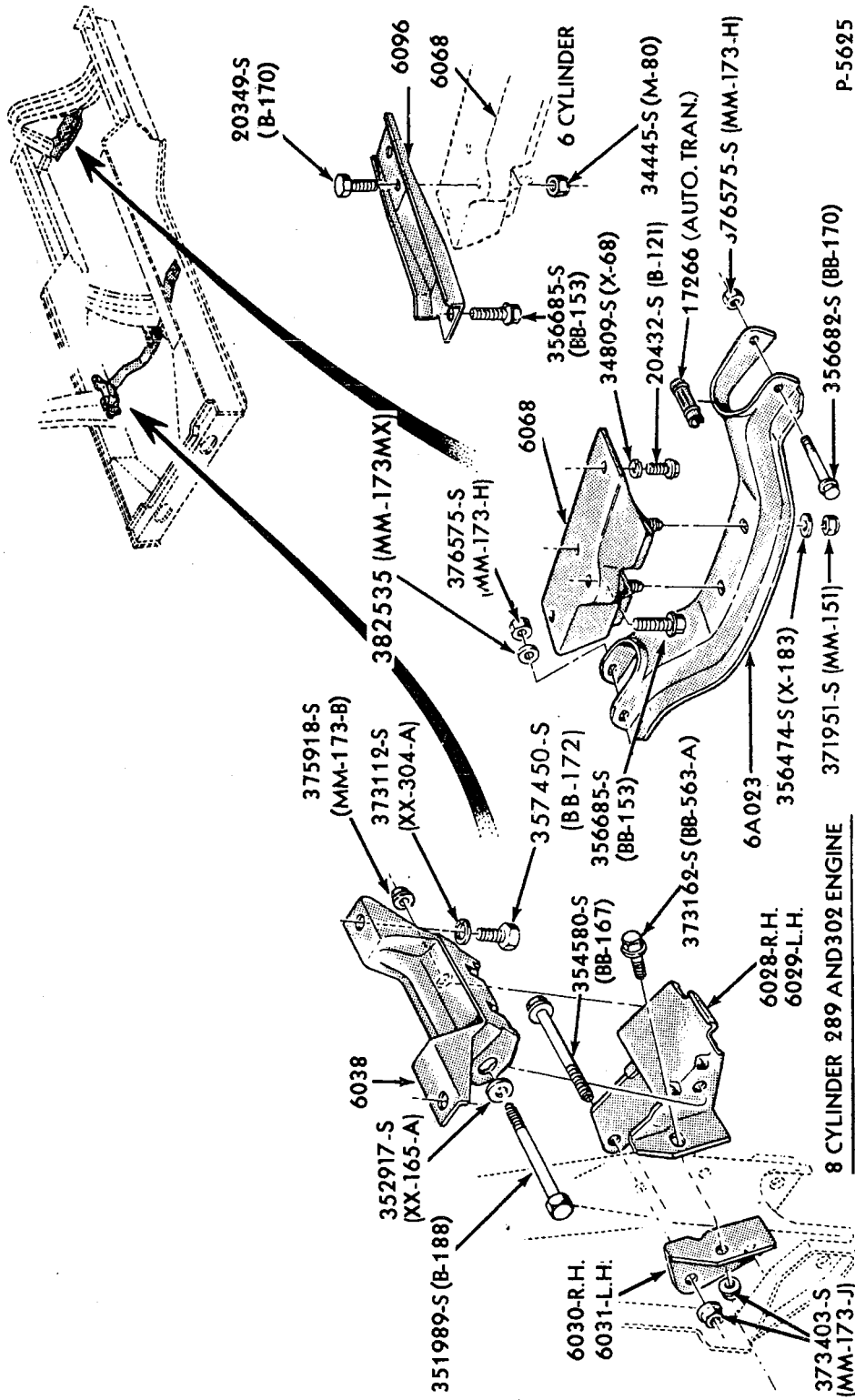


ENGINE SUPPORTS, INSULATORS and RELATED PARTS - REAR -- TYPICAL  
1965 FALCON - 6 CYLINDER 170, 200 and 8 CYLINDER 289



ENGINE SUPPORTS, INSULATORS and RELATED PARTS - FRONT and REAR -- TYPICAL  
1965/66 THUNDERBIRD - 8 CYLINDER 390



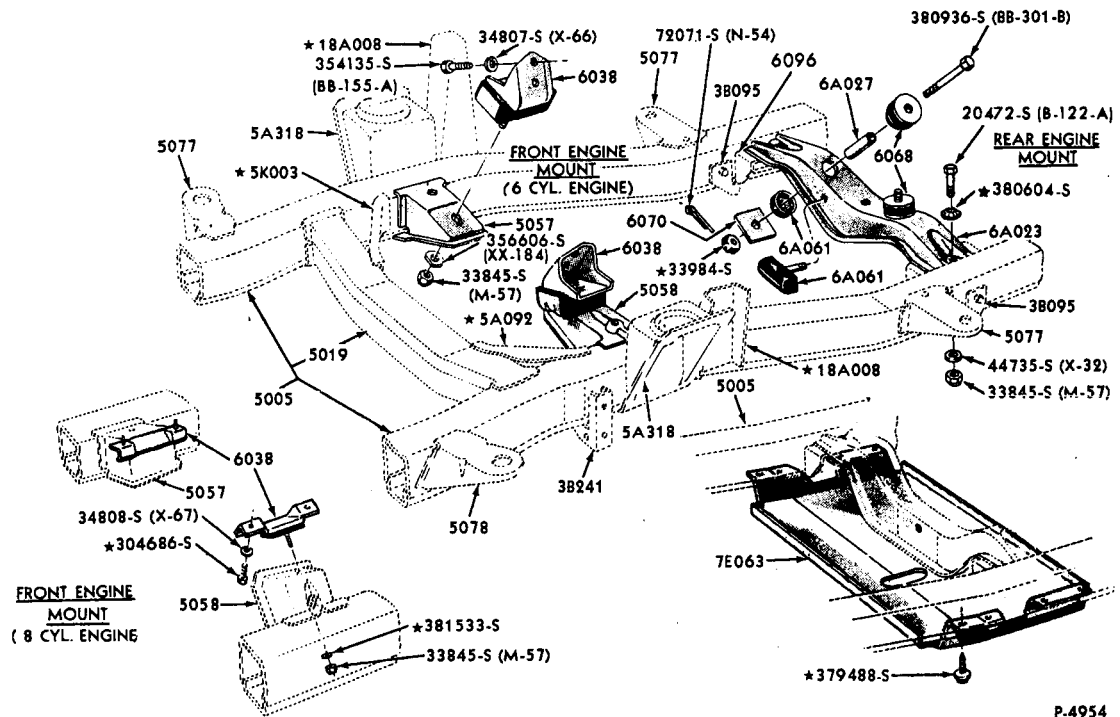


P-5625

ENGINE SUPPORTS, INSULATORS and RELATED PARTS - FRONT and REAR -- TYPICAL  
1967/70 MUSTANG - 6 CYLINDER 200, 250 and 8 CYLINDER 289, 302, 351

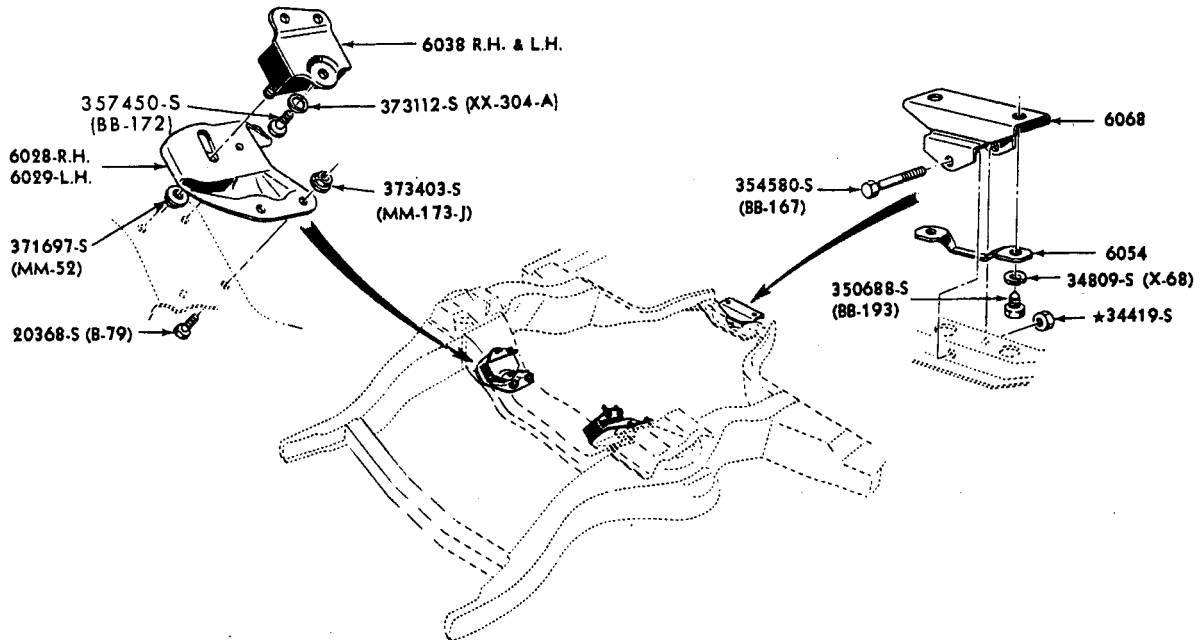
ILLUSTRATION SECTION 60.1

FORD CAR PARTS



P-4954

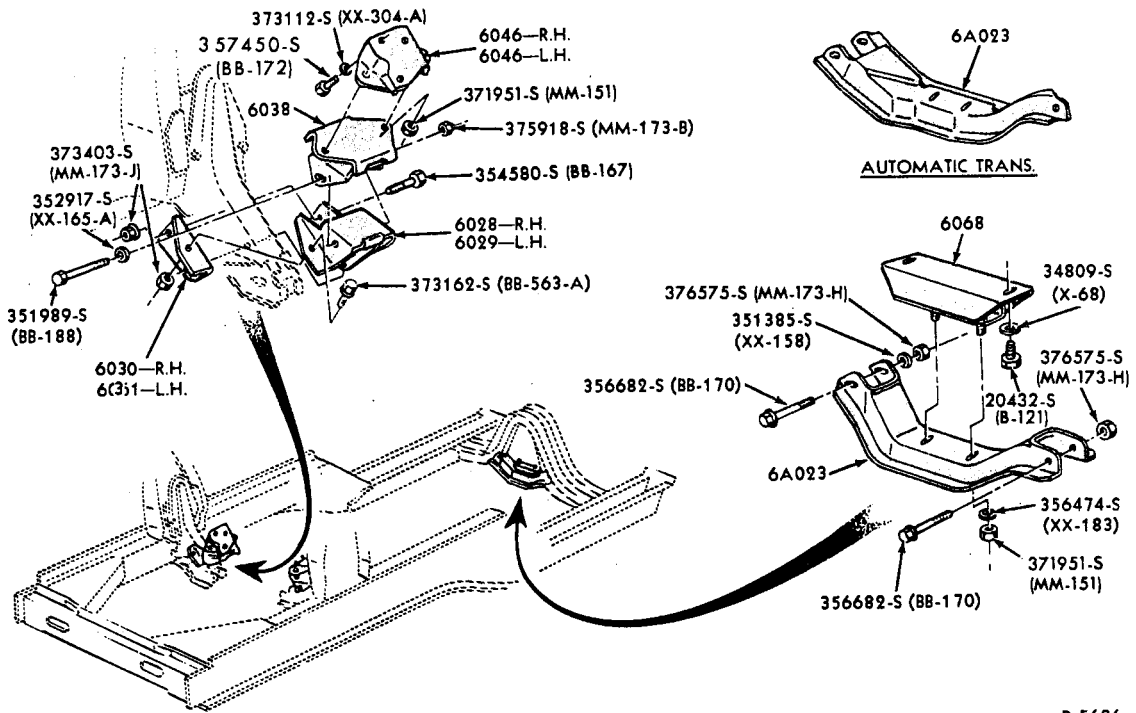
ENGINE SUPPORTS, INSULATORS and RELATED PARTS - FRONT and REAR  
1966/72 BRONCO - 6 CYLINDER 170 and 8 CYLINDER 289, 302



P-5479

ENGINE SUPPORTS, INSULATORS and RELATED PARTS - FRONT and REAR  
1967 THUNDERBIRD - 8 CYLINDER 390, 428

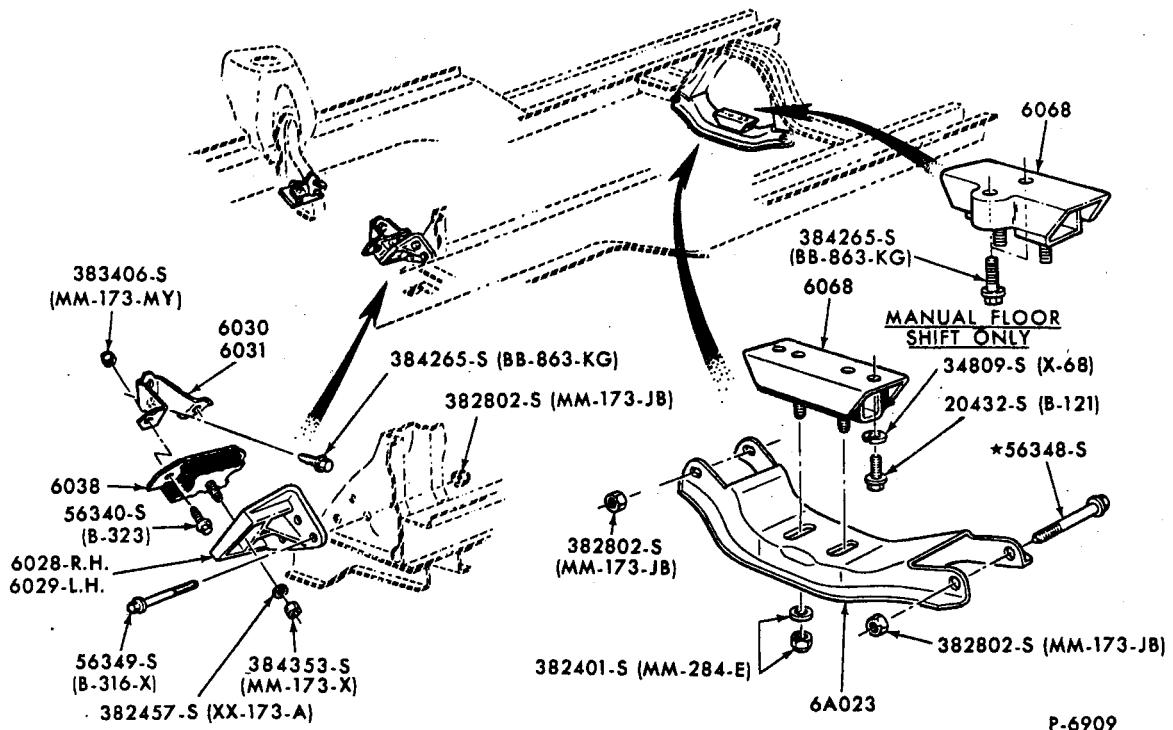




P-5626

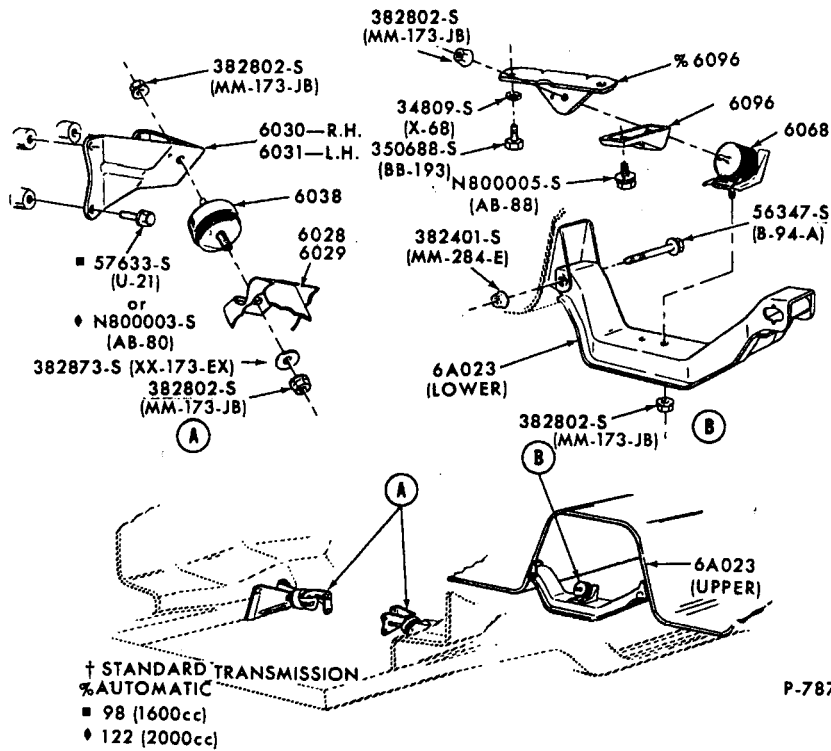
ENGINE SUPPORTS, INSULATORS and RELATED PARTS - FRONT and REAR  
1967/70 MUSTANG - 8 CYLINDER 390,427,428

**FORD CAR PARTS**



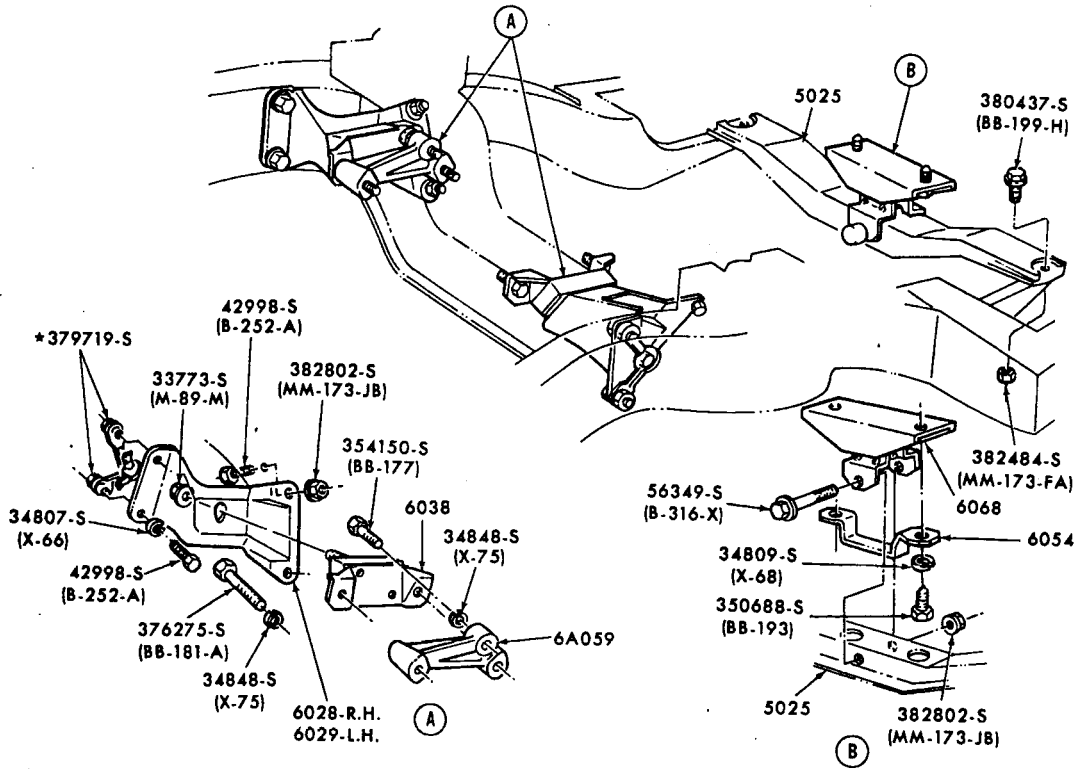
P-6909

ENGINE SUPPORTS, INSULATORS and RELATED PARTS - FRONT and REAR  
1970/72 MAVERICK - 6 CYLINDER 170, 200, 250



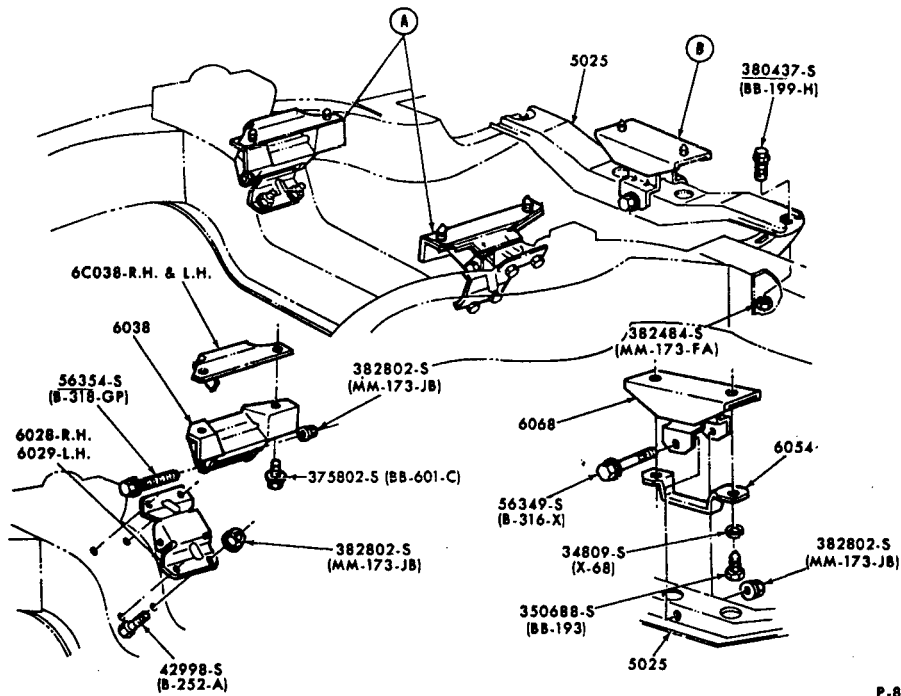
P-7873

ENGINE SUPPORTS, INSULATORS and RELATED PARTS - FRONT and REAR  
1971/72 PINTO - 4 CYLINDER 98 (1600cc) and 122 (2000cc)



P-8264

ENGINE SUPPORTS, INSULATORS and RELATED PARTS - FRONT and REAR  
1971/72 FORD - 6 CYLINDER 240

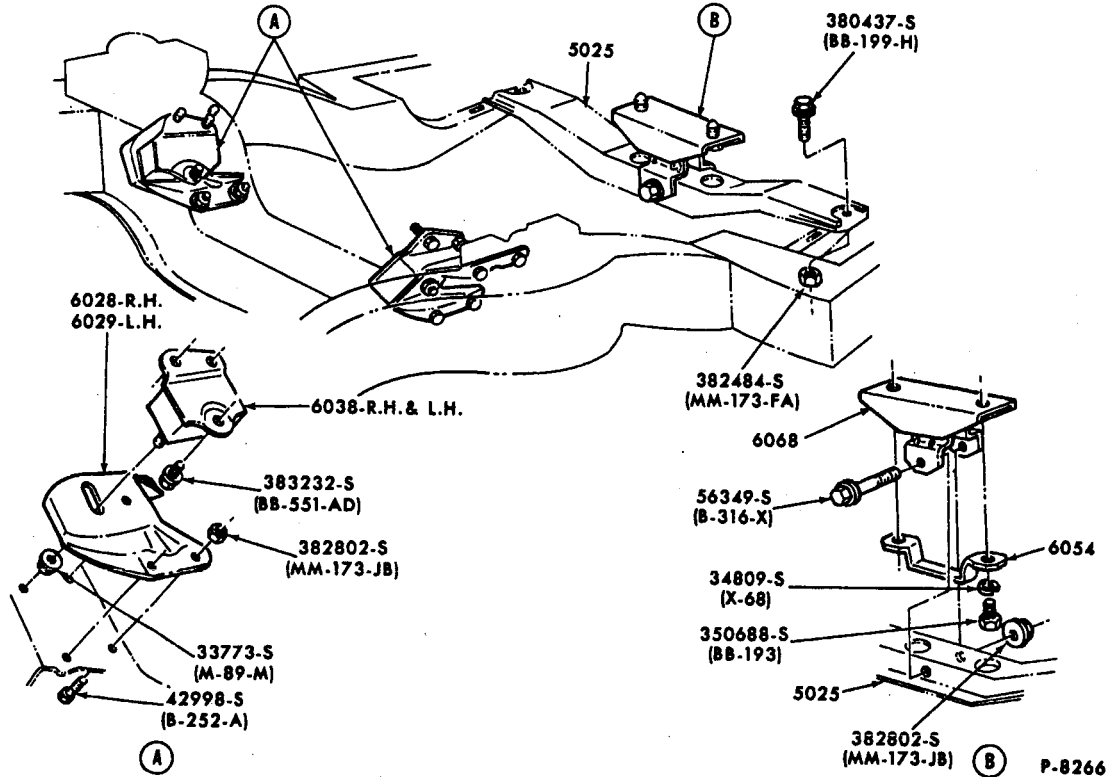


P-8265

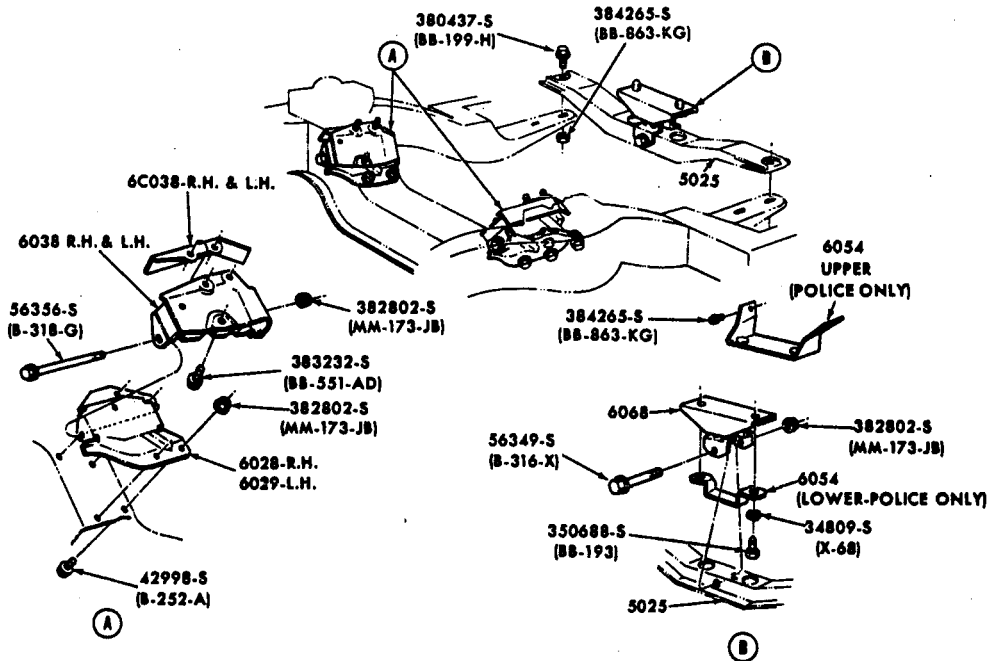
ENGINE SUPPORTS, INSULATORS and RELATED PARTS - FRONT and REAR  
1971/72 FORD - 8 CYLINDER 302,351

ILLUSTRATION SECTION 60.1

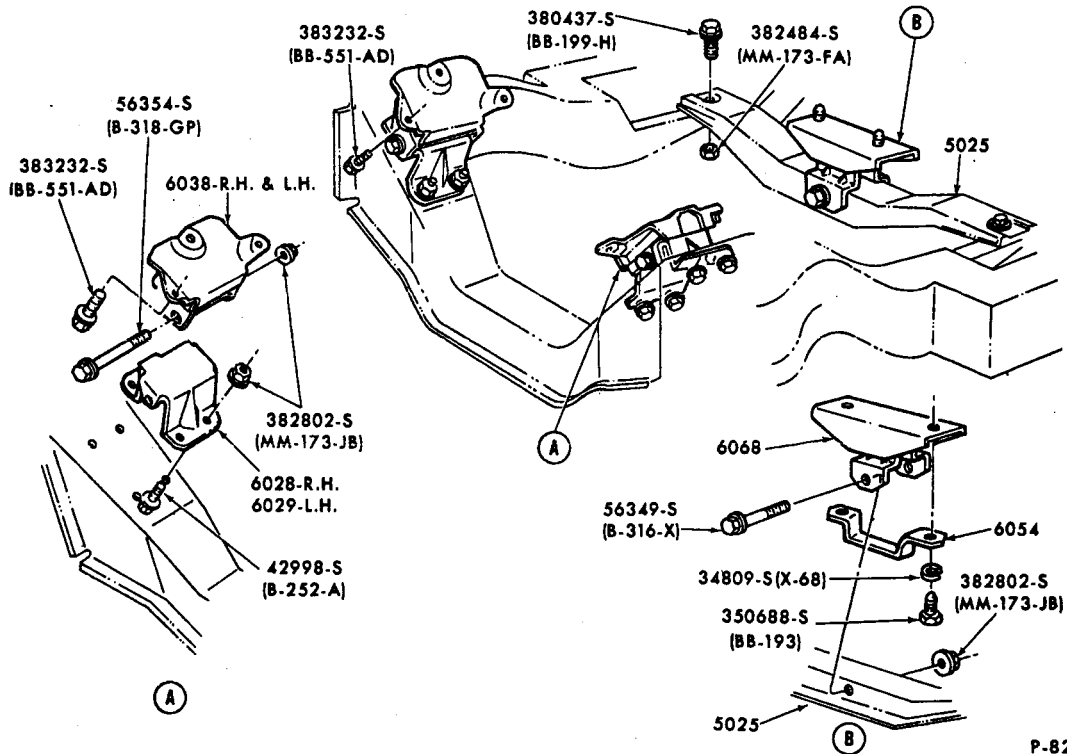
FORD CAR PARTS



ENGINE SUPPORTS, INSULATORS and RELATED PARTS - FRONT and REAR  
1971 FORD - 8 CYLINDER 390

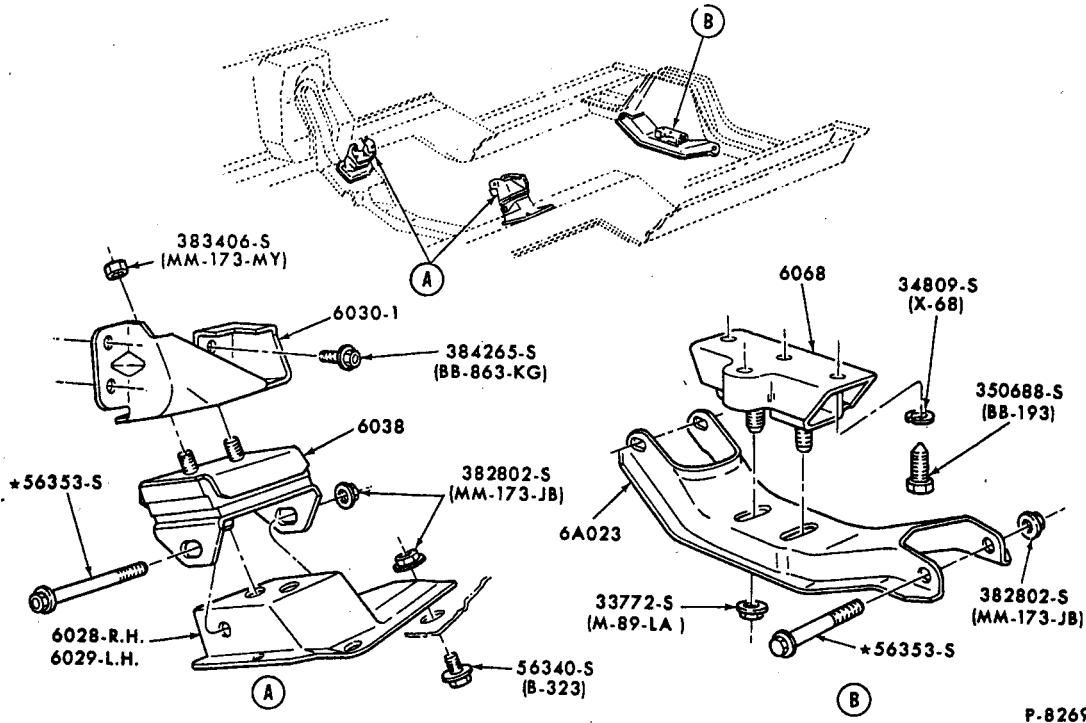


ENGINE SUPPORTS, INSULATORS and RELATED PARTS - FRONT and REAR  
1971/72 FORD - 8 CYLINDER 429



P-8268

ENGINE SUPPORTS, INSULATORS and RELATED PARTS - FRONT and REAR  
1971/72 FORD - 8 CYLINDER 400

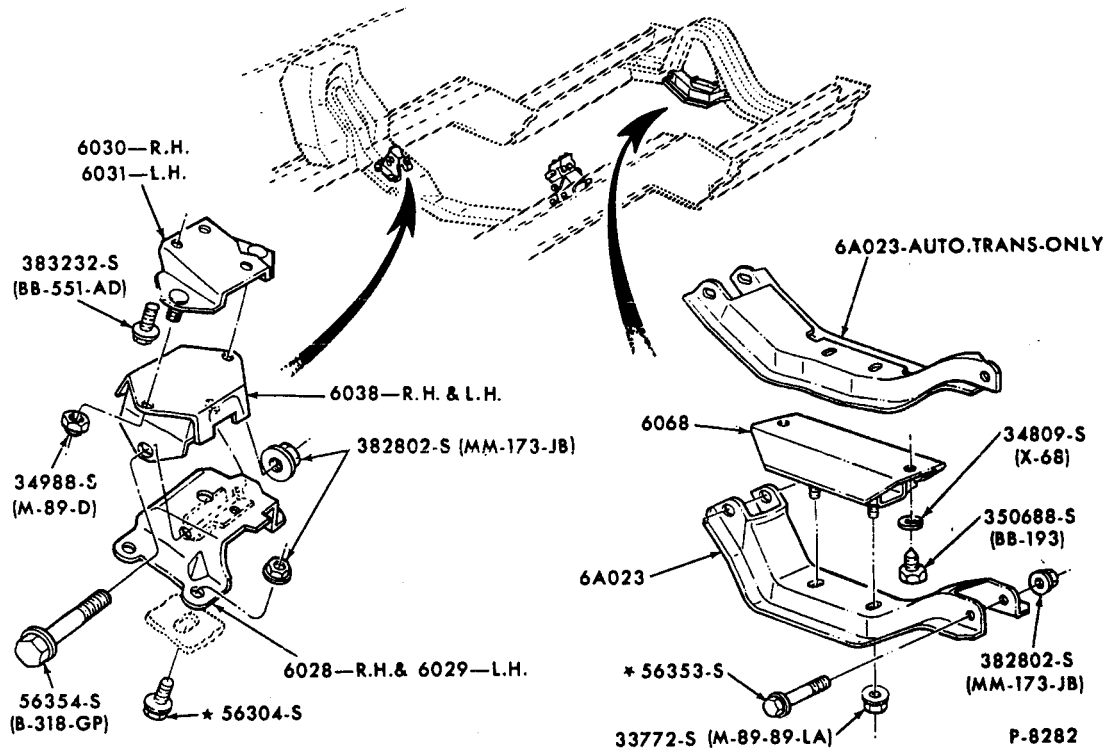


P-8269

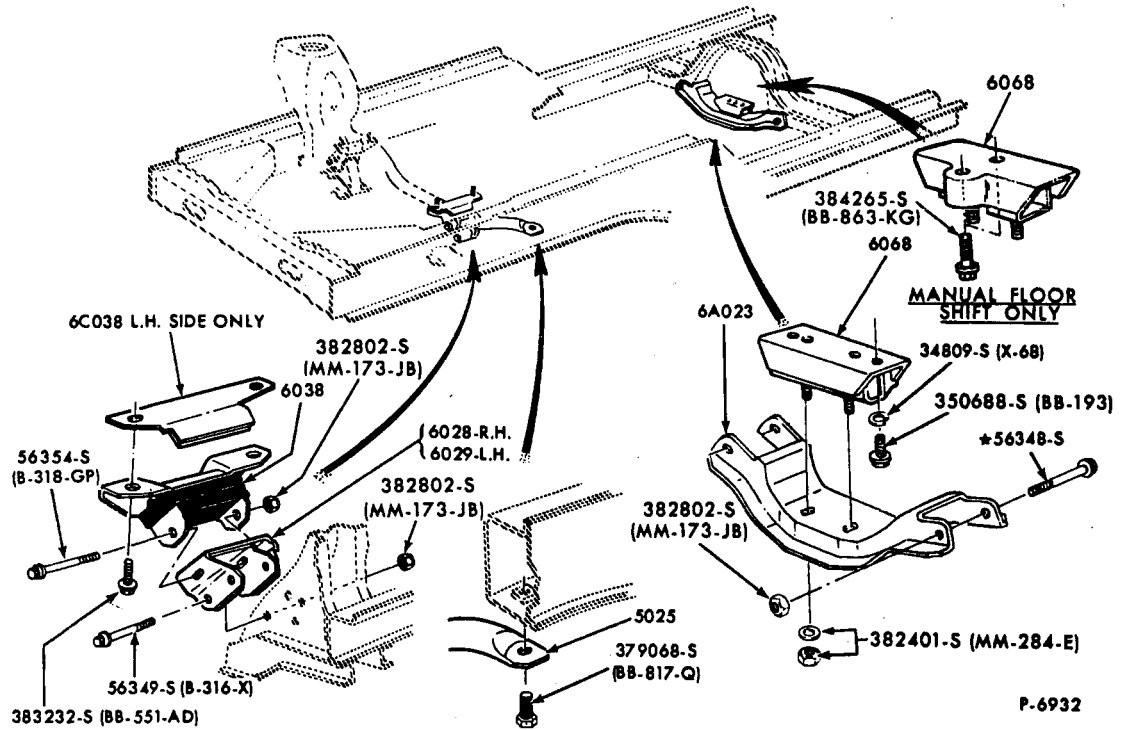
ENGINE SUPPORTS, INSULATORS and RELATED PARTS - FRONT and REAR  
1971/72 MUSTANG - 6 CYLINDER 250

ILLUSTRATION  
SECTION 60.1

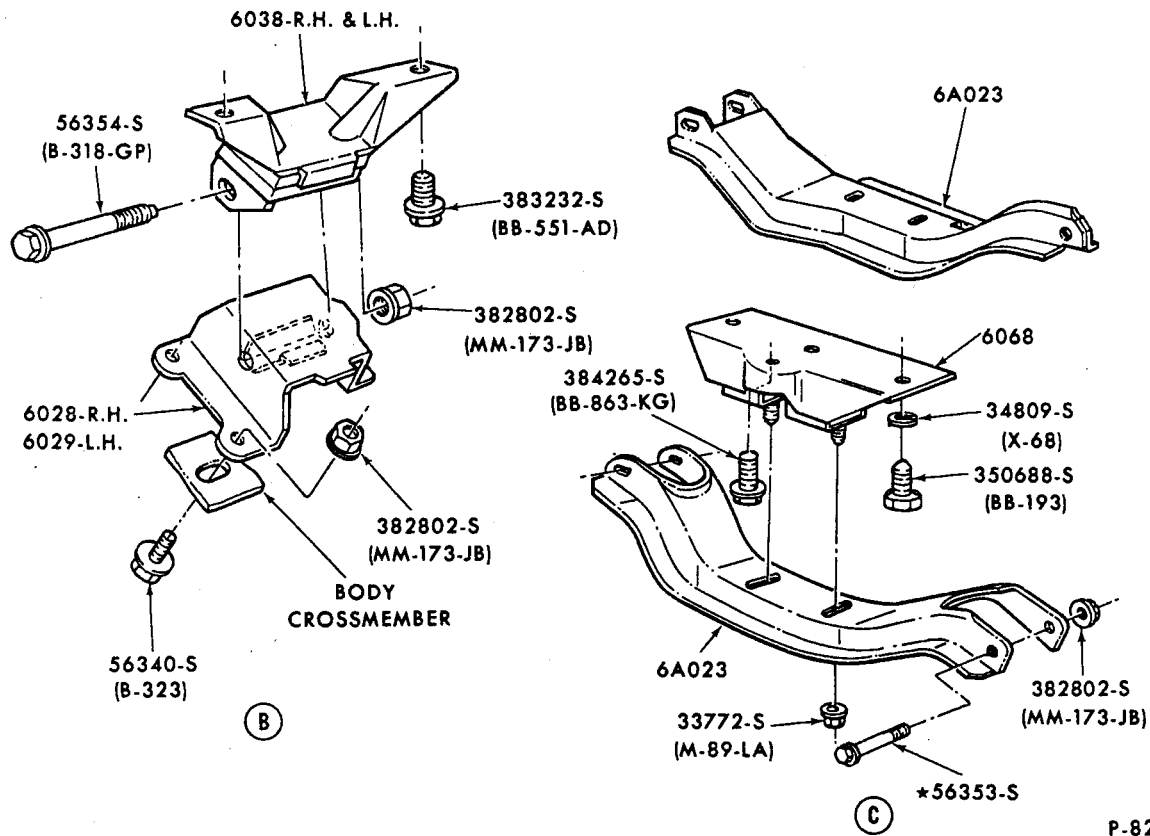
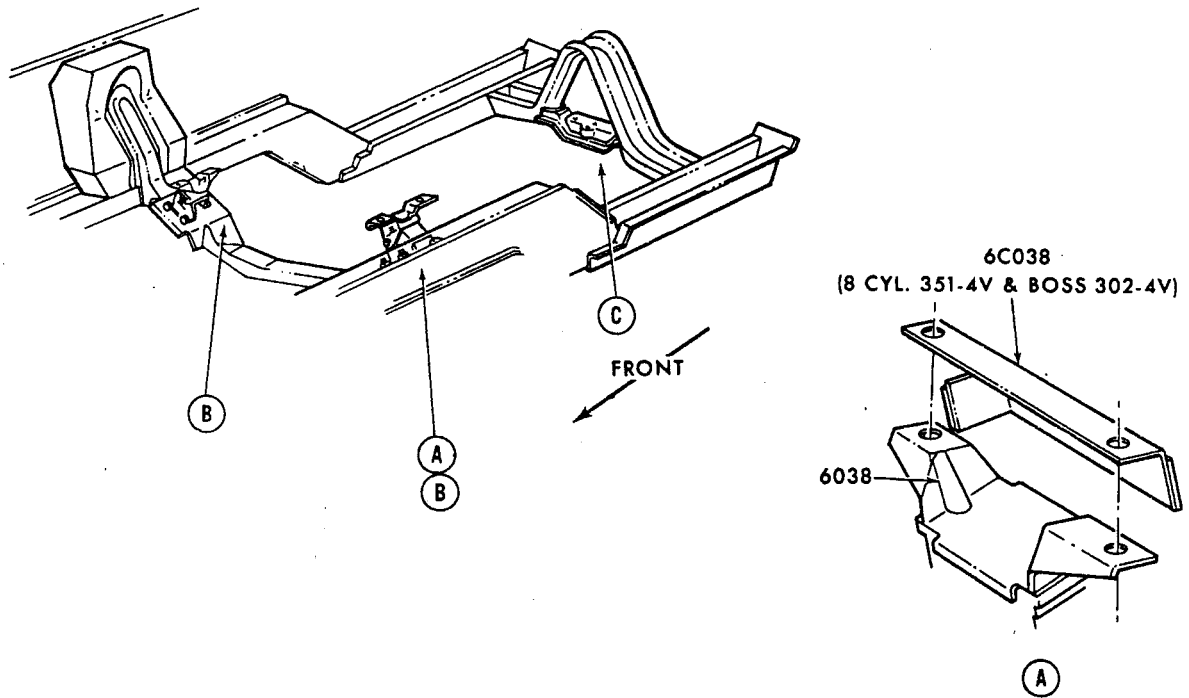
**FORD CAR PARTS**



ENGINE SUPPORTS, INSULATORS and RELATED PARTS - FRONT and REAR  
1971 MUSTANG - 8 CYLINDER 429

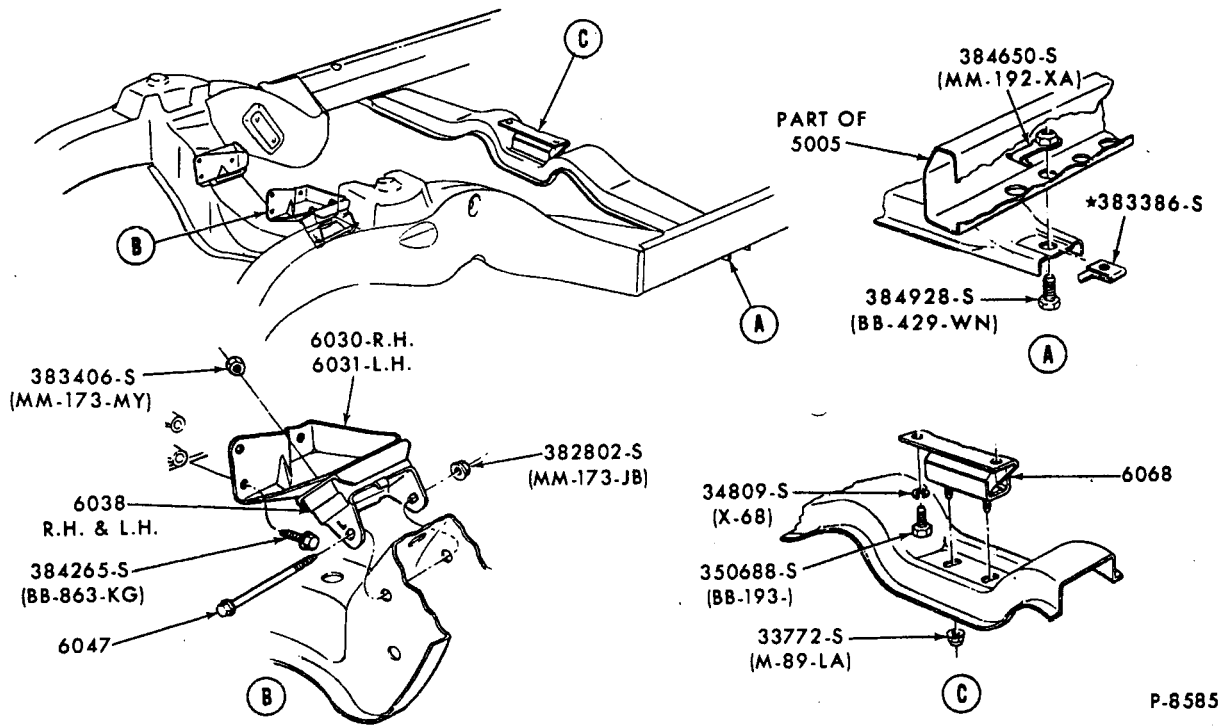


ENGINE SUPPORTS, INSULATORS and RELATED PARTS - FRONT and REAR  
1971/72 MAVERICK - 8 CYLINDER 302



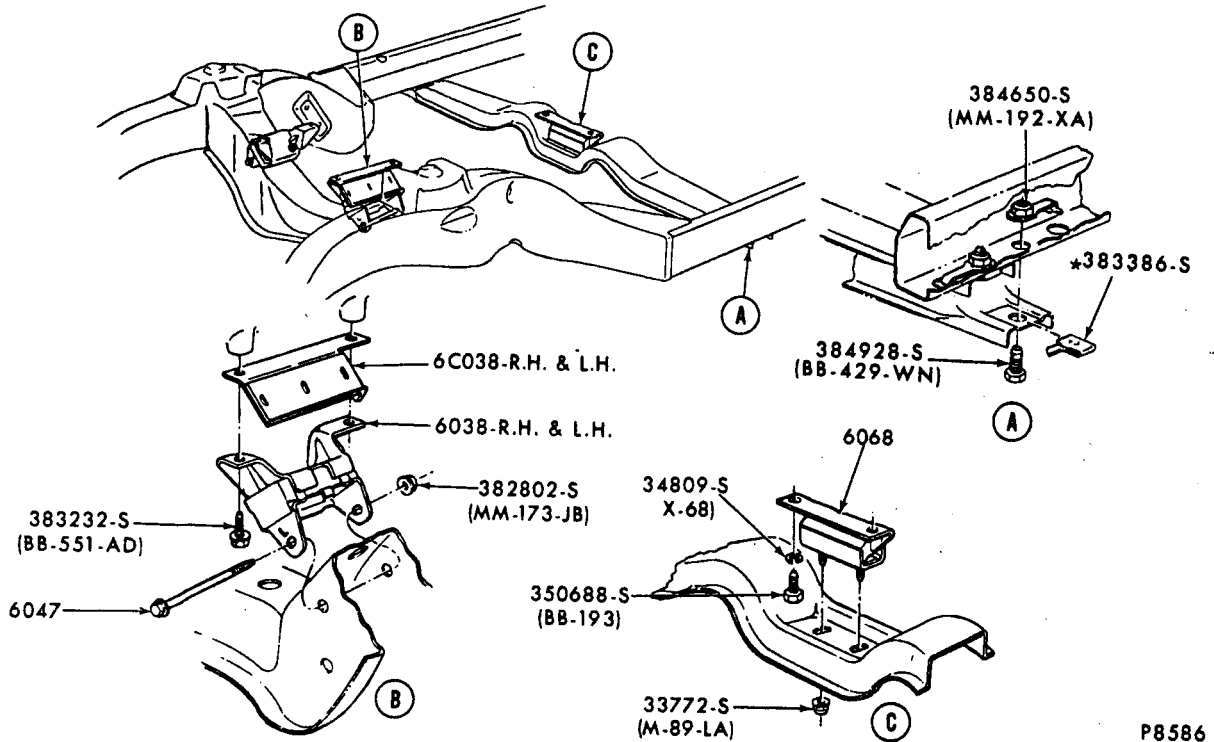
P-8270

**ENGINE SUPPORTS, INSULATORS and RELATED PARTS - FRONT and REAR**  
**1971/72 MUSTANG - 8 CYLINDER 302, 351**



P-8585

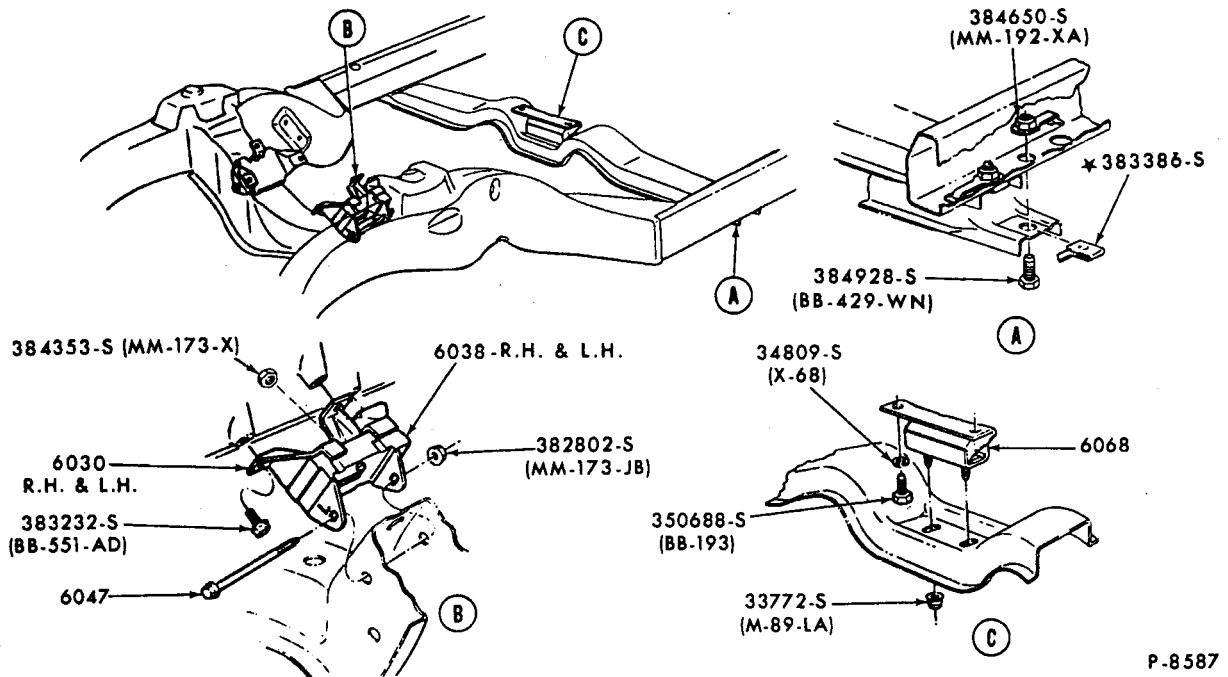
ENGINE SUPPORTS, INSULATORS and RELATED PARTS - FRONT and REAR  
1972 TORINO - 6 CYLINDER 250



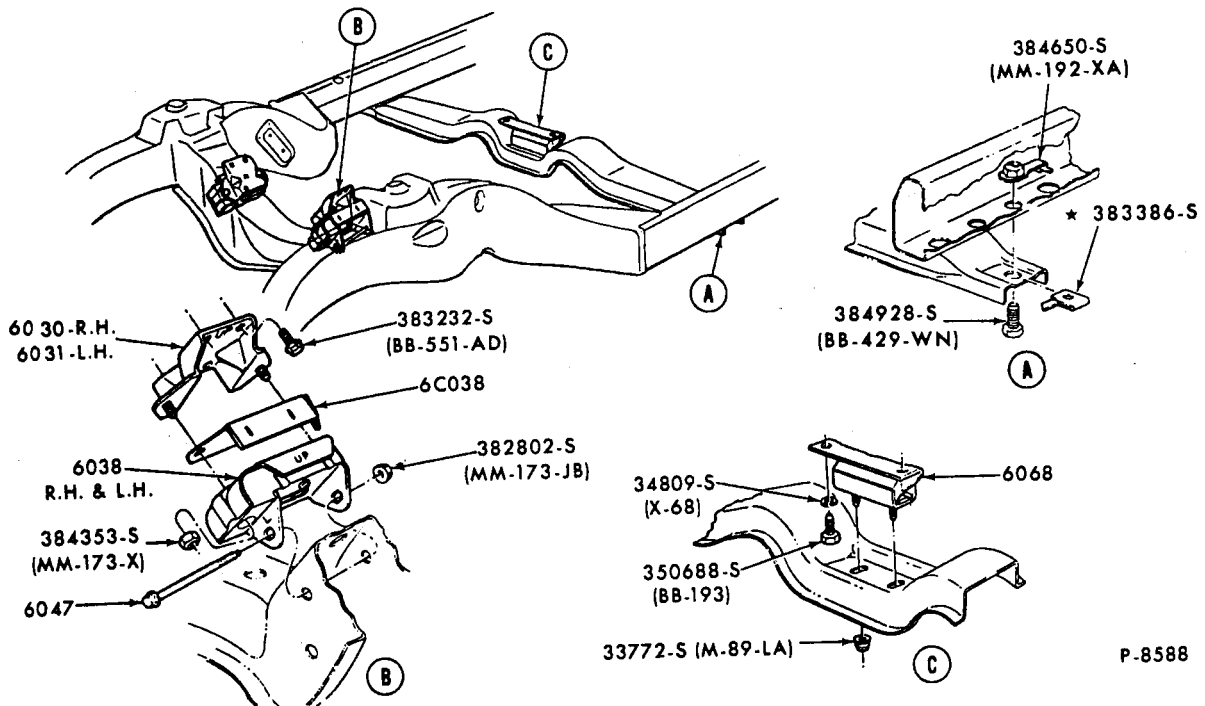
P8586

ENGINE SUPPORTS, INSULATORS and RELATED PARTS - FRONT and REAR  
1972 TORINO - 8 CYLINDER 302, 351



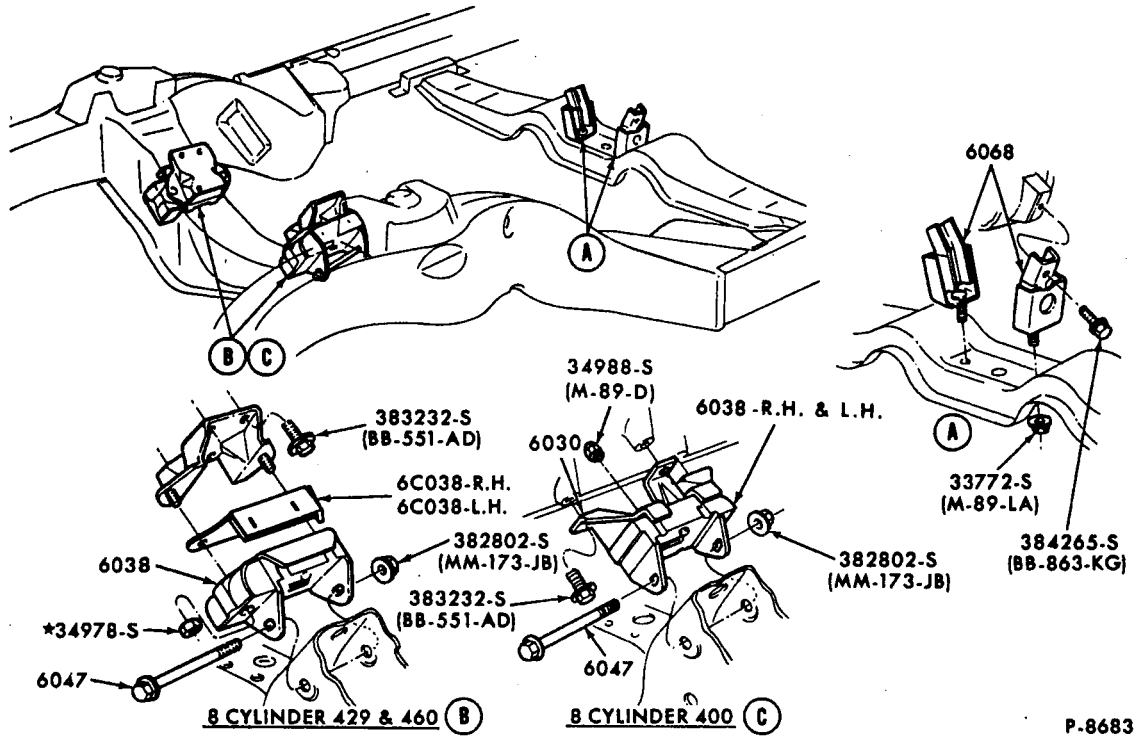


**ENGINE SUPPORTS, INSULATORS and RELATED PARTS - FRONT and REAR**  
1972 TORINO - 8 CYLINDER 400



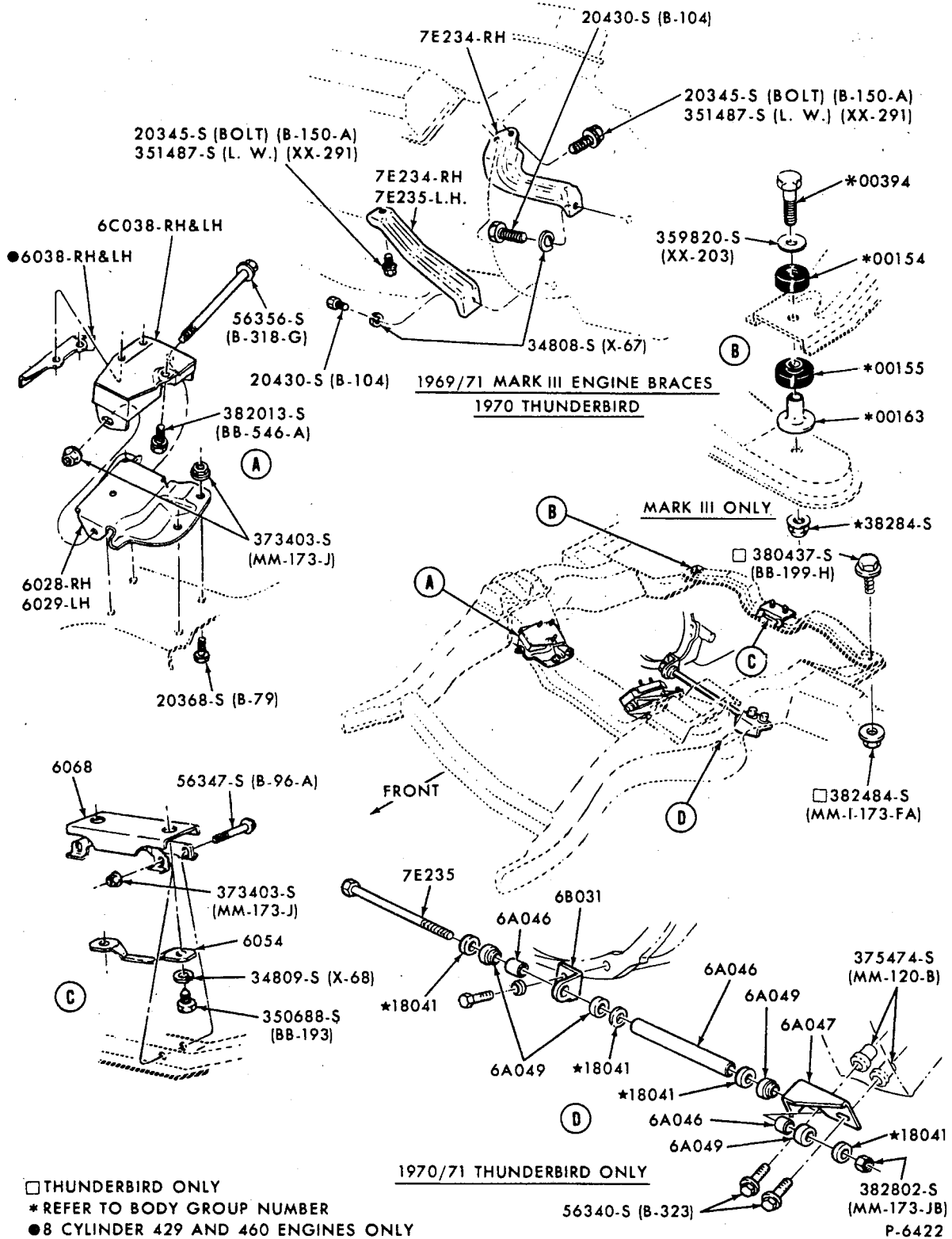
**ENGINE SUPPORTS, INSULATORS and RELATED PARTS - FRONT and REAR**  
1972 TORINO - 8 CYLINDER 429

# FORD CAR PARTS



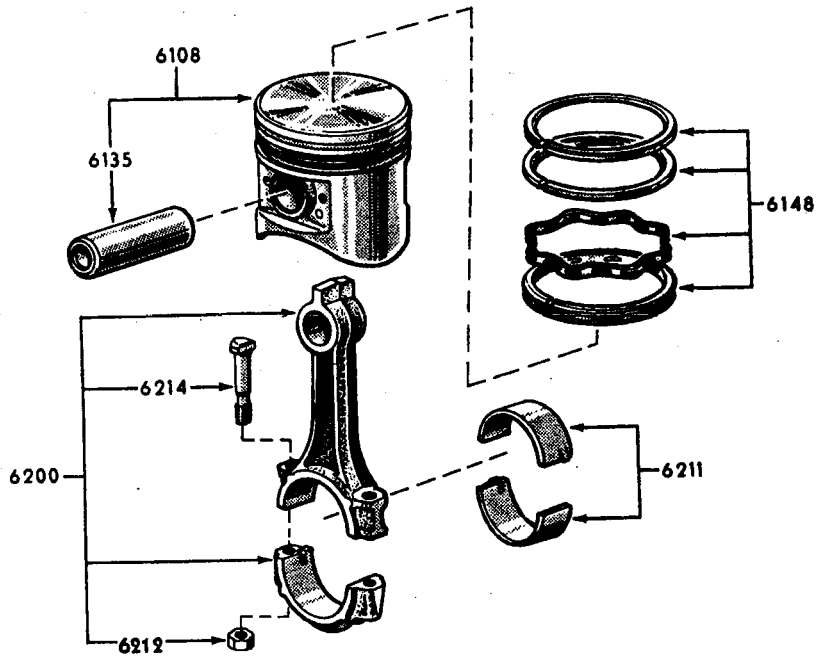
P-8683

ENGINE SUPPORTS, INSULATORS and RELATED PARTS - FRONT and REAR  
1972 THUNDERBIRD - 8 CYLINDER 400,429,460



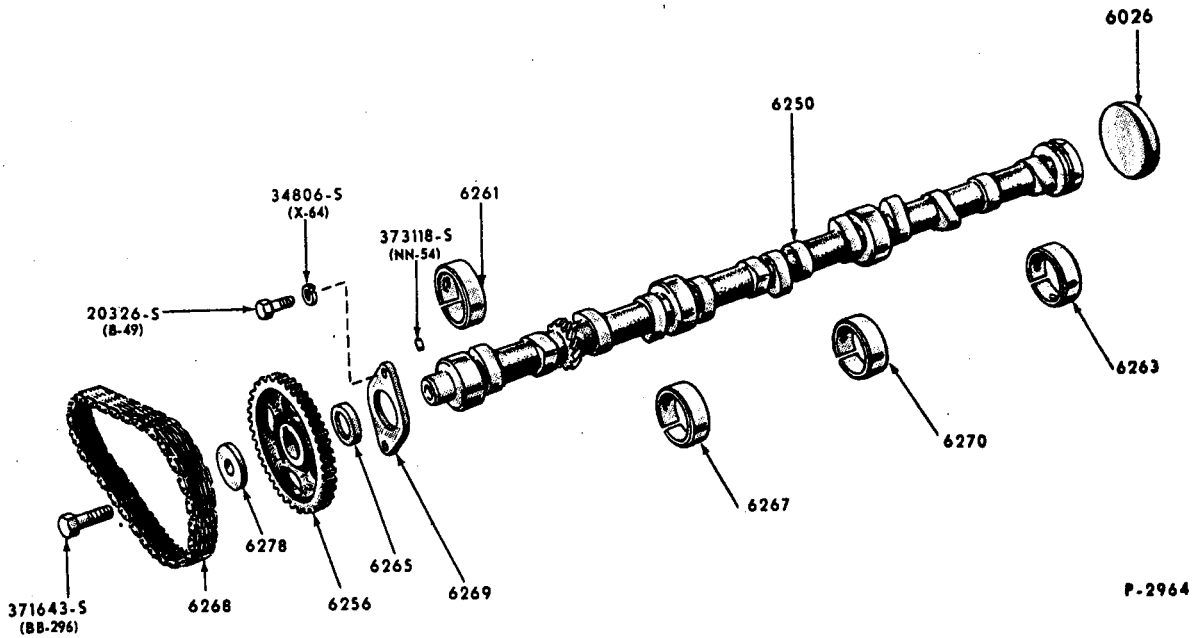
ENGINE SUPPORTS, INSULATORS and RELATED PARTS - FRONT and REAR

1968/71 THUNDERBIRD - 8 CYLINDER 390,429



P-3090

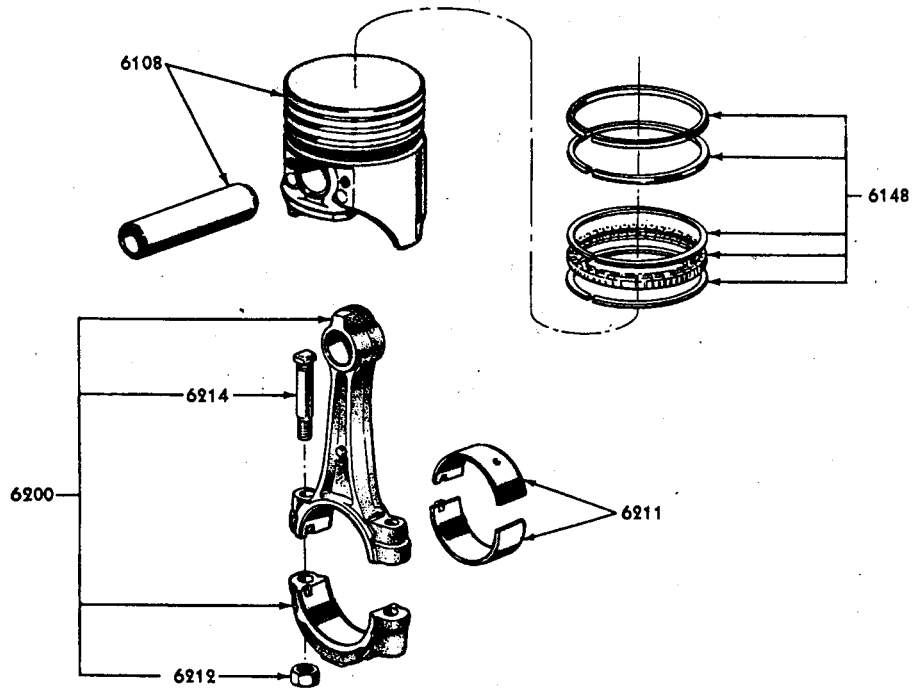
ENGINE PISTON, CONNECTING ROD and RELATED PARTS -- TYPICAL  
1965/72 6 CYLINDER 170, 200 and 250



P-2964

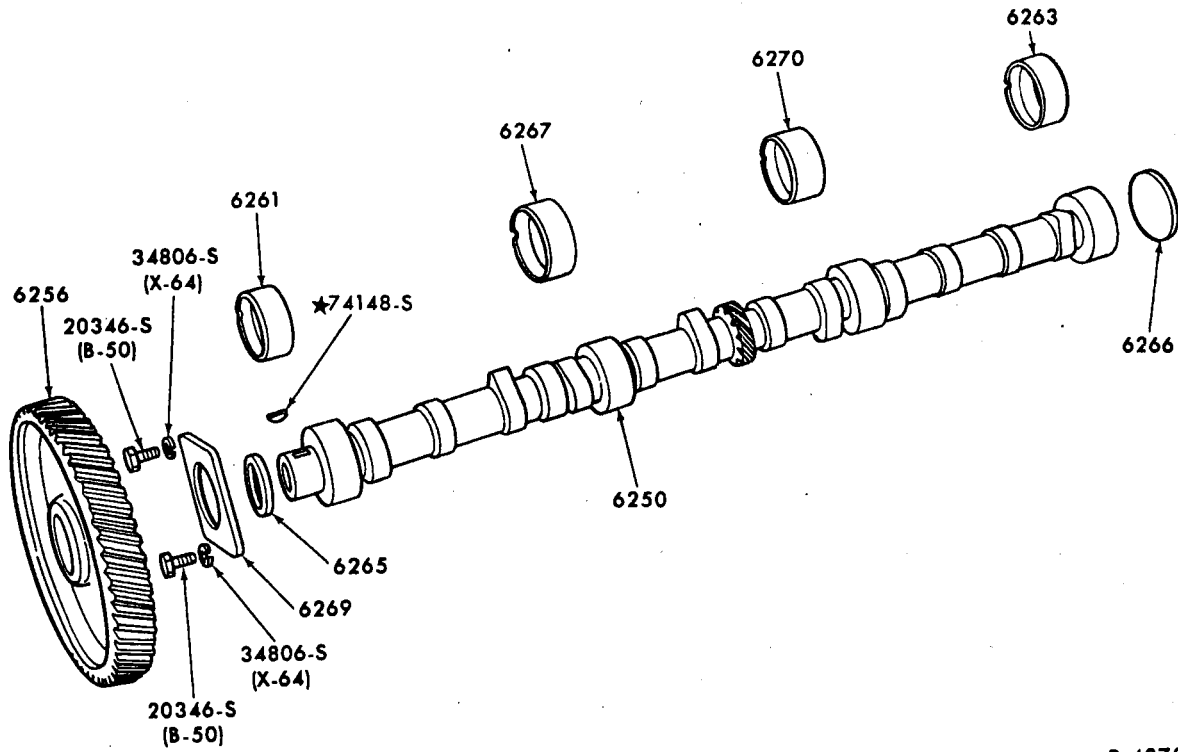
ENGINE CAMSHAFT, GEAR, BEARINGS and RELATED PARTS -- TYPICAL  
1965/72 6 CYLINDER 170, 200 and 250

FORD CAR PARTS



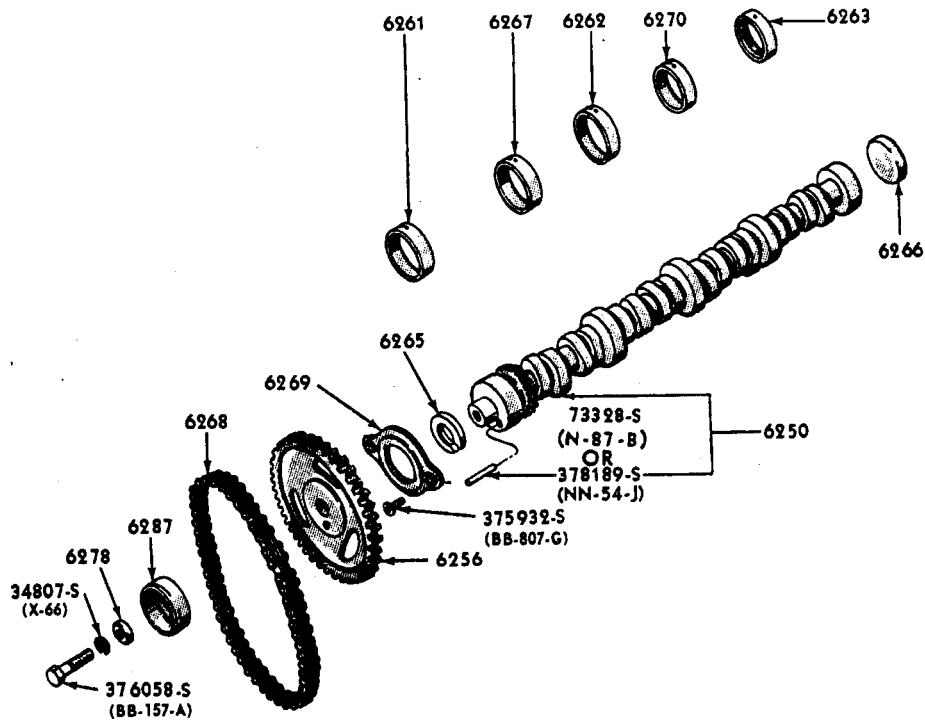
P. 3732

ENGINE PISTON, CONNECTING ROD and RELATED PARTS -- TYPICAL 1965/72 6 CYLINDER 240 and 8 CYLINDER 260, 289, 302, 351, 400, 429 and 460



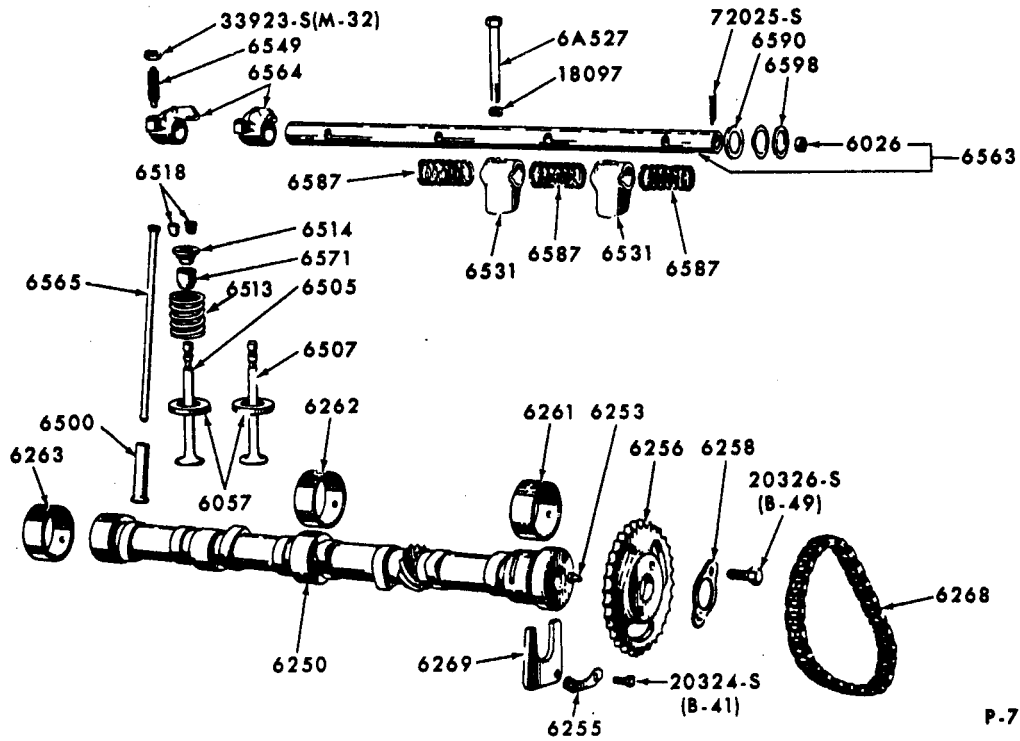
P. 4873

ENGINE CAMSHAFT, GEAR, BEARINGS and RELATED PARTS -- TYPICAL 1965/72 6 CYLINDER 240



P-3733

**ENGINE CAMSHAFT, GEAR, BEARINGS and RELATED PARTS -- TYPICAL**  
1965/72 8 CYLINDER 260, 289, 302, 351, 400, 429 and 480

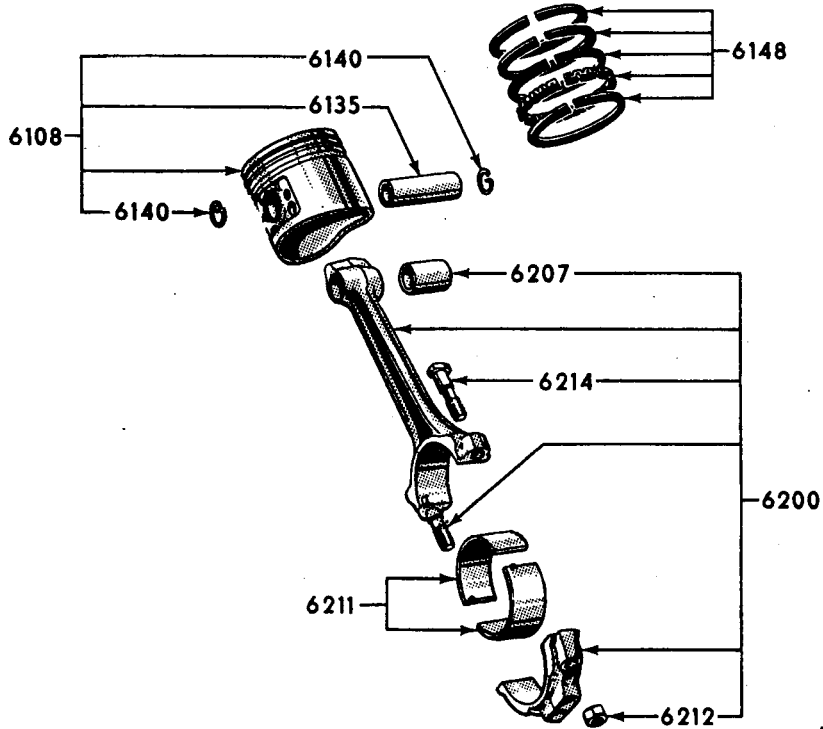


P-7595

**ENGINE CAMSHAFT, GEAR, BEARINGS and RELATED PARTS**  
1971/72 4 CYLINDER 98 (1600cc) ENGINE

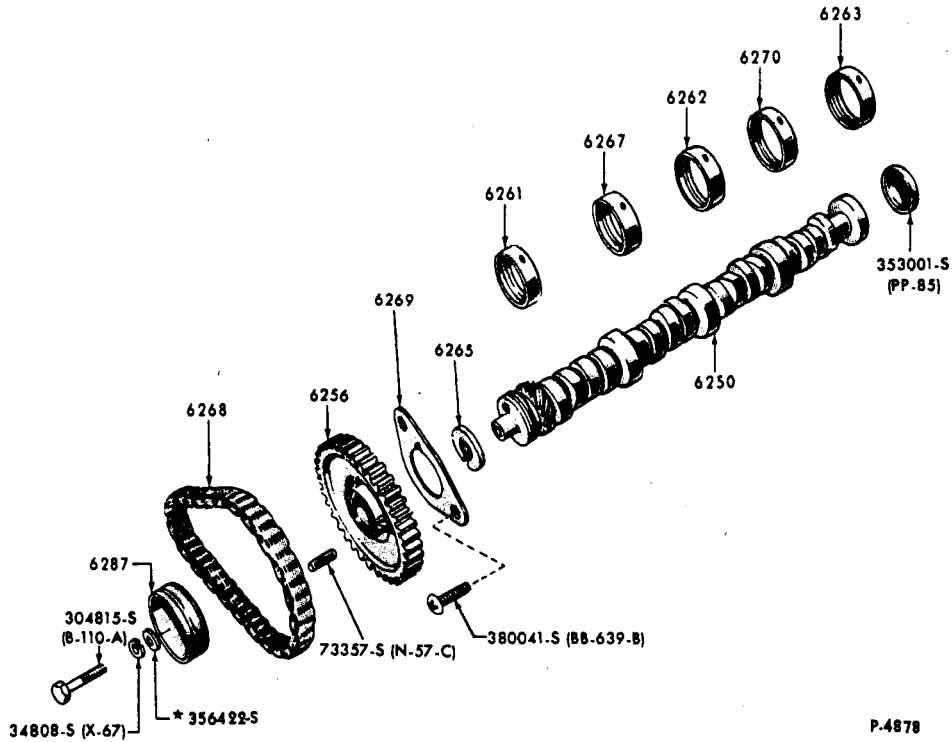
**ILLUSTRATION  
SECTION 62**

**FORD CAR PARTS**



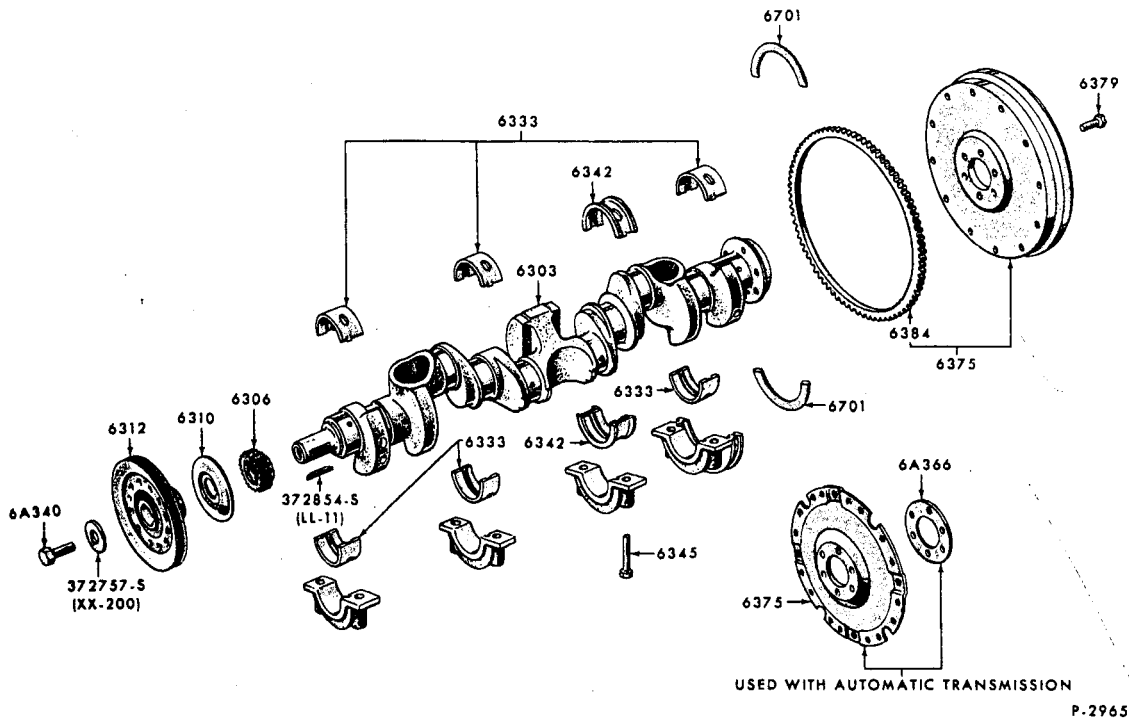
P-2487

**ENGINE PISTON, CONNECTING ROD and RELATED PARTS -- TYPICAL  
1965/71 8 CYLINDER 352, 390, 427 and 428**

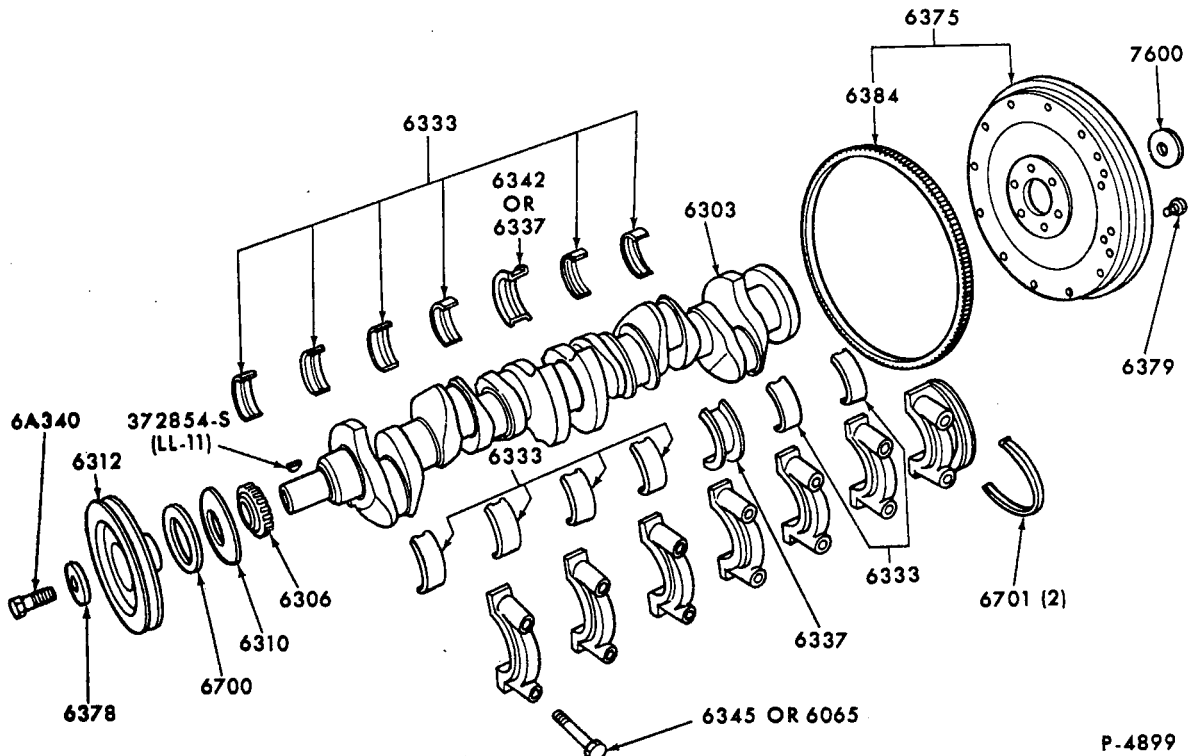


P-4878

**ENGINE CAMSHAFT, GEAR, BEARINGS and RELATED PARTS -- TYPICAL  
1965/71 8 CYLINDER 352, 390, 427 and 428**



ENGINE CRANKSHAFT, FLYWHEEL and RELATED PARTS -- TYPICAL  
1965/72 6 CYLINDER 170



ENGINE CRANKSHAFT, FLYWHEEL and RELATED PARTS -- TYPICAL  
1965/72 6 CYLINDER 200, 250





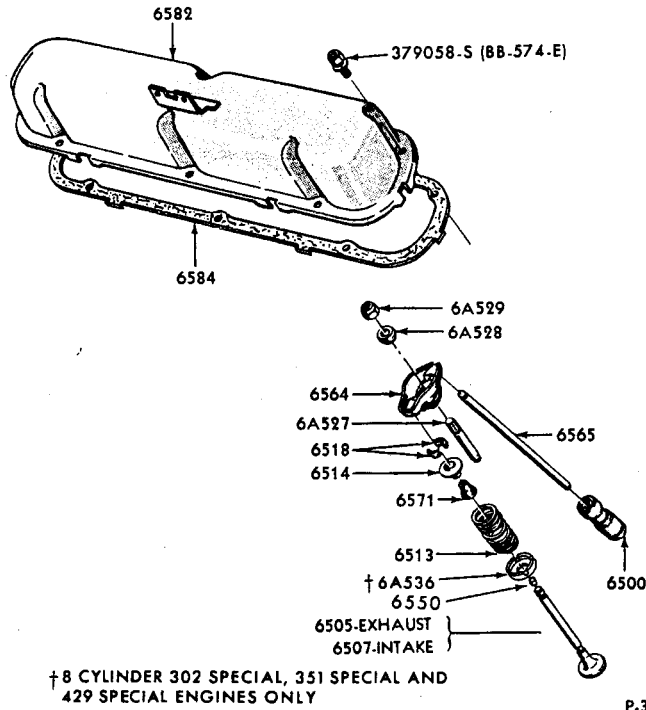






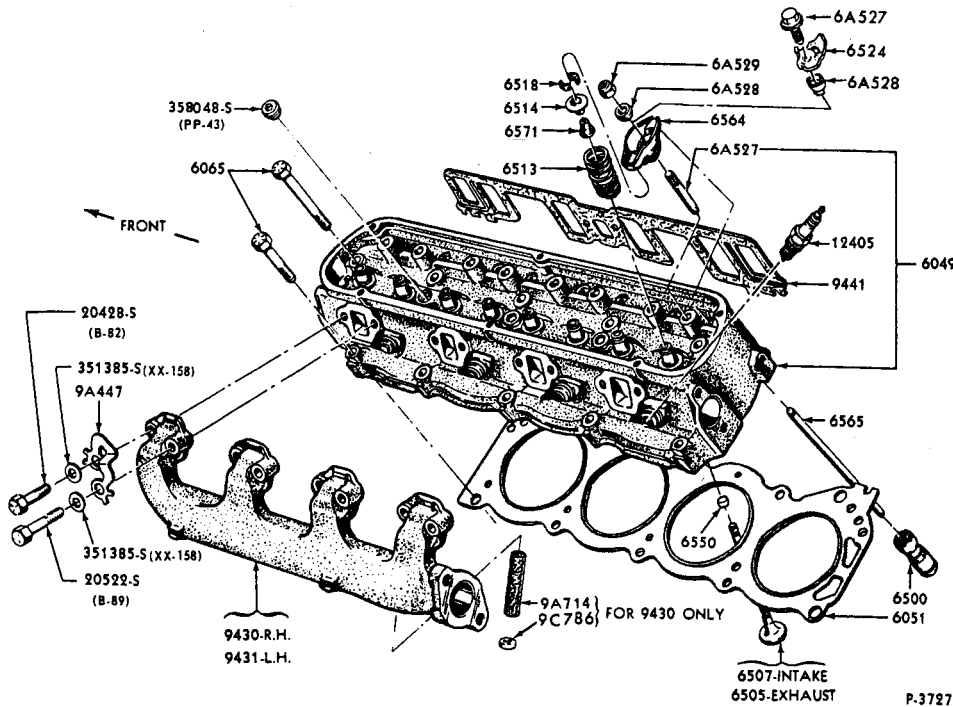


FORD CAR PARTS



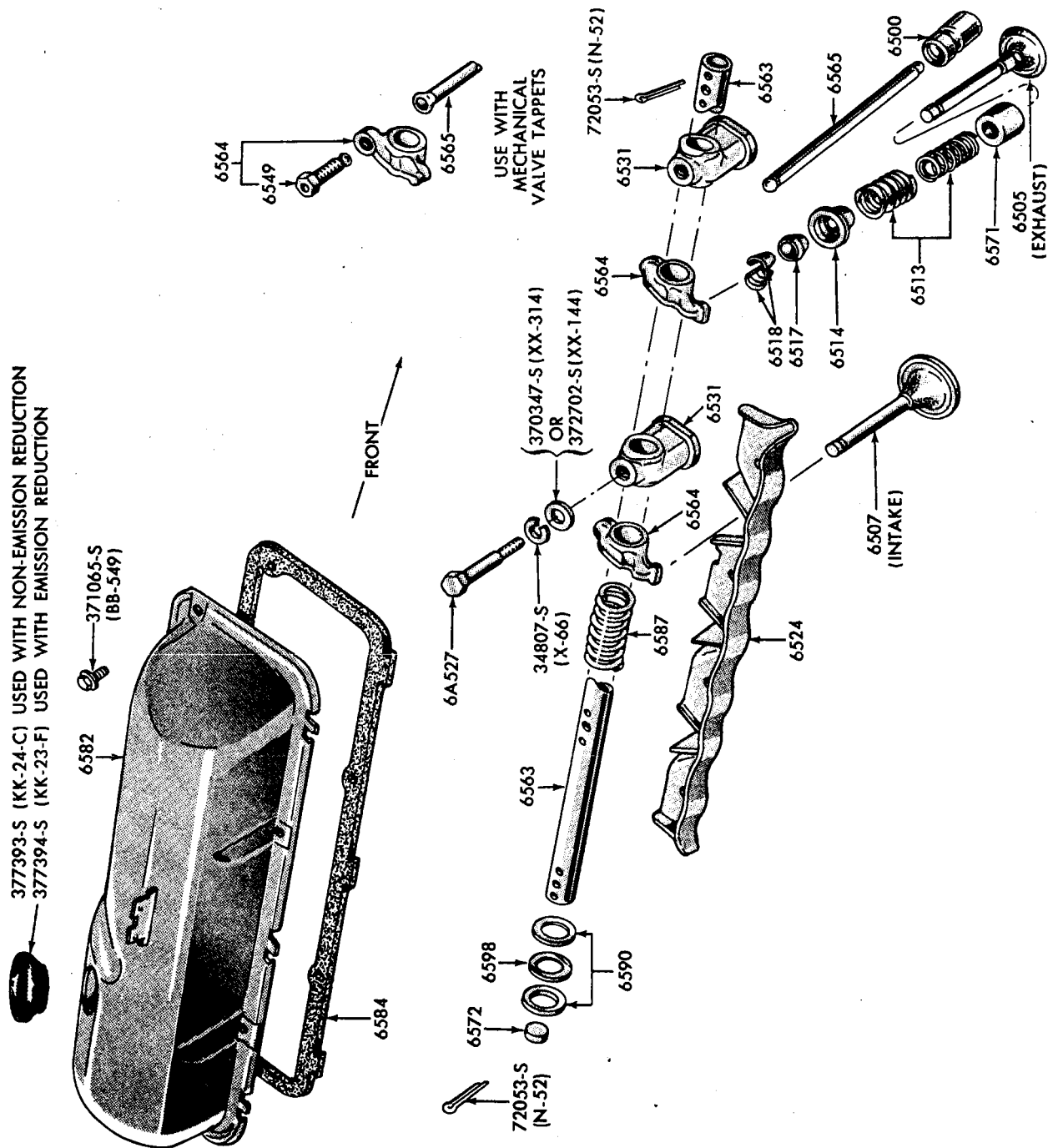
P-3726

ENGINE VALVES, PUSH RODS, ROCKER ARM COVER and RELATED PARTS -- TYPICAL 1965/72 6 CYLINDER 240 and 8 CYLINDER 260, 289, 302, 351, 400 and 429

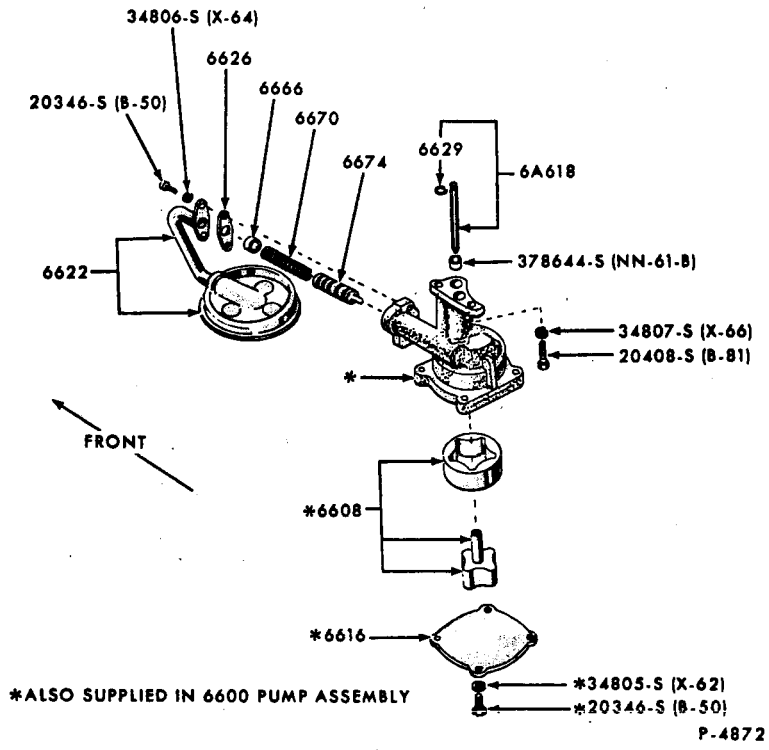


P-3727

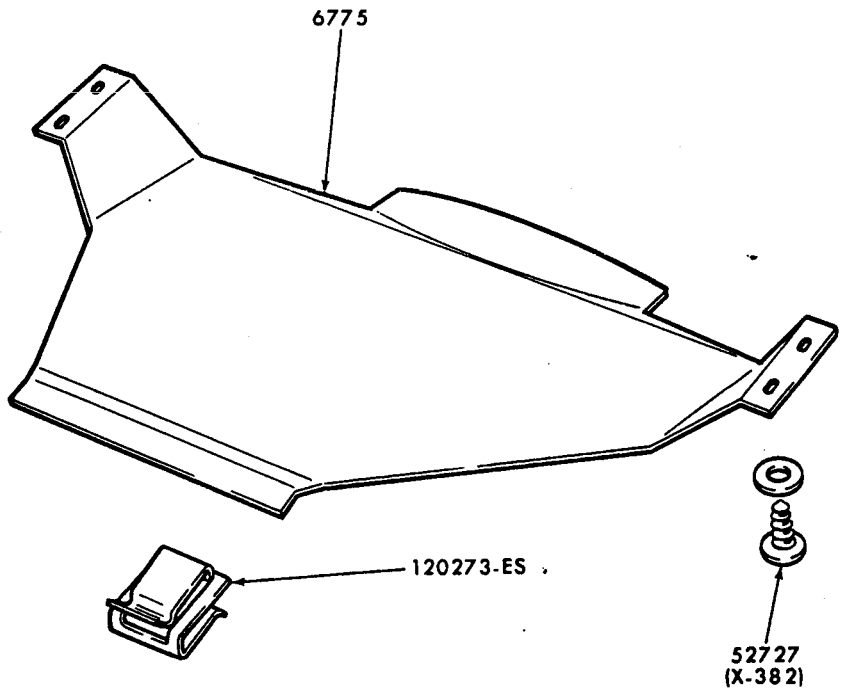
CYLINDER HEAD, VALVES and RELATED PARTS - 1965/72 8 CYLINDER 260, 289, 302, 351, 400, 429 and 460 ENGINES -- TYPICAL



ENGINE VALVES, PUSH RODS, ROCKER ARM COVER and RELATED PARTS -- TYPICAL  
 1965/71 8 CYLINDER 352, 390, 427 and 428



ENGINE OIL PUMP and RELATED PARTS  
1965/72 6 CYLINDER 240

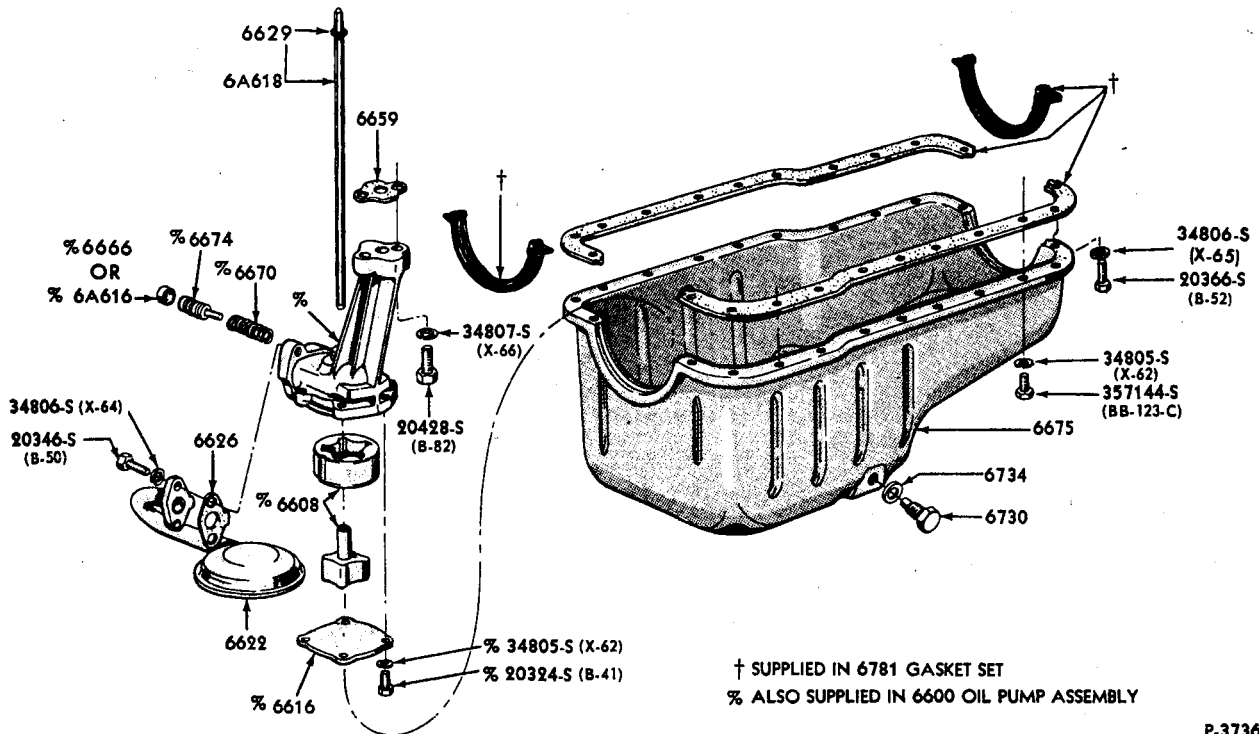


ENGINE SPLASH SHIELD  
1971/72 PINTO



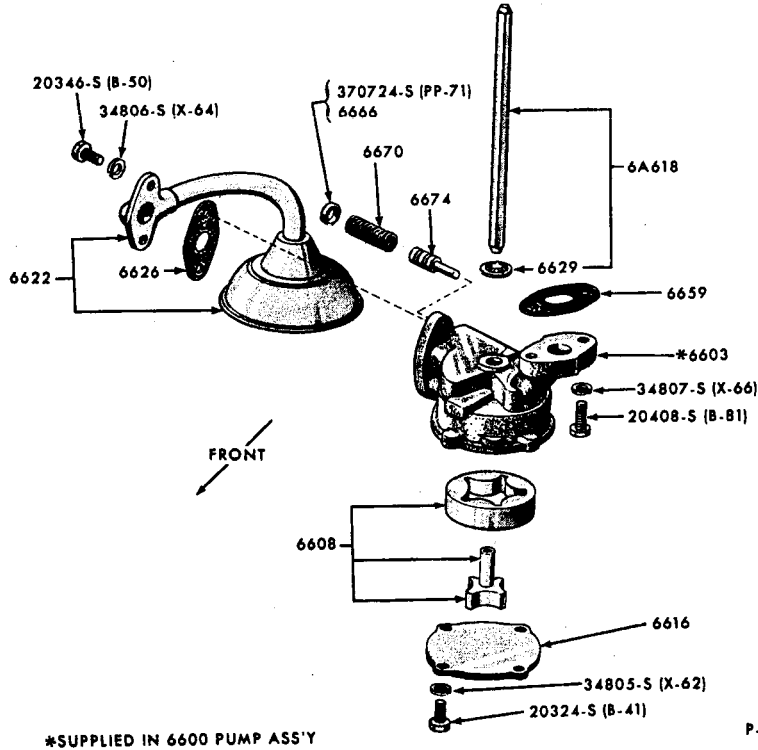
**ILLUSTRATION  
SECTION 66**

**FORD CAR PARTS**



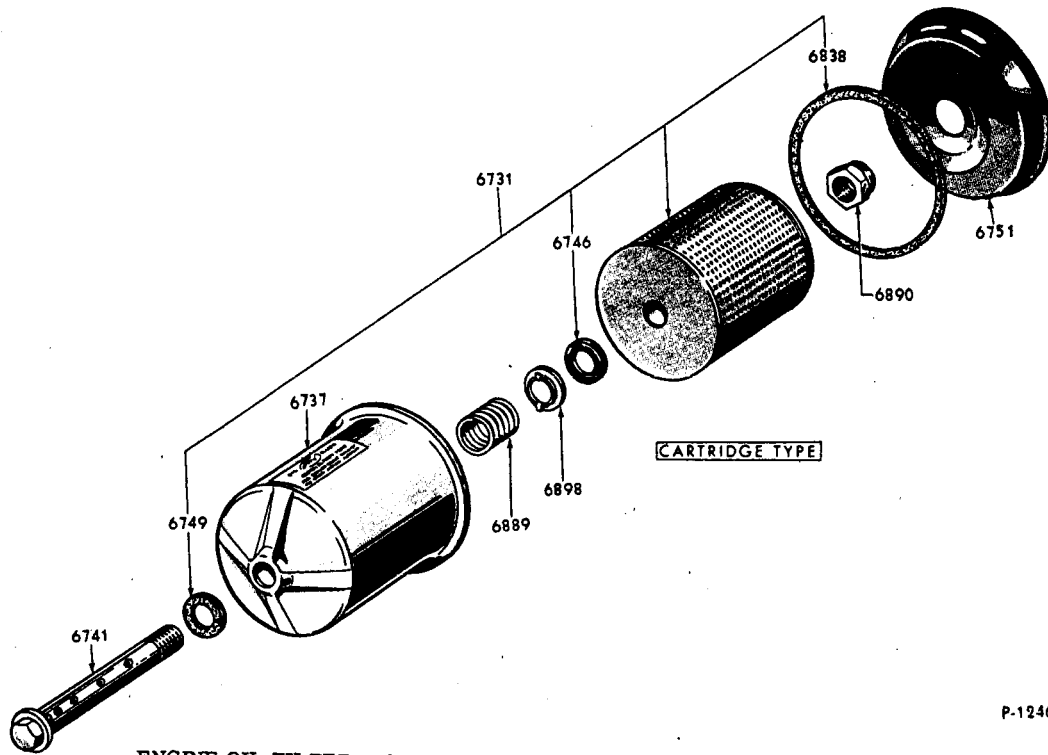
P-3736

**ENGINE OIL PUMP and RELATED PARTS -- TYPICAL  
1965/72 8 CYLINDER 260, 289, 302, 351, 400, 429 and 460**



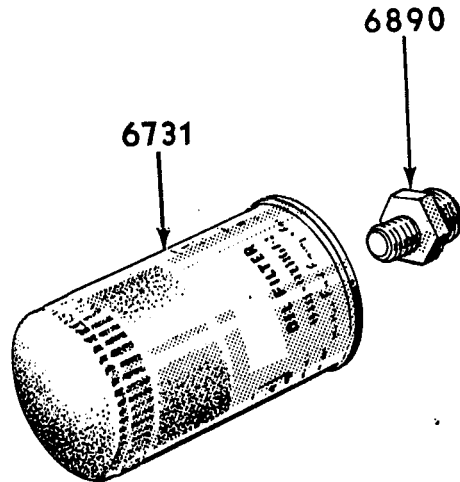
P-2476

**ENGINE OIL PUMP and RELATED PARTS -- TYPICAL  
1965/71 8 CYLINDER 352, 390, 427 and 428**



P-1246

ENGINE OIL FILTER and RELATED PARTS - CARTRIDGE TYPE -- TYPICAL  
1965/72 6 CYLINDER 170,200,240,250 and 8 CYLINDER 260,289,302 and 351

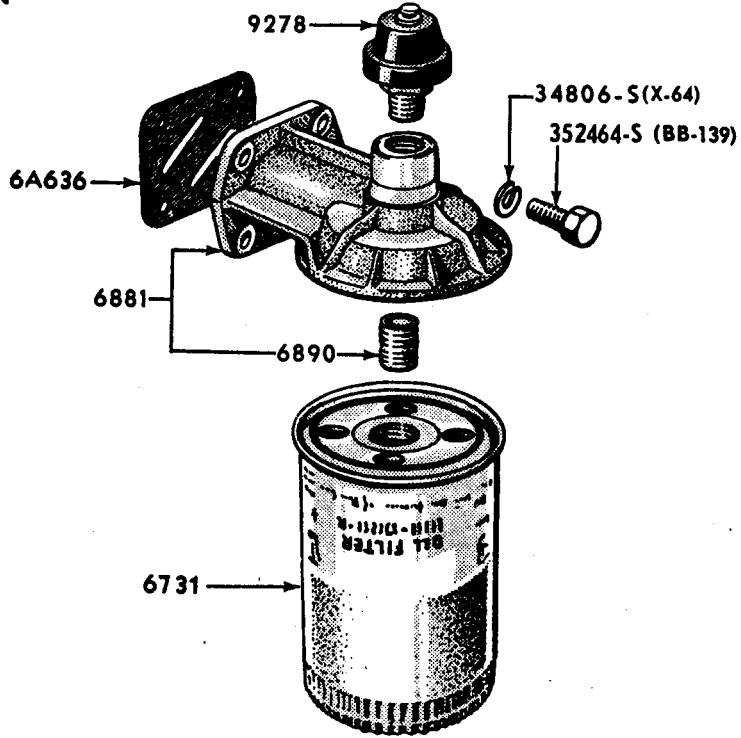


P-2384

ENGINE OIL FILTER and RELATED PARTS - SPIN-ON TYPE -- TYPICAL  
1965/72 6 CYLINDER 170,200,240,250 and 8 CYLINDER 260,289,302,351,352,390,400,427,428, 429 and 460

ILLUSTRATION  
SECTION 66

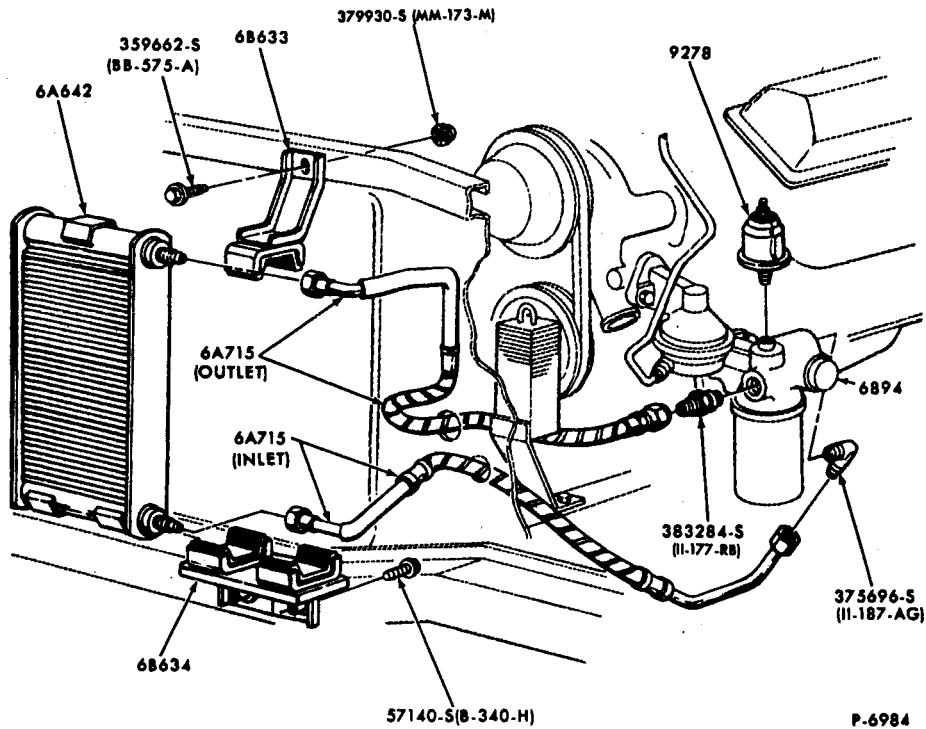
FORD CAR PARTS



SPIN ON TYPE

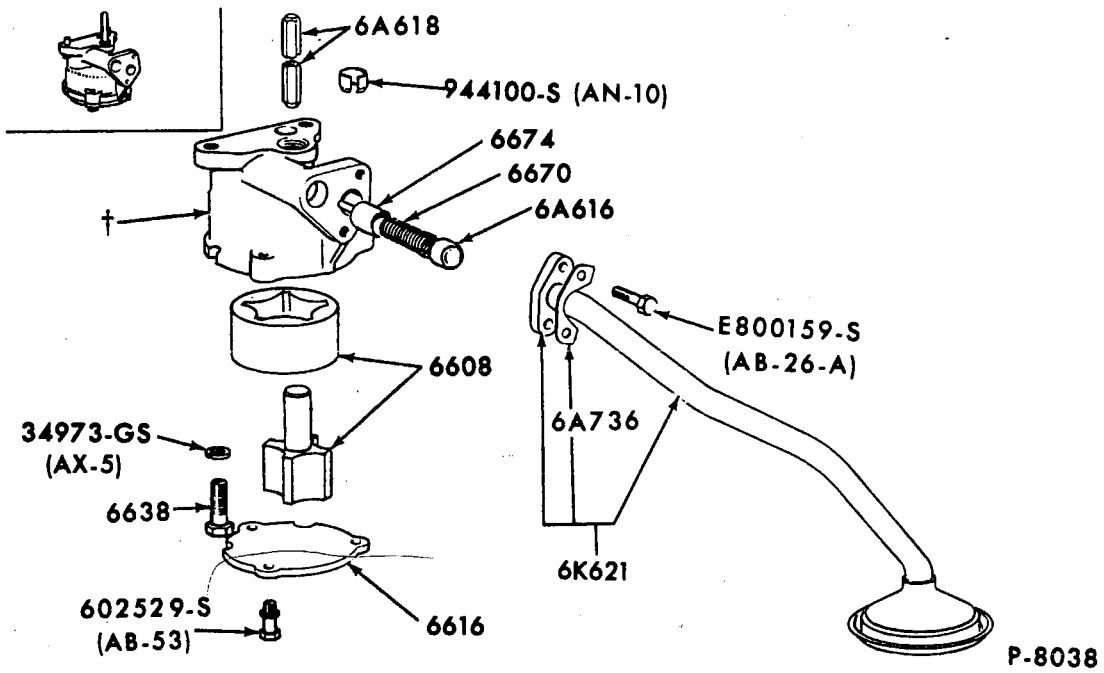
P-2486

ENGINE OIL FILTER, ADAPTER and RELATED PARTS -- TYPICAL  
1965 / 8 CYLINDER 352, 390, 400, 427, 428 and 429



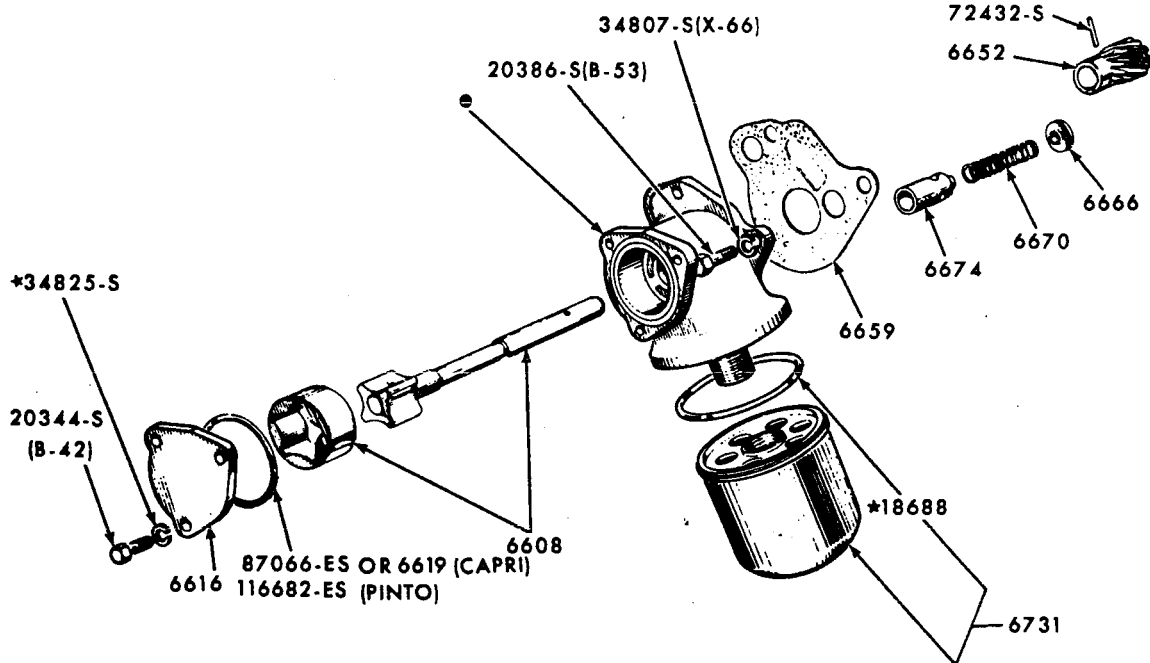
P-6984

ENGINE OIL COOLER SYSTEM  
1969/71 8 CYLINDER 302 BOSS, 428 SUPER CJ and 429 BOSS, 429S/CJ



† SUPPLIED ONLY IN ASSEMBLY-REFER TO GROUP 6600

ENGINE OIL PUMP  
1971/72 4 CYLINDER 122 O.H.C. ENGINE



•SERVICED ONLY IN ASSEMBLY-REFER TO GROUP 6600

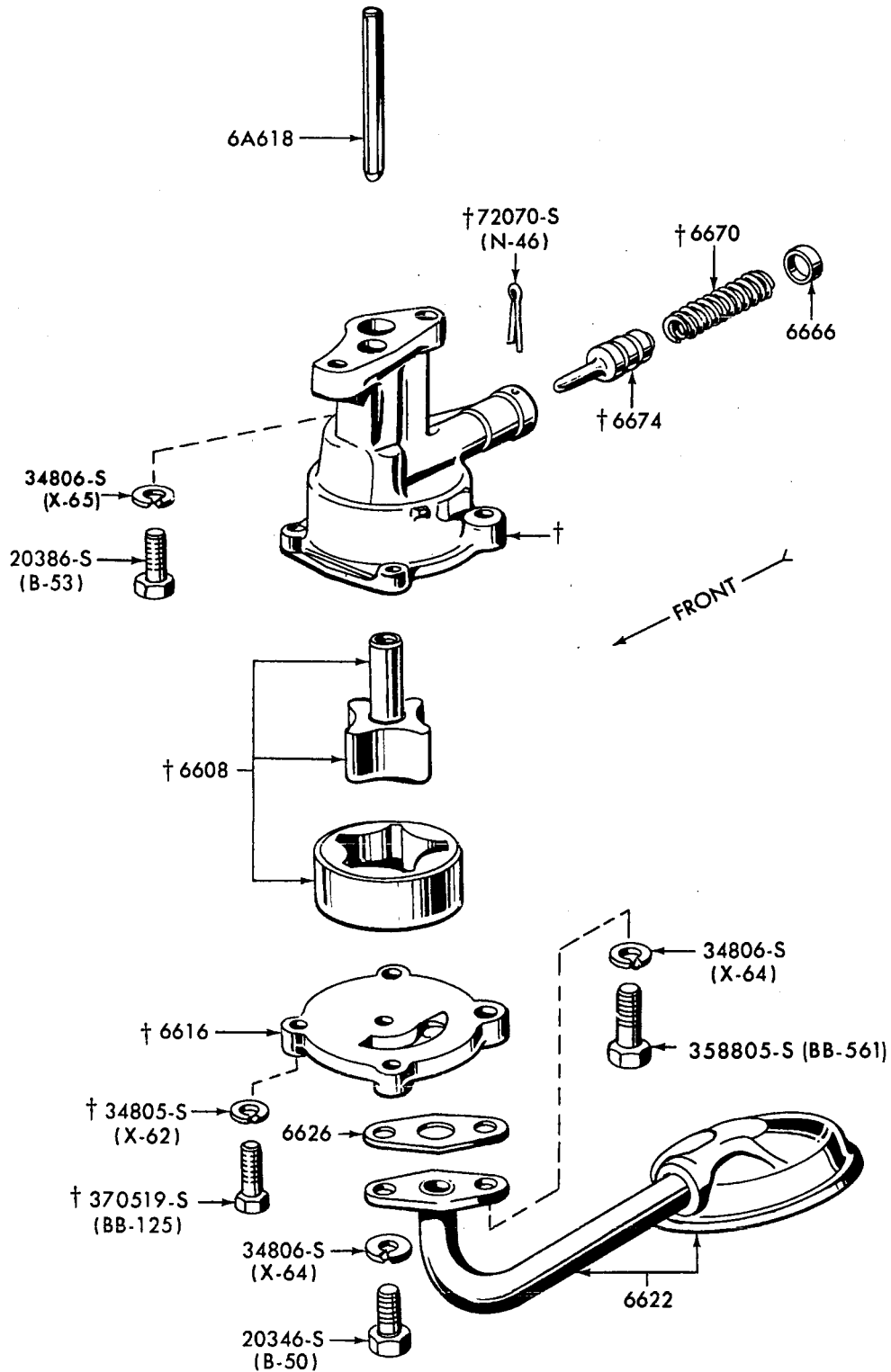
P-7592

ENGINE OIL PUMP and FILTER  
1971/72 4 CYLINDER 98 ENGINE

6

ILLUSTRATION  
SECTION 66

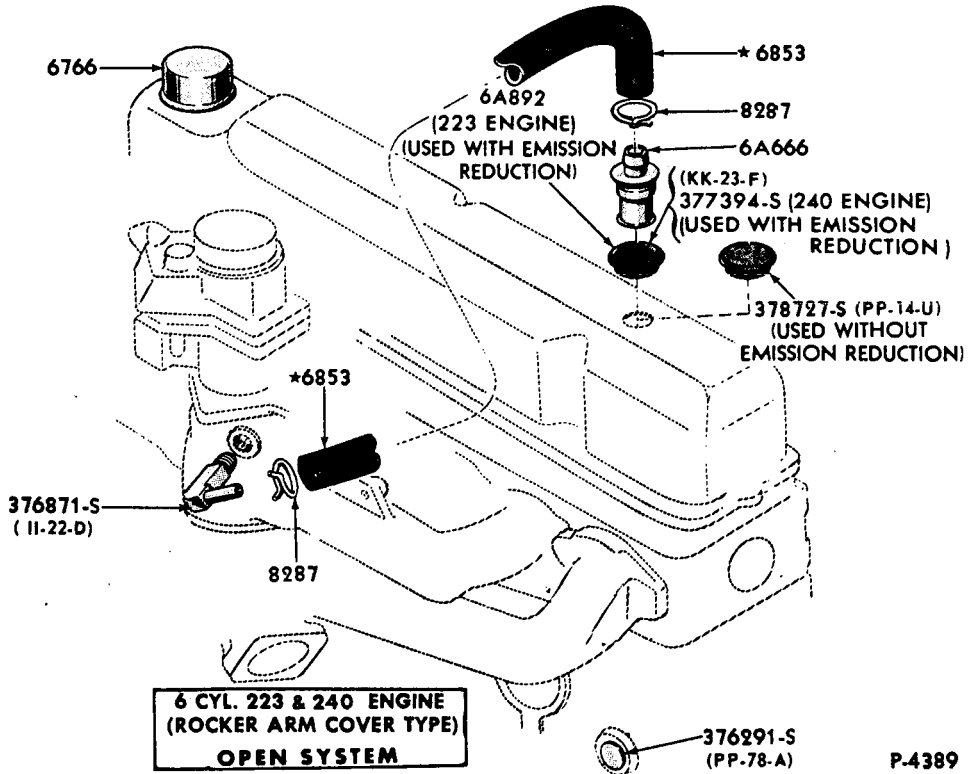
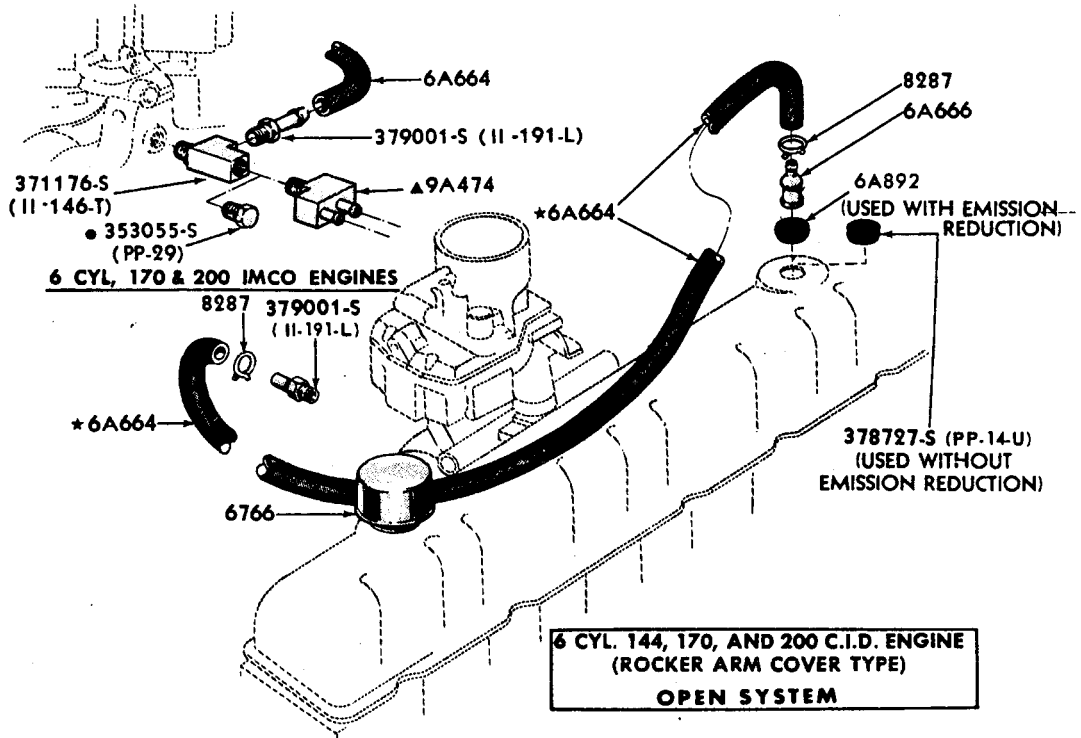
FORD CAR PARTS



† SUPPLIED IN 6600 PUMP ASSEMBLY

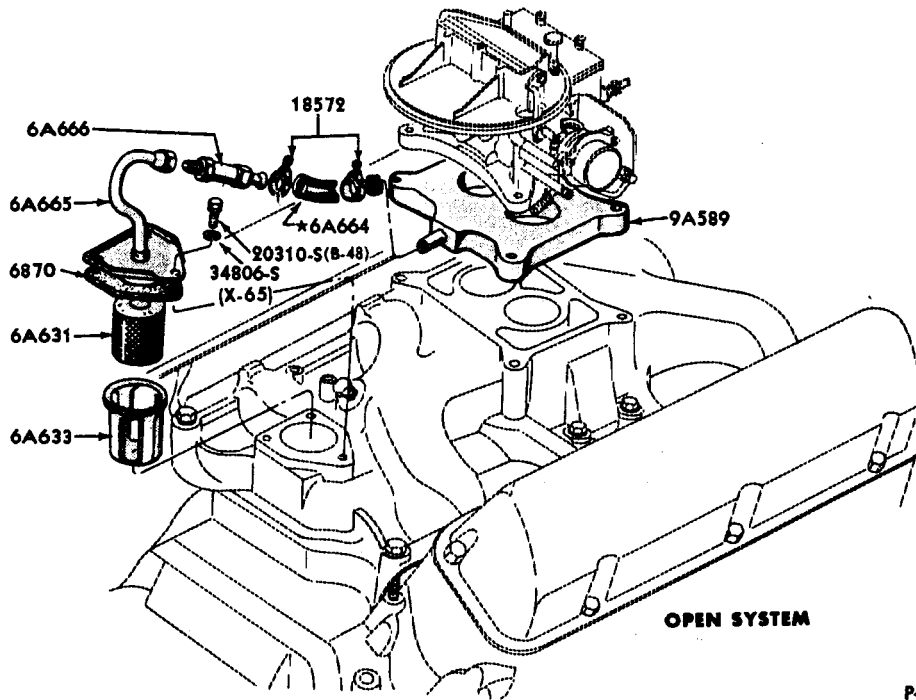
P-2963

ENGINE OIL PUMP and RELATED PARTS -- TYPICAL  
1965/72 6 CYLINDER 170, 200 and 250



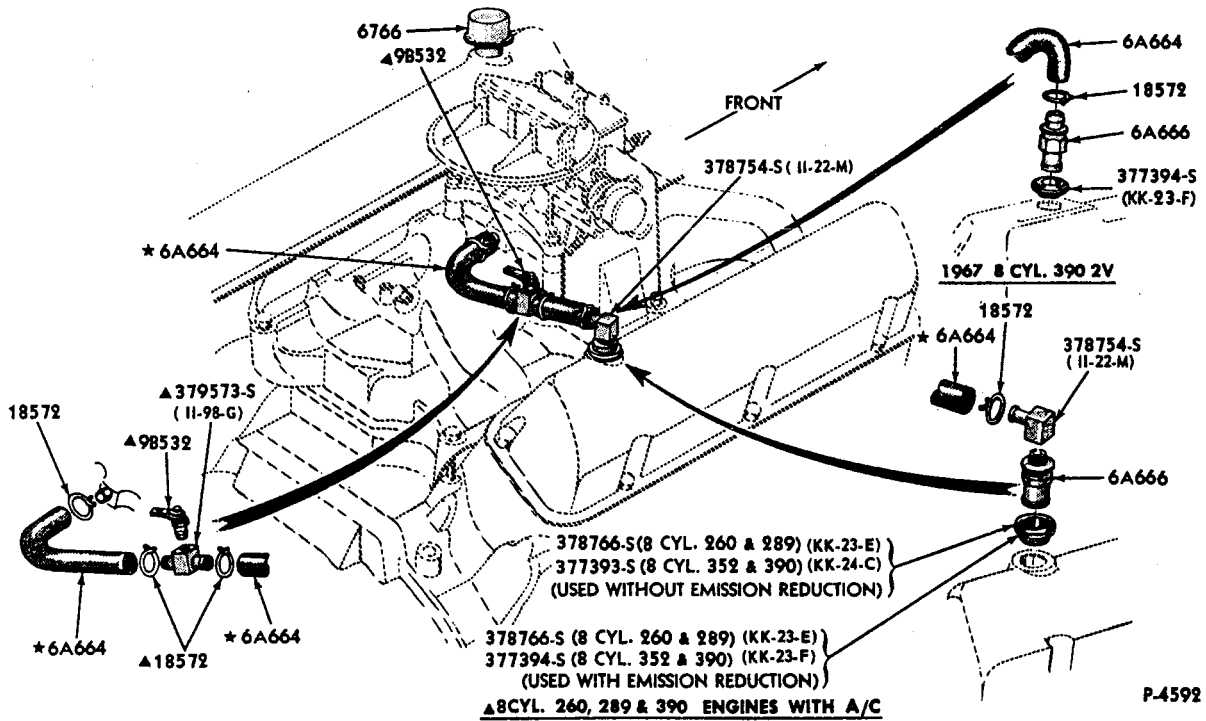
● WITHOUT VACUUM ACCESSORIES  
 ▲ WITH VACUUM ACCESSORIES

ENGINE EMISSION REDUCTION and RELATED PARTS - ROCKER ARM COVER TYPE  
 1965/70 6 CYLINDER 170, 200 and 240



P-4146

ENGINE EMISSION REDUCTION and RELATED PARTS - INTAKE MANIFOLD TYPE  
1965 8 CYLINDER 260 and 289



P-4592

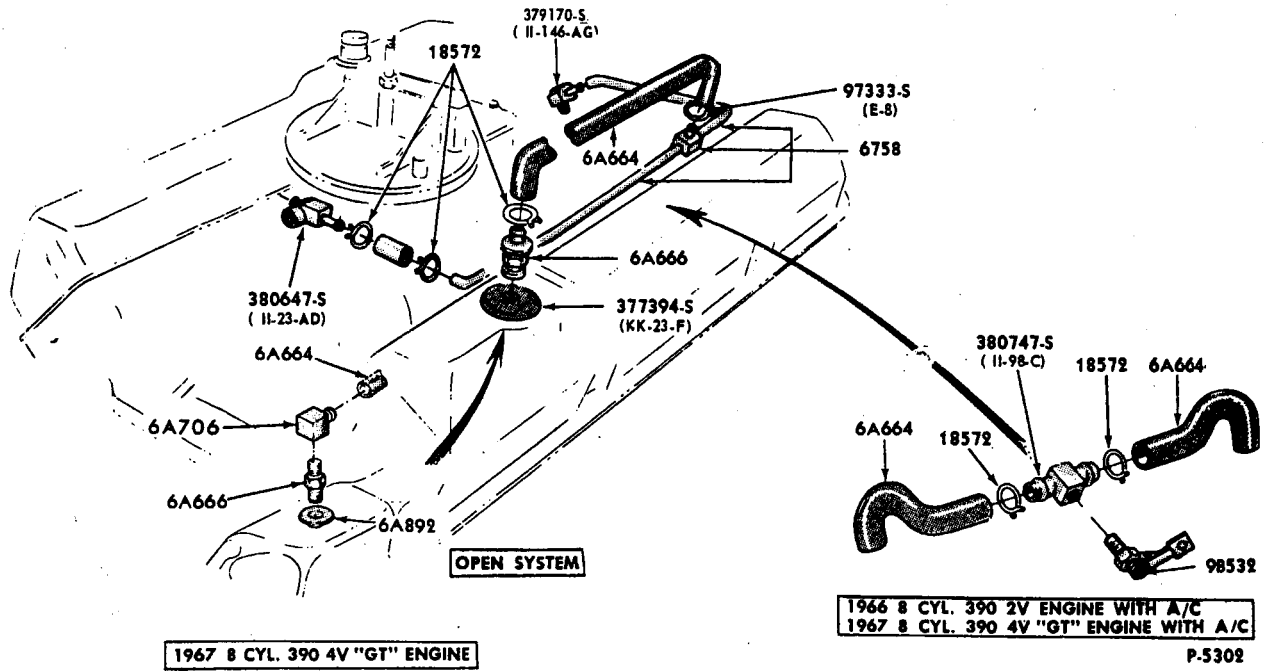
ENGINE EMISSION REDUCTION, HOT IDLE COMPENSATOR and RELATED PARTS - ROCKER ARM COVER TYPE  
1965/70 8 CYLINDER 260,289,302 and 352 1965 8 CYLINDER 390  
1967/70 8 CYLINDER 390 - 2/B CARBURETOR



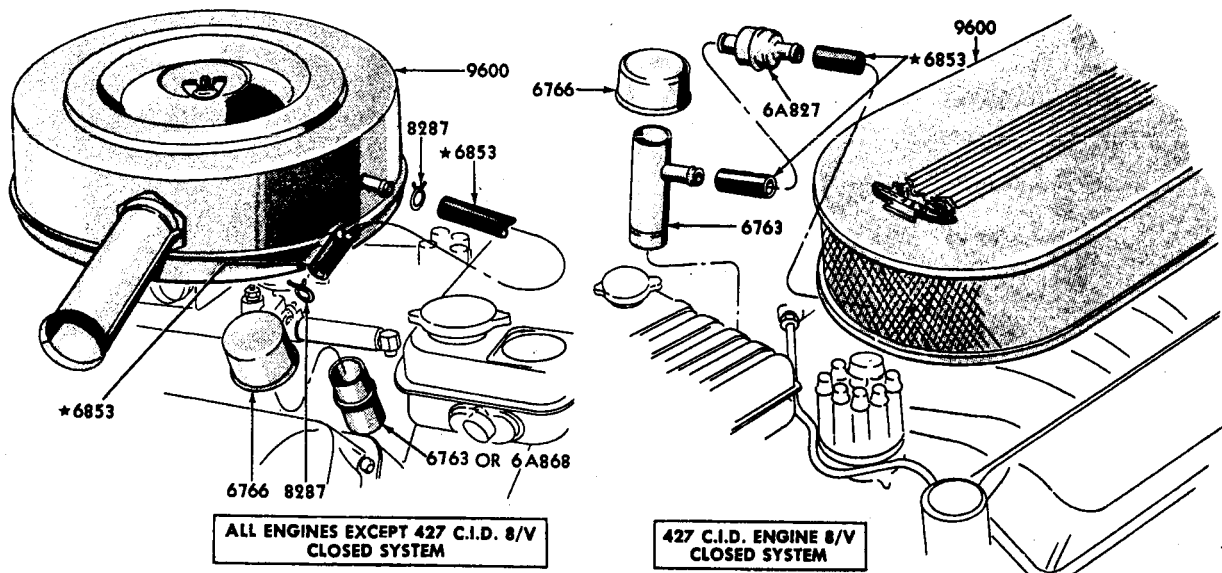


ILLUSTRATION SECTION 66.1

FORD CAR PARTS



ENGINE EMISSION REDUCTION, HOT IDLE COMPENSATOR and RELATED PARTS - ROCKER ARM COVER TYPE  
1966 8 CYLINDER 390 - 2/B CARB. 1966/70 8 CYLINDER 390,428 - 4/B CARB.

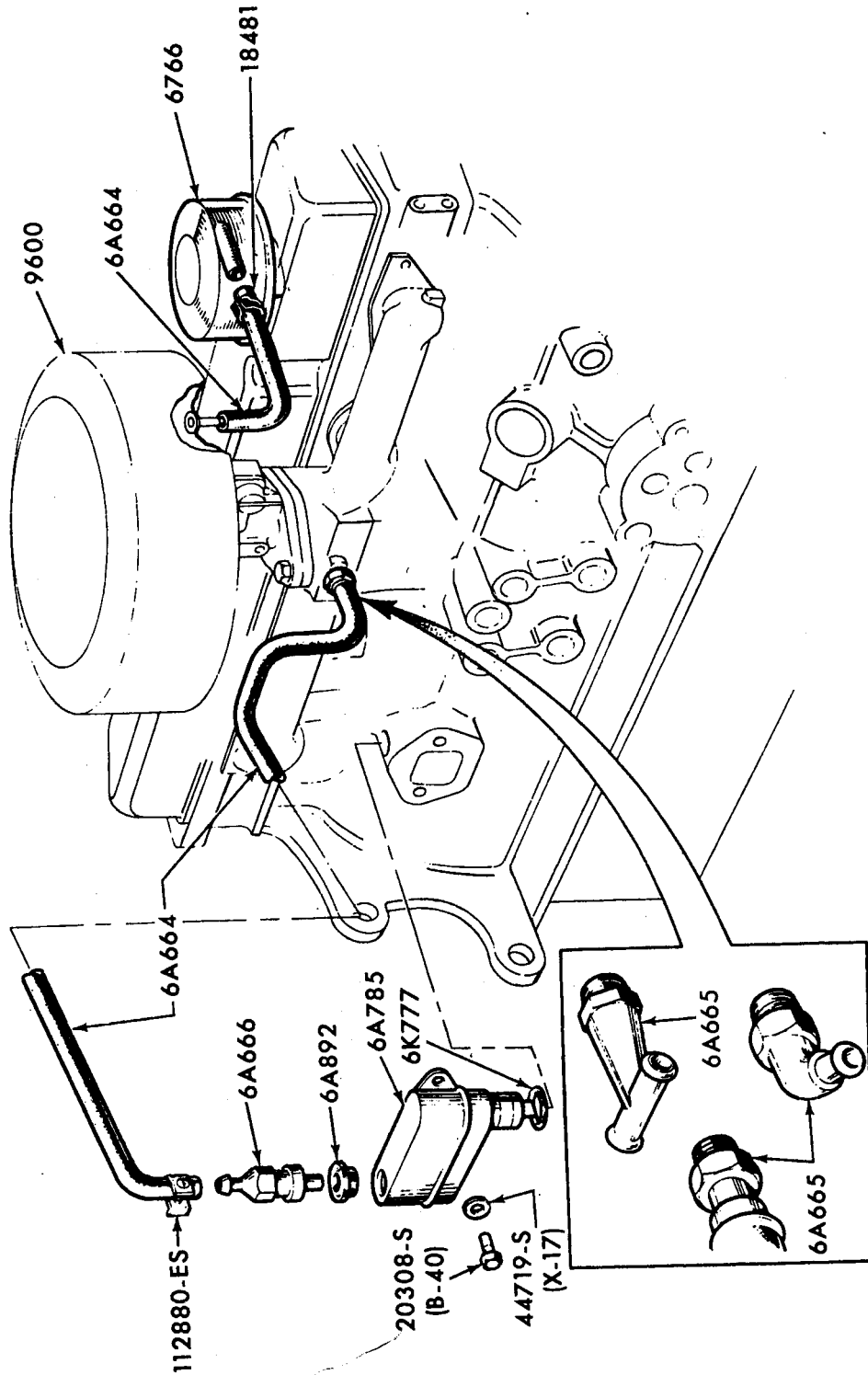


NOTE - ONLY AIR CLEANER OIL BREATHER CAP PORTION SHOWN.  
REFER TO PAGES 1 THRU 4 SECTION 66.1 FOR BALANCE OF EMISSION CONTROL SYSTEM

P.4575

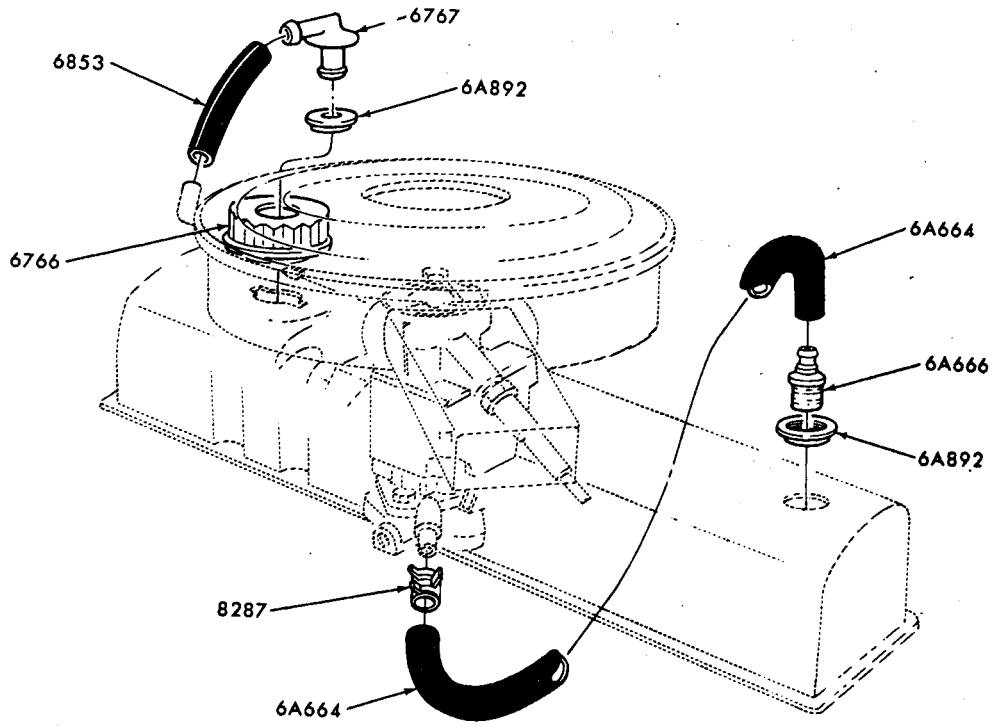
ENGINE EMISSION REDUCTION - AIR CLEANER OIL BREATHER CAP and RELATED PARTS - CLOSED SYSTEM  
1965/69 6 CYLINDER 170,200,240 and 8 CYLINDER 260,289,302,352,390,427,428

P-8025



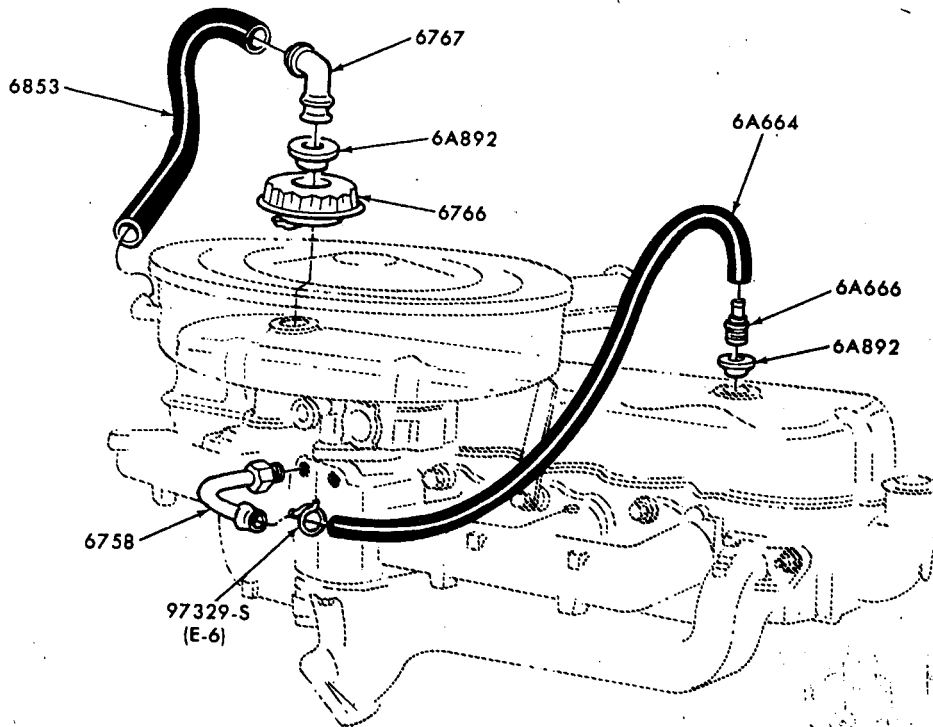
ENGINE CRANKCASE VENT SYSTEM  
1971/72 4 CYLINDER 98 (1600cc) ENGINE

# FORD CAR PARTS



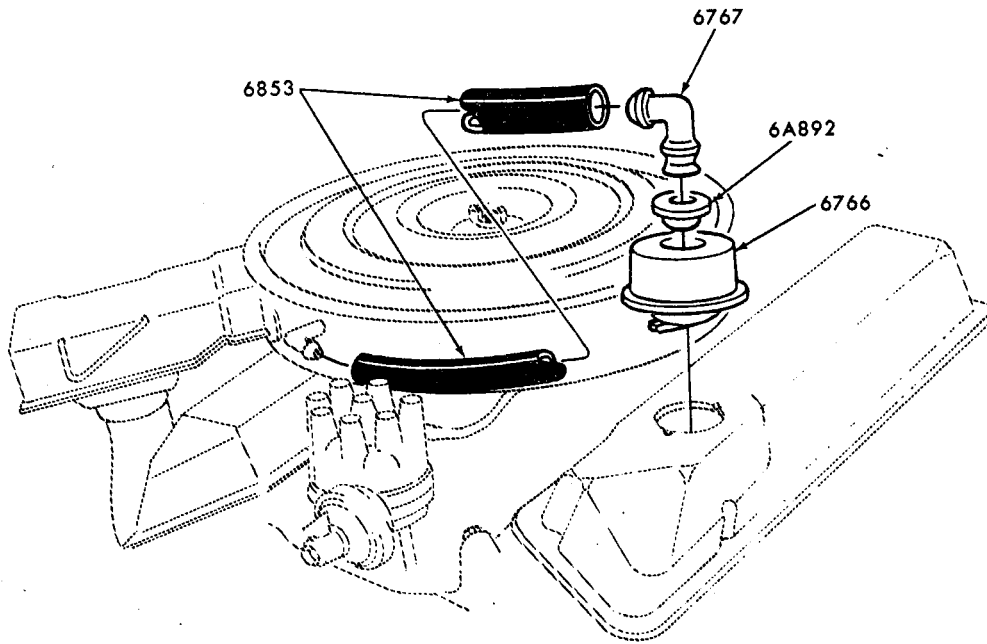
P-8408

ENGINE EMISSION REDUCTION SYSTEM  
1971/72 6 CYLINDER 170, 200, 250



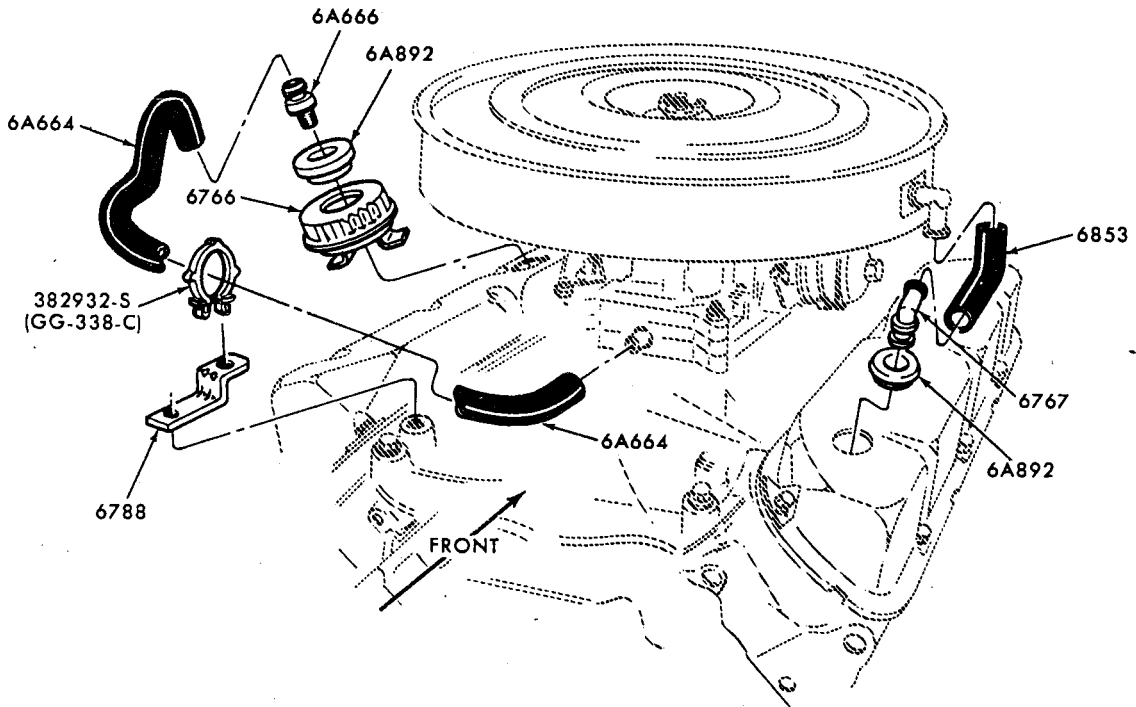
P-8409

ENGINE EMISSION REDUCTION SYSTEM  
1971/72 6 CYLINDER 240



P-8412

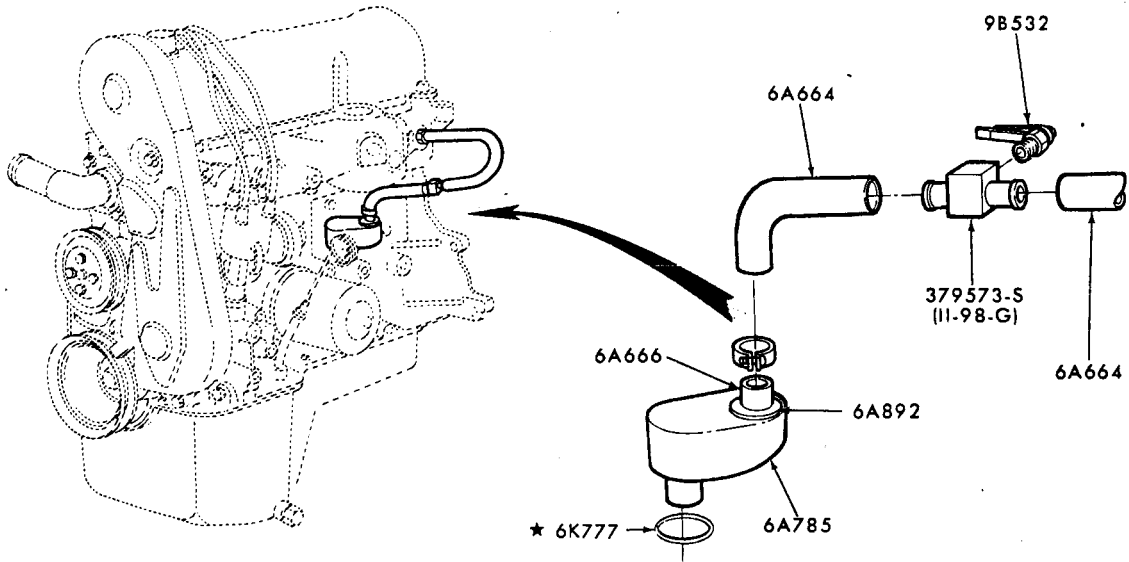
ENGINE EMISSION REDUCTION SYSTEM  
1971 8 CYLINDER 302 BOSS, 429



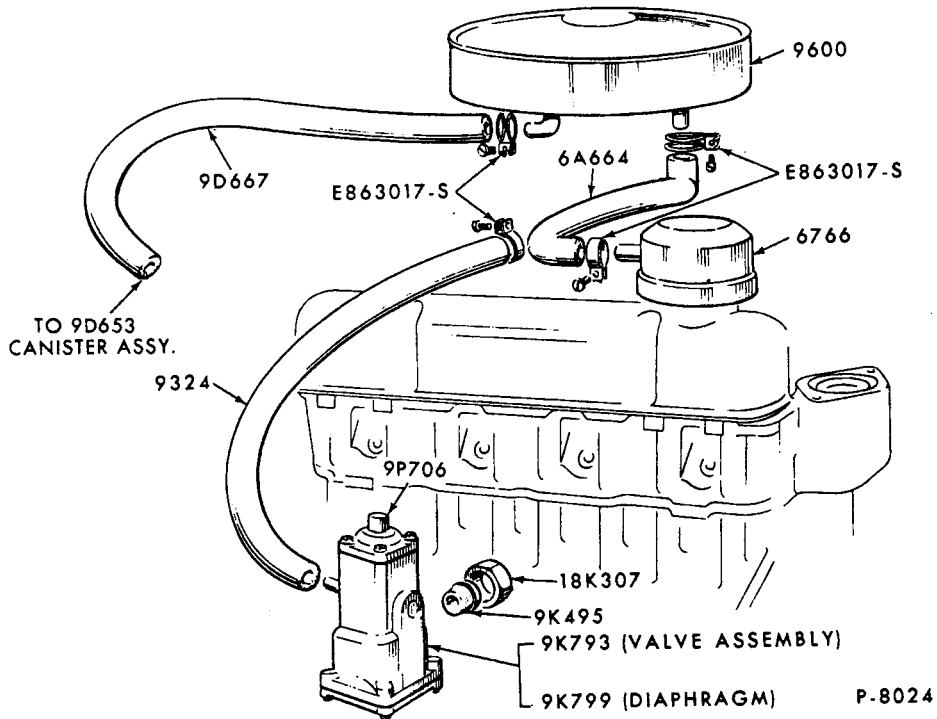
P-8413

ENGINE EMISSION REDUCTION SYSTEM  
1971/72 8 CYLINDER 302, 351, 400, 429 and 460

# FORD CAR PARTS



ENGINE HOT IDLE COMPENSATOR INSTALLATION  
1971/72 4 CYLINDER 122 (2000cc) WITH A/C



ENGINE EMISSION SYSTEM  
1971/72 4 CYLINDER 122 (2000cc)

### INDEX

THIS INDEX SECTION INCLUDES THE FOLLOWING MAJOR GROUPS :

CLUTCH & CLUTCH PEDAL GEAR SHIFT MECHANISM MANUAL TRANSMISSION	OVERDRIVE TRANSMISSION STEERING COLUMN & SHIFT PARTS TRANSFER CASE
--	--

TITLE	TRANS.	SECTION	PAGE	ILLUS. NO.
-------	--------	---------	------	------------

## 1965

### A (FORD)

EXTERNAL PARTS				
Clutch & clutch pedal	All	75	1	P-4595
Shift mechanism				
Steering column & column shift	All 3/S	72	2	P-4794
- floor shift	4/S	35	1	P-5495
Gear shift mechanism - console or floor mtd.				
- Ford 4 speed	F/4/S	73	2	P-5809
INTERNAL PARTS				
3 speed overdrive trans. - less extension	O/D	70	1	P-1914
- extension - 6 & 8 cyl. 240, 289	O/D	70	2	P-2228
- 8 cyl. 390	O/D	70	3	P-2144
Gear shift and interlock linkage	O/D	72	1	P-3917
3 speed manual transmission - 3.0S type	3/S	70	5	P-4012
4 speed manual trans. - Ford 4 speed	4/S	70	8	P-4424

### B (FAIRLANE)

EXTERNAL PARTS				
Clutch & clutch pedal	All	75	3	P-3738
Clutch pedal	All	75	2	P-3674
Shift mechanism				
Steering column - column shift	All 3/S	72	3	P-3712
- floor shift	4/S	35	2	P-3724
Gear shift mechanism - console or floor mtd.				
- Ford 4 speed	F/4/S	73	4	P-5810
- Warner 4 speed	W/4/S	73	1	P-3745
INTERNAL PARTS				
3 speed overdrive trans. - less extension	O/D	70	1	P-1914
- extension	O/D	70	2	P-2228
3 speed manual trans. - 2.77 type	3/S	70	4	P-2966
- 3.03 type	3/S	70	5	P-4012
4 speed manual trans.				
- Ford 4 speed	F/4/S	70	8	P-4424
- Warner 4 speed less forks, levers & cover	W/4/S	70	7	P-3744
- Warner 4 speed forks, levers & cover	W/4/S	73	1	P-3745

### F (MUSTANG)

EXTERNAL PARTS				
Clutch, clutch pedal	All	75	5	P-4472
Shift mechanism				
Steering column - floor shift	All	35	4	P-6366
Gear shift mechanism - console or floor mtd.				
- 3 speed trans.	3/S	73	3	P-4516
- Ford 4 speed	F/4/S	73	4	P-5810
- Warner 4 speed	W/4/S	73	1	P-3745
- Dagenham 4 speed	D/4/S	73	5	P-3904

B

ILLUSTRATION  
SECTION 70

## FORD CAR PARTS

## INDEX

TITLE	TRANS.	SECTION	PAGE	ILLUS. NO.
-------	--------	---------	------	------------

1965

## F (MUSTANG)

INTERNAL PARTS				
3 speed manual trans. - 2.77 type	3/S	70	4	P-2966
- 3.03 type	3/S	70	5	P-4012
4 speed manual trans.				
- Ford 4 speed	F/4/S	70	8	P-4424
- Warner 4 speed less forks, levers & cover	W/4/S	70	7	P-3744
- Warner 4 speed forks, levers & cover	W/4/S	73	1	P-3745
- Dagenham 4 speed less forks, levers & cover	D/4/S	70	6	P-3903
- Dagenham 4 speed forks, levers & cover	D/4/S	73	5	P-3904

## X (FALCON)

EXTERNAL PARTS				
Clutch & related parts	All	75	8	P-3141
Clutch pedal & brake pedal	All	75	7	P-3130
Shift mechanism				
Steering column - column shift	3/S	72	4	P-4600
- floor shift	All 4/S	35	4	P-6366
Gear shift mechanism - console or floor mtd.				
- Ford 4 speed	F/4/S	73	4	P-5810
- Warner 4 speed	W/4/S	73	1	P-3745
INTERNAL PARTS				
3 speed manual trans. - 2.77 type	3/S	70	4	P-2966
- 3.03 type	3/S	70	5	P-4012
4 speed manual trans.				
- Ford 4 speed	F/4/S	70	8	P-4424
- Warner 4 speed less forks, levers & cover	W/4/S	70	7	P-3744
- Warner 4 speed forks, levers & cover	W/4/S	73	1	P-3745

1966

## A (FORD)

EXTERNAL PARTS				
Clutch & clutch pedal	All	75	1	P-4595
Shift mechanism				
Steering column - column shift	All 3/S	72	2	P-4794
- floor shift	All	35	1	P-5495
Gear shift mechanism - console or floor mtd.				
- Ford 4 speed	F/4/S	73	2	P-5809
INTERNAL PARTS				
3 speed overdrive trans. - less extension	O/D	70	1	P-1914
- extension-6 & 8 cyl. 240, 289	O/D	70	2	P-2228
- 8 cyl. 352, 390	O/D	70	3	P-2144
Gear shift & interlock linkage	O/D	72	1	P-3917
3 speed manual transmission - 3.03 type	3/S	70	5	P-4012
4 speed manual trans. - Ford 4 speed	F/4/S	70	8	P-4424

# FORD CAR PARTS

# ILLUSTRATION SECTION 70

C

## INDEX

TITLE	TRANS.	SECTION	PAGE	ILLUS. NO.
<b>1966</b>				
<b>B (FAIRLANE)</b>				
<b>EXTERNAL PARTS</b>				
Clutch & clutch pedal	All	75	4	P-4983
Shift mechanism				
Steering column - column shift	All 3/S	72	5	P-5000
- floor shift	All	35	3	P-5138
Gear shift mechanism - console or floor mtd.				
- 3 speed trans.	3/S	73	3	P-4516
- Ford 4 speed	F/4/S	73	4	P-5810
<b>INTERNAL PARTS</b>				
3 speed overdrive trans. - less extension	O/D	70	1	P-1914
- extension	O/D	70	2	P-2228
3 speed manual trans. - 2.77 type	3/S	70	4	P-2966
- 3.03 type	3/S	70	5	P-4012
4 speed manual trans. - Ford 4 speed	F/4/S	70	8	P-4424
<b>F (MUSTANG)</b>				
<b>EXTERNAL PARTS</b>				
Clutch & clutch pedal	All	75	5	P-4472
Shift mechanism				
Steering column - floor shift	All	35	4	P-6366
Gear shift mechanism - console or floor mtd.				
- 3 speed trans.	3/S	73	3	P-4516
- Ford 4 speed	F/4/S	73	4	P-5810
- Warner 4 speed	W/4/S	73	1	P-3745
- Dagenham 4 speed	D/4/S	73	5	P-3904
<b>INTERNAL PARTS</b>				
3 speed manual trans. - 2.77 type	3/S	70	4	P-2966
- 3.03 type	3/S	70	5	P-4012
4 speed manual trans.				
- Ford 4 speed	F/4/S	70	8	P-4424
- Warner 4 speed less forks, levers & cover	W/4/S	70	7	P-3744
- Warner 4 speed forks, levers & cover	W/4/S	73	1	P-3745
- Dagenham 4 speed less forks, levers & cover	D/4/S	70	6	P-3903
- Dagenham 4 speed forks, levers & cover	D/4/S	73	5	P-3904
<b>U (BRONCO)</b>				
<b>EXTERNAL PARTS</b>				
Clutch & clutch pedal	3/S	75	6	P-4972
Shift mechanism				
Steering column & trans. shift mechanism	3/S	35	7	P-4962
Transfer case shift linkage - Before Ser. 830,001		72	6	P-5229
- From Ser. 830,001		72	6	P-5202
<b>INTERNAL PARTS</b>				
3 speed manual trans. - 3.03 type	3/S	70	5	P-4012
Transfer case (7E028) parts		70	9	P-5149



D

ILLUSTRATION  
SECTION 70

## FORD CAR PARTS

## INDEX

TITLE	TRANS.	SECTION	PAGE	ILLUS. NO.
<b>1966</b>				
<b>X (FALCON)</b>				
<b>EXTERNAL PARTS</b>				
Clutch pedal	All	75	4	P-4983
Shift mechanism				
Steering column - column shift	3/S	72	5	P-5000
- floor shift	All 4/S	35	3	P-5138
Gear shift mechanism - console or floor mtd.				
- Ford 4 speed	F/4/S	73	4	P-5810
- Warner 4 speed	W/4/S	73	1	P-3745
<b>INTERNAL PARTS</b>				
3 speed manual trans. - 2.77 type	3/S	70	4	P-2966
- 3.03 type	3/S	70	5	P-4012
4 speed manual trans. - Ford design	F/4/S	70	8	P-4424
- Warner 4 speed less forks, levers & cover	W/4/S	70	7	P-3744
- Warner 4 speed forks, levers & cover	W/4/S	73	1	P-3745
<b>1967</b>				
<b>A (FORD)</b>				
<b>EXTERNAL PARTS</b>				
Clutch & clutch pedal	All	75	1	P-4595
Shift mechanism				
Steering column - column shift	All 3/S	72	7	P-5496
- floor shift	4/S	35	1	P-5495
Gear shift mechanism - console or floor mtd.				
- Ford 4 speed	F/4/S	73	2	P-5809
<b>INTERNAL PARTS</b>				
3 speed overdrive trans. - less extension	O/D	70	1	P-1914
- extension - 6 cyl. 240, 289	O/D	70	2	P-2228
- 8 cyl. 352, 390	O/D	70	3	P-2144
Gear shift & interlock linkage	O/D	72	1	P-3917
3 speed manual transmission - 3.03 type	3/S	70	5	P-4012
4 speed manual trans. - Ford design	F/4/S	70	8	P-4424
<b>B (FAIRLANE)</b>				
<b>EXTERNAL PARTS</b>				
Clutch & clutch pedal	All	75	9	P-5514
Shift mechanism				
Steering column - column shift	All 3/S	72	5	P-5000
- floor shift	All	35	3	P-5138
Gear shift mechanism - console or floor mtd.				
- 3 speed trans.	3/S	73	3	P-4516
- Ford 4 speed	F/4/S	73	4	P-5810
<b>INTERNAL PARTS</b>				
3 speed overdrive trans. - less extension	O/D	70	1	P-1914
- extension	O/D	70	2	P-2228
3 speed manual trans. - 3.03 type	3/S	70	5	P-4012
4 speed manual trans. - Ford 4 speed	F/4/S	70	8	P-4424

**INDEX**

TITLE	TRANS.	SECTION	PAGE	ILLUS. NO.
-------	--------	---------	------	------------

**1967**

**F (MUSTANG)**

EXTERNAL PARTS				
Clutch & clutch pedal	All	75	11	P-5513
Shift mechanism				
Steering column - floor shift - fixed wheel	All	35	6	P-5710
- tilt wheel	All	35	5	P-5622
Gear shift mechanism - console or floor mtd.				
- Ford 4 speed	F/4/S	73	4	P-5810
- 3 speed trans.	3/S	73	3	P-4516
INTERNAL PARTS				
3 speed manual trans. - 3.03 type	3/S	70	5	P-4012
4 speed manual trans. - Ford 4 speed	F/4/S	70	8	P-4424

**U (BRONCO)**

EXTERNAL PARTS				
Clutch & clutch pedal	3/S	75	6	P-4972
Shift mechanism				
Steering column & trans. shift mechanism	3/S	35	7	P-4962
Transfer case shift linkage		72	6	P-5202
INTERNAL PARTS				
3 speed manual trans. - 3.03 type	3/S	70	5	P-4012
Transfer case (7E028) parts		70	9	P-5149

**X (FALCON)**

EXTERNAL PARTS				
Clutch & clutch pedal	All	75	9	P-5514
Shift mechanism				
Steering column - column shift	3/S	72	5	P-5000
- floor shift	All 4/S	35	3	P-5138
Gear shift mechanism - console or floor mtd.				
- Ford 4 speed	F/4/S	73	4	P-5810
INTERNAL PARTS				
3 speed manual trans. - 2.77 type	3/S	70	4	P-2966
- 3.03 type	3/S	70	5	P-4012
4 speed manual trans. - Ford 4 speed	F/4/S	70	8	P-4424

**1968**

**A (FORD)**

EXTERNAL PARTS				
Clutch & clutch pedal	All	75	1	P-4595
Shift mechanism				
Steering column - column shift	3/S	72	8	P-5985
- floor shift - fixed	4/S	35	8	P-5984
- tilt	4/S	35	9	P-6016
Gear shift mechanism - console or floor mtd.				
- Ford 4 speed	F/4/S	73	6	P-6195
INTERNAL PARTS				
3 speed manual trans. - 3.03 type	3/S	70	5	P-4012
4 speed manual trans. - Ford 4 speed	F/4/S	70	8	P-4424

F

**ILLUSTRATION  
SECTION 70**
**FORD CAR PARTS**
**INDEX**

TITLE	TRANS.	SECTION	PAGE	ILLUS. NO.
<b>1968</b>				
<b>B (FAIRLANE/TORINO)</b>				
<b>EXTERNAL PARTS</b>				
Clutch & clutch pedal	All	75	10	P-6541
Shift mechanism				
Steering column - column shift	3/S	72	9	P-6019
- floor shift	All	35	10	P-6018
Gear shift mechanism - console or floor mtd.				
- 3 speed trans.	3/S	73	3	P-4516
- Ford 4 speed	F/4/S	73	4	P-5810
<b>INTERNAL PARTS</b>				
3 speed manual trans. - 3.03 type	3/S	70	5	P-4012
4 speed manual trans. - Ford 4 speed	F/4/S	70	8	P-4424
<b>F (MUSTANG)</b>				
<b>EXTERNAL PARTS</b>				
Clutch pedal	All	75	11	P-5513
Shift mechanism				
Steering column - floor shift - fixed wheel	All	35	12	P-5770
- tilt wheel	All	35	11	P-5769
Gear shift mechanism - console or floor mtd.				
- 3 speed trans.	3/S	73	3	P-4516
- Ford 4 speed	F/4/S	73	4	P-5810
<b>INTERNAL PARTS</b>				
3 speed manual trans. - 3.03 type	3/S	70	5	P-4012
4 speed manual trans. - Ford 4 speed	F/4/S	70	8	P-4424
<b>U (BRONCO)</b>				
<b>EXTERNAL PARTS</b>				
Clutch & clutch pedal	3/S	75	6	P-4972
Shift mechanism				
Steering column & trans. shift mechanism	3/S	35	7	P-4982
Transfer case shift linkage		72	6	P-5202
<b>INTERNAL PARTS</b>				
3 speed manual trans. - 3.03 type	3/S	70	5	P-4012
Transfer case (7E028) parts		70	9	P-5149
<b>X (FALCON)</b>				
<b>EXTERNAL PARTS</b>				
Clutch & clutch pedal	All	75	10	P-6541
Shift mechanism				
Steering column - column shift	3/S	72	9	P-6019
- floor shift	3/S	35	10	P-6018
Gear shift mechanism - console or floor mtd.				
- Ford 4 speed	F/4/S	73	4	P-5810
<b>INTERNAL PARTS</b>				
3 speed manual trans. - 3.03 type	3/S	70	5	P-4012
4 speed manual trans. - Ford 4 speed	F/4/S	70	8	P-4424

### INDEX

TITLE	TRANS.	SECTION	PAGE	ILLUS. NO.
-------	--------	---------	------	------------

## 1969

#### A (FORD)

EXTERNAL PARTS				
Clutch & clutch pedal	All	75	12	P-6724
Shift mechanism				
Steering column - column shift	3/S	72	10	P-6785
- floor shift - fixed	4/S	35	13	P-6786
- tilt	4/S	35	14	P-6787
Gear shift mechanism - console or floor mtd.				
- Ford 4 speed	F/4/S	73	6	P-6195
INTERNAL PARTS				
3 speed manual trans. - 3.03 type	3/S	70	5	P-4012
4 speed manual trans. - Ford 4 speed	F/4/S	70	8	P-4424

#### B (FAIRLANE/TORINO)

EXTERNAL PARTS				
Clutch & clutch pedal	All	75	10	P-6541
Shift mechanism				
Steering column - column shift	3/S	72	9	P-6019
- floor shift	All	35	10	P-6018
Gear shift mechanism - console or floor mtd.				
- 3 speed trans.	3/S	73	7	P-6794
- Ford 4 speed	F/4/S	73	8	P-6793
INTERNAL PARTS				
3 speed manual trans. - 3.03 type	3/T	70	5	P-4012
4 speed manual trans. - Ford 4 speed	F/4/S	70	8	P-4424

#### F (MUSTANG)

EXTERNAL PARTS				
Clutch pedal	All	75	13	P-6756
Shift mechanism				
Steering column - floor shift - fixed wheel	All	35	15	P-6781
- tilt wheel	All	35	16	P-6782
Gear shift mechanism - console or floor mtd.				
- 3 speed trans.	3/S	73	7	P-6794
- Ford 4 speed	F/4/S	73	8	P-6793
INTERNAL PARTS				
3 speed manual trans. - 3.03 type	3/S	70	5	P-4012
4 speed manual trans. - Ford 4 speed	F/4/S	70	8	P-4424

#### U (BRONCO)

EXTERNAL PARTS				
Clutch & clutch pedal	3/S	75	6	P-4972
Shift mechanism				
Steering column & trans. shift mechanism	3/S	35	7	P-4962
Transfer case shift linkage		72	6	P-5202
INTERNAL PARTS				
3 speed manual trans. - 3.03 type	3/S	70	5	P-4012
Transfer case (7E028) parts		70	9	P-5149

H

**ILLUSTRATION  
SECTION 70**
**FORD CAR PARTS**
**INDEX**

TITLE	TRANS.	SECTION	PAGE	ILLUS. NO.
<b>1969</b>				
<b>X (FALCON)</b>				
<b>EXTERNAL PARTS</b>				
Clutch & clutch pedal	All	75	10	P-6541
Shift mechanism				
Steering column - column shift	3/S	72	9	P-6019
Gear shift mechanism - console or floor mtd. - Ford 4 speed	F/4/S	73	8	P-6793
<b>INTERNAL PARTS</b>				
3 speed manual trans. - 3.03 type	3/S	70	5	P-4012
<b>1970</b>				
<b>A (FORD)</b>				
<b>EXTERNAL PARTS</b>				
Clutch & clutch pedal	All	75	12	P-6724
Shift mechanism				
Steering column - column shift	3/S	72	12	P-7244
<b>INTERNAL PARTS</b>				
3 speed manual trans. - 3.03 type	3/S	70	5	P-4012
<b>B (FAIRLANE/TORINO)</b>				
<b>B (FALCON)-FROM 1/2/70</b>				
<b>EXTERNAL PARTS</b>				
Clutch & clutch pedal	All	75	15	P-7306
Shift mechanism				
Steering column - column shift	3/S	72	13	P-7247
- floor shift	4/S	35	19	P-7248
Gear shift mechanism - console or floor mtd.				
- 3 speed trans.	3/S	73	7	P-6794
- 4 speed (Hurst)	4/S	73	9	P-7499
<b>INTERNAL PARTS</b>				
3 speed manual trans. - 3.03 type	3/S	70	5	P-4012
4 speed manual trans. - Ford 4 speed	F/4/S	70	8	P-4424
<b>F (MUSTANG)</b>				
<b>EXTERNAL PARTS</b>				
Clutch & clutch pedal	All	75	13	P-6756
Shift mechanism				
Steering column - floor shift - fixed wheel	All	35	20	P-7245
- tilt wheel	All	35	21	P-7246
Gear shift mechanism - console or floor mtd.				
- 3 speed trans.	3/S	73	7	P-6794
- 4 speed (Hurst)	4/S	73	9	P-7499
<b>INTERNAL PARTS</b>				
3 speed manual trans. - 3.03 type	3/S	70	5	P-4012
4 speed manual trans. - Ford 4 speed	F/4/S	70	8	P-4424
<b>P (MAVERICK)</b>				
<b>EXTERNAL PARTS</b>				
Clutch & clutch pedal	3/S	75	14	P-6883
Shift mechanism				
Steering column - column shift(non-locking)	3/S	72	11	P-6968
- column shift (locking)	3/S	72	14	P-7748
<b>INTERNAL PARTS</b>				
3 speed manual trans. - 3.03 type	3/S	70	5	P-4012

**INDEX**

TITLE	TRANS.	SECTION	PAGE	ILLUS. NO.
-------	--------	---------	------	------------

**1970**

**U (BRONCO)**

**EXTERNAL PARTS**

Clutch & clutch pedal	3/S	75	6	P-4972
Transfer case shift linkage		72	6	P-5202

**INTERNAL PARTS**

3 speed manual trans. & extension - 3.03 type	3/S	70	5	P-4012
Transfer case (7E028) parts		70	9	P-5149

**X (FALCON) - BEFORE 1/2/70**

**FOR UNITS BUILT FROM 1/2/70 REFER TO B (FALCON)**

**EXTERNAL PARTS**

Clutch & clutch pedal	All	75	10	P-6541
Steering column - column shift (non-locking)	3/S	72	9	P-6019

**INTERNAL PARTS**

3 speed manual trans. - 3.03 type	3/S	70	5	P-4012
-----------------------------------	-----	----	---	--------

**1971**

**A (FORD)**

**EXTERNAL PARTS**

Clutch & clutch pedal	All	75	12	P-6724
Shift mechanism				
Steering column - column shift (locking)	3/S	72	12	P-7244

**INTERNAL PARTS**

3 speed manual trans. - 3.03 type	3/S	70	5	P-4012
-----------------------------------	-----	----	---	--------

**B (TORINO)**

**EXTERNAL PARTS**

Clutch & clutch pedal	All	75	15	P-7306
Shift mechanism				
Steering column - column shift (locking)	3/S	72	13	P-7247
- floor shift	4/S	35	19	P-7248
Gear shift mechanism - console or floor mtd.				
- 3 speed trans.	3/S	73	7	P-6794
- 4 speed (Hurst)	4/S	73	9	P-7499

**INTERNAL PARTS**

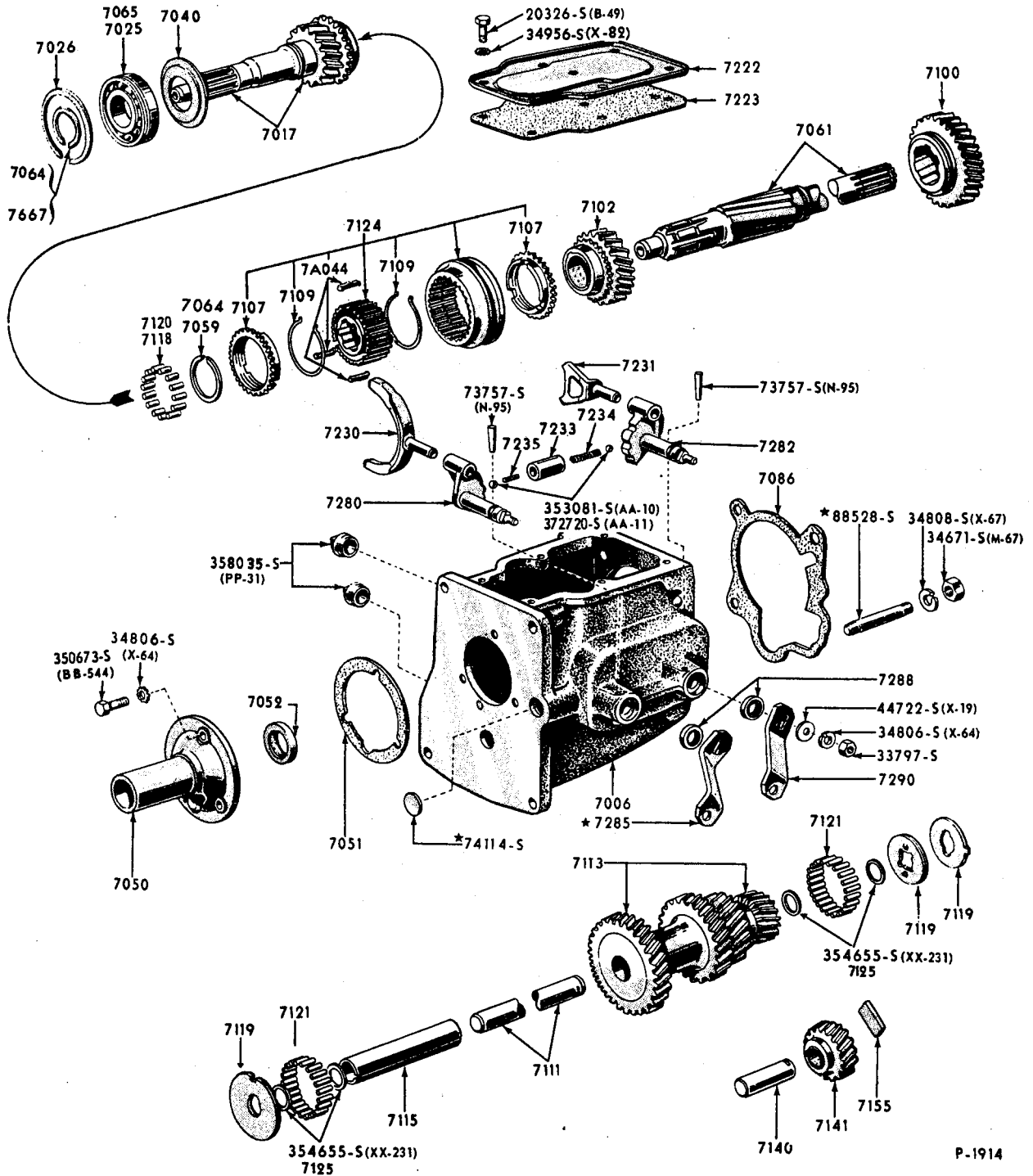
3 speed manual trans. - 3.03 type	3/S	70	5	P-4012
4 speed manual trans. - Ford 4 speed	F/4/S	70	8	P-4424











3 SPEED OVERDRIVE TRANSMISSION - LESS EXTENSION-TYPICAL  
1965/67 FORD, FAIRLANE









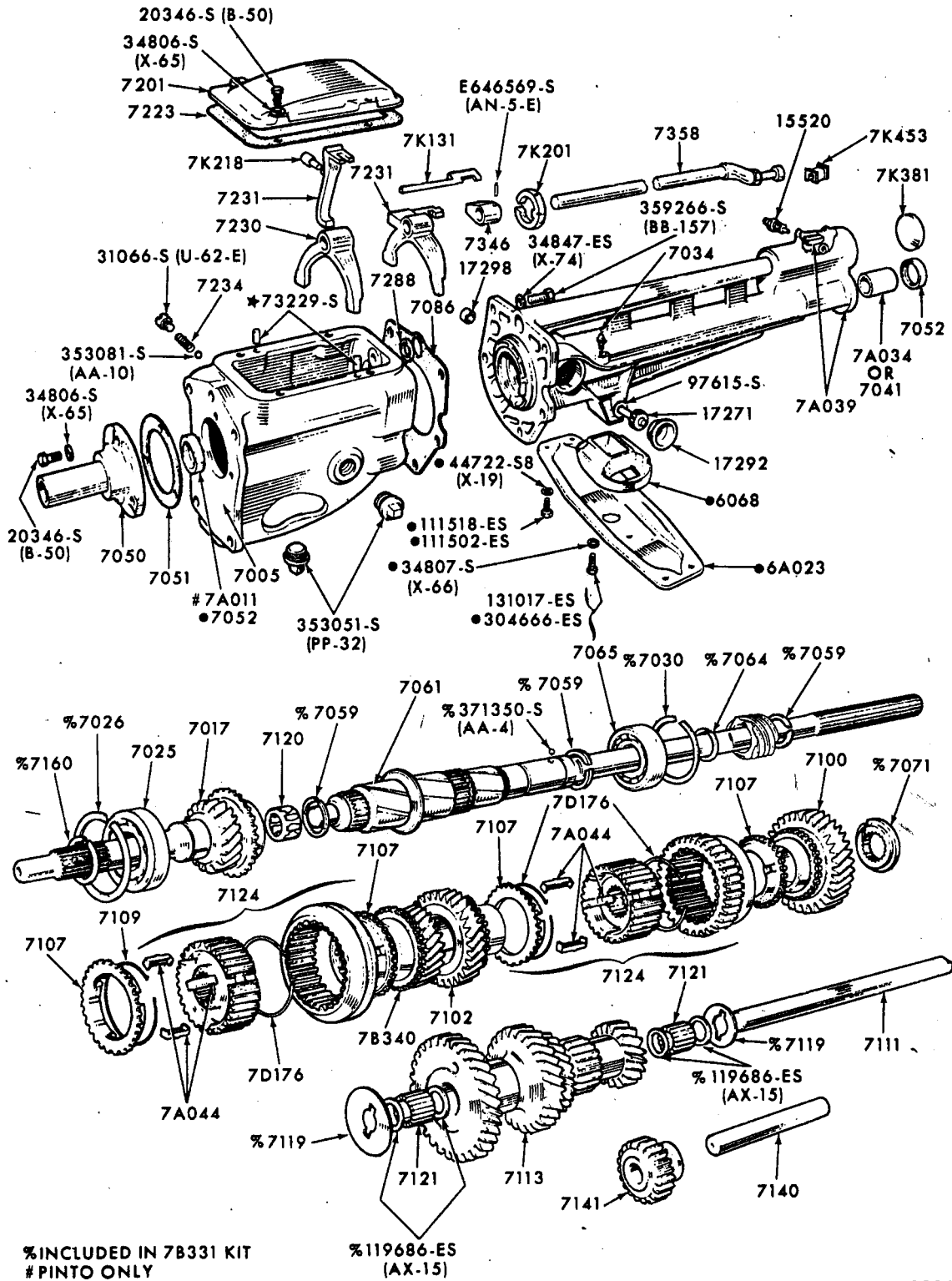




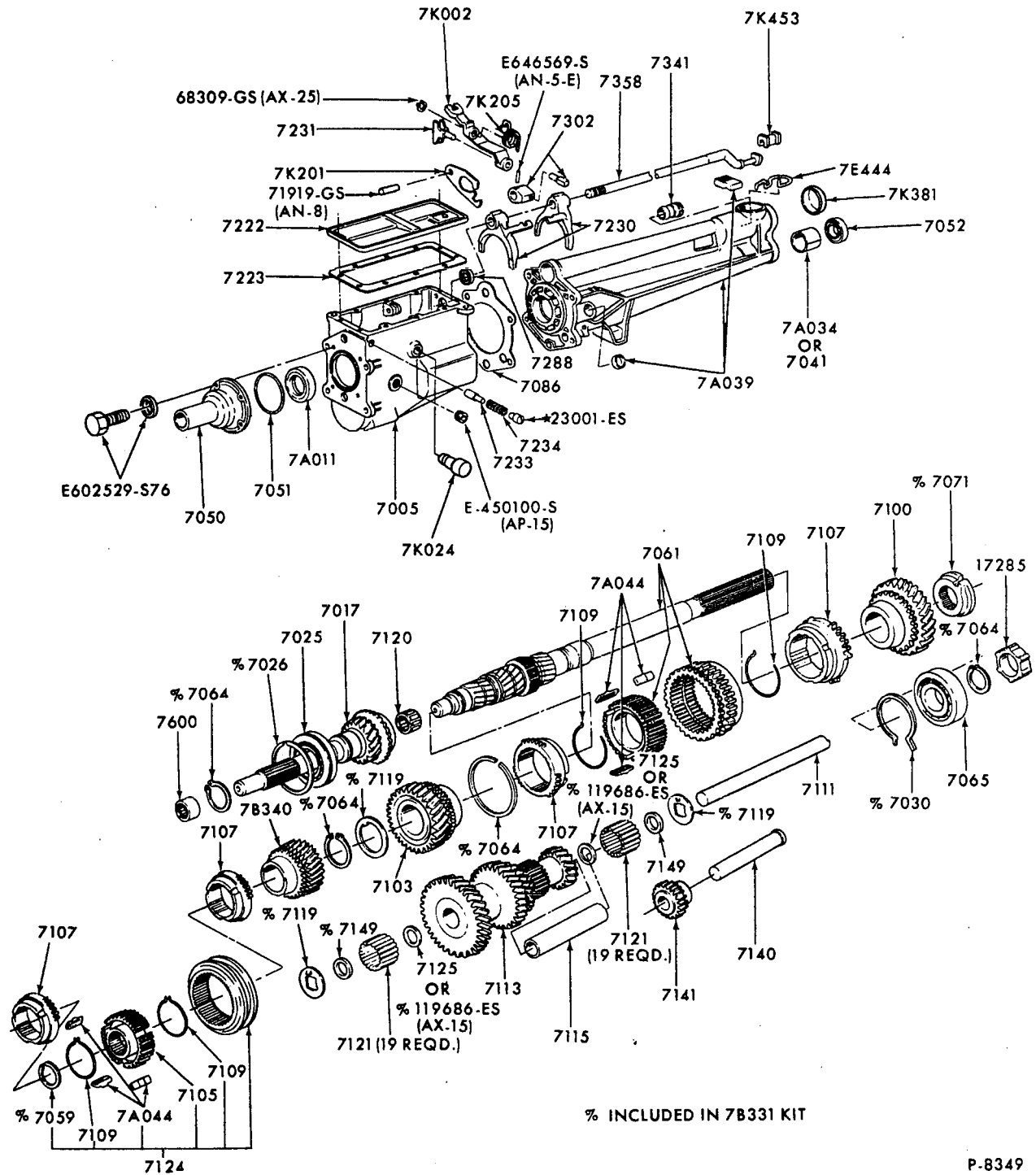








P-8286



P-8349

4 SPEED MANUAL TRANSMISSION - INTERIOR and EXTERIOR - GERMAN DESIGN  
1971/72 PINTO



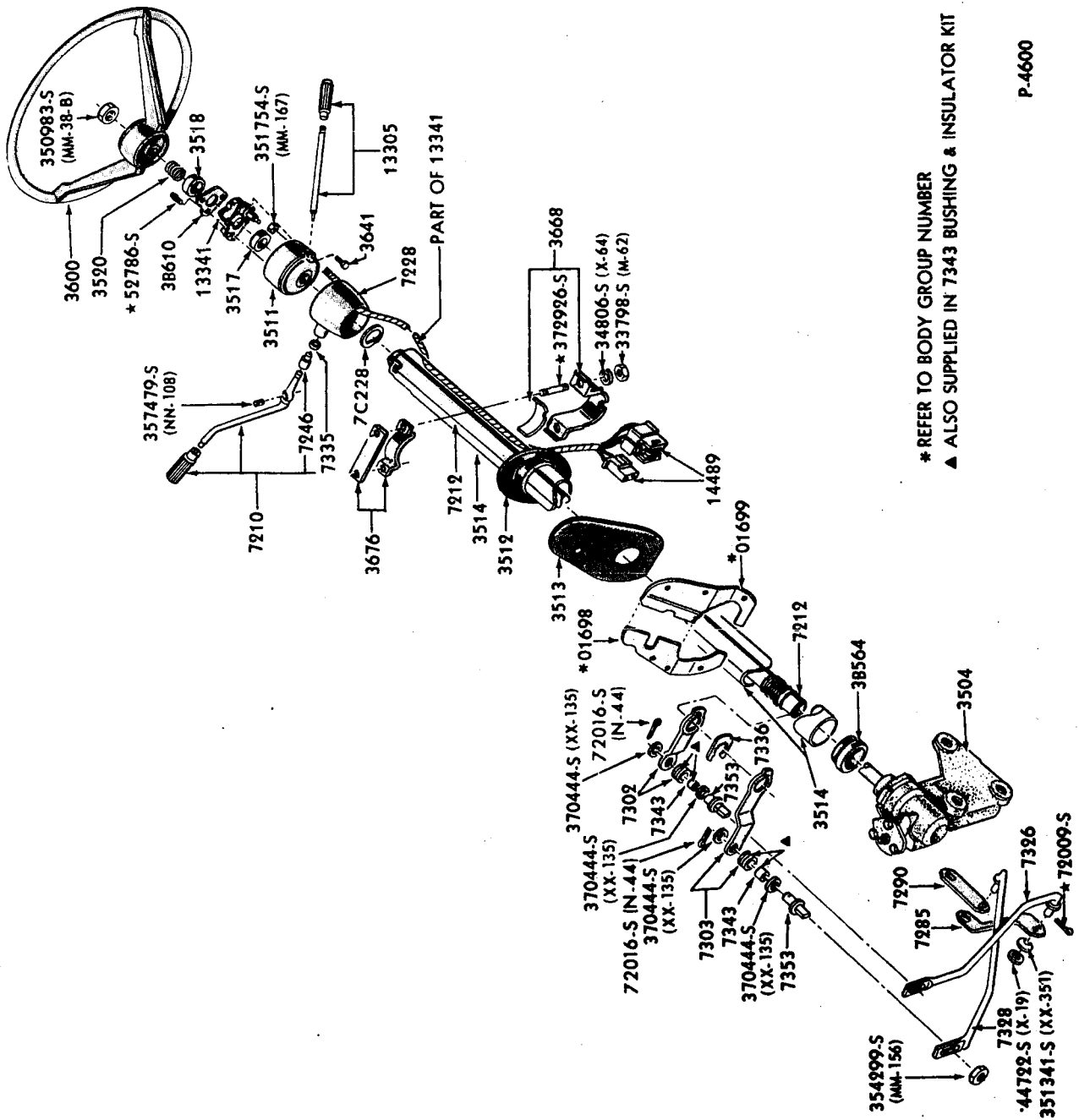








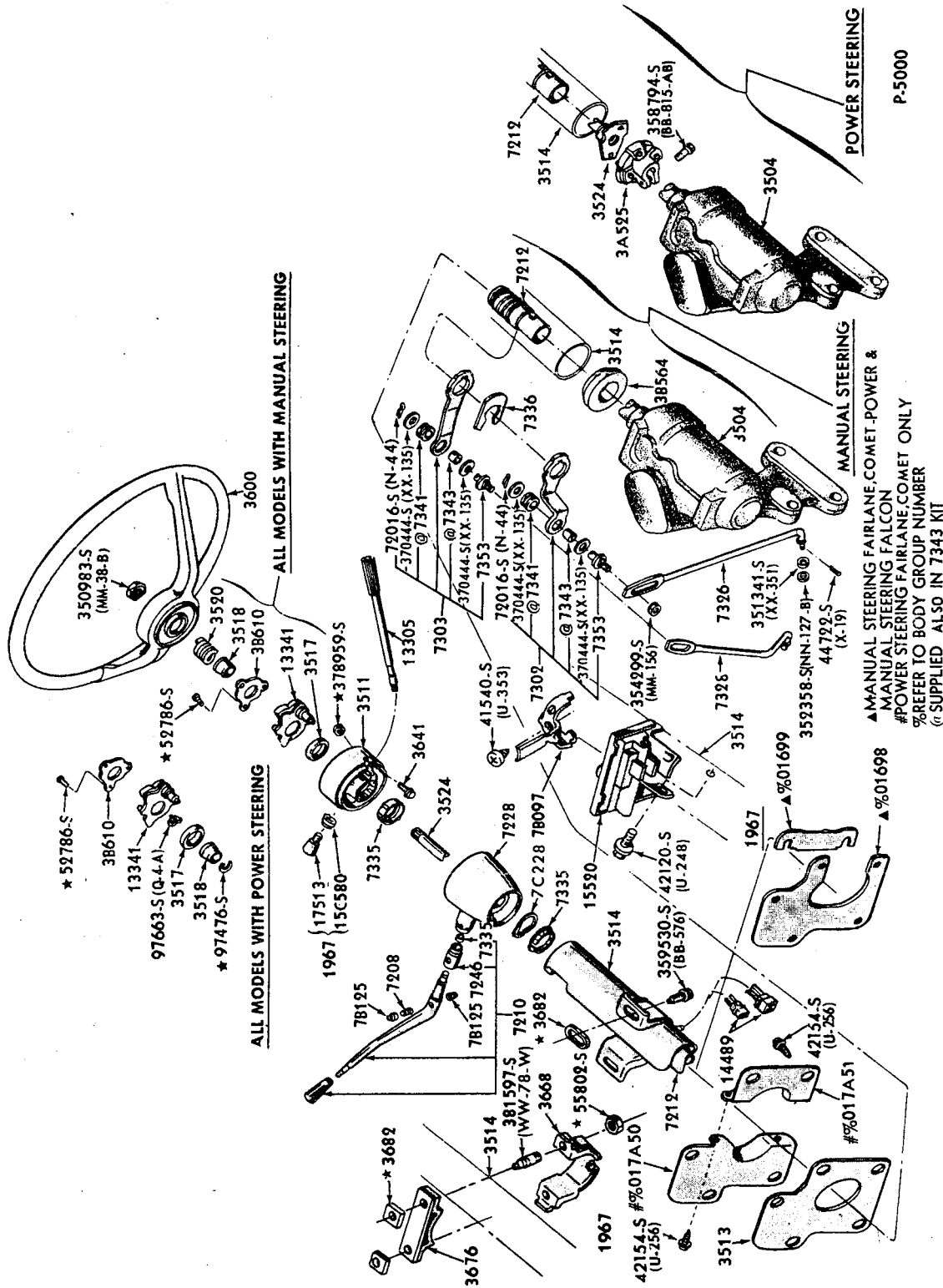




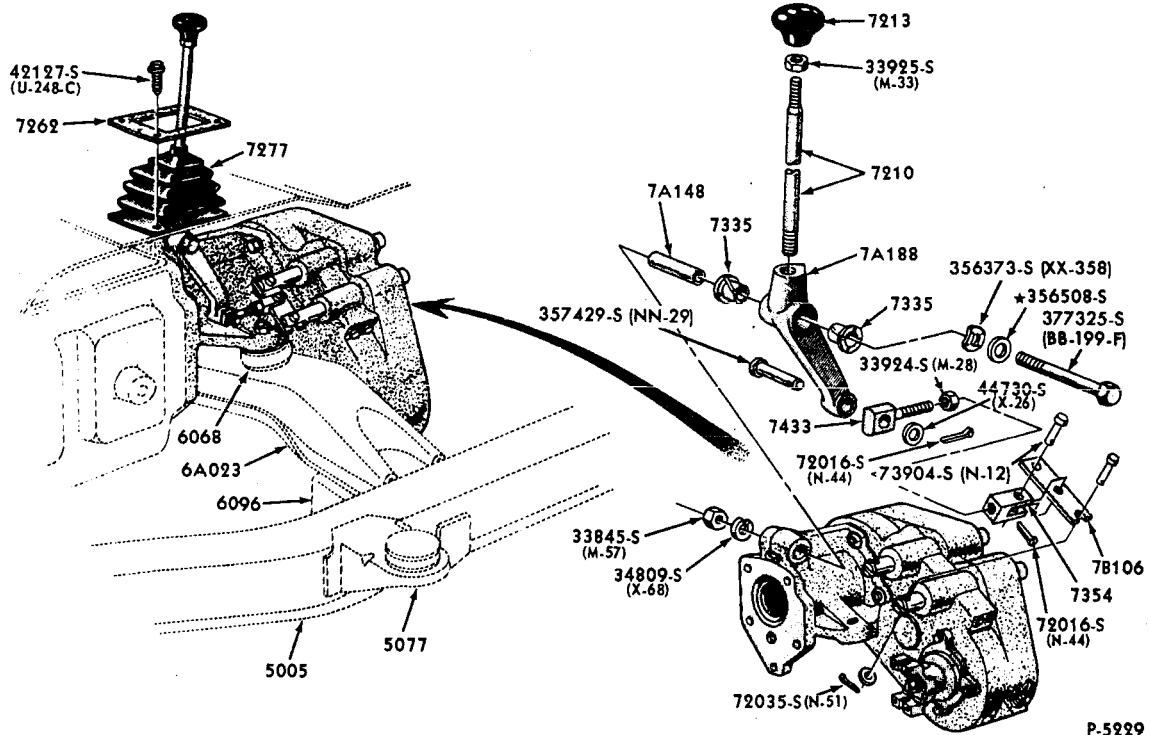
\* REFER TO BODY GROUP NUMBER  
 ▲ ALSO SUPPLIED IN 7343 BUSHING & INSULATOR KIT

P-4600

STEERING COLUMN & SHIFT MECHANISM  
 3 SPEED MANUAL & OVERDRIVE TRANSMISSIONS  
 1985 FALCON

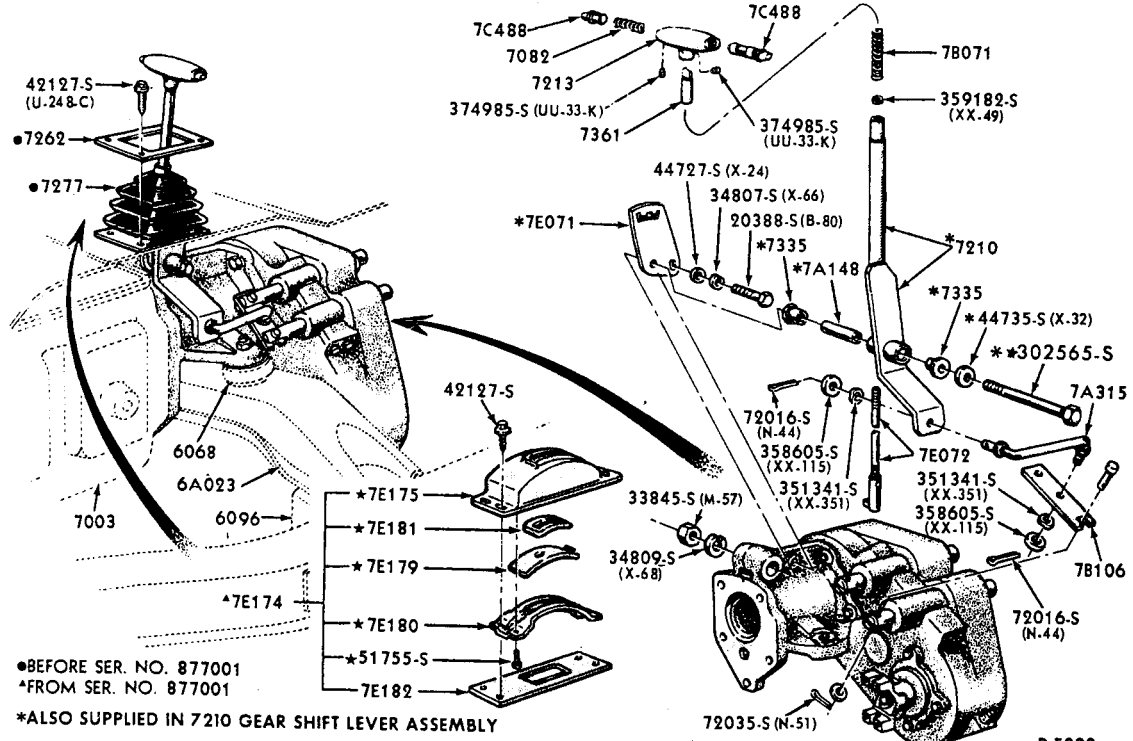


STEERING COLUMN & SHIFT MECHANISM  
 3 SPEED MANUAL & OVERDRIVE TRANSMISSIONS  
 1966/67 FAIRLANE & FALCON



P-5229

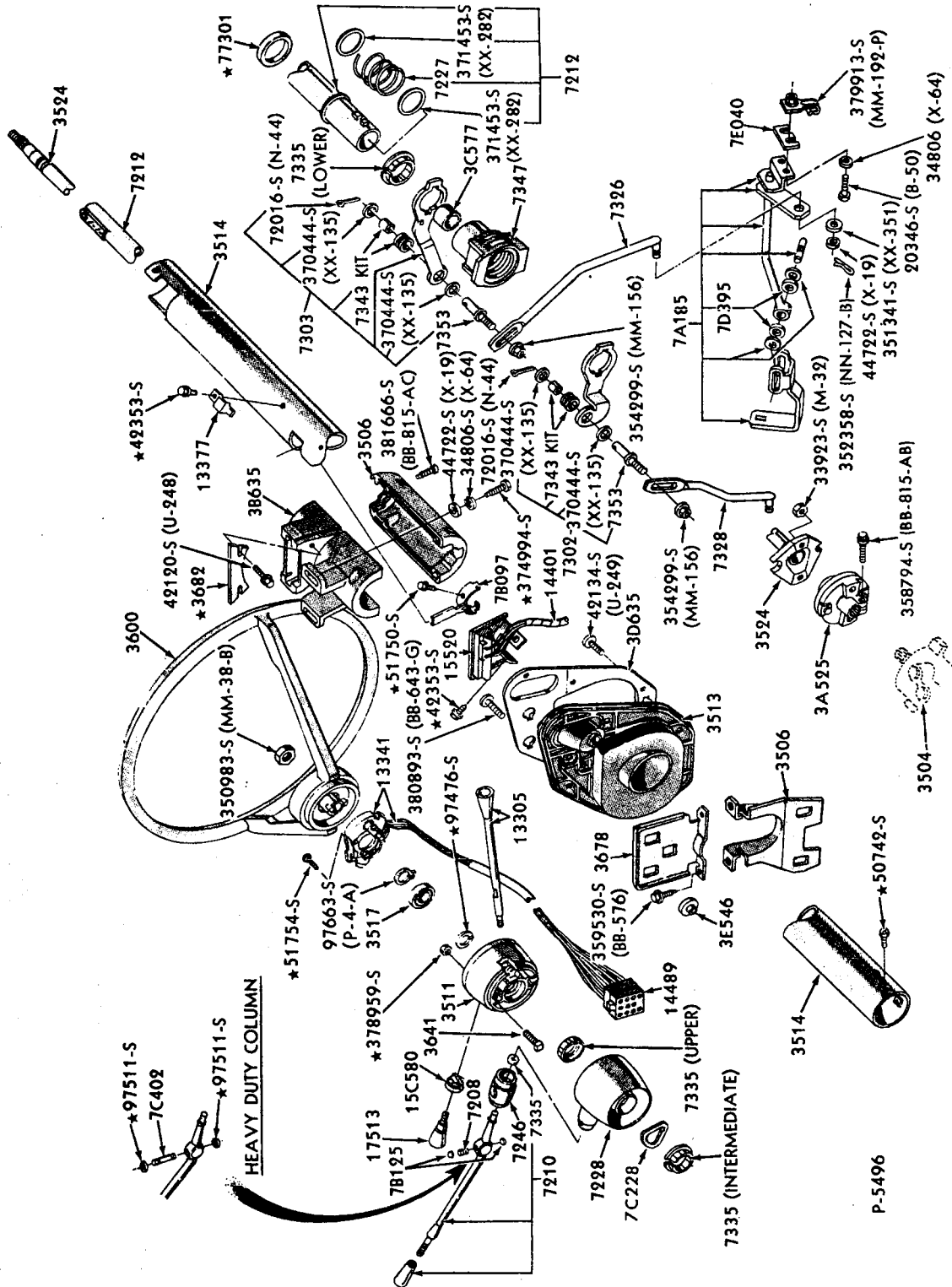
TRANSFER CASE SHIFT LINKAGE  
1966 BRONCO - BEFORE SER. 830001



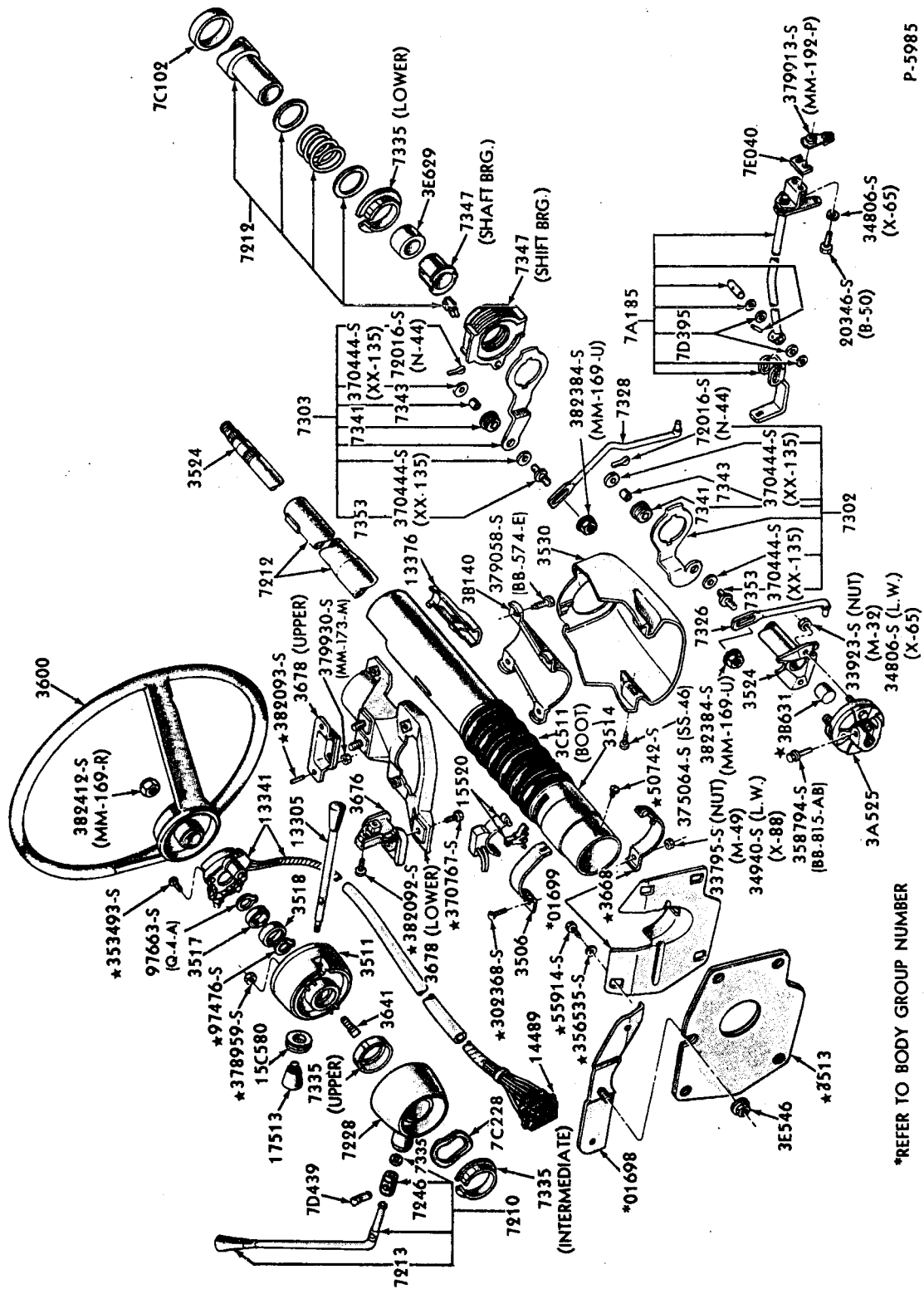
●BEFORE SER. NO. 877001  
\*FROM SER. NO. 877001  
\*ALSO SUPPLIED IN 7210 GEAR SHIFT LEVER ASSEMBLY

P-5202

TRANSFER CASE SHIFT LINKAGE  
1966/72 BRONCO - FROM SER. 830,001



STEERING COLUMN & SHIFT MECHANISM - TYPICAL  
 3 SPEED MANUAL & OVERDRIVE TRANSMISSIONS  
 1967 FORD



STEERING COLUMN & SHIFT MECHANISM  
3 SPEED MANUAL TRANSMISSION  
1968 FORD

P-5985

\*REFER TO BODY GROUP NUMBER

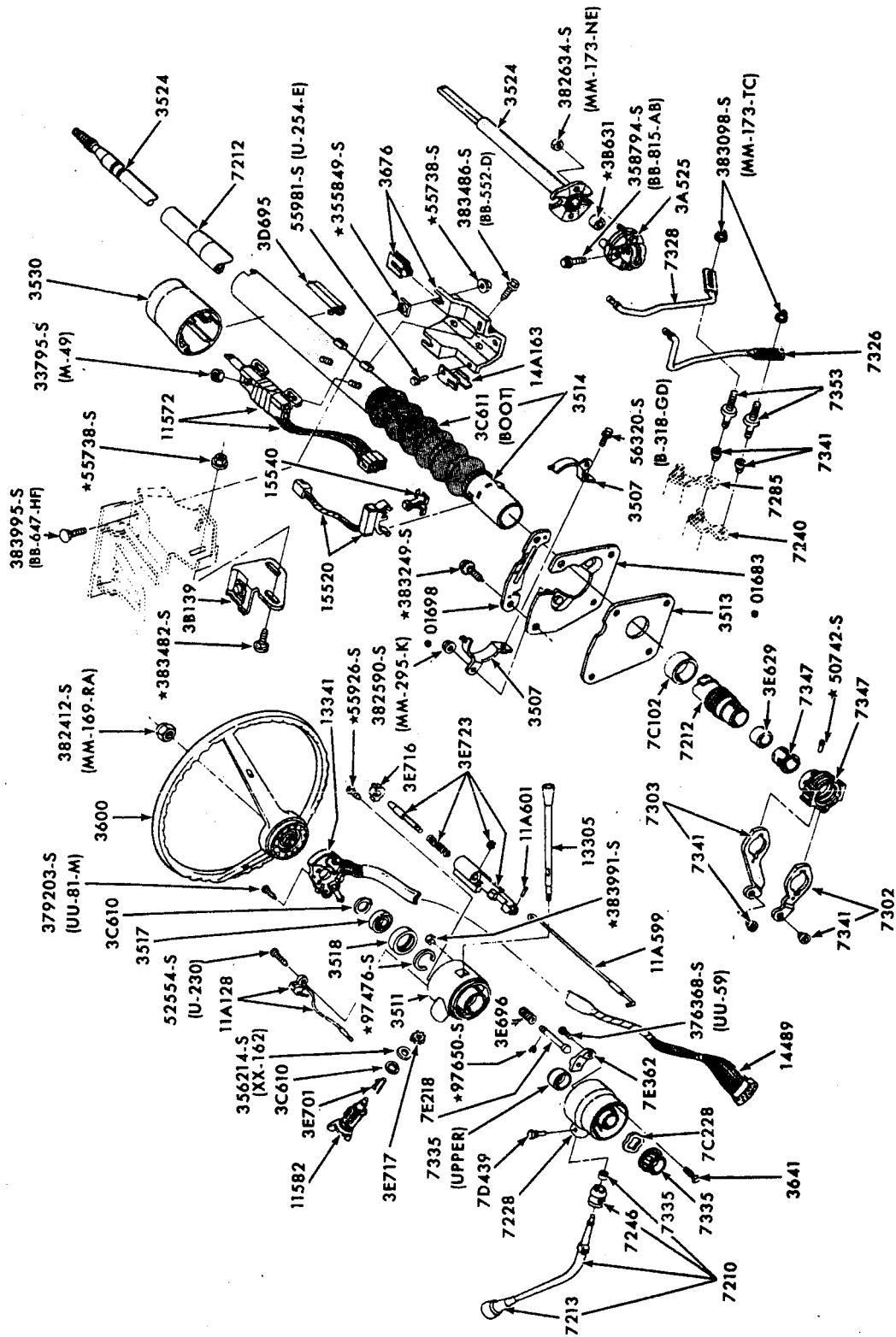












P-7247

• REFER TO BODY SECTION

STEERING COLUMN & SHIFT MECHANISM - LOCKING  
3 SPEED MANUAL TRANSMISSION  
1970/71 FAIRLANE/TORINO











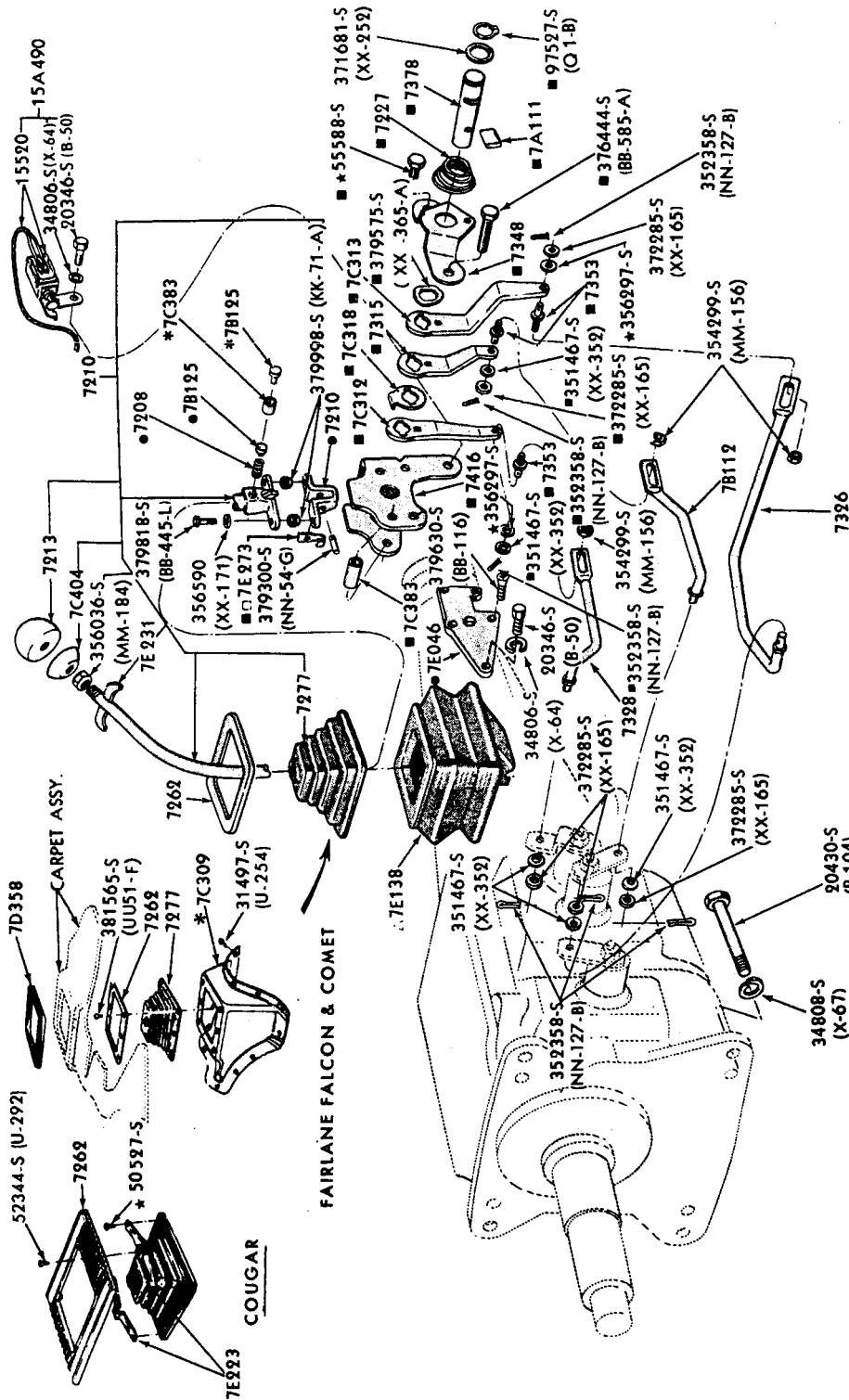






ILLUSTRATION  
SECTION 73

FORD CAR PARTS



- MUSTANG, COUGAR
- \* FAIRLANE, FALCON & COMET
- △ 1966/ MODELS ONLY
- ALSO SUPPLIED IN 7400 SHIFT CONTROL ASS'Y.
- 1968 ONLY

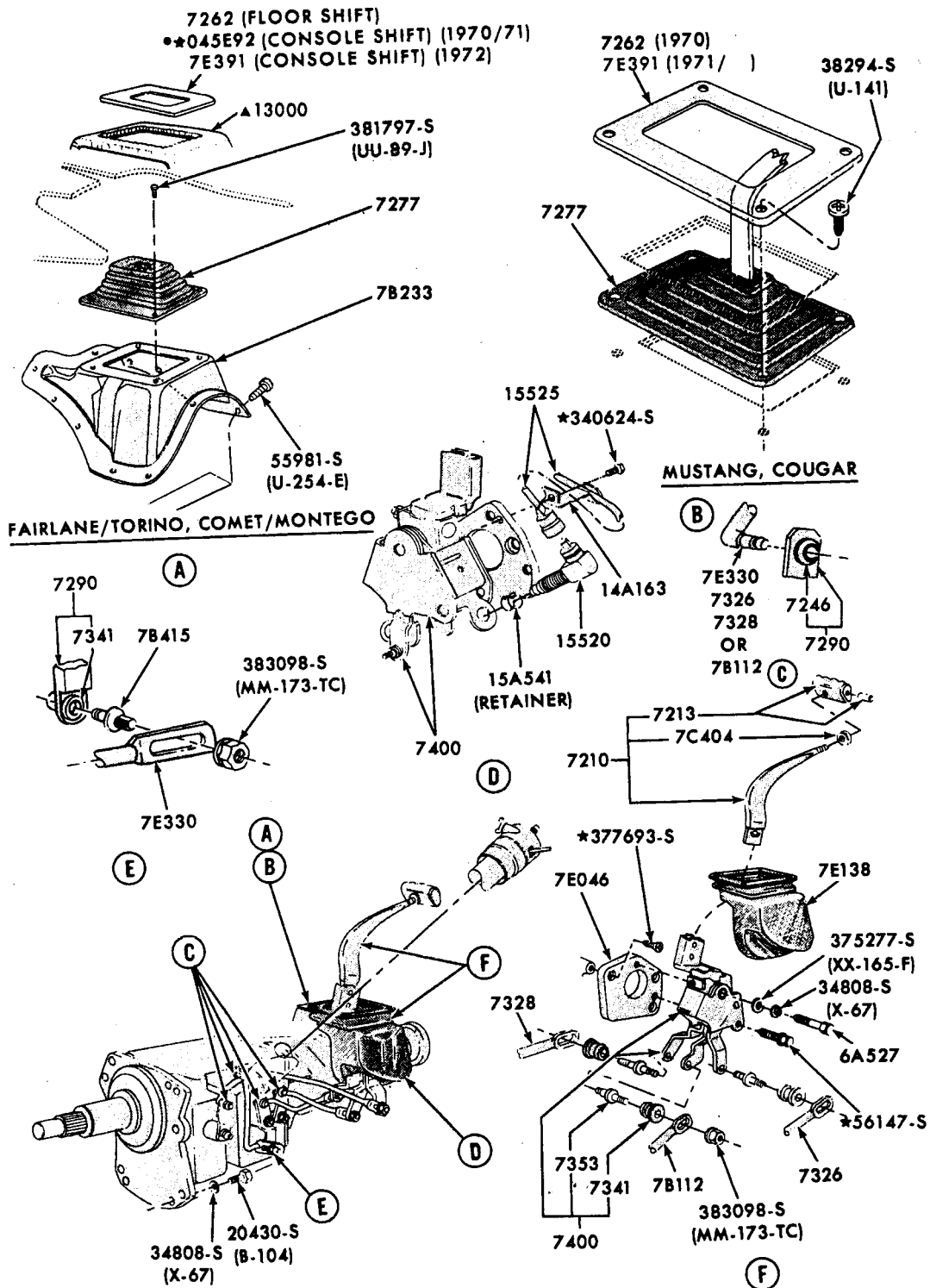
GEAR SHIFT MECHANISM - CONSOLE or FLOOR MOUNTED - TYPICAL  
4 SPEED MANUAL TRANSMISSION - FORD DESIGN  
1965/68 FAIRLANE/TORINO, MUSTANG & FALCON









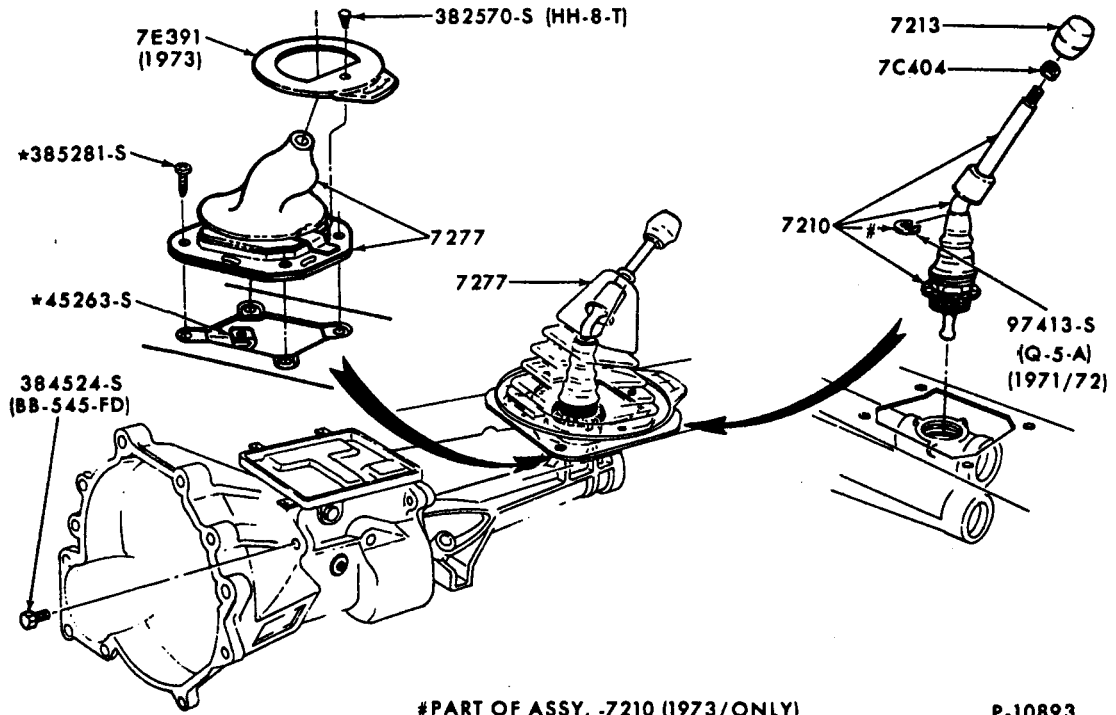


▲ REFER TO SOFT TRIM SECTION  
 ● REFER TO BODY SECTION

P-7499

GEAR SHIFT MECHANISM - HURST FLOOR MOUNTED  
 4-SPEED MANUAL TRANSMISSION  
 1970/72 FAIRLANE/TORINO & MUSTANG



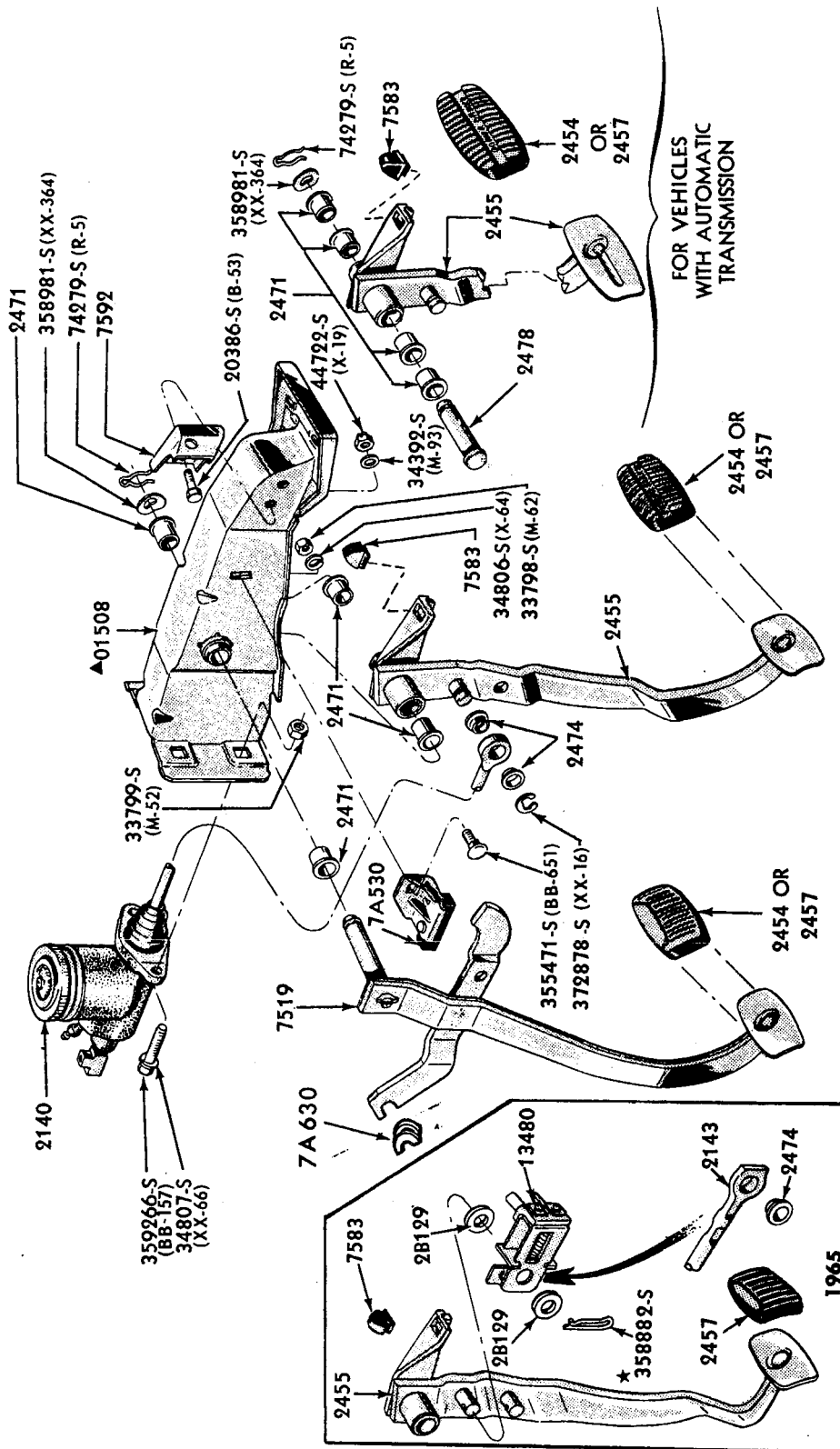


#PART OF ASSY. -7210 (1973/ONLY)

P-10893

**GEAR SHIFT MECHANISM  
4 SPEED MANUAL TRANSMISSION  
1971/72 PINTO**





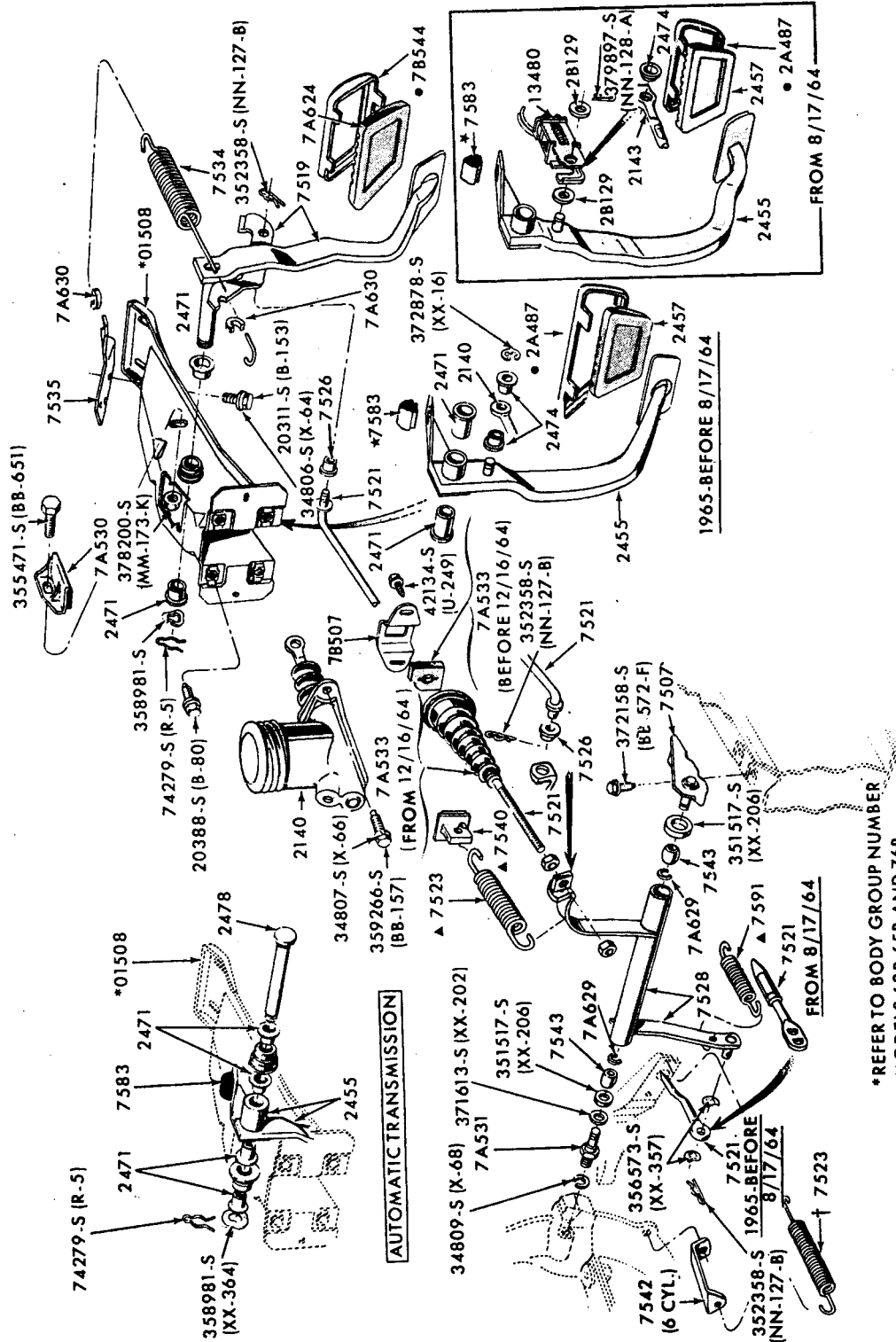
P-3674

▲ REFER TO BODY GROUP NUMBER  
\* PART OF 2140 ASSEMBLY

CLUTCH PEDAL and BRAKE PEDAL  
1965 FAIRLANE



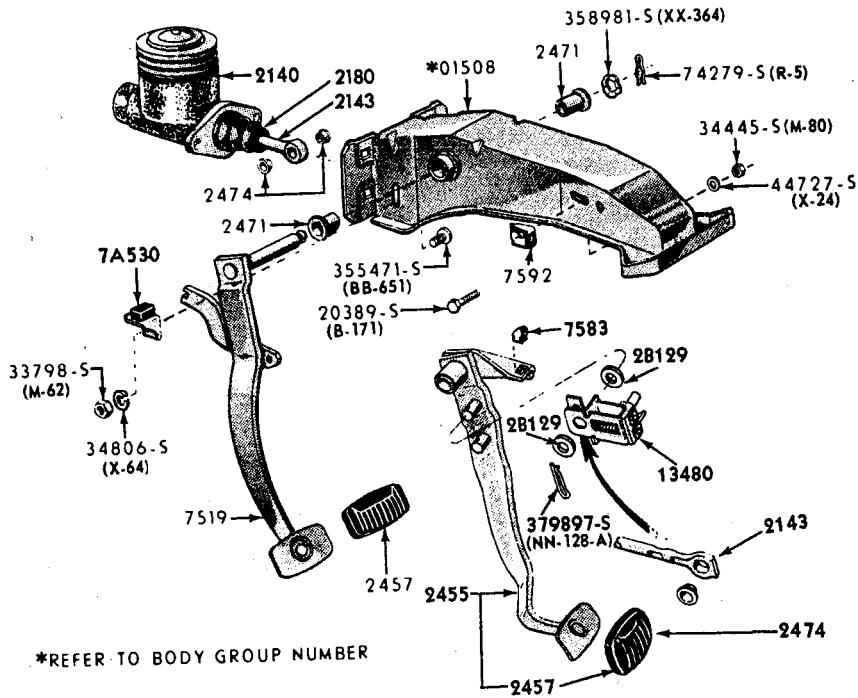




\* REFER TO BODY GROUP NUMBER  
 • MODELS 63B, 65B AND 76B  
 † 1966  
 ‡ 1965

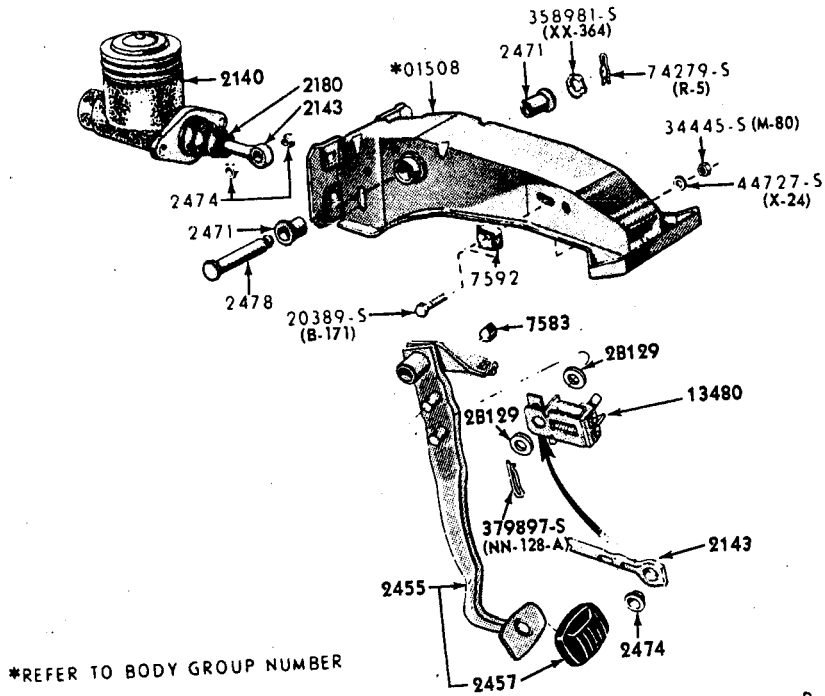
CLUTCH PEDAL and BRAKE PEDAL  
 1965/66 MUSTANG





P-3130

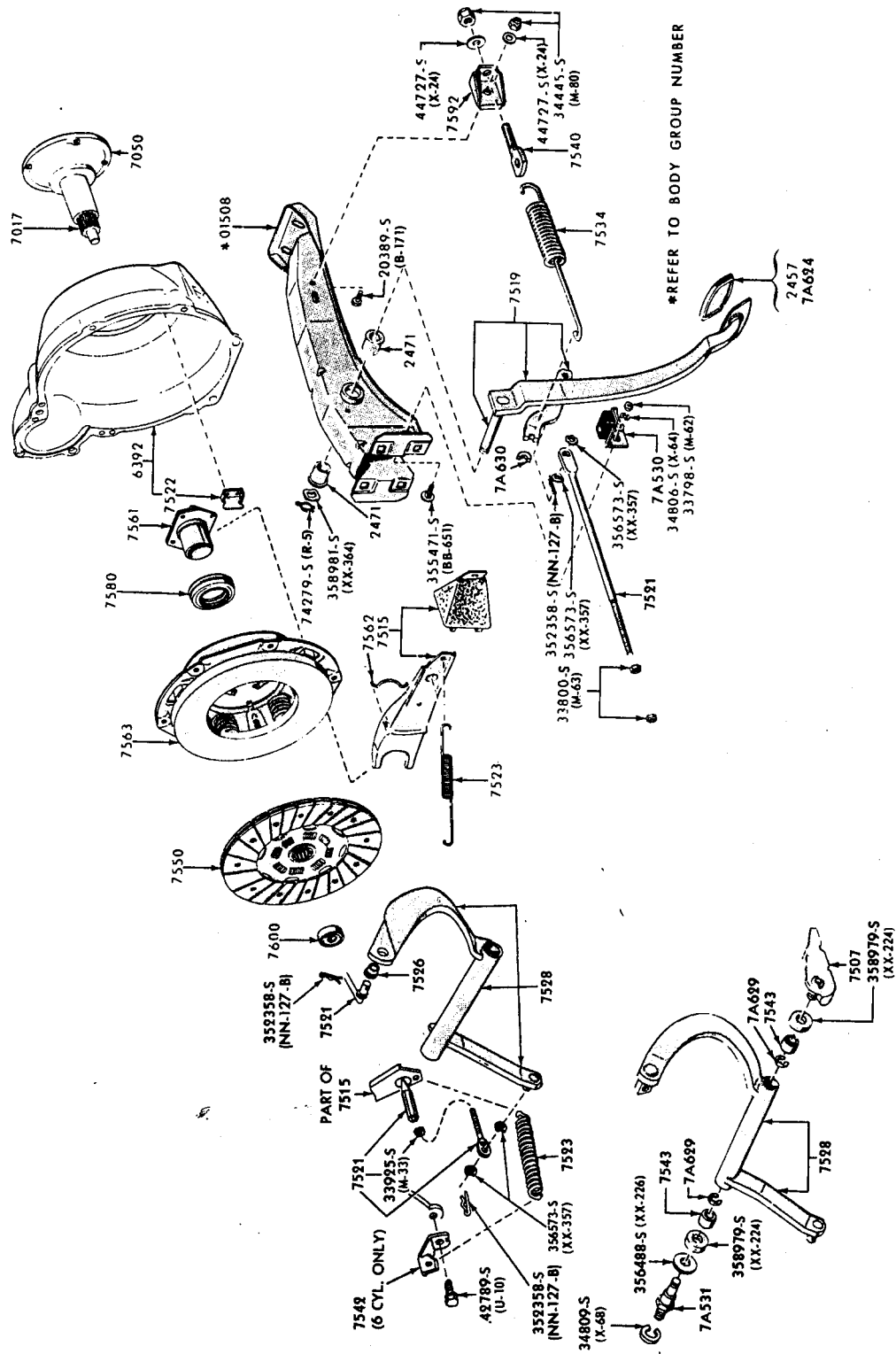
CLUTCH PEDAL and BRAKE PEDAL (MANUAL TRANSMISSION)  
1965 FALCON



P-3131

BRAKE PEDAL (AUTOMATIC TRANSMISSION)  
1965 FALCON





P-3141

CLUTCH and CLUTCH PEDAL - TYPICAL  
1965 FALCON



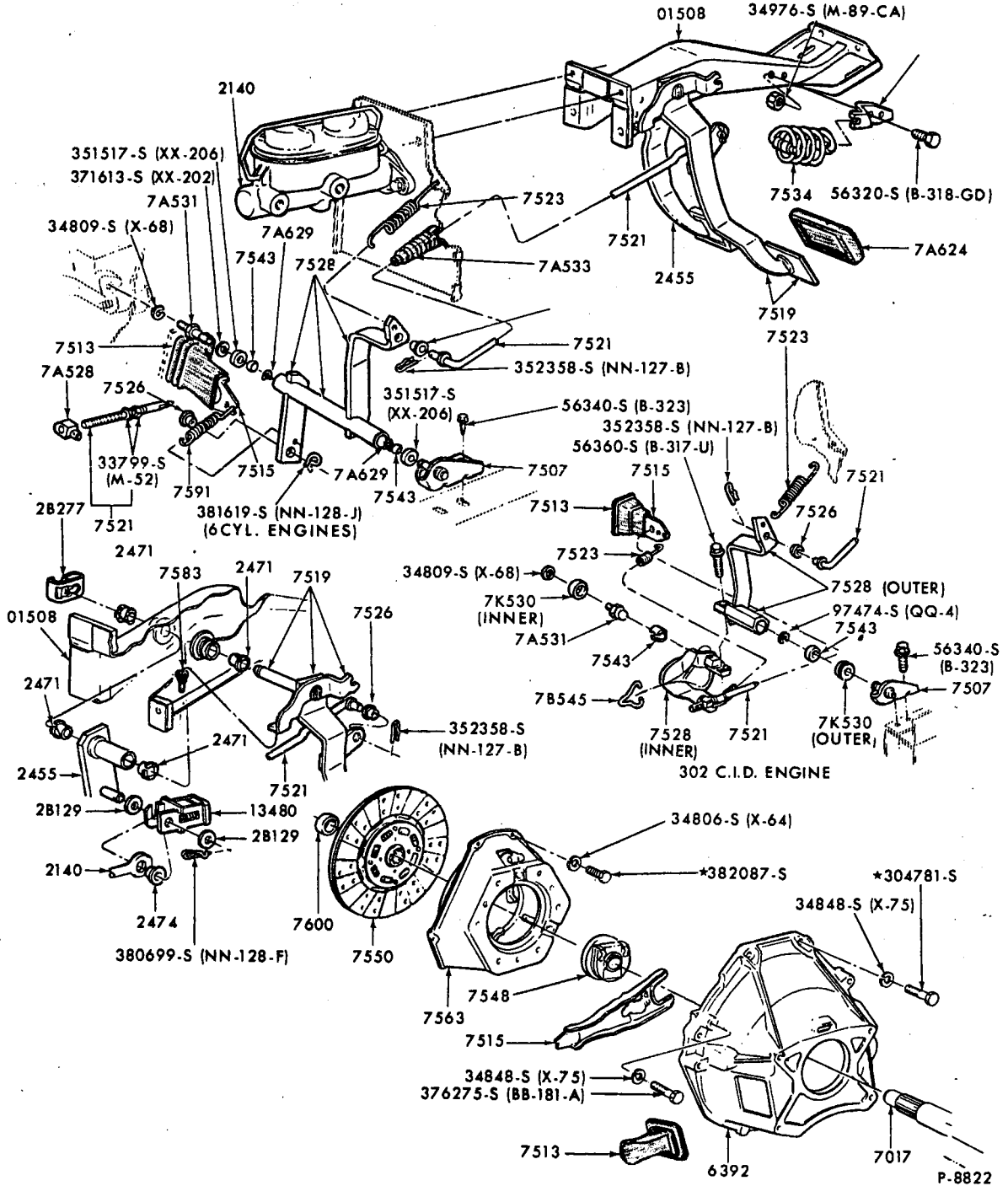




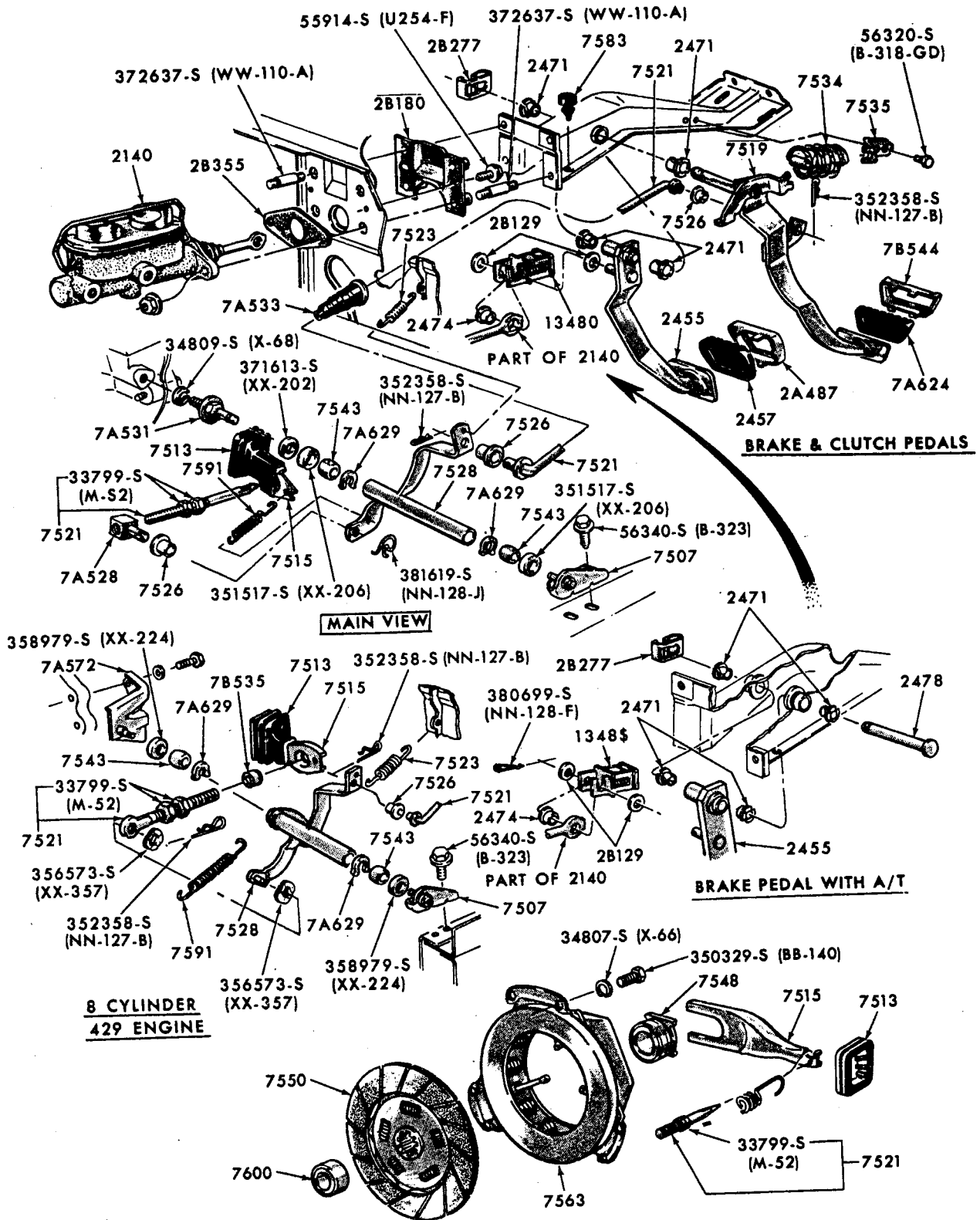




NO. 10



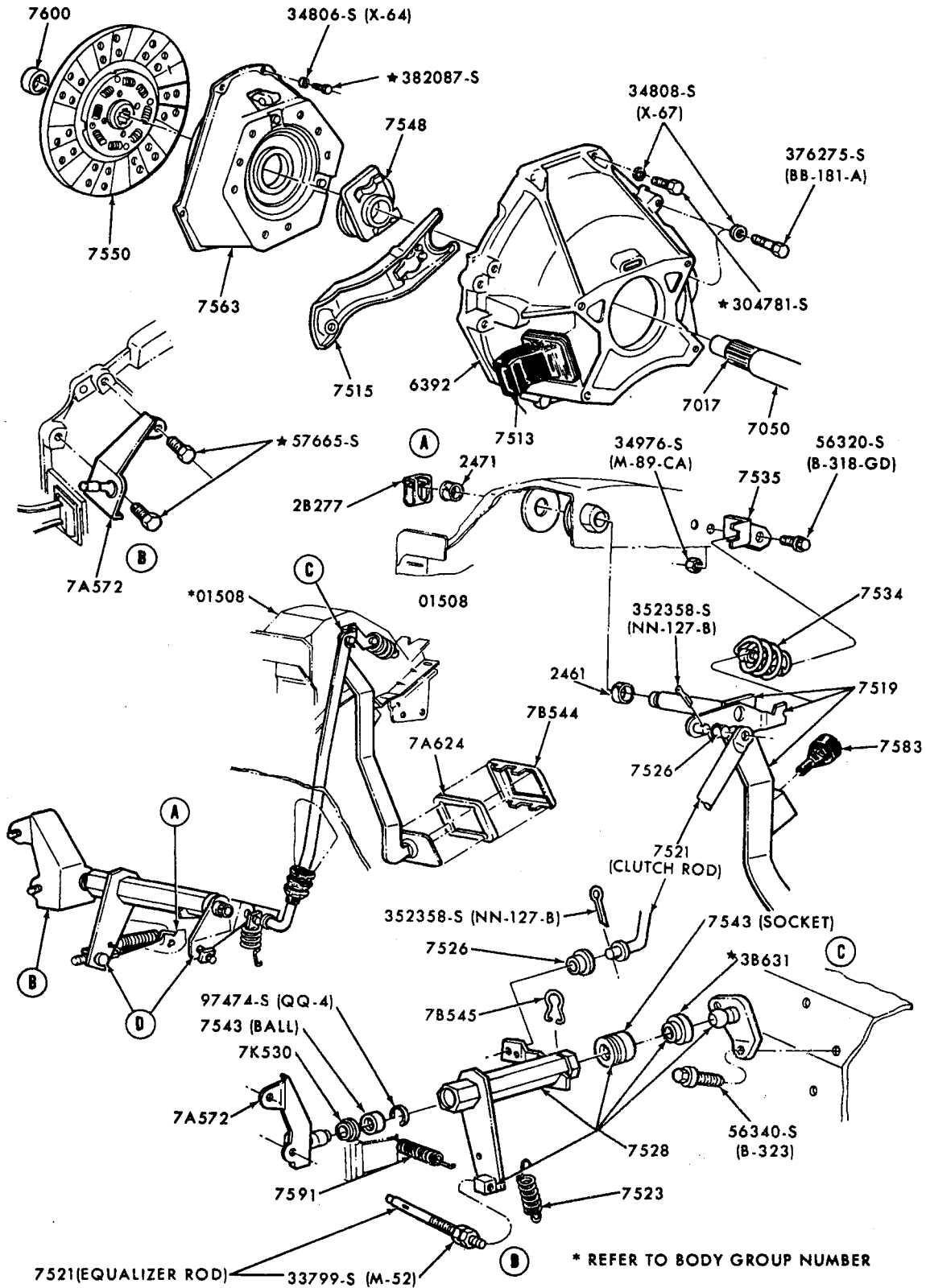
CLUTCH, CLUTCH PEDAL and BRAKE PEDAL  
1970/72 MAVERICK



CLUTCH, CLUTCH PEDAL and BRAKE PEDAL 1970/71 FAIRLANE/TORINO

P-7306



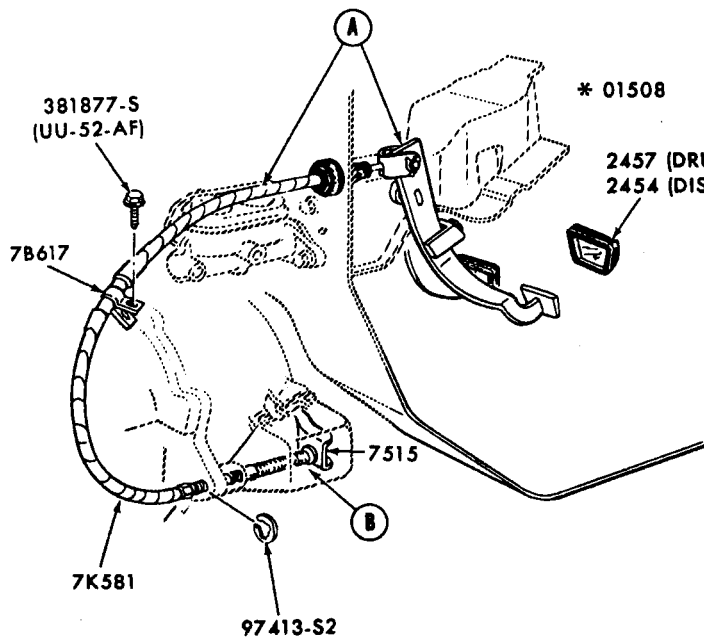
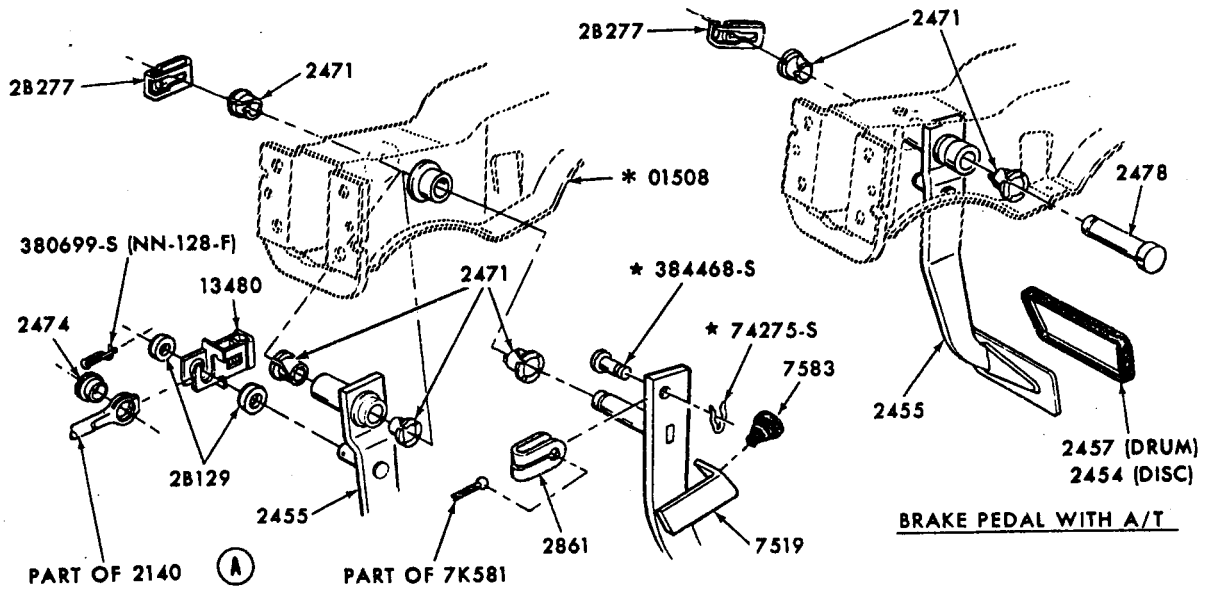


7521(EQUALIZER ROD)

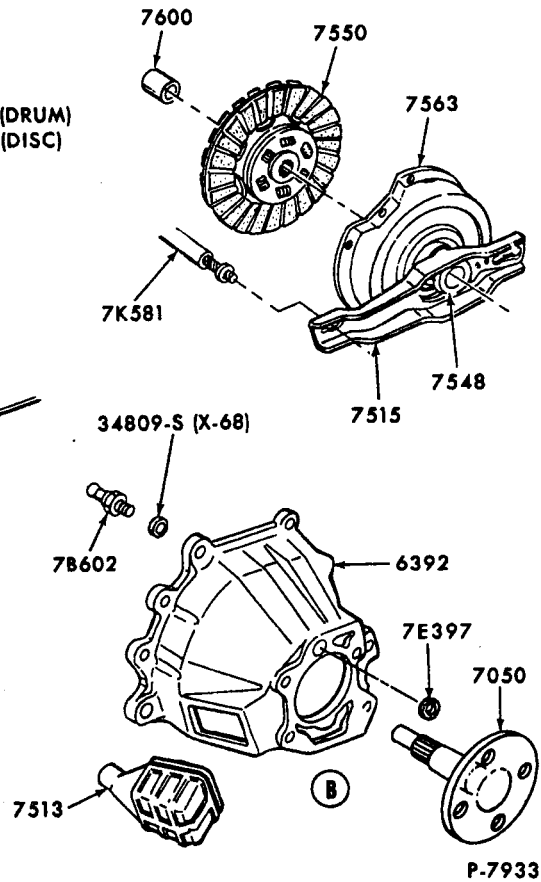
33799-S (M-52)

\* REFER TO BODY GROUP NUMBER

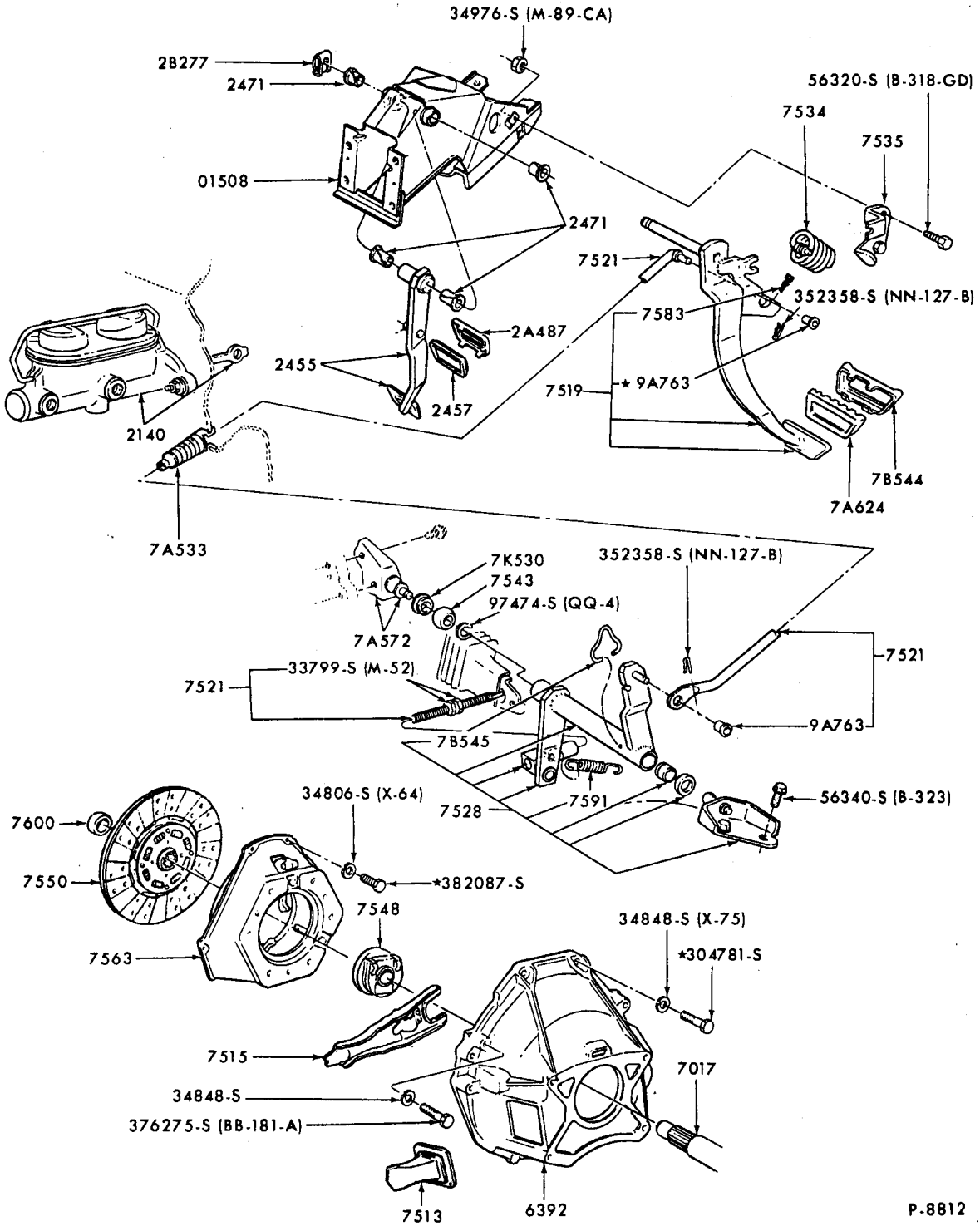
CLUTCH and CLUTCH PEDAL  
1971/72 MUSTANG



\* REFER TO BODY GROUP NUMBER



CLUTCH, CLUTCH PEDAL and BRAKE PEDAL  
1971/72 PINTO



P-8812

CLUTCH and CLUTCH PEDAL  
1972 TORINO

**INDEX**

INCLUDED IN THIS INDEX ARE THE FOLLOWING MAJOR GROUPS IN THE ORDER SHOWN BELOW:

AUTOMATIC TRANSMISSION ASSEMBLIES

	Illustration Section
C/M Type - FX, MX Models	A70.2
C/M Type - FMX Model	A70.3
C4 Type	A70.4
C6 Type	A70.5
Transmission Oil Cooling System & Vacuum Advance System	A71

SHIFT CONTROL MECHANISMS

Column Mounted	A72
Floor & Console Mounted	A72.1

ILLUSTRATIONS RELATED TO TRANSMISSION FUNCTIONS ARE SHOWN BELOW FOR REFERENCE

Steering Column w/o Shift Mechanism	35
Transmission Kickdown & Acceleration Linkage Mechanism	97
Console Mounted Parts Related to Shift Control Mechanisms	045 (Body)

**AUTOMATIC TRANSMISSION ASSEMBLIES**

TITLE	YEAR	MODEL	SECTION	PAGE	ILLUS. NO.
<b>C/M TYPE - FX, MX MODELS</b>					
Case, converter assy., extension, pumps and related parts-Typical	65/68	A	A70.2	1	P-1871
Clutches, gears, shaft and related parts-Typical	65/68	A	A70.2	2	P-2554
Main control valve body assy. -(Basic 7A100)-Typical	65/68	A	A70.2	4	P-2583
	65/66	S			
Oil pressure regulator and related parts-(Basic 7A139)-Typical	65/68	A	A70.2	5	P-1725
	65/66	S			
Parking pawl, throttle and manual control linkage-Typical	65/68	A	A70.2	4	P-5206
	65/66	S			
Servo and band-Front-Typical	65/68	A	A70.2	3	P-2561
	65/66	S	A70.2	3	P-6547
Rear-Typical					

B

ILLUSTRATION  
SECTION A70

## FORD CAR PARTS

AUTOMATIC  
TRANSMISSION

## INDEX

TITLE	YEAR	MODEL	SECTION	PAGE	ILLUS. NO.
<b>AUTOMATIC TRANSMISSION ASSEMBLIES - continued</b>					
<b>C/M TYPE - FMX MODEL</b>					
Case, converter assy., extension, pump, rear support and related parts-Typical	68/72	A	A70.3	2	P-6462
	69/72	B, F			
Clutches, gears, shafts, extension and related parts-Typical	68/72	A	A70.3	3	P-6463
	69/72	B, F			
Main control valve body assy. -(Basic 7A100)-Typical	68/72	A	A70.3	1	P-6466
	69/72	B, F			
Oil pressure regulator assy. -(Basic 7A139)-Typical	68/72	A	A70.3	5	P-6470
	69/72	B, F			
Oil pressure tubes installation-Typical	68/72	A	A70.3	1	P-6472
	69/72	B, F			
Parking pawl, throttle and manual control linkage-Typical	68/72	A	A70.3	5	P-6471
	69/72	B, F			
Servo and band-Front-Typical	68/72	A	A70.3	4	P-6464
Rear-Typical	69/72	B, F	A70.3	4	P-6465
<b>C4 TYPE</b>					
Case, converter assy., extension, pump and related parts-Typical	65/72	A, B, F, L, P, X	A70.4	1	P-4326
Clutches, gears, shafts, rear support and related parts-Typical	65/72	A, B, F, L, P, X	A70.4	2	P-4327
Main control valve body assy. -(Basic 7A100)-Typical	65/72	A, B, F, L, P, X	A70.4	4	P-4507
Parking pawl, throttle and manual control linkage-Typical	65/72	A, B, F, L, P, X	A70.4	4	P-4330
Servo and band- Front-Typical	65/72	A, B, F, L, P, X	A70.4	3	P-4328
Rear-Typical			A70.4	3	P-4329
<b>C6 TYPE</b>					
Case, converter assy., extension, pump and related parts-Typical	66/72	A, B, F, S	A70.5	1	P-5172
Clutches, gears, shafts and related parts-Typical	66/72	A, B, F, S	A70.5	2	P-5173
Main control valve body assy. (basic 7A100)-Typical	66/72	A, B, F, S	A70.5	4	P-5176
Parking pawl, throttle and manual control linkage-Typical	66/72	A, B, F, S	A70.5	3	P-5191
Servo and band - Typical	66/72	A, B, F, S	A70.5	3	P-5174
<b>TRANSMISSION VACUUM THROTTLE &amp; OIL COOLING SYSTEMS</b>					
Vacuum throttle valve, lines and fittings - Typical	65/72	A, B, F, S, X	A71	1	P-3627
Transmission miscellaneous bushing			A71	2	P-4862
Oil cooling system - Typical	65/68	A	A71	3	P-4621
Oil cooling system	69/72	A	A71	4	P-7042
Oil cooling system - Typical	65	B, F, X	A71	5	P-4148
Oil cooling system - Typical	66/68	B, F, X	A71	6	P-5381
Oil cooling system	69/72	B, F, X	A71	7	P-7041
Oil cooling system	70/72	P	A71	8	P-6937
Oil cooling system - Typical	65/67	S	A71	8	P-4145
Oil cooling system	68/72	S	A71	9	P-7044
Oil cooling system	71/72	L	A71	10	P-7944

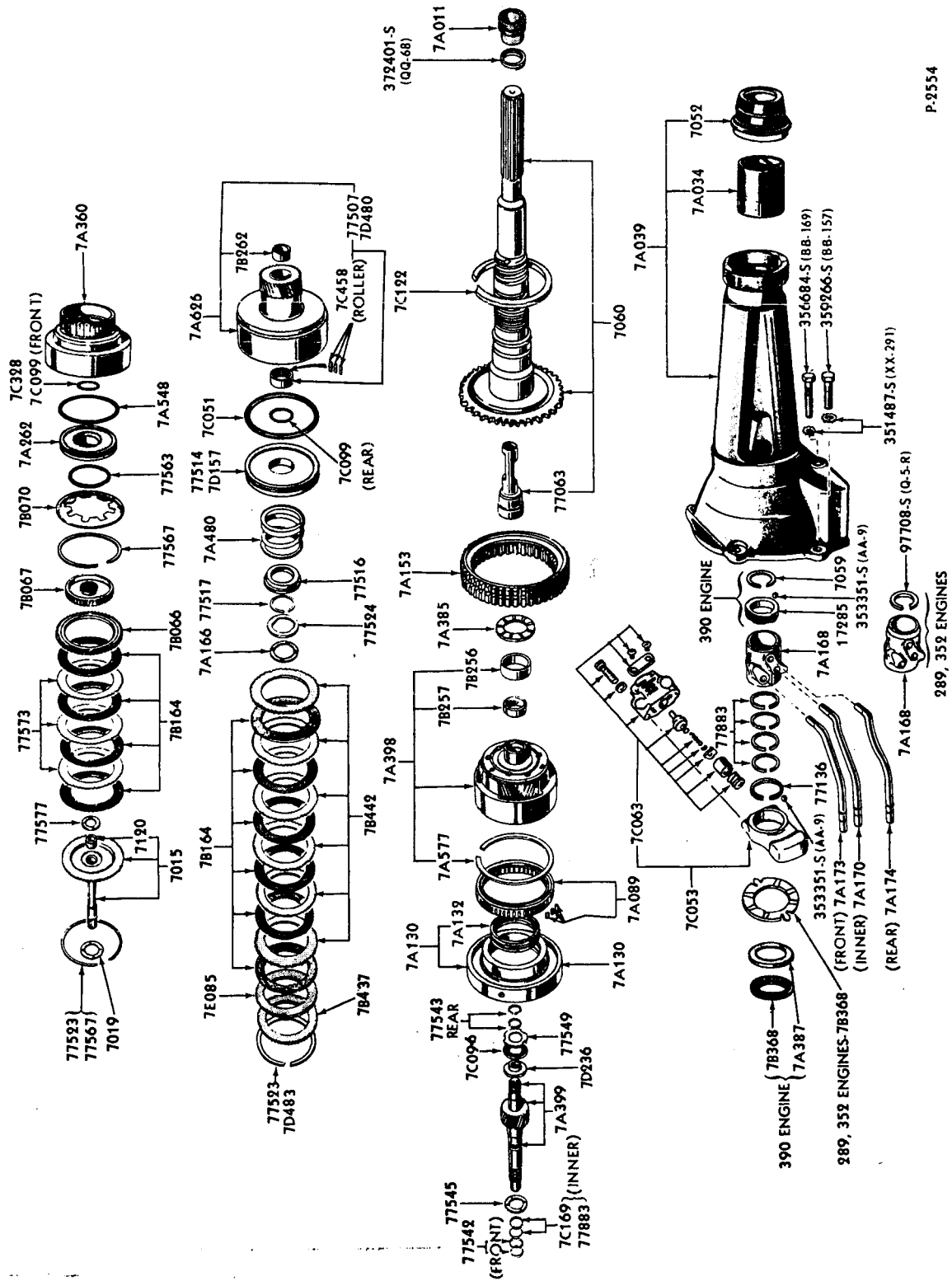
**INDEX**

TITLE	YEAR	MODEL	SECTION	PAGE	ILLUS. NO.
<b>STEERING COLUMN &amp; SHIFT CONTROL SELECTOR MECHANISMS</b>					
Fixed steering column and shift control selector mechanism - Typical	65/66	A	A72	1	P-4930
Moveable steering column and shift control selector mechanism - Typical	65/66	A	A72	2	P-4931
Steering column and shift control selector mechanism	67	A	A72	8	P-5497
Fixed wheel steering column and shift control selector mechanism	68	A	A72	10	P-6017
Tilt wheel steering column and shift control selector mechanism	68	A	A72	11	P-5986
Fixed wheel steering column and shift control selector mechanism	69	A	A72	12	P-6783
Tilt wheel steering column and shift control selector mechanism	69	A	A72	13	P-6784
Fixed wheel steering column and shift control selector mechanism	70/72	A	A72	18	P-7220
Tilt wheel steering column and shift control selector mechanism	70/72	A	A72	19	P-7241
Steering column and shift control selector mechanism - Typical	65	B	A72	3	P-3713
Steering column and shift control selector mechanism - Typical	66/67	B	A72	4	P-5001
Steering column and shift control selector mechanism	68/69	B	A72	14	P-6020
Steering column and shift control selector mechanism	70/71	B (Fairlane/Torino)	A72	20	P-7249
Steering column and shift control selector mechanism	72	B	A72	26	P-8623
Steering column - floor shift	65/66	F	35	4	P-6366
Steering column - floor shift - fixed wheel	67	F	35	6	P-5710
- tilt wheel	67	F	35	7	P-5622
Steering column - floor shift - fixed wheel	68	F	35	12	P-5770
- tilt wheel	68	F	35	11	P-5769
Steering column - floor shift - fixed wheel	69	F	35	15	P-6781
- tilt wheel	69	F	35	16	P-6782
Steering column - floor shift - fixed wheel	70/72	F	35	20	P-7245
- tilt wheel	70/72	F	35	21	P-7246
Steering column and shift control selector mechanism - non locking	70	P	A72	17	P-6967
Steering column and shift control selector mechanism - locking	70/72	P	A72	23	P-7747
Fixed steering column and shift control selector mechanism - Typical	65/66	S	A72	5	P-3284
Moveable steering column and shift control selector mechanism - Typical	65/66	S	A72	6	P-4224
Tilt wheel steering column and shift control selector mechanism	67	S	A72	9	P-5493
Fixed wheel steering column and shift control selector mechanism	68/69	S	A72	15	P-6021
Tilt wheel steering column and shift control selector mechanism	68/69	S	A72	16	P-6022
Fixed wheel steering column and shift control selector mechanism	70/71	S	A72	21	P-7219
Fixed wheel steering column and control selector mechanism	72	S	A72	25	P-8622
Tilt wheel steering column and shift control selector mechanism	70/71	S	A72	22	P-7218
Tilt wheel steering column and shift control selector mechanism	72	S	A72	24	P-8621
Steering column and shift control selector mechanism - Typical	65	X	A72	7	P-4601
Steering column and shift control selector mechanism - Typical	66/67	X	A72	4	P-5001
Steering column and shift control selector mechanism	68/69	X	A72	14	P-6020
Steering column and shift control selector mechanism - Typical	70	X-Before 1/2/70	A72	14	P-6020
For Falcon units built from 1/2/70 Refer to B (Fairlane/Torino)					



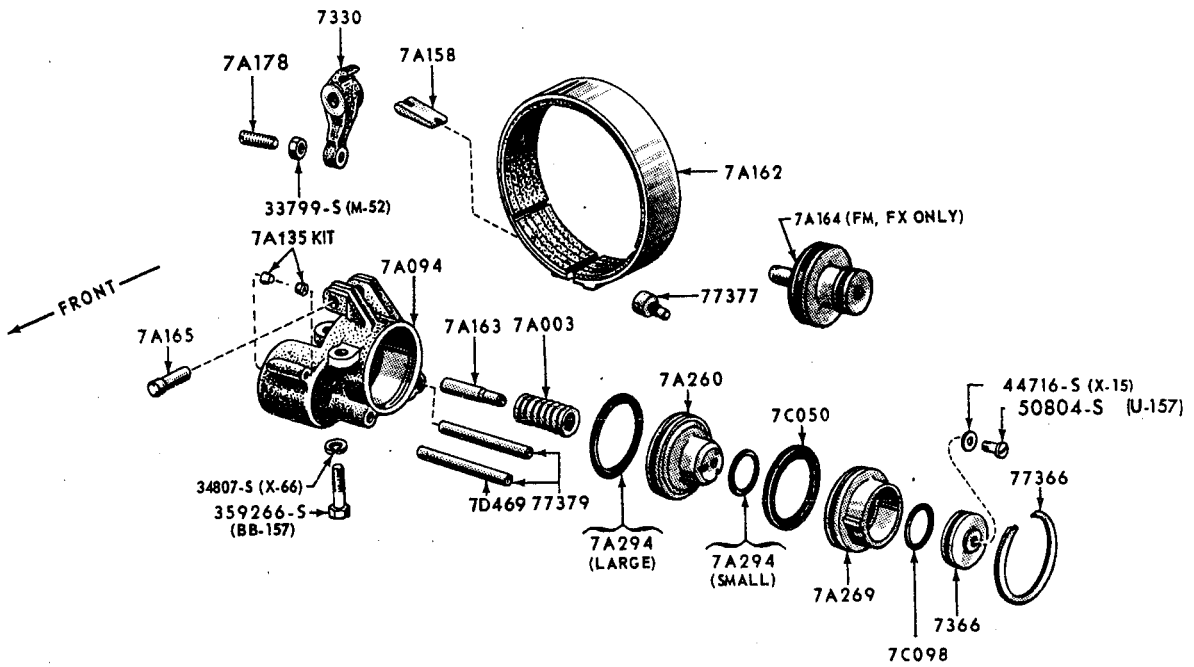






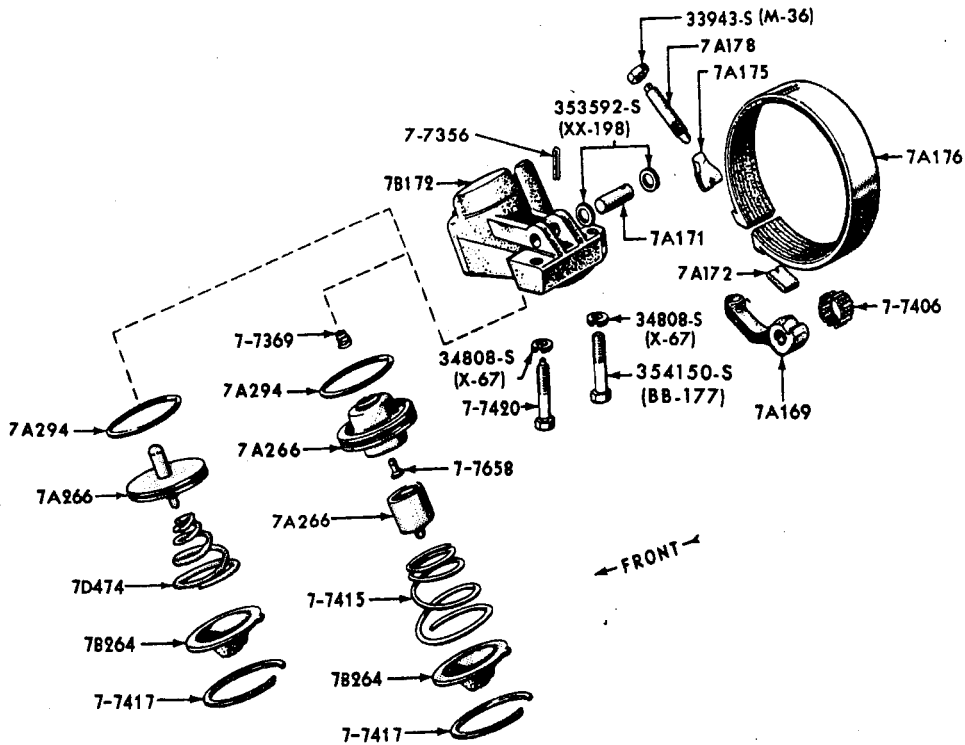
P.3554

CLUTCHES, GEARS, SHAFTS & RELATED PARTS-TYPICAL 1965/68 FORD & THUNDERBIRD



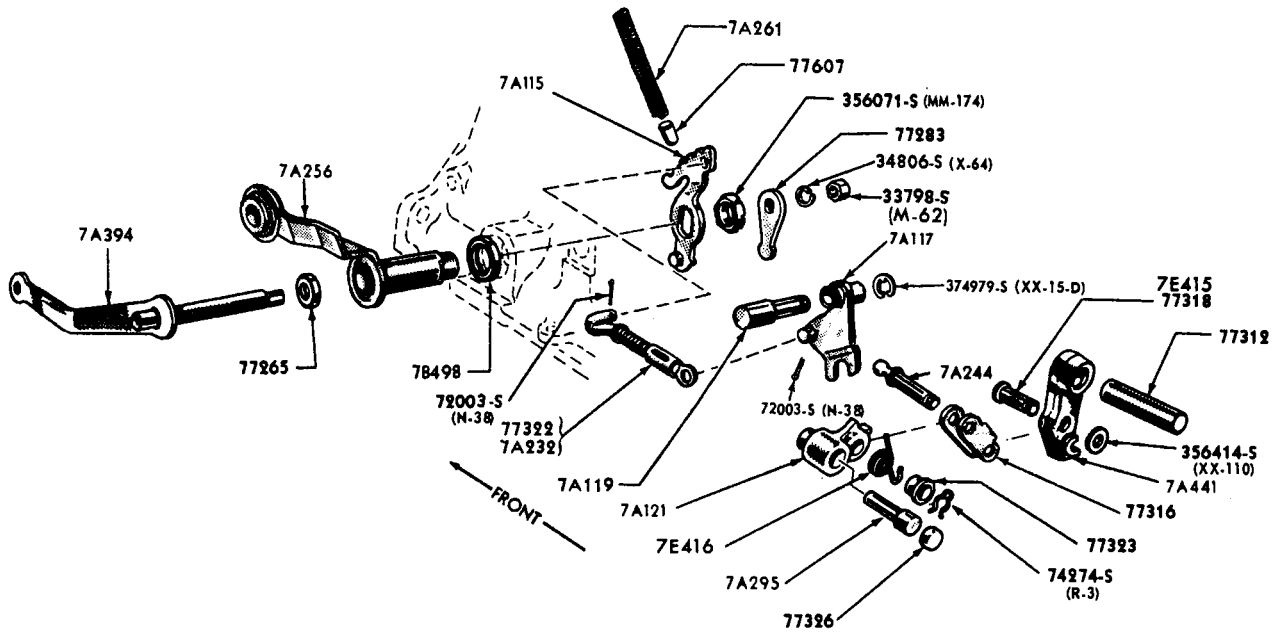
P-2561

FRONT SERVO & BAND-TYPICAL  
1965/68 FORD, 1965/66 THUNDERBIRD



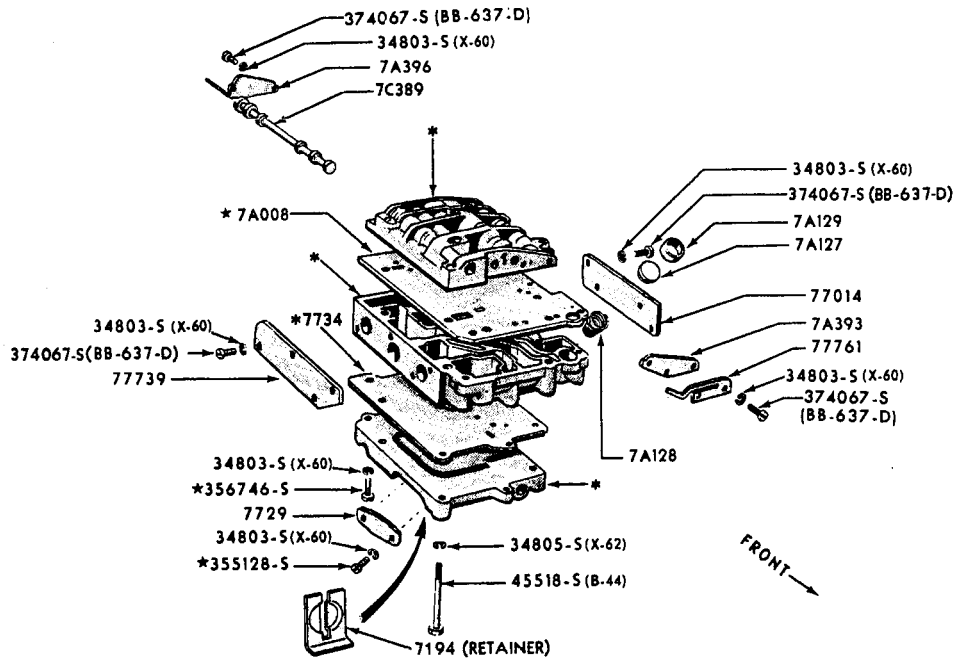
P-6547

REAR SERVO & BAND-TYPICAL  
1965/68 FORD, 1965/66 THUNDERBIRD



P5206

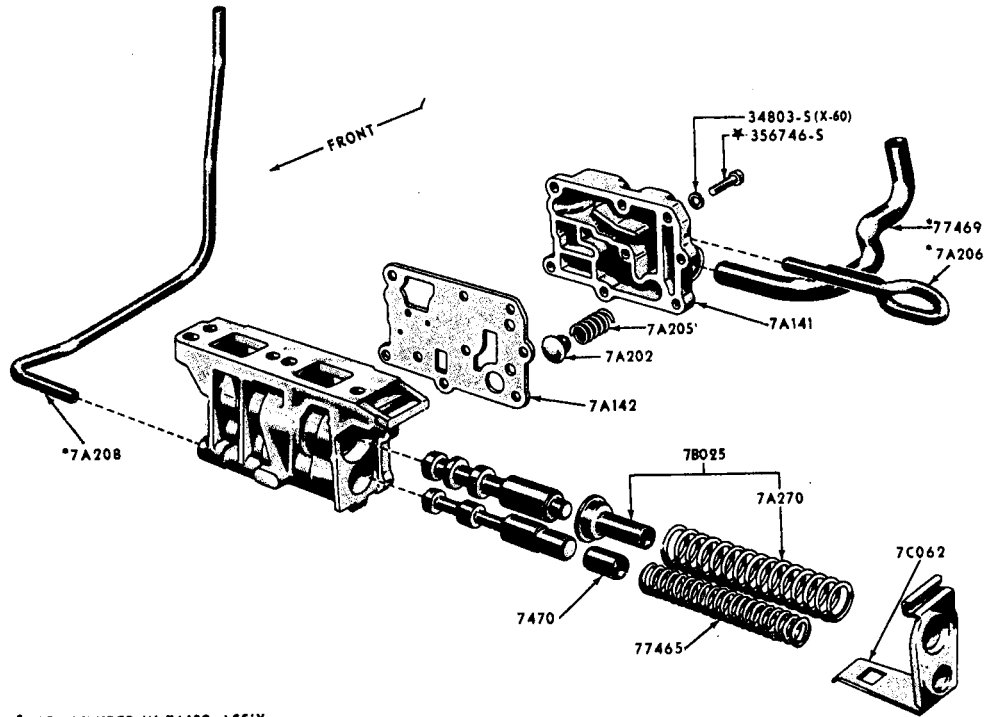
PARKING PAWL, THROTTLE & MANUAL CONTROL LINKAGE-TYPICAL 1965/68 FORD, 1965/66 THUNDERBIRD



P-2583

\* SUPPLIED IN 7A100 CONTROL VALVE ASS'Y.

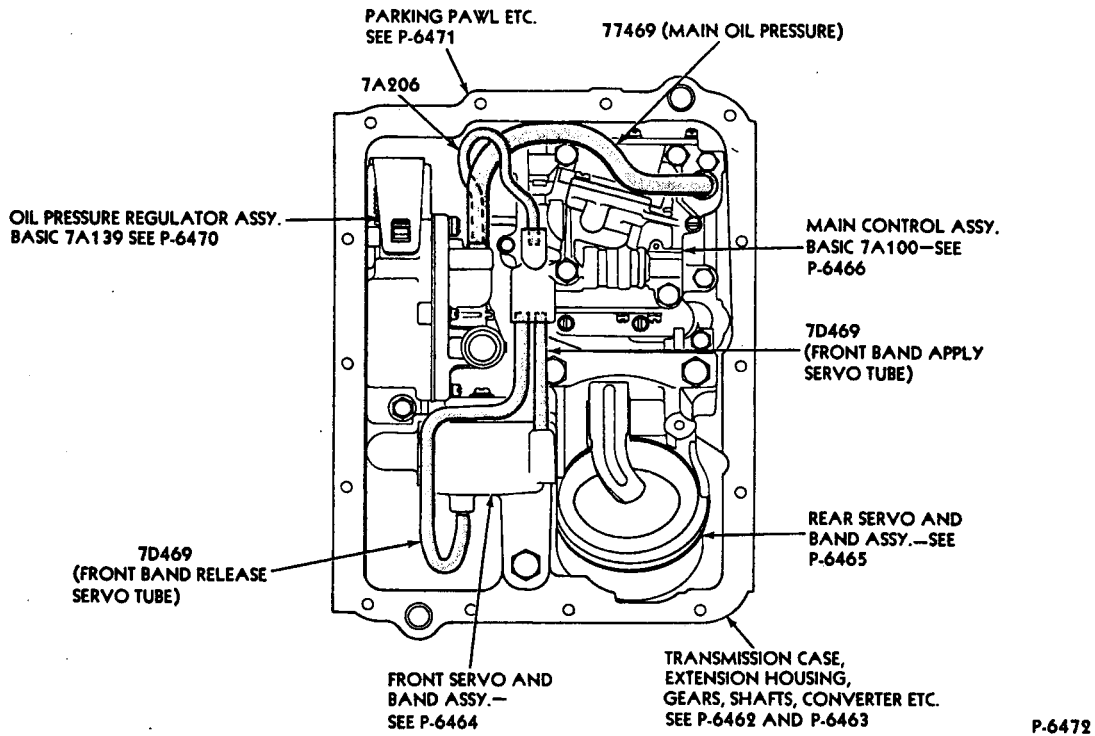
MAIN CONTROL VALVE BODY ASSY.-(BASIC 7A100)-TYPICAL 1965/68 FORD, 1965/66 THUNDERBIRD



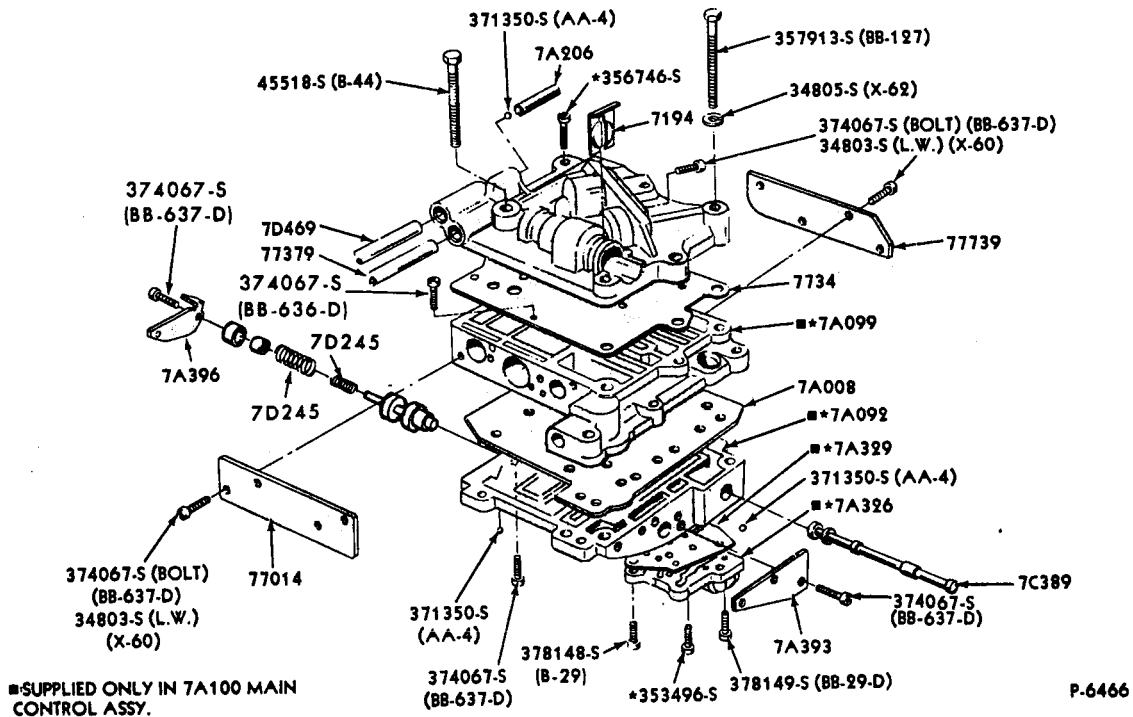
\*NOT INCLUDED IN 7A139 ASS'Y.

P-1725

OIL PRESSURE REGULATOR & RELATED PARTS-TYPICAL (BASIC 7A139)  
1965/68 FORD, 1965/66 THUNDERBIRD

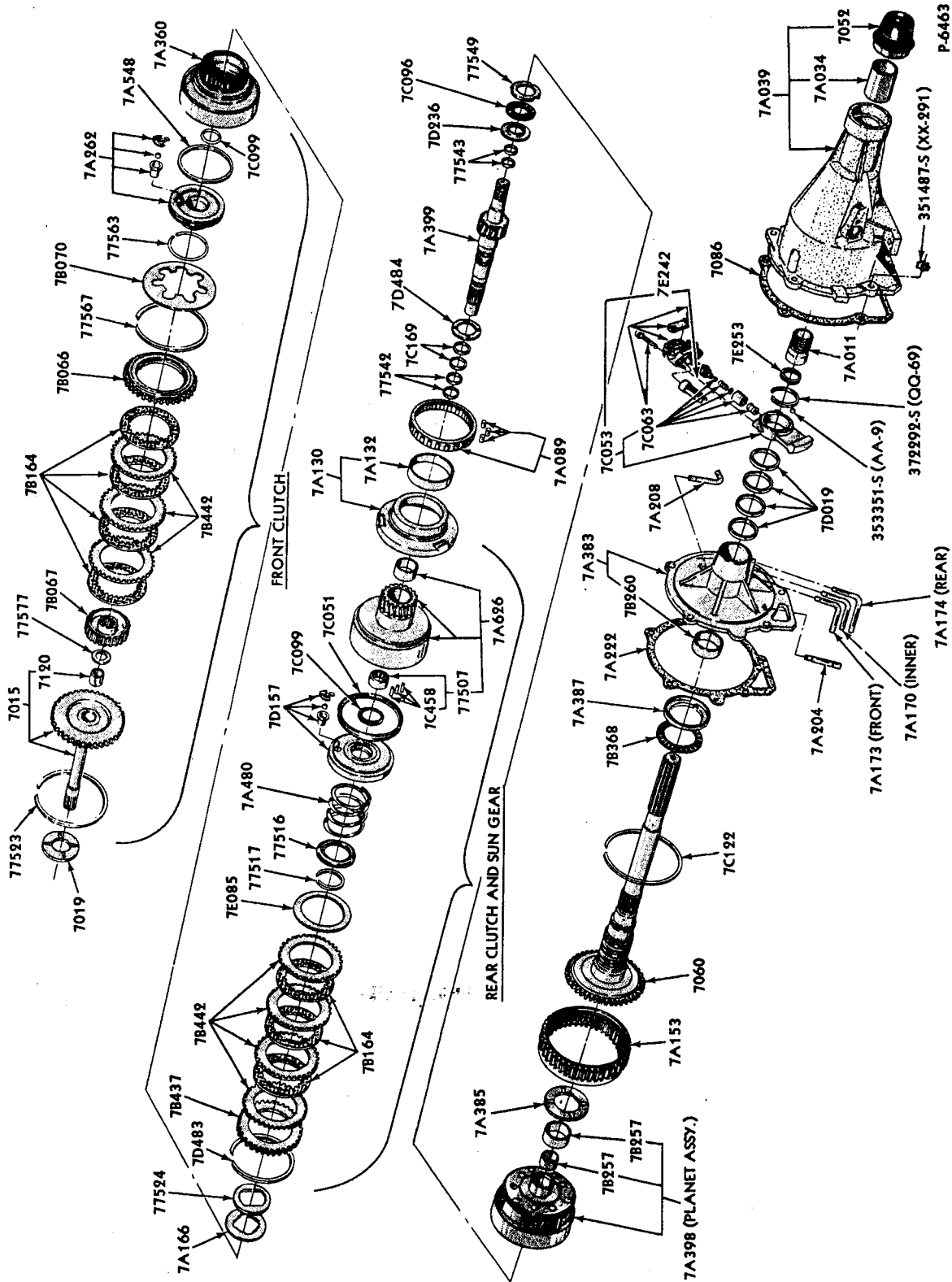


**OIL PRESSURE TUBES INSTALLATION-TYPICAL  
1968/72 FORD, 1969/72 FAIRLANE/TORINO & MUSTANG**



**MAIN CONTROL VALVE BODY ASSY.—(BASIC 7A100)—TYPICAL  
1968/72 FORD, 1969/72 FAIRLANE/TORINO & MUSTANG**

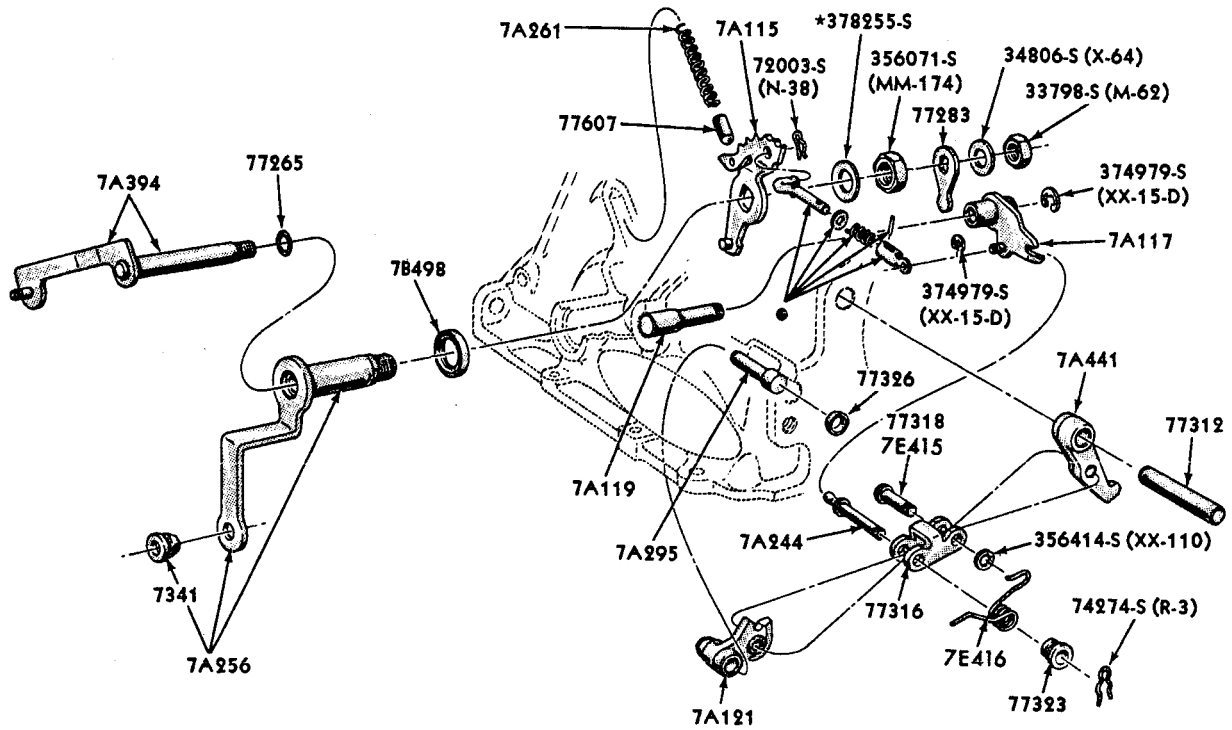




CLUTCHES, GEARS, SHAFTS, EXTENSION & RELATED PARTS-TYPICAL  
1968/72 FORD, 1969/72 FAIRLANE/TORINO & MUSTANG



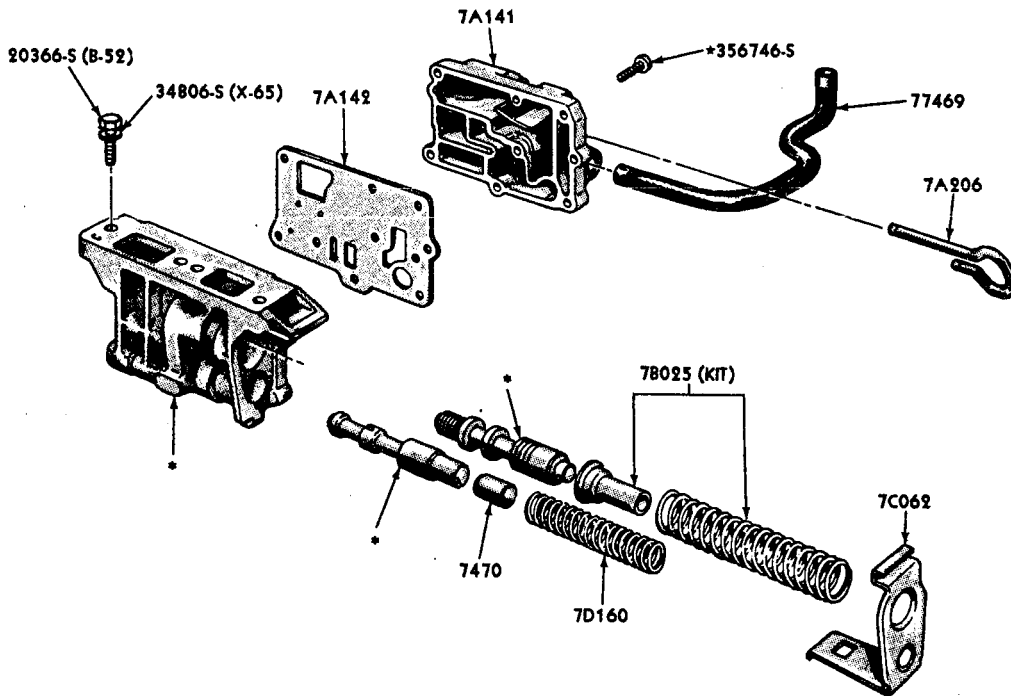




●SERVICED ONLY IN 7A232 ROD ASSY.

P-6471

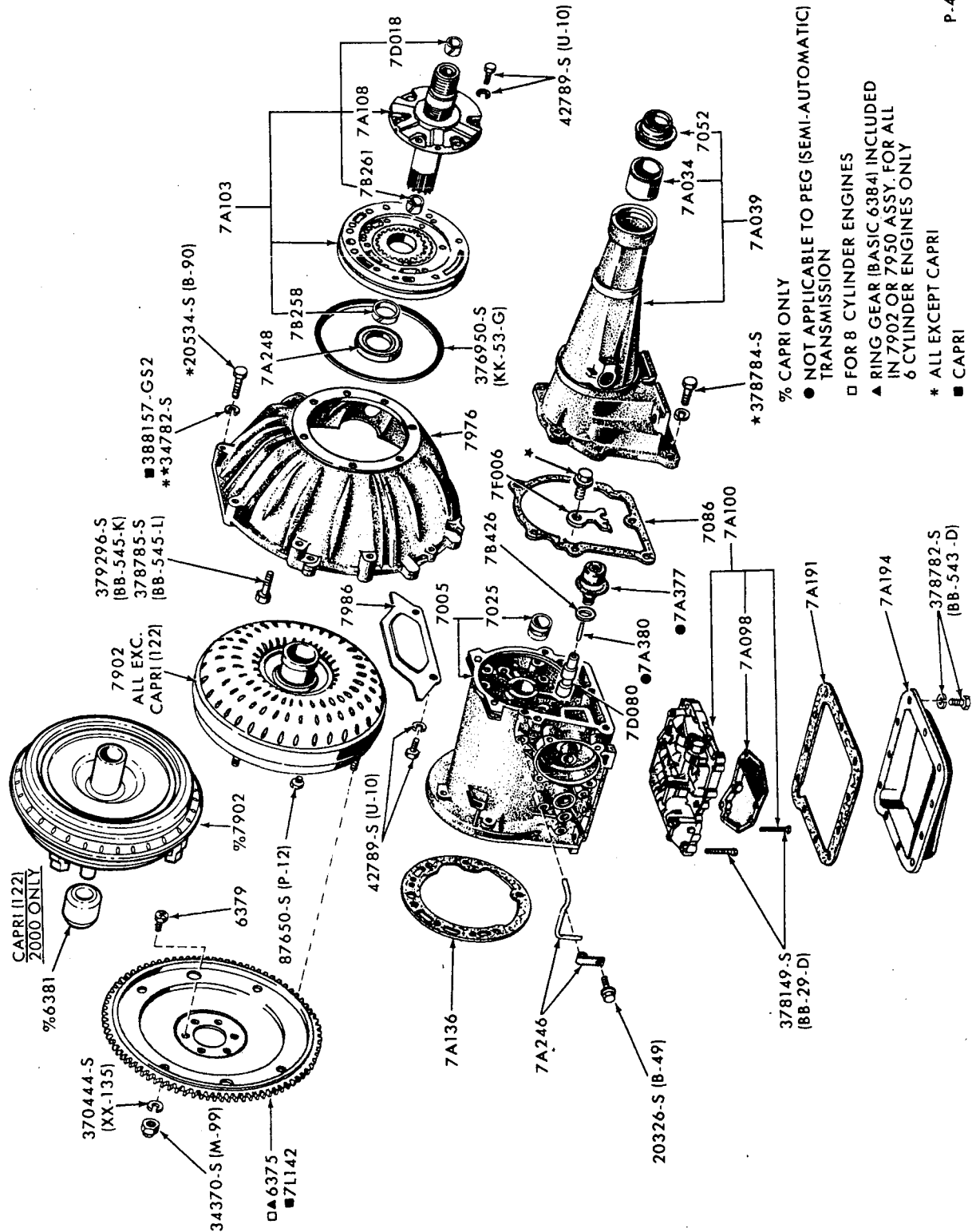
PARKING PAWL, THROTTLE & MANUAL CONTROL LINKAGE-TYPICAL  
1968/72 FORD, 1969/72 FAIRLANE/TORINO & MUSTANG



\*SERVICED ONLY IN 7A139 REGULATOR ASSY.

P-6470

OIL PRESSURE REGULATOR ASSY. (BASIC 7A139)-TYPICAL  
1968/72 FORD, 1969/72 FAIRLANE/TORINO & MUSTANG

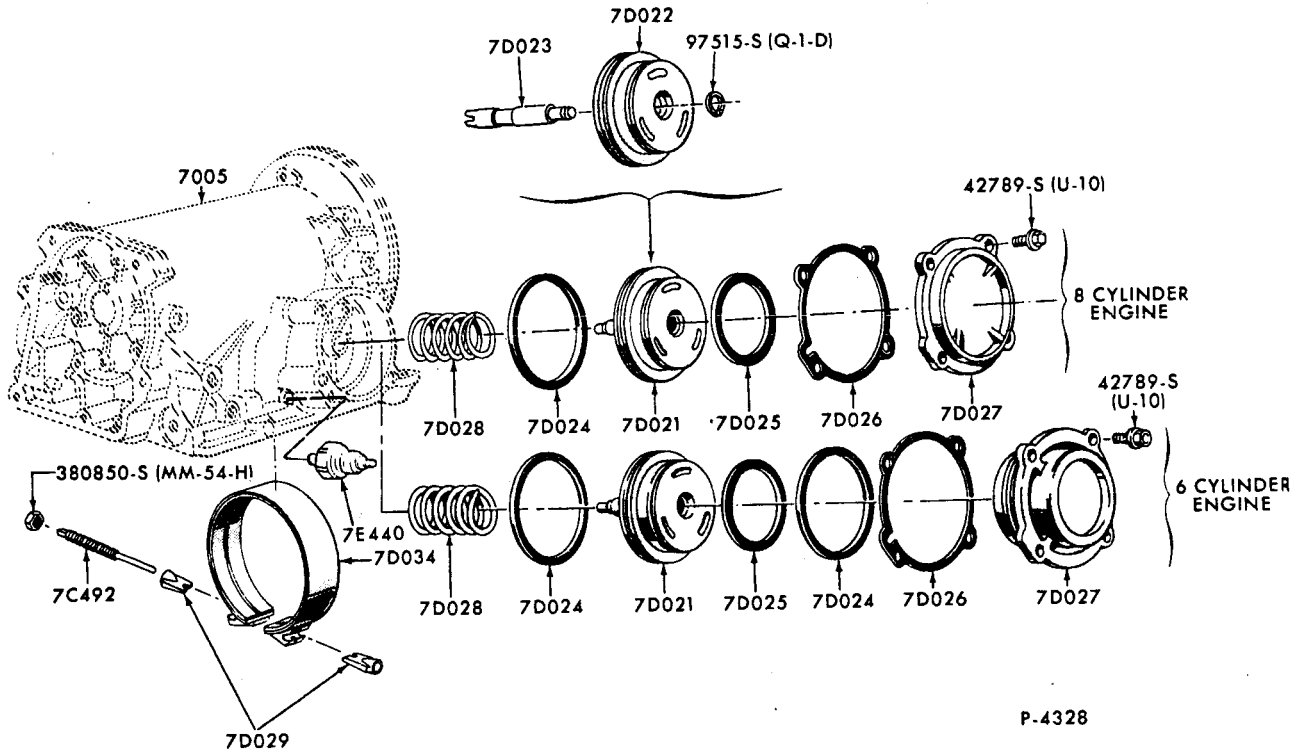


- % CAPRI ONLY
- NOT APPLICABLE TO PEG (SEMI-AUTOMATIC) TRANSMISSION
- FOR 8 CYLINDER ENGINES
- ▲ RING GEAR (BASIC 6384) INCLUDED IN 7902 OR 7950 ASSY. FOR ALL 6 CYLINDER ENGINES ONLY
- \* ALL EXCEPT CAPRI
- CAPRI

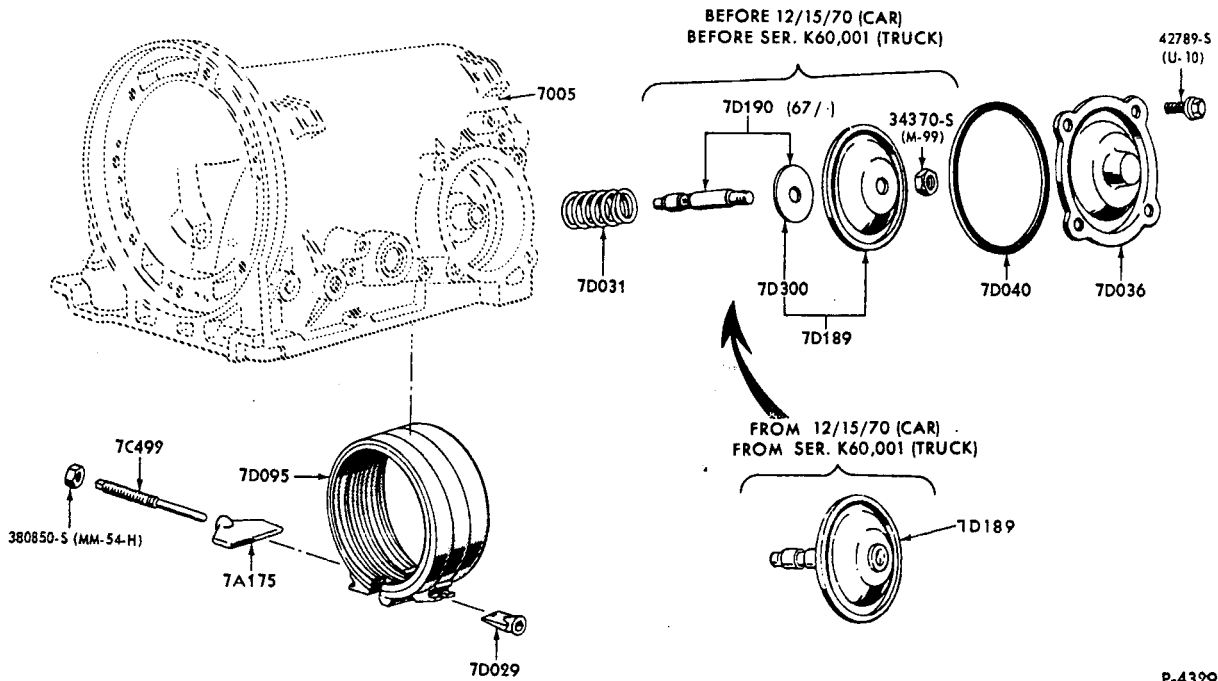
P.4326

CASE, CONVERTER ASSY., EXTENSION, PUMP & RELATED PARTS-TYPICAL  
1965/72 FORD, FAIRLANE/TORINO, MUSTANG & FALCON, 1970/72 MAVERICK, 1971/72 PINTO

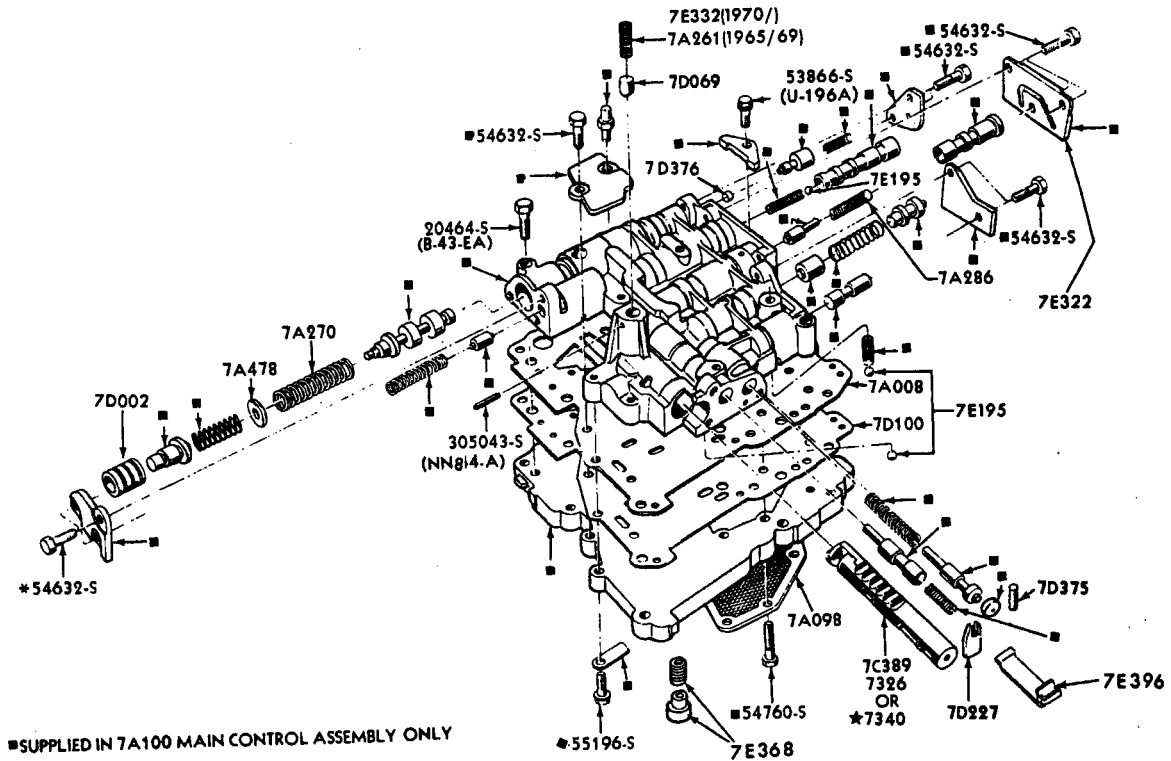




FRONT SERVO & BAND-TYPICAL  
1965/72 FORD, FAIRLANE/TORINO, MUSTANG & FALCON, 1970/72 MAVERICK, 1971/72 PINTO

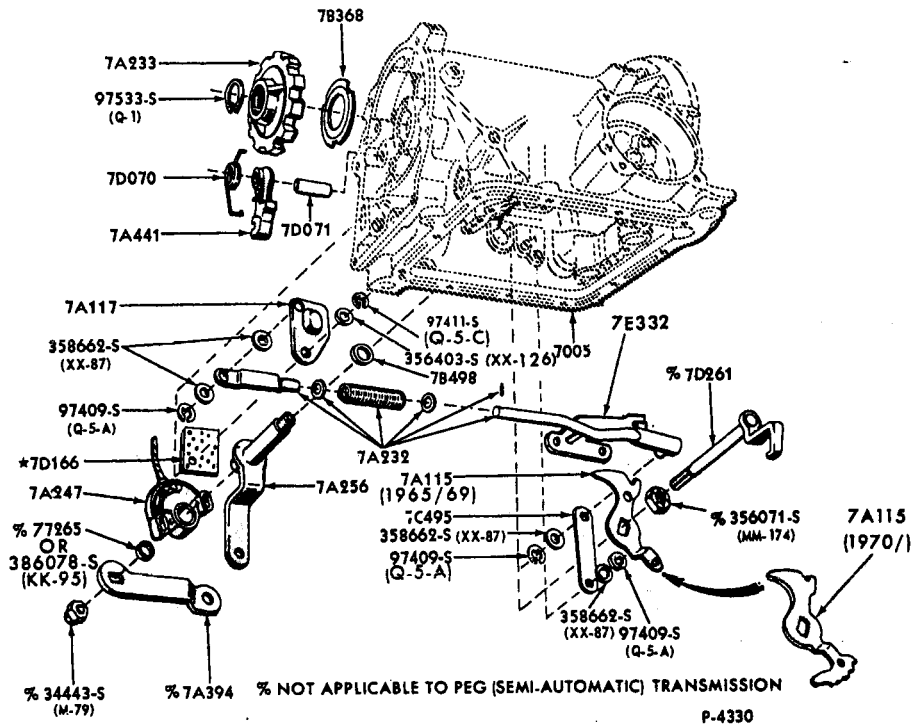


REAR SERVO & BAND - TYPICAL  
1965/72 FORD, FAIRLANE/TORINO, MUSTANG & FALCON, 1970/72 MAVERICK, 1971/72 PINTO



P-4507

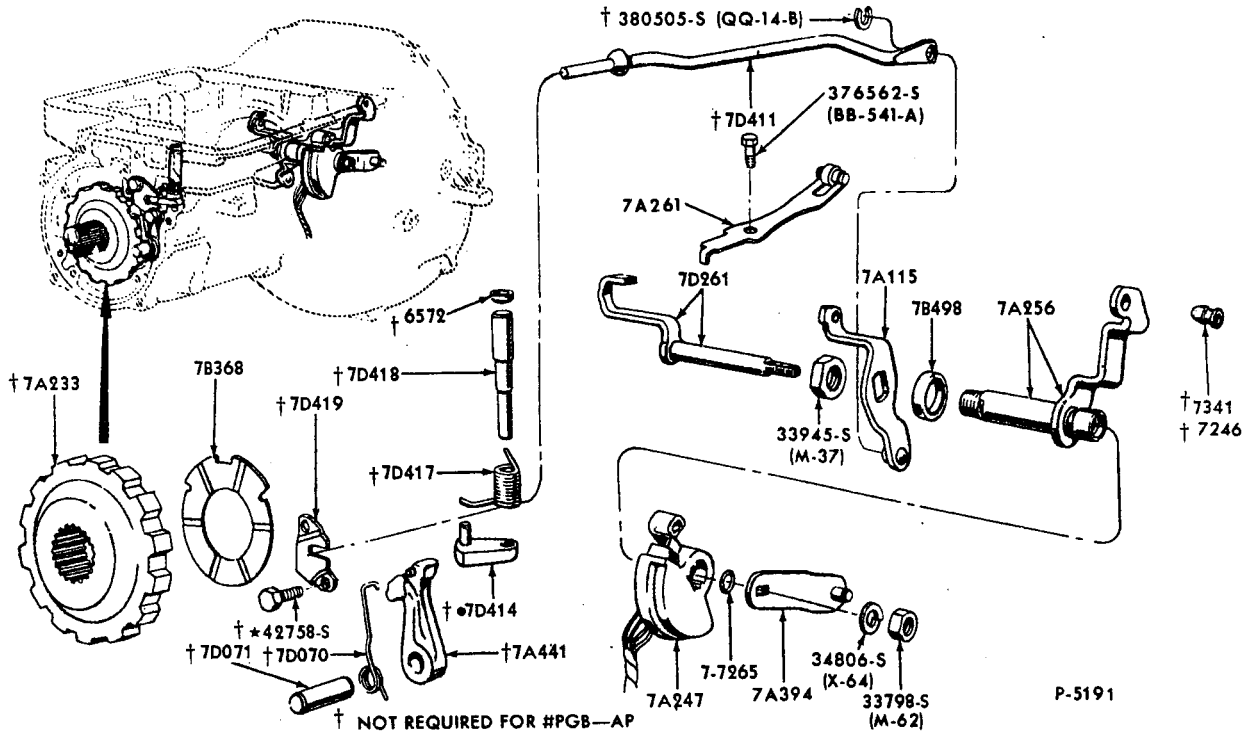
MAIN CONTROL VALVE BODY-(BASIC 7A100)-TYPICAL  
1965/72 FORD, FAIRLANE/TORINO, MUSTANG & FALCON, 1970/72 MAVERICK, 1971/72 PINTO



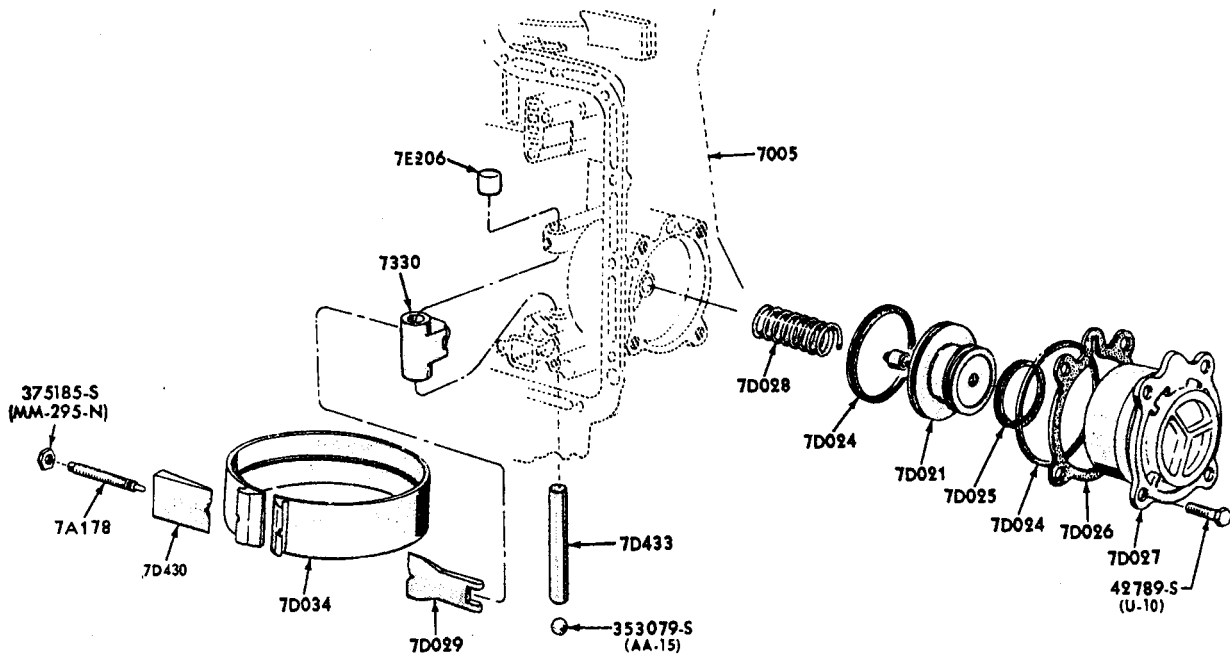
PARKING PAWL, THROTTLE & MANUAL CONTROL LINKAGE-TYPICAL  
1965/72 FORD, FAIRLANE/TORINO, MUSTANG & FALCON, 1970/72 MAVERICK, 1971/72 PINTO







PARKING PAWL, THROTTLE & MANUAL CONTROL LINKAGE-TYPICAL  
1966/72 FORD, FAIRLANE/TORINO, MUSTANG & THUNDERBIRD



INTERMEDIATE SERVO & BAND-TYPICAL  
1966/72 FORD, FAIRLANE/TORINO, MUSTANG & THUNDERBIRD



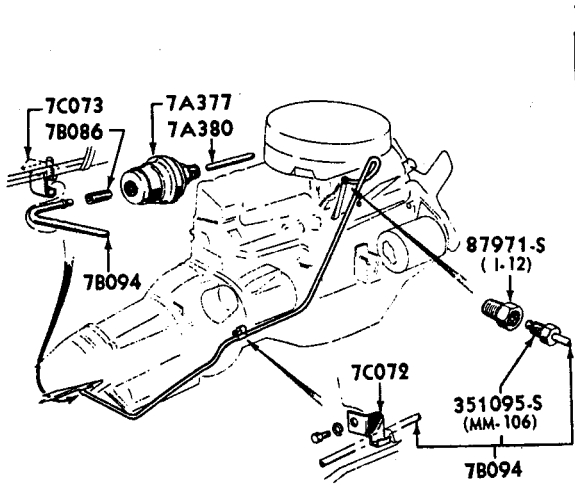


**AUTOMATIC  
TRANSMISSION**

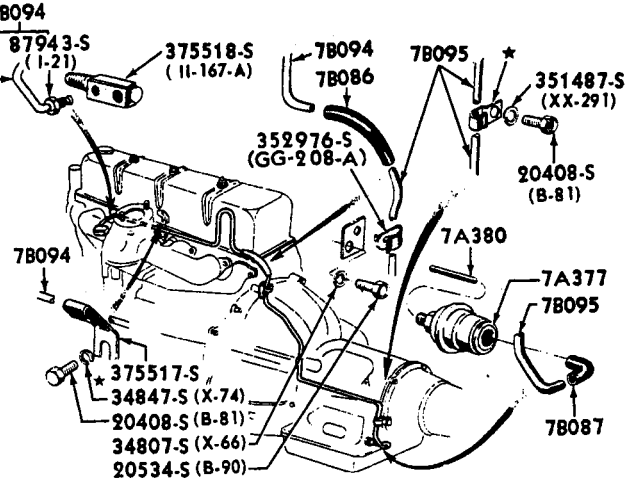
**FORD CAR PARTS**

**ILLUSTRATION  
SECTION A71**

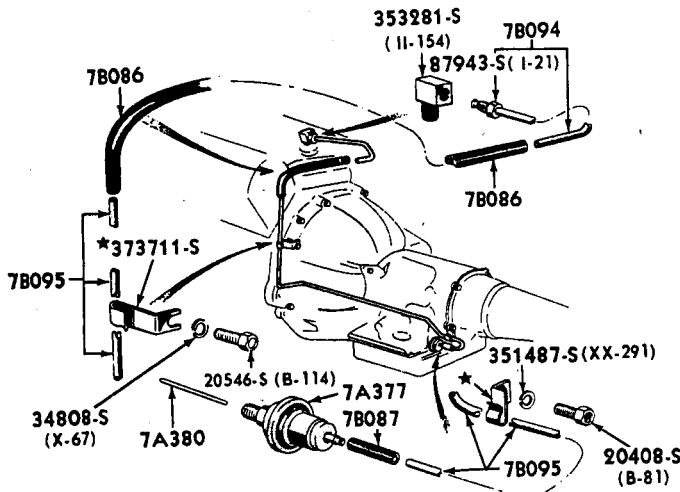
1



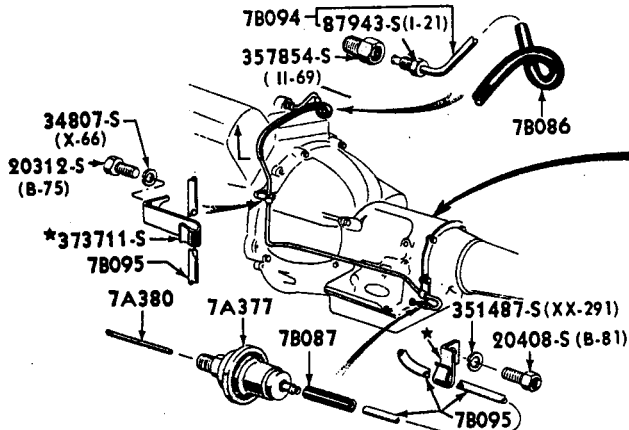
**6 CYLINDER 200 & 250 ENGINES**



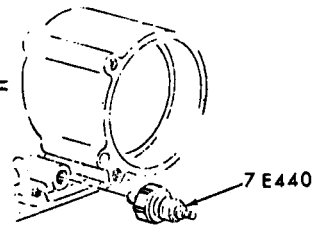
**6 CYLINDER 240 ENGINE**



**8 CYLINDER 400, 429 & 460  
ENGINES WITH C/M & C/6 TRANSMISSIONS**



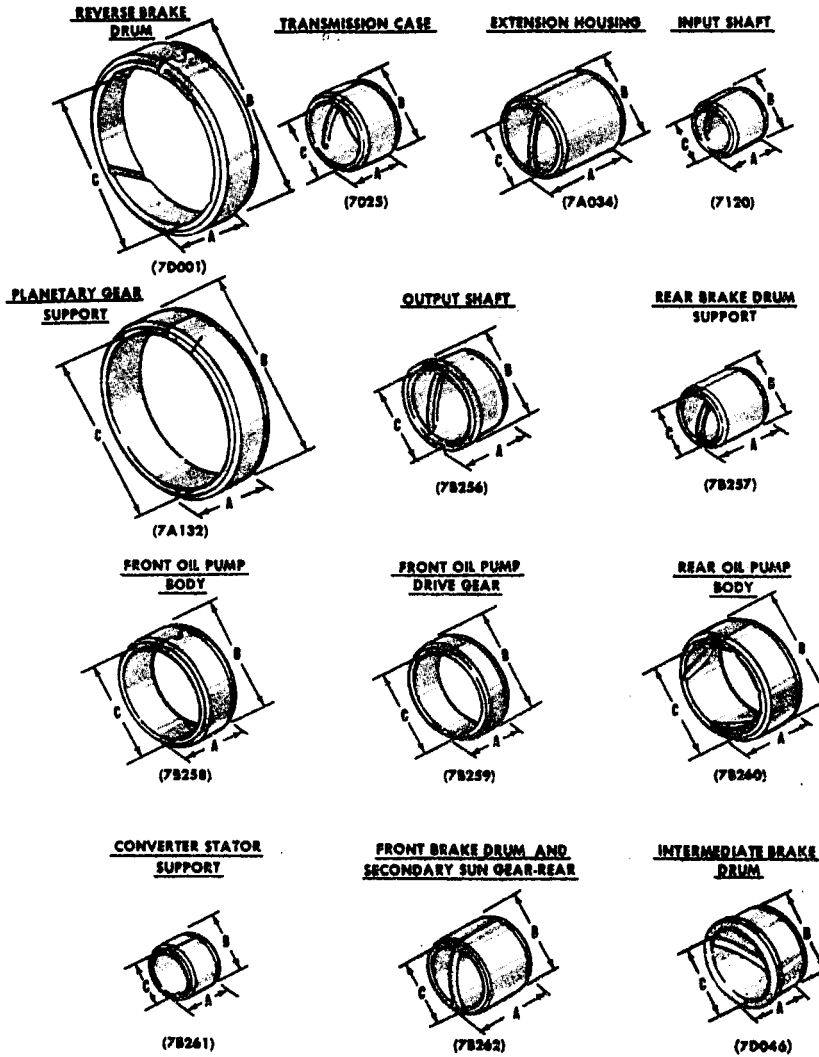
**8 CYLINDER 302 & 351 ENGINES  
WITH C/M & C4 TRANSMISSIONS**



**C4 TRANS ONLY**

VACUUM THROTTLE VALVE, LINES & FITTINGS-TYPICAL  
1965/72 FORD, FAIRLANE/TORINO, MUSTANG, THUNDERBIRD & FALCON

P-3627



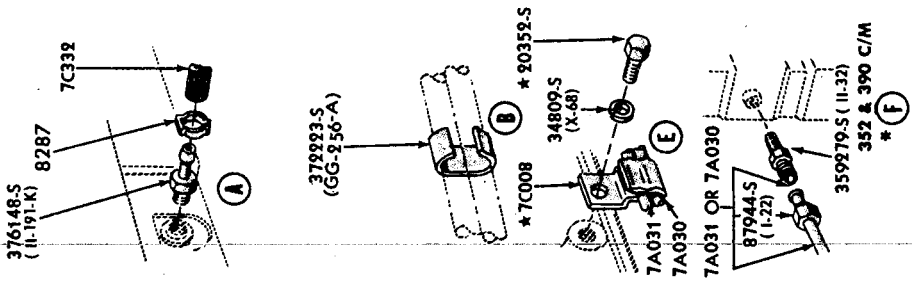
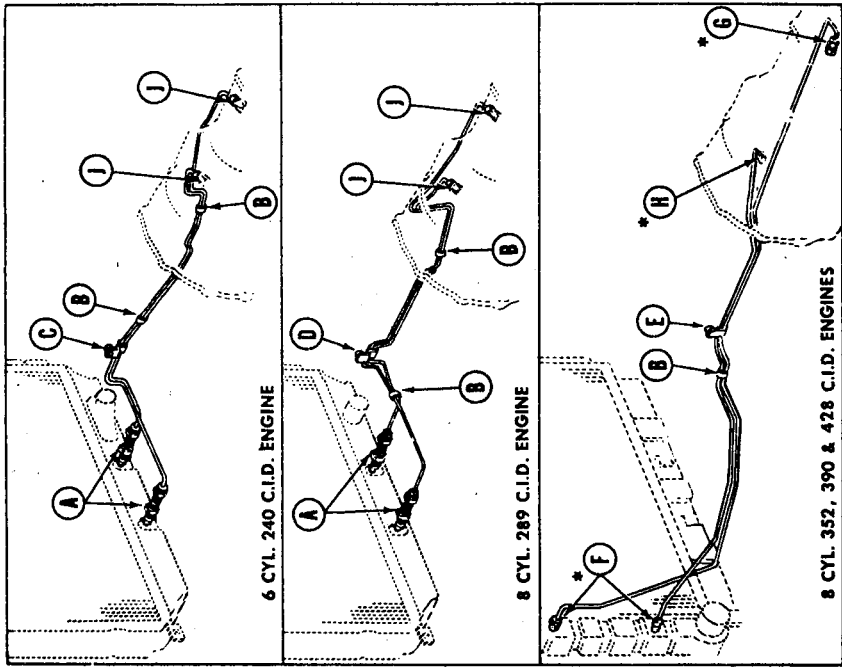
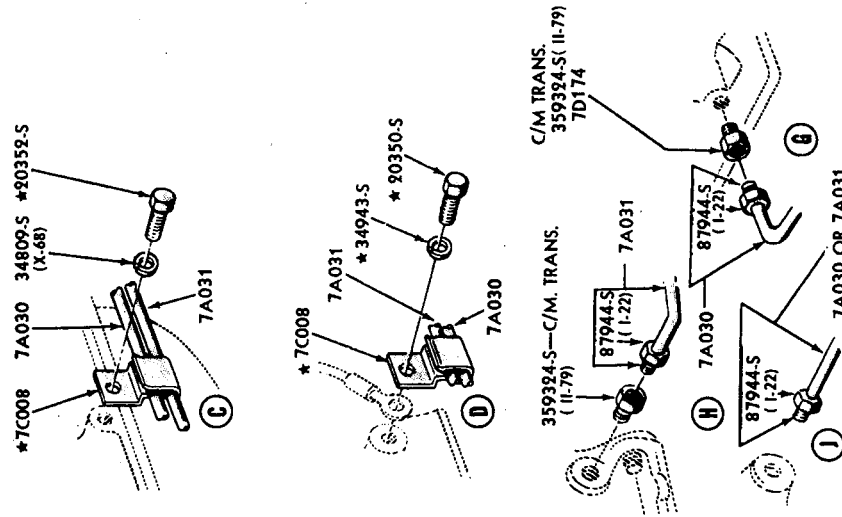
P.4862

BUSHINGS - AUTOMATIC TRANSMISSION MISCELLANEOUS

A	B	C	PART NUMBER	A	B	C	PART NUMBER
3/4"	1 1/2"	1 3/8"	♣ B1A 7025-A	1"	1 3/4"	1 5/8"	★COMP 7B256-A
3/4"	1 1/2"	1 3/8"	⊕ B1A 7025-B	3/4"	1 1/8"	1"	B1AZ 7B257-B
7/8"	1 1/2"	1 3/8"	B5A 7025-A	1"	1 1/8"	1"	B5AZ 7B257-A
7/8"	1 5/8"	1 1/2"	COMP 7025-A	29/32"	2 1/2"	2 3/8"	COAP 7B257-A
1 1/2"	1 5/8"	1 1/2"	B3TZ 7A034-A	15/16"	1 1/4"	1 1/8"	★COMP 7B257-A
2 1/8"	1 13/16"	1 11/16"	B5AZ 7A034-A	33/64"	2 1/8"	2"	COAP 7B258-A
1 3/8"	1 1/2"	1 3/8"	C0DP 7A034-B	37/64"	2 1/16"	1 15/16"	C1AZ 7B258-A
3/4"	1"	7/8"	B1AZ 7120-A	7/16"	1 15/16"	1 13/16"	COMP 7B259-A
27/32"	1"	7/8"	★B5A 7120-B	3/8"	1 15/16"	1 13/16"	C1AZ 7B259-A
27/32"	1 1/8"	1"	★COMP 7120-A	3/4"	2 3/16"	2 1/16"	B5AZ 7B260-A
27/32"	1"	7/8"	C3AZ 7120-B	7/8"	2"	1 7/8"	COAP 7B260-A
5/8"	3 3/8"	3 3/16"	B1AZ 7A132-A	13/16"	2 5/16"	2 3/16"	★C3SZ 7B260-B
11/16"	3 5/16"	3 5/32"	B9AP 7A132-A	3/4"	1 1/32"	29/32"	★B1AZ 7B261-A
23/32"	3 27/32"	3 11/16"	B9MP 7A132-A	9/16"	1"	15/16"	B5AZ 7B261-A
11/16"	3 5/16"	3 5/32"	★C3AZ 7A132-A	1"	1 3/16"	1 3/64"	COAP 7B261-A
11/16"	3 5/16"	3 5/32"	★C4AZ 7A132-A	9/16"	1 1/16"	1"	★COMP 7B261-A
7/8"	1 5/8"	1 1/2"	B5AZ 7B256-A	1 1/16"	1 7/16"	1 5/16"	B5AZ 7B262-A
3/8"	1 1/8"	1"	★C0AP 7B256-A	1 1/8"	1 11/16"	1 9/16"	COMP 7B262-A

♣ RECONDITIONERS ONLY

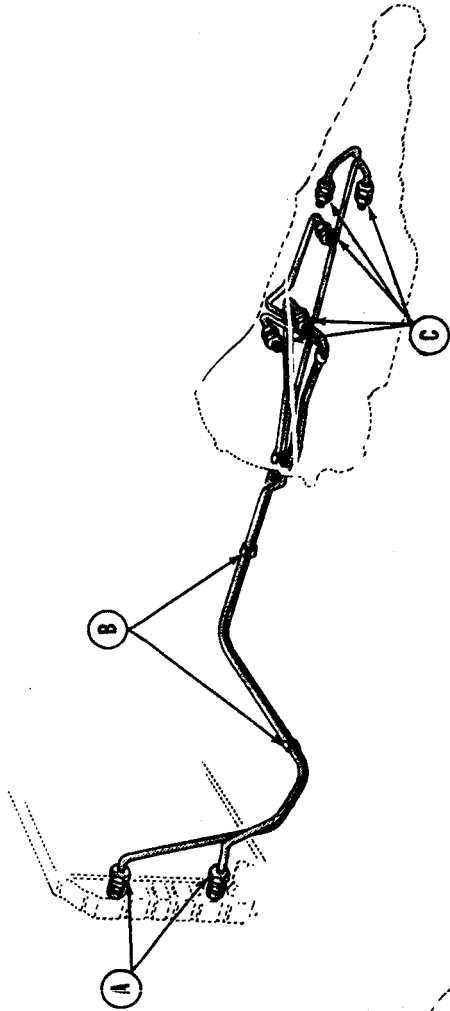
⊕ DEALER INSTALLATION



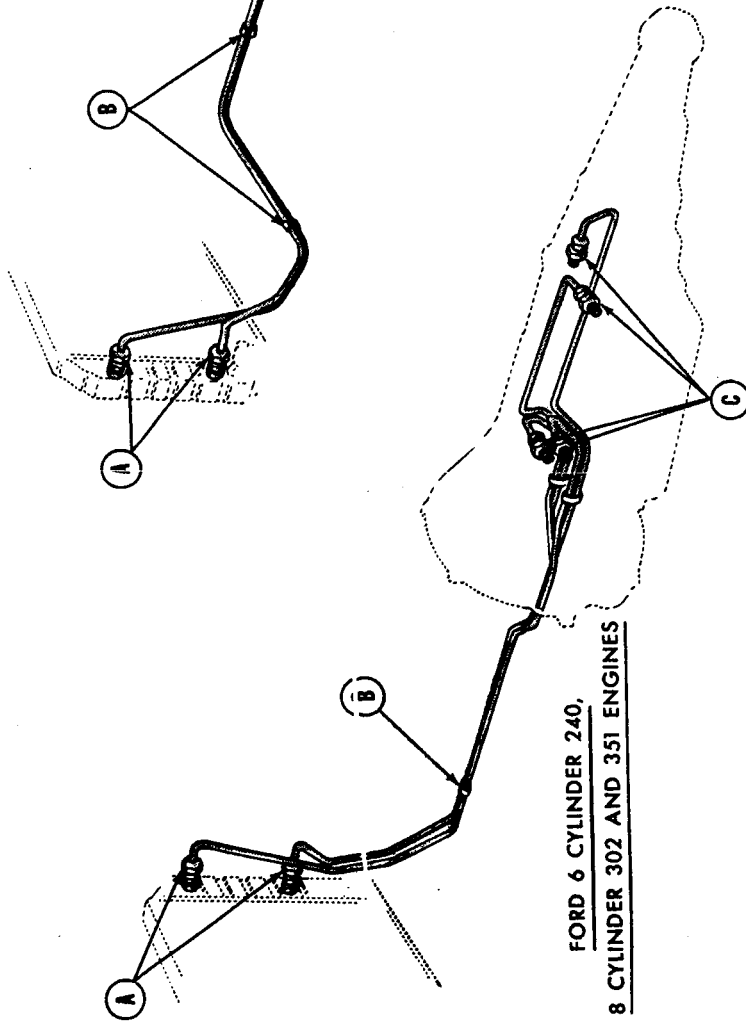
\* 352 & 390 C.I.D. ENGINE WITH CRUISE-O-MATIC TRANS.

P-4621

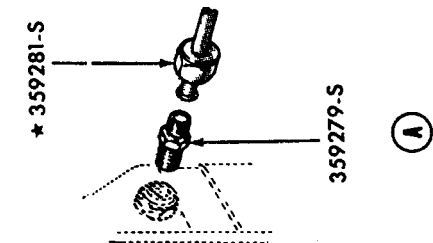
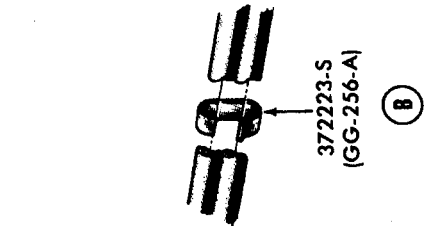
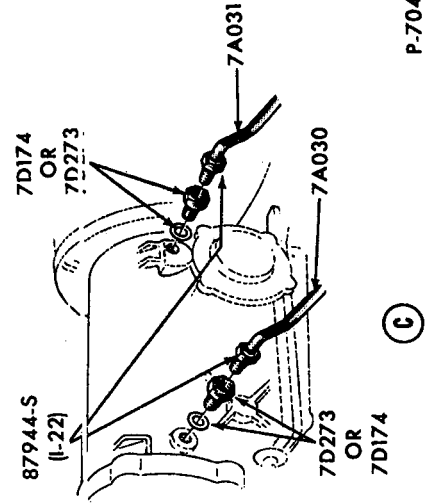
**TRANSMISSION OIL COOLING SYSTEM-TYPICAL  
1965/68 FORD**



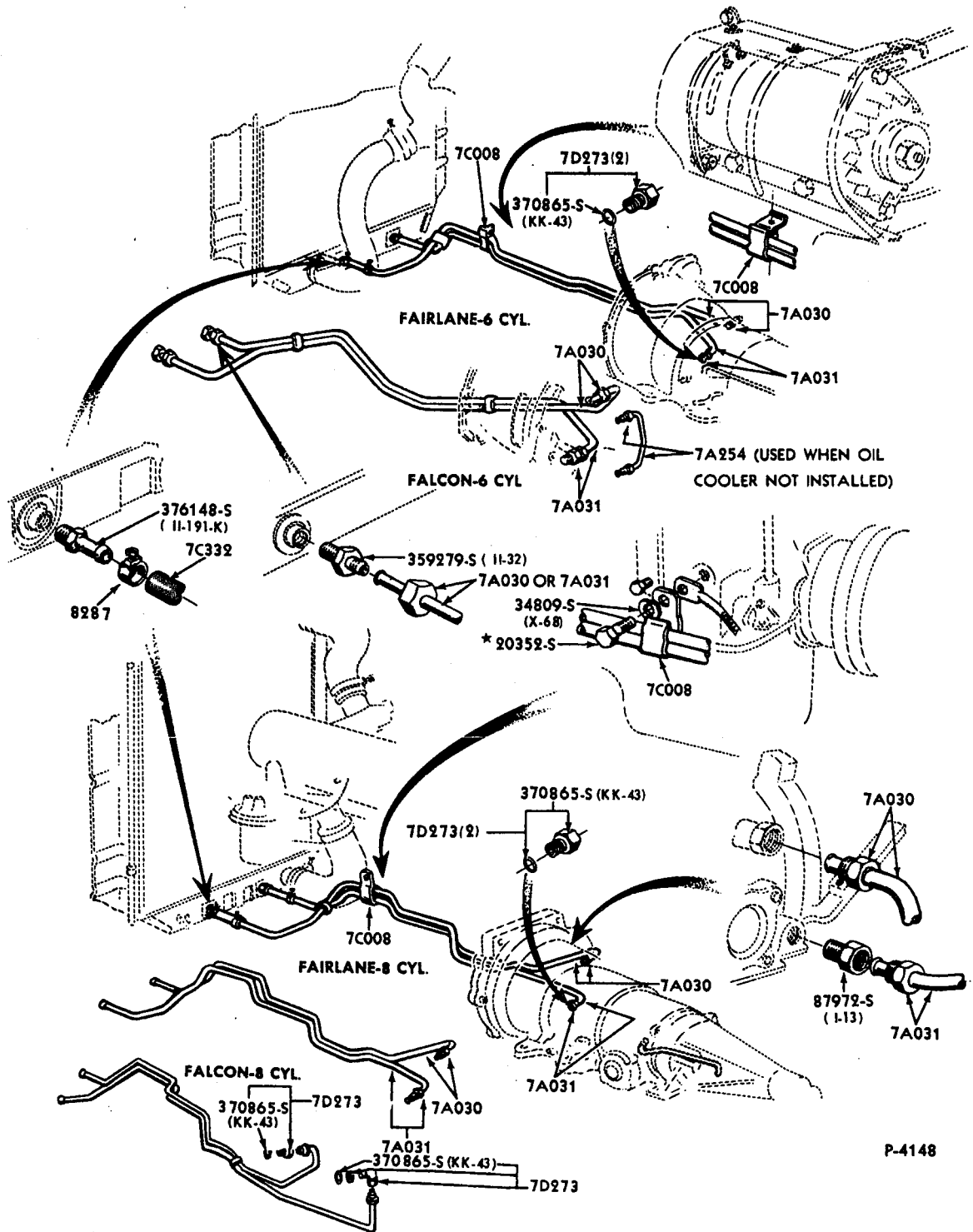
FORD AND MERCURY 8 CYLINDER  
390, 400, 428 AND 429 ENGINES



FORD 6 CYLINDER 240,  
8 CYLINDER 302 AND 351 ENGINES



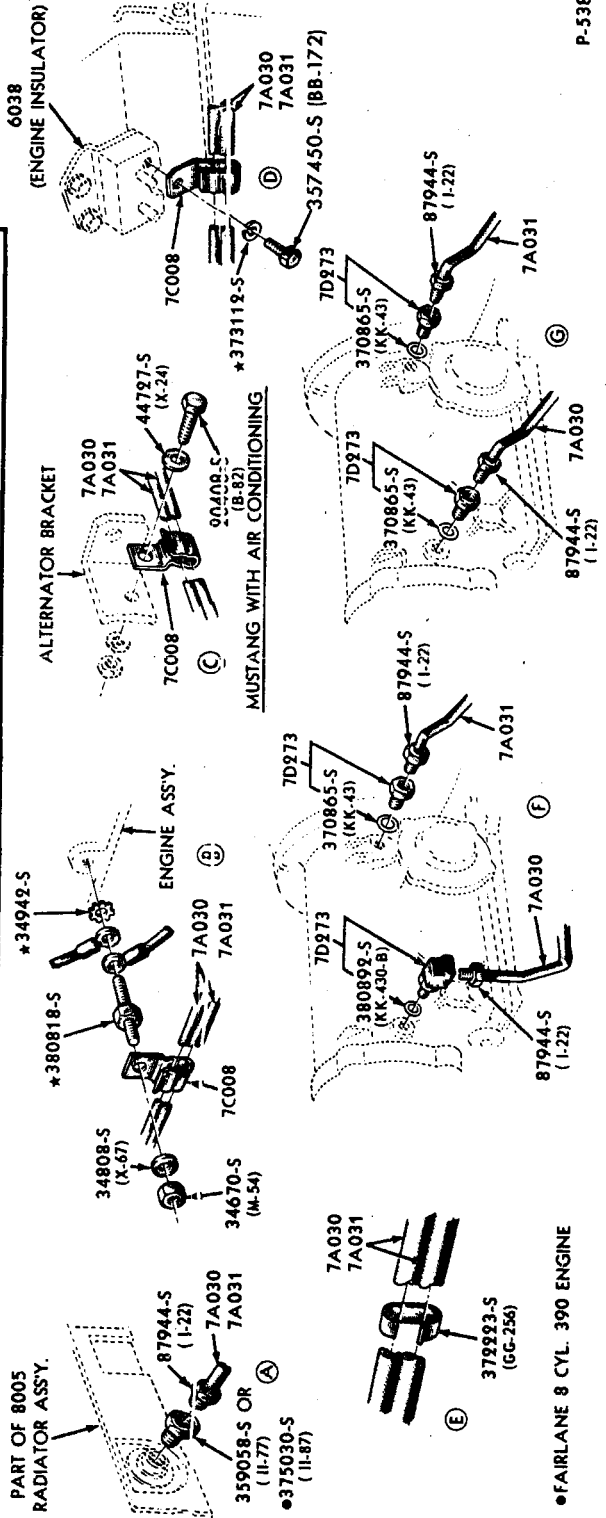
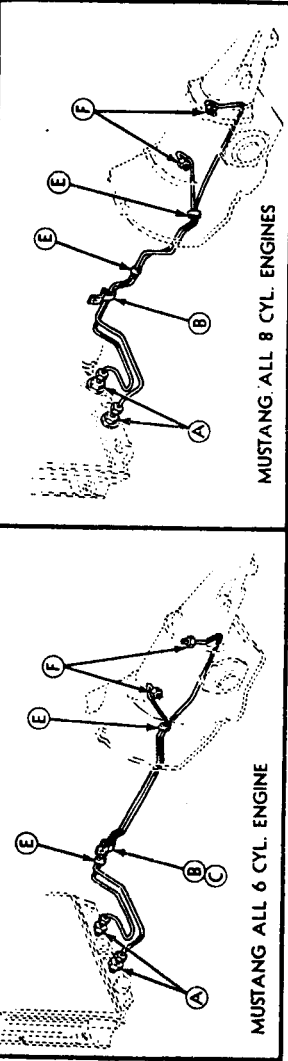
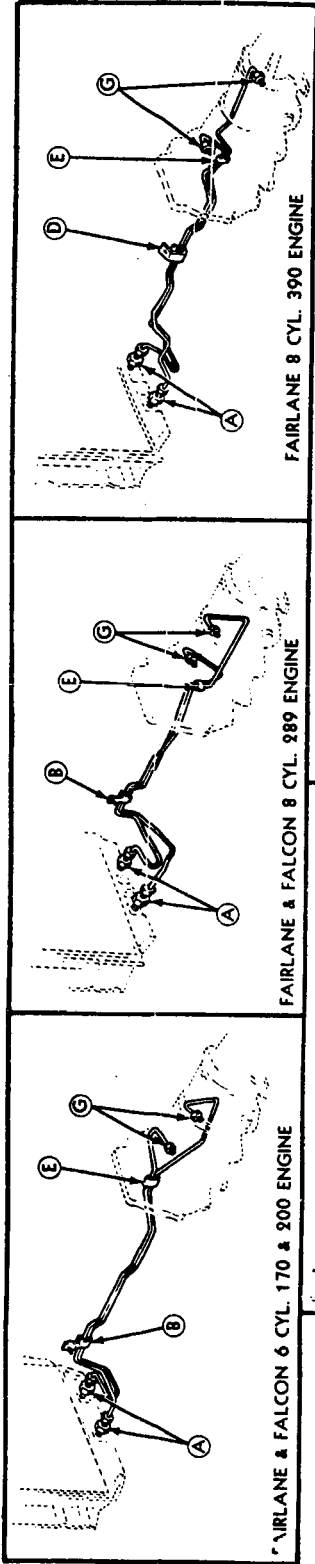
TRANSMISSION OIL COOLING SYSTEM  
1969/72 FORD



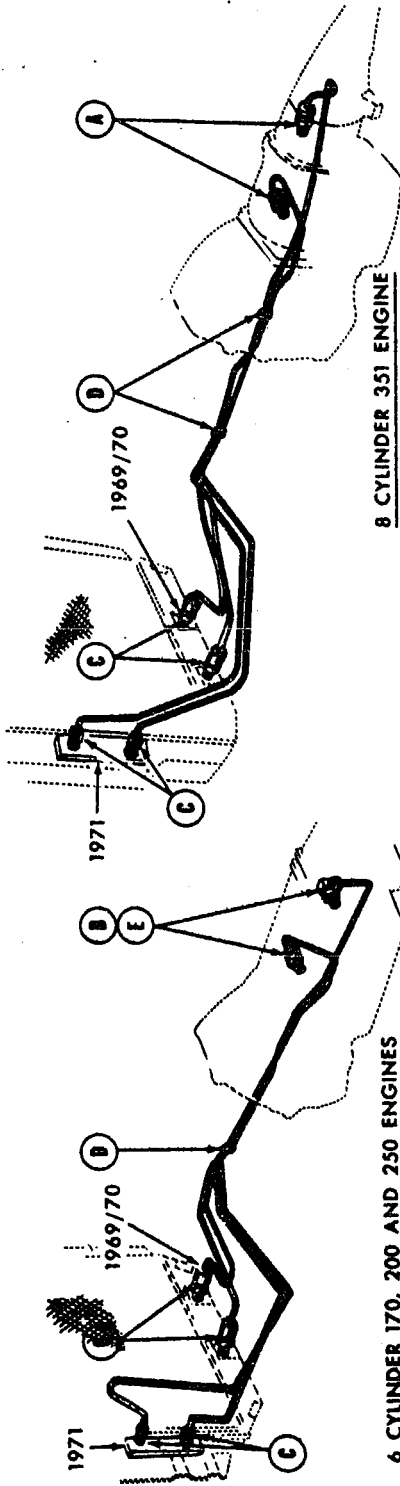
FALCON - 8 CYL., MUSTANG - 6 & 8 CYL.  
WITH C-4 DUAL RANGE TRANS.

P-4148

**TRANSMISSION OIL COOLING SYSTEM-TYPICAL  
1965 FAIRLANE, MUSTANG & FALCON**

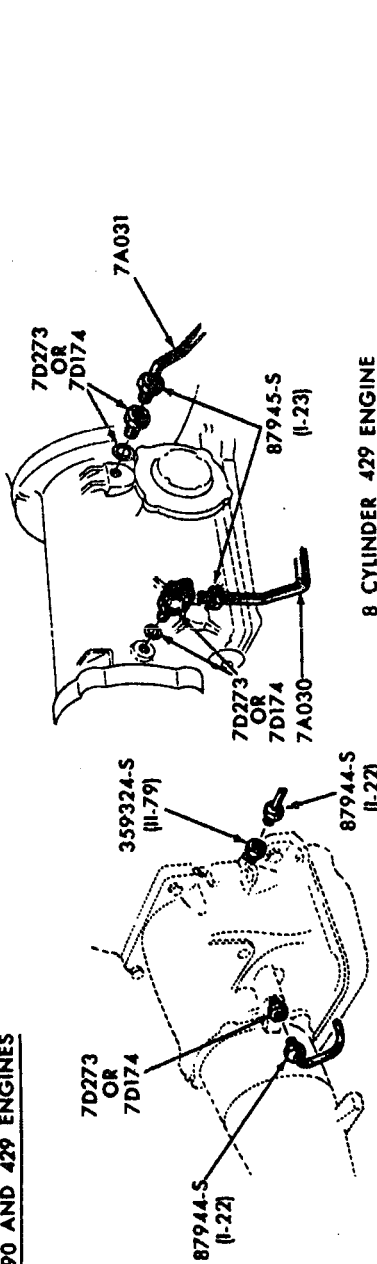


TRANSMISSION OIL COOLING SYSTEM-TYPICAL 1966/68 FAIRLANE/TORINO, MUSTANG & FALCON



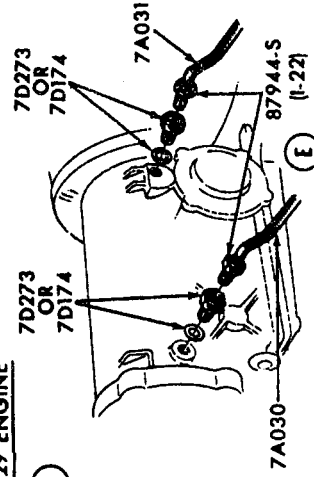
**6 CYLINDER 170, 200 AND 250 ENGINES  
8 CYLINDER 302, 390 AND 429 ENGINES**

**8 CYLINDER 351 ENGINE**



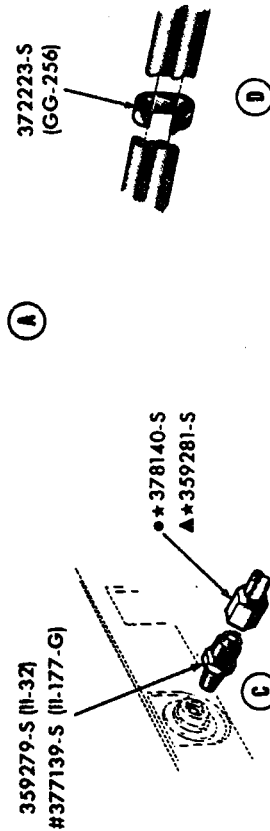
**8 CYLINDER 429 ENGINE**

**8 CYLINDER 351 ENGINE**



**ALL 6 AND 8 CYLINDER ENGINES EXCEPT  
8 CYLINDER 351 AND 429 ENGINES**

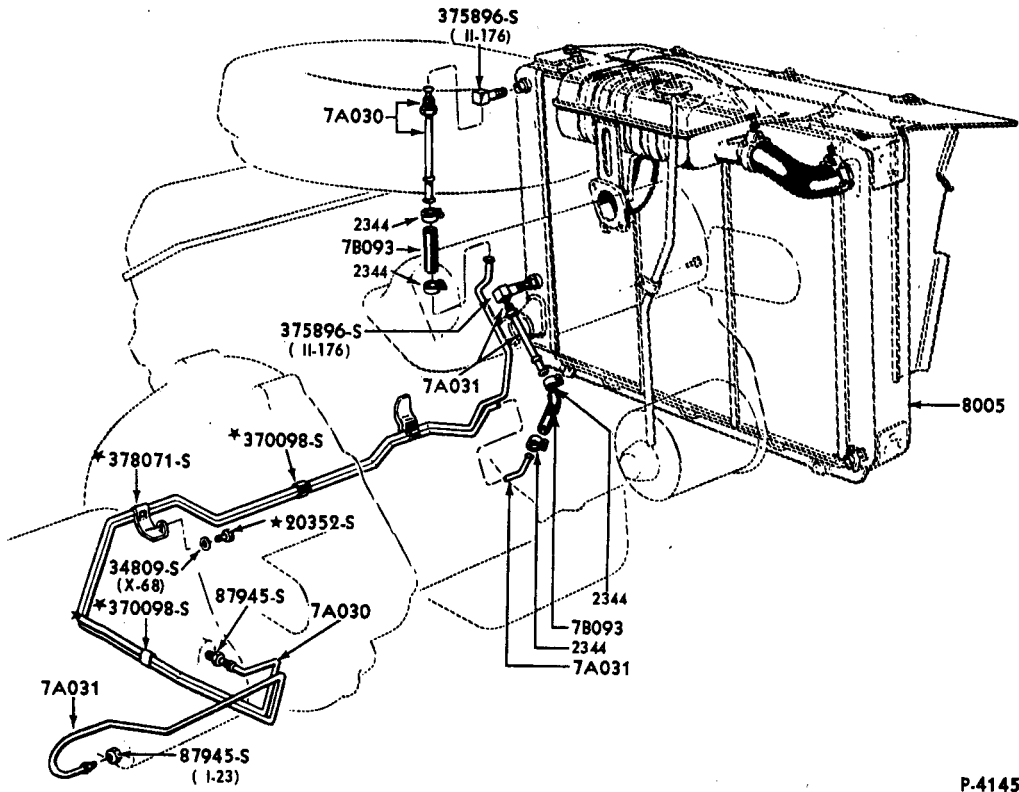
P-7041



**8 CYLINDER 390 AND 428 ENGINES  
A ALL ENGINES EXCEPT 390, 428 AND 429  
# MONTEGO OR TORINO WITH 8 CYLINDER 428 ENGINE**

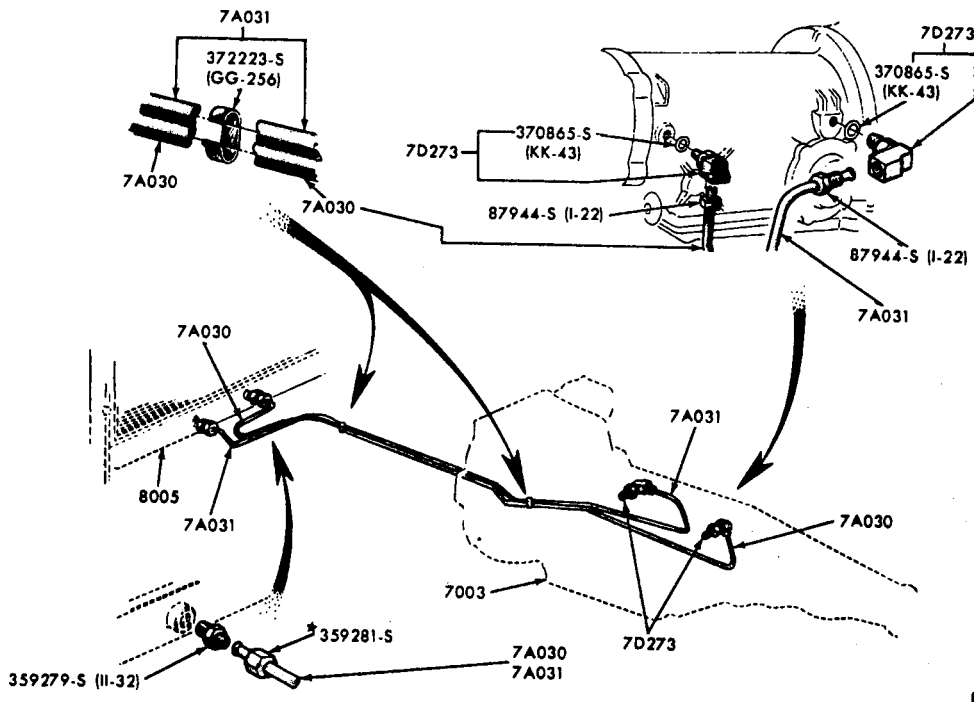
**TRANSMISSION OIL COOLING SYSTEM  
1969/72 FAIRLANE/TORINO, MUSTANG & FALCON**





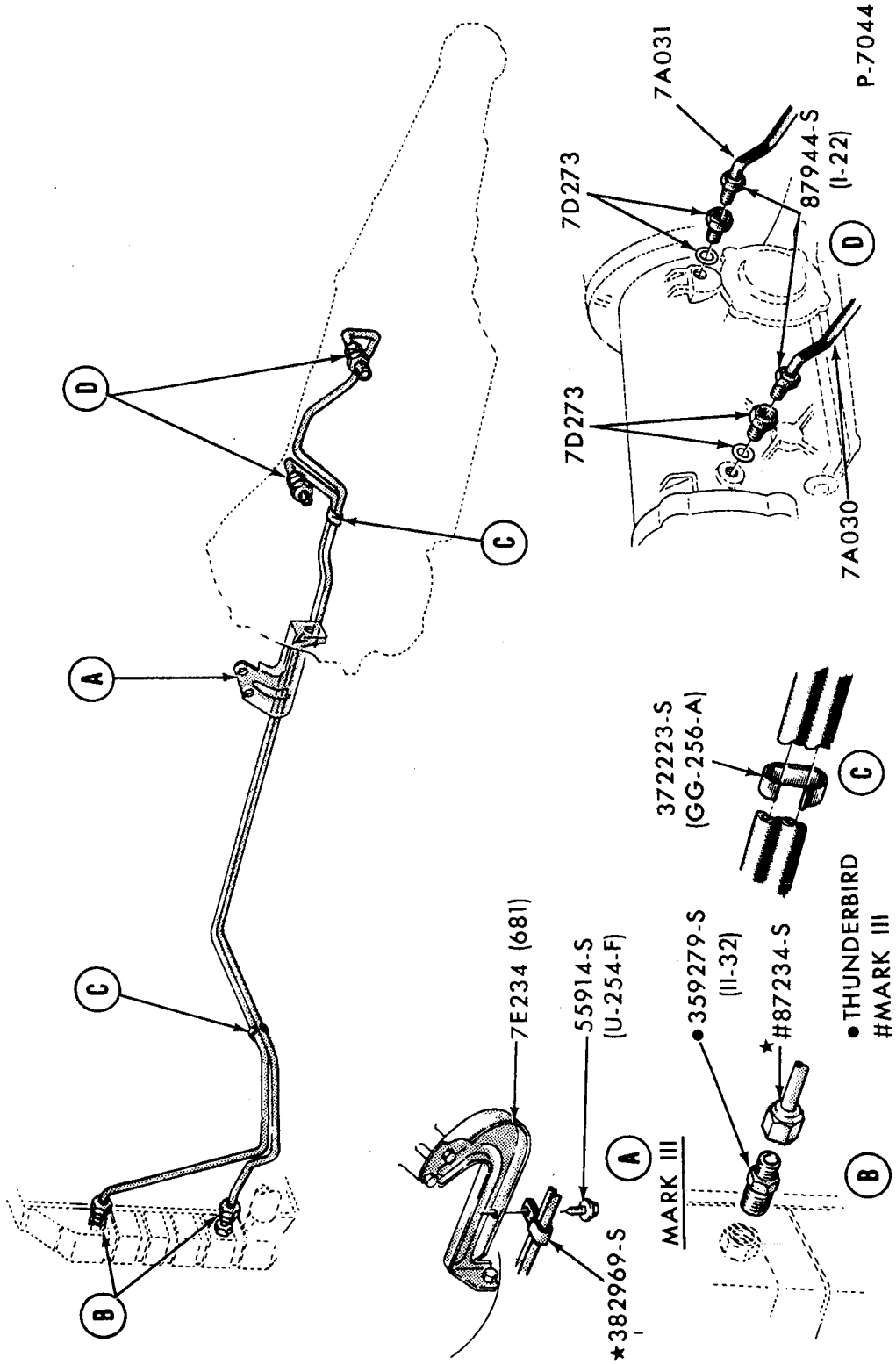
P-4145

TRANSMISSION OIL COOLING SYSTEM-TYPICAL  
1965/66 THUNDERBIRD



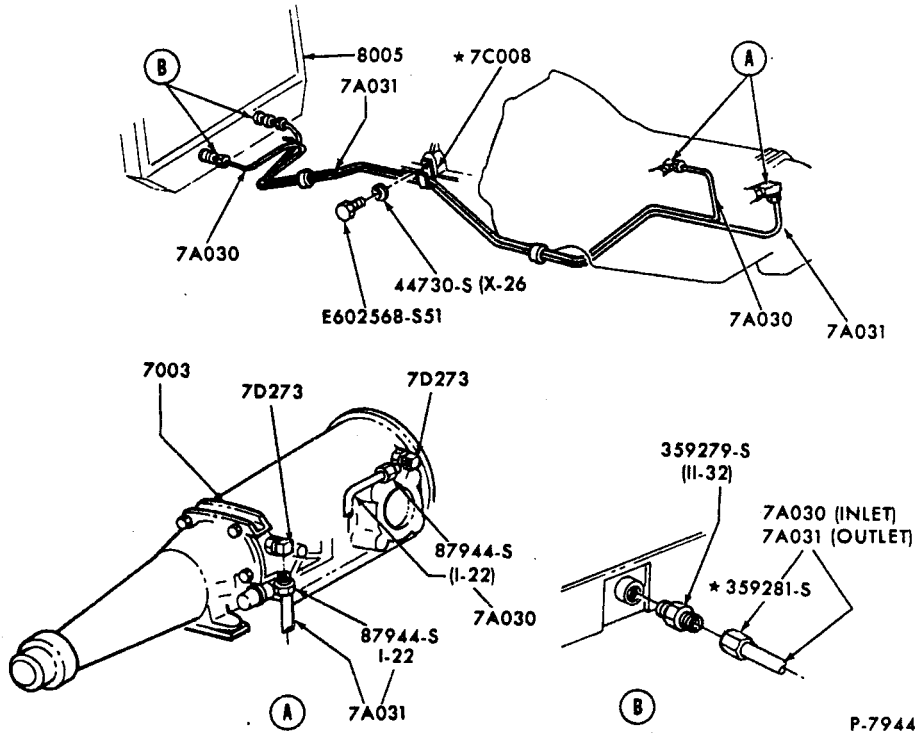
P-6937

TRANSMISSION OIL COOLING SYSTEM  
1970/72 MAVERICK



P-7044

**TRANSMISSION OIL COOLING SYSTEM  
1967/72 THUNDERBIRD**

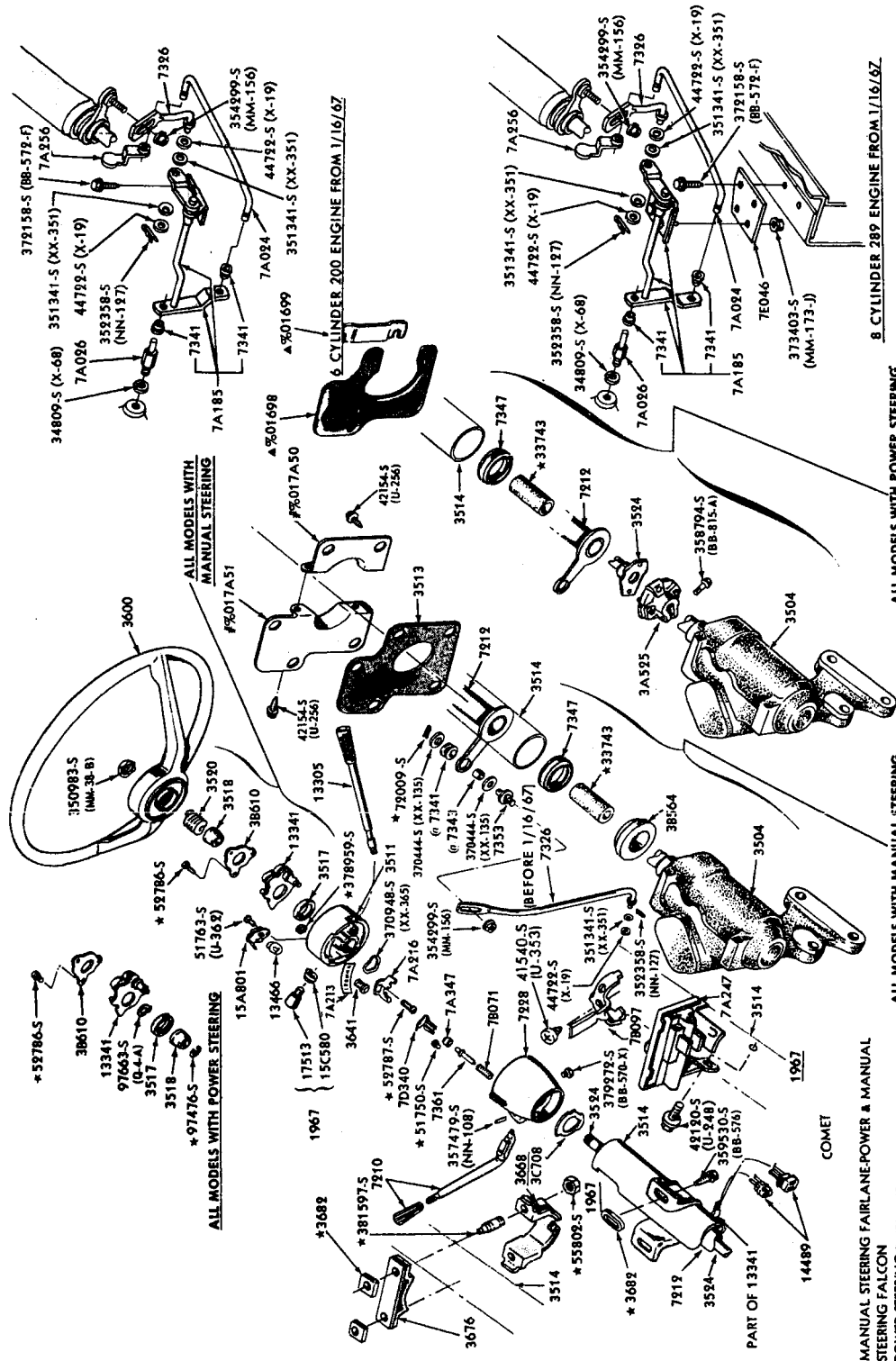


TRANSMISSION OIL COOLING SYSTEM  
1971/72 PINTO









STEERING COLUMN & SHIFT CONTROL SELECTOR MECHANISM-TYPICAL 1966/67 FAIRLANE & FALCON

ALL MODELS WITH MANUAL STEERING

ALL MODELS WITH POWER STEERING

ALL MODELS WITH MANUAL STEERING

ALL MODELS WITH POWER STEERING

6 CYLINDER 200 ENGINE FROM 1/16/67

8 CYLINDER 289 ENGINE FROM 1/16/67

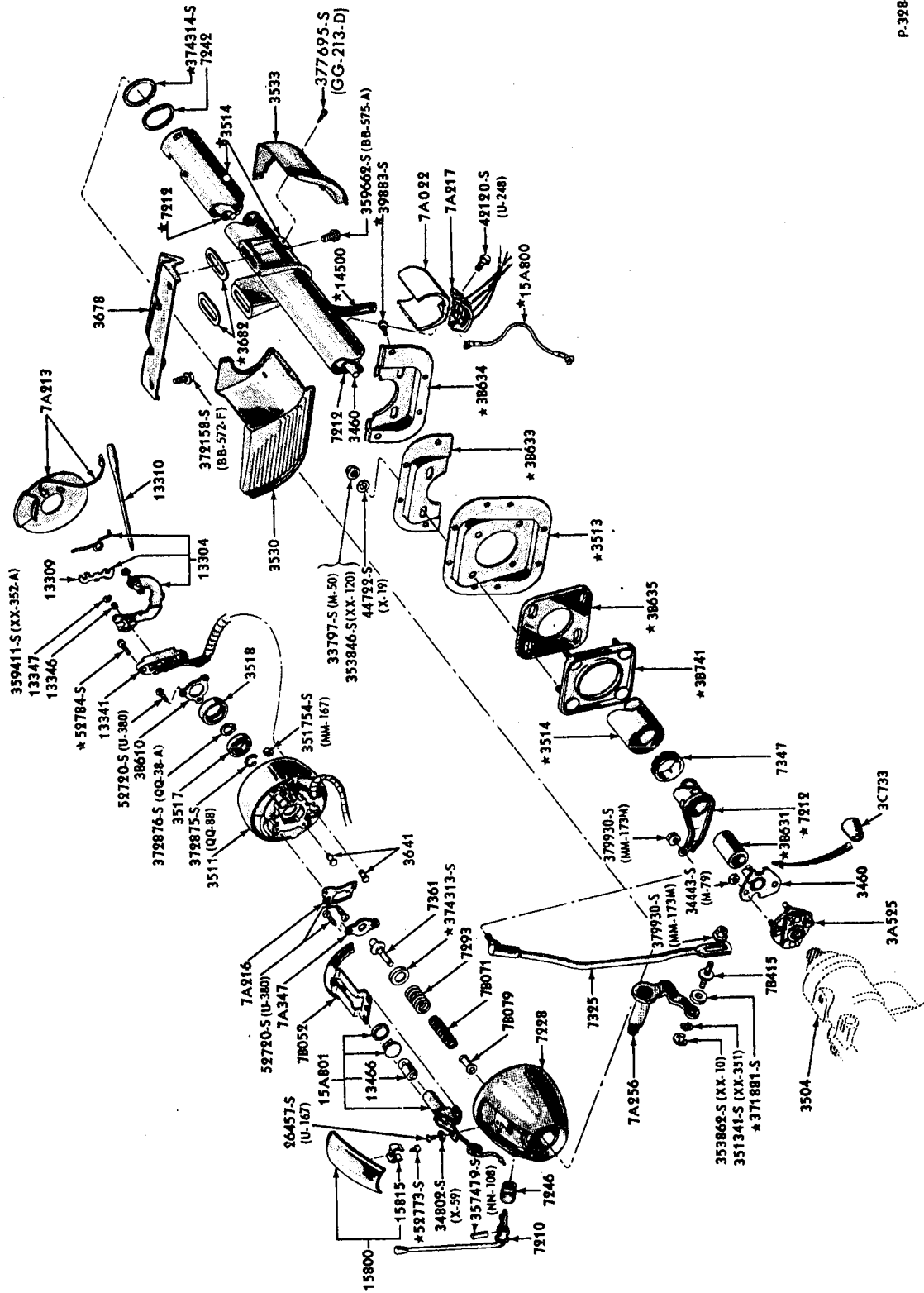
AMANUAL STEERING FAIRLANE-POWER & MANUAL STEERING FALCON

\*REFER TO BODY GROUP NUMBER

@ SUPPLIED ALSO IN 7343 KIT

COMET

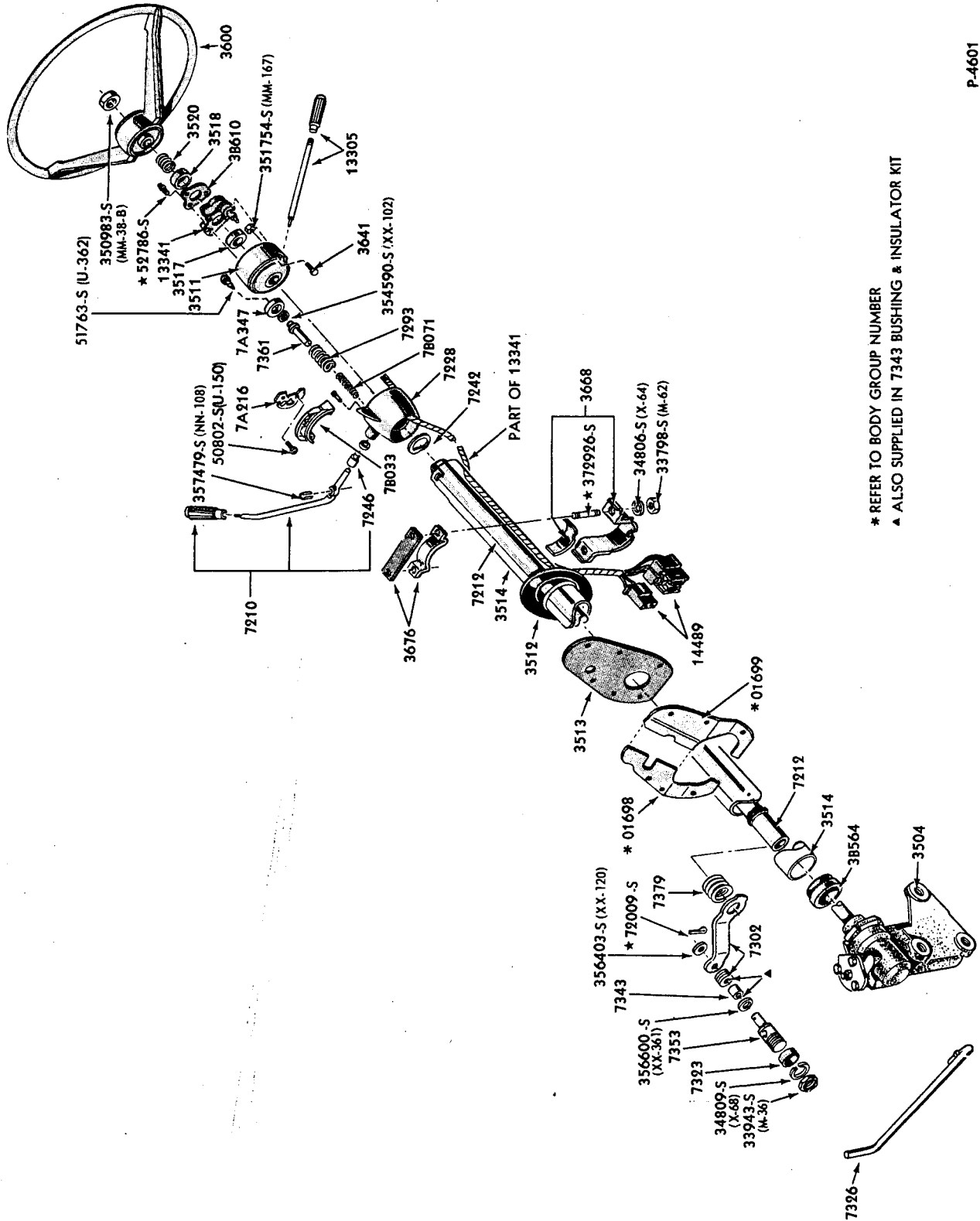
P-5001



STEERING COLUMN & SHIFT CONTROL SELECTOR MECHANISM-FIXED COLUMN-TYPICAL  
1965/66 THUNDERBIRD

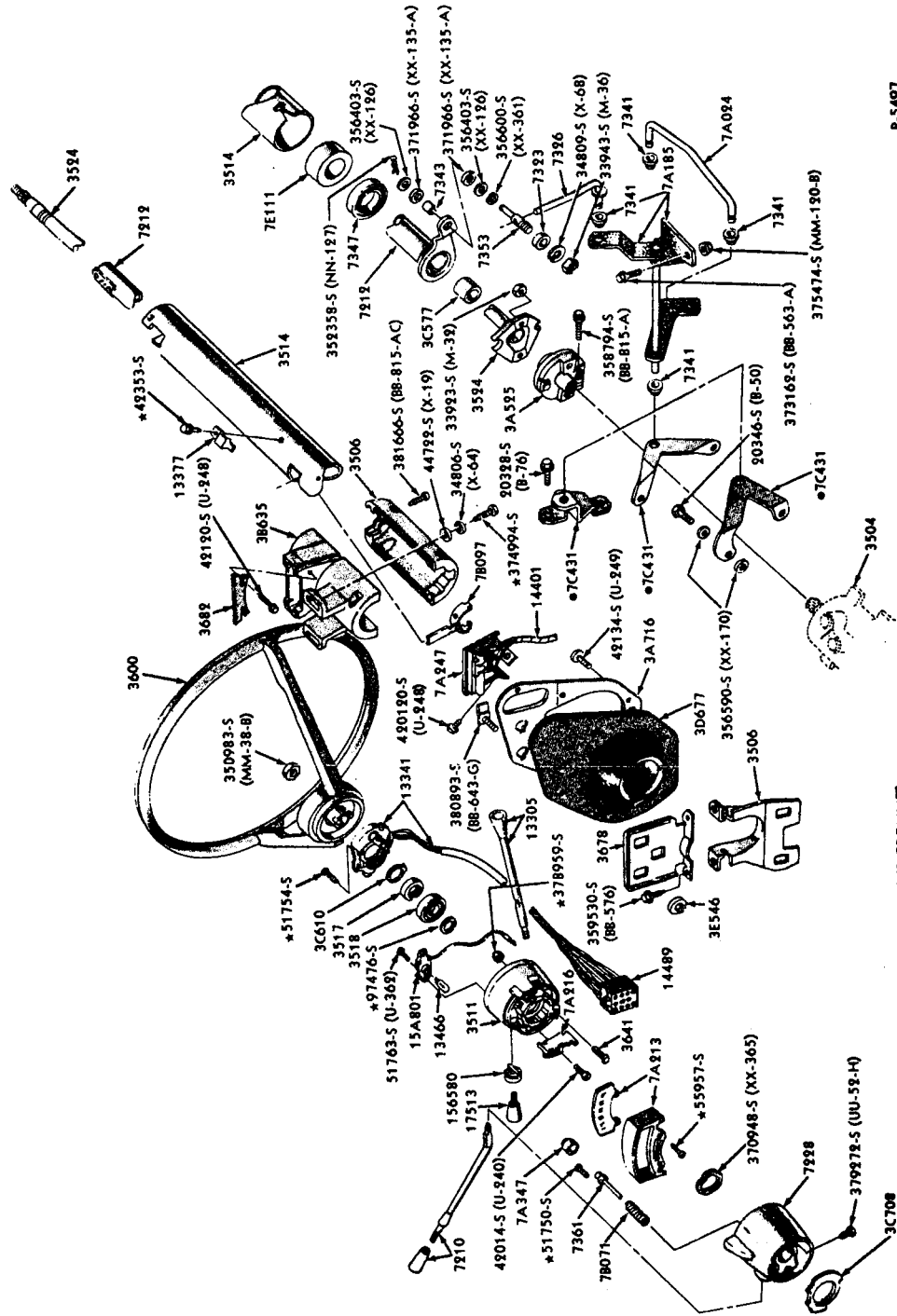






\* REFER TO BODY GROUP NUMBER  
 ▲ ALSO SUPPLIED IN 7343 BUSHING & INSULATOR KIT

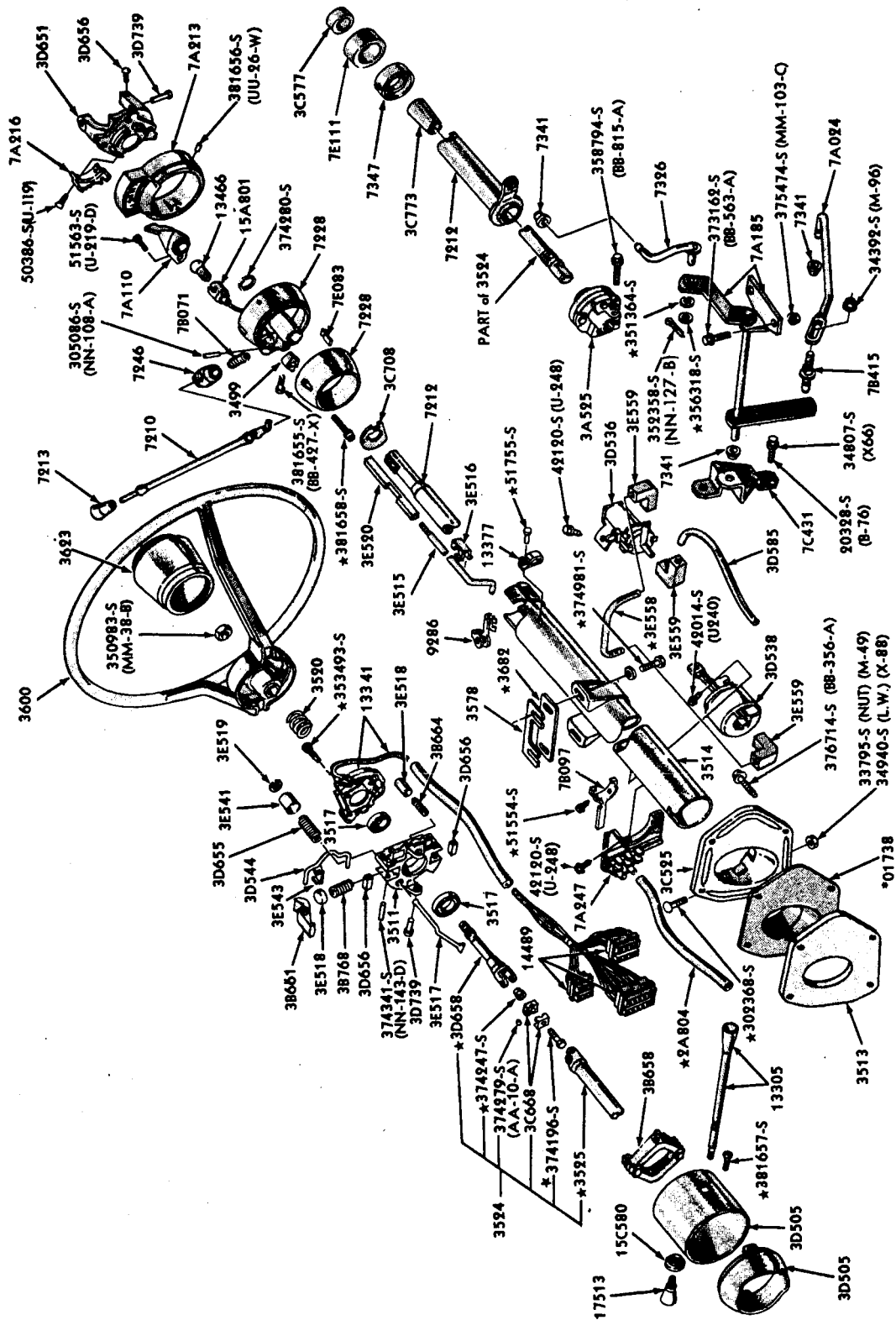
STEERING COLUMN & SHIFT CONTROL SELECTOR MECHANISM-TYPICAL  
 1965 FALCON



P-5497

INCLUDES GRONOMET

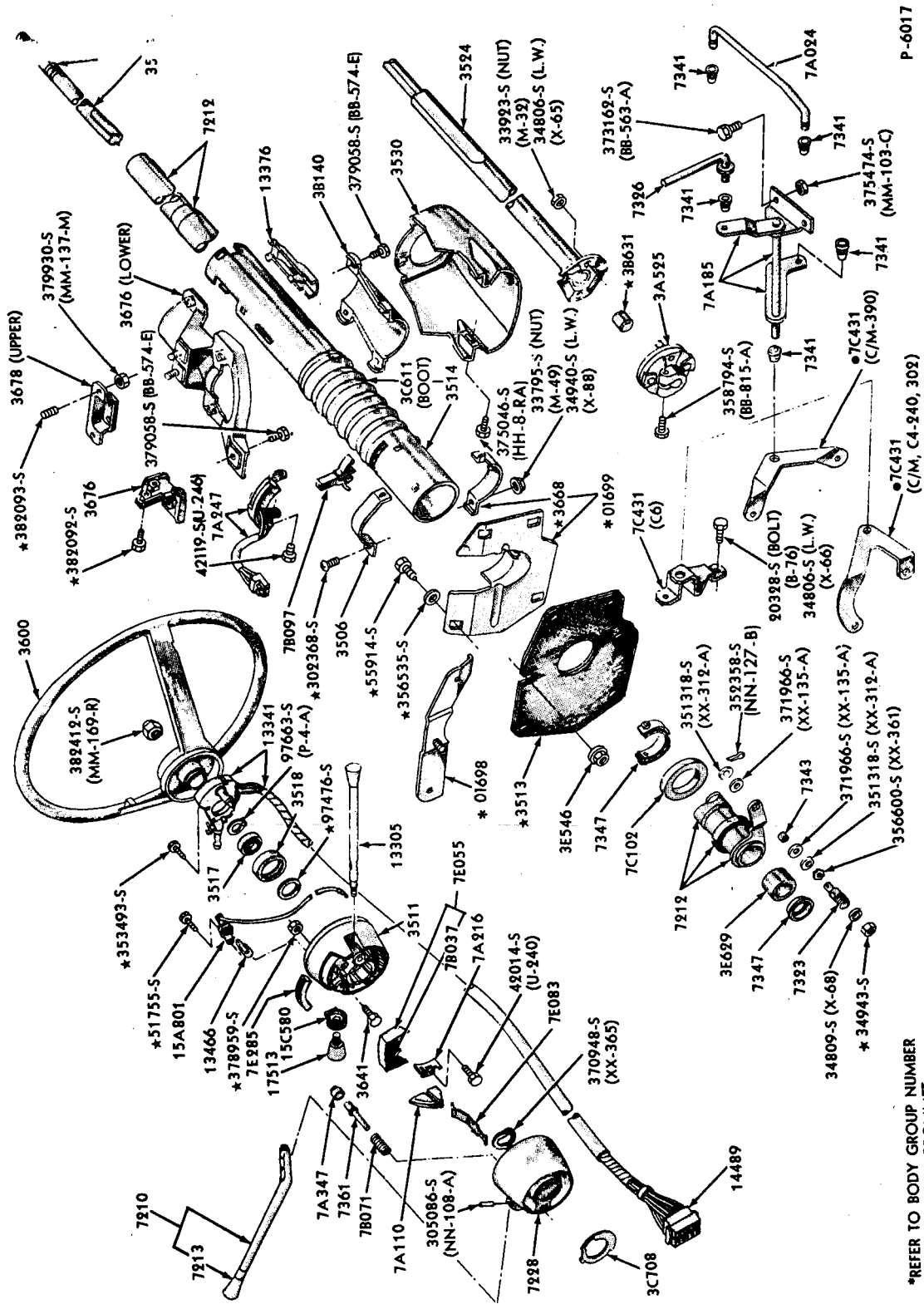
STEERING COLUMN & SHIFT CONTROL SELECTOR MECHANISM  
1987 FORD



P-5493

STEERING COLUMN & SHIFT CONTROL SELECTOR MECHANISM-TILT WHEEL  
1967 THUNDERBIRD

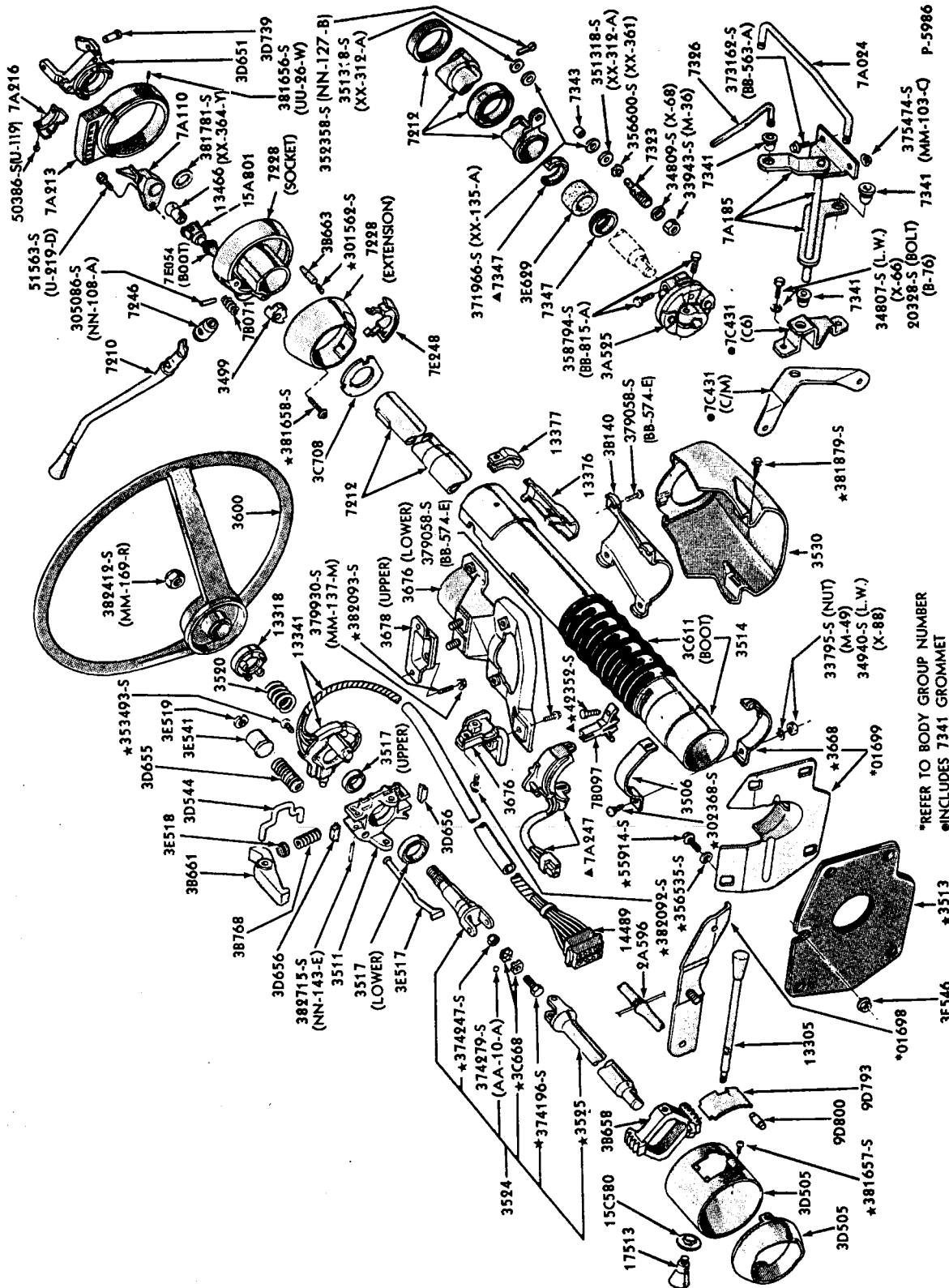
\*REFER TO BODY GROUP NUMBER.



P-6017

STEERING COLUMN & SHIFT CONTROL SELECTOR MECHANISM-FIXED WHEEL  
1968 FORD

\*REFER TO BODY GROUP NUMBER  
●INCLUDES 7341 GROMMET

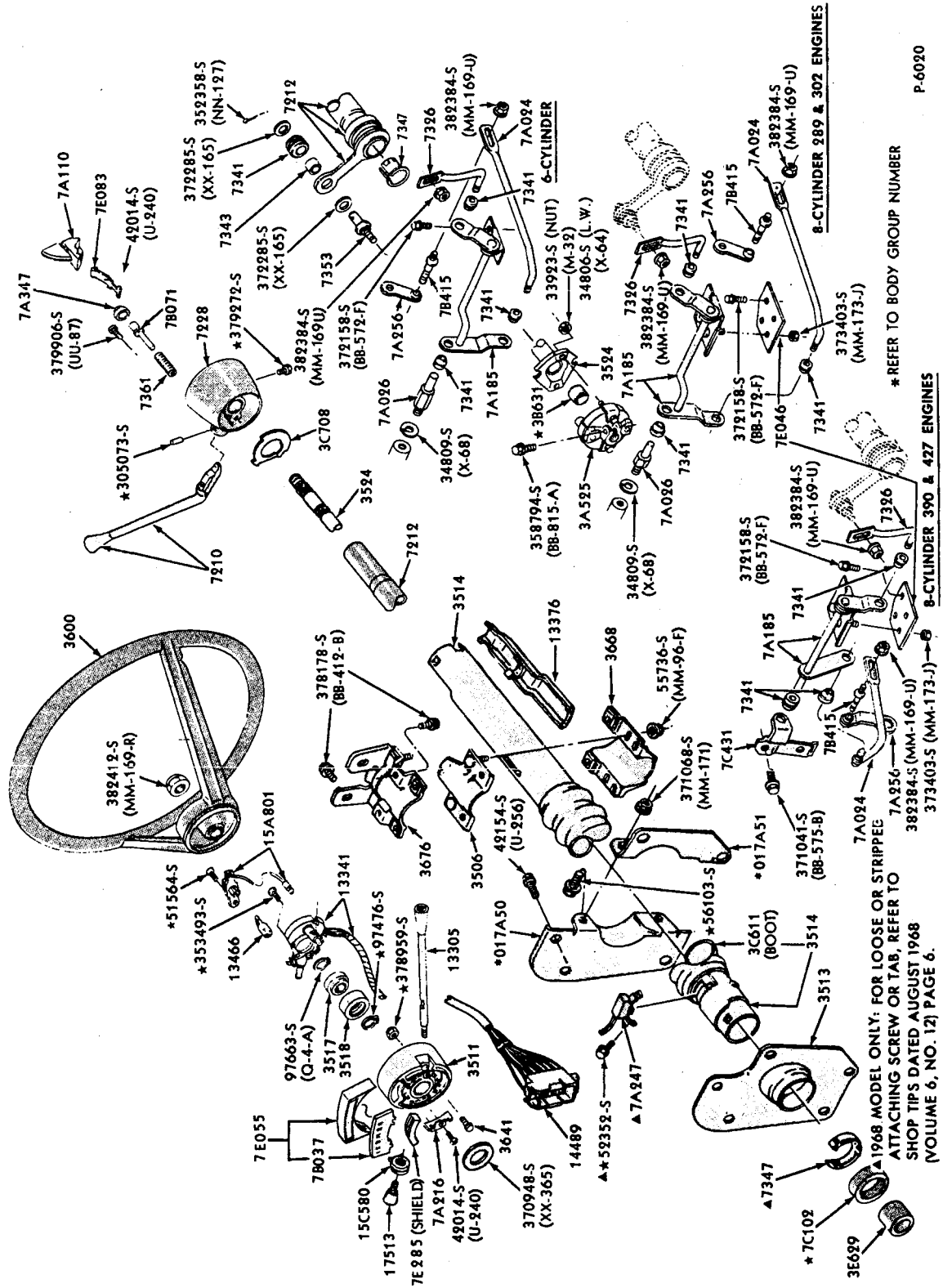


STEERING COLUMN & SHIFT CONTROL SELECTOR MECHANISM-TILT WHEEL  
1968 FORD







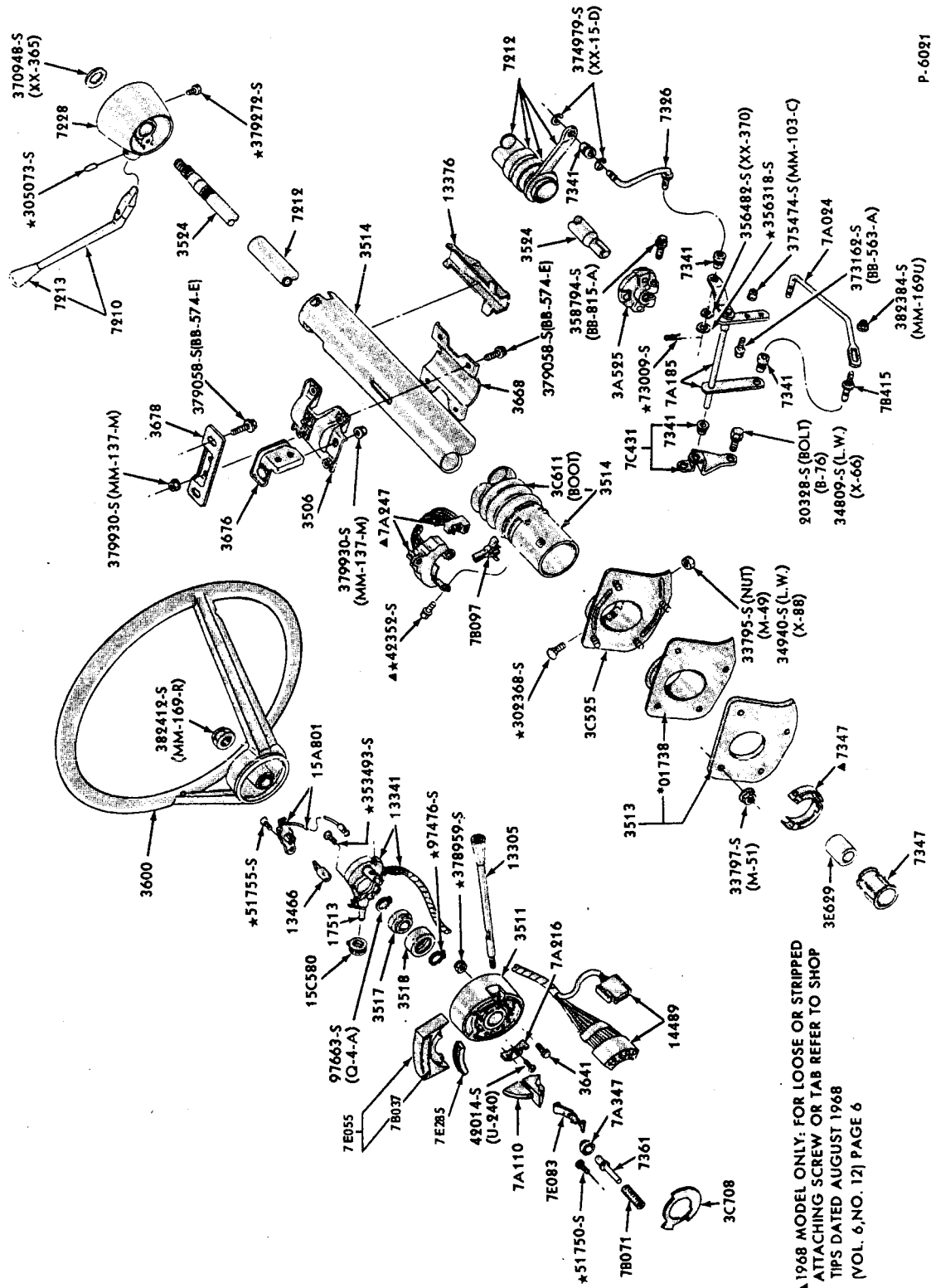


P-6020

\* REFER TO BODY GROUP NUMBER

1968 MODEL ONLY; FOR LOOSE OR STRIPPED ATTACHING SCREW OR TAB, REFER TO SHOP TIPS DATED AUGUST 1968 (VOLUME 6, NO. 12) PAGE 6.

STEERING COLUMN & SHIFT CONTROL SELECTOR MECHANISM 1968/69 FAIRLANE/TORINO and 1968/70 FALCON (Before 1/2/70)

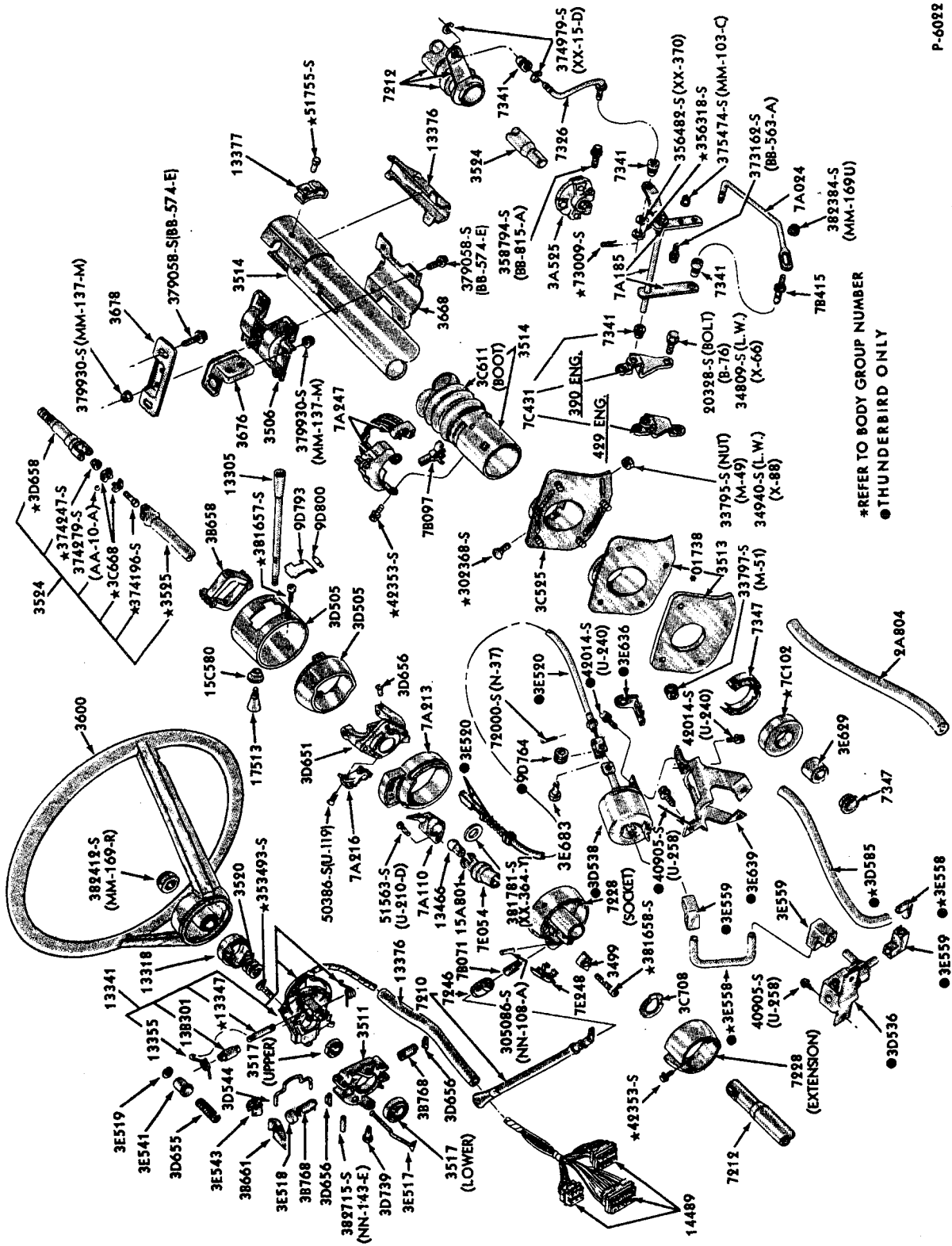


P. 6021

\*REFER TO BODY GROUP NUMBER

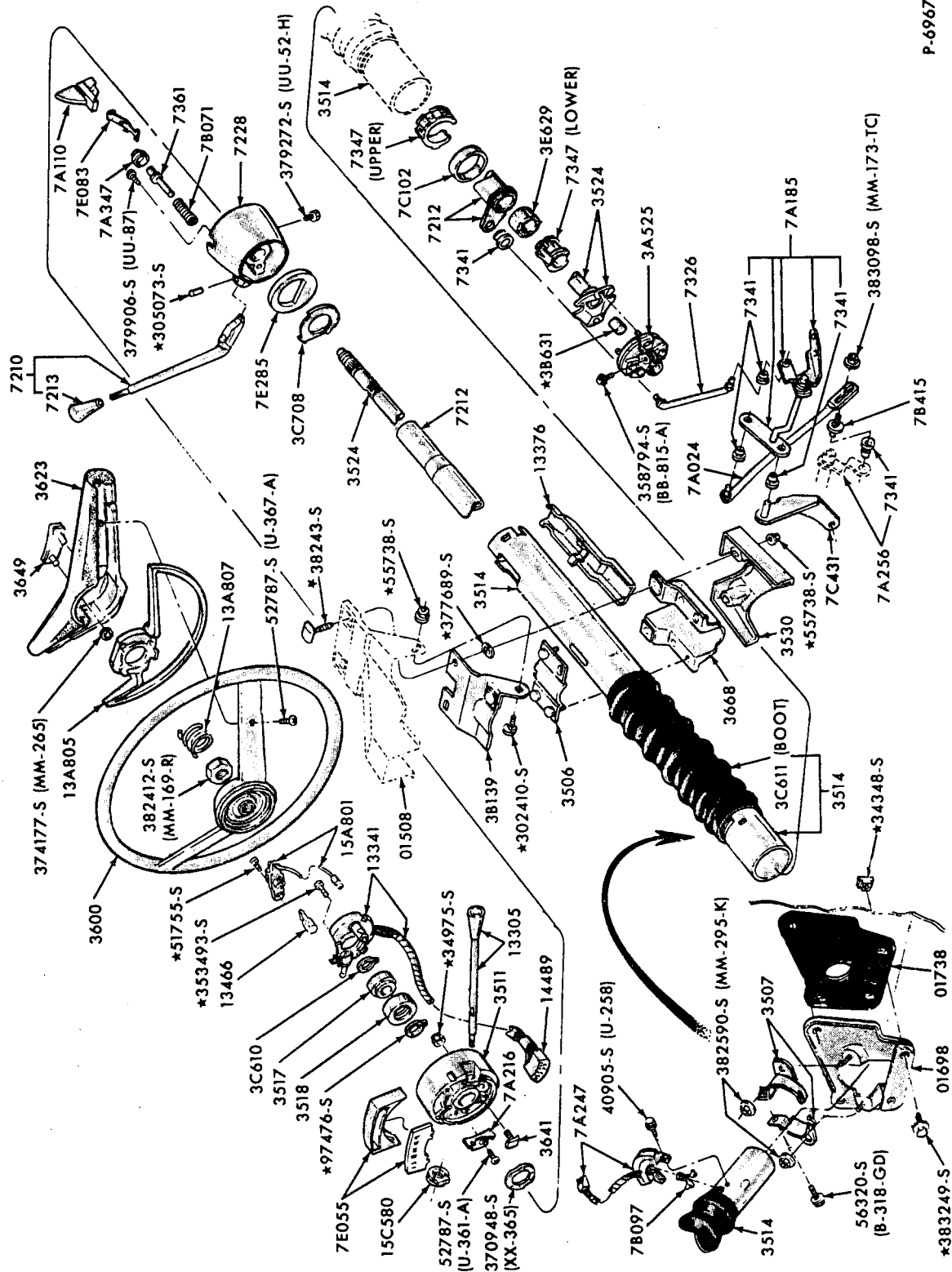
▲ 1968 MODEL ONLY: FOR LOOSE OR STRIPPED ATTACHING SCREW OR TAB REFER TO SHOP TIPS DATED AUGUST 1968 (VOL. 6, NO. 12) PAGE 6

STEERING COLUMN & SHIFT CONTROL SELECTOR MECHANISM-FIXED WHEEL 1968/69 THUNDERBIRD



\*REFER TO BODY GROUP NUMBER  
 ●THUNDERBIRD ONLY

STEERING COLUMN & SHIFT CONTROL SELECTOR MECHANISM-TILT WHEEL  
 1968/69 THUNDERBIRD



STEERING COLUMN & SHIFT CONTROL SELECTOR MECHANISM-NON-LOCKING  
1970 MAVERICK







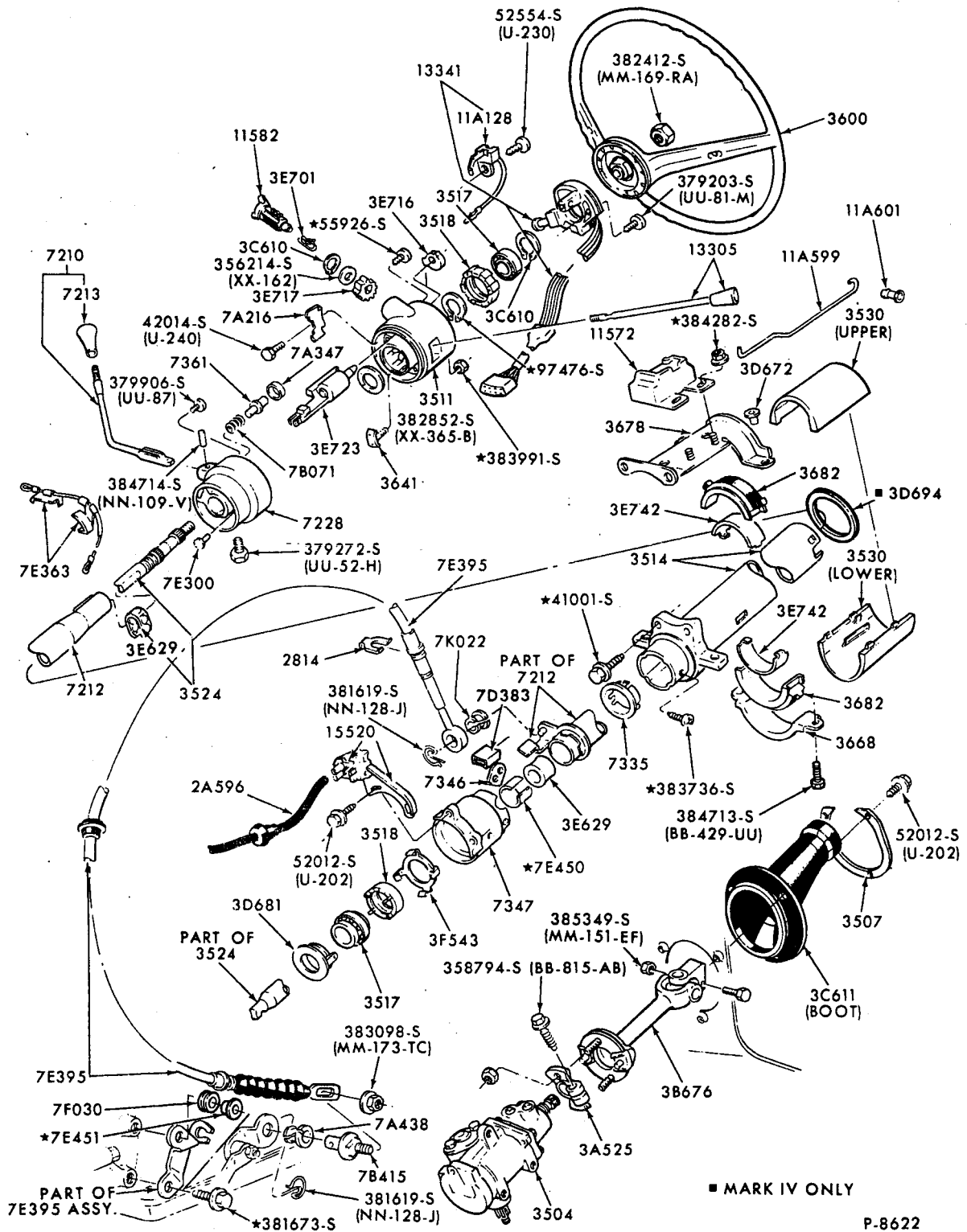




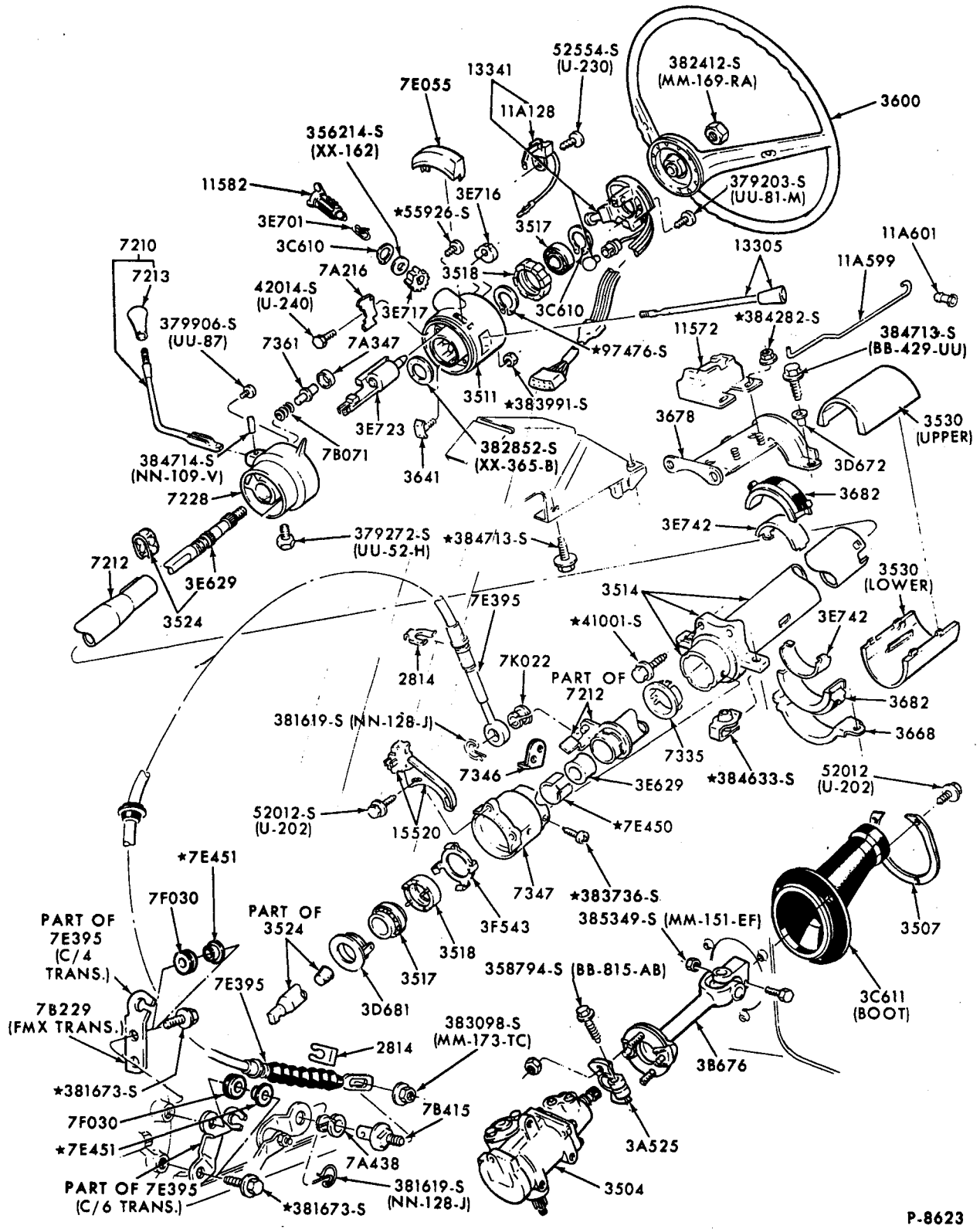






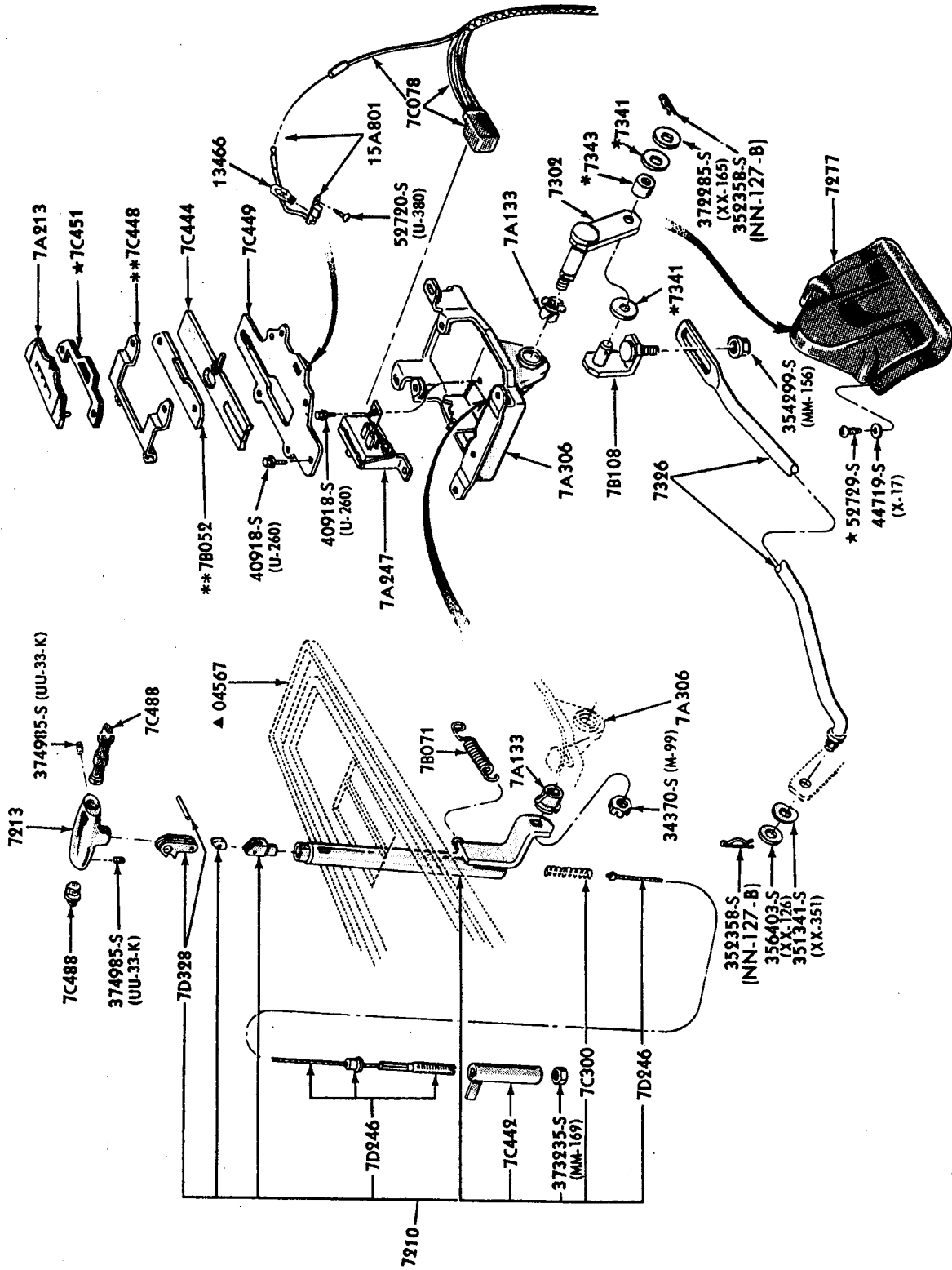


STEERING COLUMN & SHIFT CONTROL SELECTOR MECHANISM (LOCKING) - FIXED WHEEL  
1972 THUNDERBIRD



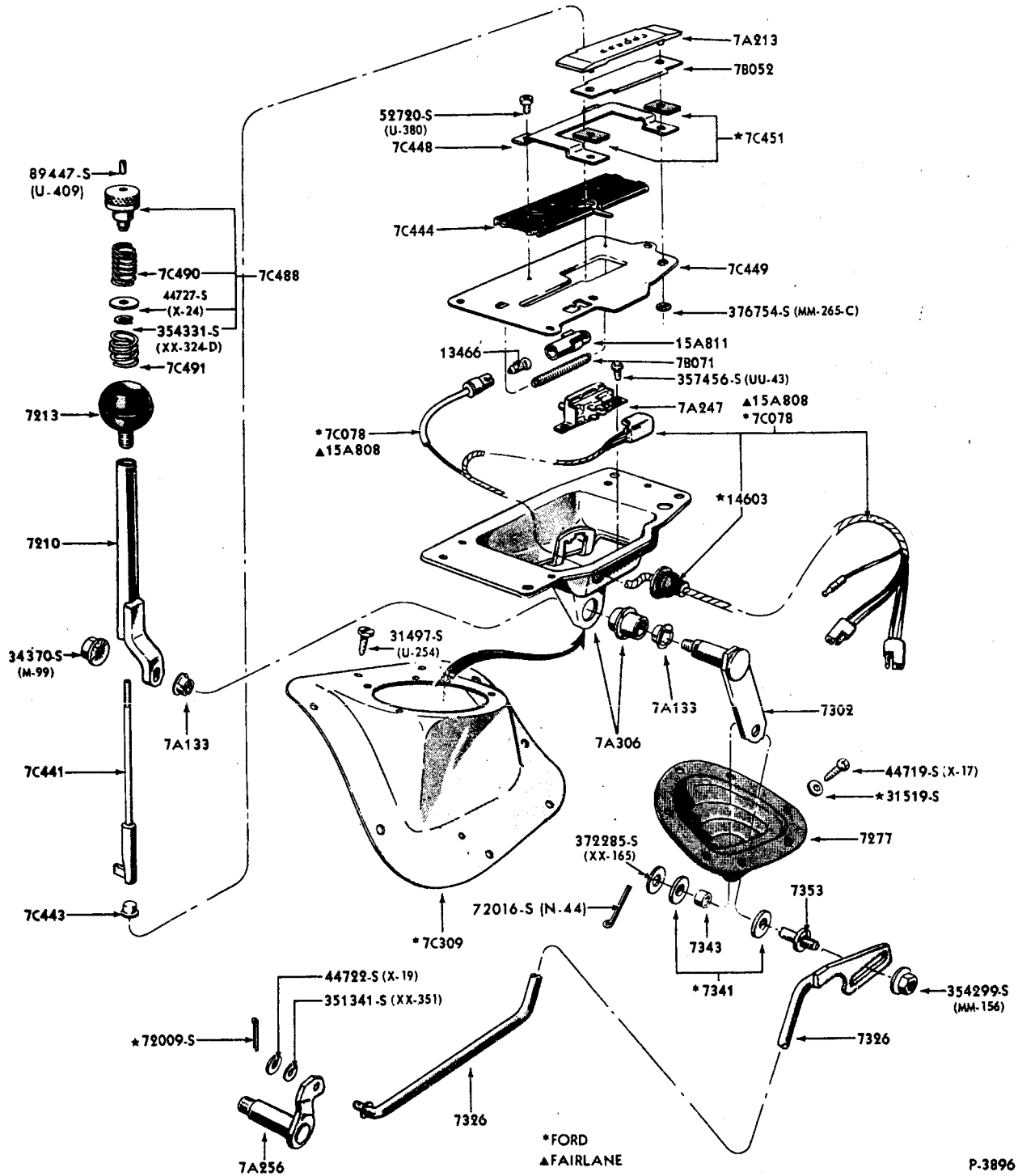
P-8623

STEERING COLUMN & SHIFT CONTROL SELECTOR MECHANISM  
1972 TORINO

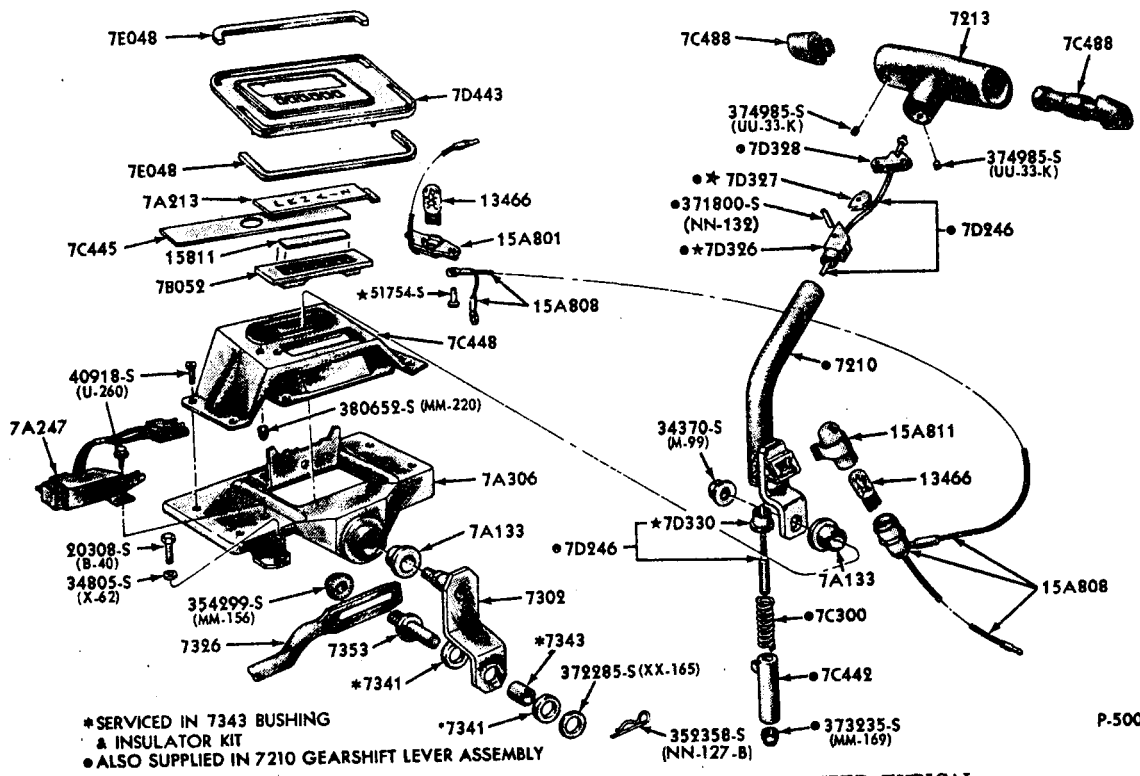


**SHIFT CONTROL SELECTOR MECHANISM-CONSOLE MOUNTED-TYPICAL  
1965/66 FORD**

\* SUPPLIED ONLY IN 7343 BUSHING & INSULATOR KIT  
 ▲ REFER TO BODY GROUP NUMBER  
 \*\* 1965

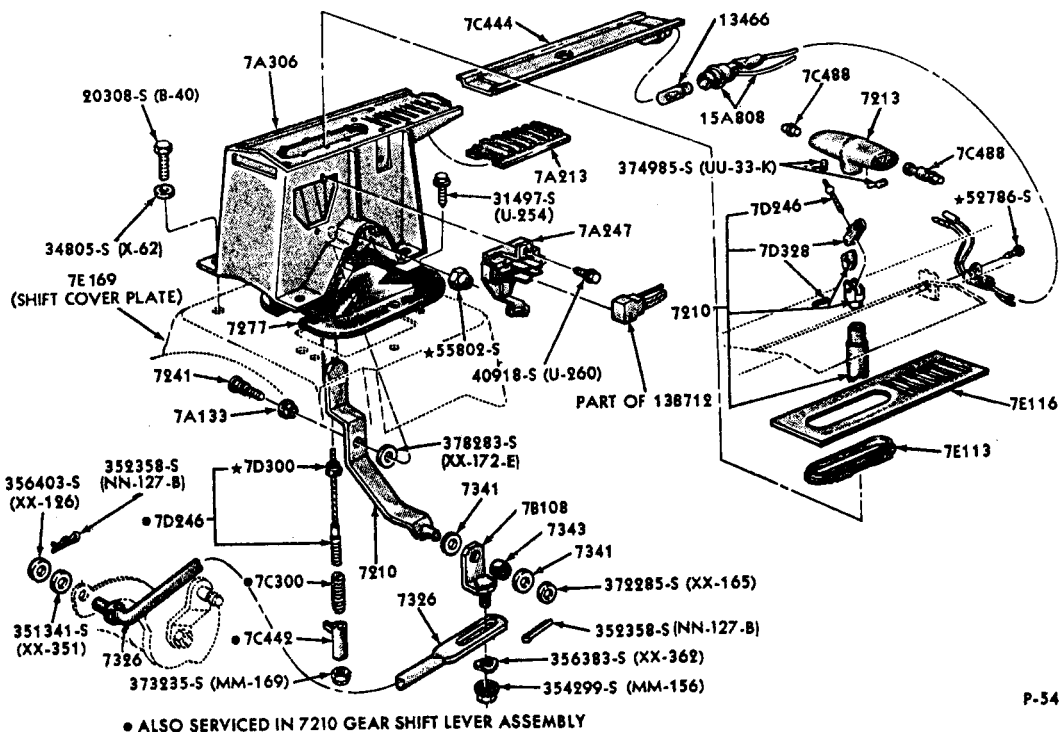


SHIFT CONTROL SELECTOR MECHANISM-CONSOLE MOUNTED-TYPICAL  
1965 FAIRLANE



**SHIFT CONTROL SELECTOR MECHANISM-CONSOLE MOUNTED-TYPICAL  
 1966/71 FAIRLANE/TORINO & FALCON**

P-5002



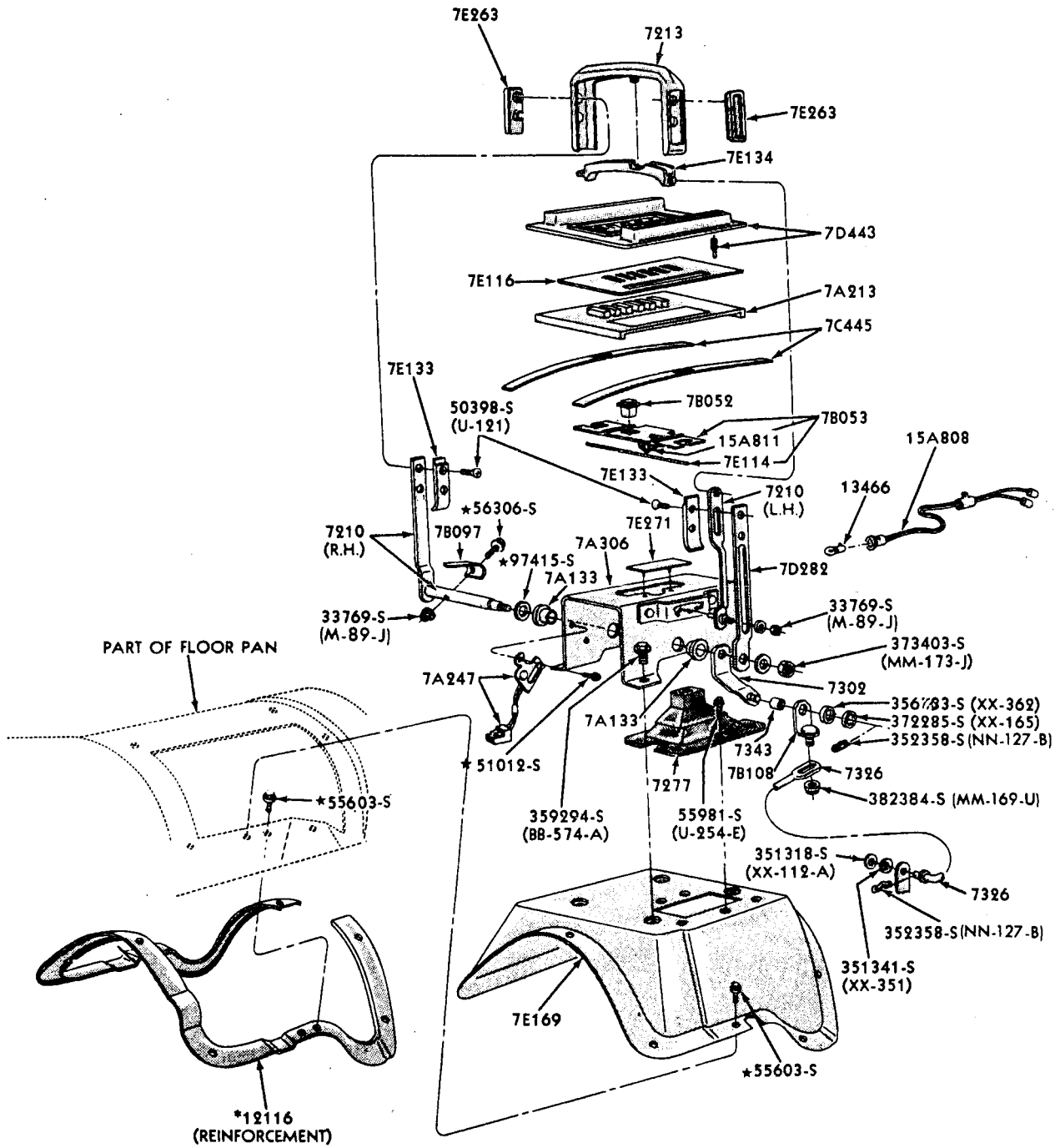
**SHIFT CONTROL SELECTOR MECHANISM-CONSOLE MOUNTED  
 1967 FORD**

P-5494





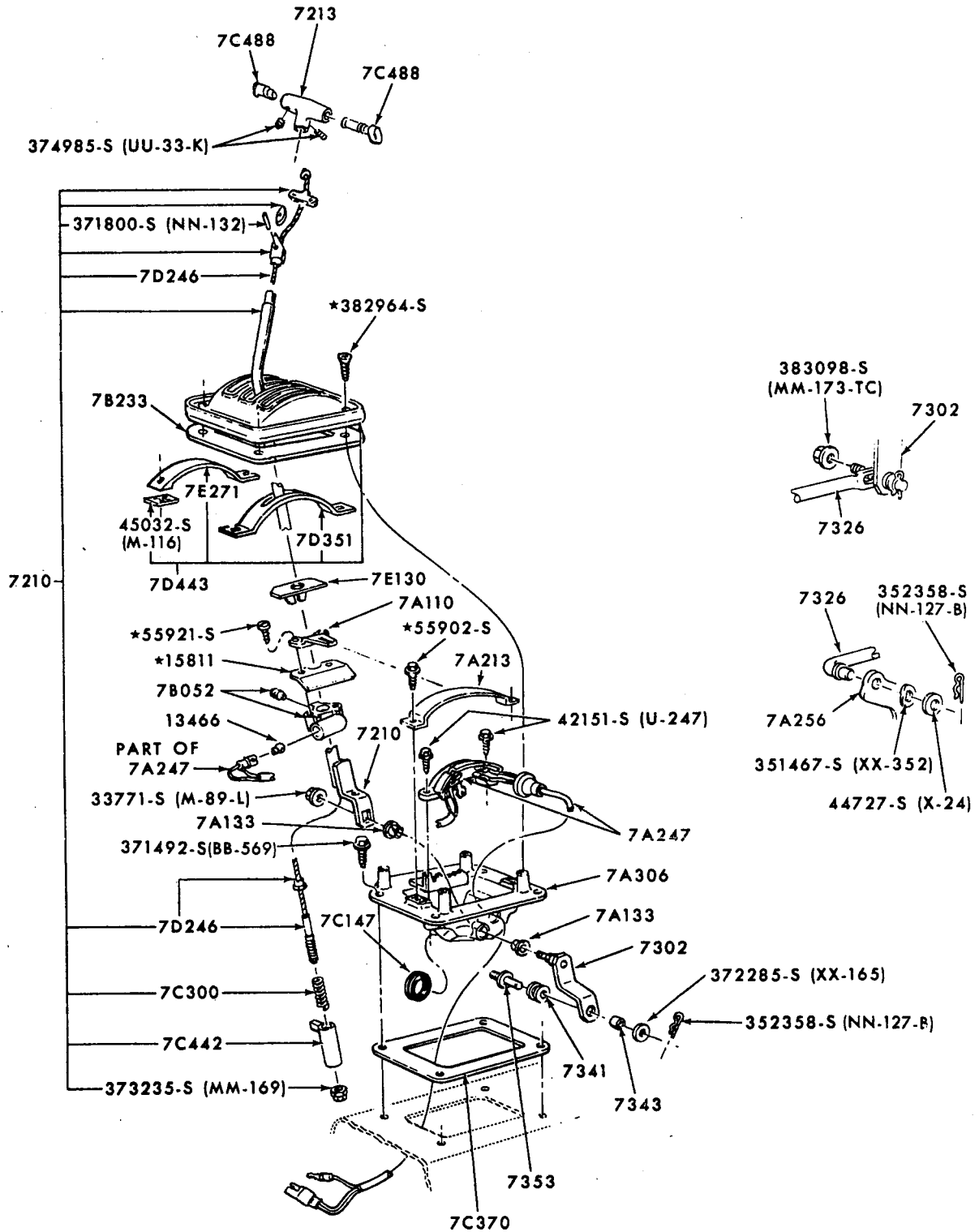




\*REFER TO BODY GROUP NUMBER

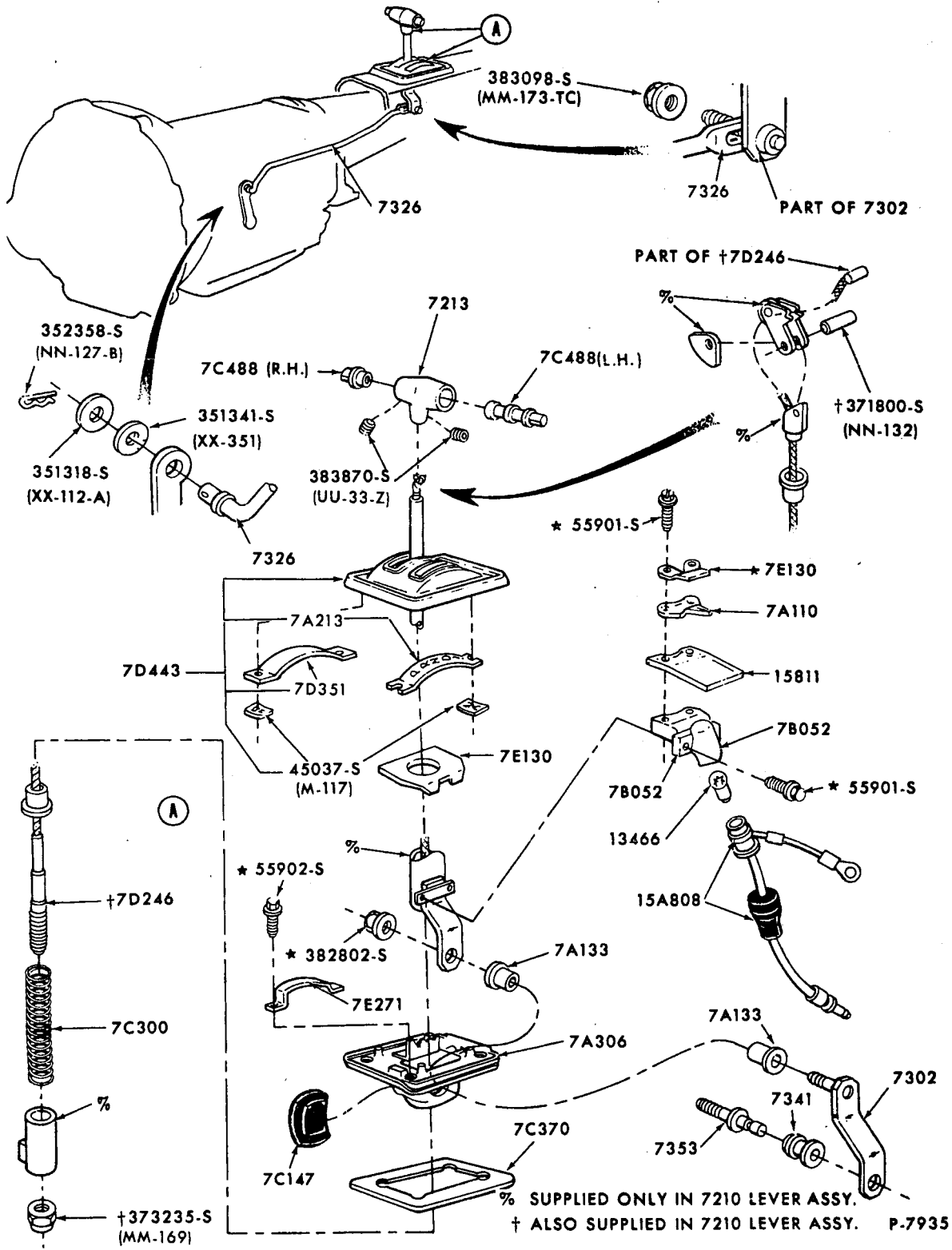
P-6196

SHIFT CONTROL SELECTOR MECHANISM-CONSOLE MOUNTED  
1968/71 FORD



P-6802

SHIFT CONTROL SELECTOR MECHANISM - FLOOR OR CONSOLE MOUNTED  
1969/72 MUSTANG, 1971/72 MAVERICK, 1972 TORINO



SHIFT CONTROL SELECTOR MECHANISM - FLOOR MOUNTED  
1971/72 PINTO

# FORD CAR PARTS

ILLUSTRATION SECTION 80 **A**

## INDEX

THIS INDEX SECTION INCLUDES THE FOLLOWING MAJOR GROUPS:

COOLING SYSTEMS

RADIATOR GRILLE & RELATED PARTS

WATER PUMPS

TITLE	SECTION	PAGE	ILLUS. NO.	TITLE	SECTION	PAGE	ILLUS. NO.
-------	---------	------	------------	-------	---------	------	------------

### 1965

A (FORD)				F (MUSTANG)			
<b>COOLING SYSTEMS -</b>				<b>COOLING SYSTEMS -</b>			
6 cyl. - 240 engine	80	1	P-4159	6 cyl. - 170, 200 engines	80	1	P-3147
8 cyl. - 289, 352, 390 & 427 engines	80	1	P-4159	8 cyl. - 260, 289 engines	80	1	P-3147
<b>RADIATOR GRILLE and RELATED PARTS</b>				<b>RADIATOR GRILLE and RELATED PARTS</b>			
	82	1	P-7753		82	3	P-4458
<b>WATER PUMPS -</b>				<b>WATER PUMPS -</b>			
6 cyl. - 240 engine	85	1	P-4731	6 cyl. - 170, 200 engines	85	1	P-2962
8 cyl. - 289 engine (without cover)	85	2	P-3772	8 cyl. - 260, 289 engines (without cover)	85	2	P-3772
8 cyl. - 289 engine (with cover)	85	2	P-5143	8 cyl. - 289 engine (with cover)	85	2	P-5143
8 cyl. - 352, 390 & 427 engines	85	3	P-9198				
				<b>S (THUNDERBIRD)</b>			
<b>COOLING SYSTEMS -</b>				<b>COOLING SYSTEM -</b>			
				8 cyl. - 390 engine	80	2	P-3400
<b>RADIATOR GRILLE and RELATED PARTS</b>				<b>RADIATOR GRILLE and RELATED PARTS</b>			
					82	1	P-4212
<b>WATER PUMPS -</b>				<b>WATER PUMP -</b>			
				8 cyl. - 390 engine	85	3	P-9198
				<b>X (FALCON)</b>			
<b>COOLING SYSTEMS -</b>				<b>COOLING SYSTEMS -</b>			
				6 cyl. - 170, 200 engines	80	1	P-3147
				8 cyl. - 289 engine	80	1	P-3147
<b>RADIATOR GRILLE and RELATED PARTS</b>				<b>RADIATOR GRILLE and RELATED PARTS</b>			
					82	5	P-4208
<b>WATER PUMPS -</b>				<b>WATER PUMPS -</b>			
				6 cyl. - 170, 200 engines	85	1	P-2962
				8 cyl. - 289 engine (without cover)	85	2	P-3772
				8 cyl. - 289 engine (with cover)	85	2	P-5143

### 1966

A (FORD)				B (FAIRLANE)			
<b>COOLING SYSTEMS -</b>				<b>COOLING SYSTEMS -</b>			
6 cyl. - 240 engine	80	1	P-4159	6 cyl. - 200 engine	80	3	P-3723
8 cyl. - 289, 352, 390, 427 & 428 engines	80	1	P-4159	8 cyl. - 289 engine	80	3	P-3723
				8 cyl. - 390 engine	80	4	P-5723
<b>RADIATOR GRILLE and RELATED PARTS</b>				<b>RADIATOR GRILLE and RELATED PARTS</b>			
					82	5	P-4946
<b>WATER PUMPS -</b>				<b>WATER PUMPS -</b>			
6 cyl. - 240 engine	85	1	P-4731	6 cyl. - 200 engine	85	1	P-2962
8 cyl. - 289 engine	85	2	P-5143	8 cyl. - 289 engine	85	2	P-5143
8 cyl. - 352, 390, 427 & 428 engines	85	3	P-9198	8 cyl. - 390 engine	85	3	P-9198

**INDEX**

TITLE	SECTION	PAGE	ILLUS. NO.	TITLE	SECTION	PAGE	ILLUS. NO.
-------	---------	------	------------	-------	---------	------	------------

**1966**

<b>F (MUSTANG)</b>				<b>U (BRONCO)</b>			
<b>COOLING SYSTEMS -</b>				<b>COOLING SYSTEMS -</b>			
6 cyl. - 200 engine	80	1	P-3147	6 cyl. - 170 engine	80	1	P-3147
8 cyl. - 289 engine	80	1	P-3147	8 cyl. - 289 engine	80	4	P-5287
<b>RADIATOR GRILLE and RELATED PARTS</b>				<b>RADIATOR GRILLE and RELATED PARTS</b>			
	82	3	P-4458		82	7	P-5117
<b>WATER PUMPS -</b>				<b>WATER PUMPS -</b>			
6 cyl. - 200 engine	85	1	P-2962	6 cyl. - 170 engine	85	1	P-2962
8 cyl. - 289 engine	85	2	P-5143	8 cyl. - 289 engine	85	2	P-5143
<b>S (THUNDERBIRD)</b>				<b>X (FALCON)</b>			
<b>COOLING SYSTEMS -</b>				<b>COOLING SYSTEMS -</b>			
8 cyl. - 390 & 428 engines	80	2	P-3400	6 cyl. - 170 & 200 engines	80	1	P-3147
				8 cyl. - 289 engine	80	1	P-3147
<b>RADIATOR GRILLE and RELATED PARTS</b>				<b>RADIATOR GRILLE and RELATED PARTS</b>			
	82	6	P-5010		82	8	P-4947
<b>WATER PUMPS -</b>				<b>WATER PUMPS -</b>			
8 cyl. - 390 & 428 engines	85	3	P-9198	6 cyl. - 170 & 200 engines	85	1	P-2962
				8 cyl. - 289 engine	85	2	P-5143

**1967**

<b>A (FORD)</b>				<b>F (MUSTANG)</b>			
<b>COOLING SYSTEMS -</b>				<b>COOLING SYSTEMS -</b>			
6 cyl. - 240 engine	80	2	P-9823	6 cyl. - 200 engine	80	1	P-3147
8 cyl. - 289, 390, 427 & 428 engines	80	2	P-9823	8 cyl. - 289 engine	80	1	P-3147
				8 cyl. - 390 engine	80	4	P-5723
<b>RADIATOR GRILLE and RELATED PARTS</b>				<b>RADIATOR GRILLE and RELATED PARTS -</b>			
	82	9	P-5605	-- except GT350/500	82	10	P-5609
				-- GT350/500	82	11	P-6835
<b>WATER PUMPS -</b>				<b>WATER PUMPS</b>			
6 cyl. - 240 engine	85	1	P-4731	6 cyl. - 200 engine	85	1	P-2962
8 cyl. - 289 engine	85	2	P-5143	8 cyl. - 289 engine	85	2	P-5143
8 cyl. - 390, 427 & 428 engines	85	3	P-9198	8 cyl. - 390 engine	85	3	P-9198
<b>B (FAIRLANE)</b>				<b>S (THUNDERBIRD)</b>			
<b>COOLING SYSTEMS -</b>				<b>COOLING SYSTEM -</b>			
6 cyl. - 200 engine	80	3	P-3723	8 cyl. - 390, 428 engine	80	2	P-9823
8 cyl. - 289 engine	80	3	P-3723				
8 cyl. - 390 & 427 engines	80	4	P-5723				
<b>RADIATOR GRILLE and RELATED PARTS</b>				<b>RADIATOR GRILLE and RELATED PARTS</b>			
	82	5	P-4946		82	13	P-5520
<b>WATER PUMPS -</b>				<b>WATER PUMPS -</b>			
6 cyl. - 200 engine	85	1	P-2962	8 cyl. - 390 & 428 engines	85	3	P-9198
8 cyl. - 289 engine	85	2	P-5143				
8 cyl. - 390 & 427 engines	85	3	P-9198				

# FORD CAR PARTS

ILLUSTRATION  
SECTION 80

C

## INDEX

TITLE	SECTION	PAGE	ILLUS. NO.	TITLE	SECTION	PAGE	ILLUS. NO.
-------	---------	------	------------	-------	---------	------	------------

### 1967

U (BRONCO)				X (FALCON)			
<b>COOLING SYSTEMS -</b>				<b>COOLING SYSTEMS -</b>			
6 cyl. - 170 engine	80	1	P-3147	6 cyl. - 170 & 200 engine	80	1	P-3147
8 cyl. - 289 engine	80	4	P-5287	8 cyl. - 289 engine	80	1	P-3147
<b>RADIATOR GRILLE and RELATED PARTS</b>				<b>RADIATOR GRILLE and RELATED PARTS</b>			
	82	7	P-5117		82	8	P-4947
<b>WATER PUMPS -</b>				<b>WATER PUMPS -</b>			
6 cyl. - 170 engine	85	1	P-2962	6 cyl. - 170 & 200 engines	85	1	P-2962
8 cyl. - 289 engine	85	2	P-5143	8 cyl. - 289 engine	85	2	P-5143

### 1968

A (FORD)				F (MUSTANG)			
<b>COOLING SYSTEMS -</b>				<b>COOLING SYSTEMS -</b>			
6 cyl. - 240 engine	80	2	P-9823	6 cyl. - 200 engine	80	1	P-3147
8 cyl. - 302 engine	80	2	P-9823	8 cyl. - 289, 302 engines	80	1	P-3147
8 cyl. - 390, 427 & 428 engines	80	2	P-9323	8 cyl. - 390, 427 & 428 engines	80	4	P-5723
<b>RADIATOR GRILLE and RELATED PARTS -</b>				<b>RADIATOR GRILLE and RELATED PARTS -</b>			
--w/o headlamp covers	82	14	P-5983	-- except GT350/500	82	10	P-5609
--w/headlamp covers	82	15	P-5982	-- GT350/500	82	11	P-6835
<b>WATER PUMPS -</b>				<b>WATER PUMPS -</b>			
6 cyl. - 240 engine	85	1	P-4731	6 cyl. - 200 engine	85	1	P-2962
8 cyl. - 302 engine	85	2	P-5143	8 cyl. - 289 & 302 engines	85	2	P-5143
8 cyl. - 390, 427 & 428 engines	85	3	P-9198	8 cyl. - 390, 427 & 428 engines	85	3	P-9198
<b>B (FAIRLANE/TORINO)</b>				<b>S (THUNDERBIRD)</b>			
<b>COOLING SYSTEMS</b>				<b>COOLING SYSTEMS -</b>			
6 cyl. - 200 engine	80	3	P-3723	8 cyl. - 390 engine	80	2	P-9823
8 cyl. - 289 & 302 engines	80	3	P-3723				
8 cyl. - 390 & 427 engines	80	4	P-5723				
8 cyl. - 428 engine	80	4	P-5723				
<b>RADIATOR GRILLE and RELATED PARTS</b>				<b>RADIATOR GRILLE and RELATED PARTS</b>			
	82	16	P-6040		82	13	P-5520
<b>WATER PUMPS</b>				<b>WATER PUMPS</b>			
6 cyl. - 200 engine	85	1	P-2962	8 cyl. - 390 engine	85	3	P-9198
8 cyl. - 289 & 302 engines	85	2	P-5143	8 cyl. - 429 engine	85	3	P-6492
8 cyl. - 390, 427 & 428 engines	85	3	P-9198				



**INDEX**

TITLE	SECTION	PAGE	ILLUS. NO.	TITLE	SECTION	PAGE	ILLUS. NO.
-------	---------	------	------------	-------	---------	------	------------

**1968**

<b>U (BRONCO)</b>				<b>X (FALCON)</b>			
<b>COOLING SYSTEMS -</b>				<b>COOLING SYSTEMS -</b>			
6 cyl. - 170 engine	80	1	P-3147	6 cyl. - 170 & 200 engines	80	1	P-3147
8 cyl. - 289 engine	80	4	P-5287	8 cyl. - 289 engine	80	1	P-3147
				8 cyl. - 302 engine	80	1	P-3147
<b>RADIATOR GRILLE and RELATED PARTS</b>				<b>RADIATOR GRILLE and RELATED PARTS</b>			
	82	7	P-5117		82	8	P-4947
<b>WATER PUMPS -</b>				<b>WATER PUMPS</b>			
6 cyl. - 170 engine	85	1	P-2962	6 cyl. - 170 & 200 engines	85	1	P-2962
8 cyl. - 289 engine	85	2	P-5143	8 cyl. - 289 & 302 engines	85	2	P-5143

**1969**

<b>A (FORD)</b>				<b>F (MUSTANG) - continued</b>			
<b>COOLING SYSTEMS -</b>				<b>RADIATOR GRILLE and RELATED PARTS -</b>			
6 cyl. - 240 engine	80	2	P-9823	-- except GT350/500	82	19	P-6665
8 cyl. - 302 engine	80	2	P-9823	-- GT350/500	82	8	P-6921-B
8 cyl. - 351 engine	80	2	P-9823				
8 cyl. - 390 & 428 engines	80	2	P-9823	<b>WATER PUMPS -</b>			
				6 cyl. - 200 & 250 engines	85	1	P-2962
<b>RADIATOR GRILLE and RELATED PARTS -</b>				8 cyl. - 302 & 351 engines	85	2	P-5143
--w/o headlamp covers	82	17	P-6622	8 cyl. - 390 & 428 engines	85	3	P-9198
--w/headlamp covers	82	18	P-6623	8 cyl. - 429 engine	85	3	P-6492
<b>WATER PUMPS -</b>				<b>X (FALCON)</b>			
6 cyl. - 240 engine	85	1	P-4731	<b>COOLING SYSTEMS -</b>			
8 cyl. - 302 & 351 engines	85	2	P-5143	6 cyl. - 170 & 200 engines	80	1	P-3147
8 cyl. - 390 & 428 engines	85	3	P-9198	8 cyl. - 302 engine	80	1	P-3147
8 cyl. - 429 engine	85	3	P-6492	<b>RADIATOR GRILLE and RELATED PARTS</b>			
					82	8	P-4947
<b>B (FAIRLANE/TORINO)</b>				<b>WATER PUMPS -</b>			
<b>COOLING SYSTEMS -</b>				6 cyl. - 170 & 200 engines	85	1	P-2962
6 cyl. - 250 engine	80	3	P-3723	8 cyl. - 302 engine	85	2	P-5143
8 cyl. - 302 engine	80	3	P-3723	<b>S (THUNDERBIRD)</b>			
8 cyl. - 351 engine	80	3	P-3723	<b>COOLING SYSTEM</b>			
8 cyl. - 390 & 427 engines	80	4	P-5723	8 cyl. - 429 engine	80	2	P-9823
8 cyl. - 428 engine	80	4	P-5723	<b>RADIATOR GRILLE and RELATED PARTS</b>			
<b>RADIATOR GRILLE and RELATED PARTS</b>					82	13	P-5520
	82	12	P-6672	<b>WATER PUMPS -</b>			
<b>WATER PUMPS -</b>				8 cyl. - 429 engine	85	3	P-6492
6 cyl. - 250 engine	85	1	P-2962	<b>U (BRONCO)</b>			
8 cyl. - 302 & 351 engines	85	2	P-5143	<b>COOLING SYSTEMS -</b>			
8 cyl. - 390, 427 & 428 engines	85	3	P-9198	6 cyl. - 170 engine	80	1	P-3147
				8 cyl. - 302 engine	80	4	P-5287
<b>F (MUSTANG)</b>				<b>RADIATOR GRILLE and RELATED PARTS</b>			
<b>COOLING SYSTEMS -</b>					82	7	P-5117
6 cyl. - 200 engine	80	1	P-3147	<b>WATER PUMPS -</b>			
6 cyl. - 250 engine	80	1	P-3147	6 cyl. - 170 engine	85	1	P-2962
8 cyl. - 302 engine	80	1	P-3147	8 cyl. - 302 engine	85	2	P-5143
8 cyl. - 351 engine	80	1	P-3147				
8 cyl. - 390 engine	80	4	P-5723				
8 cyl. - 428 engine	80	4	P-5723				

# FORD CAR PARTS

ILLUSTRATION  
SECTION 80

E

## INDEX

TITLE	SECTION	PAGE	ILLUS. NO.	TITLE	SECTION	PAGE	ILLUS. NO.
-------	---------	------	------------	-------	---------	------	------------

# 1970

A (FORD)				P (MAVERICK)			
<b>COOLING SYSTEMS -</b>				<b>COOLING SYSTEMS -</b>			
6 cyl. - 240 engine	80	2	P-9823	6 cyl.-170,200 & 250 engines	80	1	P-3147
8 cyl. - 302 engine	80	2	P-9823				
8 cyl. - 351 engine	80	2	P-9823				
8 cyl. - 390 & 428 engines	80	2	P-9823				
8 cyl. - 429 engine	80	2	P-9823				
<b>RADIATOR GRILLE and RELATED PARTS -</b>				<b>RADIATOR GRILLE and RELATED PARTS</b>			
--w/o headlamp covers	82	17	P-6622	82	20	P-6879-A	
--w/headlamp covers	82	22	P-7202				
<b>WATER PUMPS -</b>				<b>WATER PUMPS -</b>			
6 cyl. - 240 engine	85	1	P-4731	6 cyl.-170,200 & 250 engines	85	1	P-2962
8 cyl. - 302 & 351 engines	85	2	P-5143				
8 cyl. - 390 & 428 engines	85	3	P-9198				
8 cyl. - 351-C,429 engine	85	3	P-6492				
<b>B (FAIRLANE/TORINO)</b>				<b>S (THUNDERBIRD)</b>			
<b>B(FALCON)FROM 1/2/70</b>				<b>COOLING SYSTEM</b>			
<b>COOLING SYSTEMS -</b>				8 cyl. - 429 engine			
6 cyl. - 250 engine	80	3	P-3723	80	2	P-9823	
8 cyl. - 302 engine	80	3	P-3723				
8 cyl. - 351 engine	80	3	P-3723				
8 cyl. - 429 engine	80	4	P-5723				
<b>RADIATOR GRILLE and RELATED PARTS</b>				<b>RADIATOR GRILLE and RELATED PARTS</b>			
--w/o headlamp covers-body types 54A,B,62,63H,65B,66A,71B,D	82	23	P-7121	82	25	P-7150	
--w/o headlamp covers-body type 66B "Before 12/30/69"	82	23	P-7121				
--w/ or w/o headlamp covers-body types 54C,57C,E,63C,F,65C,E,66C,E,71C,E,76	82	24	P-7123				
w/ or w/o headlamp covers-body type 66B "From 12/30/69"	82	24	P-7123				
<b>WATER PUMPS -</b>				<b>WATER PUMP -</b>			
6 cyl. - 250 engine	85	1	P-2962	8 cyl. - 429 engine	85	3	P-6492
8 cyl. - 302 engine	85	2	P-5143				
8 cyl. - 351-C,429 engines	85	3	P-6492				
<b>F (MUSTANG)</b>				<b>U (BRONCO)</b>			
<b>COOLING SYSTEMS -</b>				<b>COOLING SYSTEMS -</b>			
6 cyl. - 200 engine	80	1	P-3147	6 cyl. - 170 engine	80	1	P-3147
6 cyl. - 250 engine	80	1	P-3147	8 cyl. - 302 engine	80	4	P-5287
8 cyl. - 302 & 351 engines	80	1	P-3147				
8 cyl. - 428 engine	80	4	P-5723				
<b>RADIATOR GRILLE and RELATED PARTS--except GT350/500</b>				<b>RADIATOR GRILLE and RELATED PARTS</b>			
--GT350/500	82	21	P-7160	82	7	P-5117	
	82	8	P-6921-B				
<b>WATER PUMPS -</b>				<b>WATER PUMPS -</b>			
6 cyl. - 200 & 250 engines	85	1	P-2962	6 cyl. - 170 engine	85	1	P-2962
8 cyl. - 302 engine	85	2	P-5143	8 cyl. - 302 engine	85	2	P-5143
8 cyl. - 428 engine	85	3	P-9198				
8 cyl. - 351-C,429 engines	85	3	P-6492				
				<b>X (FALCON) BEFORE 1/2/70</b>			
				<b>FOR UNITS BUILT FROM 1/2/70, REFER TO B(FALCON)</b>			
				<b>COOLING SYSTEMS -</b>			
				6 cyl. - 200 engine			
				80			
				1			
				P-3147			
				8 cyl. - 302 engine			
				80			
				1			
				P-3147			
				<b>RADIATOR GRILLE and RELATED PARTS</b>			
				82			
				8			
				P-4947			
				<b>WATER PUMPS -</b>			
				6 cyl. - 200 engine			
				85			
				1			
				P-2962			
				8 cyl. - 302 engine			
				85			
				2			
				P-5143			

**INDEX**

**1971**

TITLE	SECTION	PAGE	ILLUS. NO.	TITLE	SECTION	PAGE	ILLUS. NO.
-------	---------	------	------------	-------	---------	------	------------

**A (FORD)**

<b>COOLING SYSTEM -</b>			
6 cyl. - 240 engine	80	2	P-9823
8 cyl. - 302 engine	80	2	P-9823
8 cyl. - 351 engine	80	2	P-9823
8 cyl. - 390, 400 & 429 engines	80	2	P-9823
<b>RADIATOR GRILLE and RELATED PARTS</b>	82	28	P-8080
<b>WATER PUMPS-</b>			
6 cyl. - 240 engine	85	1	P-4731
8 cyl. - 302 & 351 engines	85	2	P-5143
8 cyl. - 390 & 400 engines	85	3	P-9198
8 cyl. - 429 engine	85	3	P-6492

**B (TORINO)**

<b>COOLING SYSTEM-</b>			
6 cyl. - 250 engine	80	3	P-3723
8 cyl. - 302 engine	80	3	P-3723
8 cyl. - 351 engine	80	3	P-3723
8 cyl. - 429 engine	80	3	P-5723
<b>RADIATOR GRILLE and RELATED PARTS--w/o headlamp covers -body types 54A,63H,65A,66A,71D</b>	82	23	P-7121
<b>--w/o headlamp covers-body types 54C,57C,E,63C,F,65C,E,66B,C,E,71C,E,76F</b>	82	29	P-8261
<b>--w/headlamp covers-body types 54C,57,63C,F,65C,E,66B,C,E,71C,E,76F</b>	82	24	P-7123
<b>WATER PUMPS</b>			
6 cyl. - 250 engine	85	1	P-2962
8 cyl - 302 engine	85	2	P-5143
8 cyl. - 351-C, 429 engine	85	3	P-6492

**F (MUSTANG)**

<b>COOLING SYSTEMS-</b>			
6 cyl. - 250 engine	80	1	P-3147
8 cyl. - 302 & 351 engines	80	1	P-3147
8 cyl. - 429 engine	80	4	P-5723
<b>RADIATOR GRILLE and RELATED PARTS</b>			
--w/Sport lamps	82	26	P-8090
--w/o Sport lamps	82	27	P-8091
<b>WATER PUMPS</b>			
6 cyl. - 250 engine	85	1	P-2962
8 cyl. - 302 engine	85	2	P-5143
8 cyl. - 351-C, 429 engines	85	3	P-6492

**L (PINTO)**

<b>COOLING SYSTEMS -</b>			
4 cyl. - 98 engine	80	5	P-7568
4 cyl. - 122 O.H.C. engine	80	6	P-8230
<b>RADIATOR GRILLE and RELATED PARTS</b>	82	23	P-8016
<b>WATER PUMPS</b>			
4 cyl. - 98 engine	80	5	P-7568
4 cyl. - 122 O.H.C. engine	80	6	P-8230

**P (MAVERICK)**

<b>COOLING SYSTEMS-</b>			
6 cyl. - 170, 200 & 250 engines	80	1	P-3147
<b>RADIATOR GRILLE and RELATED PARTS</b>	82	20	P-8879-A
<b>WATER PUMPS-</b>			
6 cyl. -170, 200 & 250 engines	85	1	P-2962

**S (THUNDERBIRD)**

<b>COOLING SYSTEMS -</b>			
8 cyl. - 429 engine	80	2	P-9823
<b>RADIATOR GRILLE and RELATED PARTS</b>	82	25	P-7150
<b>WATER PUMP -</b>			
8 cyl. - 429 engine	85	3	P-6492

**U (BRONCO)**

<b>COOLING SYSTEMS -</b>			
6 cyl. - 170 engine	80	1	P-3147
8 cyl. - 302 engine	80	4	P-5287
<b>RADIATOR GRILLE and RELATED PARTS</b>	82	7	P-5117
<b>WATER PUMPS -</b>			
6 cyl. - 170 engine	85	1	P-2962
8 cyl. - 302 engine	85	2	P-5143

# FORD CAR PARTS

ILLUSTRATION  
SECTION 80

G

## INDEX

TITLE	SECTION	PAGE	ILLUS. NO.	TITLE	SECTION	PAGE	ILLUS. NO.
-------	---------	------	------------	-------	---------	------	------------

# 1972

A (FORD)				L (PINTO)			
<b>COOLING SYSTEM -</b>				<b>COOLING SYSTEMS -</b>			
6 cyl. - 240 engine	80	2	P-9823	4 cyl. - 98 engine	80	5	P-7568
8 cyl. - 302 engine	80	2	P-9823	4 cyl. 122 O.H.C. engine	80	6	P-8230
8 cyl. - 351 engine	80	2	P-9823	<b>RADIATOR GRILLE and RELATED PARTS</b>			
8 cyl. - 400,429 engines	80	2	P-9823		82	23	P-8016
<b>RADIATOR GRILLE and RELATED PARTS</b>				<b>WATER PUMPS</b>			
	82	33	P-8755	4 cyl. - 98 engine	80	5	P-7568
<b>WATER PUMPS -</b>				4 cyl. - 122 O.H.C. engine	80	6	P-8230
6 cyl. - 240 engine	85	1	P-4731	<b>P (MAVERICK)</b>			
8 cyl. - 302,351-W engines	85	2	P-5143	<b>COOLING SYSTEMS -</b>			
8 cyl. - 351-C,400,429 engines	85	3	P-6492	6 cyl. - 170,200,250 engines	80	1	P-3147
<b>B (TORINO)</b>				8 cyl. - 302 engine	80	1	P-3147
<b>COOLING SYSTEM -</b>				<b>RADIATOR GRILLE and RELATED PARTS</b>			
6 cyl. - 250 engine	80	3	P-3723		82	20	P-6879-A
8 cyl. - 302 engine	80	3	P-3723	<b>WATER PUMPS -</b>			
8 cyl. - 351,400 engines	80	3	P-3723	6 cyl. - 170,200,250 engines	85	1	P-2962
8 cyl. - 429 engine	80	3	P-5723	8 cyl. - 302 engine	85	2	P-5143
<b>RADIATOR GRILLE and RELATED PARTS</b>				<b>S (THUNDERBIRD)</b>			
--body types 53D,63R,65D,R, 71D,K,97D,K,R	82	31	P-8669	<b>COOLING SYSTEMS</b>			
--body types 53B,65B,71B	82	32	P-8677	8 cyl. - 400,429 engines	80	2	P-9823
<b>WATER PUMPS</b>				8 cyl. - 460 engine	80	2	P-9823
6 cyl. - 250 engine	85	1	P-2962	<b>RADIATOR GRILLE and RELATED PARTS</b>			
8 cyl. - 302 engine	85	2	P-5143		82	30	P-8658
8 cyl. - 351-C,400,429 engines	85	3	P-6492	<b>WATER PUMP -</b>			
<b>F (MUSTANG)</b>				8 cyl. - 429 engine	85	3	P-6492
<b>COOLING SYSTEMS -</b>				8 cyl. - 400 engine	85	3	P-6492
6 cyl. - 250 engine	80	1	P-3147	8 cyl. - 460 engine	85	3	P-6492
8 cyl. - 302,351 engines	80	1	P-3147	<b>U (BRONCO)</b>			
8 cyl. - 429 engine	80	4	P-5723	<b>COOLING SYSTEMS -</b>			
<b>RADIATOR GRILLE and RELATED PARTS</b>				6 cyl. - 170 engine	80	1	P-3147
--w/Sport lamps	82	26	P-8090	8 cyl. - 302 engine	80	4	P-5287
--w/o Sport lamps	82	27	P-8091	<b>RADIATOR GRILLE and RELATED PARTS</b>			
<b>WATER PUMPS</b>					82	7	P-5117
6 cyl. - 250 engine	85	1	P-2962	<b>WATER PUMPS -</b>			
8 cyl. - 302 engine	85	2	P-5143	6 cyl. - 170 engine	85	1	P-2962
8 cyl. - 351-C engine	85	3	P-6492	8 cyl. - 302 engine	85	2	P-5143

May, 1975

COPYRIGHT © 1975 -

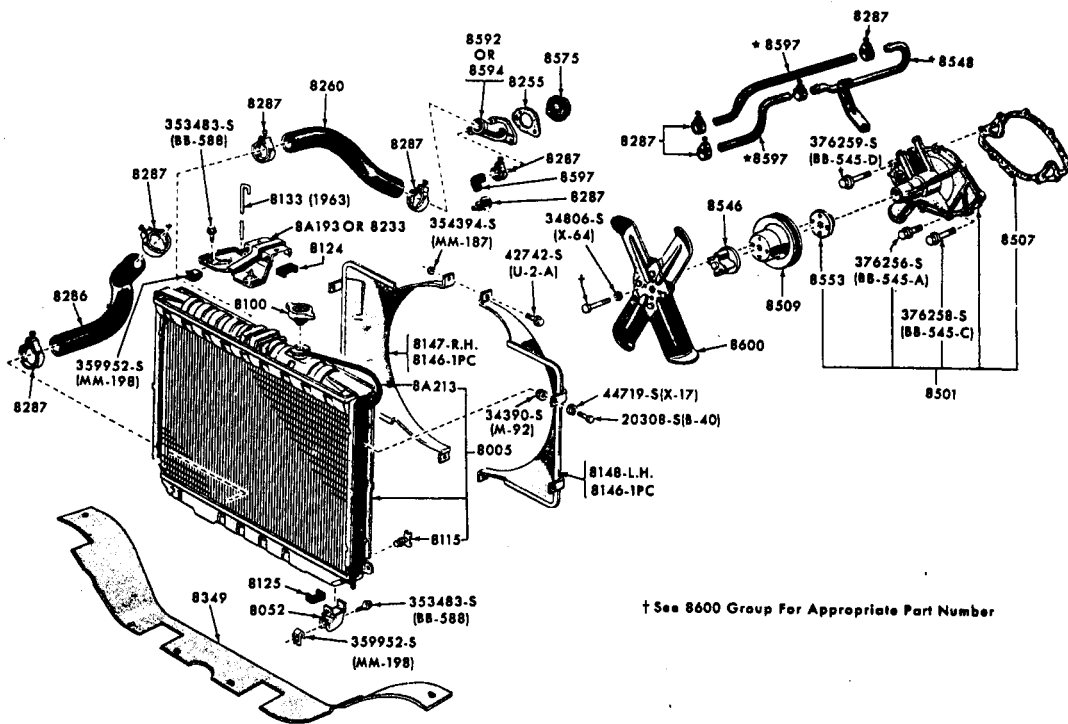
FORD MOTOR  
COMPANY

- DEARBORN, MICHIGAN

**FINAL ISSUE**

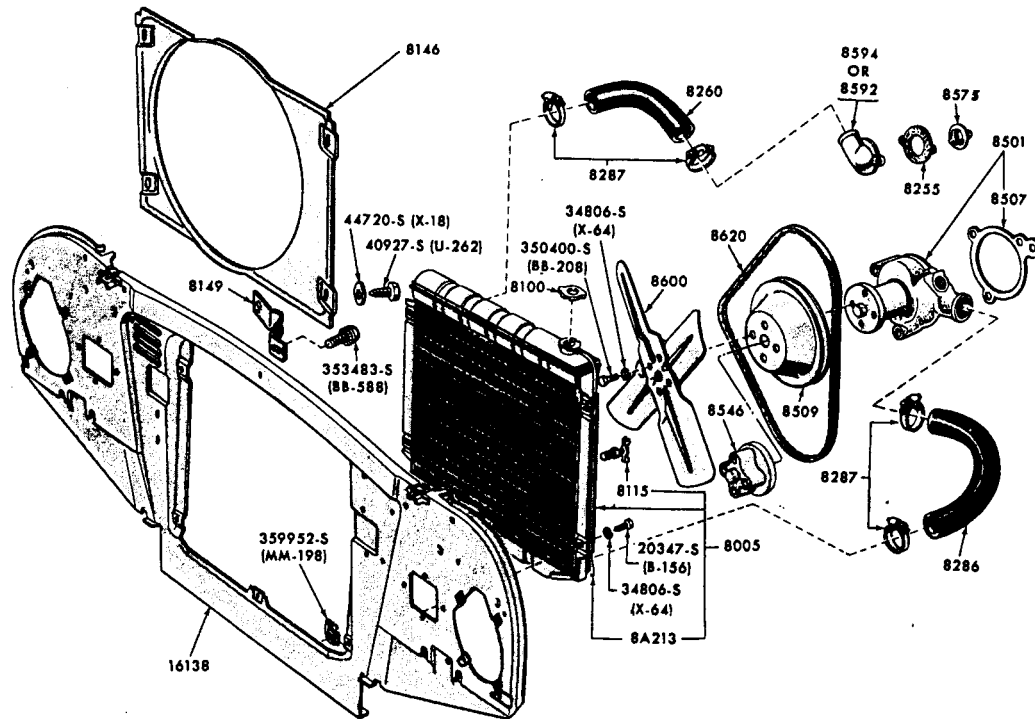
# FORD CAR PARTS

## ILLUSTRATION SECTION 80



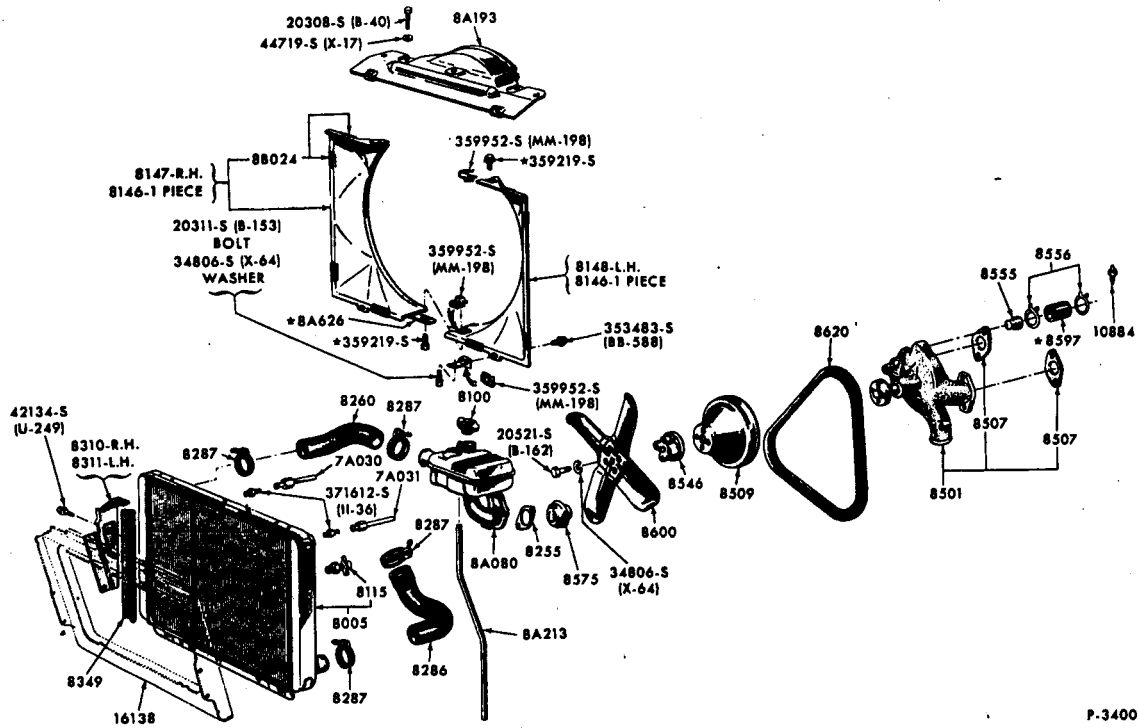
P-4159

COOLING SYSTEM and RELATED PARTS - TYPICAL  
1965/66 FORD (CUSTOM & GALAXIE) - 6 CYLINDER 240, and 8 CYLINDER 289, 302, 351, 352, 390, 427, 428



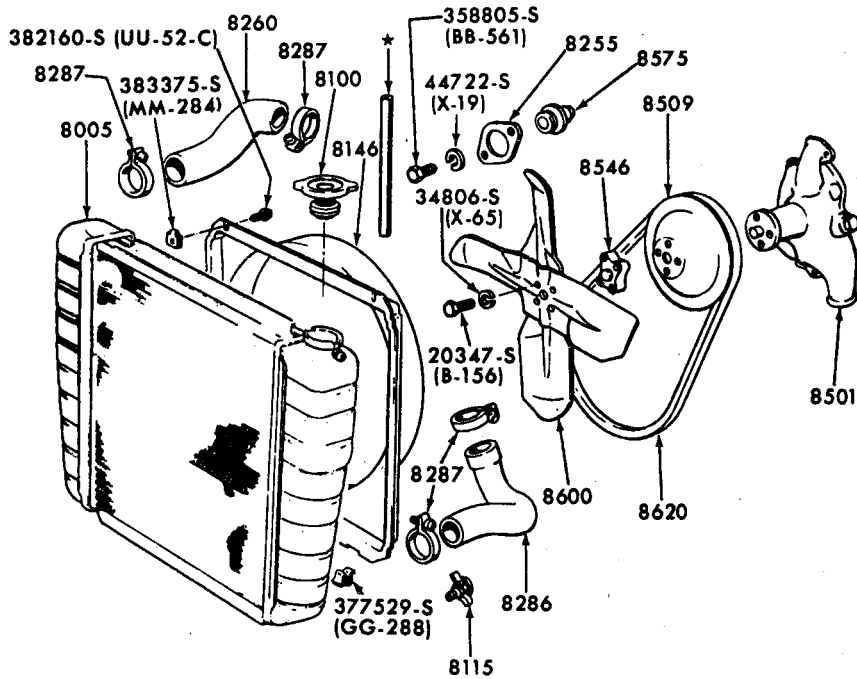
P-3147

COOLING SYSTEM and RELATED PARTS - TYPICAL  
1965/72 FALCON, MAVERICK, MUSTANG - 6 CYLINDER 170, 200, 250, and 8 CYLINDER 260, 289, 302&351  
1966/72 BRONCO - 6 CYLINDER 170



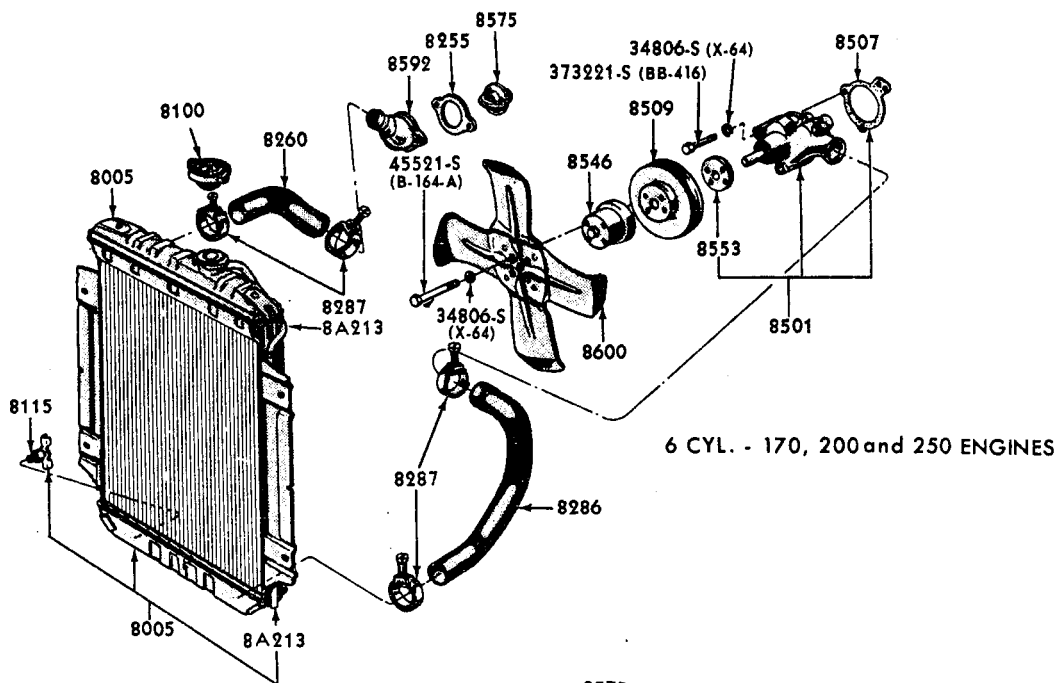
P-3400

COOLING SYSTEM and RELATED PARTS  
1965/66 THUNDERBIRD - 8 CYLINDER 390, 428

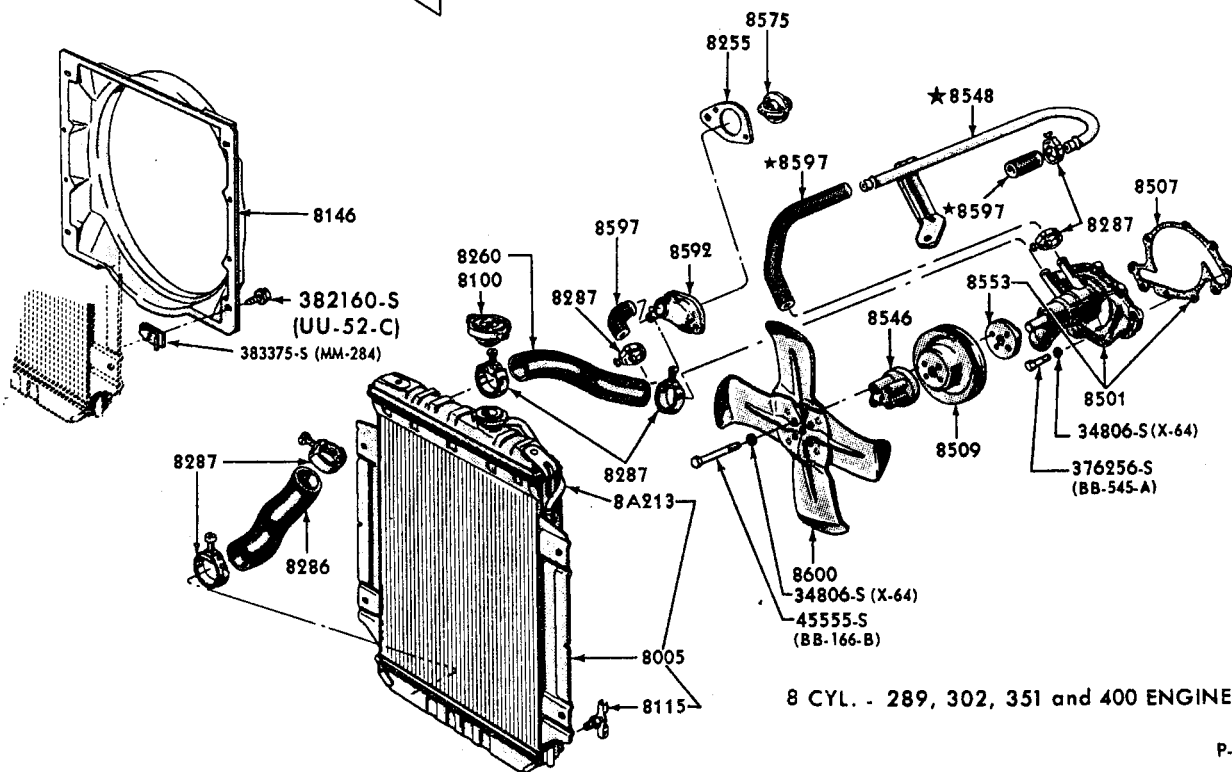


P-9823

COOLING SYSTEM and RELATED PARTS - TYPICAL  
1967/72 FORD, THUNDERBIRD - 6 CYLINDER 240 & 8 CYLINDER 289, 302, 351, 390, 400, 428, 429 ENGINES



6 CYL. - 170, 200 and 250 ENGINES

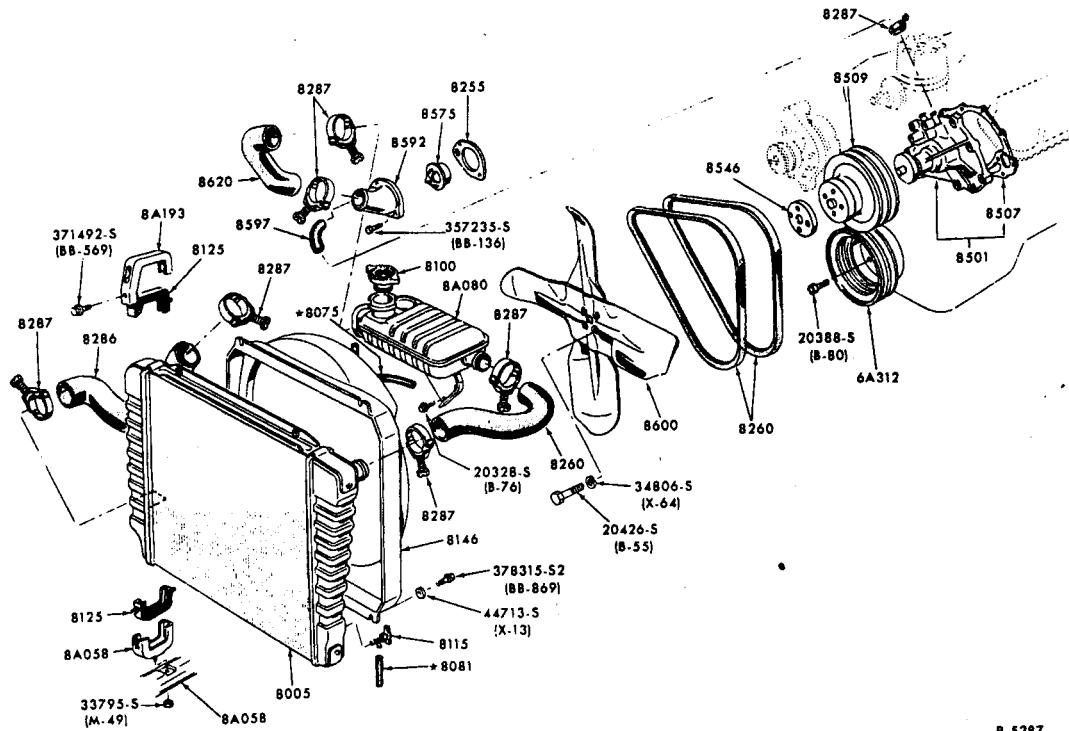


8 CYL. - 289, 302, 351 and 400 ENGINES

P-3723

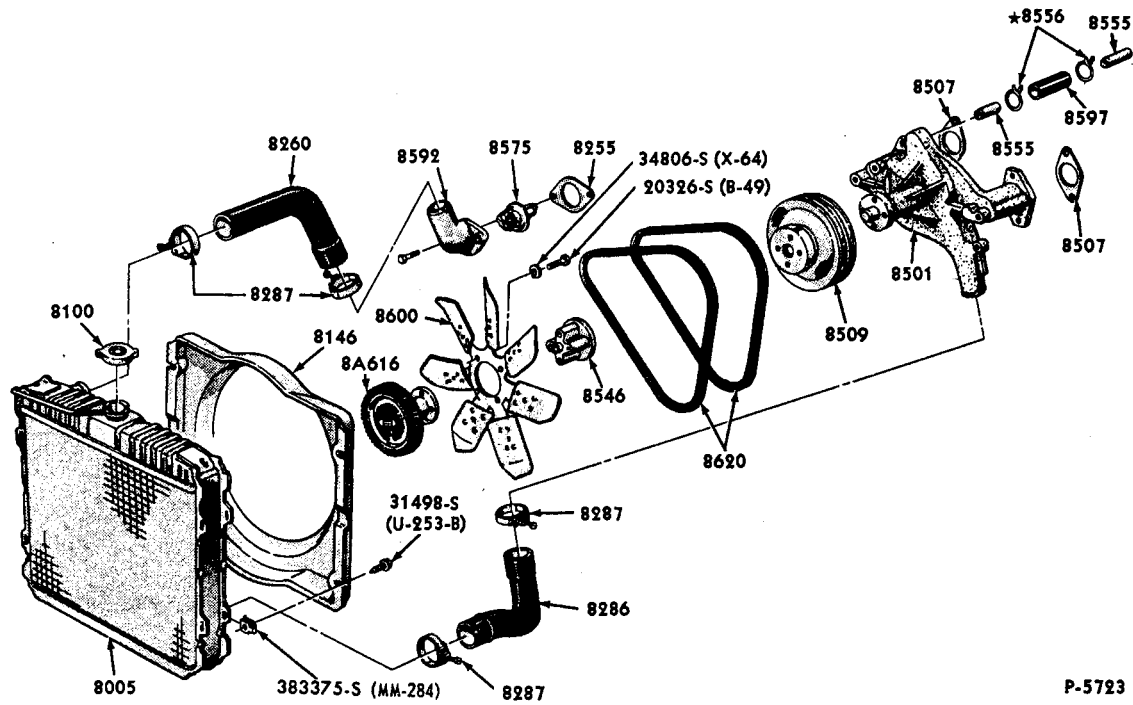
COOLING SYSTEM and RELATED PARTS - TYPICAL

1965/72 FAIRLANE/TORINO - 6 CYLINDER 200, 250 and 8 CYLINDER 289, 302, 351



P-5287

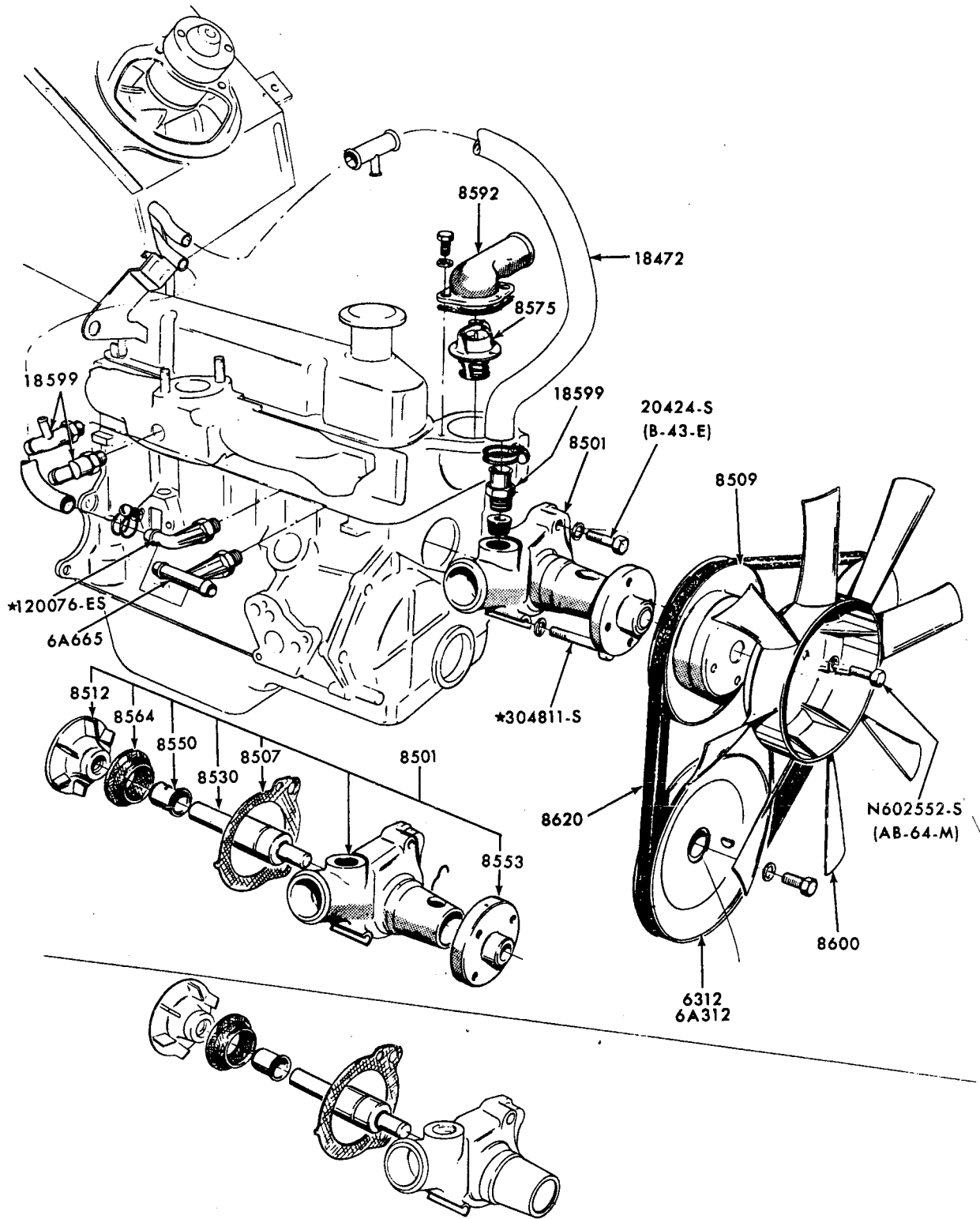
COOLING SYSTEM and RELATED PARTS  
1966/72 BRONCO - 8 CYLINDER 289, 302



P-5723

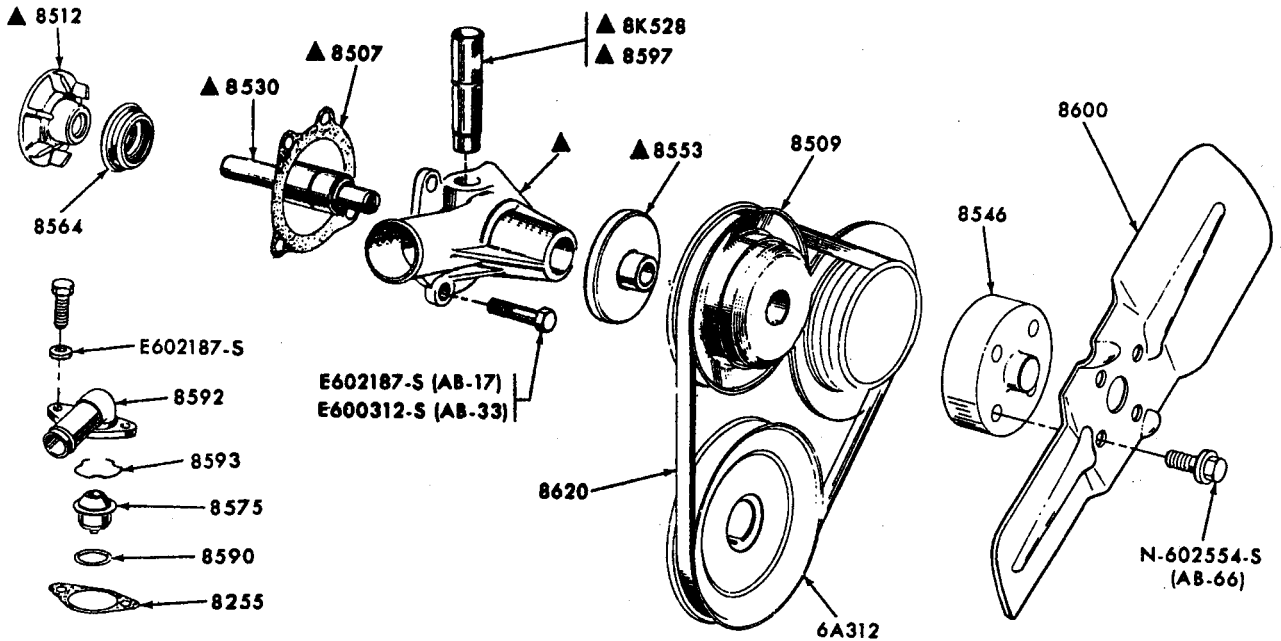
COOLING SYSTEM and RELATED PARTS - TYPICAL  
1966/72 FAIRLANE/TORINO and MUSTANG - 8 CYLINDER 390, 427, 428, 429





P-7568

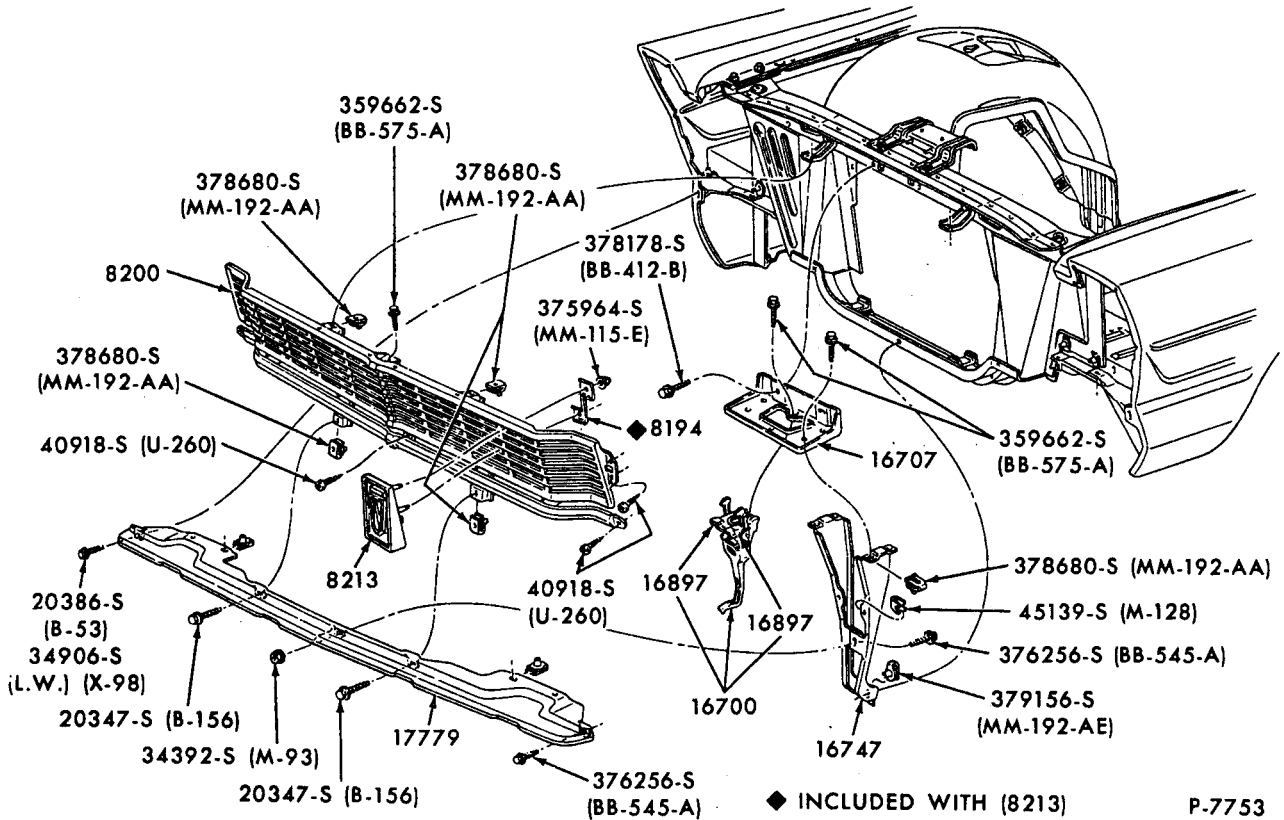
COOLING SYSTEM and RELATED PARTS  
1971/72 PINTO - 4 CYLINDER 98 ENGINE



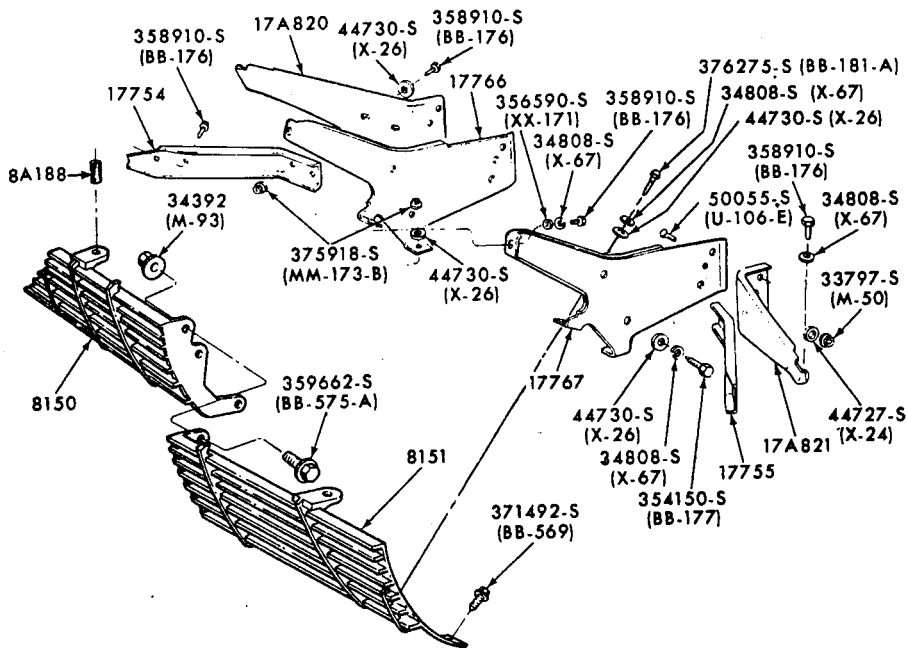
▲ PART OF 8501 ASSY

P-8230

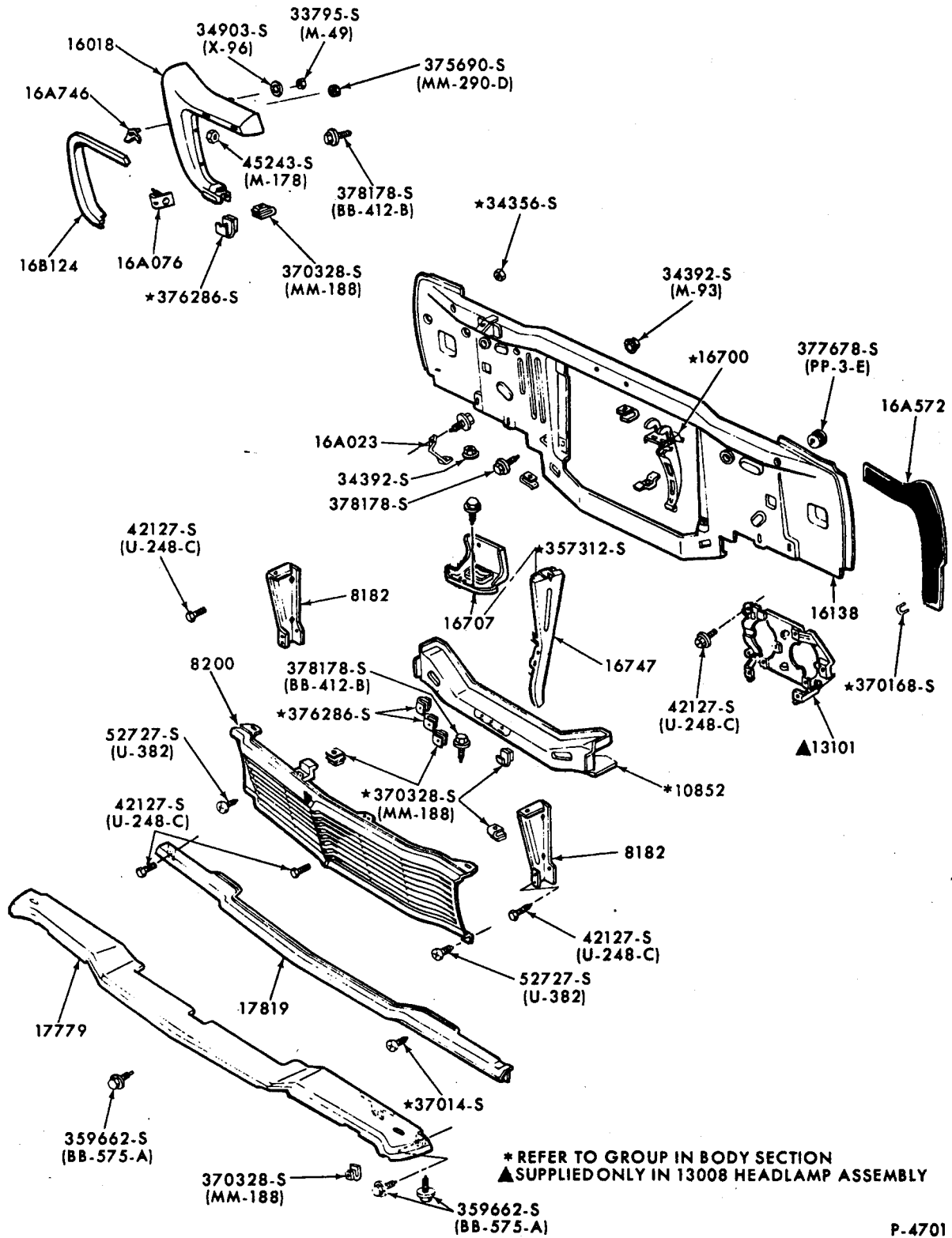
COOLING SYSTEM and RELATED PARTS  
1971/72 PINTO - 4 CYLINDER 122 O.H.C. ENGINE



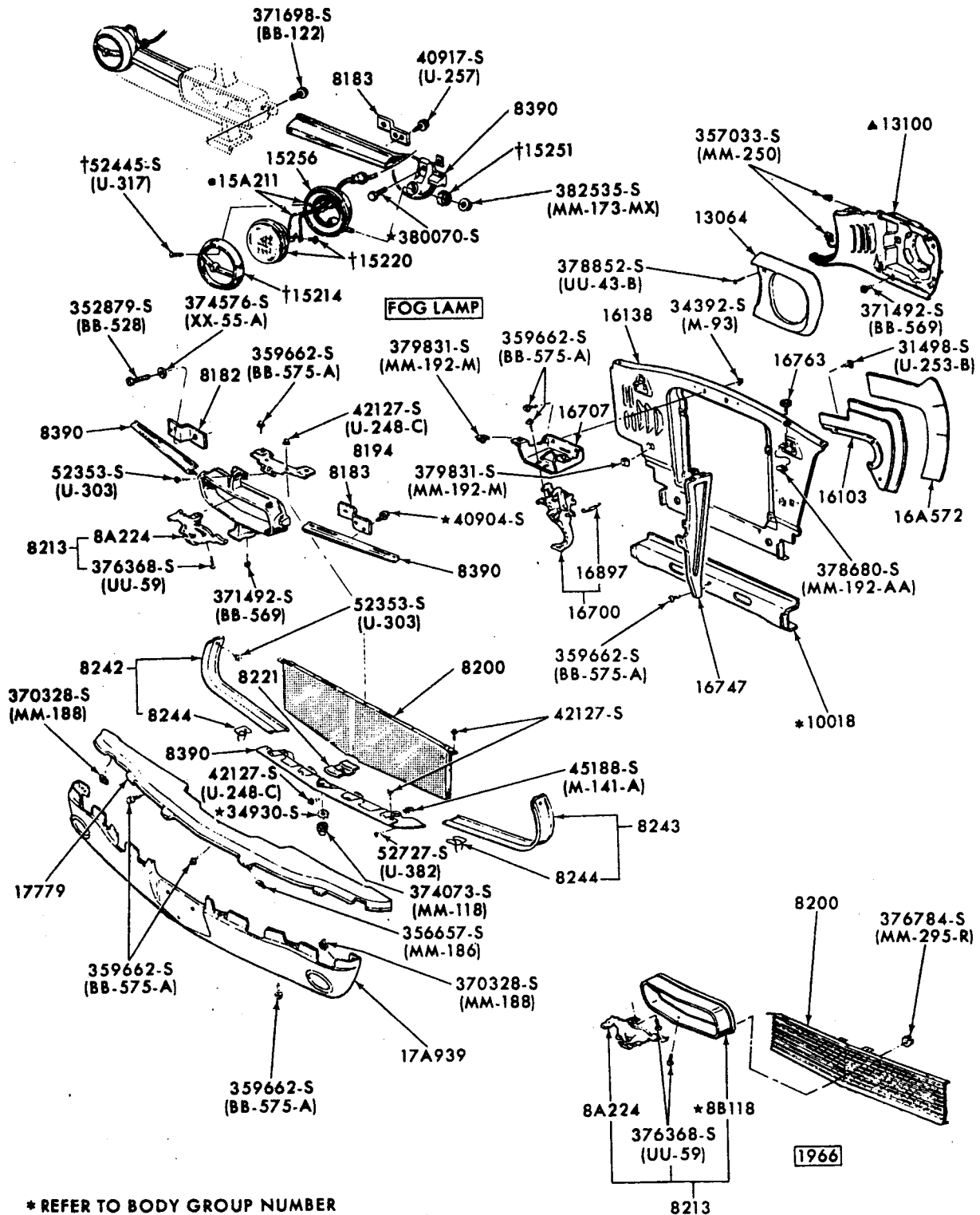
RADIATOR GRILLE and RELATED PARTS  
1965 FORD



RADIATOR GRILLE and RELATED PARTS  
1965 THUNDERBIRD



RADIATOR GRILLE and RELATED PARTS  
1965 FAIRLANE

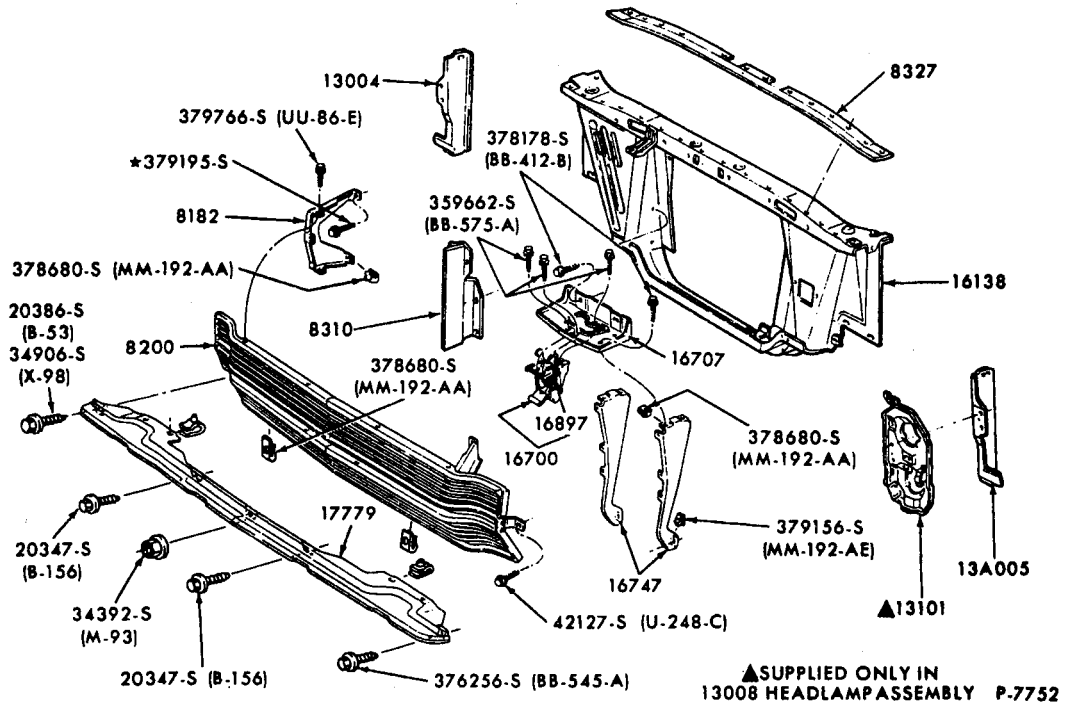


\* REFER TO BODY GROUP NUMBER  
 ▲ SUPPLIED IN 13008 HEADLAMP ASSEMBLY ONLY  
 • SUPPLIED ONLY IN 15200 LAMP ASSEMBLY  
 † ALSO SUPPLIED IN 15200 LAMP ASSEMBLY

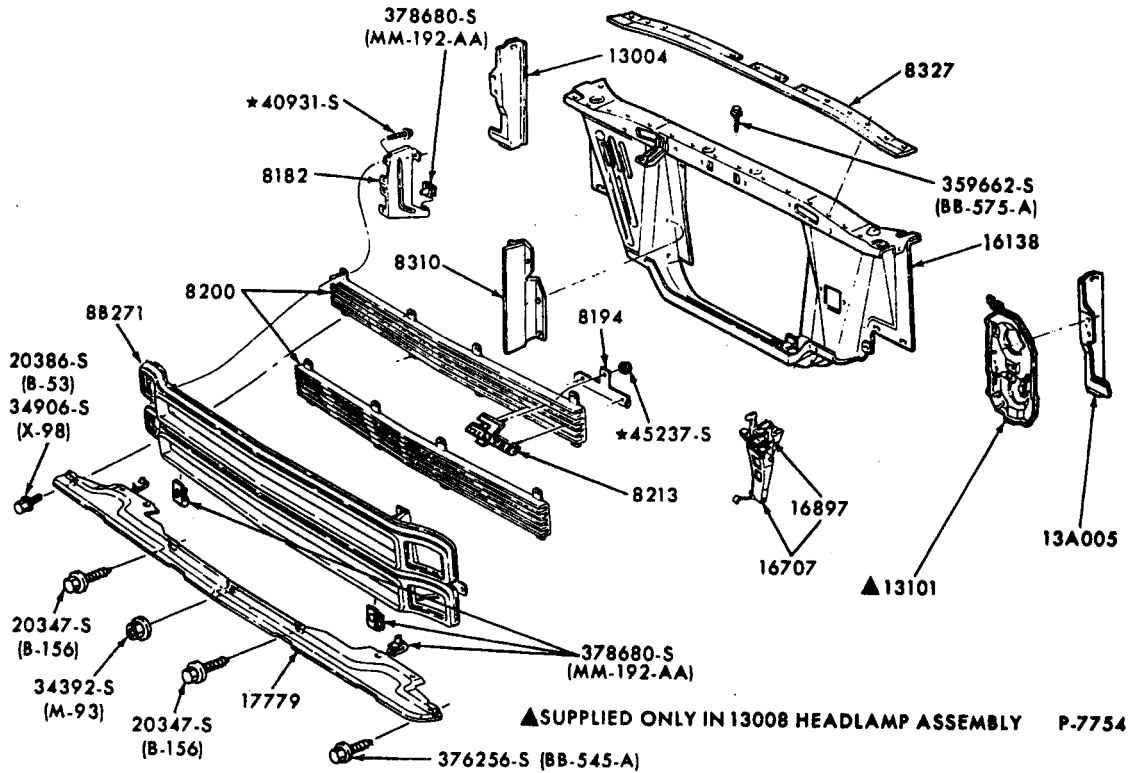
P.4458

RADIATOR GRILLE and RELATED PARTS  
 1965/66 MUSTANG

FORD CAR PARTS



1966 FORD - BODY TYPES 54A, E, 57B, 62B, E, 63B, 71B, C, D, 76A

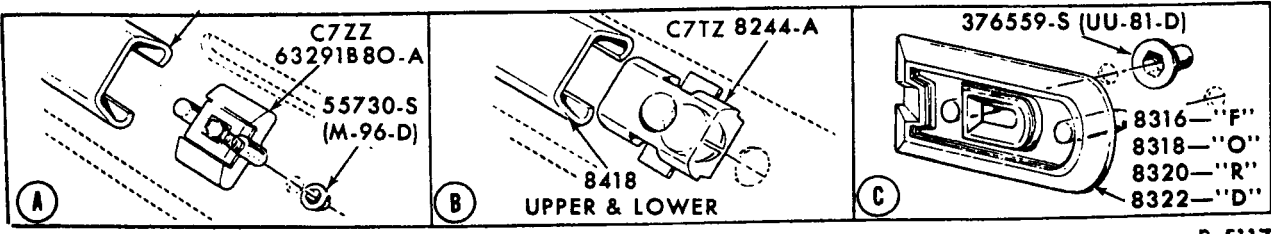
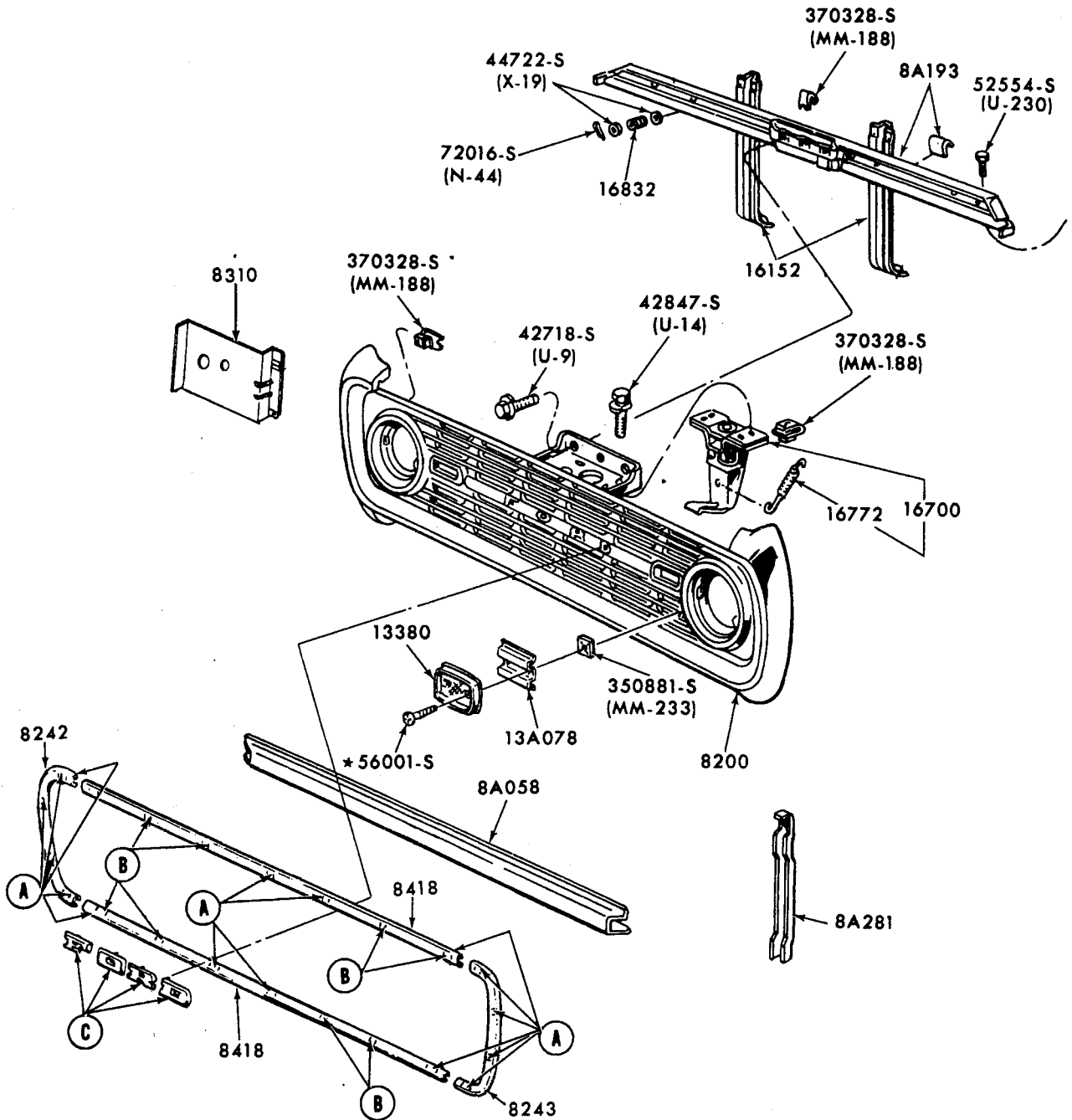


1966 FORD - BODY TYPES 57F, 63C, D, F, 71A, F, 76B, 76D





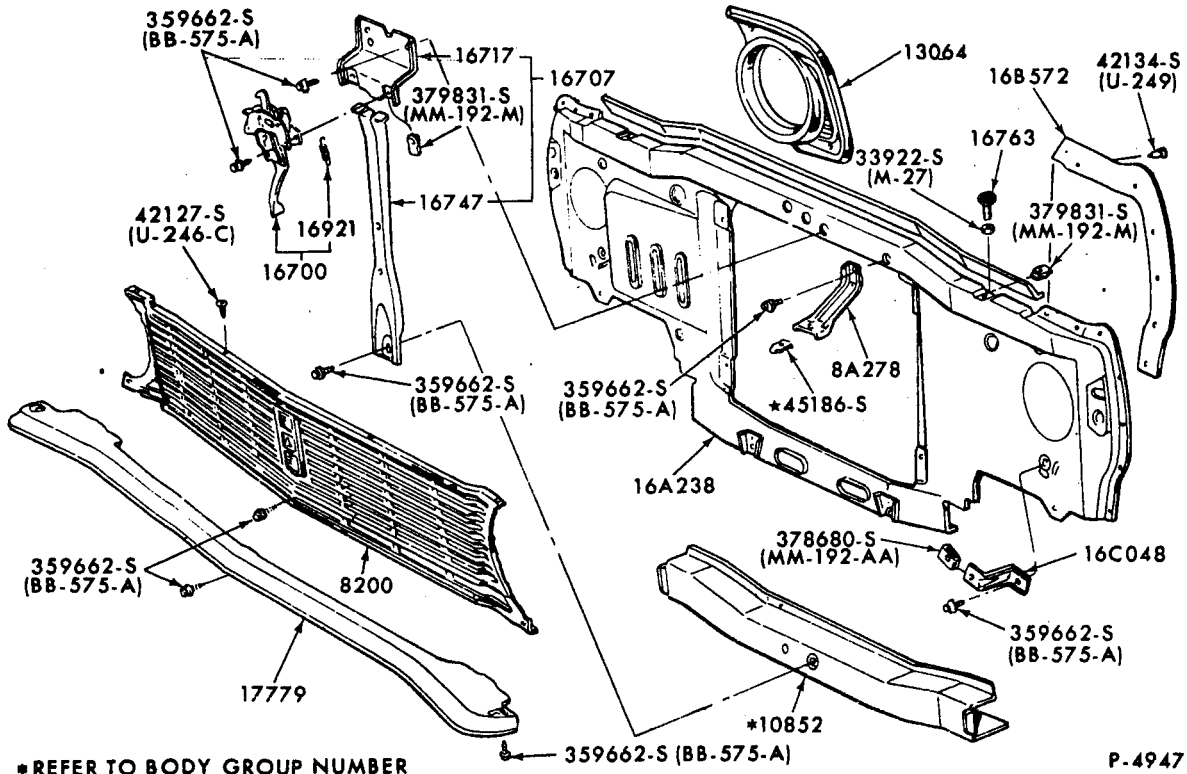




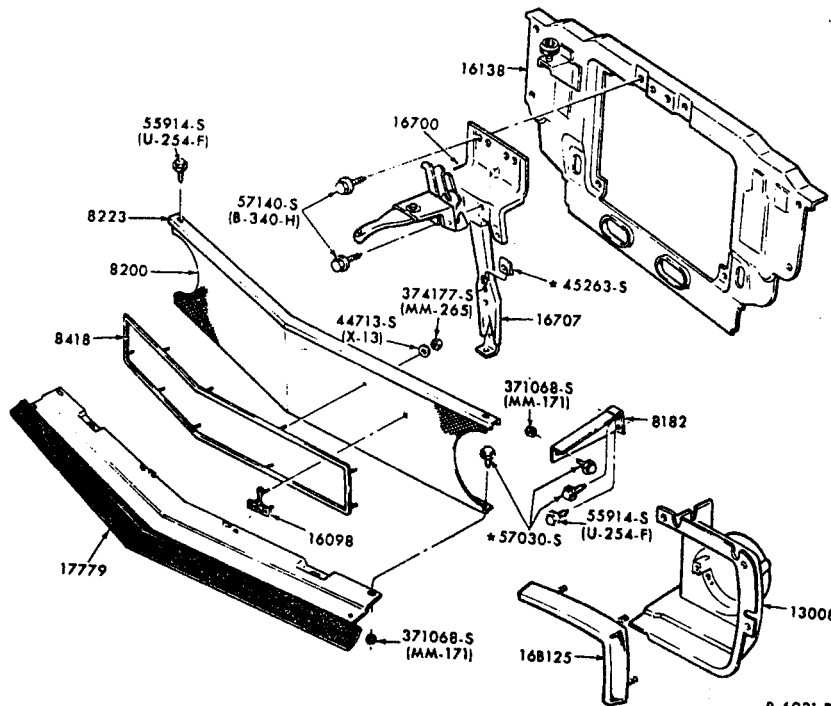
P-5117

**RADIATOR GRILLE, MOULDINGS, and RELATED PARTS**  
1966/72 BRONCO

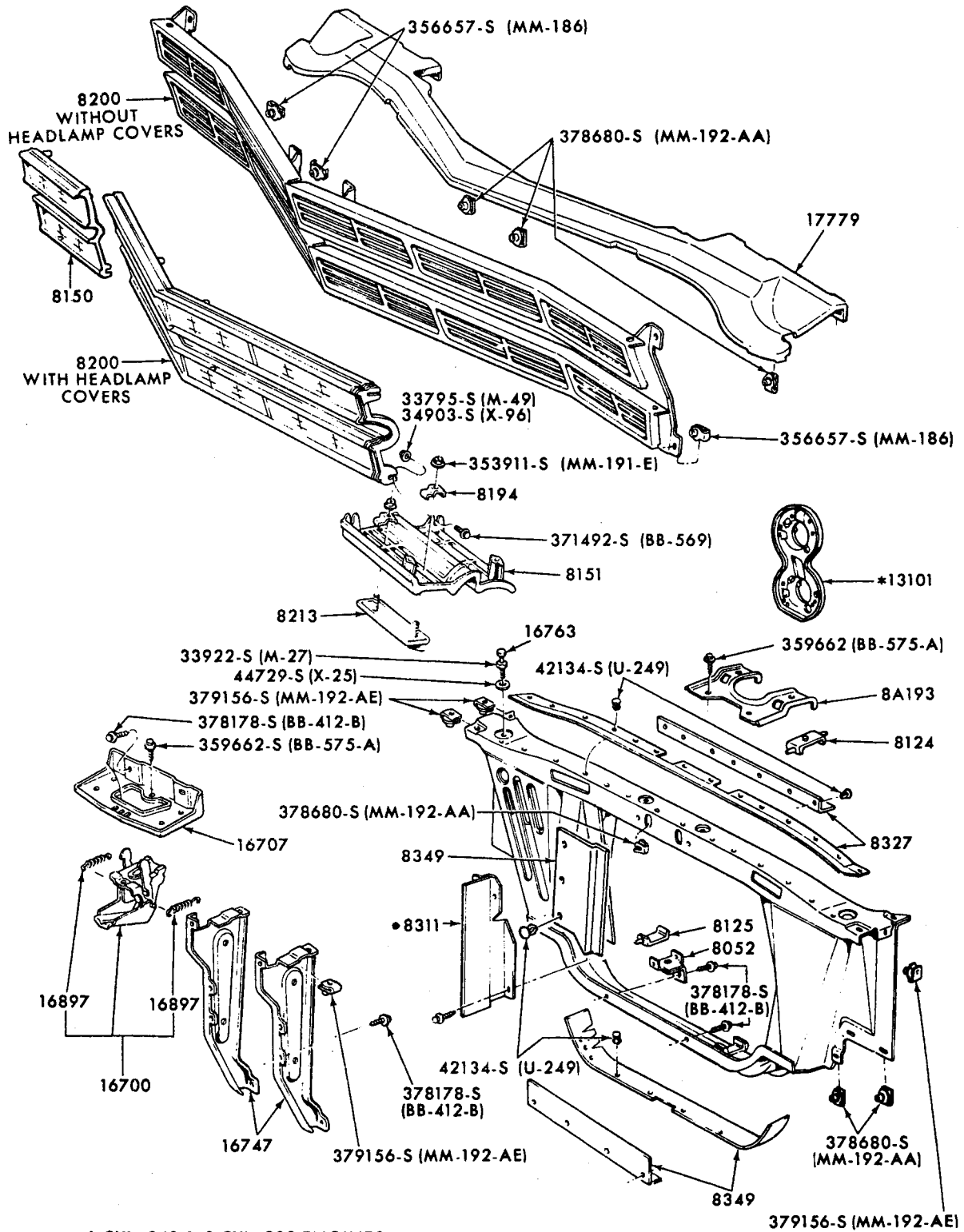
# FORD CAR PARTS



RADIATOR GRILLE and RELATED PARTS  
1966/70 FALCON



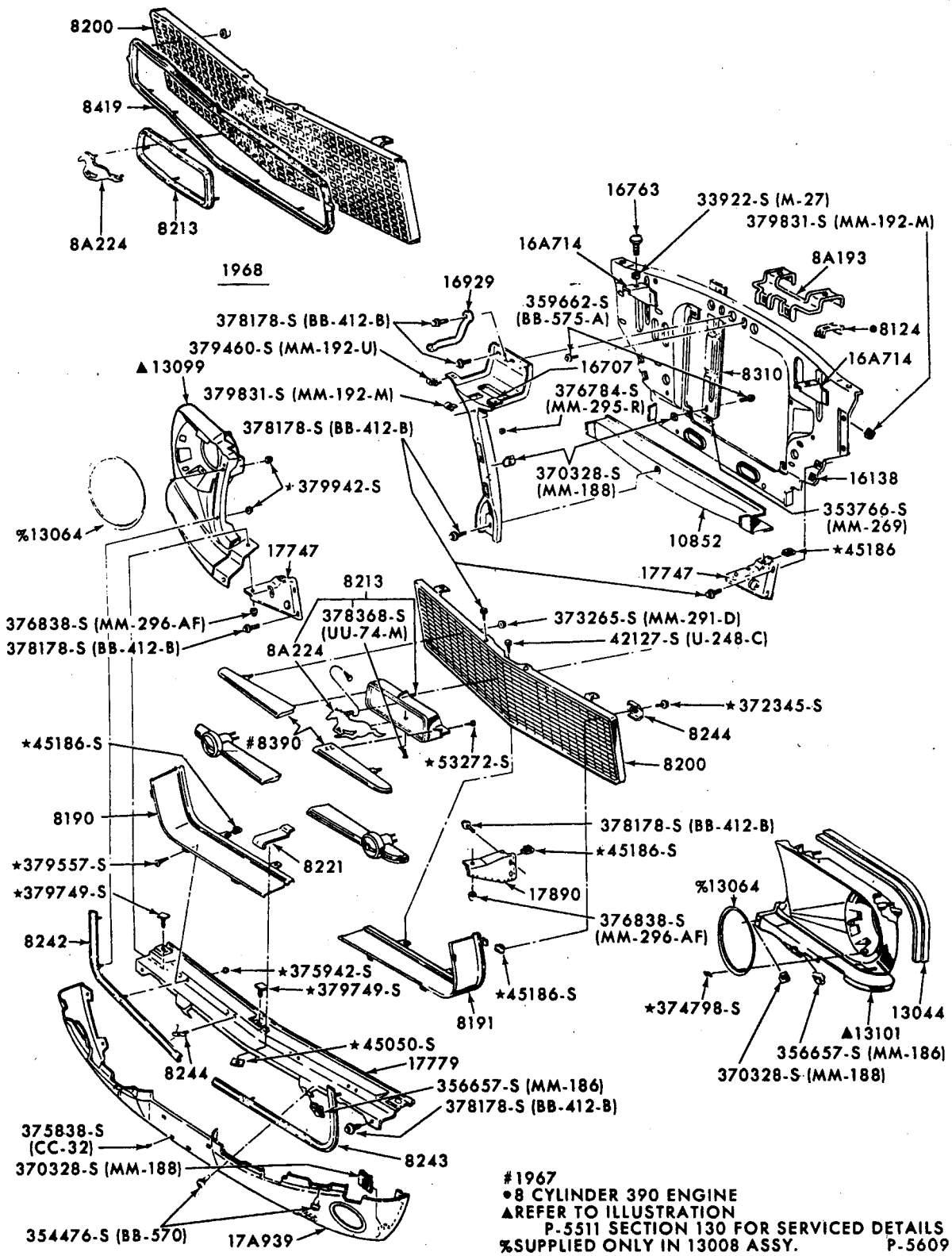
RADIATOR GRILLE and RELATED PARTS  
1969/70 MUSTANG-GT 350/500



• 6 CYL. 240 & 8 CYL. 289 ENGINES  
 \*SUPPLIED ONLY WITH 13008 HEADLAMP ASSY.

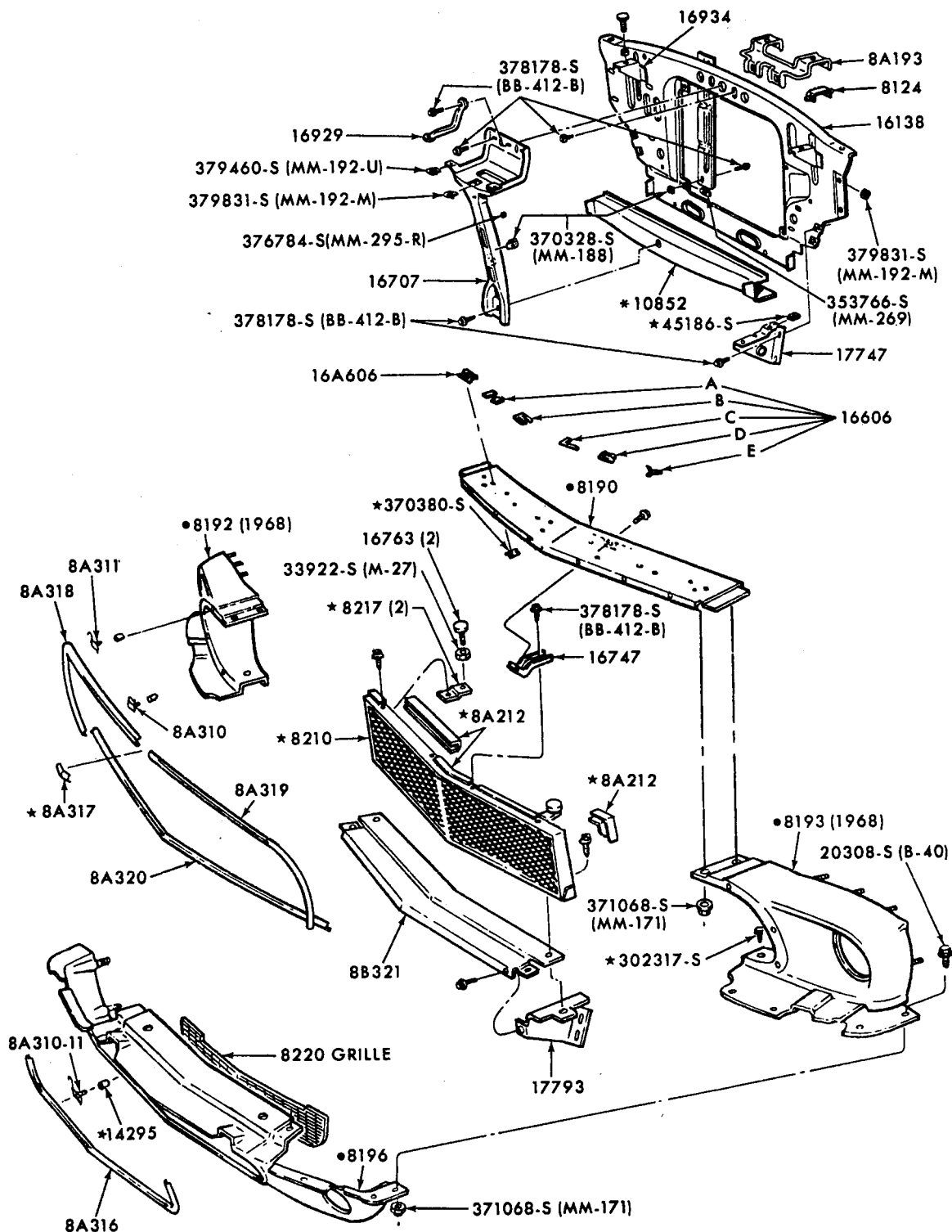
P-5605

RADIATOR GRILLE and RELATED PARTS  
 1967 FORD



#1967  
 \*8 CYLINDER 390 ENGINE  
 ▲REFER TO ILLUSTRATION  
 P-5511 SECTION 130 FOR SERVICED DETAILS  
 %SUPPLIED ONLY IN 13008 ASSY. P-5609

RADIATOR GRILLE and RELATED PARTS  
 1967/68 MUSTANG - EXCEPT GT 350/500

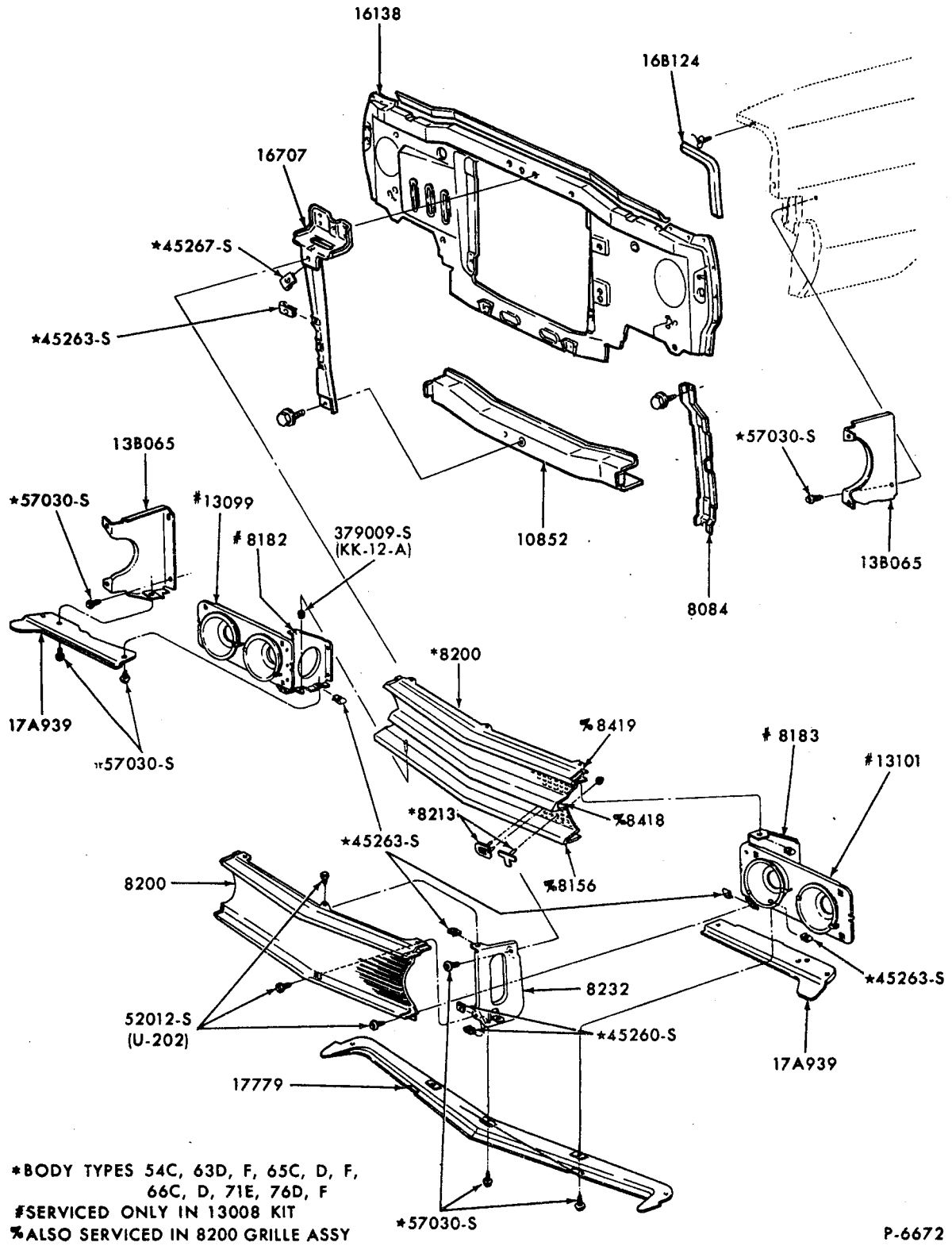


• FOR 1967 SERVICED ONLY IN ASSEMBLY-GROUP 8190.

P-6835

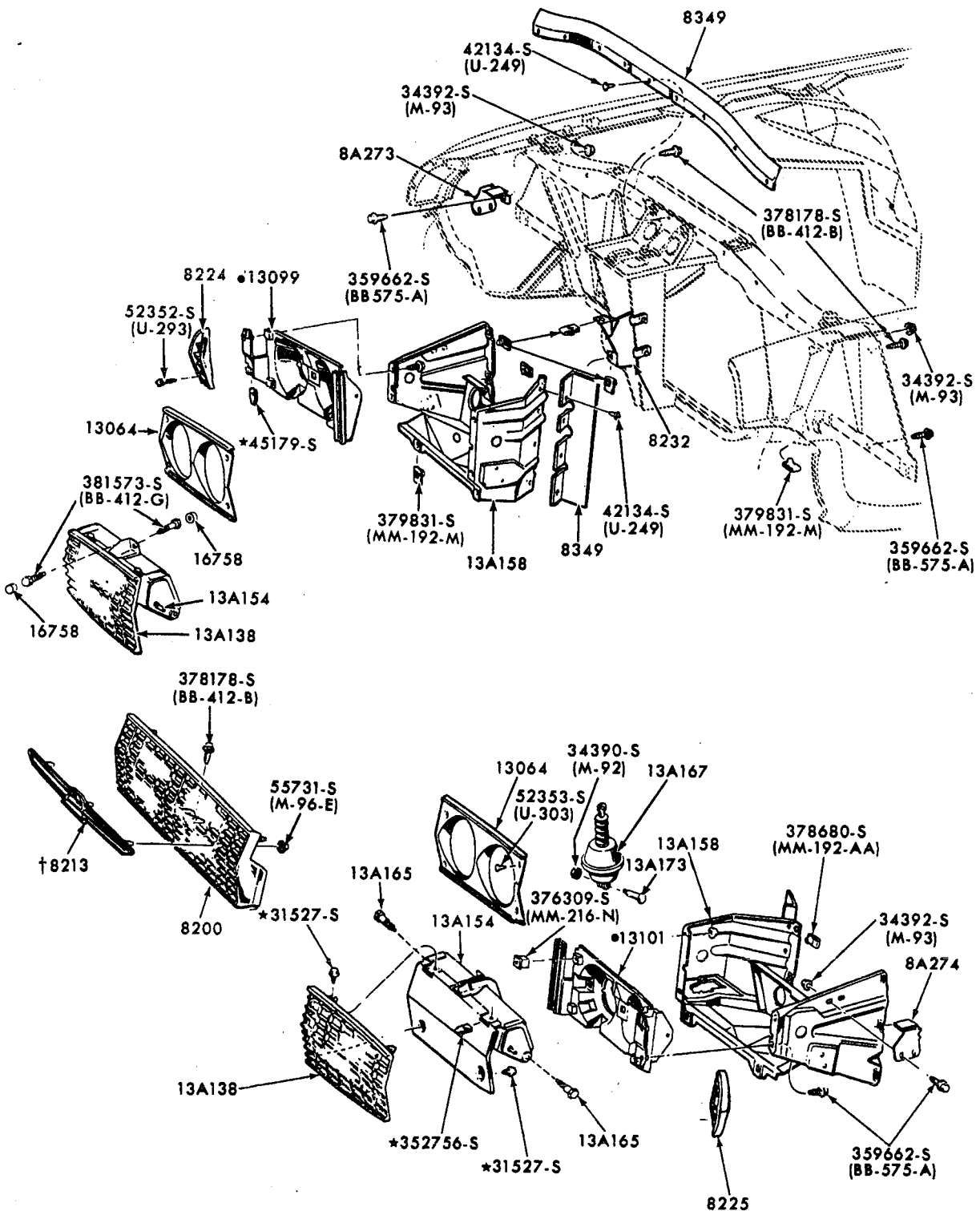
RADIATOR GRILLE and RELATED PARTS  
1967/68 MUSTANG GT - 350/500

FORD CAR PARTS



P-6672

RADIATOR GRILLE and RELATED PARTS  
1969 FAIRLANE/TORINO



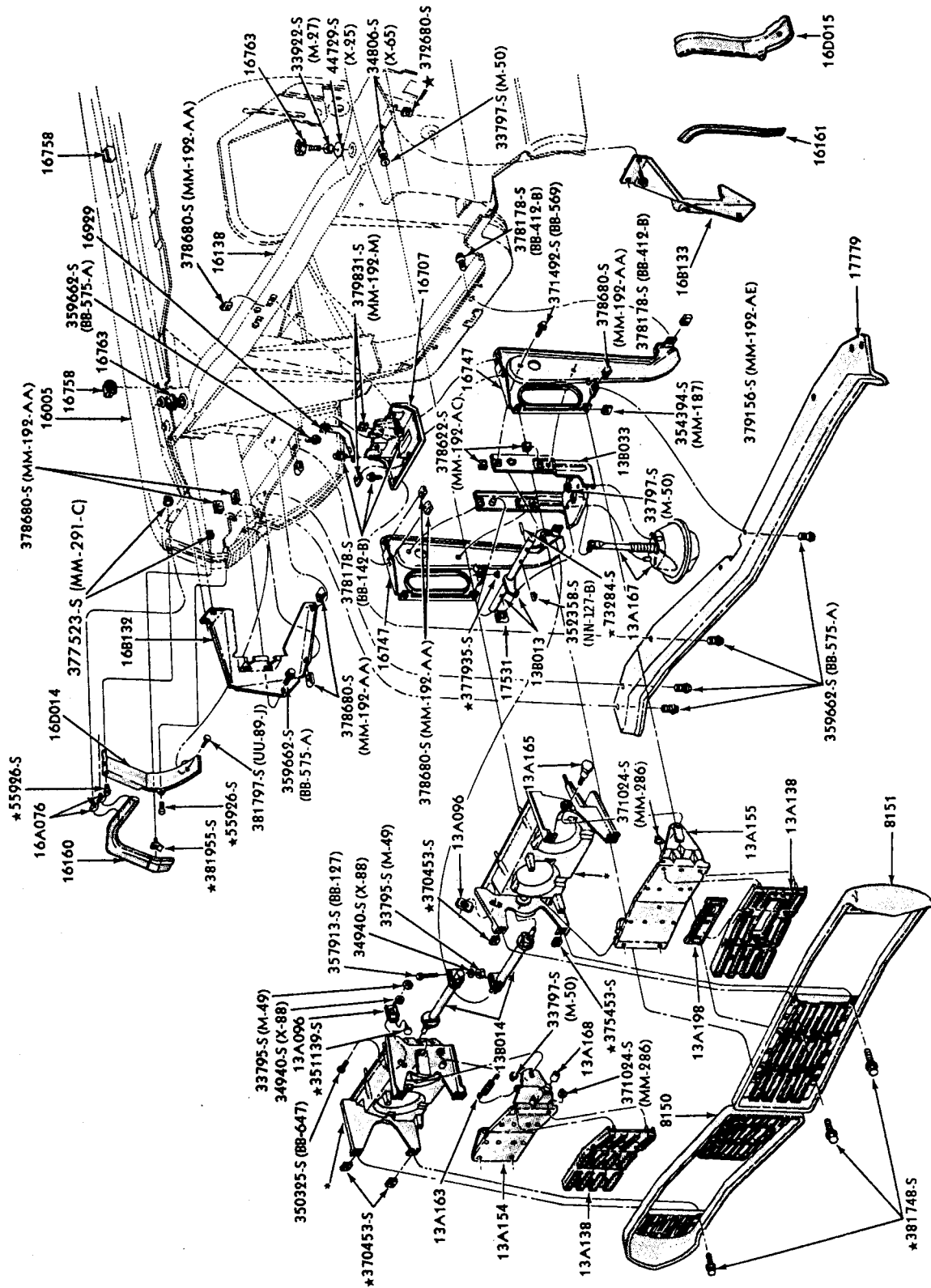
†NOT USED ON 1968 VEHICLES  
 \*SERVICED ONLY IN 13008 HEADLAMP ASSY.

P-5520

**RADIATOR GRILLE and RELATED PARTS  
 1967/69 THUNDERBIRD**

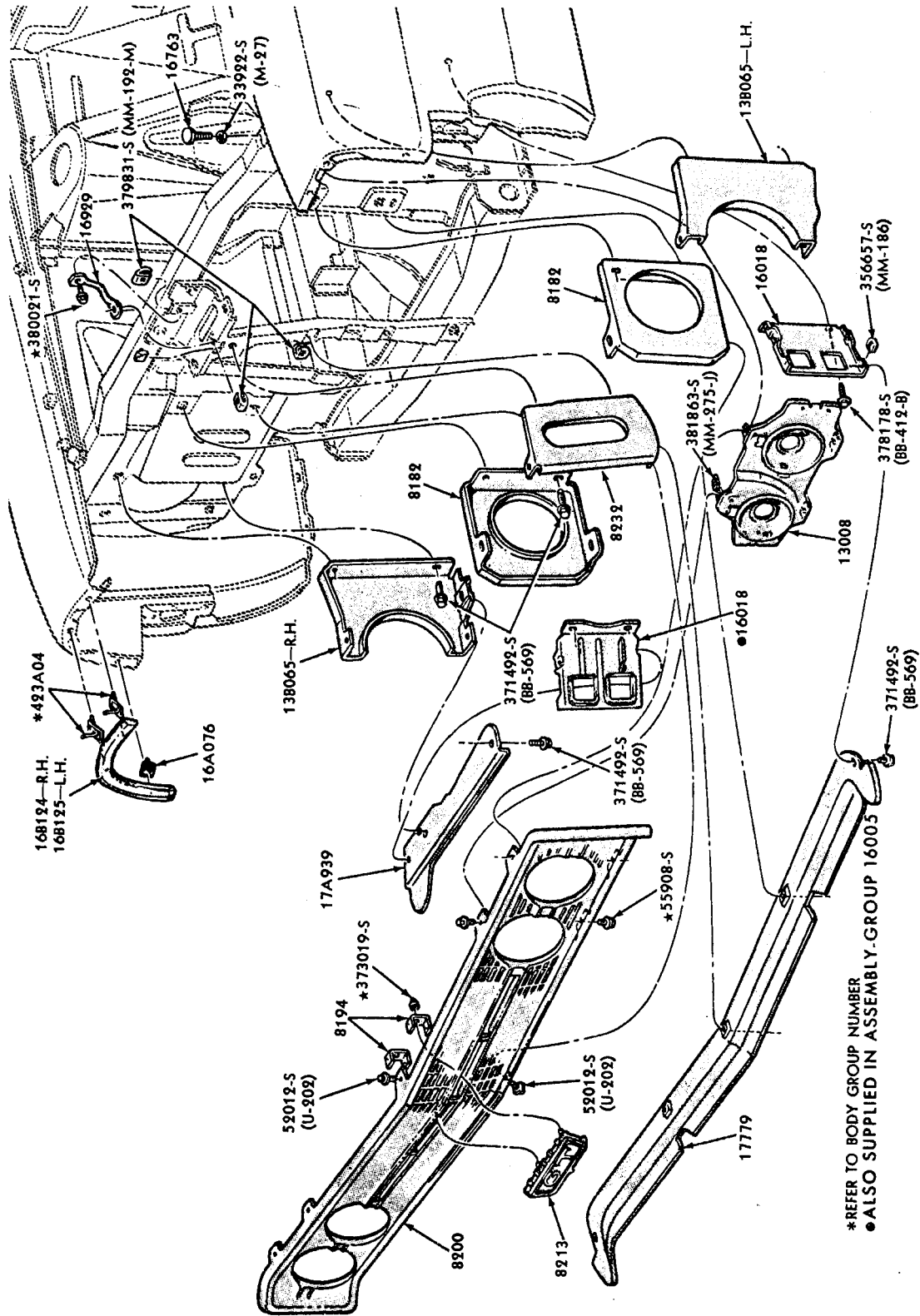






\*SUPPLIED IN 13008 HEADLAMP ASSEMBLY

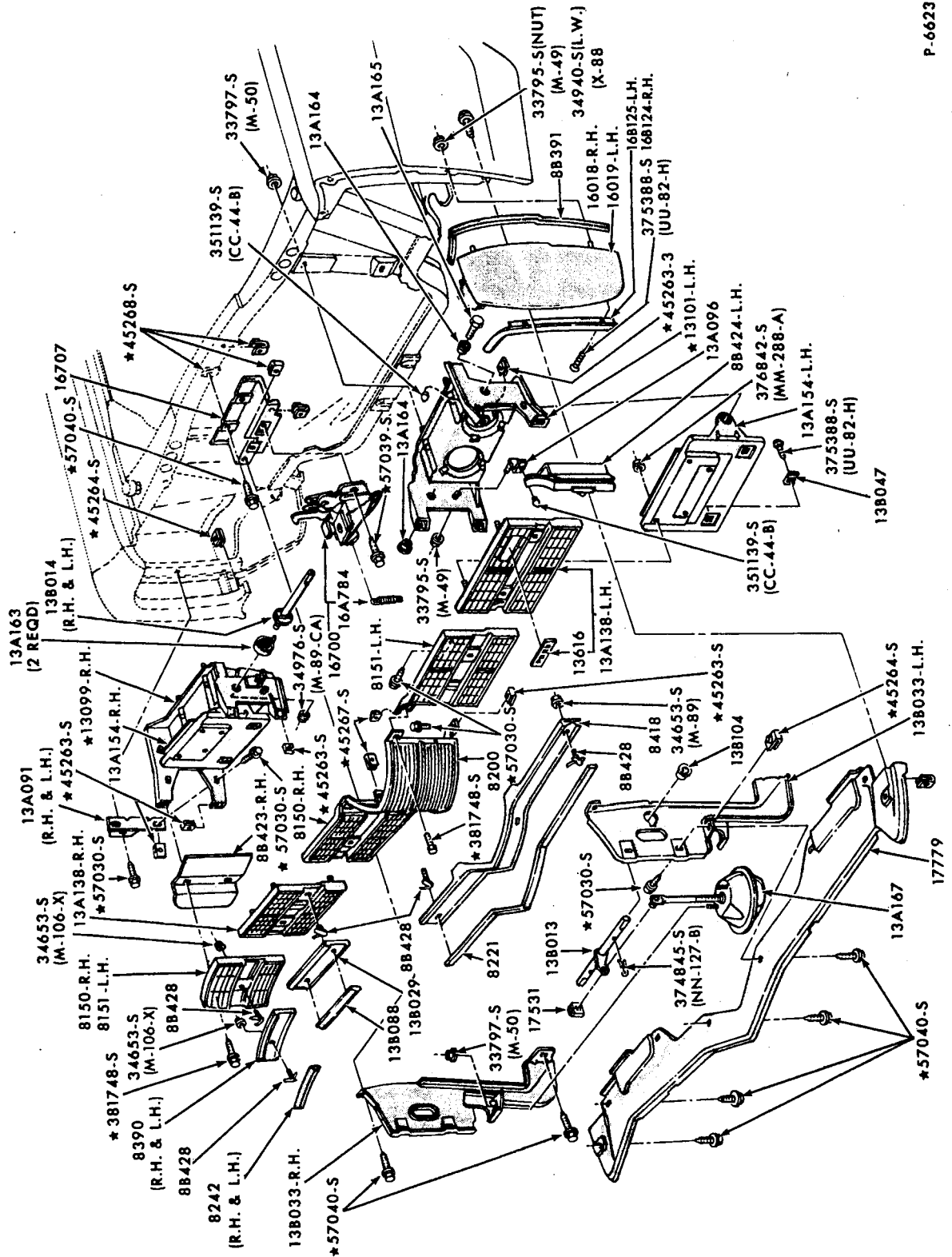
RADIATOR GRILLE and RELATED PARTS  
1968 FORD - w/HEADLAMP COVERS



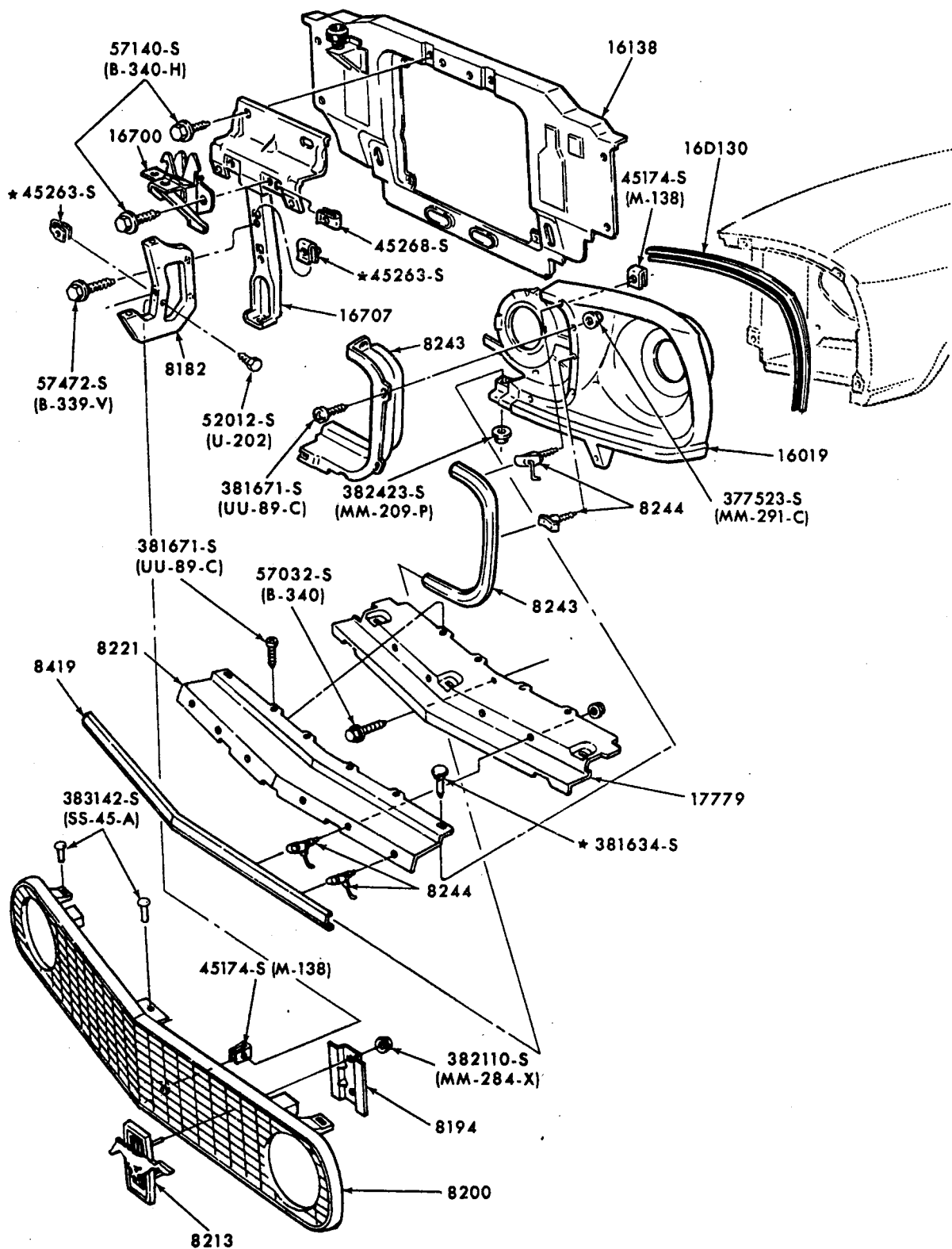
\*REFER TO BODY GROUP NUMBER  
 ●ALSO SUPPLIED IN ASSEMBLY-GROUP 16005

RADIATOR GRILLE and RELATED PARTS  
 1968 FAIRLANE/TORINO



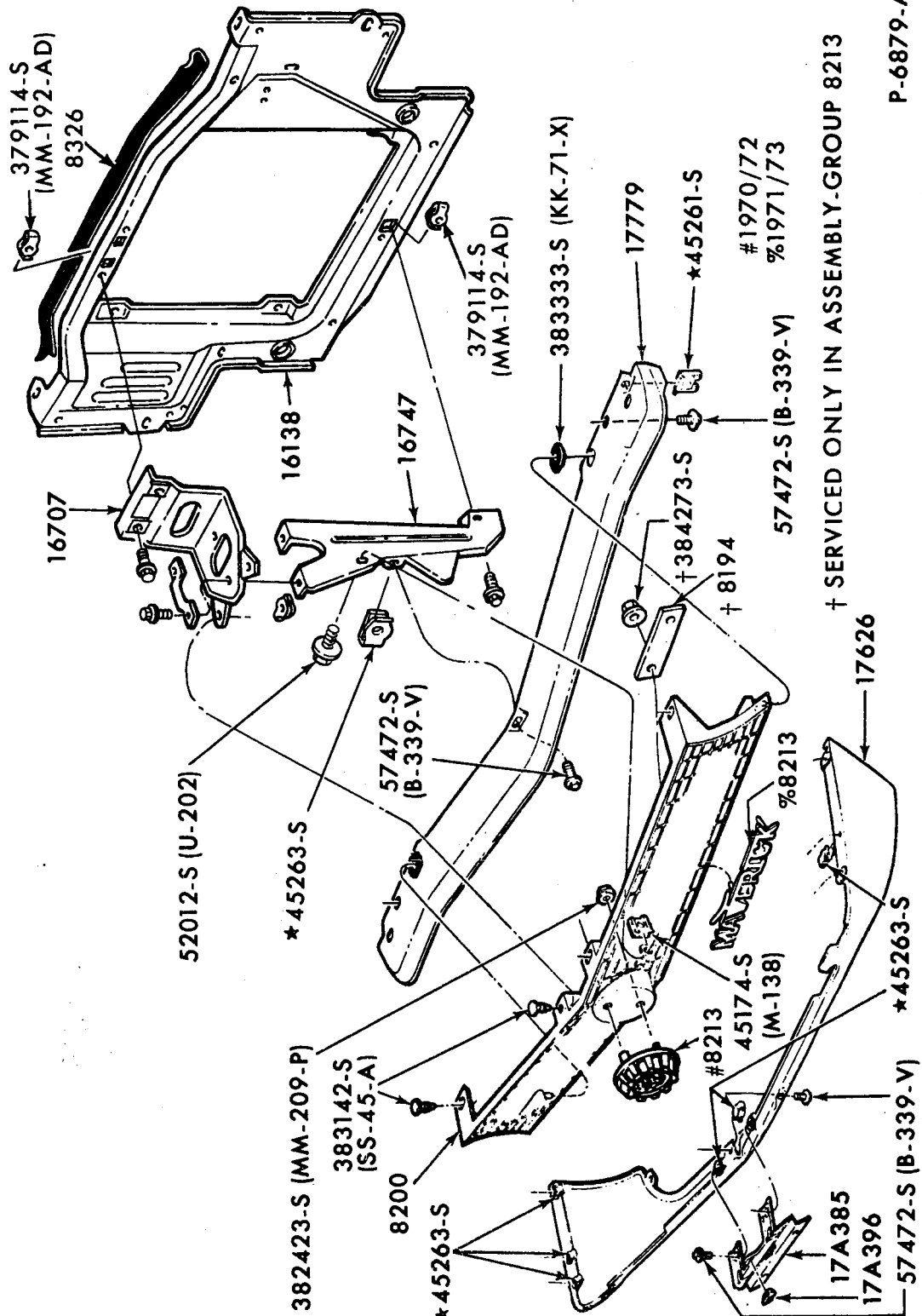


RADIATOR GRILLE and RELATED PARTS  
1969 FORD - w/HEADLAMP COVERS



RADIATOR GRILLE and RELATED PARTS  
1969 MUSTANG - EXCEPT GT350/500

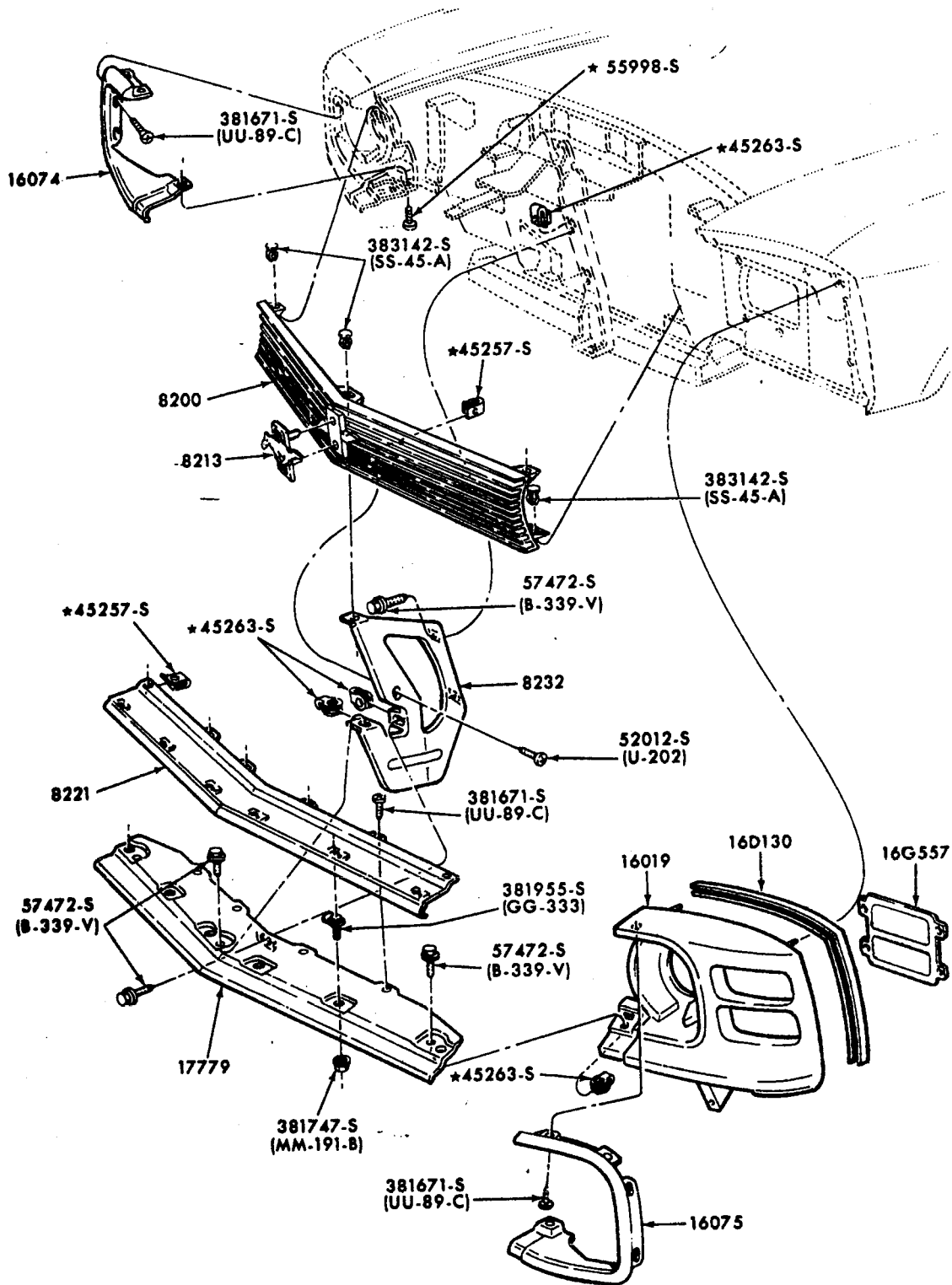
P-6665



+ SERVICED ONLY IN ASSEMBLY-GROUP 8213

P-6879-A

RADIATOR GRILLE and RELATED PARTS  
1970/72 MAVERICK



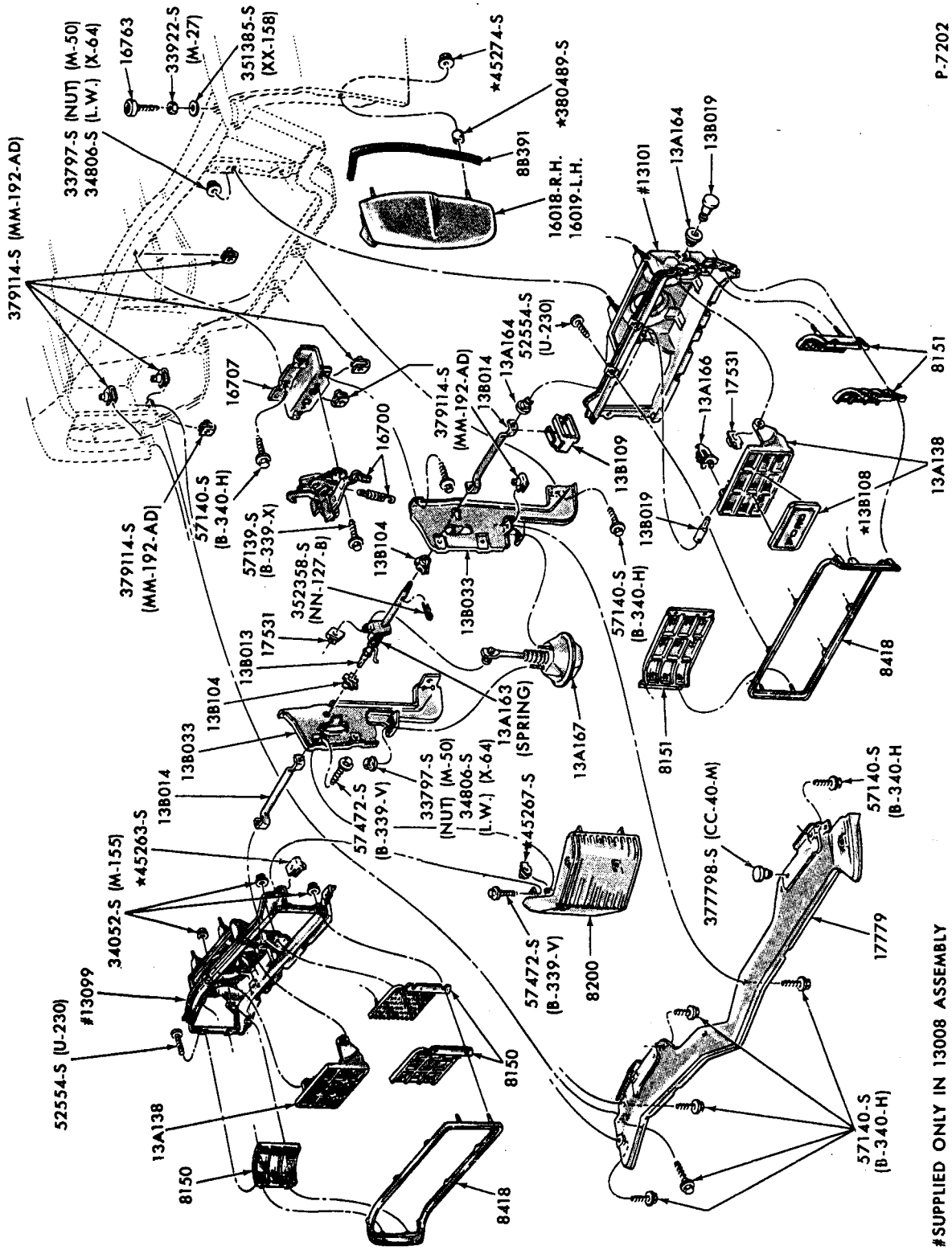
P-7160

RADIATOR GRILLE and RELATED PARTS  
1970 MUSTANG-EXCEPT GT350/500

May, 1975

COPYRIGHT © 1975 — FORD MOTOR COMPANY — DEARBORN, MICHIGAN

FINAL ISSUE

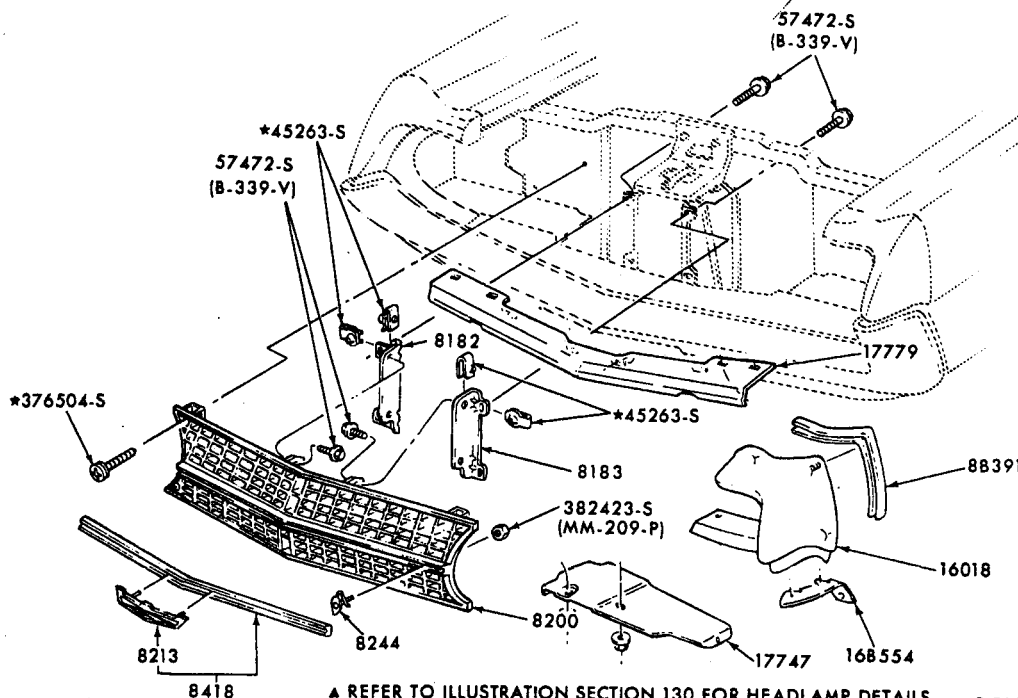


P-7202

#SUPPLIED ONLY IN 13008 ASSEMBLY

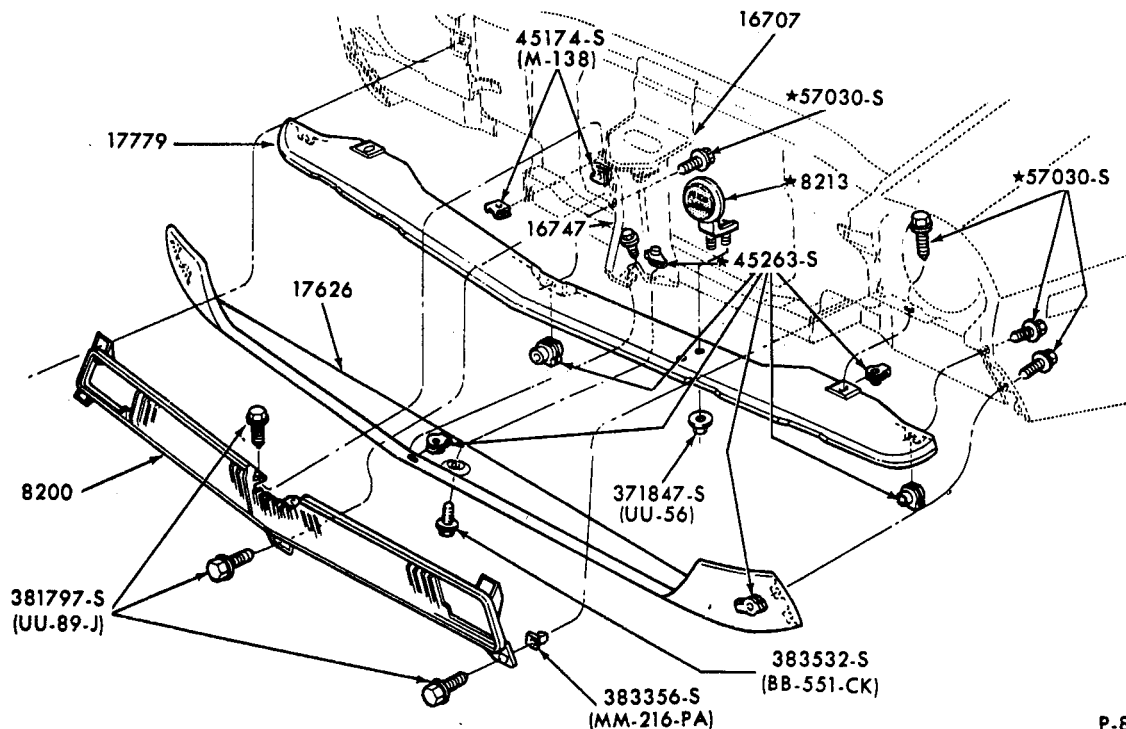
RADIATOR GRILLE and RELATED PARTS  
1970 FORD-w/HEADLAMP COVERS





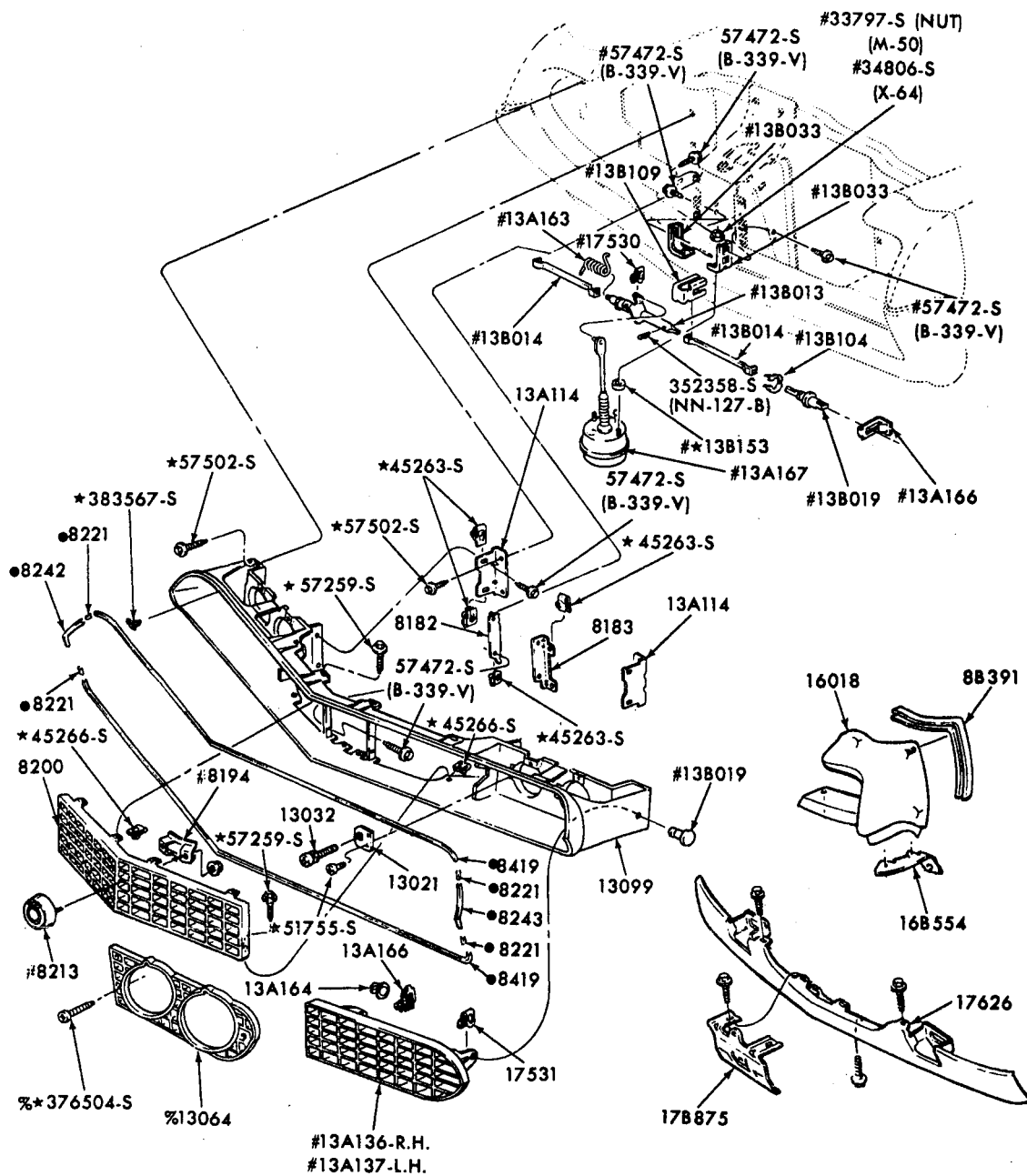
▲ REFER TO ILLUSTRATION SECTION 130 FOR HEADLAMP DETAILS P-7121

**RADIATOR GRILLE and RELATED PARTS**  
 1970 FAIRLANE/TORINO-BODY TYPES 54A,B,62,63H,65B,66A,71B,D  
 1970 FAIRLANE/TORINO-BODY TYPE 66B-"Before 12/30/69"  
 1971 TORINO-BODY TYPES 54A,63H,65A,66A,71D



P-8016

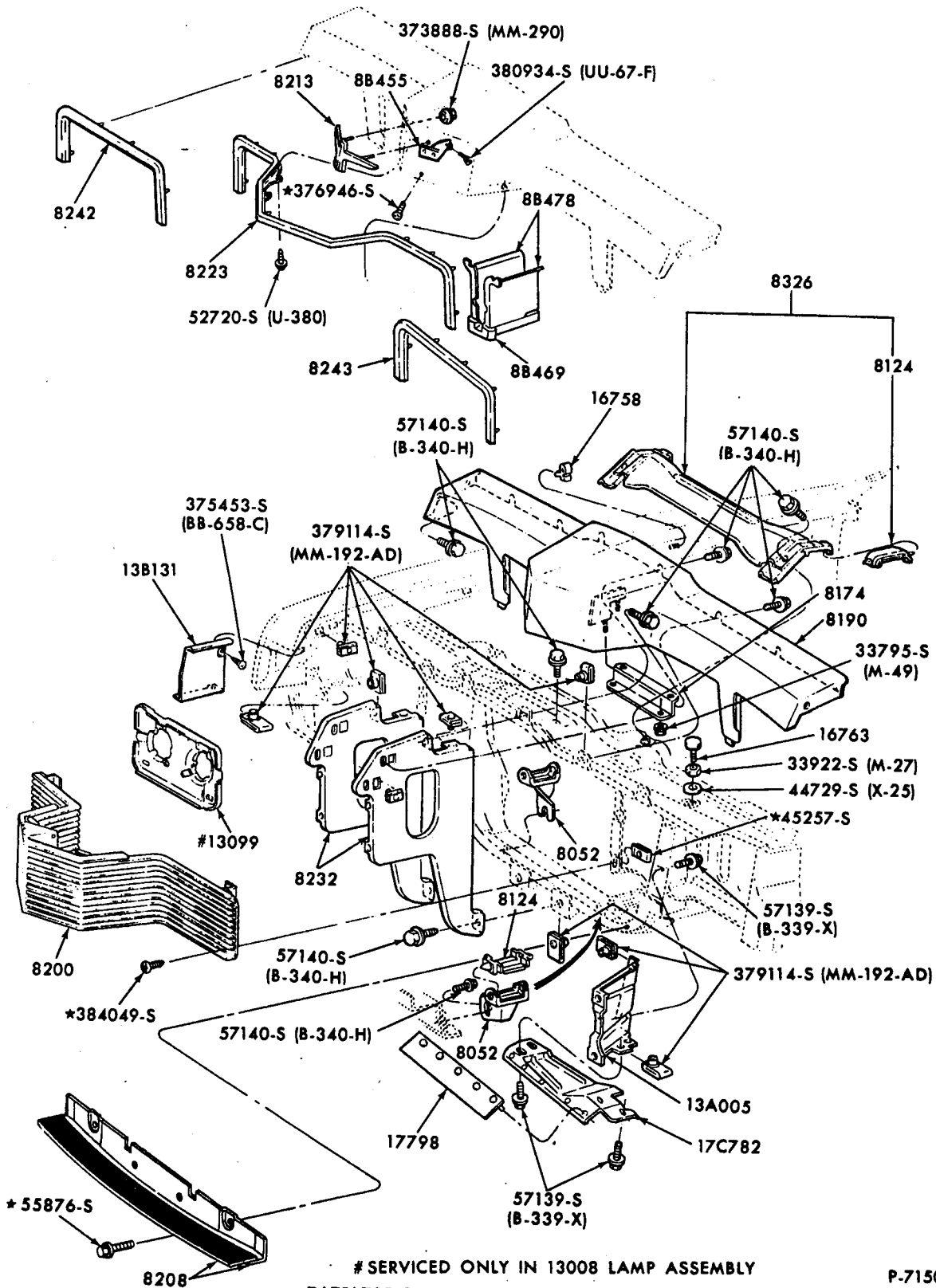
**RADIATOR GRILLE and RELATED PARTS**  
 1971/72 PINTO



% 1970 ONLY ALL BODY TYPES WITHOUT HIDDEN HEADLAMPS  
 # ALL BODY TYPES WITH HIDDEN HEADLAMPS  
 ● ALSO SERVICED IN 13099 ASSEMBLY

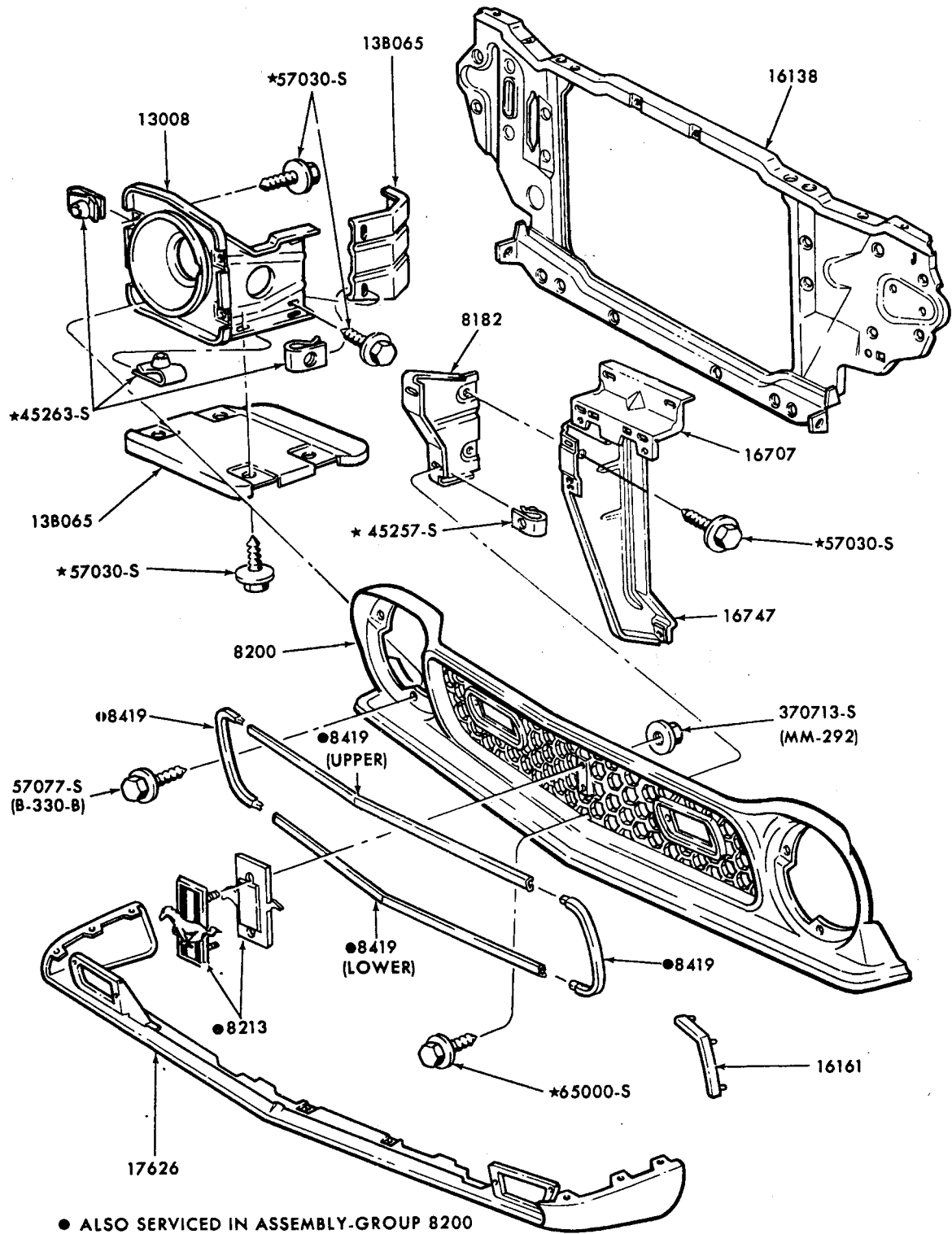
P-7123

RADIATOR GRILLE, HEADLAMP COVERS and RELATED PARTS  
 1970 FAIRLANE/TORINO-BODY TYPES 54C,57C,E,63C,F,65C,E,66C,E,71C,E,76  
 1970 FAIRLANE/TORINO-BODY TYPE 66B-"From 12/30/69"  
 1971 TORINO BODY TYPES-54C,57,63C,F,65C,E,66B,C,E,71C,E,76F-w/HEADLAMP COVERS



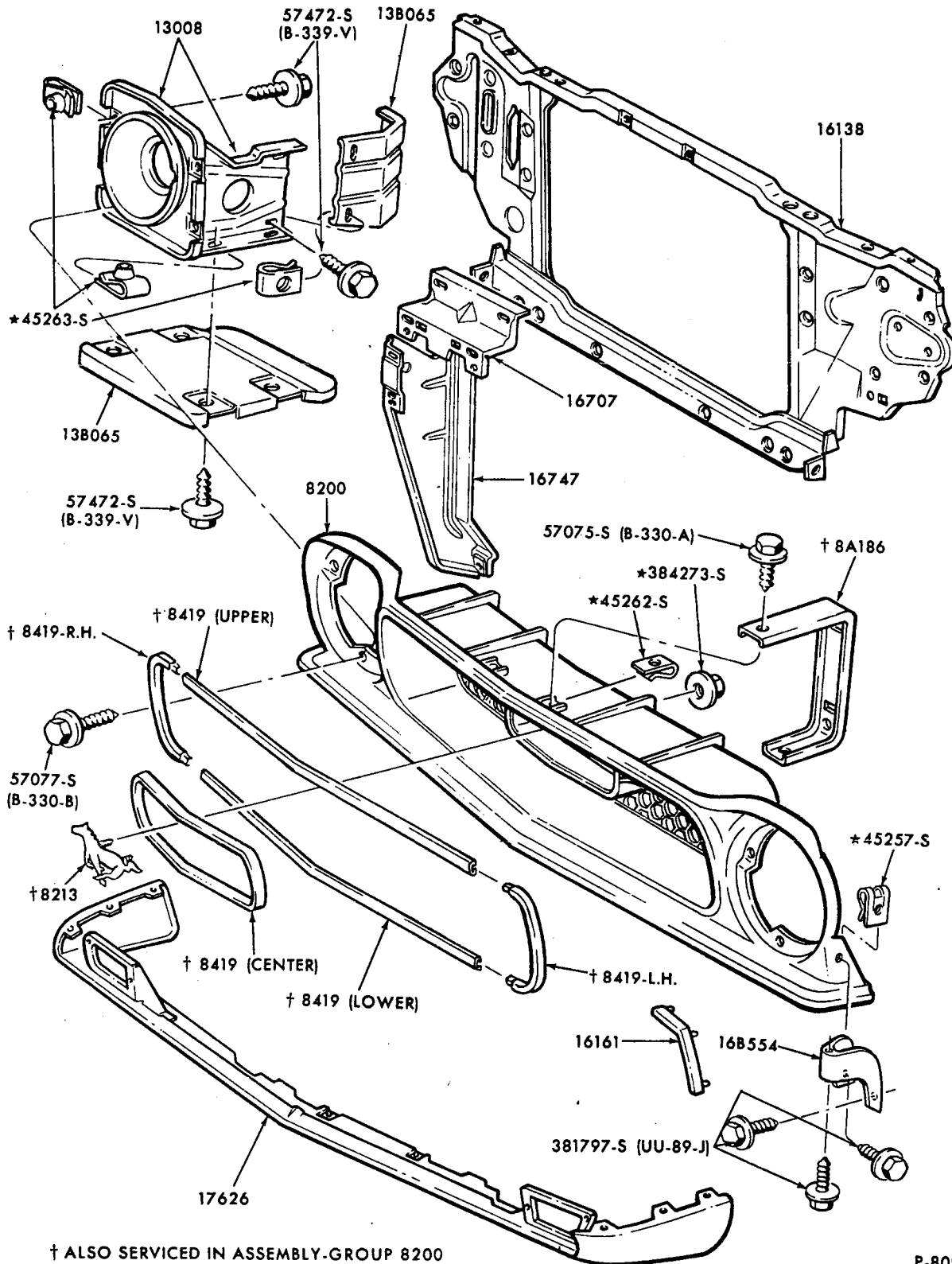
# SERVICED ONLY IN 13008 LAMP ASSEMBLY  
 RADIATOR GRILLE and RELATED PARTS  
 1970/71 THUNDERBIRD

P-7150



P-8090

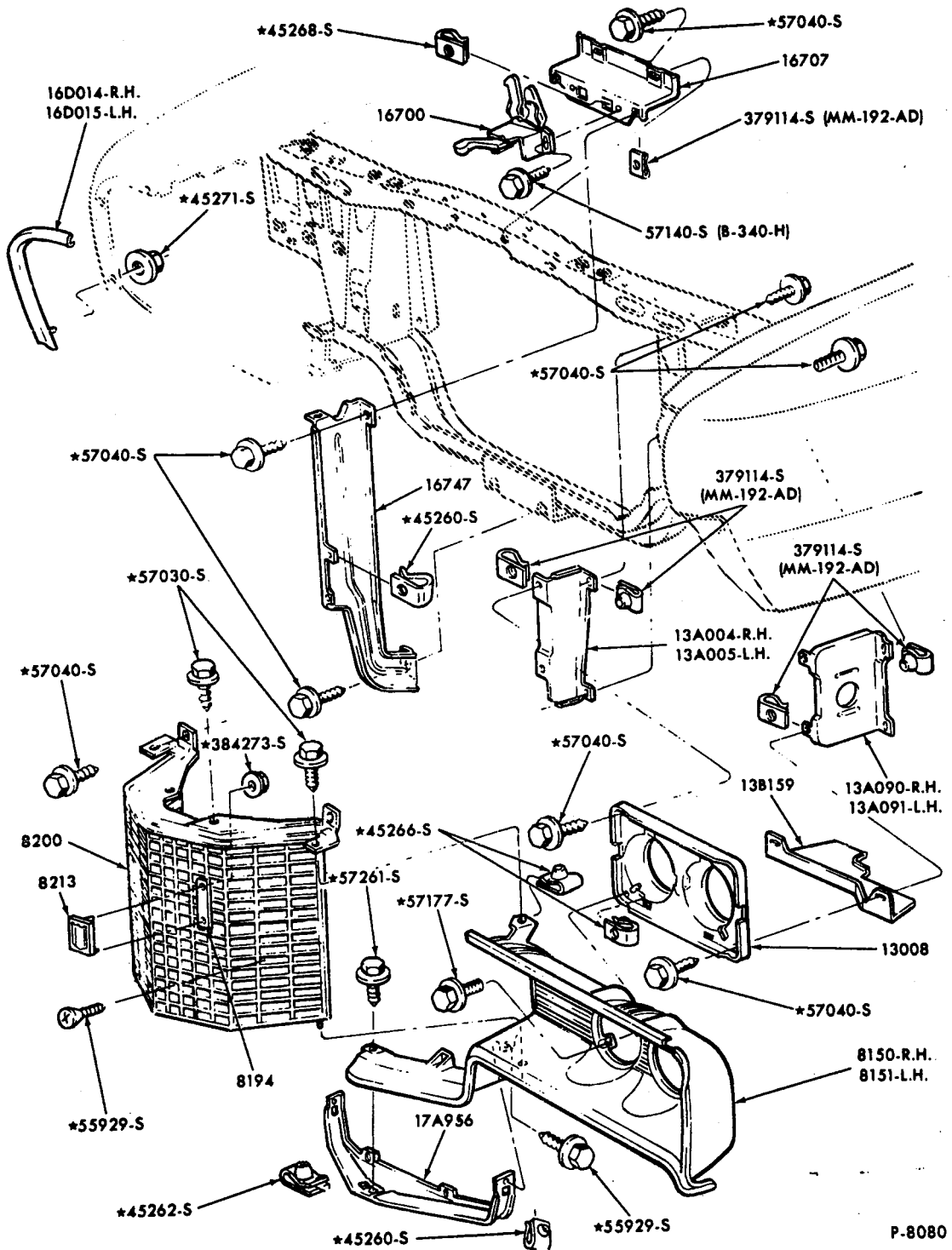
RADIATOR GRILLE and RELATED PARTS  
1971/72 MUSTANG-w/SPORT LAMPS



† ALSO SERVICED IN ASSEMBLY-GROUP 8200

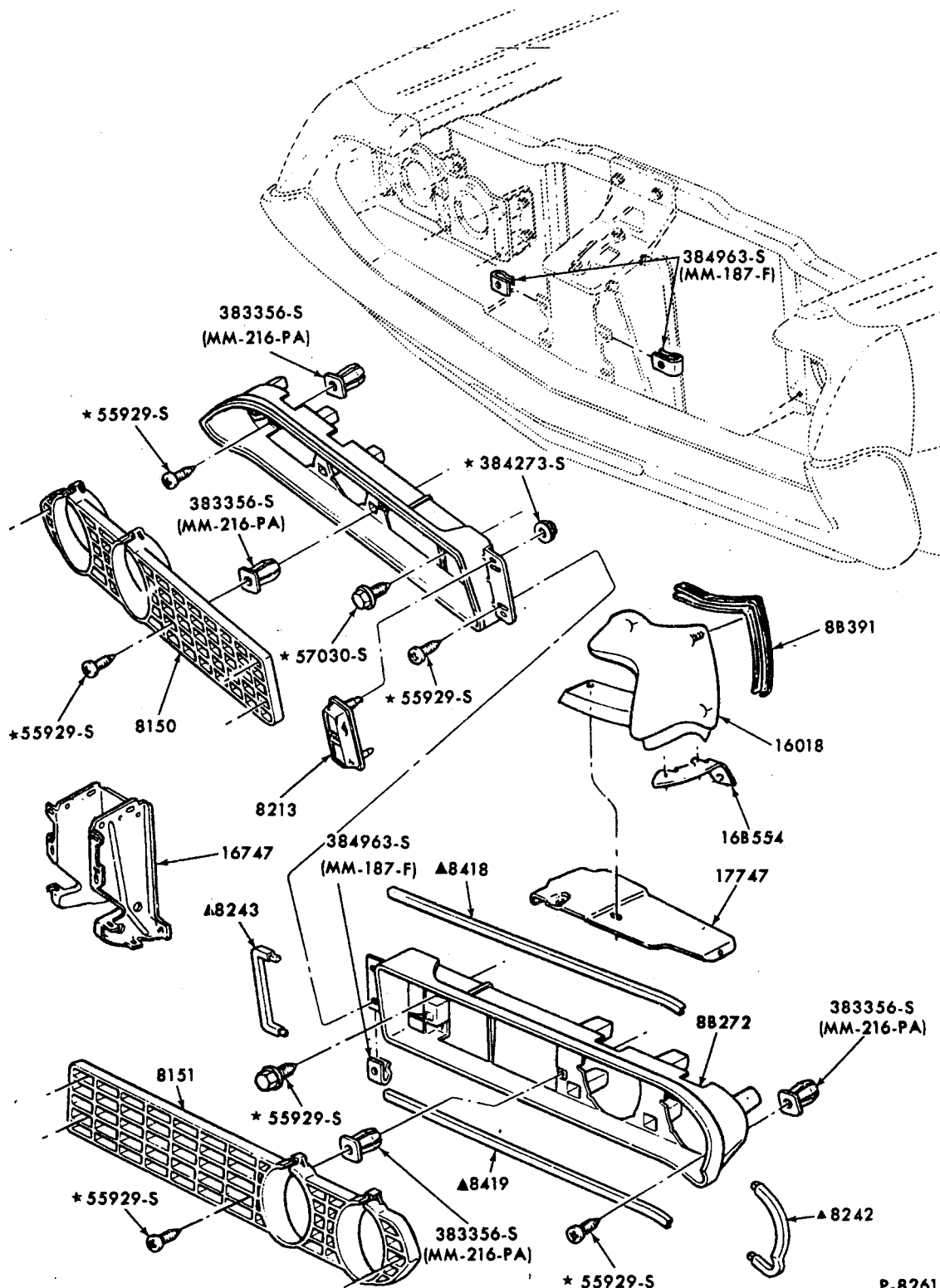
P-8091

RADIATOR GRILLE and RELATED PARTS  
1971/72 MUSTANG-w/o SPORT LAMPS



P-8080

RADIATOR GRILLE and RELATED PARTS  
1971 FORD



▲ ALSO SERVICED IN 88271-2 ASSY.

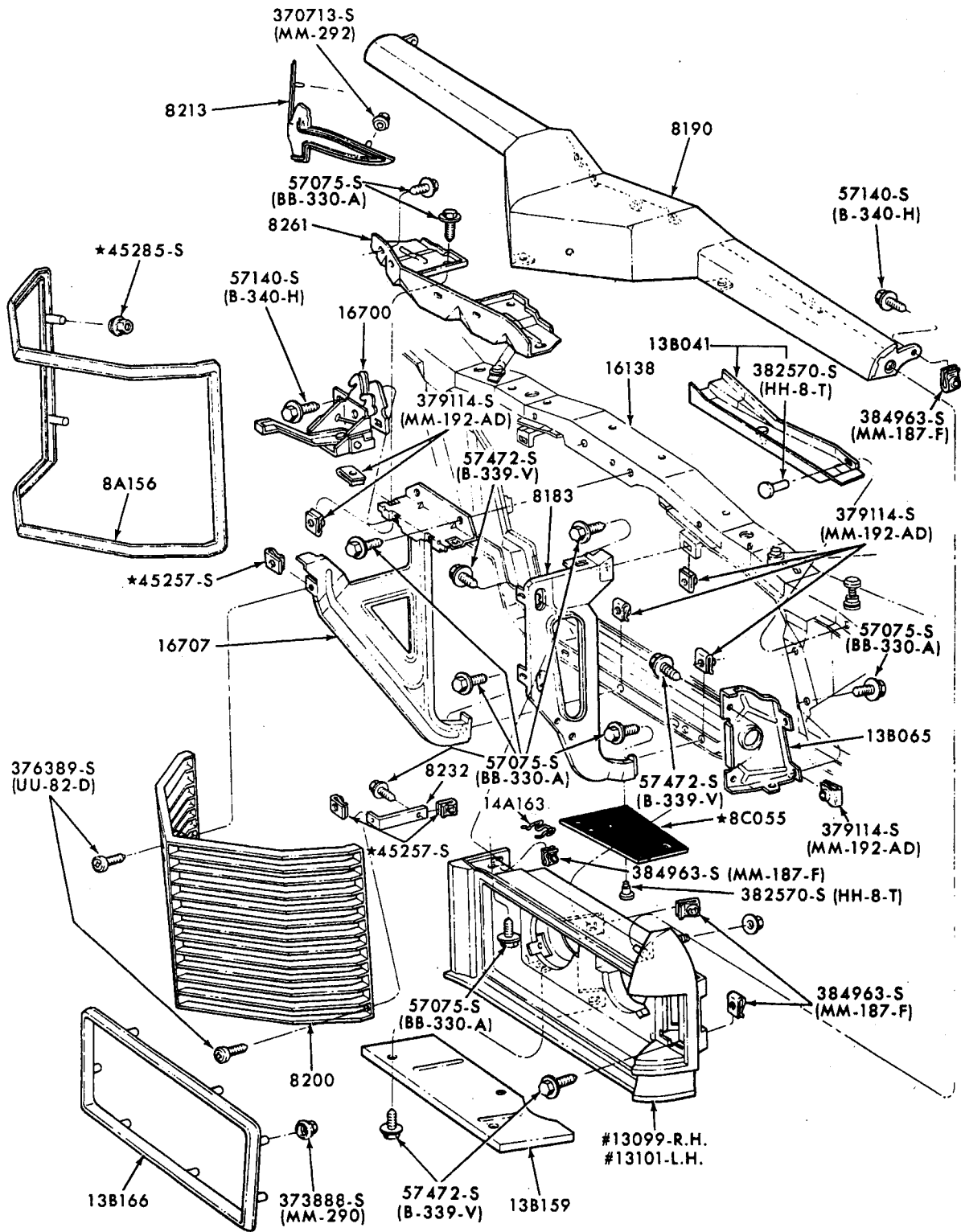
P-8261

RADIATOR GRILLE and RELATED PARTS  
1971 TORINO-BODY TYPES 54C, 57C, E, 63C, F, 65C, E, 66B, C, E, 71C, E, 76 F-w/o HEADLAMP COVERS

May, 1975

COPYRIGHT © 1975 — FORD MOTOR COMPANY — DEARBORN, MICHIGAN

FINAL ISSUE

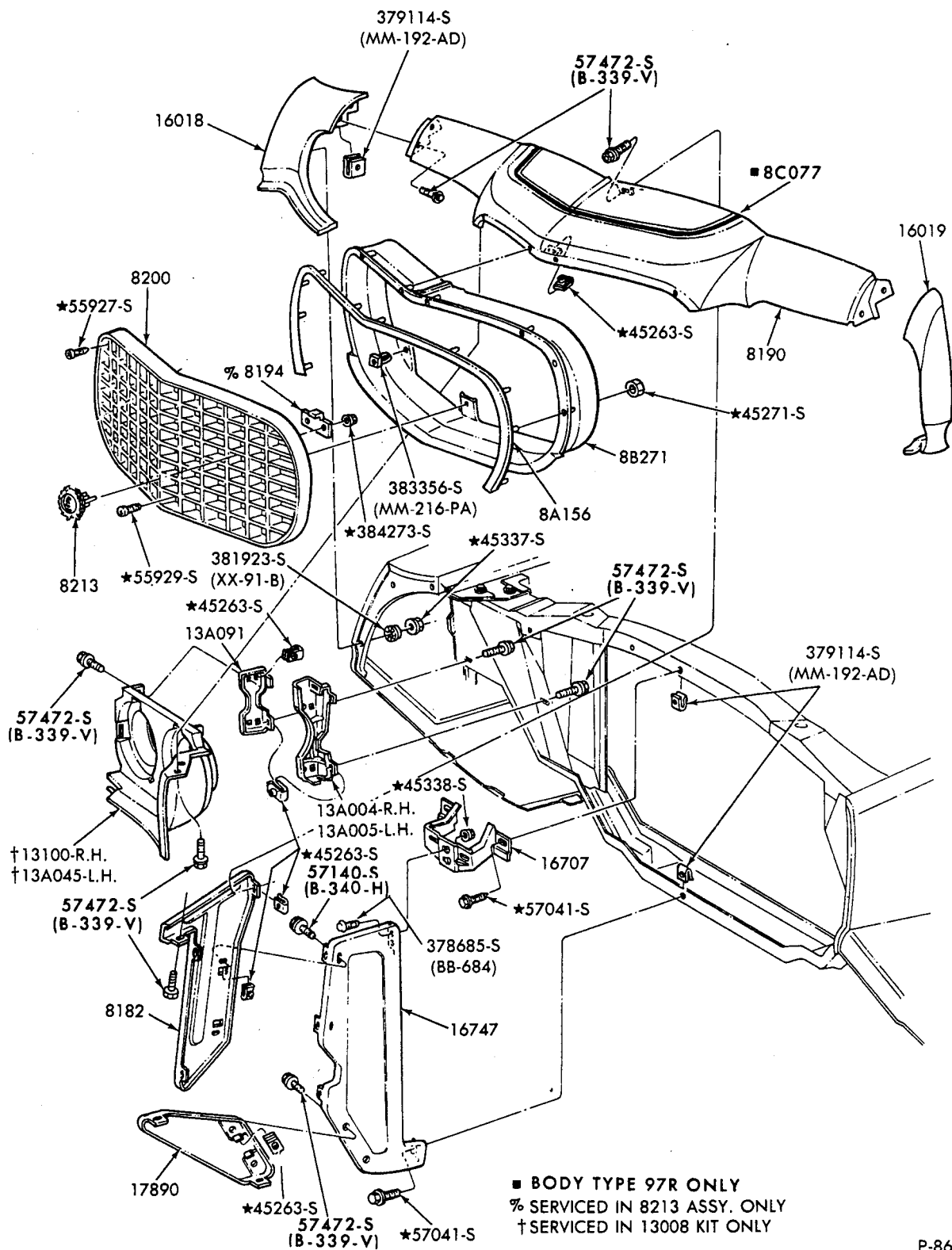


SERVICED ONLY IN 13008 ASSY.

P-8658

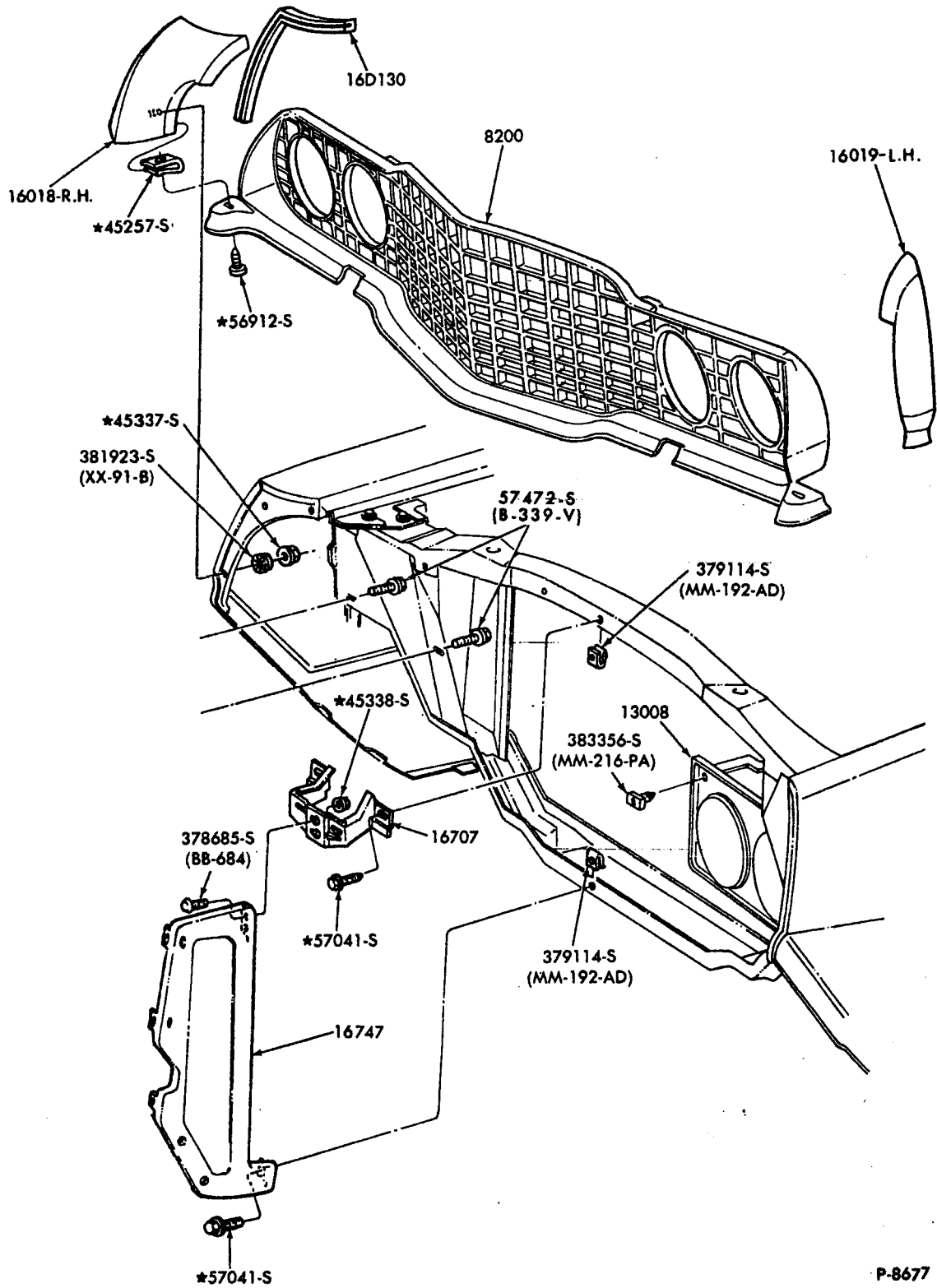
RADIATOR GRILLE and RELATED PARTS  
1972 THUNDERBIRD





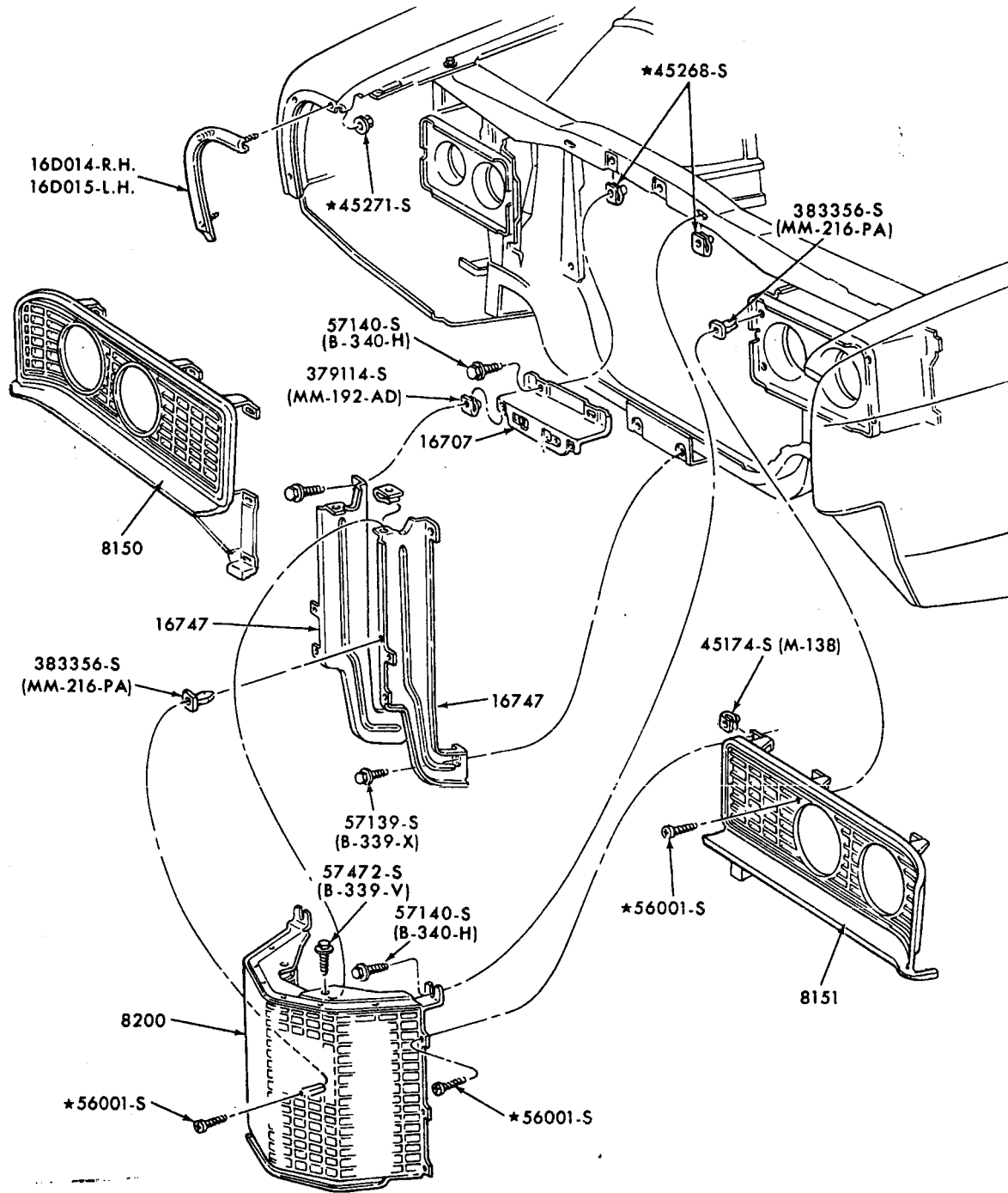
P-8669

RADIATOR GRILLE and RELATED PARTS  
 1972 TORINO-BODY TYPES 53D,63R,65D,R,71D,K,97D,K,R



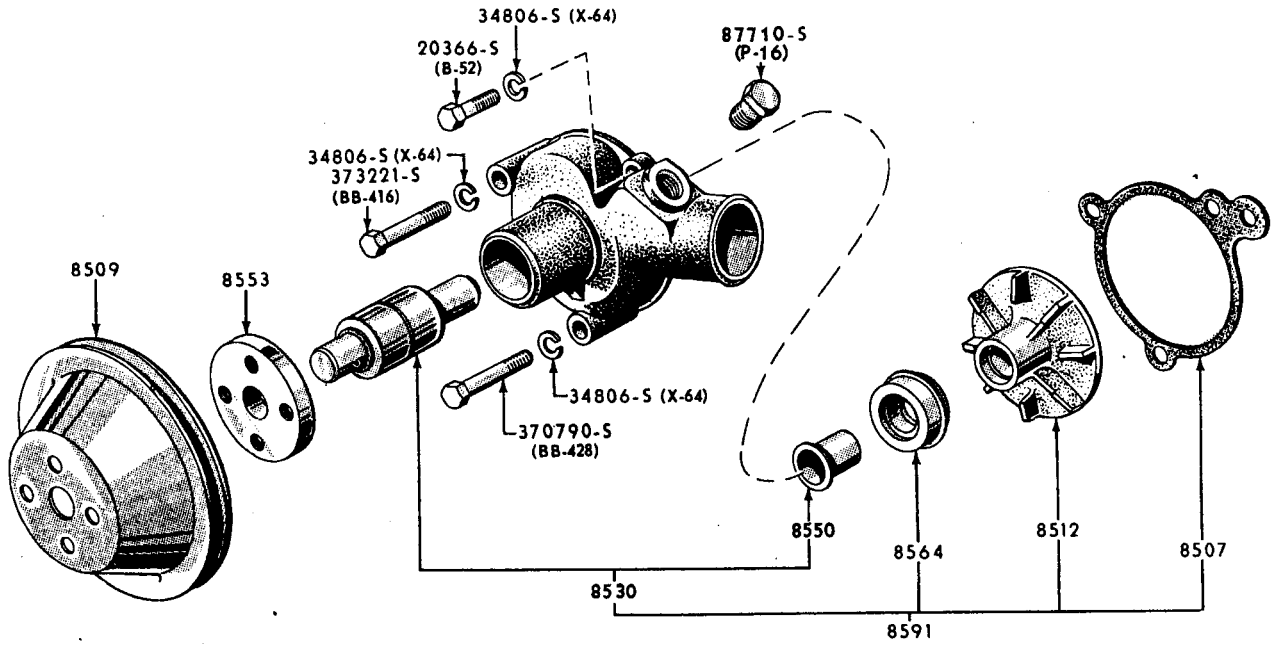
P-8677

RADIATOR GRILLE and RELATED PARTS  
1972 TORINO-BODY TYPES 53B,65B,71B



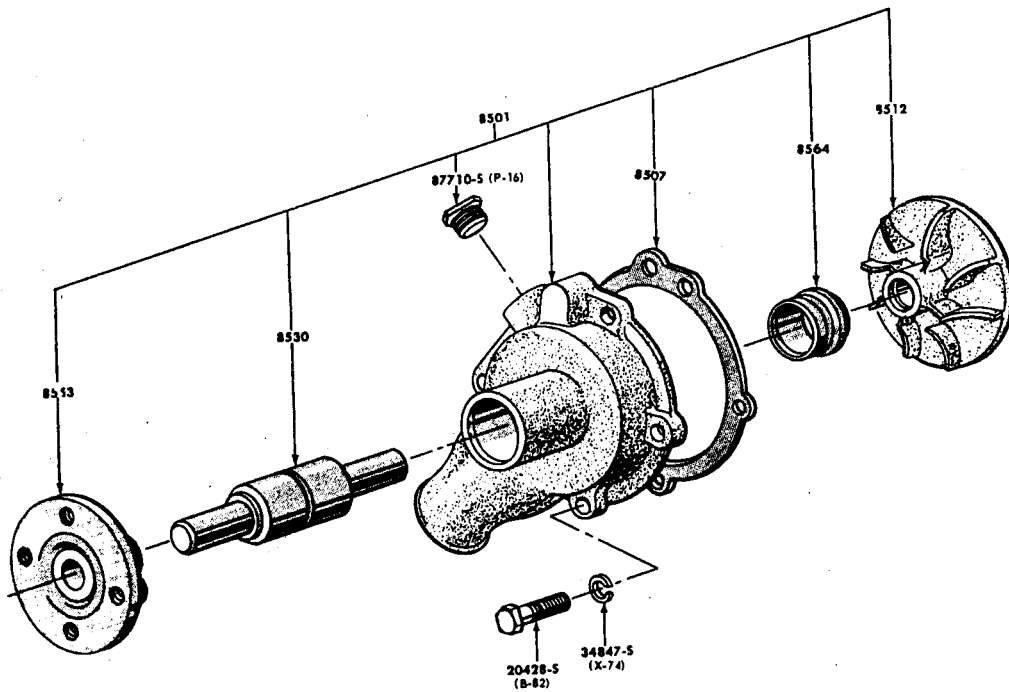
P-8755

RADIATOR GRILLE and RELATED PARTS  
1972 FORD



P-2962

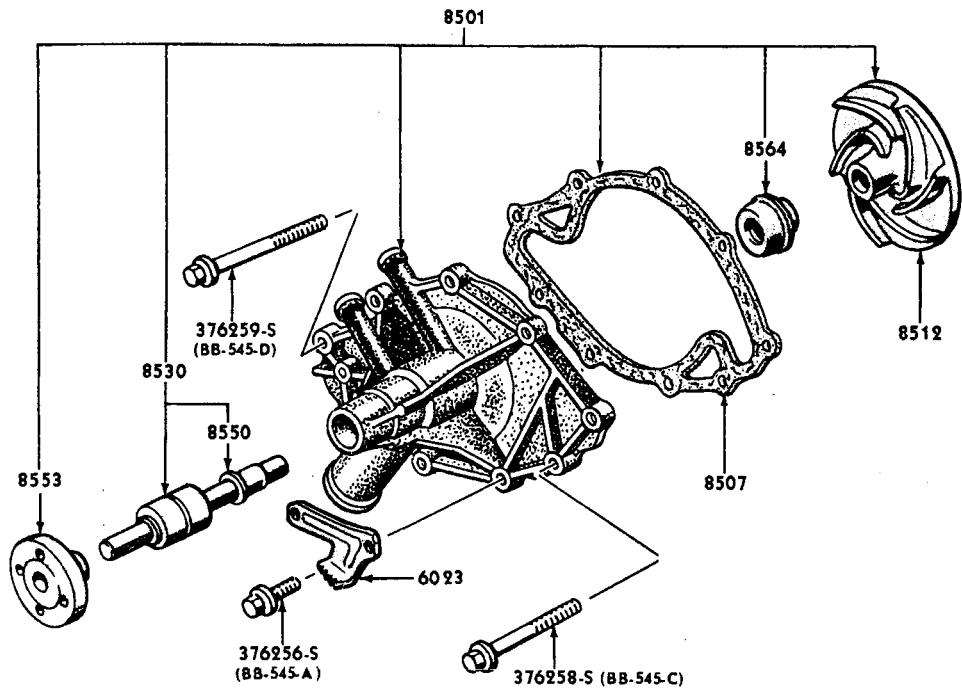
WATER PUMP  
1965/72 6 CYLINDER 170, 200 and 250



P4731

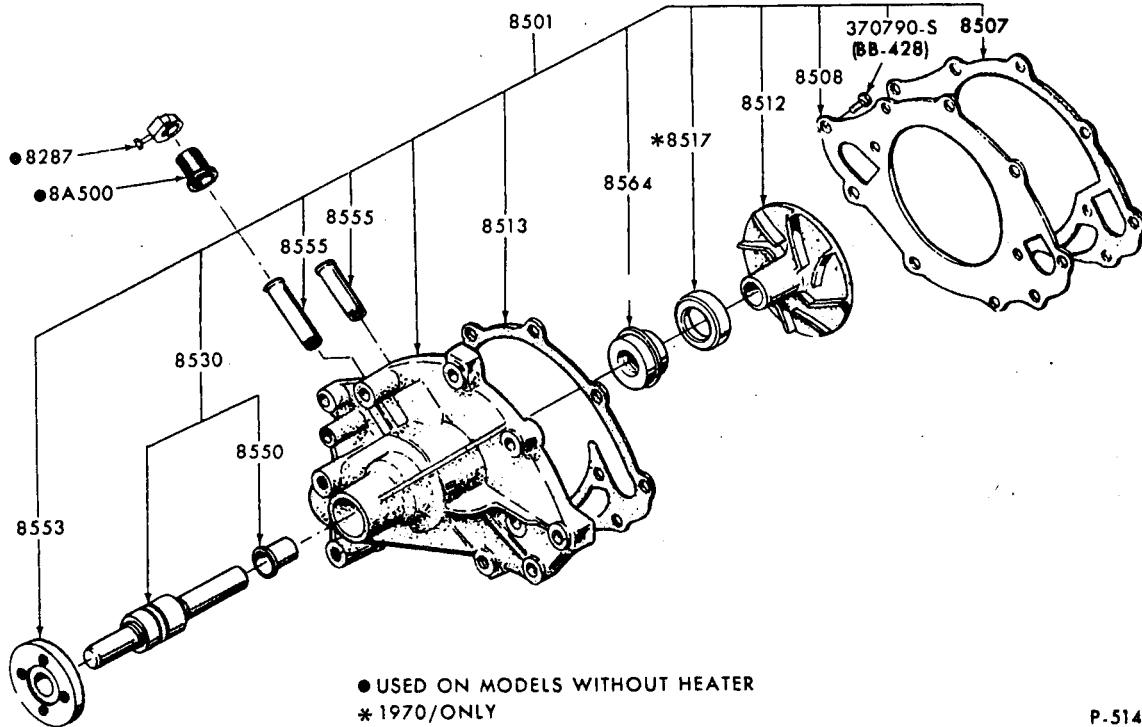
WATER PUMP  
1965/72 6 CYLINDER 240

FORD CAR PARTS



WATER PUMP - WITHOUT COVER  
1965 8 CYLINDER 260 and 289

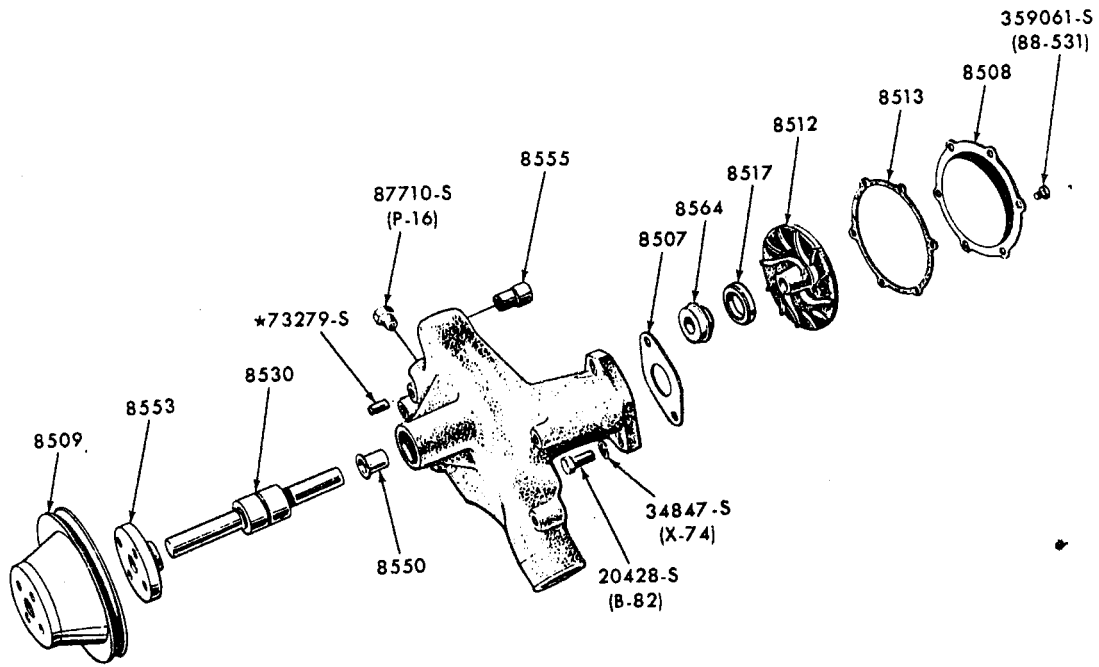
P-3772



● USED ON MODELS WITHOUT HEATER  
\* 1970/ONLY

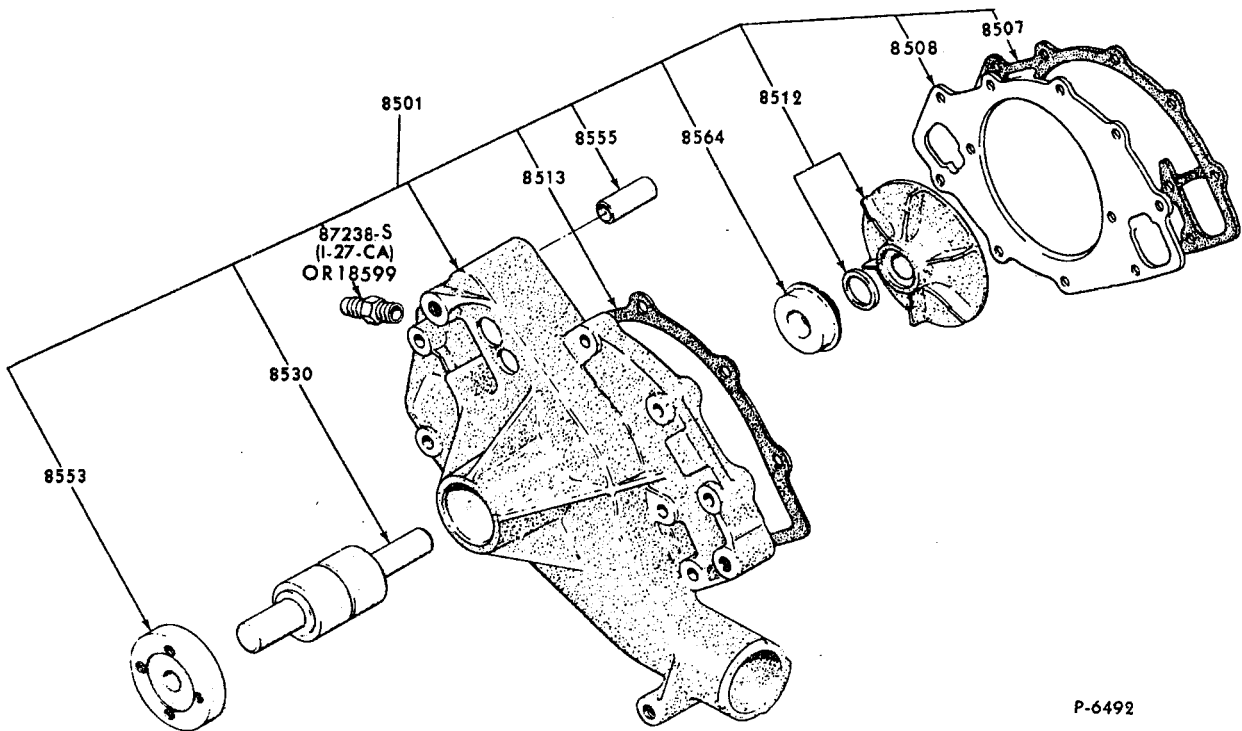
WATER PUMP - WITH COVER  
1965/72 8 CYLINDER 289, 302 and 351W

P-5143



P-9198

WATER PUMP  
1965/71 8 CYLINDER 352,390,427 and 428



P-6492

WATER PUMP  
1968/72 8 CYLINDER 351C,400,429 and 460



B

**ILLUSTRATION  
SECTION 90**
**FORD CAR PARTS**
**INDEX**

TITLE	SECTION	PAGE	ILLUS. NO.	TITLE	SECTION	PAGE	ILLUS. NO.
-------	---------	------	------------	-------	---------	------	------------

**1965**
**F (MUSTANG)**

6 CYLINDER 170 C.I.D.			
Accelerator linkage	97	5	P-4466
Air cleaner	96	1	P-3737
Carburetor - Ford type	95	1	P-4728
- Holley type	95	14	P-7460
Fuel pump	93	1	P-4367
Fuel system	90	3	P-4499

6 CYLINDER 200 C.I.D.			
Accelerator linkage	97	5	P-4466
Air cleaner	96	1	P-3737
Carburetor - Ford type	95	1	P-4728
- Holley type	95	14	P-7460
Fuel pump	93	1	P-4367
Fuel system	90	3	P-4499

8 CYLINDER 260 C.I.D.			
Accelerator linkage	97	5	P-4467
Air cleaner	96	1	P-4134
Carburetor - Ford 2V	95	3	P-4526
Fuel pump	93	2	P-3715
Fuel system	90	3	P-4499
Intake manifold & related parts	94	1	P-3742
Thermostatic choke control	98	1	P-4940

8 CYLINDER 289 C.I.D.			
Accelerator linkage	97	5	P-4467
Air cleaner			
- exc. Hi-Performance	96	1	P-4134
- Hi-Performance	96	2	P-5784
Carburetor - Ford 2V	95	3	P-4526
- Ford 4V	95	4	P-4527
Fuel pump	93	2	P-3715
Fuel system	90	3	P-4499
Intake manifold & related parts	94	1	P-3742
Thermostatic choke control - except Hi-Performance	98	1	P-4940

**S (THUNDERBIRD)**

8 CYLINDER 390 C.I.D.			
Accelerator linkage	97	6	P-3236
Air cleaner	96	2	P-5783
Carburetor - Ford 4V	95	4	P-4527
- Holley 4V	95	6	P-5320
Fuel pump	93	3	P-3306
Fuel system	90	4	P-4523
Speed control			
- engine compartment	97.1	3	P-4363
- passenger compartment	97.1	4	P-4362

**X (FALCON)**

6 CYLINDER 170 C.I.D.			
Accelerator linkage			
- manual transmission	97	7	P-3138
- automatic transmission	97	8	P-3670
Air cleaner	96	1	P-3737
Carburetor - Ford type	95	1	P-4728
- Holley type	95	14	P-7460
Fuel pump	93	1	P-4367
Fuel system	90	5	P-4617

6 CYLINDER 200 C.I.D.			
Accelerator linkage			
- manual transmission	97	7	P-3138
- automatic transmission	97	8	P-3670
Air cleaner	96	1	P-3737
Carburetor - Ford type	95	1	P-4728
- Holley type	95	14	P-7460
Fuel pump	93	1	P-4367
Fuel system	90	5	P-4617

8 CYLINDER 289 C.I.D.			
Accelerator linkage	97	9	P-4732
Air cleaner	96	1	P-4134
Carburetor - Ford 2V	95	3	P-4526
- Ford 4V	95	4	P-4527
Fuel pump	93	2	P-3715
Fuel system	90	5	P-4617
Intake manifold & related parts	94	1	P-3742
Thermostatic choke control - except Hi-Performance	98	1	P-4940

**1966**
**A (FORD)**

6 CYLINDER 240 C.I.D.			
Accelerator linkage	97	1	P-4622
Air cleaner			
- exc. Taxi & Police Car	96	3	P-5781
- Taxi & Police Car	96	3	P-5782
Carburetor - Ford Type	95	2	P-4729
- Holley type	95	14	P-7460
Exhaust air supply pump	94.1	1	P-5009

(continued)

**A (FORD) - continued**

6 CYLINDER 240 C.I.D. - continued			
Fuel system	90	1	P-4618
Manifold	94	1	P-4861
Thermostatic choke control	98	1	P-5631
Thermactor emission control system - intake manifold type	94.1	2	P-5127
- exc. intake manifold type	94.1	3	P-5342

(continued)



INDEX

TITLE	SECTION	PAGE	ILLUS. NO.	TITLE	SECTION	PAGE	ILLUS. NO.
-------	---------	------	------------	-------	---------	------	------------

1966

A (FORD) - continued

8 CYLINDER 289 C.I.D.			
Accelerator linkage	97	1	P-4622
Air cleaner	96	1	P-4134
Carburetor - Ford 2V	95	3	P-4526
Exhaust air supply pump	94.1	1	P-5009
Fuel system	90	1	P-4618
Intake manifold & related parts	94	1	P-3742
Speed control			
- engine compartment	97.1	1	P-4801
- passenger compartment	97.1	2	P-4800
Thermactor emission control system - intake manifold type	94.1	4	P-5128
- exc. intake manifold type	94.1	5	P-5341
Thermostatic choke control - except Hi-Performance	98	1	P-4940
8 CYLINDER 352 C.I.D.			
Accelerator linkage	97	1	P-4622
Air cleaner	96	2	P-5783
Carburetor - Ford 4V	95	4	P-4527
- Holley 4V	95	6	P-5320
Exhaust air supply pump	94.1	1	P-5009
Fuel pump	93	3	P-3306
Fuel system	90	1	P-4618
Speed control			
- engine compartment	97.1	1	P-4801
- passenger compartment	97.1	2	P-4800
Thermostatic choke control - Hi-Performance	98	2	P-4177
- exc. Hi-Performance	98	3	P-4125
Thermactor emission control system	94.1	7	P-5131
8 CYLINDER 390 C.I.D.			
Accelerator linkage	97	1	P-4622
Air cleaner	96	2	P-5783
Carburetor - Ford 2V	95	3	P-4526
- Ford 4V	95	4	P-4527
Exhaust air supply pump	94.1	1	P-5009
Fuel pump - with 4V carb.	93	3	P-3306
Fuel system	90	1	P-4618
Speed control			
- engine compartment	97.1	1	P-4801
- passenger compartment	97.1	2	P-4800
Thermactor emission control system	94.1	8	P-5133
Thermostatic choke control - Hi-Performance	98	2	P-4177
- exc. Hi-Performance	98	3	P-4175
Thermostatic choke control tubes & related parts	98	4	P-5633
Valve - exhaust thermostatic control - arm type counterweight	94	2	P-3474
- wheel type counterweight	94	2	P-5227
(continued)			

A (FORD) - continued

8 CYLINDER 427 C.I.D.			
Accelerator linkage			
- with dual 4V carb.	97	2	P-4388
- without dual 4V carb.	97	1	P-4622
Air cleaner - without dual 4V carb.	96	2	P-5784
- with dual 4V carb.	97	2	P-4388
Carburetor - without external fuel transfer tube	95	5	P-3231
- with external fuel transfer tube	95	6	P-5320
Exhaust air supply pump	94.1	1	P-5009
Fuel pump	93	3	P-3306
Fuel system	90	1	P-4618
Thermostatic choke control - Hi-Performance	98	2	P-4177
Valve - exhaust thermostatic control - arm type counterweight	94	2	P-3476
- wheel type counterweight	94	2	P-5227
8 CYLINDER 428 C.I.D.			
Accelerator linkage	97	1	P-4622
Air cleaner - Police Car	96	2	P-5784
- except Police Car	96	2	P-5783
Carburetor - with external accelerator pump	95	4	P-4527
- without external accelerator pump	95	7	P-5457
Exhaust air supply pump	94.1	1	P-5009
Fuel system	90	1	P-4618
Speed control			
- engine compartment	97.1	1	P-4801
- passenger compartment	97.1	2	P-4800
Thermactor emission control system - exc. Police Car	94.1	8	P-5133
- Police Car	94.1	9	P-5134
Thermostatic choke control - except Police	98	3	P-4175
- Police	98	4	P-5633
Valve - exhaust thermostatic control - arm type counterweight	94	2	P-3474
- wheel type counterweight	94	2	P-5227
B (FAIRLANE)			
6 CYLINDER 200 C.I.D.			
Accelerator linkage	97	10	P-4978
Air cleaner	96	1	P-3737
Carburetor - Ford type	95	1	P-4728
- Holley type	95	14	P-7460
Exhaust air supply pump	94.1	1	P-5009
Fuel system	90	6	P-4956
Thermactor emission control system - intake manifold type	94.1	10	P-5126
- exc. intake manifold type	94.1	11	P-5343
(continued)			



INDEX

TITLE	SECTION	PAGE	ILLUS. NO.	TITLE	SECTION	PAGE	ILLUS. NO.
-------	---------	------	------------	-------	---------	------	------------

1966

U (BRONCO)			
<b>6 CYLINDER 170 C.I.D.</b>			
Accelerator linkage	97	12	P-4943
Air cleaner - dry type	96	1	P-3737
- oil bath type	96	4	P-5187
Carburetor - Ford type	95	1	P-4728
- Holley type	95	16	P-7586
Exhaust air supply pump	94.1	1	P-5009
Fuel system - standard fuel tank	90	7	P-5012
- auxiliary fuel tank	90	8	P-5393
Thermactor emission control system - intake manifold type	94.1	13	P-5175
- exc. intake manifold type	94.1	14	P-5334
<b>8 CYLINDER 289 C.I.D.</b>			
Accelerator linkage	97	12	P-5499
Air cleaner - oil bath type	96	4	P-5500
Carburetor - Ford 2V	95	3	P-4526
Exhaust air supply pump	94.1	1	P-5009
Fuel system - standard fuel tank	90	7	P-5012
- auxiliary fuel tank	90	8	P-5393
Intake manifold & related parts	94	1	P-3742
Thermactor emission control system	94.1	15	P-5333

X (FALCON)			
<b>6 CYLINDER 170 C.I.D.</b>			
Accelerator linkage	97	10	P-4978
Air cleaner	96	1	P-3737
Carburetor - Ford type	95	1	P-4728
- Holley type	95	14	P-7460
Exhaust air supply pump	94.1	1	P-5009
Fuel system	90	6	P-4956
Thermactor emission control system - intake manifold type	94.1	10	P-5126
- exc. intake manifold type	94.1	11	P-5343
<b>6 CYLINDER 200 C.I.D.</b>			
Accelerator linkage	97	10	P-4978
Air cleaner	96	1	P-3737
Carburetor - Ford type	95	1	P-4728
- Holley type	95	14	P-7460
Exhaust air supply pump	94.1	1	P-5509
Fuel system	90	6	P-4956
Thermactor emission control system - intake manifold type	94.1	10	P-5126
- exc. intake manifold type	94.1	11	P-5343
<b>8 CYLINDER 289 C.I.D.</b>			
Accelerator linkage	97	10	P-4979
Air cleaner	96	1	P-4134
Carburetor - Ford 2V	95	3	P-4526
- Ford 4V	95	4	P-4527
Exhaust air supply pump	94.1	1	P-5009
Fuel system	90	6	P-4956
Intake manifold & related parts	94	1	P-3742
Thermactor emission control system - intake manifold type	94.1	4	P-5128
- exc. intake manifold type	94.1	5	P-5341
Thermostatic choke control - except Hi-Performance	98	1	P-4940

1967

A (FORD)			
<b>6 CYLINDER 240 C.I.D.</b>			
Accelerator linkage	97	1	P-4622
Air cleaner			
- except Taxi & Police Car	96	3	P-5781
- Taxi & Police Car	96	3	P-5782
Carburetor - Ford type	95	9	P-6531
- Holley type	95	14	P-7460
Exhaust air supply pump	94.1	1	P-5009
Fuel system	90	1	P-4618
Manifold	94	1	P-4861
Thermactor emission control system	94.1	3	P-5342
Thermostatic choke control	98	1	P-5631
(continued)			

A (FORD) - continued			
<b>8 CYLINDER 289 C.I.D.</b>			
Accelerator linkage	97	1	P-4622
Air cleaner	96	1	P-4134
Carburetor - Ford 2V	95	3	P-4526
Exhaust air supply pump	94.1	1	P-5009
Fuel system	90	1	P-4618
Intake manifold & related parts	94	1	P-3742
Speed control			
- engine compartment	97.1	8	P-5612
- passenger compartment	97.1	7	P-5611
(continued)			

F

**ILLUSTRATION  
SECTION 90**
**FORD CAR PARTS**
**INDEX**

TITLE	SECTION	PAGE	ILLUS. NO.	TITLE	SECTION	PAGE	ILLUS. NO.
-------	---------	------	------------	-------	---------	------	------------

**1967**
**A (FORD)- continued**
**8 CYLINDER 390 C.I.D.**

Accelerator linkage	97	1	P-4622
Air cleaner	96	2	P-5783
Carburetor - Ford 2V	95	3	P-4526
- Ford 4V w/external accelerator pump	95	4	P-4527
- Ford 4V w/o external accelerator pump	95	7	P-5457
Exhaust air supply pump	94.1	1	P-5009
Fuel pump - with 4V carb.	93	3	P-3306
Fuel system	90	1	P-4618
Speed control			
- engine compartment	97.1	8	P-5612
- passenger compartment	97.1	7	P-5611
Thermactor emission control system	94.1	8	P-5133
Thermostatic choke control			
- Hi-Performance	98	2	P-4177
- except Hi-Performance	98	4	P-5633
Valve - exhaust thermostat control - arm type counterweight	94	2	P-3474
- wheel type counterweight	94	2	P-5227

**8 CYLINDER 427 C.I.D.**

Accelerator linkage			
- with dual 4V carb.	97	2	P-4388
- without dual 4V carb.	97	1	P-4622
Air cleaner			
- with dual 4V carb.	97	2	P-4388
- without dual 4V carb.	96	2	P-5784
Carburetor - without external fuel transfer tube	95	5	P-3231
- with external fuel transfer tube	95	6	P-5320
Exhaust air supply pump	94.1	1	P-5009
Fuel pump	93	3	P-3306
Fuel system	90	1	P-4618
Thermactor emission control system	94.1	19	P-6432
Thermostatic choke control - Hi-Performance	98	2	P-4177
Valve - exhaust thermostatic control - arm type counterweight	94	2	P-3474
- wheel type counterweight	94	2	P-5227

**8 CYLINDER 428 C.I.D.**

Accelerator linkage	97	1	P-4622
Air cleaner - Police Car	96	2	P-5784
- except Police Car	96	2	P-5783
Carburetor - with external accelerator pump	95	4	P-4527
- without external accelerator pump	95	7	P-5457
Exhaust air supply pump	94.1	1	P-5009
Fuel system	90	1	P-4618
Speed control			
- engine compartment	97.1	8	P-5612
- passenger compartment	97.1	7	P-5611
Thermactor emission control system - except Police Car	94.1	8	P-5133
- Police Car	94.1	9	P-5134
Thermostatic choke control	98	4	P-5633
Valve - exhaust thermostatic control - arm type counterweight	94	2	P-3474
- wheel type counterweight	94	2	P-5227

**B (FAIRLANE)**
**6 CYLINDER 200 C.I.D.**

Accelerator linkage	97	10	P-4978
Air cleaner	96	1	P-3737
Carburetor - Ford type	95	1	P-4728
- Carter type	95	8	P-5725
- Holley type	95	14	P-7460
Exhaust air supply pump	94.1	1	P-5009
Fuel system	90	6	P-4956
Thermactor emission control system	94.1	11	P-5343

**8 CYLINDER 289 C.I.D.**

Accelerator linkage	97	11	P-4980
Air cleaner	96	1	P-4134
Carburetor - Ford 2V	95	3	P-4526
Exhaust air supply pump	94.1	1	P-5009
Fuel system	90	6	P-4956
Intake manifold & related parts	94	1	P-3742
Thermactor emission control system	94.1	15	P-5333

**8 CYLINDER 390 C.I.D.**

Accelerator linkage	97	11	P-4981
Air cleaner - exc. GT & GTA	96	2	P-5783
- GT & GTA	96	5	P-5785
Carburetor - Ford 2V	95	3	P-4526
- Ford 4V	95	4	P-4527
- Holley 4V	95	6	P-5320
Exhaust air supply pump	94.1	1	P-5009
Fuel pump - with 4V carb.	93	3	P-3306
Fuel system	90	6	P-4956
Thermactor emission control system	94.1	12	P-5132
Thermostatic choke control	98	5	P-5632
Valve - exhaust thermostat control - arm type counterweight	94	2	P-3474
- wheel type counterweight	94	2	P-5227

**8 CYLINDER 427 C.I.D.**

Accelerator linkage	97	11	P-4981
Air cleaner	96	2	P-5784
Carburetor - Holley 4V			
- w/o external fuel transfer tube	95	5	P-3231
- w/external fuel transfer tube	95	6	P-5320
Fuel system	90	6	P-4956
Valve - exhaust thermostat control - arm type counterweight	94	2	P-3474
- wheel type counterweight	94	2	P-5227

INDEX

TITLE	SECTION	PAGE	ILLUS. NO.	TITLE	SECTION	PAGE	ILLUS. NO.
-------	---------	------	------------	-------	---------	------	------------

1967

F (MUSTANG)

6 CYLINDER 200 C.I.D.			
Accelerator linkage	97	5	P-4466
Air cleaner	96	1	P-3737
Carburetor - Ford type	95	1	P-4728
- Carter type	95	8	P-5725
- Holley type	95	14	P-7460
Exhaust air supply pump	94.1	1	P-5009
Fuel system	90	3	P-4499
Thermactor emission control system	94.1	11	P-5343
8 CYLINDER 289 C.I.D.			
Accelerator linkage	97	13	P-5484
Air cleaner			
- except Hi-Performance	96	1	P-4134
- Hi-Performance	96	2	P-5784
Carburetor - Ford 2V	95	3	P-4526
- Ford 4V - with external accel.pump	95	4	P-4527
- Ford 4V - without external accel.pump	95	7	P-5457
Exhaust air supply pump	94.1	1	P-5009
Fuel system	90	3	P-4499
Intake manifold & related parts	94	1	P-3742
Speed control			
- engine compartment	97.1	10	P-5614
- passenger compartment	97.1	11	P-5613
Thermactor emission control system - Hi-Performance	94.1	5	P-5341
- except Hi-Performance	94.1	6	P-5807
8 CYLINDER 390 C.I.D.			
Accelerator linkage	97	13	P-5484
Air cleaner - 4V GT & GTA	96	5	P-5785
Carburetor - Holley 4V	95	6	P-5320
Exhaust air supply pump	94.1	1	P-5009
Fuel pump - with 4V carb.	93	3	P-3306
Fuel system	90	3	P-4499
Speed control			
- engine compartment	97.1	10	P-5614
- passenger compartment	97.1	11	P-5613
Thermostatic choke control	98	2	P-4177
Valve - exhaust thermostat control - arm type counterweight	94	2	P-3474
- wheel type counterweight	94	2	P-5227

S (THUNDERBIRD)

8 CYLINDER 390 C.I.D.			
Accelerator linkage	97	13	P-5483
Air cleaner	96	2	P-5783
Carburetor - Ford 4V	95	7	P-5457
Exhaust air supply pump	94.1	1	P-5009
Fuel pump - with 4V carb.	93	3	P-3306
Fuel system	90	9	P-5485
Speed control			
- engine compartment	97.1	13	P-5596
- passenger compartment	97.1	14	P-5595
- steering wheel	97.1	14	P-5595
Thermactor emission control system	94.1	16	P-5135
Valve - exhaust thermostat control - arm type counterweight	94	2	P-3474
- wheel type counterweight	94	2	P-5227
8 CYLINDER 428 C.I.D.			
Accelerator linkage	97	13	P-5483
Air cleaner	96	2	P-5783
Carburetor - Ford 4V	95	7	P-5457
Exhaust air supply pump	94.1	1	P-5009
Fuel system	90	9	P-5485
Speed control			
- engine compartment	97.1	13	P-5596
- passenger compartment	97.1	14	P-5595
- steering wheel	97.1	14	P-5595
Thermactor emission control system	94.1	16	P-5633
Valve - exhaust thermostat control - arm type counterweight	94	2	P-3474
- wheel type counterweight	94	2	P-5227

U (BRONCO)

6 CYLINDER 170 C.I.D.			
Accelerator linkage	97	12	P-4943
Carburetor - Ford type	95	1	P-4728
- Holley type	95	14	P-7460
Exhaust air supply pump	94.1	1	P-5009
Fuel system - standard fuel tank	90	7	P-5012
- auxiliary fuel tank	90	8	P-5393
Thermactor emission control system	94.1	14	P-5334

(continued)

INDEX

TITLE

SECTION | PAGE | ILLUS. NO.

TITLE

SECTION | PAGE | ILLUS. NO.

1967

U (BRONCO) - continued

8 CYLINDER 289 C.I.D.

Accelerator linkage	97	12	P-5499
Air cleaner - oil bath type	96	4	P-5500
Carburetor - 2V	95	3	P-4526
Exhaust air supply pump	94.1	1	P-5009
Fuel system - standard fuel tank	90	7	P-5012
- auxiliary fuel tank	90	8	P-5393
Intake manifold & related parts	94	1	P-3742
Thermactor emission control system	94.1	15	P-5333

X (FALCON)

6 CYLINDER 170 C.I.D.

Accelerator linkage	97	10	P-4978
Air cleaner	96	1	P-3737
Carburetor - Ford type	95	1	P-4728
- Carter type	95	8	P-5725
- Holley type	95	14	P-7460
Exhaust air supply pump	94.1	1	P-5009
Fuel system	90	6	P-4956
Thermactor emission control system	94.1	11	P-5343

X (FALCON) - continued

6 CYLINDER 200 C.I.D.

Accelerator linkage	97	10	P-4978
Air cleaner	96	1	P-3737
Carburetor - Ford type	95	1	P-4728
- Carter type	95	8	P-5725
- Holley type	95	14	P-7460
Exhaust air supply pump	94.1	1	P-5009
Fuel system	90	6	P-4956
Thermactor emission control system	94.1	11	P-5343

8 CYLINDER 289 C.I.D.

Accelerator linkage	97	10	P-4979
Air cleaner	96	1	P-4134
Carburetor - Ford 2V	95	3	P-4526
- Ford 4V	95	4	P-4527
- Ford 4V	95	7	P-5457
Exhaust air supply pump	94.1	1	P-5009
Fuel system	90	6	P-4956
Intake manifold & related parts	94	1	P-3742

1968

A (FORD)

6 CYLINDER 240 C.I.D.

Accelerator linkage	97	1	P-4622
Air cleaner	96	5	P-6221
Carburetor - Ford	95	9	P-6531
- Carter - thermostatic choke	95	10	P-6209
- Holley type	95	14	P-7460
Exhaust air supply pump	94.1	1	P-5009
Fuel system	90	1	P-4618
Manifold	94	1	P-4861
Thermactor emission control system	94.1	17	P-6429
Thermostatic choke control	98	1	P-5631

8 CYLINDER 302 C.I.D.

Accelerator linkage	97	1	P-4622
Air cleaner	96	6	P-6224
Carburetor - Ford 2V	95	3	P-4526
Exhaust air supply pump	94.1	1	P-5009
Fuel system	90	1	P-4618
Intake manifold and related parts	94	1	P-3742
Speed control			
- engine compartment	97.1	8	P-5612
- passenger compartment	97.1	9	P-6210
Thermactor emission control system	94.1	18	P-6433

(continued)

A (FORD) - continued

8 CYLINDER 390 C.I.D.

Accelerator linkage	97	1	P-4622
Air cleaner	96	7	P-6222
Carburetor - 2V	95	3	P-4526
- 4V with external accelerator pump	95	4	P-4527
- 4V without external accelerator pump	95	7	P-5457
Exhaust air supply pump	94.1	1	P-5009
Fuel pump - with 4V carb.	93	3	P-3306
Fuel system	90	1	P-4618

Speed control

- engine compartment	97.1	8	P-5612
- passenger compartment	97.1	9	P-6210

Thermactor emission control system

Thermactor emission control system	94.1	19	P-6432
Thermostatic choke control			
- Hi-performance	98	2	P-4177
- except Hi-Performance	98	4	P-5633

(continued)

INDEX

TITLE	SECTION	PAGE	ILLUS. NO.	TITLE	SECTION	PAGE	ILLUS. NO.
-------	---------	------	------------	-------	---------	------	------------

1968

A (FORD) - continued

8 CYLINDER 428 C.I.D.			
Accelerator linkage	97	1	P-4622
Air cleaner - Police Car	96	2	P-5784
- except Police Car	96	7	P-6222
Carburetor - with external accelerator pump	95	4	P-4527
- without external accelerator pump	95	7	P-5457
Exhaust air supply pump	94.1	1	P-5009
Fuel system	90	1	P-4618
Speed control -			
- engine compartment	97.1	8	P-5612
- passenger compartment	97.1	9	P-6210
Thermactor emission control system	94.1	19	P-6432
Thermostatic choke control	98	4	P-5633
Valve - exhaust thermostat control - arm type counterweight	94	2	P-3474
- wheel type counterweight	94	2	P-5227

B (FAIRLANE/TORINO)

6 CYLINDER 200 C.I.D.			
Accelerator linkage	97	10	P-4978
Air cleaner	96	5	P-6221
Carburetor - Ford type	95	1	P-4728
- Holley type	95	14	P-7460
Exhaust air supply pump	94.1	1	P-5009
Fuel system			
- exc. Ranchero & station wagon	90	10	P-6742
- Ranchero	90	11	P-6743
- station wagon	90	12	P-6744
Thermactor emission control system	94.1	20	P-6426

8 CYLINDER 289 C.I.D.			
Accelerator linkage	97	11	P-4980
Air cleaner	96	6	P-6224
Carburetor - Ford 2V	95	3	P-4526
Exhaust air supply pump	94.1	1	P-5009
Fuel system			
- exc. Ranchero & station wagon	90	10	P-6742
- Ranchero	90	11	P-6743
- station wagon	90	12	P-6744
Intake manifold and related parts	94	1	P-3742
Thermactor emission control system	94.1	21	P-6434

B (FAIRLANE/TORINO) - continued

8 CYLINDER 302 C.I.D.			
Accelerator linkage	97	11	P-4980
Air cleaner	96	6	P-6224
Carburetor - Ford 2V	95	3	P-4526
Exhaust air supply pump	94.1	1	P-5009
Fuel system			
- exc. Ranchero & station wagon	90	10	P-6742
- Ranchero	90	11	P-6743
- station wagon	90	12	P-6744
Intake manifold and related parts	94	1	P-3742
Thermactor emission control system	94.1	18	P-6433

8 CYLINDER 390 C.I.D.			
Accelerator linkage	97	11	P-4981
Air cleaner - 2V carb.	96	7	P-6222
- 4V carb. GT & GTA	96	7	P-6223
Carburetor - Ford 2V	95	3	P-4526
- 4V w/external accel. pump	95	4	P-4527
- 4V w/o external accel. pump	95	7	P-5457
- Holley 4V	95	6	P-5320
Exhaust air supply pump	94.1	1	P-5009

Fuel pump - with 4V carb.	93	3	P-3306
Fuel system			
- exc. Ranchero & station wagon	90	10	P-6742
- Ranchero	90	11	P-6743
- station wagon	90	12	P-6744
Thermostatic choke control			
- Hi-Performance	98	2	P-4177
- except Hi-Performance	98	5	P-5632
Thermactor emission control system	94.1	19	P-6432

8 CYLINDER 427 C.I.D.			
Accelerator linkage	97	11	P-4981
Air cleaner	96	2	P-5784
Carburetor			
- Holley without external fuel transfer tube	95	5	P-3231
- with external fuel transfer tube	95	6	P-5320
Exhaust air supply pump	94.1	1	P-5009

Fuel pump	93	3	P-3306
Fuel system			
- exc. Ranchero & station wagon	90	10	P-6742
- Ranchero	90	11	P-6743
- station wagon	90	12	P-6744
Thermactor emission control system	94.1	19	P-6432
Thermostatic choke control - Hi-Performance	98	2	P-4177
Valve - exhaust thermostat control - arm type counterweight	94	2	P-3474
- wheel type counterweight	94	2	P-5227

(continued)

## INDEX

TITLE	SECTION	PAGE	ILLUS. NO.	TITLE	SECTION	PAGE	ILLUS. NO.
-------	---------	------	------------	-------	---------	------	------------

1968

## B (FAIRLANE/TORINO) - continued

## 8 CYLINDER 428 C.I.D.

Accelerator linkage	97	11	P-4981
Air cleaner	96	6	P-6889
Carburetor - Holley 4V	95	6	P-5320
Exhaust air supply pump	94.1	1	P-5009
Fuel system			
- exc. Ranchero & station wagon	90	10	P-6742
- Ranchero	90	11	P-6743
- station wagon	90	12	P-6744
Thermactor emission control system	94.1	19	P-6432
Thermostatic choke control	98	4	P-5632

## F (MUSTANG)

## 6 CYLINDER 200 C.I.D.

Accelerator linkage	97	5	P-4466
Air cleaner	96	5	P-6221
Carburetor - Ford	95	1	P-4728
- Holley type	95	14	P-7460
Exhaust air supply pump	94.1	1	P-5009
Fuel system	90	3	P-4499
Thermactor emission control system	94.1	20	P-6426

## 8 CYLINDER 289 C.I.D.

Accelerator linkage	97	13	P-5484
Air cleaner - exc. Hi-Performance	96	6	P-6224
- Hi-Performance	96	2	P-5784
Carburetor - Ford 2V	95	3	P-4526
- 4V w/external accel.pump	95	4	P-4527
- 4V w/o external accel.pump	95	7	P-5457
Exhaust air supply pump	94.1	1	P-5009
Fuel system	90	3	P-4499
Speed control			
- engine compartment	97.1	11	P-5613
- passenger compartment	97.1	12	P-6172
Thermactor emission control control	94.1	21	P-6434

## 8 CYLINDER 302 C.I.D.

Accelerator linkage	97	13	P-5484
Air cleaner	96	6	P-6224
Carburetor - Ford 2V	95	3	P-4526
- 4V w/external accel.pump	95	4	P-4727
- 4V w/o external accel.pump	95	7	P-5457
Exhaust air supply pump	94.1	1	P-5009
Fuel system	90	3	P-4499
Intake manifold and related parts	94	1	P-3742
Speed control			
- engine compartment	97.1	11	P-5613
- passenger compartment	97.1	12	P-6172
Thermactor emission control system	94.1	18	P-6433

(continued)

## F (MUSTANG) - continued

## 8 CYLINDER 390 C.I.D.

Accelerator linkage	97	13	P-5484
Air cleaner	96	7	P-6223
Carburetor - Ford 2V	95	3	P-4526
- 4V w/external accel.pump	95	4	P-4527
- 4V w/o external accel.pump	95	7	P-5457
- Holley 4V	95	6	P-5320
Exhaust air supply pump	94.1	1	P-5009
Fuel pump - with 4V carb.	93	3	P-3306
Fuel system	90	3	P-4499
Speed control			
- engine compartment	97.1	11	P-5613
- passenger compartment	97.1	12	P-6172
Thermactor emission control system	94.1	19	P-6432
Thermostatic choke control			
- Hi-Performance	98	2	P-4177
- except Hi-Performance	98	4	P-5633

## 8 CYLINDER 427 C.I.D.

Air cleaner	96	5	P-6221
Accelerator linkage	97	13	P-5484
Carburetor - w/o external fuel transfer tube	95	5	P-3231
- w/external fuel transfer tube	95	6	P-5320
Exhaust air supply pump	94.1	1	P-5009
Fuel pump	93	3	P-3306
Fuel system	90	3	P-4499
Thermactor emission control system	94.1	19	P-6432
Thermostatic choke control	98	2	P-4177
Valve - exhaust thermostat control - arm type counterweight	94	2	P-3474
- wheel type counterweight	94	2	P-5227

## 8 CYLINDER 428 C.I.D.

Accelerator linkage	97	13	P-5484
Air cleaner			
- Cobra Jet - except Ram Air	96	6	P-6889
- Cobra Jet - Ram Air - fixed type	96	8	P-6619
- Cobra Jet - Ram Air - shaker type	96	9	P-6888
Carburetor - Holley 4V	95	6	P-5320
Exhaust air supply pump	94.1	1	P-5009
Fuel system	90	3	P-4499
Speed control			
- engine compartment	97.1	11	P-5613
- passenger compartment	97.1	12	P-6172
Thermactor emission control system	94.1	19	P-6432
Thermostatic choke control	98	4	P-5633
Valve - exhaust thermostat control - arm type counterweight	94	2	P-3474
- wheel type counterweight	94	2	P-5227



**INDEX**

**1968**

TITLE	SECTION	PAGE	ILLUS. NO.	TITLE	SECTION	PAGE	ILLUS. NO.
-------	---------	------	------------	-------	---------	------	------------

**S (THUNDERBIRD)**

<b>8 CYLINDER 390 C.I.D.</b>			
Accelerator linkage	97	14	P-6234
Air cleaner	96	7	P-6222
Carburetor - Ford 4V	95	7	P-5457
Fuel pump - with 4V carb.	93	3	P-3306
Fuel system	90	9	P-5485
Speed control			
- engine compartment	97.1	15	P-6212
- passenger compartment	97.1	16	P-6211
- steering wheel	97.1	16	P-6211

<b>8 CYLINDER 429 C.I.D.</b>			
Accelerator linkage	97	14	P-6234
Air cleaner	96	8	P-6225
Carburetor - Ford 4V	95	7	P-5457
Fuel system	90	9	P-5485
Speed control			
- engine compartment	97.1	15	P-6212
- passenger compartment	97.1	16	P-6211
- steering wheel	97.1	16	P-6211
Intake manifold	94	3	P-8322

**U (BRONCO)**

<b>6 CYLINDER 170 C.I.D.</b>			
Accelerator linkage	97	12	P-4943
Carburetor - Carter - thermostatic choke	95	10	P-6209
- YF type - Bronco	95	11	P-6530
- Holley type	95	16	P-7586
Exhaust air supply pump	94.1	1	P-5009
Fuel system - standard fuel tank	90	7	P-3742
- auxiliary fuel tank	90	8	P-5393
Thermactor emission control system	94.1	22	P-6427

<b>8 CYLINDER 289 C.I.D.</b>			
Accelerator linkage	97	12	P-5499
Air cleaner - oil bath	96	4	P-5500
Carburetor - Ford 2V	95	3	P-4526
Exhaust air supply pump	94.1	1	P-5009
Fuel system - standard fuel tank	90	7	P-5012
- auxiliary fuel tank	90	8	P-5393
Intake manifold and related parts	94	1	P-3742
Thermactor emission control system	94.1	23	P-6443

**X (FALCON)**

<b>6 CYLINDER 170 C.I.D.</b>			
Accelerator linkage	97	10	P-4978
Air cleaner	96	5	P-6221
Carburetor - Carter - thermostatic choke	95	10	P-6209
- Holley type	95	14	P-7460
Exhaust air supply pump	94.1	1	P-5009
Fuel system - exc. station wagon	90	10	P-6742
- station wagon	90	11	P-6743
Thermactor emission control system	94.1	20	P-6426

<b>6 CYLINDER 200 C.I.D.</b>			
Accelerator linkage	97	10	P-4978
Air cleaner	96	5	P-6221
Carburetor - Ford	95	1	P-4728
- Holley type	95	14	P-7460
Exhaust air supply pump	94.1	1	P-5009
Fuel system - exc. station wagon	90	10	P-6742
- station wagon	90	12	P-6743
Thermactor emission control system	94.1	20	P-6426

<b>8 CYLINDER 289 C.I.D.</b>			
Accelerator linkage	97	10	P-4979
Air cleaner	96	6	P-6224
Carburetor - Ford 2V	95	3	P-4526
Exhaust air supply pump	94.1	1	P-5009
Fuel system - exc. station wagon	90	10	P-6742
- station wagon	90	12	P-6743
Intake manifold and related parts	94	1	P-3742
Thermactor emission control system	94.1	21	P-6434

<b>8 CYLINDER 302 C.I.D.</b>			
Accelerator linkage	97	10	P-4979
Air cleaner	96	6	P-6224
Carburetor - Ford 4V	95	7	P-5457
Exhaust air supply pump	94.1	1	P-5009
Fuel system - exc. station wagon	90	10	P-6742
- station wagon	90	12	P-6743
Intake manifold and related parts	94	1	P-3742
Thermactor emission control system	94.1	18	P-6433

## INDEX

TITLE	SECTION	PAGE	ILLUS. NO.	TITLE	SECTION	PAGE	ILLUS. NO.
-------	---------	------	------------	-------	---------	------	------------

1969

## A (FORD)

6 CYLINDER 240 C.I.D.			
Accelerator linkage	97	1	P-4622
Air cleaner	96	5	P-6221
Carburetor - Ford	95	9	P-6531
- Carter - thermostatic choke	95	10	P-6209
- Holley type	95	14	P-7460
Fuel system	90	13	P-6902
Manifold	94	1	P-4861
Thermostatic choke control	98	1	P-5631
8 CYLINDER 302 C.I.D.			
Accelerator linkage	97	1	P-4622
Air cleaner	96	6	P-6224
Carburetor - Ford 2V	95	3	P-4526
Fuel system	90	13	P-6902
Intake manifold and related parts	94	1	P-3742
Speed control			
- engine compartment	97.1	17	P-6687
- passenger compartment	97.1	18	P-6686
- steering wheel	97.1	18	P-6686
8 CYLINDER 351 C.I.D.			
Accelerator linkage	97	1	P-4622
Air cleaner	96	6	P-6224
Carburetor - Ford 2V	95	3	P-4526
Fuel system	90	13	P-6902
Speed control			
- engine compartment	97.1	17	P-6687
- passenger compartment	97.1	18	P-6686
- steering wheel	97.1	18	P-6686
Intake manifold	94	3	P-8322
8 CYLINDER 390 C.I.D.			
Accelerator - linkage	97	1	P-4622
Air cleaner	96	7	P-6222
Carburetor - Ford 2V	95	3	P-4526
Fuel system	90	13	P-6902
Speed control			
- engine compartment	97.1	17	P-6687
- passenger compartment	97.1	18	P-6686
- steering wheel	97.1	18	P-6686
Thermostatic choke control	98	4	P-5633
8 CYLINDER 428 C.I.D.			
Accelerator linkage	97	1	P-4622
Air cleaner	96	2	P-5784
Carburetor - Ford 4V	95	4	P-4527
Exhaust air supply pump	94.1	1	P-5009
Fuel system	90	13	P-6902
Speed control			
- engine compartment	97.1	17	P-6687
- passenger compartment	97.1	18	P-6686
- steering wheel	97.1	18	P-6686
Thermactor emission control system	94.1	19	P-6432
Thermostatic choke control	98	4	P-5633
Valve - exhaust thermostat control - arm type counterweight	94	2	P-3474
- wheel type counterweight	94	2	P-5227

## A (FORD) - continued

8 CYLINDER 429 C.I.D.			
Accelerator linkage	97	1	P-4622
Air cleaner	96	8	P-6225
Carburetor - Ford 2V	95	3	P-4526
- Ford 4V	95	7	P-5457
Fuel system	90	13	P-6902
Speed control			
- engine compartment	97.1	17	P-6687
- passenger compartment	97.1	18	P-6686
- steering wheel	97.1	18	P-6686
Intake manifold	94	3	P-8322

## B (FAIRLANE/TORINO)

6 CYLINDER 250 C.I.D.			
Accelerator linkage	97	10	P-4978
Air cleaner	96	5	P-6221
Carburetor - Ford type	95	9	P-6531
- Holley type	95	14	P-7460
Fuel system			
- exc. Ranchero & station wagon	90	10	P-6742
- Ranchero	90	11	P-6743
- station wagon	90	12	P-6744
8 CYLINDER 302 C.I.D.			
Accelerator linkage	97	11	P-4980
Air cleaner	96	6	P-6224
Carburetor - Ford 2V	95	3	P-4526
Fuel system			
- exc. Ranchero & station wagon	90	10	P-6742
- Ranchero	90	11	P-6743
- station wagon	90	12	P-6744
Intake manifold and related parts	94	1	P-3742
8 CYLINDER 351 C.I.D.			
Accelerator linkage	97	11	P-4980
Air cleaner	96	6	P-6224
Intake manifold	94	3	P-8322
Carburetor - Ford 2V	95	3	P-4526
- Ford 4V	95	7	P-5457
Fuel system			
- exc. Ranchero & station wagon	90	10	P-6742
- Ranchero	90	11	P-6743
- station wagon	90	12	P-6744
(continued)			

### INDEX

# 1969

TITLE	SECTION	PAGE	ILLUS. NO.	TITLE	SECTION	PAGE	ILLUS. NO.
-------	---------	------	------------	-------	---------	------	------------

#### B (FAIRLANE/TORINO) - continued

8 CYLINDER 390 C.I.D.							
Accelerator linkage	97	11	P-4981				
Air cleaner	96	7	P-6223				
Carburetor - Ford 4V	95	7	P-5457				
Fuel pump - with 4V carb.	93	3	P-3306				
Fuel system							
- exc. Ranchero & station wagon	90	10	P-6742				
- Ranchero	90	11	P-6743				
- station wagon	90	12	P-6744				
Thermostatic choke control							
- Hi-Performance	98	2	P-4177				
- except Hi-Performance	98	5	P-5632				

8 CYLINDER 428 C.I.D.							
Accelerator linkage	97	11	P-4981				
Air cleaner							
- Cobra Jet - exc. Ram Air	96	6	P-6889				
- Cobra Jet - Ram Air - fixed type	96	8	P-6619				
Carburetor - Holley 4V	95	6	P-5320				
Exhaust air supply pump	94.1	1	P-5009				
Fuel system							
- exc. Ranchero & station wagon	90	10	P-6742				
- Ranchero	90	11	P-6743				
- station wagon	90	12	P-6744				
Thermostatic choke control	98	4	P-5633				

#### F (MUSTANG)

6 CYLINDER 200 C.I.D.							
Accelerator linkage	97	14	P-6896				
Air cleaner	96	5	P-6221				
Carburetor - Ford	95	1	P-4728				
- Holley type	95	14	P-7460				
Fuel system	90	14	P-6903				

6 CYLINDER 250 C.I.D.							
Accelerator linkage	97	14	P-6896				
Air cleaner	96	5	P-6221				
Carburetor - Ford	95	9	P-6531				
- Holley type	95	14	P-7460				
Fuel system	90	14	P-6903				

8 CYLINDER 302 C.I.D.							
Accelerator linkage	97	15	P-6897				
Air cleaner	96	6	P-6224				
Carburetor - Ford 2V	95	3	P-4526				
- Holley 4V	95	6	P-5320				
Fuel system	90	14	P-6903				
Intake manifold and related parts	94	1	P-3742				
Speed control							
- engine compartment	97.1	19	P-6689				
- passenger compartment	97.1	20	P-6688				
Thermactor emission control system	94.1	25	P-8523				

8 CYLINDER 351 C.I.D.							
Accelerator linkage	97	15	P-6897				
Air cleaner - exc. Ram Air	96	6	P-6224				
- Ram Air	96	10	P-6888				
Carburetor - 2V	95	3	P-4526				
4V	95	7	P-5457				
Fuel system	90	14	P-6903				
Speed control							
- engine compartment	97.1	19	P-6689				
- passenger compartment	97.1	20	P-6688				
Intake manifold	94	3	P-8322				

8 CYLINDER 390 C.I.D.							
Accelerator linkage	97	15	P-6897				
Air cleaner							
- GT & GTA	96	7	P-6223				
- Cobra Jet - Ram Air design	96	10	P-6888				
Carburetor - Ford 4V	95	7	P-5457				
Fuel pump - with 4V carb.	93	3	P-3306				
Fuel system	90	14	P-6903				
Speed control							
- engine compartment	97.1	19	P-6689				
- passenger compartment	97.1	20	P-6688				
Thermostatic choke control							
- Hi-Performance	98	2	P-4177				
- except Hi-Performance	98	4	P-5633				

(continued)

## INDEX

TITLE	SECTION	PAGE	ILLUS. NO.	TITLE	SECTION	PAGE	ILLUS. NO.
-------	---------	------	------------	-------	---------	------	------------

1969

## F (MUSTANG) - continued

8 CYLINDER 428 C.I.D.			
Accelerator linkage	97	15	P-6897
Air cleaner			
- Cobra Jet - exc. Ram Air	96	6	P-6889
- Cobra Jet - Ram Air - fixed type	96	8	P-6619
- Cobra Jet - Ram Air - shaker type	96	10	P-6888
Carburetor - Holley 4V	95	6	P-5320
Exhaust air supply pump	94.1	1	P-5009
Fuel system	90	14	P-6903
Speed control			
- engine compartment	97.1	19	P-6689
- passenger compartment	97.1	20	P-6688
Thermostatic choke control	98	4	P-5633
8 CYLINDER 429 C.I.D.			
Carburetor - Holley 4V	95	6	P-5320
Intake manifold	94	3	P-8322
Exhaust air supply pump	94.1	1	P-5009
Fuel system	90	14	P-6903
Heat tube installation	98	6	P-10483
Valve - exhaust thermostat control - arm type counterweight			
	94	2	P-3474
- wheel type counterweight	94	2	P-5227
S (THUNDERBIRD)			
8 CYLINDER 429 C.I.D.			
Accelerator linkage	97	14	P-6234
Intake manifold	94	3	P-8322
Air cleaner	96	8	P-6225
Carburetor - Ford 4V	95	7	P-5457
Fuel system	90	9	P-5485
Speed control			
- engine compartment	97.1	15	P-6212
- passenger compartment	97.1	16	P-6211
- steering wheel	97.1	16	P-6211

## U (BRONCO)

6 CYLINDER 170 C.I.D.			
Accelerator linkage	97	12	P-4943
Air cleaner	96	9	P-6768
Carburetor - Carter - thermostatic choke			
- Carter - YF type	95	10	P-6209
- Holley type	95	11	P-6530
- Holley type	95	16	P-7586
Fuel system - standard fuel tank			
- auxiliary fuel tank	90	7	P-5012
	90	8	P-5393
8 CYLINDER 302 C.I.D.			
Accelerator linkage	97	12	P-5499
Air cleaner	96	4	P-5500
Carburetor - Ford 2V	95	3	P-4526
Fuel system - standard fuel tank			
- auxiliary fuel tank	90	7	P-5012
	90	8	P-5393
Intake manifold and related parts	94	1	P-3742
X (FALCON)			
6 CYLINDER 170 C.I.D.			
Accelerator linkage	97	10	P-4978
Air cleaner	96	5	P-6221
Carburetor - Carter - thermostatic choke			
- Holley type	95	10	P-6209
- Holley type	95	14	P-7460
Fuel system - exc. station wagon			
- station wagon	90	10	P-6742
	90	11	P-6743
6 CYLINDER 200 C.I.D.			
Accelerator linkage	97	10	P-4978
Air cleaner	96	5	P-6221
Carburetor - Ford			
- Holley type	95	1	P-4728
	95	14	P-7460
Fuel system - exc. station wagon			
- station wagon	90	10	P-6742
	90	11	P-6743
8 CYLINDER 302 C.I.D.			
Accelerator linkage	97	10	P-4979
Air cleaner	96	6	P-6224
Carburetor - Ford 2V			
	95	3	P-4526
Fuel system - exc. station wagon			
- station wagon	90	10	P-6742
	90	11	P-6743
Intake manifold and related parts	94	1	P-3742

### INDEX

# 1970

TITLE	SECTION	PAGE	ILLUS. NO.	TITLE	SECTION	PAGE	ILLUS. NO.
<b>A (FORD)</b>				<b>A (FORD) - continued</b>			
<b>6 CYLINDER 240 C.I.D.</b>				<b>8 CYLINDER 428 C.I.D.</b>			
Accelerator linkage	97	1	P-4622	Accelerator linkage	97	1	P-4622
Air cleaner	96	5	P-8221	Air cleaner	96	6	P-6889
Carburetor - Carter - thermostatic choke	95	10	P-6209	Carburetor - Ford 4V	95	7	P-5457
Fuel system -				Exhaust air supply pump	94.1	1	P-5009
- exc. station wagon- with ev/em	90	19	P-7206	Fuel system			
- station wagon-with ev/em	90	18	P-7204	- exc. station wagon with ev/em	90	19	P-7206
- all-without ev/em	90	17	P-7205	- station wagon-with ev/em	90	18	P-7204
Manifold	94	1	P-4861	- all-without ev/em	90	17	P-7205
Modulator system	120.1	1	P-7564	Speed control			
Thermostatic choke control	98	1	P-5631	- engine compartment	97.1	17	P-6687
<b>8 CYLINDER 302 C.I.D.</b>				- passenger compartment	97.1	18	P-6686
Accelerator linkage	97	1	P-4622	- steering wheel	97.1	18	P-6686
Air cleaner	96	6	P-8224	Thermostat emission control system	94.1	19	P-6432
Carburetor - Ford 2V	95	15	P-7457	Thermostatic choke control	98	4	P-5633
Fuel system -				<b>8 CYLINDER 429 C.I.D.</b>			
- exc. station wagon- with ev/em	90	19	P-7206	Accelerator linkage	97	1	P-4622
- station wagon-with ev/em	90	18	P-7204	Intake manifold	94	3	P-8322
- all-without ev/em	90	17	P-7205	Air cleaner	96	8	P-6225
Intake manifold and related parts	94	1	P-3742	Carburetor - Ford 2V	95	15	P-7457
Modulator system	120.1	2	P-7563	- Ford 4V	95	7	P-5457
Speed control				Fuel system			
- engine compartment	97.1	17	P-6687	- exc. station wagon with ev/em	90	19	P-7206
- passenger compartment	97.1	18	P-6686	- station wagon-with ev/em	90	18	P-7204
- steering wheel	97.1	18	P-6686	- all-without ev/em	90	17	P-7205
<b>8 CYLINDER 351 C.I.D.</b>				Speed control			
Accelerator linkage	97	1	P-4622	- engine compartment	97.1	17	P-6687
Air cleaner	96	6	P-6224	- passenger compartment	97.1	18	P-6686
Carburetor - 2V	95	15	P-7457	- steering wheel	97.1	18	P-6686
Intake manifold	94	3	P-8322	<b>B (FAIRLANE/TORINO)</b>			
Fuel system				<b>B (FALCON) - FROM 1-2-70</b>			
- exc. station wagon with ev/em	90	19	P-7206	<b>6 CYLINDER 250 C.I.D.</b>			
- station wagon-with ev/em	90	18	P-7204	Accelerator linkage	97	16	P-6885
- all-without ev/em	90	17	P-7205	Air cleaner	96	5	P-6221
Speed control				Carburetor - Carter	95	12	P-7295
- engine compartment	97.1	17	P-6687	Fuel system			
- passenger compartment	97.1	18	P-6686	- exc. Ranchero & station wagon- with ev/em	90	20	P-7214
<b>8 CYLINDER 390 C.I.D.</b>				- exc. Ranchero & station wagon- without ev/em	90	21	P-7213
Accelerator - linkage	97	1	P-4622	- Ranchero-with ev/em	90	24	P-7212
Air cleaner	96	7	P-6222	- Ranchero-without ev/em	90	23	P-7211
Carburetor - 2V	95	15	P-7457	- station wagon-with ev/em	90	22	P-7210
Fuel system				- station wagon-without ev/em	90	25	P-7209
- exc. station wagon with ev/em	90	19	P-7206	(continued)			
- station wagon-with ev/em	90	18	P-7204				
- all-without ev/em	90	17	P-7205				
Modulator system	120.1	3	P-7565				
Speed control							
- engine compartment	97.1	17	P-6687				
- passenger compartment	97.1	18	P-6686				
- steering wheel	97.1	18	P-6686				
Thermostatic choke control	98	4	P-5633				

## INDEX

1970

TITLE	SECTION	PAGE	ILLUS. NO.	TITLE	SECTION	PAGE	ILLUS. NO.
<b>B (FAIRLANE/TORINO) - continued</b>				<b>F (MUSTANG)</b>			
<b>B (FALCON) - FROM 1-2-70</b>				<b>6 CYLINDER 200 C.I.D.</b>			
<b>8 CYLINDER 302 C.I.D.</b>				Accelerator linkage			
Accelerator linkage	97	17	P-6886	Accelerator linkage	97	14	P-6896
Air cleaner	96	6	P-6224	Air cleaner	96	5	P-6221
Carburetor - Ford 2V	95	15	P-7457	Carburetor - Carter - thermostatic choke			
Fuel system				95 10 P-6209			
- exc. Ranchero & station wagon- with ev/em	90	20	P-7214	Fuel system			
- exc. Ranchero & station wagon- without ev/em	90	21	P-7213	- with ev/em	90	26	P-7207
- Ranchero-with ev/em	90	24	P-7212	- without ev/em	90	25	P-7208
- Ranchero-without ev/em	90	23	P-7211	<b>6 CYLINDER 250 C.I.D.</b>			
- station wagon-with ev/em	90	22	P-7210	Accelerator linkage			
- station wagon-without ev/em	90	25	P-7209	Air cleaner	96	5	P-6221
Intake manifold and related parts				Carburetor - Carter			
Intake manifold and related parts	94	1	P-3742	Fuel system	95	12	P-7295
Modulator system	120.1	4	P-7557	- with ev/em	90	26	P-7207
				- without ev/em	90	25	P-7208
<b>8 CYLINDER 351 C.I.D.</b>				<b>8 CYLINDER 302 C.I.D.</b>			
Accelerator linkage				Accelerator linkage			
Accelerator linkage	97	17	P-6886	Accelerator linkage	97	15	P-6897
Air cleaner - exc. ram air	96	11	P-7376	Air cleaner - 2V	96	6	P-6224
- ram air	96	12	P-7374	- 4V	96	13	P-7373
Carburetor - Ford 2V	95	15	P-7457	Carburetor - Ford 2V	95	15	P-7457
- Ford 4V	95	7	P-5457	- Holley 4V	95	6	P-5320
Intake manifold	94	3	P-8322	Fuel system			
Fuel system				- with ev/em			
- exc. Ranchero & station wagon- with ev/em	90	20	P-7214	- without ev/em	90	25	P-7208
- exc. Ranchero & station wagon- without ev/em	90	21	P-7213	Intake manifold and related parts			
- Ranchero-with ev/em	90	24	P-7212	Intake manifold and related parts	94	1	P-3742
- Ranchero-without ev/em	90	23	P-7211	Modulator system	120.1	7	P-7560
- station wagon-with ev/em	90	22	P-7210	Thermactor emission control system	94.1	25	P-8523
- station wagon-without ev/em	90	25	P-7209	<b>8 CYLINDER 351 C.I.D.</b>			
Modulator system				Accelerator linkage			
- exc. ram air	120.1	5	P-7559	Accelerator linkage	97	15	P-6897
- ram air	120.1	6	P-7558	Air cleaner - exc. Ram Air	96	11	P-7376
<b>8 CYLINDER 429 C.I.D.</b>				Air cleaner - Ram Air (W)	96	13	P-7373
Accelerator linkage				Air cleaner - Ram Air (C)	96	12	P-7374
Accelerator linkage	97	17	P-6886	Carburetor - Ford 2V	95	15	P-7457
Air Cleaner- exc. Cobra Jet	96	8	P-6225	- Ford 4V	95	7	P-5457
- Cobra Jet	96	7	P-6223	Fuel system			
- Cobra Jet-ram air	96	14	P-7375	- with ev/em	90	26	P-7207
Intake manifold	94	3	P-8322	- without ev/em	90	25	P-7208
Carburetor - Ford 4V	95	7	P-5457	Modulator system			
- Ford 2V	95	15	P-7457	- exc. ram air	120.1	9	P-7562
- Rochester 4V	95	13	P-7411	- ram air	120.1	8	P-7561
Exhaust air supply pump				Intake manifold			
Exhaust air supply pump	94.1	1	P-5009	Intake manifold	94	3	P-8322
Fuel system				<b>8 CYLINDER 428 C.I.D.</b>			
- exc. Ranchero & station wagon- with ev/em	90	20	P-7214	Accelerator linkage			
- exc. Ranchero & station wagon- without ev/em	90	21	P-7213	Accelerator linkage	97	15	P-6897
- Ranchero-with ev/em	90	24	P-7212	Air cleaner			
- Ranchero-without ev/em	90	23	P-7211	- Cobra Jet - exc. Ram Air	96	6	P-6889
- station wagon-with ev/em	90	22	P-7210	- Cobra Jet - Ram Air - fixed type	96	8	P-6619
- station wagon-without ev/em	90	25	P-7209	- Cobra Jet - Ram Air - shaker type	96	10	P-6888
Thermactor emission control system				Carburetor - Holley 4V			
Thermactor emission control system	94.1	26	P-8525	Carburetor - Holley 4V	95	6	P-5320
				Exhaust air supply pump			
				Exhaust air supply pump	94.1	1	P-5009
				Fuel system			
				- with ev/em			
				- without ev/em			
				Thermostatic choke control			
				Thermostatic choke control	98	4	P-5633

INDEX

TITLE	SECTION	PAGE	ILLUS. NO.	TITLE	SECTION	PAGE	ILLUS. NO.
-------	---------	------	------------	-------	---------	------	------------

1970

P (MAVERICK)

6 CYLINDER 170 C.I.D.			
Accelerator linkage	97	16	P-6885
Air cleaner	96	9	P-6768
Carburetor - Carter	95	10	P-6209
Fuel system			
- with ev/em	90	15	P-6955
- without ev/em	90	16	P-6960
6 CYLINDER 200 C.I.D.			
Accelerator linkage	97	16	P-6885
Air cleaner	96	9	P-6768
Carburetor - Carter	95	10	P-6209
Fuel system			
- with ev/em	90	15	P-6955
- without ev/em	90	16	P-6960
6 CYLINDER 250 C.I.D.			
Accelerator linkage	97	16	P-6885
Air cleaner	96	9	P-6768
Carburetor - Carter	95	12	P-7295
Fuel system			
- with ev/em	90	15	P-6955
- without ev/em	90	16	P-6960

S (THUNDERBIRD)

8 CYLINDER 429 C.I.D.			
Accelerator linkage	97	18	P-7309
Air cleaner	96	8	P-6225
Intake manifold	94	3	P-8322
Carburetor - Ford 4V	95	7	P-5457
Fuel system			
- with ev/em	90	27	P-7215
- without ev/em	90	9	P-5485
Speed control			
- engine compartment	97.1	21	P-7697
- passenger compartment	97.1	22	P-7698
- steering wheel	97.1	22	P-7698

U (BRONCO)

6 CYLINDER 170 C.I.D.			
Accelerator linkage	97	12	P-4943
Air cleaner	96	9	P-6768
Carburetor - Carter	95	10	P-6209
Fuel system			
- standard fuel tank - with ev/em	90	30	P-7234
- standard fuel tank - without ev/em	90	7	P-5012
- auxiliary fuel tank - without ev/em	90	28	P-7235
- auxiliary fuel tank - with ev/em	90	29	P-7237

U (BRONCO) - continued

8 CYLINDER 302 C.I.D.			
Accelerator linkage	97	12	P-5499
Air cleaner	96	23	P-8698
Carburetor - Ford 2V	95	15	P-7457
Fuel system			
- standard fuel tank - with ev/em	90	30	P-7234
- standard fuel tank - without ev/em	90	7	P-5012
- auxiliary fuel tank - without ev/em	90	28	P-7235
- auxiliary fuel tank - with ev/em	90	29	P-7237
Intake manifold and related parts	94	1	P-3742

X (FALCON) - BEFORE 1-2-70  
FOR UNITS BUILT FROM 1-2-70 REFER TO B (FALCON)

6 CYLINDER 200 C.I.D.			
Accelerator linkage	97	10	P-4978
Air cleaner	96	5	P-6221
Carburetor - Carter - thermostatic choke	95	10	P-6209
Fuel system			
- exc. station wagon - with ev/em	90	20	P-7214
- exc. station wagon - without ev/em	90	21	P-7213
- station wagon - with ev/em	90	22	P-7210
- station wagon - without ev/em	90	25	P-7209

8 CYLINDER 302 C.I.D.			
Accelerator linkage	97	10	P-4979
Air cleaner	96	6	P-6224
Carburetor - Ford 2V	95	15	P-7457
Fuel system			
- exc. station wagon - with ev/em	90	20	P-7214
- exc. station wagon - without ev/em	90	21	P-7213
- station wagon - with ev/em	90	22	P-7210
- station wagon - without ev/em	90	25	P-7209
Intake manifold and related parts	94	1	P-3742
Modulator system	120.1	4	P-7557





### INDEX

TITLE	SECTION	PAGE	ILLUS. NO.	TITLE	SECTION	PAGE	ILLUS. NO.
-------	---------	------	------------	-------	---------	------	------------

## 1971

#### F (MUSTANG)

##### 6 CYLINDER 250 C.I.D.

Accelerator linkage	97	23	P-8135
Air cleaner	96	5	P-8221
Carburetor - Carter	95	19	P-8904
Fuel system	90	37	P-8126
Modulator system	120.1	13	P-8453

##### 8 CYLINDER 302 C.I.D.

Accelerator linkage	97	24	P-8136
Air cleaner - 2V-exc. ram air	96	8	P-8224
- 4V -ram air	96	21	P-8291
- 4V-exc. ram air	96	18	P-8288
Carburetor - Ford 2V	95	15	P-7457
- Ford 4V	95	7	P-5457
Fuel system	90	37	P-8126
Intake manifold and related parts	94	1	P-3742
Thermactor emission control system	94.1	24	P-8523

##### 8 CYLINDER 351 C.I.D.

Accelerator linkage	97	24	P-8136
Air cleaner - exc. Ram Air	96	11	P-7376
- Ram Air	96	20	P-8290
Carburetor - 2V	95	15	P-7457
4V	95	7	P-5457
Fuel system	90	37	P-8126
Intake manifold	94	3	P-8322

##### 8 CYLINDER 429 C.I.D.

Accelerator linkage	97	24	P-8136
Air cleaner -exc. ram air	96	17	P-8287
- ram air	96	19	P-8289
Carburetor	95	7	P-5457
Fuel system	90	37	P-8126
Intake Manifold	94	3	P-8322
Thermactor emission control system	94.1	26	P-8524

#### L (PINTO)

##### 4 CYLINDER 98 C.I.D. (1600 cc)

Accelerator linkage	97	25	P-7940
Air cleaner	96	15	P-7938
Carburetor	95	18	P-7967
Exhaust emission and related parts	66.1	8	P-8024
Fuel system	90	38	P-7941
Intake manifold	94	3	P-7610
Thermostatic choke	98	2	P-8414

##### 4 CYLINDER 122 O.H.C. (2000 cc)

Accelerator linkage	97	25	P-7940
Air cleaner	96	16	P-7939
Carburetor	95	17	P-7965
Exhaust emission and related parts	66.1	8	P-8024
Fuel system	90	38	P-7941
Hot idle compensator	66.1	8	P-10484
Intake manifold	94	3	P-7610
Thermostatic choke	98	6	P-8415

#### P (MAVERICK)

##### 6 CYLINDER 170 C.I.D.

Accelerator linkage	97	26	P-8134
Air cleaner	96	9	P-6768
Carburetor - Carter	95	19	P-8904
Fuel system	90	39	P-8125
Modulator system	120.1	14	P-8451

##### 6 CYLINDER 200 C.I.D.

Accelerator linkage	97	26	P-8134
Air cleaner	96	9	P-6768
Carburetor - Carter	95	19	P-8904
Fuel system	90	39	P-8125
Modulator system	120.1	14	P-8451

##### 6 CYLINDER 250 C.I.D.

Accelerator linkage	97	26	P-8134
Air cleaner	96	9	P-6768
Carburetor - Carter	95	19	P-8904
Fuel system	90	39	P-8125
Modulator system	120.1	14	P-8451

##### 8 CYLINDER 302 C.I.D.

Accelerator linkage	97	27	P-8133
Air cleaner	96	6	P-6224
Carburetor	95	15	P-7457
Fuel system	90	39	P-8125
Intake manifold	94	1	P-3742

#### S (THUNDERBIRD)

##### 8 CYLINDER 429 C.I.D.

Accelerator linkage	97	18	P-7309
Intake manifold	94	3	P-8322
Air cleaner	96	22	P-8292
Carburetor - Ford 4V	95	7	P-5457
Fuel system	90	36	P-8130
Modulator system	120.1	12	P-8452
Speed control			
- engine compartment	97.1	21	P-7697
- passenger compartment	97.1	22	P-7698
- steering wheel	97.1	22	P-7698

#### U (BRONCO)

##### 6 CYLINDER 170 C.I.D.

Accelerator linkage	97	12	P-4943
Air cleaner	96	9	P-6768
Carburetor			
- Carter - YF type	95	19	P-8904
Fuel system - standard fuel tank	90	30	P-7234
- auxiliary fuel tank	90	29	P-7237

##### 8 CYLINDER 302 C.I.D.

Accelerator linkage	97	12	P-5499
Air cleaner	96	23	P-8698
Carburetor - Ford 2V	95	15	P-7457
Fuel system - standard fuel tank	90	30	P-7234
- auxiliary fuel tank	90	29	P-7237
Intake manifold and related parts	94	1	P-3742

## INDEX

TITLE	SECTION	PAGE	ILLUS. NO.	TITLE	SECTION	PAGE	ILLUS. NO.
<b>1972</b>							
<b>A (FORD)</b>				<b>B (TORINO)</b>			
<b>6 CYLINDER 240 C.I.D.</b>				<b>6 CYLINDER 250 C.I.D.</b>			
Accelerator linkage	97	19	P-8137	Accelerator linkage	97	23	P-8135
Air cleaner	96	5	P-6221	Air cleaner	96	5	P-6221
Carburetor - Carter - thermostatic choke	95	19	P-8904	Carburetor - Carter RBS	95	12	P-7925
Fuel system	90	32	P-8128	Fuel system			
Manifold	94	1	P-4861	- exc. Ranchero & station wagon	90	40	P-8589
Thermostatic choke control	98	1	P-5631	- Ranchero (Body type 97)	90	42	P-8591
				- station wagon (Body type 71)	90	41	P-8590
<b>8 CYLINDER 302 C.I.D.</b>				<b>8 CYLINDER 302 C.I.D.</b>			
Accelerator linkage	97	20	P-8138	Accelerator linkage	97	24	P-8136
Air cleaner				Air cleaner			
- exc. California	96	25	P-9120	- exc. California	96	25	P-9120
- California only	96	29	P-9129	- California only	96	34	P-9125
Carburetor - Ford 2V	95	21	P-9084	Carburetor - Ford 2V	95	21	P-9084
Fuel system	90	32	P-8128	Fuel system			
Intake manifold and related parts	94	1	P-3742	- exc. Ranchero & station wagon	90	40	P-8589
Speed control				- Ranchero (Body type 97)	90	42	P-8591
- engine compartment	97.1	23	P-8318	- station wagon (Body type 71)	90	41	P-8590
- passenger compartment	97.1	24	P-8310	Intake manifold and related parts	94	1	P-3742
- steering wheel	97.1	24	P-8310				
<b>8 CYLINDER 351 C.I.D.</b>				<b>8 CYLINDER 351 C.I.D.</b>			
Accelerator linkage	97	20	P-8138	Accelerator linkage	97	24	P-8136
Air cleaner				Air cleaner			
- (351-W)	96	25	P-9120	- 351-4V - exc. ram air - exc. California	96	32	P-9118
- (351-C) - exc. California	96	27	P-9122	- 351-4V - ram air - exc. California	96	31	P-9117
- (351-C) - California only	96	29	P-9129	- 351-4V - exc. ram air - California only	96	33	P-9124
Intake manifold	94	3	P-8322	- 351-2V - California only	96	34	P-9125
Carburetor - 2V	95	21	P-9084	- 351-2V - exc. California	96	27	P-9122
Fuel system	90	32	P-8128	Intake manifold	94	3	P-8322
Speed control				Carburetor - Ford 2V	95	20	P-8934
- engine compartment	97.1	23	P-8318	- Ford 4V	95	21	P-9084
- passenger compartment	97.1	24	P-8310	Fuel system			
- steering wheel	97.1	24	P-8310	- exc. Ranchero & station wagon	90	40	P-8589
				- Ranchero (Body type 97)	90	42	P-8591
				- station wagon (Body type 71)	90	41	P-8590
<b>8 CYLINDER 400 C.I.D.</b>				<b>8 CYLINDER 400 C.I.D.</b>			
Accelerator linkage	97	20	P-8138	Accelerator linkage	97	24	P-8136
Air cleaner				Air cleaner			
- exc. California	96	24	P-9119	- exc. California	96	24	P-9119
- California only	96	29	P-9129	- California only	96	34	P-9125
Carburetor - Ford 2V	95	21	P-9084	Carburetor - Ford 2V	95	21	P-9084
Intake manifold	94	3	P-8322	Fuel system			
Fuel system	90	32	P-8128	- exc. Ranchero & station wagon	90	40	P-8589
Speed control				- Ranchero (Body type 97)	90	42	P-8591
- engine compartment	97.1	23	P-8318	- station wagon (Body type 71)	90	41	P-8590
- passenger compartment	97.1	24	P-8310	Intake manifold	94	3	P-8322
- steering wheel	97.1	24	P-8310				
<b>8 CYLINDER 429 C.I.D.</b>				<b>8 CYLINDER 429 C.I.D.</b>			
Accelerator linkage	97	20	P-8138	Accelerator linkage	97	24	P-8136
Air cleaner				Air cleaner			
- exc. Police	96	26	P-9121	- exc. ram air - exc. California	96	26	P-9121
- Police	96	28	P-9128	- exc. ram air - California only	96	34	P-9125
Intake manifold	94	3	P-8322	- ram air design - exc. California	96	30	P-9116
Carburetor - Ford 4V	95	20	P-8934	Intake manifold	94	3	P-8322
Fuel system	90	32	P-8128	Carburetor - Ford 4V	95	20	P-8934
Speed control				Fuel system			
- engine compartment	97.1	23	P-8318	- exc. Ranchero & station wagon	90	40	P-8589
- passenger compartment	97.1	24	P-8310	- Ranchero (Body type 97)	90	42	P-8591
- steering wheel	97.1	24	P-8310	- station wagon (Body type 71)	90	41	P-8590

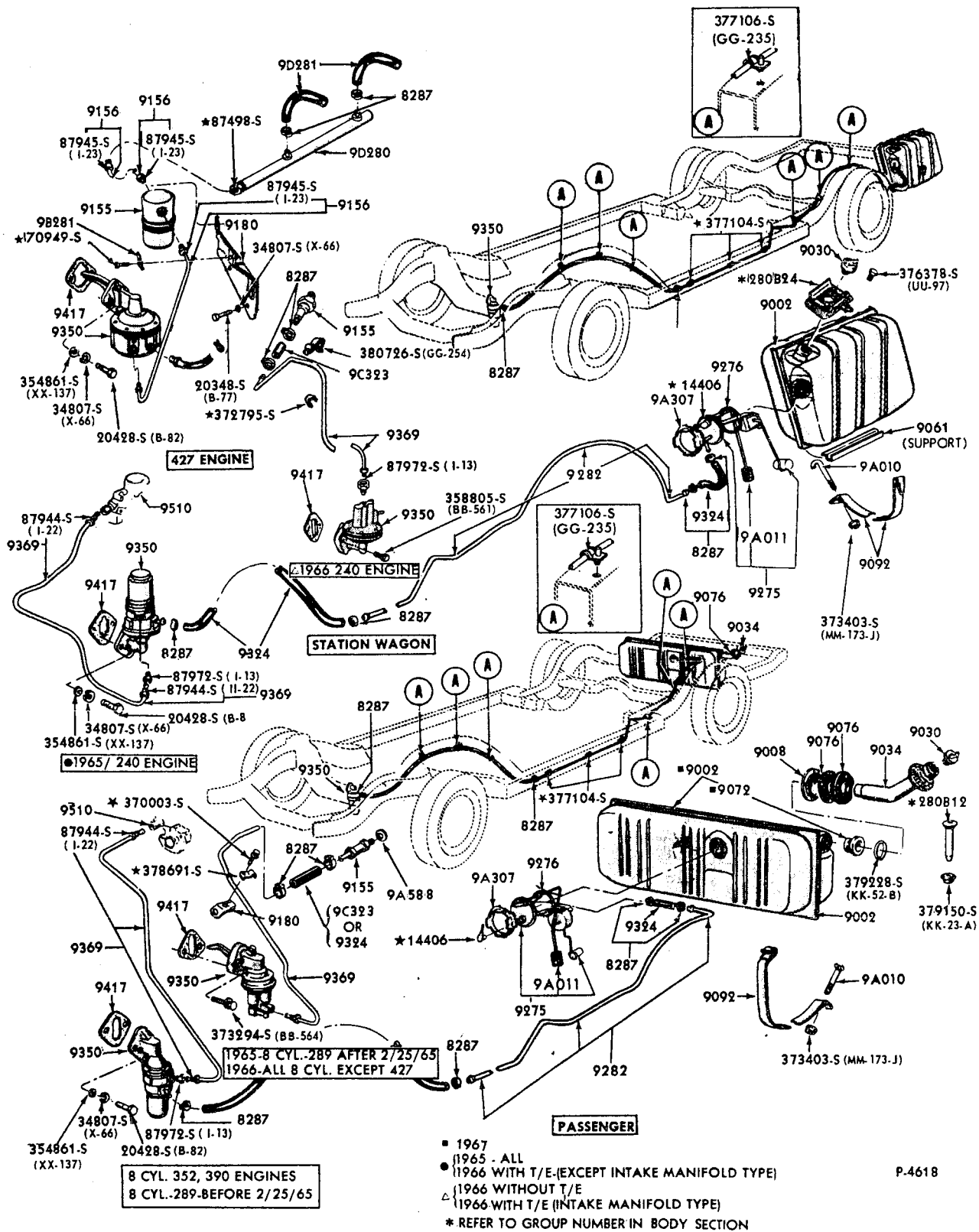
**INDEX**

TITLE	SECTION	PAGE	ILLUS. NO.	TITLE	SECTION	PAGE	ILLUS. NO.
-------	---------	------	------------	-------	---------	------	------------

**1972**

<b>F (MUSTANG)</b>			
<b>6 CYLINDER 250 C.I.D.</b>			
Accelerator linkage	97	23	P-8135
Air cleaner	96	5	P-6221
Carburetor - Carter RBS	95	12	P-7925
Fuel system	90	37	P-8126
<b>8 CYLINDER 302 C.I.D.</b>			
Accelerator linkage	97	24	P-8136
Air cleaner			
- exc. California	96	25	P-9120
- California only	96	35	P-9126
Carburetor - Ford 2V	95	21	P-9084
Fuel system	90	37	P-8126
Intake manifold and related parts	94	1	P-3742
<b>8 CYLINDER 351 C.I.D.</b>			
Accelerator linkage	97	24	P-8136
Air cleaner			
- 351-2V - exc. California	96	27	P-9122
- 351-2V - California only	96	35	P-9126
- 351-4V CJ - exc. ram air	96	32	P-9118
exc. California			
- 351-4V CJ - exc. ram air	96	36	P-9127
California			
- 351-4V CJ - ram air	96	20	P-8290
Carburetor - 2V	95	21	P-9084
- 4V	95	20	P-8934
Fuel system	90	37	P-8126
Intake manifold	94	3	P-8322
<b>L (PINTO)</b>			
<b>4 CYLINDER 98 C.I.D. (1600 cc)</b>			
Accelerator linkage	97	25	P-7940
Air cleaner	96	15	P-7938
Carburetor	95	18	P-7967
Exhaust emission and related parts	66.1	8	P-8024
Fuel system	90	38	P-7941
Thermostatic choke	98	2	P-8414
Intake manifold	94	3	P-7610
<b>4 CYLINDER 122 O.H.C. (2000 cc)</b>			
Accelerator linkage	97	25	P-7940
Air cleaner			
- without A/C	96	16	P-7939
- with A/C	96	37	P-9123
Carburetor	95	17	P-7695
Exhaust emission and related parts	66.1	8	P-8024
Fuel system	90	38	P-7941
Hot idle compensator	66.1	8	P-10484
Thermostatic choke	98	6	P-8415
Intake manifold	94	3	P-7610
<b>P (MAVERICK)</b>			
<b>6 CYLINDER 170 C.I.D.</b>			
Accelerator linkage	97	26	P-8134
Air cleaner	96	9	P-6768
Carburetor - Carter	95	19	P-8904
Fuel system	90	39	P-8125
<b>6 CYLINDER 200 C.I.D.</b>			
Accelerator linkage	97	26	P-8134
Air cleaner	96	5	P-6221
Carburetor - Carter	95	19	P-8904
Fuel system	90	39	P-8125

<b>P (MAVERICK) - continued</b>			
<b>6 CYLINDER 250 C.I.D.</b>			
Accelerator linkage	97	26	P-8134
Air cleaner	96	5	P-6221
Carburetor - Carter RBS	95	12	P-7925
Fuel system	90	39	P-8125
<b>8 CYLINDER 302 C.I.D.</b>			
Accelerator linkage	97	27	P-8133
Air cleaner - exc. California	96	25	P-9120
Carburetor	95	15	P-7457
Fuel system	90	39	P-8125
Intake manifold	94	1	P-3742
<b>S (THUNDERBIRD)</b>			
<b>8 CYLINDER 400 C.I.D.</b>			
Accelerator linkage	97	18	P-7309
Intake manifold	94	3	P-8322
Air cleaner			
- exc. California	96	24	P-9119
- California only	96	29	P-9129
Carburetor - Ford 2V	95	21	P-9084
Fuel system	90	43	P-8681
Speed control			
- engine compartment	97.1	26	P-9918
- passenger compartment	97.1	25	P-9919
<b>8 CYLINDER 429 C.I.D.</b>			
Accelerator linkage	97	18	P-7309
Intake manifold	94	3	P-8322
Air cleaner	96	29	P-9129
Carburetor - Ford 4V	95	20	P-8934
Fuel system	90	43	P-8681
Speed control			
- engine compartment	97.1	26	P-9918
- passenger compartment	97.1	25	P-9919
- steering wheel	97.1	25	P-9919
<b>8 CYLINDER 460 C.I.D.</b>			
Accelerator linkage	97	18	P-7309
Intake manifold	94	3	P-8322
Air cleaner	96	29	P-9129
Carburetor-Ford 4V	95	20	P-8934
Fuel system	90	43	P-8681
Speed control			
- engine compartment	97.1	26	P-9918
- passenger compartment	97.1	25	P-9919
- steering wheel	97.1	25	P-9919
<b>U (BRONCO)</b>			
<b>6 CYLINDER 170 C.I.D.</b>			
Accelerator linkage	97	12	P-4943
Air cleaner	96	9	P-6768
Carburetor			
- Carter - YF type	95	19	P-8904
Fuel system			
- standard fuel tank	90	30	P-7234
- auxiliary fuel tank	90	29	P-7237
<b>8 CYLINDER 302 C.I.D.</b>			
Accelerator linkage	97	12	P-5499
Air cleaner	96	23	P-8898
Carburetor - Ford 2V	95	21	P-9084
Fuel system			
- standard fuel tank	90	30	P-7234
- auxiliary fuel tank	90	29	P-7237
Intake manifold and related parts	94	1	P-3742

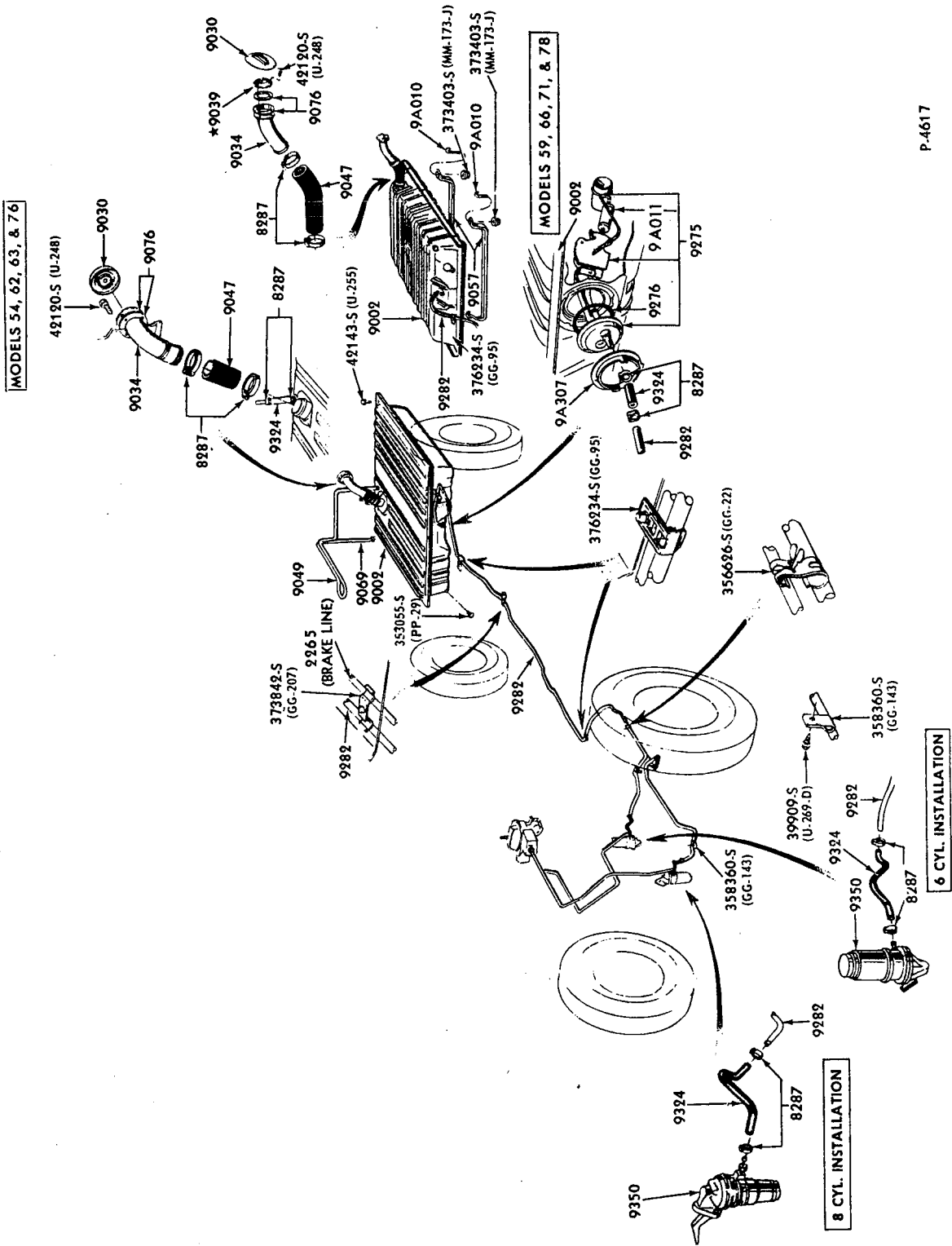


FUEL SYSTEM and RELATED PARTS  
 1965/68 FORD









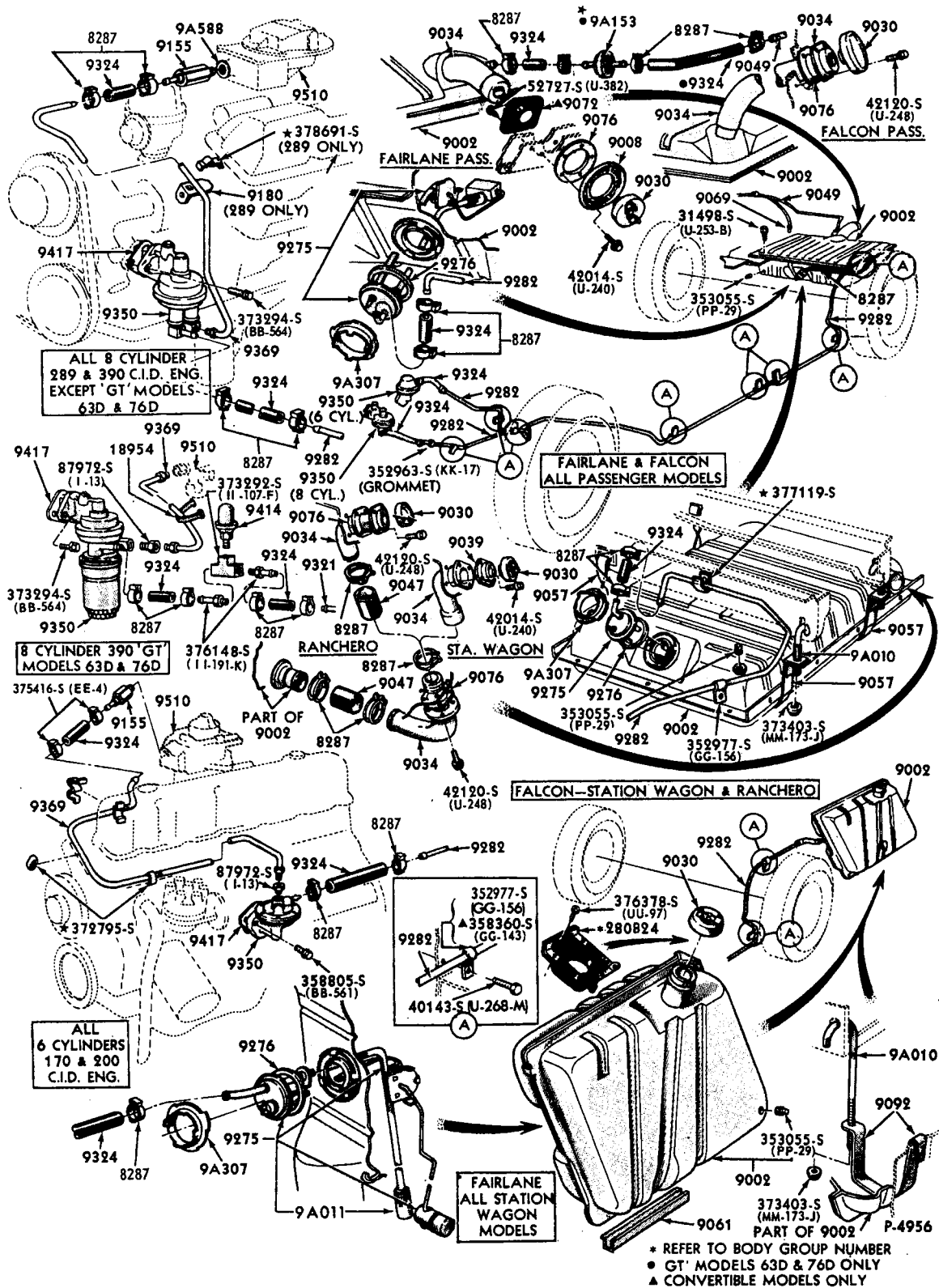
P-4617

FUEL SYSTEM and RELATED PARTS  
1965 FALCON



ILLUSTRATION SECTION 90

FORD CAR PARTS



FUEL SYSTEM and RELATED PARTS  
1966/67 FAIRLANE & FALCON













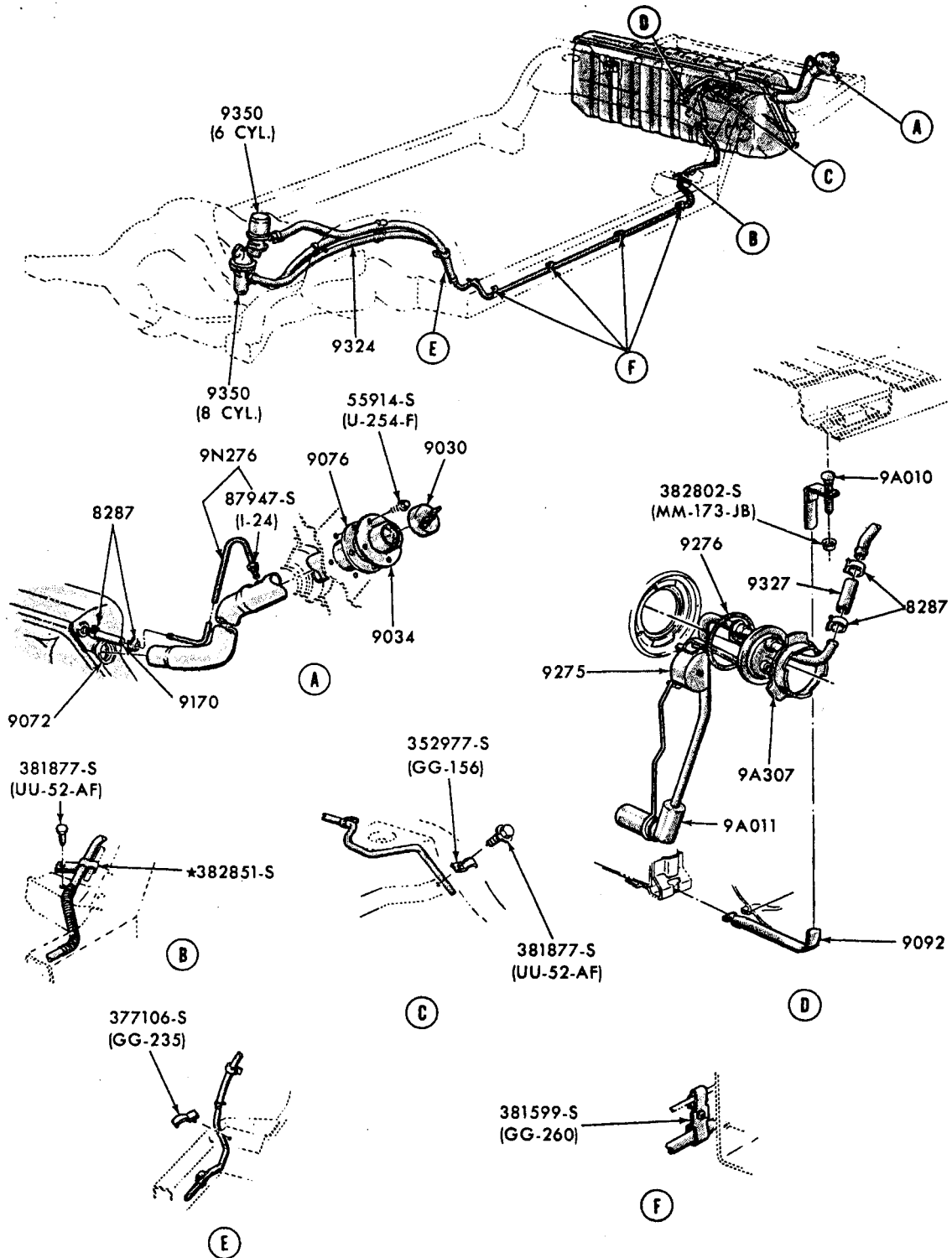








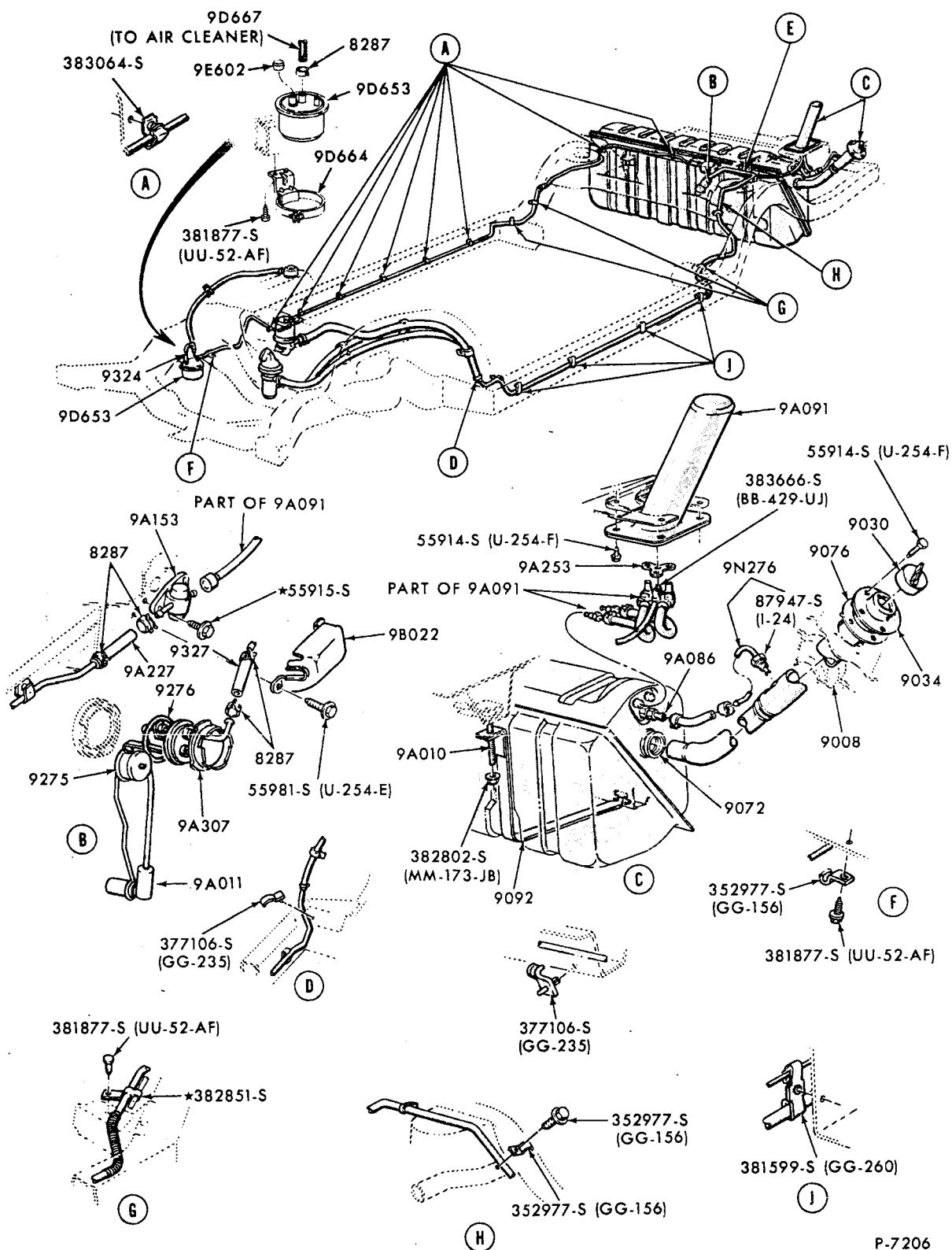




P-7205

FUEL SYSTEM and RELATED PARTS--(WITHOUT EVAPORATIVE EMISSION CONTROL)  
1970 FORD



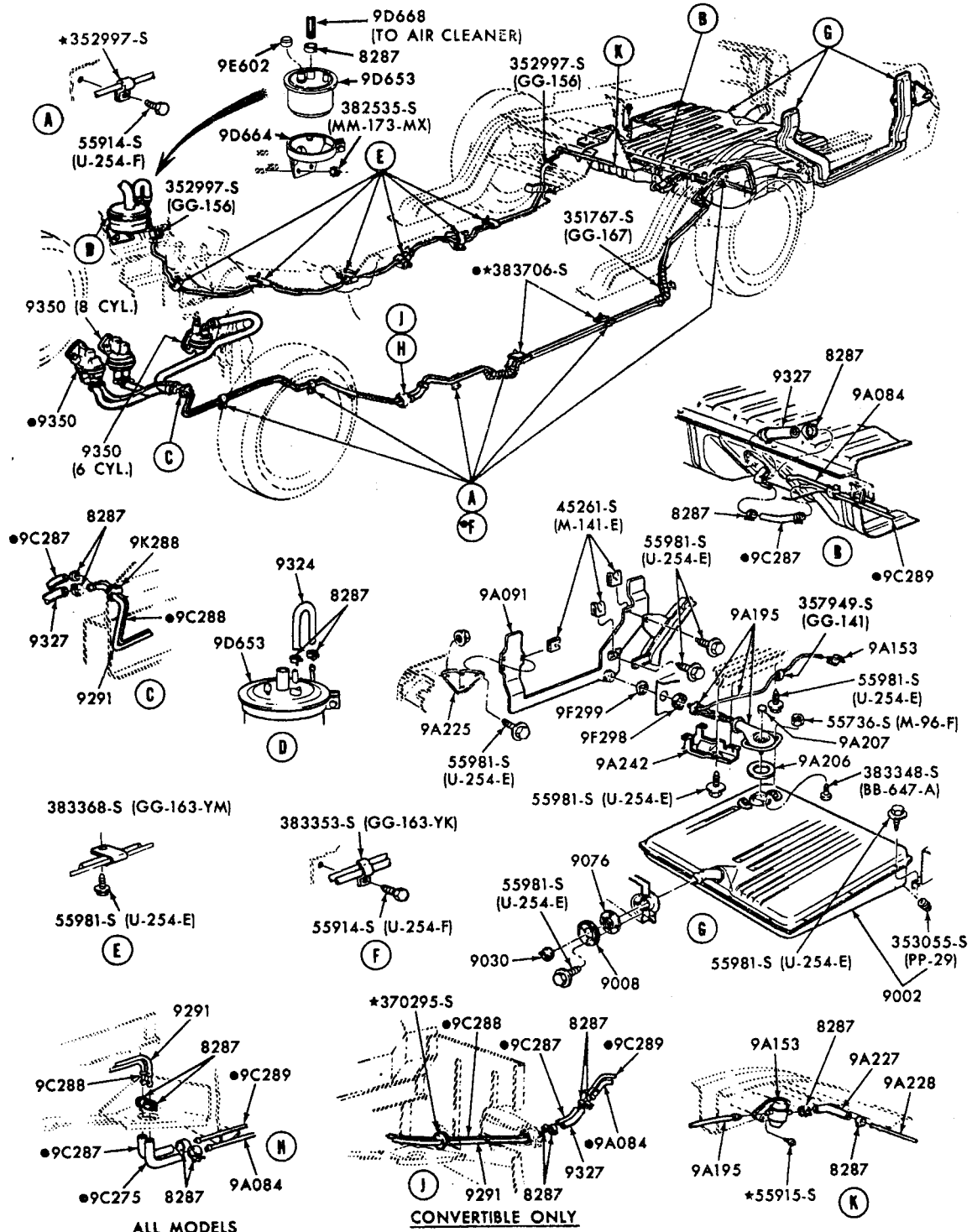


FUEL SYSTEM and RELATED PARTS--(WITH EVAPORATIVE EMISSION CONTROL)  
1970 FORD - EXCEPT STATION WAGON

P-7206

ILLUSTRATION SECTION 90

FORD CAR PARTS



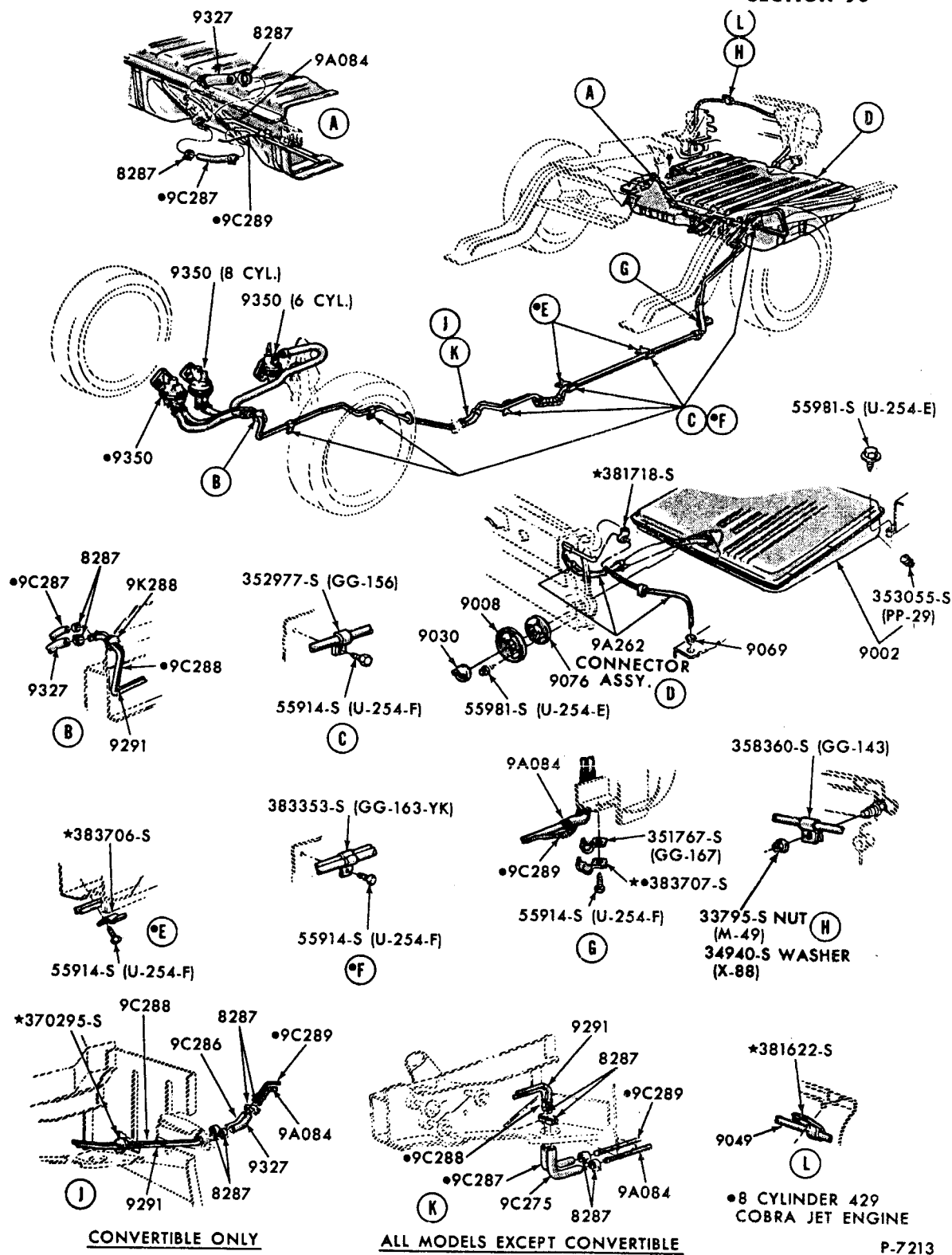
ALL MODELS EXCEPT CONVERTIBLE

CONVERTIBLE ONLY

8 CYLINDER 429 COBRA JET ENGINE

P-7214

FUEL SYSTEM and RELATED PARTS--(WITH EVAPORATIVE EMISSION CONTROL) 1970 FAIRLANE/TORINO, FALCON - EXCEPT STATION WAGON & RANCHERO



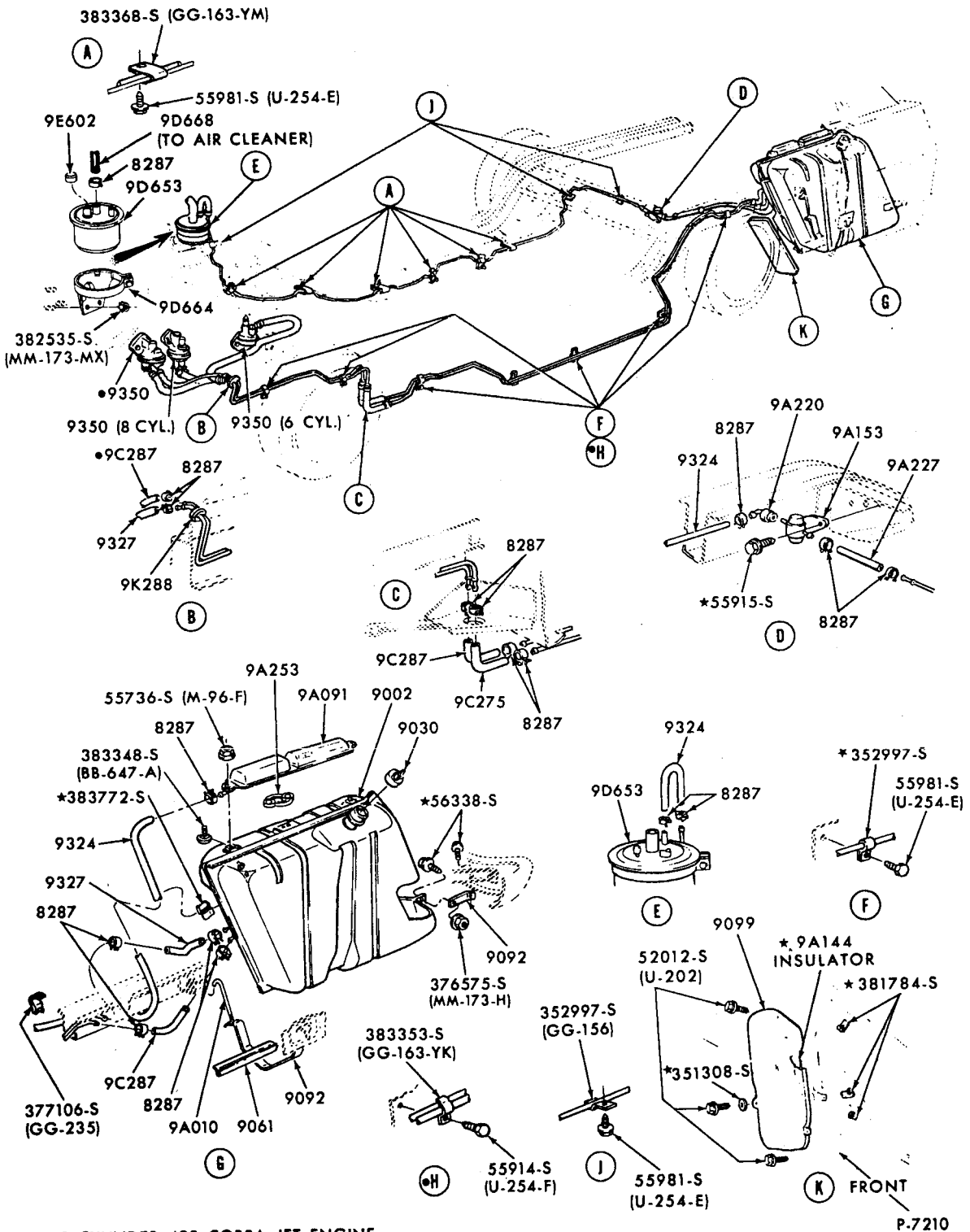
**CONVERTIBLE ONLY**

**ALL MODELS EXCEPT CONVERTIBLE**

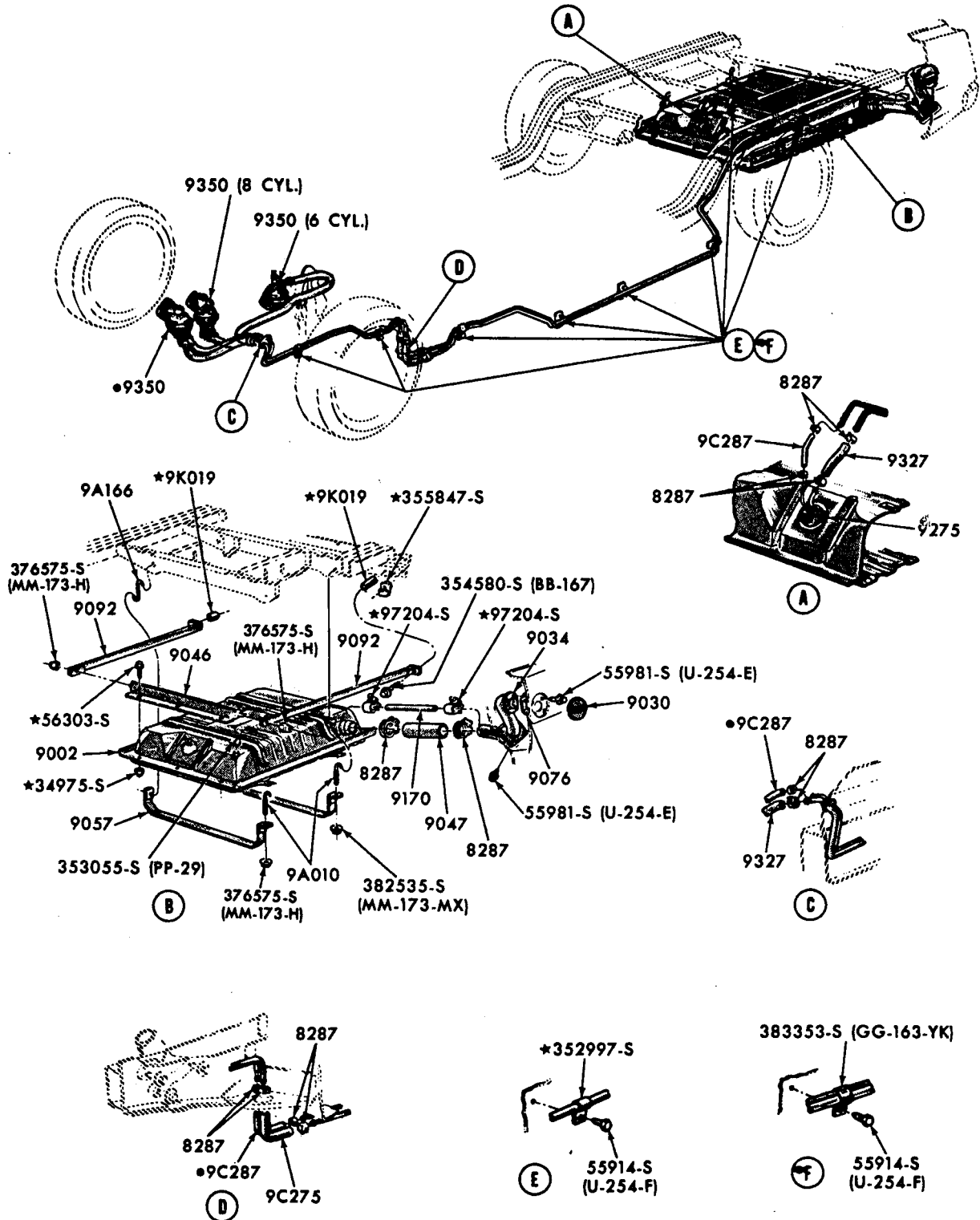
P-7213

FUEL SYSTEM and RELATED PARTS--(WITHOUT EVAPORATIVE EMISSION CONTROL)  
 1970 FAIRLANE/TORINO, FALCON - EXCEPT STATION WAGON & RANCHERO





FUEL SYSTEM and RELATED PARTS--(WITH EVAPORATIVE EMISSION CONTROL)  
1970 FAIRLANE/TORINO, FALCON - STATION WAGON



•8 CYLINDER 429 COBRA JET ENGINE

P-7211

FUEL SYSTEM and RELATED PARTS--(WITHOUT EVAPORATIVE EMISSION CONTROL)

1970 FAIRLANE/TORINO - RANCHERO

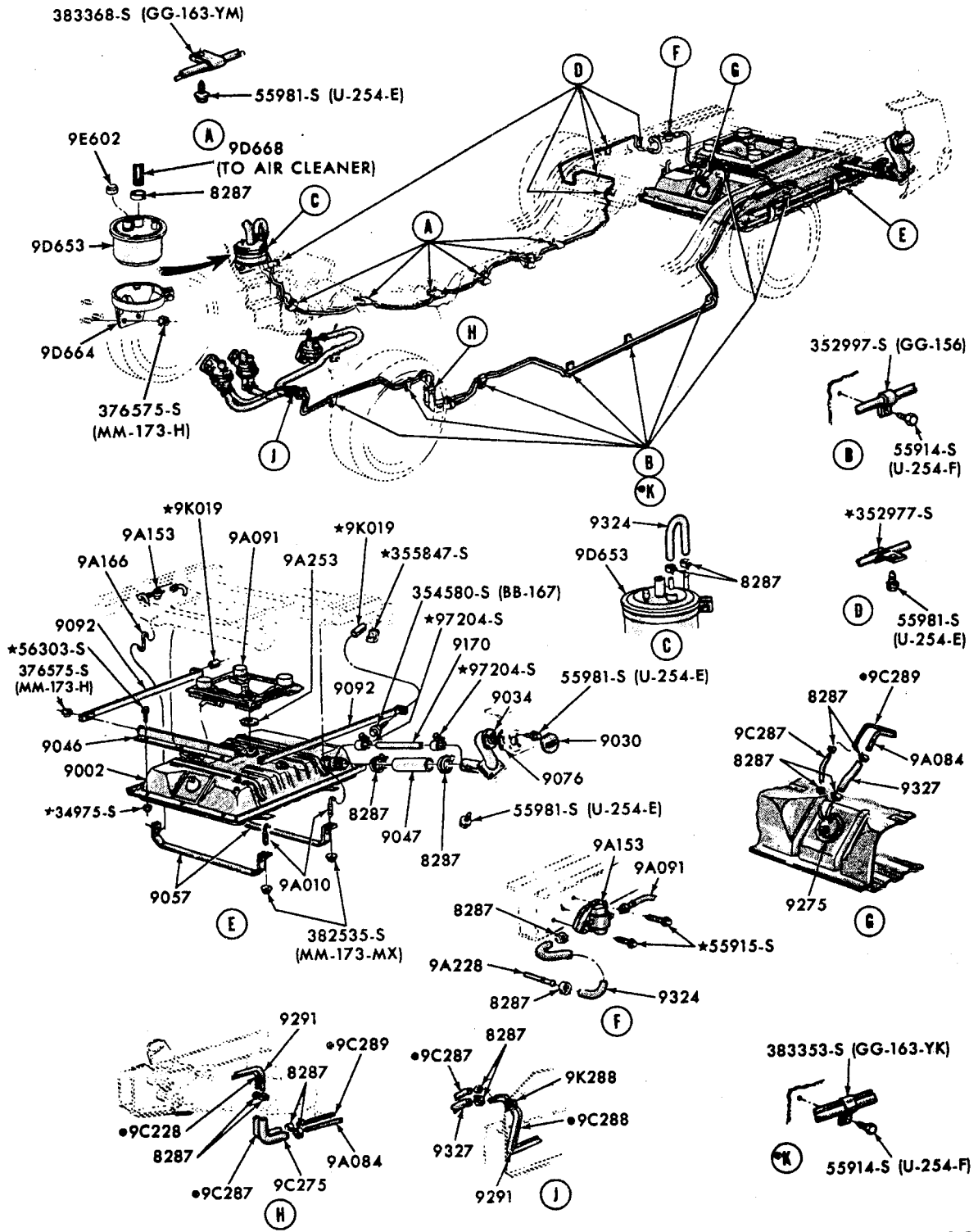
May, 1975

COPYRIGHT © 1975 - FORD MOTOR COMPANY - DEARBORN, MICHIGAN

FINAL ISSUE

**ILLUSTRATION  
SECTION 90**

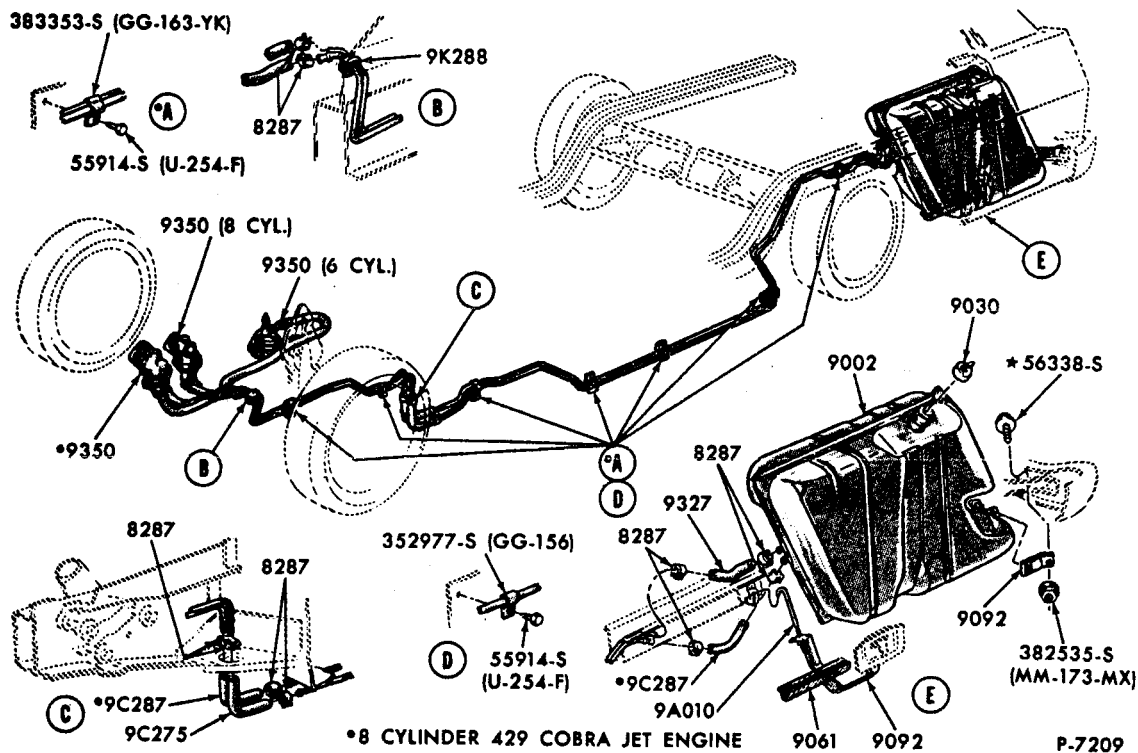
**FORD CAR PARTS**



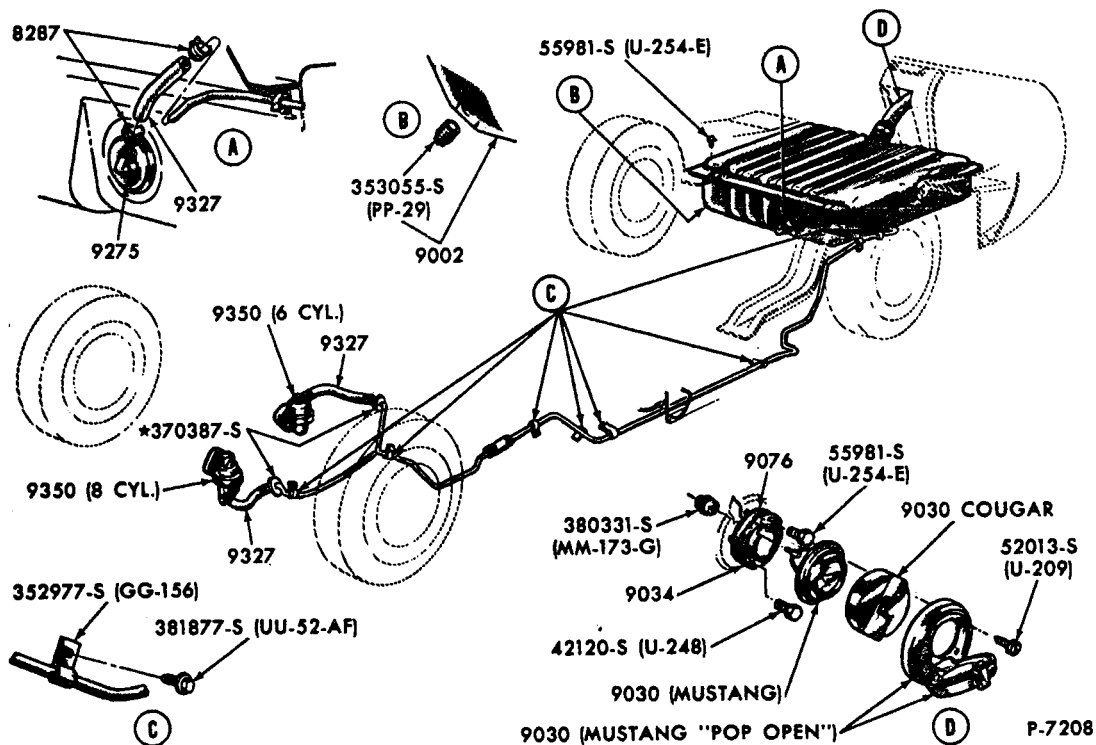
• 8 CYLINDER 429 COBRA JET ENGINE

P-7212

FUEL SYSTEM and RELATED PARTS--(WITH EVAPORATIVE EMISSION CONTROL)  
1970 FAIRLANE/TORINO - RANCHERO

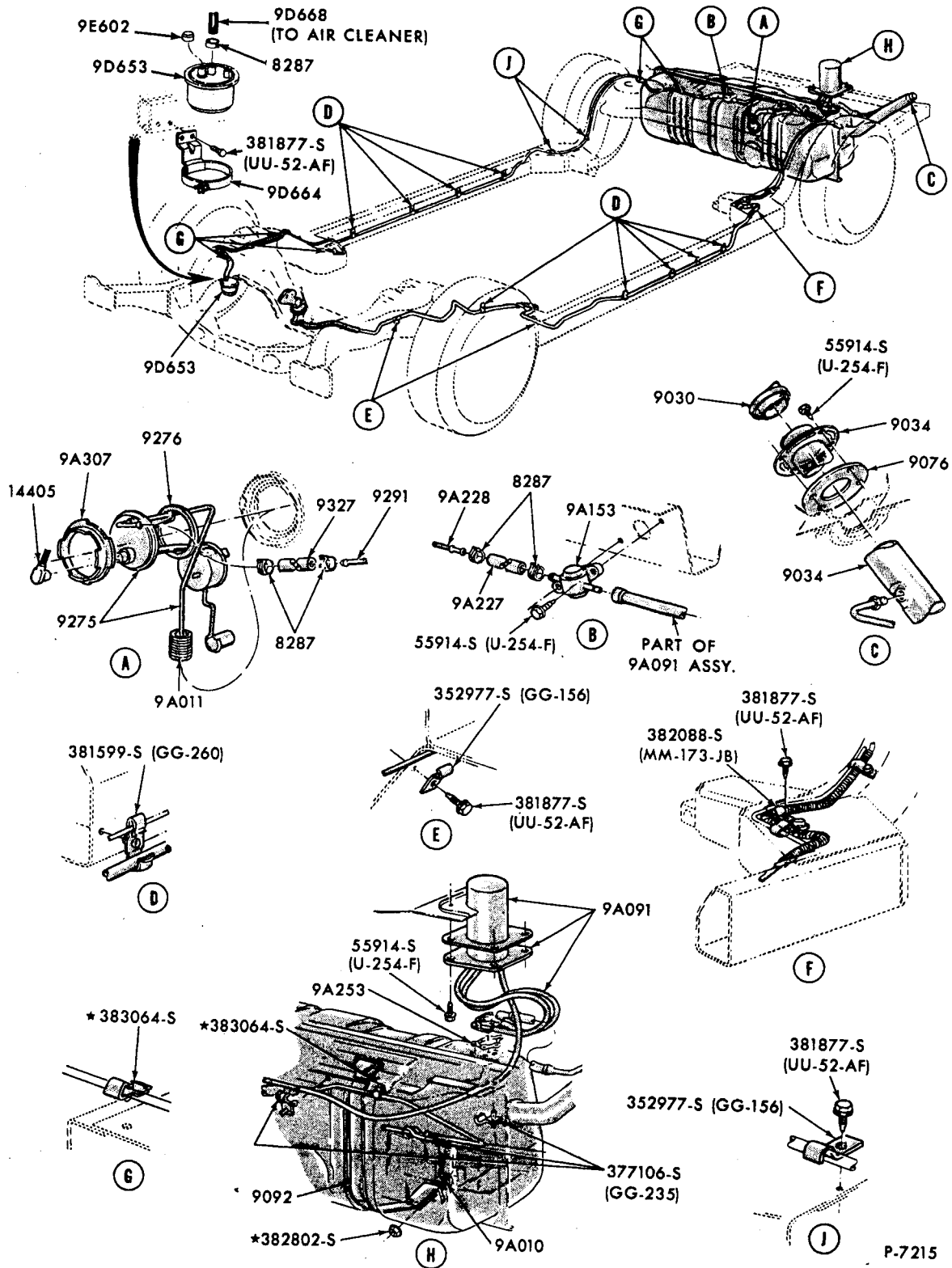


\*8 CYLINDER 429 COBRA JET ENGINE  
 FUEL SYSTEM and RELATED PARTS--(WITHOUT EVAPORATIVE EMISSION CONTROL)  
 1970 FAIRLANE/TORINO, FALCON - STATION WAGON



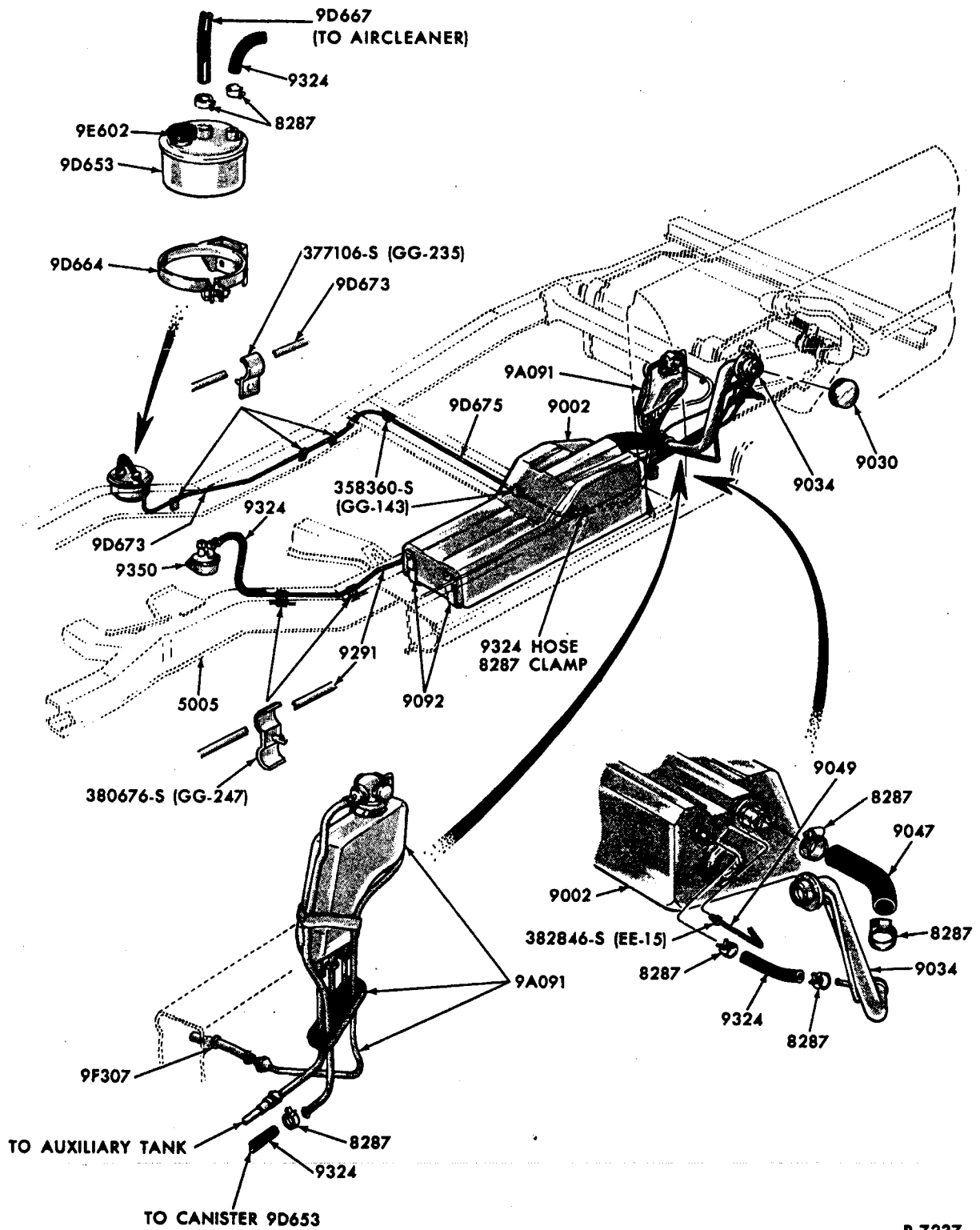
FUEL SYSTEM and RELATED PARTS--(WITHOUT EVAPORATIVE EMISSION CONTROL)  
 1970 MUSTANG





FUEL SYSTEM and RELATED PARTS--(WITH EVAPORATIVE EMISSION CONTROL)  
1970 THUNDERBIRD





P-7237

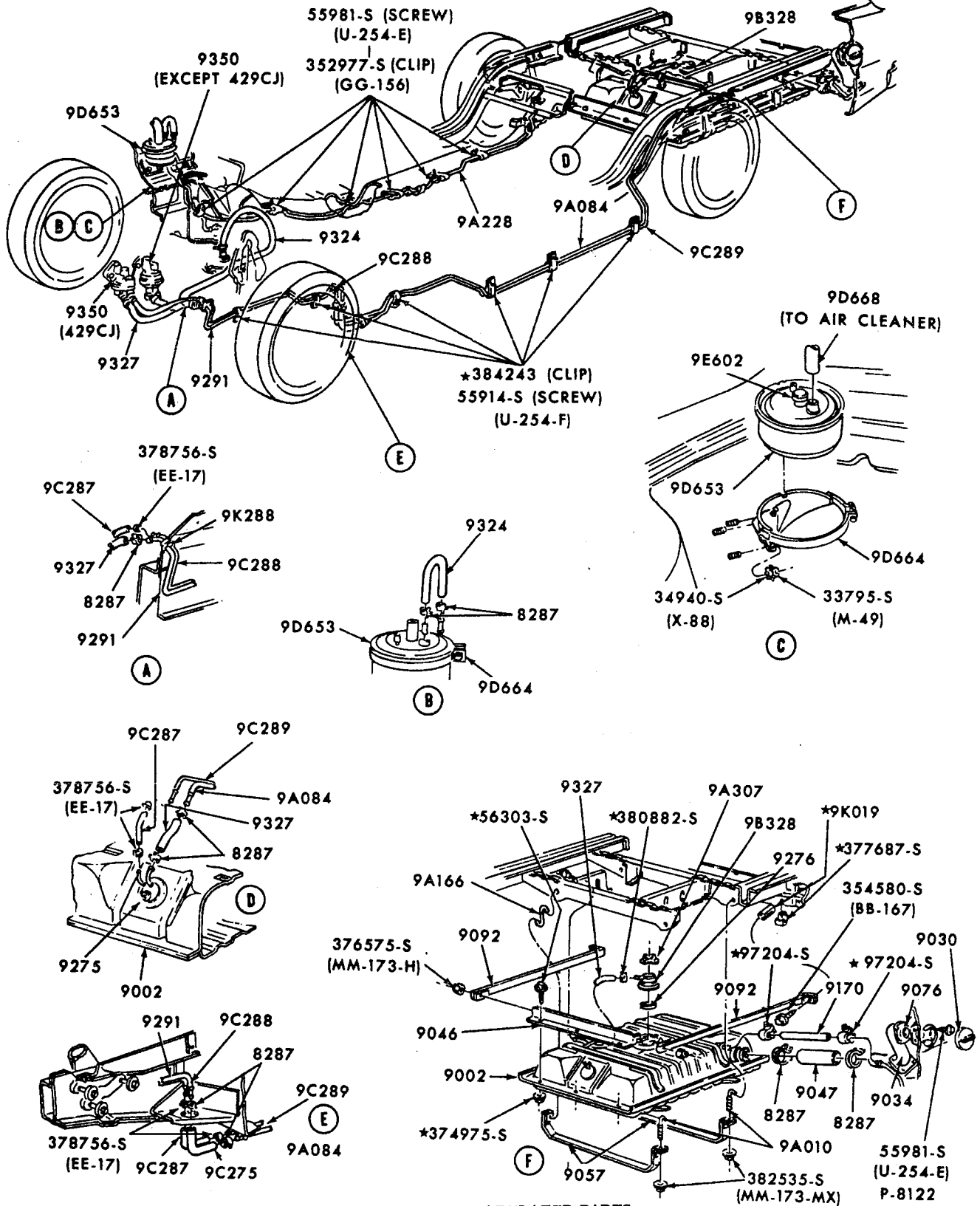
FUEL TANK - AUXILIARY and RELATED PARTS--(WITH EVAPORATIVE EMISSION CONTROL)  
1970/72 BRONCO



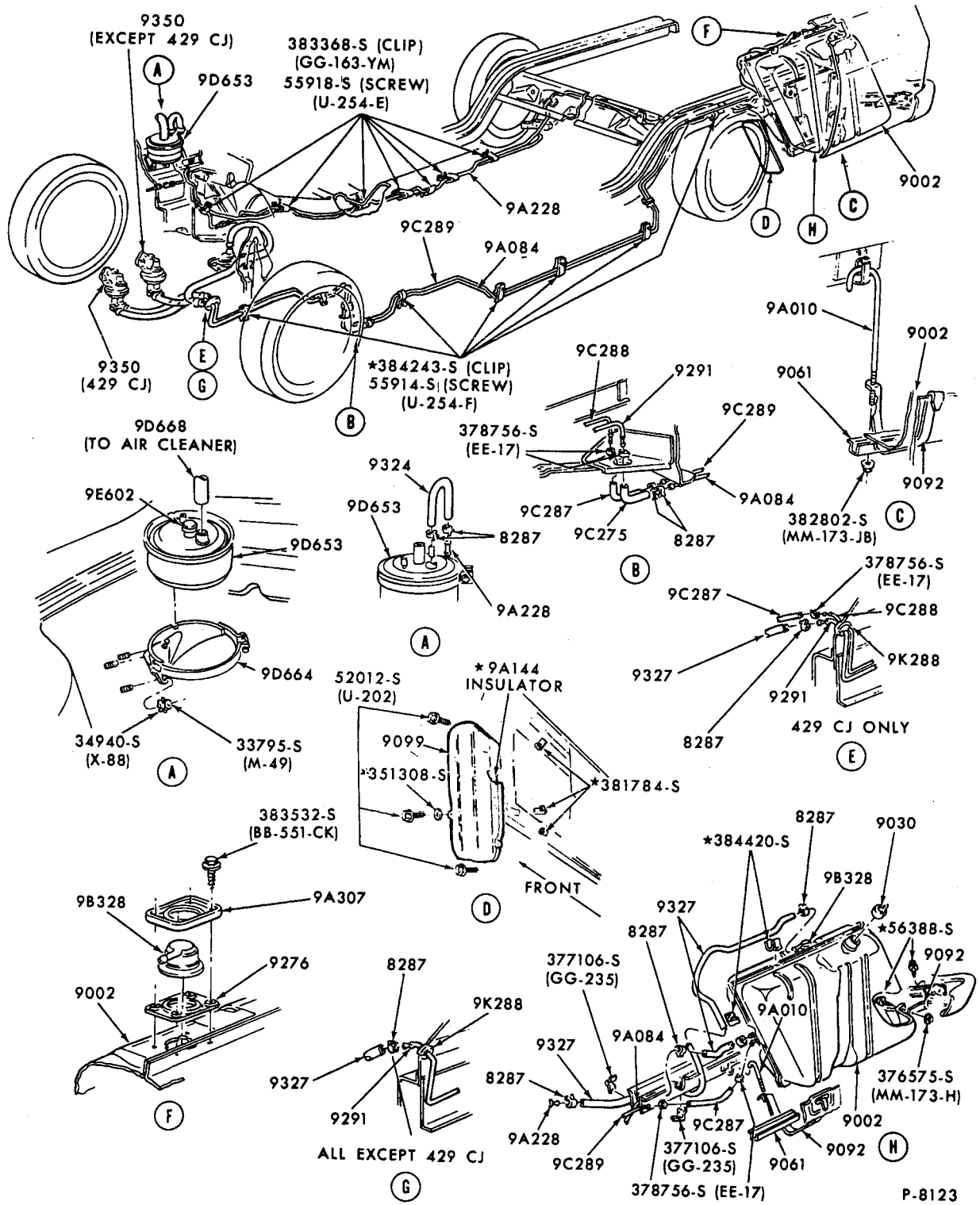




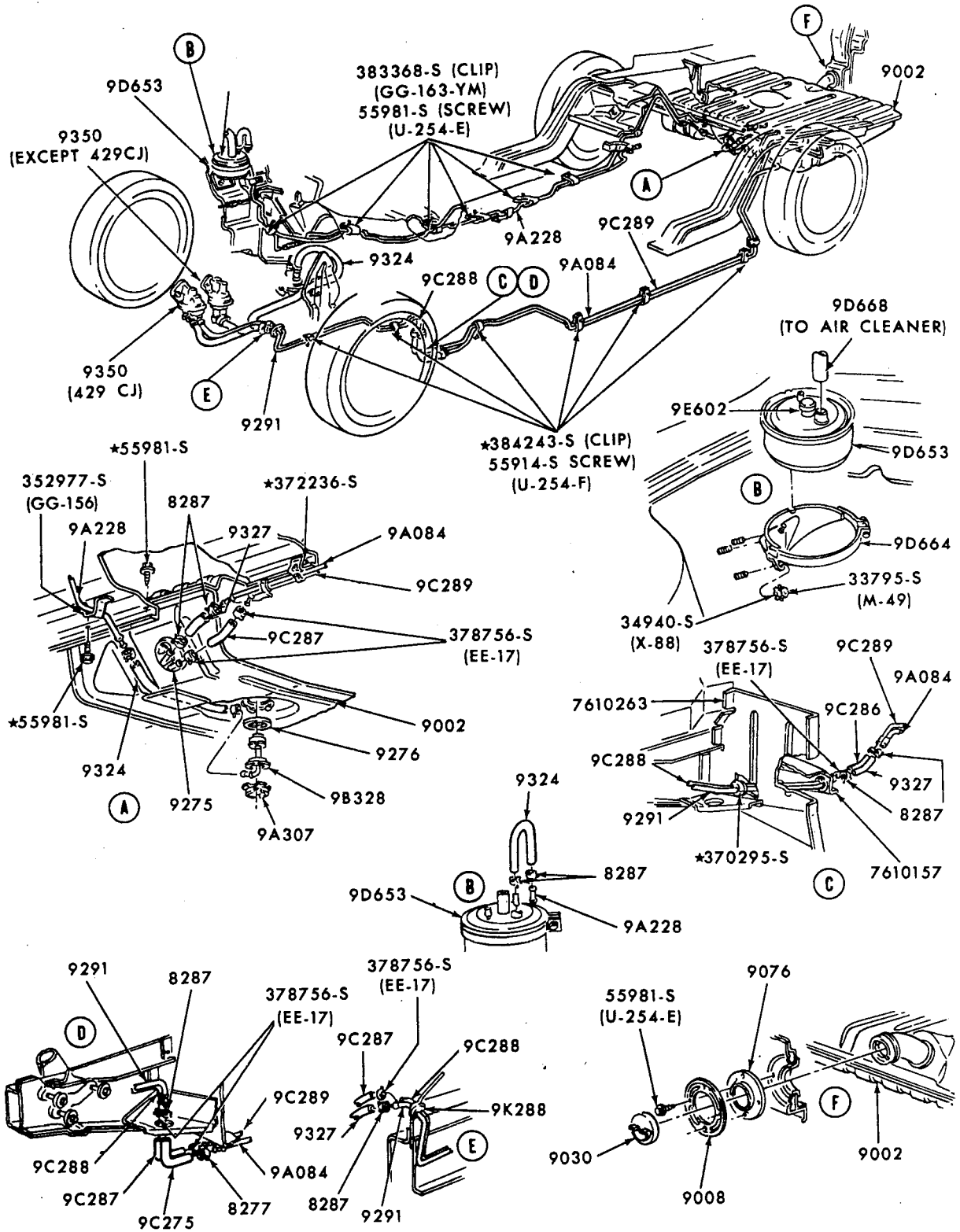




FUEL SYSTEM and RELATED PARTS  
1971 TORINO - RANCHERO

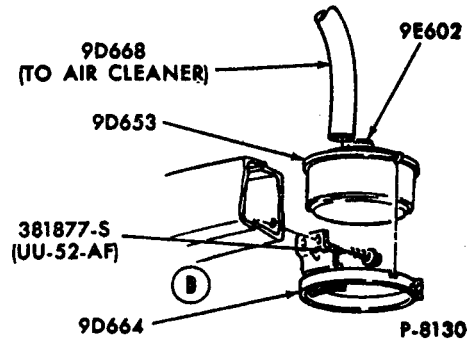
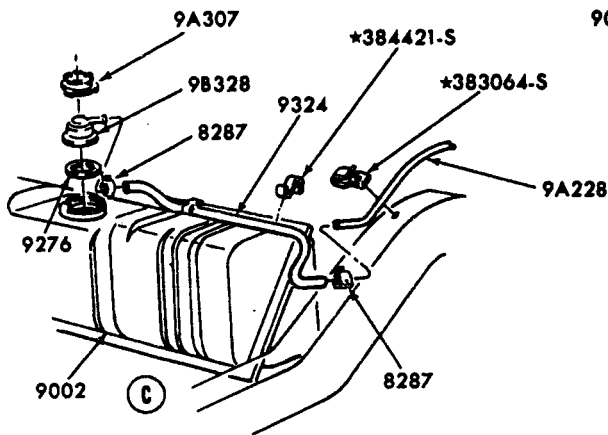
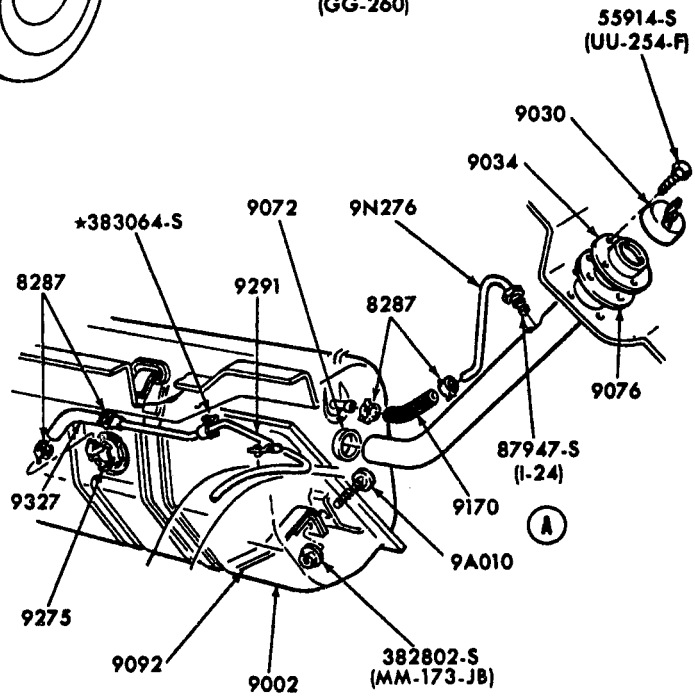
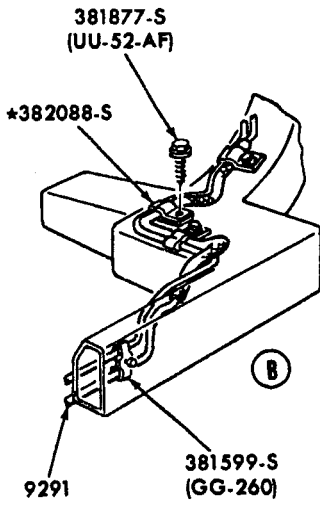
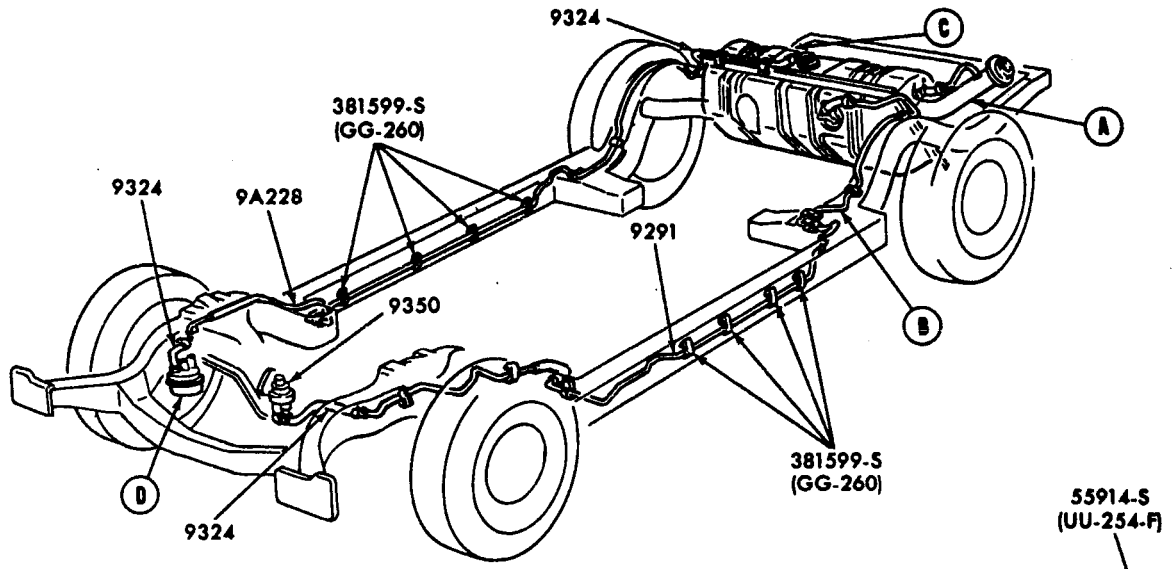


FUEL SYSTEM and RELATED PARTS  
1971 TORINO - STATION WAGON

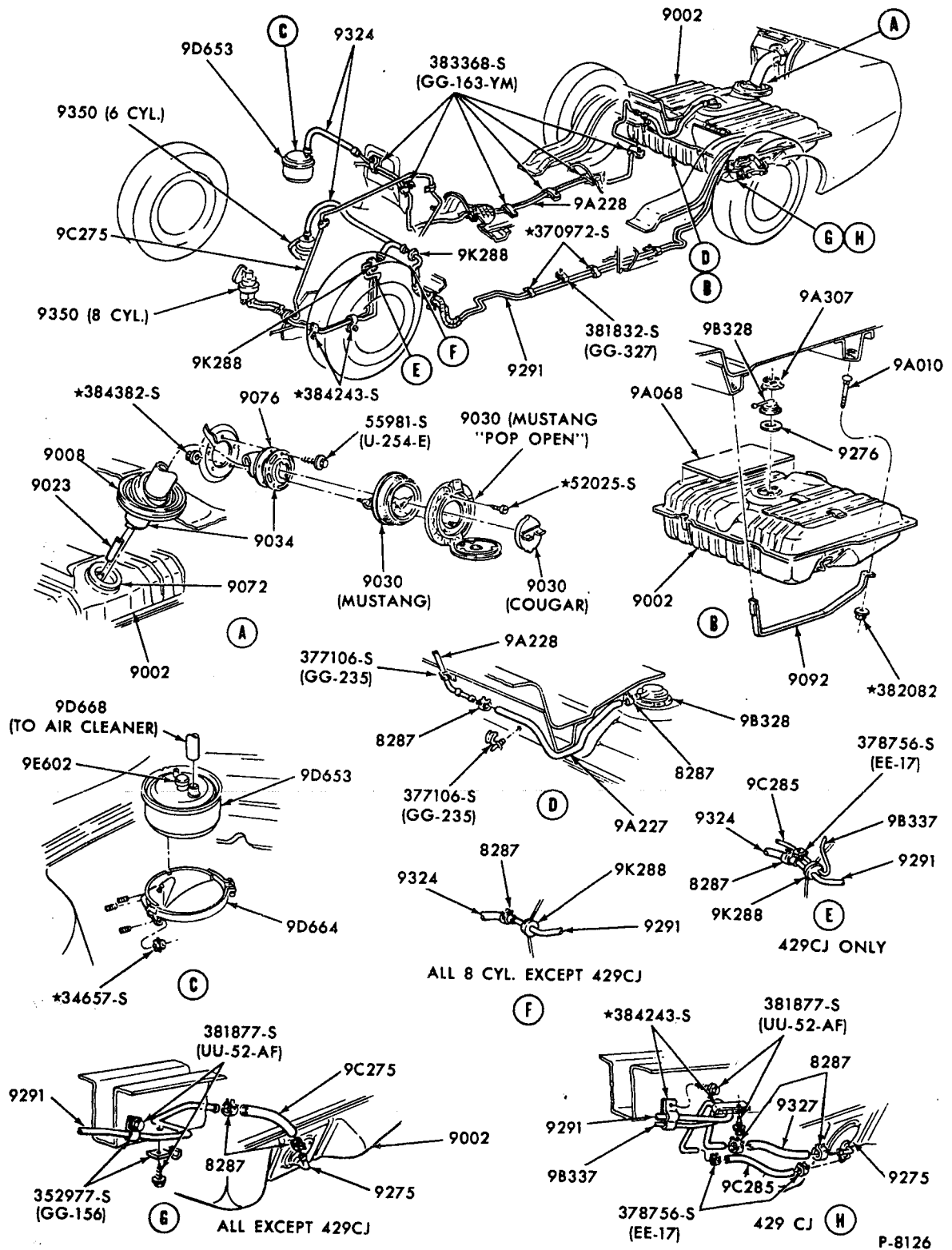


P-8124

FUEL SYSTEM and RELATED PARTS  
1971 TORINO - EXCEPT STATION WAGON & RANCHERO

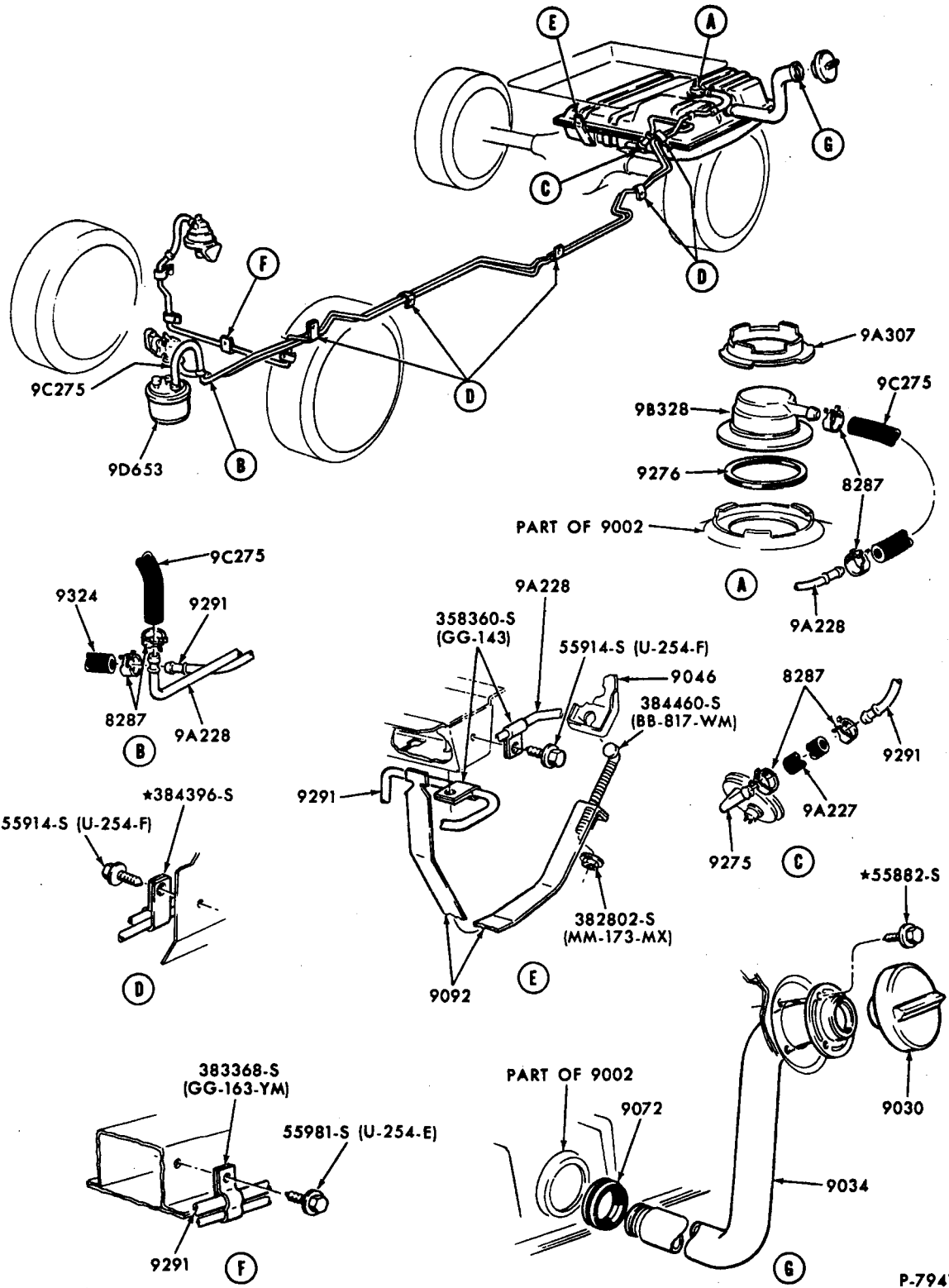


FUEL SYSTEM and RELATED PARTS  
1971 THUNDERBIRD



FUEL SYSTEM and RELATED PARTS  
1971/72 MUSTANG

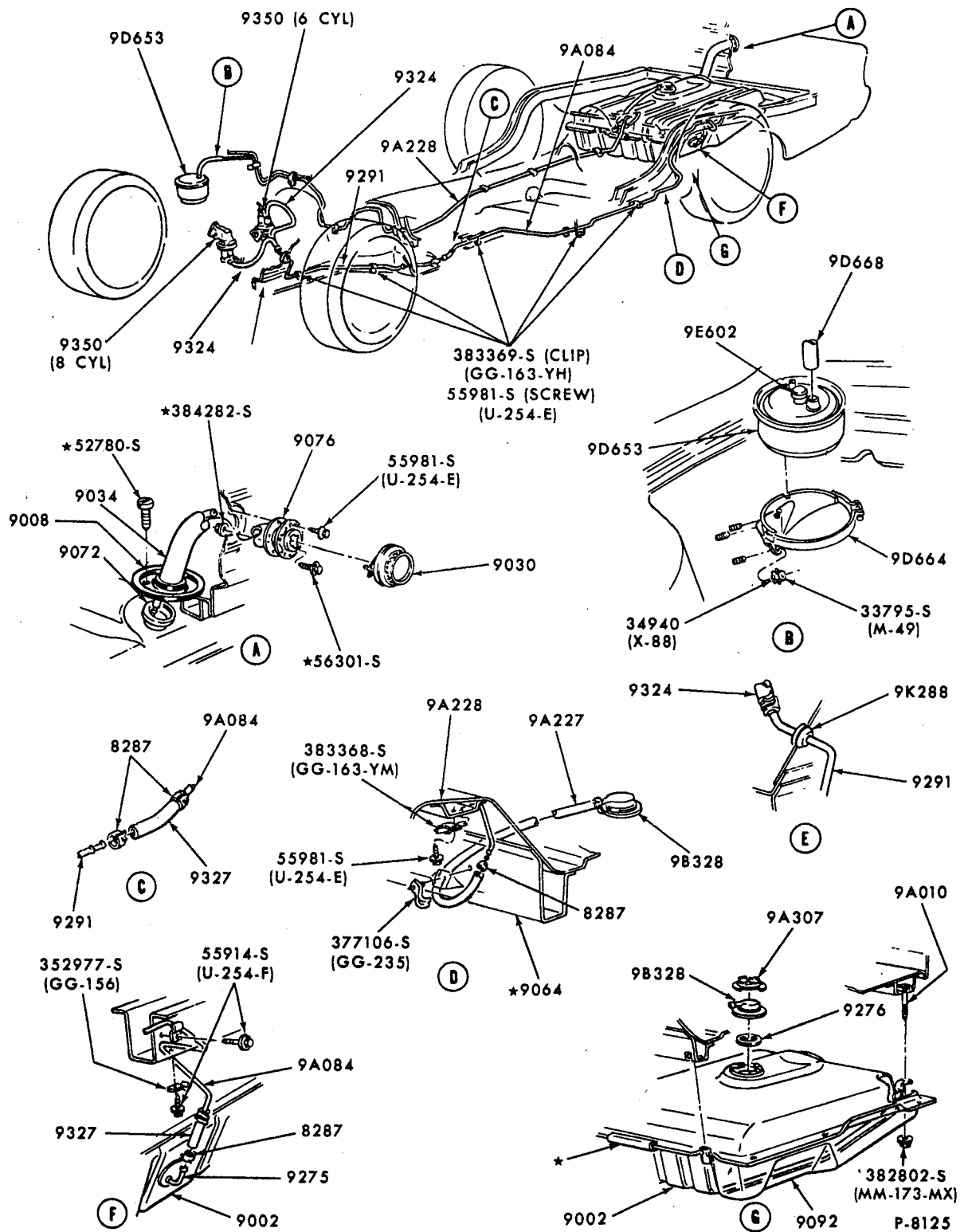




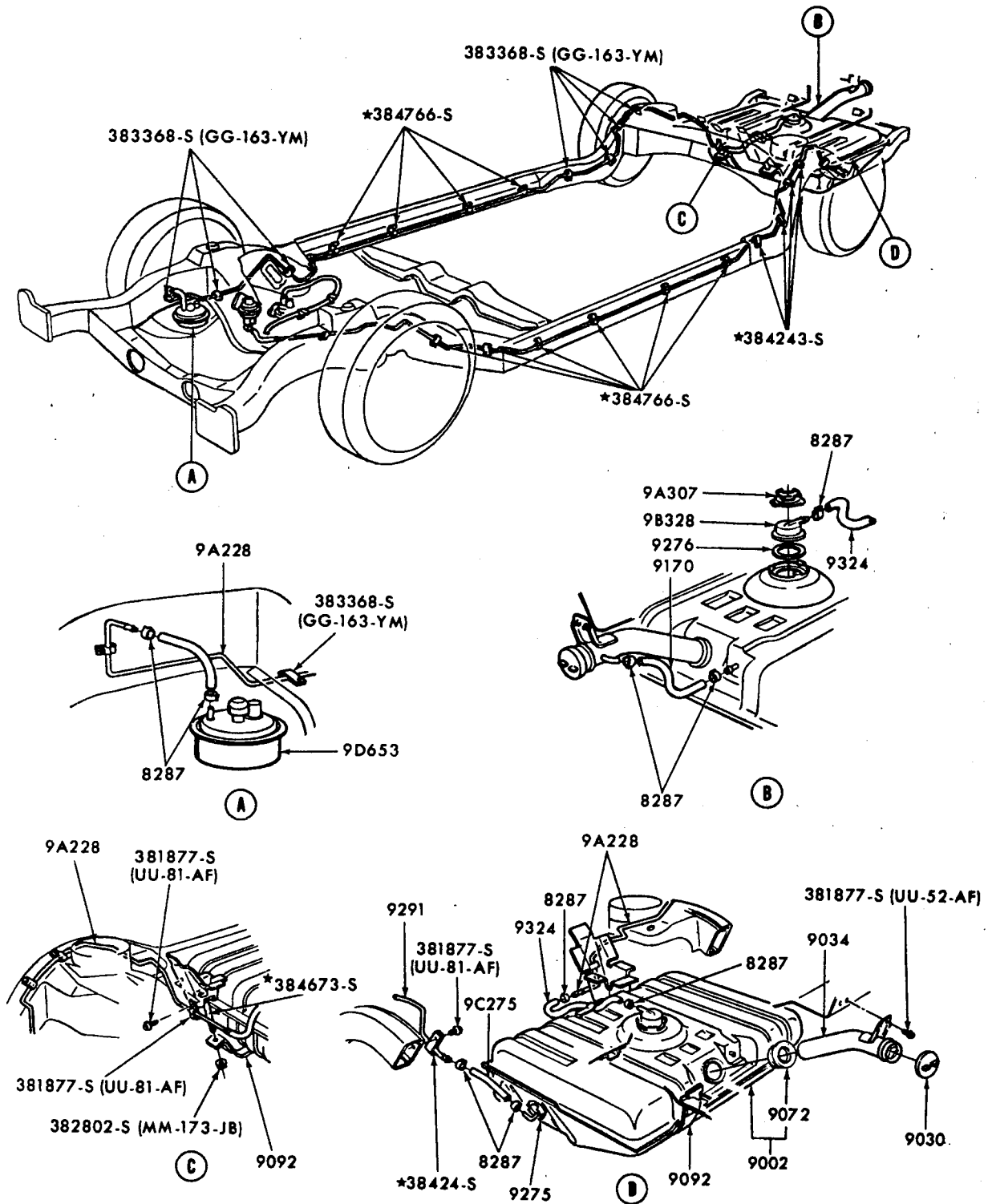
FUEL SYSTEM and RELATED PARTS

1971/72 PINTO

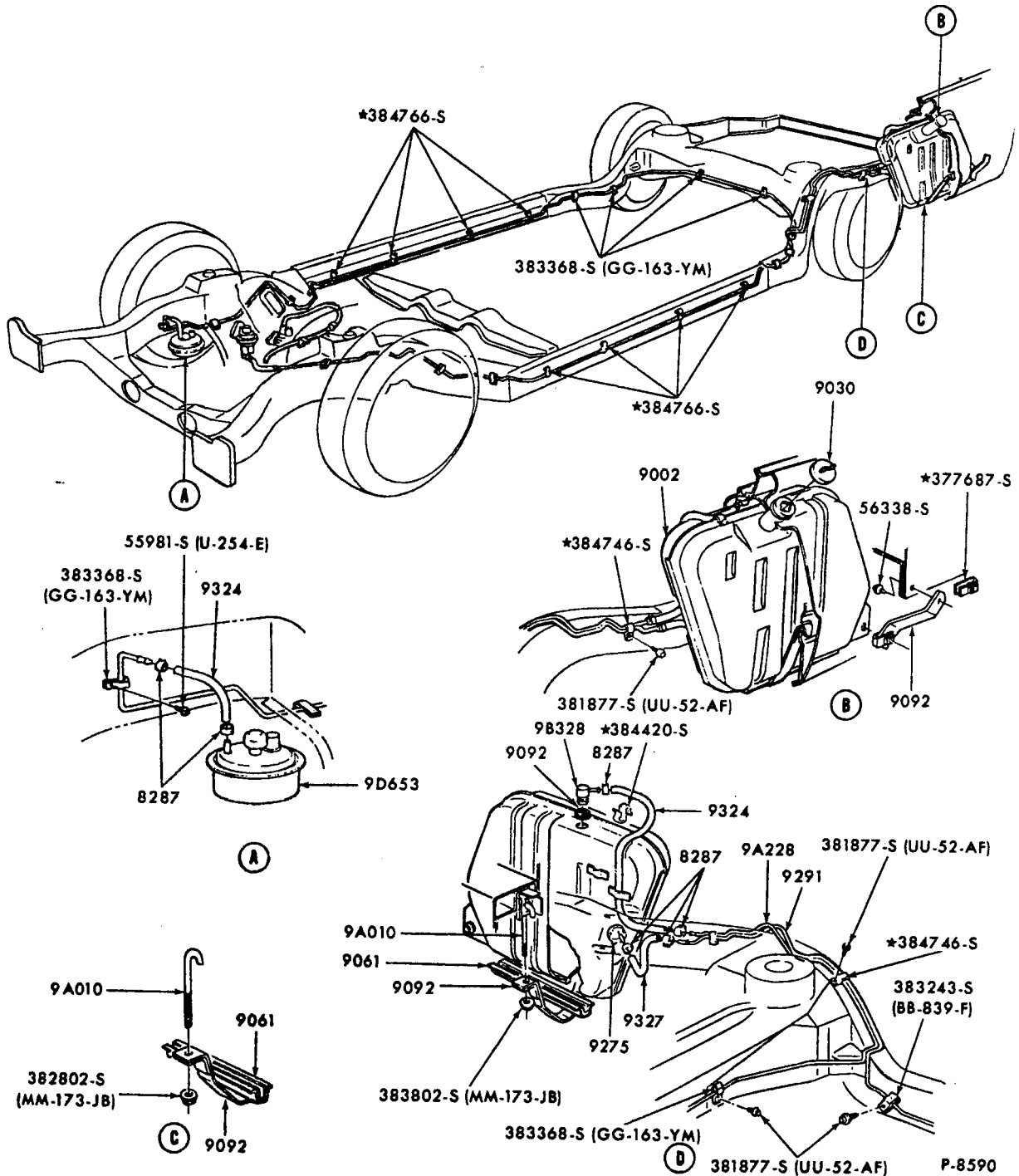
P-7941



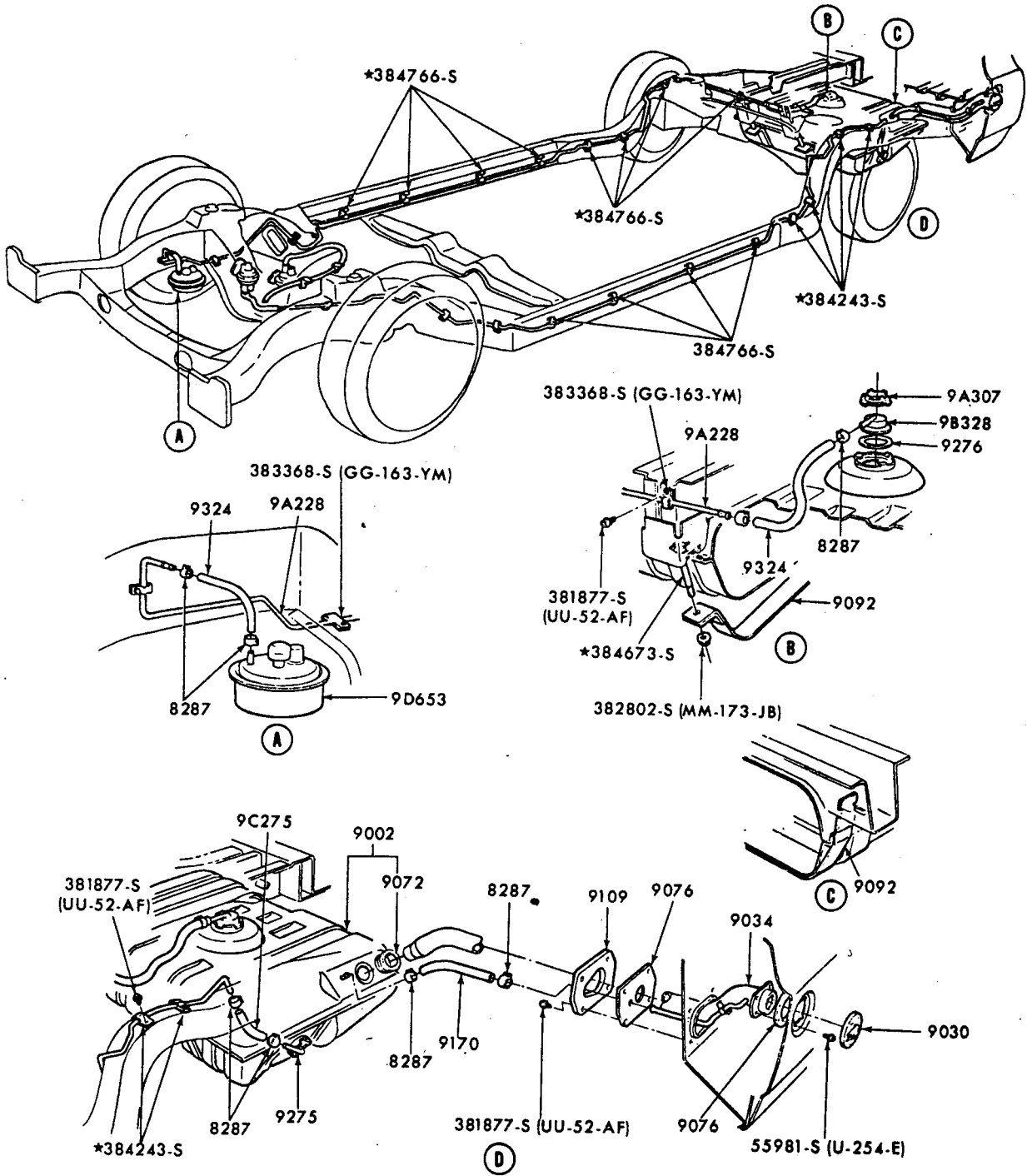
FUEL SYSTEM and RELATED PARTS  
1971/72 MAVERICK



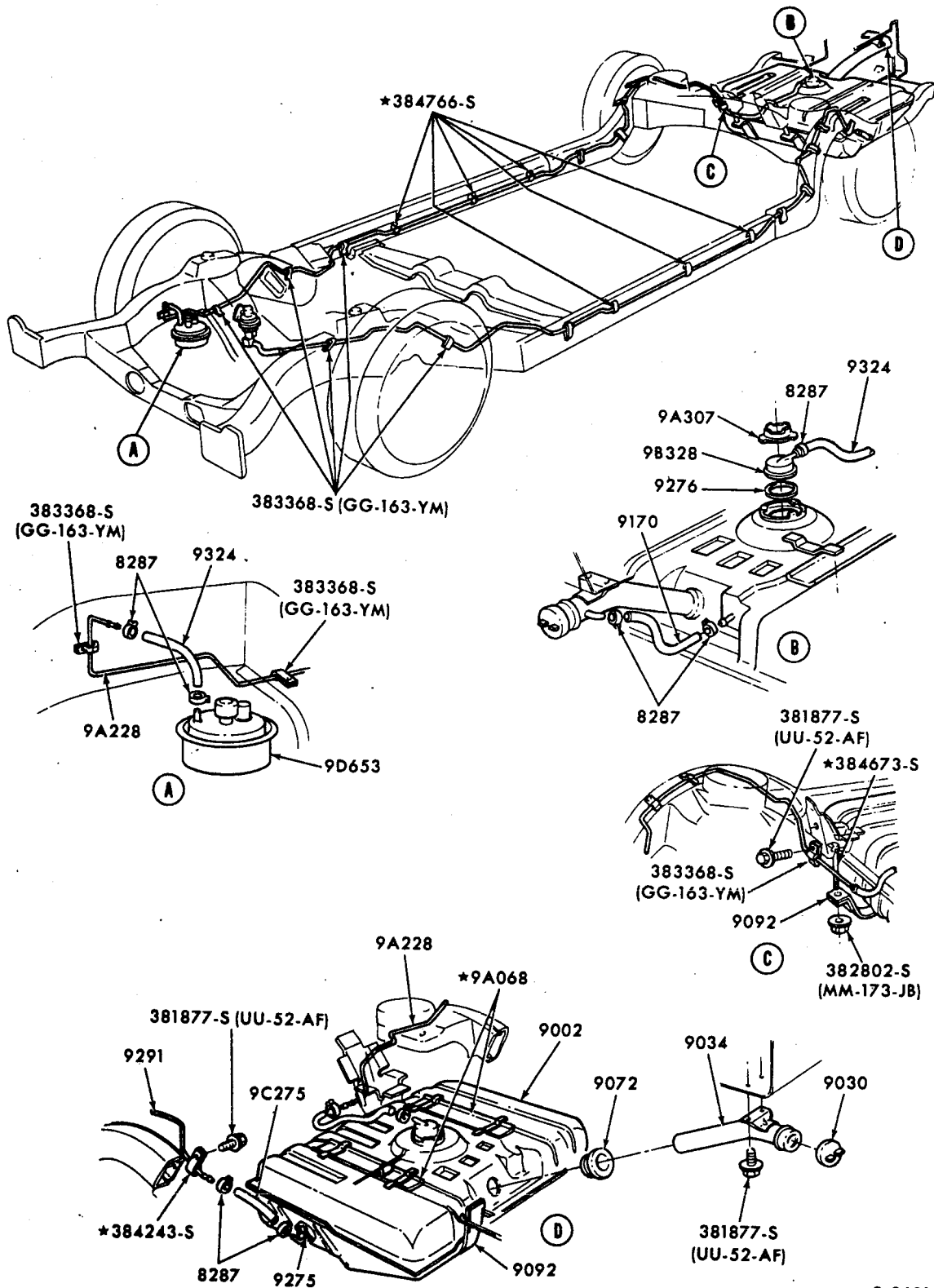
P-8589



FUEL SYSTEM and RELATED PARTS  
1972 TORINO - BODY TYPE 71

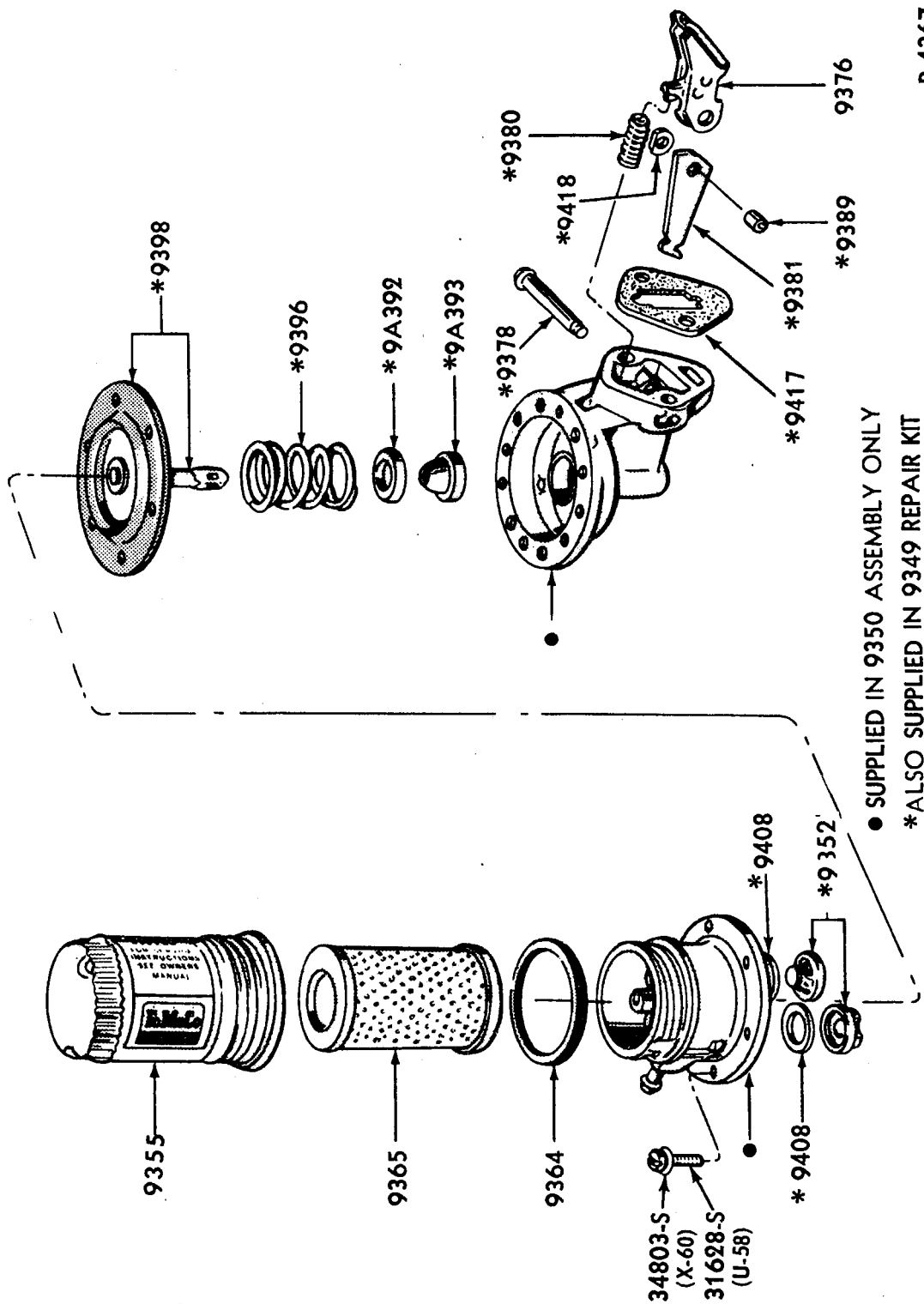


P-8591



P-8681

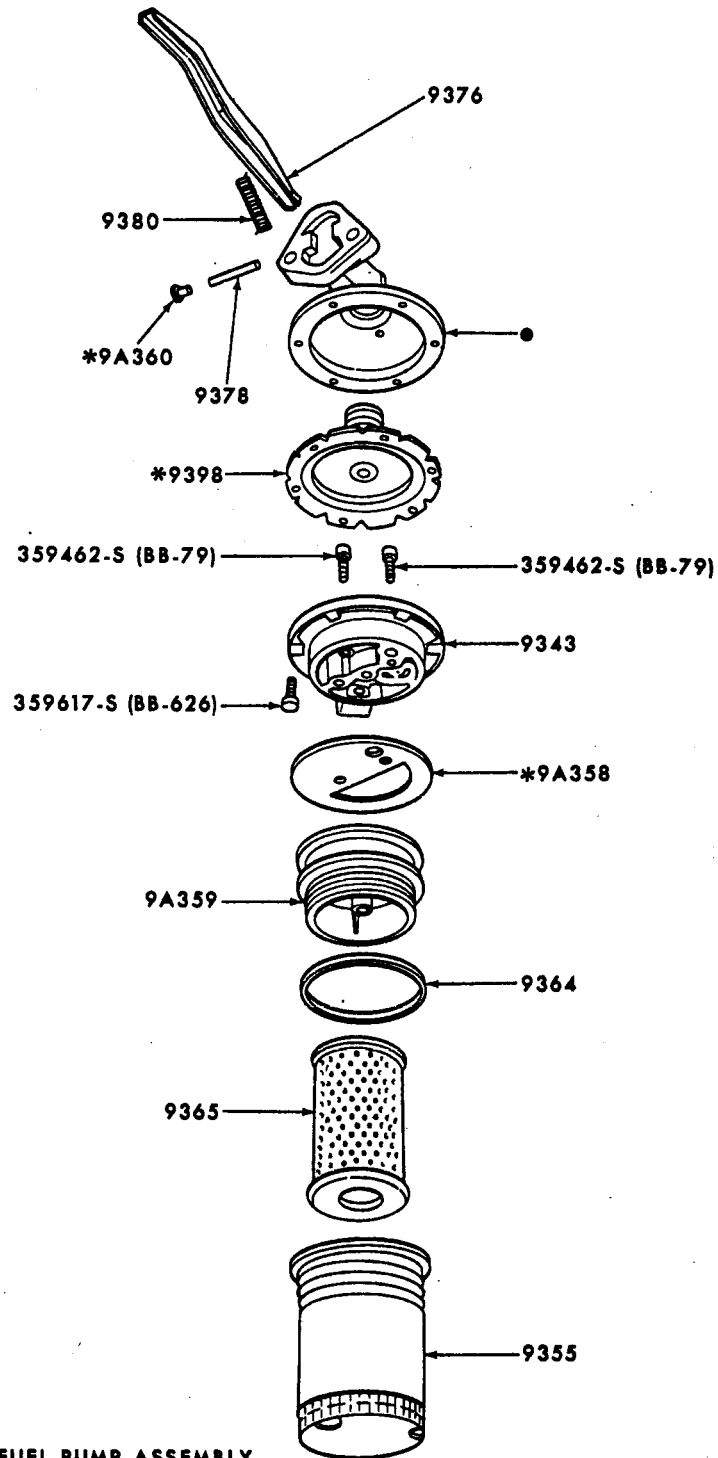
FUEL SYSTEM and RELATED PARTS  
1972 THUNDERBIRD



● SUPPLIED IN 9350 ASSEMBLY ONLY  
 \*ALSO SUPPLIED IN 9349 REPAIR KIT

P-4367

FUEL PUMP and FILTER ASSY.  
 1965 (6 CYLINDER 170, 200, 240 ENGINES)

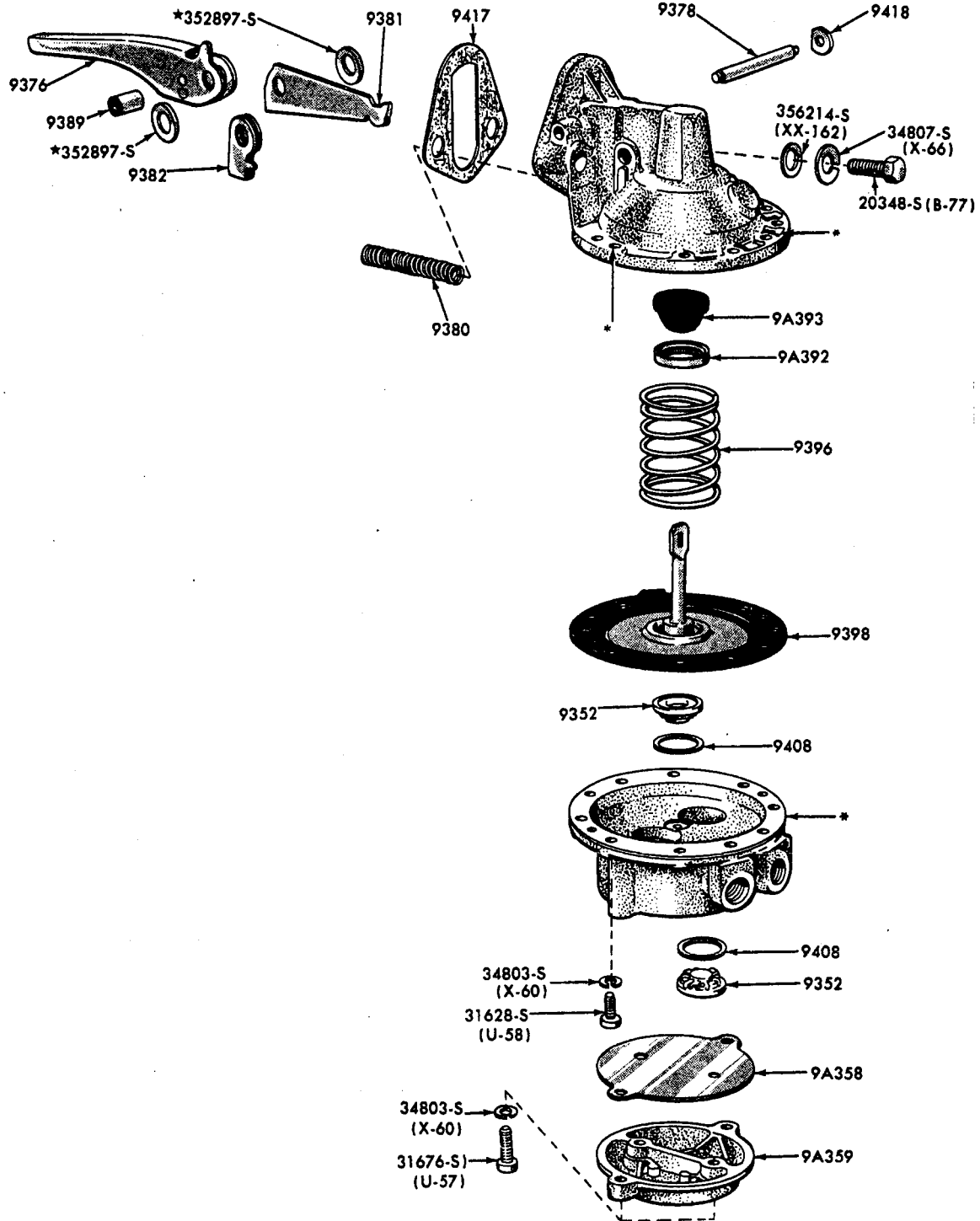


● SUPPLIED IN 9350 FUEL PUMP ASSEMBLY  
\*ALSO SUPPLIED IN 9349 REPAIR KIT

P-3715

FUEL PUMP and FILTER  
1965 (8 CYLINDER 260, 289, 352, 390 ENGINES EXCEPT SPECIAL)  
1966 THUNDERBIRD (8 CYLINDER 390, 428 ENGINES)





\*SUPPLIED IN 9350 FUEL PUMP ASSEMBLY

P-3306

FUEL PUMP

1965/71 FORD (8 CYLINDER 352, 390, 427 ENGINES - SPECIAL with 4V, 6V or 8V CARB.)

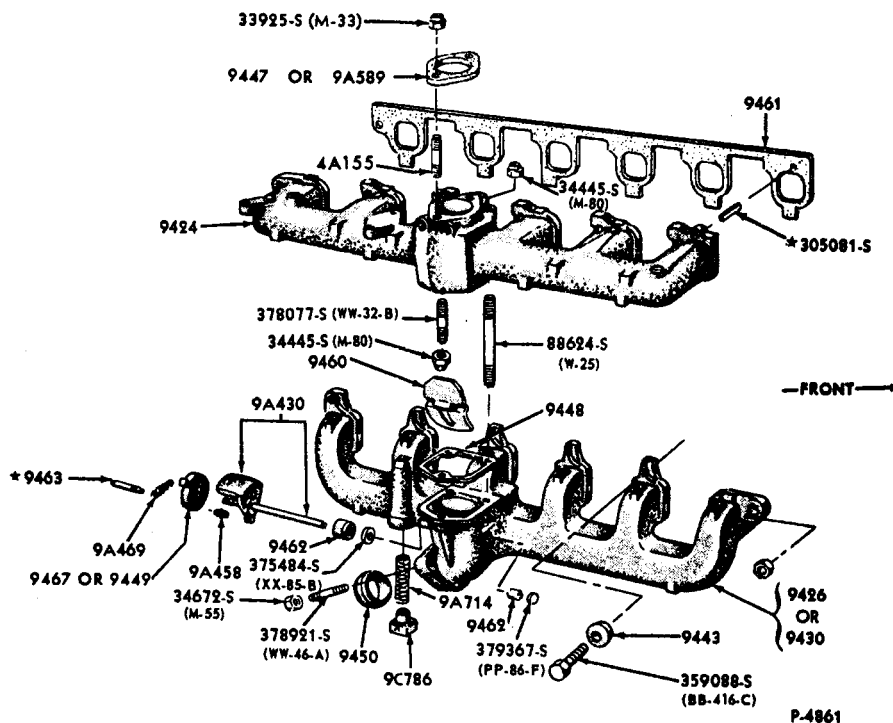
May, 1975

COPYRIGHT © 1975—

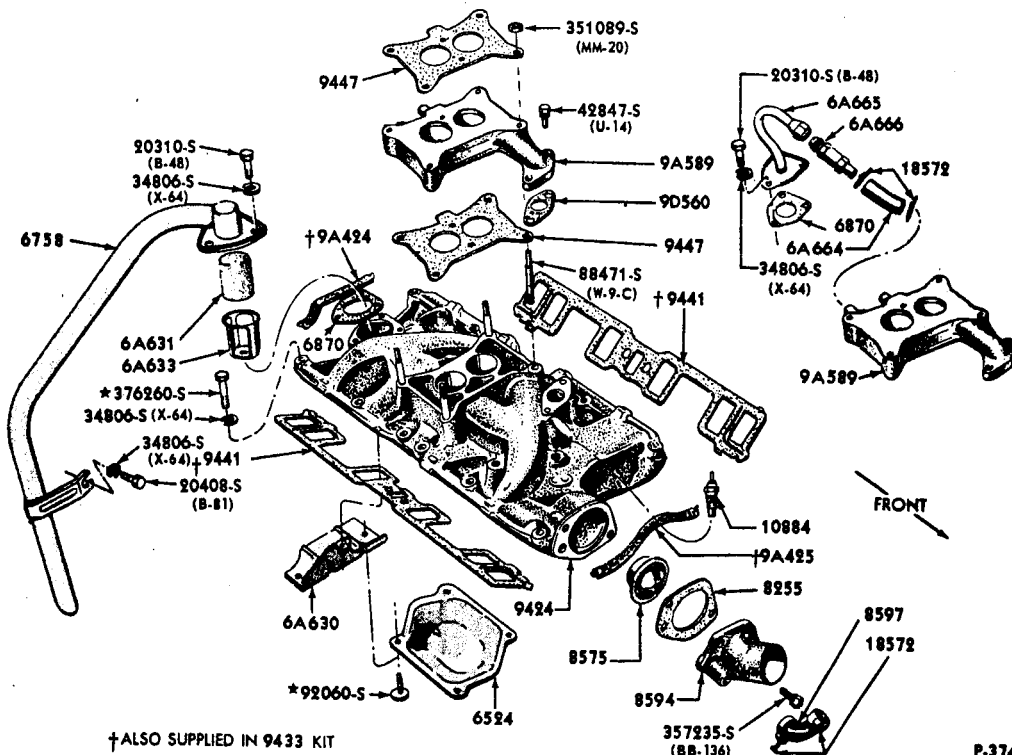
FORD MOTOR COMPANY

—DEARBORN, MICHIGAN

FINAL ISSUE



MANIFOLD and RELATED PARTS  
1965/ (6 CYLINDER 240 ENGINES)

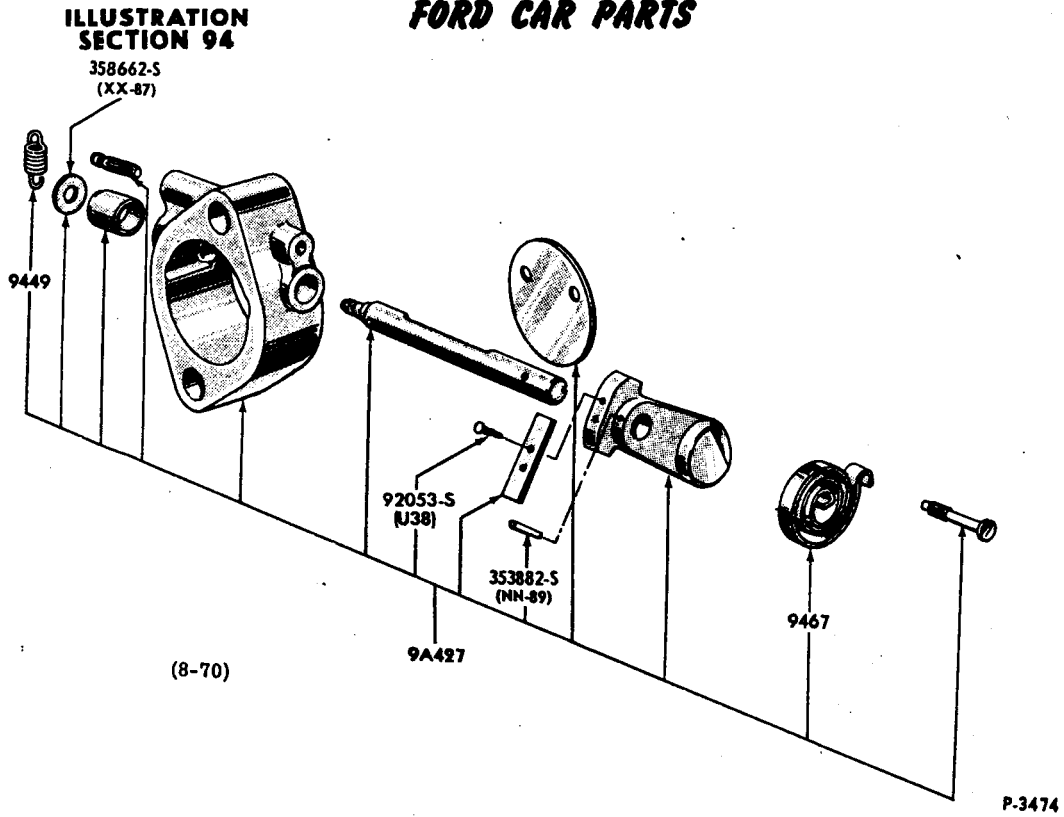


USED WITH  
EMISSION  
REDUCTION

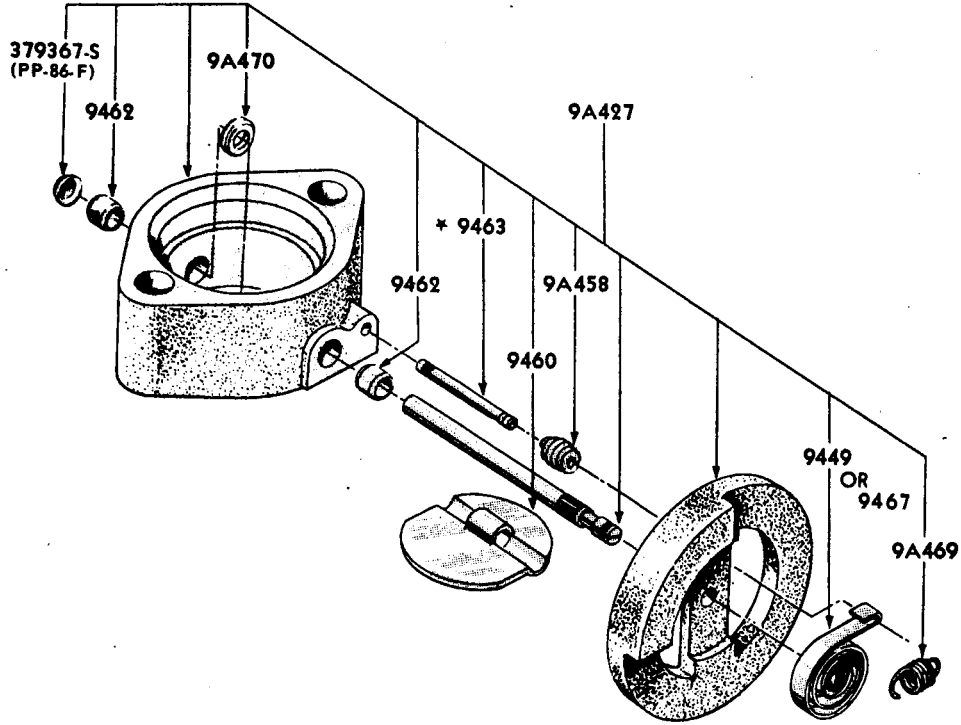
† ALSO SUPPLIED IN 9433 KIT

MANIFOLD and RELATED PARTS - INTAKE  
1965/72 (8 CYLINDER 260, 289, 302 ENGINES)-TYPICAL

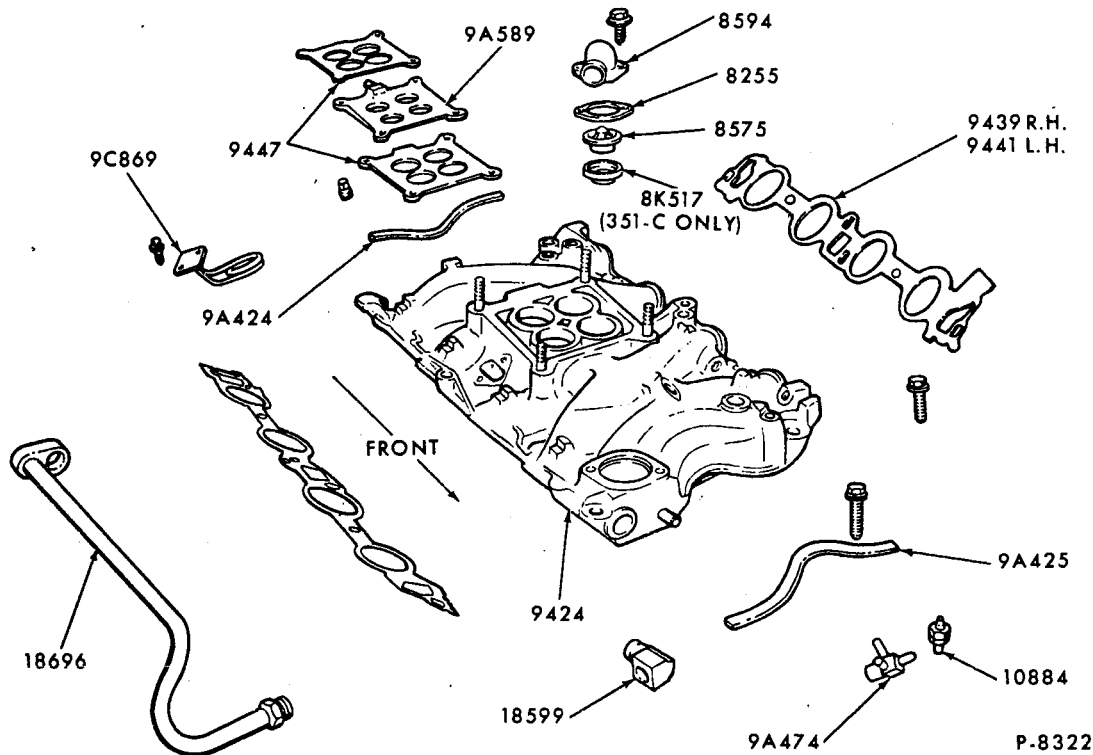
# FORD CAR PARTS



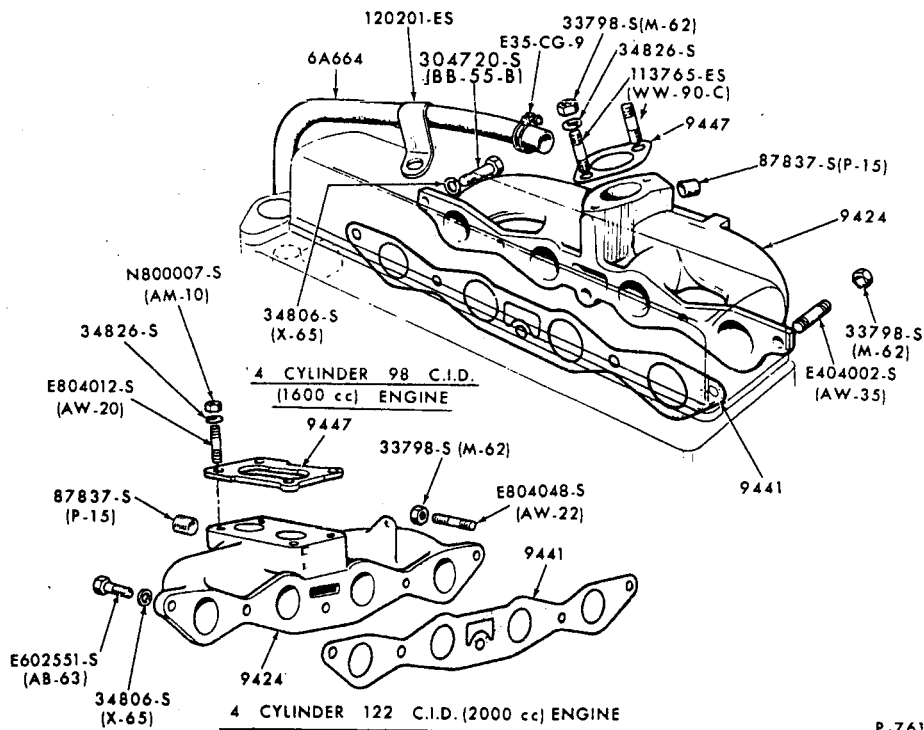
VALVE ASSY.  
(EXHAUST THERMOSTAT CONTROL) - 8 CYLINDER (ARM COUNTERWEIGHT) - TYPICAL



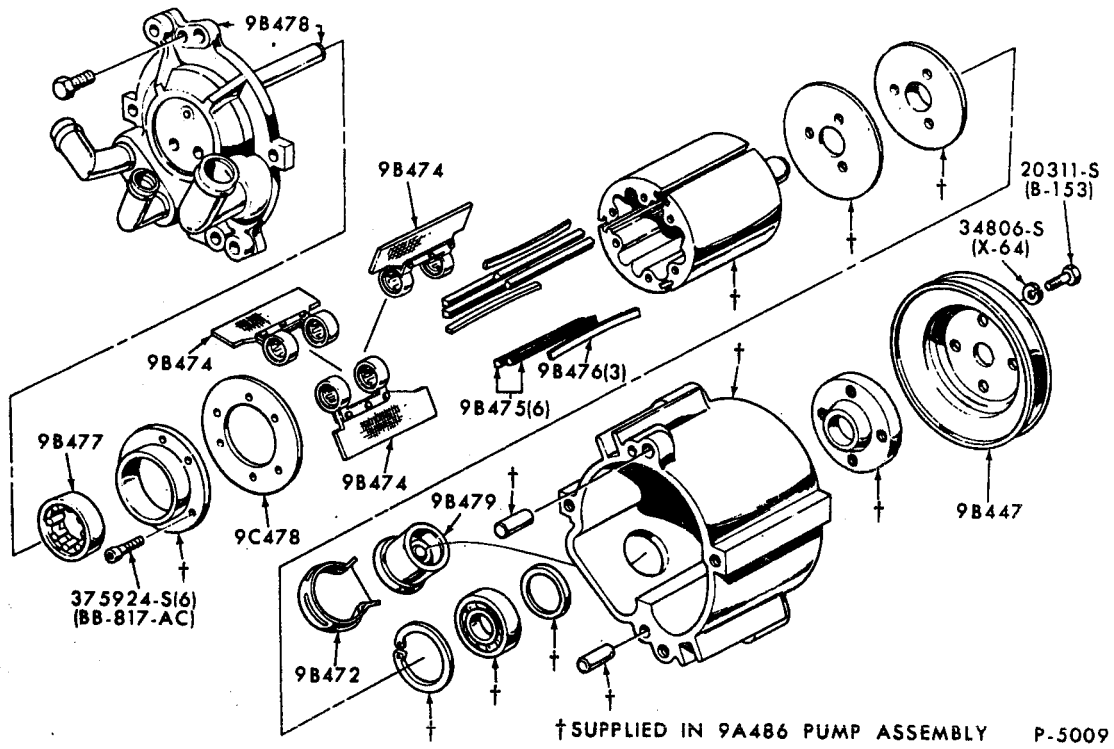
VALVE ASSY.  
(EXHAUST THERMOSTAT CONTROL)-8 CYLINDER (WHEEL TYPE COUNTERWEIGHT)-TYPICAL



MANIFOLD and RELATED PARTS - INTAKE  
1968/72 (8 CYL. 351, 400, 429, 460 ENGINES)

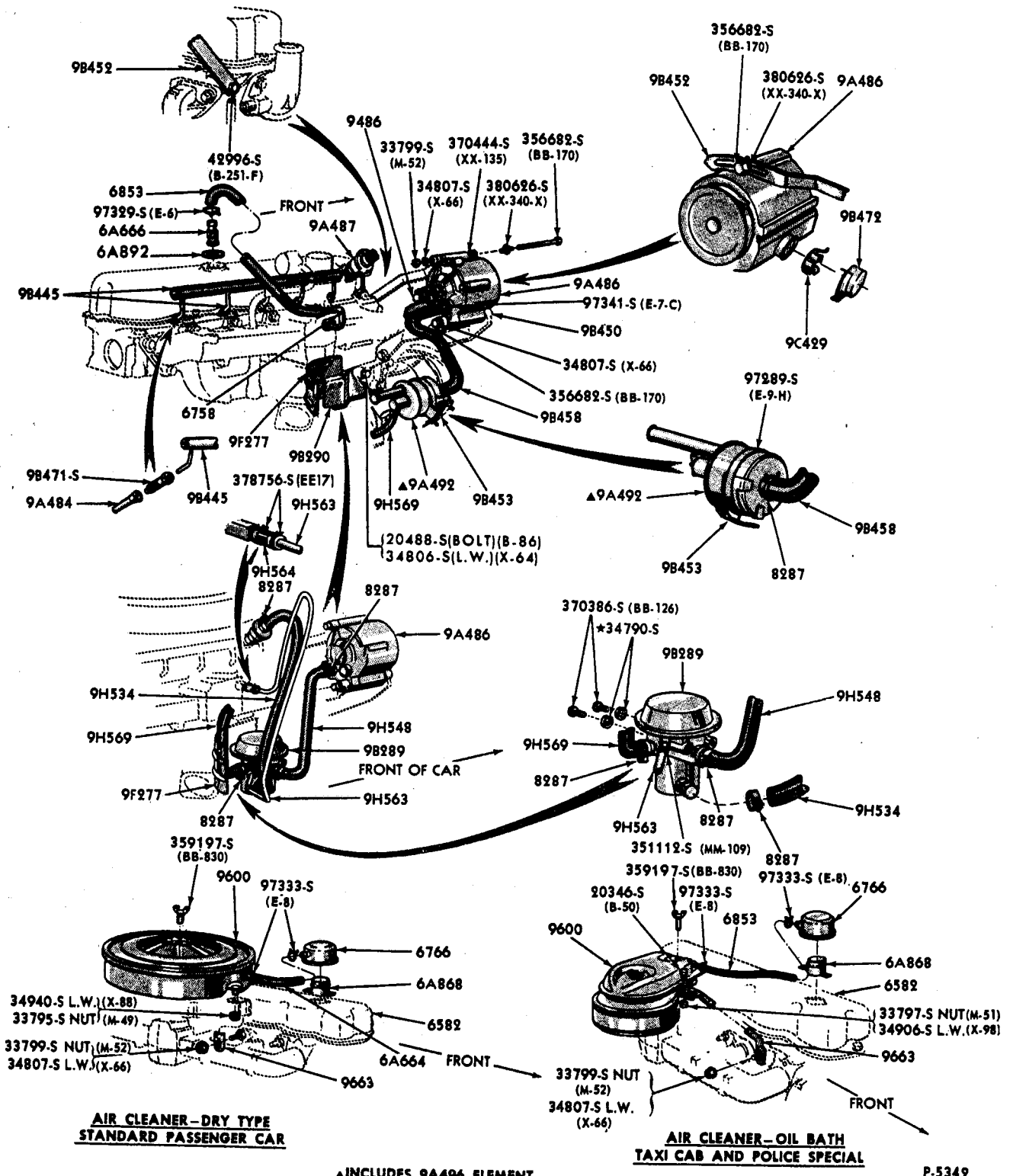


MANIFOLD and RELATED PARTS - INTAKE  
1971/72 PINTO



EXHAUST AIR SUPPLY PUMP - THERMACTOR EMISSION CONTROL SYSTEM  
1966/67 ( 6 & 8 CYLINDER ENGINES )





**AIR CLEANER - DRY TYPE  
STANDARD PASSENGER CAR**

**AIR CLEANER - OIL BATH  
TAXI CAB AND POLICE SPECIAL**

INCLUDES 9A496 ELEMENT

P-5342

THERMATOR EMISSION CONTROL SYSTEM - EXCEPT INTAKE MANIFOLD TYPE  
1966/67 FORD (6 CYLINDER 240 ENGINE)

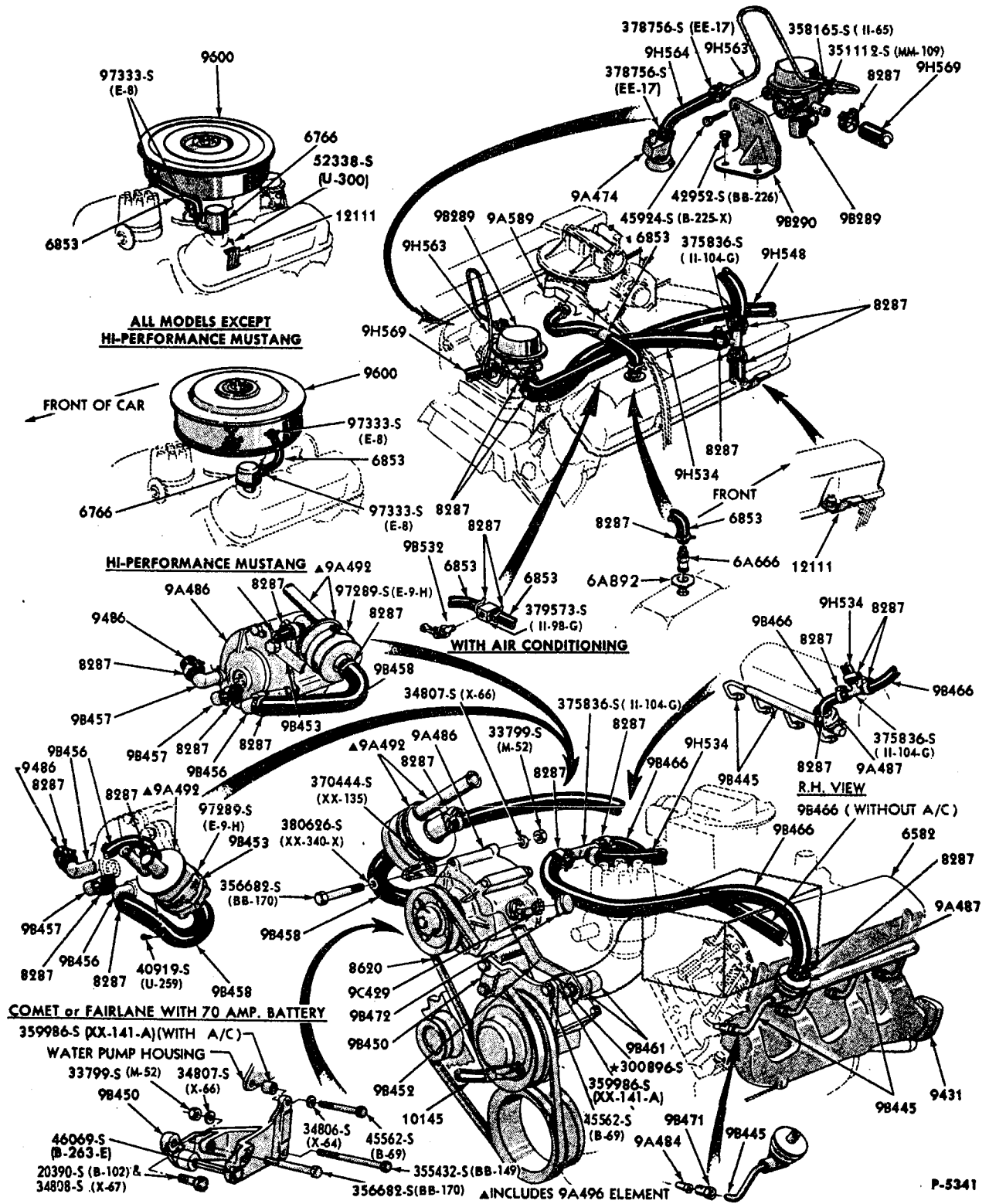
May, 1975

COPYRIGHT © 1975 - FORD MOTOR COMPANY - DEARBORN, MICHIGAN

FINAL ISSUE







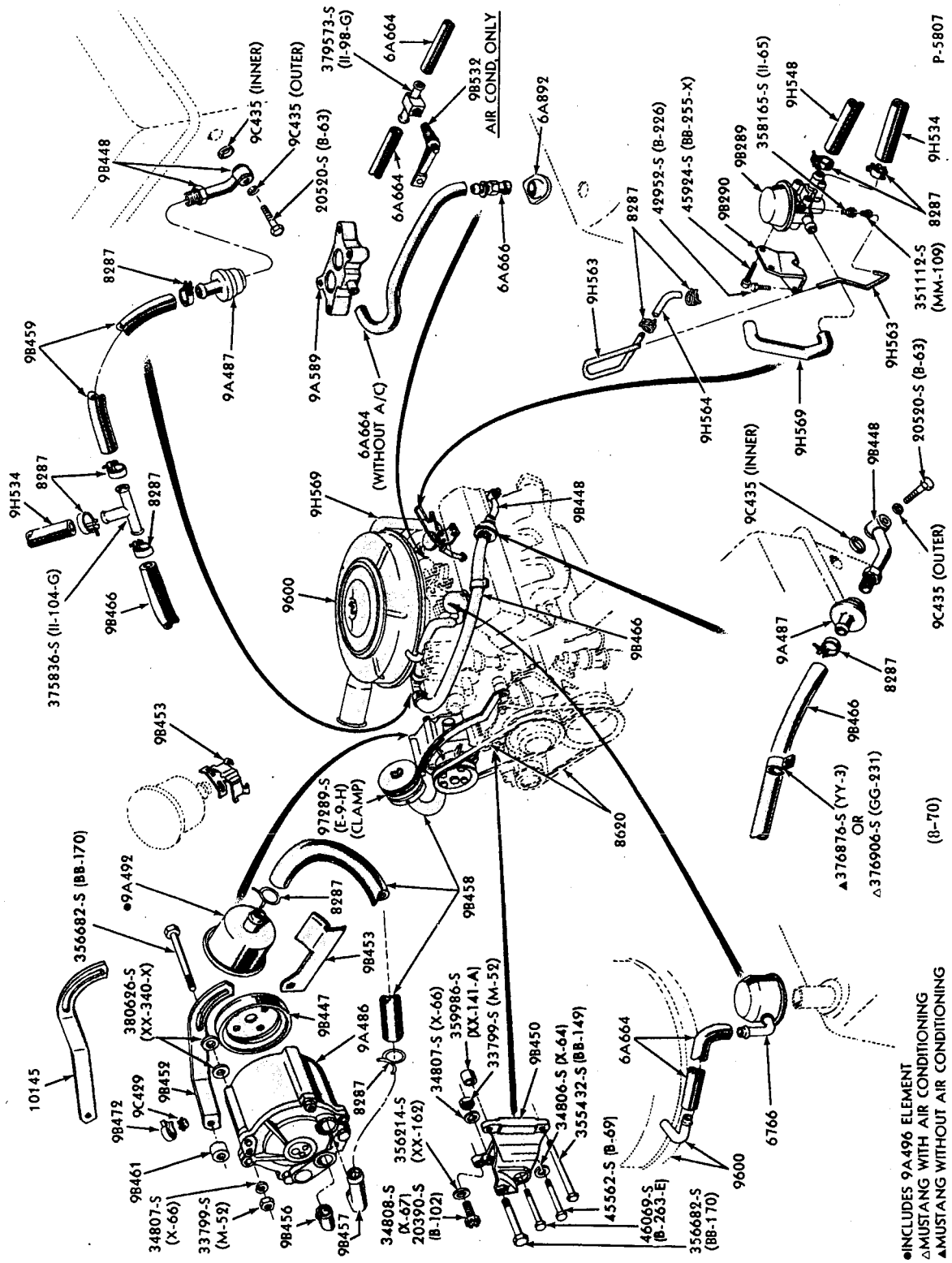
1966 FORD, FAIRLANE, FALCON & MUSTANG (8 CYLINDER 289 ENGINE) (EXCEPT INTAKE MANIFOLD TYPE)  
 1967 MUSTANG (8 CYLINDER 289 HIGH PERFORMANCE ENGINE)

May, 1975

COPYRIGHT © 1975 — FORD MOTOR COMPANY — DEARBORN, MICHIGAN

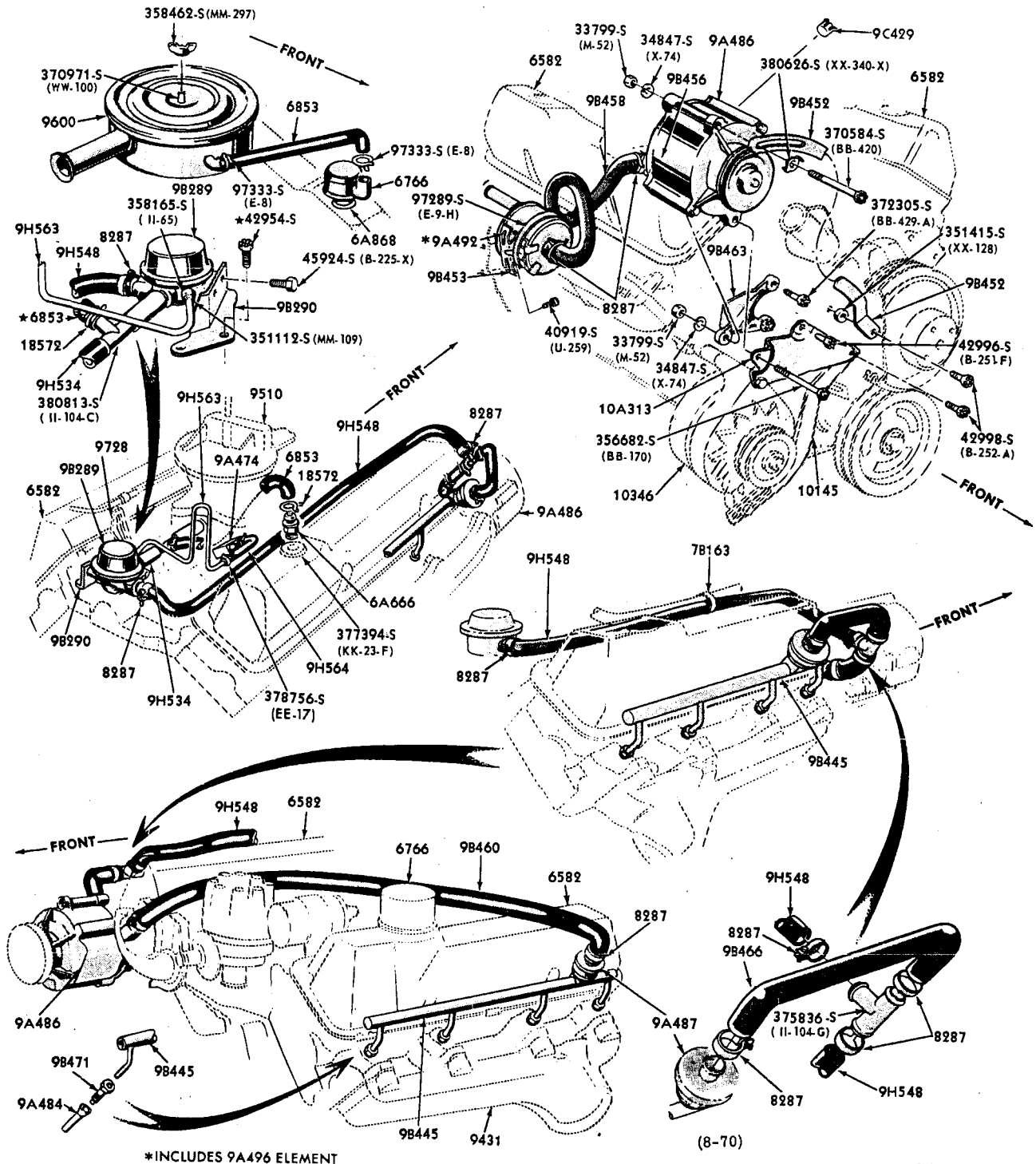
FINAL ISSUE

FORD CAR PARTS



THERMACTOR EMISSION CONTROL SYSTEM  
 1967 MUSTANG (8 CYLINDER 289 ENGINE EXCEPT HIGH PERFORMANCE)

● INCLUDES 9A 496 ELEMENT  
 ▲ MUSTANG WITH AIR CONDITIONING  
 △ MUSTANG WITHOUT AIR CONDITIONING



\*INCLUDES 9A496 ELEMENT

FORD-352

P-5131

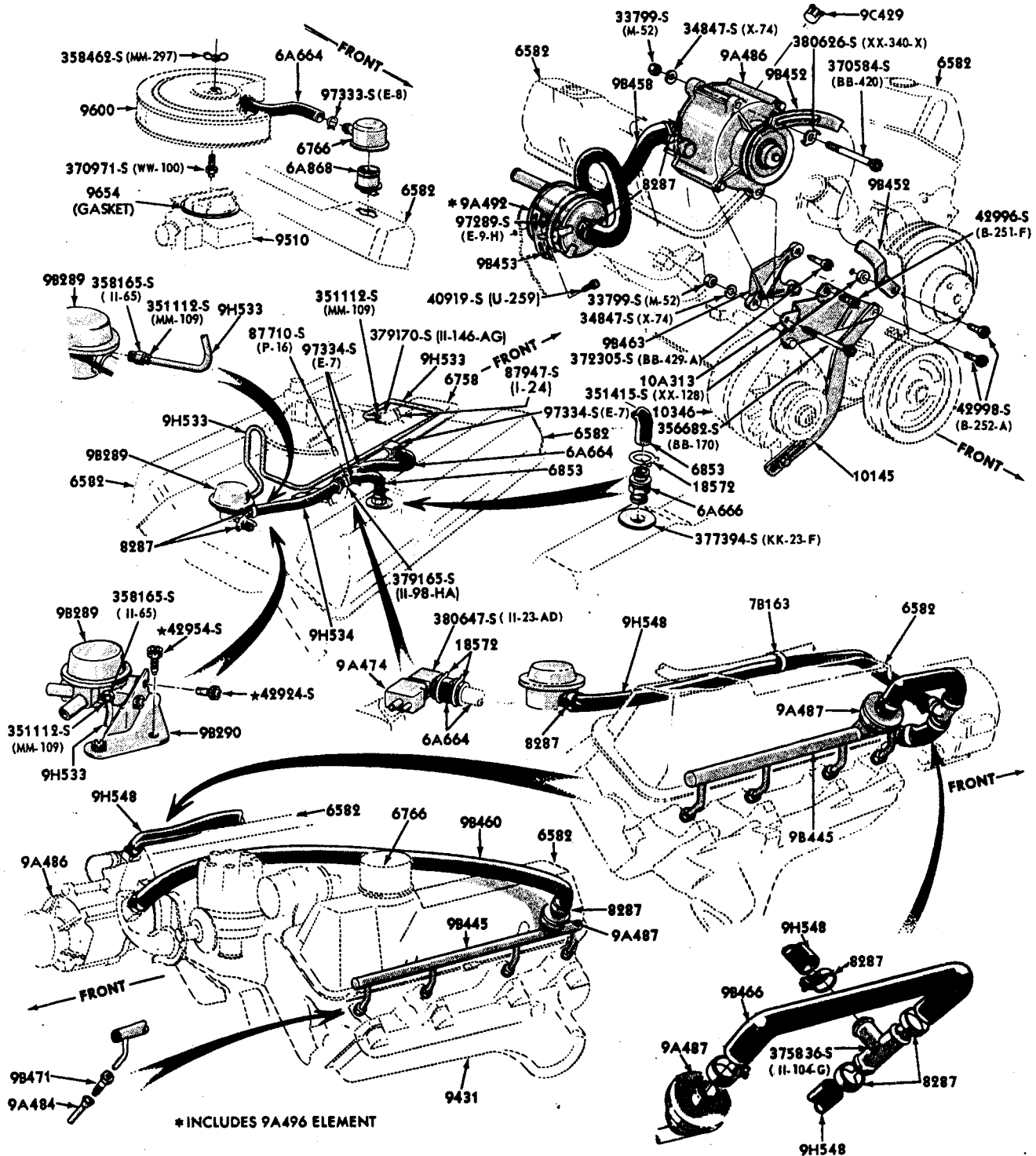
Thermoactor Emission Control System  
1966 FORD (8 CYLINDER 352 ENGINE)



# FORD CAR PARTS

ILLUSTRATION SECTION 94.1

9



FORD-428 (POLICE INTERCEPTOR)

P-5134

THERMACTOR EMISSION CONTROL SYSTEM  
1986/87 (8 CYLINDER 428 ENGINE) - POLICE CAR

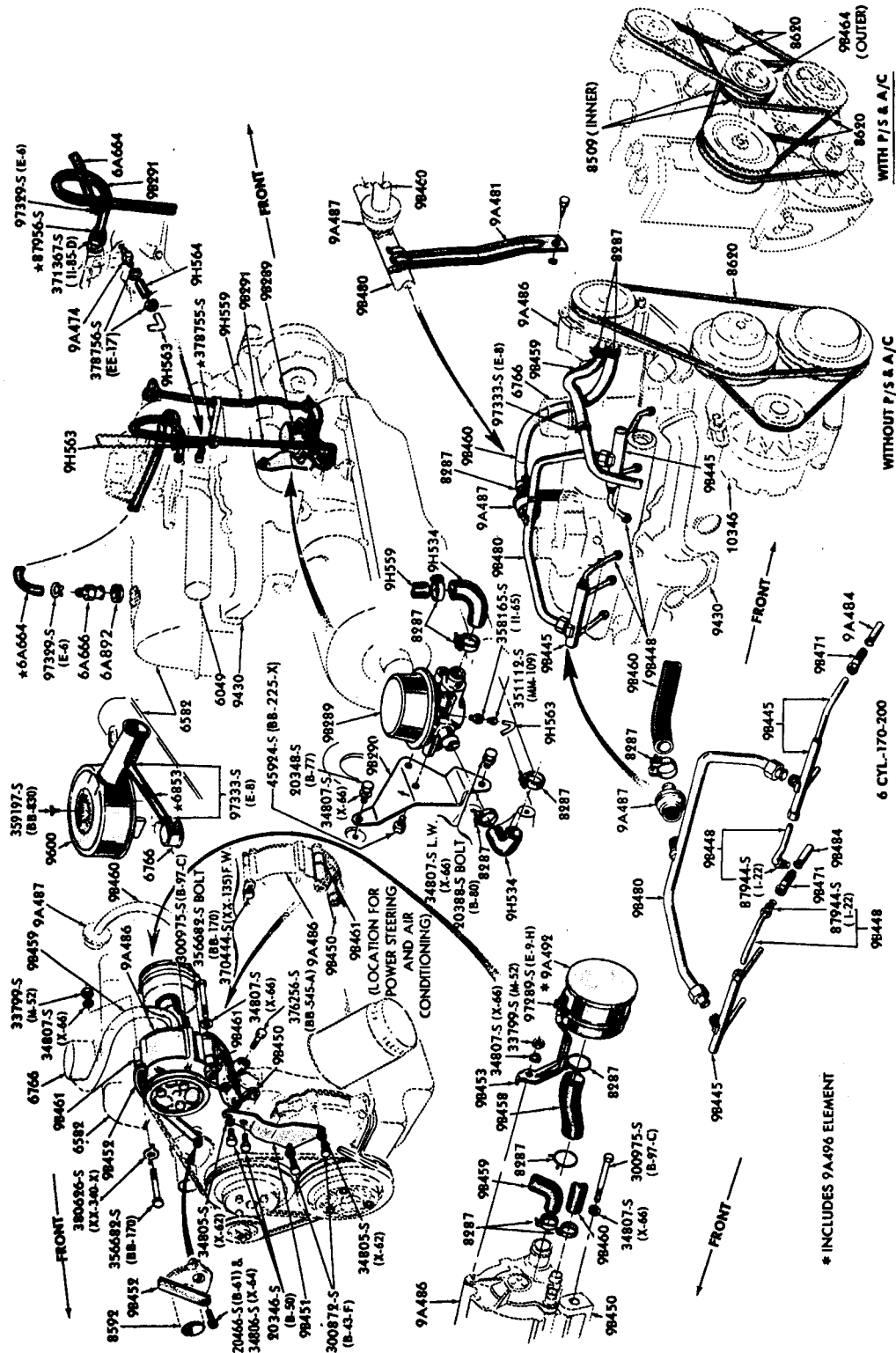
May, 1975

COPYRIGHT © 1975 - FORD MOTOR COMPANY - DEARBORN, MICHIGAN

FINAL ISSUE

ILLUSTRATION SECTION 94.1

FORD CAR PARTS

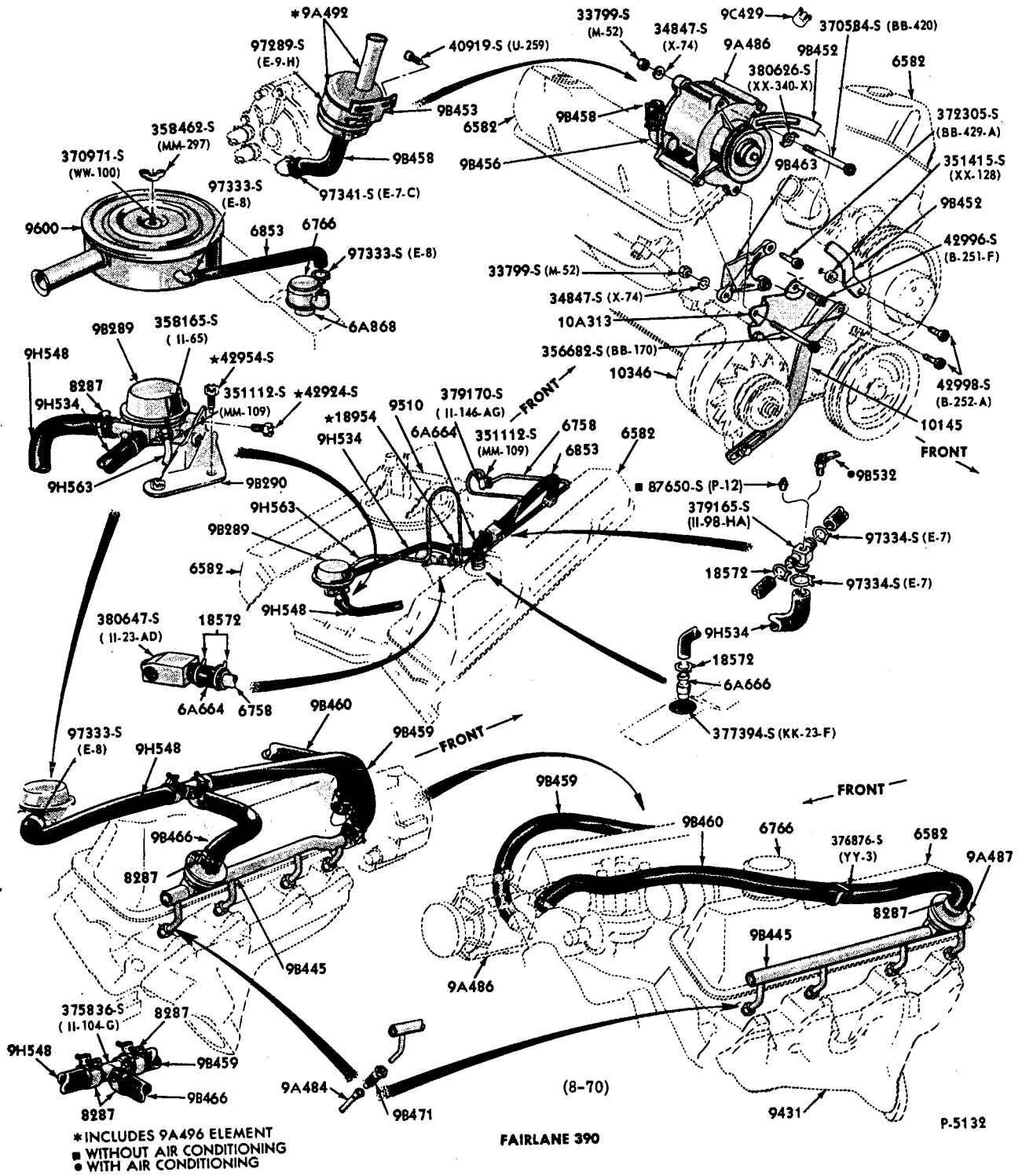


P-5126

THERMACTOR EMISSION CONTROL SYSTEM ( INTAKE MANIFOLD TYPE )  
1966 FAIRLANE, FALCON & MUSTANG ( 6 CYLINDER 170, 200 ENGINES )



FORD CAR PARTS

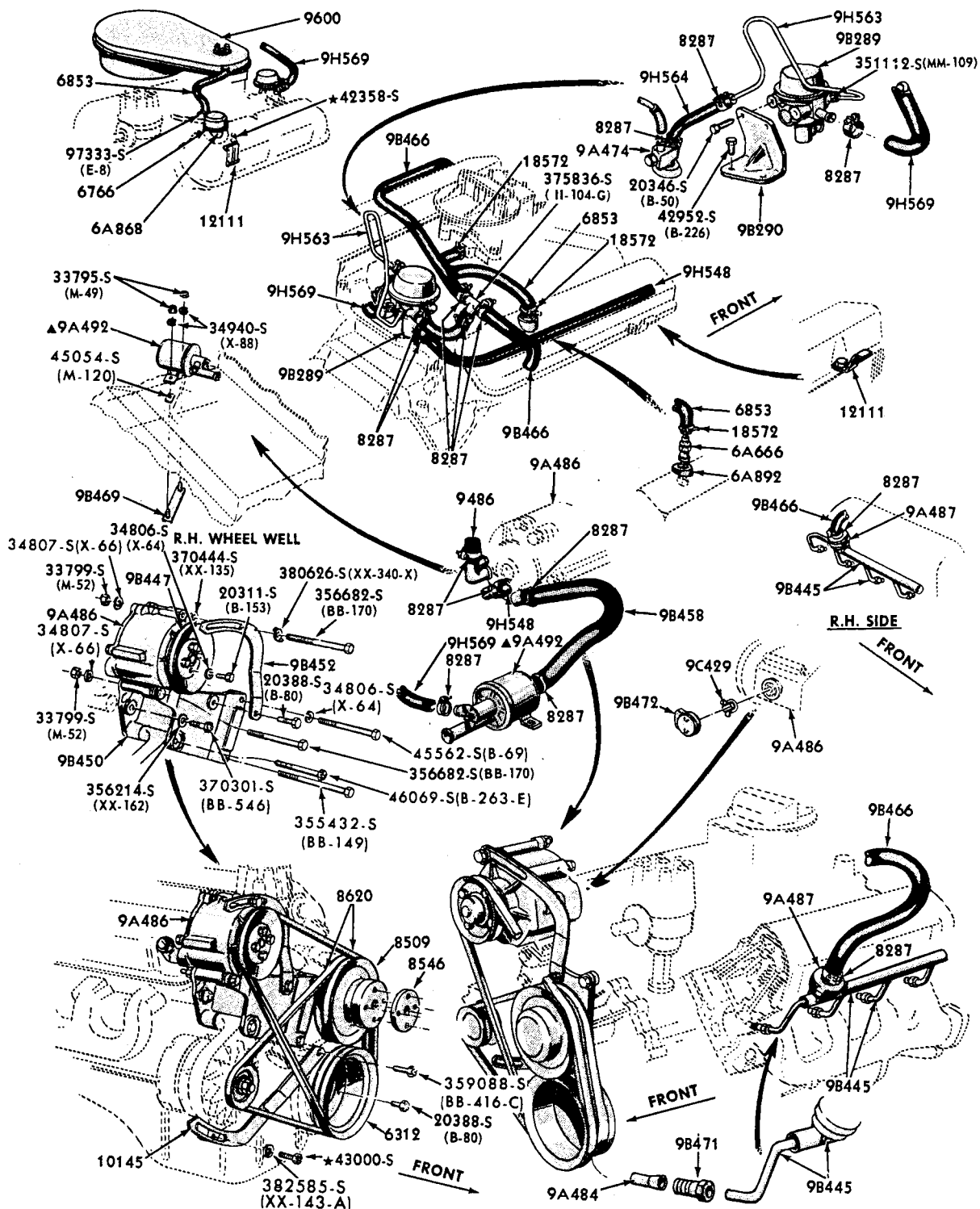


THERMACTOR EMISSION CONTROL SYSTEM  
1966/87 FAIRLANE ( 8 CYLINDER 390 ENGINE )







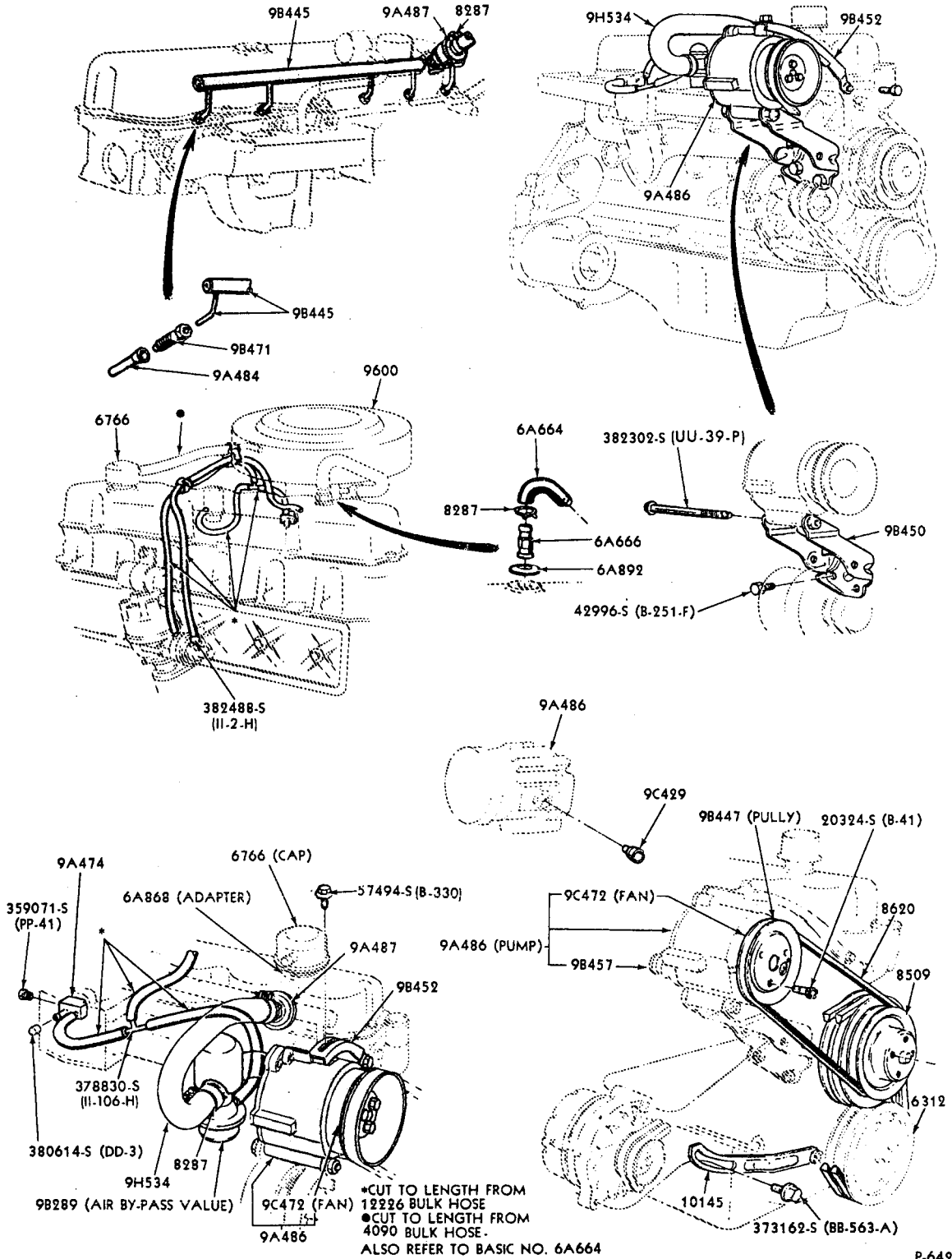


INCLUDES 9A496 ELEMENT

P-5333

THERMOACTOR EMISSION CONTROL SYSTEM  
1966/67 BRONCO (8 CYLINDER 289 ENGINE)



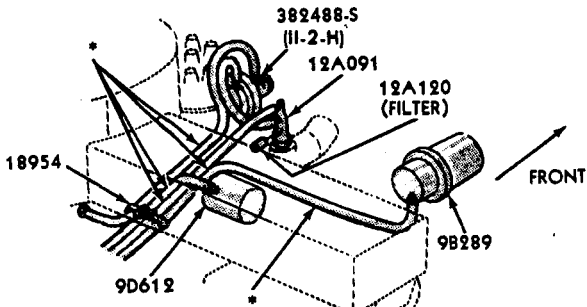


P-6429

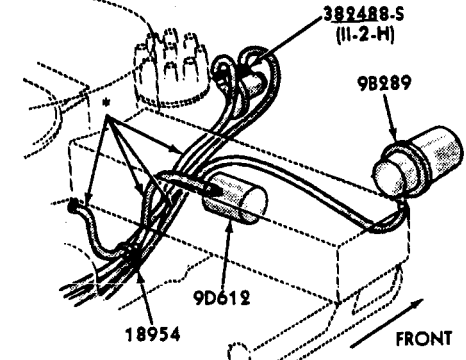
THERMACTOR EMISSION CONTROL SYSTEM  
1968 FORD ( 6 CYLINDER 240 ENGINE )

# FORD CAR PARTS

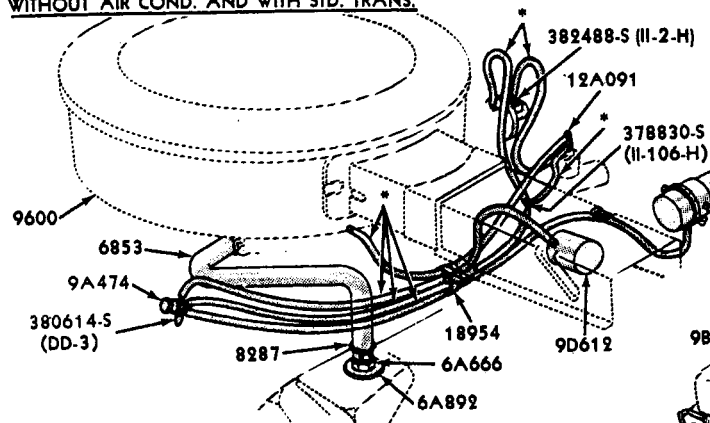
## ILLUSTRATION SECTION 94.1



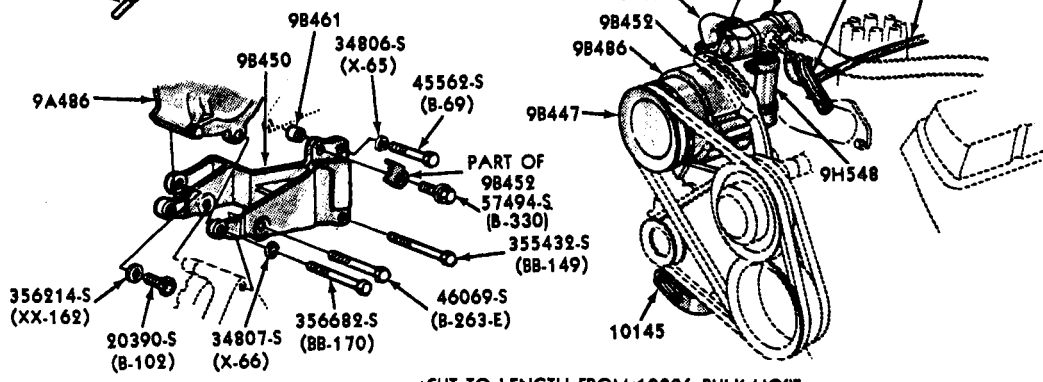
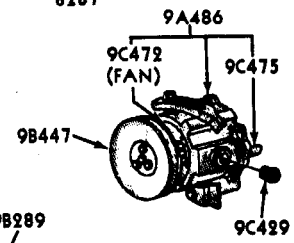
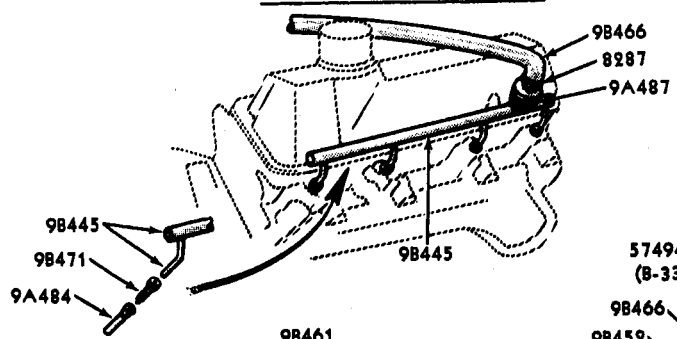
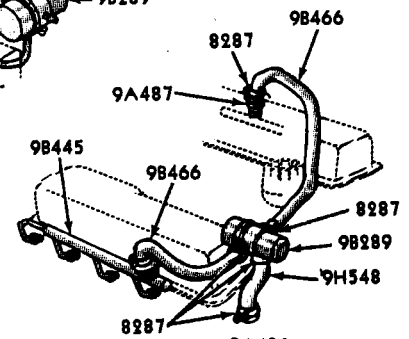
FALCON, FAIRLANE, COMET, COUGAR & MUSTANG WITHOUT AIR COND. AND WITH STD. TRANS.



FORD WITHOUT AIR COND. AND WITH STD. TRANS.



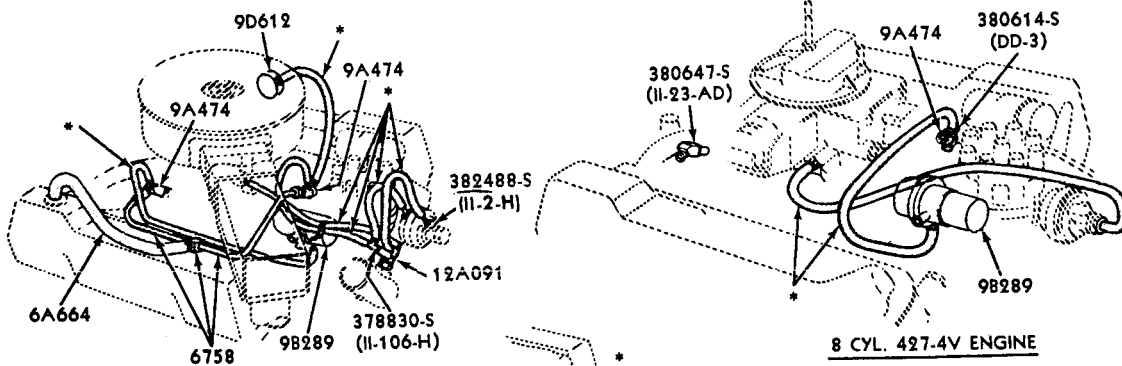
ALL CARLINES WITH 8 CYL. 302 ENG. AIR COND. AND AUTO. TRANS.



\*CUT TO LENGTH FROM 12226 BULK HOSE

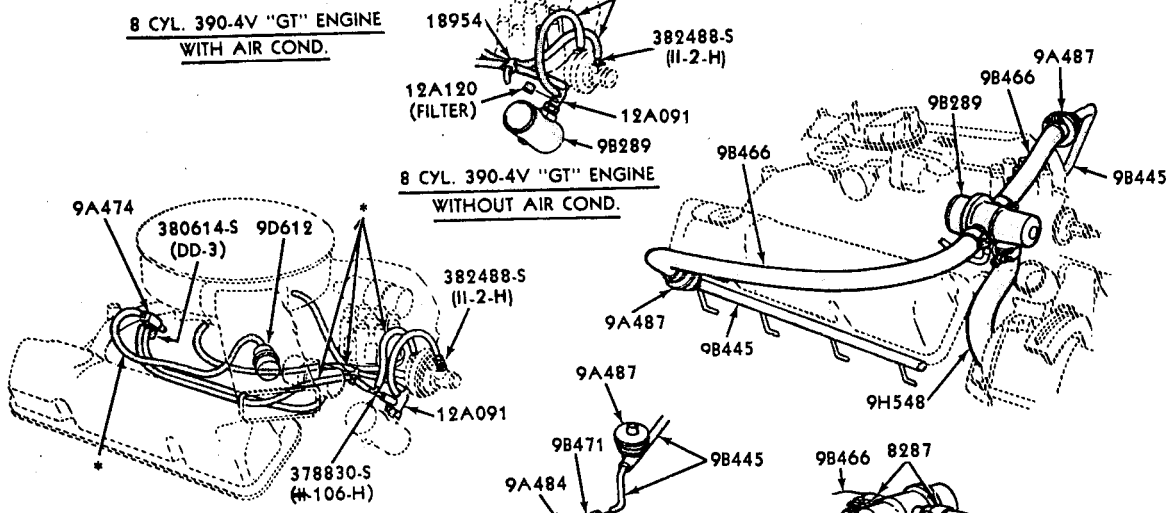
P-6433

THERMACTOR EMISSION CONTROL SYSTEM  
1968 FORD, FAIRLANE, FALCON & MUSTANG (8 CYLINDER 302 ENGINE)



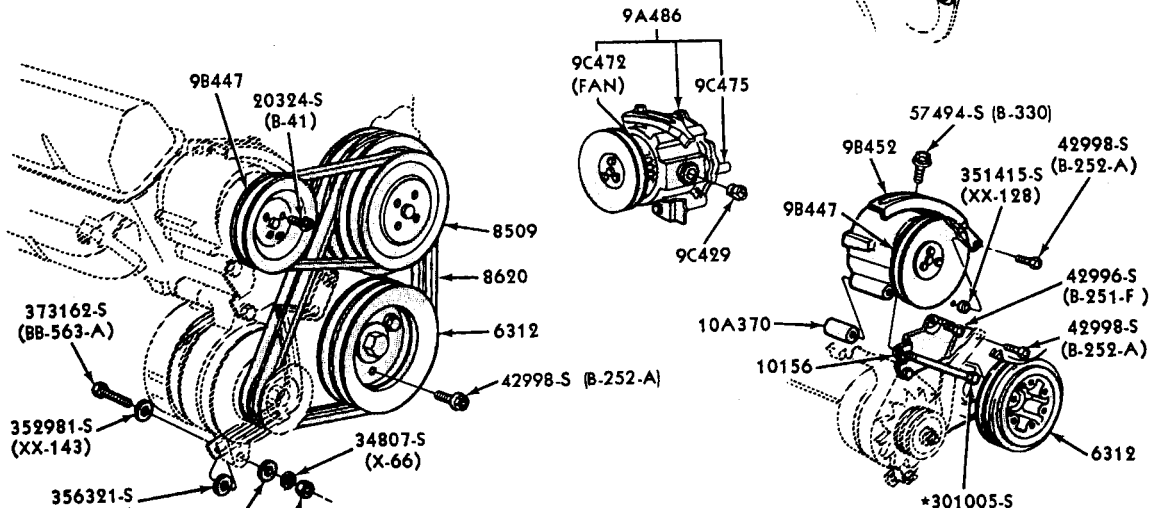
8 CYL. 390-4V "GT" ENGINE WITH AIR COND.

8 CYL. 427-4V ENGINE



8 CYL. 390-4V "GT" ENGINE WITHOUT AIR COND.

8 CYL. 390-2V, 390-4V, AND 428-4V ENGINES WITH AND WITHOUT AIR COND.

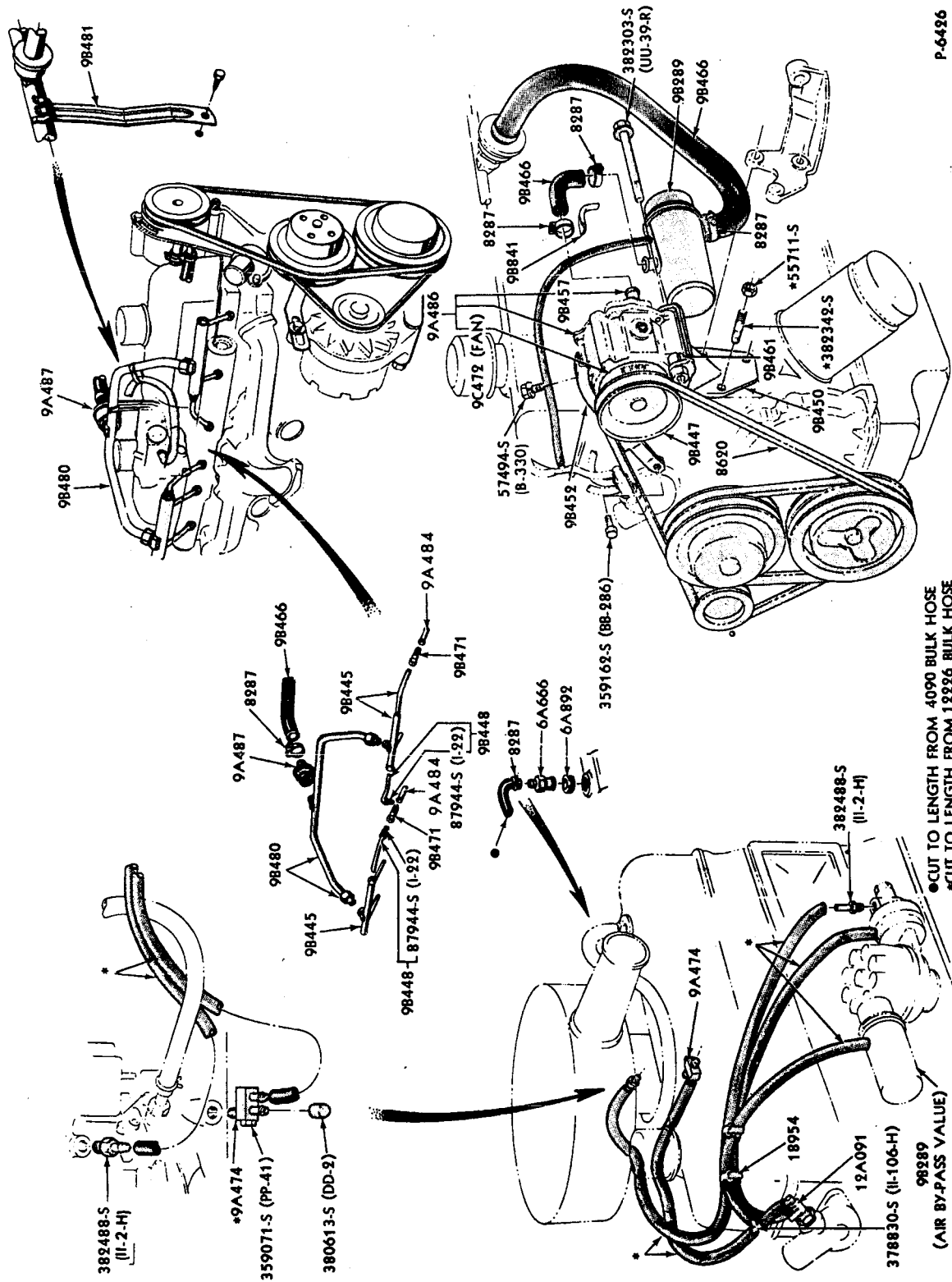


\*CUT TO LENGTH FROM 12226 BULK HOSE

P-6432

THERMACTOR EMISSION CONTROL SYSTEM  
1968/70 FORD, FAIRLANE & MUSTANG (8 CYLINDER 390, 427, 428 ENGINES)

FORD CAR PARTS

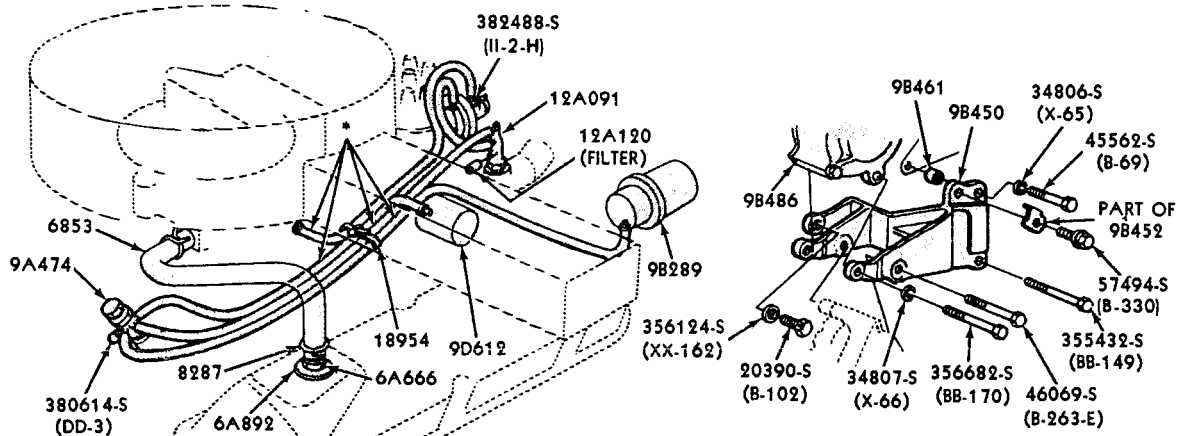


P-6426

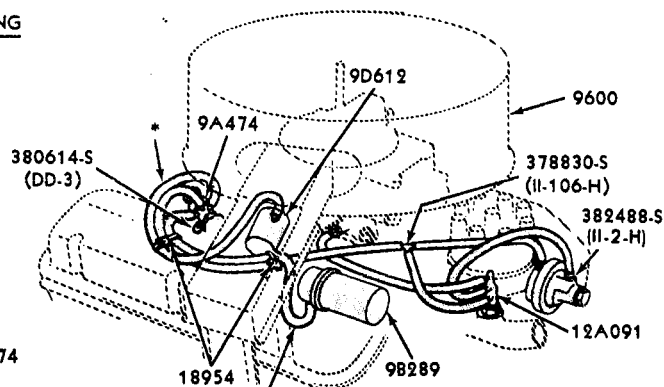
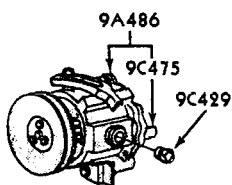
● CUT TO LENGTH FROM 4090 BULK HOSE  
\* CUT TO LENGTH FROM 12926 BULK HOSE

1968 FAIRLANE, FALCON & MUSTANG (6 CYLINDER 170, 200 ENGINES)

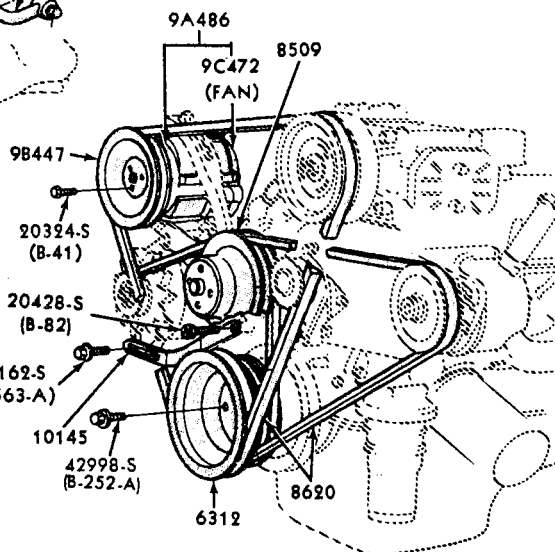
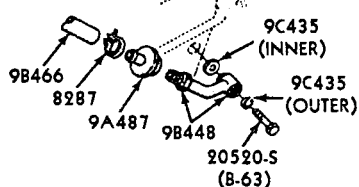
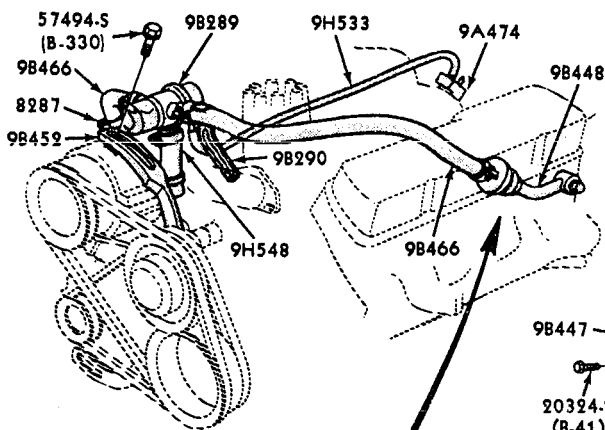




THERMACTOR WITHOUT AIR CONDITIONING AND WITH STANDARD TRANSMISSION



THERMACTOR WITH AIR CONDITIONING AND AUTOMATIC TRANSMISSION



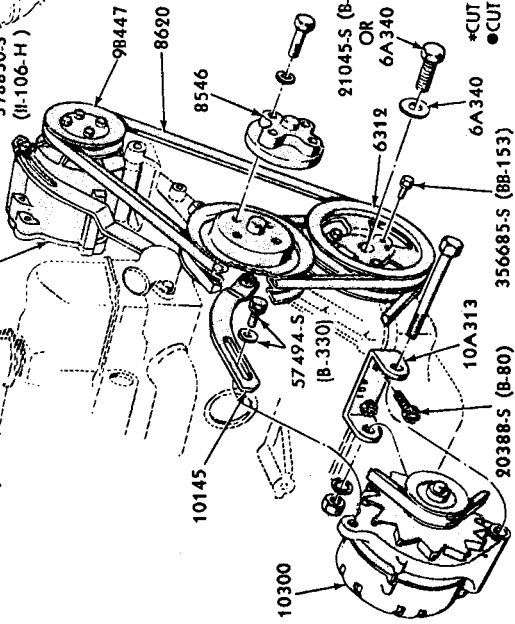
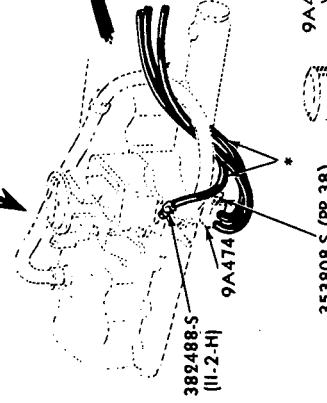
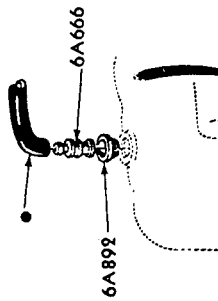
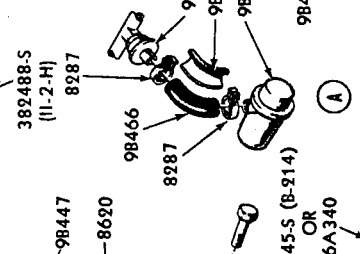
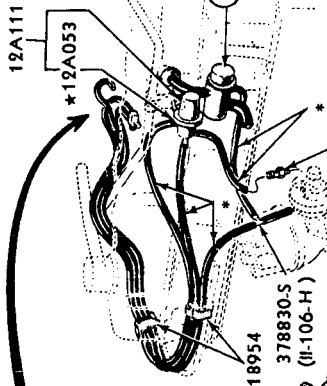
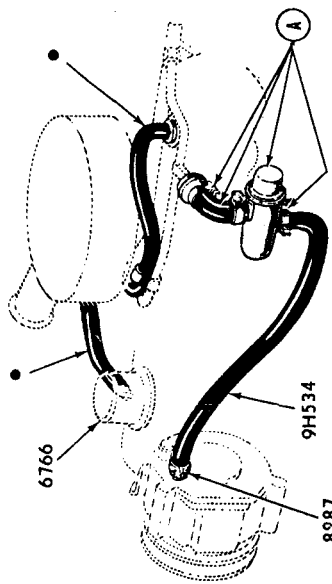
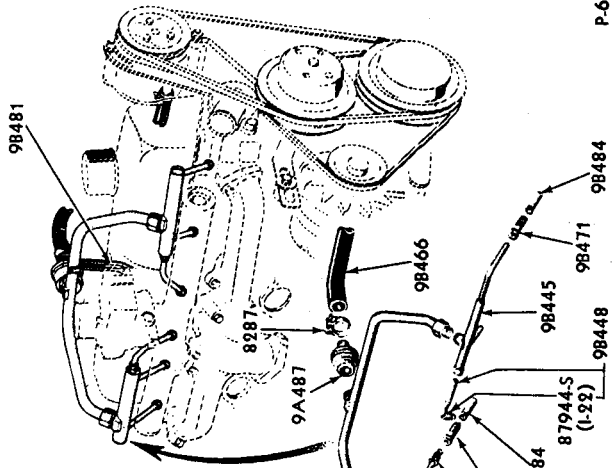
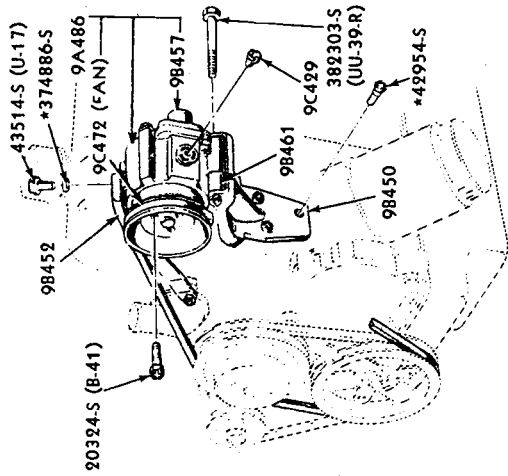
\*CUT TO LENGTH FROM 12226 BULK HOSE

P-6434

THERMACTOR EMISSION CONTROL SYSTEM  
1968 FAIRLANE, FALCON & MUSTANG ( 8 CYLINDER 289 ENGINE )

ILLUSTRATION SECTION 94.1

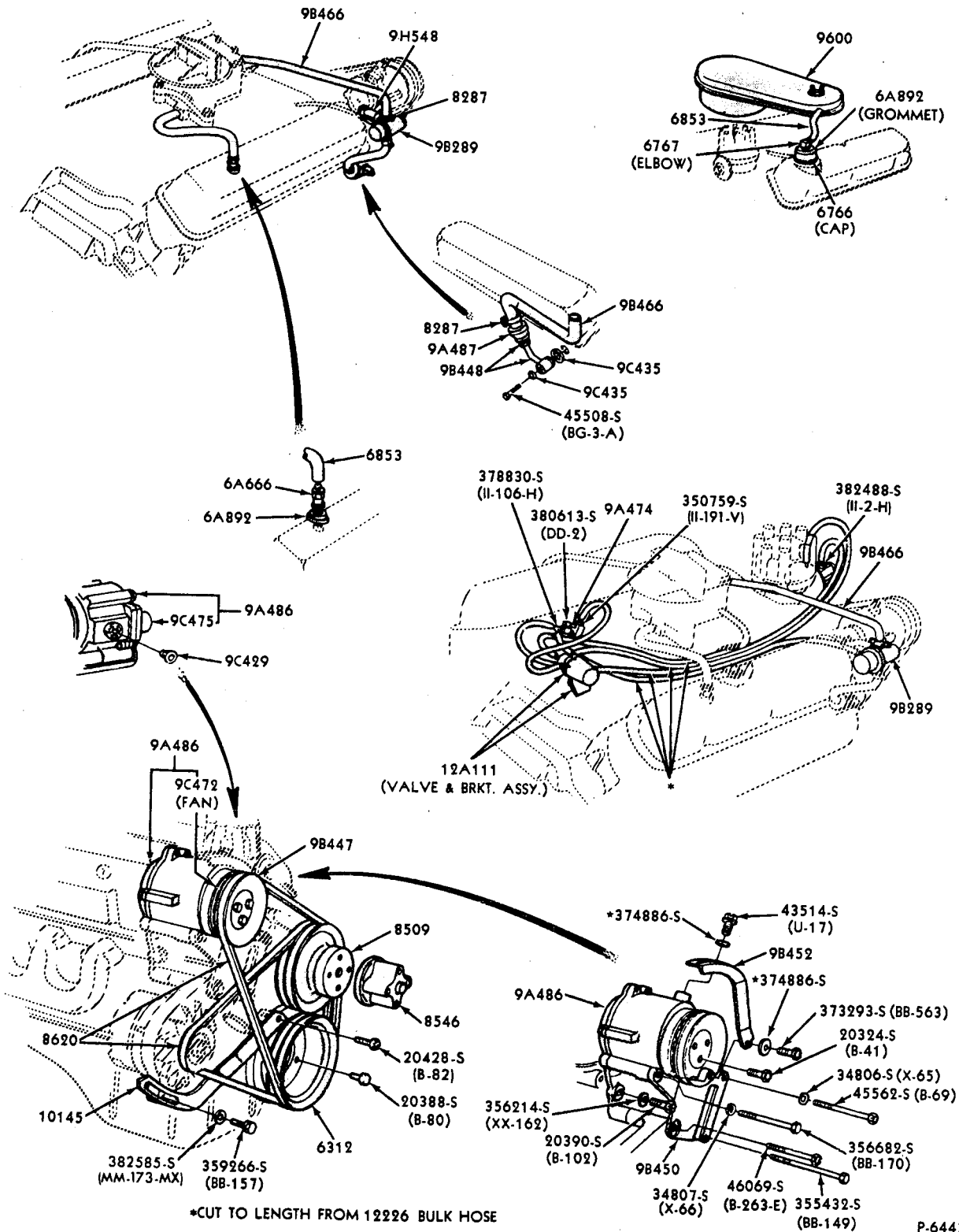
FORD CAR PARTS



\*CUT FROM 19226 BULK HOSE  
 ●CUT TO LENGTH FROM 4090 BULK HOSE

P-6427.

THERMACTOR EMISSION CONTROL SYSTEM  
1968 BRONCO (6 CYLINDER 170 ENGINE)

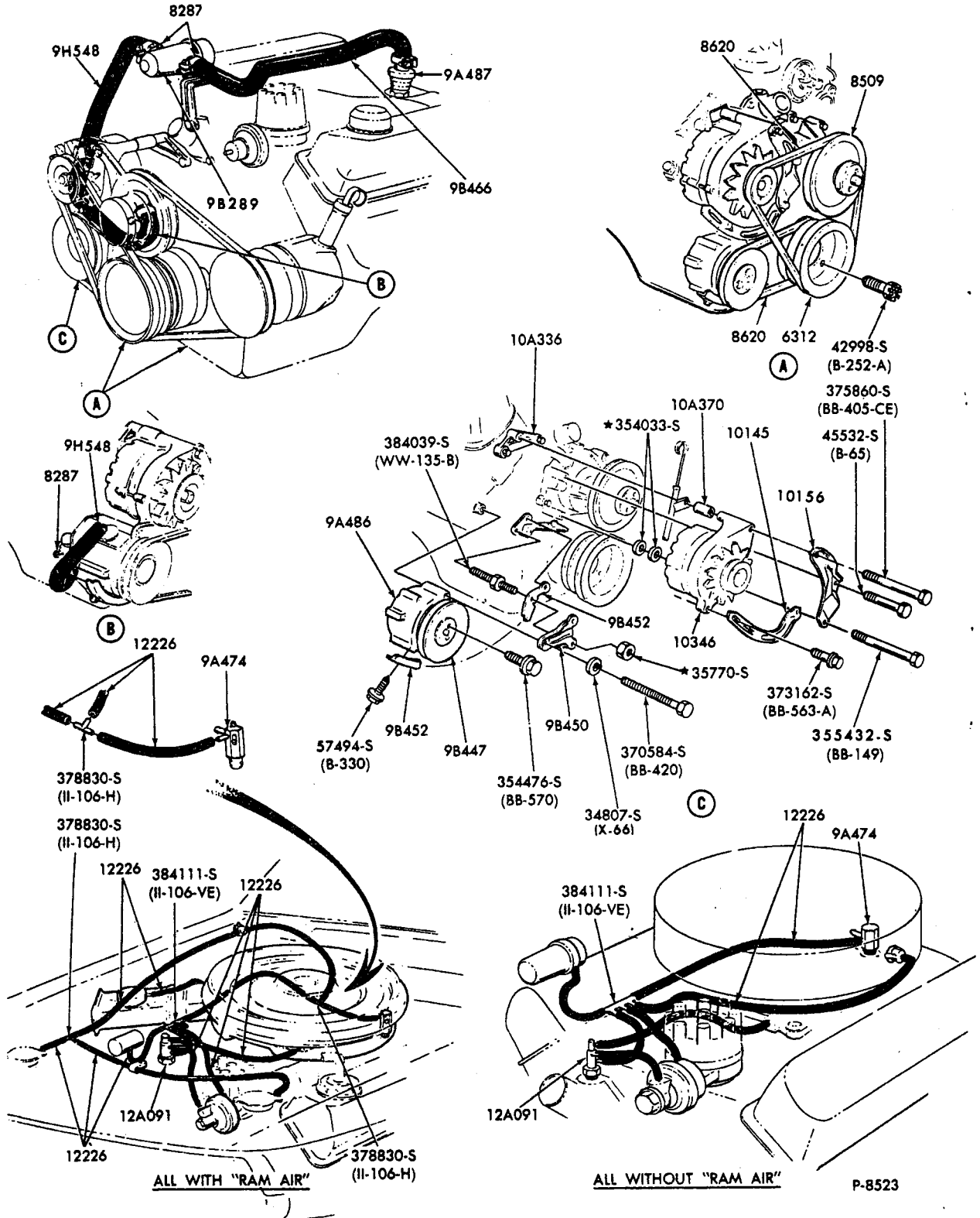


P-6443

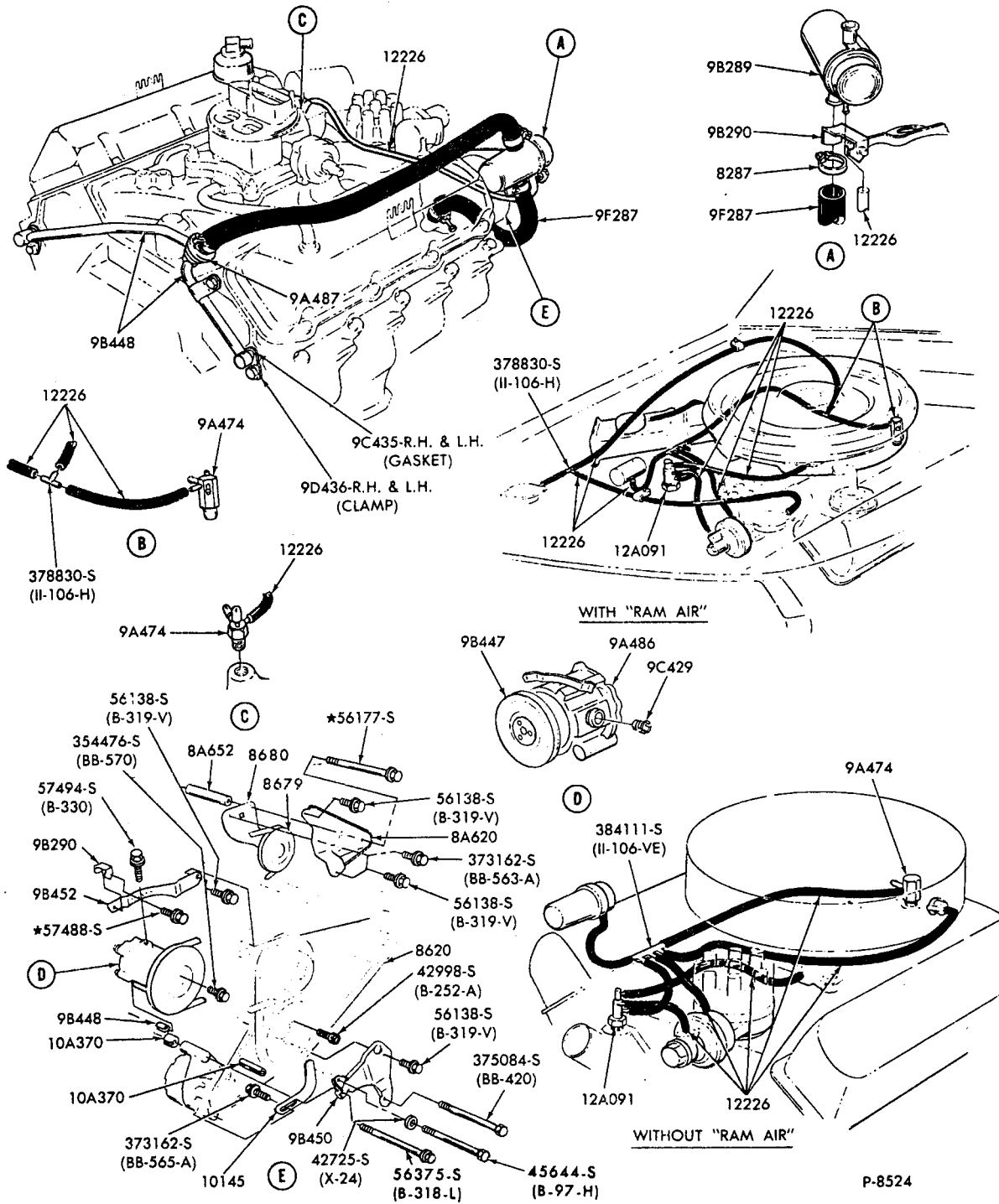
Thermoactor Emission Control System  
1988 BRONCO ( 8 CYLINDER 289 ENGINE )

ILLUSTRATION  
SECTION 94.1

FORD CAR PARTS

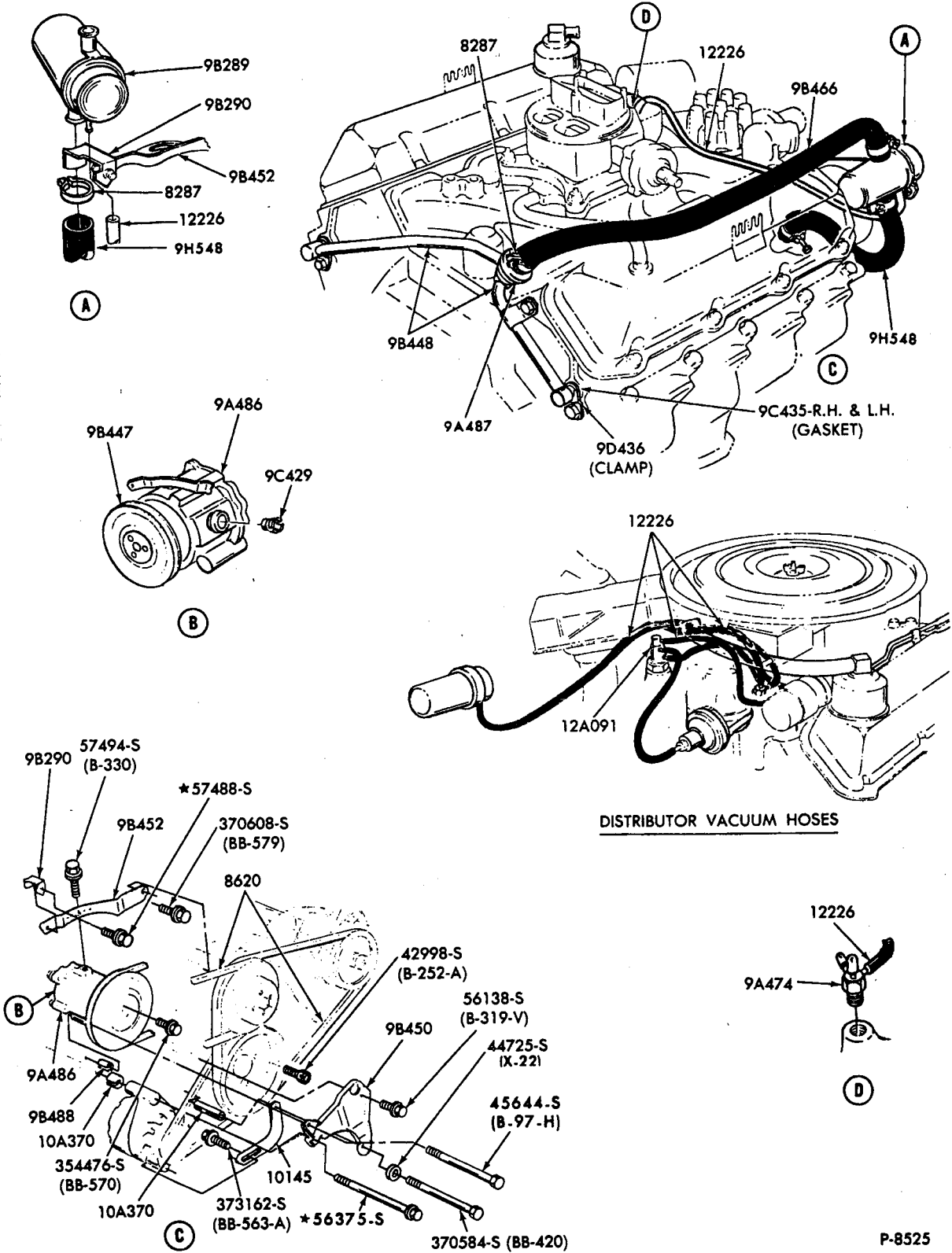


THERMACTOR EMISSION CONTROL SYSTEM  
1969/72 MUSTANG 8 CYLINDER "BOSS 302" ENGINE



THERMACTOR EMISSION CONTROL SYSTEM  
1971 MUSTANG 8 CYLINDER 429 COBRA JET ENGINE

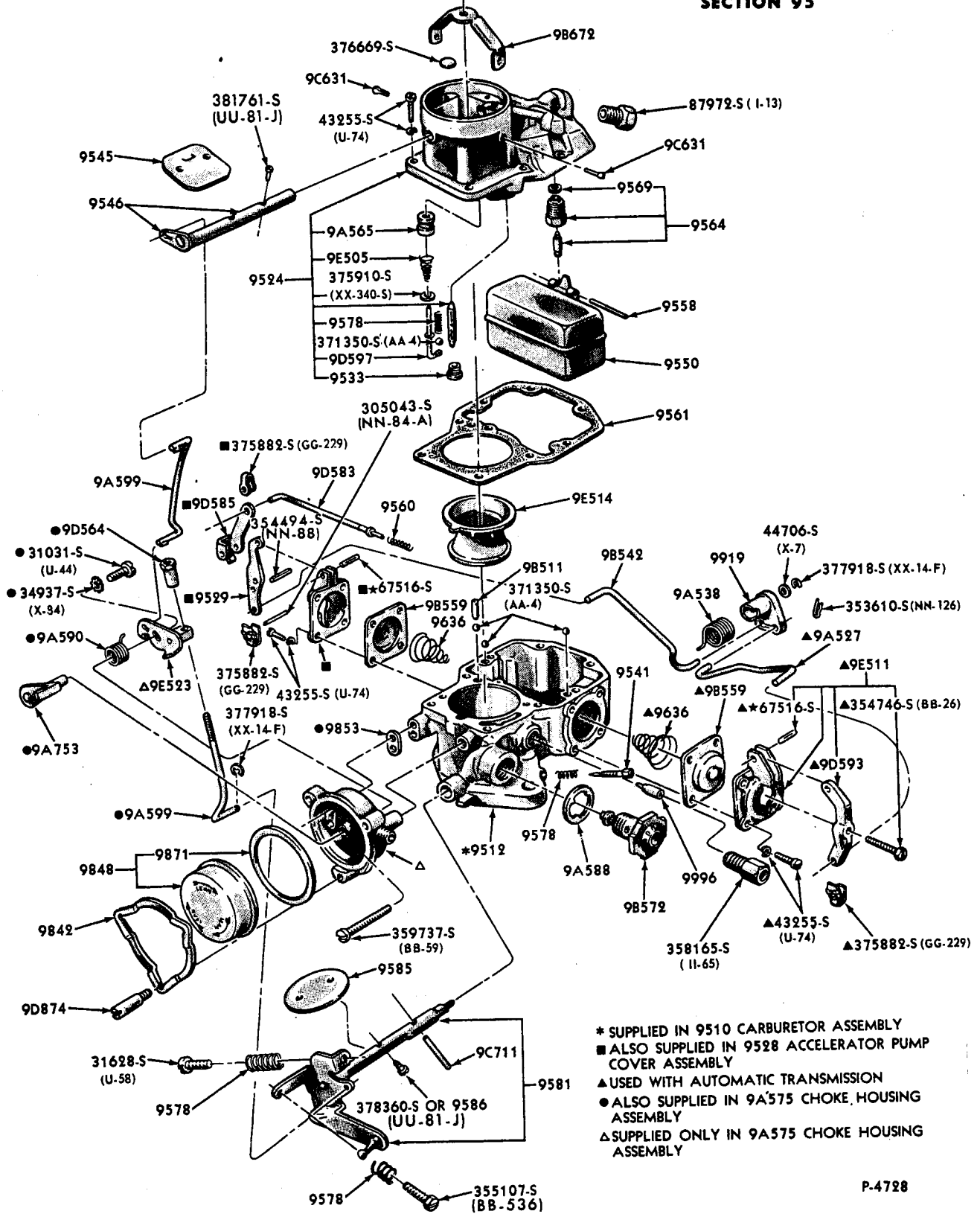
FORD CAR PARTS



DISTRIBUTOR VACUUM HOSES

THERMACTOR EMISSION CONTROL SYSTEM  
1970/71 FAIRLANE/TORINO 8 CYLINDER 429 COBRA JET ENGINE

P-8525

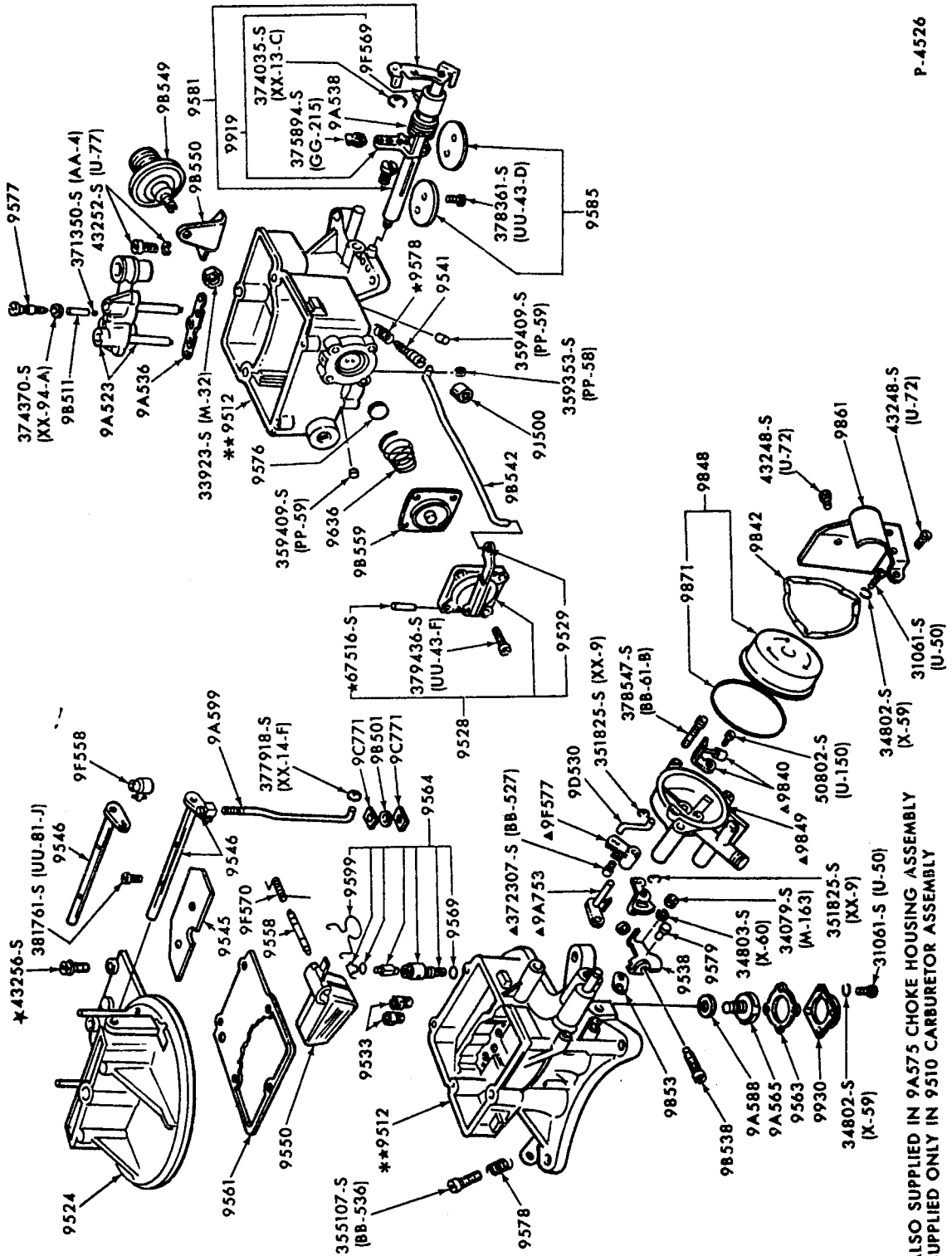


P-4728

**CARBURETOR - FORD**  
1965/69 (6 CYLINDER 170, 200 ENGINES)







P-4526

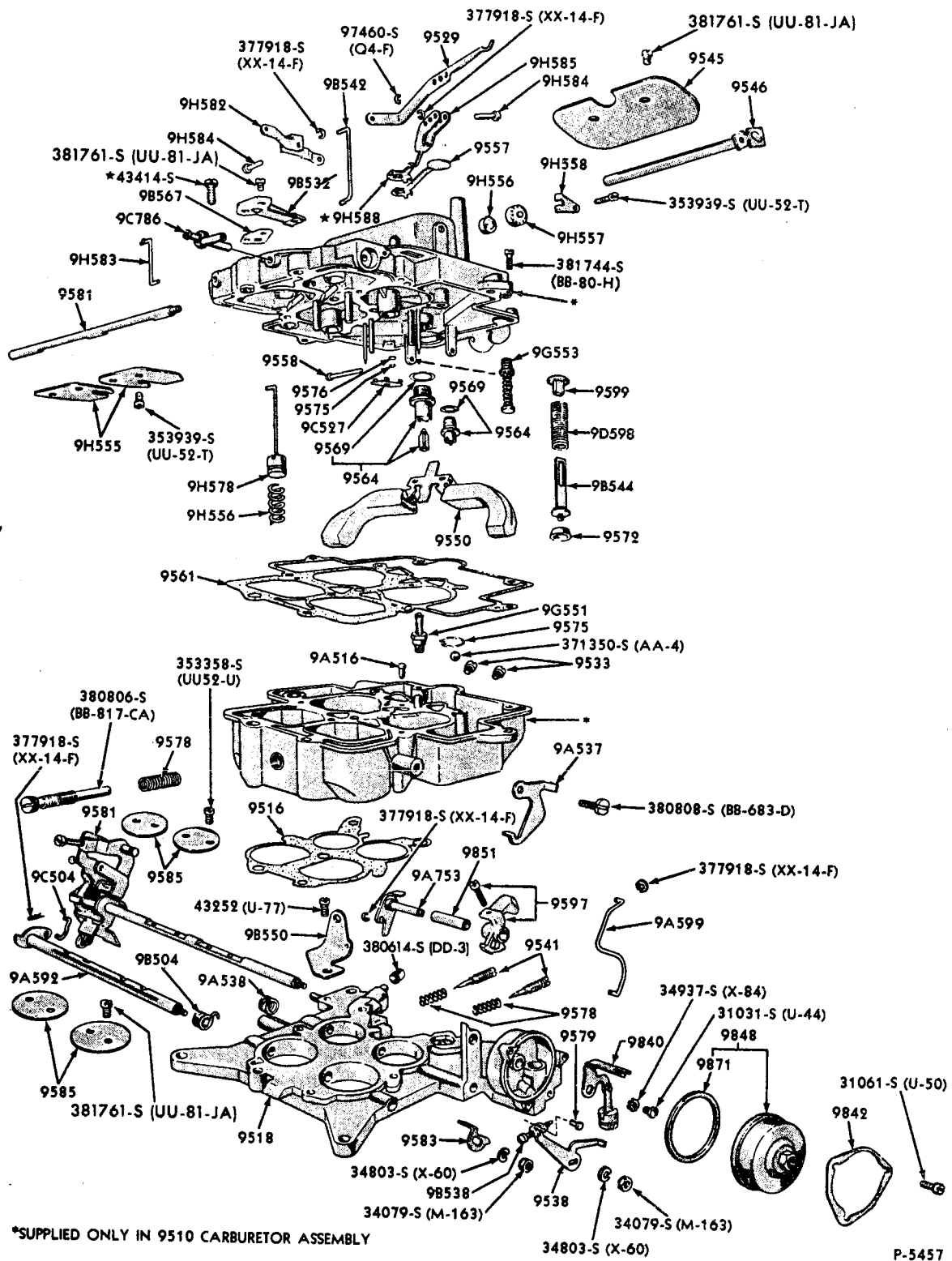
▲ ALSO SUPPLIED IN 9A575 CHOKE HOUSING ASSEMBLY  
 \* SUPPLIED ONLY IN 9510 CARBURETOR ASSEMBLY

CARBURETOR - FORD 2V (WITH PISTON TYPE CHOKE and ACCELERATOR PUMP CHECK VALVE)  
 1965/69 (8 CYLINDER 260, 289, 302, 351, 390, 429 ENGINES)

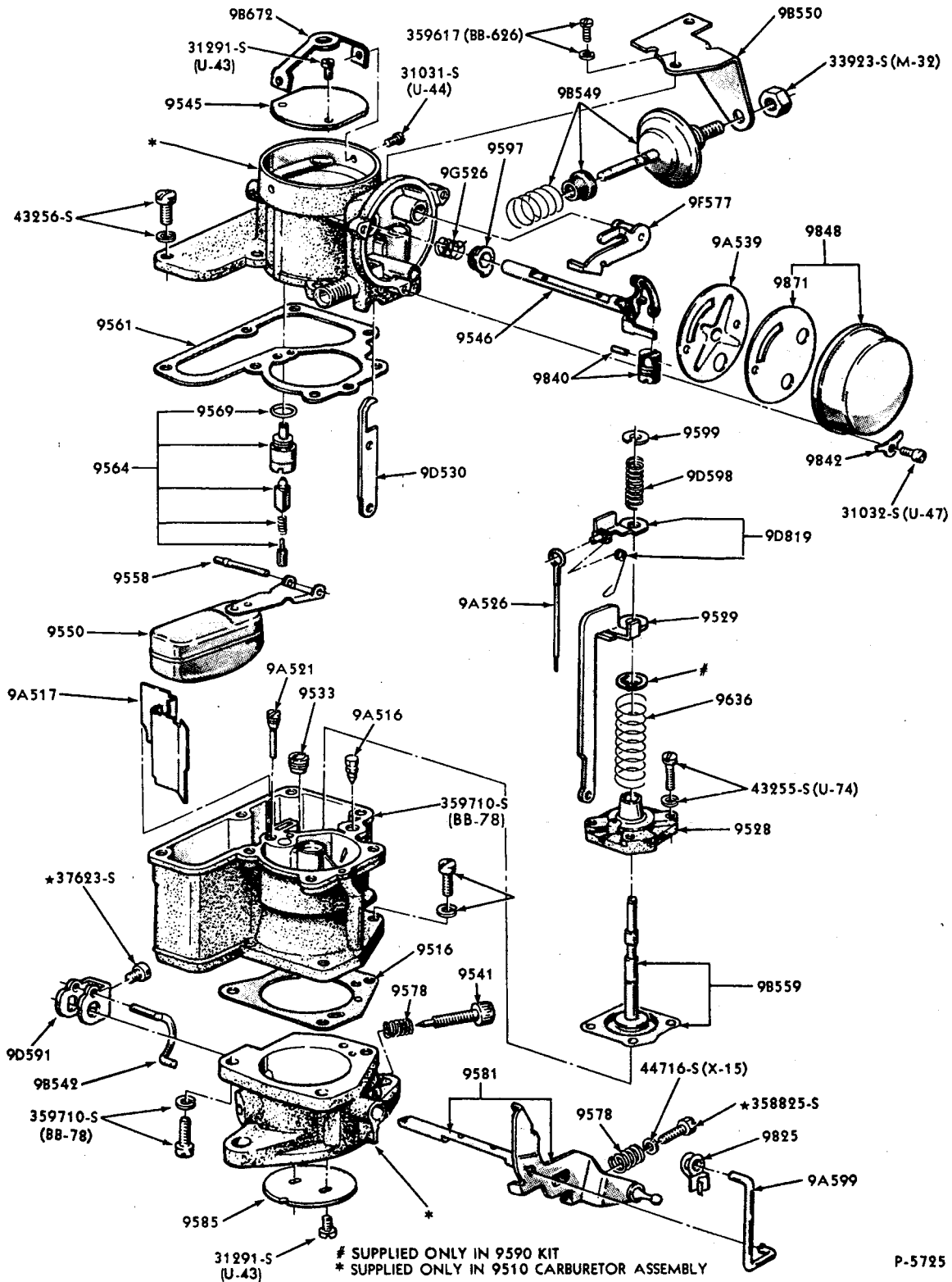






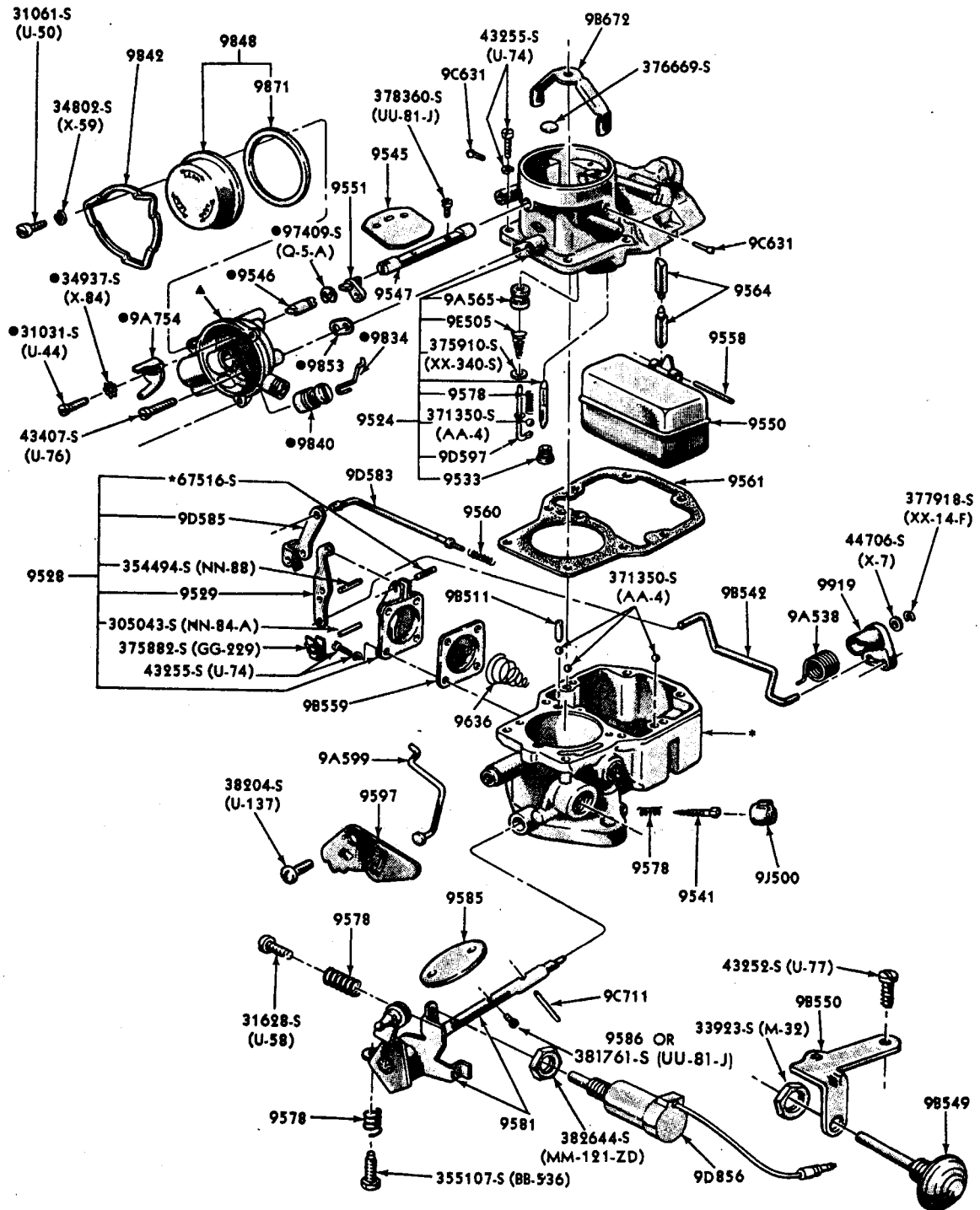


CARBURETOR - FORD 4V  
 1966/70 (8 CYLINDER 428 ENGINE)  
 1967/71 (8 CYLINDER 289, 302, 351, 390, 429 ENGINES)



P-5725

CARBURETOR - CARTER  
1967 (6 CYLINDER 170, 200 ENGINES) with IMCO

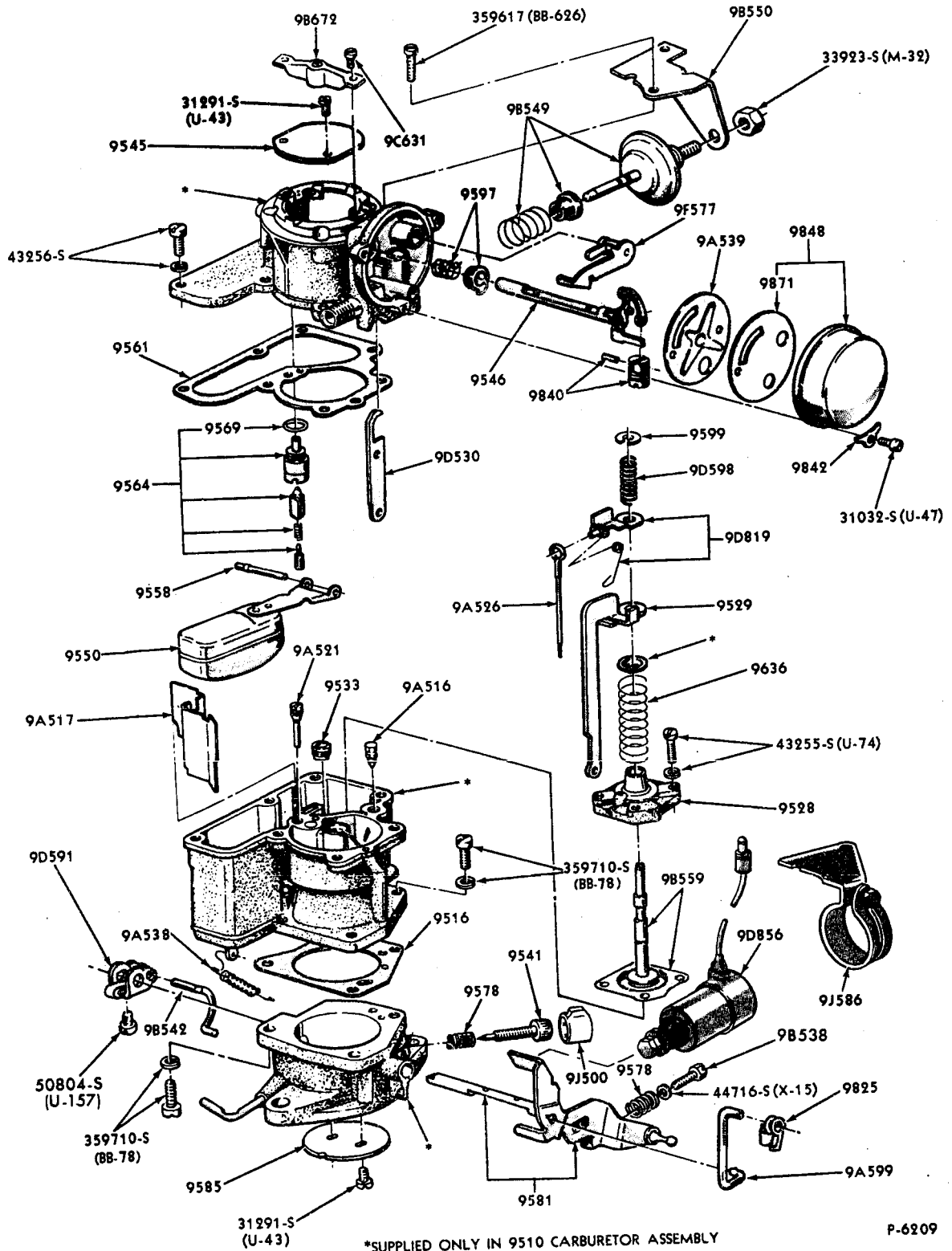


\*SUPPLIED IN 9510 CARBURETOR ASSEMBLY  
 ●ALSO SUPPLIED IN 9A575 CHOKE HOUSING ASSEMBLY  
 ▲SUPPLIED ONLY IN 9A575 CHOKE HOUSING ASSEMBLY

P-6531

CARBURETOR - FORD  
 1967/69 (6 CYLINDER 240, 250 ENGINES)

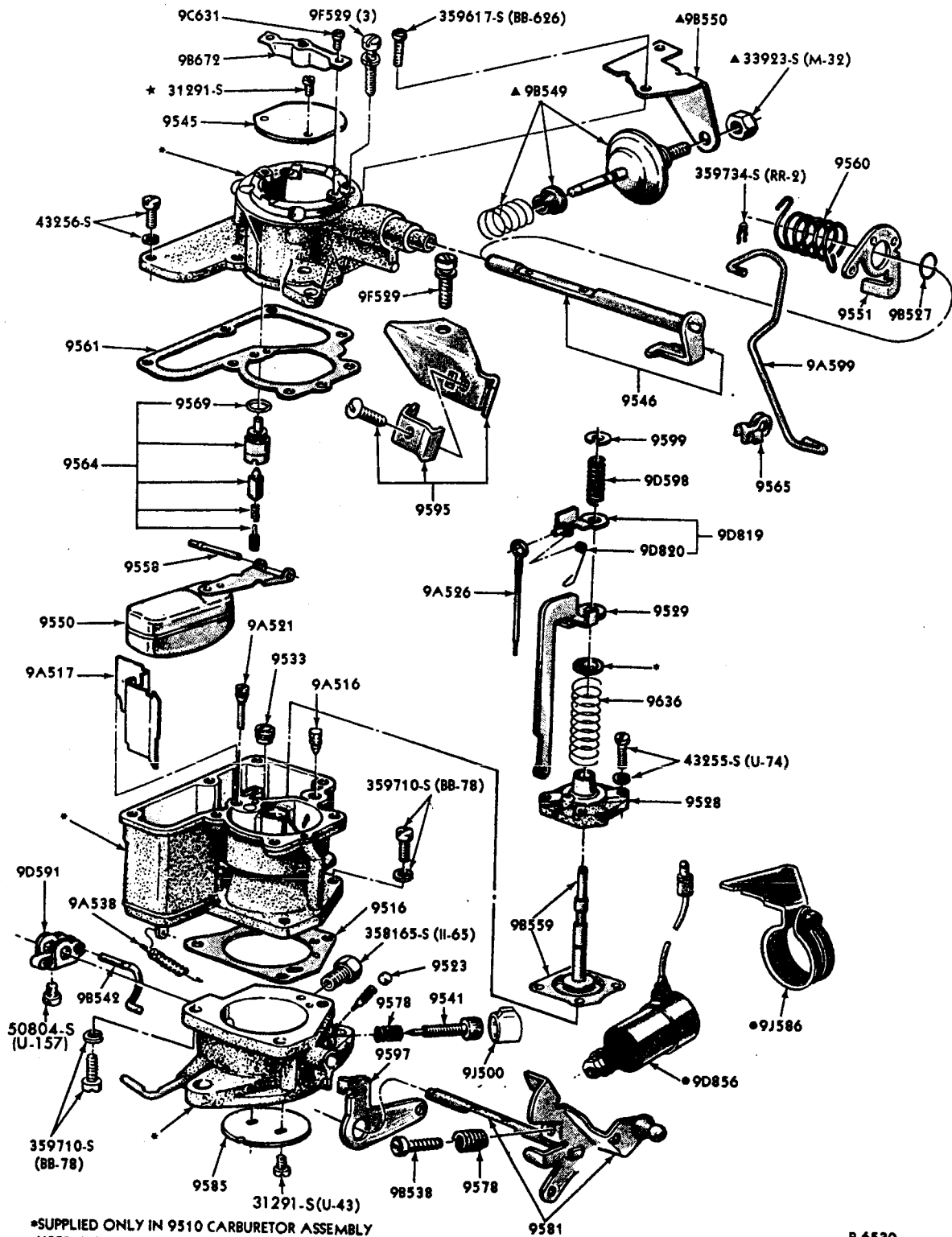
COPYRIGHT © 1975 - FORD MOTOR COMPANY - DEARBORN, MICHIGAN



P-6209

CARBURETOR - CARTER (THERMOSTATIC CHOKE)  
1968/70 (6 CYLINDER 170, 200, 240 ENGINES)



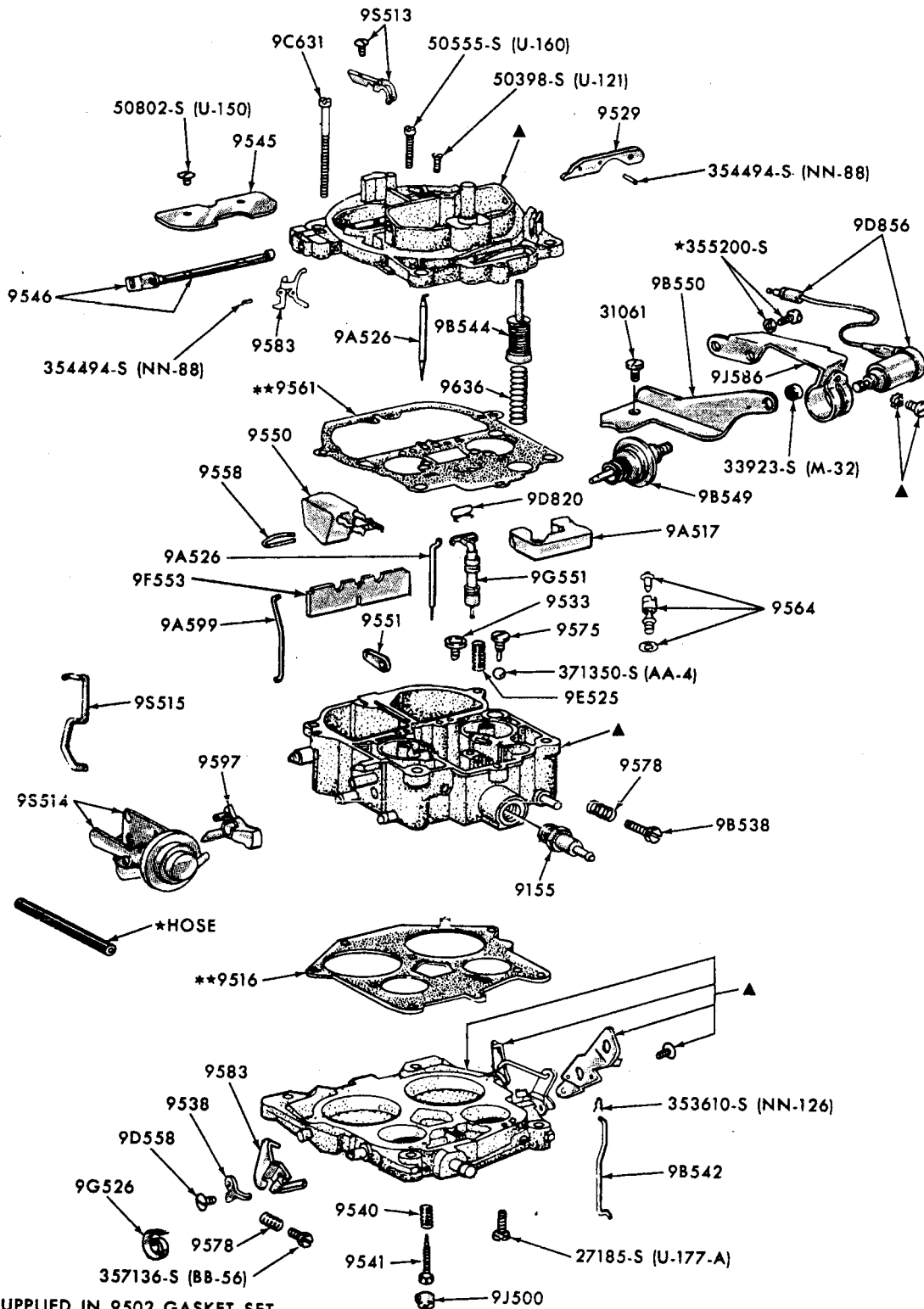


\*SUPPLIED ONLY IN 9510 CARBURETOR ASSEMBLY  
 •USED 6 CYLINDER 240 ENGINE ONLY WHEN 98549 DASHPOT IS NOT INSTALLED  
 ▲USED WHEN 9D856 SOLENOID IS NOT INSTALLED

P-6530

CARBURETOR - CARTER YF  
 1968/70 BRONCO (6 CYLINDER 170 ENGINE)

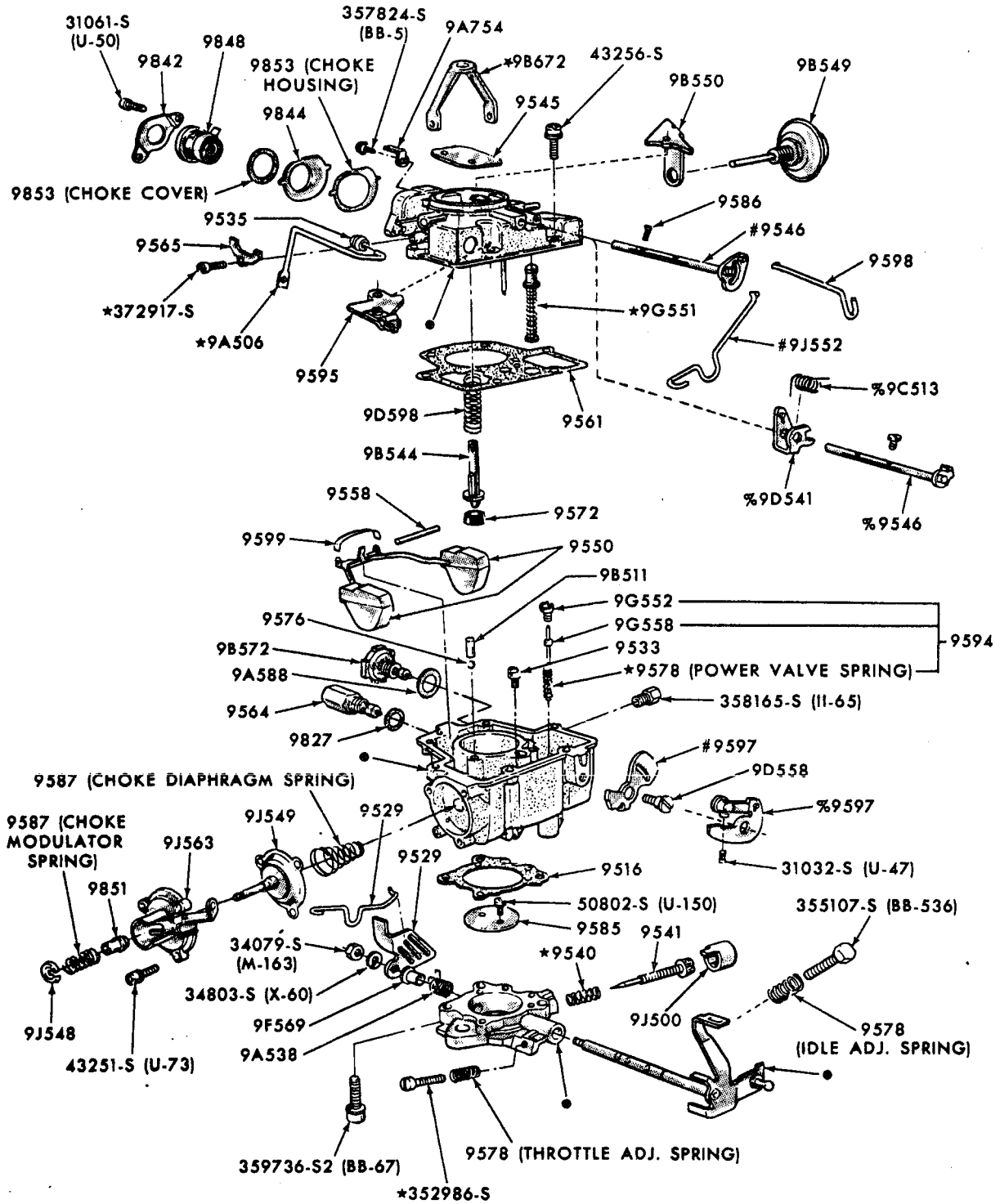




\* SUPPLIED IN 9502 GASKET SET  
 ▲ SUPPLIED ONLY IN 9510 CARBURETOR ASSEMBLY

CARBURETOR - ROCHESTER 4V - QUADRAJET  
 1970/71 FAIRLANE (8 CYLINDER 429 ENGINE)

P-7411

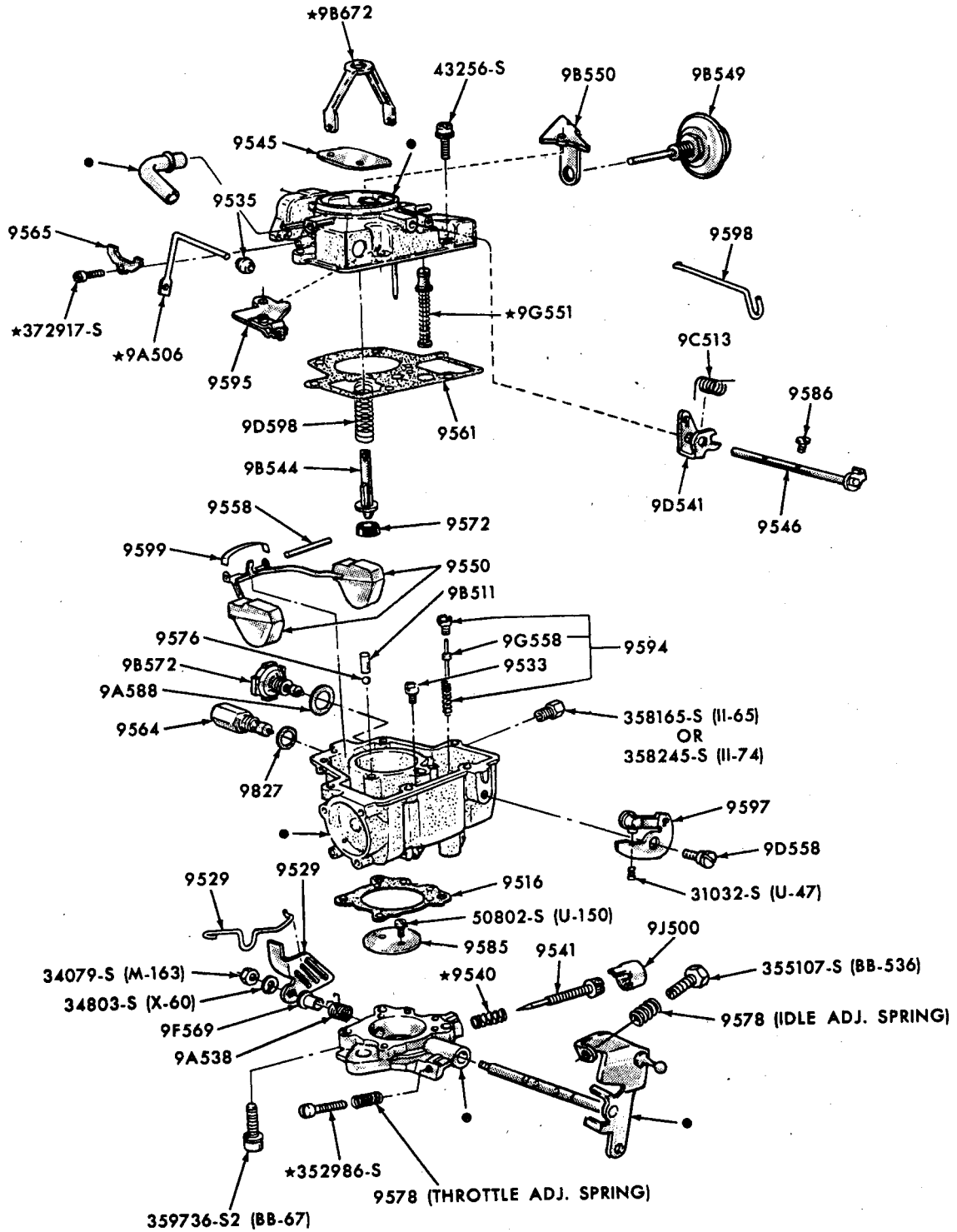


● SUPPLIED ONLY IN 9510 CARBURETOR ASSY.  
%MANUAL CHOKE  
#AUTOMATIC CHOKE

P-7460

CARBURETOR - HOLLEY 1V  
1965/69 FORD, FAIRLANE, MUSTANG, FALCON (6 CYLINDER 170, 200, 240, 250 ENGINES)

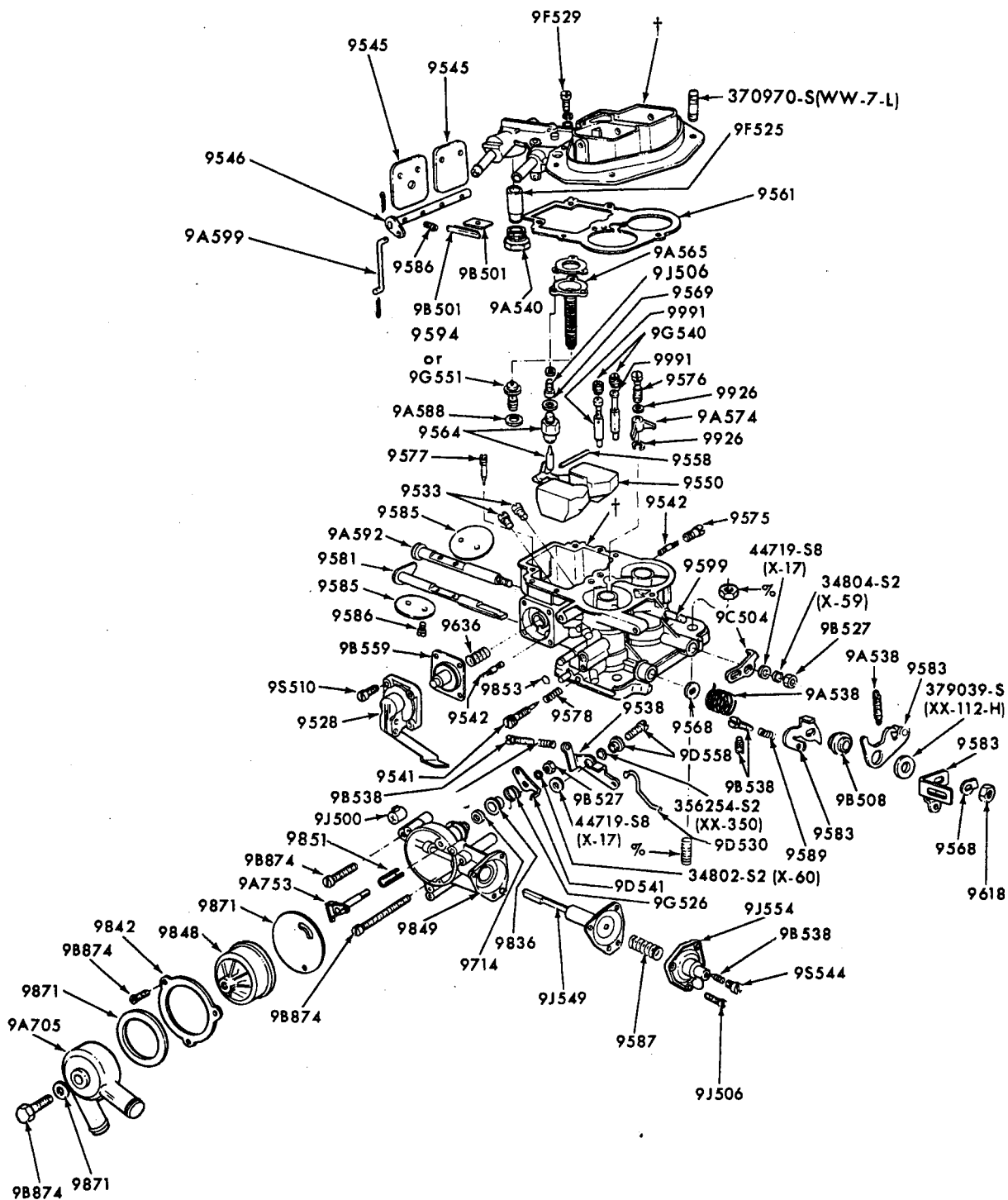




●SUPPLIED ONLY IN 9510 CARBURETOR ASSY.

P-7586

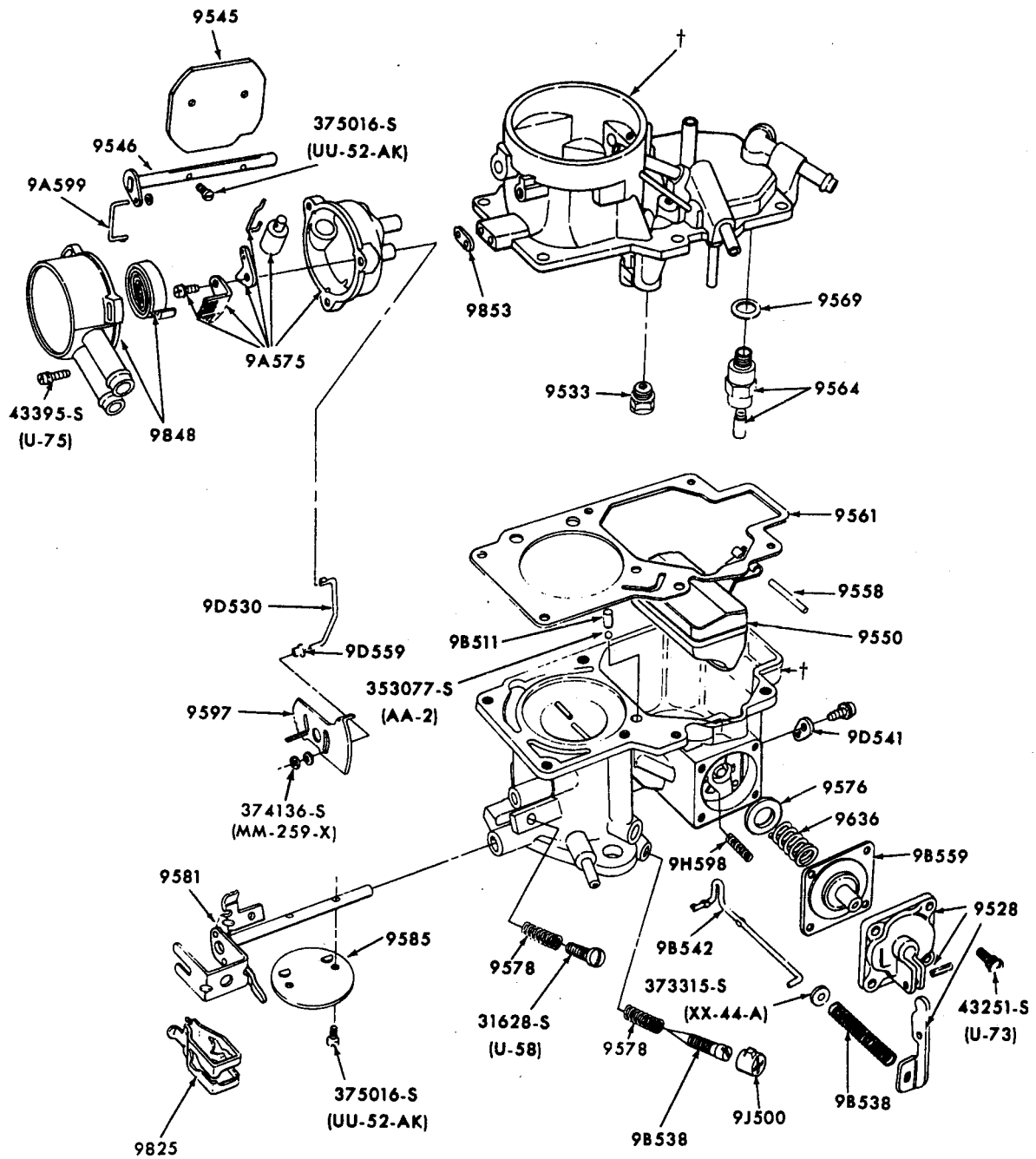
CARBURETOR - HOLLEY IV  
1966/69 BRONCO (6 CYLINDER 170 ENGINE)



† SUPPLIED ONLY IN 9510 CARBURETOR ASSEMBLY  
 % REFER TO APPROPRIATE CARBURETOR PARTS LIST

P-7965

CARBURETOR - HOLLEY 2V  
 1971/72 PINTO - 4 CYLINDER 122 (2000 cc) ENGINE



† SUPPLIED IN 9510 CARBURETOR ASSEMBLY

P-7967

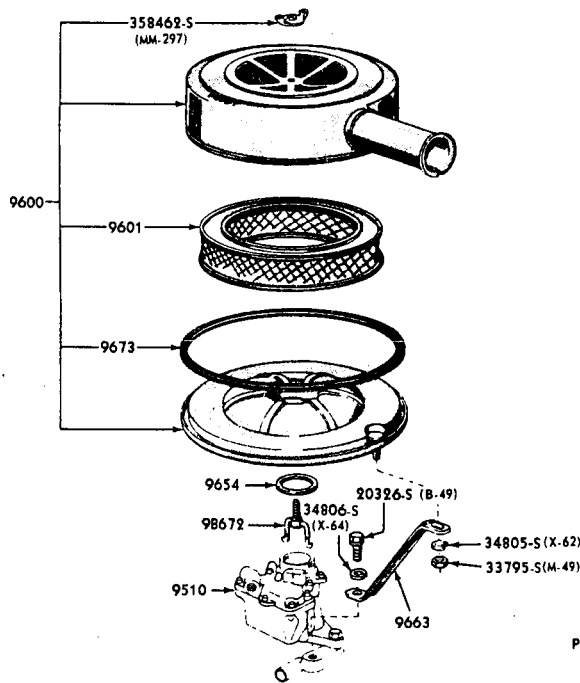
CARBURETOR - FORD 1V  
1971/72 PINTO - 4 CYLINDER 98 (1600 cc) ENGINE





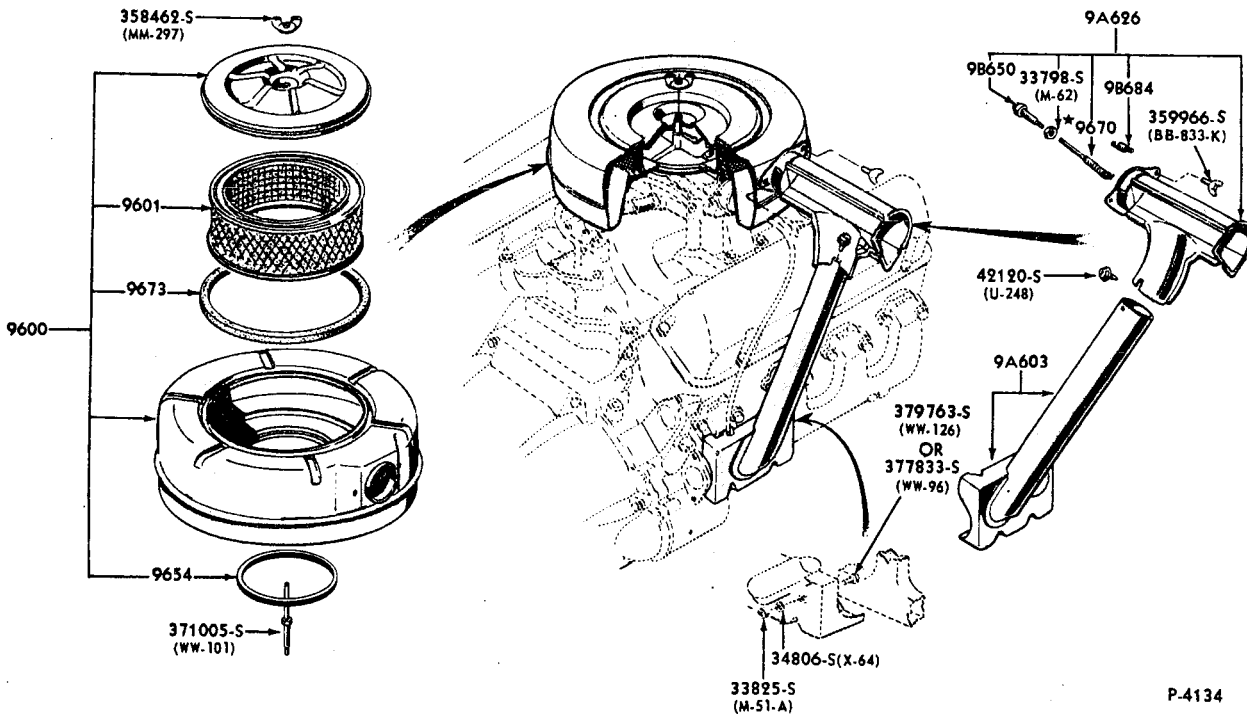






P-3737

AIR CLEANER - 6 CYLINDER  
 1965/67 FAIRLANE, FALCON and MUSTANG  
 1966 BRONCO

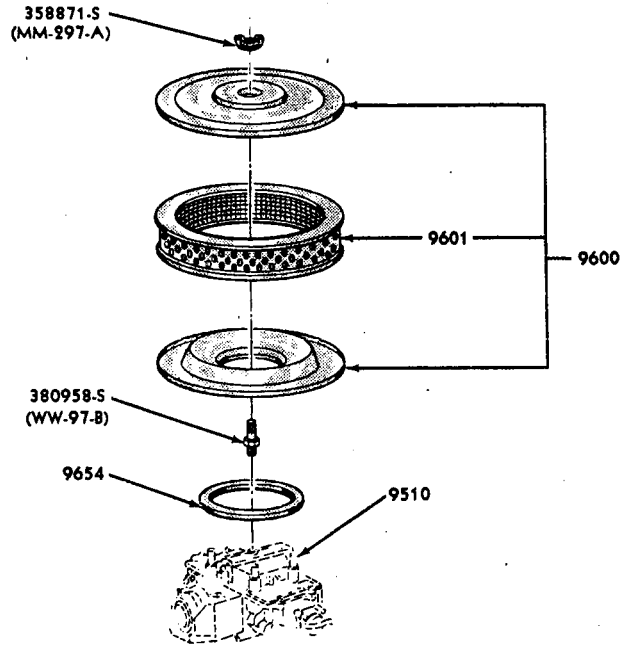


P-4134

AIR CLEANER - 8 CYLINDER  
 1965/67 FORD, FAIRLANE and FALCON (289 ENGINES)  
 1965/67 MUSTANG (260, 289 ENGINES - except F SPECIAL)

**ILLUSTRATION  
SECTION 96**

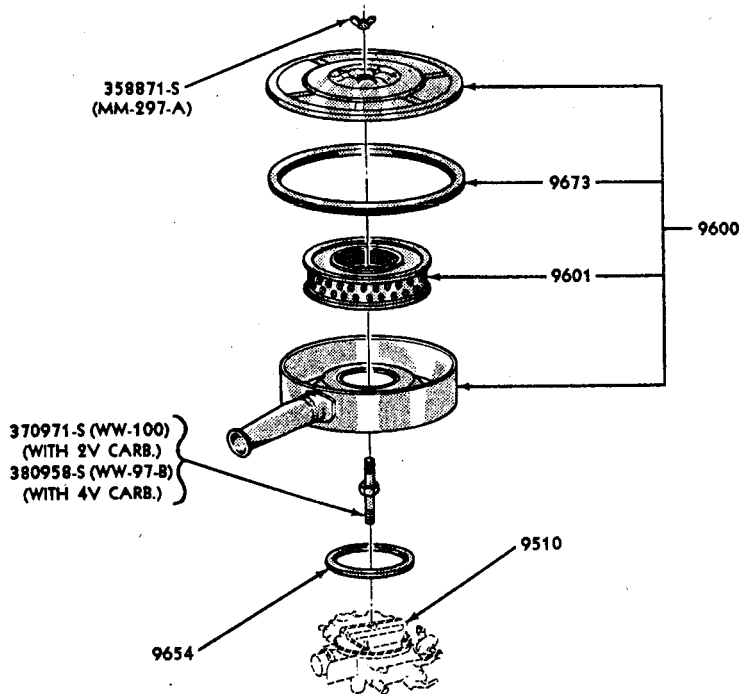
**FORD CAR PARTS**



P-5784

**AIR CLEANER - 8 CYLINDER**

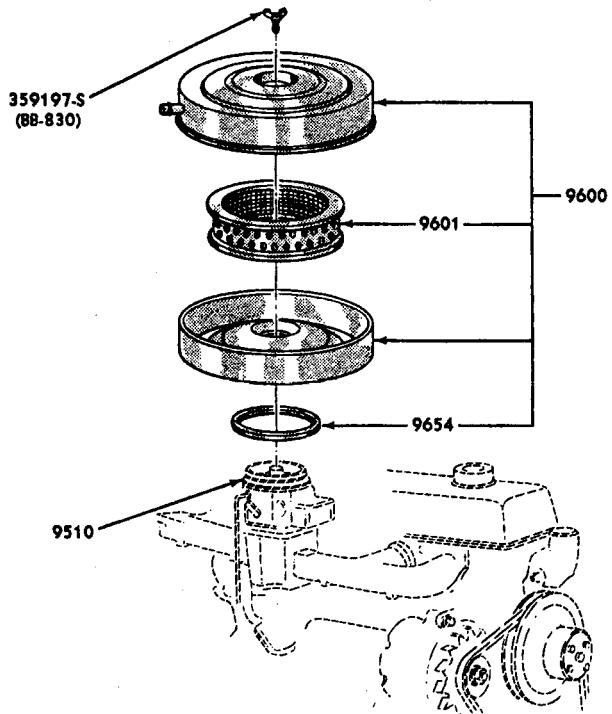
1965/67 FAIRLANE, MUSTANG (289-4V HIGH PERFORMANCE)  
 1966/68 FORD (427-4V and 428-4V P.C.) 1967/68 FAIRLANE (427-4V)  
 1968 MUSTANG (427-4V)



P-5783

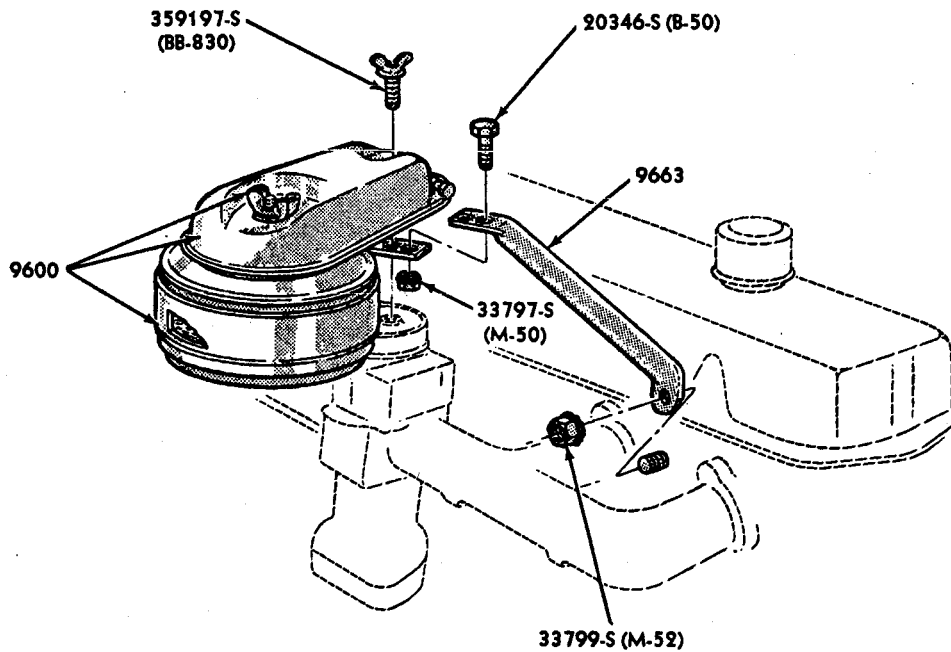
**AIR CLEANER - 8 CYLINDER**

1965/67 FORD (352-4V, 390-2V, 390-4V, 428-4V) 1965 FORD (390-4V P.C.)  
 1966/67 FAIRLANE (390-2V, 390-4V) 1965/67 THUNDERBIRD (390-4V, 428-4V)



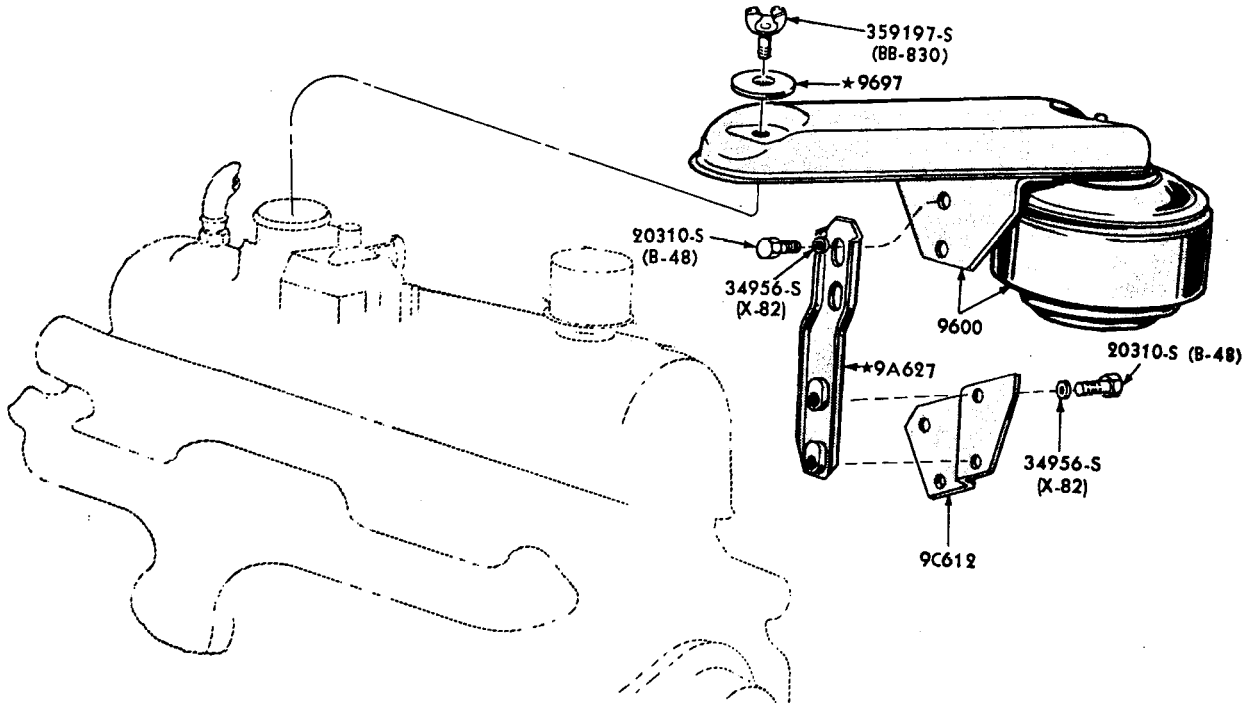
P-5781

AIR CLEANER - 6 CYLINDER  
1966/67 FORD (240 ENGINE except TAXI and POLICE)



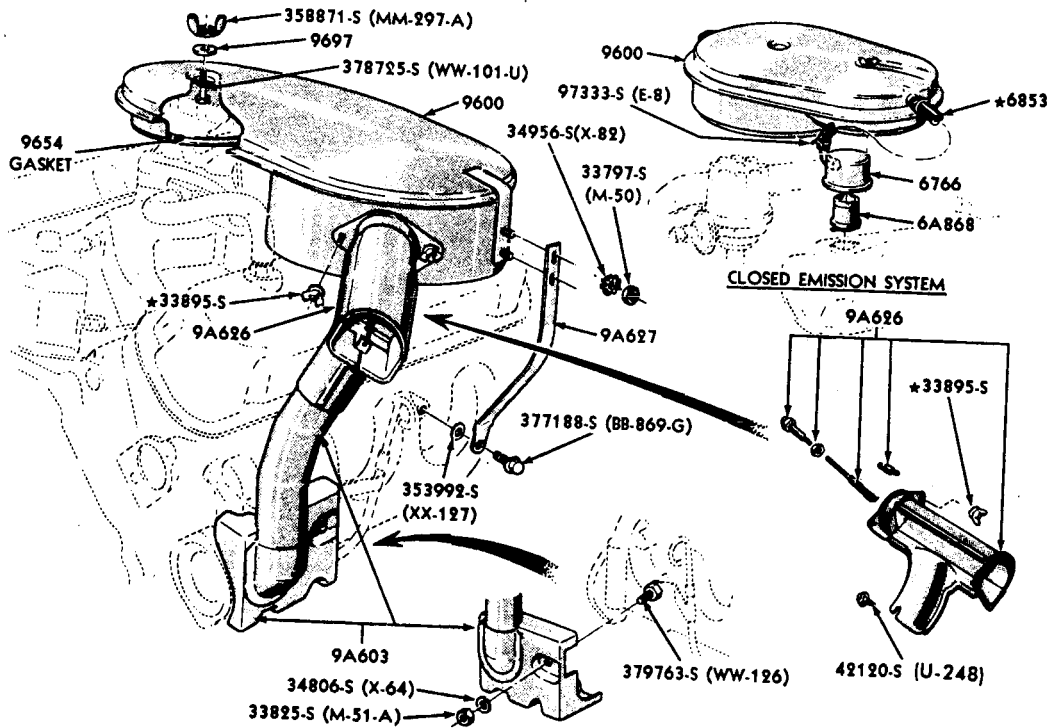
P-5782

AIR CLEANER - OIL BATH TYPE - 6 CYLINDER  
1966/67 FORD (240 ENGINE TAXI and POLICE)



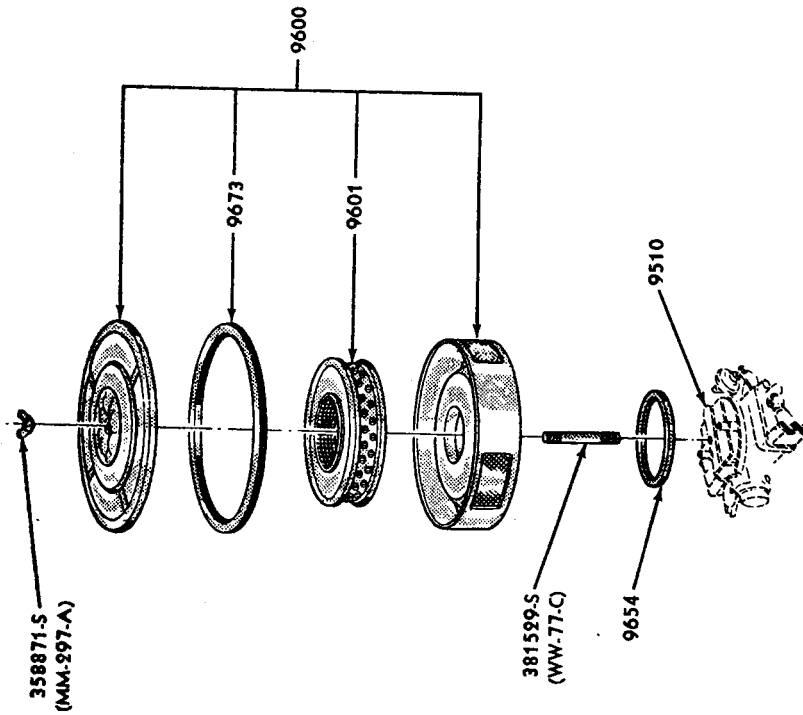
AIR CLEANER - OIL BATH TYPE - 6 CYLINDER  
1966 BRONCO (170 ENGINE)

P-5187



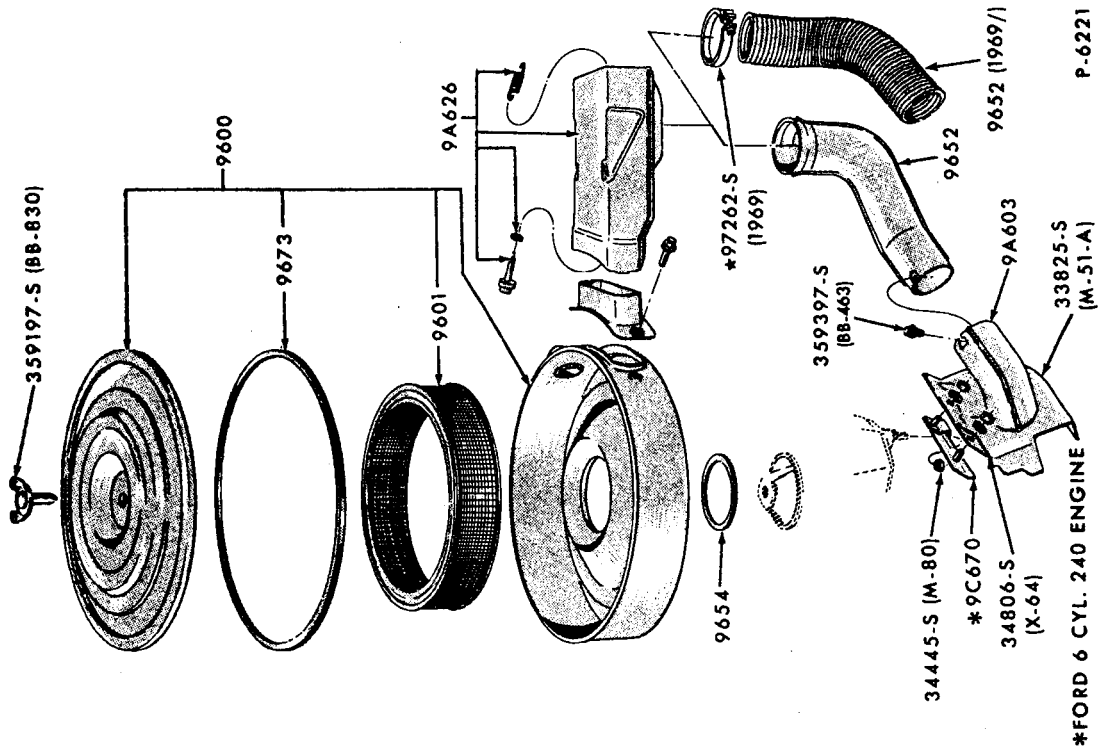
AIR CLEANER - OIL BATH TYPE - 8 CYLINDER  
1966/69 BRONCO (289, 302 ENGINES)

P-5500



P-5785

AIR CLEANER - 8 CYLINDER  
1966/67 FAIRLANE, MUSTANG (390-4V, GT and GTA ENGINES)

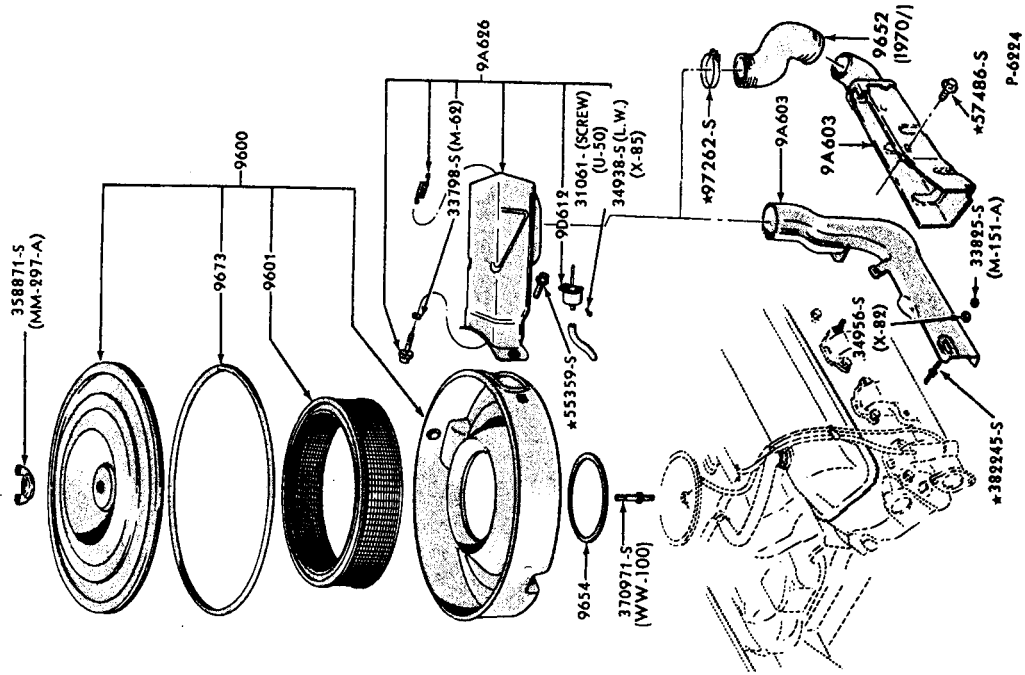


P-6221

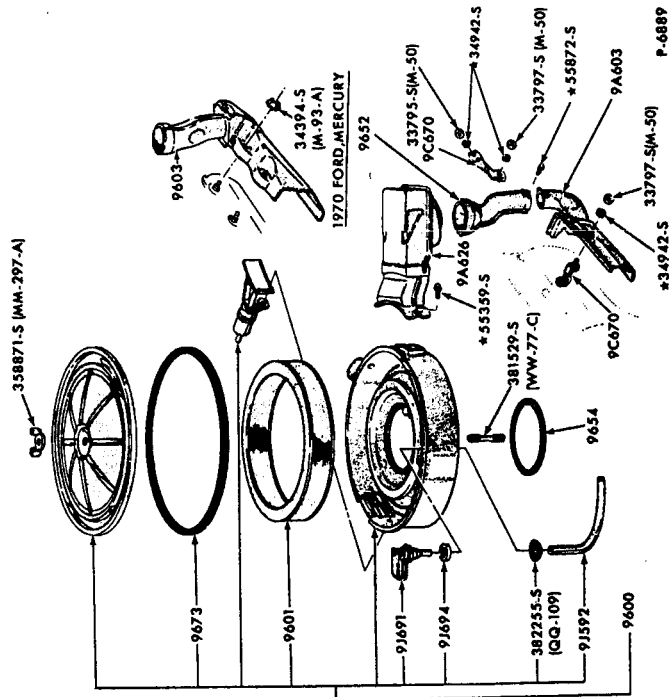
AIR CLEANER - 6 CYLINDER  
1968/72 FORD, FAIRLANE/TORINO, FALCON, MUSTANG



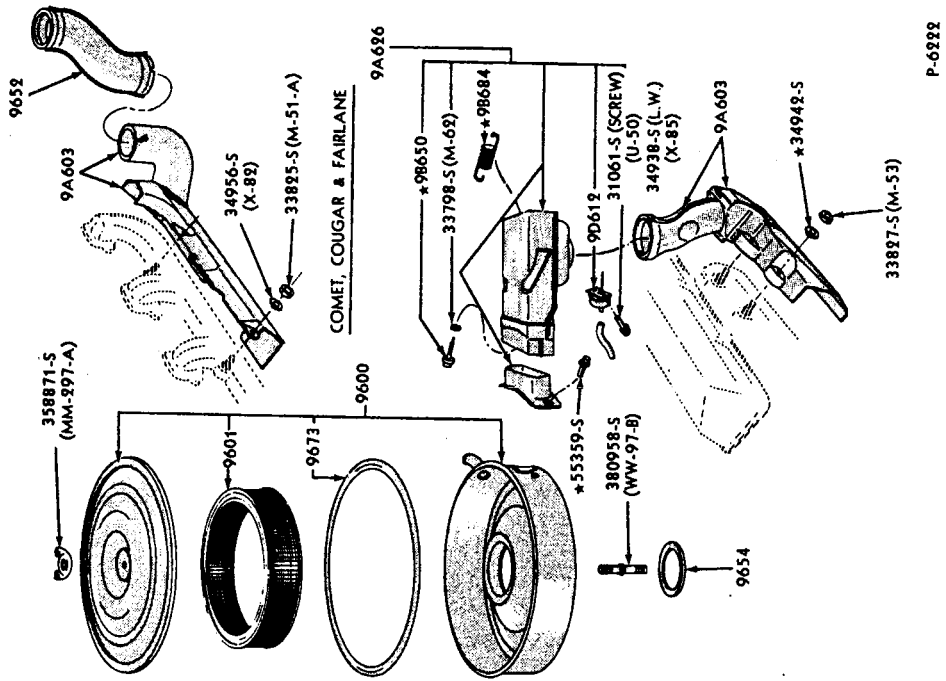
**FORD CAR PARTS**



**AIR CLEANER - 8 CYLINDER**  
 1968/71 FALCON, FORD, MAVERICK (289, 302, 351 ENGINES)  
 1968/71 FAIRLANE/TORINO, MUSTANG (289,302 ENGINES)  
 1969 FAIRLANE, MUSTANG (351 ENGINE)



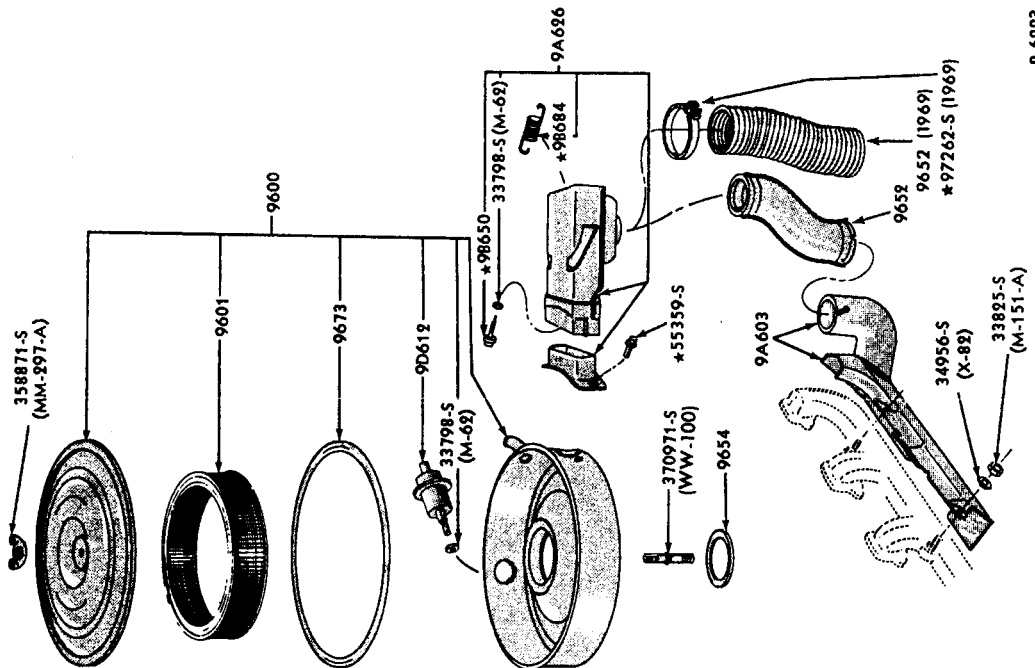
**AIR CLEANER - 8 CYLINDER - except RAM AIR**  
 1968/70 FAIRLANE/TORINO, MUSTANG (428 ENGINE)  
 1970 FORD (428 PC ENGINE)



AIR CLEANER - 8 CYLINDER

1968/ FORD (390-2V, 4V, 428-4V ENGINES)

1968 FAIRLANE (390 ENGINE) 1968 THUNDERBIRD (390-4V ENGINE)

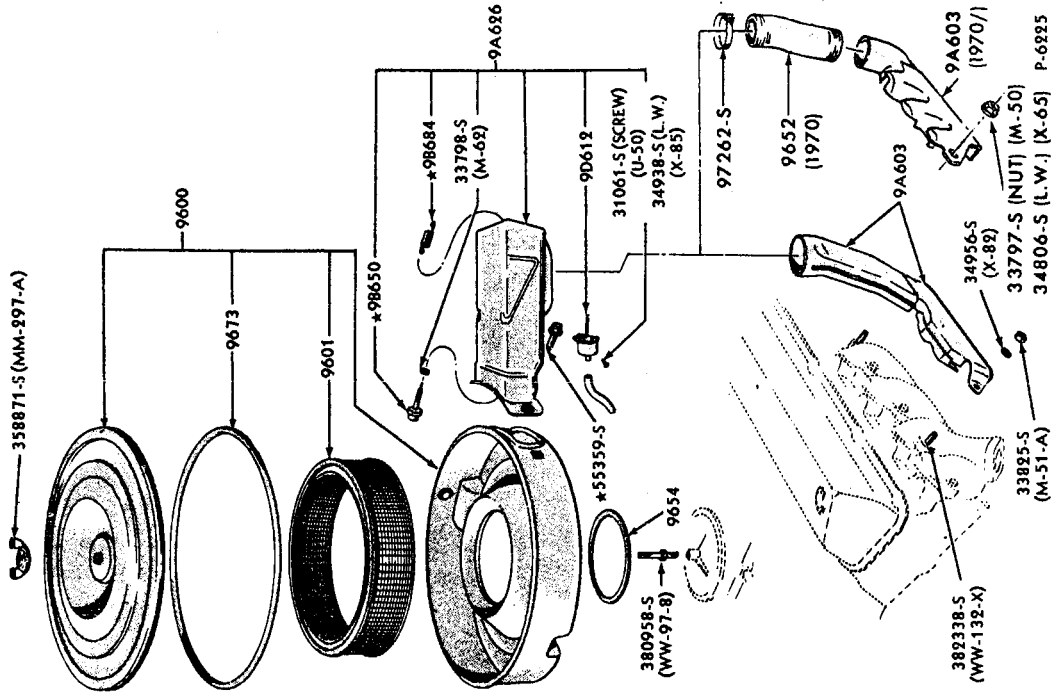


AIR CLEANER - 8 CYLINDER

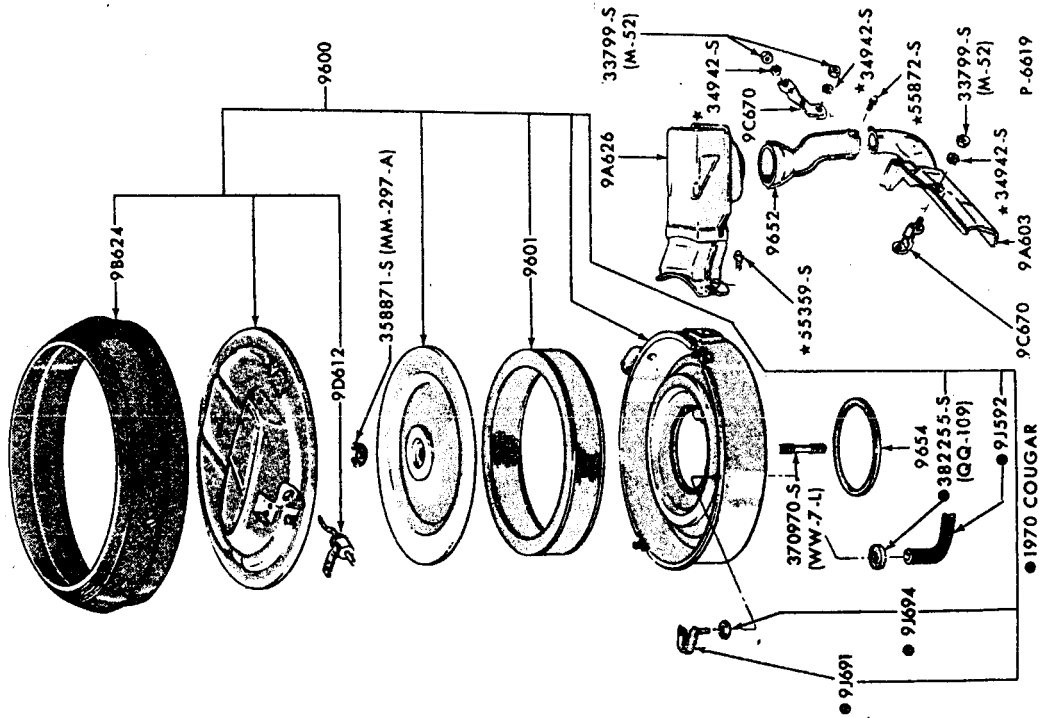
1968/69 FAIRLANE (390-4V GT and GTA ENGINES) 1968/69 MUSTANG (390-2V, 4V ENGINES)

1970 FAIRLANE/TORING (429 COBRA JET ENGINE)

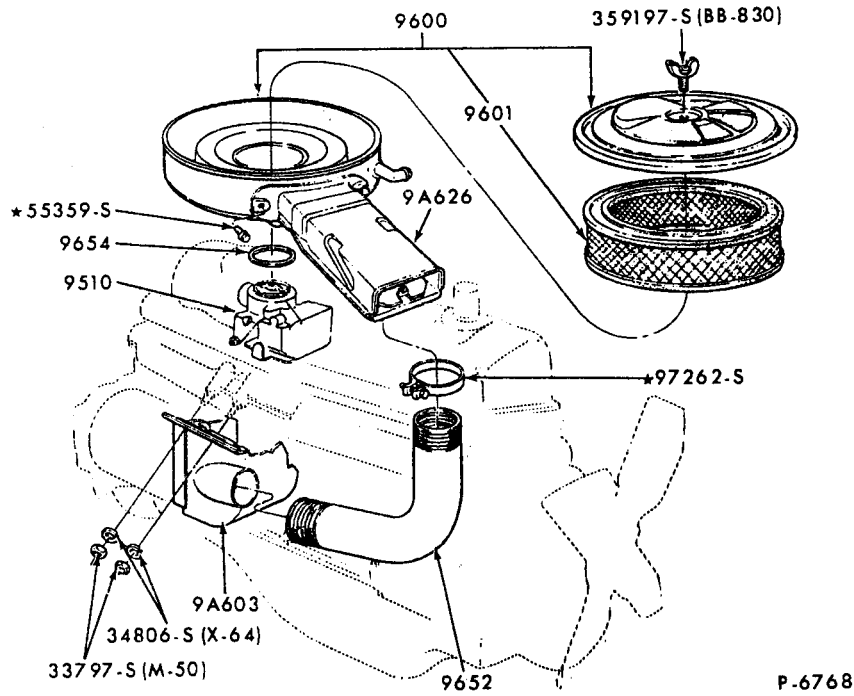
FORD CAR PARTS



AIR CLEANER - 8 CYLINDER  
 1968/70 THUNDERBIRD, FAIRLANE/TORINO (428 ENGINE)  
 1970/71 FORD (429-2V, 4V ENGINES)

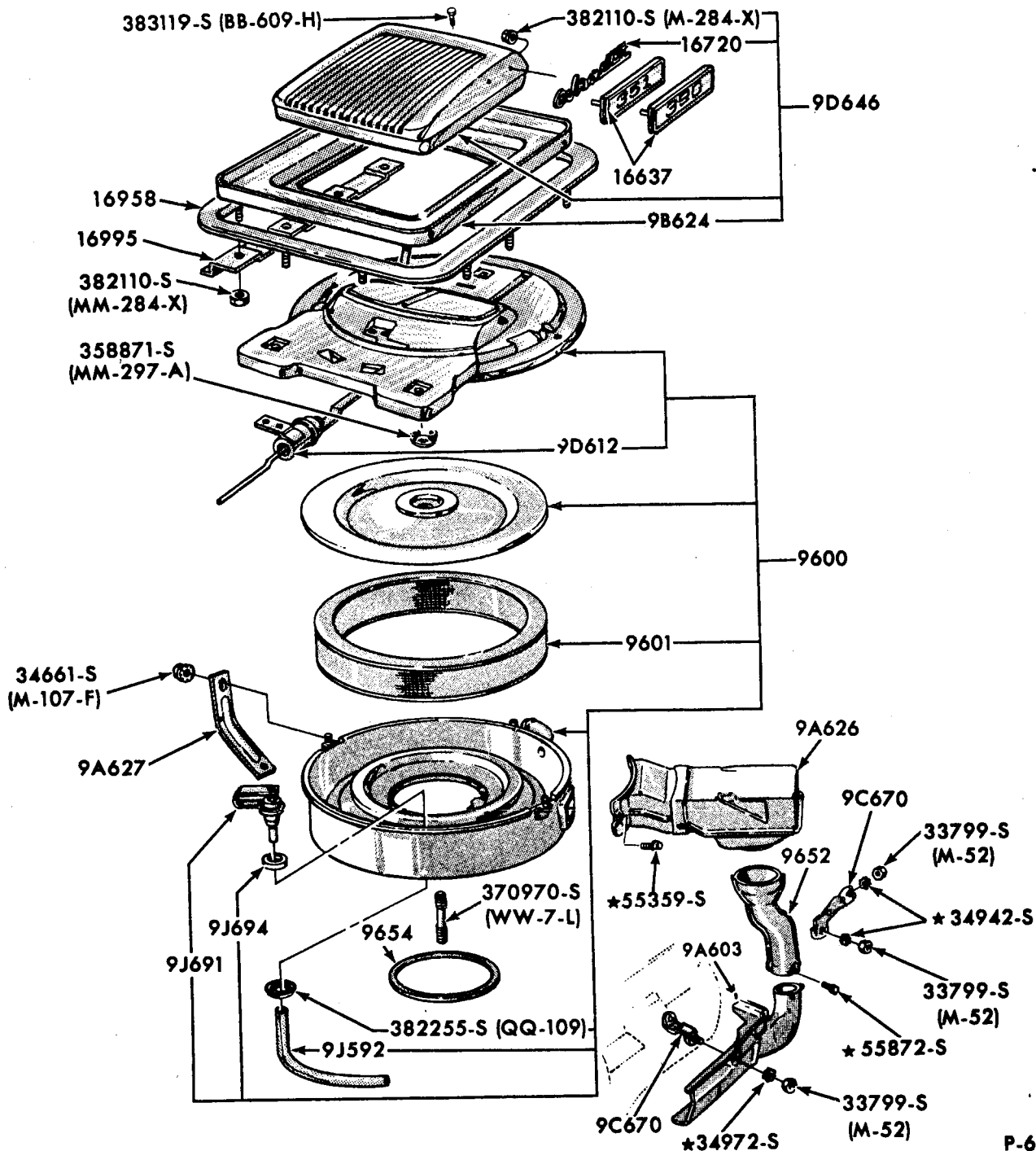


AIR CLEANER - 8 CYLINDER - RAM AIR  
 1969 FAIRLANE/TORINO (428 COBRA JET ENGINE)  
 1969/70 MUSTANG (428 COBRA JET ENGINE)

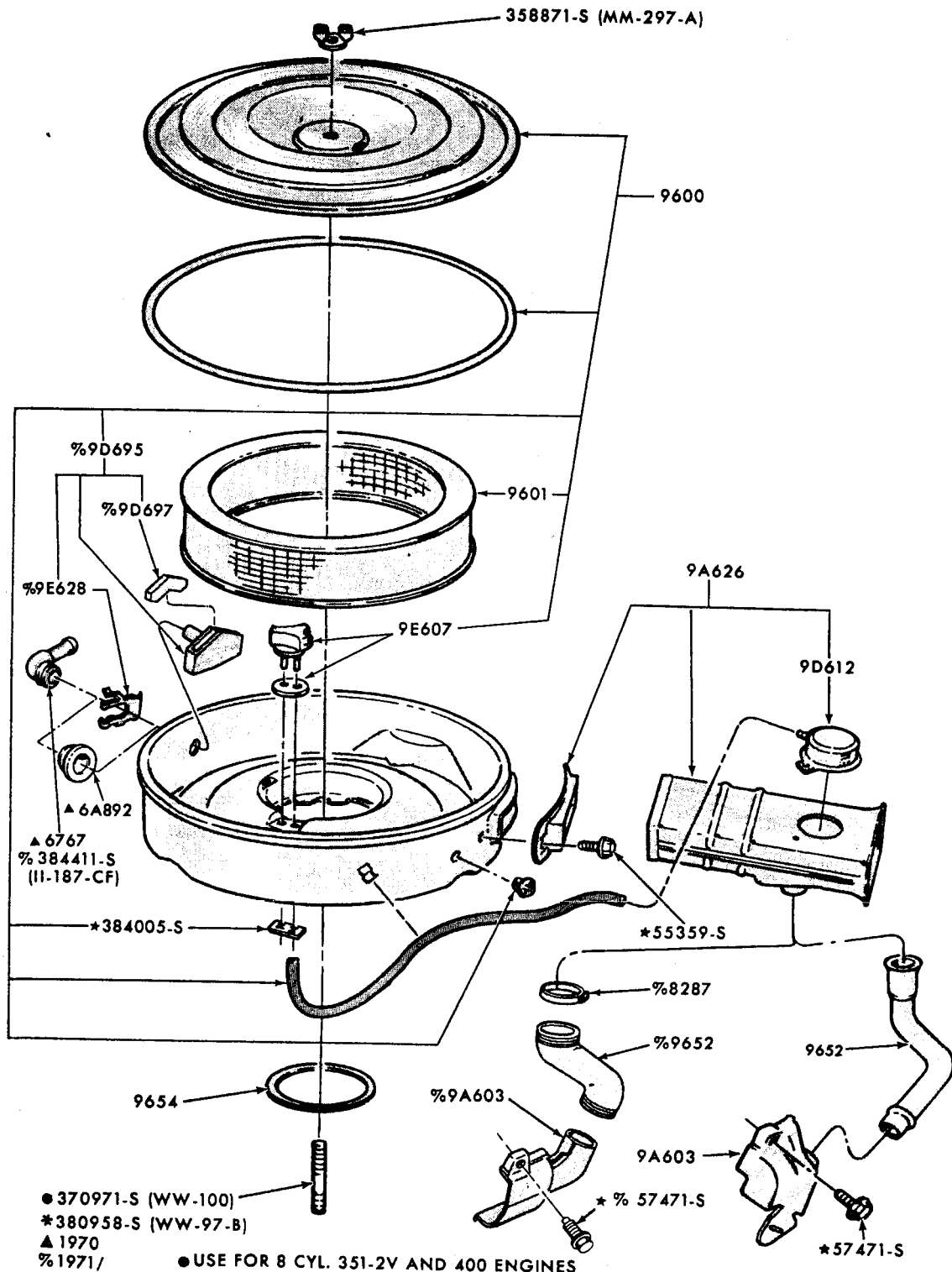


AIR CLEANER - 6 CYLINDER  
1969/71 BRONCO (170 ENGINE) - WITHOUT OIL BATH  
1970/71 MAVERICK (170, 200, 250 ENGINES)

FORD CAR PARTS



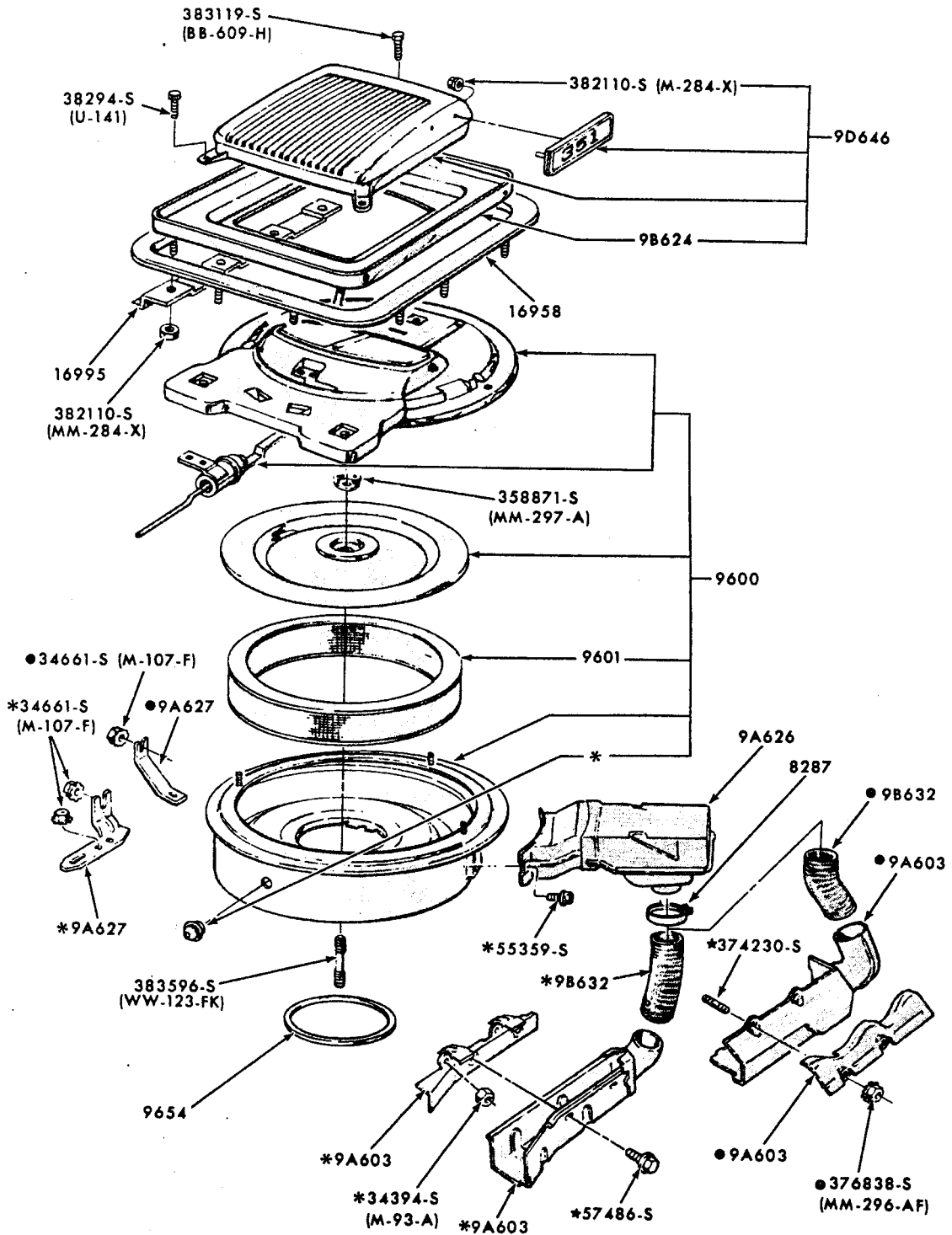
AIR CLEANER - 8 CYLINDER - RAM AIR  
 1969 MUSTANG (351, 390, 428 COBRA JET ENGINES)  
 1970 MUSTANG - 8 CYLINDER 428 ENGINE



P-7376

AIR CLEANER - 8 CYLINDER  
 1970/71 FAIRLANE/TORINO, MUSTANG (351 ENGINE) 1971 FORD (400 ENGINE)



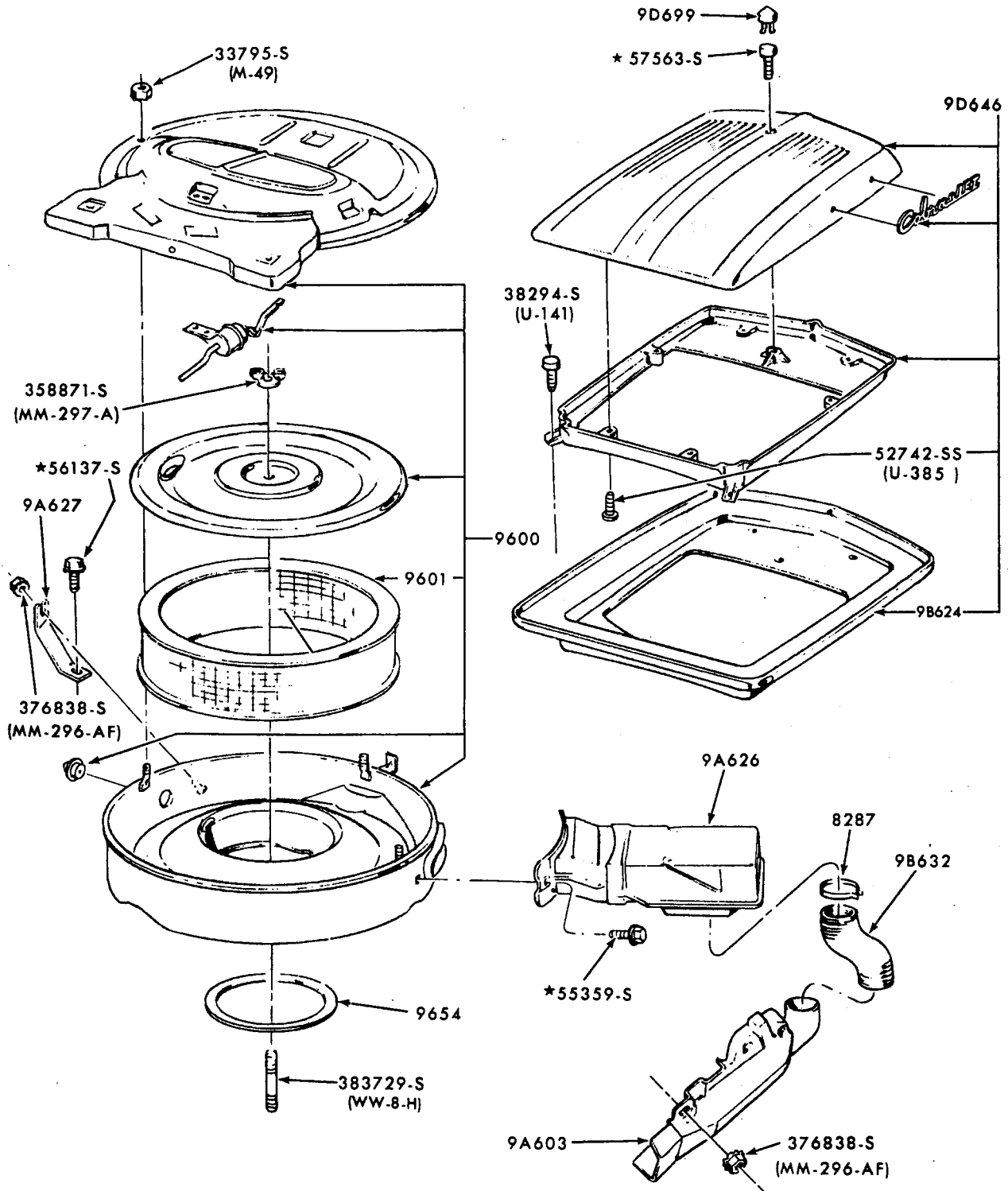


●8 CYLINDER 302-4V 'BOSS' ENGINE ONLY  
 \*8 CYLINDER 351-2V 'W' ENGINE ONLY

P-7373

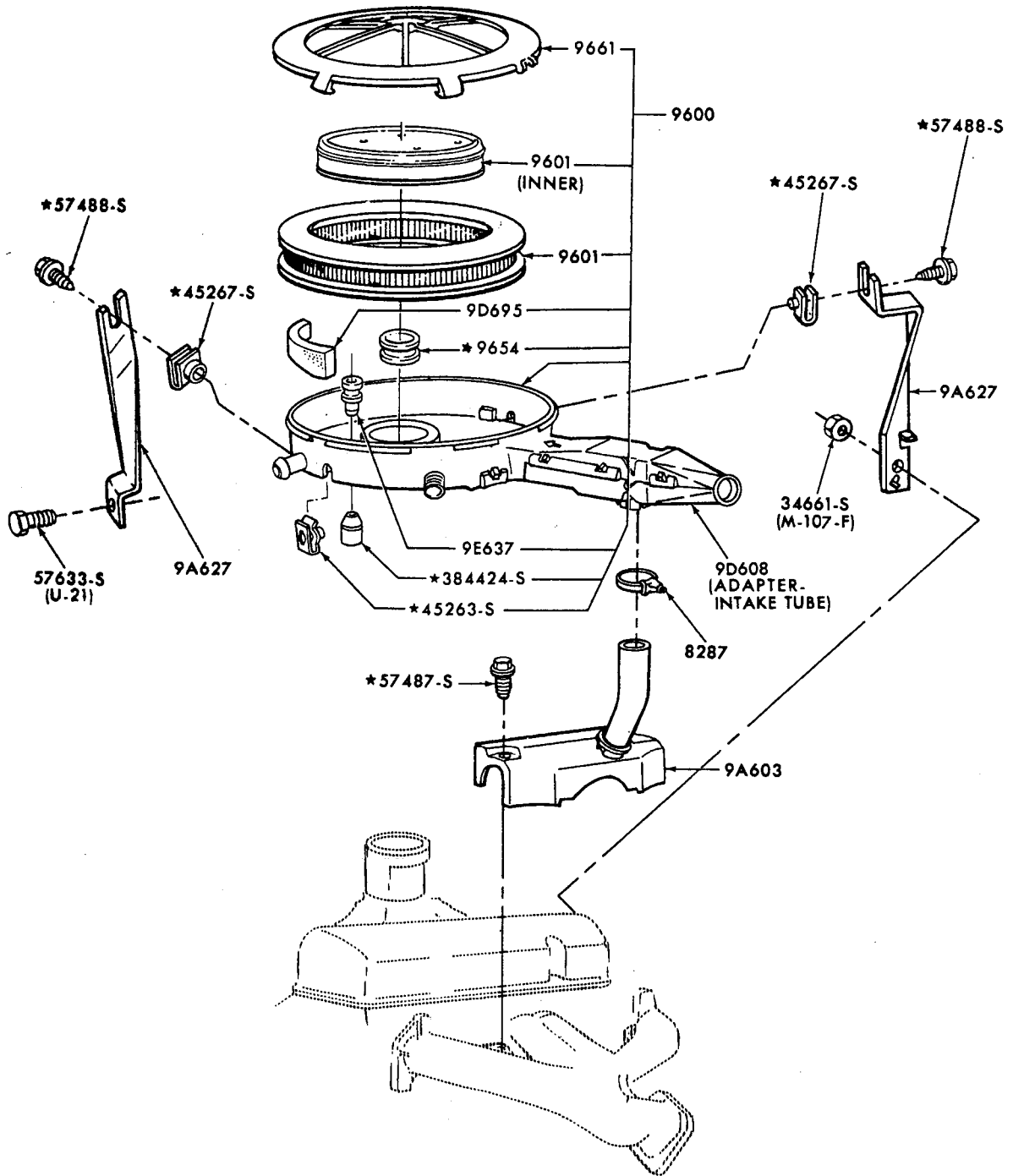
AIR CLEANER - 8 CYLINDER - RAM AIR  
 1970 MUSTANG (302-4V, 351(W) ENGINES)





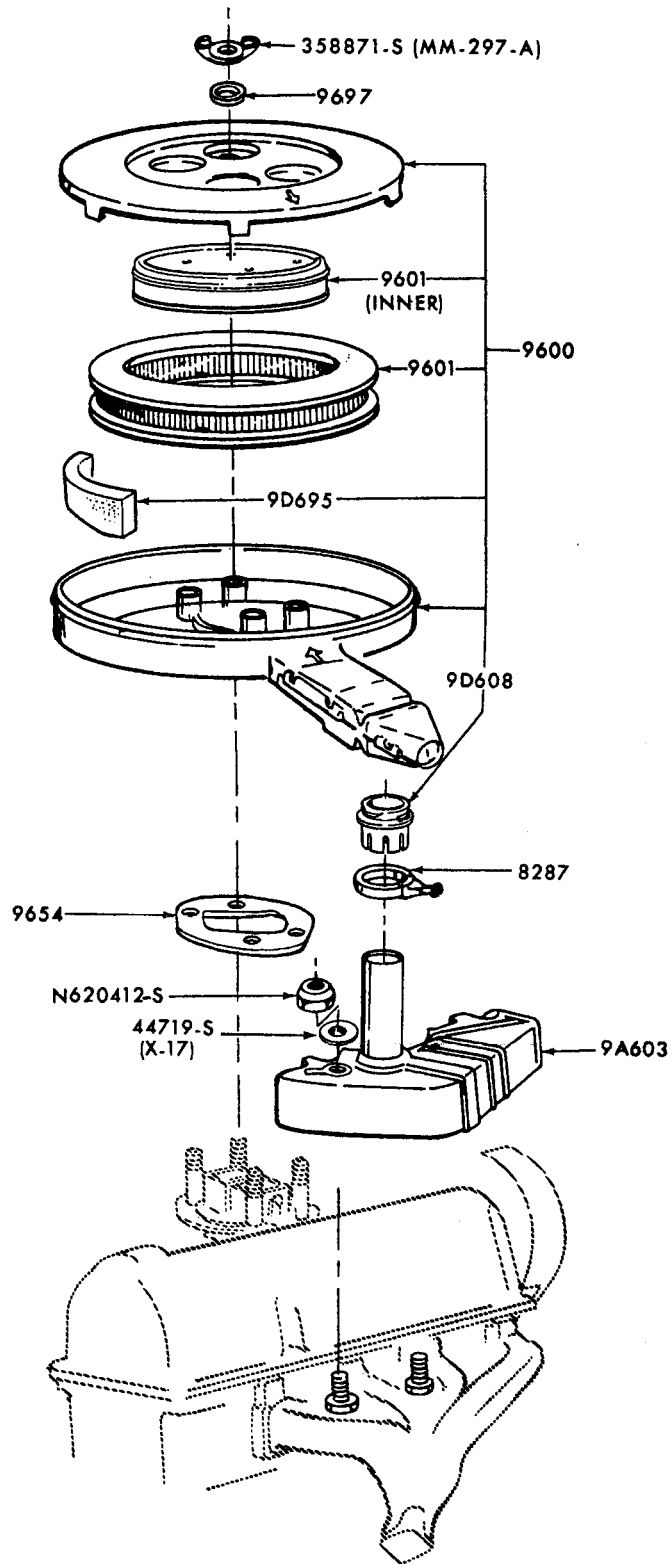
P-7375

AIR CLEANER - 8 CYLINDER - RAM AIR  
1970/71 FAIRLANE/TORINO (429 COBRA JET ENGINE)



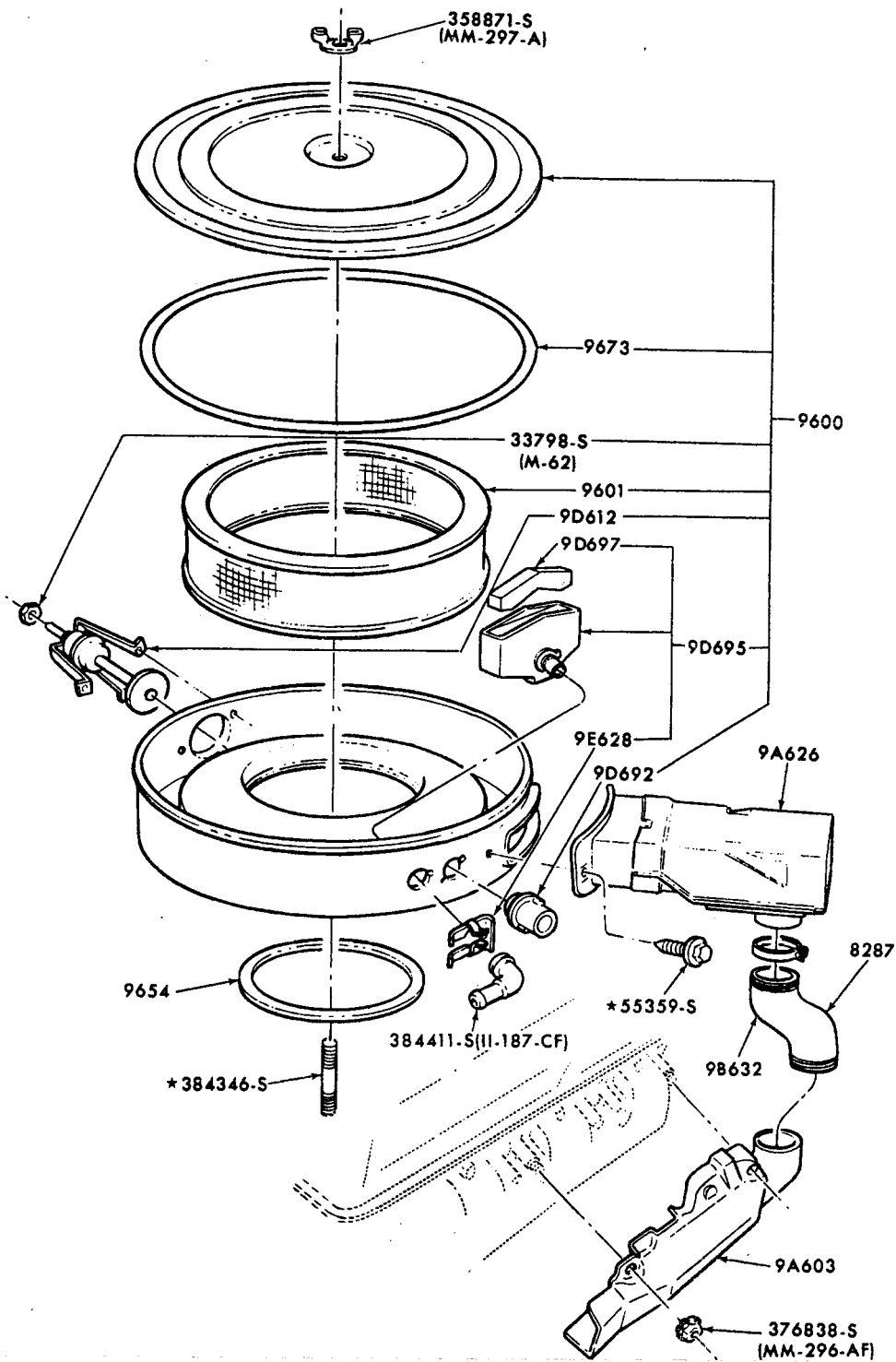
P-7938

AIR CLEANER - 4 CYLINDER  
1971/72 PINTO (98 1600 cc ENGINE)



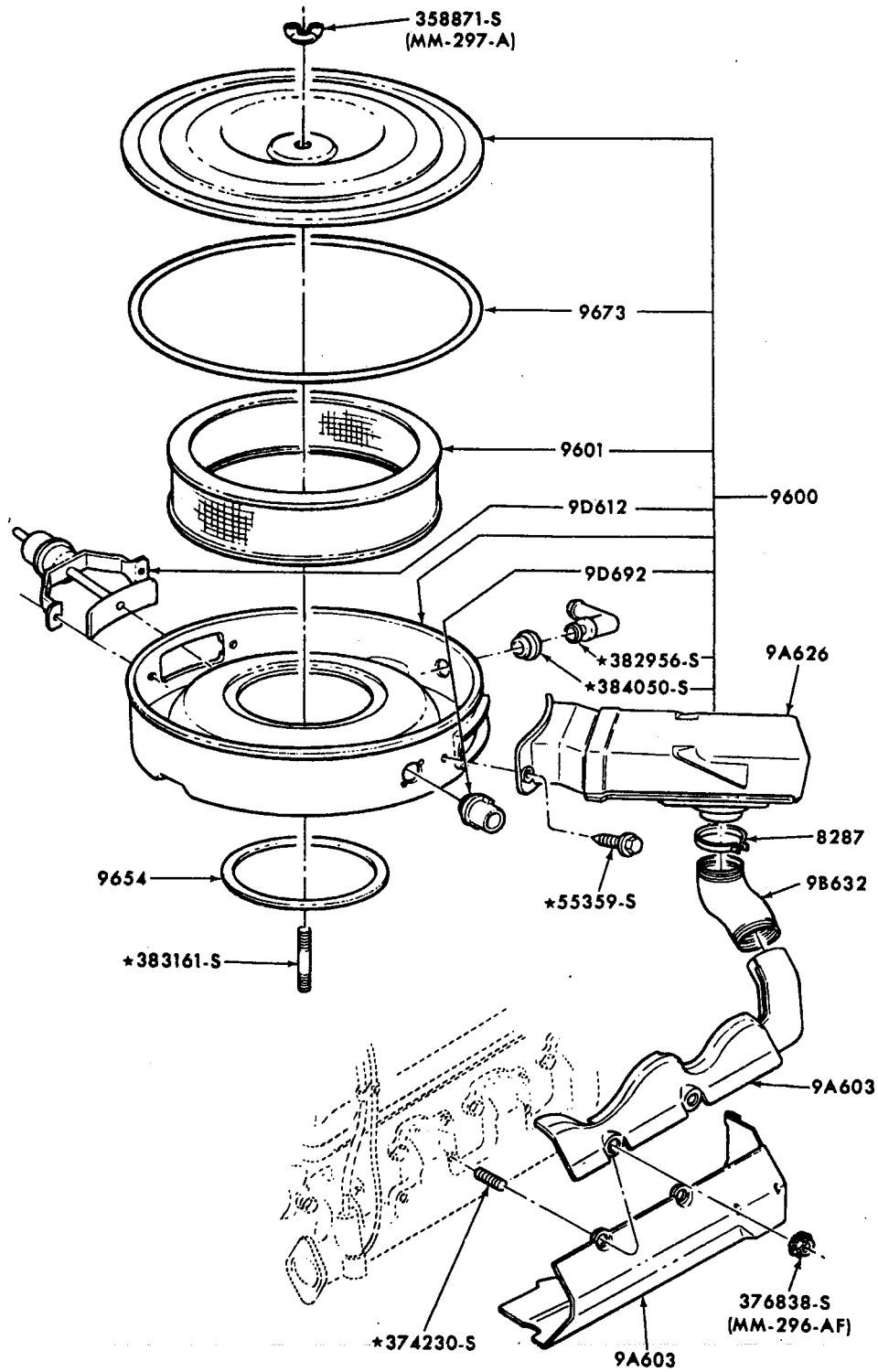
P-7939

AIR CLEANER - 4 CYLINDER  
1971/72 PINTO (122 2000 cc ENGINE)



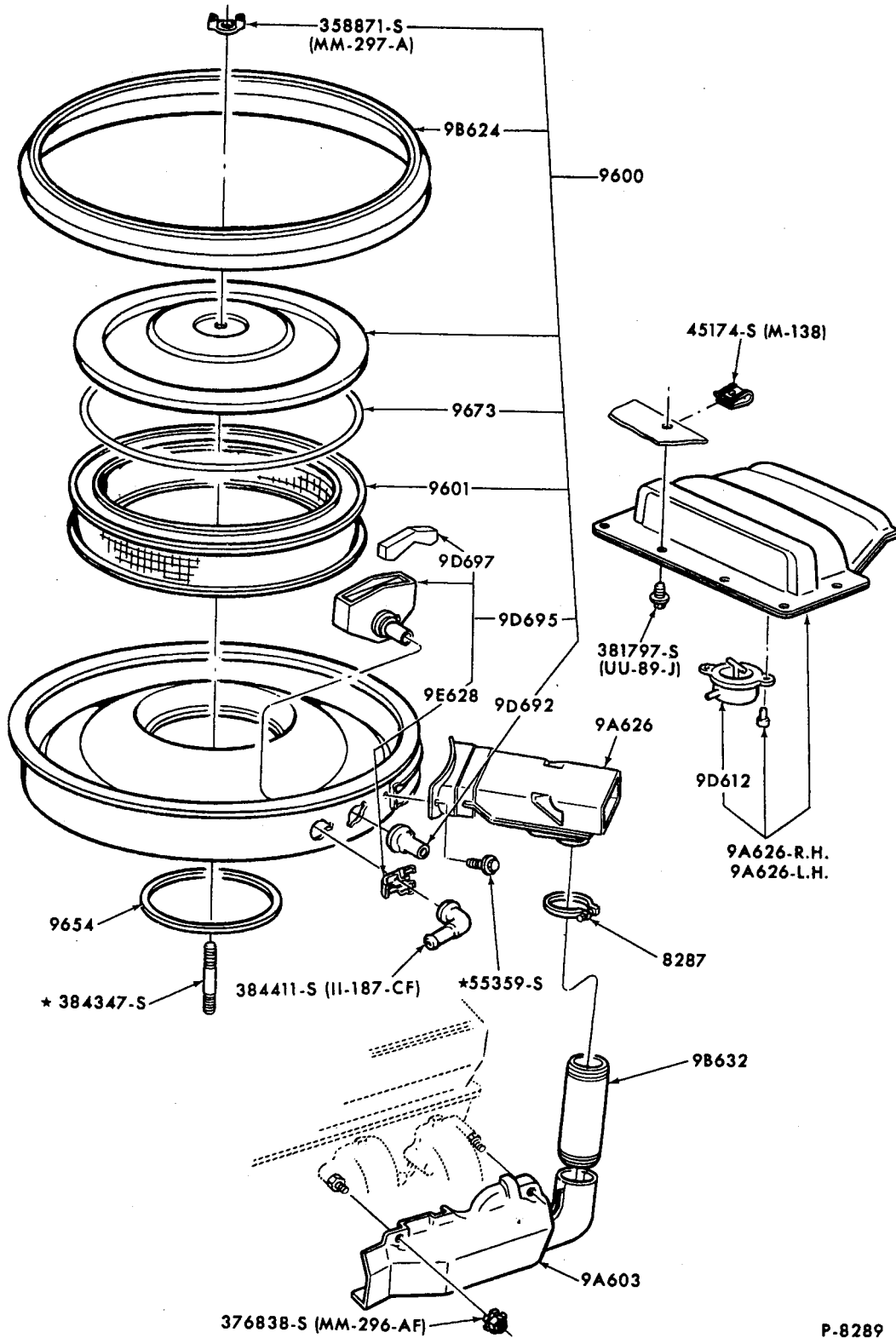
AIR CLEANER - 8 CYLINDER - EXCEPT RAM AIR  
1971 MUSTANG, TORINO (429 ENGINE)

P-8287



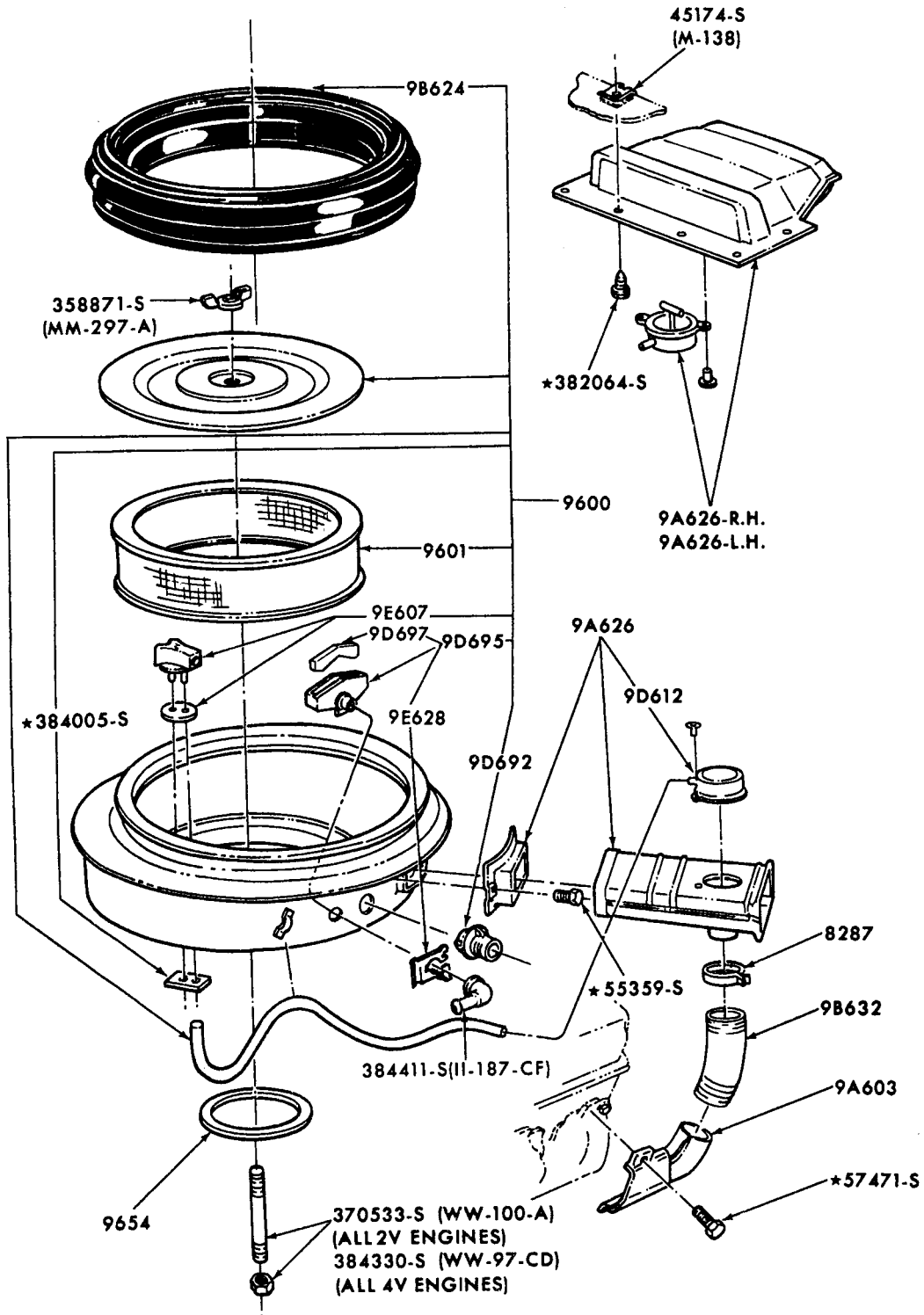
P-8288

AIR CLEANER - 8 CYLINDER - EXCEPT RAM AIR  
1971 MUSTANG (302-4V BOSS ENGINE)



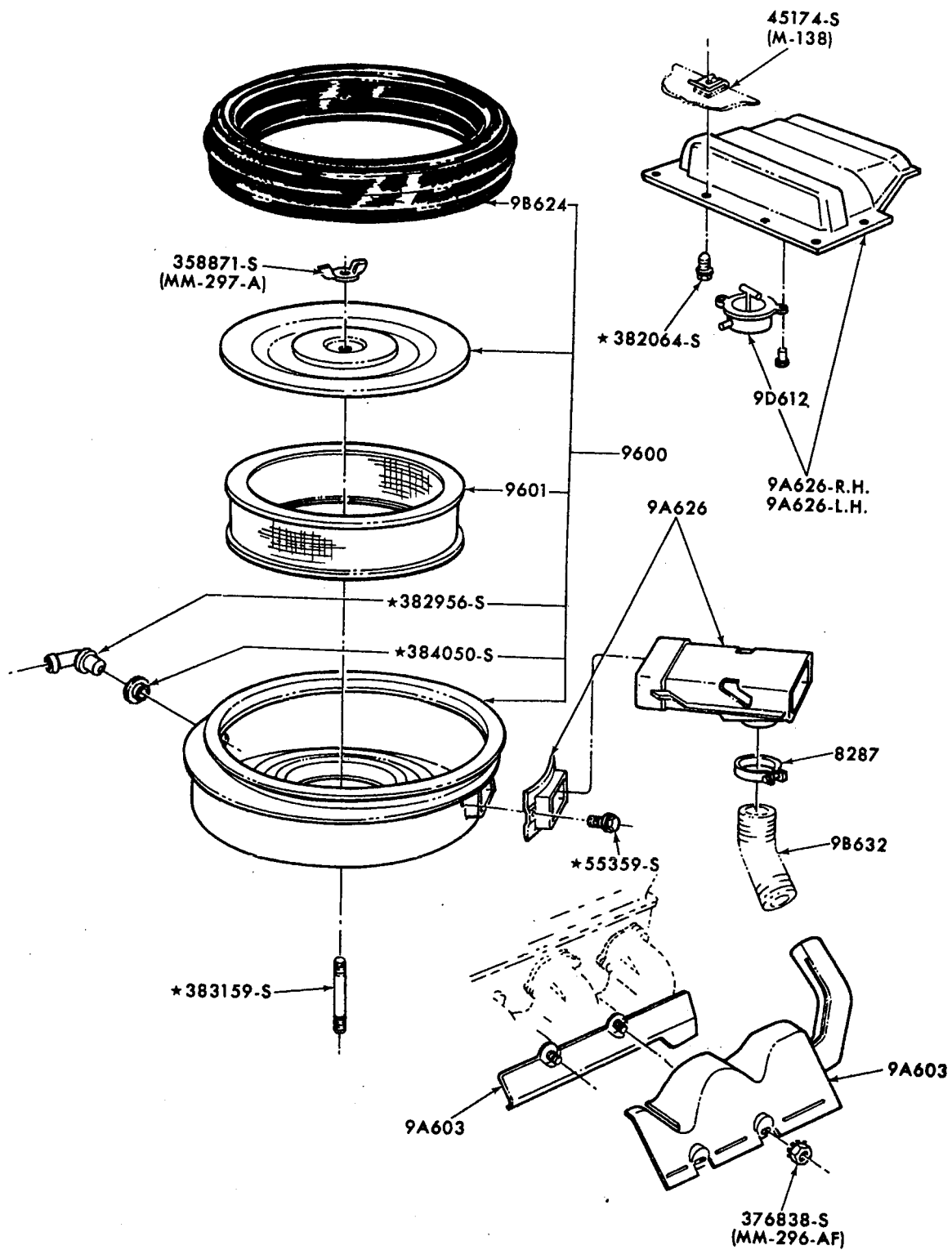
P-8289

AIR CLEANER - 8 CYLINDER - RAM AIR  
1971 MUSTANG (429 COBRA JET ENGINE)



P-8290

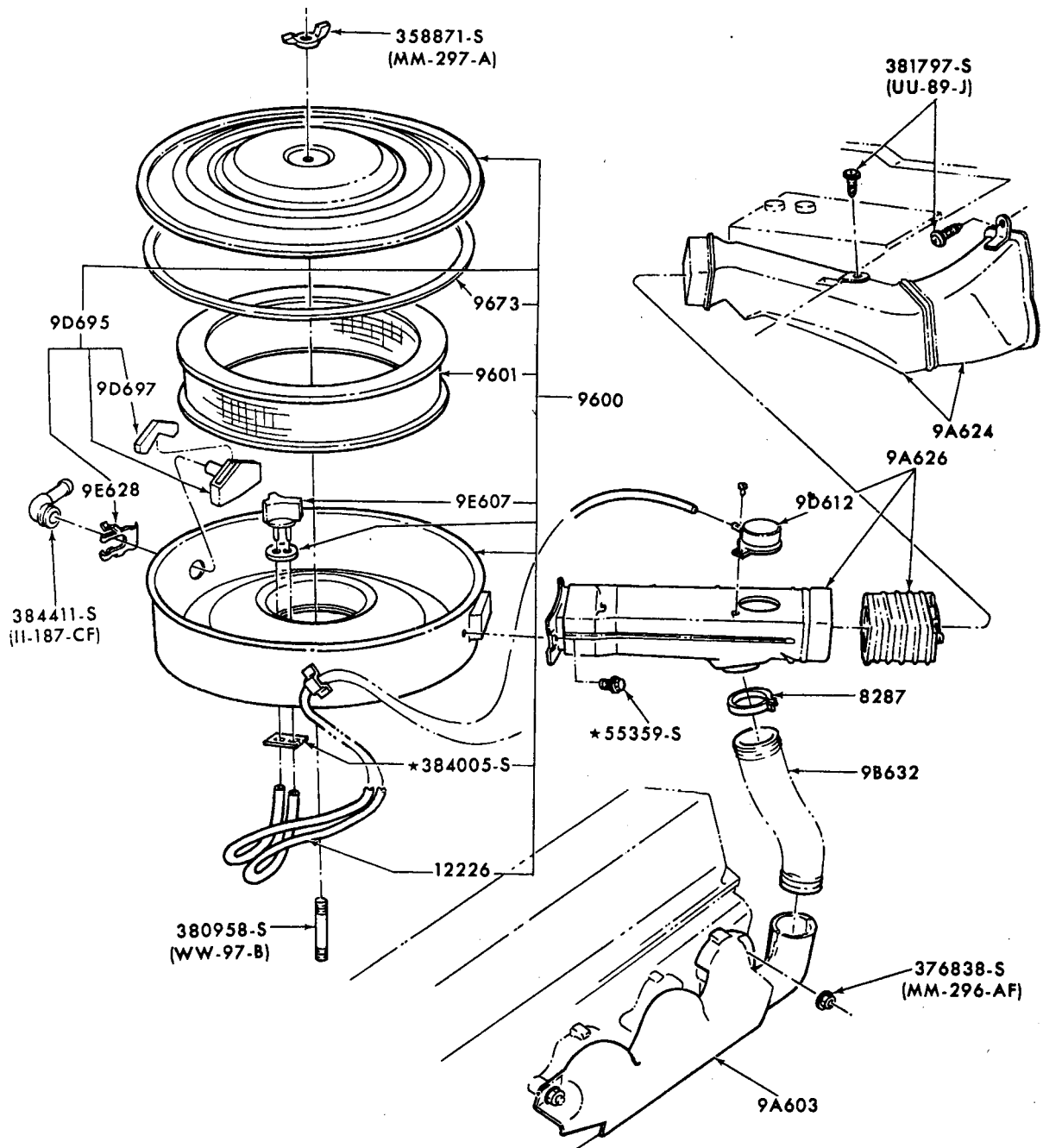
AIR CLEANER - 8 CYLINDER - RAM AIR  
1971/72 MUSTANG (351 ENGINE)



P-8291

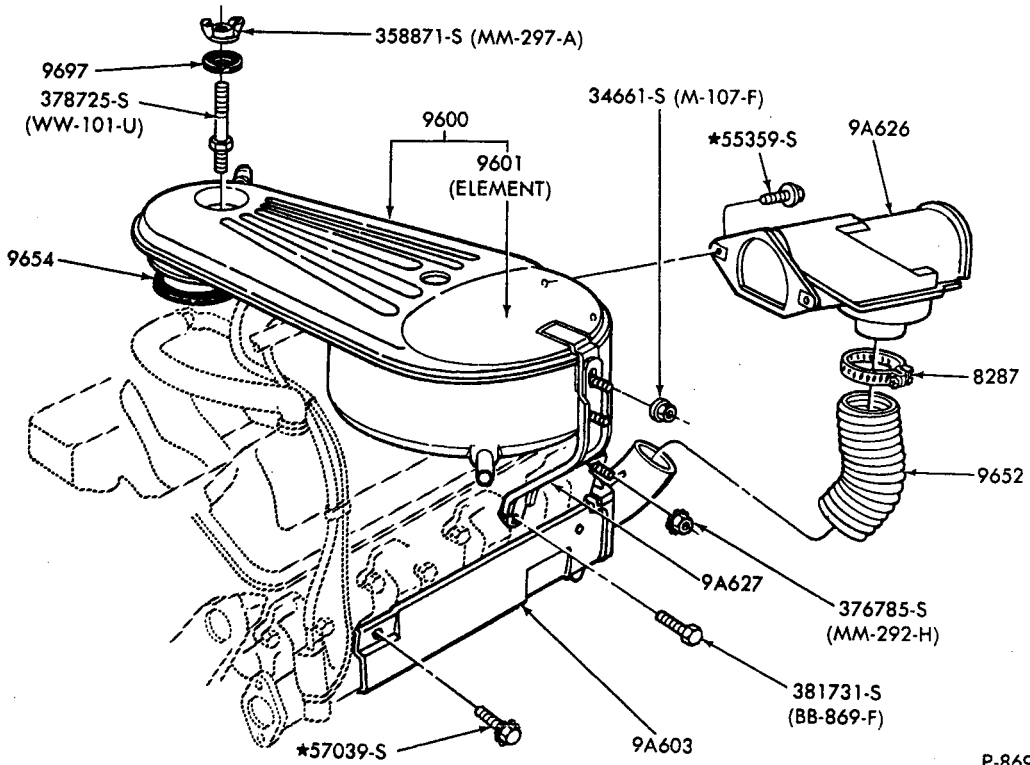
AIR CLEANER - 8 CYLINDER - RAM AIR  
1971 MUSTANG (302-4V BOSS ENGINE)





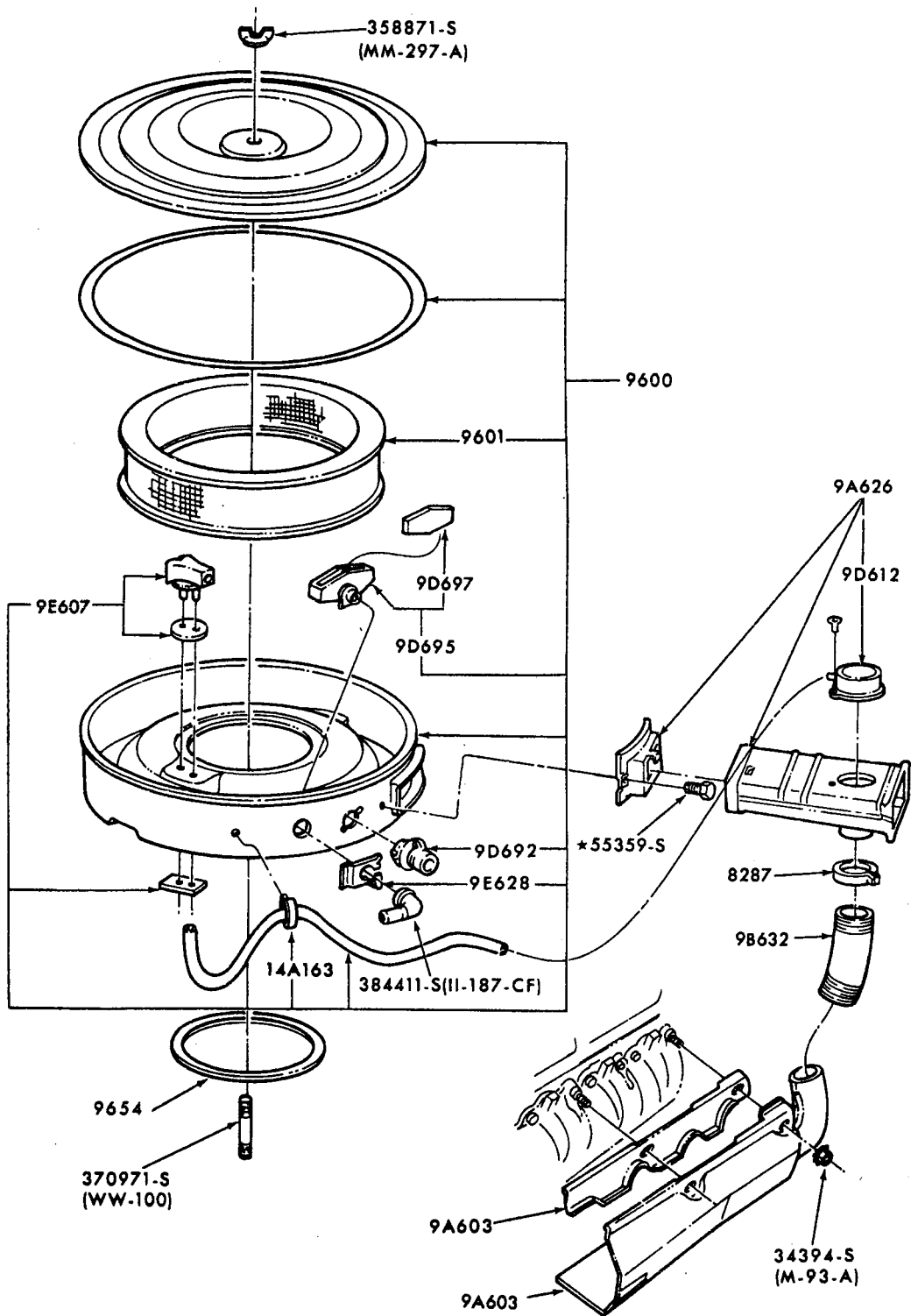
P-8292

AIR CLEANER - 8 CYLINDER  
1971 THUNDERBIRD (429 ENGINE)



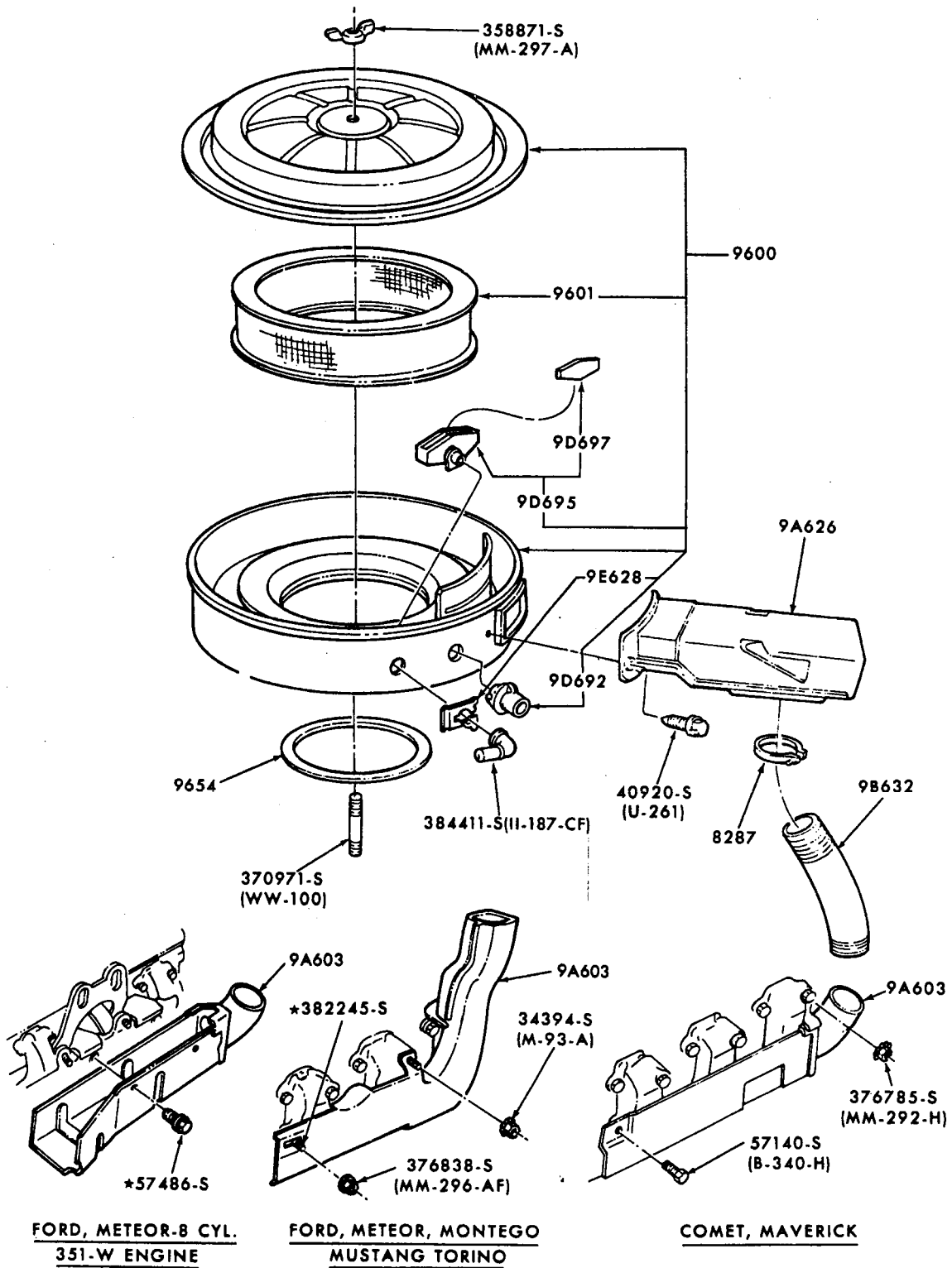
AIR CLEANER - DRY and OIL BATH TYPE - 8 CYLINDER  
1970/72 BRONCO

P-8698



P.9119

AIR CLEANER - 8 CYLINDER  
1972 FORD, THUNDERBIRD, TORINO (400 ENGINE) - EXCEPT CALIFORNIA



**FORD, METEOR-8 CYL.  
351-W ENGINE**

**FORD, METEOR, MONTEGO  
MUSTANG TORINO**

**COMET, MAVERICK**

P-9120

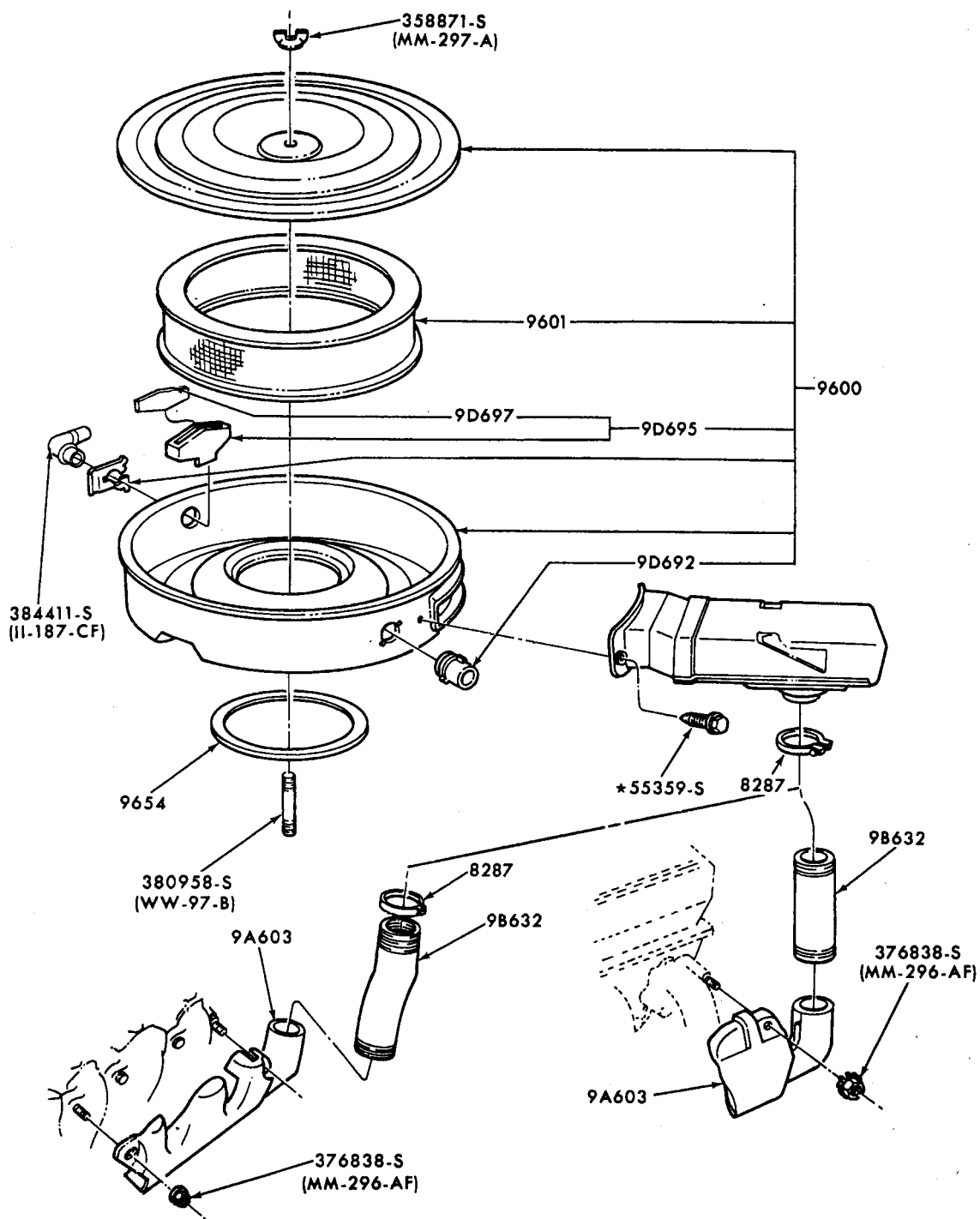
**AIR CLEANER - 8 CYLINDER  
1972 FORD (351-W ENGINE)**

1972 **FORD, MAVERICK, MUSTANG, TORINO (302 ENGINE) - EXCEPT CALIFORNIA**

May, 1975

COPYRIGHT © 1975 — FORD MOTOR COMPANY — DEARBORN, MICHIGAN

**FINAL ISSUE**

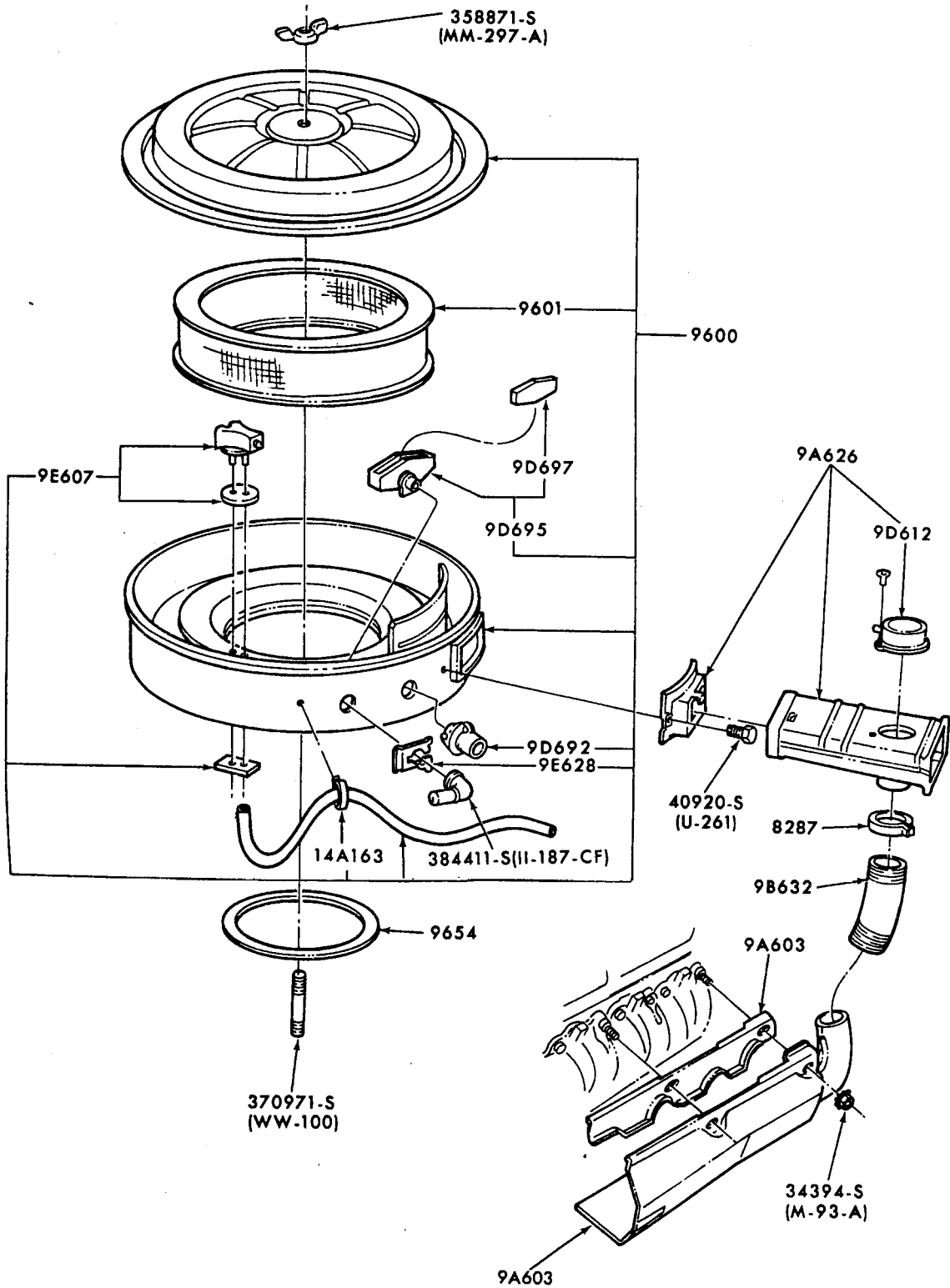


FORD, MERCURY, METEOR

TORINO, MONTEGO

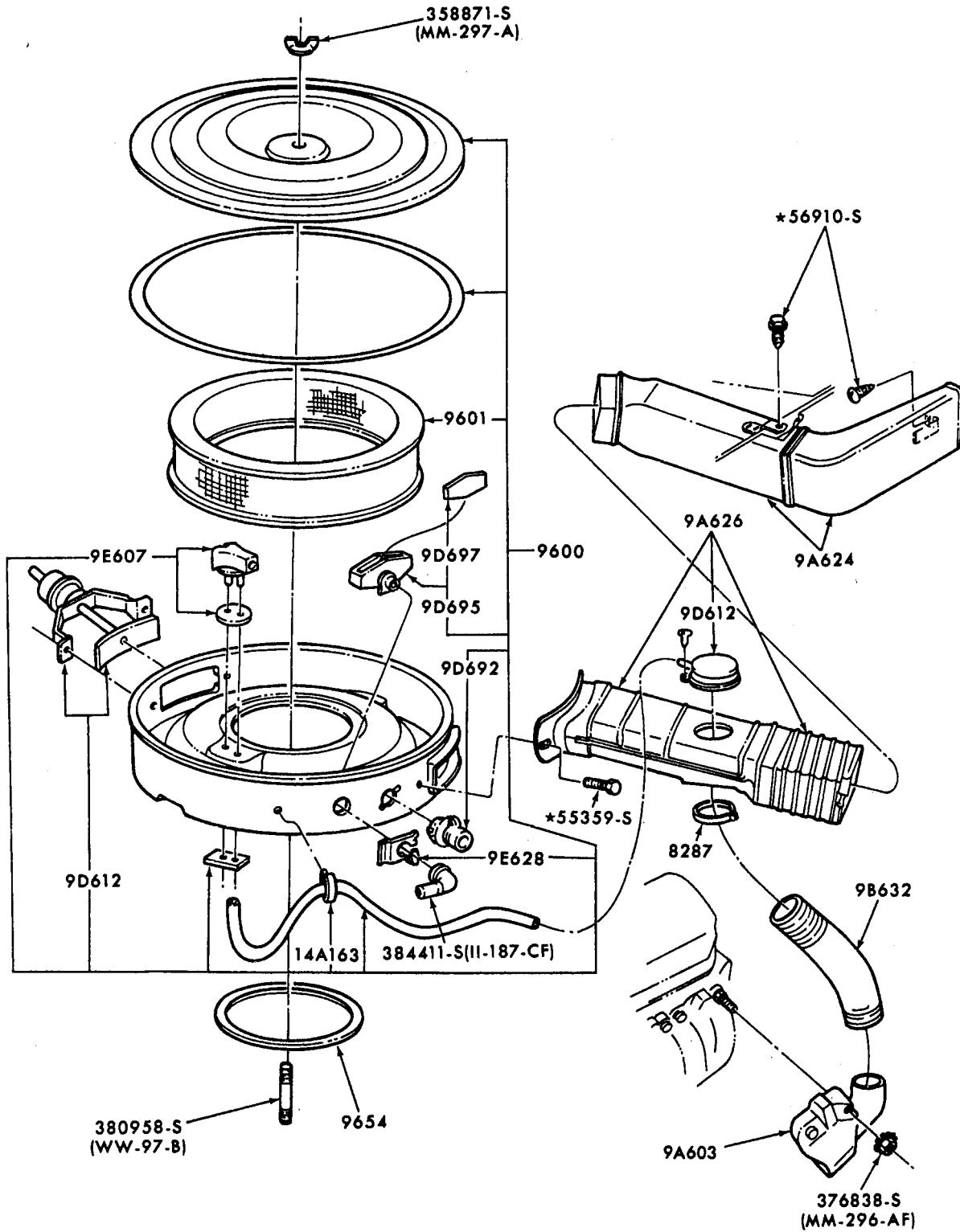
P-9121

AIR CLEANER - 8 CYLINDER  
 1972 FORD (EXCEPT 429 POLICE ENGINE)  
 1972 TORINO (429-4V-EXC. RAM AIR) - EXCEPT CALIFORNIA

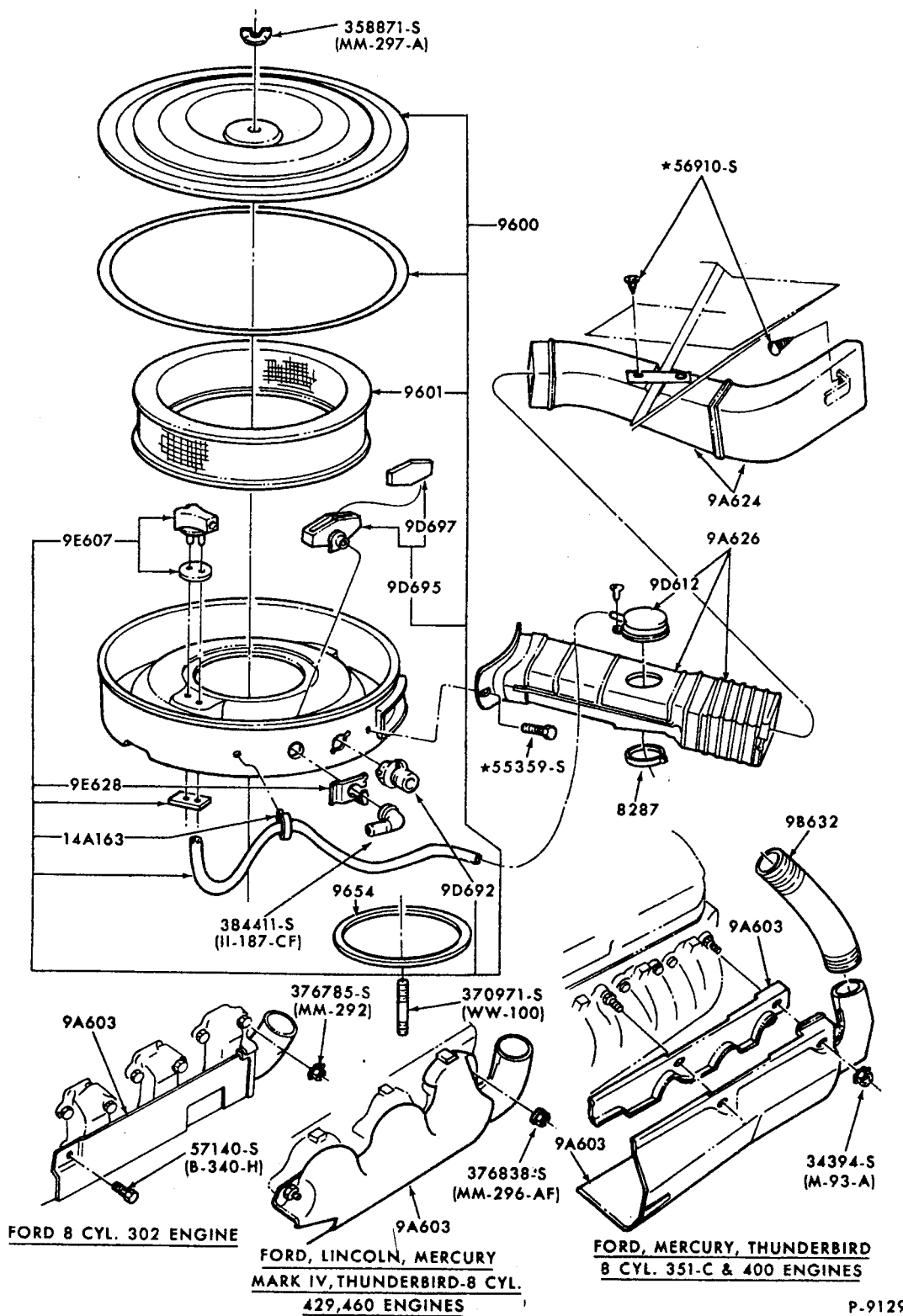


AIR CLEANER - 8 CYLINDER  
1972 FORD (351-C ENGINE) - (EXCEPT CALIFORNIA)  
1972 MUSTANG, TORINO (351-2V ENGINE)-EXC. CALIFORNIA

P-9122



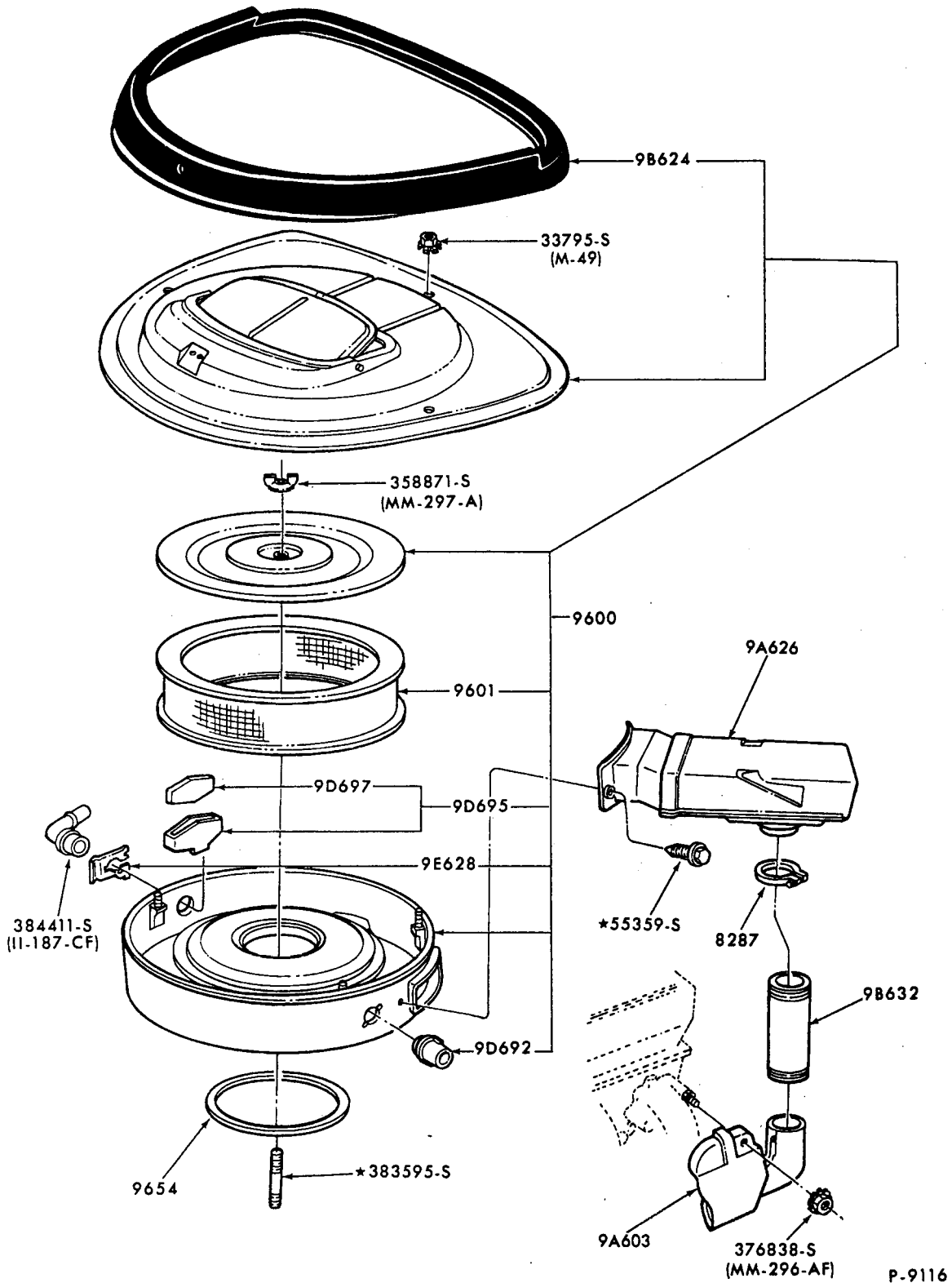
AIR CLEANER - 8 CYLINDER  
1972 FORD (429-4V POLICE ENGINE)



P-9129

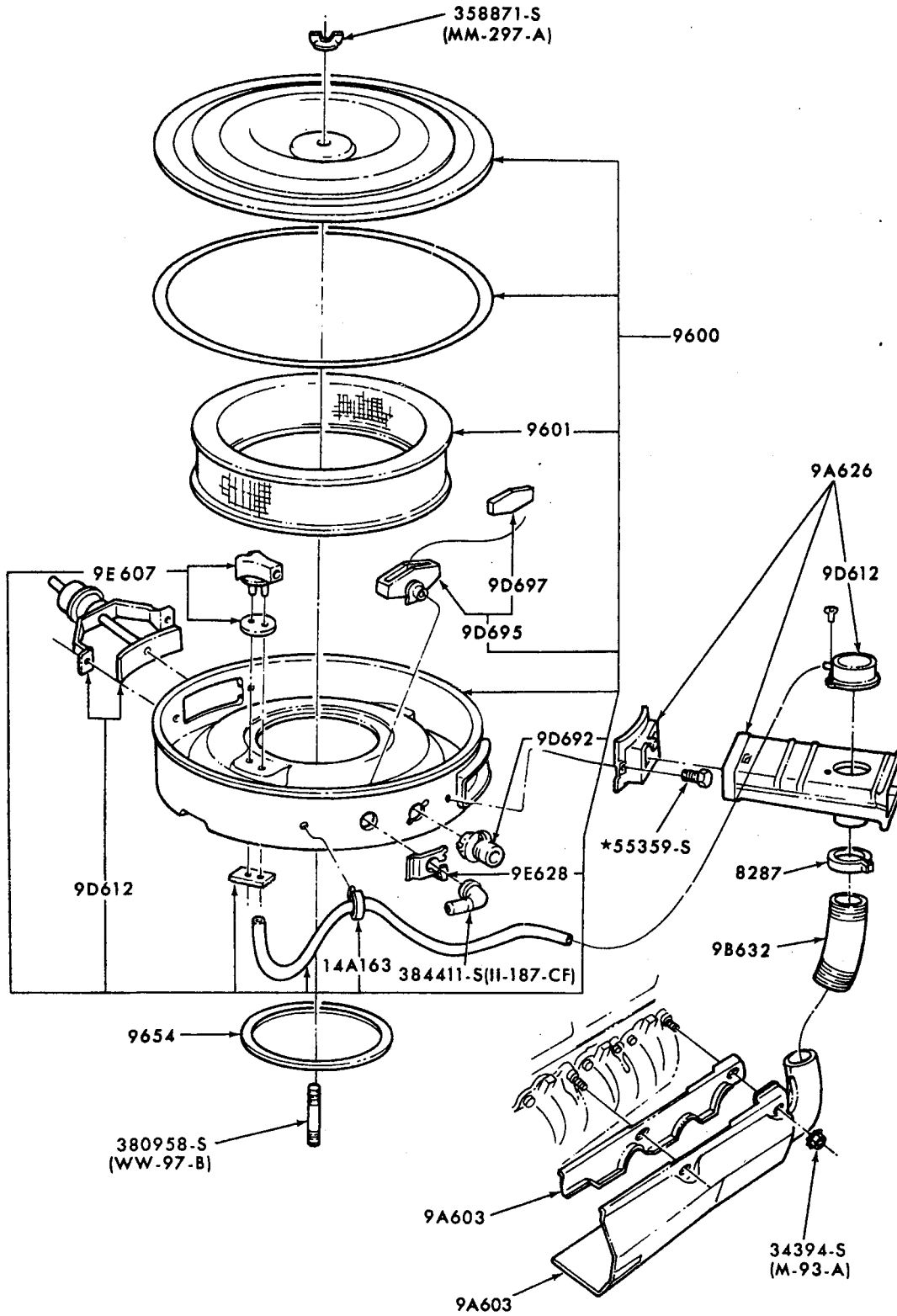
AIR CLEANER - 8 CYLINDER  
 1972 FORD (302,351-C,400 ENGINES) - CALIFORNIA ONLY  
 1972 THUNDERBIRD (400 CALIFORNIA ONLY 429 and 460 ENGINES)



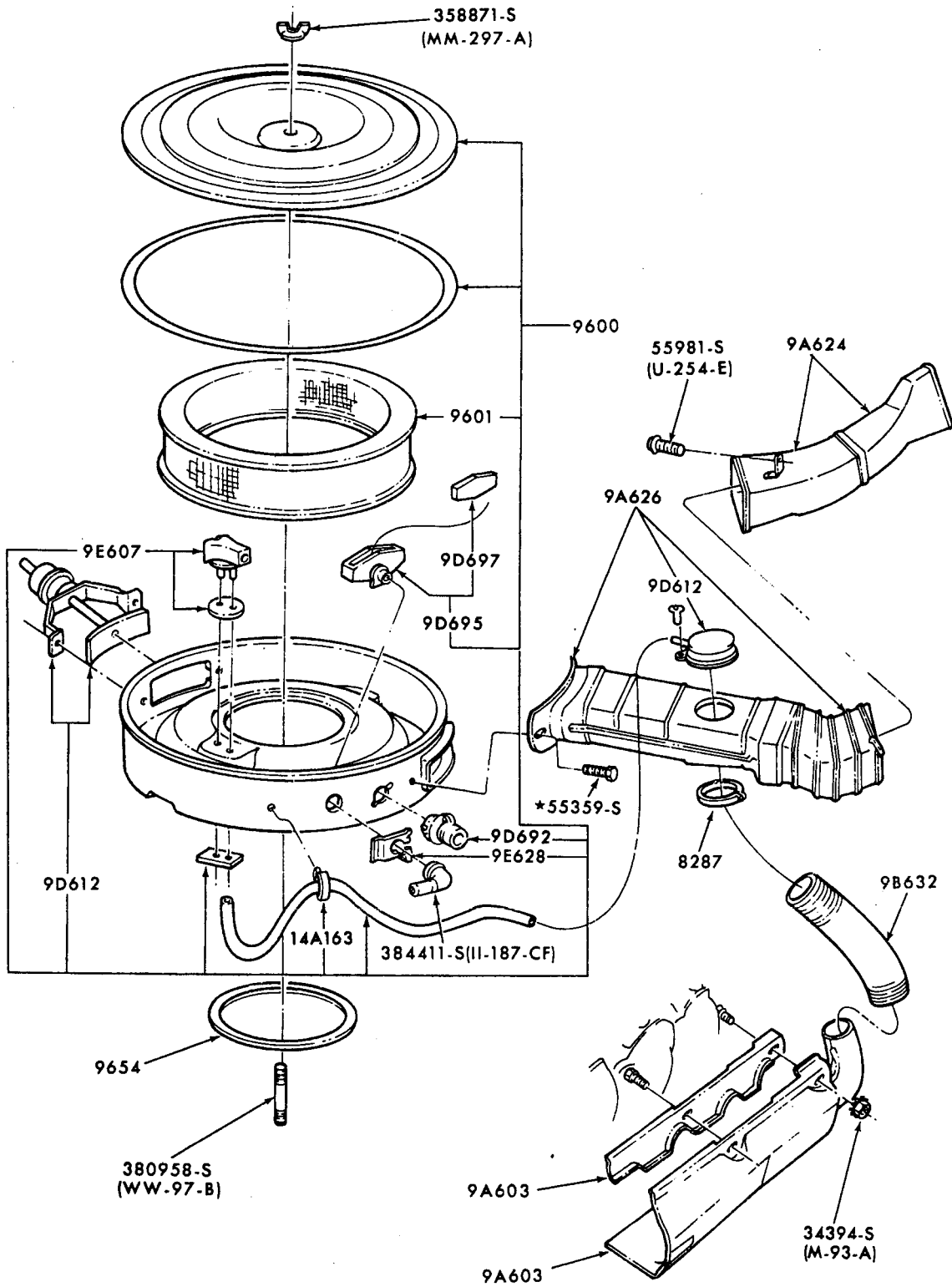


AIR CLEANER - 8 CYLINDER - RAM AIR  
1972 TORINO (429 ENGINE)



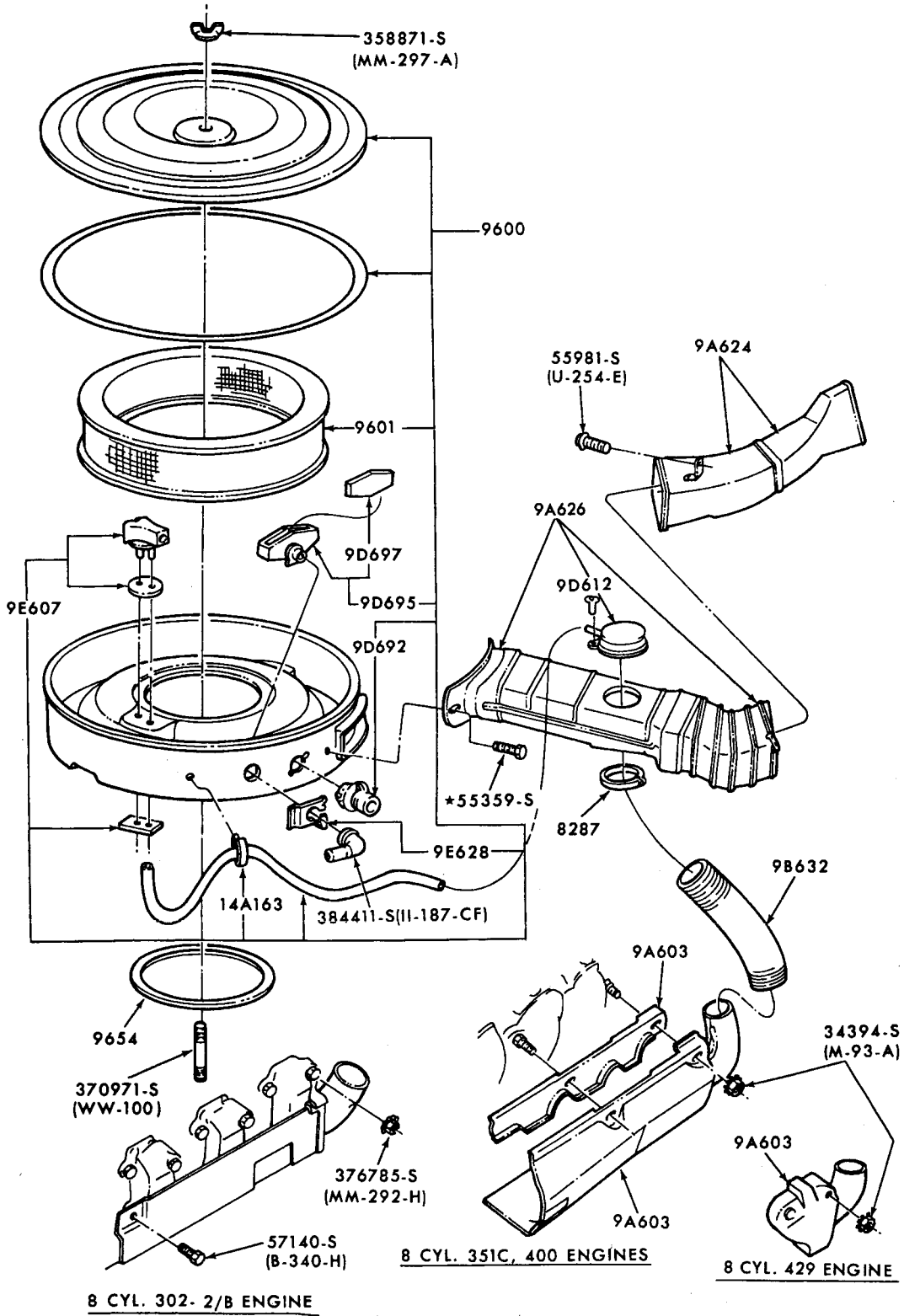


AIR CLEANER - 8 CYL. - EXC. RAM AIR  
 1972 MUSTANG, TORINO (351-4V COBRA JET ENGINE)-EXC. CALIFORNIA



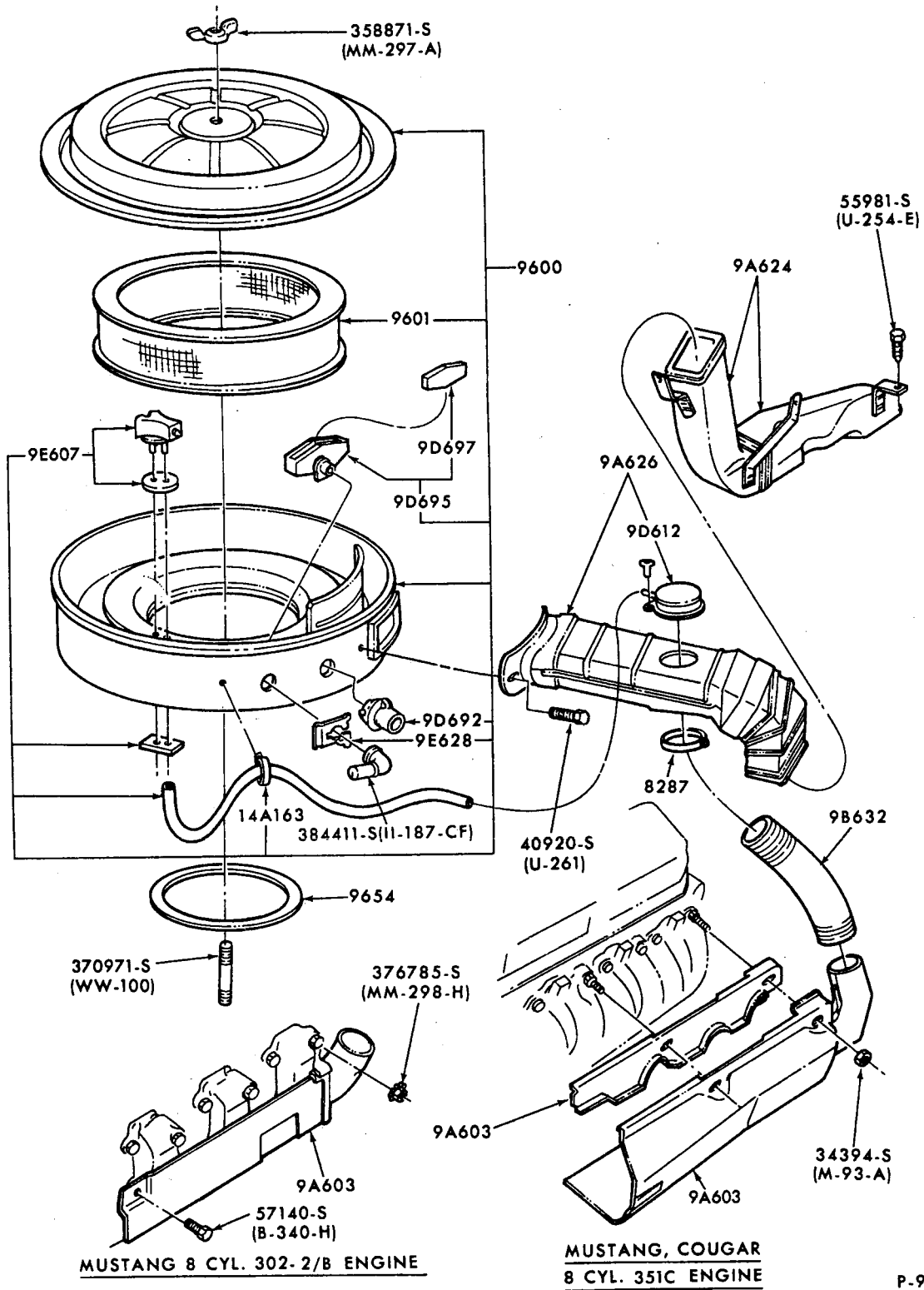
P.9124

AIR CLEANER - 8 CYL. - EXC. RAM AIR  
1972 TORINO (351-4V COBRA JET ENGINE) - CALIFORNIA ONLY



P-9125

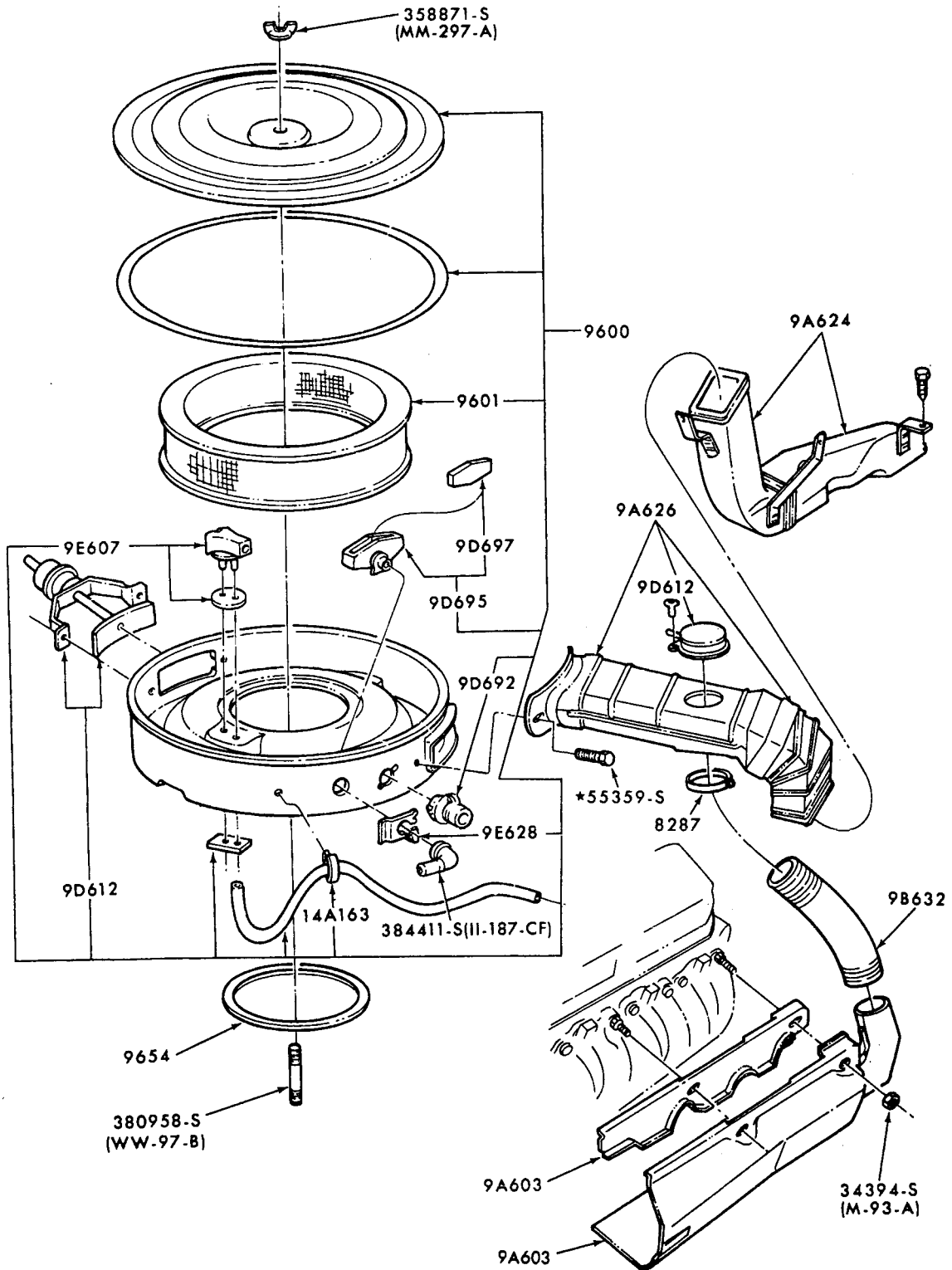
AIR CLEANER - 8 CYL. - EXC. RAM AIR  
1972 TORINO (302,351-2V,400,429 ENGINES)- CALIFORNIA ONLY



P-9126

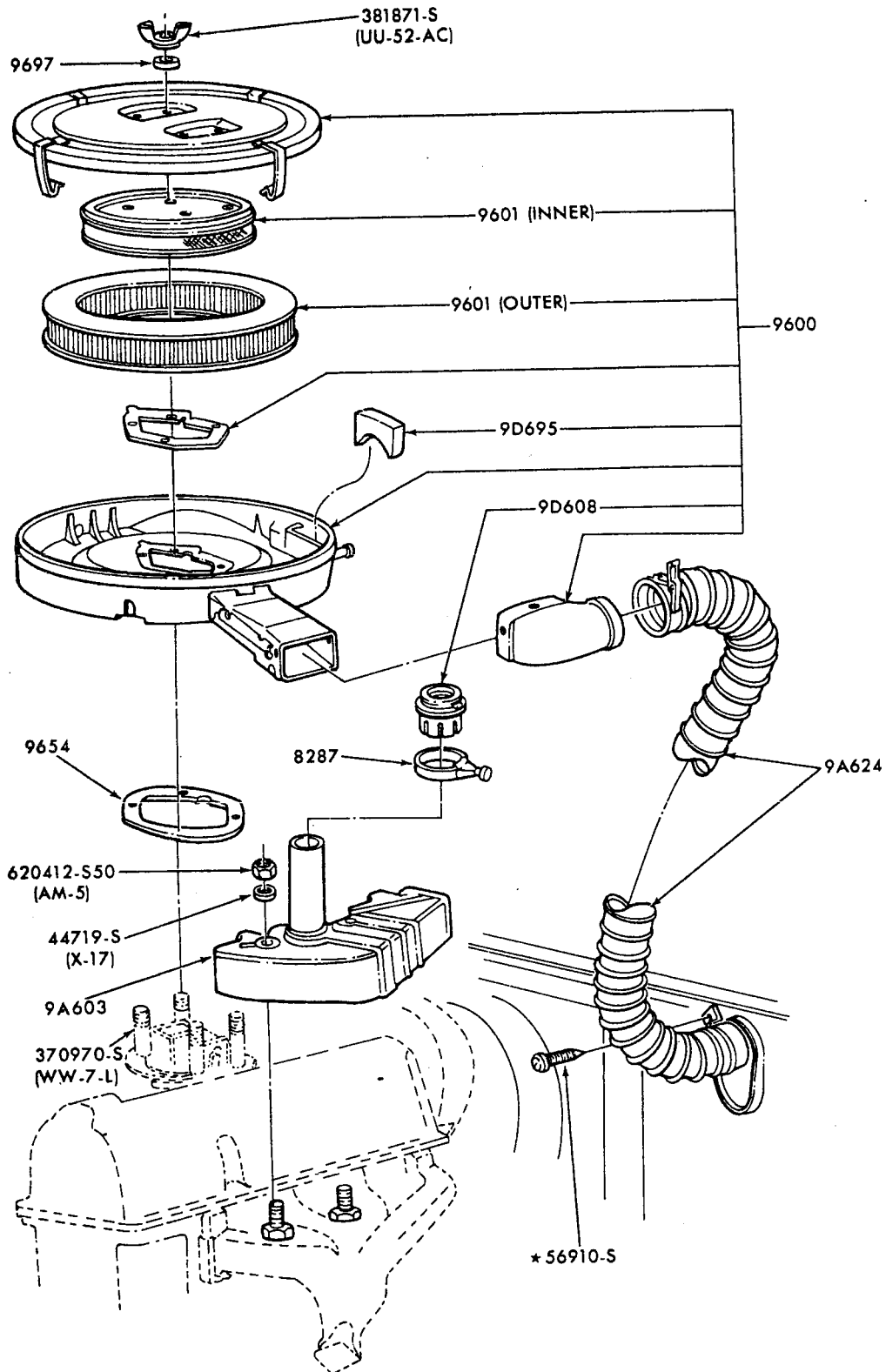
AIR CLEANER - 8 CYLINDER

1972 MUSTANG (302-2V, 351-2V ENGINES)-CALIFORNIA ONLY



P-9127

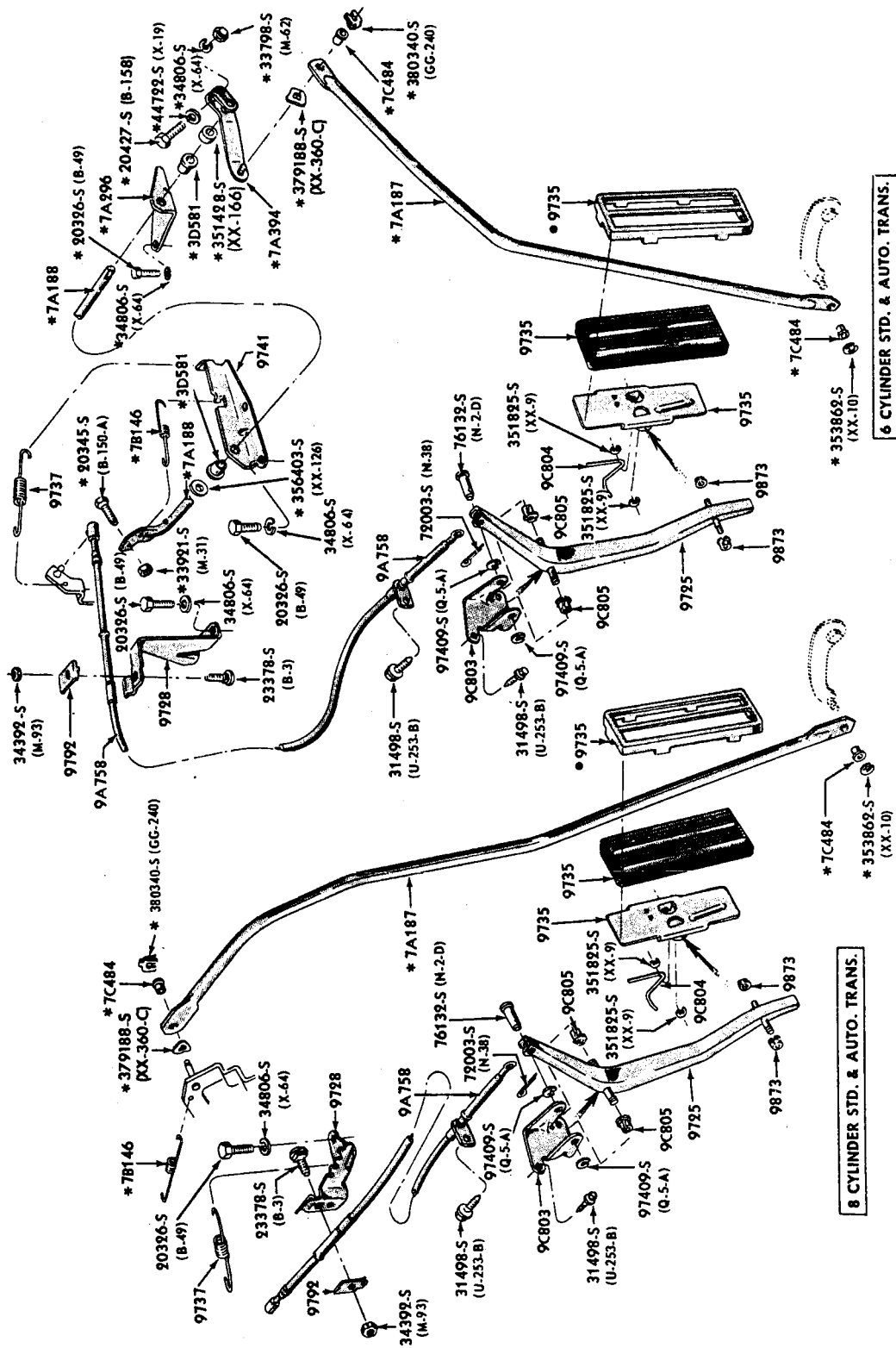
AIR CLEANER - 8 CYL. - EXC. RAM AIR  
1972 MUSTANG (351-4V COBRA JET ENGINE) - CALIFORNIA ONLY



AIR CLEANER - 4 CYLINDER 122 (2000 cc) ENGINE)  
1971/ PINTO - WITH AIR CONDITIONING

P-9123





6 CYLINDER STD. & AUTO. TRANS.

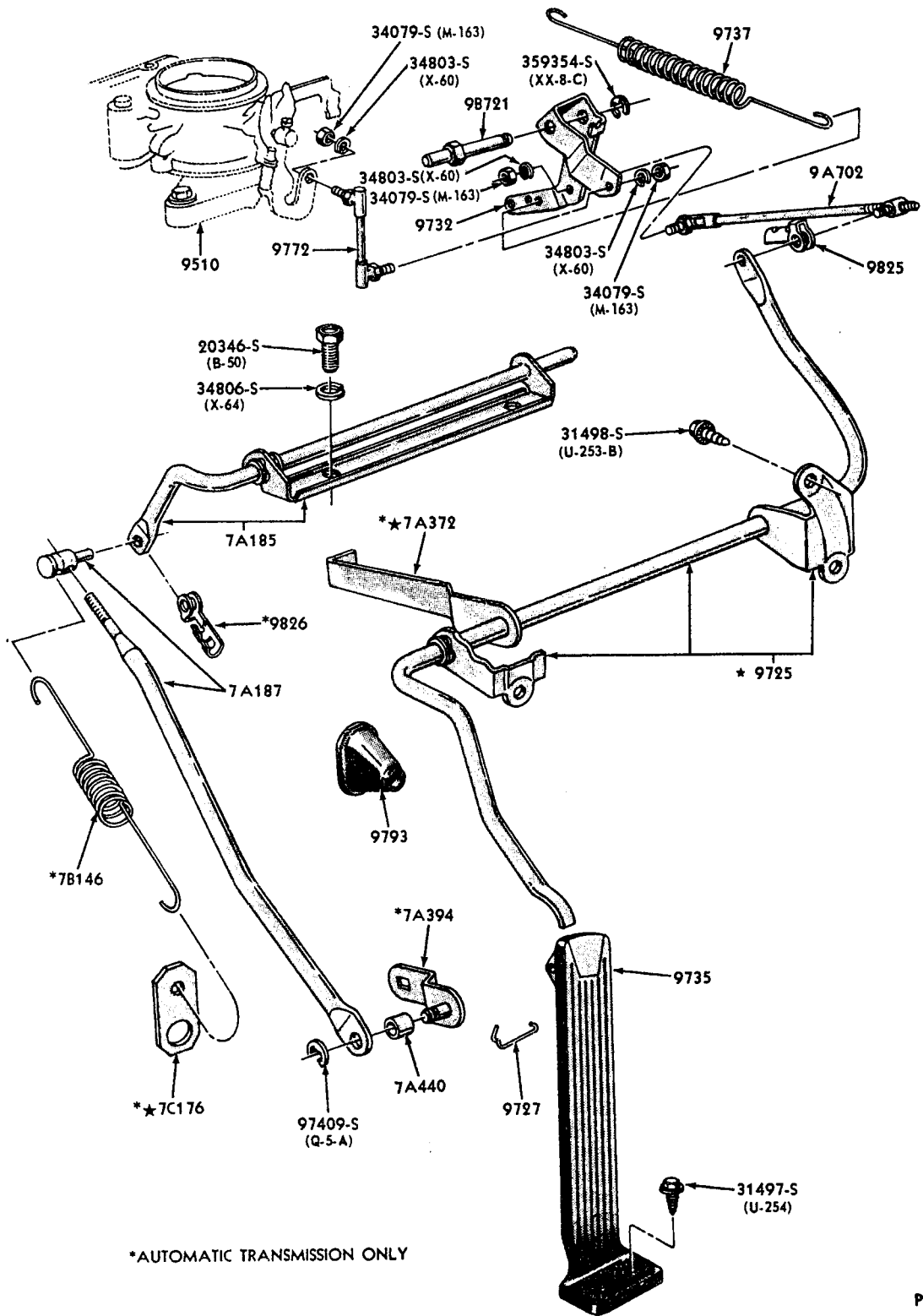
8 CYLINDER STD. & AUTO. TRANS.

\* AUTOMATIC TRANSMISSION ONLY  
 • USED MODELS 57F, 63C, F, 76B ONLY

P-4692

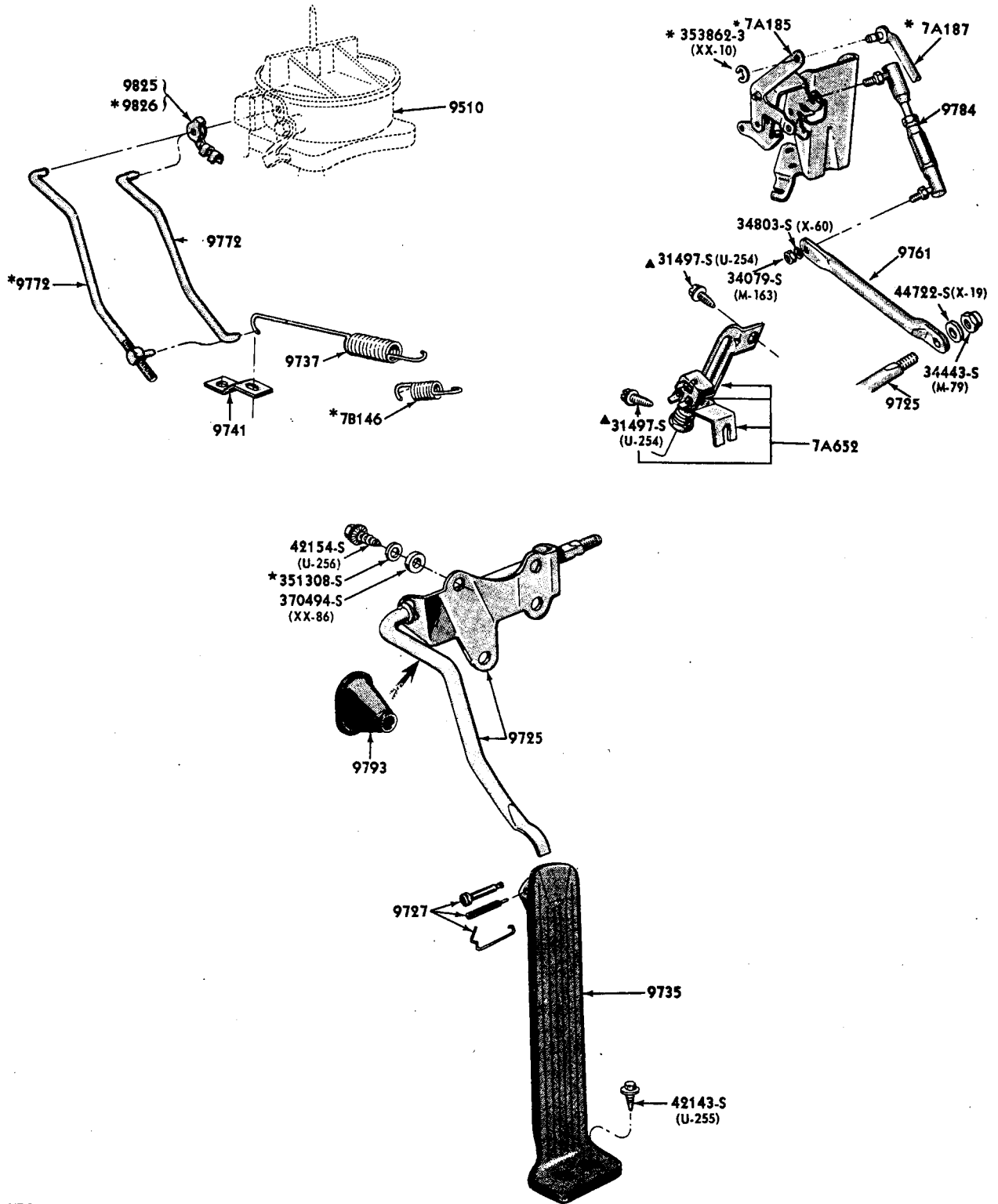
ACCELERATOR LINKAGE  
 1965/70 FORD (6 & 8 CYLINDER)





P-4724

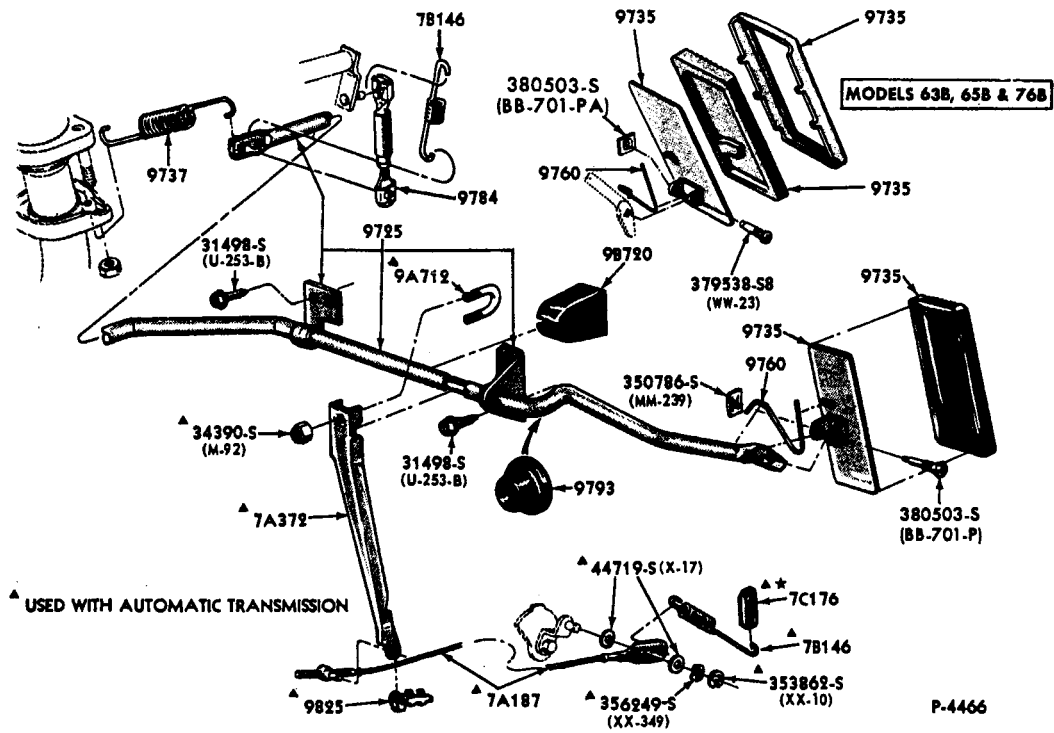
ACCELERATOR LINKAGE  
1965 FAIRLANE (6 CYLINDER 200 ENGINE)



\* AUTOMATIC TRANSMISSION ONLY  
 ▲ OVERDRIVE TRANSMISSION ONLY

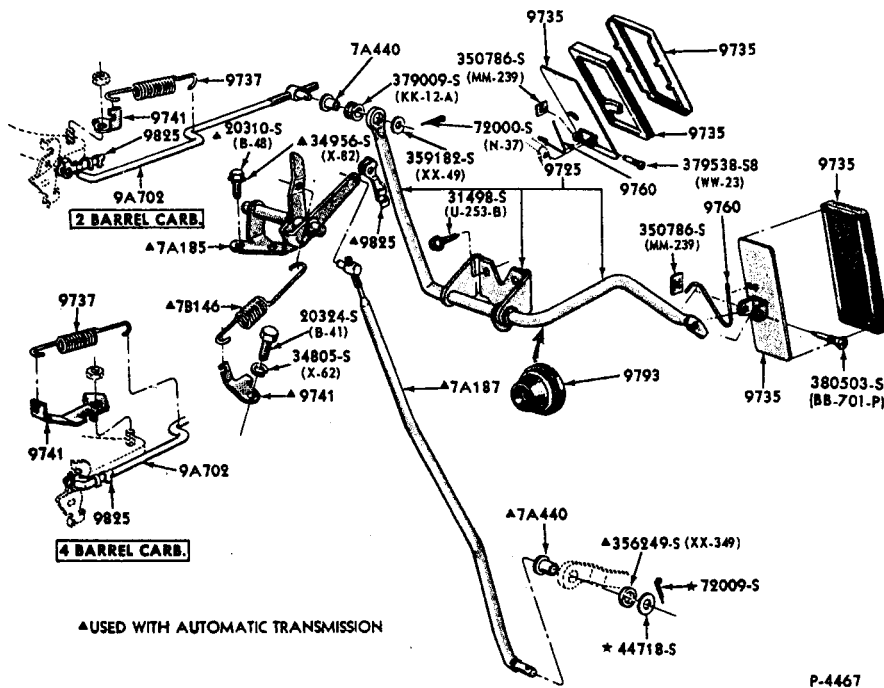
P.3666

ACCELERATOR LINKAGE  
 1965 FAIRLANE (8 CYLINDER 289 ENGINE)

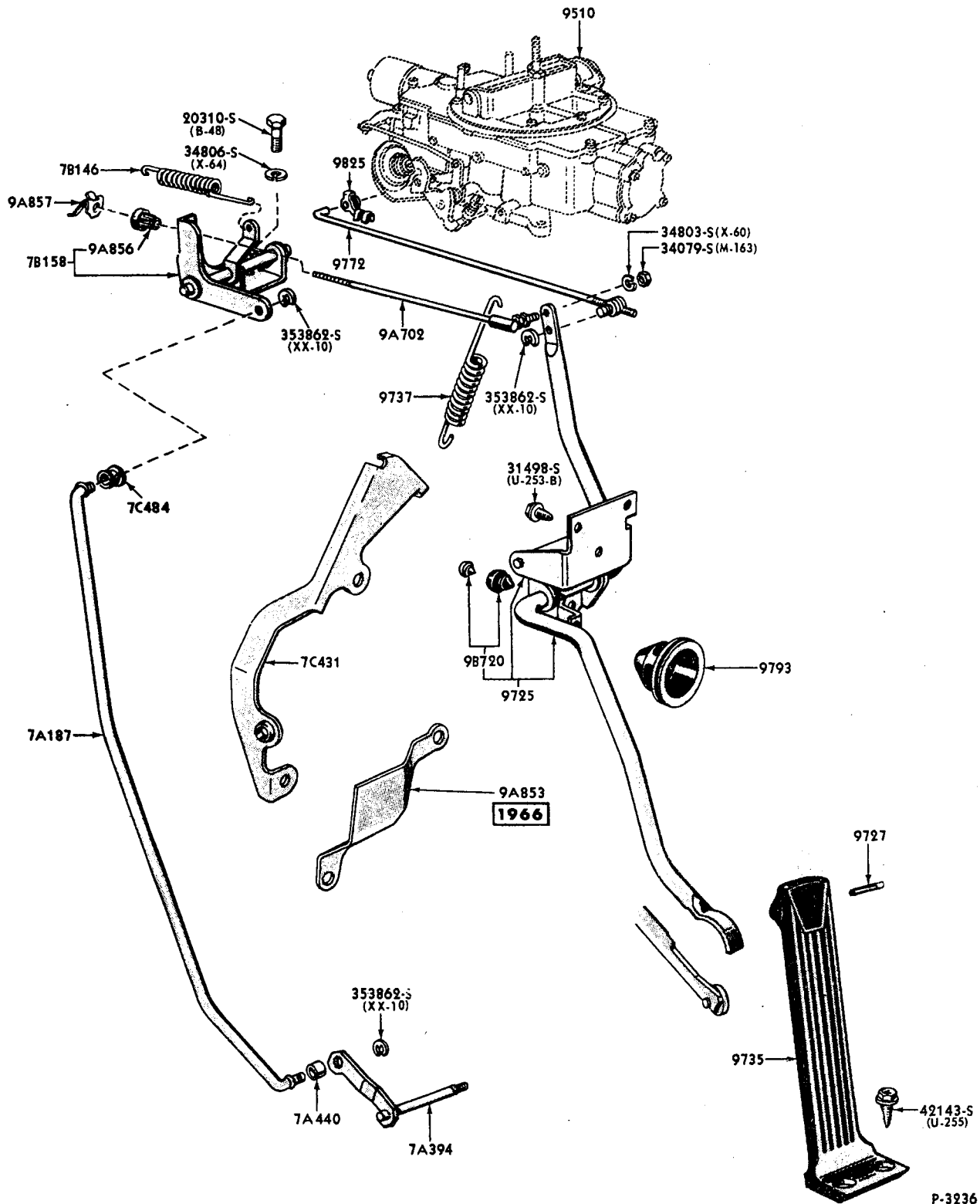


ACCELERATOR LINKAGE  
1965/68 MUSTANG (6 CYLINDER 170, 200 ENGINES)

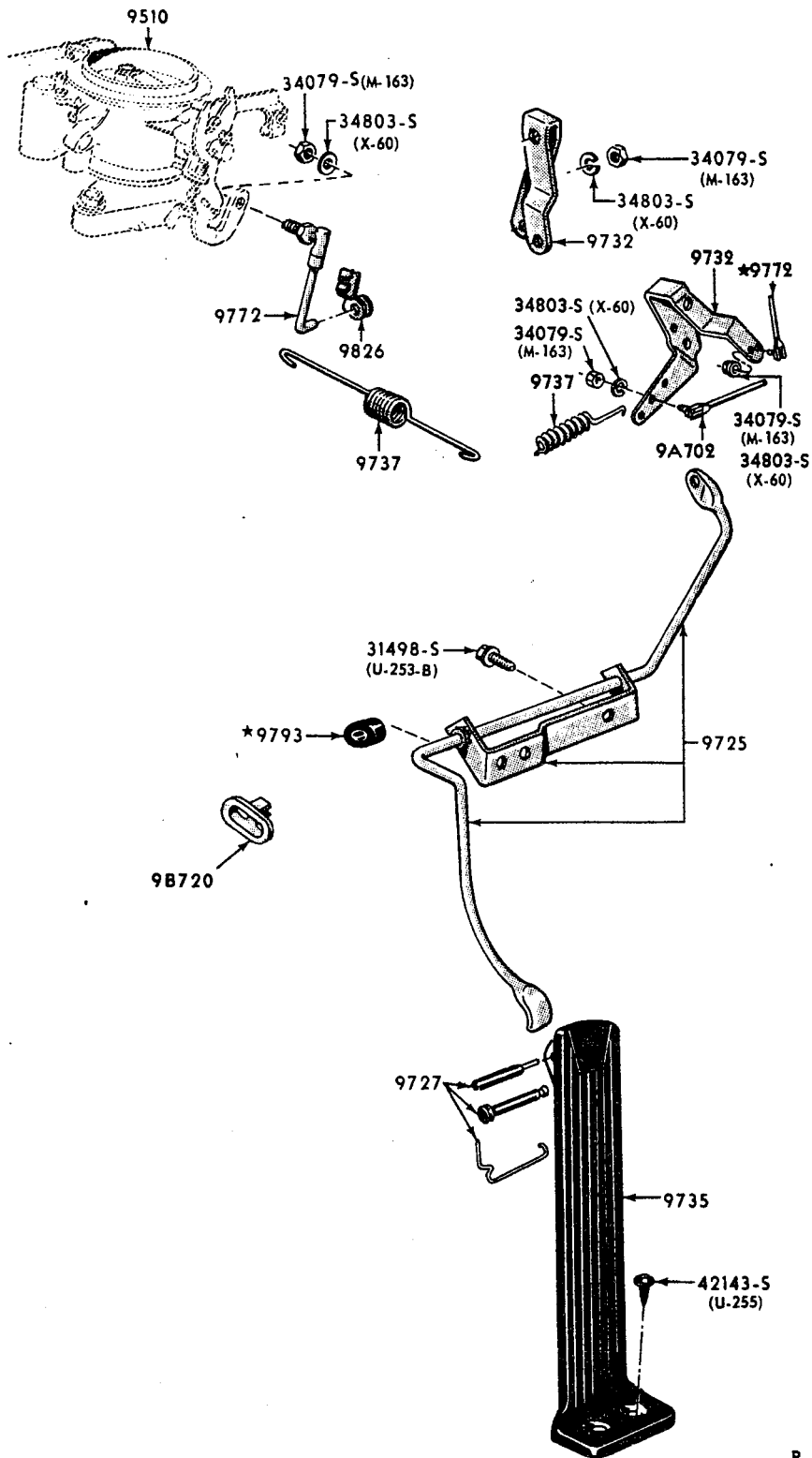
MODELS 63B, 65B & 76B



ACCELERATOR LINKAGE  
1965/66 MUSTANG (8 CYLINDER 260, 289 ENGINES)

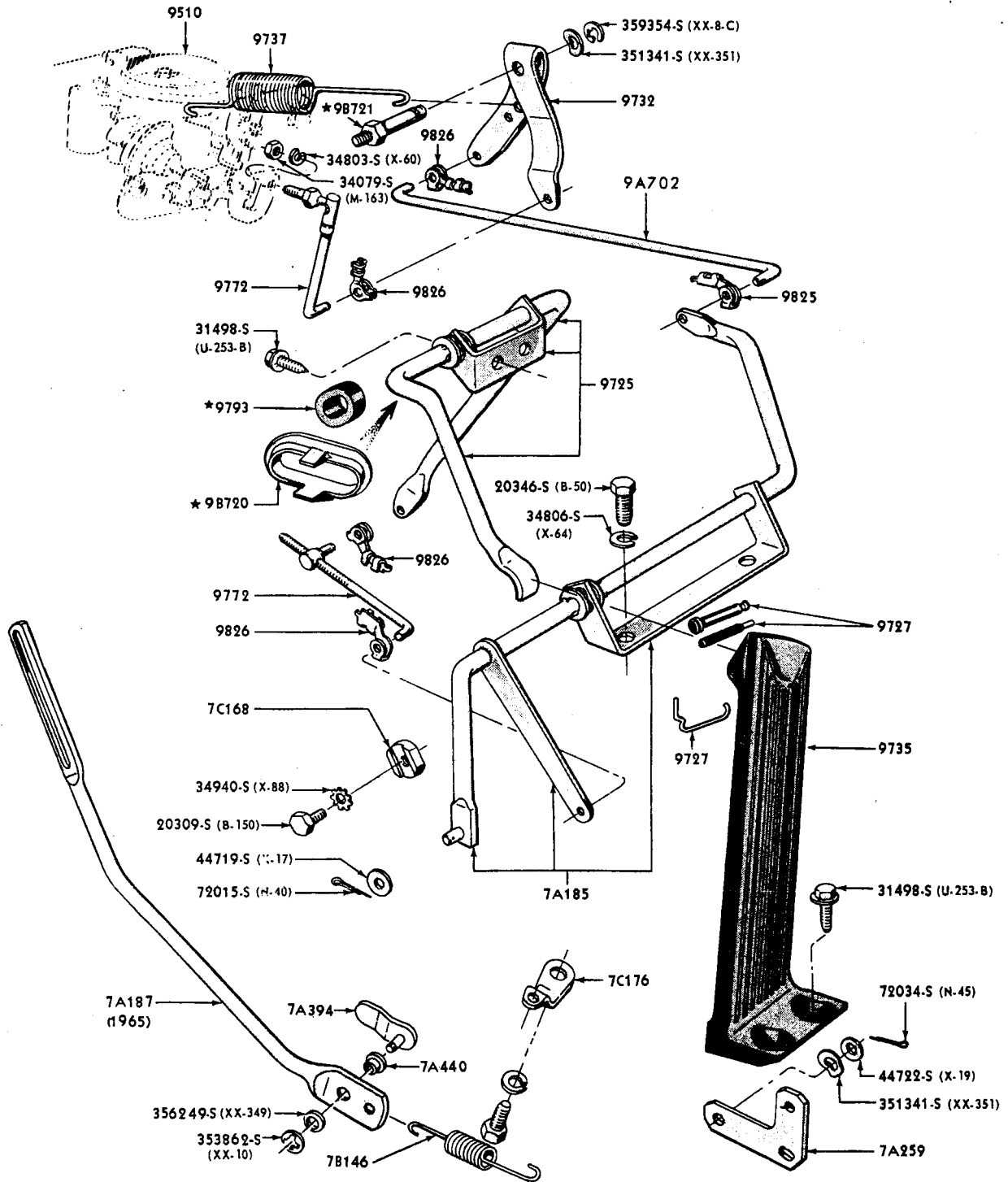


ACCELERATOR LINKAGE  
1965/66 THUNDERBIRD (8 CYLINDER 390, 428 ENGINES)



P-3138

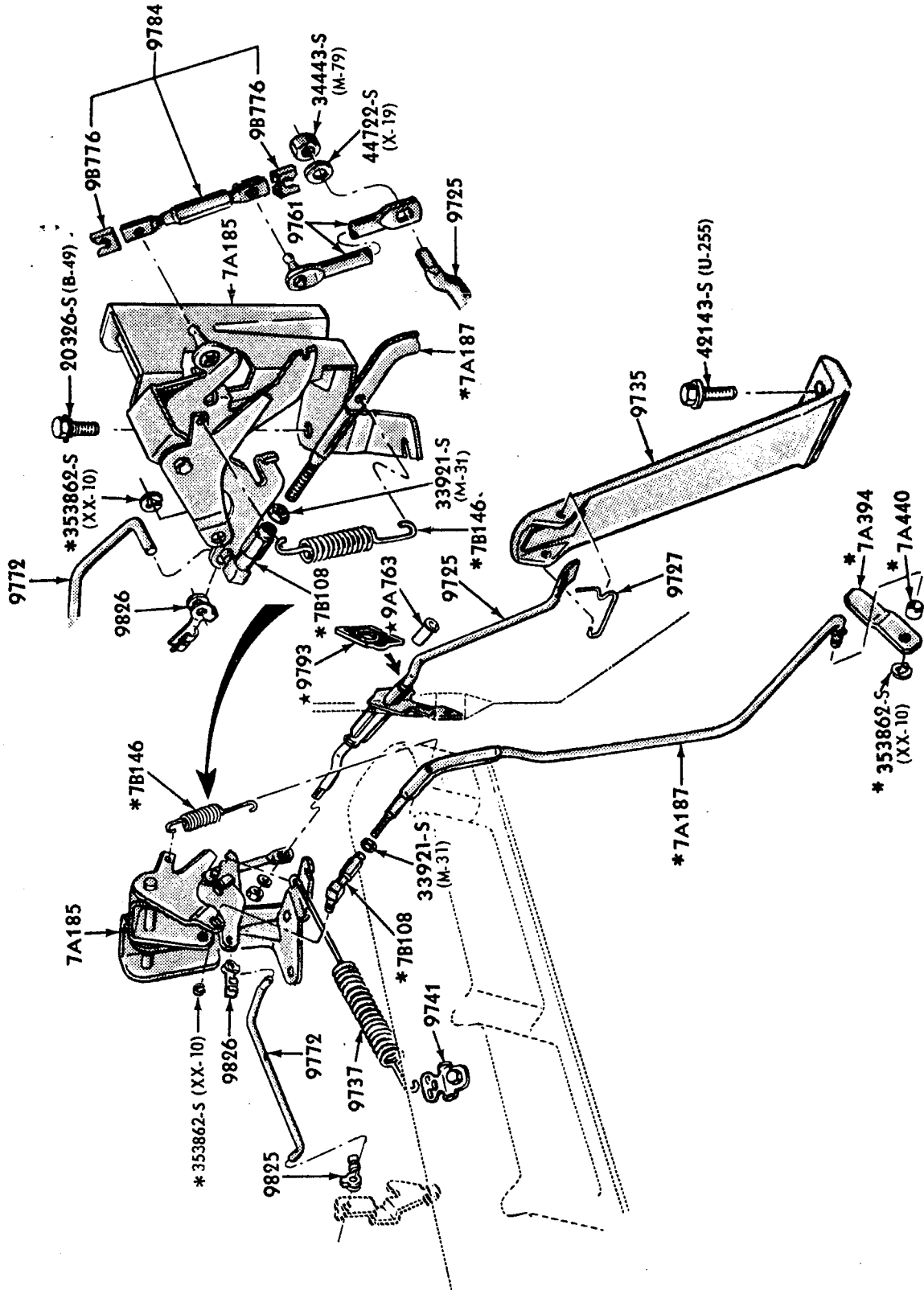
ACCELERATOR LINKAGE  
1965 FALCON (6 CYLINDER) - STANDARD TRANSMISSION



P-3670

ACCELERATOR LINKAGE  
1965 FALCON (6 CYLINDER) AUTOMATIC TRANSMISSION

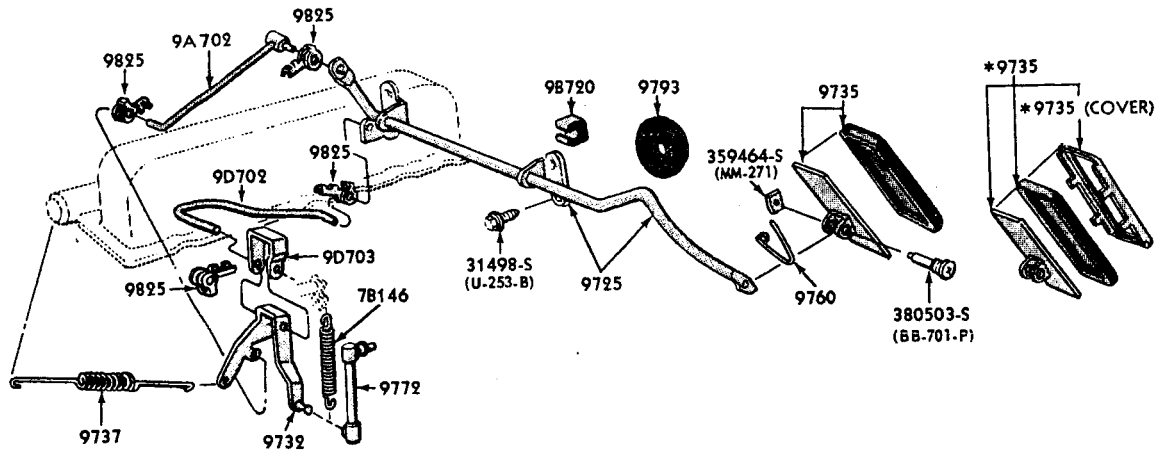




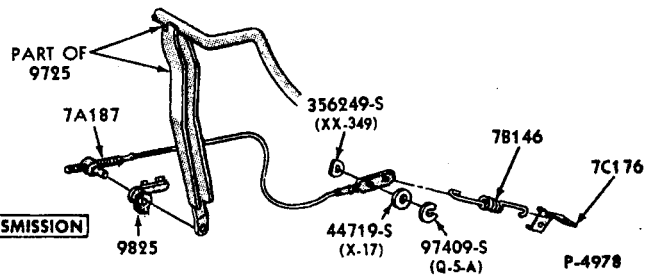
P-4732

\* F/M/2 OR C4 TRANSMISSION ONLY

ACCELERATOR LINKAGE  
1965 FALCON (8 CYLINDER)

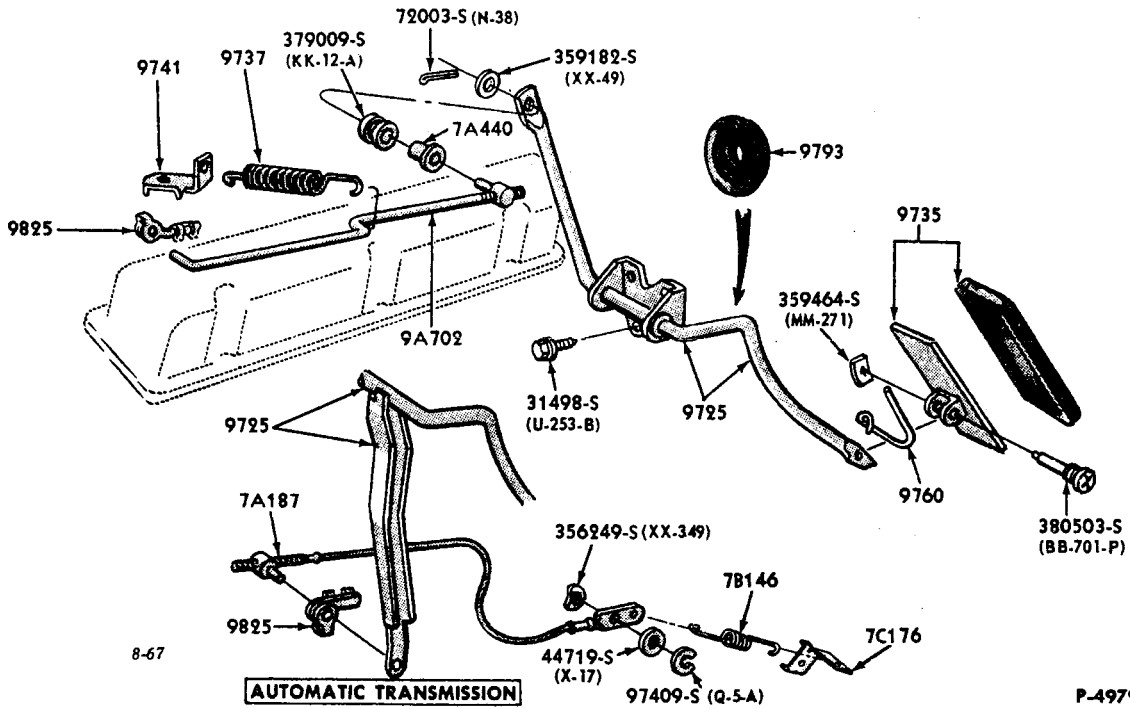


\* FAIRLANE MODELS 63C & D-76C & D



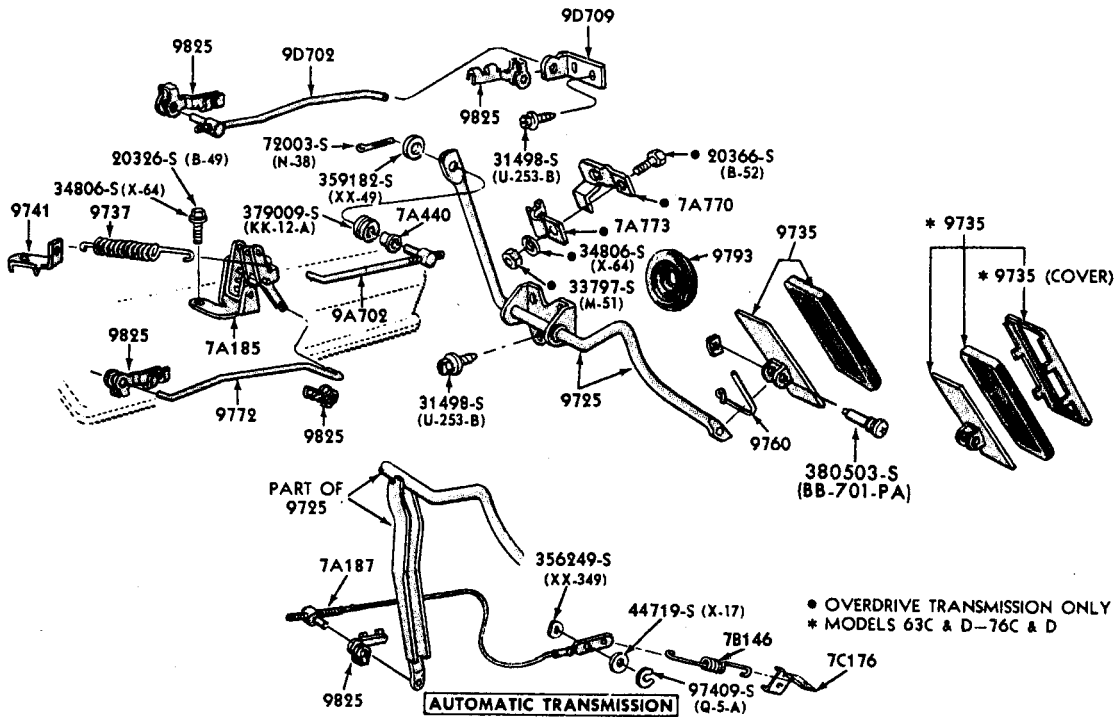
AUTOMATIC TRANSMISSION

ACCELERATOR LINKAGE  
1966/69 FAIRLANE/TORINO (6 CYLINDER)  
1966/70 FALCON (6 CYLINDER)



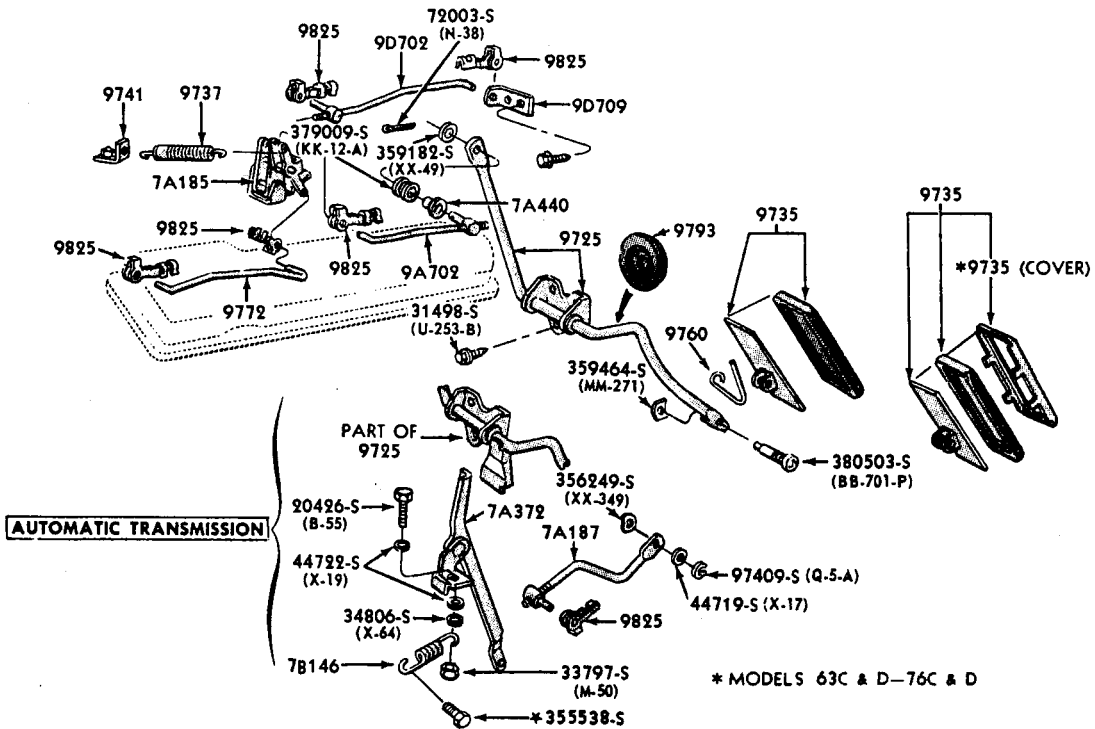
AUTOMATIC TRANSMISSION

ACCELERATOR LINKAGE  
1966/70 FALCON (8 CYLINDER)



P-4980

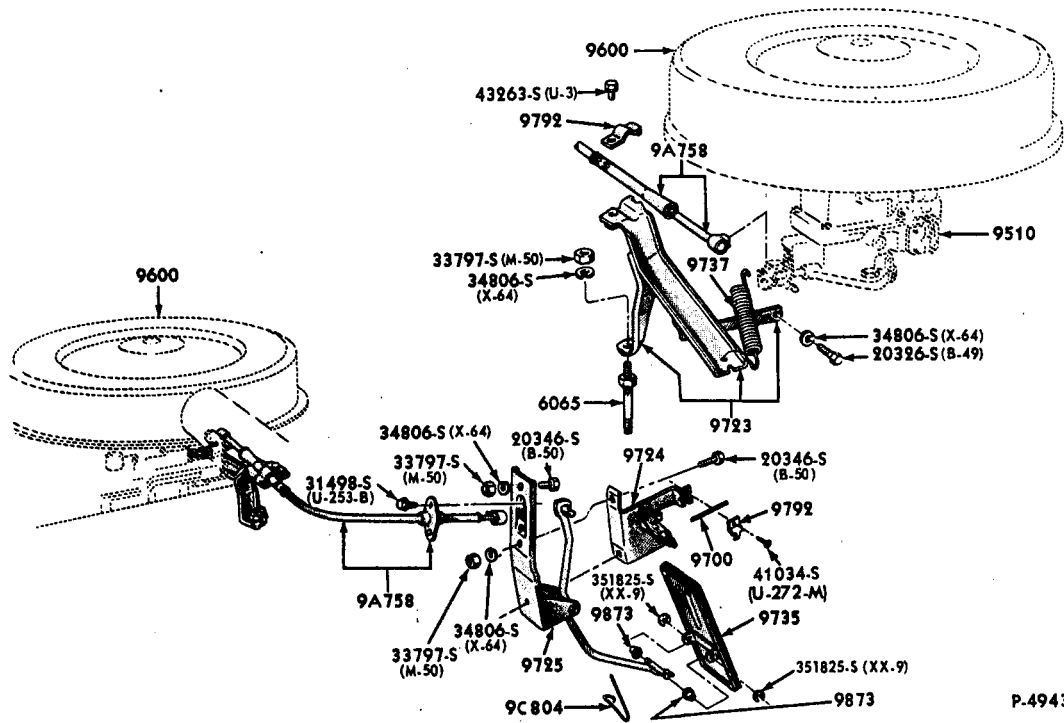
ACCELERATOR LINKAGE  
1966/69 FAIRLANE (8 CYLINDER 289, 302, 351 ENGINES)



P-4981

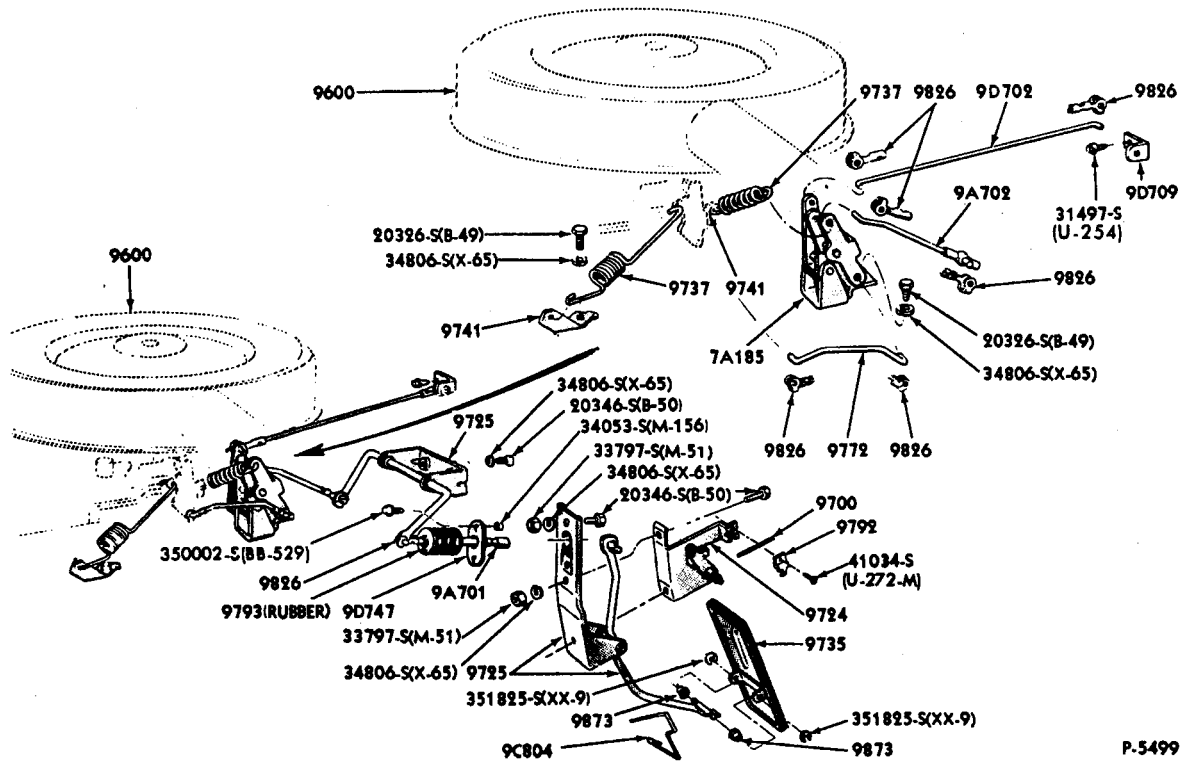
ACCELERATOR LINKAGE  
1966/69 FAIRLANE (8 CYLINDER 390, 427, 428 ENGINES)

FORD CAR PARTS



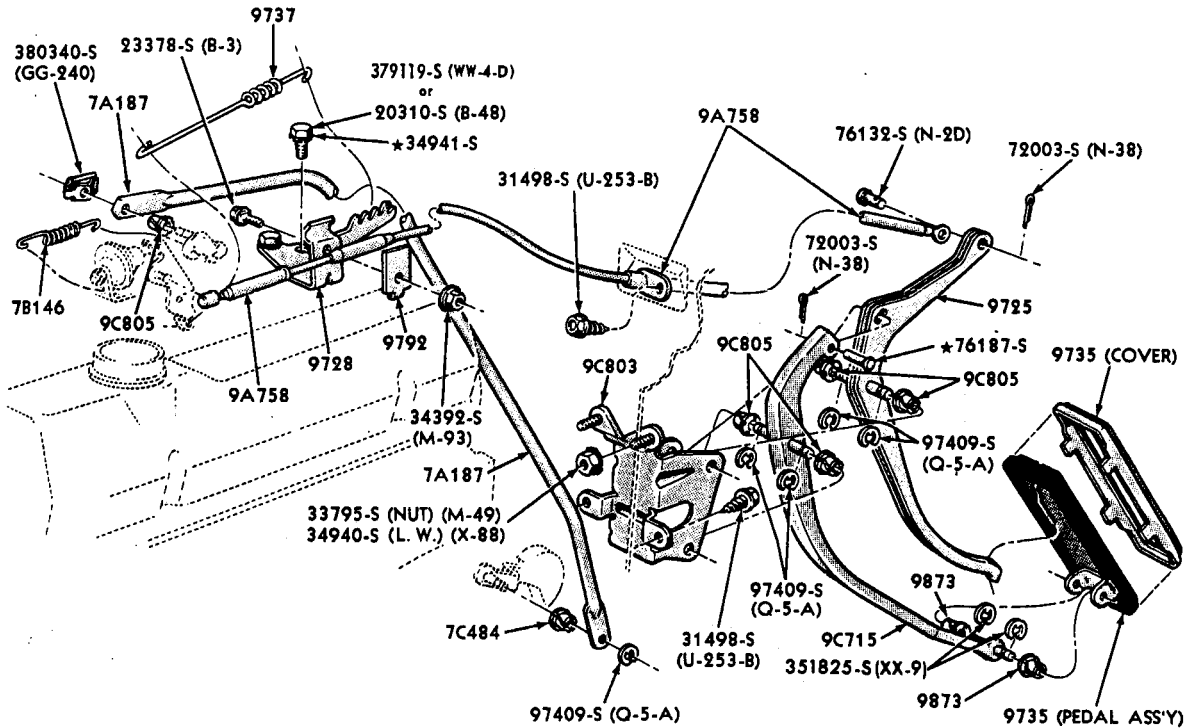
P-4943

ACCELERATOR LINKAGE  
1966/72 BRONCO (6 CYLINDER ENGINE)



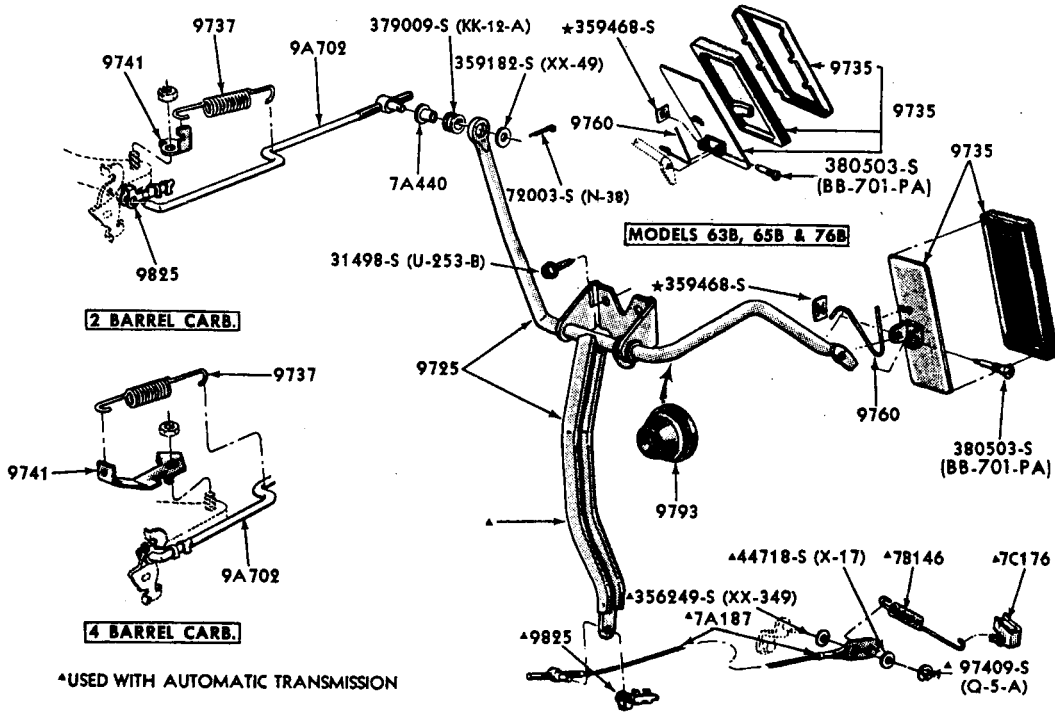
P-5499

ACCELERATOR LINKAGE  
1966/72 BRONCO (8 CYLINDER 289, 302 ENGINES)



ACCELERATOR LINKAGE  
1967 THUNDERBIRD (8 CYLINDER 390, 428 ENGINES)

P-5483



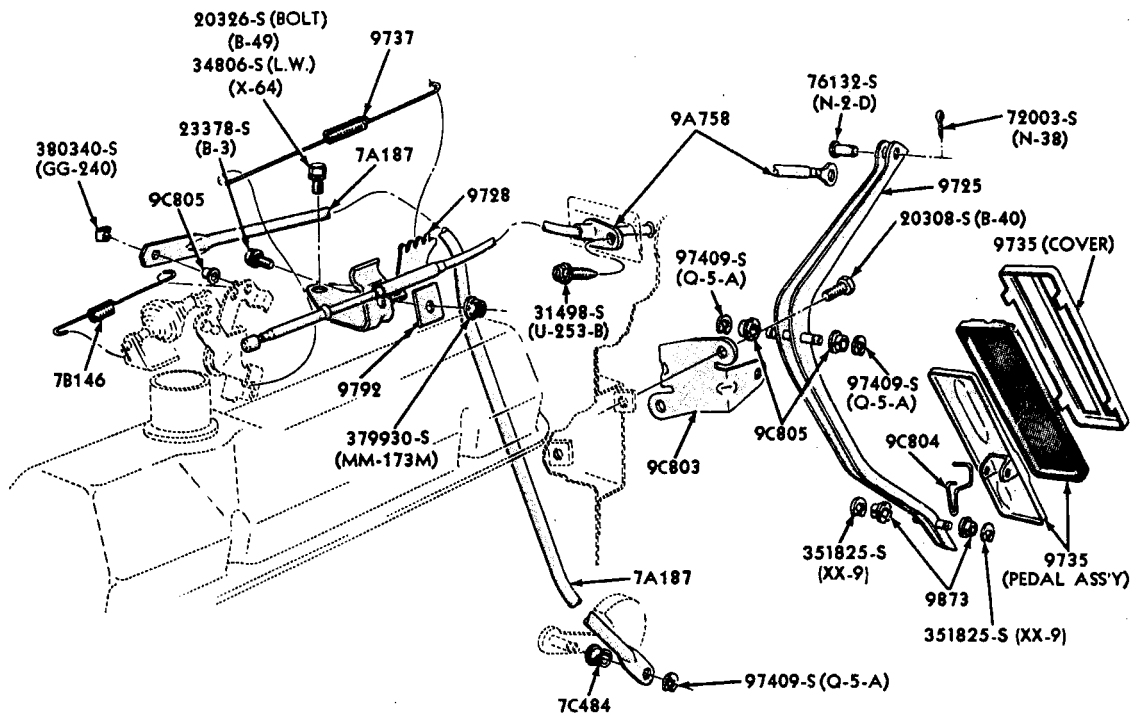
ACCELERATOR LINKAGE

1967/68 MUSTANG (8 CYLINDER 289, 302, 390, 427, 428 ENGINES)

P-5484

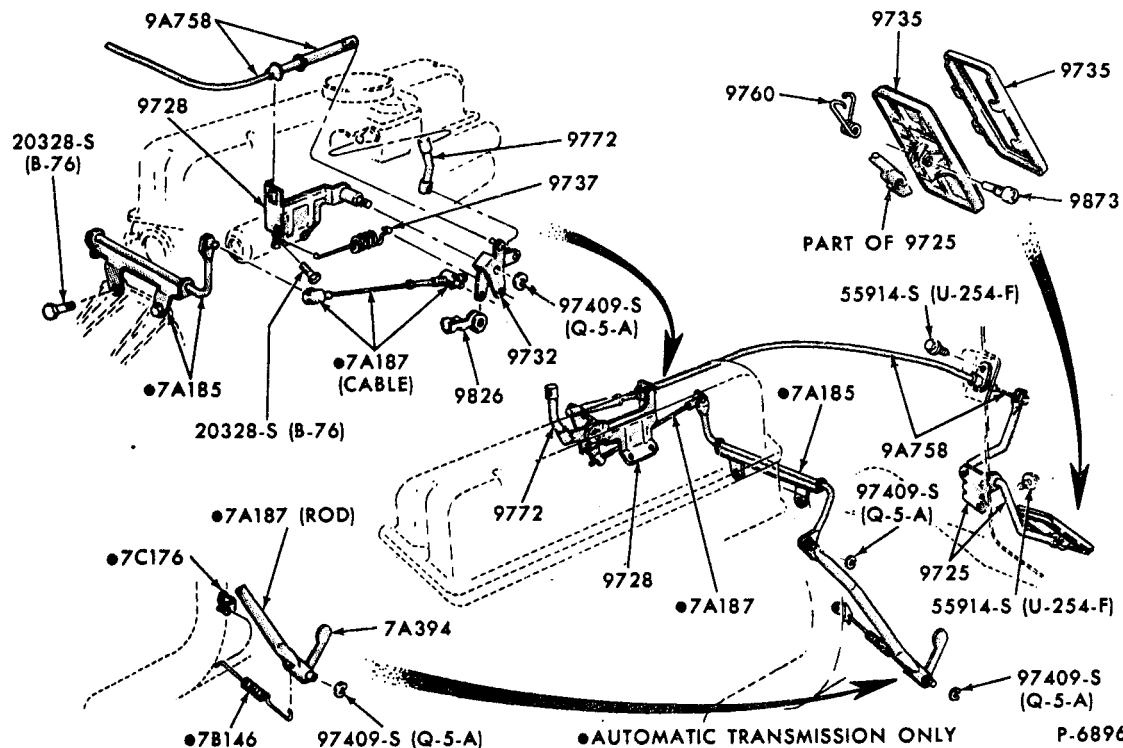
ILLUSTRATION SECTION 97

FORD CAR PARTS



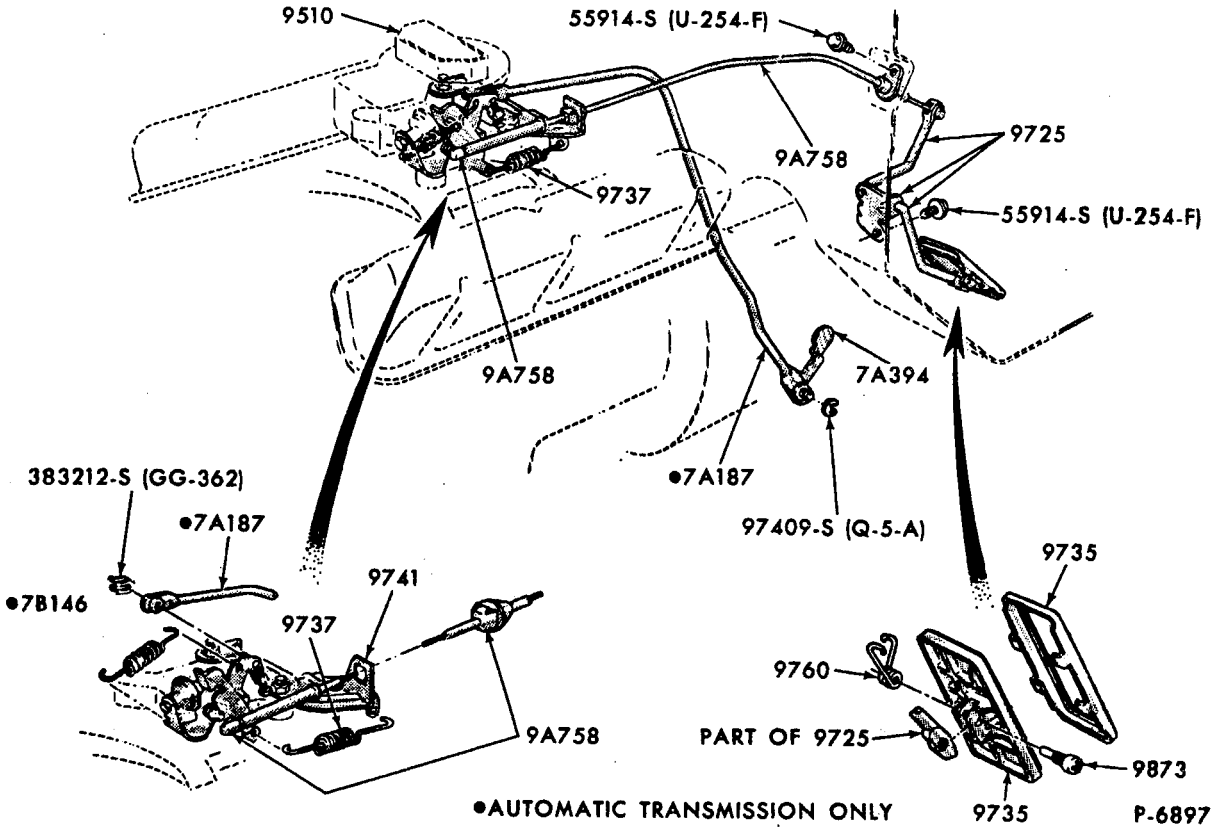
P-6234

ACCELERATOR LINKAGE  
1968/69 THUNDERBIRD (8 CYLINDER 390, 429 ENGINES)



P-6896

ACCELERATOR LINKAGE  
1989/70 MUSTANG (6 CYLINDER 200, 250 ENGINES)

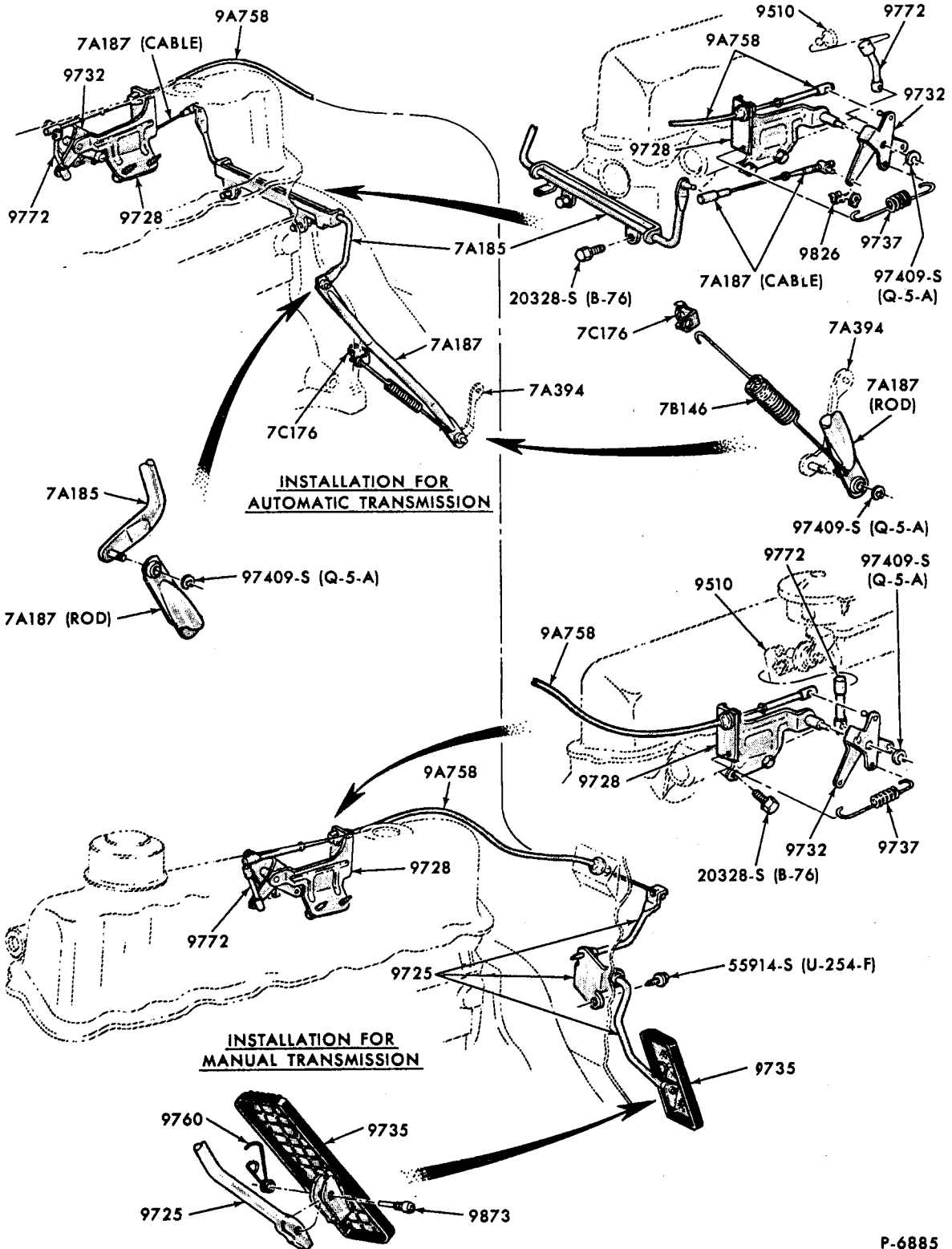


ACCELERATOR LINKAGE  
1969/70 MUSTANG (8 CYLINDER 302, 351, 390, 428 ENGINES)

P-6897

ILLUSTRATION SECTION 97

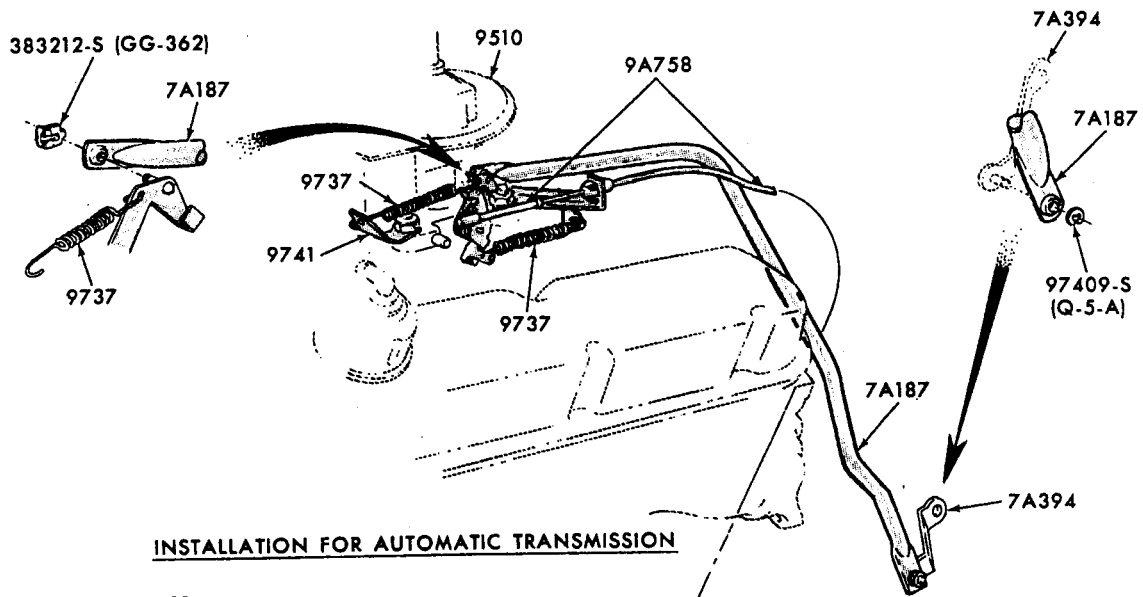
FORD CAR PARTS



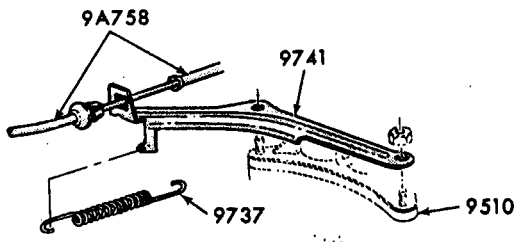
P-6885

ACCELERATOR LINKAGE  
1970 MAVERICK (6 CYLINDER 170, 200, 250 ENGINES) FAIRLANE (6 CYLINDER 250 ENGINE)

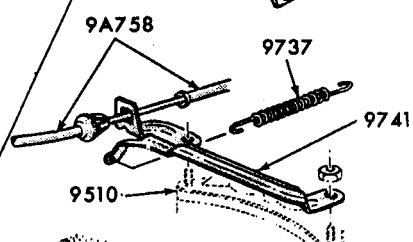




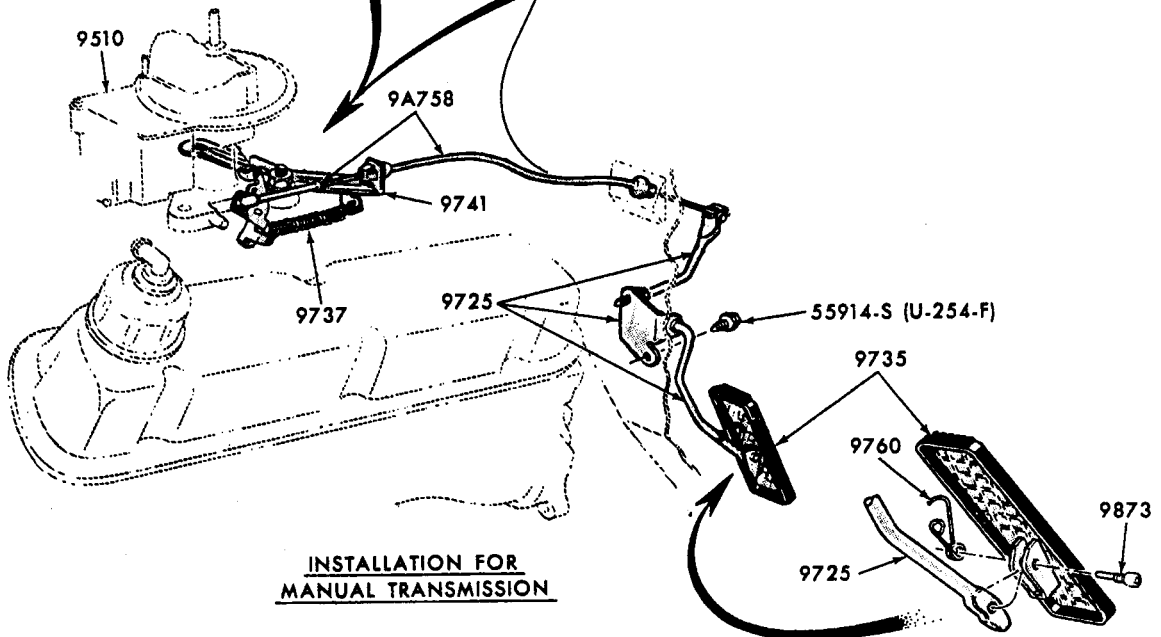
INSTALLATION FOR AUTOMATIC TRANSMISSION



FOR 2V-CARBURETOR



FOR 4V-CARBURETOR



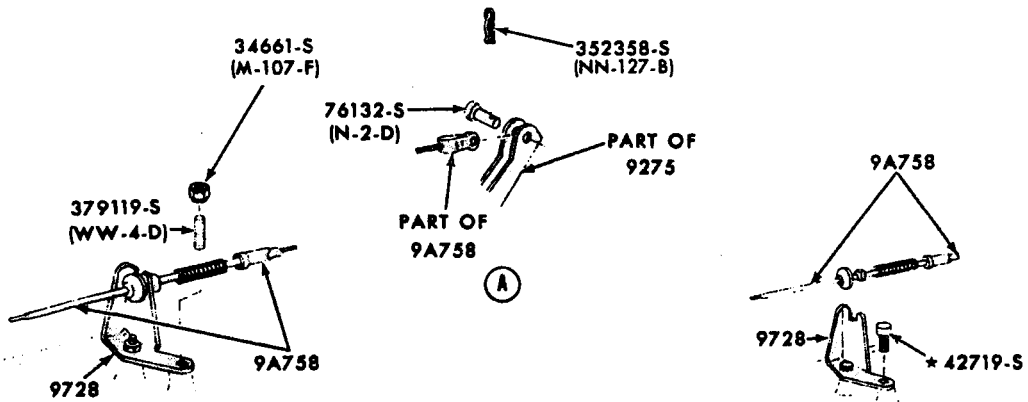
INSTALLATION FOR MANUAL TRANSMISSION

ACCELERATOR LINKAGE  
(8 CYLINDER 302, 351, 429)  
1970/71 FAIRLANE/TORINO

P-6886

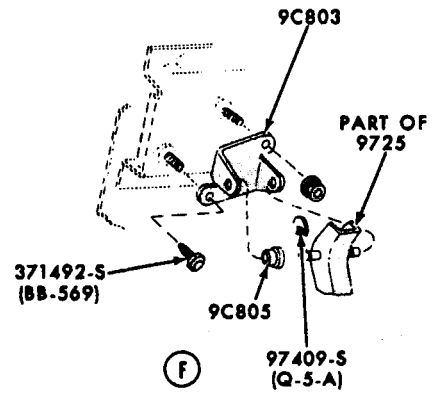
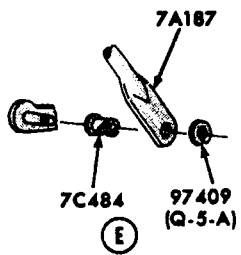
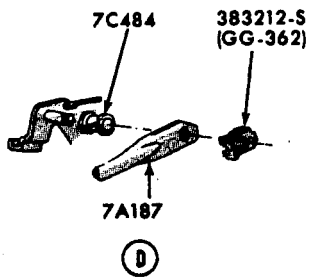
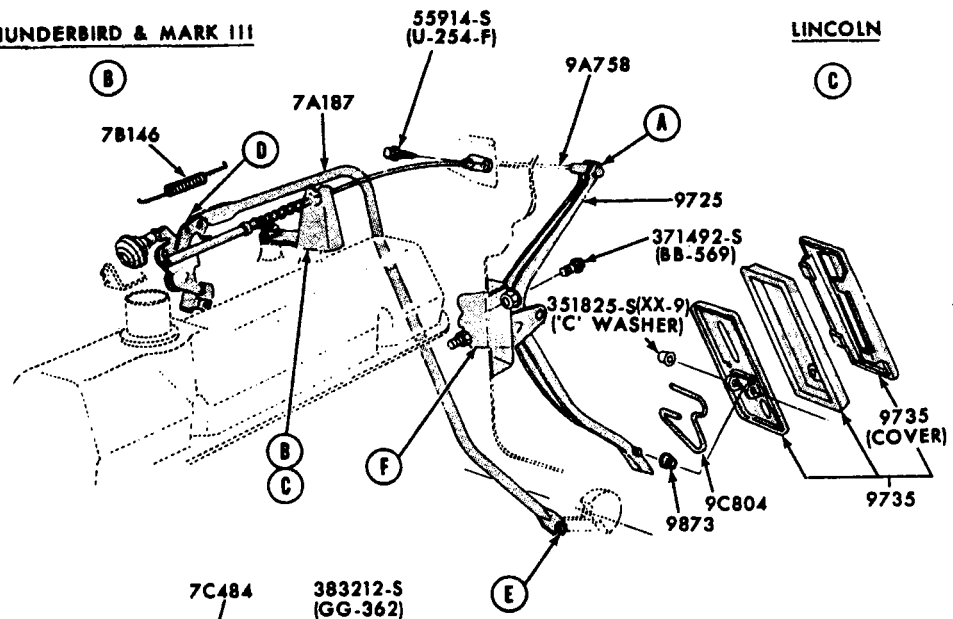
ILLUSTRATION  
SECTION 97

FORD CAR PARTS



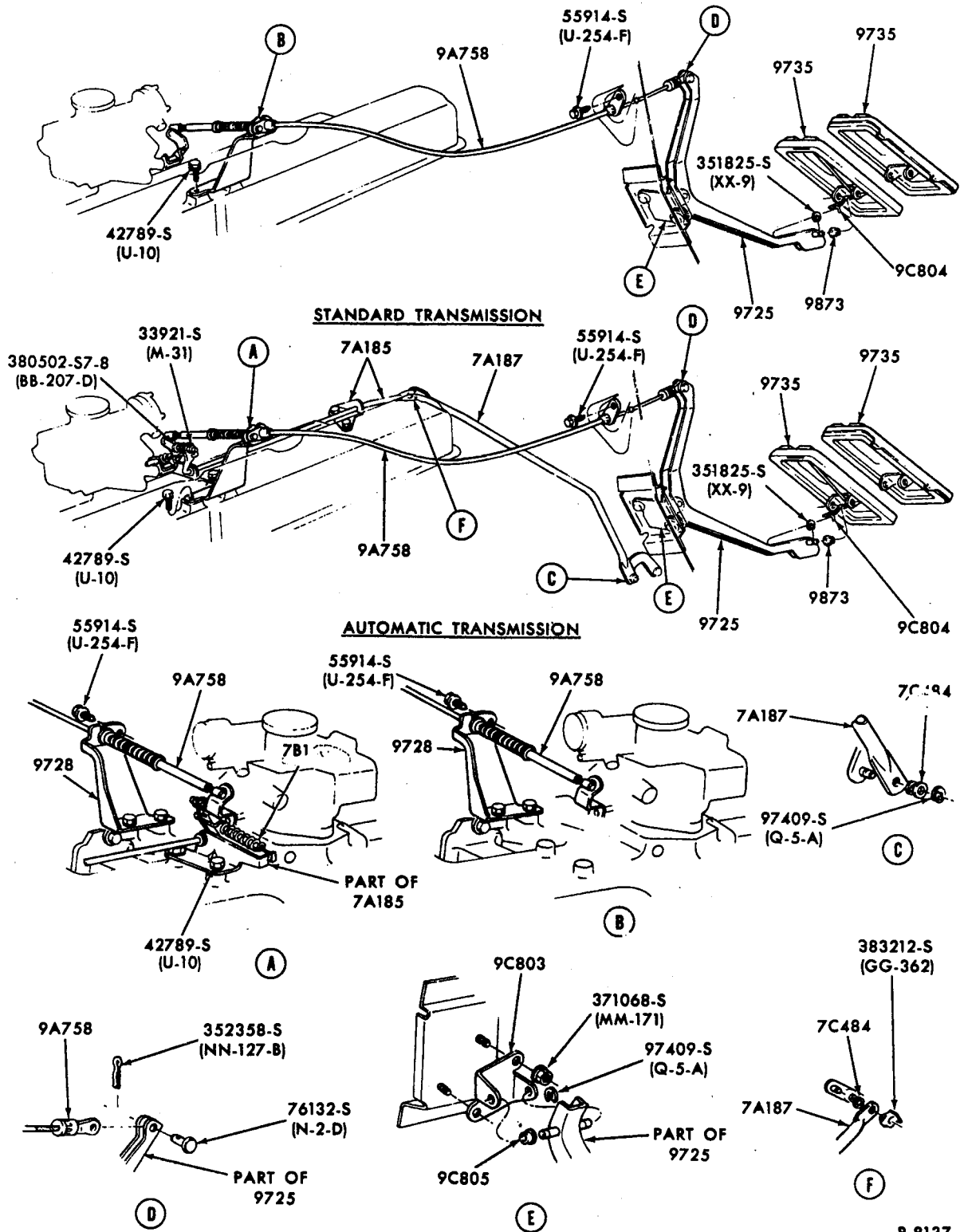
THUNDERBIRD & MARK III

LINCOLN



P-7309

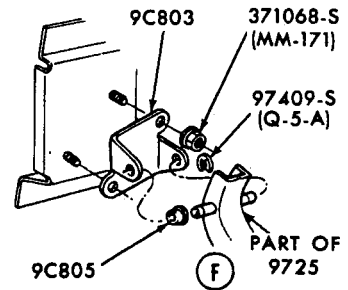
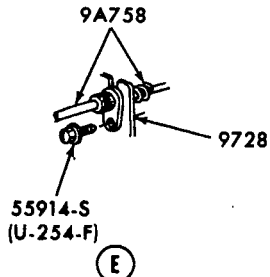
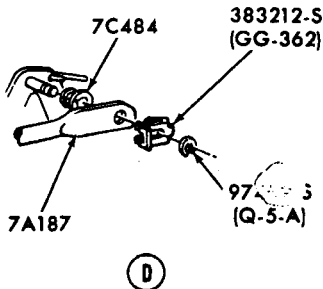
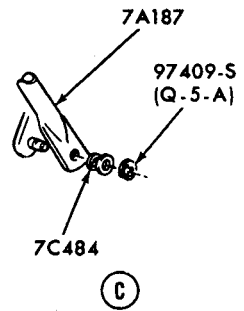
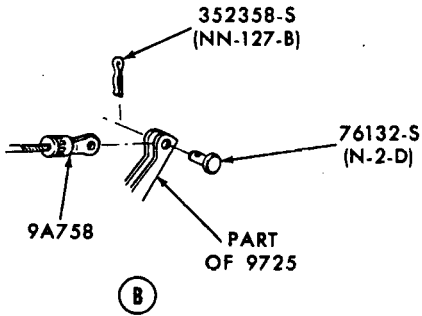
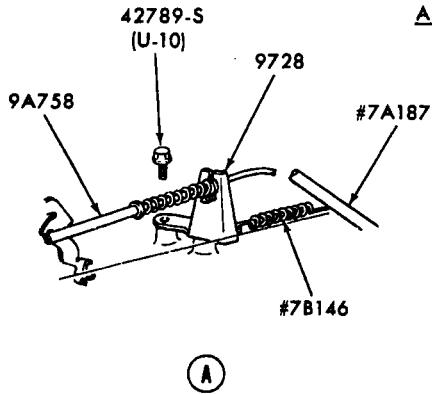
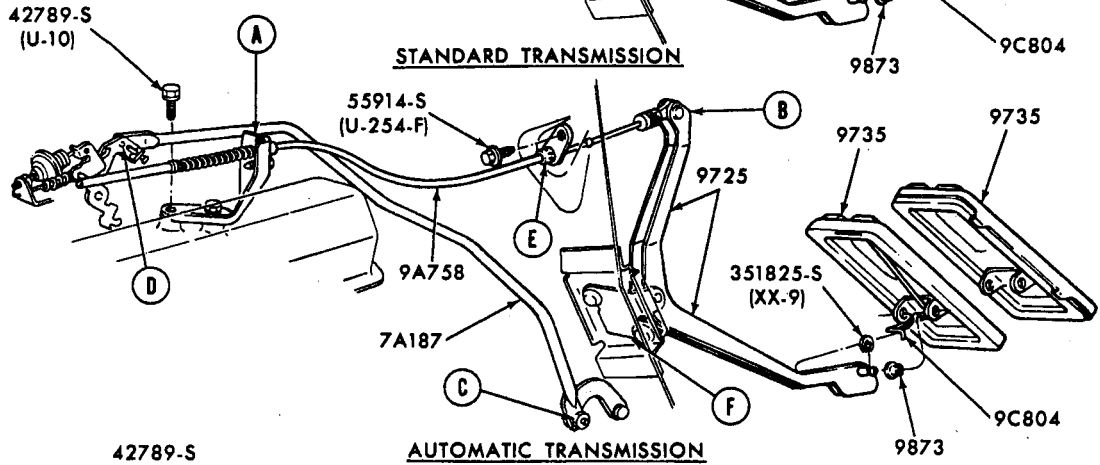
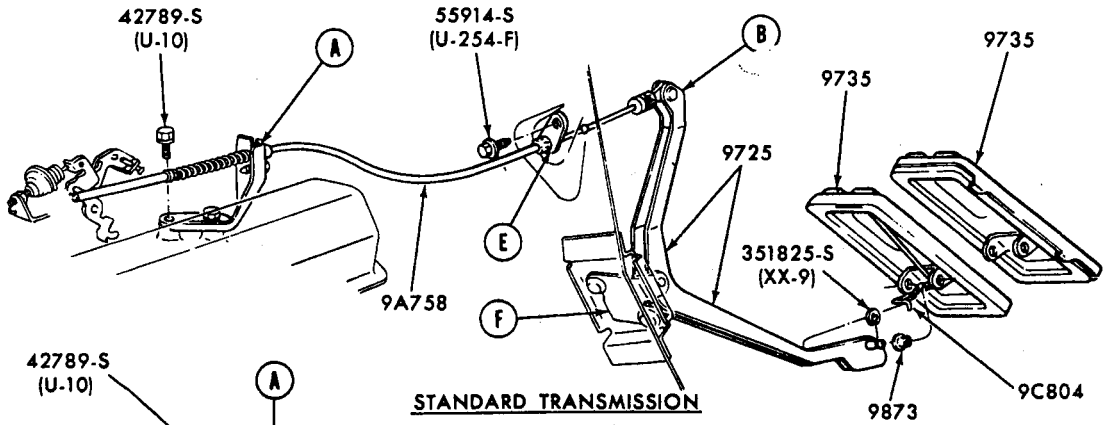
ACCELERATOR LINKAGE  
1970/72 THUNDERBIRD (8 CYLINDER 400, 429, 460 ENGINES)



P-8137

ACCELERATOR LINKAGE  
1971/72 FORD (6 CYLINDER 240 ENGINE)

FORD CAR PARTS

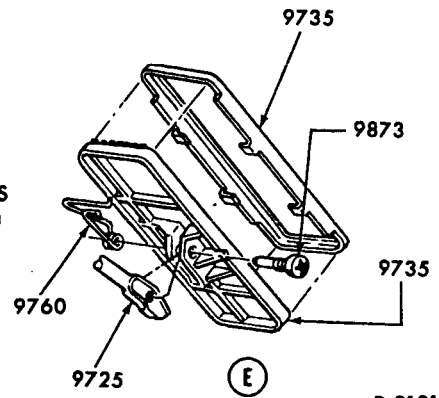
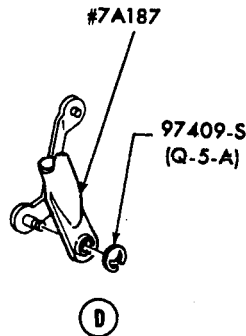
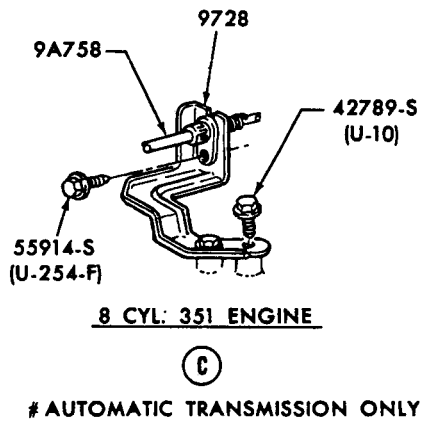
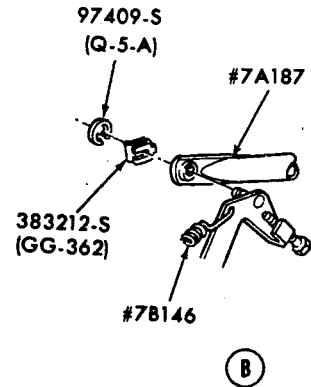
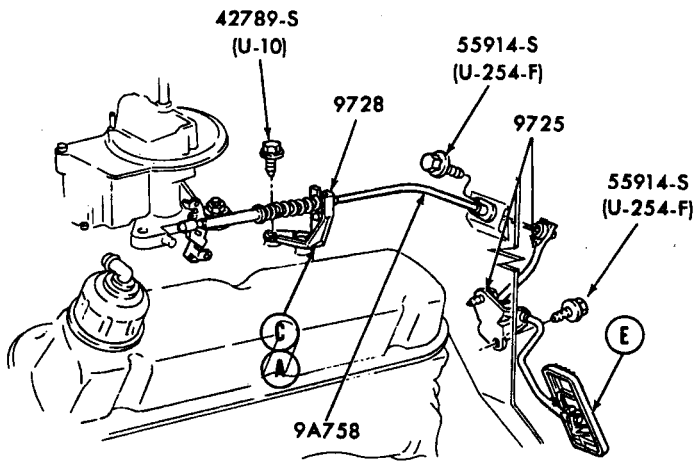
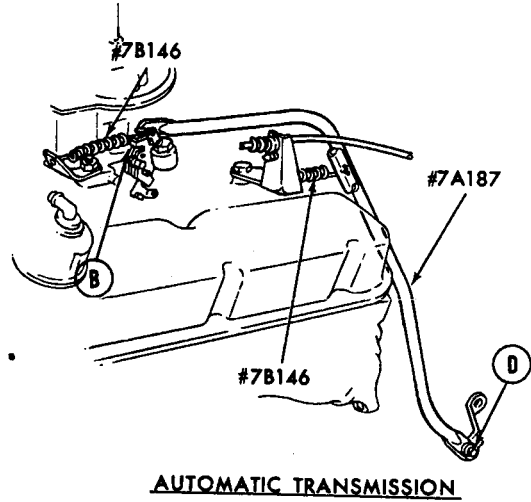
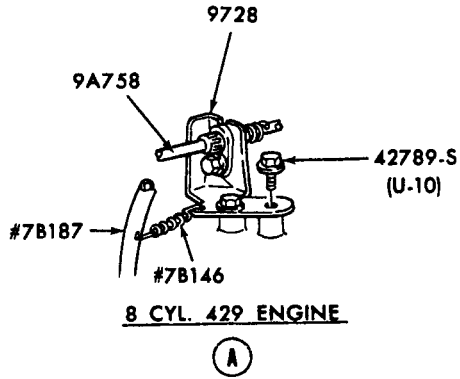


#AUTOMATIC TRANSMISSION ONLY

P-8138

ACCELERATOR LINKAGE

1971/72 FORD (8 CYLINDER 302, 351, 390, 400, 429 ENGINES)

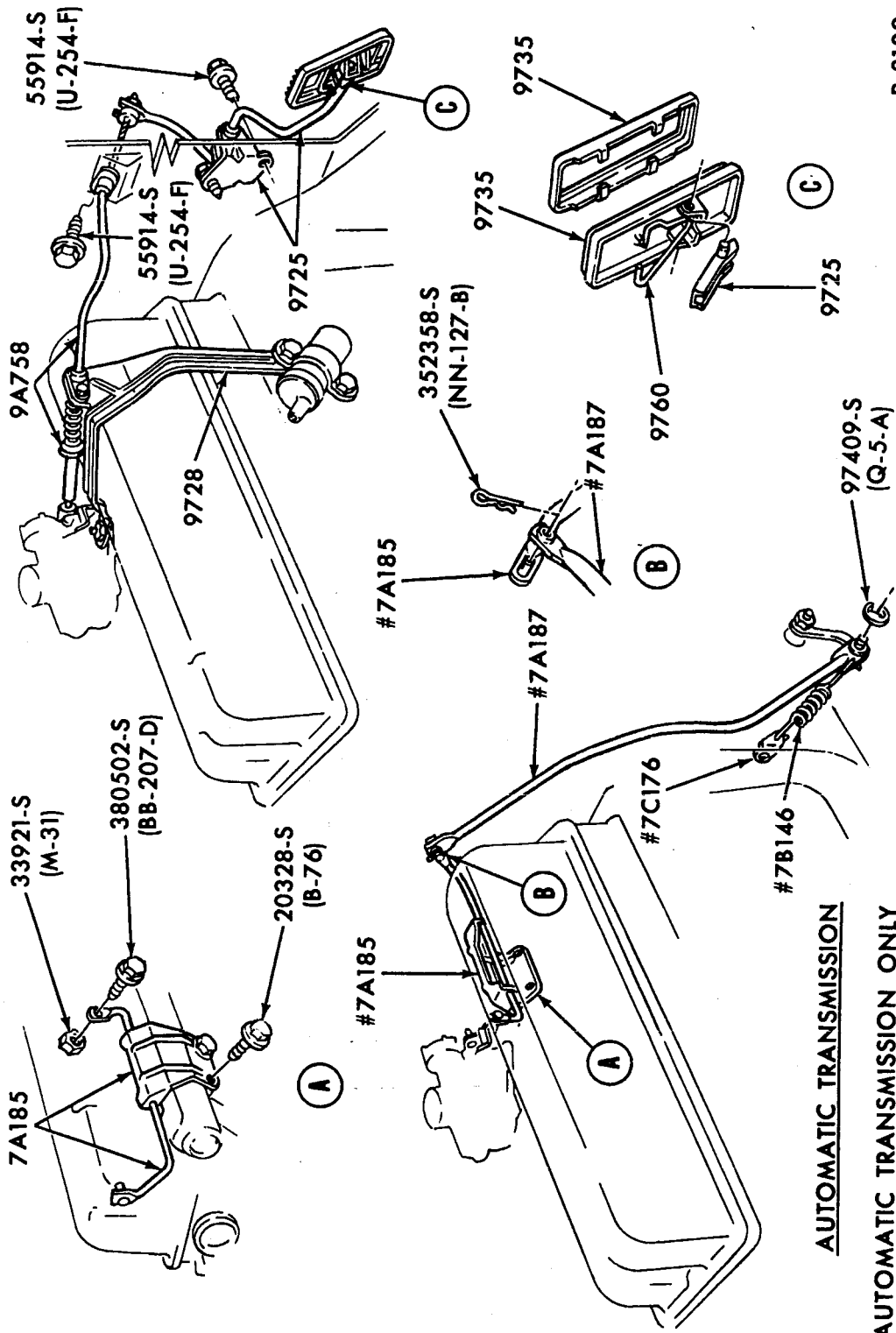


# AUTOMATIC TRANSMISSION ONLY

P-8131

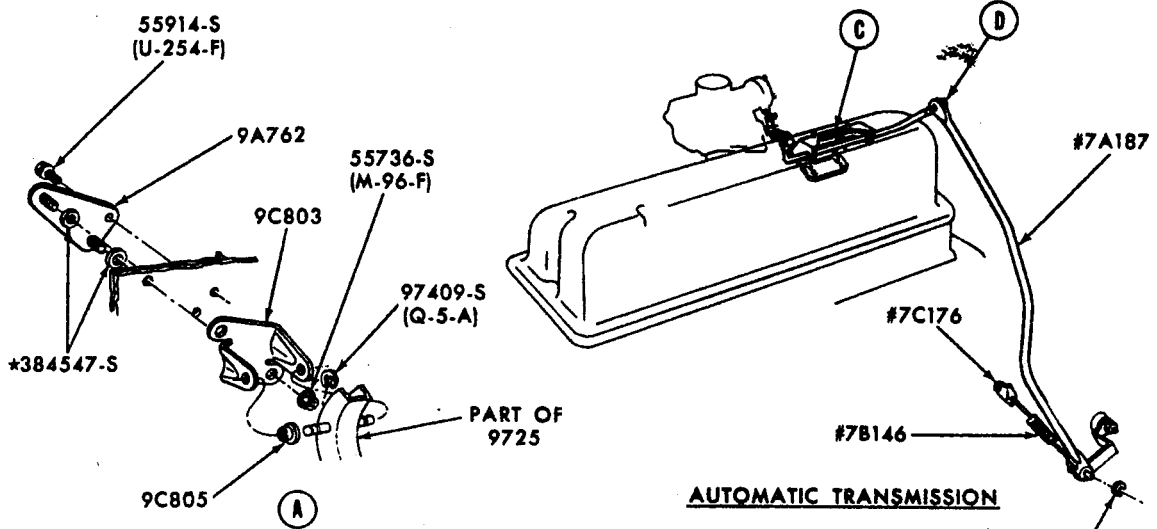
ACCELERATOR LINKAGE

1971 TORINO (8 CYLINDER 302, 351, 429 ENGINES)

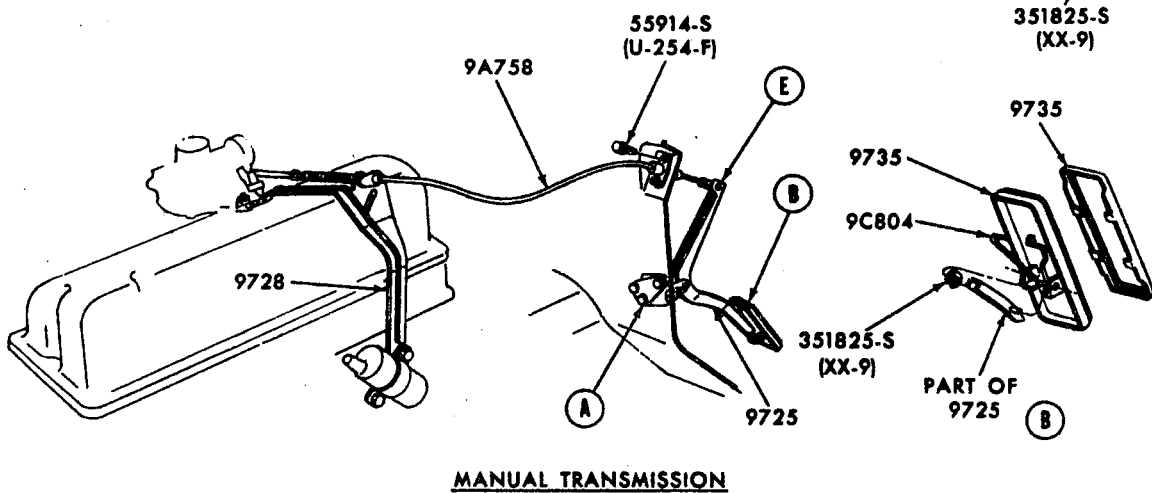


AUTOMATIC TRANSMISSION  
#AUTOMATIC TRANSMISSION ONLY

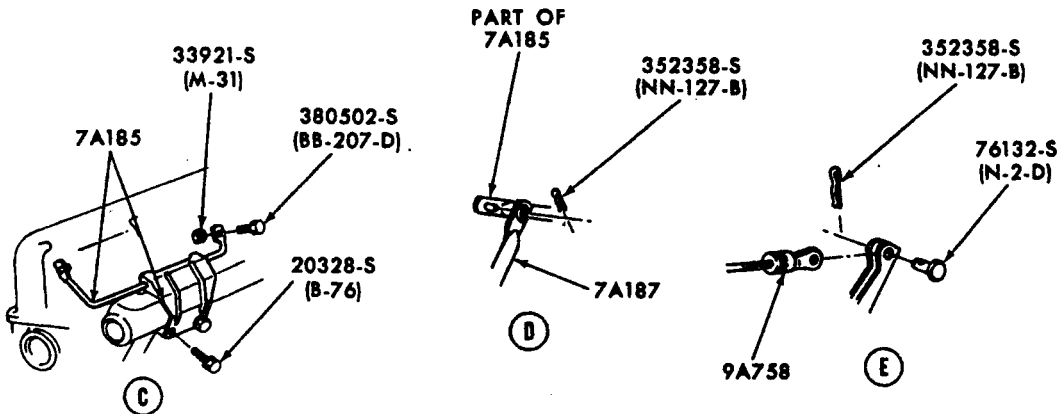
ACCELERATOR LINKAGE  
1971 TORINO (6 CYLINDER 250 ENGINE)



AUTOMATIC TRANSMISSION



MANUAL TRANSMISSION

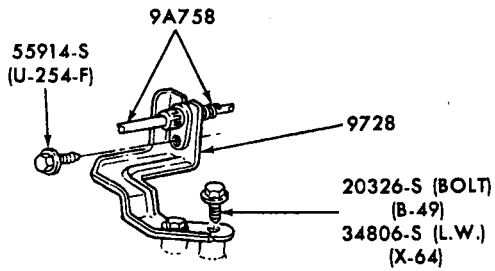


#AUTOMATIC TRANSMISSION ONLY

P-8135

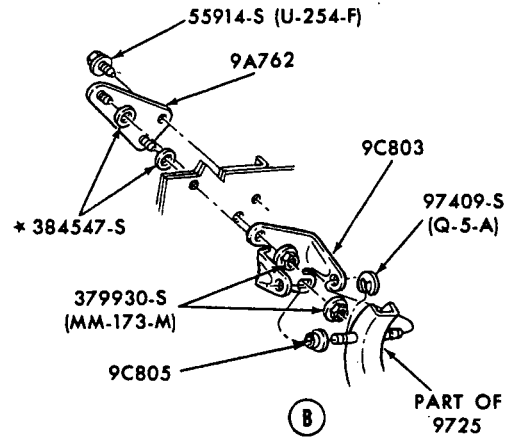
ACCELERATOR LINKAGE  
(6 CYLINDER 250 ENGINE)

1971/72 MUSTANG, 1972 TORINO

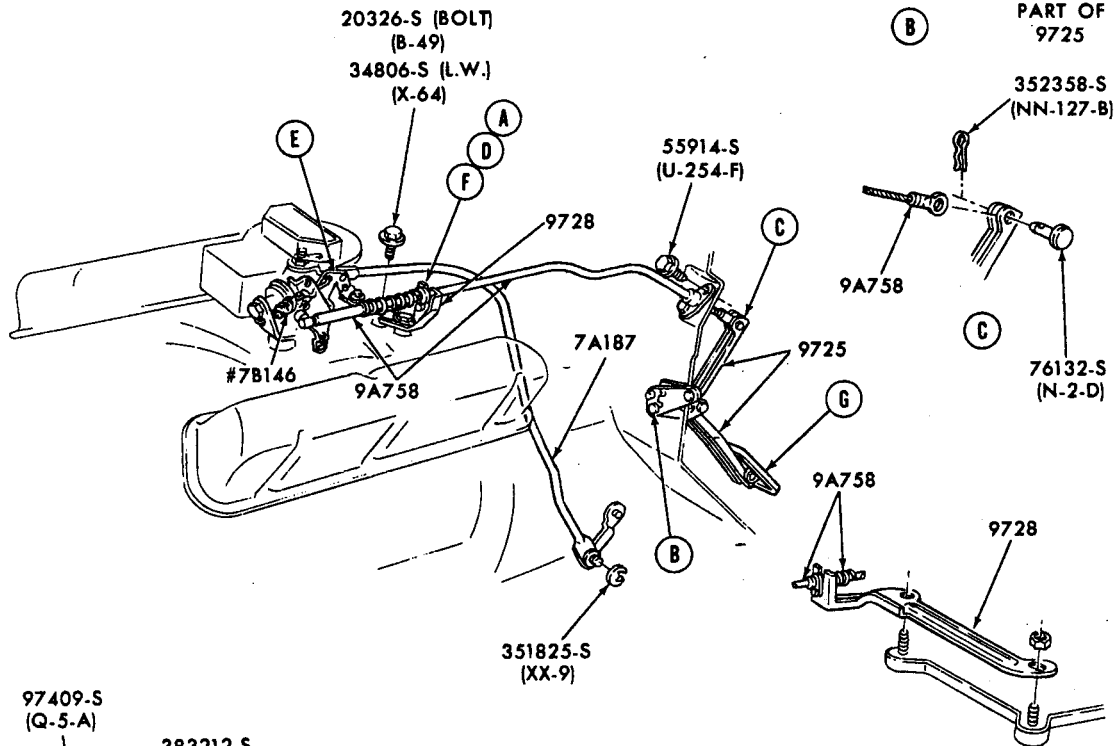


8 CYL. 351 ENGINE

(A)

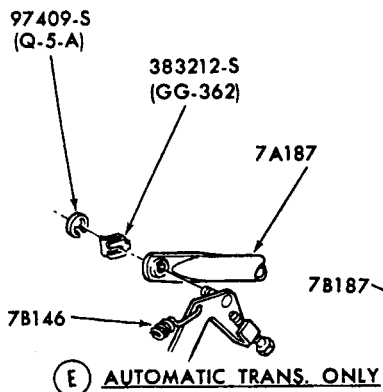


(B)



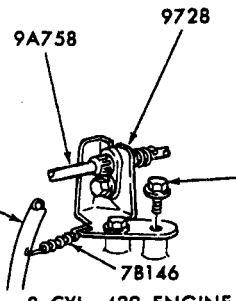
8 CYL. 302 ENGINE

(D)



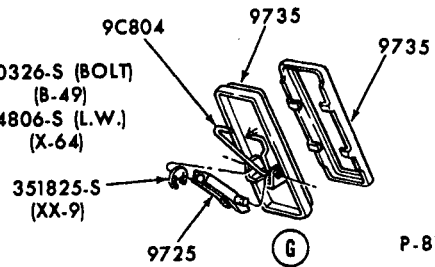
(E) AUTOMATIC TRANS. ONLY

#AUTOMATIC TRANSMISSION ONLY



8 CYL. 429 ENGINE

(F)

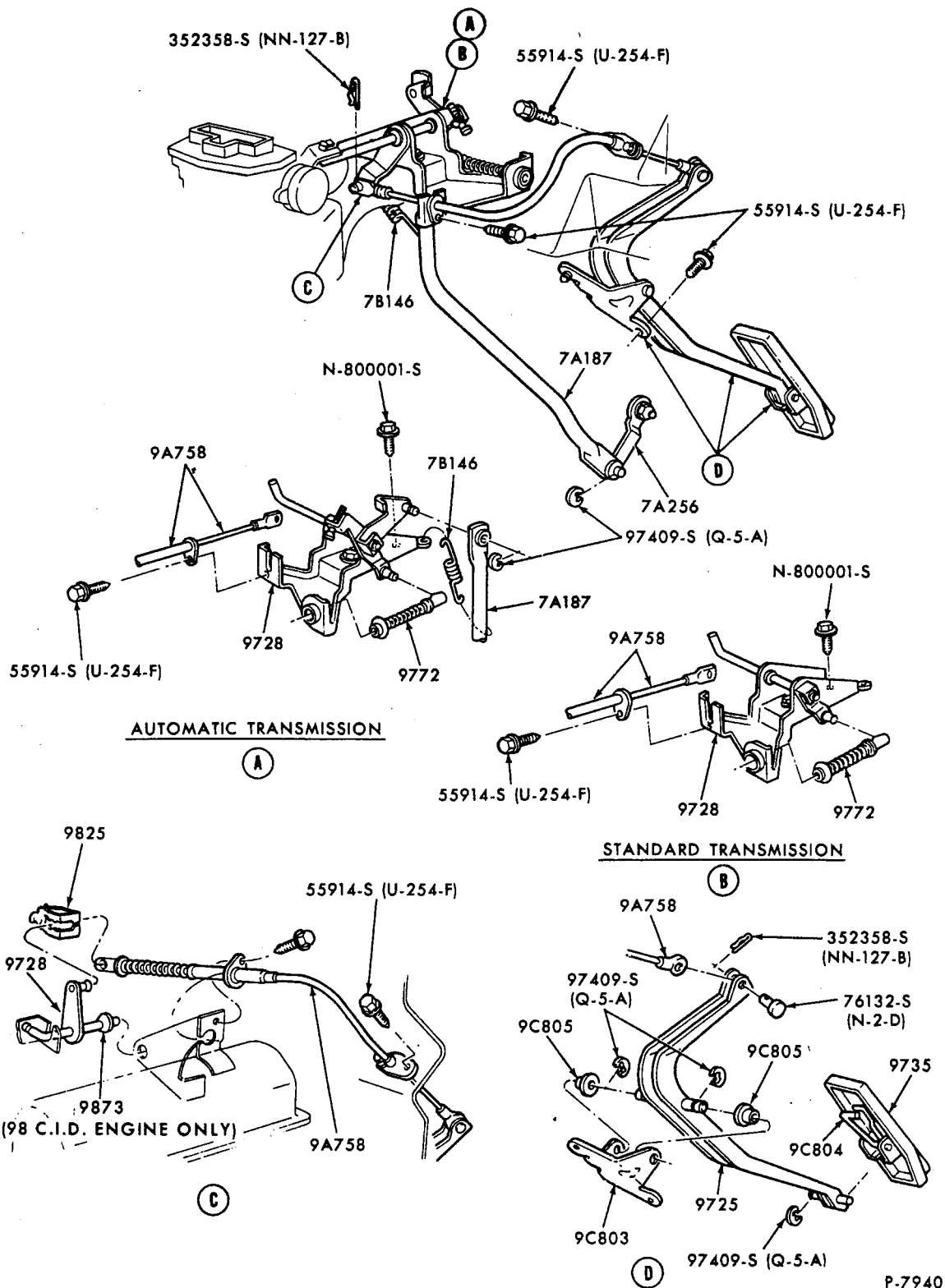


(G)

P-8136

ACCELERATOR LINKAGE  
 (8 CYLINDER 302, 351, 400, 429 ENGINES)  
 1971/72 MUSTANG, 1972 TORINO

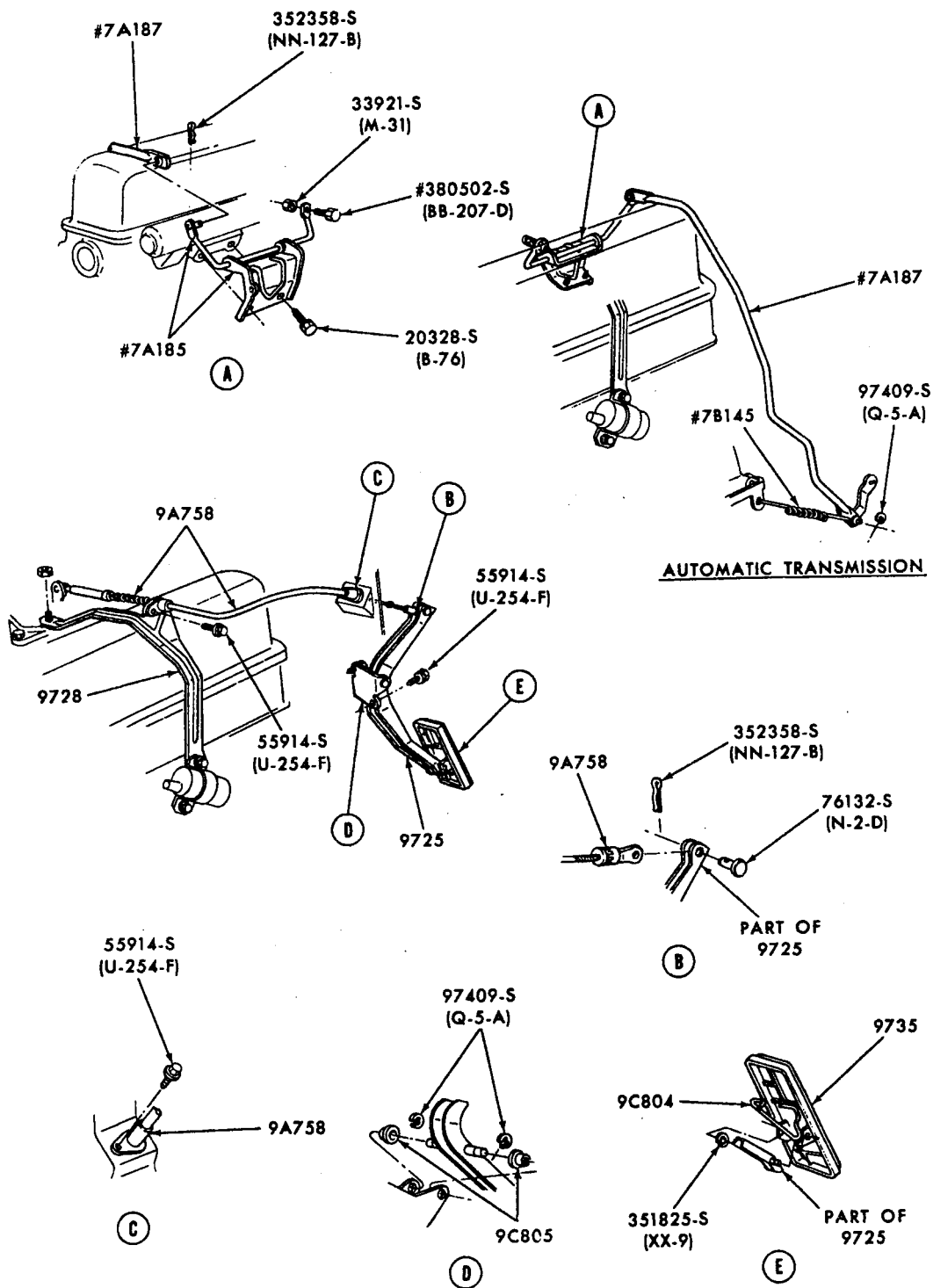




P.7940

ACCELERATOR LINKAGE

1971/72 PINTO (4 CYLINDER 98, 122 O.H.C. ENGINES)



AUTOMATIC TRANSMISSION

#AUTOMATIC TRANSMISSION ONLY

P-8134

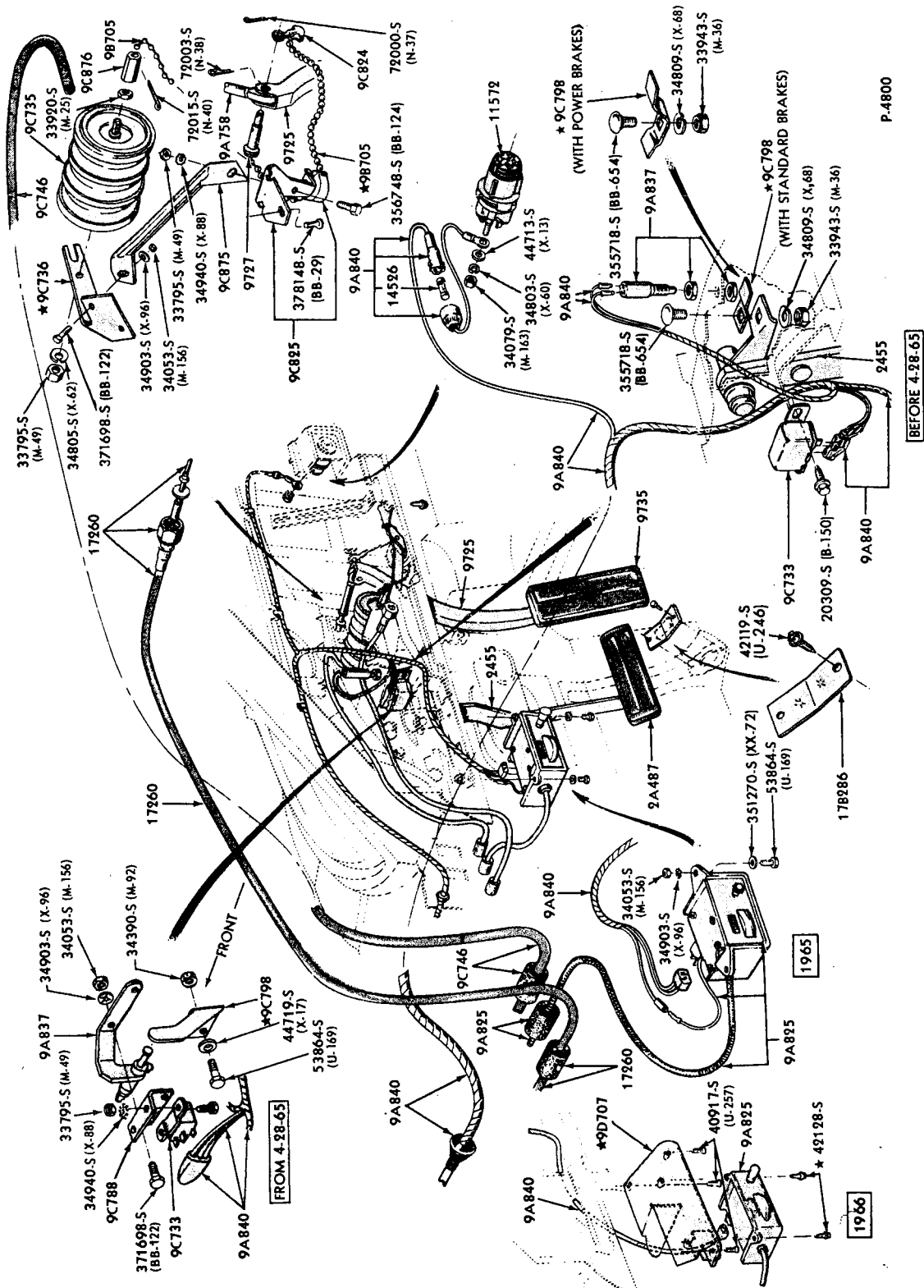
ACCELERATOR LINKAGE

1971/72 MAVERICK (6 CYLINDER 170,200,250 ENGINES)

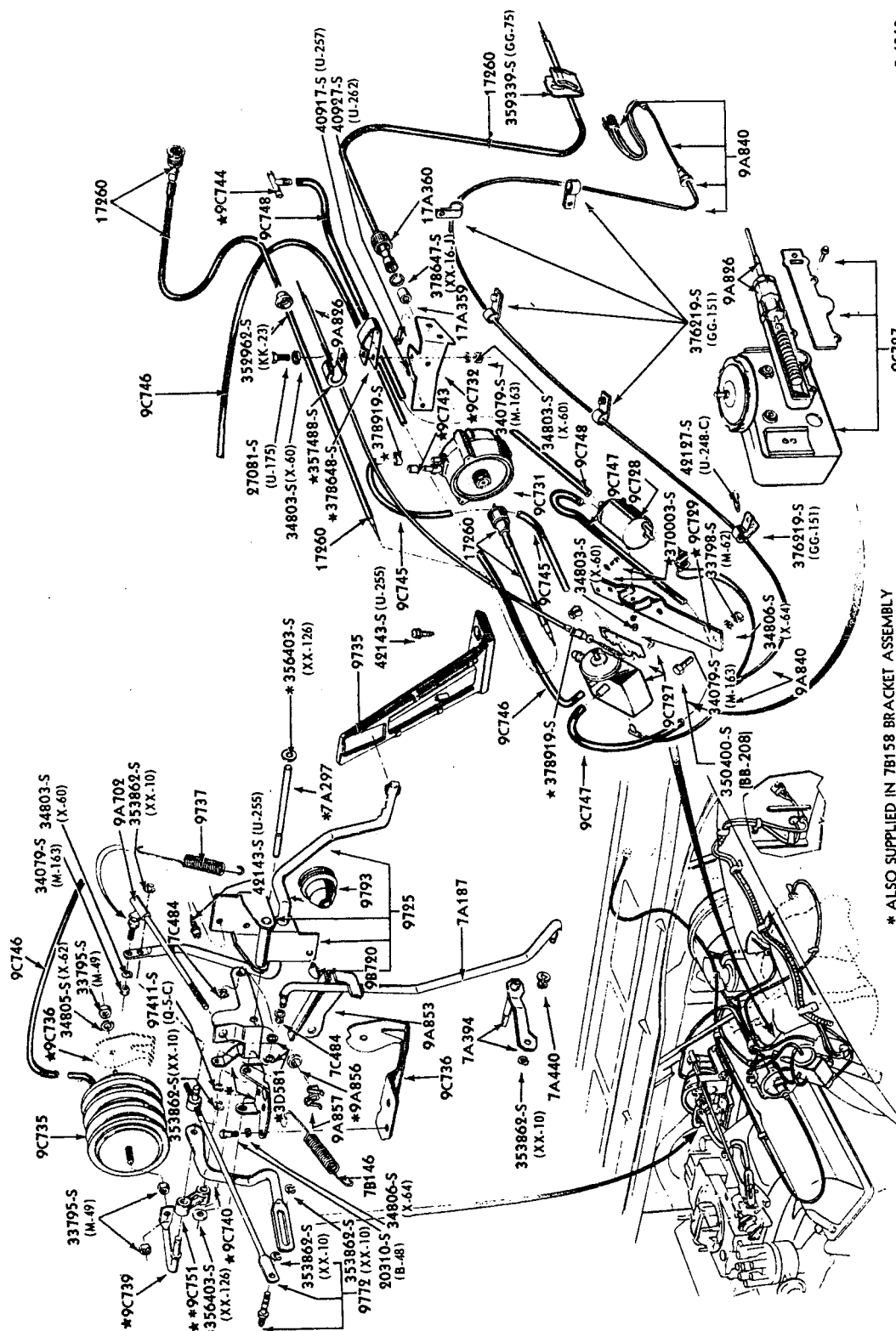




FORD CAR PARTS



SPEED CONTROL - PASSENGER COMPARTMENT  
1965/66 FORD

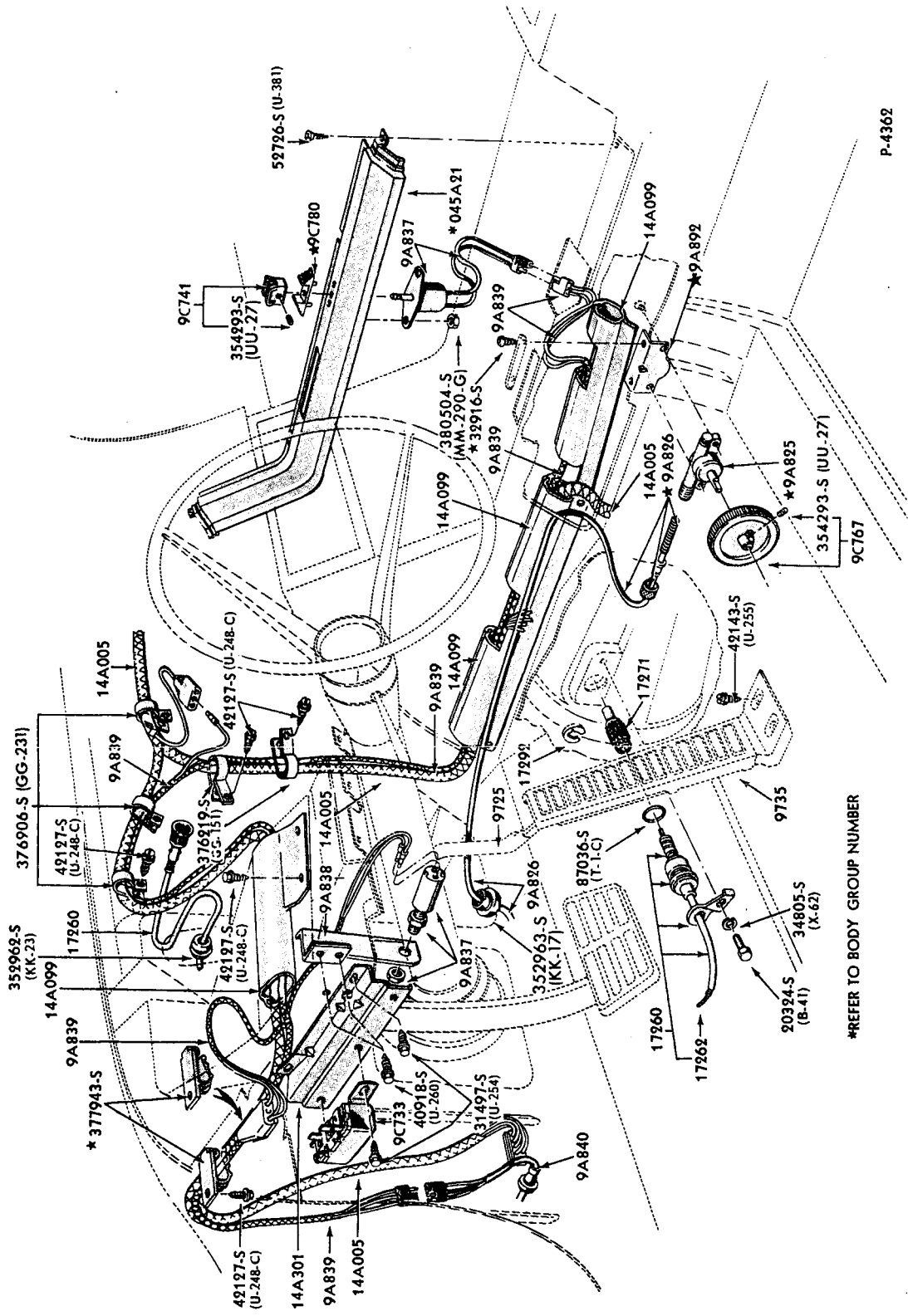


P-4363

\* ALSO SUPPLIED IN 7B158 BRACKET ASSEMBLY

SPEED CONTROL - ENGINE COMPARTMENT  
1965 THUNDERBIRD

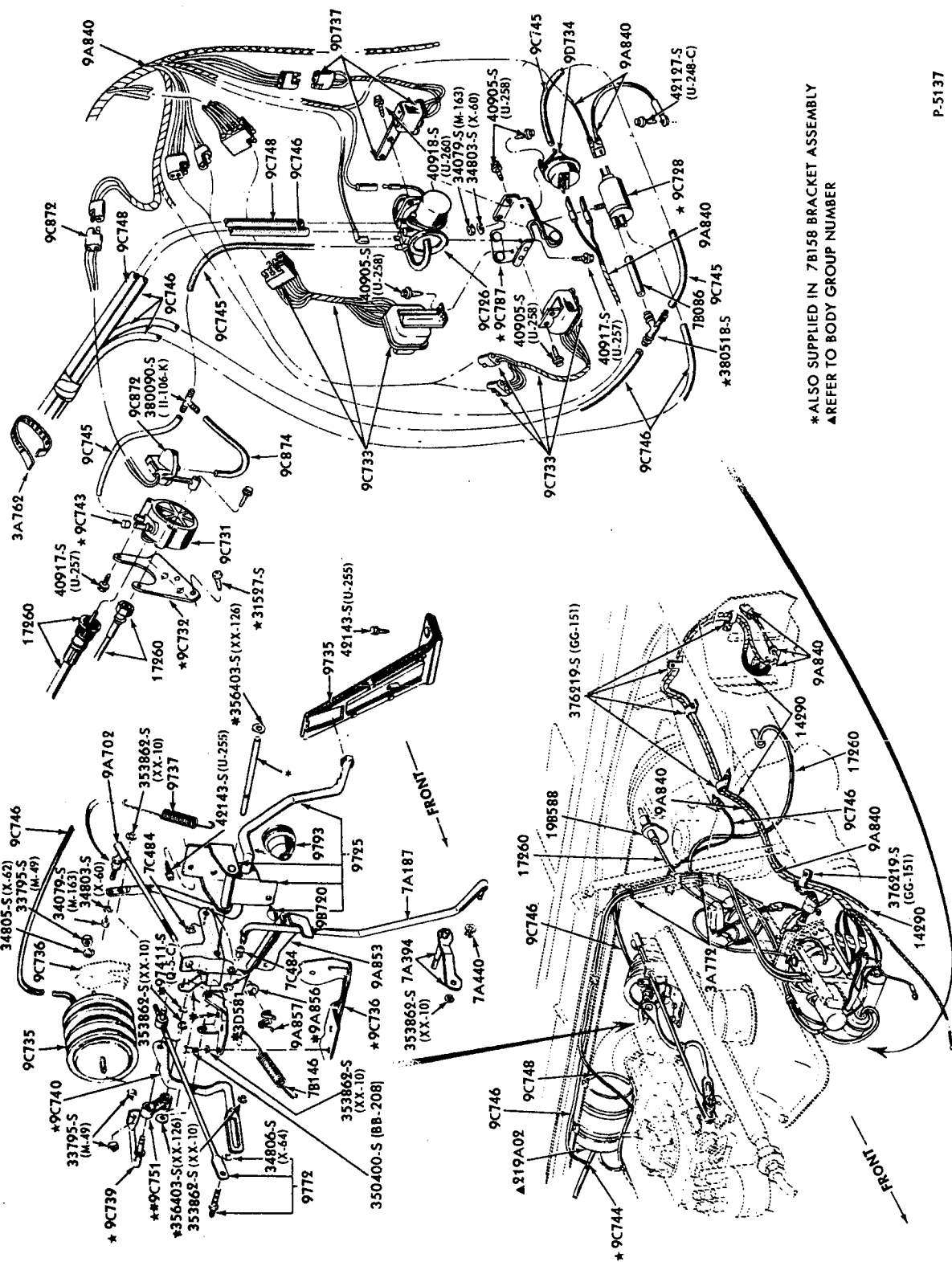
FORD CAR PARTS



SPEED CONTROL - PASSENGER COMPARTMENT  
1965 THUNDERBIRD

P-4362

\*REFER TO BODY GROUP NUMBER



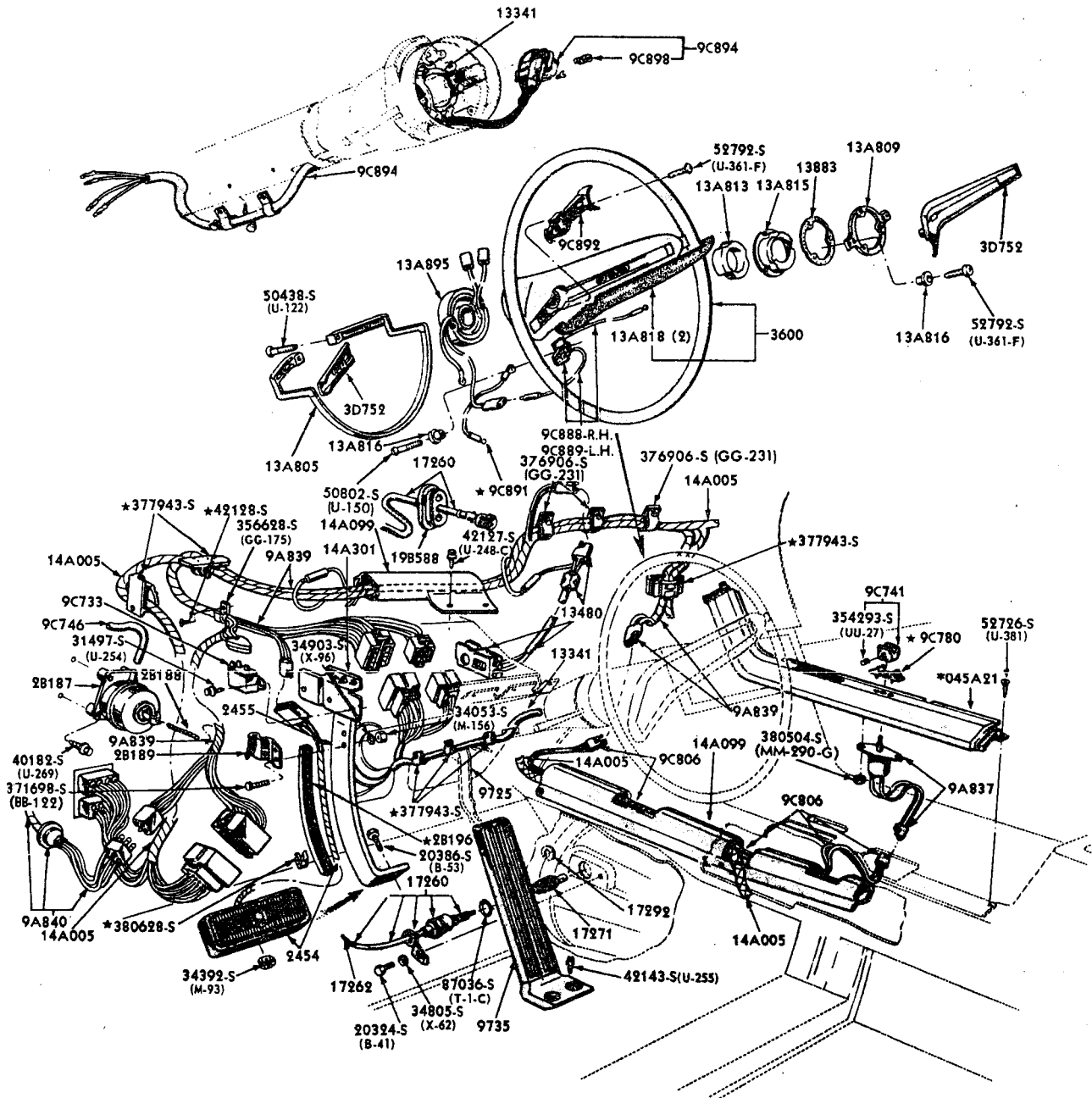
\* ALSO SUPPLIED IN 7B158 BRACKET ASSEMBLY  
▲ REFER TO BODY GROUP NUMBER

P-5137

SPEED CONTROL - ENGINE COMPARTMENT  
1966 THUNDERBIRD



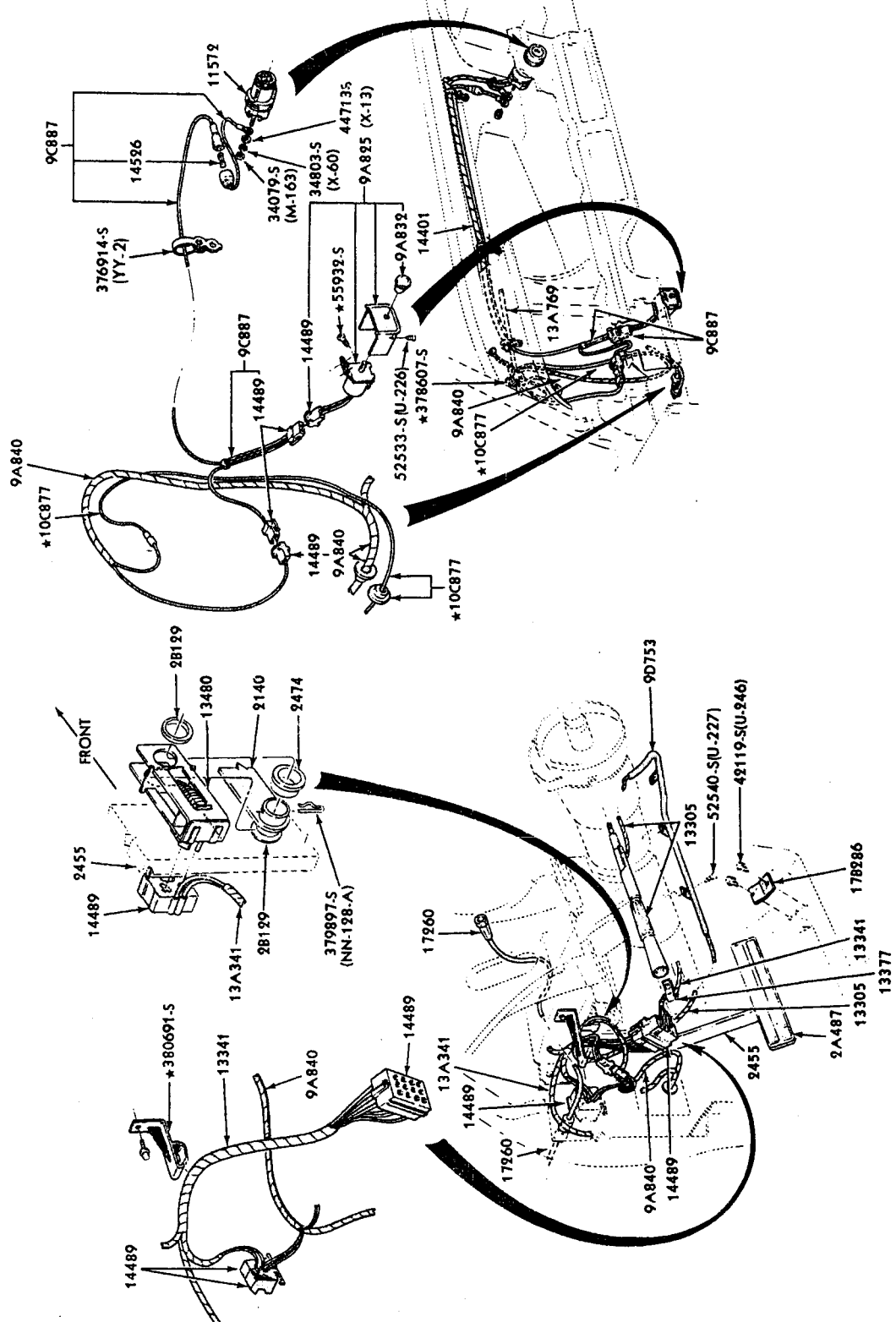
FORD CAR PARTS



\*REFER TO BODY GROUP NUMBER

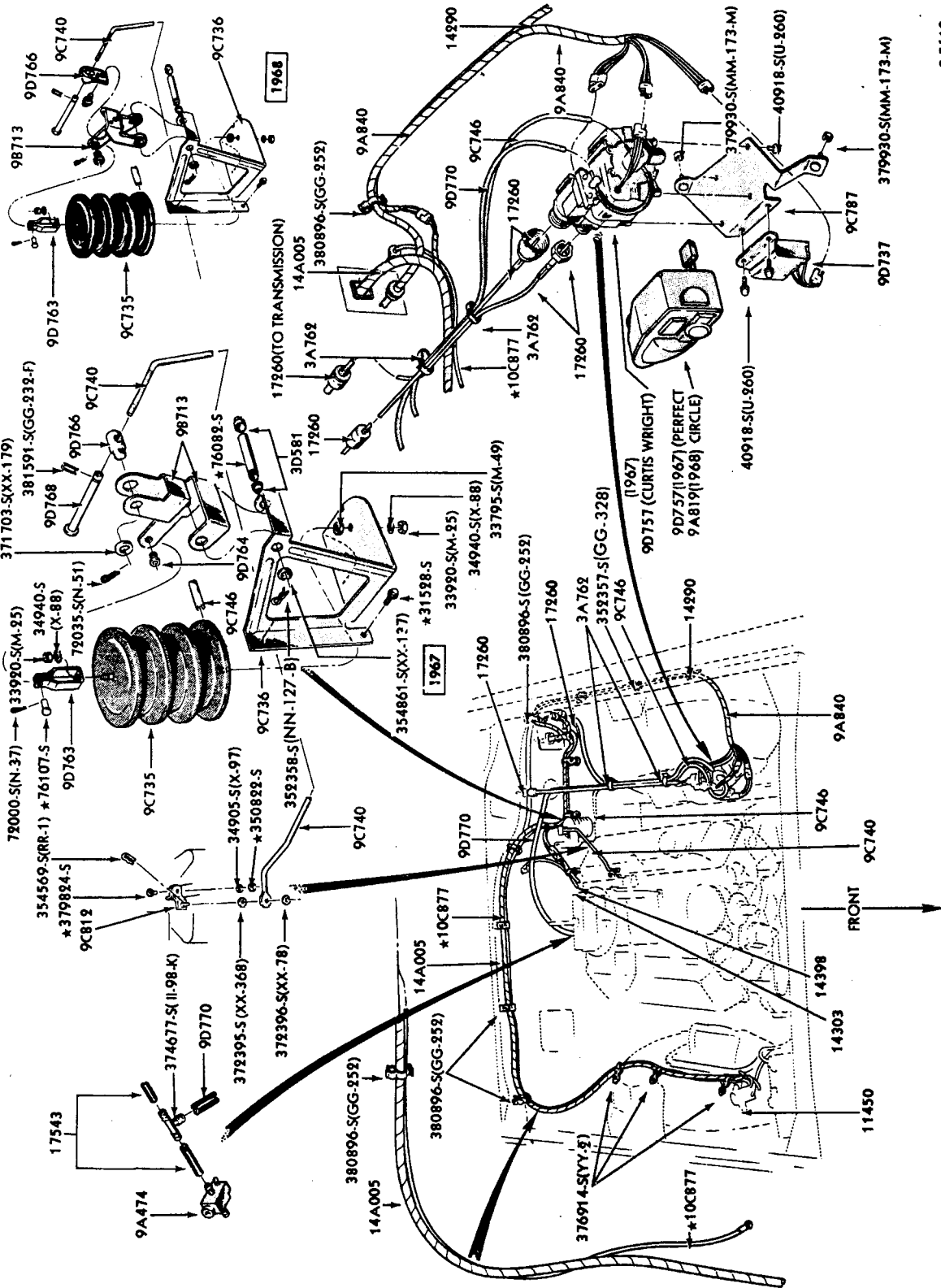
P-5136

SPEED CONTROL - PASSENGER COMPARTMENT  
1966 THUNDERBIRD



SPEED CONTROL - PASSENGER COMPARTMENT  
1967 - FORD

FORD CAR PARTS



SPEED CONTROL - ENGINE COMPARTMENT  
1967/68 FORD





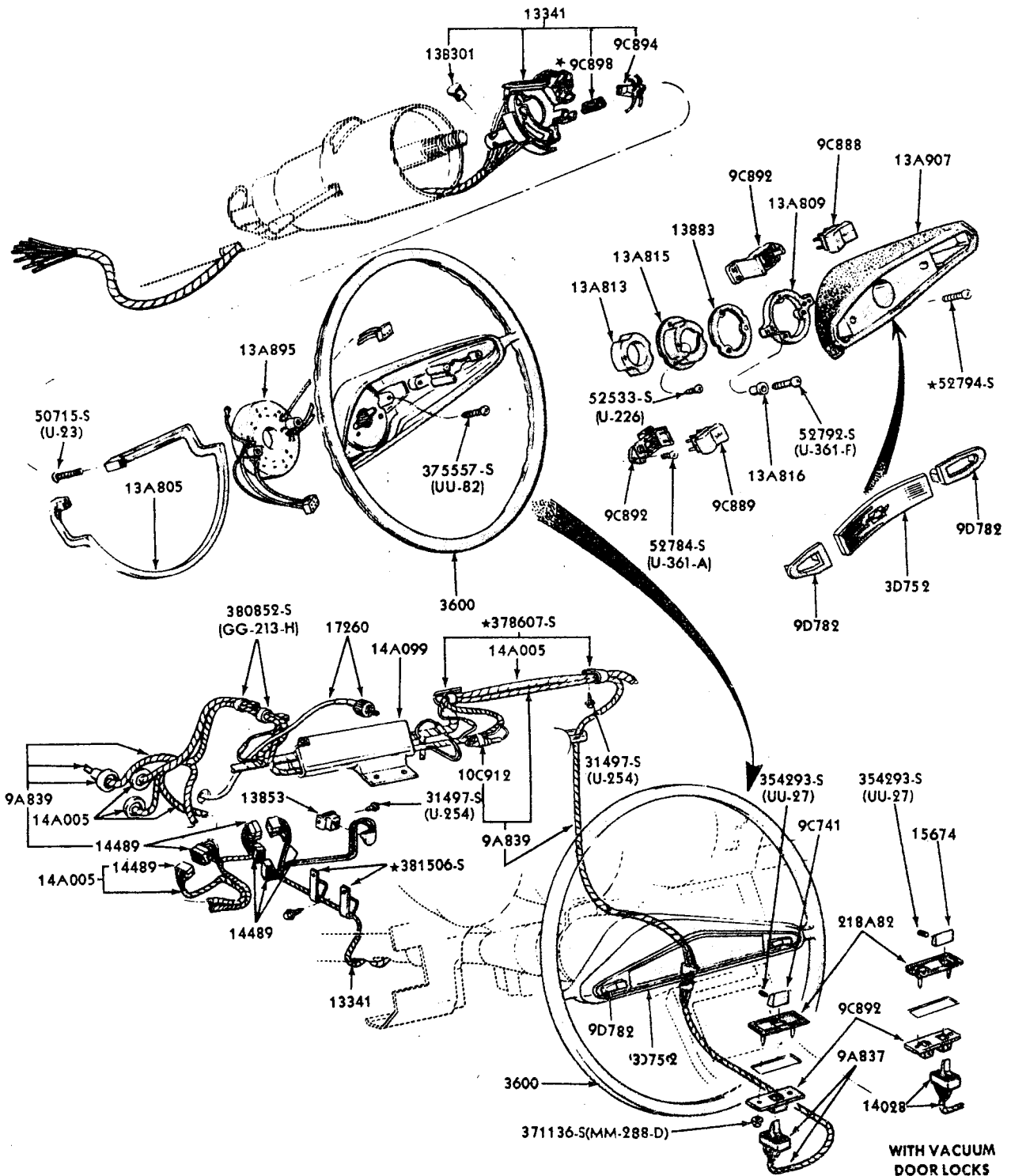








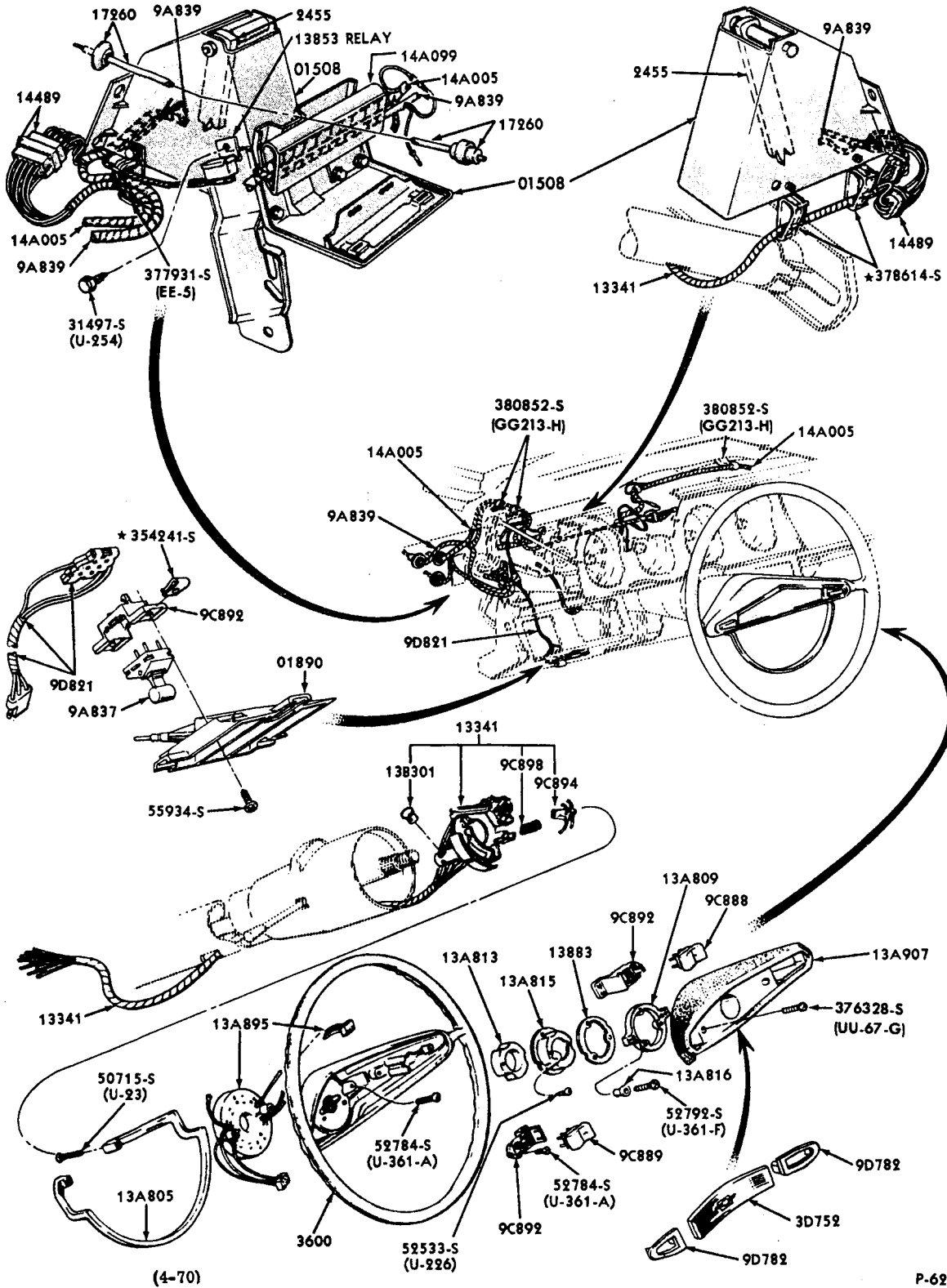
FORD CAR PARTS





# FORD CAR PARTS

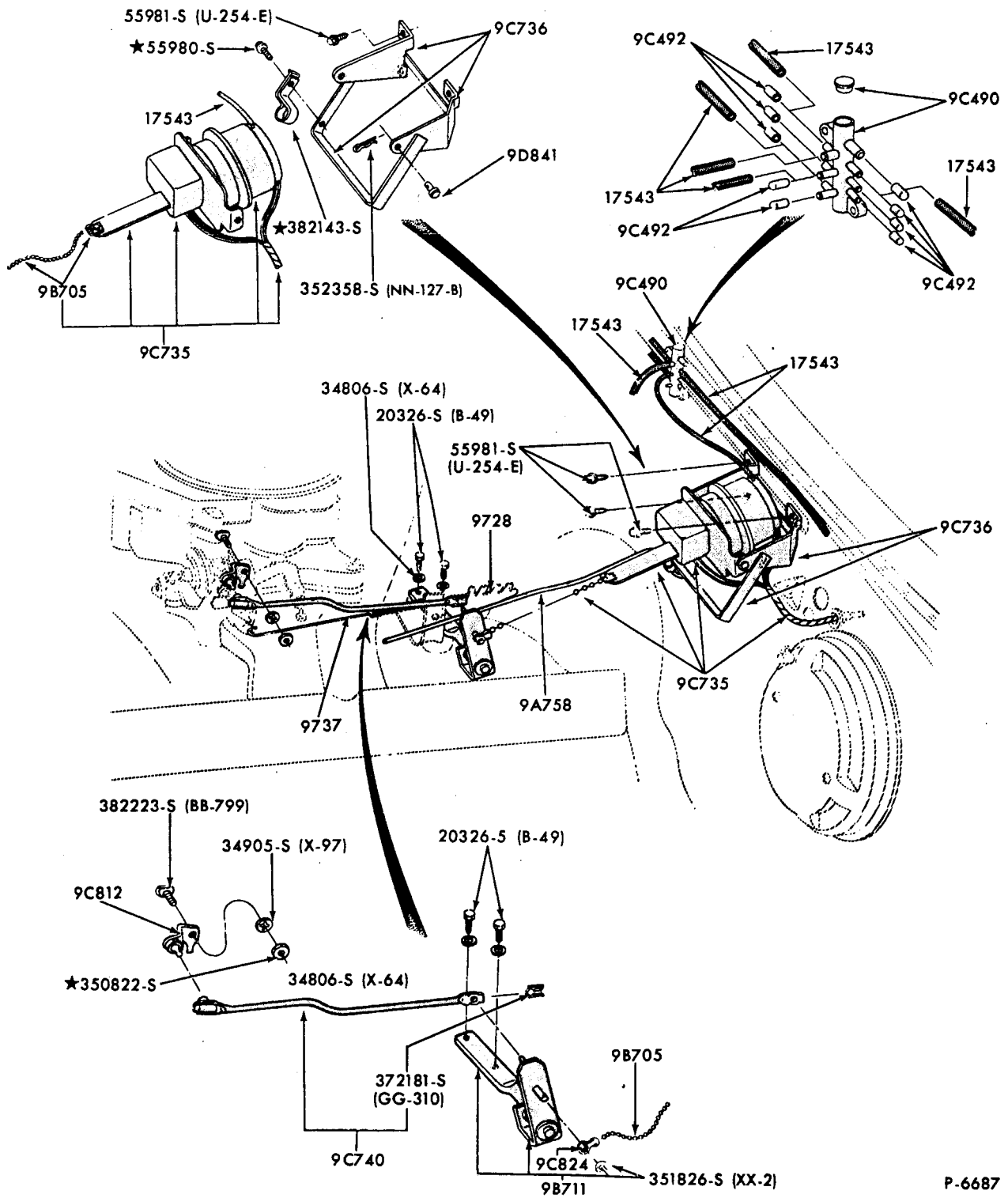
## ILLUSTRATION SECTION 97.1



(4-70)

P-6211

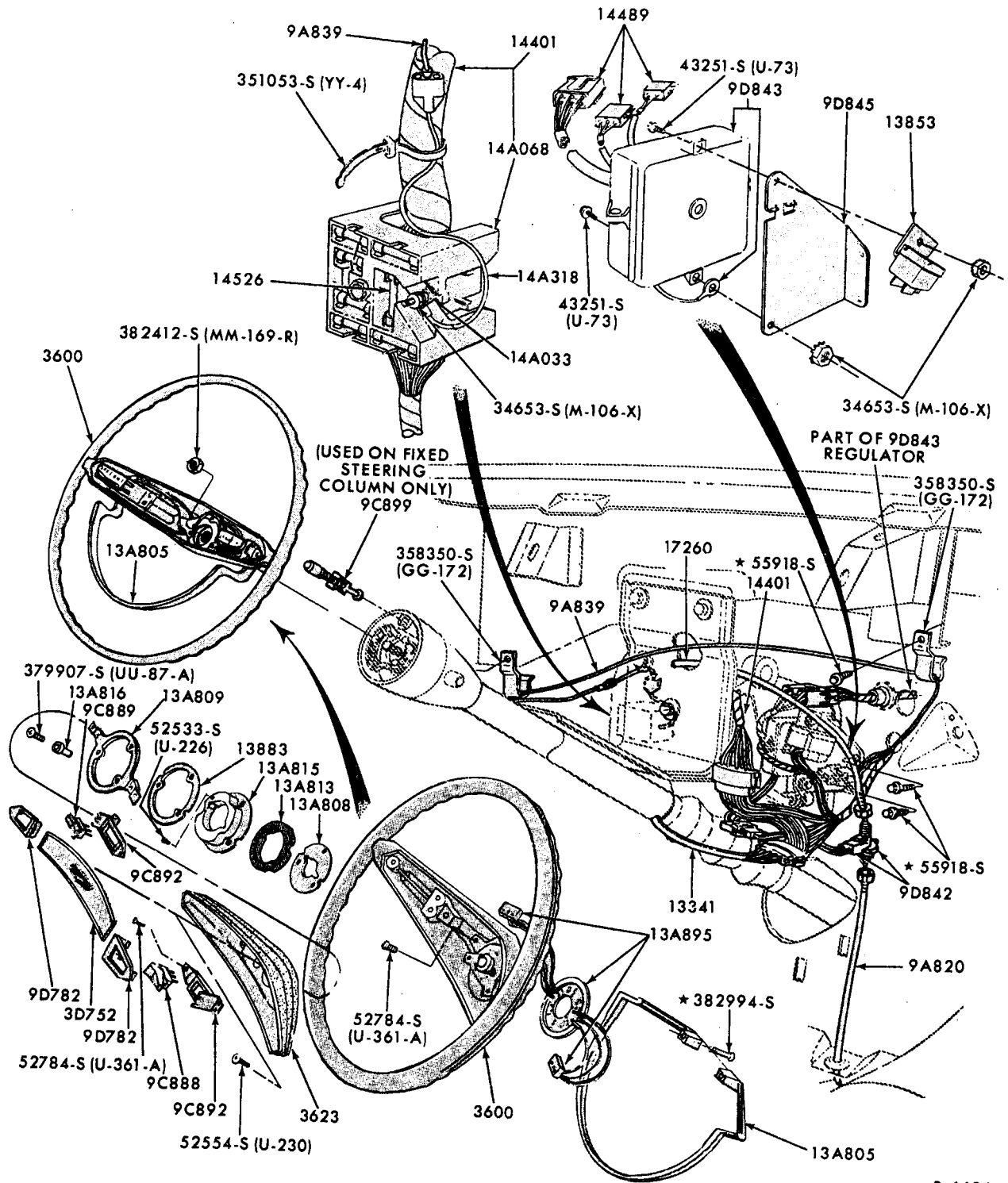
SPEED CONTROL - PASSENGER COMPARTMENT  
1968/69 THUNDERBIRD



P-6687

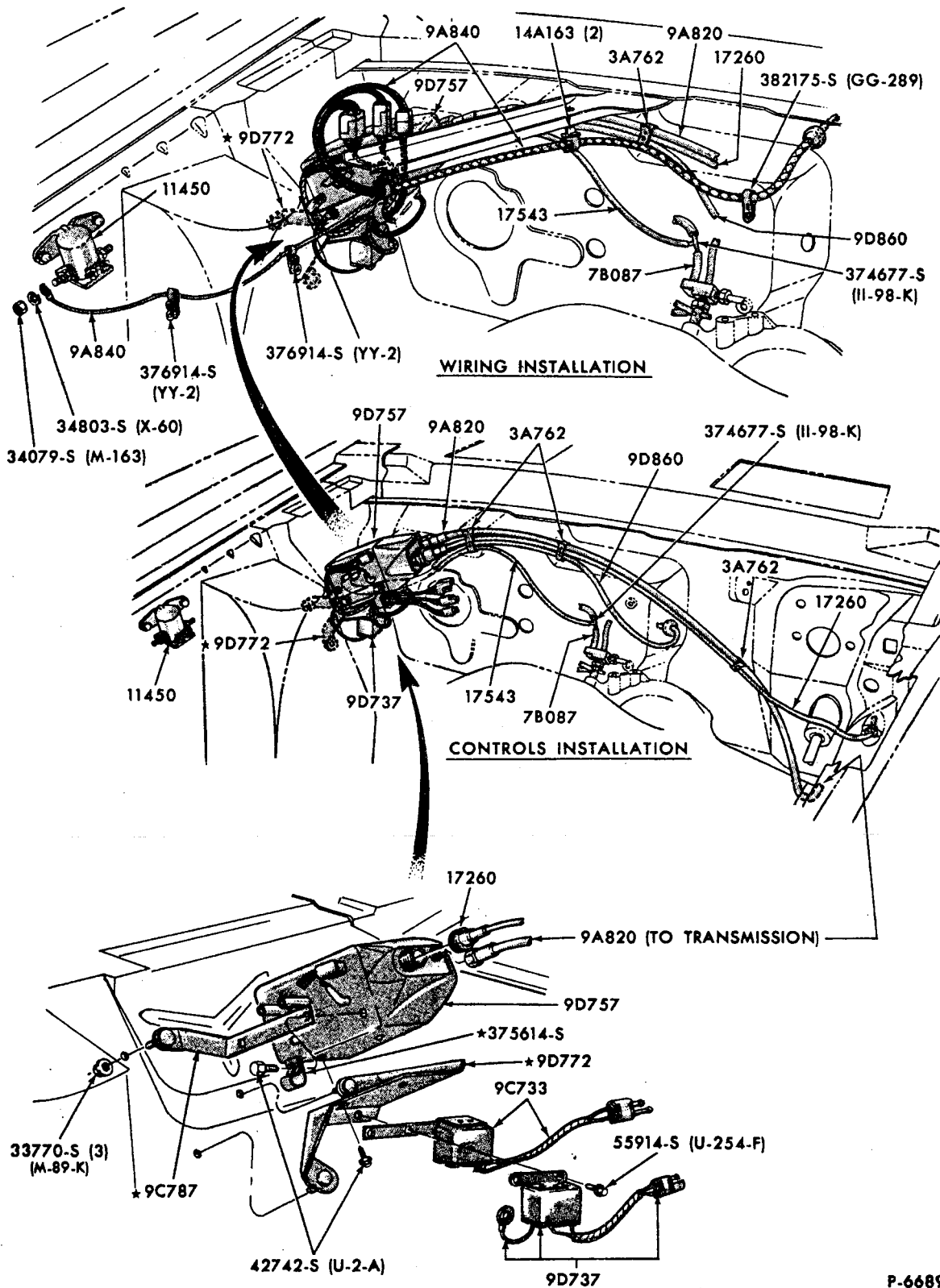
SPEED CONTROL - ENGINE COMPARTMENT  
1969/70 FORD

# FORD CAR PARTS



P-6686

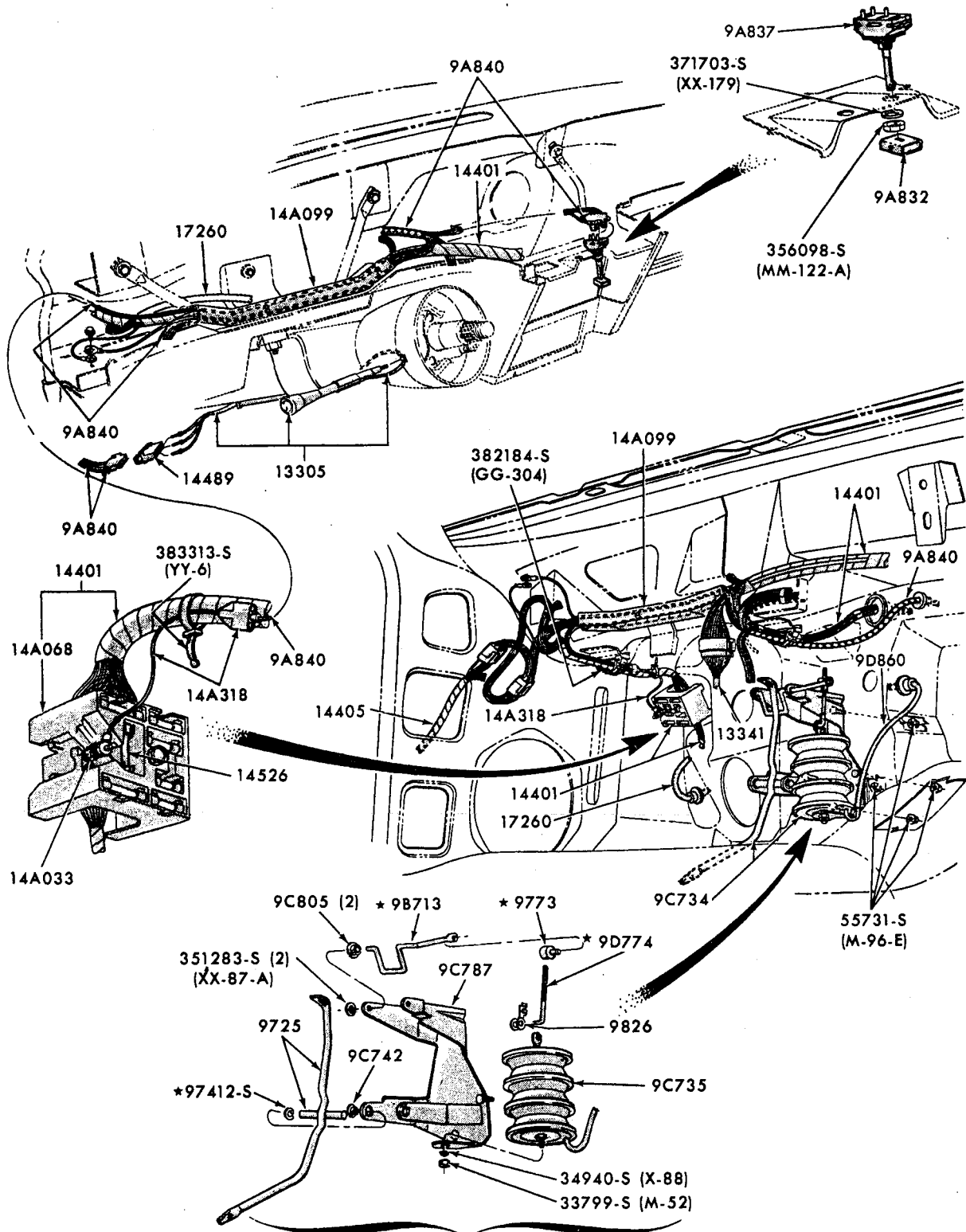
SPEED CONTROL - PASSENGER COMPARTMENT  
1969/70 FORD



SPEED CONTROL - ENGINE COMPARTMENT  
1989 MUSTANG

P-6689

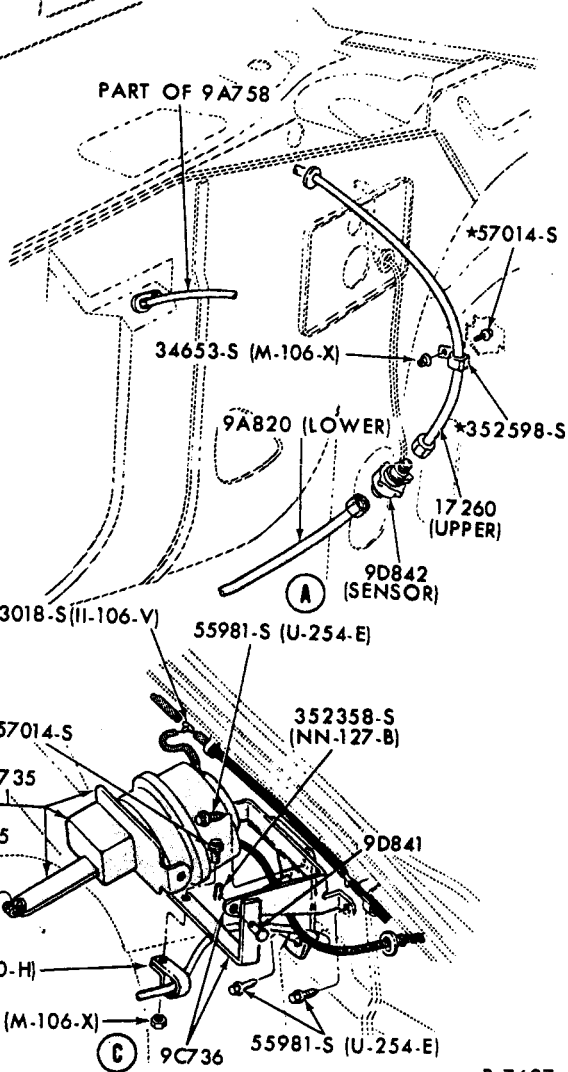
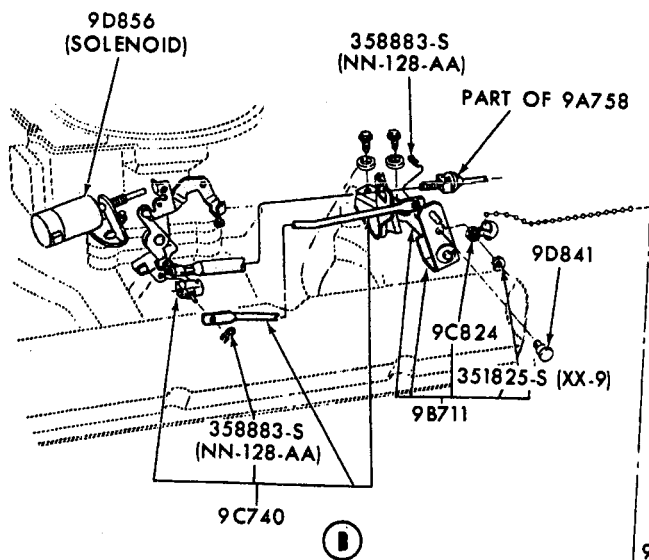
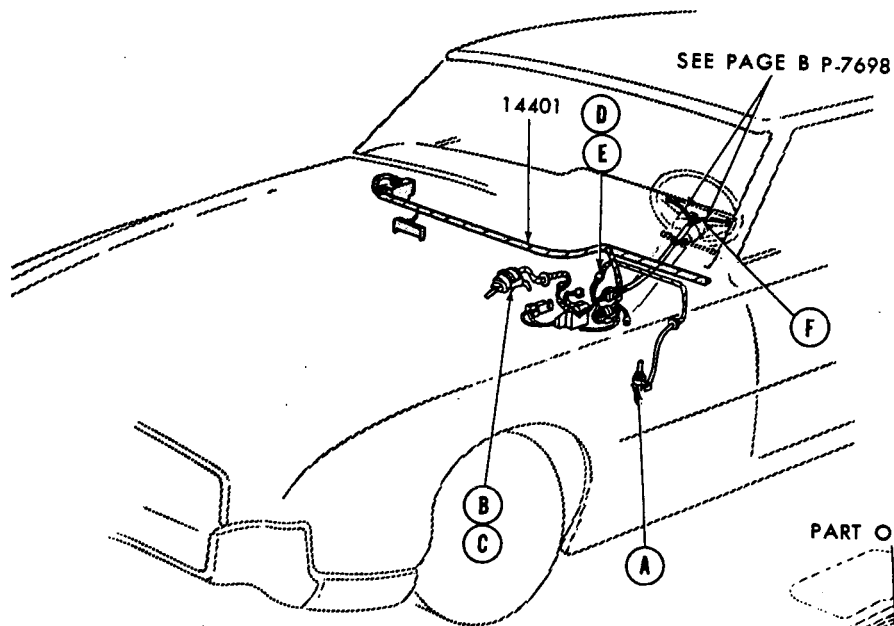
# FORD CAR PARTS



9C734 ASSEMBLY

P-6688

SPEED CONTROL - PASSENGER COMPARTMENT  
1969 MUSTANG



PAGE A  
Continued on Page B (P-7698)

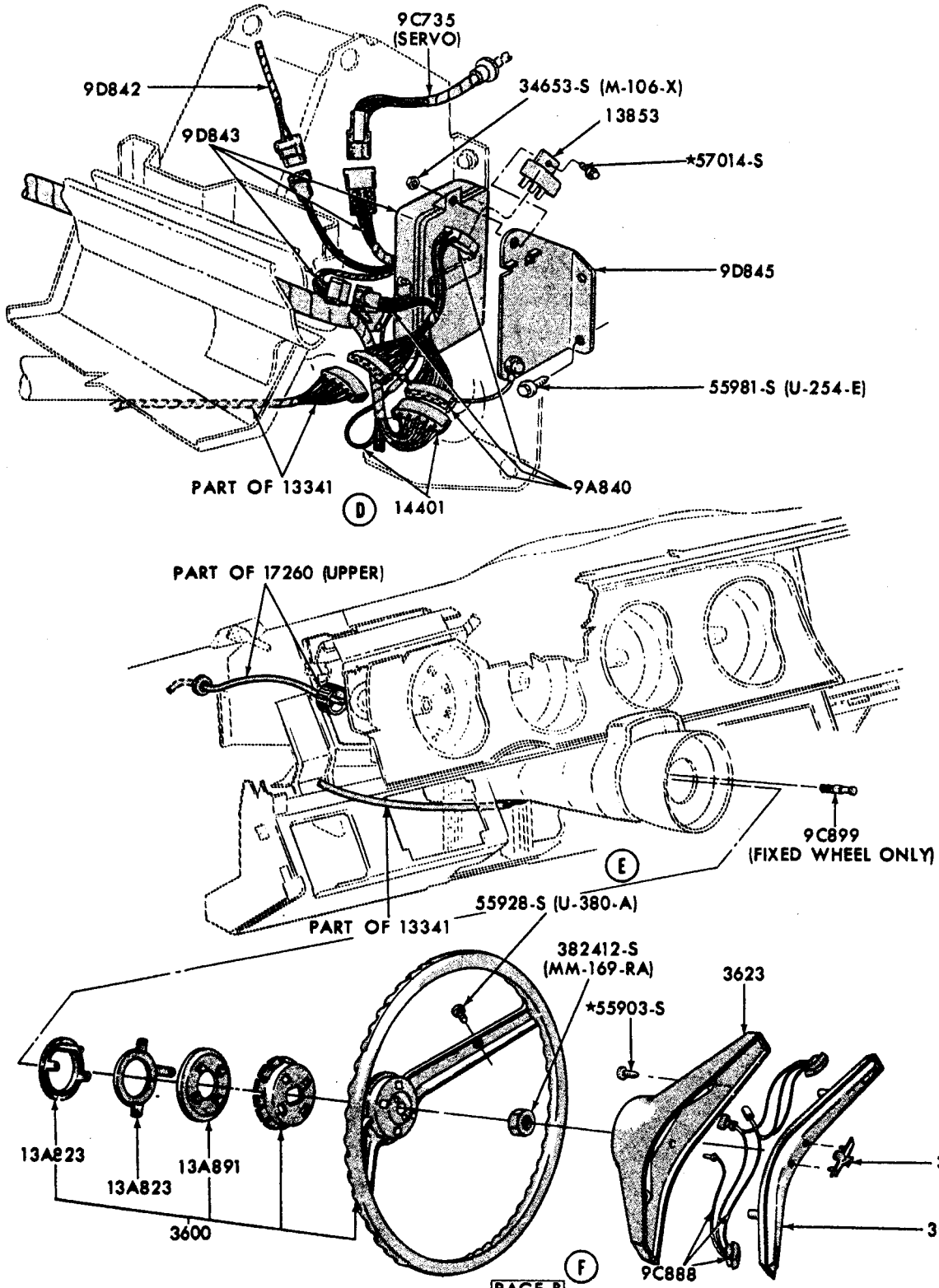
P-7697

SPEED CONTROL - ENGINE COMPARTMENT  
1970/71 THUNDERBIRD



# FORD CAR PARTS

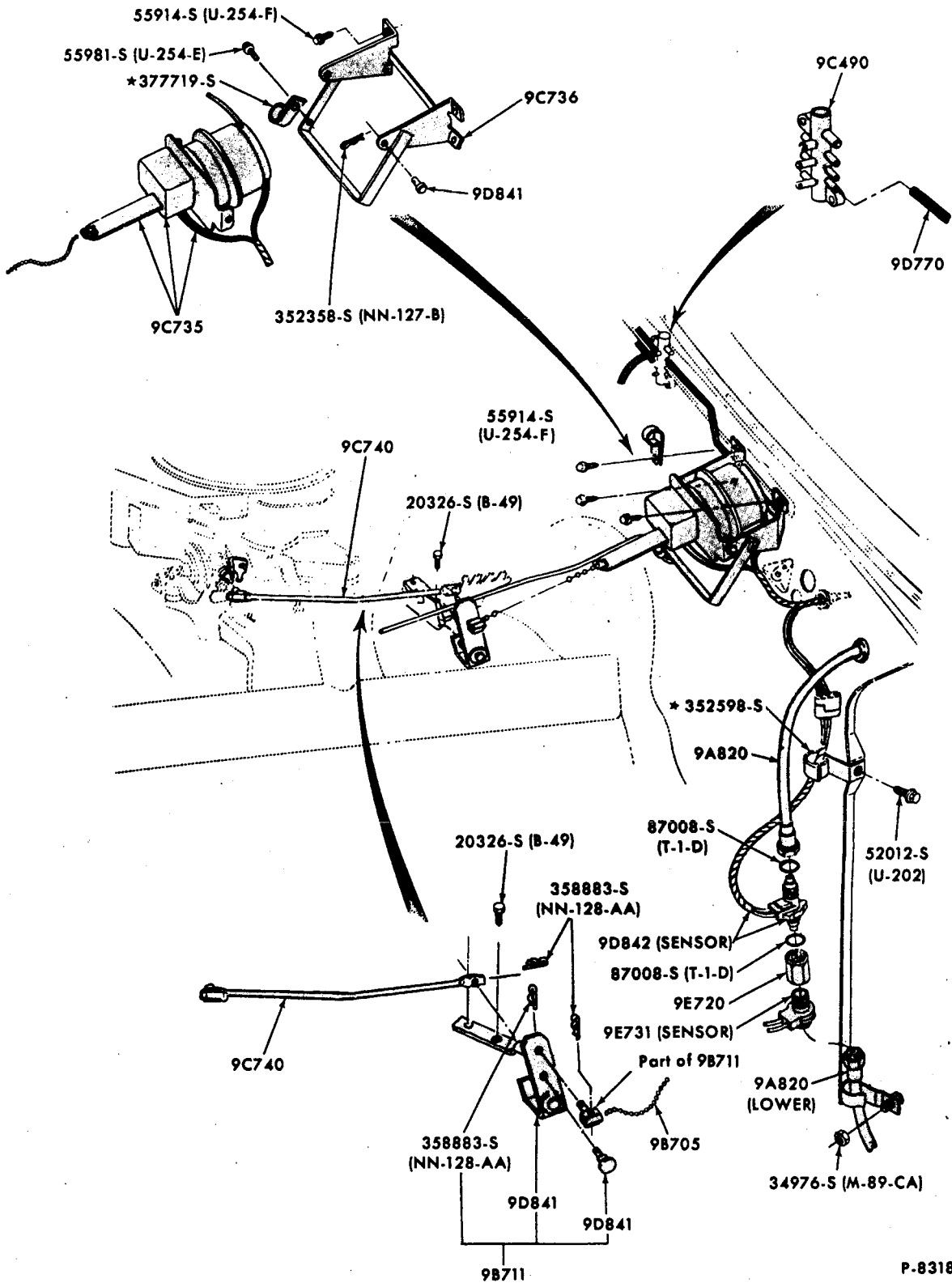
## ILLUSTRATION SECTION 97.1



PAGE B

P-7698

SPEED CONTROL - PASSENGER COMPARTMENT  
1970/71 THUNDERBIRD

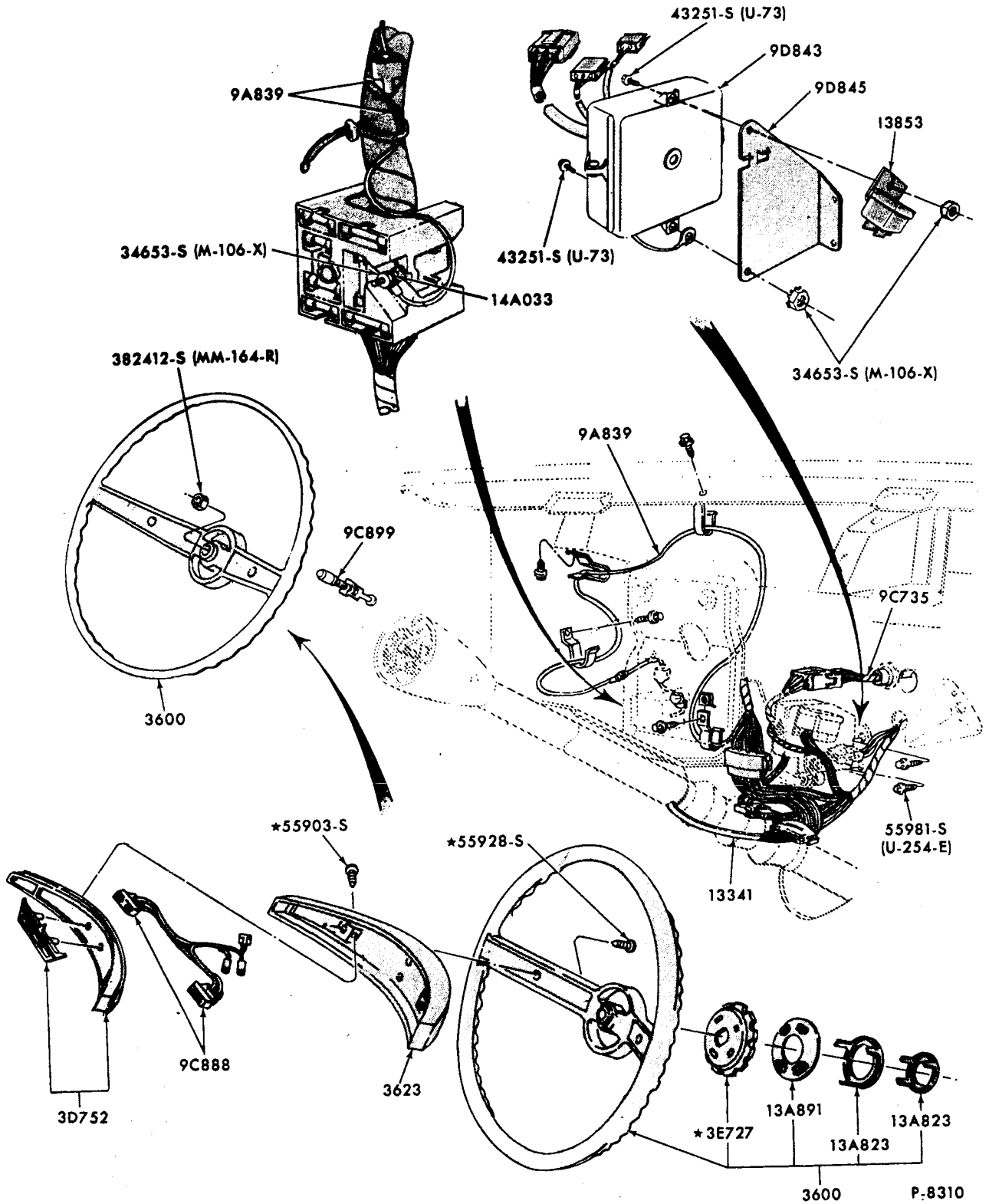


P-8318

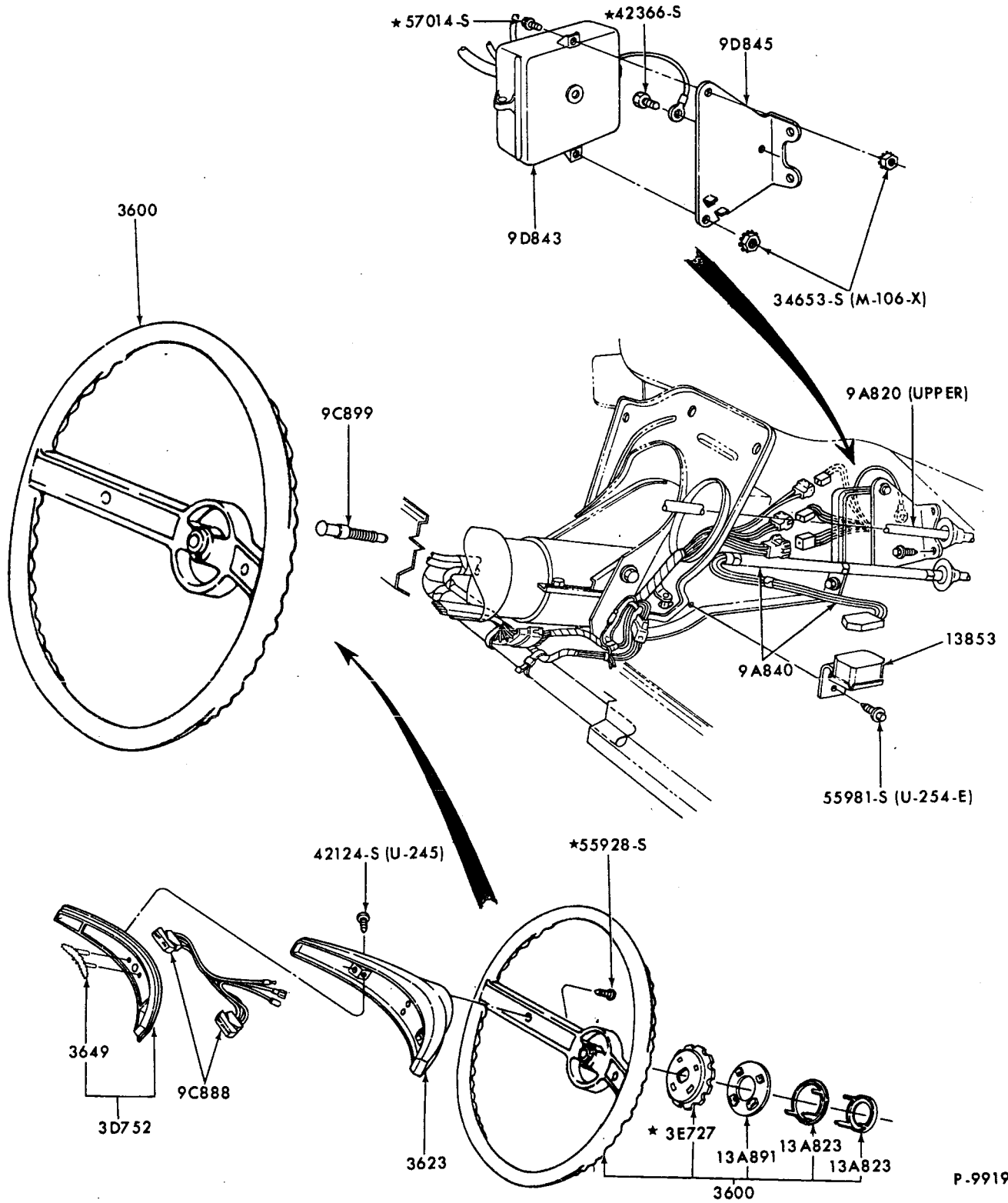
SPEED CONTROL - ENGINE COMPARTMENT

1971/72 FORD

FORD CAR PARTS

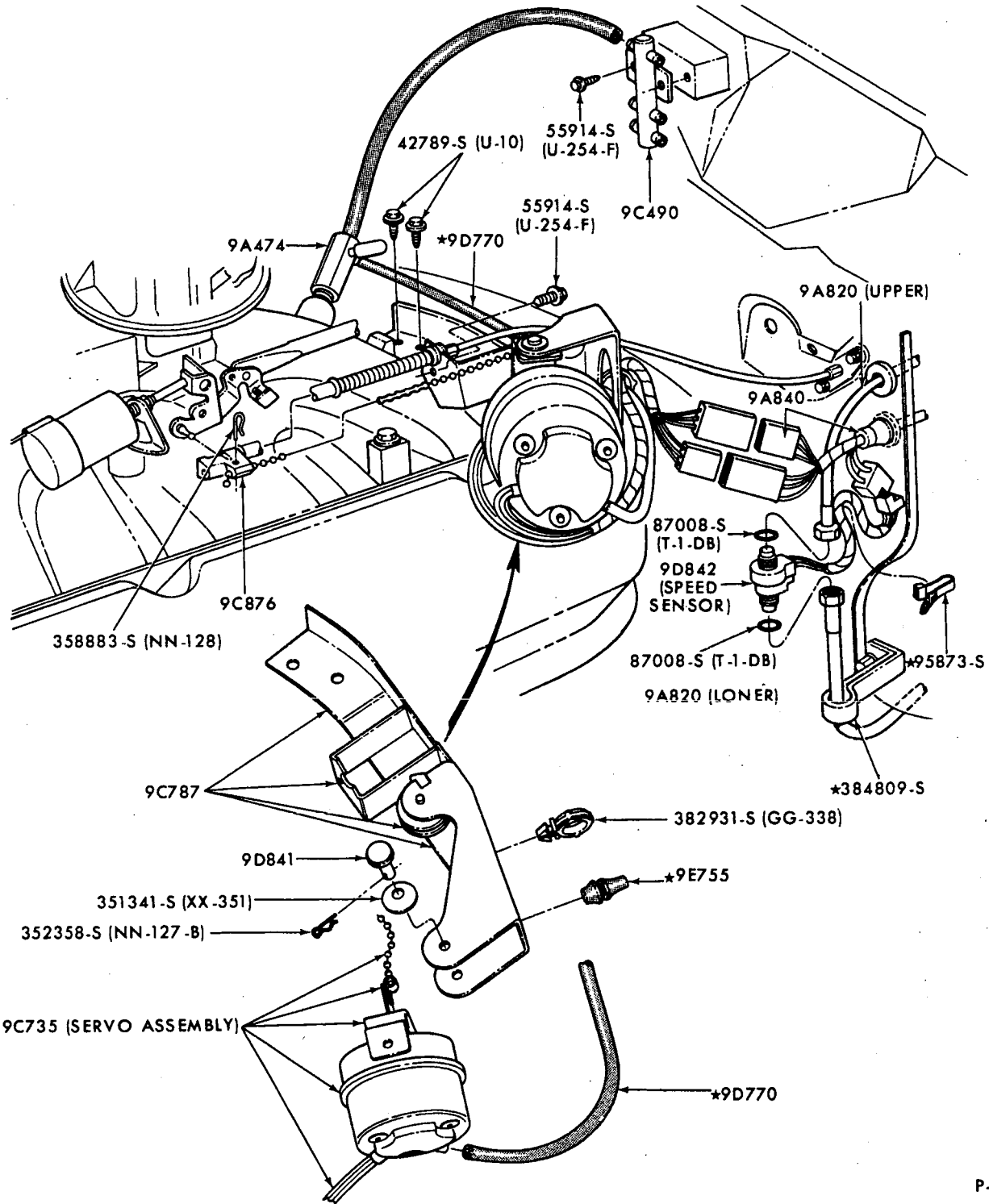


SPEED CONTROL - PASSENGER COMPARTMENT  
1971/ FORD



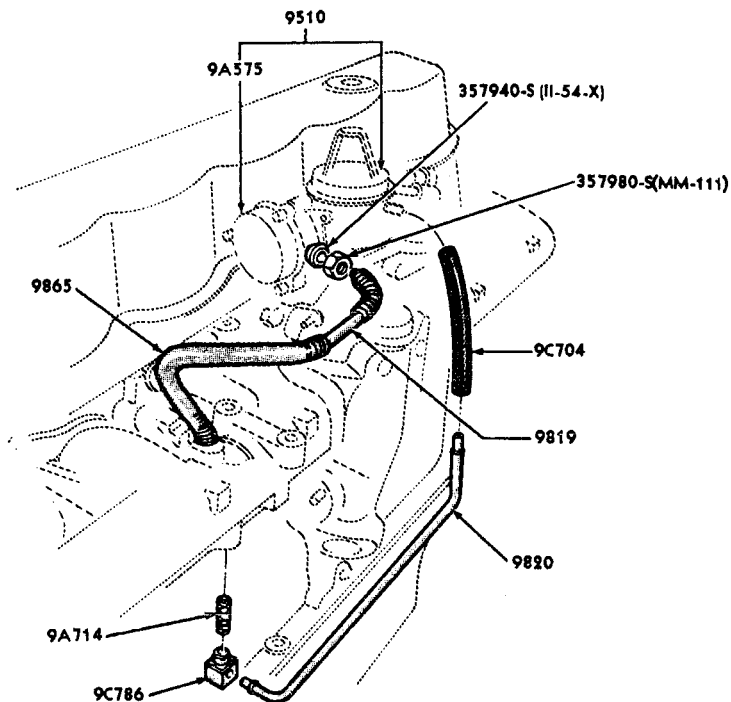
P.9919

SPEED CONTROL - PASSENGER COMPARTMENT  
1972 THUNDERBIRD



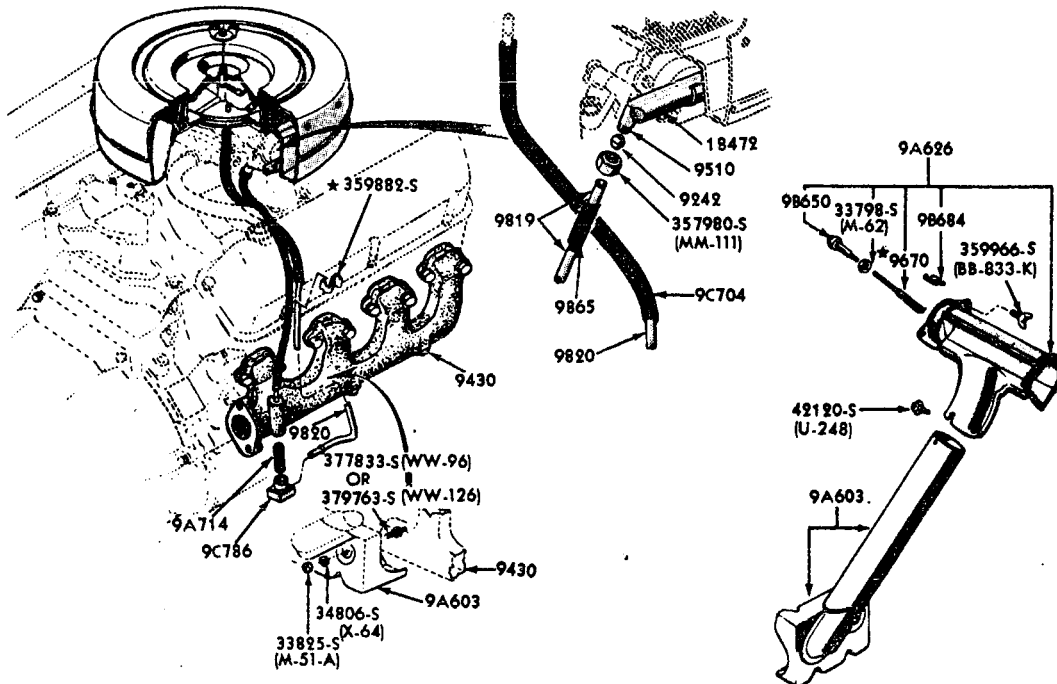
P.9918

SPEED CONTROL - ENGINE COMPARTMENT  
1972 THUNDERBIRD



P-5631

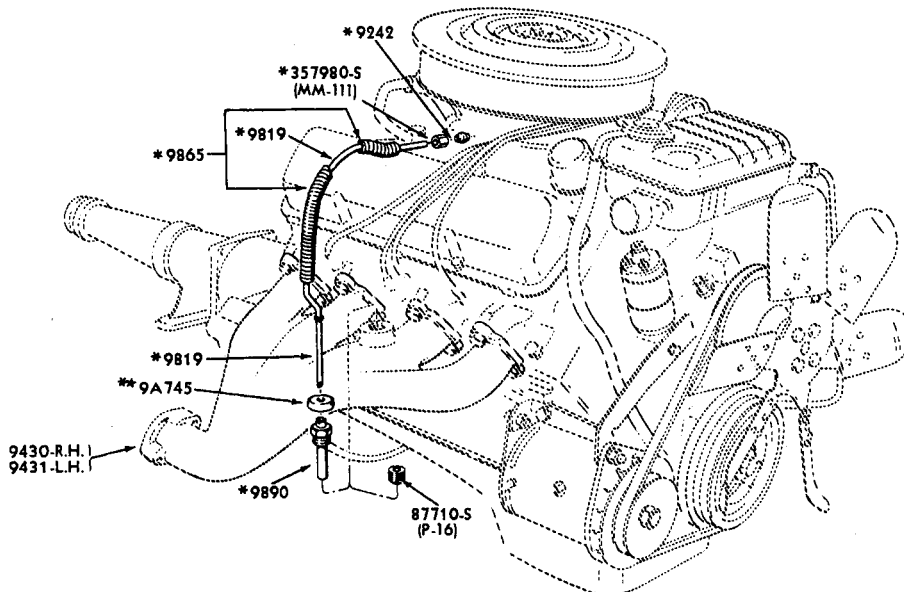
**THERMOSTATIC CHOKE CONTROL TUBES and RELATED PARTS**  
1965/ FORD (6 CYLINDER 240 ENGINE)



P-4940

**THERMOSTATIC CHOKE CONTROL TUBES and RELATED PARTS**  
1965/66 FAIRLANE, MUSTANG, FALCON, FORD (8 CYLINDER 260, 289 ENGINE - except HIGH PERFORMANCE)

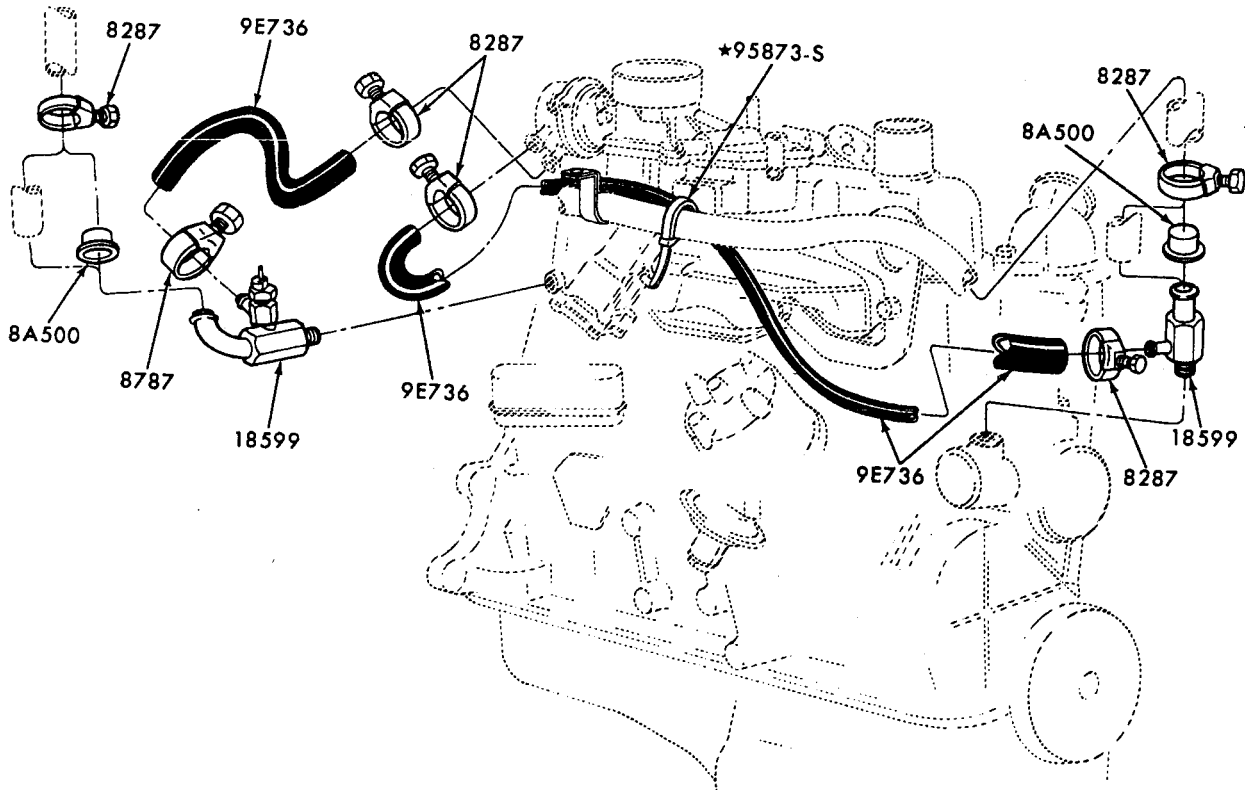
# FORD CAR PARTS



\*TYPICAL INSTALLATION FOR 4 BARREL CARBURETOR.

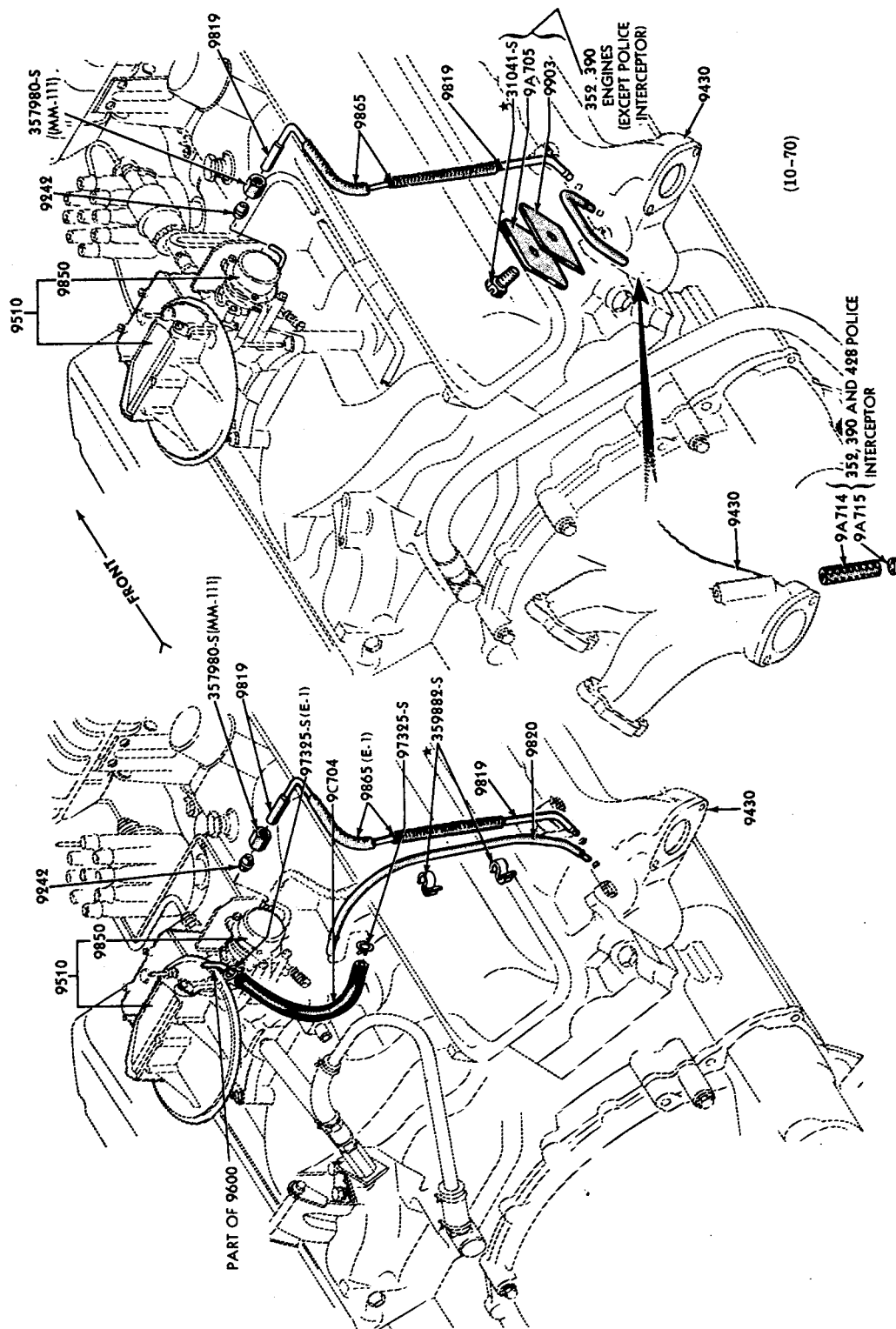
P-4177

THERMOSTATIC CHOKE CONTROL TUBE and RELATED PARTS  
 1965/69 FORD (8 CYLINDER 352, 390, 427 HIGH PERFORMANCE ENGINES)



THERMOSTATIC CHOKE CONTROL TUBES and RELATED PARTS  
 1971/72 PINTO (4 CYLINDER 98 ENGINE)

P-8414

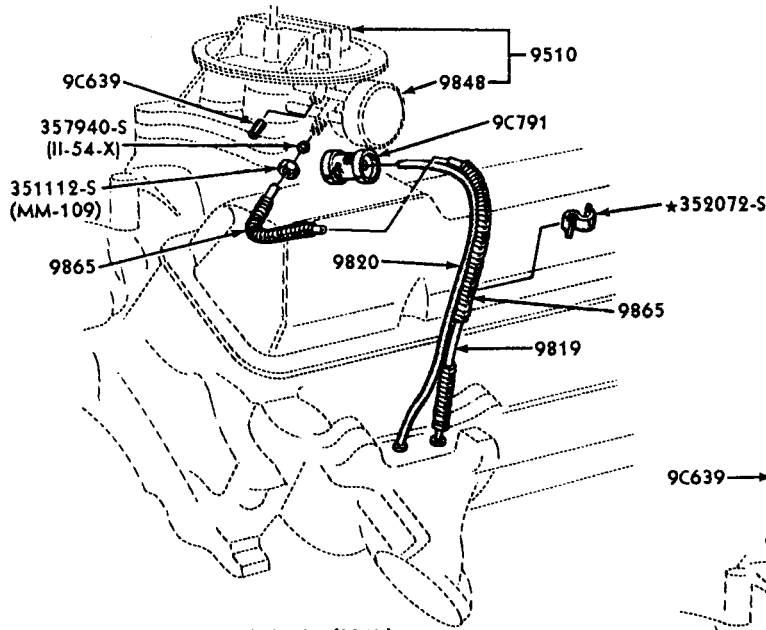


THERMOSTATIC CHOKE CONTROL TUBES and RELATED PARTS  
 1965/66 FORD (8 CYLINDER 352, 390, 428 ENGINES except HIGH PERFORMANCE)  
 1965/66 FAIRLANE (8 CYLINDER except 390 ENGINE)

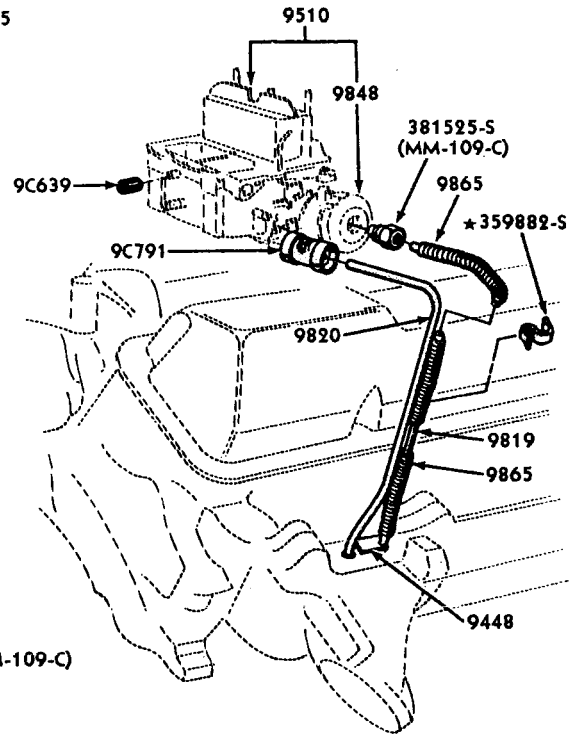


ILLUSTRATION  
SECTION 98

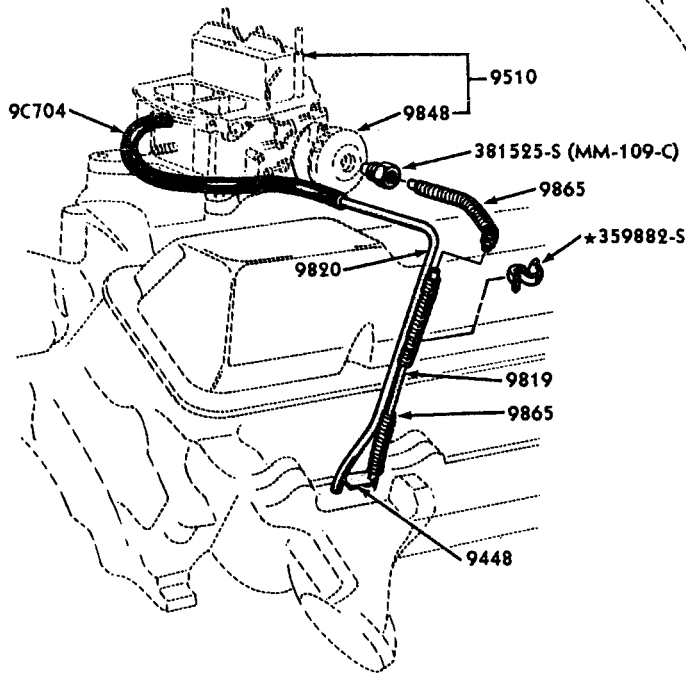
FORD CAR PARTS



428-4V (FORD)  
1966 POLICE INTERCEPTOR AND 7 LITRE FORD



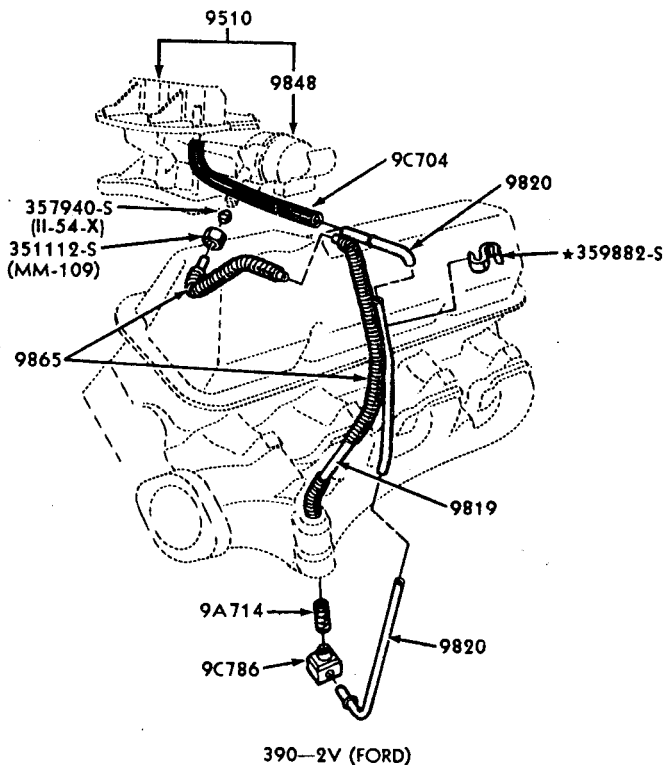
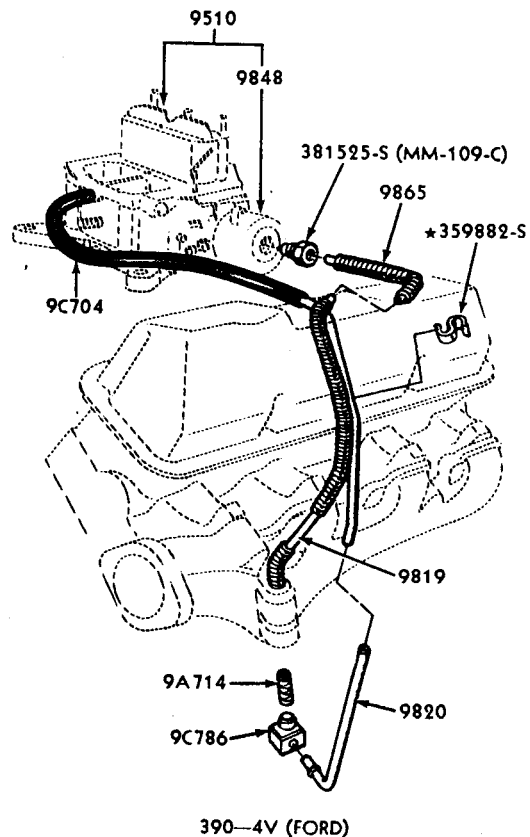
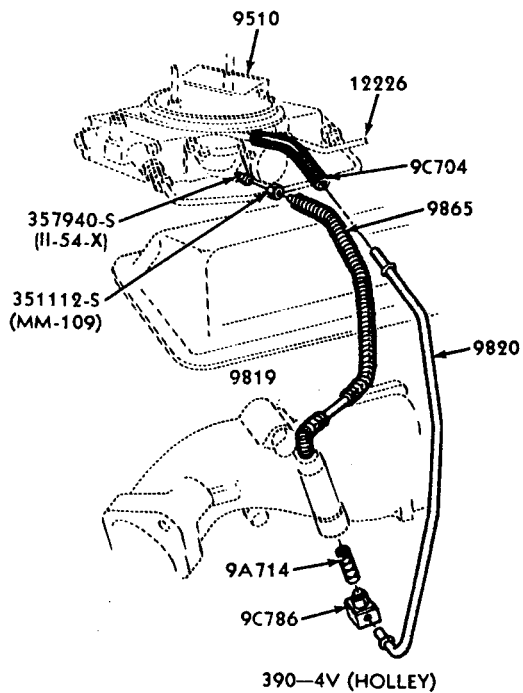
428-4V (FORD)  
1967 POLICE INTERCEPTOR AND 7 LITRE FORD



1966/ 428-4V (FORD)  
1967 390-4V (FORD)

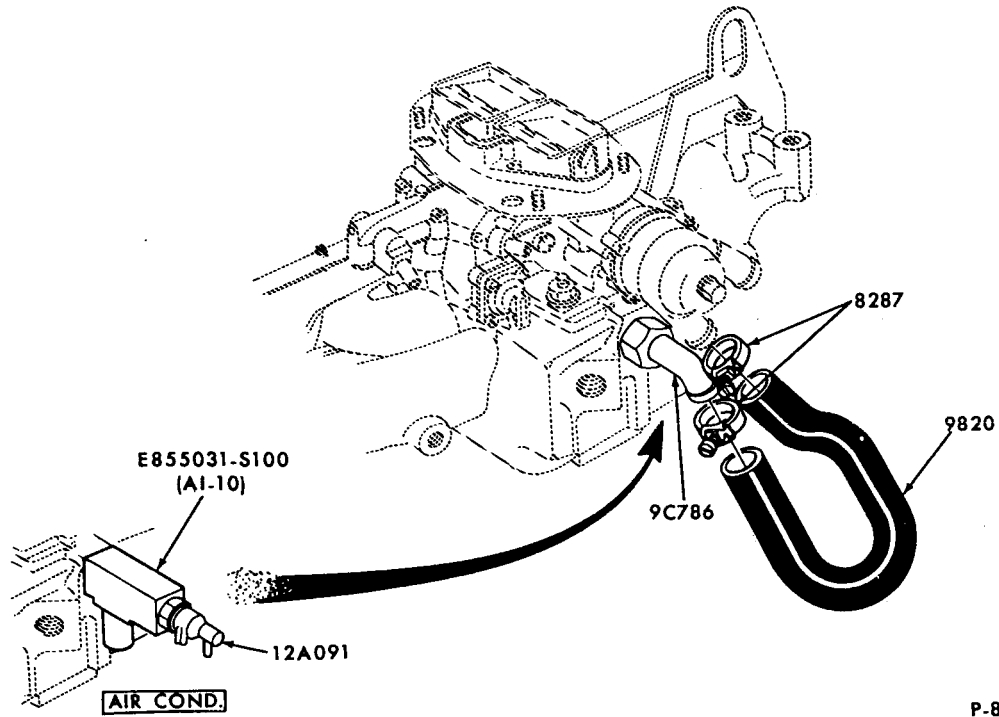
P5633

THERMOSTATIC CHOKE CONTROL TUBES and RELATED PARTS  
1966/70 FORD, MUSTANG (8 CYLINDER 390, 428 ENGINES)



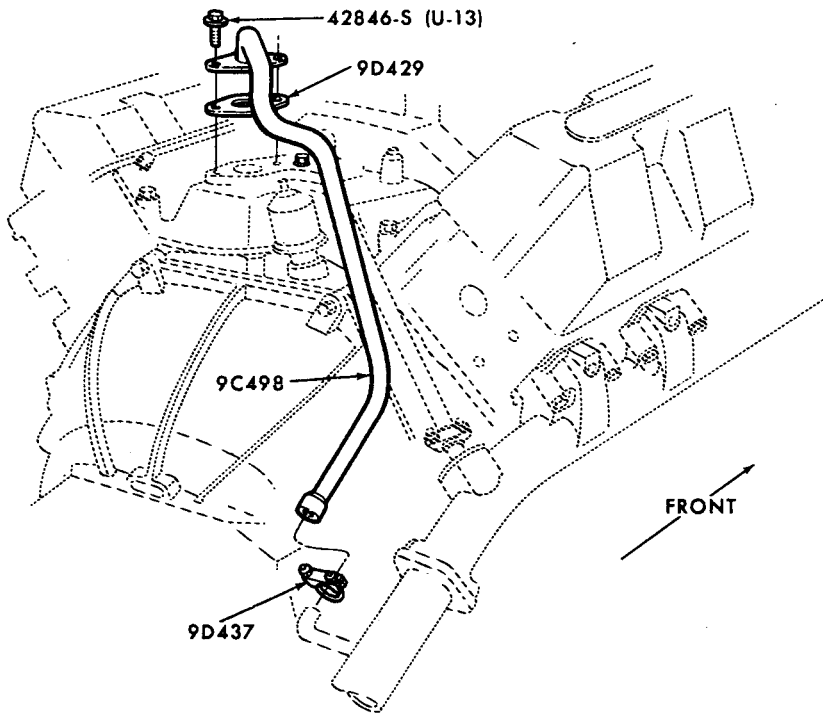
P5632

THERMOSTATIC CHOKE CONTROL TUBES and RELATED PARTS  
1966/69 FAIRLANE ( 8 CYLINDER 390 ENGINE)



P-8415

TERMOSTATIC CHOKE CONTROL TUBES and RELATED PARTS  
1971/72 PINTO (122 2000 cc ENGINE)



P-10483

EXHAUST MANIFOLD HEAT TUBE INSTALLATION  
1969 MUSTANG-8 CYLINDER 429 ENGINE

**INDEX**

YEAR	TITLE	ILLUS. NO.	SECTION	PAGE
<b>ALTERNATOR</b>				
1965/67	Alternator (Leece Neville 15 volt-60, 65 amp)	P-3843	100	2
1965/67	Alternator (Leece Neville 15 volt-40, 53 amp.)	P-3849	100	3
1965/70	Alternator (Leece Neville 15 volt 53, 60, 65 amp.)	P-5741	100	4
1965/72	Alternator (Ford 15 volt-38, 42, 45, 55, 60 amp.)	P-4508	100	5
1967/72	Alternator (Ford 15 volt-65 amp.)	P-5394	100	6
1969/70	Alternator (Ford 15 volt-55 amp.)-Integral Type (Thunderbird)	P-6461	100	7
1972	Alternator (Motorcraft 15 volt 70 amp.)	P-10328	100	10
<b>BATTERY CARRIER</b>				
1965/68	Battery Carrier and Related Parts (Mustang)	P-4459	106.1	1
1965	Battery Carrier and Related Parts (Falcon)	P-3106	106.1	1
<b>INSTRUMENT PANEL CLUSTER</b>				
<b>A (FORD)</b>				
1965/66	Instrument Cluster and Related Parts	P-8991	106	1
1967	Instrument Cluster and Related Parts	P-8993	106	7
1968	Instrument Cluster and Related Parts	P-5993	106	10
1969/70	Instrument Cluster and Related Parts	P-6652	106	14
1971/72	Instrument Cluster and Related Parts	P-8095	106	18
<b>B (FAIRLANE/TORINO)</b>				
1965	Instrument Cluster and Related Parts	P-8989	106	2
1966/67	Instrument Cluster and Related Parts	P-8977	106	6
1968/69	Instrument Cluster and Related Parts	P-6188	106	11
1970/71	Instrument Cluster and Related Parts	P-7079	106	17
1972	Instrument Cluster - w/Rallye Instrumentation Group	P-8768	106	21
1972	Instrument Cluster - w/o Rallye Instrumentation Group	P-8769	106	22
<b>F (MUSTANG)</b>				
1965	Instrument Cluster and Related Parts - w/Warning Lights	P-8985	106	4
1965/66	Instrument Cluster and Related Parts - w/Gauges	P-8973	106	3
1967/68	Instrument Cluster and Related Parts	P-8975	106	8
1969/70	Instrument Cluster and Related Parts	P-6658	106	15
1971/72	Instrument Cluster and Related Parts	P-8205	106	19
1971/72	Auxiliary instrument cluster-w/gauges	P-10207	106	18
<b>L (PINTO)</b>				
1971/72	Instrument Cluster and Related Parts	P-8035	106	20
<b>P (MAVERICK)</b>				
1970/72	Instrument Cluster and Related Parts	P-6849	106	16
<b>S (THUNDERBIRD)</b>				
1965/66	Instrument Cluster and Related Parts	P-8983	106	5
1967	Instrument Cluster and Related Parts	P-8979	106	9
1968/71	Instrument Cluster and Related Parts	P-8035	106	12
1972	Instrument Cluster and Related Parts	P-8766	106	23
<b>X (FALCON)</b>				
1965	Instrument Cluster and Related Parts	P-8995	106	2
1966/67	Instrument Cluster and Related Parts	P-8987	106	7
1968/70	Instrument Cluster and Related Parts	P-6187	106	13
<b>U (BRONCO)</b>				
1966/67	Instrument Cluster and Related Parts	P-8981	106	6
1968/72	Instrument Cluster and Related Parts	P-8987	106	8

**INDEX**

YEAR	TITLE	ILLUS. NO.	SECTION	PAGE
<b>DISTRIBUTOR</b>				
1965/69	Distributor (6 cylinder 170,200 engines)	P-2961	120	3
1965/67	Distributor (6 cylinder 240 engine)	P-3475	120	4
1969/71	Distributor (6 cylinder 250 engine)	P-5825	120	7
1972	Distributor (6 cylinder 170,200, 240, 250 engines)	P-10451	120	13
1965/67	Distributor (8 cylinder )(Pivot Plate Type-exc. with Stamped Weights)	P-2926	120	5
1965/71	Distributor (8 cylinder) (with Stamped Weights)	P-4924	120	6
1971/72	Distributor (4 cylinder 98 engine)	P-7617	120	10
1971/72	Distributor (4 cylinder 122 O. H. C. engine)	P-9029	120	9
1972	Distributor -single point (8 cylinder)	P-9288	120	11
1972	Distributor-dual point (8 cylinder)	P-10590	120	12
<b>DISTRIBUTOR MODULATOR SYSTEM</b>				
1970	Distributor Modulator-6 cylinder 240 engines (Ford)	P-7564	120.1	1
1970	Distributor Modulator-8 cylinder 302 engine (Ford)	P-7563	120.1	2
1970	Distributor Modulator-8 cylinder 390 engine (Ford)	P-7565	120.1	3
1971	Distributor Modulator-6 cylinder 240 engine (Ford)	P-8454	120.1	10
1970	Distributor Modulator-8 cylinder 302 engine (Fairlane/Torino)	P-7557	120.1	4
1970	Distributor Modulator-8 cylinder 351-4V engine-w/o Ram Air (Fairlane/Torino)	P-7559	120.1	5
1970	Distributor Modulator-8 cylinder 351-4V engine-Ram Air (Fairlane/Torino)	P-7558	120.1	6
1971	Distributor Modulator-6 cylinder 250 engine (Torino)	P-8455	120.1	11
1970	Distributor Modulator-8 cylinder 302 engine (Mustang)	P-7560	120.1	7
1970	Distributor Modulator-8 cylinder 351-4V engine-Ram Air (Mustang)	P-7561	120.1	8
1970	Distributor Modulator-8 cylinder 351-4V engine-w/o Ram Air (Mustang)	P-7562	120.1	9
1971	Distributor Modulator-6 cylinder 250 engine (Mustang)	P-8453	120.1	13
1971	Distributor Modulator-6 cylinder 170,200,250 engines (Maverick)	P-8451	120.1	14
1971	Distributor Modulator-8 cylinder 429 engine (Thunderbird)	P-8452	120.1	12
1970	Distributor Modulator - 8 cylinder 302 engine (Falcon)	P-7557	120.1	4
<b>DISTRIBUTOR VACUUM HOSES</b>				
1969/72	Distributor Vacuum Hose Installation-6 cylinder 170 engine (Bronco)	P-8373	120.4	1
1970/72	Distributor Vacuum Hose Installation-8 cylinder 302 engine (Bronco)	P-8382	120.4	1
<b>ELECTRONIC SPARK CONTROL SYSTEM (E.S.C.)</b>				
1972	Electronic Spark Control System (E.S.C.)-8 cylinder 302-2V engine (Ford)	P-9048	120.2	8
1972	Electronic Spark Control System (E.S.C.)-8 cylinder 302-W-2V engine (Ford)	P-9051	120.2	10
1972	Electronic Spark Control System (E.S.C.-8 cylinder, 351-C-2V, 400-2V engine (Ford)	P-9056	120.2	15
1972	Electronic Spark Control System (E.S.C.)-6 cylinder 250 engine (Torino)	P-9042	120.2	2
1972	Electronic Spark Control System (E.S.C.)-8 cylinder 302-2V engine (Torino)	P-9047	120.2	7
1972	Electronic Spark Control System (E.S.C.)-8 cylinder 351-4V engine w/Ram Air (Torino)	P-9052	120.2	11
1972	Electronic Spark Control System (E.S.C.)-8 cylinder 351-4V engine w/o Ram Air (Torino)	P-9054	120.2	13
1972	Electronic Spark Control System (E.S.C.)-8 cylinder 351-2V,400-2V engine (Torino)	P-9057	120.2	16
1972	Electronic Spark Control System (E.S.C.)-6 cylinder 250 engine (Mustang)	P-9043	120.2	3
1972	Electronic Spark Control System (E.S.C.)-8 cylinder 302-2V engine (Mustang)	P-9046	120.2	6
1972	Electronic Spark Control System (E.S.C.)-8 cylinder 351-4V engine w/Ram Air (Mustang)	P-9050	120.2	9
1972	Electronic Spark Control System (E.S.C.)-8 cylinder 351-4V engine w/o Ram Air (Mustang)	P-9053	120.2	12
1972	Electronic Spark Control System (E.S.C.)-4 cylinder 122 engine (Pinto)	P-9041	120.2	1
1972	Electronic Spark Control System (E.S.C.)-6 cylinder 170,200,250 engines (Maverick)	P-9044	120.2	4
1972	Electronic Spark Control System (E.S.C.)-8 cylinder 302-2V engine (Maverick)	P-9045	120.2	5
1972	Electronic Spark Control System (E.S.C.)-8 cylinder 400-2V engine (Thunderbird)	P-9055	120.2	14
1972	Electronic Spark Control System (E.S.C.)-8 cylinder 429, 460 engine (Thunderbird)	P-9058	120.2	17

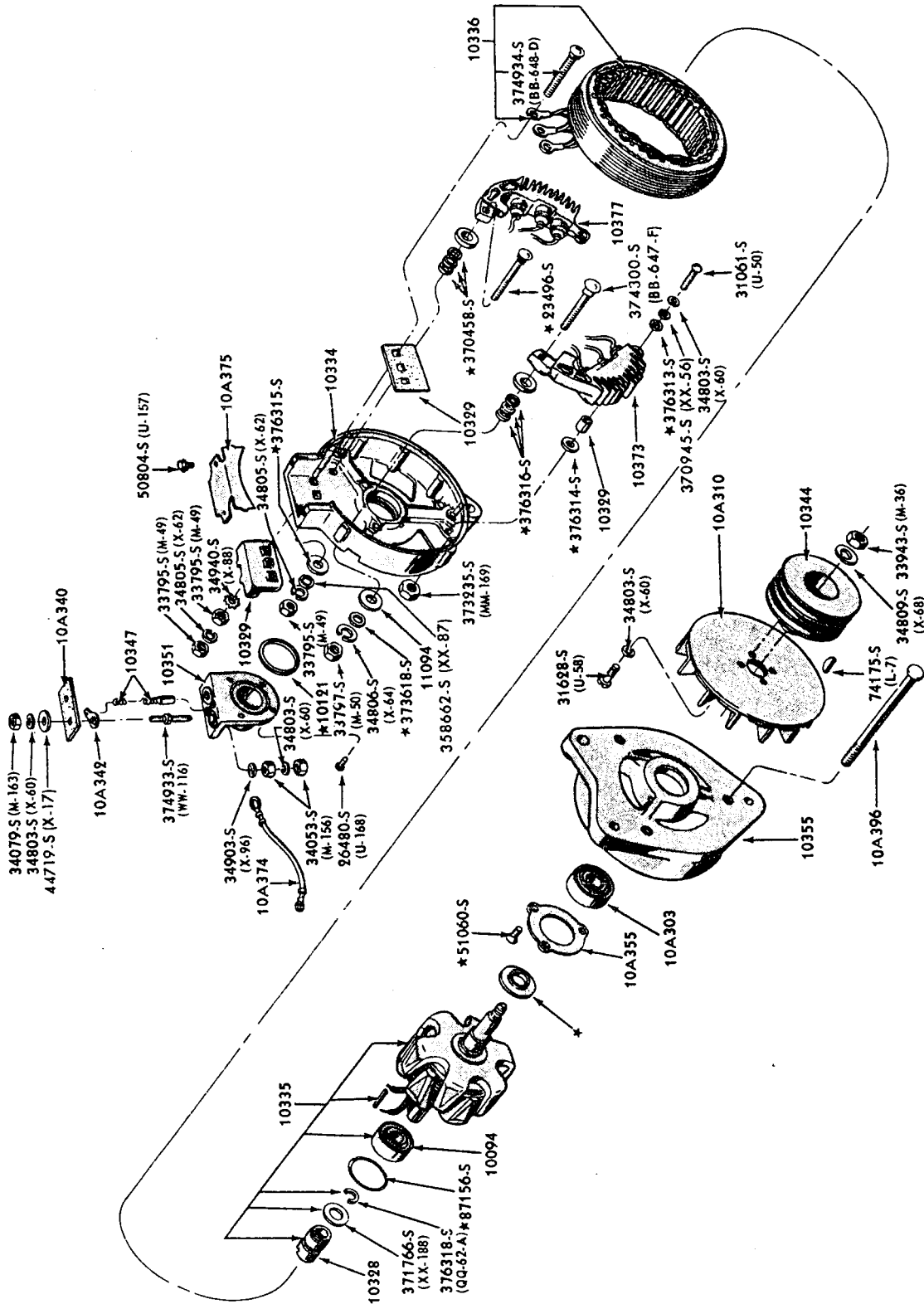
### INDEX

YEAR	TITLE	ILLUS. NO.	SECTION	PAGE
<b>ENGINE GOVERNOR</b>				
1969/71	Engine Governor Transistorized - 428, 429CJ & SCJ engines (Fairlane/Torino)	P-7589	120	8
1969/72	Engine Governor Transistorized - 302, 428, 429CJ & SCJ engines (Mustang)	P-7589	120	8
<b>GENERATOR</b>				
1965	Generator and Related Parts (Ford 15 volt-25, 30 amp.)-Mustang	P-3192	100	1
<b>IGNITION WIRING</b>				
1965	Transistorized Ignition System, Oil Temperature Warning System and Related Parts (8 cylinder 427 engine)(Ford)	P-4190	120	1
1965/66	Transistorized Ignition System and Related Parts (8 cylinder 390, 428 engines)(Thunderbird)	P-4868	120	2
<b>STARTER</b>				
1965/72	Starter and Drive Assy.-Positive Engagement	P-3191	110	2
1965/72	Starter Drive (Ford 12 Volt-Positive Engagement)	P-5526	110	1
1968/72	Starter and Solenoid (Ford 12 Volt-Positive Engagement)	P-5952	110	3
<b>VOLTAGE REGULATOR</b>				
1965	Voltage Regulator-Typical (Generator)	P-1535	100	8
1965/72	Voltage Regulator (Ford 15 volt, Negative Ground)(Alternator)	P-5525	100	9
<b>WARNING INDICATORS</b>				
<b>A (FORD)</b>				
1965/66	Warning Indicator Panel Installation (Ford)	P-5276	106.1	2
1966	Seat Belt and Parking Brake Warning Lamp Installation (Ford)	P-5275	106.1	5
1967	Warning Indicator Panel Installation (Ford)	P-5716	106.1	8
1968	Warning Indicator Panel and Wiring System (Ford)	P-6260	106.1	11
1969/70	Warning Indicator Panel and Wiring System (Ford)	P-6866	106.1	14
1971	Seat Belt and Parking Brake Warning Lamp Installation (Ford)	P-8438	106.1	16
1972	Seat Belt Warning System	P-9280	106.1	19
<b>B (FAIRLANE/TORINO), B(FALCON)-"From 1-2-70"</b>				
1966/69	Seat Belt Warning Lamp Installation (Fairlane/Torino)	P-5278	106.1	6
1968/69	Warning Indicator Panel (Fairlane/Torino)	P-6247	106.1	12
1970/71	Warning Indicator Panel (Fairlane/Torino)	P-7675	106.1	15
1972	Seat Belt Warning System	P-9259	106.1	20
1972	Headlamp On Warning Indicator and Visibility Group Wiring (Torino)	P-9948	106.1	25
<b>F (MUSTANG)</b>				
1967/68	Warning Indicator Panel Installation (Mustang)	P-5652	106.1	9
1966/68	Seat Belt Warning Lamp Installation (Mustang)	P-5278	106.1	6
1969/70	Seat Belt and Parking Brake Warning Lamp Installation (Mustang)	P-6869	106.1	13
1971/72	Warning Indicator System-Safety Convenience	P-8429	106.1	17
1971	Seat Belt Warning Lamp and Related Parts (Mustang)	P-8434	106.1	18
1972	Seat Belt Warning System	P-9266	106.1	21
<b>L (PINTO)</b>				
1972	Seat Belt Warning System	P-9262	106.1	24
<b>S (THUNDERBIRD)</b>				
1965	Seat Belt Warning Lamp Installation (Thunderbird) -Before 10/5/64	P-4405	106.1	3
1965/66	Seat Belt Warning Lamp Installation (Thunderbird)-From 10/5/64	P-5279	106.1	3
1965/66	Warning Indicator Panel and Wiring System - Door Ajar, Low Fuel, Flasher (Thunderbird)	P-4843	106.1	4
1966	Warning Lamp Installation-Roof Console Panel (Thunderbird-Body type 63C, 63D)	P-5139	106.1	7
1967/71	Warning Lamp Installation-Roof Console Panel (Thunderbird)	P-5658	106.1	10
1968/69	Monitor System - Tail Lamp Failure (Thunderbird)	P-6255	106.1	13
1972	Seat Belt Warning System	P-9264	106.1	22
<b>P (MAVERICK)</b>				
1972	Seat Belt Warning System	P-9261	106.1	23
<b>X (FALCON) -"Before 1-2-70"-For Units Built From 1-2-70-Refer to B(FALCON)</b>				
1968/70	Warning Indicator Panel (Falcon)	P-6247	106.1	12
1966/69	Seat Belt Warning Lamp Installation (Falcon)	P-5278	106.1	6





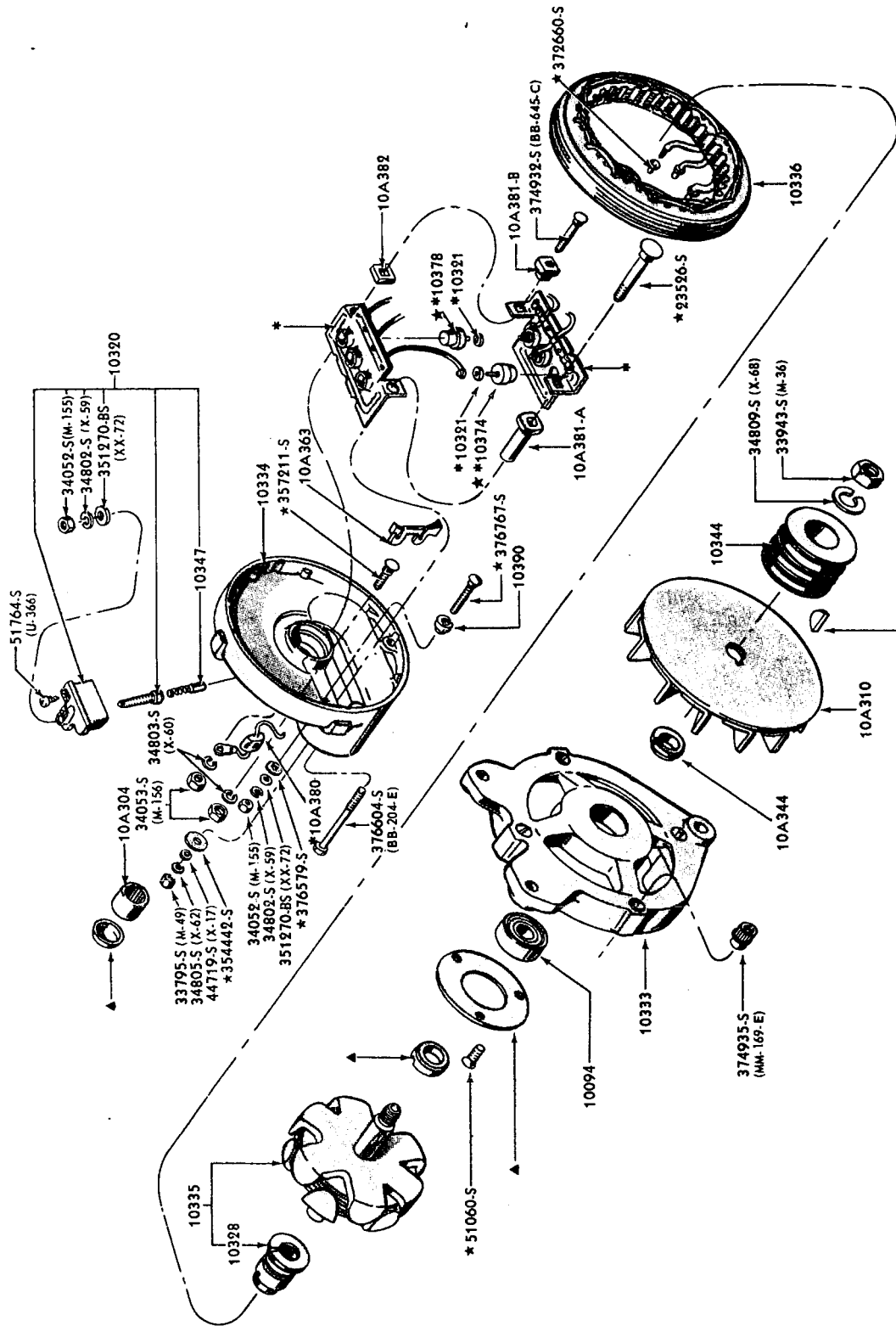




ALTERNATOR (LEECE NEVILLE 15 VOLT - 60, 65 AMP.)

1965/67

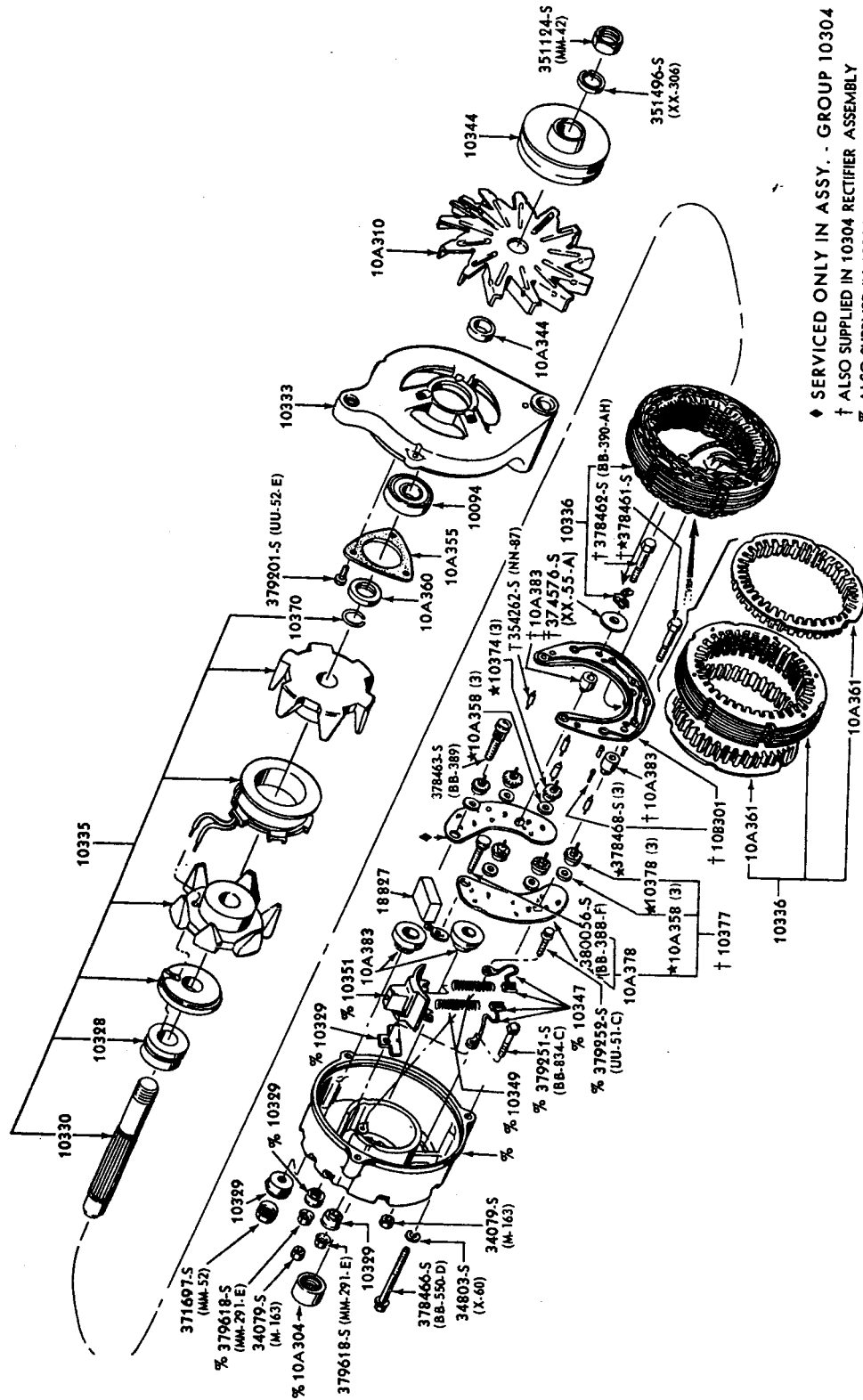
P-3849



ALTERNATOR (LEECE NEVILLE 15 VOLT - 40, 53 AMP.)  
1965/67

\* ALSO SUPPLIED IN 10304 RECTIFIER ASSEMBLY  
▲ SUPPLIED ONLY IN 10346 ALTERNATOR ASSEMBLY





♦ SERVICED ONLY IN ASSY. - GROUP 10304  
 † ALSO SUPPLIED IN 10304 RECTIFIER ASSEMBLY  
 % ALSO SUPPLIED IN 10334 REAR HOUSING ASSEMBLY

P-4508

ALTERNATOR (FORD 15 VOLT - 38, 42, 45, 55, 60, 61 AMP.)

1965/72

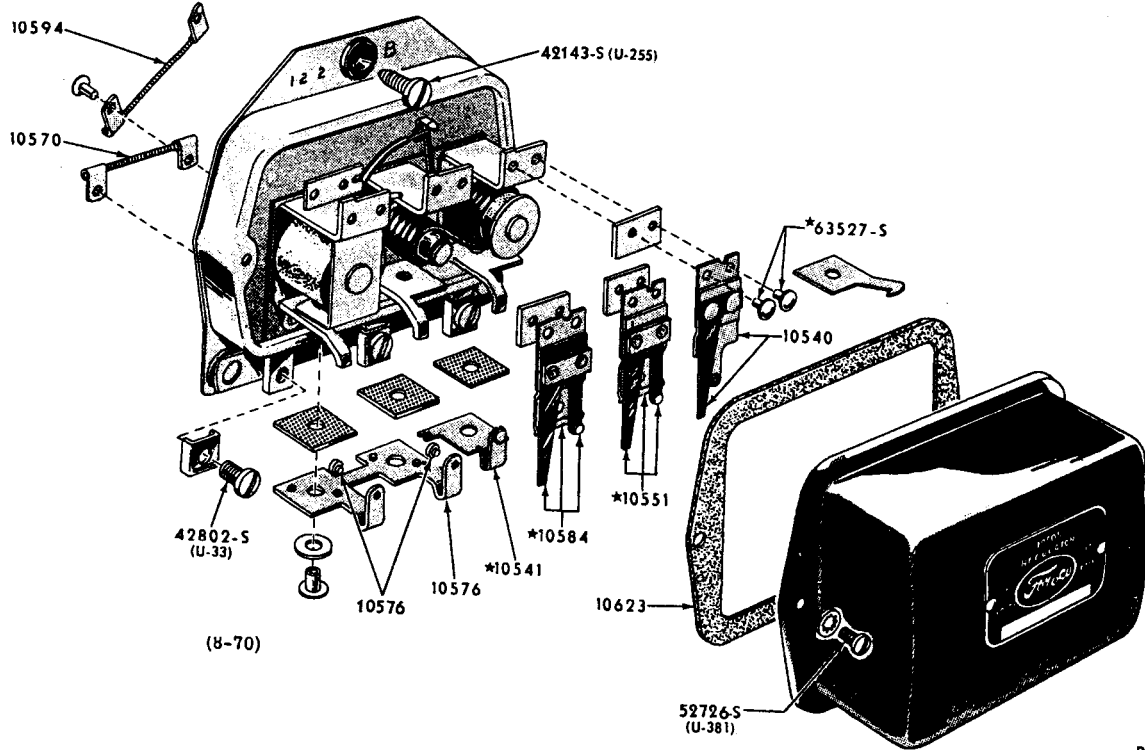




8

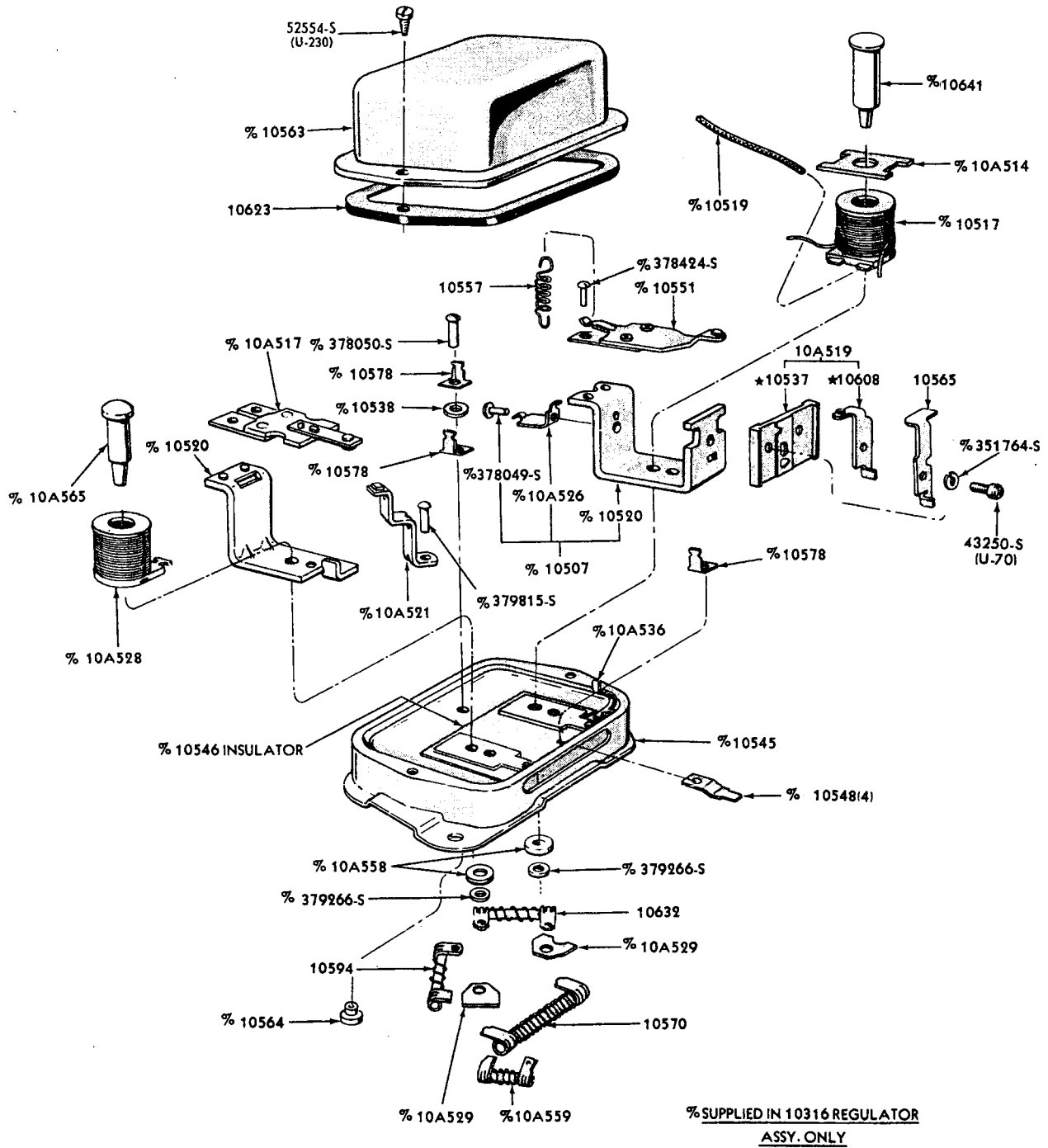
**ILLUSTRATION  
SECTION 100**

**FORD CAR PARTS**



**VOLTAGE REGULATOR - TYPICAL (GENERATOR)  
1965**

P-1535



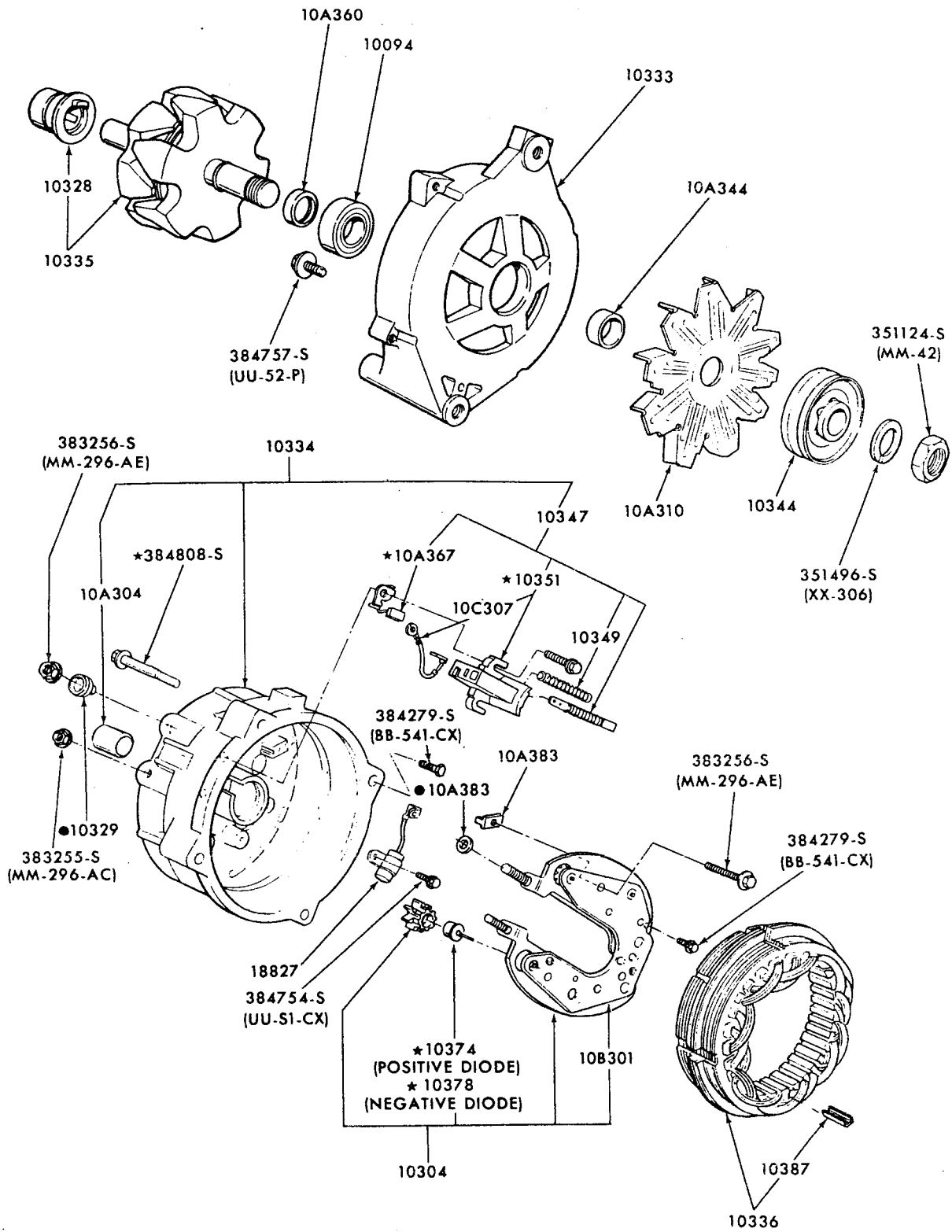
VOLTAGE REGULATOR (FORD 15 VOLT, NEGATIVE GROUND) - ALTERNATOR

1965/72



ILLUSTRATION SECTION 100

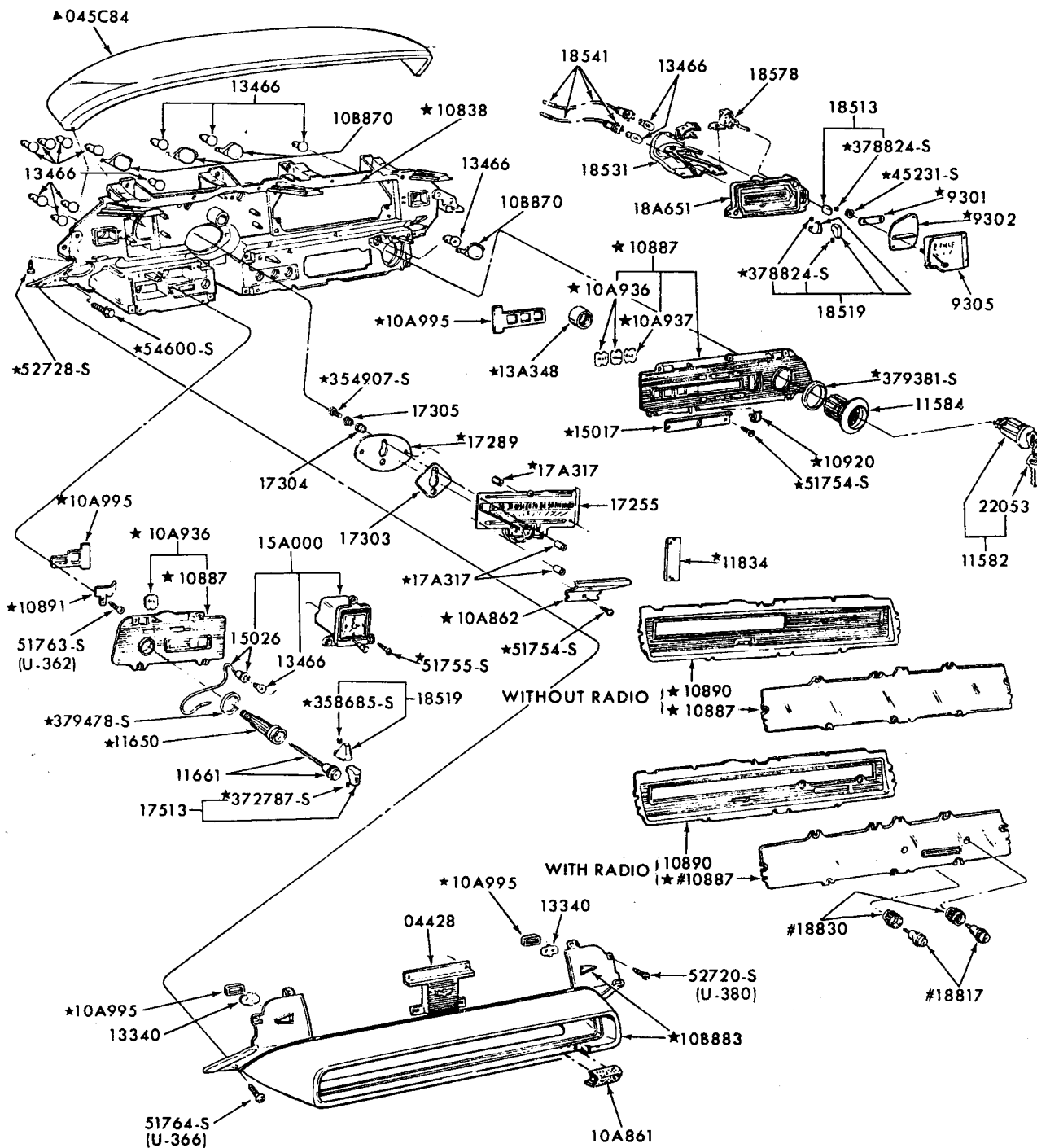
FORD CAR PARTS



● ALSO PART OF 10A383 KIT

ALTERNATOR (MOTORCRAFT 15 VOLT - 70 AMP.)  
1972

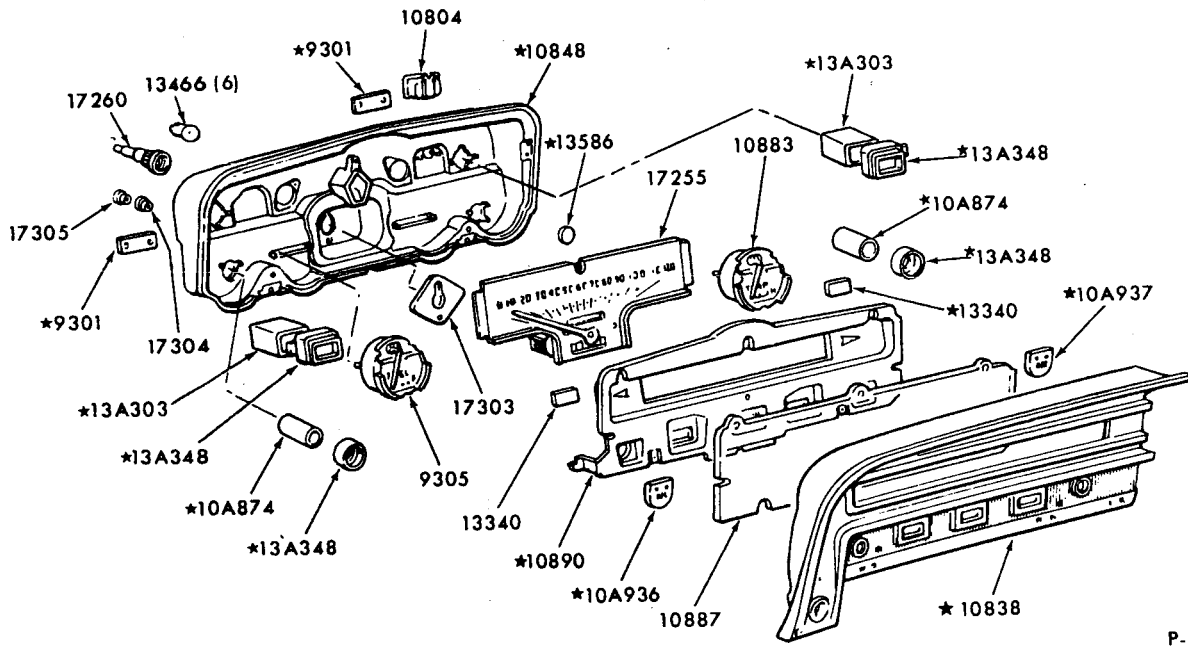
P-10328



# ALSO SUPPLIED IN 18805 RADIO RELIEVER KIT  
 ▲ REFER TO GROUP IN SOFT TRIM SECTION

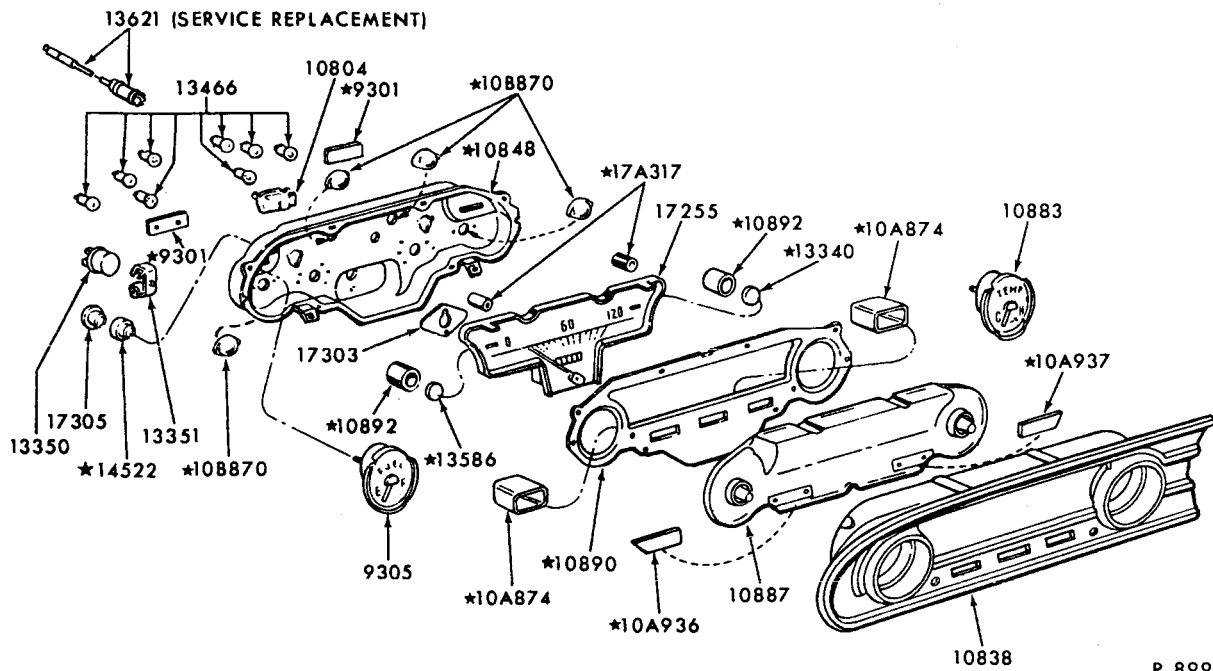
P-8991

INSTRUMENT CLUSTER and RELATED PARTS  
 1965/66 FORD



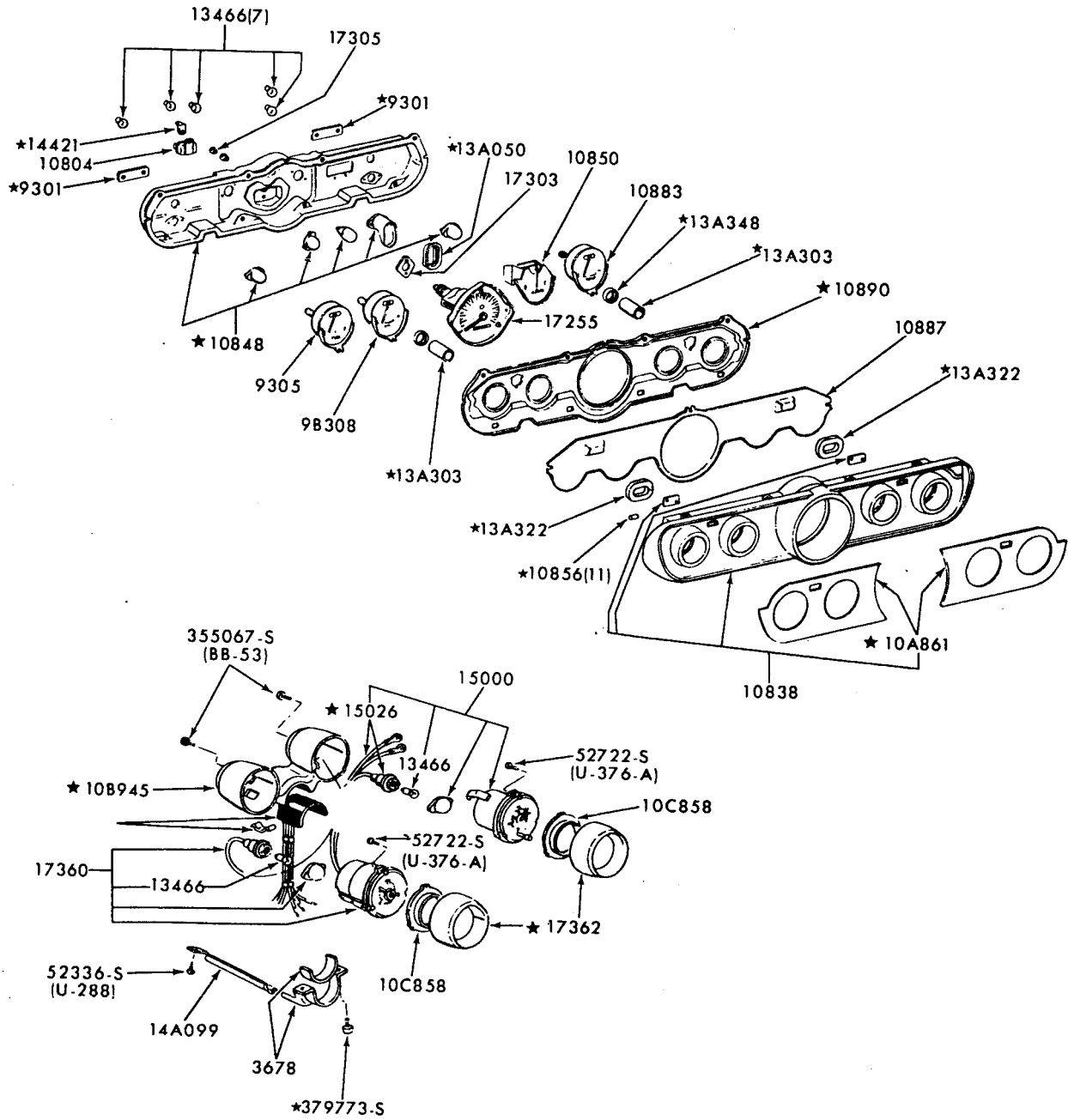
P-8989

INSTRUMENT CLUSTER and RELATED PARTS  
1965 FAIRLANE



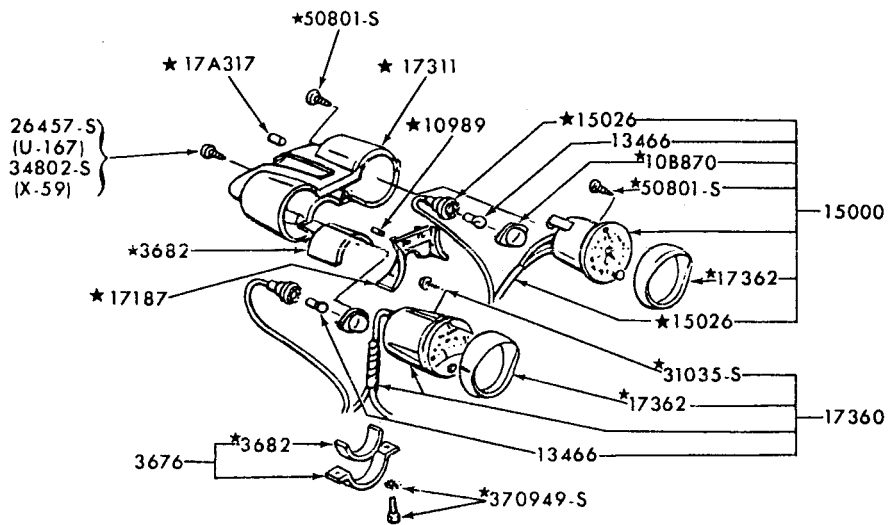
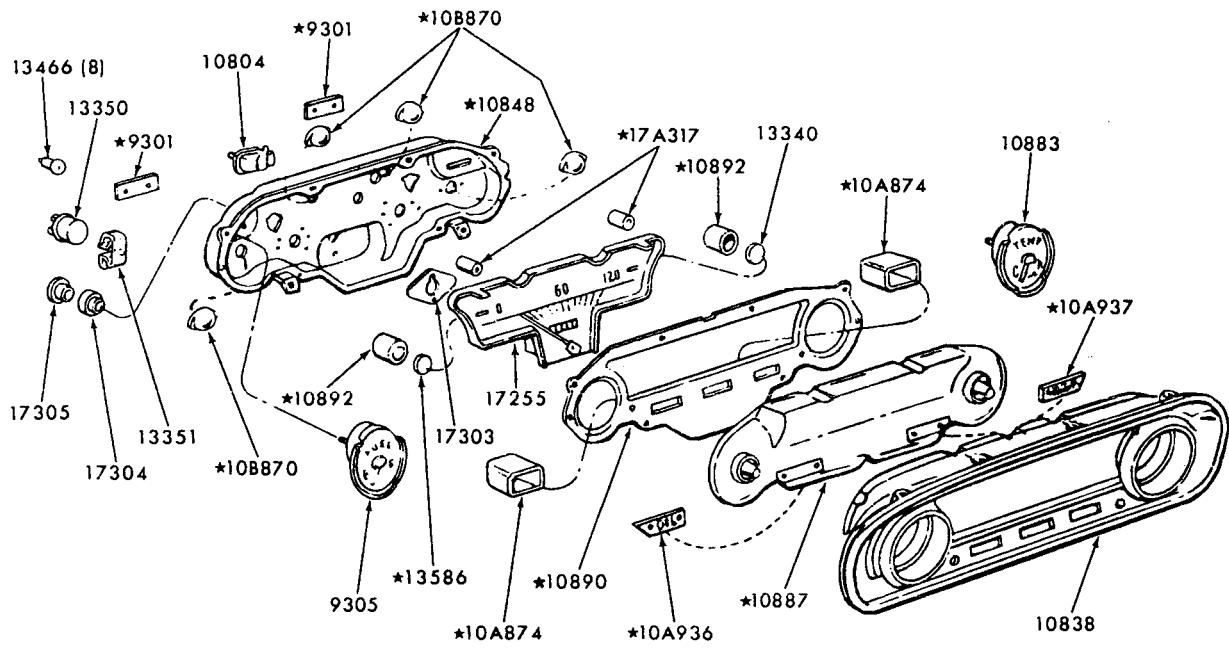
P-8995

INSTRUMENT CLUSTER and RELATED PARTS  
1965 FALCON



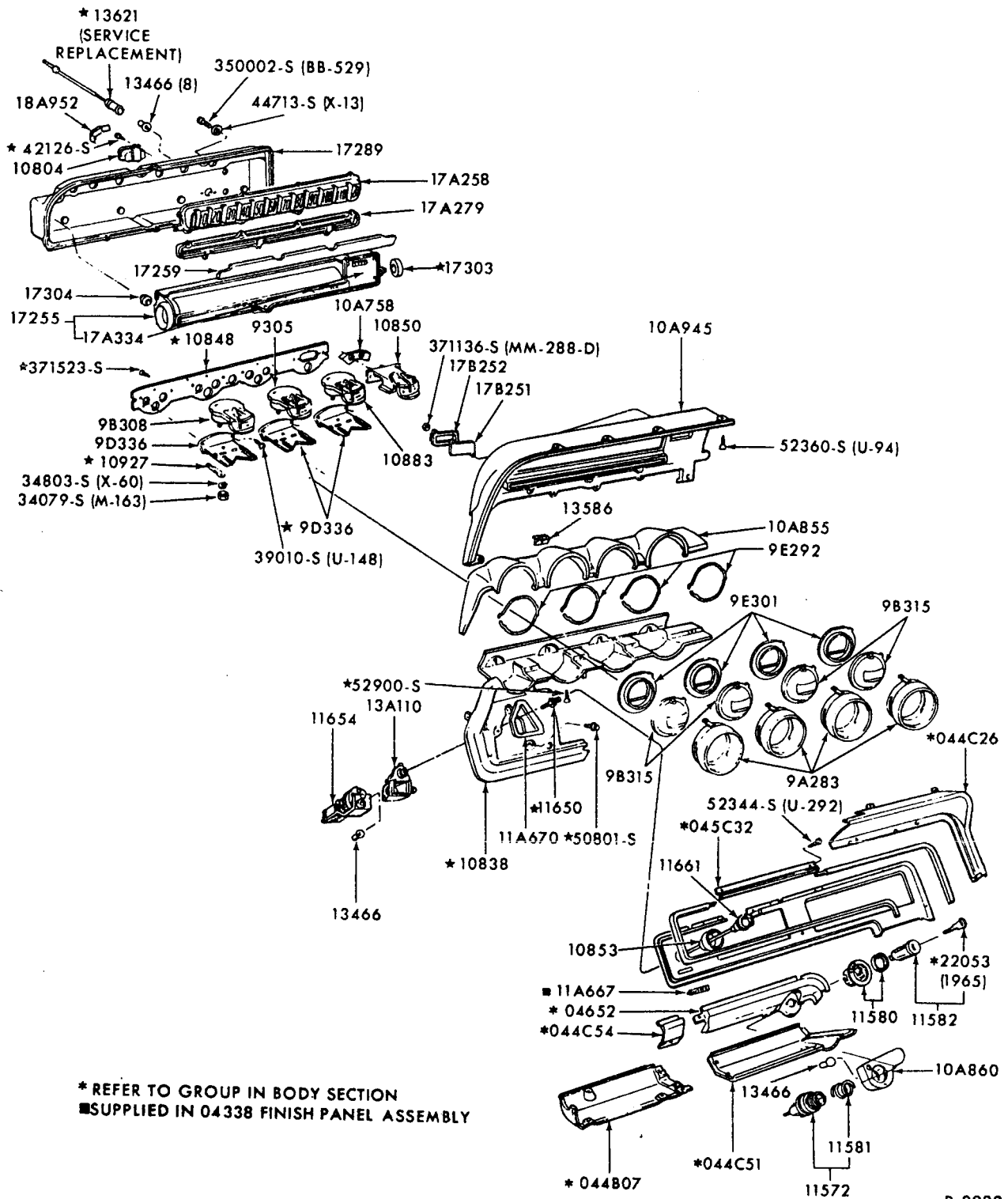
P-8973

INSTRUMENT CLUSTER and RELATED PARTS  
1965/66 MUSTANG WITH GAUGES



P-8985

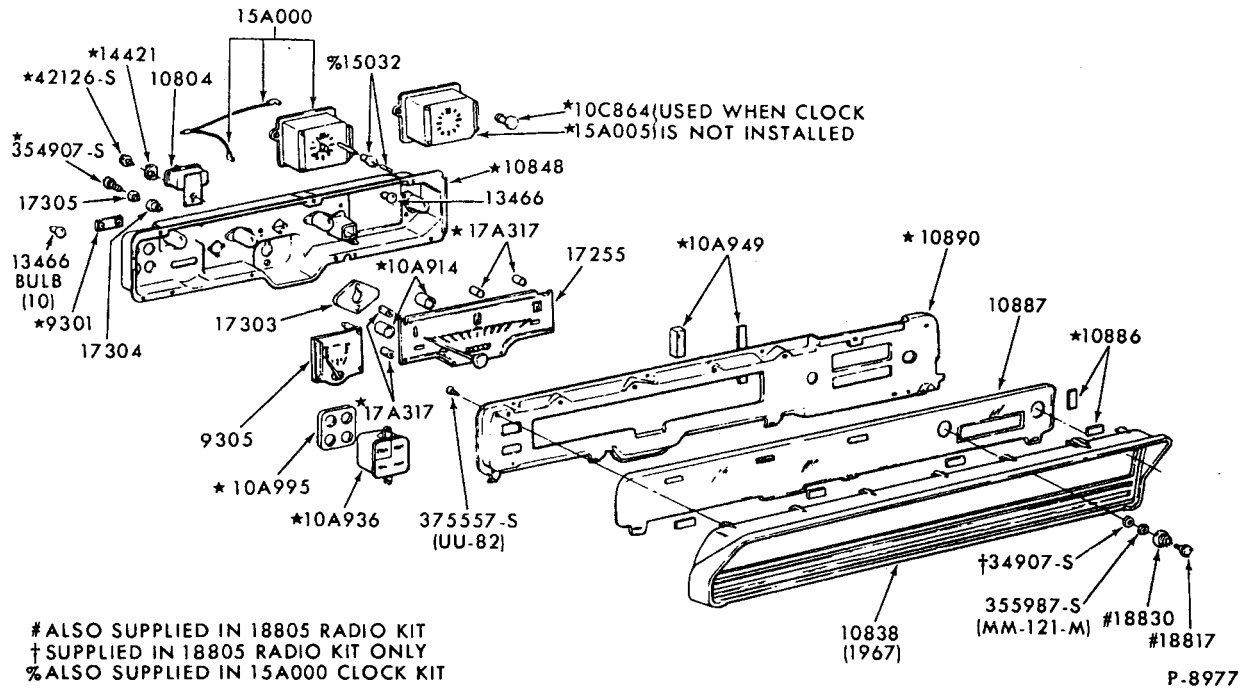
INSTRUMENT CLUSTER and RELATED PARTS  
1965 MUSTANG - WITH WARNING LIGHTS



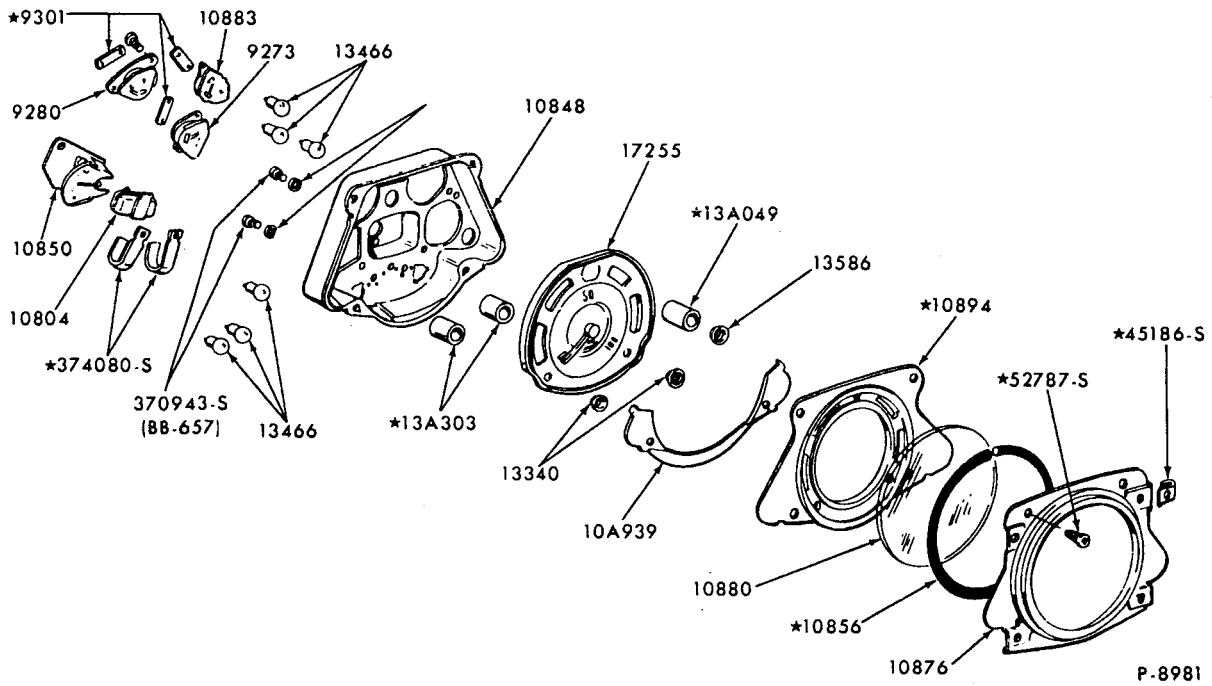
INSTRUMENT CLUSTER and RELATED PARTS  
1965/66 THUNDERBIRD

**ILLUSTRATION  
SECTION 106**

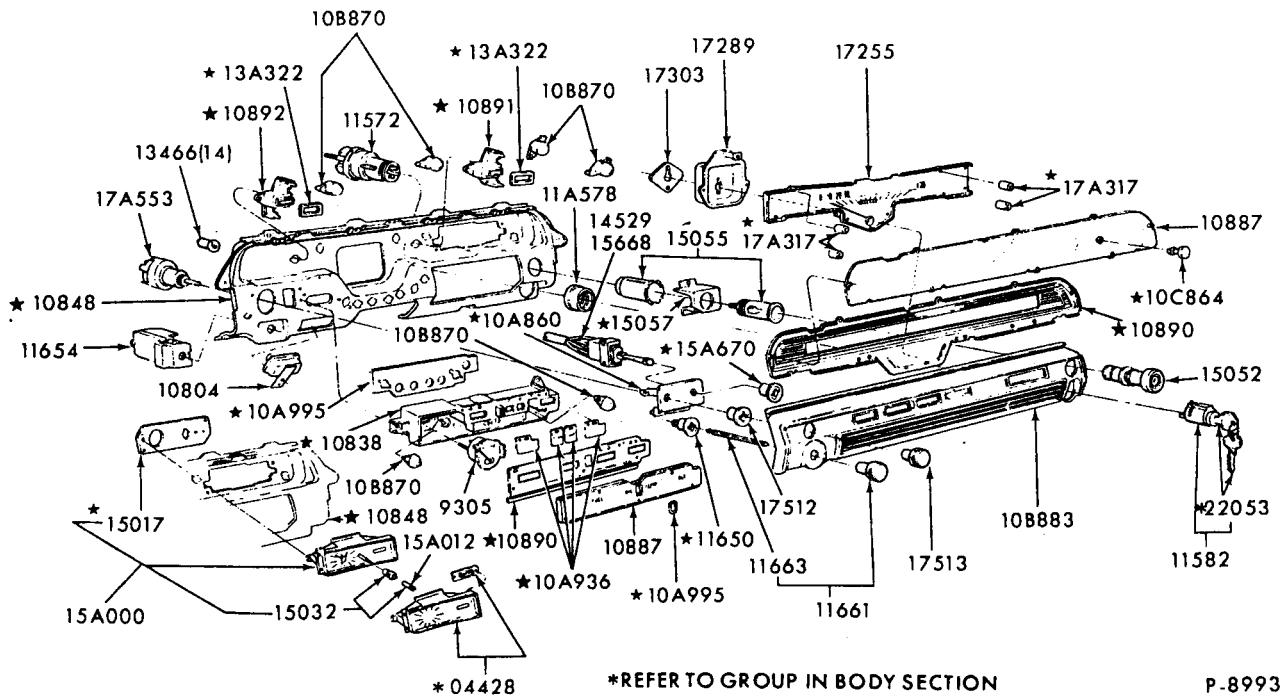
**FORD CAR PARTS**



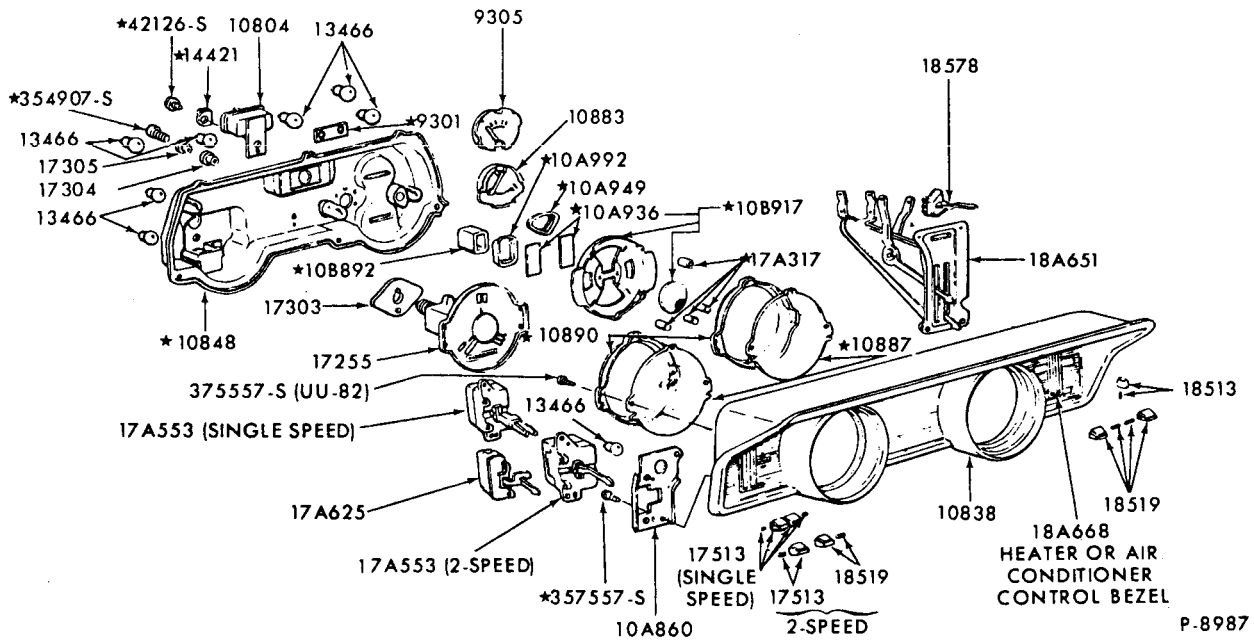
**INSTRUMENT CLUSTER and RELATED PARTS  
1966/67 FAIRLANE**



**INSTRUMENT CLUSTER and RELATED PARTS  
1966/67 BRONCO**



INSTRUMENT CLUSTER and RELATED PARTS  
1967 FORD

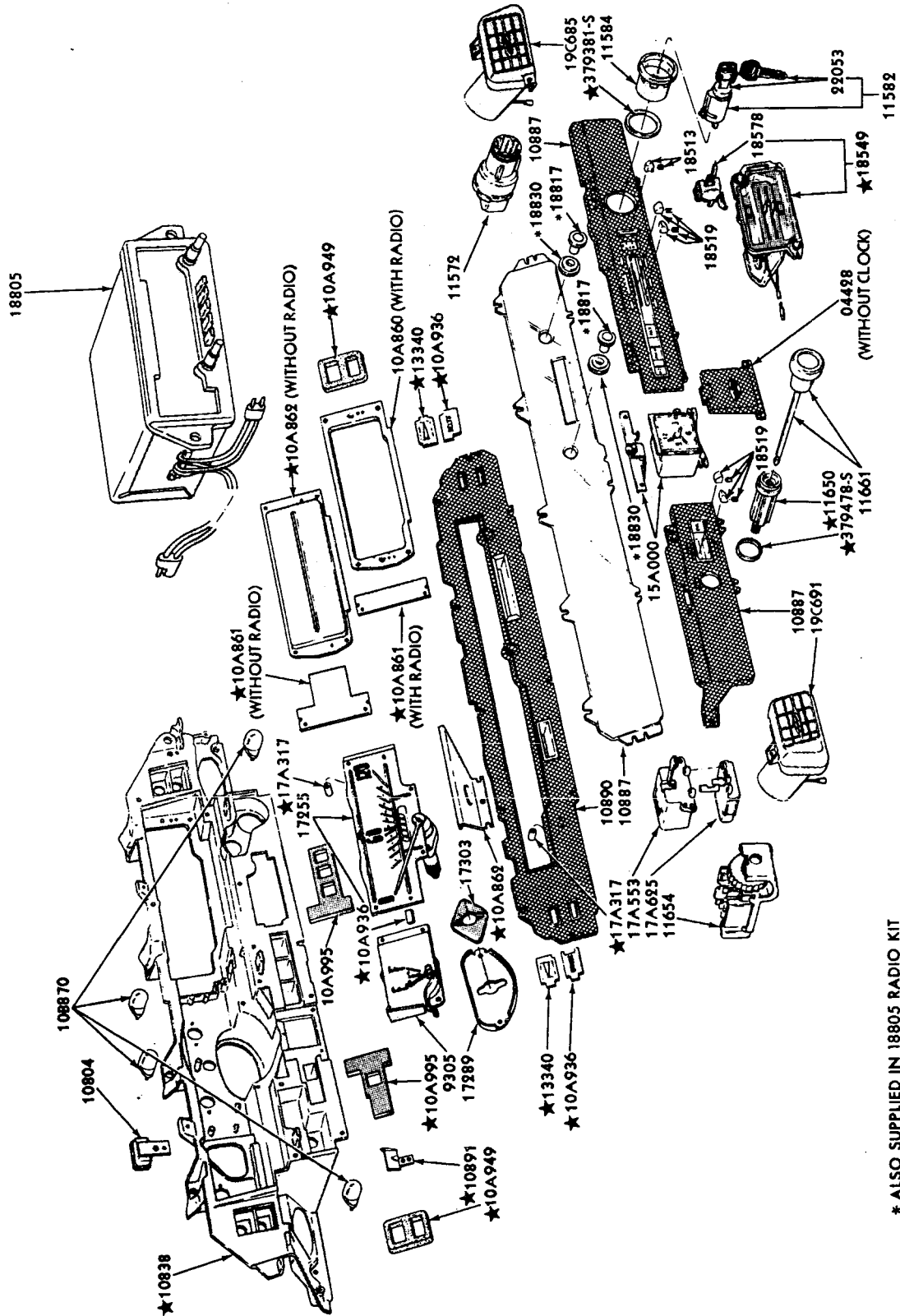


INSTRUMENT CLUSTER and RELATED PARTS  
1966/67 FALCON









\* ALSO SUPPLIED IN 18805 RADIO KIT

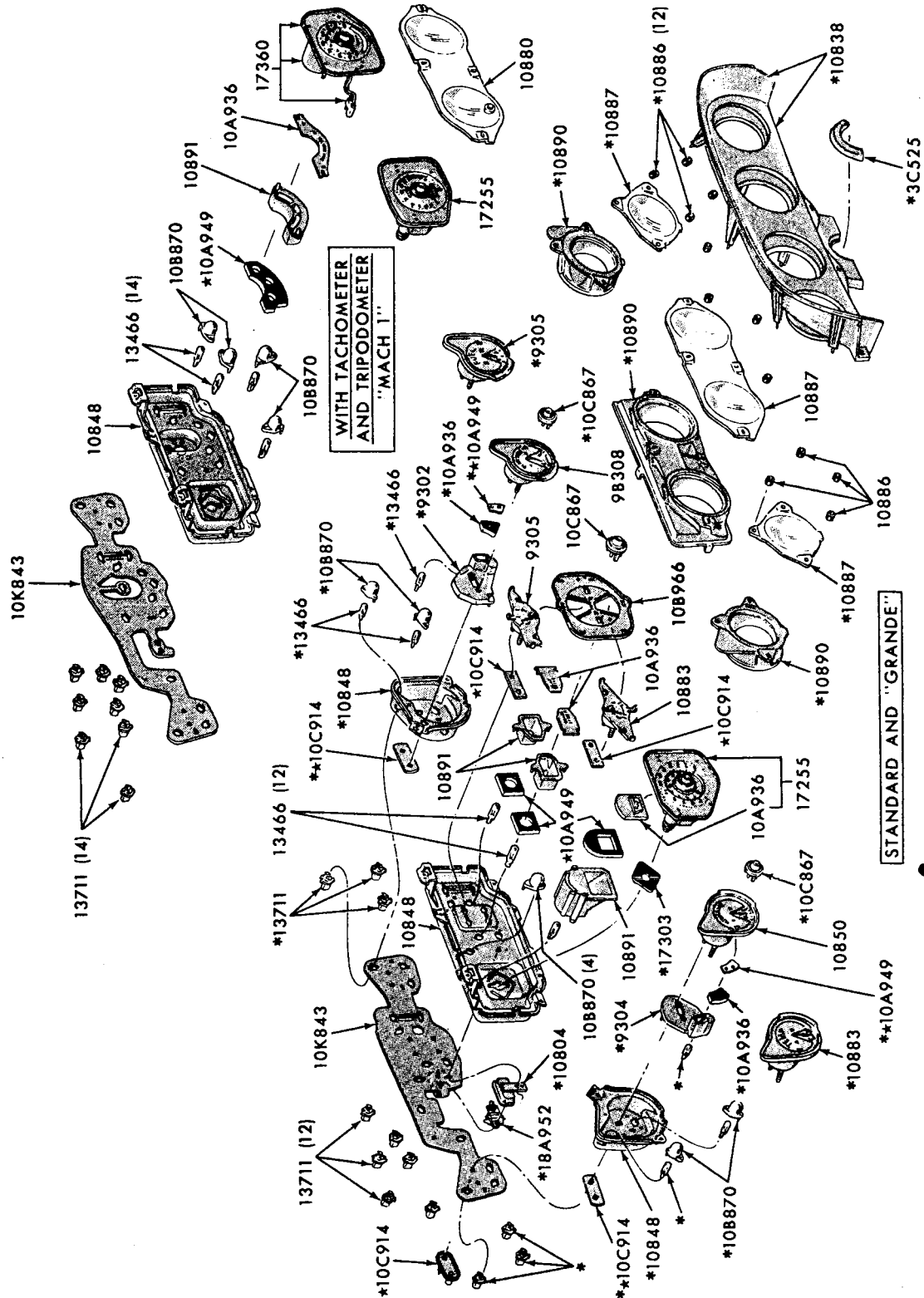
INSTRUMENT CLUSTER and RELATED PARTS  
1968 FORD









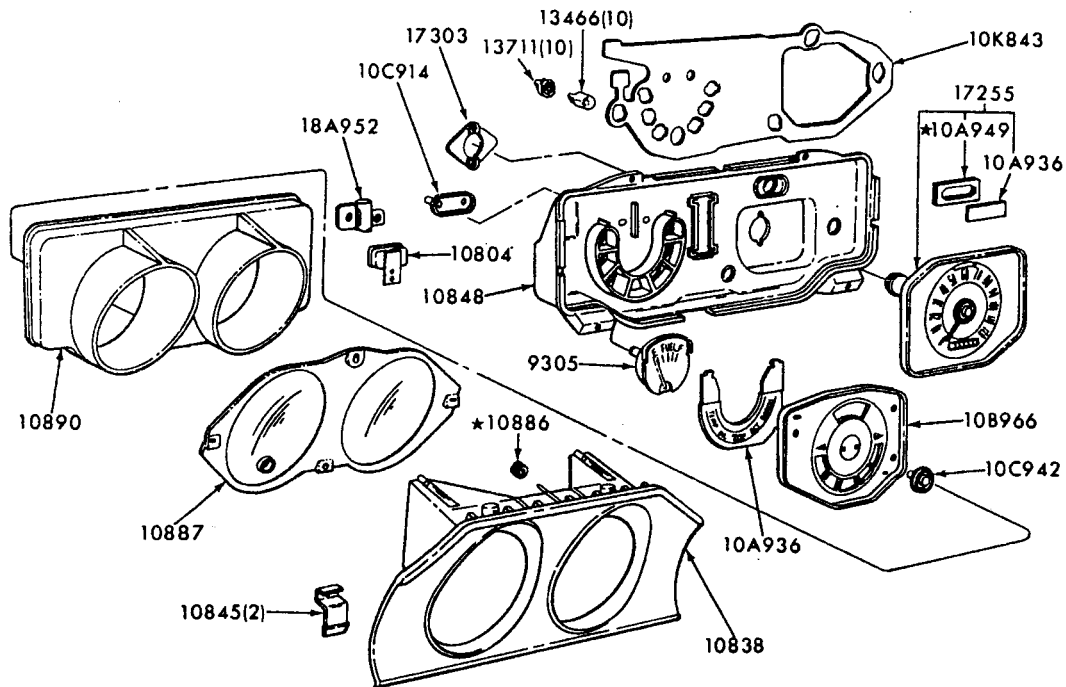


INSTRUMENT CLUSTER and RELATED PARTS  
1969/70 MUSTANG

\*ALSO REQUIRED WITH TACHOMETER AND TRIPODOMETER CLUSTER

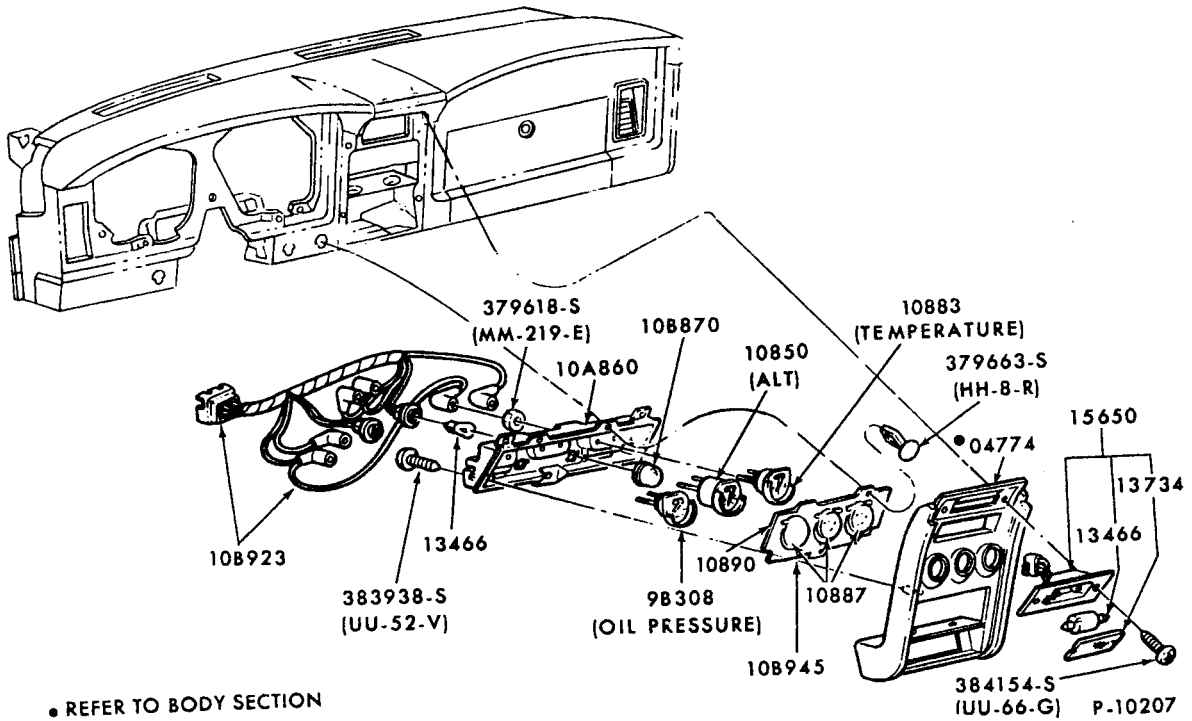


**FORD CAR PARTS**



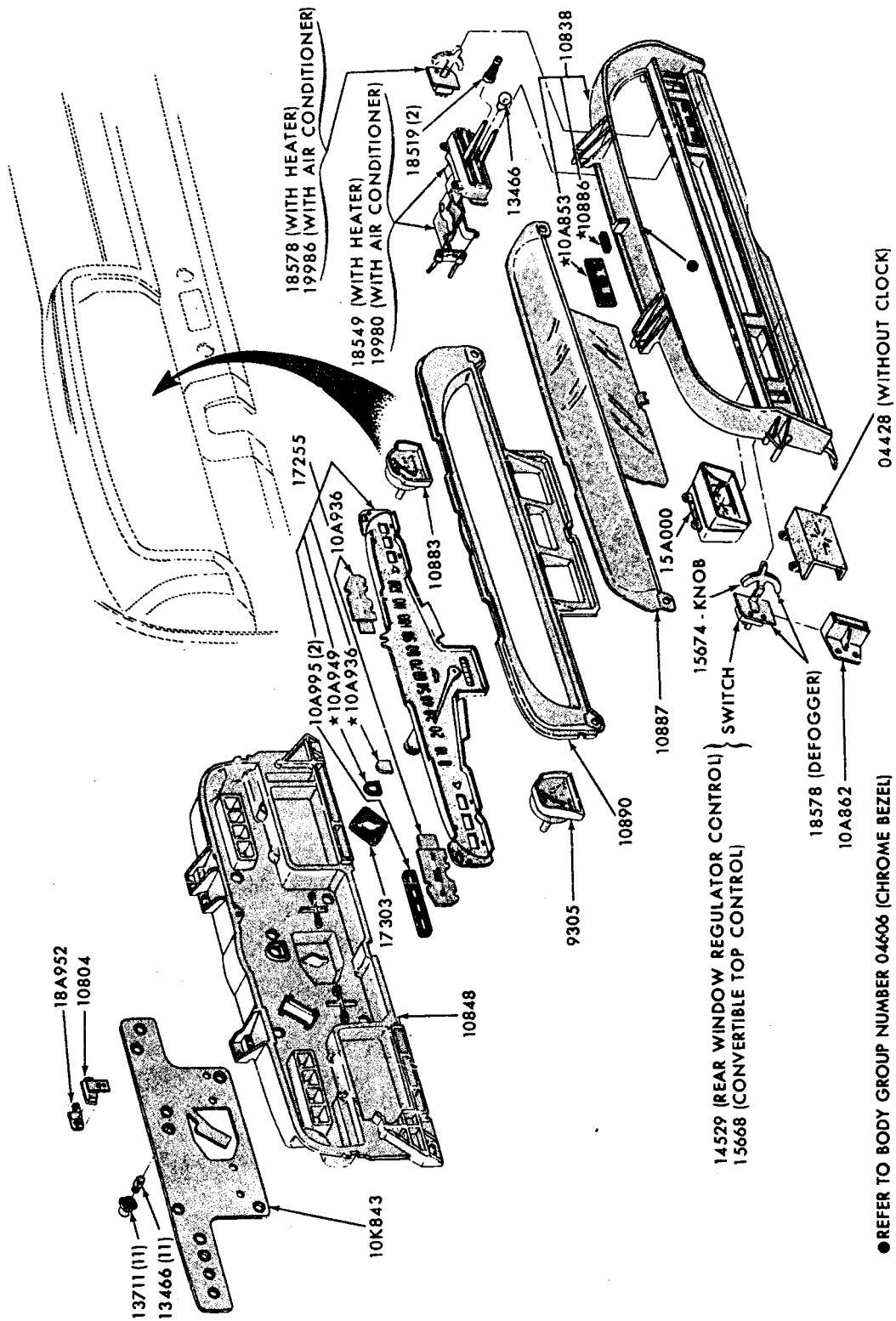
P-6849

INSTRUMENT CLUSTER and RELATED PARTS  
1970/72 MAVERICK



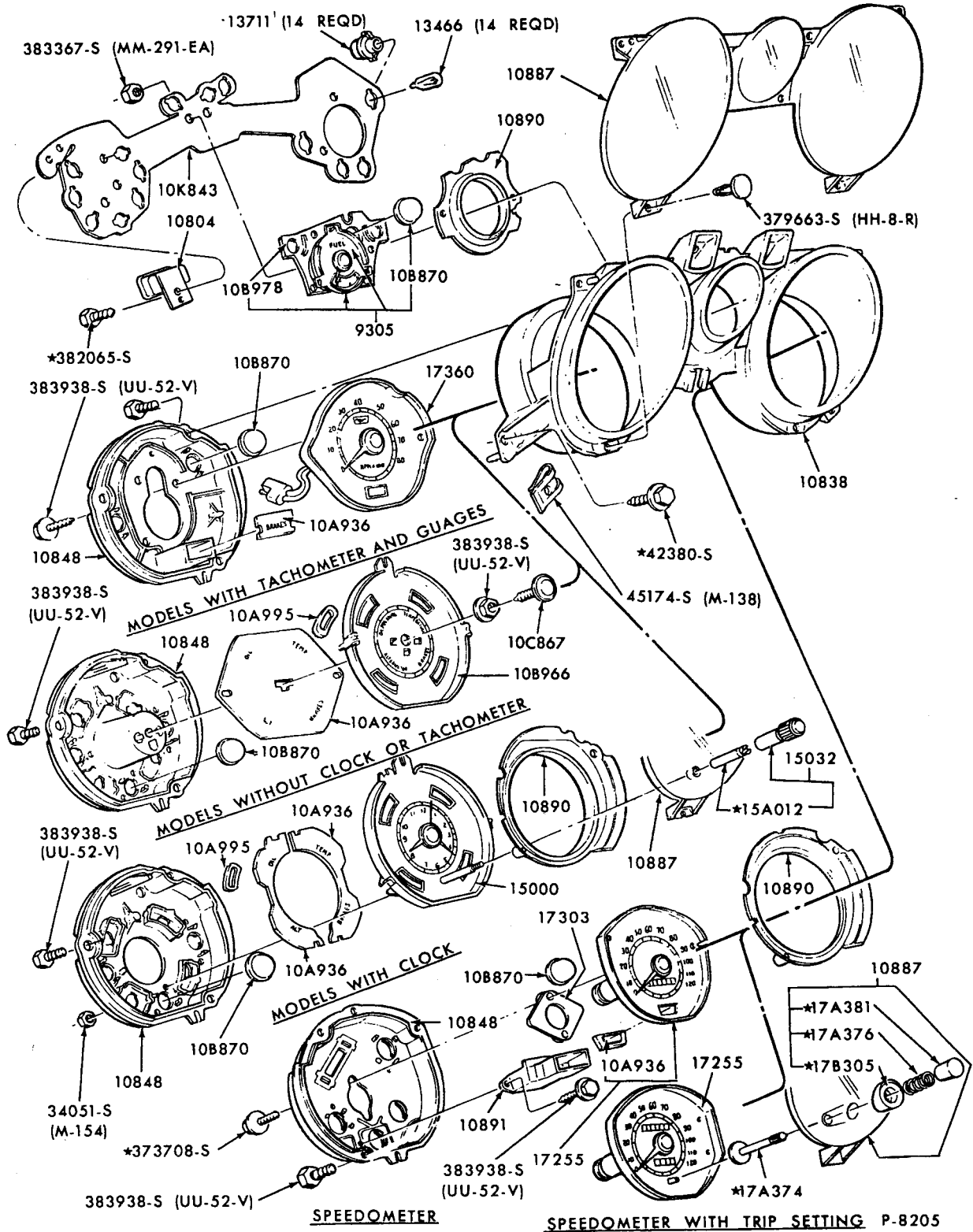
• REFER TO BODY SECTION

AUXILIARY INSTRUMENT CLUSTER-WITH GAUGES  
1971/72 MUSTANG



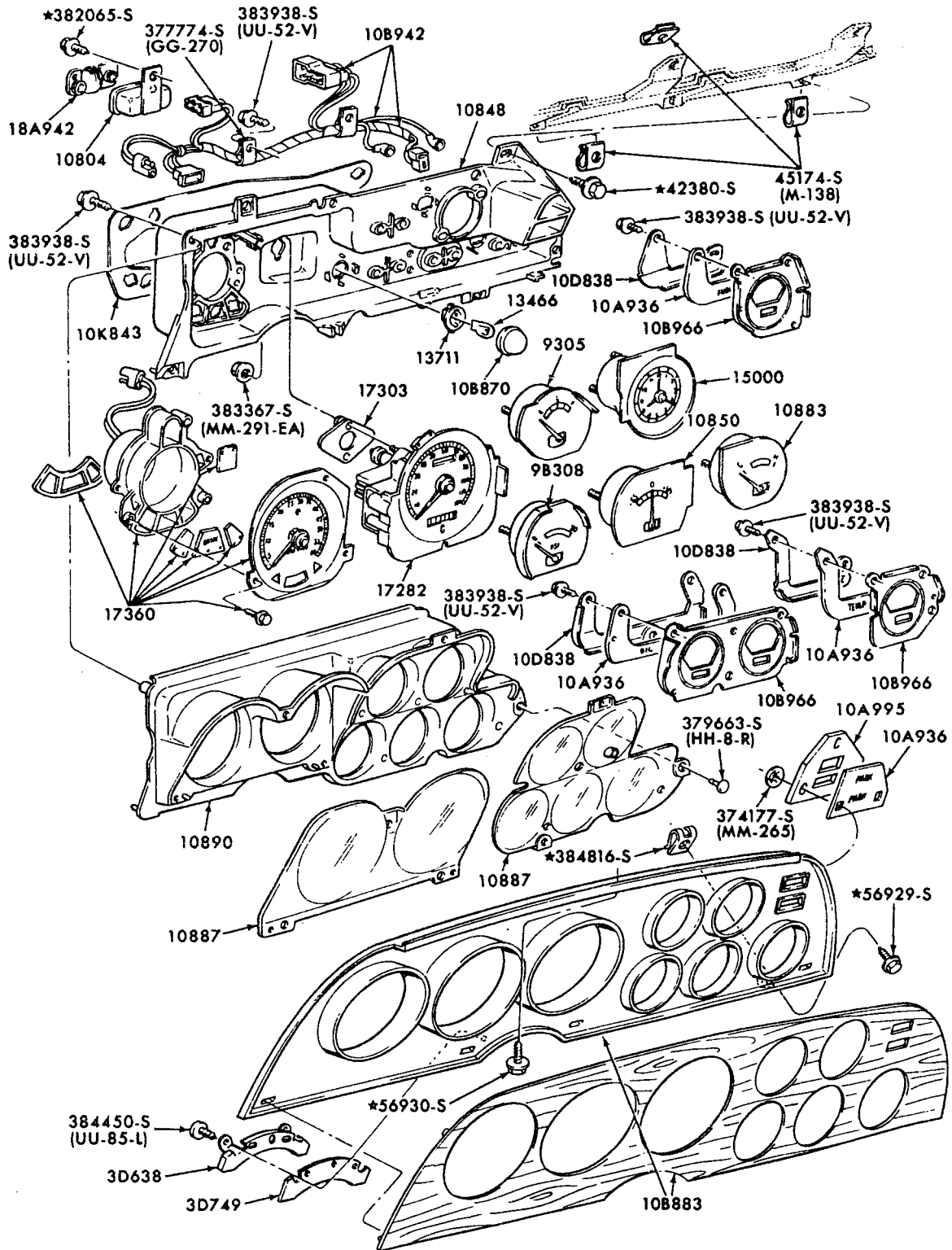
INSTRUMENT CLUSTER and RELATED PARTS  
1970/71 FAIRLANE/TORINO





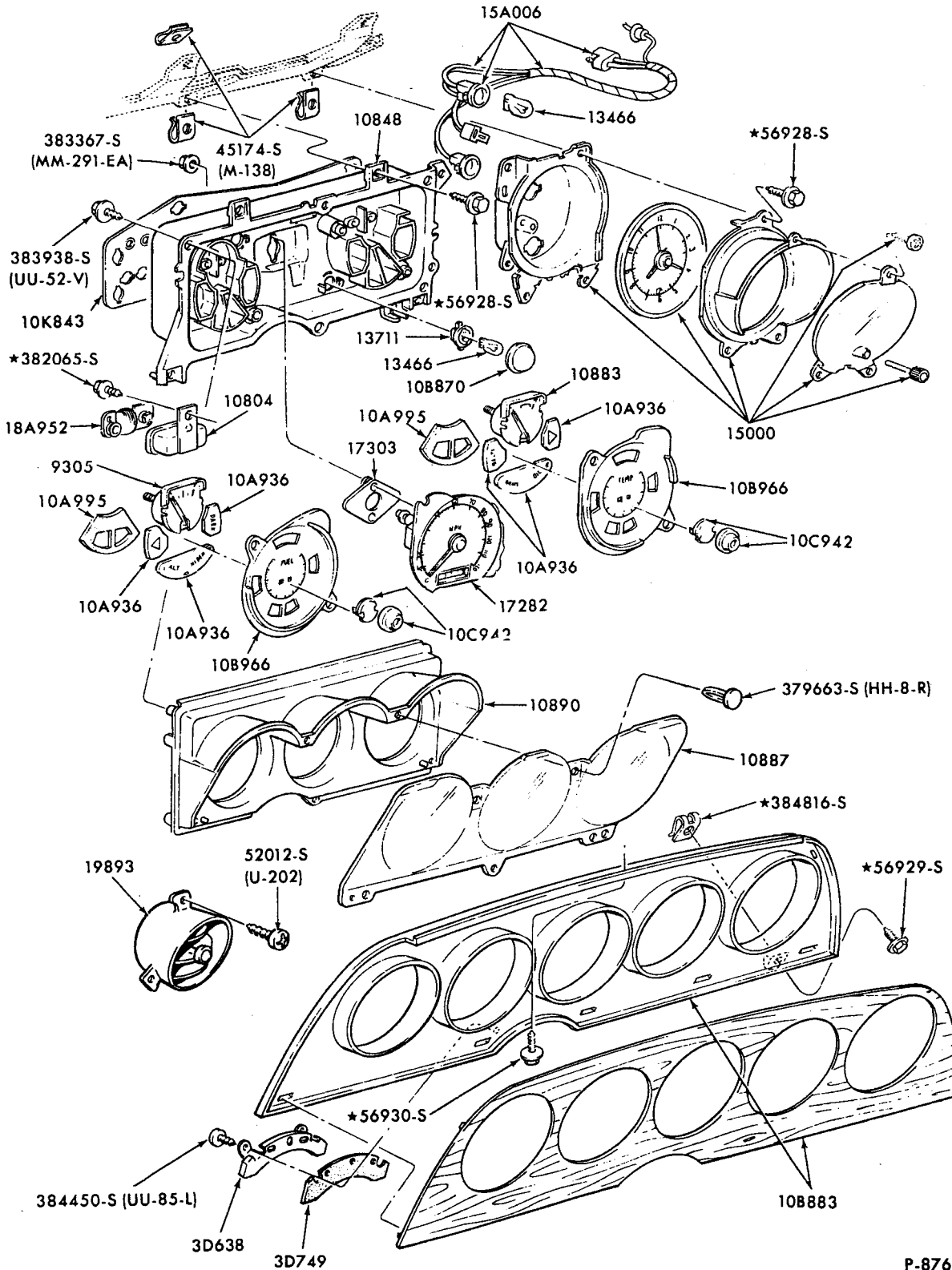
INSTRUMENT CLUSTER and RELATED PARTS  
1971/72 MUSTANG



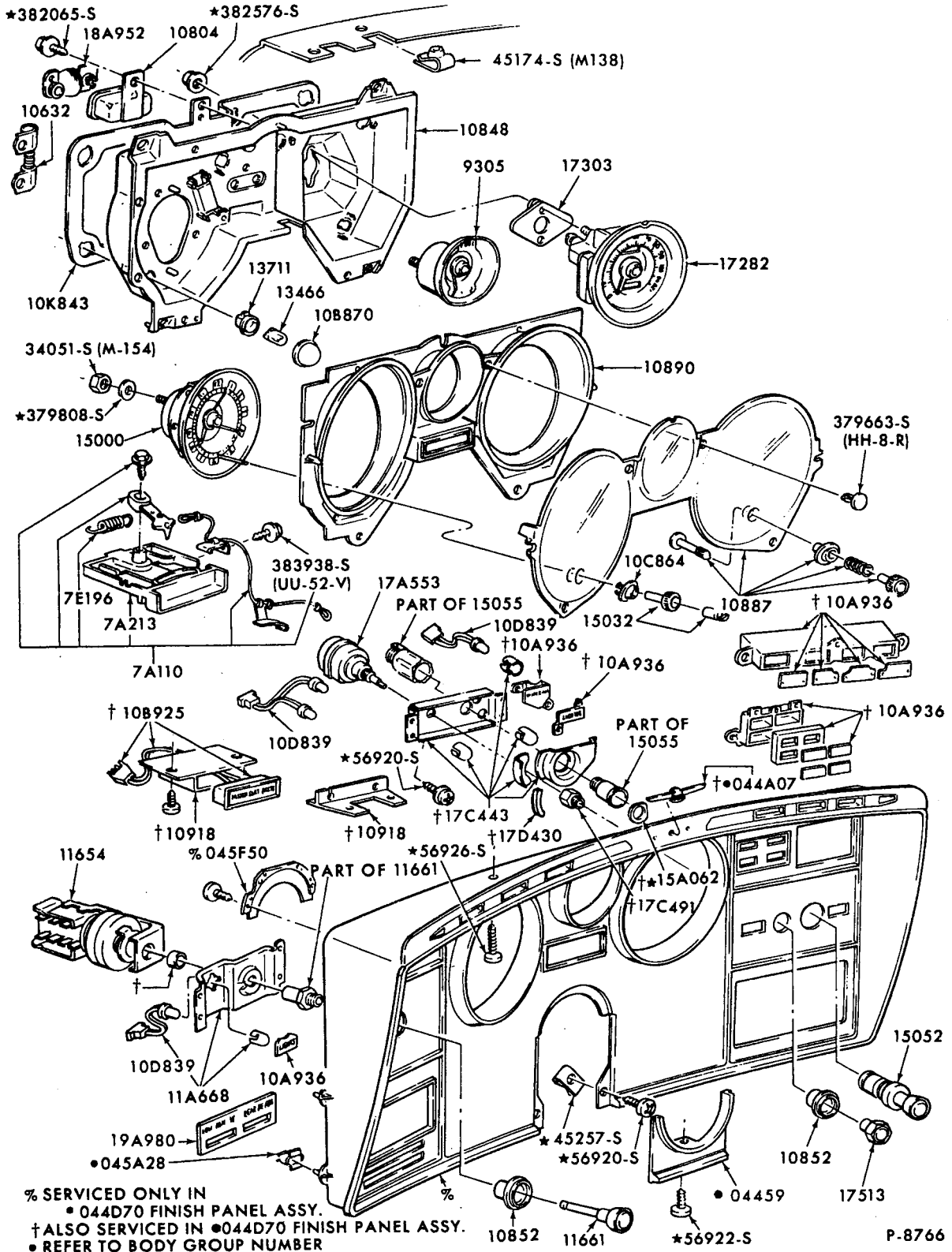


P-8768

INSTRUMENT CLUSTER and RELATED PARTS  
1972 TORINO - WITH RALLYE INSTRUMENTATION GROUP

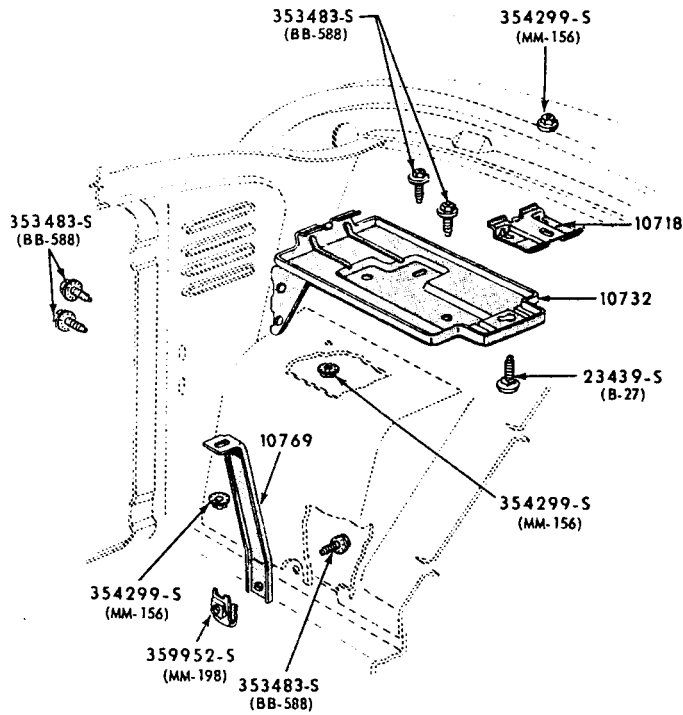


P-8769



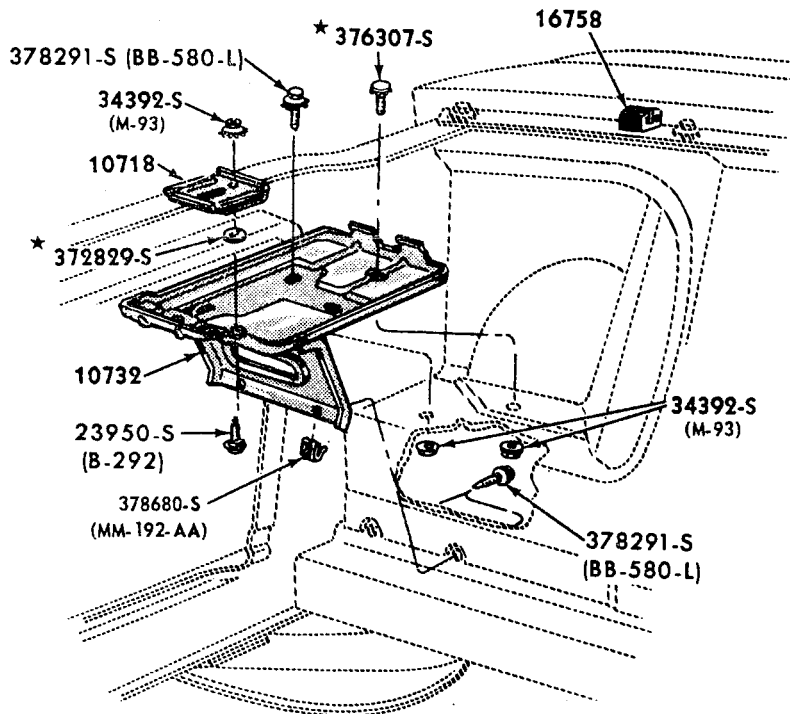
**INSTRUMENT CLUSTER and RELATED PARTS  
 1972 THUNDERBIRD**





P-3106

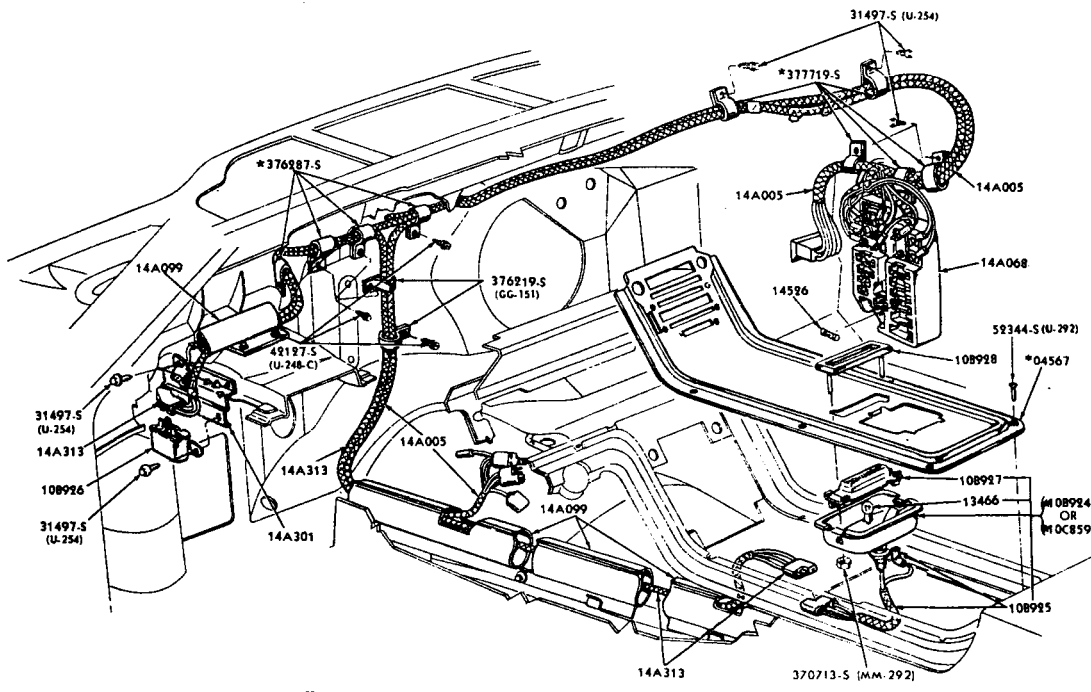
BATTERY CARRIER and RELATED PARTS  
1965 FALCON



P-4459

BATTERY CARRIER and RELATED PARTS  
1965/68 MUSTANG

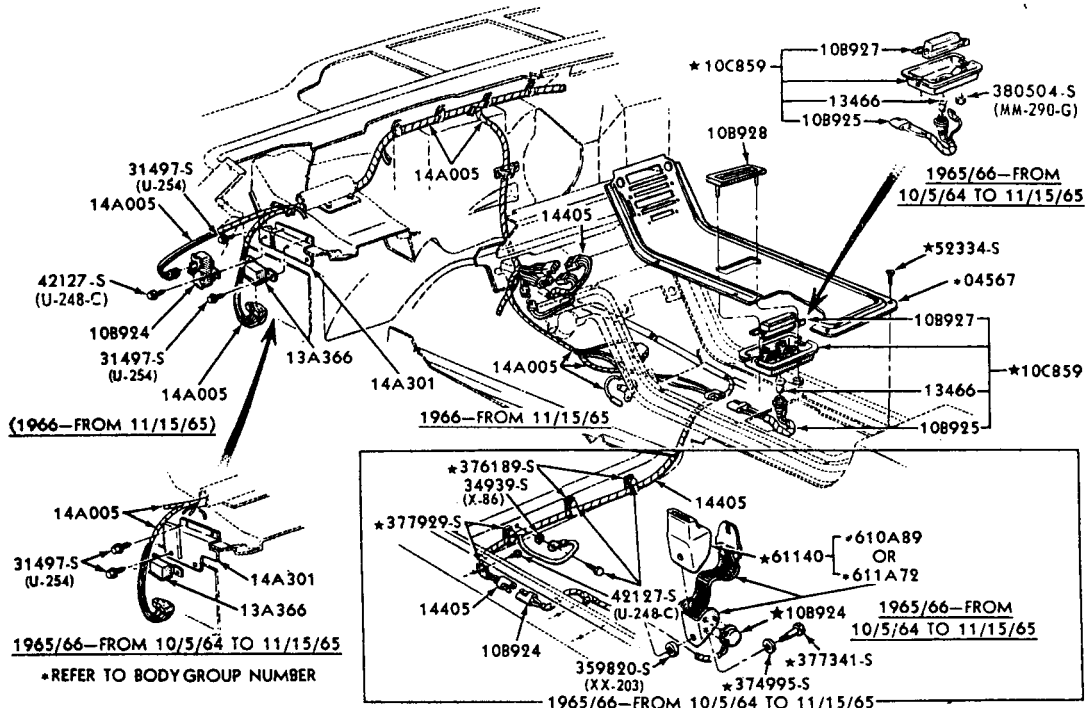




\* REFER TO BODY GROUP NUMBER

P.4405

**SEAT BELT WARNING LAMP INSTALLATION  
1965 THUNDERBIRD - BEFORE 10/5/64**

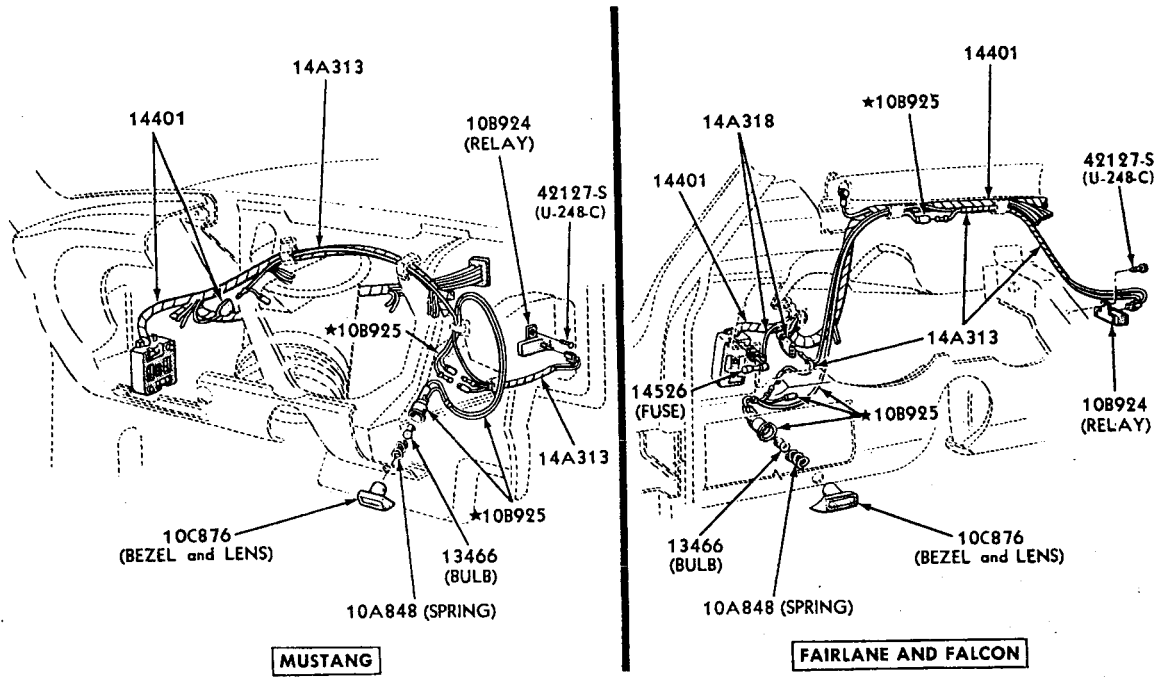


P.5279

**SEAT BELT WARNING LAMP INSTALLATION  
1965/66 THUNDERBIRD - FROM 10/5/64**

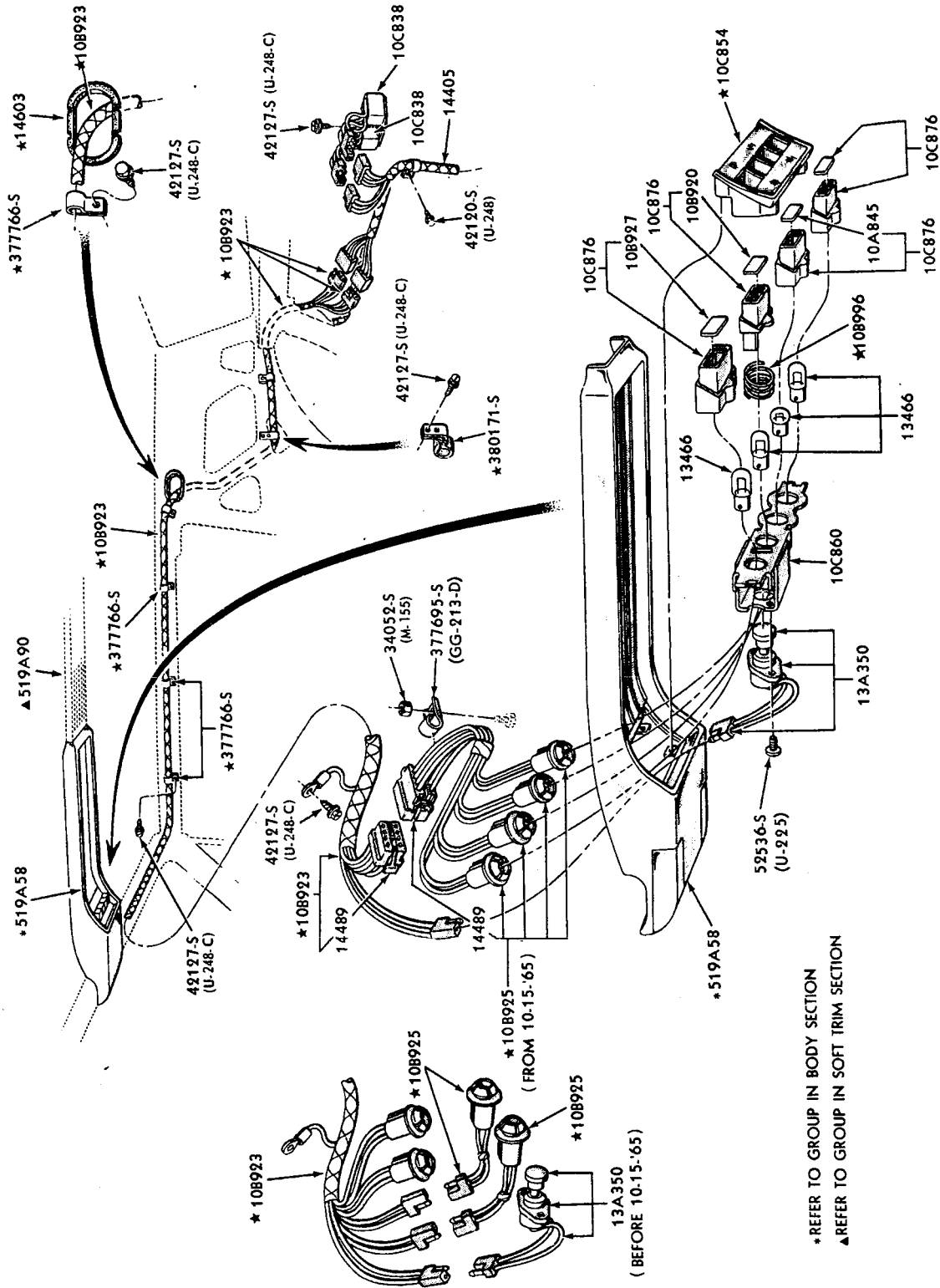




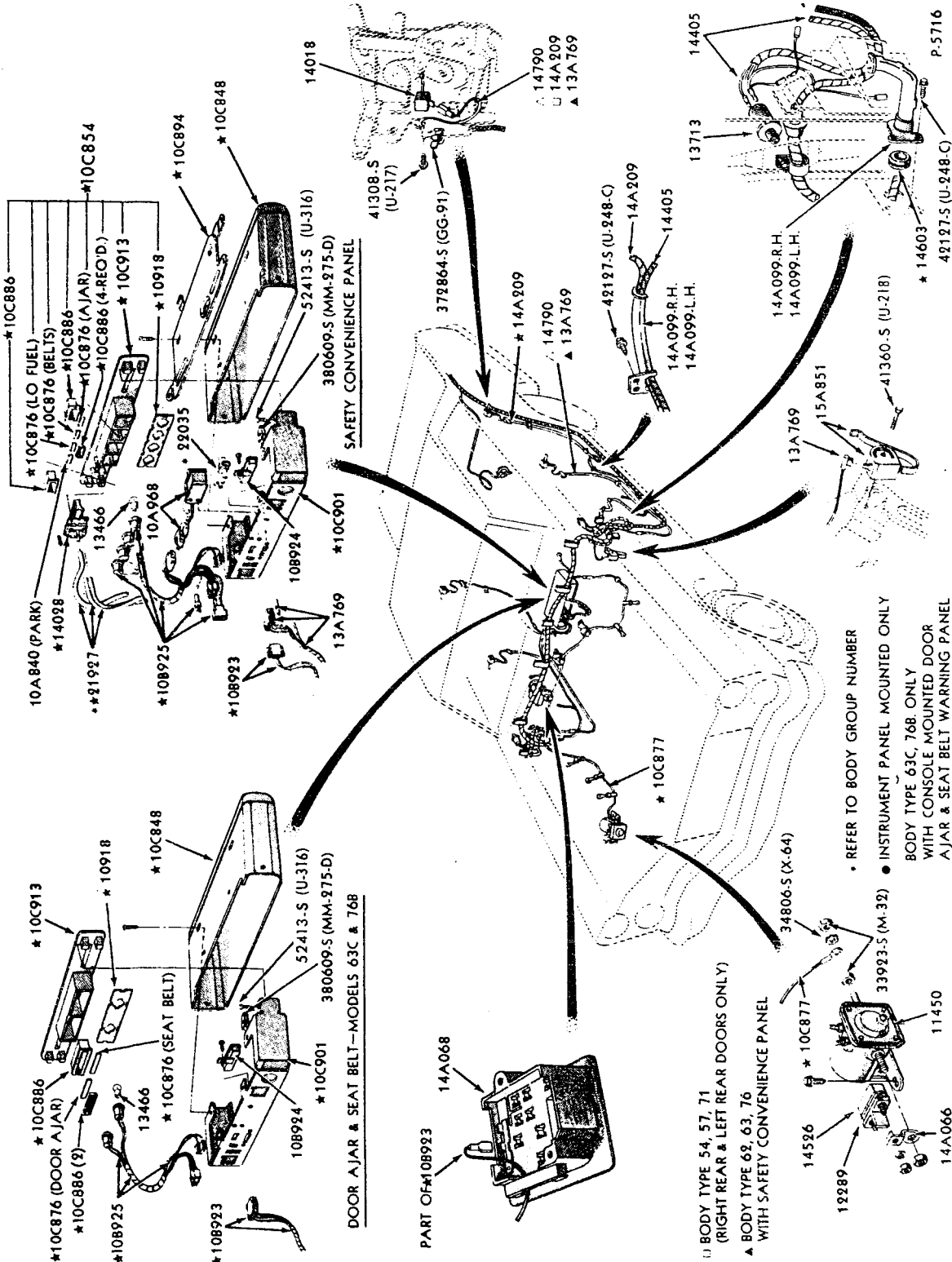


P-5278

SEAT BELT WARNING LAMP INSTALLATION  
1966/69 FAIRLANE/TORINO, MUSTANG, FALCON



WARNING LAMP INSTALLATION - ROOF CONSOLE PANEL  
1966 THUNDERBIRD - BODY TYPE 63C,63D



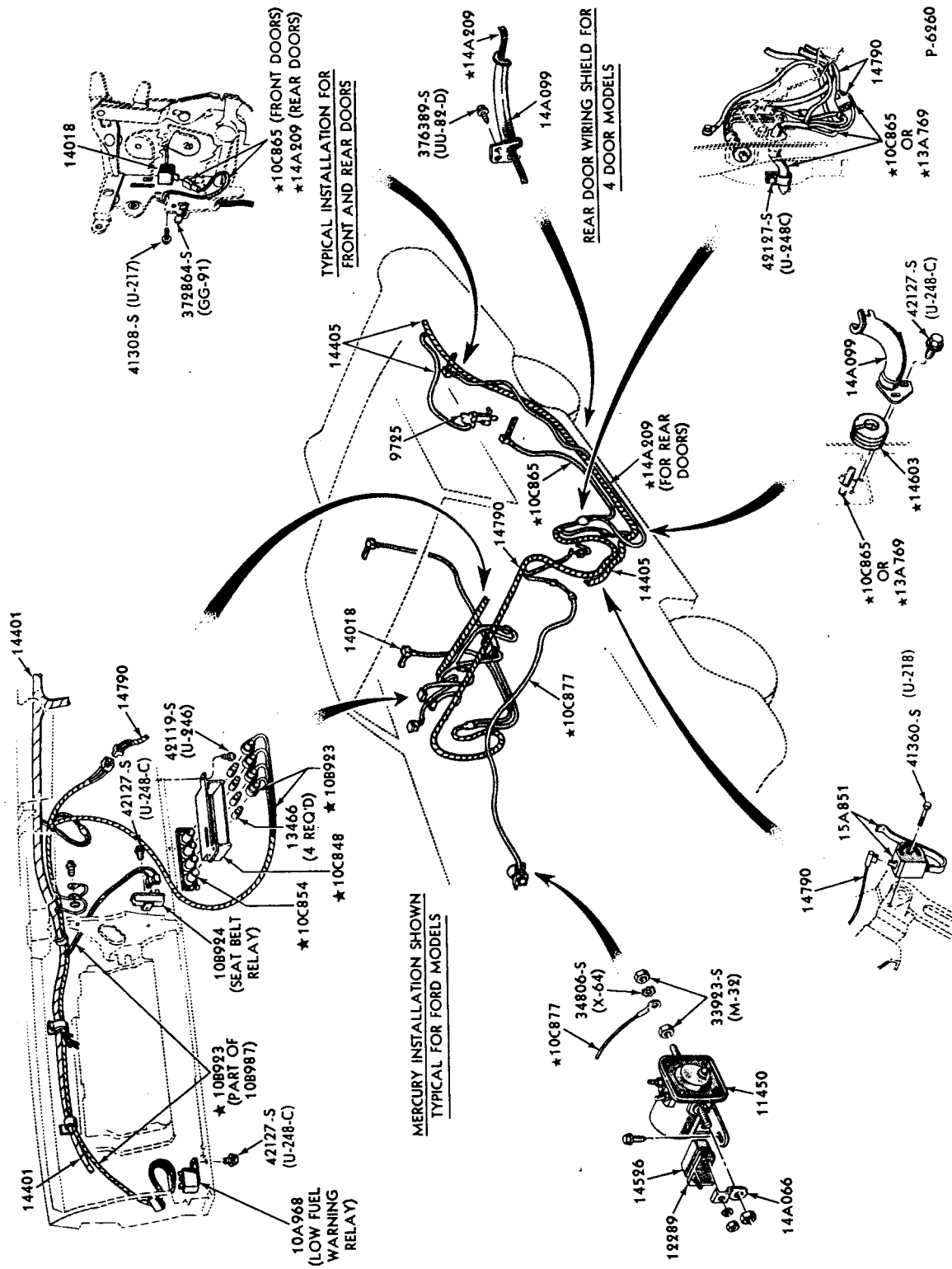
□ BODY TYPE 54, 57, 71 (RIGHT REAR & LEFT REAR DOORS ONLY)  
 ▲ BODY TYPE 62, 63, 76 WITH SAFETY CONVENIENCE PANEL  
 ● REFER TO BODY GROUP NUMBER  
 ● INSTRUMENT PANEL MOUNTED ONLY  
 BODY TYPE 63C, 76B ONLY  
 WITH CONSOLE MOUNTED DOOR AJAR & SEAT BELT WARNING PANEL

WARNING INDICATOR PANEL INSTALLATION  
 1967 FORD





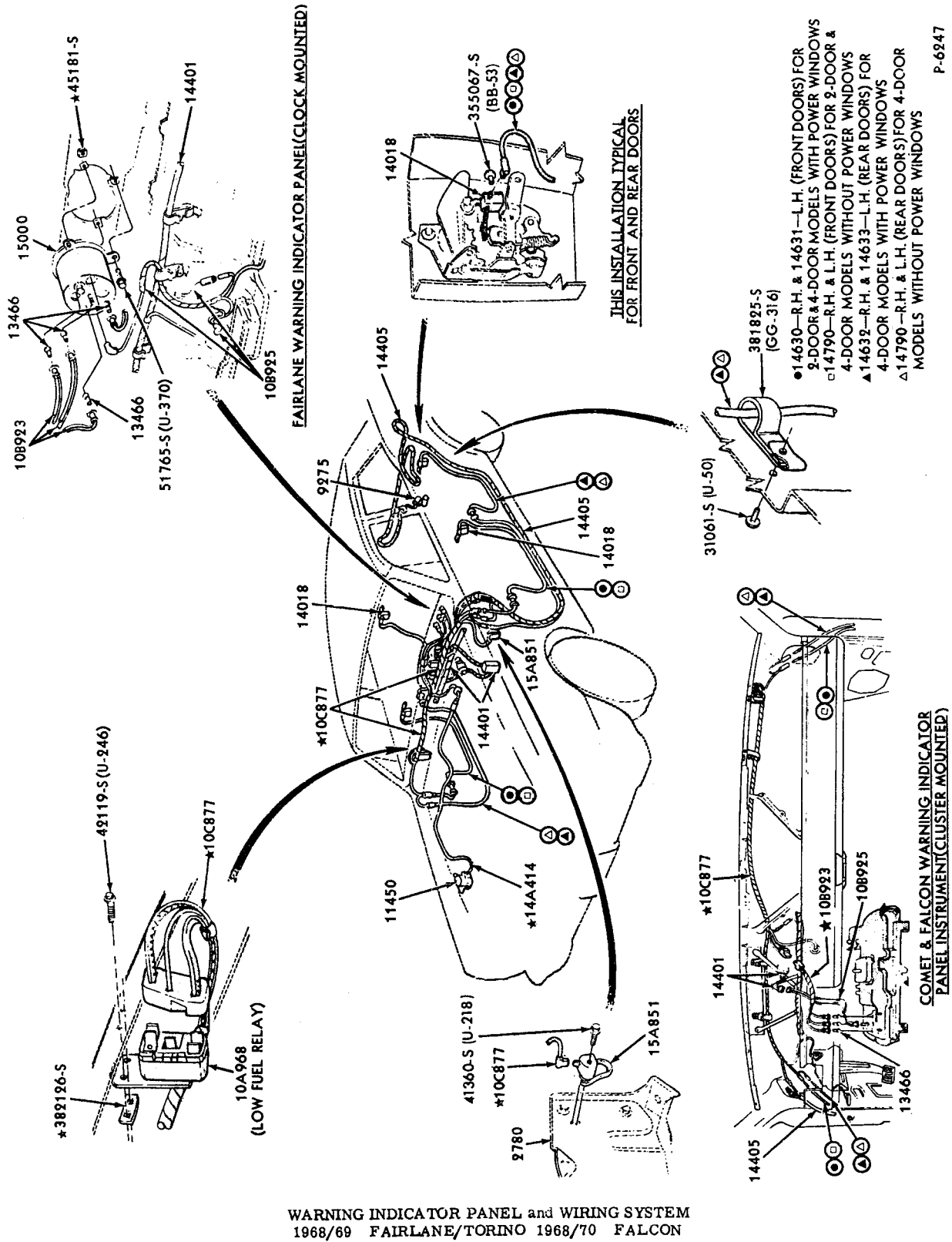


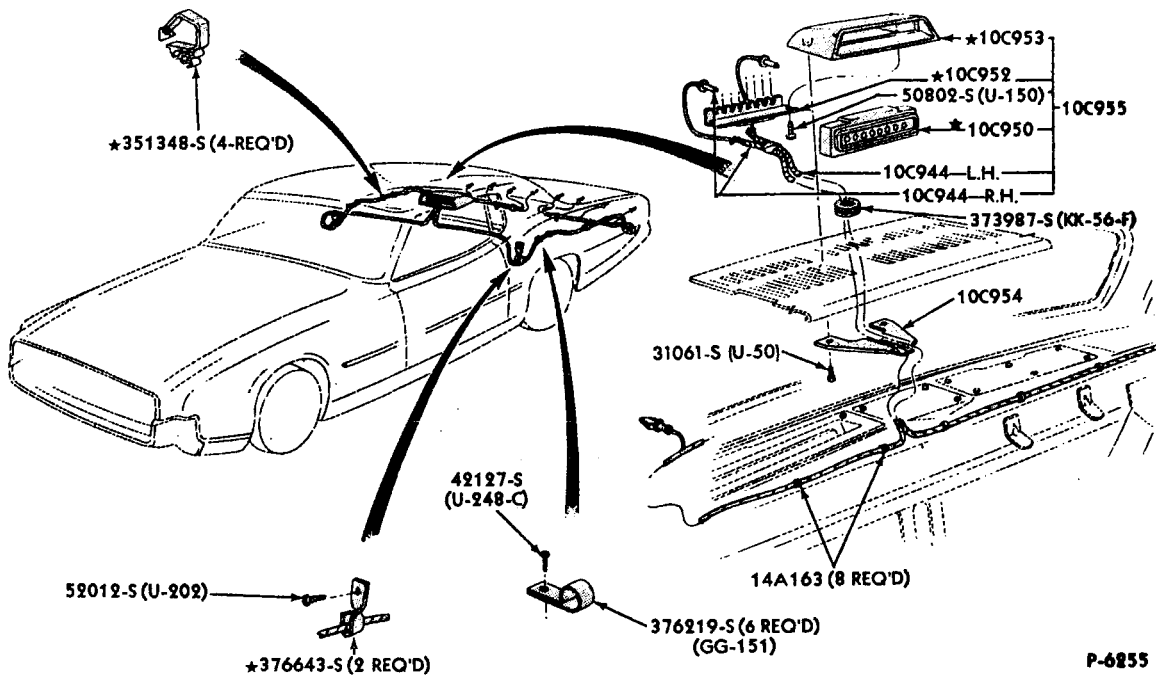


WARNING-INDICATOR PANEL and WIRING SYSTEM  
1968 FORD

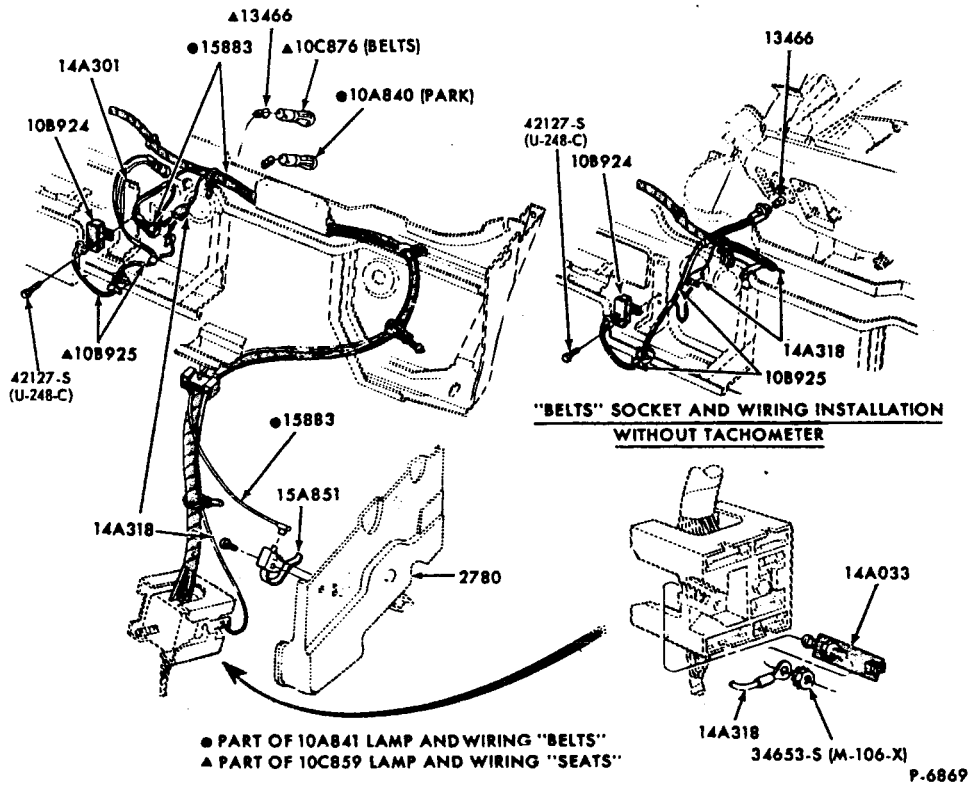
**ILLUSTRATION SECTION 106.1**

**FORD CAR PARTS**



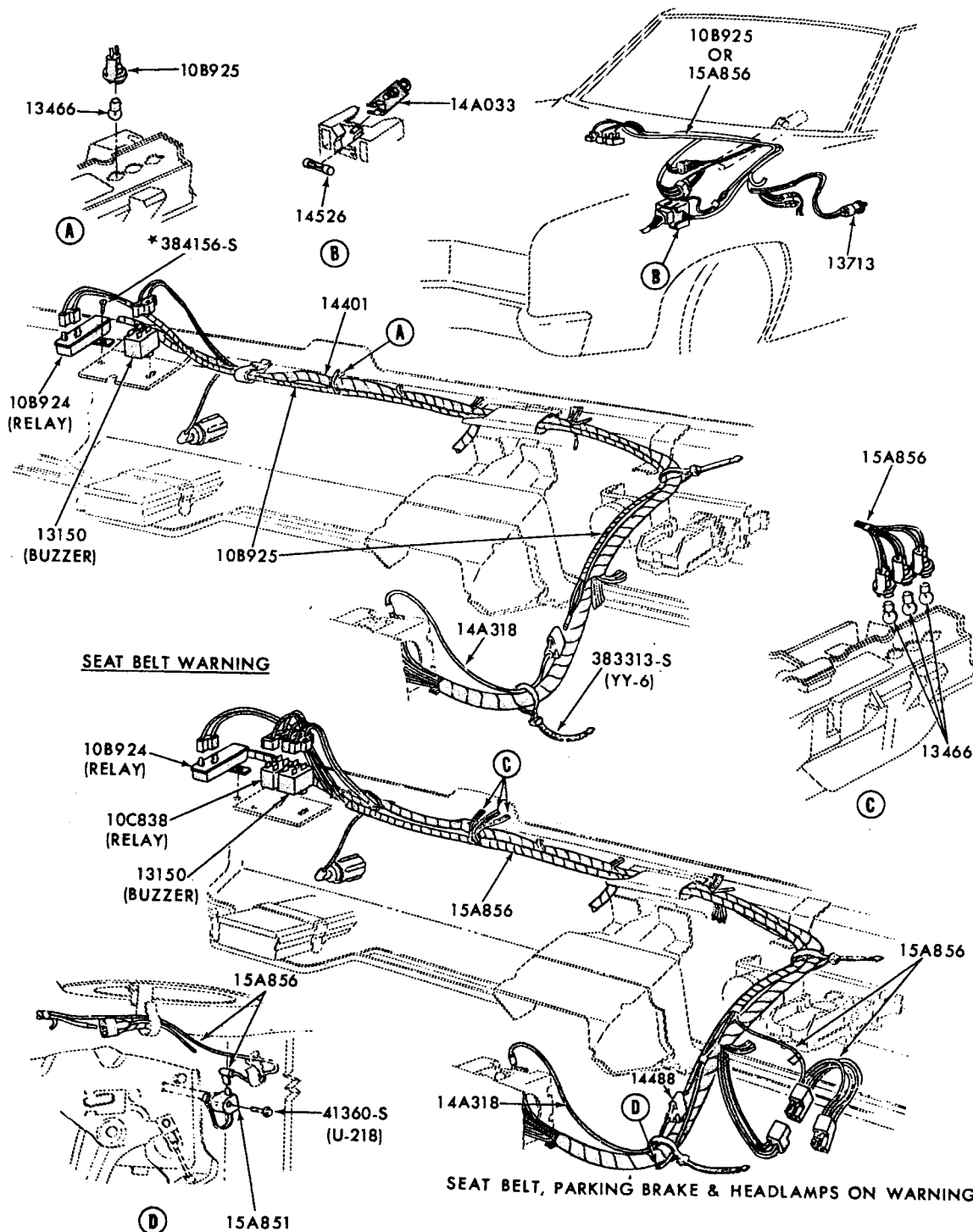


MONITOR SYSTEM - TAIL LAMP FAILURE  
1968/69 THUNDERBIRD



SEAT BELT and PARKING BRAKE WARNING LAMP INSTALLATION  
1969/70 MUSTANG

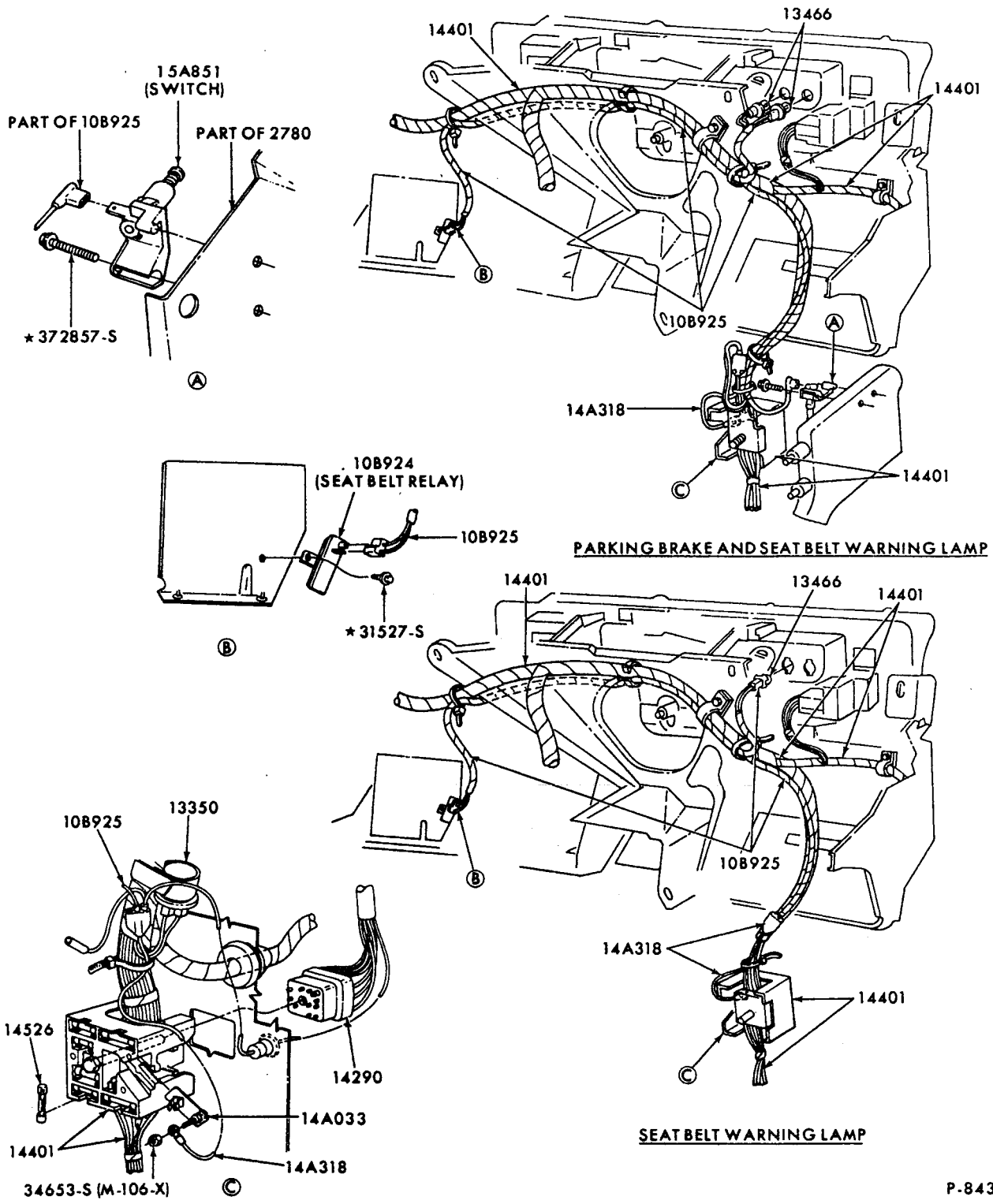




P-7675

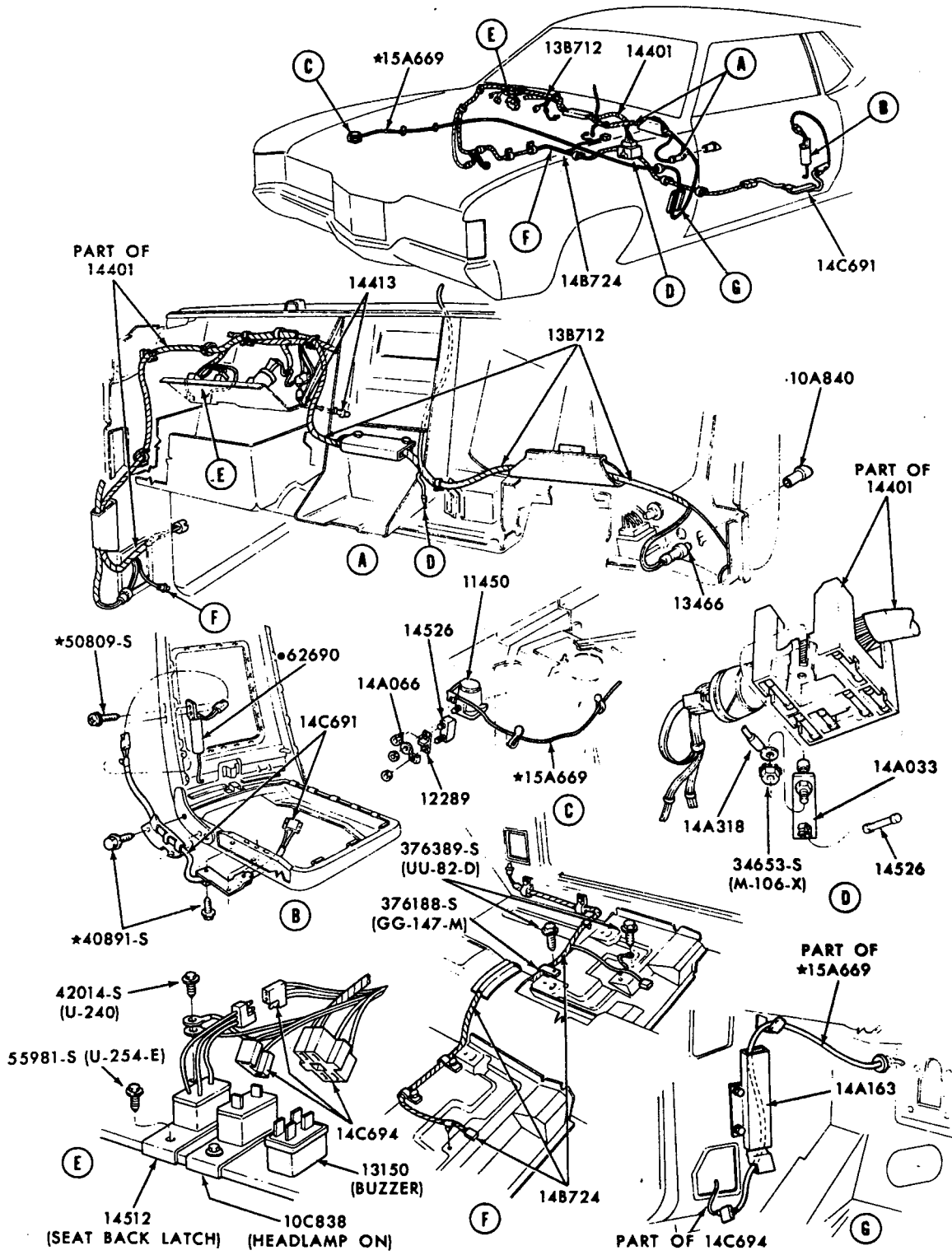
WARNING INDICATOR PANEL  
1970/71 FAIRLANE/TORINO

FORD CAR PARTS



SEAT BELT, PARKING BRAKE WARNING LAMP and RELATED PARTS  
1971 FORD



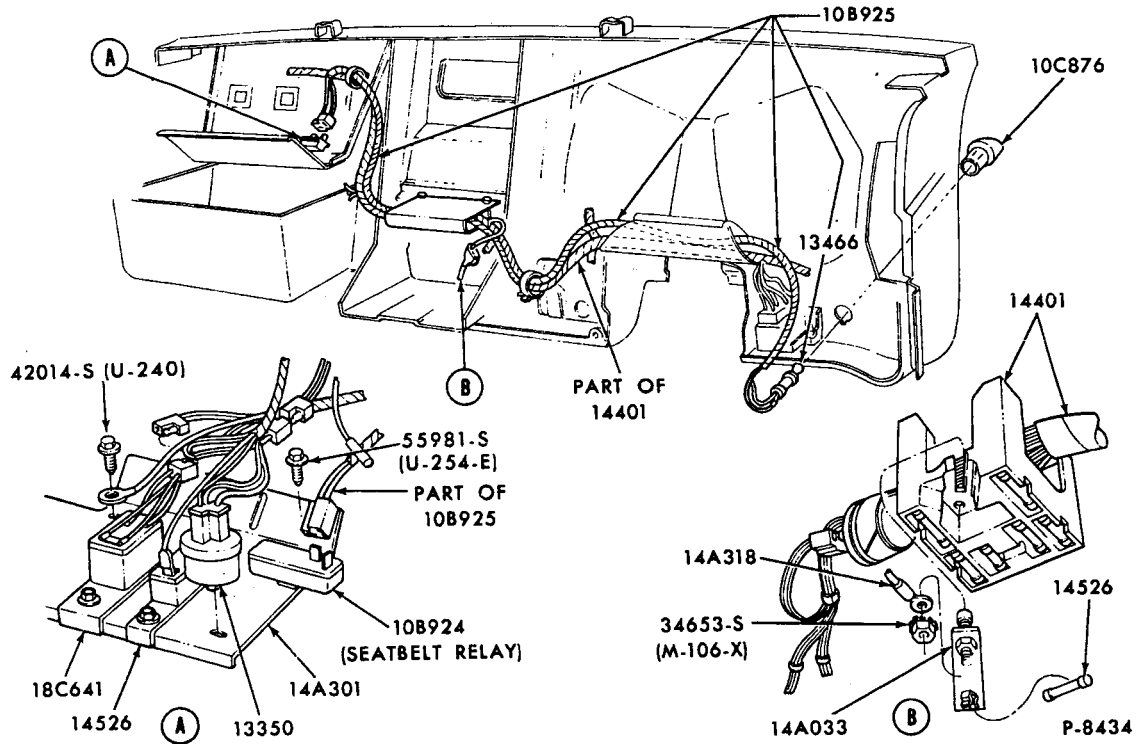


• REFER TO BODY GROUP NUMBER

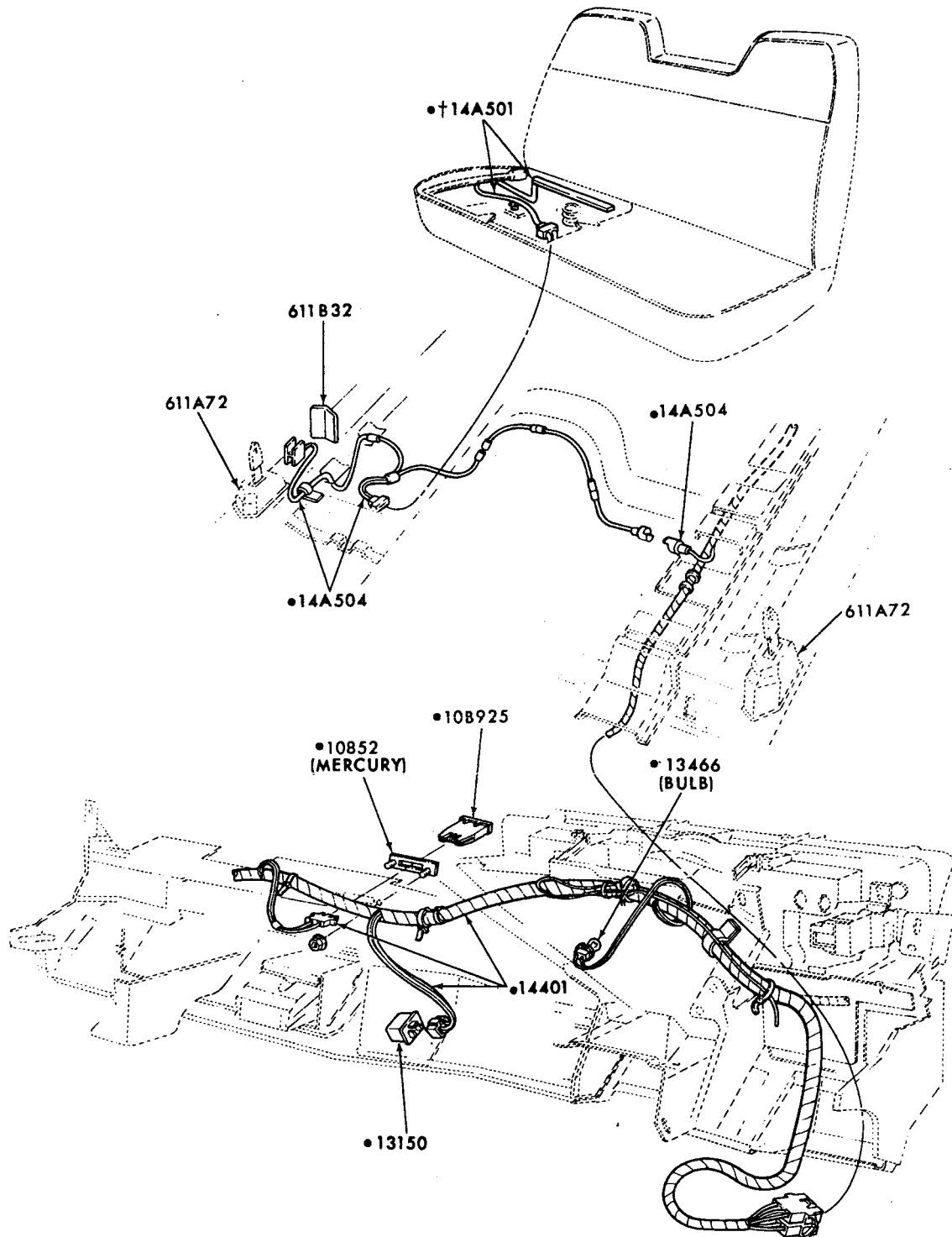
P-8429

WARNING INDICATOR SYSTEM-SAFETY CONVENIENCE  
1971/72 MUSTANG

**FORD CAR PARTS**



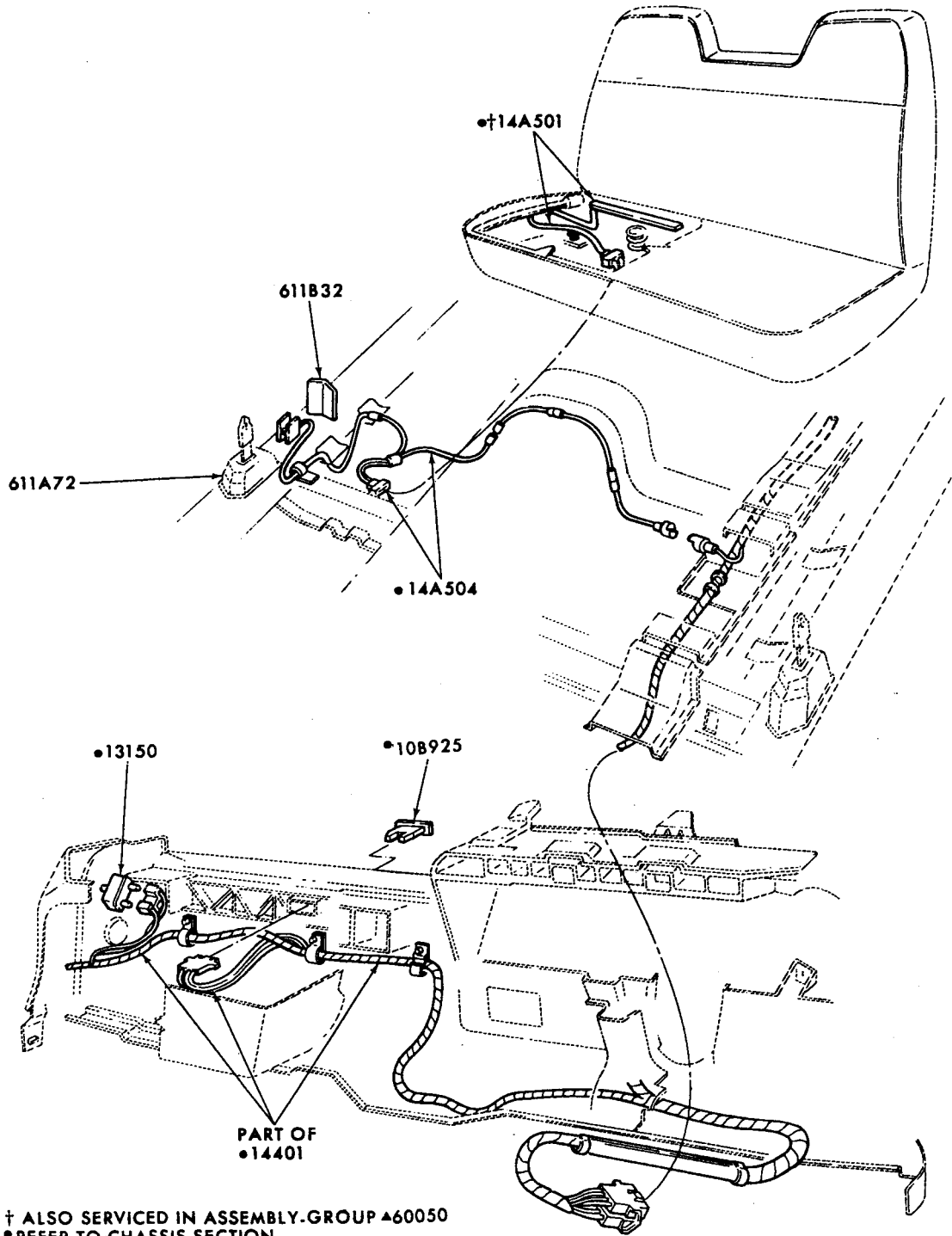
SEAT BELT WARNING LAMP INSTALLATION  
1971/72 MUSTANG



† ALSO SERVICED IN PAD-GROUP▲60050  
● REFER TO CHASSIS SECTION  
▲ REFER TO SOFT TRIM SECTION

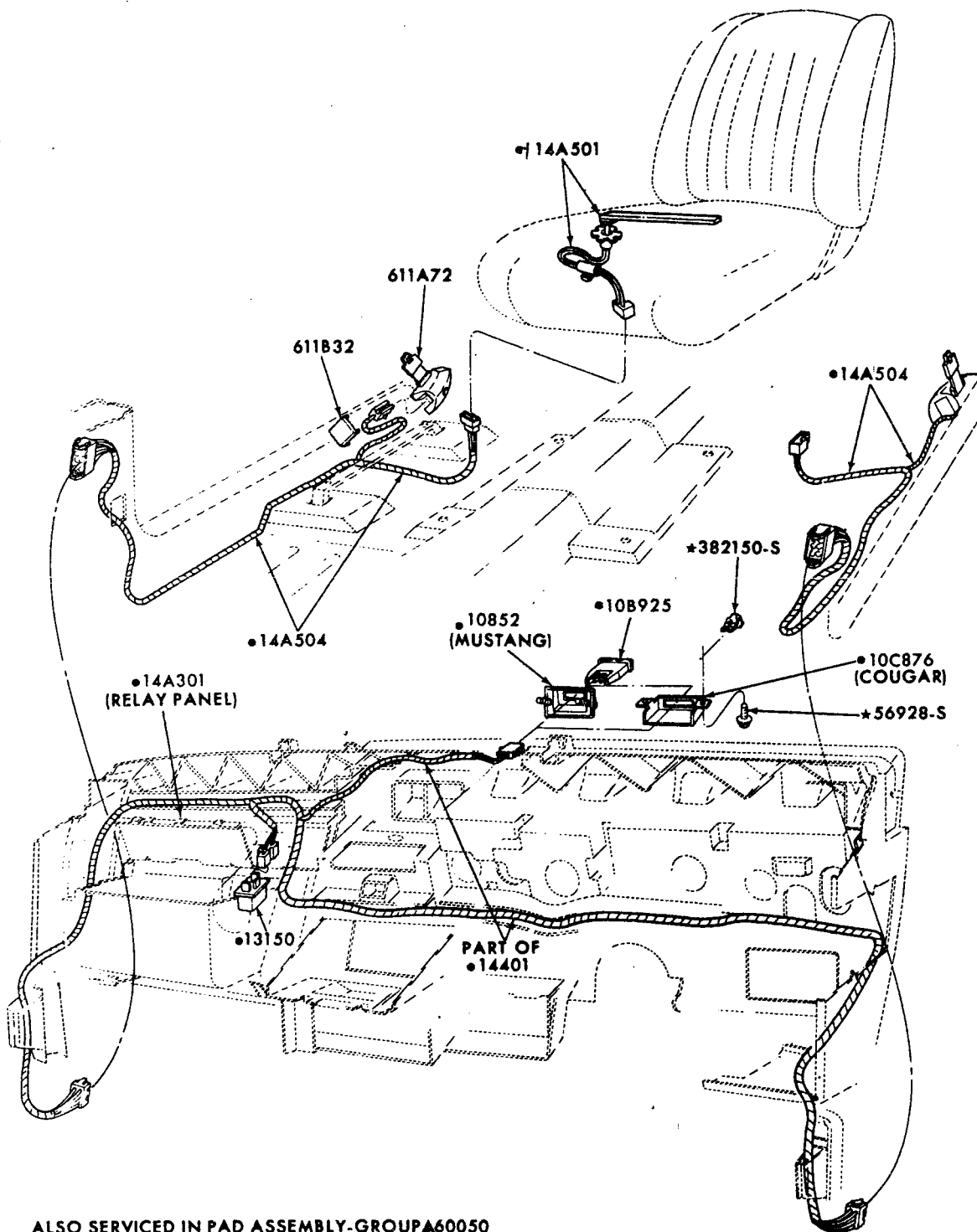
P-9260

SEAT BELT WARNING SYSTEM  
1972 FORD



† ALSO SERVICED IN ASSEMBLY-GROUP 460050  
 • REFER TO CHASSIS SECTION  
 ▲ REFER TO SOFT TRIM SECTION

P-9259

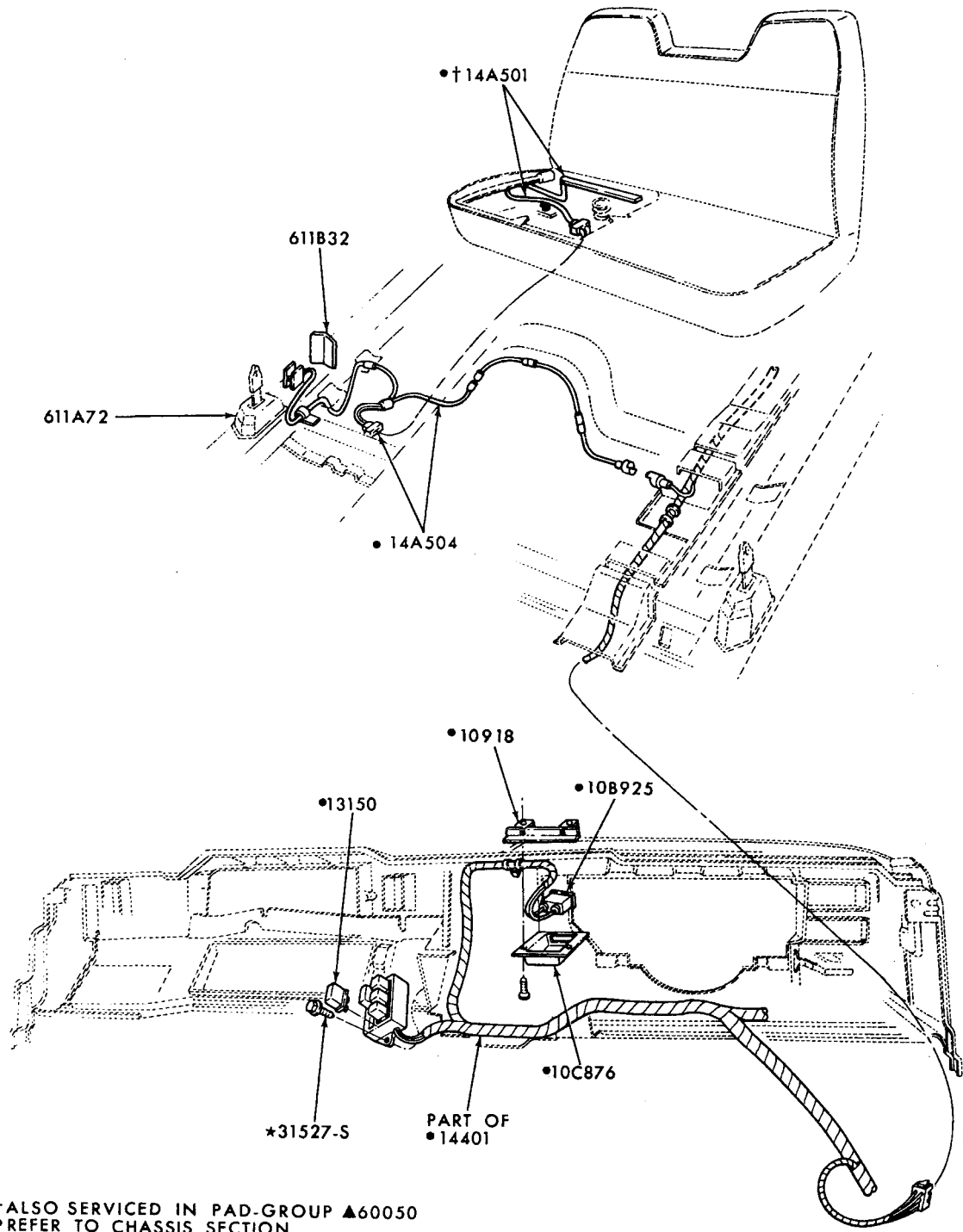


ALSO SERVICED IN PAD ASSEMBLY-GROUP A60050  
● REFER TO CHASSIS SECTION  
▲ REFER TO BODY SECTION

P-9266

SEAT BELT WARNING SYSTEM  
1972 MUSTANG

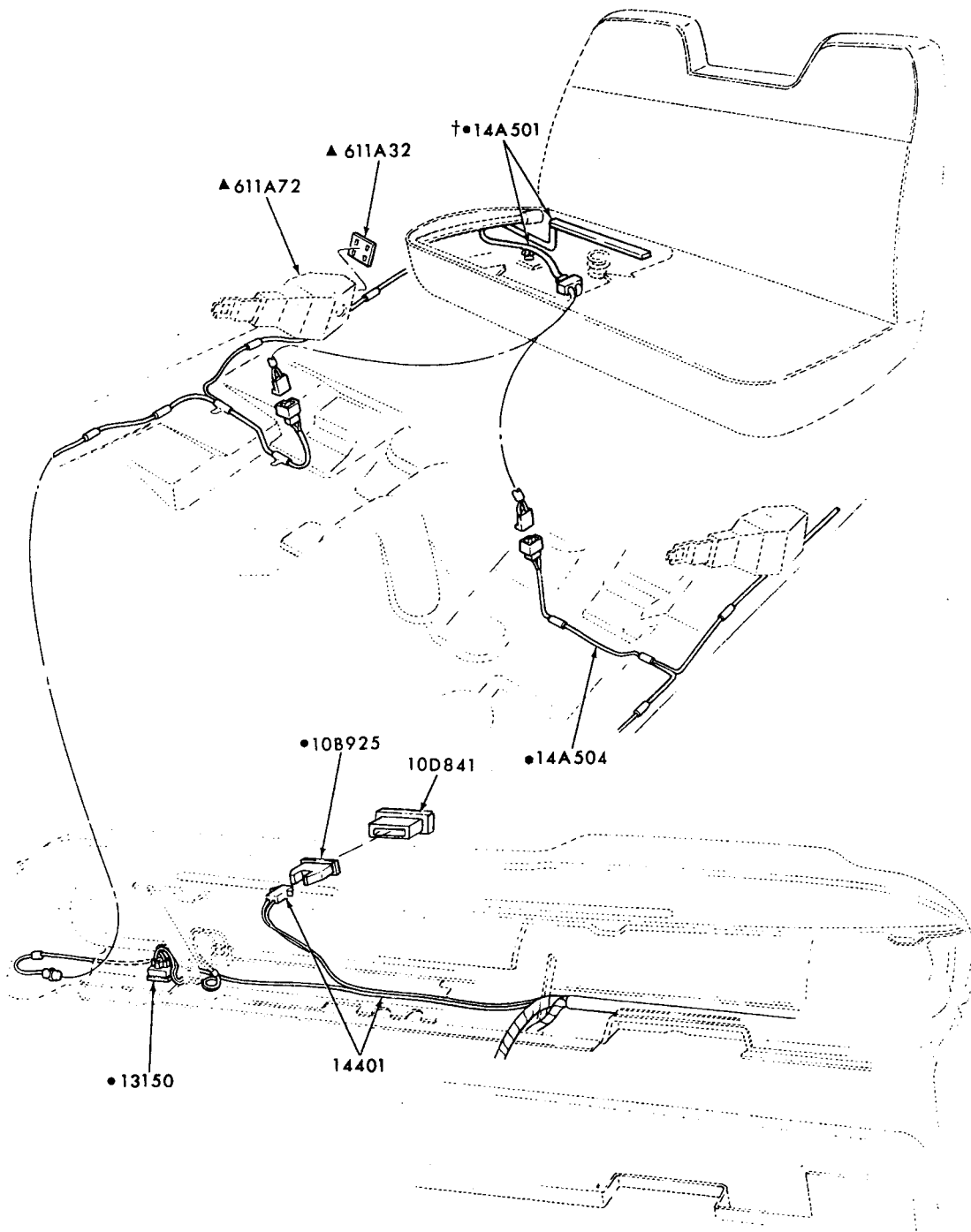
**FORD CAR PARTS**



†ALSO SERVICED IN PAD-GROUP ▲60050  
 ●REFER TO CHASSIS SECTION  
 ▲REFER TO SOFT TRIM SECTION

P-9264

**SEAT BELT WARNING SYSTEM  
1972 THUNDERBIRD**

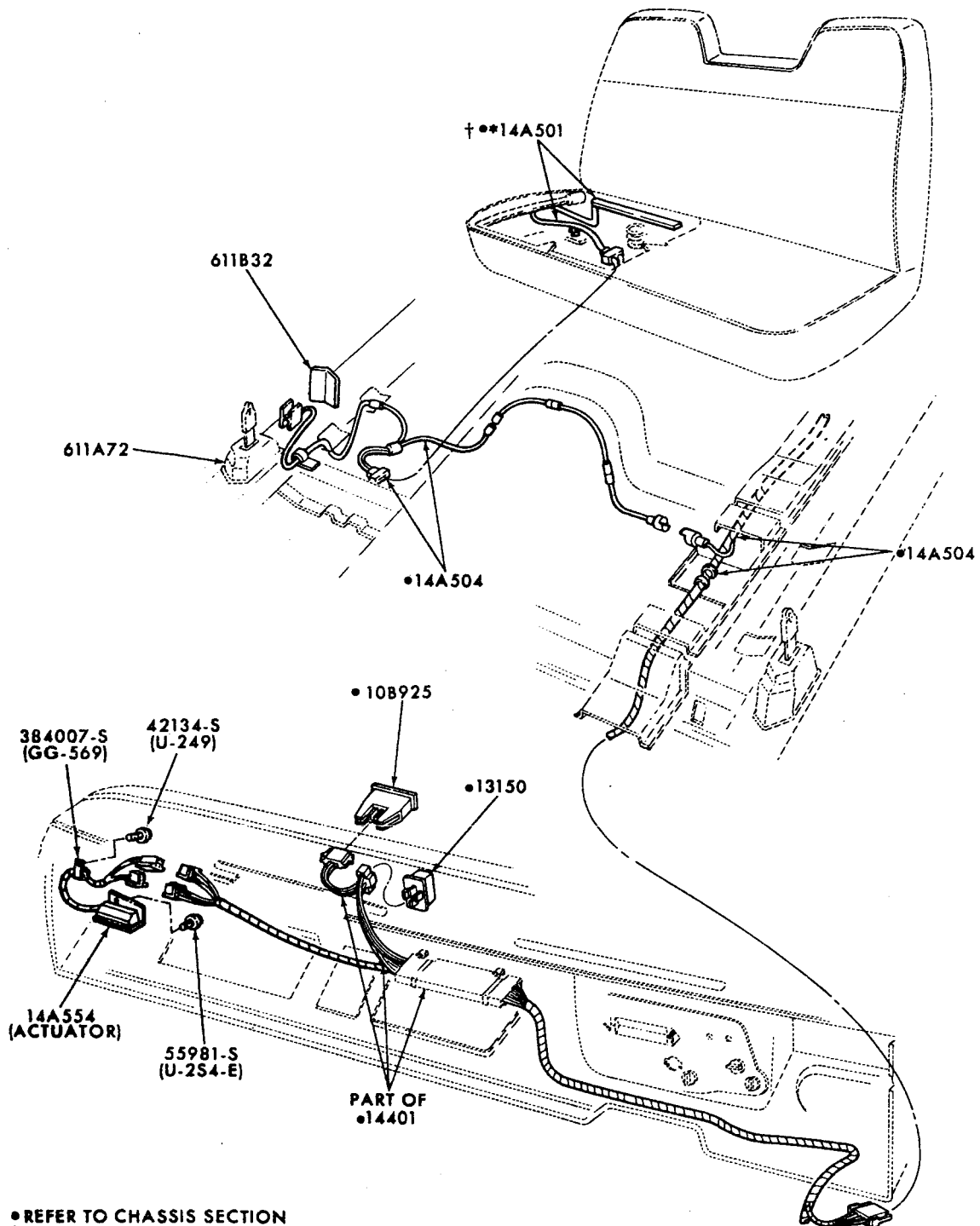


† ALSO SERVICED IN PAD-GROUP ▲ 60050  
● REFER TO CHASSIS SECTION  
▲ REFER TO SOFT TRIM SECTION

P-9261

SEAT BELT WARNING SYSTEM  
1972 MAVERICK

**FORD CAR PARTS**

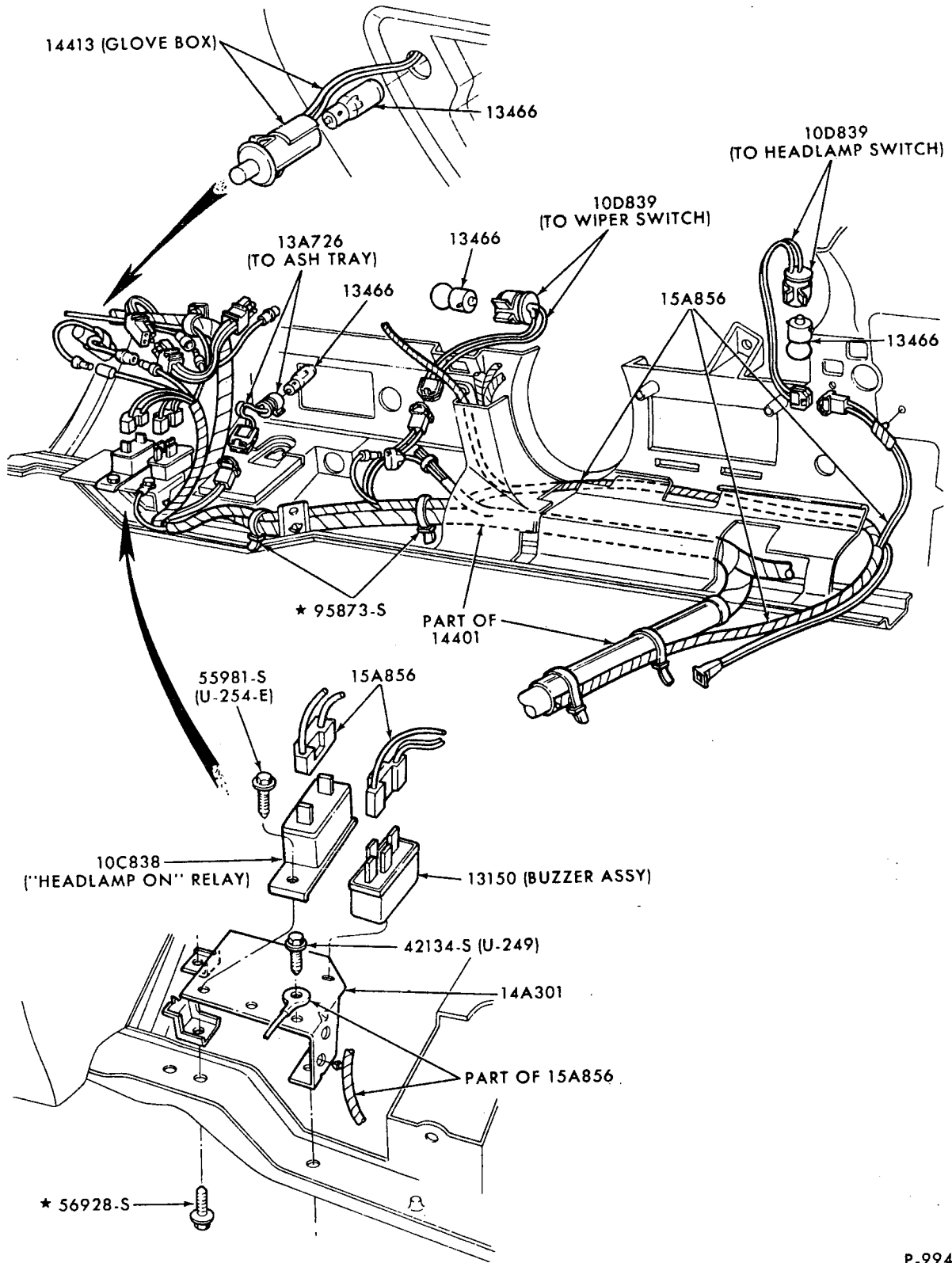


• REFER TO CHASSIS SECTION  
† ALSO SERVICED IN PAD ASSEMBLY-GROUP ▲60050  
▲ REFER TO SOFT TRIM SECTION

P-9262

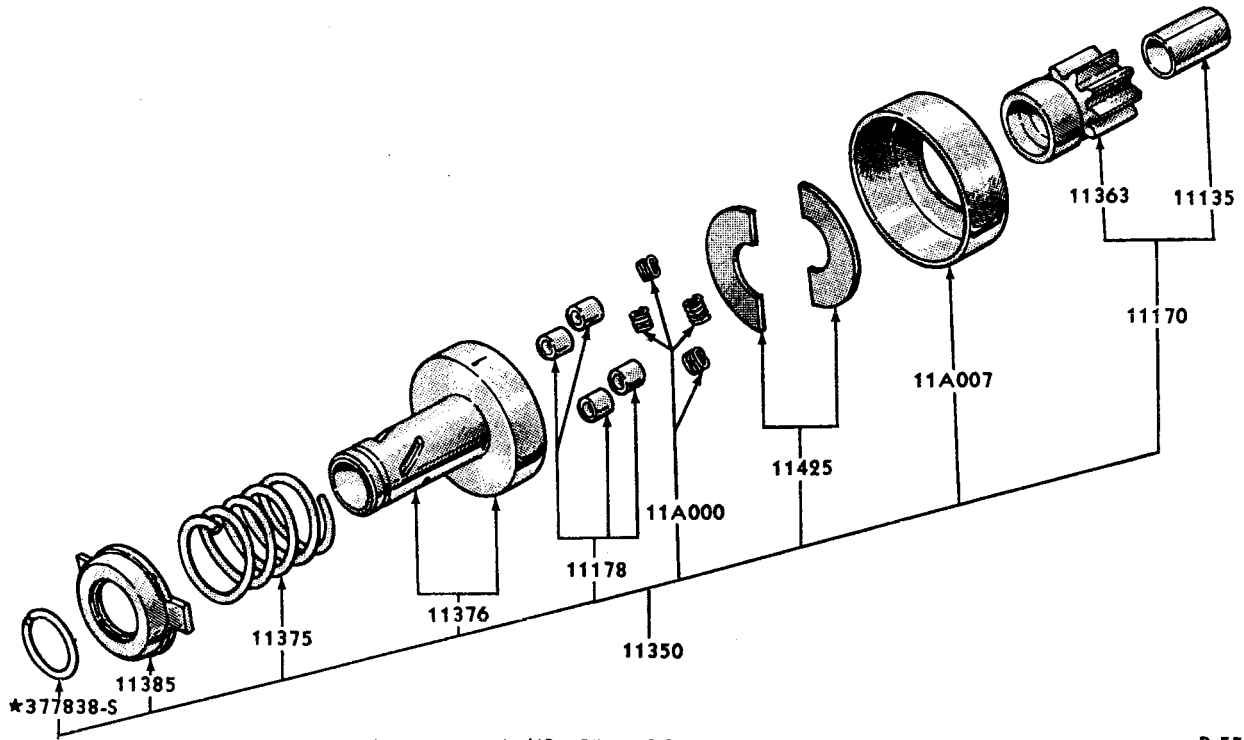
SEAT BELT WARNING SYSTEM  
1972 PINTO





P-9948

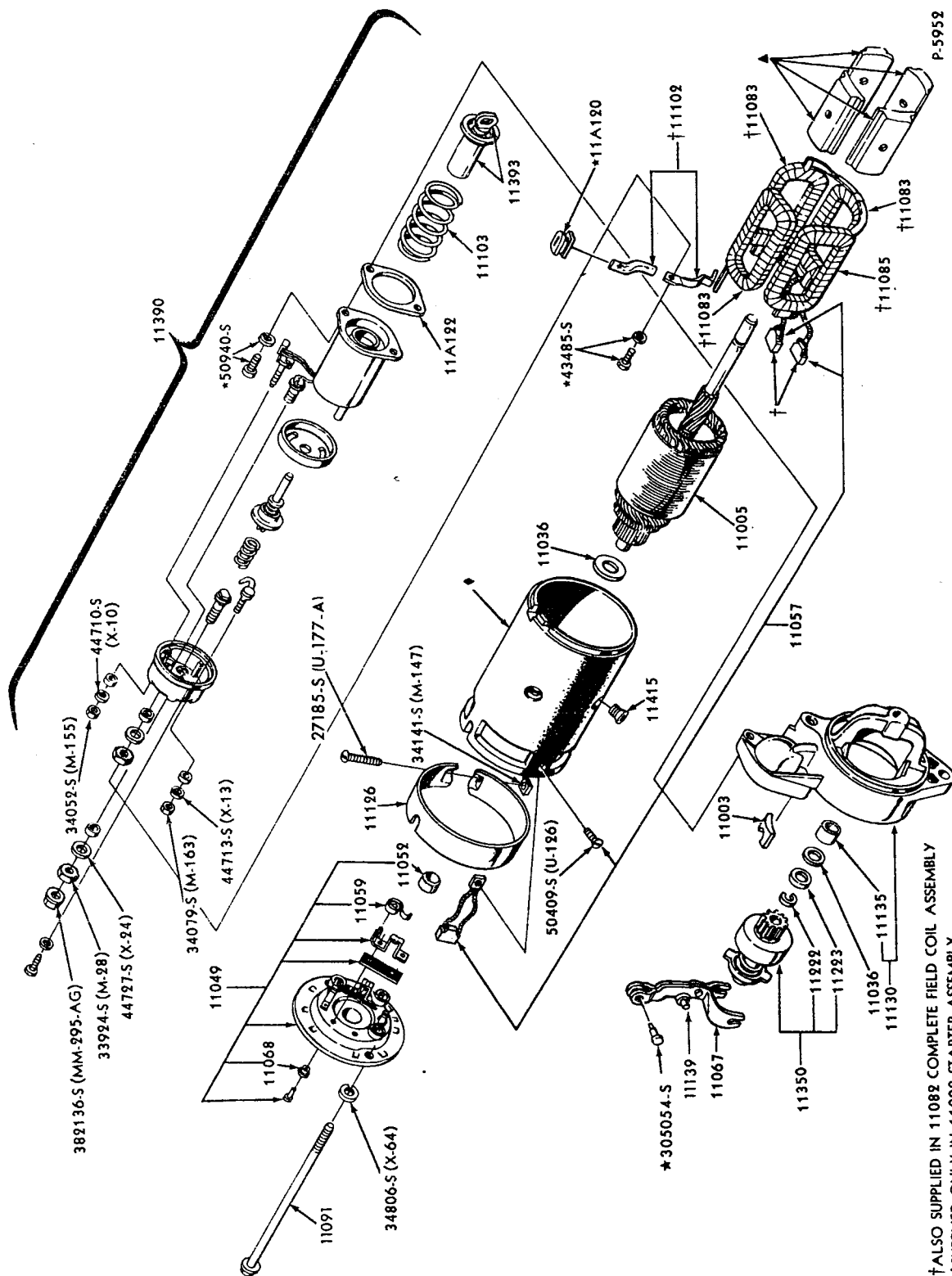
HEADLAMP ON WARNING INDICATOR and VISIBILITY GROUP WIRING  
1972 TORINO



STARTER DRIVE (12 VOLT - POSITIVE ENGAGEMENT)  
1965/72 FORD

P-5526

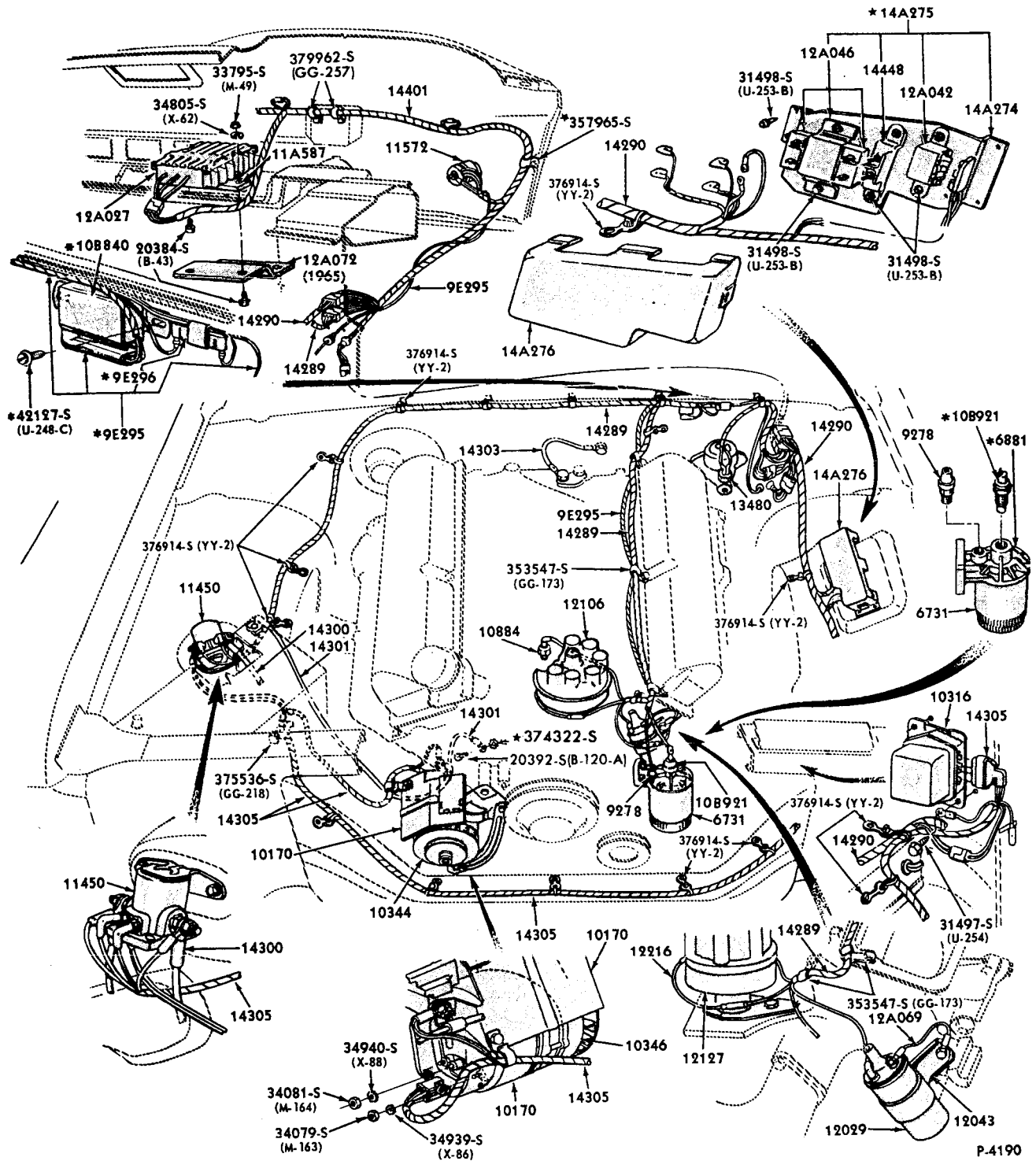




P-5952

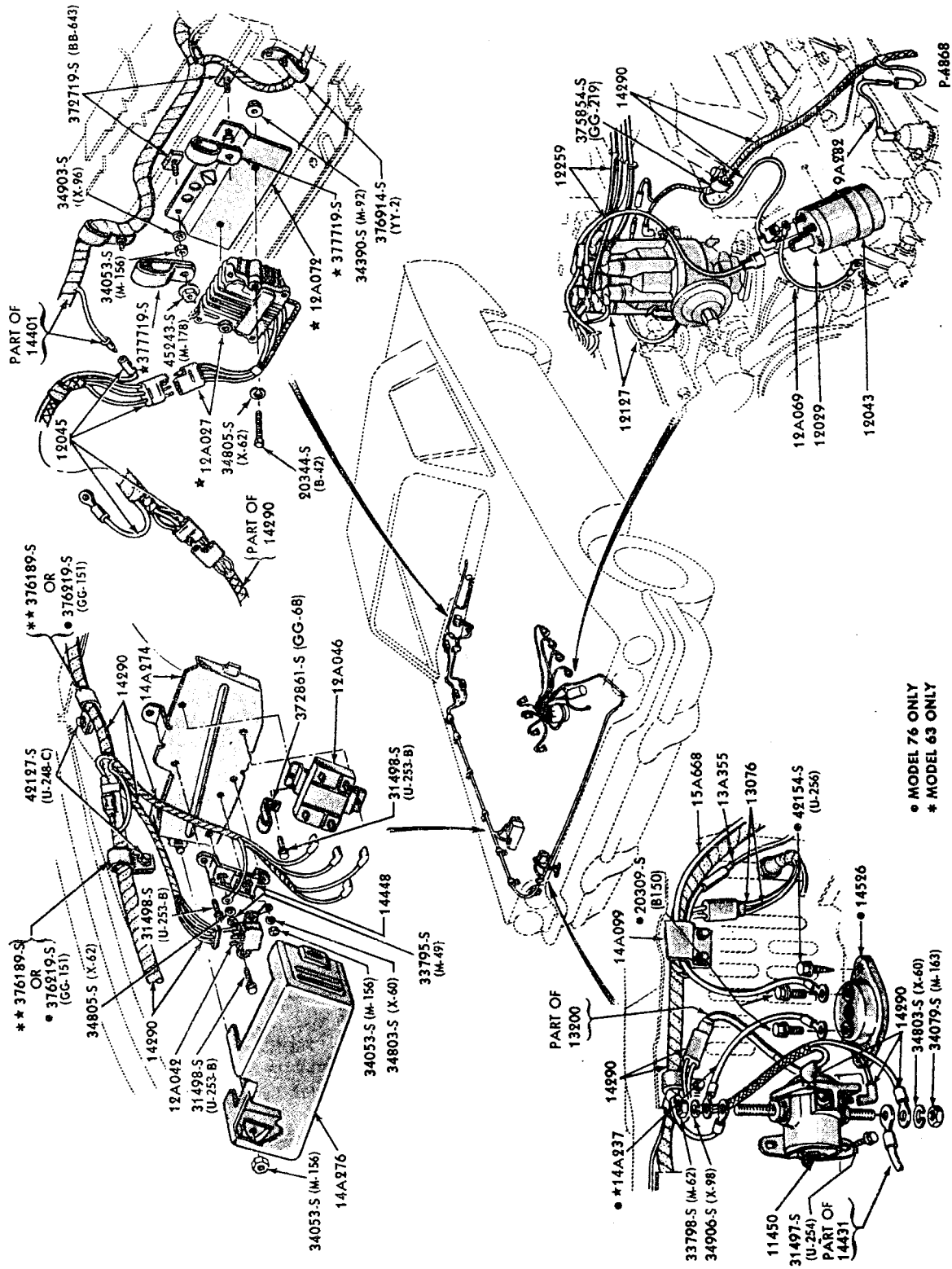
†ALSO SUPPLIED IN 11089 COMPLETE FIELD COIL ASSEMBLY  
‡SUPPLIED ONLY IN 11002 STARTER ASSEMBLY

STARTER and SOLENOID (FORD 12 VOLT - POSITIVE ENGAGEMENT)  
1968/72



\* USED WITH ENGINE OIL TEMPERATURE WARNING SYSTEM

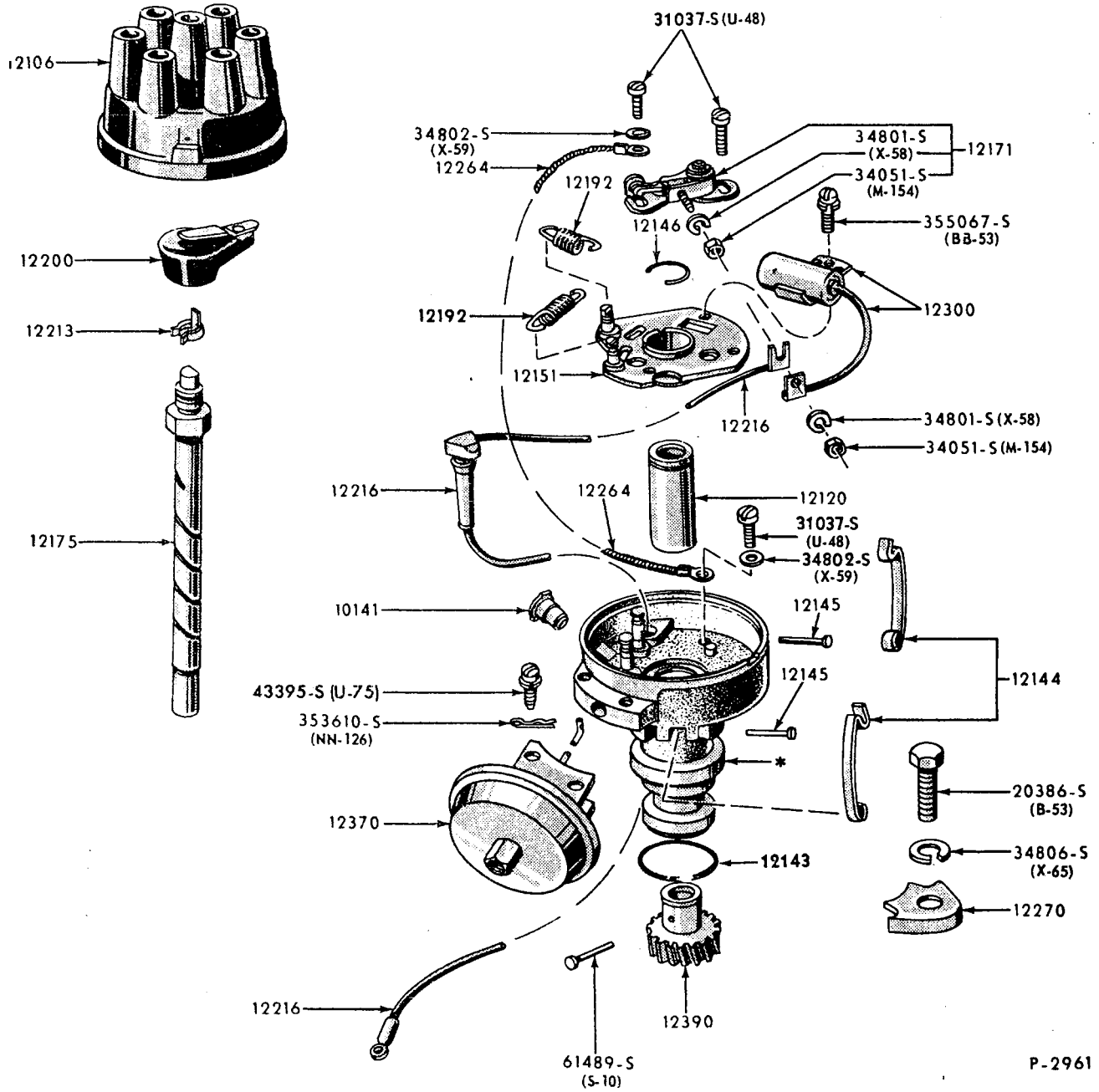
TRANSISTORIZED IGNITION SYSTEM, OIL TEMPERATURE WARNING SYSTEM and RELATED PARTS  
 1965 FORD (8 CYLINDER 427 ENGINE)



P.4868

• MODEL 76 ONLY  
 \* MODEL 63 ONLY

TRANSISTORIZED IGNITION SYSTEM and RELATED PARTS  
1965/66 THUNDERBIRD (8 CYLINDER 390, 428 ENGINE)

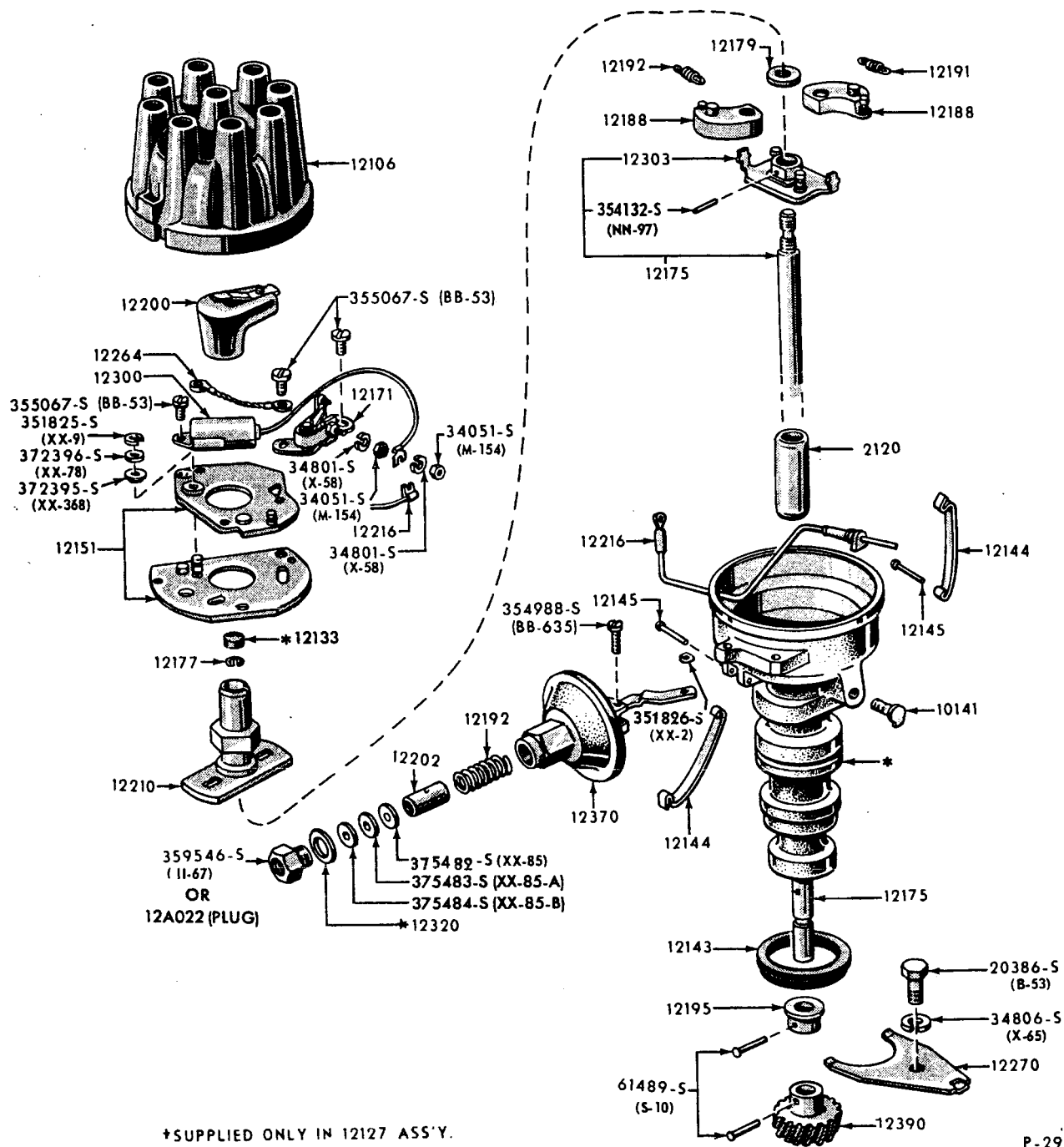


P-2961

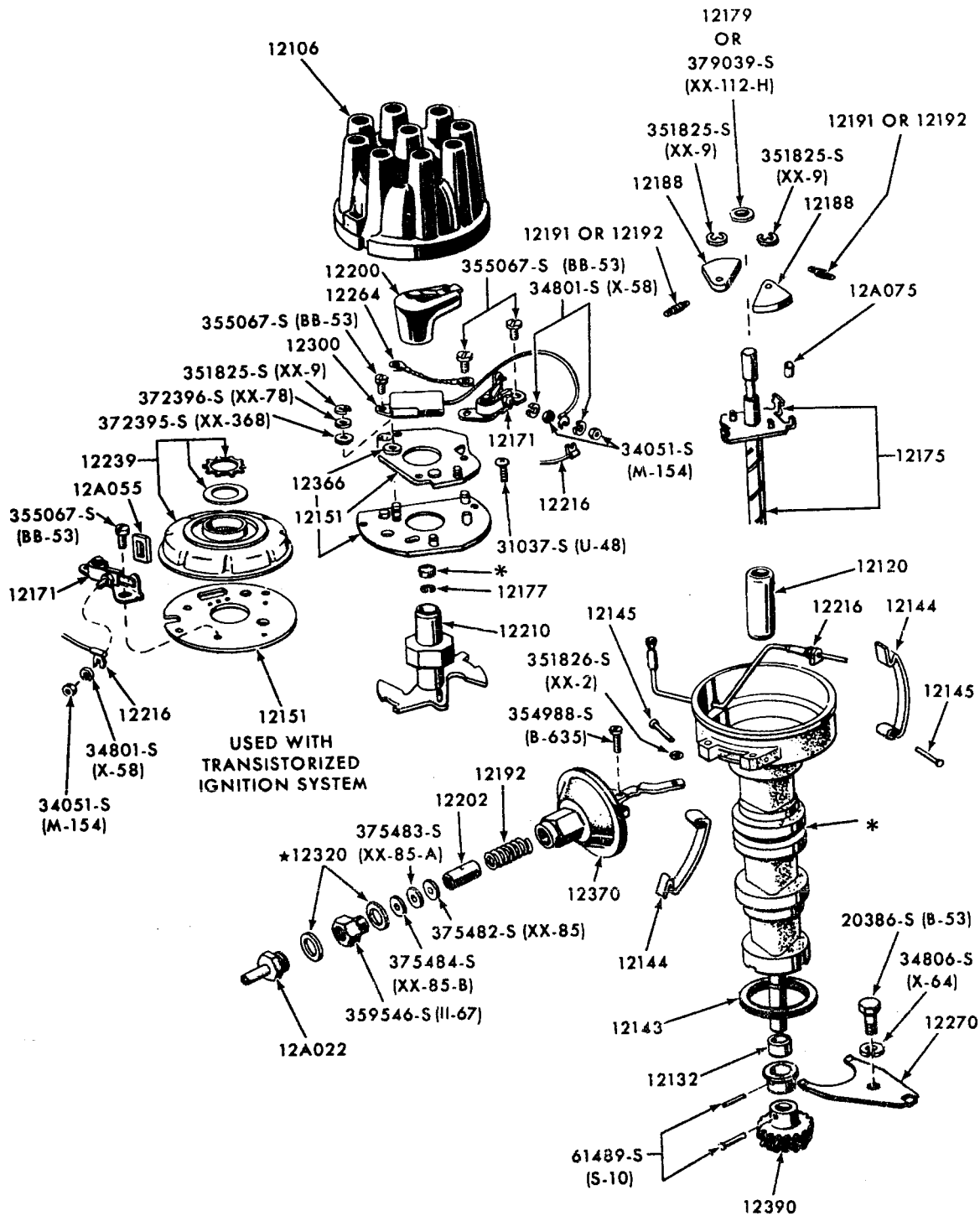
DISTRIBUTOR  
1965/69 6 CYLINDER 170,200 ENGINES







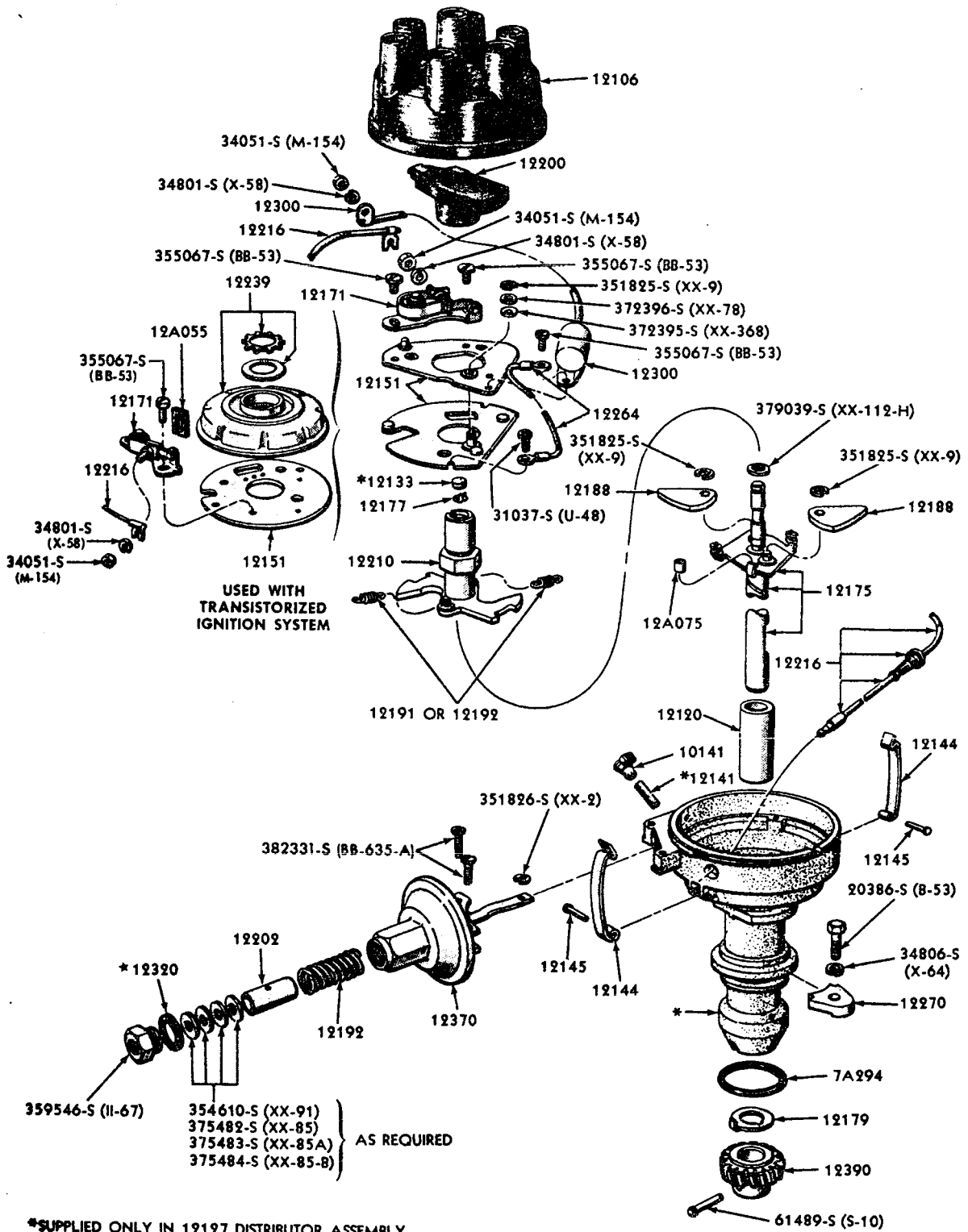
DISTRIBUTOR - (PIVOT PLATE except WITH STAMPED WEIGHTS)  
1965/67 8 CYLINDER - ALL



\*SUPPLIED IN 12127 ASSEMBLY ONLY

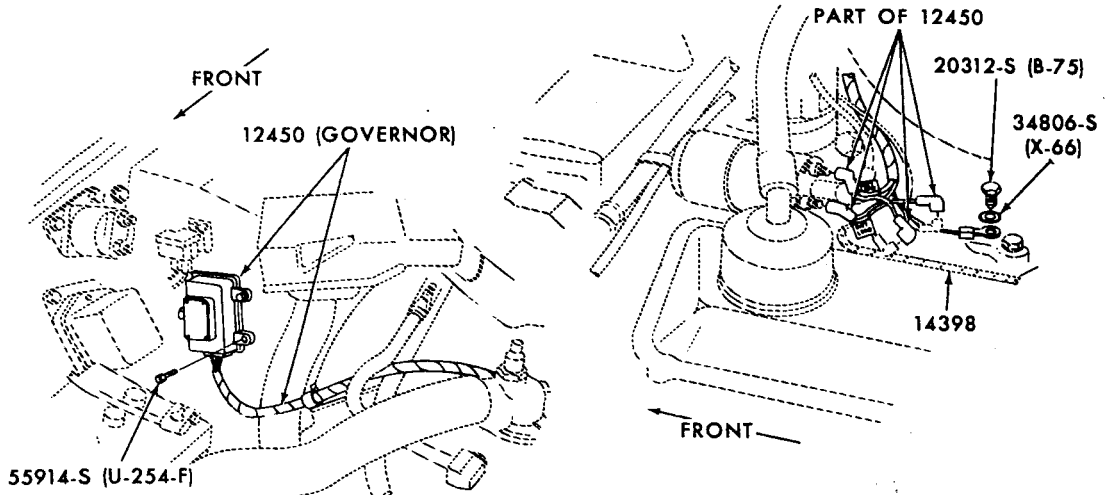
P.4924

DISTRIBUTOR - (WITH STAMPED WEIGHTS)  
1965/71 8 CYLINDER - ALL

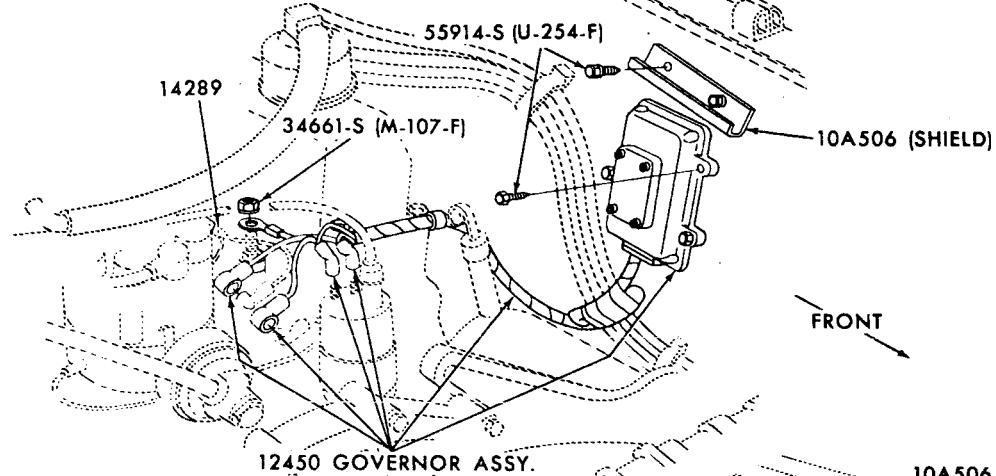


P-5825

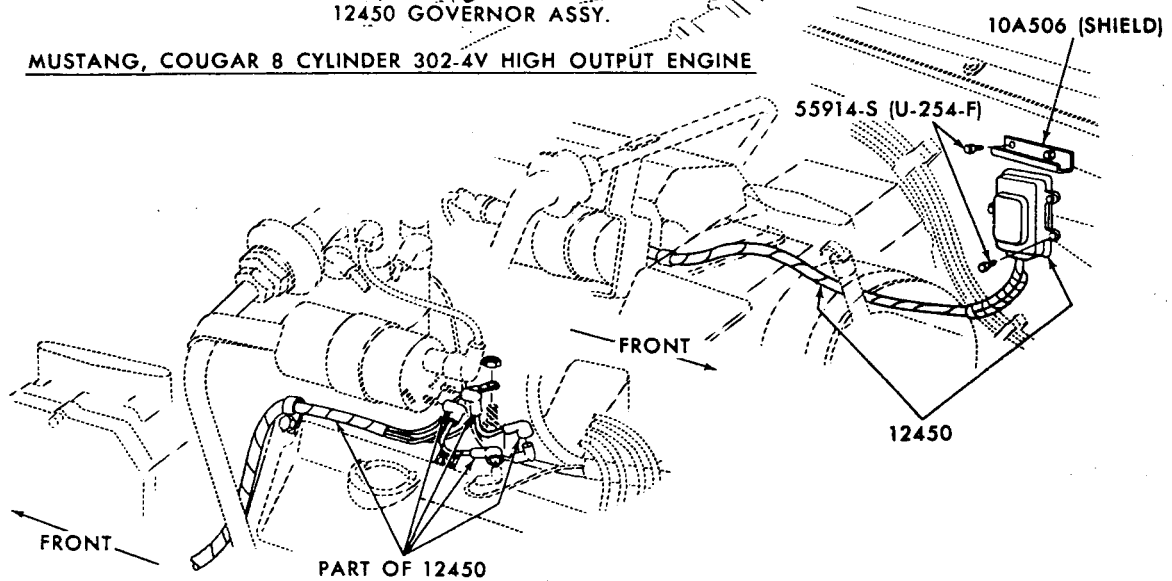
DISTRIBUTOR - DUAL ADVANCE  
1969/71 6 CYLINDER 250 ENGINE



FAIRLANE/TORINO, MONTEGO 8 CYLINDER 429 COBRA JET & SUPER COBRA JET ENGINES



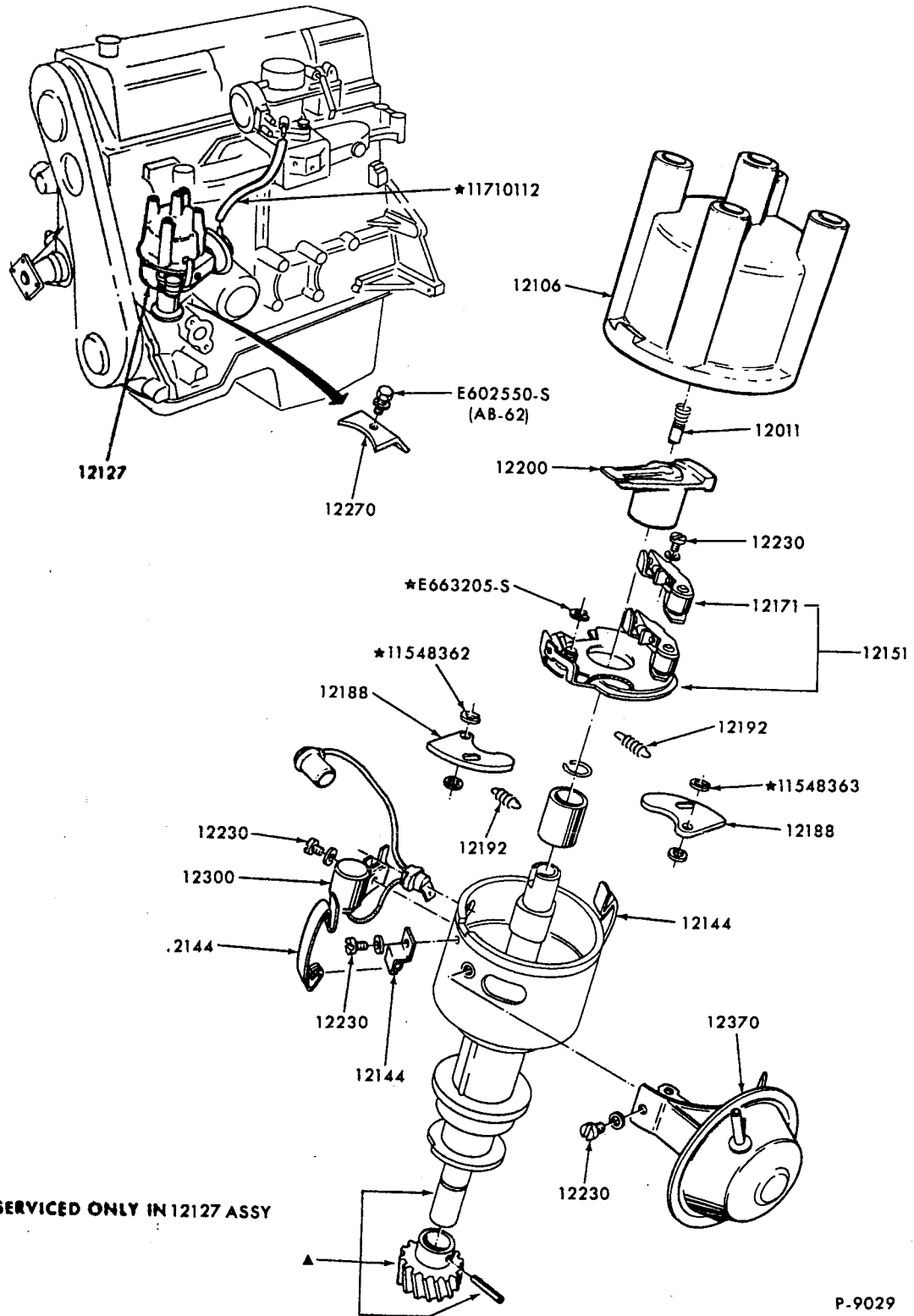
MUSTANG, COUGAR 8 CYLINDER 302-4V HIGH OUTPUT ENGINE



MUSTANG, COUGAR 8 CYLINDER 428 COBRA JET & SUPER COBRA JET ENGINES

P-7589

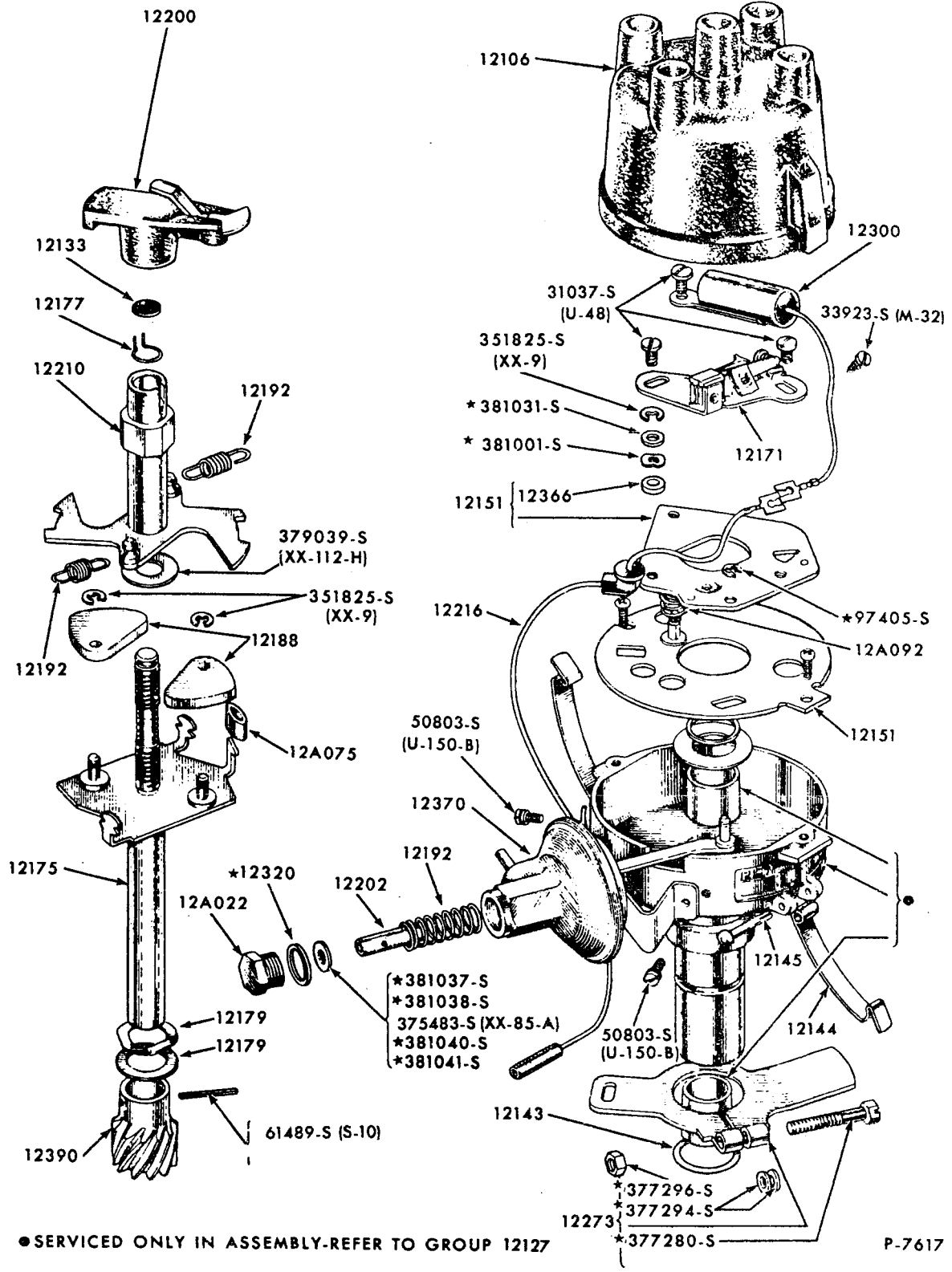
ENGINE GOVERNOR - TRANSISTORIZED-302, 428, 429 CJ-S/CJ ENGINES  
1969/71 FAIRLANE/TORINO, 1969/72 MUSTANG



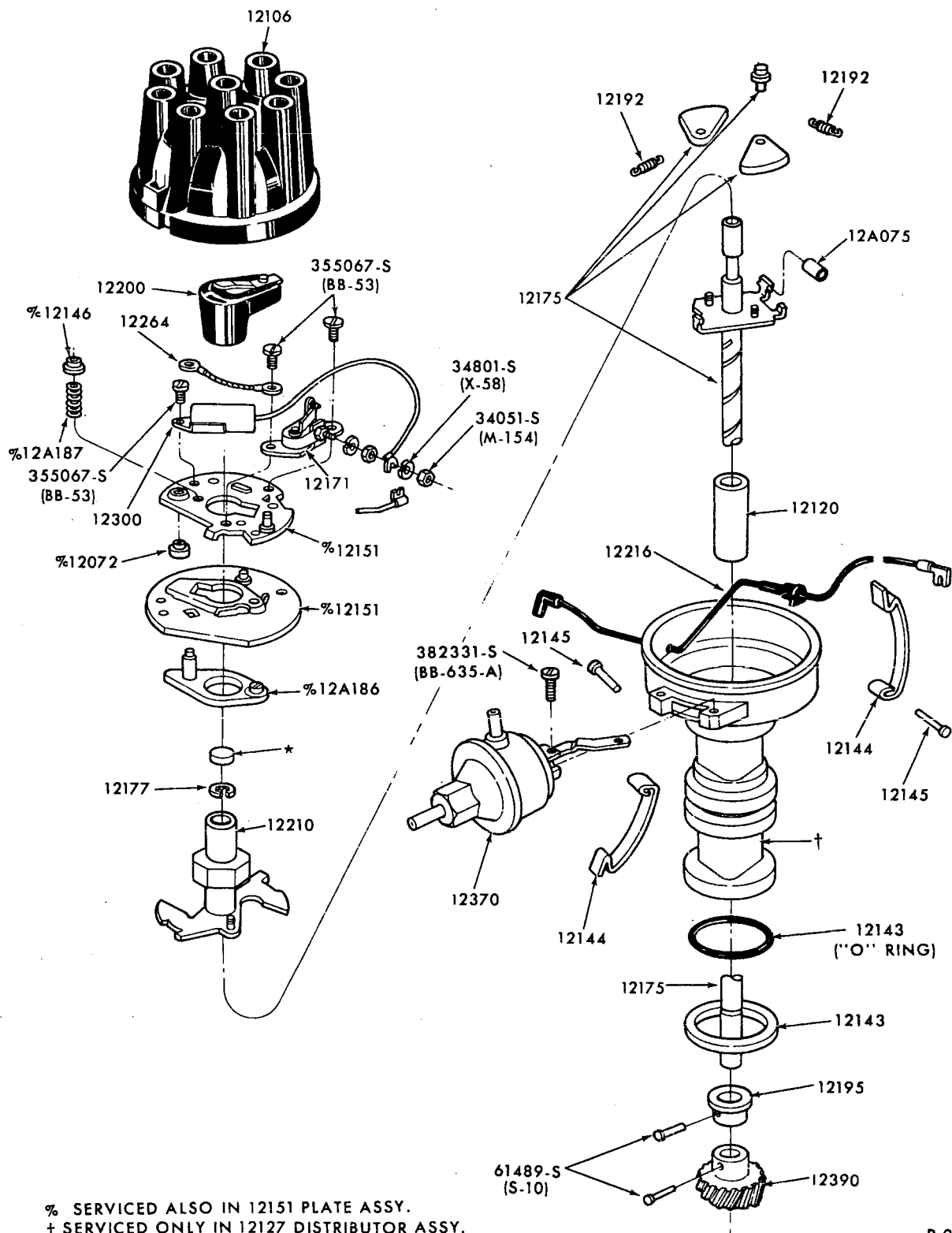
▲ SERVICED ONLY IN 12127 ASSY

P-9029

DISTRIBUTOR  
1971/72 PINTO (4 CYLINDER 122 O.H.C. ENGINE)



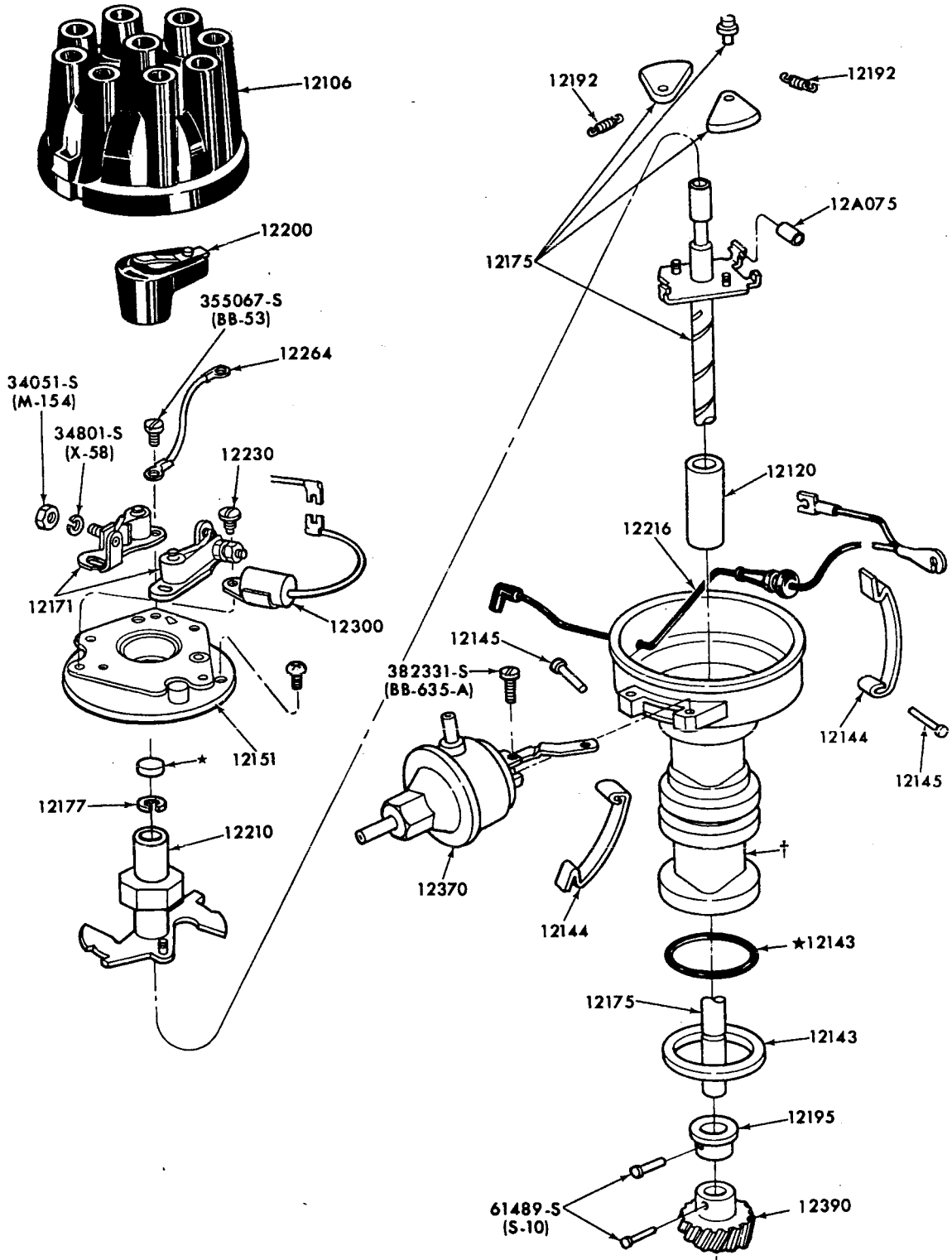
DISTRIBUTOR  
1971/72 PINTO (4 CYLINDER 98 ENGINE)



% SERVICED ALSO IN 12151 PLATE ASSY.  
 † SERVICED ONLY IN 12127 DISTRIBUTOR ASSY.

P-9288

DISTRIBUTOR - SINGLE POINT  
 1972 8 CYLINDER - ALL

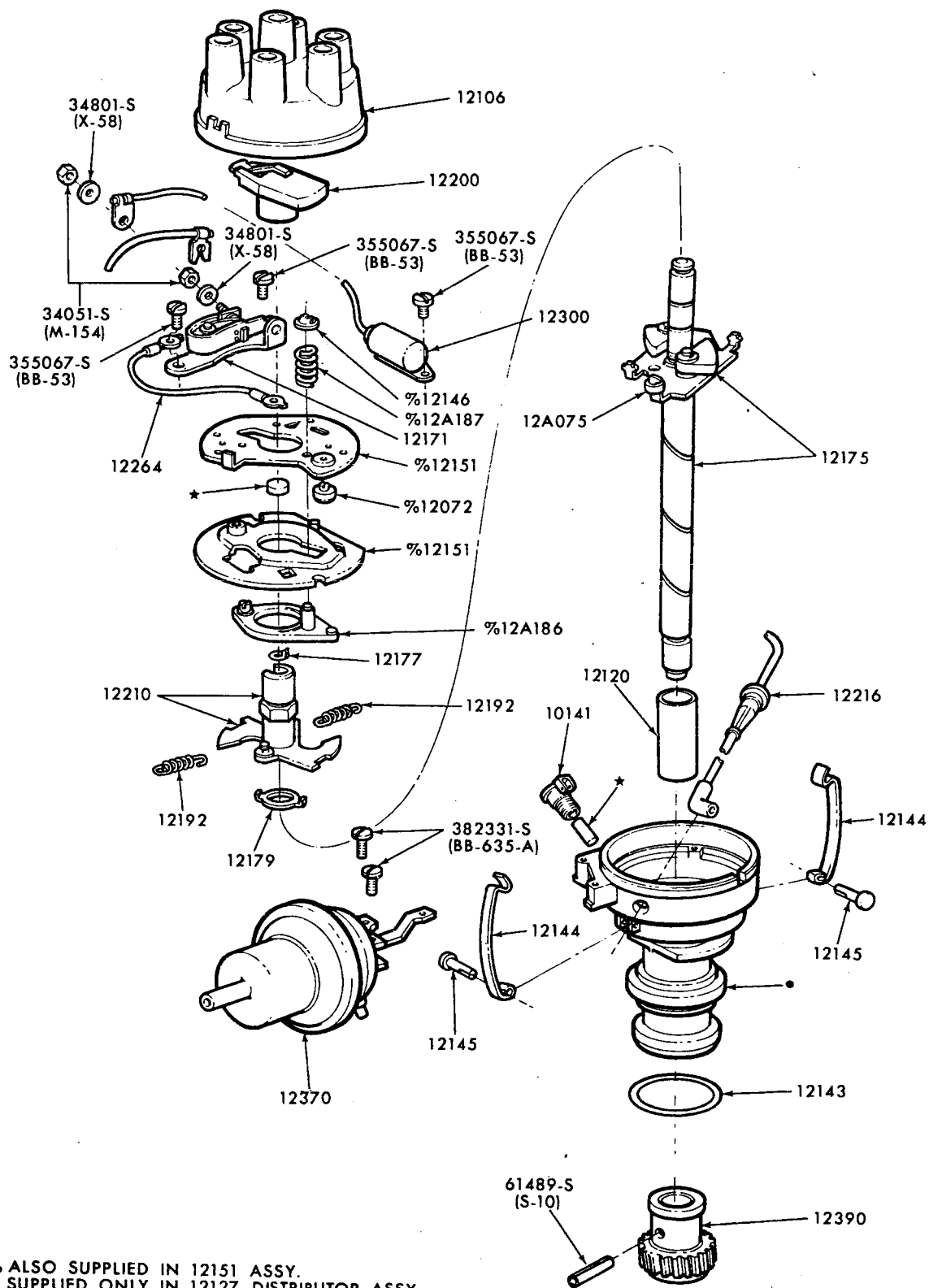


† SERVICED ONLY IN DISTRIBUTOR ASSY.-12127

P-10590

DISTRIBUTOR - DUAL POINT  
1972 8 CYLINDER

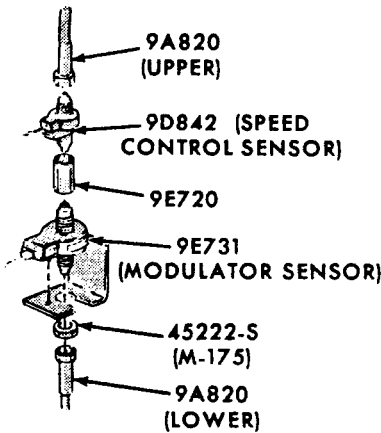
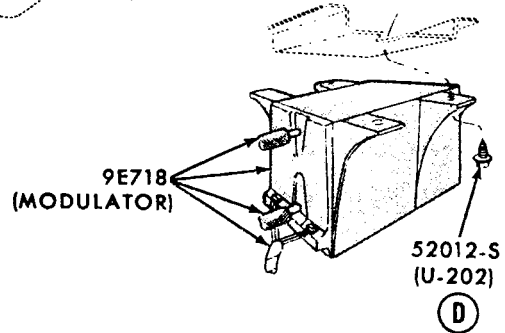
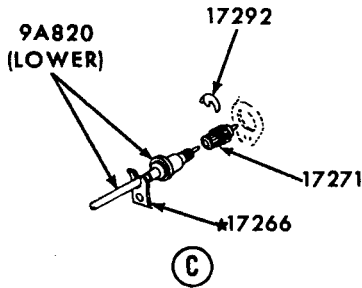
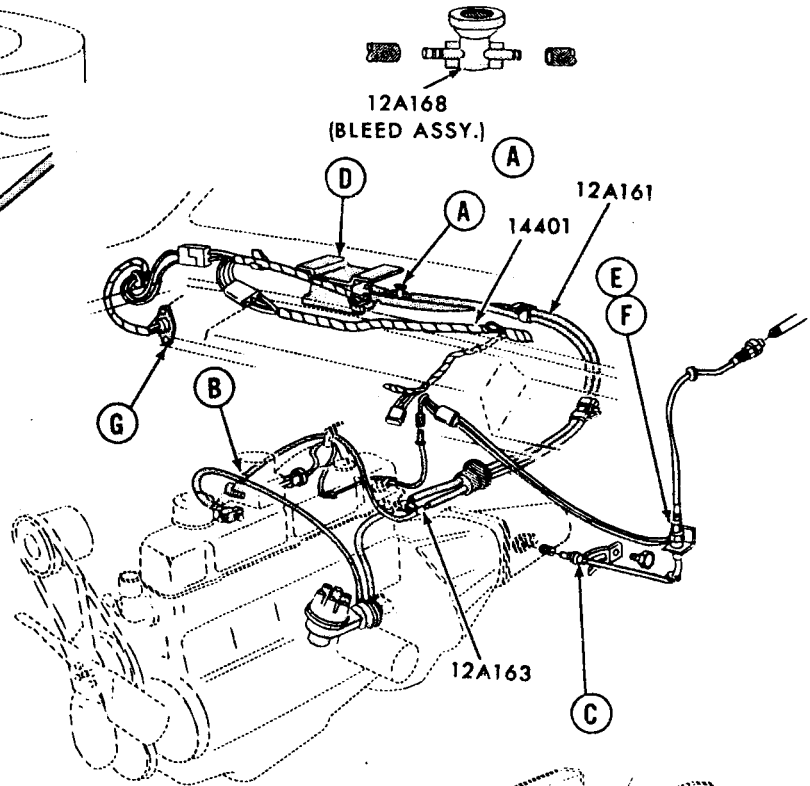
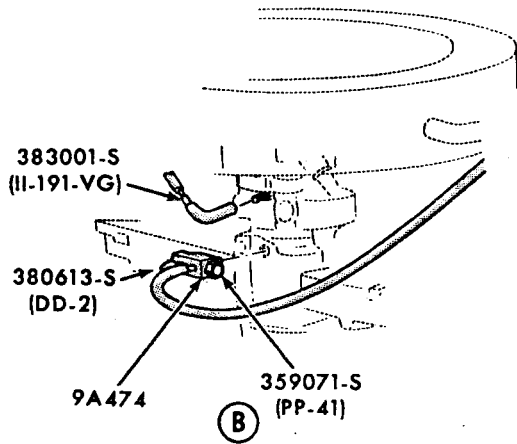




% ALSO SUPPLIED IN 12151 ASSY.  
 • SUPPLIED ONLY IN 12127 DISTRIBUTOR ASSY.

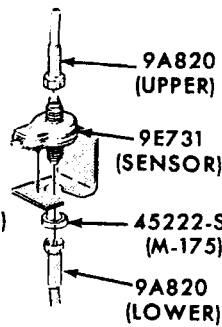
P-10451

DISTRIBUTOR - TYPICAL  
 1972 6 CYLINDER - ALL



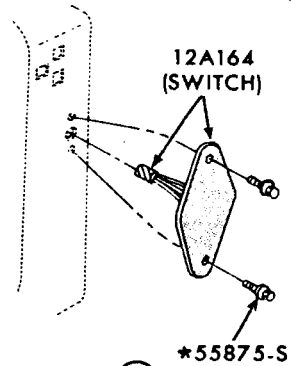
WITH SPEED CONTROL

E



WITHOUT SPEED CONTROL

F

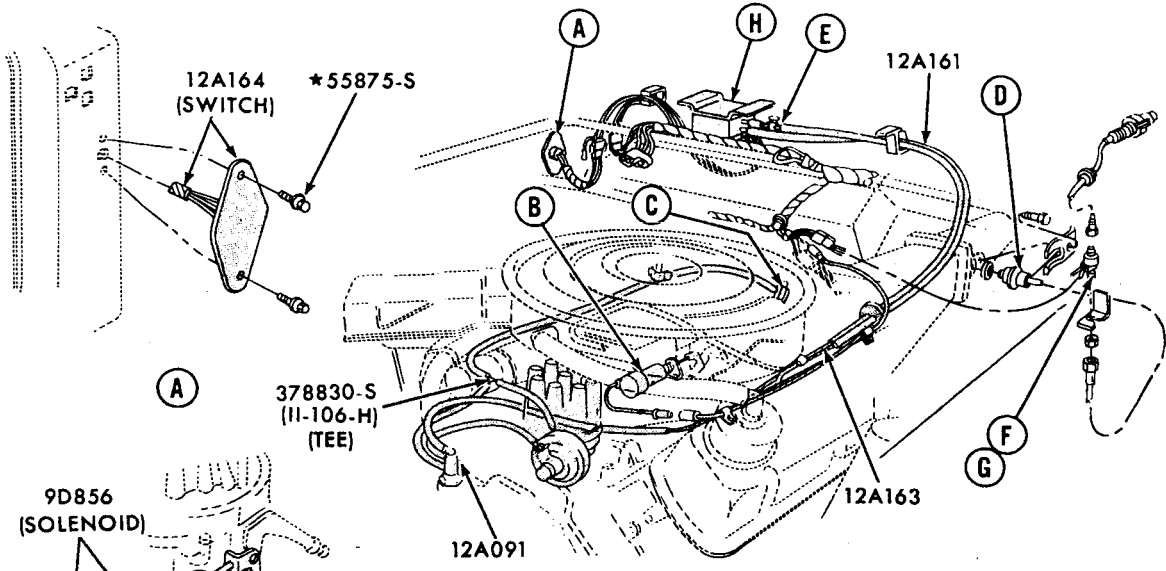


P-7564

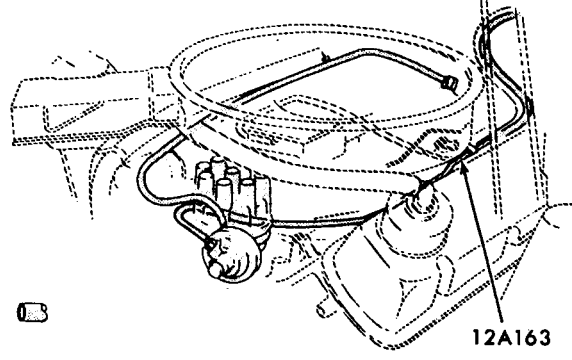
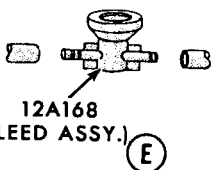
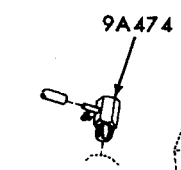
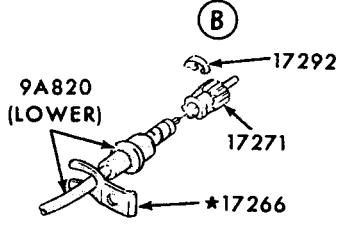
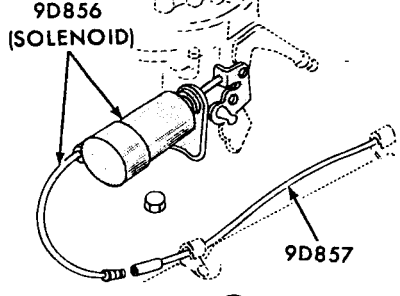
DISTRIBUTOR MODULATOR-6 CYL. 240 C.I.D. ENGINE  
1970 FORD

ILLUSTRATION SECTION 120.1

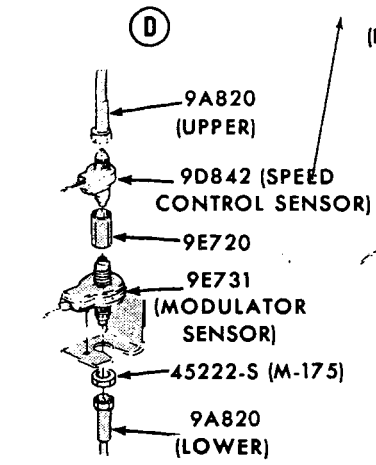
FORD CAR PARTS



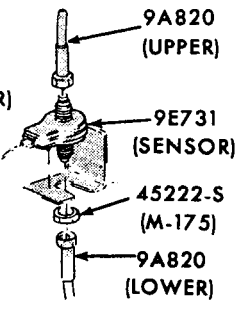
WITH AIR CONDITIONING



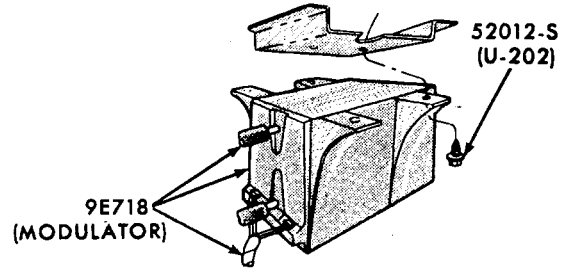
WITHOUT AIR CONDITIONING



WITH SPEED CONTROL

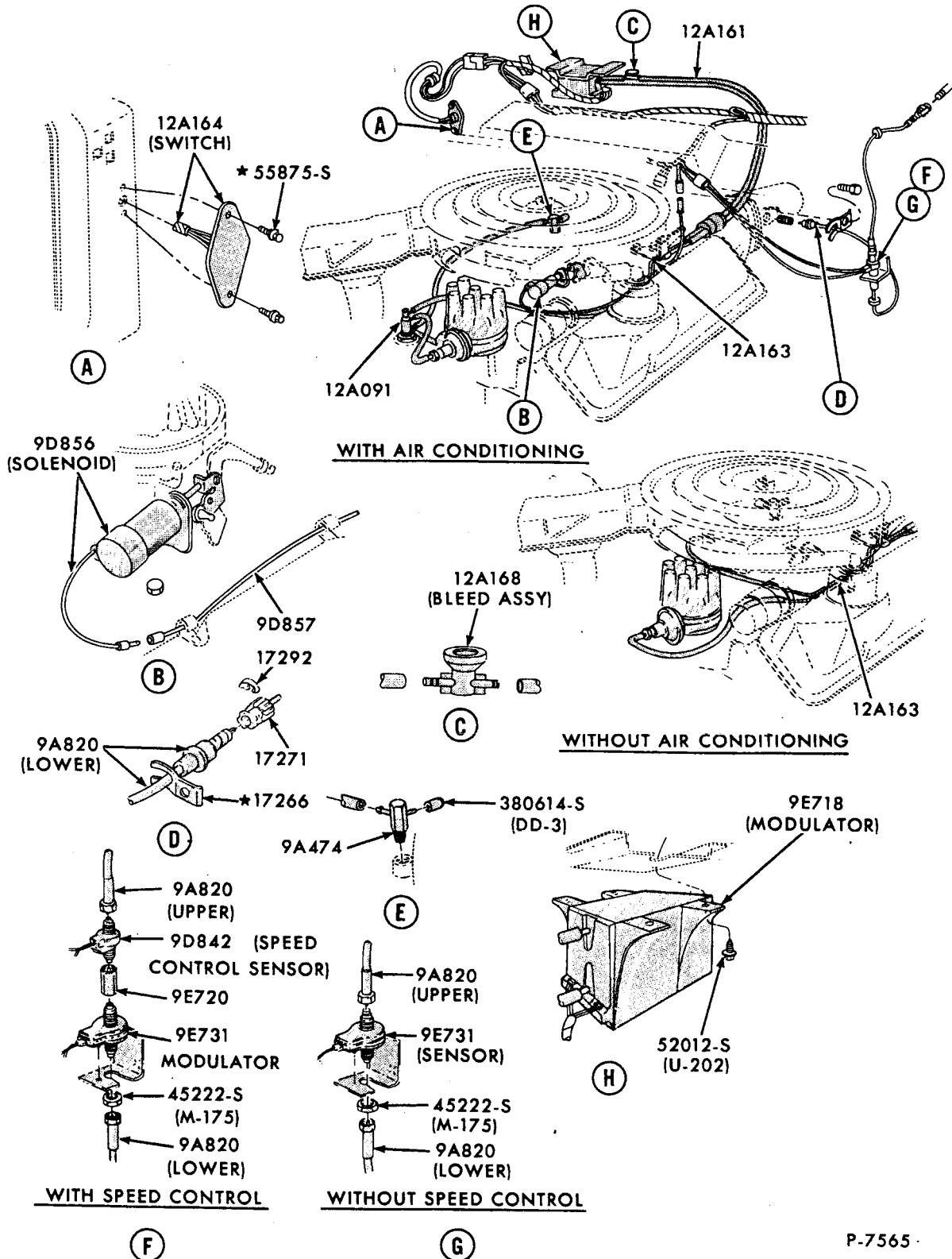


WITHOUT SPEED CONTROL



P-7563

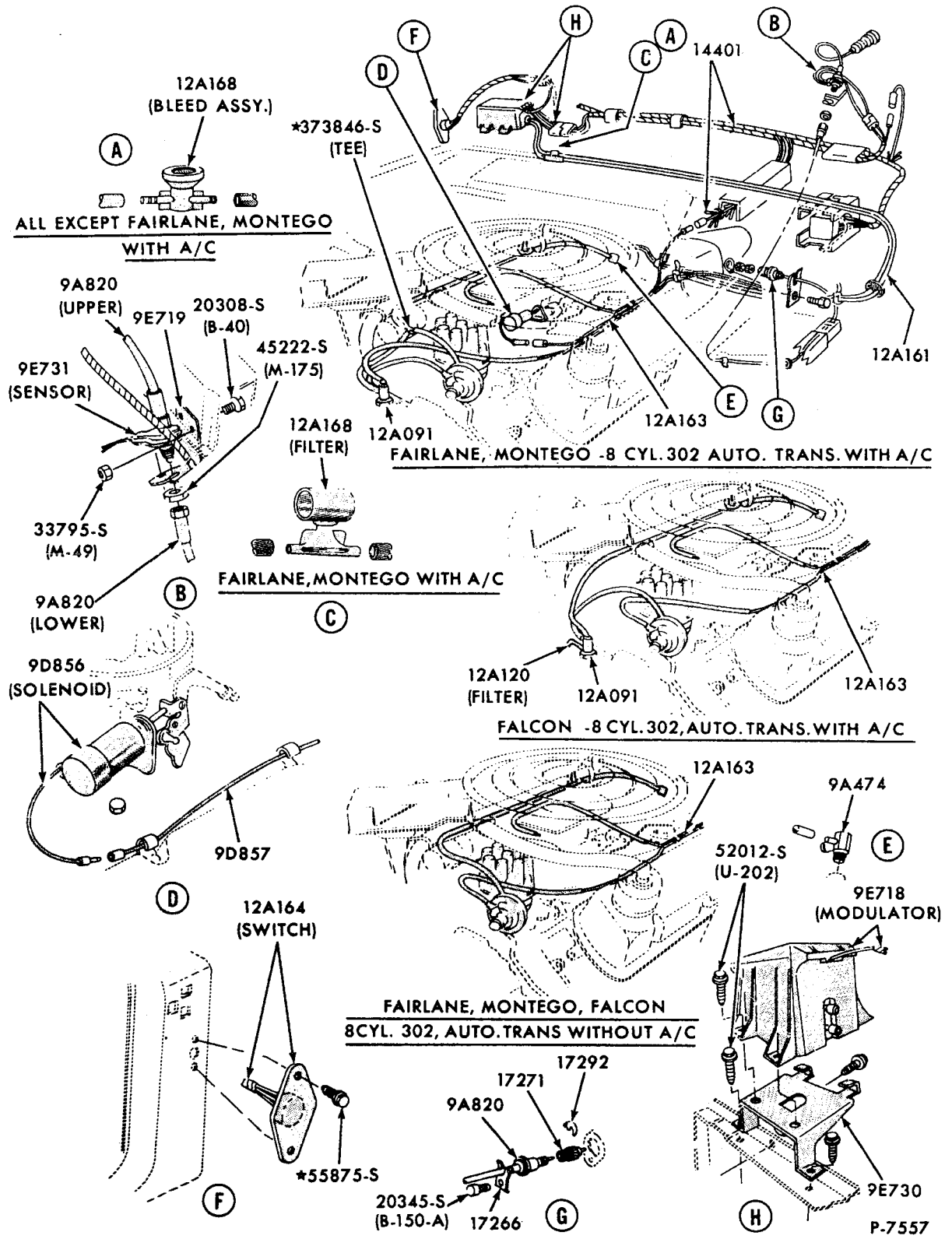
DISTRIBUTOR MODULATOR - 8 CYL. 302 C.I.D. ENGINE  
1970 FORD



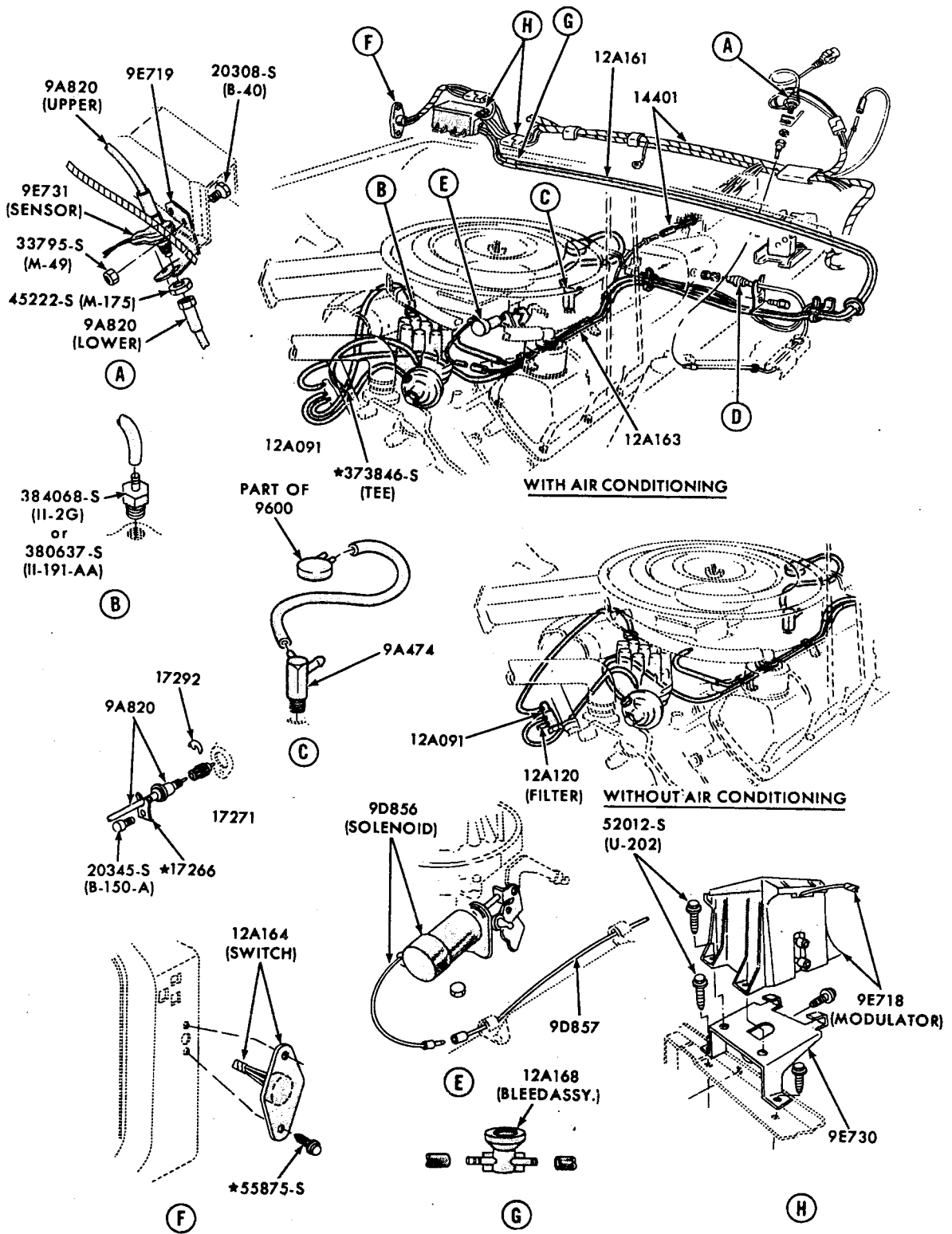
P-7565

DISTRIBUTOR MODULATOR - 8 CYL. 390 C. I. D. ENGINE  
1970 FORD

FORD CAR PARTS



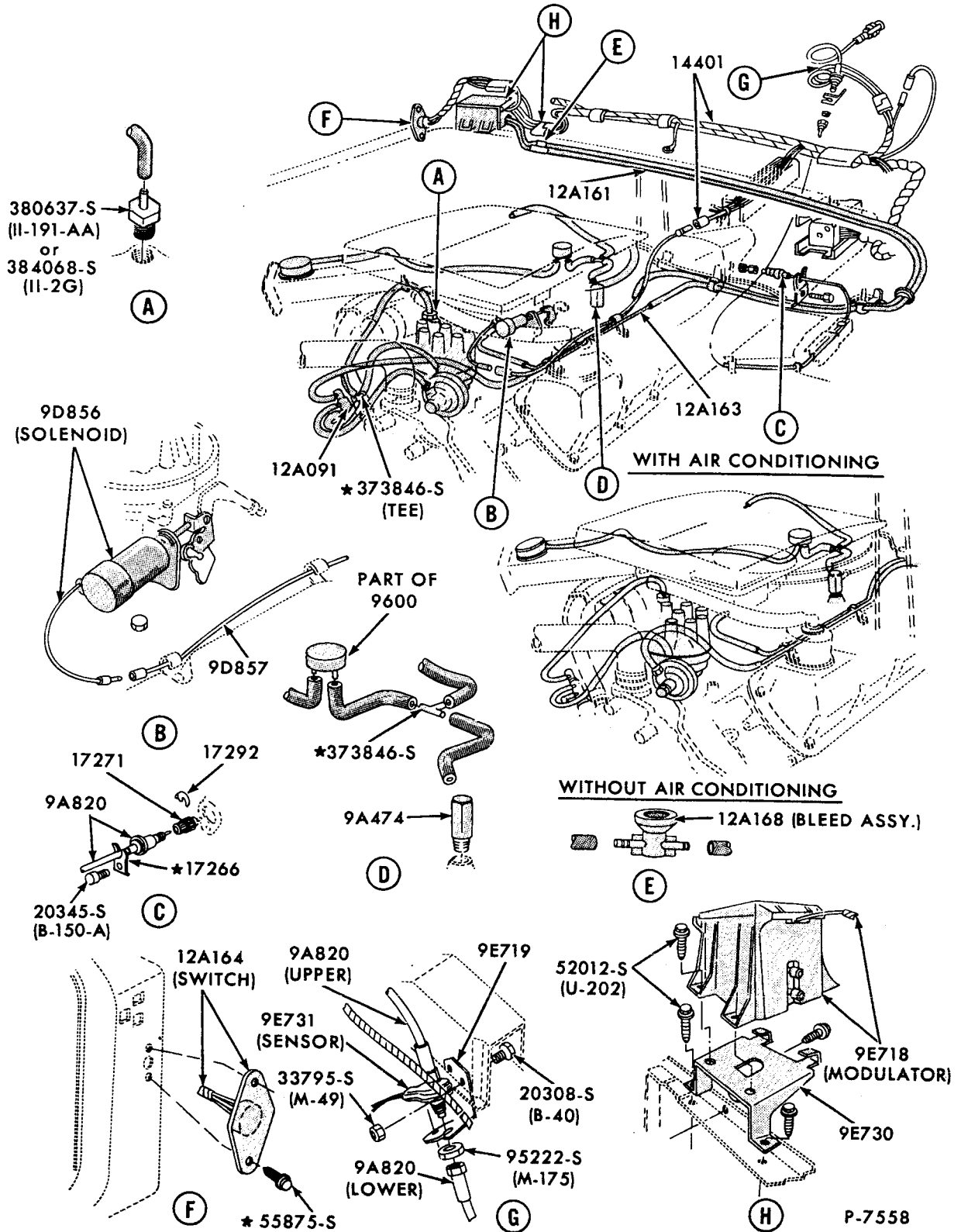
DISTRIBUTOR MODULATOR - 8 CYL. 302 C.I.D. ENGINE  
 1970 FAIRLANE/TORINO 1970 FALCON



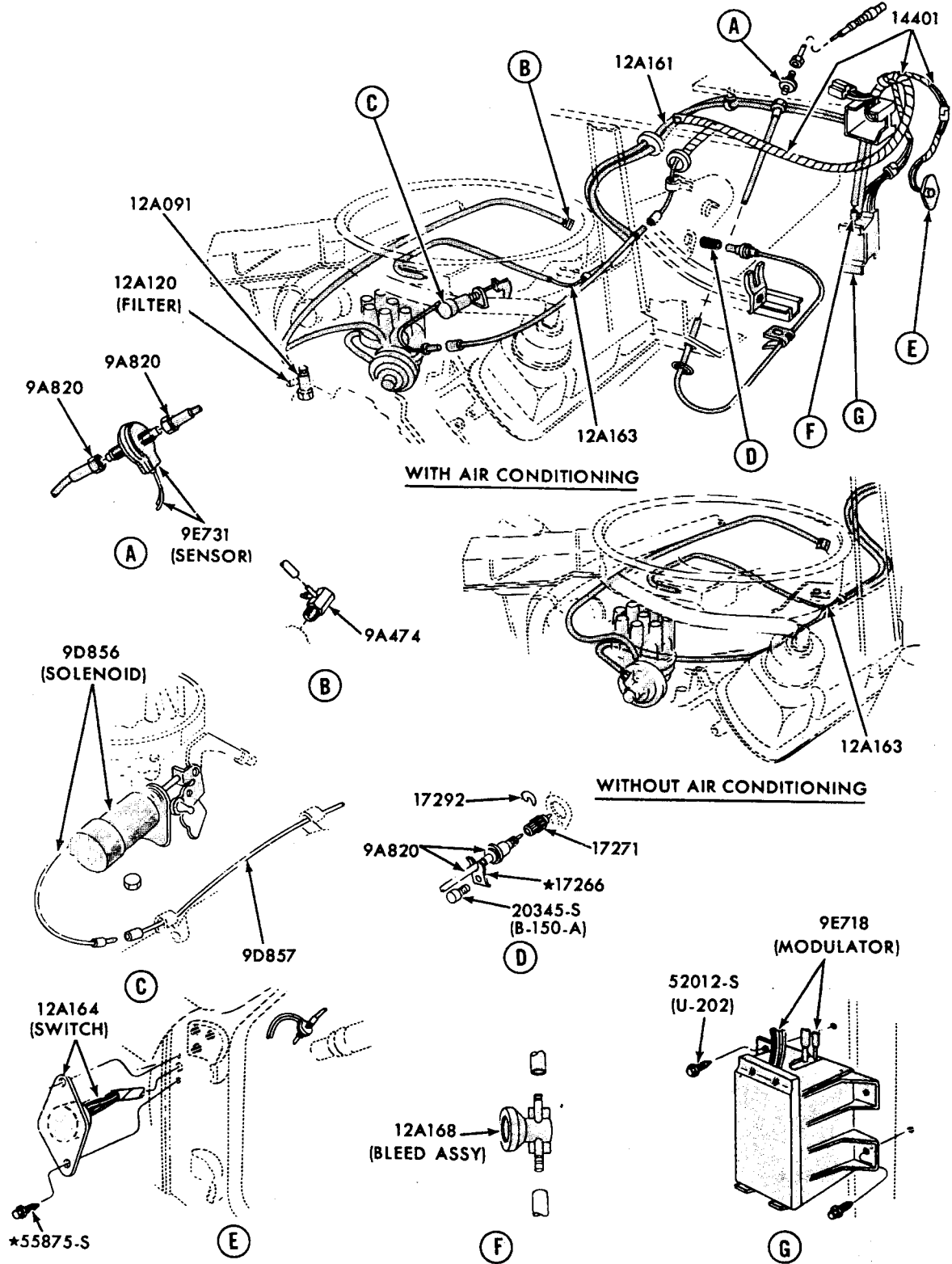
P-7559

DISTRIBUTOR MODULATOR - 8 CYL. 351-4V C.I.D. ENGINE WITHOUT RAM AIR  
1970 FAIRLANE/TORINO

FORD CAR PARTS



DISTRIBUTOR MODULATOR - 8 CYL. 351-4V C.I.D. ENGINE WITH RAM AIR 1970 FAIRLANE/TORINO



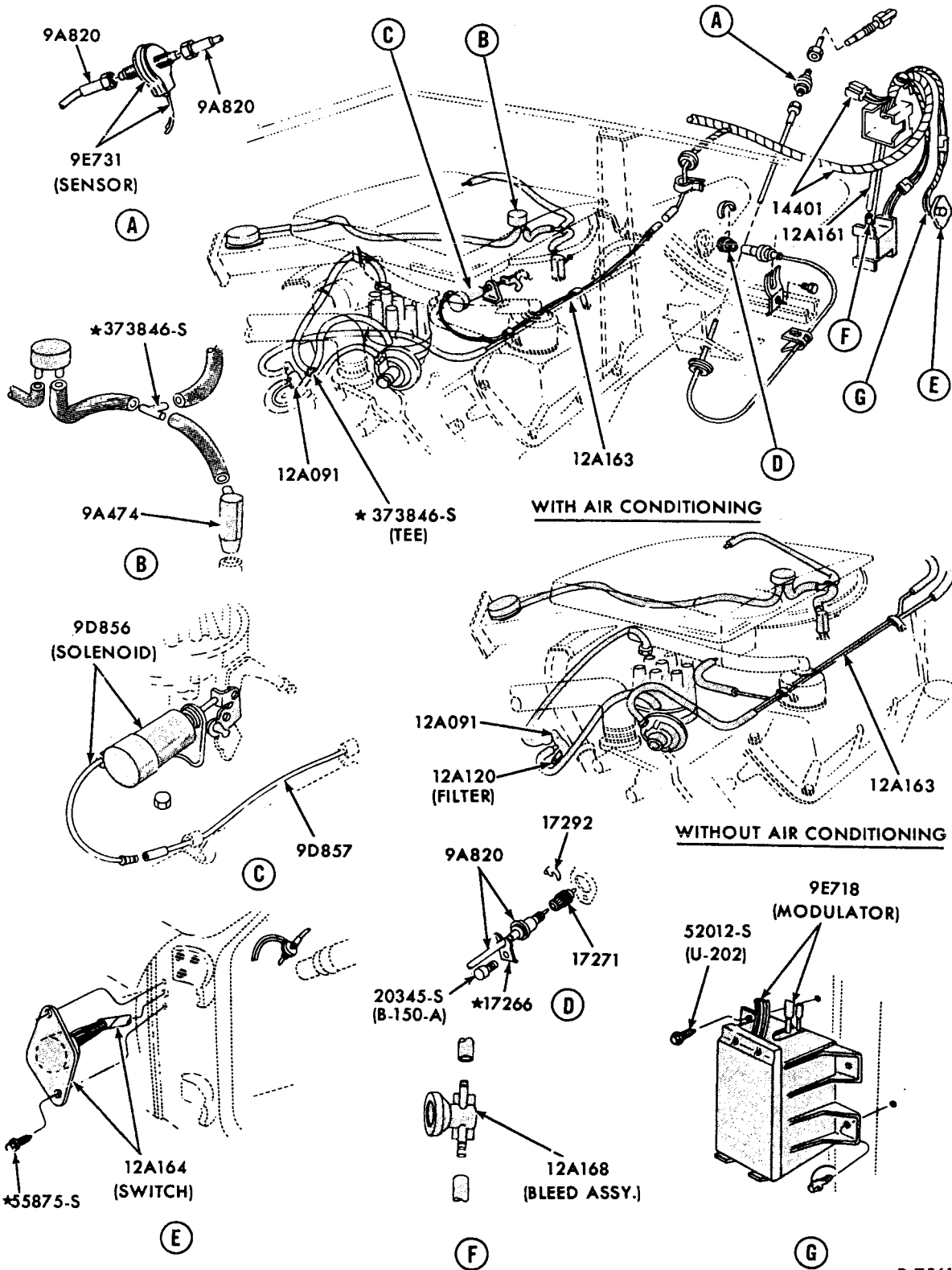
P-7560

DISTRIBUTOR MODULATOR - 8 CYL. 302 C.I.D. ENGINE  
1970 MUSTANG



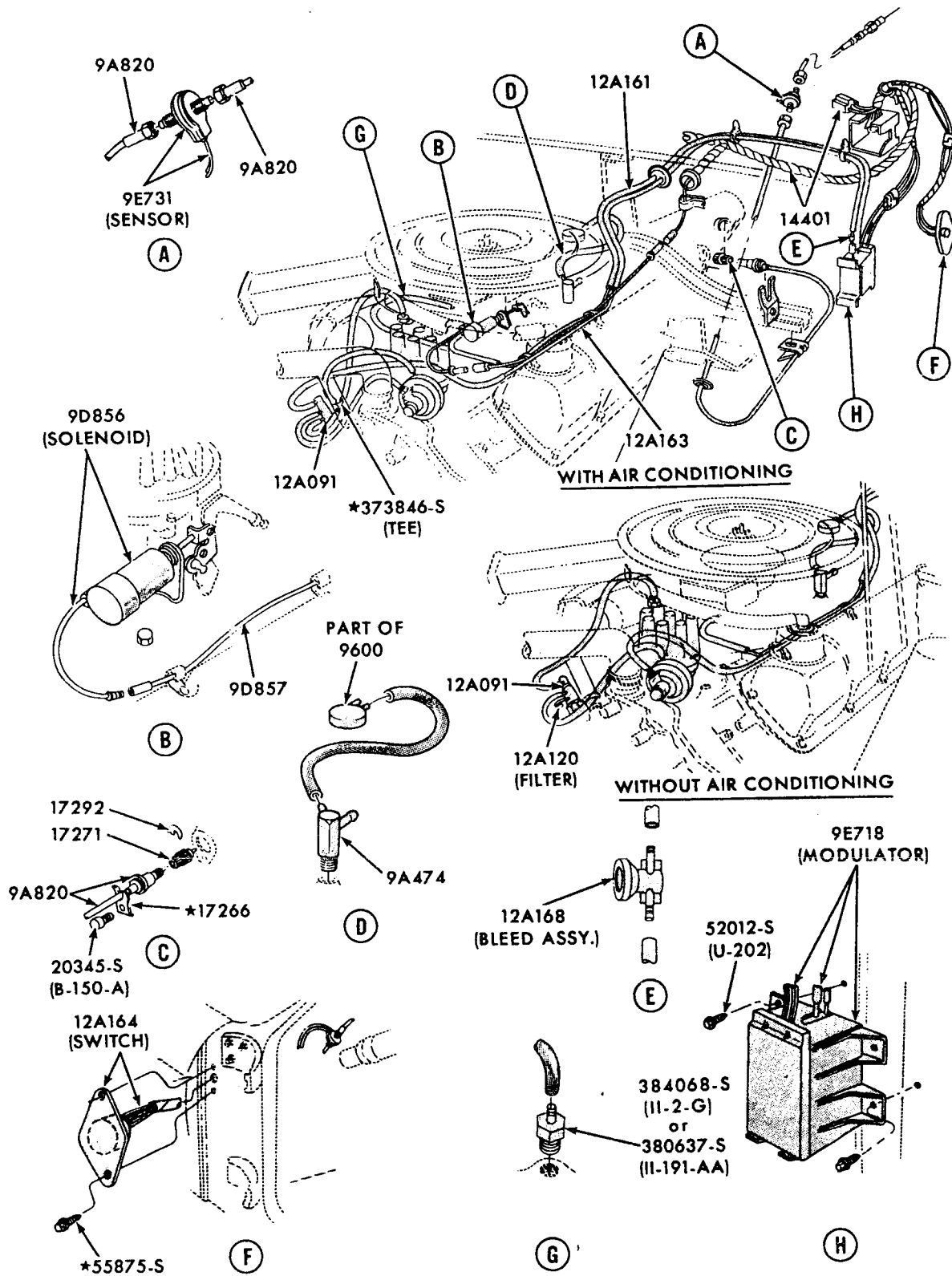
ILLUSTRATION SECTION 120.1

FORD CAR PARTS



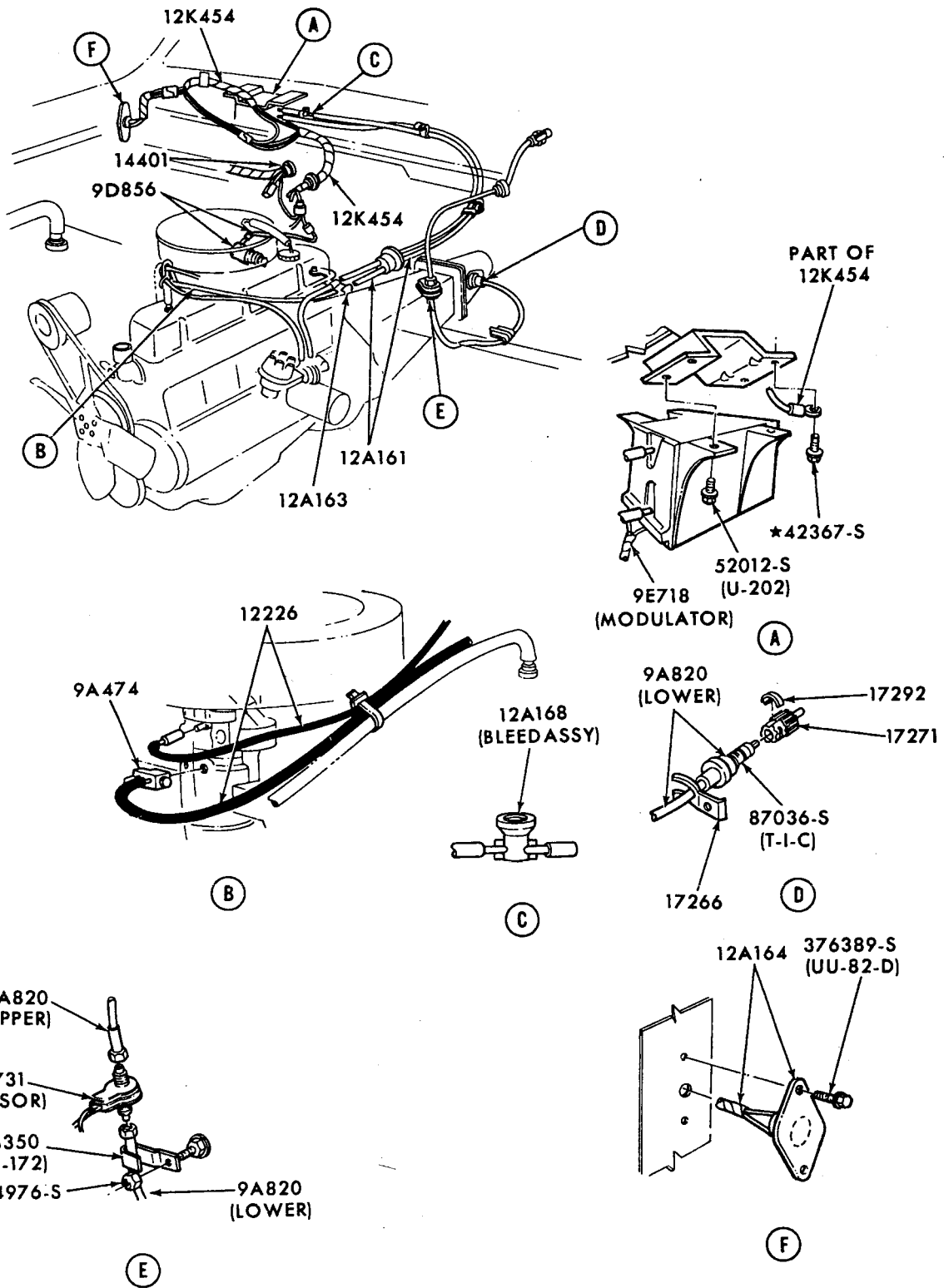
P-7561

DISTRIBUTOR MODULATOR - 8 CYL. 351-4V C.I.D. ENGINE WITH RAM AIR  
1970 MUSTANG



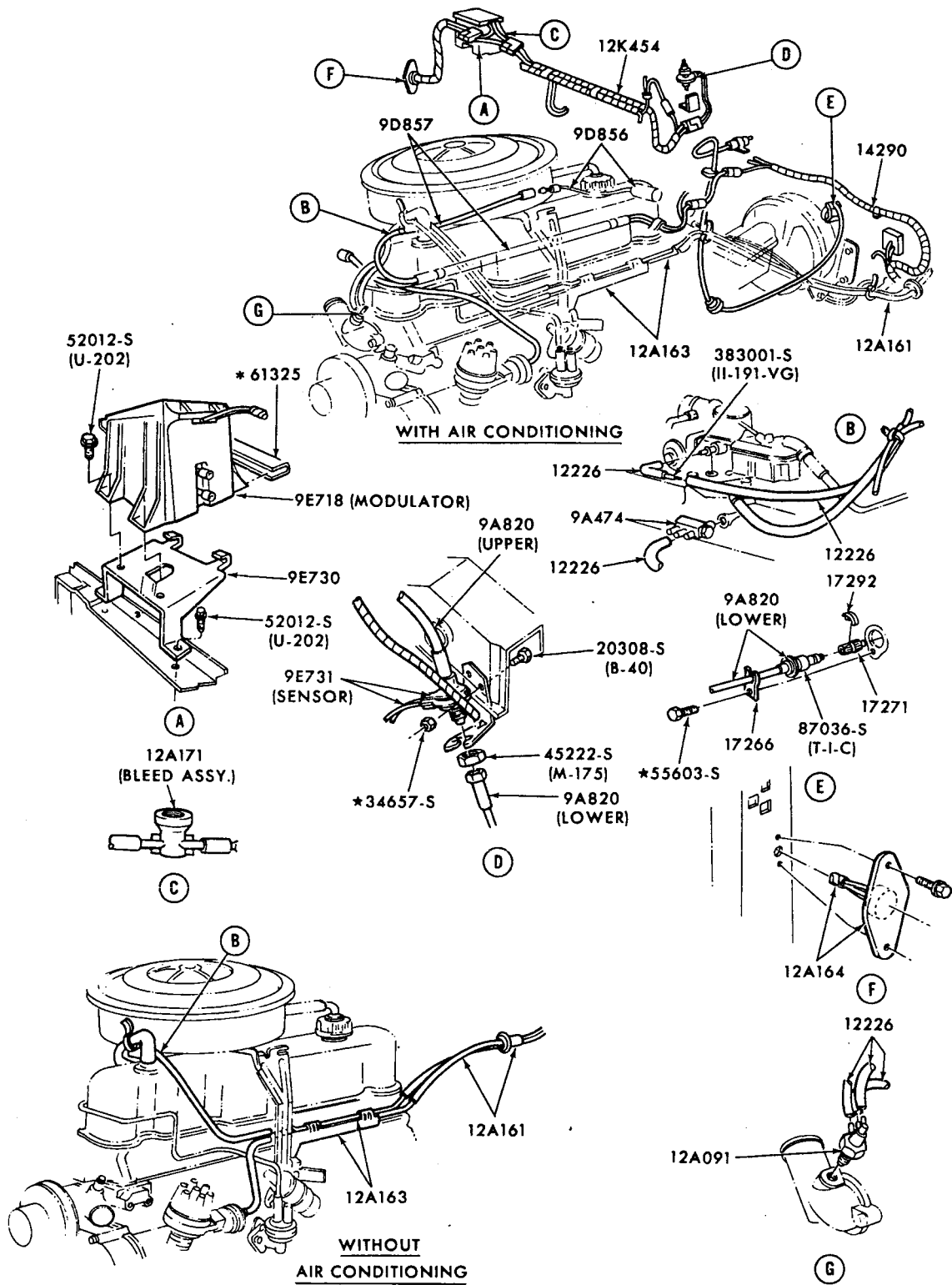
DISTRIBUTOR MODULATOR - 8 CYL. 351-4V ENGINE WITHOUT RAM AIR  
1970 - MUSTANG

P-7562

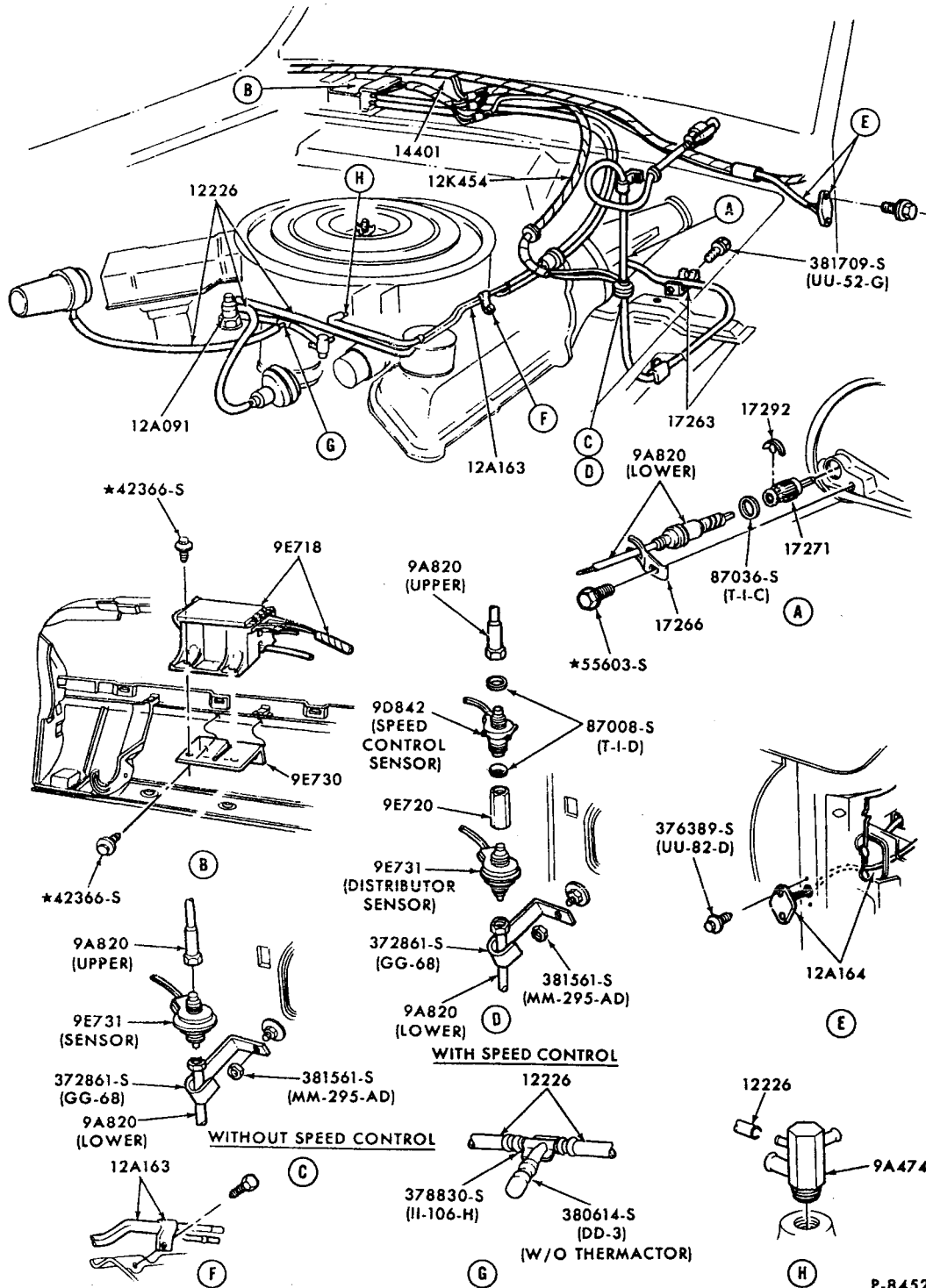


P-8454

DISTRIBUTOR MODULATOR-6 CYLINDER 240 C.I.D. ENGINE  
1971 FORD

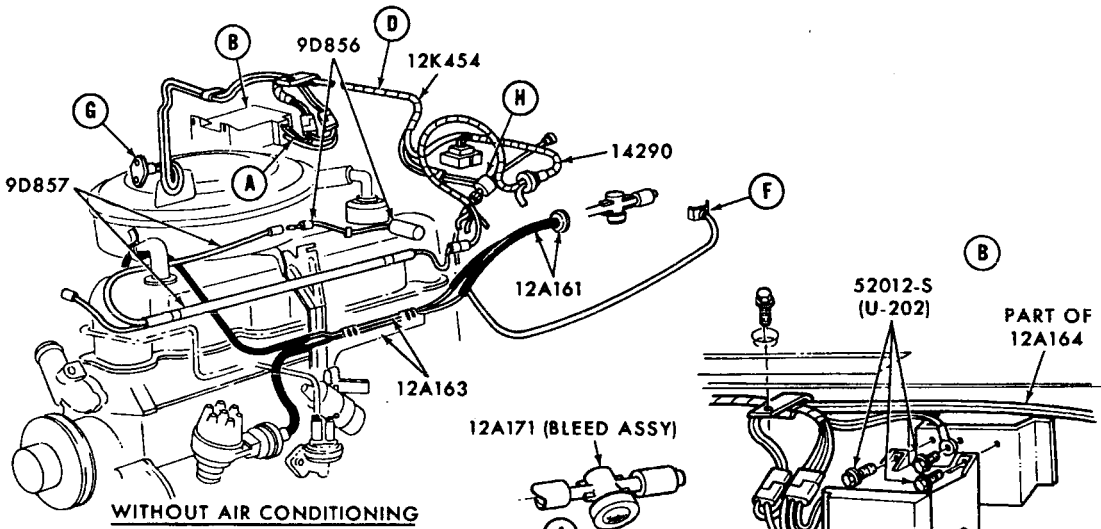


DISTRIBUTOR MODULATOR-6 CYLINDER 250 C.I.D. ENGINE  
1971 TORINO

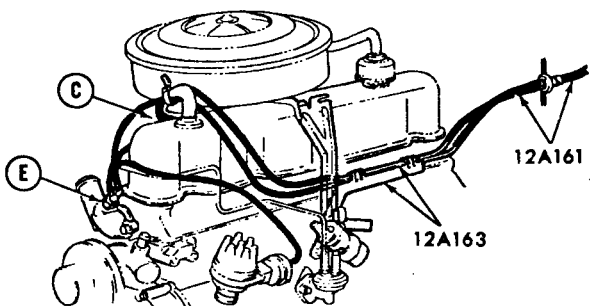
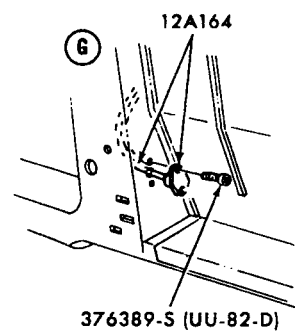
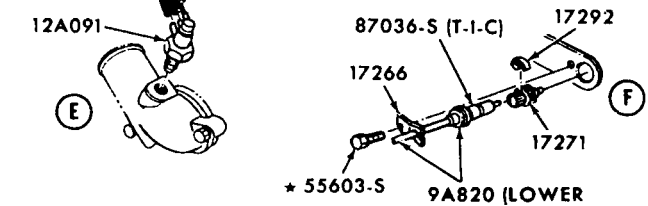
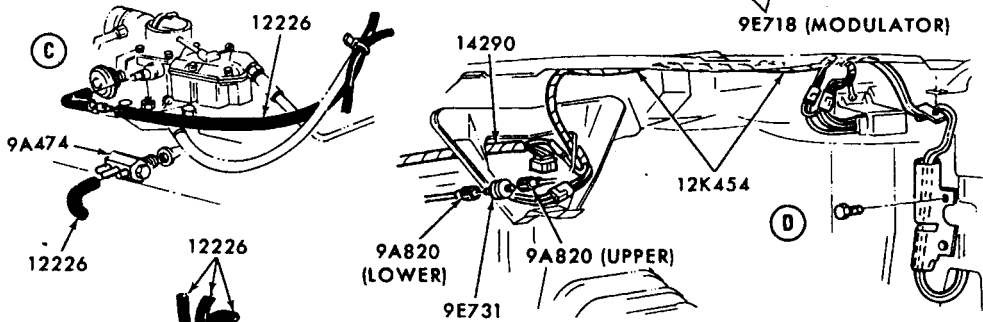


P-8452

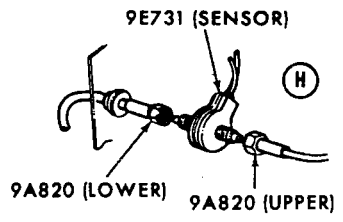
DISTRIBUTOR MODULATOR-8 CYLINDER 429 C.I.D. ENGINE  
1971 THUNDERBIRD



WITHOUT AIR CONDITIONING

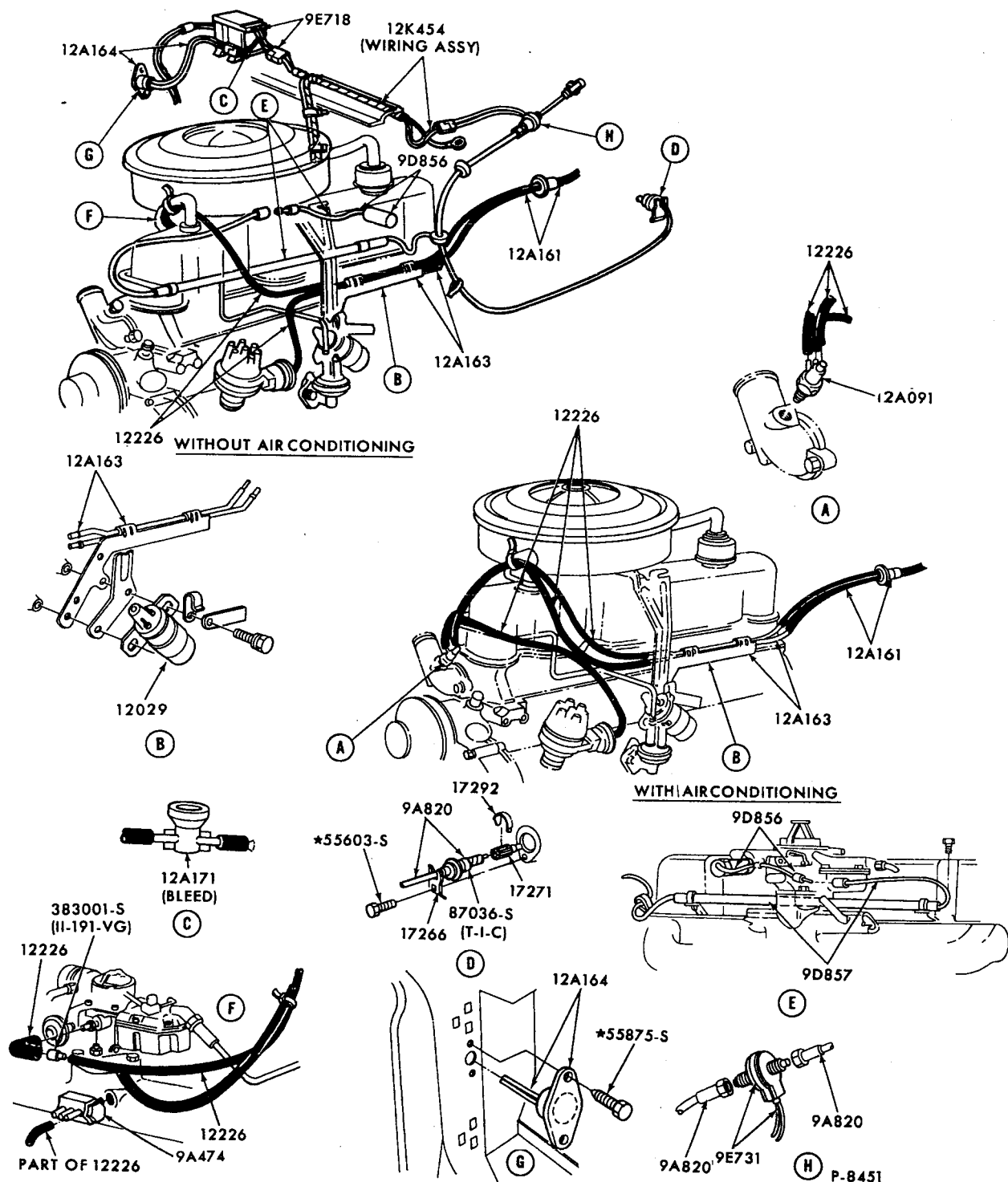


WITH AIR CONDITIONING

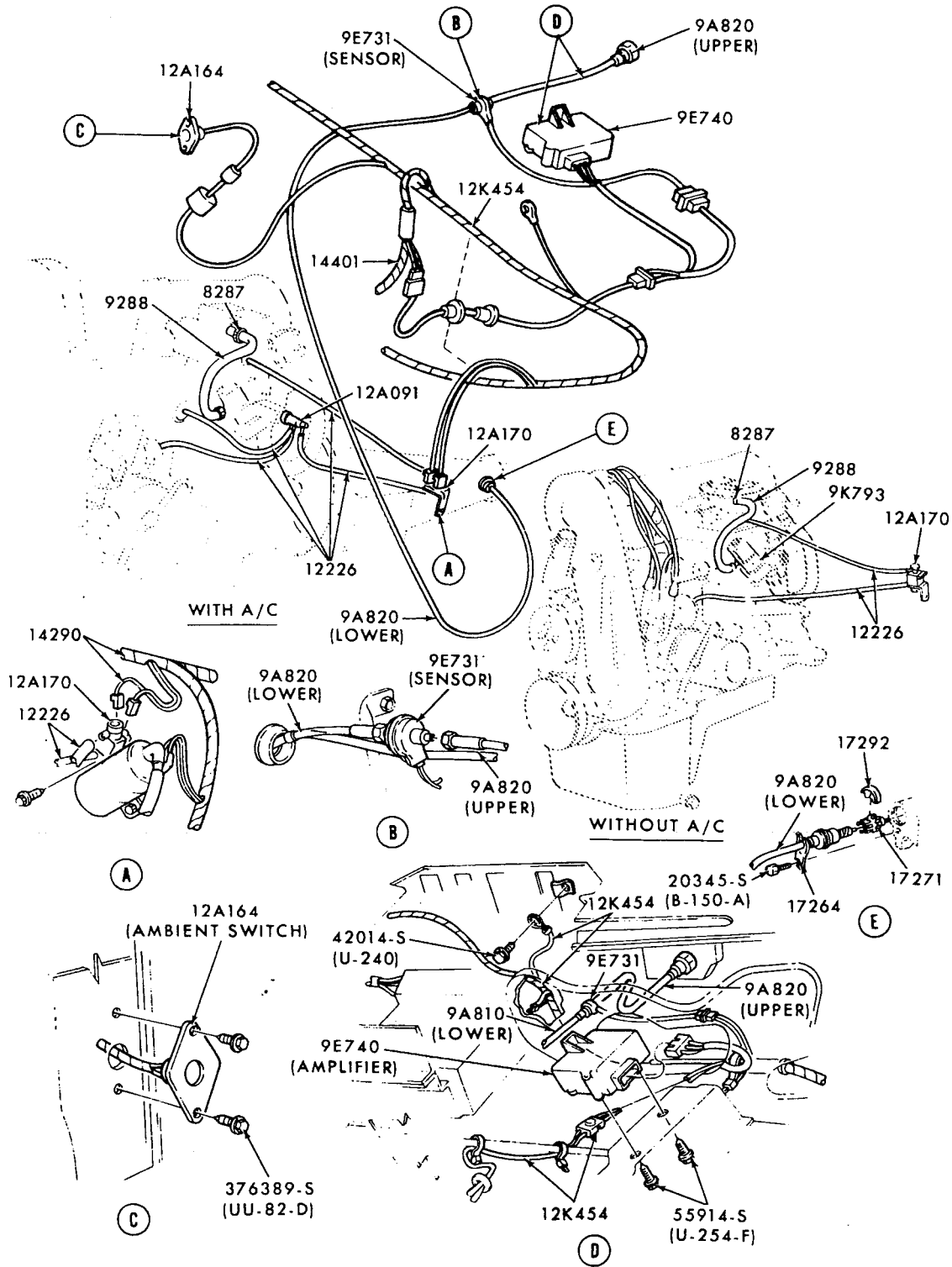


P-8453

DISTRIBUTOR MODULATOR-6 CYLINDER 250 C.I.D. ENGINE  
1971 MUSTANG



DISTRIBUTOR MODULATOR-6 CYLINDER 170,200,250 C.I.D. ENGINES  
1971 MAVERICK

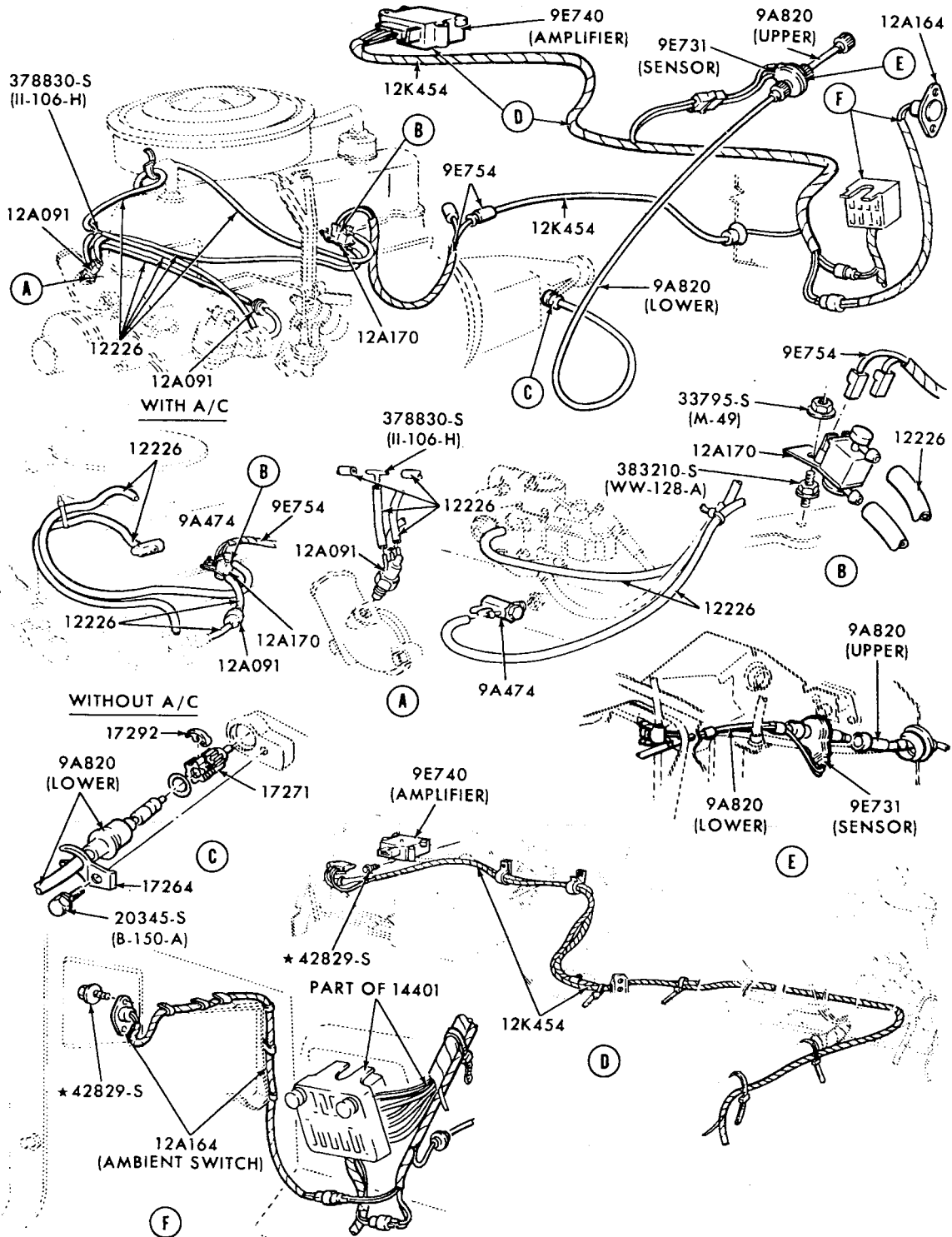


P-9041

ELECTRONIC SPARK CONTROL SYSTEM (E.S.C.)-4 CYL. 122 C.I.D. ENGINE  
1972 PINTO

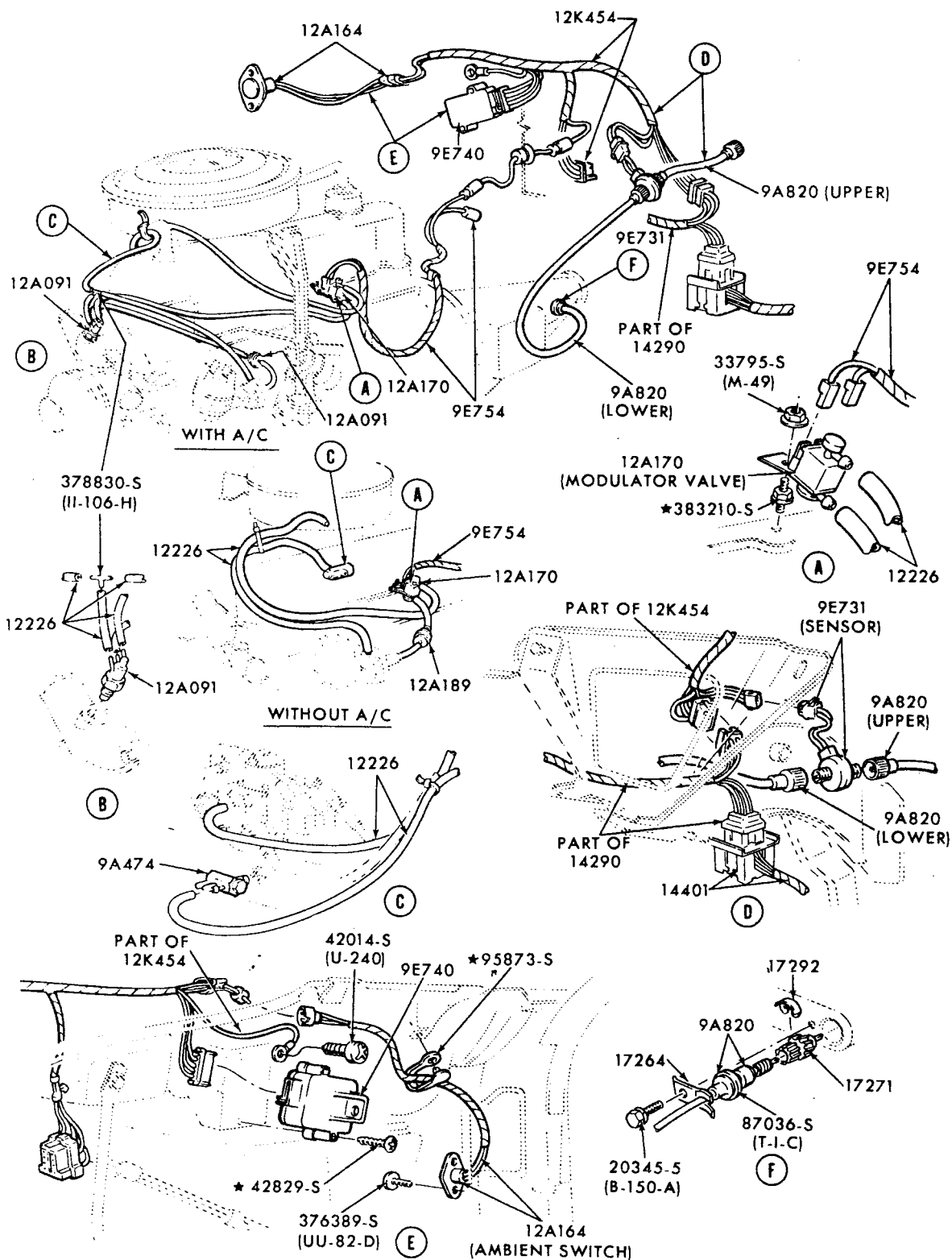


FORD CAR PARTS



P-9042

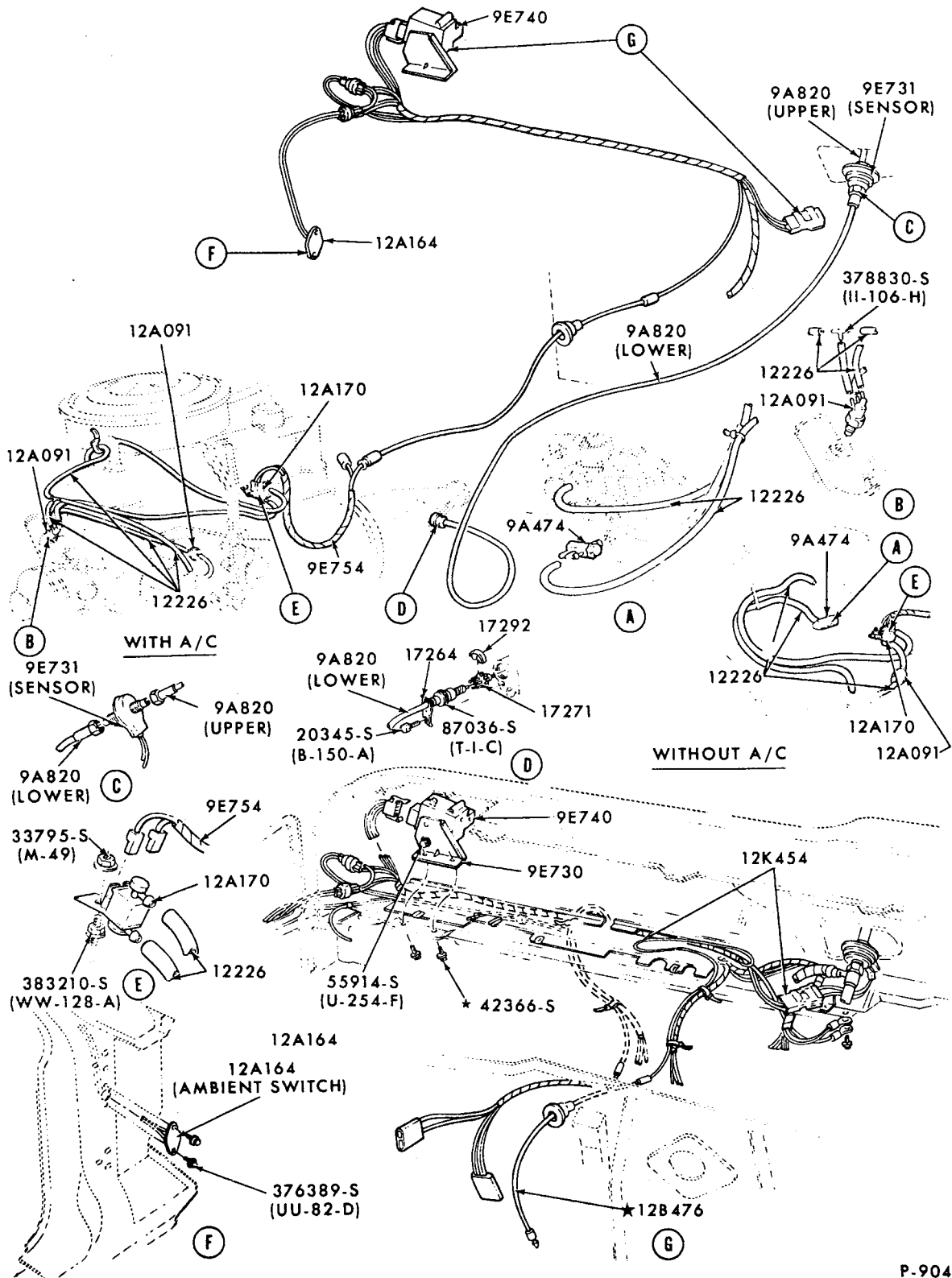
ELECTRONIC SPARK CONTROL SYSTEM (E.S.C.)-6 CYL. 250 C.I.D. ENGINE  
1972 TORINO



ELECTRONIC SPARK CONTROL SYSTEM (E.S.C.)-6 CYL. 250 C.I.D. ENGINE  
1972 MUSTANG

P-9043

FORD CAR PARTS

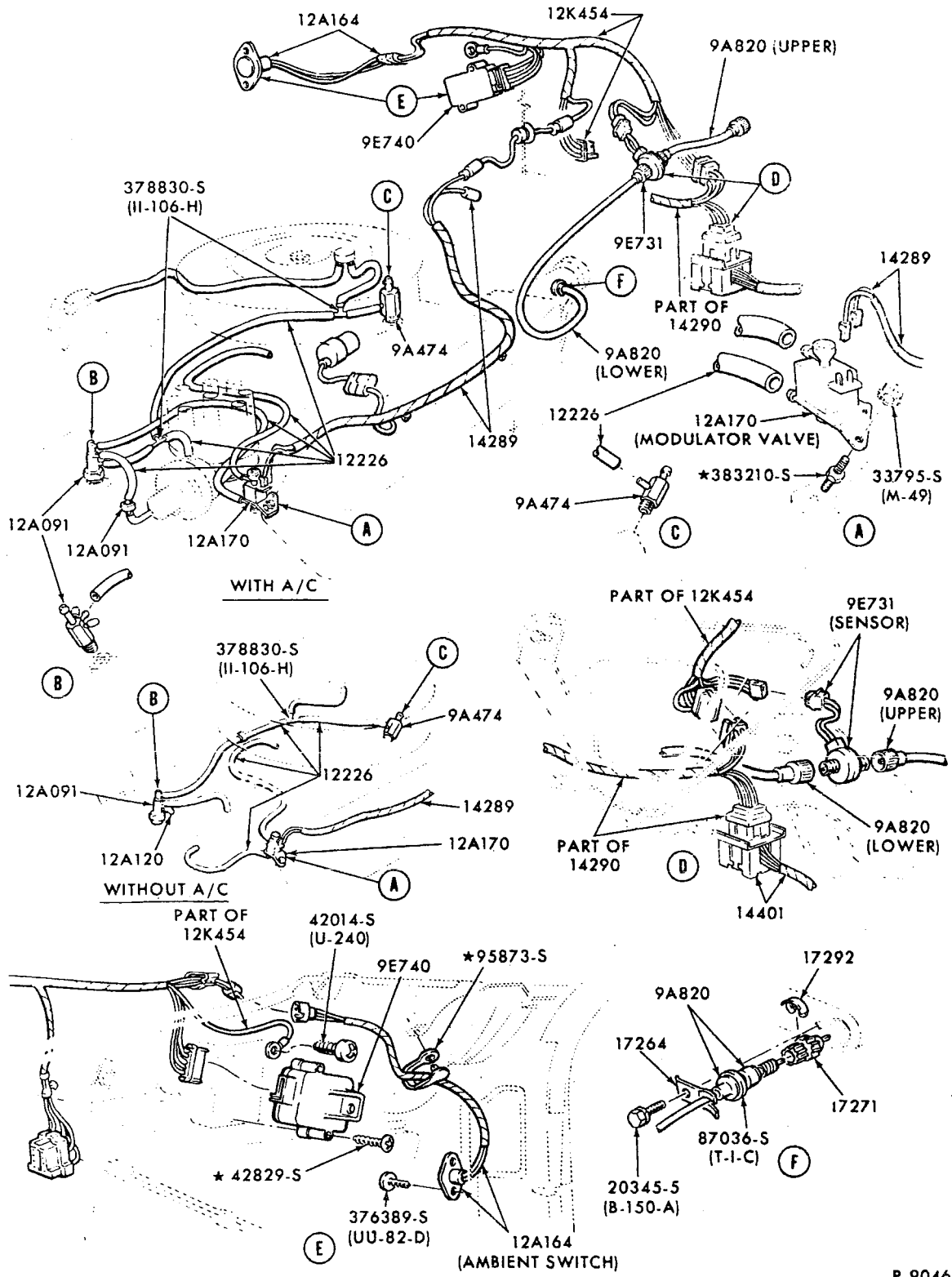


P-9044

ELECTRONIC SPARK CONTROL SYSTEM (E.S.C.)-6 CYL. 170, 200, 250 C.I.D. ENGINES  
1972 MAVERICK



FORD CAR PARTS

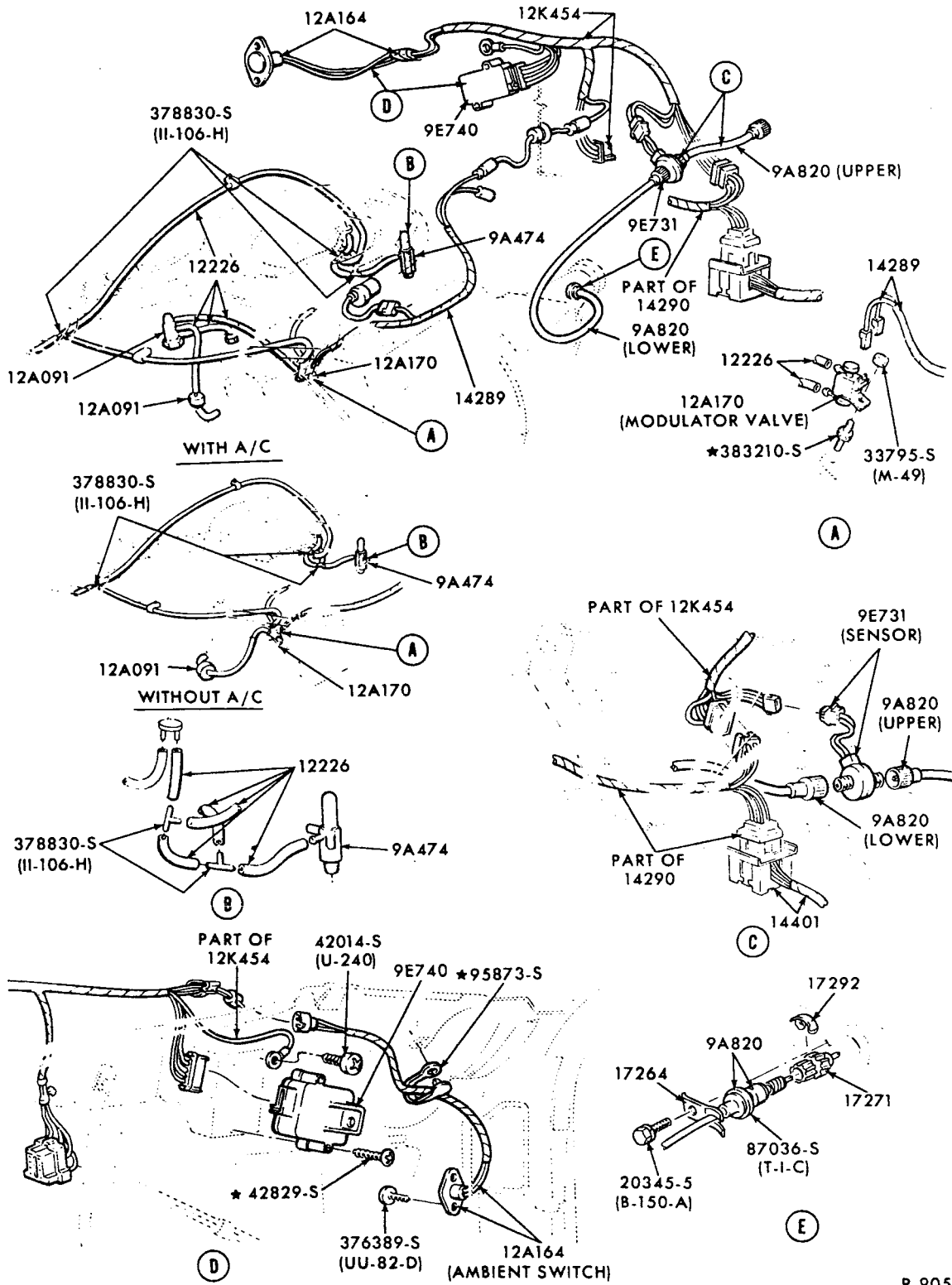


P-9046

ELECTRONIC SPARK CONTROL SYSTEM (E.S.C.)-8 CYL. 302-2V C.I.D. ENGINE  
1972 MUSTANG







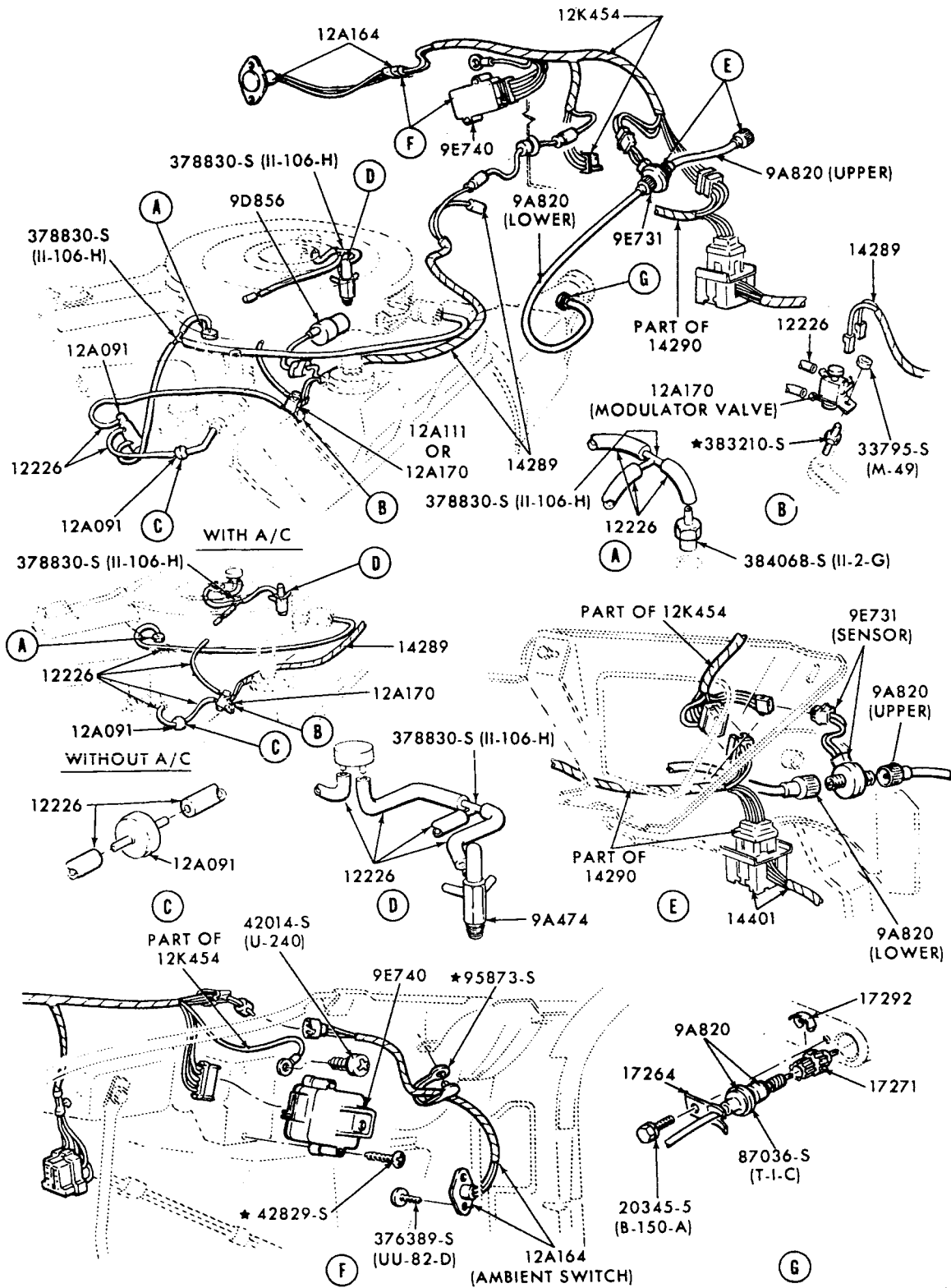
ELECTRONIC SPARK CONTROL SYSTEM (E.S.C.)-8 CYL. 351-4V CJ ENGINE  
1972 MUSTANG - WITH RAM AIR HOOD

P-9050

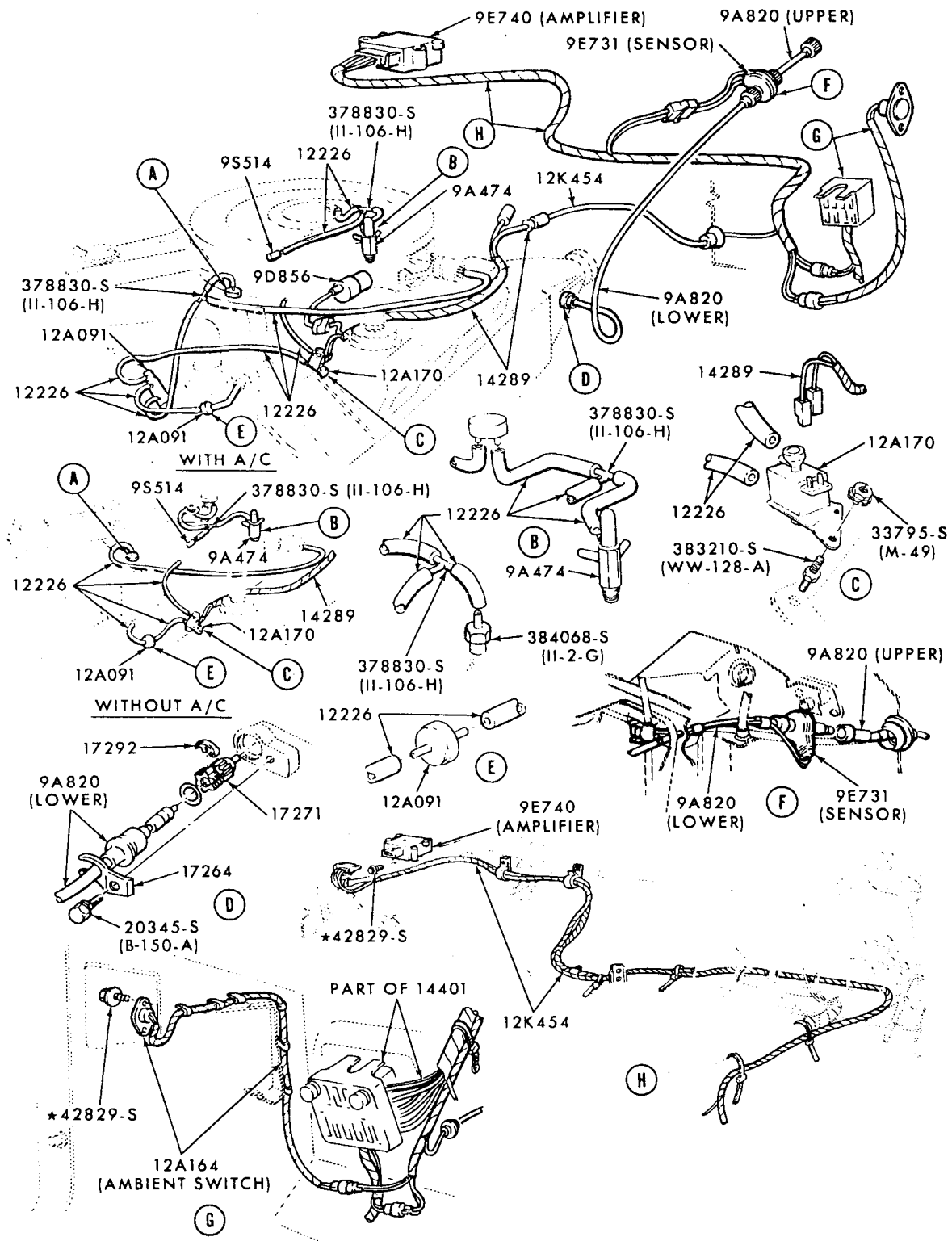








ELECTRONIC SPARK CONTROL SYSTEM (E.S.C.)-8 CYL. 351-4V CJ ENGINE  
1972 MUSTANG - WITHOUT RAM AIR HOOD



P-9054

ELECTRONIC SPARK CONTROL SYSTEM (E.S.C.)-8 CYL. 351-4V CJ ENGINE

1972 TORINO - WITHOUT RAM AIR HOOD

May, 1975

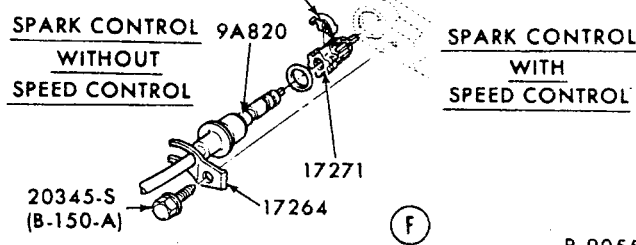
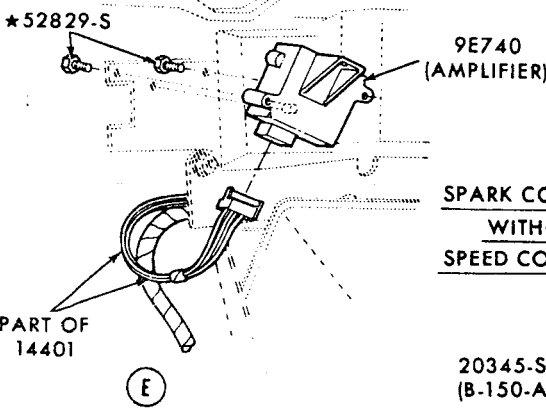
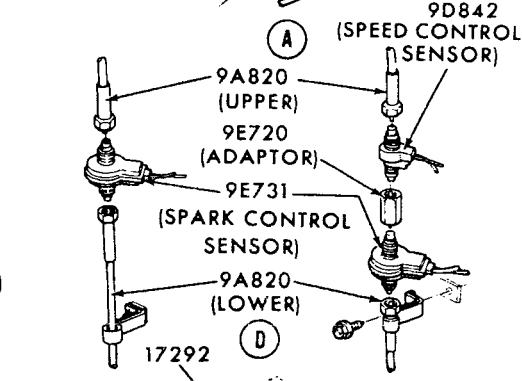
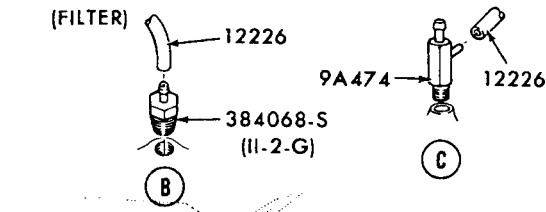
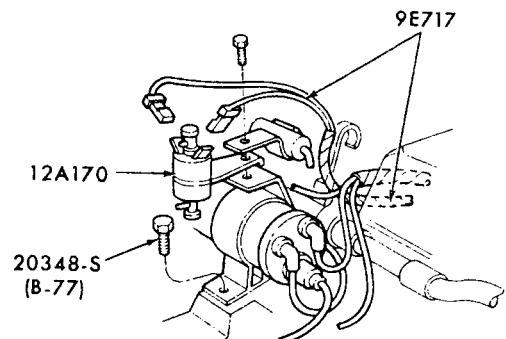
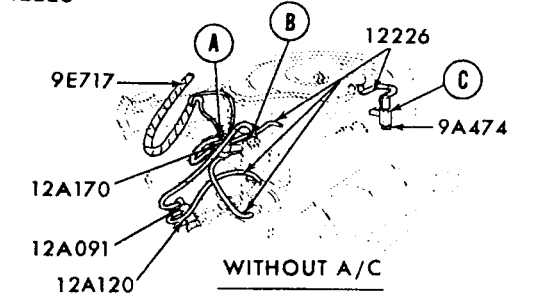
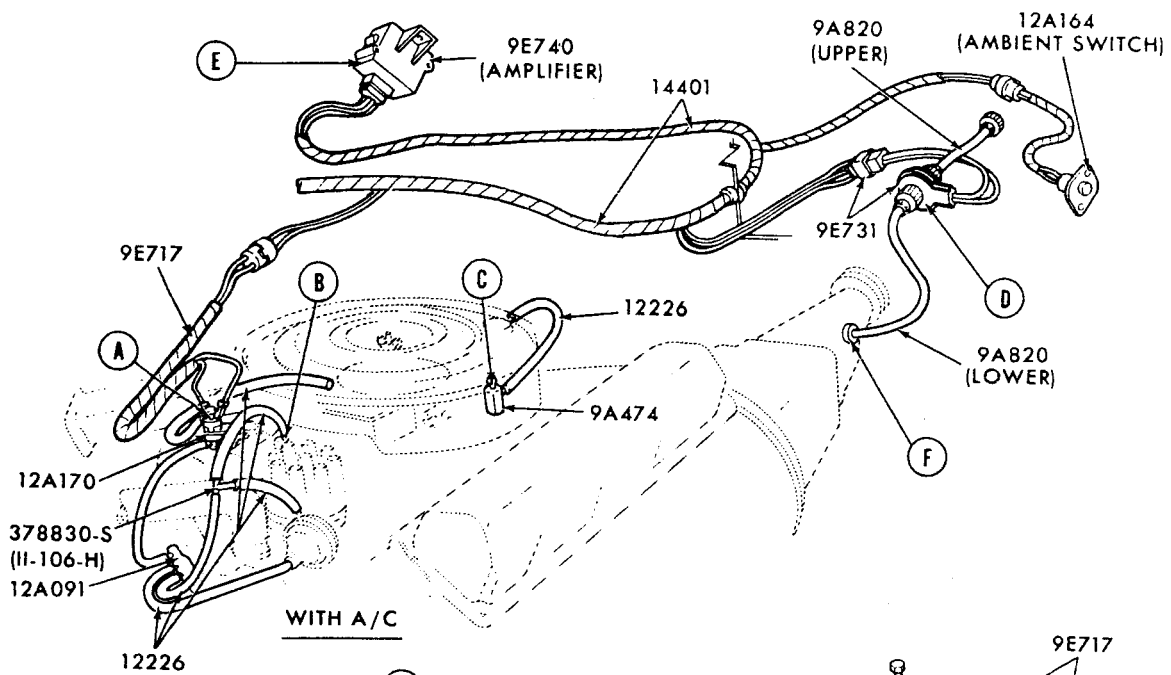
COPYRIGHT © 1975 -

FORD MOTOR COMPANY

- DEARBORN, MICHIGAN

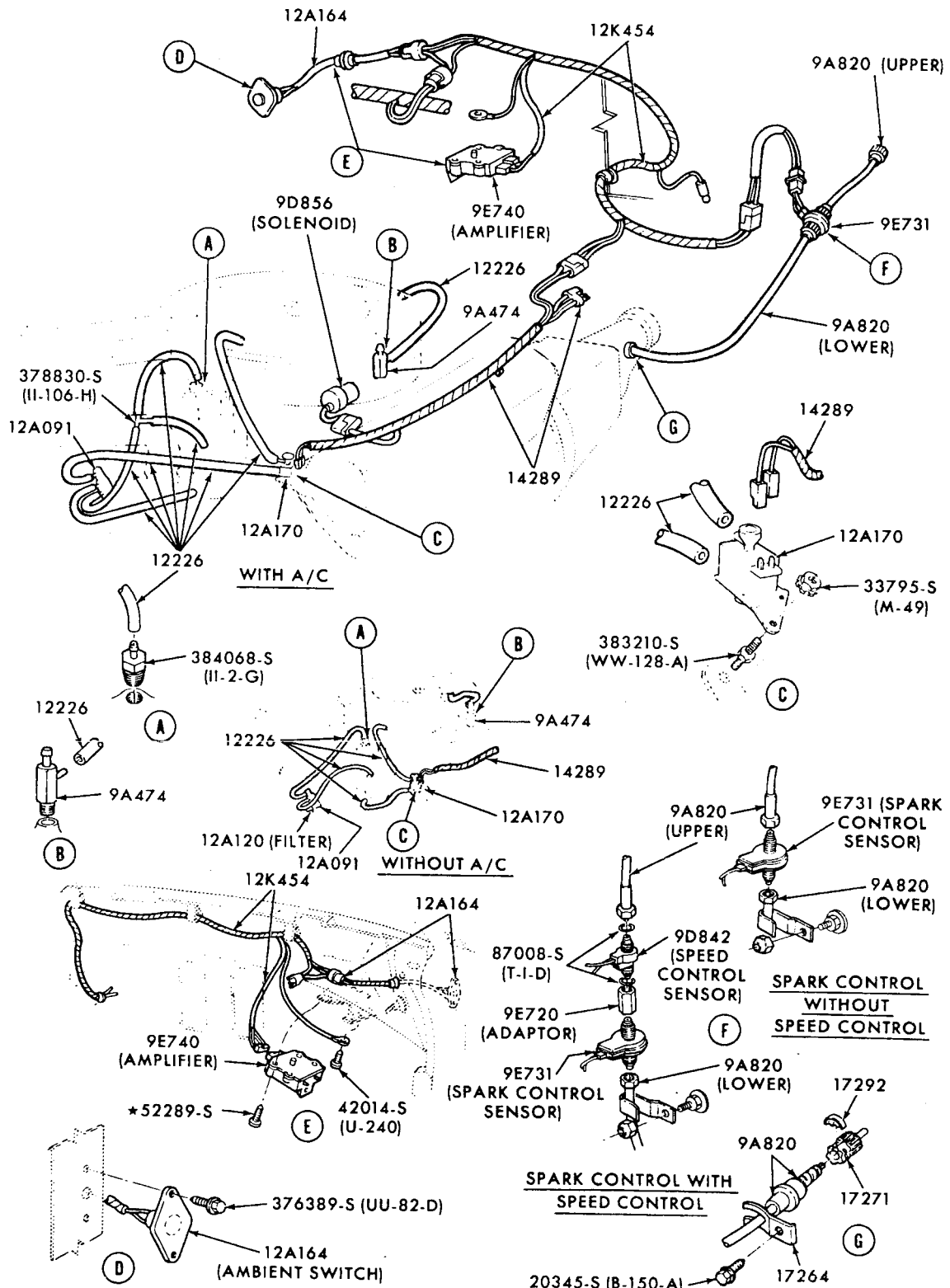
FINAL ISSUE

FORD CAR PARTS



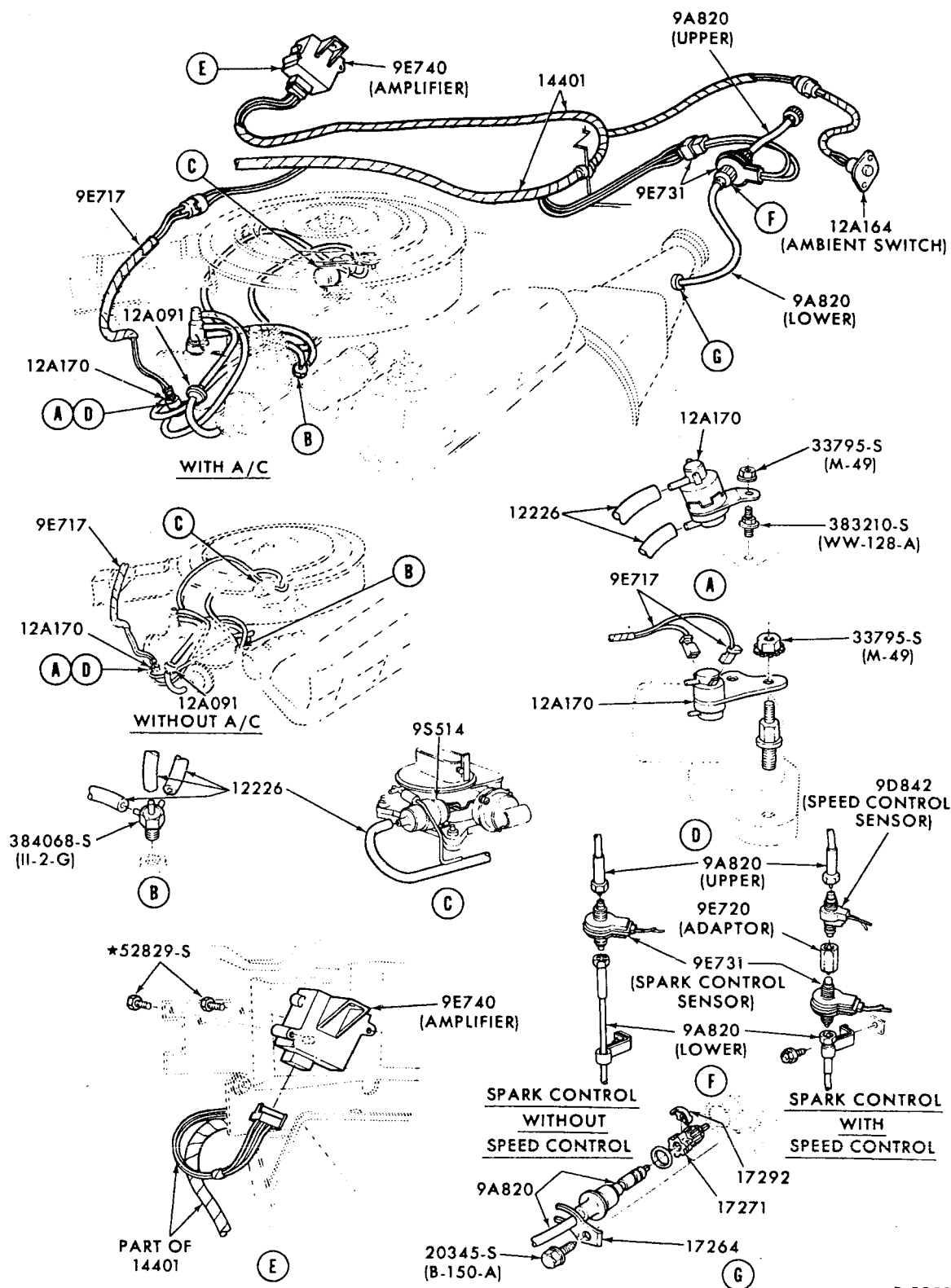
P-9055

ELECTRONIC SPARK CONTROL SYSTEM (E.S.C.)-8 CYL. 400 C.I.D. ENGINE  
1972 THUNDERBIRD



ELECTRONIC SPARK CONTROL SYSTEM (E.S.C.)-8 CYL. 351-C, 400 C.I.D. ENGINE  
1972 FORD

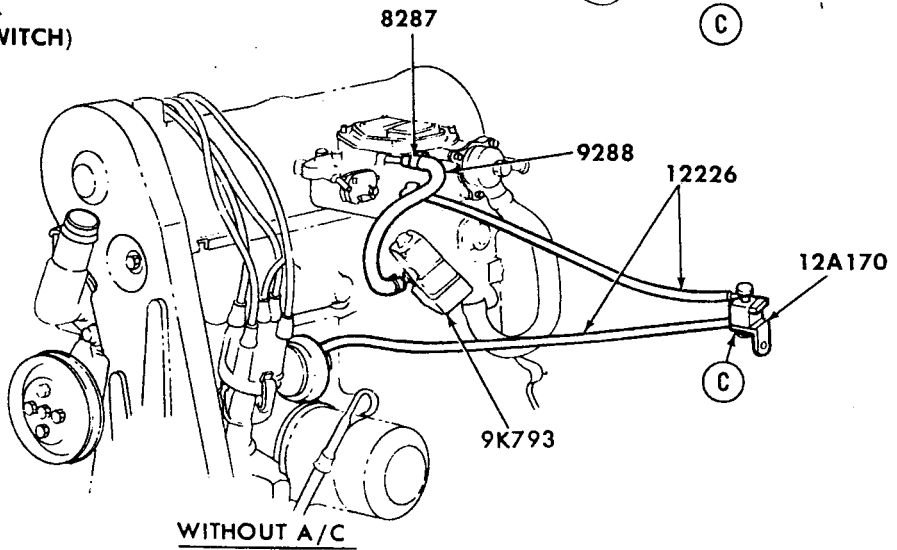
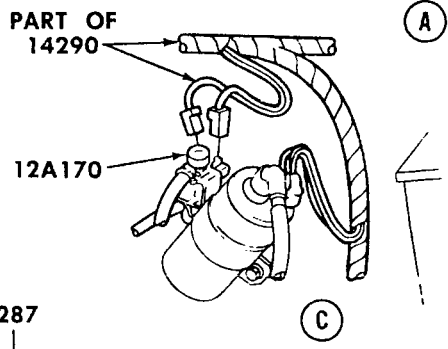
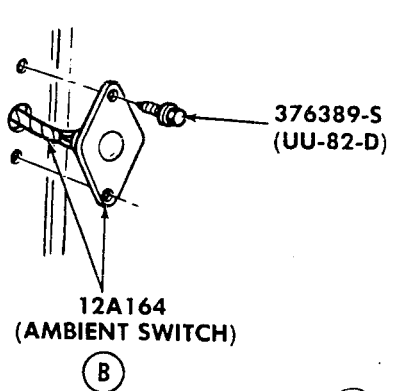
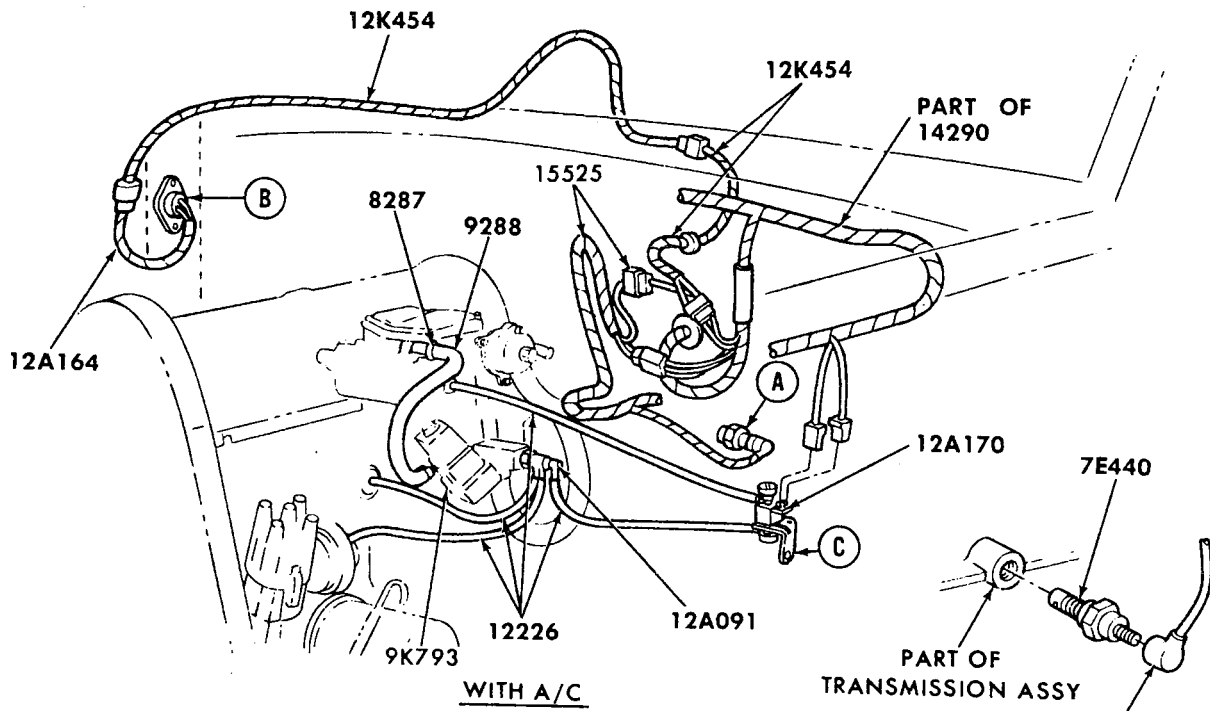




P-9058

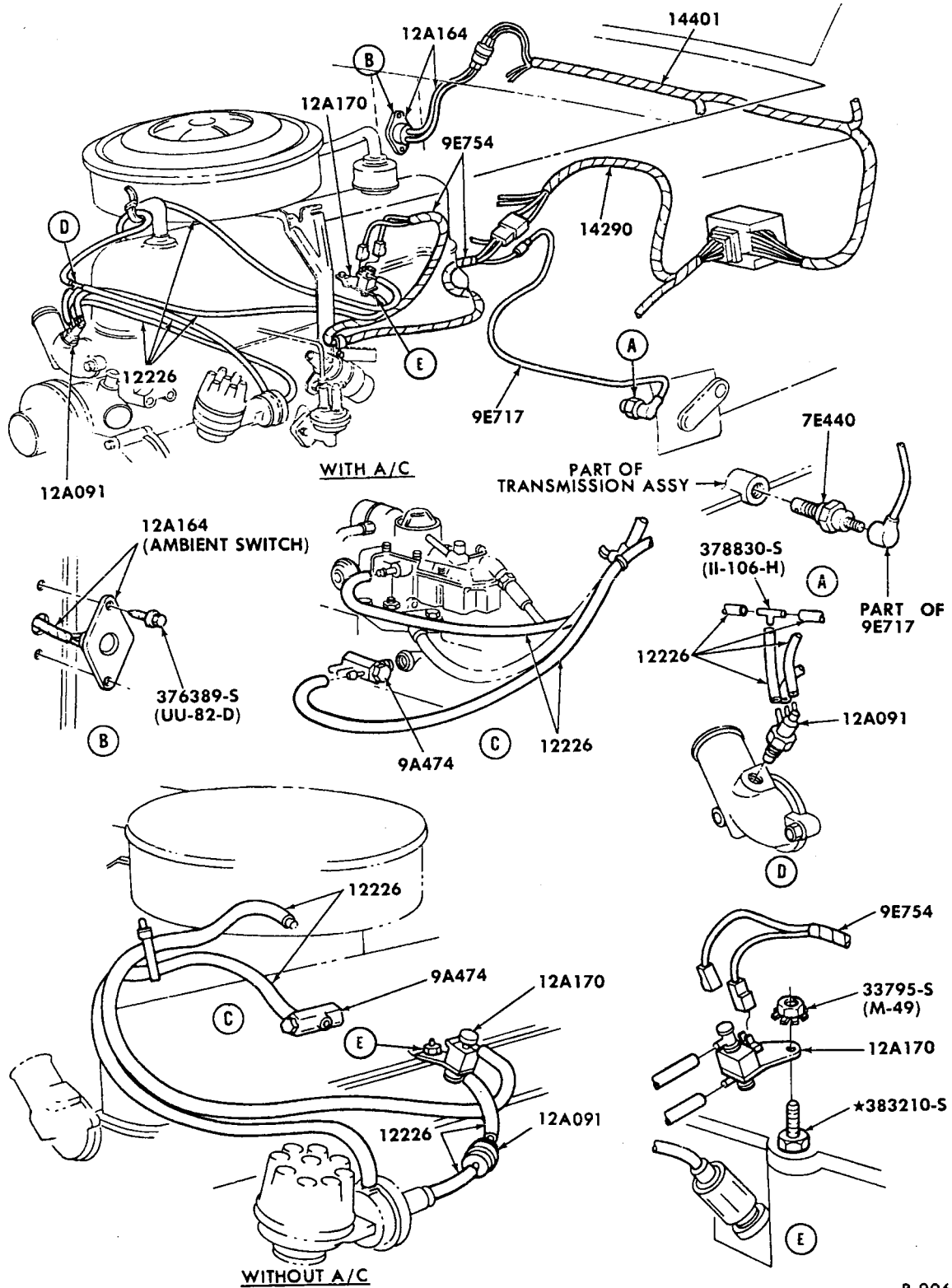
ELECTRONIC SPARK CONTROL SYSTEM (E.S.C.)-8 CYLINDER 429, 460 ENGINE  
1972 THUNDERBIRD



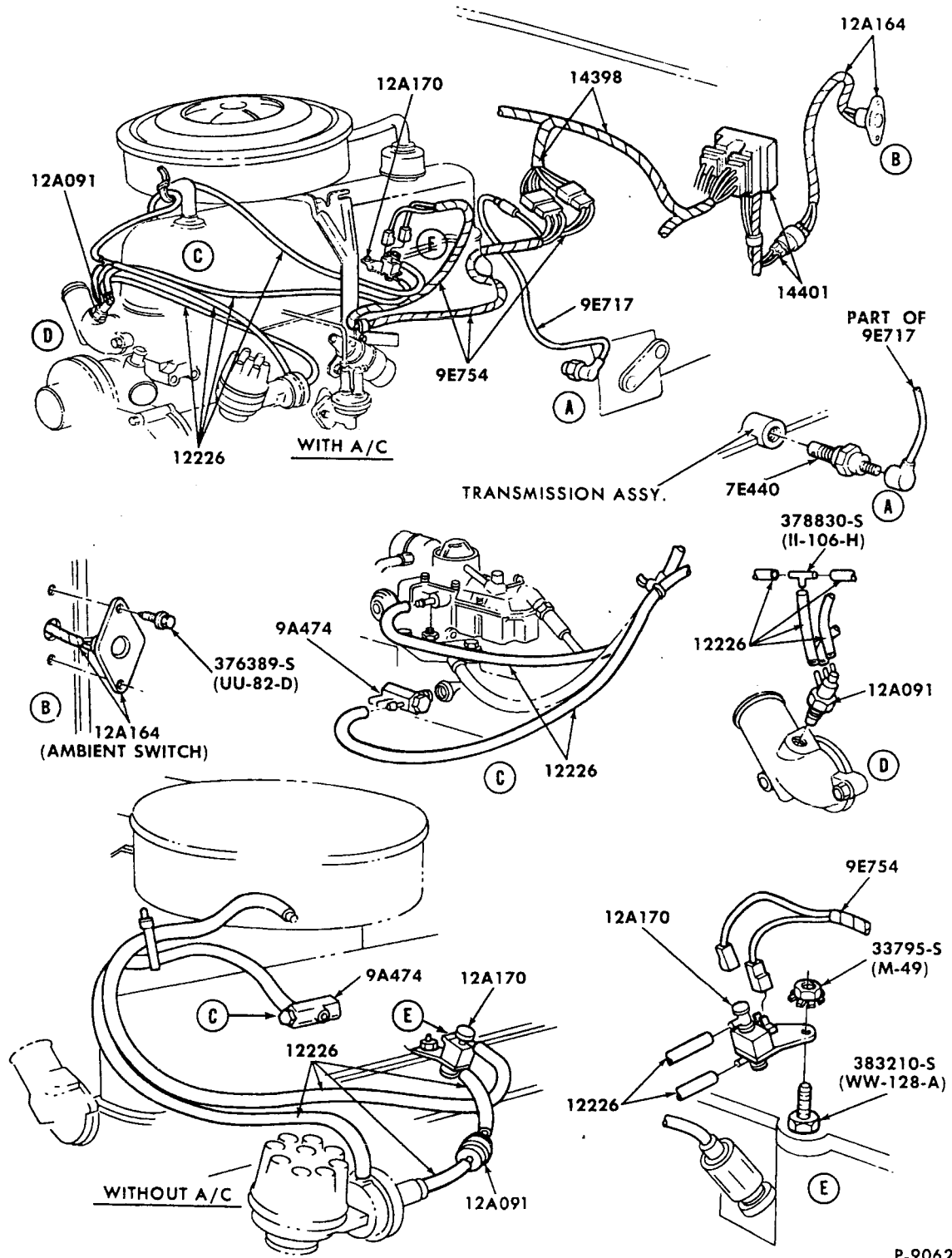


TRANSMISSION REGULATED SPARK CONTROL SYSTEM (T.R.S.)-4 CYL. 122 C.I.D. ENGINE

P-9060



P-9061



P-9062

TRANSMISSION REGULATED SPARK CONTROL SYSTEM (T.R.S.)-6 CYL. 250 C.I.D. ENGINE

1972 TORINO

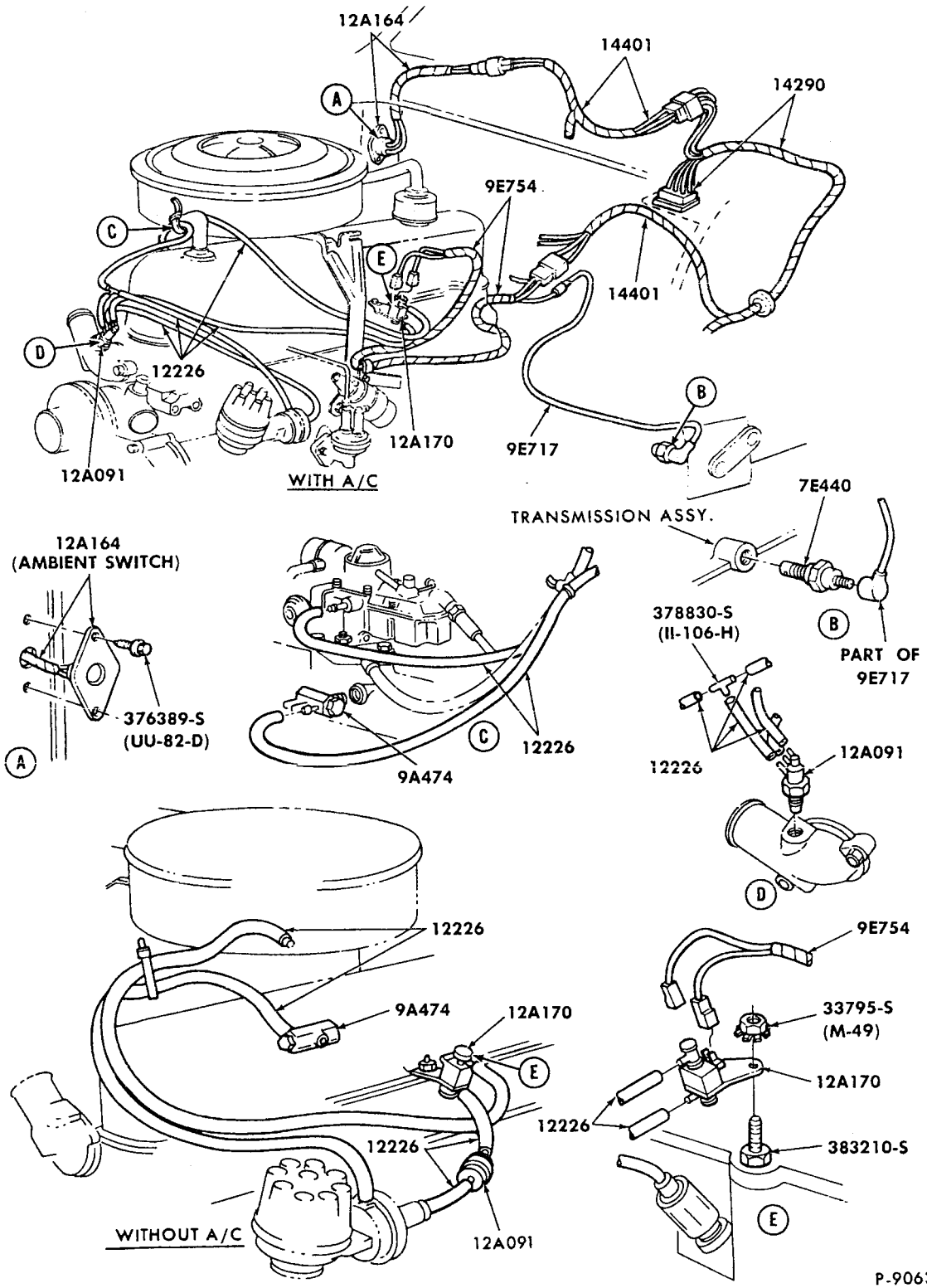
May, 1975

COPYRIGHT © 1975 -

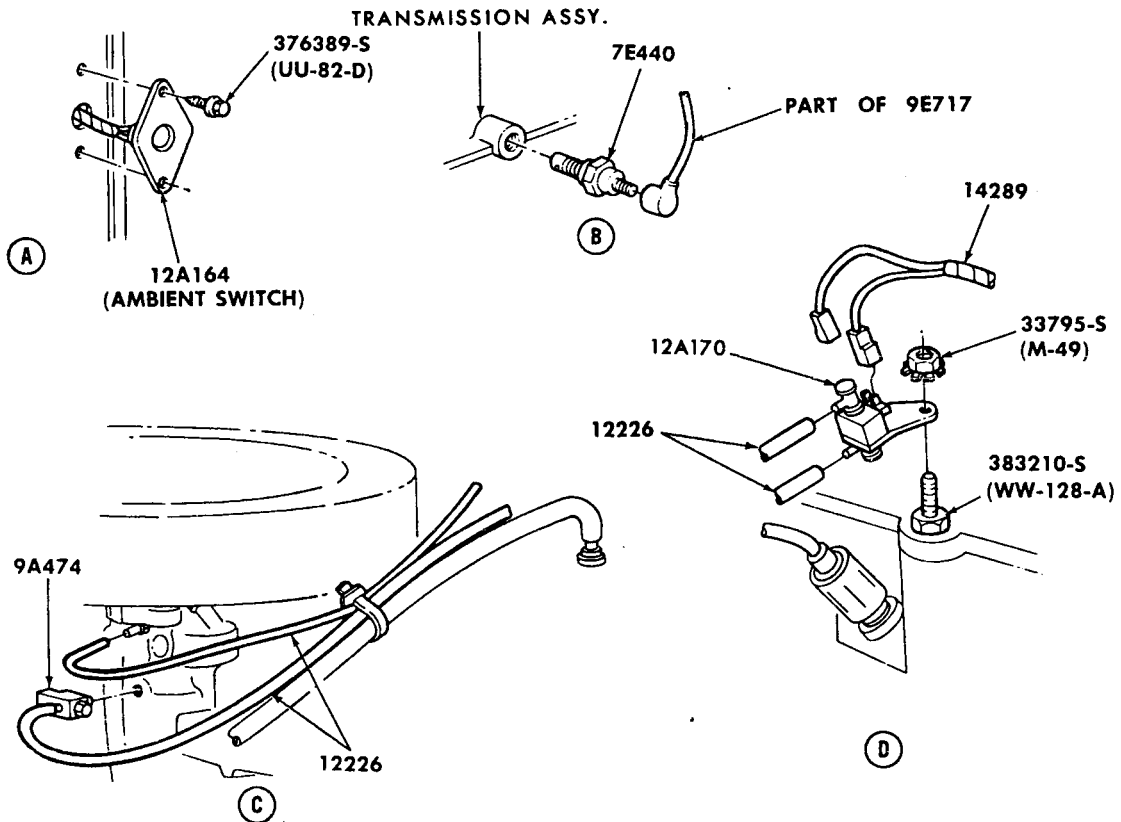
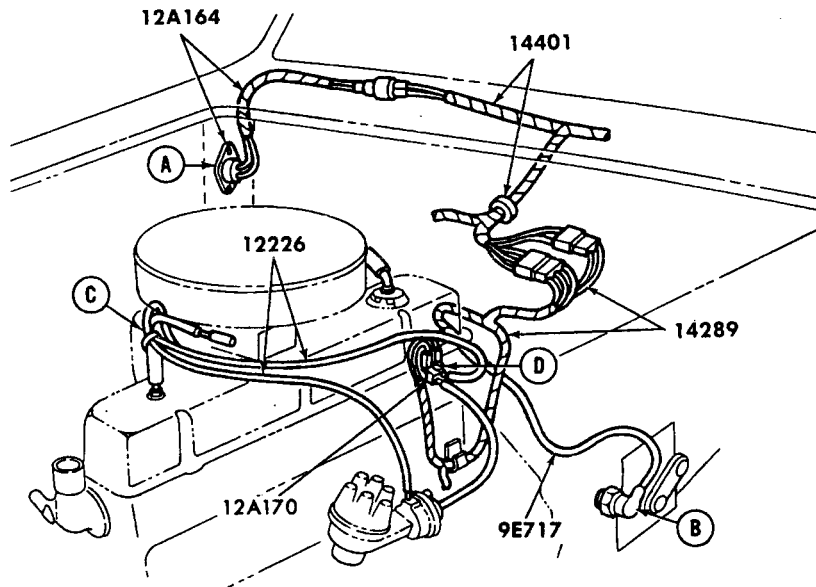
FORD MOTOR COMPANY

- DEARBORN, MICHIGAN

FINAL ISSUE



TRANSMISSION REGULATED SPARK CONTROL SYSTEM (T.R.S.)-6 CYL. 250 I.D. ENGINE  
1972 MUSTANG



P-9064

TRANSMISSION REGULATED SPARK CONTROL SYSTEM (T.R.S.)-6 CYL. 240 C.I.D. ENGINE

1972 FORD

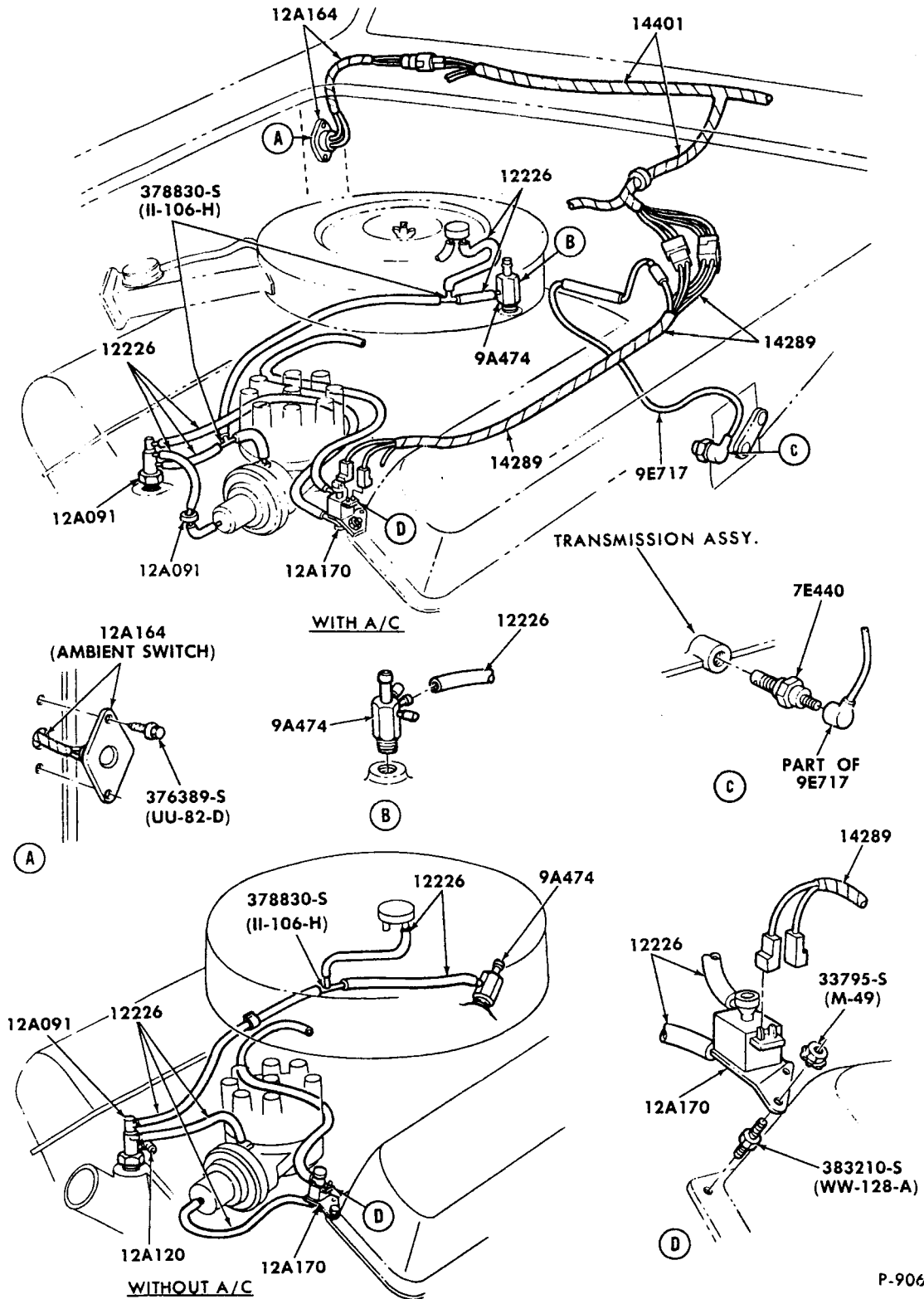
May, 1975

COPYRIGHT © 1975 -

FORD MOTOR COMPANY

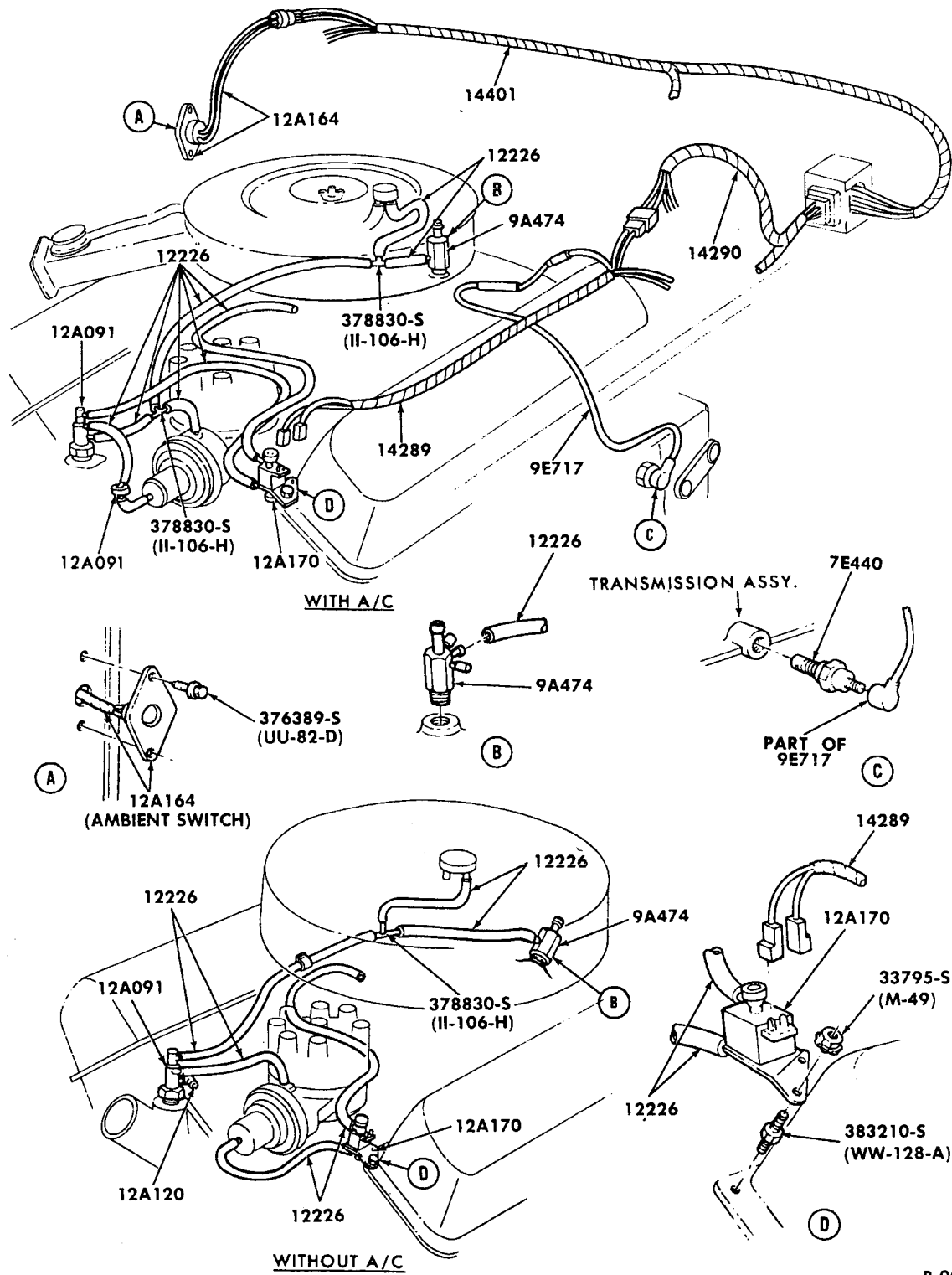
- DEARBORN, MICHIGAN

FINAL ISSUE



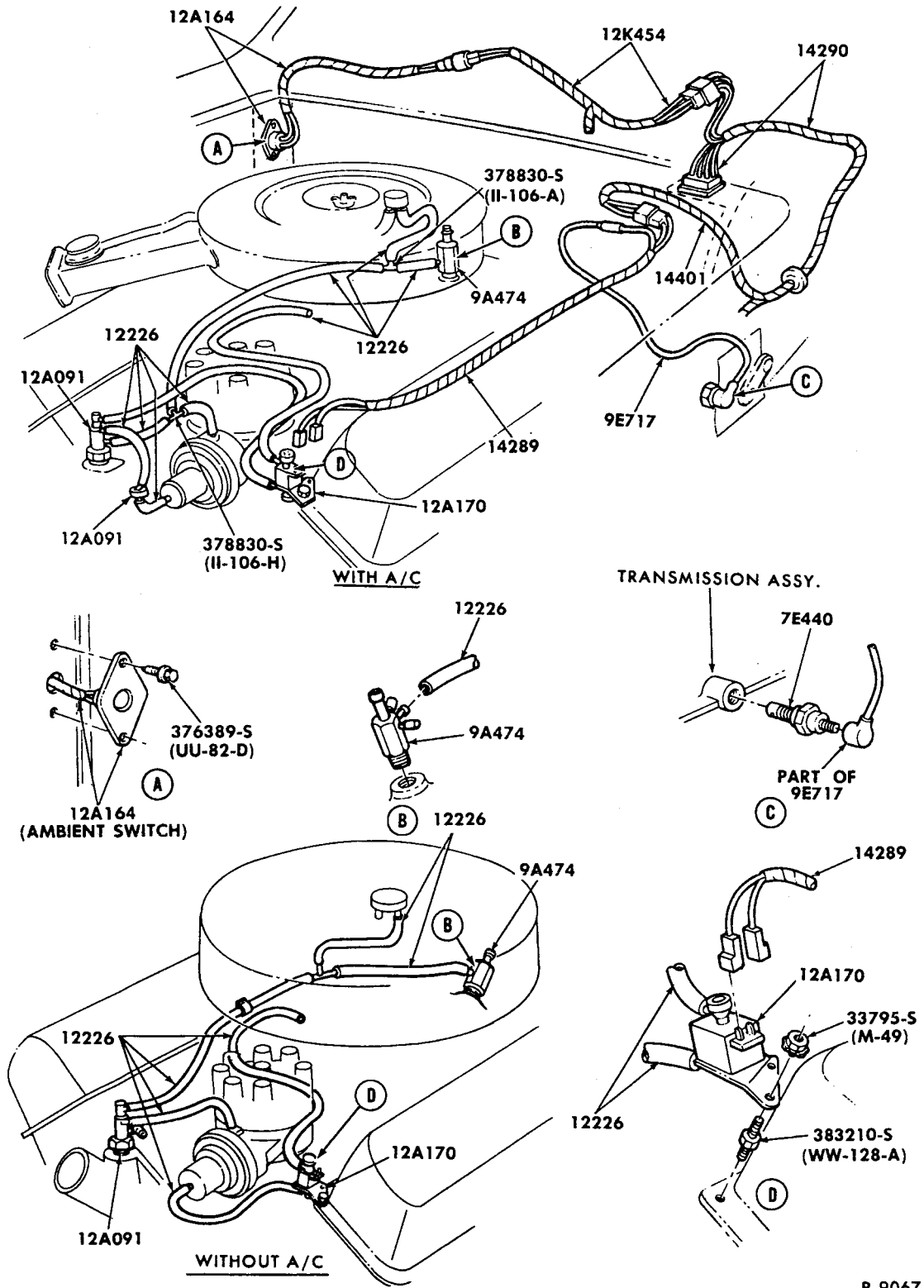
P-9065

TRANSMISSION REGULATED SPARK CONTROL SYSTEM (T.R.S.)-8 CYL. 302-2V ENGINE  
1972 FORD



P-9066

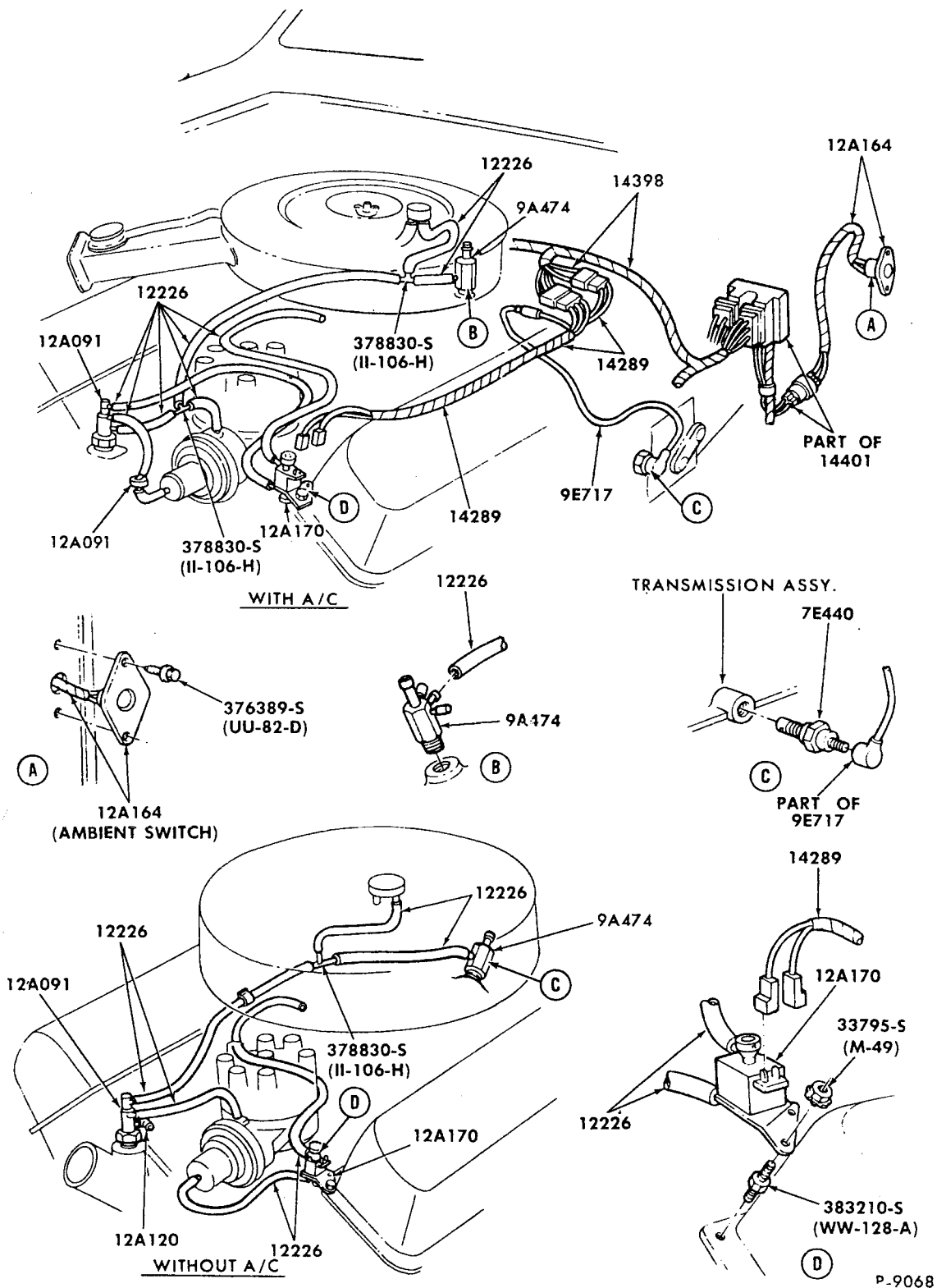
TRANSMISSION REGULATED SPARK CONTROL SYSTEM (T.R.S.)-8 CYL. 302-2V C.I.D. ENGINE  
1972 MAVERICK



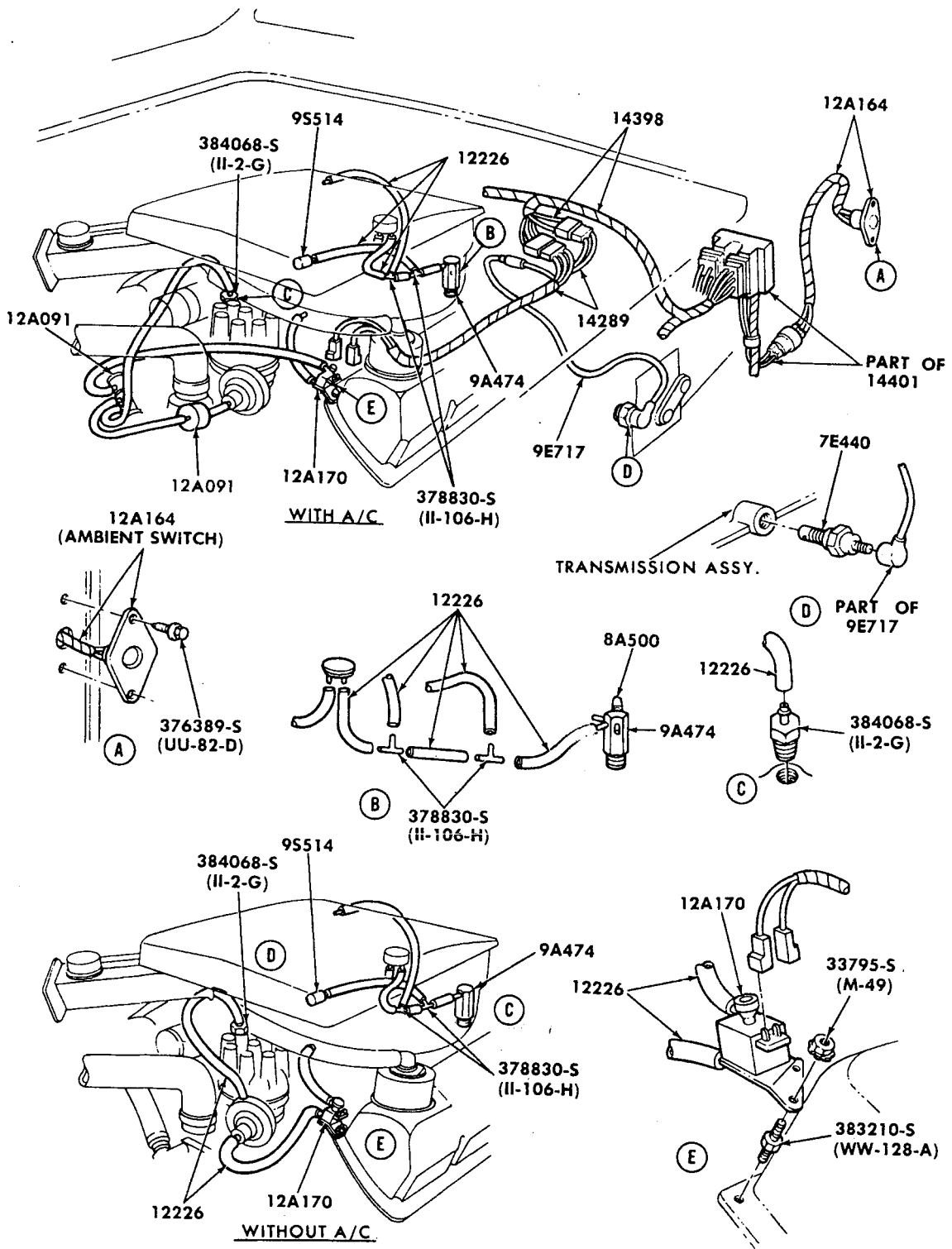
P-9067

TRANSMISSION REGULATED SPARK CONTROL SYSTEM (T.R.S.)-8 CYL. 302-2V ENGINE  
1972 MUSTANG



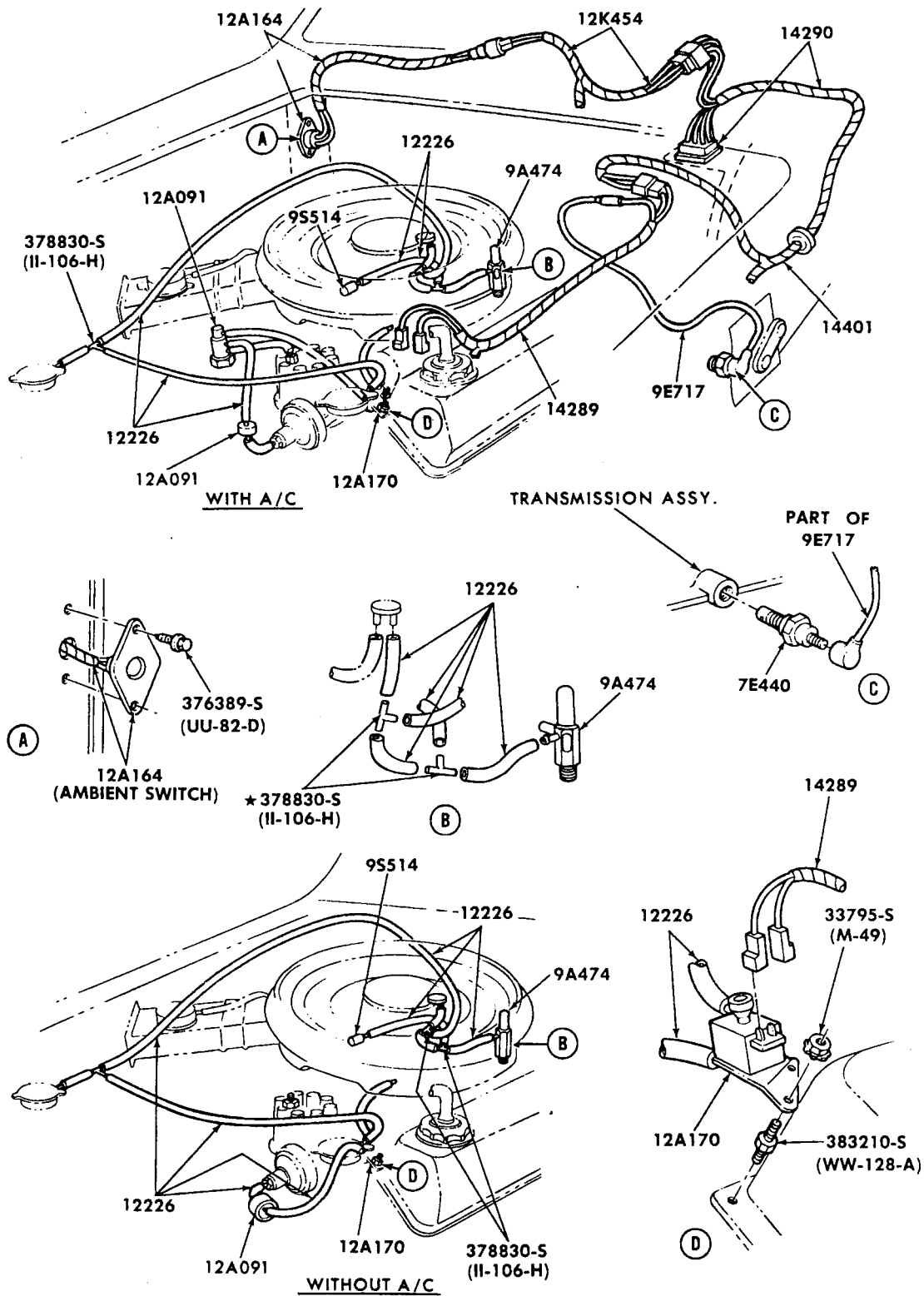


TRANSMISSION REGULATED SPARK CONTROL SYSTEM (T.R.S.)-3 CYL. 302-2V ENGINE  
1972 TORINO



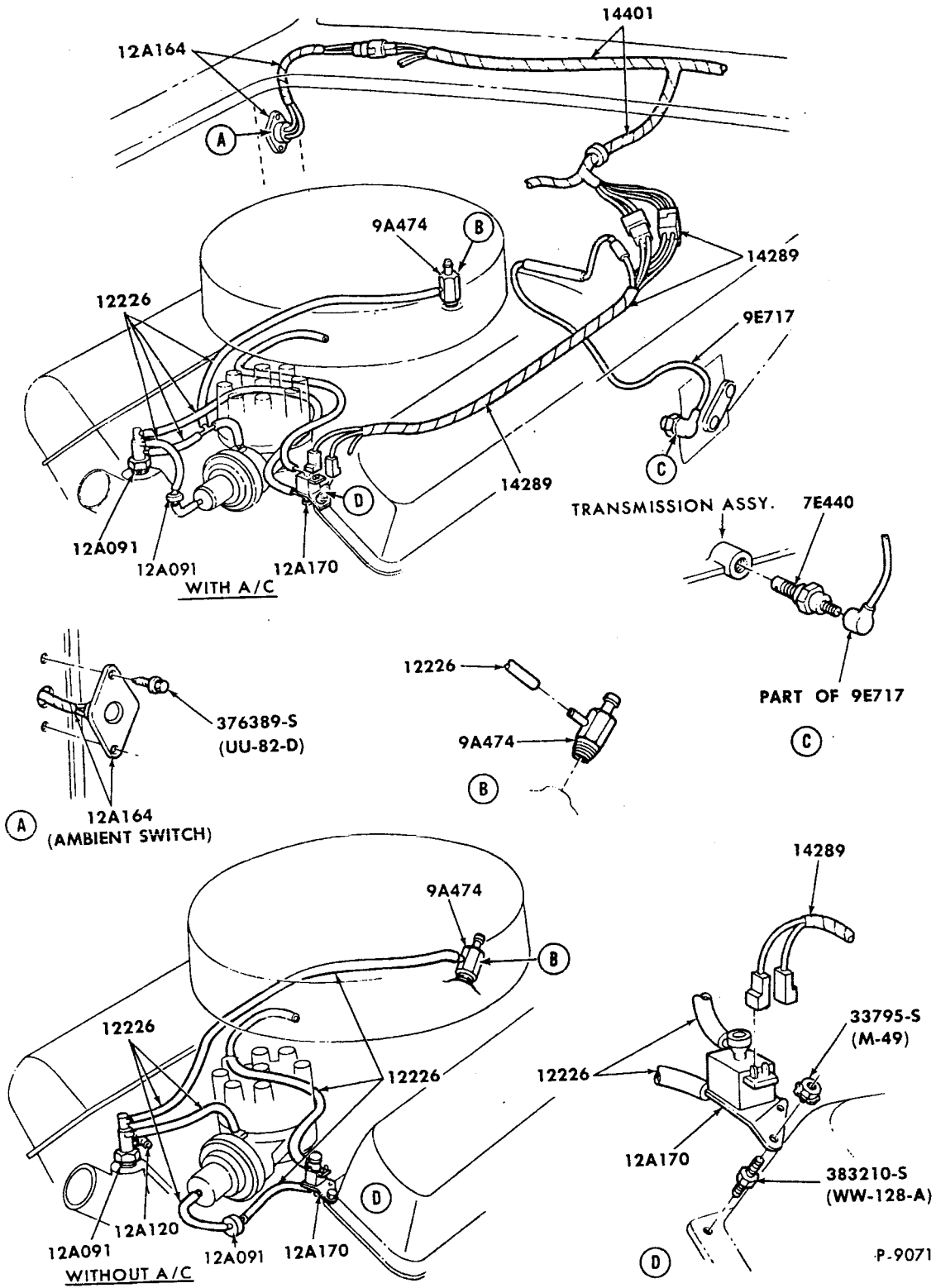
P-9069

TRANSMISSION REGULATED SPARK CONTROL SYSTEM (T.R.S.)-8 CYL. 351-4V CJ ENGINE  
1972 TORINO - WITH RAM AIR HOOD

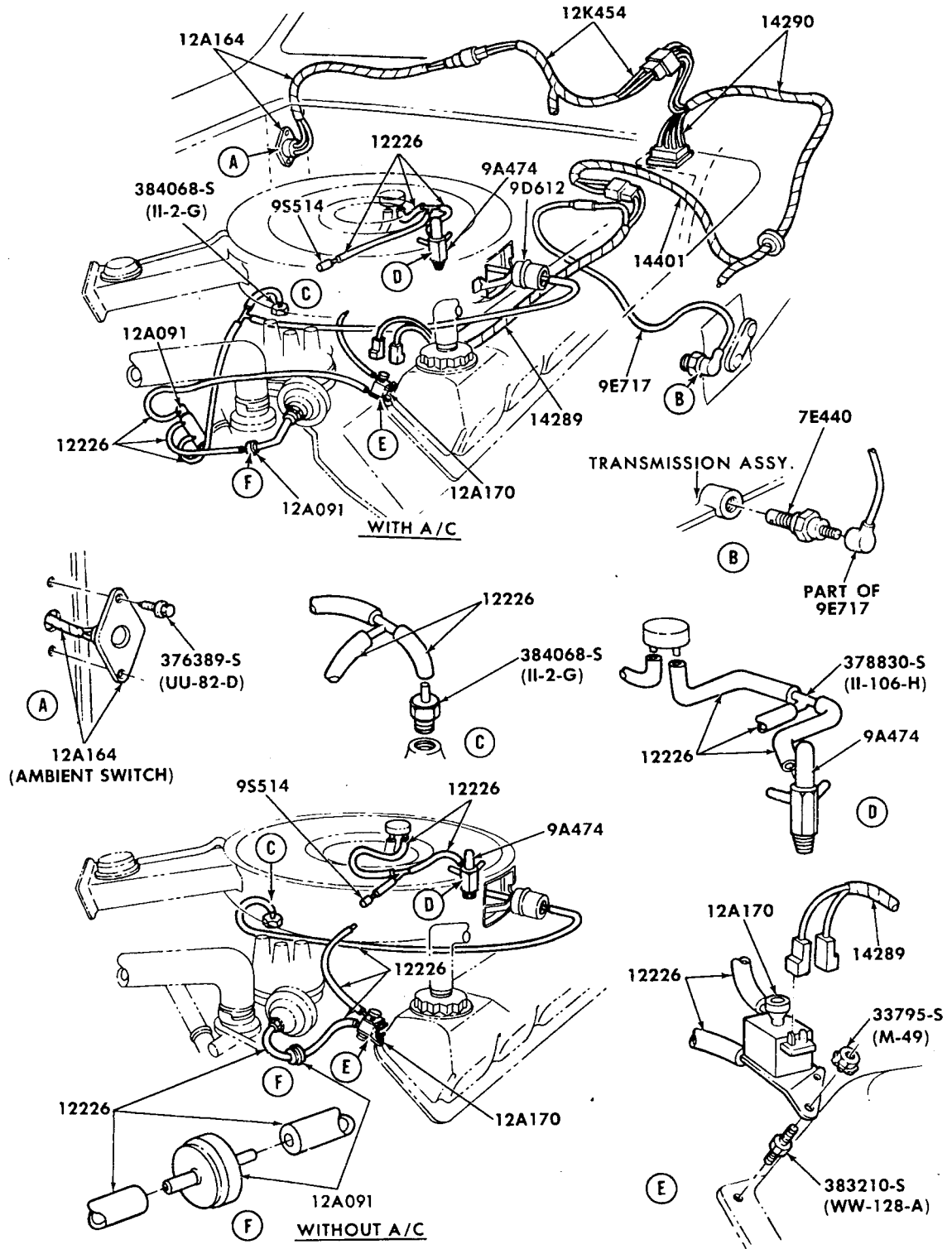


P-9070

TRANSMISSION REGULATED SPARK CONTROL SYSTEM (T.R.S.)-8 CYL. 351-4V CJ ENGINE  
1972 MUSTANG - WITH RAM AIR HOOD

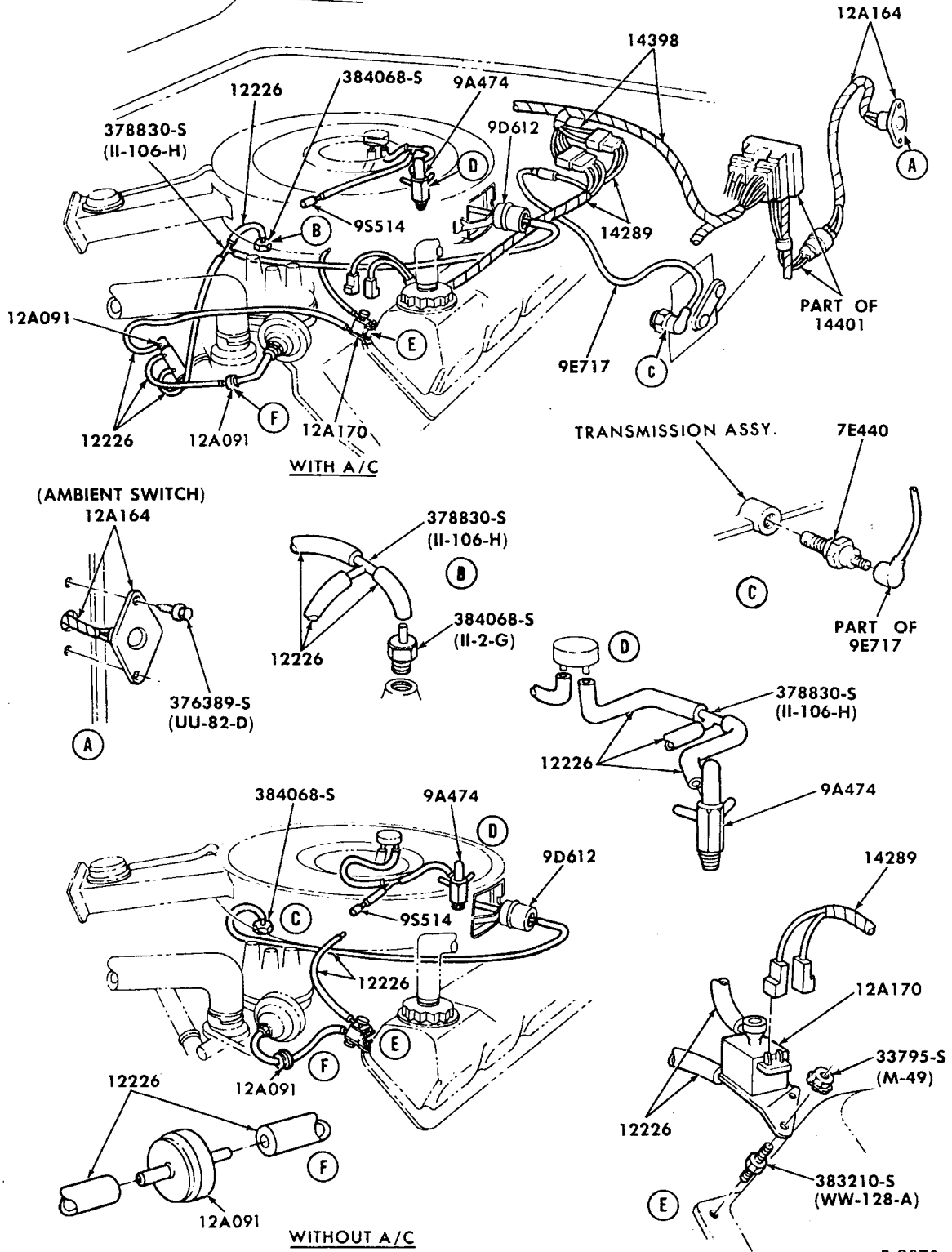


TRANSMISSION REGULATED SPARK CONTROL SYSTEM (T.R.S.)-8 CYL. 351-2V C.I.D. ENGINE  
1972 FORD



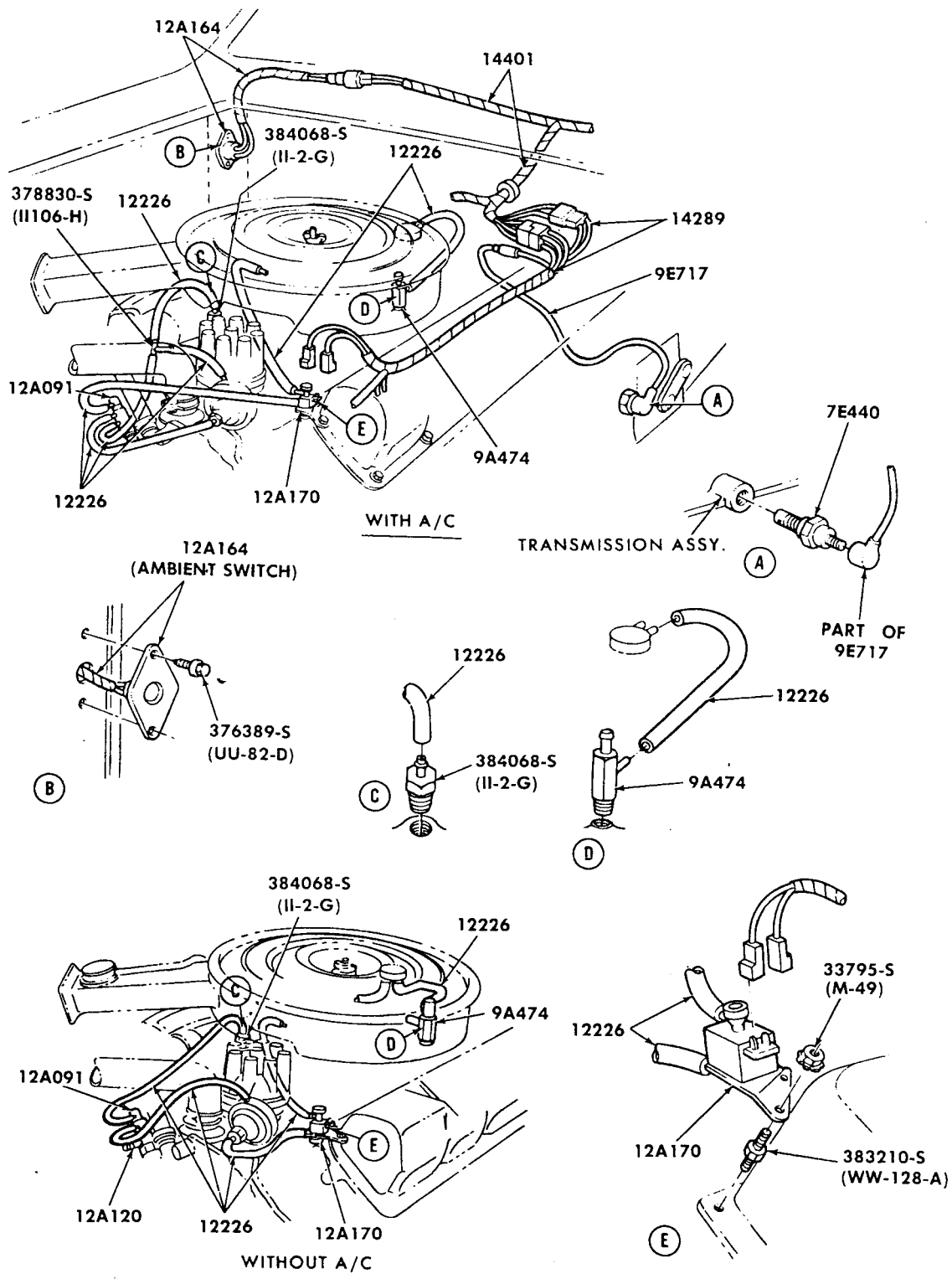
P-9072

TRANSMISSION REGULATED SPARK CONTROL SYSTEM (T.R.S.)-8 CYL. 351-4V CJ ENGINE  
1972 MUSTANG - WITHOUT RAM AIR HOOD



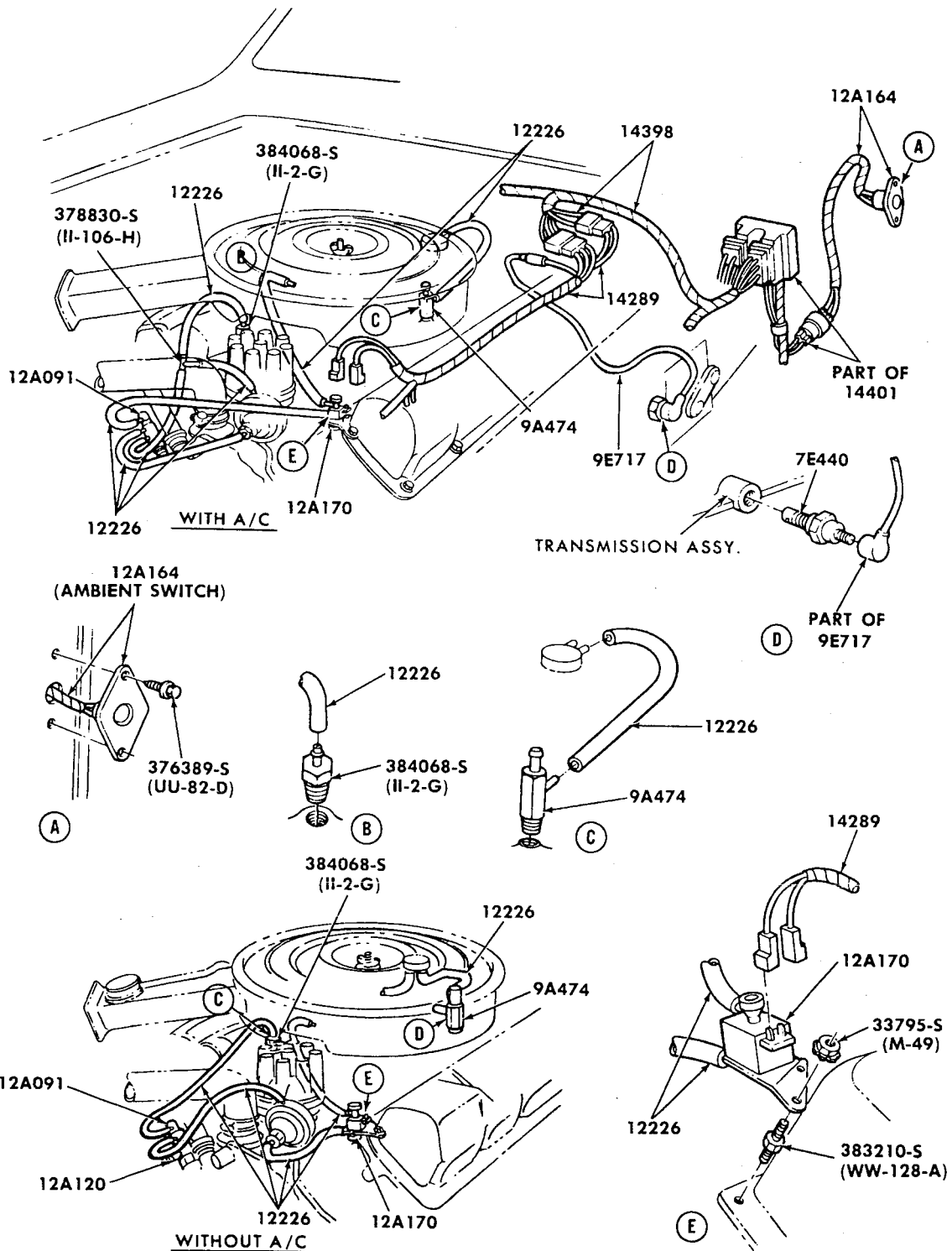
P-9073

TRANSMISSION REGULATED SPARK CONTROL SYSTEM (T.R.S.)-8 CYL. 351-4V CJ ENGINE  
1972 TORINO - WITHOUT RAM AIR HOOD



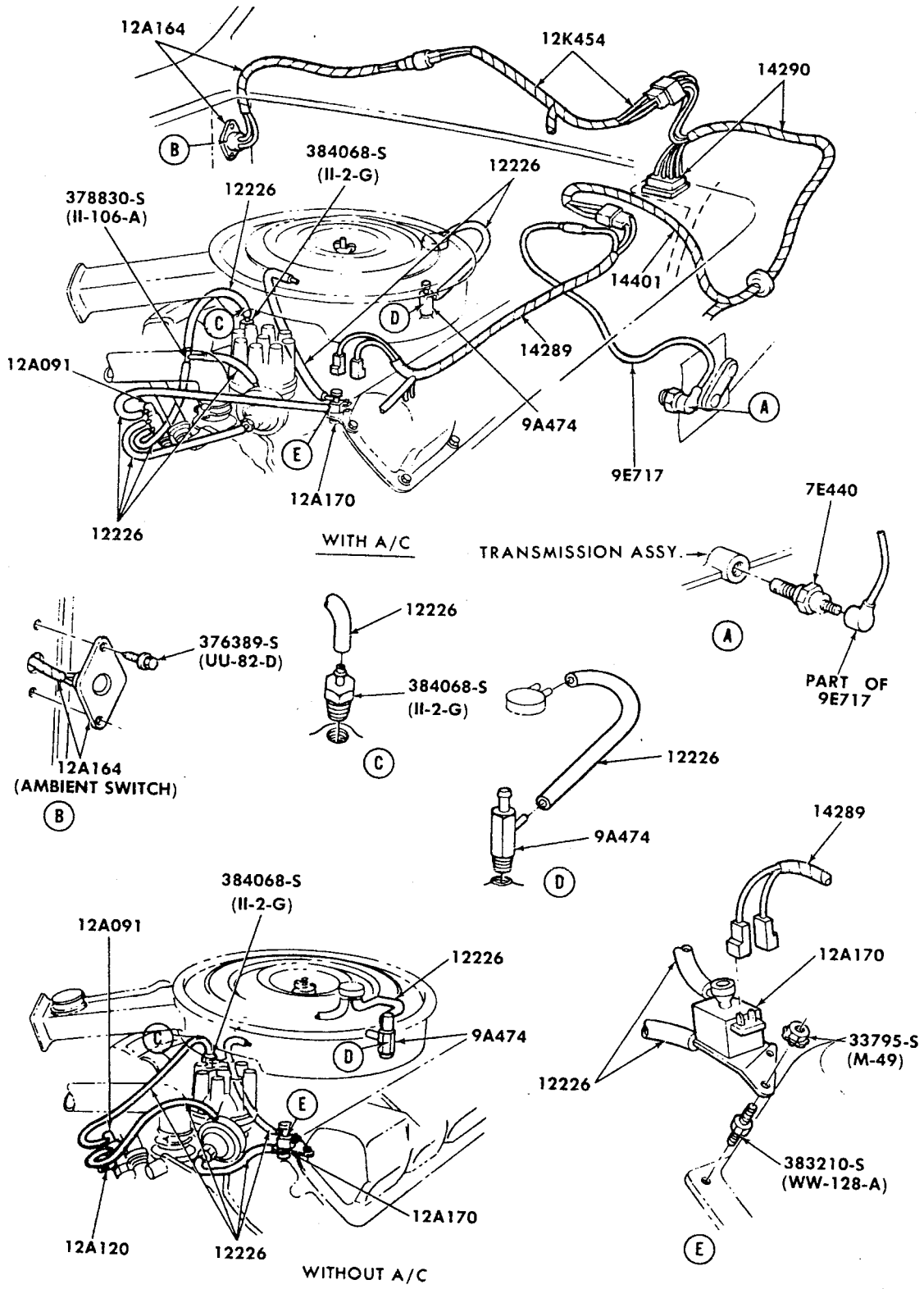
P-9074

TRANSMISSION REGULATED SPARK CONTROL SYSTEM (T.R.S.)-8 CYL. 400-2V C.I.D. ENGINE  
1972 FORD



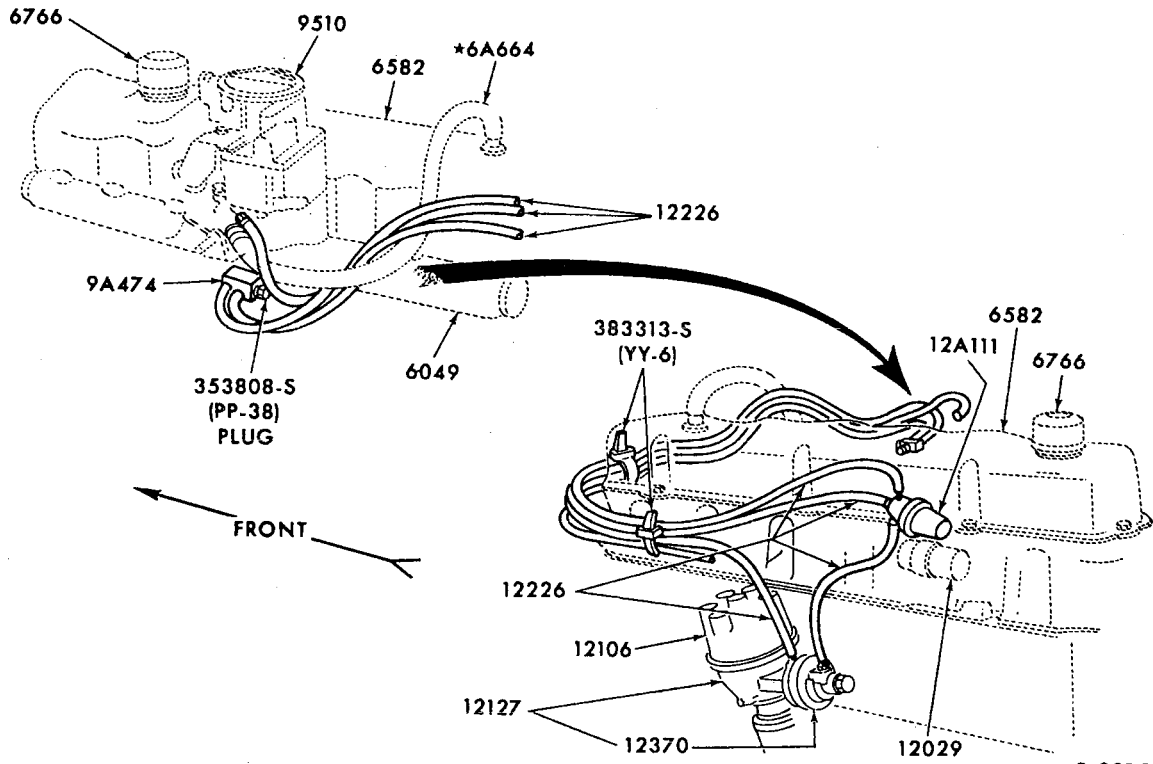
P-9075



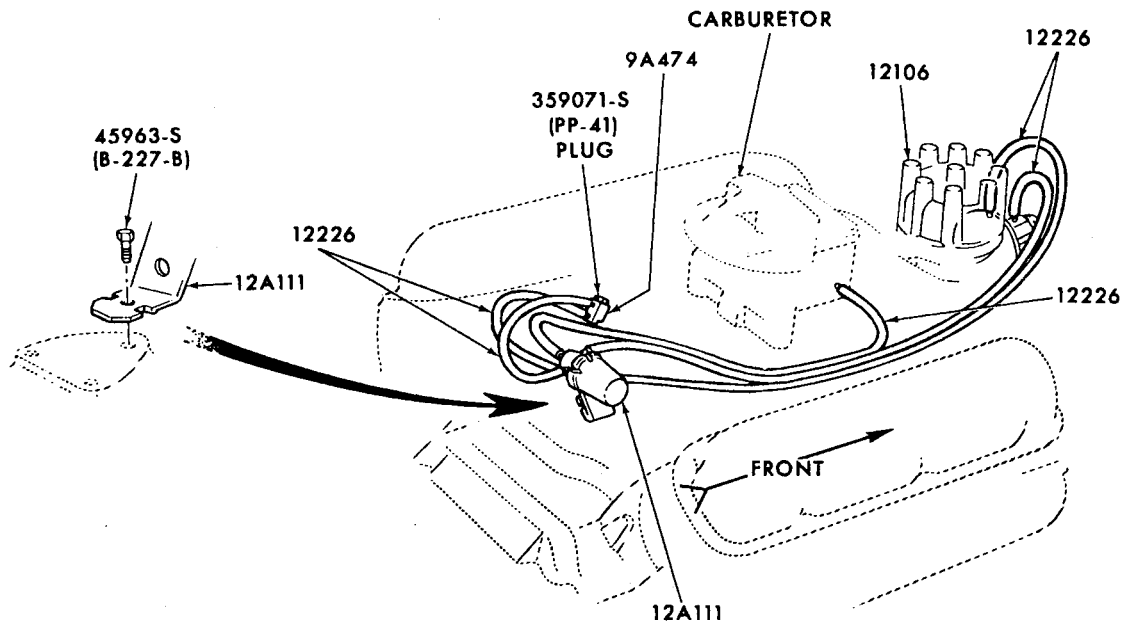


P-9076

TRANSMISSION REGULATED SPARK CONTROL SYSTEM (T.R.S.)-8 CYL. 351-2V C.I.D. ENGINE  
1972 MUSTANG



DISTRIBUTOR VACUUM HOSE INSTALLATION-6 CYLINDER 170 C.I.D. ENGINE  
1969/72 BRONCO



DISTRIBUTOR VACUUM HOSE INSTALLATION-8 CYLINDER 302 ENGINE

1970/72 BRONCO

**INDEX**

THIS INDEX SECTION INCLUDES THE FOLLOWING MAJOR GROUPS:

- |                                   |                          |                            |
|-----------------------------------|--------------------------|----------------------------|
| BACK-UP LAMPS                     | ELECTRIC WINDOW CONTROLS | REAR LAMPS                 |
| CONVERTIBLE TOP ELECTRICAL SYSTEM | HEADLAMPS                | TRANSISTORIZED IGN. SYSTEM |
| COURTESY LAMPS                    | HORN BUTTON OR RING      | TURN INDICATOR             |
| DOMELAMPS                         | LICENSE LAMPS            | WIRING SYSTEM              |
| ELECTRIC SEAT CONTROLS            | PARKING LAMPS            |                            |
|                                   | PILLAR OR INTERIOR LAMPS |                            |

TITLE	SECTION	PAGE	ILLUS. NO.
-------	---------	------	------------

**1965**

**A (FORD)**

ELECTRICAL SYSTEMS			
Convertible top	140.5	1	P-4784
Emergency warning flasher	130.4	1	P-4921
Seat regulator - (4 way bucket)	140.2	2	P-4860
Seat regulator - (6 way bench)	140.2	1	P-4841
Tailgate window regulator-- Station Wagon	140.4	1	P-4797
Window regulator--Custom & Galaxie (exc. XL500)	140.3	1	P-4856
Window regulator--Galaxie-XL500	140.3	2	P-4860
Wiring system - (Page A)	140	2	P-4782-A
Wiring system - (Page B)	140	3	P-4782-B
LAMPS			
Cargo-- Station Wagon	137	2	P-4722
Courtesy lamp - front door	137	5	P-4706
Courtesy lamp - rear door	137	5	P-5006
Dome	137	1	P-2996
Headlamp and parking	130	1	P-4611
Pillar	137	6	P-4705
Rear lamp, back up & license plate-- Custom (except Station Wagon)	134	1	P-4707
Rear lamp, back up & license plate--Galaxie (except Station Wagon)	134	2	P-4594
Rear lamp, back up & license plate--Station Wagon	134	3	P-4708
STEERING WHEEL and HORN RING	138	1	P-4864

**B (FAIRLANE/TORINO)**

ELECTRICAL SYSTEMS			
Emergency warning flasher	130.4	1	P-4921
Tailgate window regulator-- Station Wagon	140.4	2	P-4791
Wiring system	140	4	P-4064
LAMPS			
Cargo-- Station Wagon	137	3	P-4509
Courtesy lamp--door mounted	137	7	P-4534
Courtesy lamp--instrument panel mounted	137	4	P-4593
Dome	137	1	P-2996
Headlamp	130	2	P-4712
Parking	130	5	P-4203
Rear lamp, back up & license plate--except Station Wagon	134	4	P-4591
Rear lamp, back up & license plate--Station Wagon	134	5	P-4599
STEERING WHEEL and HORN RING	138	1	P-4864

B

ILLUSTRATION  
SECTION 130

## FORD CAR PARTS

## INDEX

TITLE	SECTION	PAGE	ILLUS. NO.
<b>1965</b>			
<b>F (MUSTANG)</b>			
<b>ELECTRICAL SYSTEMS</b>			
Convertible top	140.5	2	P-4548
Emergency warning flasher	130.4	1	P-4921
Wiring system	140	5	P-4498
<b>LAMPS</b>			
Courtesy lamp - door mounted	137	10	P-4926
Courtesy lamp - Instrument panel mounted	137	7	P-4734
Courtesy lamp - quarter panel mounted	137	8	P-4735
Fog	130.3	1	P-4889
Headlamp	130	3	P-4460
Parking	130	6	P-4461
Rear lamp, back up & license plate	134	8	P-4463
<b>STEERING WHEEL and HORN RING</b>			
3 - spoke -- non - woodgrain wheel	138	2	P-4514
3 - spoke -- woodgrain wheel	138	1	P-4955
<b>S (THUNDERBIRD)</b>			
<b>ELECTRICAL SYSTEMS</b>			
Convertible top - (composite)	140.5	4	P-4786
Convertible top - (luggage compartment - forward section)	140.5	6	P-4787
Convertible top - (luggage compartment - rear section)	140.5	5	P-4788
Seat regulator	140.2	3	P-4855
Sequential wiring - rear lamp turn indicator	134.1	1	P-4715
Window regulator	140.3	3	P-4855
Wiring system (Page A)	140	6	P-4781-A
Wiring system (Page B)	140	7	P-4781-B
<b>LAMPS</b>			
Courtesy lamp - door mounted	137	8	P-4828
Headlamp	130	3	P-4219
Interior roof--Body Type 76	137	6	P-4895
Parking	130	6	P-3243
Pillar--Body Type 63	137	9	P-4890
Rear lamp, back up & license plate	134	6	P-4213
Turn indicator - fender mounted	130.2	1	P-4380
<b>STEERING WHEEL and HORN RING</b>			
	138	2	P-4544
<b>X (FALCON)</b>			
<b>ELECTRICAL SYSTEMS</b>			
Convertible top	140.5	3	P-4783
Emergency warning flasher	130.4	1	P-4921
Tailgate window regulator--Station Wagon	140.4	3	P-3205
Wiring system	140	1	P-4080
<b>LAMPS</b>			
Cargo-- Station Wagon	137	3	P-4509
Courtesy lamp - Instrument panel mounted	137	4	P-4417
Dome	137	1	P-2996
Headlamp	130	4	P-3632
Parking	130	5	P-3631
Rear lamp, back up and license plate	134	7	P-4709
<b>STEERING WHEEL and HORN RING</b>			
	138	1	P-4864

**INDEX**

TITLE	SECTION	PAGE	ILLUS. NO.
-------	---------	------	------------

**1966**

**A (FORD)**

<b>ELECTRICAL SYSTEMS</b>			
Convertible top	140.5	1	P-4784
Emergency warning flasher	130.4	1	P-4921
Seat regulator - (6 way bench)	140.2	1	P-4841
Seat regulator - (6 way bucket)	140.2	2	P-4860
Tailgate window regulator --Station Wagon	140.4	4	P-5130
Window regulator--Custom & Galaxie - (exc. "XL500")	140.3	1	P-4856
Window regulator--Galaxie "XL500"	140.3	2	P-4860
Wiring system (Page A)	140	2	P-4782-A
Wiring system (Page B)	140	3	P-4782-B
<b>LAMPS</b>			
Cargo--Station Wagon	137	2	P-4722
Courtesy lamp - front door	137	5	P-4706
Courtesy lamp - rear door	137	5	P-5006
Dome	137	1	P-2996
Headlamp and parking	130	7	P-5004
Pillar	137	6	P-4705
Rear lamp, back up & license plate--except Station Wagon	134	8	P-4976
Rear lamp, back up & license plate--Station Wagon	134	9	P-4977
<b>STEERING WHEEL and HORN RING</b>			
2 - spoke--non - woodgrain wheel	138	1	P-4864
3 - spoke--woodgrain wheel	138	1	P-4955

**B (FAIRLANE/TORINO)**

<b>ELECTRICAL SYSTEMS</b>			
Convertible top	140.5	7	P-5008
Emergency warning flasher	130.4	1	P-4921
Tailgate window regulator--Station Wagon	140.4	5	P-5129
Wiring system (Page A)	140	8	P-5303-A
Wiring system (Page B)	140	9	P-5303-B
<b>LAMPS</b>			
Cargo --Station Wagon	137	3	P-4984
Courtesy lamp - door arm rest mounted	137	11	P-5147
Dome lamp	137	16	P-9687
Headlamp	130	8	P-4950
Parking	130	9	P-4952
Rear lamp, back up & license plate--except Station Wagon	134	9	P-4973
Rear lamp, back up & license plate--Station Wagon	134	10	P-5119
<b>STEERING WHEEL and HORN RING</b>			
2 - spoke--non - woodgrain wheel	138	3	P-5145
3 - spoke--woodgrain wheel	138	1	P-4955

**F (MUSTANG)**

<b>ELECTRICAL SYSTEM</b>			
Convertible top	140.5	2	P-4548
Emergency warning flasher	130.4	1	P-4921
Wiring system	140	5	P-4498
<b>LAMPS</b>			
Headlamp	130	3	P-4460
Parking	130	6	P-4461
Fog	130.3	2	P-5378
Courtesy lamp - instrument panel mounted	137	7	P-4734
Courtesy lamp - quarter panel mounted	137	8	P-4735
Courtesy lamp - door mounted	137	10	P-4926
Rear lamp, back up & license plate	134	8	P-4463
<b>STEERING WHEEL and HORN RING</b>			
3 - spoke--non - woodgrain wheel	138	2	P-4514
3 - spoke--woodgrain wheel	138	1	P-4955

D

ILLUSTRATION  
SECTION 130

## FORD CAR PARTS

## INDEX

TITLE	SECTION	PAGE	ILLUS. NO.
<b>1966</b>			
<b>S (THUNDERBIRD)</b>			
<b>ELECTRICAL SYSTEMS</b>			
Convertible top - (composite)	140.5	4	P-4786
Convertible top - (luggage compartment - forward section)	140.5	6	P-4787
Convertible top - (luggage compartment - rear section)	140.5	5	P-4788
Seat regulator	140.2	3	P-4855
Sequential wiring - rear lamp turn indicator - "Before 11/17/65"	134.1	1	P-4715
Sequential wiring - rear lamp turn indicator - "From 11/17/65"	134.1	1	P-5351
Window regulator	140.3	3	P-4855
Wiring system (Page A)	140	6	P-4781-A
Wiring system (Page B)	140	7	P-4781-B
<b>LAMPS</b>			
Courtesy lamp - door mounted	137	8	P-4828
Headlamp and parking	130	11	P-5005
Interior roof -- Body Type 76	137	6	P-4895
Pillar -- Body Type 63A	137	9	P-4890
Pillar -- Body Types 63C, D	137	9	P-5007
Rear lamp, back up & license plate	134	11	P-4987
Turn indicator - fender mounted	130.2	1	P-4380
<b>STEERING WHEEL and HORN</b>			
2 - spoke wheel -- except with speed control	138	2	P-4544
2 - spoke wheel -- with speed control	97.1	6	P-5136
<b>U (BRONCO)</b>			
<b>ELECTRICAL SYSTEM</b>			
Wiring system	140	19	P-5122
<b>LAMPS</b>			
Headlamp and parking	130	9	P-5096
Rear lamp & license plate	134	12	P-5097
<b>STEERING WHEEL and HORN RING</b>	138	3	P-4593
<b>X (FALCON)</b>			
<b>ELECTRICAL SYSTEMS</b>			
Emergency warning flasher	130.4	1	P-4921
Tailgate window regulator -- Station Wagon	140.4	5	P-5129
Wiring system (Page A)	140	10	P-5304-A
Wiring system (Page B)	140	11	P-5304-B
<b>LAMPS</b>			
Cargo -- Station Wagon	137	3	P-4984
Dome lamp -- exc. Body Type 66 - Ranchero	137	16	P-9687
Dome -- Body Type 66 - Ranchero	137	1	P-3115
Headlamp	130	10	P-4951
Parking	130	9	P-4952
Rear lamp, back up & license plate -- except Station Wagon & Ranchero	134	10	P-4975
Rear lamp, back up & license plate -- Ranchero	134	12	P-5118
Rear lamp, back up & license plate -- Station Wagon	134	12	P-5118
<b>STEERING WHEEL and HORN</b>	138	3	P-5145

INDEX

TITLE	SECTION	PAGE	ILLUS. NO.
-------	---------	------	------------

1967

A (FORD)

ELECTRICAL SYSTEMS			
Convertible top	140.5	1	P-4784
Seat regulator - (6 way bucket)	600	18	P-5703
Seat regulator - (6 way full bench) (upper half)	600	12	P-5707
Seat regulator - (6 way full bench) (lower half)	600	13	P-5843
Seat regulator - (6 way split bench - driver seat)	600	14	P-5709
Seat regulator - (6 way split bench - passenger seat)	600	15	P-5705
Tailgate window regulator -- Station Wagon	140.4	4	P-5130
Window regulator -- Custom and Galaxie	140.3	4	P-5715
Wiring systems - (Page A)	140	12	P-5748-A
Wiring systems - (Page B)	140	13	P-5748-B
LAMPS			
Cargo -- Station Wagon	137	2	P-4722
Courtesy lamp - front door	137	5	P-4706
Courtesy lamp - rear door	137	5	P-5006
Dome - standard type	137	1	P-2996
Dome - swivel type	137	2	P-5653
Headlamp and parking	130	11	P-5510
Pillar	137	6	P-4705
Rear lamp, back up & license plate -- except Station Wagon	134	13	P-5501
Rear lamp, back up & license plate -- Station Wagon	134	13	P-5502
STEERING WHEEL and HORN RING			
2 - spoke -- non - woodgrain wheel	138	4	P-5744
3 - spoke -- woodgrain wheel	138	6	P-5747

B (FAIRLANE/TORINO)

ELECTRICAL SYSTEMS			
Convertible top	140.5	7	P-5008
Tailgate window regulator -- Station Wagon	140.4	5	P-5129
Wiring system (Page A)	140	8	P-5303-A
Wiring system (Page B)	140	9	P-5303-B
LAMPS			
Cargo -- Station Wagon	137	3	P-4984
Courtesy lamp - door mounted	137	11	P-5638
Dome lamp -- exc. Body Type 66 - Ranchero	137	16	P-9687
Dome -- Body Type 66 - Ranchero	137	1	P-3115
Headlamp	130	8	P-4950
Parking	130	9	P-4952
Turn indicator - hood mounted	130.2	2	P-5699
Rear lamp, back up & license plate -- Ranchero - w/o reflectors	134	14	P-5507
Rear lamp, back up & license plate -- Ranchero - w/reflectors	134	18	P-5761
Rear lamp, back up & license plate -- except Station Wagon & Ranchero	134	14	P-5506
Rear lamp, back up & license plate -- Station Wagon	134	14	P-5507
STEERING WHEEL and HORN RING			
2 - spoke -- non - woodgrain wheel	138	5	P-5745
3 - spoke -- woodgrain wheel	138	6	P-5747

## INDEX

TITLE

SECTION

PAGE

ILLUS. NO.

1967

## F (MUSTANG)

ELECTRICAL SYSTEMS			
Convertible top	140.5	8	P-5639
Wiring system (Page A)	140	14	P-5749-A
Wiring system (Page B)	140	15	P-5749-B
Wiring system - instrument panel	140.1	4	P-6206
LAMPS			
Courtesy lamp - door mounted	137	10	P-5637
Courtesy lamp - instrument panel mounted	137	7	P-4734
Courtesy lamp - quarter panel mounted	137	8	P-4735
Dome	137	1	P-2996
Fog -- except GT350/500	130.3	2	P-5378
Fog -- GT350/500	130	12	P-6830
Headlamp and parking -- except GT350/500	130	12	P-5511
Headlamp and parking -- GT350/500	130	12	P-6830
Map lamp - roof console	137	13	P-5620
Rear lamp, back up & license plate -- except GT350/500	134	15	P-5503
Rear lamp, back up & license plate -- GT350/500	134	15	P-6931
Turn indicator - hood mounted	130.2	2	P-5651
STEERING WHEEL and HORN RING			
3 - spoke -- non - woodgrain wheel	138	5	P-5746
3 - spoke -- woodgrain wheel	138	6	P-5747

## S (THUNDERBIRD)

ELECTRICAL SYSTEMS			
Seat regulator - (6 way bucket) (lower half)	600	22	P-5702
Sequential wiring - rear lamp turn indicator	134.1	1	P-5351
Window regulator	140.3	5	P-5750
Wiring system (Page A)	140	16	P-5742-A
Wiring system (Page B)	140	17	P-5742-B
Wiring system (Page C)	140	18	P-5742-C
LAMPS			
Courtesy lamp - door mounted	137	12	P-5635
Headlamp and parking	130	13	P-5509
Headlamp covers (vacuum control-solenoid, reservoir and hose routing)	130.1	2	P-5648
Pillar lamp	137	12	P-5635
Rear lamp, back up & license plate	134	16	P-5508
STEERING WHEEL and HORN RING			
2 - spoke wheel -- except with speed control	138	4	P-5743
2 - spoke wheel -- with speed control	97.1	14	P-5595

## U (BRONCO)

ELECTRICAL SYSTEMS			
Wiring system	140	19	P-5122
LAMPS			
Headlamp and parking	130	9	P-5096
Rear lamp, back up & license plate	134	12	P-5097
STEERING WHEEL and HORN RING			
	138	3	P-4953



INDEX

TITLE	SECTION	PAGE	ILLUS. NO.
-------	---------	------	------------

1967

X (FALCON)

ELECTRICAL SYSTEMS			
Tailgate window regulator -- Station Wagon	140.4	5	P-5129
Wiring system (Page A)	140	10	P-5304-A
Wiring system (Page B)	140	11	P-5304-B
LAMPS			
Cargo -- Station Wagon	137	3	P-4984
Dome lamp	137	16	P-9687
Headlamp	130	10	P-4951
Parking	130	9	P-4952
Rear lamp, back up & license plate -- except Station Wagon	134	17	P-5504
Rear lamp, back up & license plate -- Station Wagon	134	17	P-5505
STEERING WHEEL and HORN RING			
2 - spoke -- non - woodgrain wheel	138	5	P-5745
3 - spoke -- woodgrain wheel	138	6	P-5747

1968

A (FORD)

ELECTRICAL SYSTEMS			
Convertible top	140.5	8	P-6507
Seat regulator - (6 way bucket)	600	26	P-6168
Seat regulator - (6 way full bench) (upper half)	600	12	P-5707
Seat regulator - (6 way full bench) (lower half)	600	13	P-5843
Seat regulator - (6 way split bench - driver seat)	600	14	P-5709
Seat regulator - (6 way split bench - passenger seat)	600	15	P-5705
Tailgate window regulator	140.4	6	P-6261
Window regulator	140.3	6	P-6259
Wiring system (Page A)	140	12	P-5748-A
Wiring system (Page B)	140	13	P-5748-B
Wiring system - Instrument panel	140.1	1	P-6006
LAMPS			
Cargo -- Station Wagon	137	2	P-4722
Courtesy lamp - door mounted	137	14	P-6263
Dome	137	1	P-2996
Headlamp and parking -- w/o headlamp covers	130	15	P-6049
Headlamp and parking -- with headlamp covers	130	14	P-6096
Headlamp covers (covers, hinges, housing and related parts)	82	15	P-5982
Headlamp covers (vacuum control)	130.1	1	P-6181
Pillar	137	14	P-6263
Rear lamp, back up & license plate -- except Station Wagon	134	19	P-6043
Rear lamp, back up & license plate -- Station Wagon	134	18	P-6026
STEERING WHEEL and HORN RING			
	138	7	P-6025

B (FAIRLANE/TORINO)

ELECTRICAL SYSTEMS			
Convertible top	140.5	7	P-6506
Tailgate window regulator	140.4	7	P-6244-A
Window regulator	140.3	7	P-6246
Wiring system (Page A)	140	22	P-6510
Wiring system (Page B)	140	23	P-6511
Wiring system - Instrument panel	140.1	3	P-6048
LAMPS			
Cargo -- Station Wagon	137	3	P-4984
Dome lamp	137	16	P-9687
Headlamp and parking	130	16	P-5968
Rear lamp, back up & license plate -- Body Types 54, 65, 76	134	20	P-6044
Rear lamp, back up & license plate -- Body Type 63	134	20	P-6045
Rear lamp, back up & license plate -- Ranchero	134	19	P-5971
Rear lamp, back up & license plate -- Station Wagon	134	22	P-5970
Turn Indicator - fender mounted -- Ranchero	130.2	1	P-6245
STEERING WHEEL and HORN RING			
	138	7	P-6025

H

**ILLUSTRATION  
SECTION 130**
**FORD CAR PARTS**
**INDEX**

TITLE	SECTION	PAGE	ILLUS. NO.
<b>1968</b>			
<b>F (MUSTANG)</b>			
<b>ELECTRICAL SYSTEMS</b>			
Convertible top	140.5	8	P-5639
Wiring system (Page A)	140	14	P-5749-A
Wiring system (Page B)	140	15	P-5749-B
Wiring system - instrument panel	140.1	4	P-6206
<b>LAMPS</b>			
Courtesy lamp - door mounted	137	10	P-5637
Courtesy lamp - instrument panel mounted	137	7	P-4734
Courtesy lamp - quarter panel mounted	137	8	P-4735
Dome	137	1	P-2996
Fog -- except GT350/500	130.3	2	P-5378
Fog -- GT350/500	130	12	P-6830
Front fender side marker lamp -- except GT350/500	130	12	P-5511
Front fender side marker lamp -- GT350/500	130	12	P-6830
Headlamp and parking -- except GT350/500	130	12	P-5511
Headlamp and parking -- GT350/500	130	12	P-6830
Map lamp - roof console	137	13	P-5620
Rear lamp, back up & license plate -- except GT350/500	134	15	P-5503
Rear lamp, back up & license plate -- GT350/500	134	15	P-6831
Turn indicator - hood mounted	130.2	2	P-5651
<b>STEERING WHEEL and HORN RING</b>	138	7	P-6025
<b>S (THUNDERBIRD)</b>			
<b>ELECTRICAL SYSTEMS</b>			
Seat regulator - (6 way bucket)	600	31	P-6169
Seat regulator - (6 way full bench) (upper half)	600	28	P-6156
Seat regulator - (6 way full bench) (lower half)	600	29	P-6157
Window regulator	140.3	8	P-6250
Wiring system (Page A)	140	16	P-5742-A
Wiring system (Page B)	140	17	P-5742-B
Wiring system (Page C)	140	18	P-5742-C
Wiring system - instrument panel	140.1	2	P-6037
<b>LAMPS</b>			
Courtesy lamp - door mounted	137	12	P-5635
Headlamp, parking & front fender side marker	130	13	P-5509
Headlamp covers (covers, hinges, housing and related parts)	82	13	P-5520
Headlamp covers (vacuum control - reservoir & hose routing)	130.1	3	P-6182
Pillar	137	12	P-5635
Rear lamp, back up & license plate	134	16	P-5508
<b>STEERING WHEEL and HORN RING</b>			
2 - spoke wheel -- except with speed control	138	7	P-6025
2 - spoke wheel -- with speed control	97.1	16	P-6211
<b>U (BRONCO)</b>			
<b>ELECTRIC SYSTEMS</b>			
Wiring system	140	19	P-5122
<b>LAMPS</b>			
Headlamp and parking	130	9	P-5096
Rear lamp, back up & license plate	134	12	P-5097
<b>STEERING WHEEL and HORN RING</b>	138	3	P-4953

**INDEX**

TITLE	SECTION	PAGE	ILLUS. NO.
<b>1968</b>			
<b>X (FALCON)</b>			
<b>ELECTRICAL SYSTEMS</b>			
Tailgate window regulator - dual action	140.4	7	P-6244-A
Tailgate window regulator - single action	140.4	8	P-6244-B
Wiring system (Page A)	140	20	P-6508
Wiring system (Page B)	140	21	P-6509
Wiring system - instrument panel	140.1	3	P-6048
<b>LAMPS</b>			
Dome lamp	137	16	P-9687
Cargo lamp -- Station Wagon	137	3	P-4984
Headlamp and parking	130	10	P-4951
Rear lamp, back up & license plate -- except Station Wagon	134	21	P-5969
Rear lamp, back up & license plate -- Station Wagon	134	22	P-5970
<b>STEERING WHEEL and HORN RING</b>			
	138	7	P-6025

**1969**

<b>A (FORD)</b>			
<b>ELECTRICAL SYSTEMS</b>			
Convertible top	140.5	9	P-6894
Seat regulator - (6 way full bench) (lower half)	600	13	P-5843
Seat regulator - (6 way split bench - driver seat)	600	14	P-5709
Seat regulator - (6 way split bench - passenger seat)	600	15	P-5705
Tailgate window regulator	140.4	9	P-6892
Window regulator	140.3	9	P-6857
Wiring system (Page A)	140	24	P-7029
Wiring system (Page B)	140	25	P-7028
Wiring system - instrument panel	140.1	6	P-6651
<b>LAMPS</b>			
Cargo -- Station Wagon	137	2	P-4722
Courtesy lamp - door mounted	137	17	P-7037
Dome	137	16	P-7039
Headlamp, parking & front fender side marker -- w/o headlamp cover	130	16	P-6606
Headlamp, parking & front fender side marker -- with headlamp cover	130	17	P-6605
Headlamp covers (covers, hinges, housing and related parts)	82	19	P-6623
Headlamp covers (vacuum control - reservoir & hose routing)	130.1	2	P-6729
Pillar	137	17	P-7038
Rear lamp, back up, license plate & body side marker -- except Station Wagon	134	22	P-6607
Rear lamp, back up & license plate -- Station Wagon	134	23	P-6610
<b>STEERING WHEEL and HORN RING</b>			
2 - spoke wheel -- except with speed control	138	7	P-6025
2 - spoke wheel -- with speed control	97.1	18	P-6686
3 - spoke wheel - rim blow horn design	138	7	P-6823

K

ILLUSTRATION  
SECTION 130

## FORD CAR PARTS

## INDEX

TITLE

SECTION

PAGE

ILLUS. NO.

1969

## B (FAIRLANE/TORINO)

ELECTRICAL SYSTEMS			
Convertible top	140.5	7	P-6506
Seat regulator	600	27	P-9904
Tailgate window regulator	140.4	7	P-6244-A
Window regulator	140.3	7	P-6246
Wiring system (Page A)	140	22	P-6510
Wiring system (Page B)	140	23	P-6511
Wiring system - instrument panel	140.1	3	P-6048
LAMPS			
Cargo -- Station Wagon	137	3	P-4984
Dome lamp	137	16	P-9687
Headlamp and parking	130	19	P-6676
Rear lamp, back up, license plate & body side marker -- Body Types 54, 65, 76	134	23	P-6813
Rear lamp, back up, license plate & body side marker -- Body Type 63	134	20	P-6045
Rear lamp, back up, license plate & body side marker -- Ranchero	134	19	P-5971
Rear lamp, back up, license plate & body side marker -- Station Wagon	134	22	P-5970
Turn indicator - hood mounted	130.2	3	P-6964
STEERING WHEEL and HORN RING	138	7	P-6025
STEERING WHEEL - RIM BLOW HORN DESIGN	138	7	P-6823

## F (MUSTANG)

ELECTRICAL SYSTEMS			
Convertible top	140.5	9	P-6895
Wiring system (Page A)	140	26	P-6996
Wiring system (Page B)	140	27	P-7026
Wiring system - instrument panel -- except GT350/500	140.1	5	P-6657
Wiring system - instrument panel -- GT350/500	140.1	8	P-6926
LAMPS			
Courtesy lamp - door mounted	137	18	P-6971
Courtesy lamp - pillar mounted	137	18	P-7040
Courtesy lamp - quarter panel mounted	137	8	P-4735
Dome	137	1	P-2996
Fog -- GT350/500	130	17	P-6919
Headlamp, parking & front fender side marker -- exc. GT350/500	130	17	P-6669
Headlamp, parking & front fender side marker -- GT350/500	130	18	P-6919
Rear lamp, back up, license plate & body side marker -- except GT350/500	134	24	P-6641
Rear lamp, back up, license plate & body side marker -- GT350/500	134	25	P-6922-A
Turn indicator - hood mounted	130.2	3	P-6964
STEERING WHEEL and HORN RING	138	7	P-6025
STEERING WHEEL - RIM BLOW HORN DESIGN	138	7	P-6823

**INDEX**

**1969**

TITLE	SECTION	PAGE	ILLUS. NO.
<b>S (THUNDERBIRD)</b>			
<b>ELECTRICAL SYSTEMS</b>			
Seat regulator - (6 way bucket)	600	31	P-6169
Seat regulator - (6 way full bench) (upper half)	600	28	P-6156
Seat regulator - (6 way full bench) (lower half)	600	29	P-6157
Window regulator	140.3	8	P-6250
Wiring system (Page A)	140	16	P-5742-A
Wiring system (Page B)	140	17	P-5742-B
Wiring system (Page C)	140	18	P-5742-C
Wiring system - instrument panel	140.1	2	P-6037
<b>LAMPS</b>			
Auxiliary stop lamps - package tray mounted	134.1	2	P-6283
Courtesy lamp - door mounted	137	12	P-5635
Headlamp, parking & front fender side marker	130	13	P-5509
Headlamp covers (covers, hinges, housing and related parts)	82	13	P-5520
Headlamp covers (vacuum control - reservoir & hose routing)	130.1	3	P-6182
Pillar lamp	137	12	P-5635
Rear lamp, back up, license plate & body side marker lamp	134	26	P-6671
<b>STEERING WHEEL and HORN RING</b>			
2 - spoke wheel -- except with speed control	138	7	P-6025
2 - spoke wheel -- with speed control	97.1	16	P-6211
<b>U (BRONCO)</b>			
<b>ELECTRICAL SYSTEMS</b>			
Wiring system	140	19	P-5122
<b>LAMPS</b>			
Headlamp and parking	130	9	P-5096
Rear lamp, back up & license plate	134	12	P-5097
<b>STEERING WHEEL and HORN RING</b>			
	138	3	P-4953
<b>X (FALCON)</b>			
<b>ELECTRICAL SYSTEMS</b>			
Tailgate window regulator - dual action	140.4	7	P-6244-A
Tailgate window regulator - single action	140.4	8	P-6244-B
Wiring system (Page A)	140	20	P-6508
Wiring system (Page B)	140	21	P-6509
Wiring system - instrument panel	140.1	3	P-6048
<b>LAMPS</b>			
Cargo lamp -- Station Wagon	137	3	P-4984
Dome lamp	137	16	P-9687
Headlamp, parking and front fender side marker	130	10	P-4951
Rear lamp, back up, license plate and body side marker -- except Station Wagon	134	21	P-5969
Rear lamp, back up, license plate and body side marker -- Station Wagon	134	22	P-5970
<b>STEERING WHEEL and HORN RING</b>			
	138	7	P-6025

## INDEX

1970

TITLE	SECTION	PAGE	ILLUS. NO.
<b>A (FORD)</b>			
<b>ELECTRICAL SYSTEMS</b>			
Automatic seat back latch wiring	140.6	3	P-7470
Convertible top	140.5	9	P-6894
Seat regulator - (6 way full bench) (lower half)	600	13	P-5843
Seat regulator - (6 way split bench - driver seat)	600	14	P-5709
Seat regulator - (6 way split bench - passenger seat)	600	15	P-5705
Tailgate window regulator	140.4	9	P-6892
Window regulator	140.3	9	P-6857
Wiring system (Page A)	140	24	P-7029
Wiring system (Page B)	140	25	P-7028
Wiring system - instrument panel	140.1	6	P-6651
<b>LAMPS</b>			
Cargo -- Station Wagon	137	2	P-4722
Courtesy lamp - door mounted	137	17	P-7037
Dome	137	16	P-7039
Headlamp, parking and front fender side marker-- without headlamp covers	130	20	P-7175
Headlamp, parking and front fender side marker-- with headlamp covers	130	21	P-7199
Headlamp covers (covers, hinges, housing and related parts)	82	24	P-7202
Headlamp covers (vacuum control-reservoir and hose routing)	130.1	2	P-6729
Pillar	137	17	P-7038
Rear lamp, back up, license plate and body side marker-- except Station Wagon	134	27	P-7200
Rear lamp, back up and license plate -- Station Wagon	134	23	P-6610
<b>STEERING WHEEL</b>			
2 - spoke wheel -- except with speed control	138	8	P-7513
2 - spoke wheel -- with speed control	97.1	18	P-6686
3 - spoke wheel - rim blow design	138	8	P-7514
<b>B (FAIRLANE/TORINO) B (FALCON) - FROM 1/2/70</b>			
<b>ELECTRICAL SYSTEMS</b>			
Automatic seat back latch wiring	140.6	1	P-7461
Convertible top	140.5	7	P-6506
Seat regulator	600	27	P-9904
Tailgate window regulator	140.4	7	P-6244-A
Window regulator	140.3	7	P-6246
Wiring system (Page A)	140	30	P-7666
Wiring system (Page B)	140	31	P-7667
Wiring system - instrument panel	140.1	9	P-7151
<b>LAMPS</b>			
Cargo -- Station Wagon	137	3	P-4984
Dome lamp	137	16	P-9687
Head lamp, parking and front fender side marker-- Body types 54A, B, 62A, 63H, 65A, B, 66A, 71B, D	130	22	P-7122
Headlamp, parking and front fender side marker-- Body types 54C, 57C, E, 63F, 65C, E, 66B, C, E, 71C, E, 76	130	22	P-7124
Headlamp covers (covers, hinges, housing and related parts)	82	26	P-7123
Headlamp covers (vacuum control), reservoir and hoses	130.1	4	P-7147
Rear lamp, back up, license plate and body side marker-- Station Wagon and Ranchero	134	30	P-7120
Rear lamp, back up, license plate and body side marker-- Body types 63F, 76F	134	29	P-7119
Rear lamp, back up, license plate and body side marker-- Body types 54, 57, 62, 63C, H, 65	134	28	P-7118
<b>STEERING WHEEL</b>			
2 - spoke wheel	138	8	P-7513
3 - spoke wheel - rim blow design - "Before 1/5/70"	138	8	P-7514
3 - spoke wheel - rim blow design - "From 1/5/70"	138	9	P-10685

**INDEX**

**1970**

TITLE	SECTION	PAGE	ILLUS. NO.
<b>F (MUSTANG)</b>			
<b>ELECTRICAL SYSTEMS</b>			
Convertible top	140.5	9	P-6895
Wiring system (Page A)	140	26	P-6996
Wiring system (Page B)	140	27	P-7026
Wiring system - instrument panel -- exc. GT350/500	140.1	5	P-6657
Wiring system - instrument panel -- GT 350/500	140.1	8	P-6926
<b>LAMPS</b>			
Courtesy lamp - door mounted	137	18	P-6971
Courtesy lamp - pillar mounted	137	18	P-7040
Courtesy lamp - quarter panel mounted	137	8	P-4735
Headlamp, parking & front fender side marker -- except GT 350/500	130	23	P-7173
Headlamp, parking & front fender side marker -- GT 350/500	130	18	P-6919
Rear lamp, back up, license plate and body side marker -- except GT350/500	134	31	P-7172
Rear lamp, back up, license plate and body side marker -- GT350/500	134	25	P-6922-A
Sport lamps - grille mounted	130.3	3	P-7474
Turn indicator - hood mounted	130.2	3	P-6964
<b>STEERING WHEEL</b>			
2 - spoke wheel	138	8	P-7513
3 - spoke wheel - rim blow design - GT350/500	138	8	P-7514
3 - spoke wheel - rim blow design - except GT350/500	138	9	P-10685
<b>P (MAVERICK)</b>			
<b>ELECTRICAL SYSTEMS</b>			
Wiring system (Page A)	140	28	P-7030
Wiring system (Page B)	140	29	P-7031
Wiring system - instrument panel	140.1	7	P-6834
<b>LAMPS</b>			
Dome	137	15	P-6872
Headlamp, parking and front fender side marker	130	25	P-6870
Luggage compartment	137	15	P-6872
Rear lamp, back up, license plate and body side marker	134	33	P-6871
<b>STEERING WHEEL</b>			
2 - spoke wheel and horn ring - without locking steering column	138	7	P-6025
2 - spoke wheel - with locking steering column	138	8	P-7513
3 - spoke wheel - rim blow design - w/locking steering column	138	8	P-7514
3 - spoke wheel - rim blow design - w/o locking steering column	138	7	P-6823

## INDEX

1970

TITLE	SECTION	PAGE	ILLUS. NO.
<b>S (THUNDERBIRD)</b>			
<b>ELECTRICAL SYSTEMS</b>			
Automatic seat back latch wiring	140.6	2	P-7464
Power seat controls and wiring	140.2	4	P-7692
Window regulator	140.3	10	P-7696
Wiring system (Page A)	140	32	P-7682
Wiring system (Page B)	140	33	P-7683
Wiring system (Page C)	140	34	P-7684
Wiring system - instrument panel	140.1	2	P-6037
<b>LAMPS</b>			
Auxiliary stop lamps - package tray mounted	134.1	2	P-6283
Courtesy lamp - door mounted	137	12	P-5635
Headlamp, parking and front fender side marker	130	24	P-7157
Pillar lamp	137	12	P-5635
Rear lamp, back up, license plate and body side marker	134	32	P-7158
<b>STEERING WHEEL</b>			
2 - spoke wheel -- except with speed control	138	8	P-7513
2 - spoke wheel - rim blow design--with speed control	97.1	22	P-7698
3 - spoke wheel - rim blow design	138	8	P-7514
<b>U (BRONCO)</b>			
<b>ELECTRICAL SYSTEMS</b>			
Wiring system	140	19	P-5122
<b>LAMPS</b>			
Headlamp, parking and front fender side marker	130	9	P-5096
Rear lamp, back up and license plate	134	12	P-5097
STEERING WHEEL and HORN RING	138	3	P-4953
<b>X (FALCON) - BEFORE 1/2/70 FOR UNITS BUILT FROM 1/2/70 REFER TO B (FALCON)</b>			
<b>ELECTRICAL SYSTEMS</b>			
Tailgate window regulator - dual action	140.4	7	P-6244-A
Tailgate window regulator - single action	140.4	8	P-6244-B
Wiring system (Page A)	140	20	P-6508
Wiring system (Page B)	140	21	P-6509
Wiring system - instrument panel	140.1	3	P-6048
<b>LAMPS</b>			
Cargo lamp -- Station Wagon	137	3	P-4984
Dome lamp	137	16	P-9687
Headlamp, parking and front fender side marker	130	10	P-4951
Rear lamp, back up, license plate and body side marker -- exc. Station Wagon	134	21	P-5969
Rear lamp, back up, license plate and body side marker -- Station Wagon	134	22	P-5970
<b>STEERING WHEEL</b>			
2 - spoke wheel	138	8	P-7513



INDEX

1971

TITLE	SECTION	PAGE	ILLUS. NO.
<b>A (FORD)</b>			
<b>ELECTRICAL SYSTEMS</b>			
Automatic seat back latch wiring	140.6	2	P-7470
Convertible top	140.5	10	P-8421
Seat regulator - (6 way full width seat)	600	47	P-7233-A
Seat regulator - (6 way split seat)	600	46	P-7232-A
Tailgate window regulator & washer (Page A)	140.4	10	P-8320
Tailgate window regulator & washer (Page B)	140.4	11	P-8321
Window regulator (Page A)	140.3	12	P-8423
Window regulator (Page B)	140.3	13	P-8424
Wiring system (Page A)	140	37	P-8417
Wiring system (Page B)	140	38	P-8418
Wiring system (Page C)	140	39	P-8419
Wiring system - instrument panel	140.1	10	P-8140
<b>LAMPS</b>			
Cargo - Station Wagon	137	2	P-4722
Courtesy lamp - door mounted	137	19	P-8422
Domes	137	16	P-7039
Headlamp, parking and front fender side marker	130	26	P-8154
Pillar	137	17	P-7038
Rear lamp, back up, license plate and body side marker -- except Station Wagon	134	34	P-8116
Rear lamp, back up, license plate and body side marker -- Station Wagon	134	35	P-8115
<b>STEERING WHEEL</b>			
2 - spoke wheel - except with speed control	138	8	P-7513
2 - spoke wheel - with speed control	97.1	24	P-8310
3 - spoke wheel - rim blow design	138	8	P-7514
<b>B (TORINO)</b>			
<b>ELECTRICAL SYSTEMS</b>			
Automatic seat back latch wiring	140.6	1	P-7461
Convertible top	140.5	7	P-6506
Seat regulator	600	27	P-9904
Tailgate window regulator	140.4	7	P-6244-A
Window regulator	140.3	7	P-6246
Wiring system (Page A)	140	30	P-7666
Wiring system (Page B)	140	31	P-7667
Wiring system - instrument panel	140.1	9	P-7151
<b>LAMPS</b>			
Cargo - Station Wagon	137	3	P-4984
Dome lamp	137	16	PGC-2070
Headlamp, parking and front fender side marker - Body types 54A, 63H, 65A, 66A, 71D	130	22	P-7122
Headlamp, parking and front fender side marker -- with headlamp covers Body types 54C, 57C, E, 63C, F, 65C, E, 66B, C, E, 71C, E, 76F	130	22	P-7124
Headlamp, parking and front side marker -- without headlamp covers Body types 54C, 57C, E, 63C, F, 65C, E, 66B, C, E, 71C, E, 76F	130	27	P-8260
Headlamp covers (covers, hinges, housing and related parts)	82	26	P-7123
Headlamp covers (vacuum control), reservoir and hoses	130.1	4	P-7147
Rear lamp, back up, license plate and body side marker - Station Wagon and Ranchero	134	30	P-7120
Rear lamp, back up, license plate and body side marker - Body types 63F, 76F	134	29	P-7119
Rear lamp, back up, license plate and body side marker - Body types 54, 57, 63C, H, 65	134	28	P-7118
<b>STEERING WHEEL</b>			
2 - spoke wheel	138	8	P-7513
3 - spoke wheel - rim blow design	138	9	P-10685

## INDEX

1971

TITLE	SECTION	PAGE	ILLUS. NO.
<b>F (MUSTANG)</b>			
<b>ELECTRICAL SYSTEMS</b>			
Convertible top	140.5	10	P-8426
Window regulator	140.3	11	P-8426
Wiring system (Page A)	140	40	P-8406
Wiring system (Page B)	140	41	P-8411
Wiring system (Page C)	140	42	P-8410
Wiring system - instrument panel	140.1	12	P-8206
<b>LAMPS</b>			
Courtesy lamp - pillar mounted	137	18	P-7040
Headlamp, parking and front fender side marker	130	28	P-8147
Rear lamp, backup, license plate and body side marker	134	36	P-8098
Sport lamps - grille mounted	130	28	P-8147
<b>STEERING WHEEL</b>			
2 - spoke wheel - button blow	138	9	P-8309
2 - spoke wheel - pad blow	138	8	P-7513
3 - spoke wheel - rim blow design	138	9	P-10685
<b>L (PINTO)</b>			
<b>ELECTRICAL SYSTEMS</b>			
Wiring system (Page A)	140	35	P-8061
Wiring system (Page B)	140	36	P-8062
Wiring system - instrument panel	140.1	11	P-8022
<b>LAMPS</b>			
Dome	137	13	P-8063
Headlamp, parking and front fender side marker	130	25	P-7963
Rear lamp, back up, license plate and body side marker	134	33	P-6871
<b>STEERING WHEEL</b>			
2 - spoke wheel - button blow	138	9	P-8309
2 - spoke wheel - pad blow	138	8	P-7513
<b>P (MAVERICK)</b>			
<b>ELECTRICAL SYSTEMS</b>			
Wiring system (Page A)	140	28	P-7030
Wiring system (Page B)	140	29	P-7031
Wiring system - instrument panel	140.1	7	P-6834
<b>LAMPS</b>			
Dome	137	15	P-6872
Headlamp, parking and front fender side marker	130	25	P-6870
Luggage compartment	137	15	P-6872
Rear lamp, back up, license plate and body side marker	134	33	P-6871
Sports lamp - grille mounted	130.3	3	P-7474
<b>STEERING WHEEL</b>			
2 - spoke wheel - button blow	138	9	P-8309
2 - spoke wheel - with locking steering column	138	8	P-7513
3 - spoke wheel - rim blow design - w/ locking steering column	138	8	P-7514

INDEX  
1971

TITLE	SECTION	PAGE	ILLUS. NO.
<b>S (THUNDERBIRD)</b>			
<b>ELECTRICAL SYSTEMS</b>			
Automatic seat back latch wiring	140.6	2	P-7464
Power seat controls and wiring	140.2	4	P-7692
Window regulator	140.3	10	P-7696
Wiring system (Page A)	140	32	P-7682
Wiring system (Page B)	140	33	P-7683
Wiring system (Page C)	140	34	P-7684
Wiring system - instrument panel	140.1	2	P-6037
<b>LAMPS</b>			
Courtesy lamp - door mounted	137	12	P-5635
Headlamp, parking and front fender side marker	130	24	P-7157
Pillar lamp	137	12	P-5635
Rear lamp, back up, license plate and body side marker	134	32	P-7158
<b>STEERING WHEEL</b>			
2 - spoke wheel - except with speed control	138	8	P-7513
2 - spoke wheel - rim blow design - with speed control	97.1	22	P-7698
3 - spoke wheel - rim blow design	138	8	P-7514
<b>U (BRONCO)</b>			
<b>ELECTRICAL SYSTEMS</b>			
Wiring system	140	19	P-5122
<b>LAMPS</b>			
Headlamp, parking and front fender side marker	130	9	P-5096
Rear lamp, back up and license plate	134	12	P-5097
<b>STEERING WHEEL and HORN RING</b>	138	3	P-4953

1972

<b>A (FORD)</b>			
<b>ELECTRICAL SYSTEMS</b>			
Automatic seat back latch wiring	140.6	3	P-7470
Convertible top	140.5	10	P-8421
Seat regulator - (6 way full width seat)	# 600	56	P-8673
Seat regulator - (6 way split seat)	# 600	64	P-8861
Tailgate window regulator & washer (Page A)	140.4	10	P-8320
Tailgate window regulator & washer (Page B)	140.4	11	P-8321
Window regulator (Page A)	140.3	12	P-8423
Window regulator (Page B)	140.3	13	P-8424
Wiring system (Page A)	140	37	P-8417
Wiring system (Page B)	140	38	P-8418
Wiring system (Page C)	140	39	P-8419
Wiring system - instrument panel	140.1	10	P-8140
<b>LAMPS</b>			
Cargo - Station Wagon	137	2	P-4722
Courtesy lamp - door mounted	137	20	P-9949
Domes	137	16	P-7039
Headlamp, parking and front fender side marker	130	29	P-8772
Pillar	137	17	P-7038
Rear lamp, back up, license plate and body side marker -- except Station Wagon	134	37	P-8757
Rear lamp, back up, license plate and body side marker -- Station Wagon	134	35	P-8115
<b>STEERING WHEEL</b>			
2 - spoke wheel - except with speed control	138	8	P-7513
2 - spoke wheel - with speed control	97.1	24	P-8310
3 - spoke wheel - rim blow design	138	8	P-7514

# Refer to Body Illustration Section

May, 1975

COPYRIGHT © 1975 -

FORD MOTOR COMPANY

- DEARBORN, MICHIGAN

FINAL ISSUE

## INDEX

TITLE

SECTION

PAGE

ILLUS. NO.

1972

## B (TORINO)

## ELECTRICAL SYSTEMS

Automatic seat back latch wiring	#600	60	P-8733
Tailgate window regulator	140.4	12	P-9967
Window regulator (Page A)	140.3	14	P-9943
Window regulator (Page B)	140.3	15	P-9944
Wiring system (Page A)	140	43	P-9956
Wiring system (Page B)	140	44	P-9957
Wiring system (Page C)	140	45	P-9958
Wiring system - instrument panel	140.1	14	P-8825

## LAMPS

Cargo - Station Wagon	137	3	P-4984
Dome lamp -adjustable	137	20	P-9197
Headlamp, parking and front fender side marker - Body Types 53D, 63, 65D, R, 71D, K, 97	130	31	P-8774
Headlamp, parking and front side marker -Body Types 53B, 65B, 71B	130	30	P-8775
Rear lamp, back up, license plate and body side marker - Station Wagon	134	39	P-8759
Rear lamp, back up, license plate and body side marker - Ranchero	134	40	P-8760
Rear lamp, back up, license plate and body side marker - except Ranchero and Station Wagon	134	38	P-8761
Dome lamp	137	16	P-7039

## STEERING WHEEL

2 - spoke wheel	138	8	P-7513
3 - spoke wheel - rim blow design	138	9	P-10685

## F (MUSTANG)

## ELECTRICAL SYSTEMS

Automatic seat back latch system	#600	54	P-8534
Convertible top	140.5	10	P-8246
Window regulator	140.3	11	P-8426
Wiring system (Page A)	140	40	P-8406
Wiring system (Page B)	140	41	P-8411
Wiring system (Page C)	140	42	P-8410
Wiring system - instrument panel	140.1	12	P-8206

## LAMPS

Courtesy lamp - pillar mounted	137	18	P-7040
Headlamp, parking and front fender side marker	130	28	P-8147
Rear lamp, back up, license plate and body side marker	134	36	P-8098
Sport lamps - grille mounted	130	28	P-8147

## STEERING WHEEL

2 - spoke wheel - button blow	138	9	P-8309
2 - spoke wheel - pad blow	138	8	P-7513
3 - spoke wheel - rim blow design	138	9	P-10685

### INDEX

## 1972

TITLE	SECTION	PAGE	ILLUS. NO.
<b>L (PINTO)</b>			
<b>ELECTRICAL SYSTEMS</b>			
Wiring system (Page A)	140	35	P-8061
Wiring system (Page B)	140	36	P-8062
Wiring system - instrument panel	140.1	11	P-8022
<b>LAMPS</b>			
Cargo - Body type 73	137	19	P-8765
Dome	137	13	P-8063
Headlamp, parking and front fender side marker	130	25	P-7963
Rear lamp, back up, license plate and body side marker - Body types 62, 64	134	33	P-6871
Rear lamp, back up, license plate and body side marker - Body type 73	134	41	P-8764
<b>STEERING WHEEL</b>			
2 - spoke wheel - button blow	138	9	P-8309
2 - spoke wheel - pad blow	138	8	P-7513
<b>P (MAVERICK)</b>			
<b>ELECTRICAL SYSTEMS</b>			
Wiring system (Page A)	140	28	P-7030
Wiring system (Page B)	140	29	P-7031
Wiring system - instrument panel	140.1	15	P-8826
<b>LAMPS</b>			
Dome	137	15	P-6872
Headlamp, parking and front fender side marker	130	25	P-6870
Luggage compartment	137	15	P-6872
Rear lamp, back up, license plate and body side marker	134	33	P-6871
Sports lamp - grille mounted	130.3	3	P-7474
<b>STEERING WHEEL</b>			
2 - spoke wheel - button blow	138	9	P-8309
2 - spoke wheel - with locking steering column	138	8	P-7513
<b>S (THUNDERBIRD)</b>			
<b>ELECTRICAL SYSTEMS</b>			
Automatic seat back latch wiring	#600	60	P-8733
Power seat controls and wiring	140.3	16	P-9945
Window regulator	140.3	16	P-9945
Wiring system (Page A)	140	46	P-9950
Wiring system (Page B)	140	47	P-9951
Wiring system (Page C)	140	48	P-9952
Wiring system - instrument panel	140.1	13	P-8824
Electric door latch system	#230.2	14	P-8817
<b>LAMPS</b>			
Courtesy lamp - door mounted	137	20	P-9949
Headlamp, parking and front fender side marker	130	32	P-8777
Rear lamp, back up, license plate and body side marker	134	42	P-8763
Dome lamp	137	20	P-9197
<b>STEERING WHEEL</b>			
2 - spoke wheel - except with speed control	138	8	P-7513
2 - spoke wheel - rim blow design - with speed control	97.1	25	P-9919
3 - spoke wheel - rim blow design	138	8	P-7514

# Refer to Body Illustration Section

May, 1975

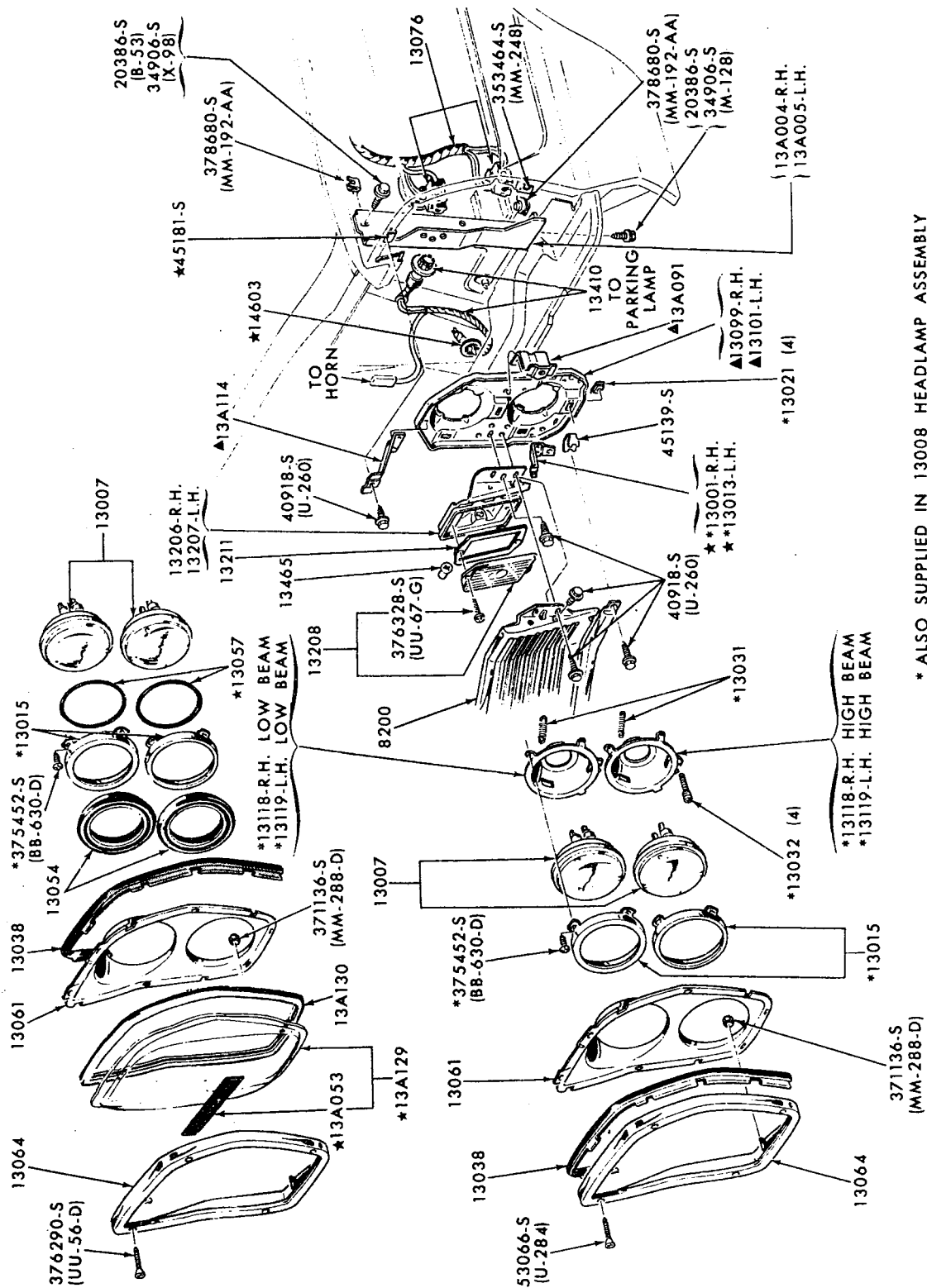
COPYRIGHT © 1975 -

FORD MOTOR  
COMPANY

- DEARBORN, MICHIGAN

**FINAL ISSUE**





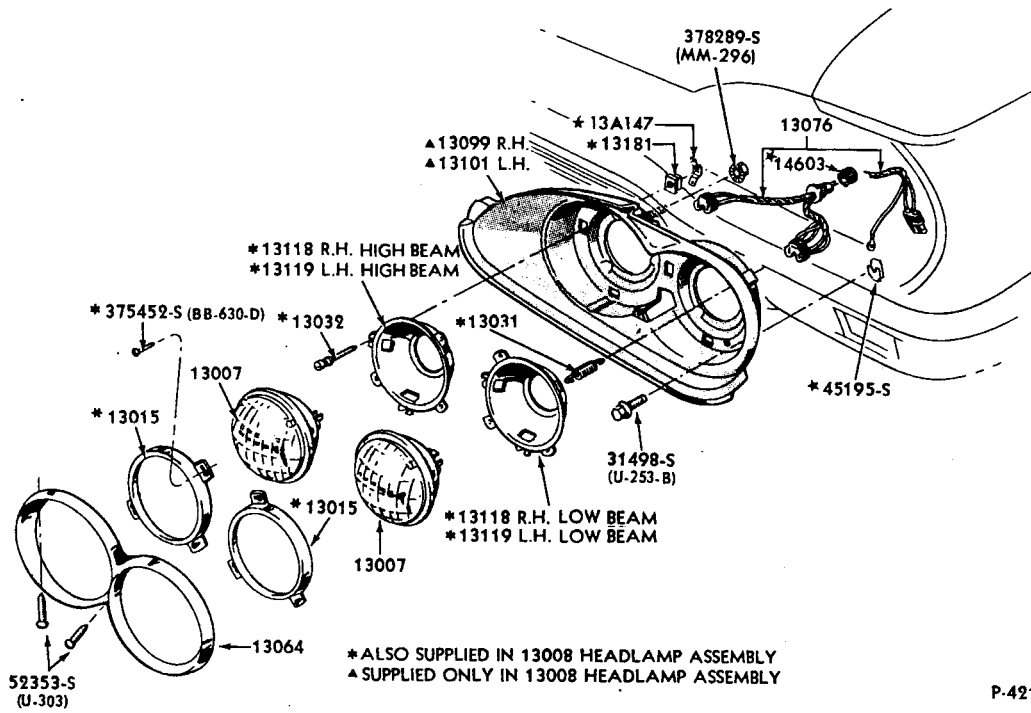
\* ALSO SUPPLIED IN 13008 HEADLAMP ASSEMBLY  
▲ SUPPLIED ONLY IN 13008 HEADLAMP ASSEMBLY

P-4611

HEADLAMP, PARKING LAMP and RELATED PARTS  
1965 FORD

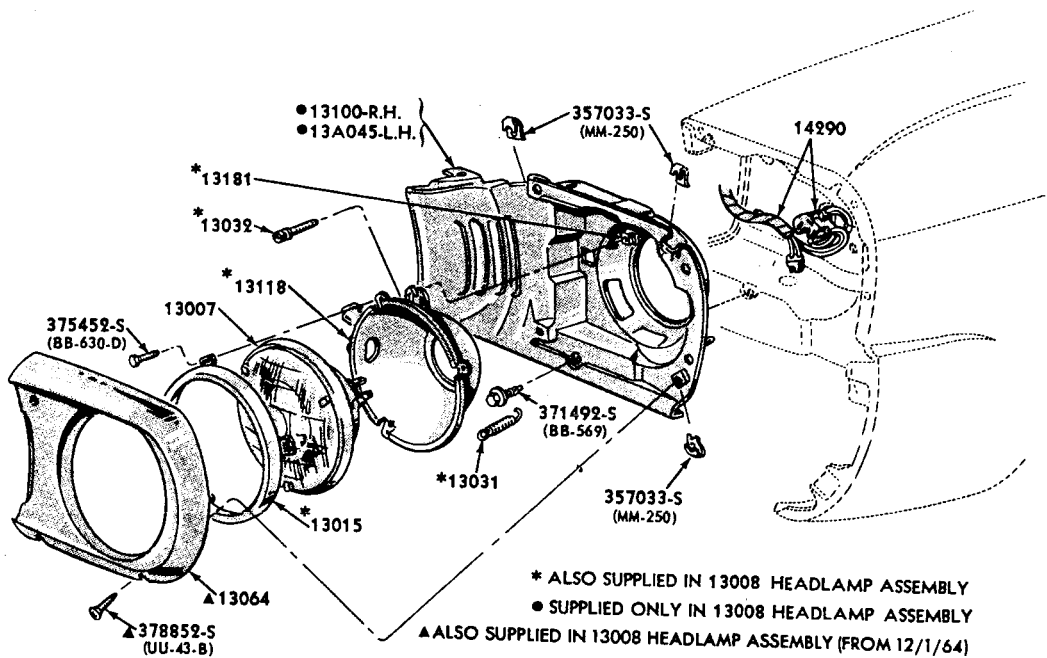






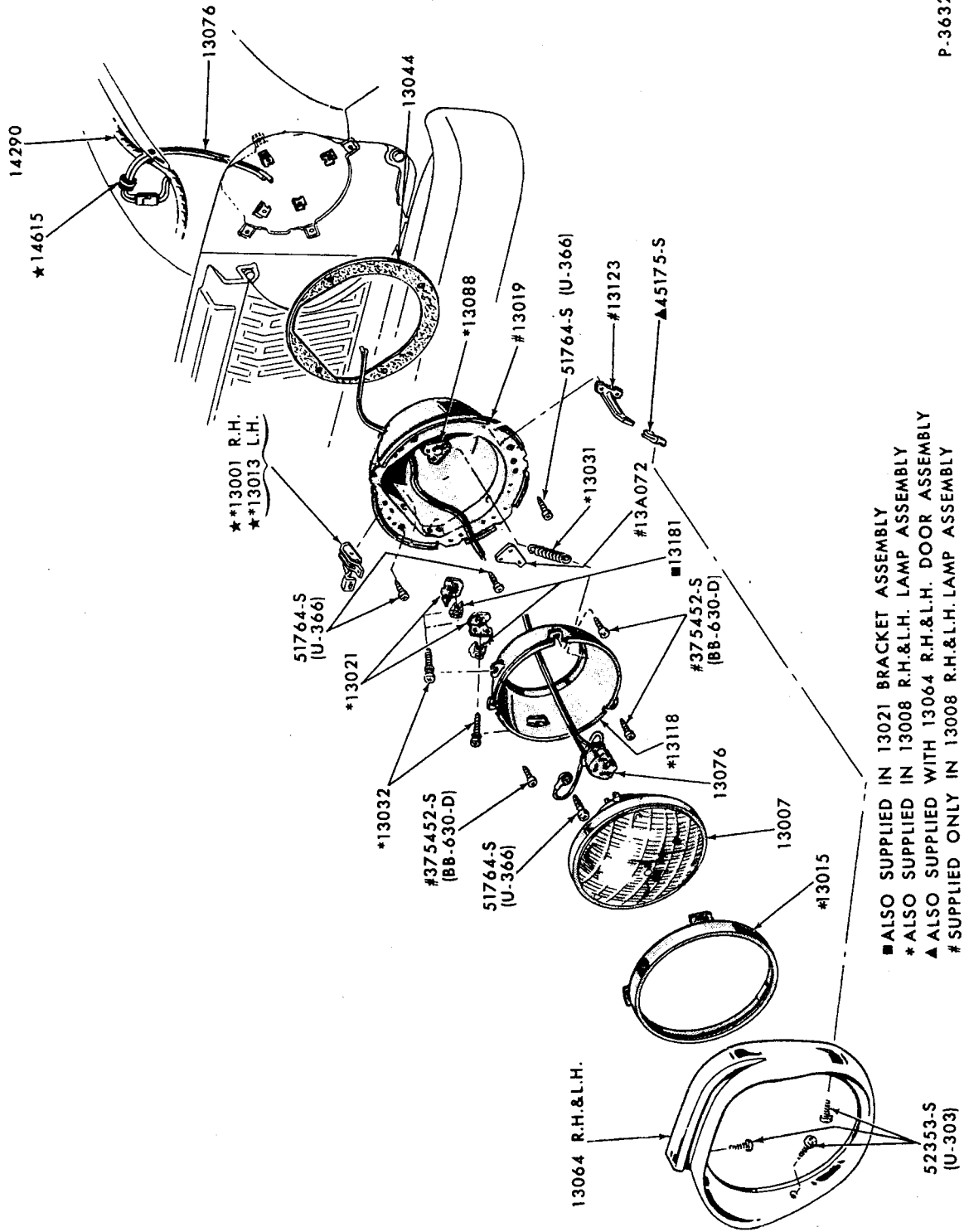
P-4219

HEADLAMP PARTS  
1965 THUNDERBIRD



P-4460

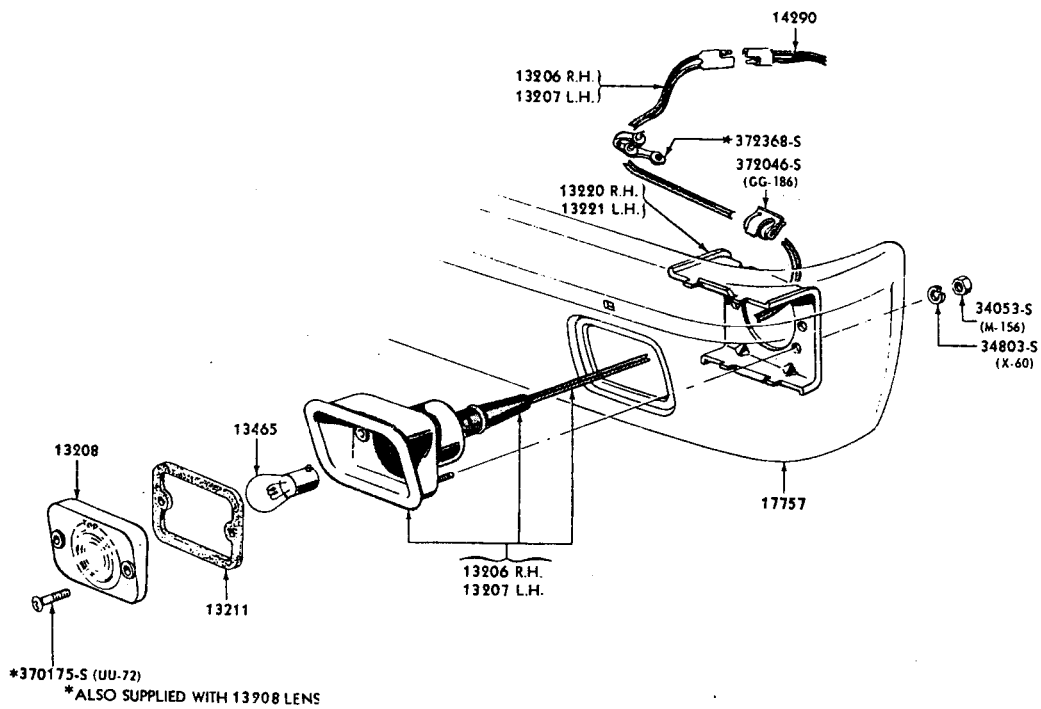
HEADLAMP PARTS  
1965/66 MUSTANG



P-3632

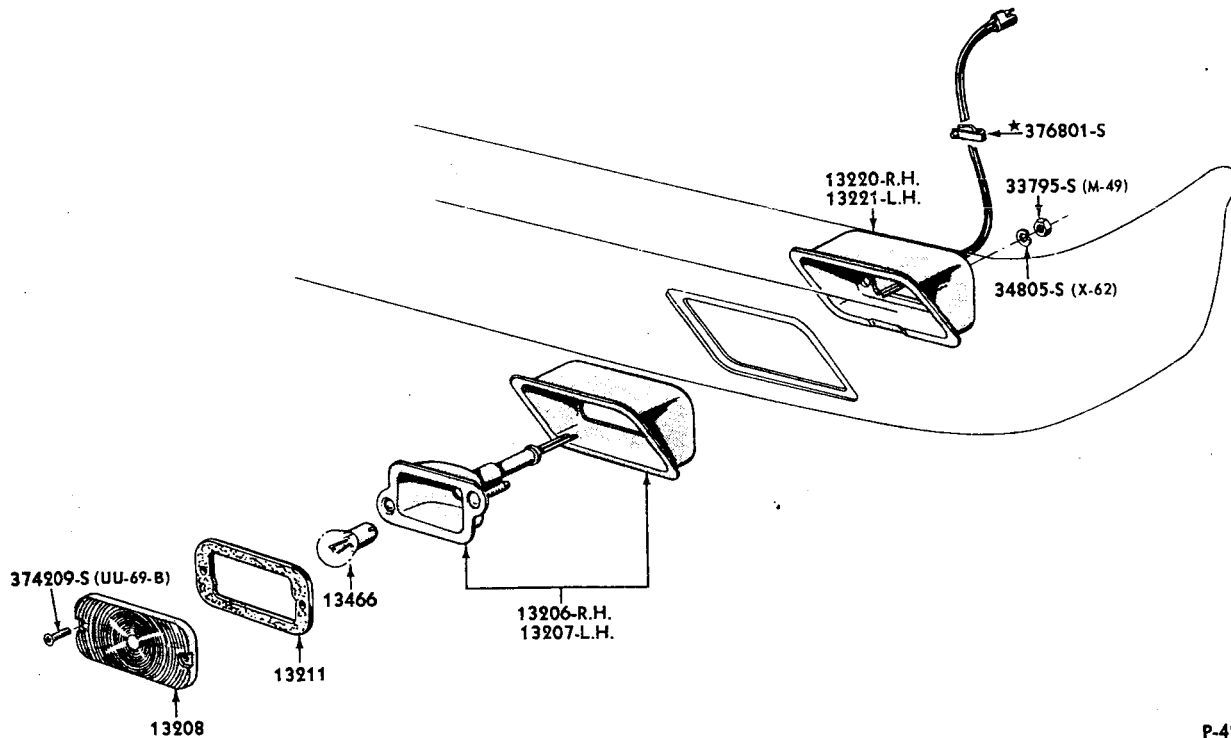
- ALSO SUPPLIED IN 13021 BRACKET ASSEMBLY
- \* ALSO SUPPLIED IN 13008 R.H.&L.H. LAMP ASSEMBLY
- ▲ ALSO SUPPLIED WITH 13064 R.H.&L.H. DOOR ASSEMBLY
- # SUPPLIED ONLY IN 13008 R.H.&L.H. LAMP ASSEMBLY

HEADLAMP PARTS  
1965 FALCON



PARKING LAMP  
1965 FALCON

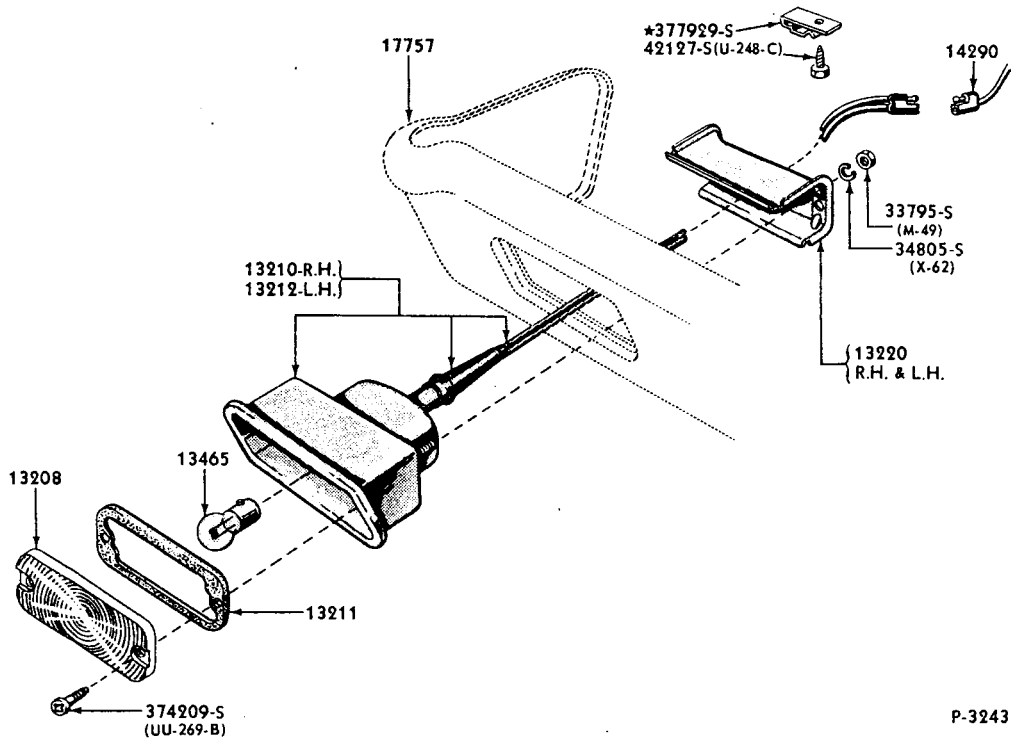
P-3631



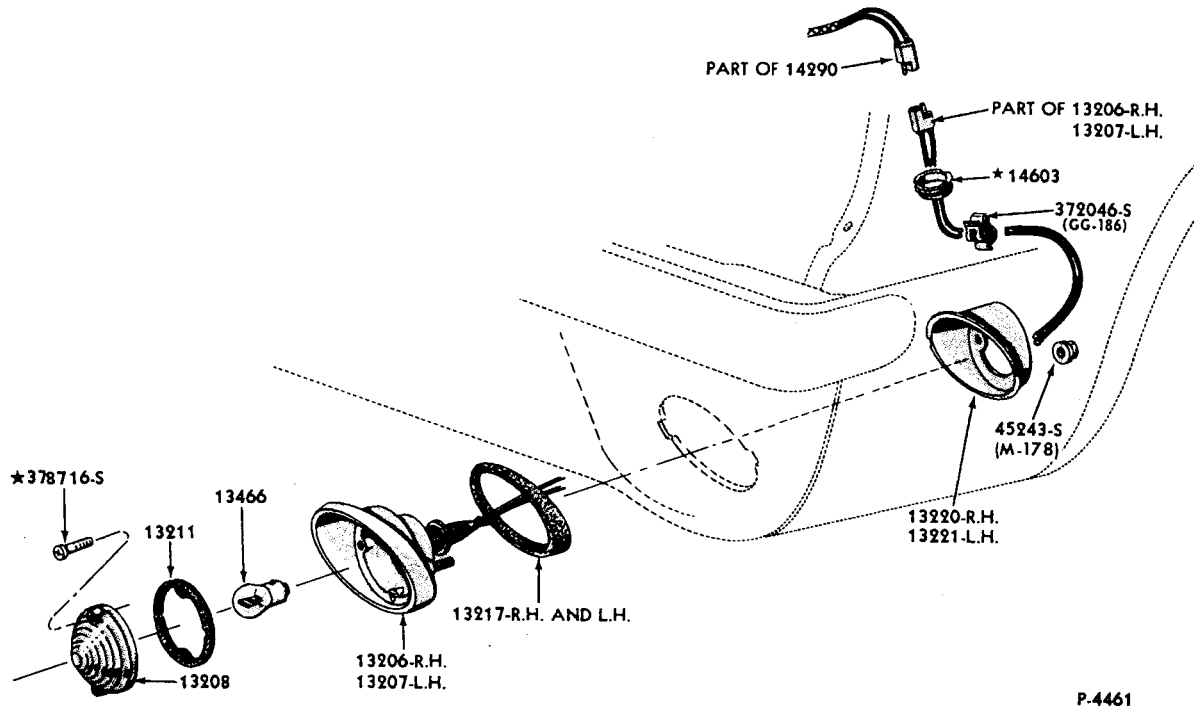
PARKING LAMP  
1965 FAIRLANE

P-4203

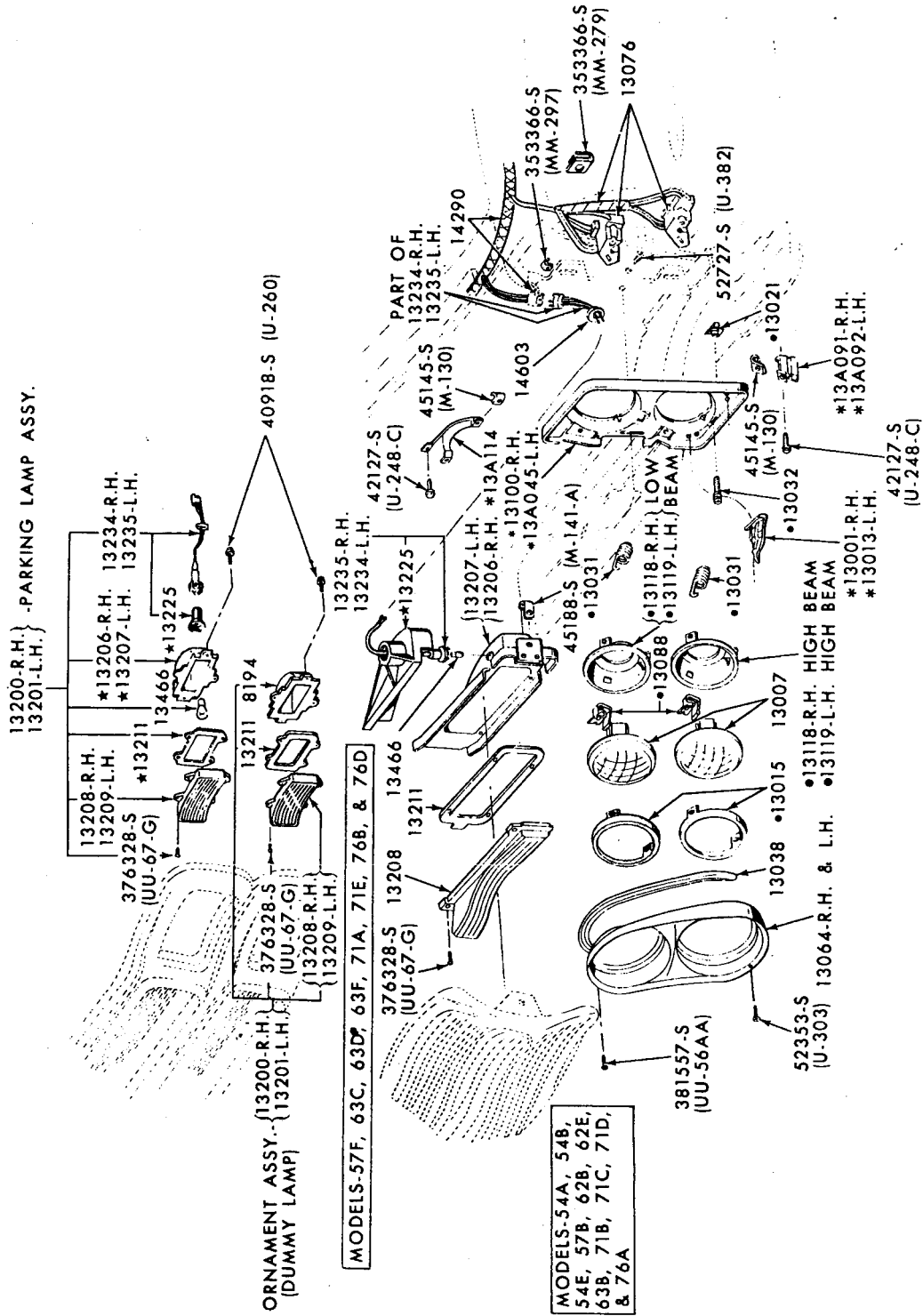
**FORD CAR PARTS**



PARKING LAMP  
1965 THUNDERBIRD



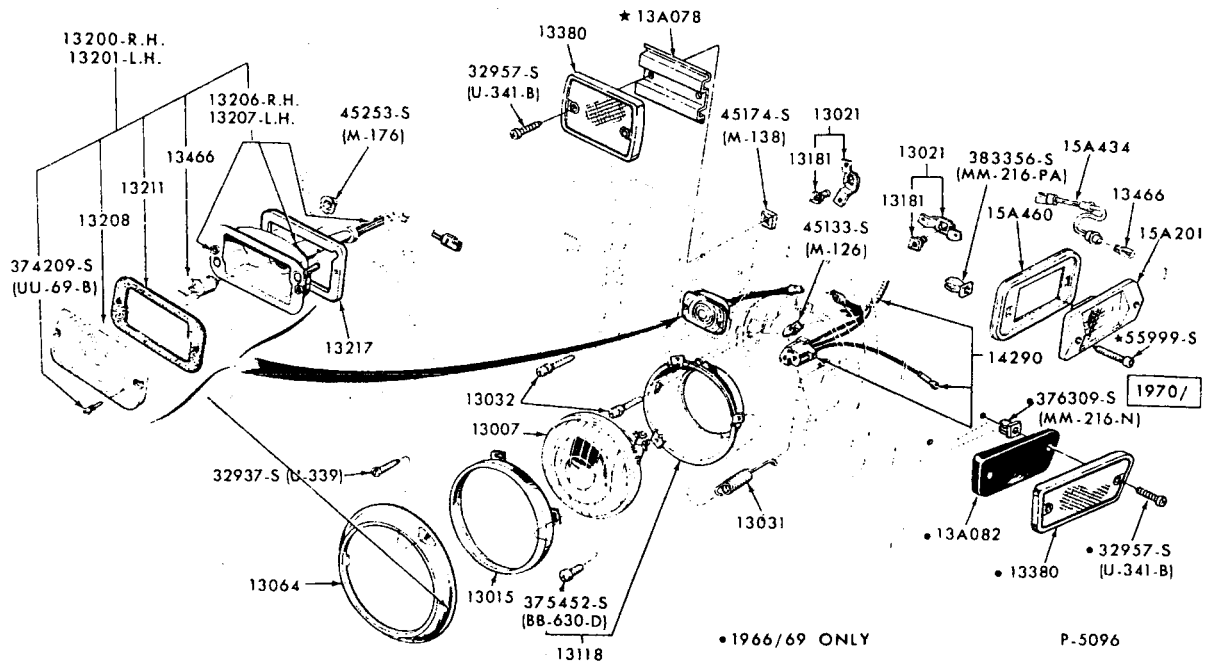
PARKING LAMP  
1965/66 MUSTANG



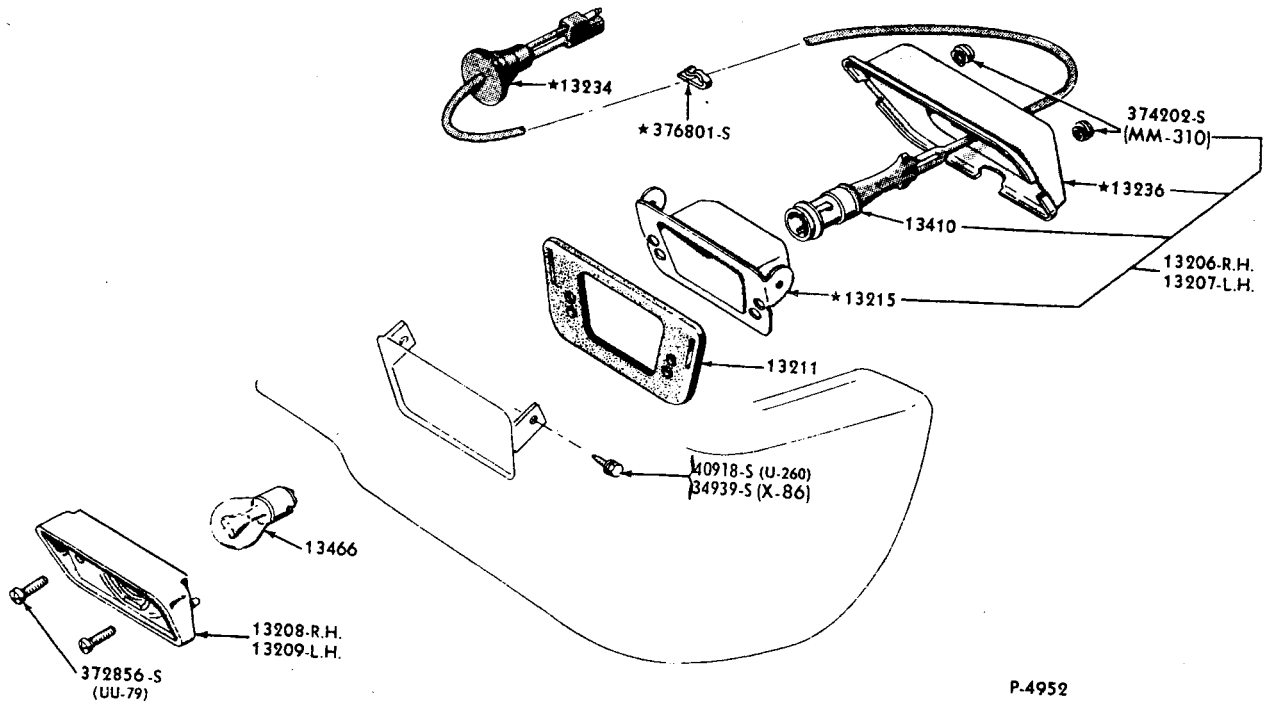
\* SUPPLIED ONLY IN 13008 HEADLAMP ASSY.  
\* ALSO SUPPLIED IN 13008 HEADLAMP ASSY.

HEADLAMP, PARKING LAMP and RELATED PARTS  
1966 FORD

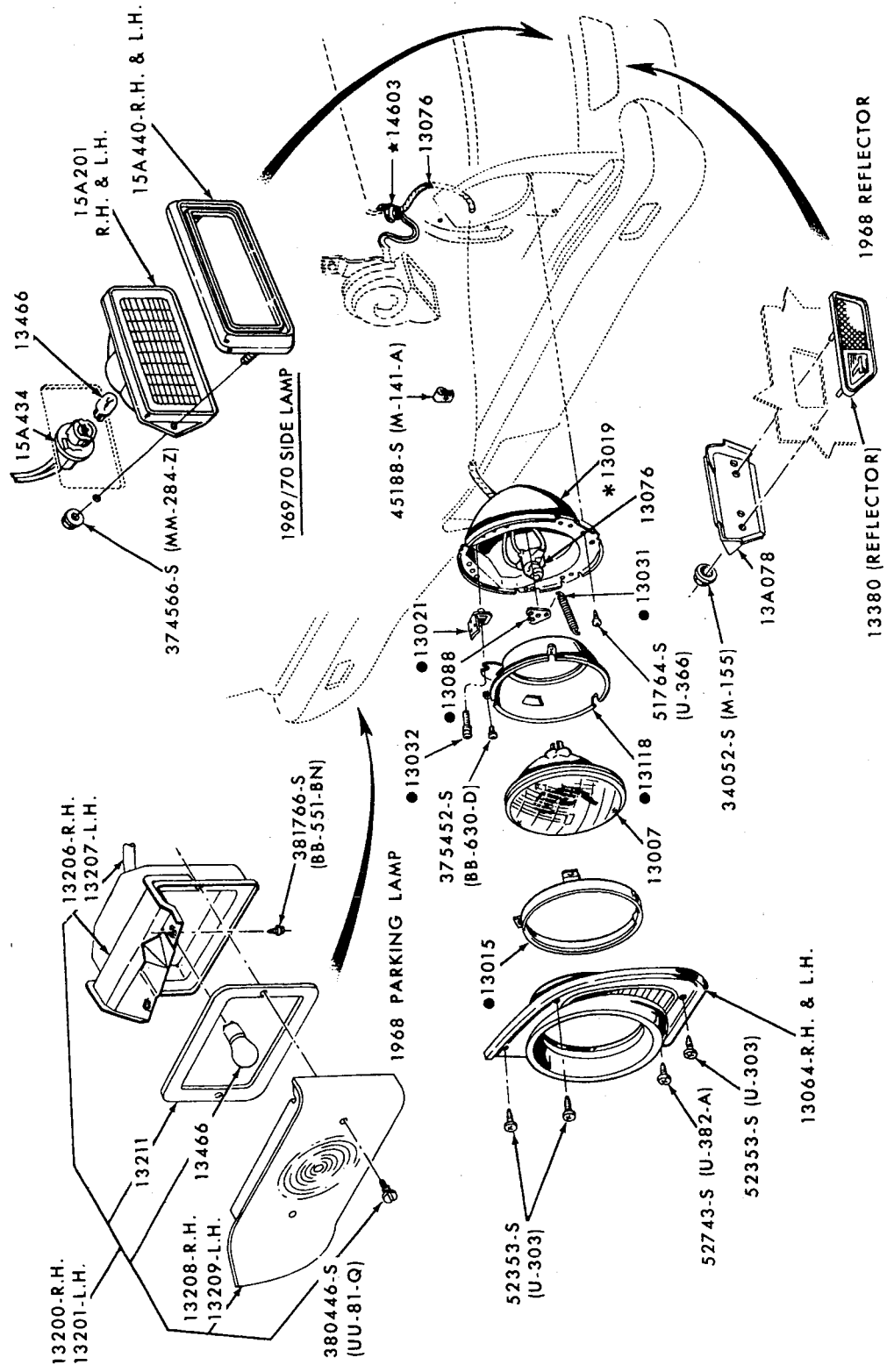




HEADLAMP, PARKING and FENDER SIDE MARKER LAMP and RELATED PARTS  
1966/72 BRONCO



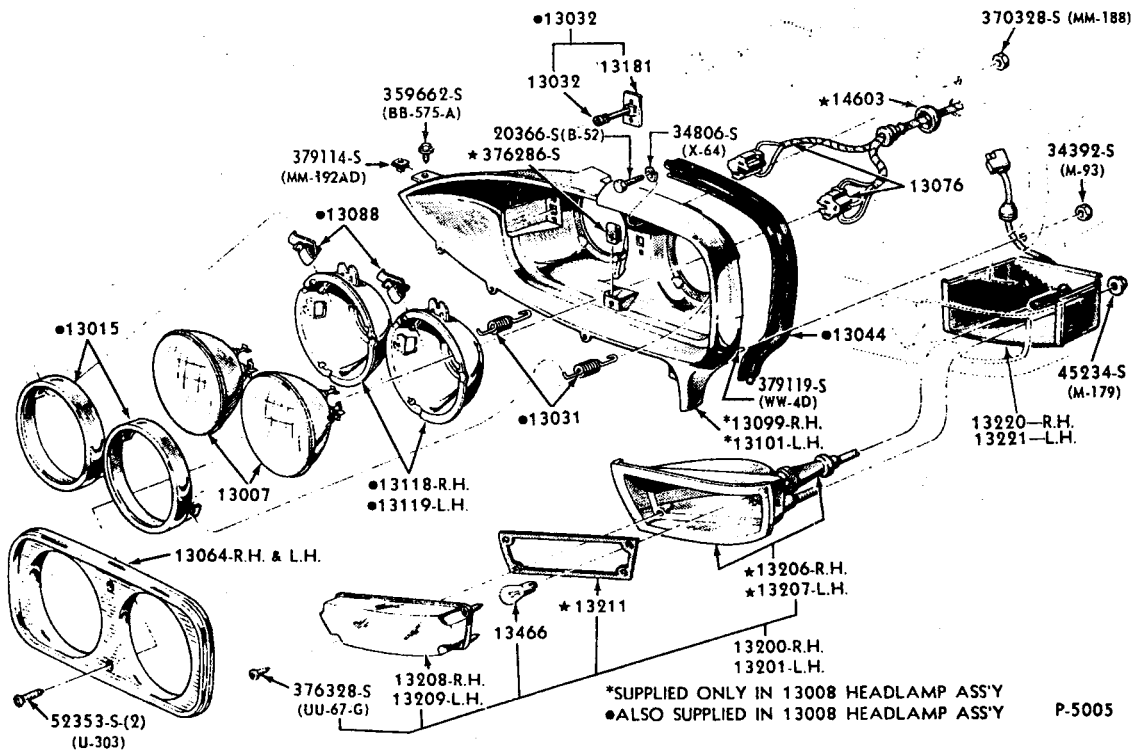
PARKING LAMP - TYPICAL  
1966/67 FAIRLANE 1966/67 FALCON



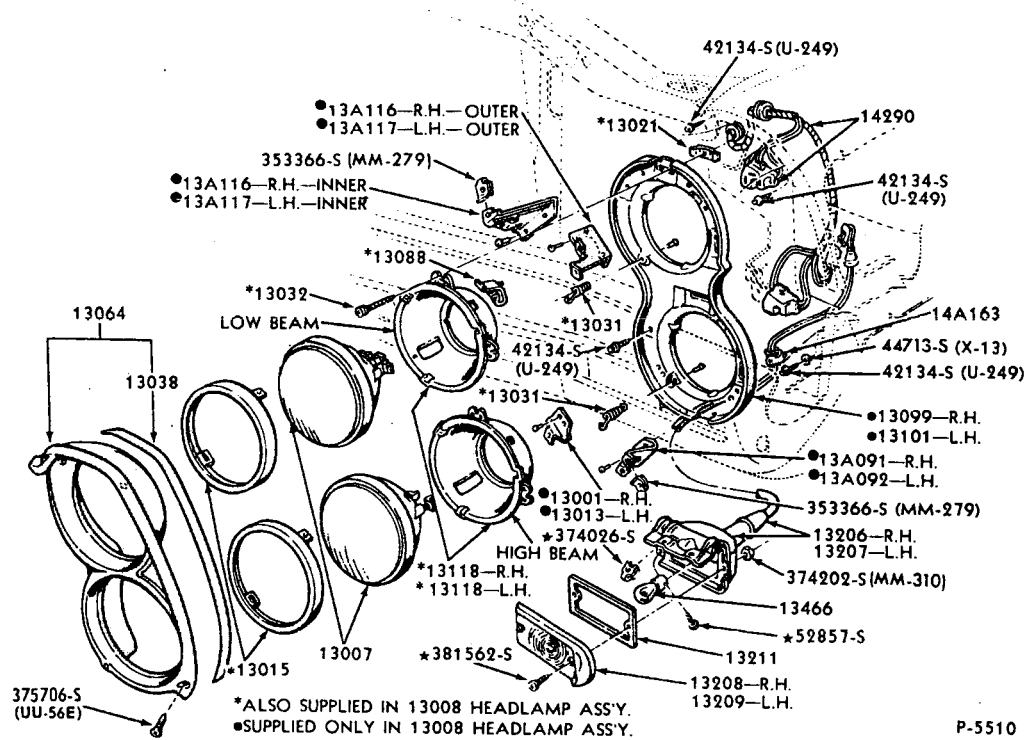
\* SUPPLIED ONLY IN 13008 R.H. & L.H. LAMP ASSEMBLY  
 ● ALSO SUPPLIED IN 13008 R.H. & L.H. LAMP ASSEMBLY

HEADLAMP, PARKING LAMP, FENDER SIDE MARKER LAMP and RELATED PARTS  
 1966/70 FALCON



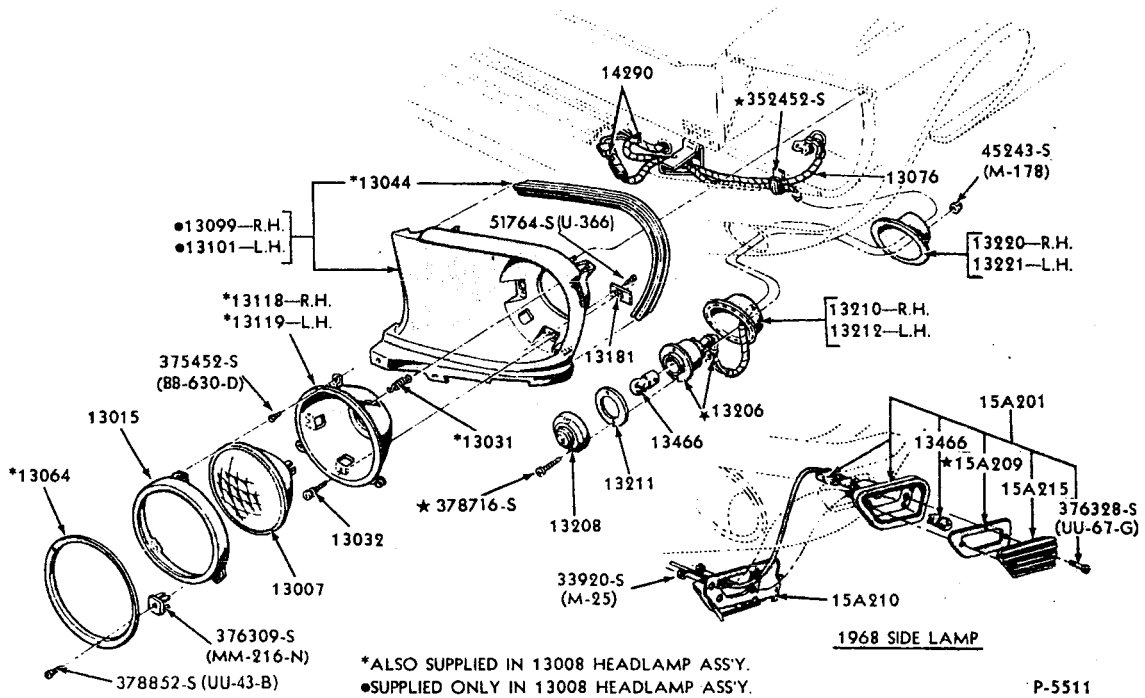


**HEADLAMP, PARKING LAMP and RELATED PARTS  
1966 THUNDERBIRD**

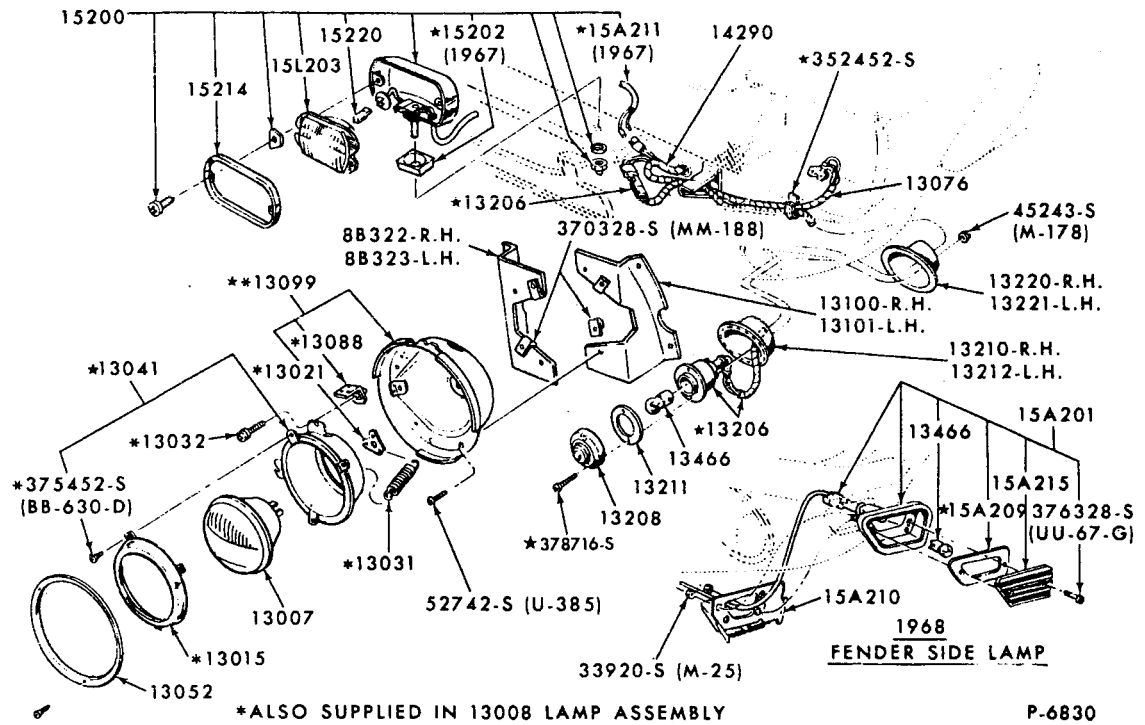


**HEADLAMP, PARKING LAMP and RELATED PARTS**

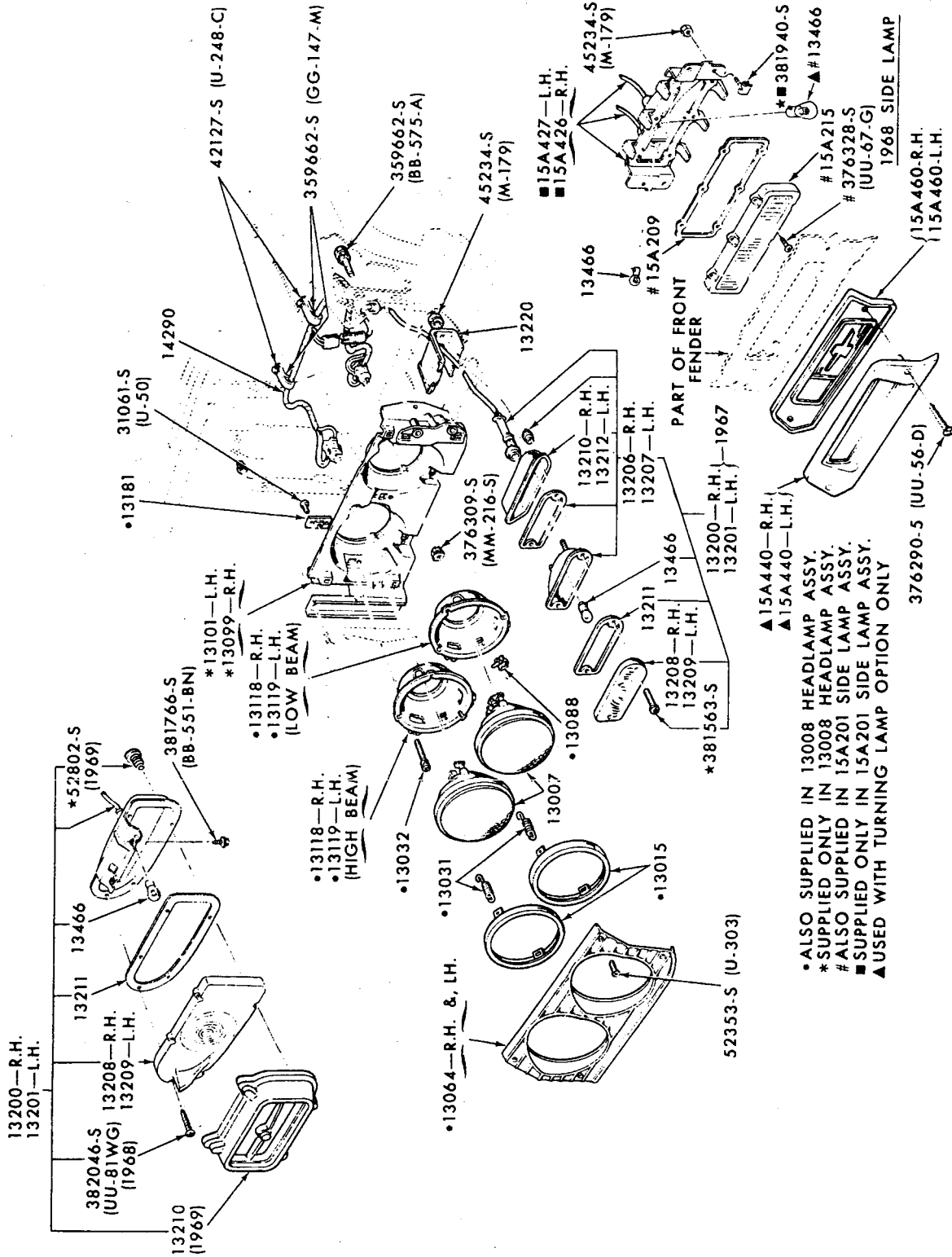
FORD CAR PARTS



HEADLAMP, PARKING LAMP, FENDER SIDE MARKER LAMP and RELATED PARTS  
1967/68 MUSTANG - except GT 350/500



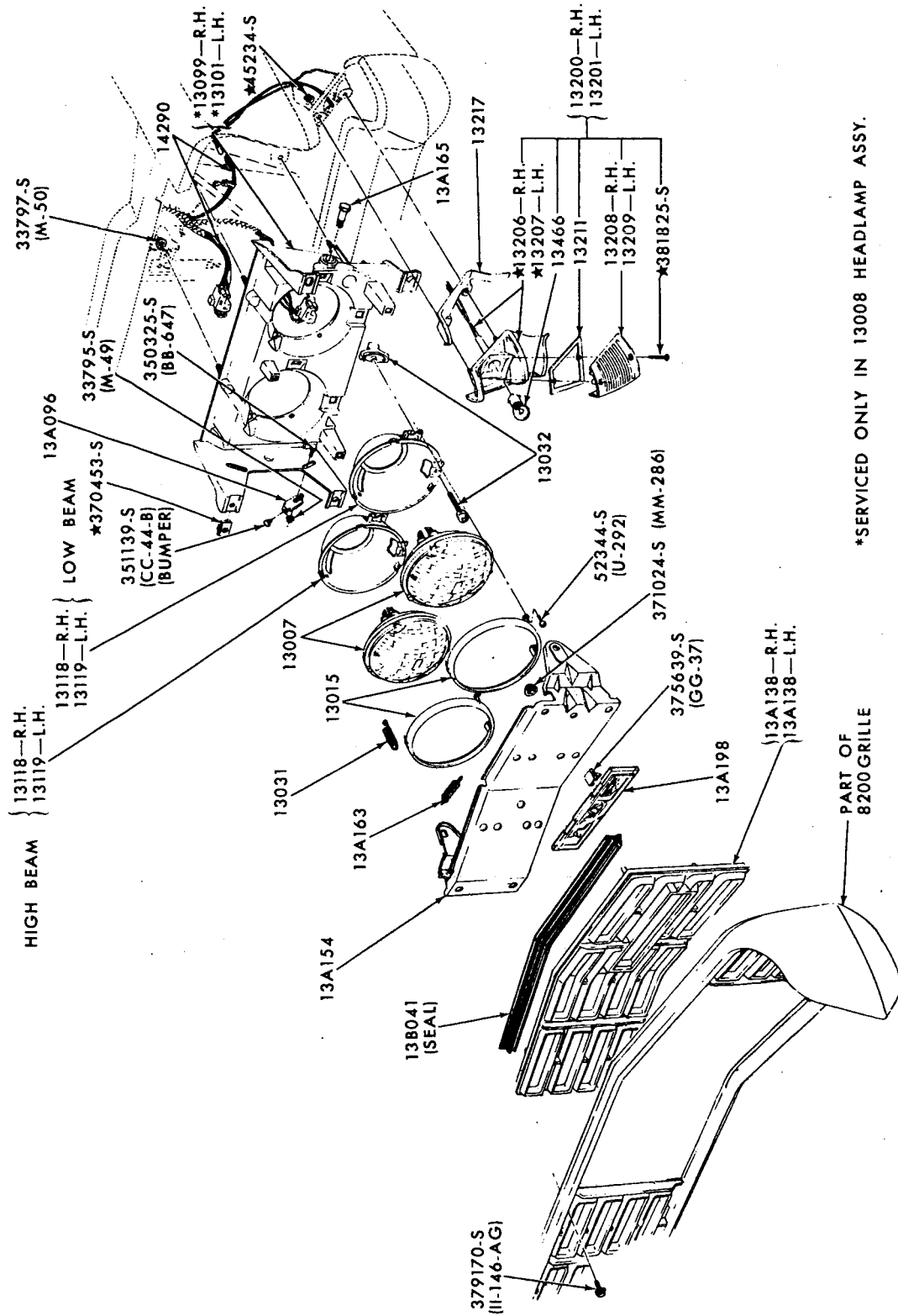
HEADLAMP, PARKING LAMP, FENDER SIDE MARKER LAMP and FOG LAMP  
1967/68 MUSTANG - GT 350/500



P-5509

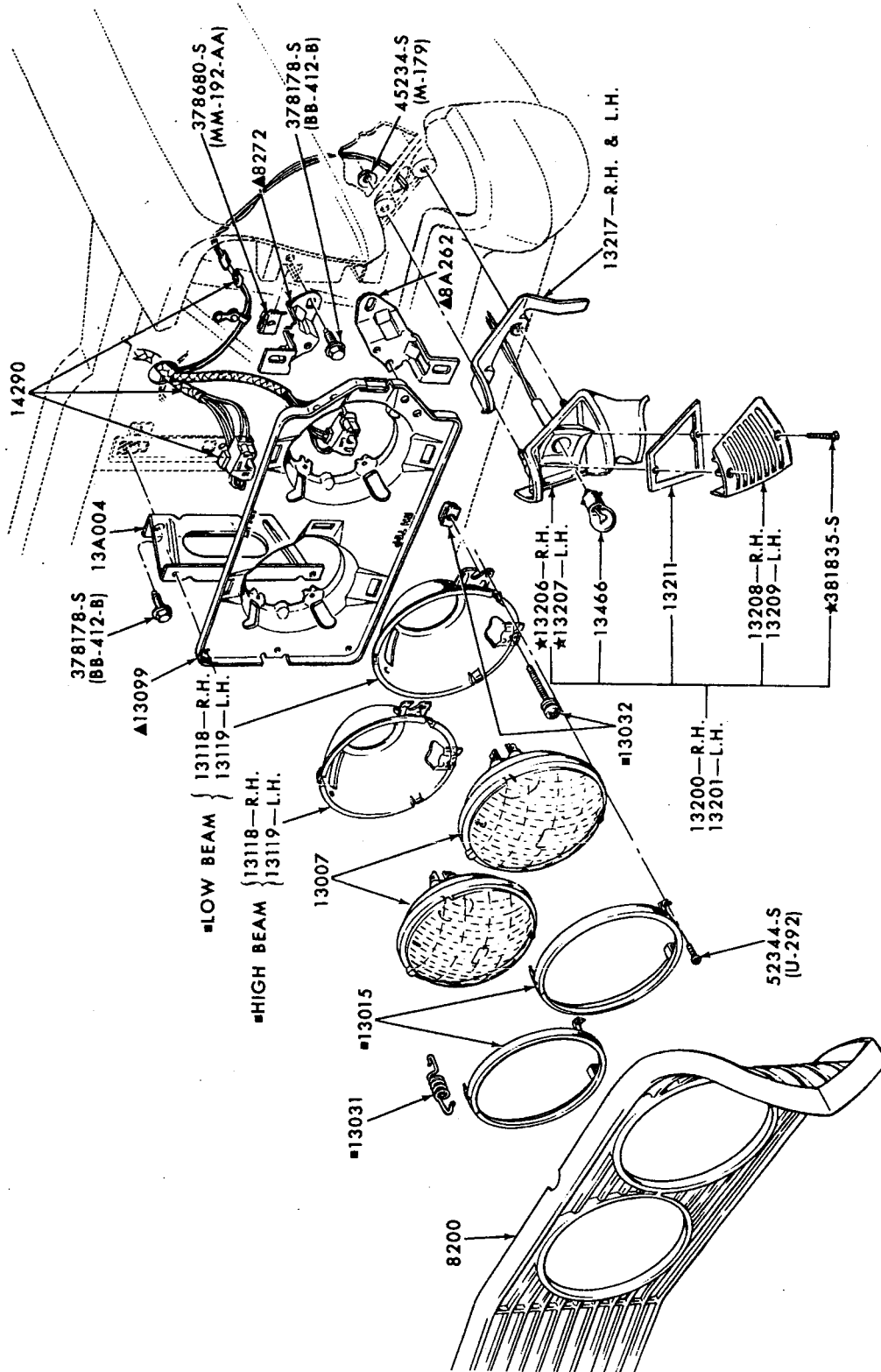
HEADLAMP, PARKING LAMP, FENDER SIDE MARKER LAMP and RELATED PARTS

1967/69 THUNDERBIRD



\*SERVICED ONLY IN 13008 HEADLAMP ASSY.

HEADLAMP, PARKING LAMP and RELATED PARTS  
1968 FORD - with HEADLAMP COVER



▲ SERVICED ONLY IN 13008 HEADLAMP ASSY.  
 ■ ALSO SERVICED IN 13008 HEADLAMP ASSY.

P-6049

HEADLAMP, PARKING LAMP and RELATED PARTS

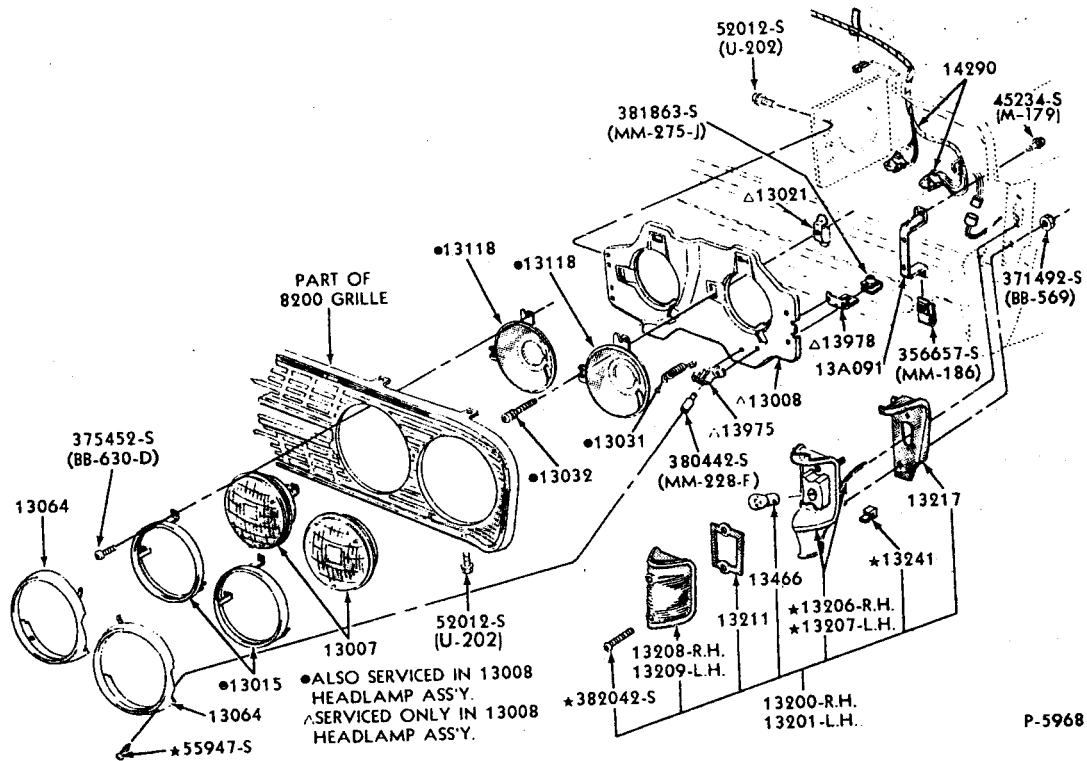
1968 FORD - without HEADLAMP COVER

COPYRIGHT © 1975 - FORD MOTOR COMPANY - DEARBORN, MICHIGAN

May, 1975

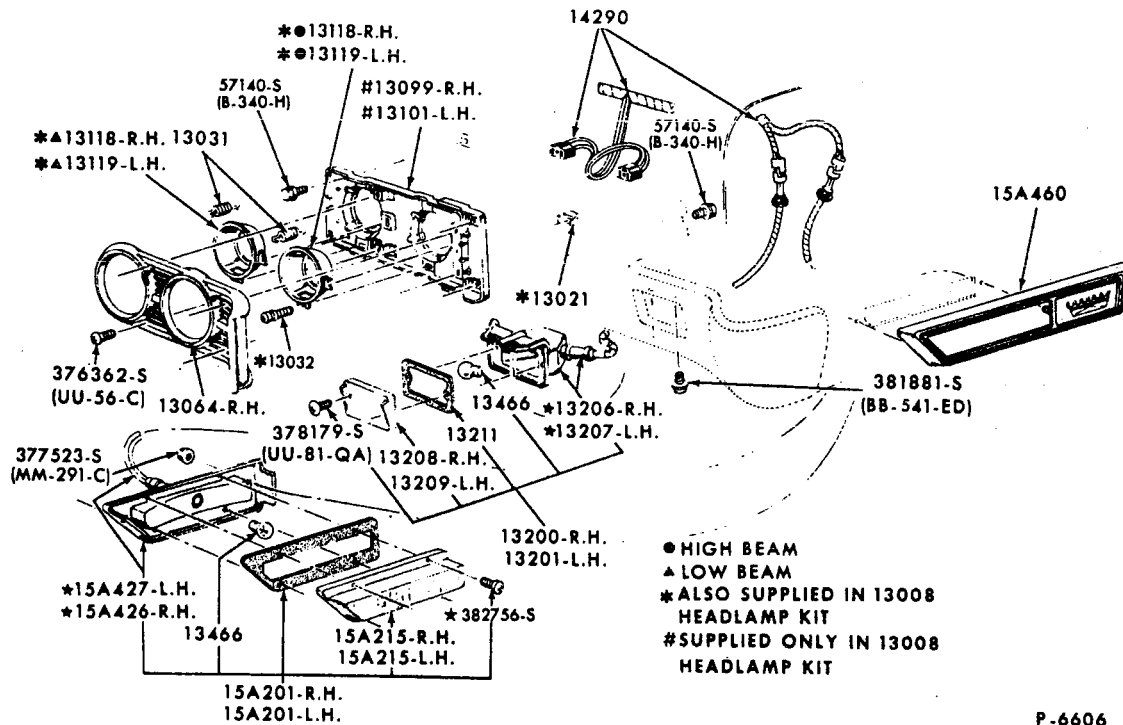
FINAL ISSUE

**FORD CAR PARTS**



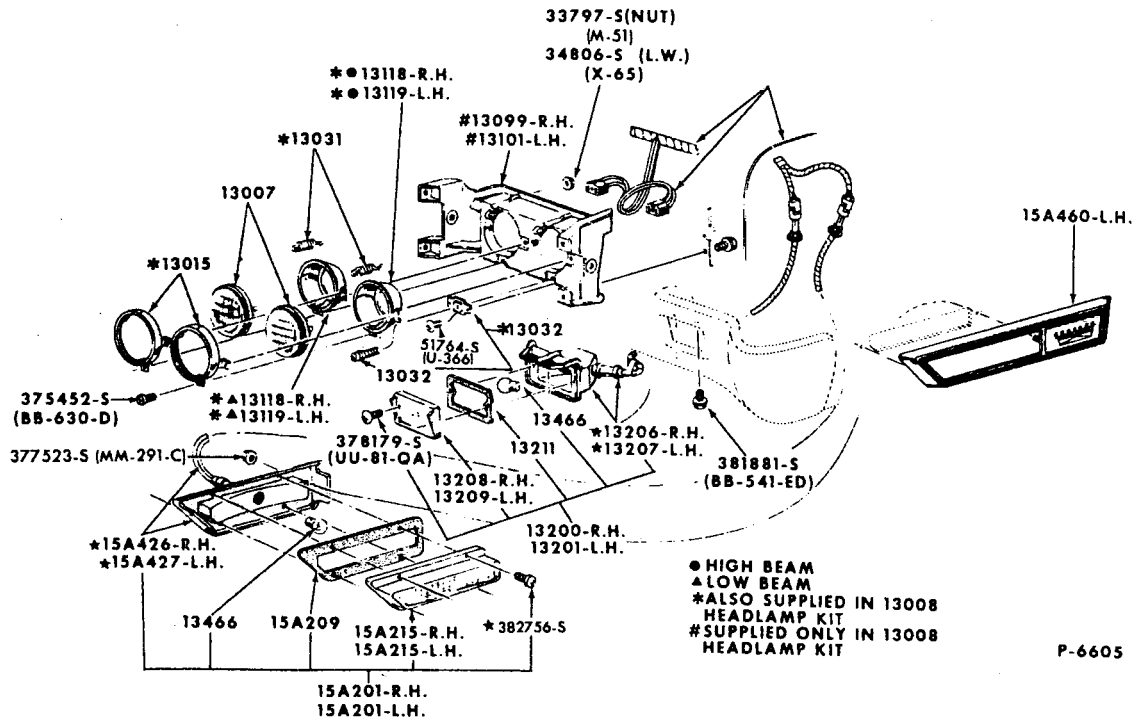
P-5968

HEADLAMP, PARKING LAMP and RELATED PARTS  
1968 FAIRLANE/TORINO

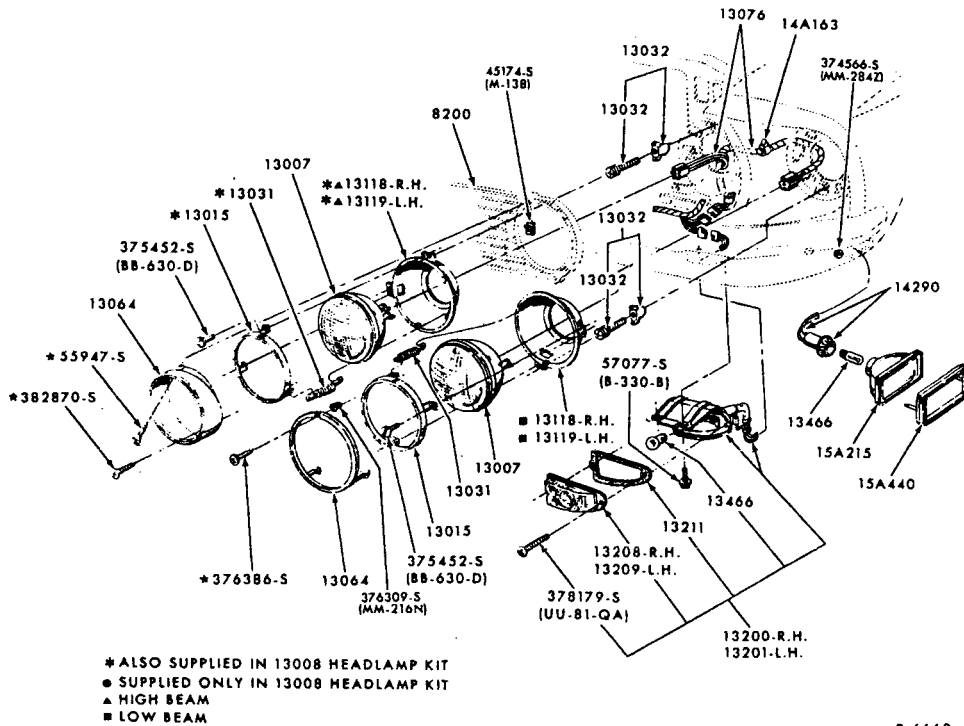


P-6606

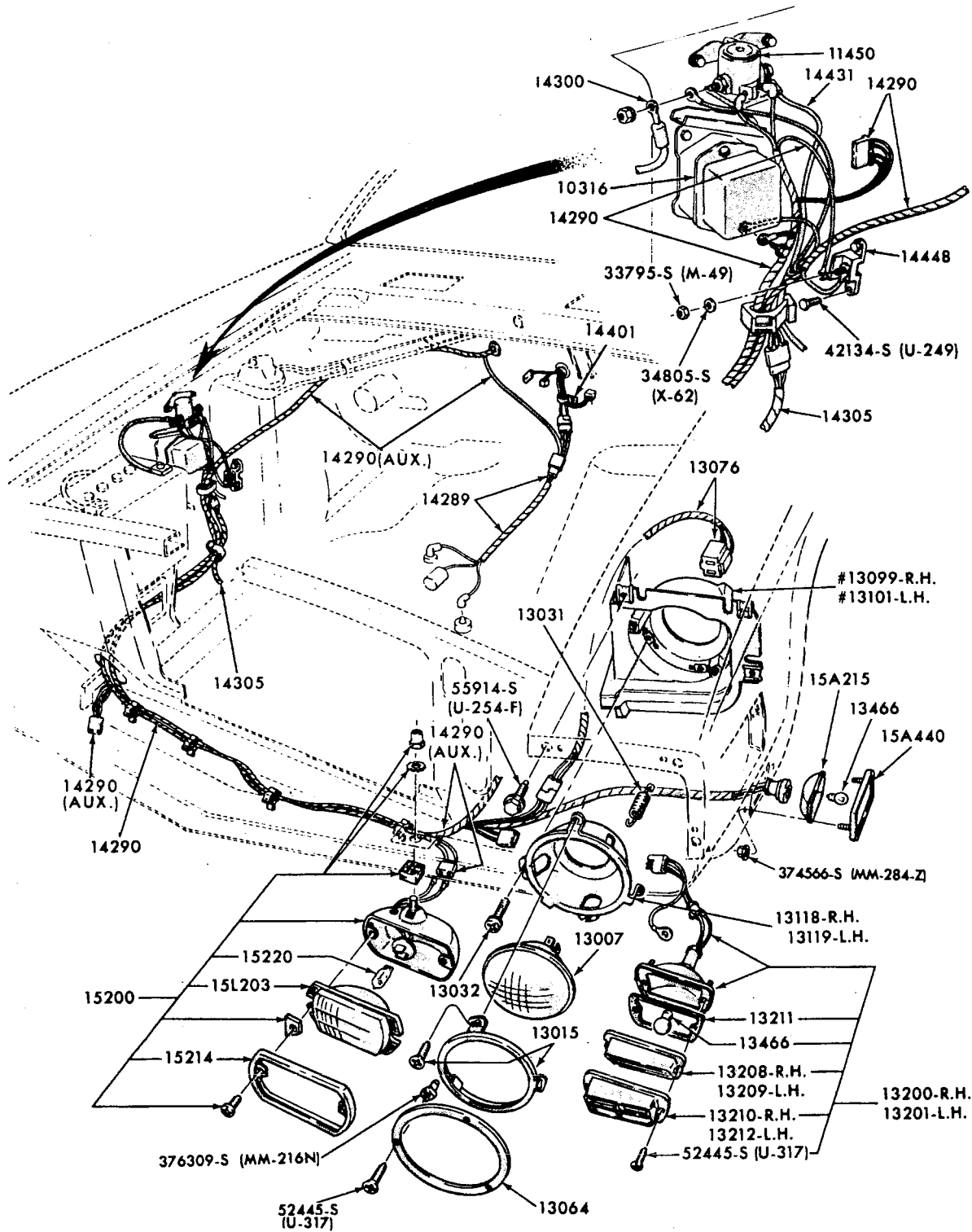
HEADLAMP, PARKING LAMP, FENDER SIDE MARKER LAMP and RELATED PARTS  
1969 FORD - without HEADLAMP COVER



HEADLAMP, PARKING LAMP, FENDER SIDE MARKER LAMP and RELATED PARTS  
1969 FORD - with HEADLAMP COVER



HEADLAMP, PARKING LAMP, FENDER SIDE MARKER LAMP and RELATED PARTS  
1969 MUSTANG - except GT 350/500

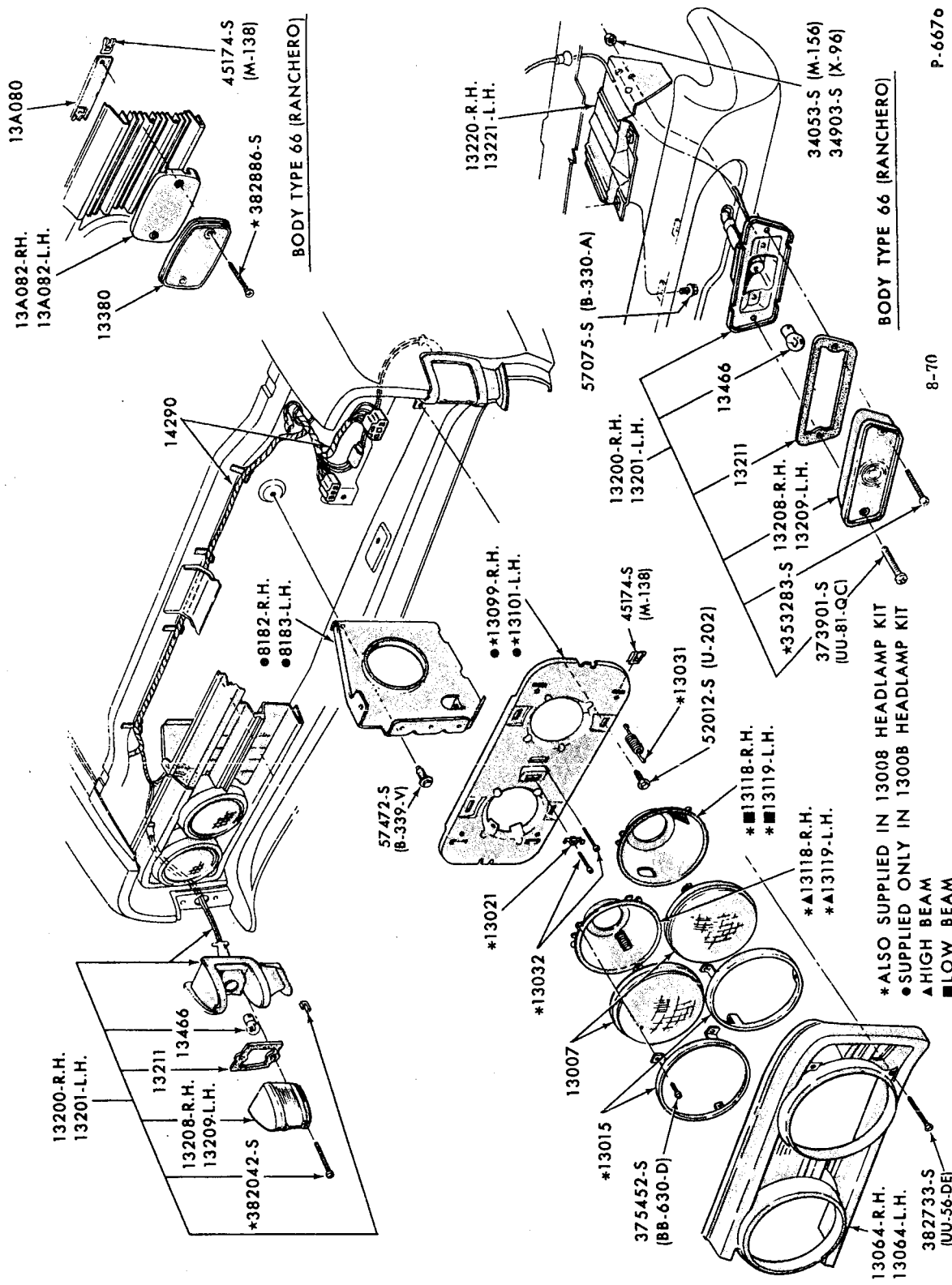


#SERVICED ONLY IN 13008 HEADLAMP ASSEMBLY

P-6919

HEADLAMP, PARKING LAMP, FENDER SIDE MARKER LAMP and FOG LAMP  
1969/70 MUSTANG-GT350/500

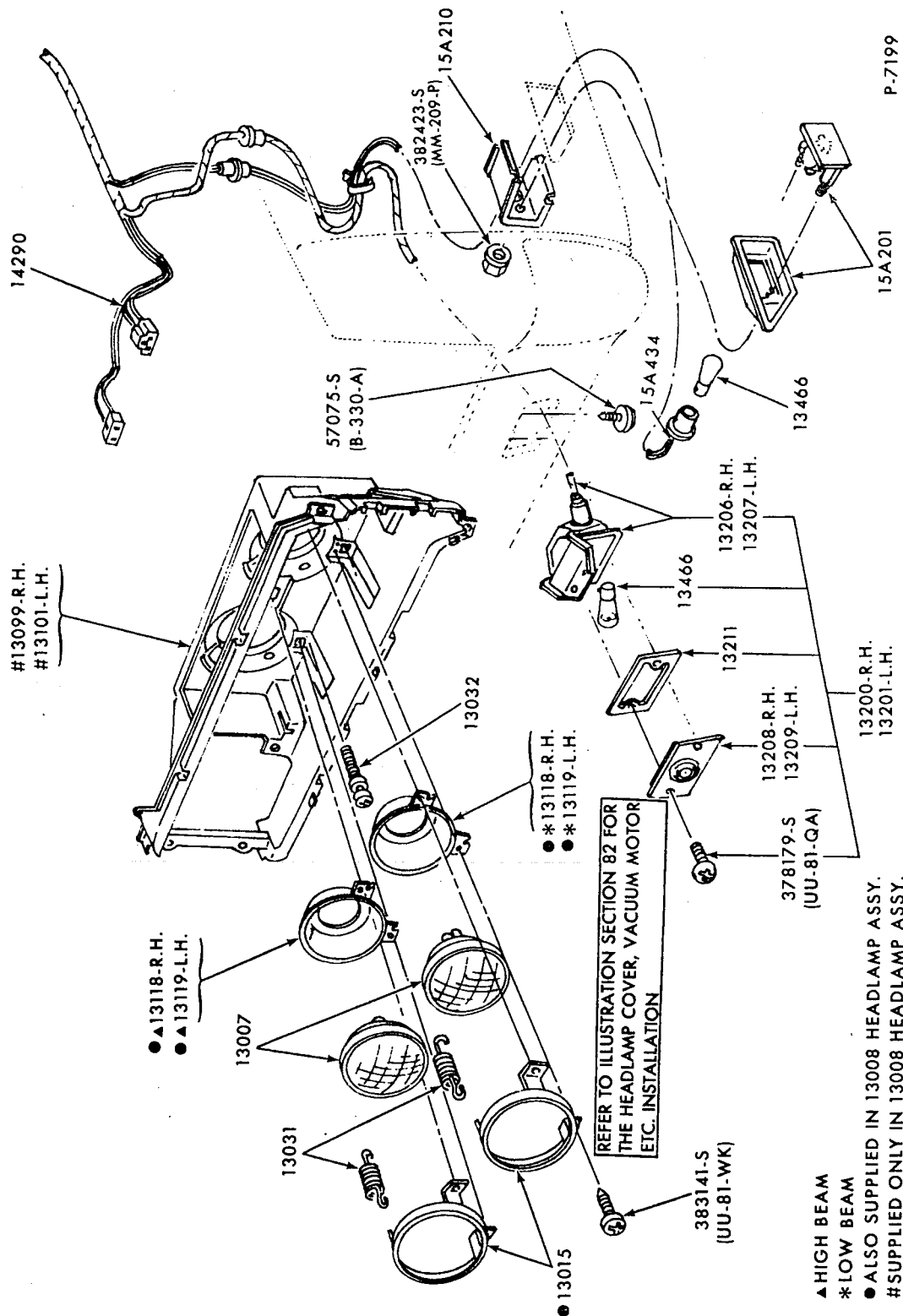




\*ALSO SUPPLIED IN 13008 HEADLAMP KIT  
 ● SUPPLIED ONLY IN 13008 HEADLAMP KIT  
 ▲ HIGH BEAM  
 ■ LOW BEAM

HEADLAMP, PARKING LAMP and RELATED PARTS  
 1969 FAIRLANE/TORINO





HEADLAMP, PARKING LAMP, FENDER SIDE MARKER LAMP and RELATED PARTS

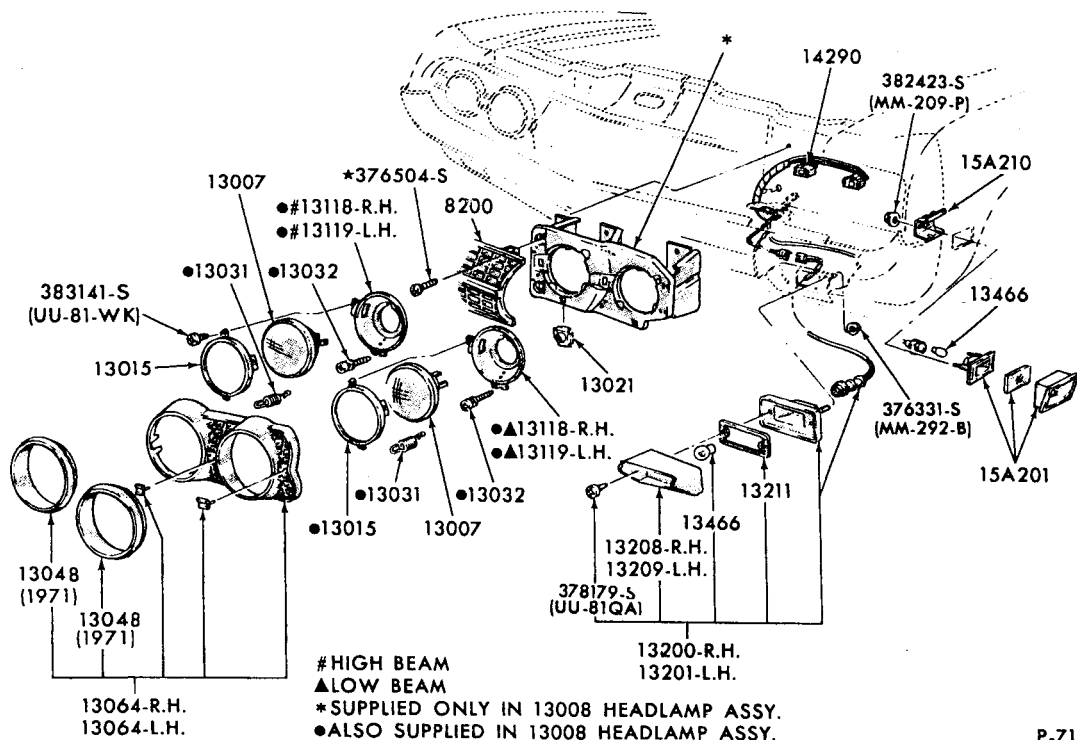
1970 FORD - WITH HEADLAMP COVERS

May, 1975

COPYRIGHT © 1975 - FORD MOTOR COMPANY - DEARBORN, MICHIGAN

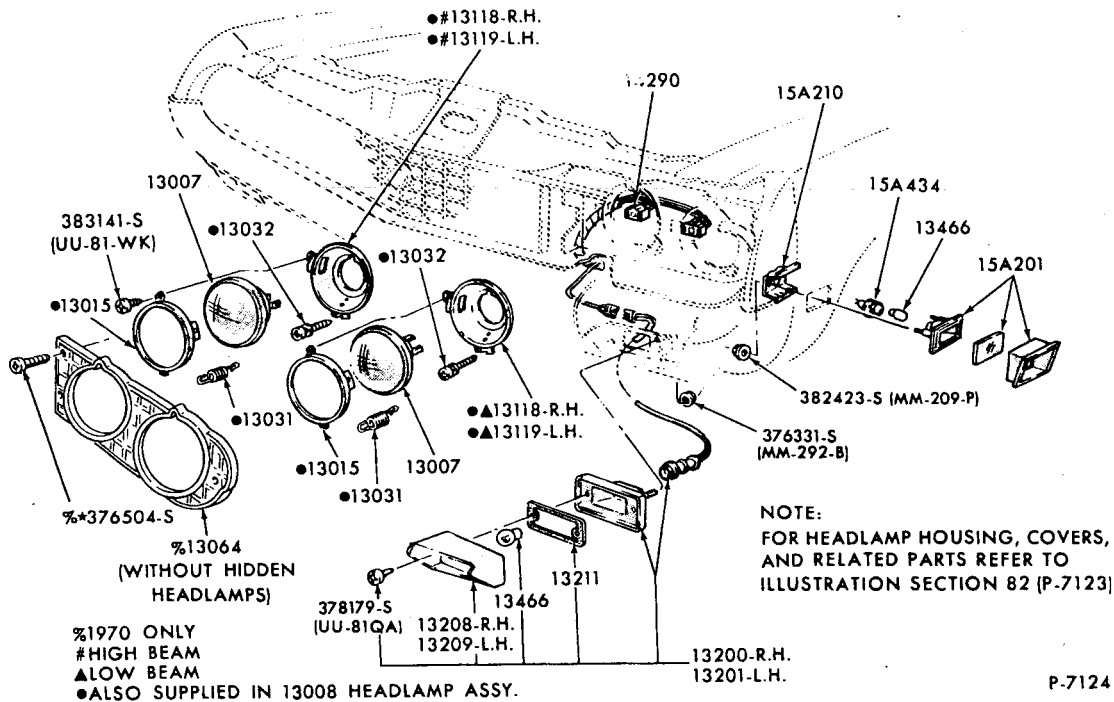
FINAL ISSUE

FORD CAR PARTS



P-7122

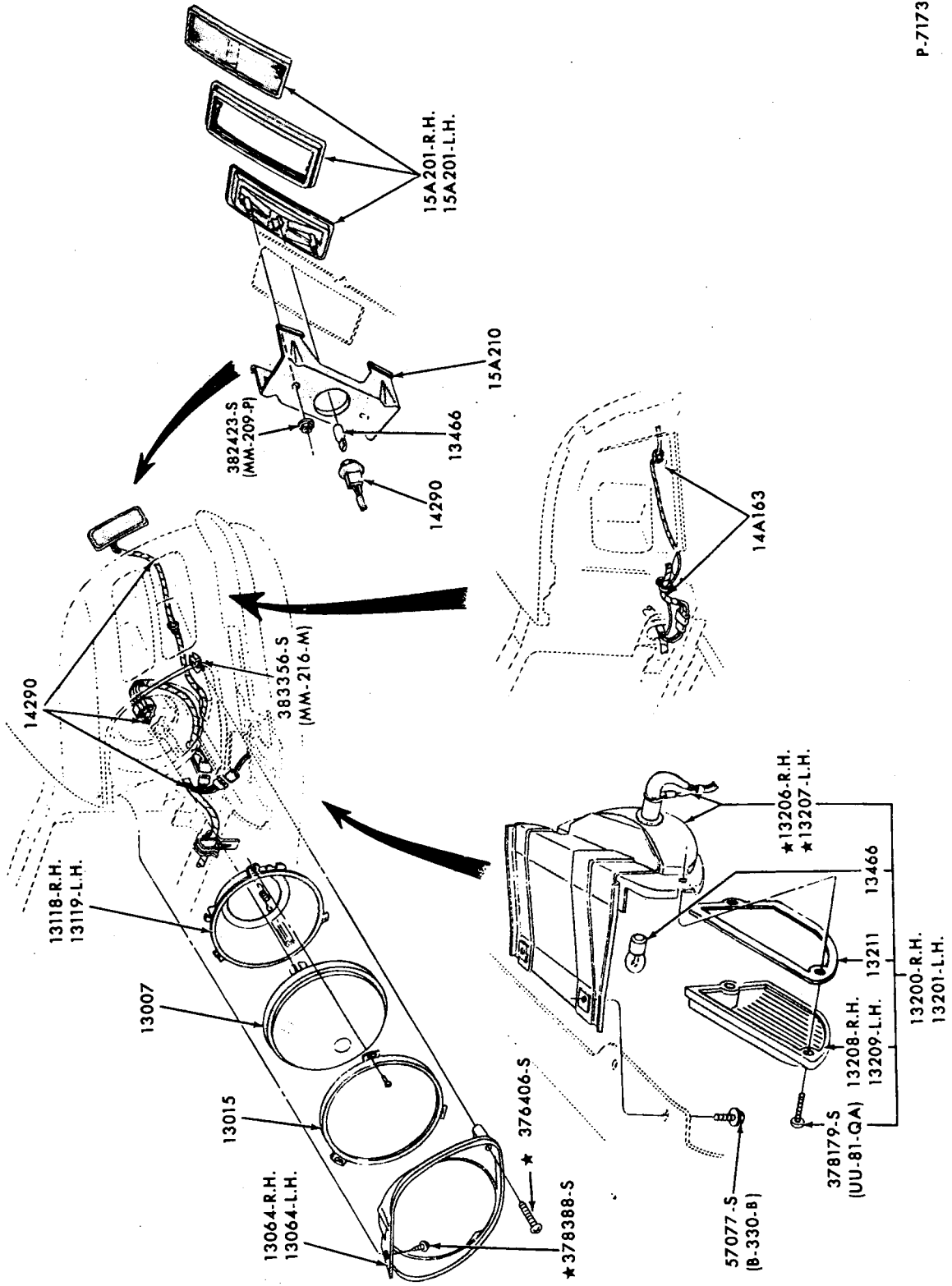
HEADLAMP, PARKING LAMP, FENDER SIDE MARKER LAMP and RELATED PARTS  
1970/71 FAIRLANE - BODY TYPES 54A, B, 62A, 63H, 65A, B, 66A, 71B, D  
1970 FAIRLANE BODY TYPE 66B - "BEFORE 12/30/69"



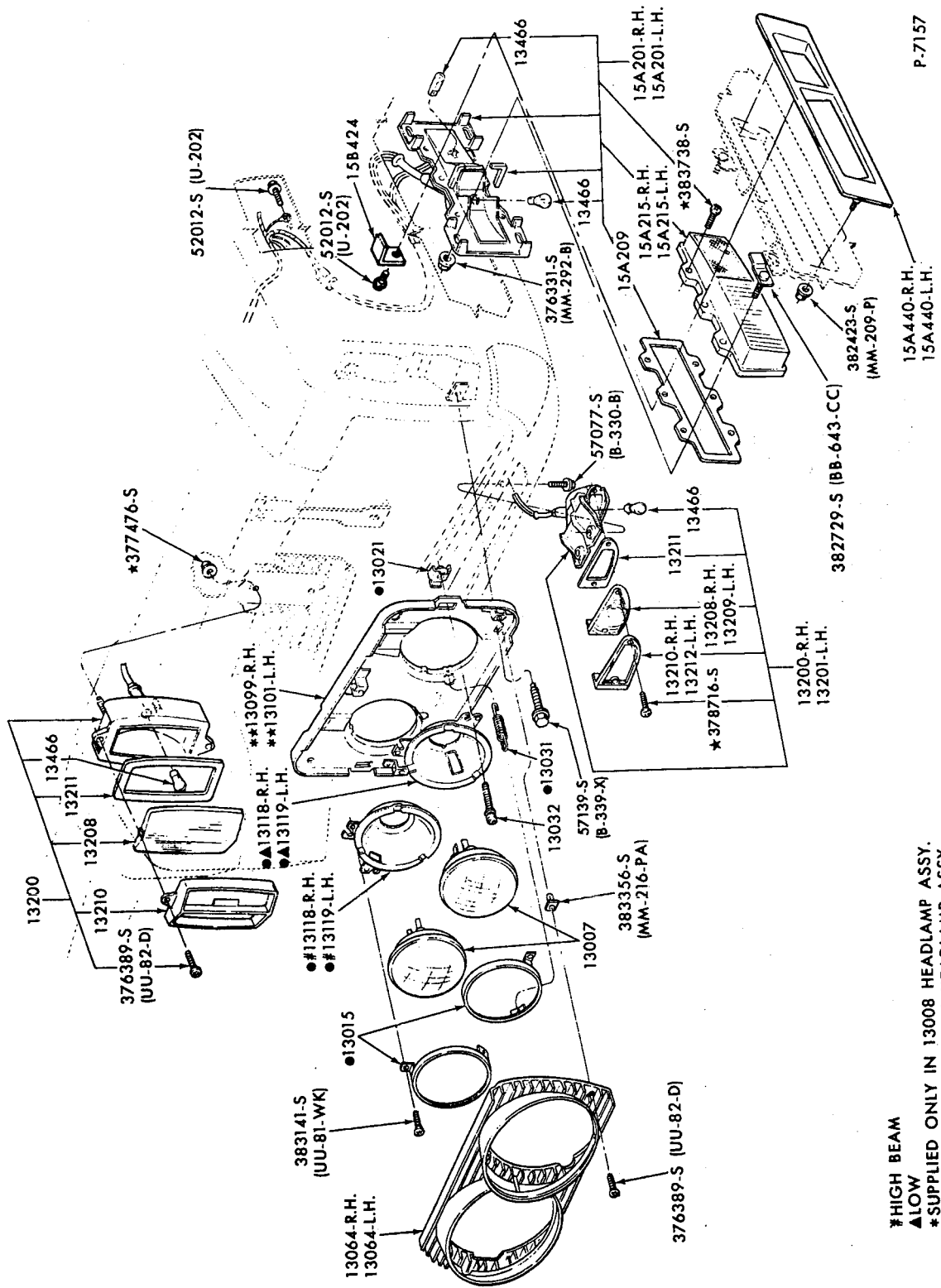
NOTE:  
FOR HEADLAMP HOUSING, COVERS,  
AND RELATED PARTS REFER TO  
ILLUSTRATION SECTION 82 (P-7123)

P-7124

HEADLAMP, PARKING LAMP, FENDER SIDE MARKER LAMP and RELATED PARTS  
1970 FAIRLANE/TORINO BODY TYPE 66B - "FROM 12/30/69"  
1970 FAIRLANE/TORINO-BODY TYPES 54C, 57C, E, 63F, 65C, E, 66C, E, 71C, E, 76 (WITH & WITHOUT HEADLAMP COVERS)  
1971 TORINO-BODY TYPES 54C, 57C, E, 63C, F, 65C, E, 66B, C, E, 71C, E, 76F (WITH HEADLAMP COVERS)



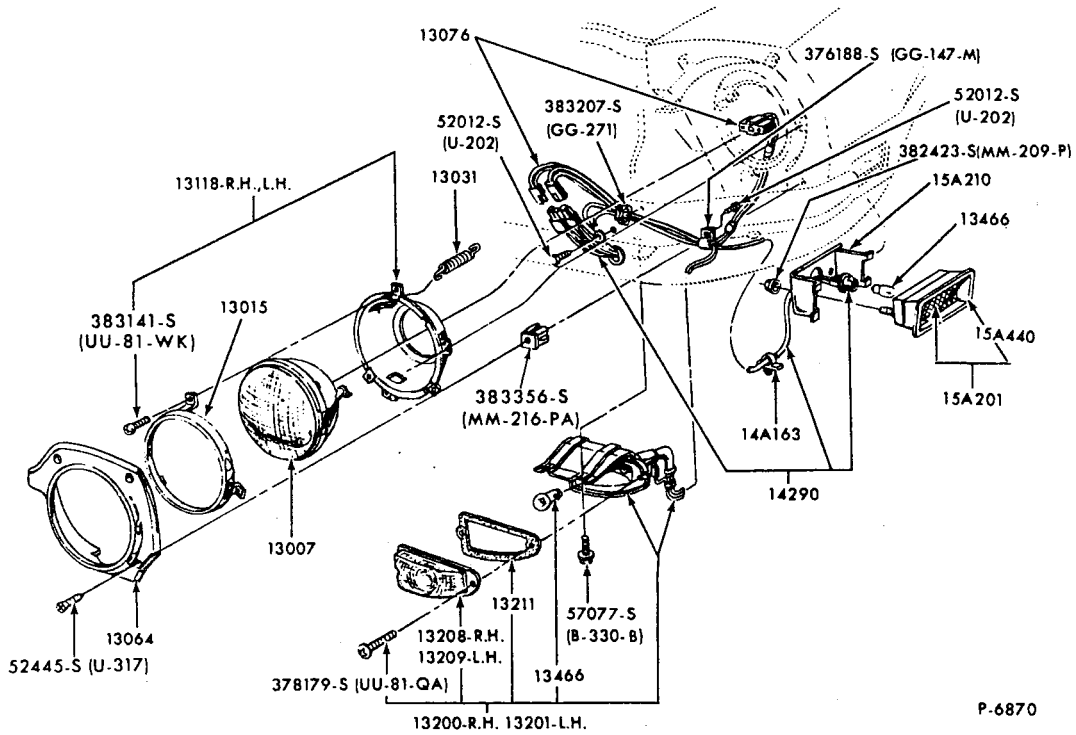
HEADLAMP, PARKING LAMP, FENDER SIDE MARKER LAMP and RELATED PARTS  
1970 MUSTANG-except GT350/500



P-7157

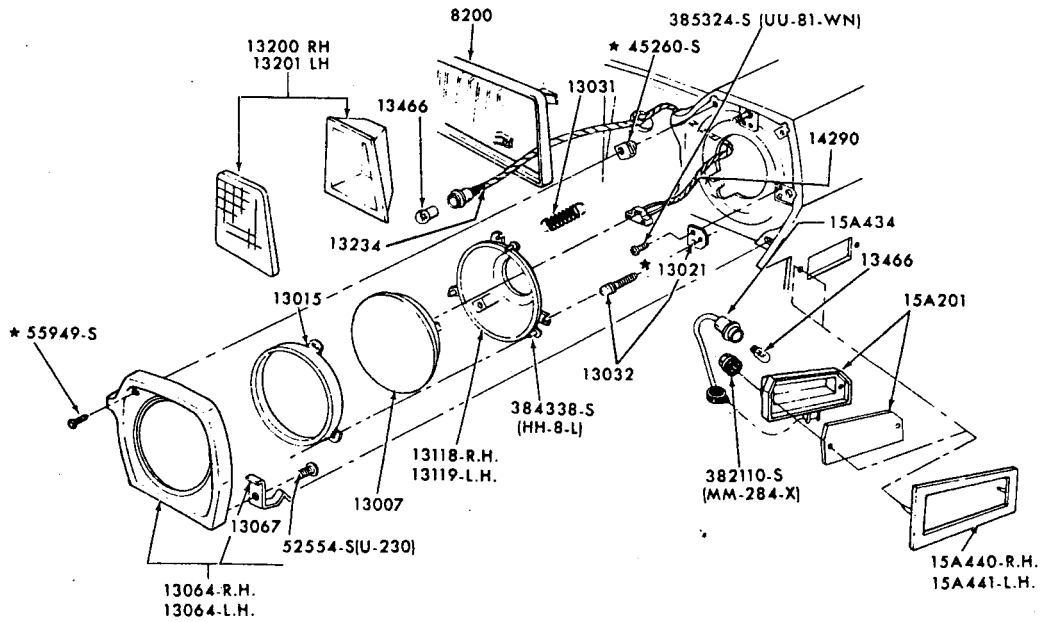
HEADLAMP, PARKING LAMP, FENDER SIDE MARKER LAMP and RELATED PARTS 1970/71 THUNDERBIRD

- ‡ HIGH BEAM
- ▲ LOW
- \* SUPPLIED ONLY IN 13008 HEADLAMP ASSY.
- ALSO SUPPLIED IN 13008 HEADLAMP ASSY.



P-6870

HEADLAMP, PARKING LAMP and FENDER SIDE MARKER LAMP  
1970/72 MAVERICK

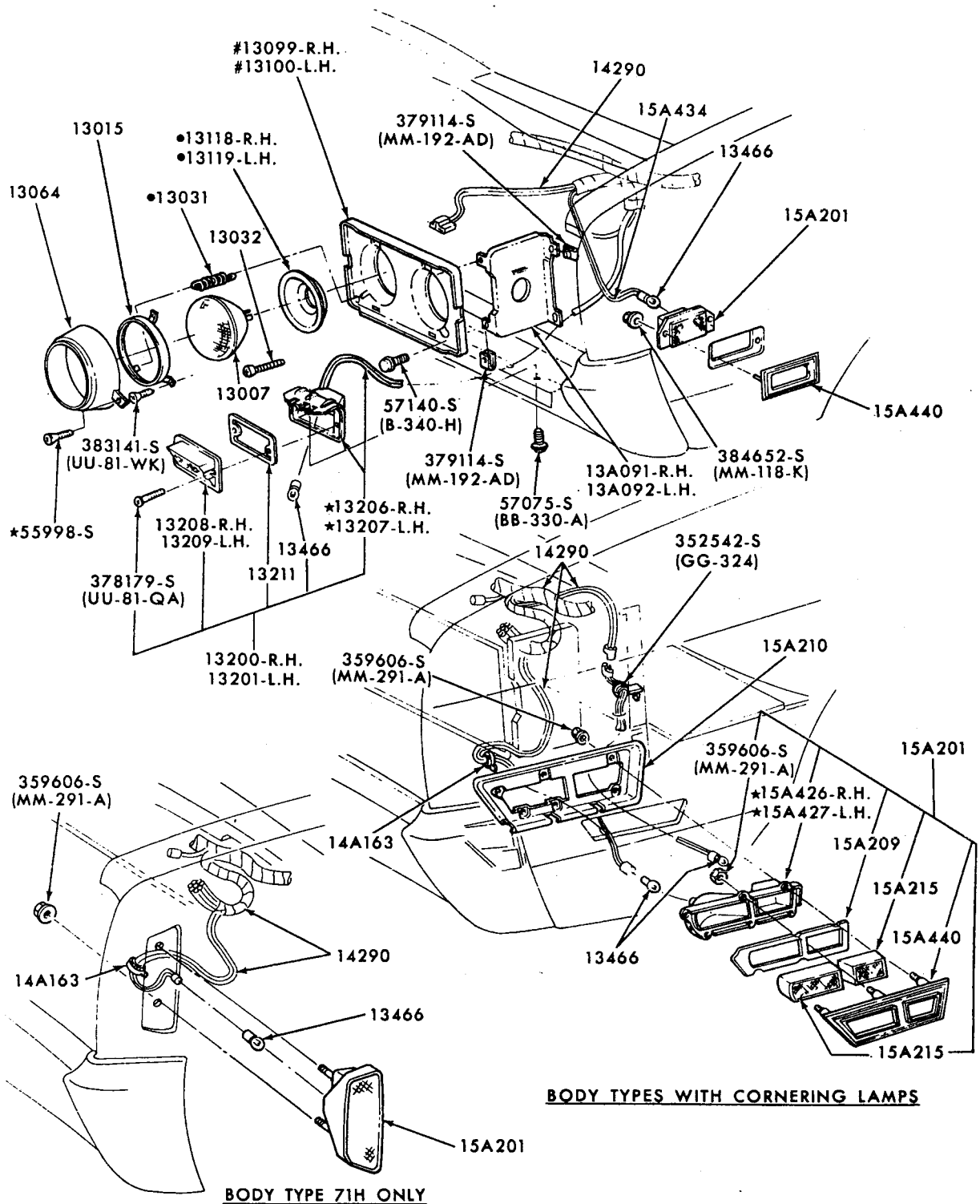


P-7963

HEADLAMP, PARKING LAMP, FENDER SIDE MARKER LAMP and RELATED PARTS  
1971/72 PINTO

**ILLUSTRATION  
SECTION 130**

**FORD CAR PARTS**



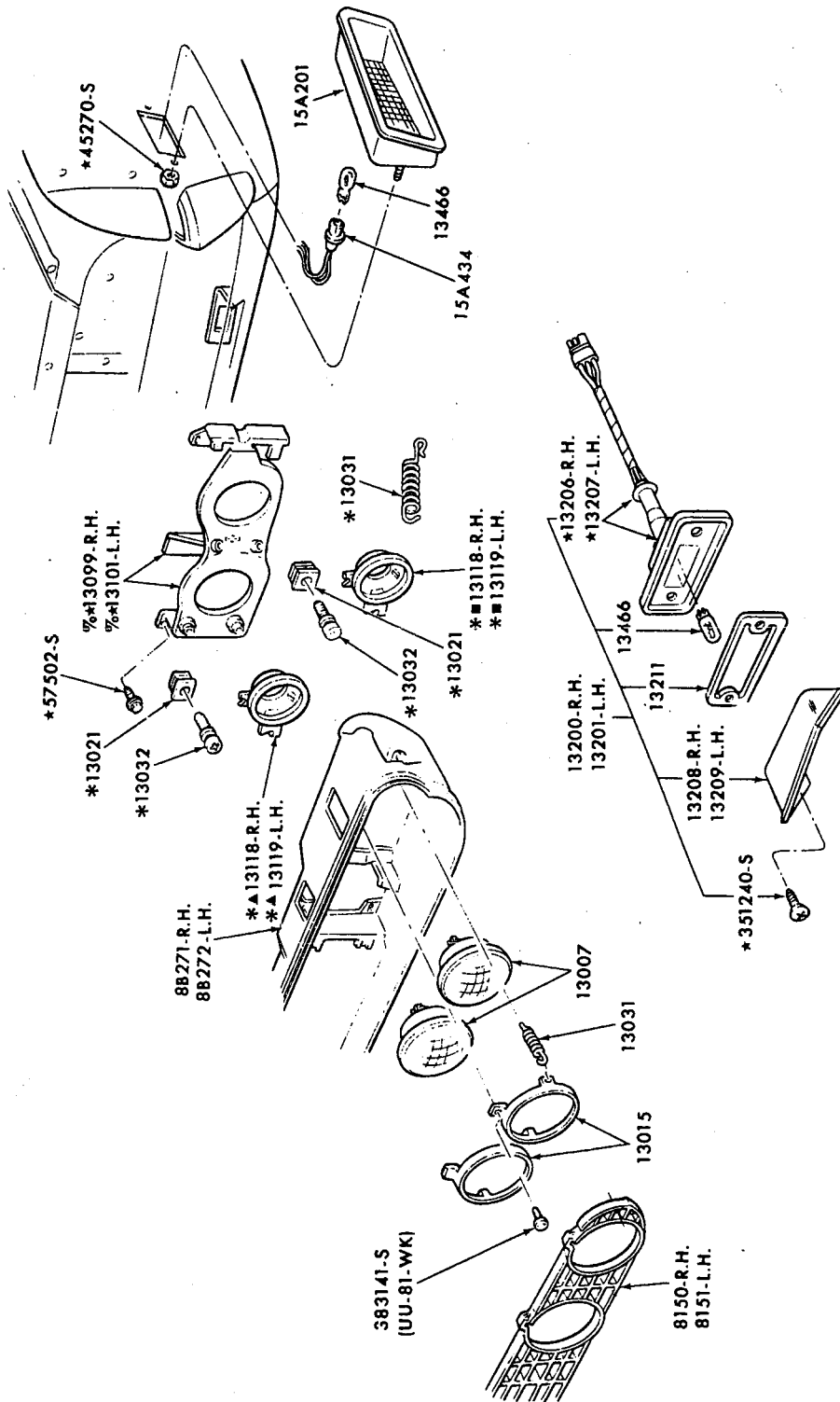
#SUPPLIED ONLY IN 13008 HEADLAMP ASSY.  
 \*ALSO SUPPLIED IN 13008 HEADLAMP ASSY.

P-8154

HEADLAMP, PARKING LAMP, FENDER SIDE MARKER LAMP and RELATED PARTS  
 1971 FORD



P-8260



- ▲ HIGH BEAM
- LOW BEAM
- \* ALSO SUPPLIED IN 13008 HEADLAMP KIT
- % SUPPLIED ONLY IN 13008 HEADLAMP KIT

HEADLAMP, PARKING LAMP, FENDER SIDE MARKER LAMP and RELATED PARTS  
 1971 TORINO - BODY TYPES 54C, 57C, E, 63C, F, 65C, E, 66B, C, E, 71C, E, 76F (WITHOUT HEADLAMP COVERS)

May, 1975

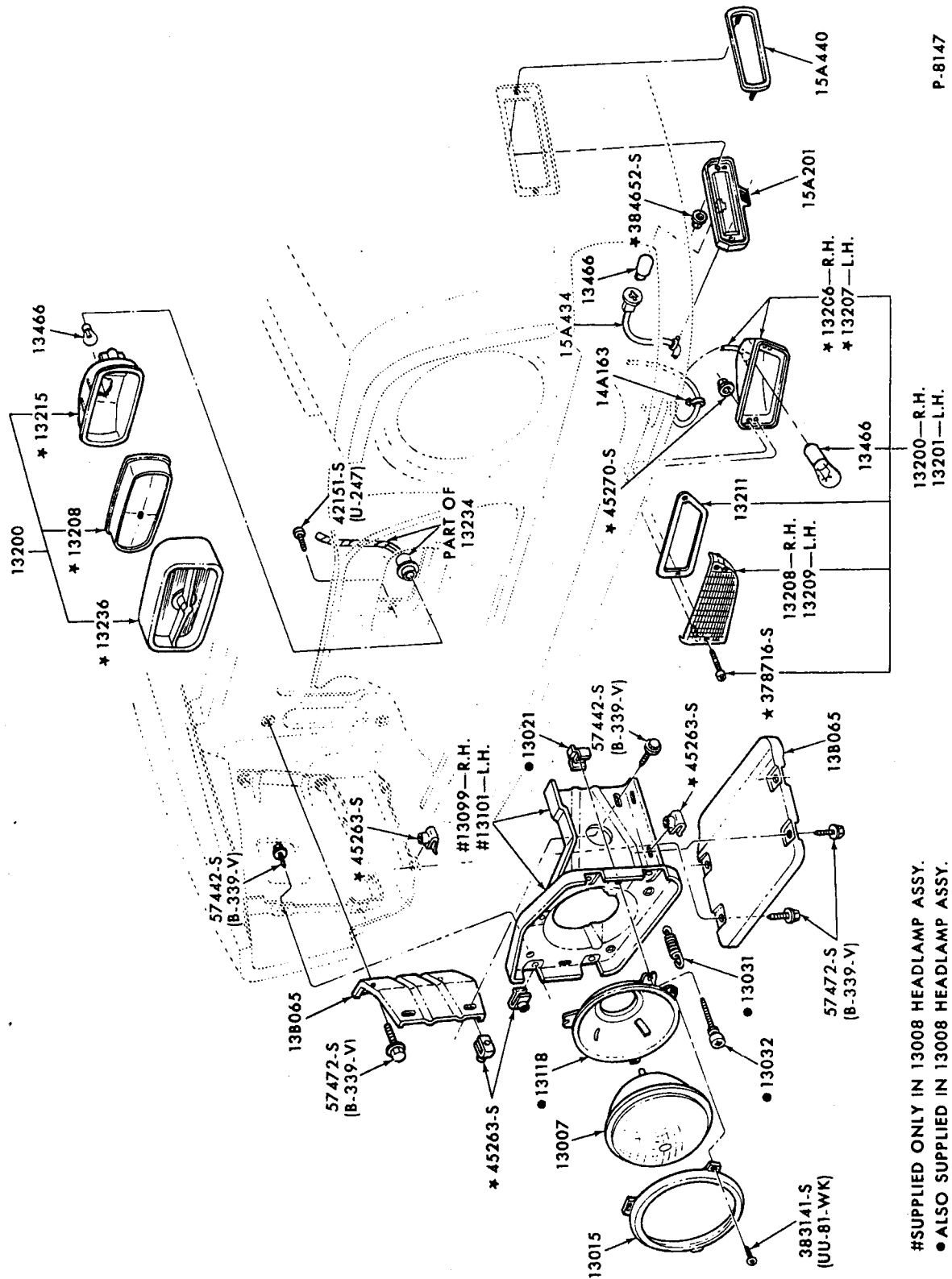
COPYRIGHT © 1975 -

FORD MOTOR COMPANY

- DEARBORN, MICHIGAN

FINAL ISSUE

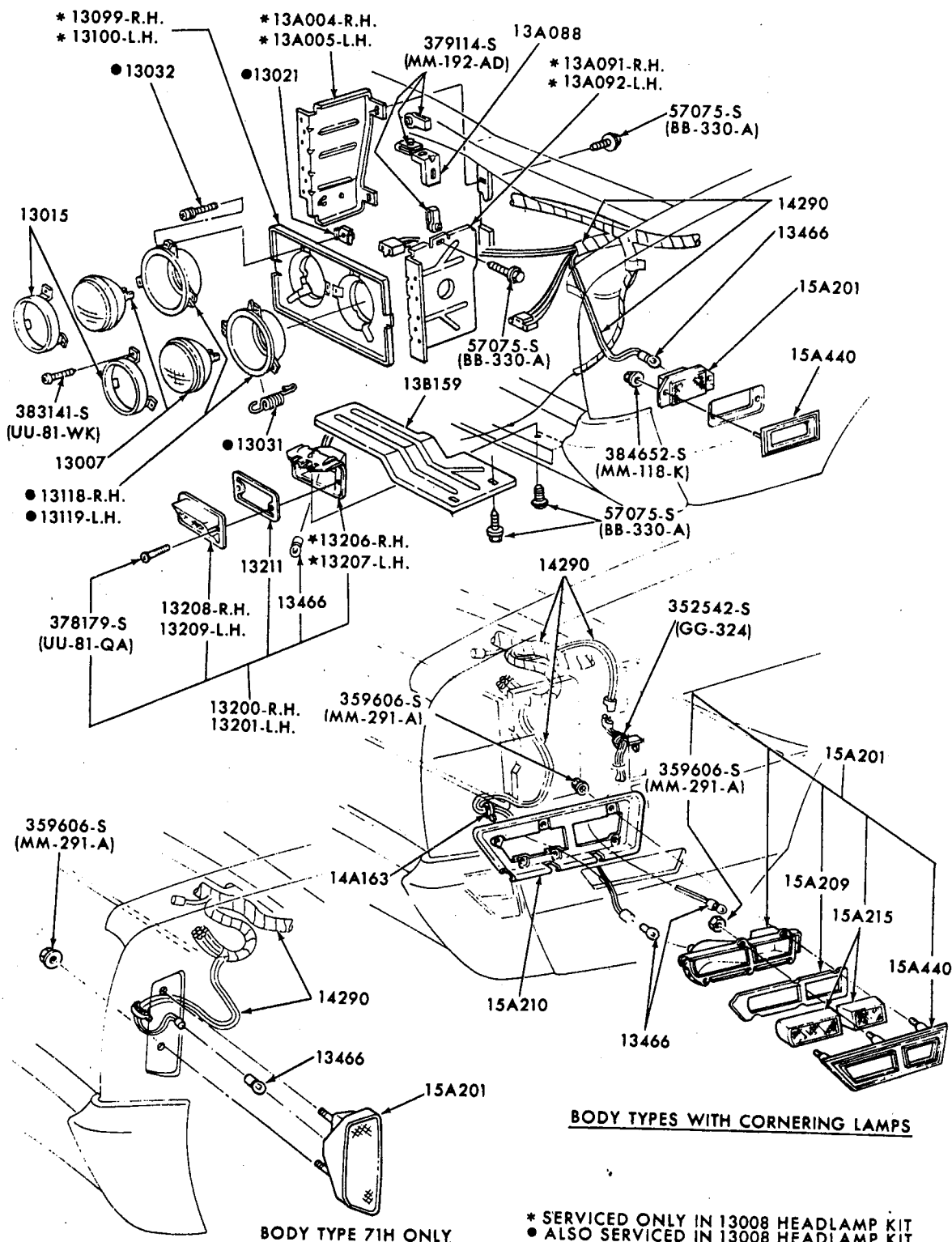
FORD CAR PARTS



P-8147

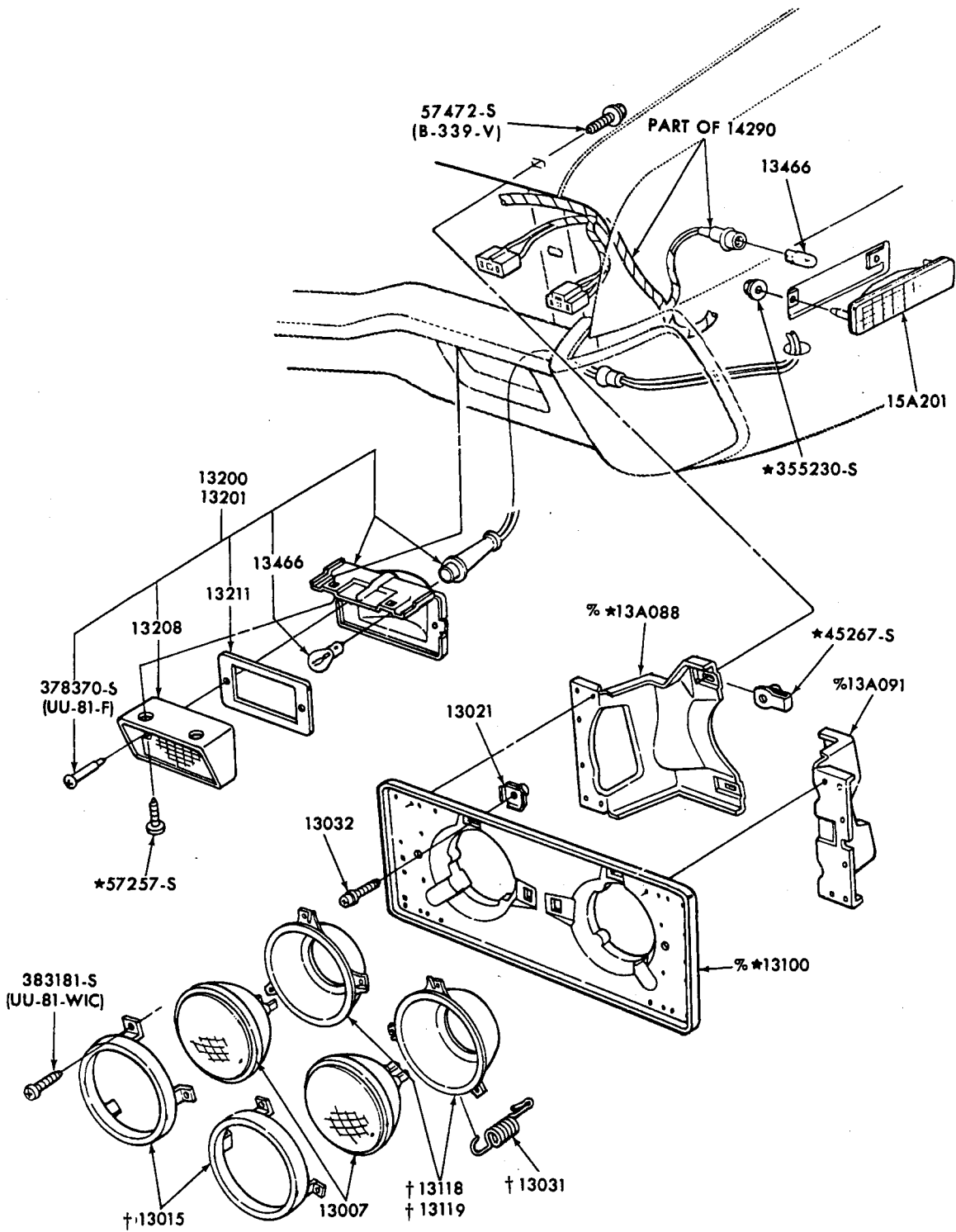
HEADLAMP, PARKING LAMP, FENDER SIDE MARKER LAMP and RELATED PARTS 1971/72 MUSTANG

#SUPPLIED ONLY IN 13008 HEADLAMP ASSY.  
● ALSO SUPPLIED IN 13008 HEADLAMP ASSY.



P-8772

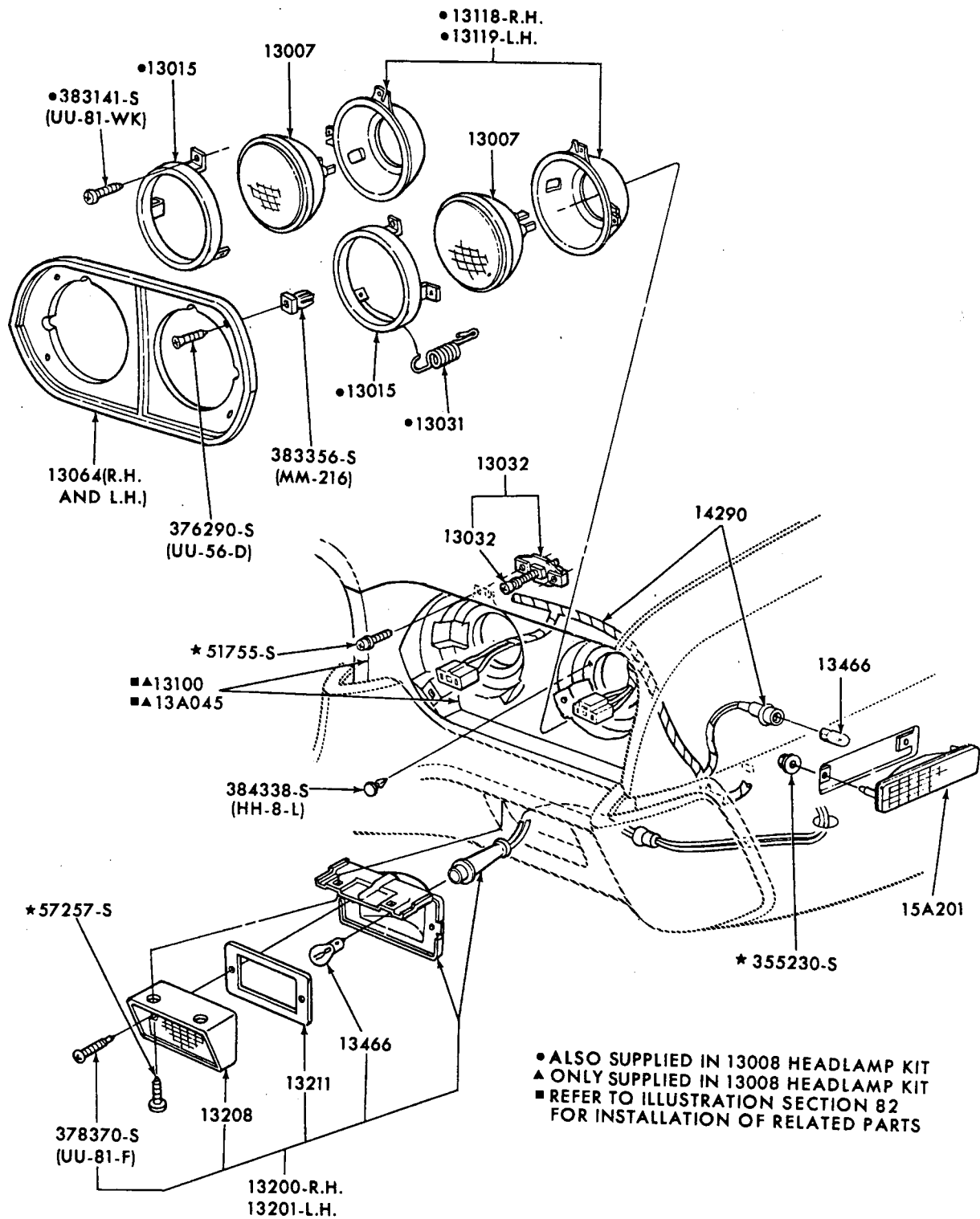
HEADLAMP, PARKING LAMP, FENDER SIDE MARKER LAMP and RELATED PARTS  
1972 FORD



† ALSO SUPPLIED IN 13008 HEADLAMP ASSY.  
% ONLY SUPPLIED IN 13008 HEADLAMP ASSY.

P-8775

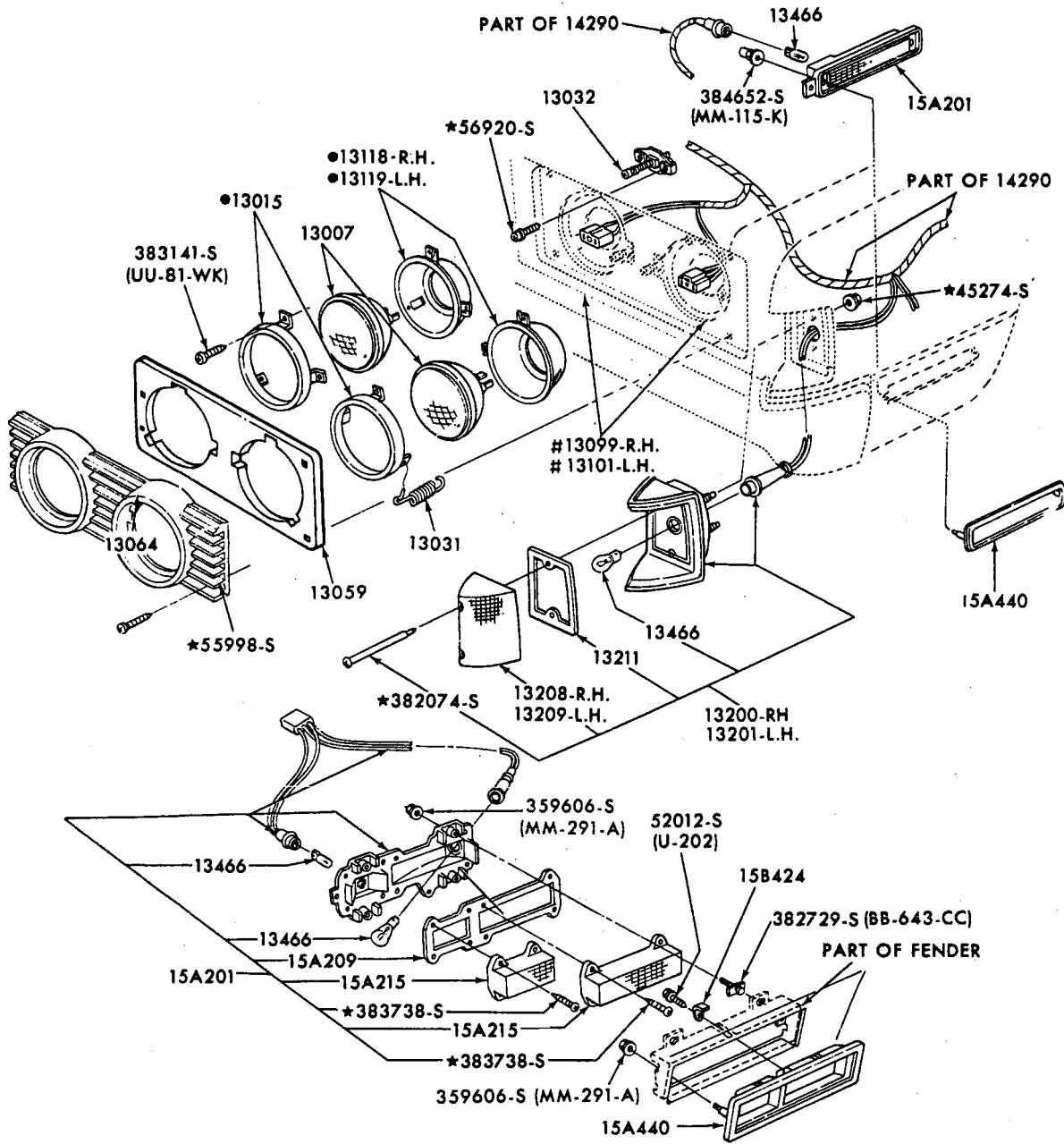
HEADLAMP, PARKING LAMP, FENDER SIDE MARKER LAMP and RELATED PARTS  
1972 TORINO - BODY TYPES 53B, 65B, 71B



P-8774

HEADLAMP, PARKING LAMP, FENDER SIDE MARKER LAMP and RELATED PARTS  
1972 TORINO - BODY TYPES 53D, 63, 65D, R, 71D, K, 97

**FORD CAR PARTS**

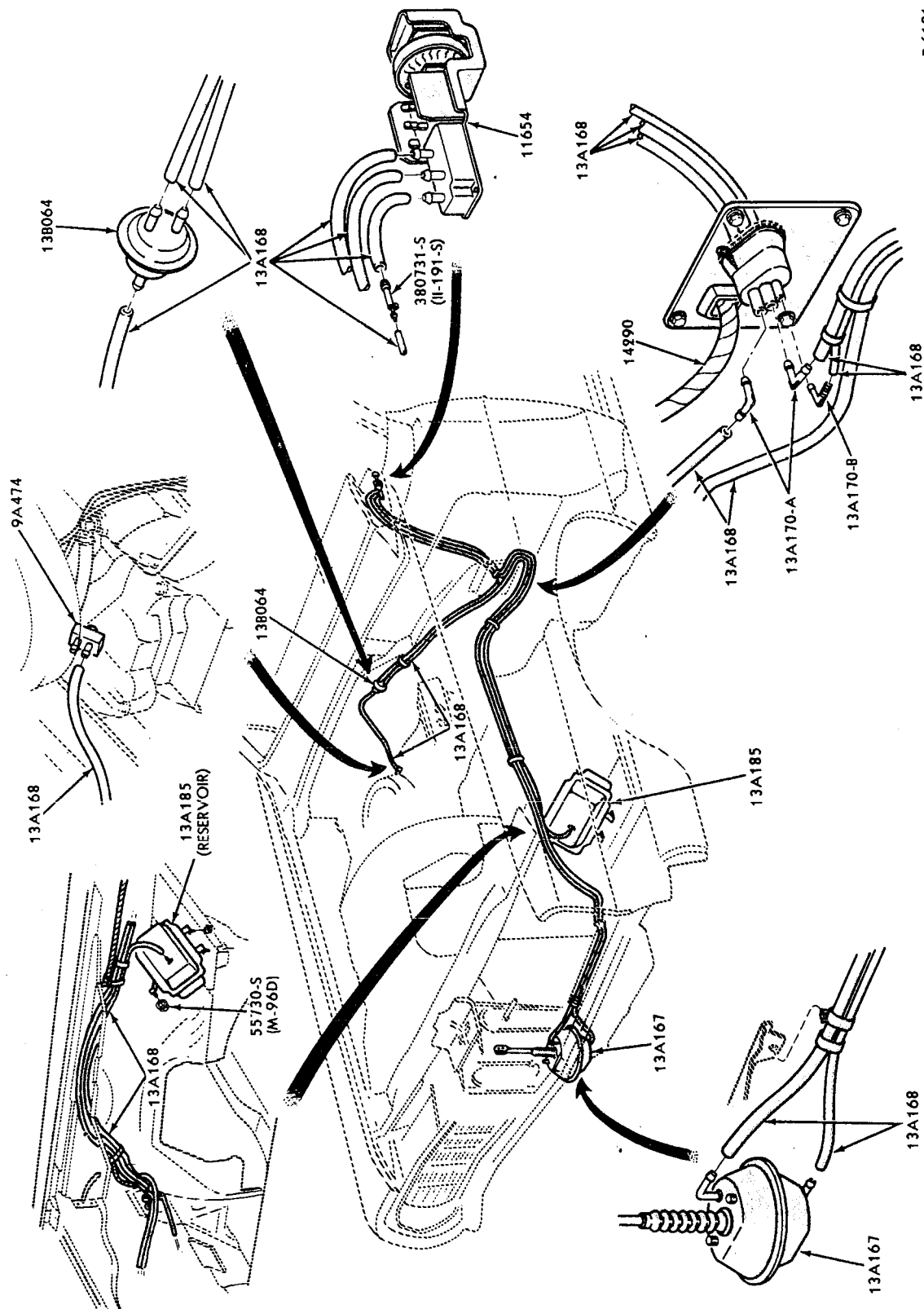


**ALL BODY TYPES WITH TURNING LAMP**

● ALSO SUPPLIED IN 13008 HEADLAMP KIT  
# ONLY SUPPLIED IN 13008 HEADLAMP KIT

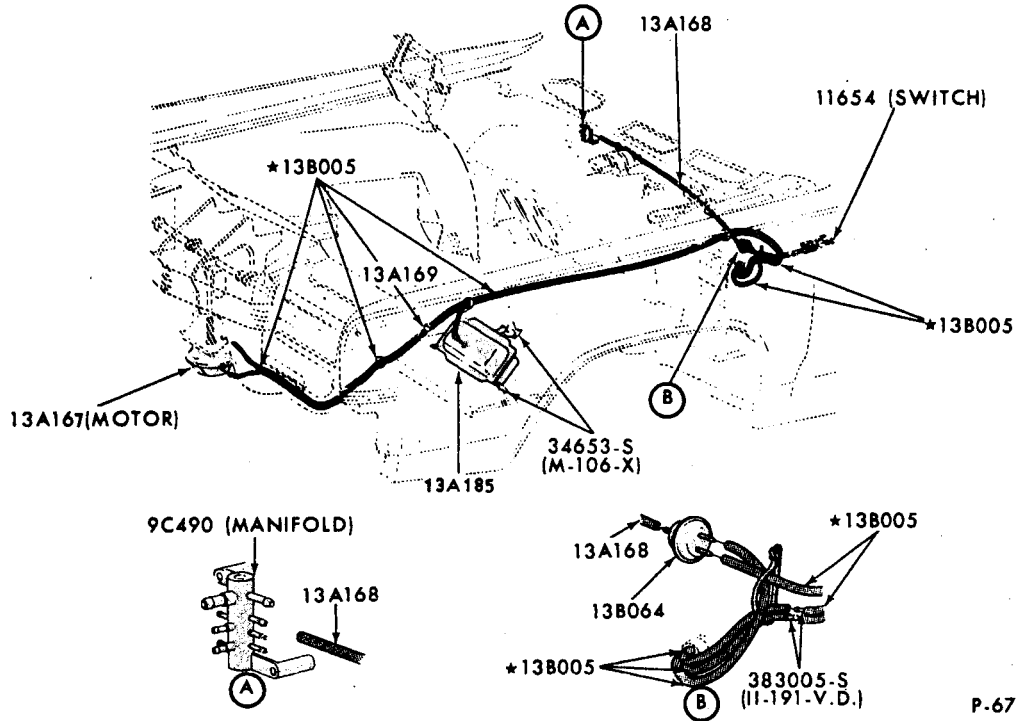
P-8777

**HEADLAMP, PARKING LAMP, FENDER SIDE MARKER LAMP and RELATED PARTS  
1972 THUNDERBIRD**

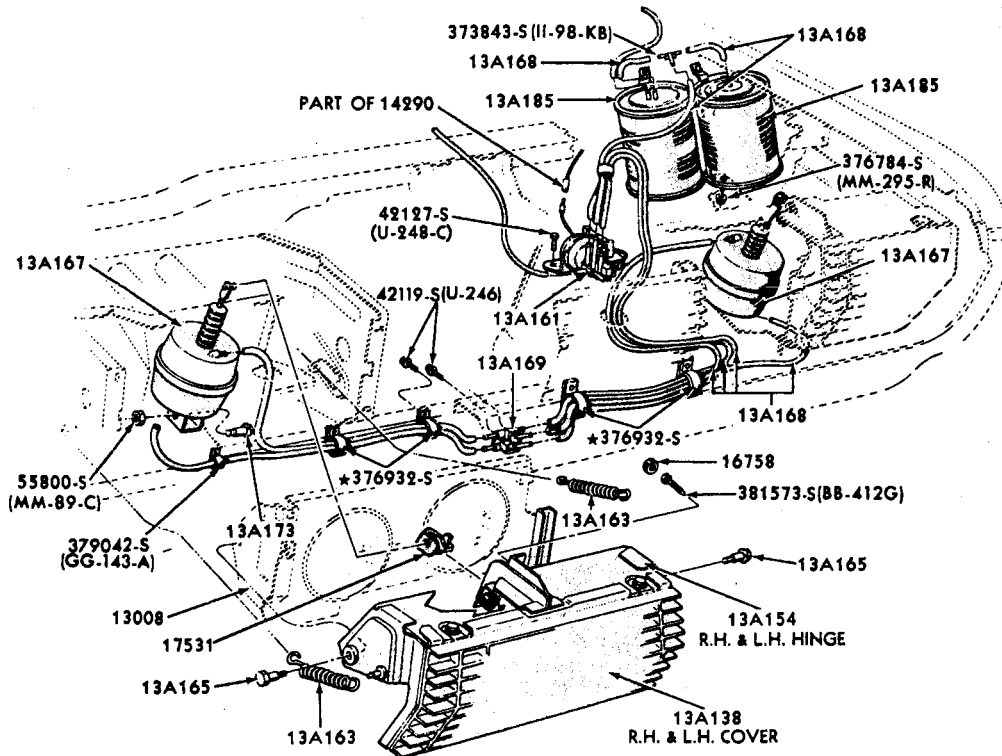


HEADLAMP COVER (VACUUM CONTROL) - RESERVOIR, HOSE ROUTING and RELATED PARTS  
1968 FORD

# FORD CAR PARTS

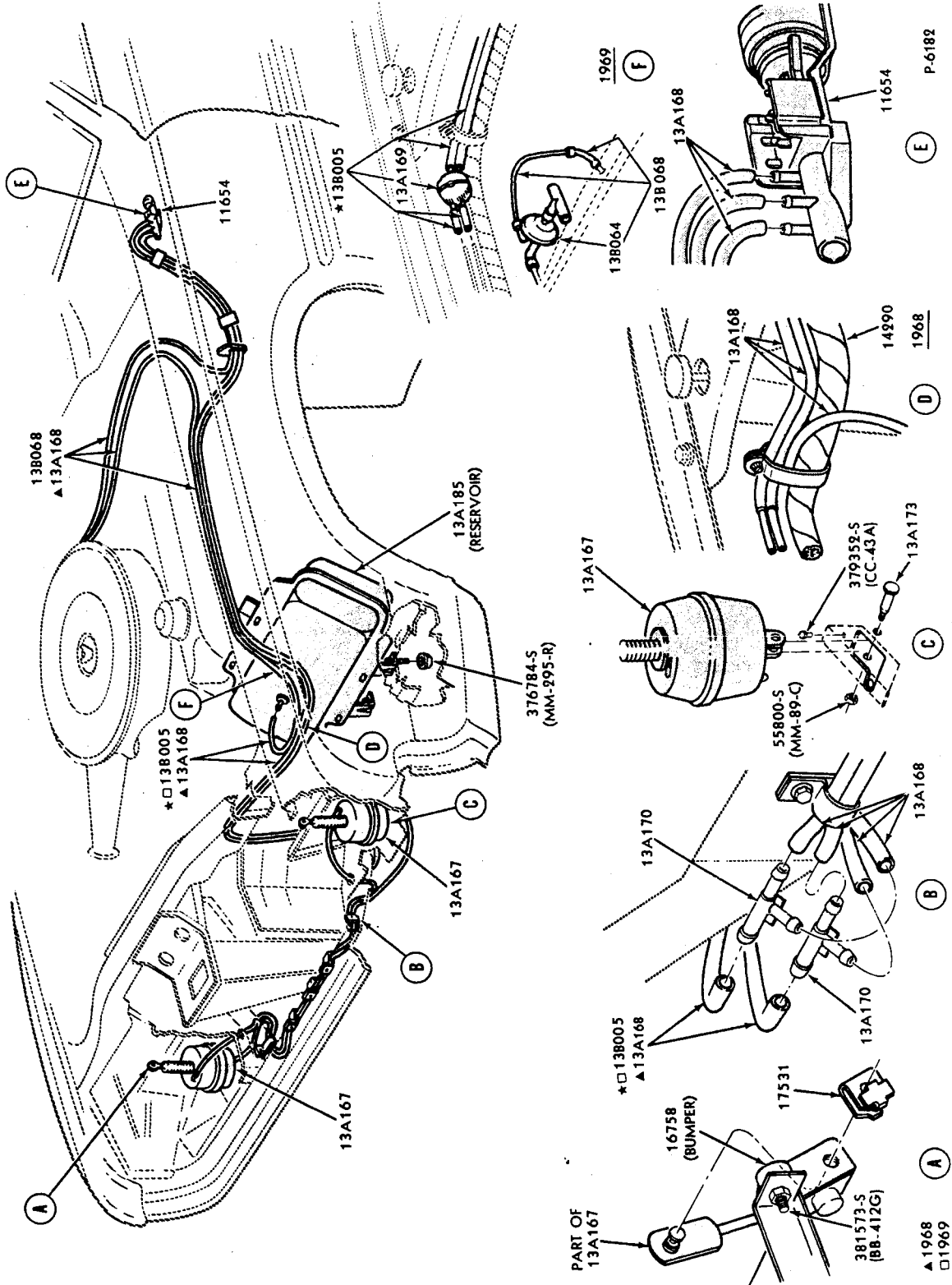


HEADLAMP COVER (VACUUM CONTROL) - RESERVOIR, HOSE ROUTING and RELATED PARTS  
1969/70 FORD



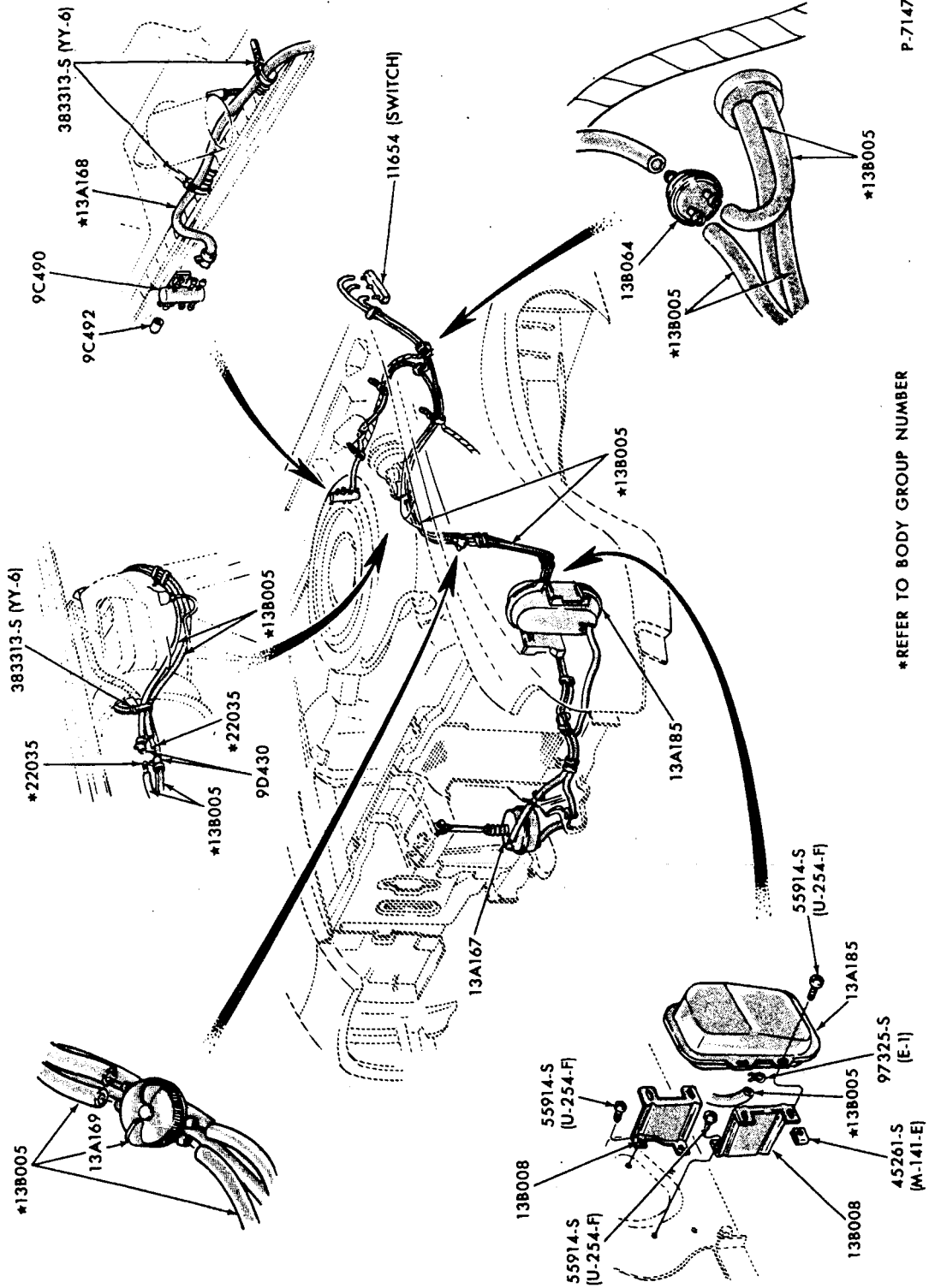
HEADLAMP COVER (VACUUM CONTROL) - SOLENOID, RESERVOIR, HOSE ROUTING, and RELATED PARTS  
1967 THUNDERBIRD





HEADLAMP COVER (VACUUM CONTROL) - RESERVOIR, HOSE ROUTING and RELATED PARTS  
1968/69 THUNDERBIRD

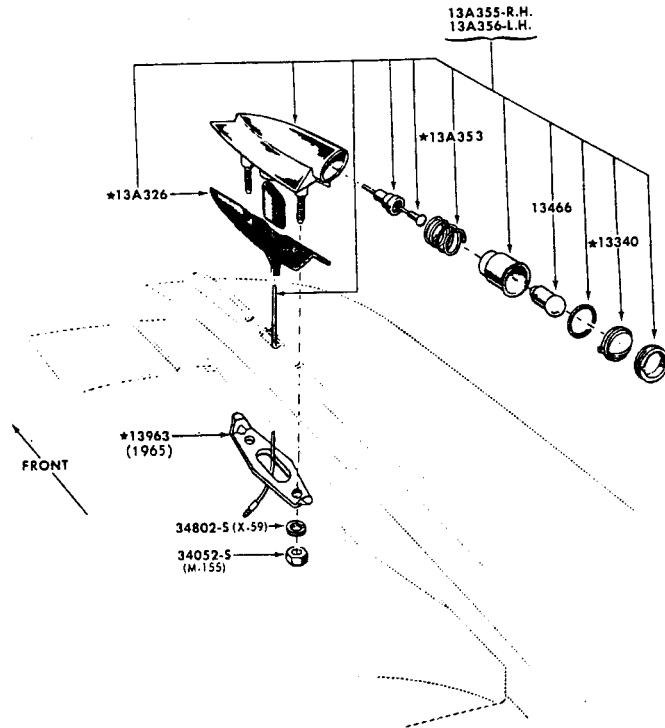
# FORD CAR PARTS



P-7147

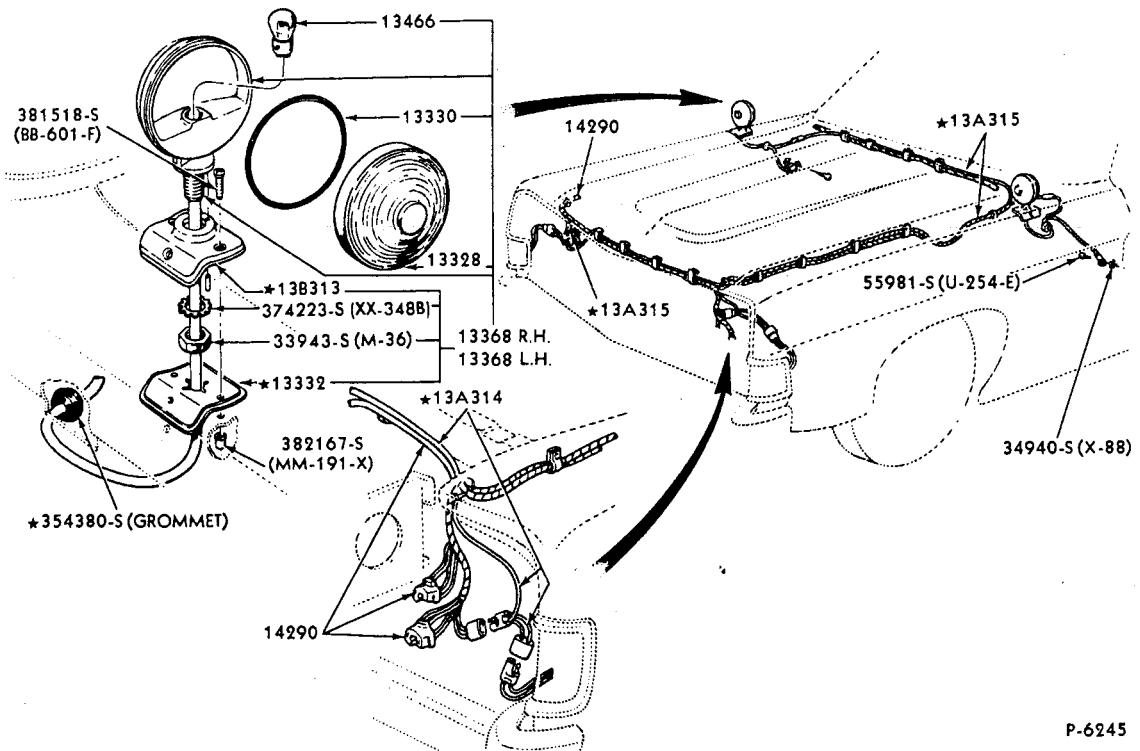
\*REFER TO BODY GROUP NUMBER

HEADLAMP COVERS (VACUUM CONTROL) RESERVOIR, HOSES and RELATED PARTS  
1970/71 FAIRLANE/TORINO



P-4380

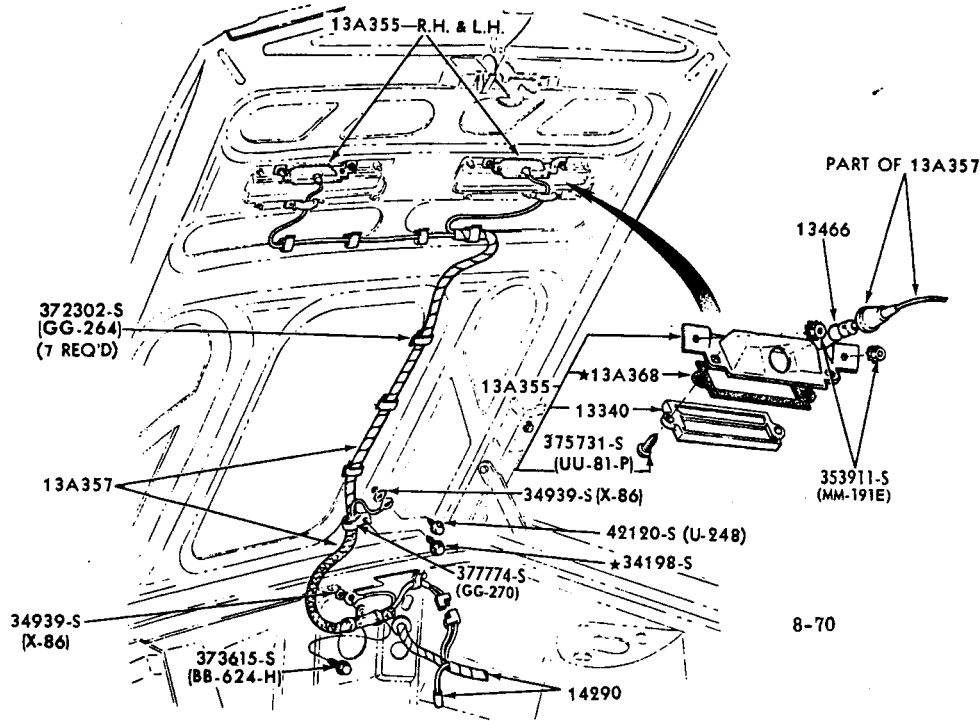
**TURN INDICATOR LAMP - FENDER MOUNTED**  
1965/66 THUNDERBIRD



P-6245

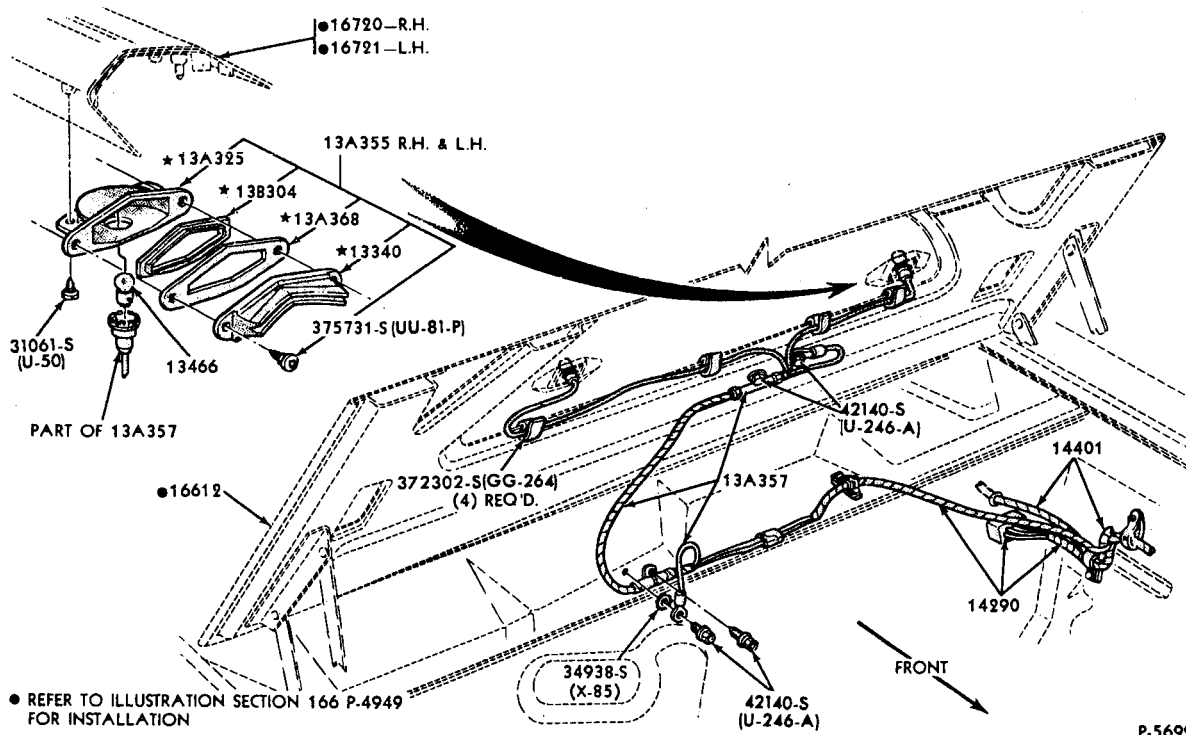
**TURN INDICATOR LAMP - FRONT FENDER MOUNTED**  
1968 FAIRLANE - RANCHERO

# FORD CAR PARTS



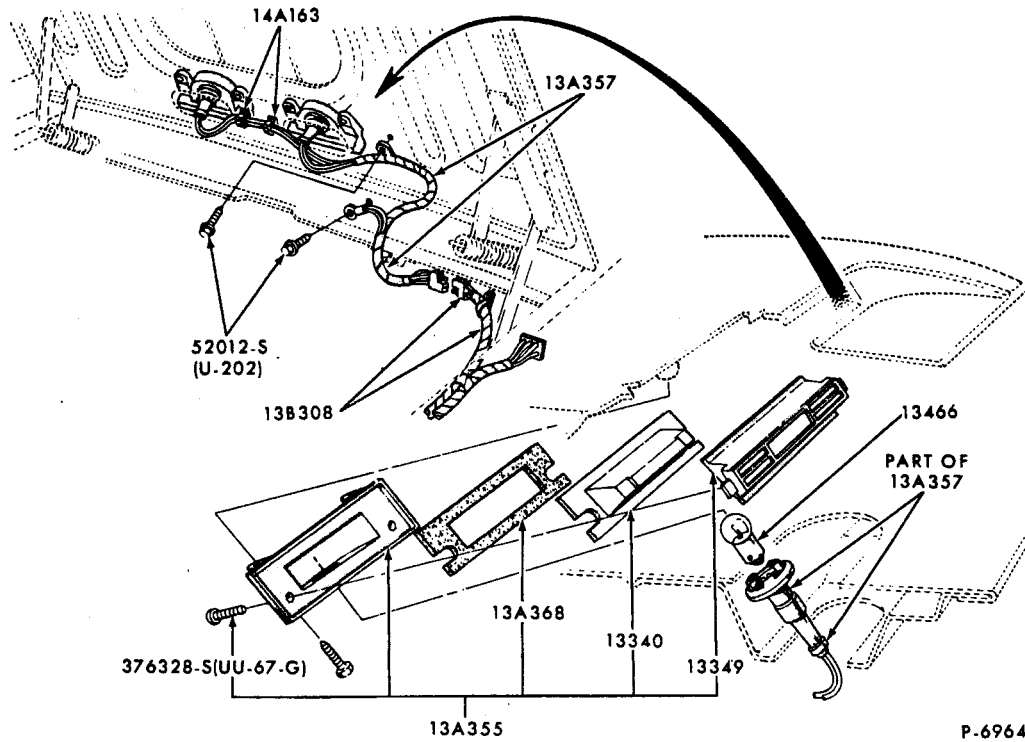
TURN INDICATOR LAMP - HOOD MOUNTED  
1967/68 MUSTANG

P-5651

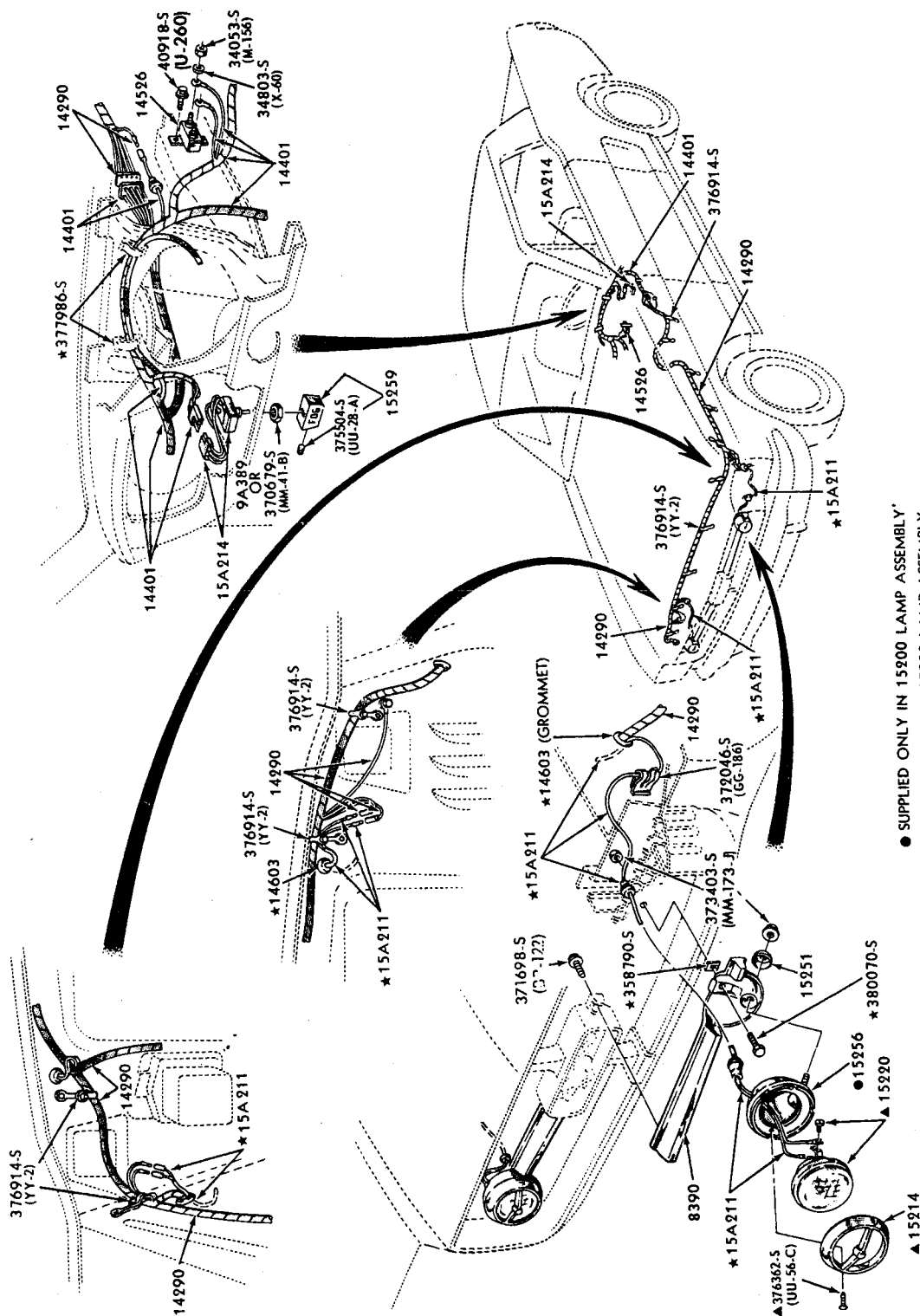


TURN INDICATOR LAMP - HOOD MOUNTED  
1967 FAIRLANE

P-5699



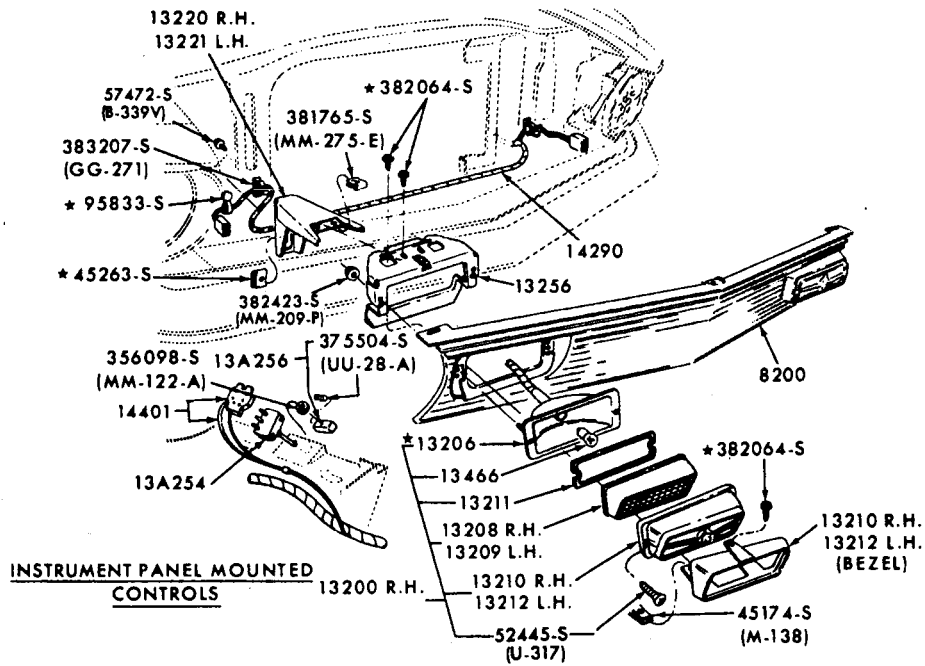
**TURN INDICATOR LAMP - HOOD MOUNTED  
1969 FAIRLANE/TORINO 1969/70 MUSTANG**



● SUPPLIED ONLY IN 15200 LAMP ASSEMBLY\*  
 ▲ ALSO SUPPLIED IN 15200 LAMP ASSEMBLY

FOG LAMP, WIRING SYSTEM and RELATED PARTS  
1965 MUSTANG





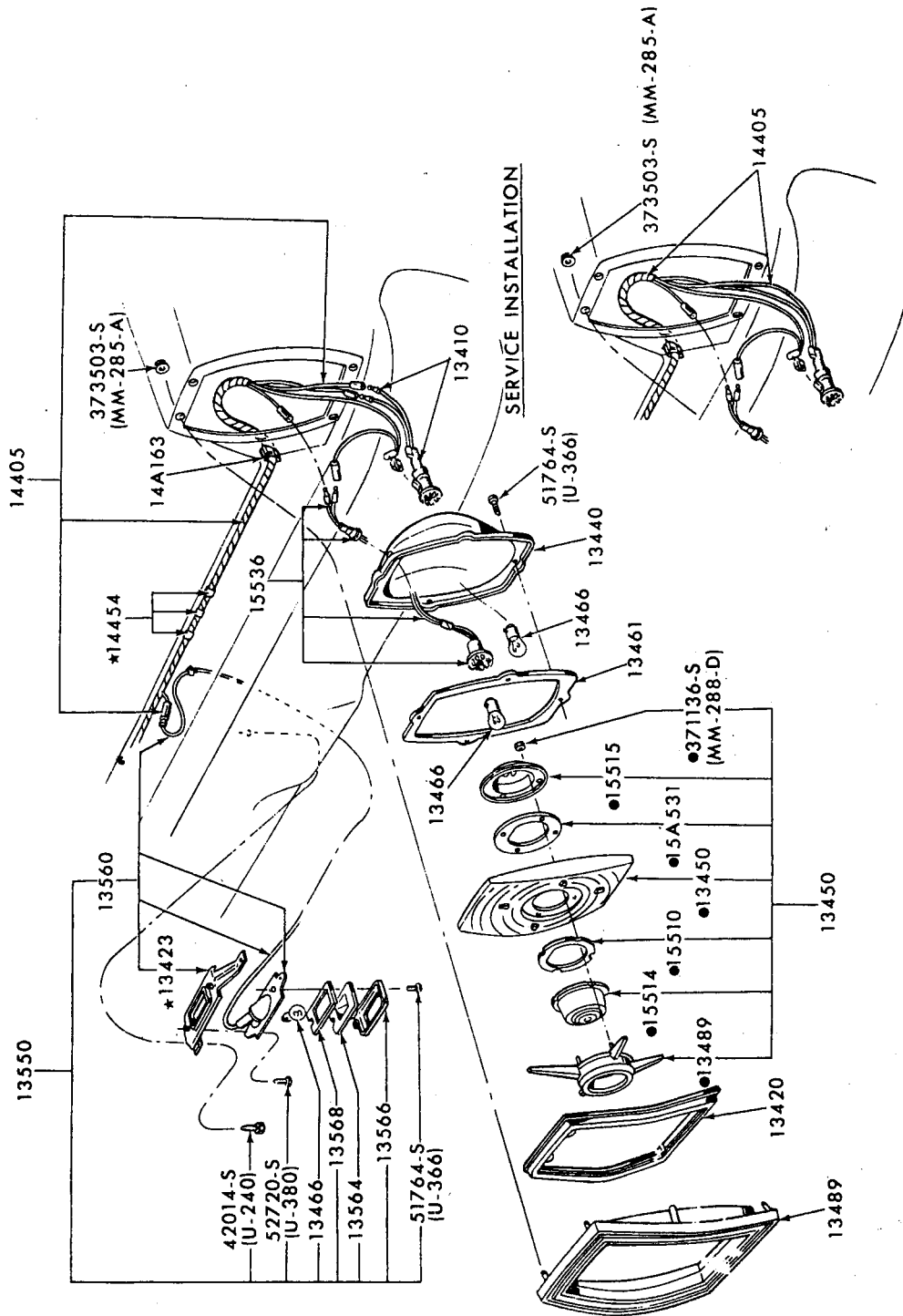
SPORTS LAMPS - GRILLE MOUNTED  
1970 MUSTANG 1971/72 MAVERICK

P-7474







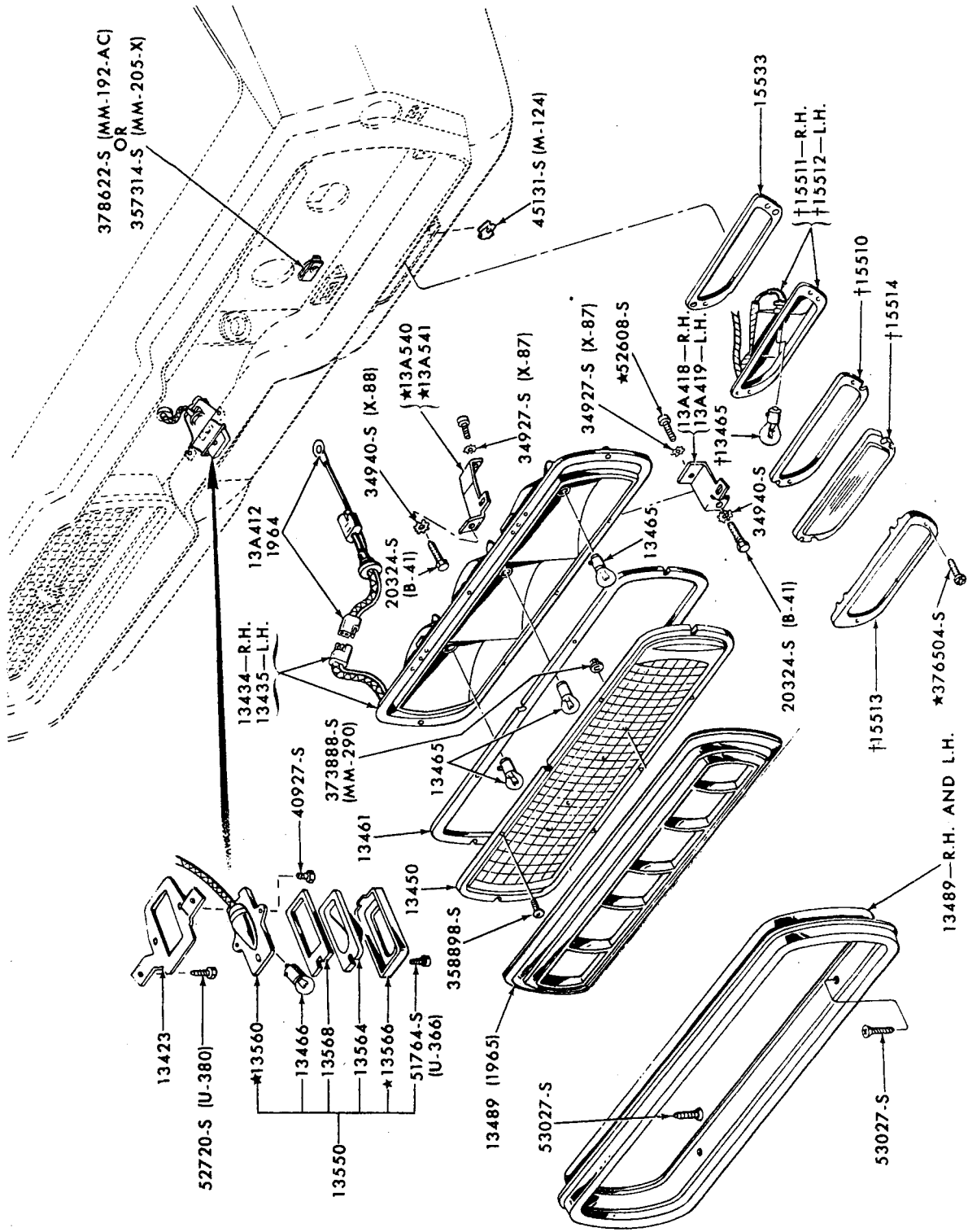


REAR LAMP, BACK UP LAMP and LICENSE PLATE LAMP  
1965 FORD - GALAXIE - (except STATION WAGON)









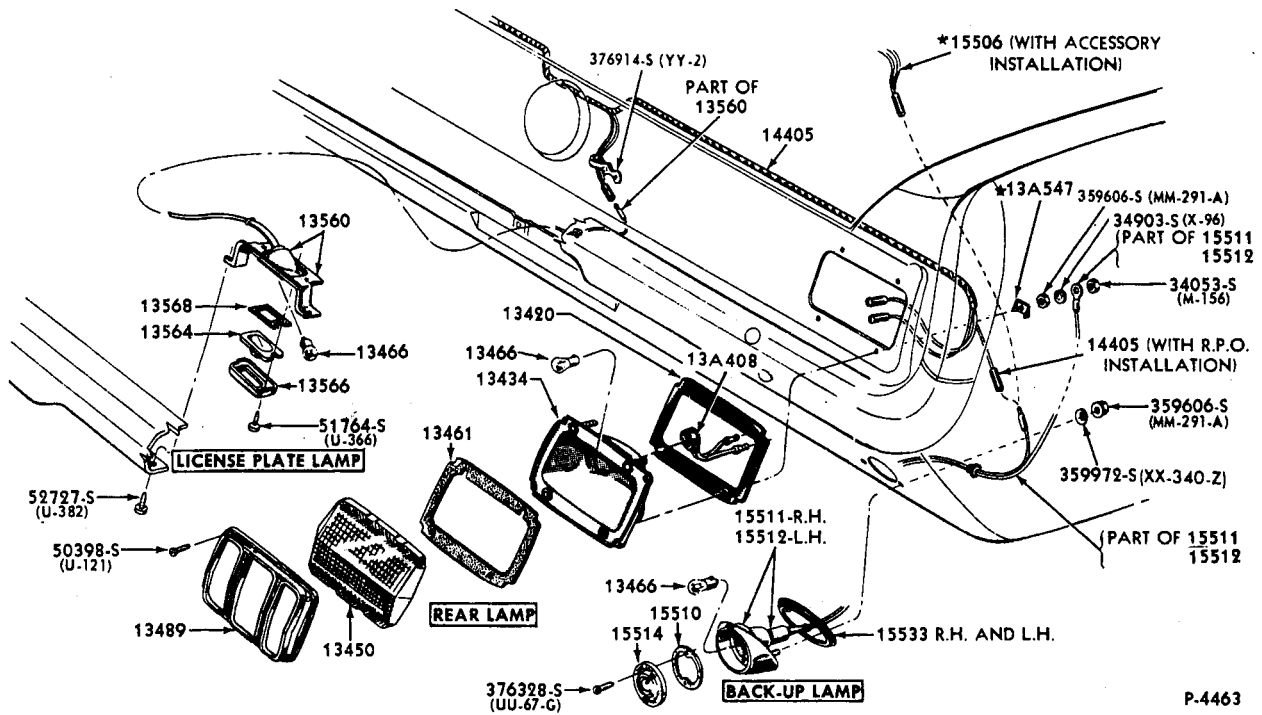
P-4213

†ALSO SUPPLIED IN 15500-1 BACK UP LAMP ASSEMBLY FOR 1964 MODELS

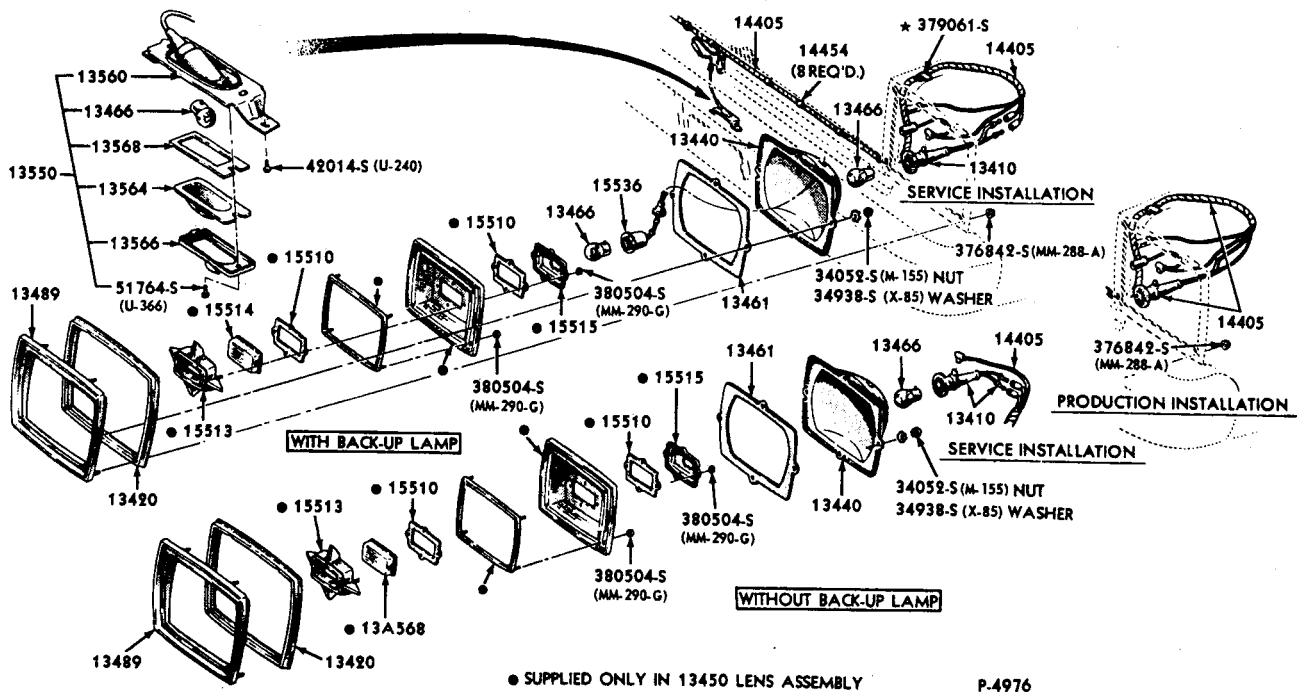
REAR LAMP, BACK UP LAMP, and LICENSE PLATE LAMP  
1965 THUNDERBIRD







REAR LAMP, BACK UP LAMP and LICENSE PLATE LAMP  
1965/66 MUSTANG



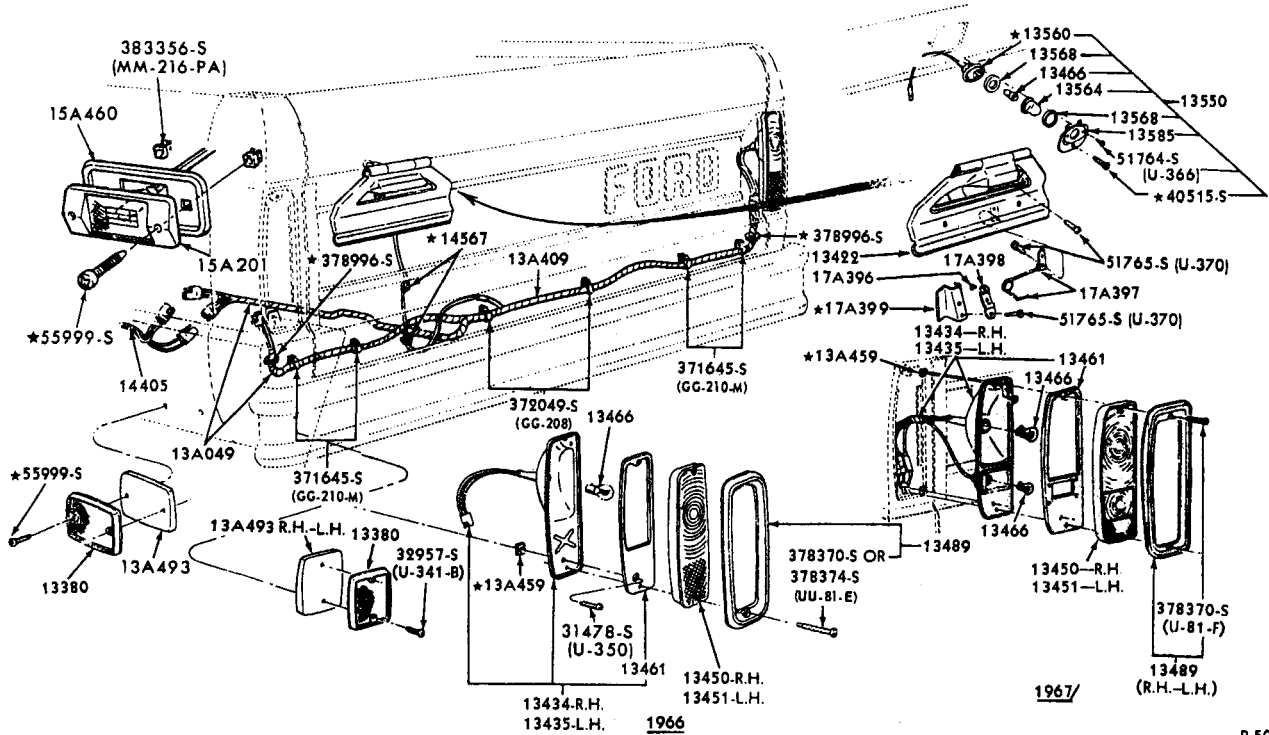
REAR LAMP, BACK UP LAMP and LICENSE PLATE LAMP  
1966 FORD - except STATION WAGON

● SUPPLIED ONLY IN 13450 LENS ASSEMBLY



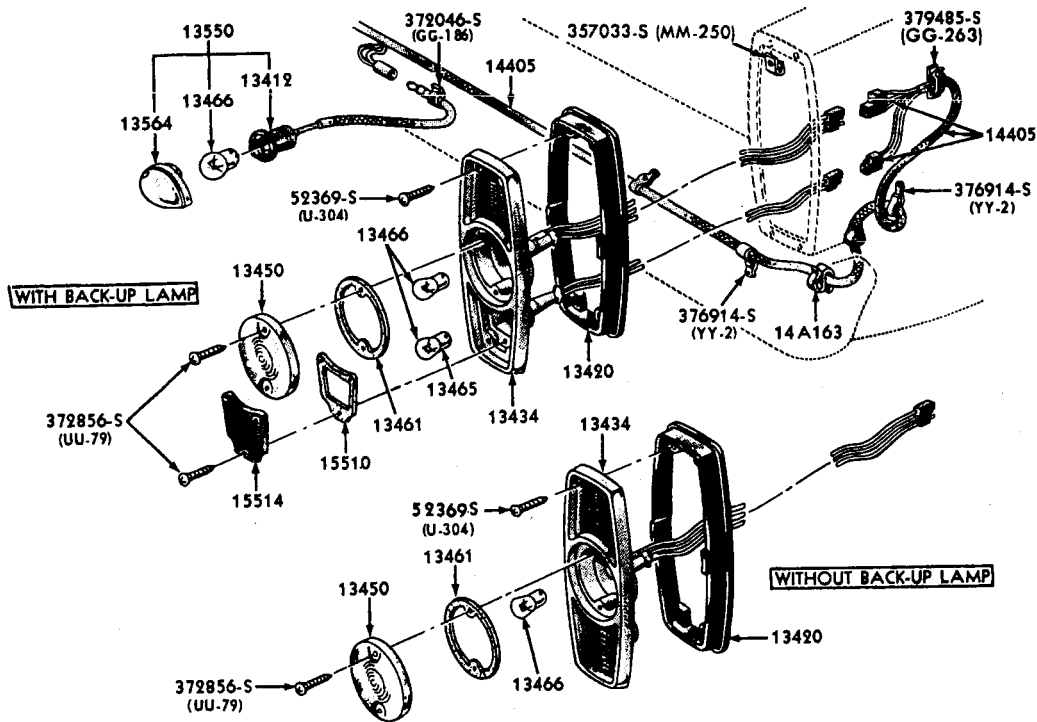






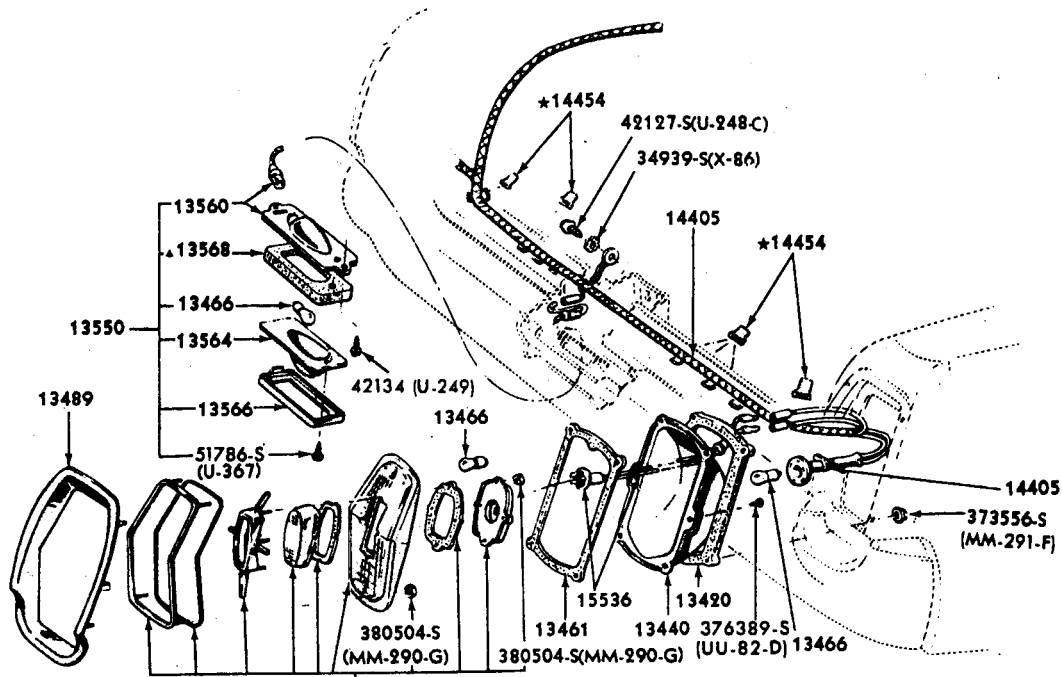
REAR LAMP, LICENSE PLATE LAMP and RELATED PARTS  
1966/72 BRONCO

P.5097



REAR LAMP, BACK UP LAMP and LICENSE PLATE LAMP  
1966 FALCON - STATION WAGON and RANCHERO

P-5118



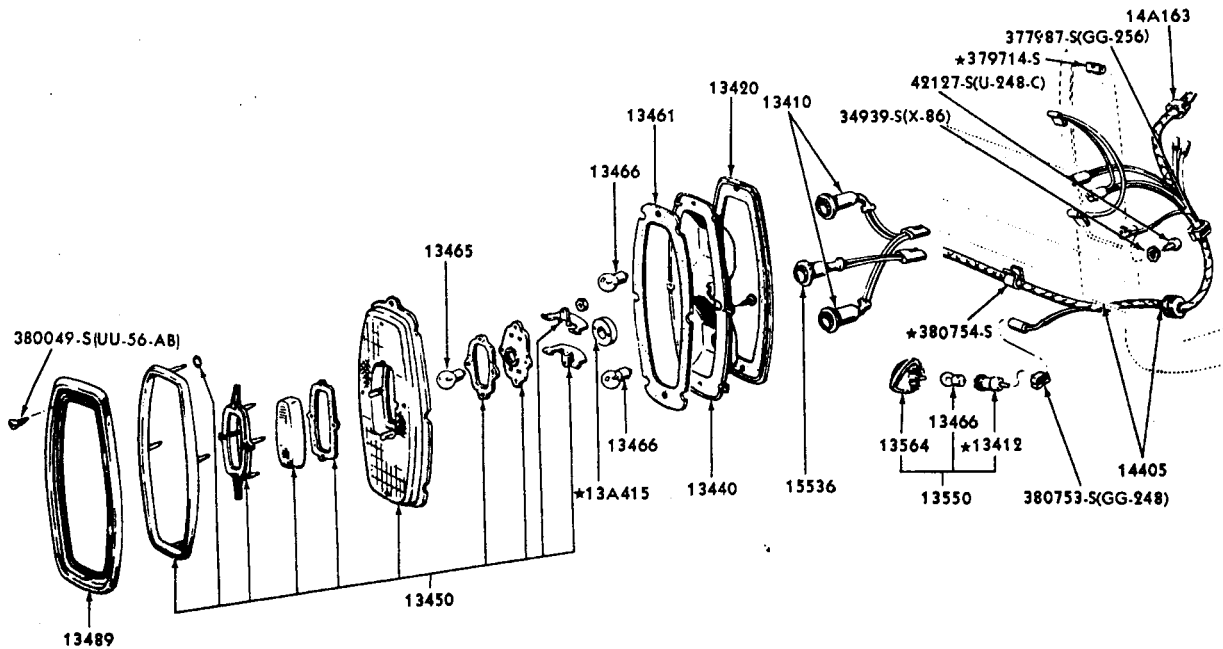
\*REFER TO BODY GROUP NUMBER

13450

▲ AFTER 11/14/66 ALSO INCLUDED WITH 13566 DOOR

P.5501

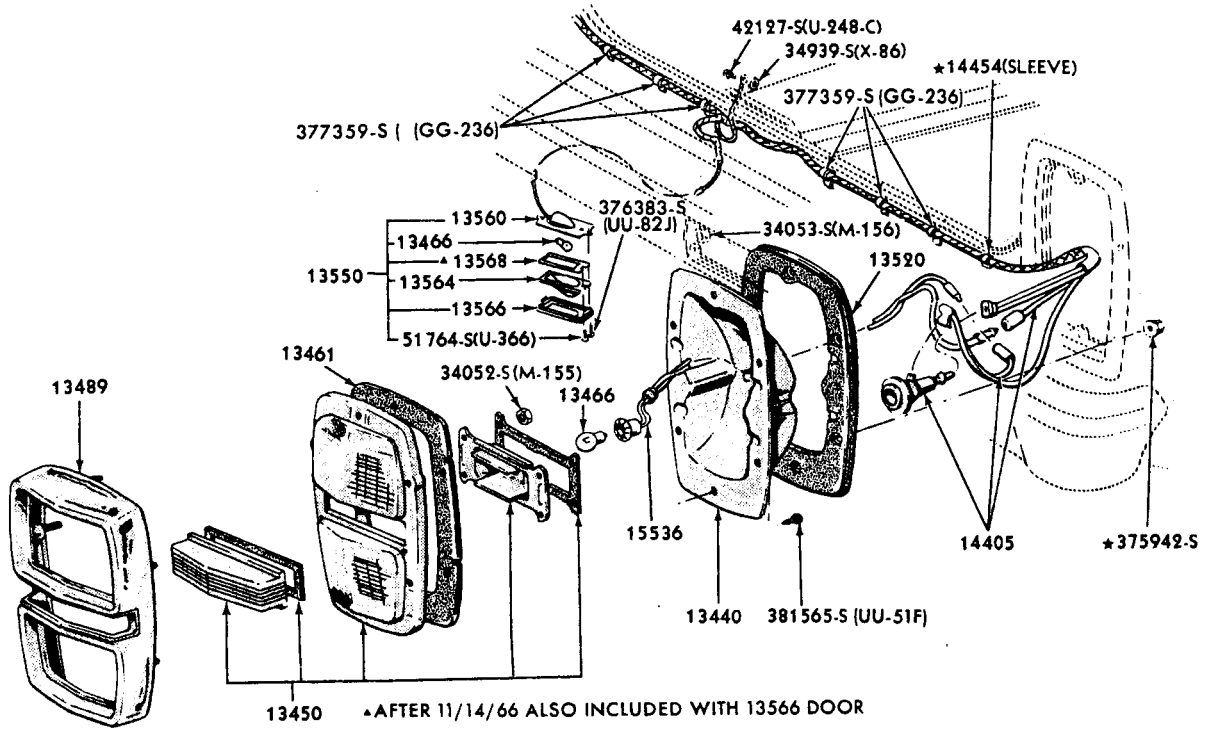
REAR LAMP, BACK UP LAMP and LICENSE PLATE LAMP  
1967 FORD - EXCEPT STATION WAGON



P.5502

REAR LAMP, BACK UP LAMP and LICENSE PLATE LAMP  
1967 FORD - STATION WAGON

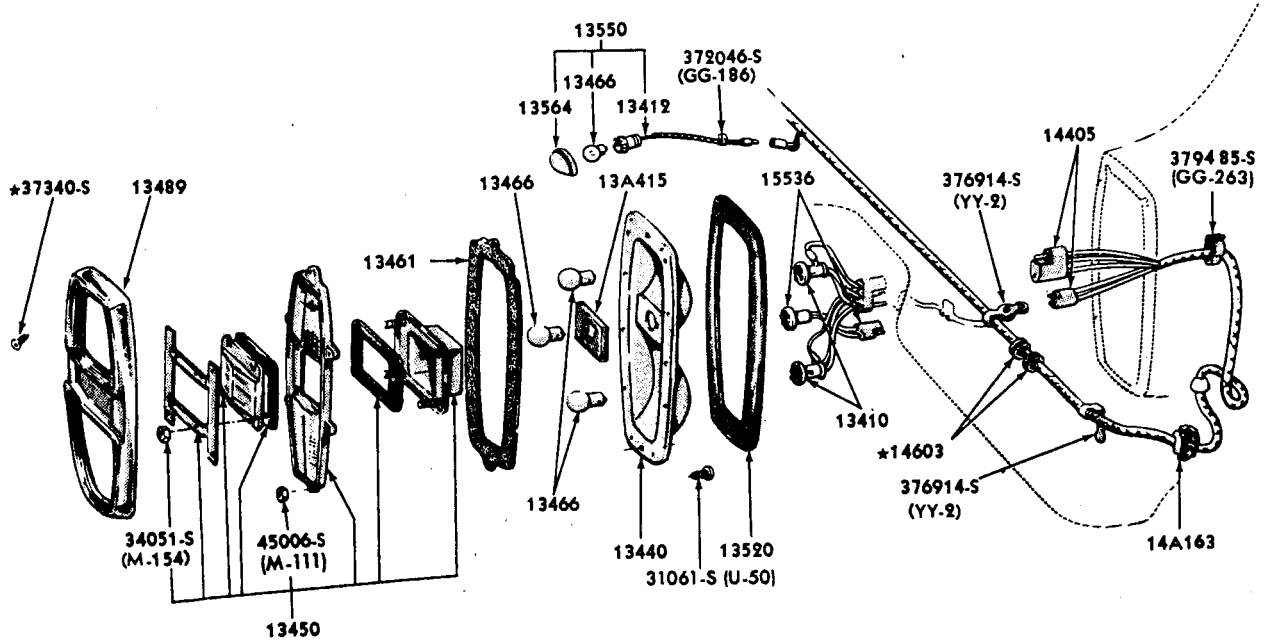
**FORD CAR PARTS**



13450 \*AFTER 11/14/66 ALSO INCLUDED WITH 13566 DOOR

REAR LAMP, BACK UP LAMP and LICENSE PLATE LAMP  
1967 FAIRLANE - except STATION WAGON and RANCHERO

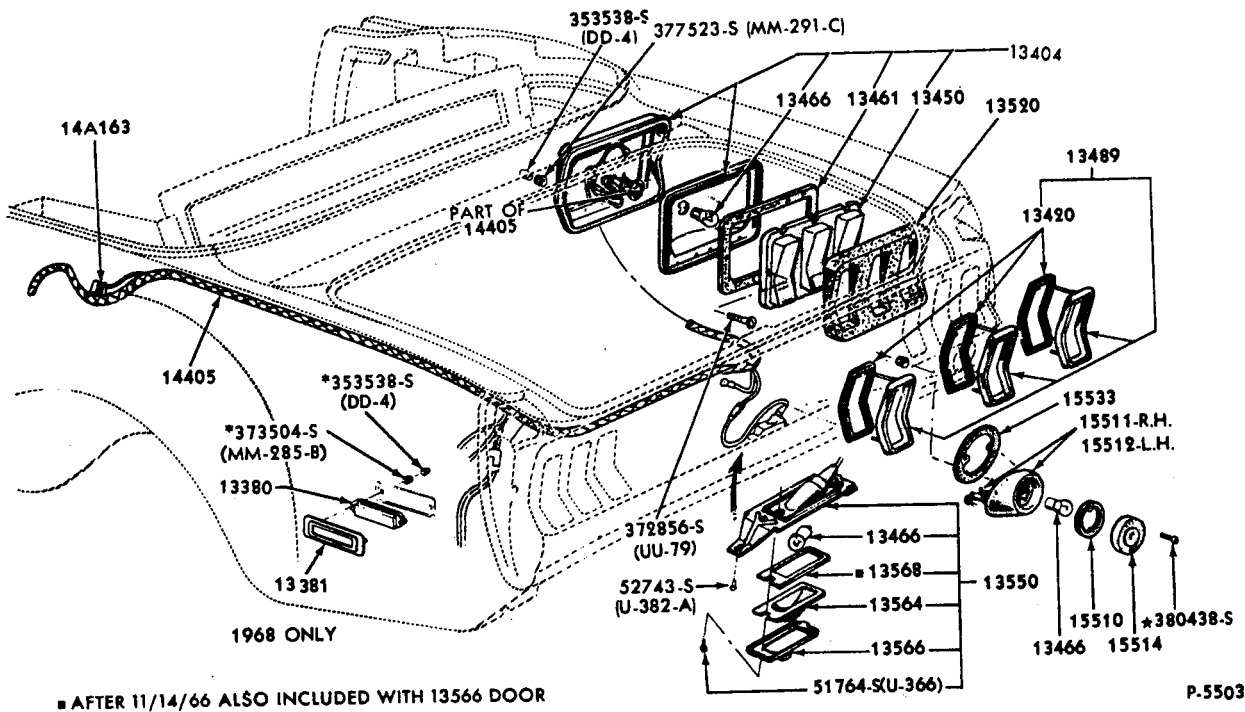
P-5506



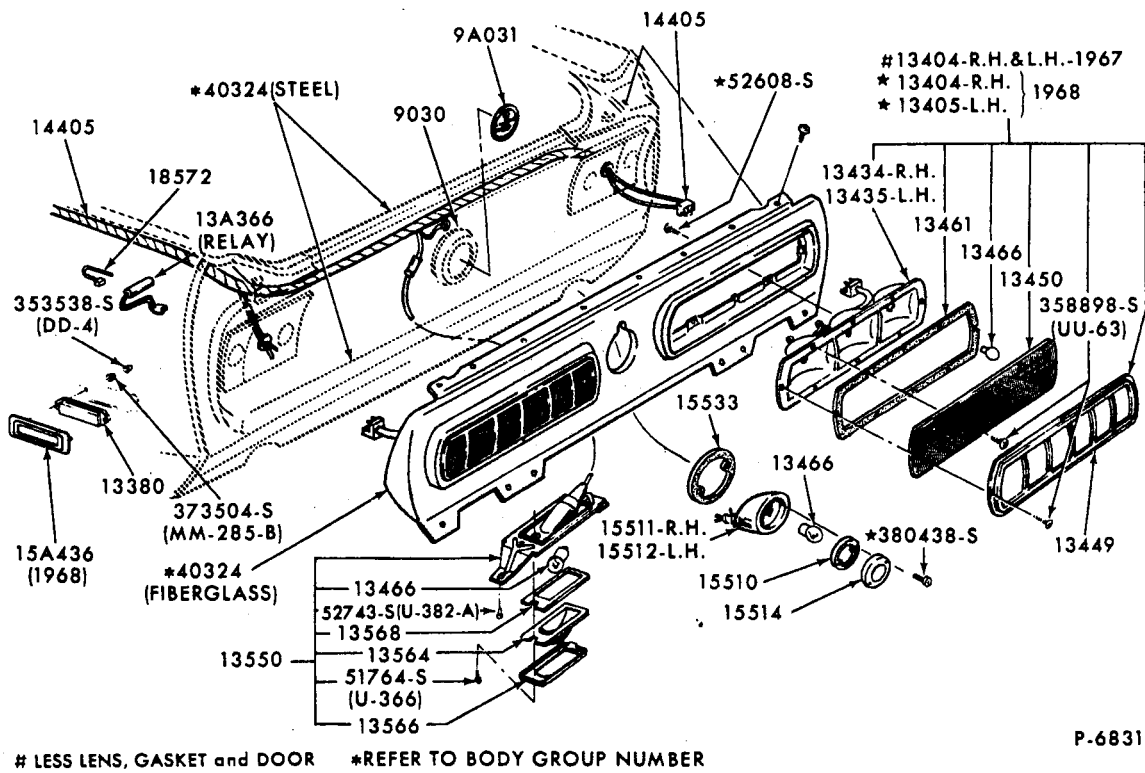
REAR LAMP, BACK UP LAMP and LICENSE PLATE LAMP

1967 FAIRLANE - STATION WAGON      1967 FAIRLANE - RANCHERO - except with REFLECTORS

P-5507



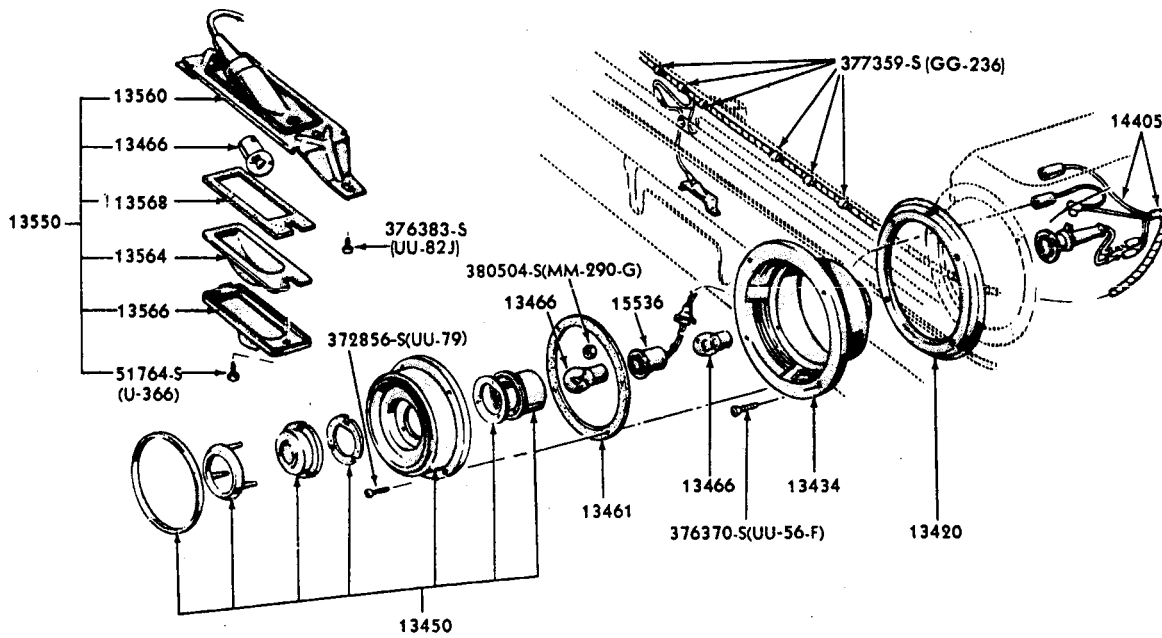
**REAR LAMP, BACK UP LAMP and LICENSE PLATE LAMP**  
1967/68 MUSTANG - except GT 350/500



**REAR LAMP, BACK UP LAMP and LICENSE PLATE LAMP**  
1967/68 MUSTANG - GT 350/500



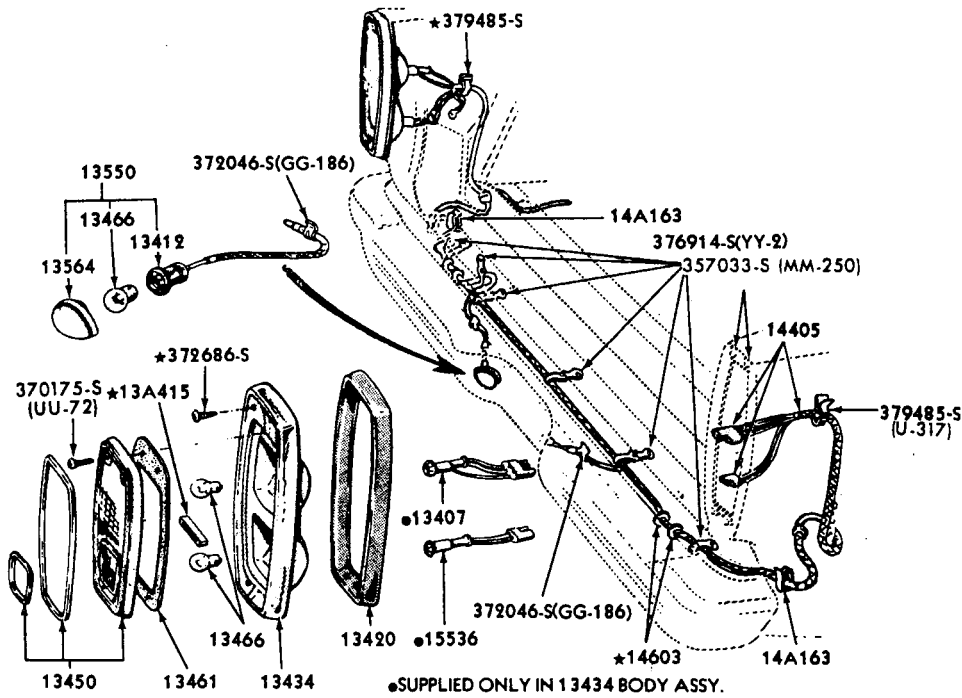




P.5504

FROM 11/14/66 ALSO INCLUDED WITH 13566 DOOR

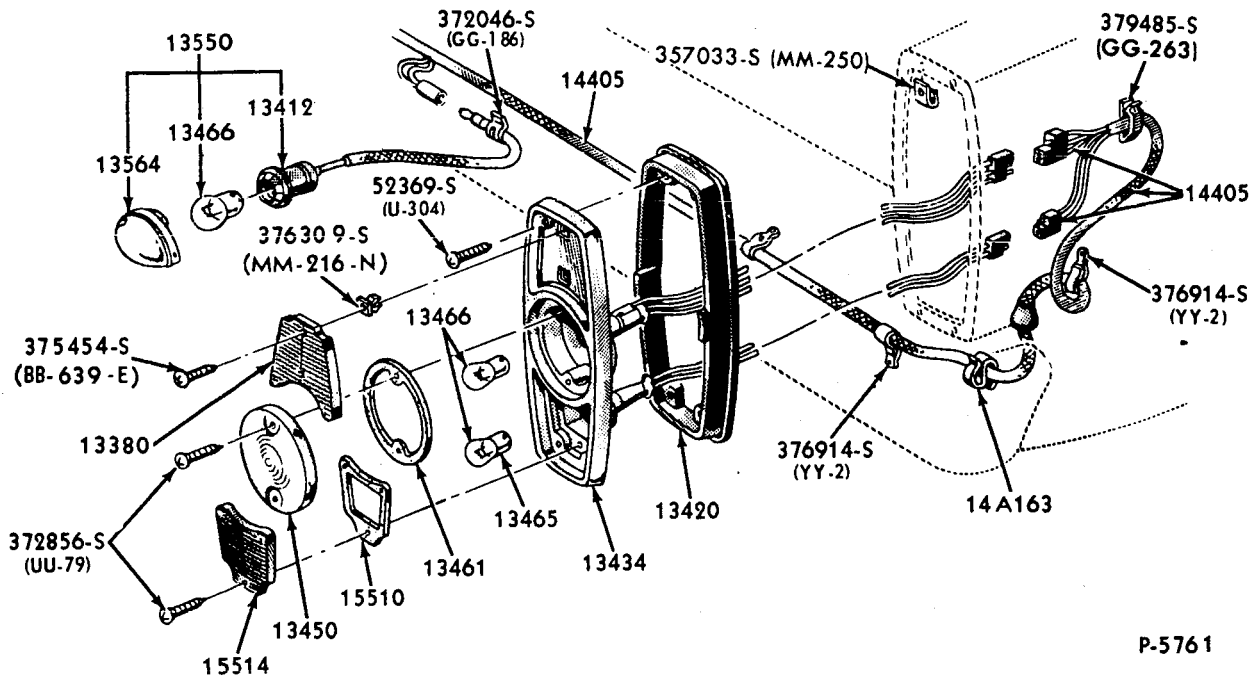
REAR LAMP, BACK UP LAMP and LICENSE PLATE LAMP  
1967 FALCON - except STATION WAGON



P.5505

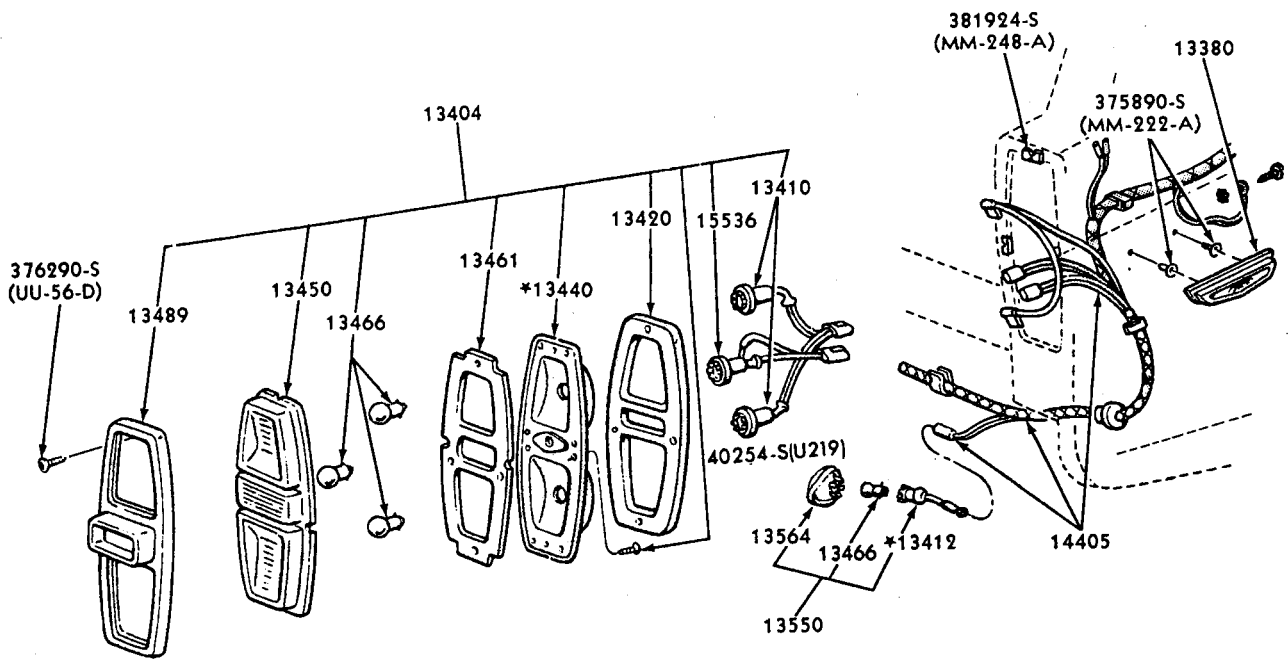
REAR LAMP, BACK UP LAMP and LICENSE PLATE LAMP  
1967 FALCON - STATION WAGON

**FORD CAR PARTS**



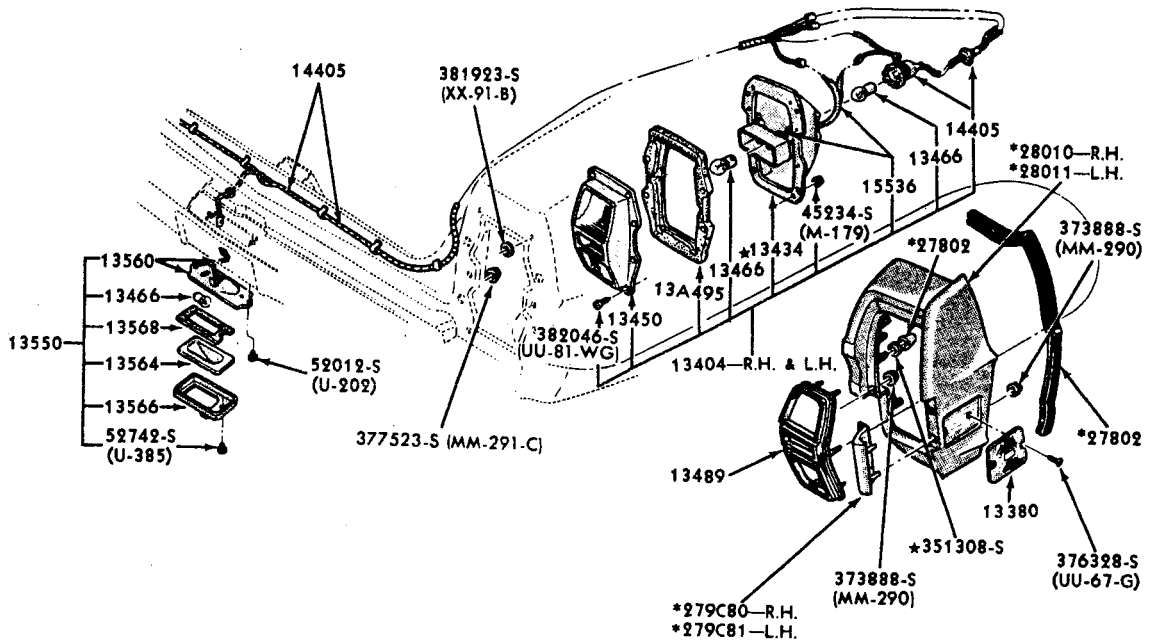
P-5761

REAR LAMP, BACK UP LAMP and LICENSE PLATE LAMP  
1967 FAIRLANE - RANCHERO - with REFLECTORS



P-6026

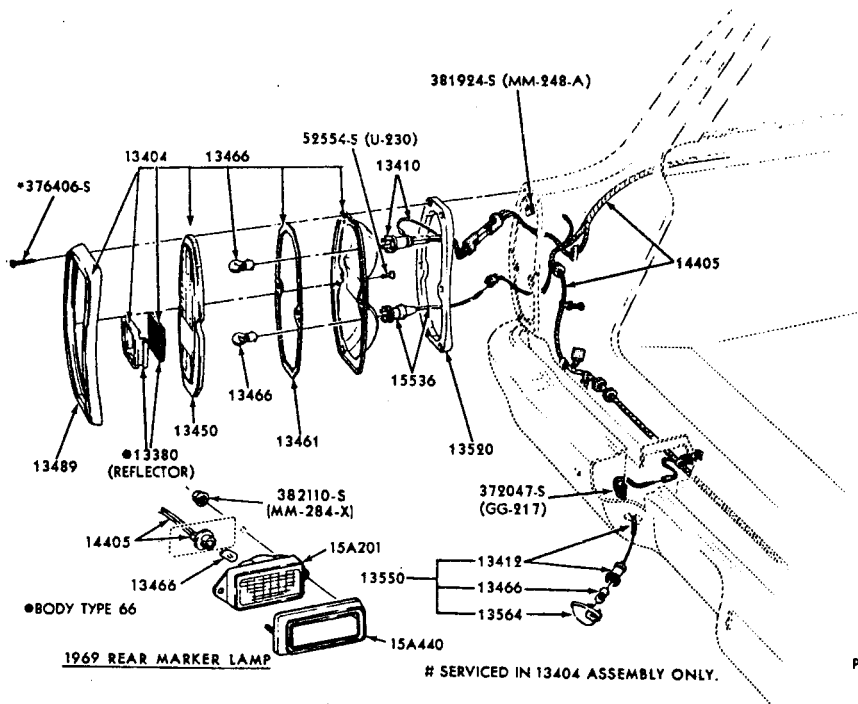
REAR LAMP, BACK UP LAMP, LICENSE PLATE LAMP  
1968 FORD - STATION WAGON



\*REFER TO BODY GROUP NUMBER

P-6043

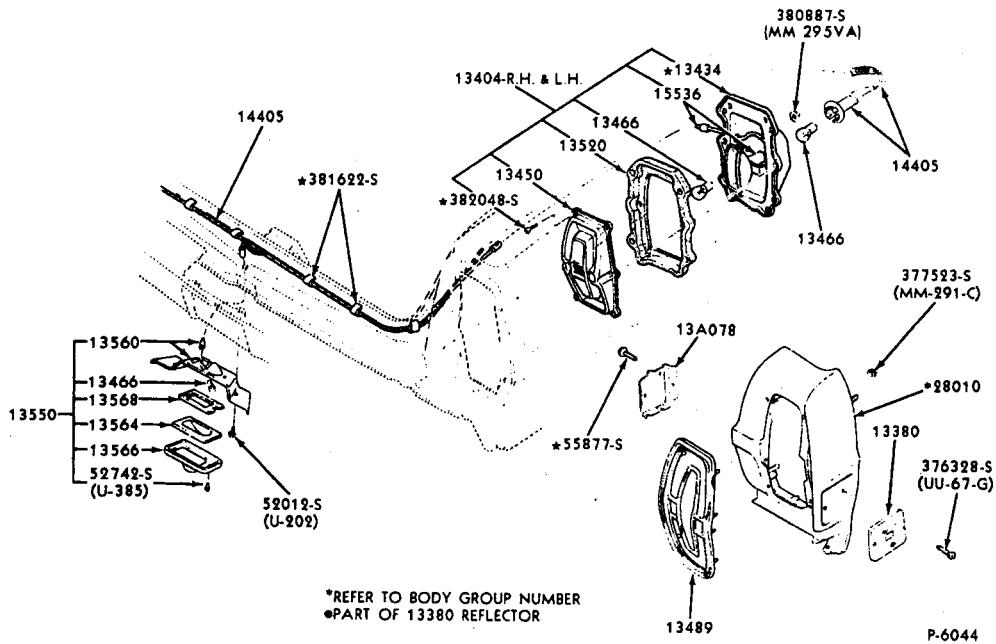
REAR LAMP, BACK UP LAMP and LICENSE PLATE LAMP  
1968 FORD - except STATION WAGON



P-5971

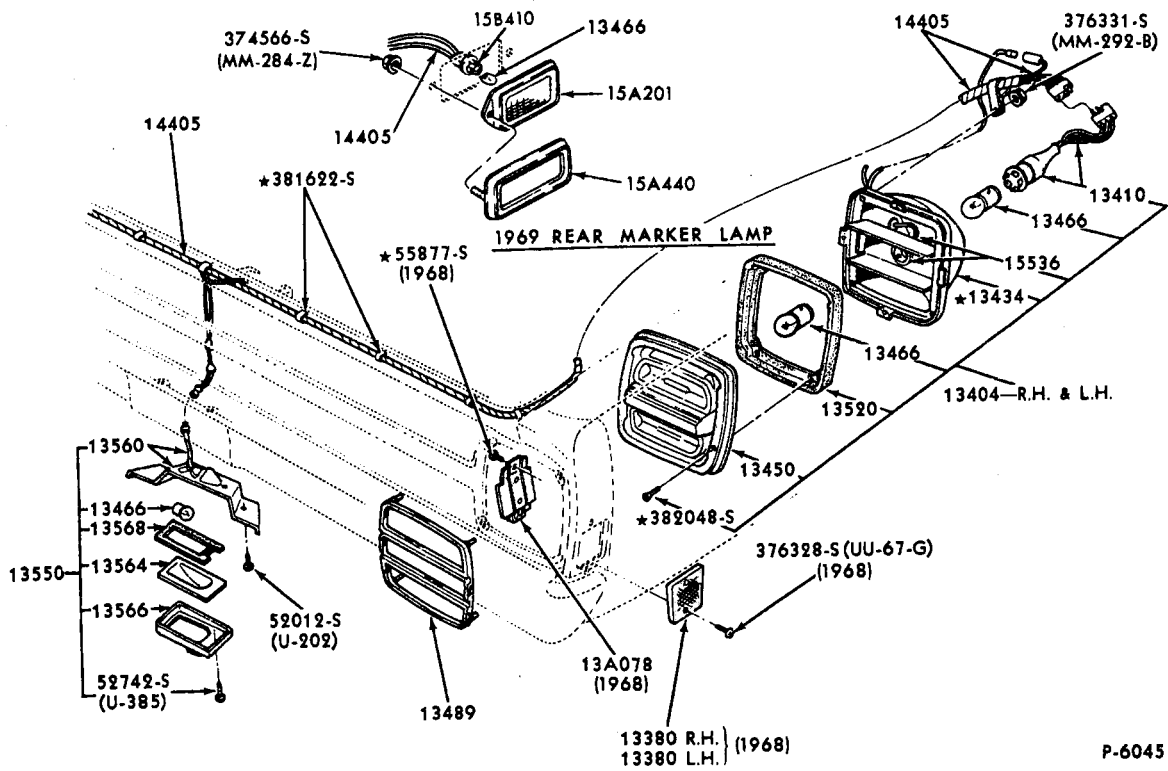
REAR LAMP, BACK UP LAMP, LICENSE PLATE LAMP and BODY SIDE -- MARKER LAMP  
1968/69 FAIRLANE - RANCHERO

FORD CAR PARTS

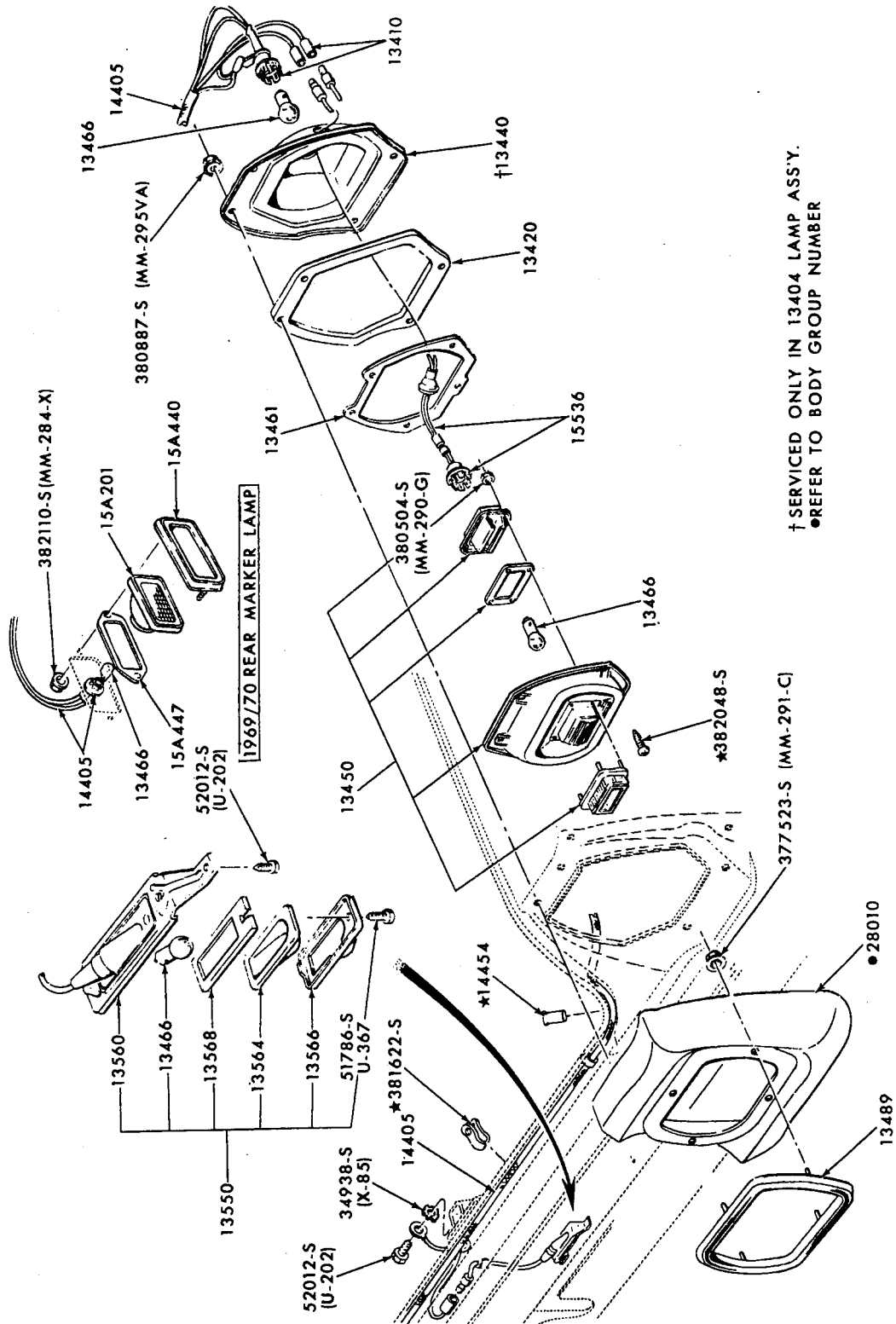


\*REFER TO BODY GROUP NUMBER  
•PART OF 13380 REFLECTOR

REAR LAMP, BACK UP LAMP & LICENSE PLATE LAMP  
1968 FAIRLANE/TORINO - BODY TYPES 54, 65, 76

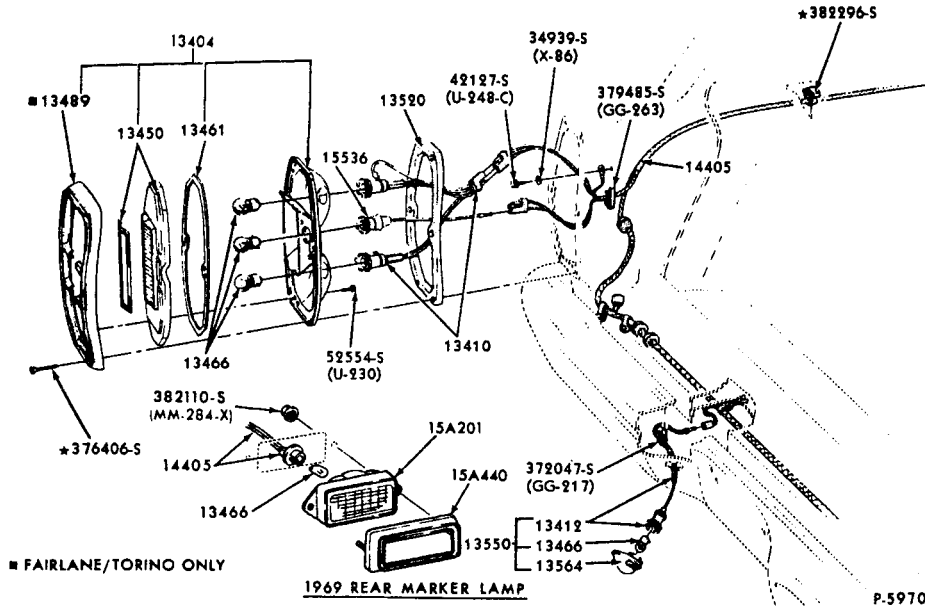


REAR LAMP, BACK UP LAMP, LICENSE PLATE LAMP and BODY SIDE MARKER LAMP  
1968/69 FAIRLANE/TORINO - BODY TYPE 63

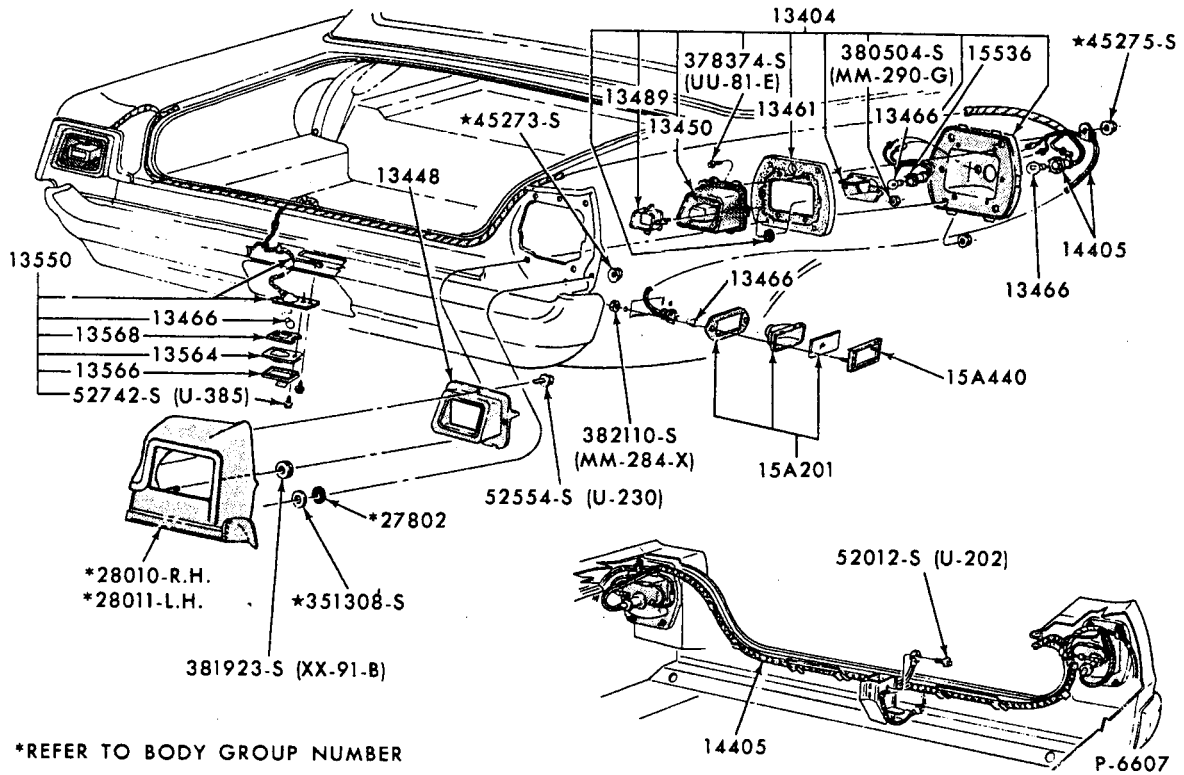


† SERVICED ONLY IN 13404 LAMP ASSY.  
 \* REFER TO BODY GROUP NUMBER

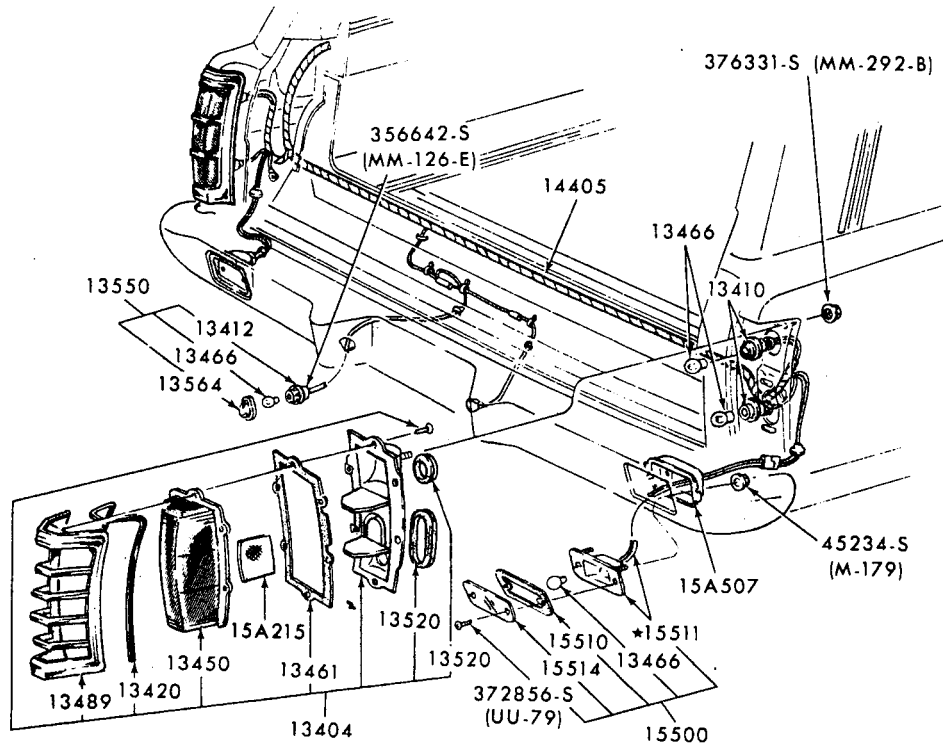
REAR LAMP, BACK UP LAMP, LICENSE PLATE LAMP and BODY SIDE MARKER LAMP  
 1968/70 FALCON - except STATION WAGON



REAR LAMP, BACK UP LAMP, LICENSE PLATE LAMP and BODY SIDE MARKER LAMP  
1968/69 FAIRLANE/TORINO - STATION WAGON 1968/70 FALCON - STATION WAGON

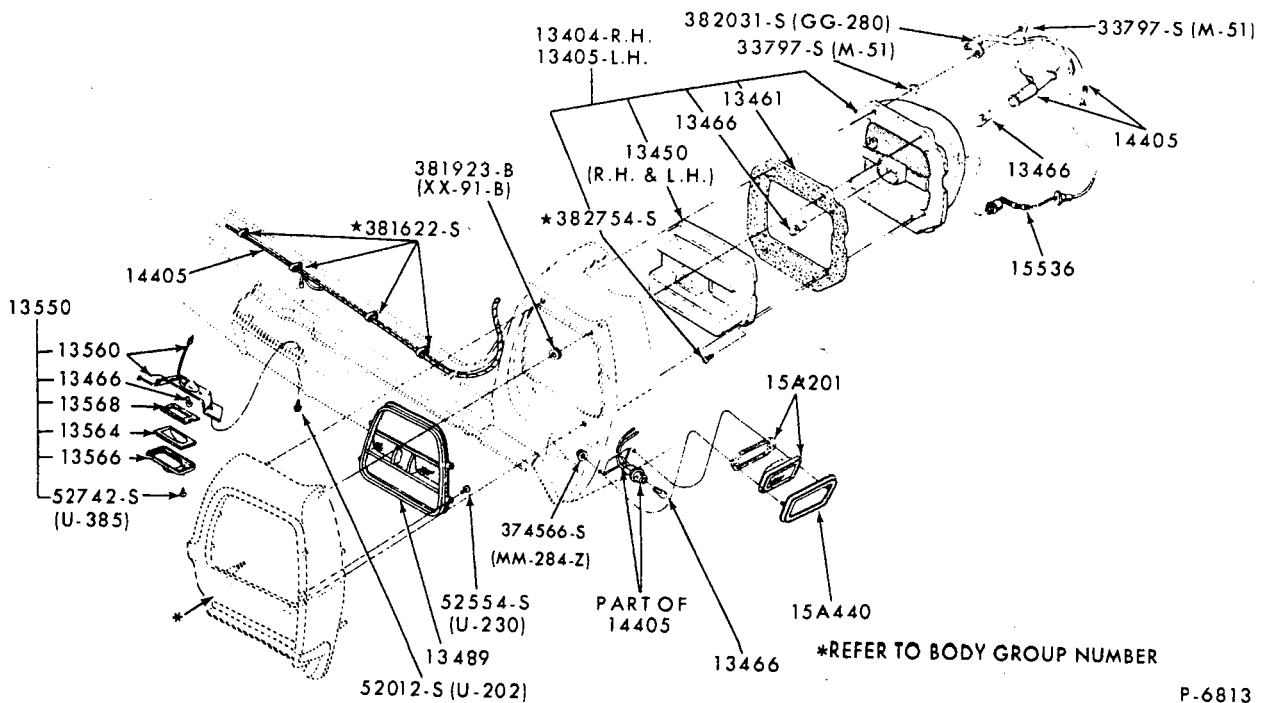


REAR LAMP, BACK UP LAMP, LICENSE PLATE LAMP and BODY SIDE MARKER LAMP  
1969 FORD - except STATION WAGON



P-6610

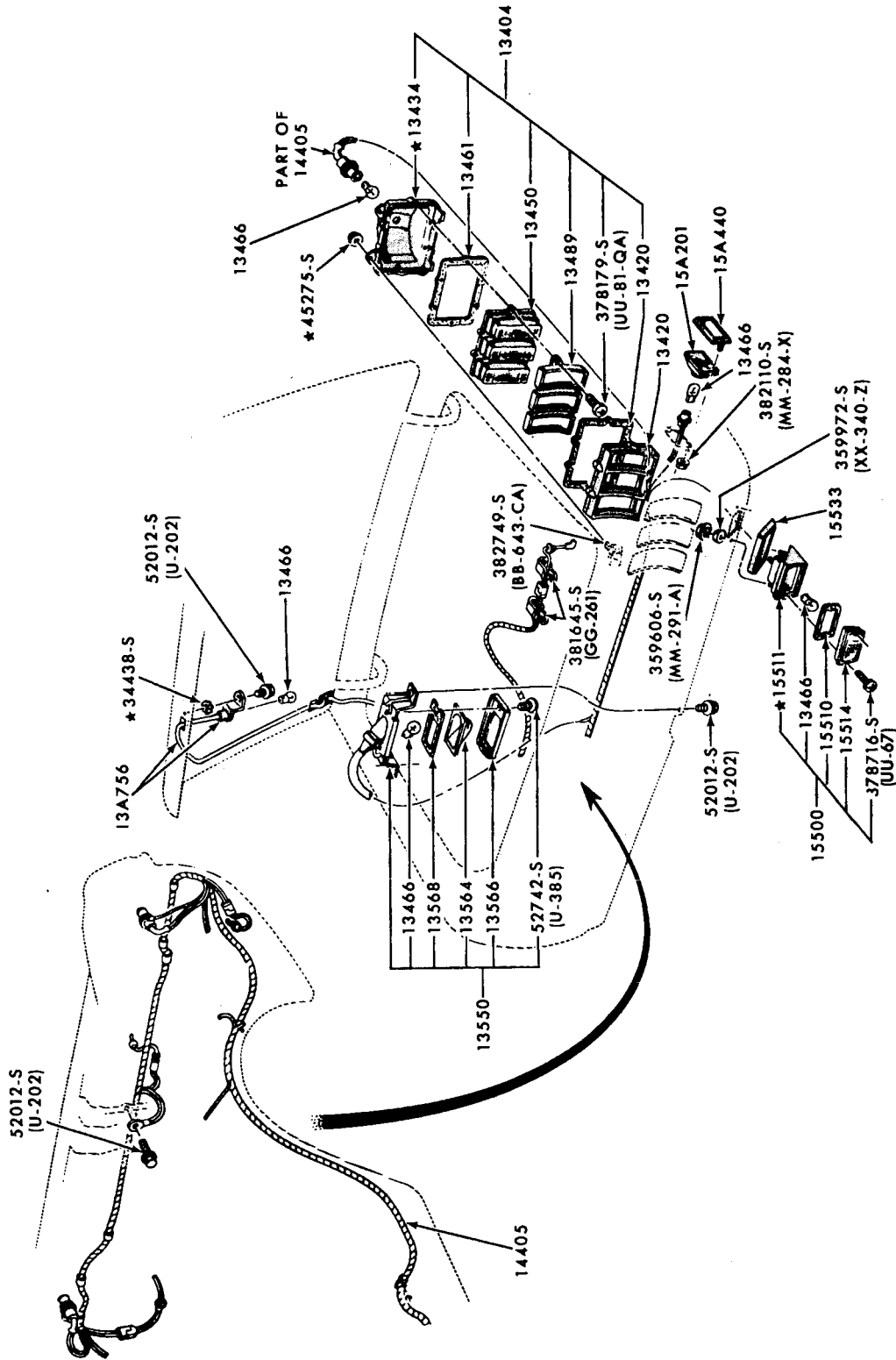
REAR LAMP, BACK UP LAMP & LICENSE PLATE LAMP  
1969/70 FORD - STATION WAGON



P-6813

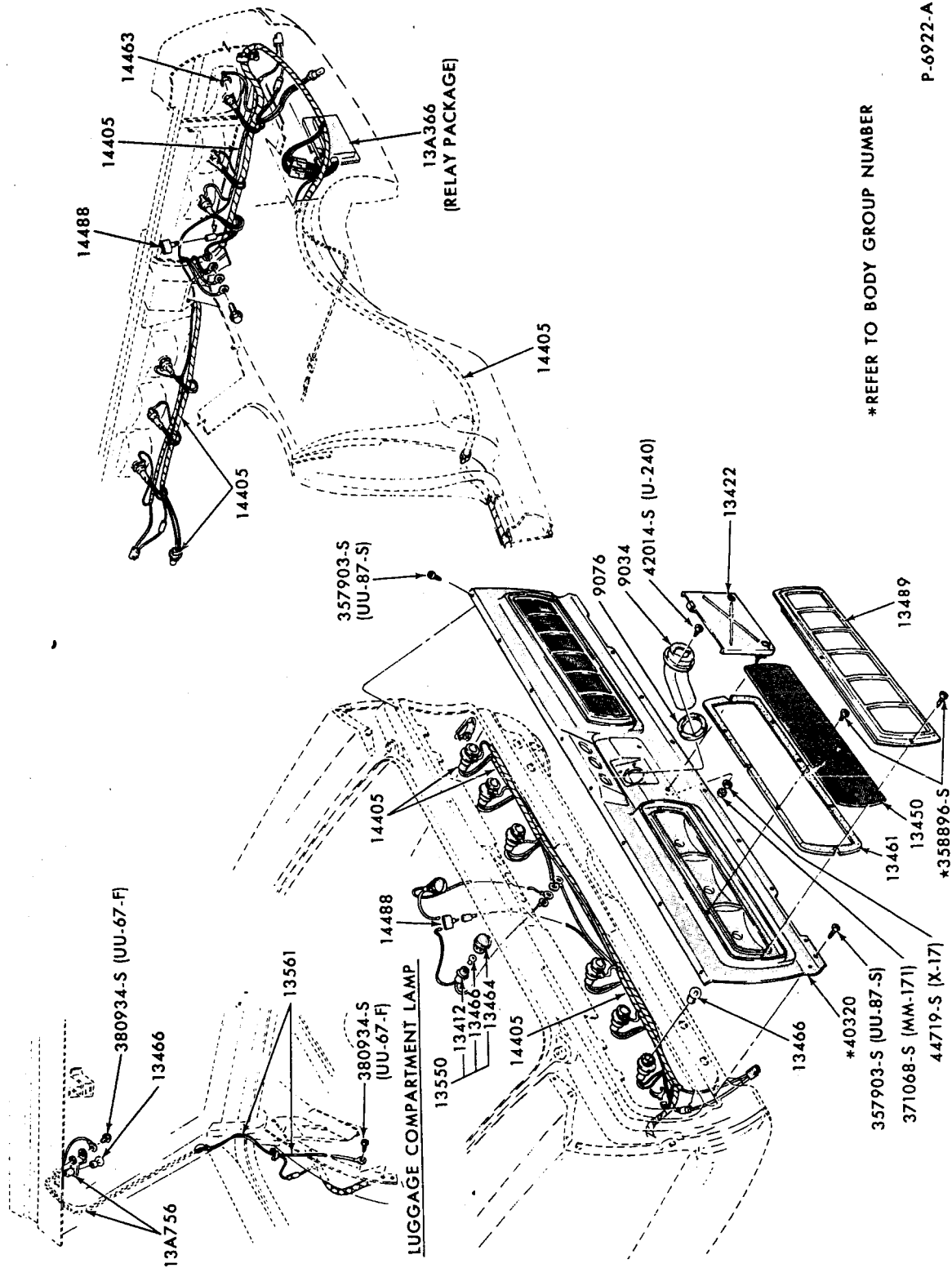
REAR LAMP, BACK UP LAMP, LICENSE PLATE LAMP and BODY SIDE MARKER LAMP  
1969 FAIRLANE/TORINO - BODY TYPE 54, 65, 76





P-6641

REAR LAMP, BACK UP LAMP, LICENSE PLATE LAMP and BODY SIDE MARKER LAMP  
1969 MUSTANG - except GT 350/500

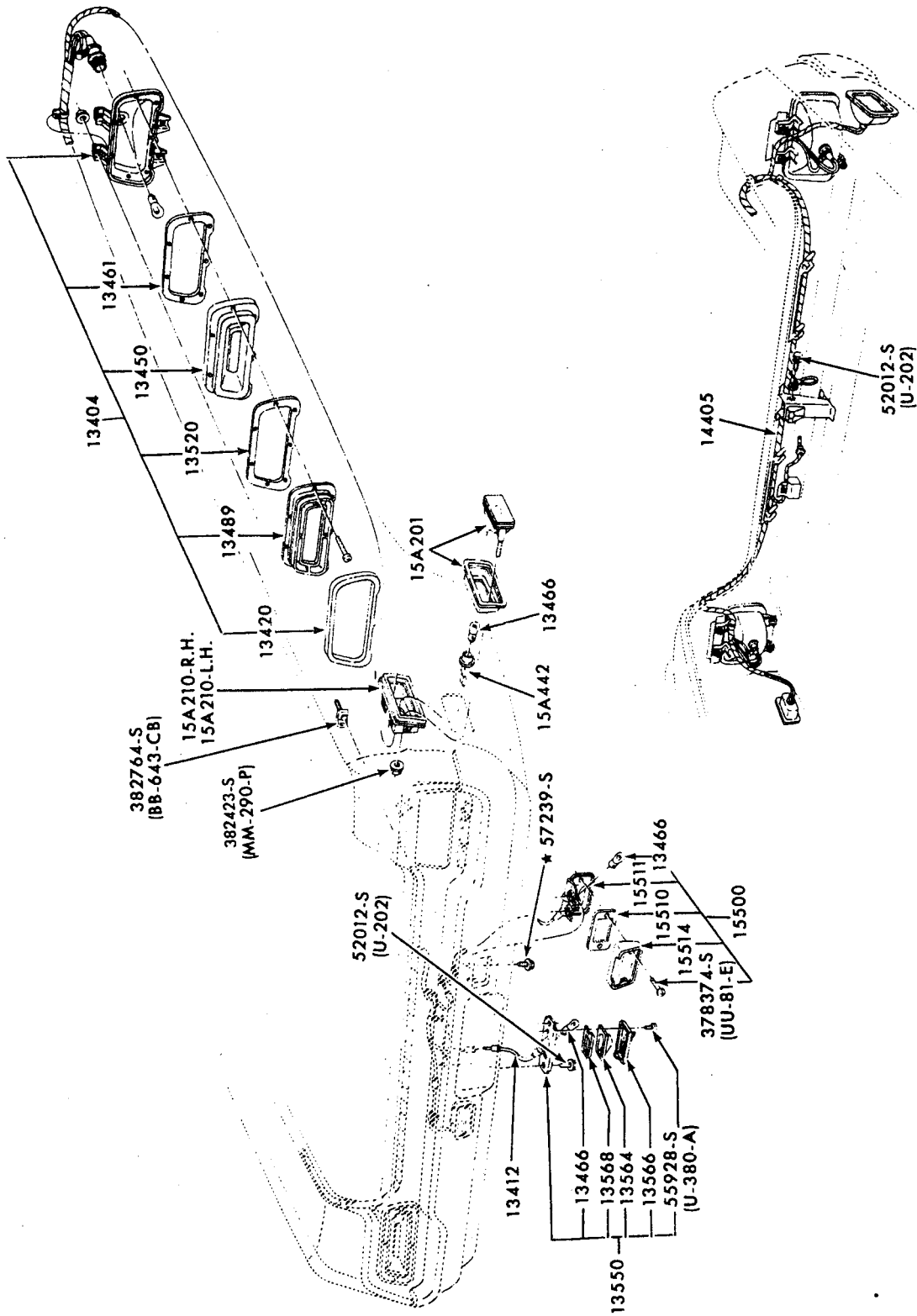


\*REFER TO BODY GROUP NUMBER

P-6922-A

REAR LAMP, BACK UP LAMP, LICENSE PLATE LAMP and BODY SIDE MARKER LAMP  
1969/70 MUSTANG - GT 350/500

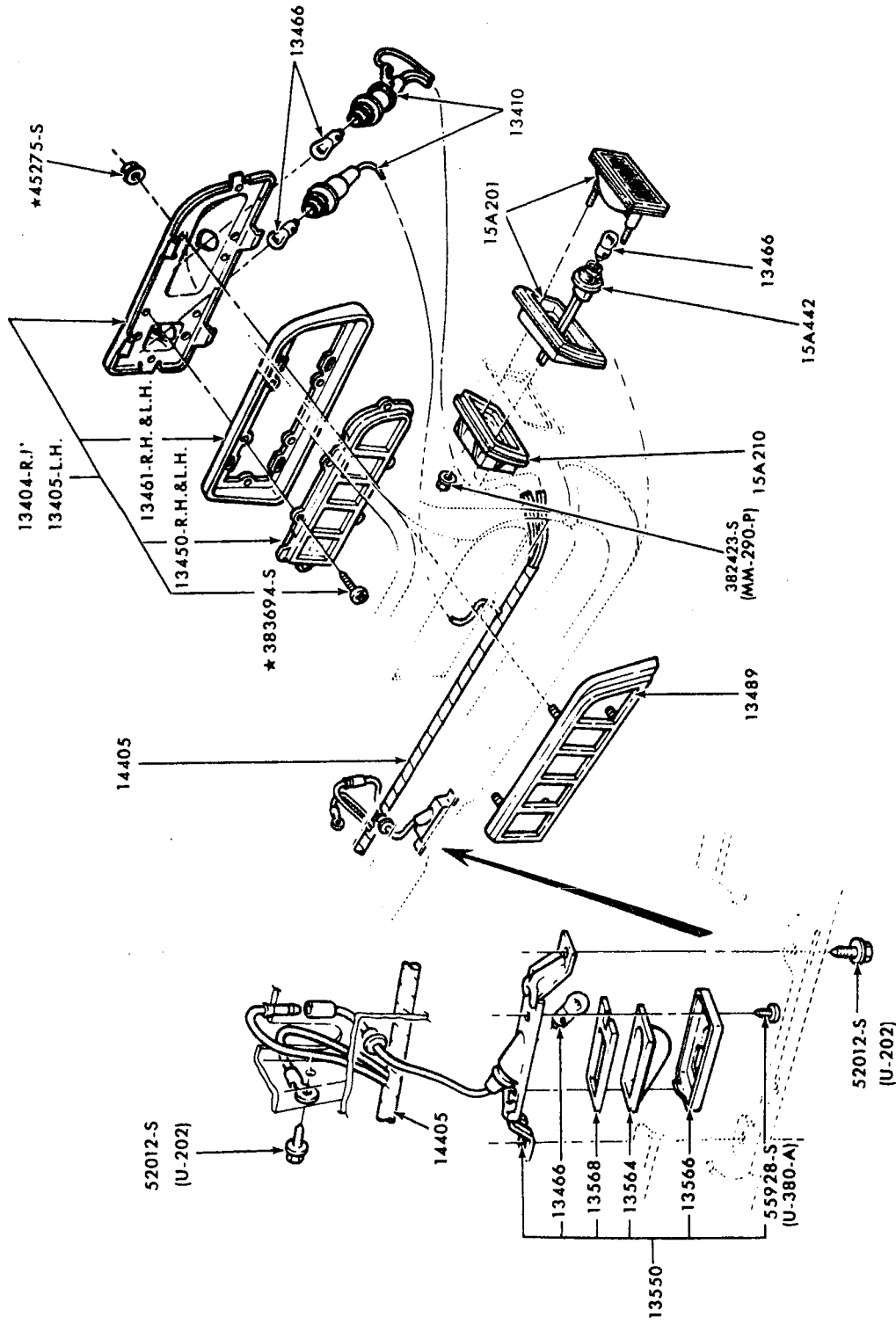




P-7200

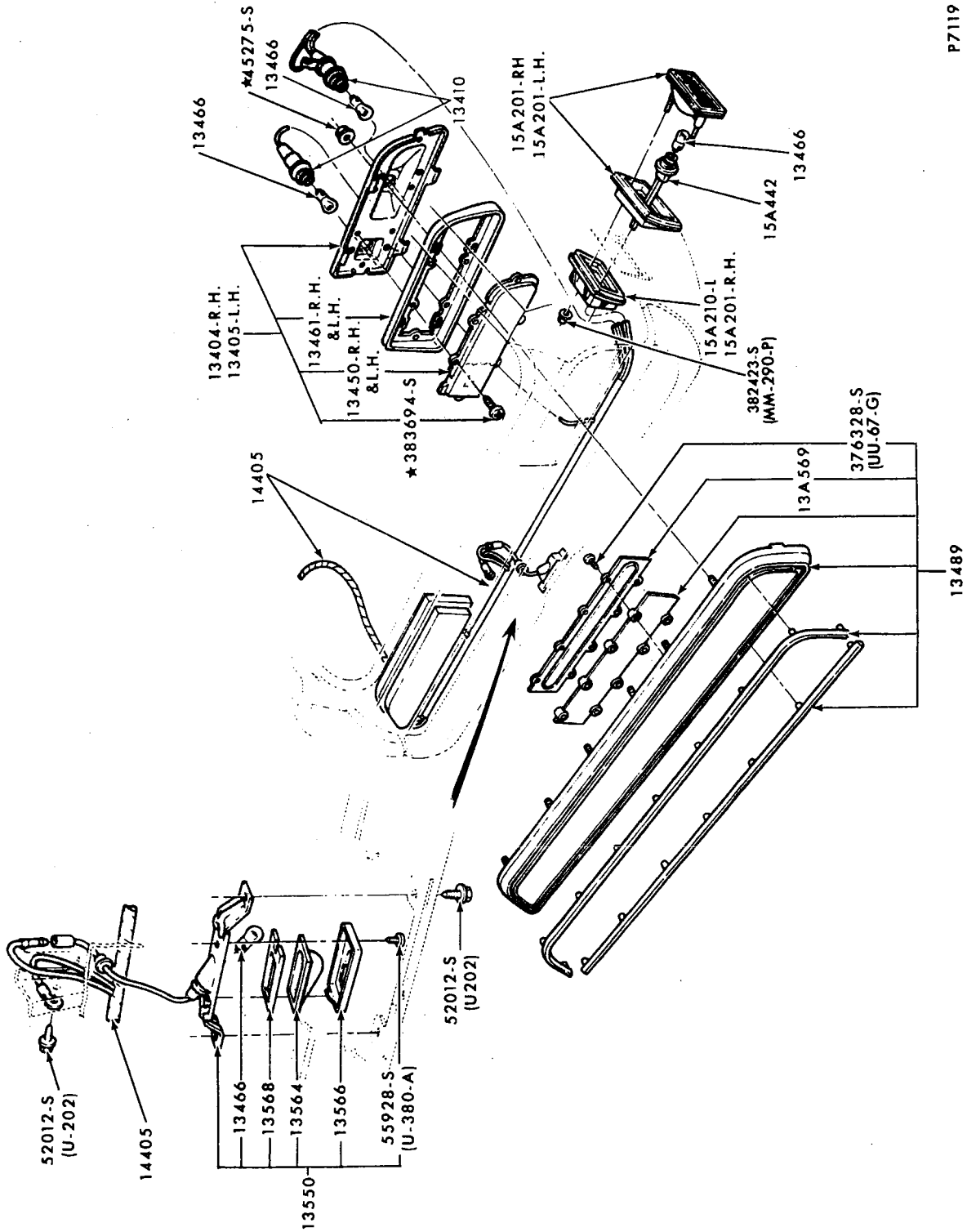
REAR LAMP, BACK UP LAMP, LICENSE PLATE LAMP and BODY SIDE MARKER LAMP

1970 FORD - EXCEPT STATION WAGON



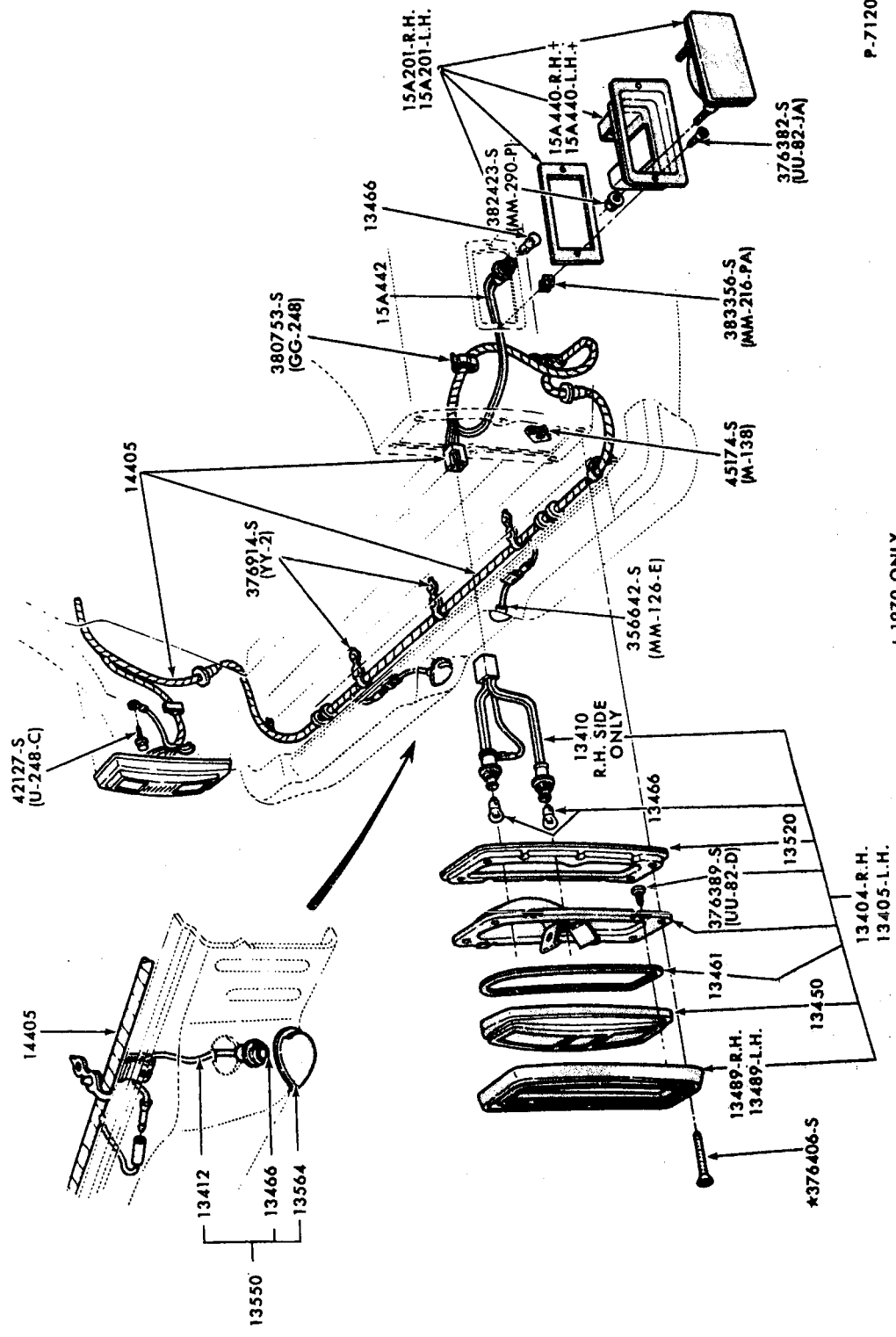
P-7118

REAR LAMP, BACK UP LAMP, LICENSE PLATE LAMP and BODY SIDE MARKER LAMP  
1970/71 FAIRLANE/TORINO - BODY TYPES 54, 57, 62, 63C, H, 65



P7119

REAR LAMP, BACK UP LAMP, LICENSE PLATE LAMP and BODY SIDE MARKER LAMP  
1970/71 FAIRLANE/TORINO - BODY TYPES 63F, 76F



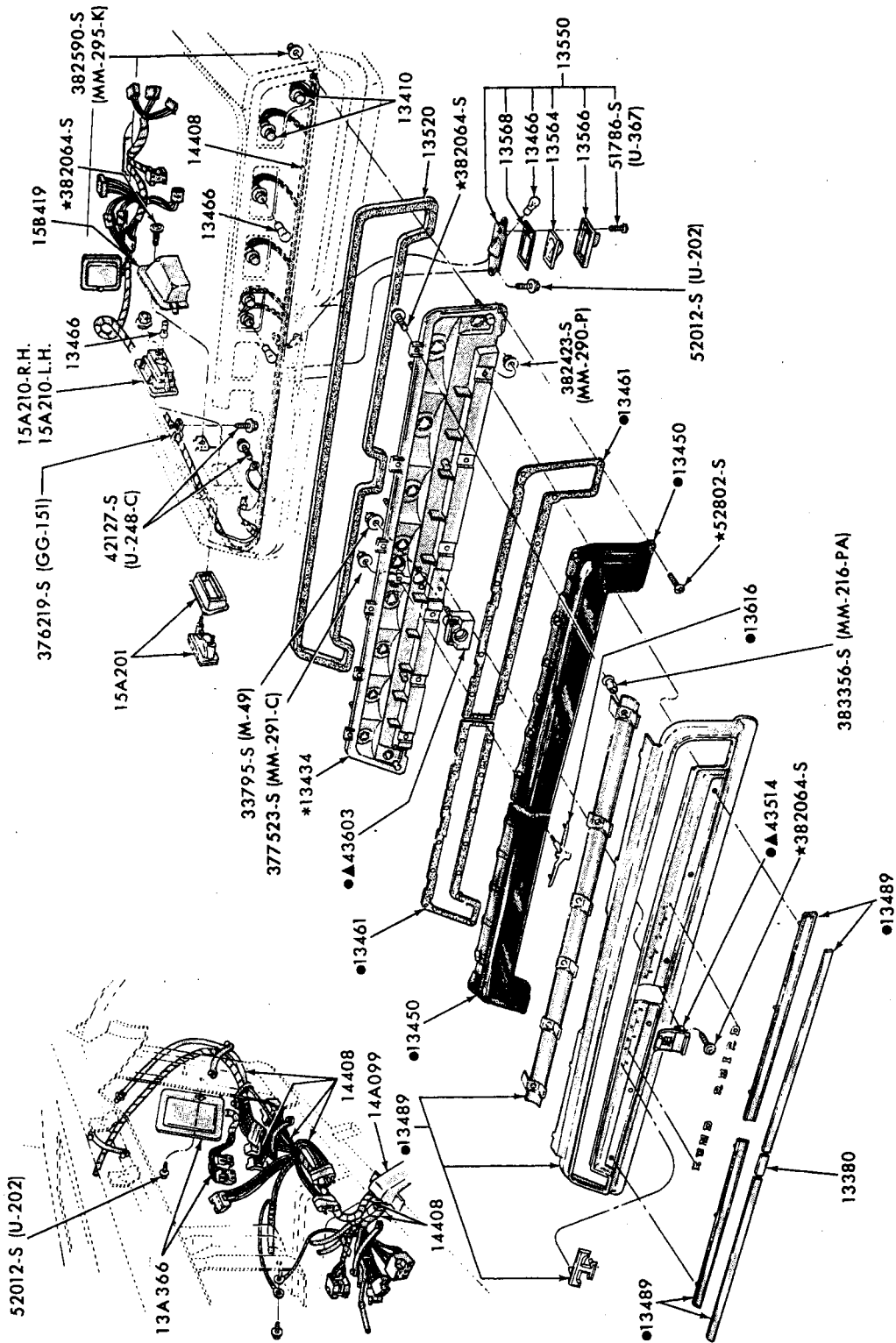
P-7120

+ 1970 ONLY

REAR LAMP, BACK UP LAMP, LICENSE PLATE LAMP and BODY SIDE MARKER LAMP  
1970/71 FAIRLANE/TORINO - BODY TYPES 66, 71

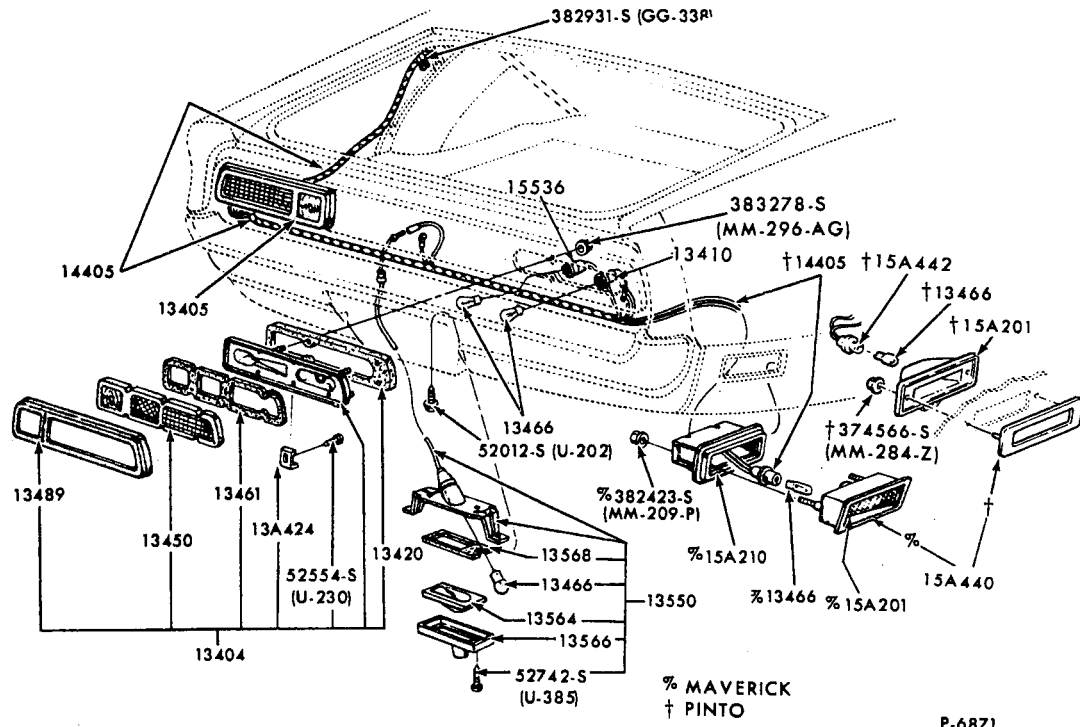






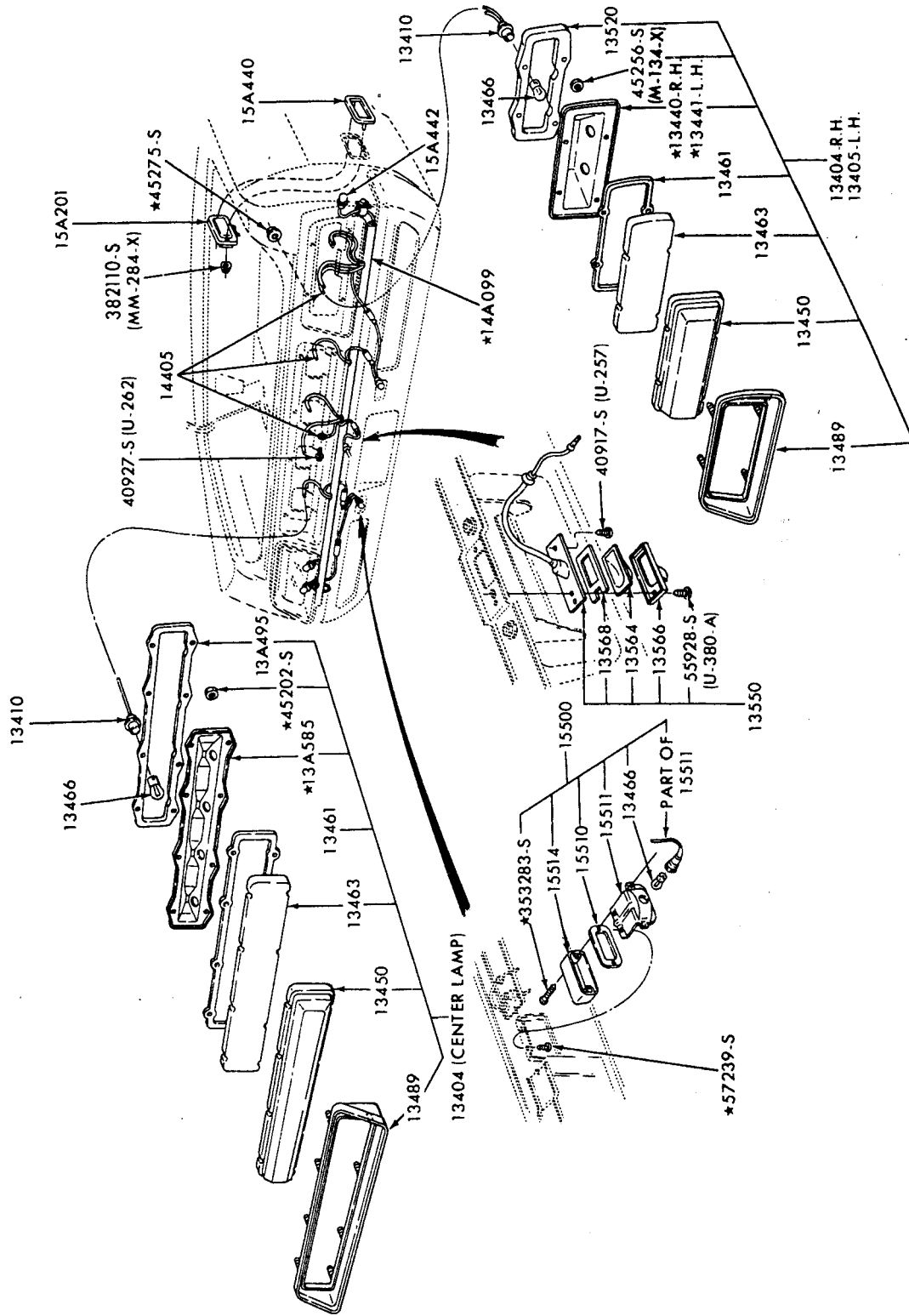
REAR LAMP, BACK UP LAMP, LICENSE PLATE LAMP and BODY SIDE MARKER LAMP  
1970/71 THUNDERBIRD

\* SUPPLIED ONLY IN 13404 REAR LAMP ASSY.  
 ● ALSO SUPPLIED IN 13404 REAR LAMP ASSY.  
 ▲ REFER TO BODY GROUP NUMBER

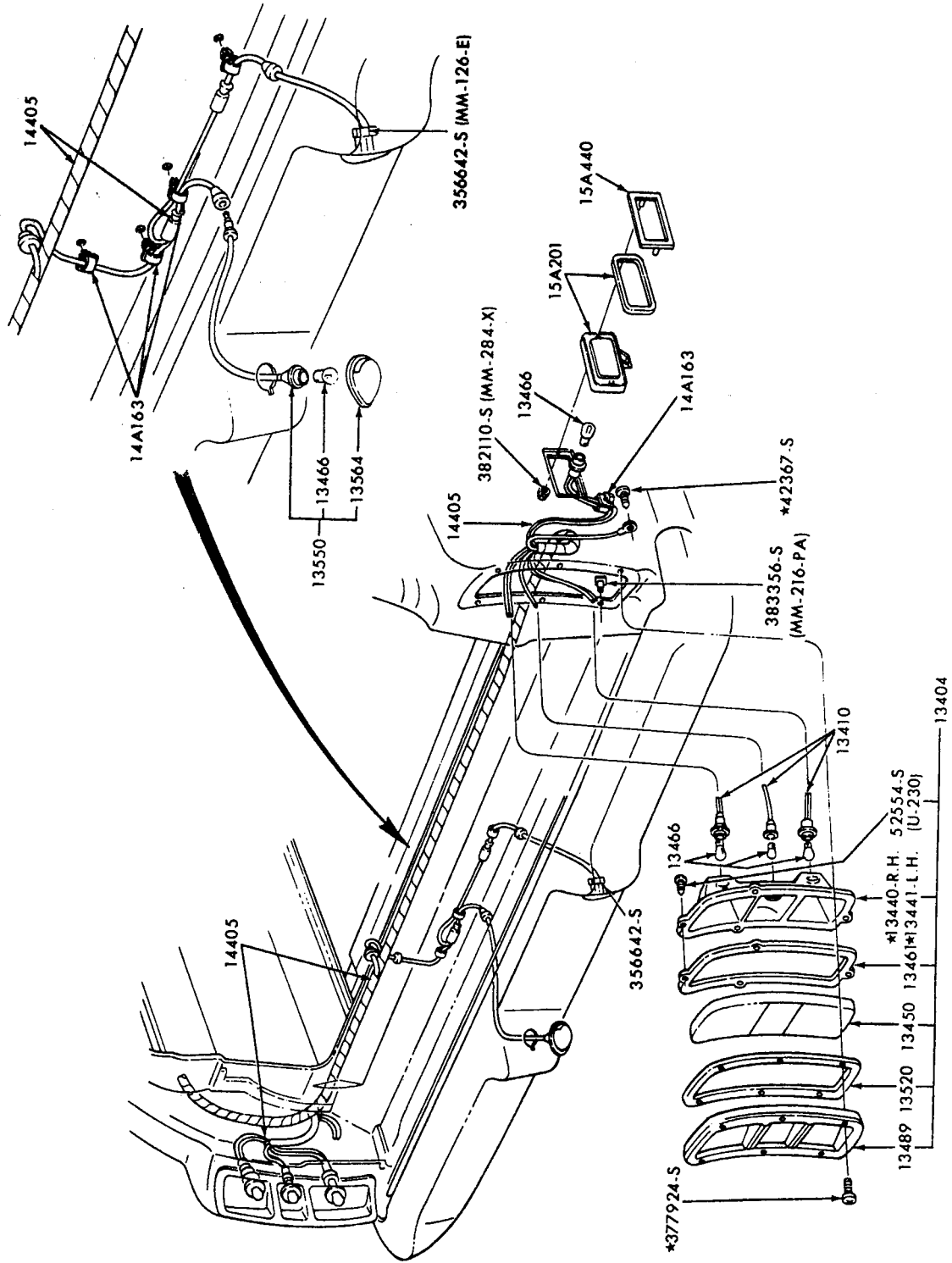


P-6871

REAR LAMP, BACK UP LAMP, LICENSE PLATE LAMP and BODY SIDE MARKER LAMP  
 1970/72 MAVERICK 1971/72 PINTO - BODY TYPES 62, 64



REAR LAMP, BACK UP LAMP, LICENSE PLATE LAMP and BODY SIDE MARKER LAMP  
1971 FORD - EXCEPT STATION WAGON



P-8115

REAR LAMP, BACK UP LAMP, LICENSE PLATE LAMP and BODY SIDE MARKER LAMP  
1971/72 FORD - STATION WAGON

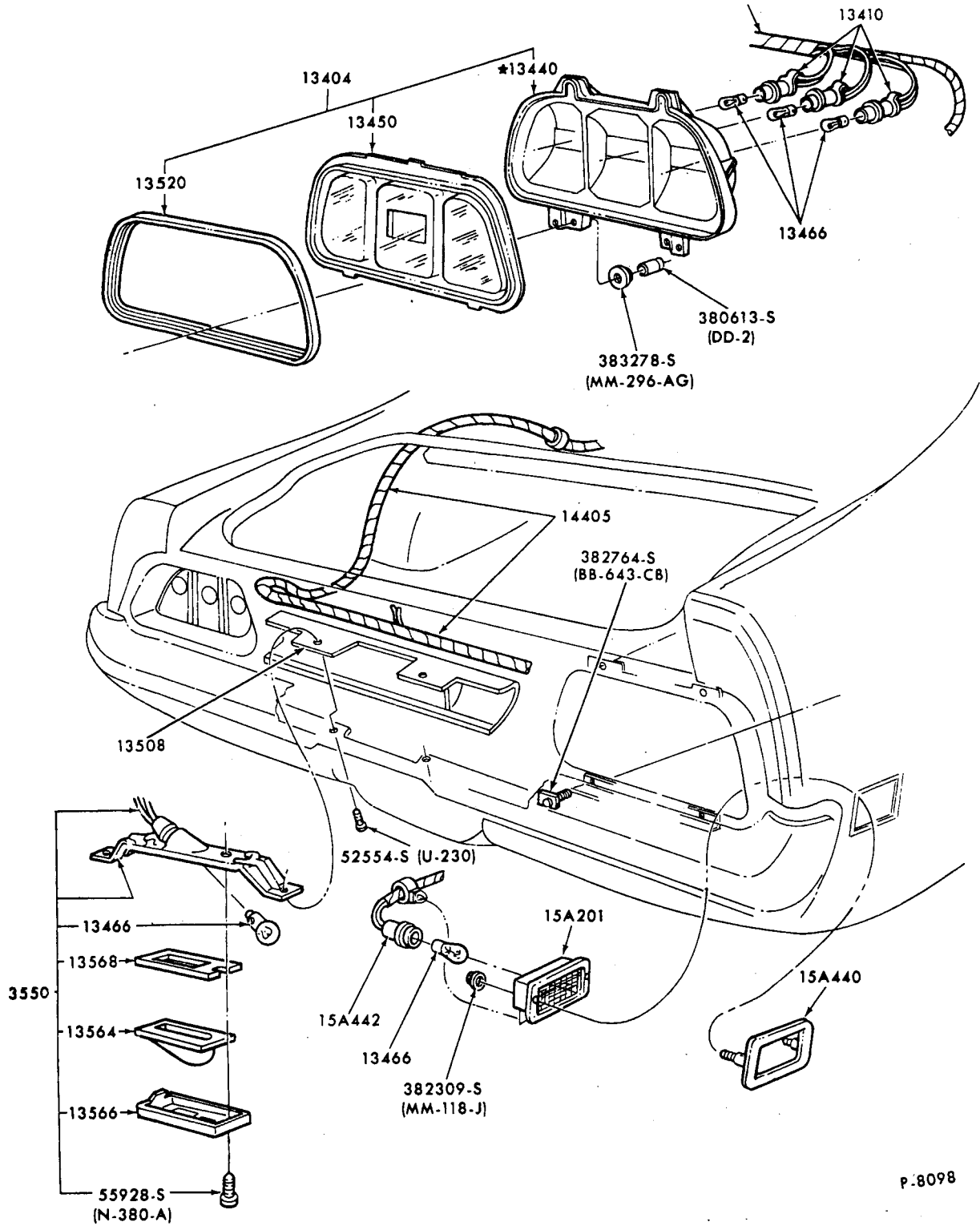
May, 1975

COPYRIGHT © 1975 —

FORD MOTOR  
COMPANY

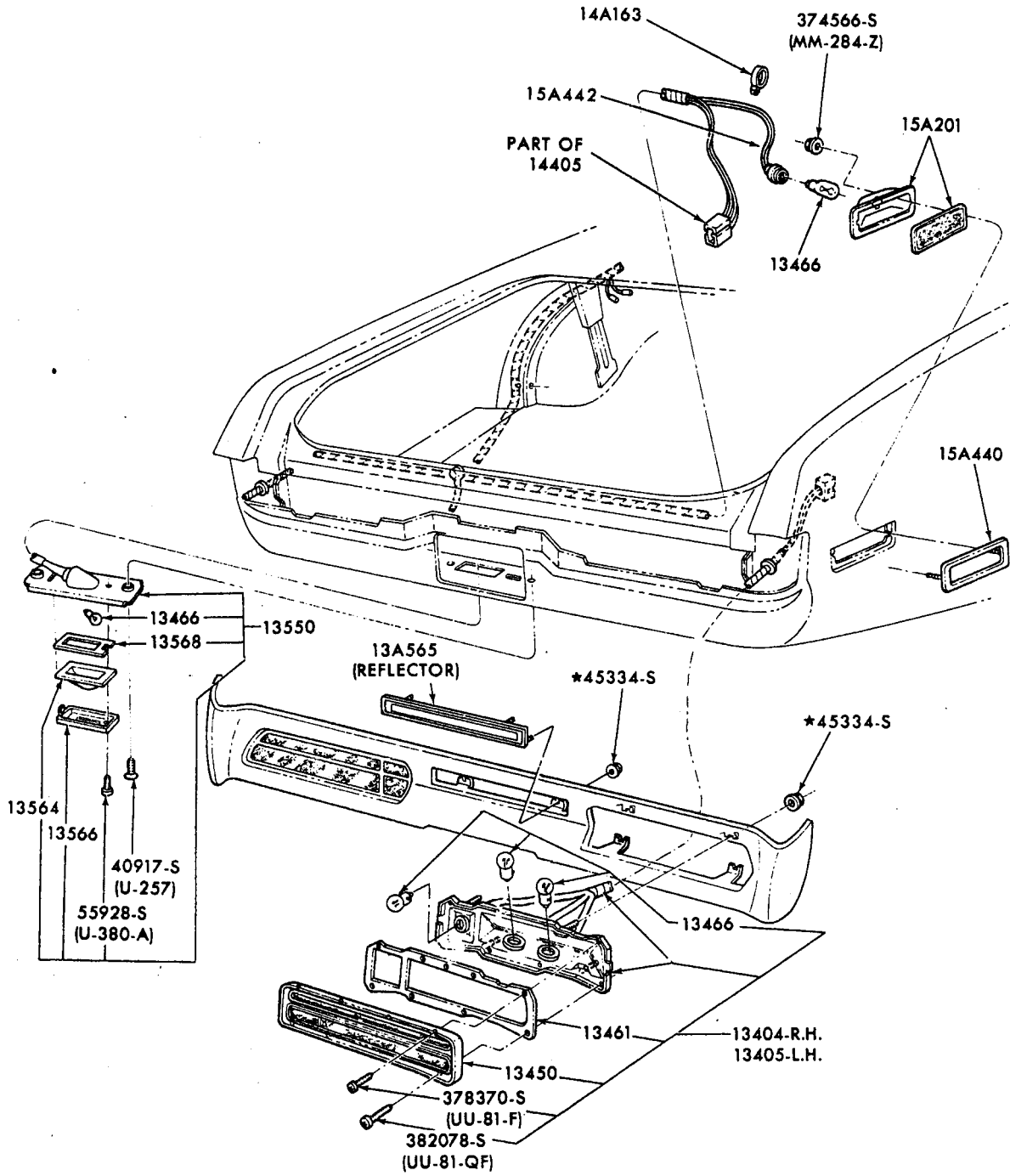
— DEARBORN, MICHIGAN

FINAL ISSUE



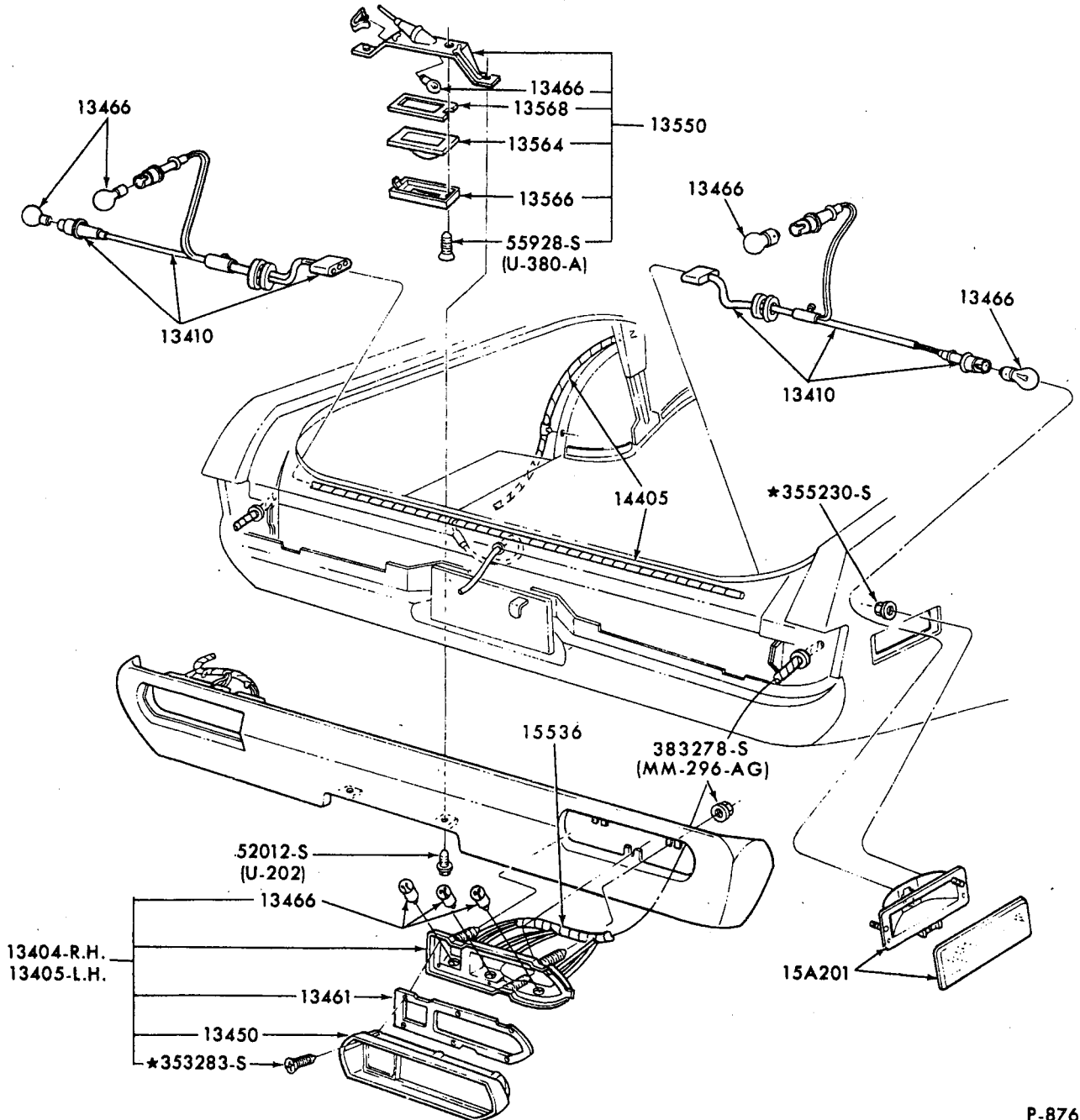
P.8098

REAR LAMP, BACK UP LAMP, LICENSE PLATE LAMP and BODY SIDE MARKER LAMP  
1971/72 MUSTANG



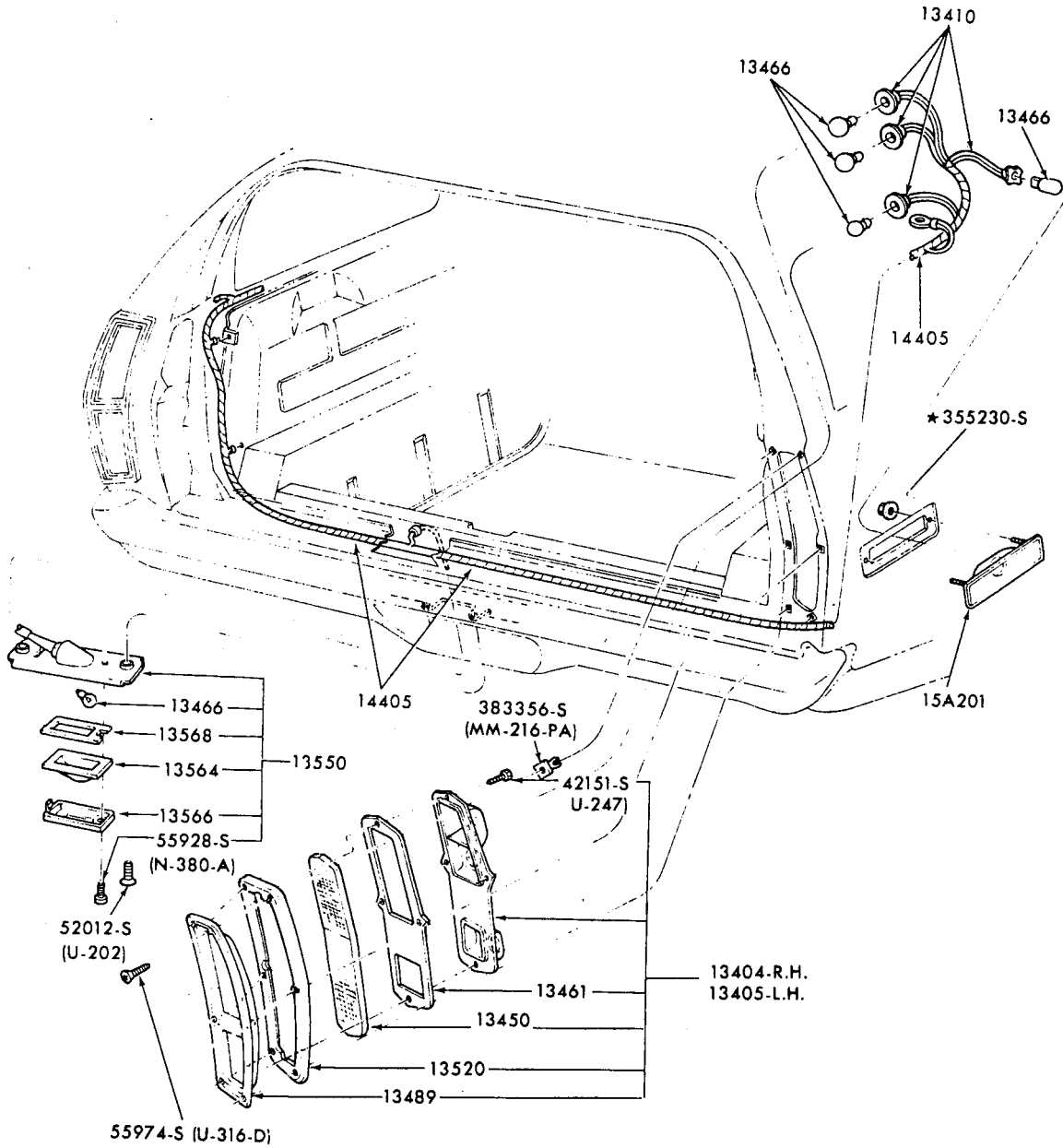
P-8757

REAR LAMP, BACK-UP LAMP, LICENSE PLATE LAMP and BODY SIDE MARKER LAMP  
1972 FORD - EXCEPT STATION WAGON



P-8761

REAR LAMP, BACK-UP LAMP, LICENSE PLATE LAMP and BODY SIDE MARKER LAMP  
1972 TORINO - EXCEPT STATION WAGON, RANCHERO

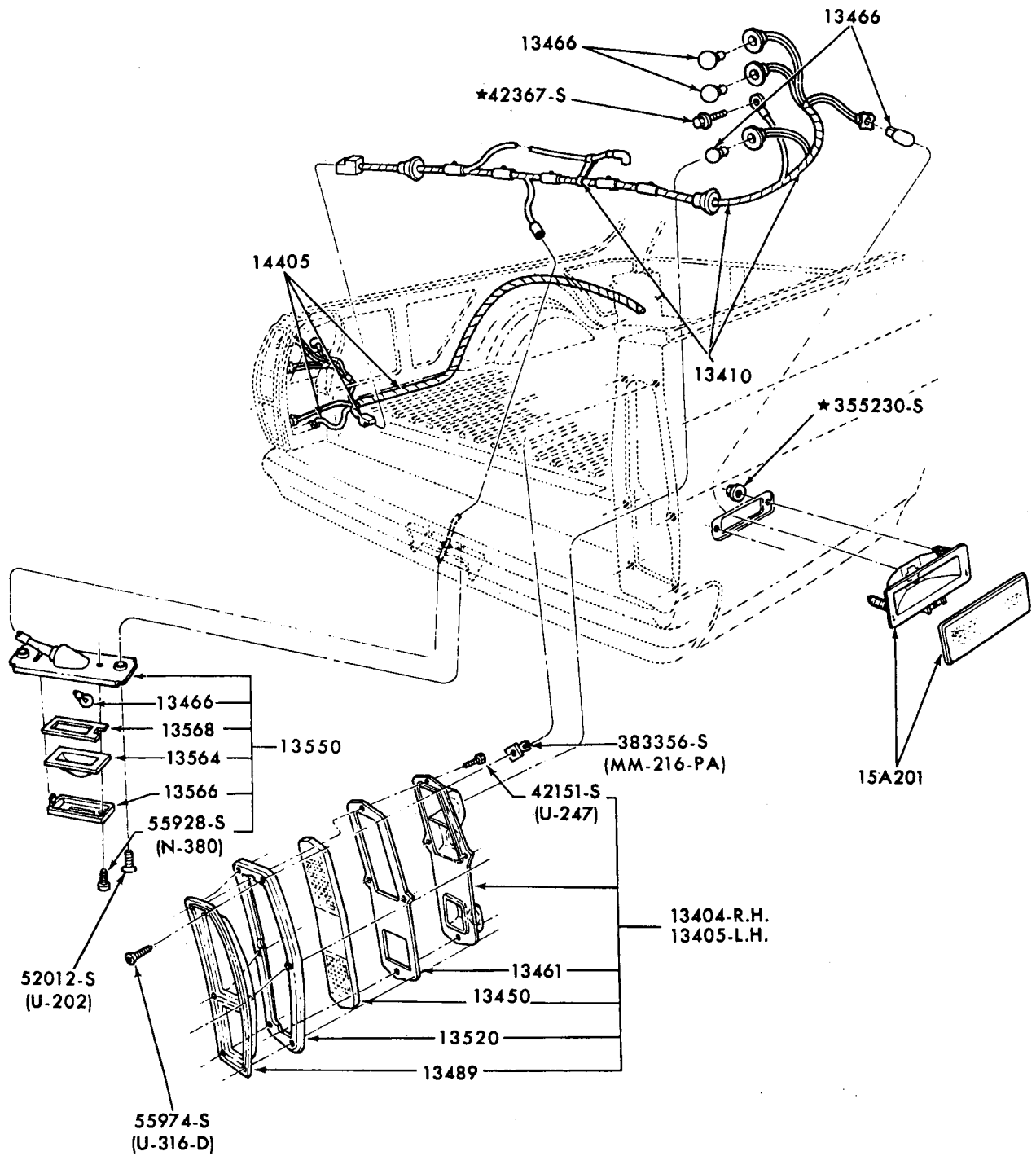


P-8759

REAR LAMP, BACK-UP LAMP, LICENSE PLATE LAMP and BODY SIDE MARKER LAMP  
1972 TORINO - STATION WAGON

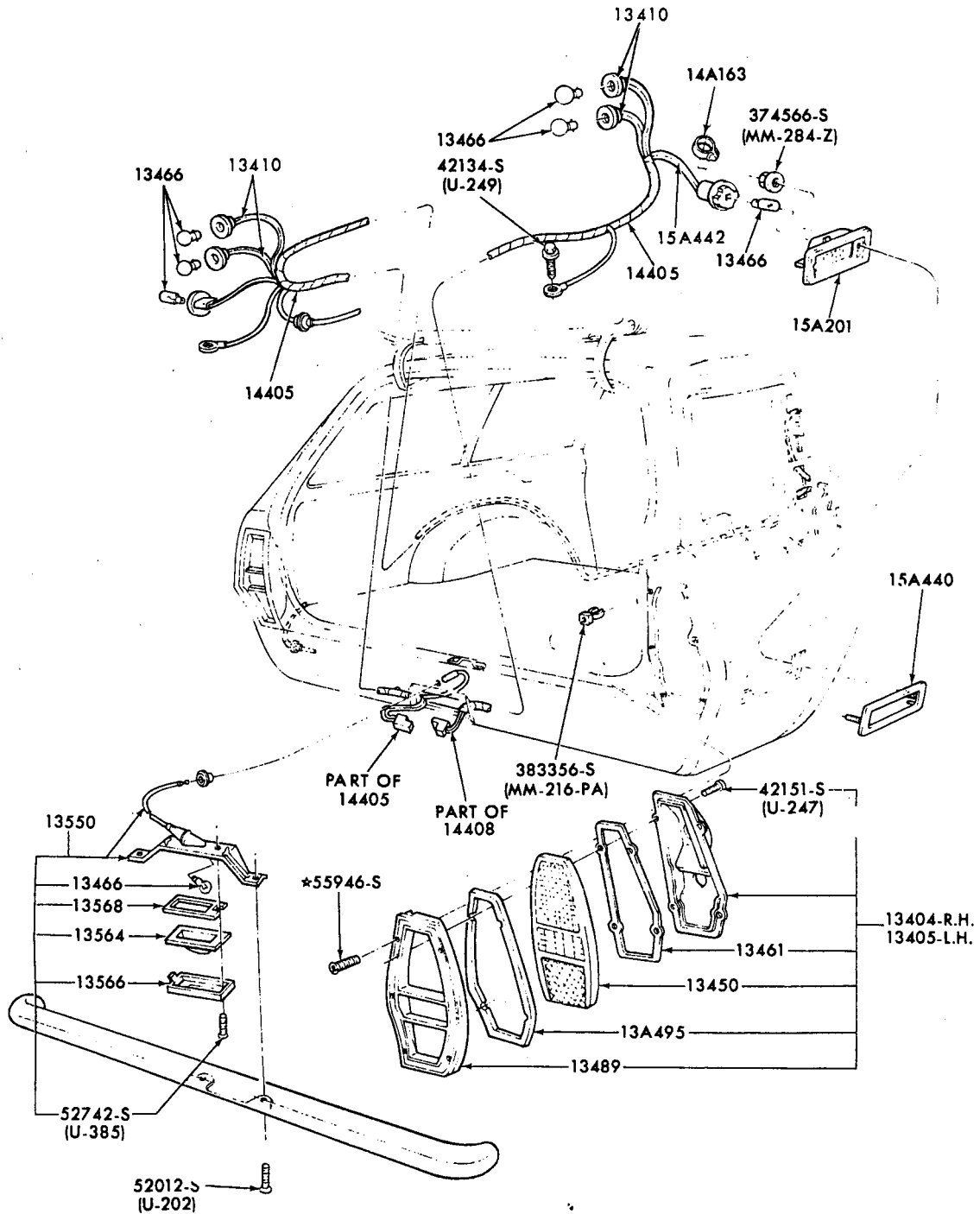


FORD CAR PARTS



P-8760

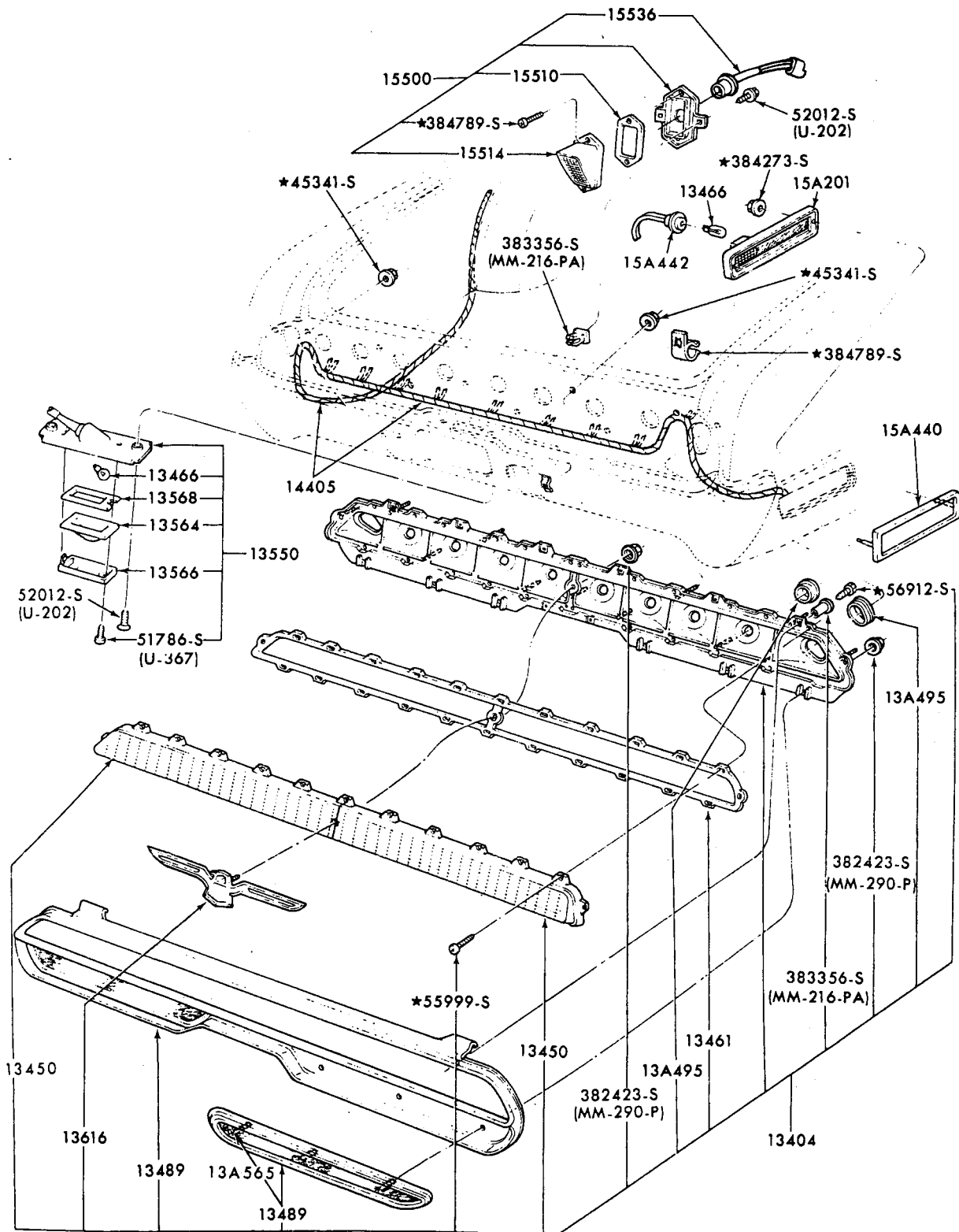
REAR LAMP, BACK-UP LAMP, LICENSE PLATE LAMP and BODY SIDE MARKER LAMP  
1972 TORINO - RANCHERO



P-8764

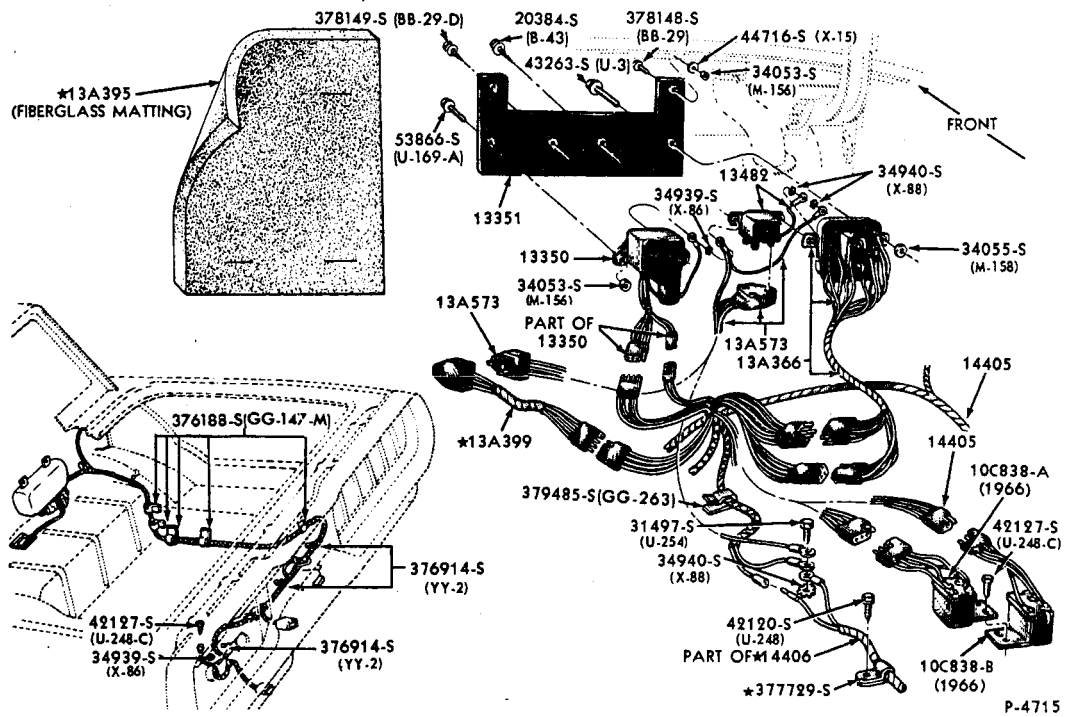
REAR LAMP, BACK-UP LAMP, LICENSE PLATE LAMP and BODY SIDE MARKER LAMP  
1972 PINTO - BODY TYPE 73

FORD CAR PARTS

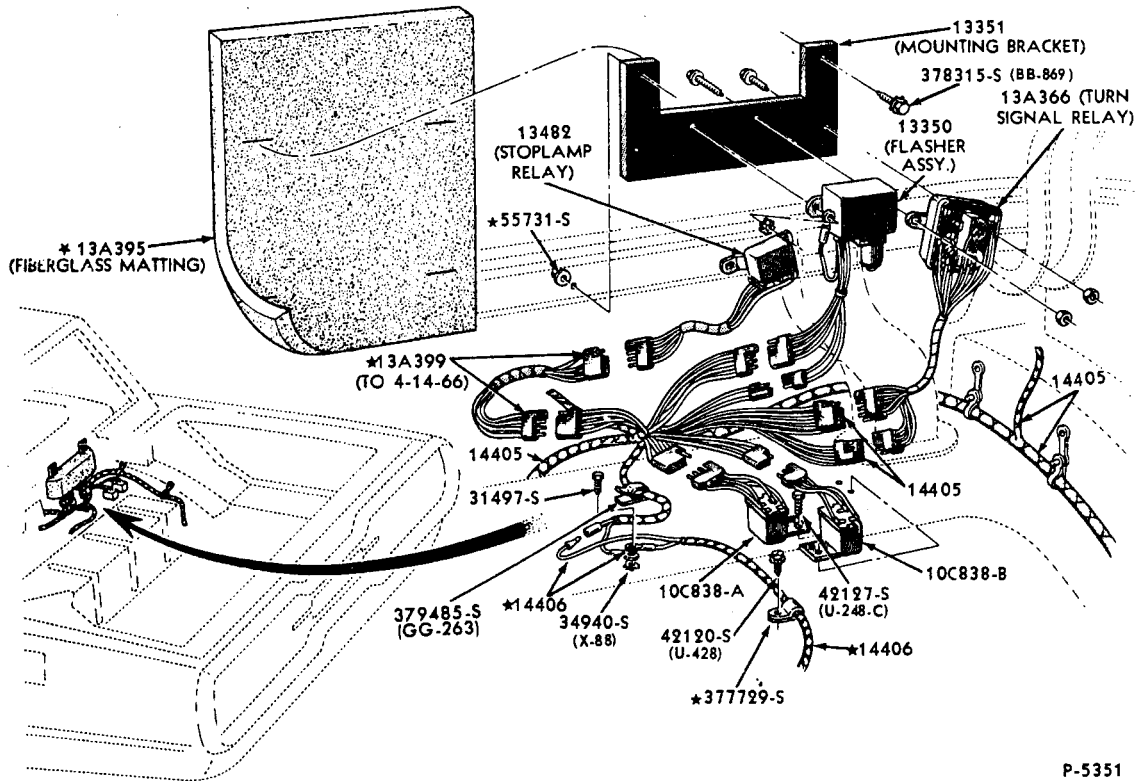


P8763

REAR LAMP, BACK-UP LAMP, LICENSE PLATE LAMP and BODY SIDE MARKER LAMP  
1972 THUNDERBIRD

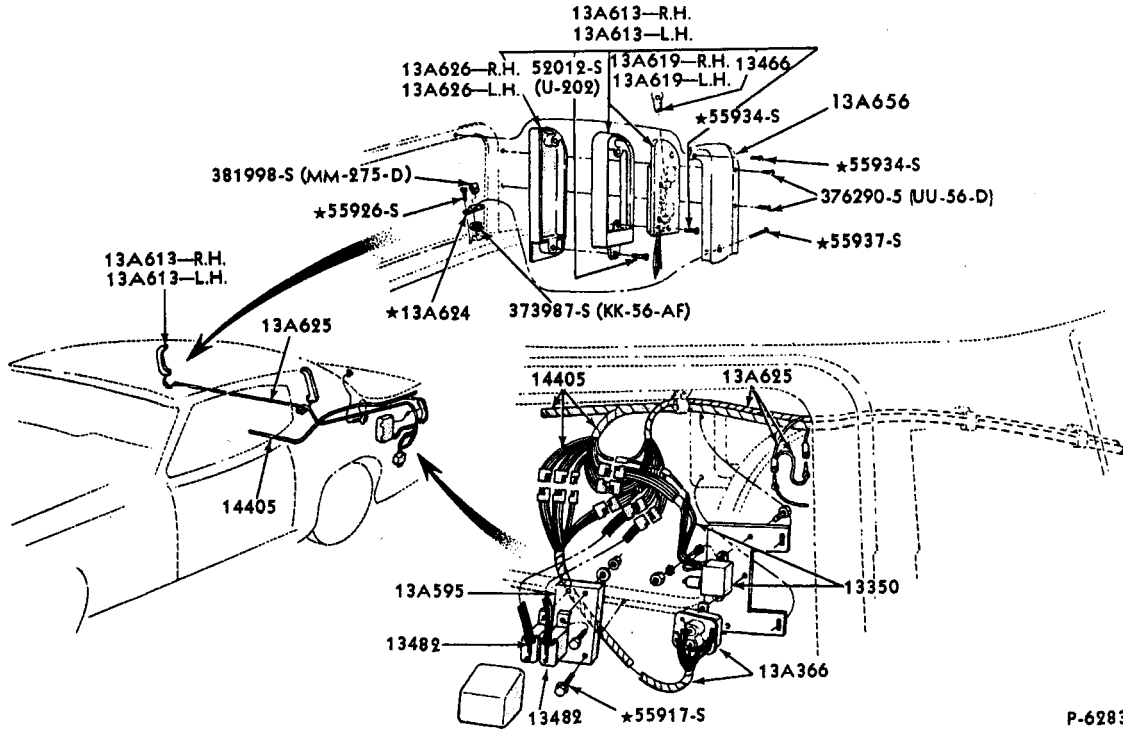


REAR LAMP TURN INDICATOR - SEQUENTIAL WIRING SYSTEM  
1965/66 THUNDERBIRD - "BEFORE 11/17/65"



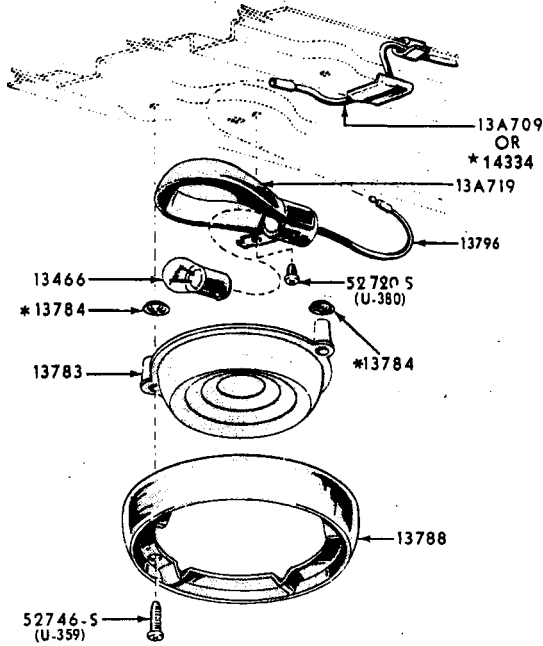
REAR LAMP TURN INDICATOR - SEQUENTIAL WIRING SYSTEM  
1966/67 THUNDERBIRD - "FROM 11/17/65"

**FORD CAR PARTS**



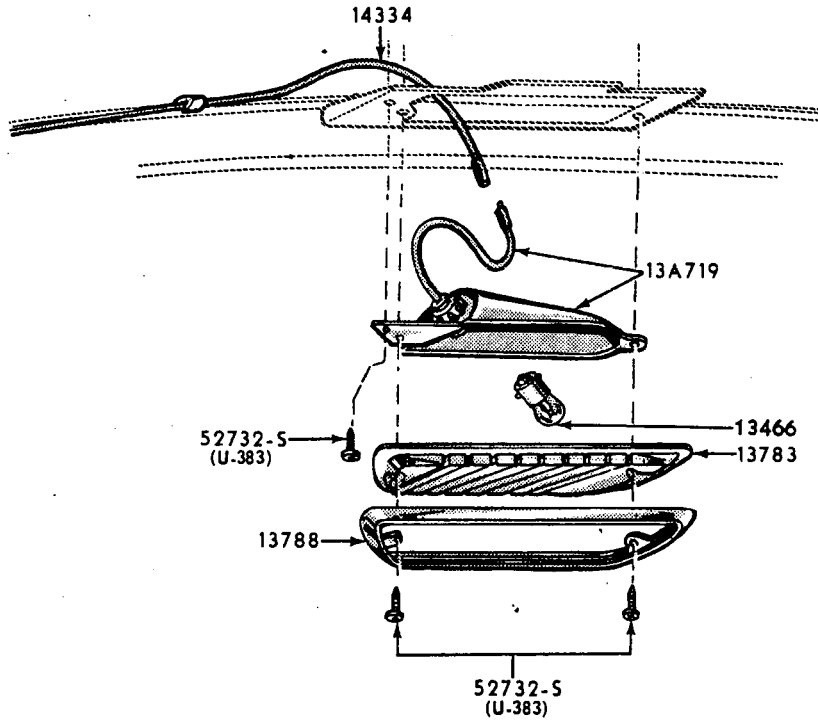
P-6283

AUXILIARY STOP LAMPS - PACKAGE TRAY MOUNTED  
1969/70 THUNDERBIRD



\*USED ON STATION WAGON MODELS ONLY P-2996

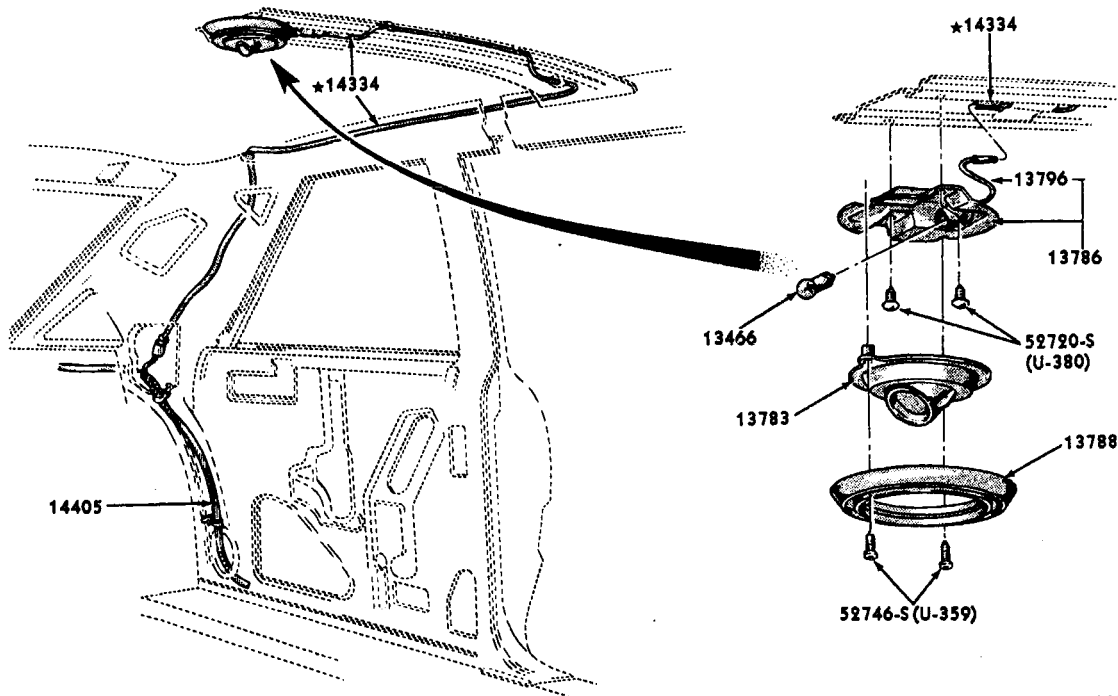
"TYPICAL" DOME LAMP  
 1965 FALCON    1965 FAIRLANE  
 1965/68 FORD    1967/69 MUSTANG



P-3115

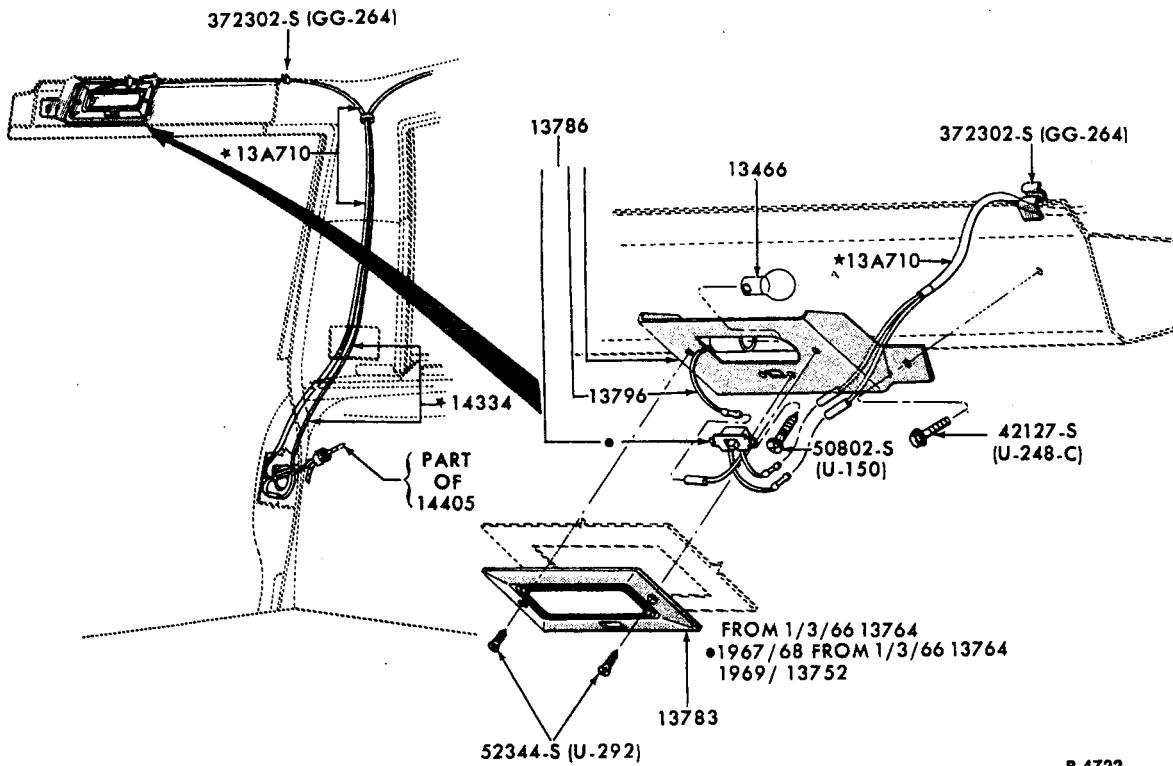
DOME LAMP  
 1966/67 RANCHERO

# FORD CAR PARTS



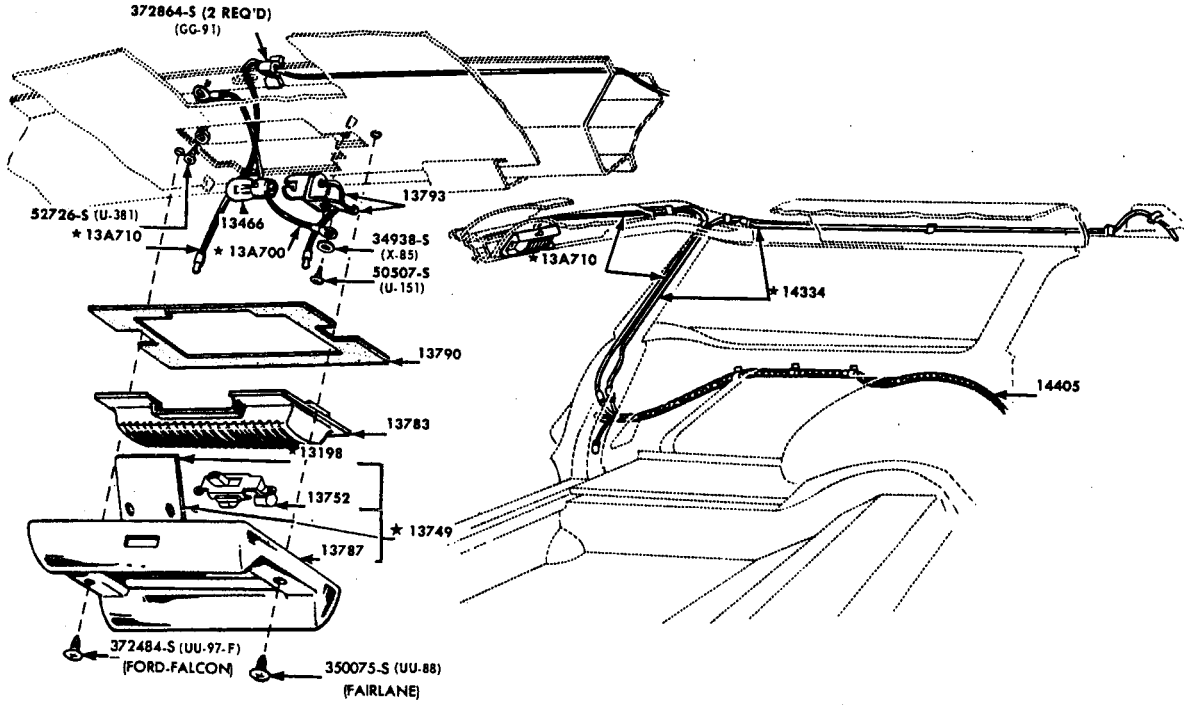
P-5653

"SWIVEL" DOME LAMP  
1967 FORD



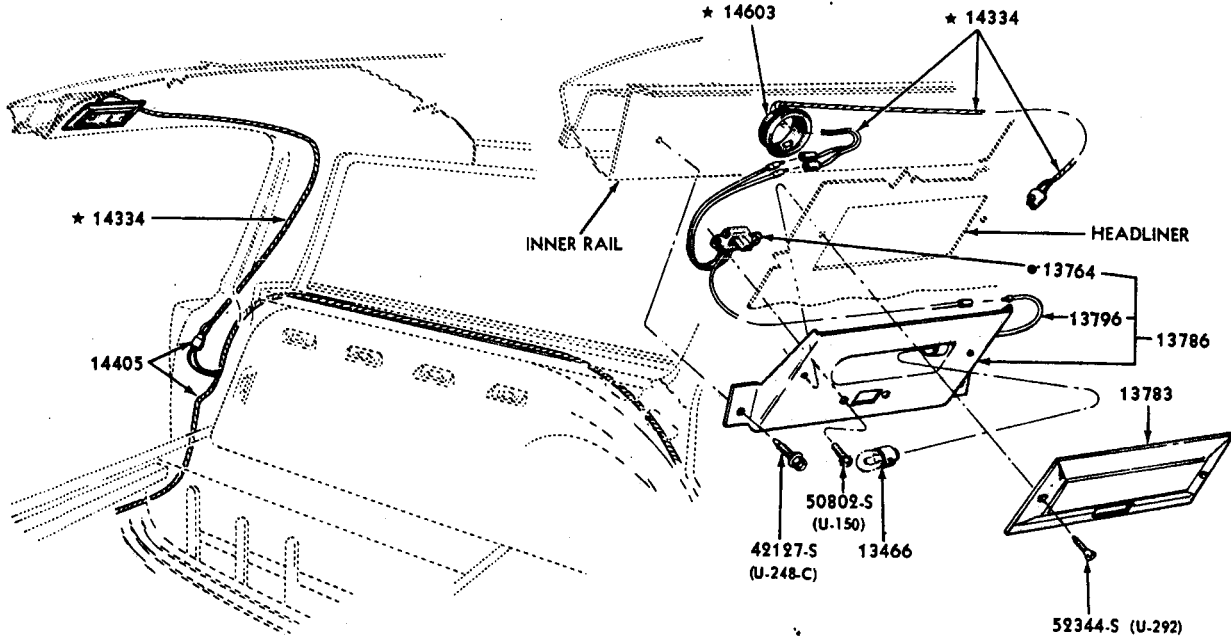
P-4722

CARGO AREA LAMP  
1965/72 FORD - BODY TYPE 71



**CARGO AREA LAMP (STATION WAGON)**  
 1965 FAIRLANE 1965 FALCON

P4509



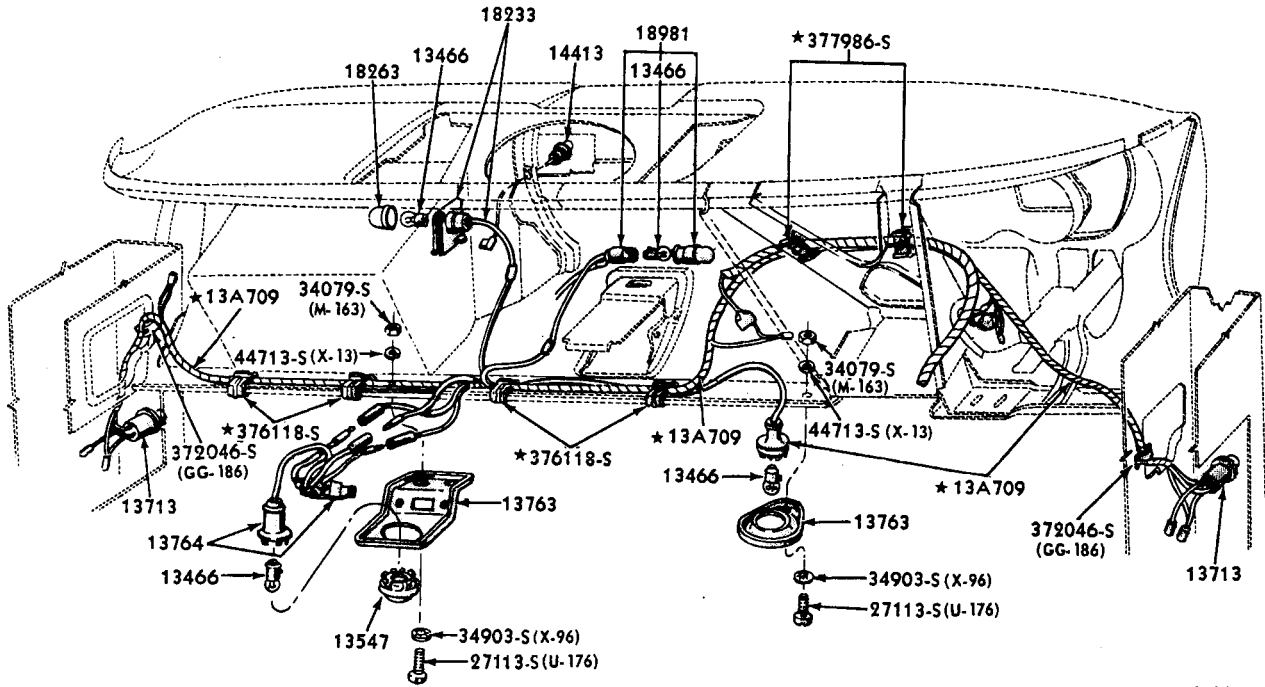
• FROM 1/3/66 SERVICED ONLY IN 13786 BODY & SOCKET ASSY.

P-4984

**CARGO AREA LAMP - STATION WAGON**  
 1966/72 FAIRLANE/TORINO 1966/70 FALCON

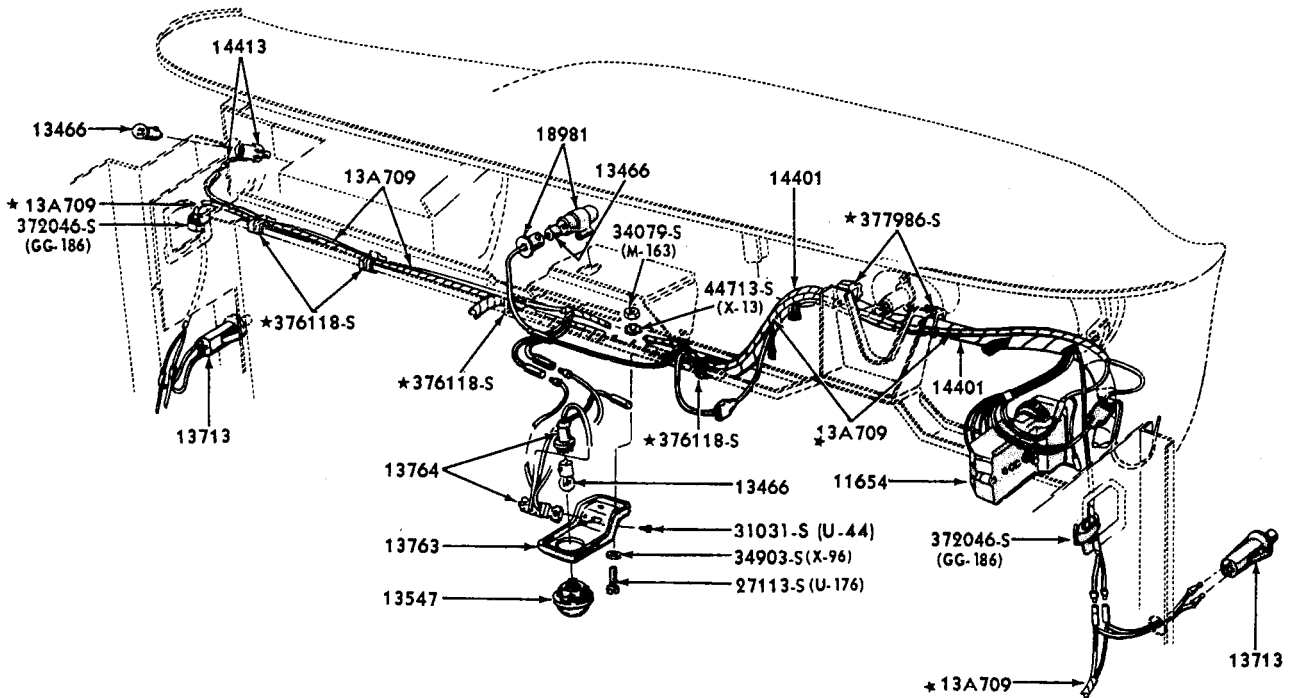


# FORD CAR PARTS



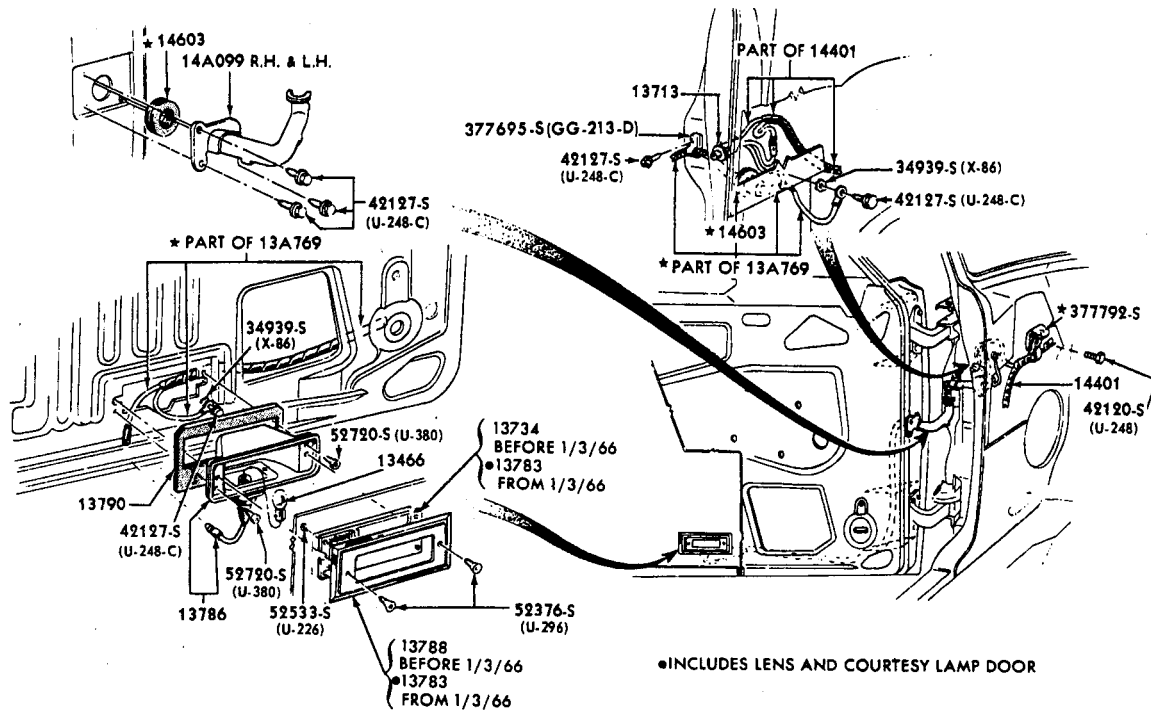
P-4417

COURTESY LAMPS and WIRING - INSTRUMENT PANEL MOUNTED  
1965 FALCON



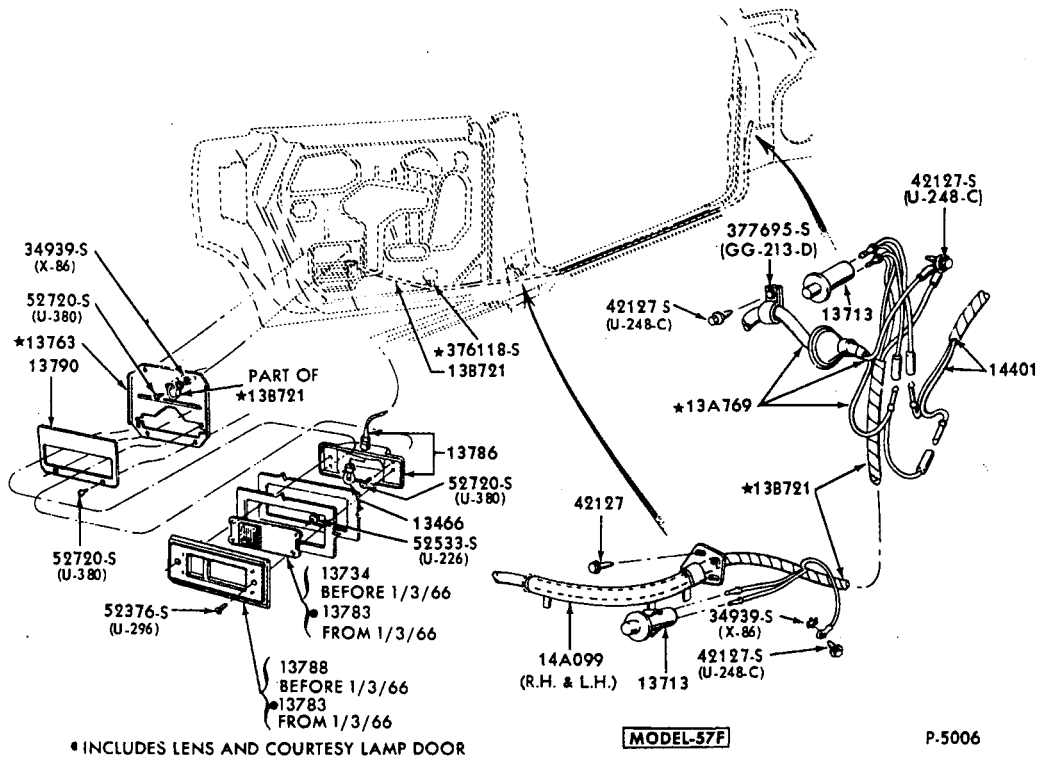
P-4593

COURTESY LAMPS and WIRING - INSTRUMENT PANEL MOUNTED  
1965 FAIRLANE



P.4706

COURTESY LAMP and WIRING - FRONT INTERIOR DOOR  
1965/67 FORD

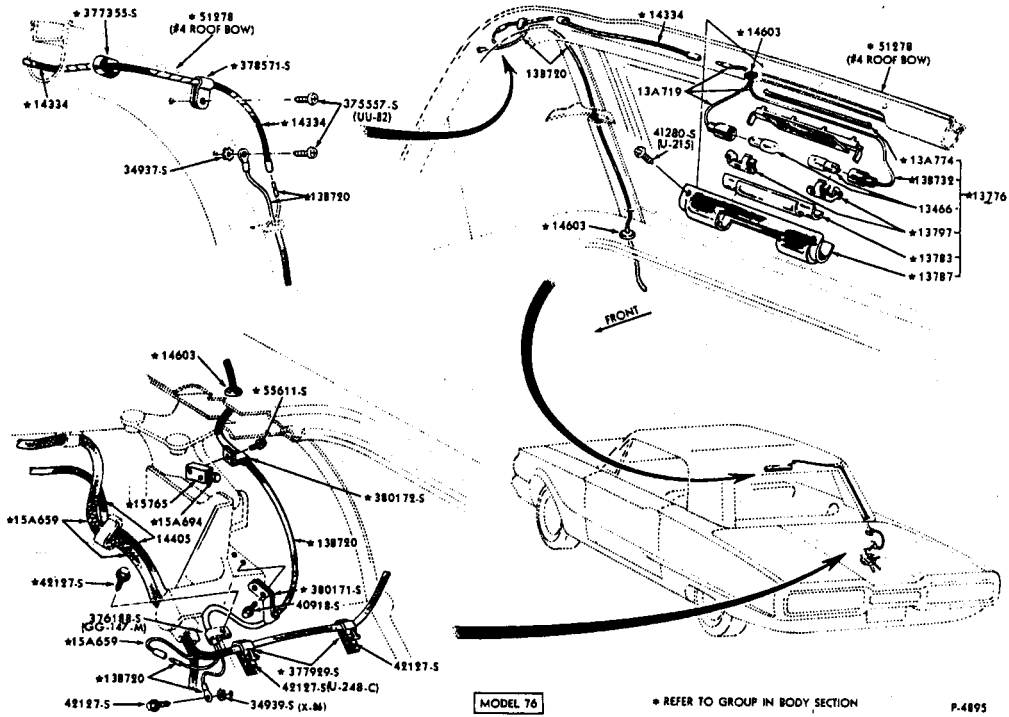


P.5006

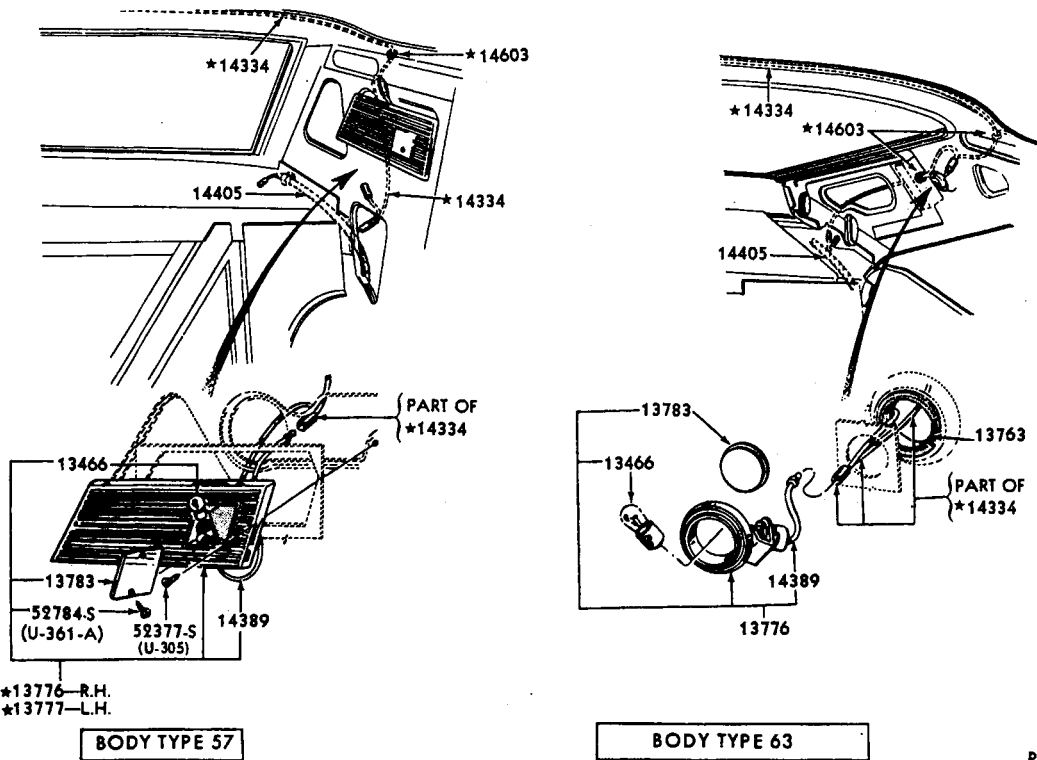
COURTESY LAMP and WIRING - REAR INTERIOR DOOR  
1965/67 FORD

**ILLUSTRATION SECTION 137**

**FORD CAR PARTS**



**INTERIOR LAMP - NO. 4 ROOF BOW MOUNTED  
1965/66 THUNDERBIRD - BODY TYPE 76**

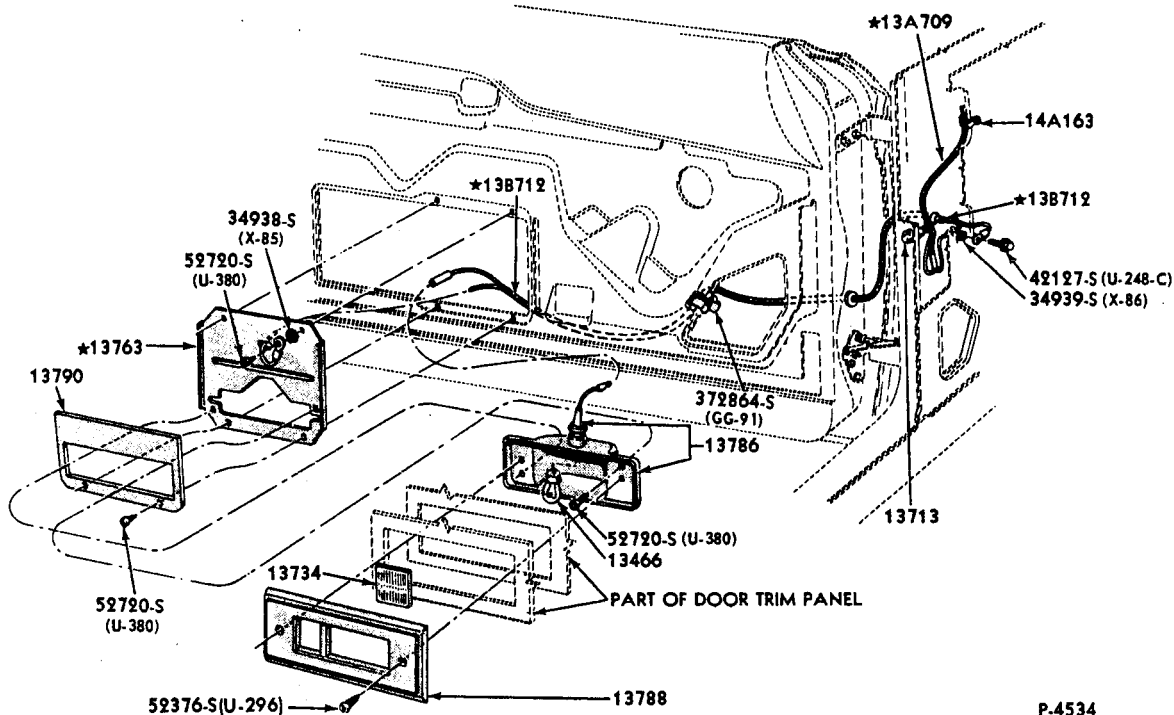


\*13776—R.H.  
\*13777—L.H.

**BODY TYPE 57**

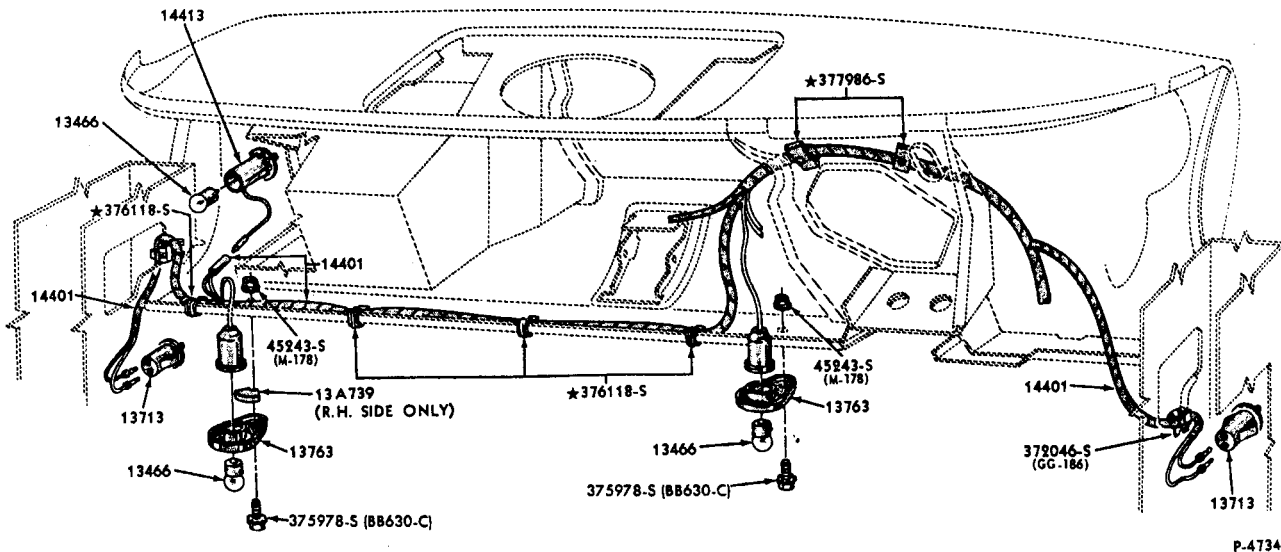
**BODY TYPE 63**

**PILLAR LAMP  
1965/67 FORD**



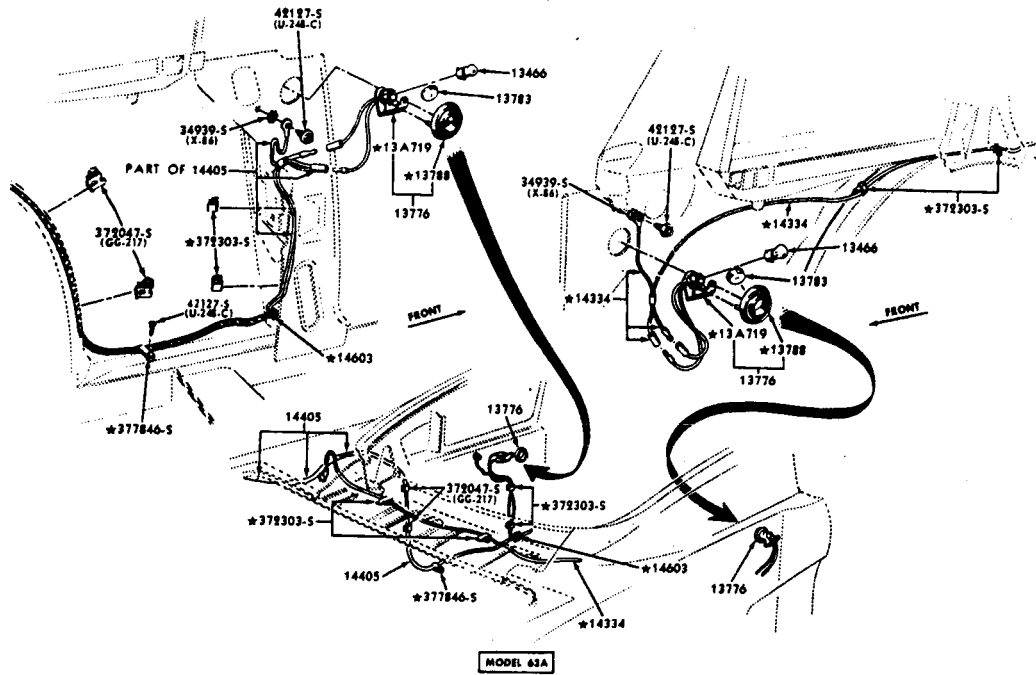
COURTESY LAMPS and WIRING - INTERIOR DOOR  
1985 FAIRLANE

P-4534



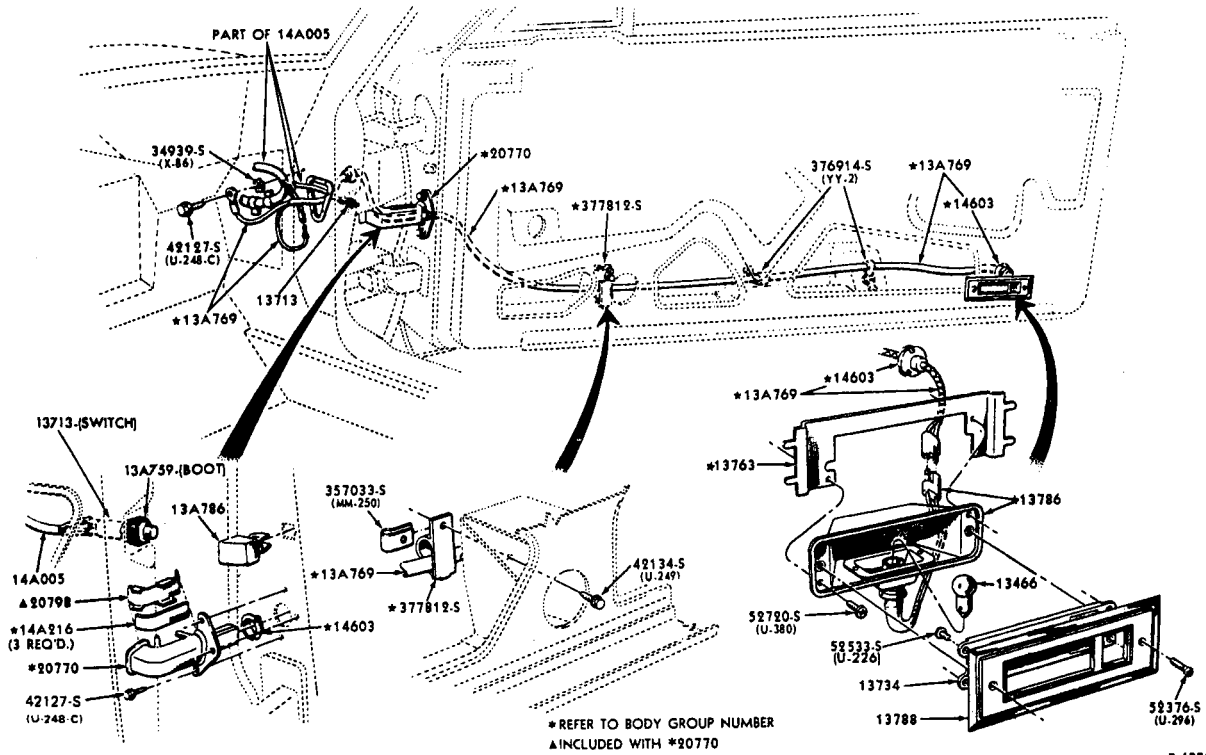
COURTESY LAMP and WIRING - INSTRUMENT PANEL MOUNTED  
1965/68 MUSTANG

P-4734



COURTESY LAMP and WIRING - INTERIOR QUARTER PANEL  
1965/70 MUSTANG - "FASTBACK"

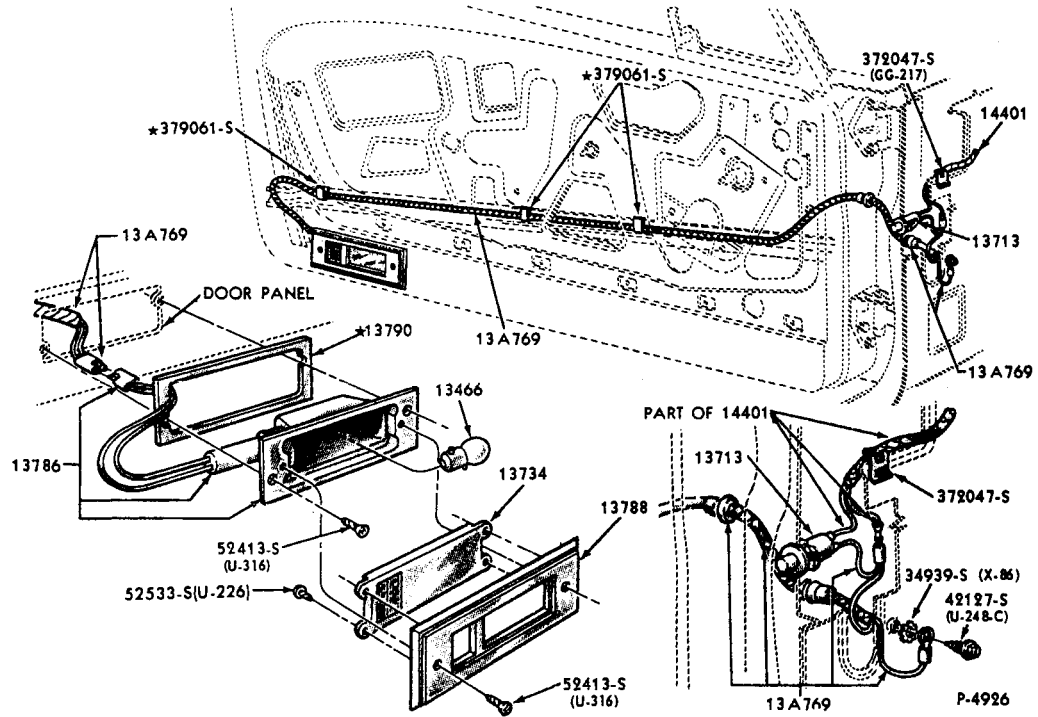
P4735



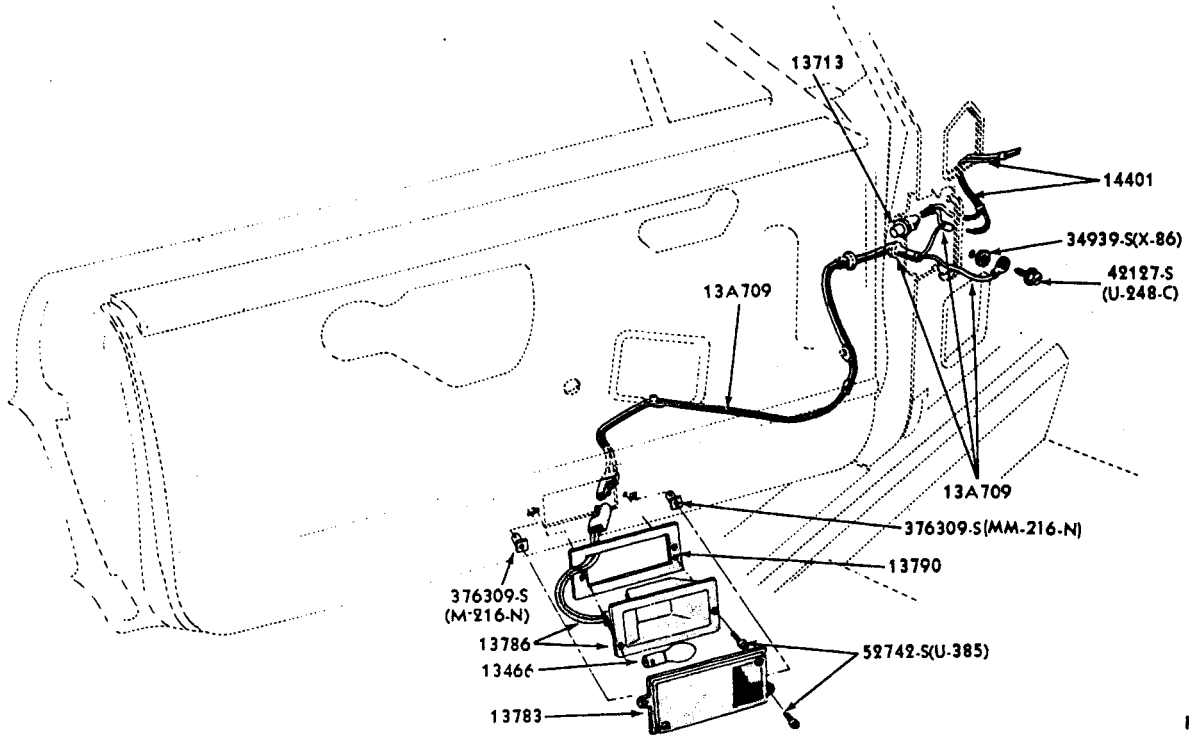
COURTESY LAMP and WIRING - INTERIOR DOOR  
1965/66 THUNDERBIRD



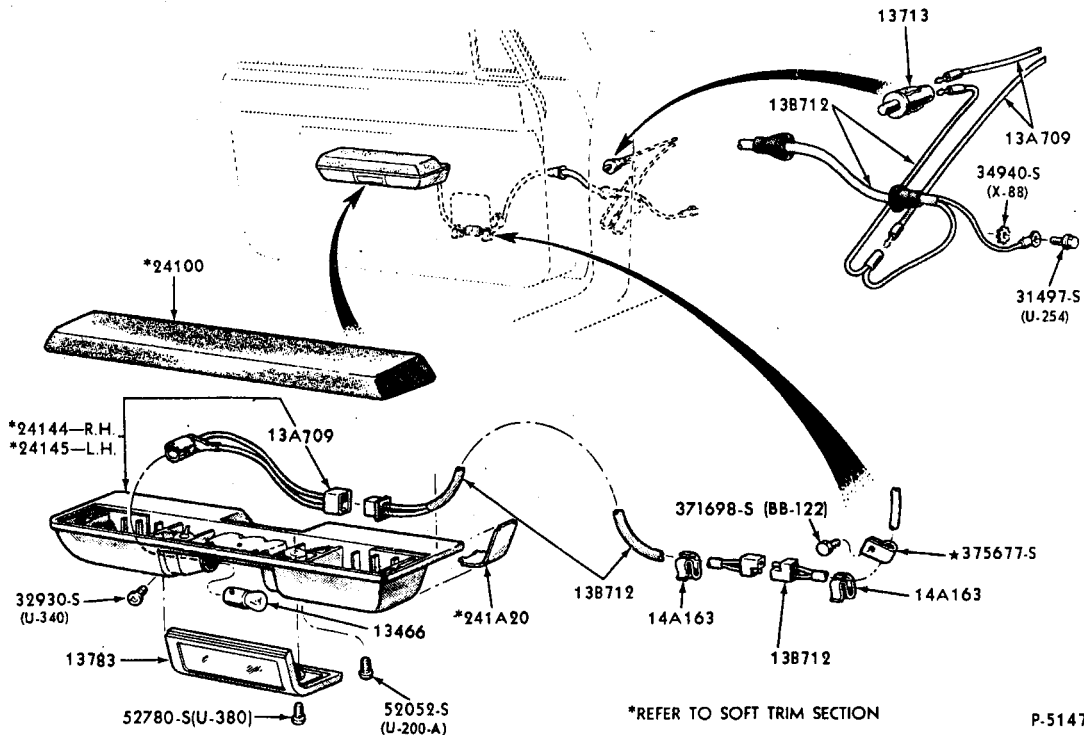
# FORD CAR PARTS



COURTESY LAMP and WIRING - INTERIOR DOOR  
1965/66 MUSTANG

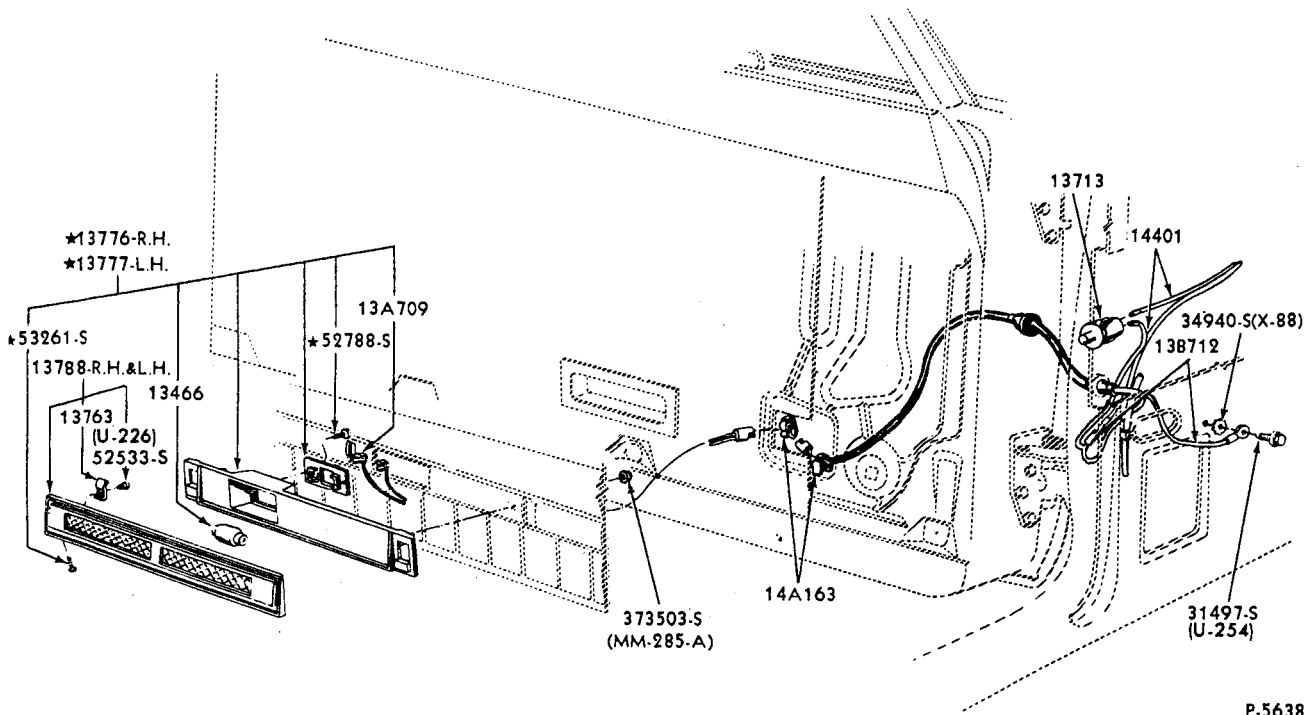


COURTESY LAMP and WIRING - INTERIOR DOOR  
1967/68 MUSTANG



COURTESY LAMP and WIRING - INTERIOR DOOR ARM REST  
1966 FAIRLANE

P-5147

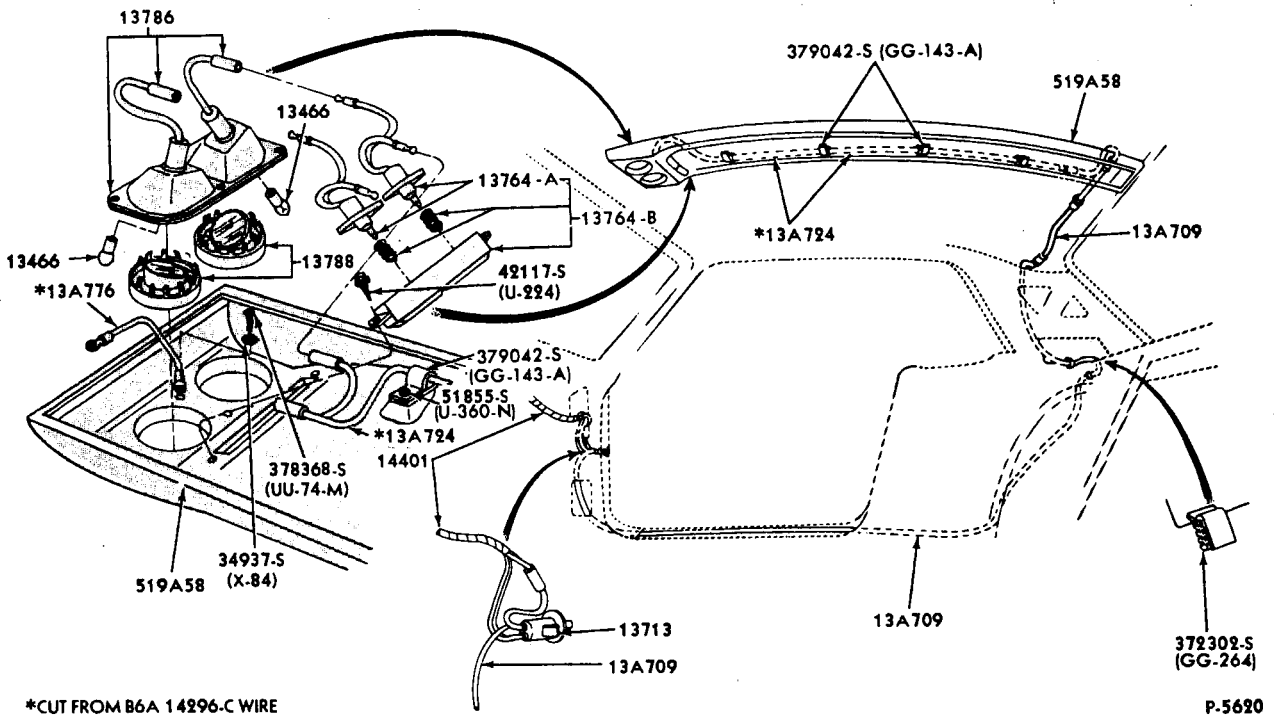


COURTESY LAMP and WIRING - INTERIOR DOOR  
1967 FAIRLANE

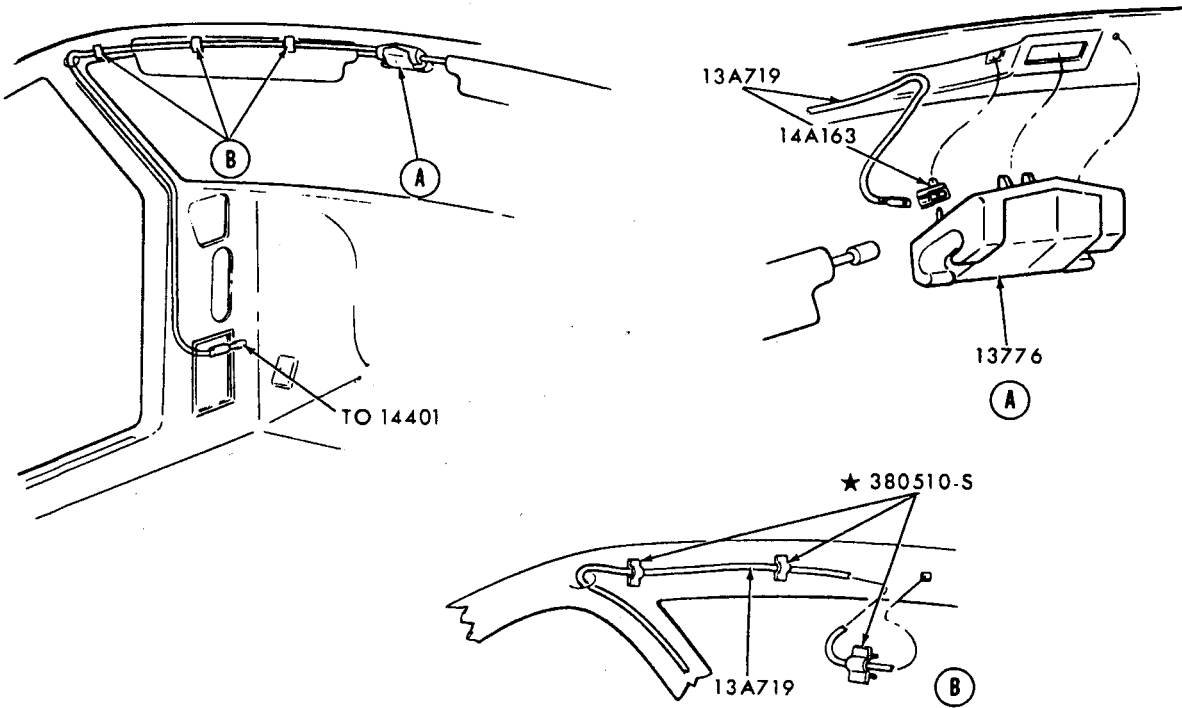
P-5638







MAP LAMPS and WIRING - ROOF CONSOLE  
1967/68 MUSTANG

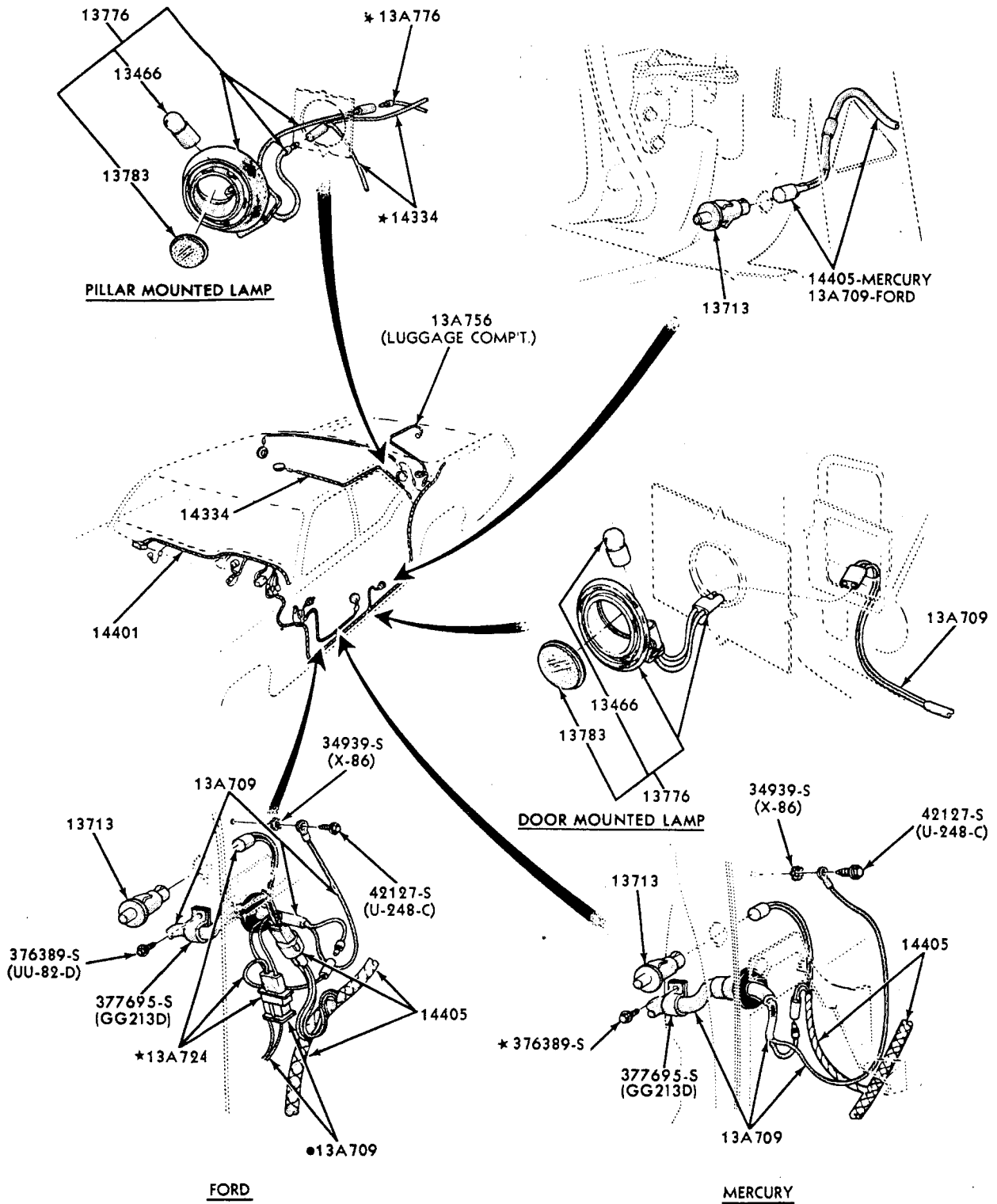


P-8063

DOMELAMP  
1971/72 PINTO

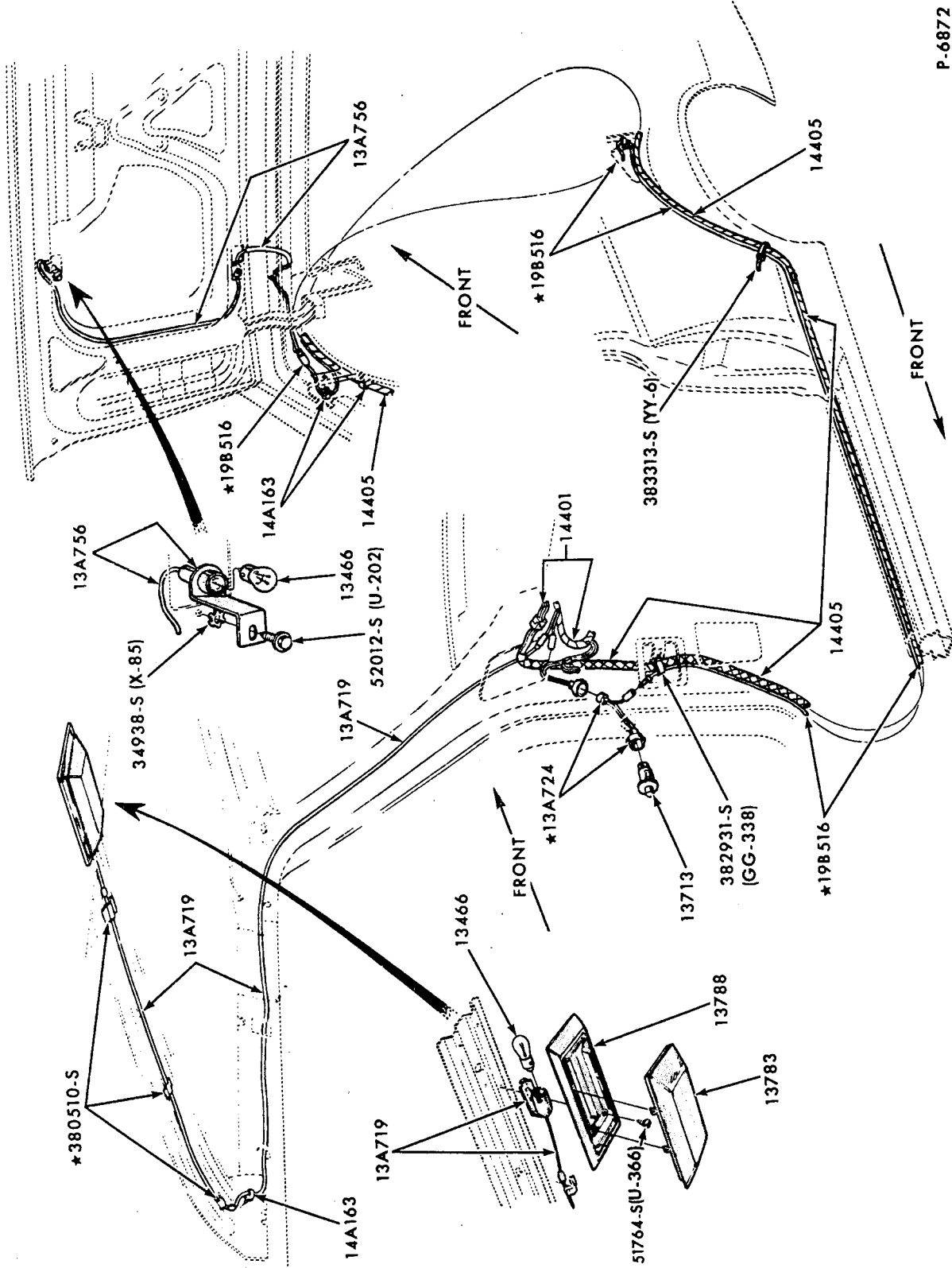
**ILLUSTRATION SECTION 137**

**FORD CAR PARTS**



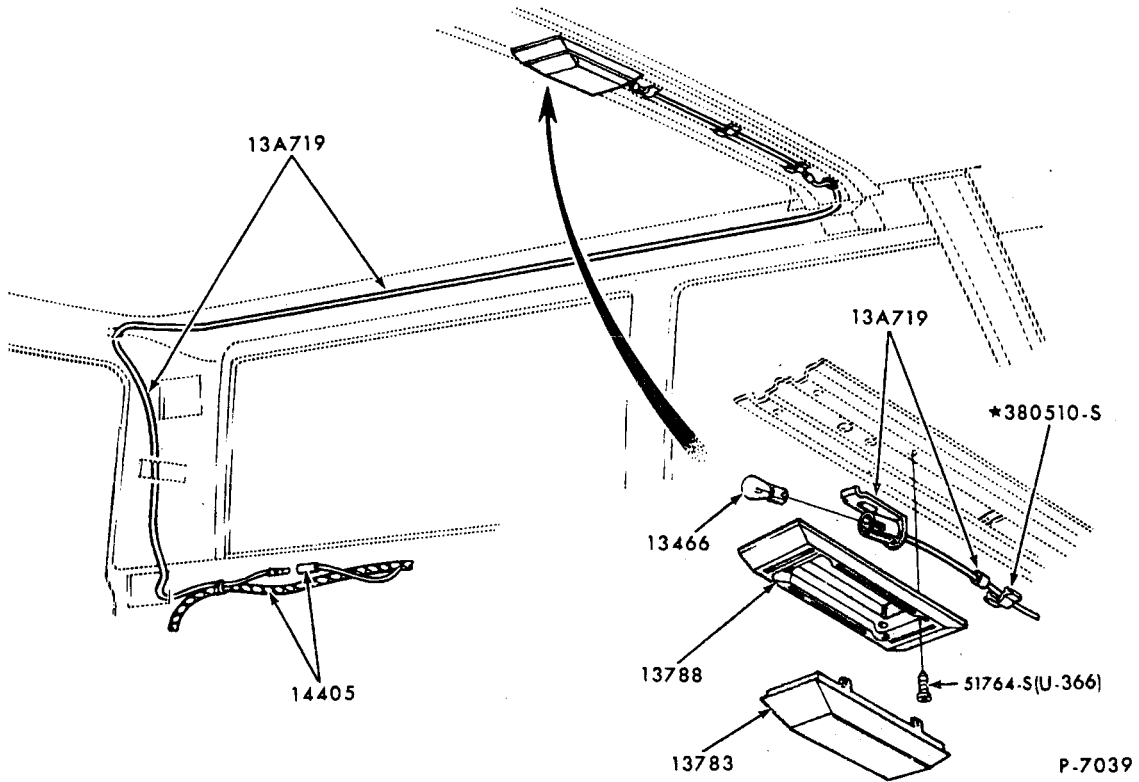
●REAR DOOR WIRING FOR 4-DOOR MODELS ONLY

PILLAR LAMPS and COURTESY LAMPS and WIRING - INTERIOR DOOR  
1968 FORD



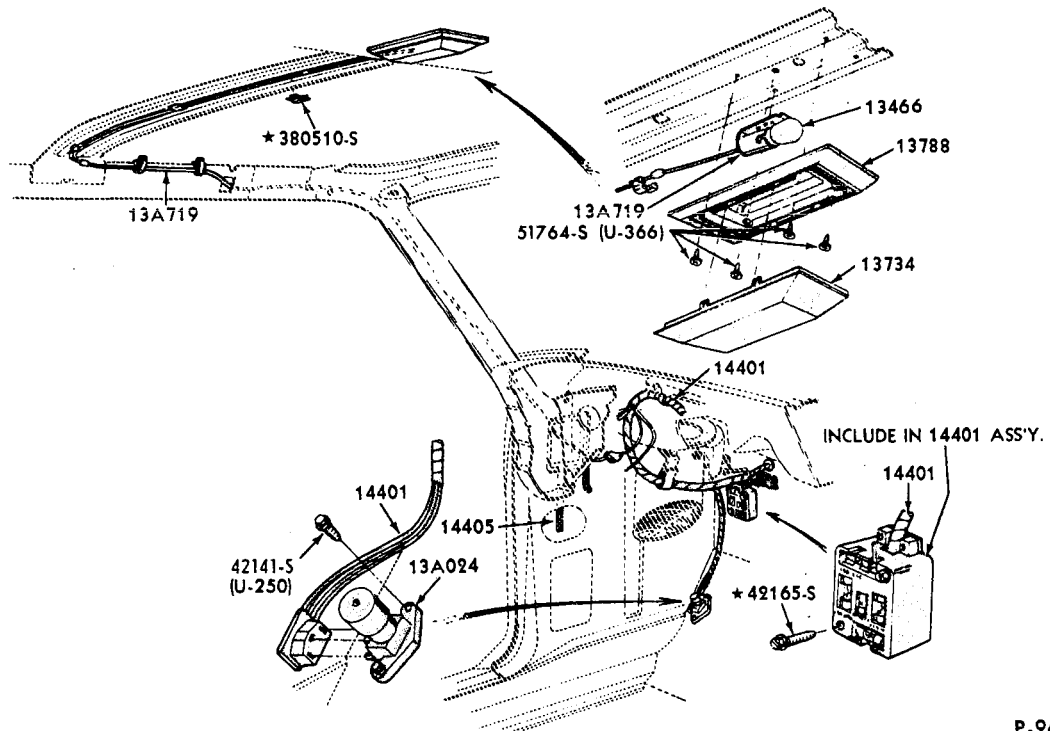
DOMELAMP, LUGGAGE COMPARTMENT LAMP and RELATED PARTS  
1970/72 MAVERICK

# FORD CAR PARTS



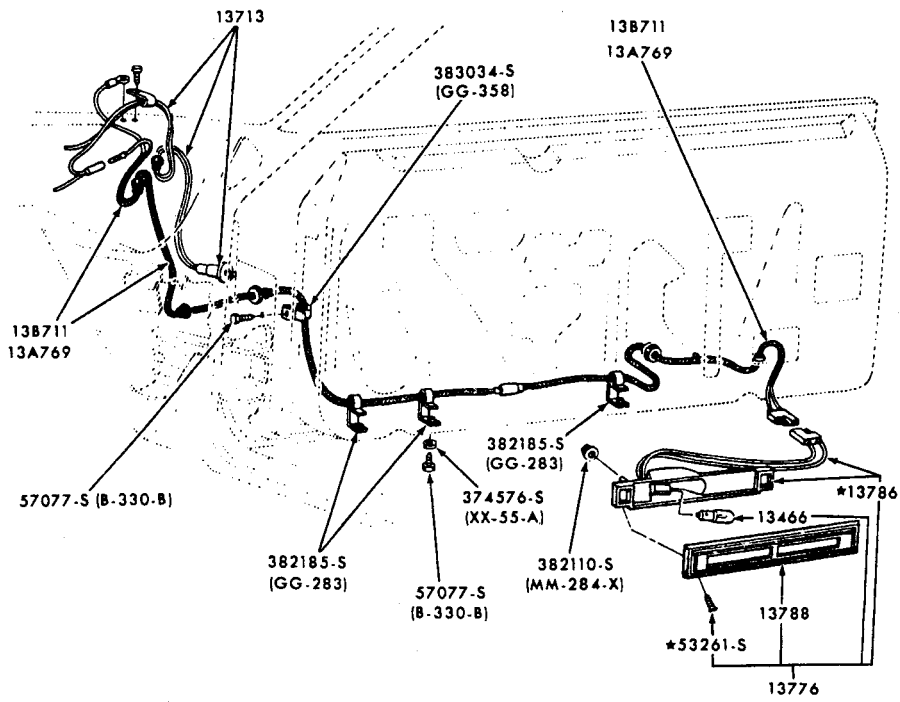
DOME LAMP and RELATED PARTS .  
1966/72 FORD and 1971/72 TORINO

P-7039



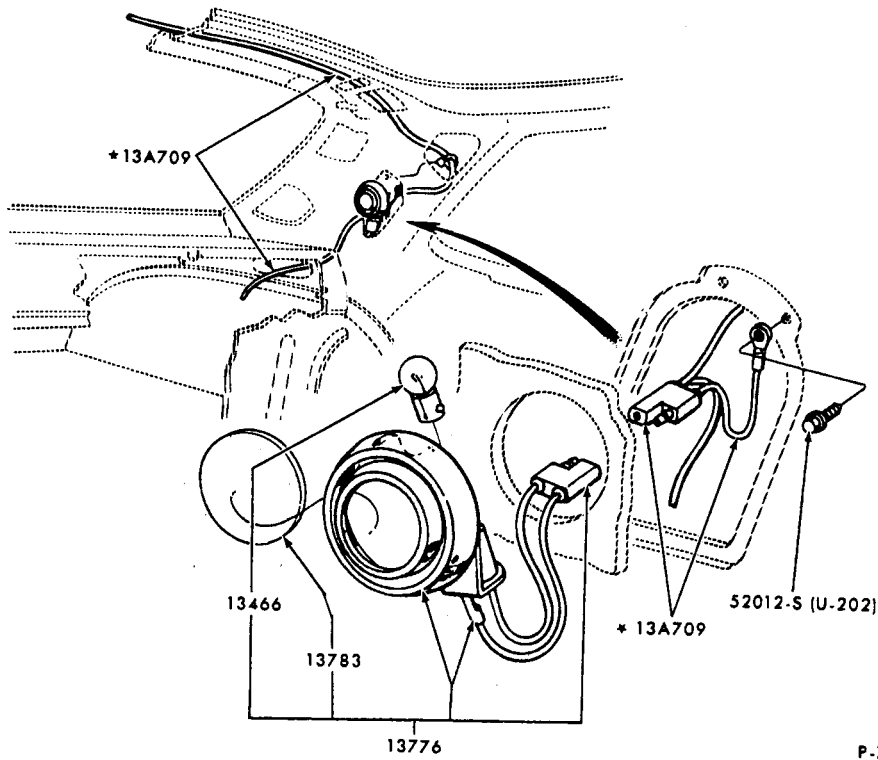
P-9687

DOME LAMP  
1969/70 FAIRLANE/TORINO 1966/70 FALCON



P-7037

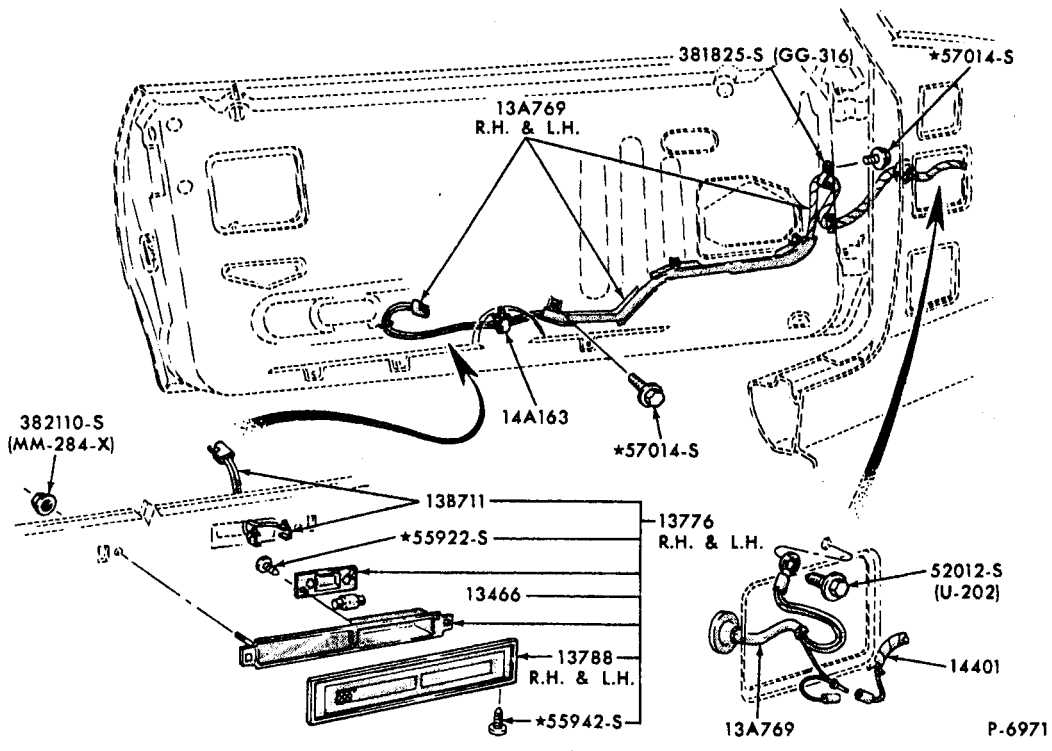
COURTESY LAMP and WIRING - INTERIOR DOOR  
1969/70 FORD



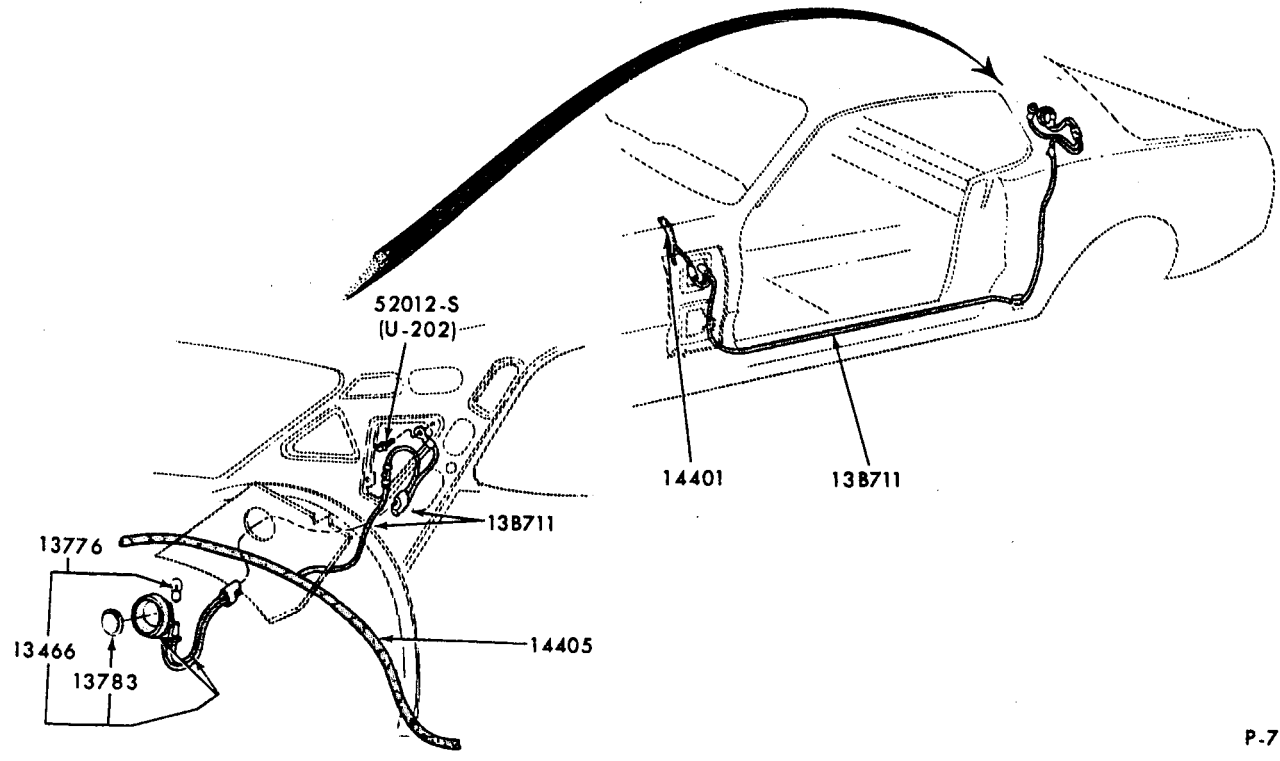
P-7038

COURTESY LAMP and RELATED PARTS - PILLAR MOUNTED  
1969/72 FORD

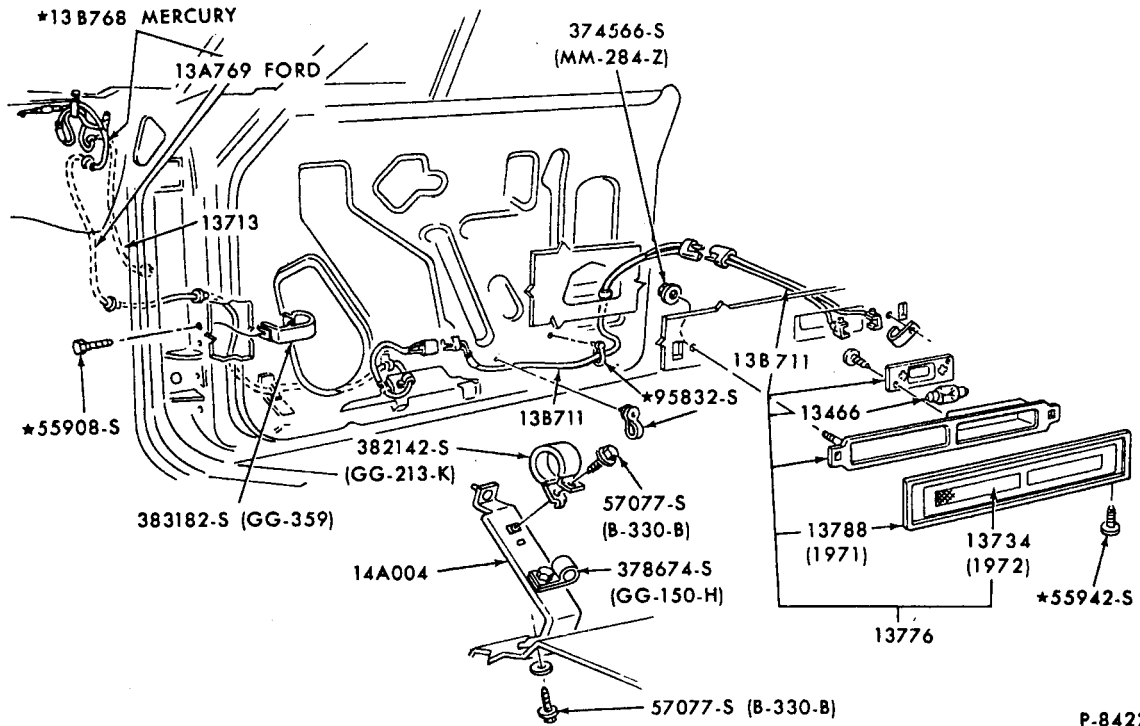
**FORD CAR PARTS**



COURTESY LAMP, WIRING and RELATED PARTS - INTERIOR DOOR  
1969/70 MUSTANG

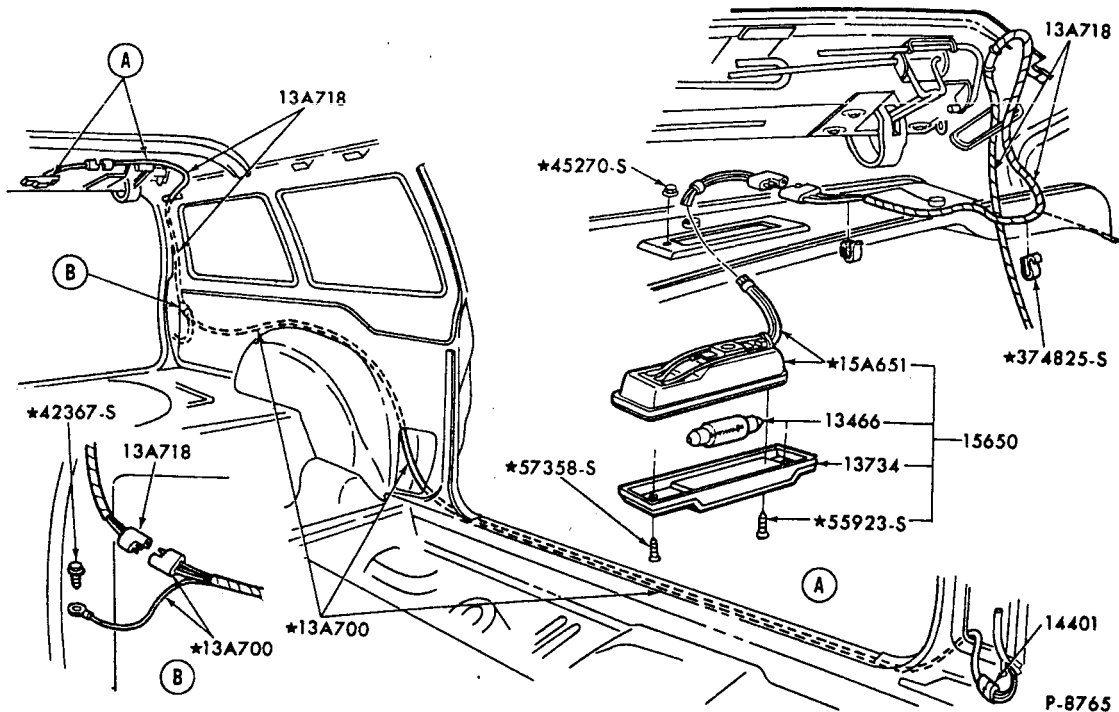


COURTESY LAMP and RELATED PARTS - PILLAR MOUNTED  
1969/72 MUSTANG



P-8422

COURTESY LAMP and RELATED PARTS - INTERIOR DOOR  
1971 FORD

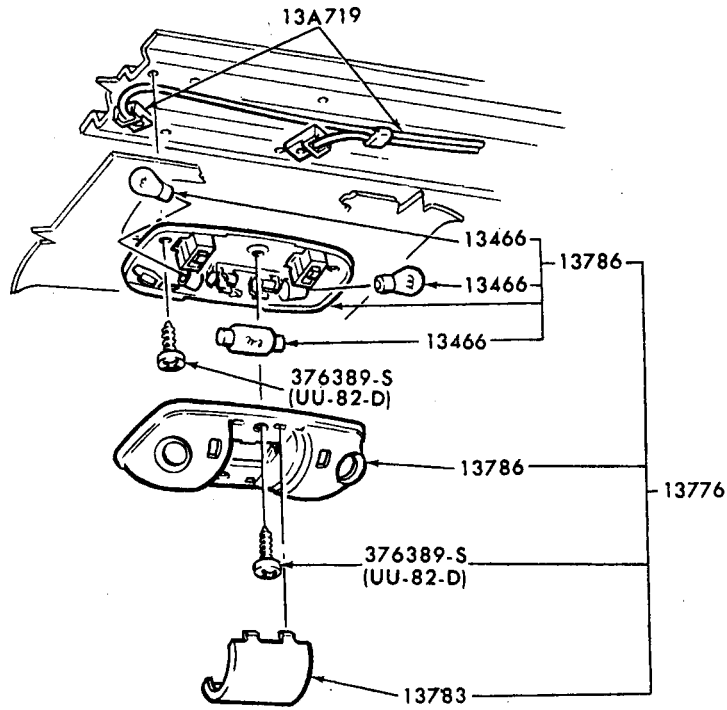


P-8765

CARGO AREA LAMP  
1972 PINTO - BODY TYPE 73

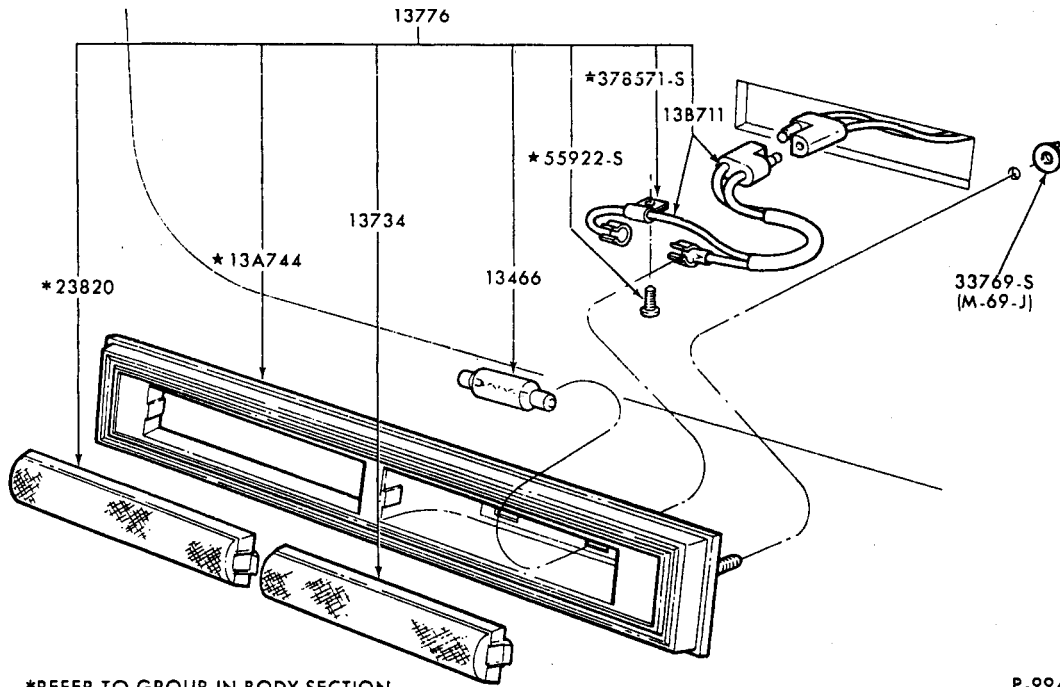


**FORD CAR PARTS**



P-9197

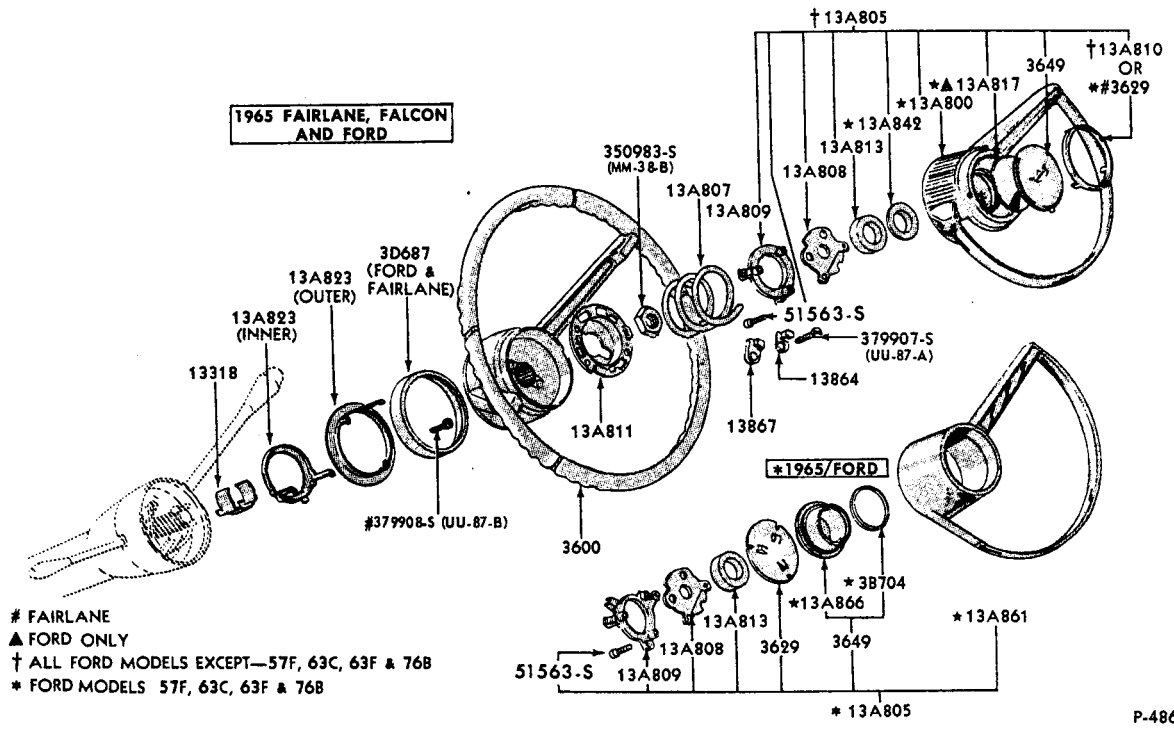
**DOMELAMP**  
1972 THUNDERBIRD and TORINO



\*REFER TO GROUP IN BODY SECTION

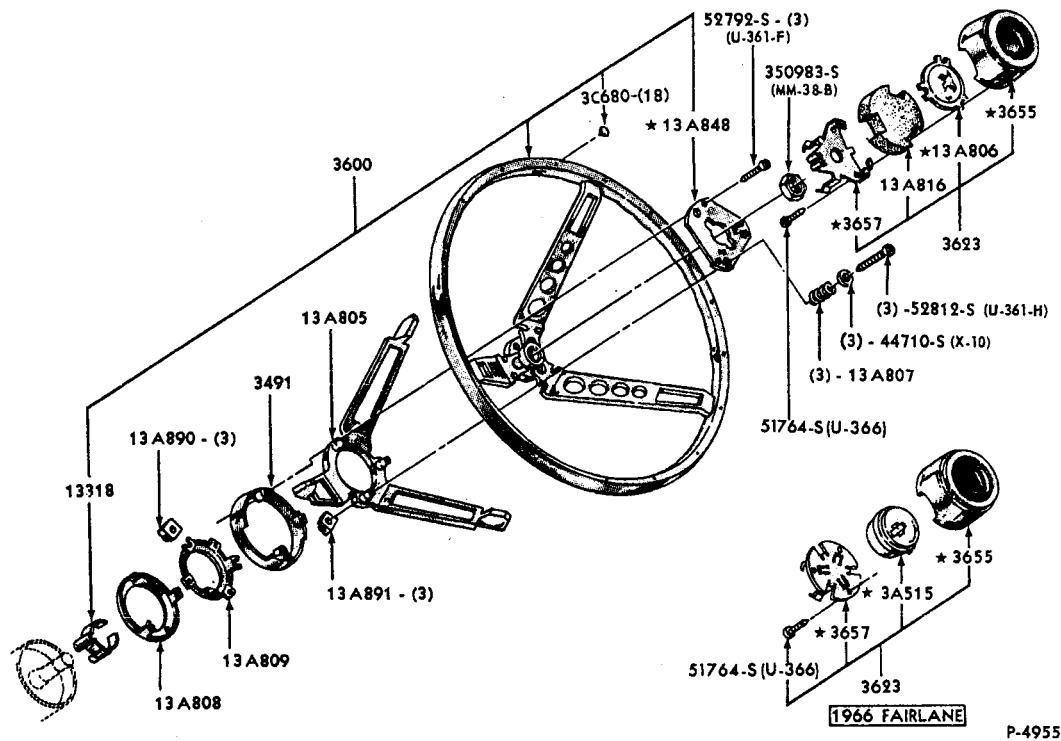
P-9949

**COURTESY LAMP and RELATED PARTS - INTERIOR DOOR**  
1972 FORD, THUNDERBIRD



P-4864

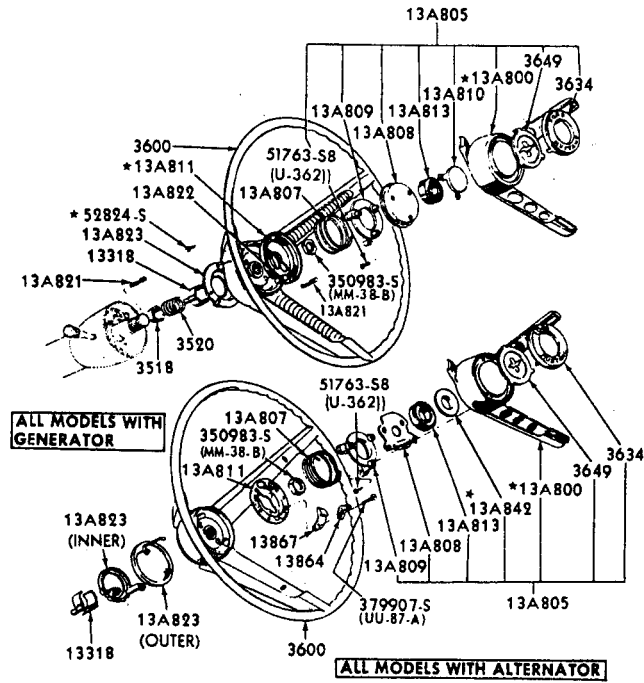
**HORN RING, STEERING WHEEL and RELATED PARTS -- NON - WOODGRAIN WHEEL  
 1965/66 FORD 1965 FAIRLANE and FALCON**



P-4955

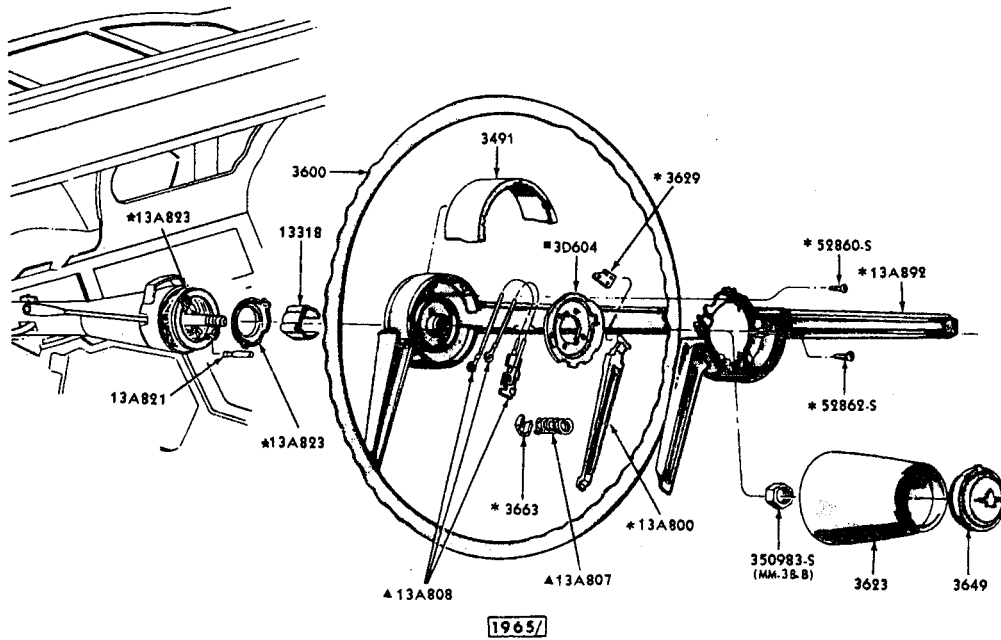
**HORN RING, STEERING WHEEL and RELATED PARTS -- WOODGRAIN WHEEL  
 1965/66 MUSTANG 1966 FORD - 7 LITRE 1966 FAIRLANE**

FORD CAR PARTS



P-4514

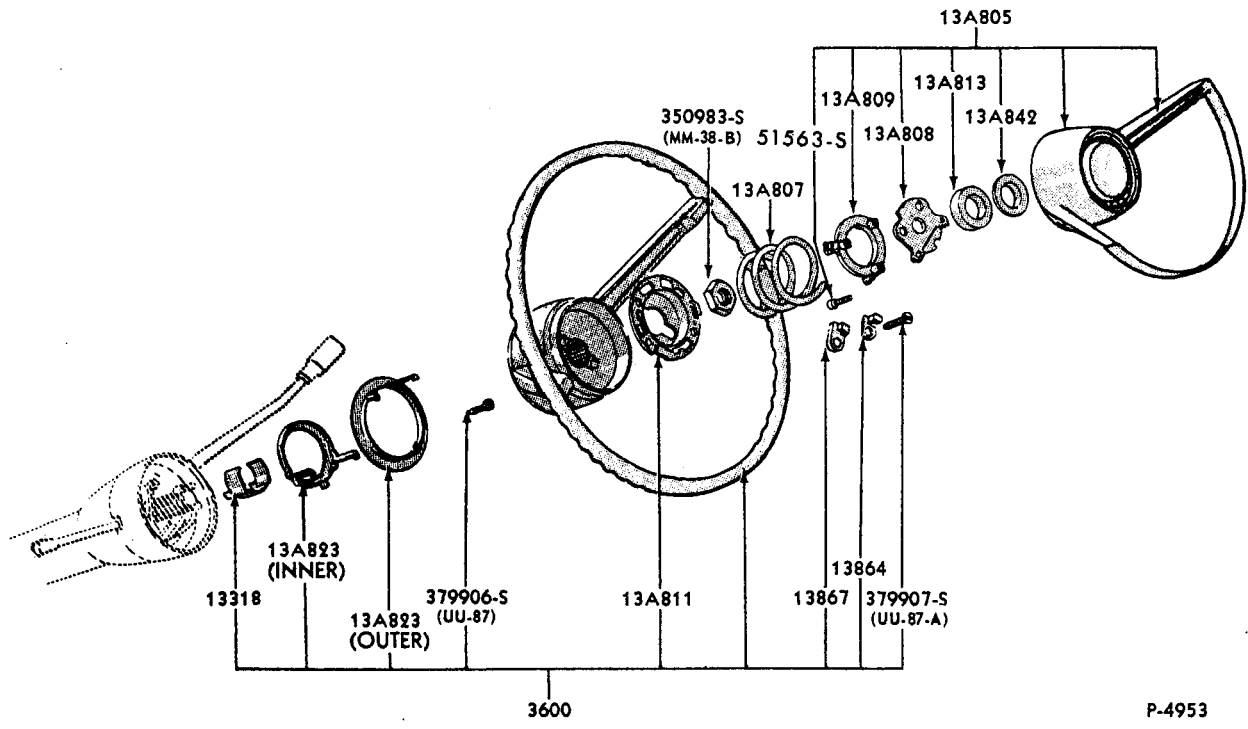
HORN RING, STEERING WHEEL and RELATED PARTS -- NON - WOODGRAIN WHEEL  
1965/66 MUSTANG



- \* SUPPLIED ONLY IN 13A805 HORN BUTTON ASSEMBLY
- ▲ ALSO SUPPLIED IN 13A805 HORN BUTTON ASSEMBLY
- SUPPLIED ONLY IN 3600 WHEEL ASSEMBLY

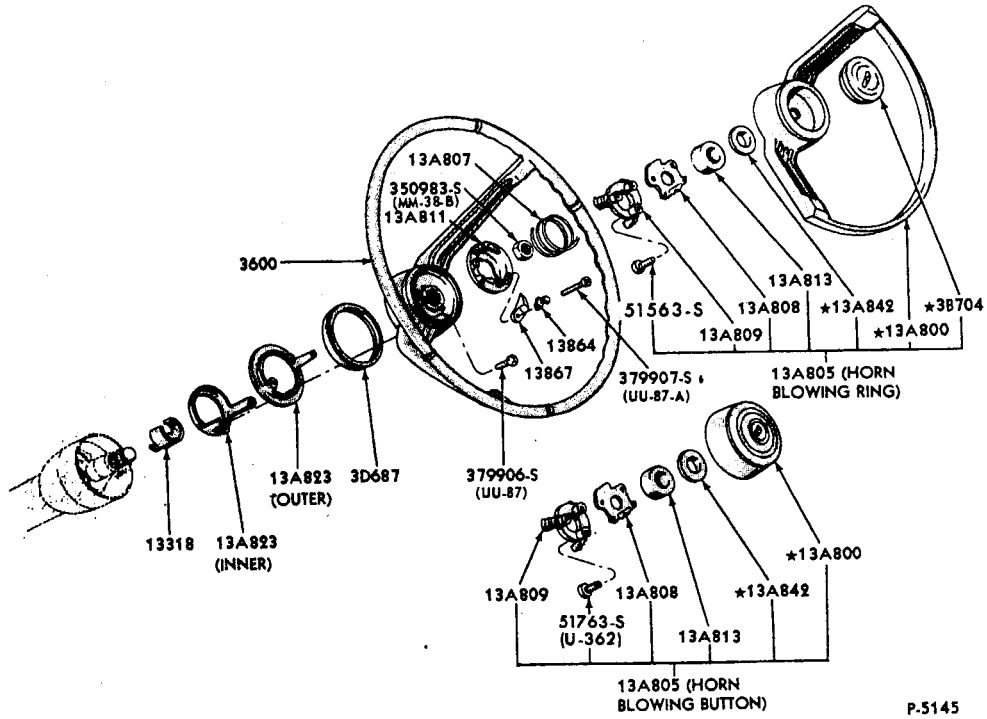
P-4544

HORN RING, STEERING WHEEL and RELATED PARTS  
1965/66 THUNDERBIRD - EXCEPT WITH SPEED CONTROL



HORN RING, STEERING WHEEL and RELATED PARTS  
1966/72 BRONCO

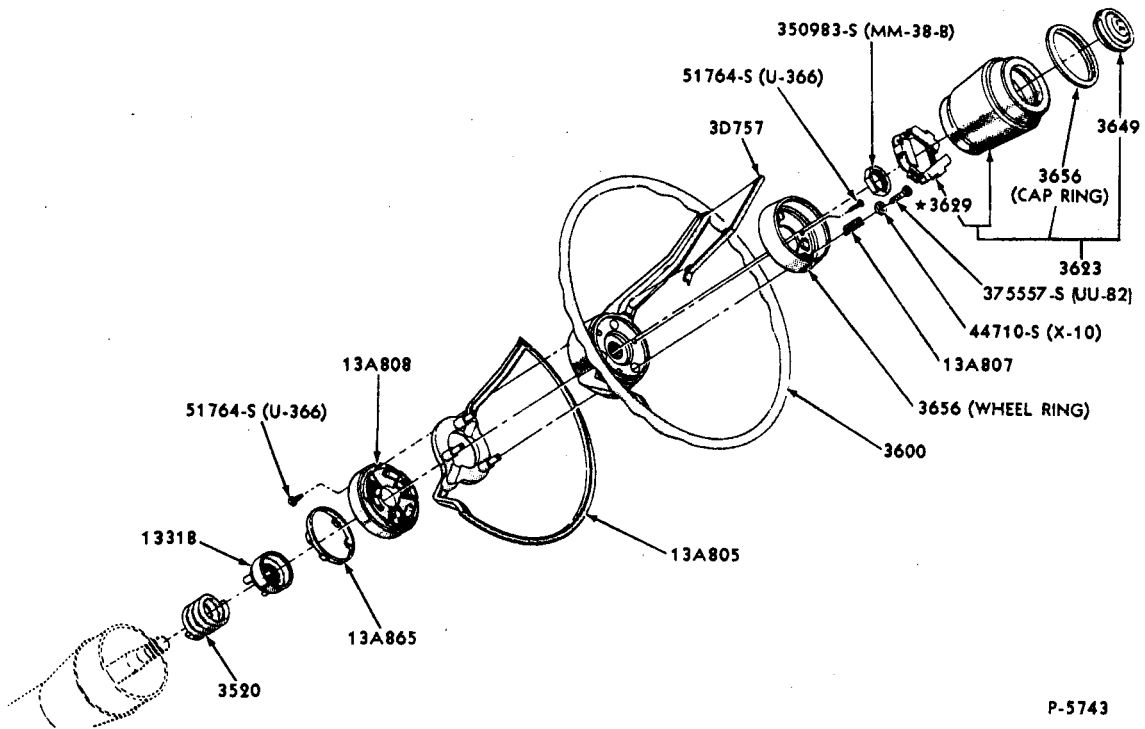
P-4953



HORN RING, STEERING WHEEL and RELATED PARTS -- NON-WOODGRAIN WHEEL  
1966 FAIRLANE and FALCON

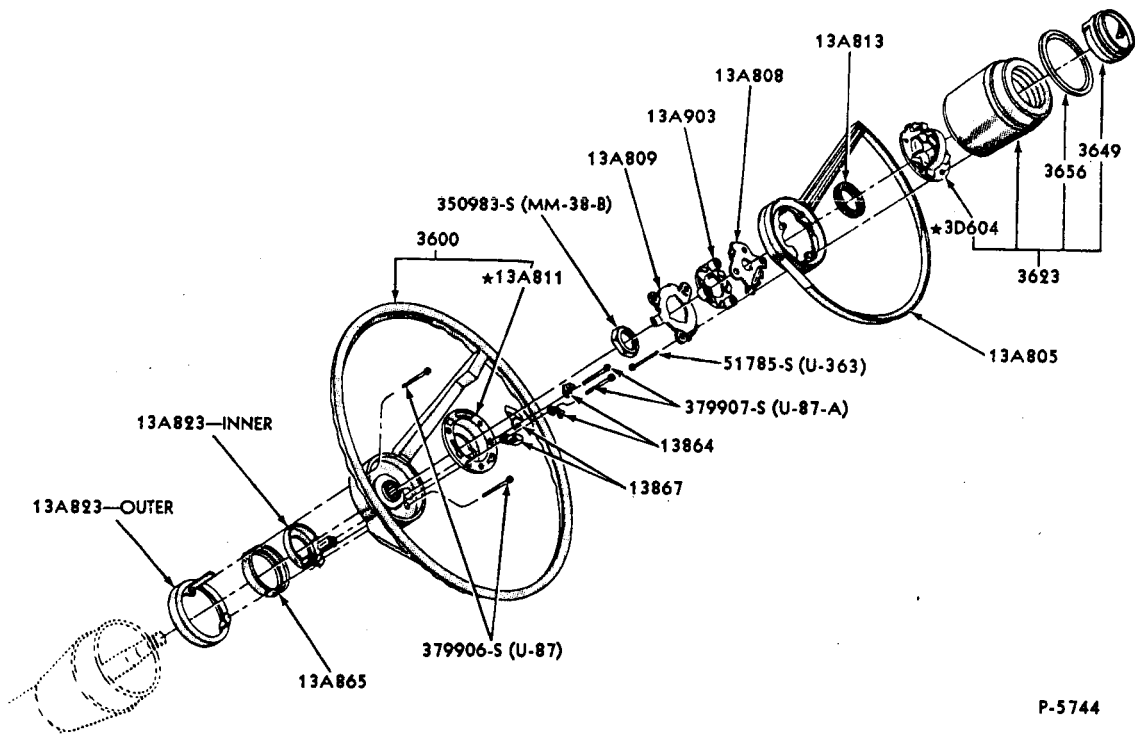
P-5145

**FORD CAR PARTS**



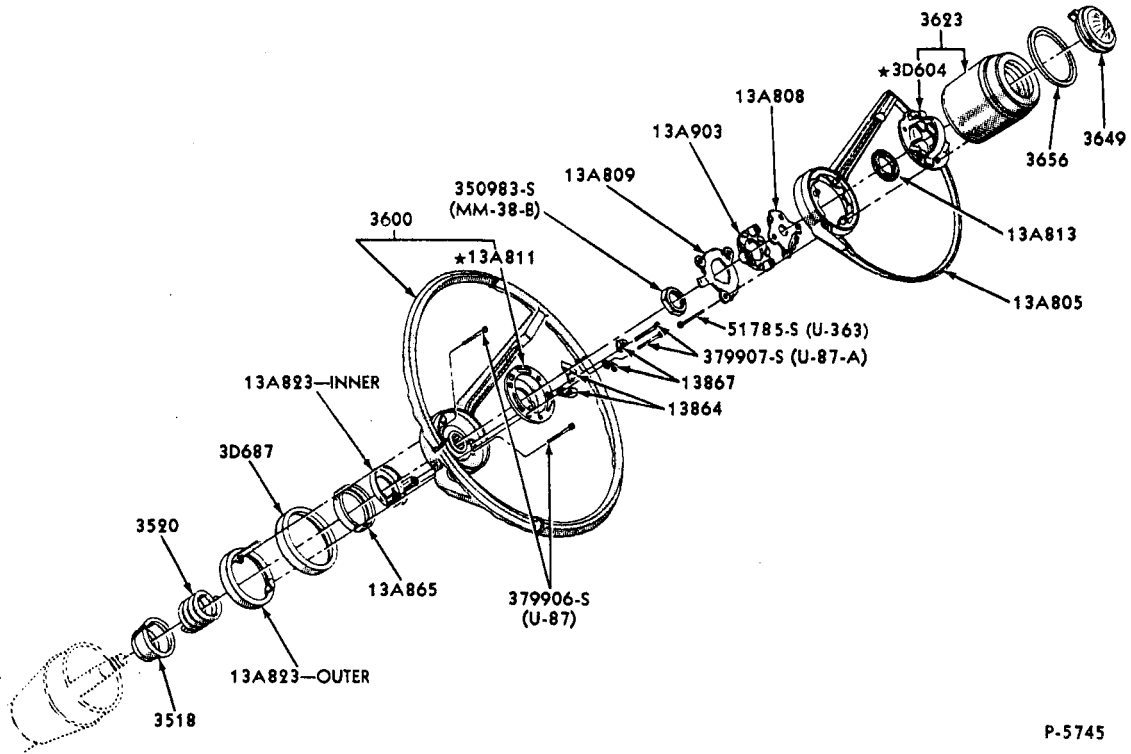
P-5743

HORN RING, STEERING WHEEL and RELATED PARTS  
1967 THUNDERBIRD - EXCEPT WITH SPEED CONTROL



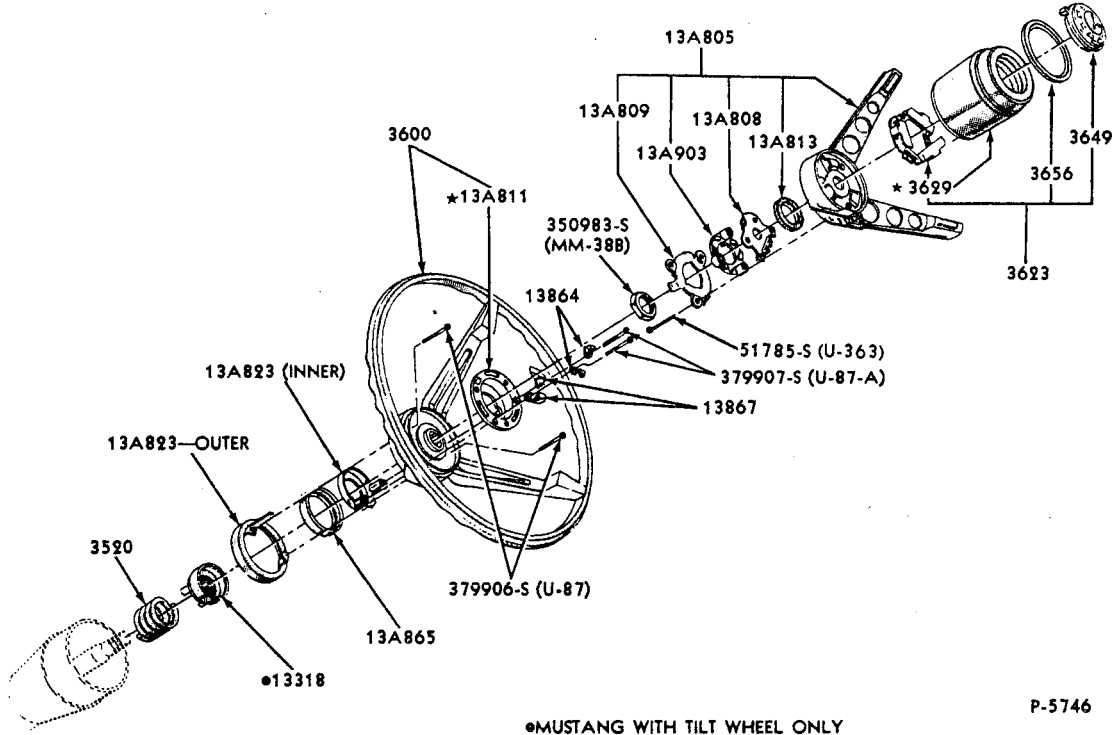
P-5744

HORN RING, STEERING WHEEL and RELATED PARTS -- NON - WOODGRAIN WHEEL  
1967 FORD



HORN RING, STEERING WHEEL and RELATED PARTS -- NON - WOODGRAIN WHEEL  
1967 FAIRLANE and FALCON

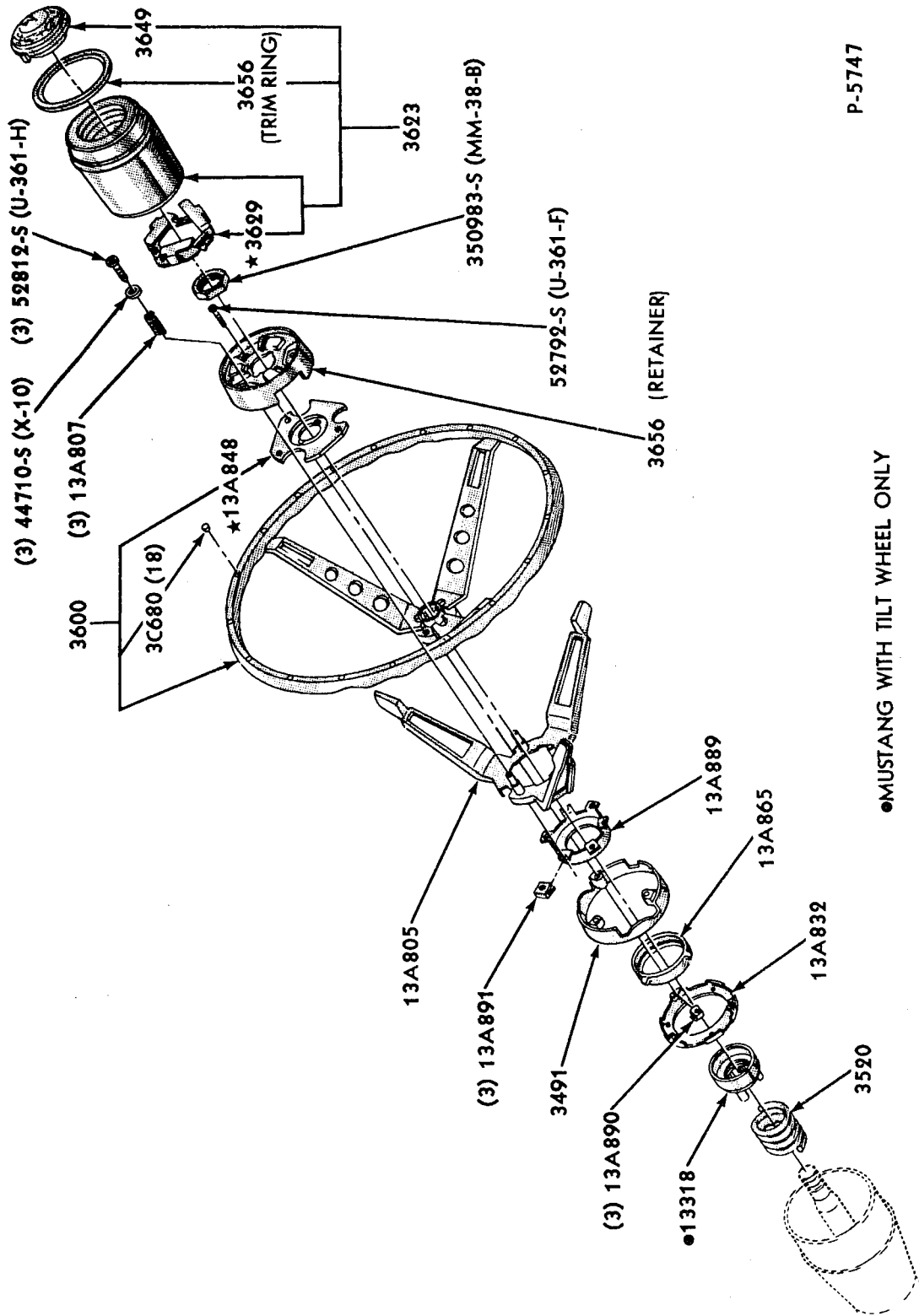
P-5745



HORN RING, STEERING WHEEL and RELATED PARTS -- NON - WOODGRAIN WHEEL  
1967 MUSTANG

●MUSTANG WITH TILT WHEEL ONLY

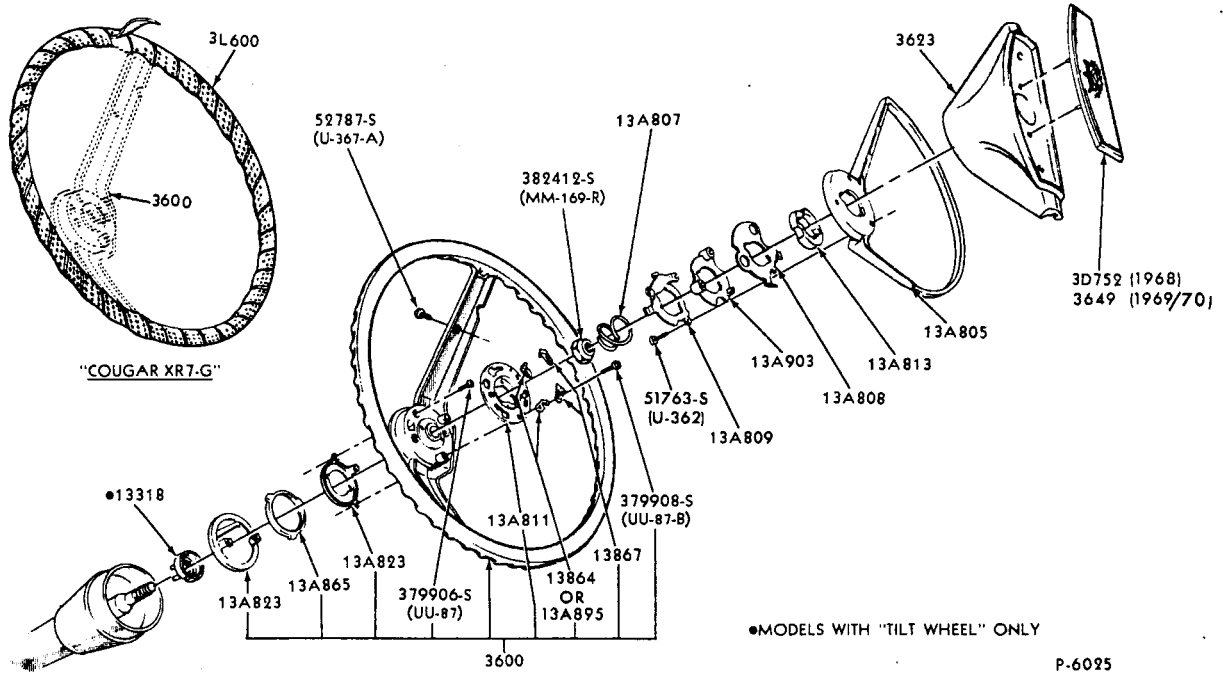
P-5746



P-5747

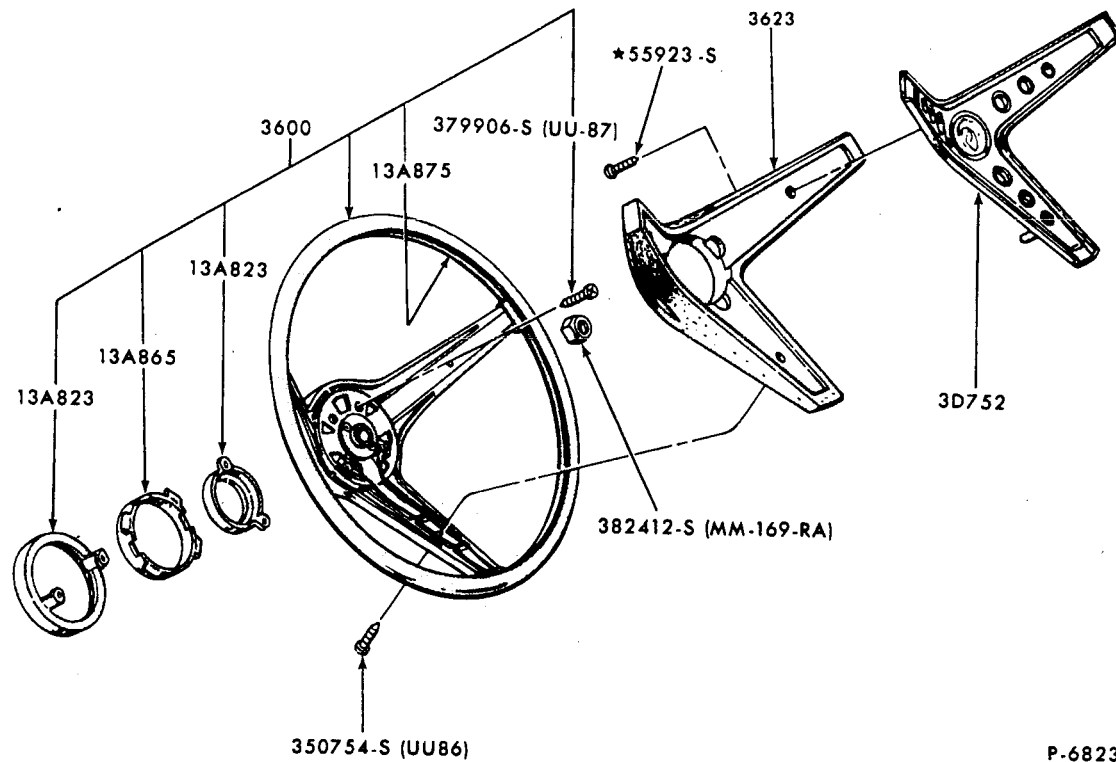
●MUSTANG WITH TILT WHEEL ONLY

HORN RING, STEERING WHEEL and RELATED PARTS -- WOODGRAIN WHEEL  
1967 FORD, FAIRLANE, MUSTANG and FALCON



HORN RING, 2 - SPOKE STEERING WHEEL and RELATED PARTS

1968 FORD, 1968/69 FAIRLANE, MUSTANG, FALCON  
 1968/69 THUNDERBIRD - EXCEPT WITH SPEED CONTROL  
 1969 FORD - EXCEPT WITH SPEED CONTROL, 1970 MAVERICK - WITHOUT LOCKING STEERING COLUMN

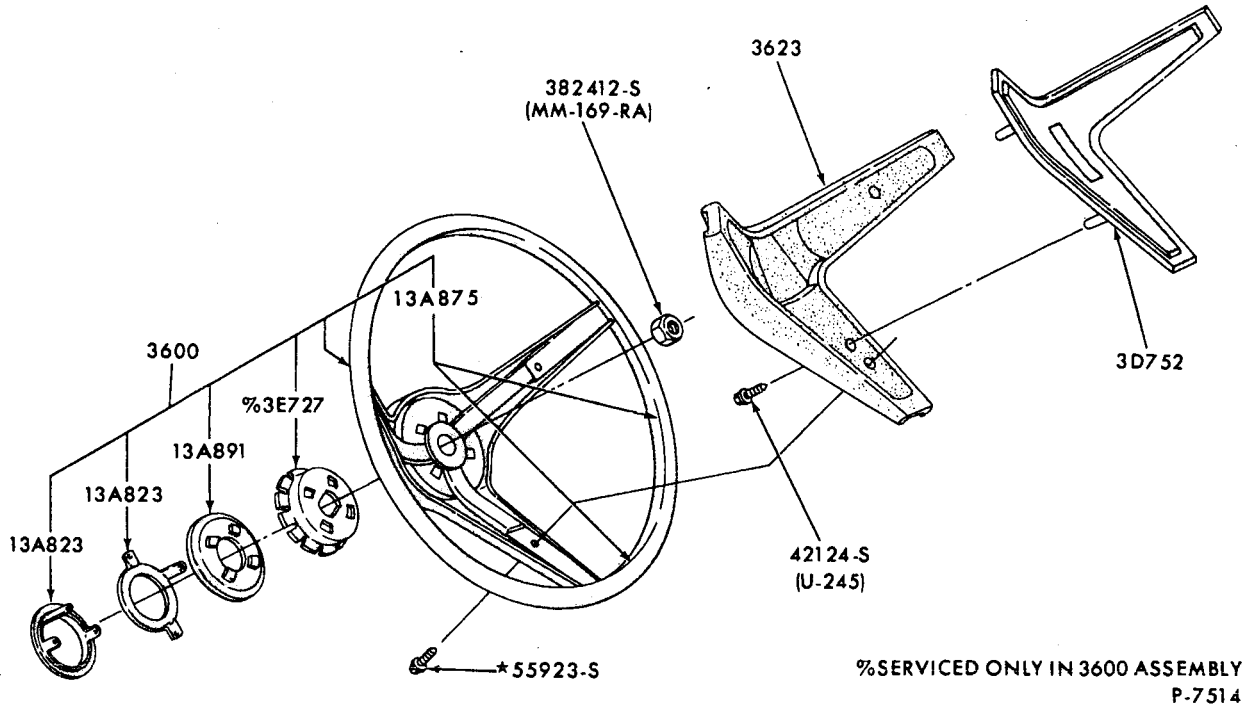


3 - SPOKE STEERING WHEEL WITH RIM BLOW HORN and RELATED PARTS

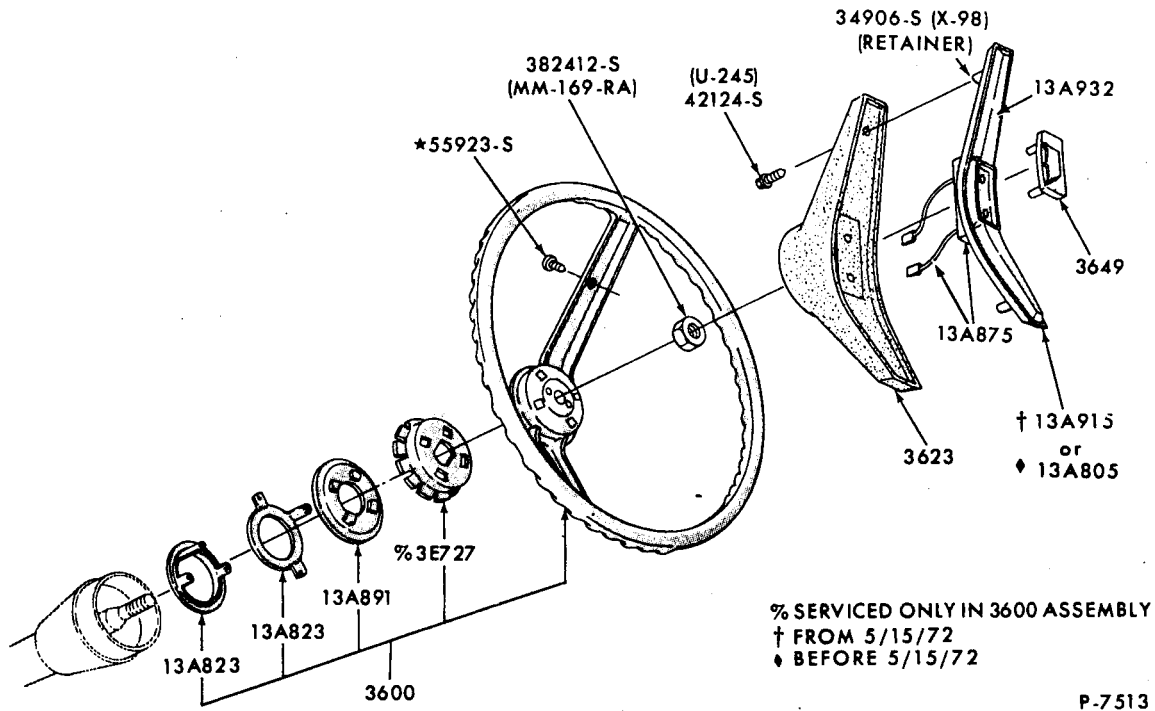
1969 FORD, FAIRLANE, MUSTANG, FALCON 1970 MAVERICK - WITHOUT LOCKING STEERING COLUMN



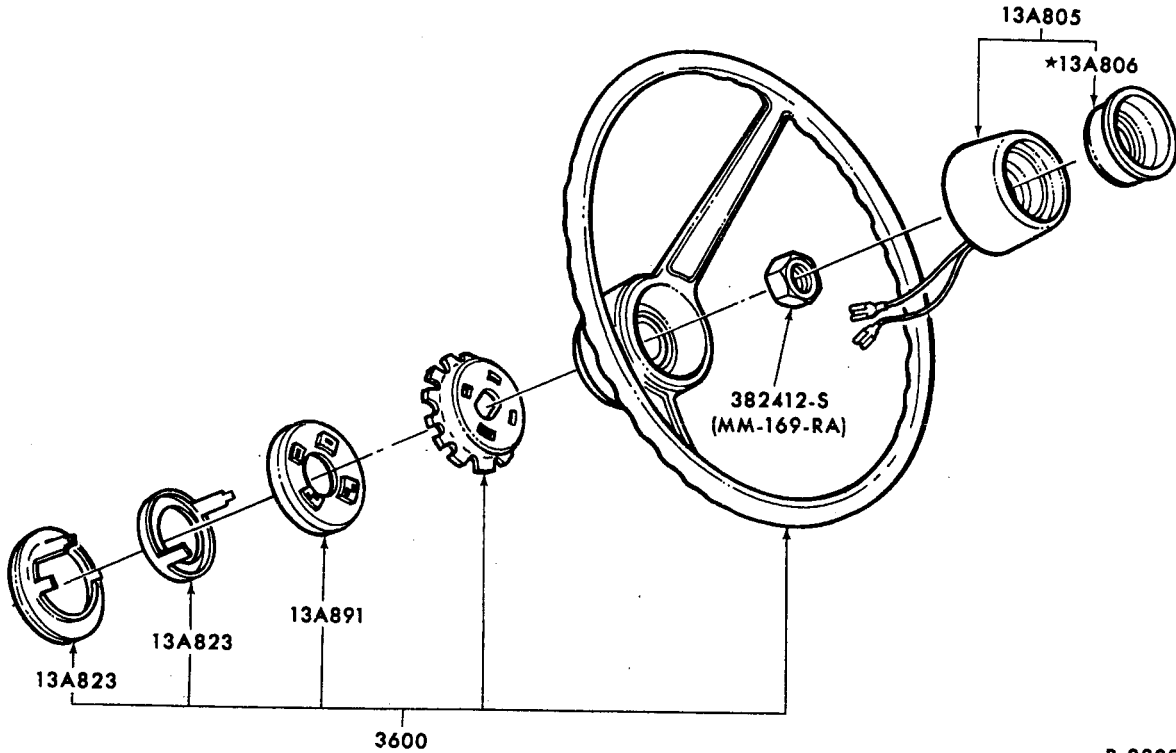
**FORD CAR PARTS**



3 - SPOKE STEERING WHEEL WITH RIM BLOW HORN and RELATED PARTS  
1970/72 FORD, 1970 FAIRLANE/TORINO "BEFORE 1/5/70", 1970 MUSTANG-GT350/500, 1970/72 THUNDERBIRD  
1970/71 MAVERICK-with LOCKING STEERING COLUMN

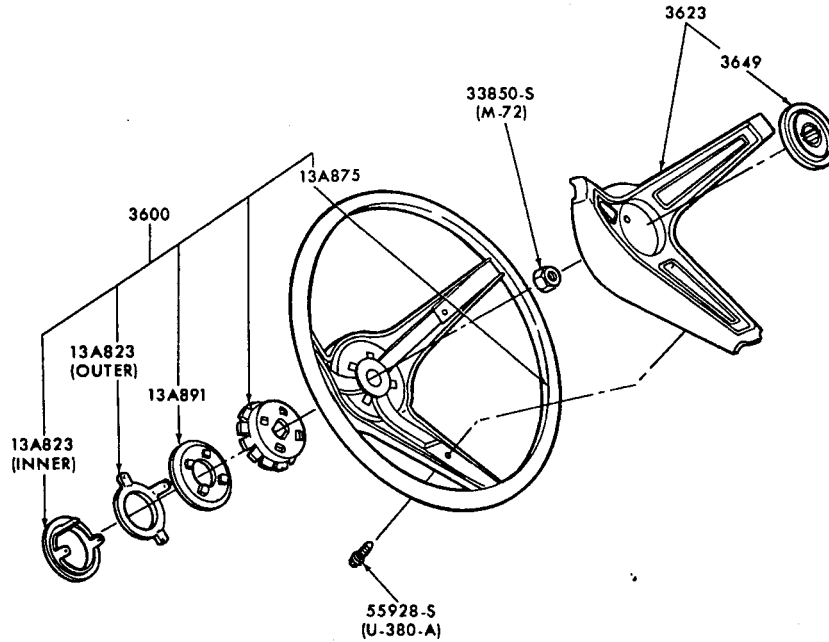


2 - SPOKE STEERING WHEEL and RELATED PARTS  
1970/72 FAIRLANE/TORINO, MUSTANG, FALCON 1970/72 FORD, THUNDERBIRD-EXCEPT WITH SPEED CONTROL  
1970/72 MAVERICK-with LOCKING STEERING COLUMN 1971/72 PINTO



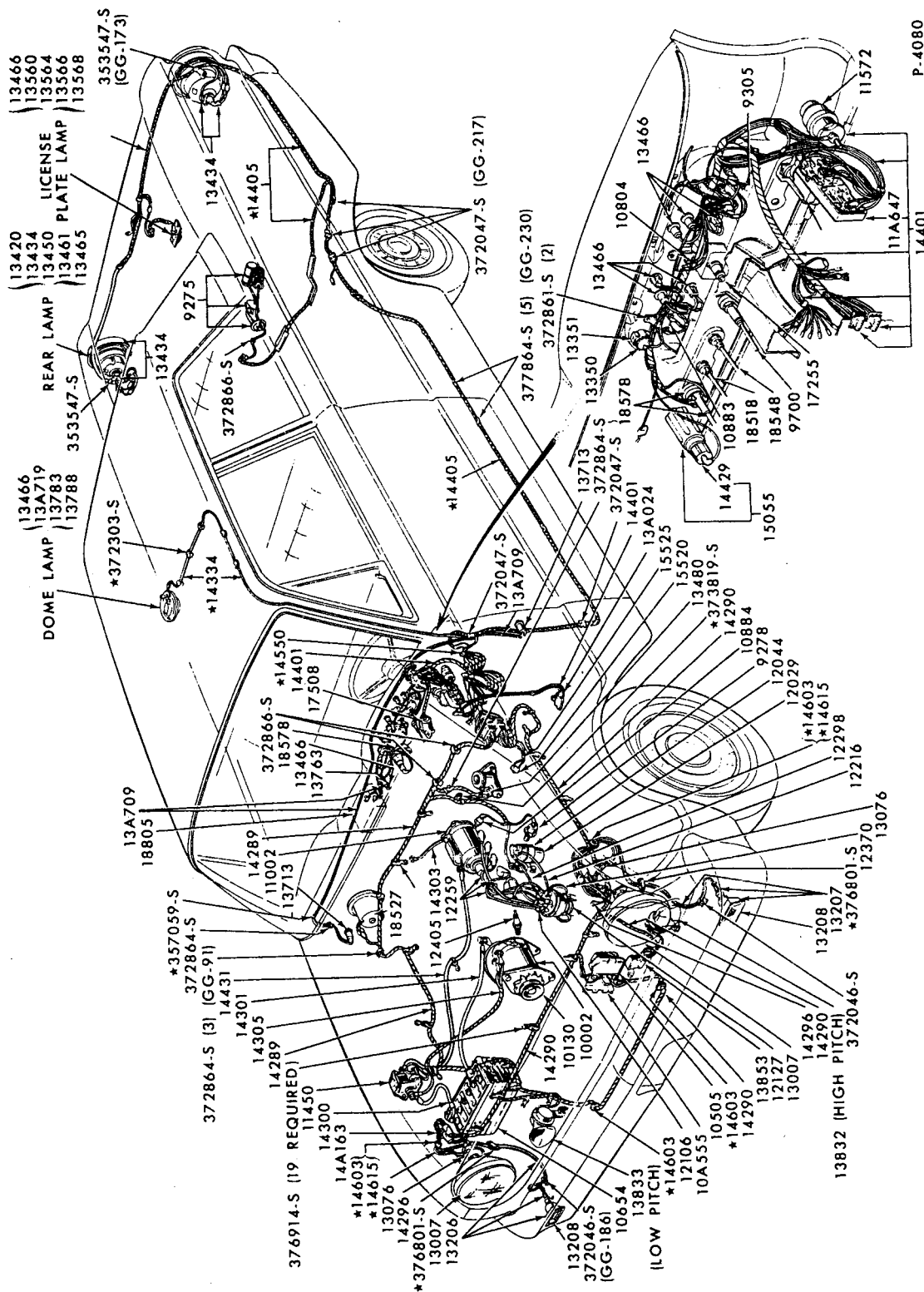
2 - SPOKE STEERING WHEEL WITH BUTTON BLOW HORN and RELATED PARTS  
1971/72 MAVERICK, MUSTANG, PINTO

P-8309



3 SPOKE STEERING WHEEL WITH RIM BLOW HORN and RELATED PARTS  
1970/72 FAIRLANE/TORINO-"FROM 1/5/70", 1970/72 MUSTANG-EXCEPT GT350/500

P-10685

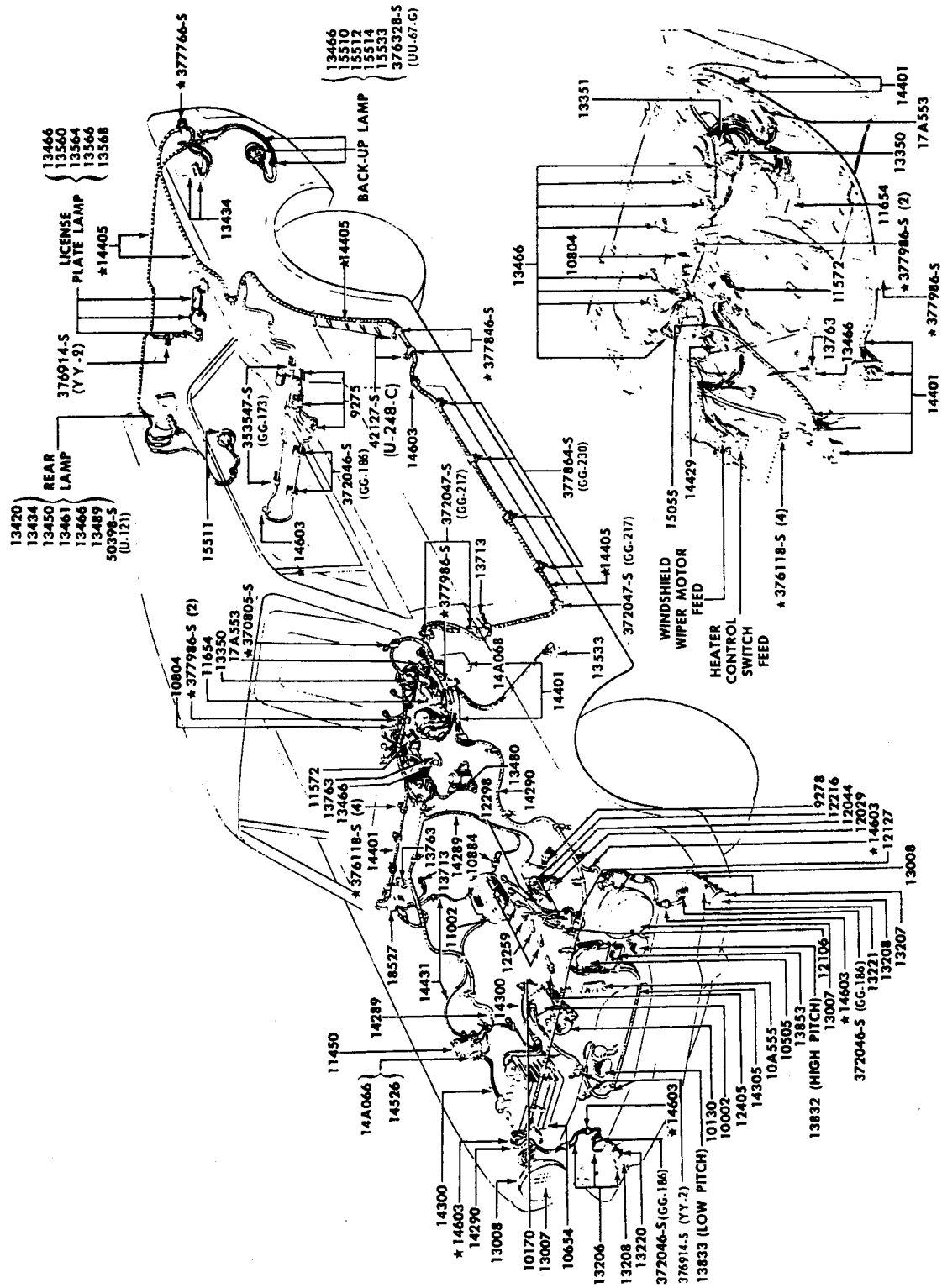


WIRING SYSTEM - "TYPICAL"  
1965 FALCON









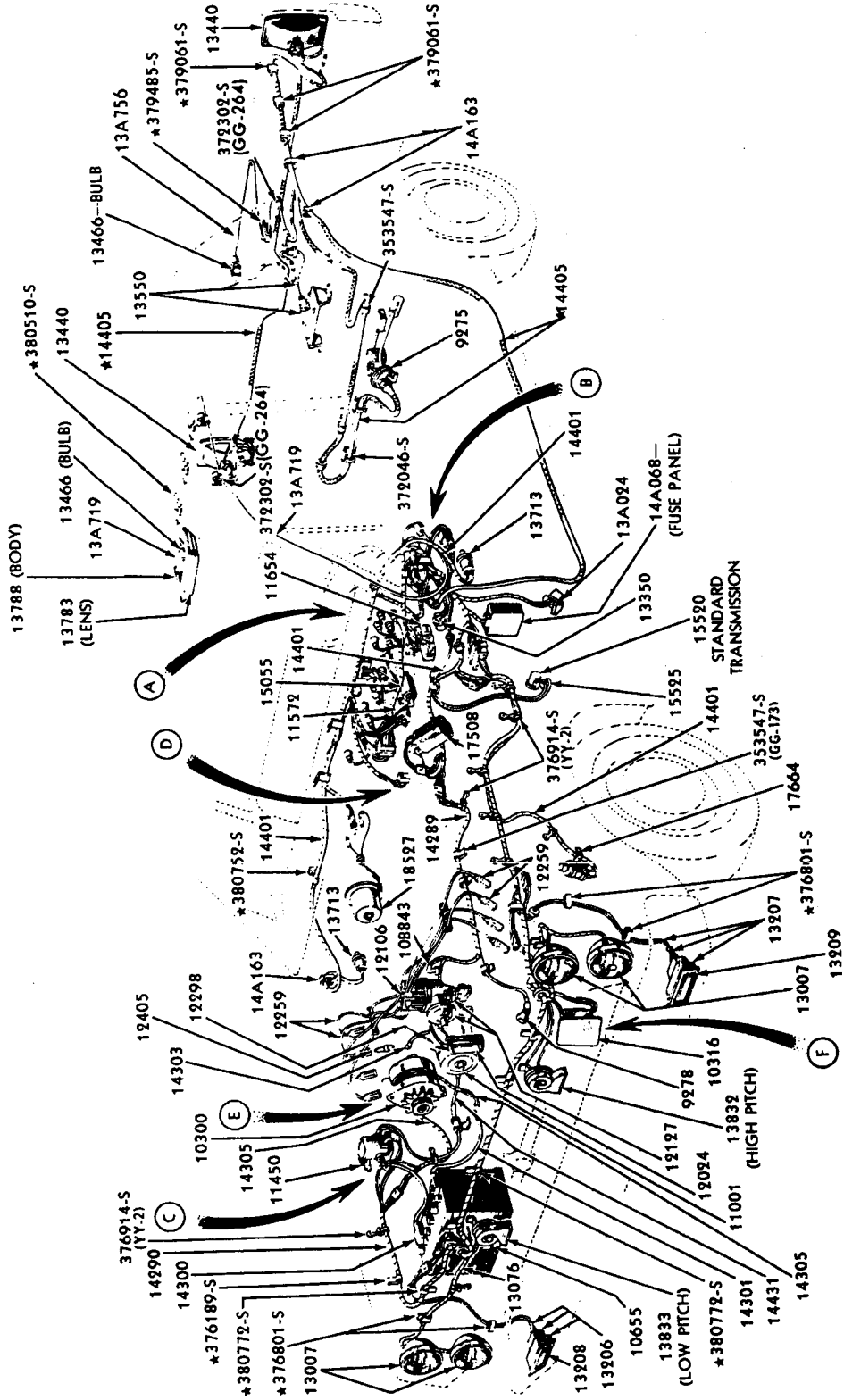
P-4498

WIRING SYSTEM - "TYPICAL"  
1965/66 MUSTANG

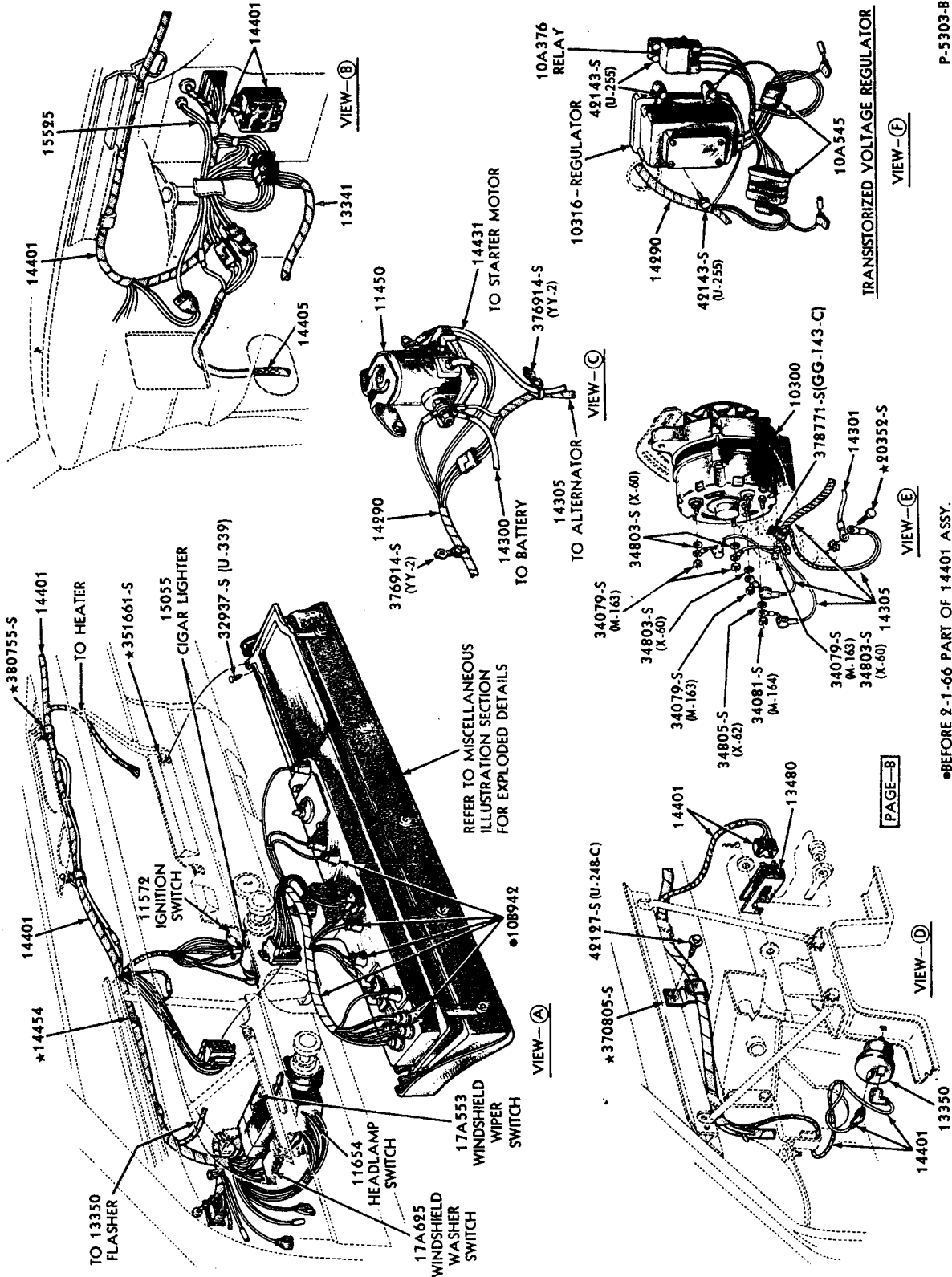








WIRING SYSTEM - "TYPICAL"... PAGE A  
1966/67 FAIRLANE/TORINO



WIRING SYSTEM - "TYPICAL" ... PAGE B  
1966/67 FAIRLANE/TORINO



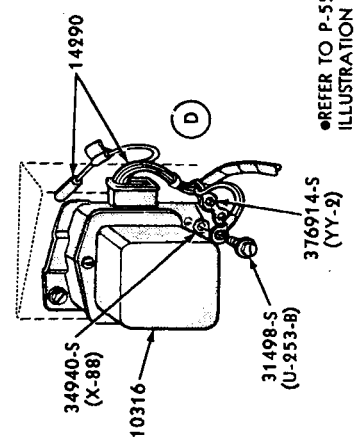
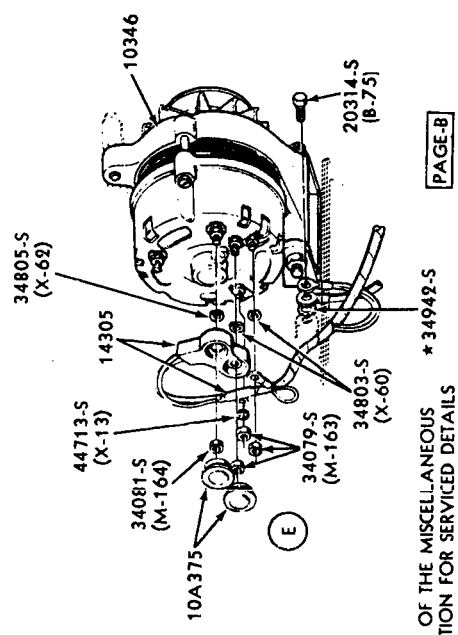
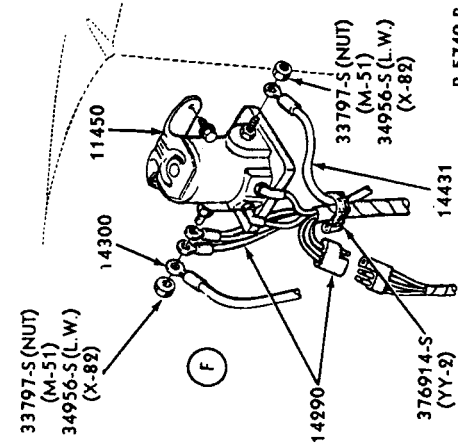
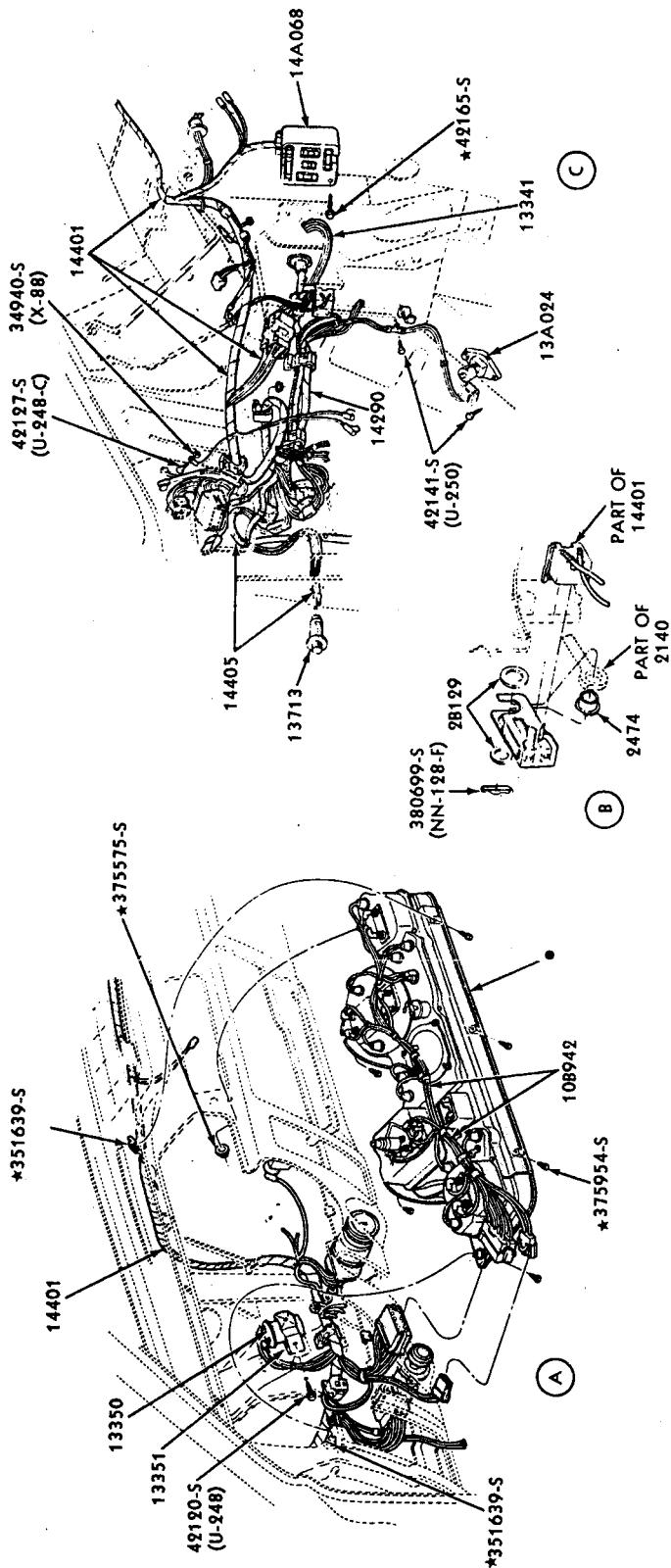












REFER TO P-5574 OF THE MISCELLANEOUS ILLUSTRATION SECTION FOR SERVICED DETAILS

PAGE-B

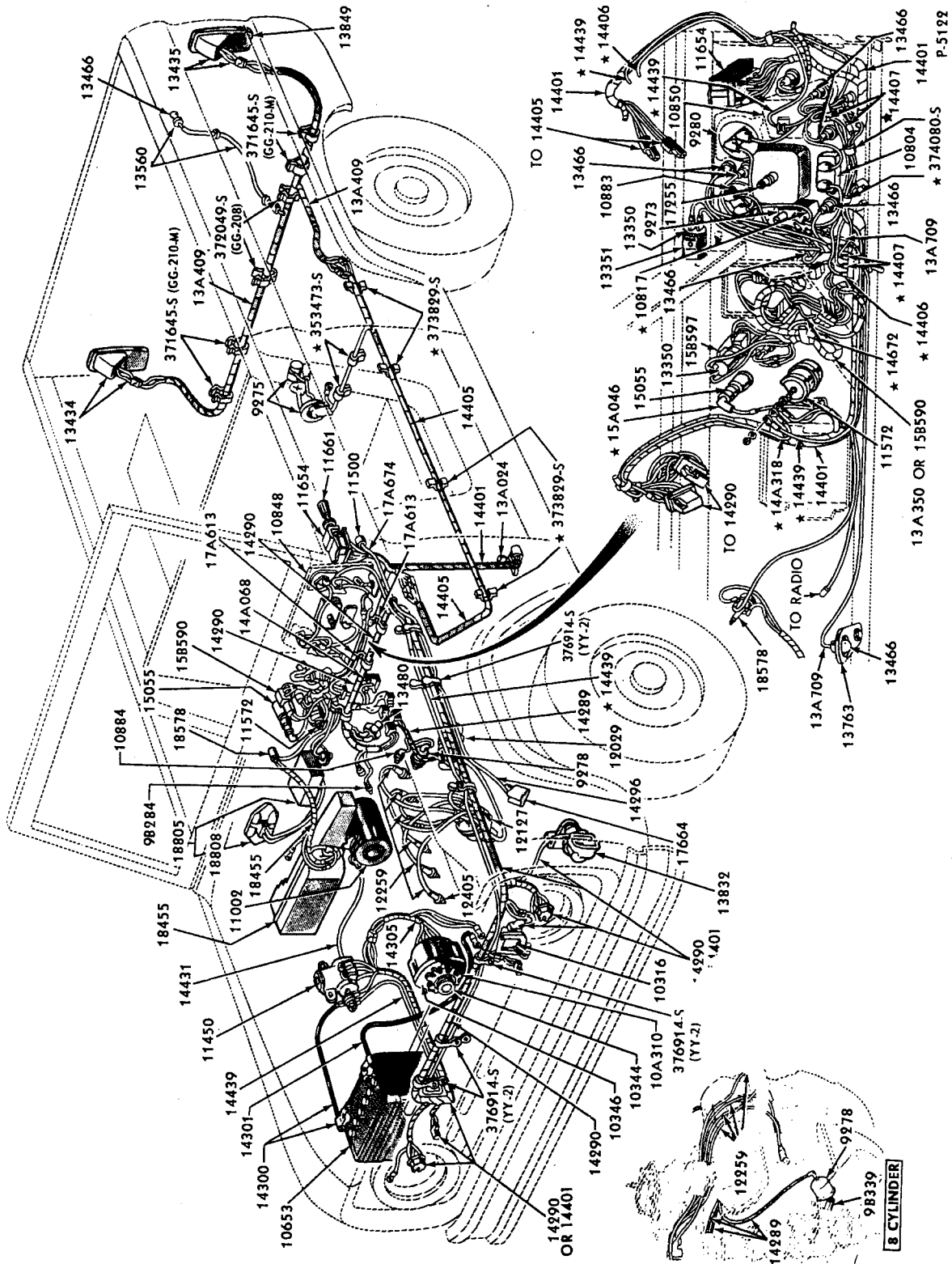
P-5749-B

WIRING SYSTEM - "TYPICAL". . . PAGE B  
1967/68 MUSTANG



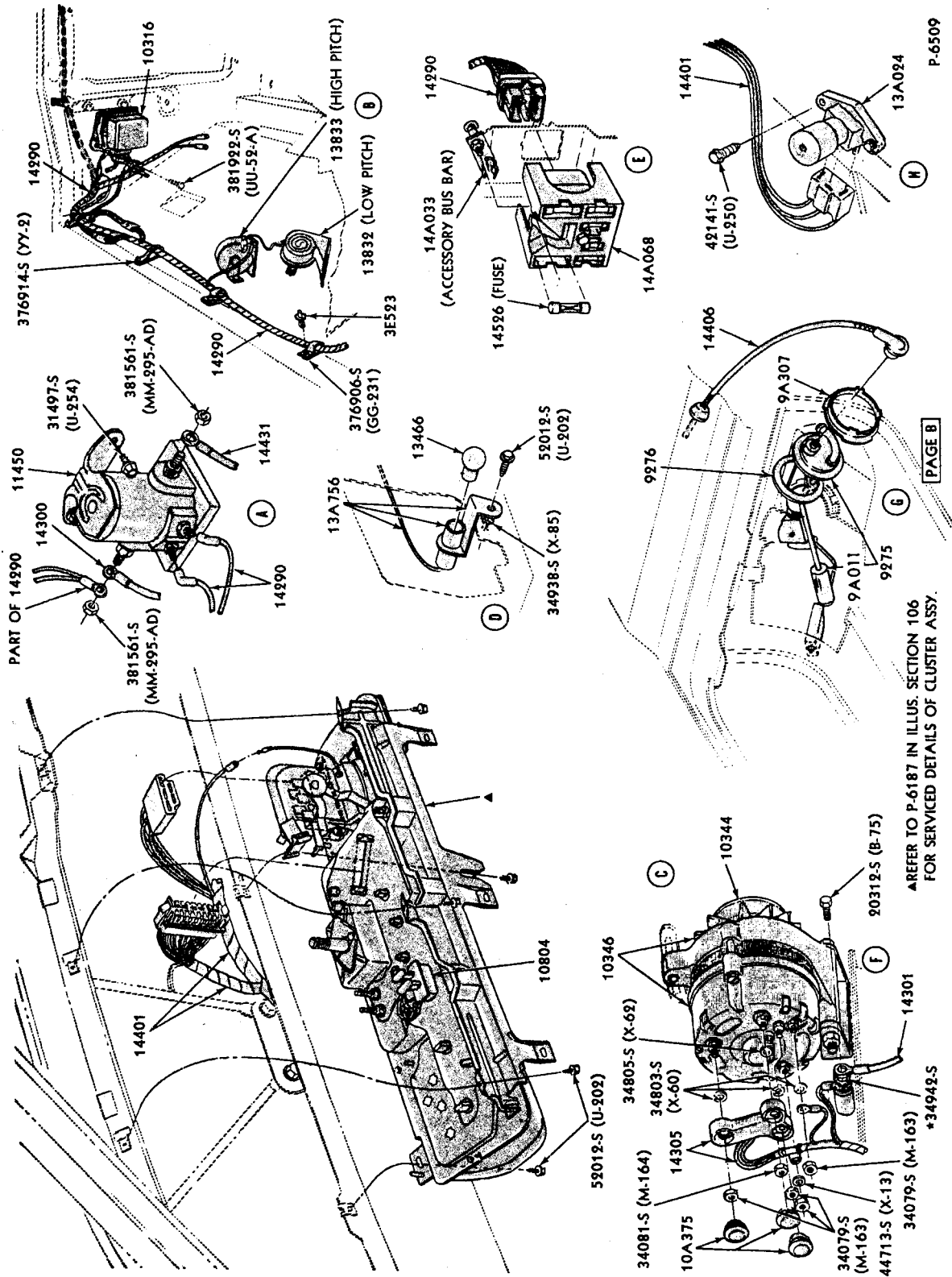






WIRING SYSTEM - "TYPICAL"  
1966/72 BRONCO





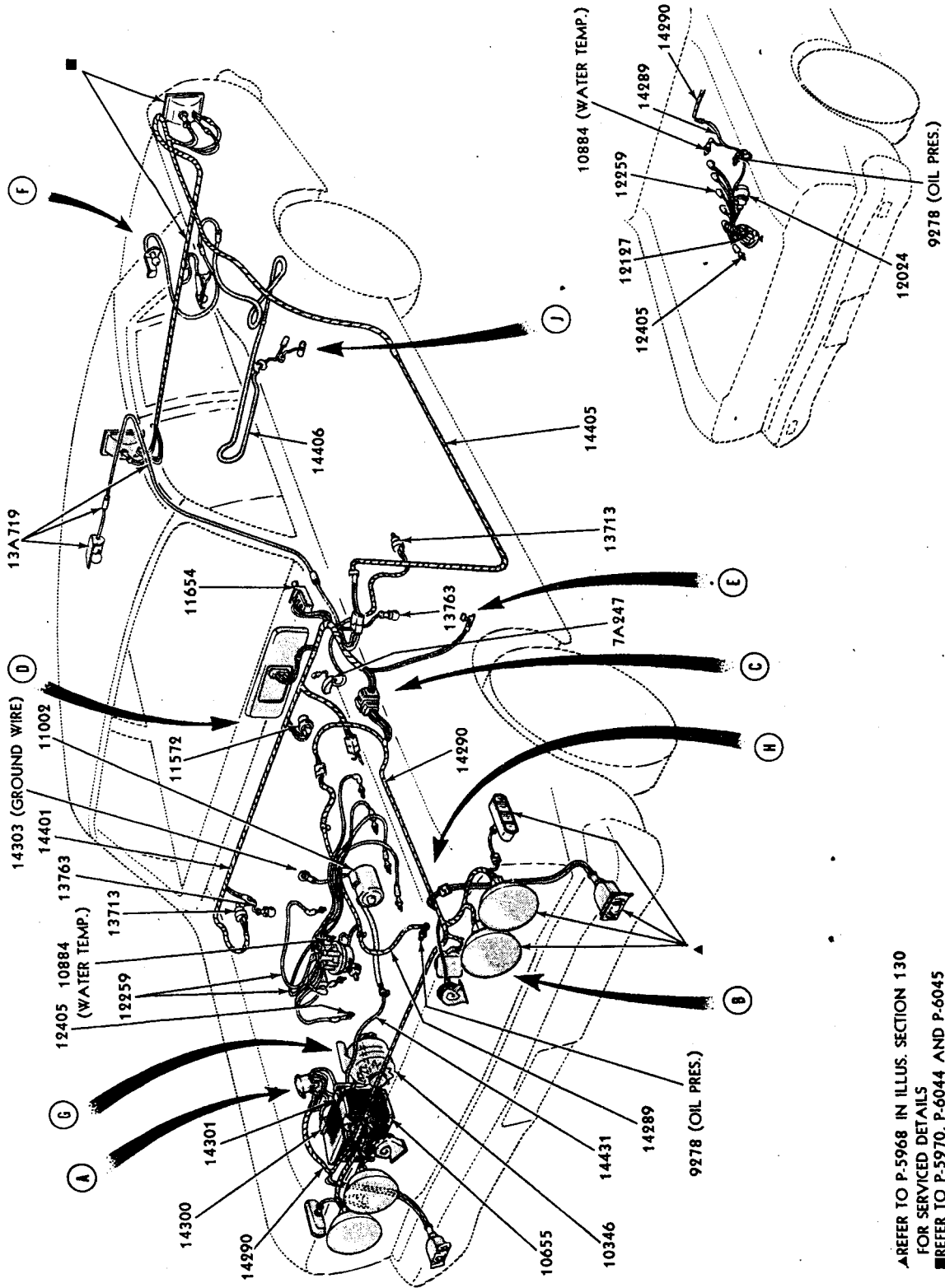
P-6509

PAGE B

REFER TO P-6187 IN ILLUS. SECTION 106 FOR SERVICED DETAILS OF CLUSTER ASSY.

WIRING SYSTEM - "TYPICAL". . . PAGE B

1968/70 FALCON



P-6510

6 CYLINDER

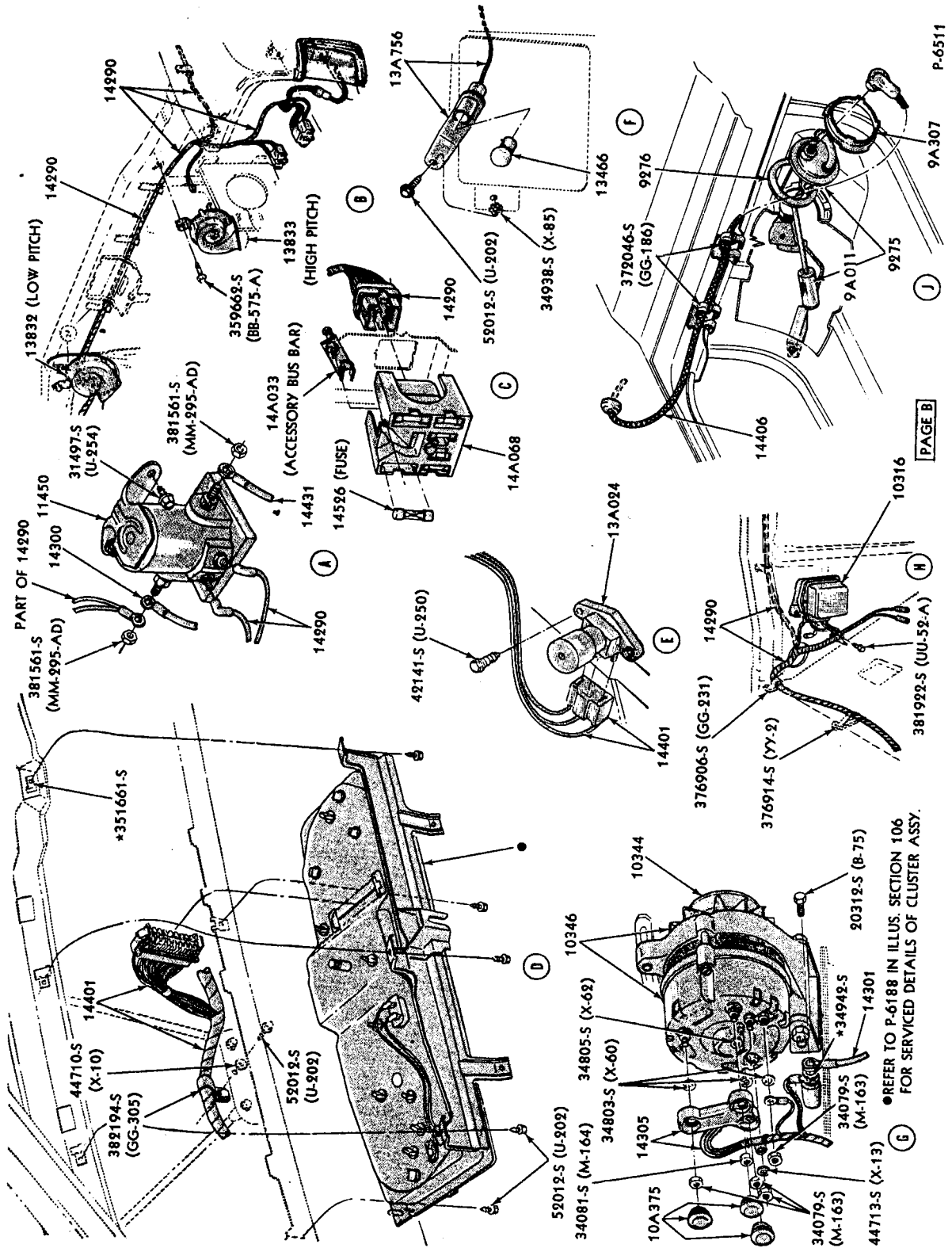
CONTINUED ON PAGE B

PAGE A

REFER TO P-5968 IN ILLUS. SECTION 130 FOR SERVICED DETAILS  
 ■ REFER TO P-5970, P-6044 AND P-6045 IN ILLUS. SECTION 134 FOR SERVICED DETAILS

WIRING SYSTEM - "TYPICAL". . . PAGE A  
 1968/69 FAIRLANE/TORINO





P-6511

9A307

9A011

9275

10316

381922-S (UU-52-A)

20312-S (B-75)

14301

44713-S (X-13)

34079-S (M-163)

10A375

34081-S (M-164)

34803-S (X-60)

34805-S (X-62)

10346

10344

376914-S (YY-2)

376906-S (GG-231)

14401

14290

14401

14290

14290

14290

14290

14290

14290

14290

14290

14290

14290

14290

14290

14290

14290

14290

14290

14290

14290

14290

14290

14290

14290

14290

14290

14290

14290

14290

14290

14290

14290

14290

14290

14290

14290

14290

14290

14290

14290

14290

14290

14290

14290

14290

14290

14290

14290

14290

14290

14290

14290

14290

14290

14290

14290

14290

14290

14290

14290

14290

14290

14290

14290

14290

14290

14290

14290

14290

14290

14290

14290

14290

14290

14290

14290

14290

14290

14290

14290

14290

14290

14290

14290

14290

14290

14290

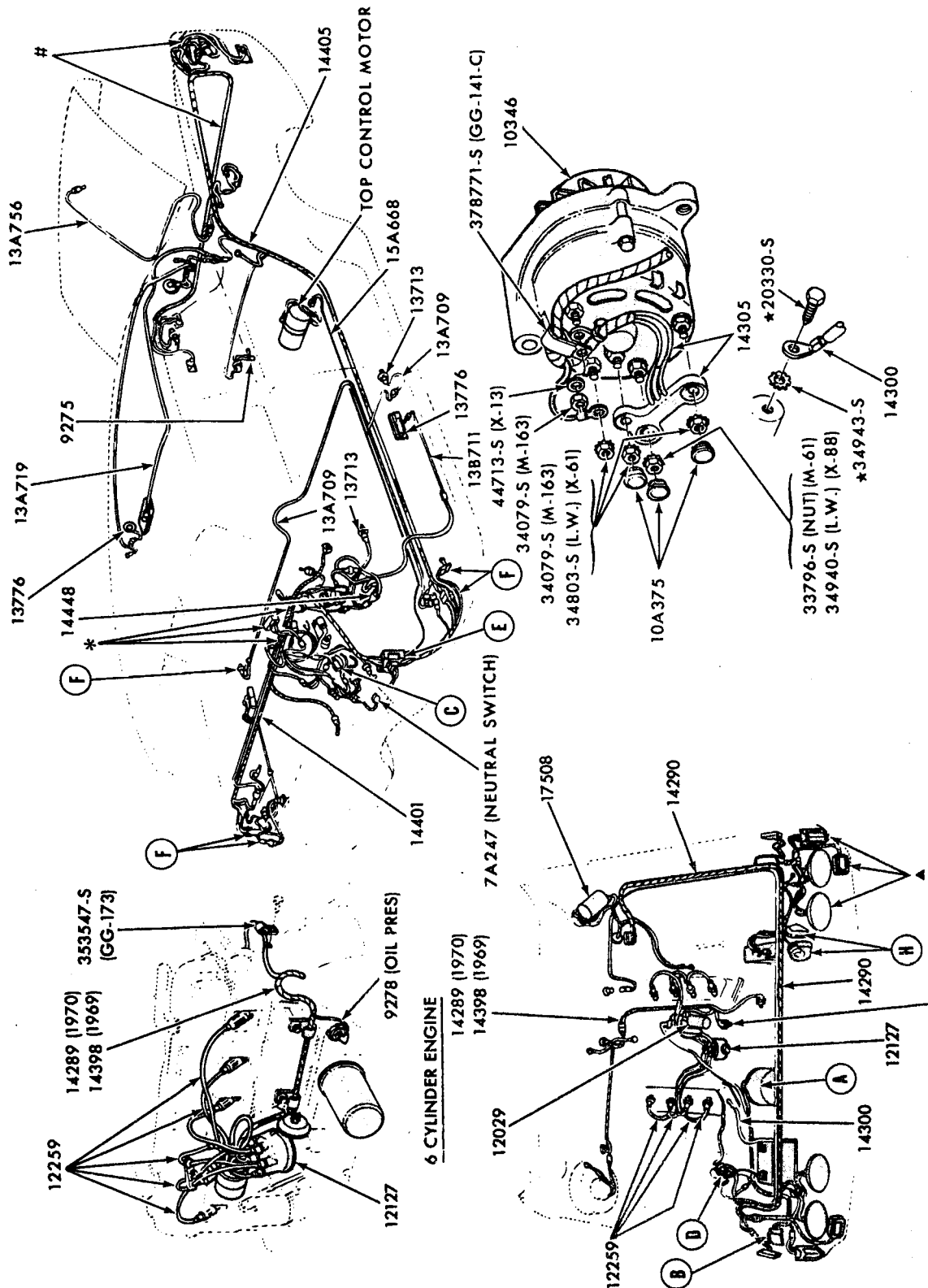
14290

14290

14290

14290

WIRING SYSTEM - "TYPICAL". . . PAGE B  
1968/69 FAIRLANE/TORINO



WIRING SYSTEM - "TYPICAL". . . PAGE A  
1969/70 FORD

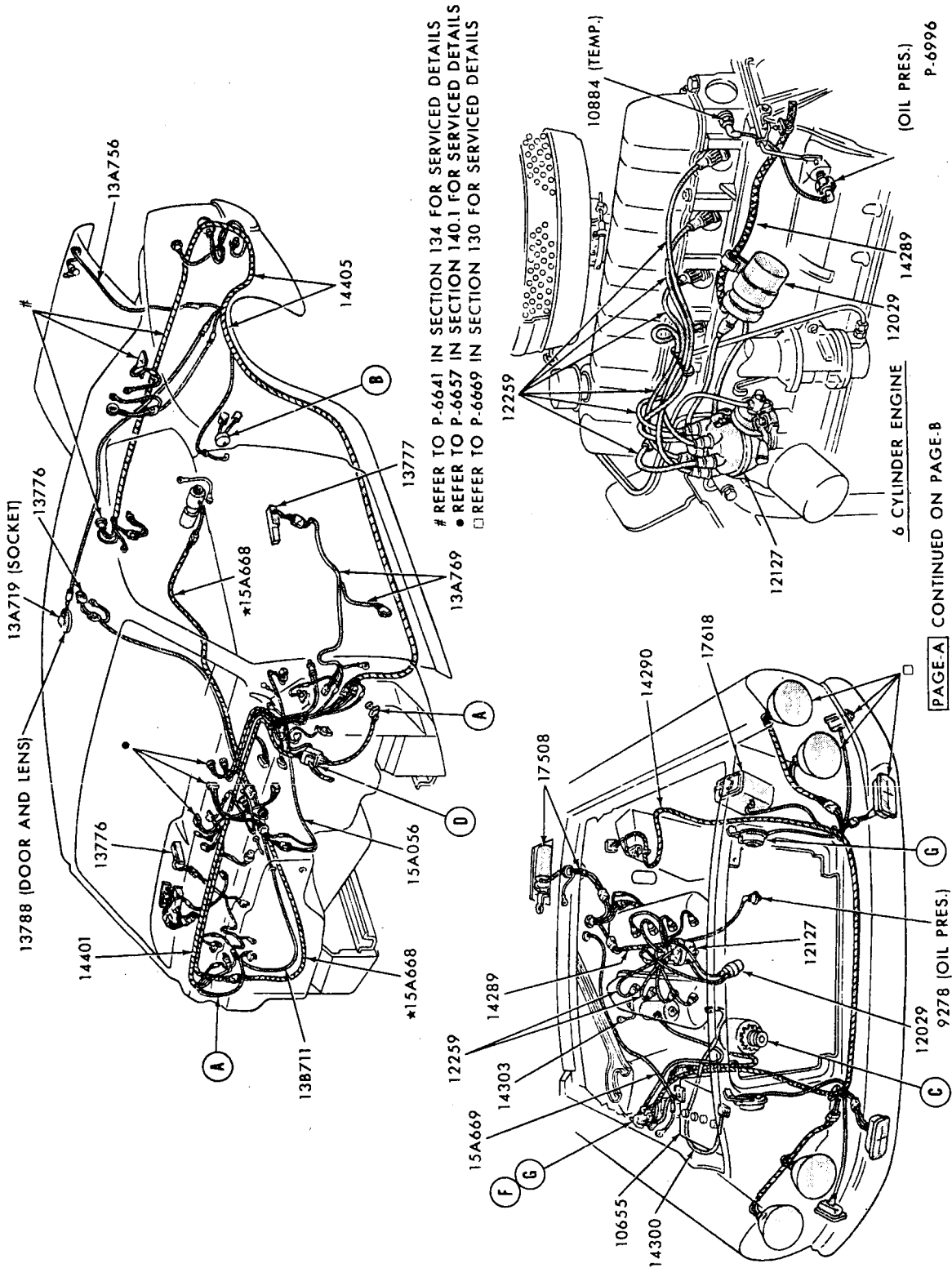
# REFER TO P-6607 IN SECTION 134 FOR SERVICED DETAILS  
 ▲ REFER TO P-6605 & P-6606 IN SECTION 130 FOR SERVICED DETAILS  
 \* REFER TO P-6651 IN SECTION 140 FOR SERVICED DETAILS

PAGE-A continued on PAGE-B



ILLUSTRATION SECTION 140

FORD CAR PARTS



WIRING SYSTEM - "TYPICAL" ... PAGE A  
1969/70 MUSTANG

P-6996

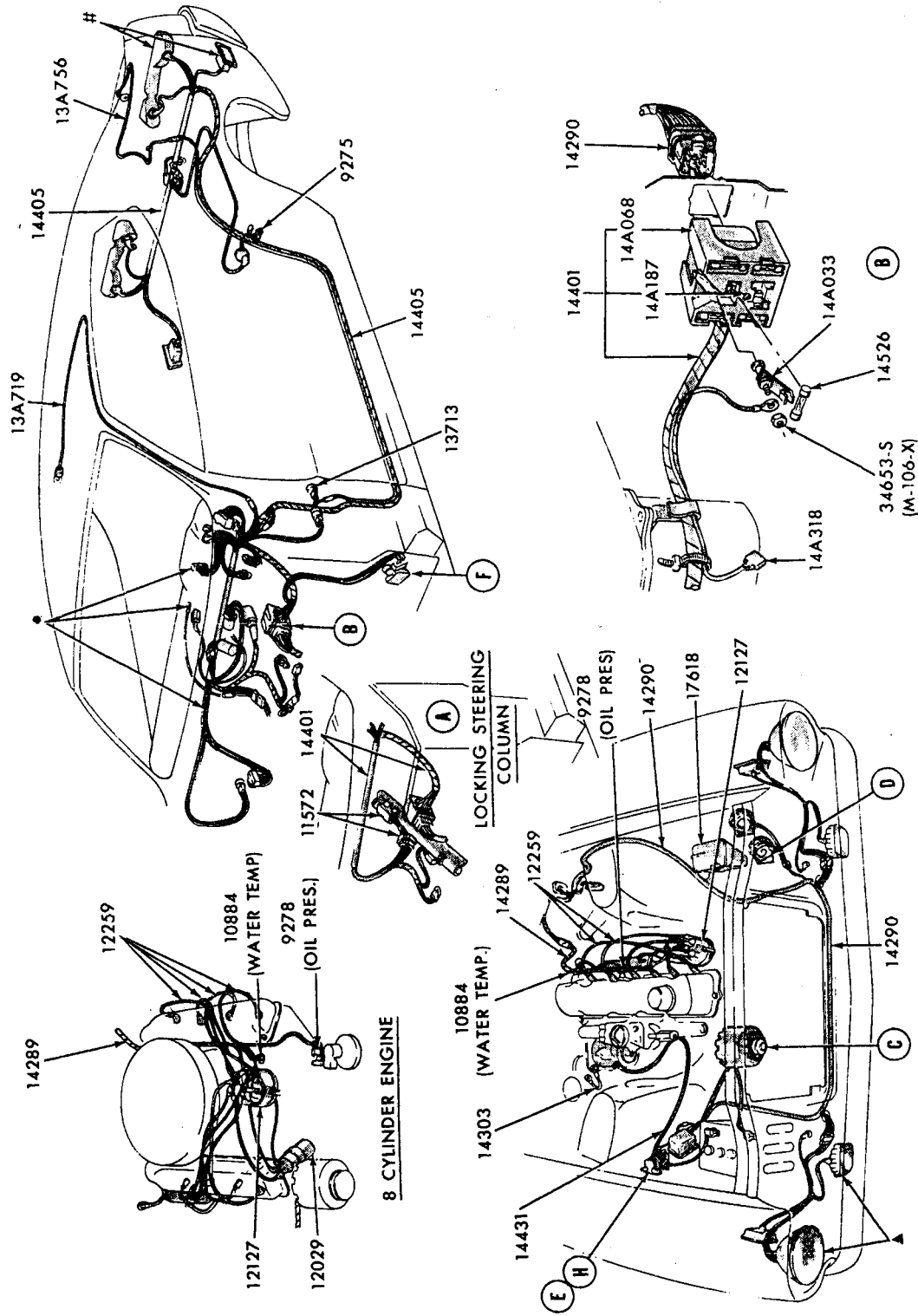
(OIL PRES.)

6 CYLINDER ENGINE 12029 14289

PAGE-A CONTINUED ON PAGE-B

9278 (OIL PRES.)



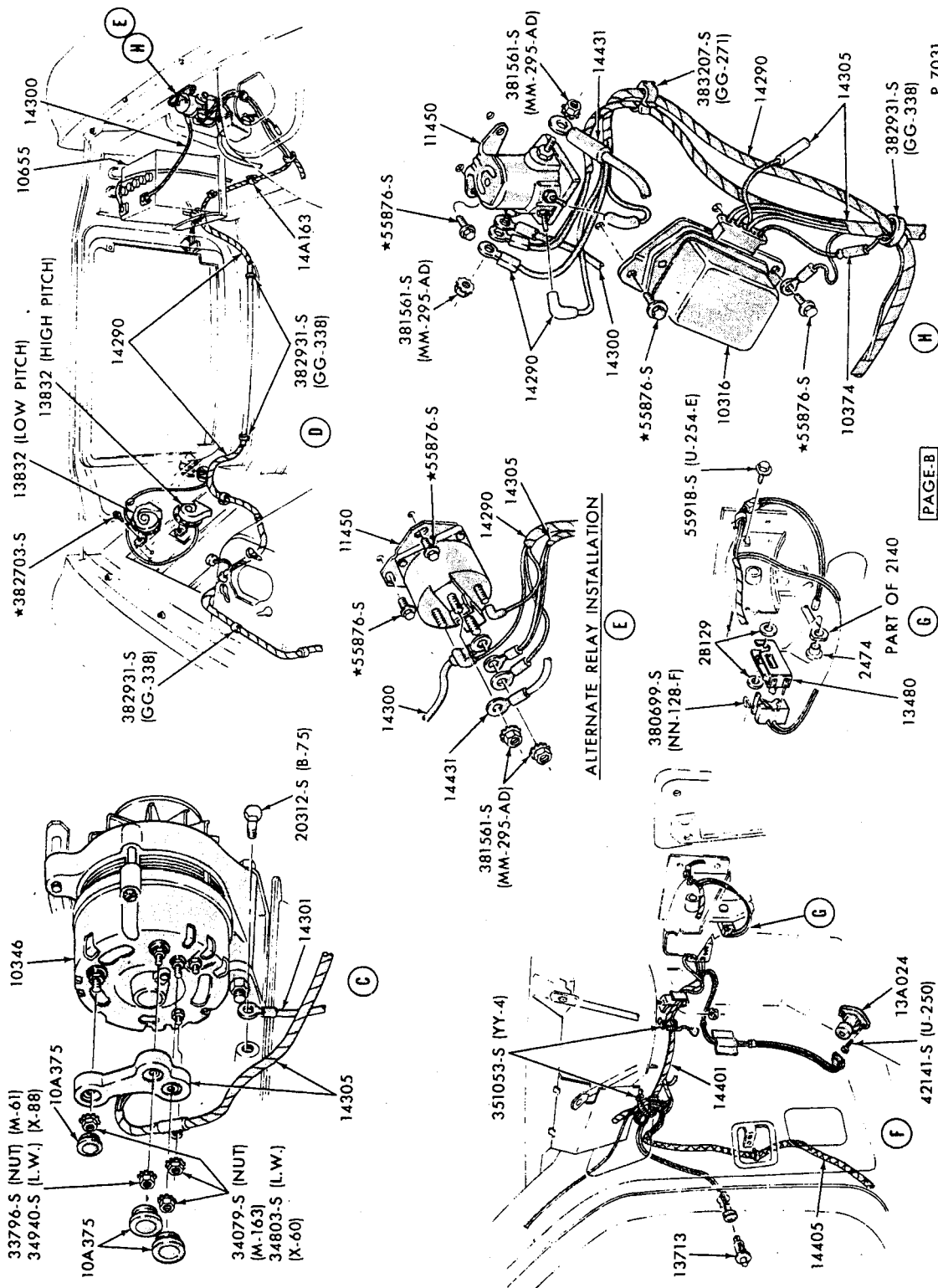


PAGE-A CONTINUED ON PAGE-B

P-7030

WIRING SYSTEM - "TYPICAL" ... PAGE A  
1970/72 MAVERICK

▲ REFER TO P-6870 IN SECTION 130 FOR SERVICED DETAILS  
 ● REFER TO P-6834 IN SECTION 140.1 FOR SERVICED DETAILS  
 # REFER TO SECTION 134 FOR SERVICED DETAILS

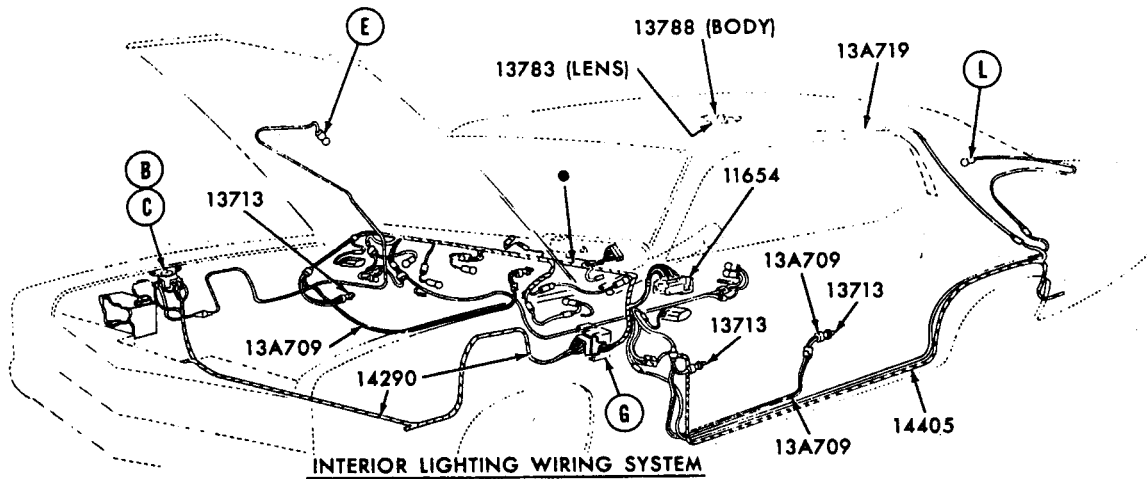
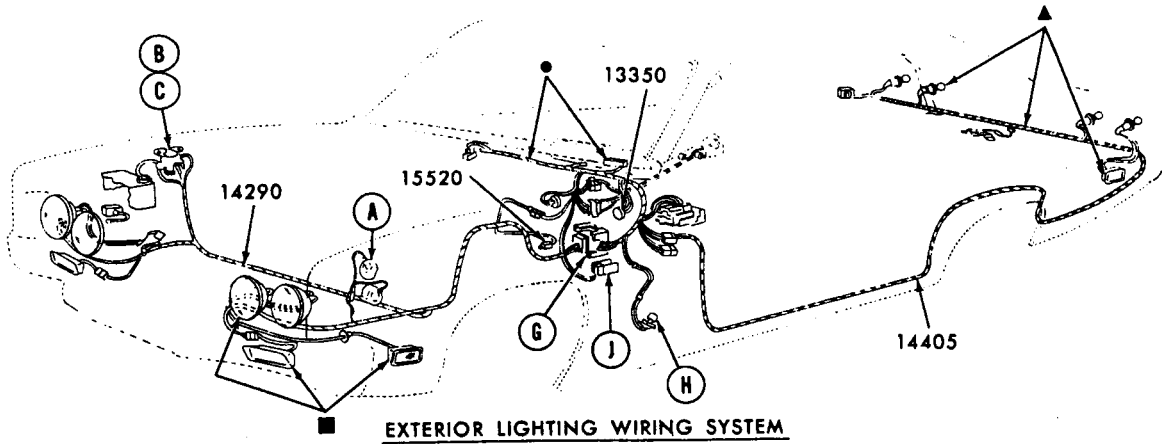
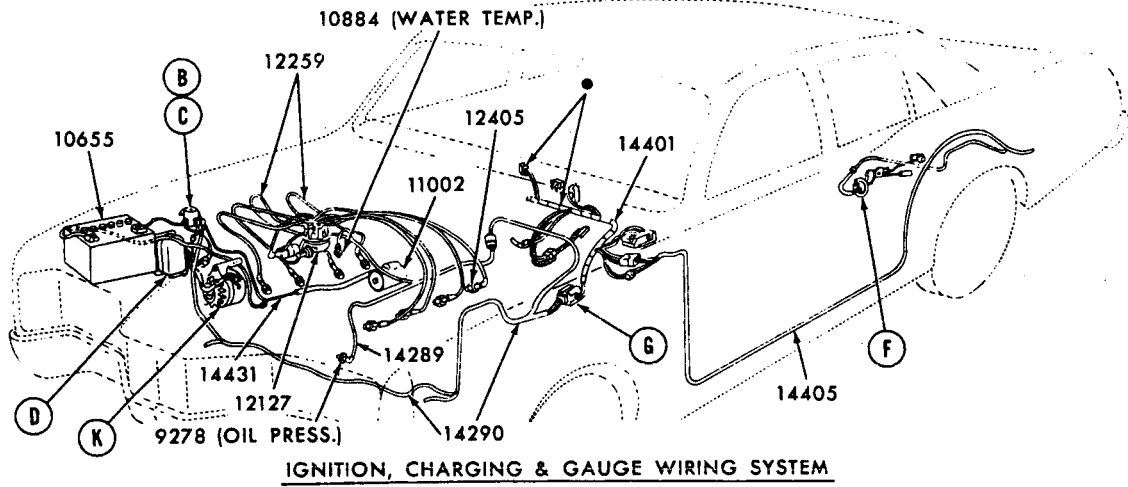


PAGE-B

WIRING SYSTEM - "TYPICAL" . . . PAGE B  
1970/72 MAVERICK

**ILLUSTRATION  
SECTION 140**

**FORD CAR PARTS**

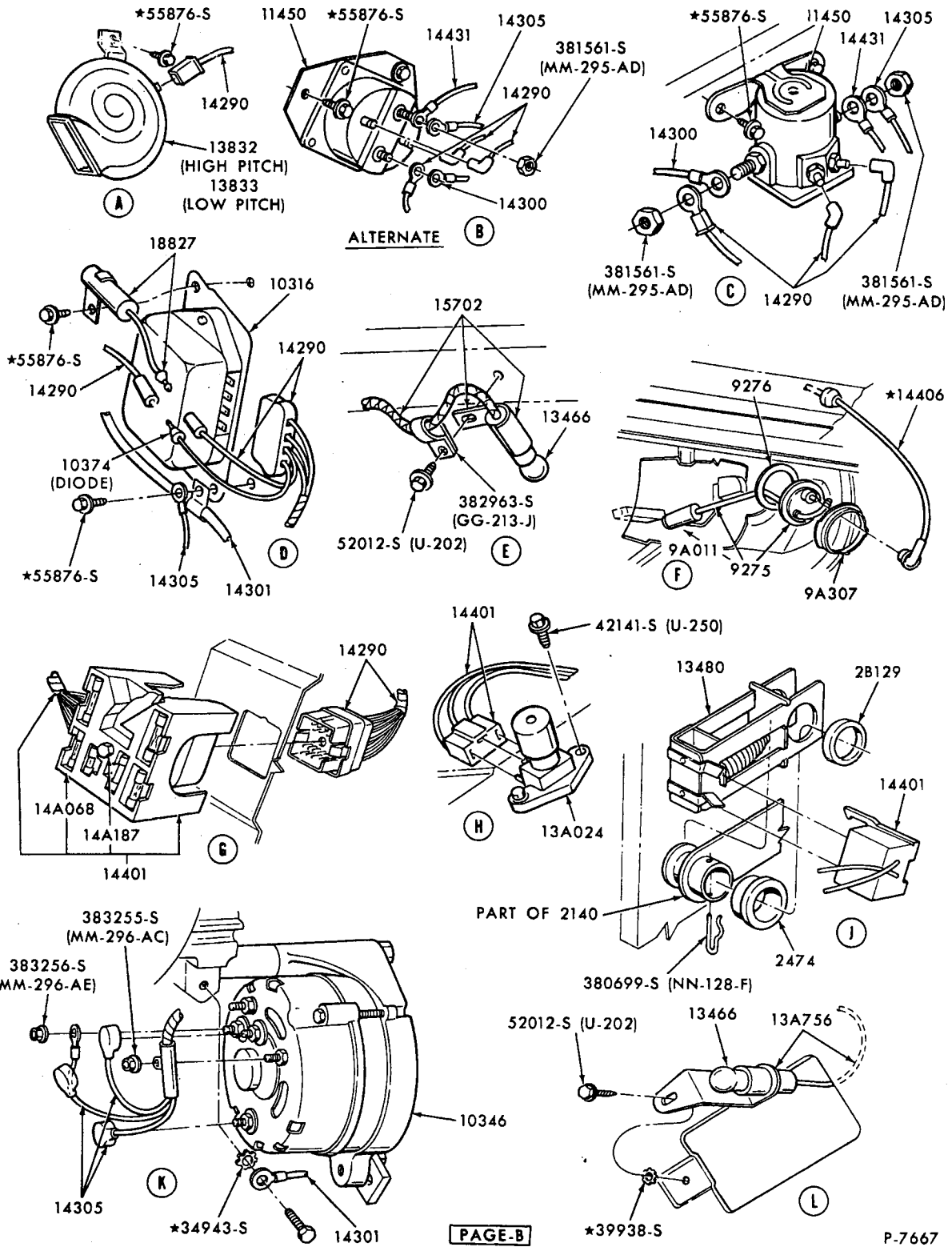


- REFER TO ILLUSTRATION SECTION 140.1 FOR INSTRUMENT PANEL WIRING DETAILS
- REFER TO ILLUSTRATION SECTION 130 FOR HEADLAMP DETAILS
- ▲ REFER TO ILLUSTRATION SECTION 134 FOR REAR LAMP DETAILS

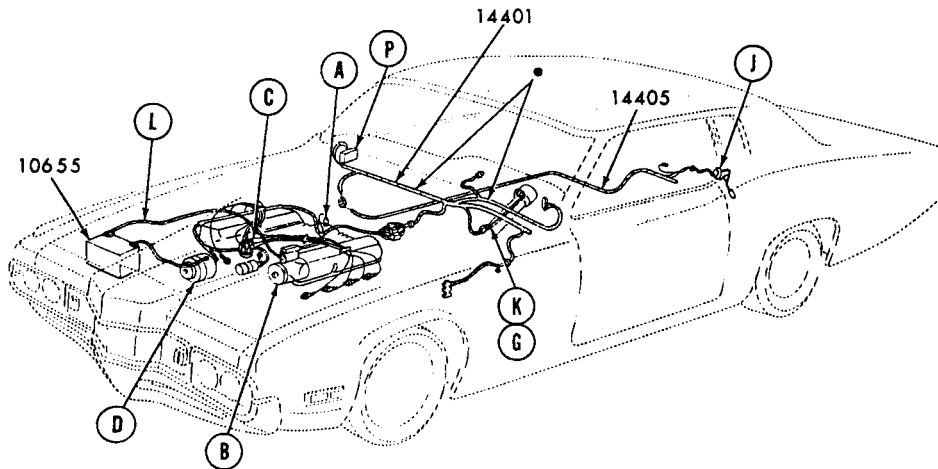
**PAGE—A** CONTINUED ON PAGE—B

P-7666

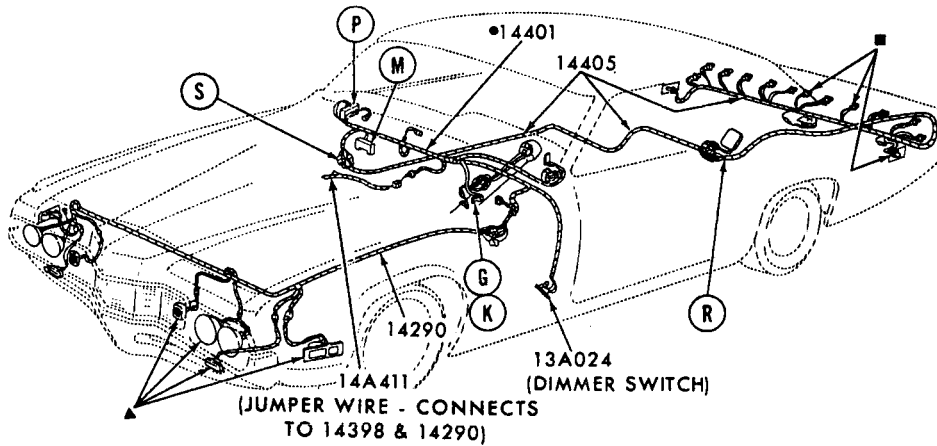




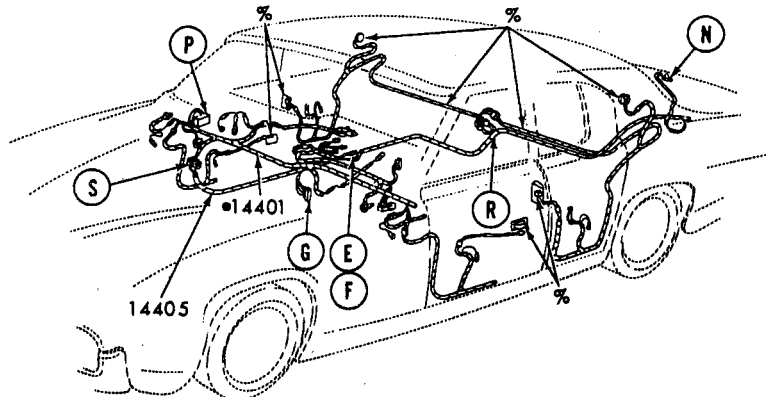
WIRING SYSTEM - "TYPICAL" . . . PAGE B  
1970/71 F AIRLANE/TORINO



**IGNITION, STARTING, CHARGING GAUGES WIRING SYSTEMS**



**EXTERIOR LAMP WIRING SYSTEM**

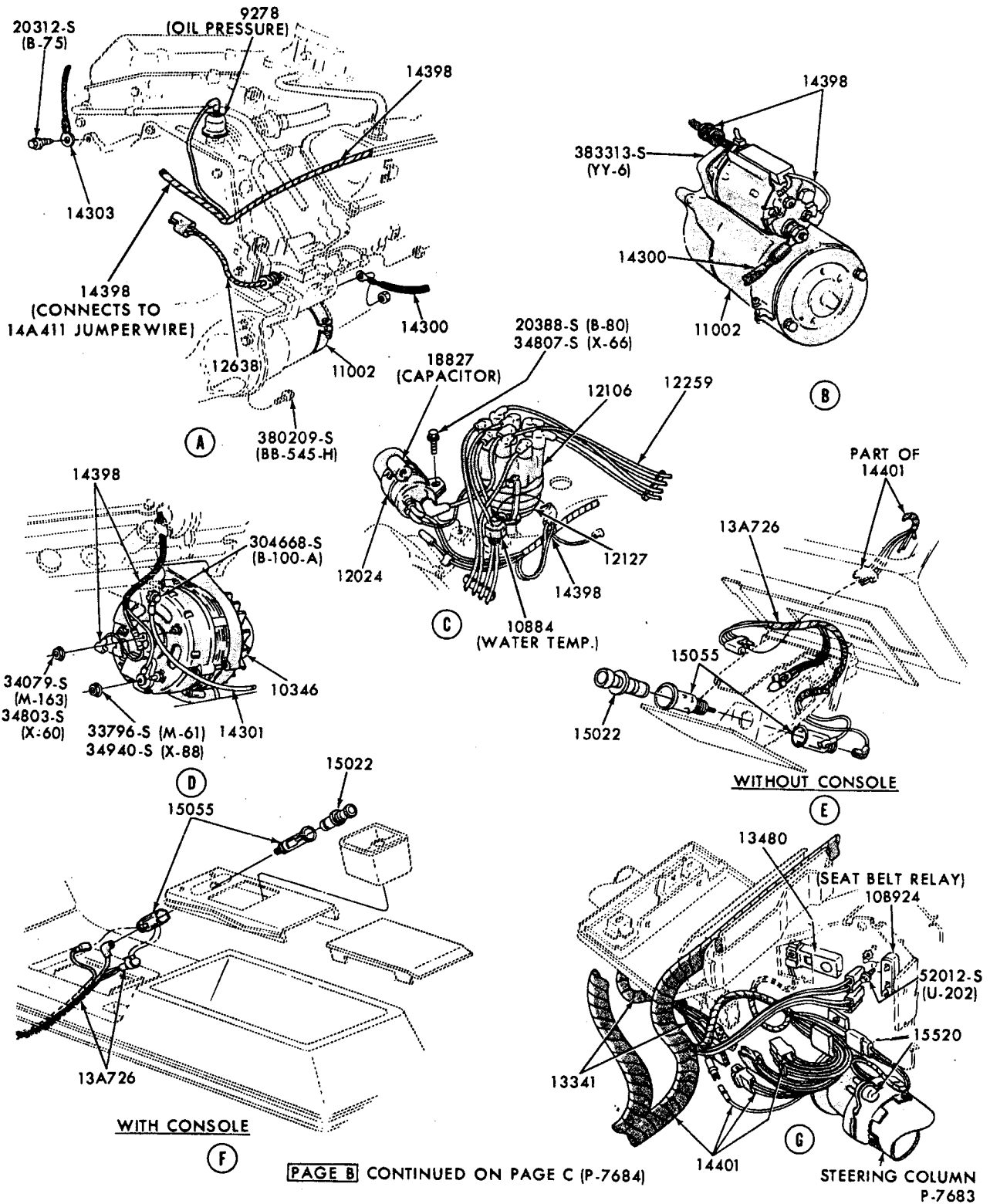


**INTERIOR LAMP WIRING SYSTEM**

- %REFER TO ILLUSTRATION SECTION 137 FOR COURTESY LAMP ETC. DETAILS
- REFER TO ILLUSTRATION SECTION 140.1 FOR INSTRUMENT PANEL WIRING
- ▲REFER TO ILLUSTRATION SECTION 130 FOR HEADLAMP ETC. DETAILS
- REFER TO ILLUSTRATION SECTION 134 FOR REAR LAMP ETC. DETAILS

P-7682

**PAGE A** CONTINUED ON PAGE B (P-7683) & PAGE C (P-7684)

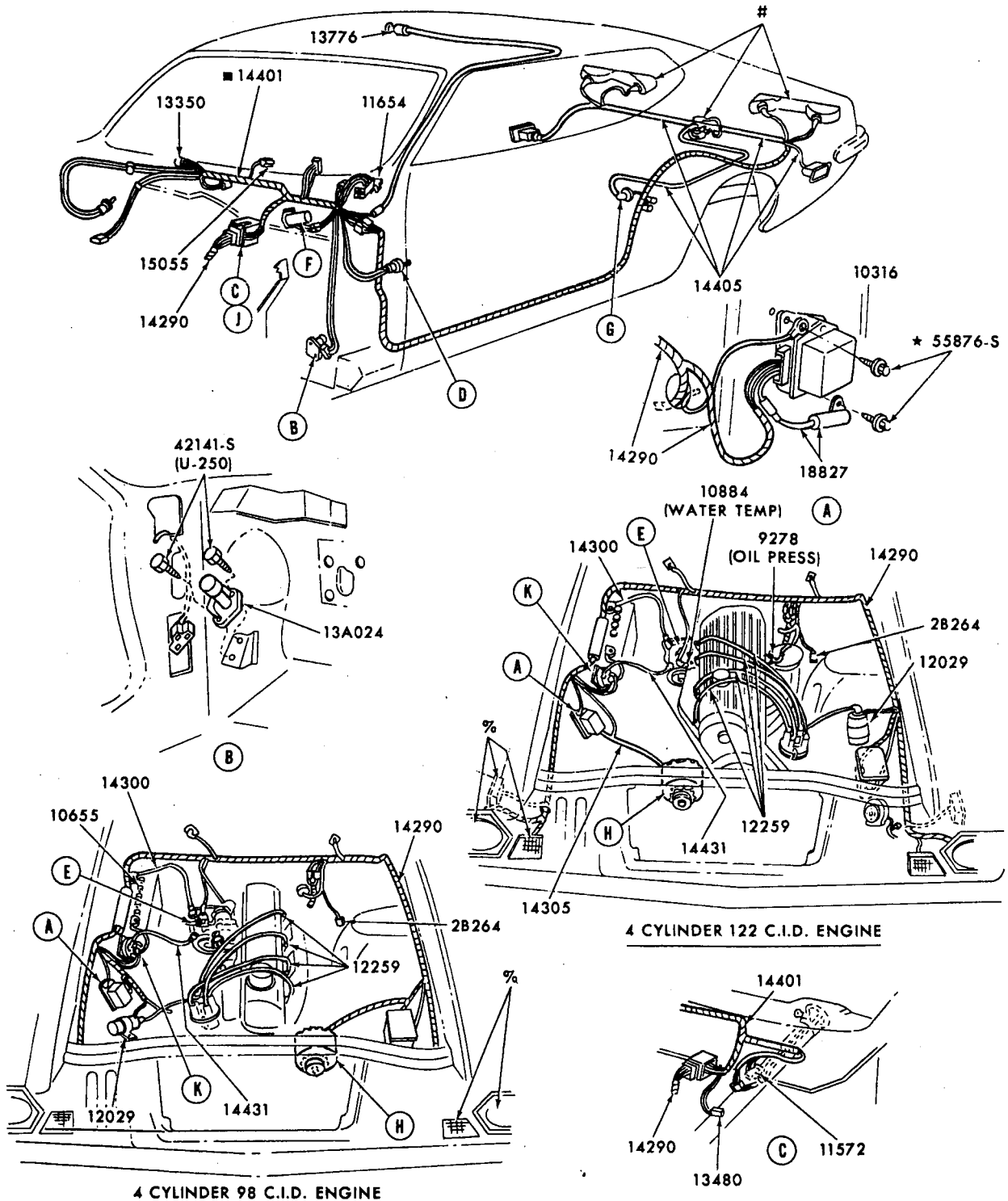


PAGE B CONTINUED ON PAGE C (P-7684)

STEERING COLUMN P-7683

WIRING SYSTEM - "TYPICAL". . . PAGE B  
1970/71 THUNDERBIRD





4 CYLINDER 98 C.I.D. ENGINE

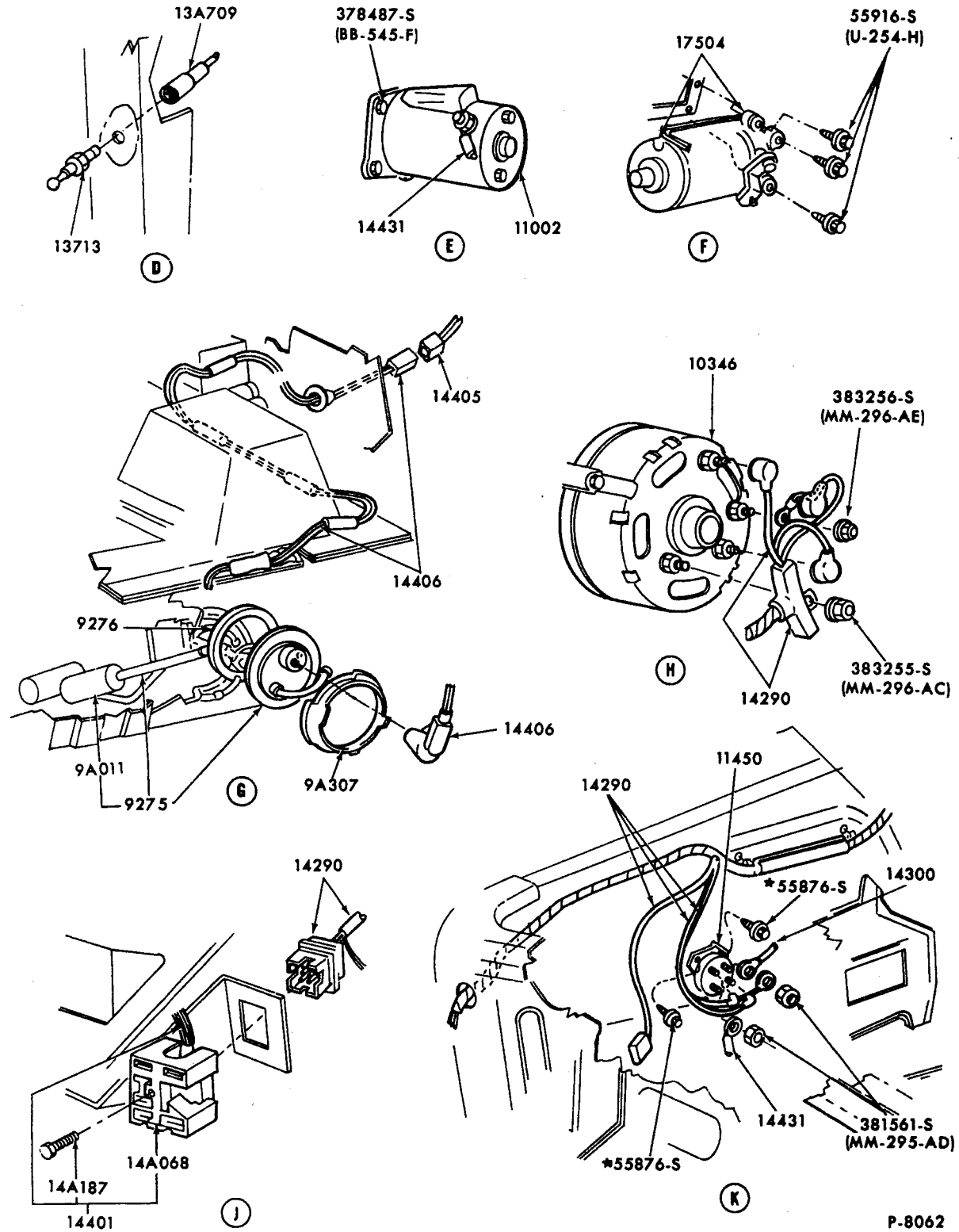
4 CYLINDER 122 C.I.D. ENGINE

PAGE A CONTINUED ON PAGE B (P-8062)

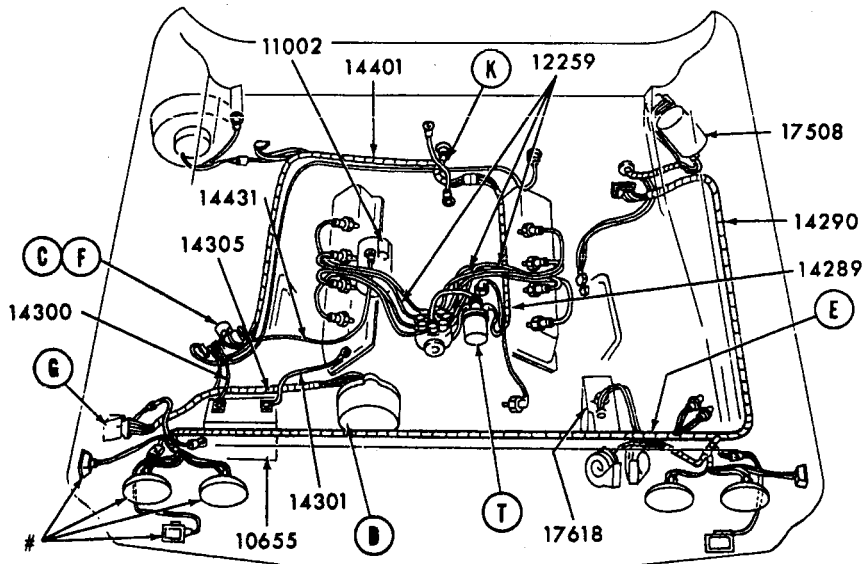
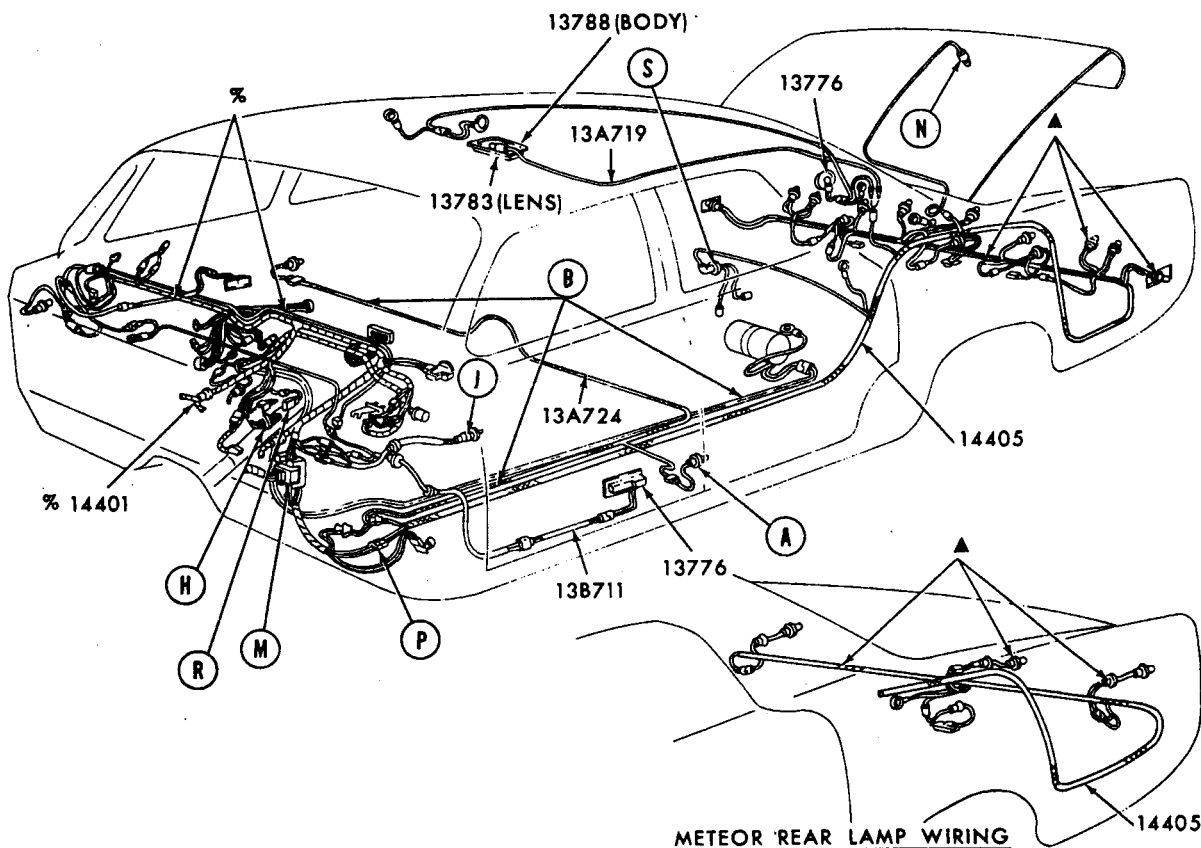
- # REFER TO ILLUSTRATION SECTION 134 FOR REAR LAMP DETAILS
- REFER TO ILLUSTRATION SECTION 140.1 FOR INSTRUMENT PANEL WIRING
- % REFER TO ILLUSTRATION SECTION 130 FOR HEADLAMP ETC. DETAILS

P-8061

WIRING SYSTEM - "TYPICAL" ... PAGE A  
1971/72 PINTO



P-8062



# REFER TO ILLUSTRATION SECTION 130 FOR HEADLAMP DETAILS  
 ▲ REFER TO ILLUSTRATION SECTION SECTION 134 FOR REAR LAMP DETAILS  
 % REFER TO ILLUSTRATION SECTION 140.1 FOR INSTRUMENT PANEL WIRING DETAILS

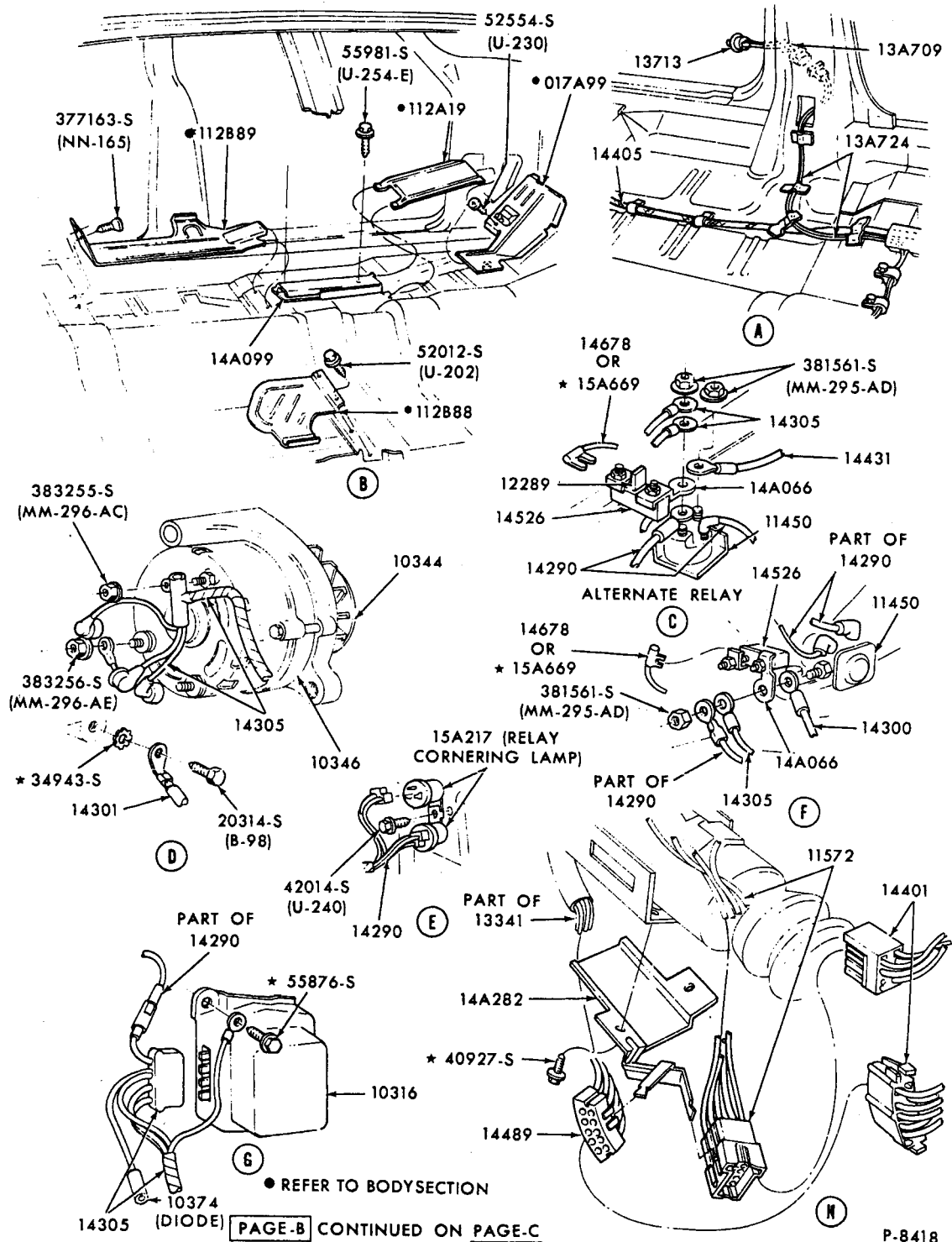
**PAGE-A** CONTINUED ON PAGE-B AND PAGE-C

P-8417

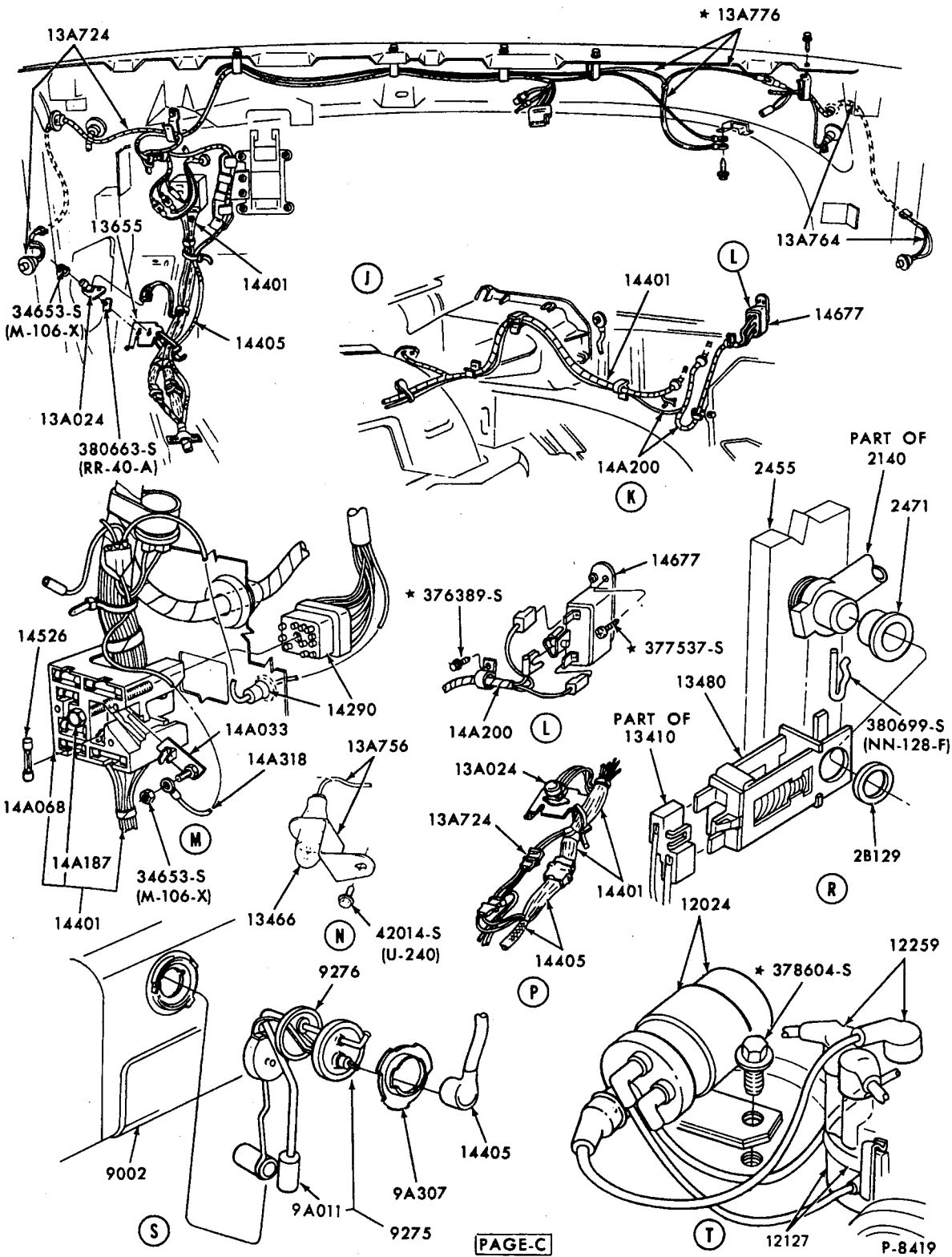
WIRING SYSTEM - "TYPICAL".....PAGE A  
 1971/72 FORD

ILLUSTRATION SECTION 140

FORD CAR PARTS







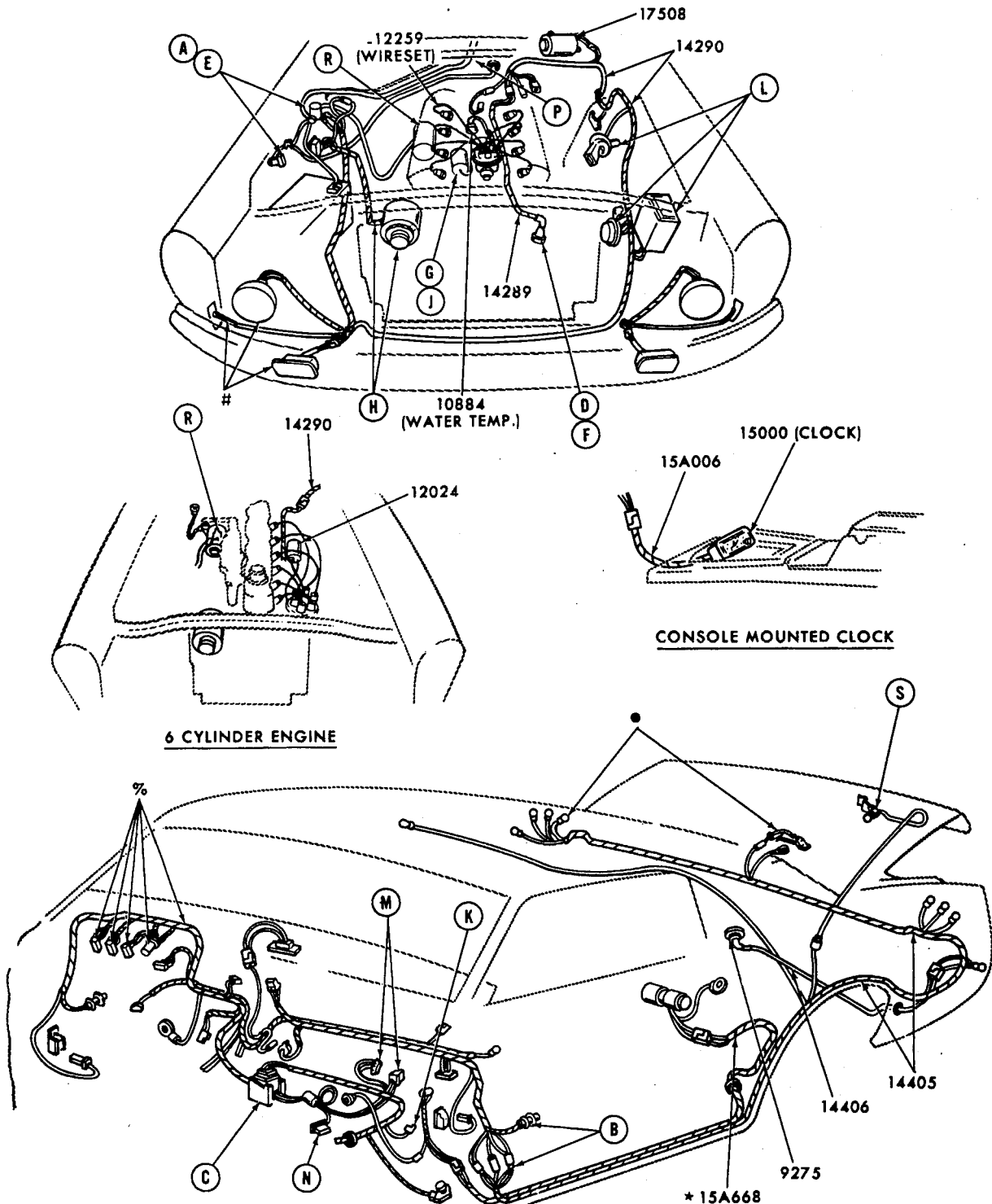
PAGE-C

WIRING SYSTEM - "TYPICAL".....PAGE C

1971/72 FORD

**ILLUSTRATION  
SECTION 140**

**FORD CAR PARTS**



**6 CYLINDER ENGINE**

**CONSOLE MOUNTED CLOCK**

- % REFER TO ILLUSTRATION SECTION 140.1 FOR INSTRUMENT PANEL WIRING DETAILS
- # REFER TO ILLUSTRATION SECTION 130 FOR HEADLAMP DETAILS
- REFER TO ILLUSTRATION SECTION 134 FOR HEADLAMP DETAILS

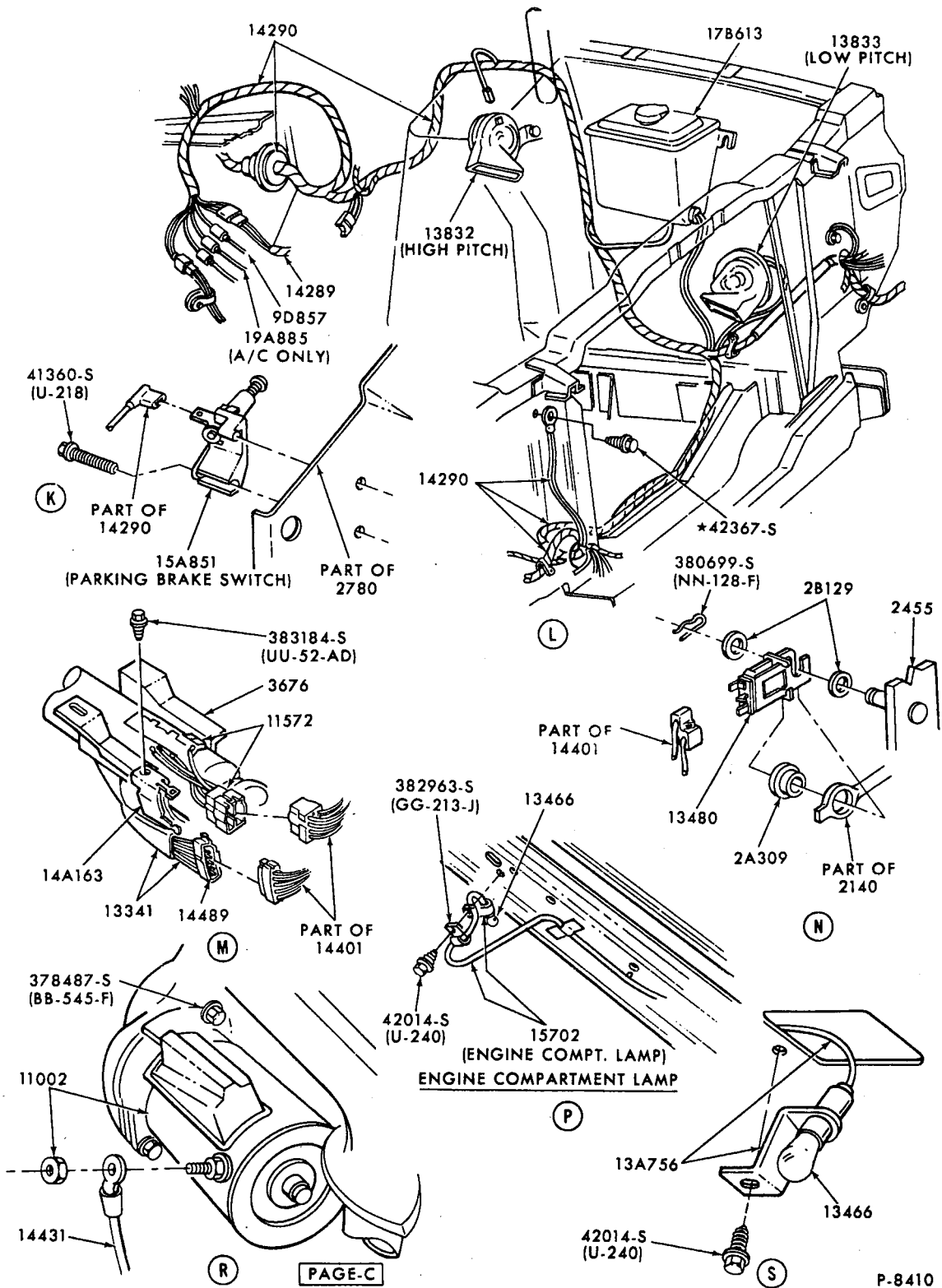
**PAGE-A** CONTINUED ON PAGE-B AND PAGE-C

P-8406



ILLUSTRATION SECTION 140

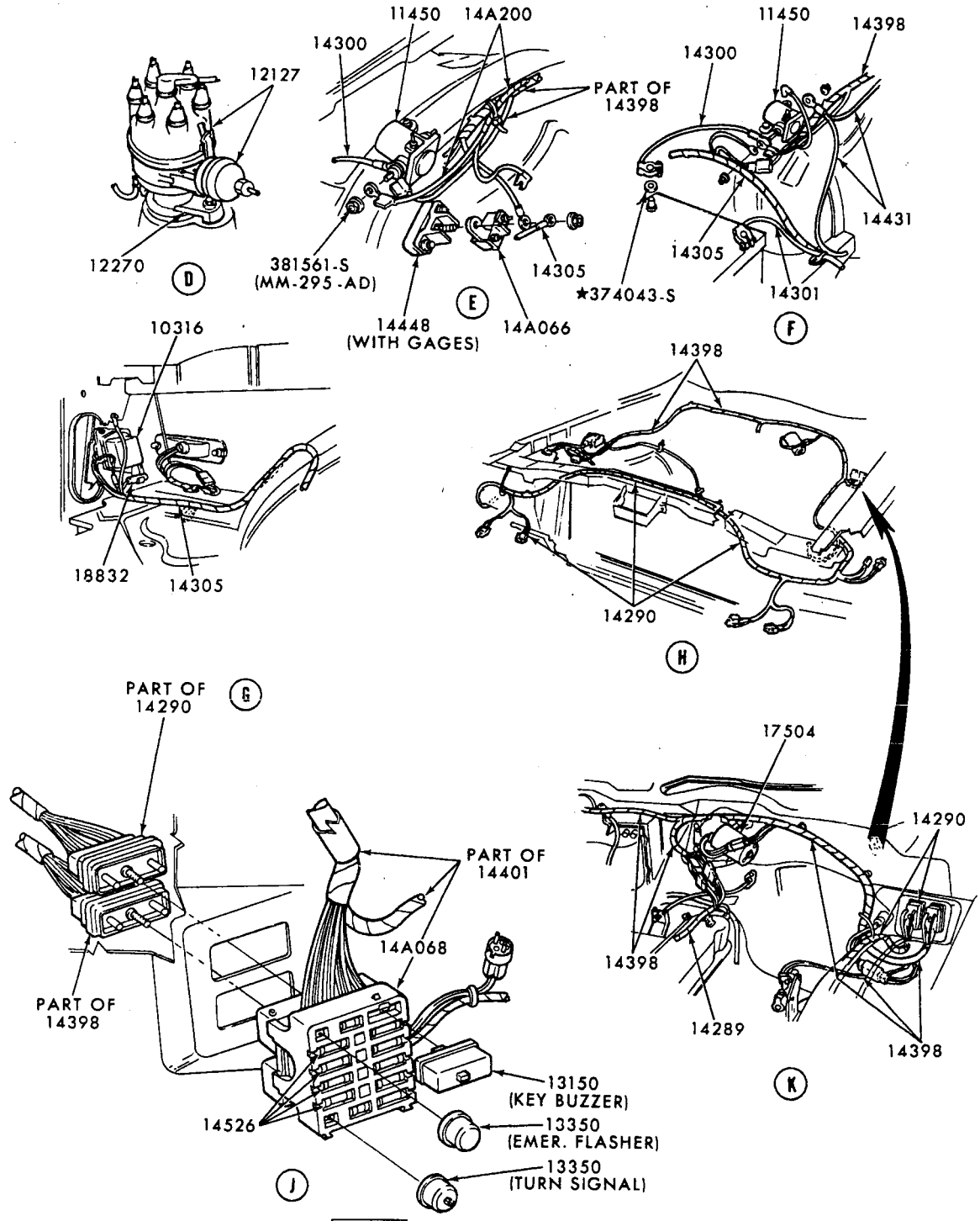
FORD CAR PARTS



P-8410

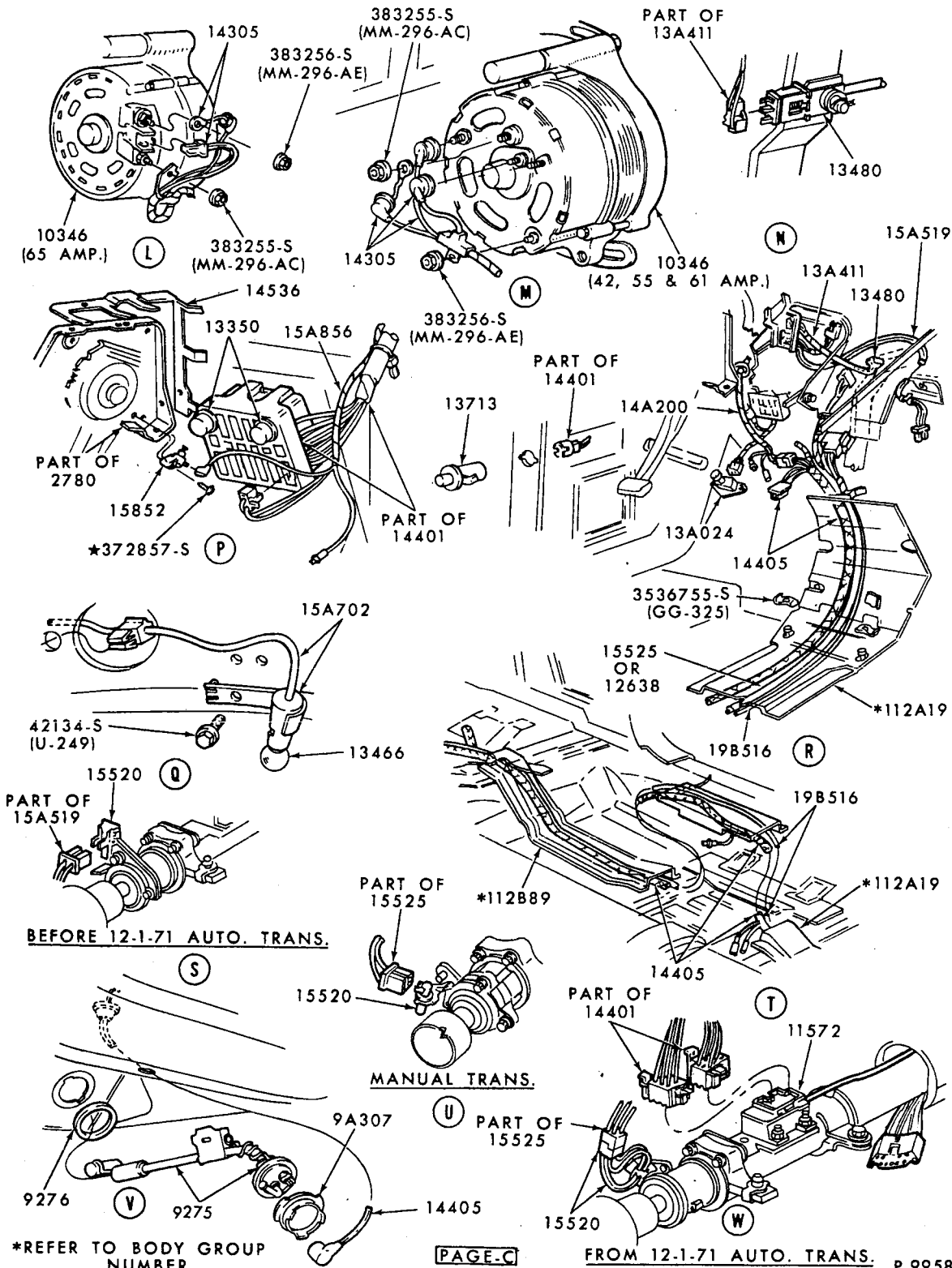
WIRING SYSTEM - "TYPICAL".....PAGE C  
1971/72 MUSTANG





PAGE B CONTINUED ON PAGE-C

P.9957



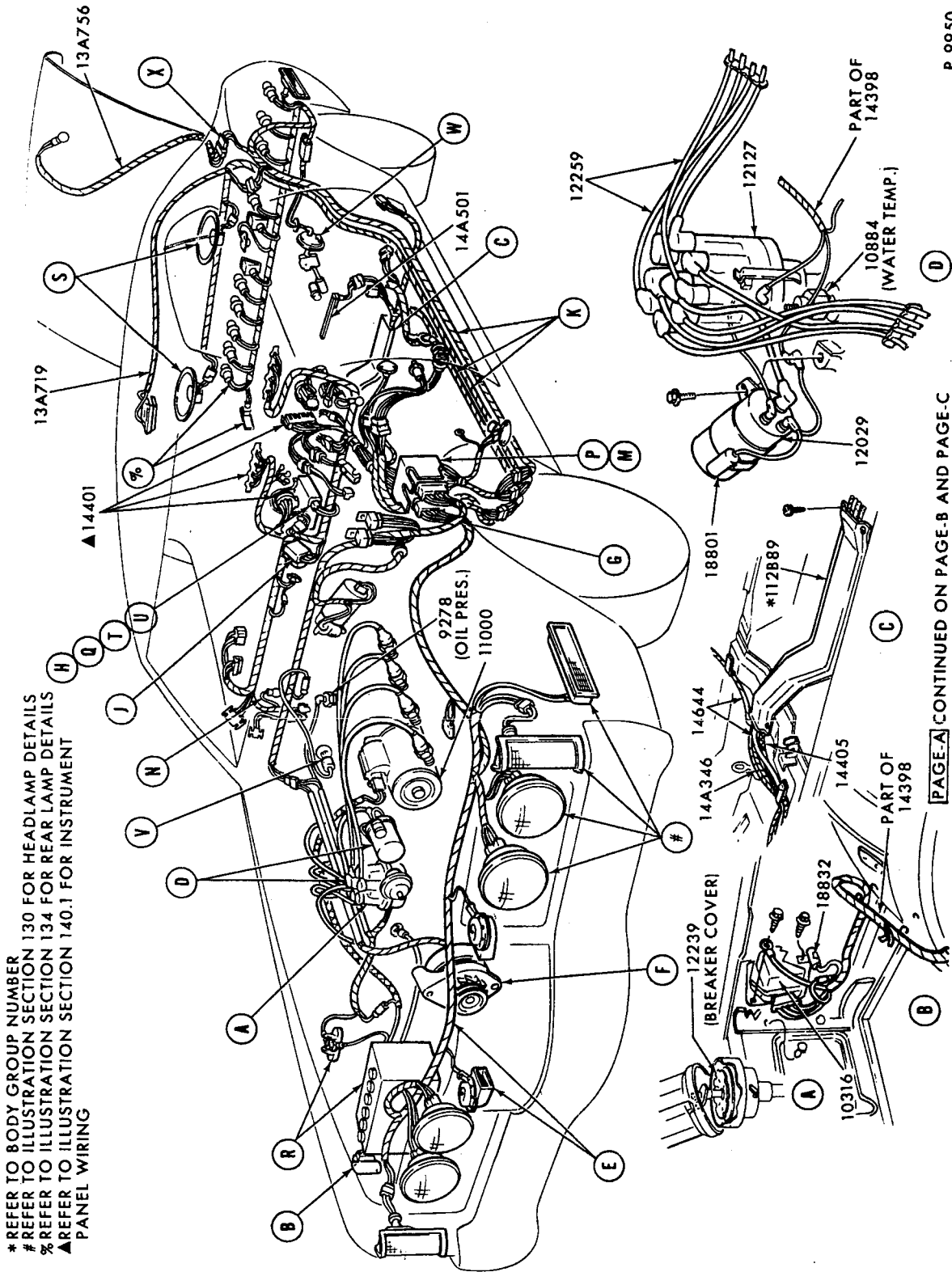
BEFORE 12-1-71 AUTO. TRANS.

MANUAL TRANS.

\*REFER TO BODY GROUP NUMBER

PAGE C

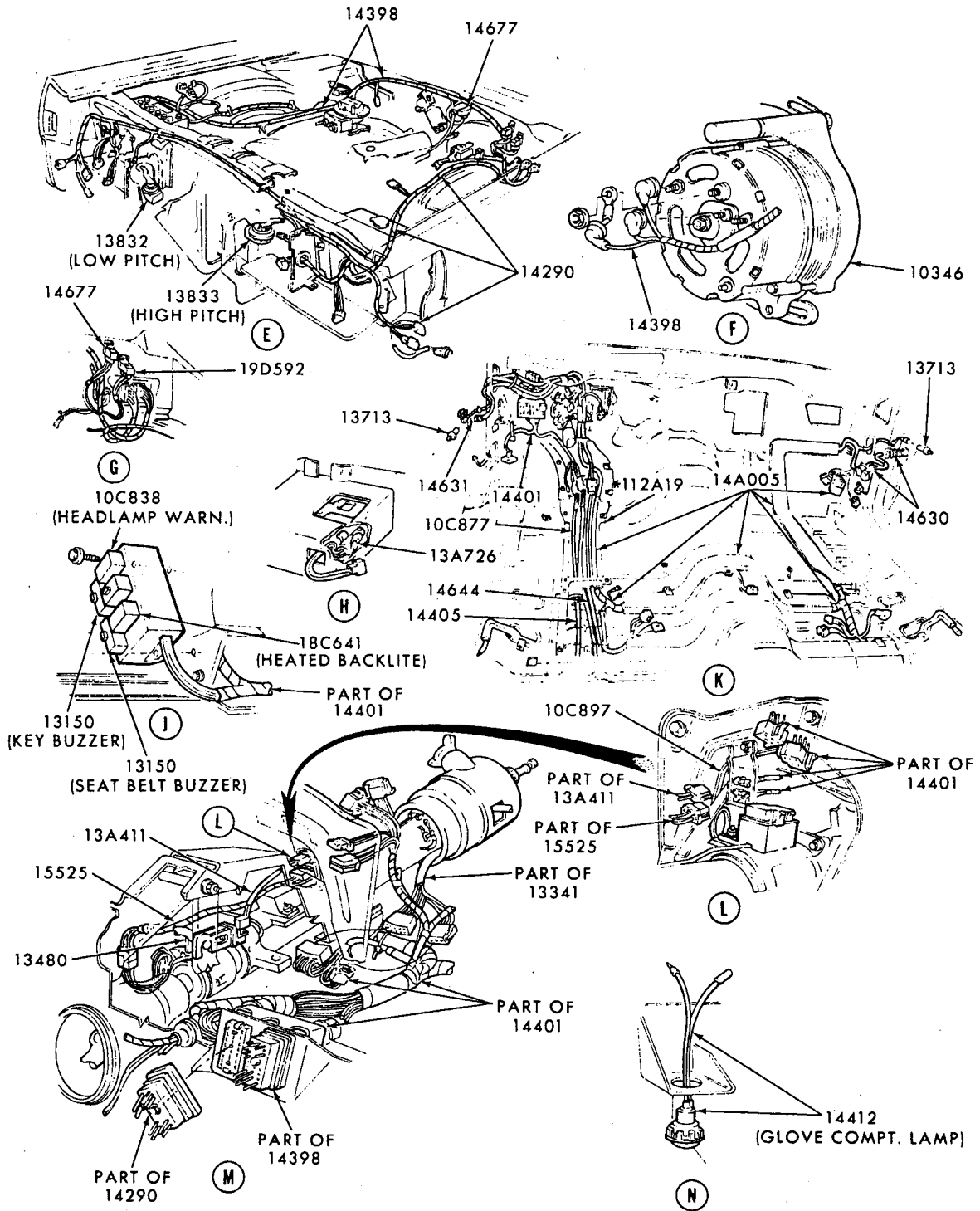
FROM 12-1-71 AUTO. TRANS. P-9958



\*REFER TO BODY GROUP NUMBER  
 #REFER TO ILLUSTRATION SECTION 130 FOR HEADLAMP DETAILS  
 %REFER TO ILLUSTRATION SECTION 134 FOR REAR LAMP DETAILS  
 ▲REFER TO ILLUSTRATION SECTION 140.1 FOR INSTRUMENT PANEL WIRING

PAGE A CONTINUED ON PAGE-B AND PAGE-C

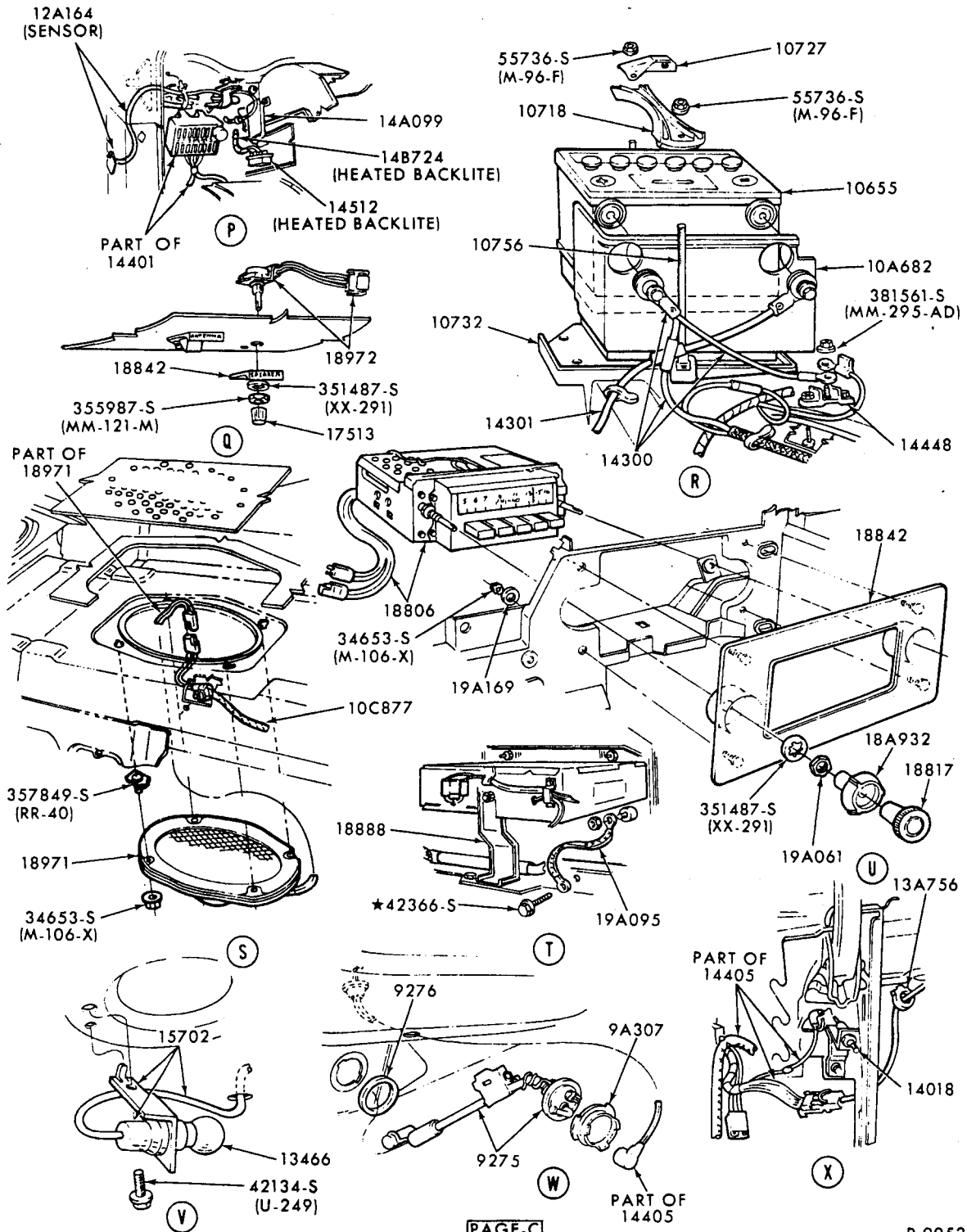




\*REFER TO BODY GROUP NUMBER

PAGE-B CONTINUED ON PAGE-C

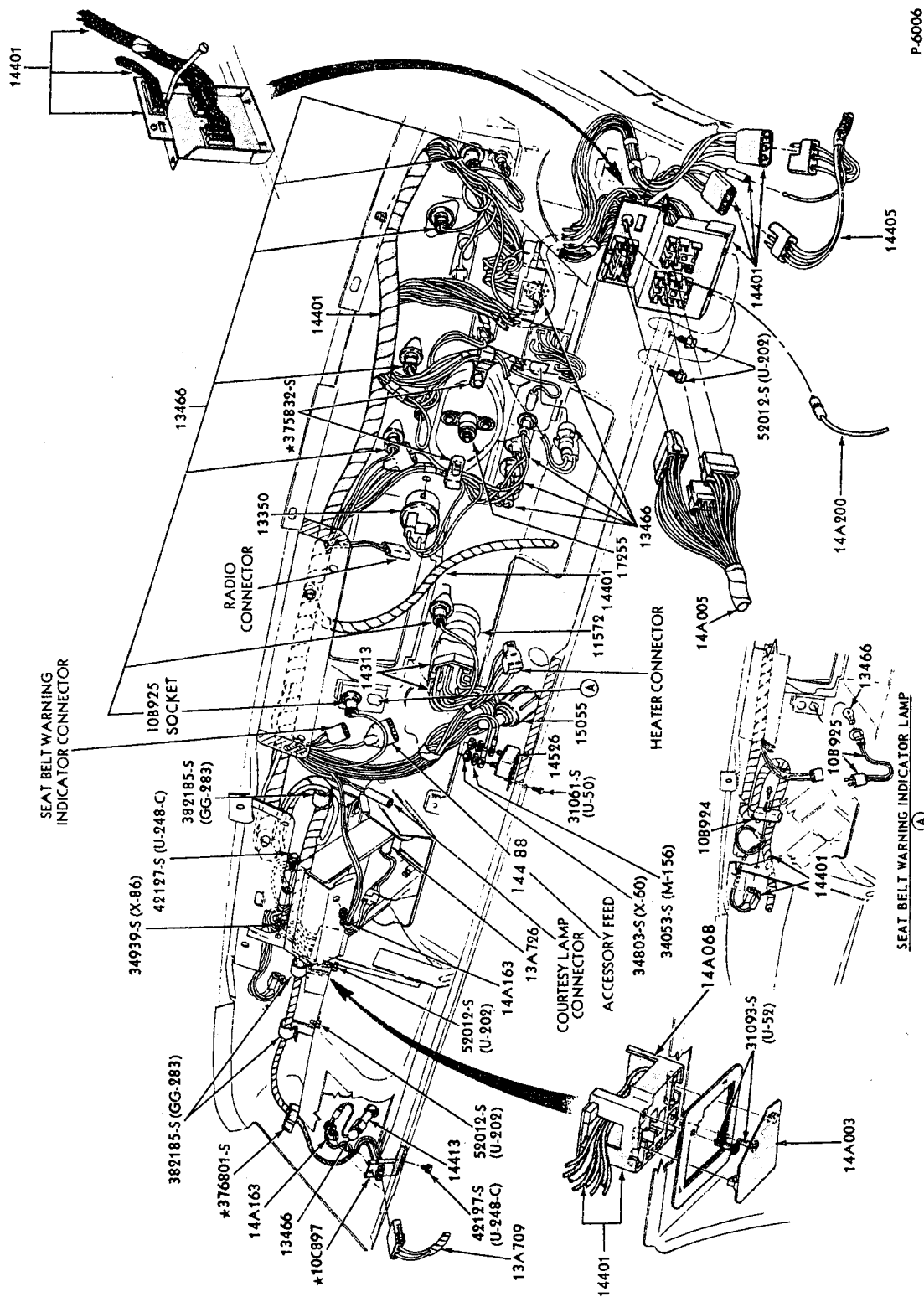
P-9951



PAGE-C

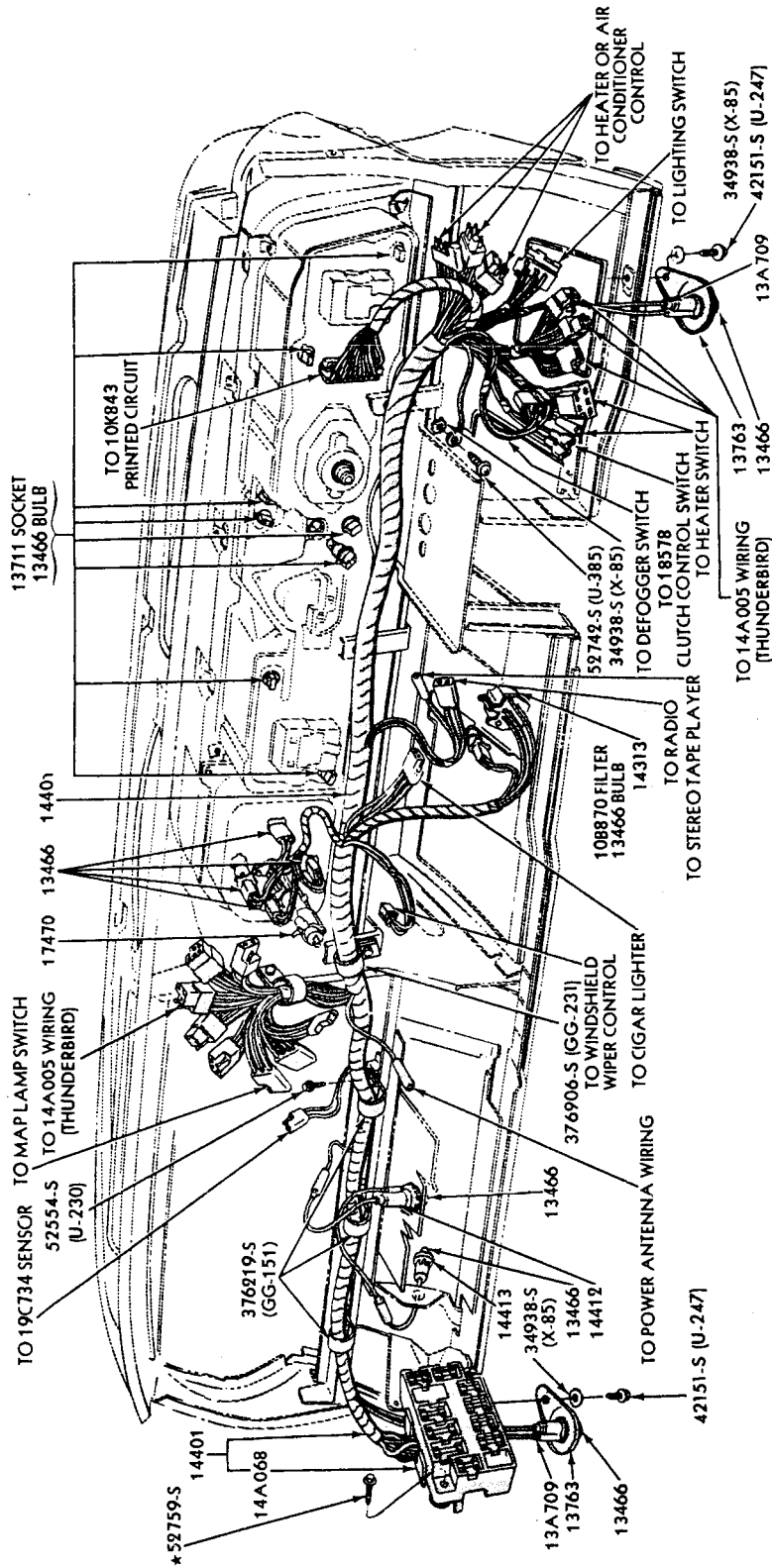
P-9952

P-6006

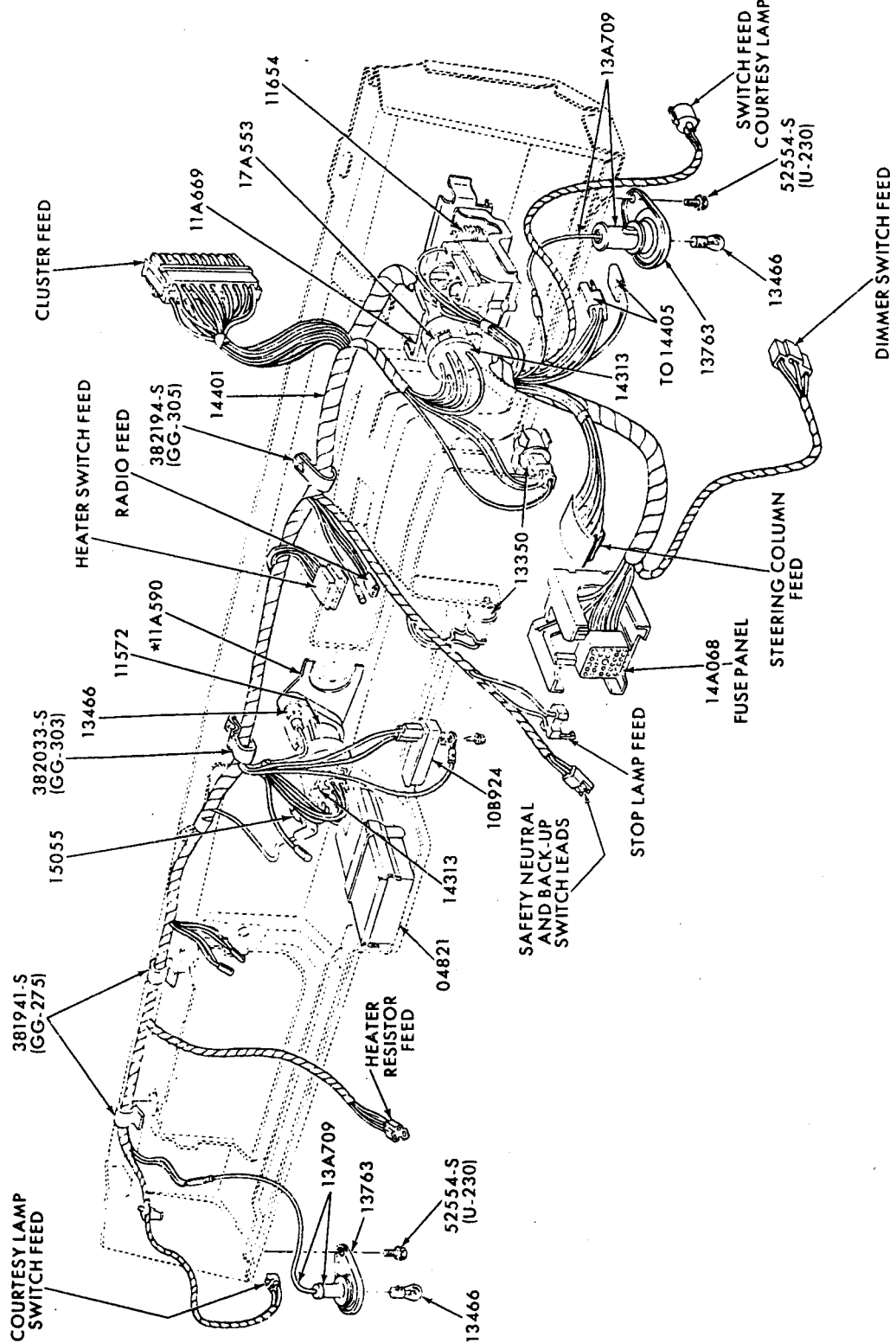


WIRING INSTRUMENT PANEL  
1968 FORD

# FORD CAR PARTS



WIRING INSTRUMENT PANEL  
1968/71 THUNDERBIRD



P-6048

WIRING INSTRUMENT PANEL  
1968/69 FAIRLANE/TORINO 1968/70 FALCON

May, 1975

COPYRIGHT © 1975 -

FORD MOTOR COMPANY

- DEARBORN, MICHIGAN

FINAL ISSUE





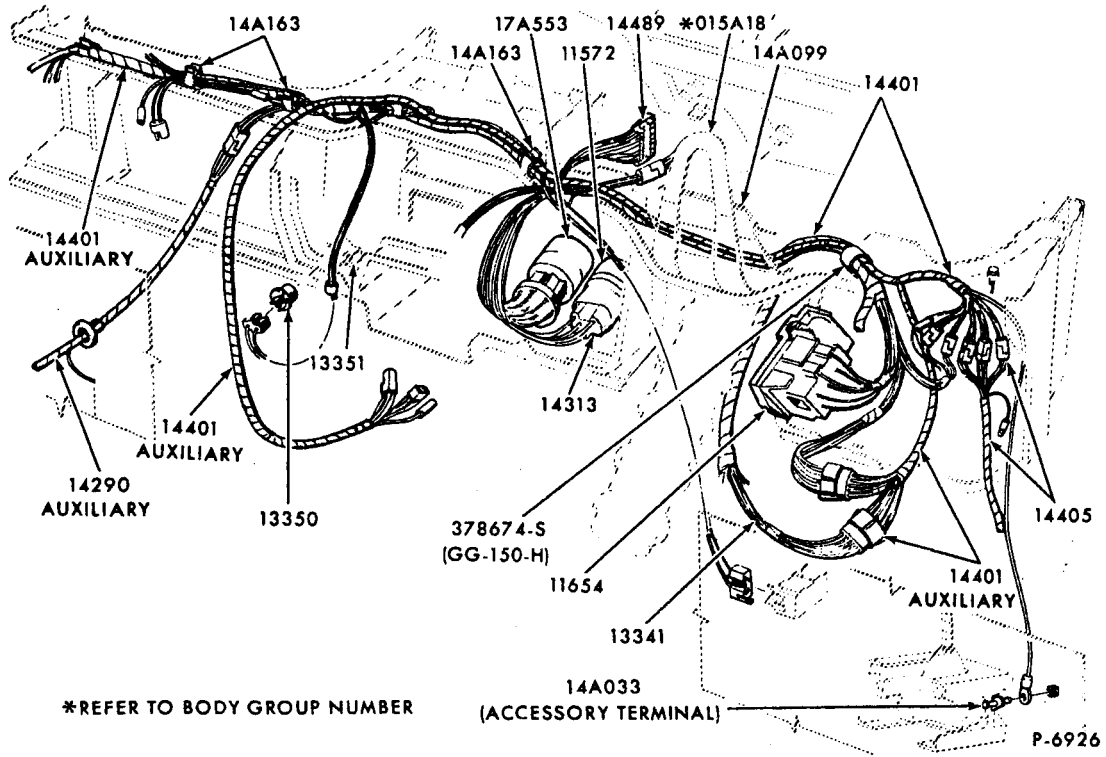






ILLUSTRATION  
SECTION 140.1

FORD CAR PARTS

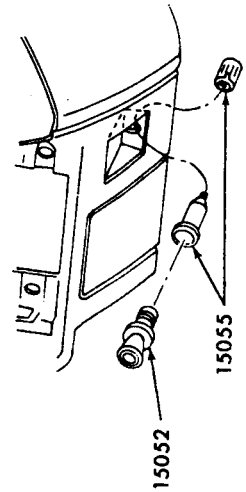
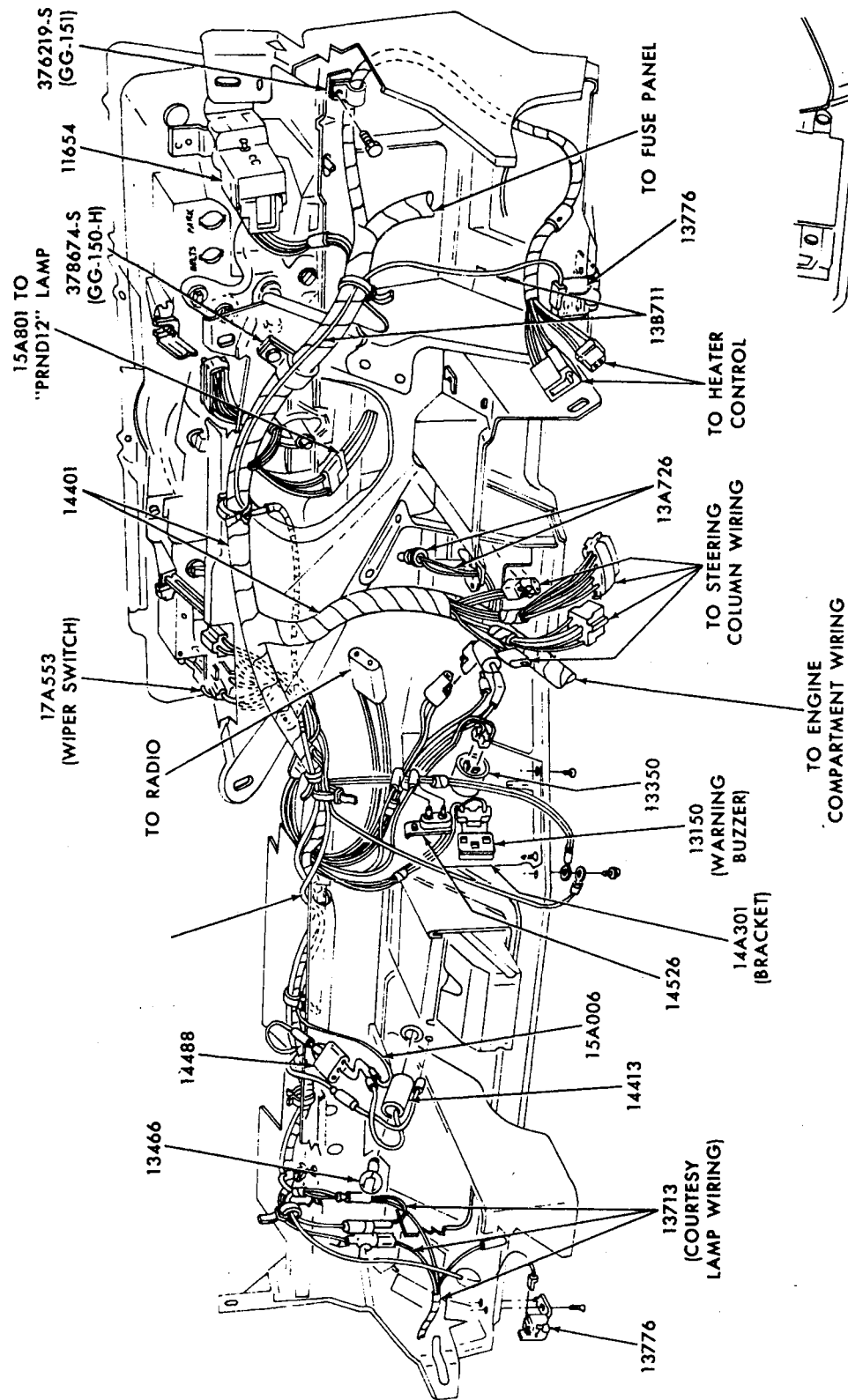


WIRING INSTRUMENT PANEL  
1969/70 MUSTANG - GT 350/500



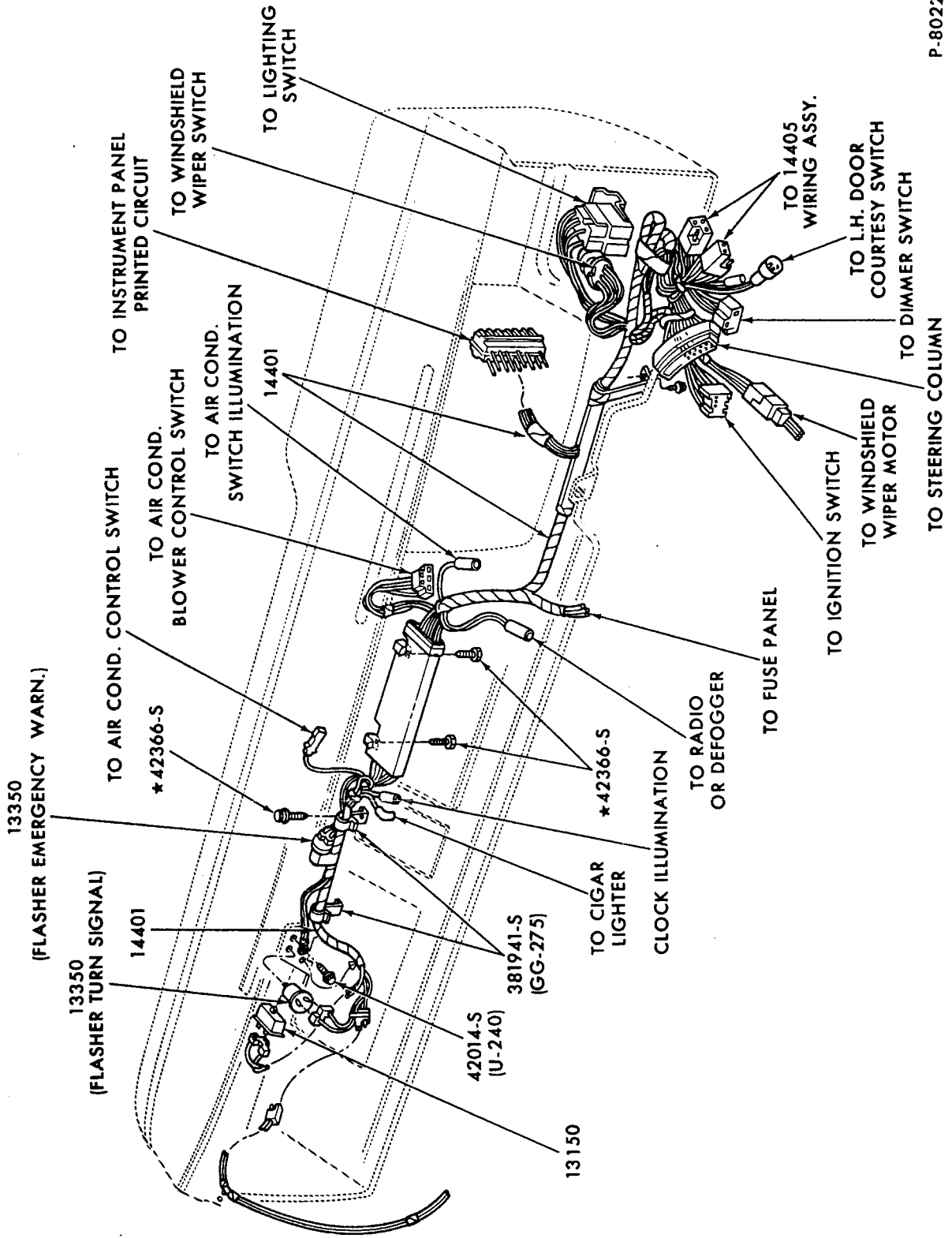
# FORD CAR PARTS

## ILLUSTRATION SECTION 140.1

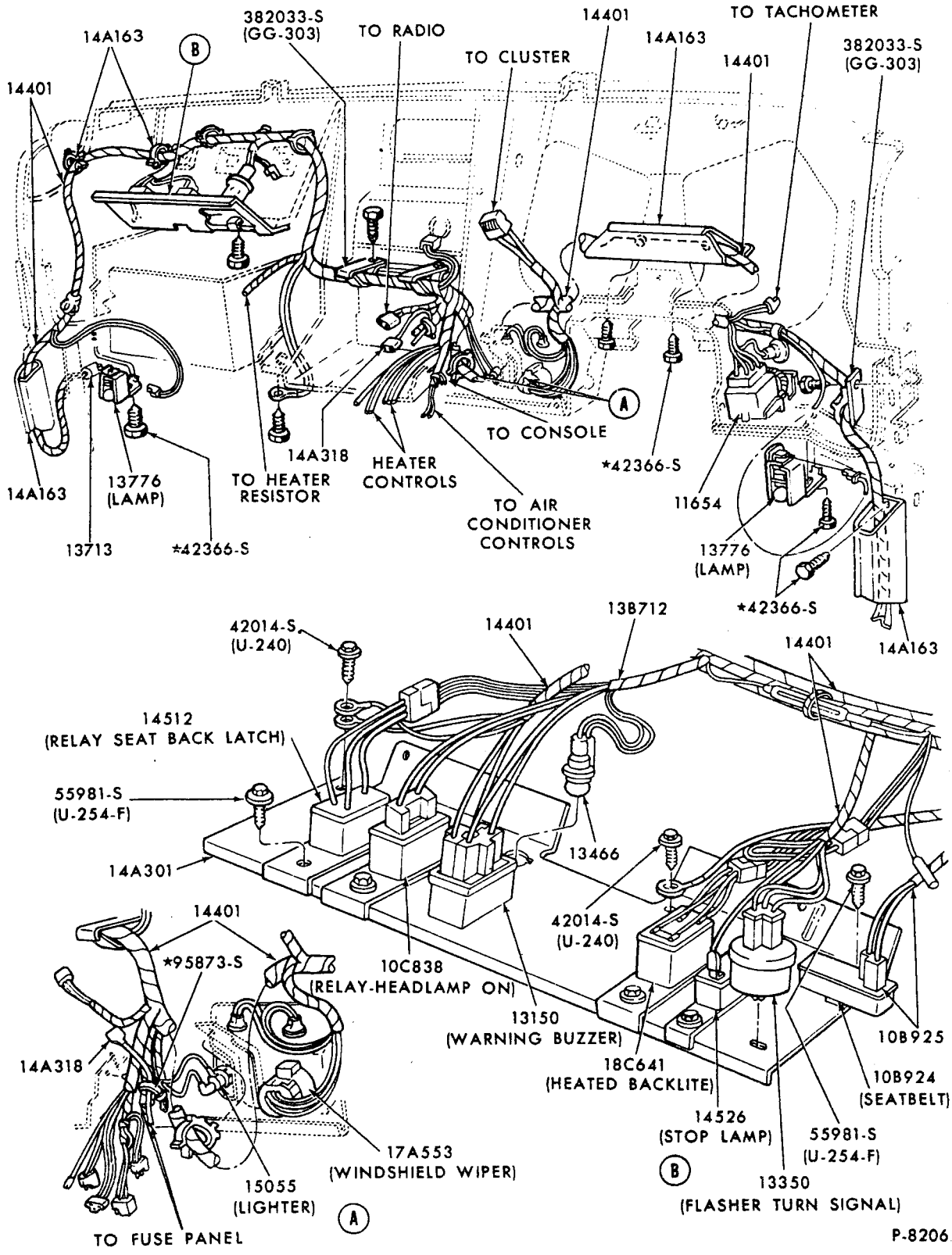


CIGAR LIGHTER INSTALLATION  
P-8140

WIRING INSTRUMENT PANEL  
1971/72 FORD



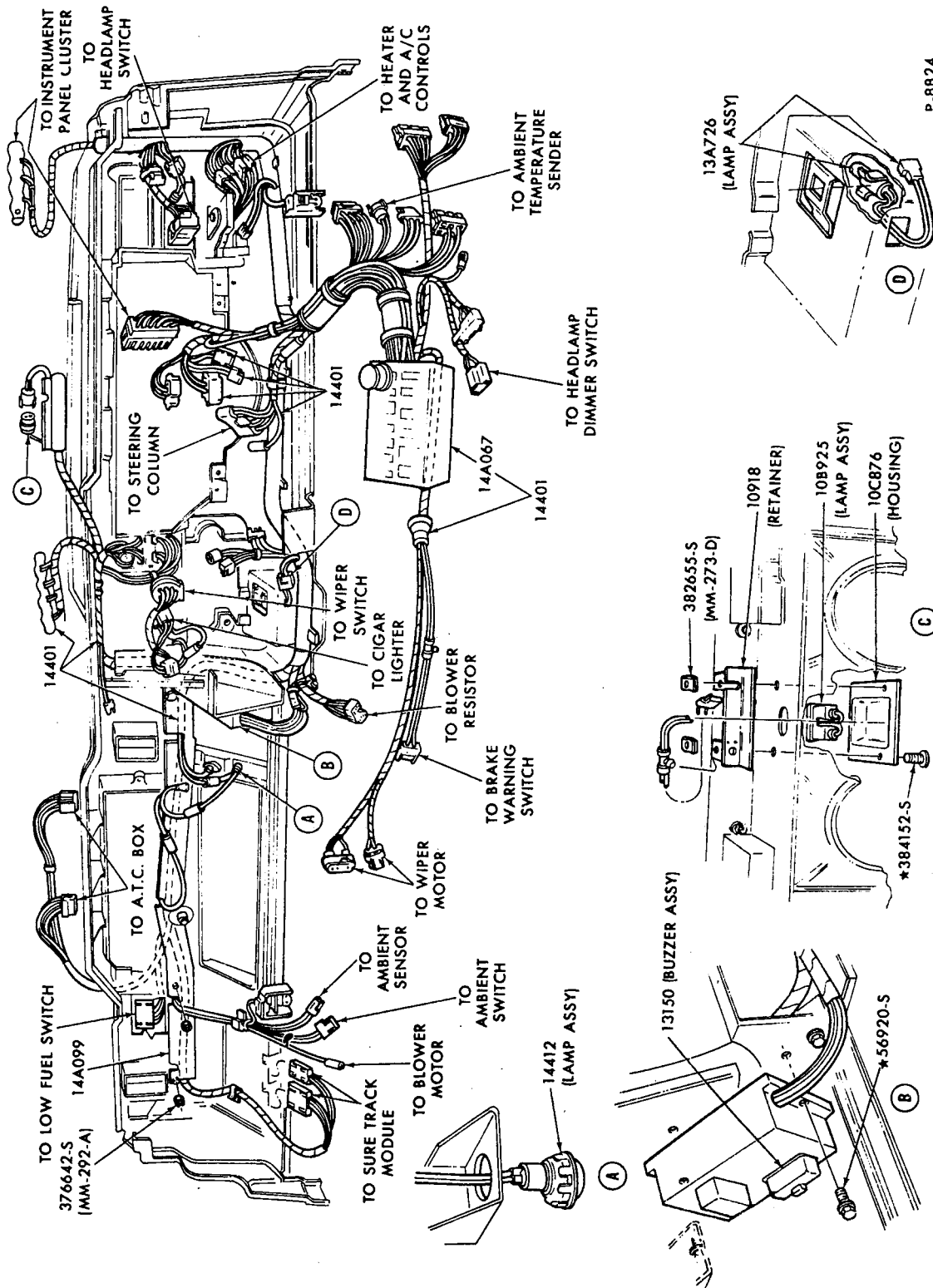
WIRING INSTRUMENT PANEL  
1971/72 PINTO



WIRING INSTRUMENT PANEL  
1971/72 MUSTANG

P-8206

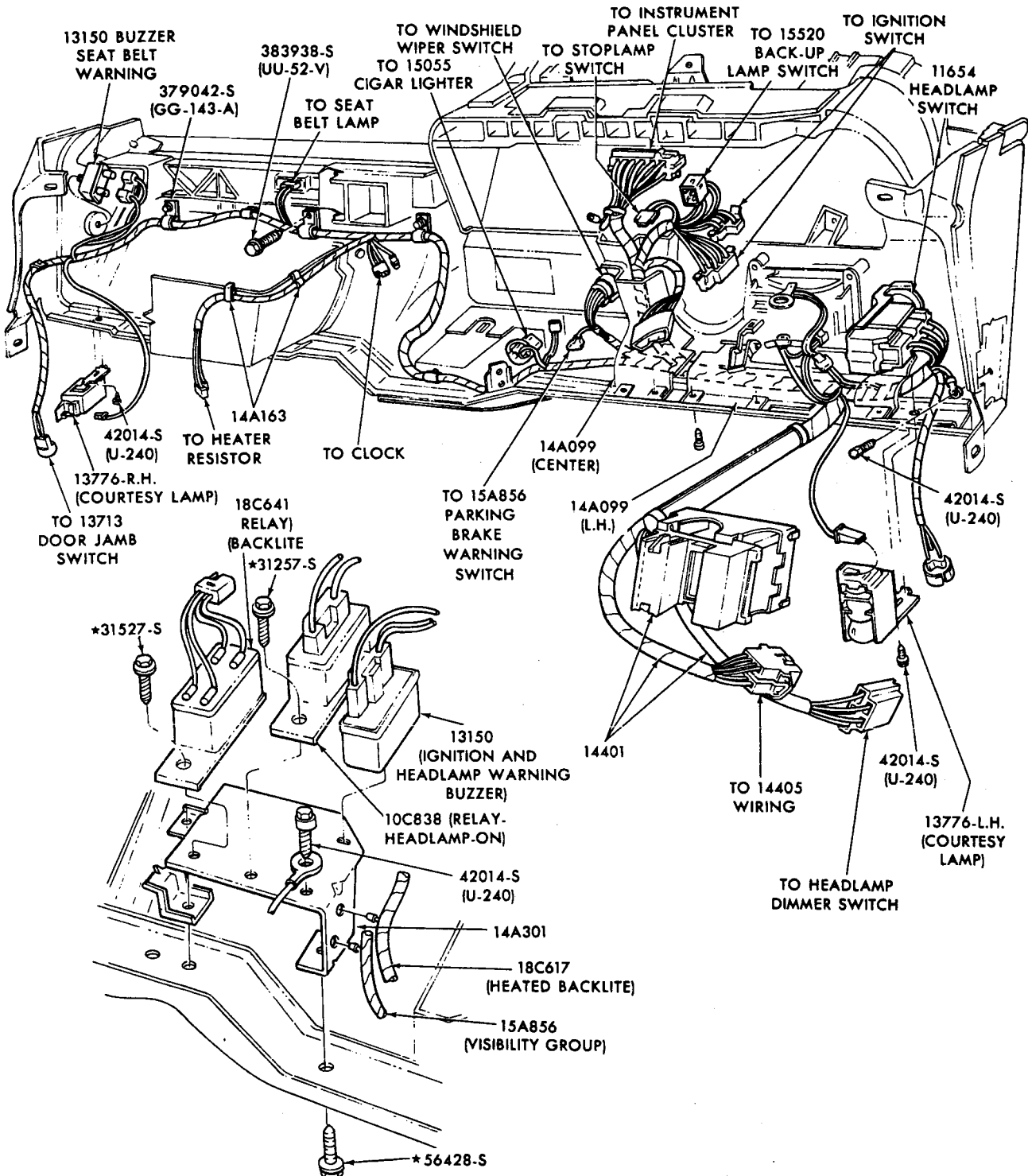
ILLUSTRATION SECTION 140.1



WIRING INSTRUMENT PANEL  
1972 THUNDERBIRD

# FORD CAR PARTS

## ILLUSTRATION SECTION 140.1

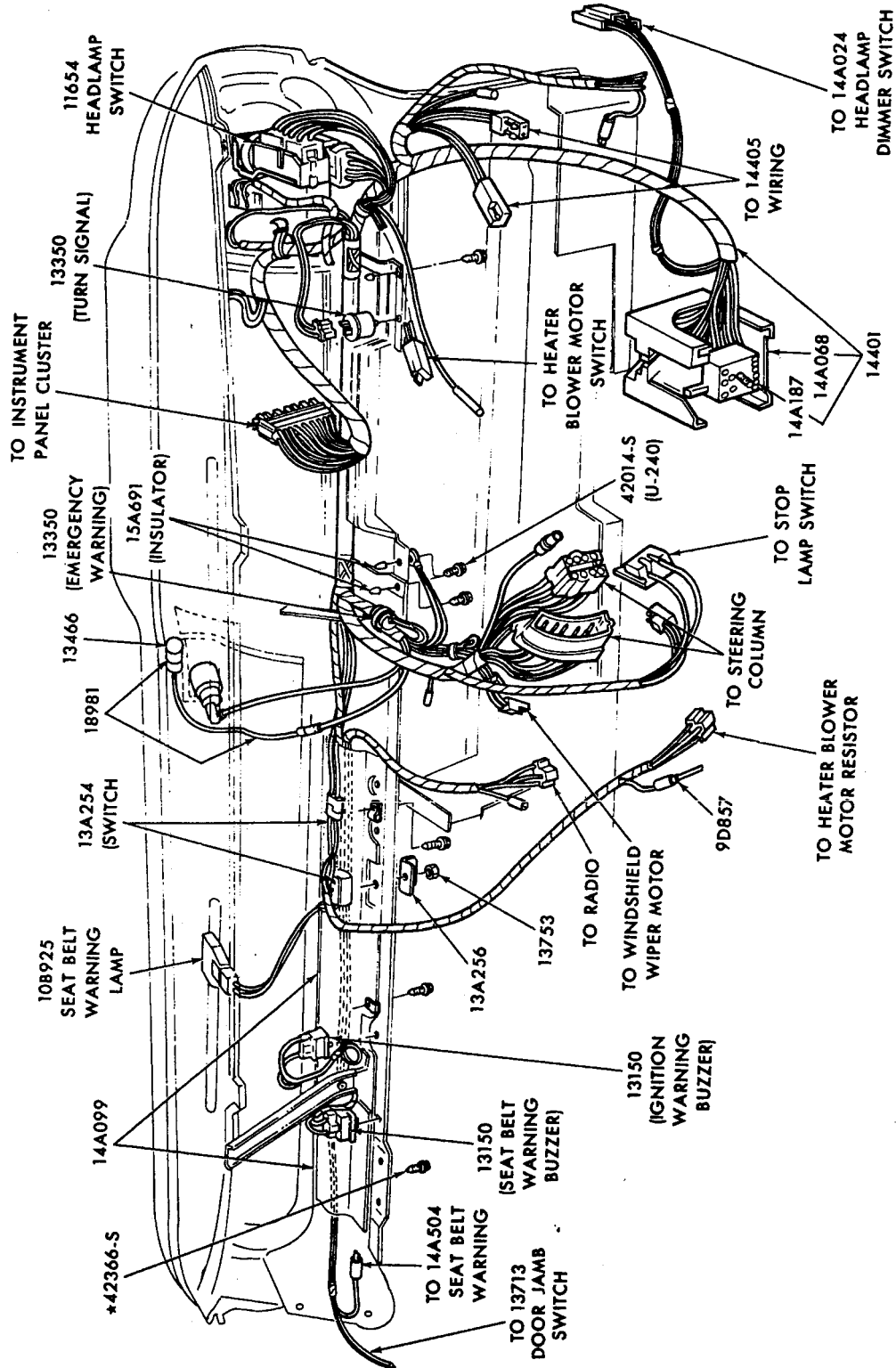


**IGNITION, HEADLAMP-ON BUZZER, HEATED BACKLITE & RELAY BRACKET INSTALLATION**

P-8825

WIRING INSTRUMENT PANEL  
1972 TORINO





P-8826

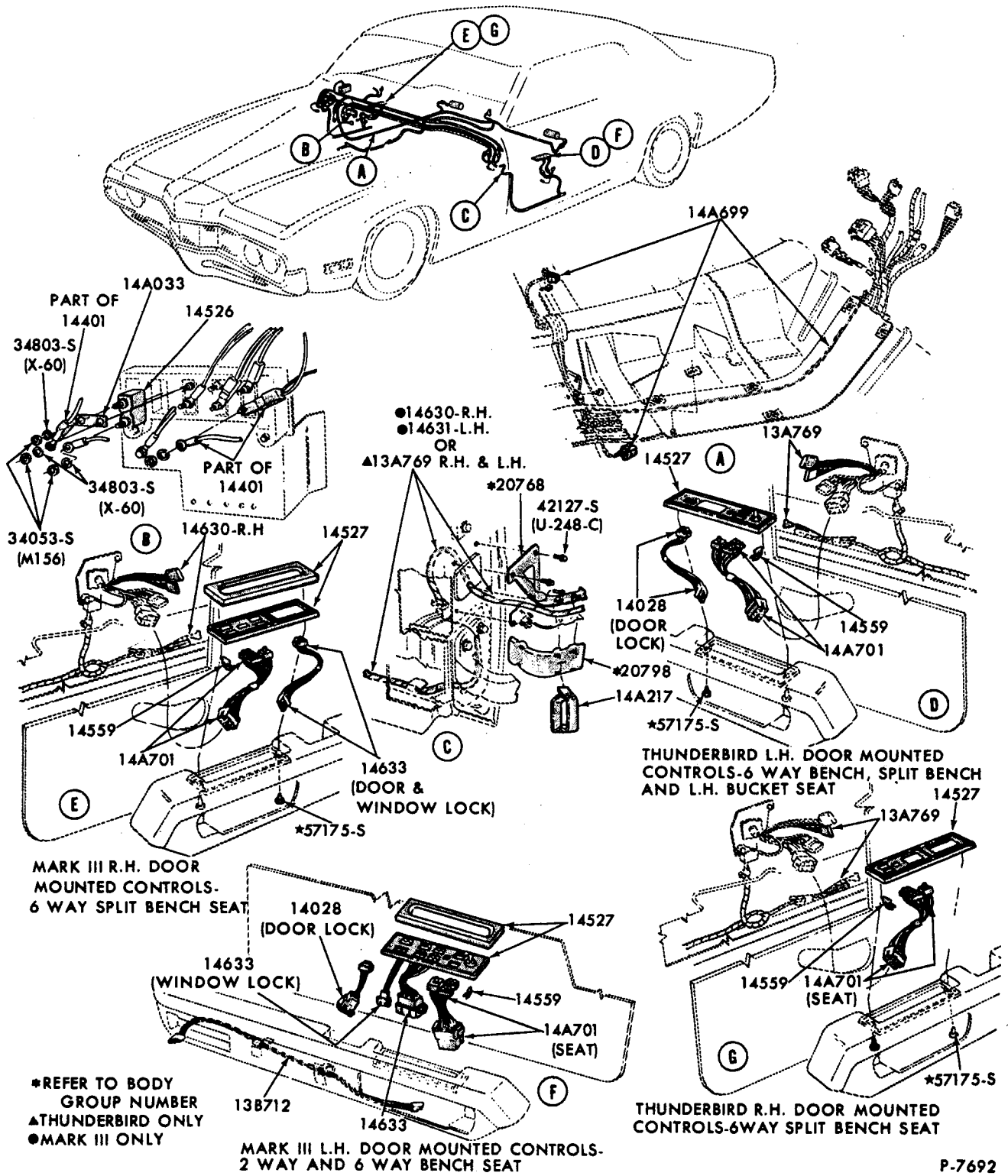
WIRING INSTRUMENT PANEL  
1972 MAVERICK







FORD CAR PARTS



P-7692

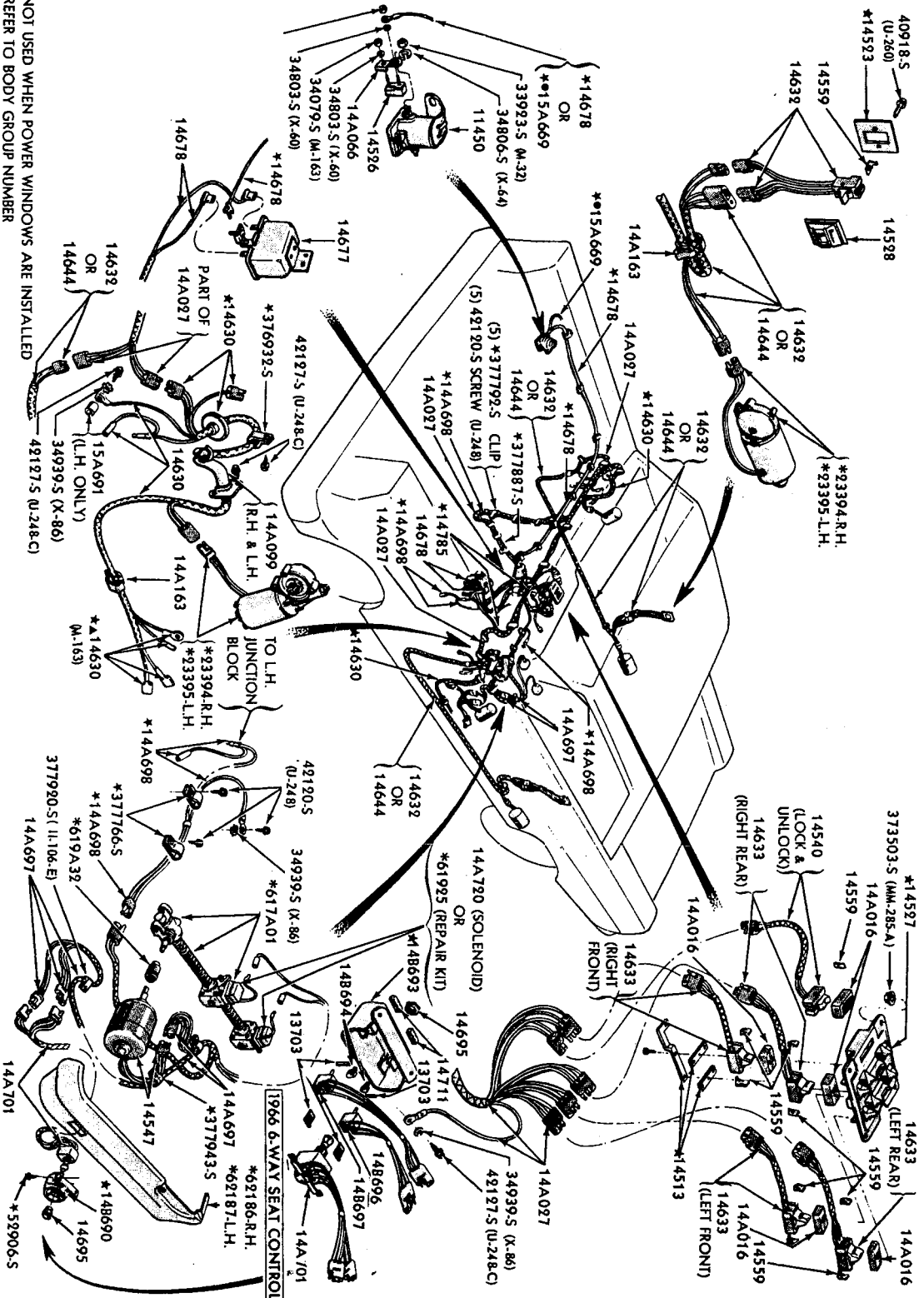


# FORD CAR PARTS

## ILLUSTRATION SECTION 140.3

2

NOT USED WHEN POWER WINDOWS ARE INSTALLED  
 \*REFER TO BODY GROUP NUMBER  
 ACONNECTS TO OPEN DOOR WARNING LAMP AND DOOR  
 MOUNTED COURTESY LAMP



ELECTRIC WINDOW REGULATOR, CONTROLS, WIRING SYSTEM and RELATED PARTS  
 1965/66 FORD - GALAXIE "XL 500"

P-4860





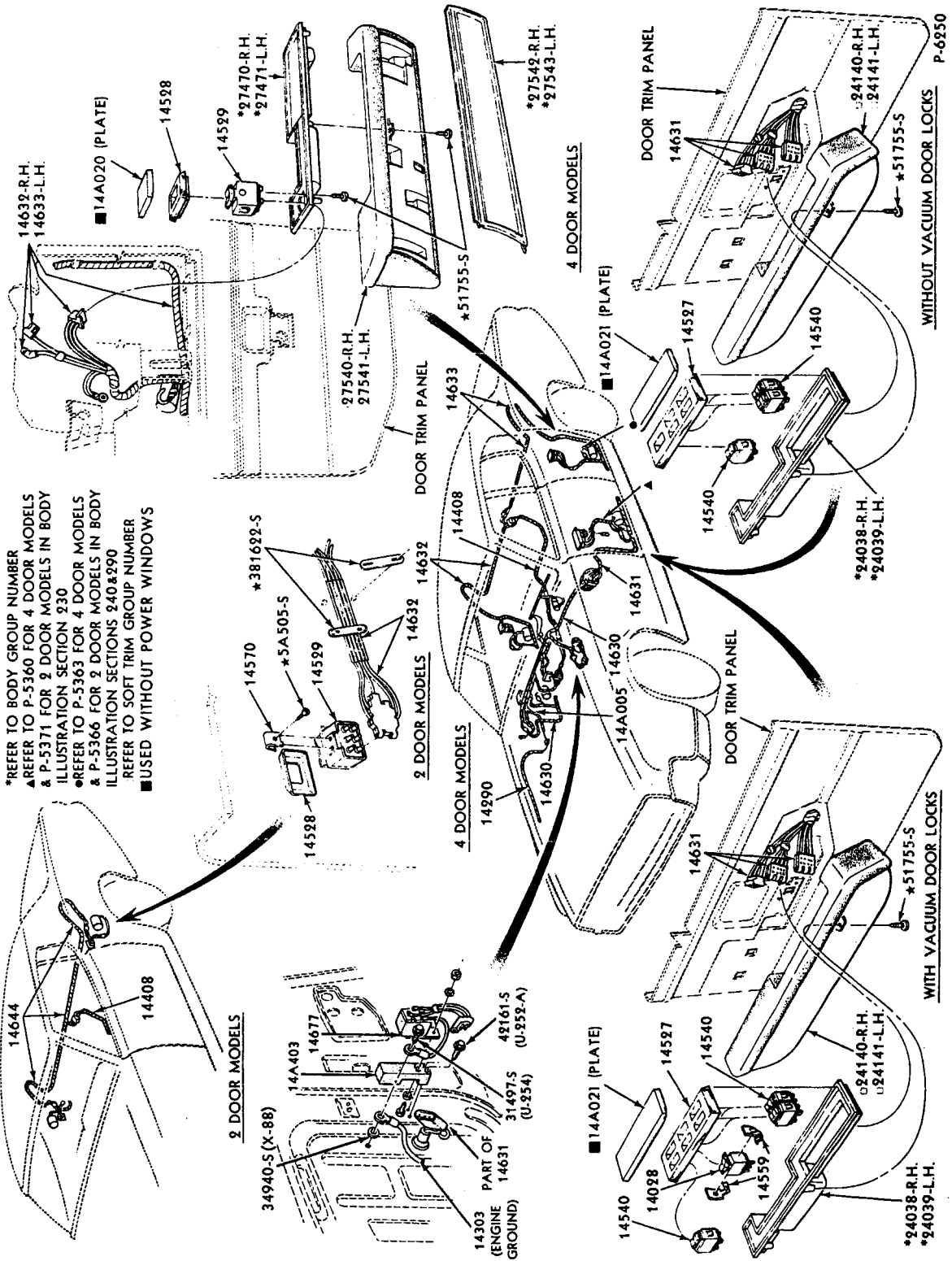








# FORD CAR PARTS

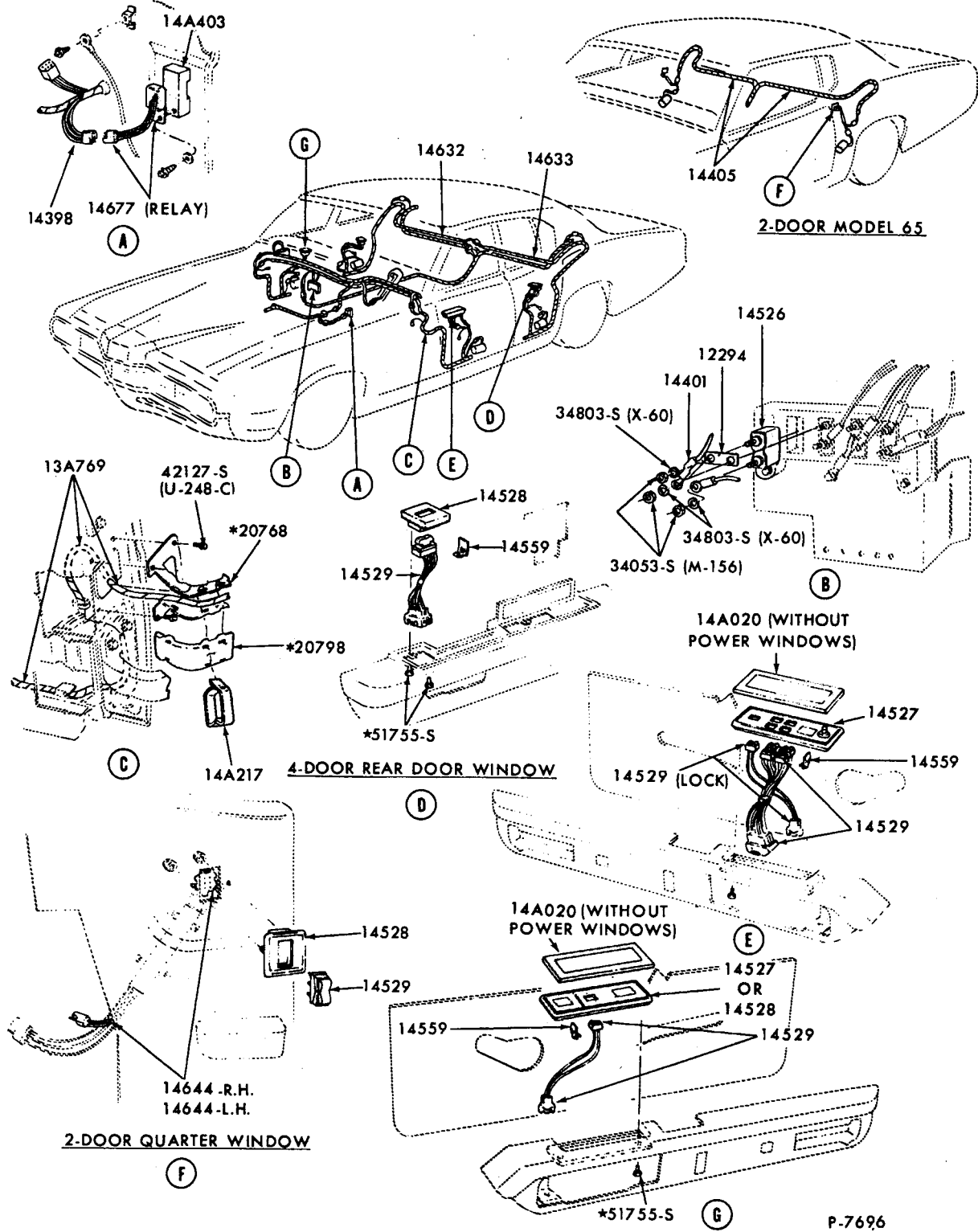


ELECTRIC WINDOW REGULATOR, CONTROLS, WIRING SYSTEM and RELATED PARTS  
1968/69 THUNDERBIRD



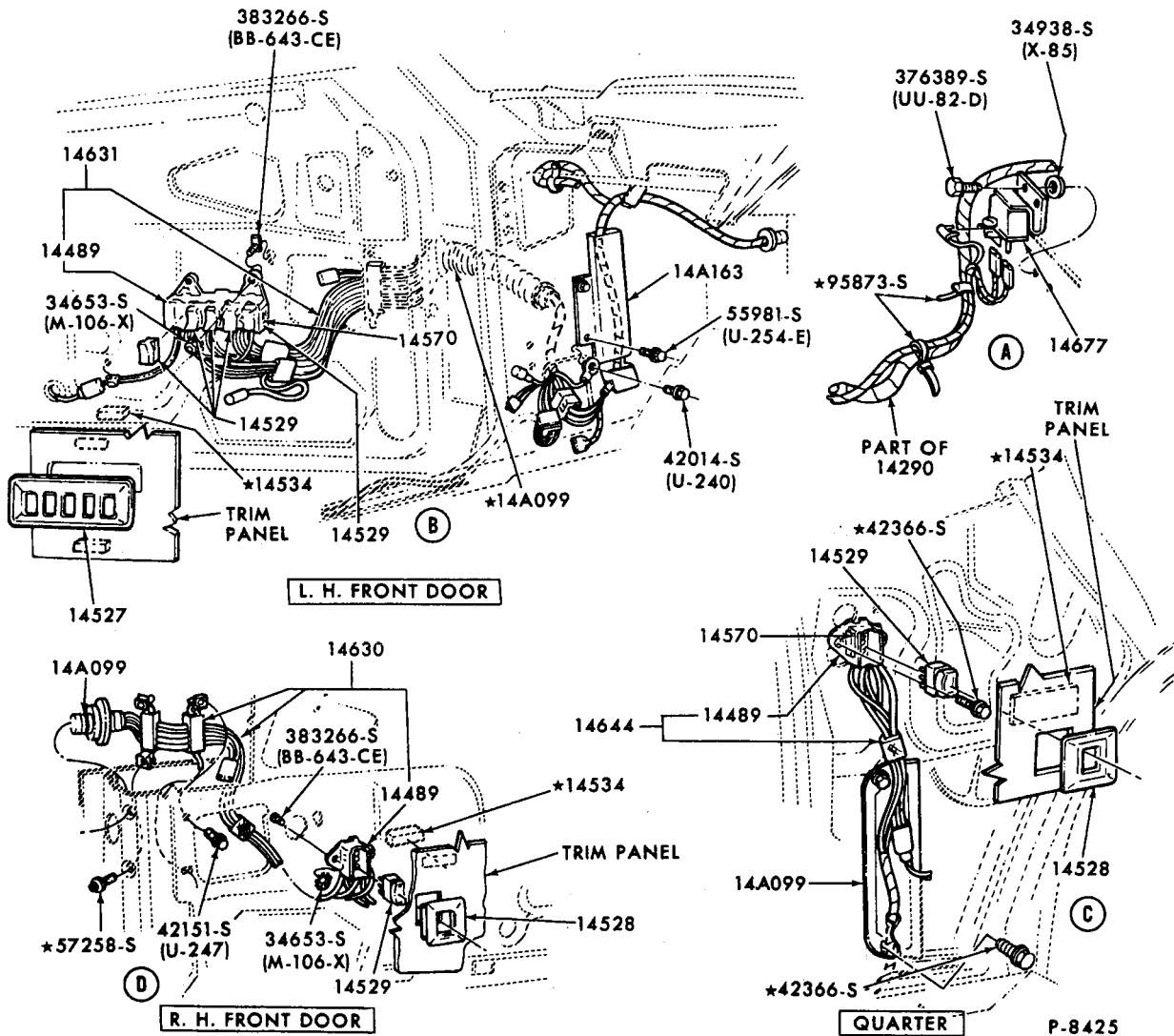
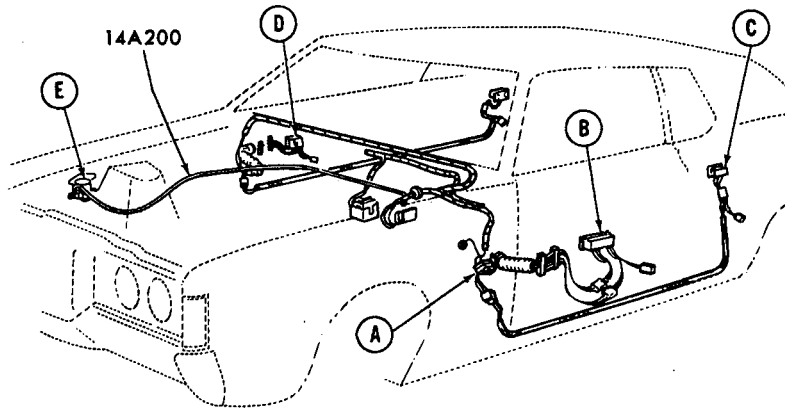
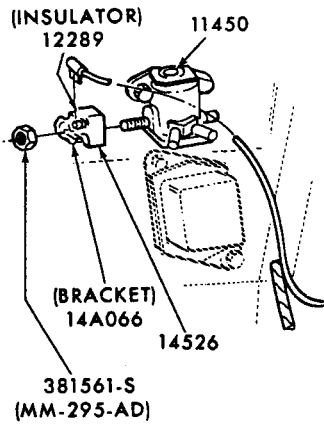
# FORD CAR PARTS

## ILLUSTRATION SECTION 140.3



ELECTRIC WINDOW REGULATORS, CONTROLS, WIRING SYSTEM and RELATED PARTS  
1970/71 THUNDERBIRD

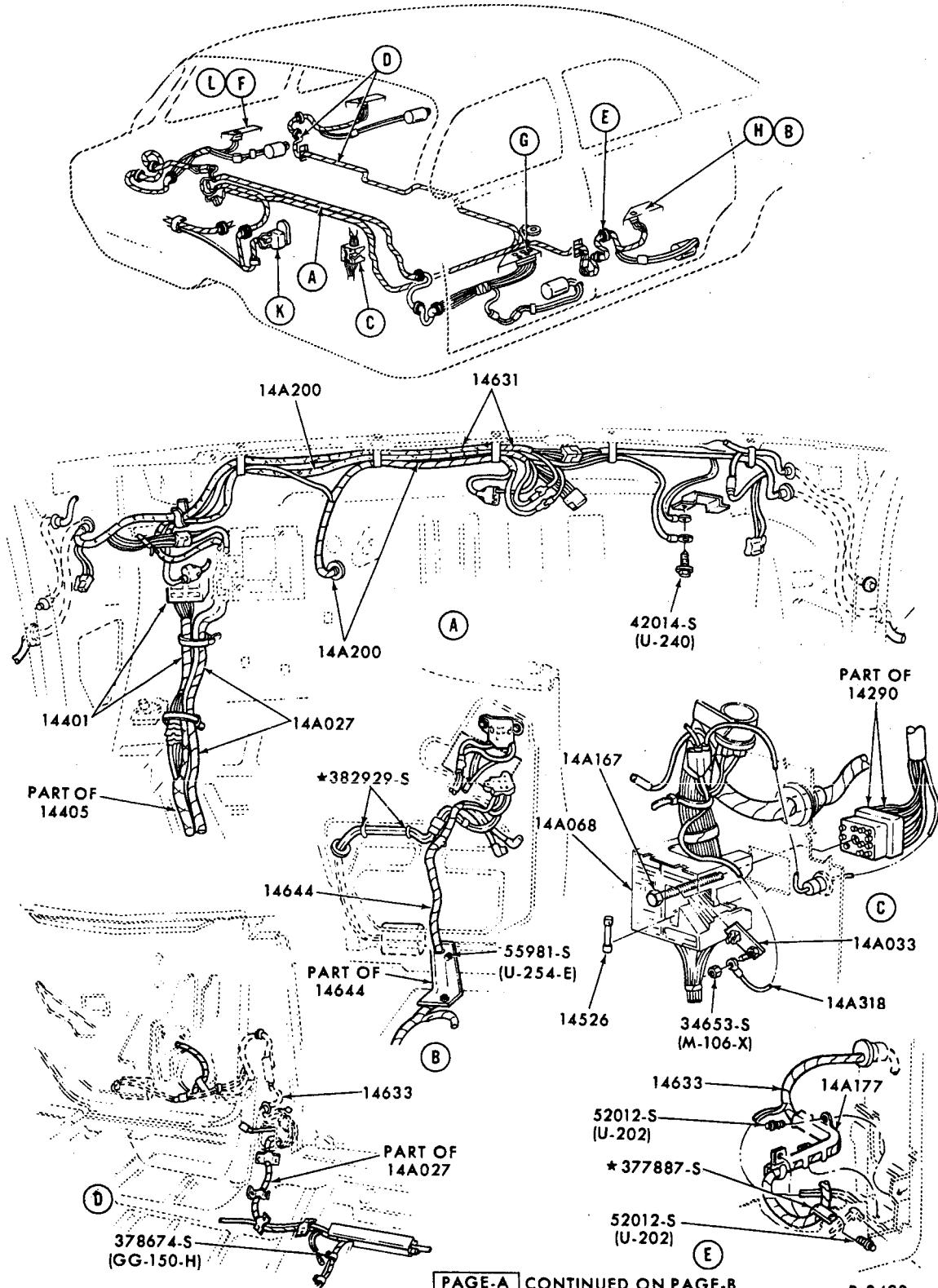
P-7696



ELECTRIC WINDOW REGULATORS, CONTROLS, WIRING SYSTEM  
1971/72 MUSTANG

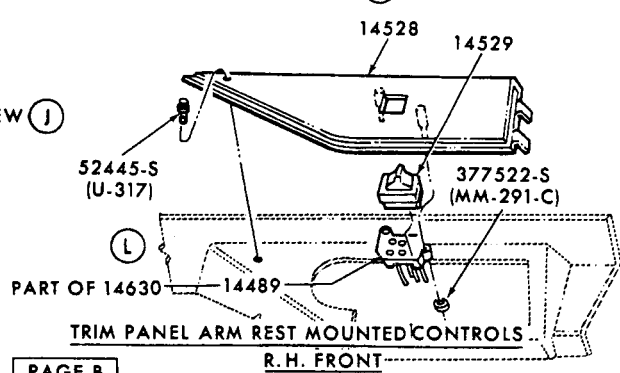
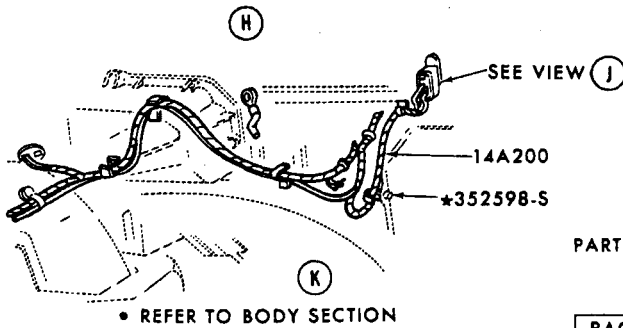
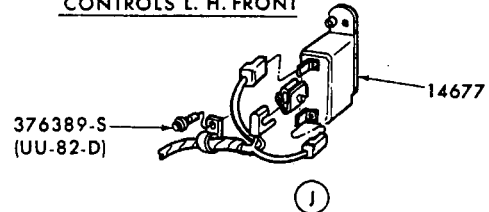
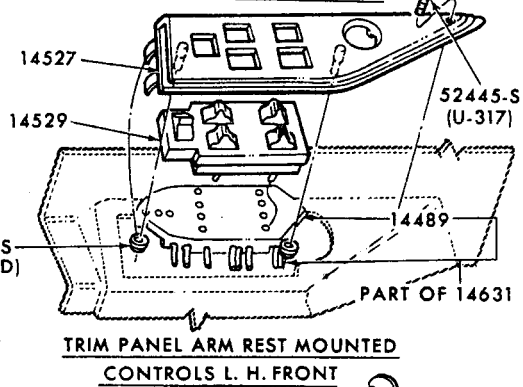
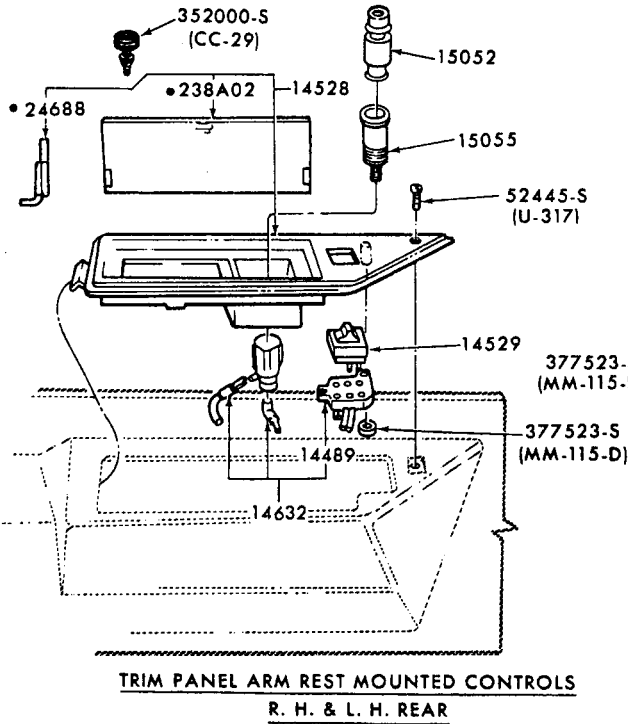
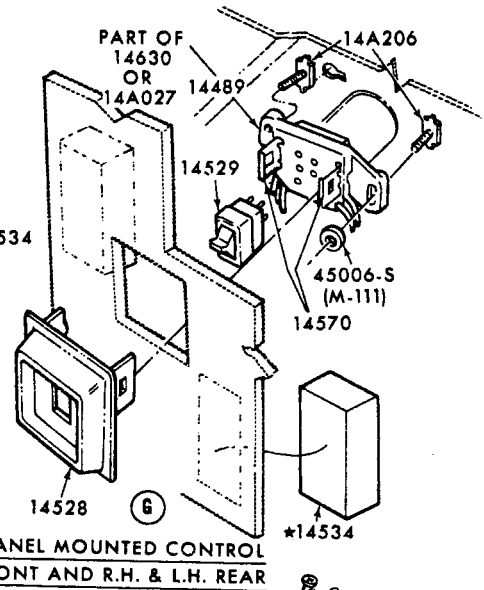
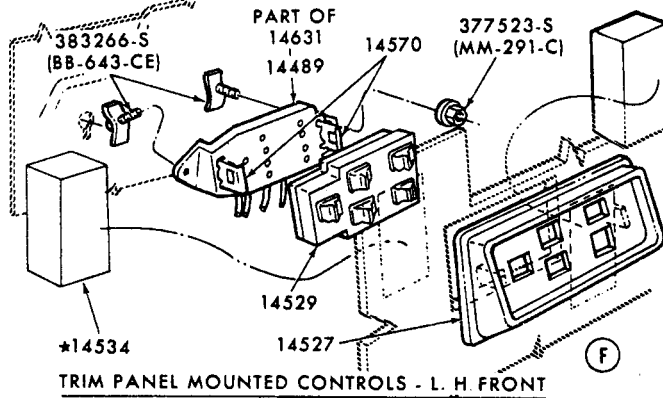


**FORD CAR PARTS**



PAGE-A CONTINUED ON PAGE-B

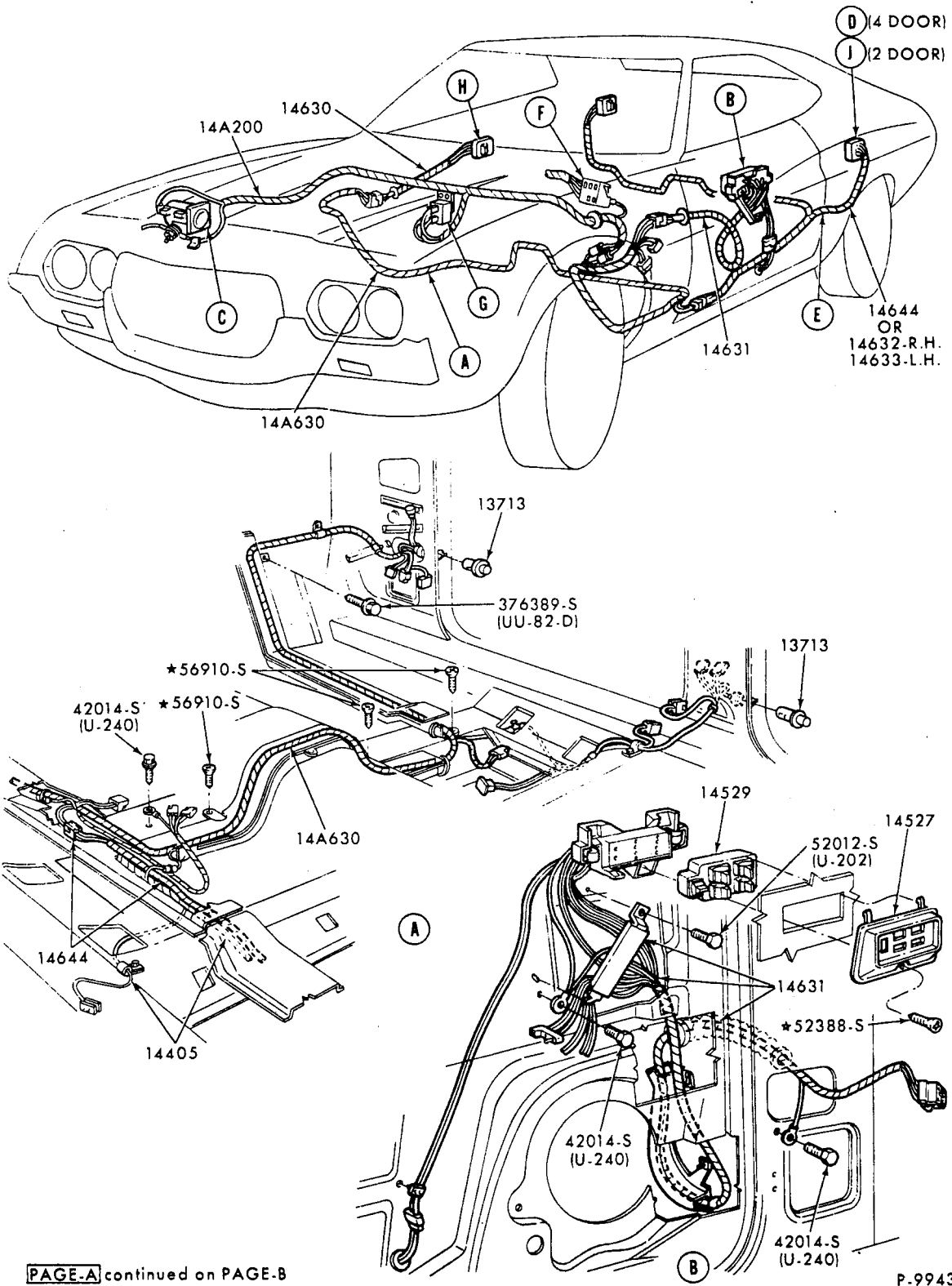
P-8423



PAGE-B

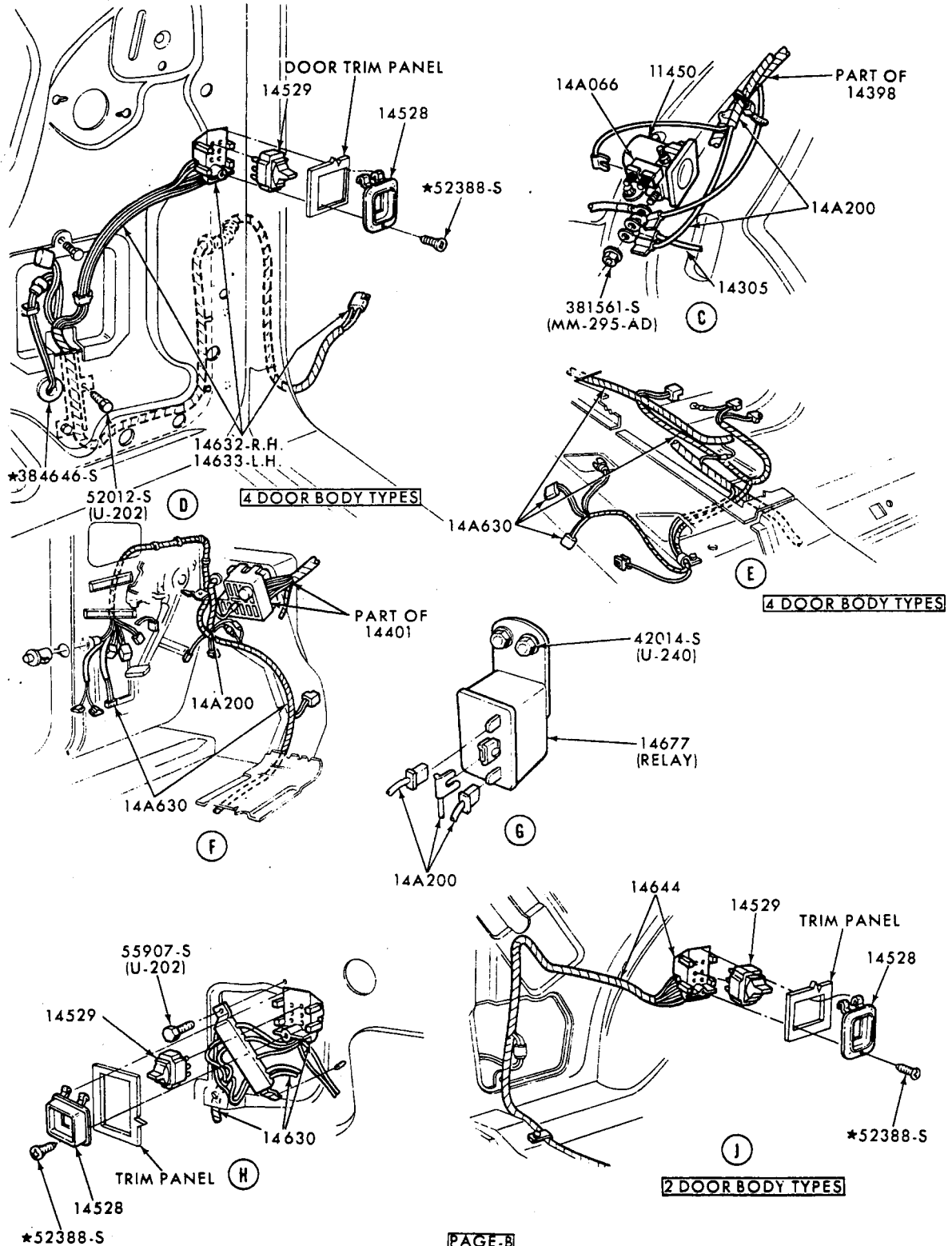
P-8424

**FORD CAR PARTS**



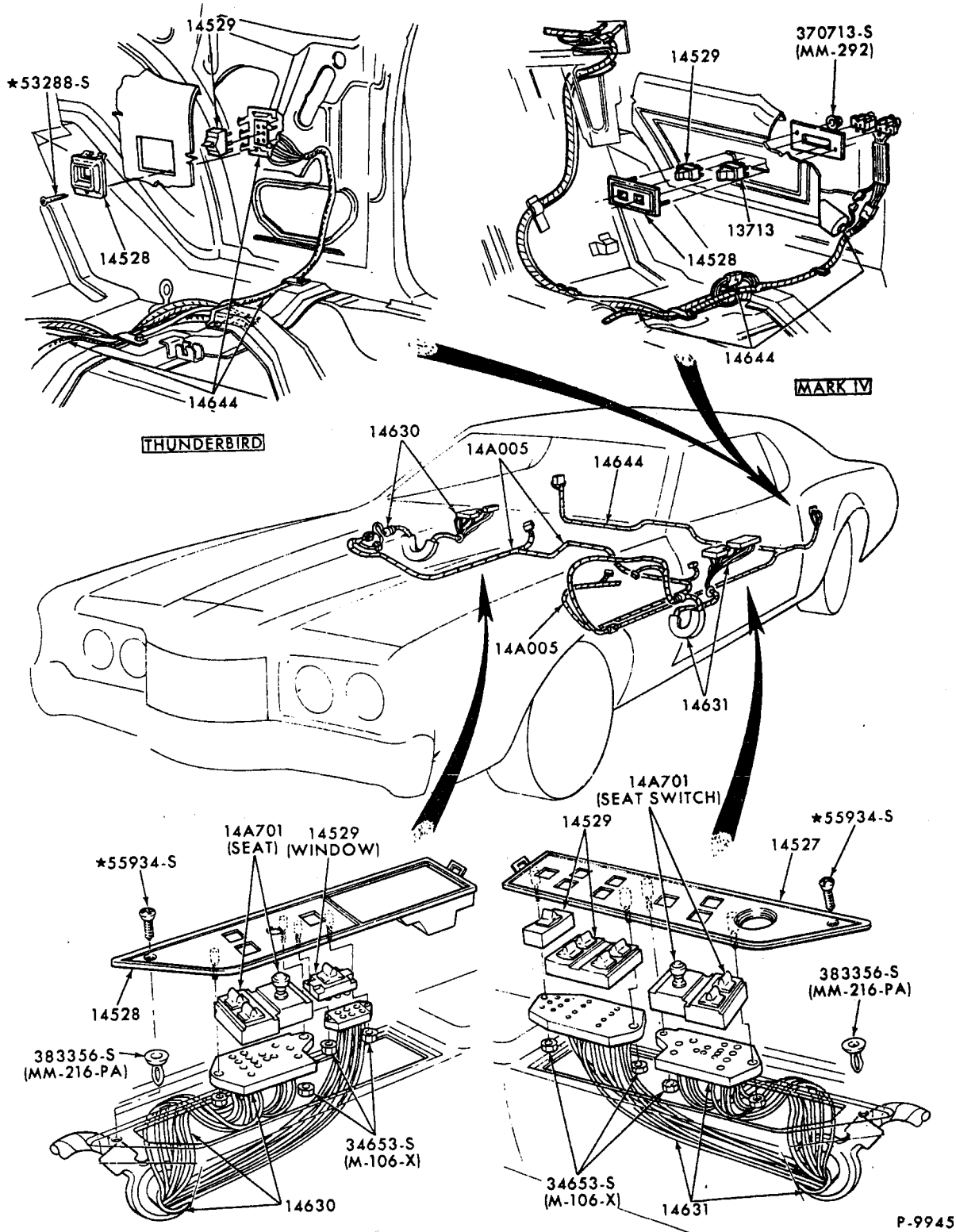
PAGE-A continued on PAGE-B

P.9943



PAGE B

P.9944

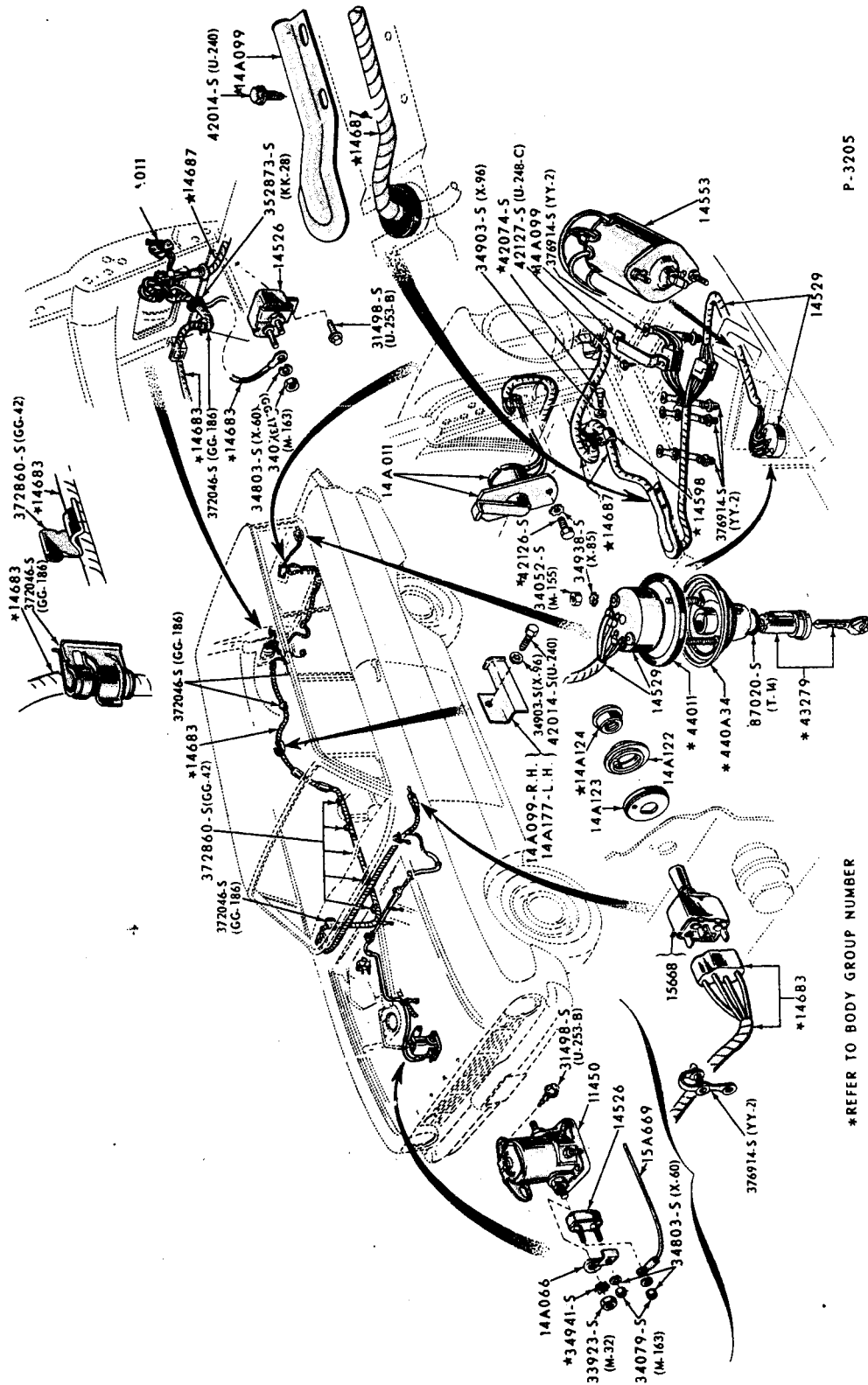


P-9945

ELECTRIC WINDOW REGULATOR, ELECTRIC POWER SEAT WIRING SYSTEM, CONTROLS and RELATED PARTS  
1972 THUNDERBIRD







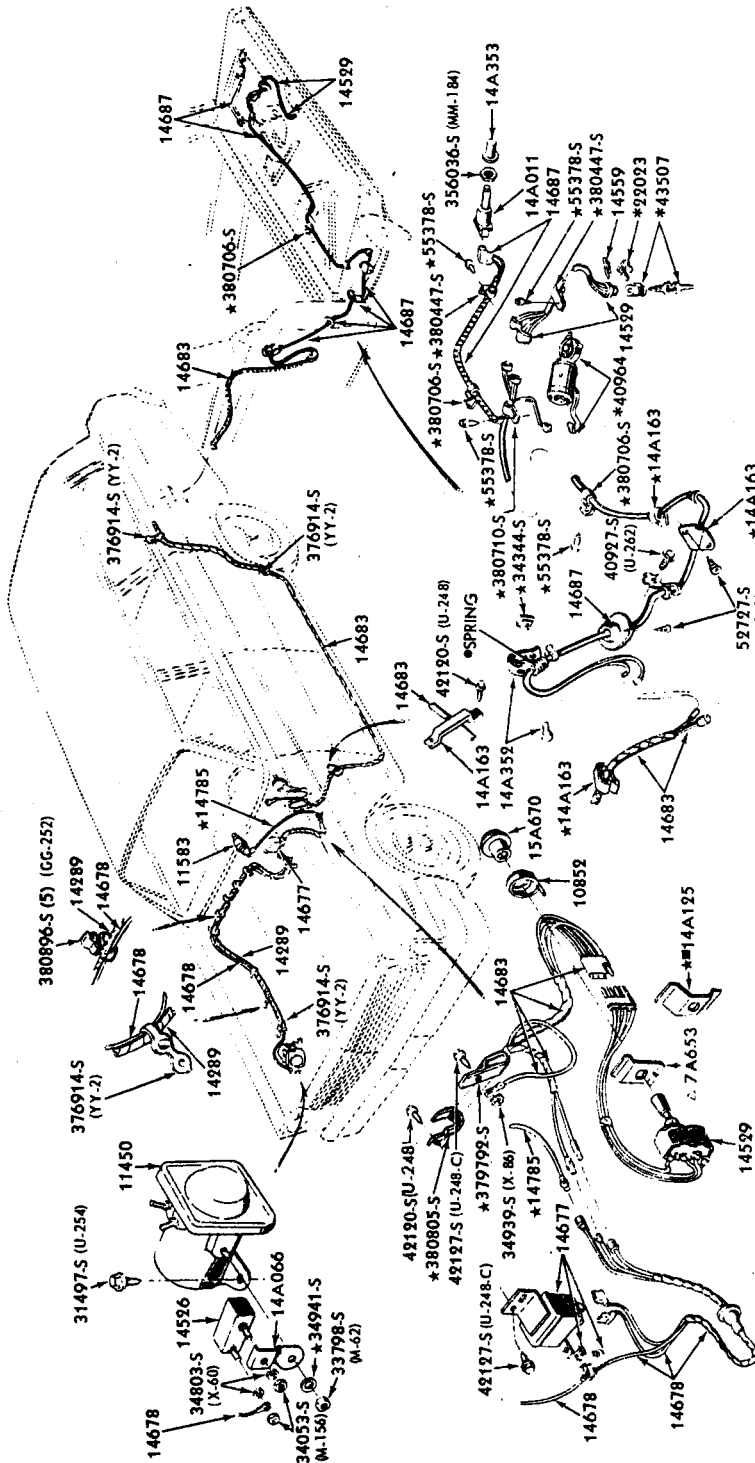
P-3205

\*REFER TO BODY GROUP NUMBER

ELECTRIC TAILGATE WINDOW REGULATOR, WIRING SYSTEM and RELATED PARTS - TYPICAL  
1965 FALCON - STATION WAGON



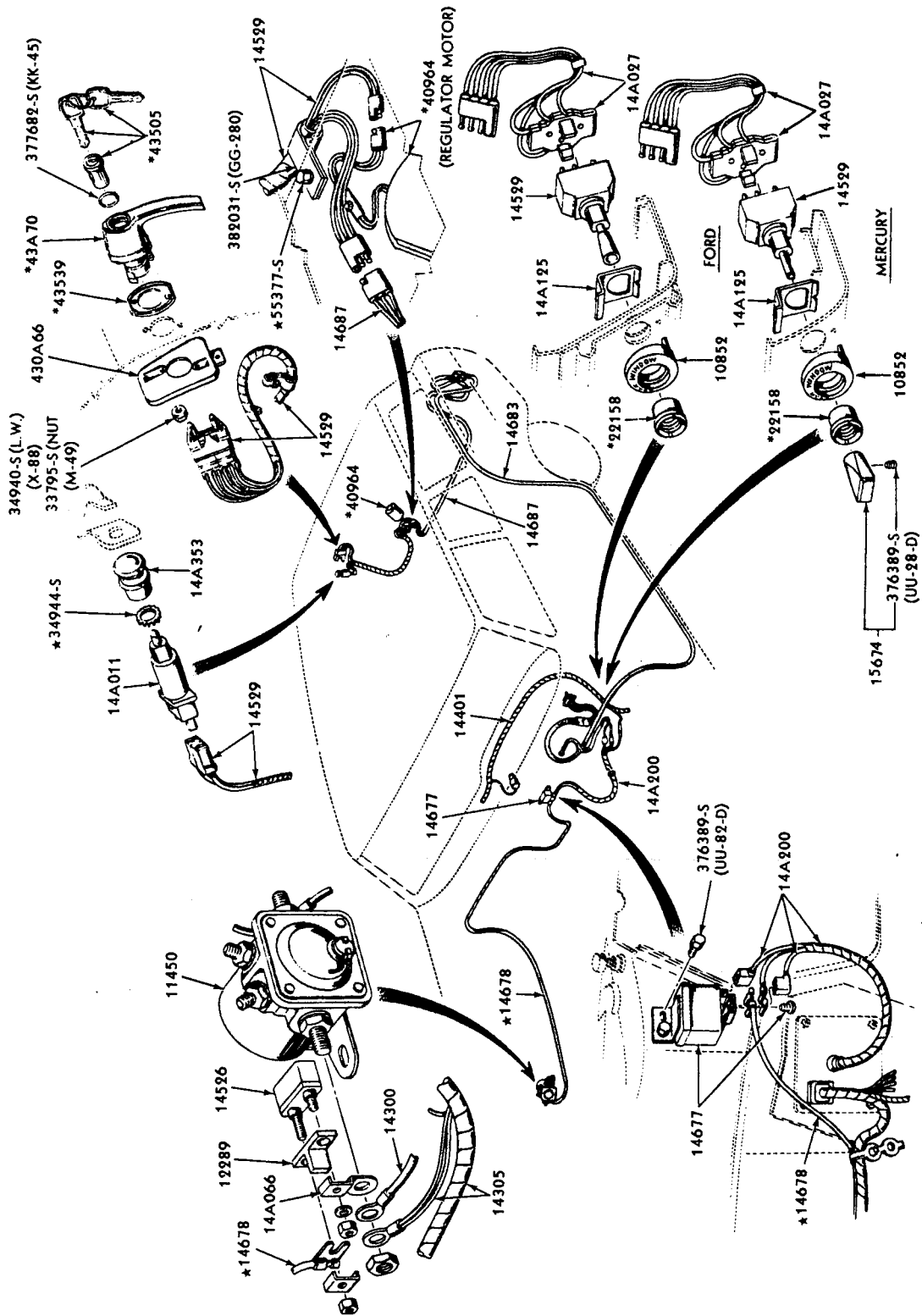
# FORD CAR PARTS



● SUPPLIED ONLY IN 14687 WIRING ASSEMBLY  
 \* REFER TO BODY GROUP NUMBER  
 ▲ MODELS 71A & 71E WITH FINISH PANEL  
 ■ MODELS 71B, 71C & 71D WITHOUT FINISH PANEL

ELECTRIC TAILGATE WINDOW, WIRING SYSTEM and RELATED PARTS  
1966/67 FORD - STATION WAGON

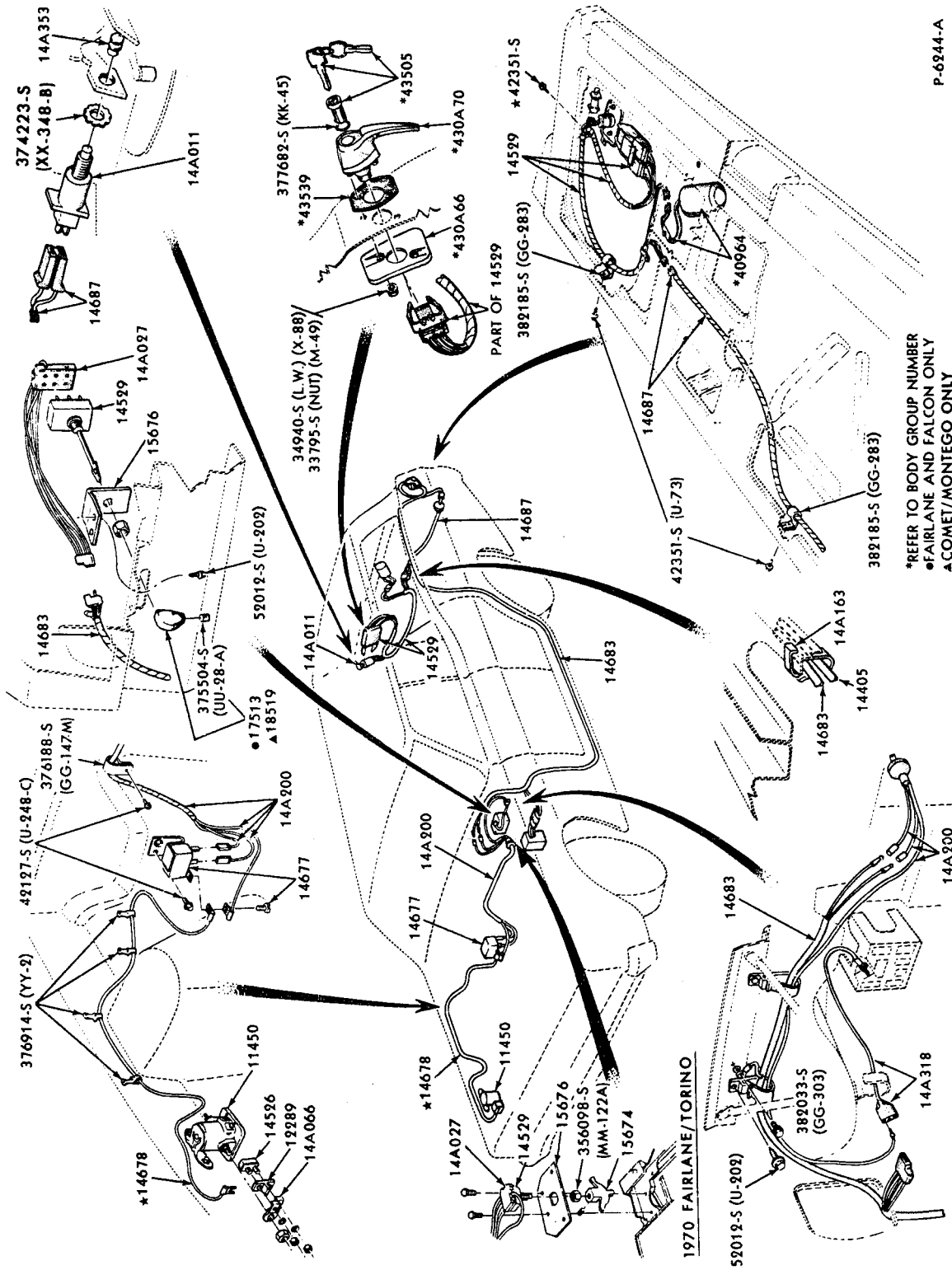




P-6861

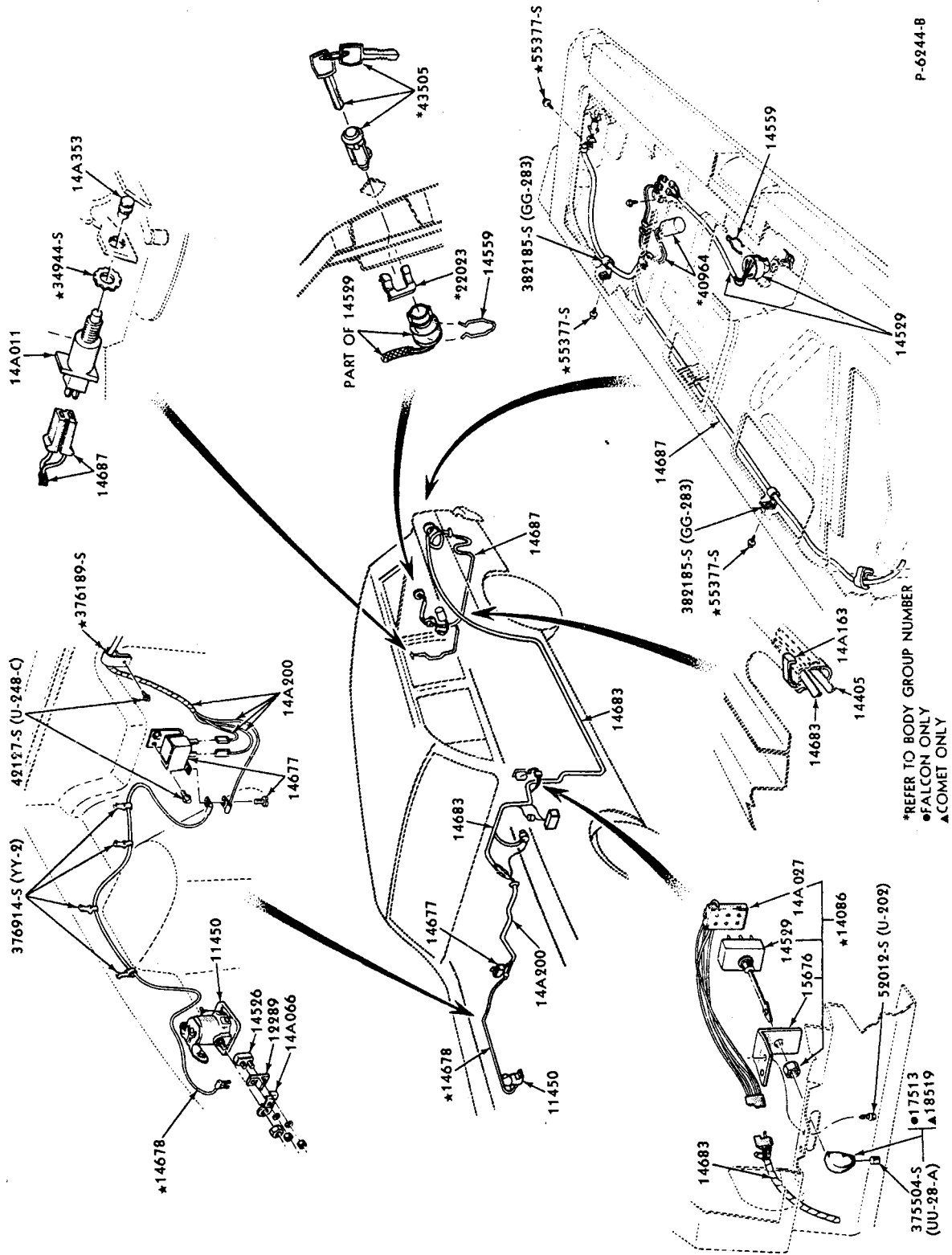
\*REFER TO BODY GROUP NUMBER

ELECTRIC TAILGATE WINDOW REGULATOR, WIRING SYSTEM and RELATED PARTS  
1968 FORD - STATION WAGON



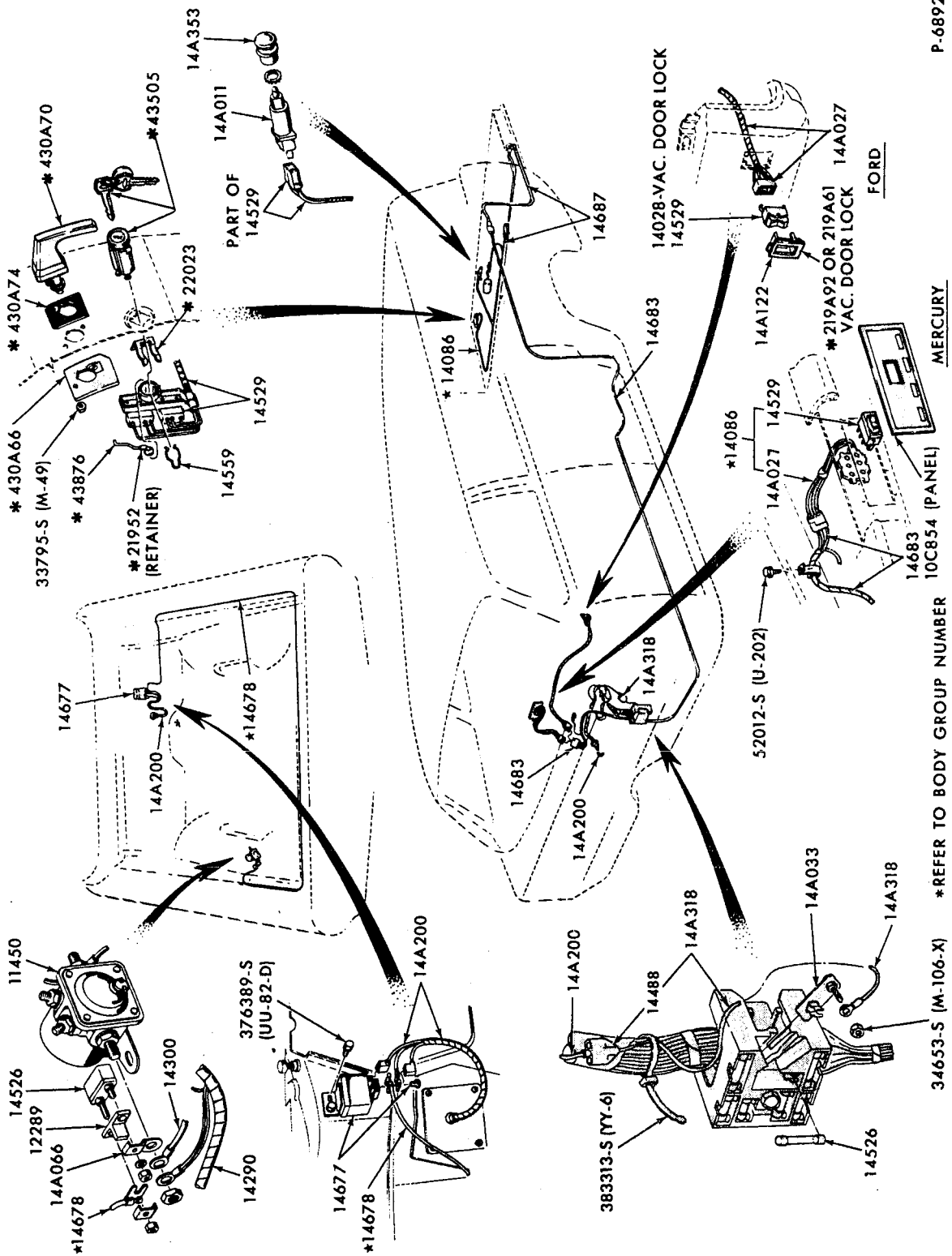
ELECTRIC TAILGATE WINDOW REGULATOR, WIRING SYSTEM and RELATED PARTS - DUAL ACTION  
1968/71 FAIRLANE/ TORINO and FALCON - STATION WAGON

# FORD CAR PARTS



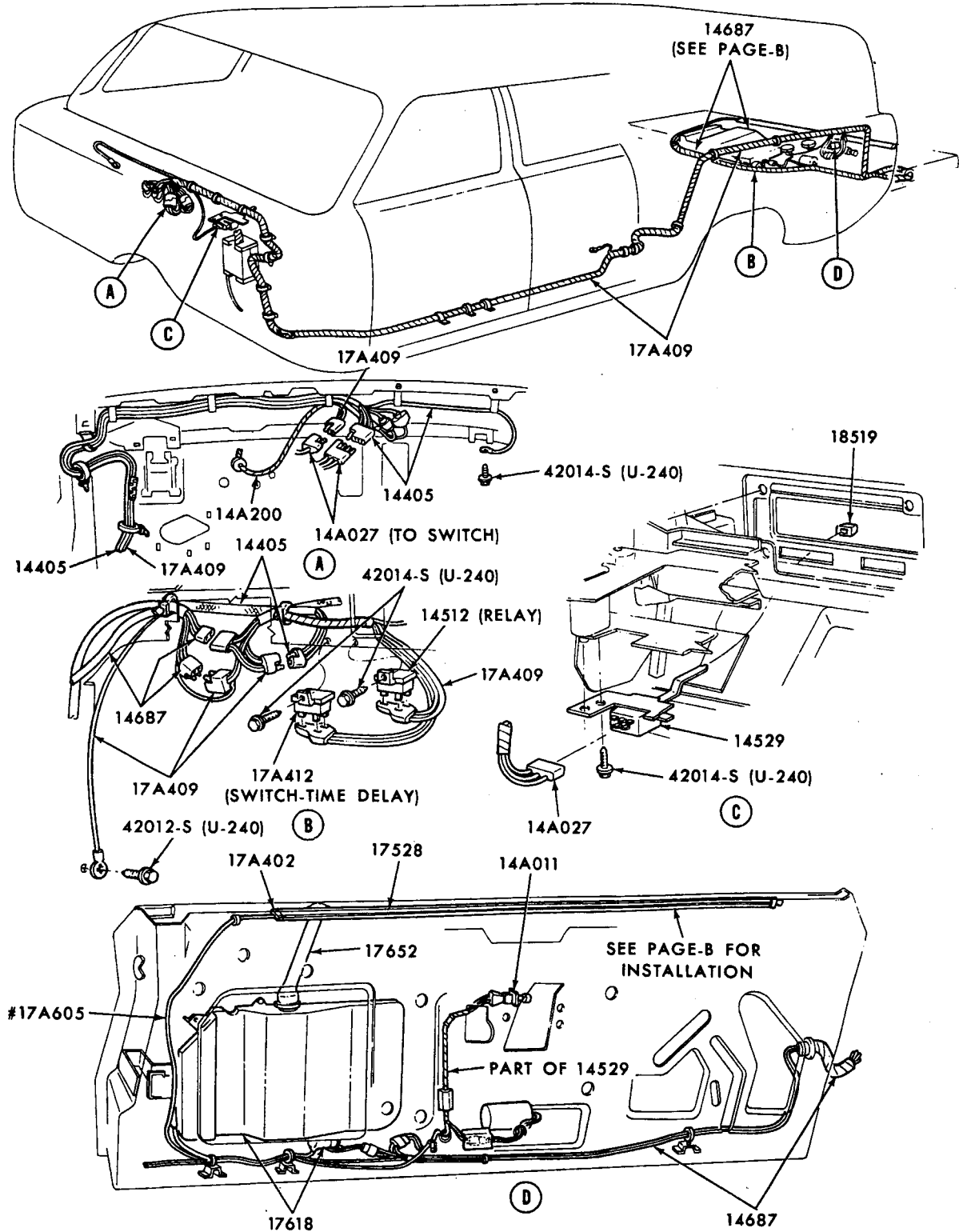
P-6244-B

ELECTRIC TAILGATE WINDOW REGULATOR, WIRING SYSTEM and RELATED PARTS - SINGLE ACTION  
1969/70 FALCON - STATION WAGON



P-6892

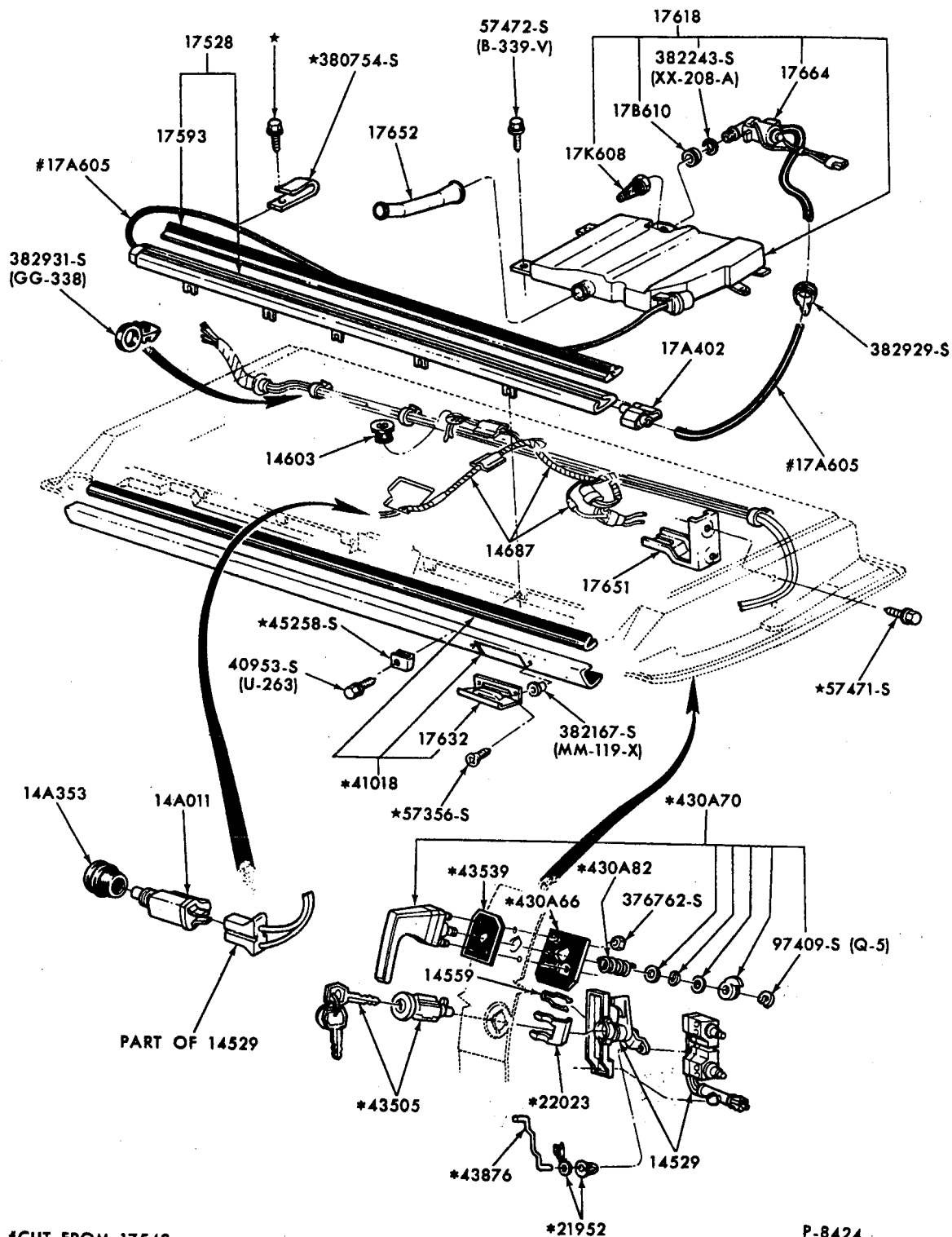
ELECTRIC TAILGATE WINDOW REGULATOR, WIRING SYSTEM and RELATED PARTS  
1969/70 FORD - STATION WAGON



# CUT FROM 17543 BULK HOSE

**PAGE-A** CONTINUED ON PAGE-B

P-8320



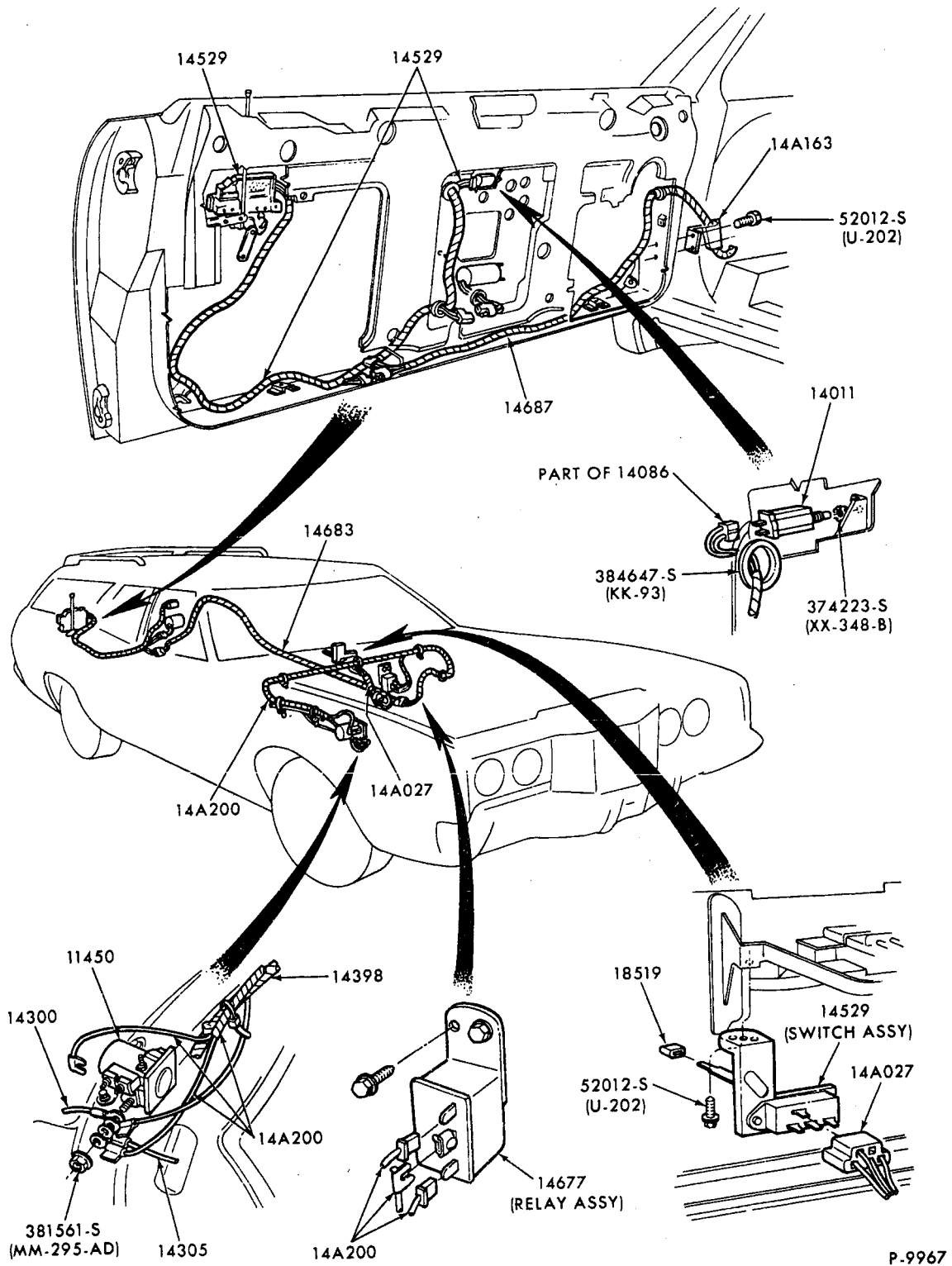
#CUT FROM 17543  
\*REFER TO GROUP IN BODY SECTION

PAGE-B

P-8424

ELECTRIC TAILGATE WINDOW REGULATOR, WIRING SYSTEM, WASHER and RELATED PARTS...Page B  
1971/72 FORD - STATION WAGON



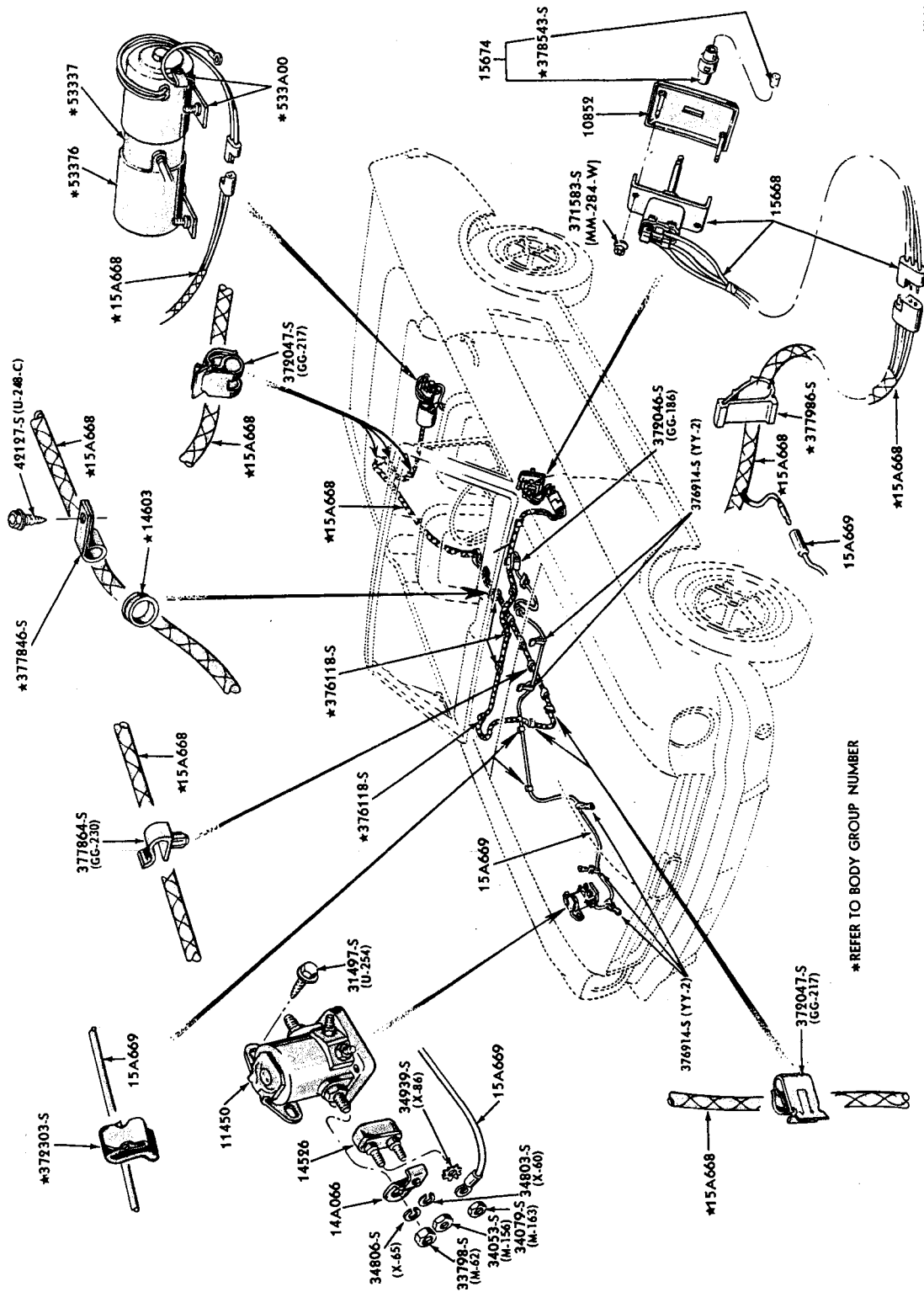


**ELECTRIC TAILGATE WINDOW REGULATOR and WIRING SYSTEM  
1972 TORINO**



ILLUSTRATION  
SECTION 140.5

FORD CAR PARTS



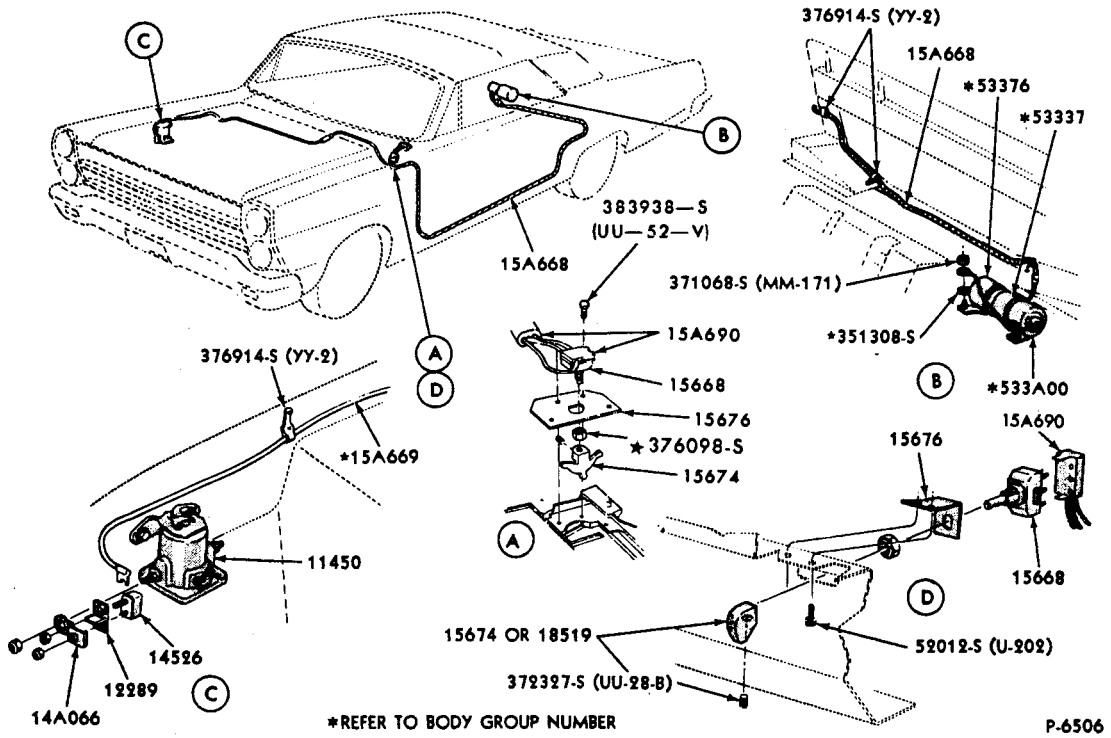
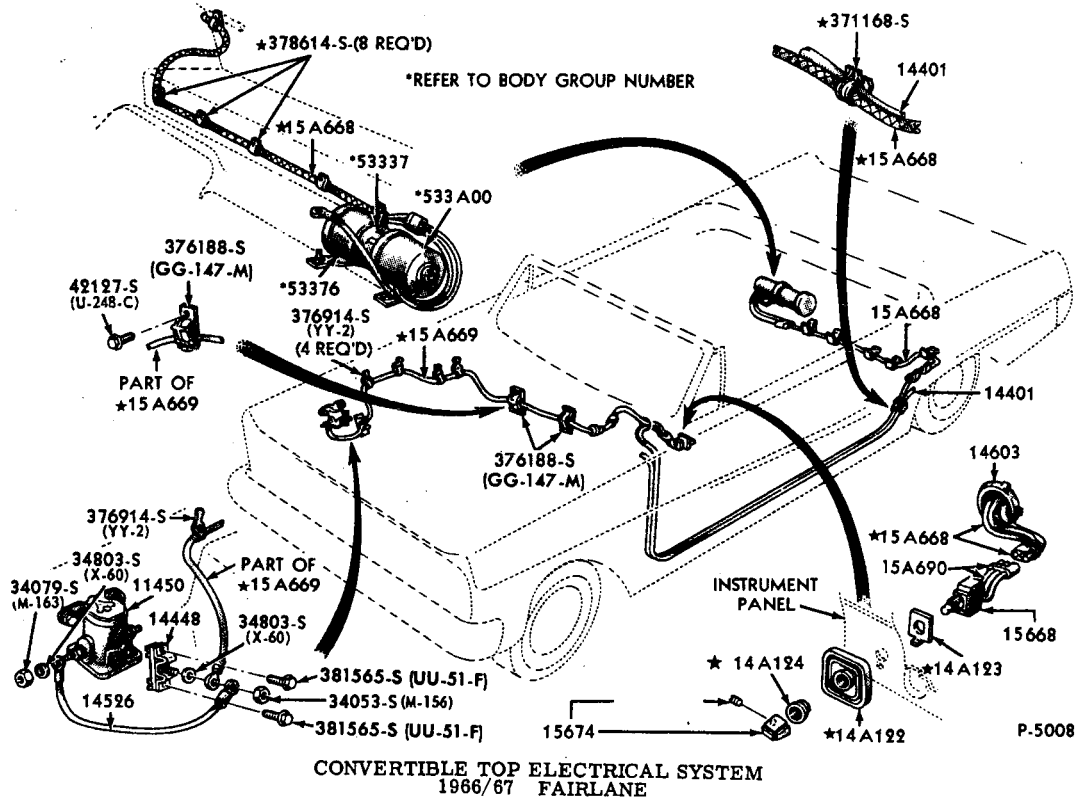
CONVERTIBLE TOP ELECTRICAL SYSTEM  
1965/66 MUSTANG





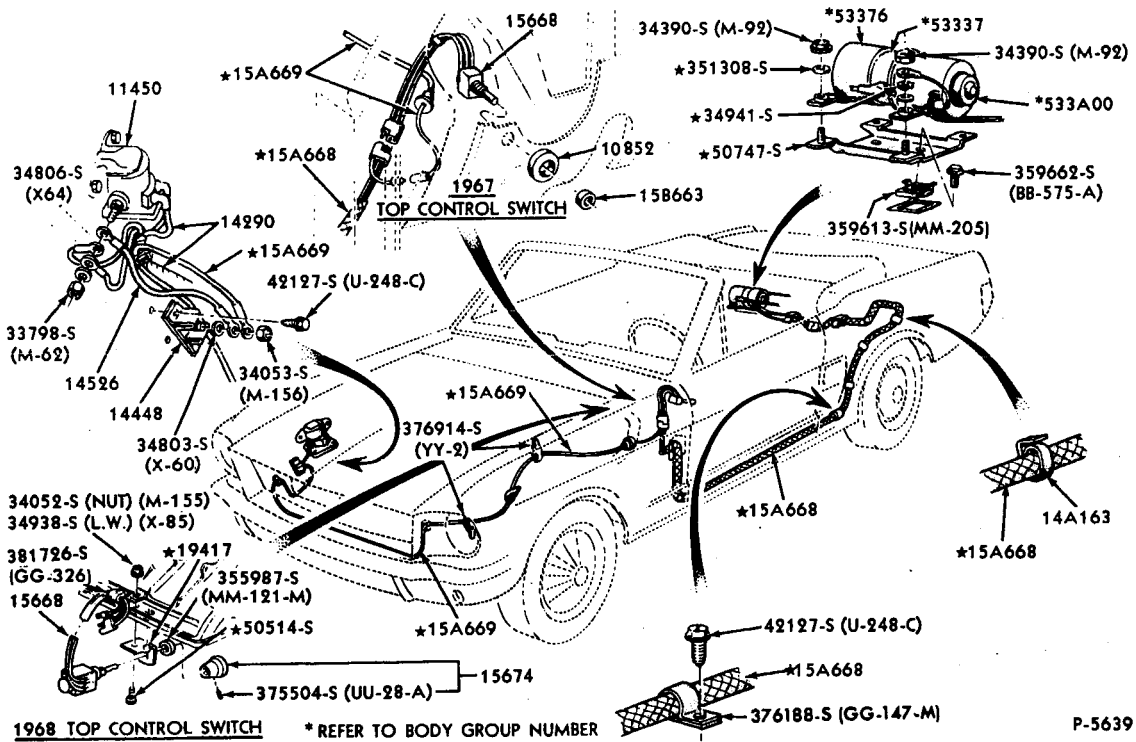






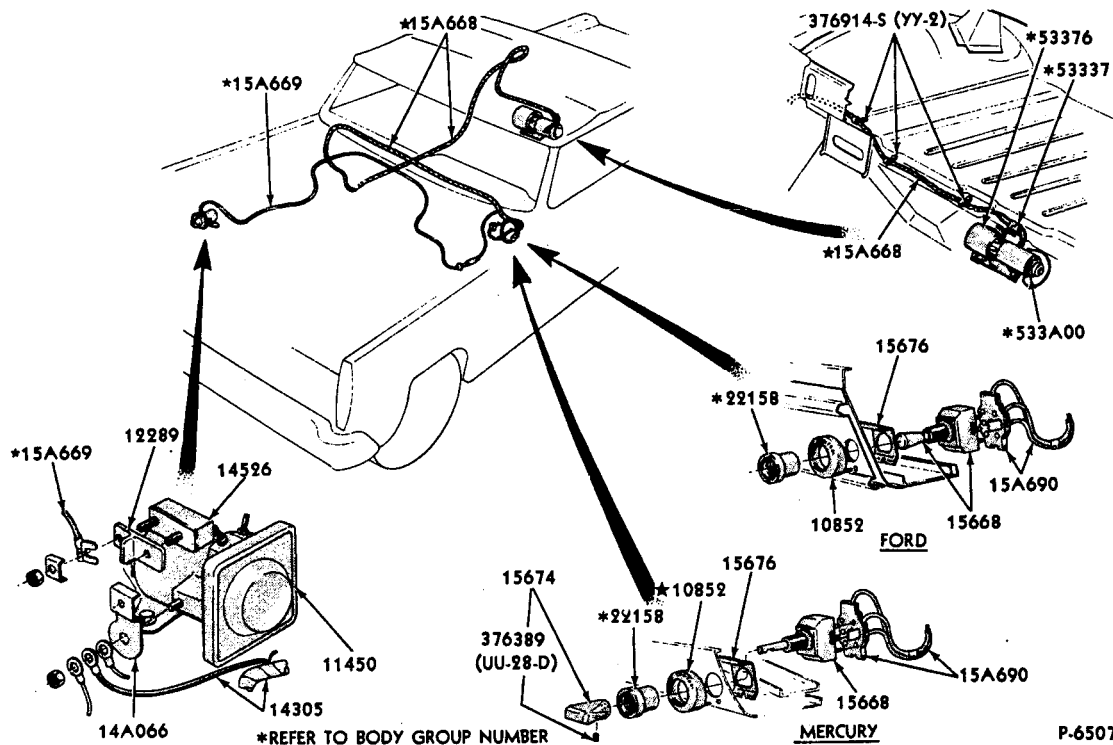


# FORD CAR PARTS



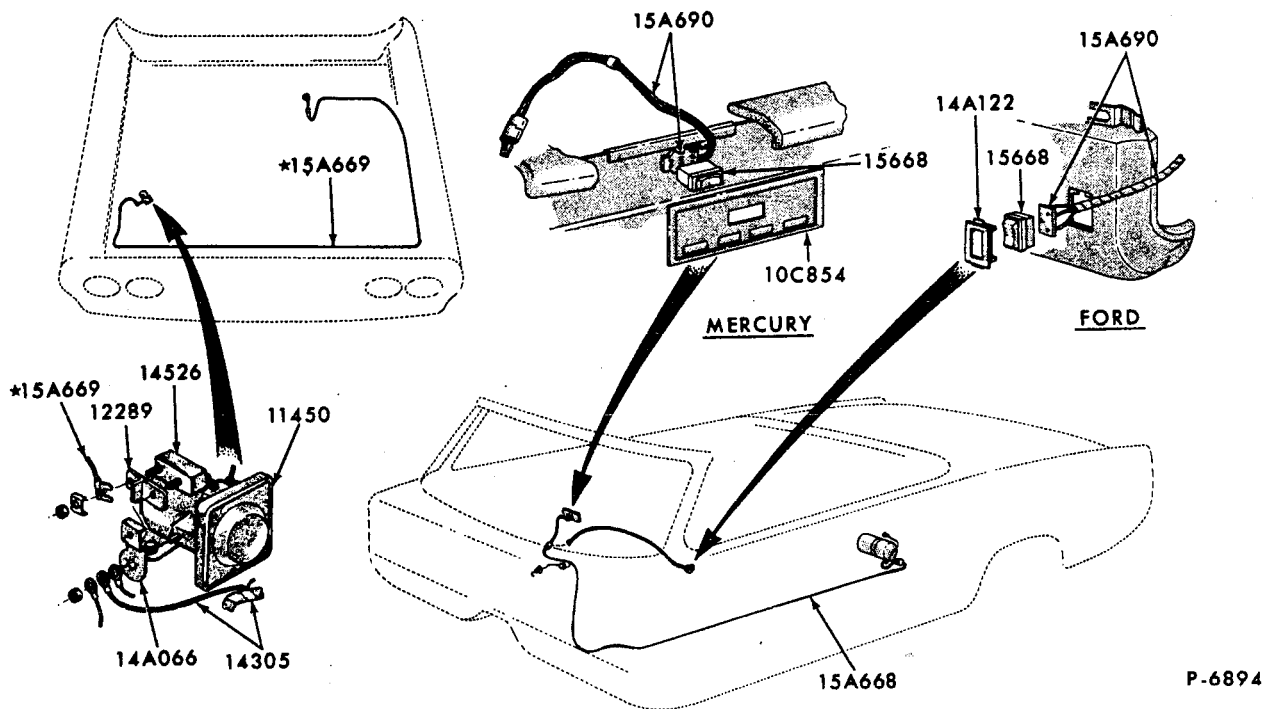
P-5639

CONVERTIBLE TOP ELECTRICAL SYSTEM  
1967/68 MUSTANG

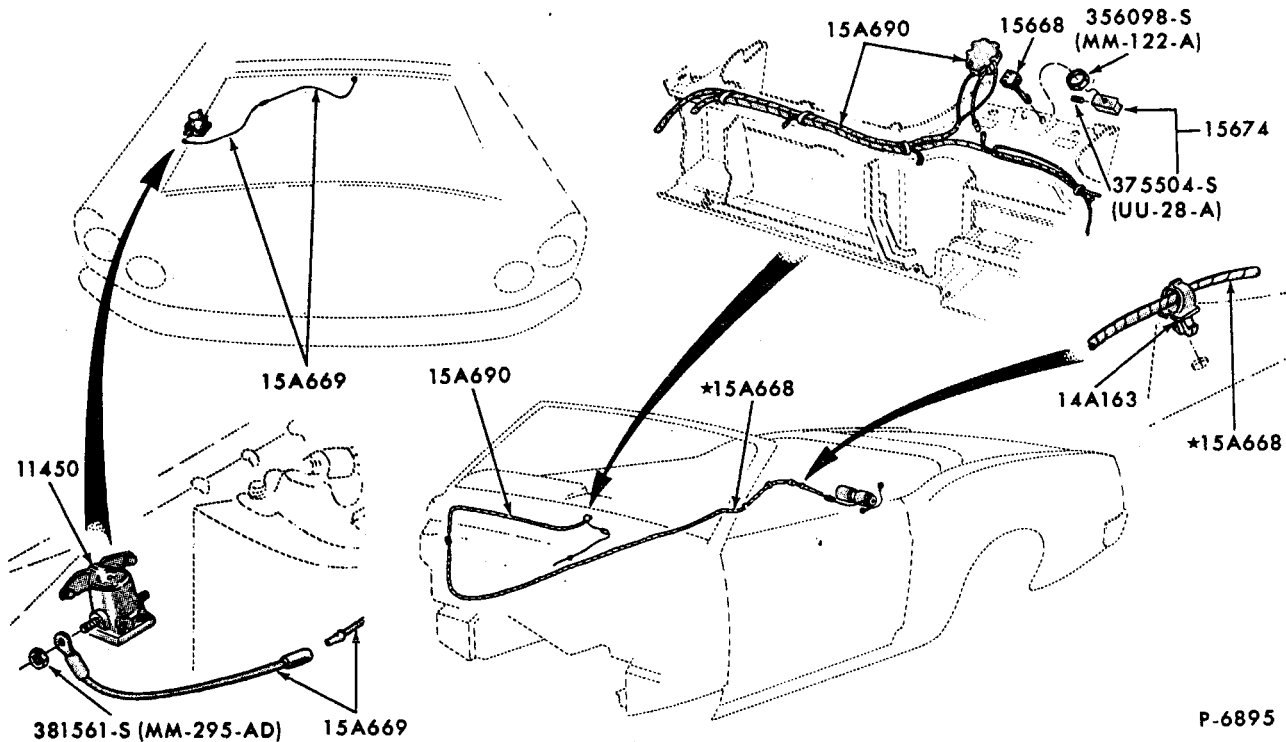


P-6507

CONVERTIBLE TOP ELECTRICAL SYSTEM  
1968 FORD



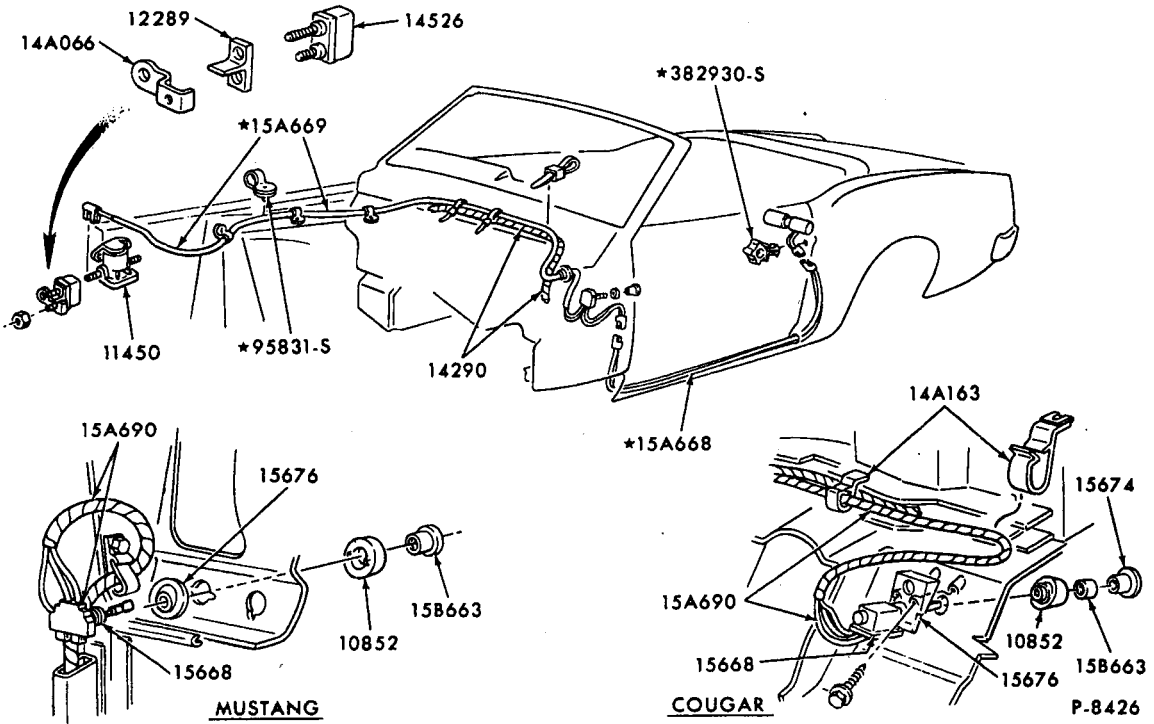
**CONVERTIBLE TOP ELECTRICAL SYSTEM  
1969/70 FORD**



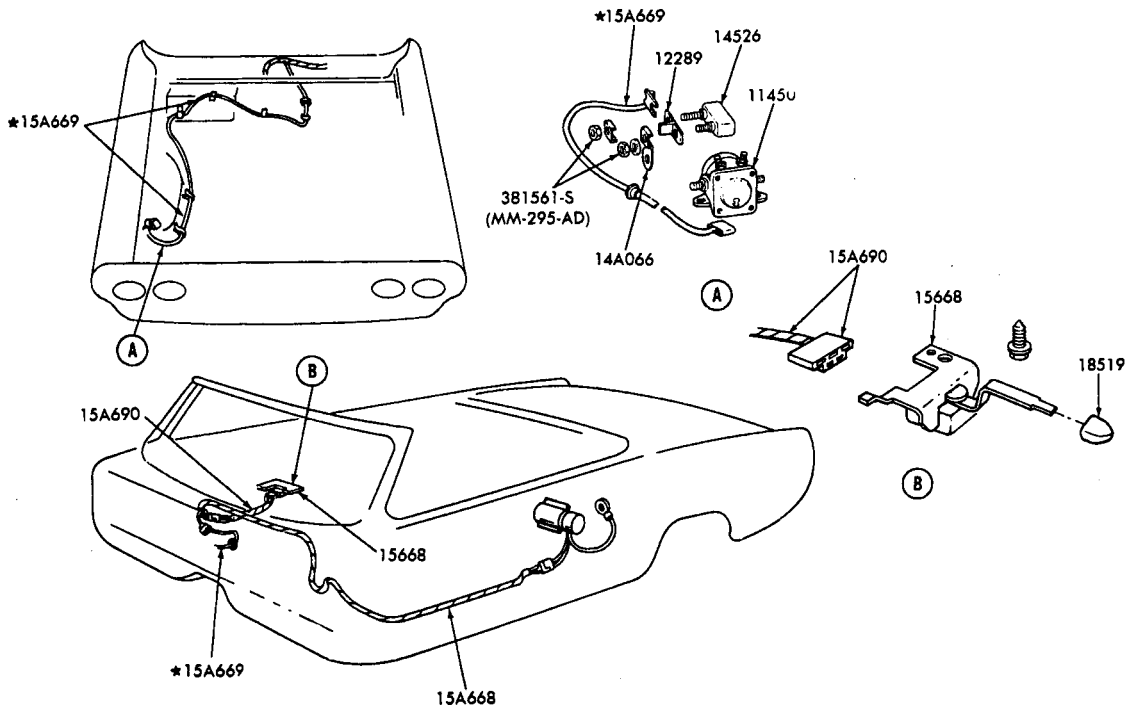
**CONVERTIBLE TOP ELECTRICAL SYSTEM  
1969/70 MUSTANG**

**FORD CAR PARTS**

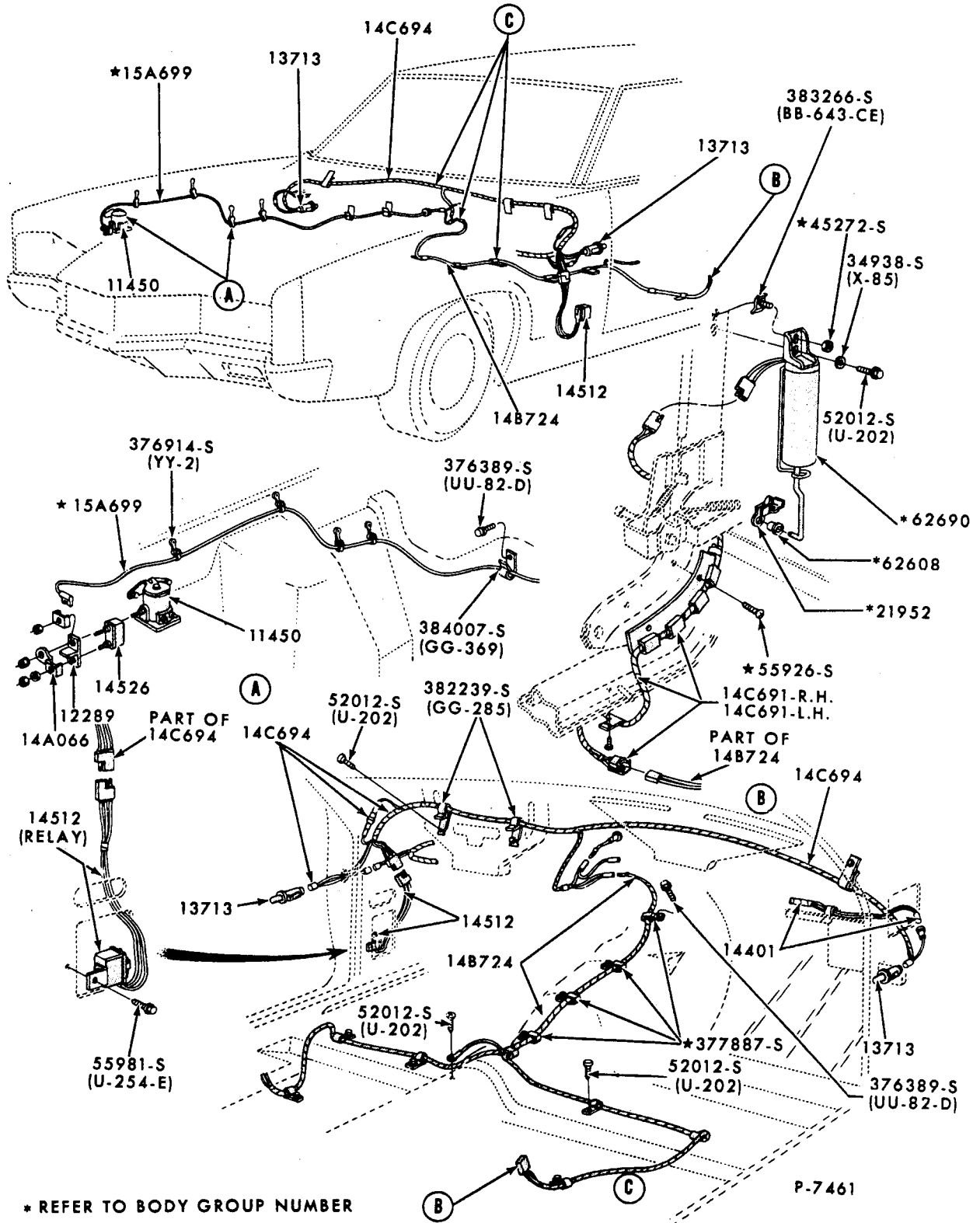
**ILLUSTRATION  
SECTION 140.5**



**CONVERTIBLE TOP ELECTRICAL SYSTEM  
1971/72 MUSTANG**



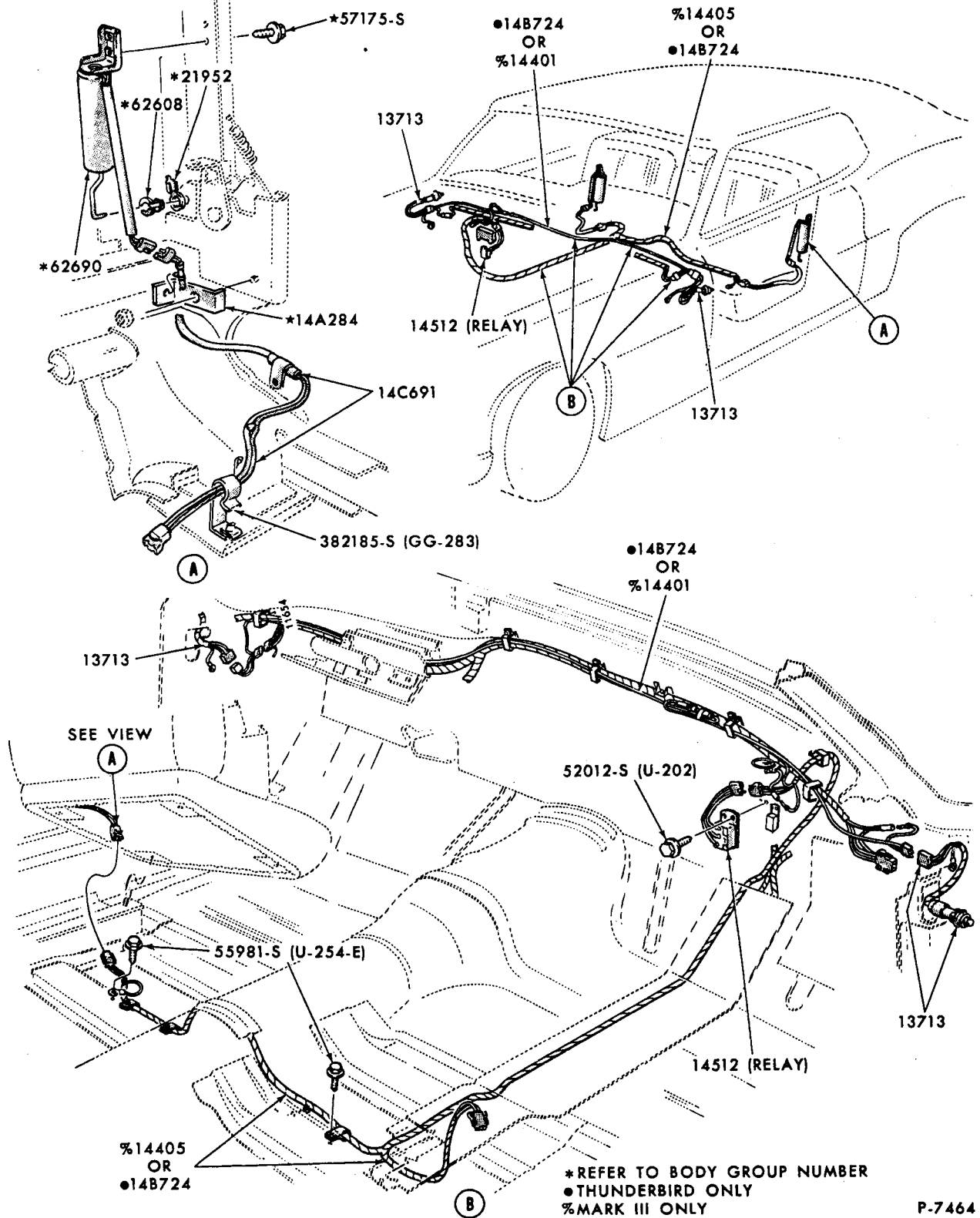
**CONVERTIBLE TOP ELECTRICAL SYSTEM  
1971/72 FORD**



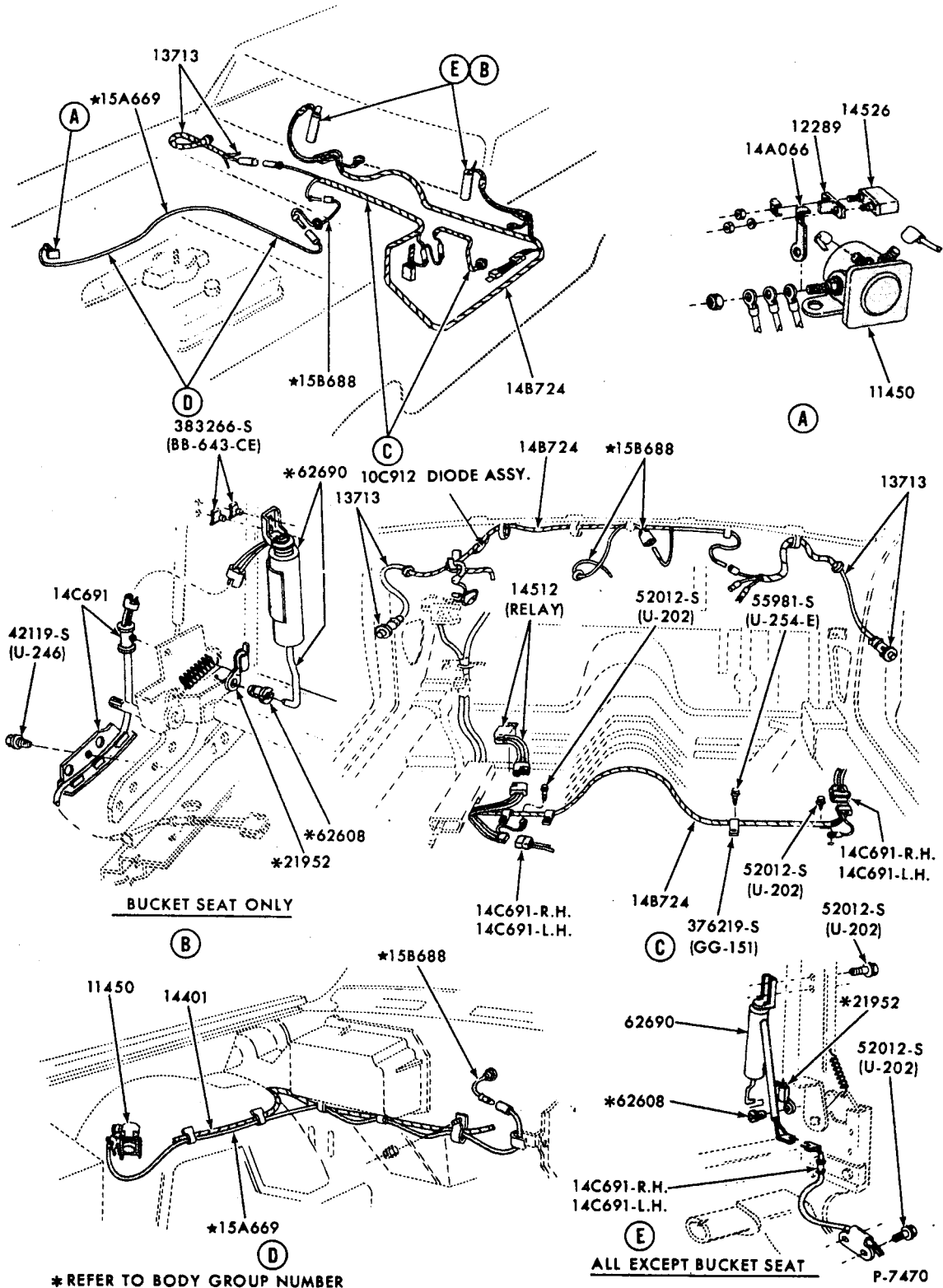
AUTOMATIC SEAT BACK LATCH WIRING  
1970/71 FAIRLANE/TORINO

# FORD CAR PARTS

## ILLUSTRATION SECTION 140.6



AUTOMATIC SEAT BACK LATCH WIRING  
1970/71 THUNDERBIRD



AUTOMATIC SEAT BACK LATCH WIRING  
1970/72 FORD

**INDEX**

THIS INDEX SECTION INCLUDES THE FOLLOWING MAJOR GROUPS:

FENDERS and RELATED PARTS                      FRONT END PARTS  
FENDER MOULDINGS and NAME PLATES              HOODS

TITLE	SECTION	PAGE	ILLUS. NO.	TITLE	SECTION	PAGE	ILLUS. NO.
-------	---------	------	------------	-------	---------	------	------------

**1965**

<b>A (FORD)</b>			
Fender and apron sheet metal	160	1	P-7751
Fender ornamentation - Refer to Exterior Moulding Illustration Section A			
Hood	166	1	P-4613
<b>B (FAIRLANE)</b>			
Fender and apron sheet metal	160	2	P-9208
Fender ornamentation - Refer to Exterior Moulding Illustration Section B			
Hood	166	1	P-4717
<b>F (MUSTANG)</b>			
Fender and apron sheet metal	160	3	P-9205
Fender ornamentation - Refer to Exterior Moulding Illustration Section F			
Hood	166	2	P-4462

<b>S (THUNDERBIRD)</b>			
Fender and apron sheet metal	160	4	P-4246
Fender ornamentation - Refer to Exterior Moulding Illustration Section S			
Front end sheet metal	160	5	P-4247
Hood	166	2	P-4222
<b>X (FALCON)</b>			
Fender and apron sheet metal	160	6	P-9201
Fender ornamentation - Refer to Exterior Moulding Illustration Section X			
Hood	166	3	P-4255

**1966**

<b>A (FORD)</b>			
Fender and apron sheet metal	160	1	P-7751
Fender Ornamentation - refer to Exterior Moulding Illustration Section A			
Hood	166	1	P-4613
<b>B (FAIRLANE)</b>			
Fender and apron sheet metal	160	7	P-4946
Hood	166	5	P-4949
<b>F (MUSTANG)</b>			
Fender and apron sheet metal	160	3	P-9205
Fender ornamentation - Refer to Exterior Moulding Illustration Section F			
Hood	166	2	P-4462

<b>S (THUNDERBIRD)</b>			
Fender and apron sheet metal	160	4	P-4246
Fender ornamentation - Refer to Exterior Moulding Illustration Section S			
Front end sheet metal	160	5	P-4247
Hood	166	4	P-5146
<b>U (BRONCO)</b>			
Fender and apron sheet metal	160	9	P-9203
Hood	166	18	P-10054
<b>X (FALCON)</b>			
Fender and apron sheet metal	160	8	P-9202
Fender ornamentation - Refer to Exterior Moulding Illustration Section X			
Hood	166	3	P-4948

**1967**

<b>A (FORD)</b>			
Fender and apron sheet metal	160	10	P-9213
Fender Ornamentation - refer to Exterior Moulding Illustration Section A			
Hood	166	4	P-5606
<b>B (FAIRLANE)</b>			
Fender and apron sheet metal	160	7	P-4946
Fender Ornamentation - refer to Exterior Moulding Illustration Section B			
Hood	166	5	P-4949

<b>S (THUNDERBIRD)</b>			
Fender and apron sheet metal	160	13	P-5521
Fender Ornamentation - refer to Exterior Moulding Illustration Section S			
Hood	166	6	P-5522
<b>U (BRONCO)</b>			
Fender and apron sheet metal	160	9	P-9203
Fender ornamentation - Refer to Exterior Moulding Illustration Section U			
Hood	166	18	P-10054

continued on next page

B

**ILLUSTRATION  
SECTION 160**

**FORD CAR PARTS**

**INDEX**

TITLE | SECTION | PAGE | ILLUS. NO. | TITLE | SECTION | PAGE | ILLUS. NO.

**1967**

F (MUSTANG)			
Fender and apron sheet metal -except Shelby GT350/500	160	11	P-9206
-Shelby GT350/500	160	12	P-9207
Fender ornamentation - Refer to Exterior Moulding Illustration Section F			
Hood	166	6	P-5610

X (FALCON)			
Fender and apron sheet metal	160	8	P-9202
Fender ornamentation - refer to Exterior Moulding Illustration Section X			
Hood	166	3	P-4948

**1968**

A (FORD)			
Fender and apron sheet metal	160	14	P-5980
Fender ornamentation - refer to Exterior Moulding Illustration Section A			
Hood	166	7	P-5981

B (FAIRLANE/TORINO)			
Fender and apron sheet metal	160	15	P-6039
Fender Ornamentation - refer to Exterior Moulding Illustration Section B			
Hood	166	7	P-6265

F (MUSTANG)			
Fender and apron sheet metal -except Shelby GT350/500	160	11	P-9206
-Shelby GT350/500	160	12	P-9207
Fender ornamentation - Refer to Exterior Moulding Illustration Section F			
Hood	166	6	P-5610

U (BRONCO)			
Fender and apron sheet metal	160	9	P-9203
Hood	166	18	P-10054

S (THUNDERBIRD)			
Fender and apron sheet metal	160	13	P-5521
Fender ornamentation - Refer to Exterior Moulding Illustration Section S			
Hood	166	6	P-5522

X (FALCON)			
Fender and apron sheet metal	160	8	P-9202
Fender ornamentation - Refer to Exterior Moulding Illustration Section X			
Hood	166	8	P-6034

**1969**

A (FORD)			
Fender and apron sheet metal	160	16	P-6620
Fender ornamentation - Refer to Exterior Moulding Illustration Section A			
Hood	166	8	P-6728

S (THUNDERBIRD)			
Fender and apron sheet metal	160	13	P-5521
Fender ornamentation - Refer to Exterior Moulding Illustration Section S			
Hood	166	6	P-5522

B (FAIRLANE/TORINO)			
Fender and apron sheet metal	160	15	P-6039
Fender ornamentation - Refer to Exterior Moulding Illustration Section B			
Hood	166	9	P-6675

U (BRONCO)			
Fender and apron sheet metal	160	9	P-9203
Fender ornamentation - Refer to Exterior Moulding Illustration Section U			
Hood	166	18	P-10054

F (MUSTANG)			
Fender and apron sheet metal -except Shelby GT350/500	160	17	P-6666
-Shelby GT350/500	160	18	P-6920
Fender ornamentation - Refer to Exterior Moulding Illustration Section F			
Hood - except Shelby GT350/500	166	9	P-6650
- Shelby GT350/500	166	10	P-6918

X (FALCON)			
Fender and apron sheet metal	160	8	P-9202
Fender ornamentation - Refer to Exterior Moulding Illustration Section X			
Hood	166	8	P-6034



**INDEX**

**1970**

TITLE	SECTION	PAGE	ILLUS. NO.
<b>A (FORD)</b>			
Fender and apron sheet metal	160	16	P-6620
Hood	166	8	P-6728
Fender ornamentation - refer to Exterior Moulding Illustration Section A			
<b>B (FAIRLANE/TORINO)</b>			
<b>B (FALCON) - FROM 1/2/70</b>			
Fender and apron sheet metal	160	21	P-7145
Hood	166	11	P-7143
Fender ornamentation - refer to Exterior Moulding Illustration Section B			
<b>F (MUSTANG)</b>			
Fender and apron sheet metal -except Shelby GT350/500	160	22	P-7159
-Shelby GT350/500	160	18	P-6920
Hood -except Shelby GT350/500	166	9	P-6650
-Shelby GT350/500	166	10	P-6918
Fender ornamentation - refer to Exterior Moulding Illustration Section F			

TITLE	SECTION	PAGE	ILLUS. NO.
<b>P (MAVERICK)</b>			
Fender and apron sheet metal	160	19	P-9204
Front end sheet metal	160	20	P-6879-B
Fender ornamentation - Refer to Exterior Moulding Illustration Section P			
Hood	166	10	P-6979
<b>S (THUNDERBIRD)</b>			
Fender and apron sheet metal	160	23	P-7149
Hood	166	12	P-7156
Fender ornamentation - refer to Exterior Moulding Illustration Section S			
<b>U (BRONCO)</b>			
Fender and apron sheet metal	160	11	P-9203
Hood	166	18	P-10054
<b>X (FALCON)</b>			
<b>FOR UNITS BUILT FROM 1/2/70 REFER TO B (FALCON)</b>			
Fender and apron sheet metal	160	8	P-9202
Fender Ornamentation - refer to Exterior Moulding Illustration Section X			
Hood	166	8	P-6034

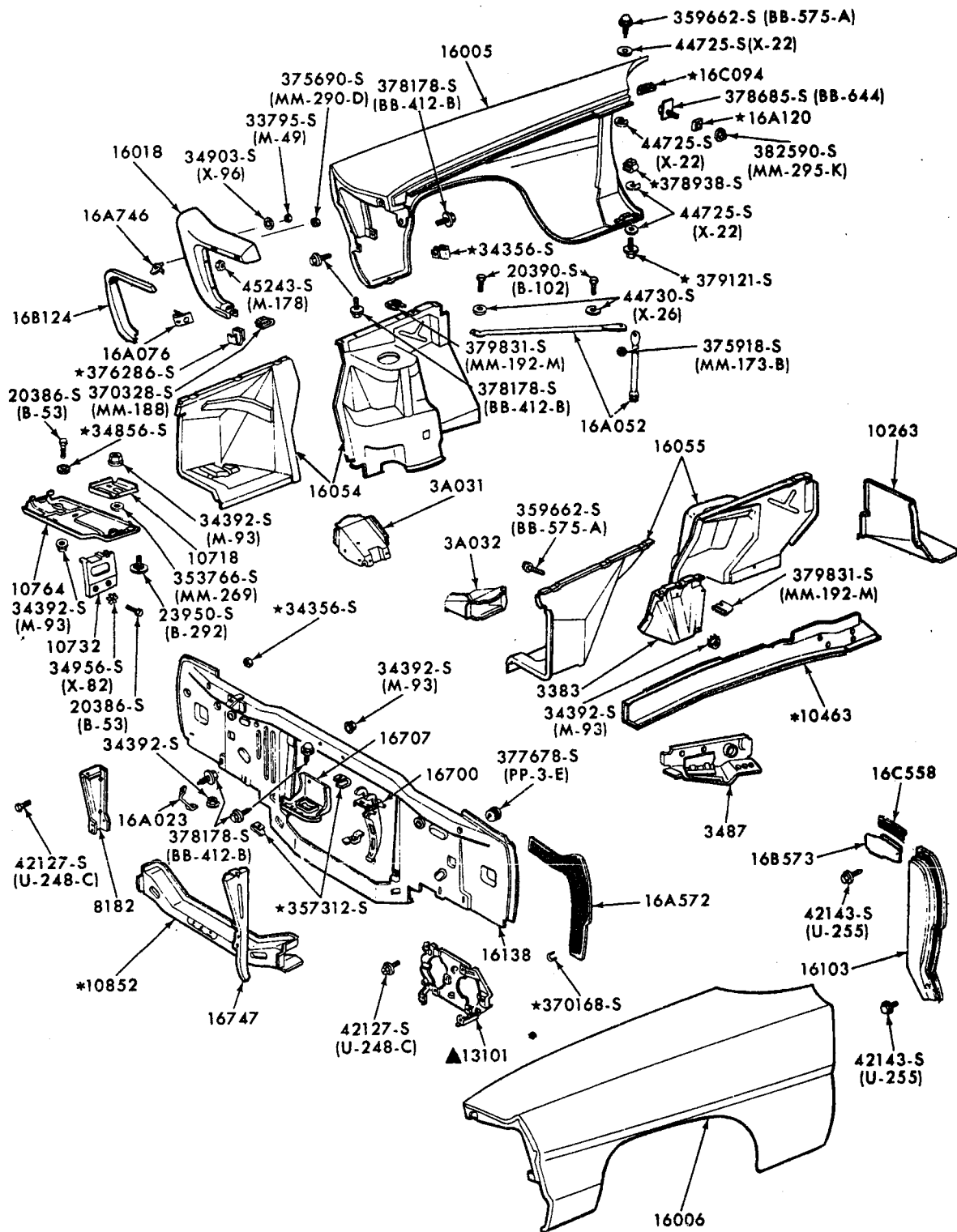
**1971**

<b>A (FORD)</b>			
Fender and apron sheet metal	160	24	P-8074
Hood	166	12	P-8072
Fender ornamentation - refer to Exterior Moulding Illustration Section A			
<b>B (TORINO)</b>			
Fender and apron sheet metal	160	21	P-7145
Hood	166	11	P-7143
Fender ornamentation - refer to Exterior Moulding Illustration Section B			
<b>F (MUSTANG)</b>			
Fender and apron sheet metal	160	25	P-8093
Hood	166	13	P-8086
Fender ornamentation - Refer to Exterior Moulding Illustration Section F			

<b>L (PINTO)</b>			
Fender and apron sheet metal	160	26	P-8012
Hood	166	14	P-8015
Fender ornamentation - refer to Exterior Moulding Illustration Section L			
<b>P (MAVERICK)</b>			
Fender and apron sheet metal	160	19	P-9204
Front end sheet metal	160	20	P-6879-B
Hood	166	15	P-8325
Fender ornamentation - refer to Exterior Moulding Illustration Section P			
<b>S (THUNDERBIRD)</b>			
Fender and apron sheet metal	160	23	P-7149
Hood	166	16	P-8554
Fender ornamentation - refer to Exterior Moulding Illustration Section S			
<b>U (BRONCO)</b>			
Fender and apron sheet metal	160	9	P-9203
Hood	166	18	P-10054



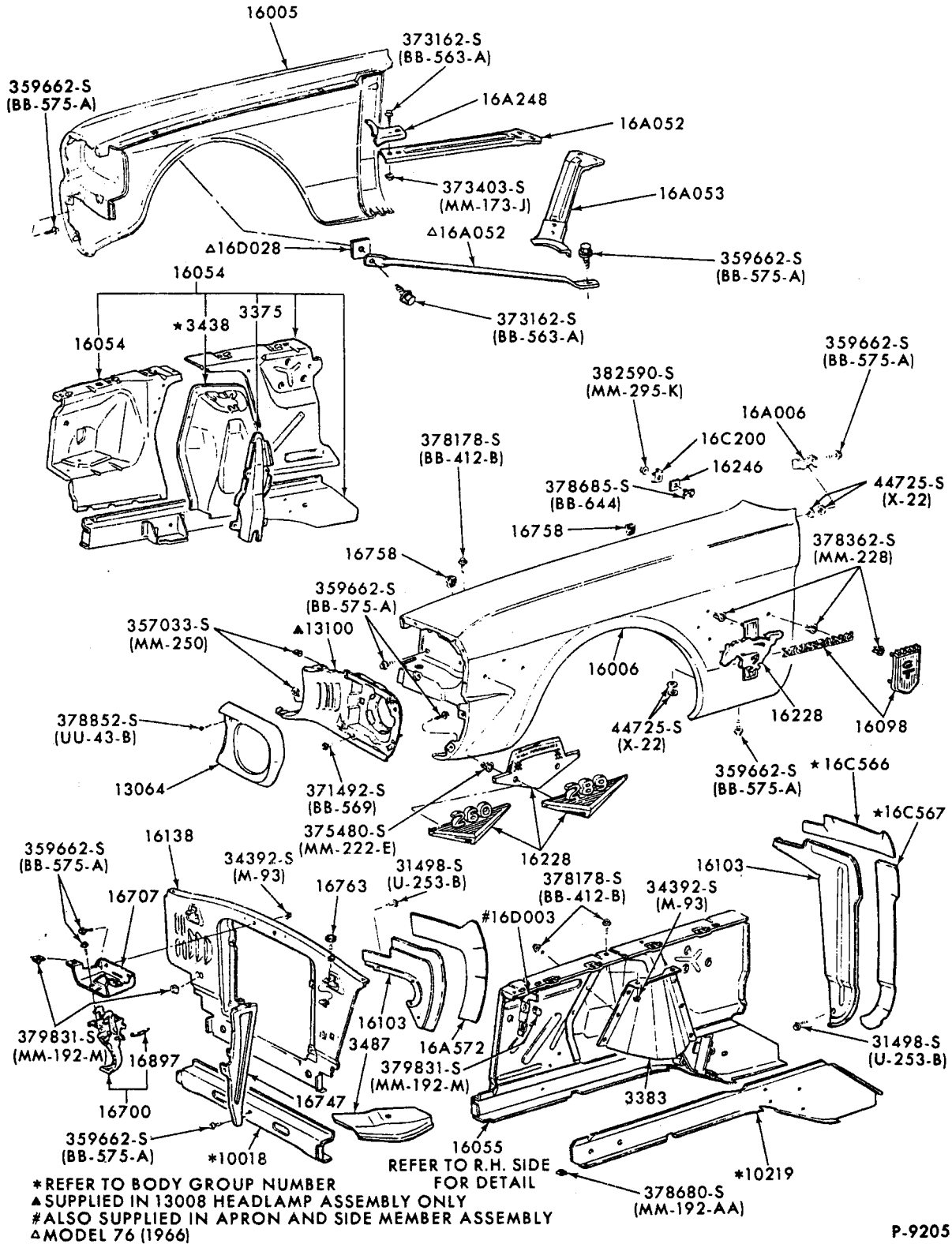




\* REFER TO GROUP IN BODY SECTION  
▲ SUPPLIED ONLY IN 13008 HEADLAMP ASSEMBLY

P-9208

FENDERS, APRONS and RELATED PARTS  
1965 FAIRLANE

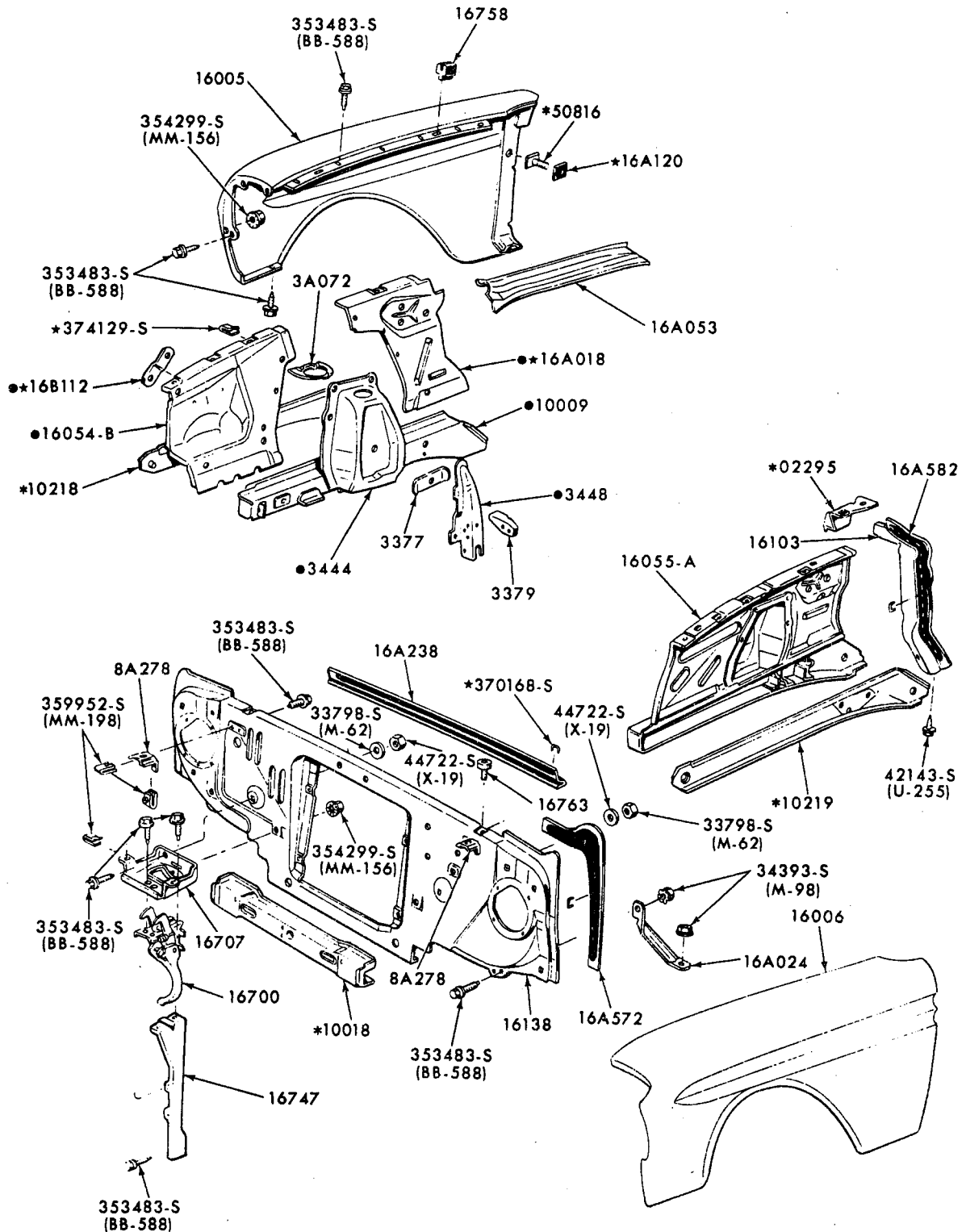


P-9205

**FENDERS, APRONS and RELATED PARTS  
 1965/66 MUSTANG**







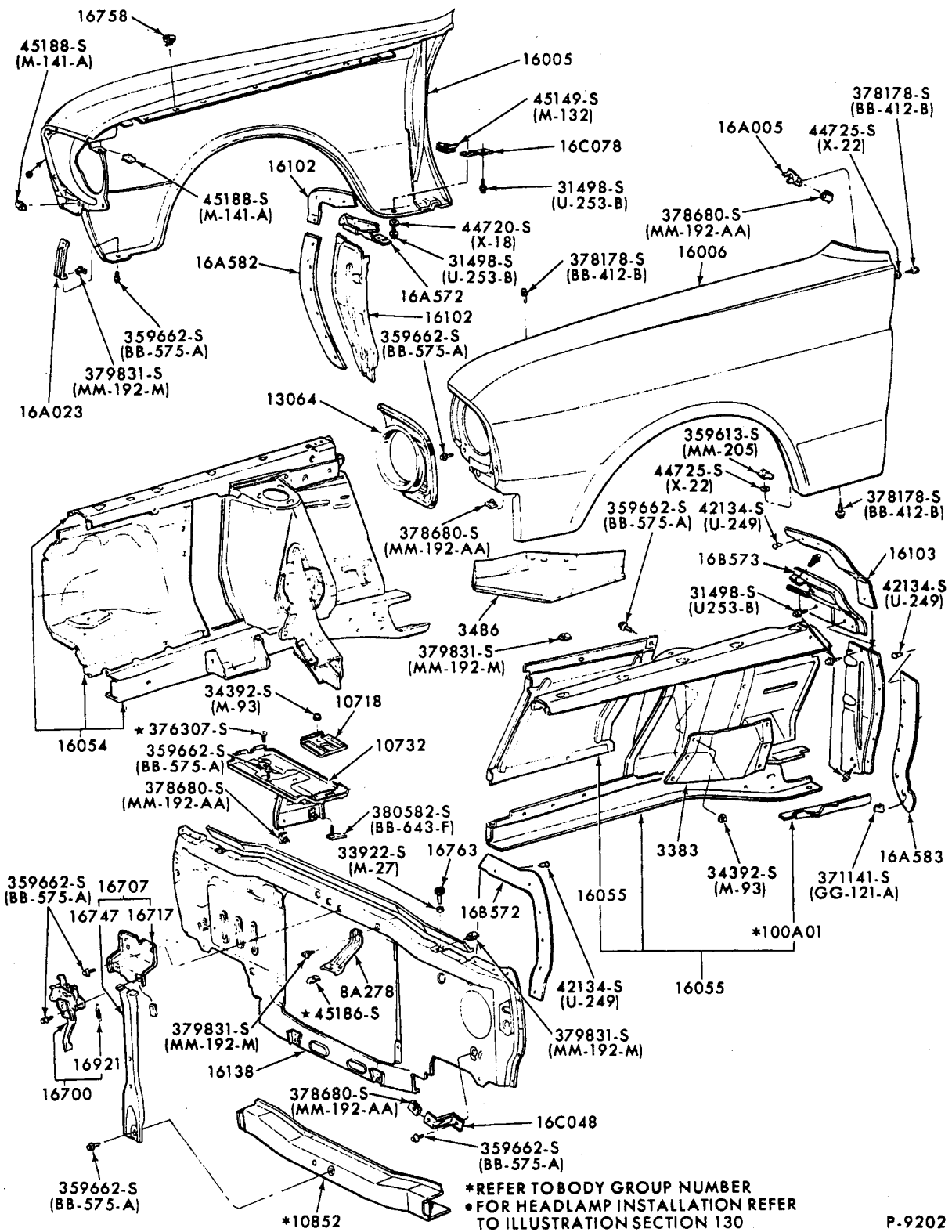
\*REFER TO GROUP IN BODY SECTION  
 ●ALSO SUPPLIED IN 16054-S APRON AND SIDE MEMBER ASSY.

P-9201

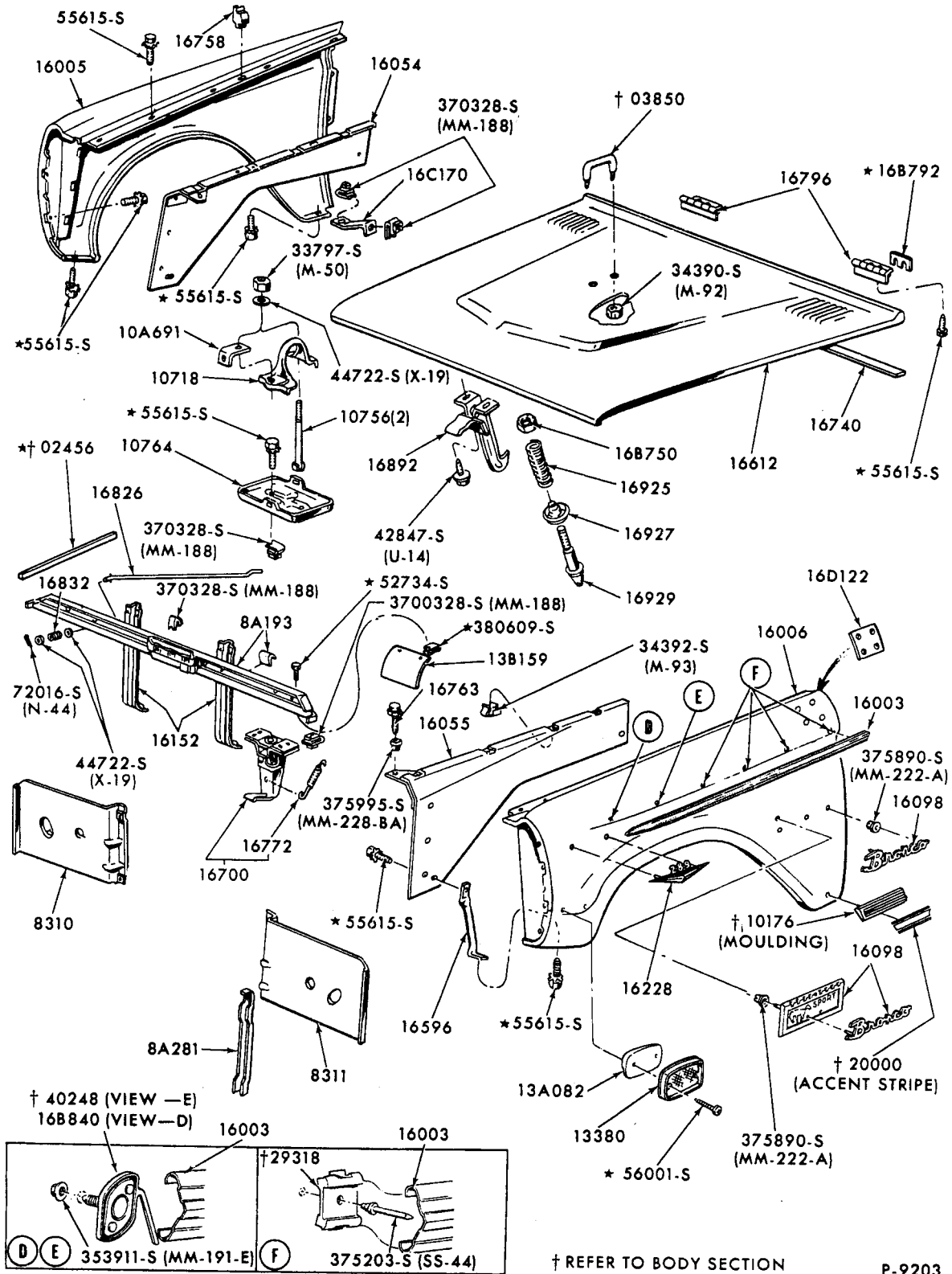
FENDER, APRONS and RELATED PARTS  
 1965 FALCON







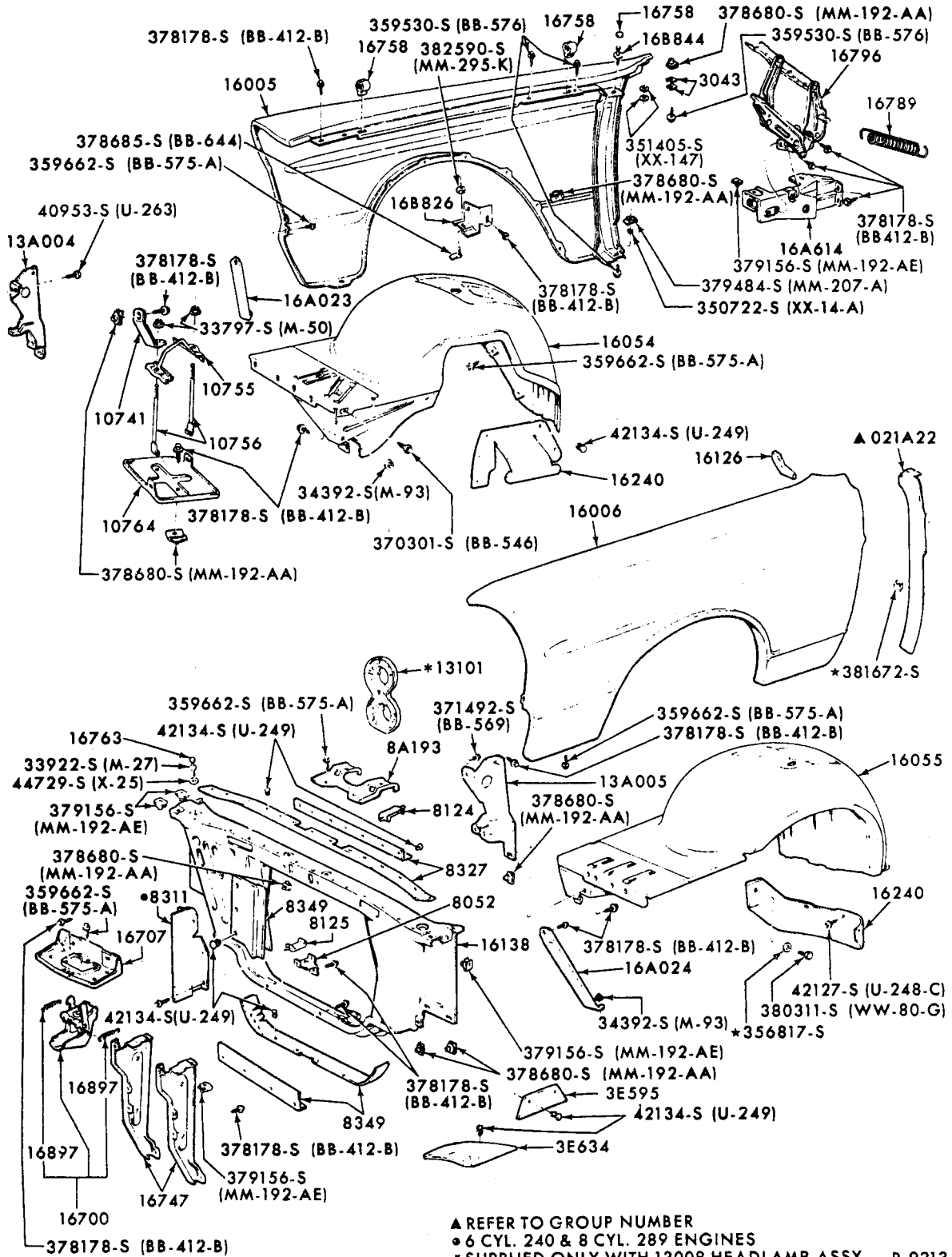
FENDERS, APRONS and RELATED PARTS  
1966/70 FALCON



† REFER TO BODY SECTION

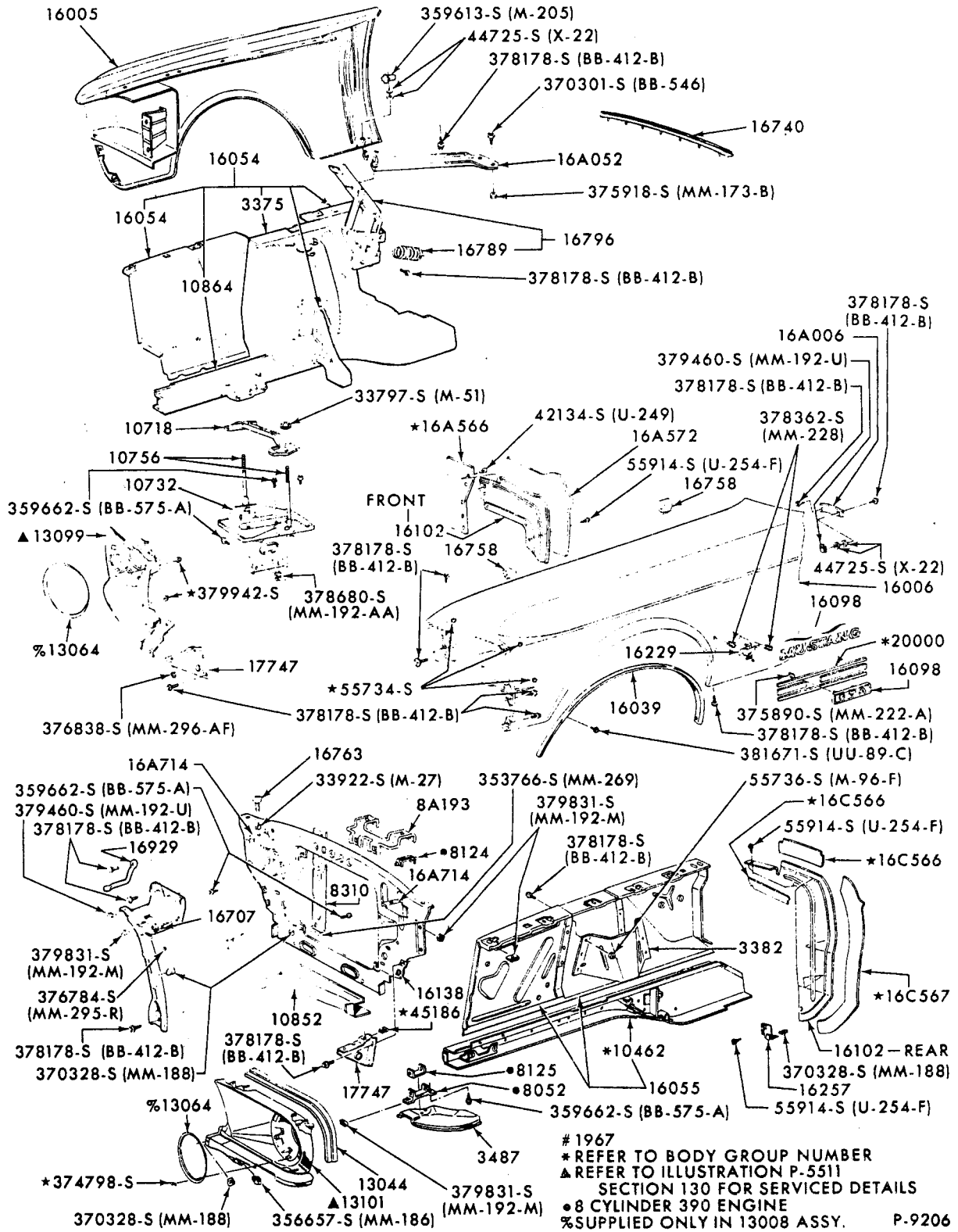
P-9203

**FENDERS, APRONS and RELATED PARTS  
1966/72 BRONCO**

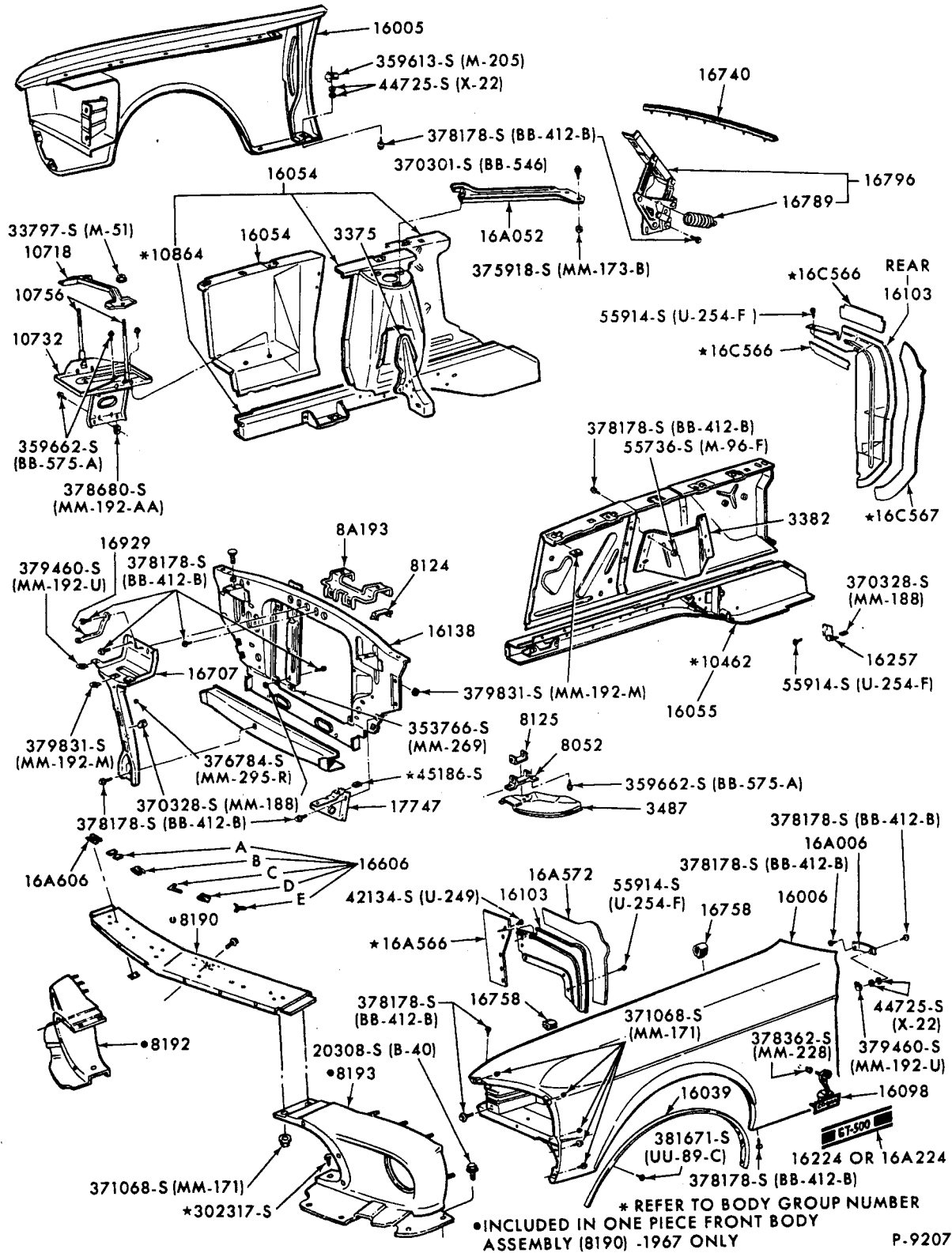


▲ REFER TO GROUP NUMBER  
 ● 6 CYL. 240 & 8 CYL. 289 ENGINES  
 \* SUPPLIED ONLY WITH 13008 HEADLAMP ASSY. P.9213

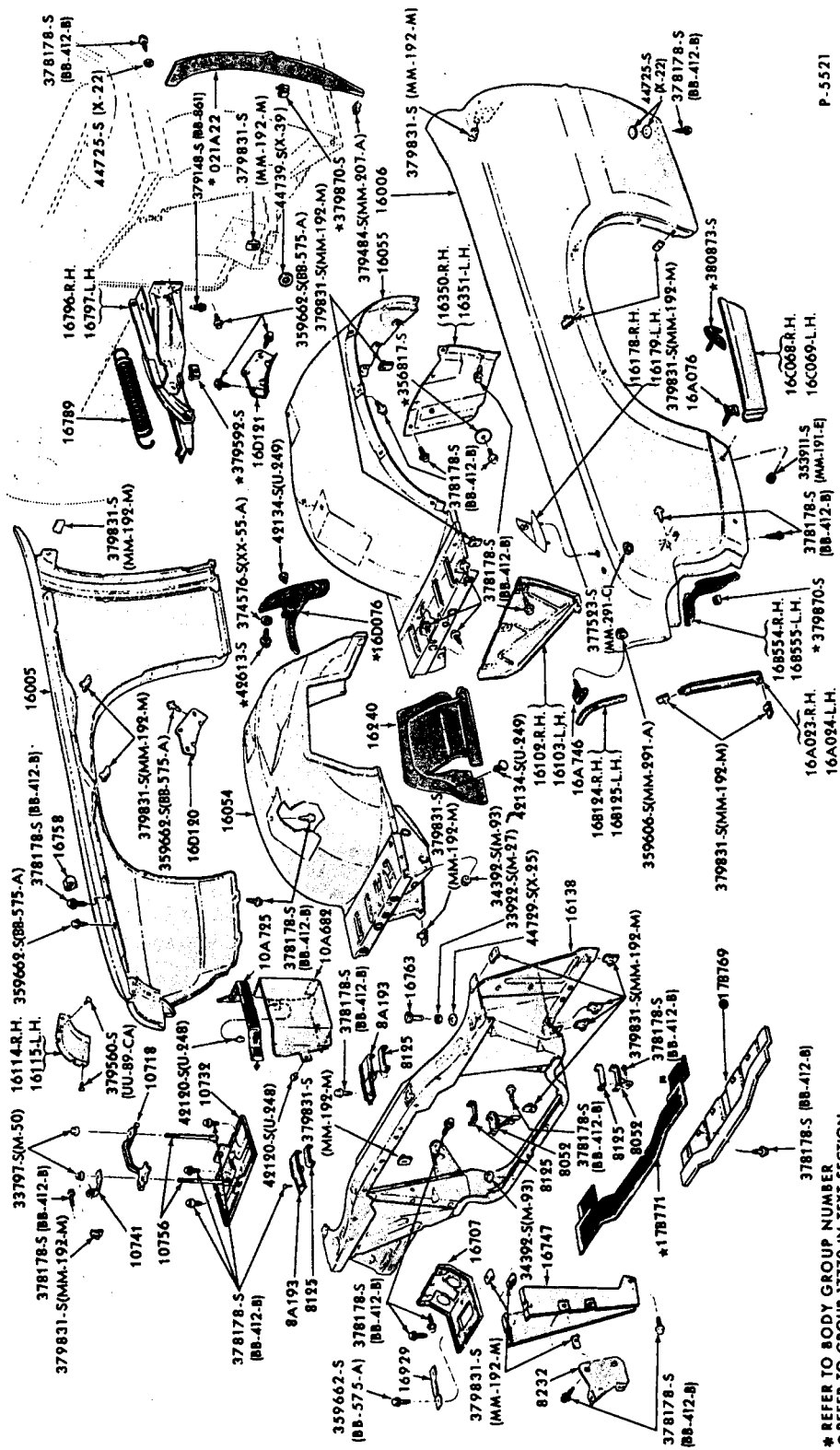
FENDERS, APRONS and RELATED PARTS  
 1967 FORD



FENDERS, APRONS and RELATED PARTS  
1967/68 MUSTANG - except SHELBY GT350/500



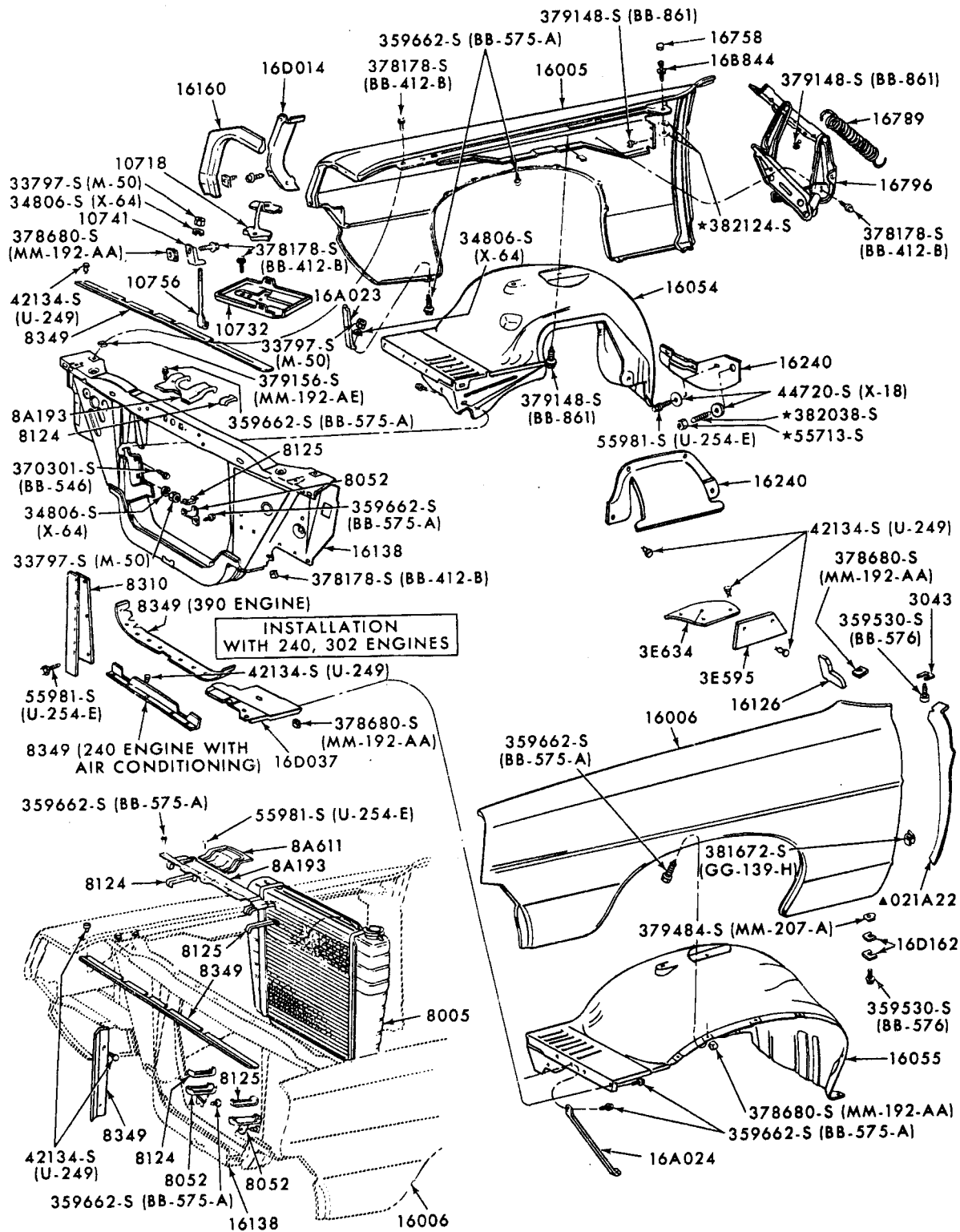
FENDERS, APRONS and RELATED PARTS  
1967/68 MUSTANG - SHELBY GT350/500



P-5521

FENDERS, APRONS AND RELATED PARTS  
1967/69 THUNDERBIRD

\* REFER TO BODY GROUP NUMBER  
● REFER TO GROUP 17779 IN TEXT SECTION

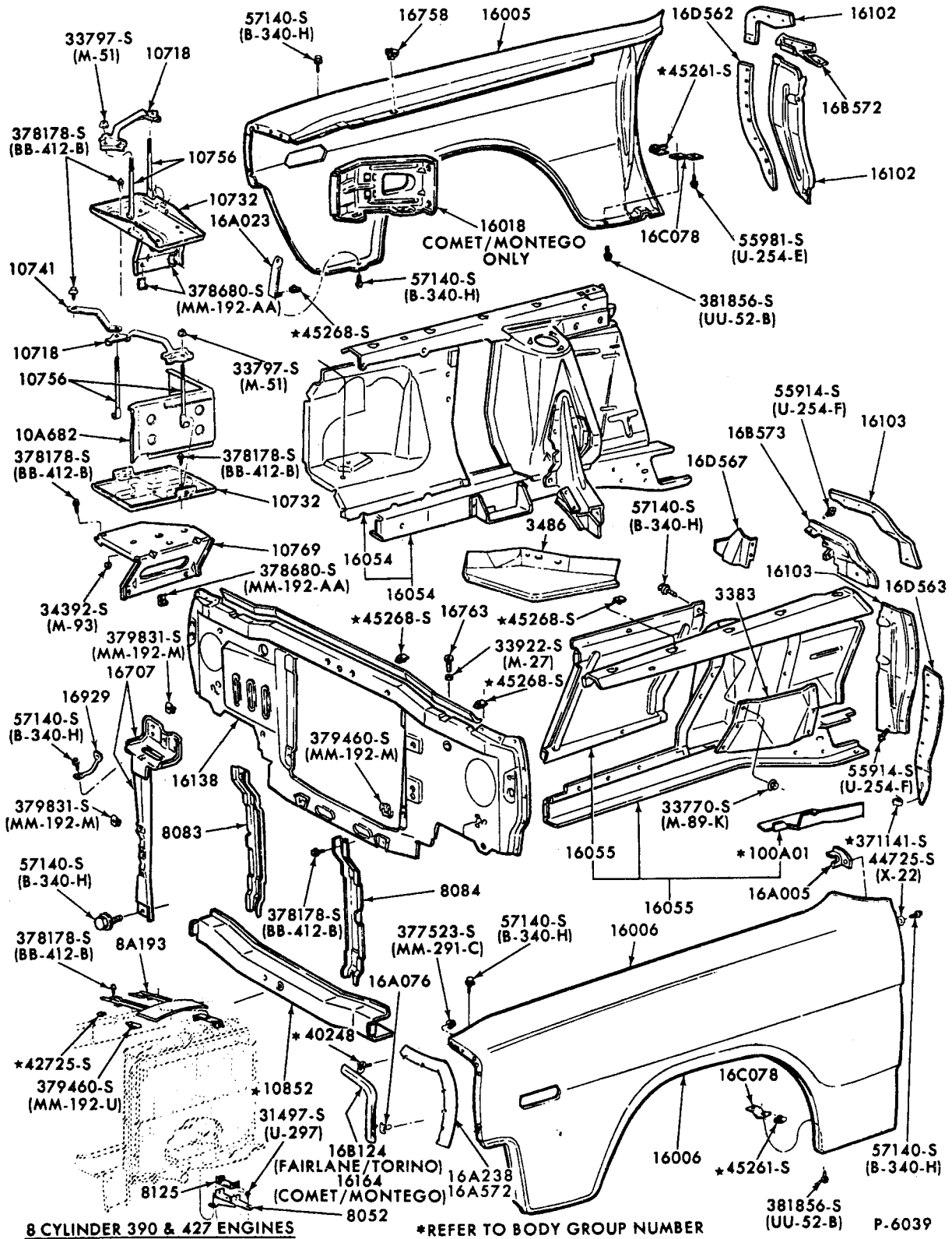


INSTALLATION WITH 240, 302 ENGINES

▲ REFER TO GROUP NO. IN BODY-SECTION  
FENDERS, APRONS and RELATED PARTS  
1968 FORD

P-5980



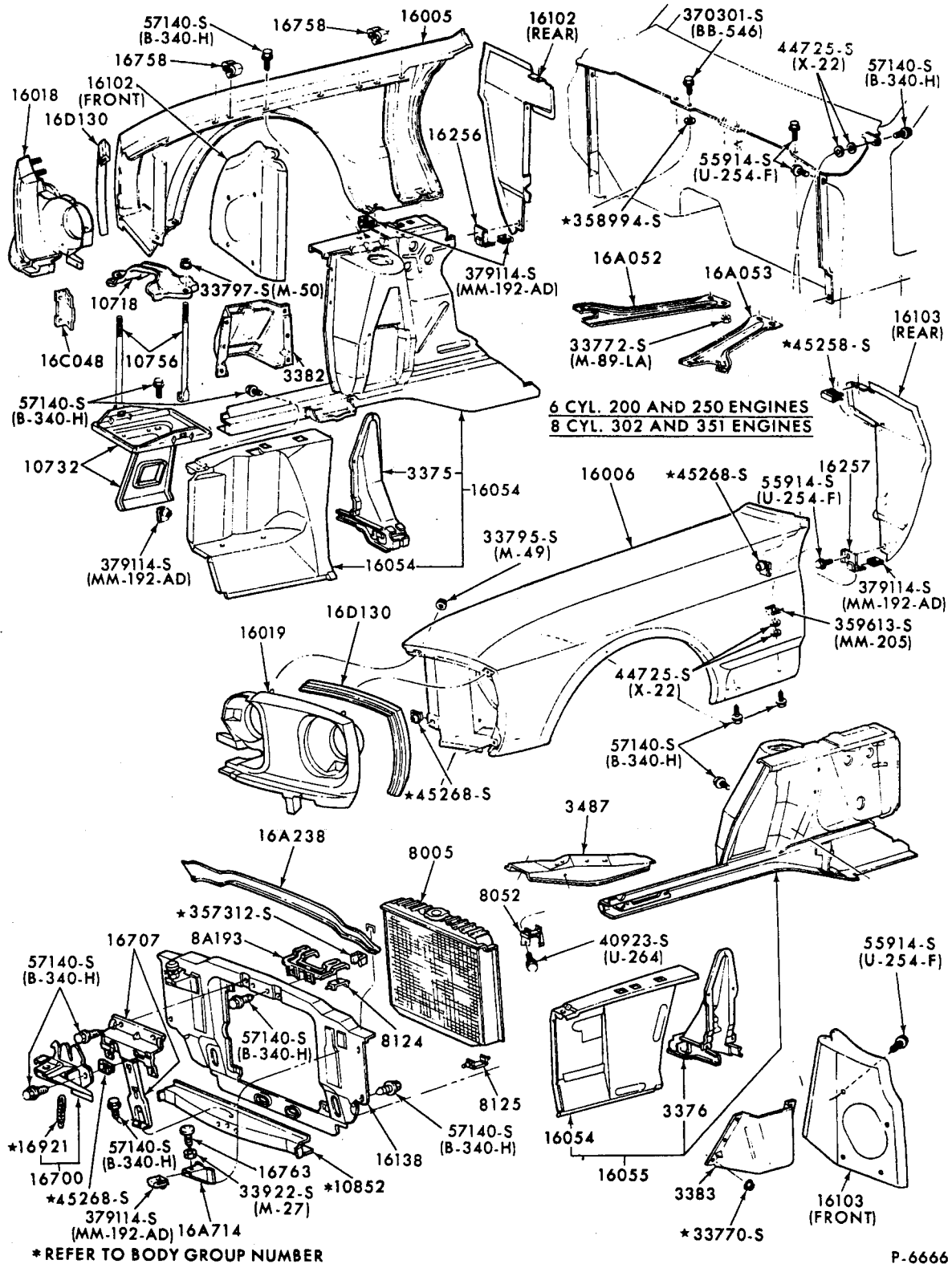


8 CYLINDER 390 & 427 ENGINES

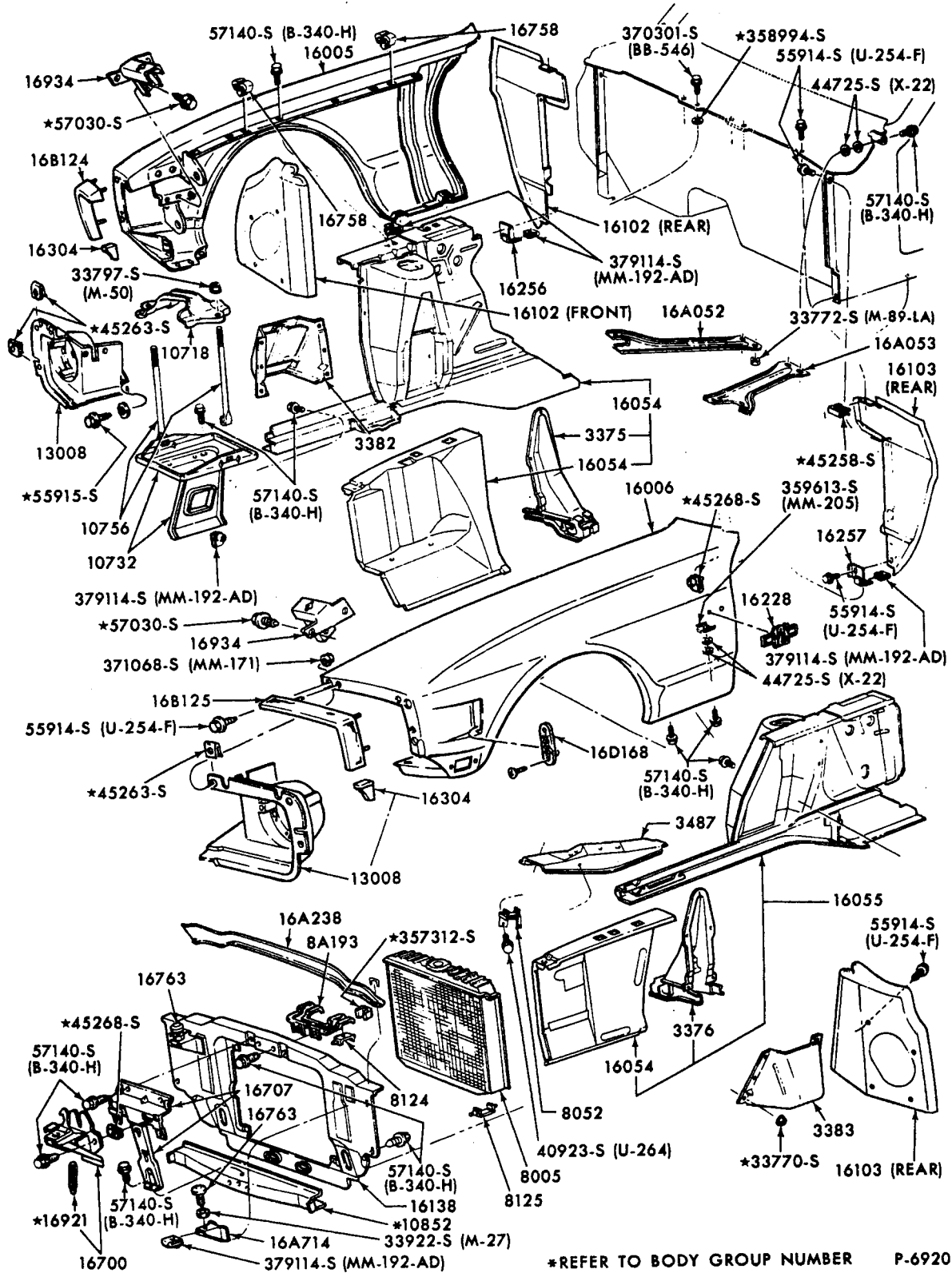
\*REFER TO BODY GROUP NUMBER

FENDERS, APRONS and RELATED PARTS  
1968/69 FAIRLANE/TORINO



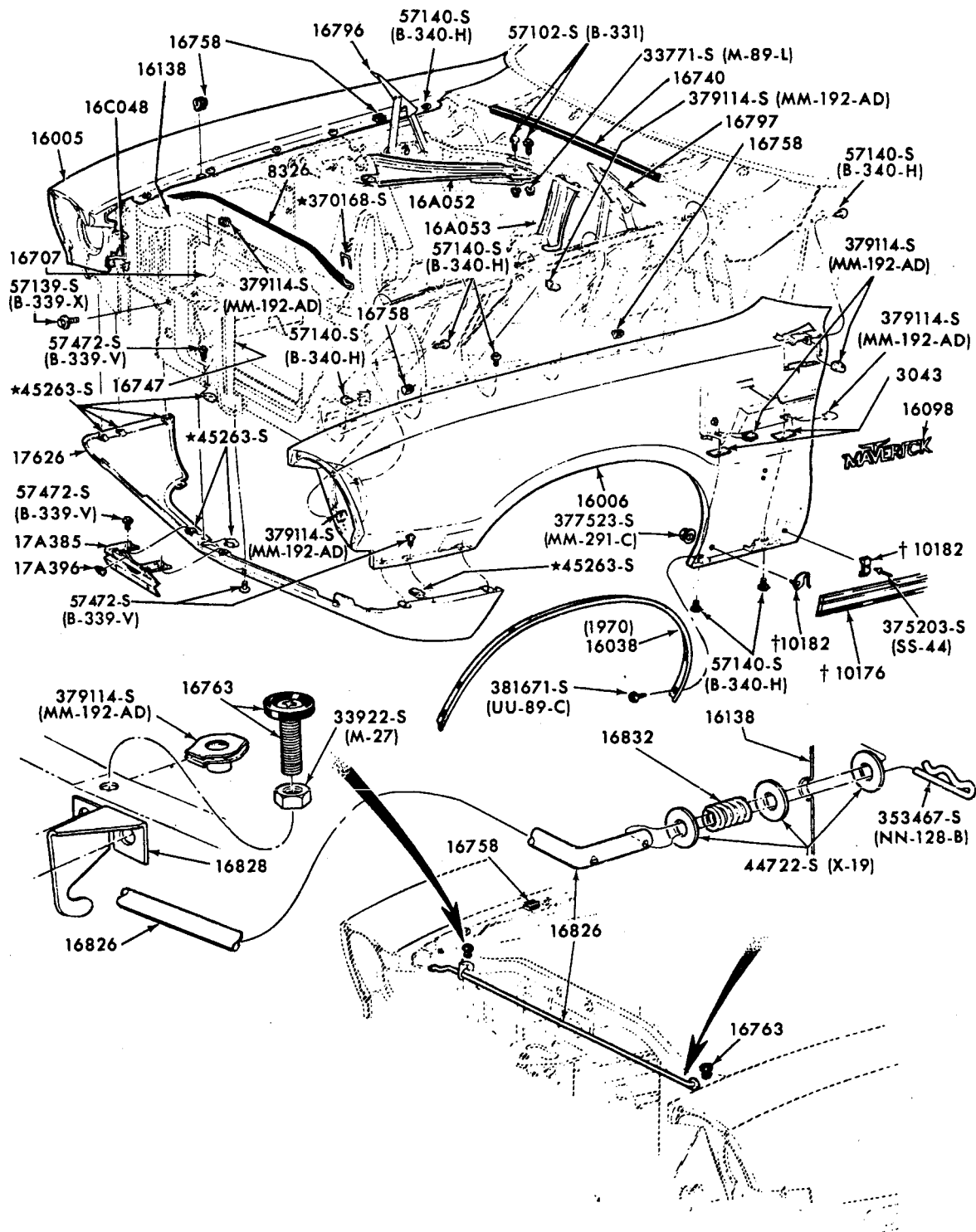


FENDERS, APRONS and RELATED PARTS  
1969 MUSTANG - except SHELBY GT350/500



\*REFER TO BODY GROUP NUMBER P-6920

FENDERS, APRONS and RELATED PARTS  
1969/70 MUSTANG - SHELBY GT350/500



† REFER TO BODY SECTION

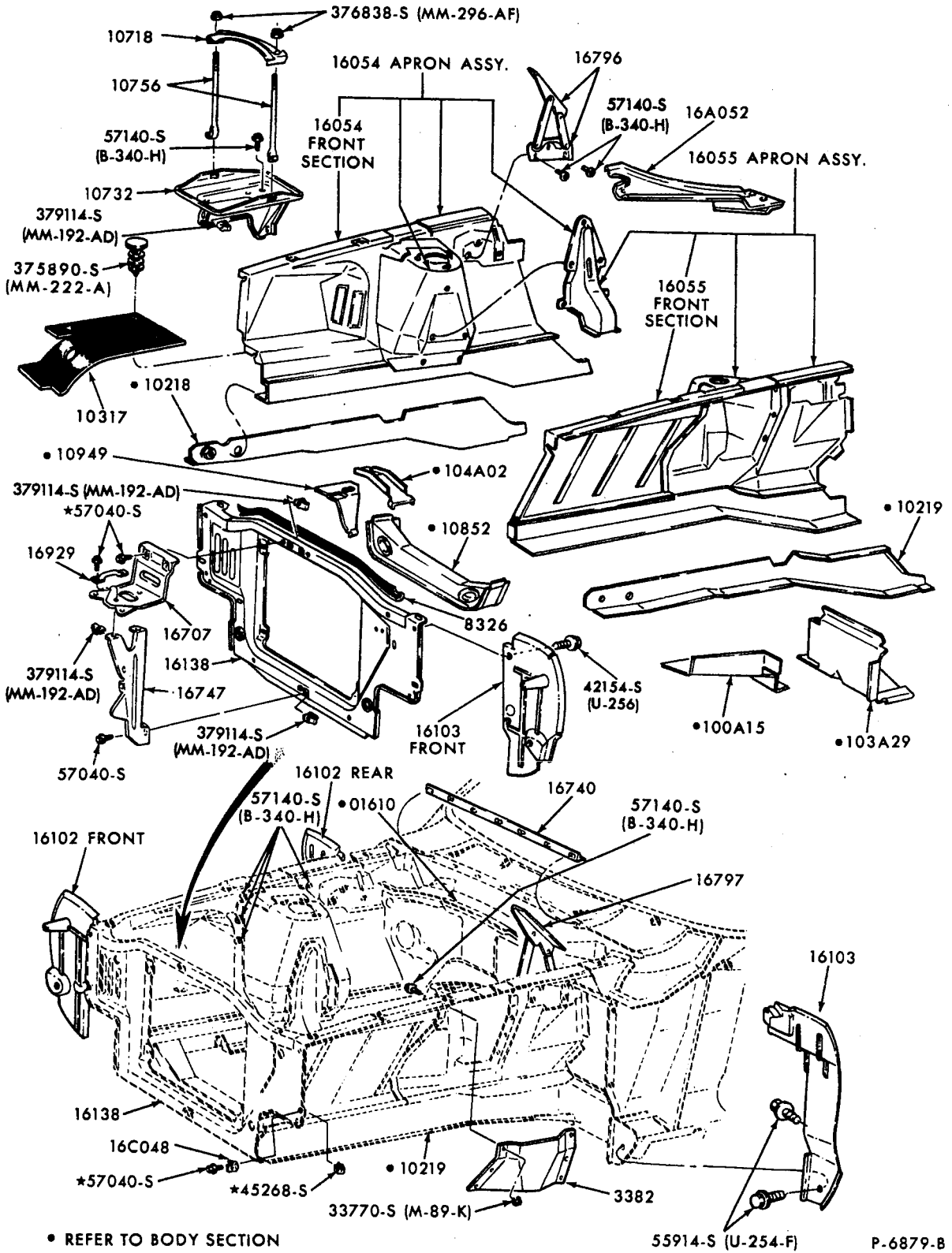
P-9204

FENDERS and RELATED PARTS

1970/72 MAVERICK

**ILLUSTRATION SECTION 160**

**FORD CAR PARTS**

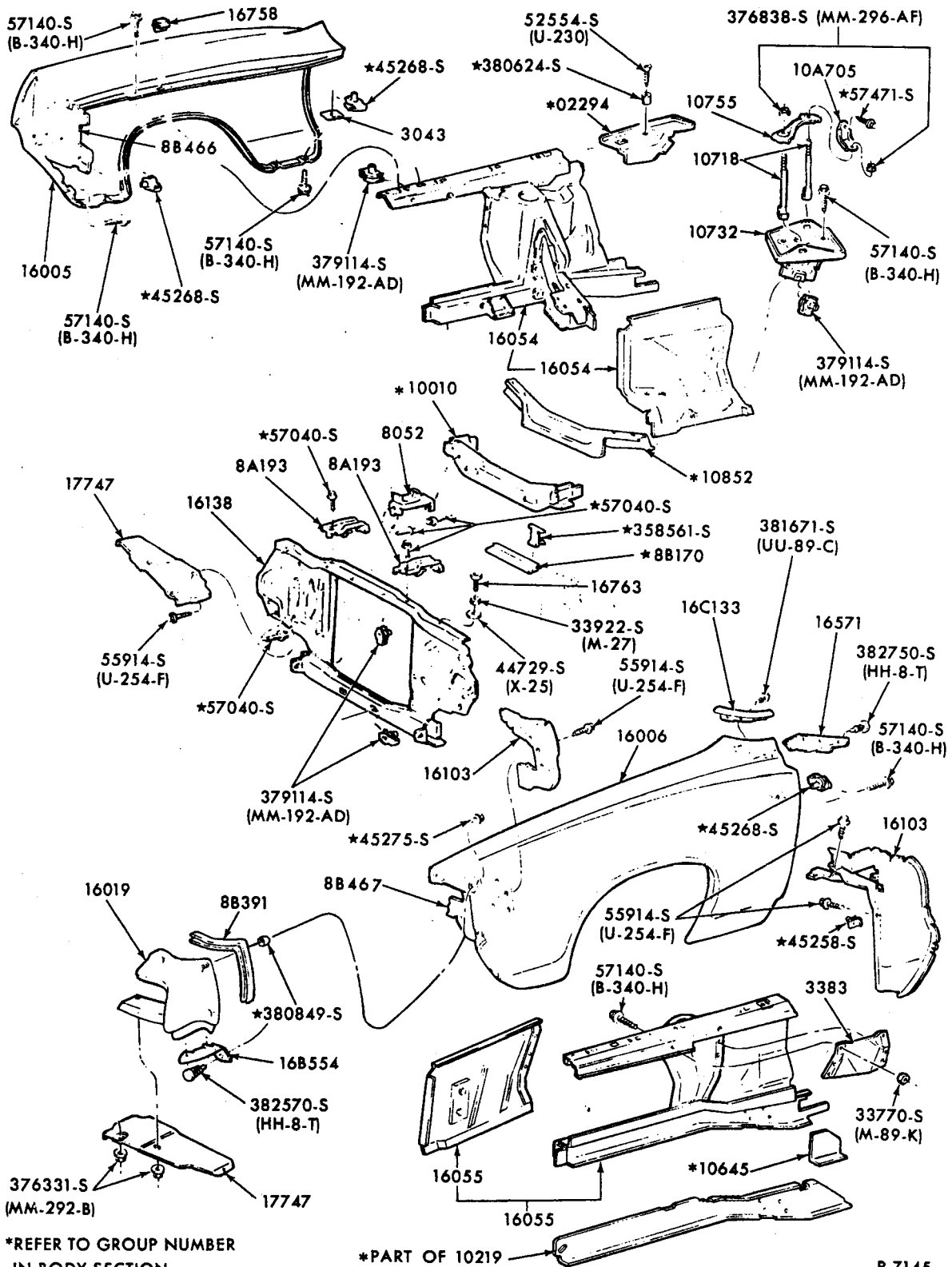


• REFER TO BODY SECTION

55914-S (U-254-F)

P-6879-B

**FRONT END SHEET METAL and RELATED PARTS  
1970/72 MAVERICK**



\*REFER TO GROUP NUMBER IN BODY SECTION

\*PART OF 10219

P-7145

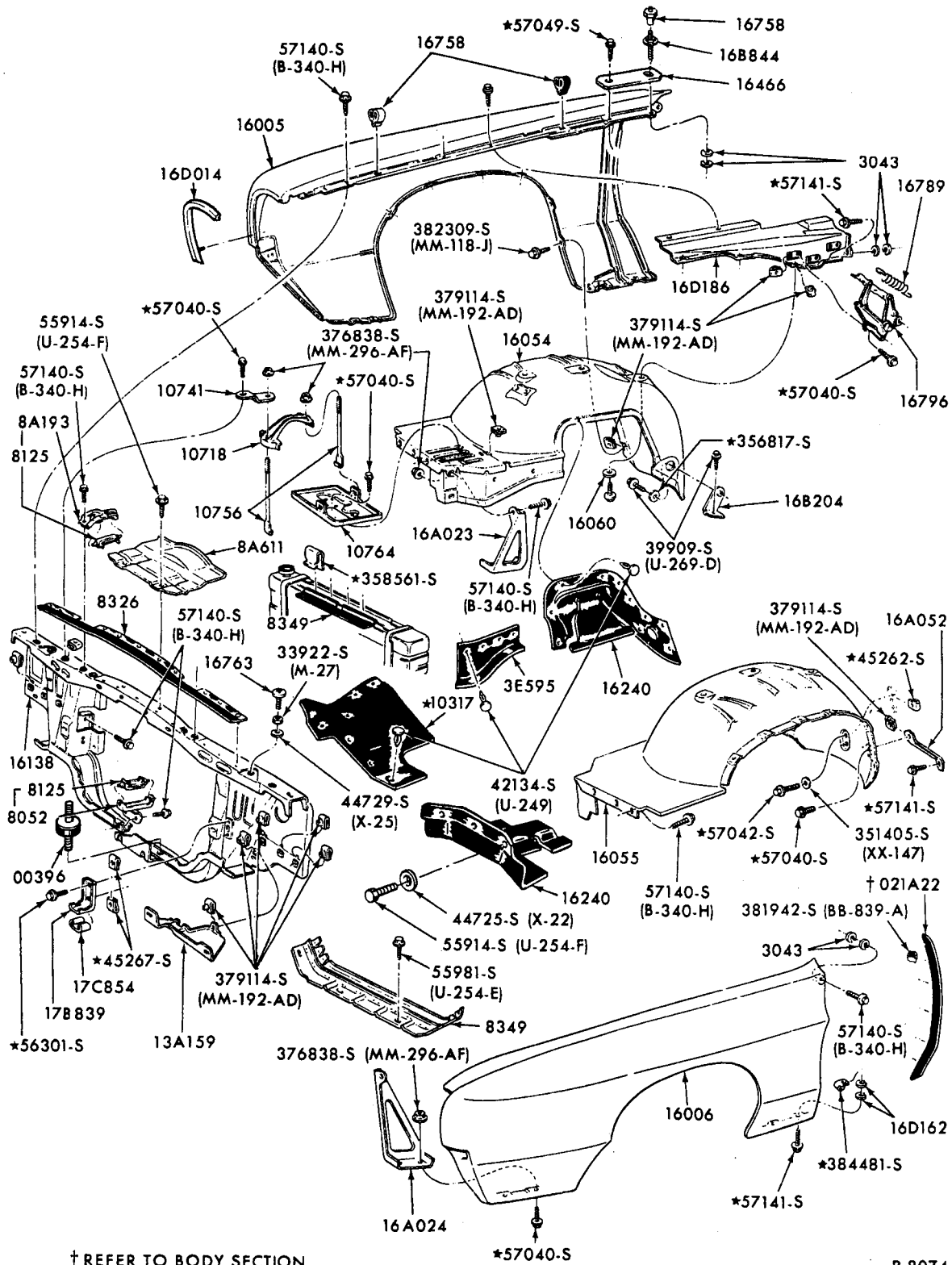
FENDERS, APRONS and RELATED PARTS  
1970/71 FAIRLANE/TORINO







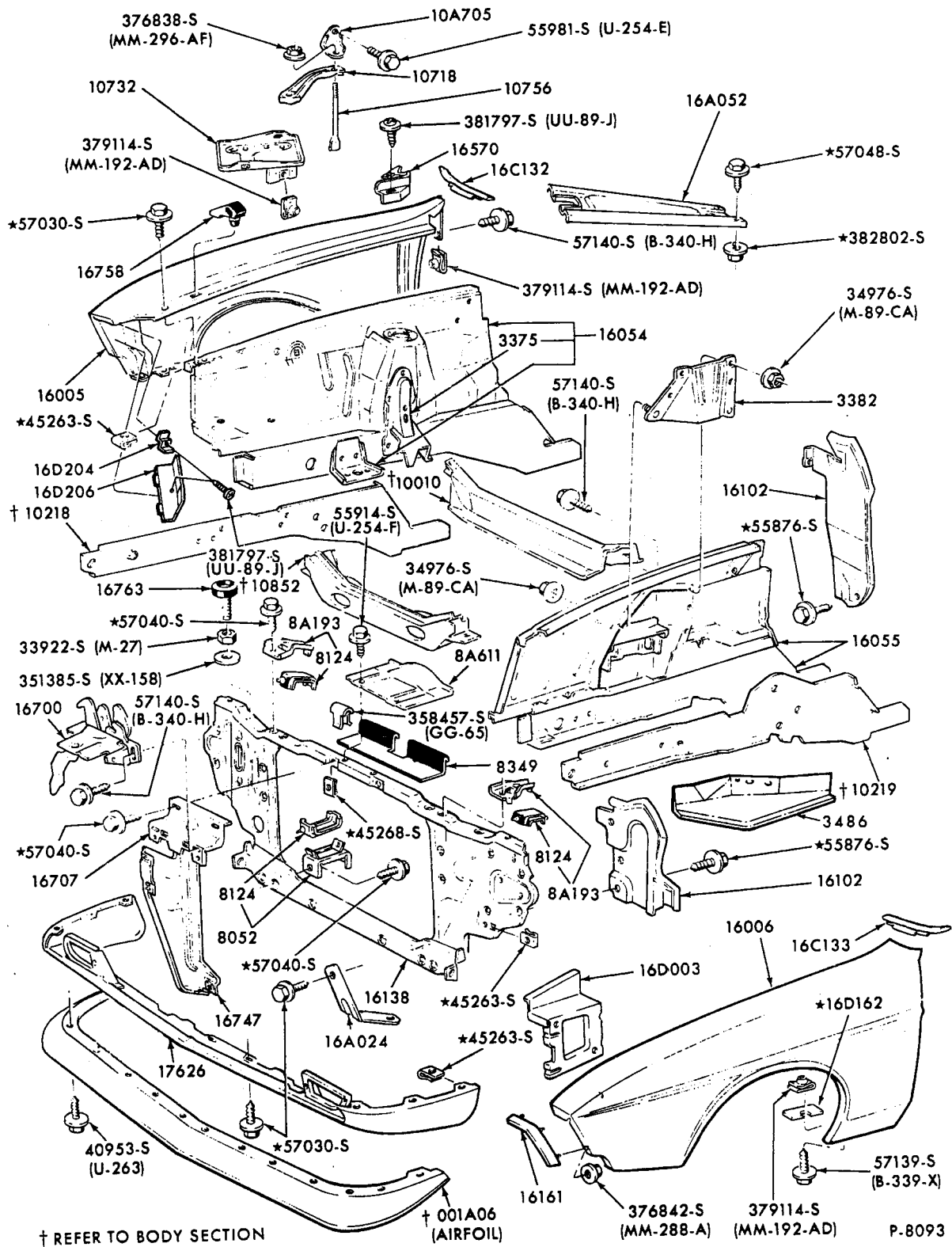
FORD CAR PARTS



† REFER TO BODY SECTION

P-8074

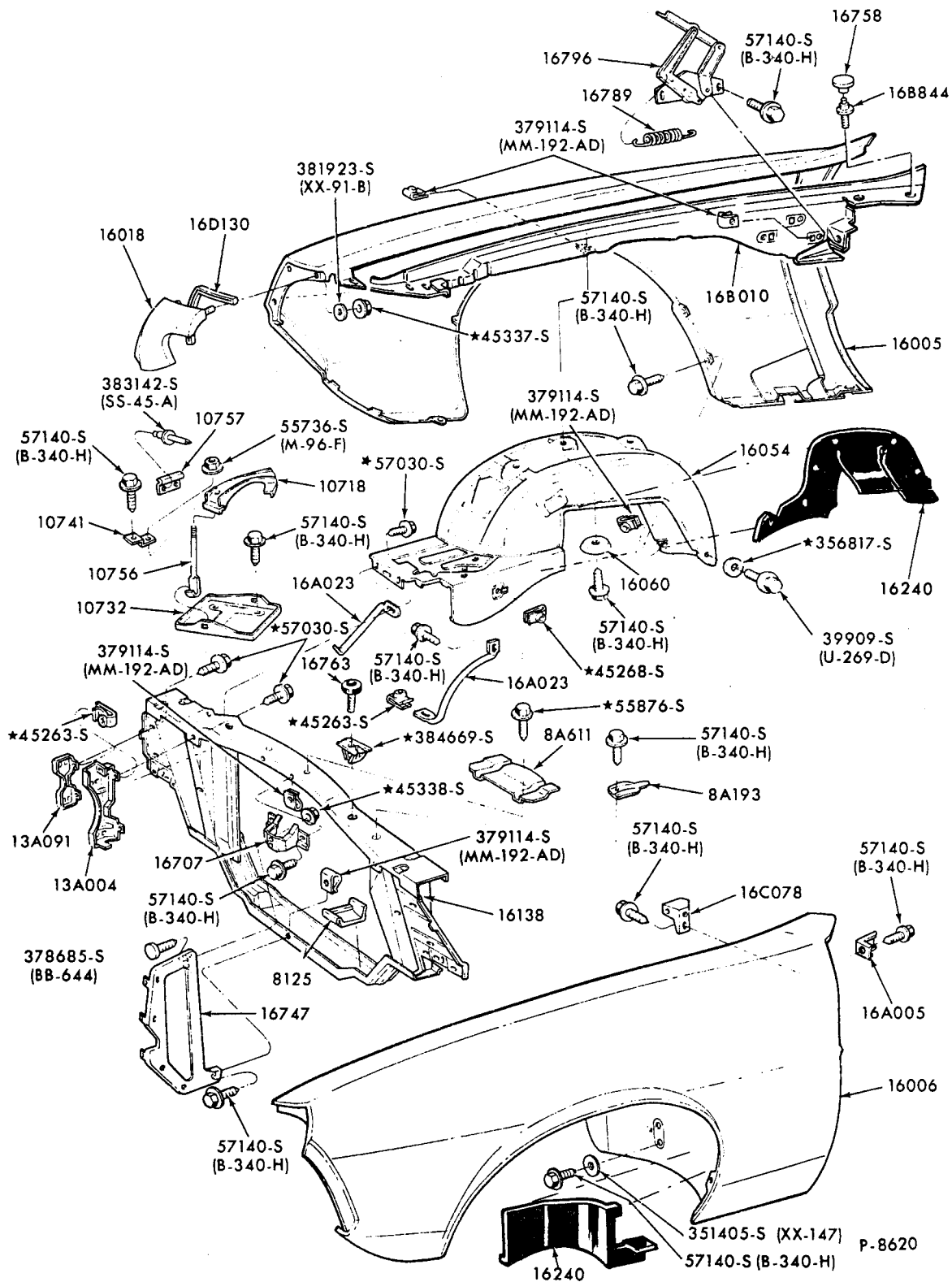
FENDERS, APRONS and RELATED PARTS  
1971/72 FORD



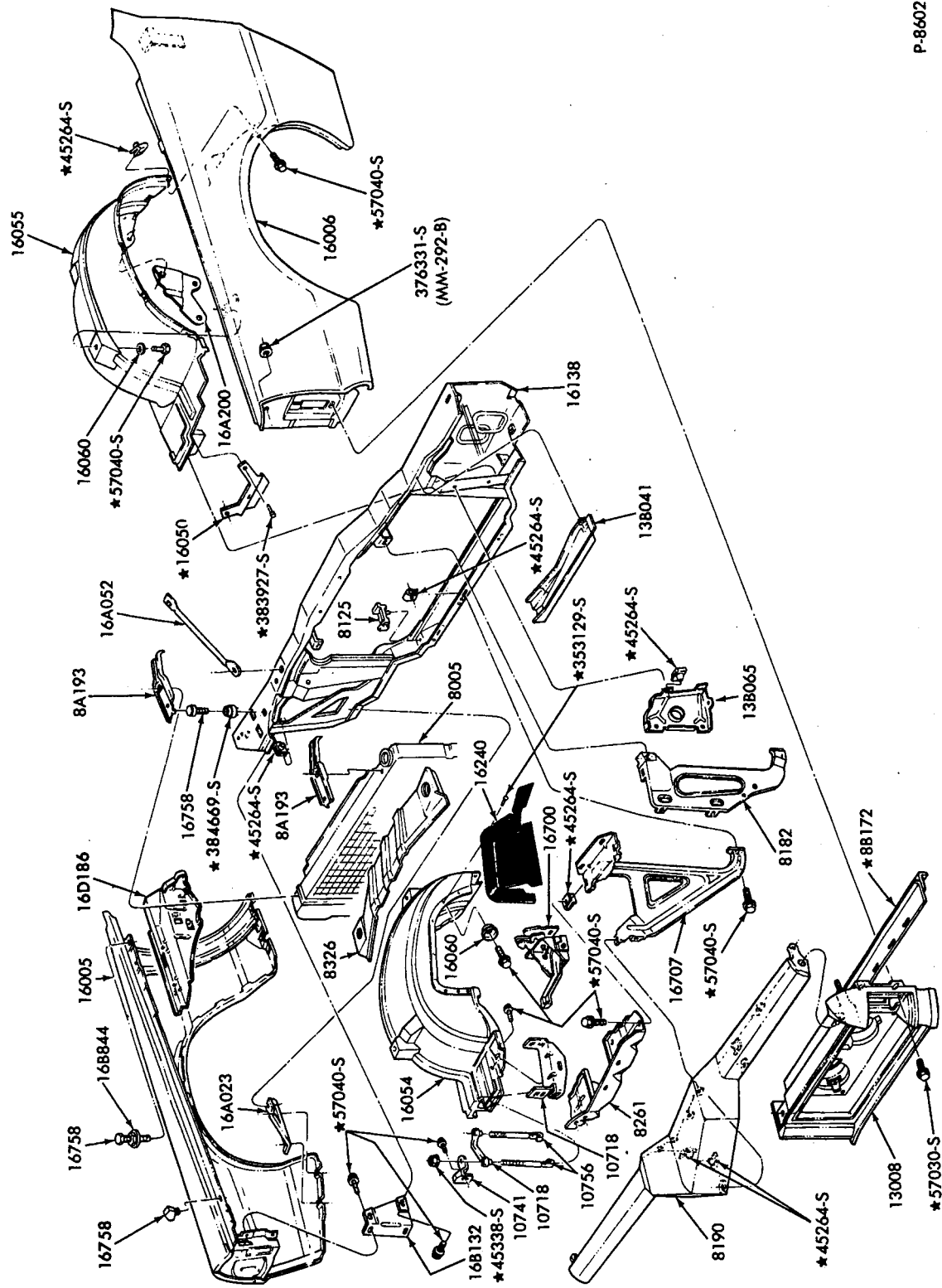
FENDERS, APRONS and RELATED PARTS

1971/72 MUSTANG

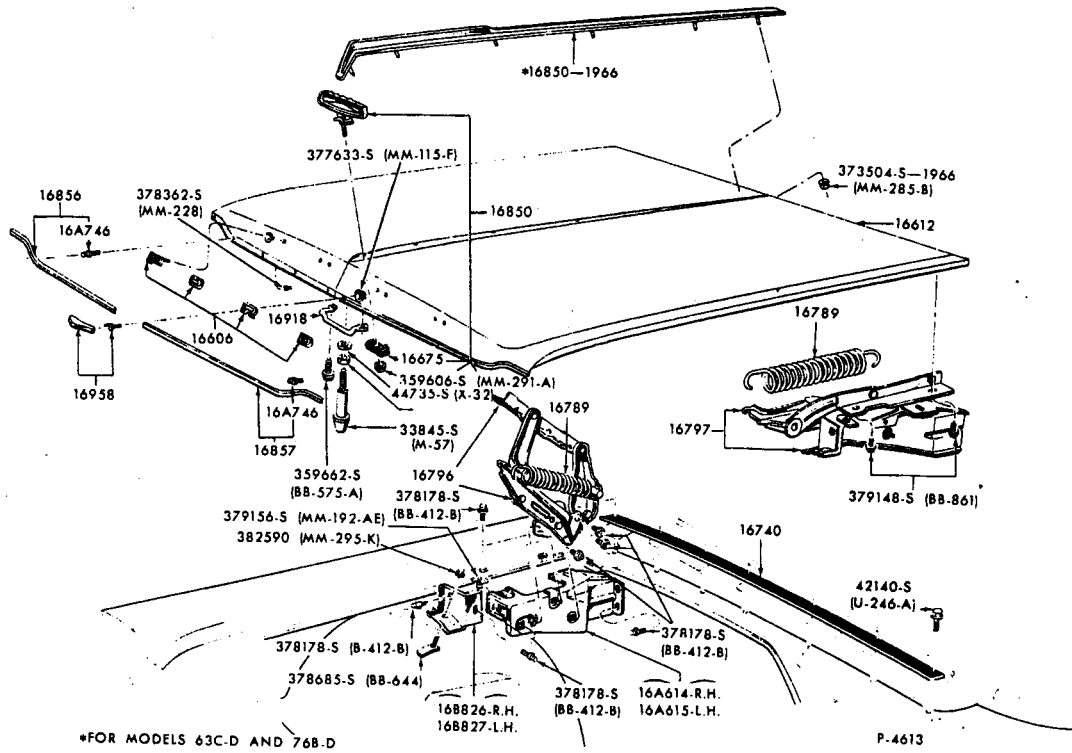




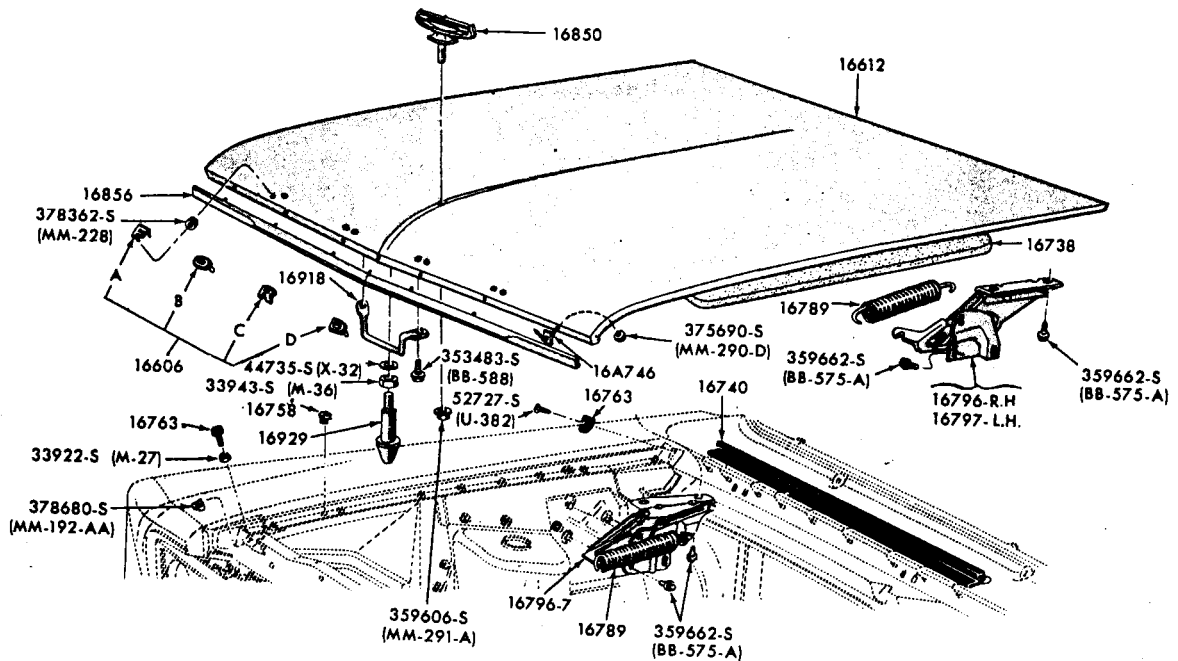
FENDERS, APRONS and RELATED PARTS  
1972 TORINO



FENDERS, APRONS and RELATED PARTS  
1972 THUNDERBIRD



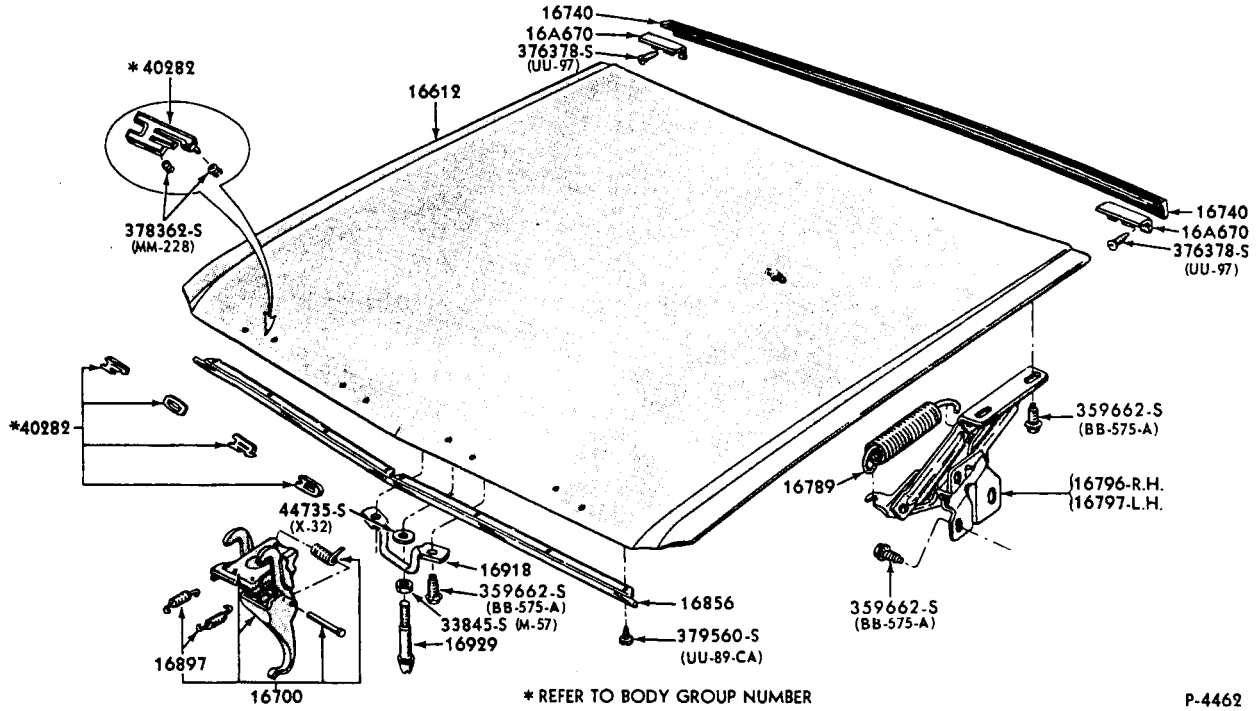
HOOD and RELATED PARTS  
1965/66 FORD



HOOD and RELATED PARTS  
1965 FAIRLANE

ILLUSTRATION SECTION 166

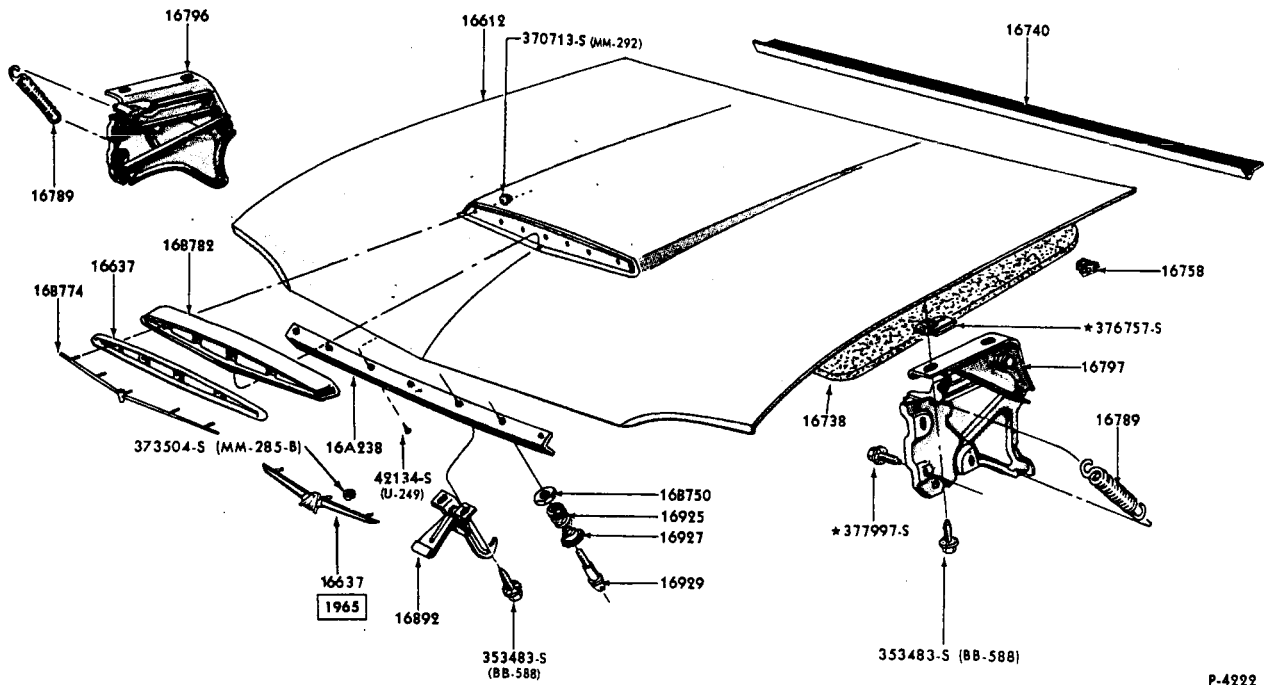
FORD CAR PARTS



\* REFER TO BODY GROUP NUMBER

P-4462

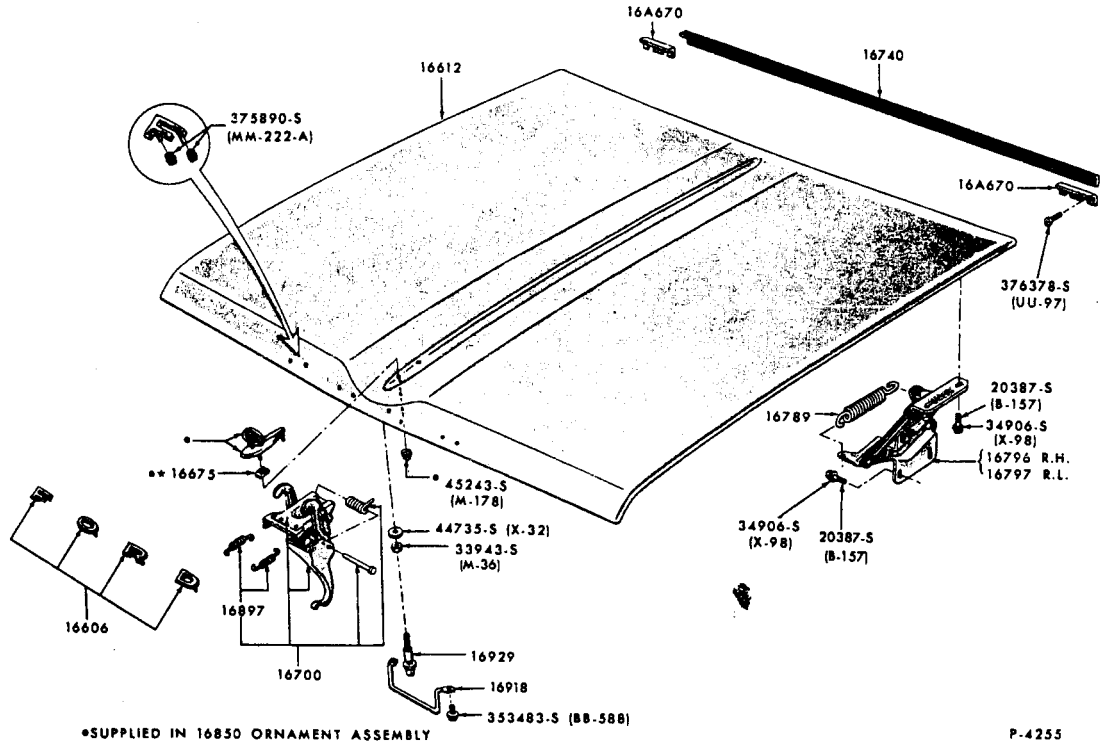
HOOD and RELATED PARTS  
1965/66 MUSTANG



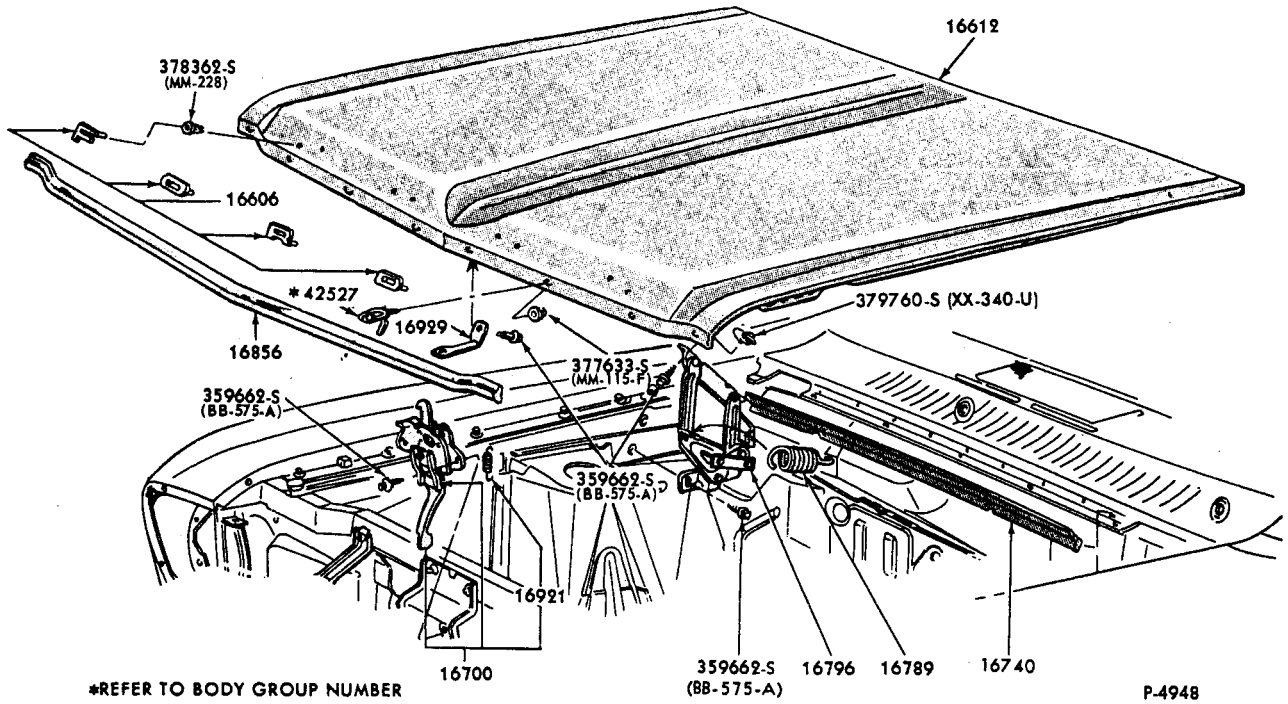
P-4222

HOOD and RELATED PARTS  
1965 THUNDERBIRD





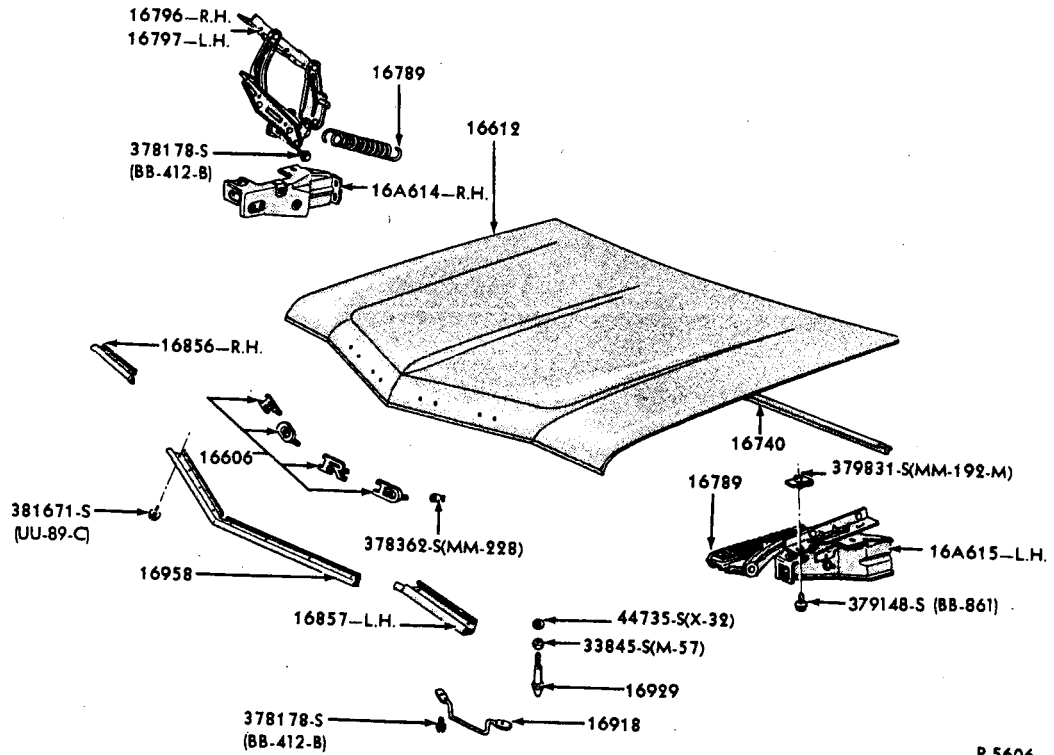
HOOD and RELATED PARTS  
1965 FALCON



HOOD and RELATED PARTS  
1966/67 FALCON

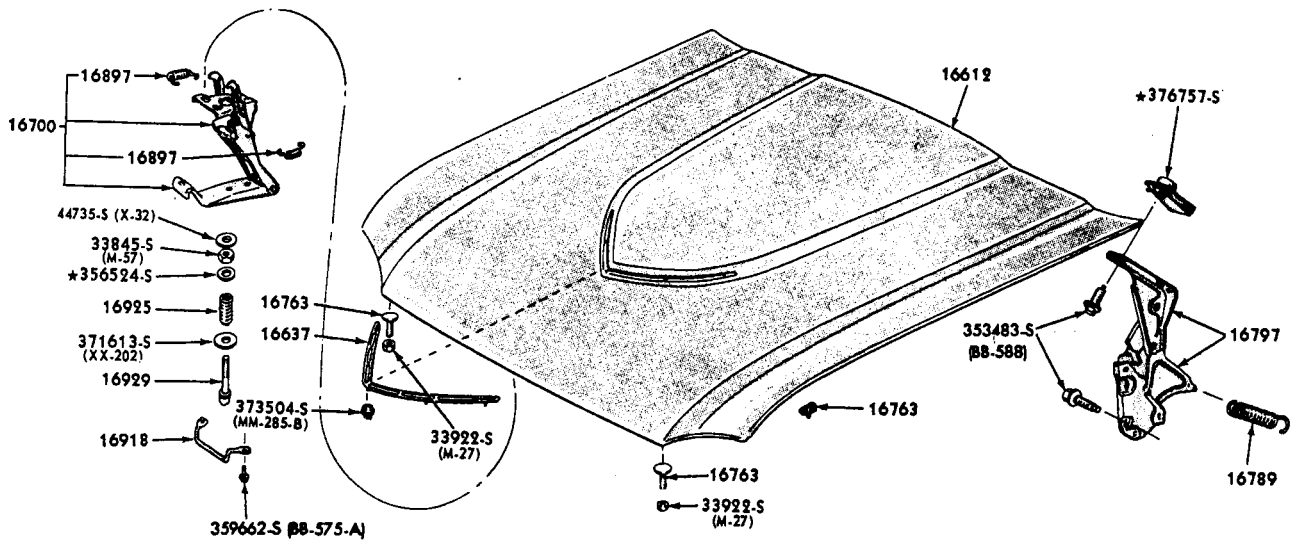
**ILLUSTRATION  
SECTION 166**

**FORD CAR PARTS**



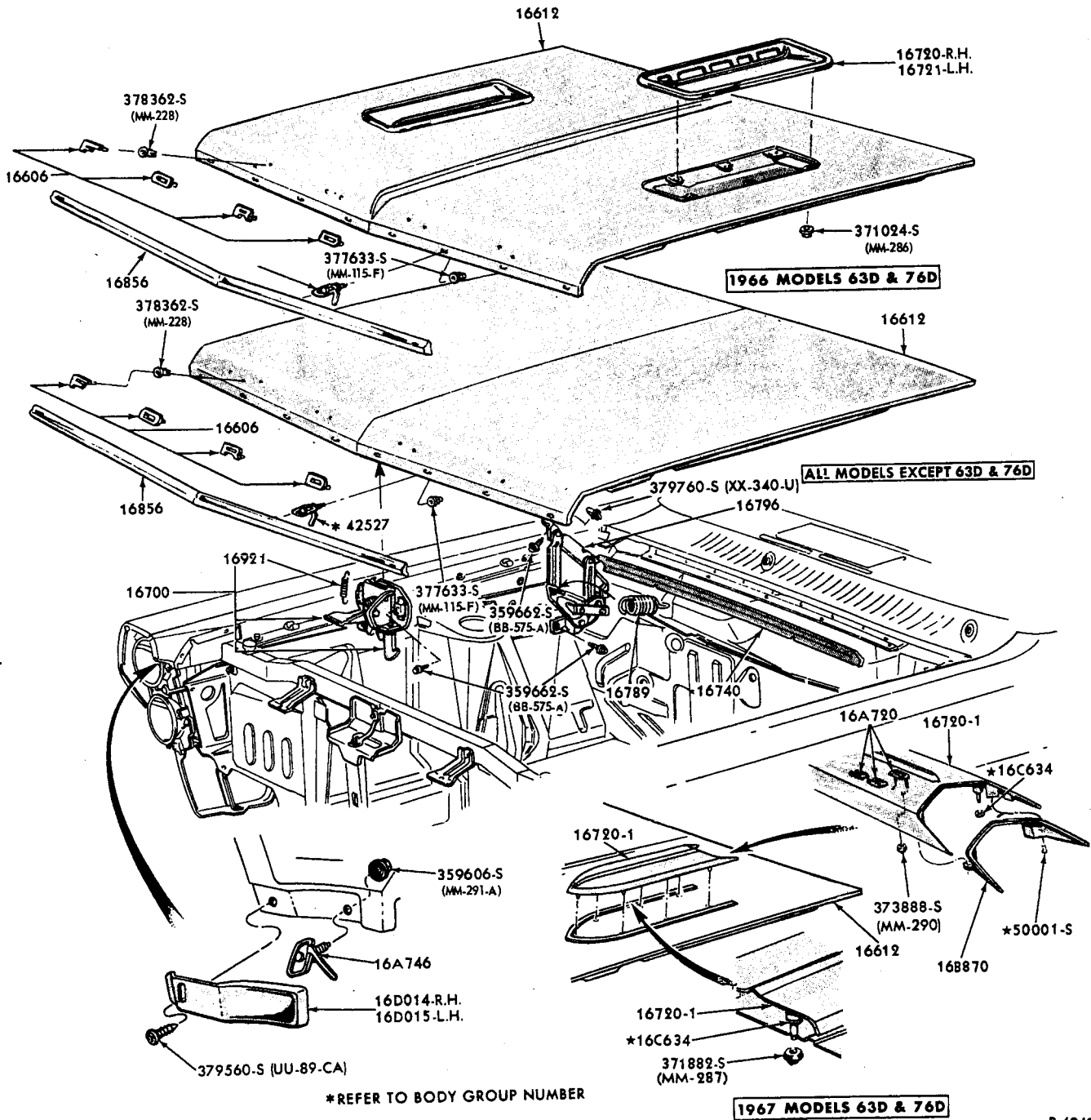
**HOOD and RELATED PARTS  
1967 FORD**

P-5606



**HOOD and RELATED PARTS  
1966 THUNDERBIRD**

P-5146



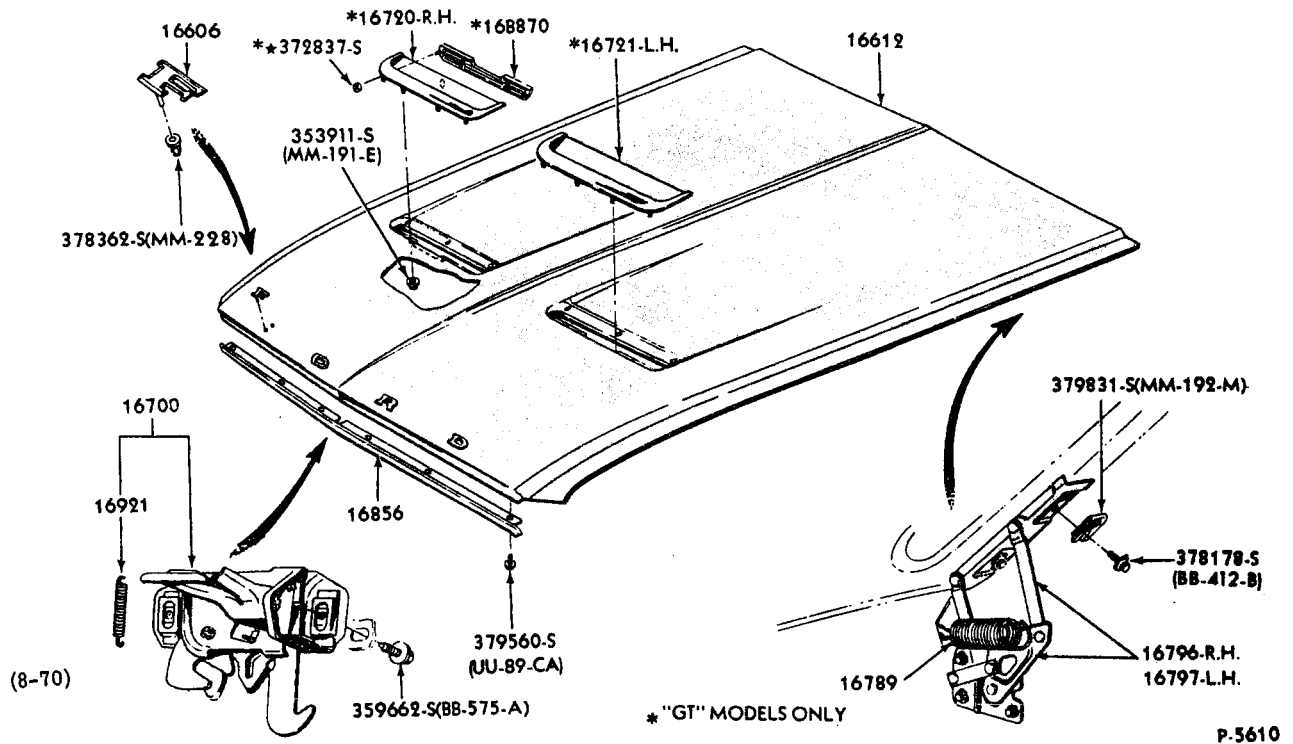
\*REFER TO BODY GROUP NUMBER

1967 MODELS 63D & 76D

P.4949

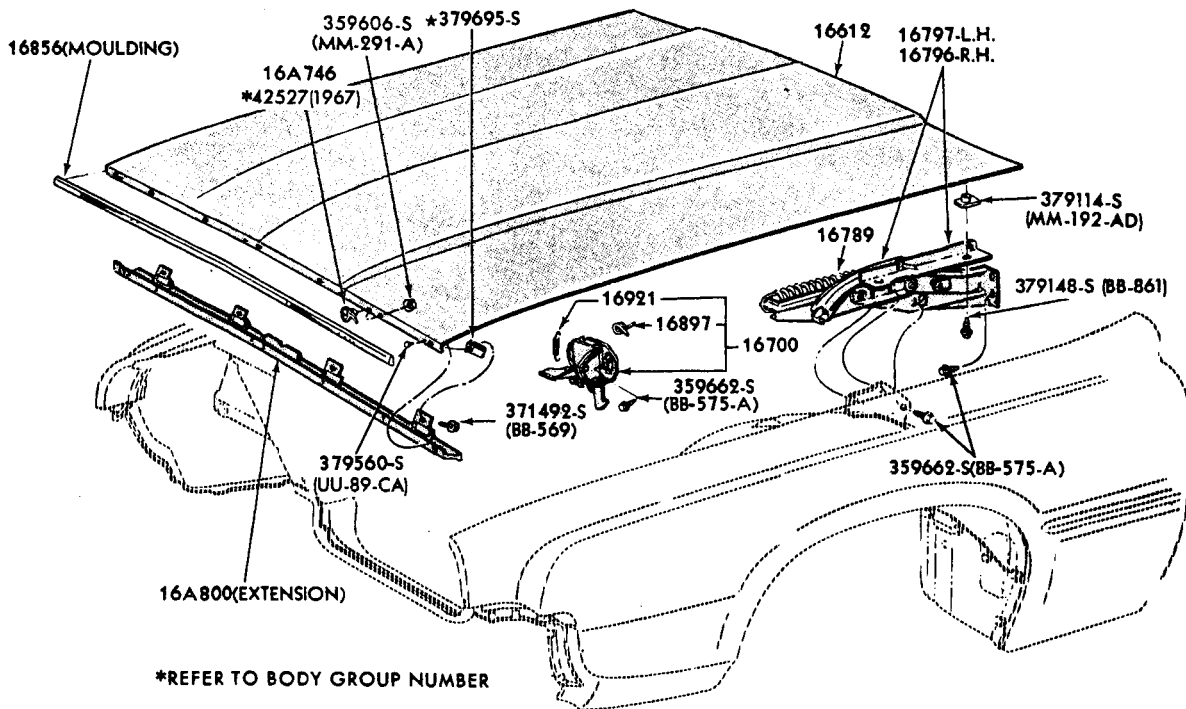
HOOD and RELATED PARTS  
1966/67 FAIRLANE

FORD CAR PARTS



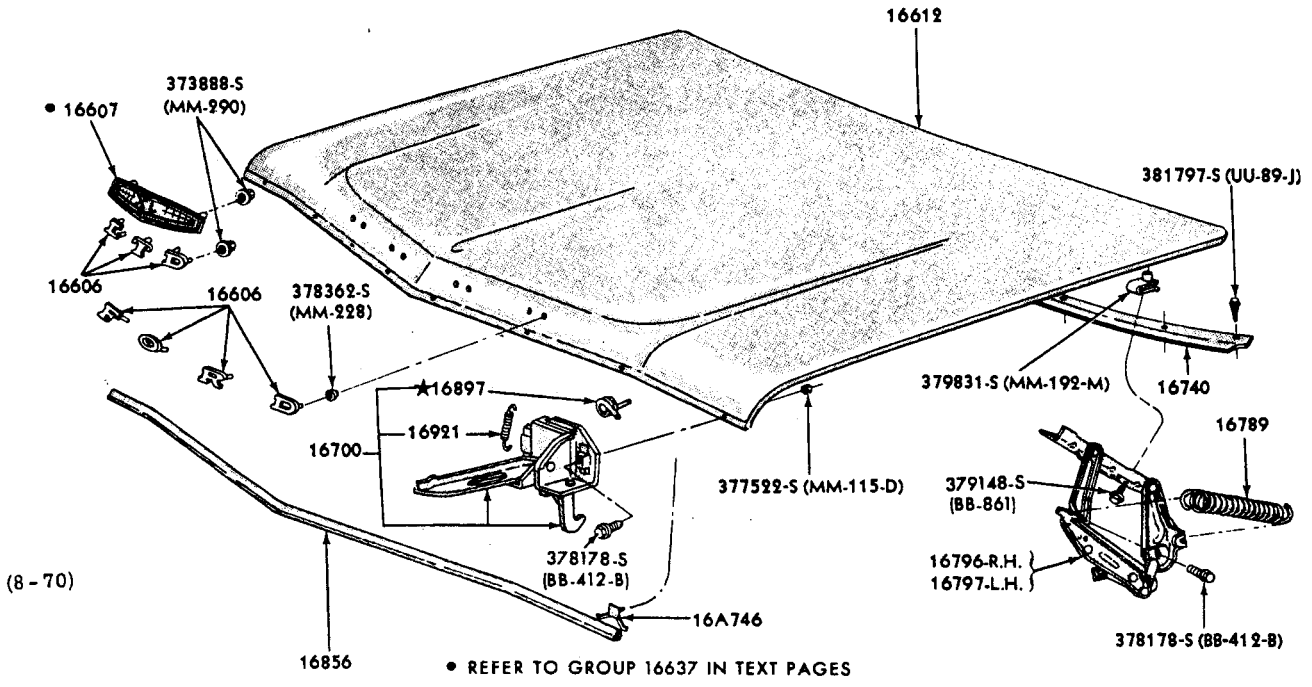
P-5610

HOOD and RELATED PARTS  
1967/68 MUSTANG



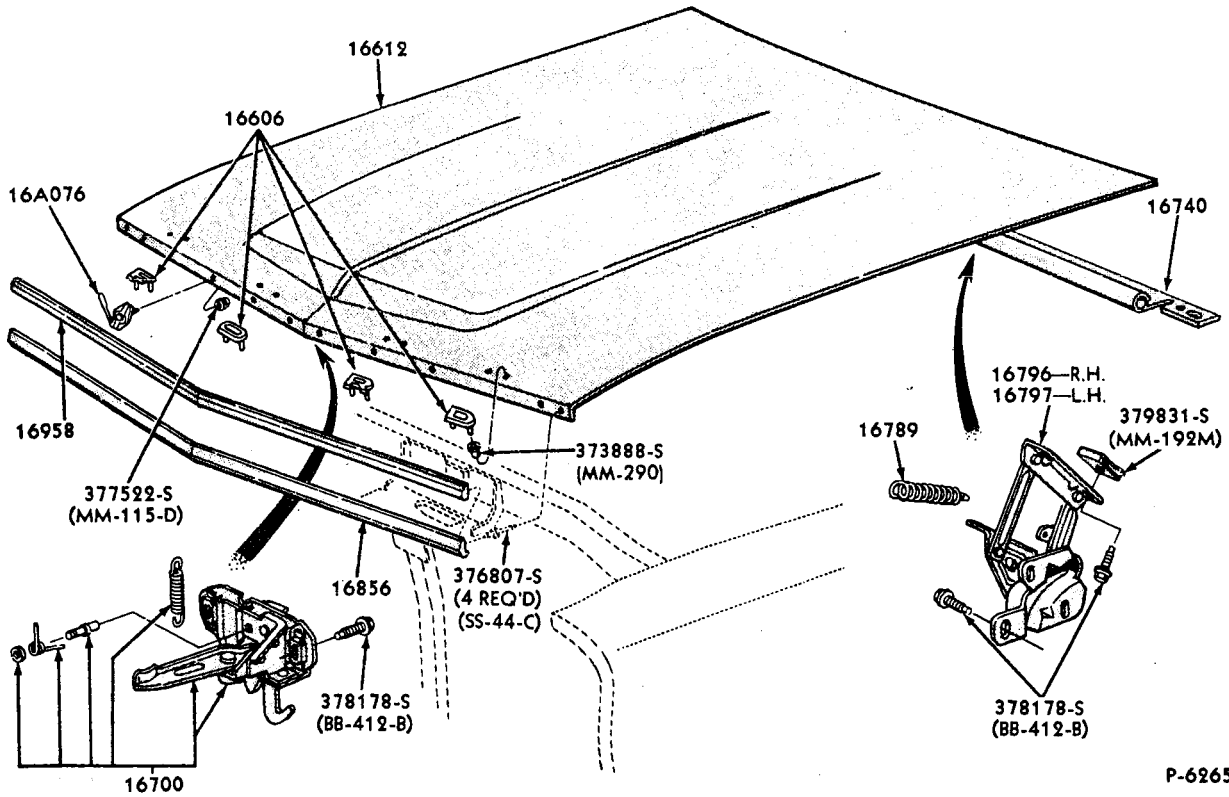
P-5522

HOOD and RELATED PARTS  
1967/69 THUNDERBIRD



P-5981

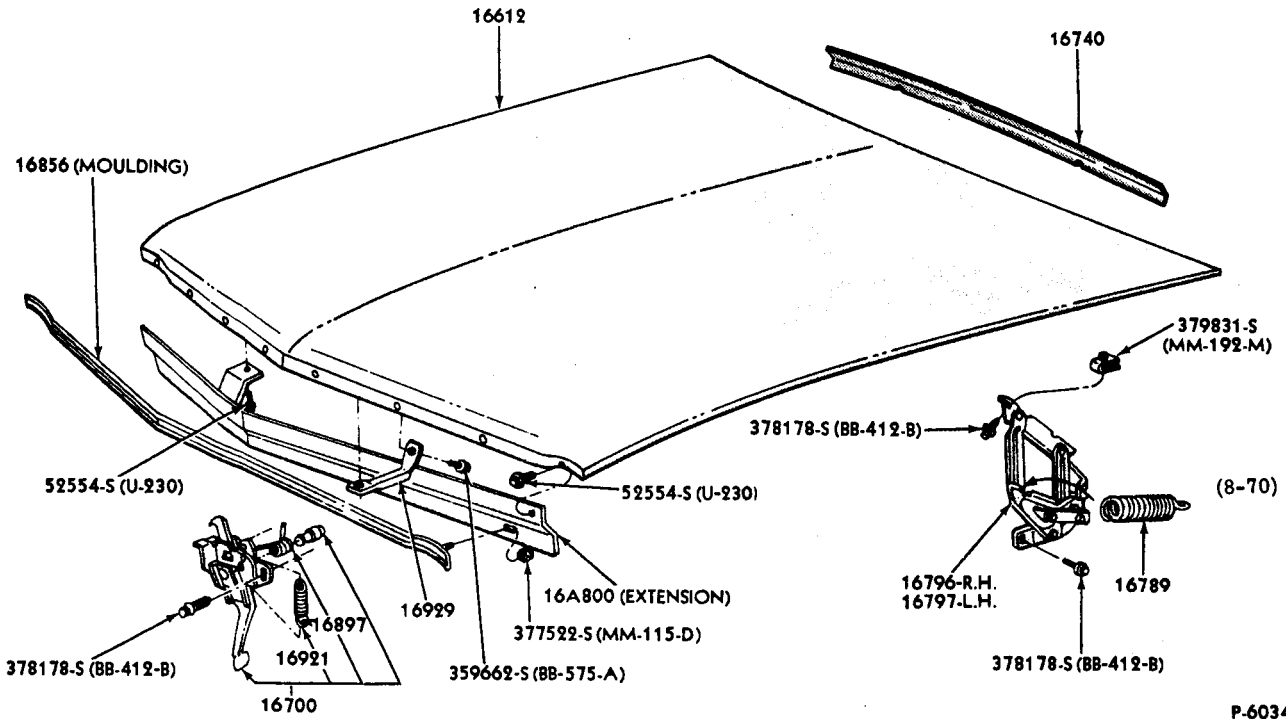
HOOD and RELATED PARTS  
1968 FORD



P-6265

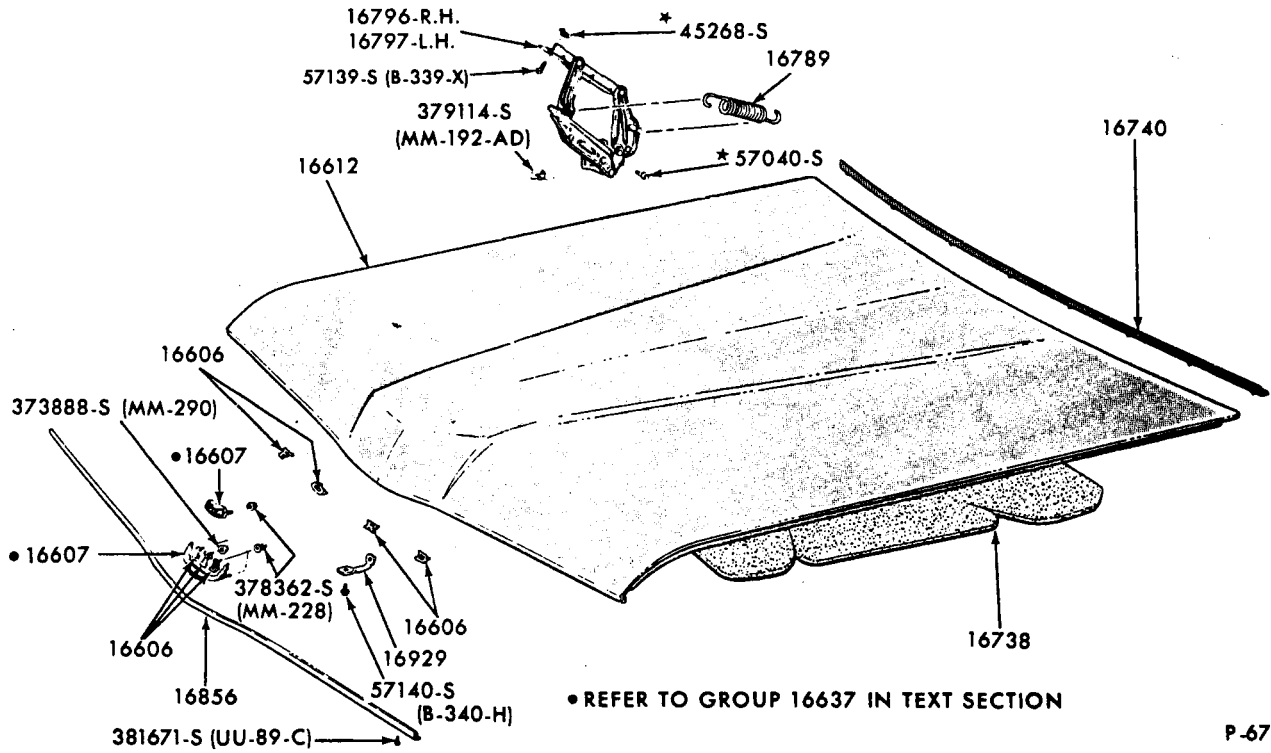
HOOD and RELATED PARTS  
1968 FAIRLANE/TORINO

FORD CAR PARTS



HOOD and RELATED PARTS  
1968/70 FALCON

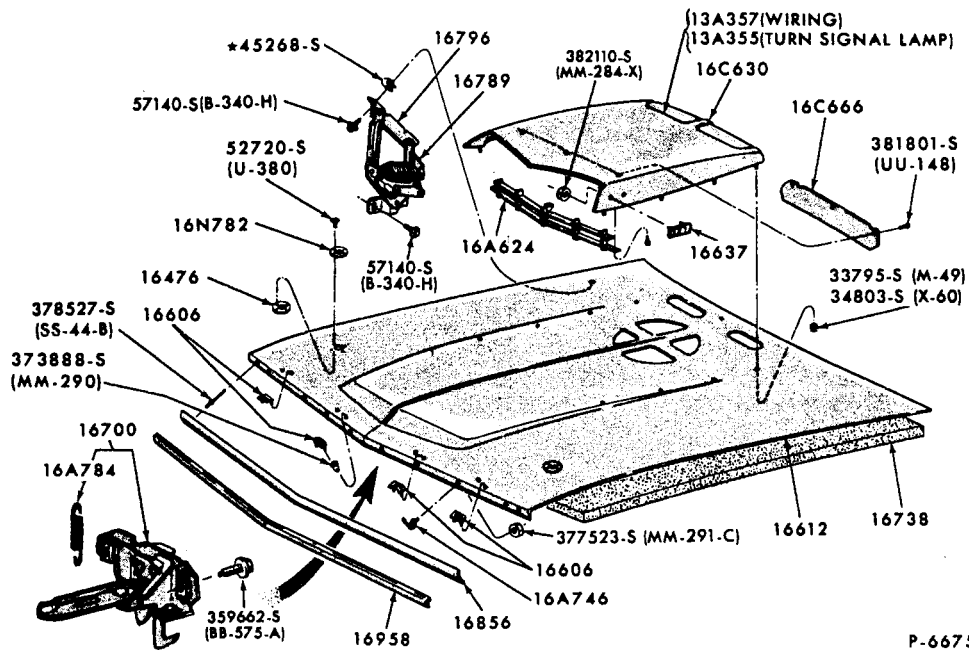
P-6034



• REFER TO GROUP 16637 IN TEXT SECTION

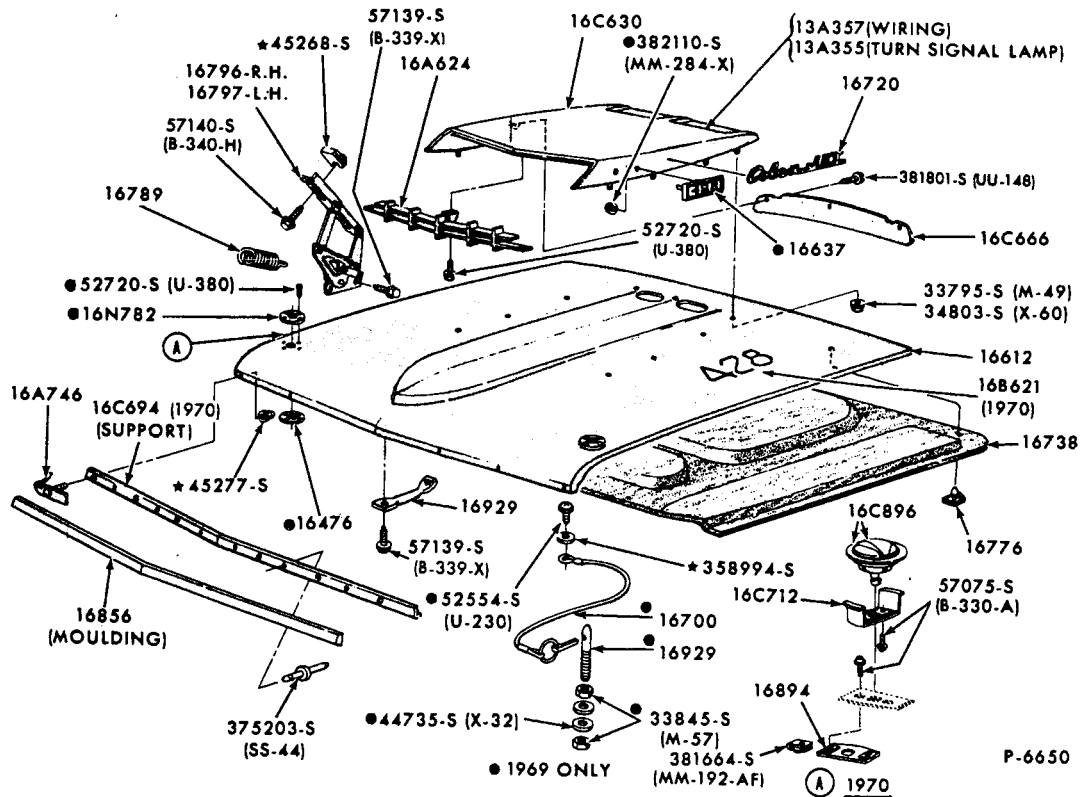
HOOD and RELATED PARTS  
1969/70 FORD

P-6728



P-6675

**HOOD and RELATED PARTS**  
1969 FAIRLANE/TORINO

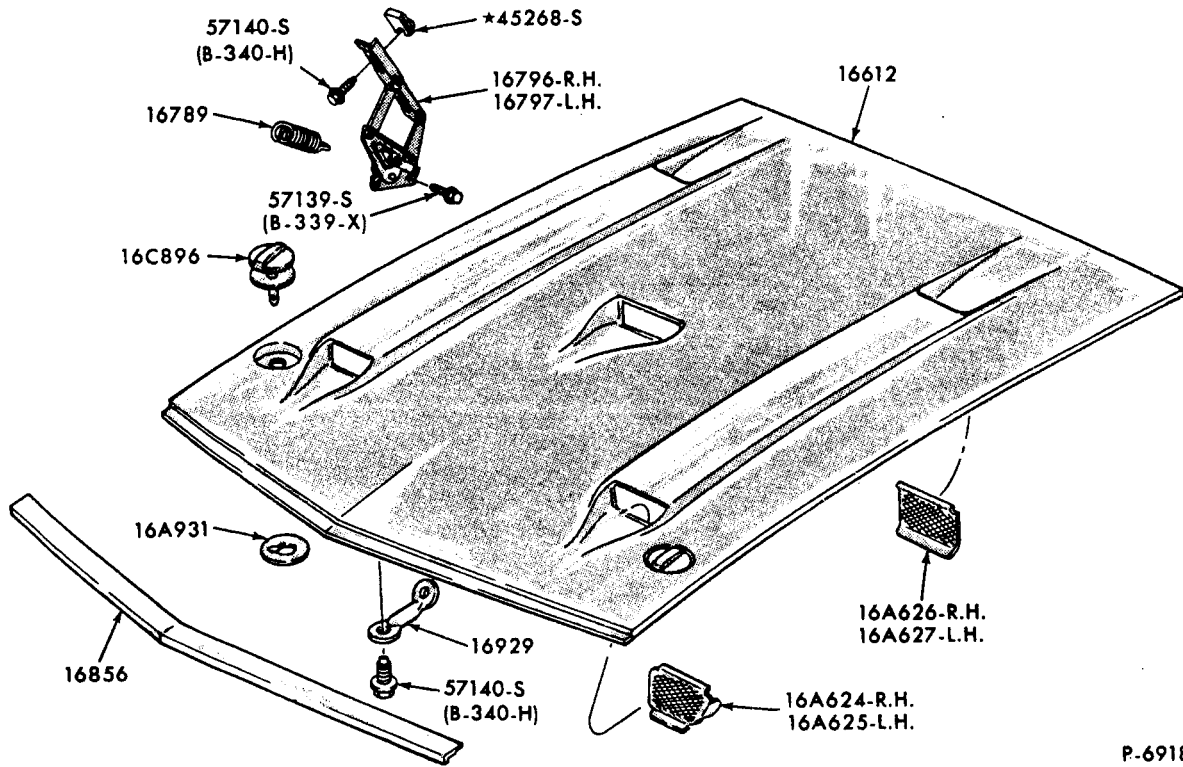


P-6650

**HOOD and RELATED PARTS**  
1969/70 MUSTANG - except SHELBY GT350/500

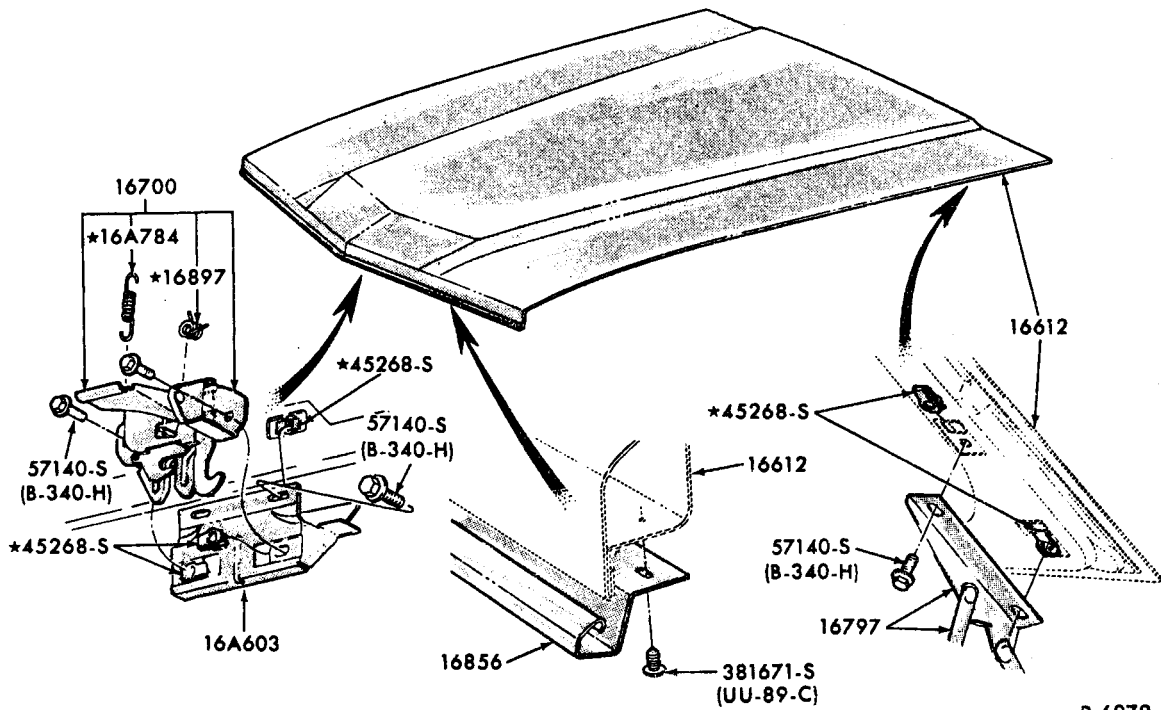
ILLUSTRATION SECTION 166

FORD CAR PARTS



P-6918

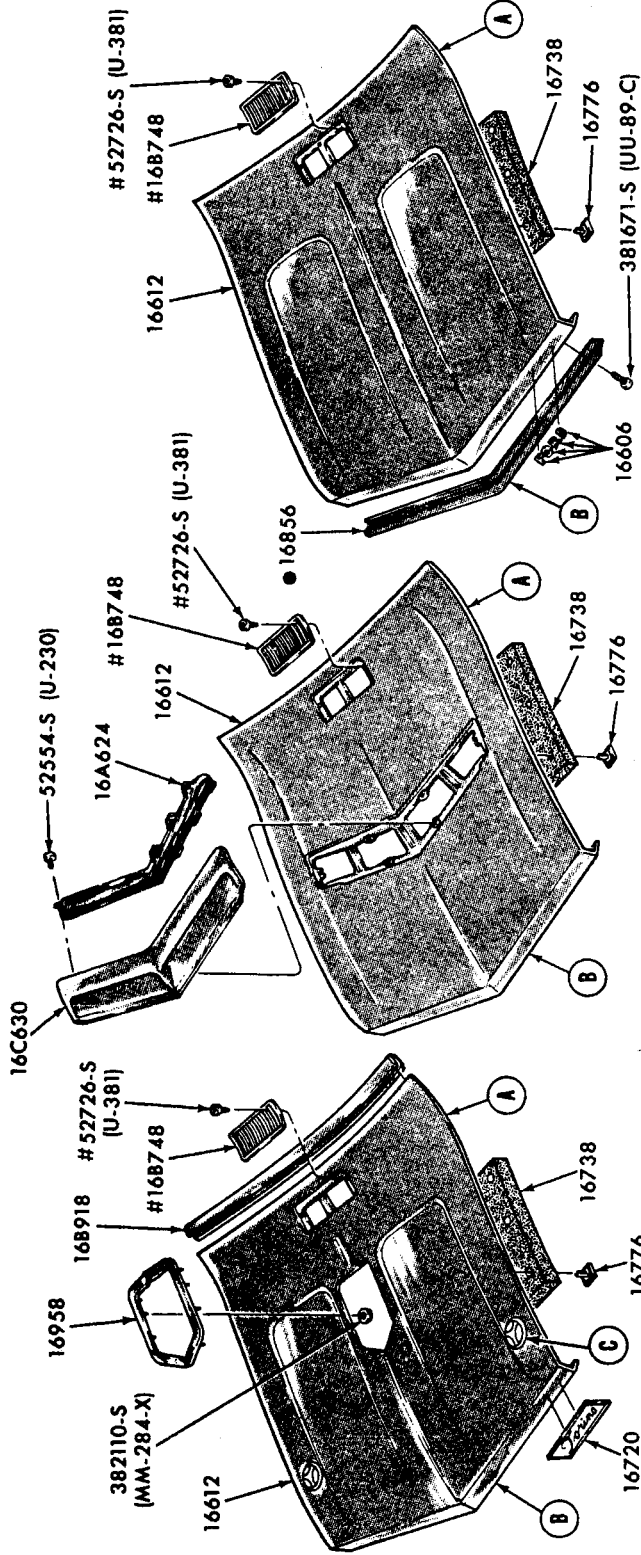
HOOD and RELATED PARTS  
1969/70 MUSTANG - SHELBY GT350/500



P-6979

HOOD and RELATED PARTS  
1970 MAVERICK

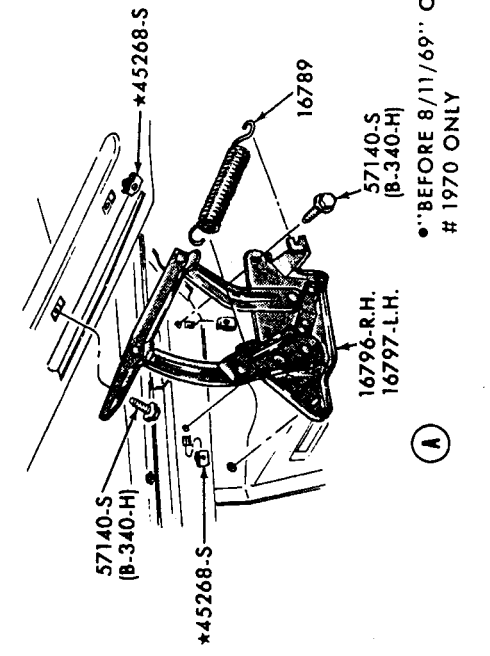
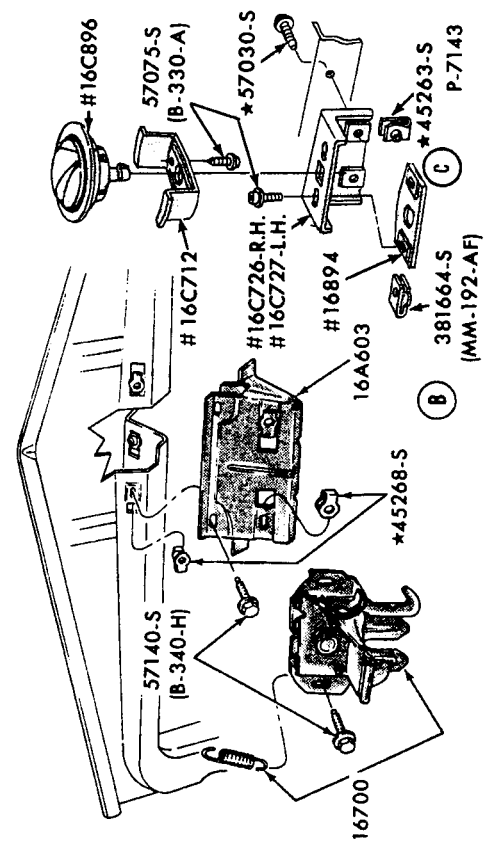




EXCEPT BODY TYPES-63F, 66C, 76F

BODY TYPES - 63F, 66C, 76F WITH "GT" OPTION

"RAM AIR" OPTION ONLY

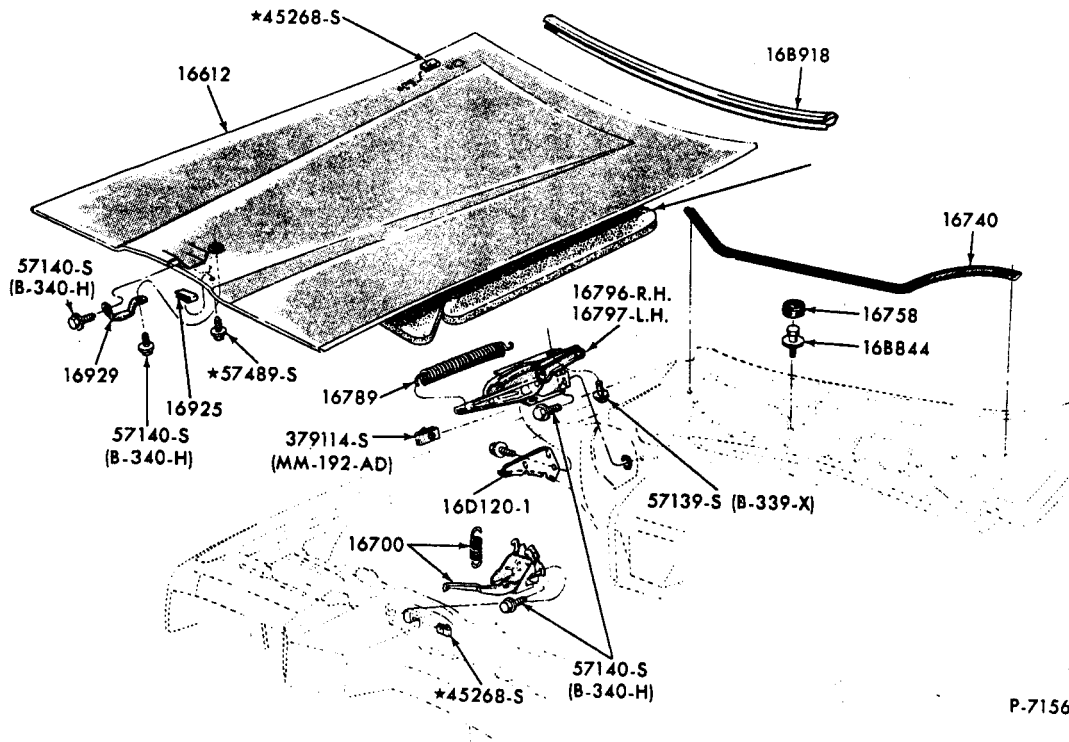


\*BEFORE 8/11/69" ONLY  
# 1970 ONLY

HOOD and RELATED PARTS  
1970/71 FAIRLANE/TORINO

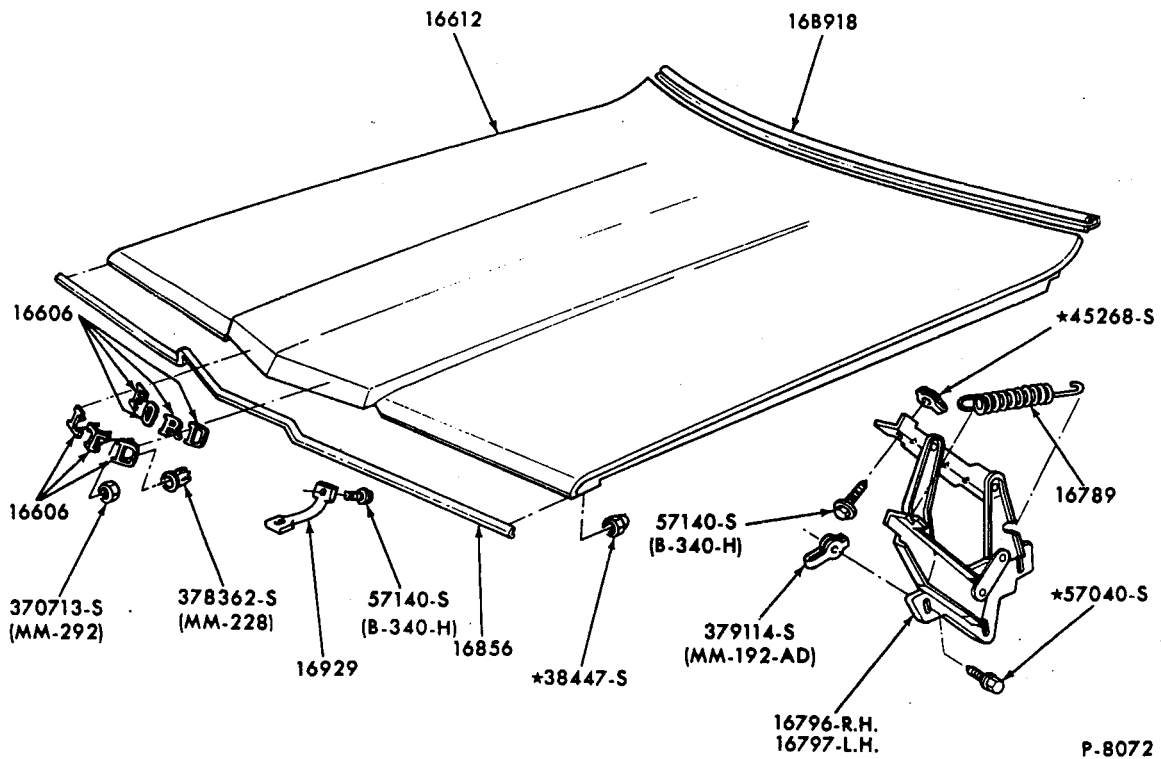
ILLUSTRATION SECTION 166

FORD CAR PARTS



P-7156

HOOD and RELATED PARTS 1970 THUNDERBIRD



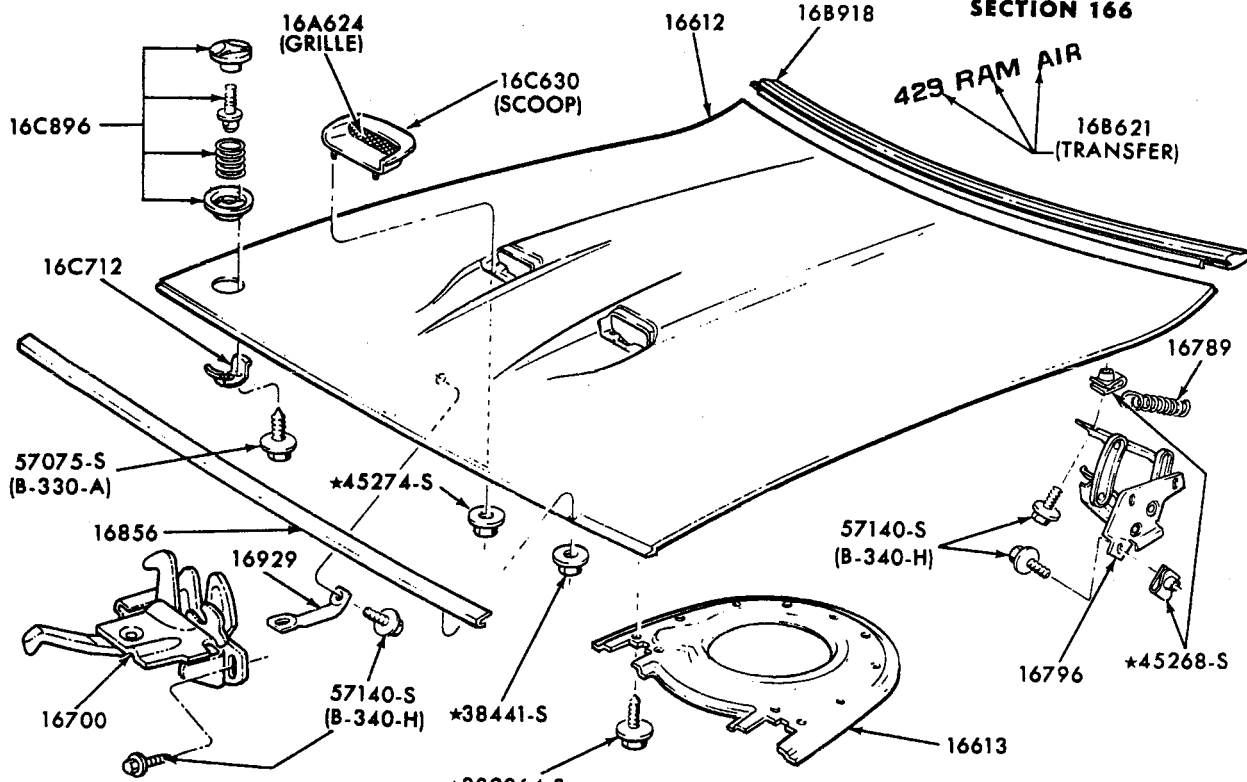
P-8072

HOOD and RELATED PARTS 1971 FORD

# FORD CAR PARTS

ILLUSTRATION  
SECTION 166

13

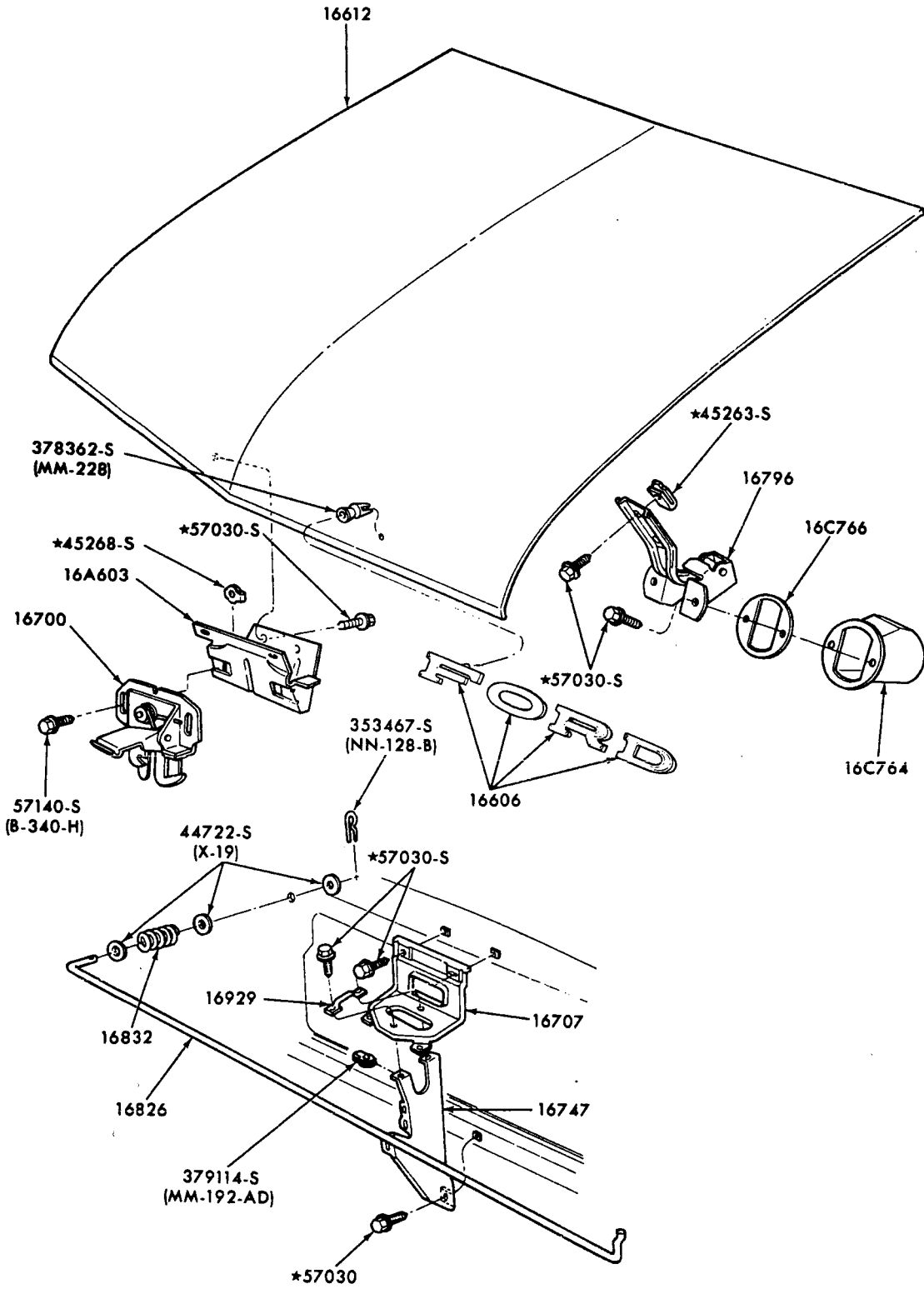


HOOD and RELATED PARTS  
1971/72 MUSTANG

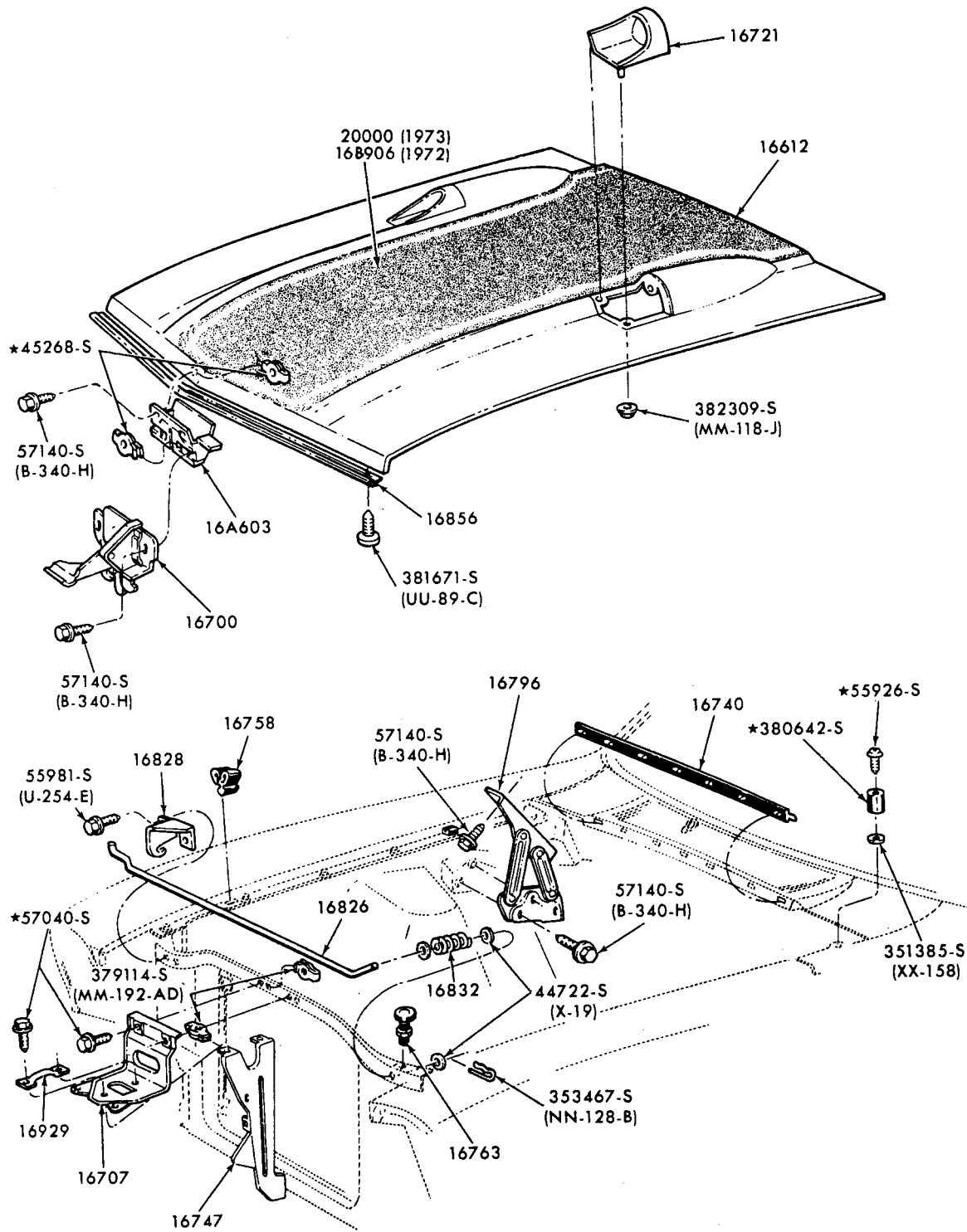
P-8086

# FORD CAR PARTS

## ILLUSTRATION SECTION 166



HOOD and RELATED PARTS  
1971/72 PINTO



P-8325

HOOD and RELATED PARTS  
1971/72 MAVERICK

May, 1975

COPYRIGHT © 1975—

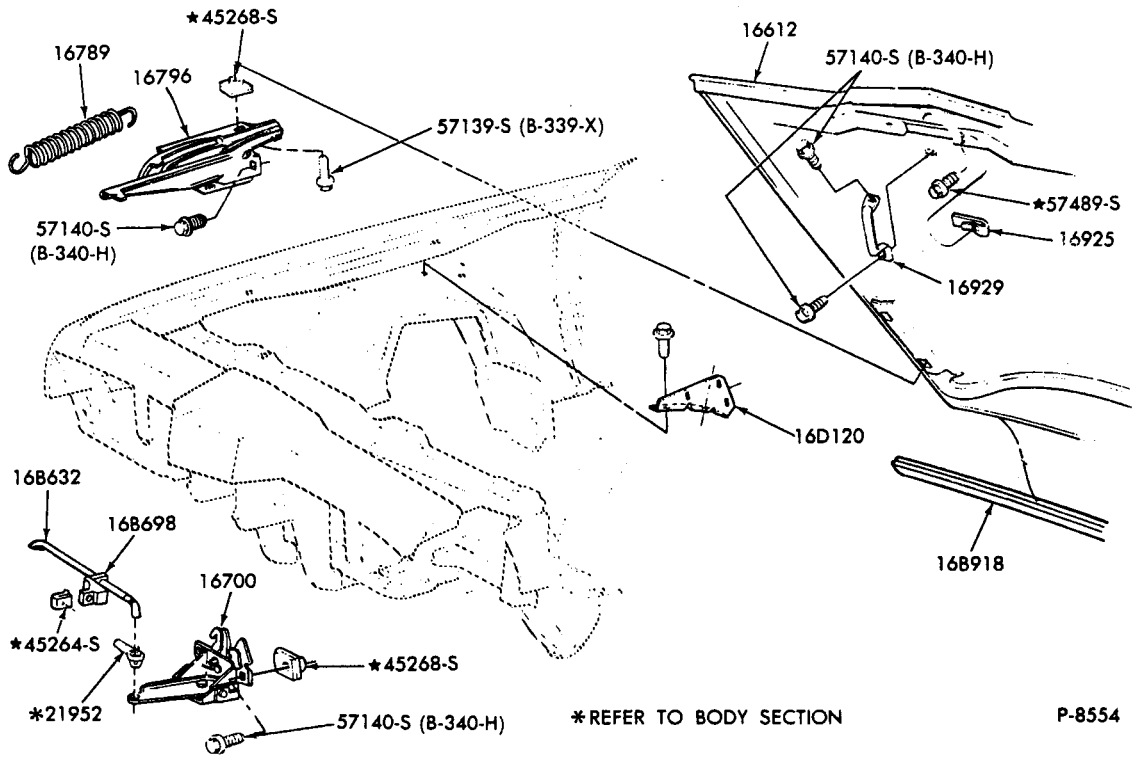
FORD MOTOR  
COMPANY

—DEARBORN, MICHIGAN

FINAL ISSUE

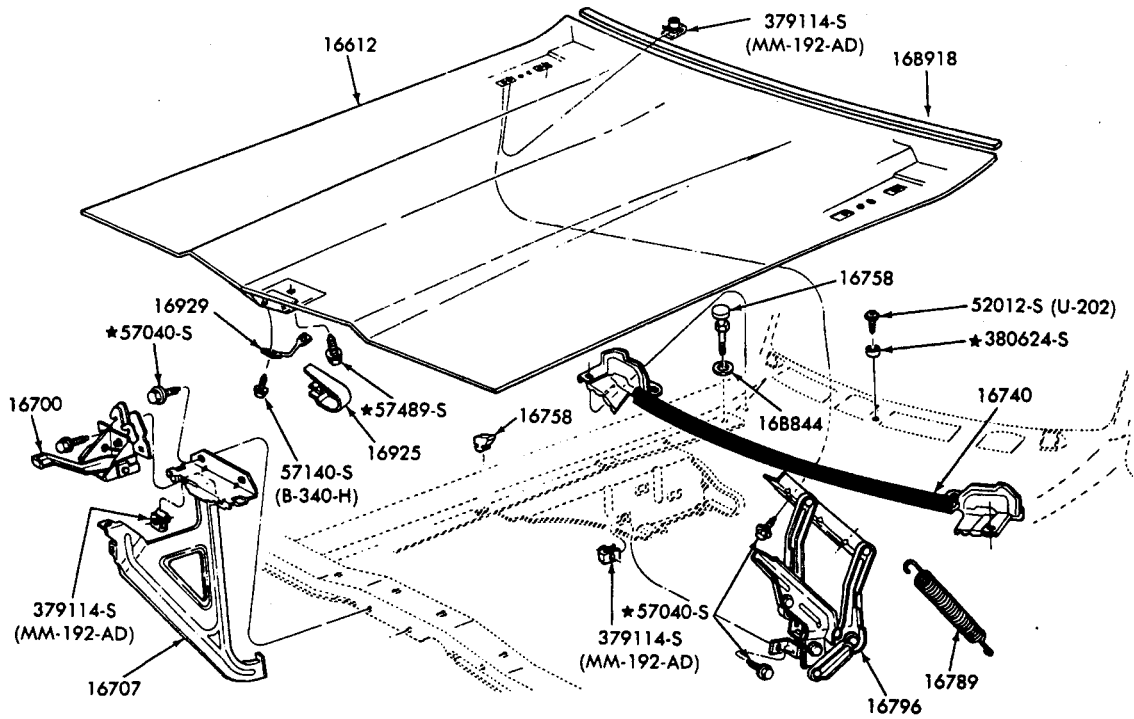
ILLUSTRATION SECTION 166

FORD CAR PARTS



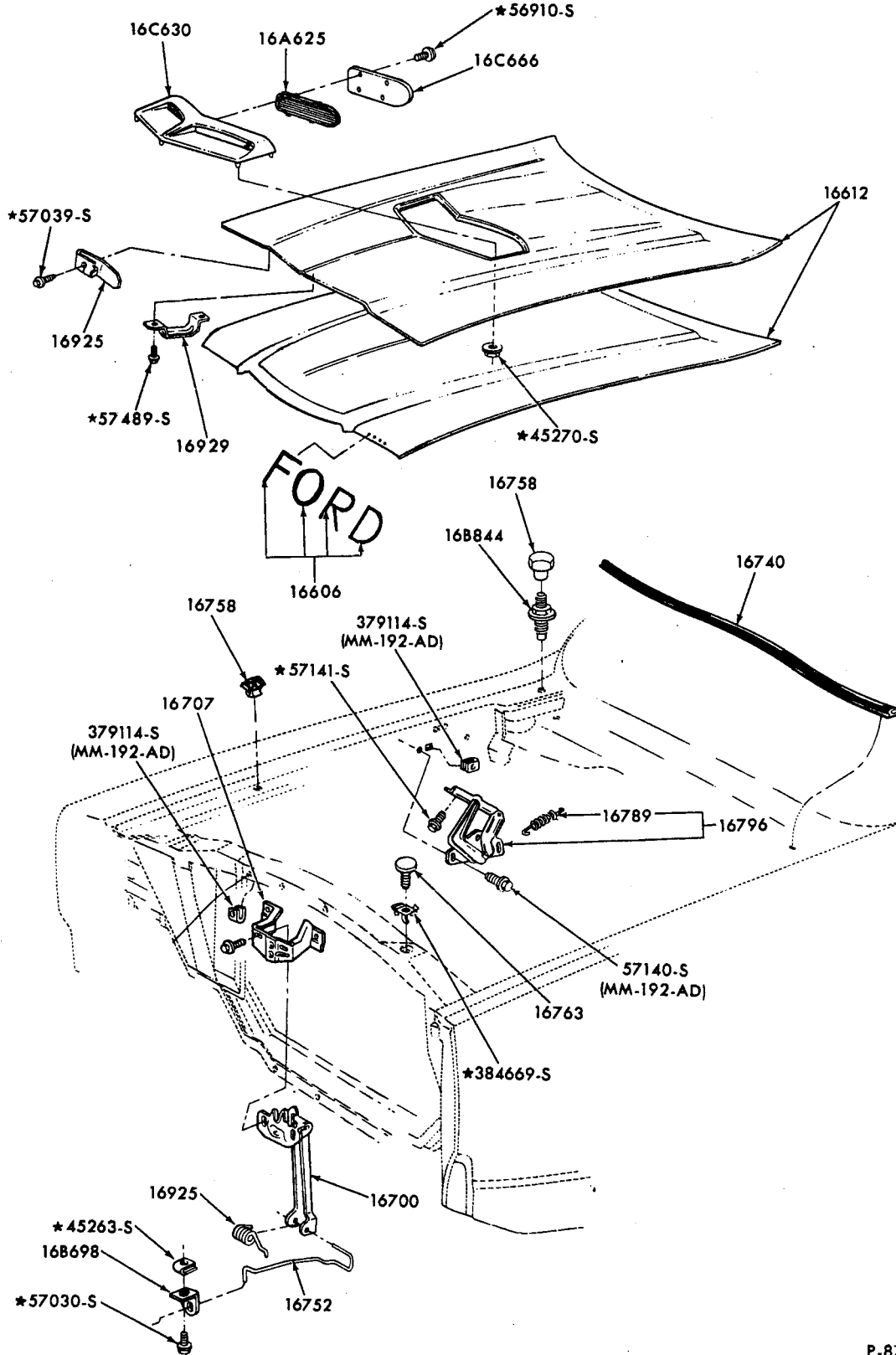
P-8554

HOOD and RELATED PARTS  
1971 THUNDERBIRD



P-8601

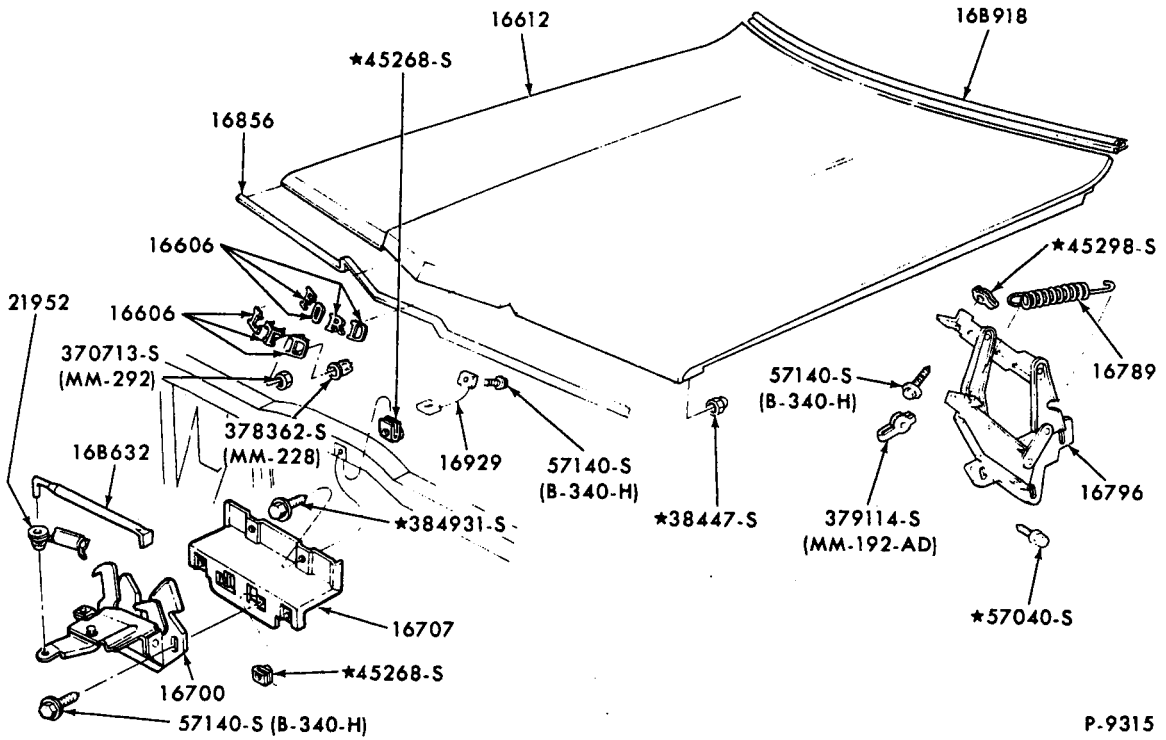
HOOD and RELATED PARTS  
1972 THUNDERBIRD



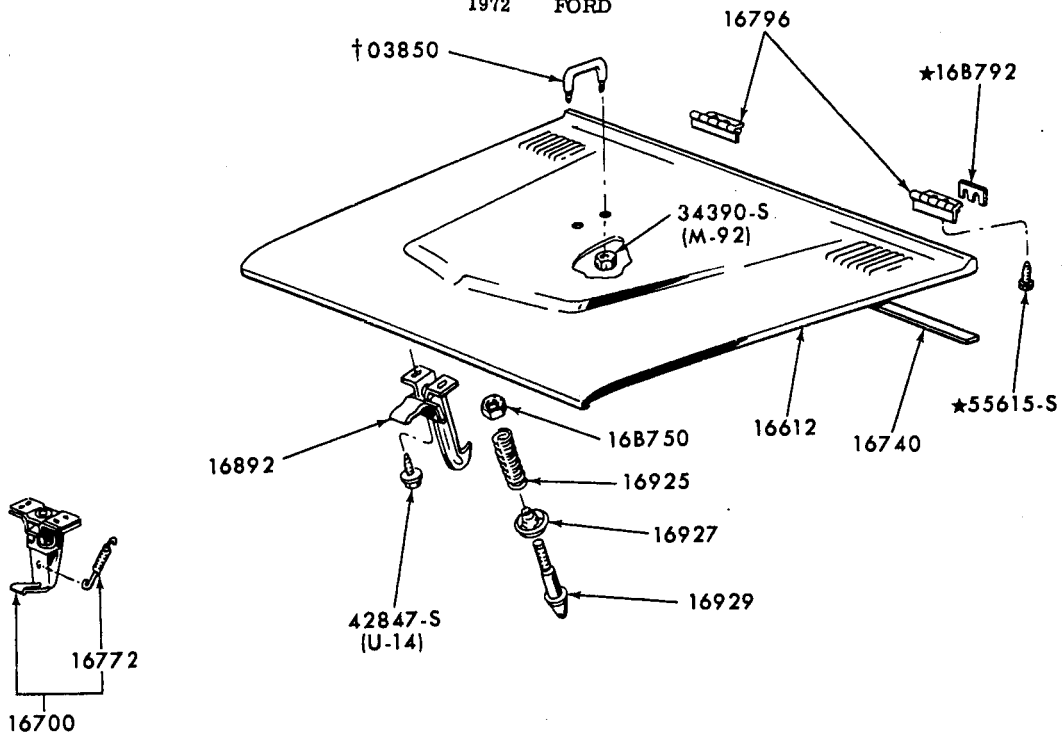
HOOD and RELATED PARTS  
1972 TORINO

P-8783

FORD CAR PARTS



HOOD and RELATED PARTS  
1972 FORD



† REFER TO BODY SECTION

P-10054

HOOD and RELATED PARTS  
1986/72 BRONCO



### INDEX

THIS INDEX SECTION INCLUDES THE FOLLOWING MAJOR GROUPS:

AIR CONDITIONING PARTS  
AND

BUMPERS DEFOGGER - REAR WINDOW HEATED BACK WINDOW(DEFROSTER) HEATER JACK MIRROR - REAR VIEW	RADIO and STEREO SHOCK ABSORBERS SNOW PLOW WINDSHIELD WASHER WINDSHIELD WIPER WINDSHIELD MOTOR
--	---

## 1965

TITLE	SECTION	PAGE	ILLUS. NO.	TITLE	SECTION	PAGE	ILLUS. NO.
<b>A (FORD)</b>				<b>B (FAIRLANE)</b>			
Air Conditioner				Air Conditioner			
- compressor - Tecumseh design	197	1	P-4381	- compressor - Tecumseh design	197	1	P-4381
- compressor - York design	197	2	P-4382	- compressor - York design	197	2	P-4382
- compressor clutches - Integral	197	3	P-3216	- compressor clutch - integral	197	3	P-3216
- controls - Integral	195.1	1	P-4809	- engine compartment - 6 cyl.	197.1	3	P-4404
- engine compartment - hang-on - 8 cyl. 289	197.2	2	P-4806	- engine compartment - 8 cyl.	197.2	4	P-4812
- engine compartment - 6 cyl.	197.1	2	P-4805	- passenger compartment - integral	195.1	3	P-4157
- engine compartment - 8 cyl. 352, 390	197.2	3	P-4807	Bumper - front	176	1	P-4624
- passenger compartment - hang-on	195	1	P-4804	- rear	176.1	13	P-4625
- passenger compartment - Integral	195.1	2	P-4810	- guards - front and rear	176	10	P-5386
- vacuum hoses - Integral - 6 cyl.	197.1	1	P-4808	Heater	184	3	P-3766
- vacuum hoses - Integral - 8 cyl.	197.2	1	P-4808	Jack and spare wheel parts			
				- body types 54, 62, 65	175.2	2	P-3706
				- body type 71	175.2	2	P-4824
				Mirror - remote control	176.2	1	P-4543
				Shock absorber - front	30	2	P-3675
				- rear	54	3	P-3662
				Windshield wiper	175	2	P-4173
				-wiper motor (single speed Ford electric)	175	5	P-5376
				-wiper motor (2 speed Ford electric)	175	6	P-4200
				-washer	175.1	2	P-3661
Bumper - front	176	1	P-4619	<b>F (MUSTANG)</b>			
- rear	176.1	1	P-4620	Air Conditioner			
- guards - front and rear	176	10	P-5386	- compressor - Tecumseh design	197	1	P-4381
				- compressor - York design	197	2	P-4382
				- compressor clutch - integral	197	3	P-3216
				- engine compartment - hang-on 6 cyl.	197.1	4	P-4573
				- engine compartment - 8 cyl. - w/alternator	197.2	4	P-4812
				- passenger compartment - hang-on	195	2	P-4549
				Bumper - front	176	2	P-4464
				- rear	176.1	2	P-4465
				Heater	184	4	P-4540
				Jack and spare wheel parts	175.2	3	P-4596
				Mirror - remote control	176.2	1	P-4543
				Shock absorber - front	180	1	P-3129
				- rear	180	1	P-3137
				Windshield wiper	175	3	P-4524
				-wiper motor (single speed Ford electric)	175	5	P-5376
				-wiper motor (2 speed Ford electric)	175	6	P-4200
				-washer	175.1	3	P-4525

B

**ILLUSTRATION  
SECTION 175**
**FORD CAR PARTS**
**INDEX**

TITLE	SECTION	PAGE	ILLUS. NO.	TITLE	SECTION	PAGE	ILLUS. NO.
-------	---------	------	------------	-------	---------	------	------------

**1965**

S (THUNDERBIRD)				X (FALCON)			
Air Conditioner				Air Conditioner			
- compressor - Tecumseh design	197	1	P-4381	- compressor - Tecumseh design	197	1	P-4381
- compressor - York design	197	2	P-4382	- compressor - York design	197	2	P-4382
- compressor clutches - integral	197	3	P-3216	- compressor clutch - integral	197	3	P-3216
- engine compartment - integral	197.2	5	P-4811	- compressor - integral	197	4	P-2724
- passenger compartment - integral	195.1	4	P-4415	- engine compartment - hang-on - 6 cyl.	197.1	5	P-4402
				- engine compartment - 8 cyl.	197.2	4	P-4812
Bumper - front	176	2	P-9210	- passenger compartment - hang-on	195	2	P-4549
- rear	176.1	2	P-4226	Bumper - front	176	3	P-4257
Heater	184	5	P-4416	- rear	176.1	3	P-4259
Jack and spare wheel parts	175.2	3	P-4597	- guards - front and rear	176	10	P-5386
				Heater	184	6	P-3145
Mirror - remote control	176.2	2	P-4541	Jack and spare wheel parts	175.2	4	P-3916
Radio and stereo				Mirror - remote control	176.2	1	P-4543
Antenna and related parts - electric	188	1	P-5382	Shock absorber - front	180	1	P-3129
				- rear	180	1	P-3137
Shock absorber - front	180	2	P-4119	Windshield wiper	175	4	P-4130
- rear	180	2	P-4352	- wiper motor (single speed Ford electric)	175	5	P-5376
				- wiper motor (2 speed Ford electric)	175	6	P-4200
Windshield wiper	175	5	P-4053	- washer	175.1	4	P-4726
washer	175.1	3	P-4733				

**1966**

A (FORD)				B (FAIRLANE)			
Air Conditioner				Air Conditioner			
- compressor - Tecumseh design	197	1	P-4381	- compressor - Tecumseh design	197	1	P-4381
- compressor - York design	197	2	P-4382	- compressor - York design	197	2	P-4382
- compressor clutches - integral	197	3	P-3216	- compressor clutch - integral	197	3	P-3216
- controls - integral	195.1	1	P-4809	- engine compartment - hang-on - 6 cyl.	197.1	7	P-5208
- engine compartment - hang-on - 8 cyl. 289	197.2	2	P-4806	- engine compartment - 8 cyl. 289	197.2	7	P-5210
- engine compartment - 6 cyl.	197.1	2	P-4805	- engine compartment - 8 cyl. 390	197.2	8	P-5207
- engine compartment - 8 cyl. 352, 390	197.2	3	P-4807	- passenger compartment - integral	195.1	5	P-5115
- passenger compartment - hang-on	195	1	P-4804	- vacuum hoses - integral - 6 cyl.	197.1	6	P-5209
- passenger compartment - integral	195.1	2	P-4810	- vacuum hoses - integral - 8 cyl.	197.2	6	P-5209
- vacuum hoses - integral - 6 cyl.	197.1	1	P-4808				
- vacuum hoses - integral - 8 cyl.	197.2	1	P-4808	Bumper - front	176	4	P-5110
				- rear - body types 54, 62, 63, 76	176.1	3	P-5112
Bumper - front	176	1	P-4619	- rear - body type 71	176.1	4	P-5113
- rear	176.1	1	P-4620	- guards	176	10	P-5386
- guards	176	10	P-5386	Heater	184	7	P-5108
Heater	184	1	P-4813				
Jack and spare wheel parts	175.2	1	P-4823	Jack and spare wheel parts-except body type 71	175.2	5	P-5211
Mirror - remote control	176.2	1	P-4542				
				Mirror - remote control	176.2	1	P-4543
Radio and Stereo							
Rear seat speakers - w/stereo tape players	190	1	P-5286	Radio and stereo			
Stereo tape player & speakers - hang-on and console mounted	190	2	P-5285	Stereo tape player & speakers - hang-on	190	3	P-5284
Shock absorber - front	30	1	P-4545	Shock absorber - front	30	3	P-4945
- rear	54	1	P-4546	- rear	54	4	P-5150
Windshield wiper	175	1	P-4920				
wiper motor (single speed Ford electric)	175	5	P-5376	Windshield wiper	175	7	P-5121
wiper motor (2 speed Ford electric)	175	6	P-4200	- wiper motor (single speed Ford electric)	175	5	P-5376
washer	175.1	1	P-4727	- wiper motor (2 speed Ford electric)	175	23	P-11434
				- washer	175.1	5	P-5121

### INDEX

## 1966

TITLE	SECTION	PAGE	ILLUS. NO.
<b>F (MUSTANG)</b>			
Air Conditioner			
- compressor - Tecumseh design	197	1	P-4381
- compressor - York design	197	2	P-4382
- compressor clutch - integral	197	3	P-3216
- engine compartment - hang-on - 6 cyl.	197.1	4	P-4573
- engine compartment - 8 cyl. - w/alternator	197.2	4	P-4812
- passenger compartment - hang-on	195	2	P-4549
Bumper - front	176	2	P-4464
- rear	176.1	2	P-4465
Heater	184	4	P-4540
Jack and spare wheel parts	175.2	3	P-4596
Mirror - remote control	176.2	1	P-4543
Radio and stereo			
Radio (AM) with stereo tape player - Integral and hang-on	190	4	P-5283
Shock absorber - front	180	1	P-3129
- rear	180	1	P-3137
Windshield wiper	175	3	P-4524
- wiper motor (2 speed Ford electric)	175	6	P-4200
- wiper motor (single speed Ford electric)	175	5	P-5376
- washer	175.1	3	P-4525
<b>S (THUNDERBIRD)</b>			
Air Conditioner			
- compressor - Tecumseh design	197	1	P-4381
- compressor - York design	197	2	P-4382
- compressor clutches - Integral	197	3	P-3216
- engine compartment - Integral	197.2	5	P-4811
- passenger compartment - Integral	195.1	4	P-4415
Bumper - front	176	5	P-9211
- rear	176.1	2	P-4226
Heater	184	5	P-4416
Jack and spare wheel parts	175.2	3	P-4597
Mirror - remote control	176.2	2	P-4541
Radio and stereo			
Antenna and related parts - electric	188	1	P-5382
AM/Stereo tape player & speakers - Integral	190	5	P-5282
Shock absorber - front	180	2	P-4119
- rear	180	2	P-4352
Windshield wiper washer	175	5	P-4053
	175.1	3	P-4733

TITLE	SECTION	PAGE	ILLUS. NO.
<b>U (BRONCO)</b>			
Bumpers - front and rear	176	11	P-4937
Heater	184	8	P-5120
Jack and spare wheel parts			
- before serial 830,001	175.2	8	P-4982
- from serial 830,001	175.2	9	P-6599
Mirror - outside rectangular	176.2	2	P-6601
- outside round	176.2	3	P-5226
Shock absorber - front	30	6	P-4938
- rear	54	7	P-4939
Snow plow	190.1	1	P-8366
Windshield wiper	175	6	P-5098
- washer	175.1	6	P-5099
<b>X (FALCON)</b>			
Air Conditioner			
- compressor - Tecumseh design	197	1	P-4381
- compressor - York design	197	2	P-4382
- compressor clutch - integral	197	3	P-3216
- compressor - Integral	197	4	P-2724
- engine compartment - hang-on - 6 cyl.	197.1	7	P-5208
- engine compartment - 8 cyl. 289	197.2	7	P-5210
- passenger compartment - hang-on	195	2	P-4549
- passenger compartment - Integral	195.1	5	P-5115
- vacuum hoses - Integral - 6 cyl.	197.1	6	P-5209
- vacuum hoses - Integral 8 cyl.	197.2	6	P-5209
Bumper - front	176	6	P-5109
- rear - body types 54, 62	176.1	4	P-5111
- rear - body types 66, 71	176.1	4	P-5113
- guards - front and rear	176	10	P-5386
Heater	184	7	P-5108
Jack and spare wheel parts - except body type 71	175.2	5	P-5211
Mirror - remote control	176.2	1	P-4543
Radio and stereo			
Stereo tape player & speakers - hang-on	190	3	P-5284
Shock absorber - front	30	3	P-4945
- rear	180	1	P-3137
Windshield wiper	175	7	P-5121
- wiper motor (single speed Ford electric)	175	5	P-5376
- wiper motor (2 speed Ford electric)	175	23	P-11434
- washer	175.1	5	P-5121

D

**ILLUSTRATION  
SECTION 175**
**FORD CAR PARTS**
**INDEX**

TITLE	SECTION	PAGE	ILLUS. NO.	TITLE	SECTION	PAGE	ILLUS. NO.
-------	---------	------	------------	-------	---------	------	------------

**1967**

A (FORD)				B (FAIRLANE)			
Air Conditioner				Air Conditioner			
- compressor clutches - integral	197	3	P-3216	- compressor - Tecumseh design	197	1	P-4381
- compressor - Tecumseh design	197	1	P-4381	- compressor - York design	197	2	P-4382
- compressor - York design	197	2	P-4382	- compressor clutch - integral	197	3	P-3216
- controls - integral	195.1	6	P-5670	- engine compartment - hang-on -	197.1	10	P-5690
- engine compartment - hang-on -	197.1	8	P-5689	6 cyl.			
- engine compartment - hang-on -	197.2	9	P-5691	- engine compartment - hang-on -	197.2	9	P-5691
8 cyl. 289				- engine compartment - hang-on -	197.2	11	P-5692
- engine compartment - hang-on -	197.2	11	P-5692	8 cyl. 390, 428			
8 cyl. 390, 428				- engine compartment - integral -	197.1	11	P-5684
- engine compartment - integral -	197.1	9	P-5798	6 cyl.			
6 cyl.				- engine compartment - integral -	197.2	13	P-5685
- engine compartment - integral -	197.2	10	P-5686	8 cyl. 289			
8 cyl. 289				- engine compartment - integral -	197.2	14	P-5800
- engine compartment - integral -	197.2	12	P-5799	8 cyl. 390			
8 cyl. 390, 428				- passenger compartment -	195	4	P-5712
- passenger compartment - deluxe	195	3	P-5711	economy hang-on			
hang-on				- passenger compartment controls -	195.1	5	P-5115
- passenger compartment -	195	4	P-5712	integral			
economy hang-on				- vacuum hoses - integral -	197.1	6	P-5209
- passenger compartment - integral	195.1	2	P-4810	6 cyl.			
- vacuum hoses - integral -	197.1	1	P-4808	- vacuum hoses - integral -	197.2	6	P-5209
6 cyl.				8 cyl.			
- vacuum hoses - integral -	197.2	1	P-4808				
8 cyl.				Bumper - front	176	4	P-5110
				- rear - body types 54,62,63,76	176.1	3	P-5112
				- rear - body types 66,71	176.1	4	P-5113
				- guards	176	10	P-5386
Bumper - front	176	3	P-5603	Heater	184	7	P-5108
- rear	176.1	1	P-4620				
- guards - front and rear	176	10	P-5386	Jack and spare wheel parts - except	175.2	5	P-5211
				body type 71			
Heater - w/forced ventilation	184	11	P-5668	Mirror - remote control	176.2	3	P-5773
- w/o forced ventilation	184	9	P-5669				
				Radio and stereo			
Jack and spare wheel parts	175.2	7	P-5779	Stereo tape player &	190	9	P-5753
				speakers - hang-on			
Mirror - remote control	176.2	3	P-5773	Shock absorber - front	30	3	P-4945
				- rear	54	4	P-5150
Radio and stereo							
Multiplex adapter for AM/FM	190	7	P-5758	Windshield wiper	175	7	P-5121
radio				-wiper motor (2 speed	175	23	P-11434
Rear seat speakers - w/stereo	190	8	P-5754	Ford electric)			
tape player				-washer	175.1	5	P-5121
Radio(AM) with stereo tape	190	6	P-5755				
player & speakers -							
integral and hang-on							
Shock absorber - front	30	1	P-4545				
- rear	54	1	P-4546				
Vacuum hoses and related parts -	184	10	P-5671				
w/heater and forced ventilation							
Windshield wiper	175	1	P-4920				
-washer	175.1	8	P-5772				
-wiper motor (2 speed	175	6	P-4200				
Ford electric)							

**INDEX**

**1967**

TITLE	SECTION	PAGE	ILLUS. NO.
<b>F (MUSTANG)</b>			
Air Conditioner			
- compressor - Tecumseh design	197	1	P-4381
- compressor - York design	197	2	P-4382
- compressor clutch - integral	197	3	P-3216
- engine compartment - hang-on - 6 cyl.	197.1	6	P-5209
- engine compartment - hang-on - 8 cyl. 289	197.2	9	P-5691
- engine compartment - hang-on - 8 cyl. 390, 428	197.2	11	P-5692
- engine compartment - integral - 6 cyl.	197.1	13	P-5688
- engine compartment - integral - 8 cyl. 289	197.2	16	P-5687
- engine compartment - integral - 8 cyl. 390, 428	197.2	17	P-5801
- passenger compartment - economy hang-on	195	4	P-5712
- passenger compartment - integral	195.1	7	P-5676
- vacuum hoses - integral - 6 cyl.	197.1	12	P-5680
- vacuum hoses - integral - 8 cyl.	197.2	15	P-5680
Bumper - front	176	4	P-5608
- rear	176.1	5	P-5607
Heater	184	12	P-5694
Jack and spare wheel parts	175.2	3	P-4596
Mirror - remote control	176.2	3	P-5773
Radio and stereo			
Multiplex adapter for AM/FM radio	190	7	P-5758
Radio (AM) with stereo tape player & speakers - integral and hang-on	190	10	P-5752
Shock absorber - front	180	1	P-3129
- rear	180	1	P-3137
Windshield wiper	175	3	P-4524
- wiper motor (2 speed Ford electric)	175	23	P-11434
- washer	175.1	7	P-5624
<b>S. (THUNDERBIRD)</b>			
Air Conditioner			
- compressor clutches - integral	197	3	P-3216
- compressor - Tecumseh design	197	1	P-4381
- compressor - York design	197	2	P-4382
- controls - integral	195.1	9	P-5657
- engine compartment - integral	197.2	18	P-5661
- passenger compartment - integral	195.1	8	P-5660
Bumper - front	176	7	P-9212
- rear	176.1	9	P-5619
Heater	184	13	P-5654
Jack and spare wheel parts	175.2	8	P-5780
Mirror - remote control	176.2	3	P-5773
Radio and stereo			
Multiplex adapter & speakers for AM/FM radio	190	11	P-5757
AM/stereo tape player & speakers - integral	190	12	P-5756
Shock absorber - front	30	1	P-4545
- rear	180	2	P-4352
Windshield wiper (hydraulic)	175	8	P-5641
- washer	175.1	8	P-5640

TITLE	SECTION	PAGE	ILLUS. NO.
<b>U (BRONCO)</b>			
Bumper - front and rear	176	11	P-4937
Heater	184	8	P-5120
Jack and spare wheel parts	175.2	9	P-6599
Mirror - outside rectangular	176.2	2	P-6601
- outside round	176.2	3	P-5226
Shock absorber - front	30	6	P-4938
- rear	54	7	P-4939
Snow plow	190.1	1	P-8366
Windshield wiper	175	6	P-5098
- washer	175.1	6	P-5099
<b>X (FALCON)</b>			
Air Conditioner			
- compressor - integral	197	4	P-2724
- compressor - Tecumseh design	197	1	P-4381
- compressor - York design	197	2	P-4382
- compressor clutch - integral	197	3	P-3216
- engine compartment - hang-on - 6 cyl.	197.1	10	P-5690
- engine compartment - hang-on - 8 cyl. 289	197.2	9	P-5691
- engine compartment - integral - 6 cyl.	197.1	11	P-5684
- engine compartment - integral - 8 cyl. 289	197.2	13	P-5685
- passenger compartment - economy hang-on	195	4	P-5712
- passenger compartment - integral	195.1	5	P-5115
- vacuum hoses - integral - 6 cyl.	197.1	6	P-5209
- vacuum hoses - integral - 8 cyl.	197.2	6	P-5209
Bumper - front	176	6	P-5109
- rear - body types 54, 62	176.1	4	P-5111
- rear - body type 71	176.1	4	P-5113
- guards - front and rear	176	10	P-5386
Heater	184	7	P-5108
Jack and spare wheel parts - except body type 71	175.2	5	P-5211
Mirror - remote control	176.2	3	P-5773
Radio and stereo			
Stereo tape player & speakers - hang-on	190	9	P-5753
Shock absorber - front	30	3	P-4945
- rear	180	1	P-3137
Windshield wiper	175	7	P-5121
- wiper motor (2 speed Ford electric)	175	23	P-11434
- washer	175.1	5	P-5121

## INDEX

1968

TITLE	SECTION	PAGE	ILLUS. NO.	TITLE	SECTION	PAGE	ILLUS. NO.
<b>A (FORD)</b>				<b>B (FAIRLANE/TORINO) - continued</b>			
Air Conditioner				Air Conditioner - continued			
- compressor - Tecumseh design	197	1	P-4381	- passenger compartment - integral	195.1	10	P-6478
- compressor - York design	197	2	P-4382	- vacuum hoses - integral - 6 cyl.	197.1	14	P-6484
- compressor clutch - integral	197	3	P-3216	- vacuum hoses - integral - 8 cyl.	197.2	21	P-6484
- controls - integral	195.1	6	P-5670	Bumper - front	176	8	P-6028
- engine compartment - hang-on - 6 cyl.	197.1	8	P-5689	- rear - exc. body types 66,71	176.1	5	P-6215
- engine compartment - hang-on - 8 cyl. 302	197.2	20	P-6485	- rear - body types 66,71	176.1	4	P-5113
- engine compartment - hang-on - 8 cyl. 390, 428	197.2	19	P-6488	- guards - front and rear	176	10	P-5386
- engine compartment - integral - 6 cyl.	197.1	9	P-5798	Heater and forced ventilation system	184	14	P-6480
- engine compartment - integral - 8 cyl. 390, 428	197.2	12	P-5799	Jack and spare wheel parts - except body types 66,71	175.2	5	P-5211
- engine compartment - integral - 8 cyl. 302	197.2	30	P-6477	Mirror - remote control	176.2	3	P-5773
- passenger compartment - deluxe hang-on	195	5	P-6569	Radio and stereo			
- passenger compartment - economy hang-on	195	4	P-5712	AM/FM multiplex radio	190	15	P-6538
- passenger compartment - integral	195.1	2	P-4810	& speakers - integral			
- vacuum hoses - integral - 6 cyl.	197.1	1	P-4808	Stereo tape player - hang-on	190	14	P-6540
- vacuum hoses - integral - 8 cyl.	197.2	1	P-4808	Rear window defogger	185	1	P-6248
Bumper - front	176	6	P-5976	Shock absorber - front	30	8	P-6927
- rear	176.1	6	P-6213	- rear	54	4	P-5150
- guards - front and rear	176	10	P-5386	Windshield wiper	175	9	P-6305
Heater - w/forced ventilation	184	11	P-5668	- wiper motor (2 speed electric)	175	23	P-11434
Jack and spare wheel parts	175.2	7	P-5779	- washer	175.1	9	P-6305
Mirror - remote control	176.2	3	P-5773	<b>F (MUSTANG)</b>			
Radio and stereo				Air Conditioner			
Rear seat speakers - w/stereo tape player	190	8	P-5754	- compressor - Tecumseh design	197	1	P-4381
AM/stereo tape player, AM/FM multiplex radio & speakers - integral	190	13	P-6537	- compressor - York design	197	2	P-4382
Stereo tape player - hang-on	190	14	P-6540	- compressor clutch - integral	197	3	P-3216
Rear window defogger	185	1	P-6262	- engine compartment - hang-on - 8 cyl. 289, 302	197.2	20	P-6485
Shock absorber - front	30	1	P-4545	- engine compartment - hang-on - 8 cyl. 390, 428	197.2	19	P-6488
- rear	54	1	P-4546	- engine compartment - integral - 6 cyl. 200, 250	197.1	17	P-6475
Windshield wiper	175	1	P-4920	- engine compartment - integral - 8 cyl. 302, 351	197.2	24	P-6476
washer	175.1	6	P-5772	- engine compartment - integral - 8 cyl. 390, 428	197.2	17	P-5801
wiper motor (2 speed Ford electric)	175	6	P-4200	- passenger compartment - deluxe hang-on	195	7	P-6571
<b>B (FAIRLANE/TORINO)</b>				- passenger compartment - economy hang-on	195	4	P-5712
Air Conditioner				- passenger compartment - integral	195.1	7	P-5676
- compressor - Tecumseh design	197	1	P-4381	Bumper - front	176	4	P-5608
- compressor - York design	197	2	P-4382	- rear	176.1	5	P-5607
- compressor clutches - integral	197	3	P-3216	Heater	184	12	P-5694
- controls - integral	195.1	11	P-6479	Jack and spare wheel parts	175.2	3	P-4596
- engine compartment - hang-on - 8 cyl. 289, 302	197.2	20	P-6485	Mirror - remote control	176.2	3	P-5773
- engine compartment - hang-on - 8 cyl. 390, 428	197.2	19	P-6488	Radio and stereo			
- engine compartment - integral - 6 cyl. 200, 250	197.1	15	P-6481	AM/stereo tape player, AM/FM multiplex radio & speakers - integral	190	16	P-6539
- engine compartment - integral - 8 cyl. 289, 302, 351	197.2	22	P-6482	Stereo tape player - hang-on	190	14	P-6540
- engine compartment - integral - 8 cyl. 390, 428	197.2	23	P-6483	Rear window defogger	185	3	P-6256
- passenger compartment - deluxe hang-on	195	6	P-6570	Shock absorber - front	180	1	P-3129
- passenger compartment - economy hang-on	195	4	P-5712	- rear	180	1	P-3137
				Windshield wiper	175	3	P-4524
				- wiper motor (2 speed electric)	175	23	P-11434
				- washer	175.1	7	P-5624

INDEX

1968

TITLE	SECTION	PAGE	ILLUS. NO.
<b>S (THUNDERBIRD)</b>			
Air Conditioner			
- compressor clutches - integral	197	3	P-3216
- compressor - Tecumseh design	197	1	P-4381
- compressor - York design	197	2	P-4382
- controls - with manual A/C	195.1	13	P-6315
- controls - with A. T. C.	195.1	14	P-6174
- engine compartment - integral	197.2	25	P-6317
- passenger compartment - with manual A/C	195.1	15	P-6316
- passenger compartment - with A. T. C.	195.1	12	P-6173
Bumper - front	176	12	P-6202
- rear	176.1	9	P-5619
Heater	184	15	P-6314
- controls, ducts etc.	184	21	P-6315
Jack and spare wheel parts	175.2	8	P-5780
Mirror - remote control	176.2	3	P-5773
Radio and stereo			
antenna and related parts - electric	188	2	P-6534
AM/stereo tape player, AM/FM multiplex radio & speakers - integral	190	17	P-6535
Rear window defogger	185	2	P-6249
Shock absorber - front	30	1	P-4545
- rear	180	2	P-4352
Windshield wiper	175	8	P-6307
-washer	175.1	10	P-6306
<b>U (BRONCO)</b>			
Bumper - front and rear	176	11	P-4937
Heater	184	8	P-5120
Jack and spare wheel parts	175.2	9	P-6599
Mirror - outside rectangular	176.2	2	P-6601
- outside round	176.2	3	P-5226
Shock absorber - front	30	6	P-4938
- rear	54	7	P-4939
Slow plow	190.1	1	P-8366
Windshield wiper	175	6	P-5098
-washer	175.1	6	P-5099

TITLE	SECTION	PAGE	ILLUS. NO.
<b>X (FALCON)</b>			
Air Conditioner			
- compressor - integral	197	4	P-2724
- compressor - Tecumseh design	197	1	P-4381
- compressor - York design	197	2	P-4362
- compressor clutch - integral	197	3	P-3216
- controls - integral	195.1	11	P-6479
- engine compartment - hang-on- 8 cyl. 289, 302	197.2	20	P-6485
- engine compartment - integral- 6 cyl. 200	197.1	15	P-6481
- engine compartment - integral- 8 cyl. 289, 302	197.2	22	P-6482
- passenger compartment - deluxe hang-on	195	6	P-6570
- passenger compartment - economy hang-on	195	4	P-5712
- passenger compartment - integral	195.1	10	P-6478
- vacuum hoses - integral - 6 cyl.	197.1	14	P-6484
- vacuum hoses - integral - 8 cyl.	197.2	21	P-6484
Bumper - front	176	8	P-6033
- rear - body types 54, 62	176.1	4	P-5111
- rear - body type 71	176.1	4	P-5113
- guards - front and rear	176	10	P-5386
Heater	184	14	P-6480
Jack and spare wheel parts - except body type 71	175.2	5	P-5211
Mirror - remote control	176.2	3	P-5773
Radio and stereo			
AM/FM multiplex radio & speakers - integral	190	15	P-6538
Stereo tape player - hang-on	190	14	P-6540
Rear window defogger	185	1	P-6248
Shock absorber - front	30	8	P-6927
- rear	180	1	P-3137
Windshield wiper	175	9	P-6305
-wiper motor (2 speed Ford design)	175	23	P-11434
-washer	175.1	9	P-6305

1969

<b>A (FORD)</b>			
Air Conditioner			
- compressor clutches - integral	197	3	P-3216
- compressor - Tecumseh design	197	1	P-4381
- compressor - York design	197	2	P-4382
- controls - integral	195.1	17	P-6638
- engine compartment - integral 8 cyl. 302, 351	197.2	31	P-6989
- engine compartment - integral- 8 cyl. 390, 428	197.2	28	P-6990
- engine compartment - integral- 8 cyl. 429	197.2	29	P-6991
- passenger compartment - hang-on console design	195	8	P-7064
- passenger compartment deluxe slim-line hang-on	195	11	P-8548
- passenger compartment - integral	195.1	16	P-6636
- vacuum hoses - integral - 6 cyl.	197.1	18	P-6639
- vacuum hoses - integral - 8 cyl.	197.2	26	P-6639
Back window defogger	185	4	P-6861
Bumper - front	176	9	P-6611
- rear - exc. body type 71	176.1	7	P-6616
- rear - body type 71	176.1	7	P-6618
- guards - front and rear	176	10	P-5386

<b>A (FORD) - continued</b>			
Heater -	184	16	P-6634
- controls	184	17	P-6635
Jack and spare wheel parts			
- except body type 71	175.2	12	P-7055
- body type 71	175.2	13	P-7056
Mirror - remote control	176.2	3	P-5773
Radio and stereo			
Radio speakers - front door and rear seat	190	18	P-7065
Radio (AM) with stereo tape player - hang-on	190	14	P-6540
- tunnel mtd.	190	20	P-7077
AM/FM multiplex radio - integral	190	19	P-7076
Shock absorber - front	30	1	P-4545
- rear	54	1	P-4546
Windshield wiper	175	11	P-6833
-wiper motor (2 speed)	175	10	P-6854
-washer	175.1	10	P-6832





INDEX

TITLE	SECTION	PAGE	ILLUS. NO.	TITLE	SECTION	PAGE	ILLUS. NO.
-------	---------	------	------------	-------	---------	------	------------

1969

X (FALCON)			
Air Conditioner			
- compressor - integral	197	4	P-2724
- compressor - Tecumseh design	197	1	P-4381
- compressor - York design	197	2	P-4382
- compressor clutch - integral	197	3	P-3216
- controls - integral	195.1	11	P-6479
- engine compartment - integral - 6 cyl. 200	197.1	15	P-6481
- engine compartment - integral - 8 cyl. 302	197.2	22	P-6482
- passenger compartment - deluxe hang-on	195	6	P-6570
- passenger compartment - economy hang-on	195	4	P-5712
- passenger compartment - integral	195.1	10	P-6478
- vacuum hoses - integral - 6 cyl.	197.1	14	P-6484
- vacuum hoses - integral - 8 cyl.	197.2	21	P-6484
Back window defogger	185	1	P-6248

X (FALCON) - continued			
Bumper - front	176	8	P-6033
- rear - body types 54, 62	176.1	4	P-5111
- rear - body type 71	176.1	4	P-5113
- guards - front and rear	176	10	P-5386
Heater and controls	184	14	P-6480
Jack and spare wheel parts - body types 54, 62	175.2	5	P-5211
Mirror - remote control	176.2	3	P-5773
Radio and stereo			
AM/FM multiplex radio & speakers - integral	190	15	P-6538
Stereo tape player - hang-on	190	14	P-6540
Shock absorber - front	30	8	P-6927
- rear	54	4	P-5150
Windshield wiper	175	9	P-6305
- wiper motor (2 speed Ford electric)	175	23	P-11434
- washer	175.1	9	P-6305

1970

A (FORD)			
Air Conditioner			
- compressor clutches - integral	197	3	P-3216
- compressor - Tecumseh design	197	1	P-4381
- compressor - York design	197	2	P-4382
- control - integral	195.1	17	P-6638
- engine compartment - integral - 8 cyl. 302, 351	197.2	31	P-6989
- engine compartment - integral - 8 cyl. 390, 428	197.2	28	P-6990
- engine compartment - integral - 8 cyl. 429	197.2	32	P-7746
- passenger compartment - hang-on - console design	195	8	P-7064
- passenger compartment - deluxe slimline hang-on	195	11	P-8548
- passenger compartment - integral	195.1	16	P-6636
- vacuum hoses - integral - 6 cyl.	197.1	18	P-6639
- vacuum hoses - integral - 8 cyl.	197.2	26	P-6639
Bumper - front	176	9	P-6611
- rear-exc. body type 71	176.1	7	P-6616
- rear-body type 71	176.1	7	P-6618
Heated back window (defroster)	186	2	P-7508
Heater -	184	16	P-6634
- controls	184	17	P-6635
Jack and spare wheel parts			
- except body type 71	175.2	12	P-7055
- body type 71	175.2	13	P-7056
Mirror - remote control	176.2	3	P-5773
Radio and stereo			
Radio speakers - front door and rear seat	190	18	P-7065
AM/FM multiplex radio - integral	190	19	P-7076
Radio(AM) with stereo tape player - hang-on	190	14	P-6540
- tunnel mtd.	190	20	P-7077
Rear window defogger	185	4	P-6861
Shock absorber - front	30	1	P-4545
- rear	54	1	P-4546
Windshield wiper	175	11	P-6833
- wiper motor (2 speed)	175	10	P-6854
- washer	175.1	10	P-6832

B (FAIRLANE/TORINO) B (FALCON) - FROM 1/2/70			
Air Conditioner			
- compressor - Tecumseh design	197	1	P-4381
- compressor - York design	197	2	P-4382
- compressor clutch - integral	197	3	P-3216
- controls - integral	195.1	22	P-7734
- engine compartment - integral - 6 cyl. 250	197.1	22	P-7741
- engine compartment - integral - 8 cyl. 302, 351	197.2	33	P-7742
- engine compartment - integral - 8 cyl. 429	197.2	34	P-7743
- passenger compartment - economy hang-on	195	4	P-5712
- passenger compartment-integral	195.1	10	P-6478
- passenger compact - deluxe hang-on	195	6	P-6570
- vacuum hoses - integral - 6 cyl.	197.1	21	P-7744
- vacuum hoses - integral - 8 cyl.	197.2	35	P-7744
Bumper - front	176	12	P-7111
- rear - body types 66, 71	176.1	10	P-7115
- rear - except body types 66, 71	176.1	10	P-7113
Heater and controls	184	20	P-7733
Jack and spare wheel parts			
- except body types 66, 71	175.2	5	P-5211
- body types 66, 71	175.2	6	P-5212
Mirror - remote control	176.2	3	P-5773
Radio and stereo			
Stereo tape player - hang-on	190	14	P-6540
AM/FM multiplex radio & speakers - integral	190	15	P-6538
Rear window defogger	185	1	P-6248
Shock absorber - front	30	8	P-6927
- rear	54	4	P-5150
Windshield wiper	175	14	P-7345
- wiper motor (2 speed Ford electric)	175	23	P-11434
- washer	175.1	12	P-7345



**INDEX**

**1970**

**X (FALCON) - BEFORE 1/2/70  
FOR UNITS BUILT FROM 1/2/70 REFER TO B (FALCON)**

TITLE	SECTION	PAGE	ILLUS. NO.	TITLE	SECTION	PAGE	ILLUS. NO.
Air Conditioner				Heater	184	14	P-6480
- compressor - integral	197	4	P-2724	Jack and spare wheel parts			
- compressor - Tecumseh design	197	1	P-4381	- except body type 71	175.2	5	P-5211
- compressor - York design	197	2	P-4382	- body type 71	175.2	6	P-5212
- compressor clutch - integral	197	3	P-3216	Mirror - remote control	176.2	3	P-5773
- controls, ducts etc. - integral	195.1	11	P-6479	Radio and stereo			
- engine compartment - integral - 6 cyl. 200	197.1	15	P-6481	AM/FM multiplex radio & speakers - integral	190	15	P-6538
- engine compartment - integral - 8 cyl. 302	197.2	22	P-6482	Stereo tape player - hang-on	190	14	P-6540
- passenger compartment - integral	195.1	10	P-6478	Rear window defogger	185	1	P-6248
- passenger compartment - economy hang-on	195	4	P-5712	Shock absorber - front	30	8	P-6927
- vacuum hoses - integral - 6 cyl.	197.1	14	P-6484	- rear	54	4	P-5150
- vacuum hoses - integral - 8 cyl.	197.2	21	P-6484	Windshield wiper	175	9	P-6305
Bumper - front	176	8	P-6033	- wiper motor (2 speed Ford electric)	175	23	P-11434
- rear - body type 71	176.1	4	P-5113	- washer	175.1	9	P-6305
- rear - body types 54, 62	176.1	4	P-5111				

**1971**

**A (FORD)**

**B (TORINO)**

Air conditioner			
- compressor clutches - integral	197	3	P-3216
- compressor - Tecumseh design	197	1	P-4381
- compressor - York design	197	2	P-4382
- controls - integral - A.T.C.	195.1	30	P-8307
- controls - integral - manual	195.1	29	P-8308
- engine compartment - integral - 8 cyl. 302, 351, 400	197.2	31	P-6989
- engine compartment - integral - 8 cyl. 390	197.2	28	P-6990
- engine compartment - integral - 8 cyl. 429	197.2	32	P-7746
- passenger compartment - hang-on slimline	195	11	P-8548
- passenger compartment - manual integral	195.1	31	P-8304
- control box A.T.C.	195.1	33	P-8489
- passenger compartment - A.T.C.	195.1	32	P-8303
- vacuum hoses - integral - 8 cyl.	197.2	40	P-8457
Bumper - front	176	14	P-8067
- rear - exc. body type 71	176.1	11	P-8069
- rear - body type 71	176.1	12	P-8068
Heated back window (defroster)	186	4	P-8436
Heater -	184	26	P-8306
- controls	184	25	P-8305
Jack and spare wheel parts			
- except body type 71	175.2	12	P-7055
- body type 71	175.2	13	P-7056
Mirror - remote control	176.2	3	P-5773
Radio and stereo			
Radio speakers - front door and rear seat	190	22	P-8450
AM/FM multiplex radio - integral	190	19	P-7076
Stereo tape player - hang-on	190	14	P-6540
Rear window defogger	185	6	P-8439
Shock absorber - front	30	1	P-4545
- rear	54	1	P-4546
Windshield wiper	175	18	P-8385
- wiper motor (2 speed)	175	10	P-6854
- washer	175.1	16	P-8386
Washer and wiper-rear			
- window body type 71	140.4	10	P-8320
	140.4	11	P-8321

Air conditioner			
- compressor - Tecumseh design	197	1	P-4381
- compressor - York design	197	2	P-4382
- compressor clutch - integral	197	3	P-3216
- controls - integral	195.1	22	P-7734
- engine compartment - integral - 6 cyl. 250	197.1	22	P-7741
- engine compartment - integral - 8 cyl. 302, 351	197.2	33	P-7742
- engine compartment - integral - 8 cyl. 429	197.2	34	P-7743
- passenger compact - Deluxe - hang-on	195	6	P-6570
- passenger compartment - integral	195.1	10	P-6478
- vacuum hoses - integral - 6 cyl.	197.1	21	P-7744
- vacuum hoses - integral - 8 cyl.	197.2	35	P-7744
Bumper - front	176	12	P-7111
- rear - body types 66, 71	176.1	10	P-7115
- rear except body types 66, 71	176.1	10	P-7113
Heater and controls	184	20	P-7733
Jack and spare wheel parts			
- except body types 66, 71	175.2	5	P-5211
- body types 66, 71	175.2	6	P-5212
Mirror - remote control	176.2	3	P-5773
Radio and stereo			
Stereo tape player - hang-on	190	14	P-6540
AM/FM multiplex radio & speakers - integral	190	15	P-6538
Rear window defogger	185	1	P-6248
Shock absorber - front	30	8	P-6927
- rear	54	4	P-5150
Windshield wiper	175	14	P-7345
- wiper motor (2 speed Ford electric)	175	23	P-11434
- washer	175.1	12	P-7345

## INDEX

1971

TITLE	SECTION	PAGE	ILLUS. NO.	TITLE	SECTION	PAGE	ILLUS. NO.
<b>F (MUSTANG)</b>				<b>P (MAVERICK)</b>			
Air conditioner				Air conditioner			
- compressor - Tecumseh design	197	1	P-4381	- compressor - Tecumseh design	197	1	P-4381
- compressor - York design	197	2	P-4382	- compressor - York design	197	2	P-4382
- compressor clutch - integral	197	3	P-3216	- compressor clutch - integral	197	3	P-3216
- controls - integral	195.1	27	P-8300	- controls - integral	195.1	21	P-6899
- engine compartment - integral - 6 cyl. 200, 250	197.1	22	P-7741	- engine compartment - integral	197.1	20	P-6904
- engine compartment - integral - 8 cyl. 302, 351	197.2	33	P-7742	- engine compartment - integral - 6 cyl. 170, 200, 250	197.1	20	P-6904
- engine compartment - integral - 8 cyl. 429	197.2	34	P-7743	- engine compartment - integral - 8 cyl. 302	197.2	37	P-6905
- passenger compartment - deluxe hang-on	195	10	P-8503	- passenger compartment - deluxe hang-on	195	10	P-8503
- passenger compartment - integral	195.1	28	P-8301	- passenger compartment - economy hang-on	195	9	P-8547
- vacuum hoses - integral - 6 cyl.	197.1	23	P-8293	- passenger compartment - integral	195.1	20	P-6898
- vacuum hoses - integral - 8 cyl.	197.2	39	P-8293	- vacuum hoses - integral - 6 cyl.	197.1	19	P-6928
				- vacuum hoses - integral - 8 cyl.	197.2	38	P-6928
Bumper - front	176	15	P-8087	Bumper - front	176	11	P-6876
- rear	176.1	13	P-8084	- rear	176.1	8	P-6877
Heated back window (defroster)	186	5	P-8431	Heater and controls	184	19	P-6890
Heater & controls	184	24	P-8302	Jack and spare wheel parts	175.2	11	P-6925
Jack and spare wheel parts	175.2	13	P-7063	Stereo tape player - hang-on	190	14	P-6540
Mirror - remote control	176.2	3	P-5773	Shock absorber - front	30	8	P-6927
Radio and stereo				- rear	54	11	P-6887
Stereo tape player - hang-on	190	14	P-6540	Windshield wiper	175	15	P-6875
AM/ stereo tape player, AM/FM multiplex radio & speakers - integral	190	21	P-7078	- wiper motor (2 speed Ford electric)	175	23	P-11434
Shock absorber - front	30	8	P-6927	- washer	175.1	13	P-6875
- rear							
Windshield wiper	175	19	P-8387				
- wiper motor (2 speed Ford electric)	175	23	P-11434				
- washer	175.1	17	P-8388				
<b>L (PINTO)</b>							
Air conditioner							
- compressor - Tecumseh design	197	1	P-4381				
- compressor - York design	197	2	P-4382				
- compressor clutch - integral	197	3	P-3216				
- controls - integral	195.1	25	P-8019				
- engine compartment - integral - 4 cyl. 122	197.3	1	P-8021				
- passenger compartment - economy hang-on	195	9	P-8547				
- passenger compartment - integral	195.1	26	P-8018				
- vacuum hoses - integral	197.3	2	P-8020				
Bumper - front	176	16	P-8013				
- rear	176.1	14	P-8014				
Heater and controls	184	23	P-8017				
Jack and spare wheel parts	175.2	11	P-8407				
Rear window defogger	185	7	P-7968				
Shock absorber - front	30	9	P-7936				
- rear	54	13	P-7942				
Windshield wiper	175	20	P-8034				
- wiper motor (2 speed)	175	23	P-11434				
- washer	175.1	14	P-8034				

# FORD CAR PARTS

ILLUSTRATION  
SECTION 175

N

## INDEX

### 1971

TITLE	SECTION	PAGE	ILLUS. NO.	TITLE	SECTION	PAGE	ILLUS. NO.
<b>S (THUNDERBIRD)</b>				<b>U (BRONCO)</b>			
Air Conditioner				Bumper - front and rear	176	11	P-4937
- compressor - Tecumseh design	197	1	P-4381				
- compressor - York design	197	2	P-4382	Heater	184	8	P-5120
- compressor clutches - integral	197	3	P-3216				
- controls - with manual A/C	195.1	23	P-7727	Jack and spare wheel parts	175.2	9	P-6599
- controls - with A. T. C.	195.1	24	P-7728				
- engine compartment - integral	197.2	36	P-7726	Mirror - outside rectangular	176.2	2	P-6601
- passenger compartment - with manual A/C	195.1	15	P-6316	- outside remote control	176.2	4	P-8641
- passenger compartment - with A. T. C.	195.1	12	P-6173	Shock absorber - front	30	6	P-4938
Bumper - front	176	13	P-7148	- rear	54	7	P-4939
- rear	176.1	9	P-5619				
Heated back window (defroster)	186	3	P-7510	Snow plow	190.1	1	P-8366
Heater	184	15	P-6314				
- controls, ducts etc.	184	22	P-7727	Windshield washer	175.1	6	P-5099
Jack and spare wheel parts	175.2	8	P-5780	- wiper motor (2 speed Ford electric)	175	23	P-11434
Mirror - remote control	176.2	3	P-5773	- wiper (electric)	175	13	P-6956
Radio and stereo							
Antenna and related parts - electric	188	2	P-6534				
AM/ stereo tape player, AM/FM multiplex radio & speakers - integral	190	17	P-6535				
Rear window defogger	185	2	P-6249				
Shock absorber - front	30	1	P-4545				
- rear	54	1	P-4546				
Windshield wiper - hydraulic	175	17	P-7456				
- washer	175.1	15	P-7342				

### 1972

<b>A (FORD)</b>				<b>A (FORD) -continued</b>			
Air Conditioner				Air Conditioner - continued			
- compressor - Tecumseh design	197	1	P-4381	- passenger compartment-economy and deluxe hang-on evaporator	195	12	P-8847
- compressor - York design	197	2	P-4382	- passenger compartment-deluxe hang-on bezel	195	15	P-8850
- compressor clutches - integral	197	3	P-3216	- passenger compartment-economy hang-on bezel	195	18	P-8881
- condenser, dehydrator and and deluxe-6 cyl.240 engine related parts-hang-on economy	197.1	26	P-8882	- vacuum hoses - integral - 8 cyl.	197.2	40	P-8457
- condenser, dehydrator and related parts-hang-on economy and deluxe-all 8 cyl.engines	197.2	40	P-8882	Bumper - front	176	14	P-8067
- control box A.T.C.	195.1	33	P-8489	- rear - exc. body type 71	176.1	18	P-8906
- controls - integral - A.T.C.	195.1	30	P-8307	- rear - body type 71	176.1	12	P-8068
- controls - integral - manual	195.1	29	P-8308	Heated back window (defroster)	186	4	P-8436
- engine compartment-hang-on economy and deluxe - 6 cyl.240 eng.	197.1	25	P-8857	Heater -	184	25	P-8306
- engine compartment-hang-on economy and deluxe-8 cyl.302, 351-W engines	197.2	43	P-8856	- controls	184	26	P-8305
- engine compartment-hang-on economy and deluxe-8 cyl. 351-C, 400 engine	197.2	42	P-8855	Jack and spare wheel parts			
- engine compartment - integral - 8 cyl. 302,351,400	197.2	31	P-6989	- except body type 71	175.2	12	P-7055
- engine compartment-hang-on economy and deluxe 8 cylinder 429 engine	197.2	41	P-8854	- body type 71	175.2	13	P-7056
- engine compartment - integral - 8 cyl.429	197.2	32	P-7746	Mirror - remote control	176.2	3	P-5773
- passenger compartment - manual integral	195.1	31	P-8304	Radio and stereo			
- passenger compartment - A.T.C.	195.1	32	P-8303	Radio speakers - front door and rear seat	190	22	P-8450
				AM/FM multiplex radio-integral	190	19	P-7076
				Rear window defogger	185	6	P-8439
				Shock absorber - front	30	11	P-8639
				- rear	54	1	P-4546
				Windshield wiper	175	18	P-8365
				-wiper motor (2 speed)	175	10	P-6854
				-washer	175.1	16	P-8386
				Washer and wiper-rear			
				-window body type 71	140.4	10	P-8320
					140.4	11	P-8321

May, 1975

COPYRIGHT © 1975 -

FORD MOTOR  
COMPANY

- DEARBORN, MICHIGAN

**FINAL ISSUE**

## INDEX

1972

TITLE	SECTION	PAGE	ILLUS. NO.	TITLE	SECTION	PAGE	ILLUS. NO.
<b>B (TORINO)</b>				<b>B (TORINO) - continued</b>			
Air Conditioner				Windshield wiper	175	21	P-9930
- compressor - Tecumseh design	197	1	P-4381	- washer	175.1	18	P-9929
- compressor - York design	197	2	P-4382	- wiper motor-w/o	175	23	P-11434
- compressor clutch - integral	197	3	P-3216	concealed wipers			
- controls - integral	195.1	35	P-8808	- wiper motor	175	10	P-6854
- condenser, dehydrator and related parts - hang-on economy and deluxe-all 6 cyl. engines	197.1	26	P-8882	-with concealed wipers			
- condenser, dehydrator and related parts - hang-on economy and deluxe - all 8 cyl.engines	197.2	40	P-8882				
- engine compartment-hang-on economy and deluxe all 6 cyl.	197.1	24	P-8853	<b>F (MUSTANG)</b>			
- engine compartment - integral - 6 cyl. 250	197.1	27	P-9960	Air Conditioner			
- engine compartment-hang-on economy and deluxe 8 cyl.302, 351-W engines	197.2	43	P-8856	- compressor - Tecumseh design	197	1	P-4381
- engine compartment-hang-on 400 engines	197.2	42	P-8855	- compressor - York design	197	2	P-4382
economy and deluxe-8 cyl.351-C,				- compressor clutch - integral	197	3	P-3216
- engine compartment - integral - 8 cyl. 302,351	197.2	44	P-9961	- controls - integral	195.1	27	P-8300
- engine compartment - integral - 8 cyl. 400	197.2	45	P-9962	- condenser, dehydrator and related parts-hang-on economy and deluxe - all 6 cyl.engines	197.1	26	P-8882
- engine compartment-hang-on economy and deluxe 8 cyl.429	197.2	41	P-8854	- condenser, dehydrator and related parts - hang-on economy and deluxe - all 8 cyl.engines	197.2	40	P-8882
- engine compartment - integral - 8 cyl. 429	197.2	46	P-9963	- engine compartment - hang-on economy and deluxe all 6 cyl.	197.1	24	P-8853
- passenger compartment - integral	195.1	34	P-8806	- engine compartment - integral - 6 cyl.200,250	197.1	22	P-7741
- passenger compartment-economy and deluxe-hang-on evaporator	195	12	P-8847	- engine compartment-hang-on economy and deluxe 8 cyl.302, 351-W engines	197.2	43	P-8856
- passenger compartment-deluxe hang-on bezel	195	16	P-8851	- engine compartment-hang-on economy and deluxe-8 cyl.351-C, engine	197.2	42	P-8855
- passenger compartment-economy hang-on bezel	195	18	P-8881	- engine compartment - integral - 8 cyl. 302,351	197.2	33	P-7742
- vacuum hoses - integral - 6 cyl.	197.1	28	P-9965	- passenger compartment - integral	195.1	28	P-8301
- vacuum hoses - integral - 8 cyl.	197.2	47	P-9965	- passenger compartment-economy and deluxe - hang-on evaporator	195	12	P-8847
Bumper - front (body types-63, 65R, 71K, 97K, 97R)	176	19	P-8663	- passenger compartment-deluxe hang-on bezel	195	17	P-8880
- front (except body types 63, 65R, 71K, 97K, 97R)	176	18	P-8662	- passenger compartment-economy hang-on bezel	195	18	P-8881
- rear (except body types 71 and 97)	176.1	15	P-8665	- vacuum hoses - integral - 6 cyl.	197.1	23	P-8293
- rear (body types 71 and 97)	176.1	17	P-8667	- vacuum hoses - integral - 8 cyl.	197.2	39	P-8293
Heated back window (defroster)	186	6	P-9941	Bumper - front	176	15	P-8087
Heater and controls	184	27	P-8804	- rear	176.1	13	P-8084
Jack and spare wheel parts				Heated back window (defroster)	186	5	P-8431
-except body type 71,97	175.2	14	P-9975	Heater & controls	184	24	P-8302
-body type 71	175.2	14	P-9974				
-body type 97	175.2	15	P-9976	Jack and spare wheel parts	175.2	13	P-7063
Mirror - remote control	176.2	3	P-5773	Mirror - remote control	176.2	3	P-5773
Radio and stereo							
AM/FM multiplex radio & speakers - integral	190	24	P-9971	Radio and stereo			
Shock absorber - front	30	11	P-8639	AM/ stereo tape player, AM/FM multiplex radio & speakers - integral	190	21	P-7078
- rear	54	15	P-8638	Shock absorber - front	30	8	P-6927
				- rear	54	12	P-5960
				Windshield wiper	175	19	P-8387
				- wiper motor (2 speed Ford electric)	175	23	P-11434
				- washer	175.1	17	P-8388

INDEX

1972

L (PINTO)				P (MAVERICK)			
TITLE	SECTION	PAGE	ILLUS. NO.	TITLE	SECTION	PAGE	ILLUS. NO.
Air Conditioner				Air Conditioner			
- compressor - Tecumseh design	197	1	P-4381	- compressor - Tecumseh design	197	1	P-4381
- compressor - York design	197	2	P-4382	- compressor - York design	197	2	P-4382
- compressor clutch - integral	197	3	P-3219	- compressor clutch - integral	197	3	P-3216
- condenser, dehydrator and related parts-hang-on Economy and Deluxe-4 cyl.98 engine	197.3	3	P-8883	- controls - integral	195.1	21	P-6899
- condenser, dehydrator and related parts-hang-on Economy and Deluxe 4 cyl. 122 engine	197.3	5	P-8941	- condenser, dehydrator and related parts - hang-on economy and deluxe-6 cyl.	197.1	26	P-8882
- controls - integral	195.1	25	P-8019	- condenser, dehydrator and related parts-hang-on economy and deluxe-8 cyl.	197.2	40	P-8882
- engine compartment - integral - 4 cyl. 122	197.3	1	P-8021	- engine compartment-hang-on economy and deluxe-6 cyl.engines	197.1	24	P-8853
- passenger compartment - integral	195.1	26	P-8018	- engine compartment - integral - 6 cyl. 170, 200, 250	197.1	20	P-6904
- passenger compartment-economy and deluxe-hang-on evaporator	195	12	P-8847	- engine compartment-hang-on economy and deluxe-8 cyl.302 eng.	197.2	43	P-8856
- passenger compartment-deluxe hang-on bezel	195	13	P-8848	- engine compartment - integral - 8 cyl. 302	197.2	37	P-6905
- passenger compartment-economy hang-on bezel	195	18	P-8881	- passenger compartment - integral	195.1	20	P-6898
- passenger compartment-built-in A/C dealer installed	195	19	P-11327	- passenger compartment-economy and deluxe hang-on evaporator	195	12	P-8847
- vacuum hoses - integral	197.3	2	P-8020	- passenger compartment-deluxe hang-on bezel	195	14	P-8849
Bumper - front	176	16	P-8013	- passenger compartment-economy hang-on bezel	195	18	P-8881
- rear	176.1	14	P-8014	- vacuum hoses - integral - 6 cyl.	197.1	19	P-6928
Engine compartment-hang-on Economy and Deluxe-4 cyl.98 engine	197.3	4	P-8859	- vacuum hoses - integral - 8 cyl.	197.2	38	P-6928
Heated back window (defroster)	186	8	P-10166	Bumper - front	176	11	P-6876
Heater and controls	184	23	P-8017	- rear	176.1	8	P-6877
Jack and spare wheel parts	175.2	11	P-8407	Heater and controls	184	19	P-6890
Rear window defogger	185	7	P-7968	Jack and spare wheel parts	175.2	11	P-6925
Shock absorber - front	30	9	P-7936	Rear window defogger	185	5	P-6893
- rear	54	13	P-7942	Shock absorber - front	30	8	P-6927
Windshield wiper	175	20	P-8034	- rear	54	11	P-6887
-wiper motor (2 speed)	175	23	P-11434	Windshield wiper	175	15	P-6875
-washer	175.1	14	P-8034	-wiper motor (2 speed Ford electric)	175	23	P-11434
				-washer	175.1	13	P-6875

R

ILLUSTRATION  
SECTION 175

## FORD CAR PARTS

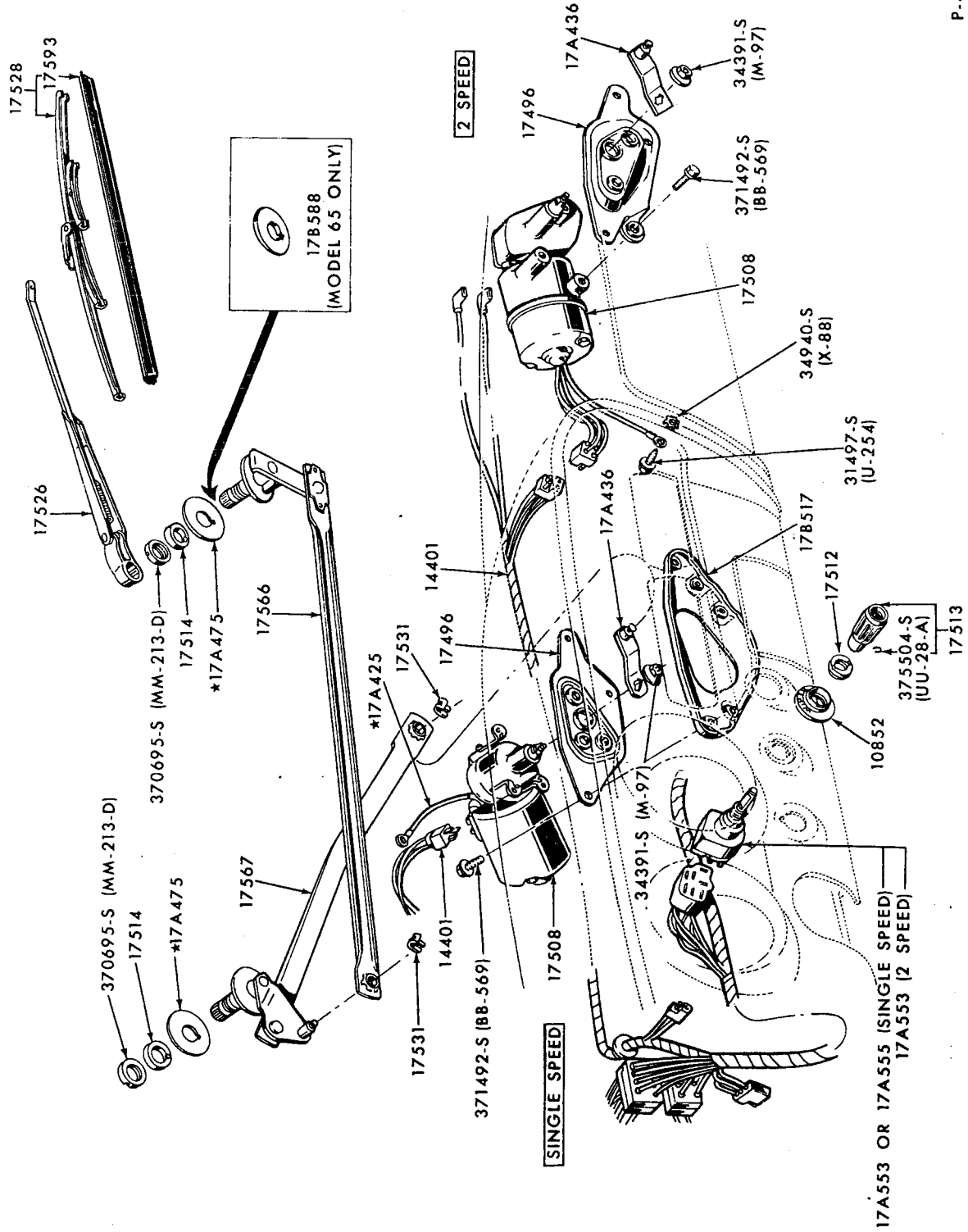
## INDEX

1972

S (THUNDERBIRD)				U (BRONCO)			
TITLE	SECTION	PAGE	ILLUS. NO.	TITLE	SECTION	PAGE	ILLUS. NO.
Air Conditioner				Bumper - front and rear	176	11	P-4937
- compressor - swash plate design	197	5	P-8492	Heater	184	8	P-5120
- compressor clutches - integral	197	5	P-8492	Jack and spare wheel parts	175.2	9	P-6599
- controls - with manual A/C	195.1	38	P-8809	Mirror - outside rectangular	176.2	2	P-6601
- controls - with A. T. C.	195.1	36	P-8810	- outside remote control	176.2	4	P-8641
- control box A.T.C.	195.1	30	P-8307	Shock absorber - front	30	6	P-4938
- engine compartment - integral	197.2	48	P-9959	- rear	54	7	P-4939
- passenger compartment -	195.1	34	P-8306	Snow plow	190.1	1	P-8366
with manual A/C				Windshield washer	175.1	6	P-5099
- passenger compartment -	195.1	37	P-8807	-wiper motor (2 speed	175	23	P-11434
with A. T. C.				Ford electric)			
- vacuum hoses - integral	197.2	49	P-9964	-wiper (electric)	175	13	P-6956
Bumper - front	176	17	P-8660				
- rear	176.1	16	P-8661				
Heated back window (defroster)	186	7	P-9942				
Heater	184	29	P-8805				
-controls, ducts, etc.	184	28	P-8809				
Jack and spare wheel parts	175.2	15	P-9973				
Mirror - remote control	176.2	3	P-5773				
Radio and stereo							
Antenna and related parts -	188	3	P-9926				
electric							
AM/ stereo tape player, AM/ FM	190	23	P-9970				
multiplex radio & speakers -							
integral							
Shock absorber - front	30	11	P-8639				
- rear	54	15	P-8638				
Windshield wiper	175	22	P-9928				
-wiper motor	175	10	P-6854				
-washer	175.1	19	P-9927				

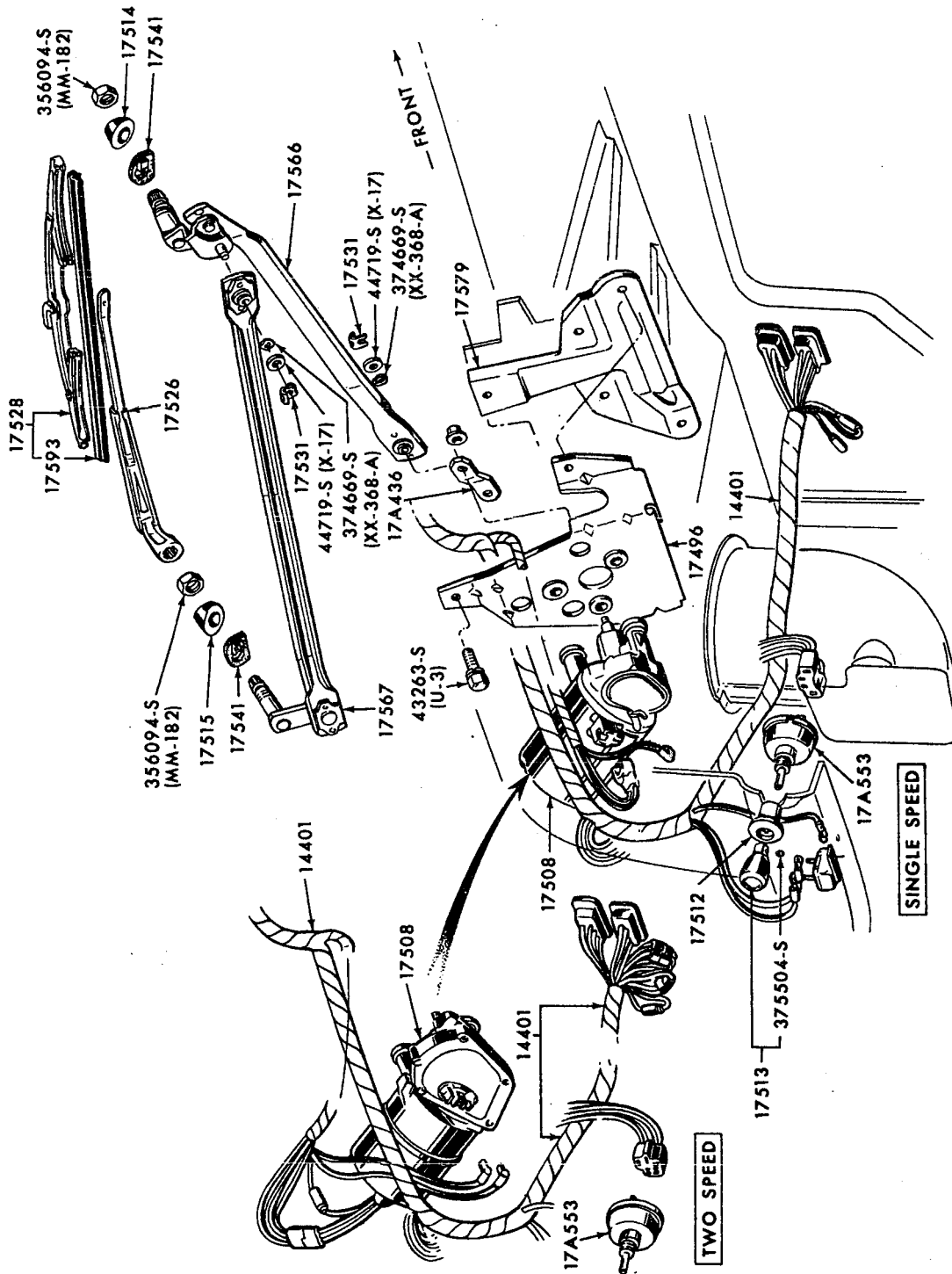




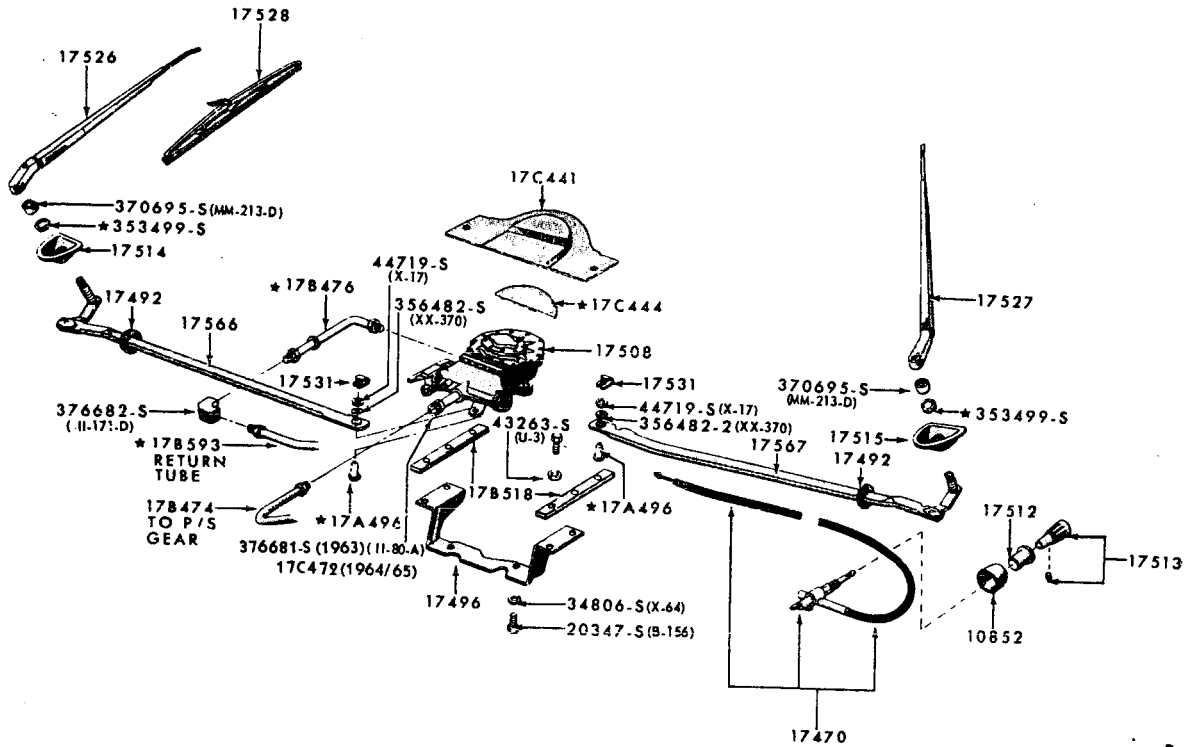


WINDSHIELD WIPER  
1965 FAIRLANE



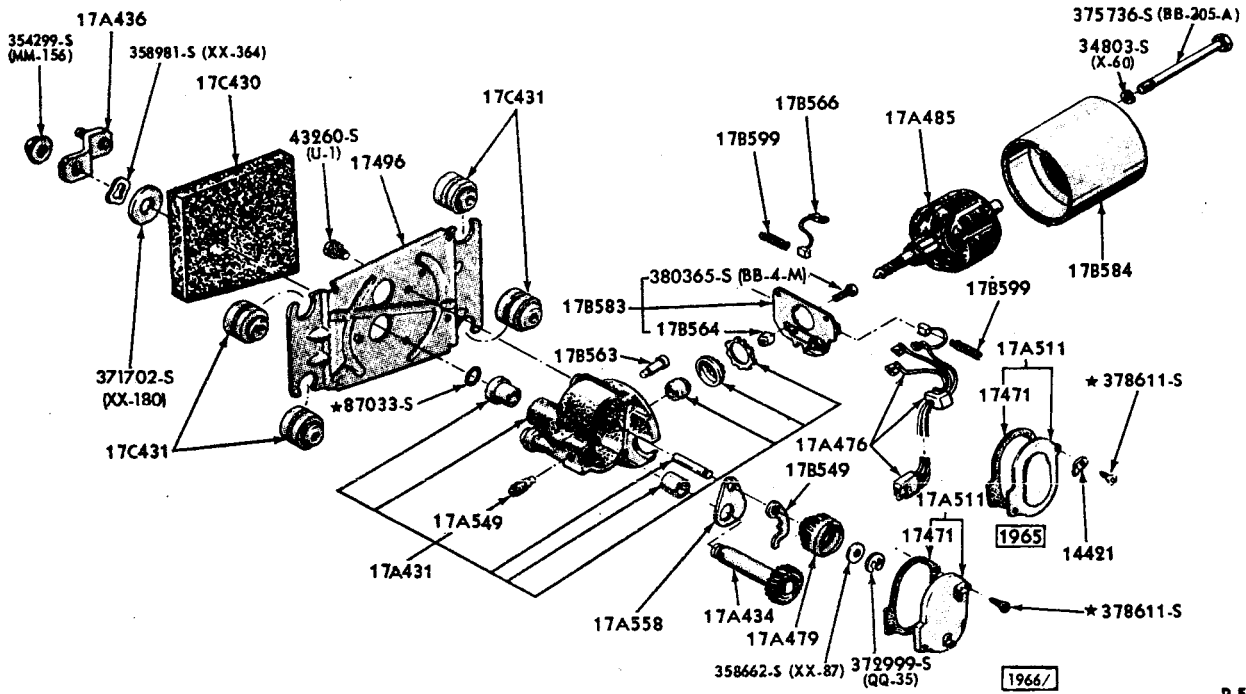


WINDSHIELD WIPER  
1965 FALCON



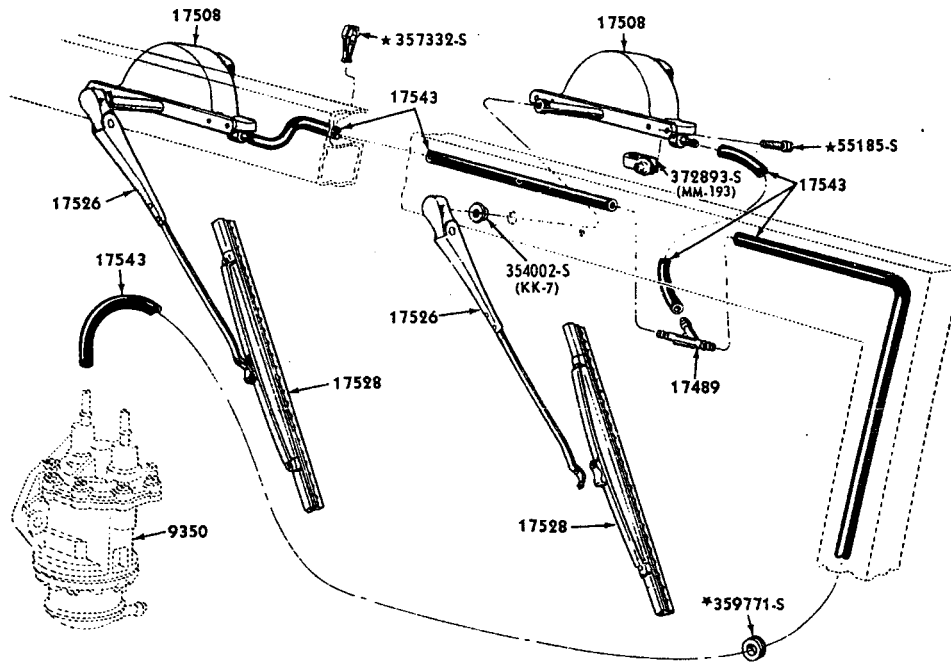
P-40531

WINDSHIELD WIPER (HYDRAULIC)  
1965/66 THUNDERBIRD



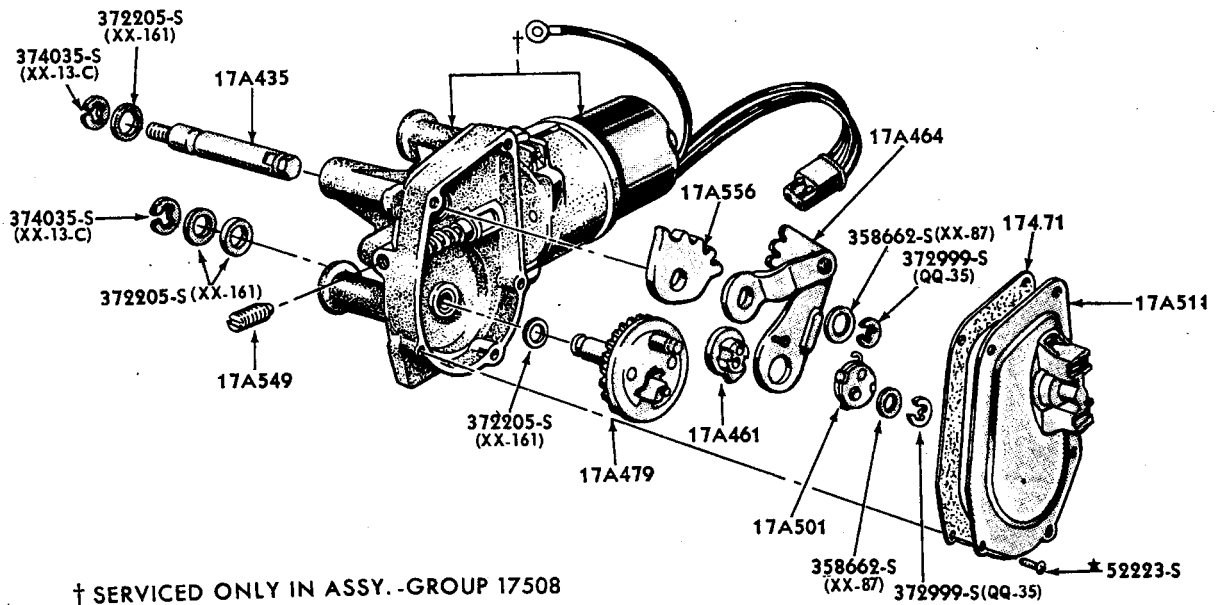
P-5376

WINDSHIELD WIPER MOTOR (SINGLE SPEED FORD ELECTRIC)  
1965/66 FORD, FAIRLANE, FALCON and MUSTANG



P-5098

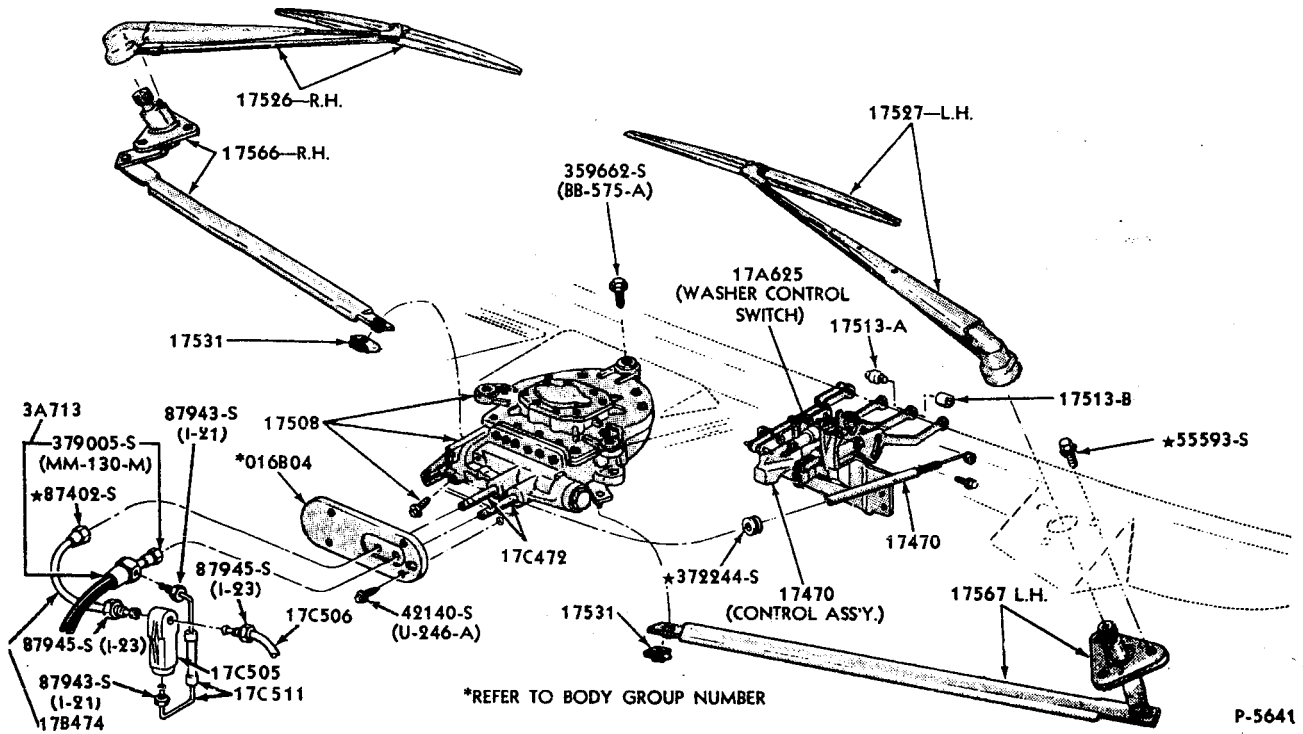
WINDSHIELD WIPER (VACUUM)  
1966/69 BRONCO



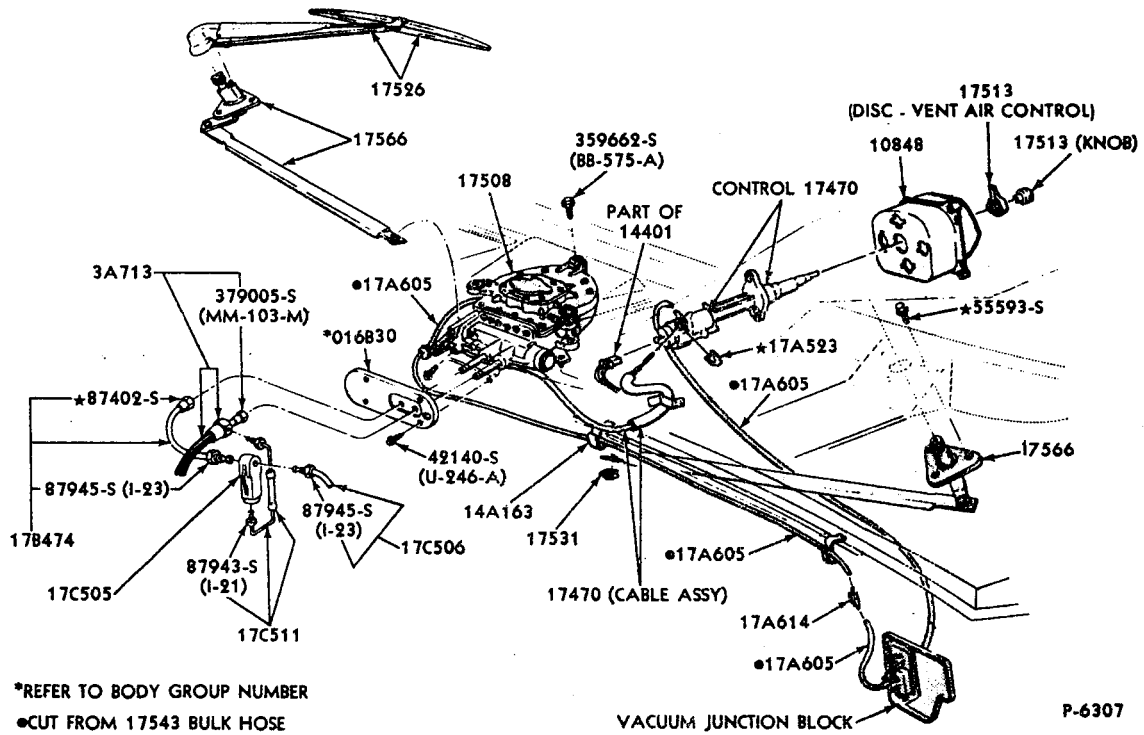
P-4200

WINDSHIELD WIPER MOTOR (2 SPEED FORD ELECTRIC)  
1965/68 FORD, 1965/ FAIRLANE and FALCON, 1965/66 MUSTANG  
1970 THUNDERBIRD





WINDSHIELD WIPER (HYDRAULIC)  
1967 THUNDERBIRD



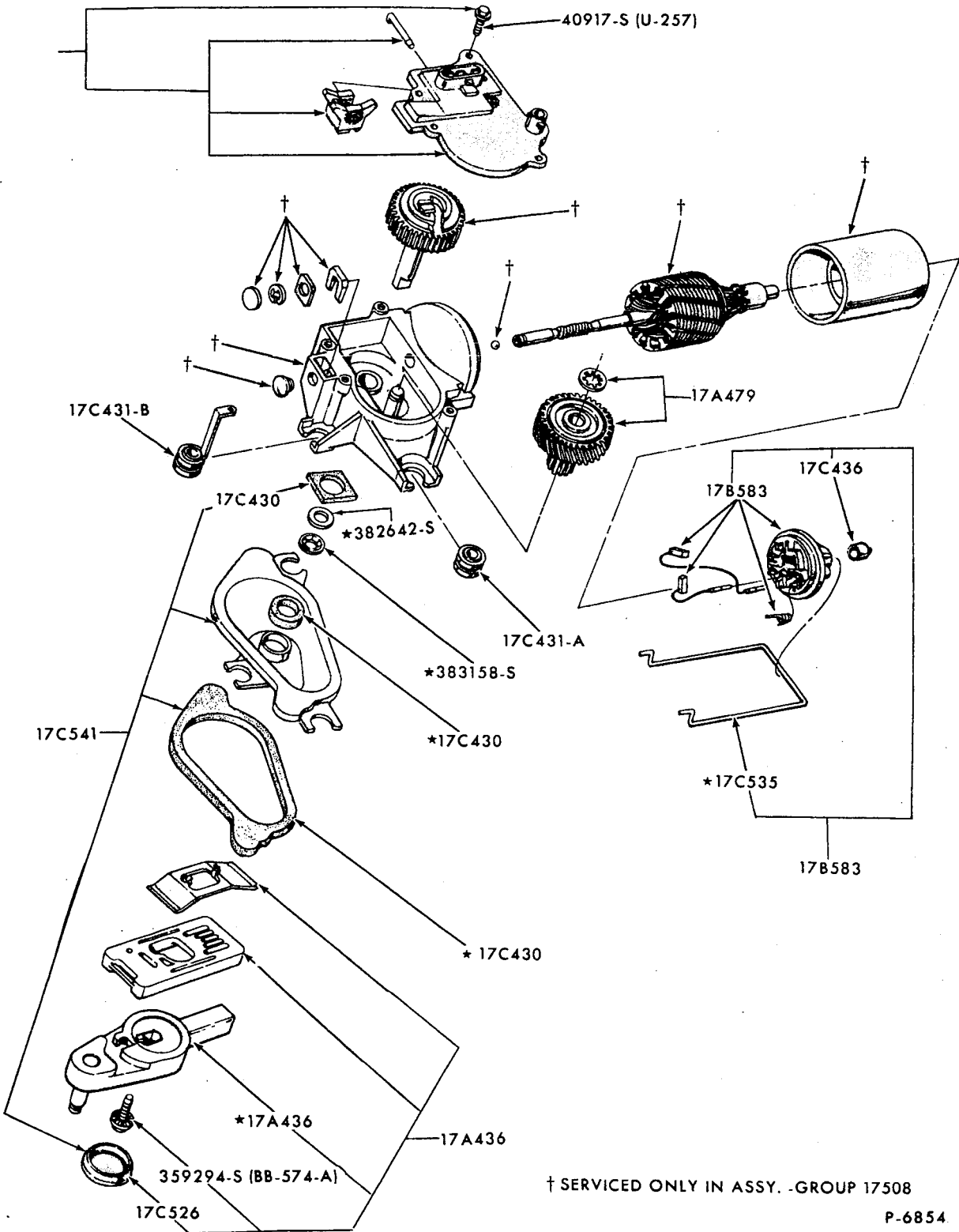
WINDSHIELD WIPER  
1968/69 THUNDERBIRD





ILLUSTRATION  
SECTION 175

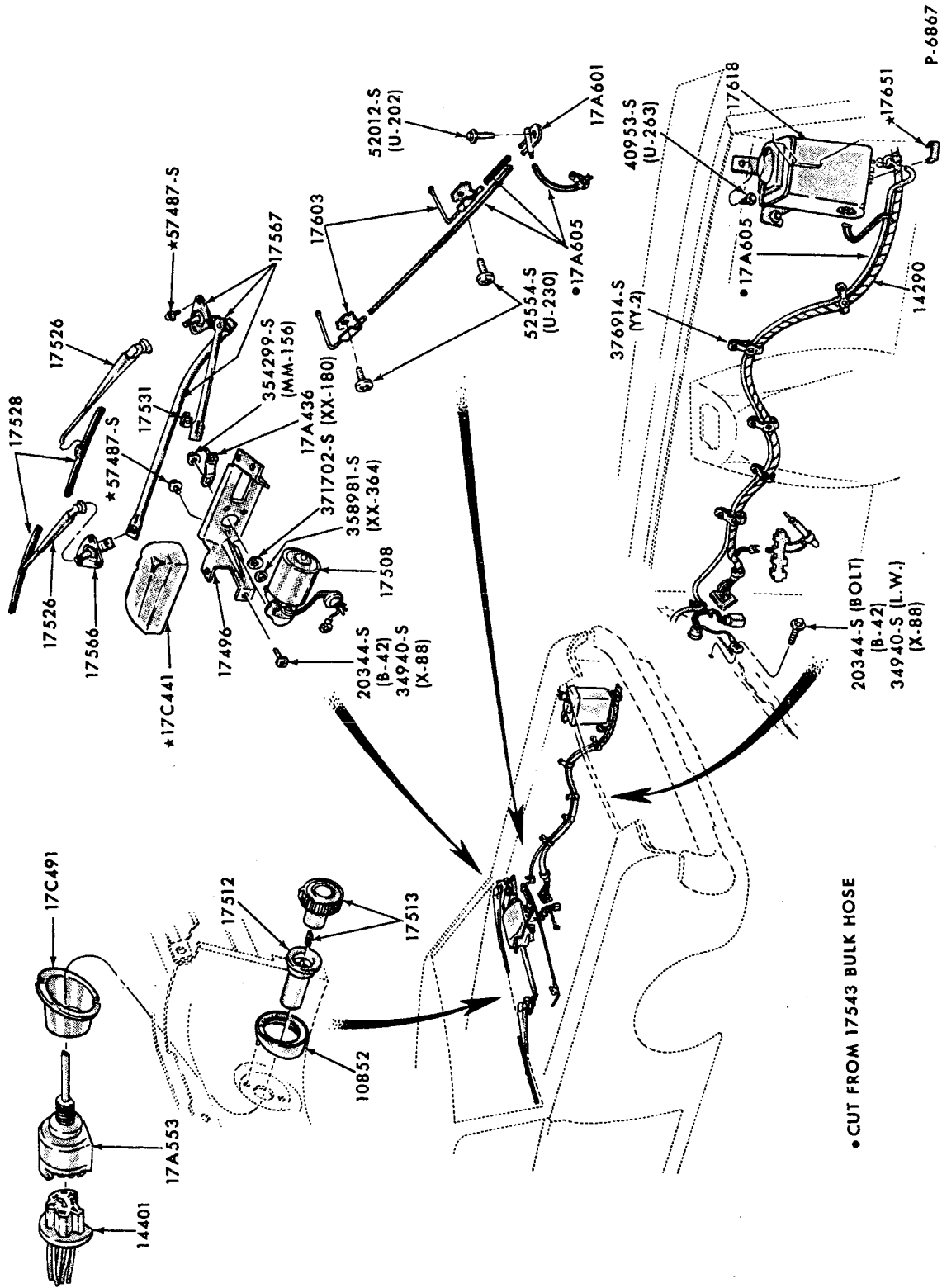
FORD CAR PARTS



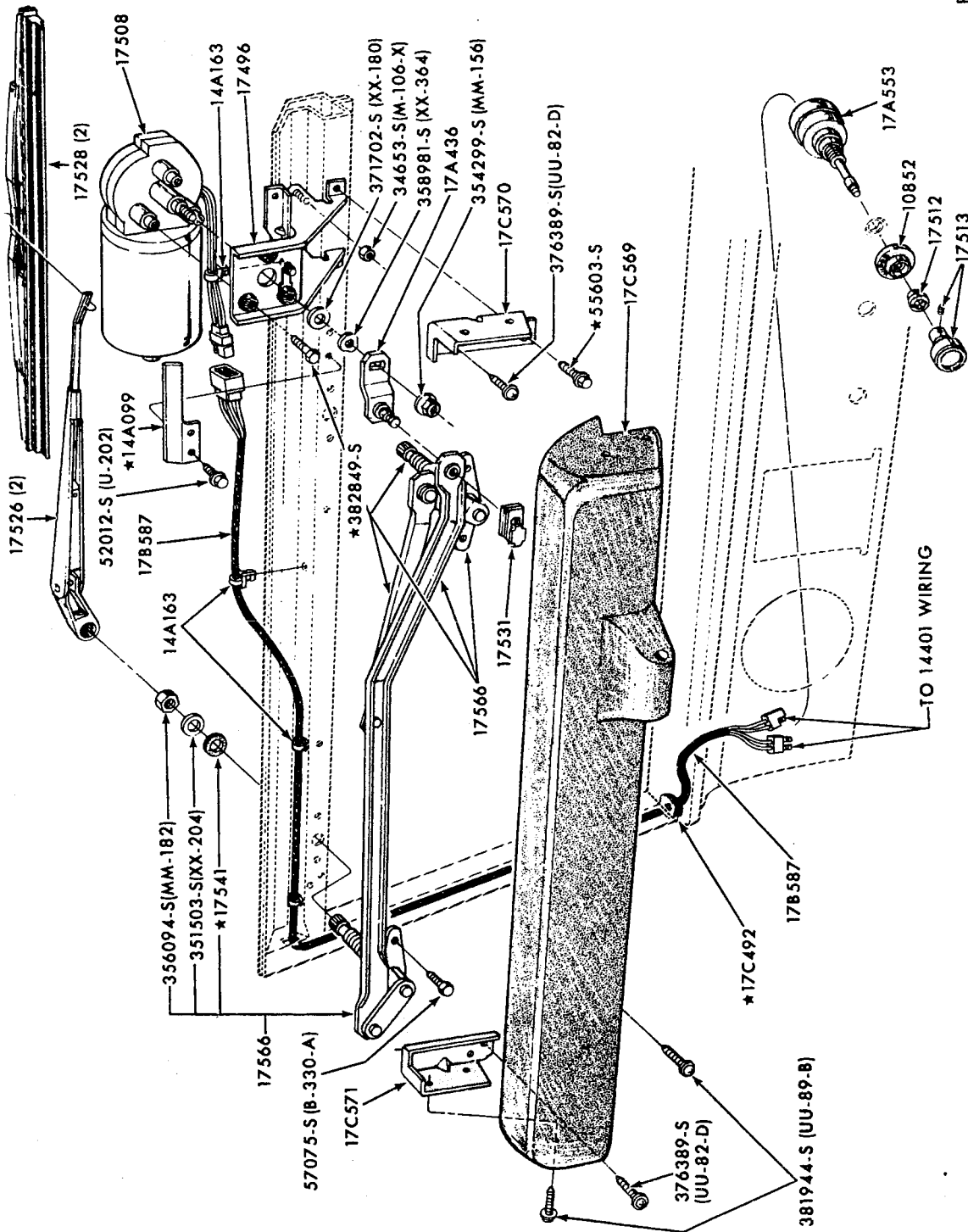
P-6854

WINDSHIELD WIPER MOTOR (2 SPEED)  
1969/72 FORD, 1972 TORINO with CONCEALED WIPERS, 1972 THUNDERBIRD



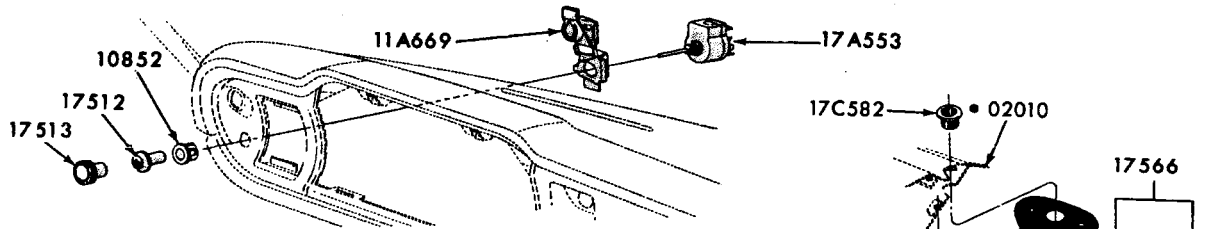


WINDSHIELD WIPER and WASHER  
1969/70 MUSTANG

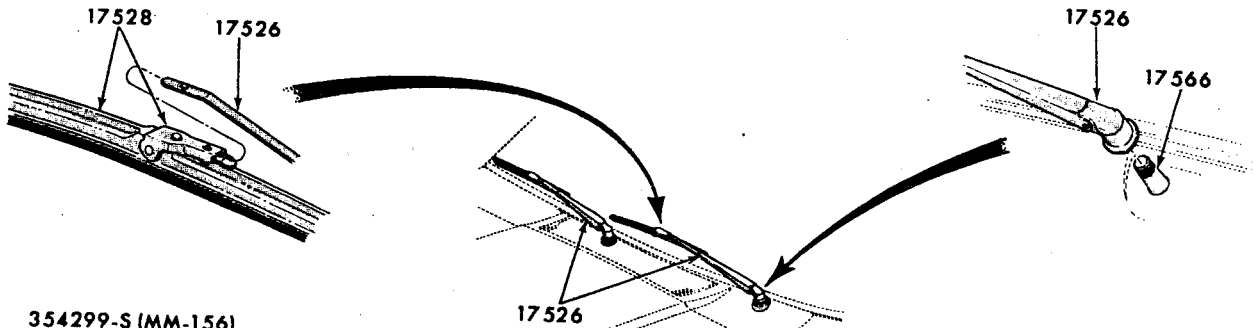
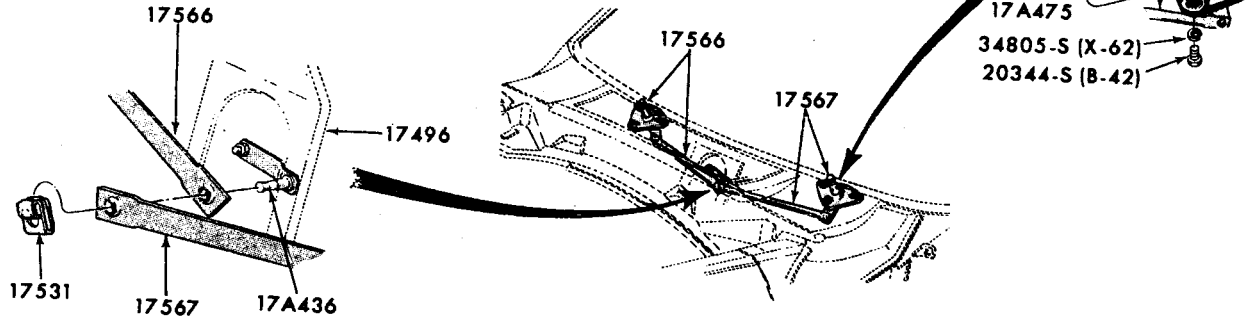


WINDSHIELD WIPER (ELECTRIC)  
1969/72 BRONCO

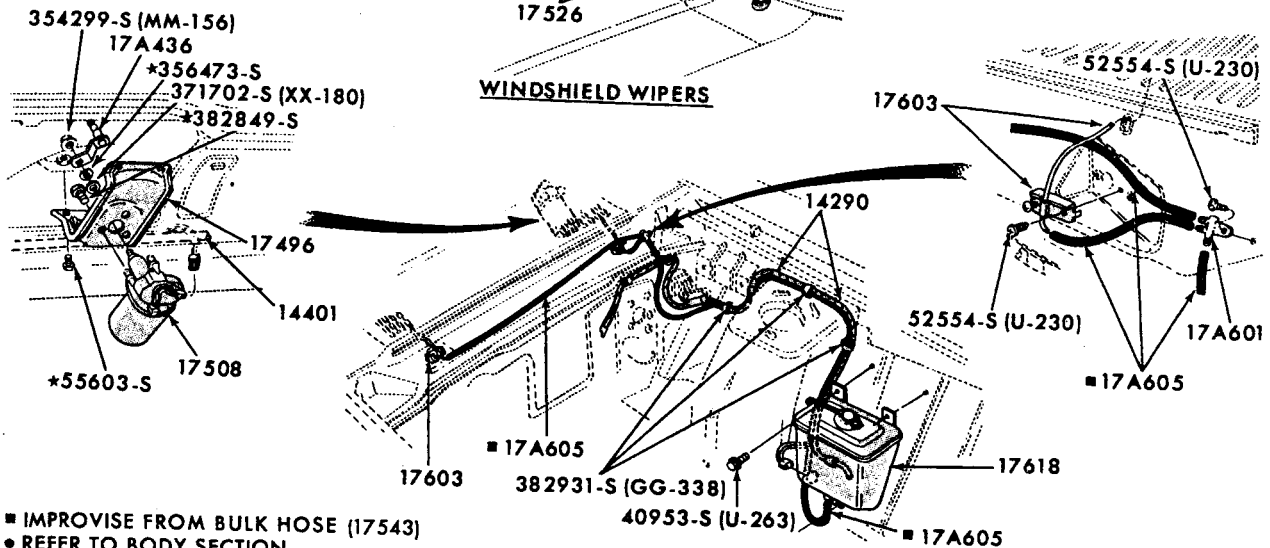




**WINDSHIELD WIPER AND WASHER CONTROLS**



**WINDSHIELD WIPERS**



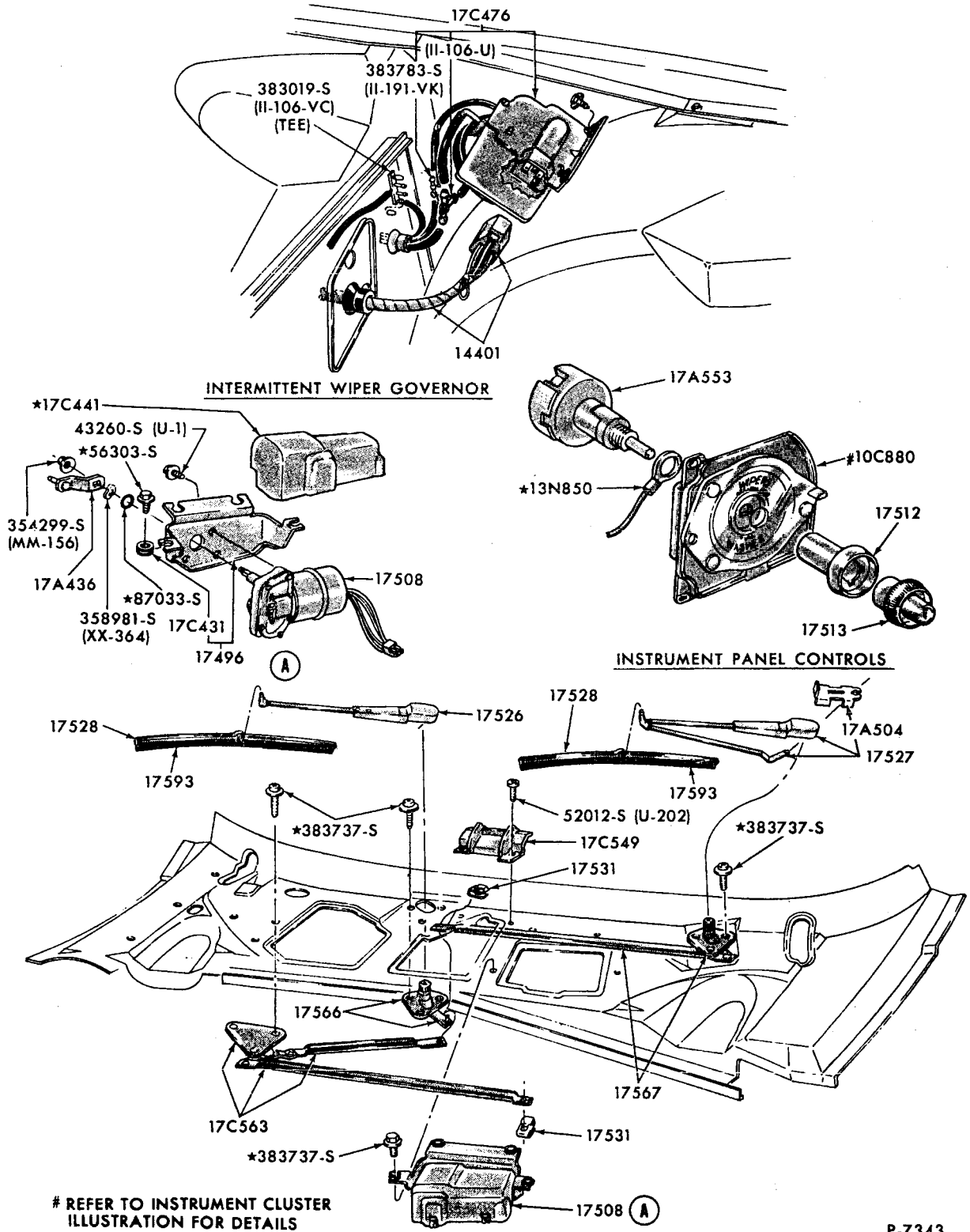
- IMPROVISE FROM BULK HOSE (17543)
- REFER TO BODY SECTION

**WINDSHIELD WASHER INSTALLATION**

P-6875

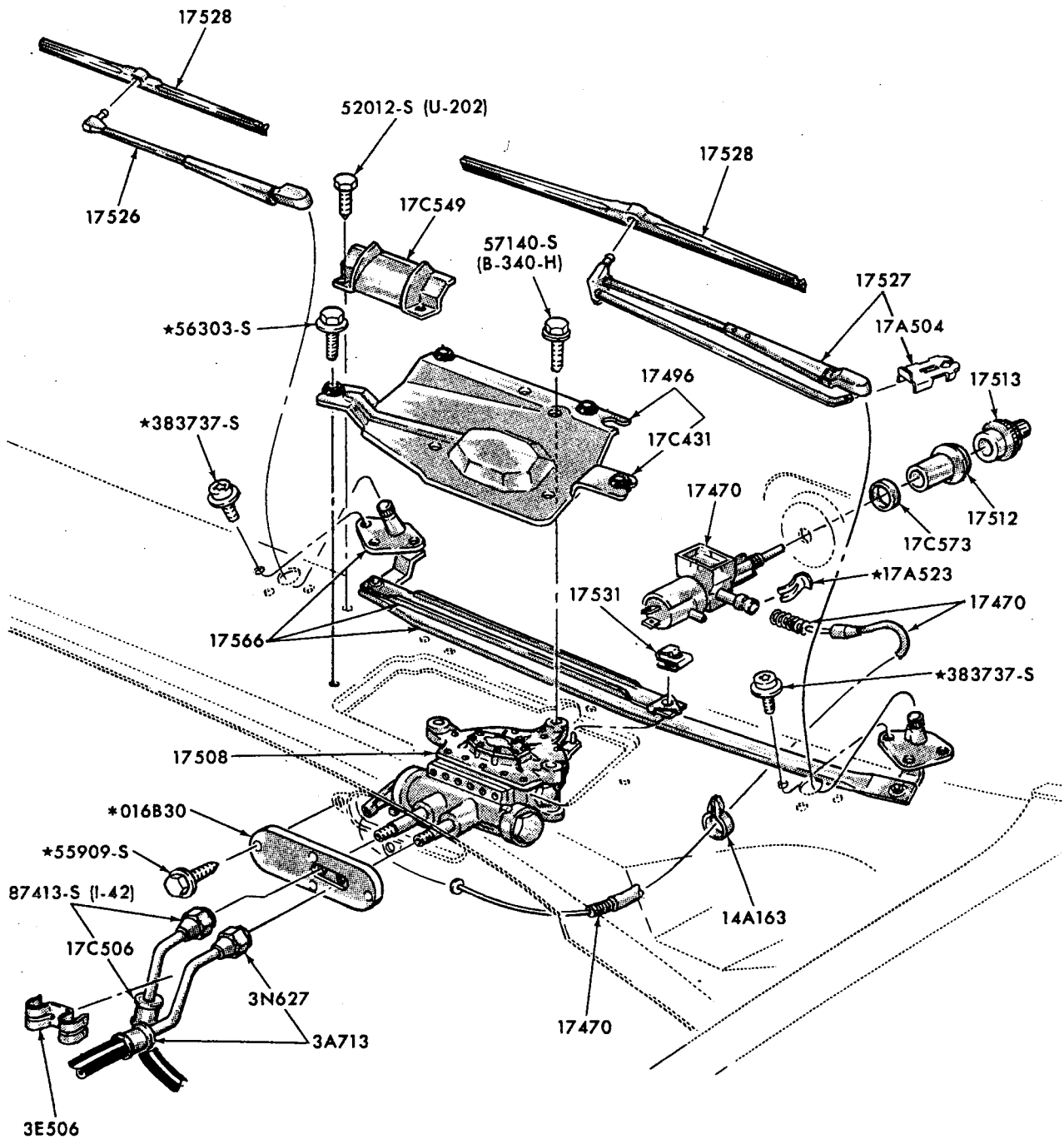
**WINDSHIELD WIPER and WASHER  
1970/72 MAVERICK**

FORD CAR PARTS



WINDSHIELD WIPER (ELECTRIC)  
1970 THUNDERBIRD



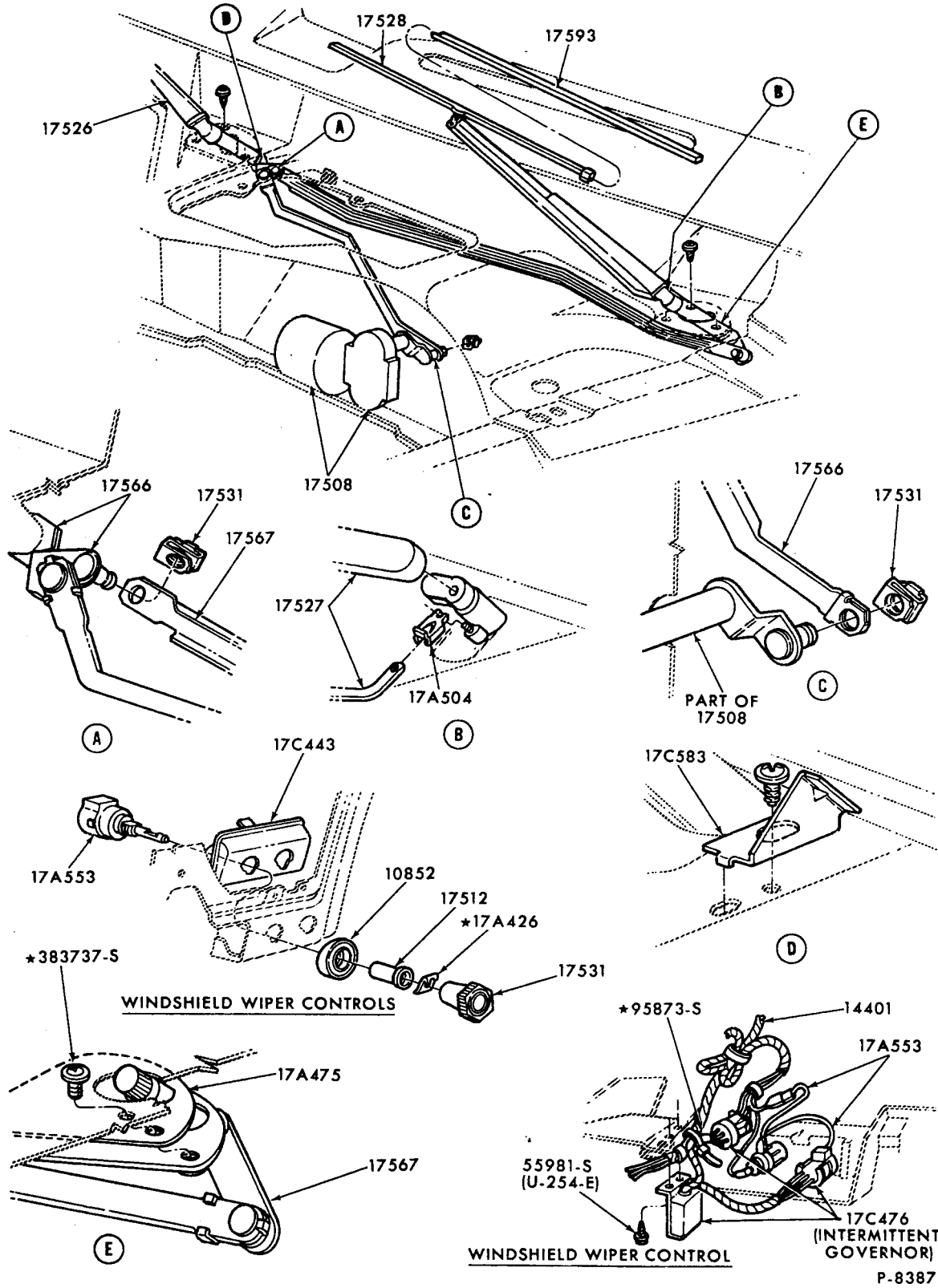


\*REFER TO BODY GROUP NUMBER

P-7456

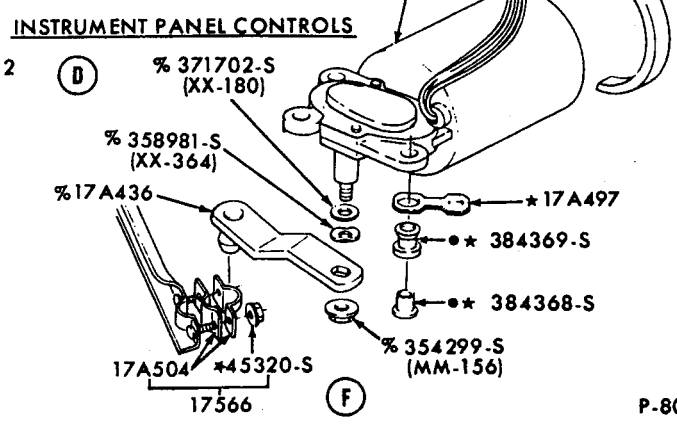
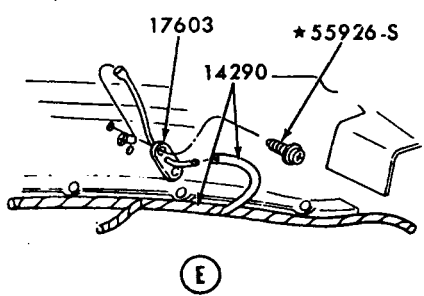
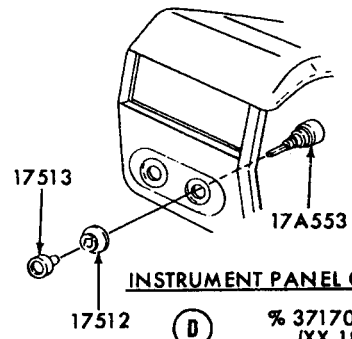
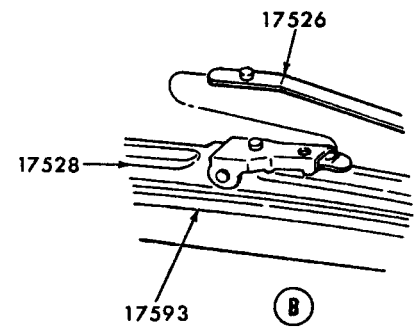
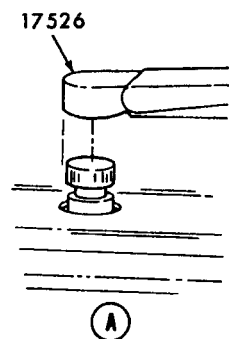
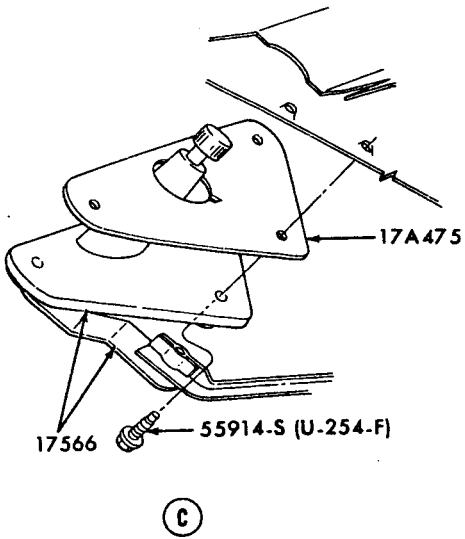
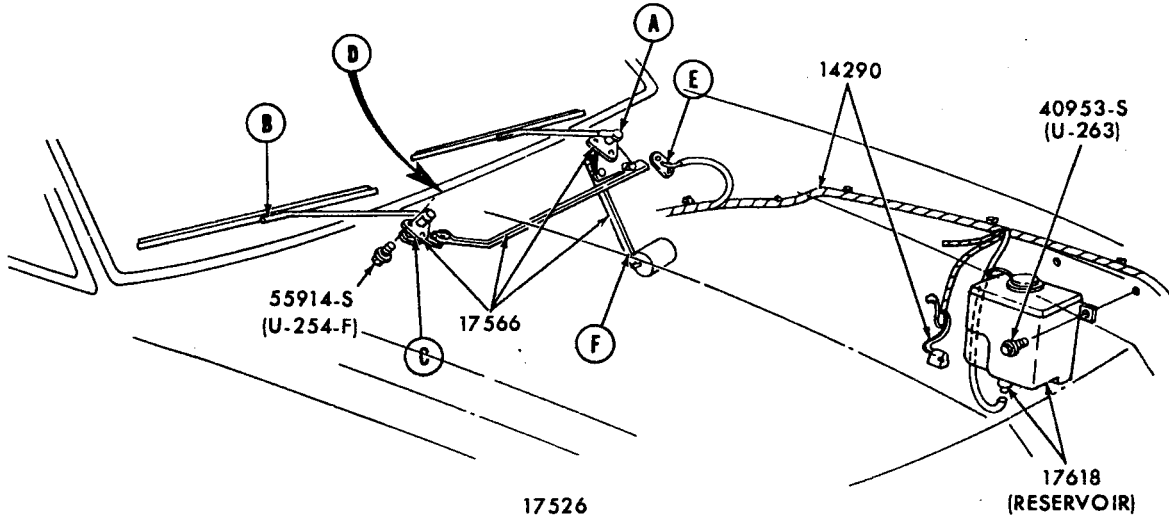
HYDRAULIC WINDSHIELD WIPER  
1970/71 THUNDERBIRD





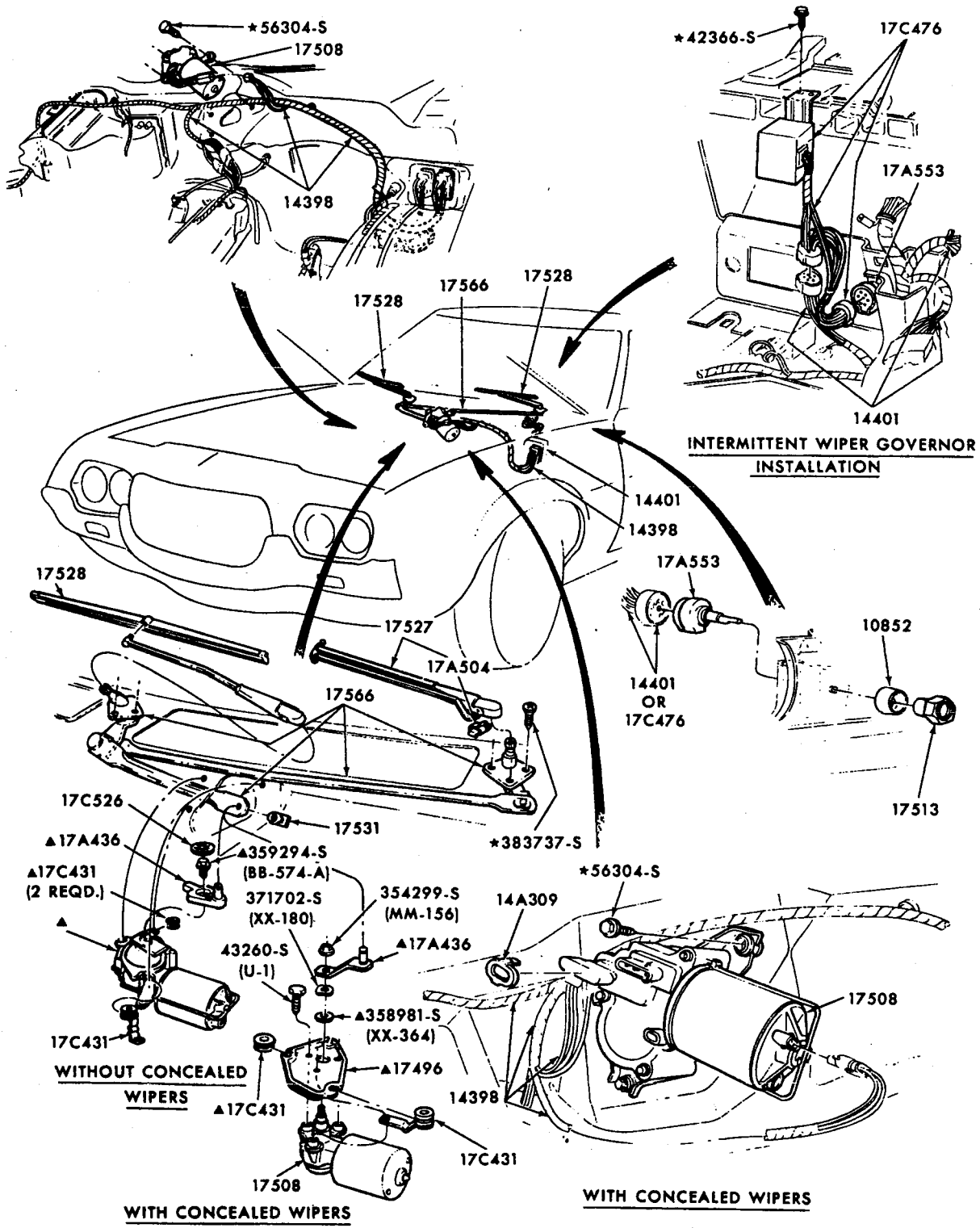
WINDSHIELD WIPER  
1971/72 MUSTANG

**FORD CAR PARTS**



% ALSO SERVICED IN ASSY. - GROUP 17508  
 • SERVICED ONLY IN ASSY. - GROUP 17508

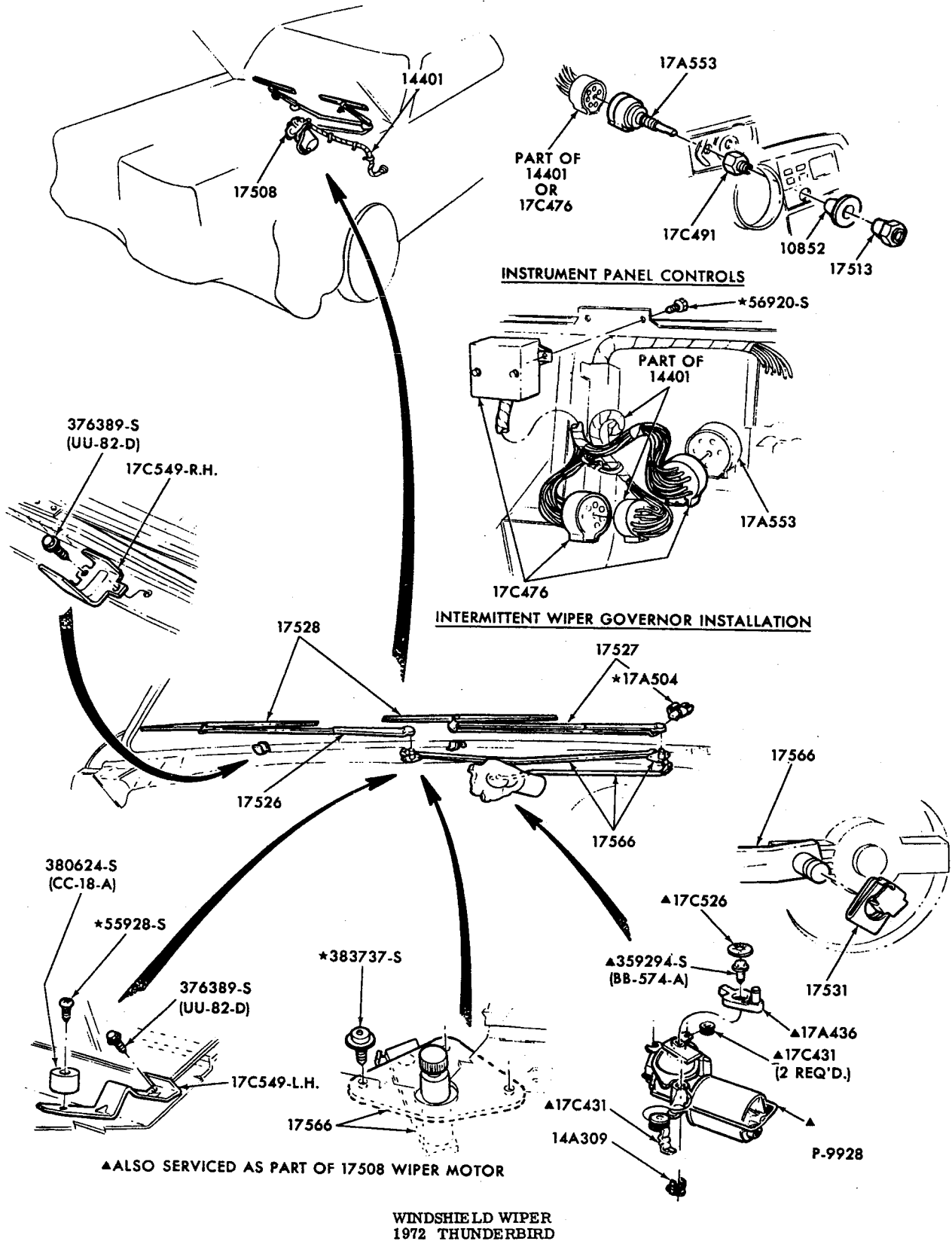
P-8034

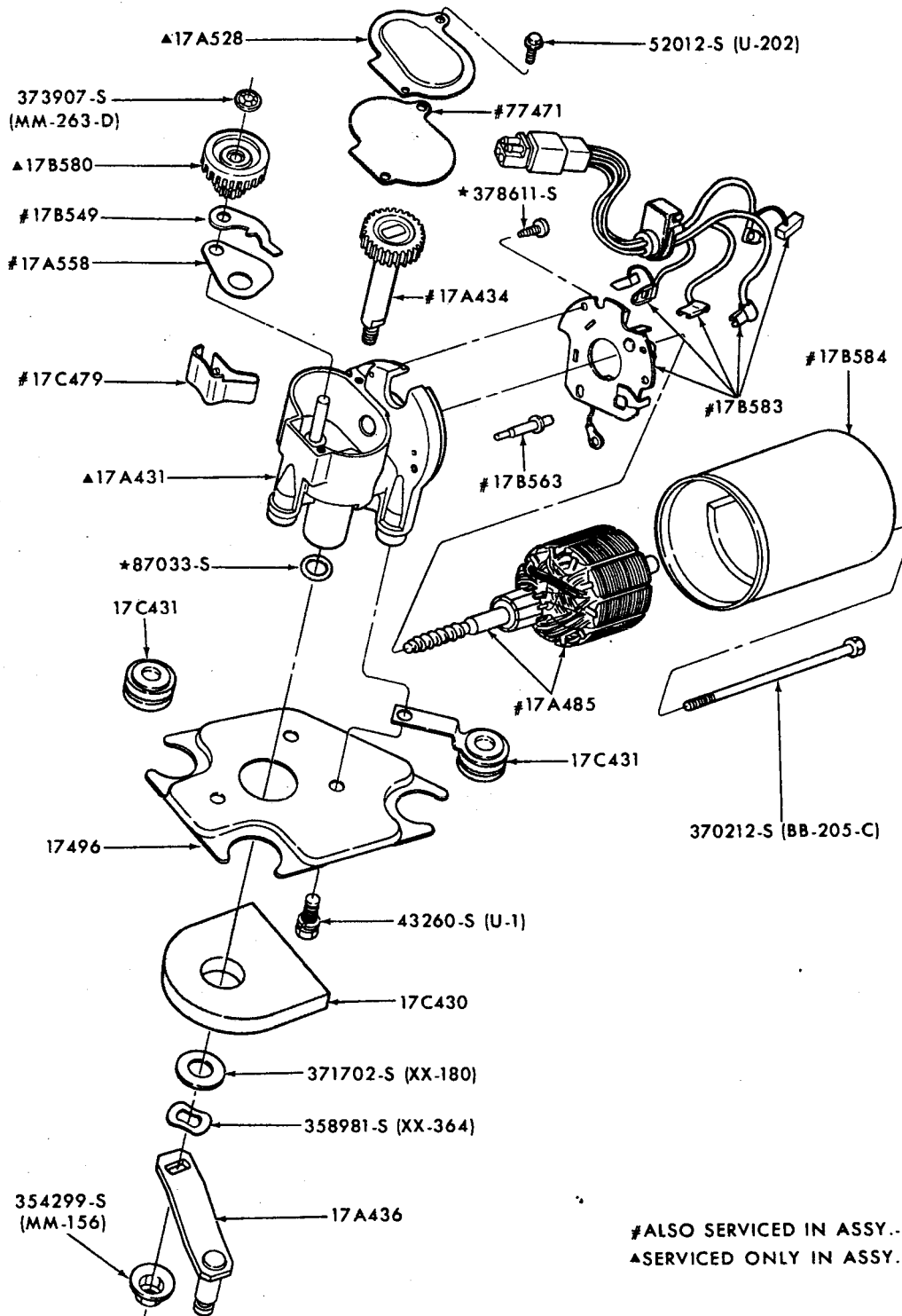


▲ ALSO SERVICED AS PART OF THE 17508 WIPER MOTOR

P-9930

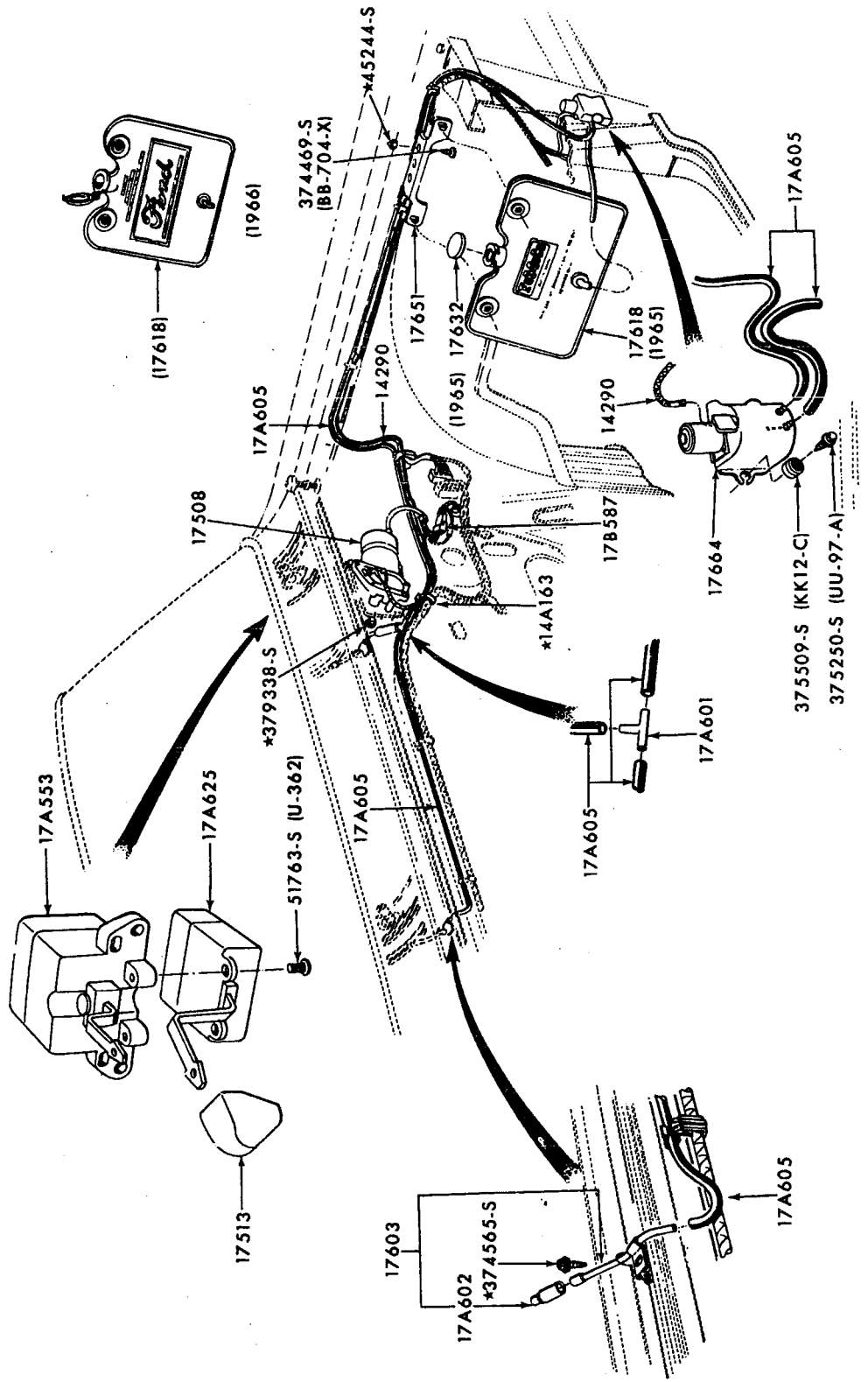
WINDSHIELD WIPER  
1972 TORINO





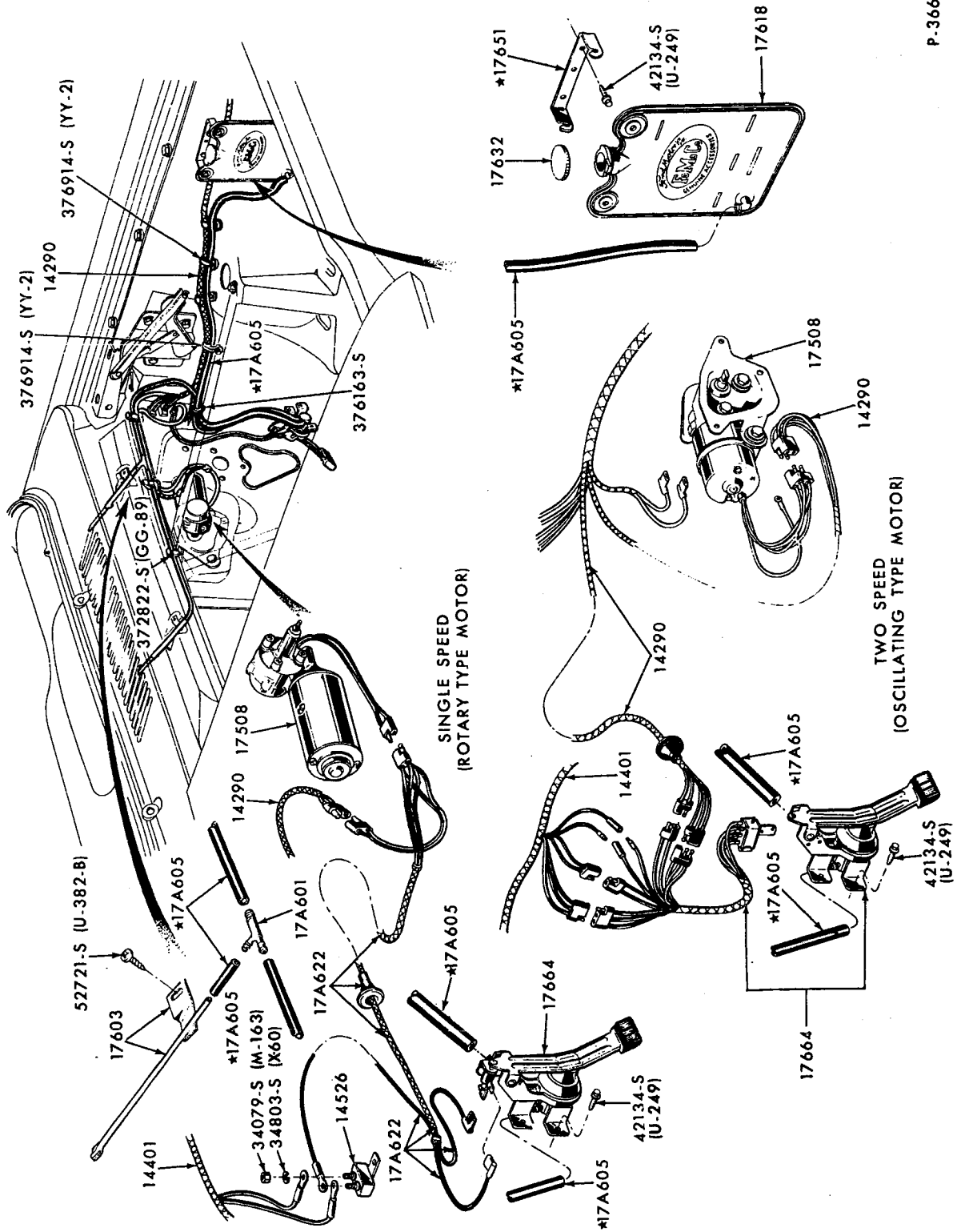
P-11434

**WINDSHIELD WIPER MOTOR**  
 1966/ FAIRLANE, MAVERICK and TORINO-W/O CONCEALED WIPERS  
 1966/70 FALCON-2 SPEED  
 1969/ BRONCO, 1971/ PINTO

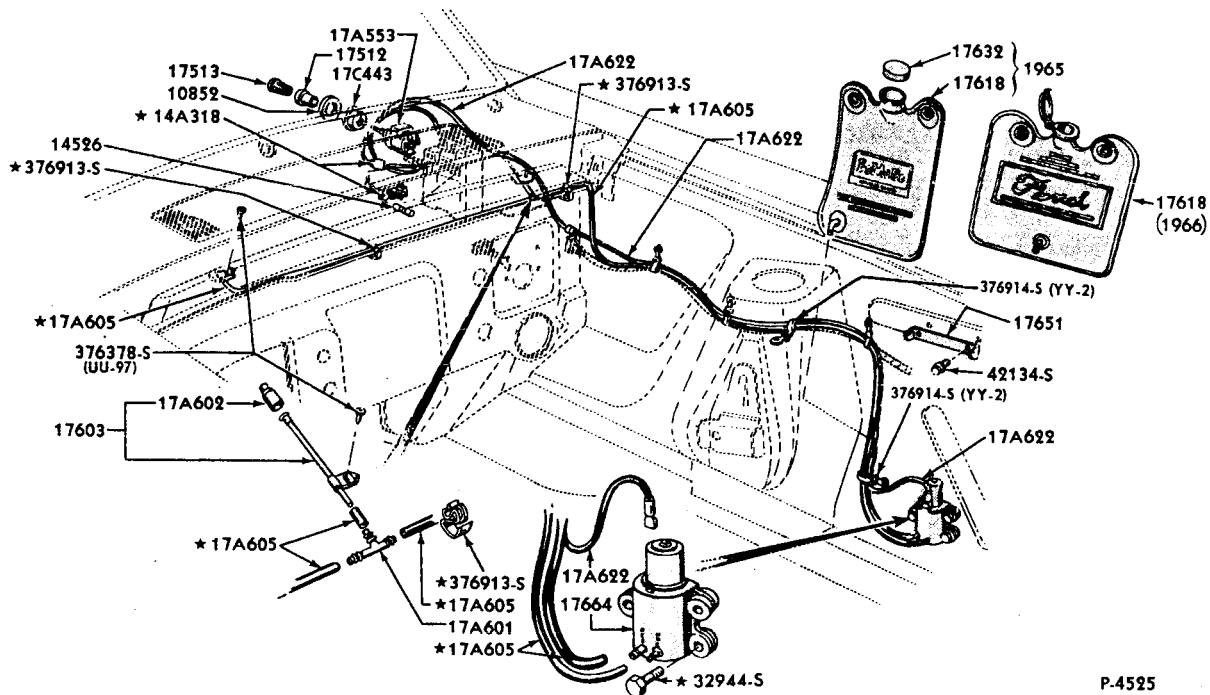


WINDSHIELD WASHER  
1965/66 FORD



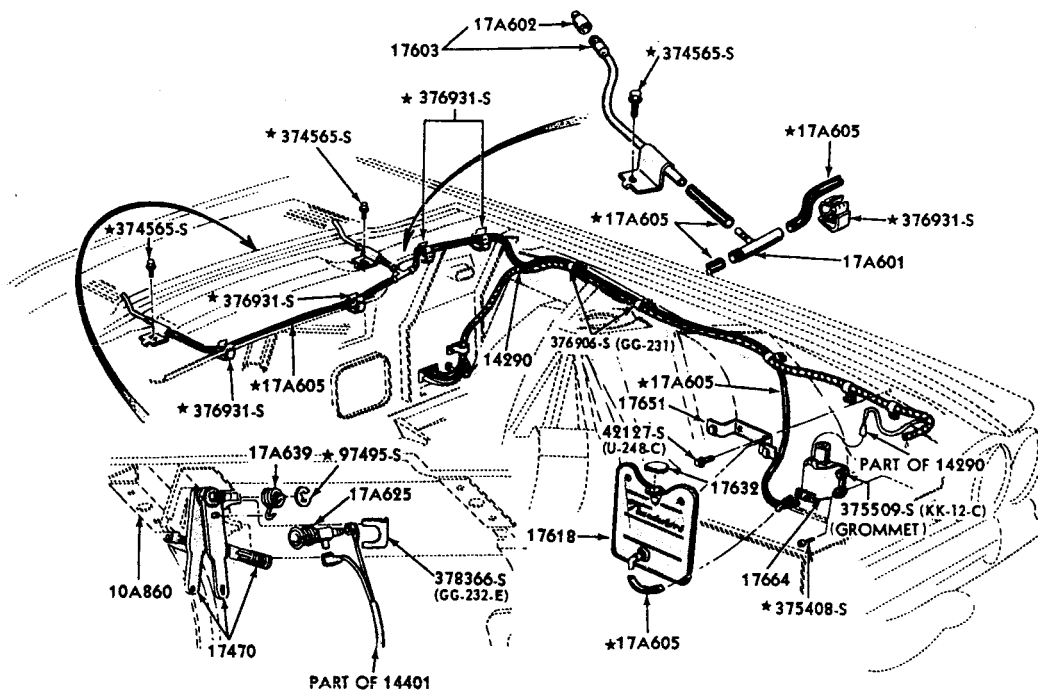


WINDSHIELD WASHER  
1965 FAIRLANE



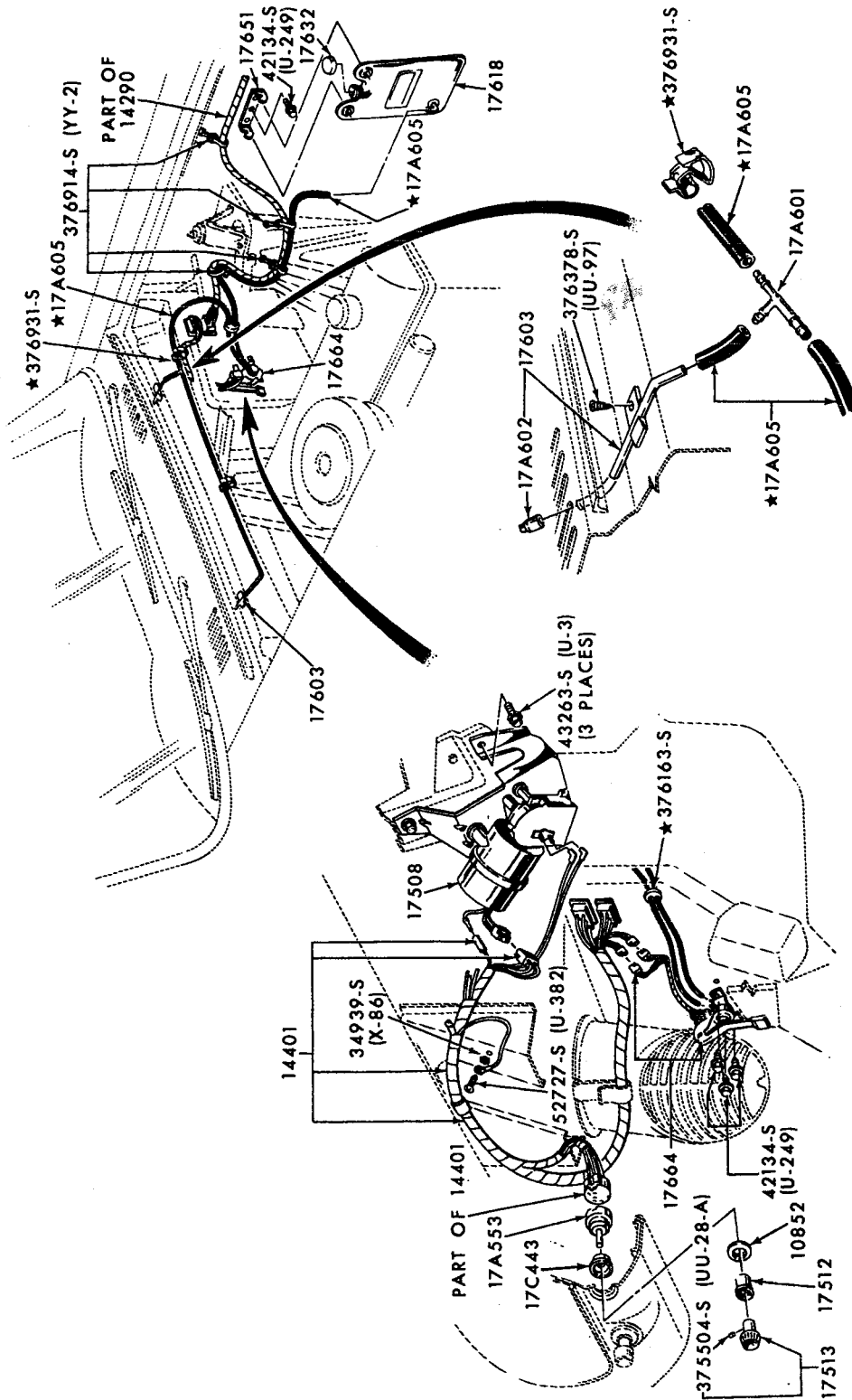
P-4525

WINDSHIELD WASHER  
1965/66 MUSTANG



P-4733

WINDSHIELD WASHER  
1965/66 THUNDERBIRD

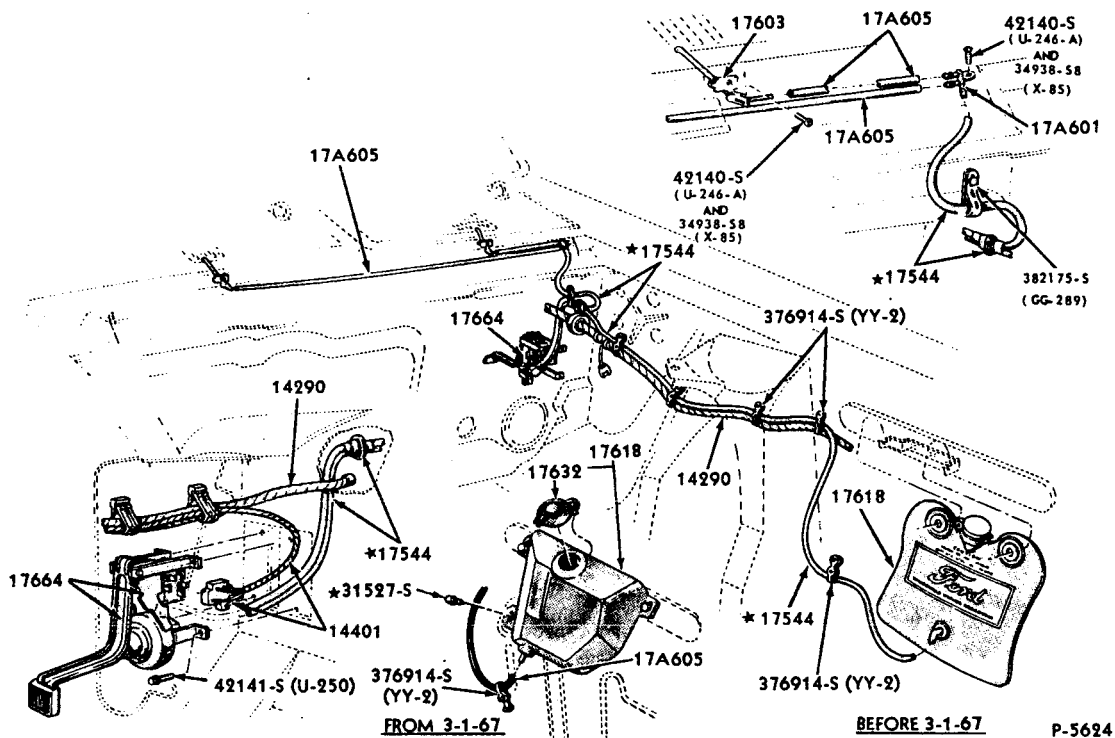


P-4726

WINDSHIELD WASHER  
1965 FALCON



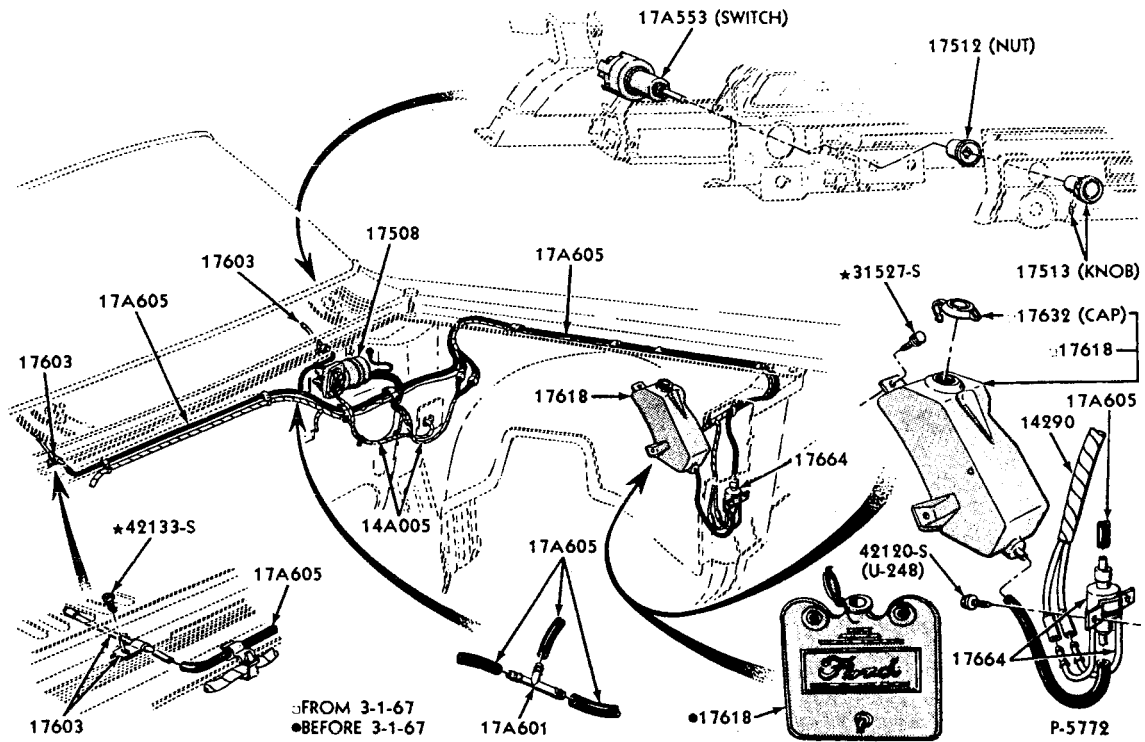




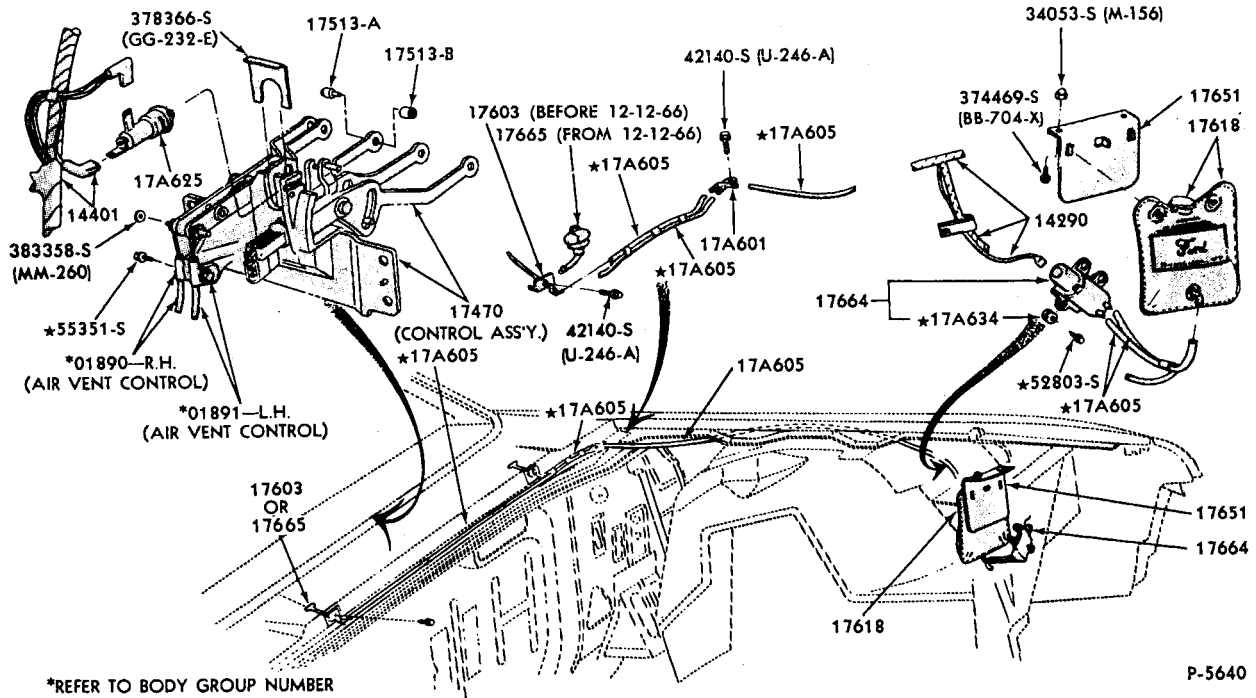
WINDSHIELD WASHER  
1967/68 MUSTANG

P-5624

FORD CAR PARTS

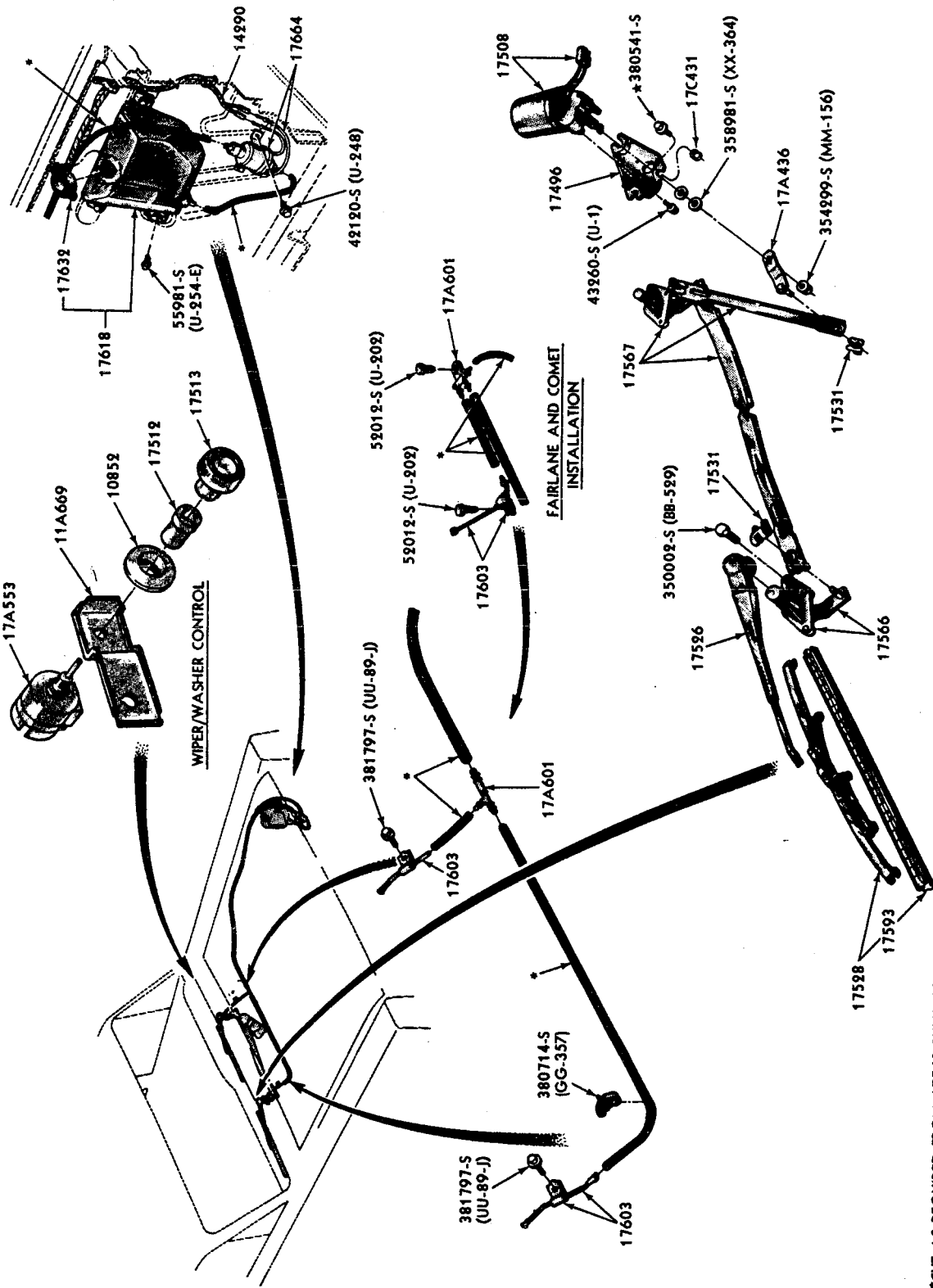


WINDSHIELD WASHER  
1967/68 FORD



WINDSHIELD WASHER  
1967 THUNDERBIRD

P-5640



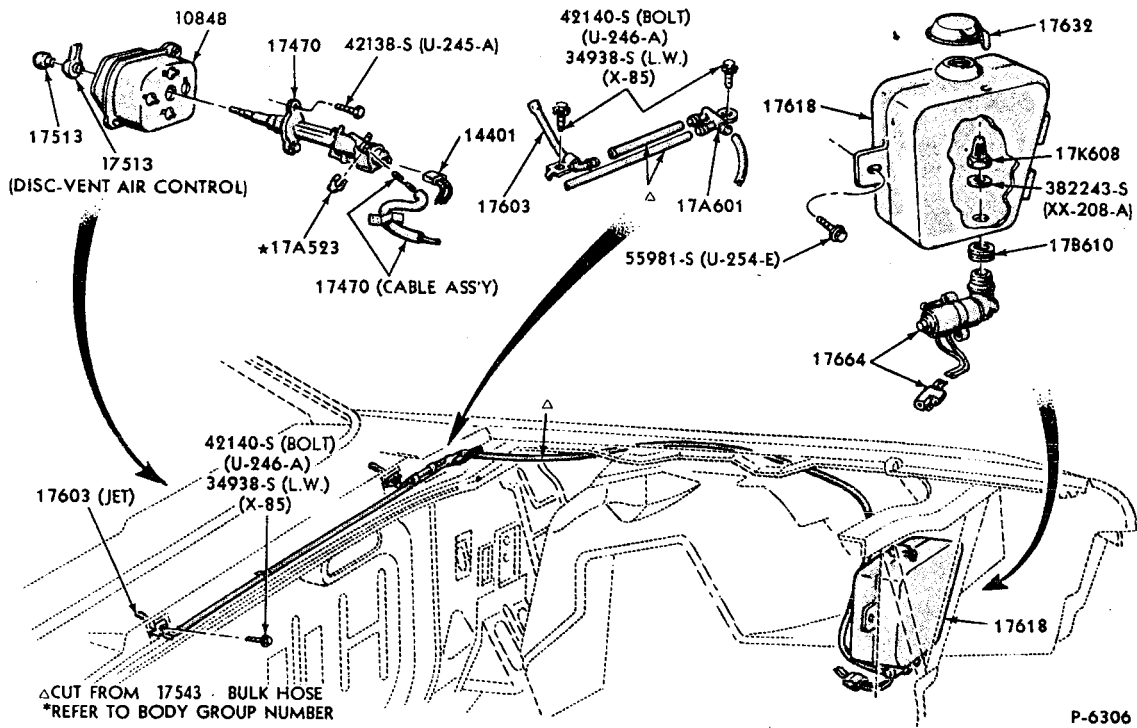
WINDSHIELD WASHER and WIPER  
1968/69 FAIRLANE/TORINO and 1968/70 FALCON

\*CUT AS REQUIRED FROM 17543 BULK HOSE



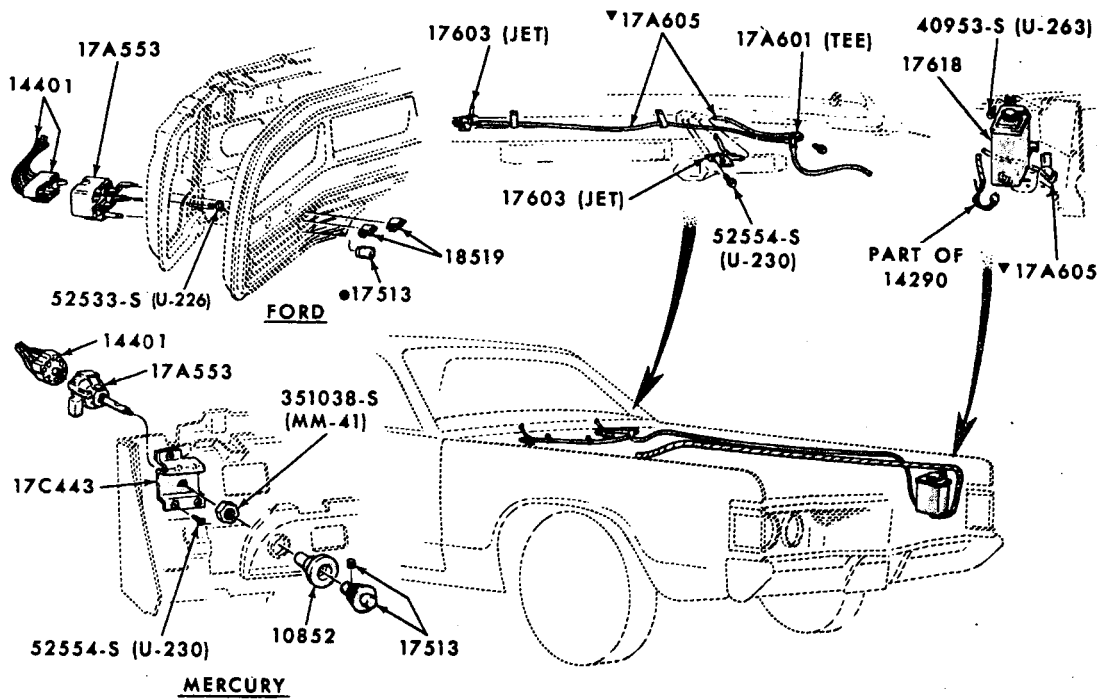
ILLUSTRATION SECTION 175.1

FORD CAR PARTS



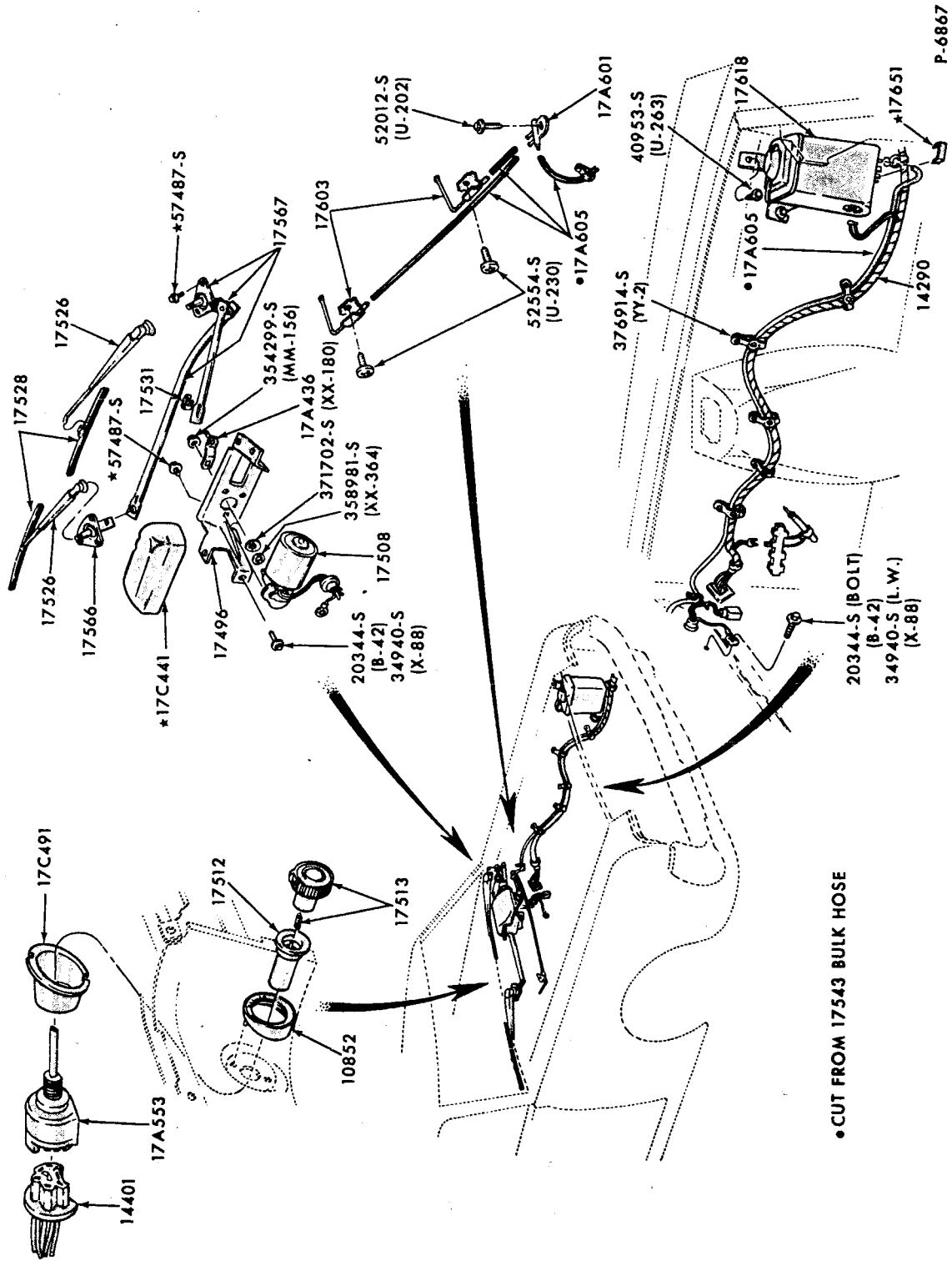
P-6306

WINDSHIELD WASHER  
1968/69 THUNDERBIRD



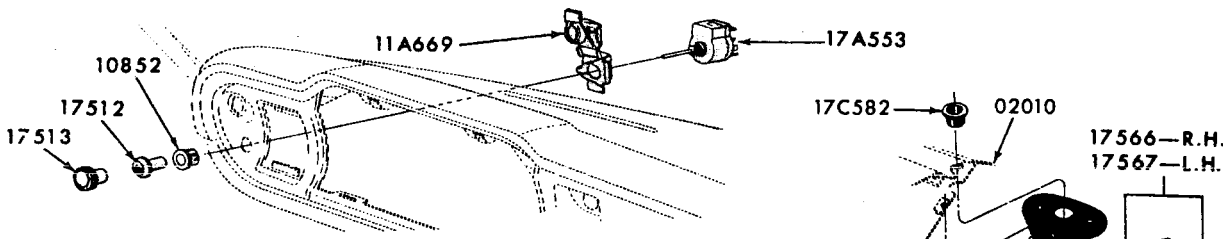
P-6832

WINDSHIELD WASHER  
1969/70 FORD

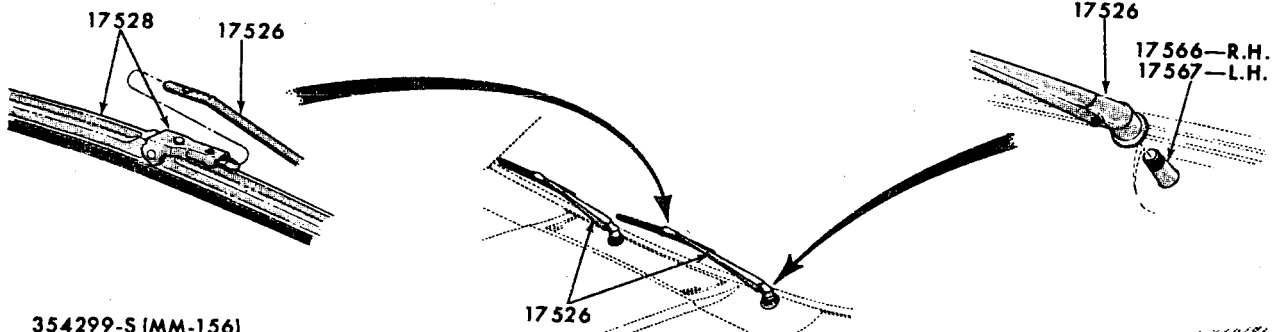
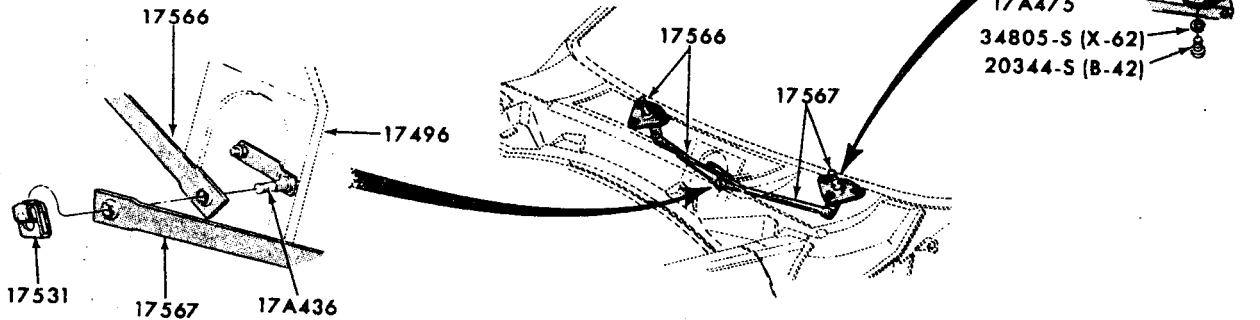


WINDSHIELD WASHER and WIPERS  
1969/70 MUSTANG

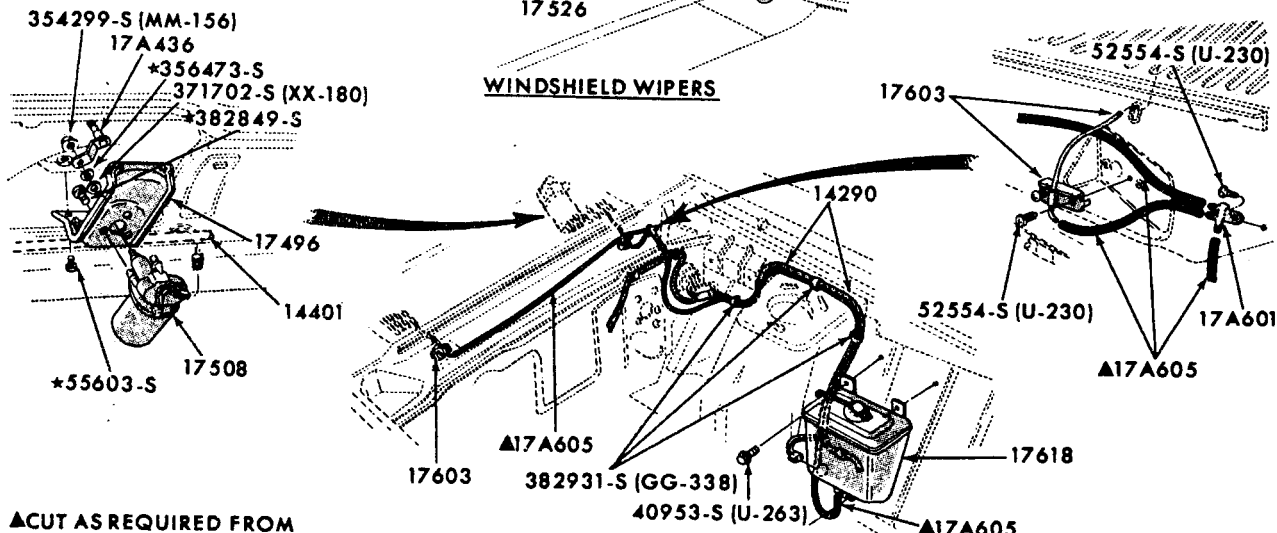




**WINDSHIELD WIPER AND WASHER CONTROLS**



**WINDSHIELD WIPERS**



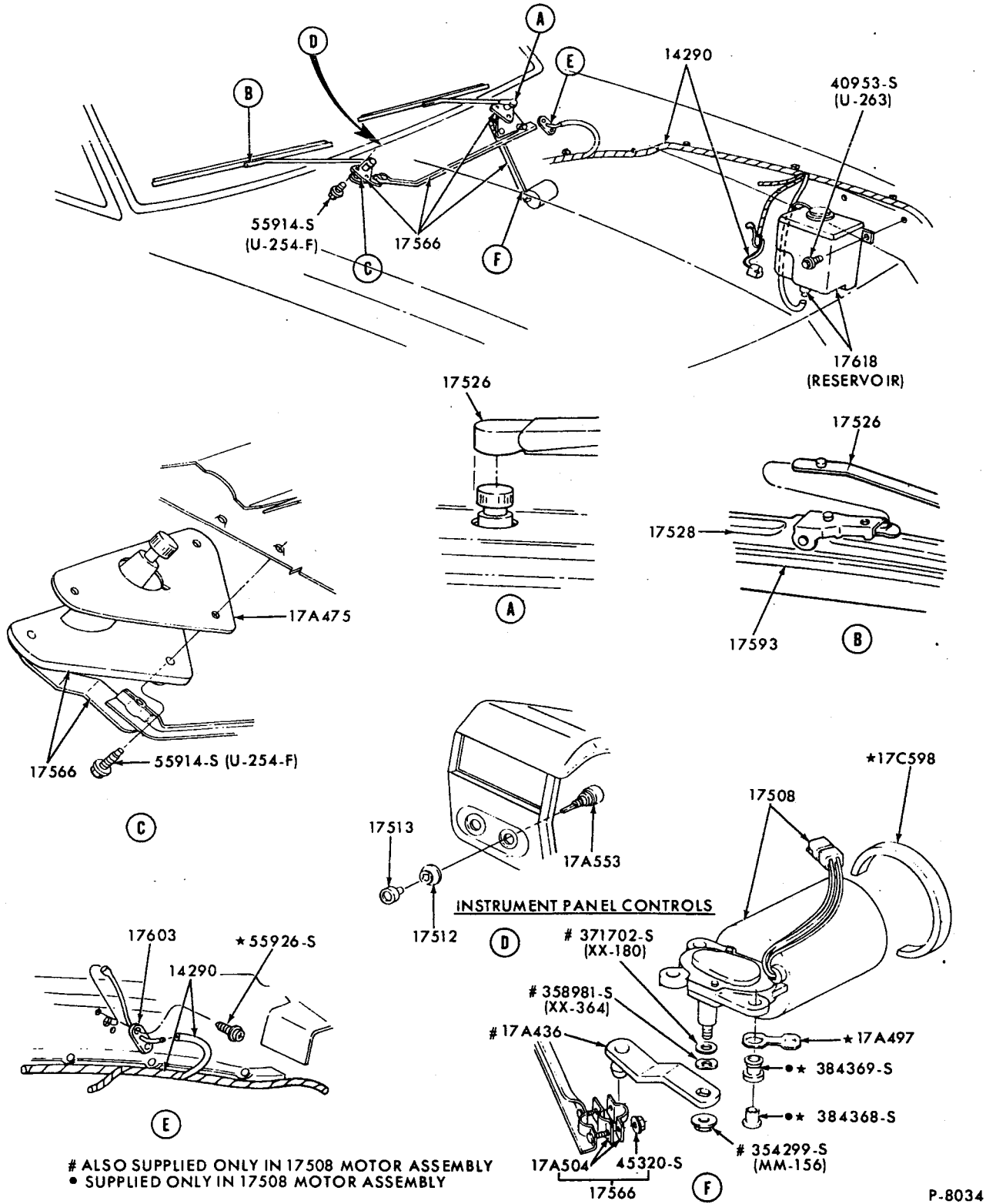
▲CUT AS REQUIRED FROM 17543 BULK HOSE

**WINDSHIELD WASHER INSTALLATION**

P-6875

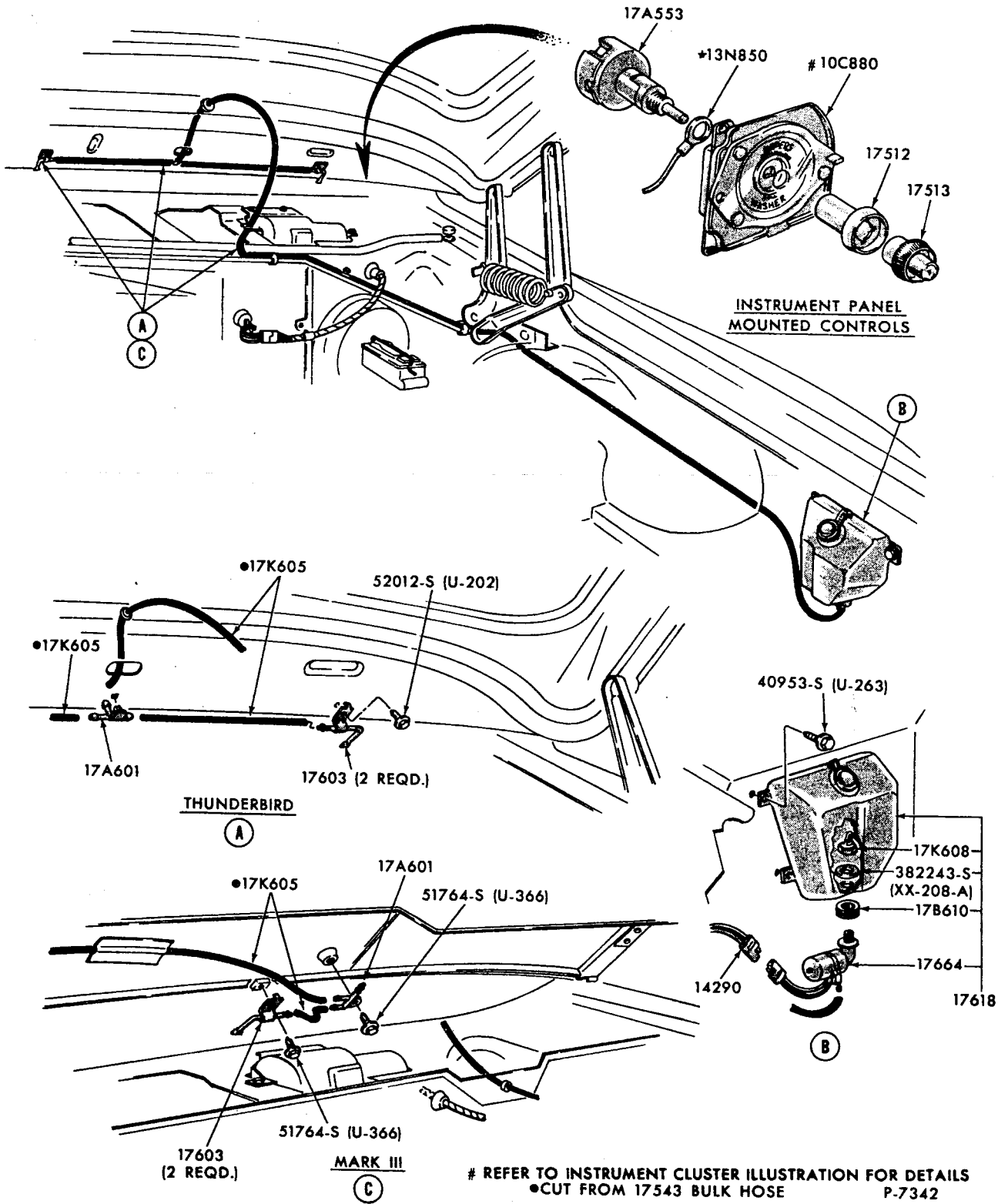
WINDSHIELD WASHER and WIPER  
1970/72 MAVERICK

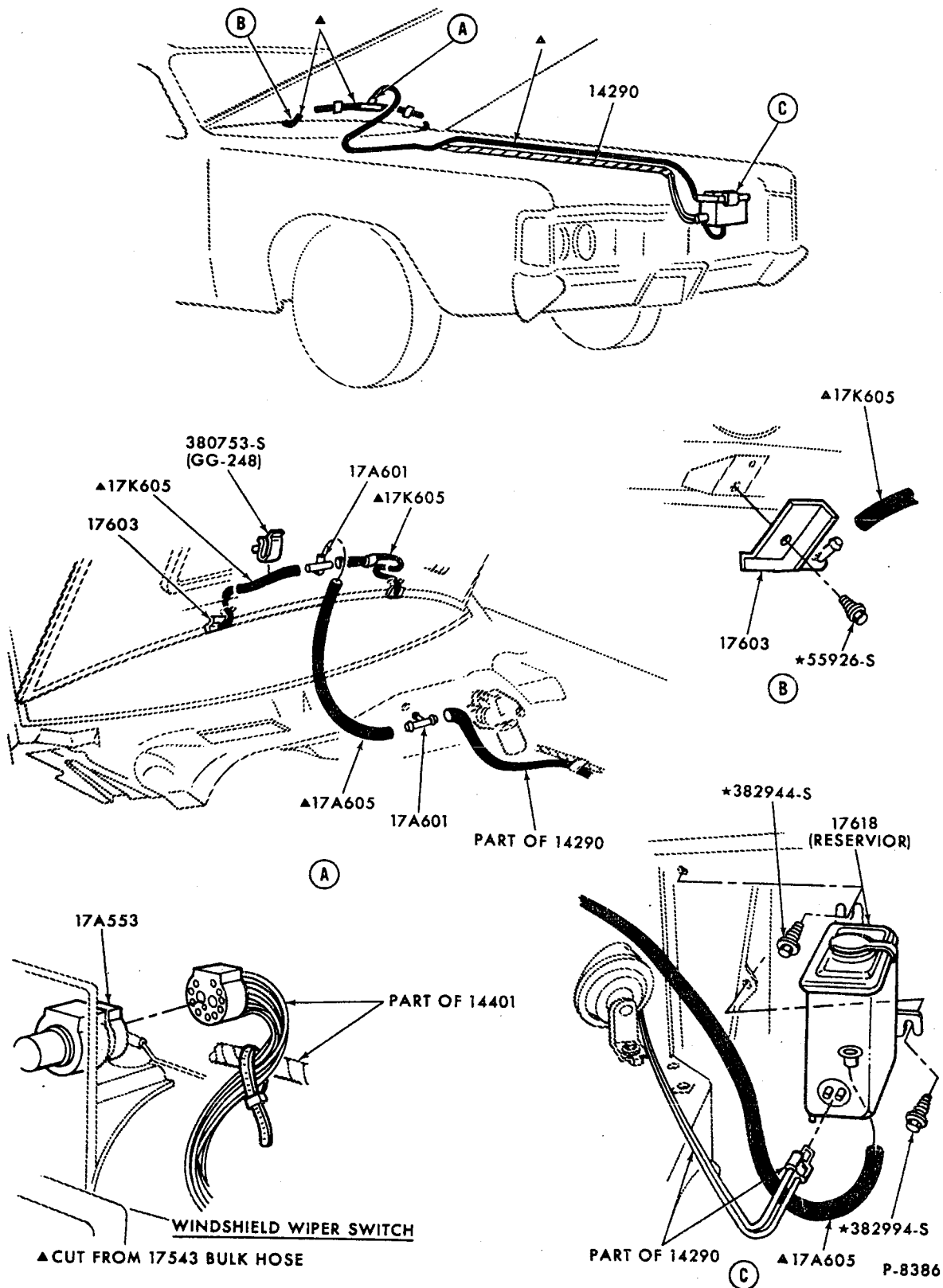
**FORD CAR PARTS**



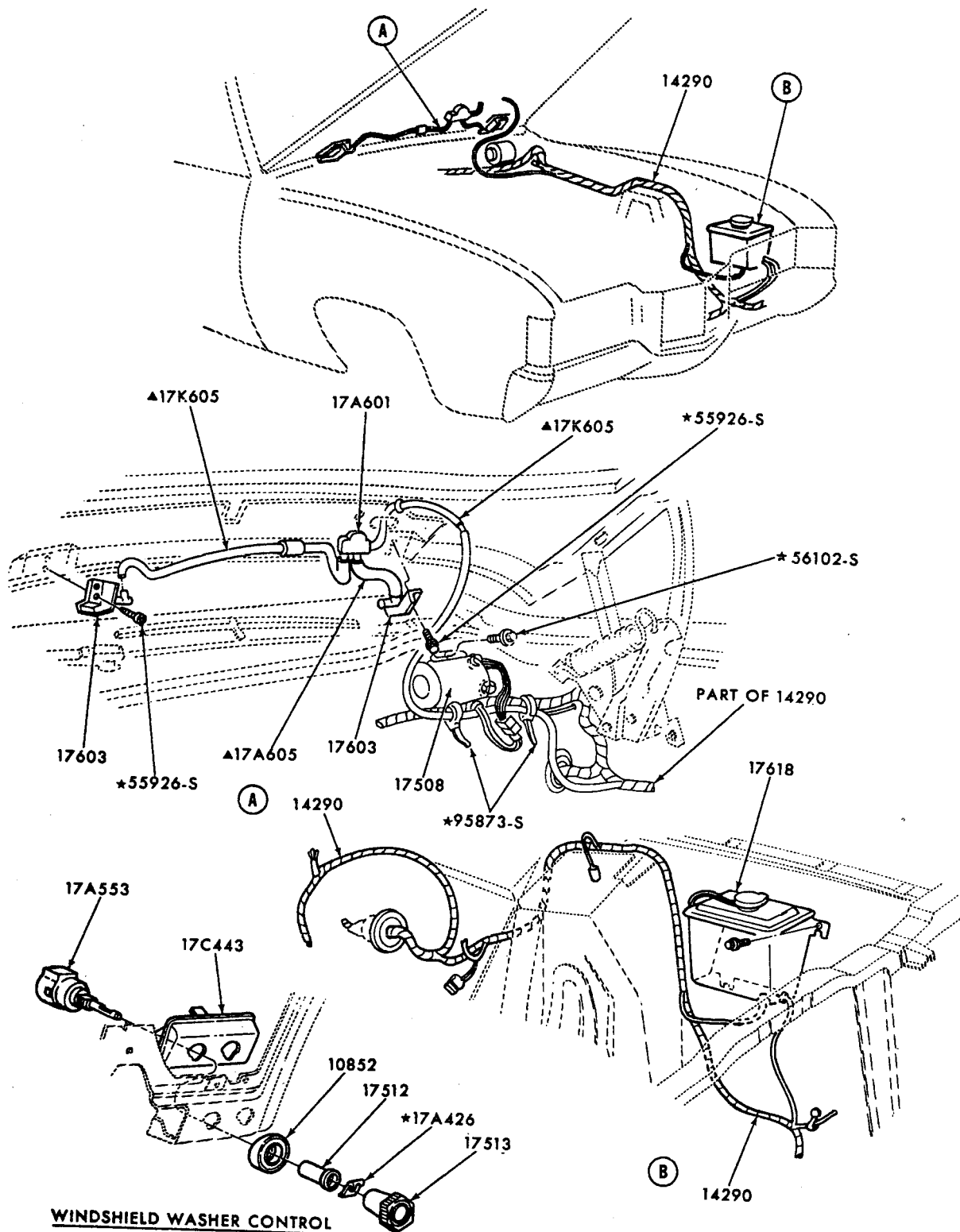
P-8034

WINDSHIELD WASHER and WIPER  
1971/72 PINTO





WINDSHIELD WASHER  
1971/72 FORD

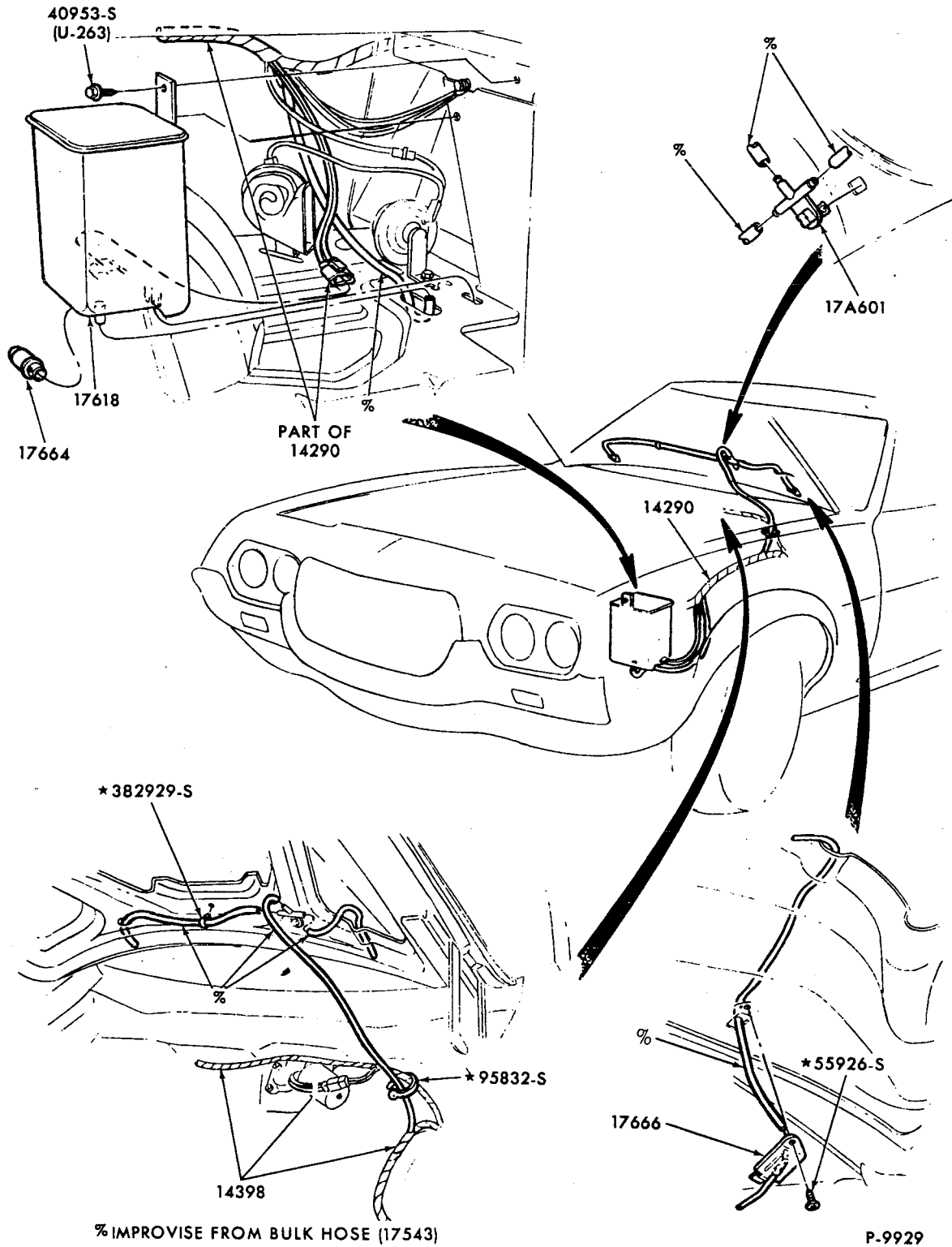


WINDSHIELD WASHER CONTROL  
▲ CUT FROM 17543 BULK HOSE

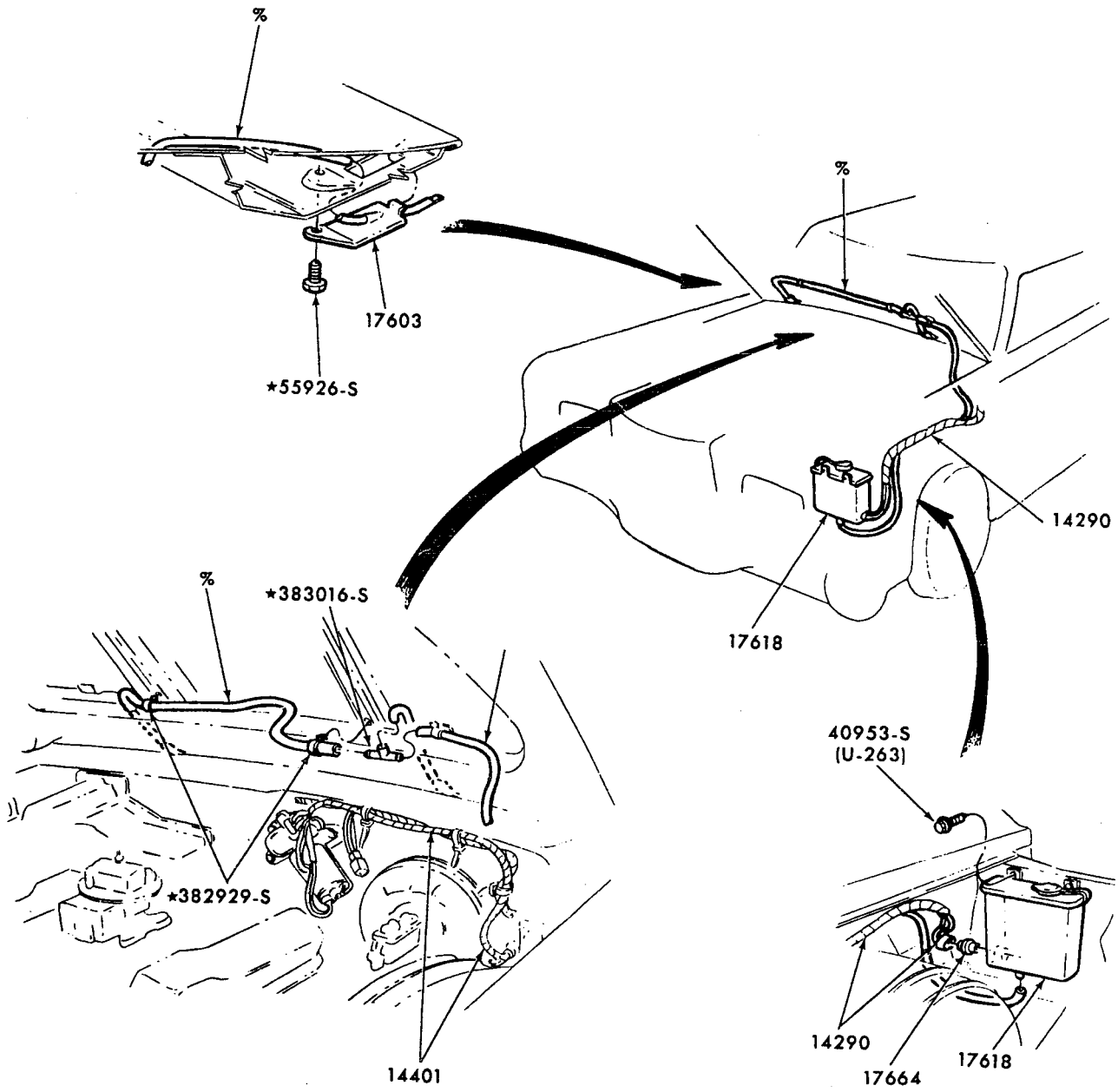
WINDSHIELD WASHER  
1971/72 MUSTANG

P-8388





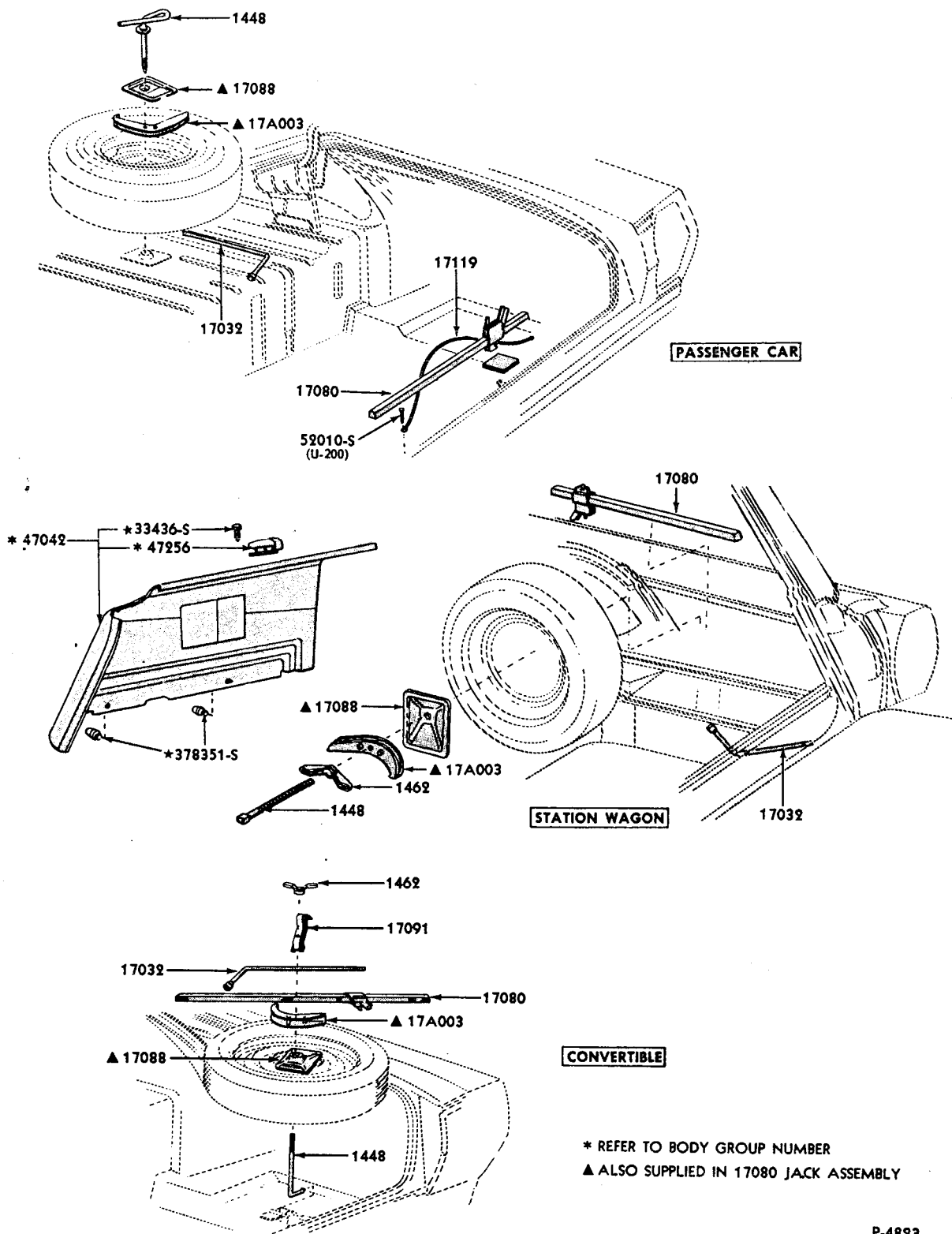
WINDSHIELD WASHER  
1972 TORINO



% IMPROVISE FROM BULK HOSE (17543)

P-9927

WINDSHIELD WASHER  
1972 THUNDERBIRD

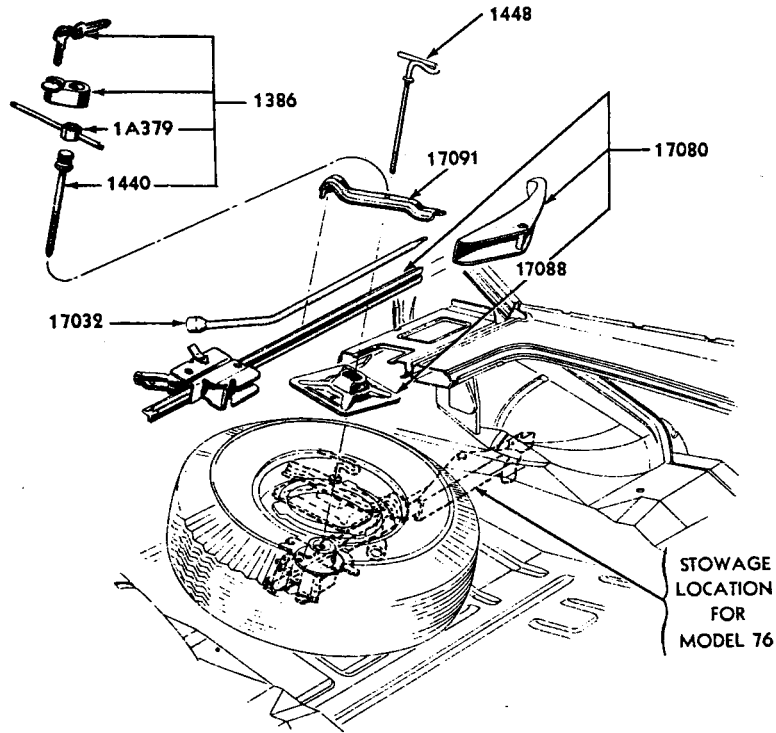


JACK and SPARE WHEEL PARTS  
1965/66 FORD

P-4823

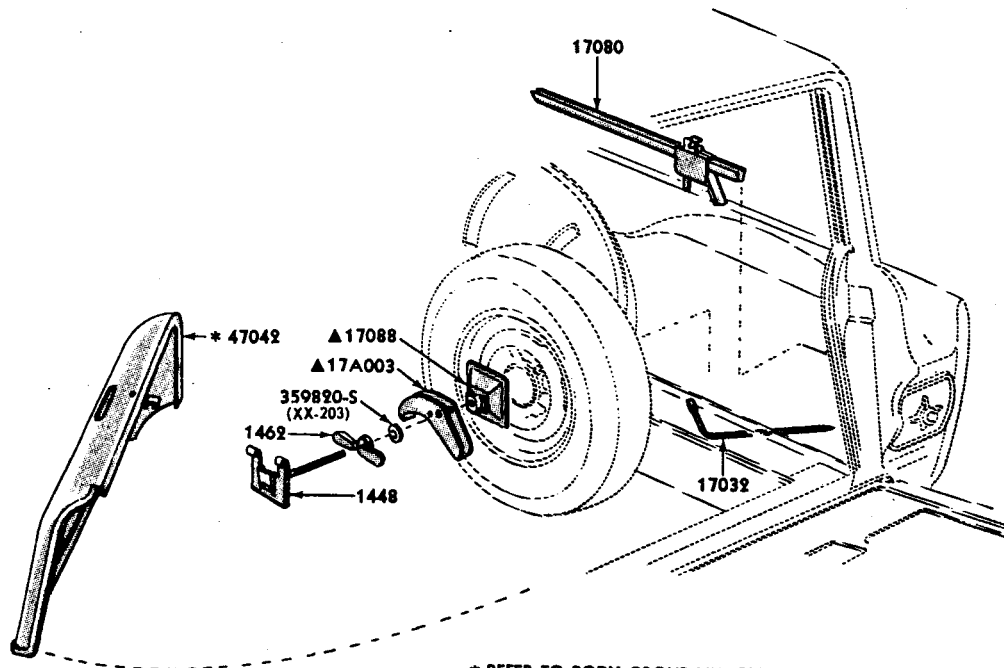
ILLUSTRATION  
SECTION 175.2

**FORD CAR PARTS**



P-3706

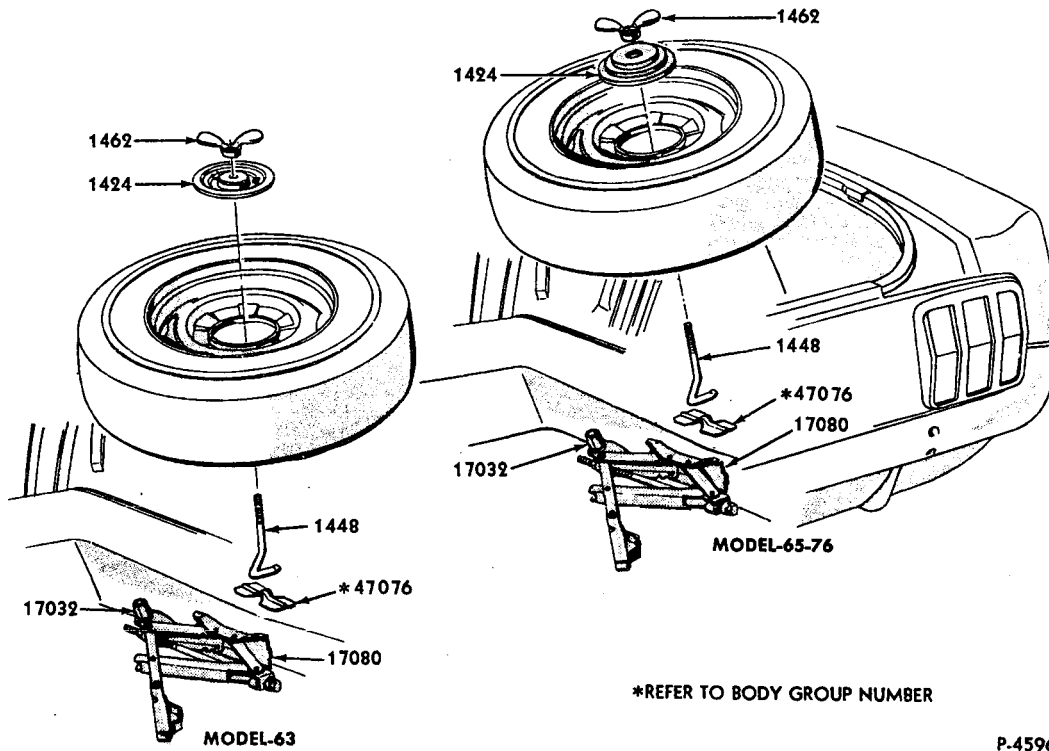
JACK and SPARE WHEEL PARTS  
1965 FAIRLANE - BODY TYPE 54, 62, 65



\* REFER TO BODY GROUP NUMBER  
▲ ALSO SUPPLIED IN 17080 JACK ASSEMBLY

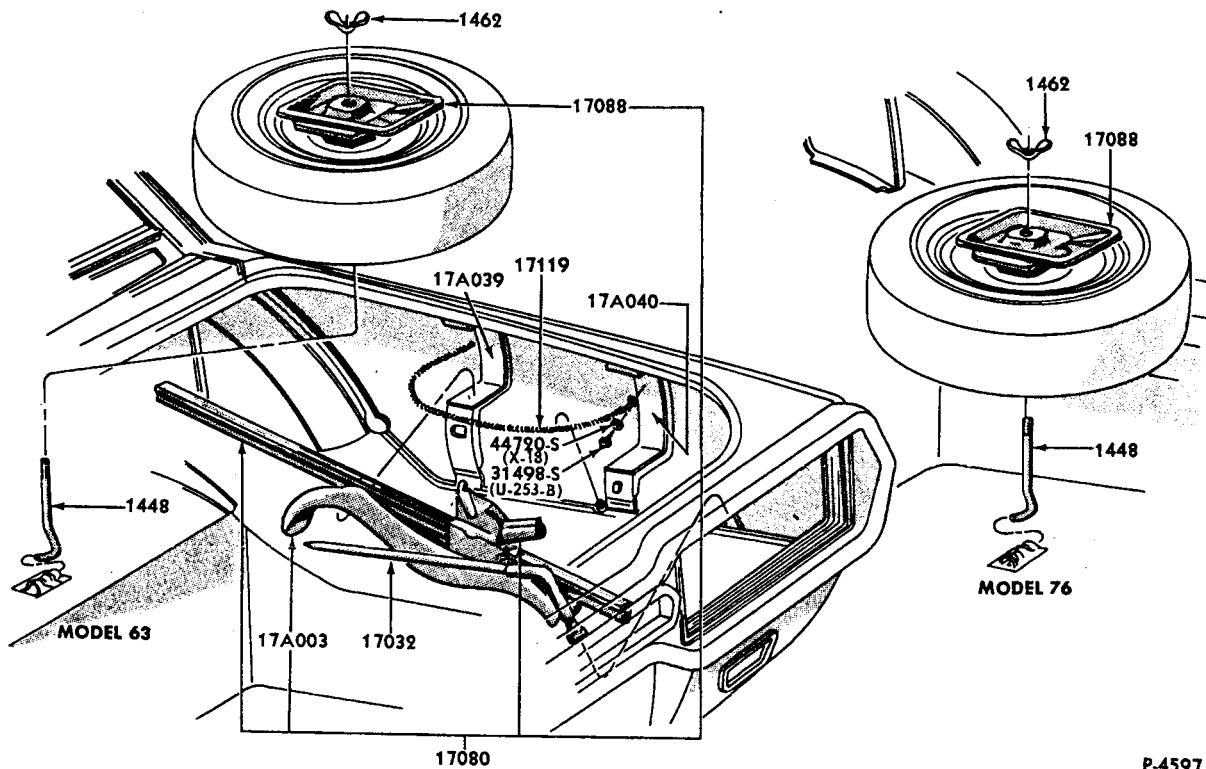
P-4824

JACK and SPARE WHEEL PARTS  
1965 FAIRLANE - BODY TYPE 71



JACK and SPARE WHEEL PARTS  
1965/67 MUSTANG

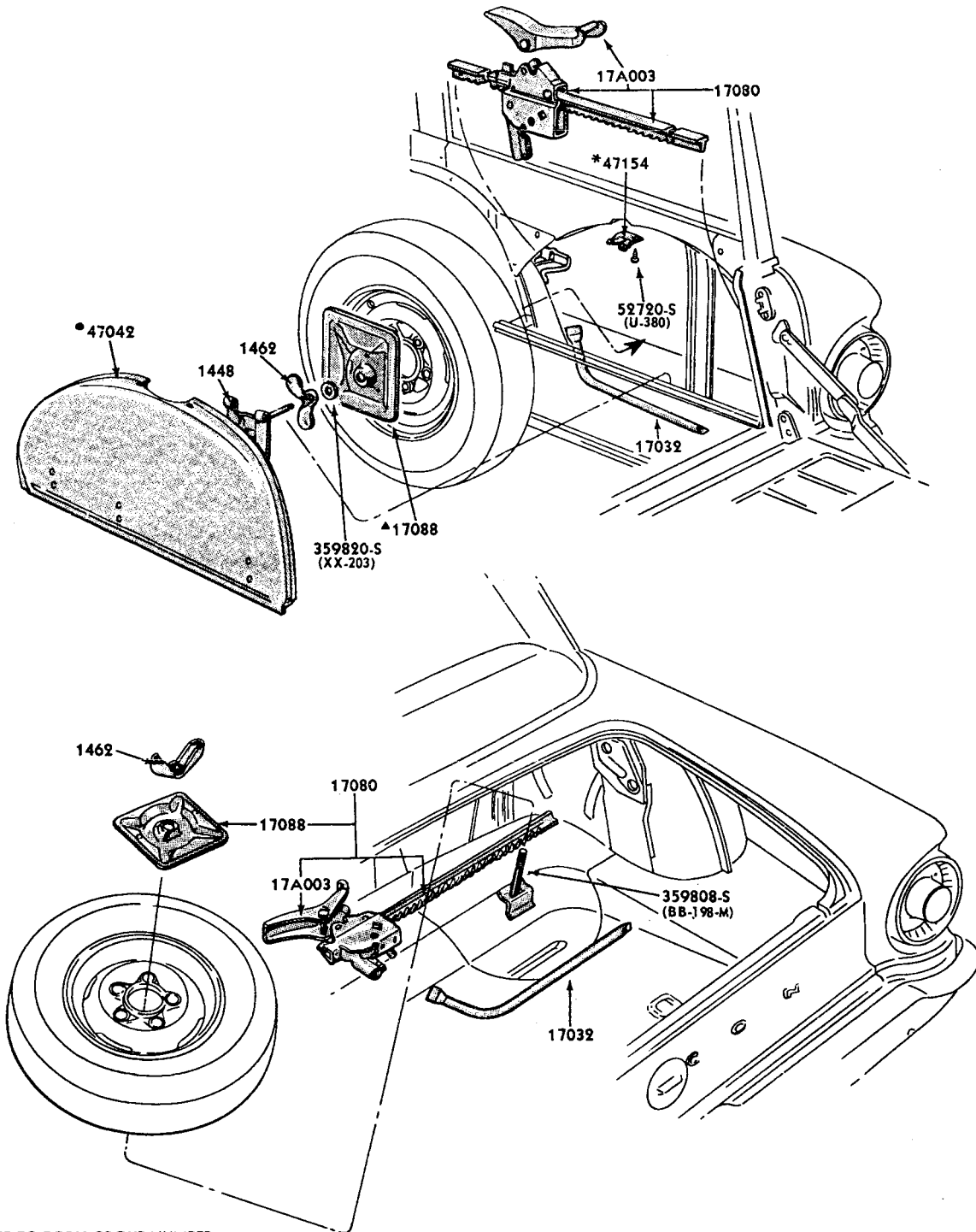
P.4596



JACK and SPARE WHEEL PARTS  
1965/66 THUNDERBIRD

P.4597

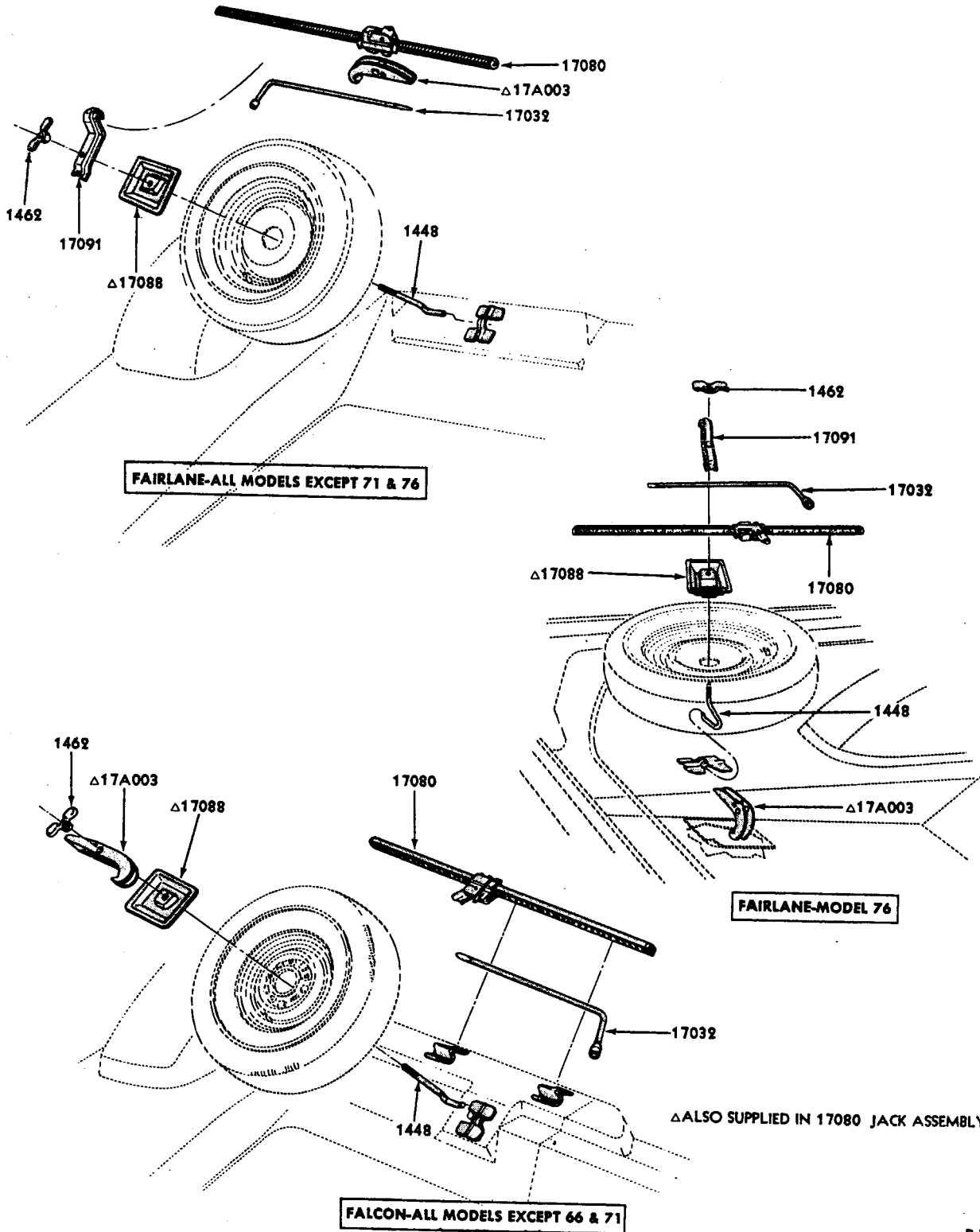
**FORD CAR PARTS**



P.3916

\* REFER TO BODY GROUP NUMBER  
 ▲ ALSO SUPPLIED IN 17080 ASS'Y.  
 ● REFER TO GROUP IN SOFT TRIM SECTION

JACK and SPARE WHEEL PARTS  
 1965 FALCON



P.5211

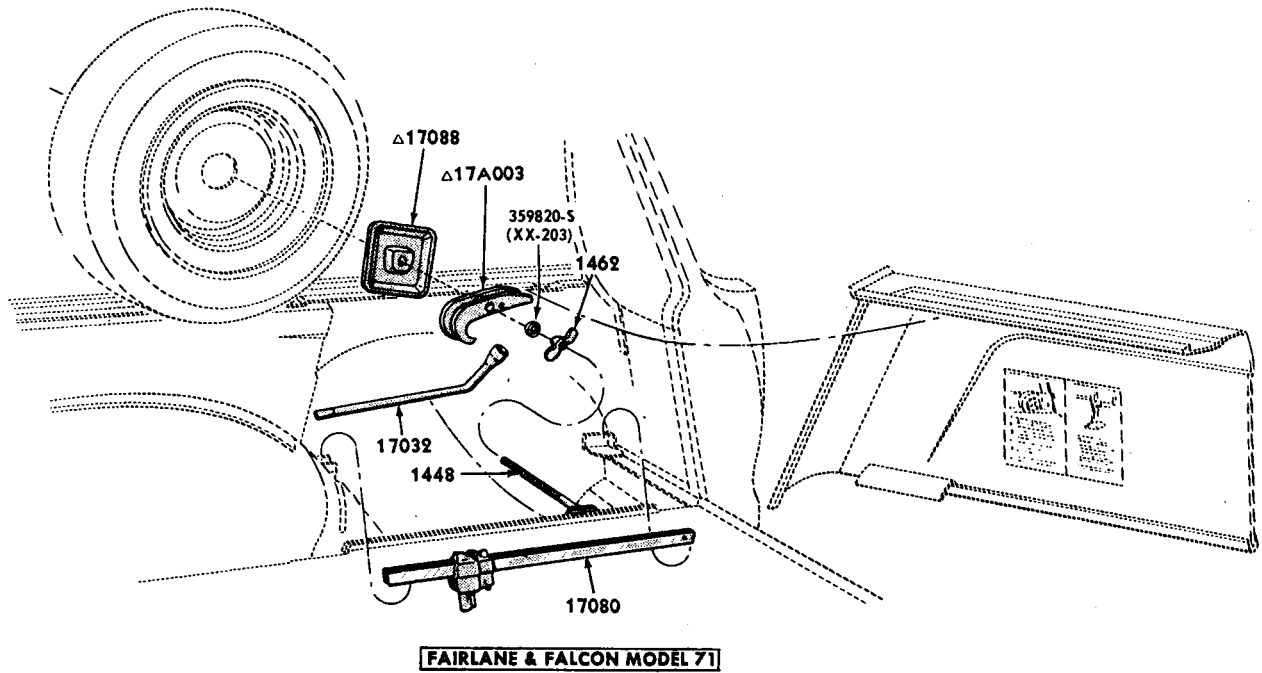
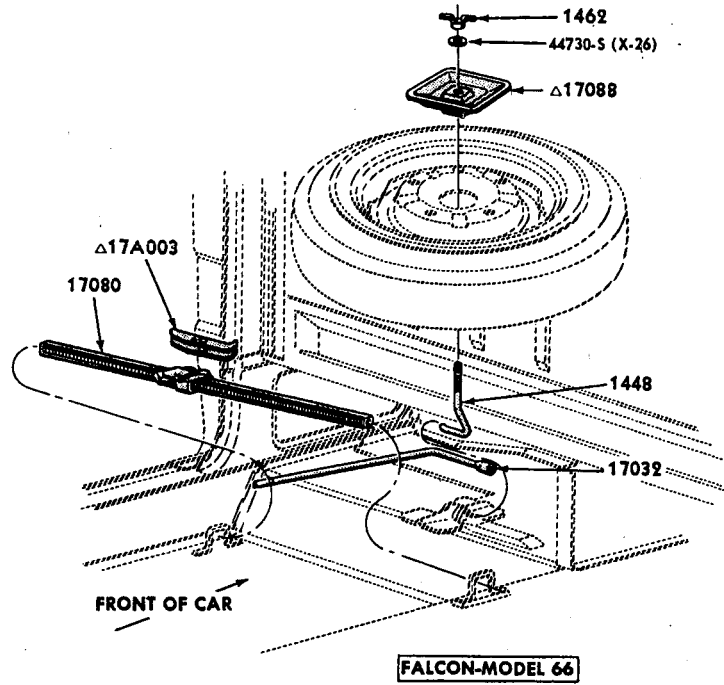
JACK and SPARE WHEEL PARTS  
1966/71 FAIRLANE/TORINO and 1966/70 FALCON - except BODY TYPE 66, 71

May, 1975

COPYRIGHT © 1975 - FORD MOTOR COMPANY - DEARBORN, MICHIGAN

FINAL ISSUE

# FORD CAR PARTS

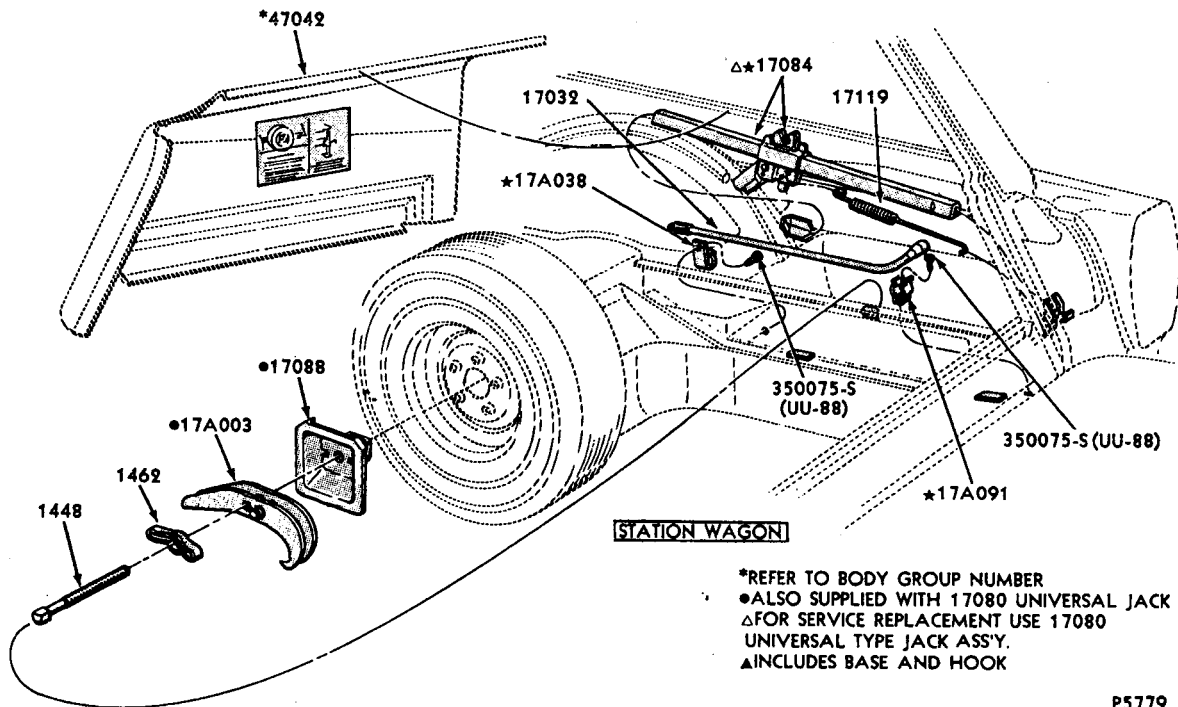
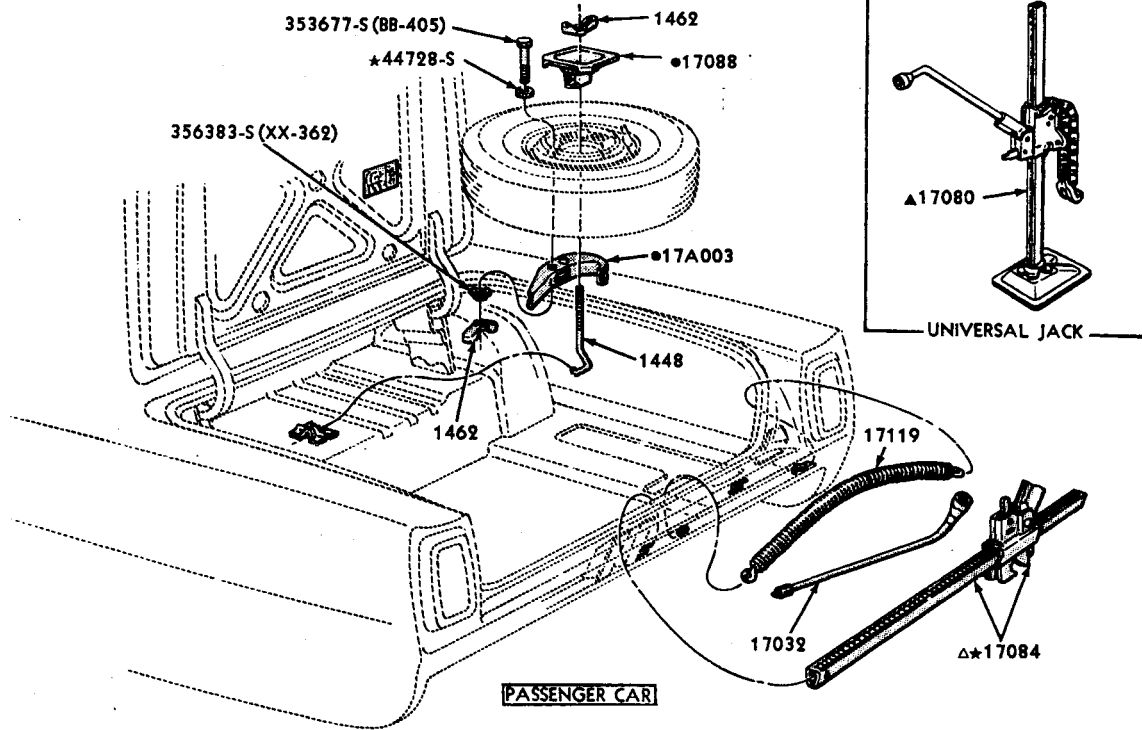


ΔALSO SUPPLIED IN 17080 JACK ASSEMBLY

P-5212

JACK and SPARE WHEEL PARTS  
1966/71 FAIRLANE/TORINO and 1966/70 FALCON - BODY TYPES 66, 71





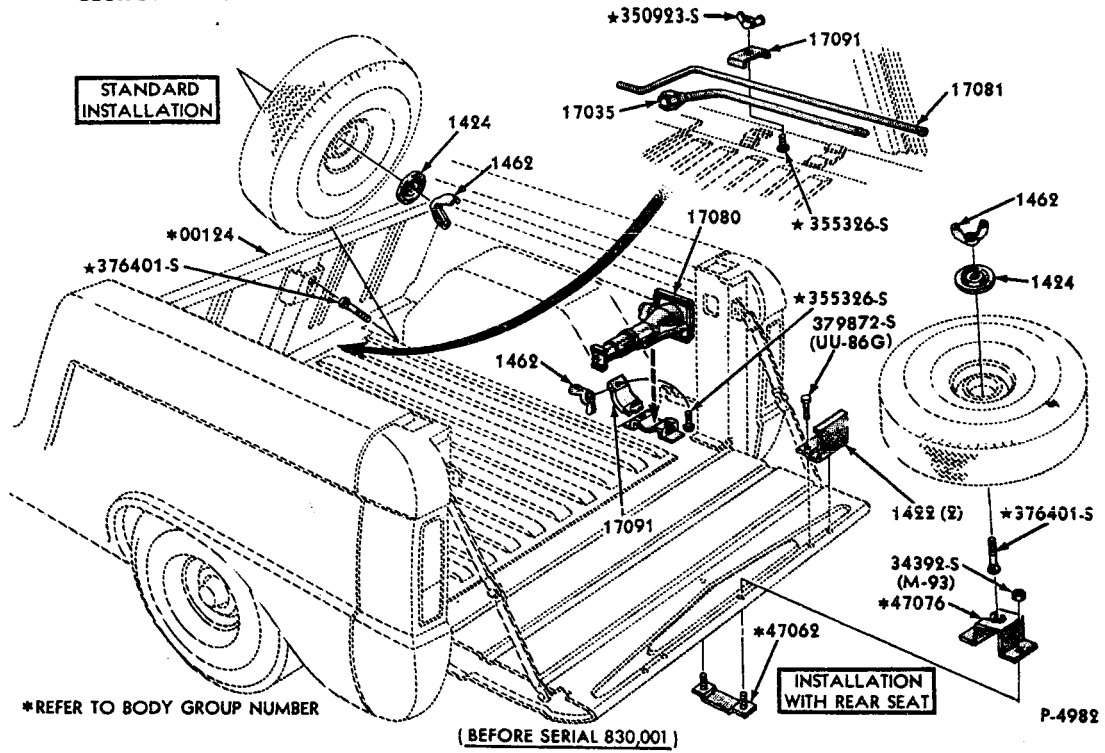
\*REFER TO BODY GROUP NUMBER  
 ●ALSO SUPPLIED WITH 17080 UNIVERSAL JACK  
 ΔFOR SERVICE REPLACEMENT USE 17080  
 UNIVERSAL TYPE JACK ASS'Y.  
 ▲INCLUDES BASE AND HOOK

P5779

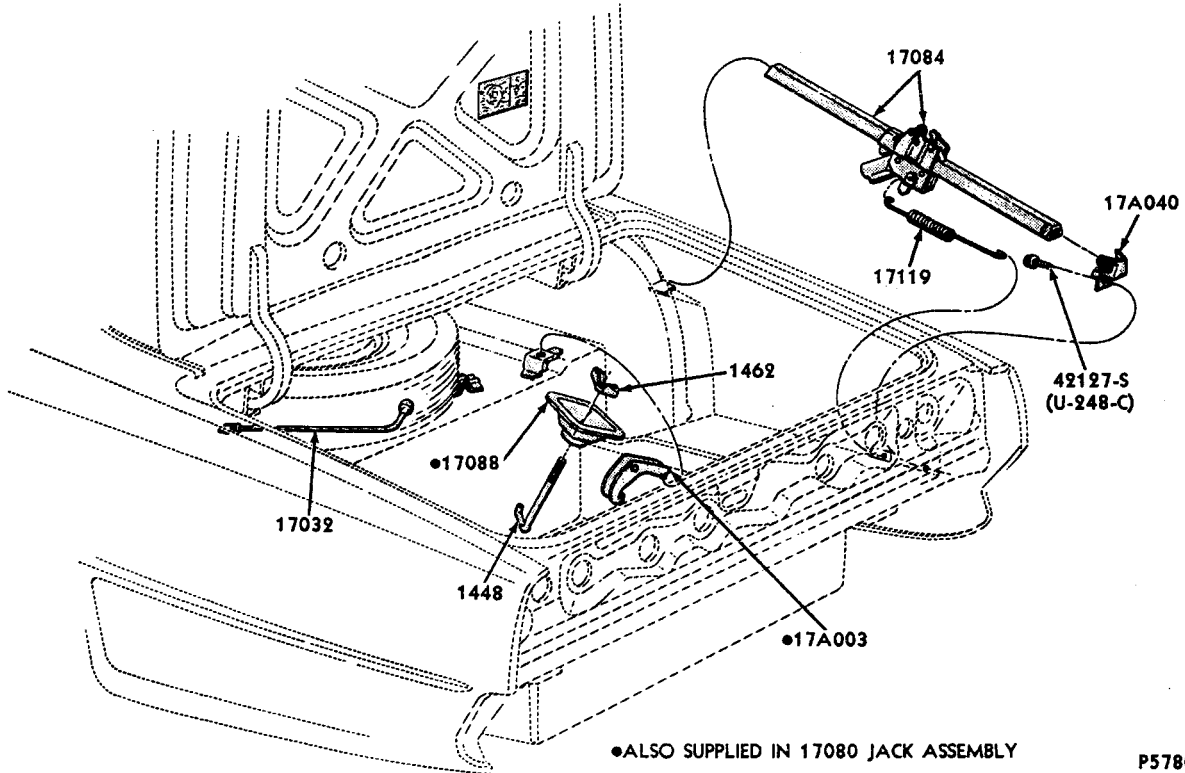
**JACK and SPARE WHEEL PARTS  
1967/69 FORD**

ILLUSTRATION  
SECTION 175.2

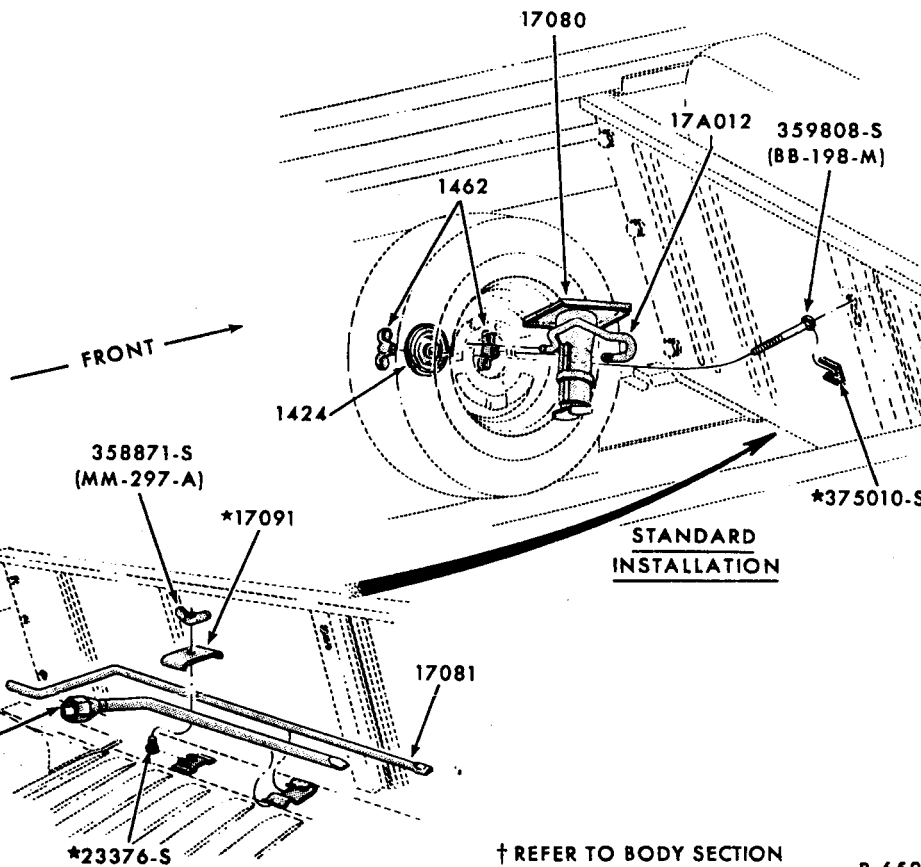
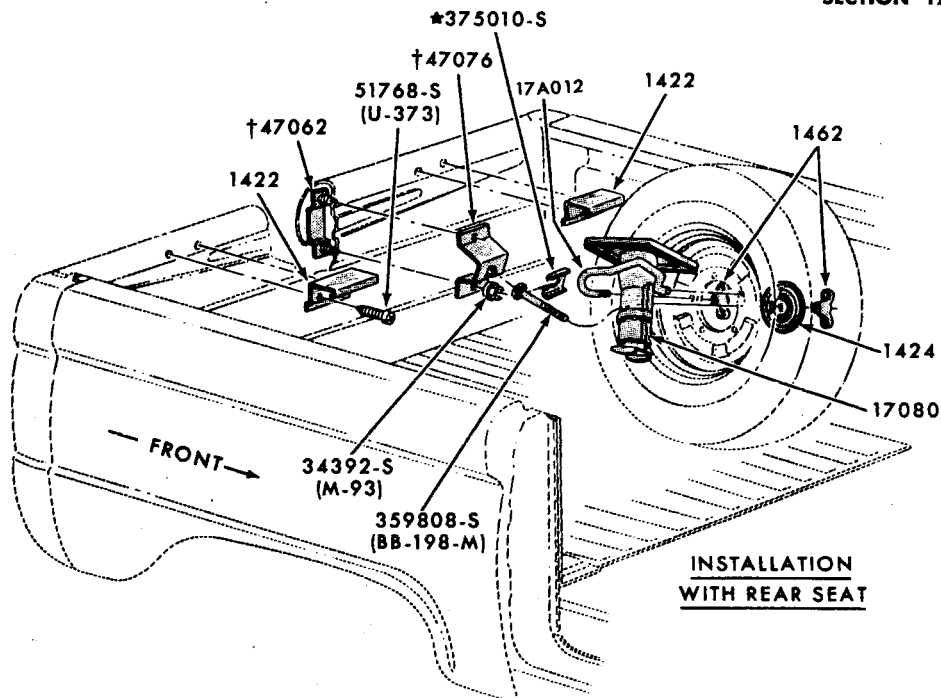
**FORD CAR PARTS**



JACK and SPARE WHEEL PARTS  
1966 BRONCO - BEFORE SERIAL 830,001

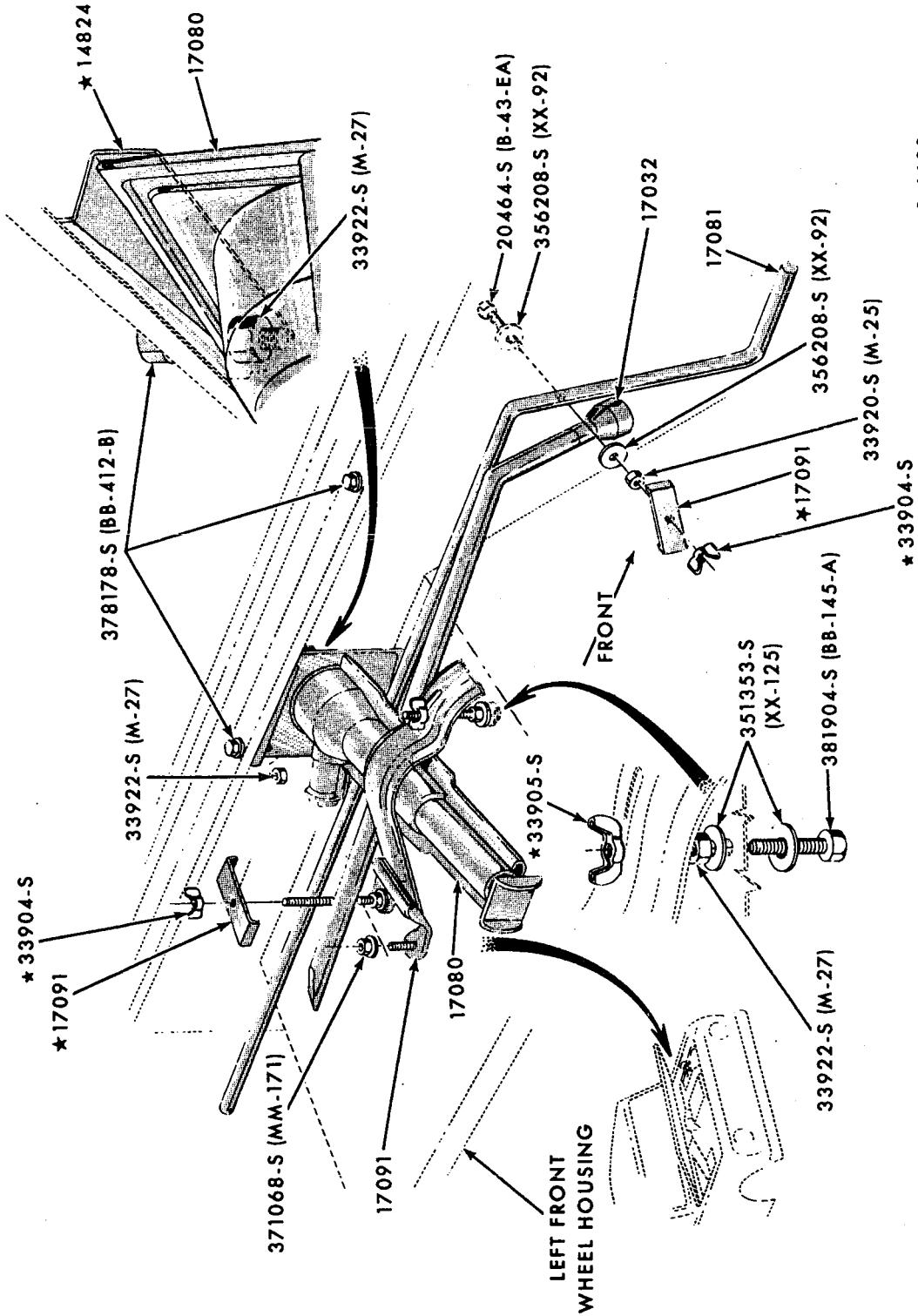


JACK and SPARE WHEEL PARTS  
1967/71 THUNDERBIRD

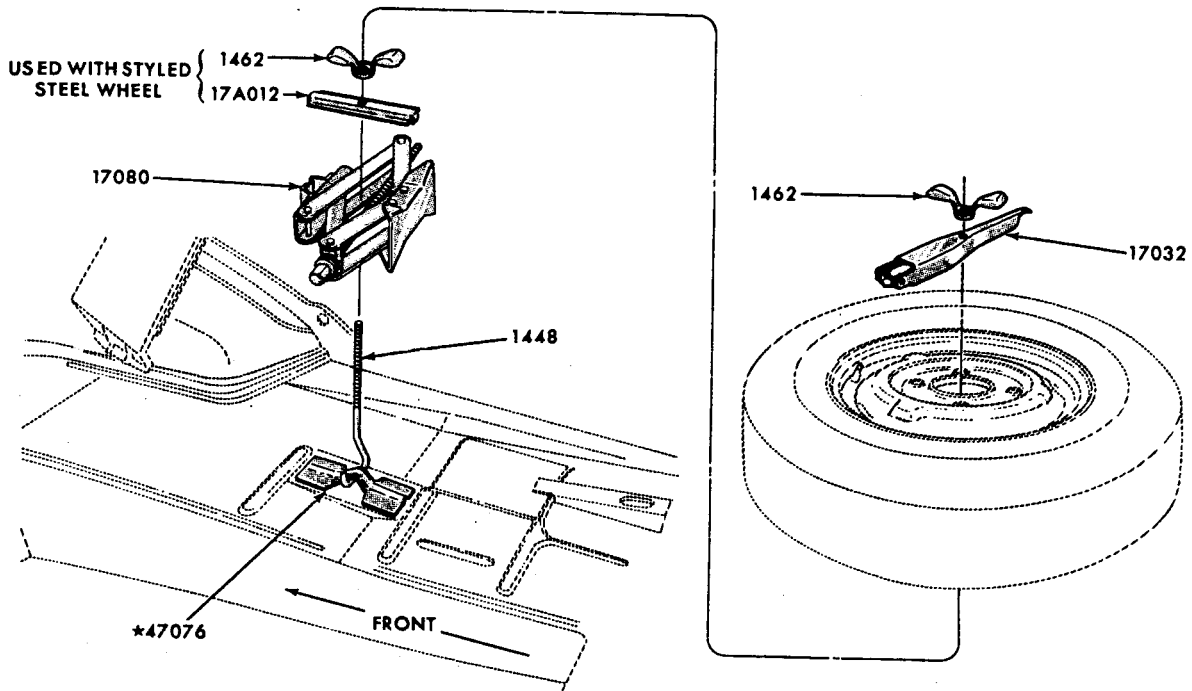


JACK and SPARE WHEEL PARTS  
 1966/67 BRONCO (JACK STOWAGE) - FROM SERIAL 830,001  
 1966/72 BRONCO (EXCEPT SWING-A-WAY) - SPARE WHEEL PARTS

FORD CAR PARTS

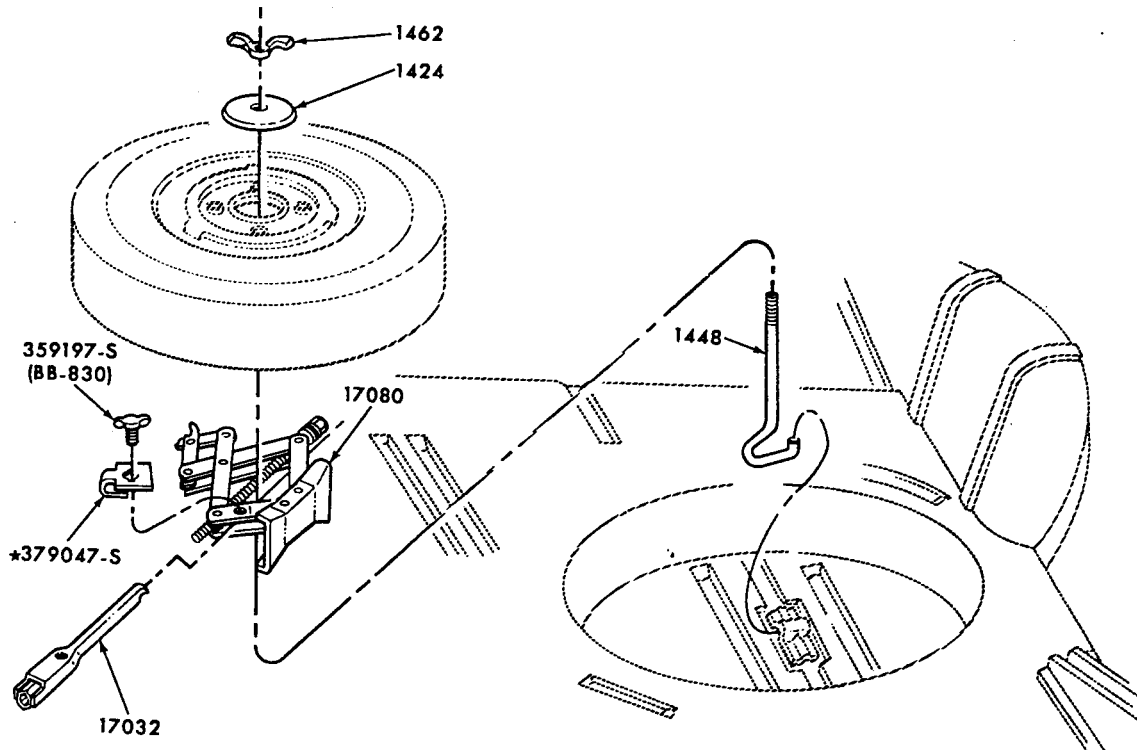


P-6600



P-6925

JACK and SPARE WHEEL PARTS  
1970/72 MAVERICK

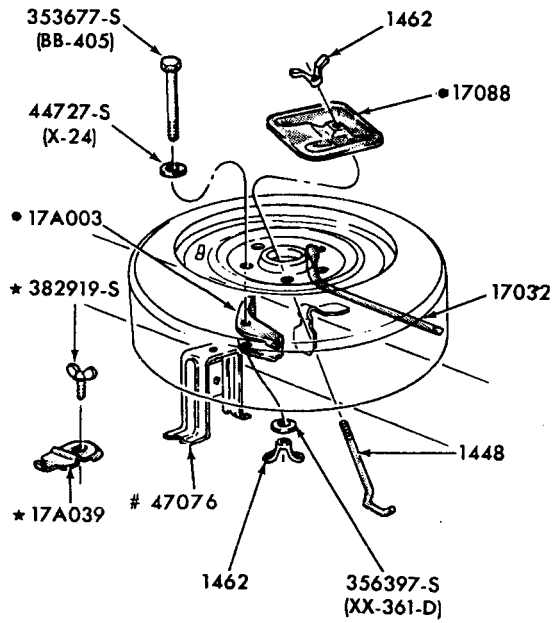


P-8407

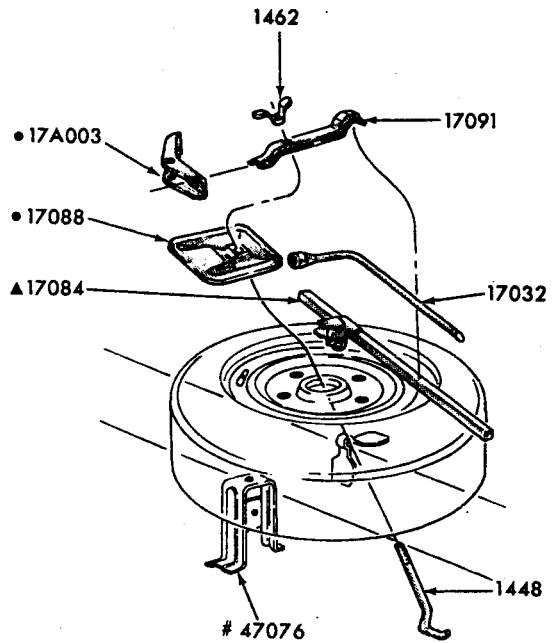
JACK and SPARE WHEEL PARTS  
1971/72 PINTO

**FORD CAR PARTS**

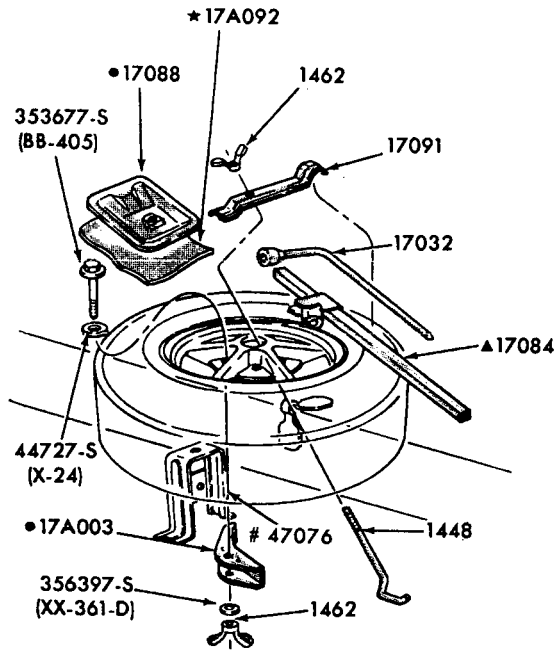
**ILLUSTRATION SECTION 175.2**



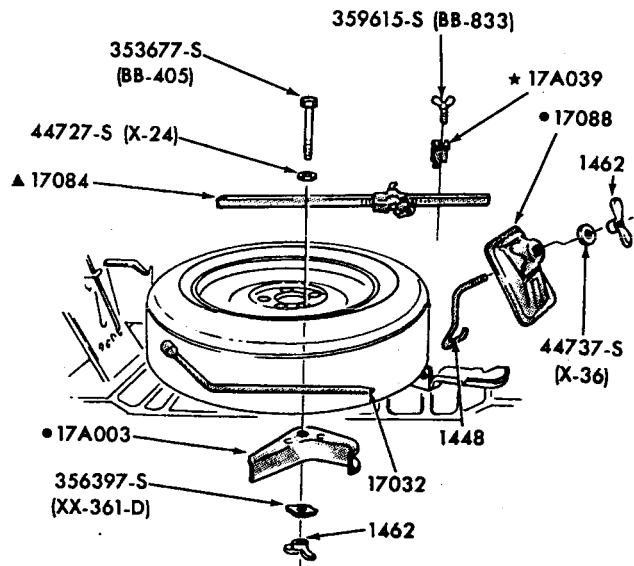
**FORD CONVERTIBLE**



**MERCURY CONVERTIBLE EXCEPT WITH  
STYLED STEEL WHEELS**



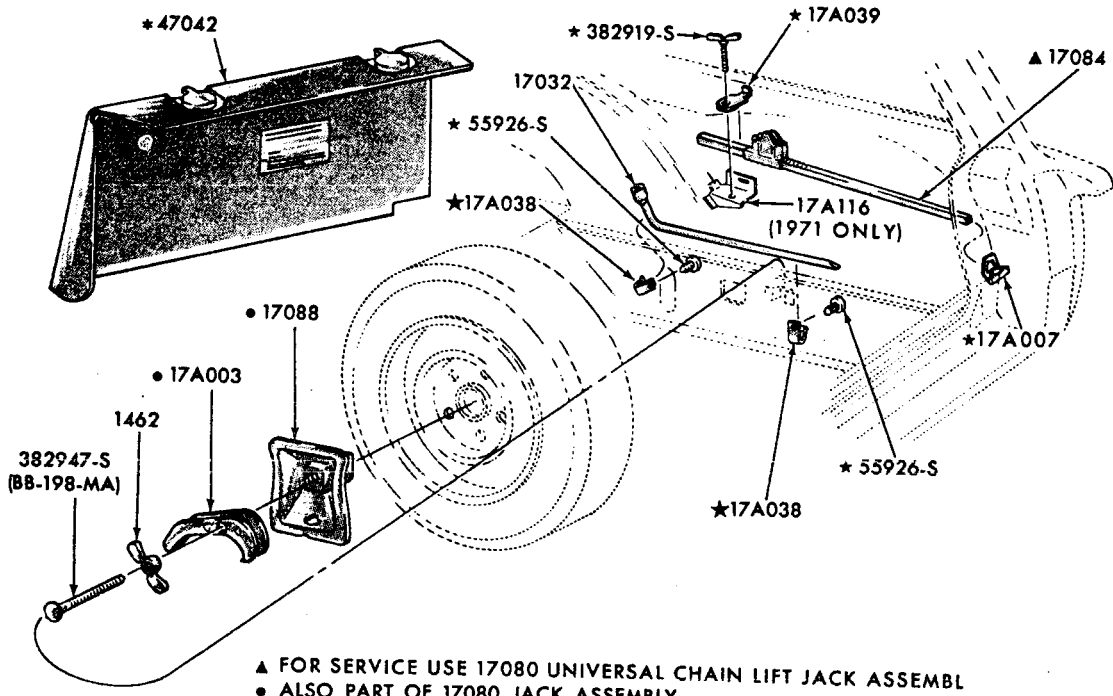
**MERCURY CONVERTIBLE WITH STYLED  
STEEL WHEELS**



**ALL FORD AND MERCURY EXCEPT CONVERTIBLE**

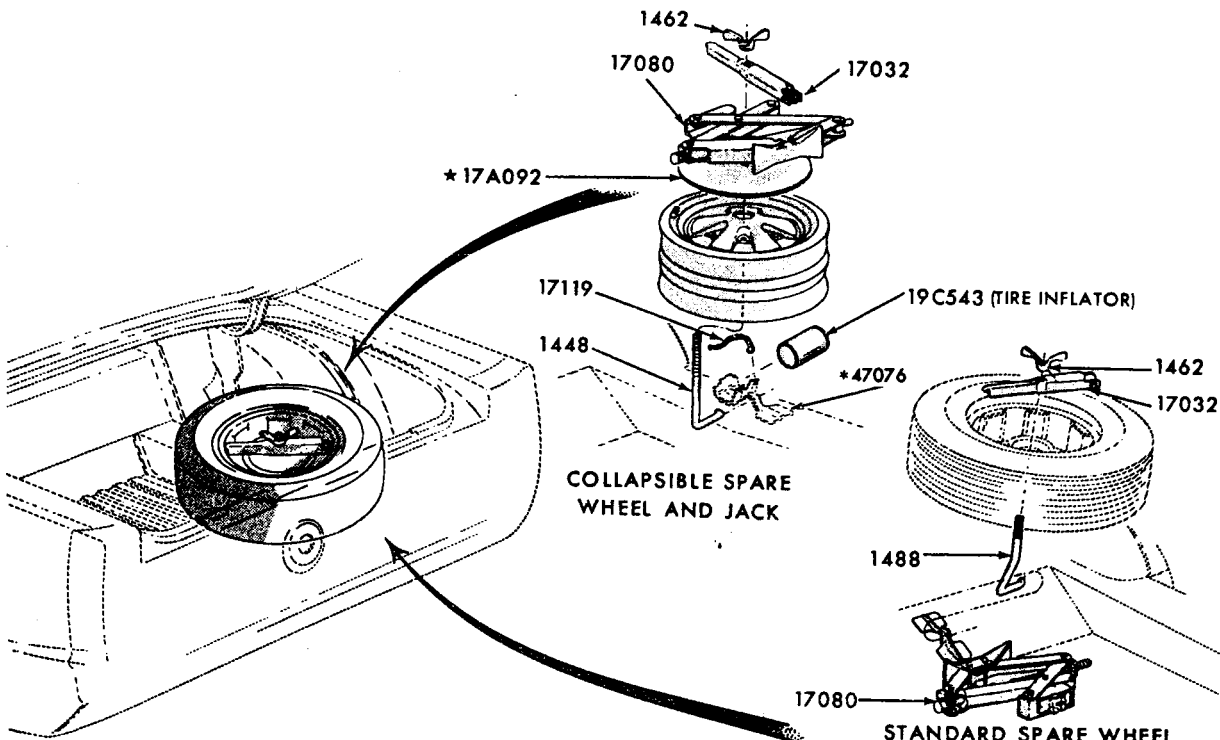
- # REFER TO GROUP IN BODY SECTION
- ALSO PART OF 17080 JACK ASSEMBLY
- ▲ SERVICED AS 17080 JACK ASSEMBLY ONLY

P-7055



▲ FOR SERVICE USE 17080 UNIVERSAL CHAIN LIFT JACK ASSEMBLY  
 ● ALSO PART OF 17080 JACK ASSEMBLY  
 \* REFER TO GROUP IN SOFT TRIM SECTION P-7056

**JACK and SPARE WHEEL PARTS  
 1969/72 FORD - BODY TYPE 71**



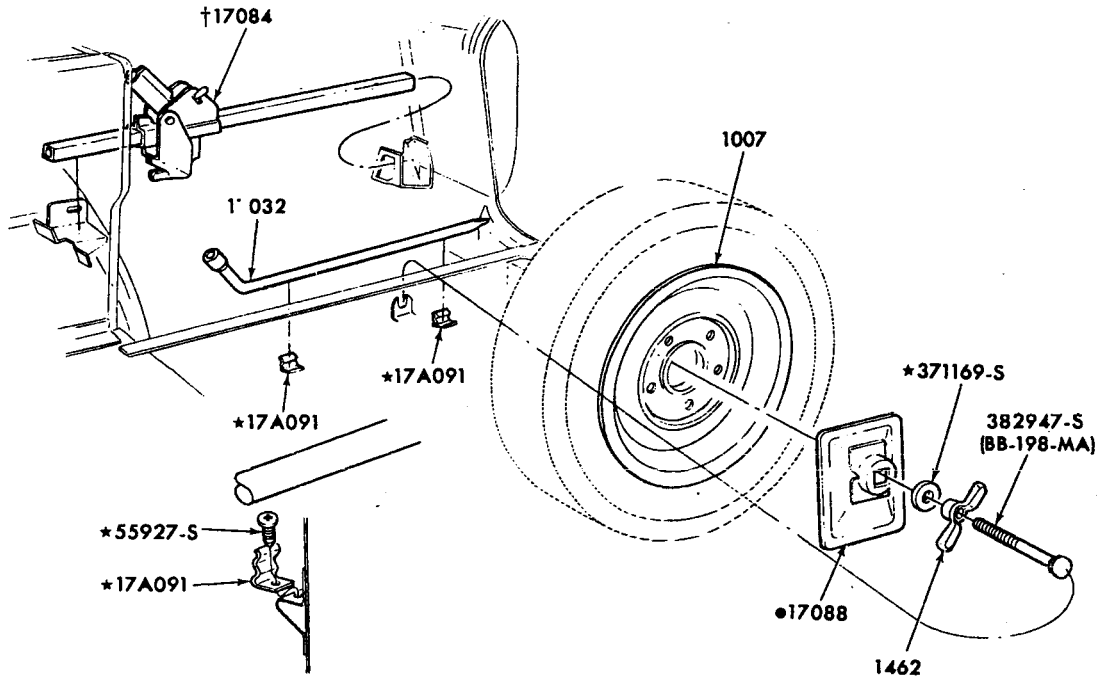
**COLLAPSIBLE SPARE WHEEL AND JACK**

**STANDARD SPARE WHEEL AND JACK STORAGE**

\* BODY GROUP NUMBER

**JACK and SPARE WHEEL PARTS  
 1969/72 MUSTANG**

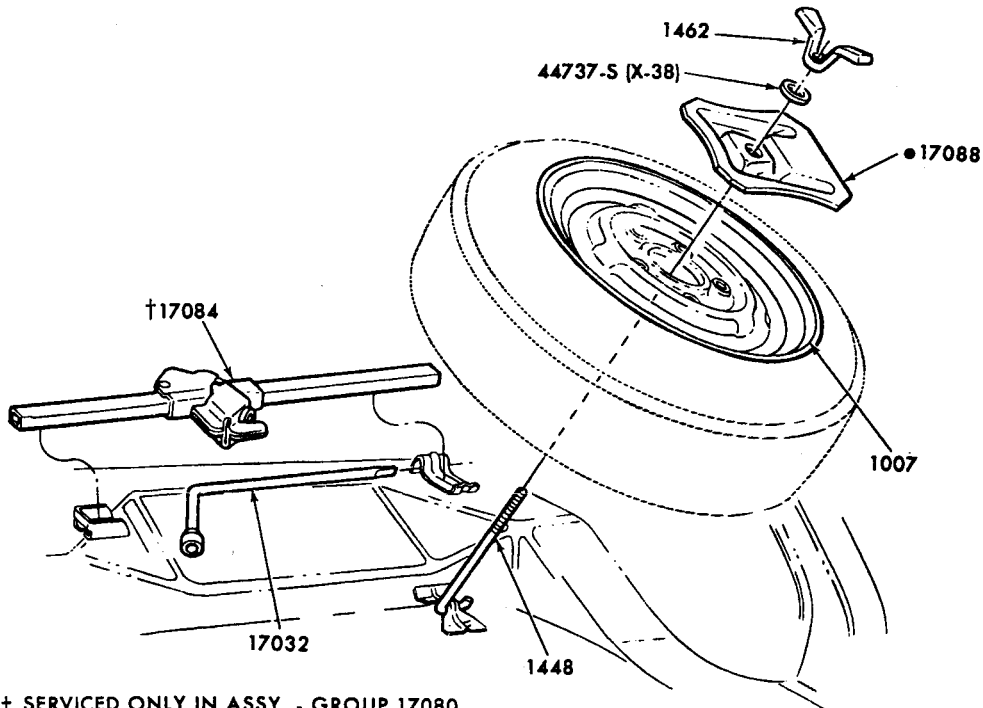
P-7063



† SERVICED ONLY IN ASSY. - GROUP 17080  
● ALSO SERVICED IN ASSY. - GROUP 17080

P-9974

JACK and SPARE WHEEL PARTS  
1972 TORINO - BODY TYPE 71

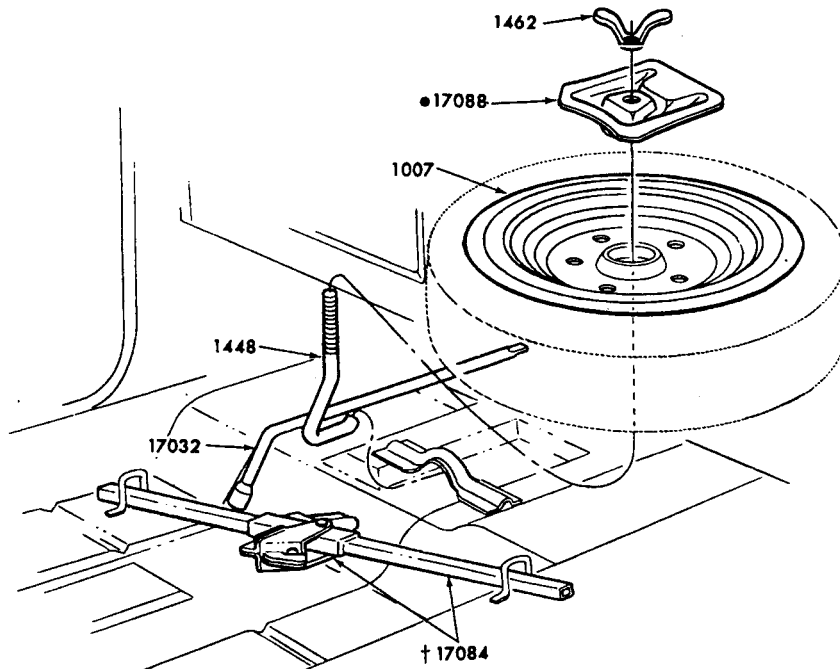


† SERVICED ONLY IN ASSY. - GROUP 17080  
● ALSO SERVICED IN ASSY. - GROUP 17080

P-9975

JACK and SPARE WHEEL PARTS  
1972 TORINO - EXCEPT BODY TYPES 71 and 97

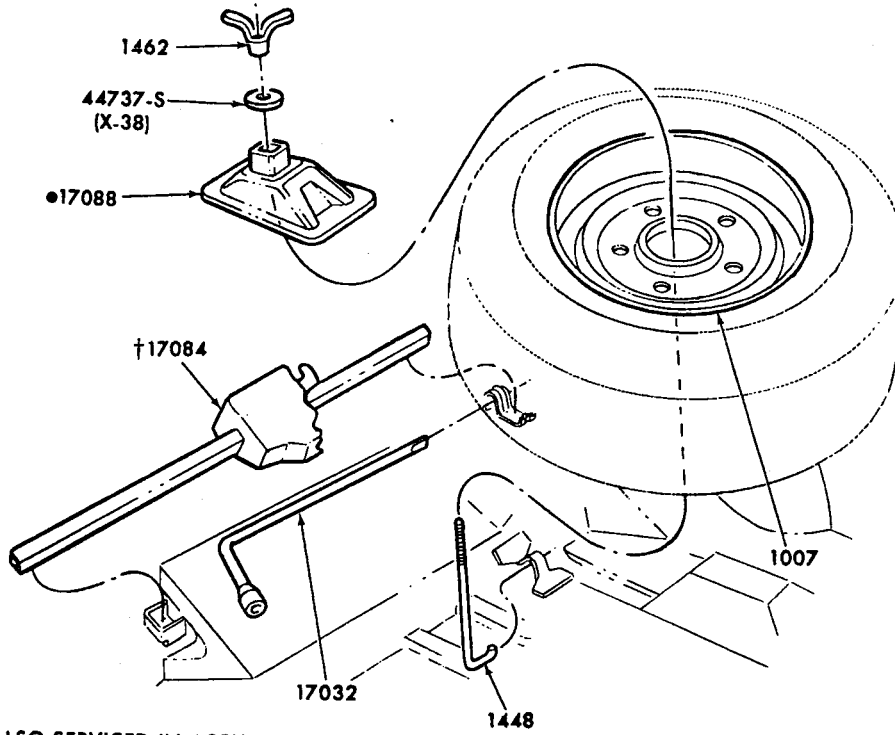




● ALSO SERVICED IN ASSY. - GROUP 17080  
 † SERVICED ONLY IN ASSY. - GROUP 17080

P-9976

JACK and SPARE WHEEL PARTS  
 1972 TORINO - BODY TYPE 97



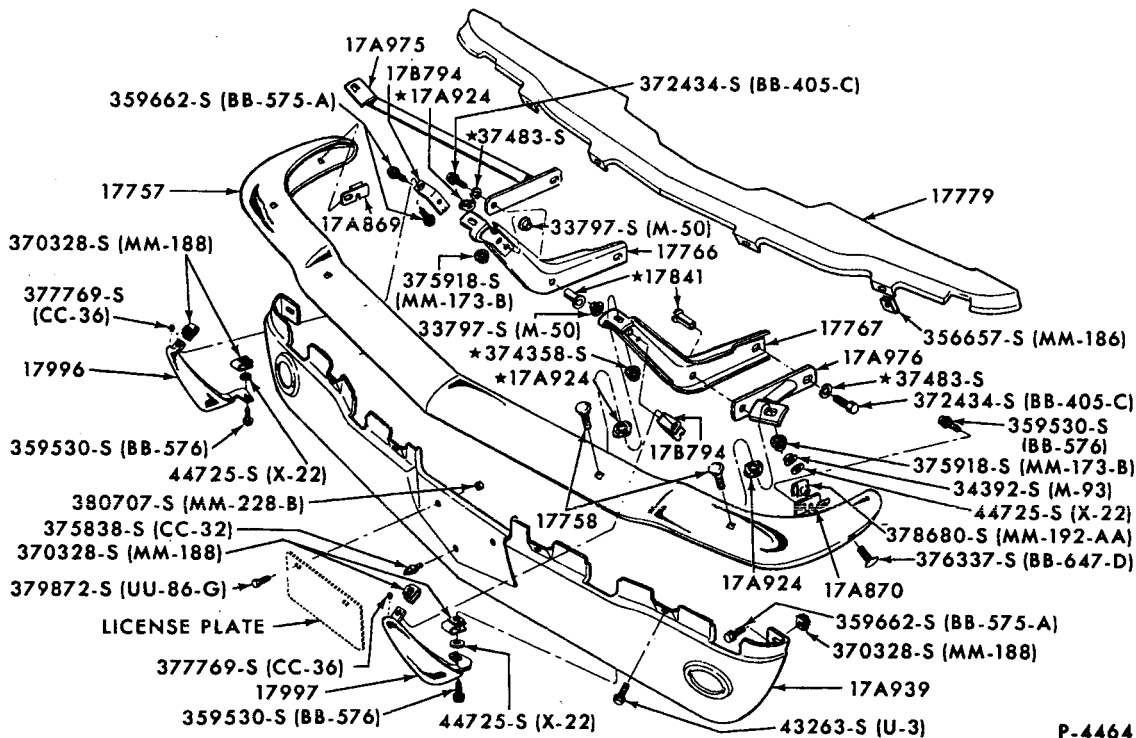
● ALSO SERVICED IN ASSY. - GROUP 17080  
 † SERVICED ONLY IN ASSY. - GROUP 17080

P-9973

JACK and SPARE WHEEL PARTS  
 1972 THUNDERBIRD

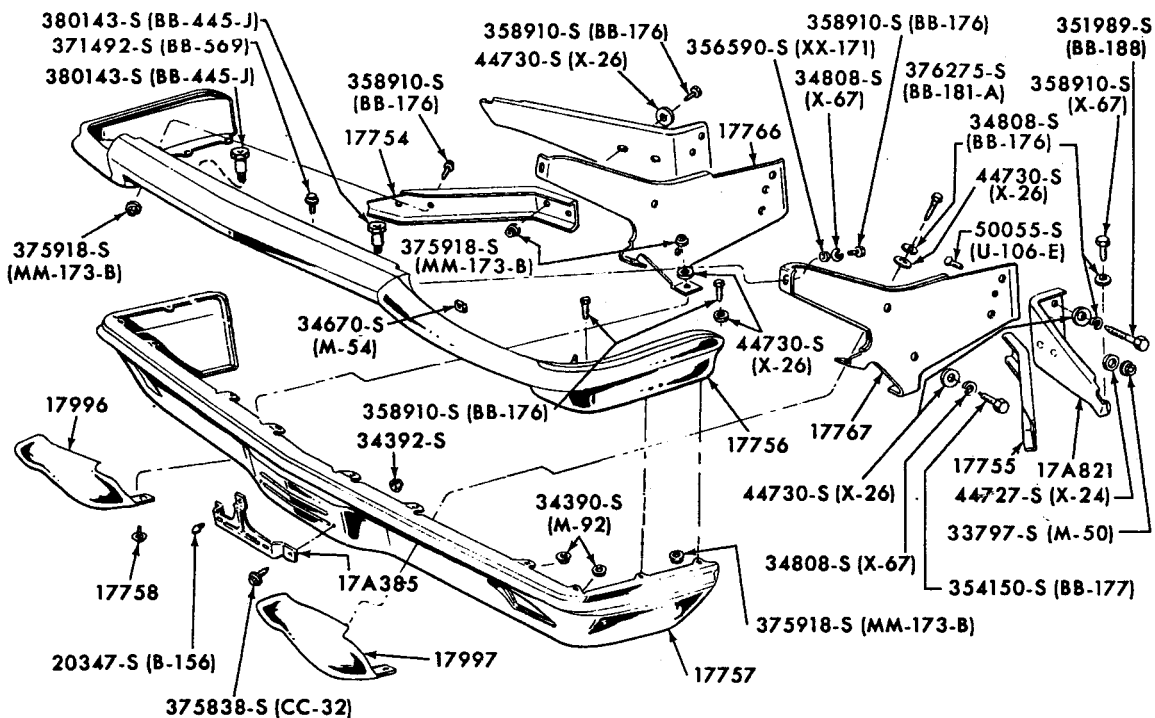


# FORD CAR PARTS



P-4464

FRONT BUMPER and RELATED PARTS  
1965/66 MUSTANG



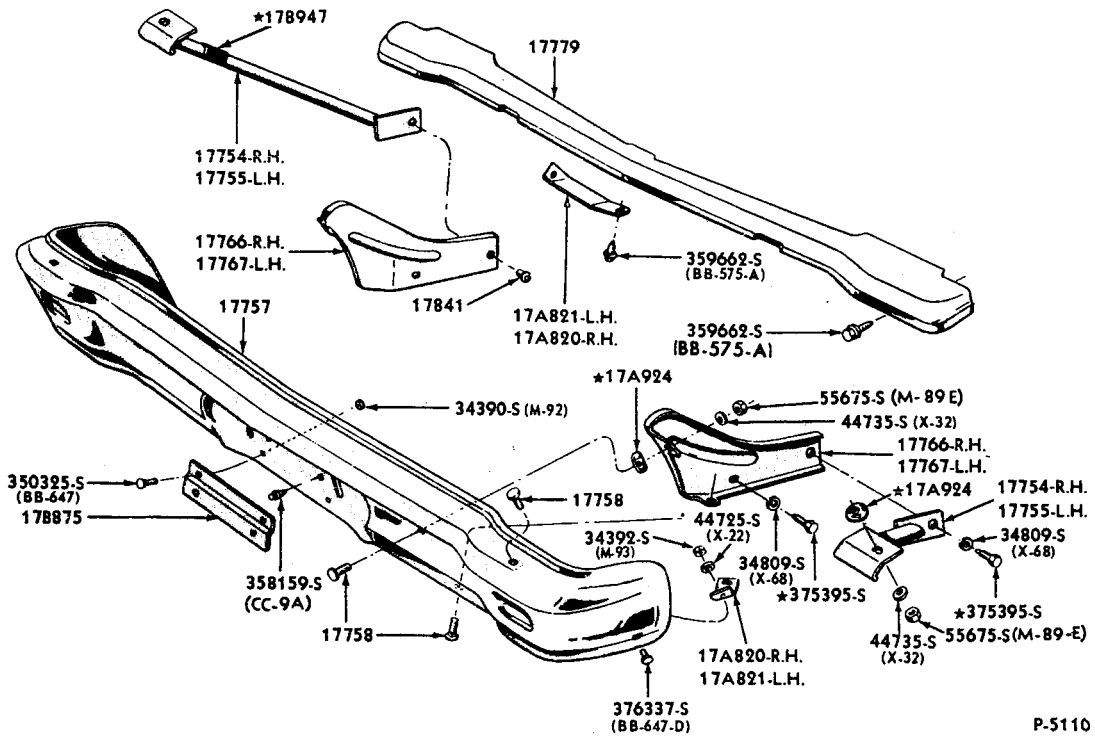
P-9210

FRONT BUMPER, GRILLE and RELATED PARTS  
1965 THUNDERBIRD

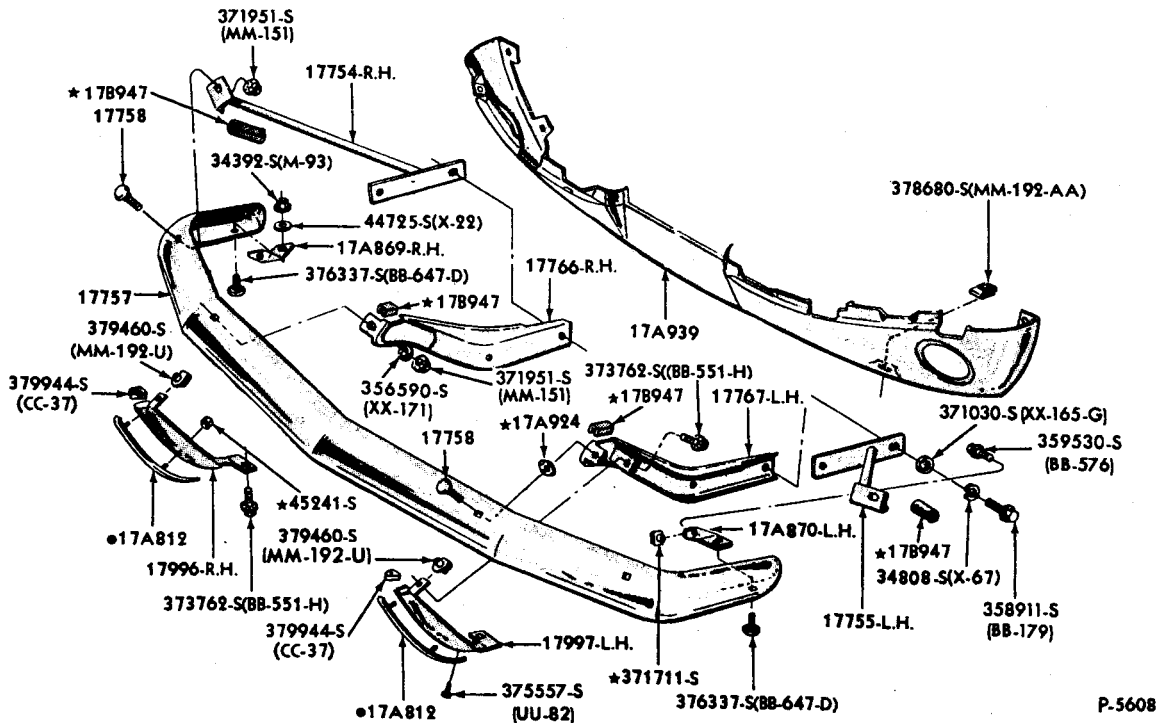


ILLUSTRATION SECTION 176

FORD CAR PARTS

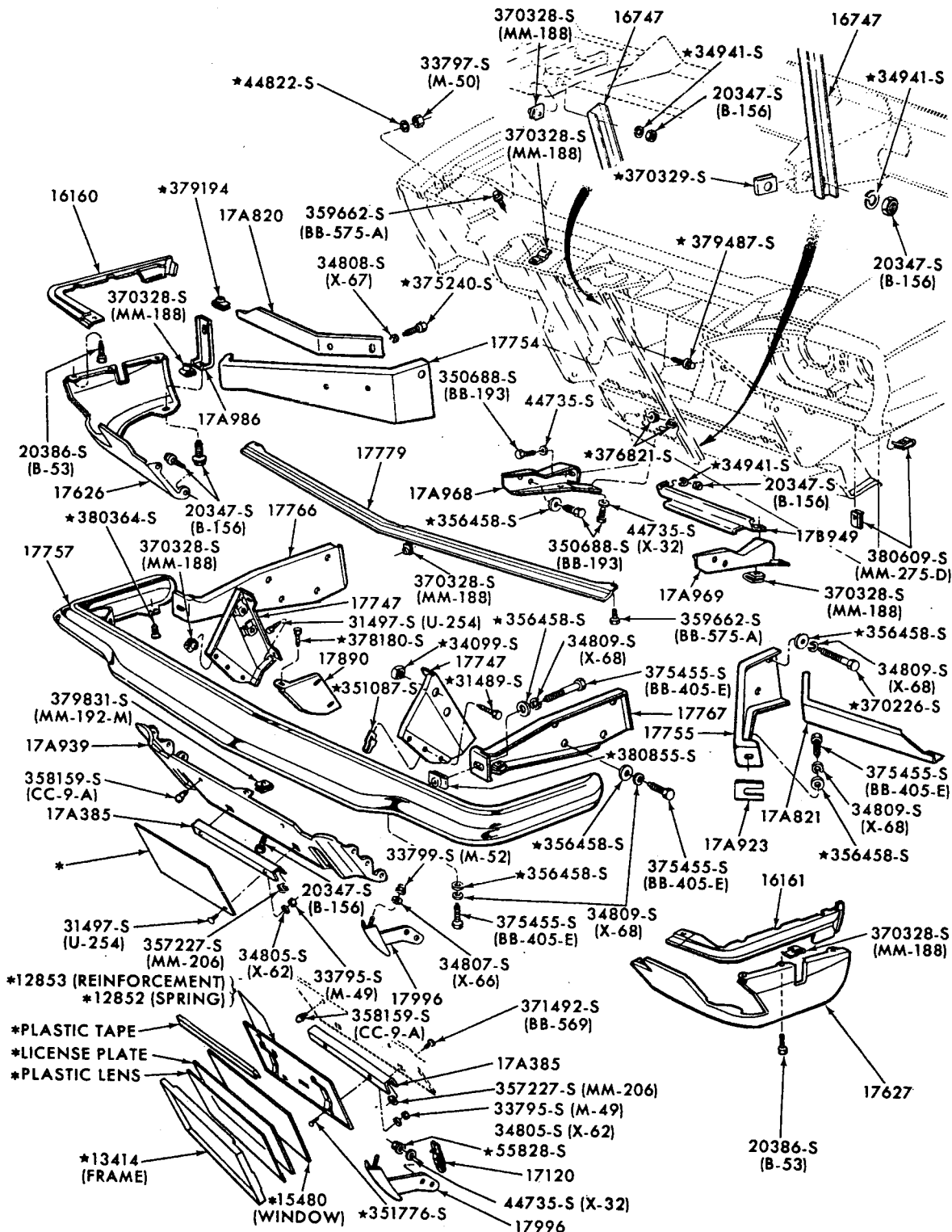


FRONT BUMPER and RELATED PARTS  
1966/67 FAIRLANE



• NOT USED ON UNITS BUILT FROM 3/29/67

FRONT BUMPER and RELATED PARTS  
1967/68 MUSTANG

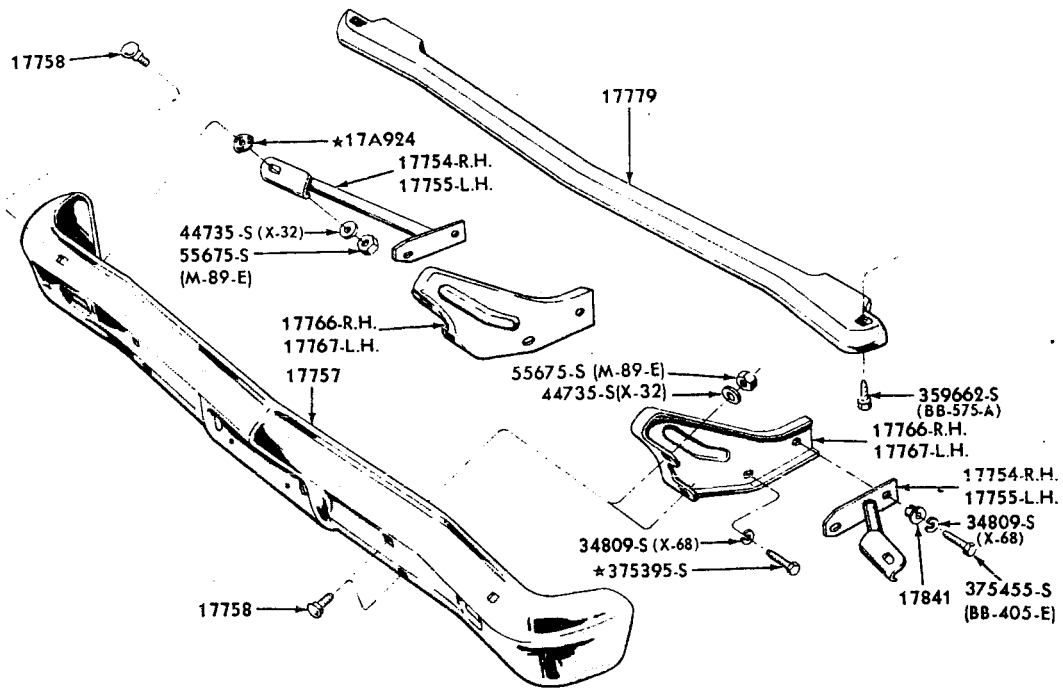


\* SUPPLIED WITH 17A387 LICENSE PLATE KIT ONLY

P-9211

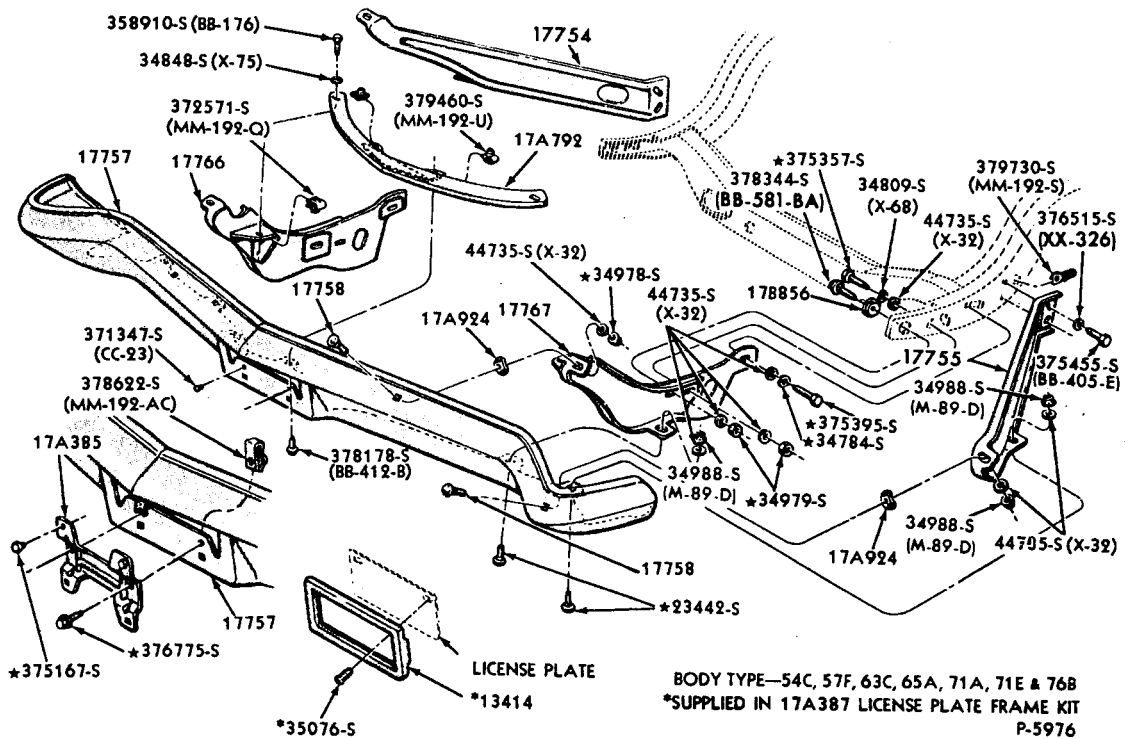
FRONT BUMPERS, GRILLE and RELATED PARTS  
1966 THUNDERBIRD

FORD CAR PARTS

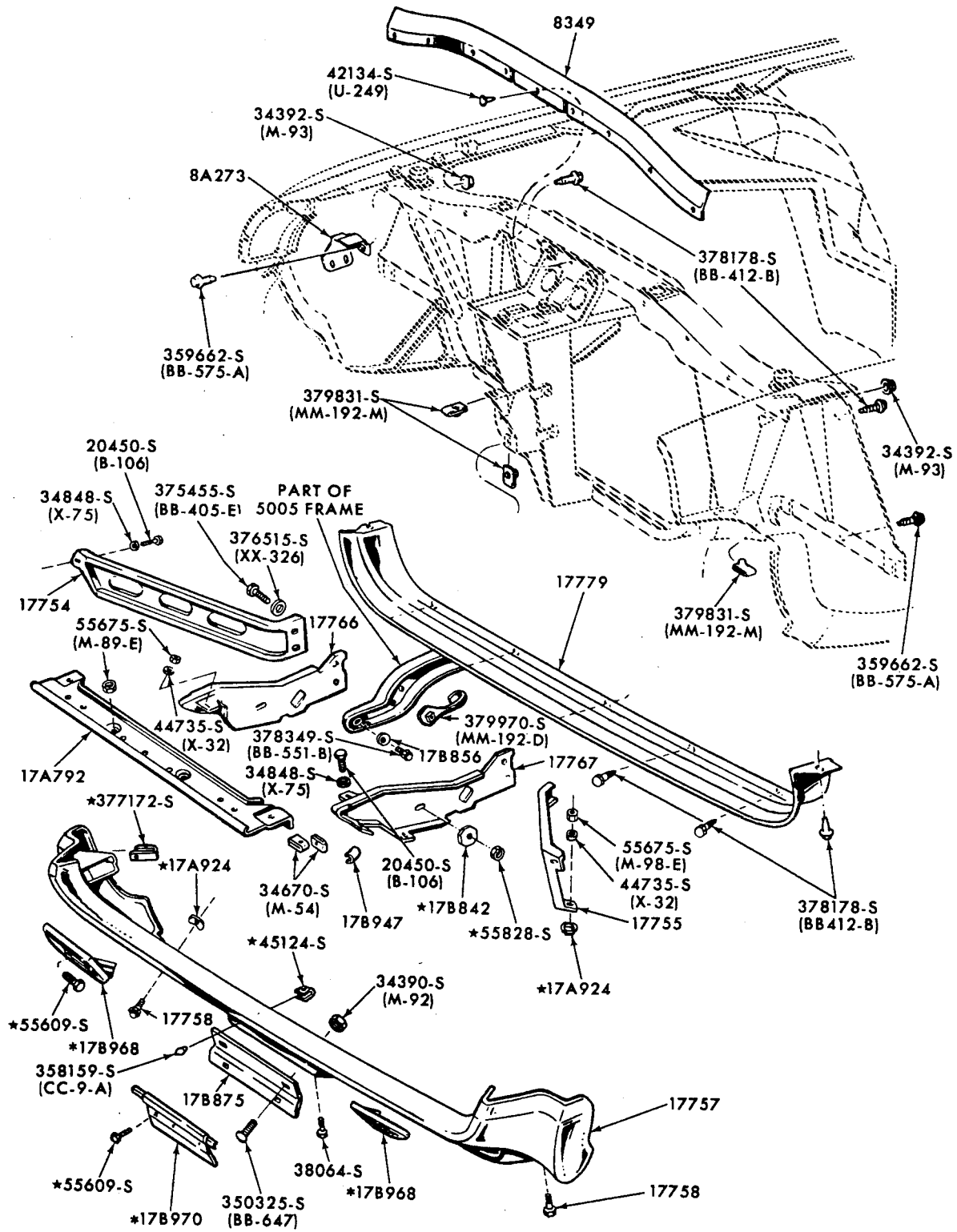


P-5109

FRONT BUMPER and RELATED PARTS  
1966/67 FALCON



FRONT BUMPER and RELATED PARTS  
1968 FORD



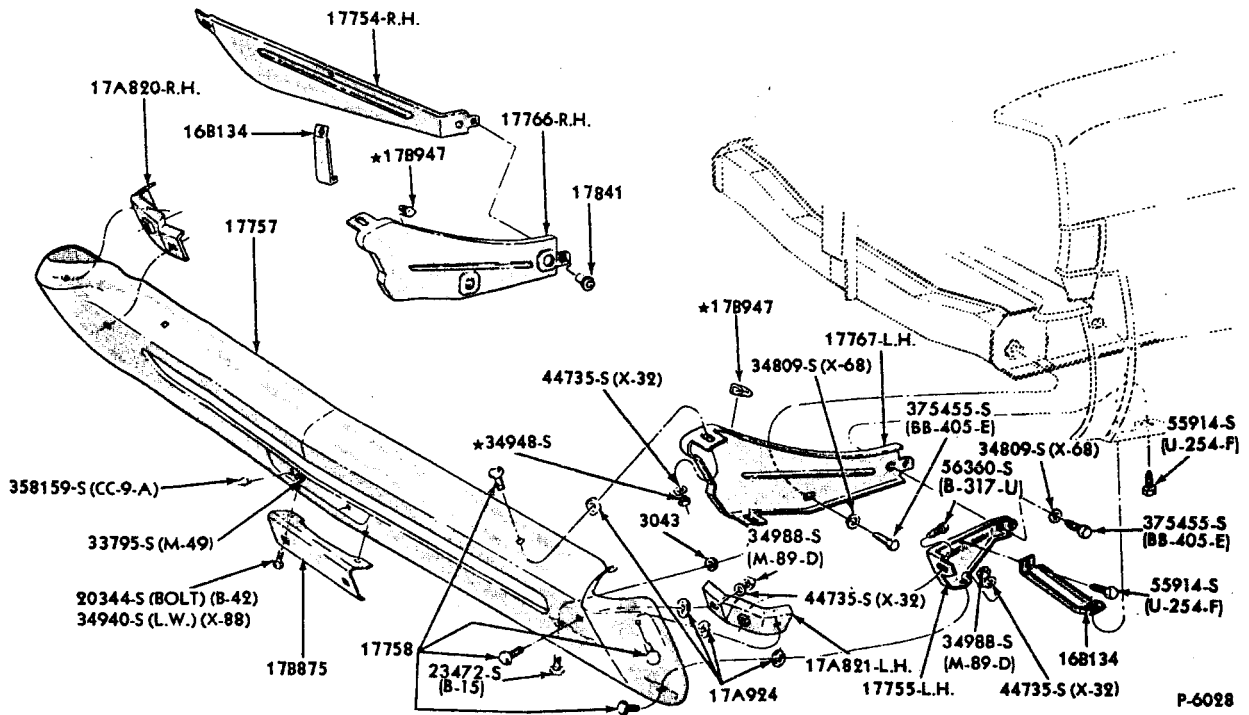
\*USED WITH AIR CONDITIONING OR T/E

P-9212

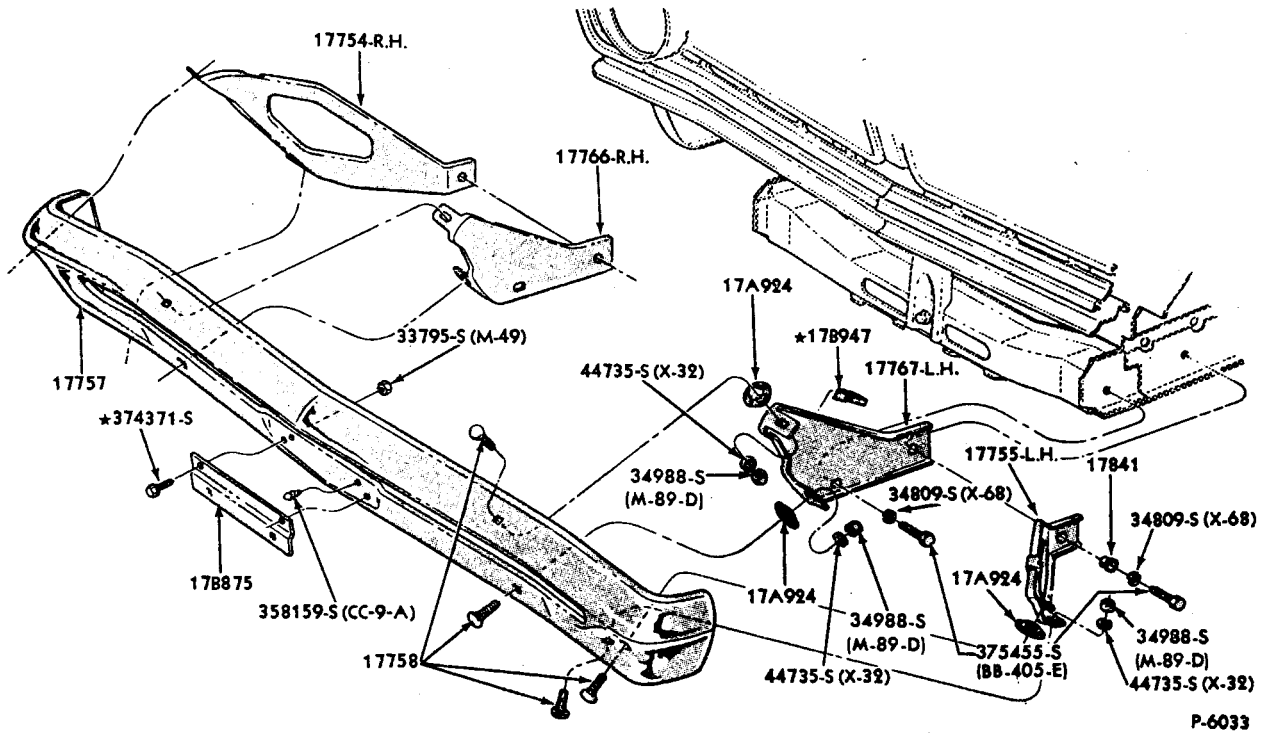
FRONT BUMPER GRILLE and RELATED PARTS  
1987 THUNDERBIRD



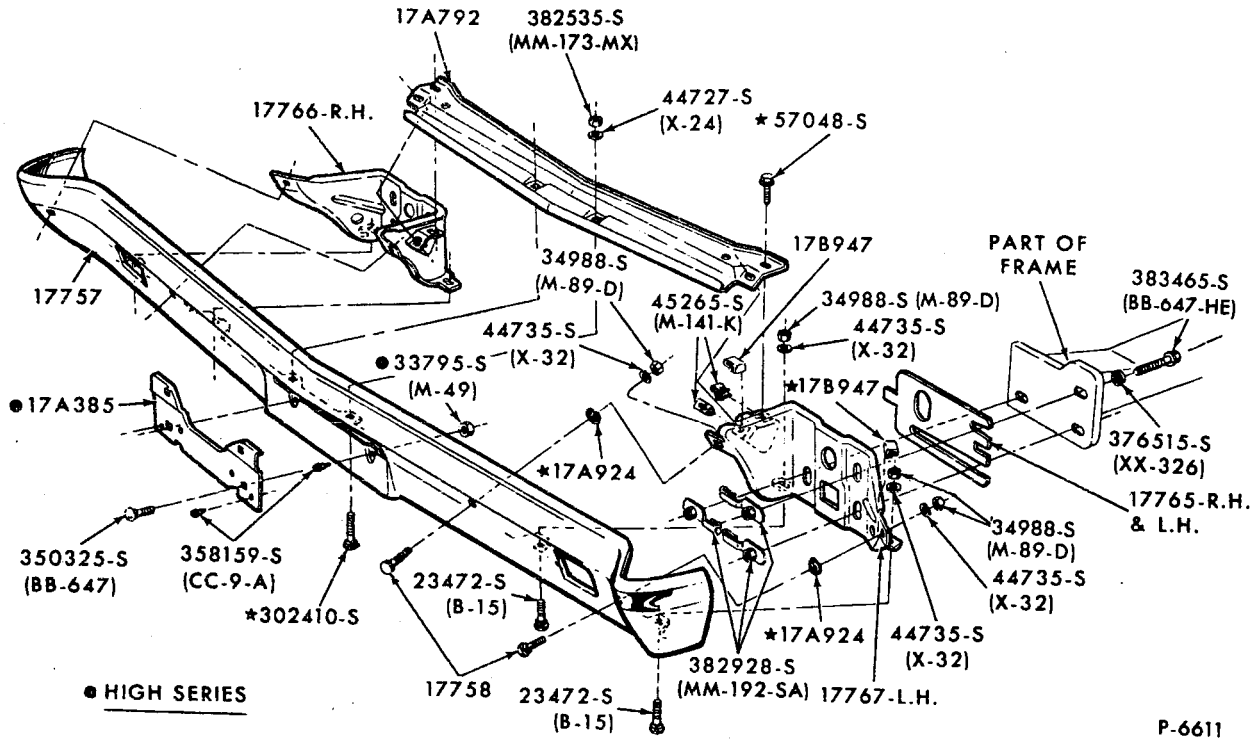
FORD CAR PARTS



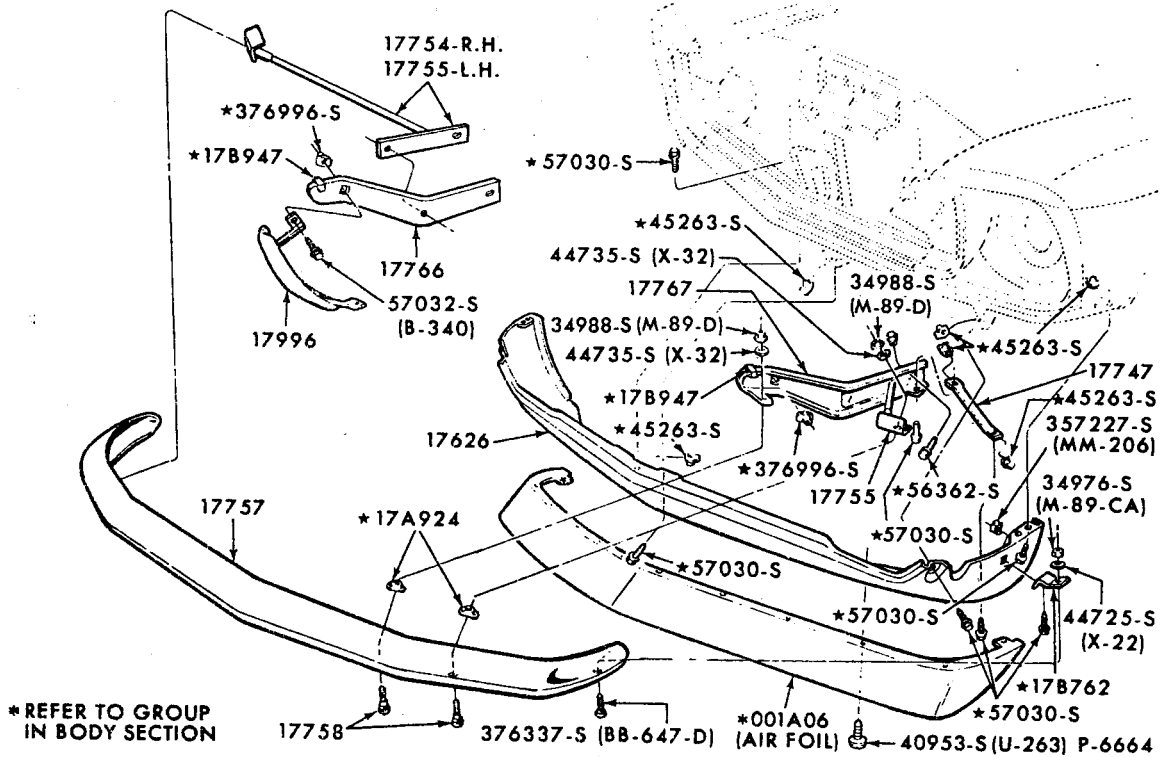
FRONT BUMPER and RELATED PARTS  
1968/69 FAIRLANE/TORINO



FRONT BUMPER and RELATED PARTS  
1968/70 FALCON

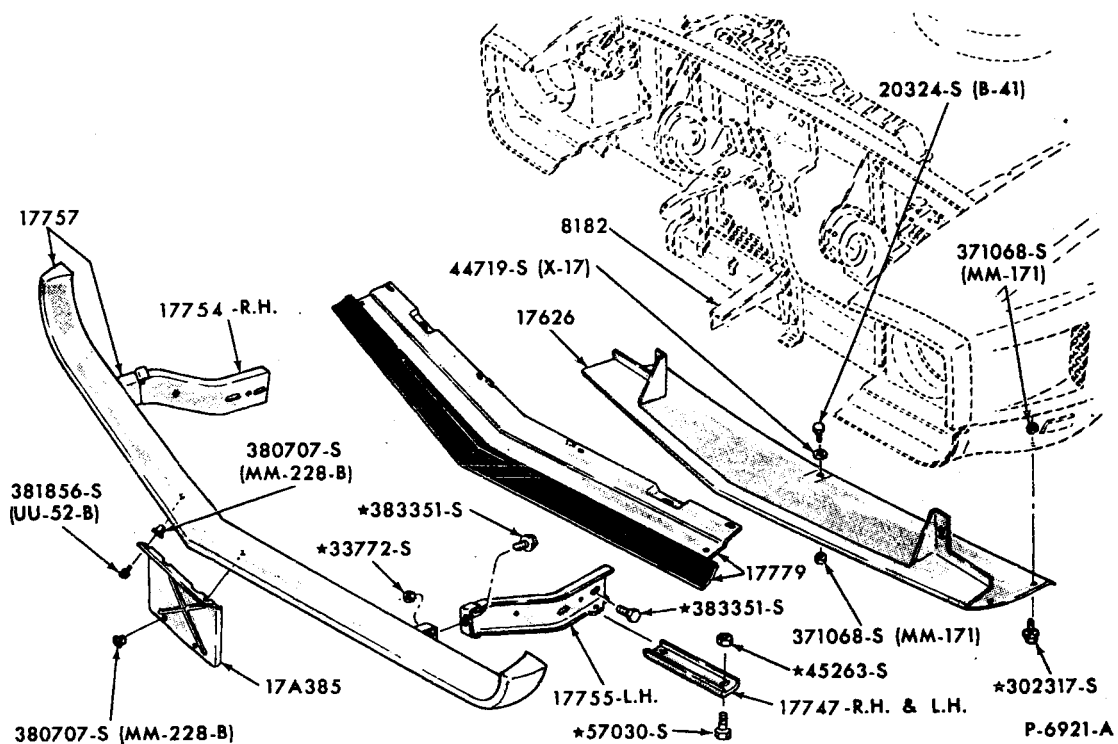


**FRONT BUMPER and RELATED PARTS  
 1969/70 FORD**

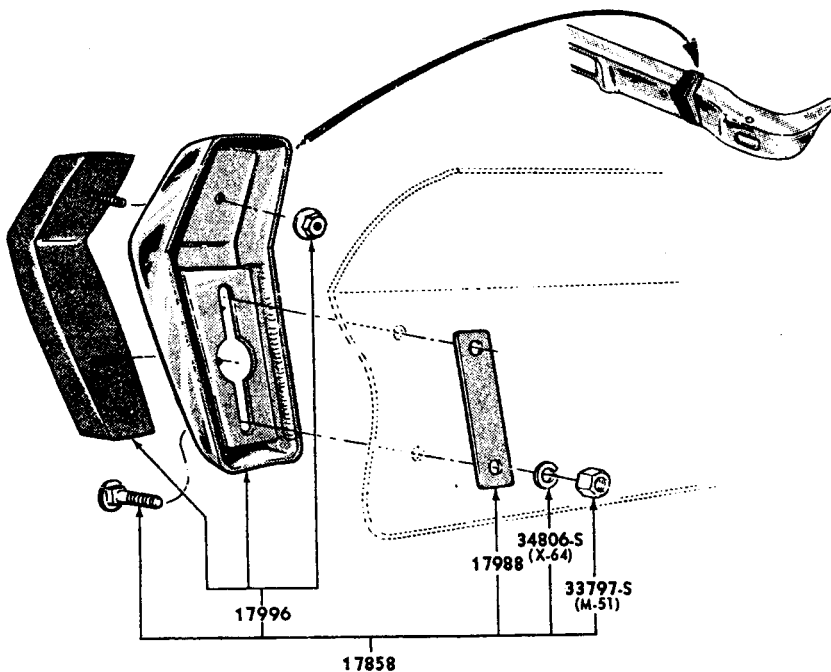


**FRONT BUMPER and RELATED PARTS  
 1969/70 MUSTANG - except SHELBY GT 350/500**

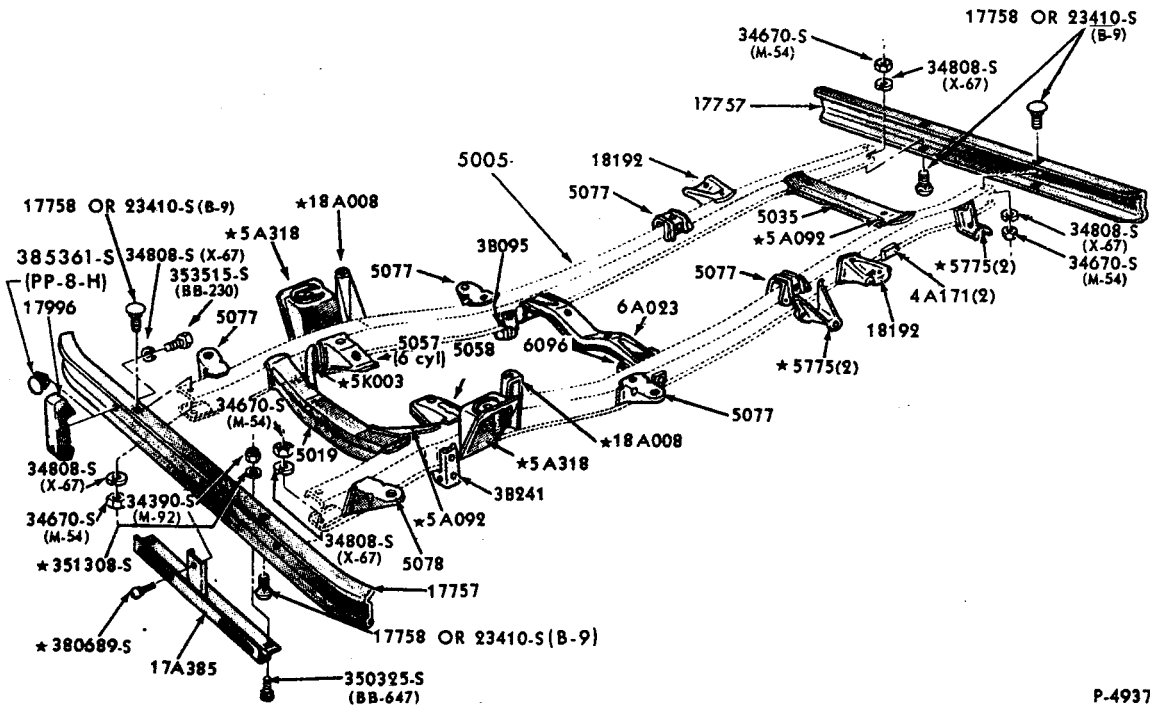
FORD CAR PARTS



FRONT BUMPER and RELATED PARTS  
1969/70 MUSTANG - SHELBY GT 350/500

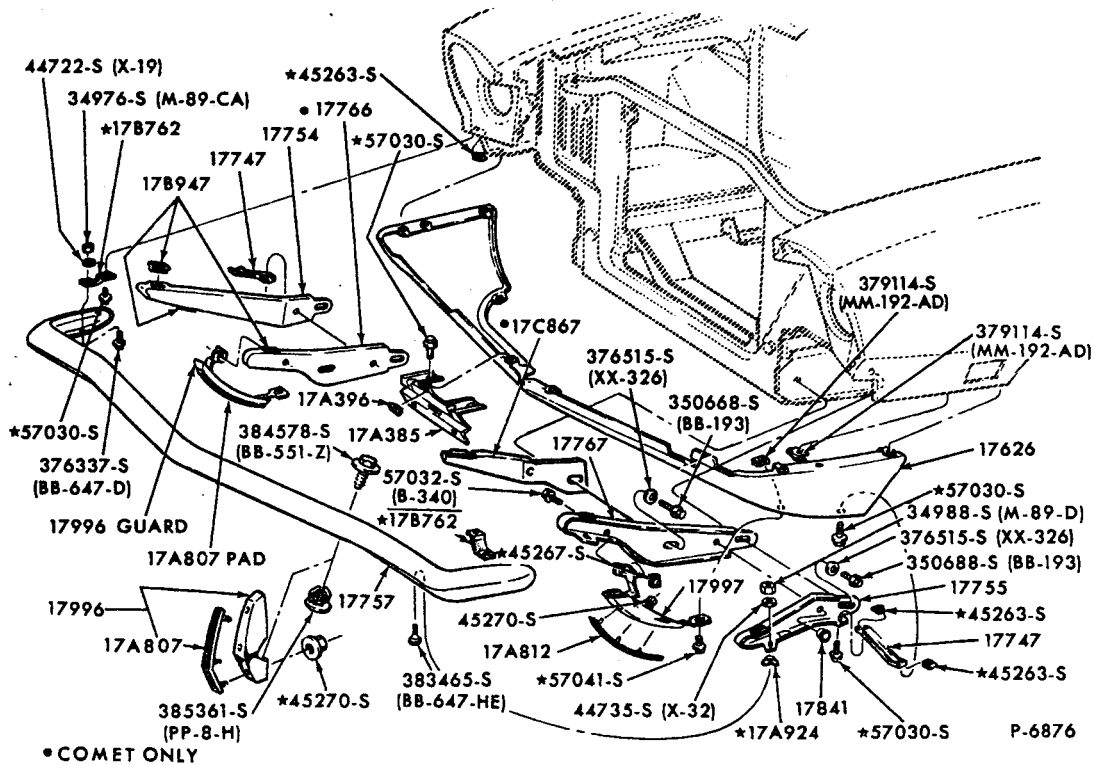


BUMPER GUARDS-FRONT and REAR (UNIVERSAL TYPE)  
1965/69 FORD, FAIRLANE/TORINO and FALCON



P-4937

FRONT and REAR BUMPERS and RELATED PARTS  
1966/72 BRONCO



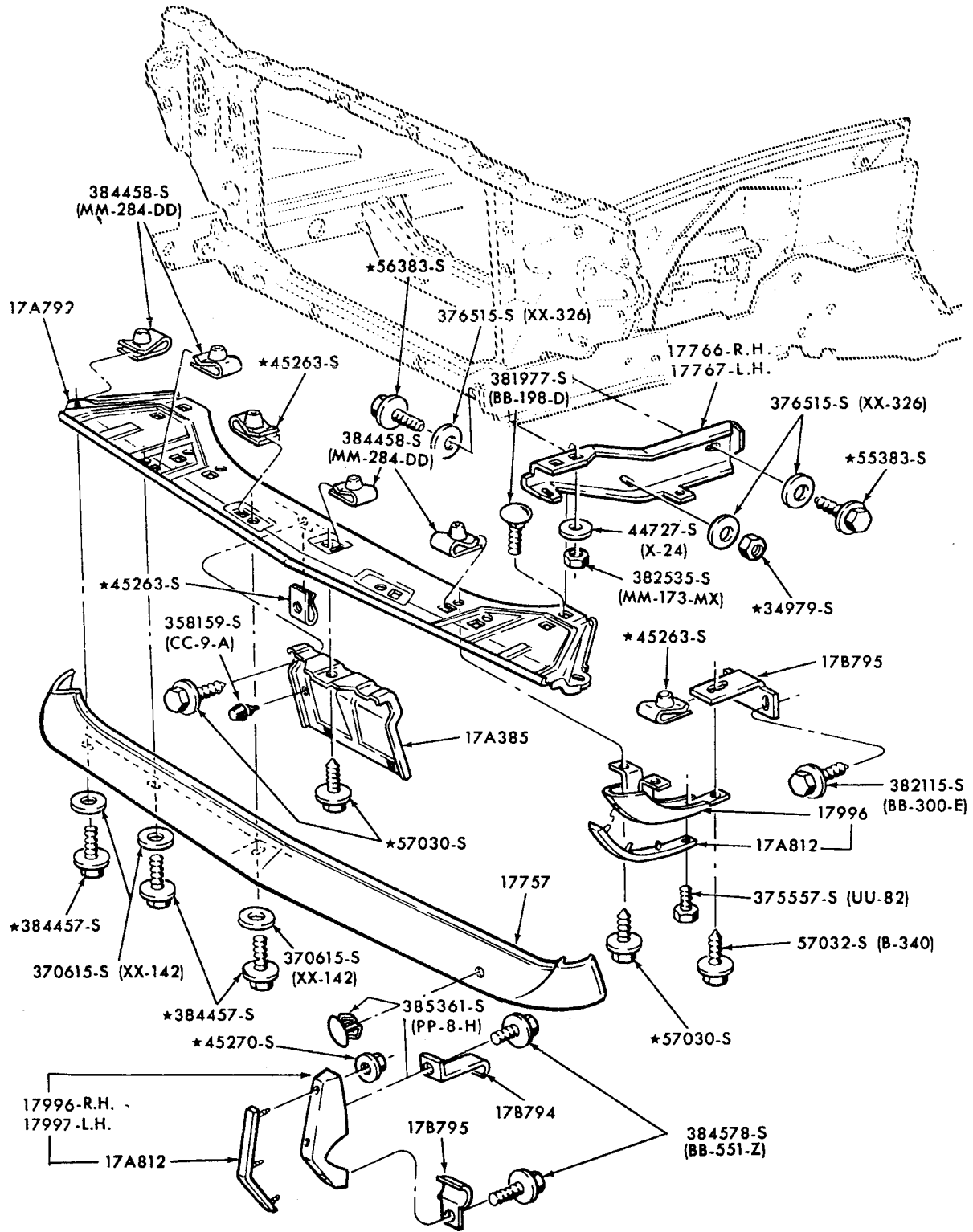
P-6876

FRONT BUMPER and RELATED PARTS  
1970/72 MAVERICK





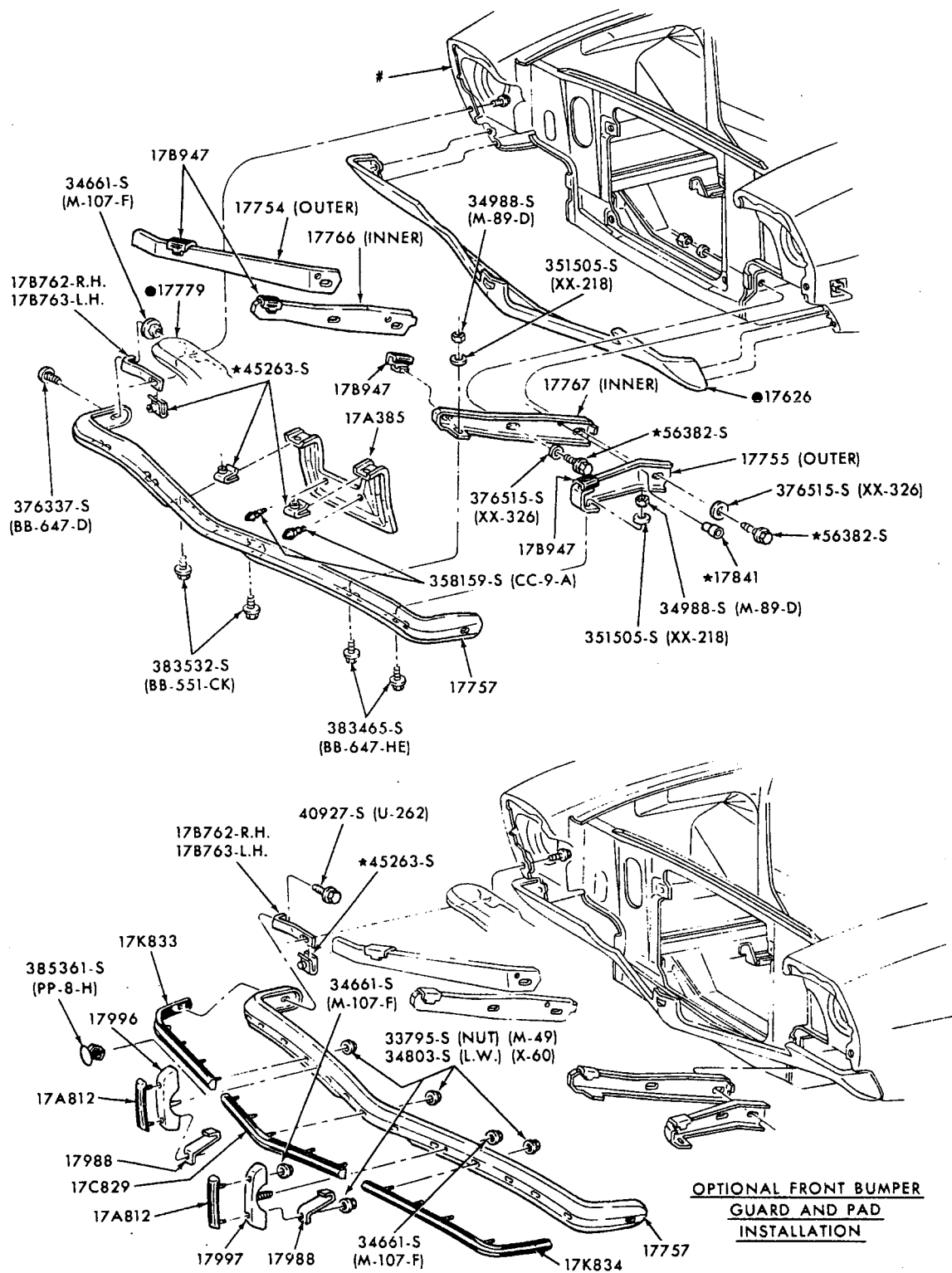




FRONT BUMPER and RELATED PARTS  
1971/72 MUSTANG

P-8087



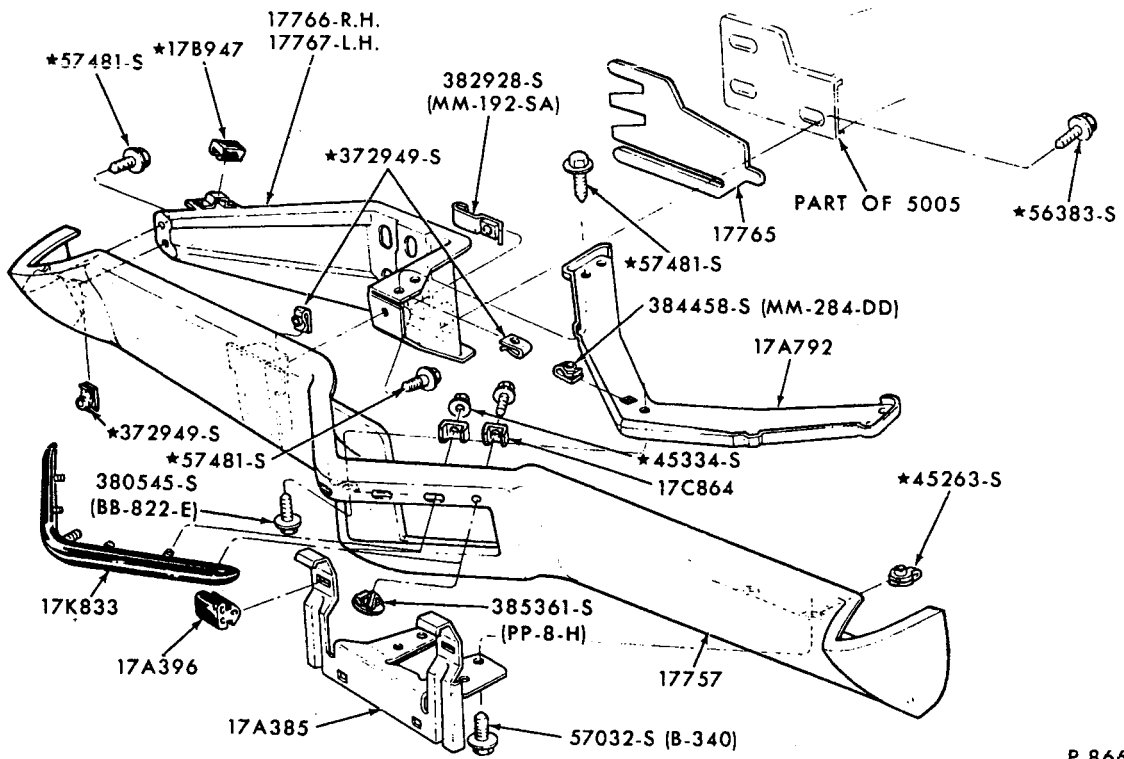


**OPTIONAL FRONT BUMPER  
GUARD AND PAD  
INSTALLATION**

● REFER TO ILLUSTRATION SECTION 82 FOR FRONT VALENTINE, GRILLE ETC. INSTALLATION  
# REFER TO ILLUSTRATION SECTION 160 FOR FRONT FENDER ETC. INSTALLATION

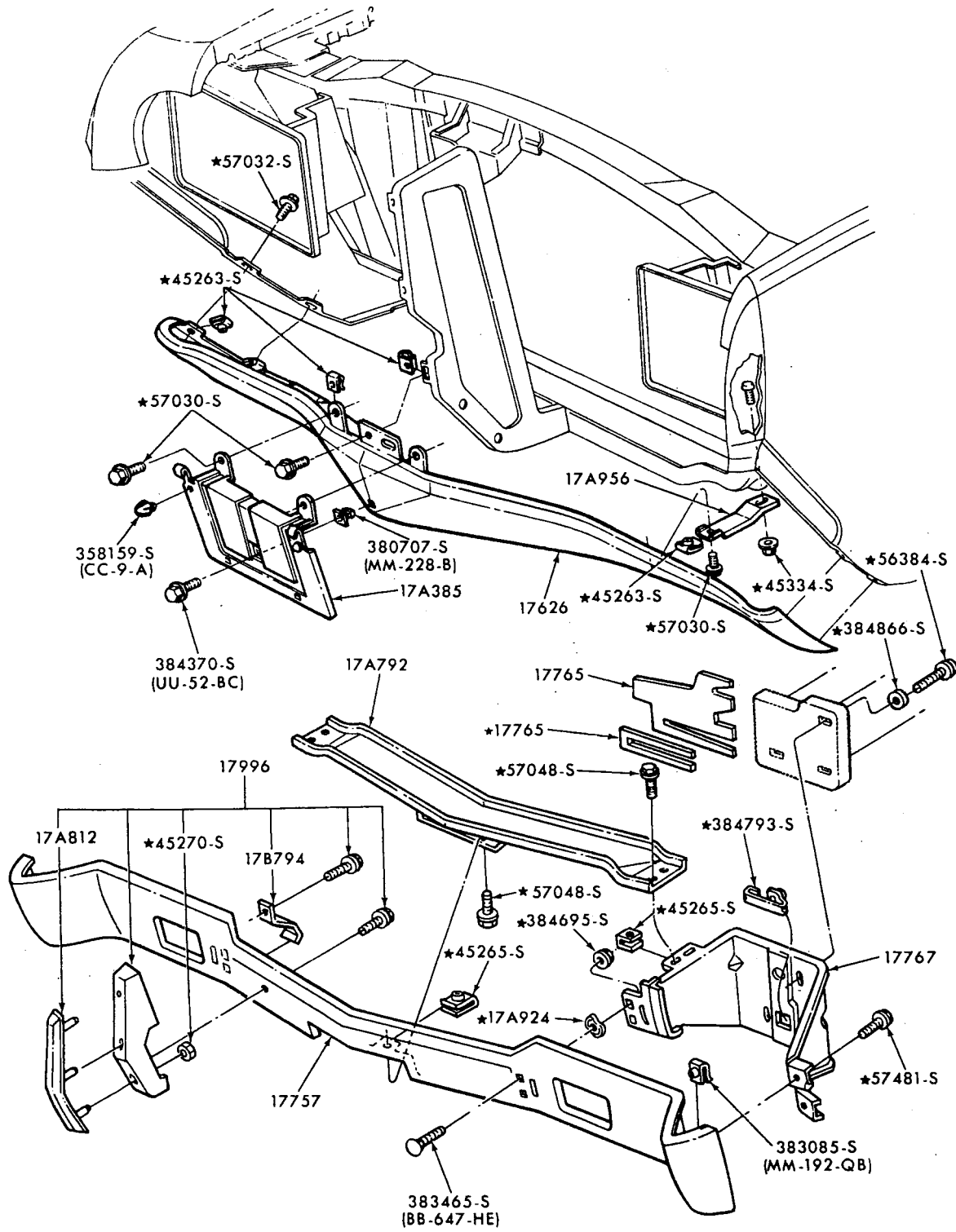
P-8013

**FRONT BUMPER and RELATED PARTS  
1971/72 PINTO**



FRONT BUMPER and RELATED PARTS  
1972 THUNDERBIRD

P-8660



P-8662

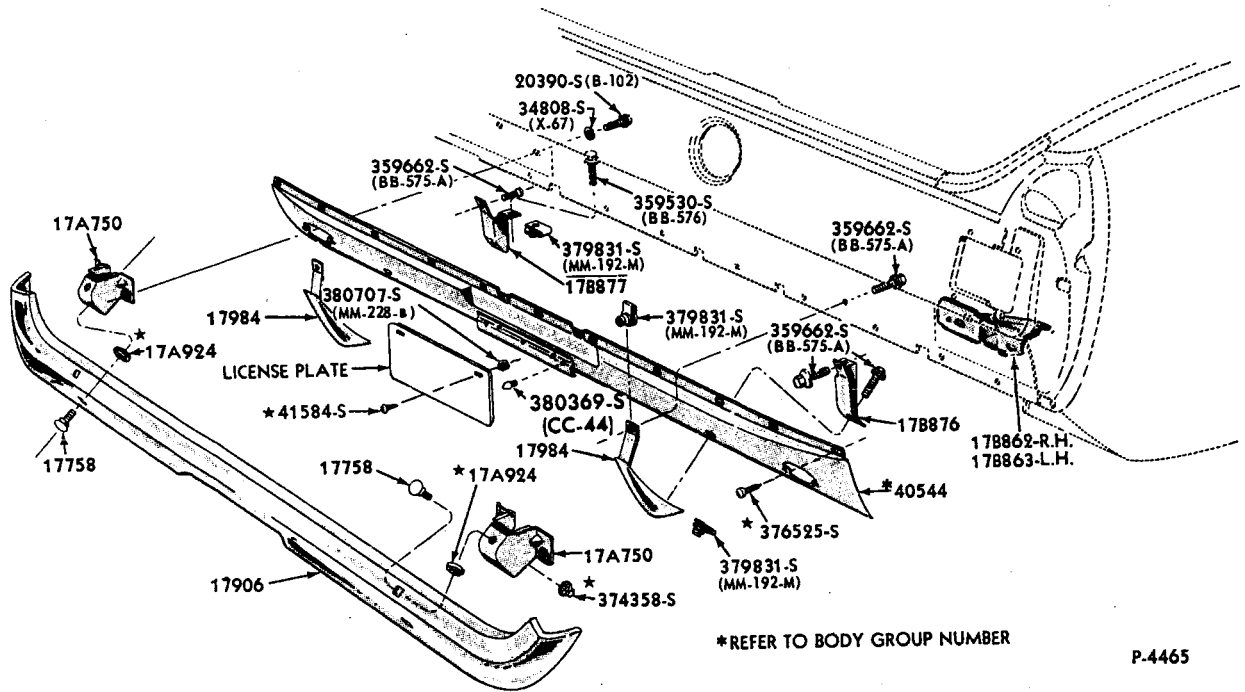
FRONT BUMPER and RELATED PARTS

1972 TORINO - ALL EXCEPT BODY TYPES 63, 65R, 71K, 97



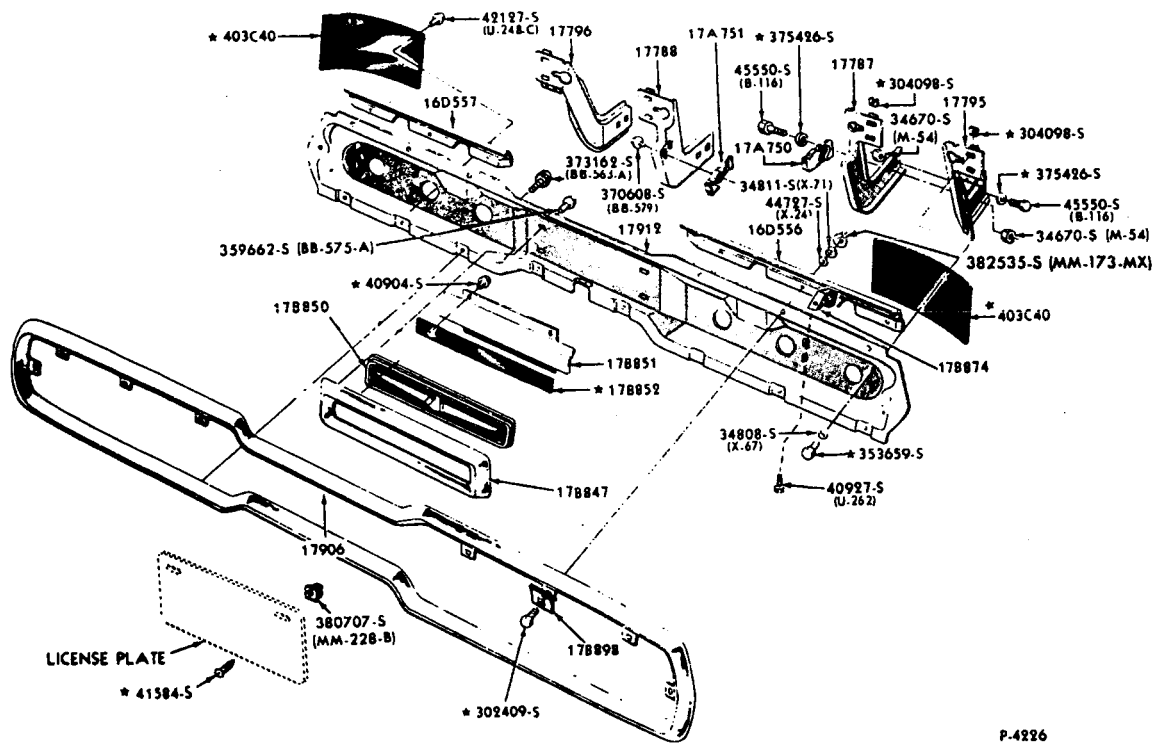


FORD CAR PARTS



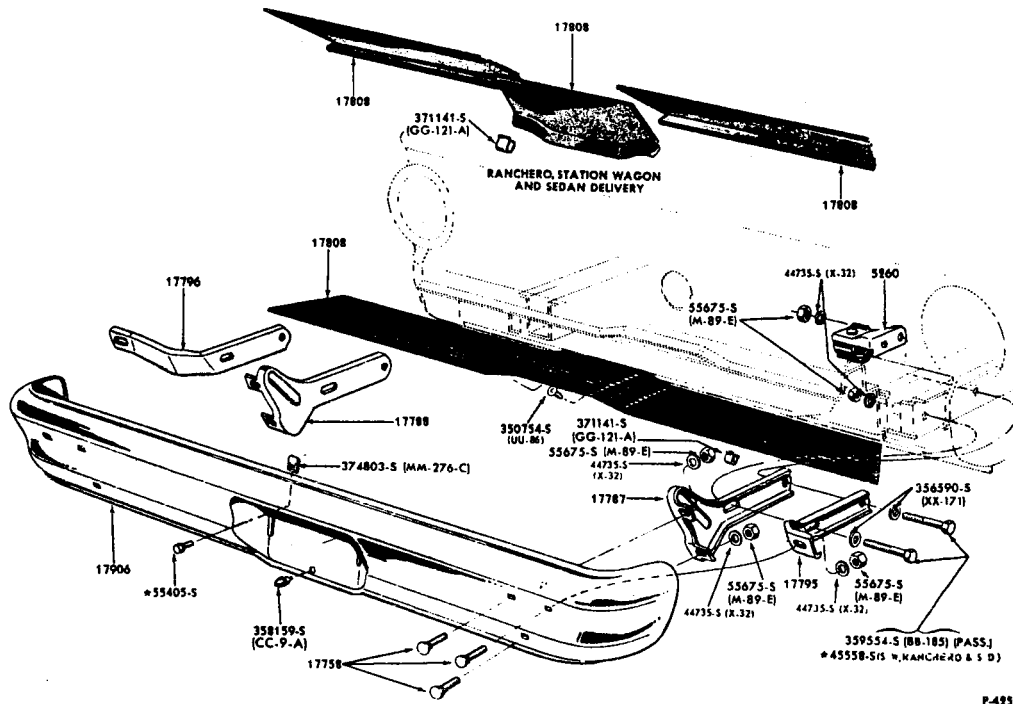
P.4465

REAR BUMPER and RELATED PARTS  
1965/66 MUSTANG

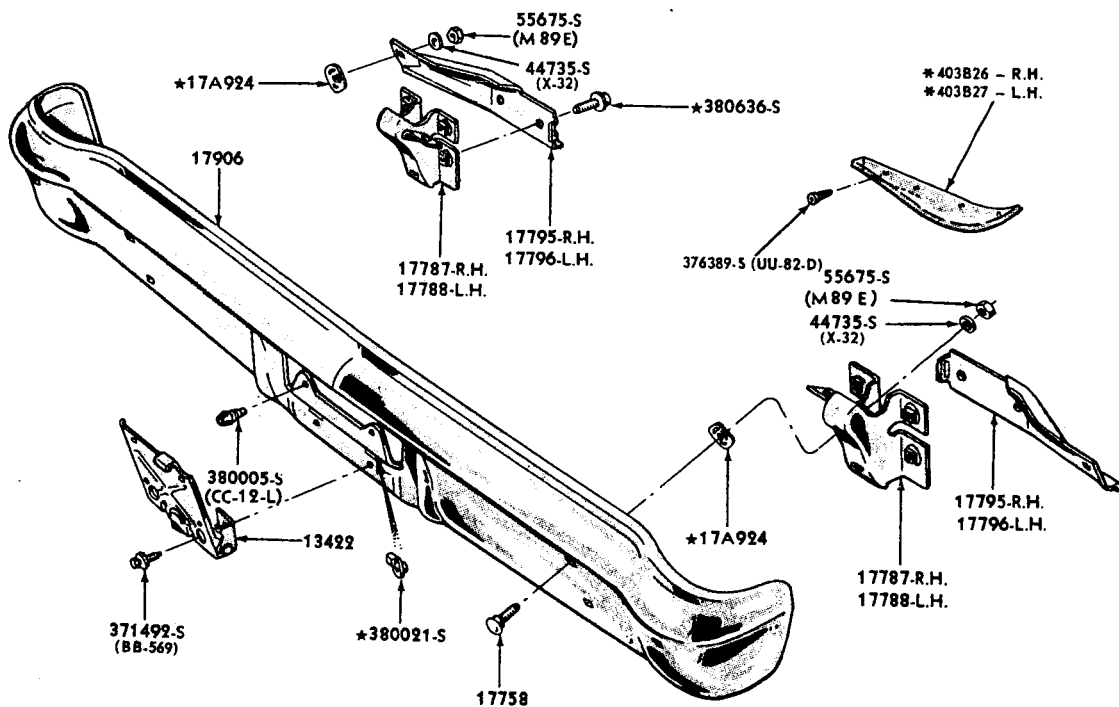


P.4226

REAR BUMPER and RELATED PARTS  
1965/66 THUNDERBIRD



**REAR BUMPER and RELATED PARTS  
1965 FALCON**



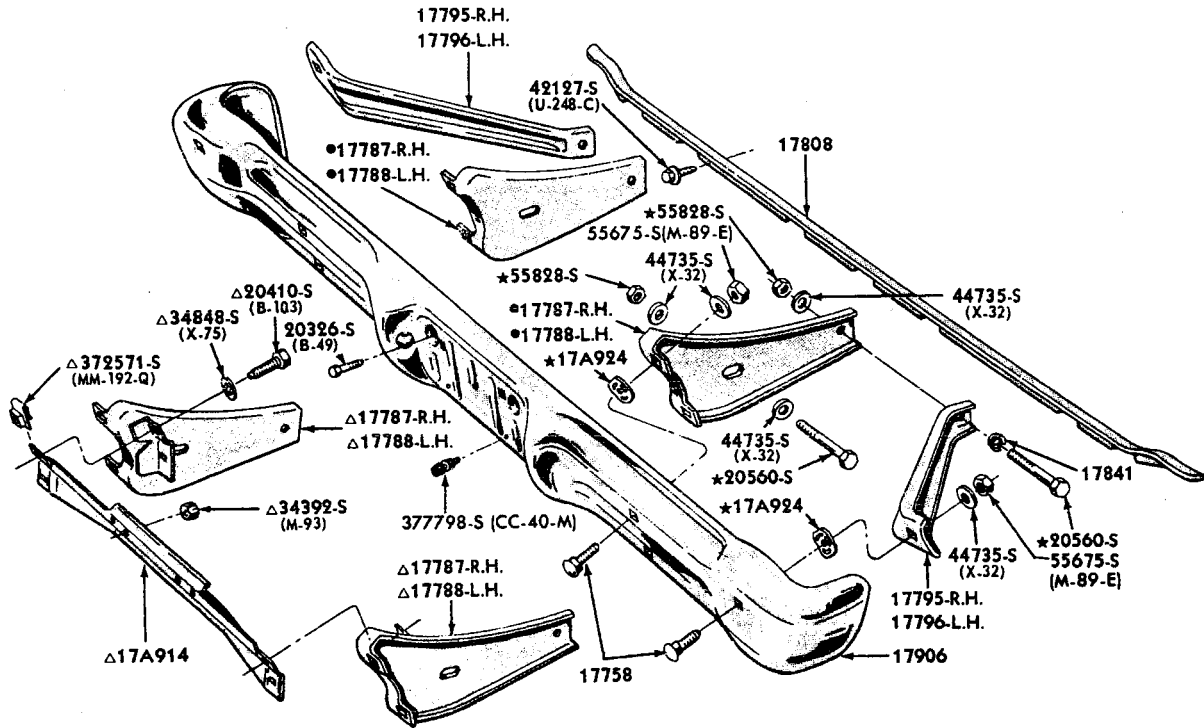
\* REFER TO BODY GROUP NUMBER

P-5112

**REAR BUMPER and RELATED PARTS  
1966/67 FAIRLANE - BODY TYPES 54, 62, 63, 76**

ILLUSTRATION SECTION 176.1

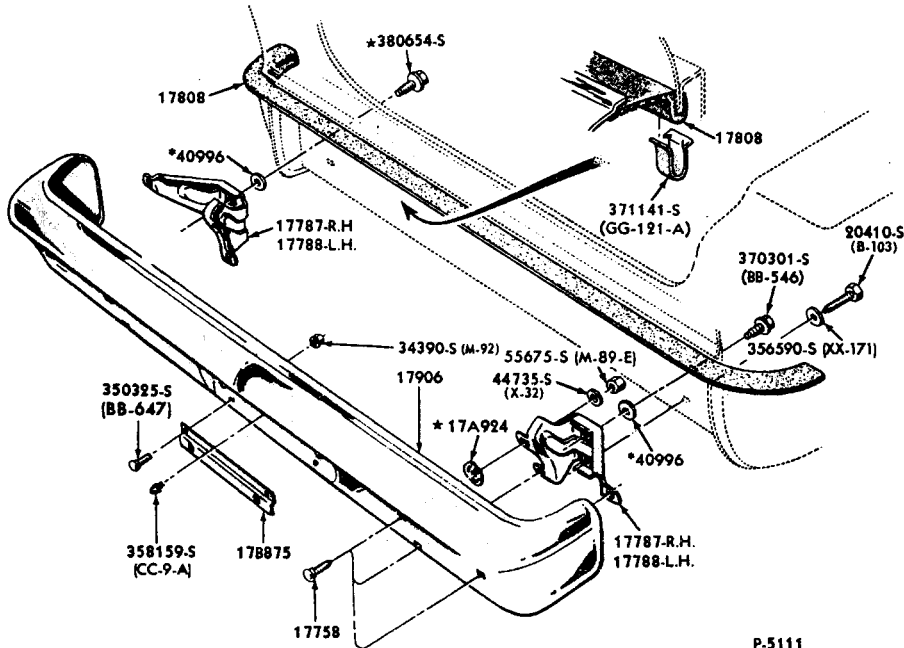
FORD CAR PARTS



●FALCON ONLY  
△FAIRLANE ONLY

REAR BUMPER and RELATED PARTS  
1966/69 FAIRLANE/TORINO - BODY TYPES 66, 71  
and 1966/70 FALCON - BODY TYPES 66, 71

P-5113

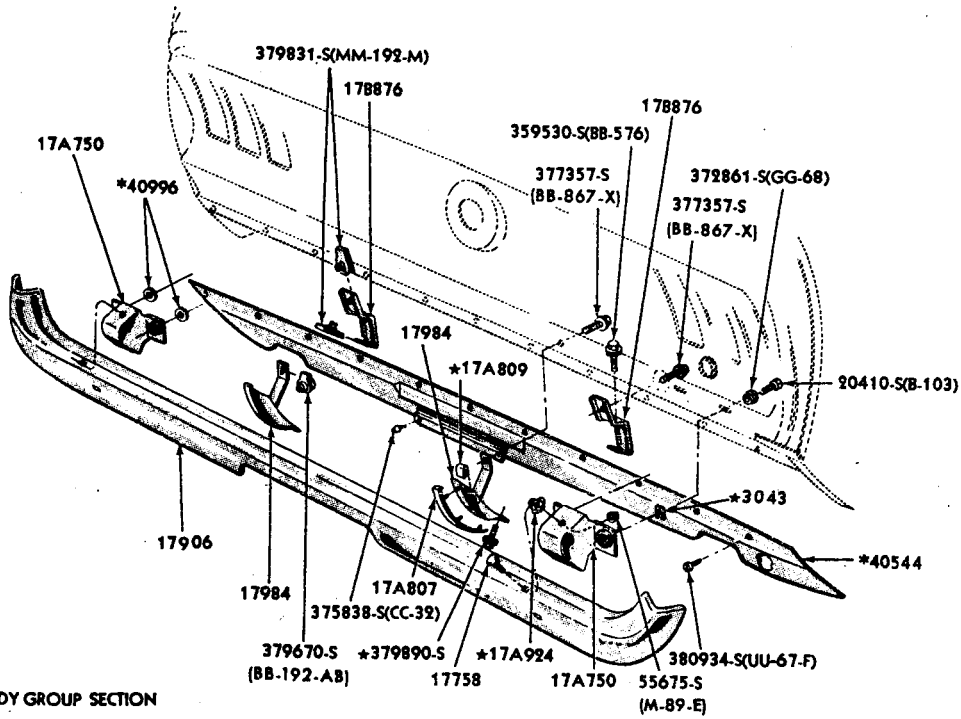


P-5111

\*REFER TO BODY GROUP NUMBER

REAR BUMPER and RELATED PARTS  
1966/70 FALCON - BODY TYPES 54, 62

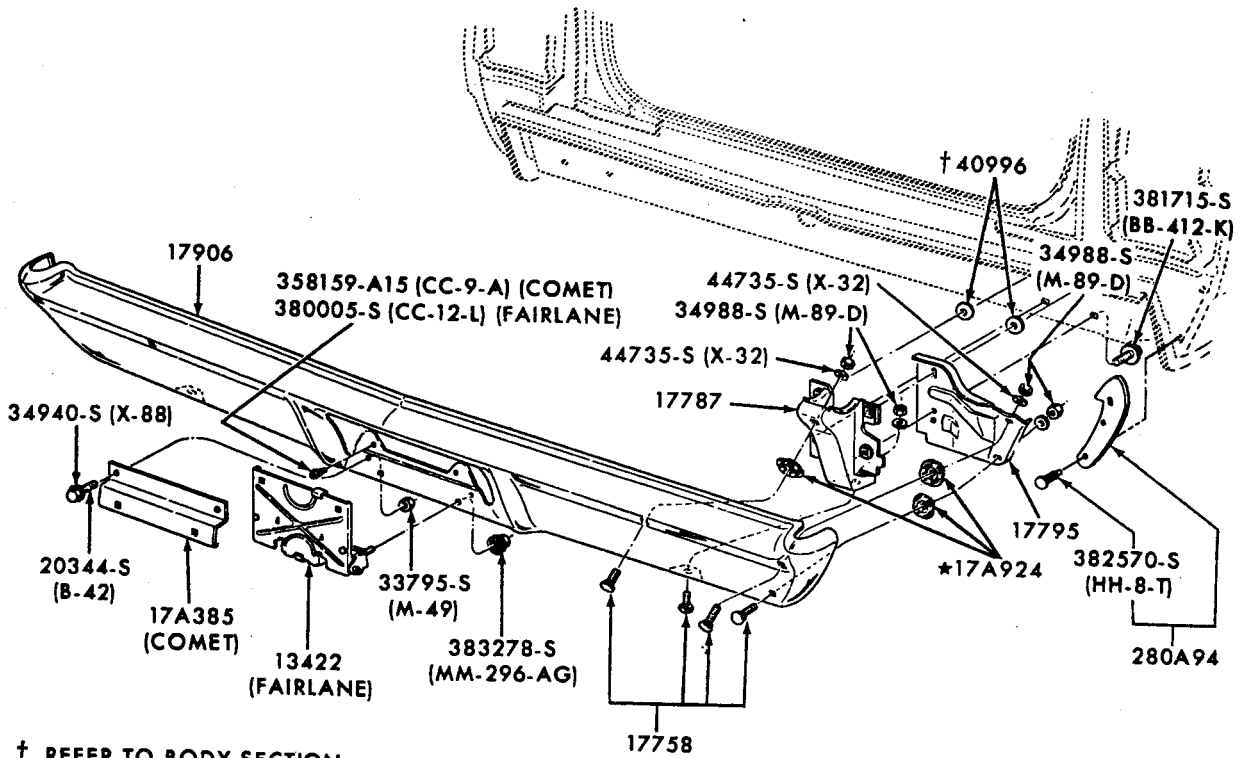




\*REFER TO BODY GROUP SECTION

P-5607

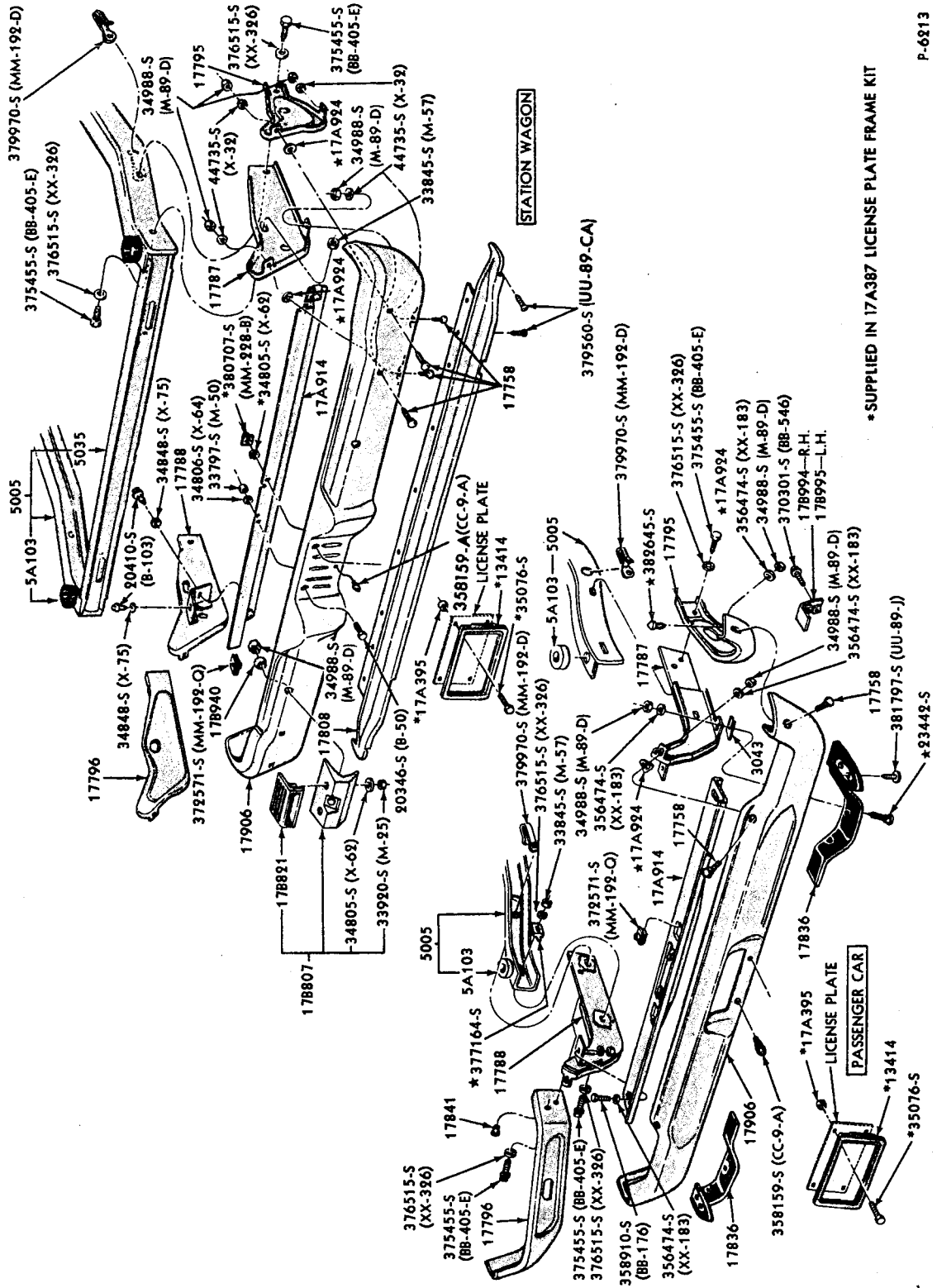
REAR BUMPER and RELATED PARTS  
1967/68 MUSTANG



† REFER TO BODY SECTION

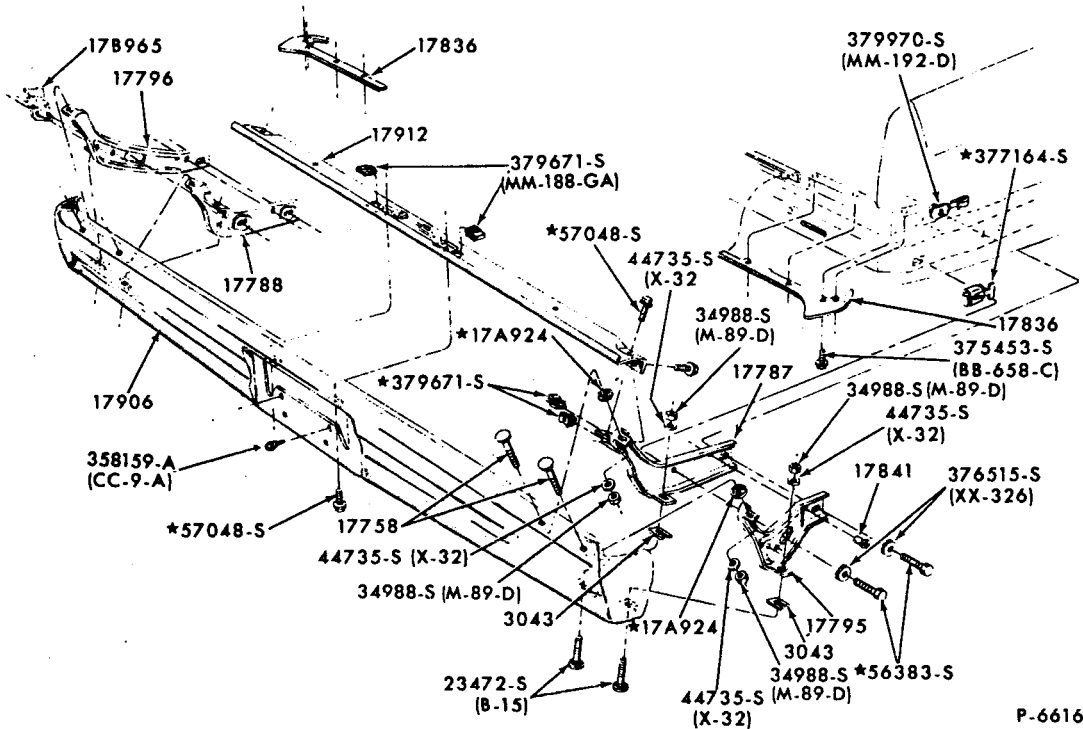
P-6215

REAR BUMPER and RELATED PARTS  
1968/69 FAIRLANE/TORINO - except BODY TYPES 66, 71



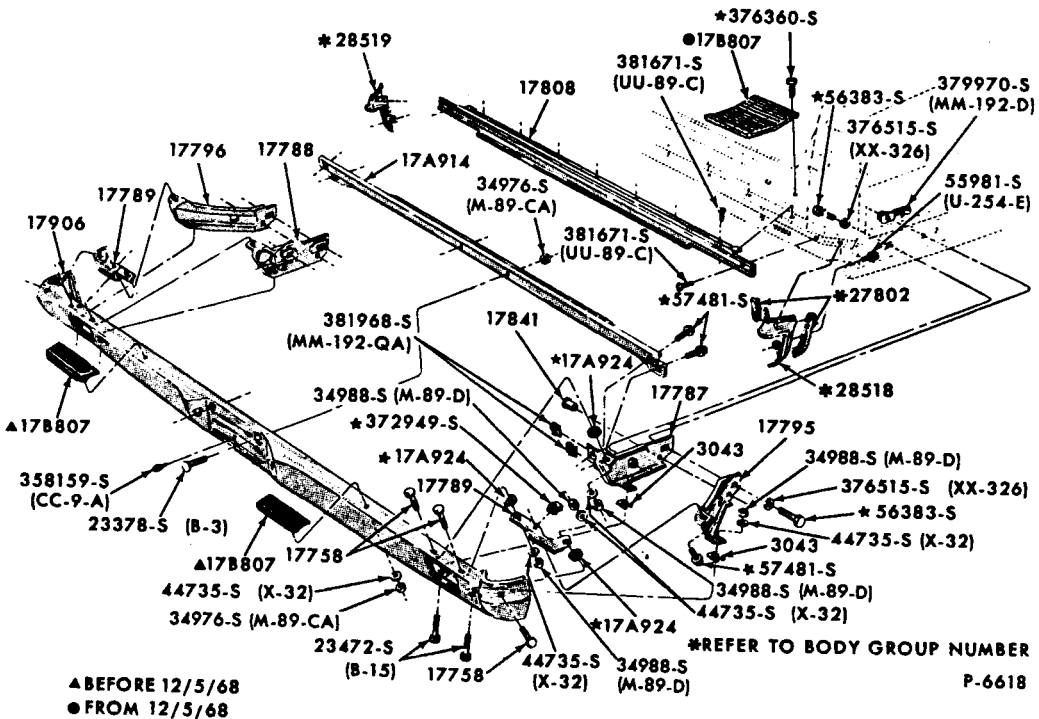
\*SUPPLIED IN 17A387 LICENSE PLATE FRAME KIT

REAR BUMPER and RELATED PARTS  
1968 FORD



P-6616

REAR BUMPER and RELATED PARTS  
1969/70 FORD - except BODY TYPE 71

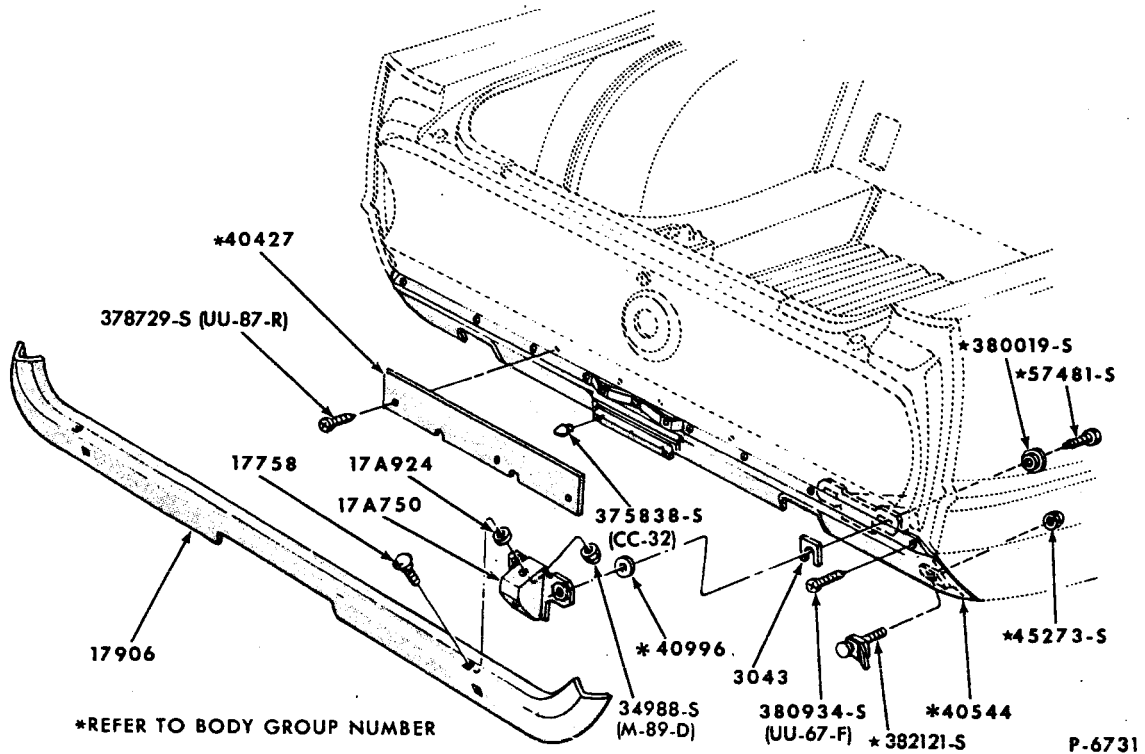


▲ BEFORE 12/5/68  
● FROM 12/5/68

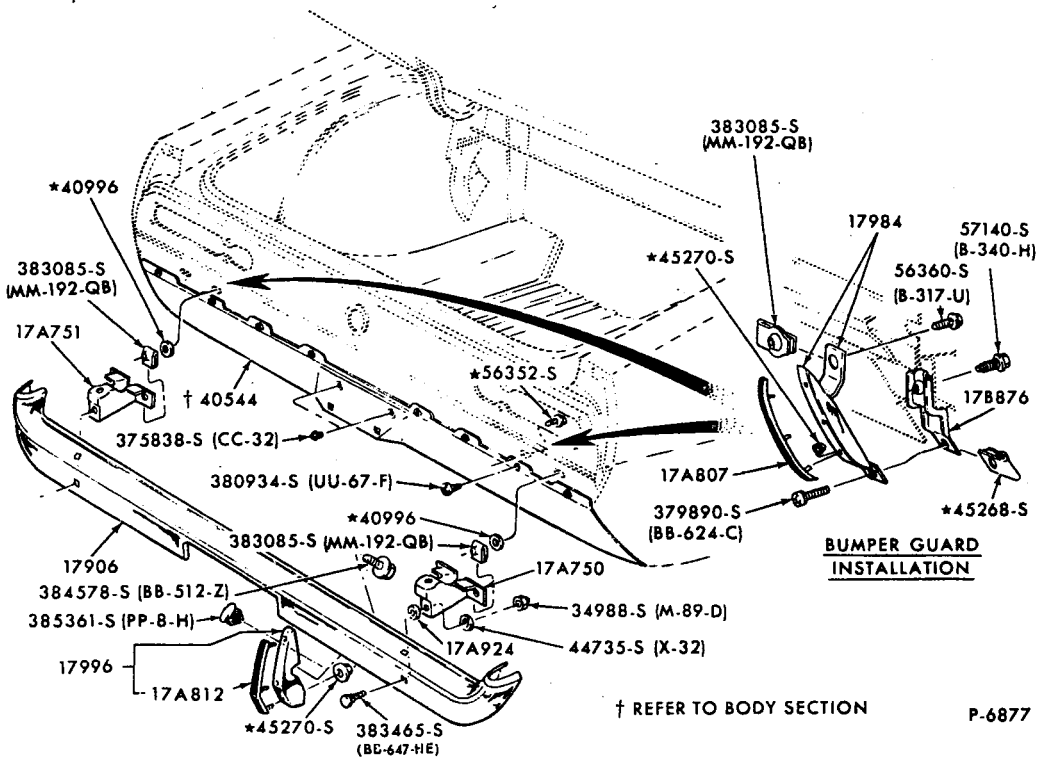
P-6618

REAR BUMPER and RELATED PARTS  
1969/70 FORD - BODY TYPE 71

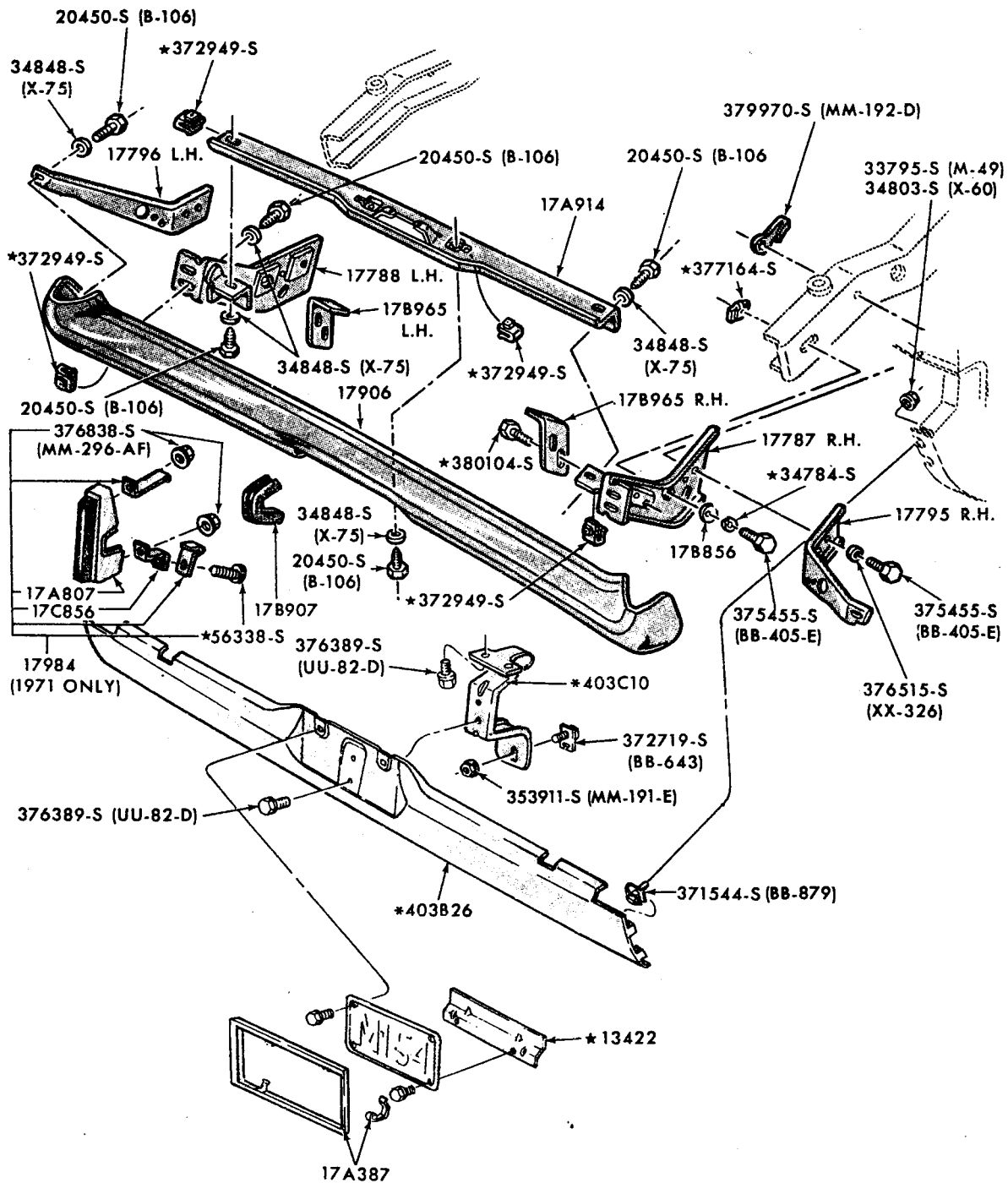
# FORD CAR PARTS



REAR BUMPER and RELATED PARTS  
1969/70 MUSTANG



REAR BUMPER and RELATED PARTS  
1970/72 MAVERICK

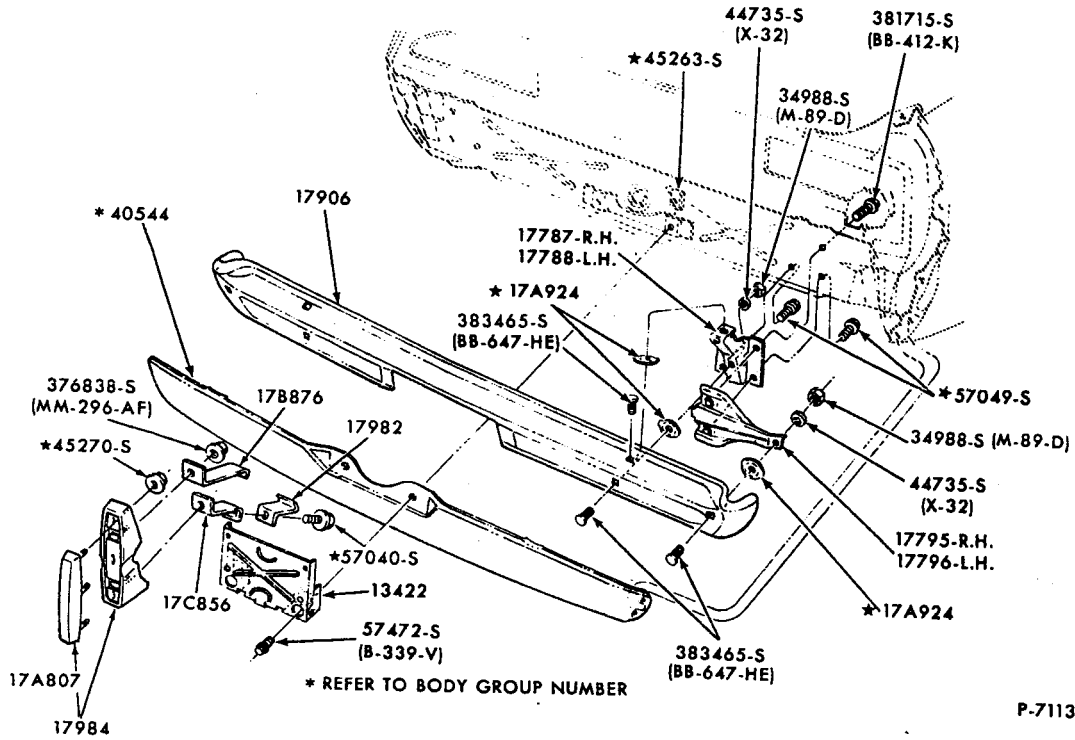


\*REFER TO BODY GROUP NUMBER

P-5619

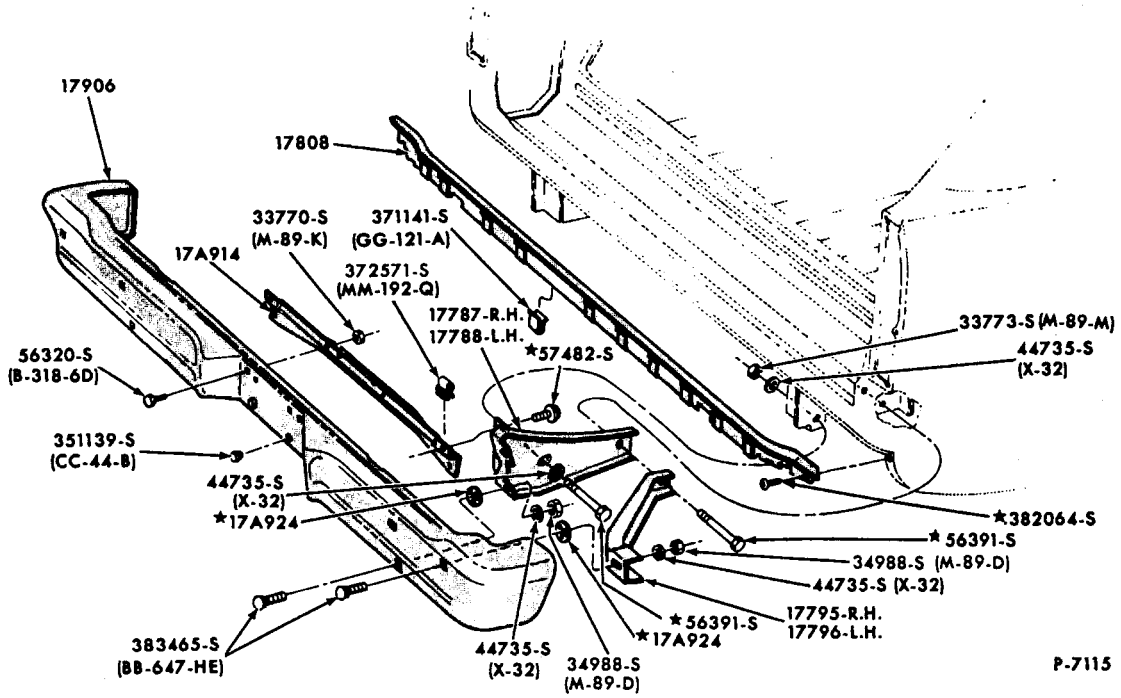
REAR BUMPER and RELATED PARTS  
1967/71 THUNDERBIRD

FORD CAR PARTS



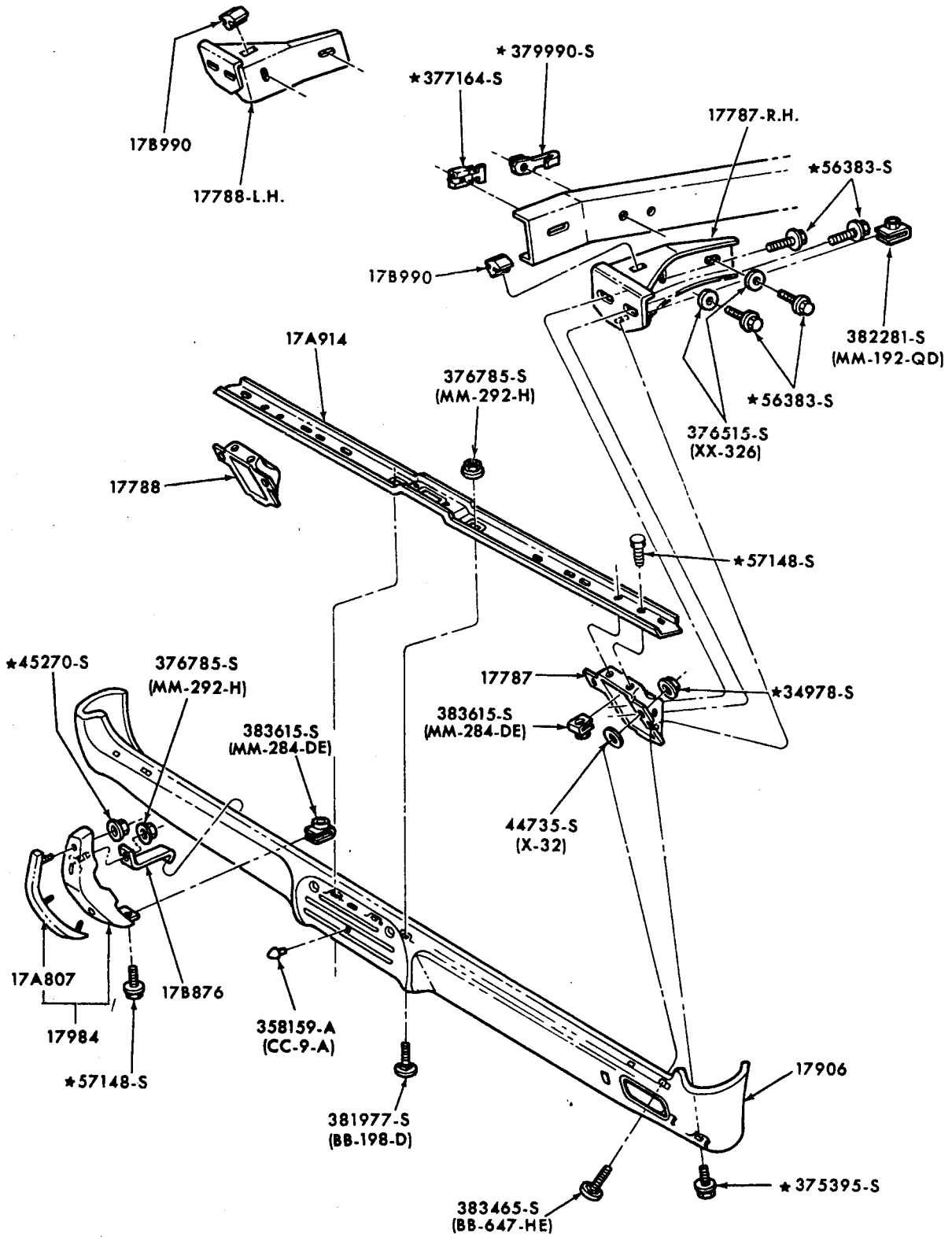
P-7113

REAR BUMPER and RELATED PARTS  
1970/71 FAIRLANE / TORINO - except BODY TYPES 66, 71



P-7115

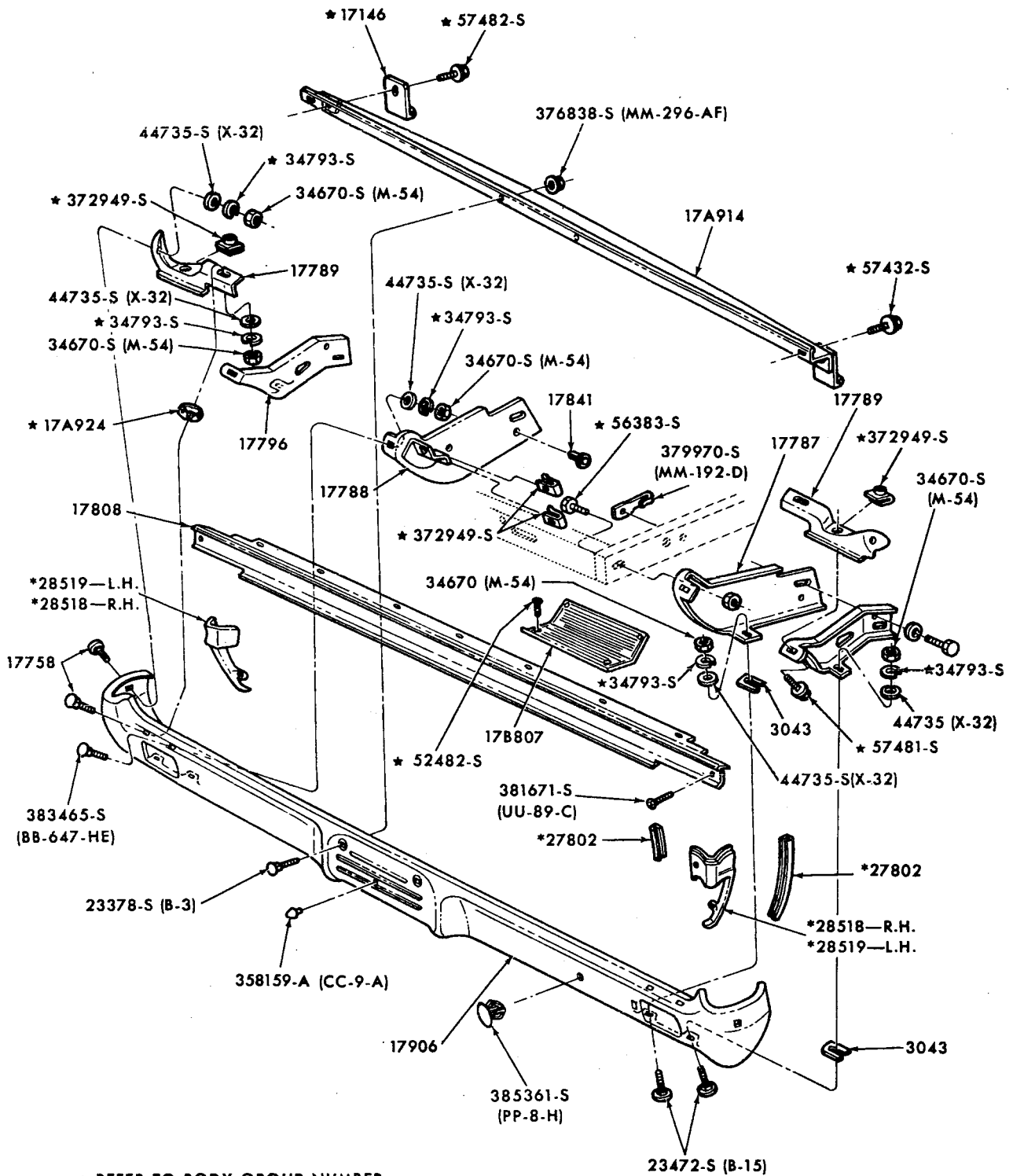
REAR BUMPER and RELATED PARTS  
1970/71 FAIRLANE/TORINO - BODY TYPES 66, 71



REAR BUMPER and RELATED PARTS  
1971 FORD - EXCEPT BODY TYPE 71

P-8069

# FORD CAR PARTS

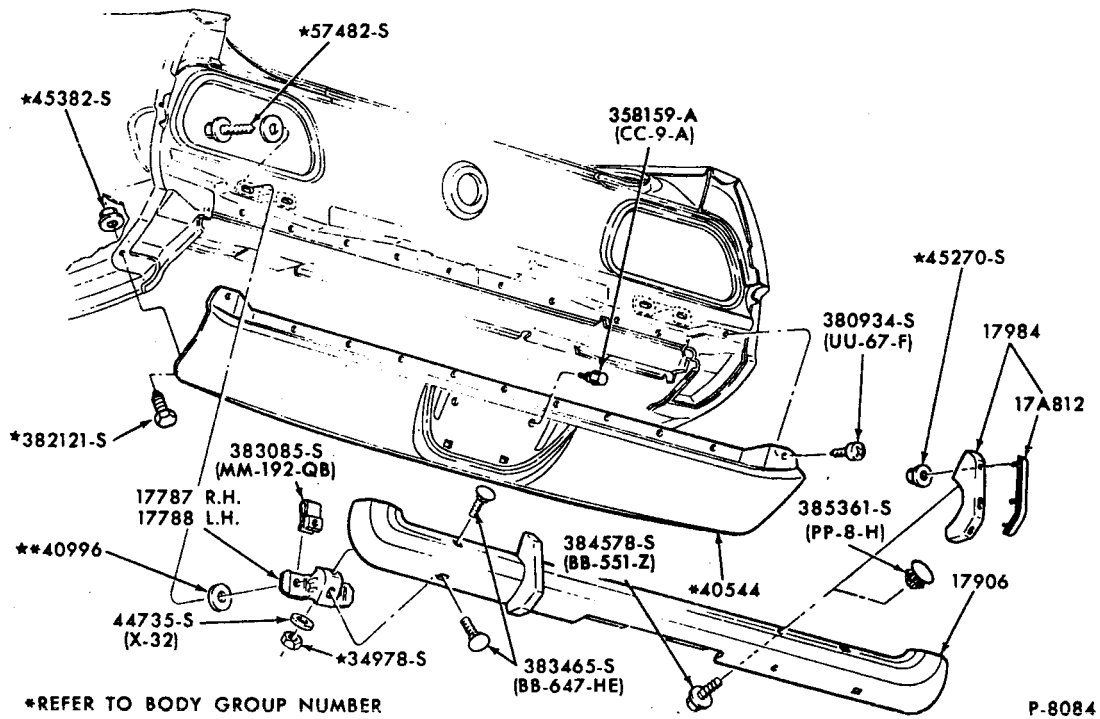


\* REFER TO BODY GROUP NUMBER

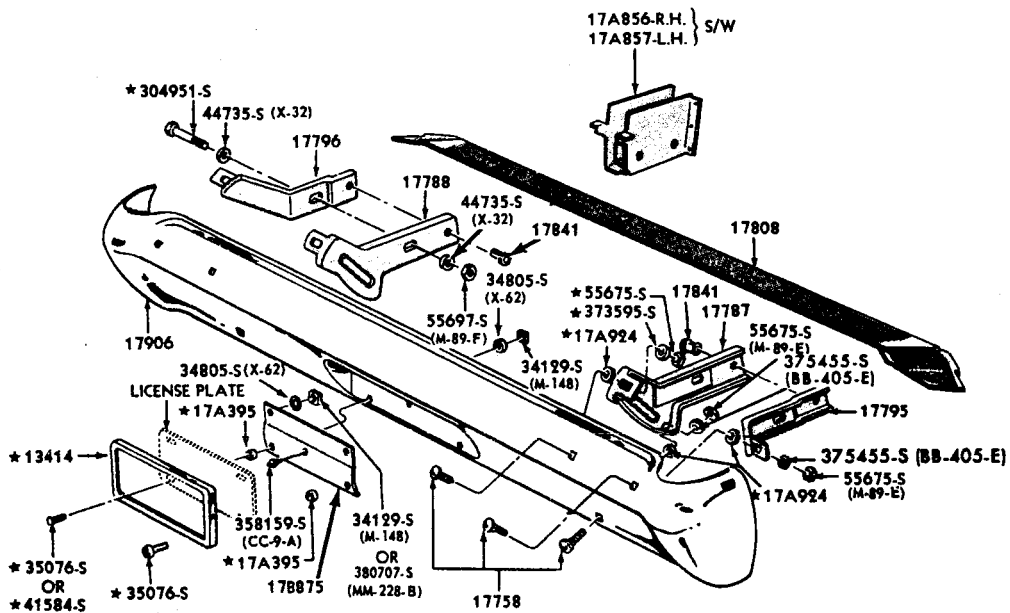
P-8068

REAR BUMPER and RELATED PARTS  
1971/72 FORD - BODY TYPE 71



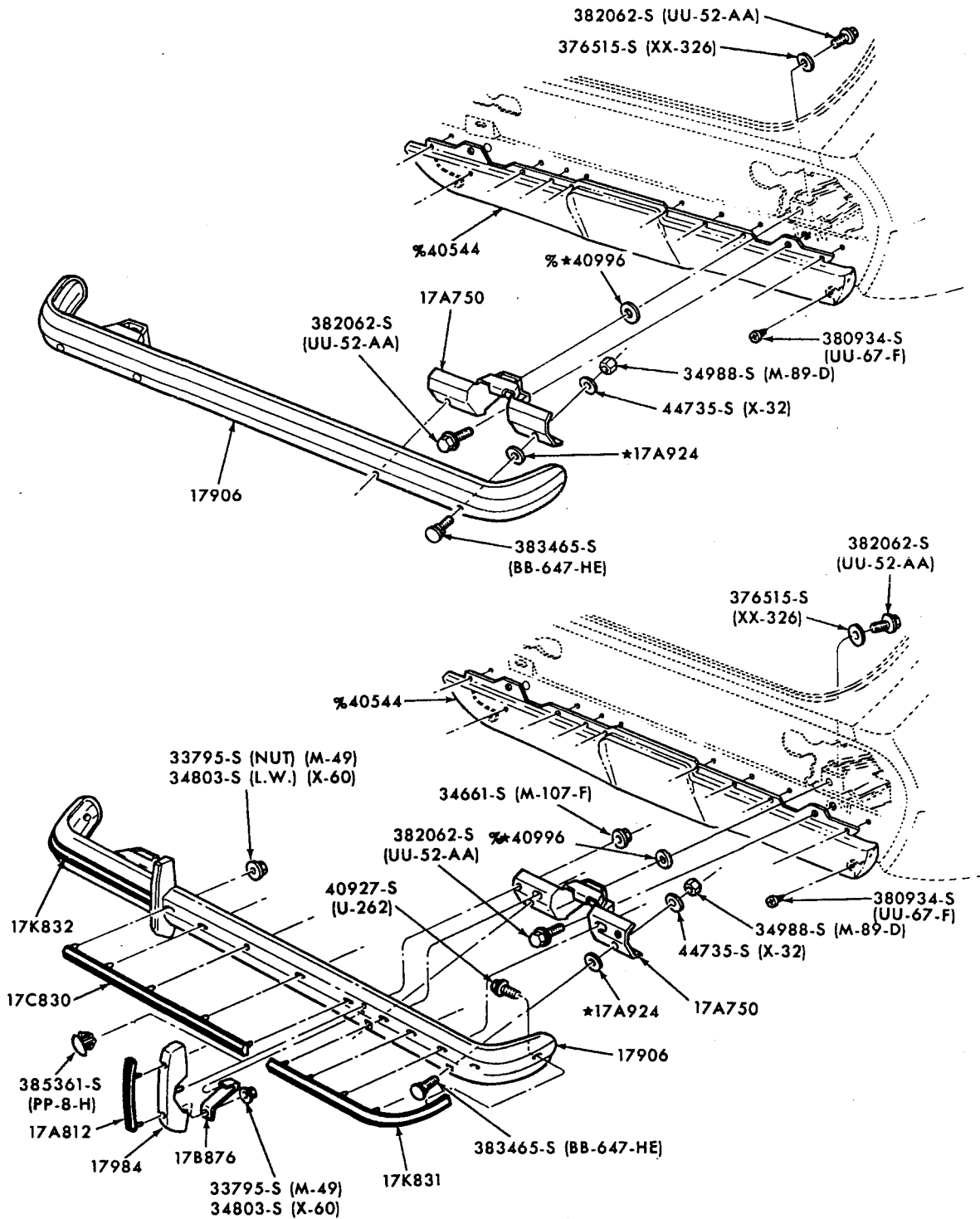


**REAR BUMPER and RELATED PARTS  
1971/72 MUSTANG**



**REAR BUMPER and RELATED PARTS  
1965 FAIRLANE**

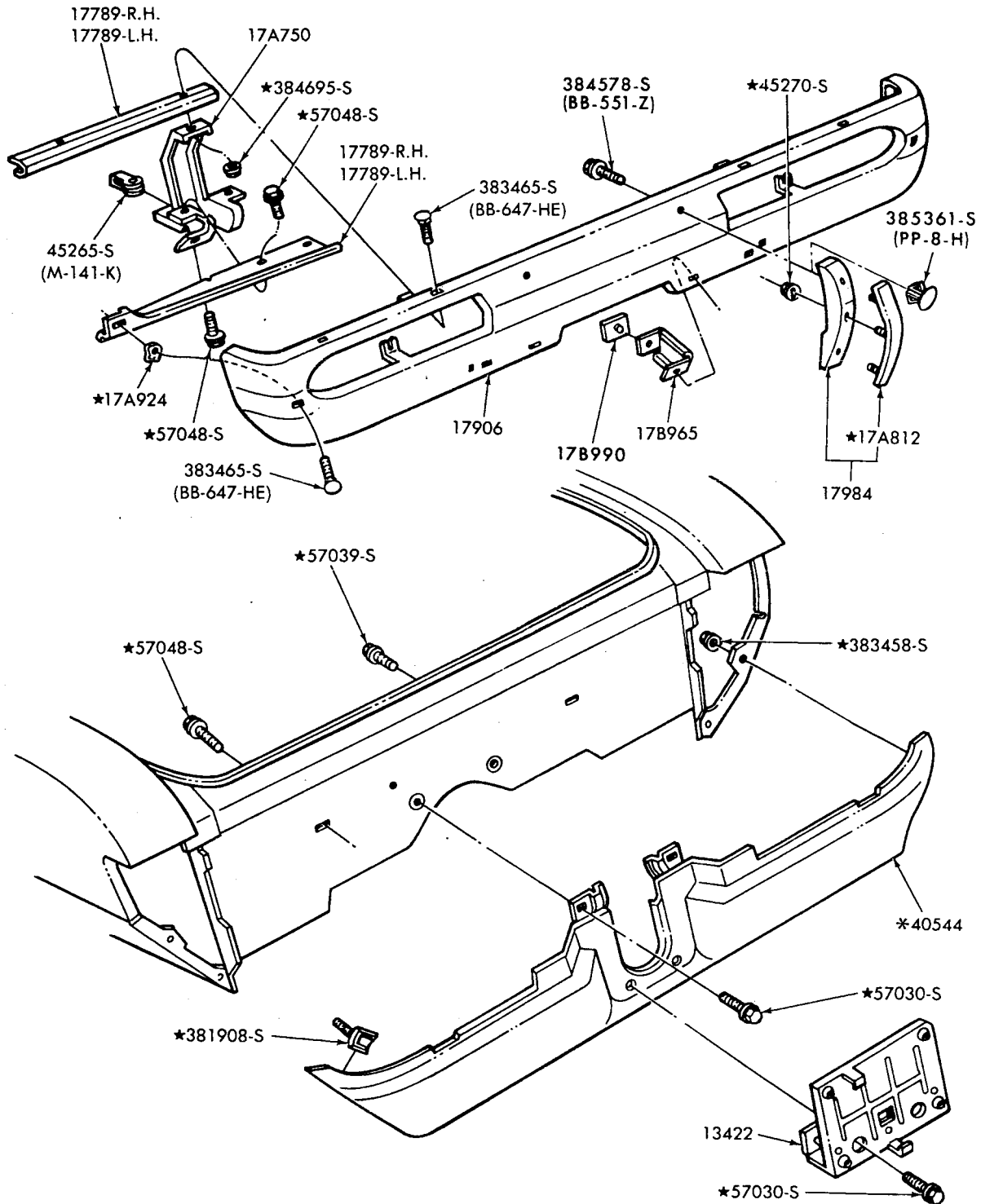
FORD CAR PARTS



OPTIONAL REAR BUMPER GUARD AND PAD INSTALLATION

% REFER TO BODY SECTION

P-8014



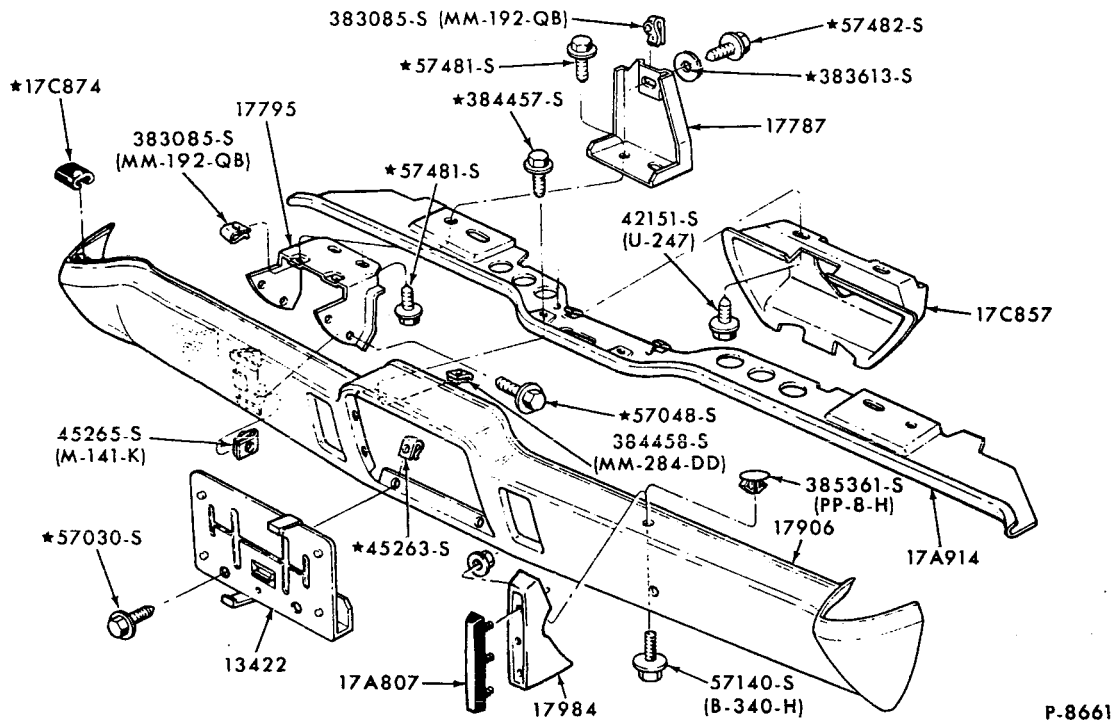
\*REFER TO BODY GROUP NUMBER

P-8665

REAR BUMPER and RELATED PARTS  
1972 TORINO - EXCEPT BCDY TYPES 71,97

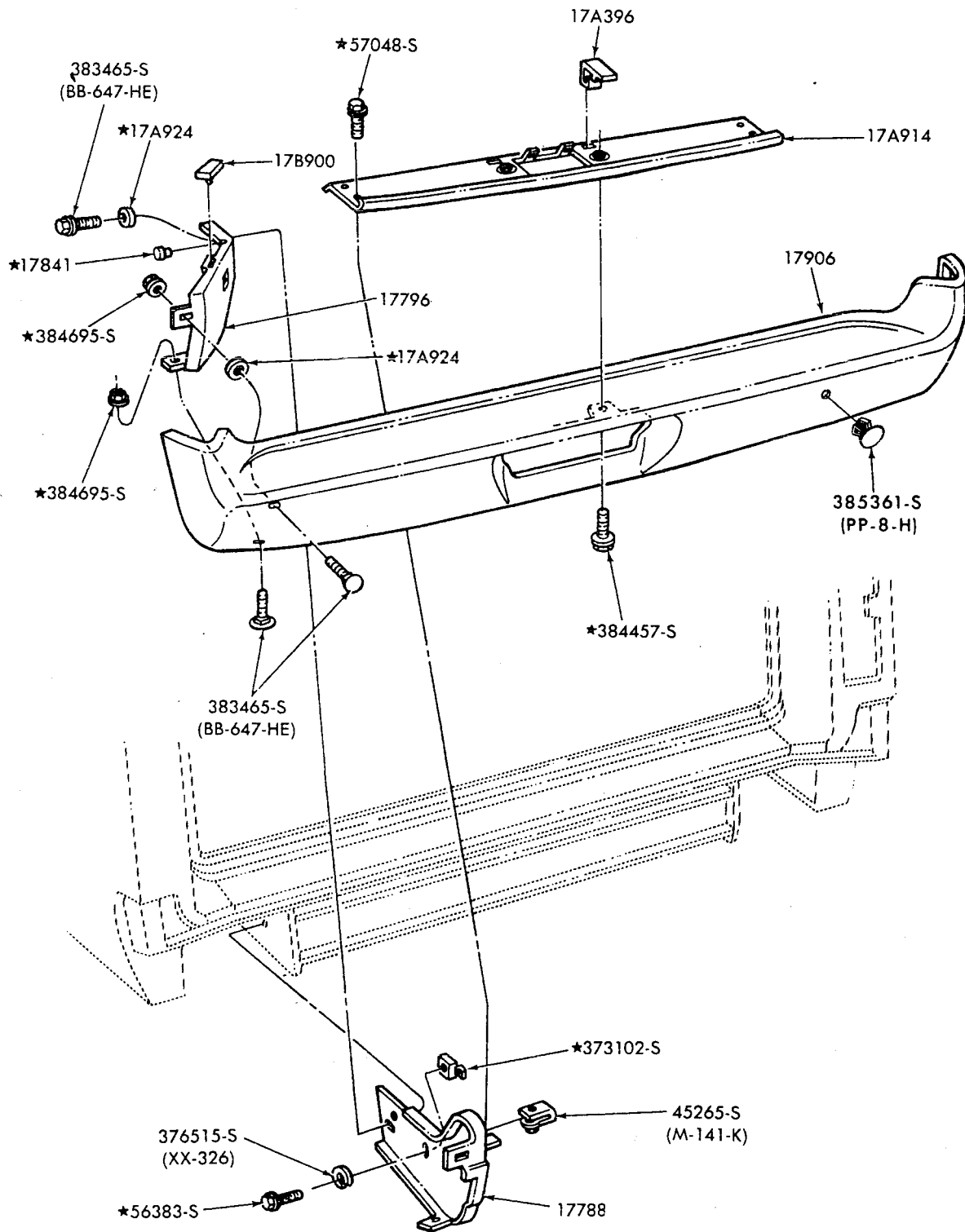
ILLUSTRATION  
SECTION 176.1

**FORD CAR PARTS**



REAR BUMPER and RELATED PARTS  
1972 THUNDERBIRD

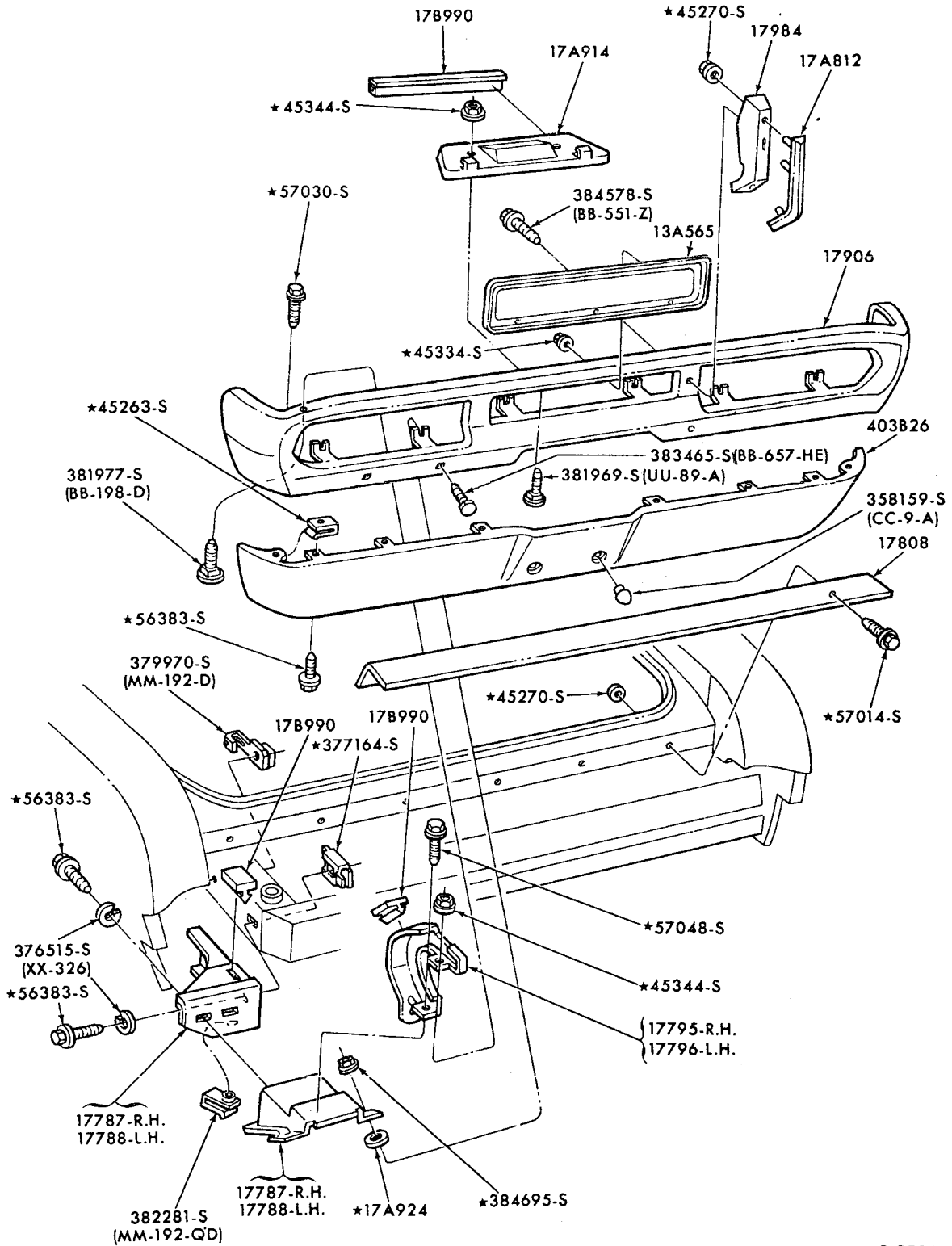
P-8661



P-8667

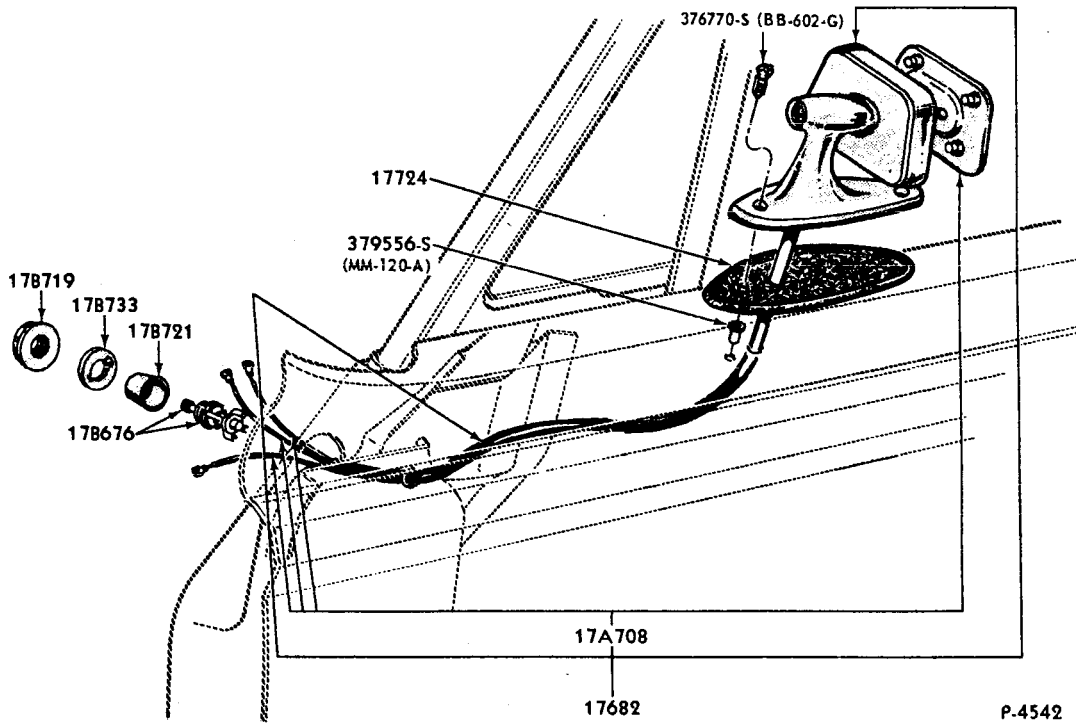
REAR BUMPER and RELATED PARTS  
1972 TORINO - BODY TYPES 71, 79

**FORD CAR PARTS**



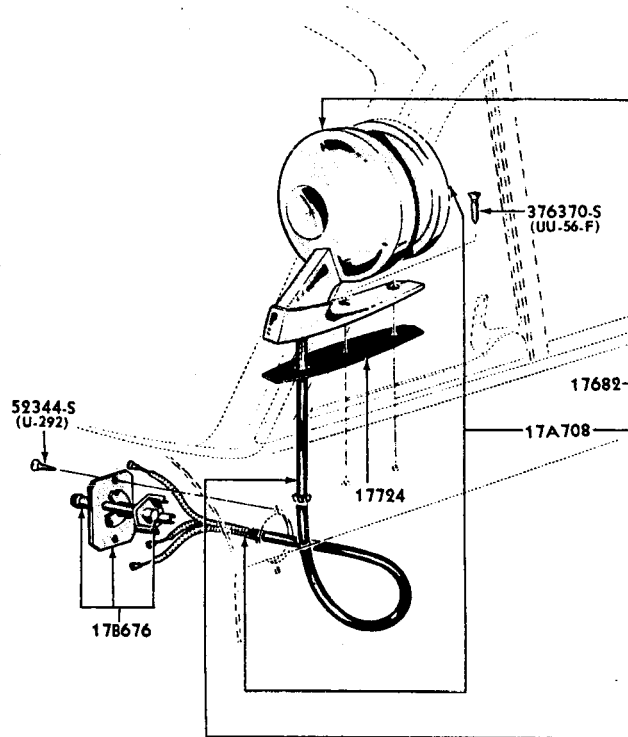
P-8906

REAR BUMPER and RELATED PARTS  
1972 FORD - ALL EXCEPT BODY TYPE 71



MIRROR - REMOTE CONTROL  
1965/66 FORD

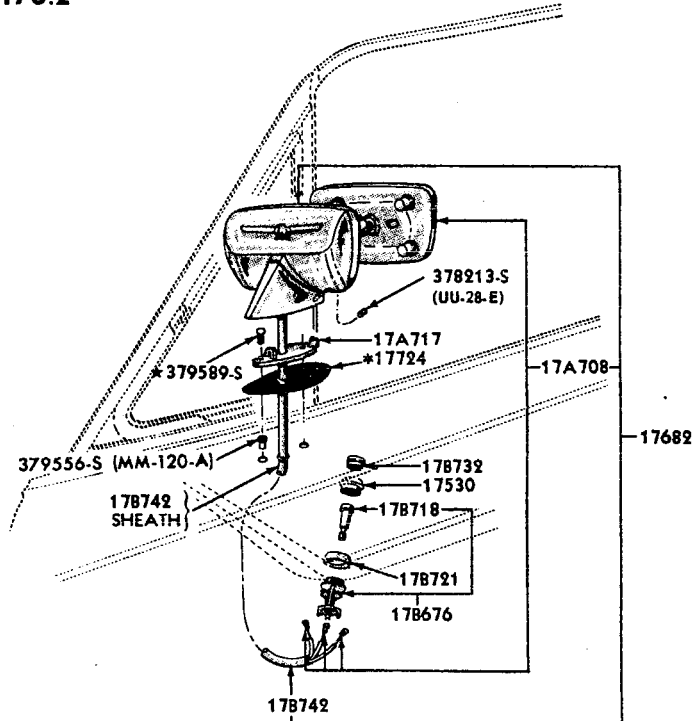
P-4542



MIRROR - REMOTE CONTROL  
1965/66 FAIRLANE, FALCON and MUSTANG

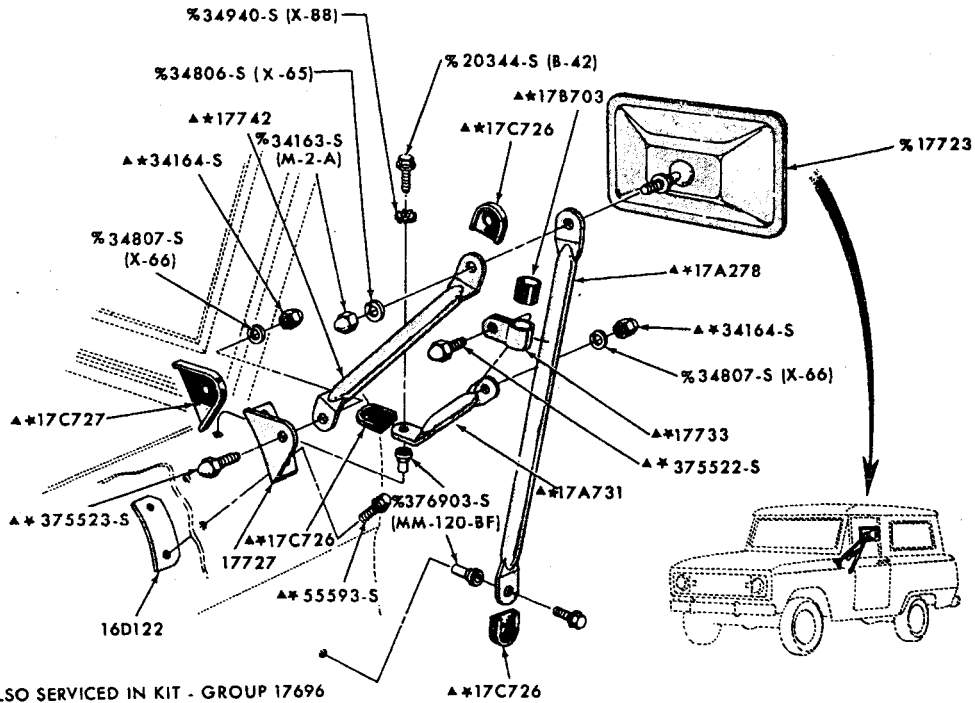
P-4543

FORD CAR PARTS



\*ALSO SUPPLIED WITH 17682 MIRROR ASSEMBLY P.4541

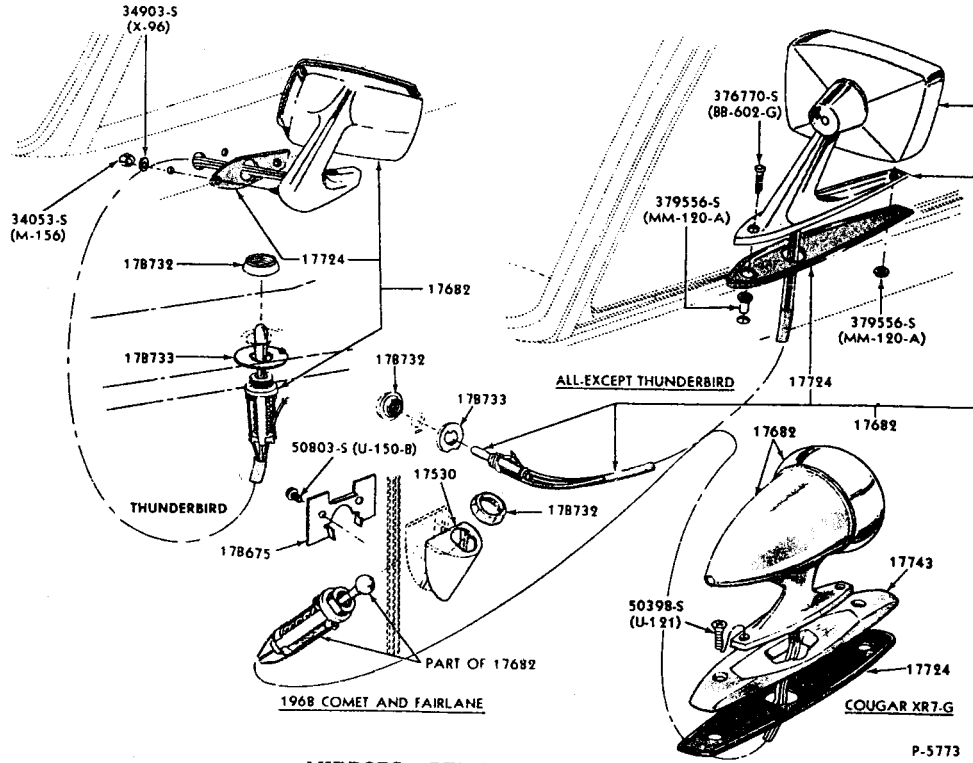
MIRROR - REMOTE CONTROL  
1965/66 THUNDERBIRD



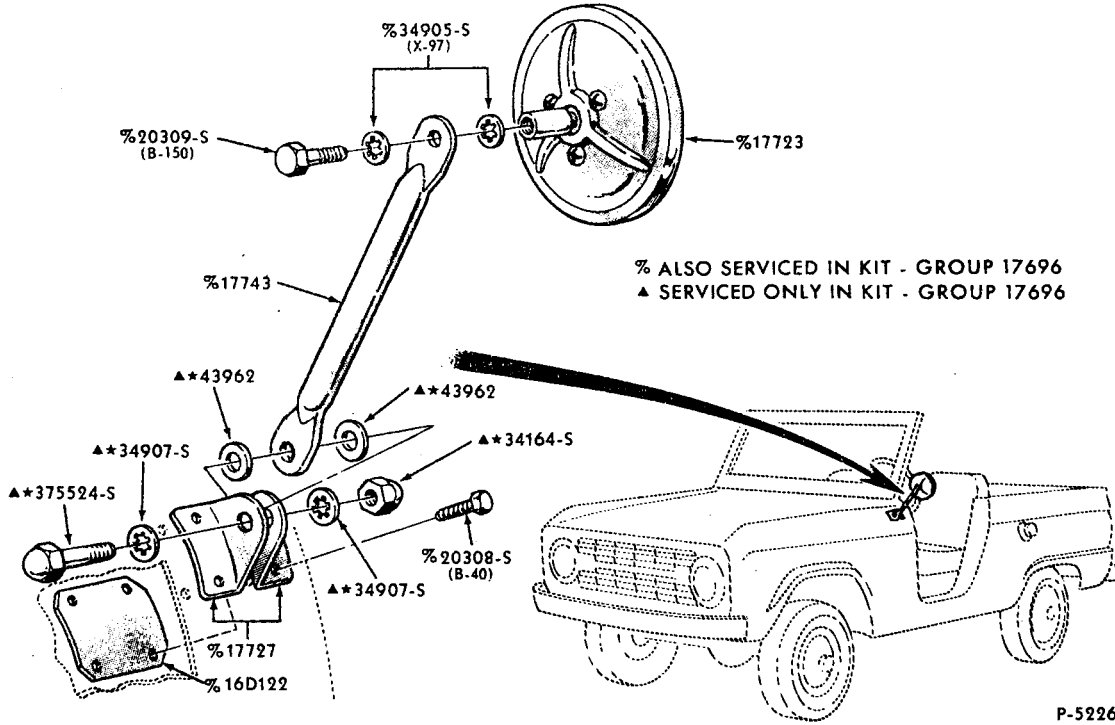
% ALSO SERVICED IN KIT - GROUP 17696  
▲ SERVICED ONLY IN KIT - GROUP 17696

MIRROR - OUTSIDE RECTANGULAR  
1966/72 BRONCO



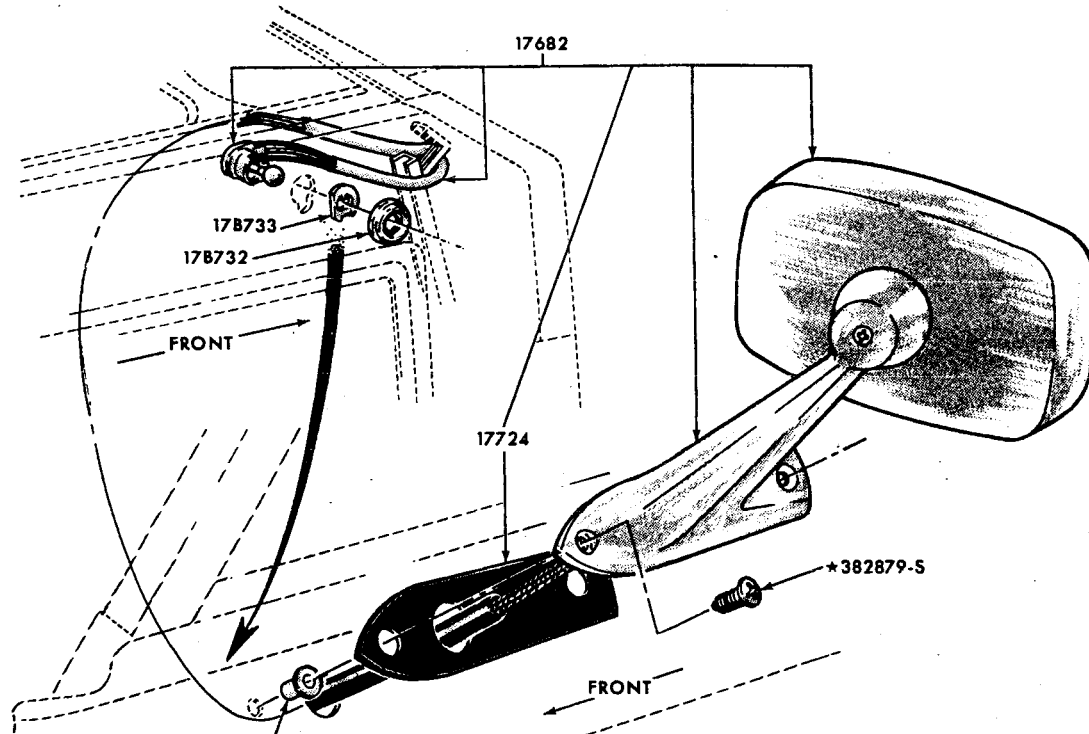


MIRRORS - REMOTE CONTROL  
1967/72 FORD, FAIRLANE/TORINO, MUSTANG, FALCON and THUNDERBIRD



MIRROR - OUTSIDE ROUND

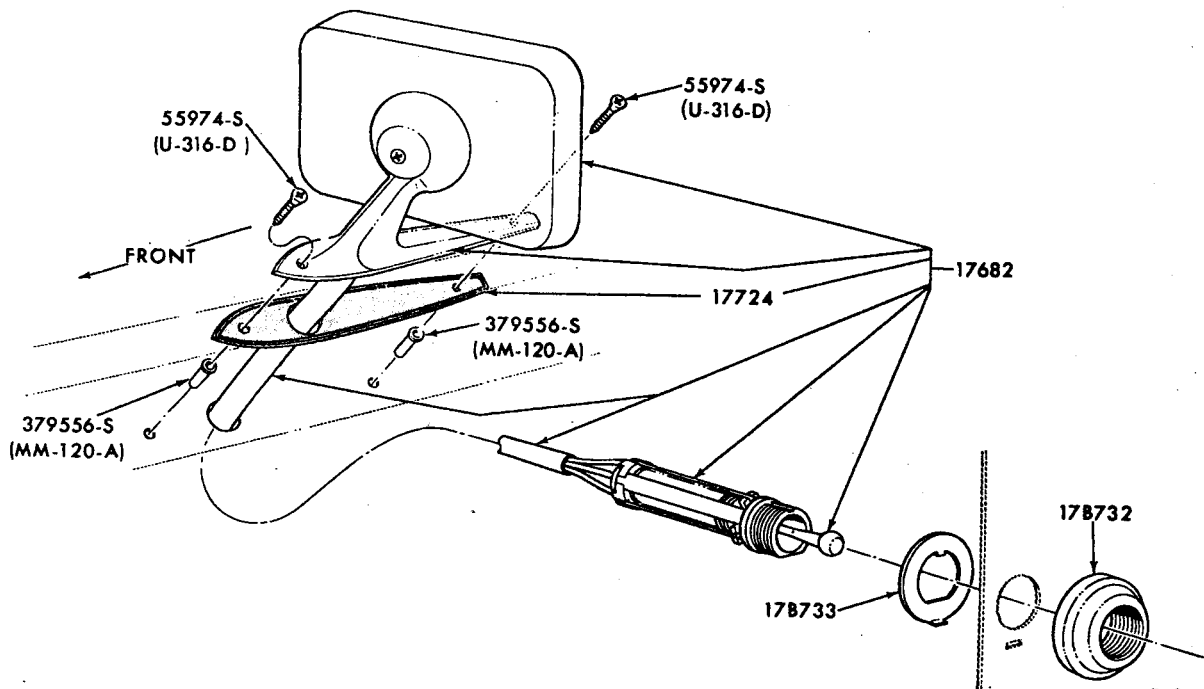
1966/69 BRONCO



379556-S (MM-120-A)

MIRROR - REMOTE CONTROL  
1970 MAVERICK

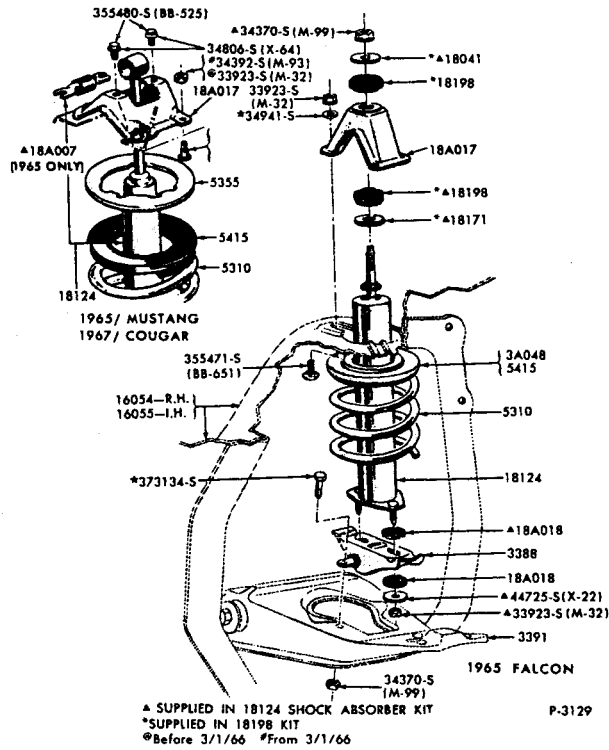
P-6880



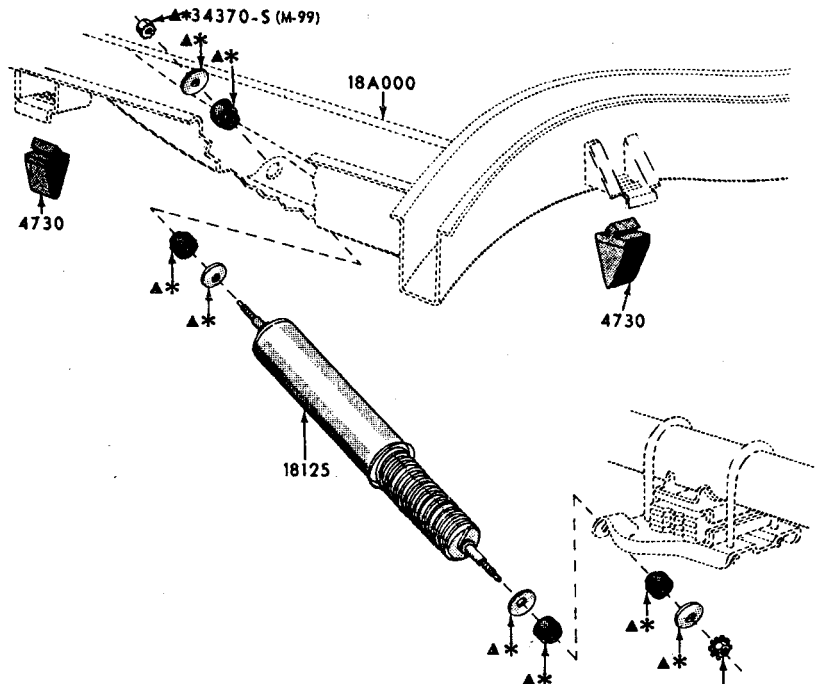
MIRROR - REMOTE CONTROL

1969/72 BRONCO

P-8641



**SHOCK ABSORBER - FRONT**  
 1965 FALCON and 1965/69 MUSTANG



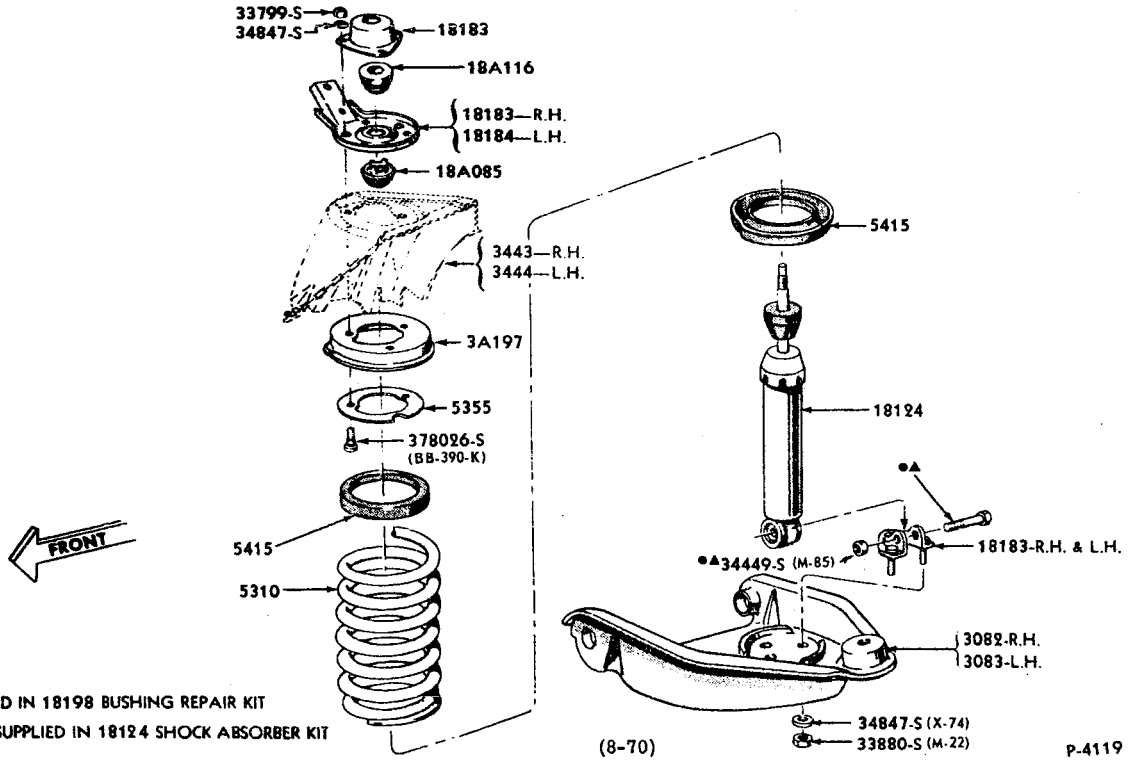
▲ ALSO SUPPLIED IN 18125 SHOCK ABSORBER KIT  
 \*SUPPLIED IN 18198 BUSHING REPAIR KIT

▲\* 34370-S (M-99)

P-3137

**SHOCK ABSORBER - REAR**  
 1965/68 FALCON and MUSTANG

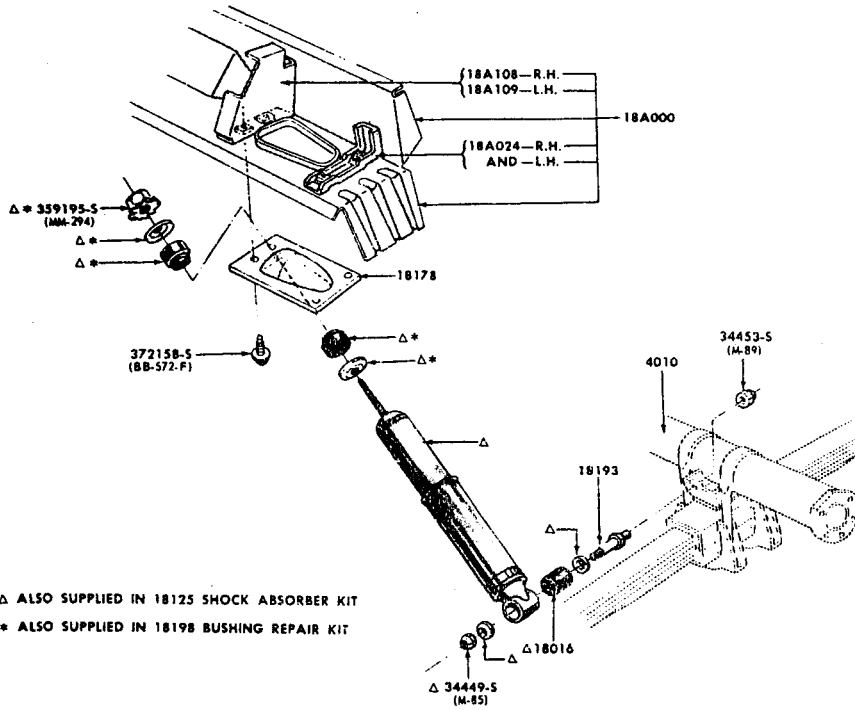
**FORD CAR PARTS**



● SUPPLIED IN 18198 BUSHING REPAIR KIT  
▲ ALSO SUPPLIED IN 18124 SHOCK ABSORBER KIT

SHOCK ABSORBER - FRONT  
1965/66 THUNDERBIRD

P-4119



Δ ALSO SUPPLIED IN 18125 SHOCK ABSORBER KIT  
\* ALSO SUPPLIED IN 18198 BUSHING REPAIR KIT

SHOCK ABSORBER - REAR  
1965/68 THUNDERBIRD

P-4352





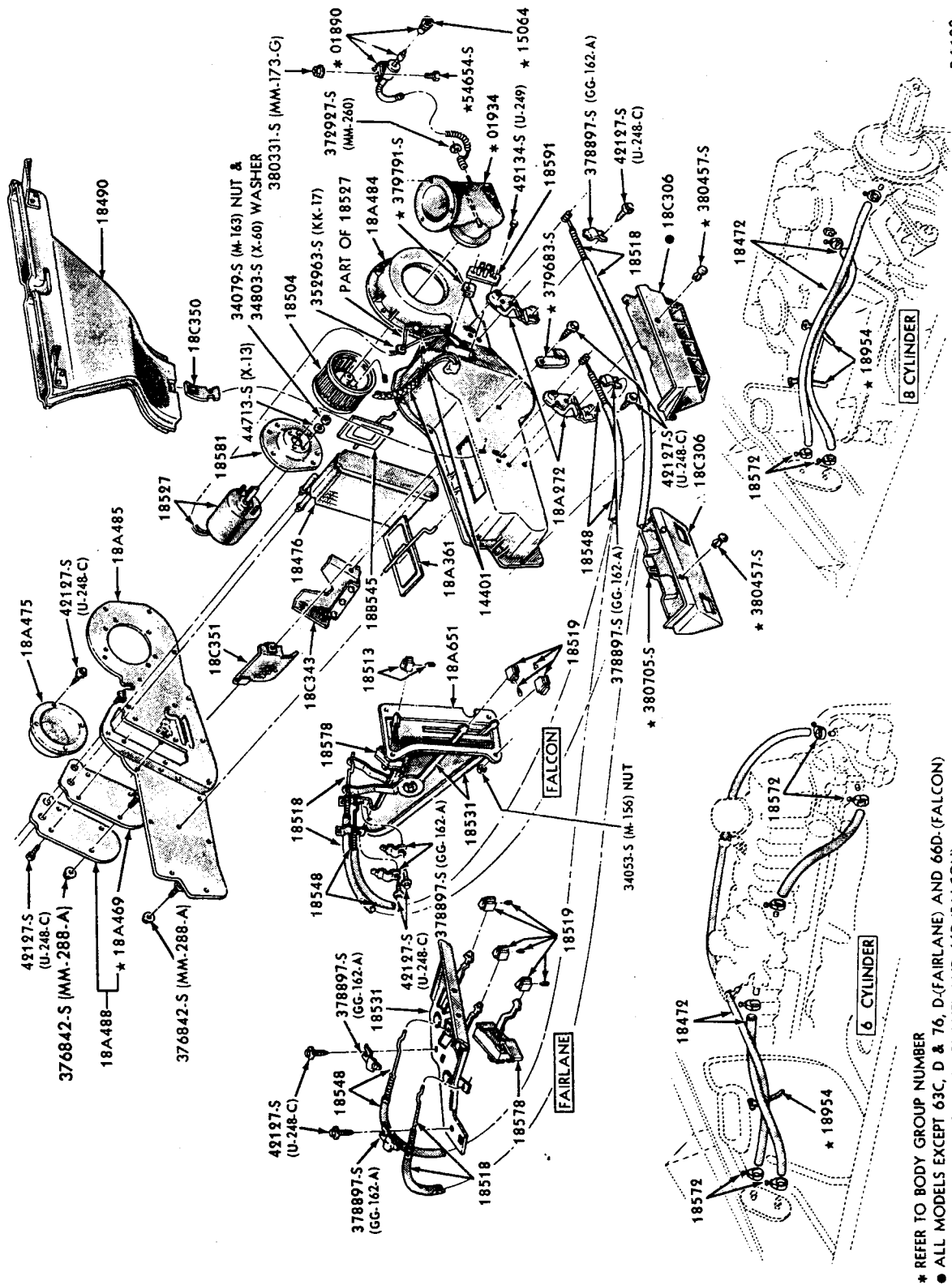








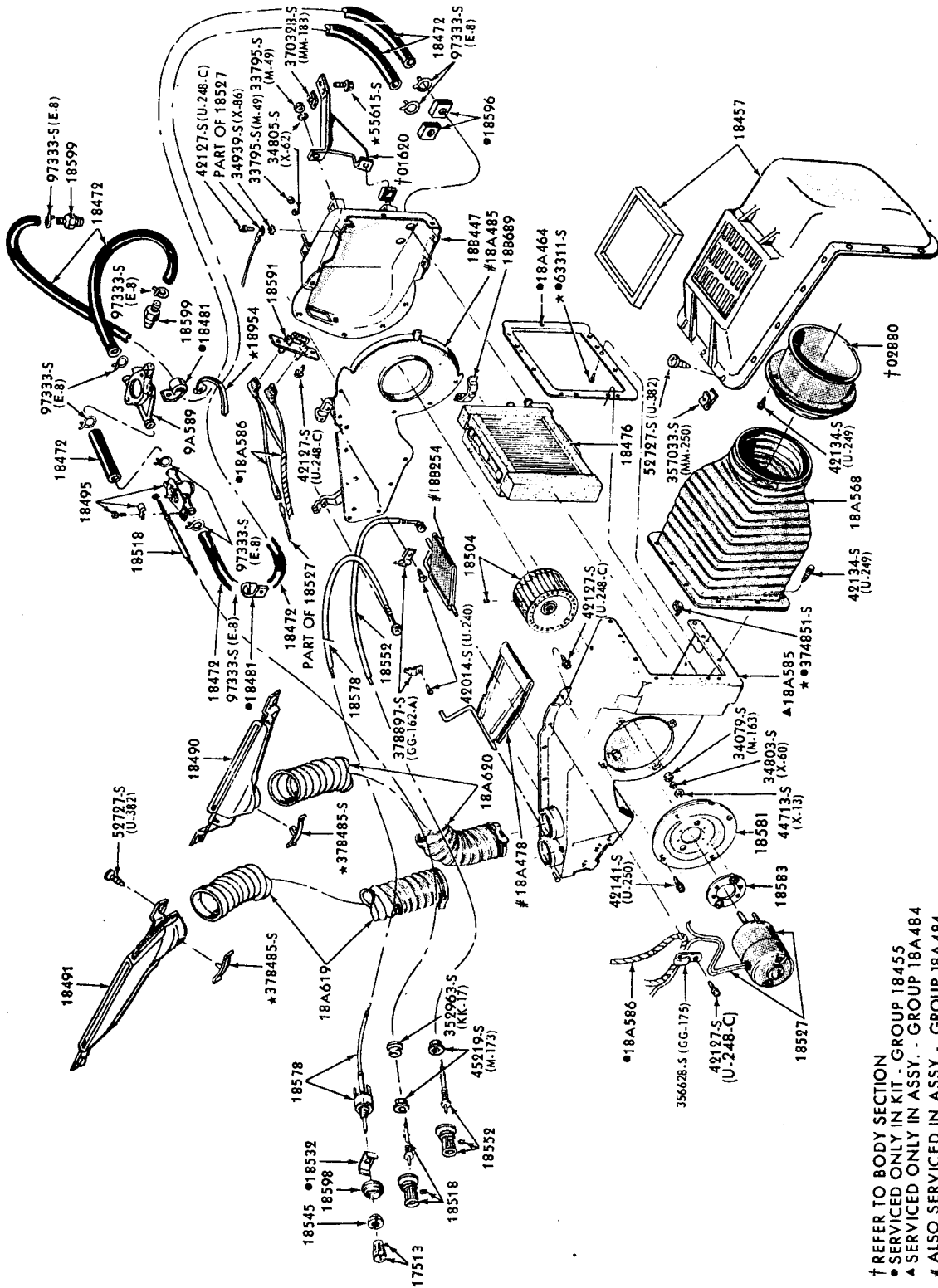




P 5108

HEATER and RELATED PARTS  
1966/67 FAIRLANE and FALCON

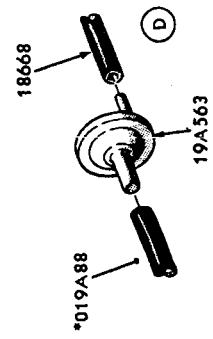
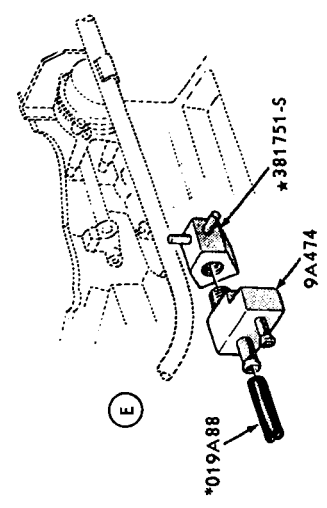
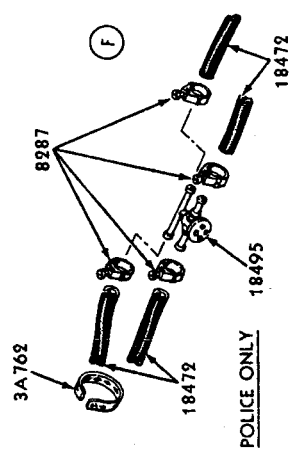
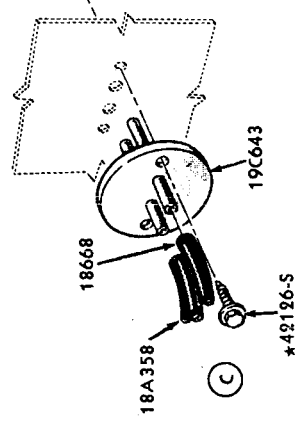
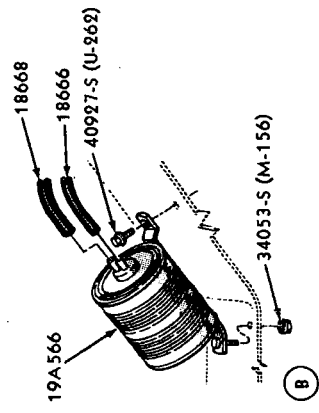
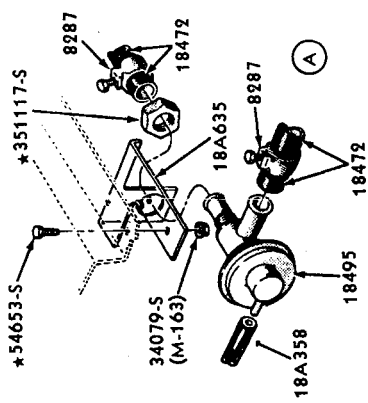
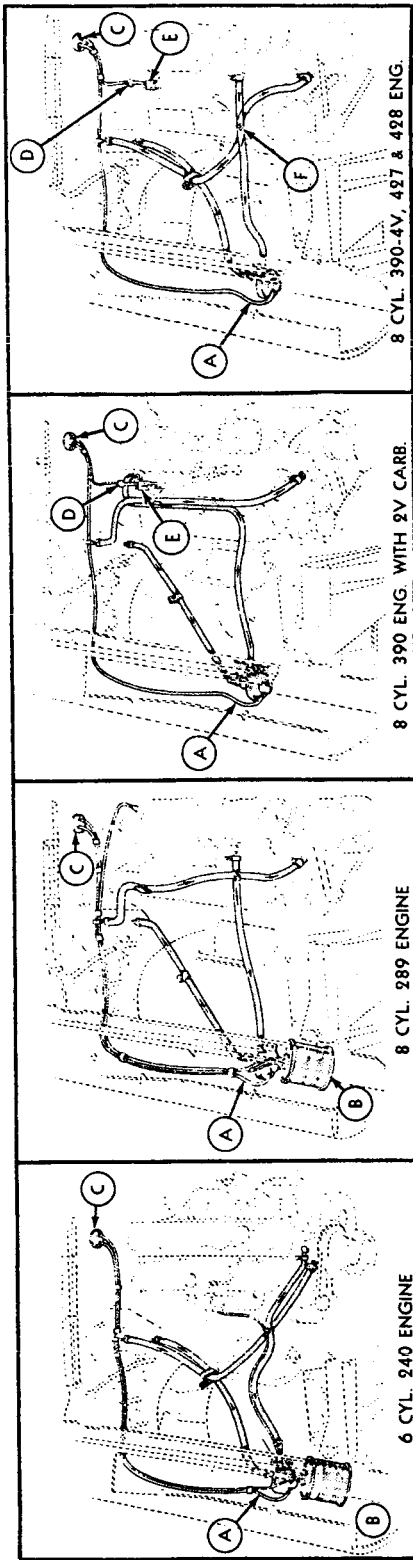
- \* REFER TO BODY GROUP NUMBER
- ALL MODELS EXCEPT 63C, D & 76, D:(FAIRLANE) AND 66D:(FALCON)
- △ MODELS 63C, D & 76C, D:(FAIRLANE) AND 66D:(FALCON)



HEATER and RELATED PARTS  
1966/72 BRONCO

† REFER TO BODY SECTION  
 • SERVICED ONLY IN KIT - GROUP 18455  
 ▲ SERVICED ONLY IN ASSY. - GROUP 18A484  
 # ALSO SERVICED IN ASSY. - GROUP 18A484





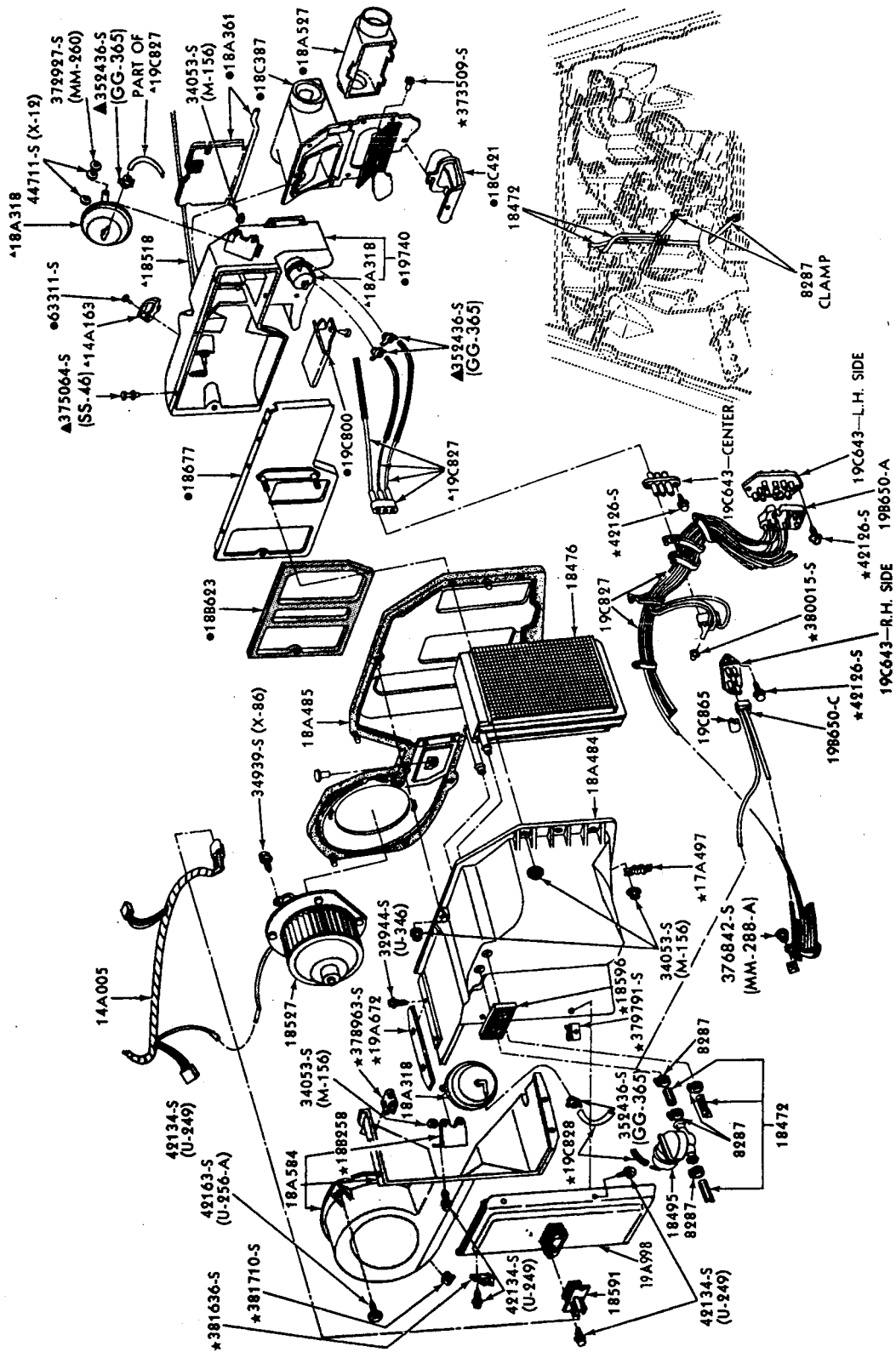
P-5671

\* REFER TO GROUP IN BODY SECTION









HEATER and RELATED PARTS  
1967 THUNDERBIRD

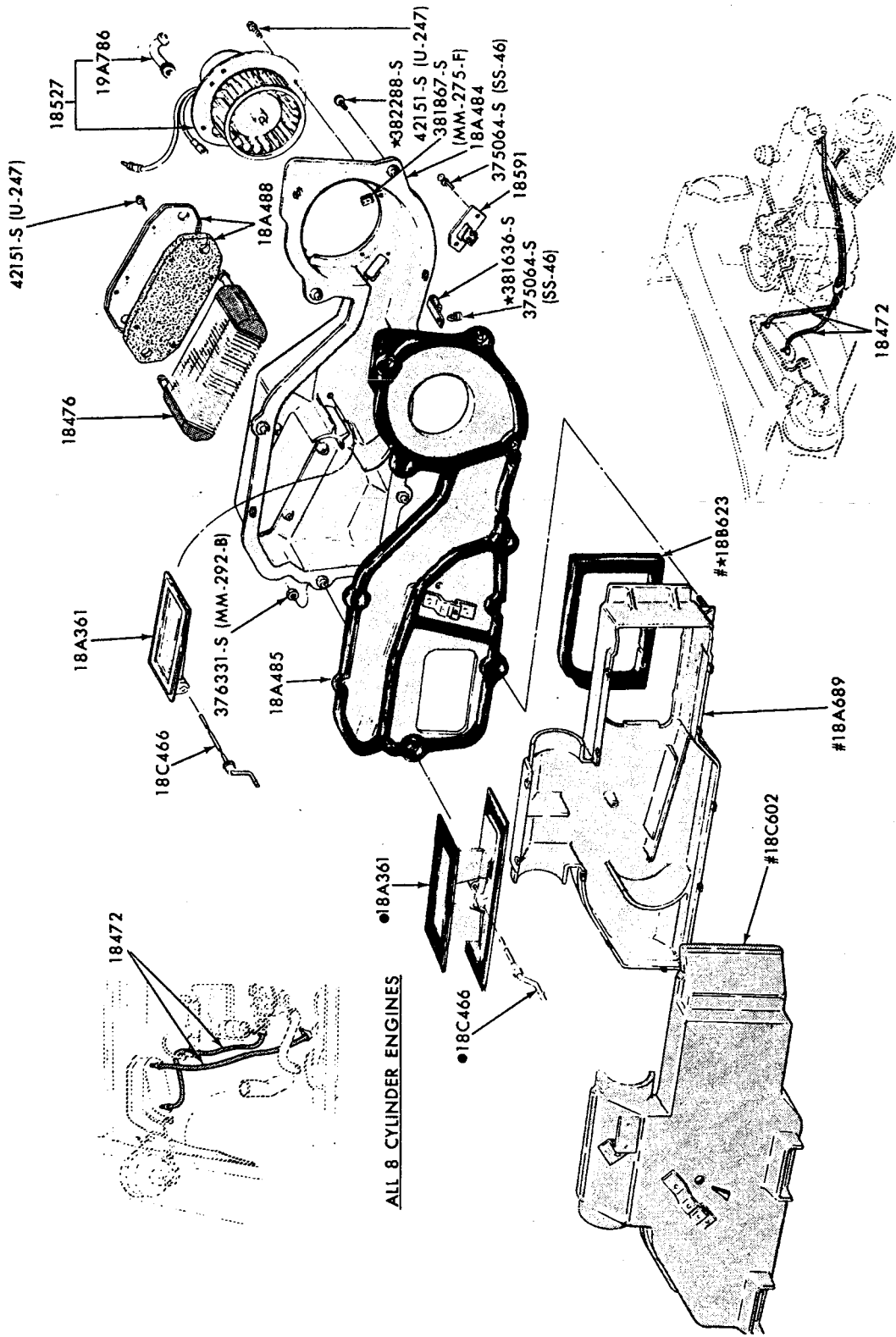
\*SUPPLIED ONLY IN 18471 PLENUM CHAMBER ASSY.  
\*ALSO SUPPLIED IN 18471 PLENUM CHAMBER ASSY.  
FOR INSTRUMENT PANEL CONTROLS & REGISTERS SEE ILLUSTRATION P.5657 SECTION 190 PAGE 58 P.5654





ILLUSTRATION SECTION 184

FORD CAR PARTS



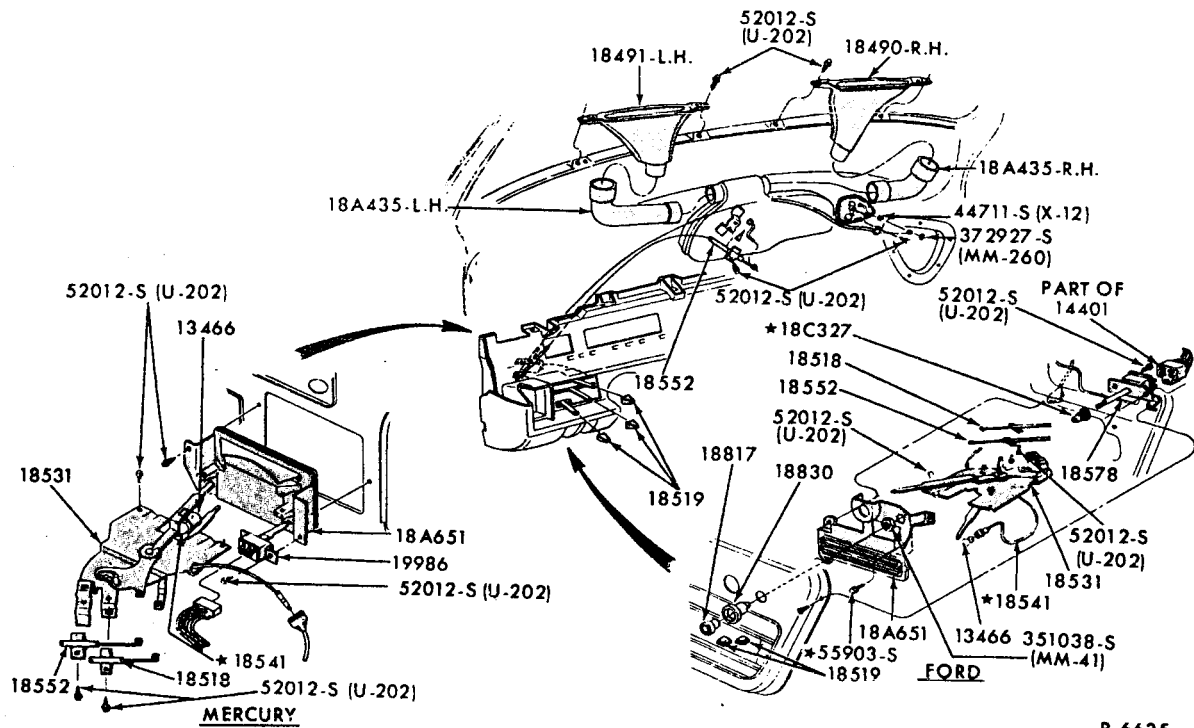
ALL 8 CYLINDER ENGINES

6 CYLINDER ENGINE

# SERVICED IN 18471 PLENUM CHAMBER ONLY  
 ● ALSO SERVICED IN 18471 PLENUM CHAMBER

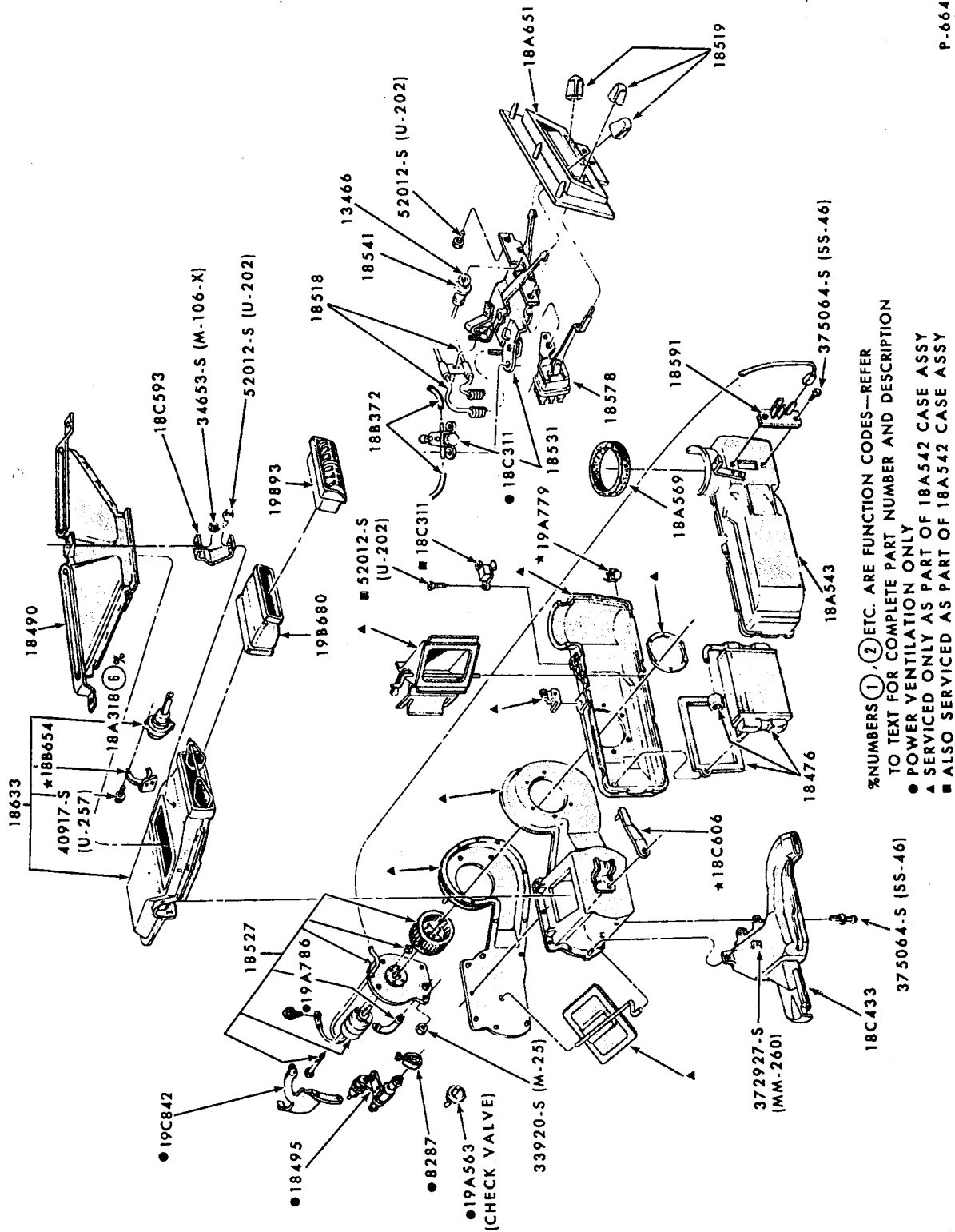
P-6634

HEATER and RELATED PARTS  
1969/70 FORD



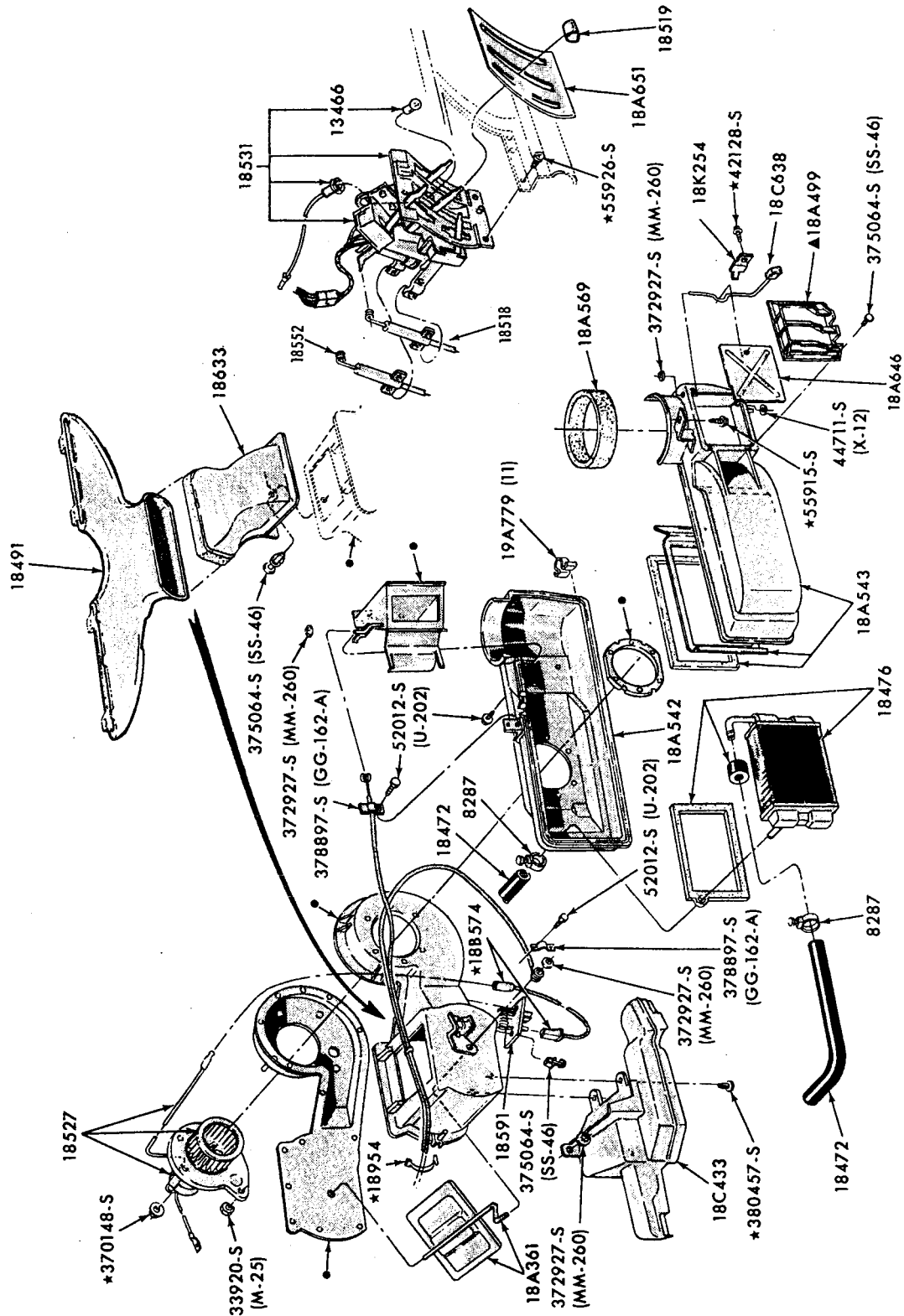
HEATER CONTROLS and RELATED PARTS  
1969/70 FORD

P-6635



NUMBERS ①, ② ETC. ARE FUNCTION CODES—REFER TO TEXT FOR COMPLETE PART NUMBER AND DESCRIPTION  
 ● POWER VENTILATION ONLY  
 ▲ SERVICED ONLY AS PART OF 18A542 CASE ASSY  
 ■ ALSO SERVICED AS PART OF 18A542 CASE ASSY

HEATER, FORCED VENTILATION SYSTEM and RELATED PARTS  
1969/70 MUSTANG

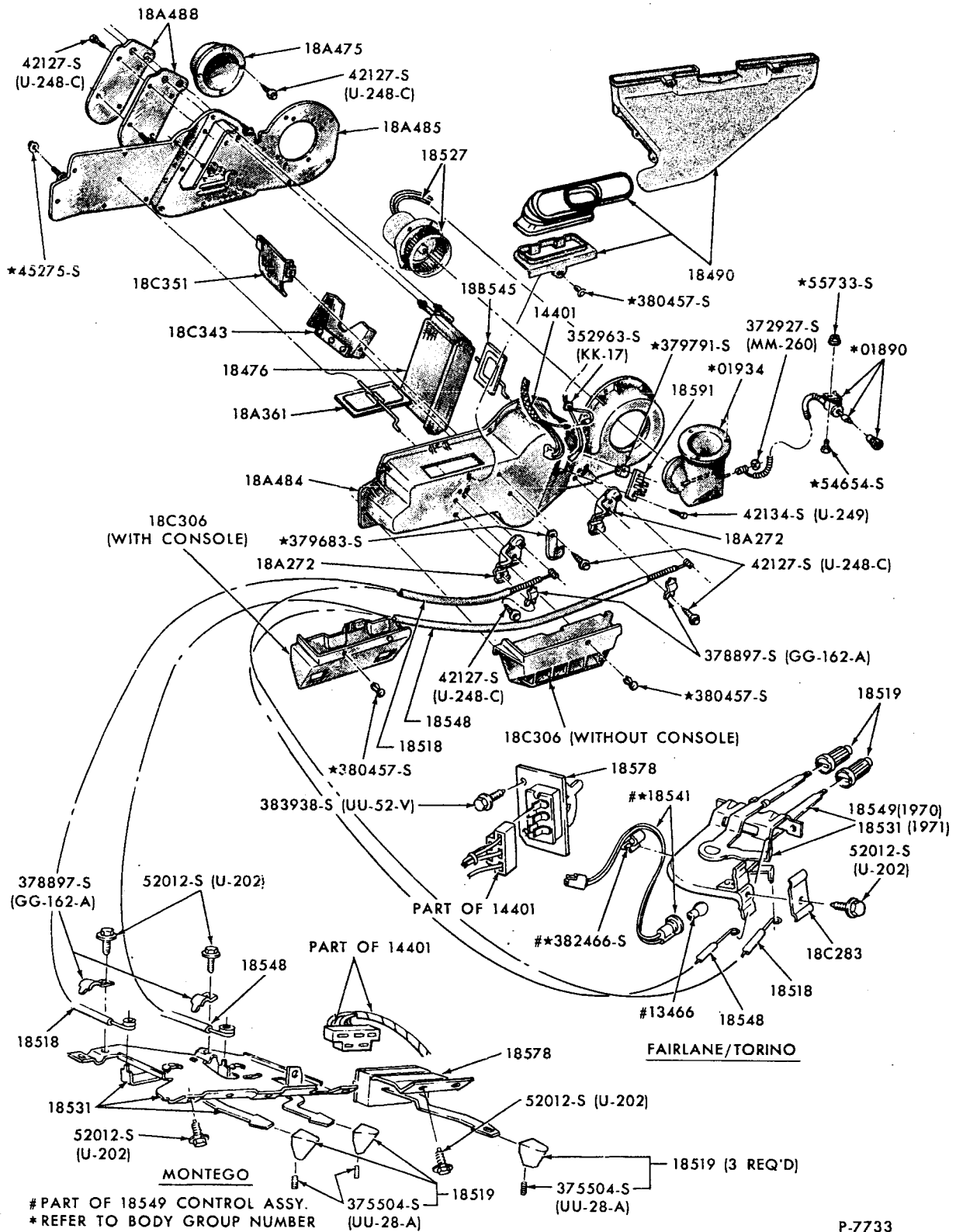


HEATER, CONTROLS and RELATED PARTS  
1970/72 MAVERICK

- SERVICED ONLY IN ASSY. - GROUP 18A542
- ▲ SERVICED ONLY IN ASSY. - GROUP 18A543

**ILLUSTRATION  
SECTION 184**

**FORD CAR PARTS**

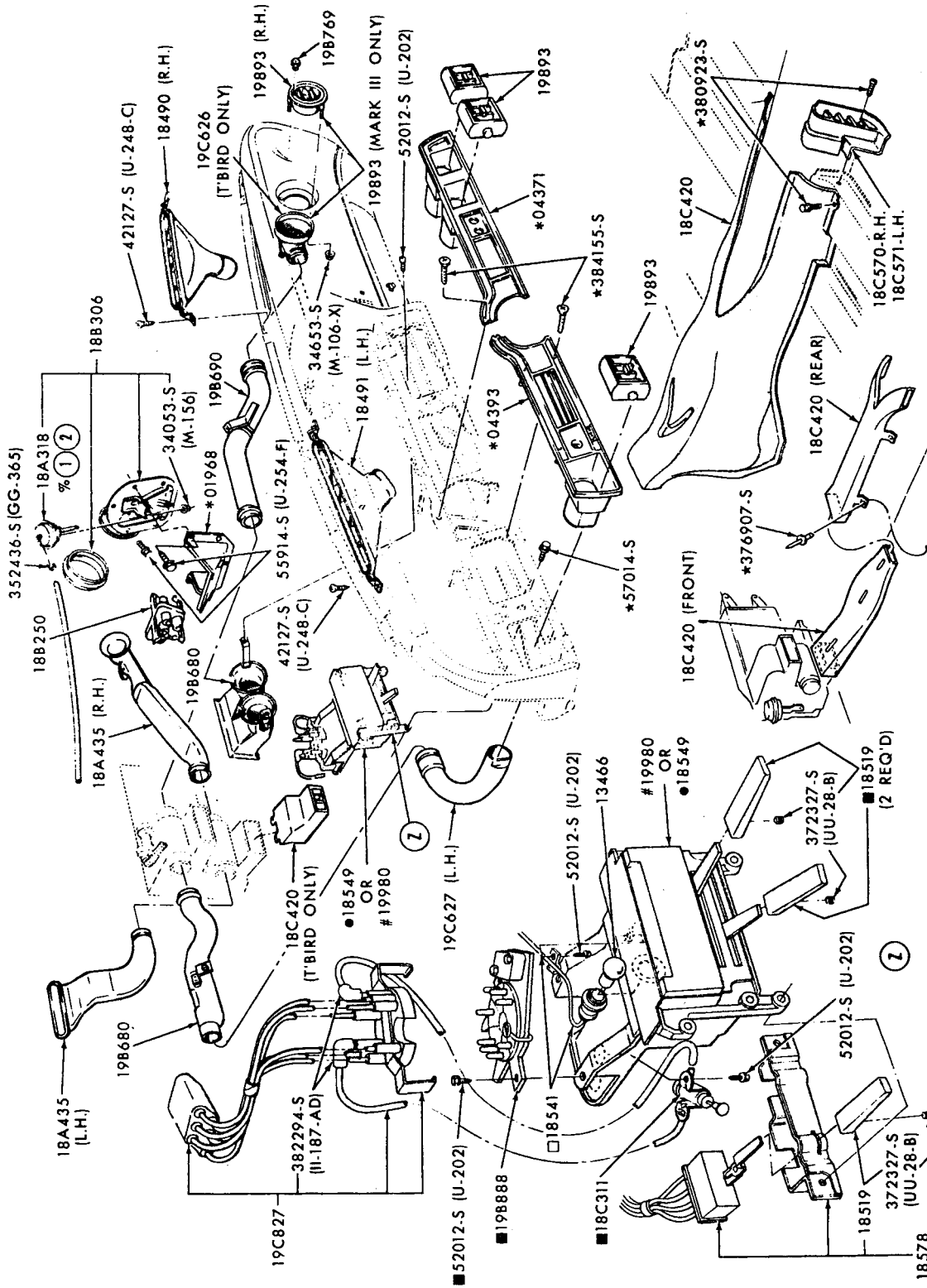


P-7733

**HEATER, CONTROLS and RELATED PARTS  
1970/71 FAIRLANE/TORINO**





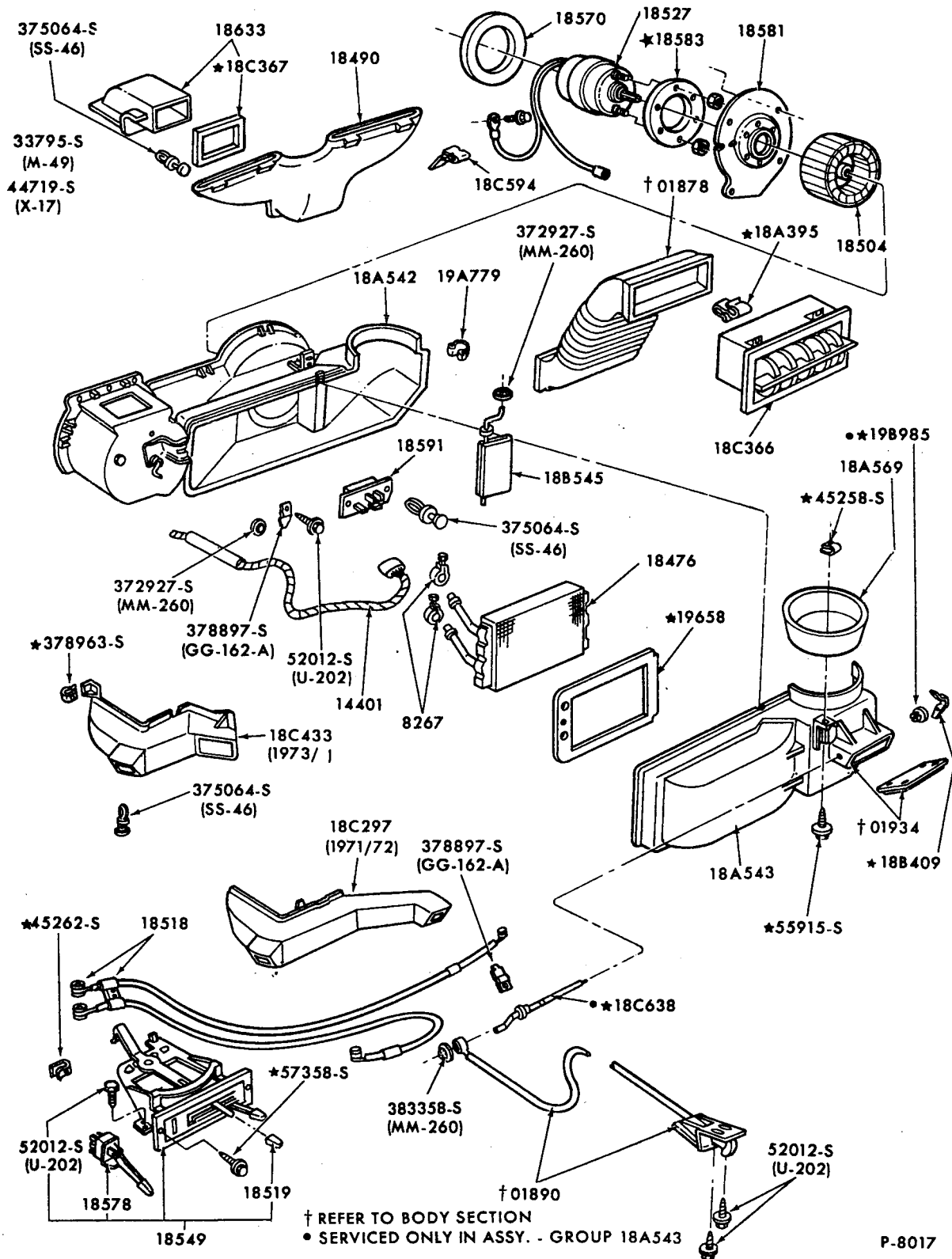


HEATER, CONTROLS and RELATED PARTS  
1970/71 THUNDERBIRD

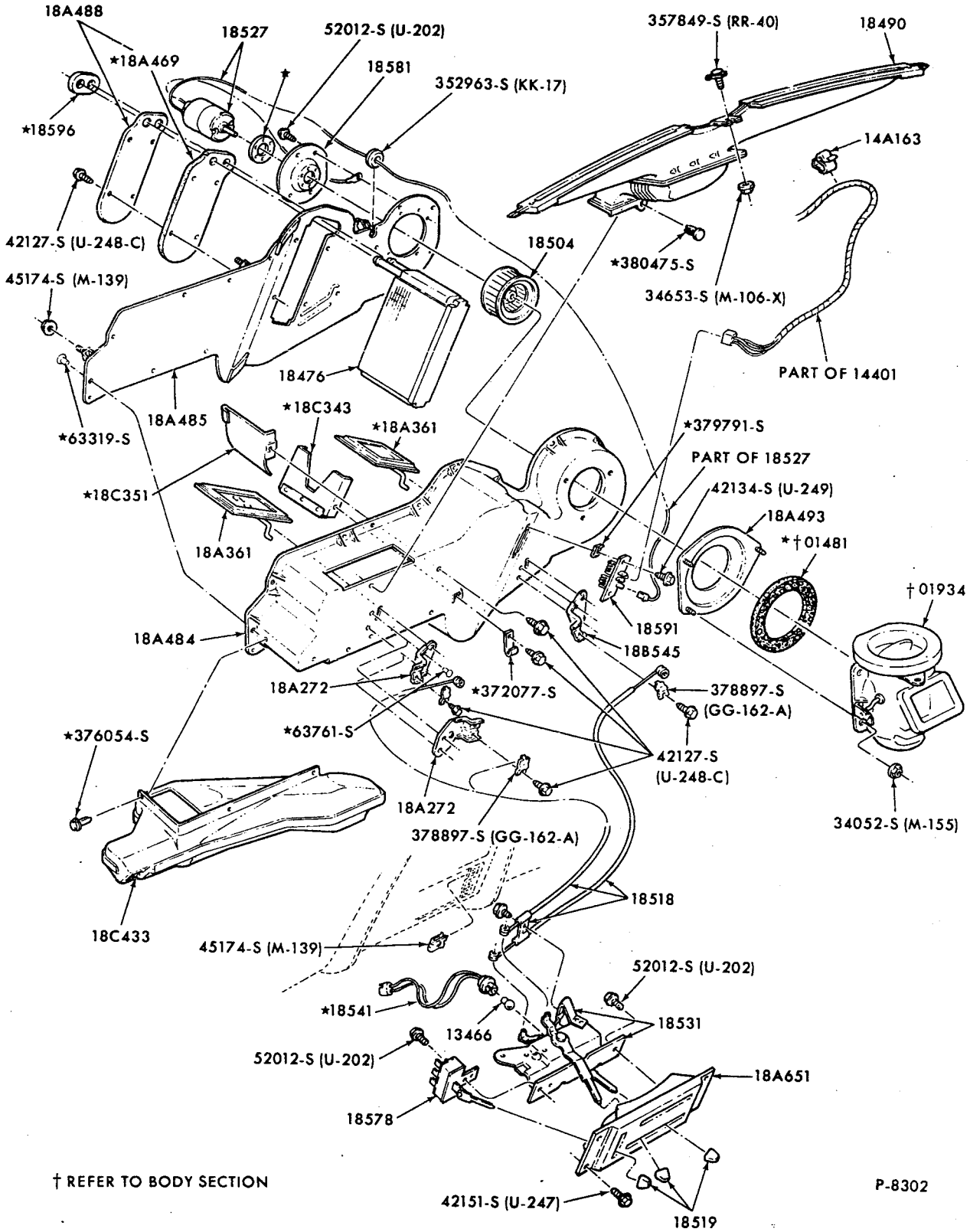
THUNDERBIRD WITH CONSOLE ONLY. MARK III—ALL MODELS.

% NUMBERS 1, 2, ETC. ARE FUNCTION CODES REFER TO TEXT SECTION FOR COMPLETE PART NUMBER AND DESCRIPTION

- SERVICED ONLY IN 19980 OR 18549 CONTROL ASSY.
- \* REFER TO BODY GROUP NUMBER
- ALSO SERVICED IN 19980 OR 18549 CONTROL ASSY.
- HEATER CONTROL ASSY.
- # HEATER/INTEGRAL AIR CONDITIONER CONTROL ASSY.



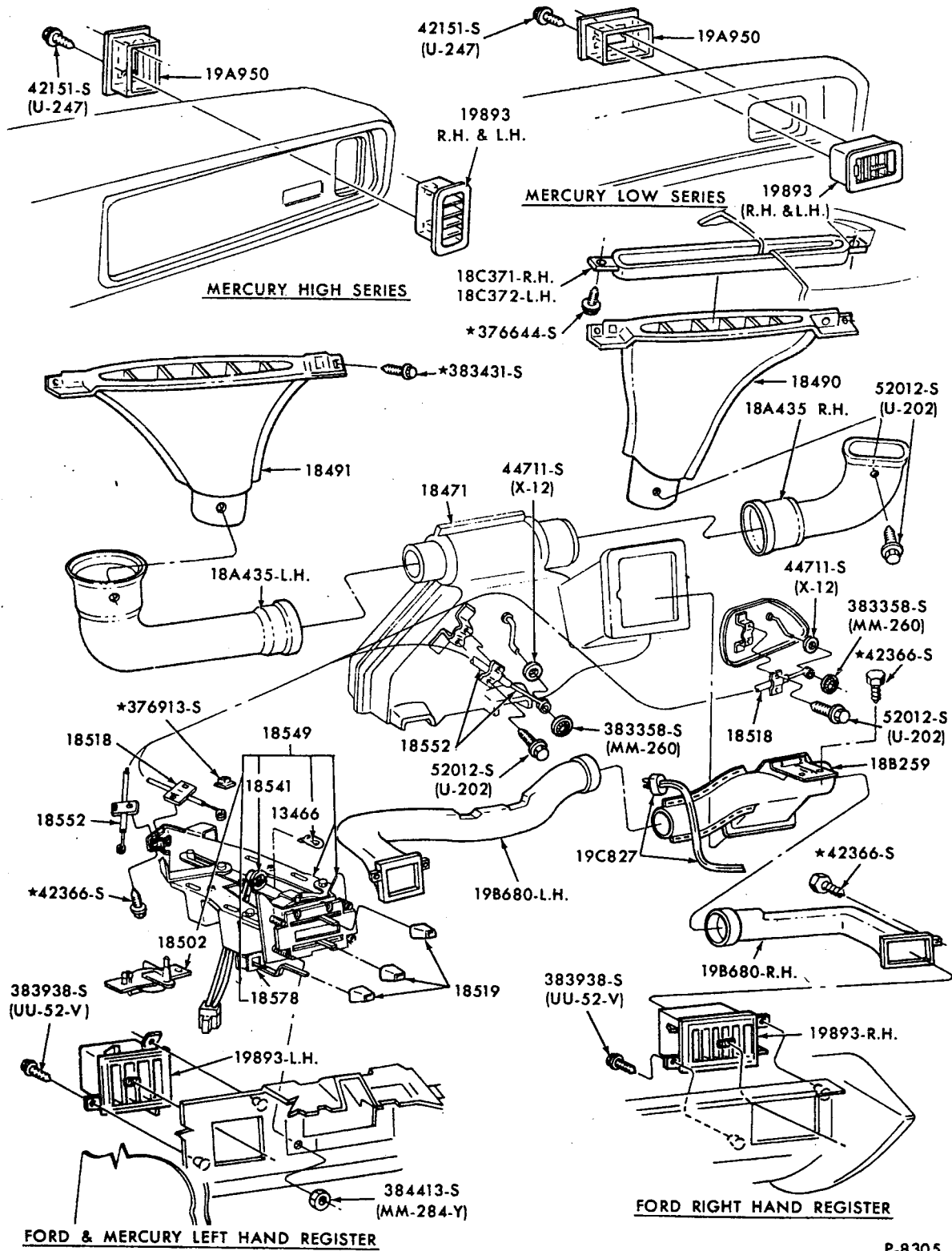
HEATER, CONTROLS and RELATED PARTS  
1971/72 PINTO



† REFER TO BODY SECTION

P-8302

HEATER, CONTROLS and RELATED PARTS  
1971/72 MUSTANG



FORD & MERCURY LEFT HAND REGISTER

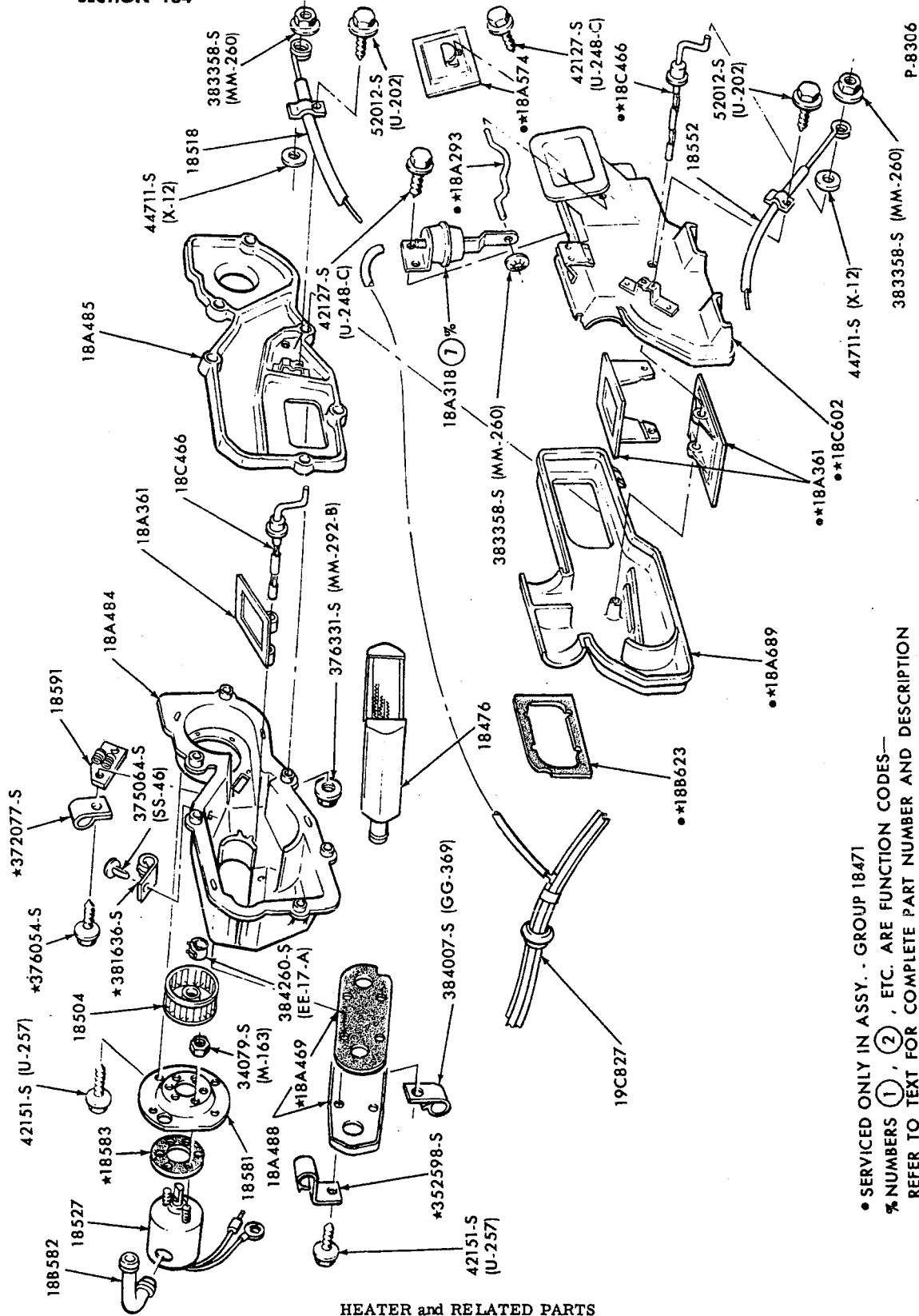
FORD RIGHT HAND REGISTER

P-8305

HEATER CONTROLS and RELATED PARTS  
1971/72 FORD

ILLUSTRATION  
SECTION 184

FORD CAR PARTS



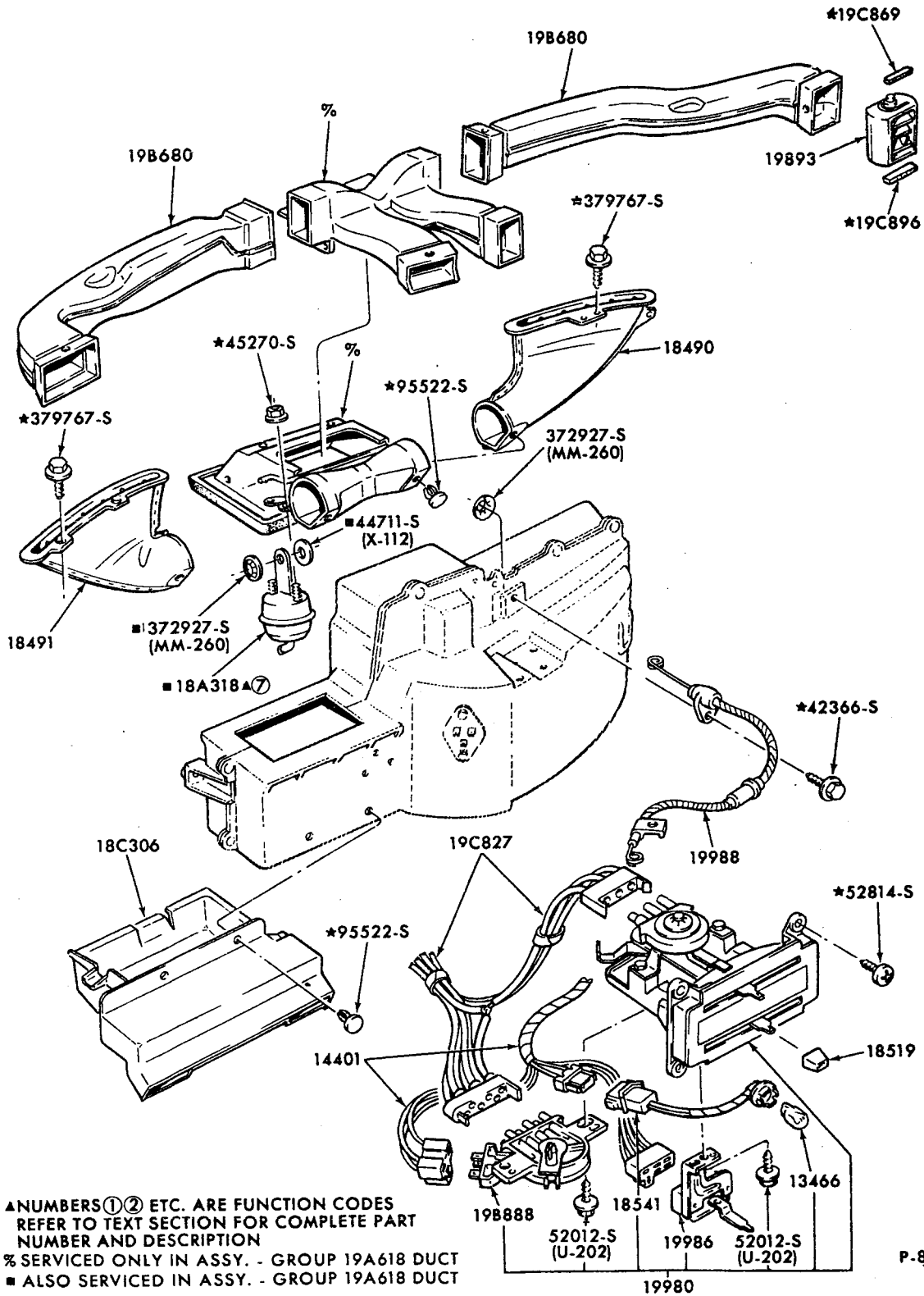
P-8306

HEATER and RELATED PARTS  
1971/72 FORD

• SERVICED ONLY IN ASSY. - GROUP 18471  
% NUMBERS ①, ②, ETC. ARE FUNCTION CODES—  
REFER TO TEXT FOR COMPLETE PART NUMBER AND DESCRIPTION

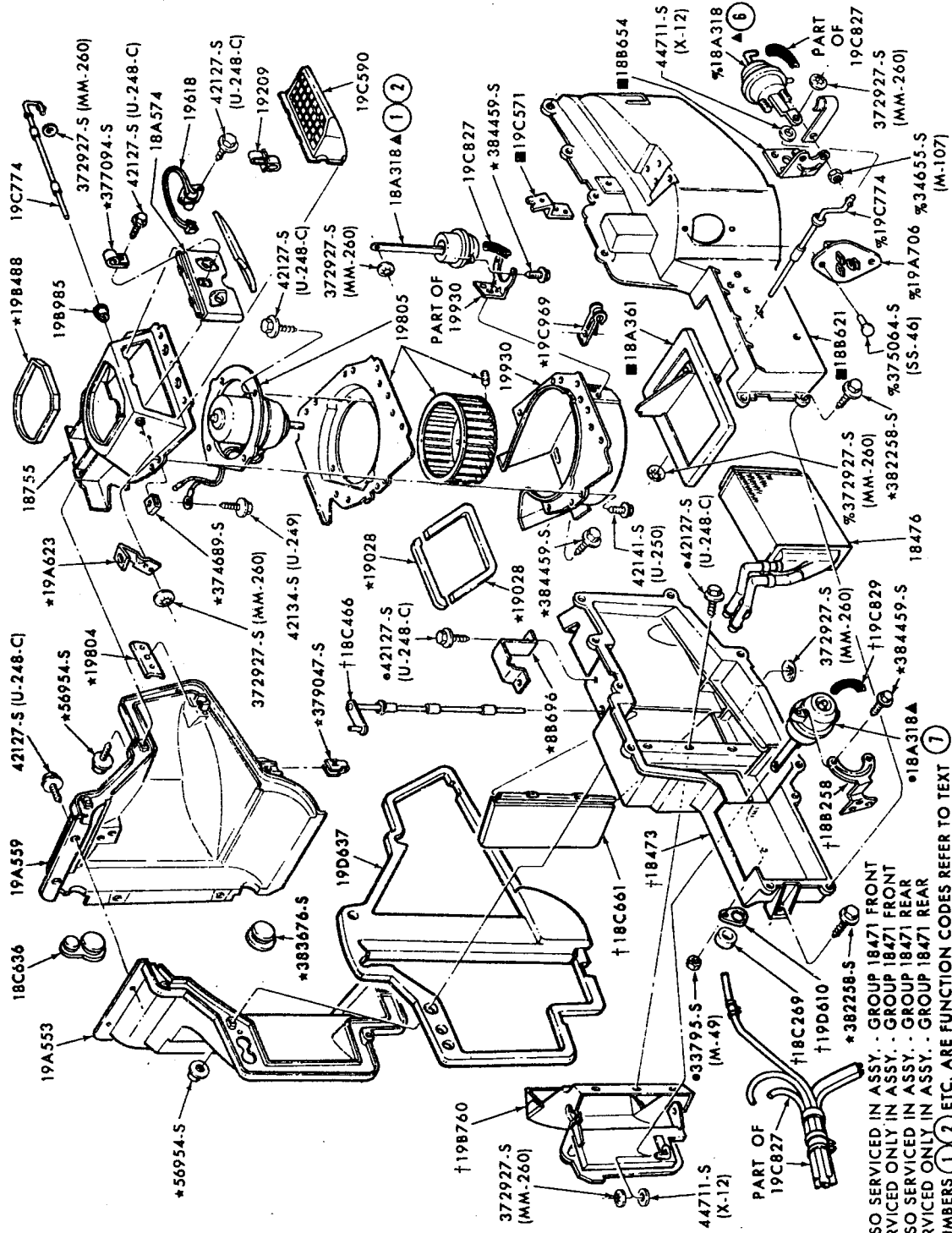


**FORD CAR PARTS**



HEATER CONTROLS and RELATED PARTS  
1972 THUNDERBIRD



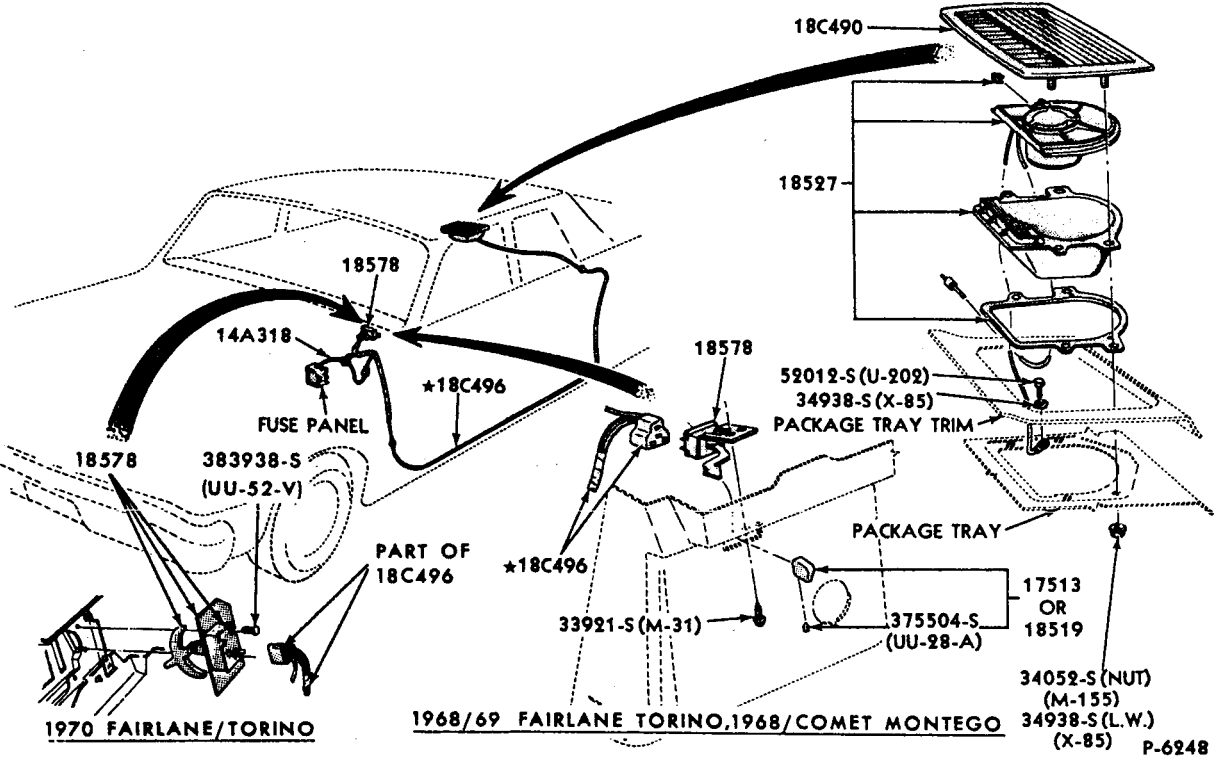
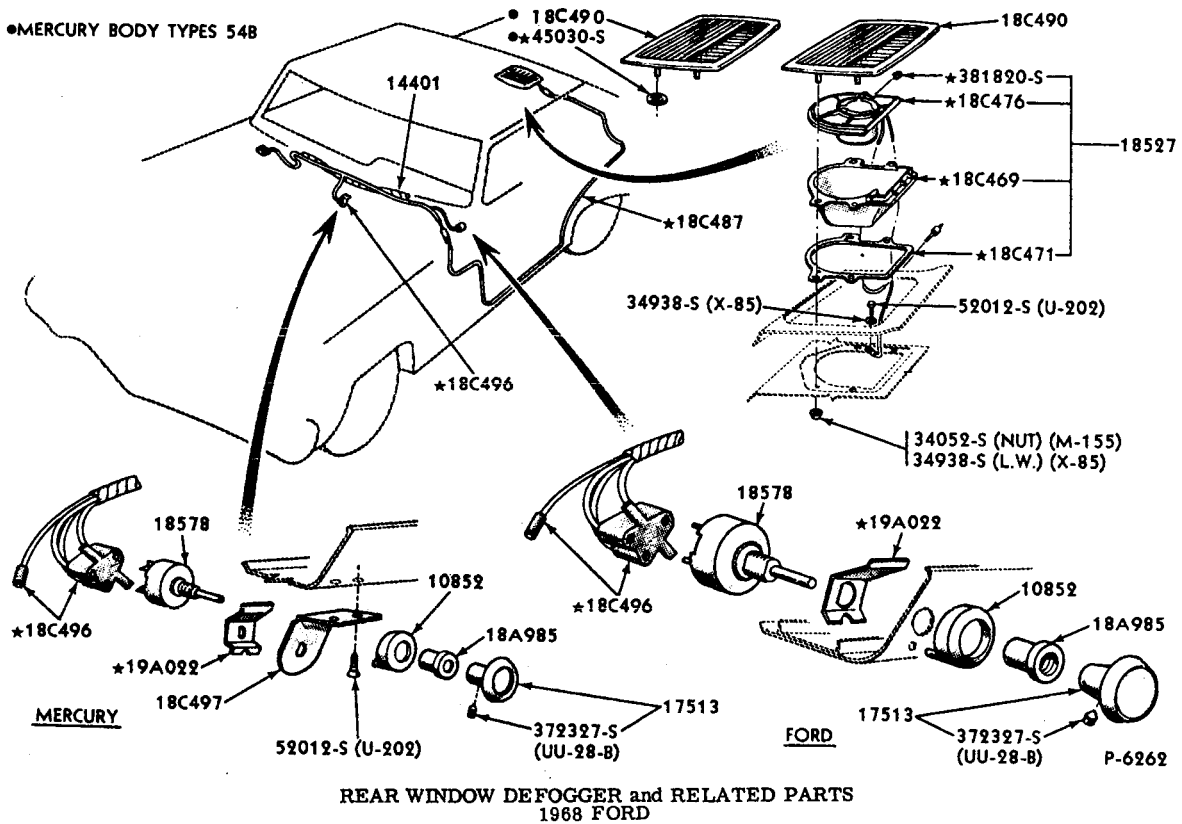


● ALSO SERVICED IN ASSY. - GROUP 18471 FRONT  
 † SERVICED ONLY IN ASSY. - GROUP 18471 FRONT  
 % ALSO SERVICED IN ASSY. - GROUP 18471 REAR  
 ■ SERVICED ONLY IN ASSY. - GROUP 18471 REAR  
 ▲ NUMBERS ① ② ETC. ARE FUNCTION CODES REFER TO TEXT  
 SECTION FOR COMPLETE PART NUMBER AND DESCRIPTION

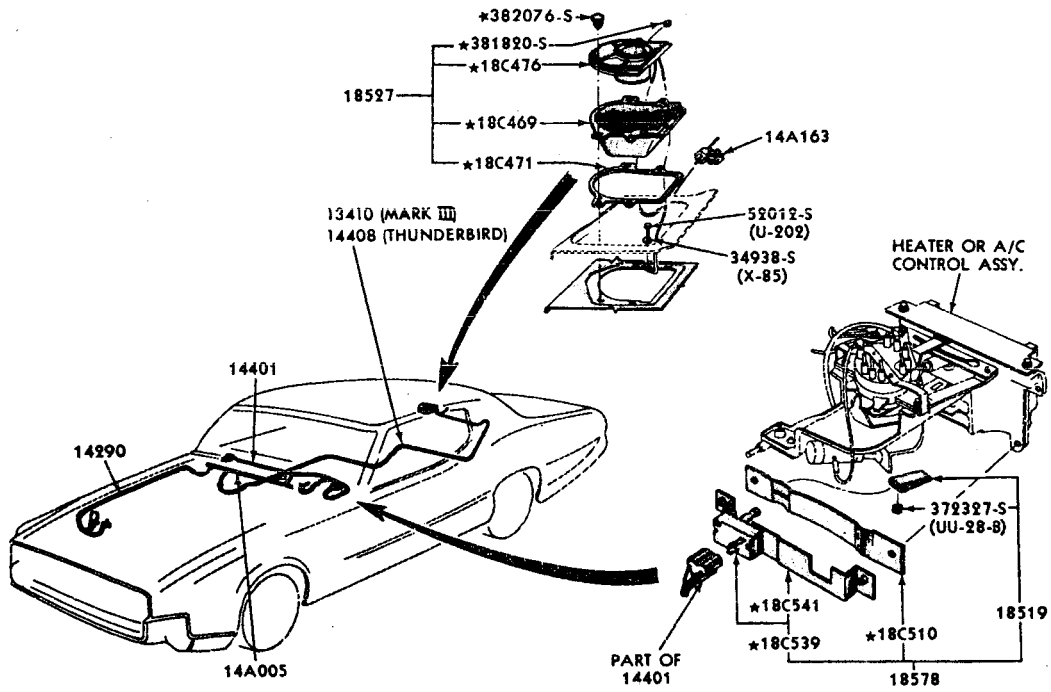
HEATER and RELATED PARTS  
1972 THUNDERBIRD

# FORD CAR PARTS

## ILLUSTRATION SECTION 185

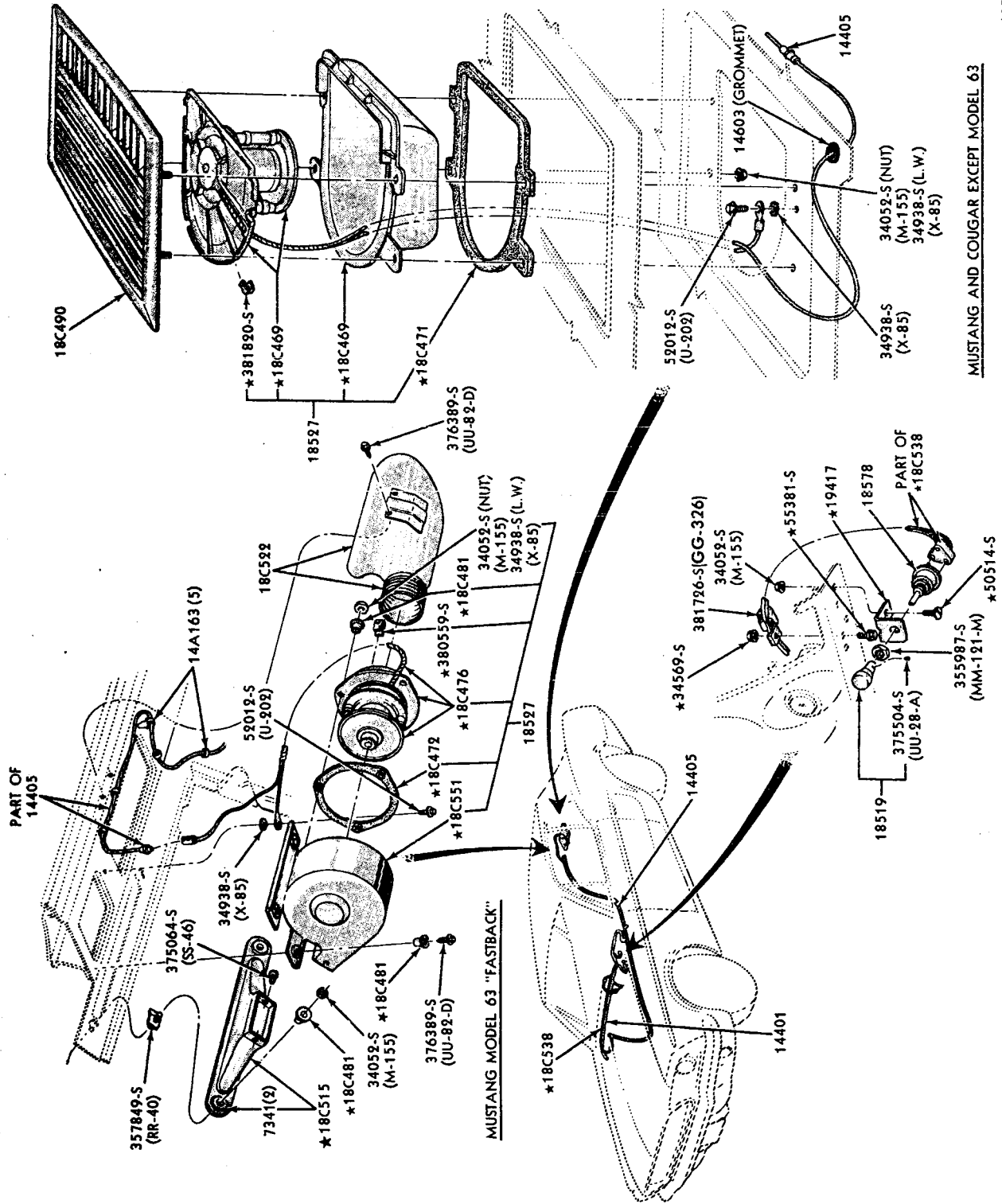


FORD CAR PARTS



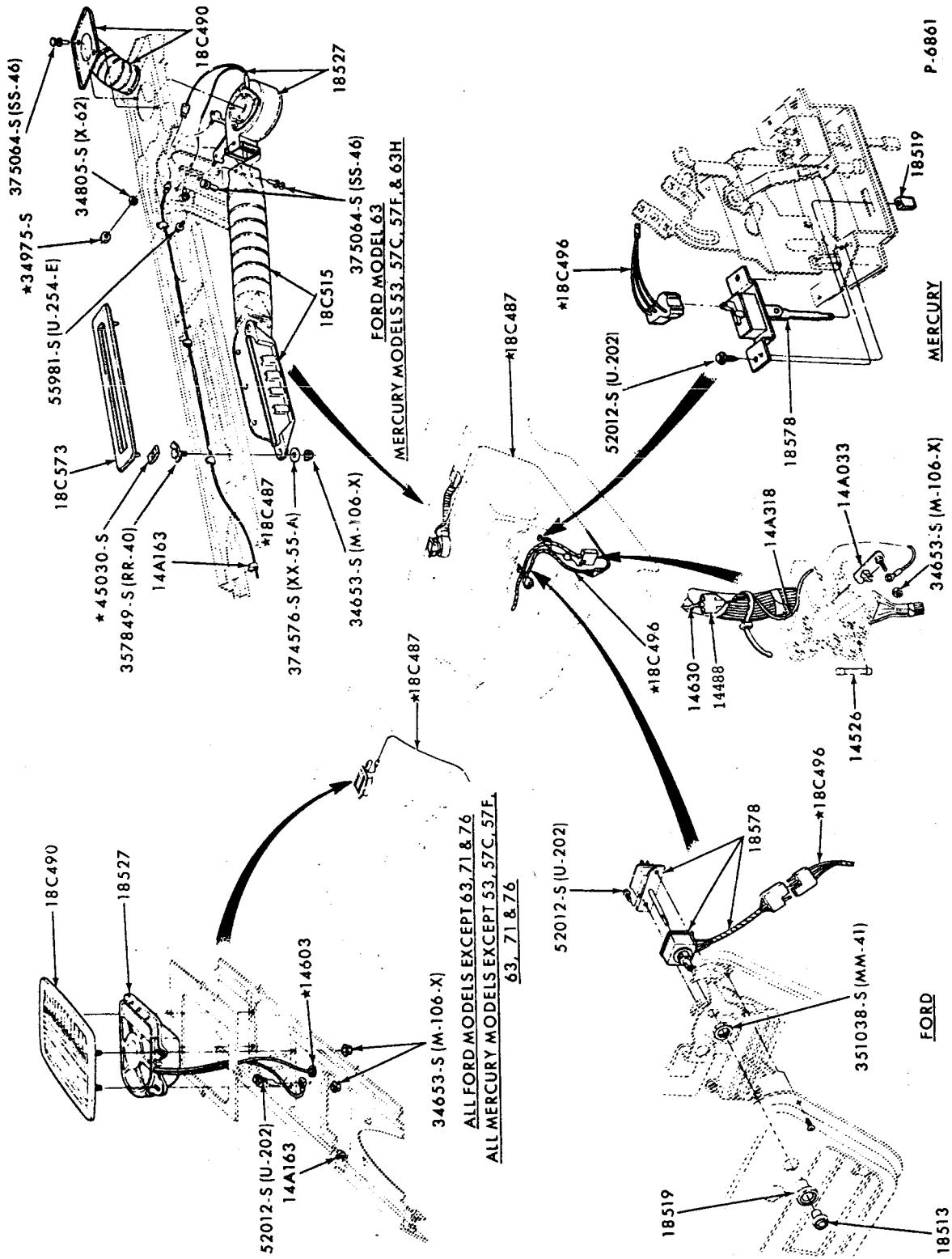
P-6249

REAR WINDOW DEFOGGER and RELATED PARTS  
1968/71 THUNDERBIRD

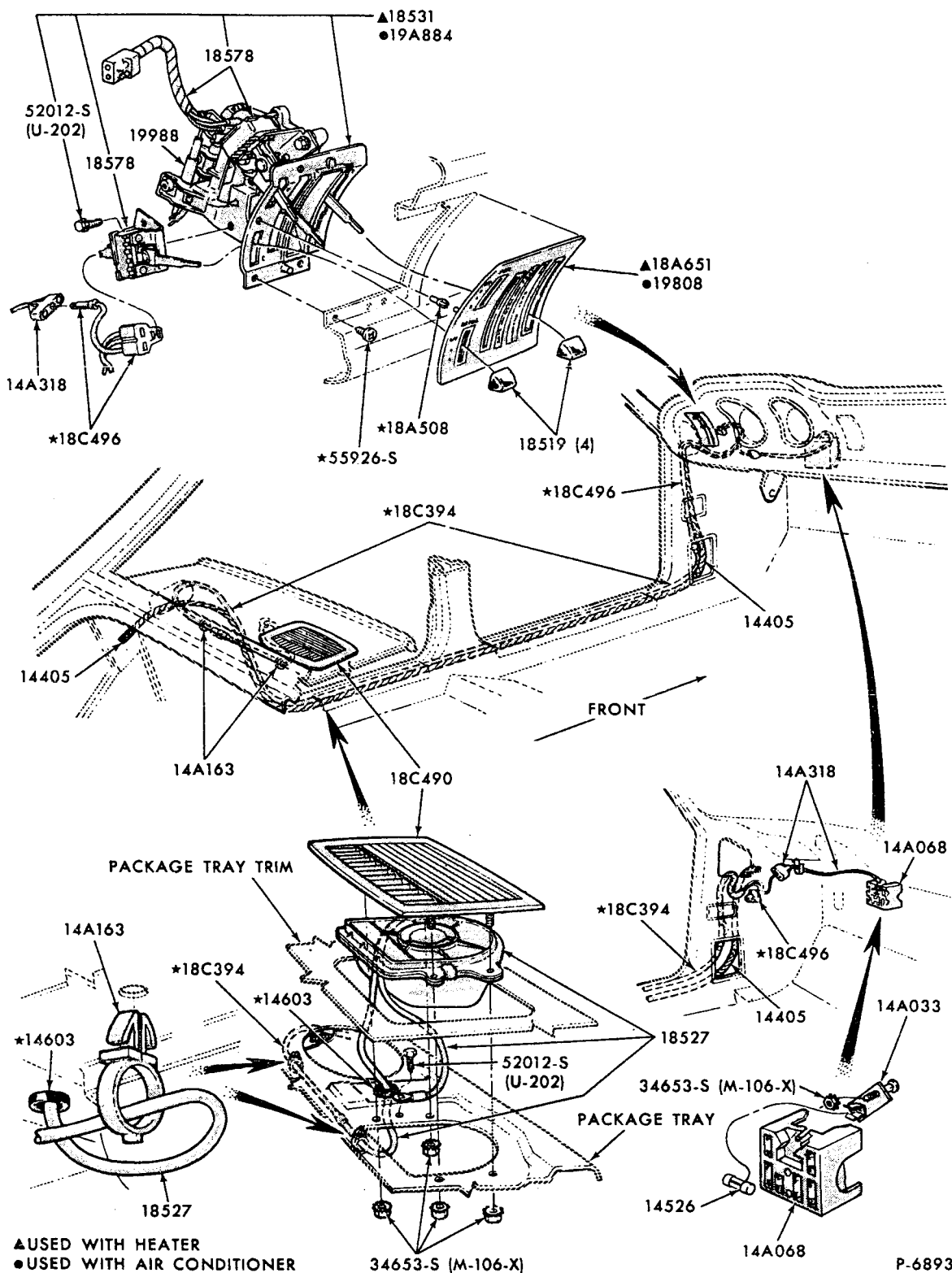


REAR WINDOW DEFOGGER and RELATED PARTS  
1968 MUSTANG

MUSTANG AND COUGAR EXCEPT MODEL 63



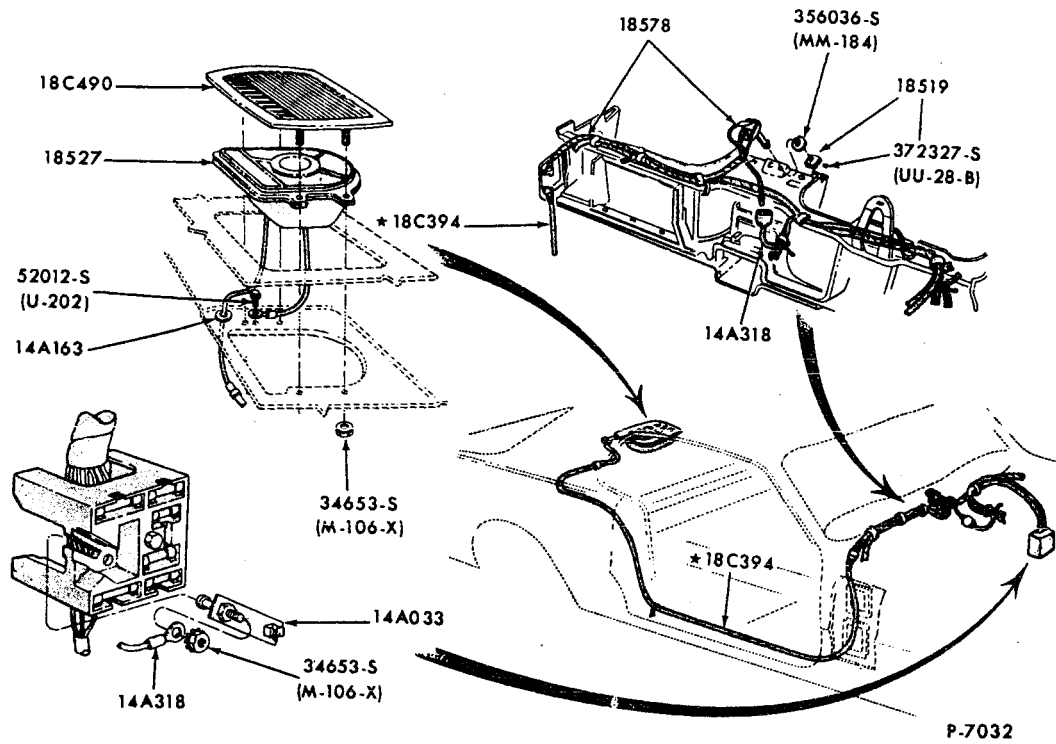
REAR WINDOW DEFOGGER and RELATED PARTS  
1969/70 FORD



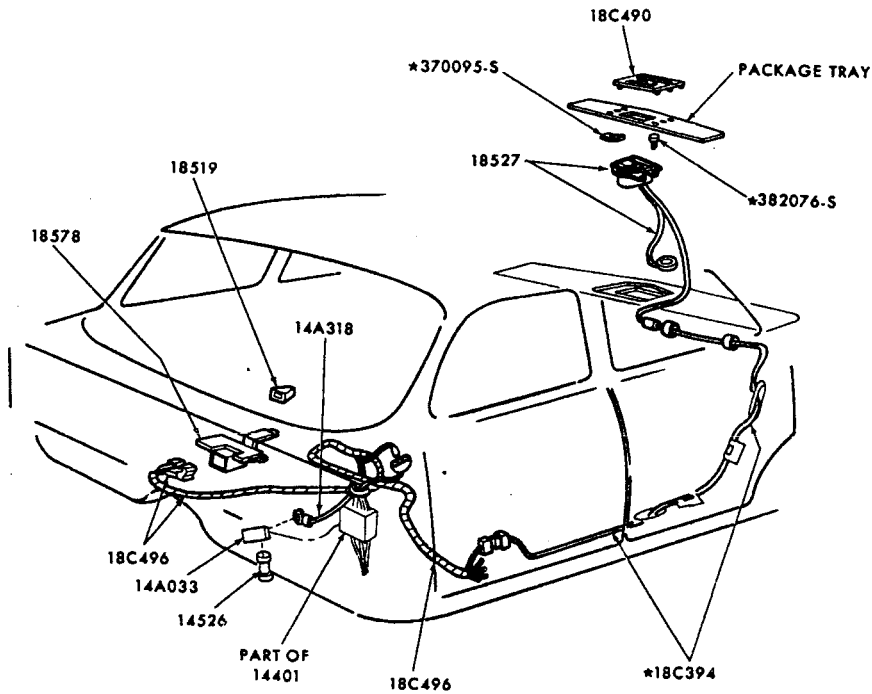
▲USED WITH HEATER  
 ●USED WITH AIR CONDITIONER

REAR WINDOW DEFOGGER and RELATED PARTS  
 1970/72 MAVERICK

FORD CAR PARTS

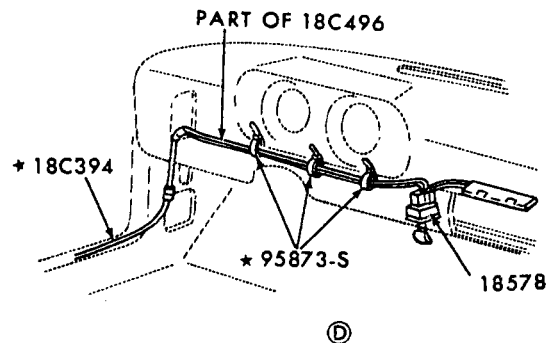
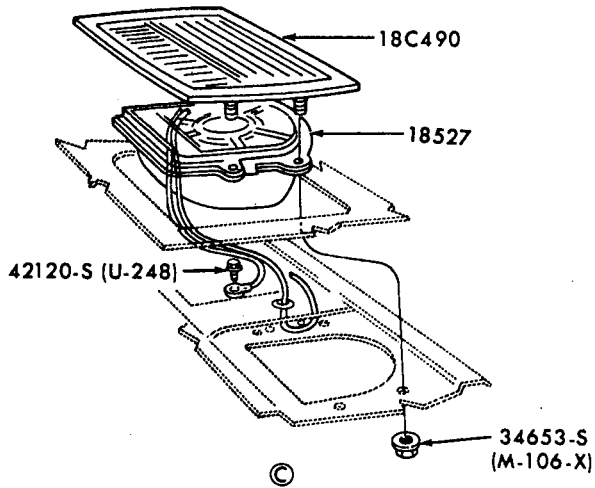
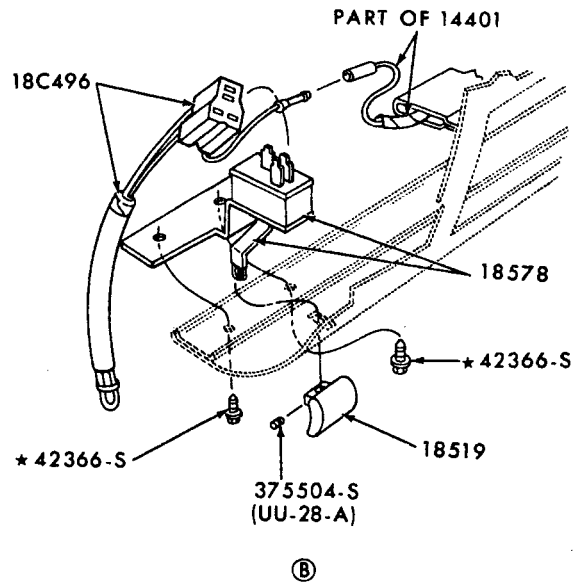
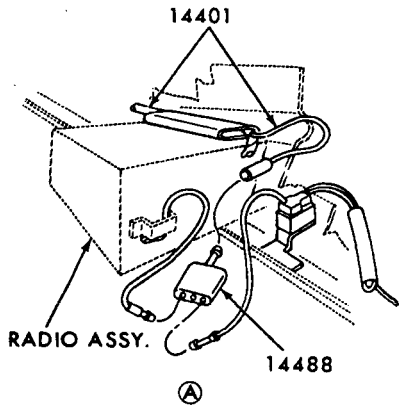
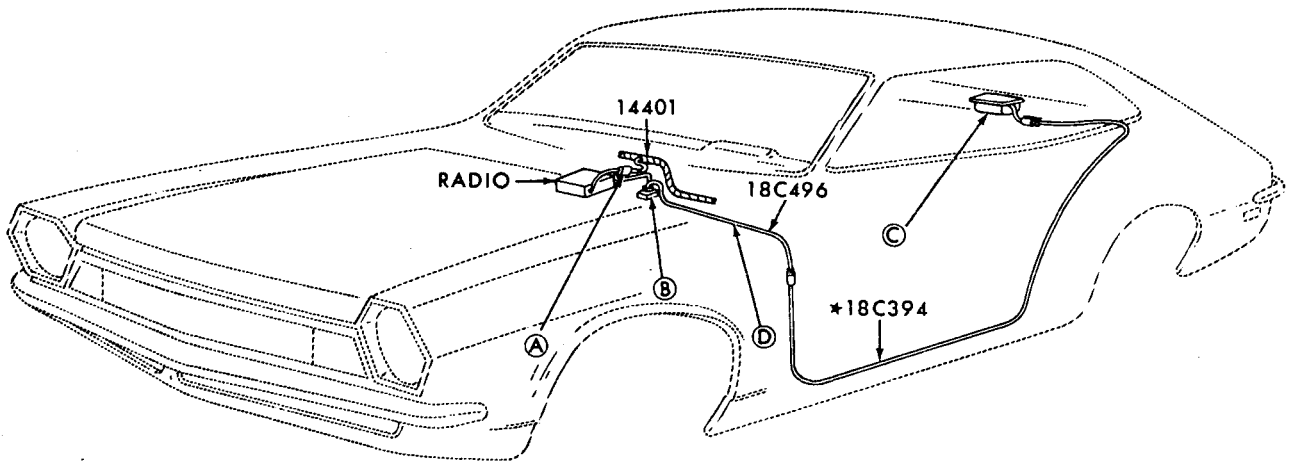


REAR WINDOW DEFOGGER and RELATED PARTS  
1969/70 MUSTANG



REAR WINDOW DEFOGGER and RELATED PARTS  
1971/72 FORD

P-8439



P-7968

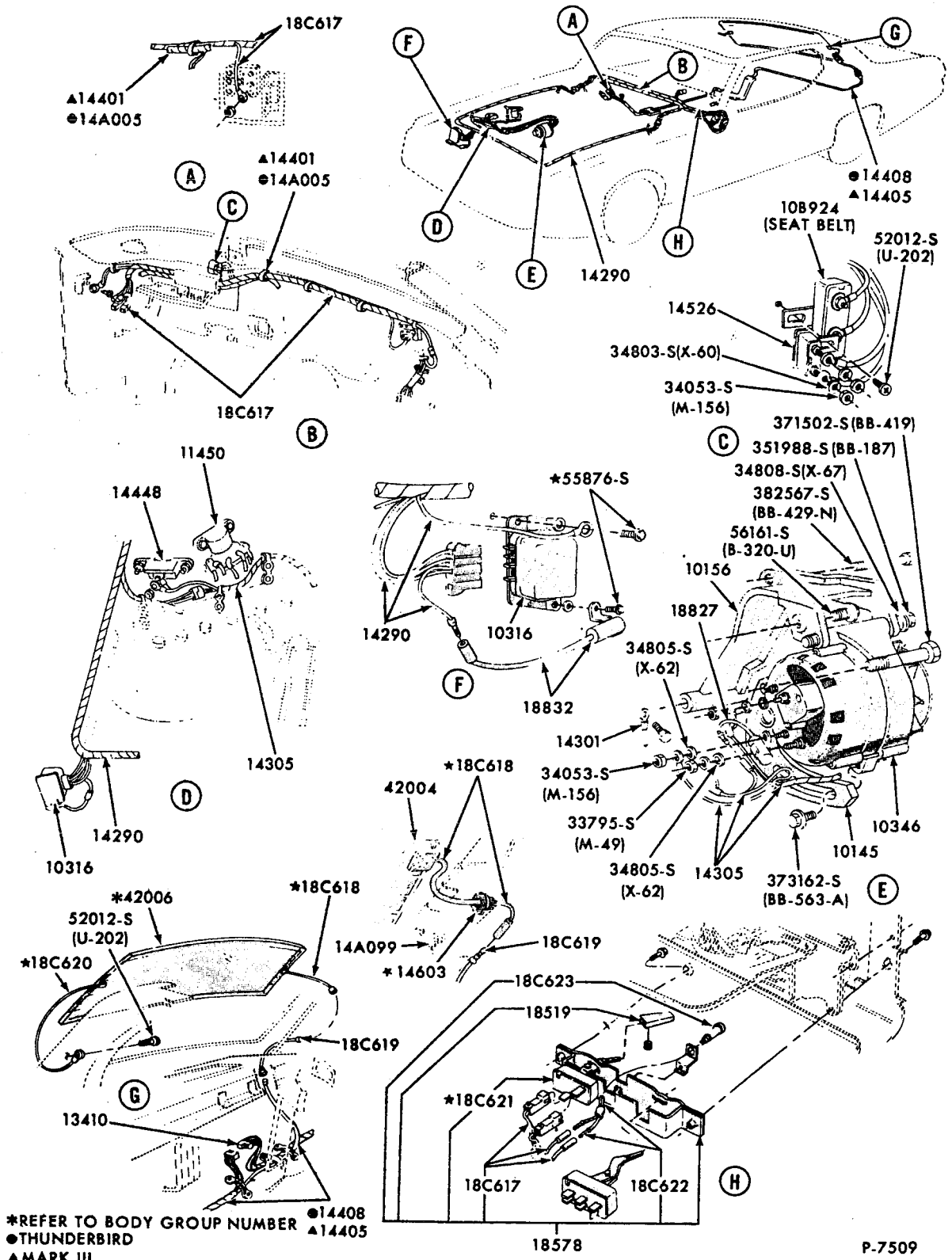
REAR WINDOW DEFOGGER and RELATED PARTS  
1971/72 PINTO



# FORD CAR PARTS

ILLUSTRATION  
SECTION 186

I



P-7509

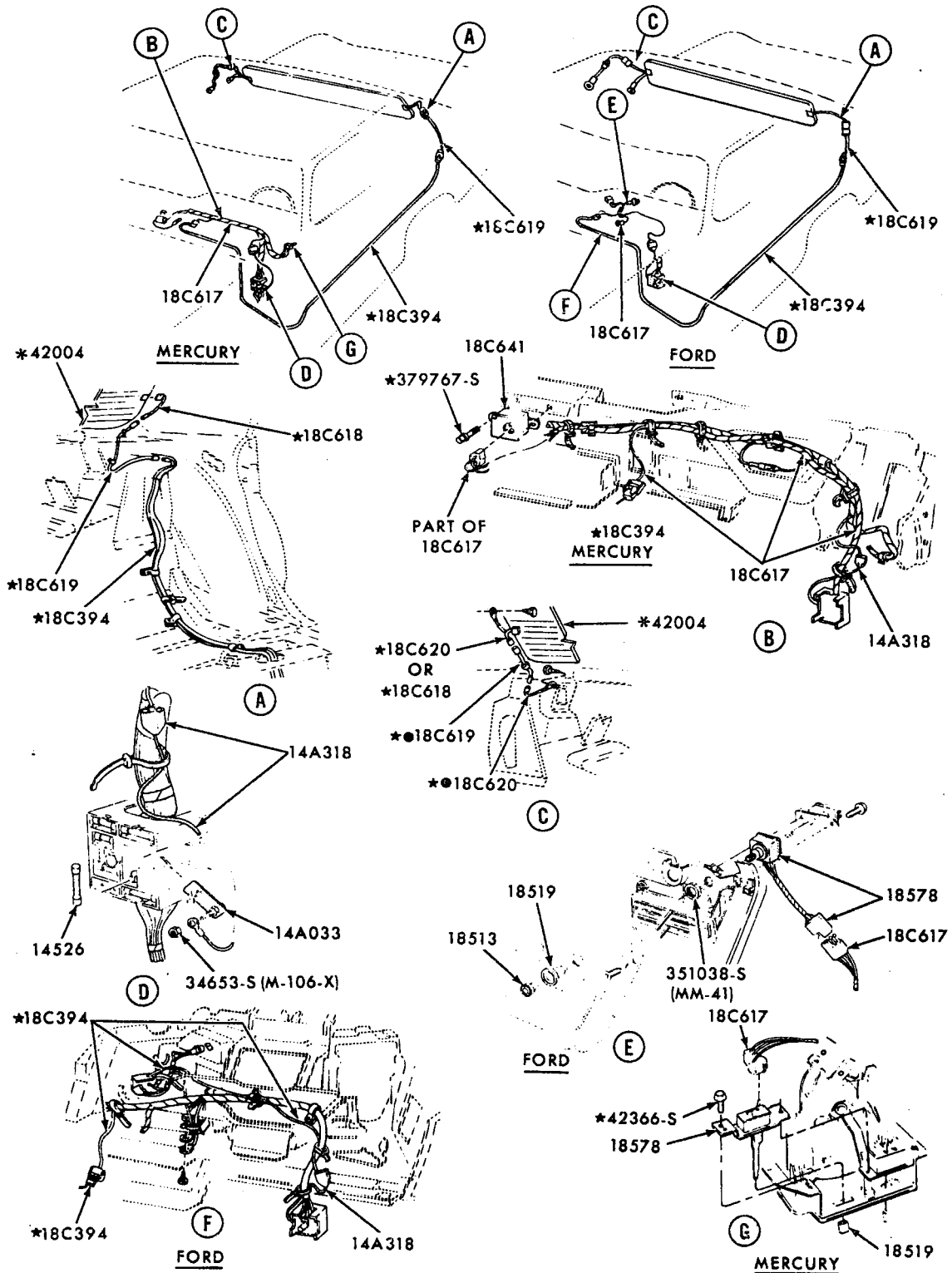
HEATED BACK WINDOW (DEFROSTER)  
1969 THUNDERBIRD

May, 1975

COPYRIGHT © 1975 — FORD MOTOR COMPANY — DEARBORN, MICHIGAN

FINAL ISSUE

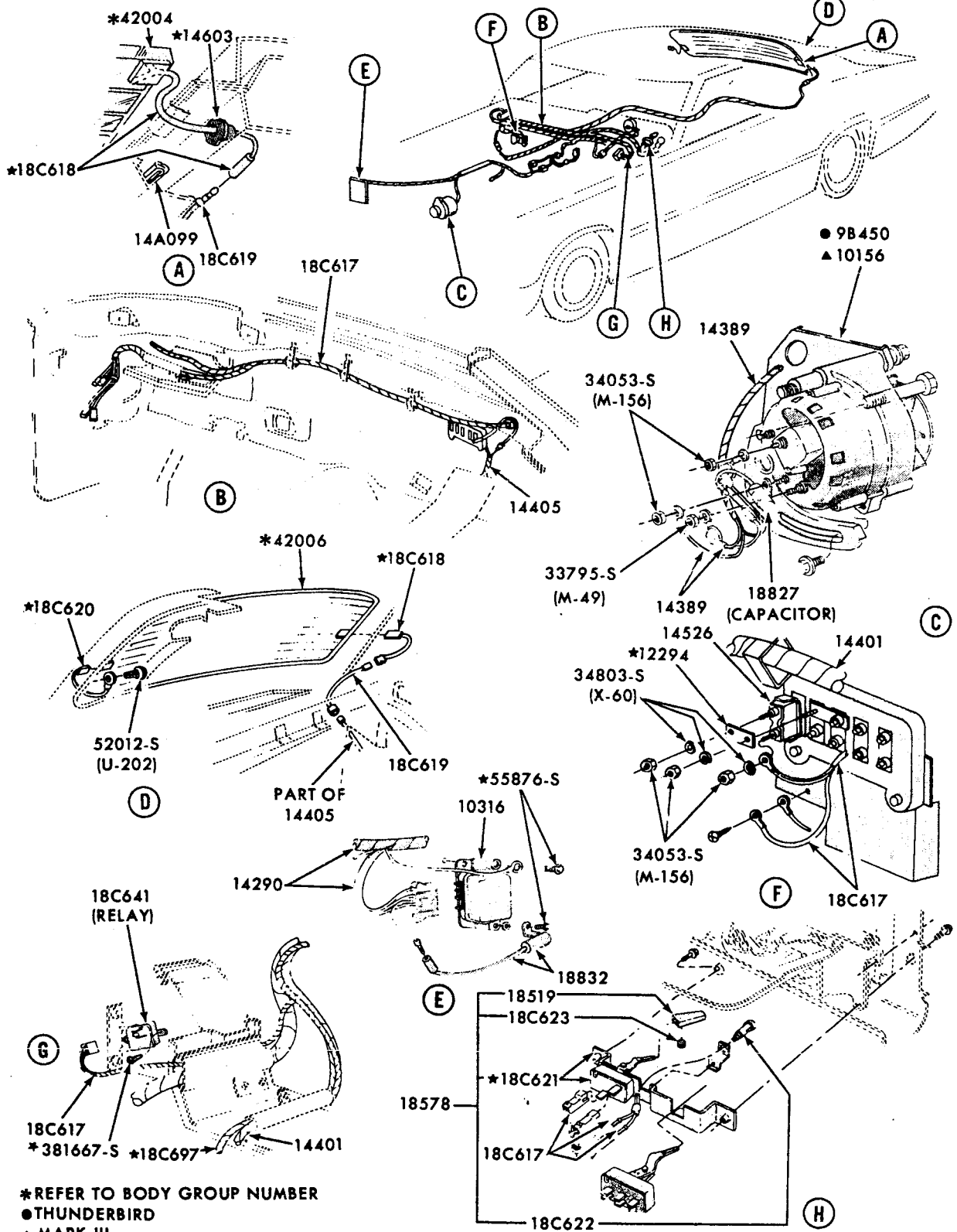
**FORD CAR PARTS**



\* REFER TO GROUP SECTION  
 ● BODY TYPE 54 ONLY (4-DOOR SEDAN)

P-7508

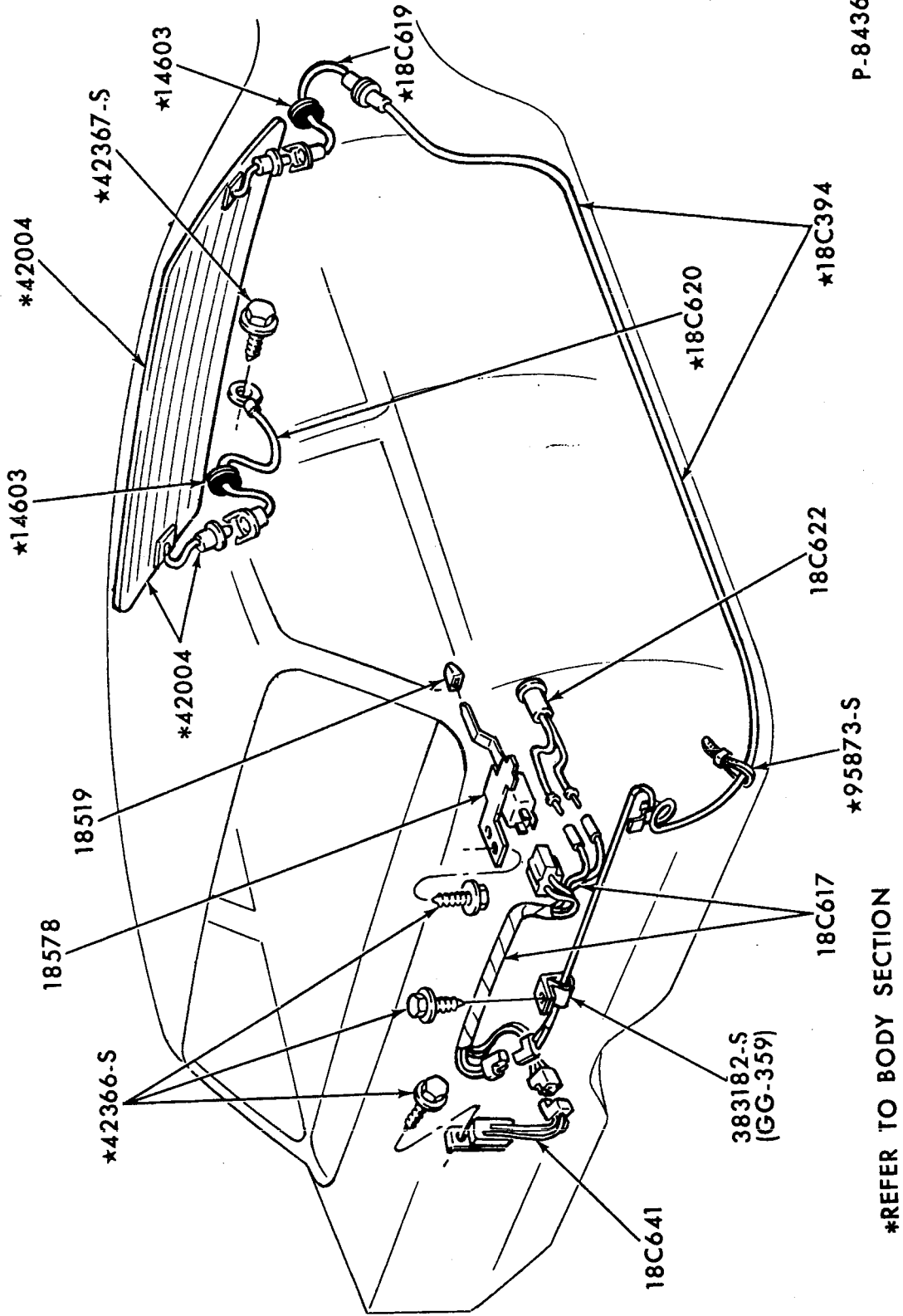
HEATED BACK WINDOW (DEFROSTER)  
 1970 FORD



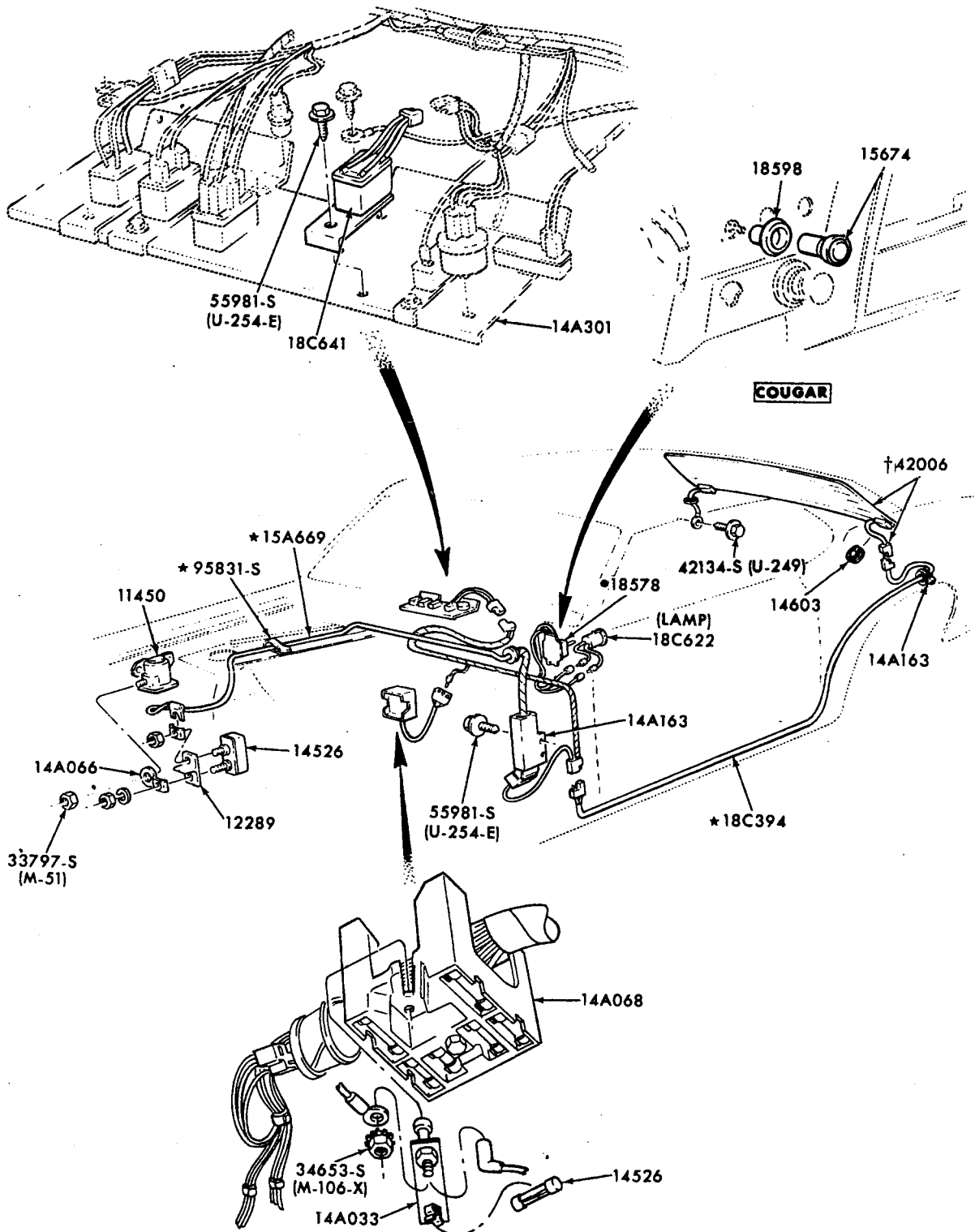
\*REFER TO BODY GROUP NUMBER  
 ●THUNDERBIRD  
 ▲ MARK III

P-7510

**HEATED BACK WINDOW (DEFROSTER)  
 1970/71 THUNDERBIRD**



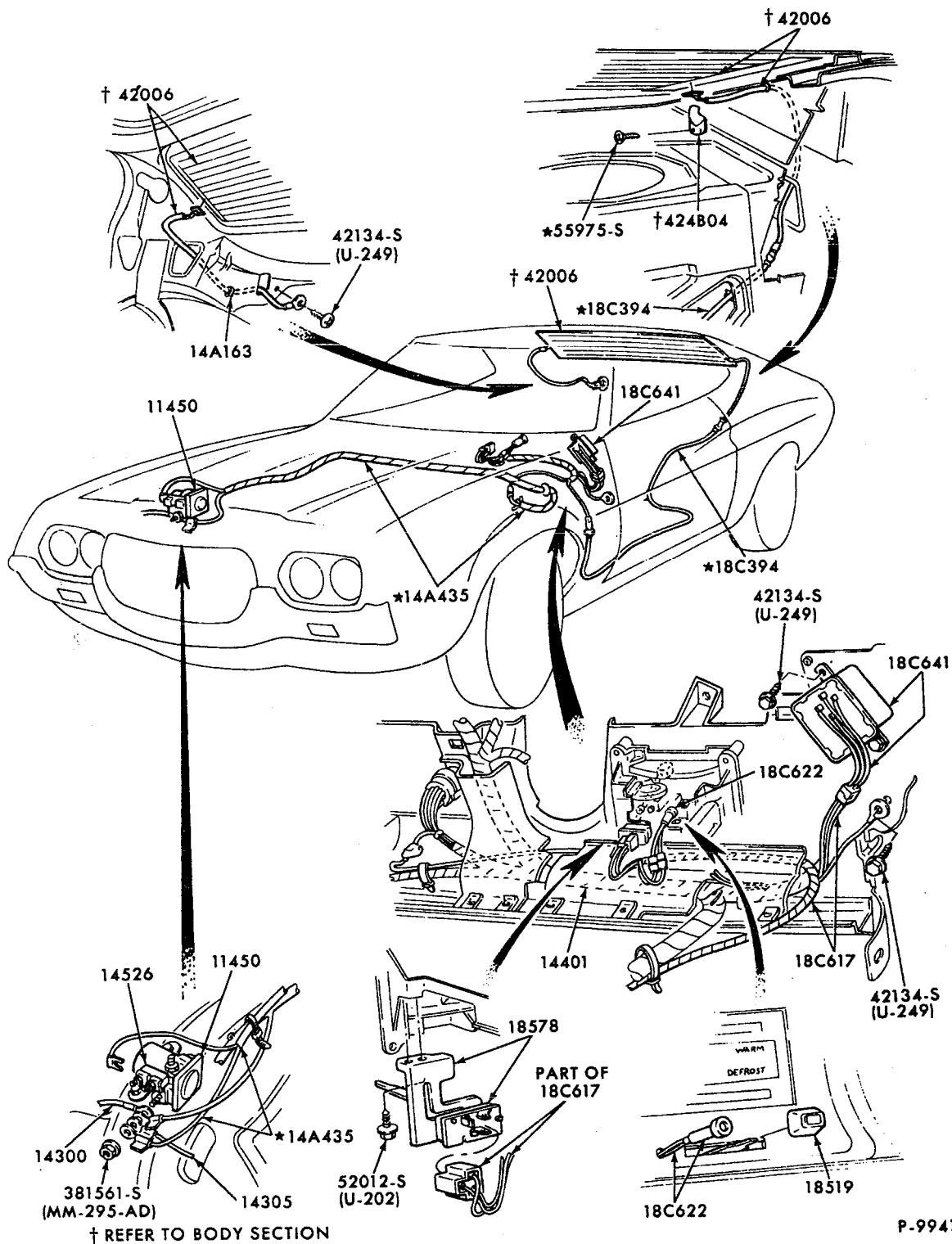
HEATED BACK WINDOW (DEFROSTER)  
1971/72 FORD



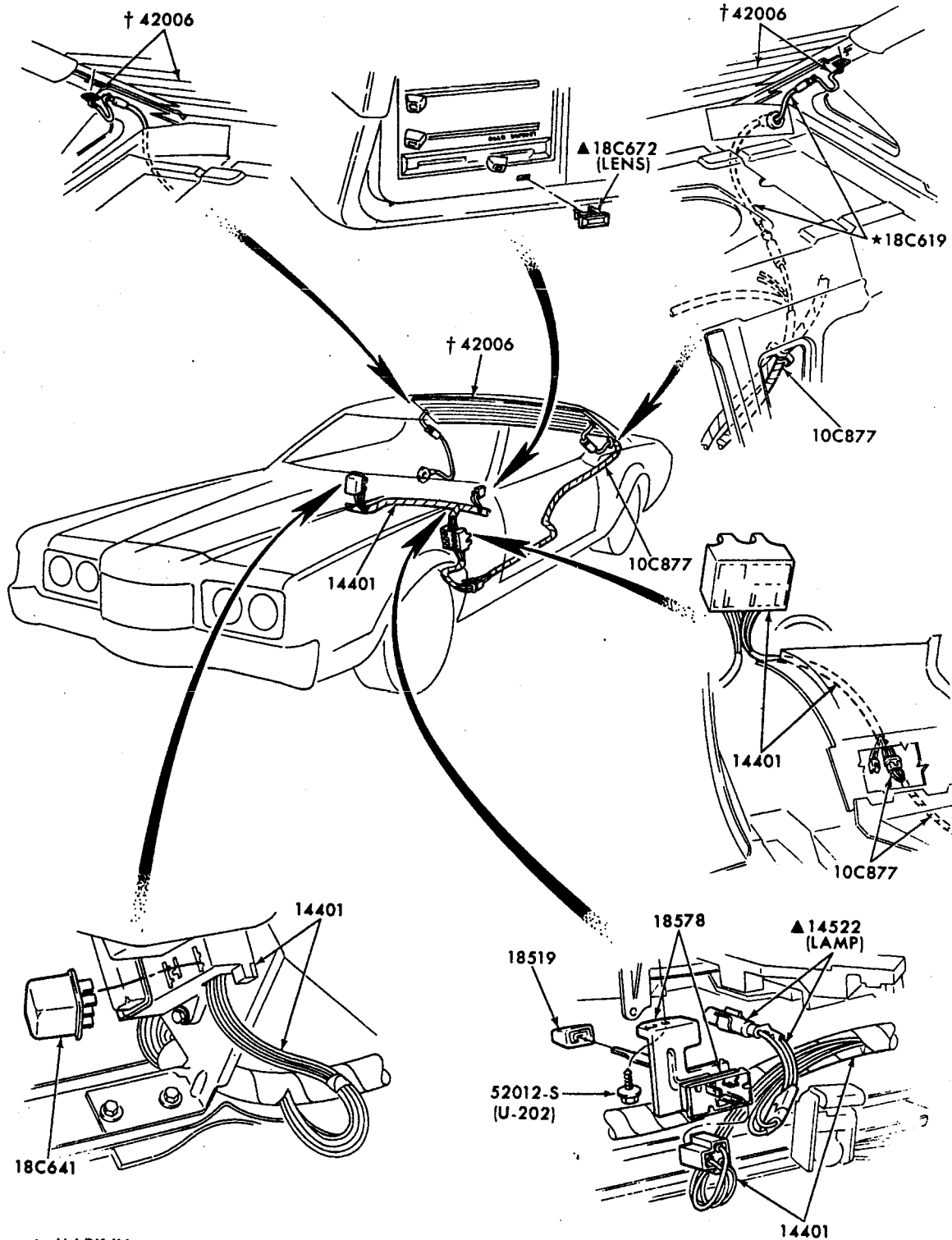
† REFER TO BODY SECTION  
 ● COUGAR SWITCH ONLY—MUSTANG SWITCH AND KNOB

P-8431

HEATED BACK WINDOW (DEFROSTER)  
 1971/72 MUSTANG



HEATED BACK WINDOW (DEFROSTER)  
1972 TORINO



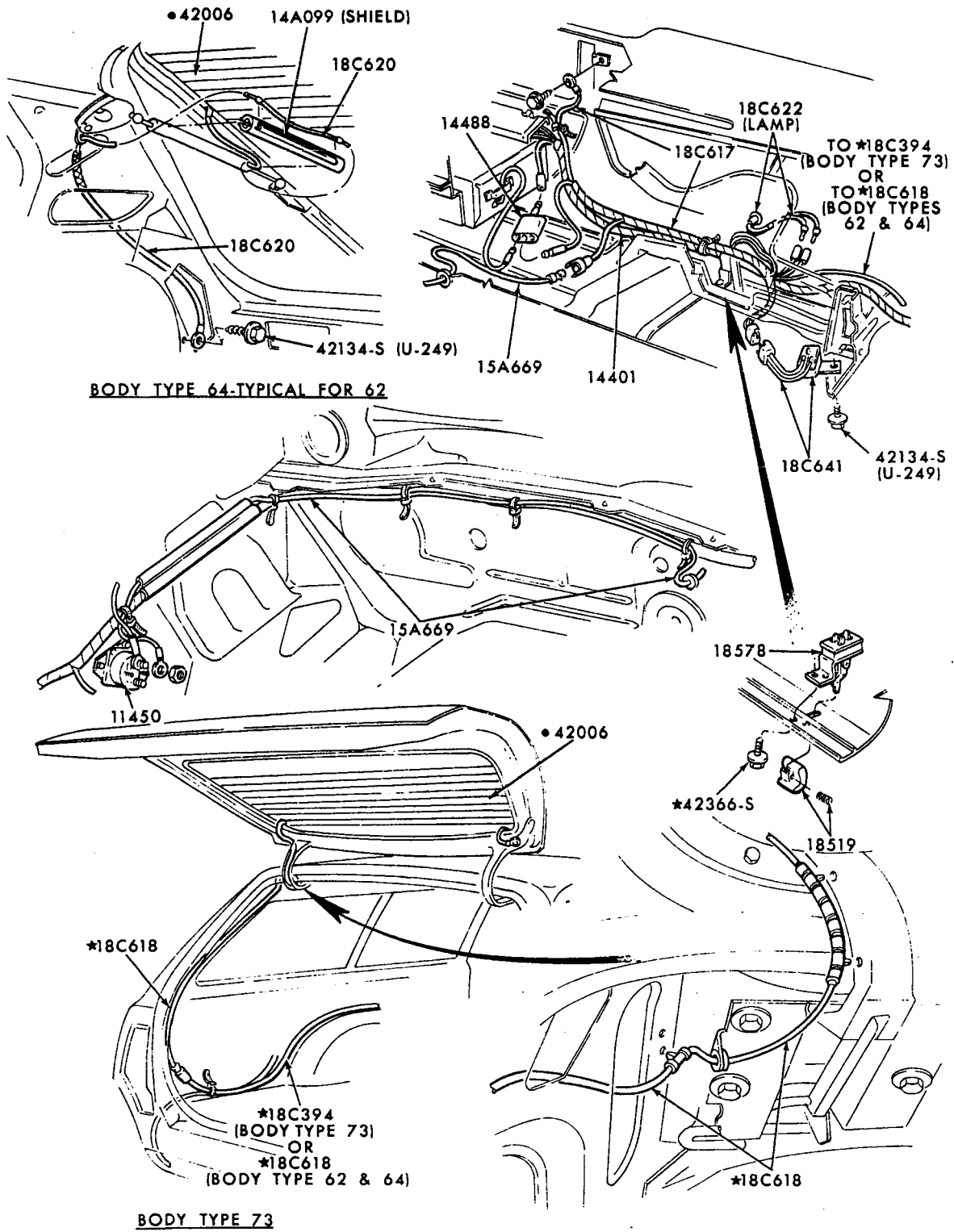
▲ MARK IV  
 † REFER TO BODY SECTION

P.9942

HEATED BACK WINDOW (DEFROSTER)  
 1972 THUNDERBIRD

ILLUSTRATION SECTION 186

FORD CAR PARTS



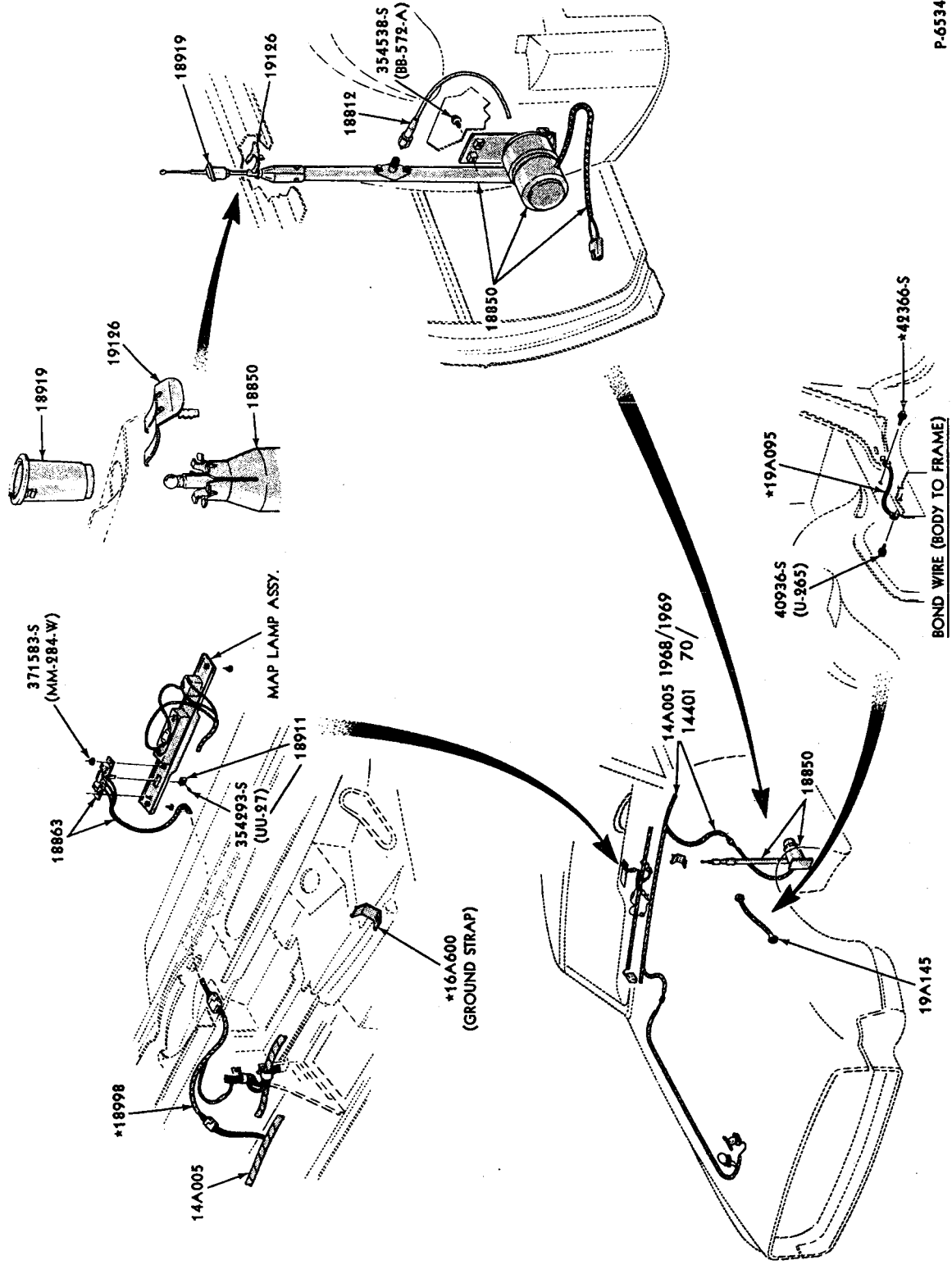
• REFER TO BODY SECTION

P-10166

HEATED BACK WINDOW (DE FROSTER)  
1972 PINTO





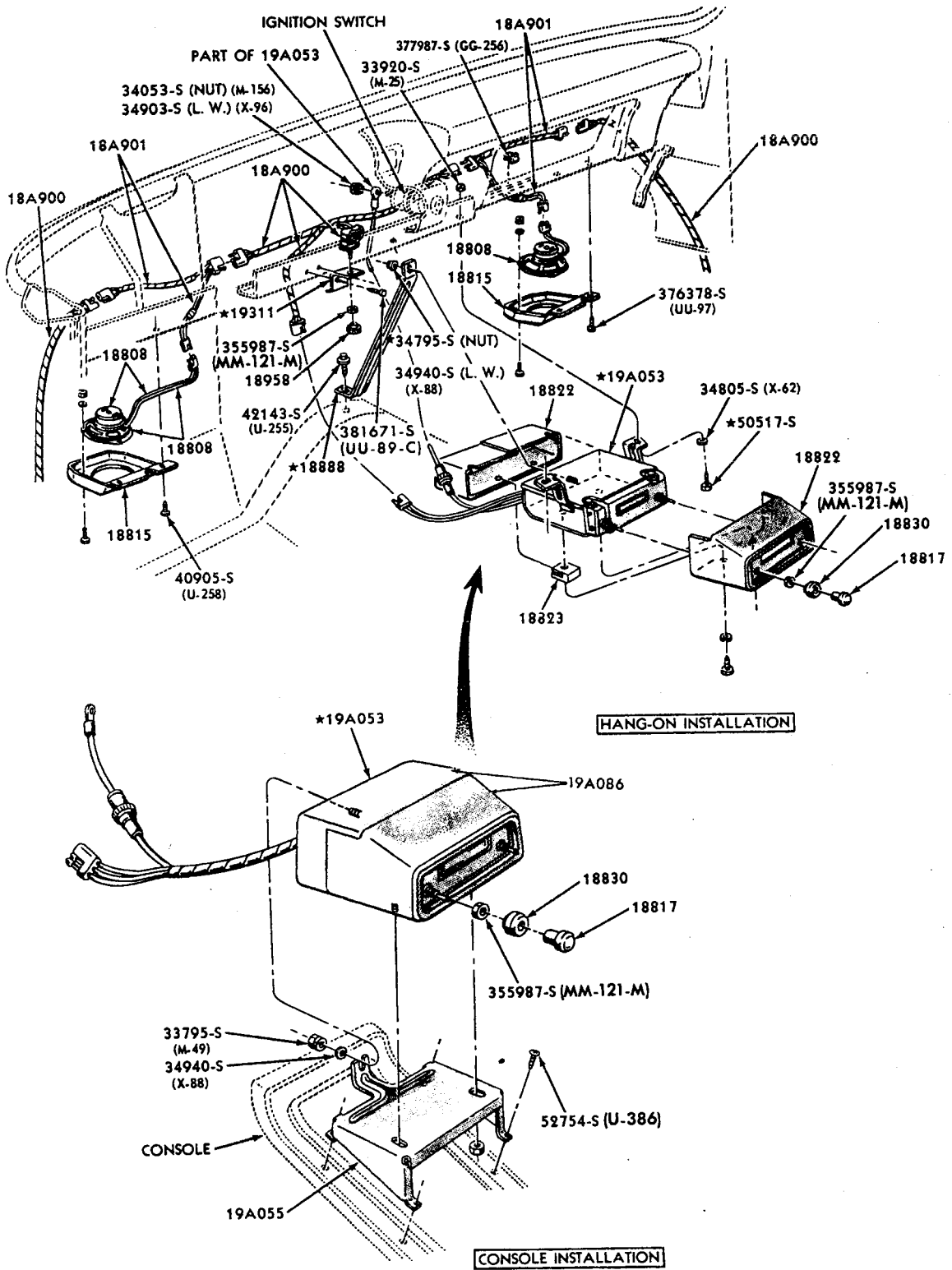


P-6534

ANTENNA and RELATED PARTS - ELECTRIC  
1968/71 THUNDERBIRD

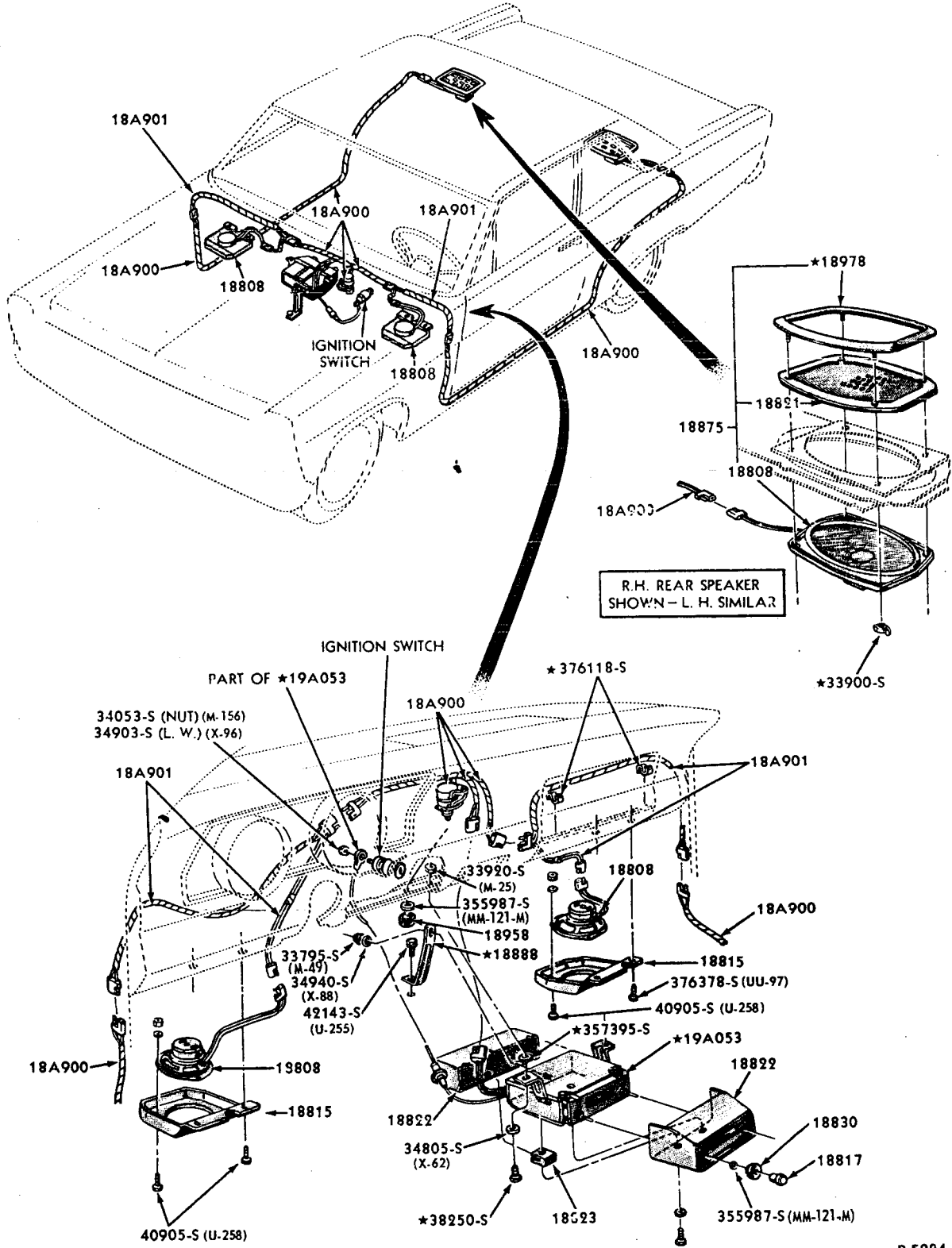






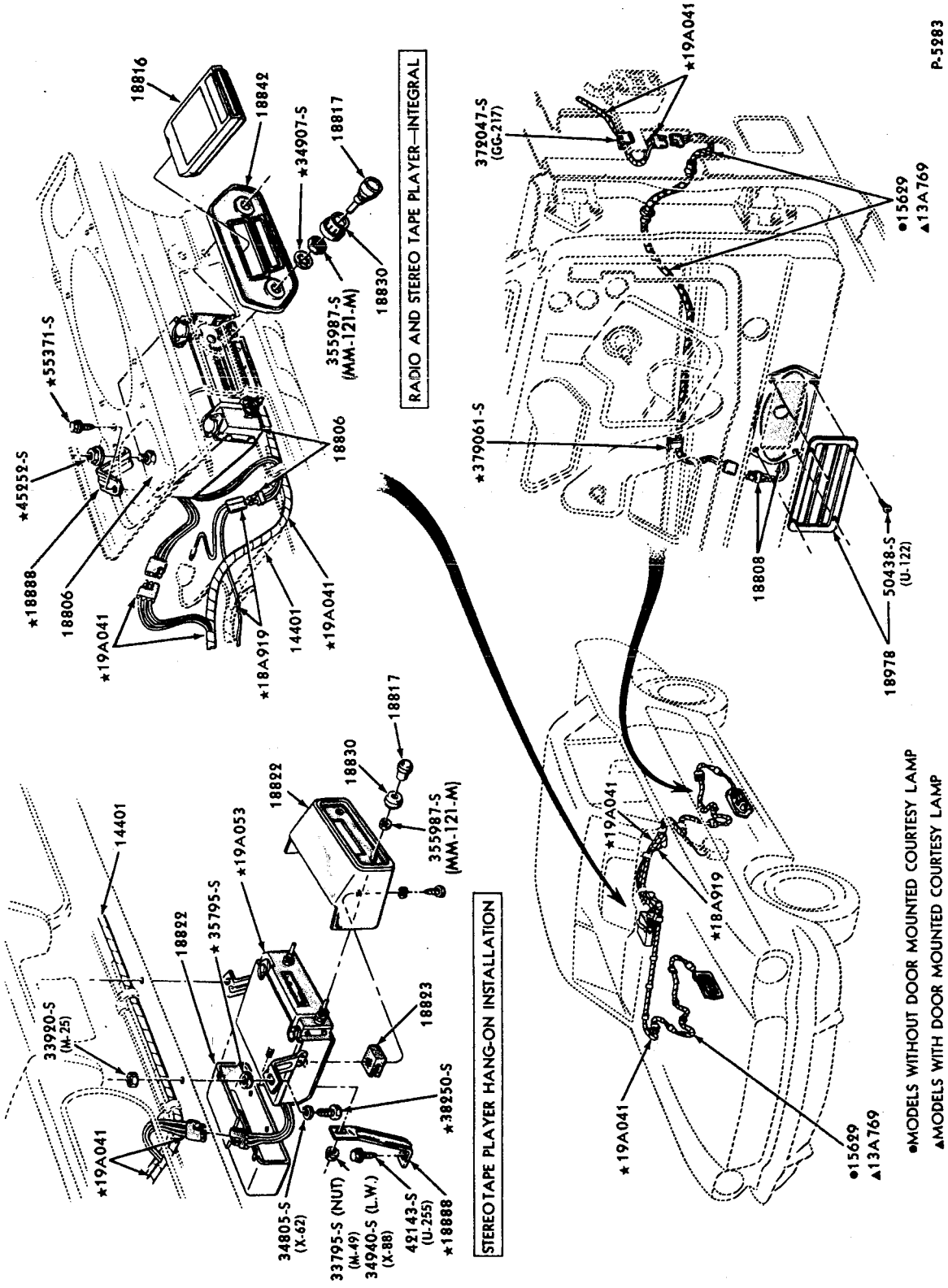
P-5285

STEREO TAPE PLAYER and SPEAKERS - HANG-ON and CONSOLE MOUNTED 1966 FORD



P-5284

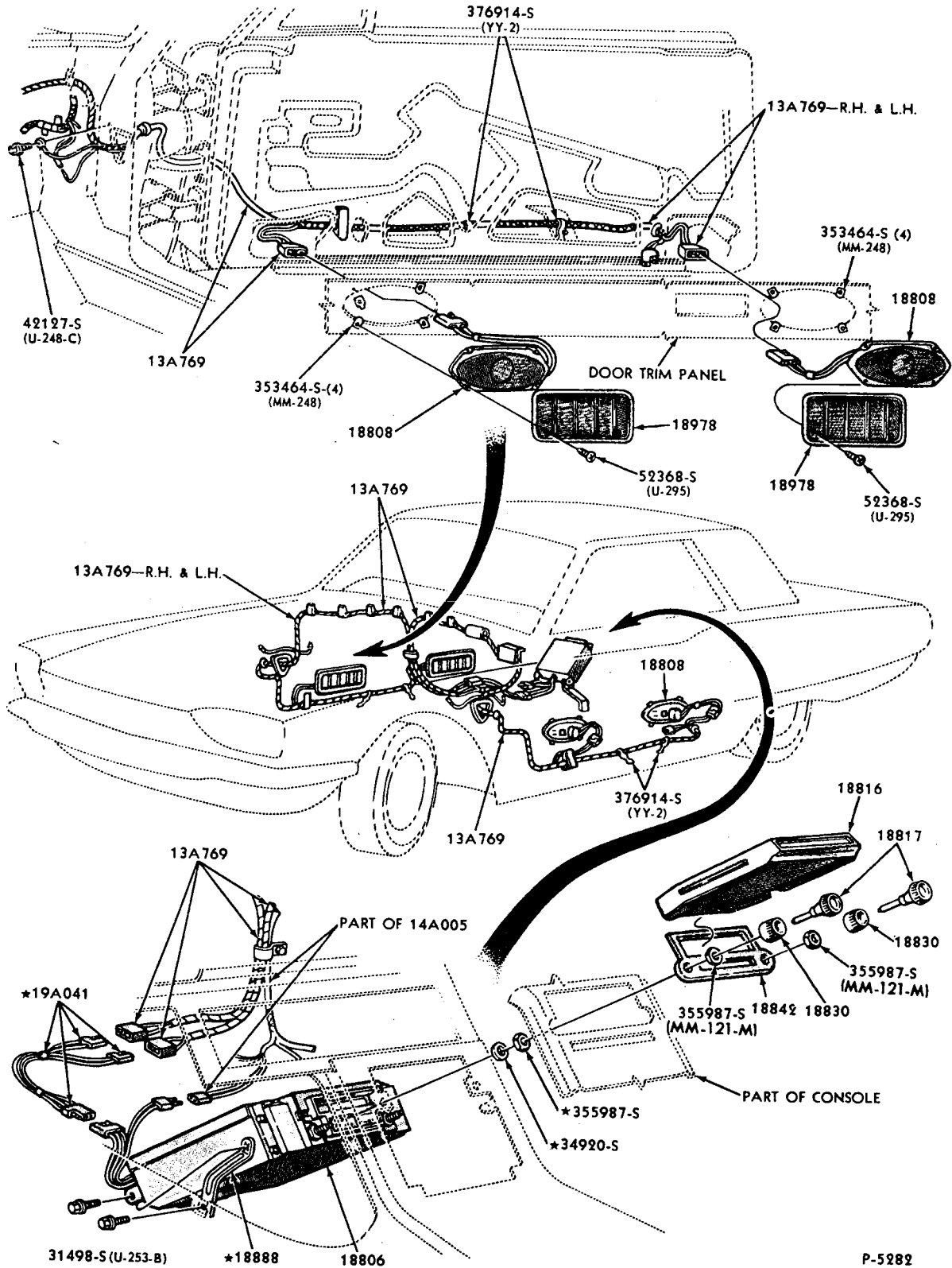
STEREO TAPE PLAYER and SPEAKERS - HANG-ON  
1966 FAIRLANE and FALCON



AM RADIO and SPEAKERS with STEREO TAPEPLAYER - INTEGRAL and HANG-ON  
1966 MUSTANG

P-5983

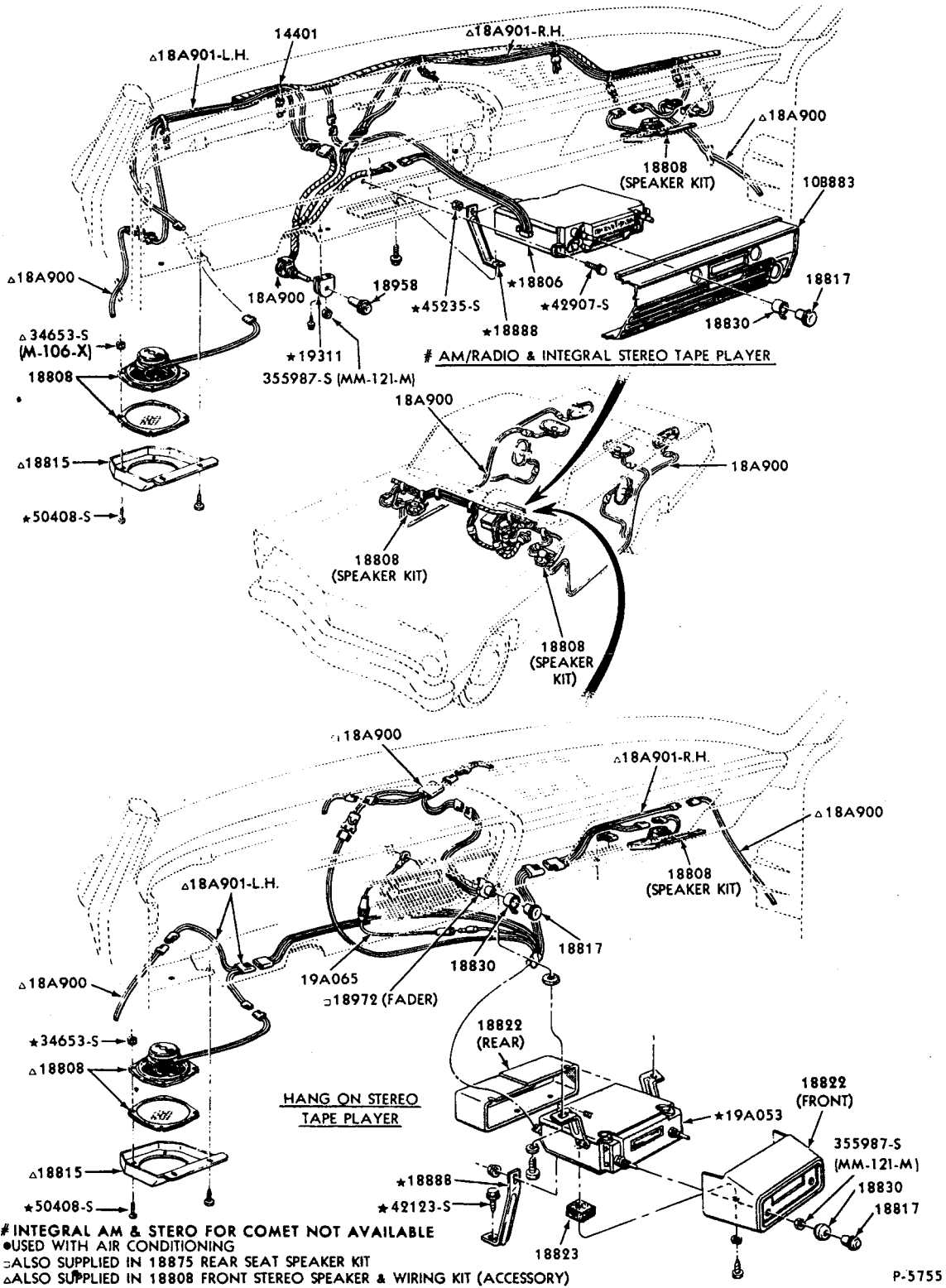
● MODELS WITHOUT DOOR MOUNTED COURTESY LAMP  
▲ MODELS WITH DOOR MOUNTED COURTESY LAMP



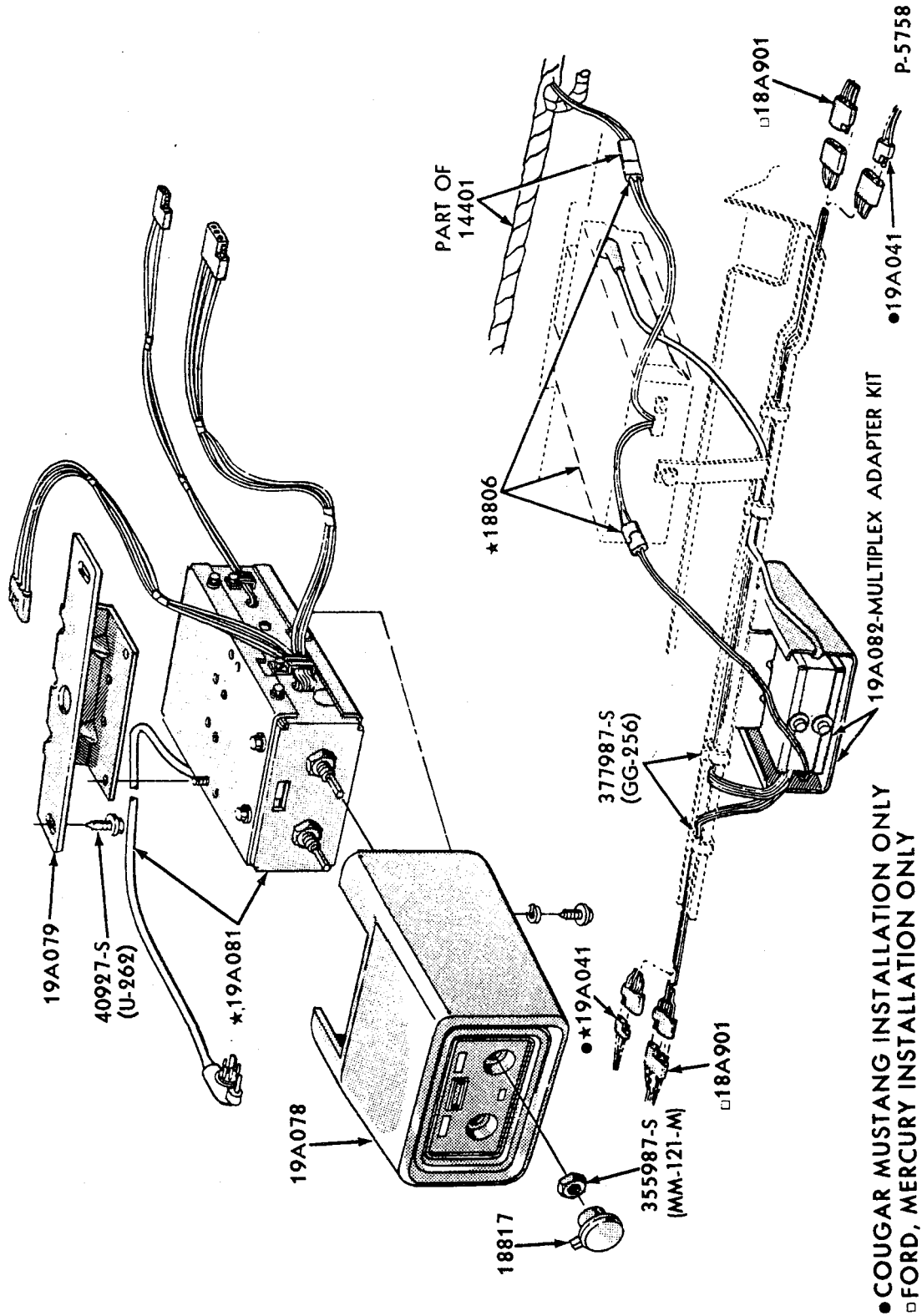
P-5282

AM RADIO and SPEAKERS with STEREO TAPE PLAYER - INTEGRAL 1966 THUNDERBIRD





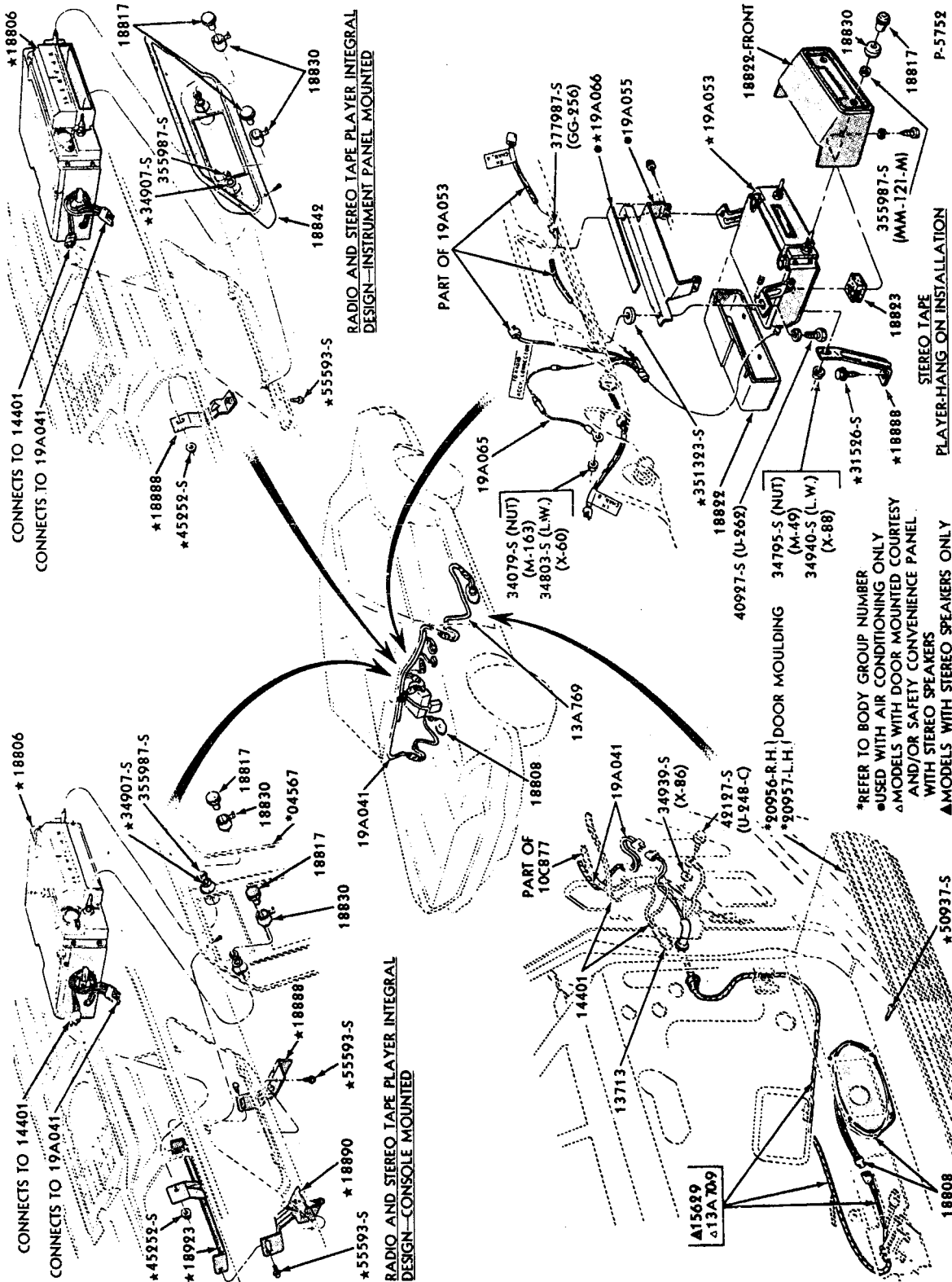
AM RADIO and SPEAKERS with STEREO TAPE PLAYER - INTEGRAL and HANG-ON  
1967 FORD



MULTIPLEX ADAPTER FOR AM/FM RADIO  
1967 FORD and MUSTANG

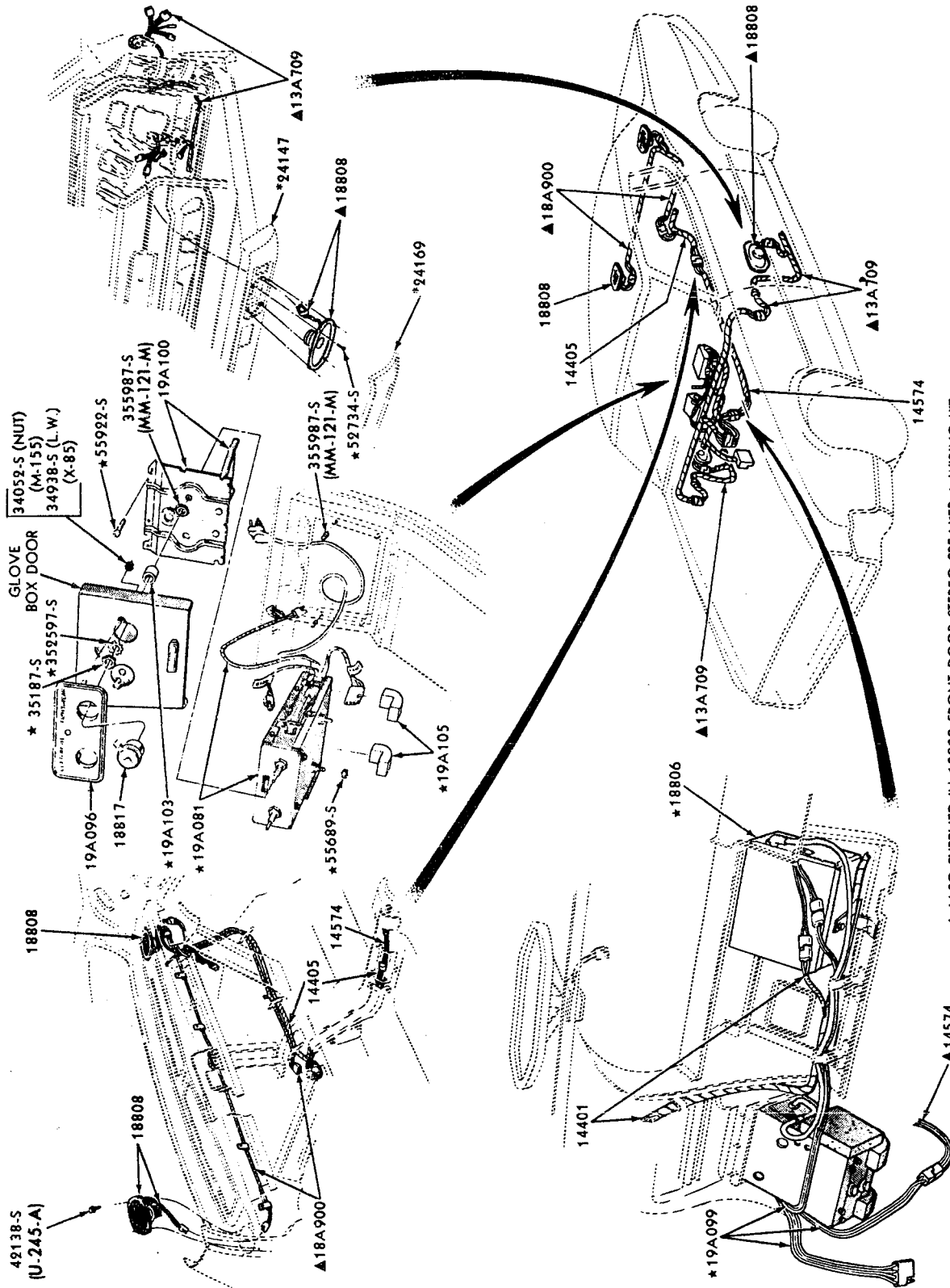




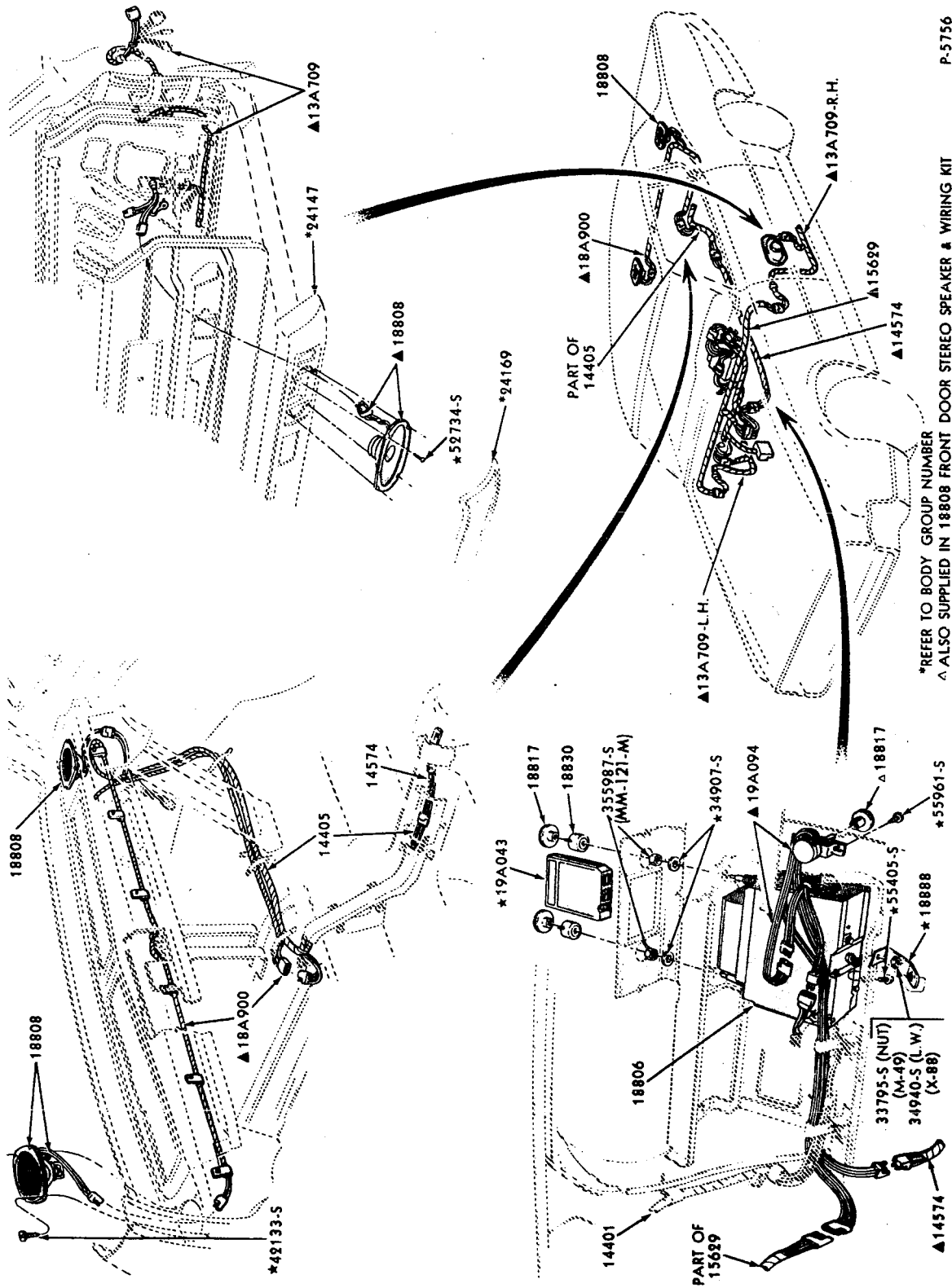


\*REFER TO BODY GROUP NUMBER  
 ●USED WITH AIR CONDITIONING ONLY  
 ▲MODELS WITH DOOR MOUNTED COURTESY AND/OR SAFETY CONVENIENCE PANEL WITH STEREO SPEAKERS  
 ▲MODELS WITH STEREO SPEAKERS ONLY

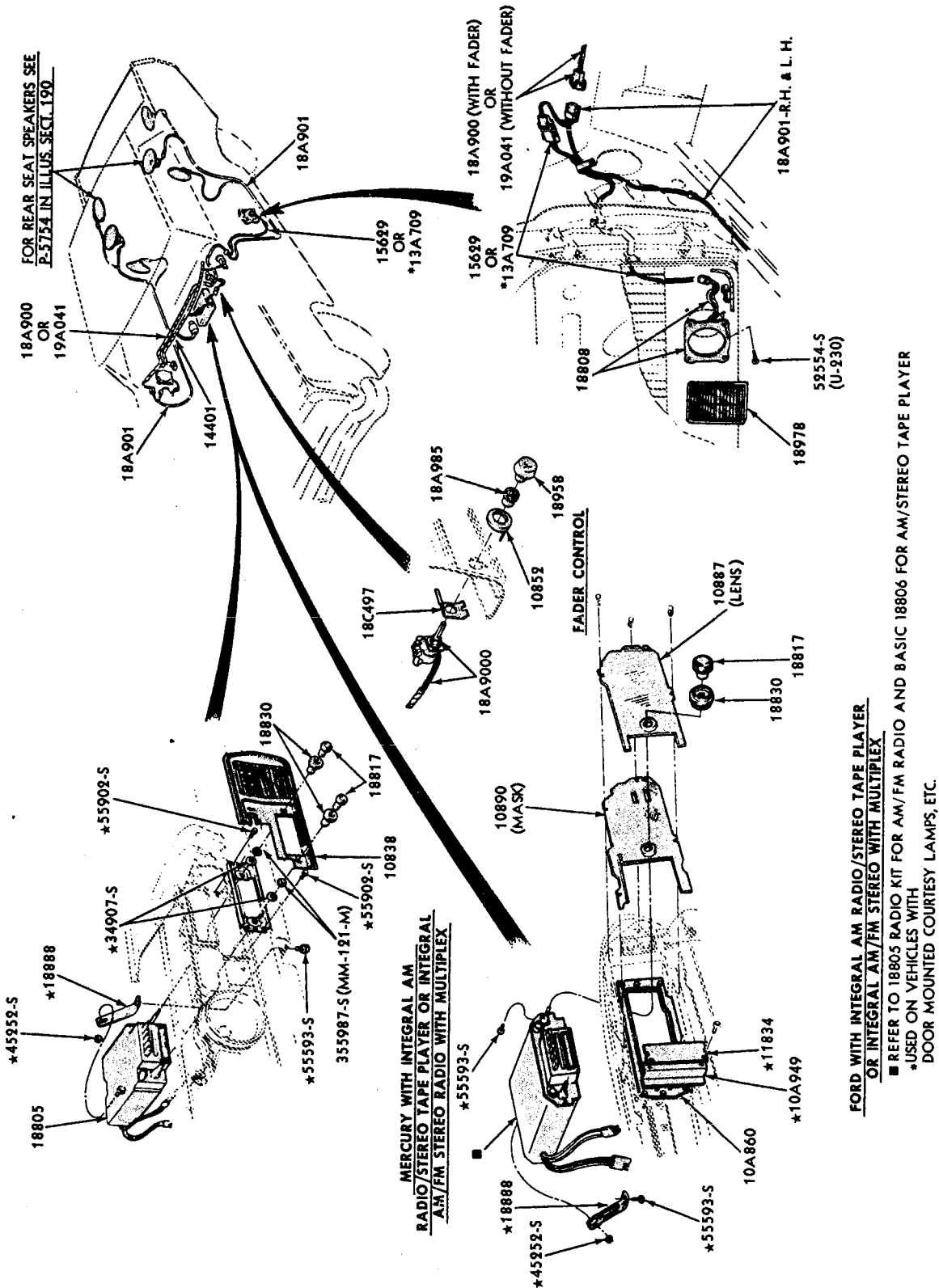
AM RADIO and SPEAKERS with STEREO TAPE PLAYER - INTEGRAL and HANG-ON 1987 MUSTANG



MULTIPLEX ADAPTER and SPEAKERS for AM/FM RADIO 1967 THUNDERBIRD



AM RADIO and SPEAKERS with STEREO TAPE PLAYER - INTEGRAL  
1967 THUNDERBIRD



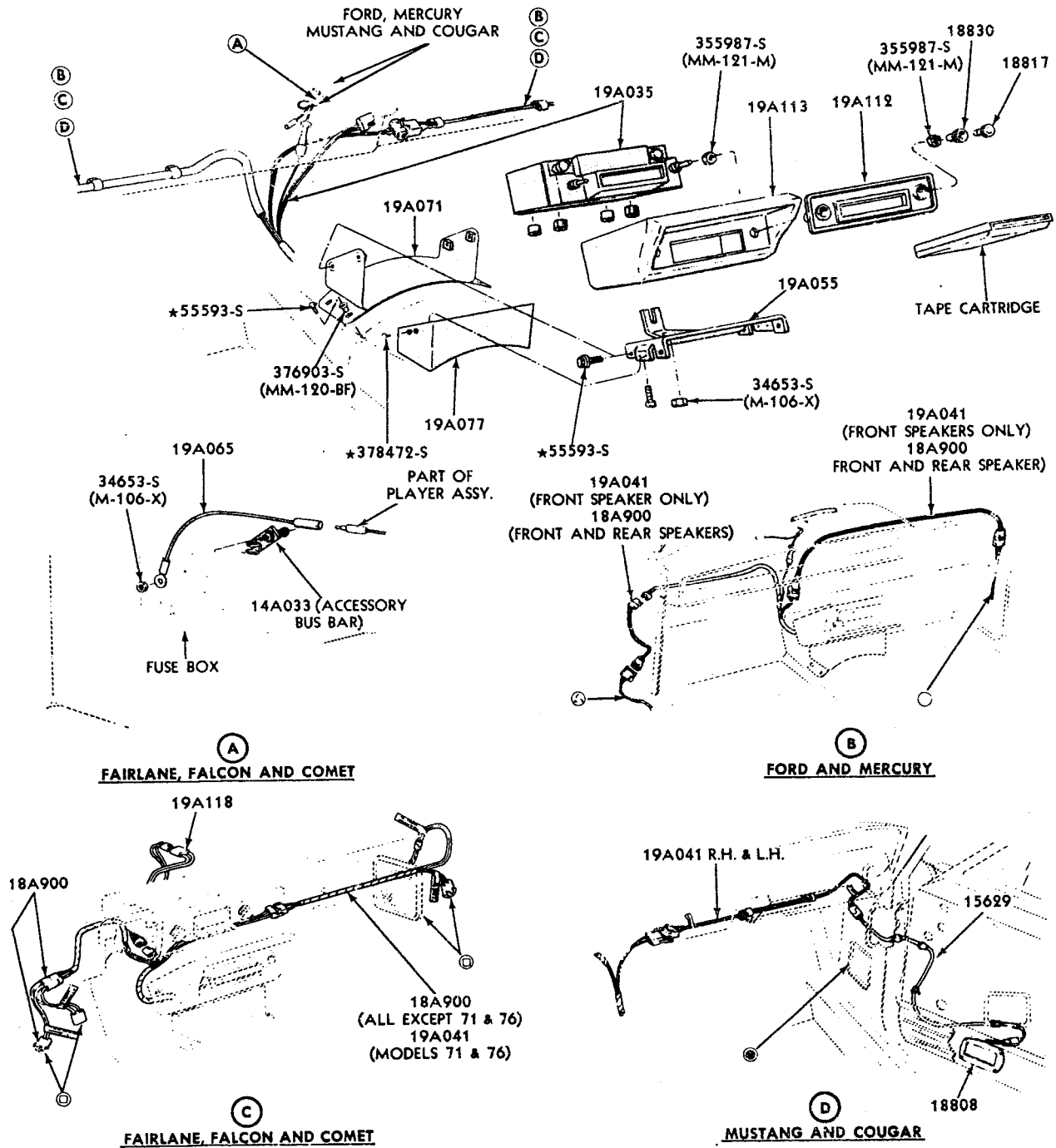
P-6537

AM/STEREO TAPE PLAYER, AM/FM MULTIPLEX RADIO and SPEAKERS - INTEGRAL 1968 FORD



**ILLUSTRATION SECTION 190**

**FORD CAR PARTS**



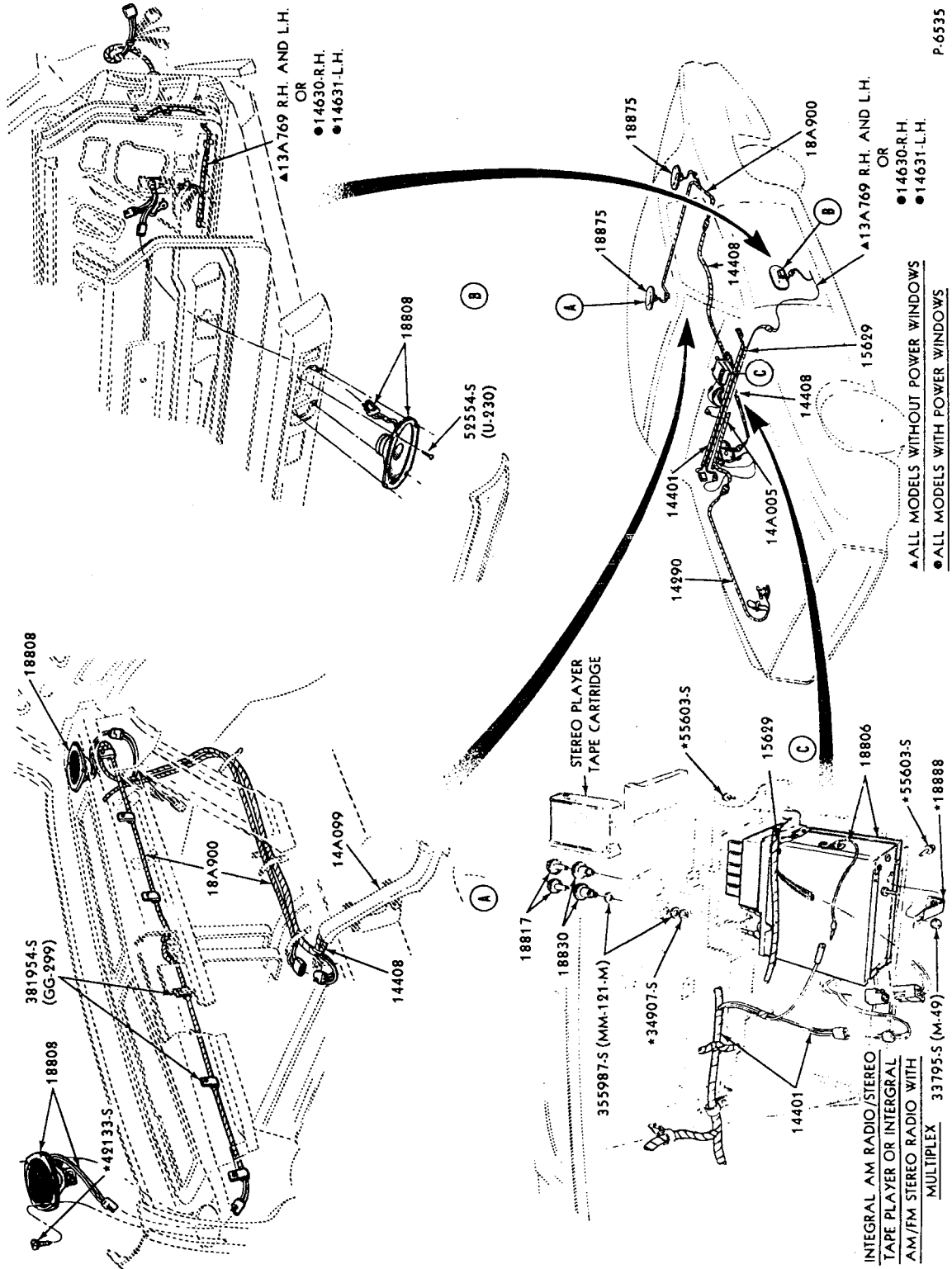
- ⊙ FOR COUGAR COWL MOUNTED SPEAKER SEE P-6539 IN ILLUSTRATION SECTION 190 FOR DETAILS
- Ⓐ FOR REAR SPEAKERS SEE P-5754 AND FOR FRONT DOOR MOUNTED SPEAKERS SEE P-6537 IN ILLUS. SECT. 190
- FOR FRONT AND REAR SPEAKERS SEE P-6538 IN ILLUS. SECT. 190 FOR DETAILS

P-6540

STEREO TAPE PLAYER - HANG-ON  
 1968/71 FORD, FAIRLANE/TORINO, MAVERICK, MUSTANG and 1968/70 FALCON



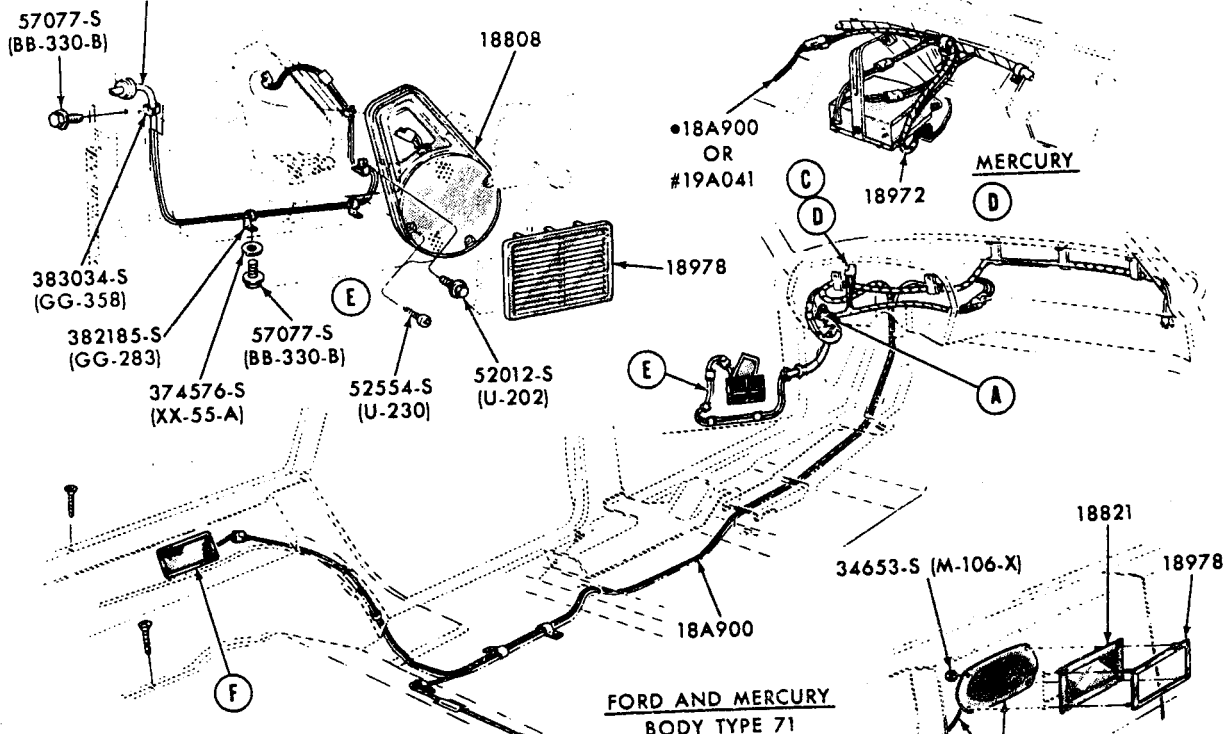
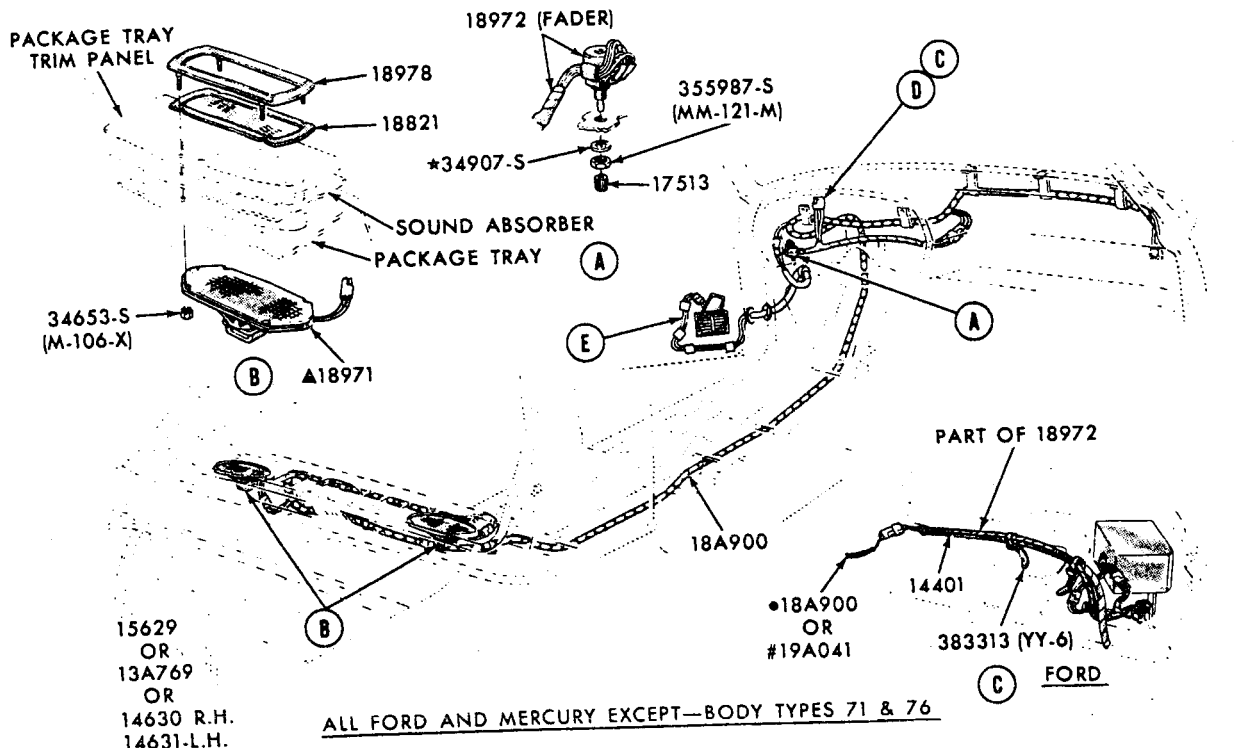




AM/STEREO TAPE PLAYER, AM/FM MULTIPLEX RADIO and SPEAKERS - INTEGRAL 1968/71 THUNDERBIRD

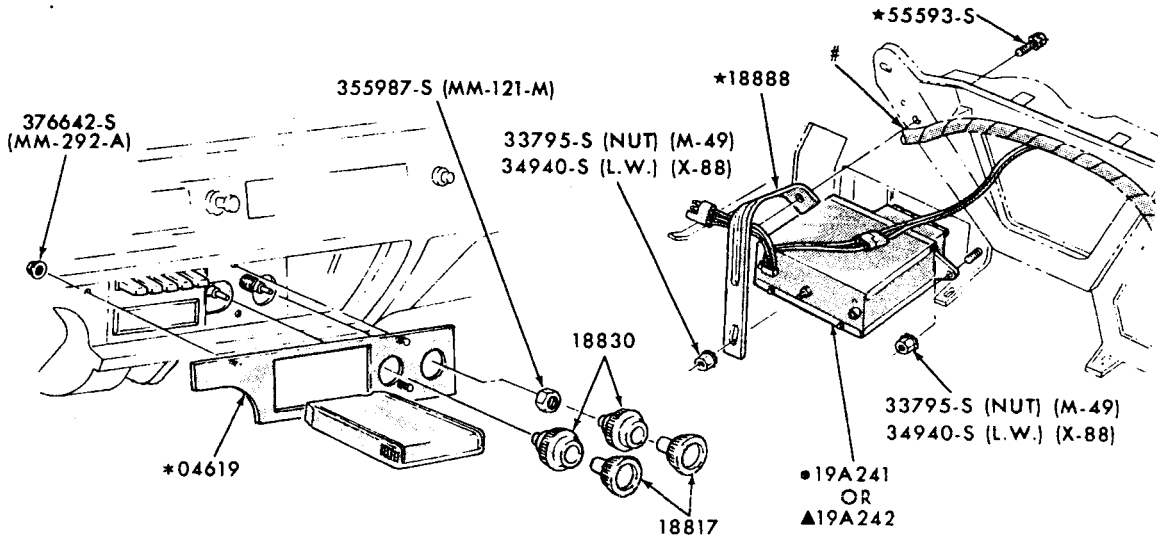
**ILLUSTRATION SECTION 190**

**FORD CAR PARTS**

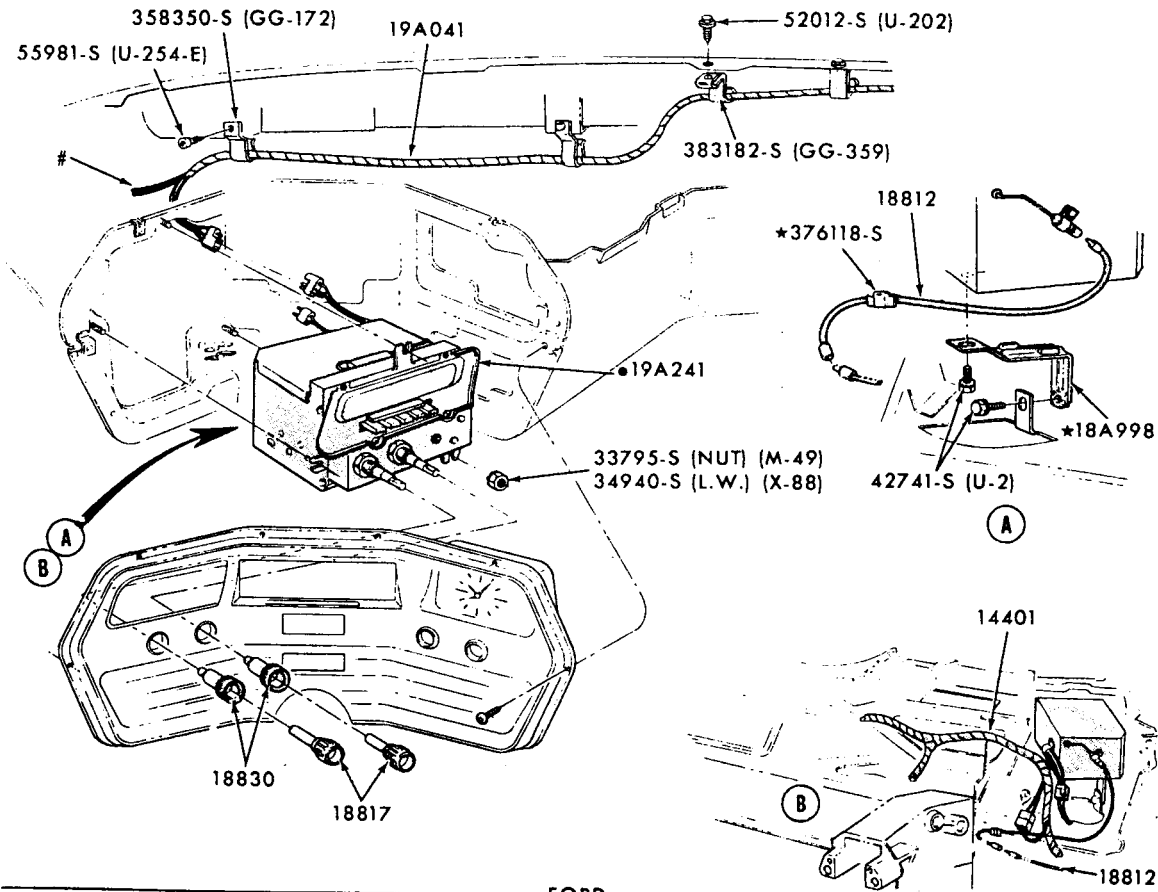


#USE ONLY WHEN FRONT DOOR SPEAKERS ARE INSTALLED  
 ●USE ONLY WHEN FRONT DOOR AND REAR SEAT SPEAKERS ARE INSTALLED  
 ▲SUPPLIED ONLY IN 18875 REAR SPEAKER KIT

**RADIO SPEAKERS - FRONT DOOR and REAR PACKAGE TRAY**  
 1969/70 FORD



MERCURY

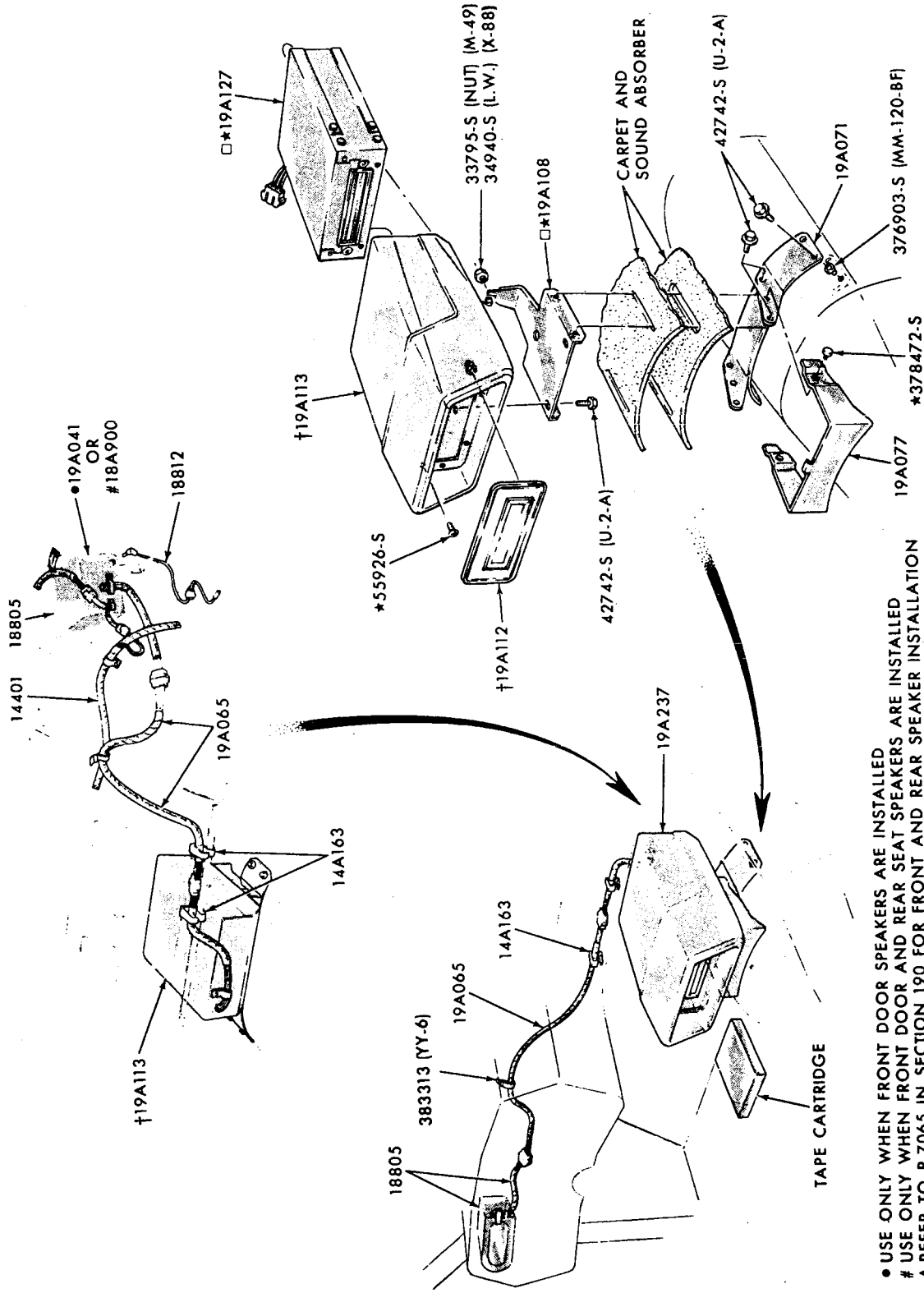


FORD

- \* REFER TO BODY GROUP NUMBER
- AM/FM STEREO RADIO RECEIVER WITH MULTIPLEX-SERVICED IN 18805 RADIO KIT
- ▲ AM RADIO WITH INTEGRAL STEREO TAPE PLAYER-SERVICED IN 18805 RADIO KIT
- # REFER TO P-7065 IN SECTION 190 FOR FRONT AND REAR SPEAKER INSTALLATION

P-7076

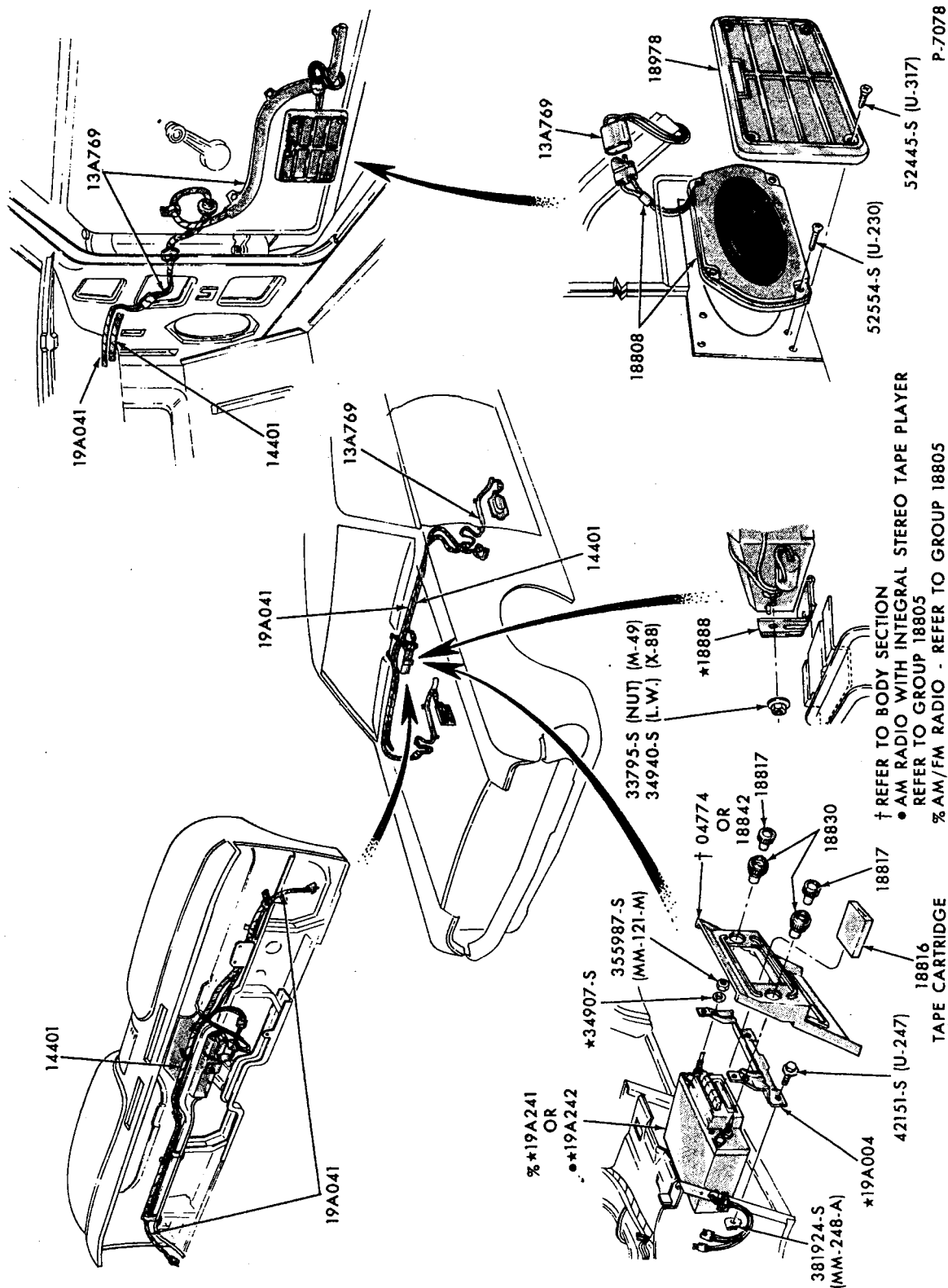
AM/FM MULTIPLEX RADIO  
1969/70 FORD



- USE ONLY WHEN FRONT DOOR SPEAKERS ARE INSTALLED
- # USE ONLY WHEN FRONT DOOR AND REAR SEAT SPEAKERS ARE INSTALLED
- ▲ REFER TO P-7065 IN SECTION 190 FOR FRONT AND REAR SPEAKER INSTALLATION
- SERVICED ONLY IN 19A237 TAPE DECK ASSEMBLY
- † ALSO SERVICED WITH 19A237 TAPE DECK ASSEMBLY

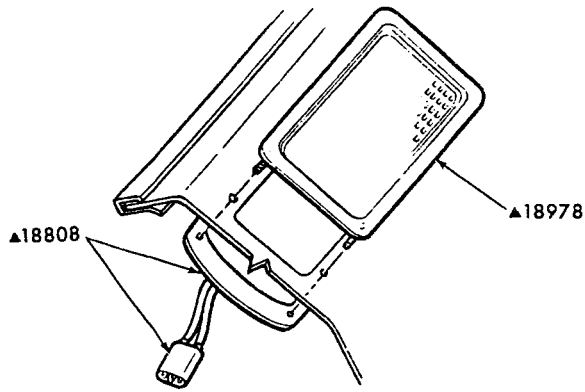
P-7077

AM RADIO with STEREO TAPE PLAYER - TUNNEL MOUNTED  
1969/70 FORD

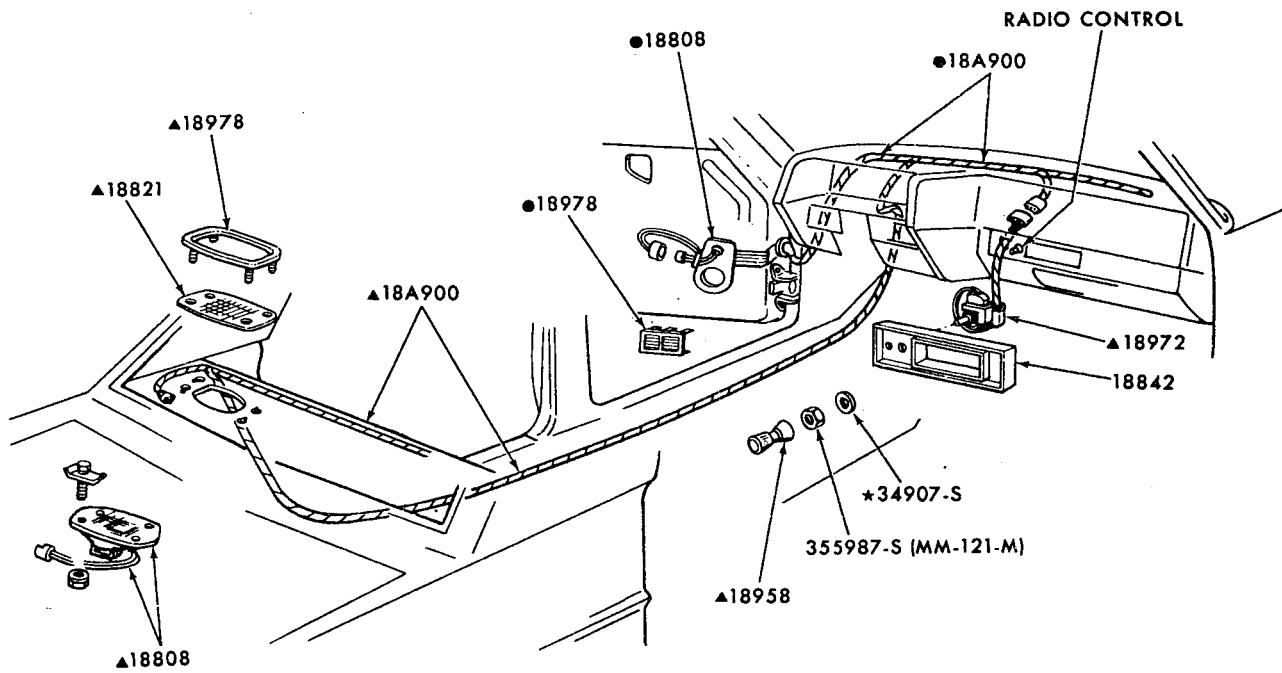


AM/STEREO TAPE PLAYER, AM/FM MULTIPLEX RADIO and SPEAKERS - INTEGRAL  
1969/72 MUSTANG





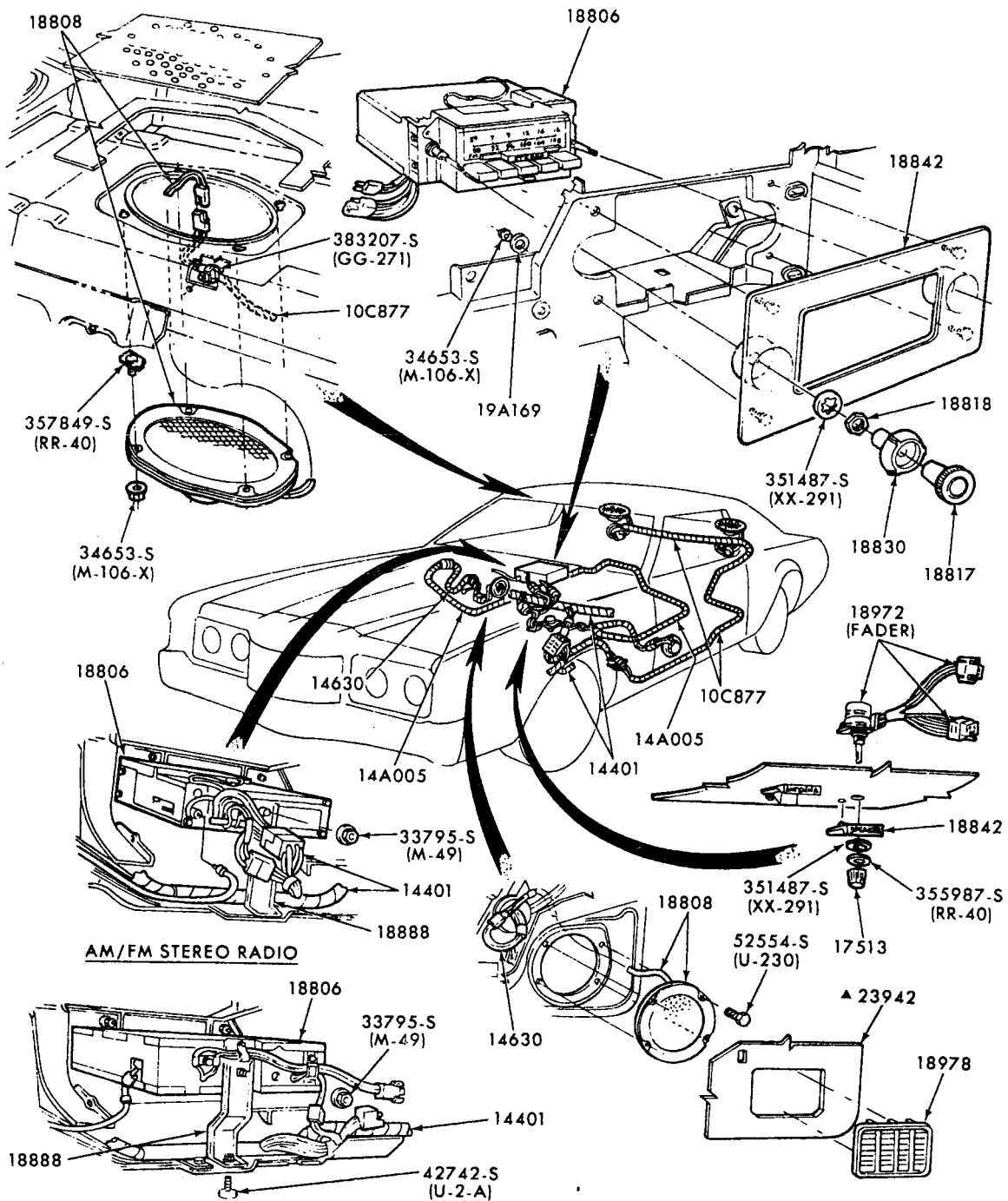
BODY TYPE 71



▲ ALSO AVAILABLE IN BASIC 18875 REAR SEAT SPEAKER KIT  
 ● ALSO AVAILABLE IN 18808 STEREO SPEAKER KIT

P-8450

RADIO SPEAKERS - FRONT DOOR and REAR PACKAGE TRAY  
 1971/72 FORD



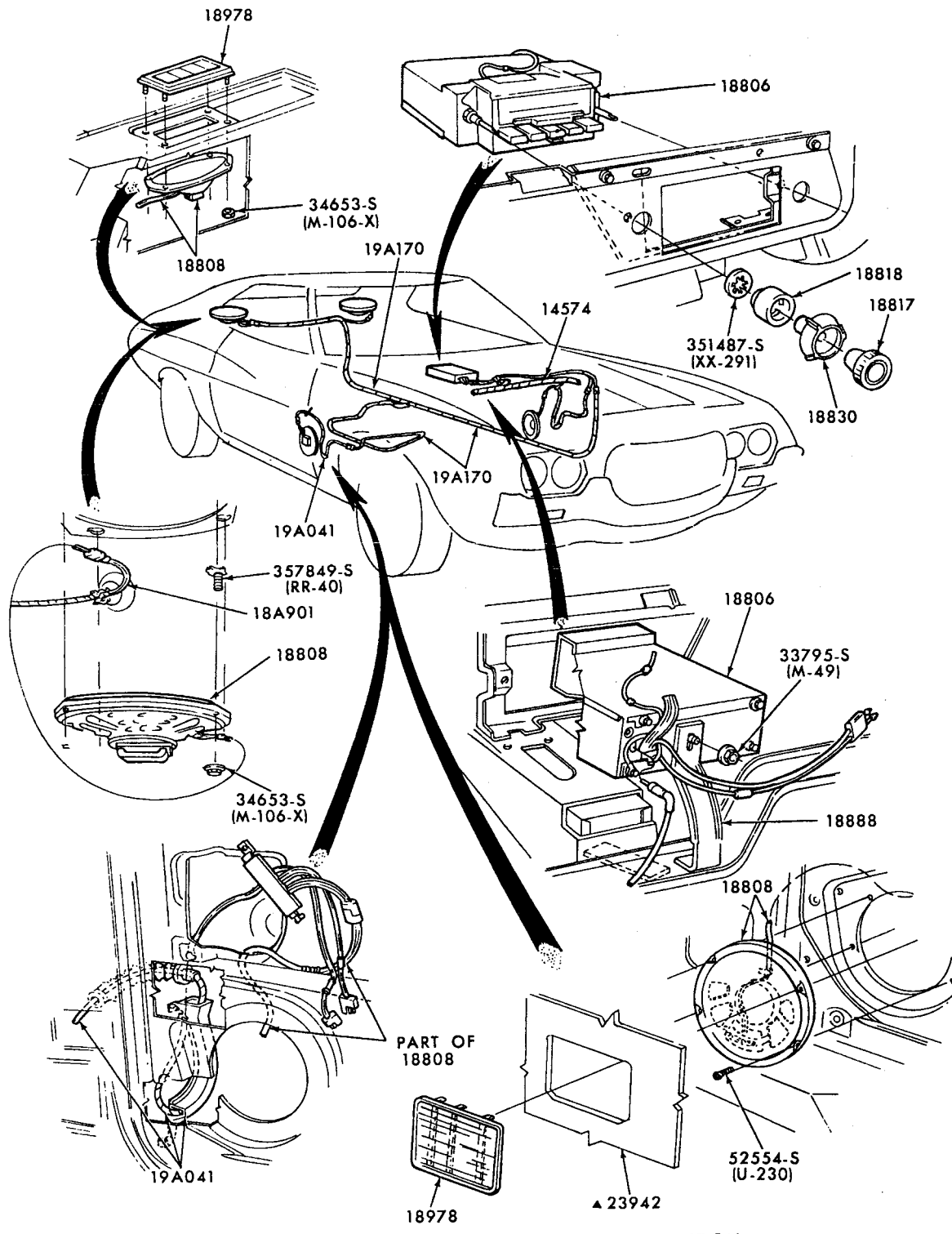
AM/FM STEREO RADIO

INTEGRAL AM RADIO, STEREO TAPE PLAYER

▲ REFER TO SOFT TRIM SECTION

P-9970

AM/STEREO TAPE PLAYER, AM/FM MULTIPLEX RADIO and SPEAKERS - INTEGRAL 1972 THUNDERBIRD

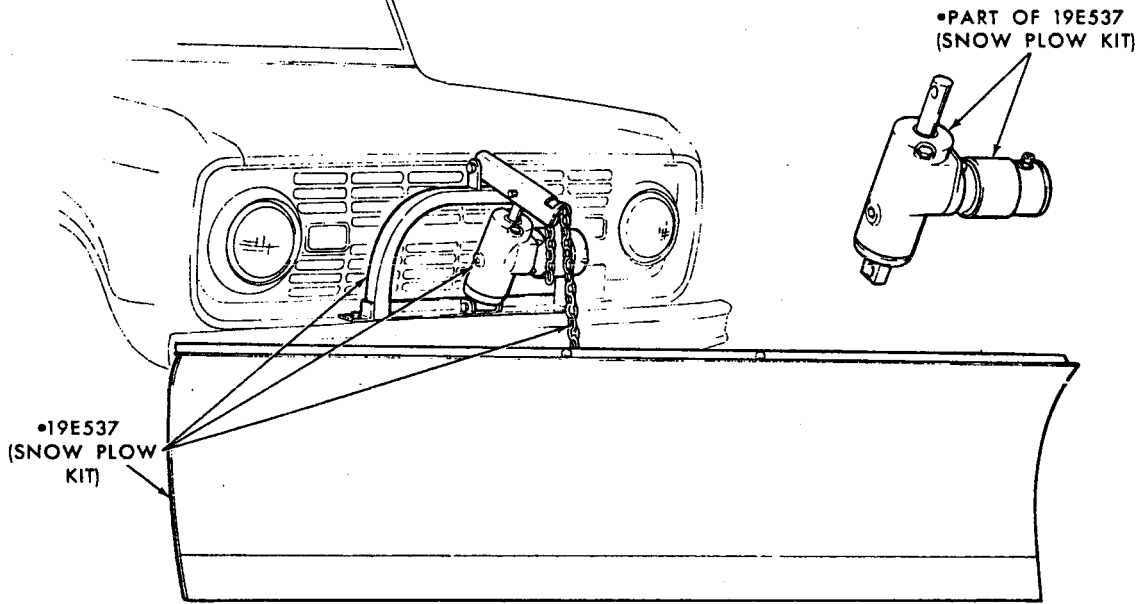


▲ REFER TO SOFT TRIM SECTION

P-9971

AM/FM MULTIPLEX RADIC and SPEAKERS - INTEGRAL  
1972 TORINO

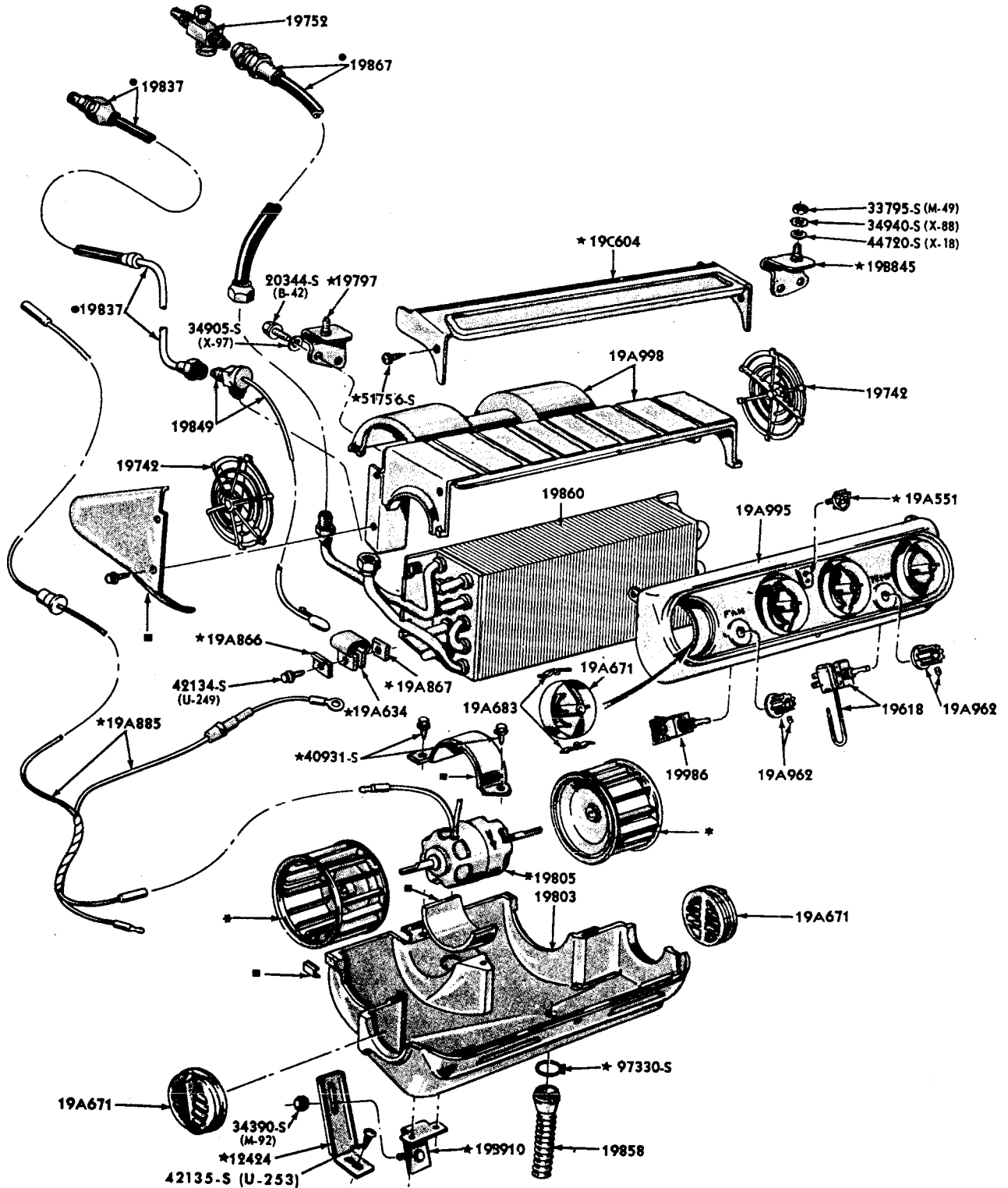
FOR ANGLING KIT—REFER TO GROUP •19F502



•DETAIL PARTS NOT SUPPLIED FOR SERVICE  
CONTACT MANUFACTURER FOR DETAILS

P-8366

SNOW PLOW  
1966/72 BRONCO

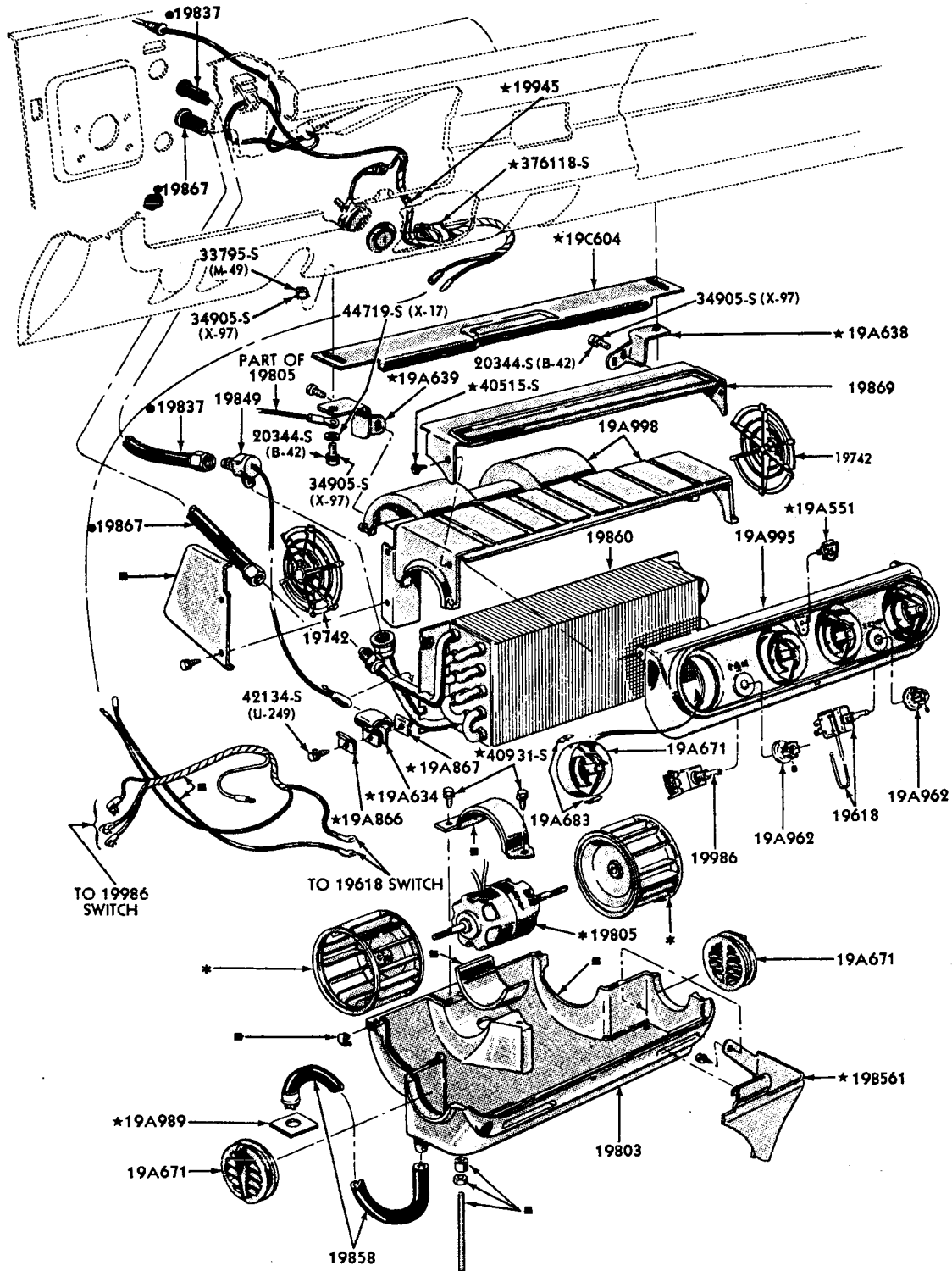


■ SUPPLIED IN 19700 AIR CONDITIONER KIT ONLY  
\* SUPPLIED IN 19805 MOTOR AND WHEEL ASSY. ONLY

● REFER TO GROUP 19C705-8 FOR SERVICE ASSEMBLY OR SERVICE DETAILS

P-4804

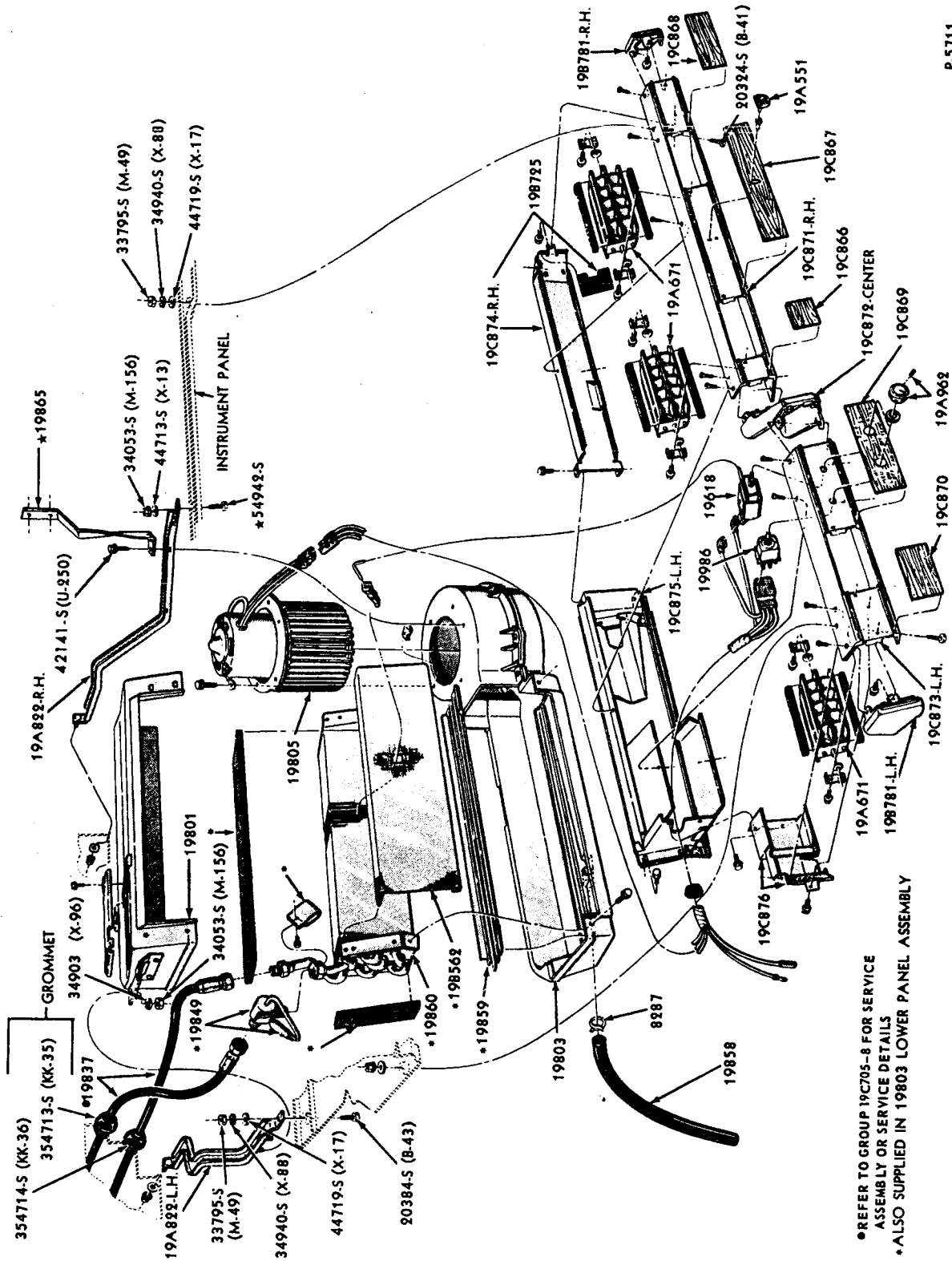
AIR CONDITIONING PARTS (PASSENGER COMPARTMENT)  
1965/66 FORD - w/ HANG-ON A/C



■ SUPPLIED IN 19700 AIR CONDITIONER KIT ONLY      • REFER TO GROUP 19C705-8 FOR SERVICE  
 \* SUPPLIED IN 19805 MOTOR AND WHEEL ASSY. ONLY      ASSEMBLY OR SERVICE DETAILS

P-4549

AIR CONDITIONING PARTS (PASSENGER COMPARTMENT)  
 1965/66 FALCON and MUSTANG - w/ HANG-ON A/C

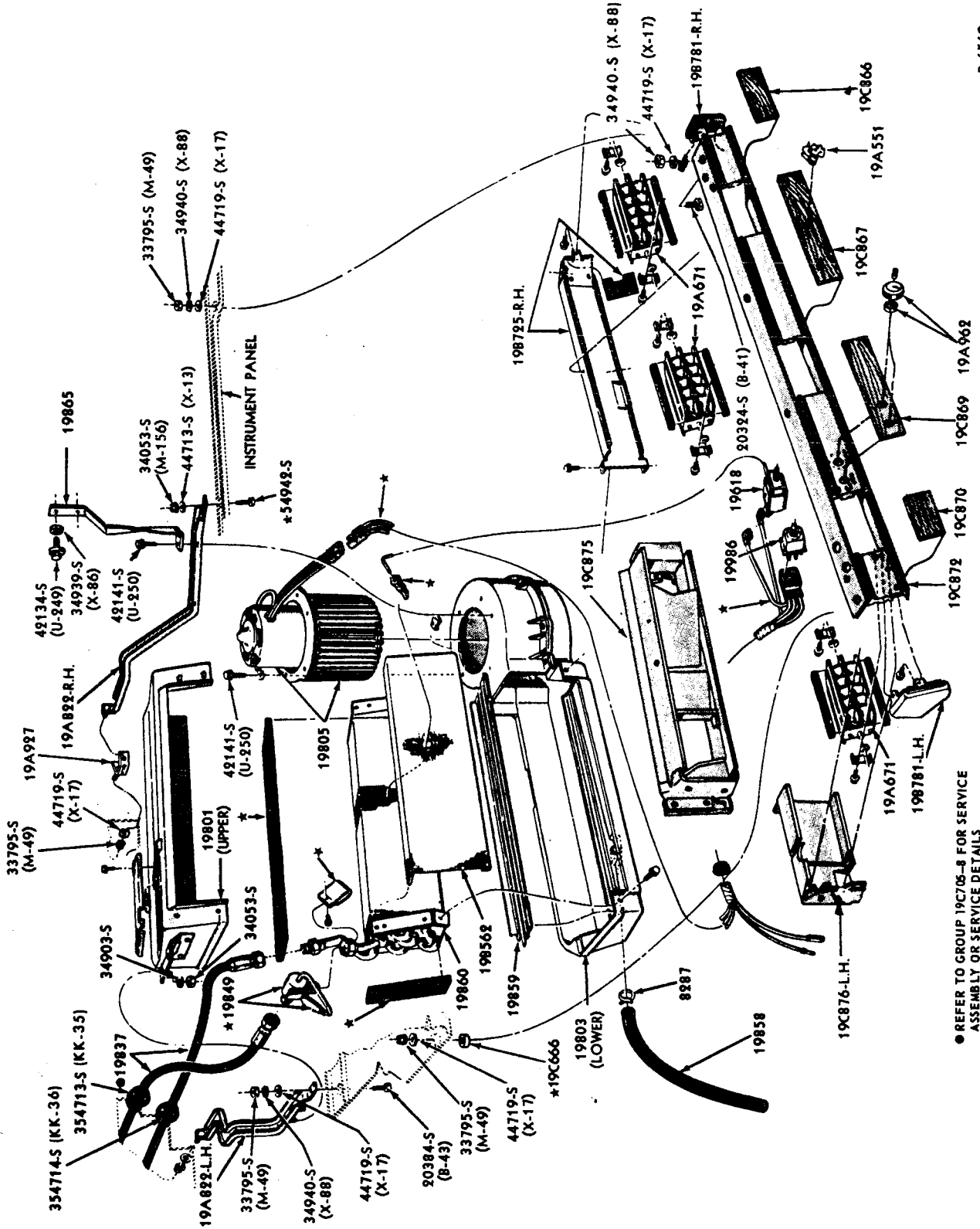


AIR CONDITIONING PARTS (PASSENGER COMPARTMENT)  
1967 FORD - w/ DELUXE HANG-ON A/C

• REFER TO GROUP 19C705-8 FOR SERVICE ASSEMBLY OR SERVICE DETAILS  
• ALSO SUPPLIED IN 19803 LOWER PANEL ASSEMBLY







AIR CONDITIONING PARTS (PASSENGER COMPARTMENT)

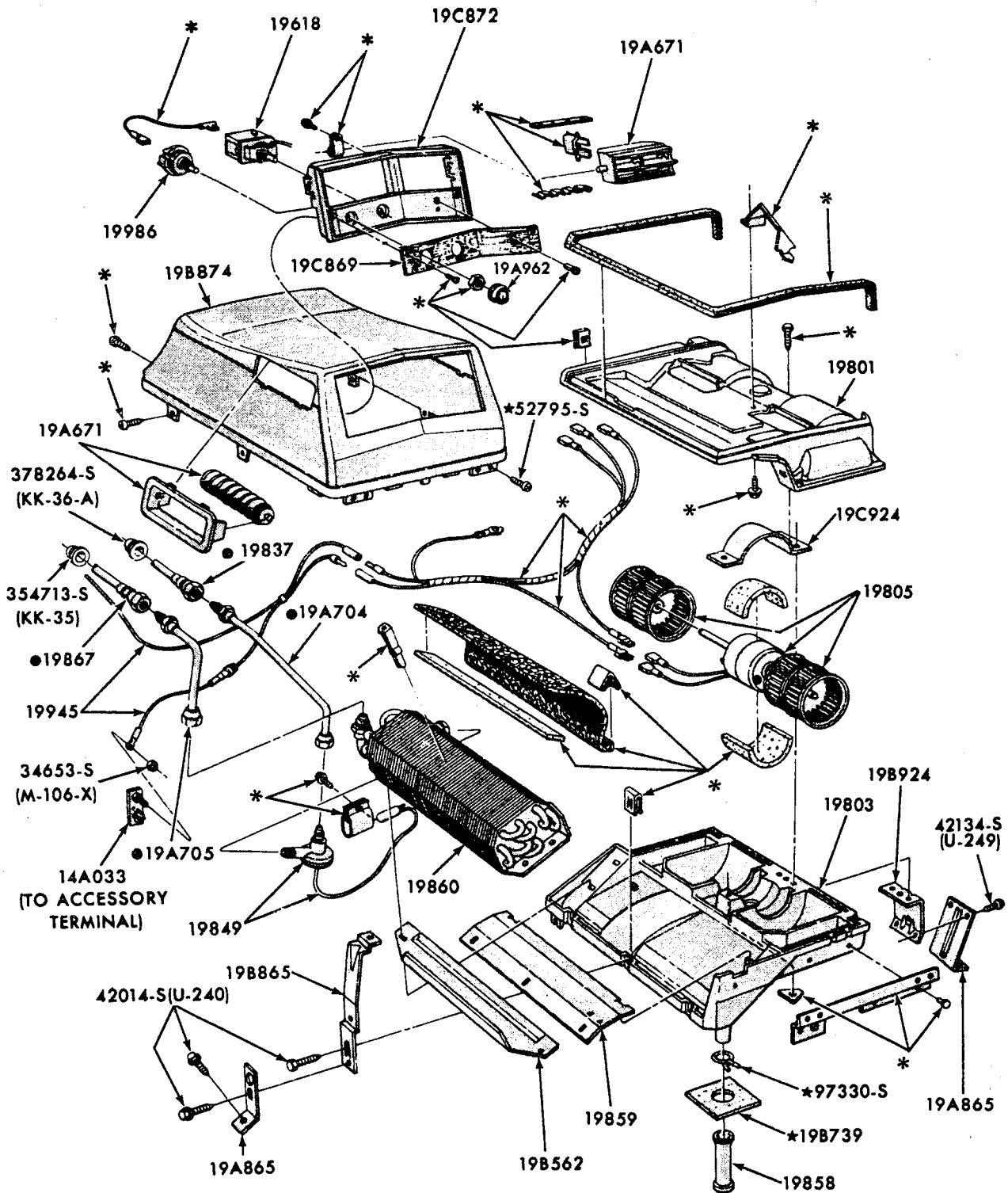
1938 FORD - w/DELUXE HANG-ON A/C

● REFER TO GROUP 19C705-8 FOR SERVICE ASSEMBLY OR SERVICE DETAILS





**FORD CAR PARTS**

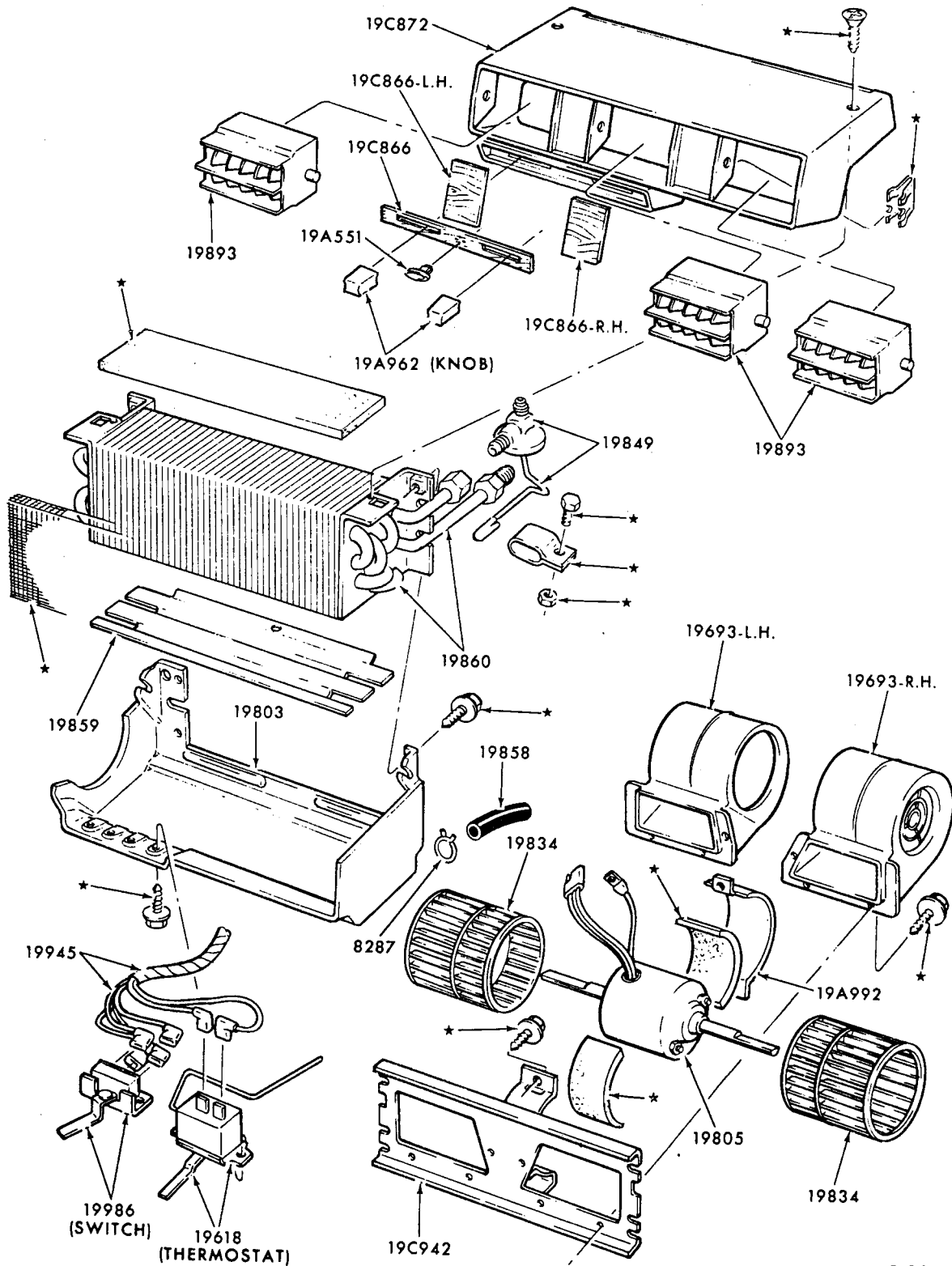


\* SUPPLIED ONLY IN 19850 EVAPORATOR ASSEMBLY

● REFER TO GROUP 19C705-8 FOR SERVICE ASSEMBLY OR DETAILS

P-7064

AIR CONDITIONING PARTS (PASSENGER COMPARTMENT)  
1969/70 FORD - w/HANG-ON A/C - CONSOLE DESIGN

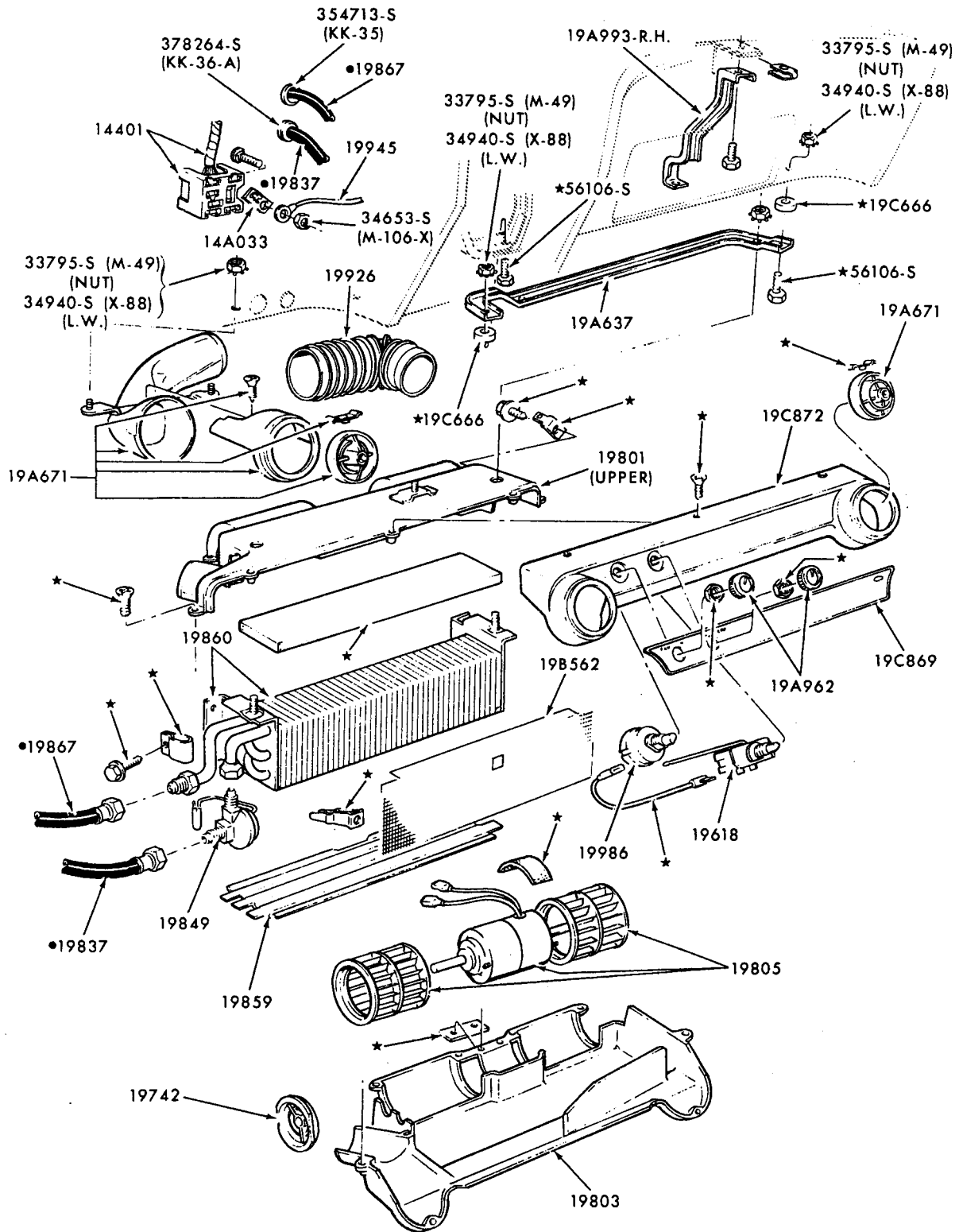


P-8547

AIR CONDITIONING PARTS (PASSENGER COMPARTMENT)  
1970/71 PINTO, MAVERICK - w/HANG-ON A/C - ECONOMY

**ILLUSTRATION  
SECTION 195**

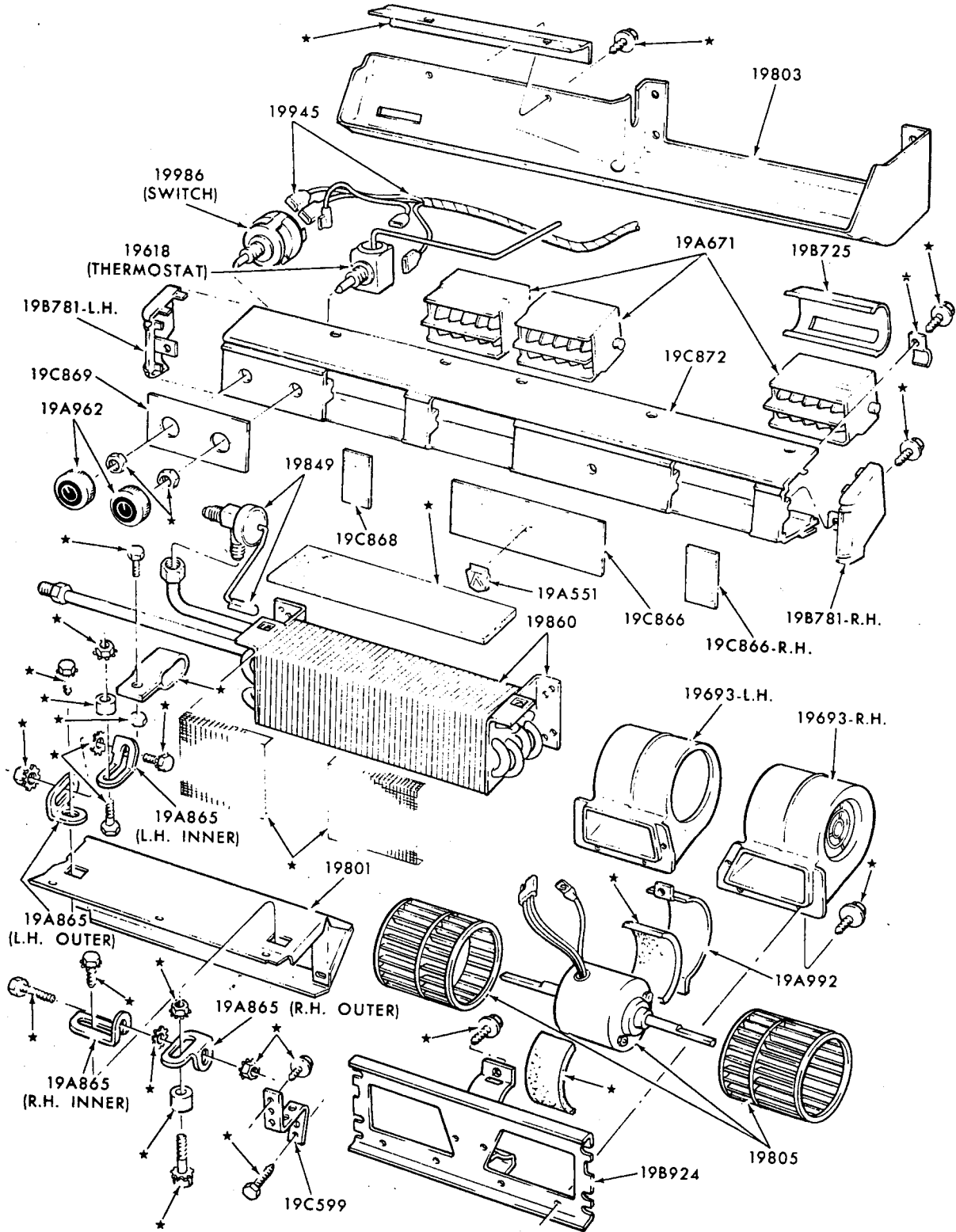
**FORD CAR PARTS**



•REFER TO GROUP 19C705-8 FOR SERVICE ASSEMBLY OR DETAILS

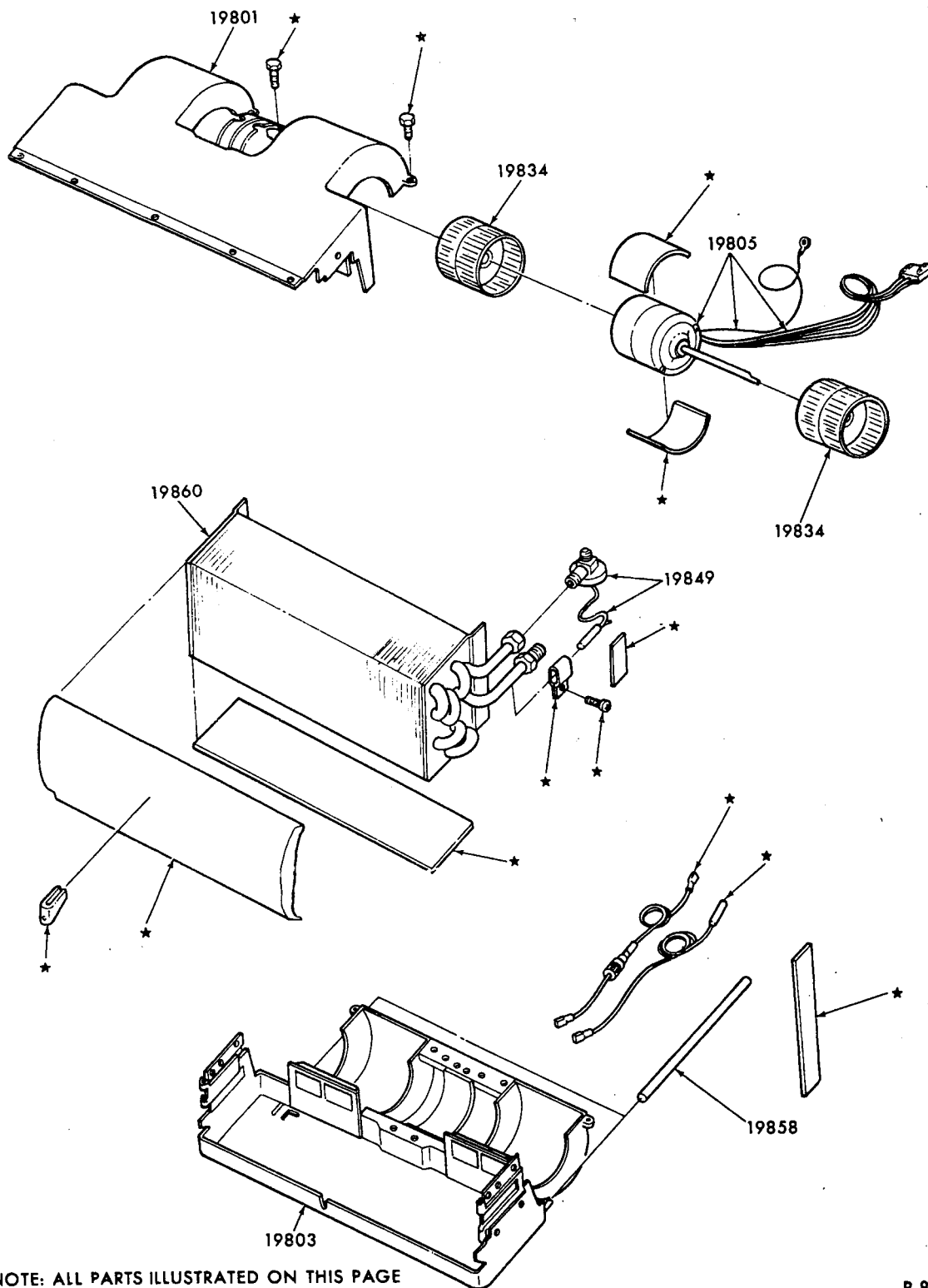
P-8503

AIR CONDITIONING PARTS (PASSENGER COMPARTMENT)  
1969/71 MUSTANG, MAVERICK - w/HANG-ON A/C - SLIMLINE



P-8548

AIR CONDITIONING PARTS (PASSENGER COMPARTMENT)  
1969/71 FORD - w/HANG-ON A/C - SLIMLINE



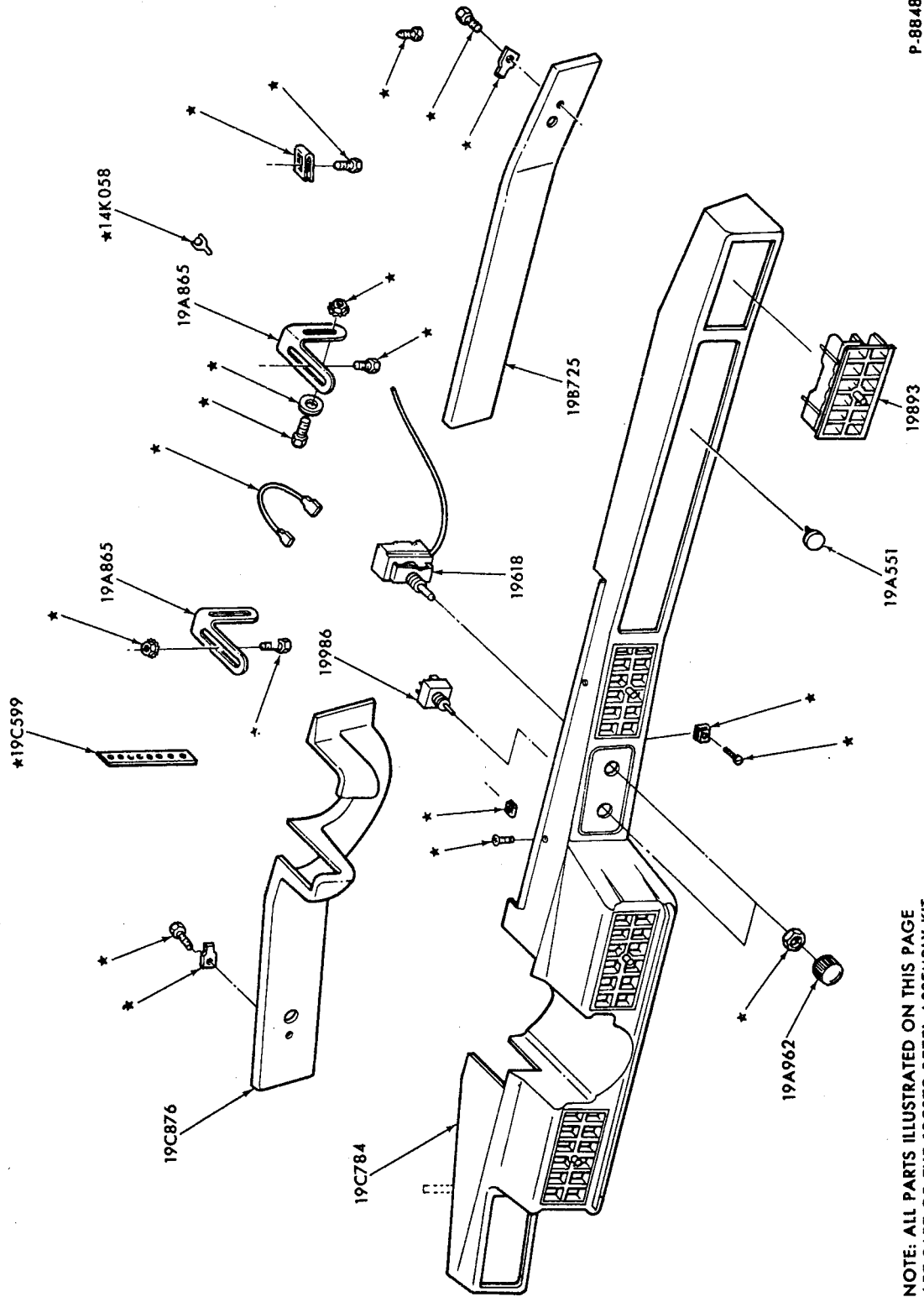
NOTE: ALL PARTS ILLUSTRATED ON THIS PAGE  
ARE PART OF THE 198968 EVAPORATOR KIT.

P-8847

AIR CONDITIONING EVAPORATOR PARTS-DELUXE and ECONOMY HANG-ON (PASSENGER COMPARTMENT)  
1972 ALL

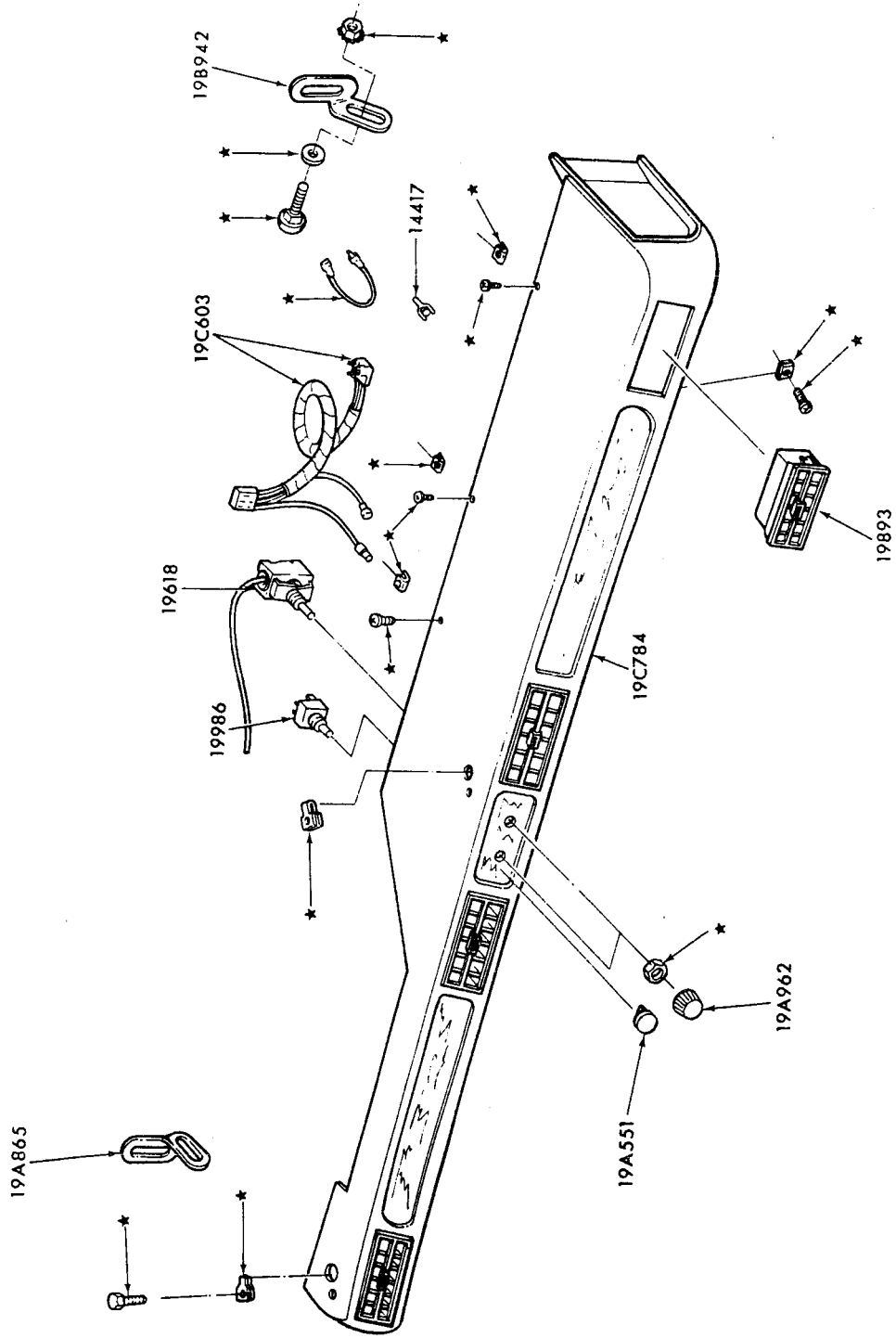


P-8848



NOTE: ALL PARTS ILLUSTRATED ON THIS PAGE ARE PART OF THE 19C872 BEZEL ASSEMBLY KIT.

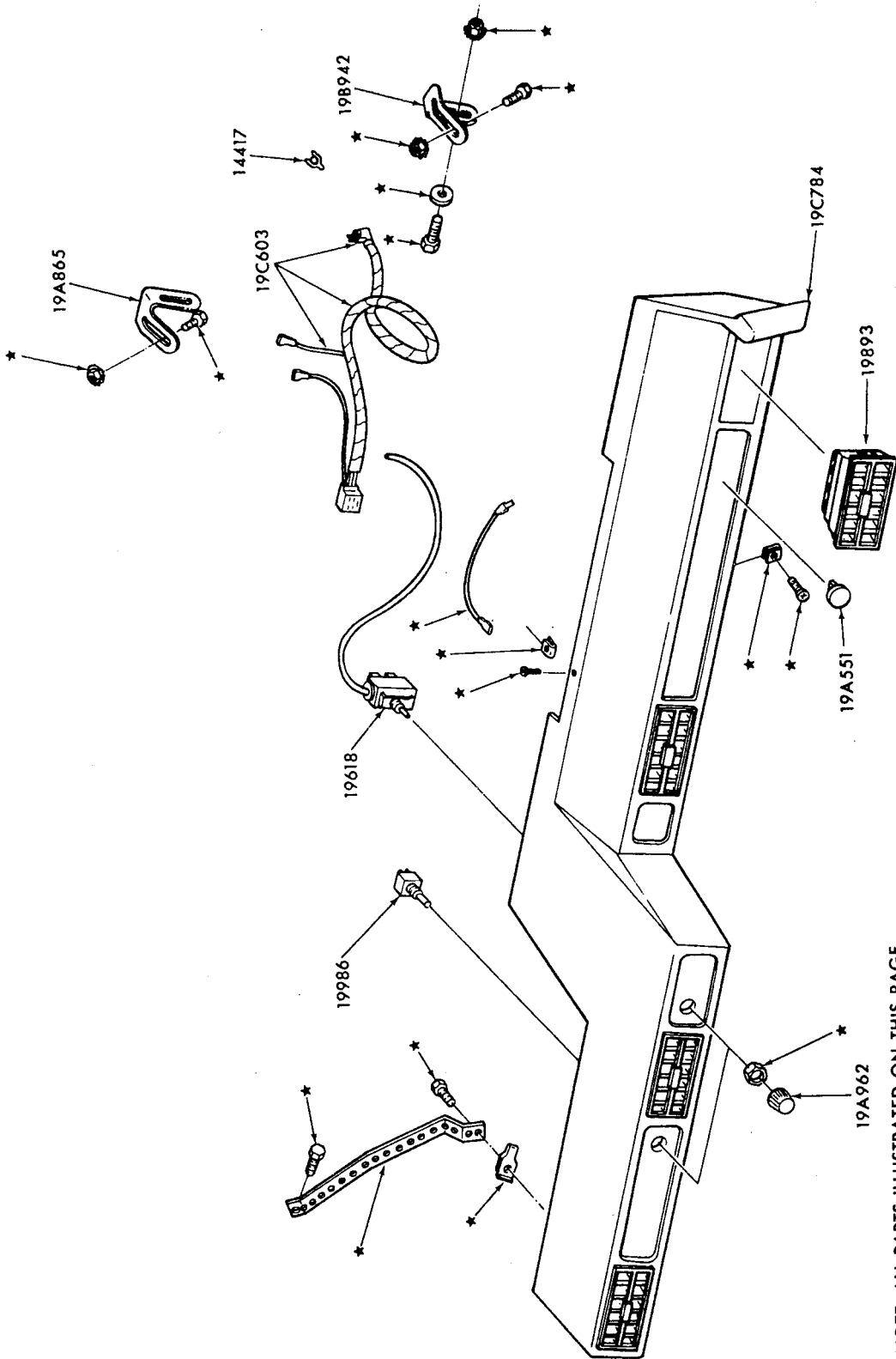
AIR CONDITIONING DELUXE HANG-ON - BEZEL and CONTROLS (PASSENGER COMPARTMENT) 1972 PINTO



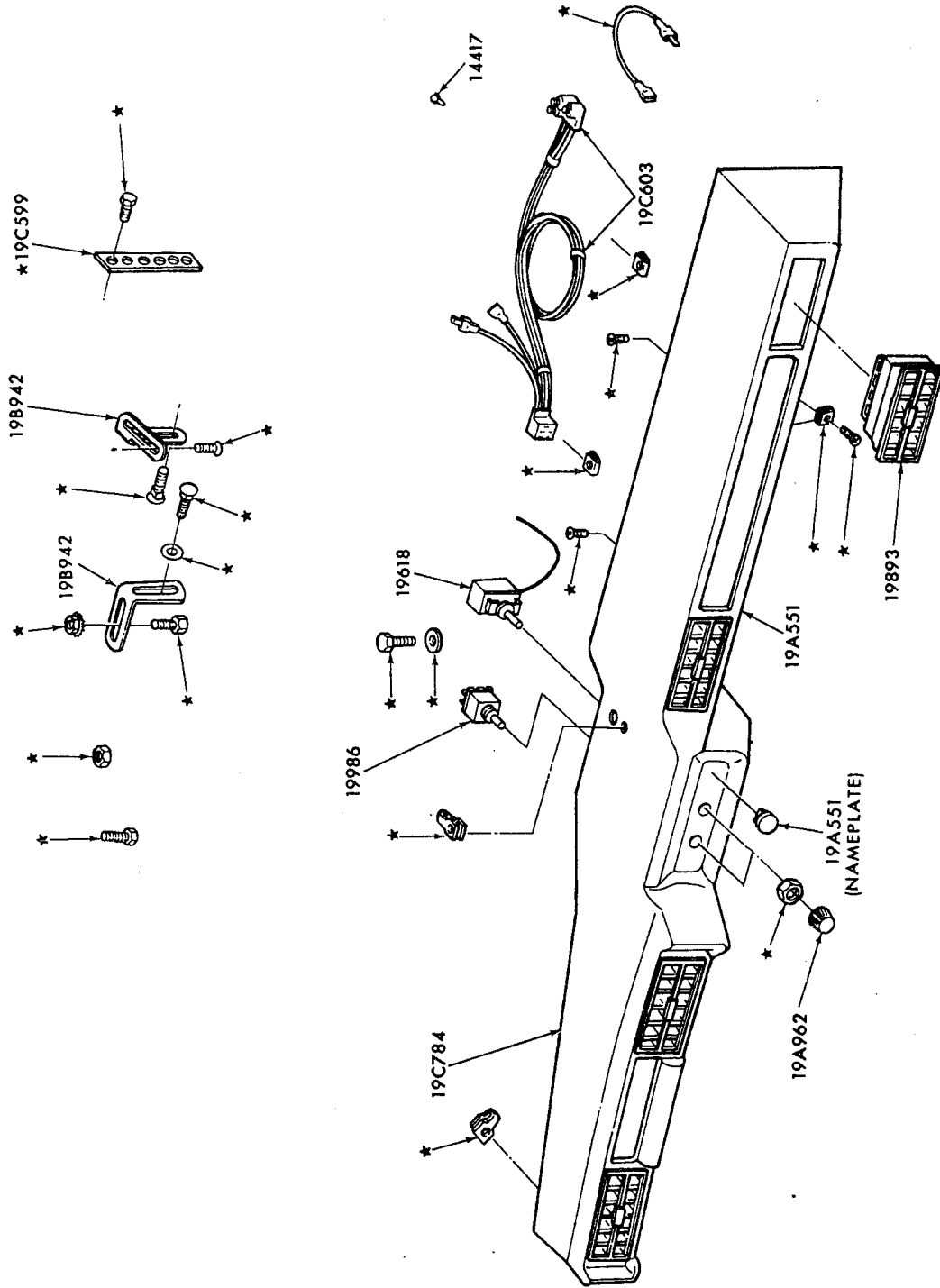
NOTE: ALL PARTS ILLUSTRATED ON THIS PAGE  
ARE PART OF THE 19C872 BEZEL KIT.

AIR CONDITIONING DE LUXE HANG-ON-BEZEL and CONTROLS (PASSENGER COMPARTMENT)  
1972 MAVERICK

P-8850



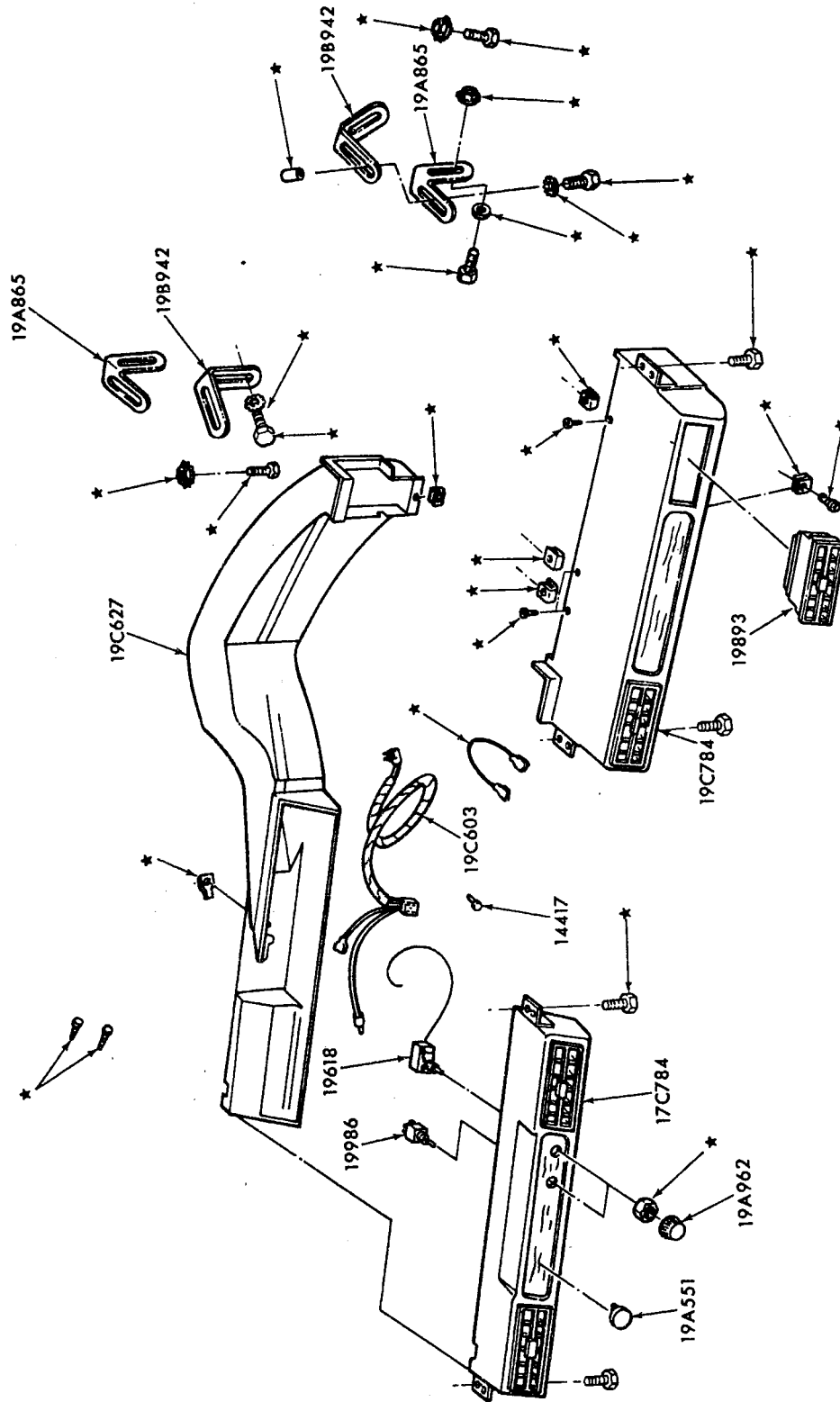
AIR CONDITIONING DELUXE HANG-ON - BEZEL and CONTROLS (PASSENGER COMPARTMENT)  
1972 FORD



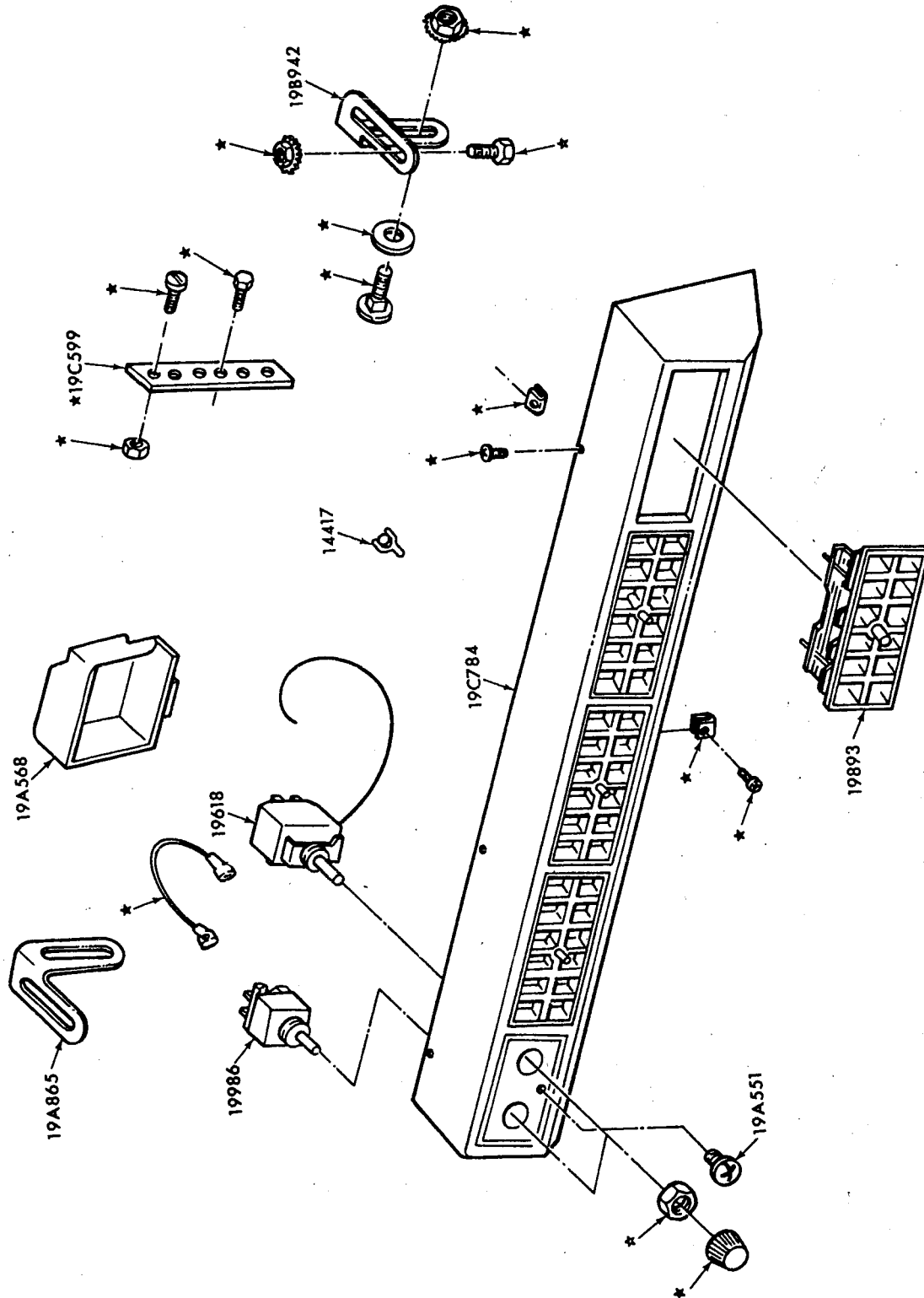
NOTE: ALL PARTS ILLUSTRATED ON THIS PAGE  
ARE PART OF THE 19C872 BEZEL KIT.

AIR CONDITIONING DELUXE HANG-ON - BEZEL and CONTROLS (PASSENGER COMPARTMENT)  
1972 TORINO

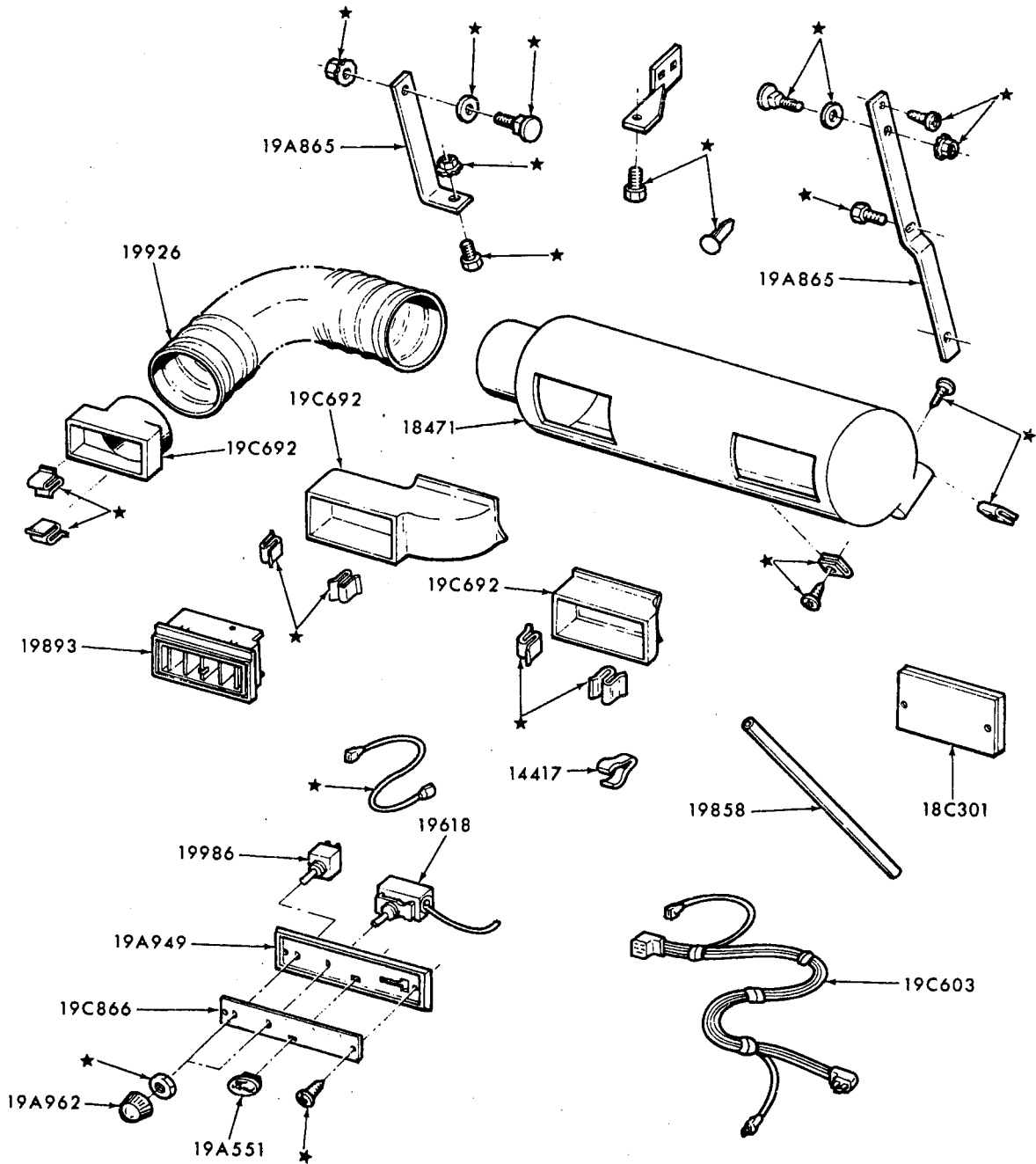
P-8880



AIR CONDITIONING DELUXE HANG-ON - BEZEL and CONTROLS (PASSENGER COMPARTMENT).  
1972 MUSTANG.



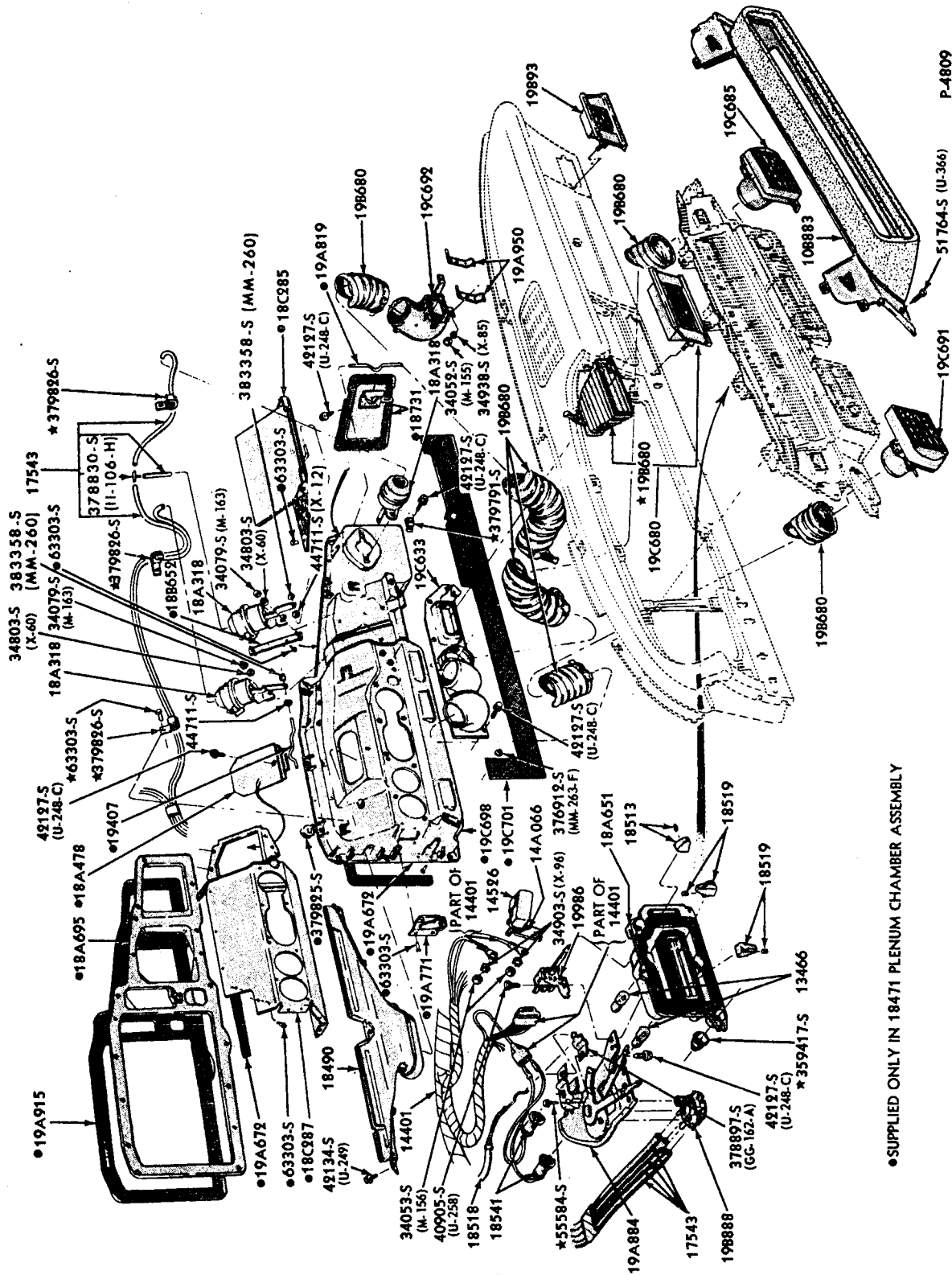
AIR CONDITIONING ECONOMY HANG-ON - BEZEL and CONTROLS (PASSENGER COMPARTMENT)  
1972 ALL



NOTE: ALL PARTS ILLUSTRATED ON THIS  
PAGE ARE PART OF 19C872 BEZEL KIT

P-11327

AIR CONDITIONER BEZEL and CONTROLS  
BUILT-IN A/C (DEALER INSTALLED)  
1972 PINTO

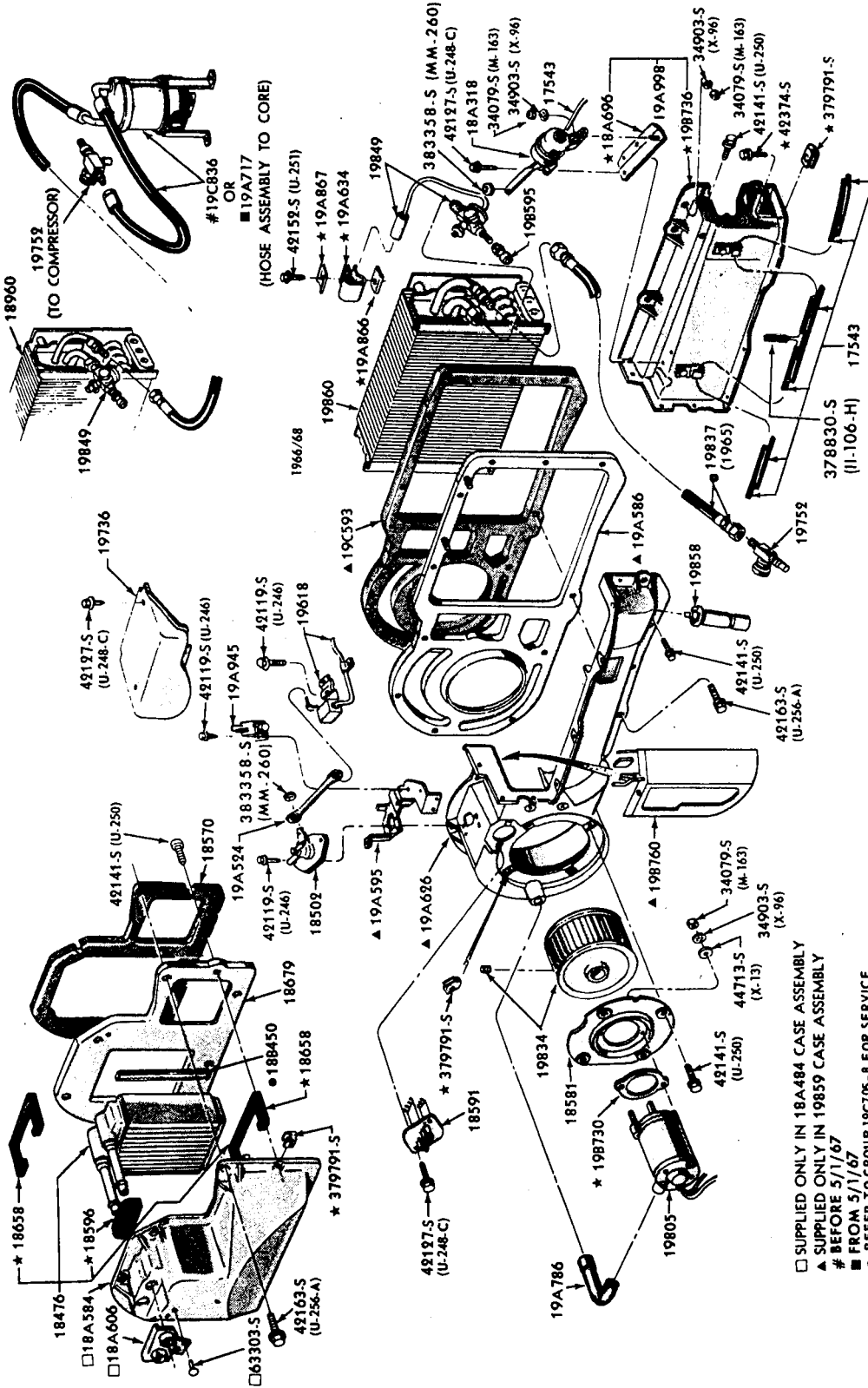


\* SUPPLIED ONLY IN 18471 PLENUM CHAMBER ASSEMBLY

AIR CONDITIONING CONTROLS and RELATED PARTS  
1965/66 FORD - w/ INTEGRAL A/C



# FORD CAR PARTS



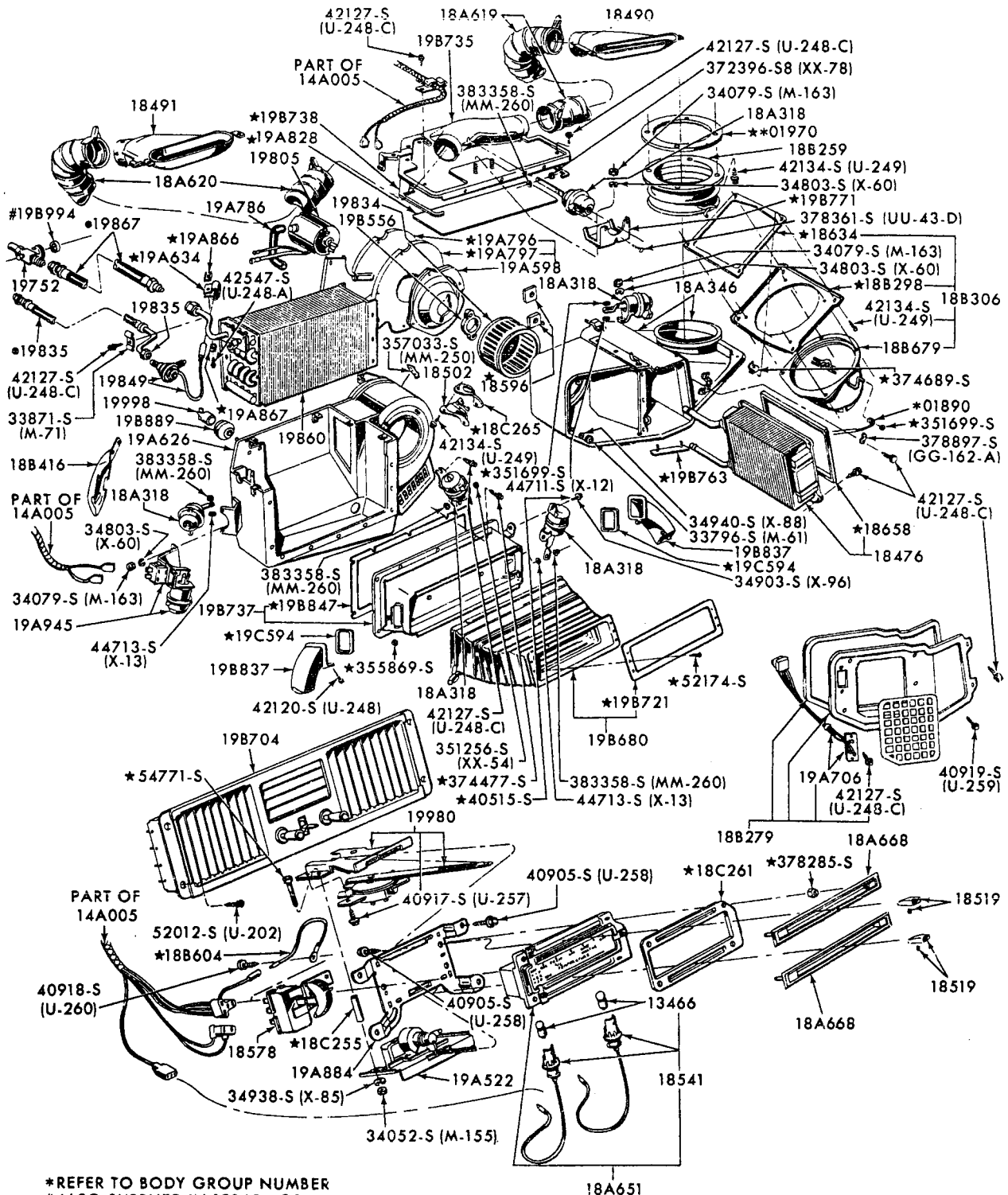
P.4810

AIR CONDITIONING PARTS (PASSENGER COMPARTMENT)  
1965/68 FORD-w/ INTEGRAL A/C

- SUPPLIED ONLY IN 18A484 CASE ASSEMBLY
- ▲ SUPPLIED ONLY IN 19859 CASE ASSEMBLY
- # BEFORE 5/1/67
- FROM 5/1/67
- REFER TO GROUP 19C705-8 FOR SERVICE ASSEMBLY OR SERVICE DETAILS



**FORD CAR PARTS**



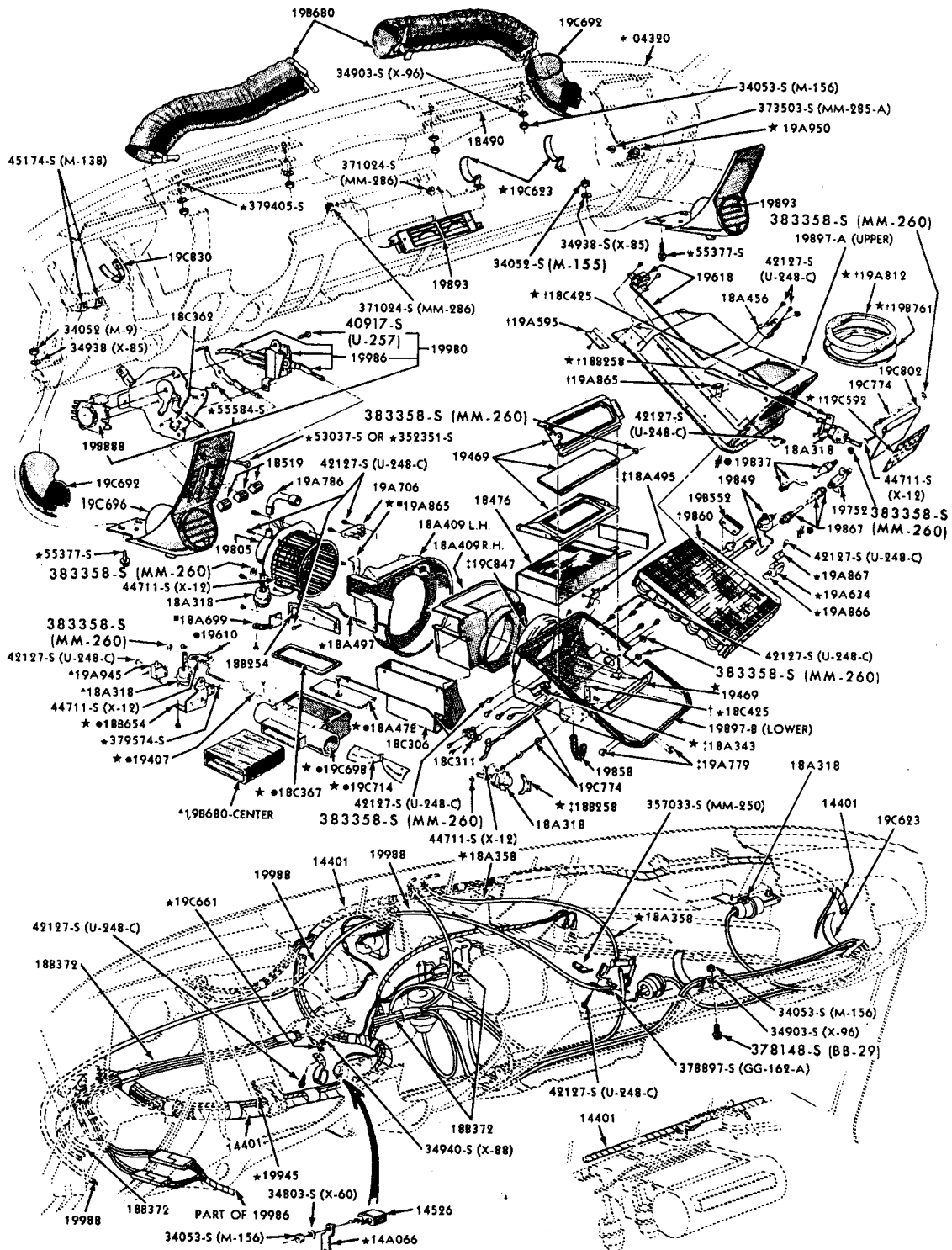
\*REFER TO BODY GROUP NUMBER  
#ALSO SUPPLIED IN 19B684 COMPRESSOR GASKET KIT  
•REFER TO GROUP 19C705-8 FOR SERVICE  
ASSEMBLY OR SERVICE DETAILS

P-4415

AIR CONDITIONING PARTS (PASSENGER COMPARTMENT)  
1965/66 THUNDERBIRD - w/ INTEGRAL A/C





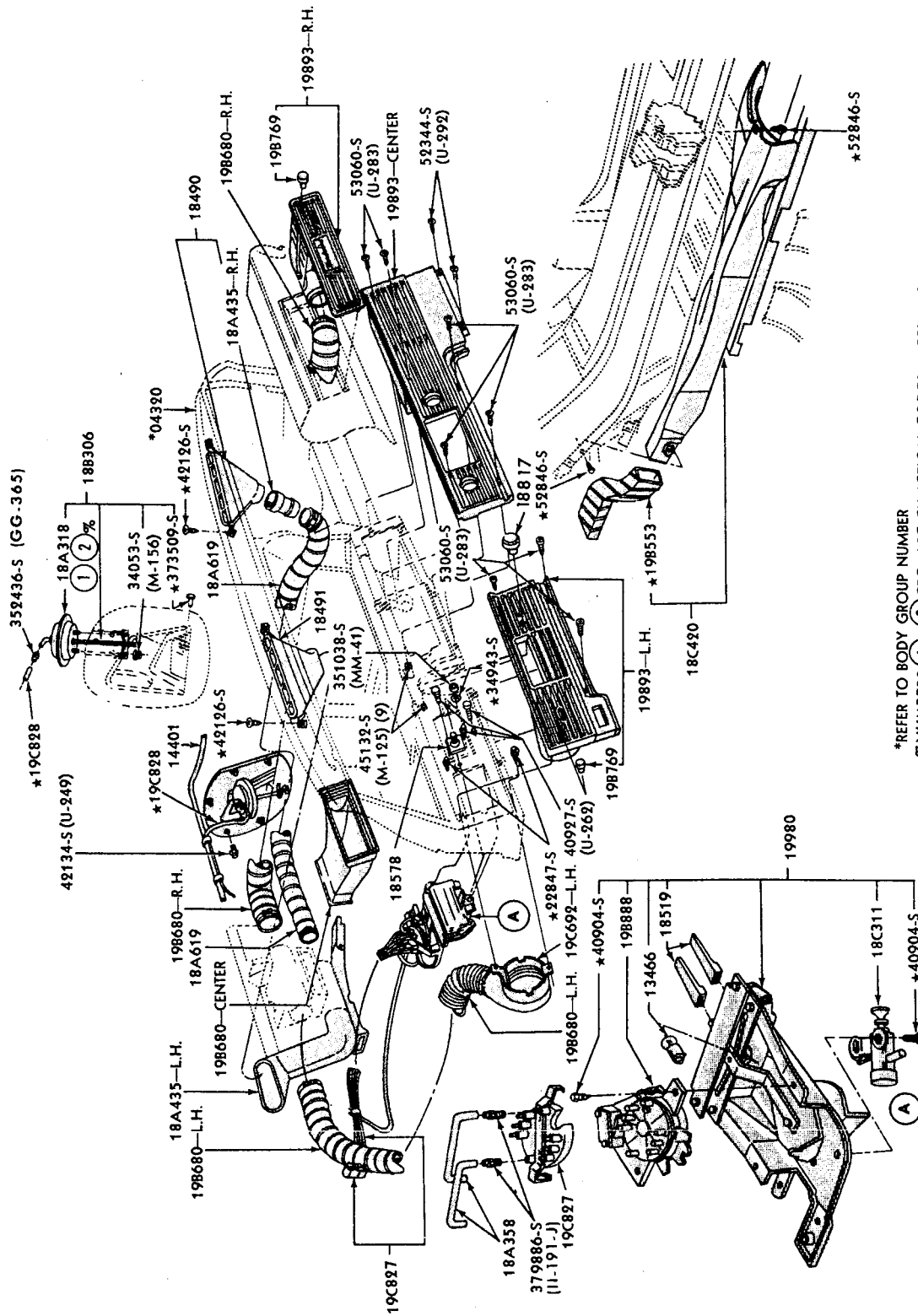


■ SUPPLIED ONLY IN 18A409 L.H. HEATER BLOWER HOUSING ASSY  
 † SUPPLIED ONLY IN 19897-A (UPPER) EVAPORATOR CASE ASSY  
 ‡ SUPPLIED ONLY IN 19897-B (LOWER) EVAPORATOR CASE ASSY  
 \* SUPPLIED ONLY IN 18471 PLENUM CHAMBER ASSY  
 † ALSO SUPPLIED IN 18471 PLENUM CHAMBER ASSY  
 \* REFER TO BODY GROUP NUMBER.  
 # REFER TO GROUP 19C705-8 FOR SERVICE ASSEMBLY OR DETAILS

P-5676

### AIR CONDITIONING PARTS (PASSENGER COMPARTMENT) 1967/68 MUSTANG - w/ INTEGRAL A/C



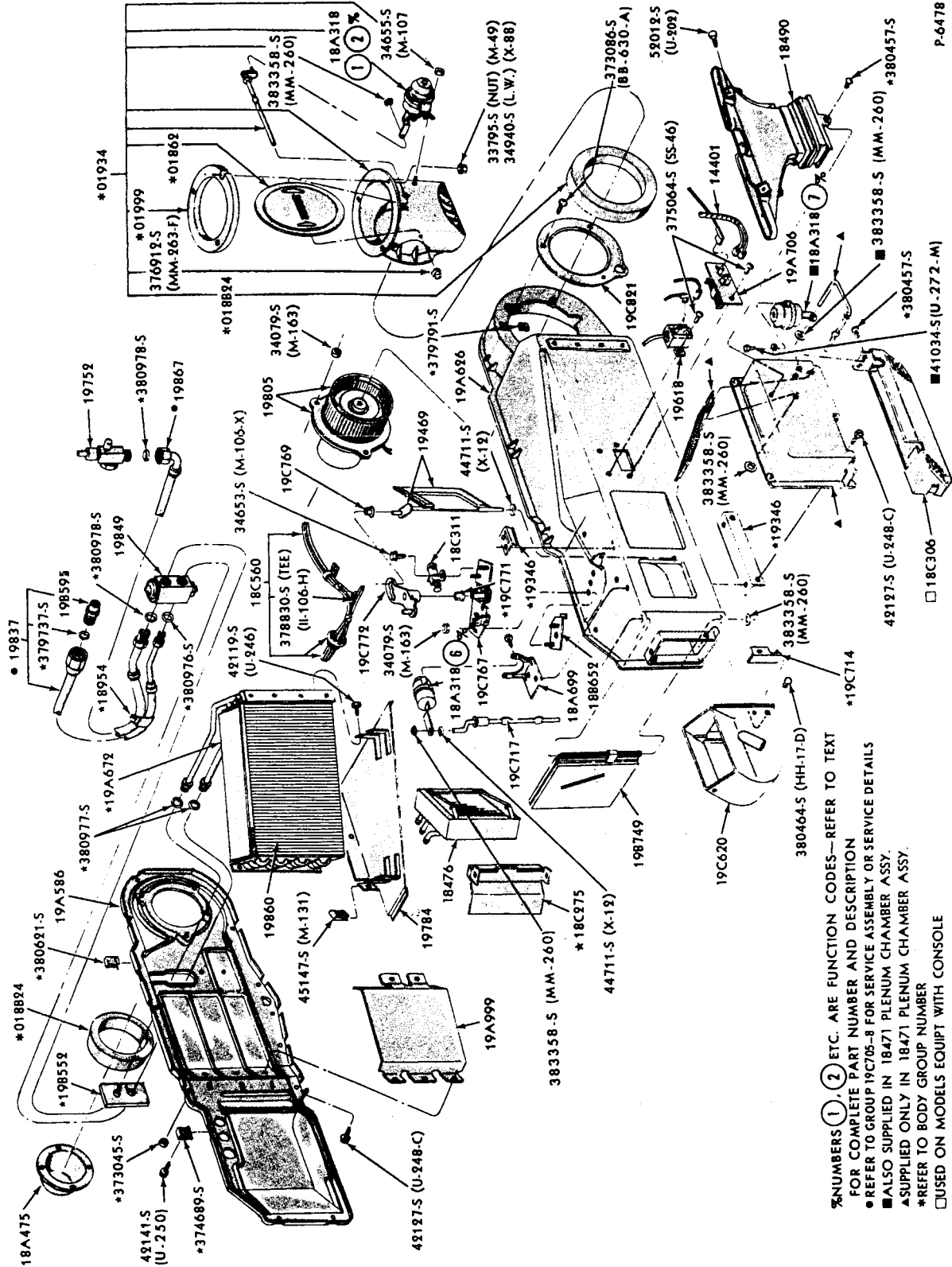


\*REFER TO BODY GROUP NUMBER  
%NUMBERS ①, ② ETC. ARE FUNCTION CODES—REFER TO  
TEXT FOR COMPLETE PART NUMBER AND DESCRIPTION

AIR CONDITIONING CONTROLS and RELATED PARTS  
1967 THUNDERBIRD - w/ INTEGRAL A/C



FORD CAR PARTS

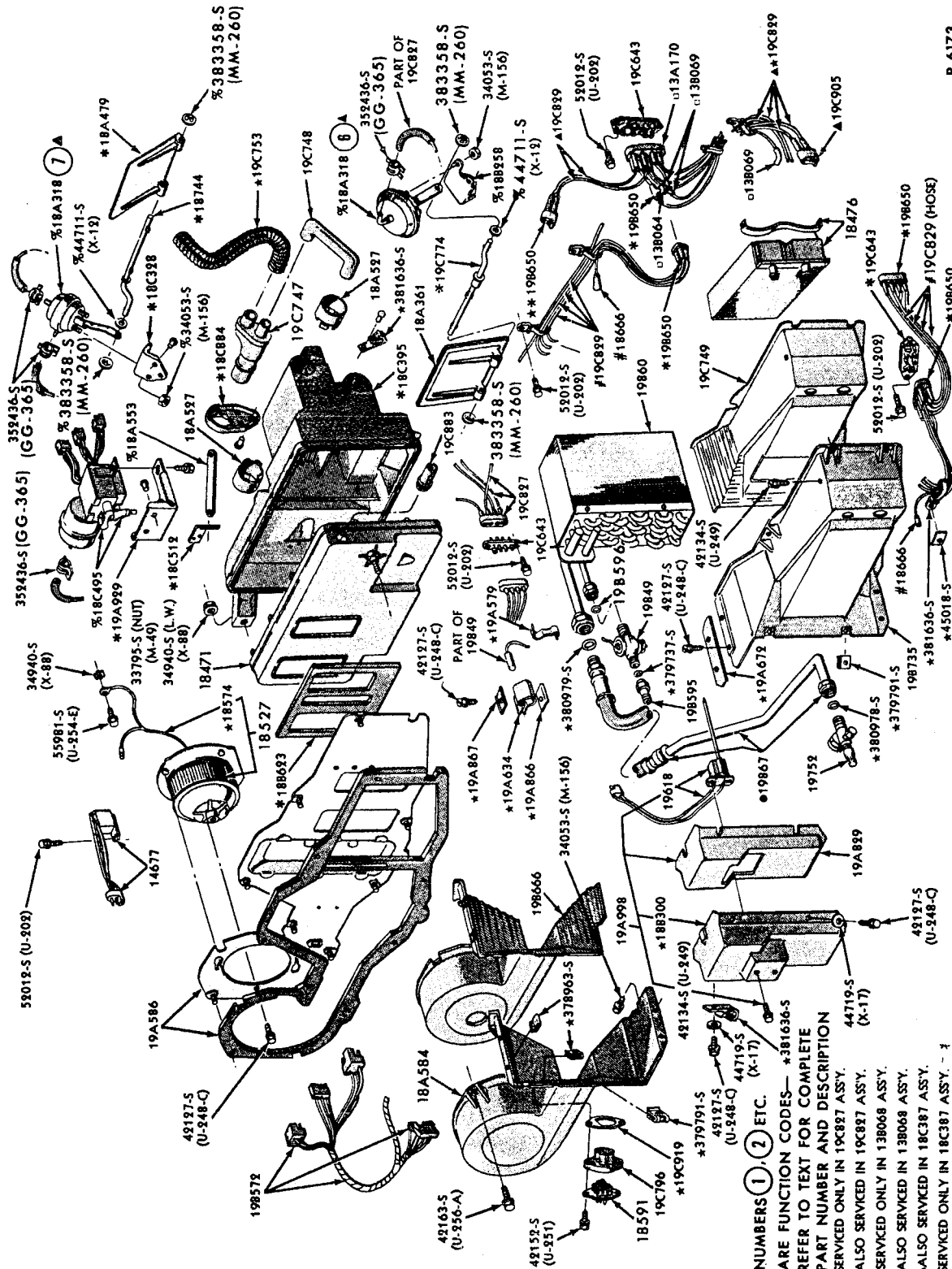


AIR CONDITIONING PARTS (PASSENGER COMPARTMENT)  
 1968/71 FAIRLANE/TORINO and 1968/70 FALCON - w/INTEGRAL A/C

NUMBERS 1, 2, ETC. ARE FUNCTION CODES—REFER TO TEXT FOR COMPLETE PART NUMBER AND DESCRIPTION  
 ● REFER TO GROUP 19C705-8 FOR SERVICE ASSEMBLY OR SERVICE DETAILS  
 ■ ALSO SUPPLIED IN 18471 PLENUM CHAMBER ASSY.  
 ▲ SUPPLIED ONLY IN 18471 PLENUM CHAMBER ASSY.  
 \*REFER TO BODY GROUP NUMBER  
 □ USED ON MODELS EQUIP WITH CONSOLE



FORD CAR PARTS



P-6173

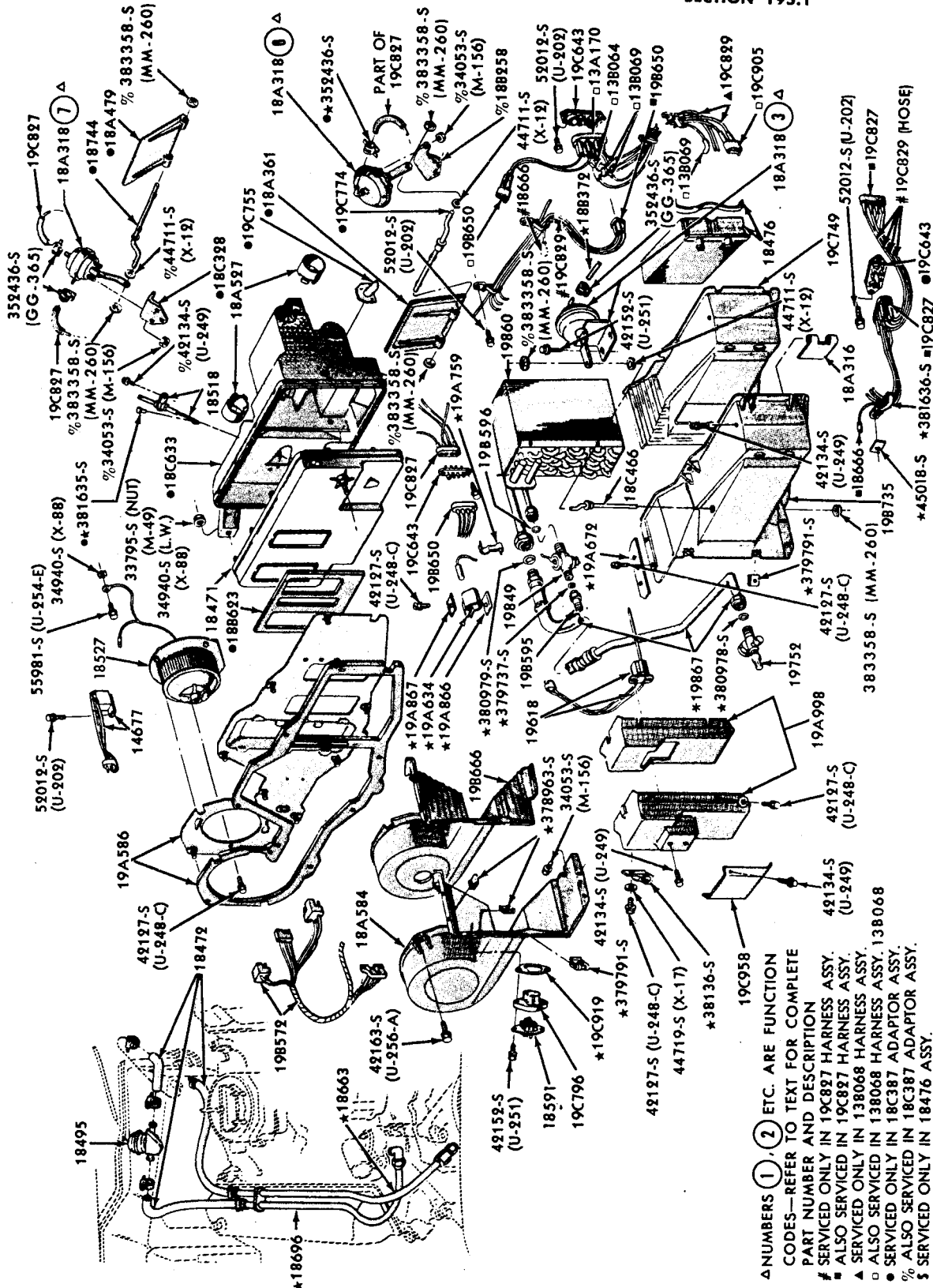
AIR CONDITIONING PARTS (PASSENGER COMPARTMENT) 1968/71 THUNDERBIRD- with A. T. C.

▲ NUMBERS ① ② ETC. ARE FUNCTION CODES— REFER TO TEXT FOR COMPLETE PART NUMBER AND DESCRIPTION

- \* SERVICED ONLY IN 19C887 ASSY.
- ▲ SERVICED ONLY IN 19C887 ASSY.
- ◻ ALSO SERVICED IN 138068 ASSY.
- ◻ ALSO SERVICED IN 138068 ASSY.
- ◻ ALSO SERVICED IN 18C387 ASSY.
- \* SERVICED ONLY IN 18C387 ASSY. - †
- REFER TO GROUP 19C705-8 FOR SERVICE ASSEMBLY OR DETAILS

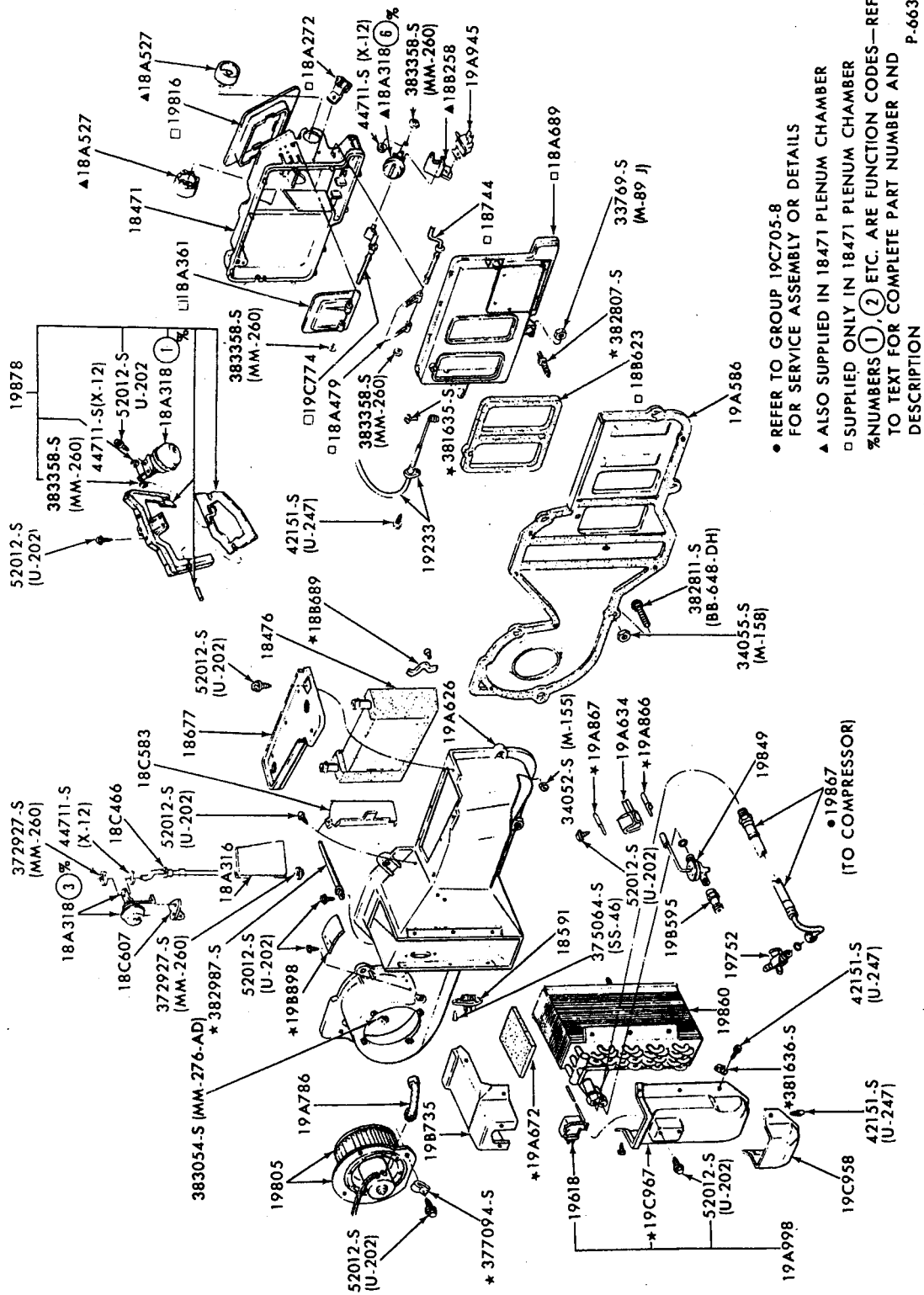






AIR CONDITIONING PARTS (PASSENGER COMPARTMENT)

1968/71 THUNDERBIRD - w/ MANUAL A/C



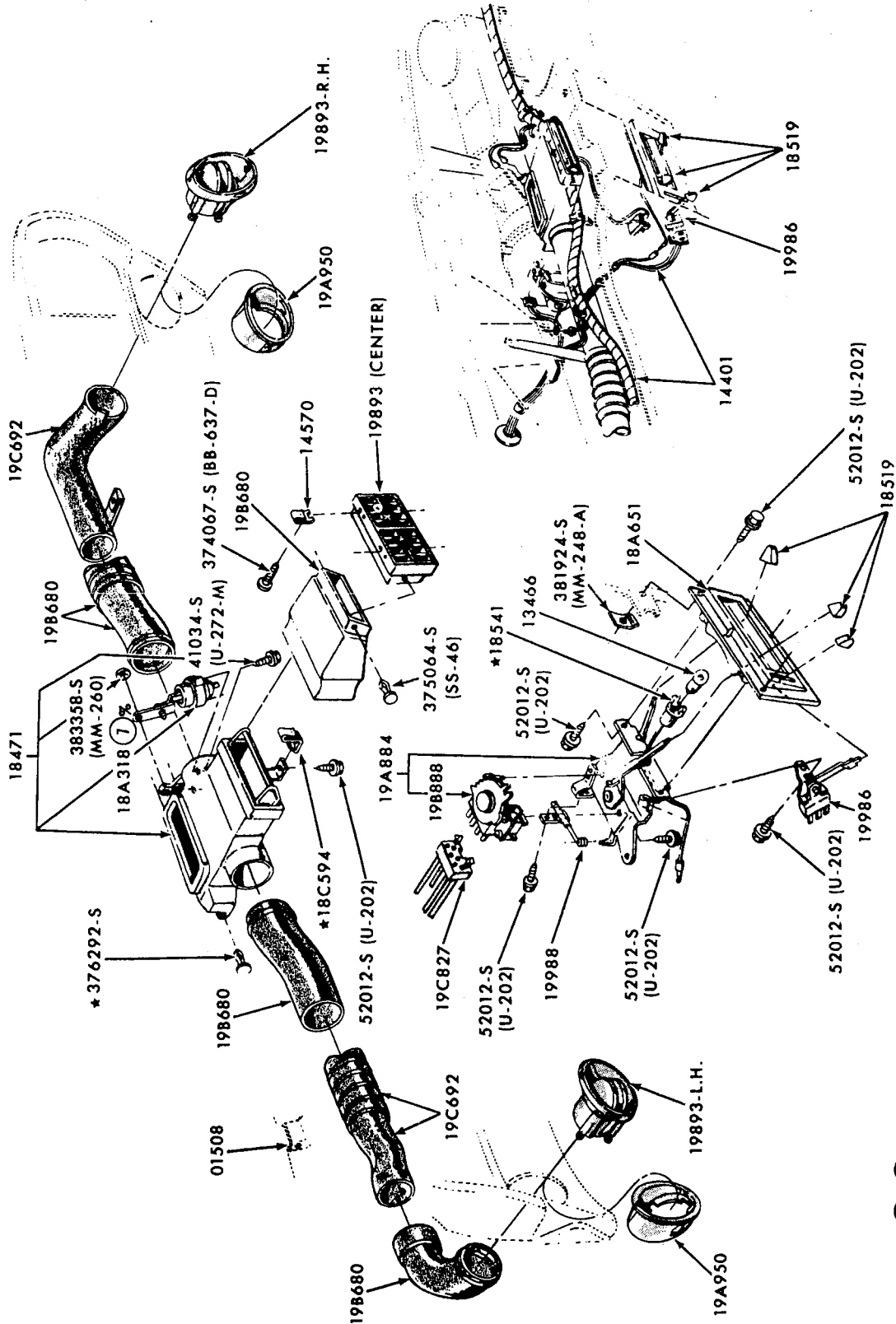
- REFER TO GROUP 19C705-8 FOR SERVICE ASSEMBLY OR DETAILS
- ▲ ALSO SUPPLIED IN 18471 PLENUM CHAMBER
- SUPPLIED ONLY IN 18471 PLENUM CHAMBER
- % NUMBERS ①, ② ETC. ARE FUNCTION CODES—REFER TO TEXT FOR COMPLETE PART NUMBER AND DESCRIPTION

AIR CONDITIONING PARTS (PASSENGER COMPARTMENT)  
1969/70 FORD - w/INTEGRAL A/C



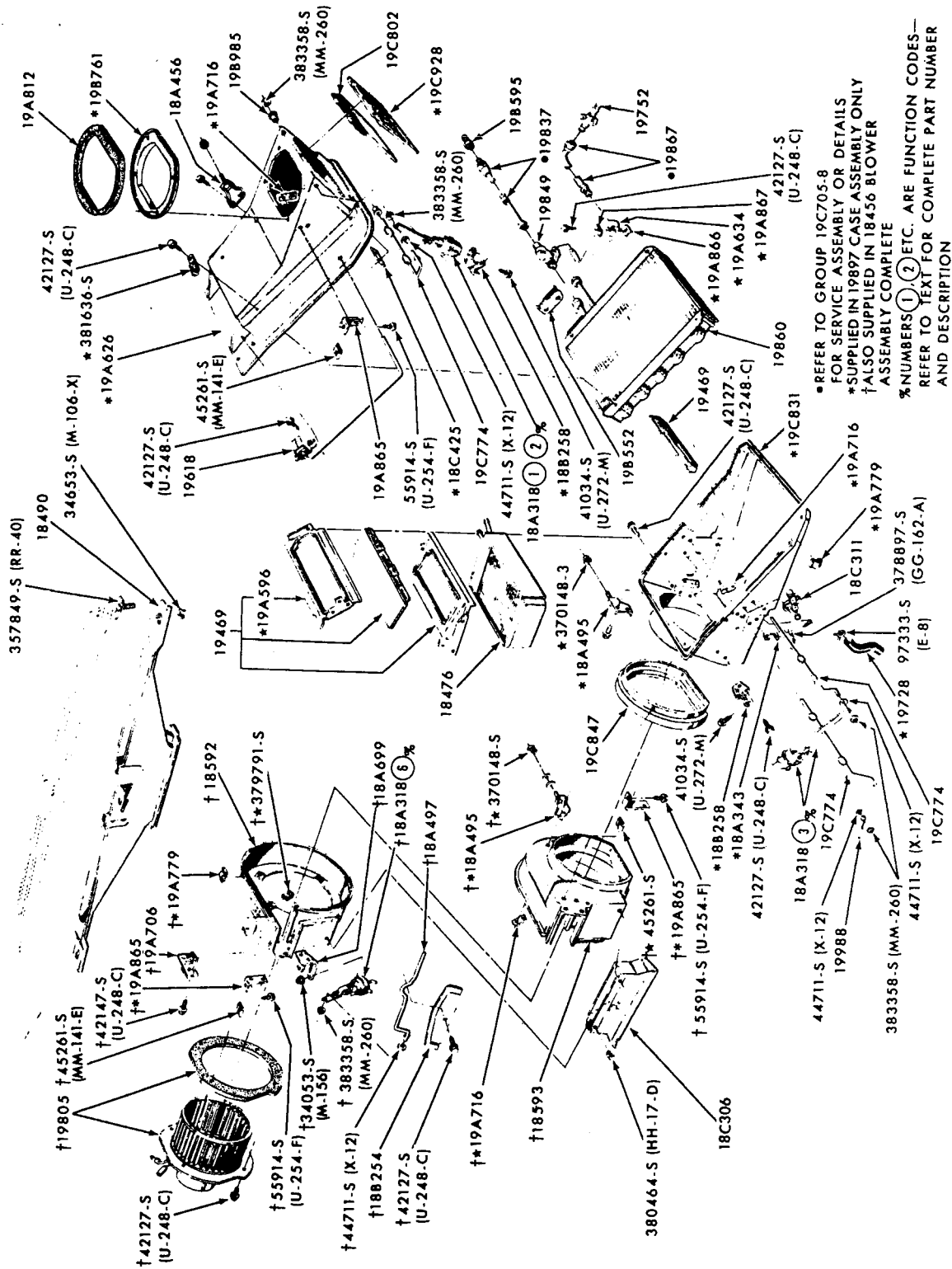


# FORD CAR PARTS



AIR CONDITIONING CONTROLS and RELATED PARTS  
1969/70 MUSTANG -w/ INTEGRAL A/C

NUMBERS ①, ② ETC. ARE FUNCTION CODES—REFER TO TEXT FOR COMPLETE PART NUMBER AND DESCRIPTION

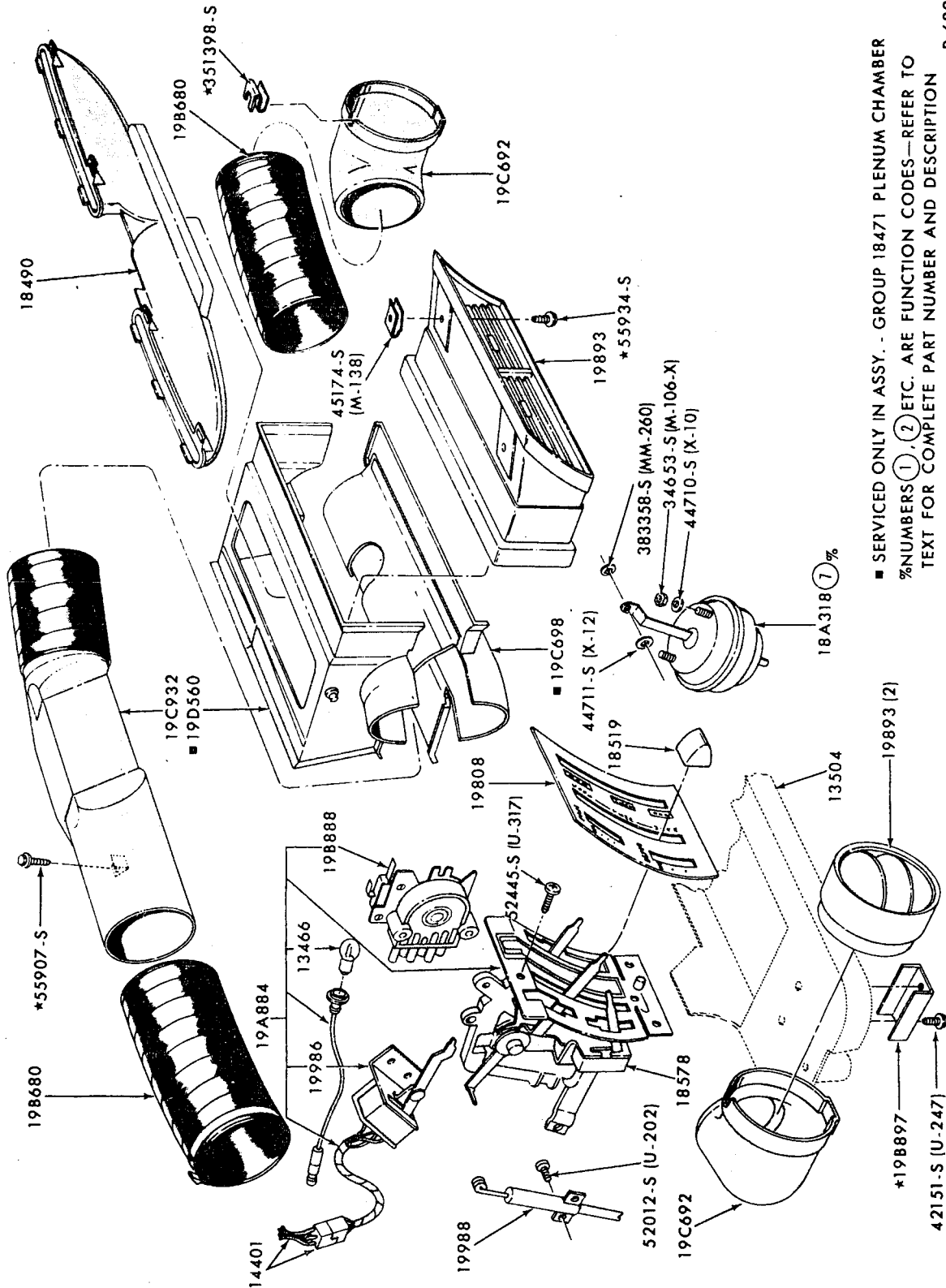


REFER TO GROUP 19C705-8 FOR SERVICE ASSEMBLY OR DETAILS  
 \*SUPPLIED IN 19897 CASE ASSEMBLY ONLY  
 †ALSO SUPPLIED IN 18456 BLOWER ASSEMBLY COMPLETE  
 %NUMBERS 1, 2, 3 ETC. ARE FUNCTION CODES—REFER TO TEXT FOR COMPLETE PART NUMBER AND DESCRIPTION

P-6644

AIR CONDITIONING PARTS (PASSENGER COMPARTMENT)  
 1969/70 MUSTANG - w/ INTEGRAL A/C



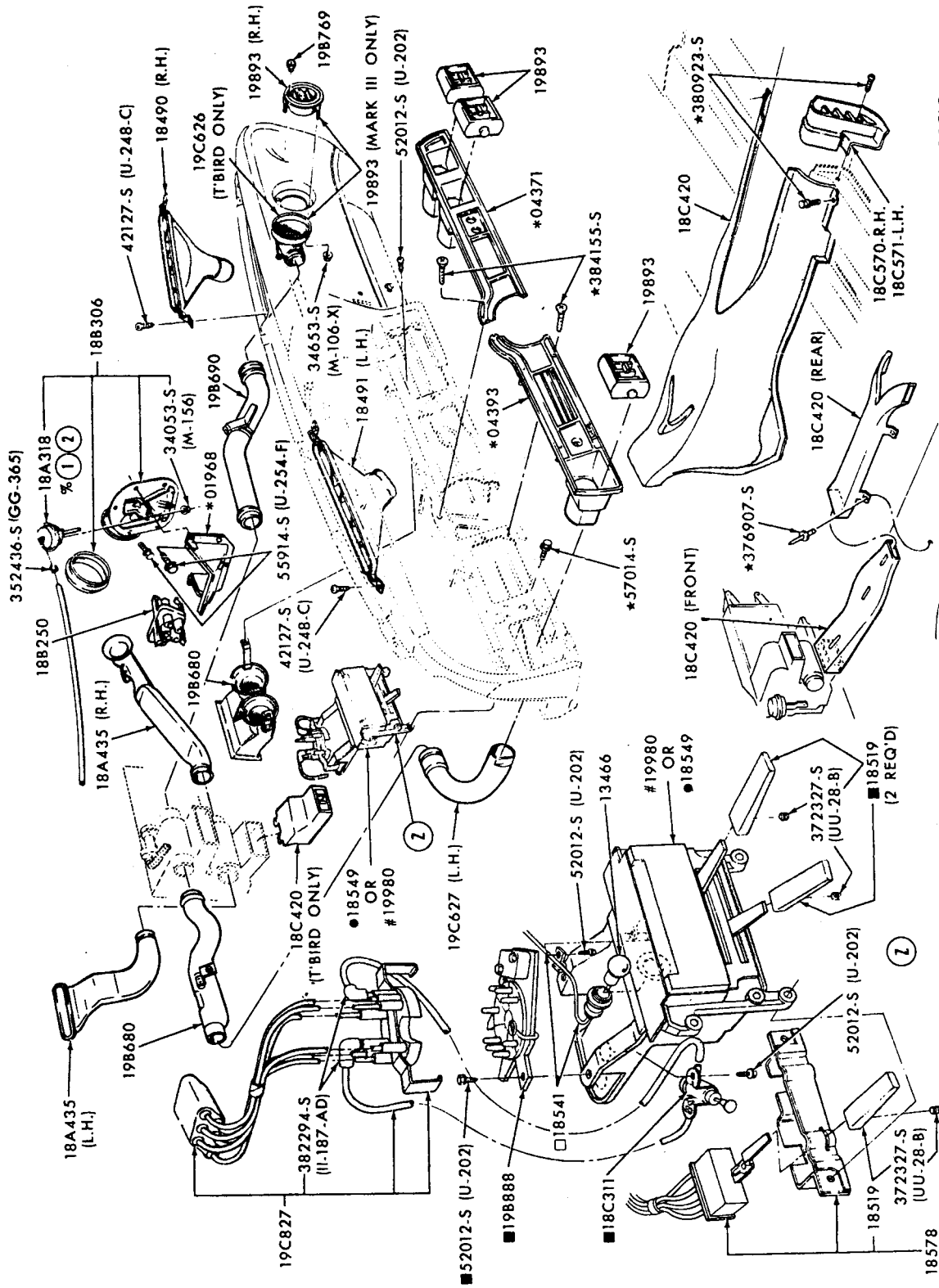


■ SERVICED ONLY IN ASSY. - GROUP 18471 PLENUM CHAMBER  
 %NUMBERS ①, ②, ETC. ARE FUNCTION CODES—REFER TO  
 TEXT FOR COMPLETE PART NUMBER AND DESCRIPTION

P-6899

AIR CONDITIONING CONTROLS and RELATED PARTS  
 1970/72 MAVERICK - w/ INTEGRAL A/C





THUNDERBIRD WITH CONSOLE ONLY MARK III—ALL MODELS

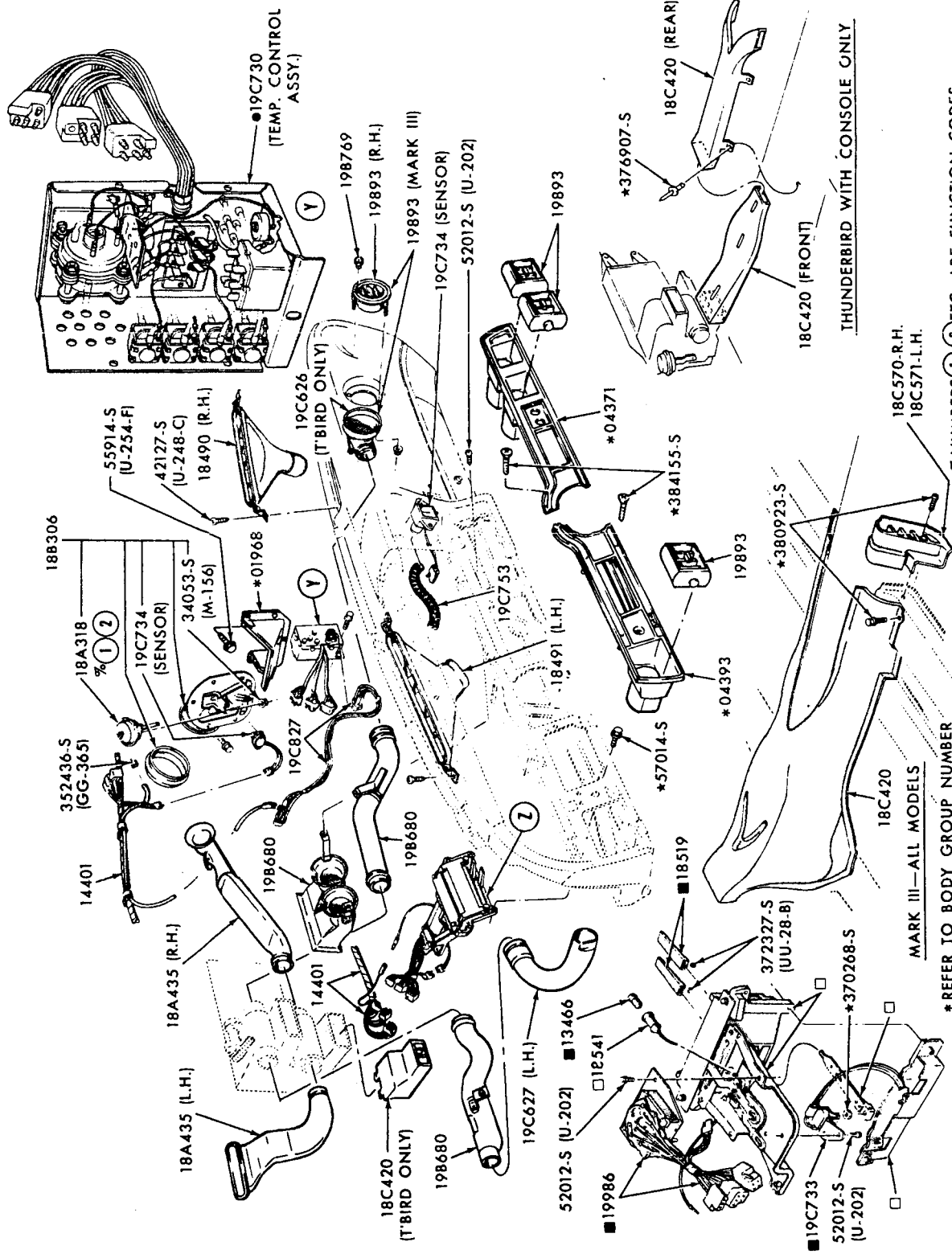
% NUMBERS 1, 2 ETC. ARE FUNCTION CODES REFER TO TEXT SECTION FOR COMPLETE PART NUMBER AND DESCRIPTION

□ SERVICED ONLY IN 1980 OR 18549 CONTROL ASSY.  
 \* REFER TO BODY GROUP NUMBER  
 ■ ALSO SERVICED IN 19980 OR 18549 CONTROL ASSY.  
 ● HEATER CONTROL ASSY.  
 # HEATER/INTEGRAL AIR CONDITIONER CONTROL ASSY.

P.7727

AIR CONDITIONING CONTROLS and RELATED PARTS  
 1970/71 THUNDERBIRD-w/INTEGRAL MANUAL A/C

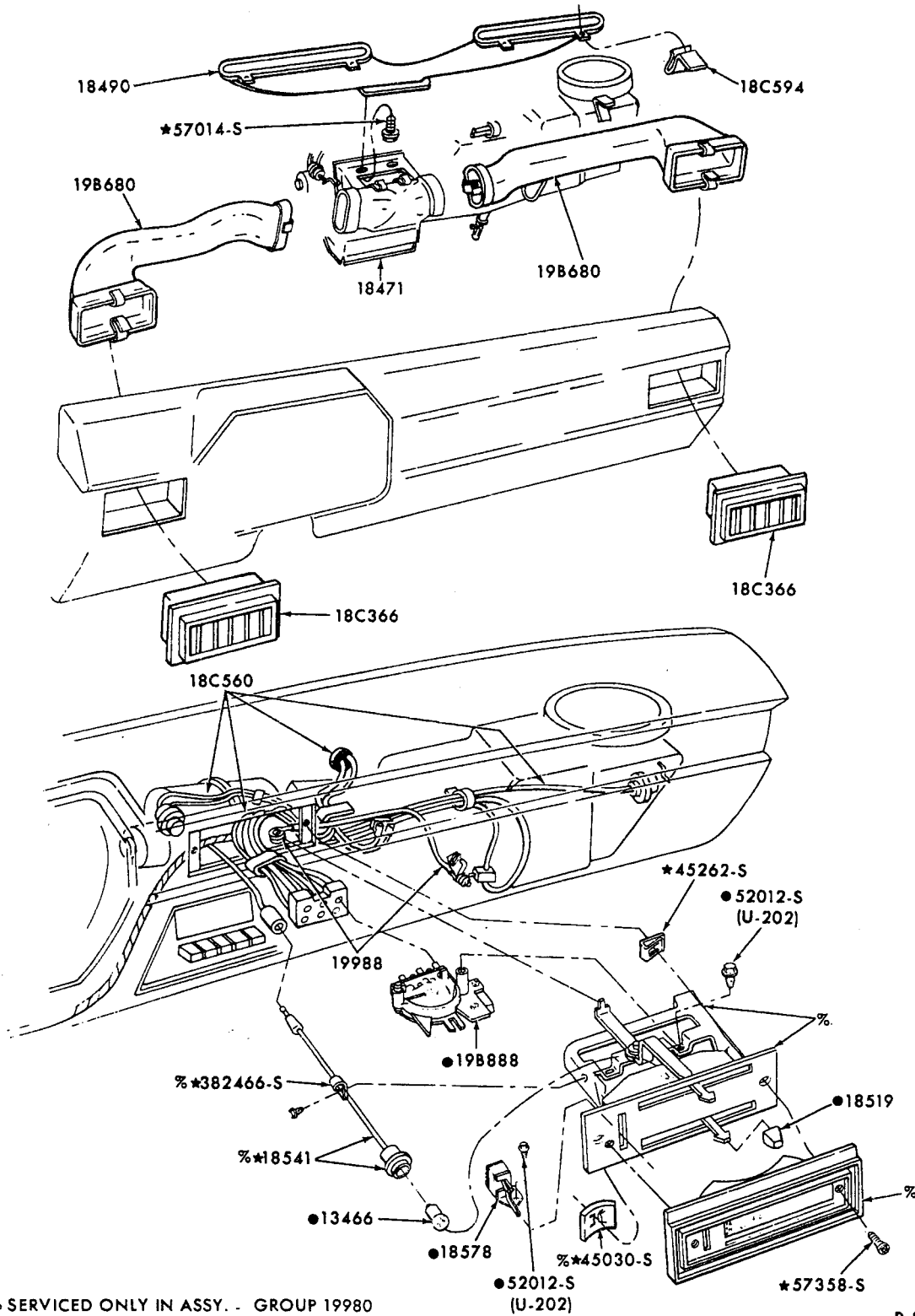
FORD CAR PARTS



\* REFER TO BODY GROUP NUMBER  
 ● DETAILS ARE NOT SERVICED  
 □ SERVICED ONLY IN 19980 CONTROL ASSY.  
 ■ ALSO SERVICED IN 19980 CONTROL ASSY.

% NUMBERS ① ② ETC. ARE FUNCTION CODES  
 REFER TO TEXT FOR COMPLETE PART NUMBER  
 AND DESCRIPTION

AUTOMATIC TEMPERATURE CONTROLS and RELATED PARTS 1970/71 THUNDERBIRD



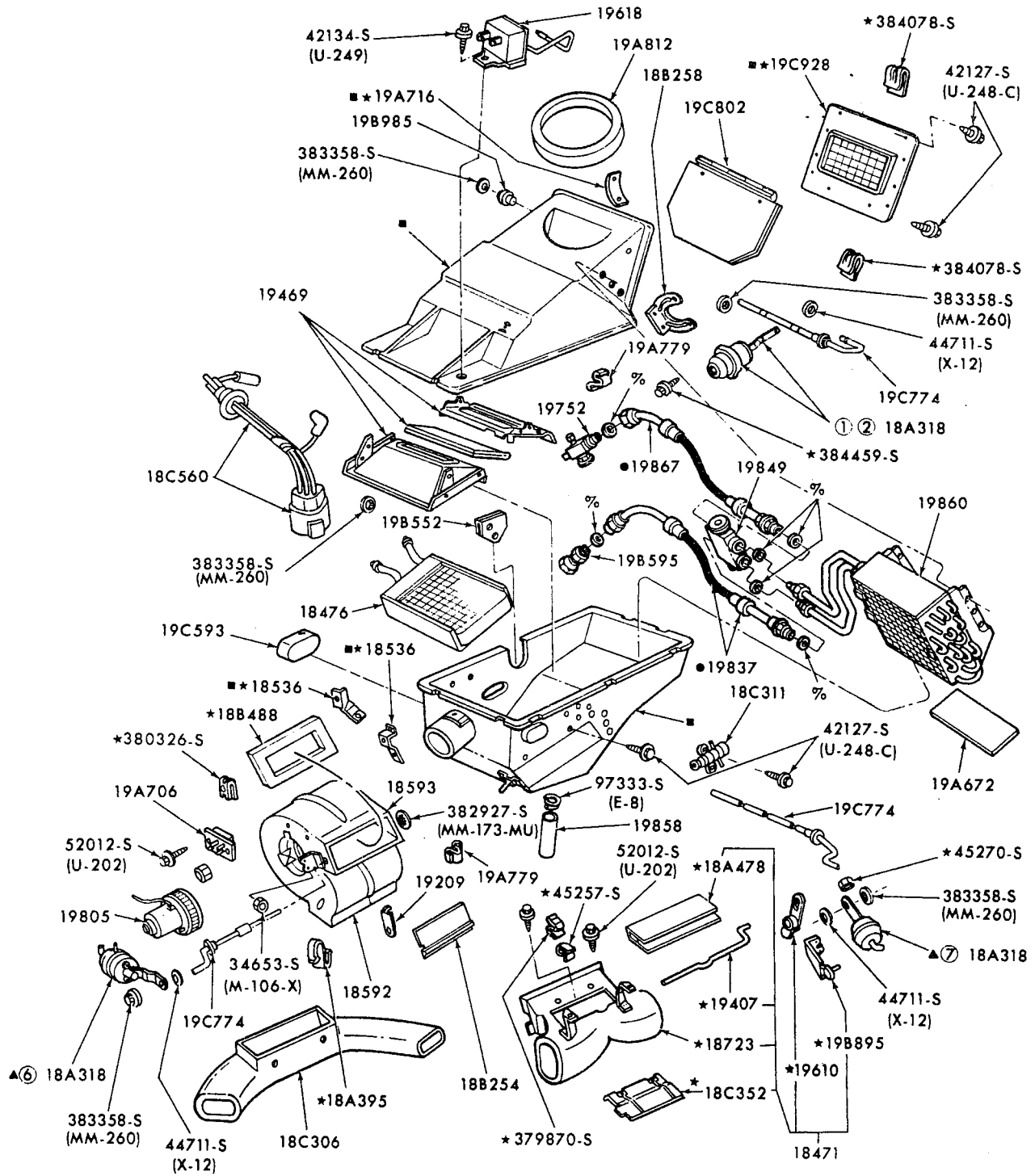
% SERVICED ONLY IN ASSY. - GROUP 19980  
 ● ALSO SERVICED IN ASSY. - GROUP 19980

P-8019

**AIR CONDITIONING CONTROLS and RELATED PARTS  
 1971/72 PINTO**



**FORD CAR PARTS**



- REFER TO GROUP 19C705 THRU 19C708 FOR SERVICED ASSY OR SERVICED DETAILS
- %PART OF 19B596 "O" RING KIT
- ▲ NUMBERS ① , ② , ETC. ARE FUNCTION CODES REFER TO TEXT SECTION FOR COMPLETE PART NUMBER AND DESCRIPTION.
- SERVICED ONLY IN ASSY. - GROUP 19897

P-8018

AIR CONDITIONER PARTS (PASSENGER COMPARTMENT)  
1971/72 PINTO

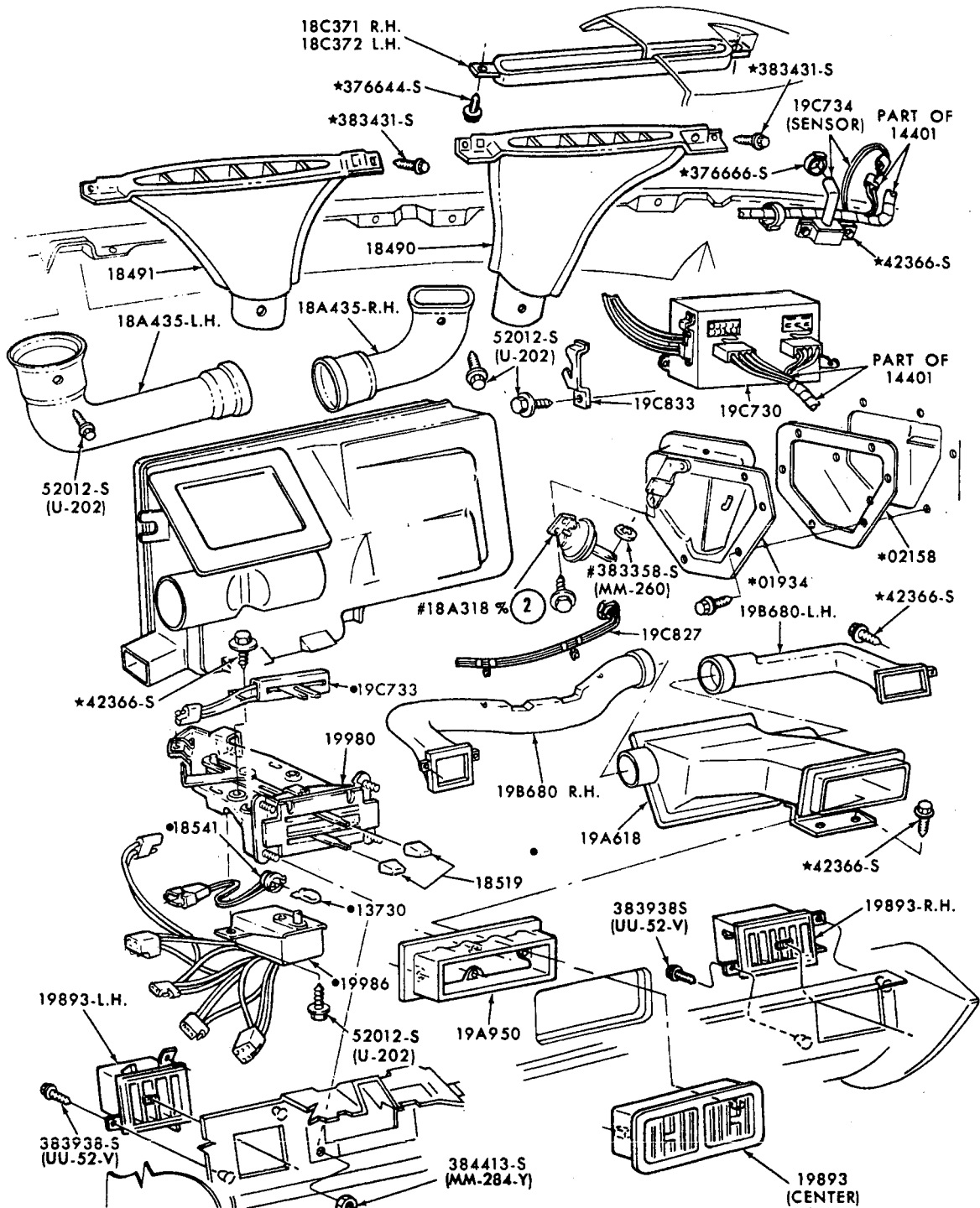






ILLUSTRATION  
SECTION 195.1

FORD CAR PARTS



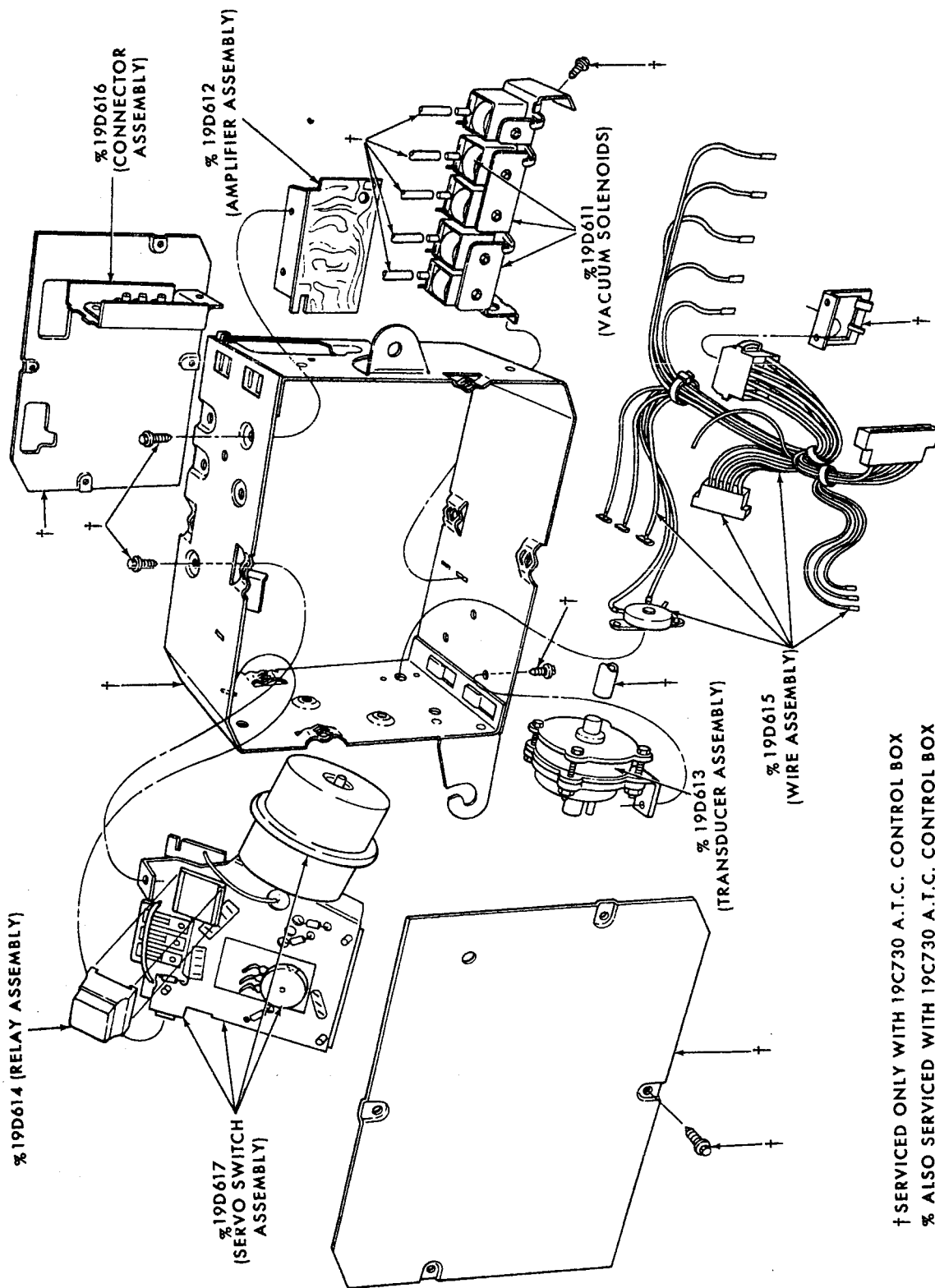
\*REFER TO BODY SECTION  
 \*ALSO SERVICED IN 19980 CONTROL ASSEMBLY  
 #ALSO SERVICED IN \*01934 DUCT ASSY.  
 %NUMBERS ①, ② ETC. ARE FUNCTION CODES - REFER TO TEXT  
 FOR COMPLETE PART NUMBER & DESCRIPTION

P-8307

AUTOMATIC TEMPERATURE CONTROLS and RELATED PARTS-A.T.C.  
 1971/72 FORD-w/INTEGRAL A/C



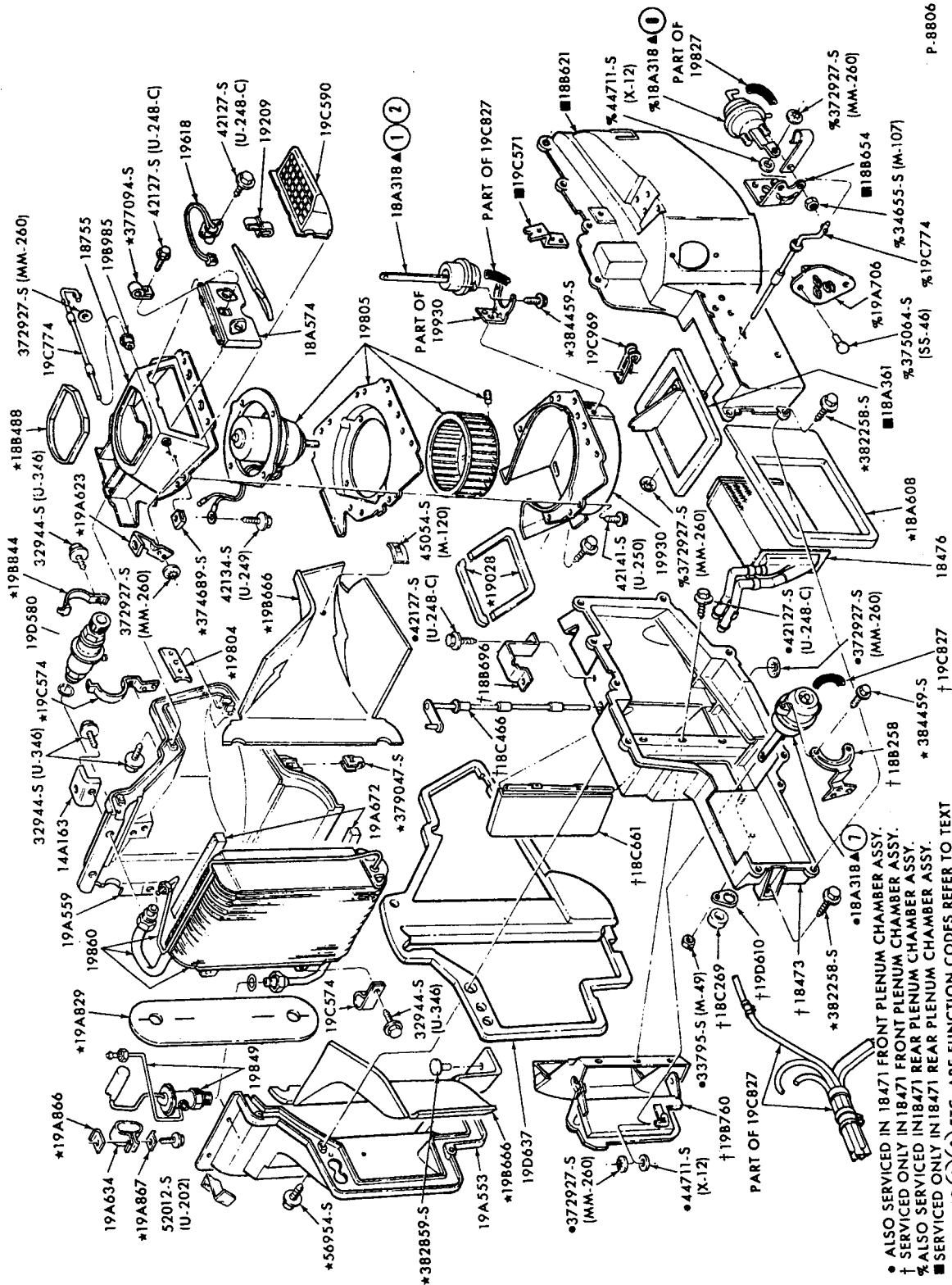




† SERVICED ONLY WITH 19C730 A.T.C. CONTROL BOX  
 % ALSO SERVICED WITH 19C730 A.T.C. CONTROL BOX

AUTOMATIC TEMPERATURE CONTROL BOX  
 1971/72 FORD, 1972 THUNDERBIRD

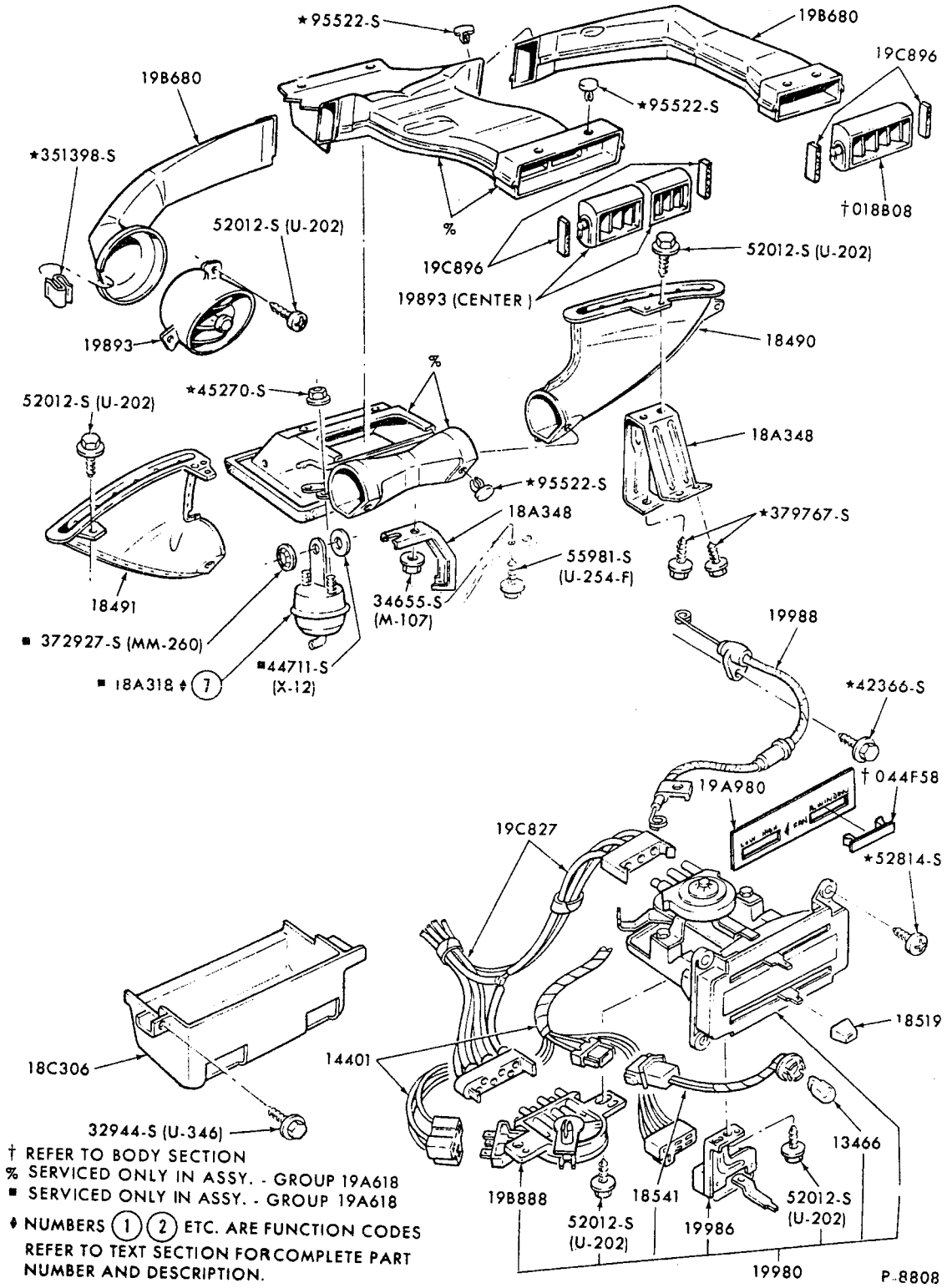




P-8806

AIR CONDITIONER PARTS (PASSENGER COMPARTMENT)  
1972 TORINO, THUNDERBIRD - MANUAL INTEGRAL A/C

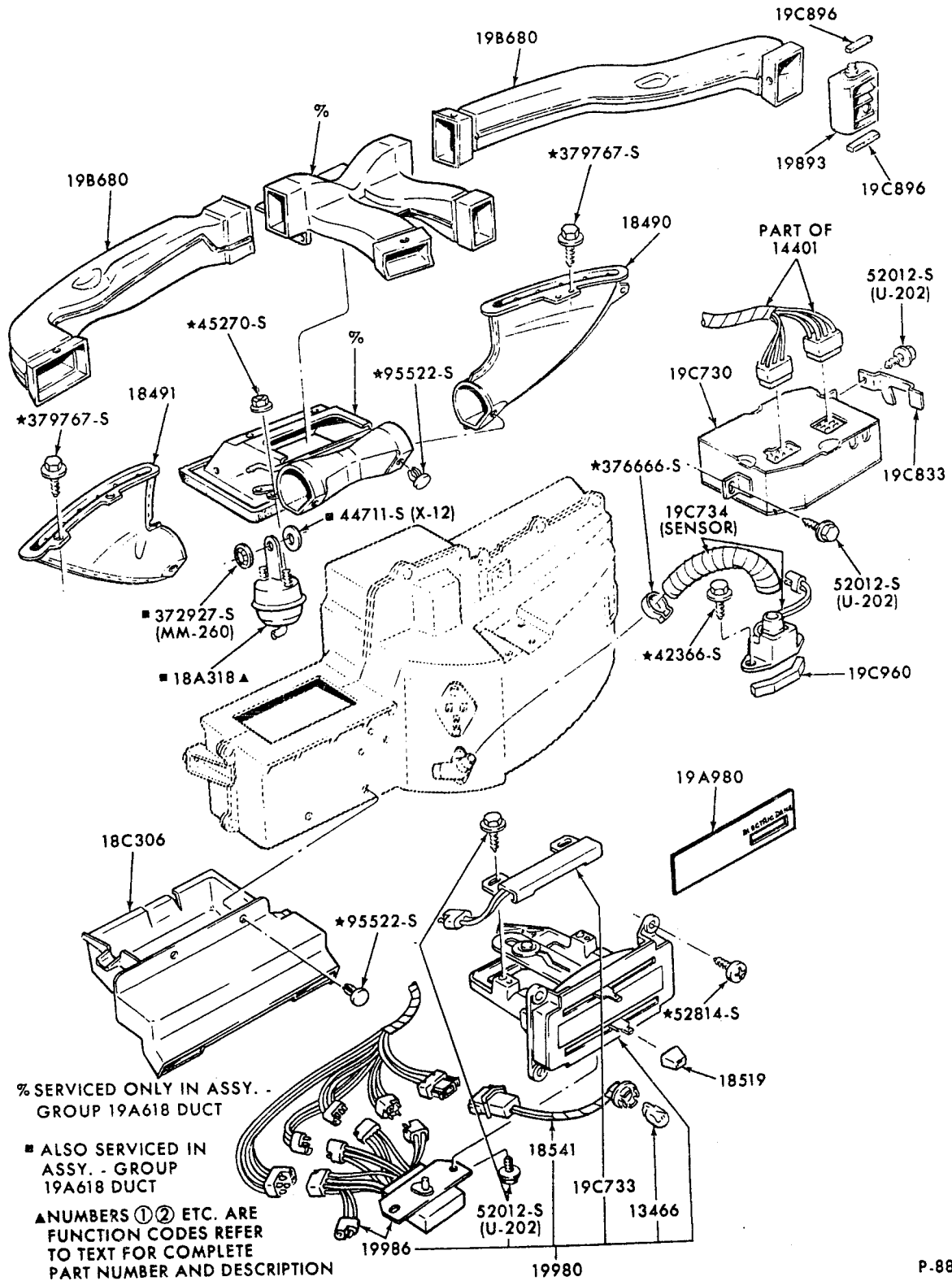
\* ALSO SERVICED IN 18471 FRONT PLENUM CHAMBER ASSY.  
 † SERVICED ONLY IN 18471 FRONT PLENUM CHAMBER ASSY.  
 ‡ ALSO SERVICED IN 18471 REAR PLENUM CHAMBER ASSY.  
 ■ SERVICED ONLY IN 18471 REAR PLENUM CHAMBER ASSY.  
 A NUMBERS ① ② ETC. ARE FUNCTION CODES REFER TO TEXT SECTION FOR COMPLETE PART NUMBER AND DESCRIPTION



† REFER TO BODY SECTION  
 % SERVICED ONLY IN ASSY. - GROUP 19A618  
 ■ SERVICED ONLY IN ASSY. - GROUP 19A618  
 ♦ NUMBERS ① ② ETC. ARE FUNCTION CODES  
 REFER TO TEXT SECTION FOR COMPLETE PART NUMBER AND DESCRIPTION.

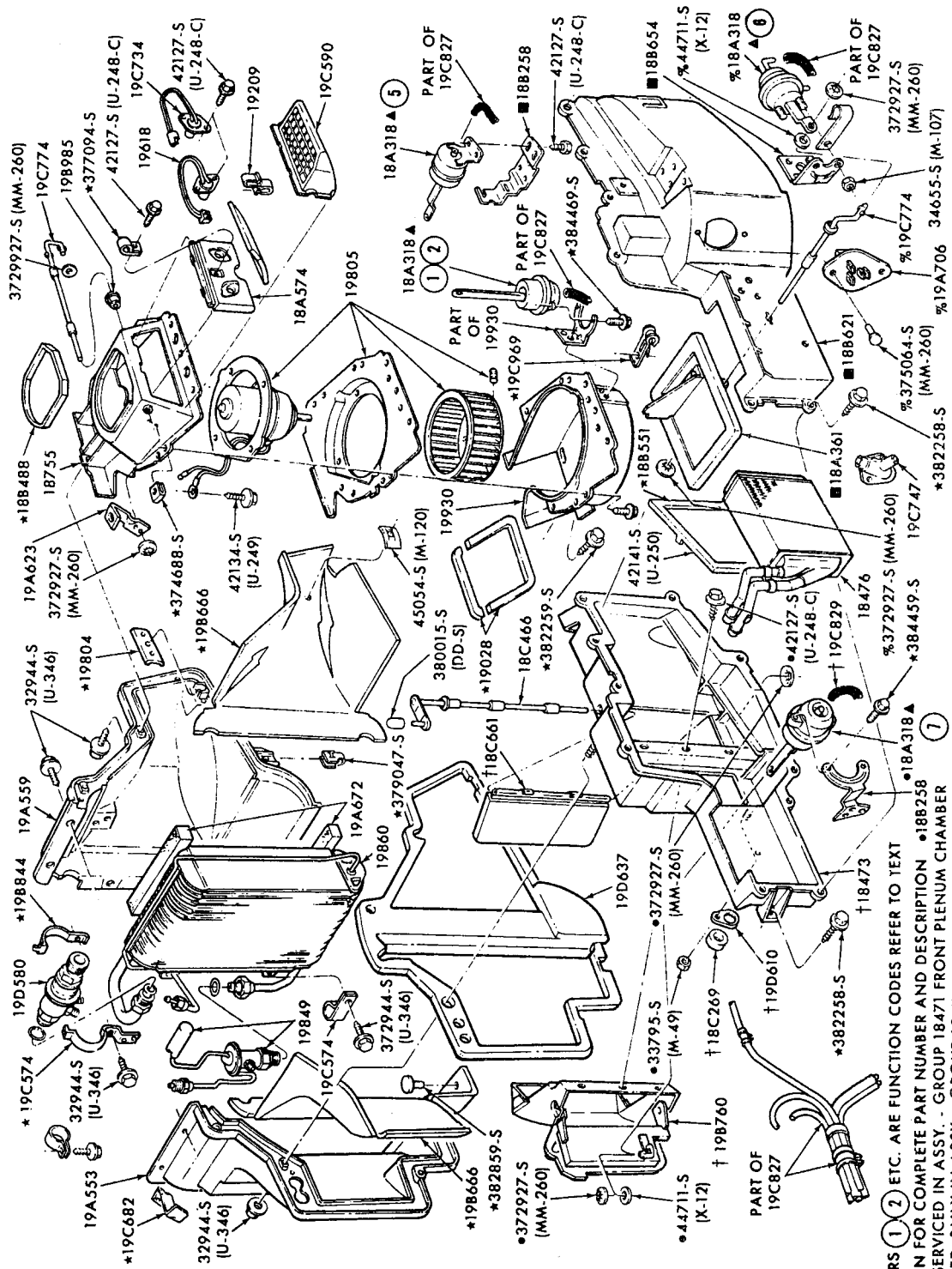
AIR CONDITIONER CONTROLS and RELATED PARTS  
 1972 TORINO - INTEGRAL A/C

**FORD CAR PARTS**



P-8810

AUTOMATIC TEMPERATURE CONTROLS and RELATED PARTS  
1972 THUNDERBIRD

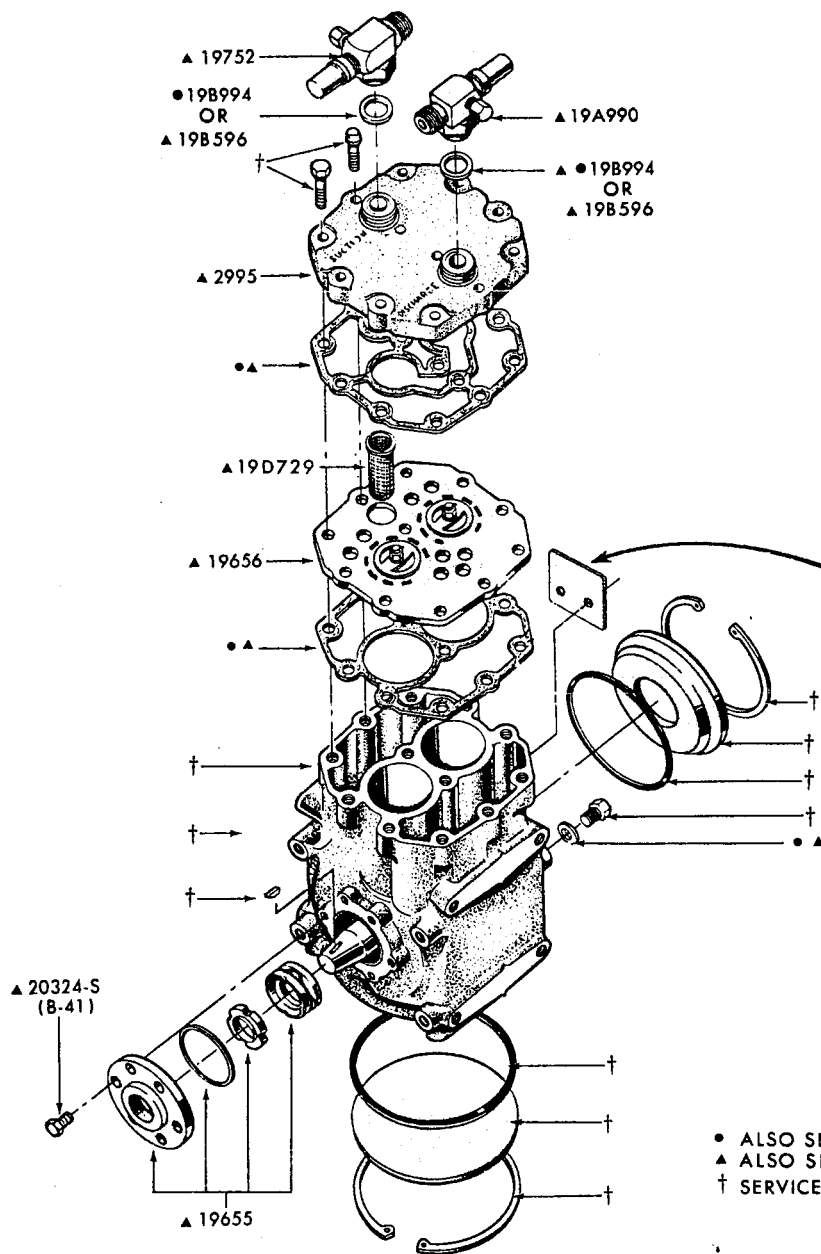


NUMBERS 1, 2, 5, 6, 7, 8, 9, 10, 11, 12, 13, 14, 15, 16, 17, 18, 19, 20, 21, 22, 23, 24, 25, 26, 27, 28, 29, 30, 31, 32, 33, 34, 35, 36, 37, 38, 39, 40, 41, 42, 43, 44, 45, 46, 47, 48, 49, 50, 51, 52, 53, 54, 55, 56, 57, 58, 59, 60, 61, 62, 63, 64, 65, 66, 67, 68, 69, 70, 71, 72, 73, 74, 75, 76, 77, 78, 79, 80, 81, 82, 83, 84, 85, 86, 87, 88, 89, 90, 91, 92, 93, 94, 95, 96, 97, 98, 99, 100, 101, 102, 103, 104, 105, 106, 107, 108, 109, 110, 111, 112, 113, 114, 115, 116, 117, 118, 119, 120, 121, 122, 123, 124, 125, 126, 127, 128, 129, 130, 131, 132, 133, 134, 135, 136, 137, 138, 139, 140, 141, 142, 143, 144, 145, 146, 147, 148, 149, 150, 151, 152, 153, 154, 155, 156, 157, 158, 159, 160, 161, 162, 163, 164, 165, 166, 167, 168, 169, 170, 171, 172, 173, 174, 175, 176, 177, 178, 179, 180, 181, 182, 183, 184, 185, 186, 187, 188, 189, 190, 191, 192, 193, 194, 195, 196, 197, 198, 199, 200, 201, 202, 203, 204, 205, 206, 207, 208, 209, 210, 211, 212, 213, 214, 215, 216, 217, 218, 219, 220, 221, 222, 223, 224, 225, 226, 227, 228, 229, 230, 231, 232, 233, 234, 235, 236, 237, 238, 239, 240, 241, 242, 243, 244, 245, 246, 247, 248, 249, 250, 251, 252, 253, 254, 255, 256, 257, 258, 259, 260, 261, 262, 263, 264, 265, 266, 267, 268, 269, 270, 271, 272, 273, 274, 275, 276, 277, 278, 279, 280, 281, 282, 283, 284, 285, 286, 287, 288, 289, 290, 291, 292, 293, 294, 295, 296, 297, 298, 299, 300, 301, 302, 303, 304, 305, 306, 307, 308, 309, 310, 311, 312, 313, 314, 315, 316, 317, 318, 319, 320, 321, 322, 323, 324, 325, 326, 327, 328, 329, 330, 331, 332, 333, 334, 335, 336, 337, 338, 339, 340, 341, 342, 343, 344, 345, 346, 347, 348, 349, 350, 351, 352, 353, 354, 355, 356, 357, 358, 359, 360, 361, 362, 363, 364, 365, 366, 367, 368, 369, 370, 371, 372, 373, 374, 375, 376, 377, 378, 379, 380, 381, 382, 383, 384, 385, 386, 387, 388, 389, 390, 391, 392, 393, 394, 395, 396, 397, 398, 399, 400, 401, 402, 403, 404, 405, 406, 407, 408, 409, 410, 411, 412, 413, 414, 415, 416, 417, 418, 419, 420, 421, 422, 423, 424, 425, 426, 427, 428, 429, 430, 431, 432, 433, 434, 435, 436, 437, 438, 439, 440, 441, 442, 443, 444, 445, 446, 447, 448, 449, 450, 451, 452, 453, 454, 455, 456, 457, 458, 459, 460, 461, 462, 463, 464, 465, 466, 467, 468, 469, 470, 471, 472, 473, 474, 475, 476, 477, 478, 479, 480, 481, 482, 483, 484, 485, 486, 487, 488, 489, 490, 491, 492, 493, 494, 495, 496, 497, 498, 499, 500, 501, 502, 503, 504, 505, 506, 507, 508, 509, 510, 511, 512, 513, 514, 515, 516, 517, 518, 519, 520, 521, 522, 523, 524, 525, 526, 527, 528, 529, 530, 531, 532, 533, 534, 535, 536, 537, 538, 539, 540, 541, 542, 543, 544, 545, 546, 547, 548, 549, 550, 551, 552, 553, 554, 555, 556, 557, 558, 559, 560, 561, 562, 563, 564, 565, 566, 567, 568, 569, 570, 571, 572, 573, 574, 575, 576, 577, 578, 579, 580, 581, 582, 583, 584, 585, 586, 587, 588, 589, 590, 591, 592, 593, 594, 595, 596, 597, 598, 599, 600, 601, 602, 603, 604, 605, 606, 607, 608, 609, 610, 611, 612, 613, 614, 615, 616, 617, 618, 619, 620, 621, 622, 623, 624, 625, 626, 627, 628, 629, 630, 631, 632, 633, 634, 635, 636, 637, 638, 639, 640, 641, 642, 643, 644, 645, 646, 647, 648, 649, 650, 651, 652, 653, 654, 655, 656, 657, 658, 659, 660, 661, 662, 663, 664, 665, 666, 667, 668, 669, 670, 671, 672, 673, 674, 675, 676, 677, 678, 679, 680, 681, 682, 683, 684, 685, 686, 687, 688, 689, 690, 691, 692, 693, 694, 695, 696, 697, 698, 699, 700, 701, 702, 703, 704, 705, 706, 707, 708, 709, 710, 711, 712, 713, 714, 715, 716, 717, 718, 719, 720, 721, 722, 723, 724, 725, 726, 727, 728, 729, 730, 731, 732, 733, 734, 735, 736, 737, 738, 739, 740, 741, 742, 743, 744, 745, 746, 747, 748, 749, 750, 751, 752, 753, 754, 755, 756, 757, 758, 759, 760, 761, 762, 763, 764, 765, 766, 767, 768, 769, 770, 771, 772, 773, 774, 775, 776, 777, 778, 779, 780, 781, 782, 783, 784, 785, 786, 787, 788, 789, 790, 791, 792, 793, 794, 795, 796, 797, 798, 799, 800, 801, 802, 803, 804, 805, 806, 807, 808, 809, 810, 811, 812, 813, 814, 815, 816, 817, 818, 819, 820, 821, 822, 823, 824, 825, 826, 827, 828, 829, 830, 831, 832, 833, 834, 835, 836, 837, 838, 839, 840, 841, 842, 843, 844, 845, 846, 847, 848, 849, 850, 851, 852, 853, 854, 855, 856, 857, 858, 859, 860, 861, 862, 863, 864, 865, 866, 867, 868, 869, 870, 871, 872, 873, 874, 875, 876, 877, 878, 879, 880, 881, 882, 883, 884, 885, 886, 887, 888, 889, 890, 891, 892, 893, 894, 895, 896, 897, 898, 899, 900, 901, 902, 903, 904, 905, 906, 907, 908, 909, 910, 911, 912, 913, 914, 915, 916, 917, 918, 919, 920, 921, 922, 923, 924, 925, 926, 927, 928, 929, 930, 931, 932, 933, 934, 935, 936, 937, 938, 939, 940, 941, 942, 943, 944, 945, 946, 947, 948, 949, 950, 951, 952, 953, 954, 955, 956, 957, 958, 959, 960, 961, 962, 963, 964, 965, 966, 967, 968, 969, 970, 971, 972, 973, 974, 975, 976, 977, 978, 979, 980, 981, 982, 983, 984, 985, 986, 987, 988, 989, 990, 991, 992, 993, 994, 995, 996, 997, 998, 999, 1000.

P-8807

AIR CONDITIONER PARTS (PASSENGER COMPARTMENT)-A.T.C.  
1972 THUNDERBIRD





SERIAL NO.	B. M. NO.
A 919950K66	99164-8
MODEL	PART NO.
HG1000	C7AA-2875-A1

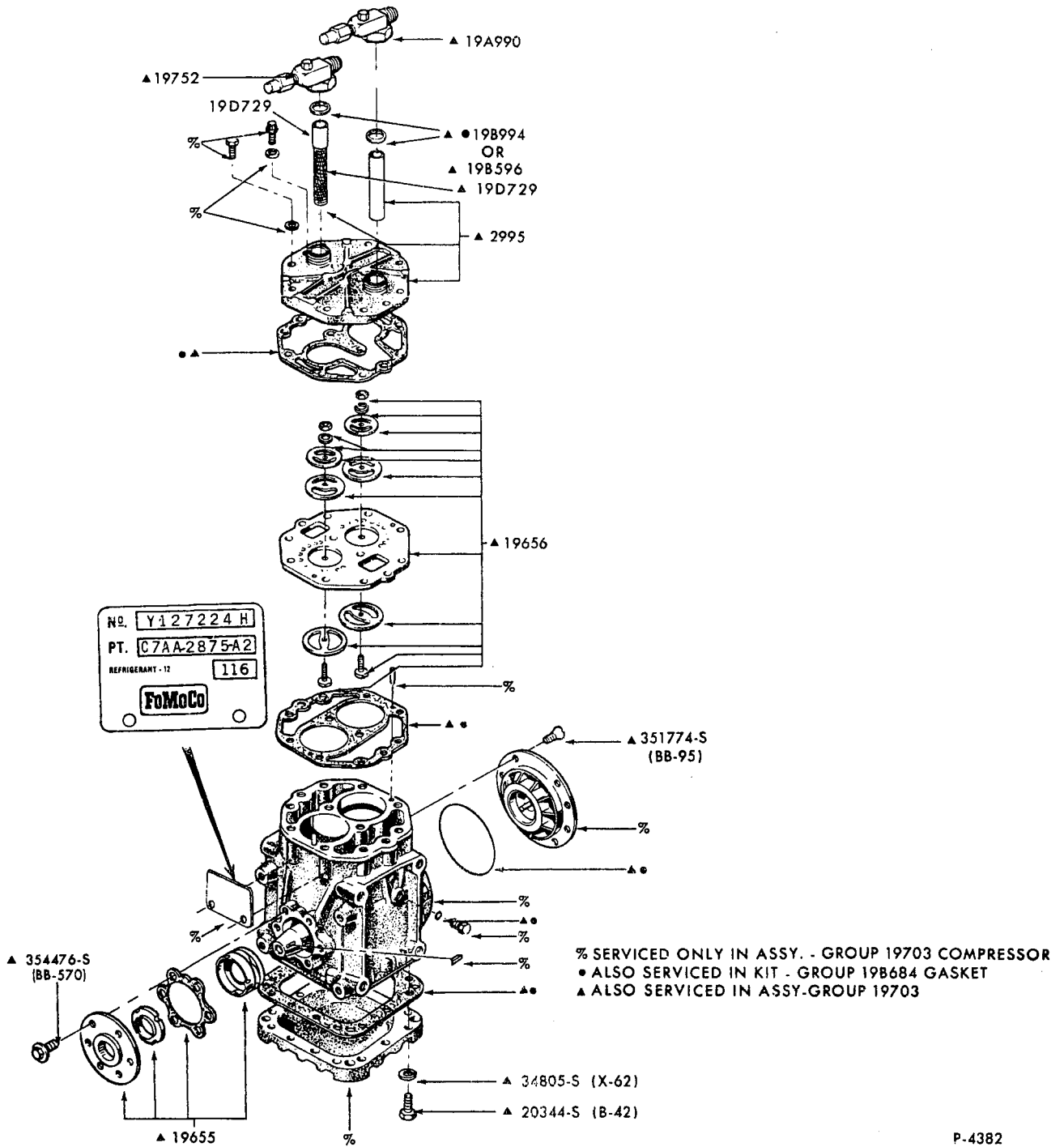
**FoMoCo**

USE REFRIGERANT 12 ONLY. CONSULT SERVICE MANUAL FOR OIL SPECIFICATION, REFRIG. CHARGE AND REPAIR PROCEDURE. CHECK OIL LEVEL WHEN SERVICING REFRIGERATION SYSTEM. DON'T OPERATE COMPRESSOR WITH DISCHARGE VALVE CLOSED. MADE IN U.S.A.

- ALSO SERVICED IN KIT - GROUP 19B684 GASKET
- ▲ ALSO SERVICED IN ASSY.-GROUP 19703 COMPRESSOR
- † SERVICED ONLY IN ASSY. - GROUP 19703 COMPRESSOR

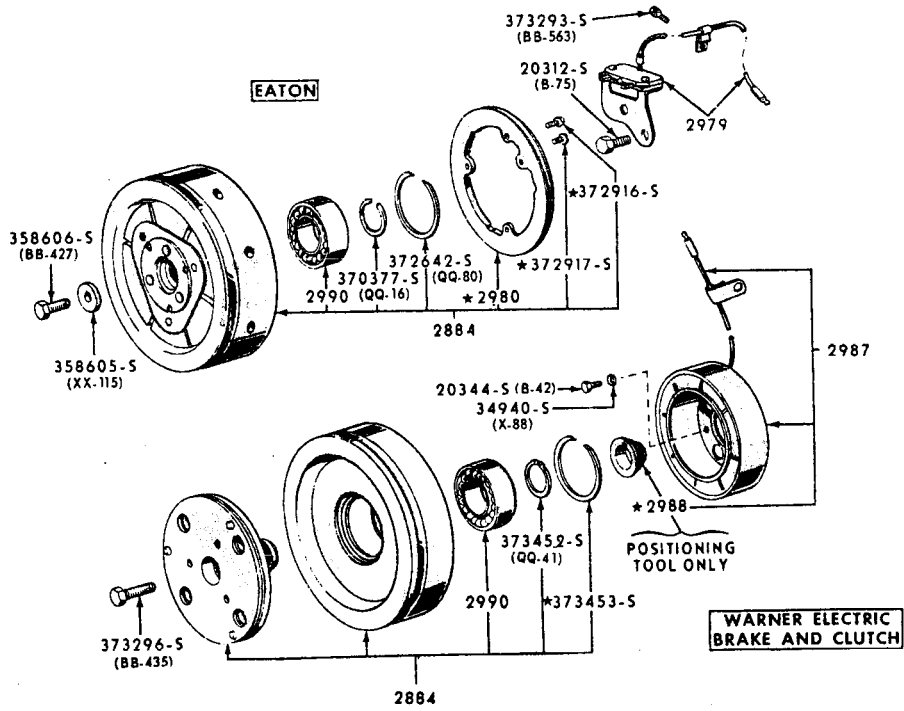
P-4381

COMPRESSOR-AIR CONDITIONER (TECUMSEH DESIGN)(CAST IRON)  
1965/72 - ALL



P-4382

COMPRESSOR-AIR CONDITIONER (YORK DESIGN)(ALUMINUM)  
1965/72 - ALL

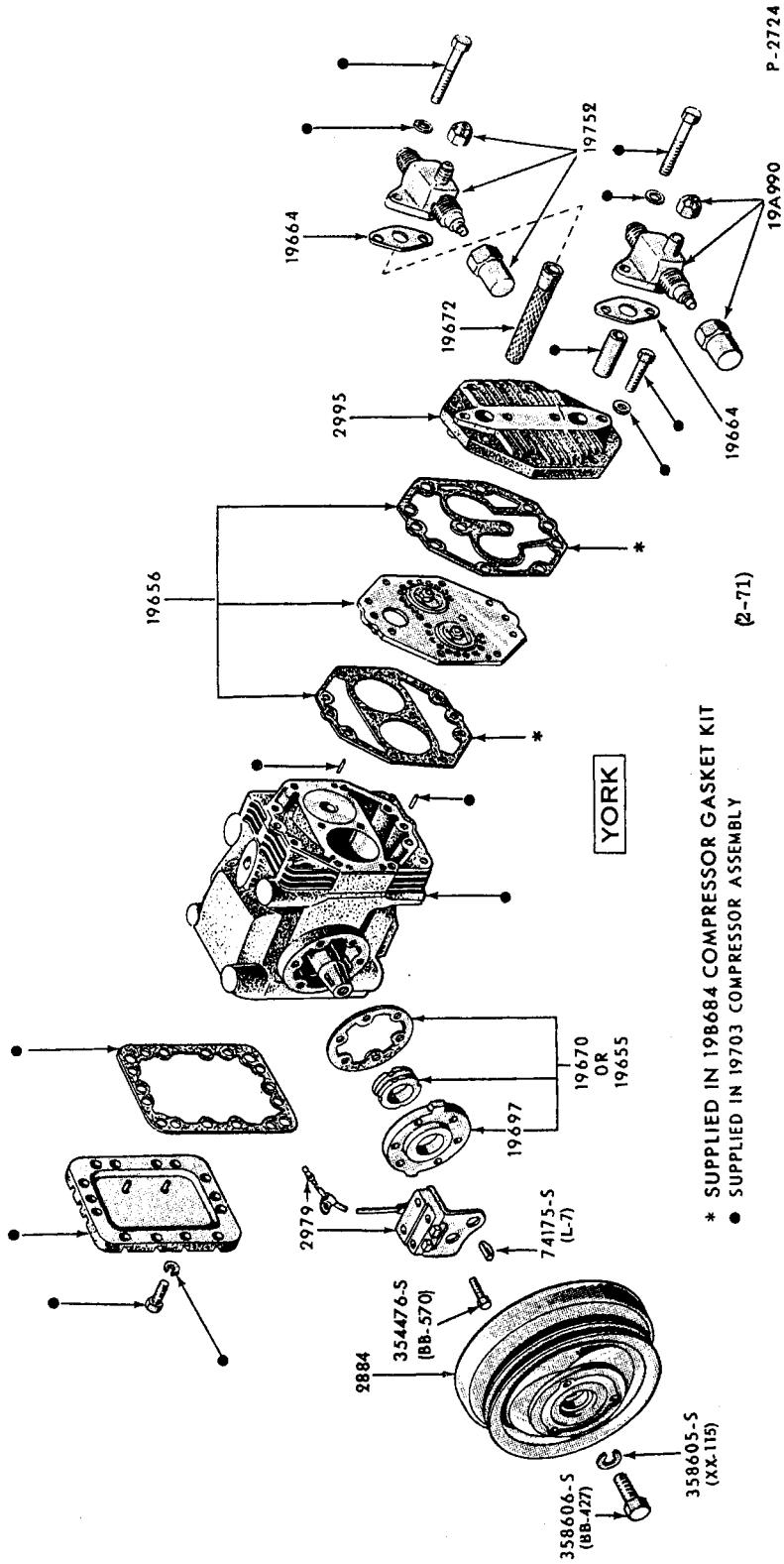


P-3216

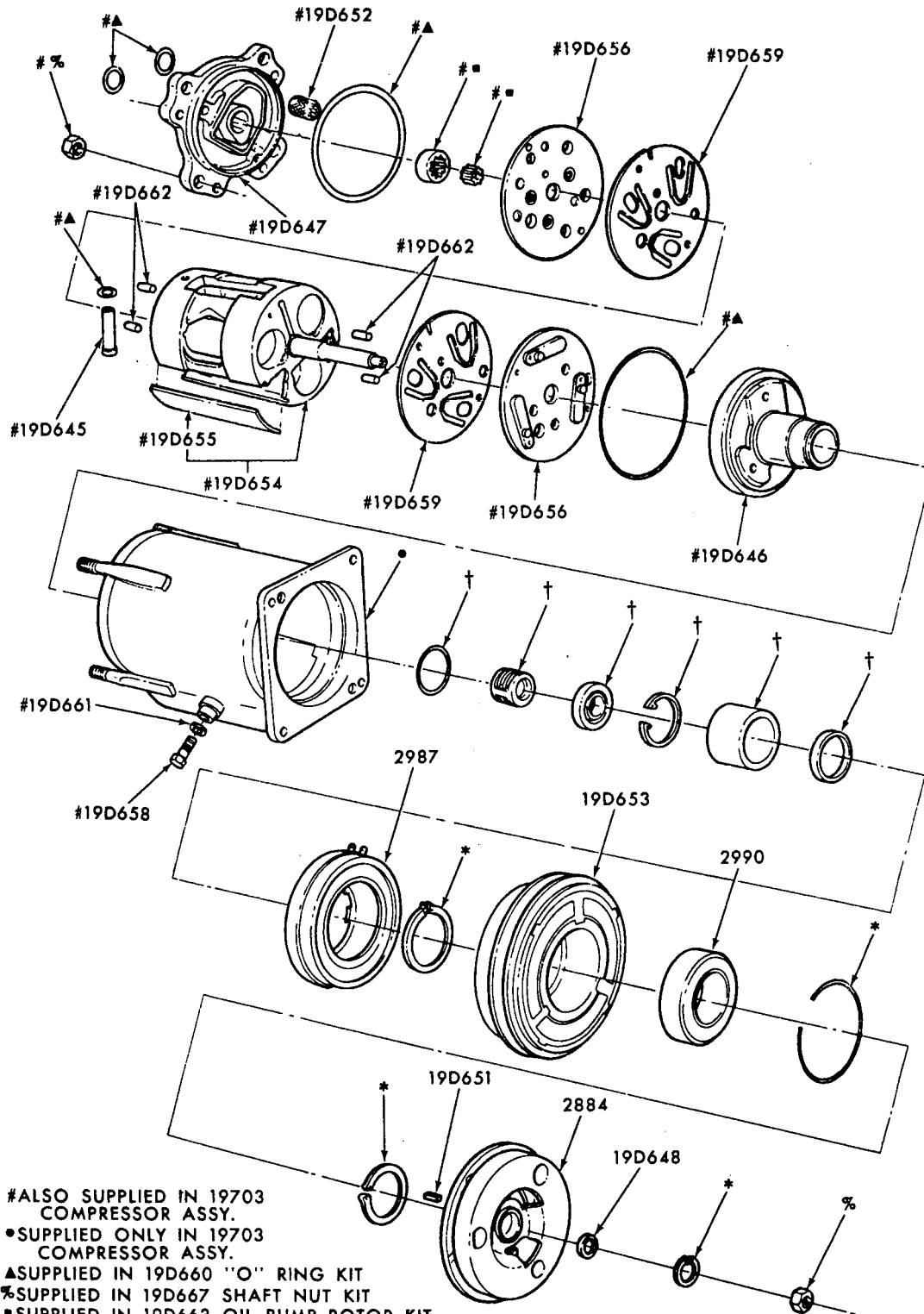
CLUTCHES and RELATED PARTS - AIR CONDITIONER COMPRESSOR  
1965/72 - ALL - INTEGRAL A/C



FORD CAR PARTS



COMPRESSOR - AIR CONDITIONER  
1965/70 FALCON - w/ INTEGRAL A/C

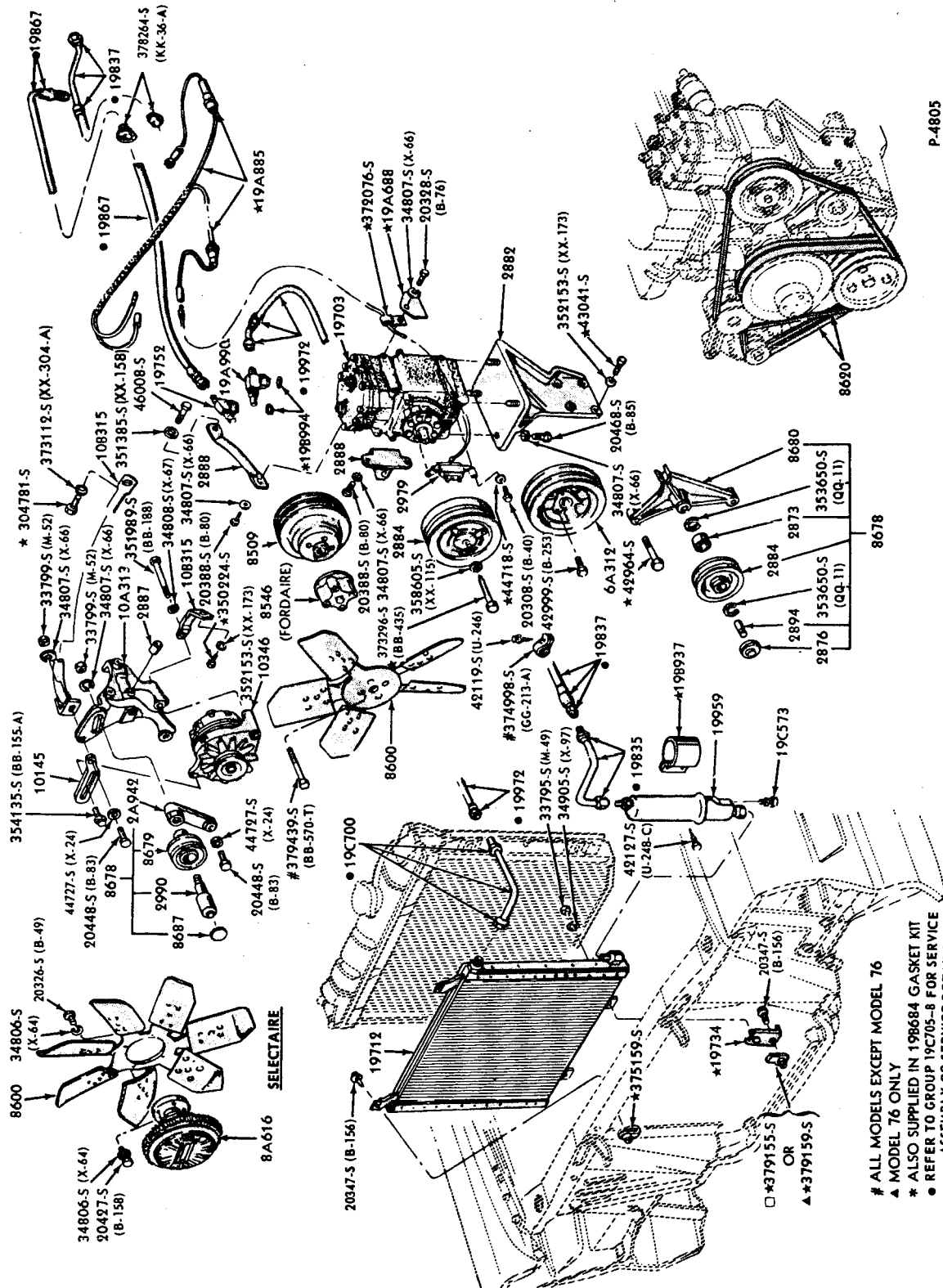


- #ALSO SUPPLIED IN 19703 COMPRESSOR ASSY.
- SUPPLIED ONLY IN 19703 COMPRESSOR ASSY.
- ▲SUPPLIED IN 19D660 "O" RING KIT
- %SUPPLIED IN 19D667 SHAFT NUT KIT
- SUPPLIED IN 19D663 OIL PUMP ROTOR KIT
- †SUPPLIED IN 19D665 SEAL KIT
- \*SUPPLIED IN 19D664 RETAINER RING KIT

P-8492

COMPRESSOR - AIR CONDITIONER (SWASH PLATE DESIGN)  
1972 THUNDERBIRD





P-4805

AIR CONDITIONING PARTS (ENGINE COMPARTMENT)  
1965/66 FORD - 6 CYL

# ALL MODELS EXCEPT MODEL 76  
 ▲ MODEL 76 ONLY  
 \* ALSO SUPPLIED IN 19684 GASKET KIT  
 ● REFER TO GROUP 19C705-8 FOR SERVICE ASSEMBLY OR SERVICE DETAILS





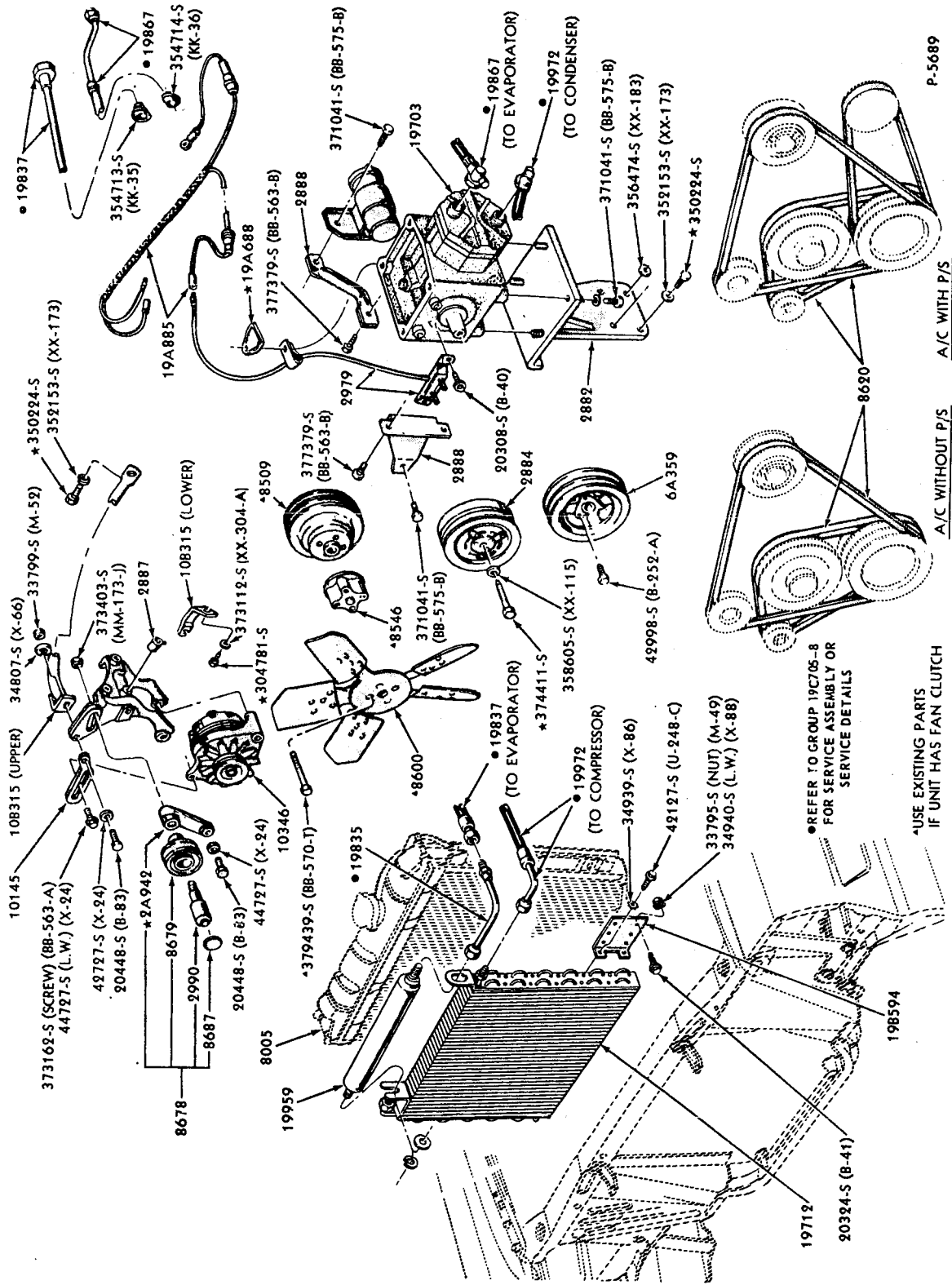








# FORD CAR PARTS



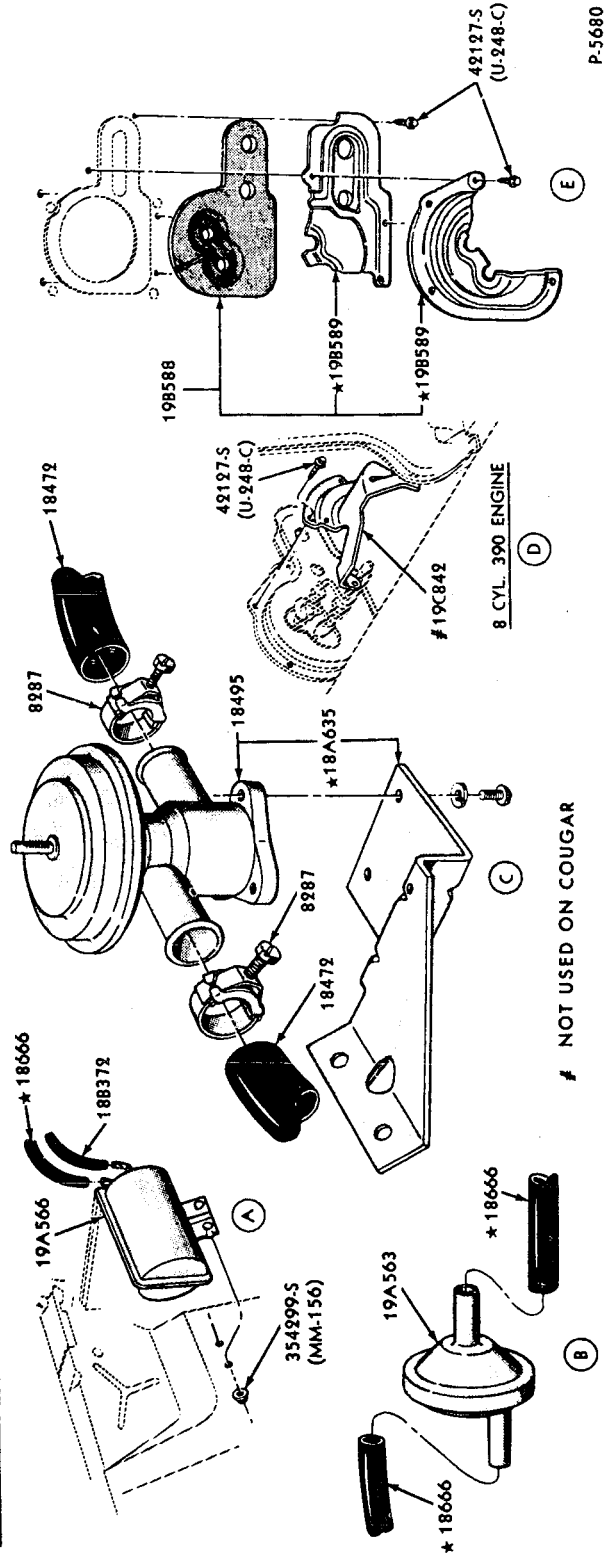
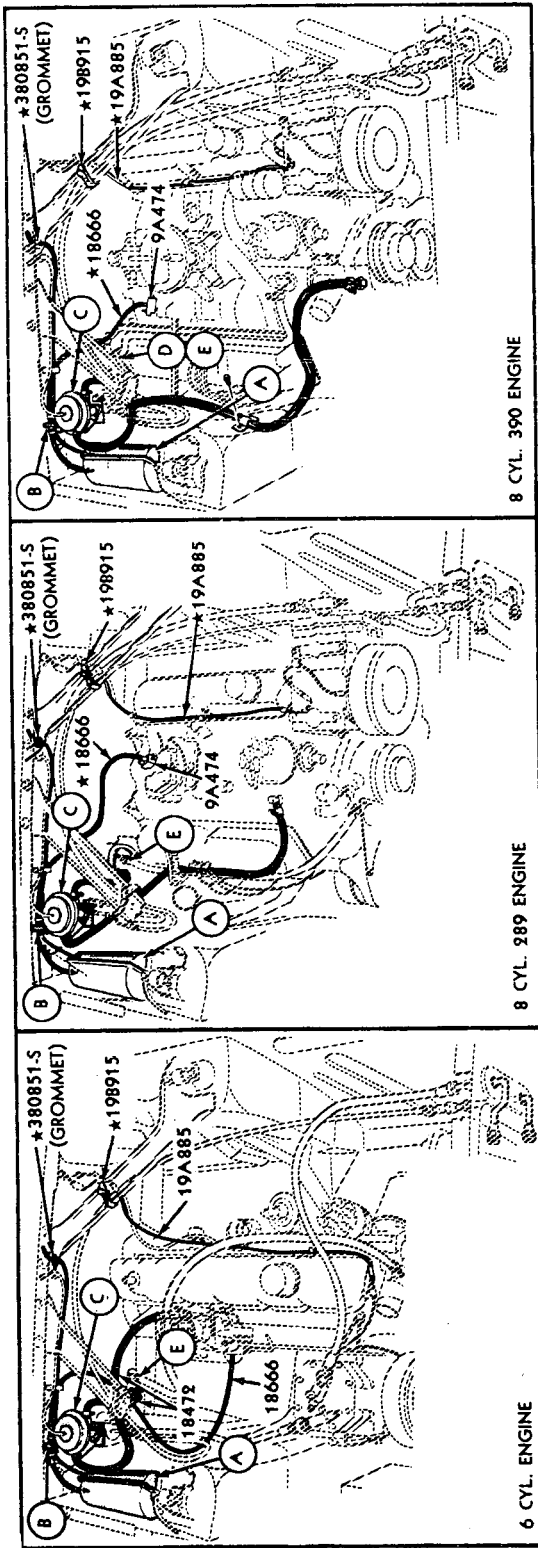
AIR CONDITIONING PARTS (ENGINE COMPARTMENT)  
1967 FORD - 6 CYL. - w/ HANG-ON A/C







FORD CAR PARTS



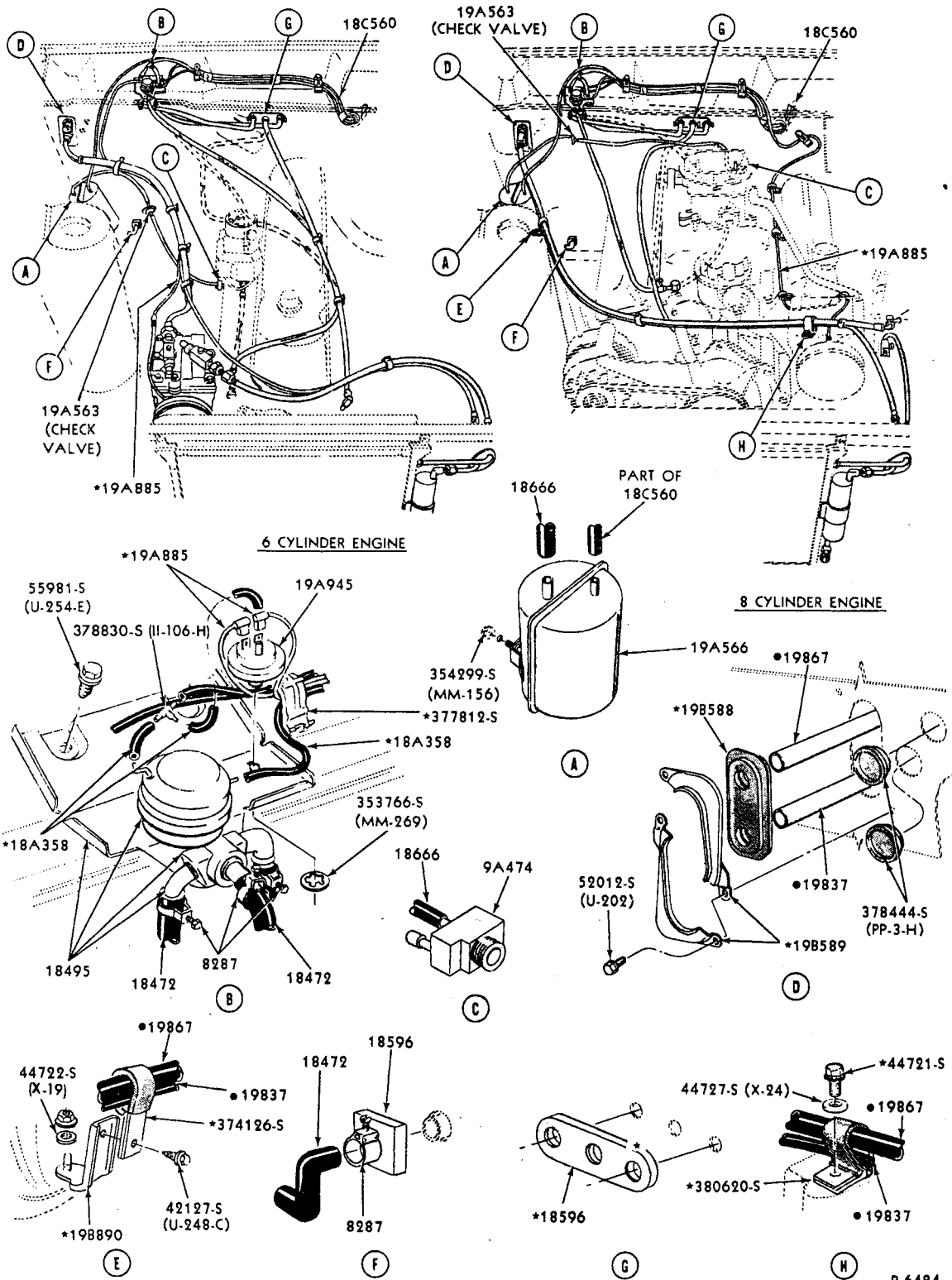
P-5680

VACUUM HOSES - AIR CONDITIONER and HEATER  
1967 MUSTANG - w/ INTEGRAL A/C



ILLUSTRATION SECTION 197.1

FORD CAR PARTS



● REFER TO GROUP 19C705-8 FOR SERVICE ASSEMBLY OR DETAILS

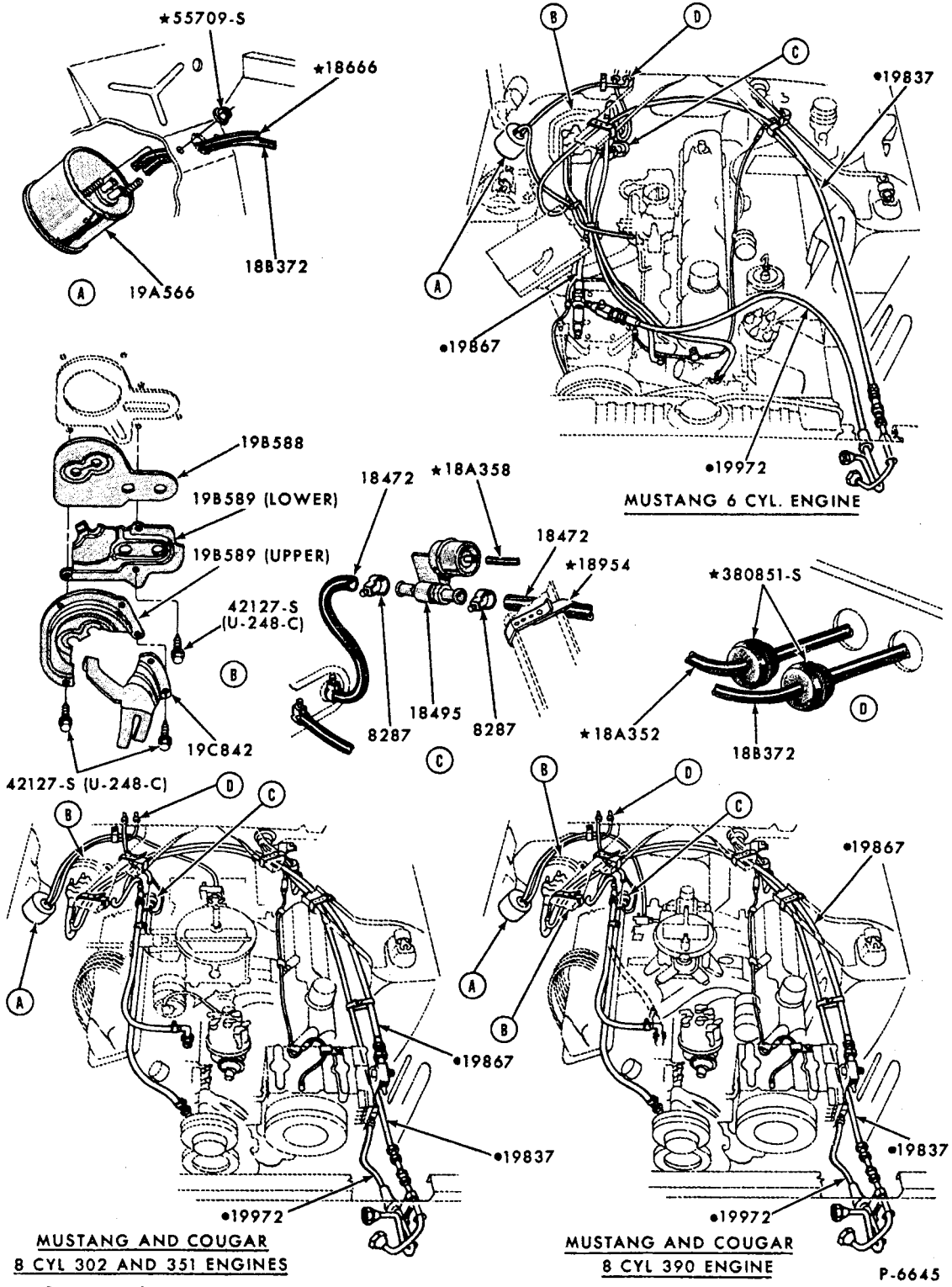
P-6484

VACUUM HOSES - AIR CONDITIONER and HEATER  
1968/69 FAIRLANE/TORINO and 1968/70 FALCON - w/INTEGRAL A/C





**FORD CAR PARTS**

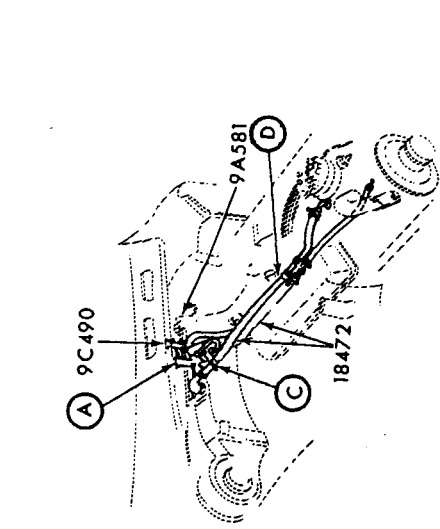


•REFER TO GROUP 19C705-8 FOR SERVICE ASSEMBLY OR DETAILS

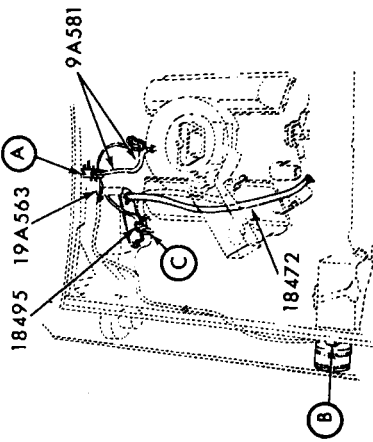
VACUUM HOSES - AIR CONDITIONER and HEATER  
1969/70 MUSTANG - w/ INTEGRAL A/C



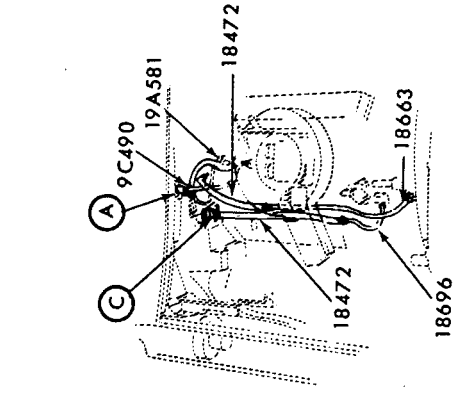
FORD CAR PARTS



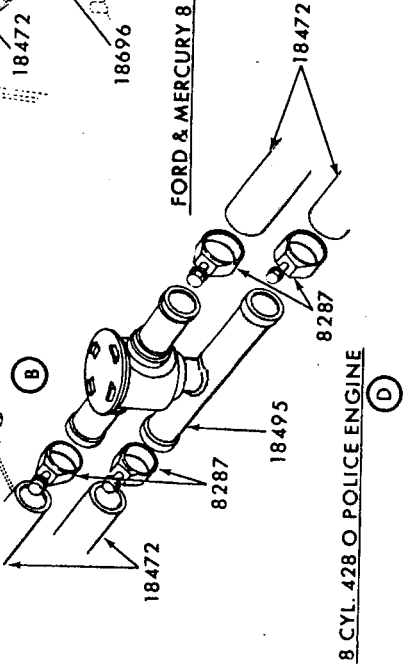
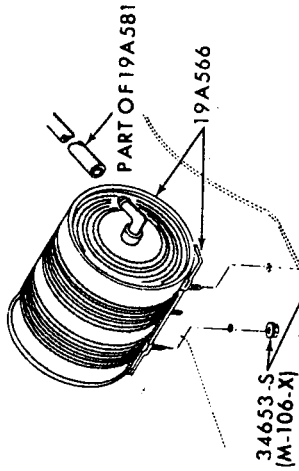
FORD 8 CYLINDER 302 C.I.D. ENGINE



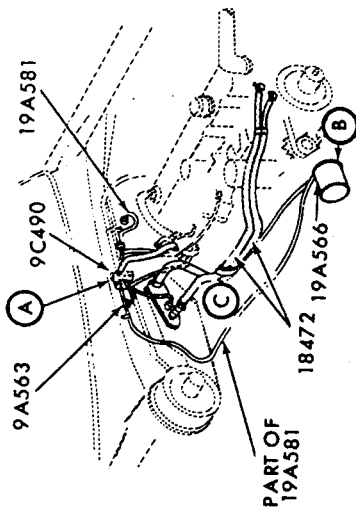
FORD & MERCURY 8 CYL. 390 & 42 428 C.I.D. POLICE ENGINE



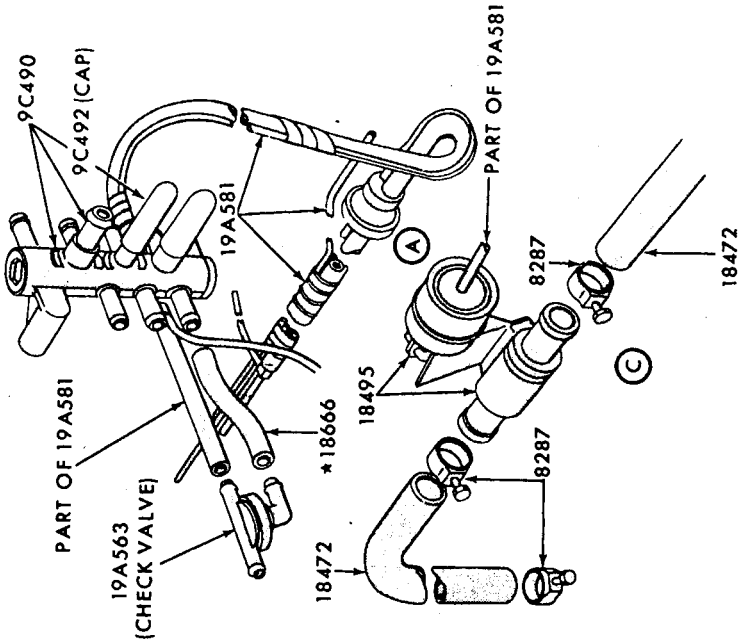
FORD & MERCURY 8 CYL. 429 C.I.D. ENGINE



8 CYL. 428 O POLICE ENGINE

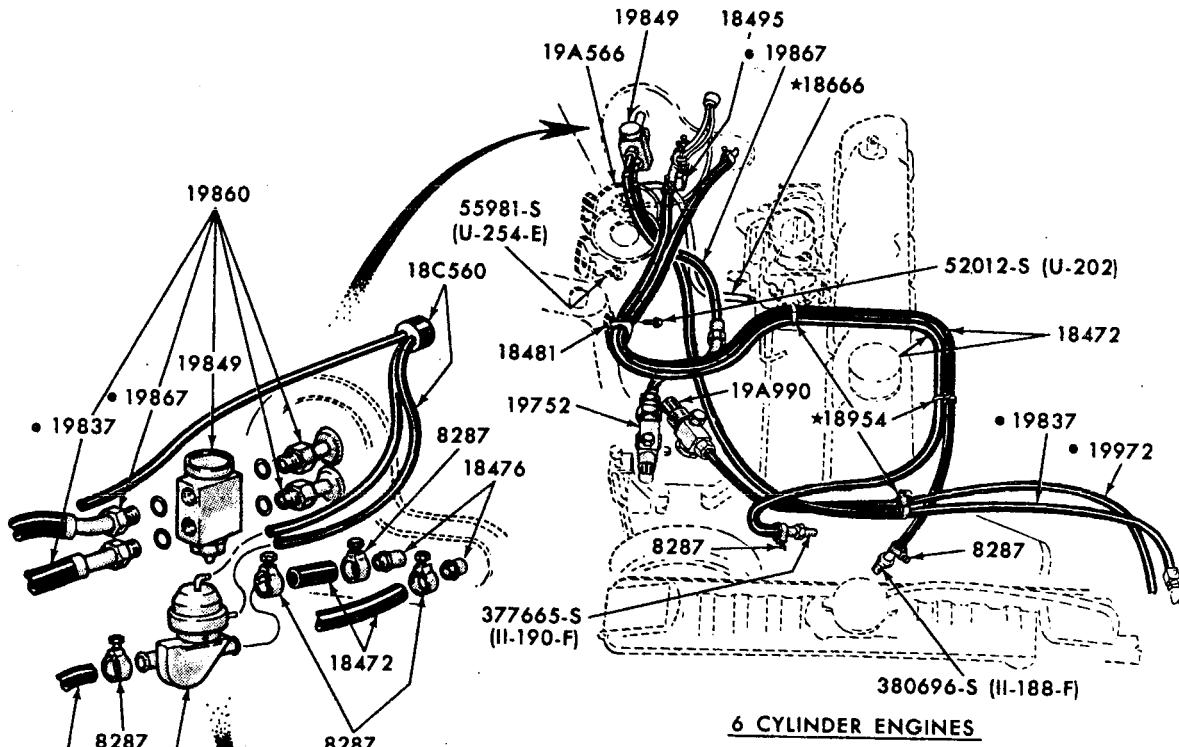


FORD 6 CYLINDER 240 C.I.D. ENGINE

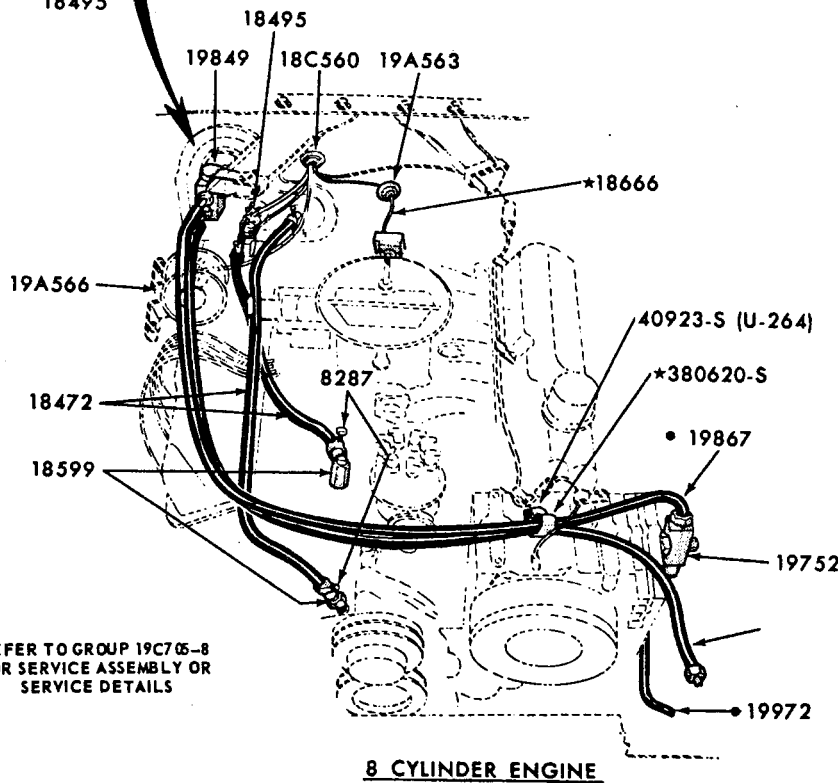


FORD 8 CYLINDER 240 C.I.D. ENGINE

VACUUM HOSES - AIR CONDITIONER and HEATER  
1969/70 FORD - w/ INTEGRAL A/C



**6 CYLINDER ENGINES**



**8 CYLINDER ENGINE**

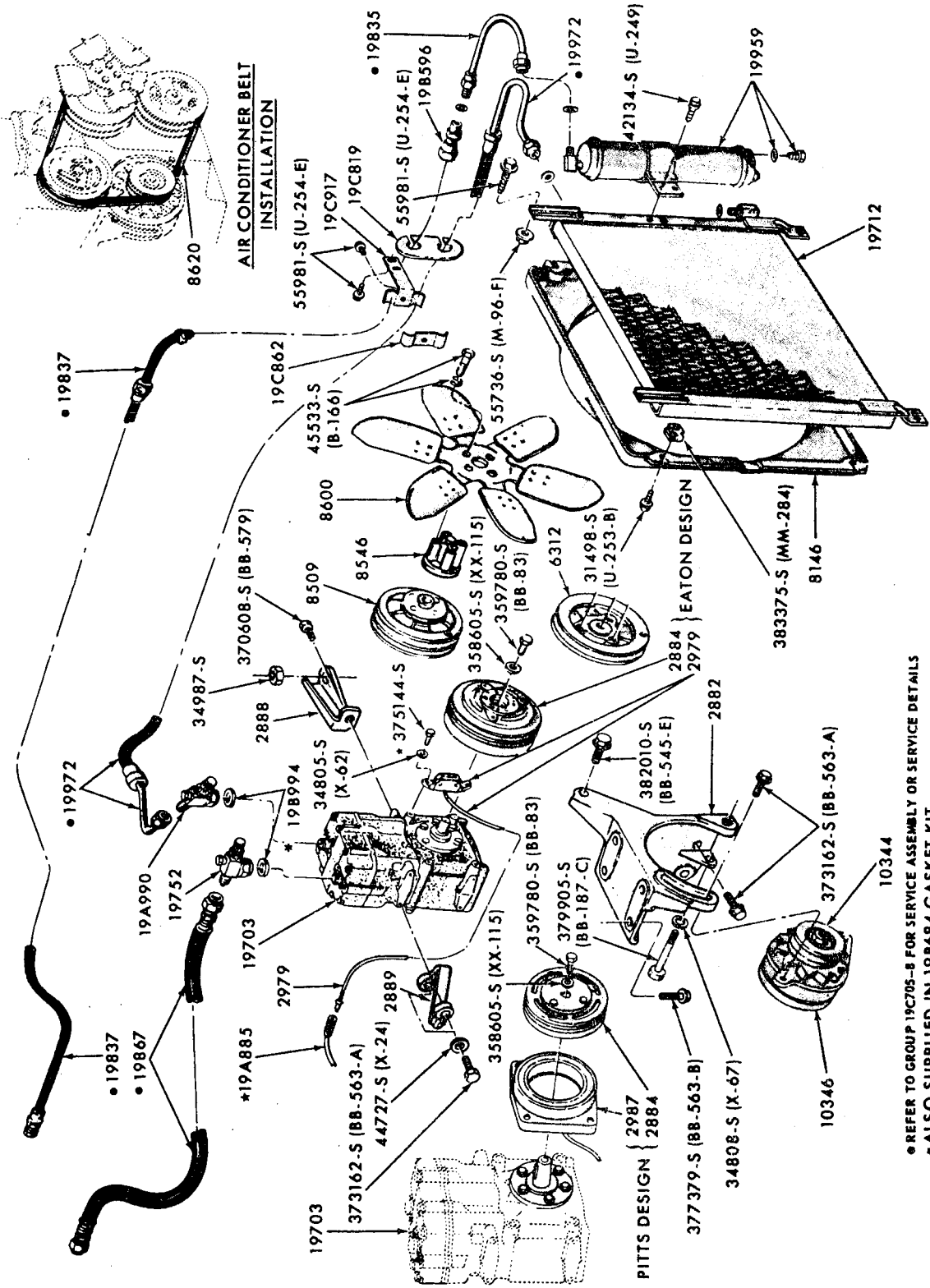
• REFER TO GROUP 19C705-8  
FOR SERVICE ASSEMBLY OR  
SERVICE DETAILS

**VACUUM HOSES - AIR CONDITIONER and HEATER  
1970/72 MAVERICK - w/INTEGRAL A/C**

P-6928

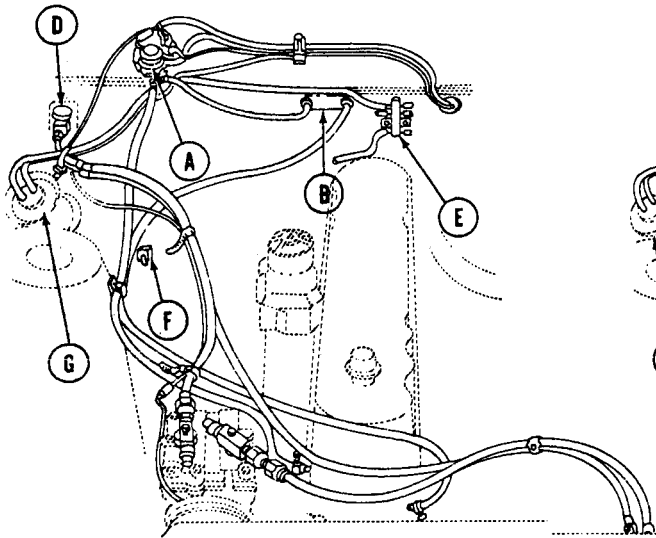
# FORD CAR PARTS

## ILLUSTRATION SECTION 197.1

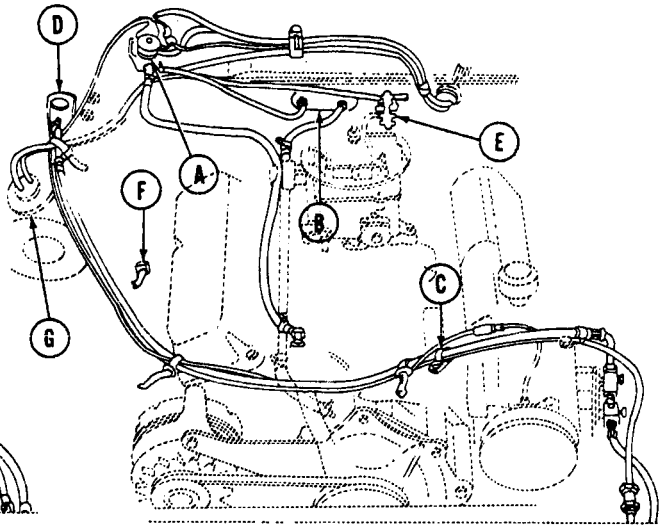


AIR CONDITIONING PARTS (ENGINE COMPARTMENT)  
 1970/72 MAVERICK-6 CYL. 170, 200, 250-w/INTEGRAL A/C

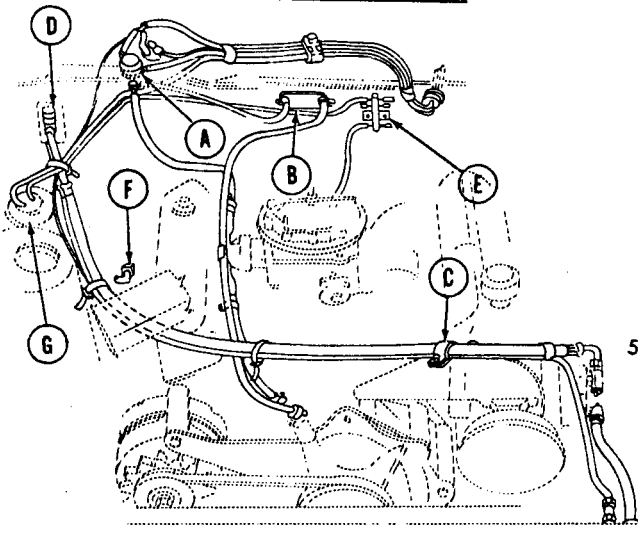
• REFER TO GROUP 19C705-B FOR SERVICE ASSEMBLY OR SERVICE DETAILS  
 \* ALSO SUPPLIED IN 19B684 GASKET KIT



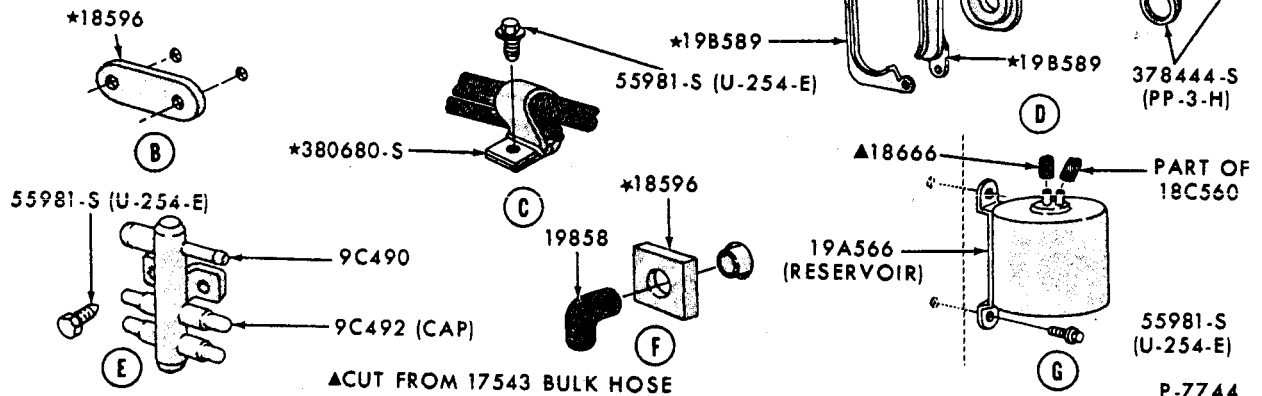
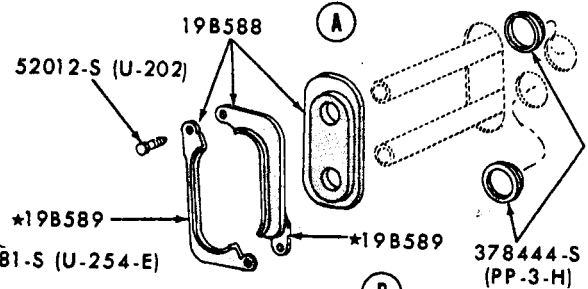
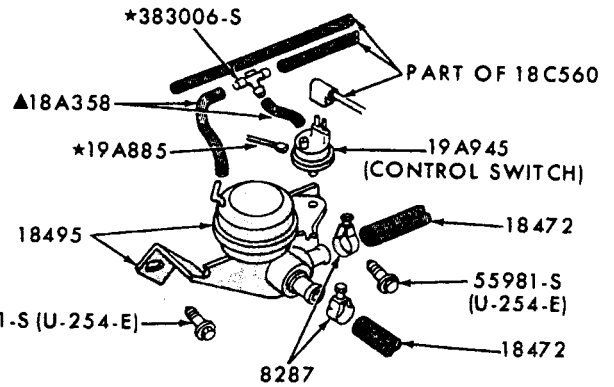
6 CYLINDER ENGINE



8 CYLINDER 302 ENGINE

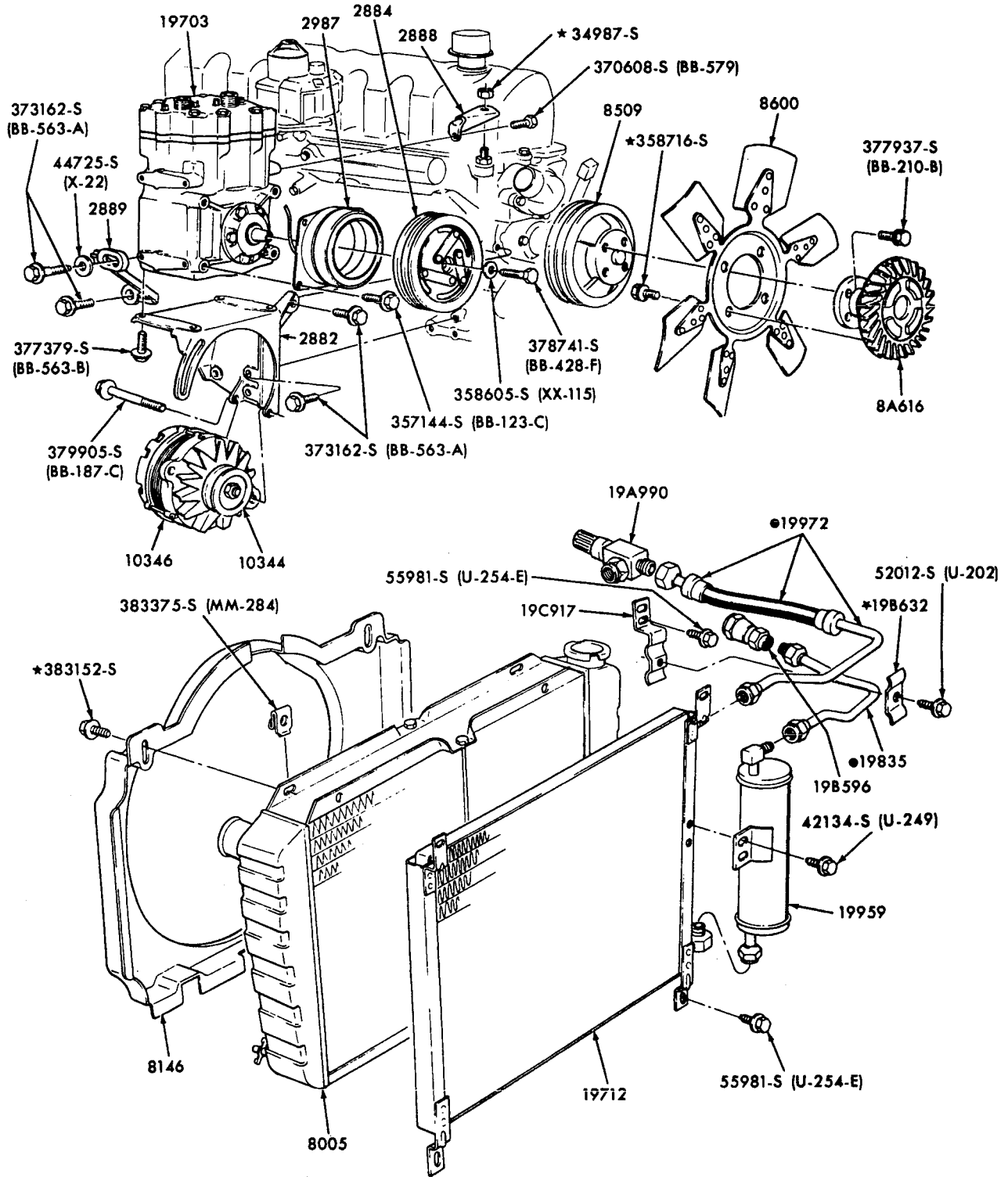


8 CYLINDER 351 & 429 ENGINES



VACUUM HOSES - AIR CONDITIONER  
1970/71 FAIRLANE/TORINO-w/INTEGRAL A/C

FORD CAR PARTS



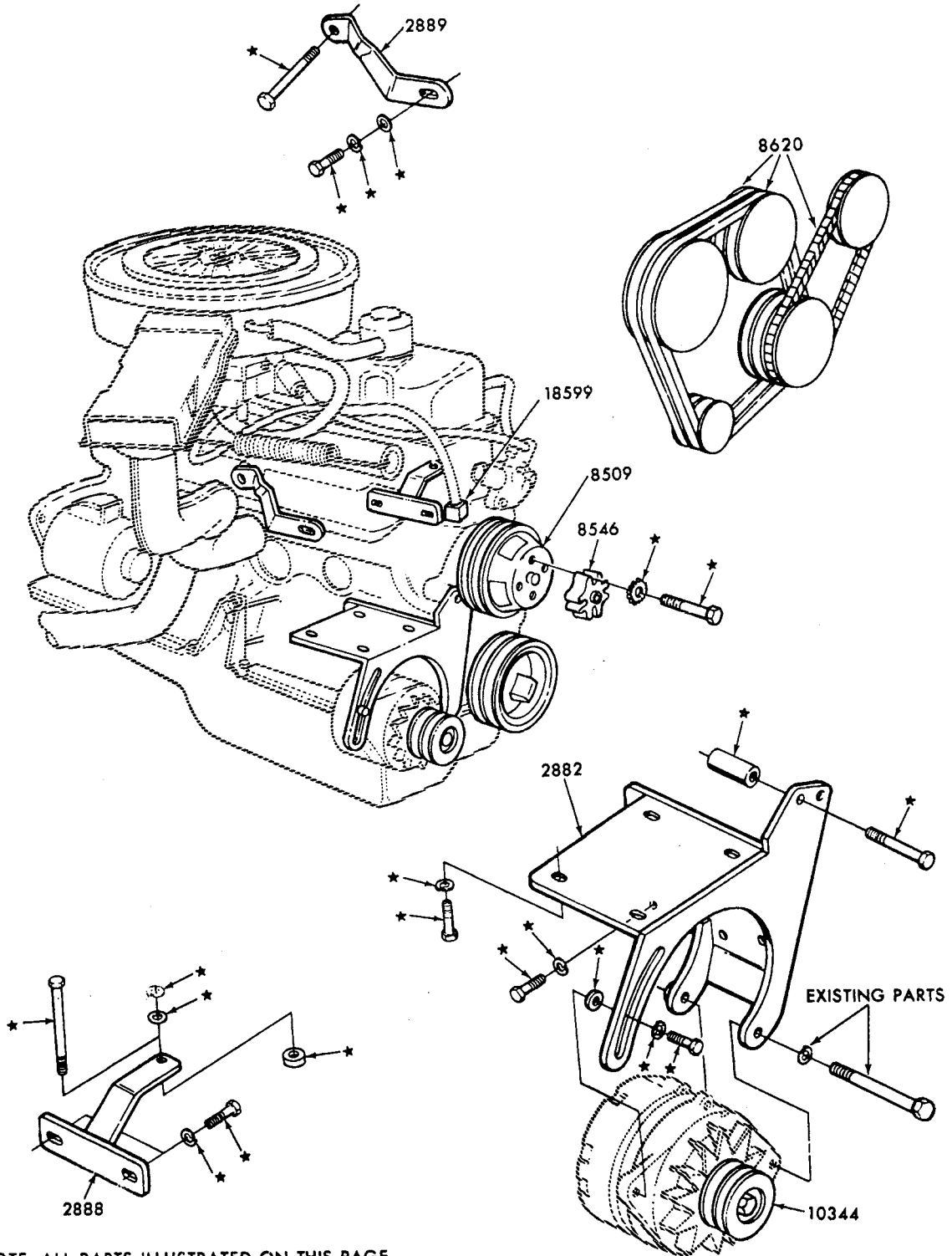
●REFER TO GROUP 19C705 THRU 19C705 FOR SERVICED ASSEMBLY OR SERVICED DETAILS

P-7741

AIR CONDITIONING PARTS (ENGINE COMPARTMENT)  
1970/71 FAIRLANE/TORINO, 1971/72 MUSTANG-6 CYL. 250-w/INTEGRAL A/C



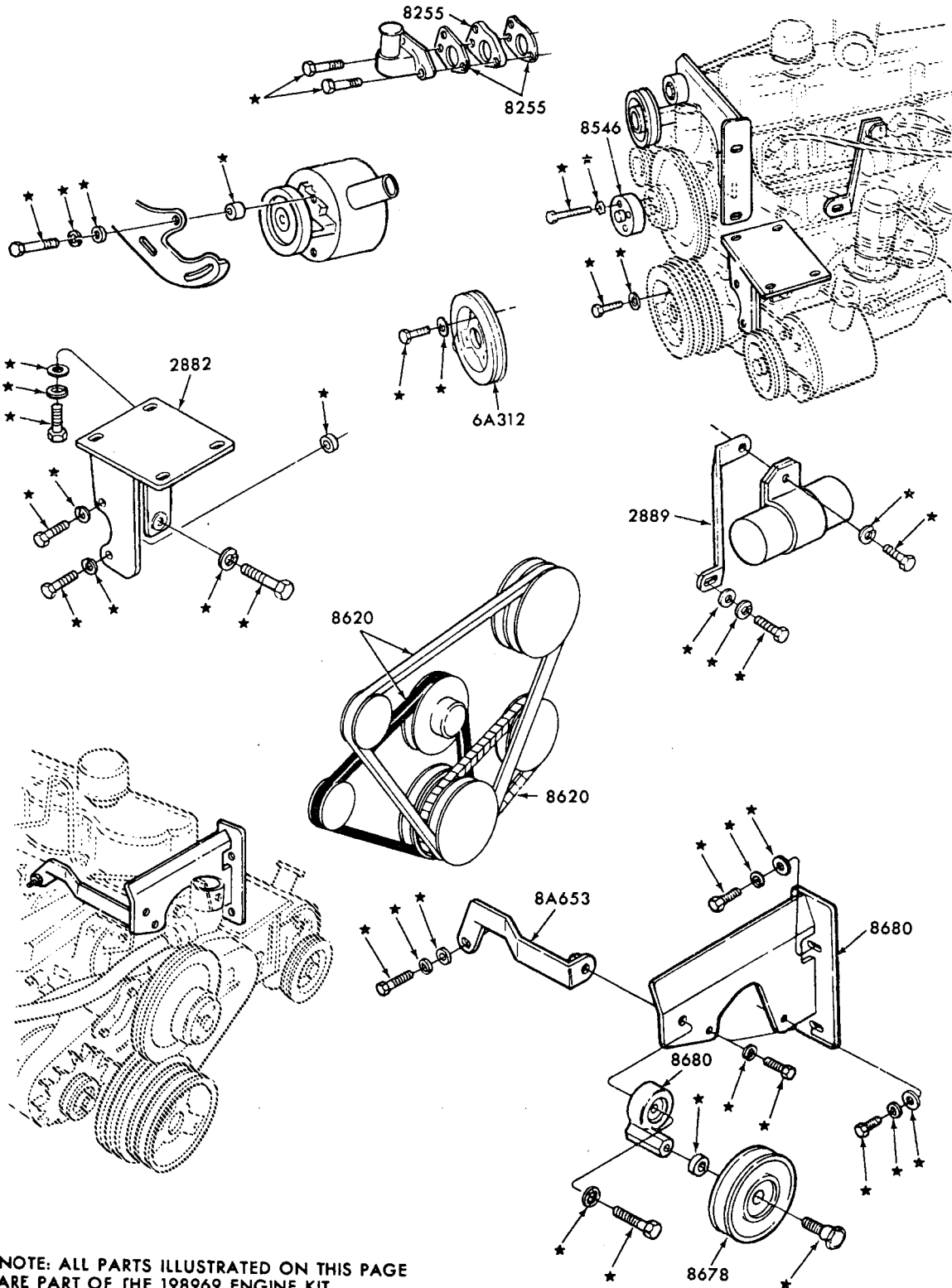




NOTE: ALL PARTS ILLUSTRATED ON THIS PAGE  
ARE PART OF THE 198969 ENGINE KIT.

P.8853

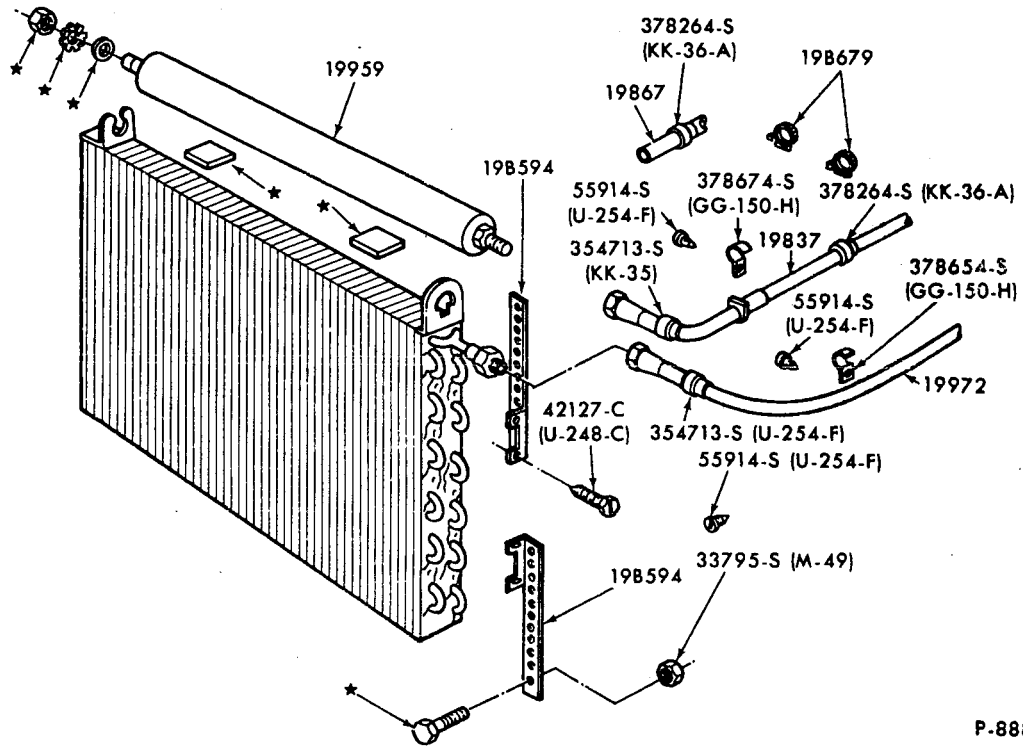
AIR CONDITIONING PARTS (ENGINE COMPARTMENT)  
1972 TORINO, MUSTANG, MAVERICK - 6 CYL. W/HANG-ON A/C



P-8857

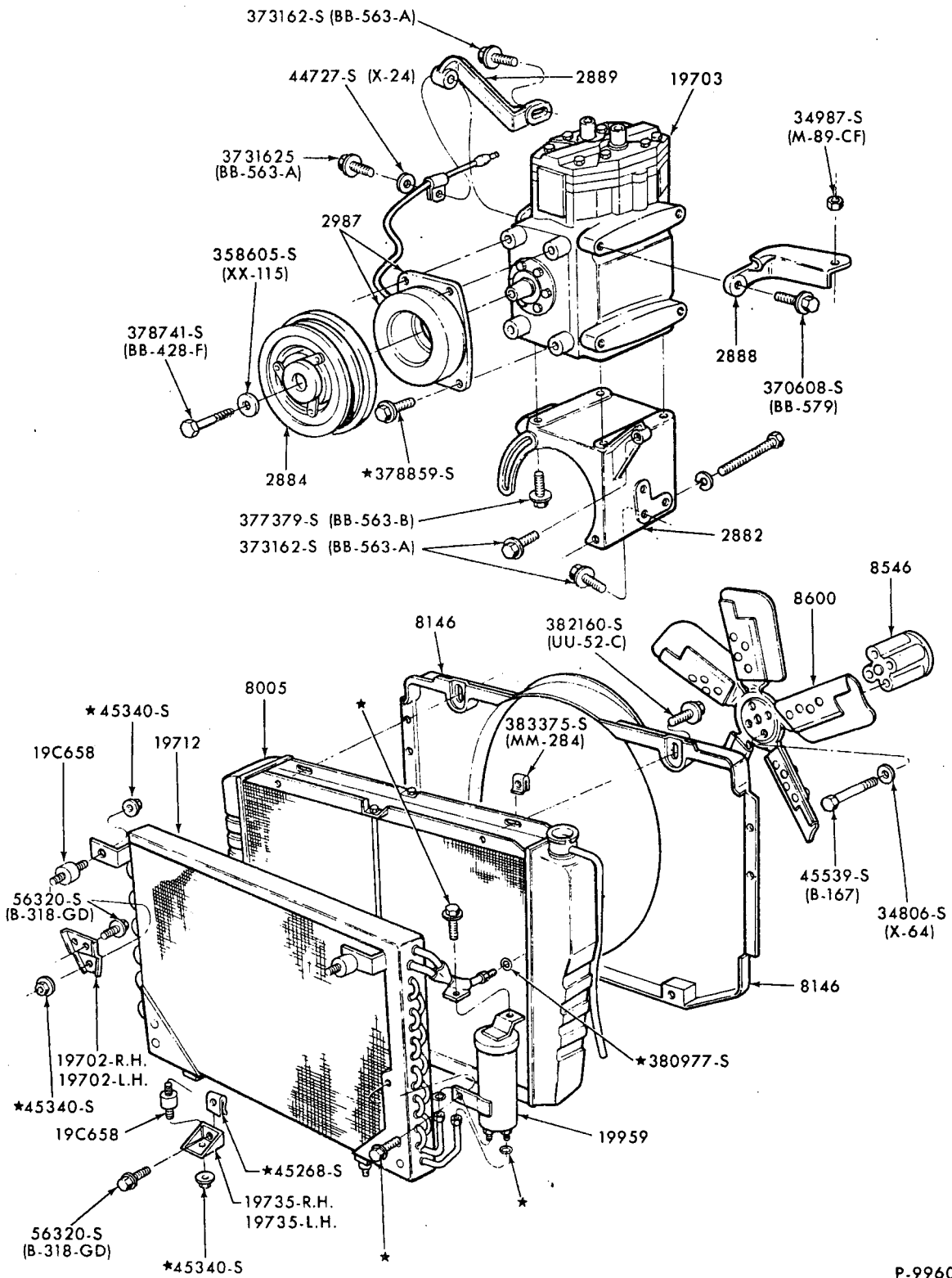
AIR CONDITIONING PARTS (ENGINE COMPARTMENT)

1972 FORD - 6 CYL. - w/ HANG-ON A/C



P-8882

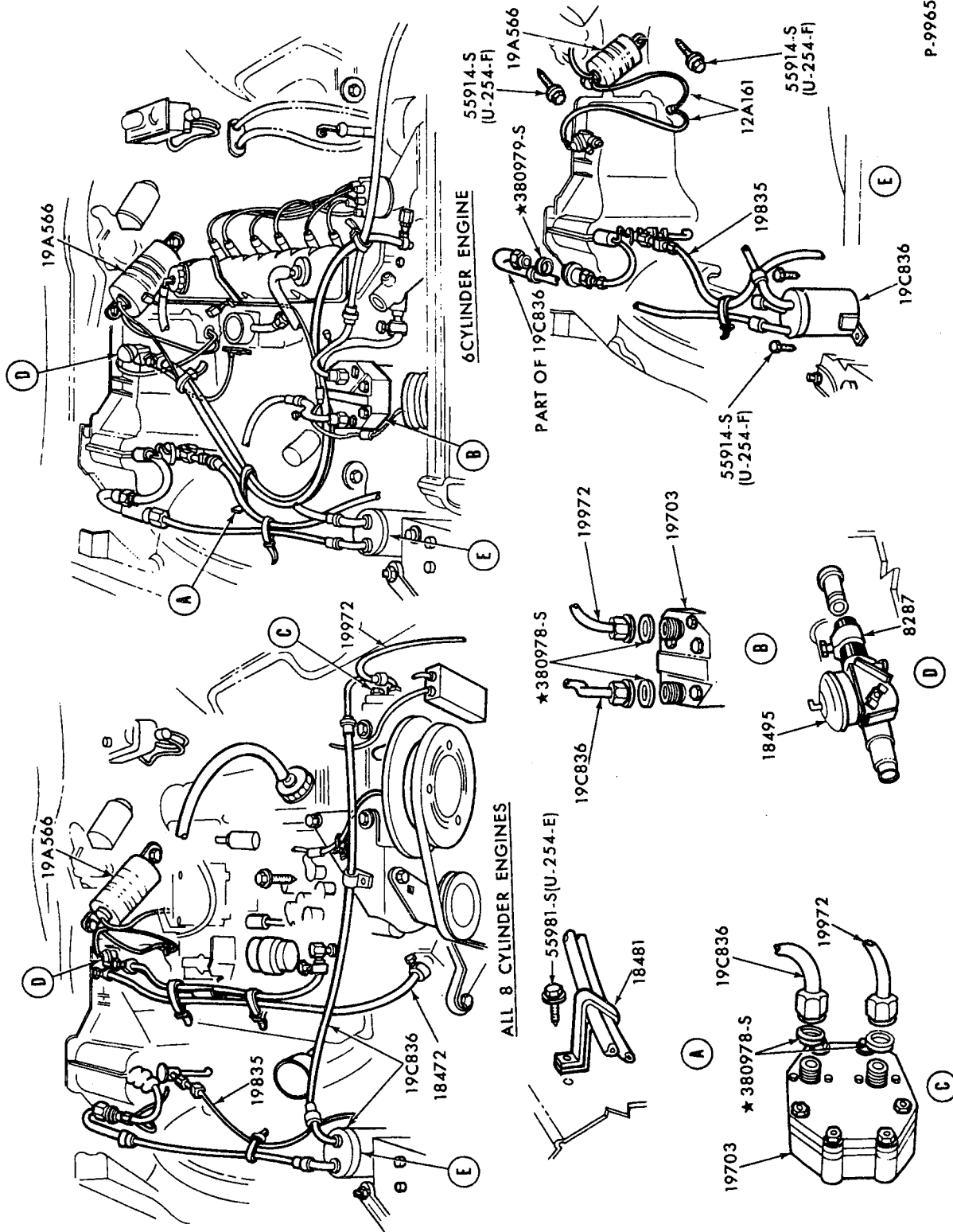
AIR CONDITIONER CONDENSER, DEHYDRATOR and RELATED PARTS  
1972 FORD, TORINO, MUSTANG, MAVERICK - 6 CYL. - W/HANG-ON A/C



P-9960

AIR CONDITIONING PARTS (ENGINE COMPARTMENT)  
1972 TORINO - 6 CYLINDER 250-w/INTEGRAL A/C

FORD CAR PARTS



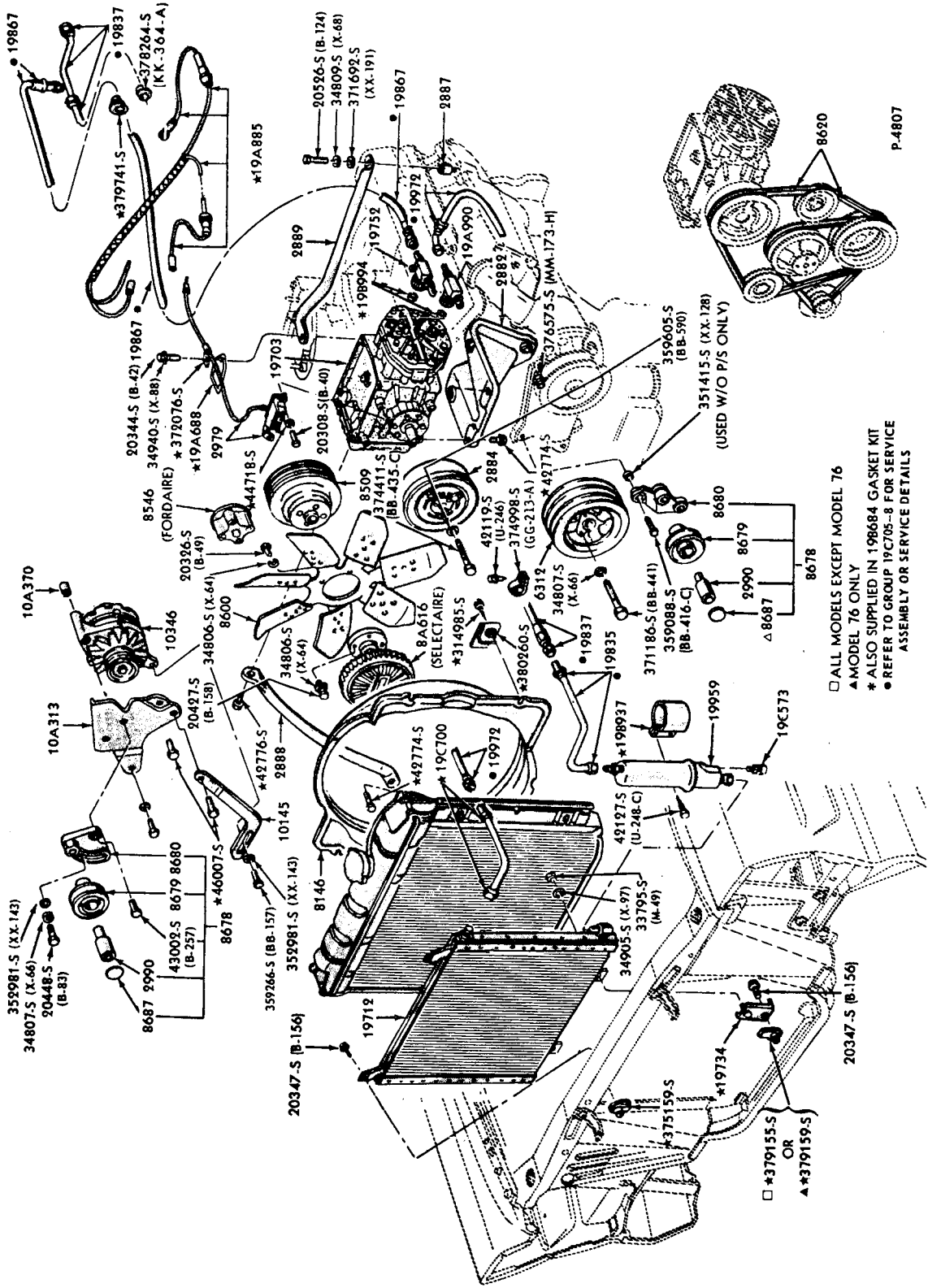
P-9965

VACUUM HOSES - AIR CONDITIONING  
1972 TORINO - w/INTEGRAL A/C



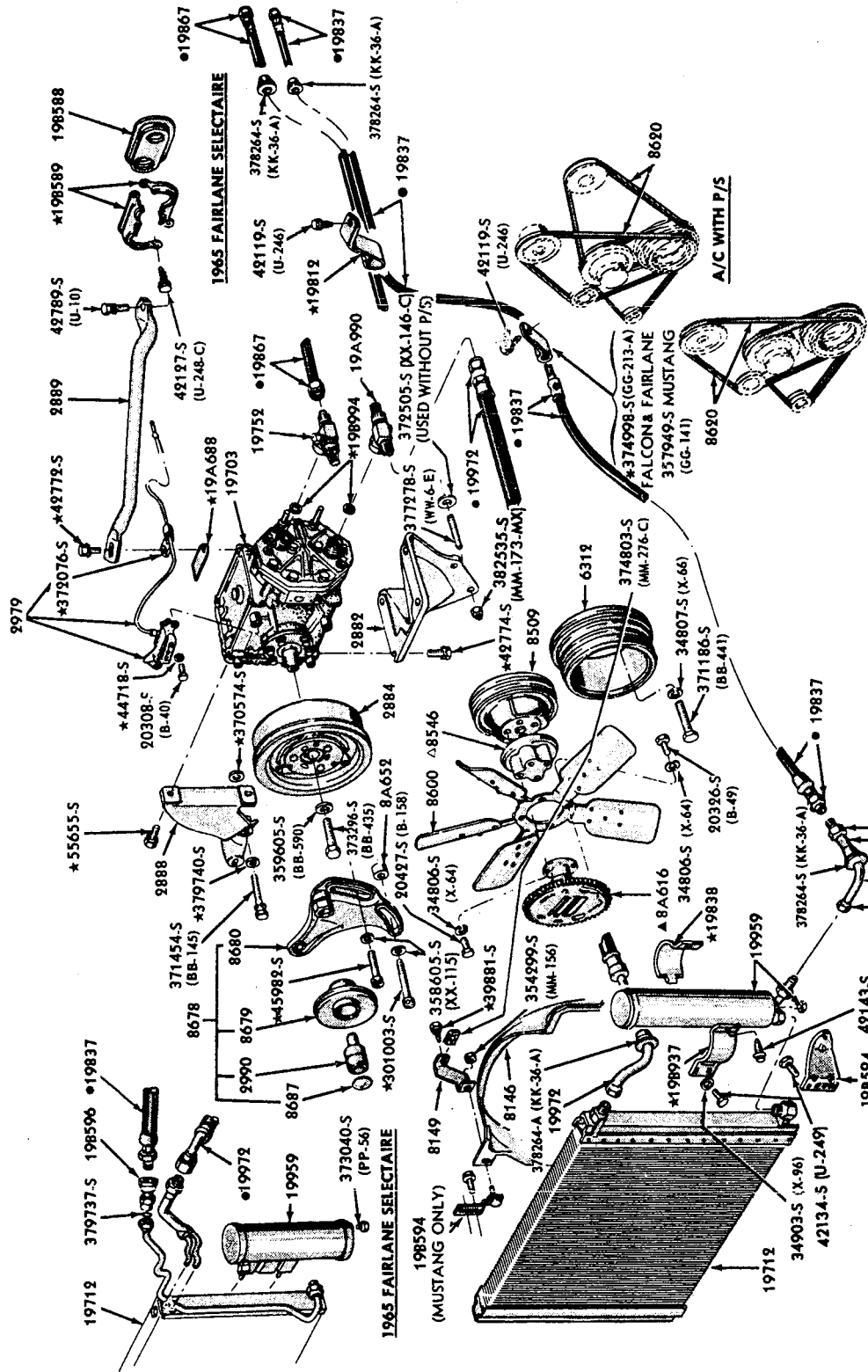






- ALL MODELS EXCEPT MODEL 76
- ▲ MODEL 76 ONLY
- \* ALSO SUPPLIED IN 19884 GASKET KIT
- REFER TO GROUP 19C705-8 FOR SERVICE ASSEMBLY OR SERVICE DETAILS

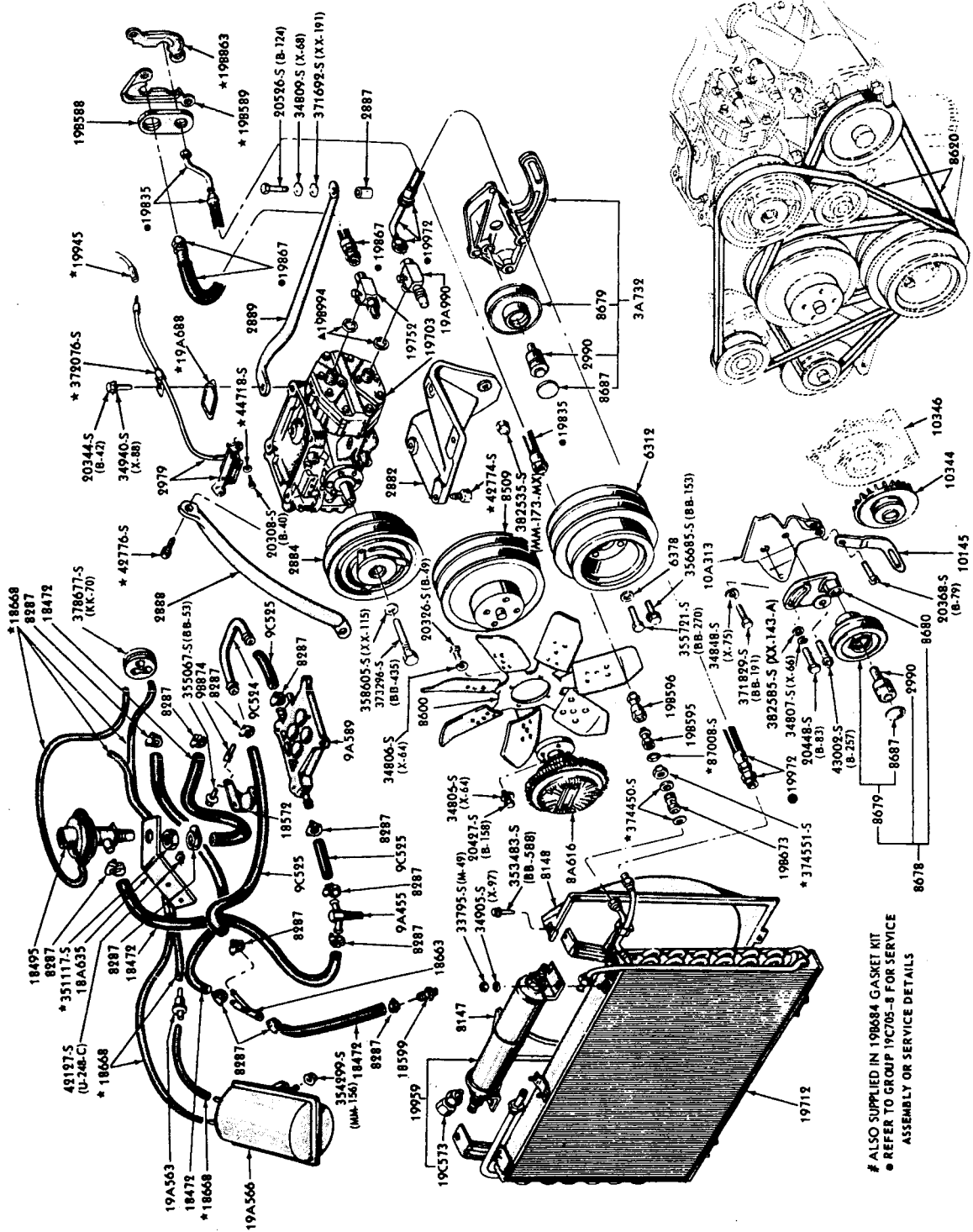
AIR CONDITIONING PARTS (ENGINE COMPARTMENT)  
1965/66 FORD - 8 CYL. 352, 390



\* ALSO SUPPLIED IN 196684 GASKET KIT  
 ▲ USED WITH FAIRLANE SELECTAIRE A/C OR MUSTANG FACTORY  
 - INSTALLED FORDAIRE A/C  
 ▲ USED WITH FAIRLANE & FALCON WITH FORDAIRE A/C OR MUSTANG  
 WITH DEALER INSTALLED FORDAIRE A/C  
 ● REFER TO GROUP 19C705-8 FOR SERVICE ASSEMBLY OR SERVICE DETAILS

AIR CONDITIONING PARTS (ENGINE COMPARTMENT)

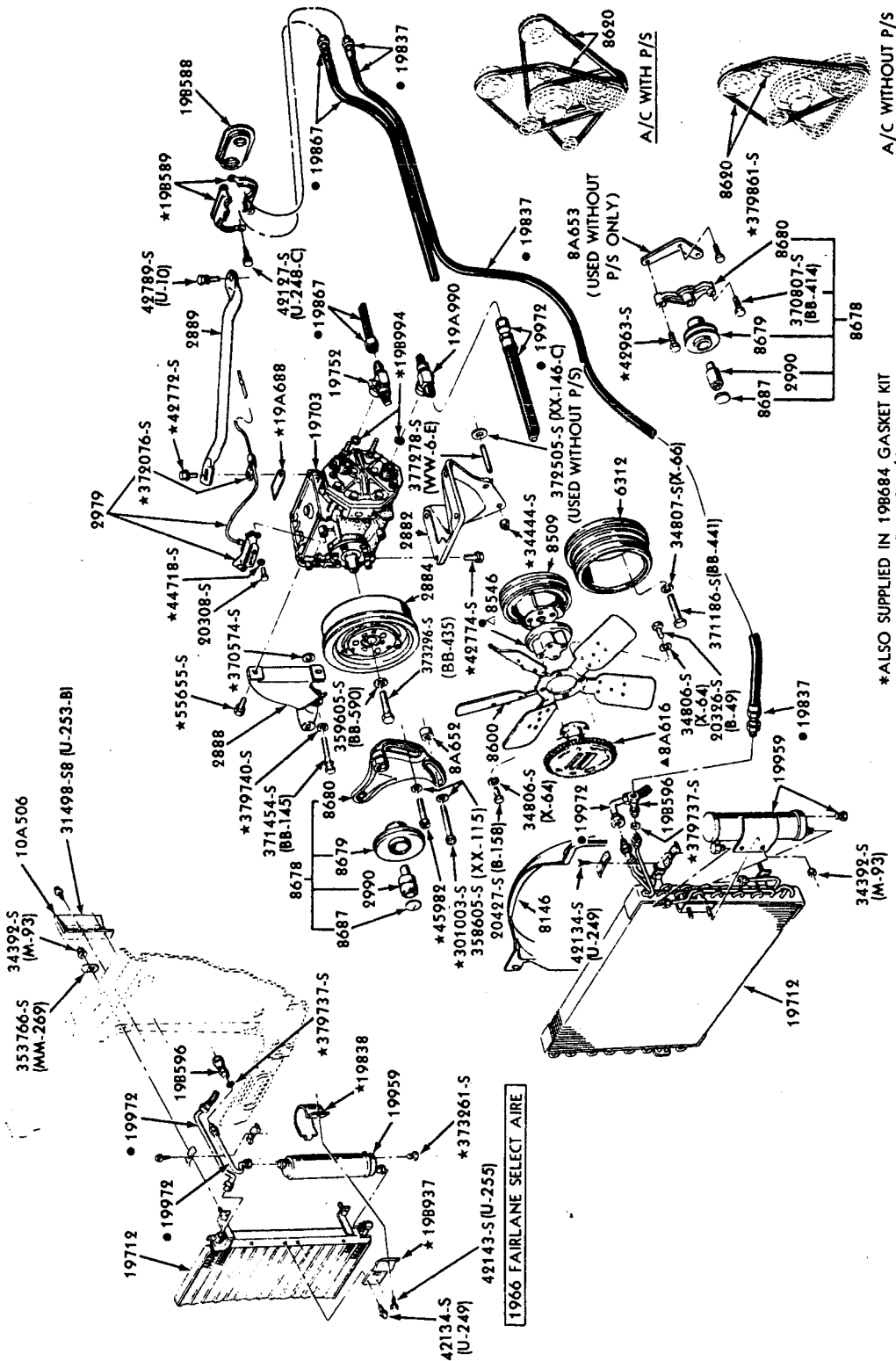
1965 FAIRLANE and FALCON and 1965/66 MUSTANG (w/ ALTERNATOR) - 8 CYL.



# ALSO SUPPLIED IN 19684 GASKET KIT  
 • REFER TO GROUP 19705-B FOR SERVICE  
 ASSEMBLY OR SERVICE DETAILS

AIR CONDITIONING PARTS (ENGINE COMPARTMENT)  
 1965/66 THUNDERBIRD - w/ INTEGRAL A/C





A/C WITH P/S  
A/C WITHOUT P/S

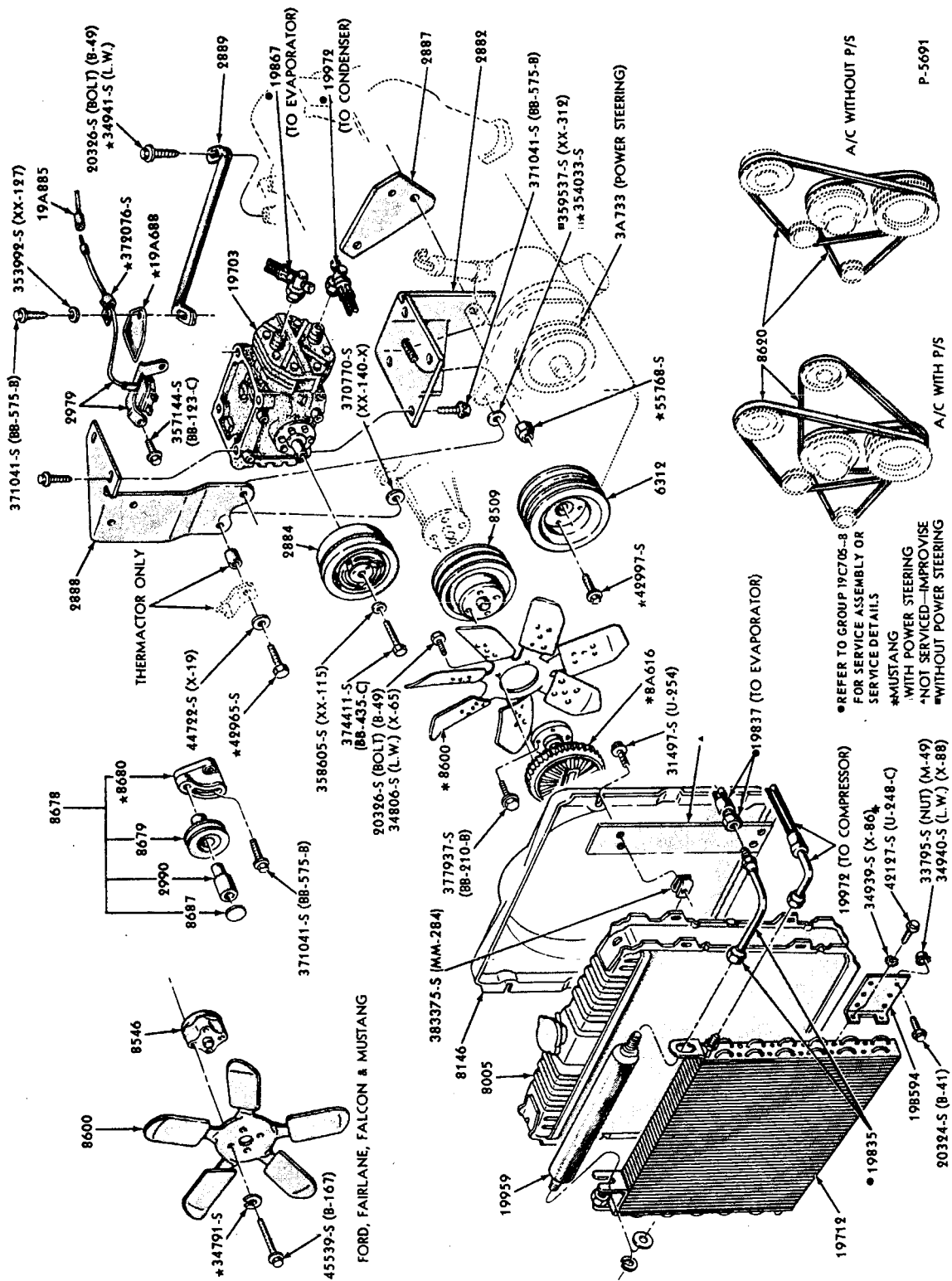
ALSO SUPPLIED IN 19684 GASKET KIT  
▲ USED WITH SELECT AIRE A/C  
△ USED WITH FORD AIRE A/C

REFER TO GROUP 19C705-8 FOR SERVICE ASSEMBLY OR SERVICE DETAILS

P-5210

AIR CONDITIONING PARTS (ENGINE COMPARTMENT)  
1966 FAIRLANE and FALCON - 8 CYL. 289



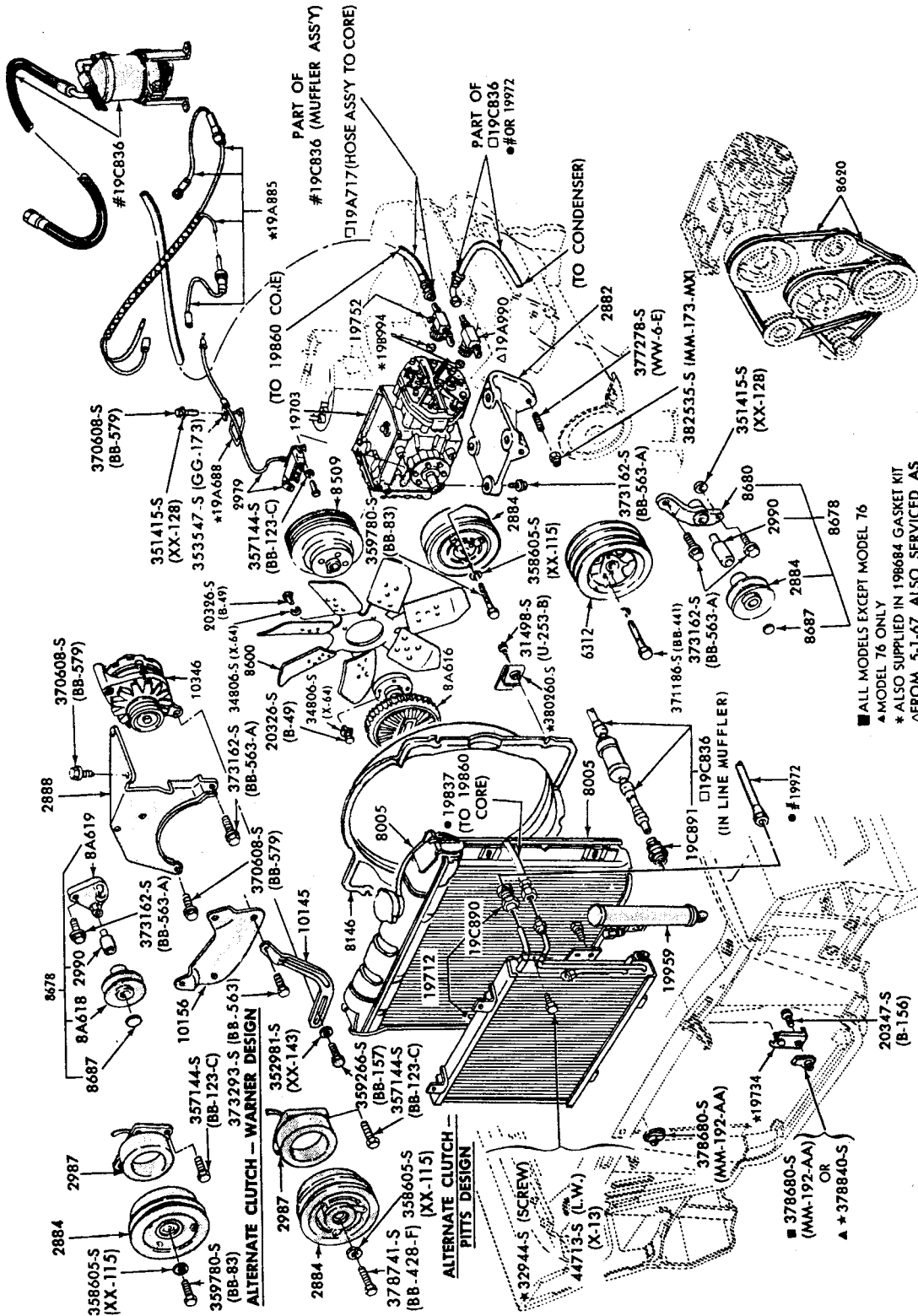


**AIR CONDITIONING PARTS (ENGINE COMPARTMENT)**  
1967 FORD, FAIRLANE, FALCON and MUSTANG - 8 CYL. 289 - w/ HANG-ON A/C







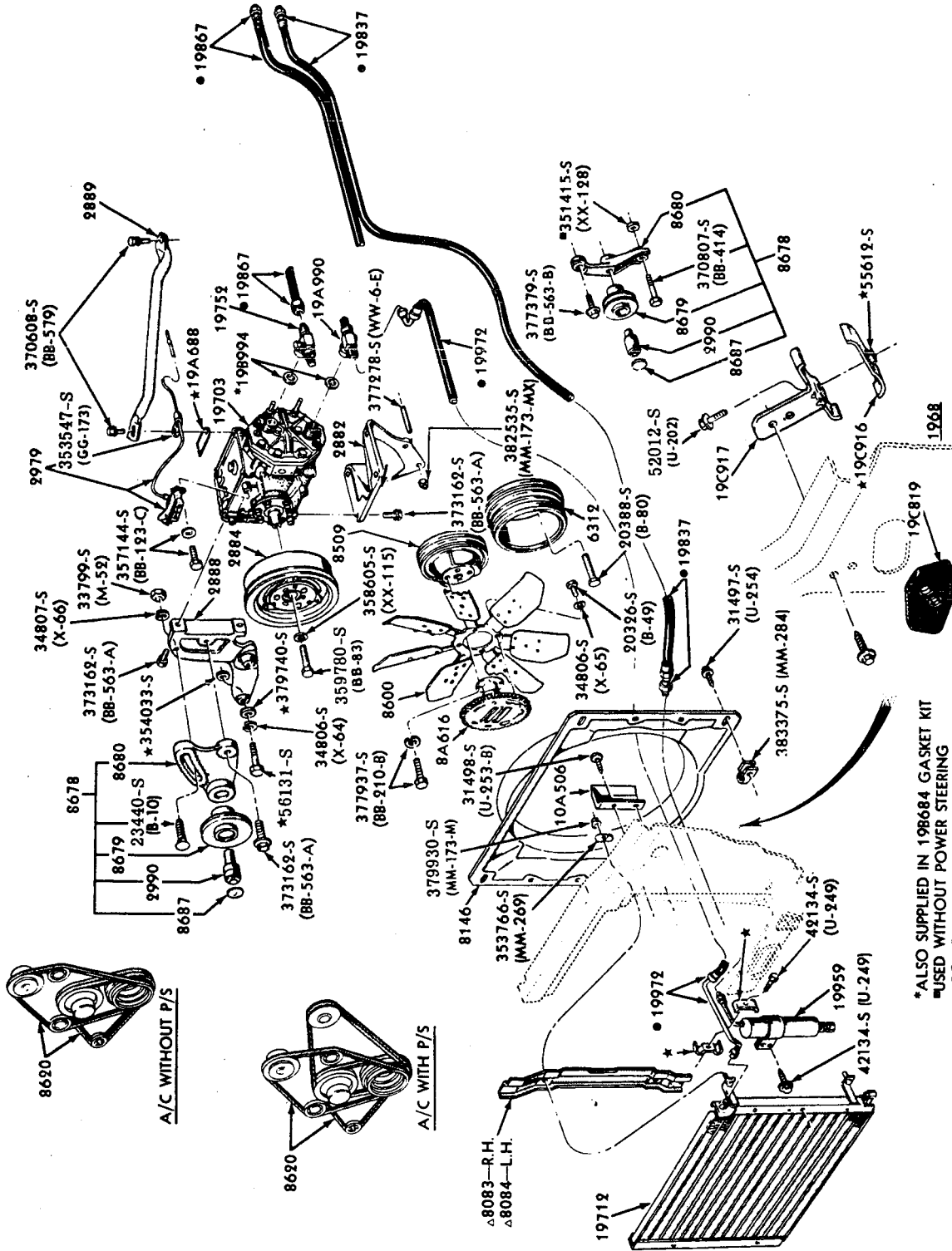


P-5799

■ ALL MODELS EXCEPT MODEL 76  
 ▲ MODEL 76 ONLY  
 \* ALSO SUPPLIED IN 198684 GASKET KIT  
 Δ FROM 5-1-67 ALSO SERVICED AS  
 PART OF 19C836 MUFFLER ASSY  
 # BEFORE 5-1-67  
 □ FROM 5-1-67

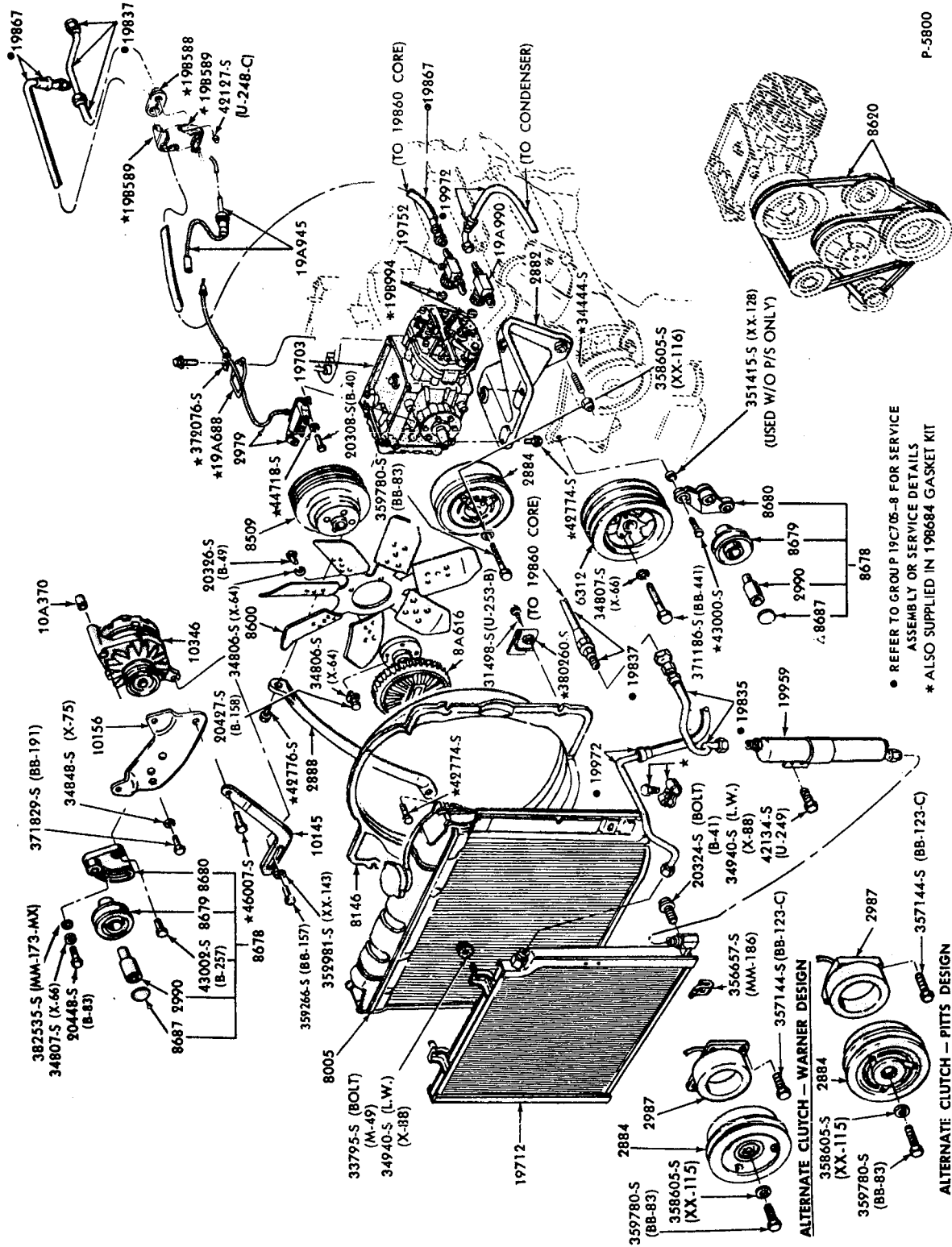
● REFER TO GROUP 19C705-8 FOR SERVICE ASSEMBLY OR SERVICE DETAIL

AIR CONDITIONING PARTS (ENGINE COMPARTMENT)  
 1967/68 FORD - 8 CYL. 390, 428 - w/ INTEGRAL A/C



\*ALSO SUPPLIED IN 19684 GASKET KIT  
 \*USED WITHOUT POWER STEERING  
 Δ COMET AND FAIRLANE ONLY  
 ● REFER TO GROUP 19C 705-8 FOR SERVICE ASSEMBLY OR SERVICE DETAILS

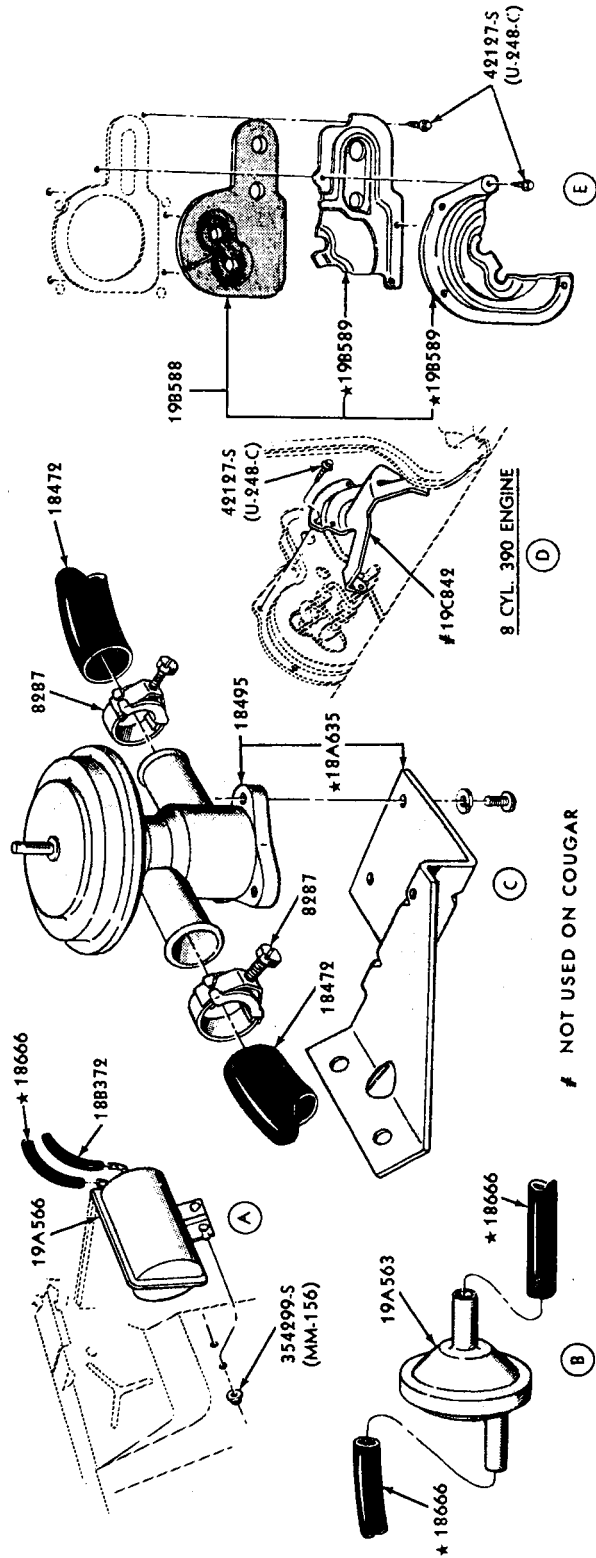
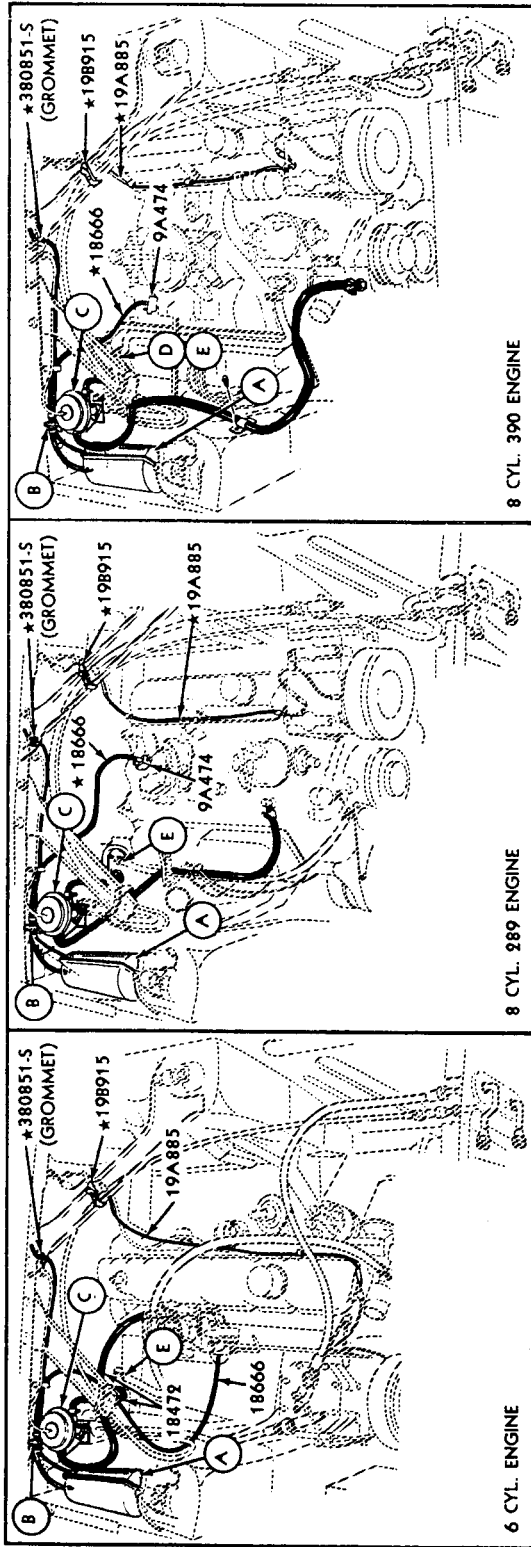
AIR CONDITIONING PARTS (ENGINE COMPARTMENT)  
 1967 FAIRLANE and FALCON - 8 CYL. 289 - w/ INTEGRAL A/C



P-5800

• REFER TO GROUP P19C705-8 FOR SERVICE ASSEMBLY OR SERVICE DETAILS.  
 \* ALSO SUPPLIED IN 19684 GASKET KIT

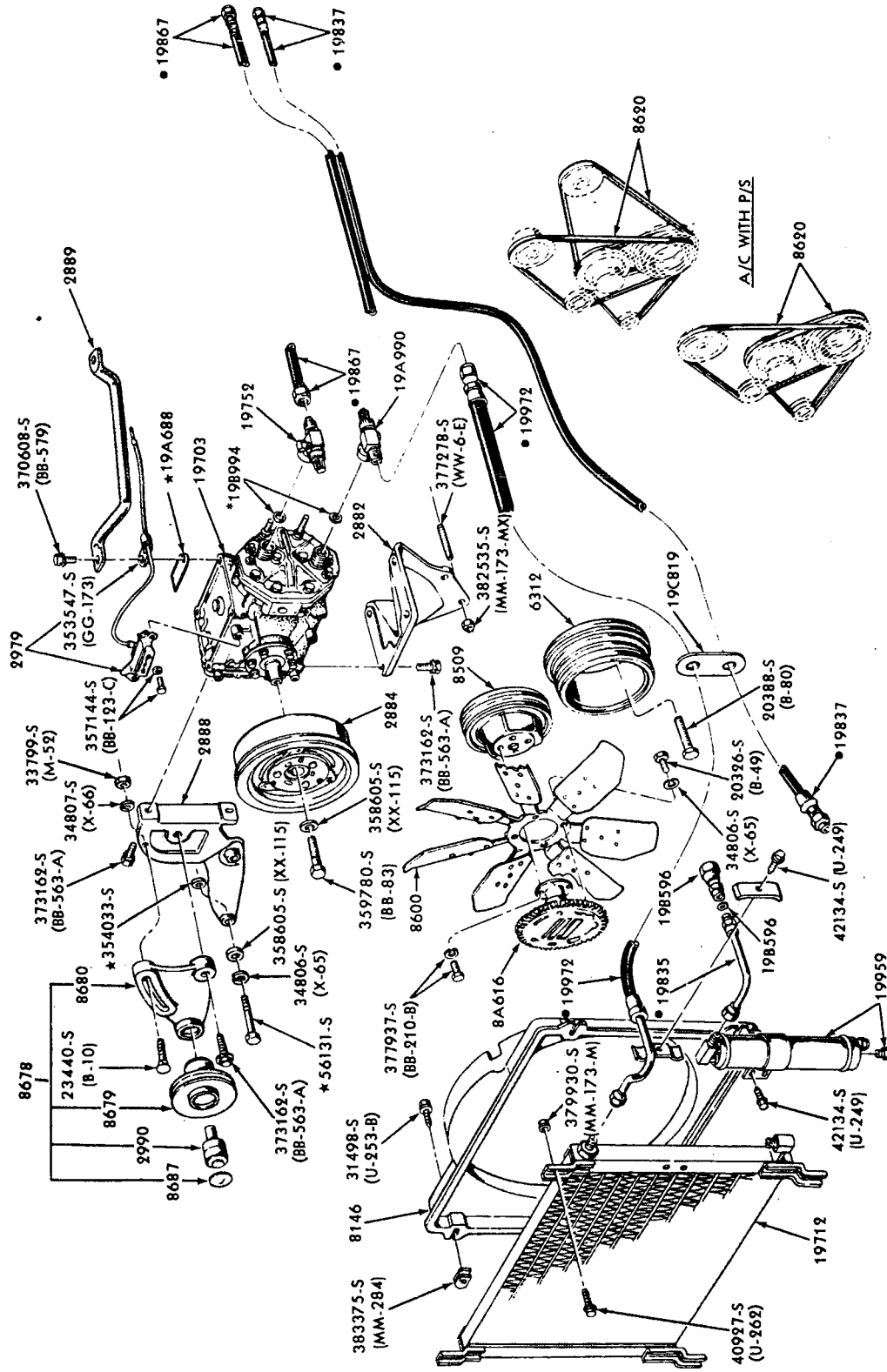
AIR CONDITIONING PARTS (ENGINE COMPARTMENT)  
 1967 FAIRLANE -8 CYL. 390 -w/ INTEGRAL A/C



# NOT USED ON COUGAR

P-5680

VACUUM HOSES - AIR CONDITIONER and HEATER  
1967 MUSTANG - w/ INTEGRAL A/C



AIR CONDITIONING PARTS (ENGINE COMPARTMENT)  
 1967 MUSTANG - 8 CYL. 289 - w/ INTEGRAL A/C

A/C WITH P/S

A/C WITHOUT P/S

• REFER TO GROUP 19C705-8 FOR SERVICE ASSEMBLY OR SERVICE DETAILS  
 \* ALSO SUPPLIED IN 198684 GASKET KIT

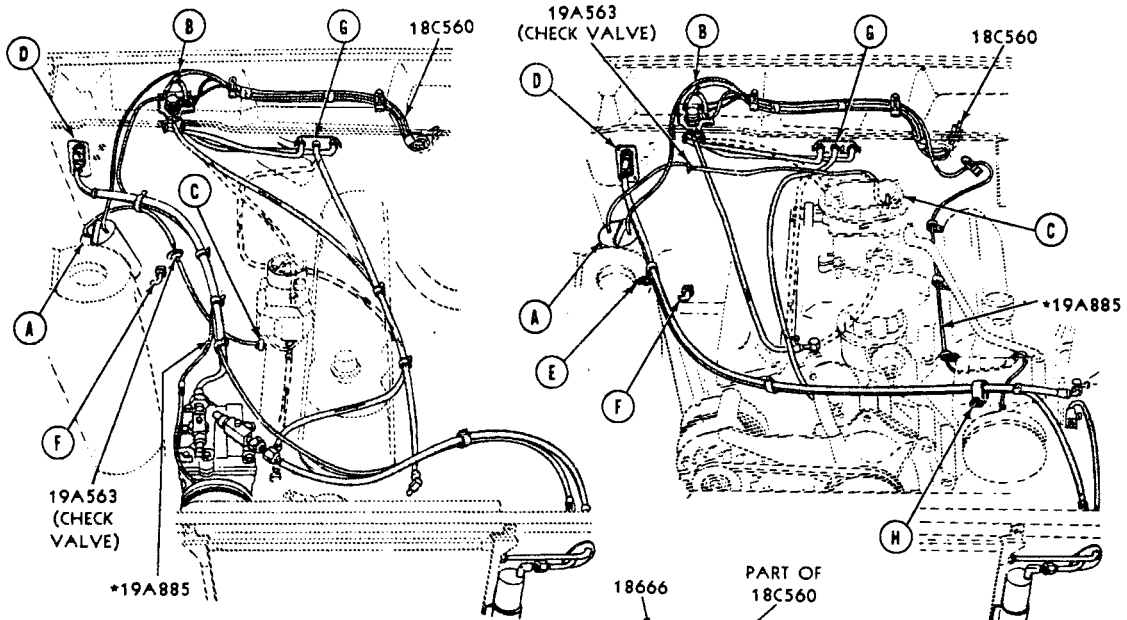






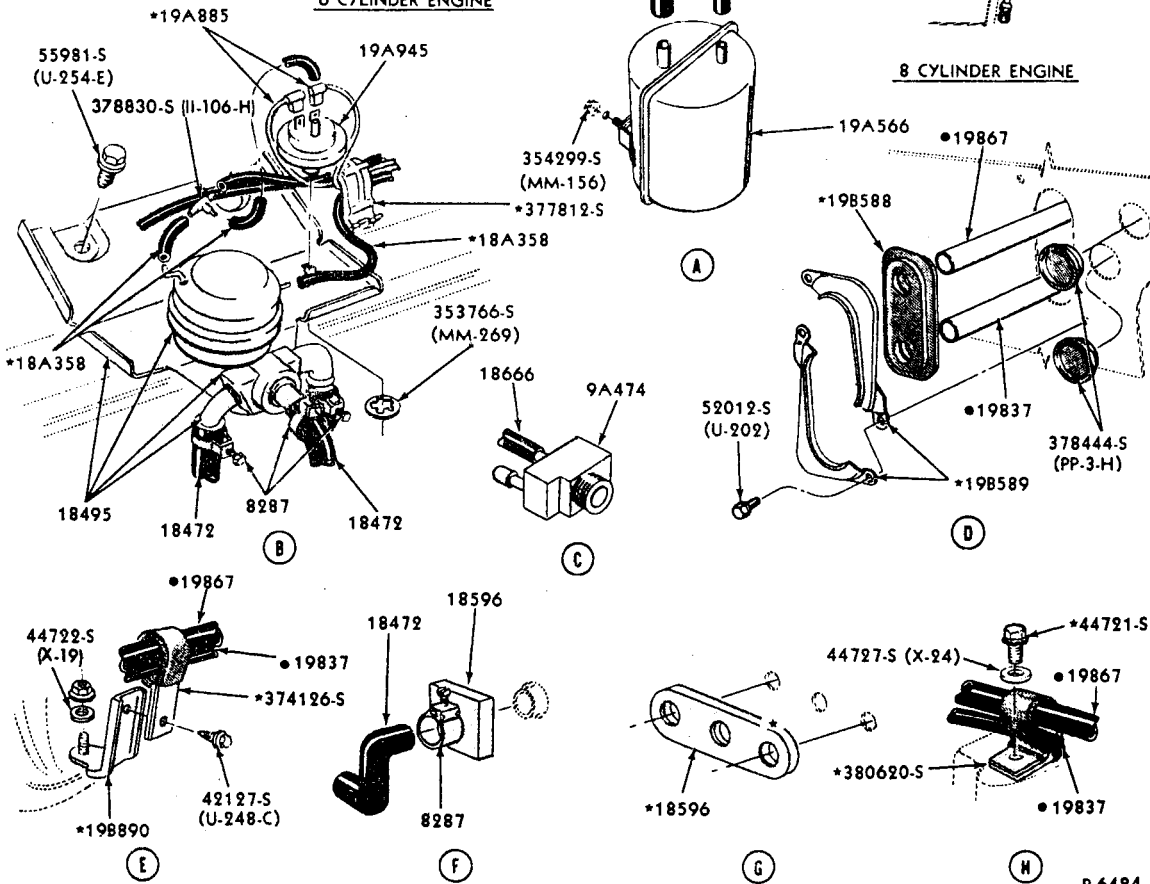






6 CYLINDER ENGINE

8 CYLINDER ENGINE



• REFER TO GROUP 19C705-B FOR SERVICE ASSEMBLY OR DETAILS

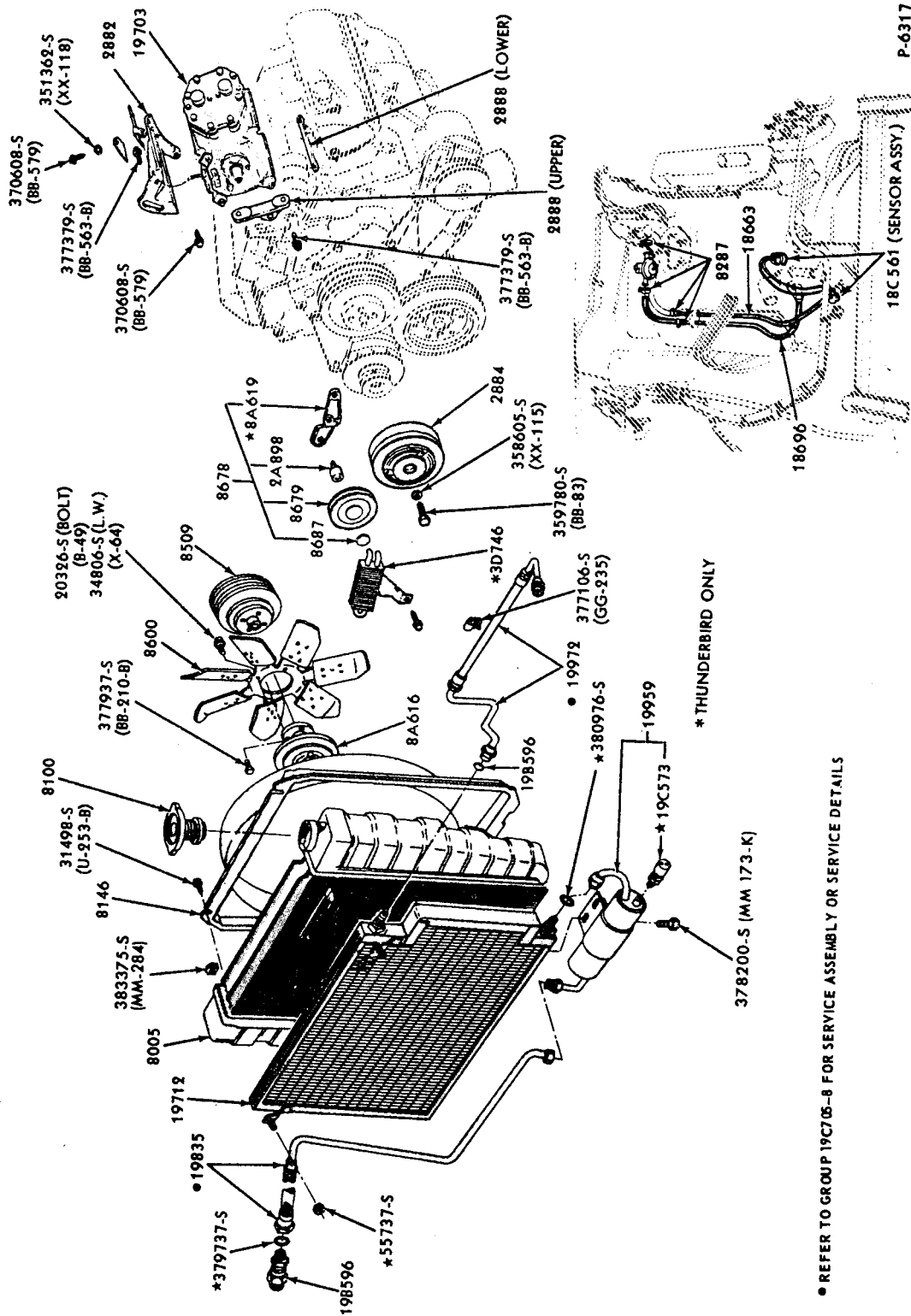
P-6484

VACUUM HOSES - AIR CONDITIONER  
1968/69 FAIRLANE/TORINO and 1968/70 FALCON - w/INTEGRAL A/C







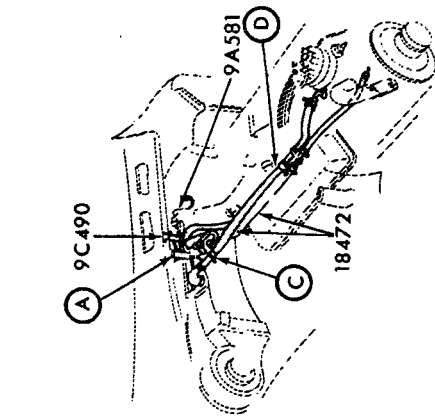


P-6317

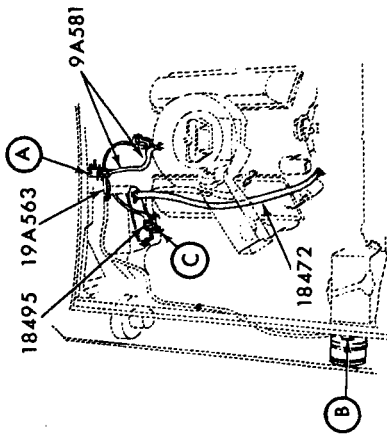
AIR CONDITIONING PARTS (ENGINE COMPARTMENT)  
1968/69 THUNDERBIRD - 8 CYL. 429 - W/ INTEGRAL A/C

● REFER TO GROUP 19C705-8 FOR SERVICE ASSEMBLY OR SERVICE DETAILS

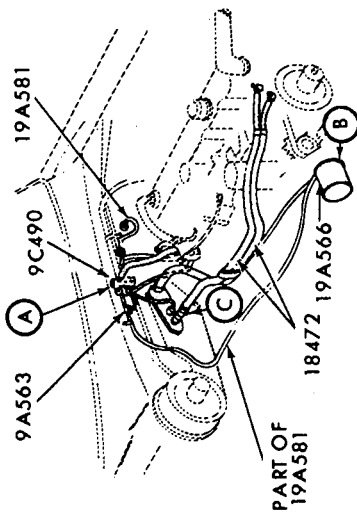
**FORD CAR PARTS**



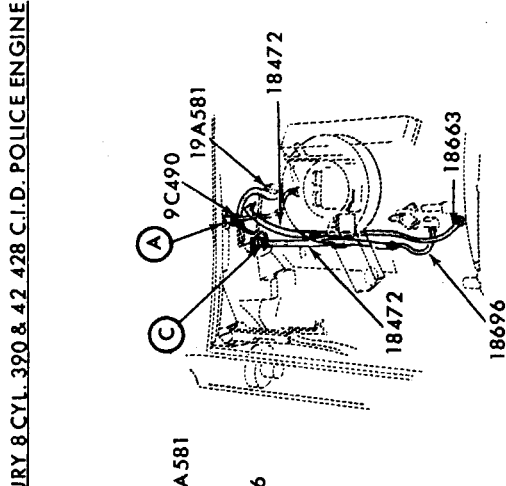
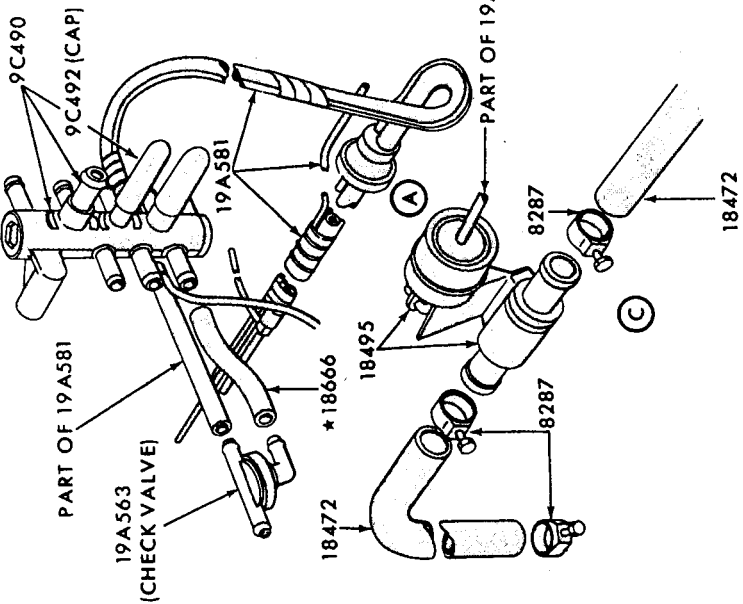
FORD 8 CYLINDER 302 C.I.D. ENGINE



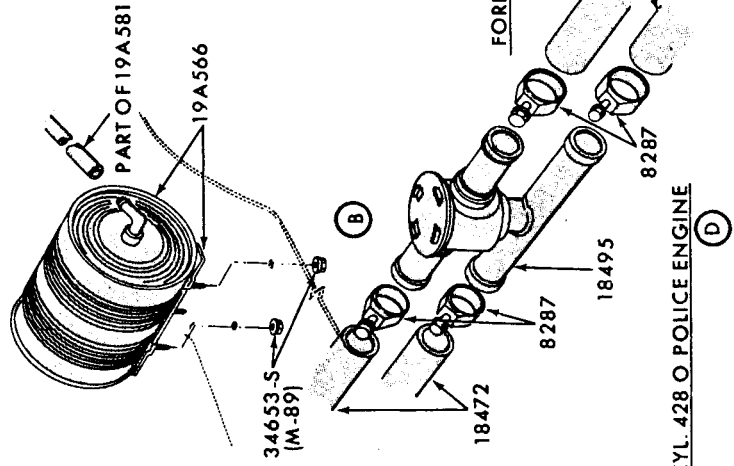
FORD 8 CYL. 428 O POLICE ENGINE



FORD 6 CYLINDER 240 C.I.D. ENGINE



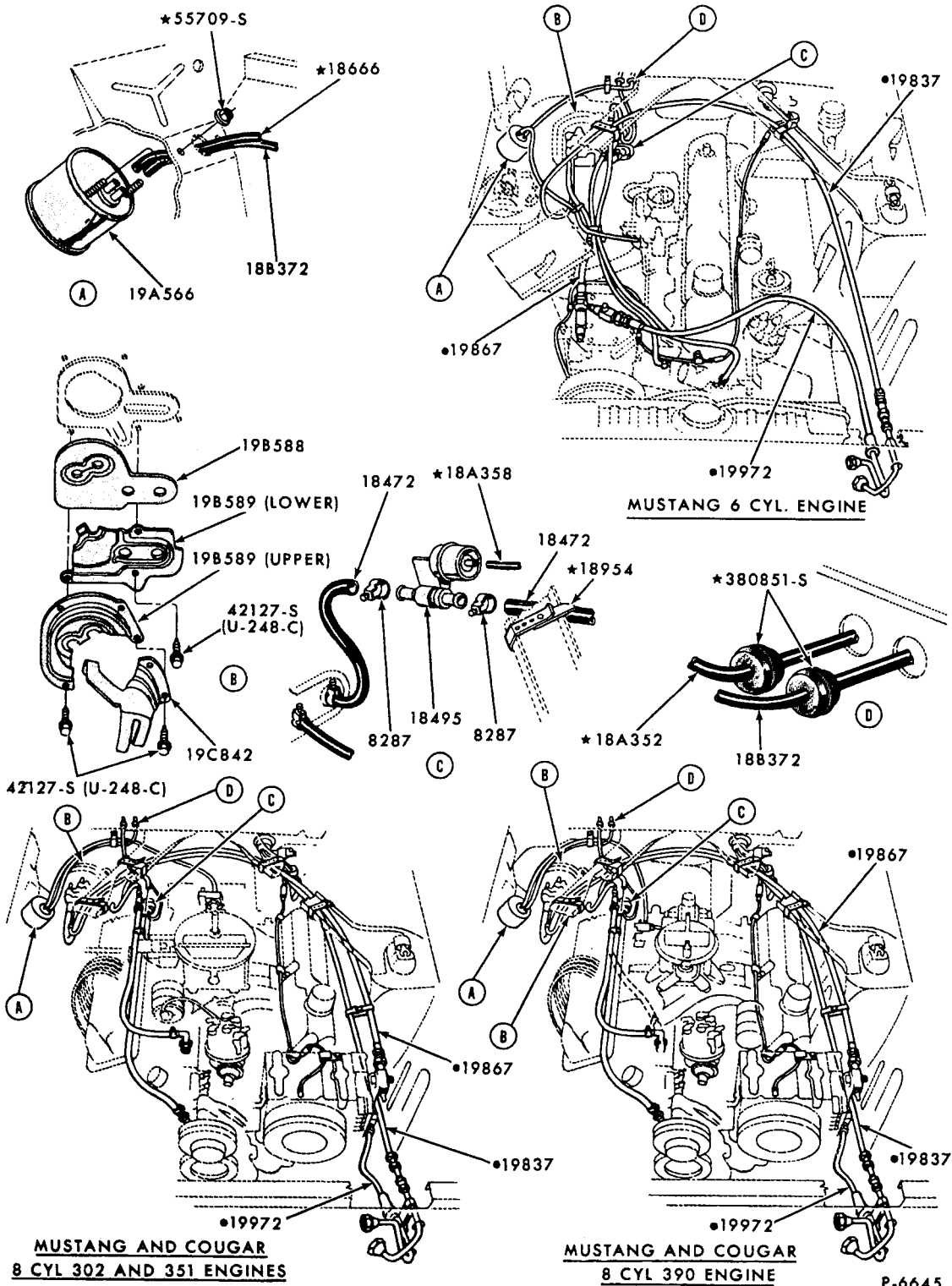
FORD & MERCURY 8 CYL. 429 C.I.D. ENGINE



8 CYL. 428 O POLICE ENGINE

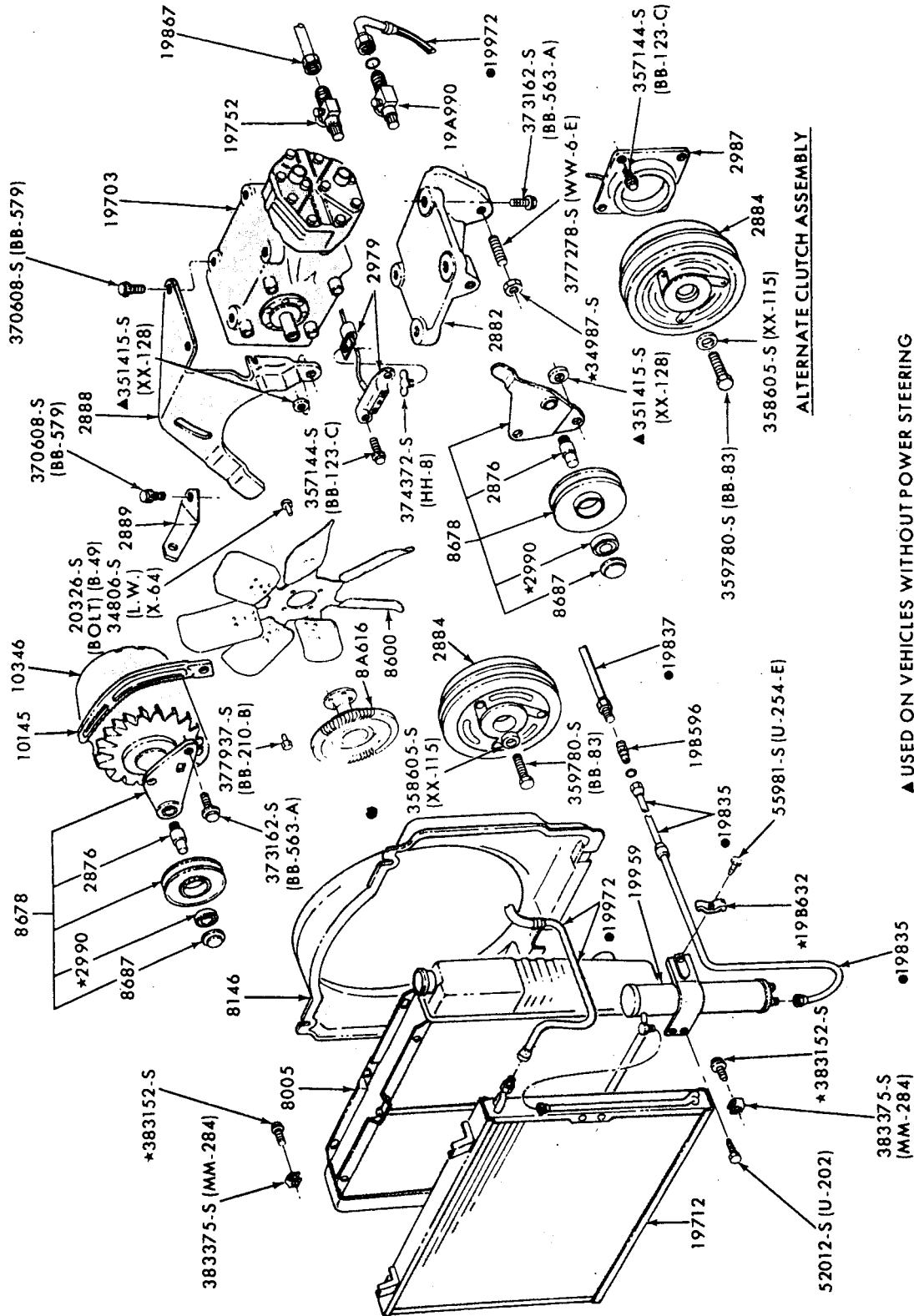
VACUUM HOSES - AIR CONDITIONER and HEATER  
1969/70 FORD - w/ INTEGRAL A/C





•REFER TO GROUP 19C705-8 FOR SERVICE ASSEMBLY OR DETAILS

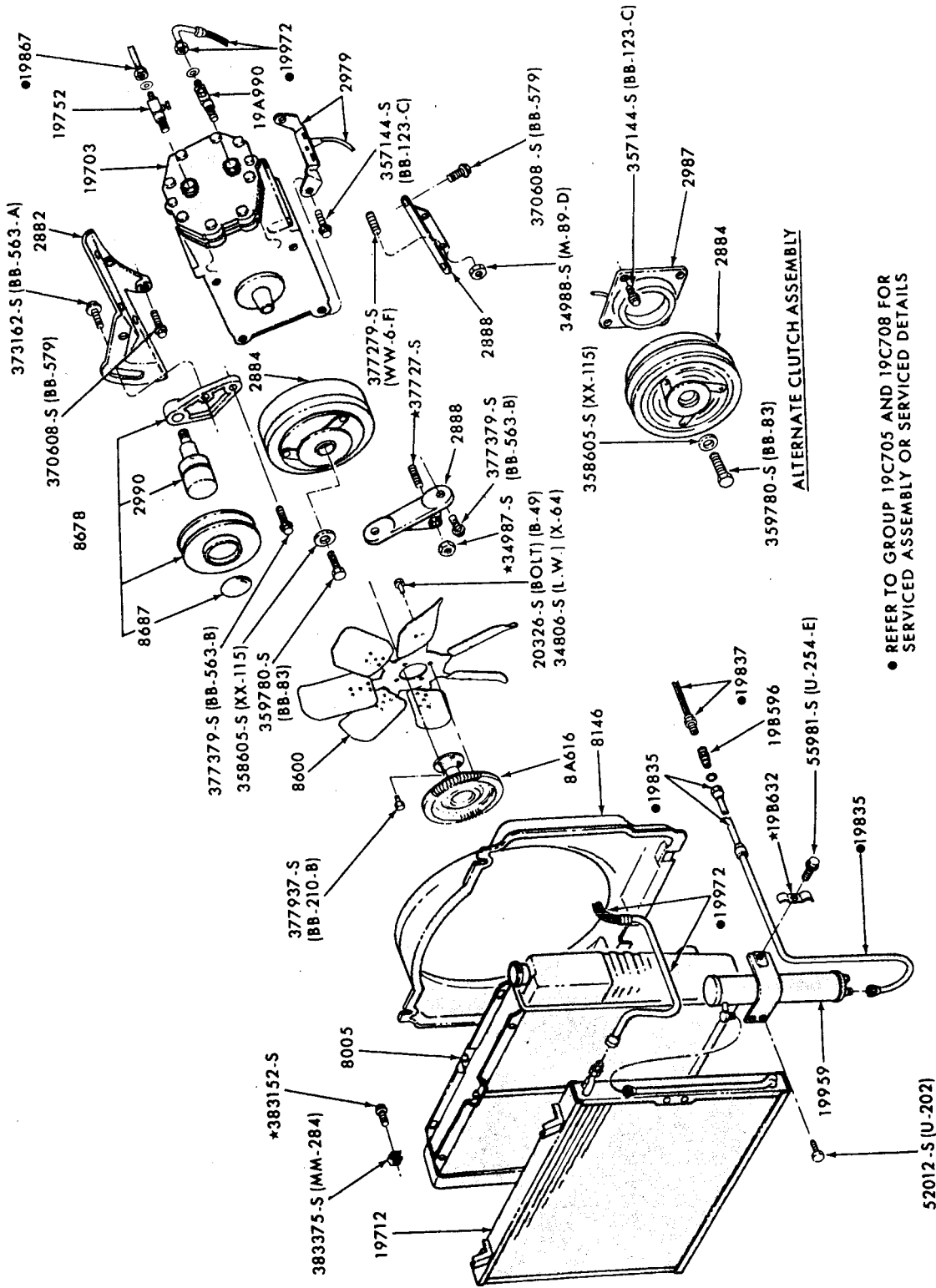
VACUUM HOSES - AIR CONDITIONER and HEATER  
1969/70 MUSTANG - w/ INTEGRAL A/C



ALTERNATE CLUTCH ASSEMBLY

▲ USED ON VEHICLES WITHOUT POWER STEERING  
 ● REFER TO GROUP 19C705-8 FOR SERVICED ASSEMBLY OR SERVICED DETAILS

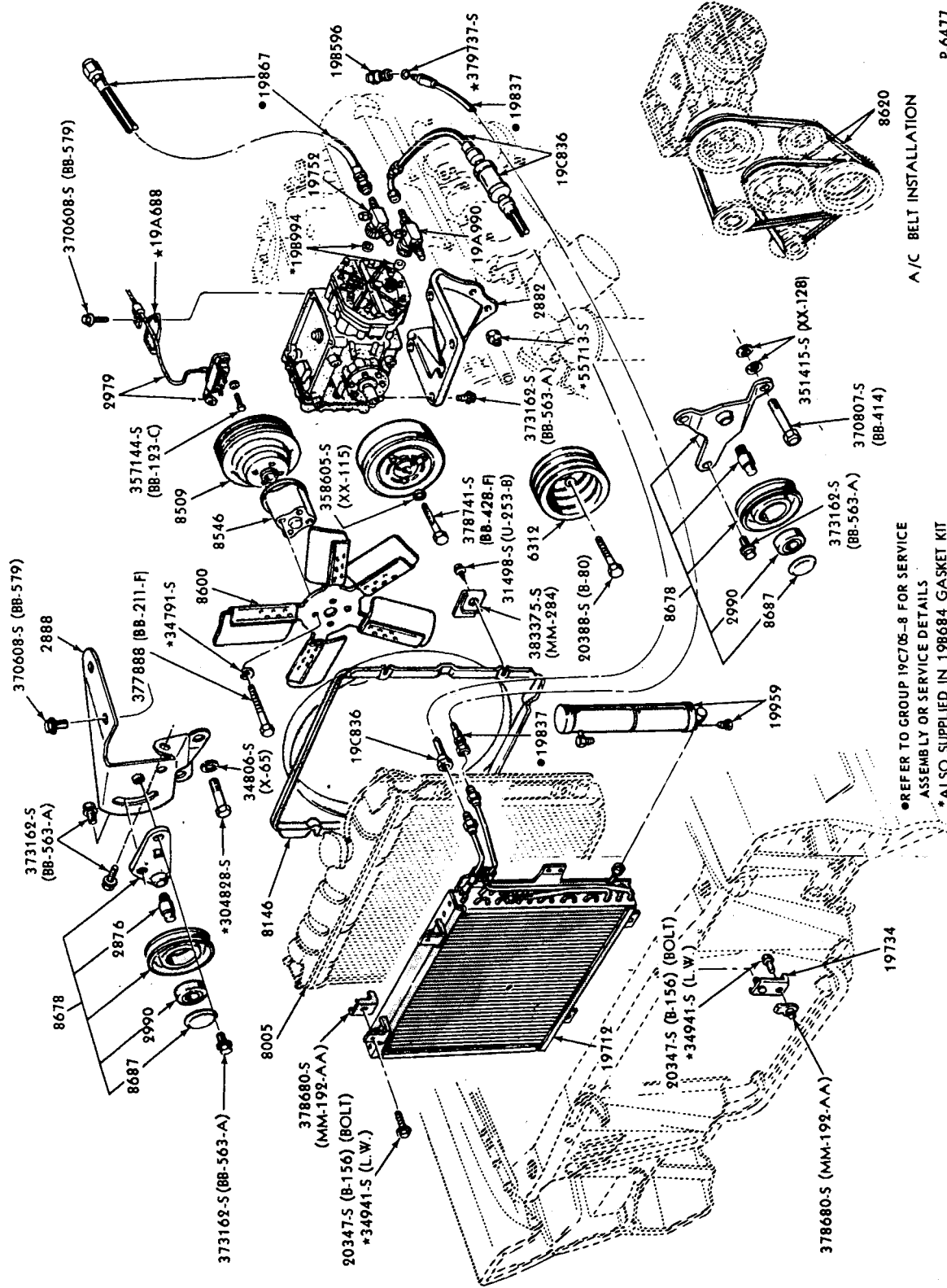
AIR CONDITIONING PARTS (ENGINE COMPARTMENT)  
 1969/71 FORD - 8 CYL. 390, 428-w/INTEGRAL A/C



● REFER TO GROUP 19C705 AND 19C708 FOR SERVICED ASSEMBLY OR SERVICED DETAILS

AIR CONDITIONING PARTS (ENGINE COMPARTMENT)  
 1969 FORD - 8 CYL. 429-w/INTEGRAL A/C

FORD CAR PARTS

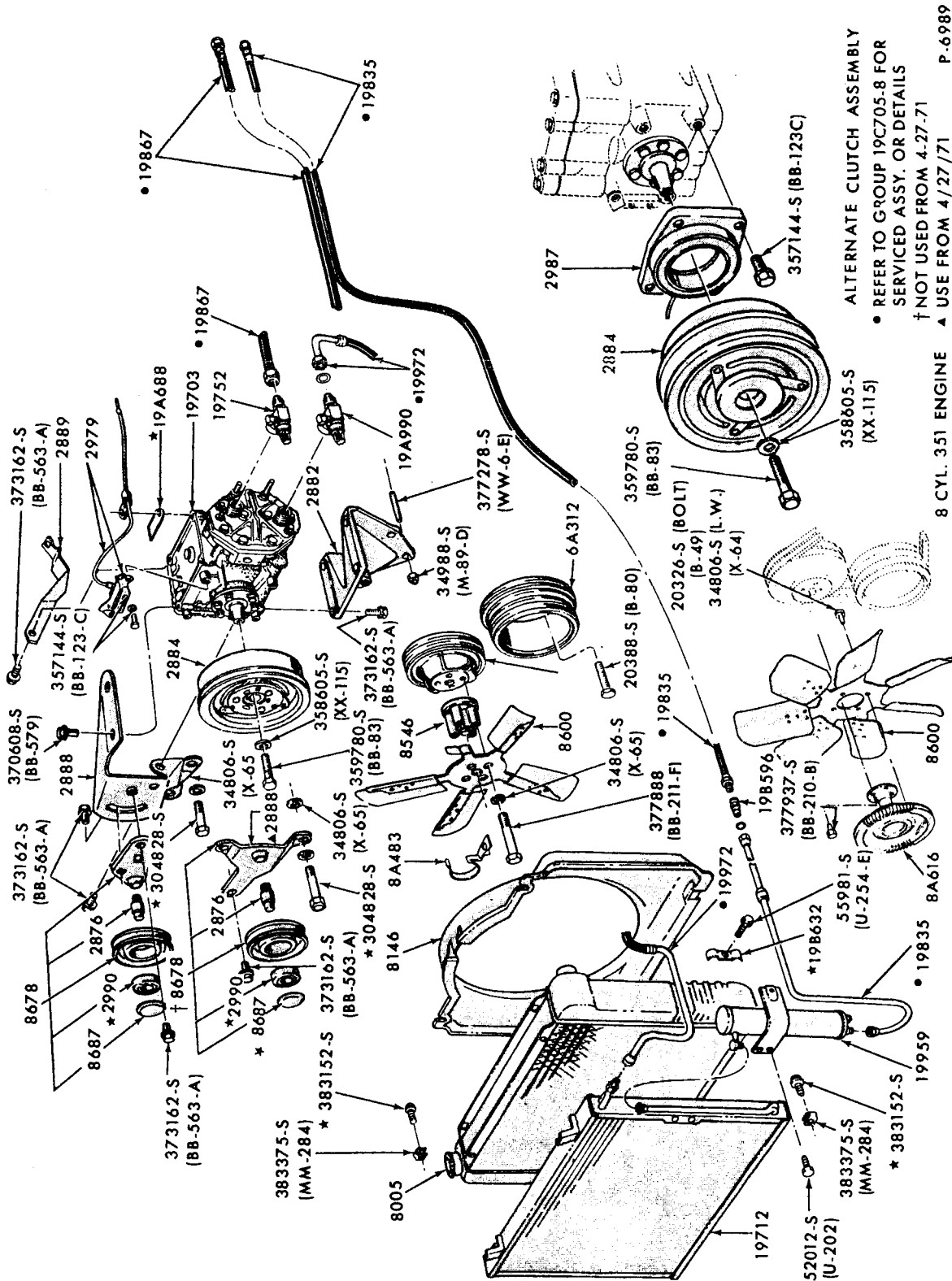


A/C BELT INSTALLATION

P.6477

REFER TO GROUP 19C705-8 FOR SERVICE ASSEMBLY OR SERVICE DETAILS  
 \*ALSO SUPPLIED IN 19B684 GASKET KIT

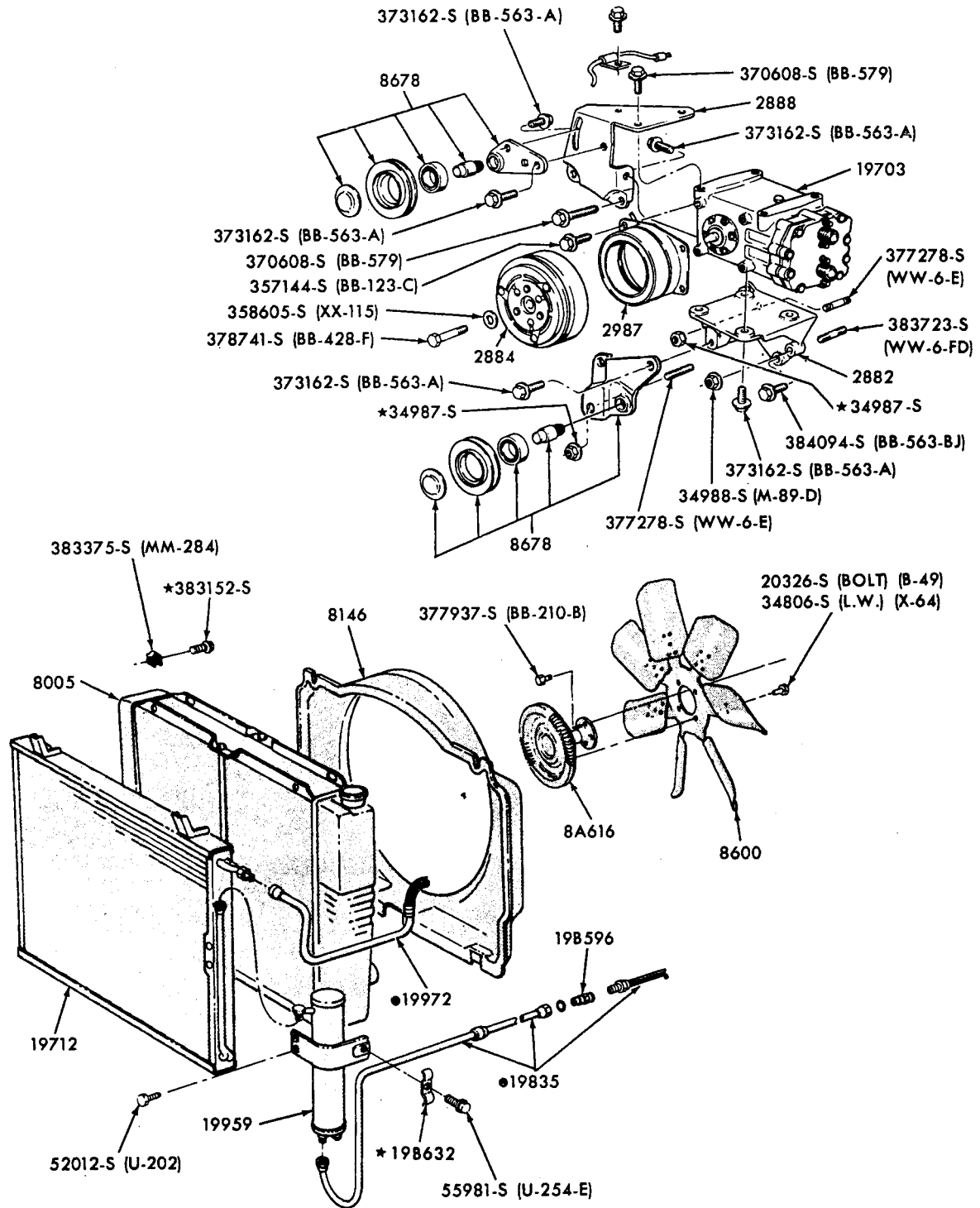
AIR CONDITIONING PARTS (ENGINE COMPARTMENT)  
 1968 FORD - 8 CYL. 302 - w/INTEGRAL A/C



AIR CONDITIONING PARTS (ENGINE COMPARTMENT)  
1969/72 FORD-8 CYL. 302, 351, 400-w/INTEGRAL A/C

8 CYL. 351 ENGINE ▲ USE FROM 4/27/71 P.6989

**FORD CAR PARTS**



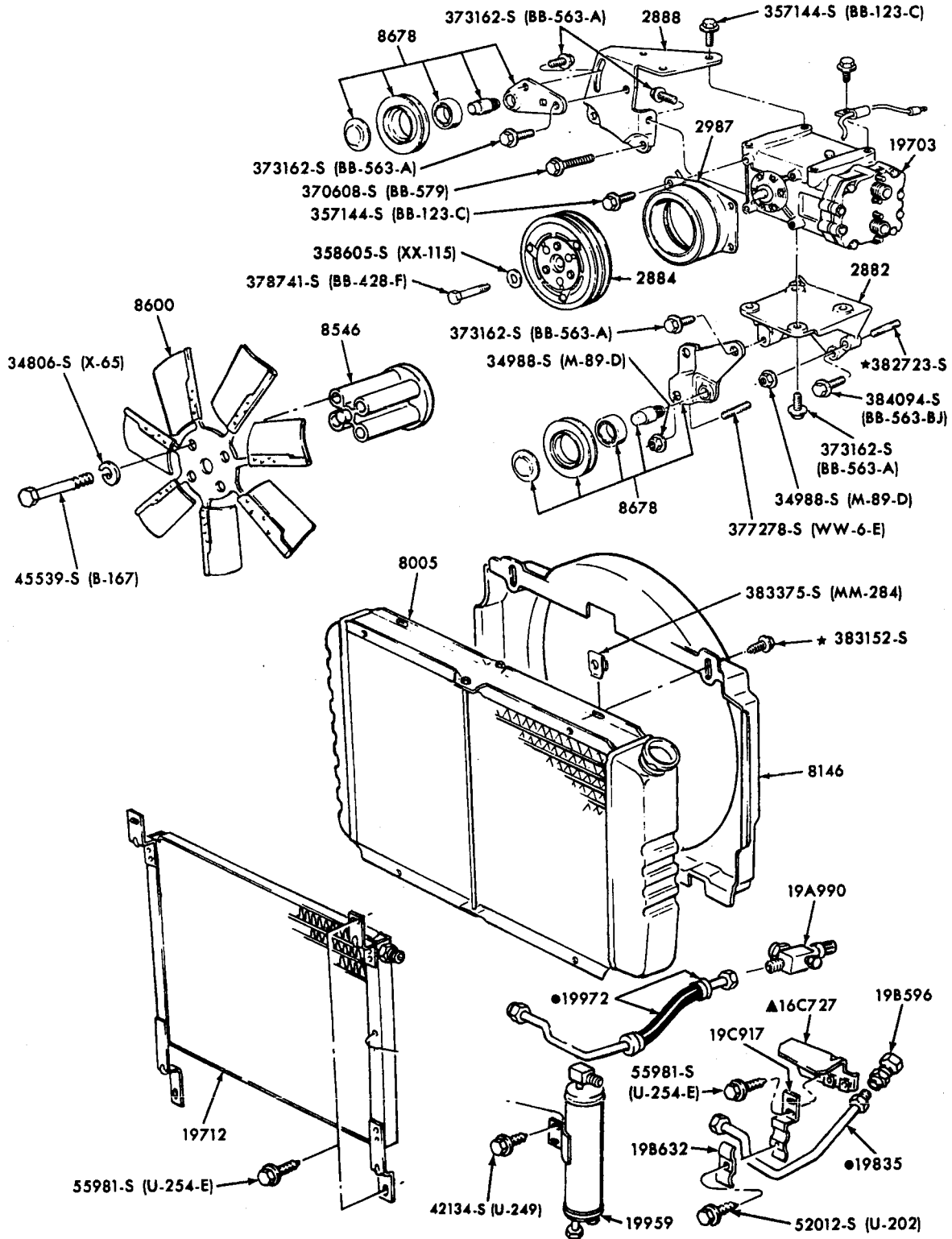
●REFER TO GROUP 19C705 THRU 19C708 FOR SERVICED ASSEMBLY OR SERVICED DETAILS

P-7746

AIR CONDITIONING PARTS (ENGINE COMPARTMENT)  
1970/72 FORD-8 CYL. 429-w/INTEGRAL A/C



**FORD CAR PARTS**

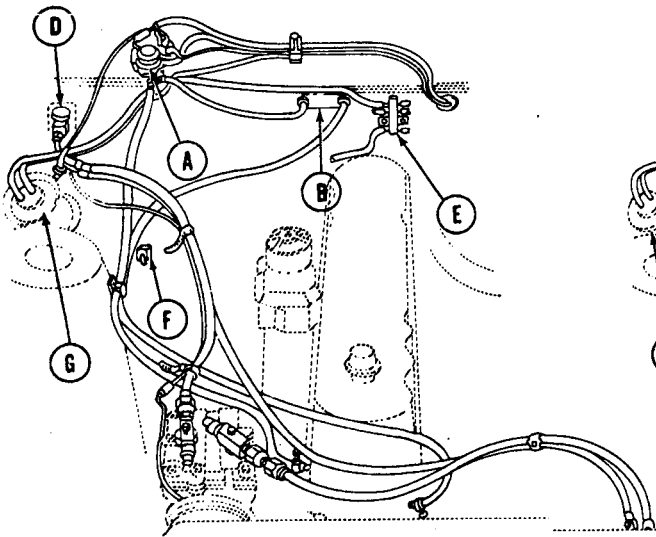


●REFER TO GROUP 19C705.8 FOR SERVICED ASSEMBLY OR SERVICED DETAILS  
▲INSTALLATION OF 429 CID. WITH "RALLY PACK"

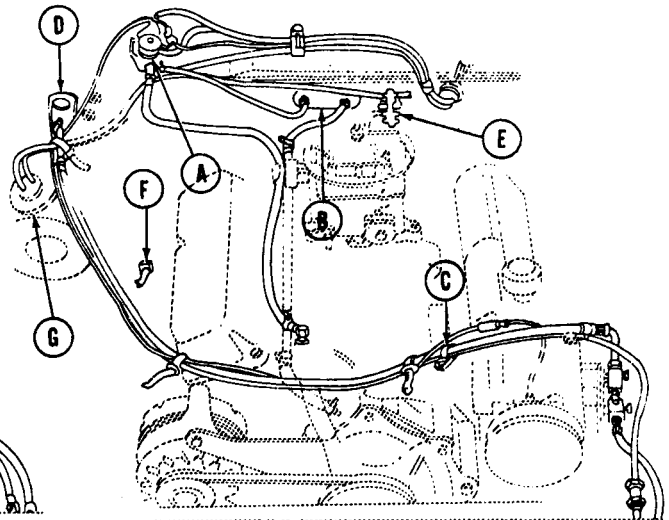
P.7743

AIR CONDITIONING PARTS (ENGINE COMPARTMENT)  
1970/71 FAIRLANE/TORINO, 1971/72 MUSTANG-8 CYL. 429-w/INTEGRAL A/C

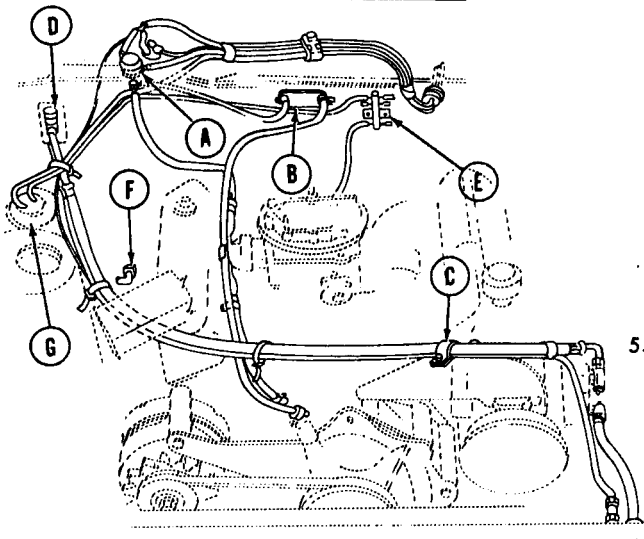




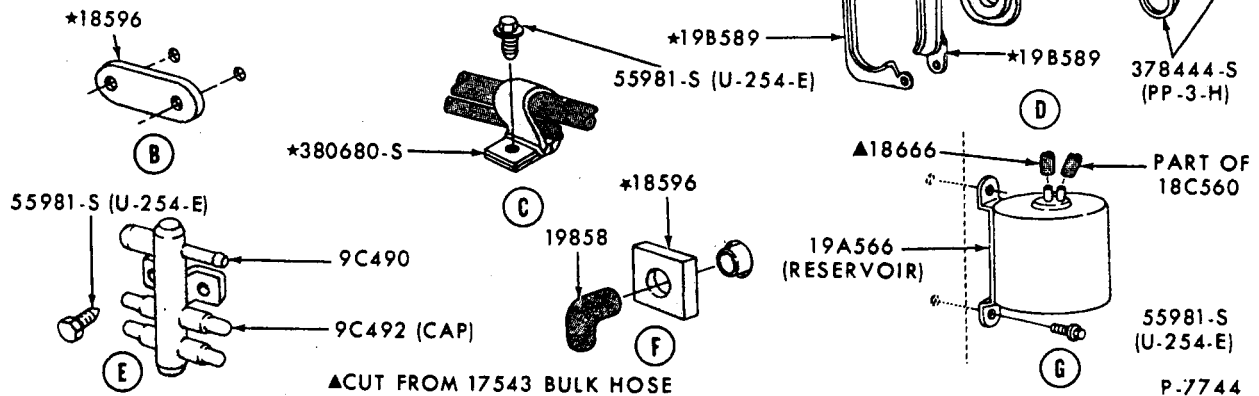
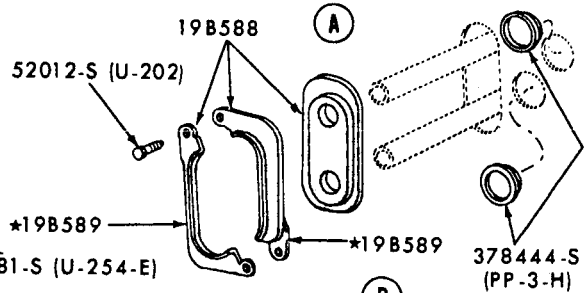
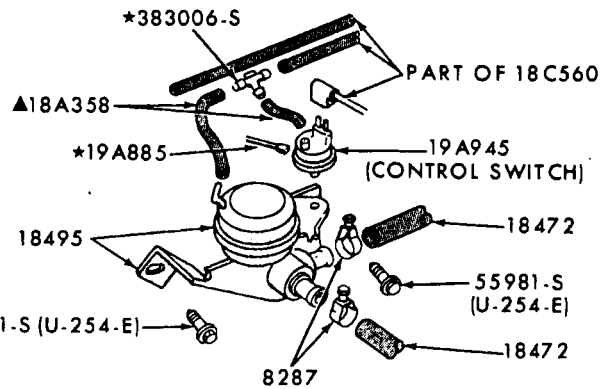
**6 CYLINDER ENGINE**



**8 CYLINDER 302 ENGINE**



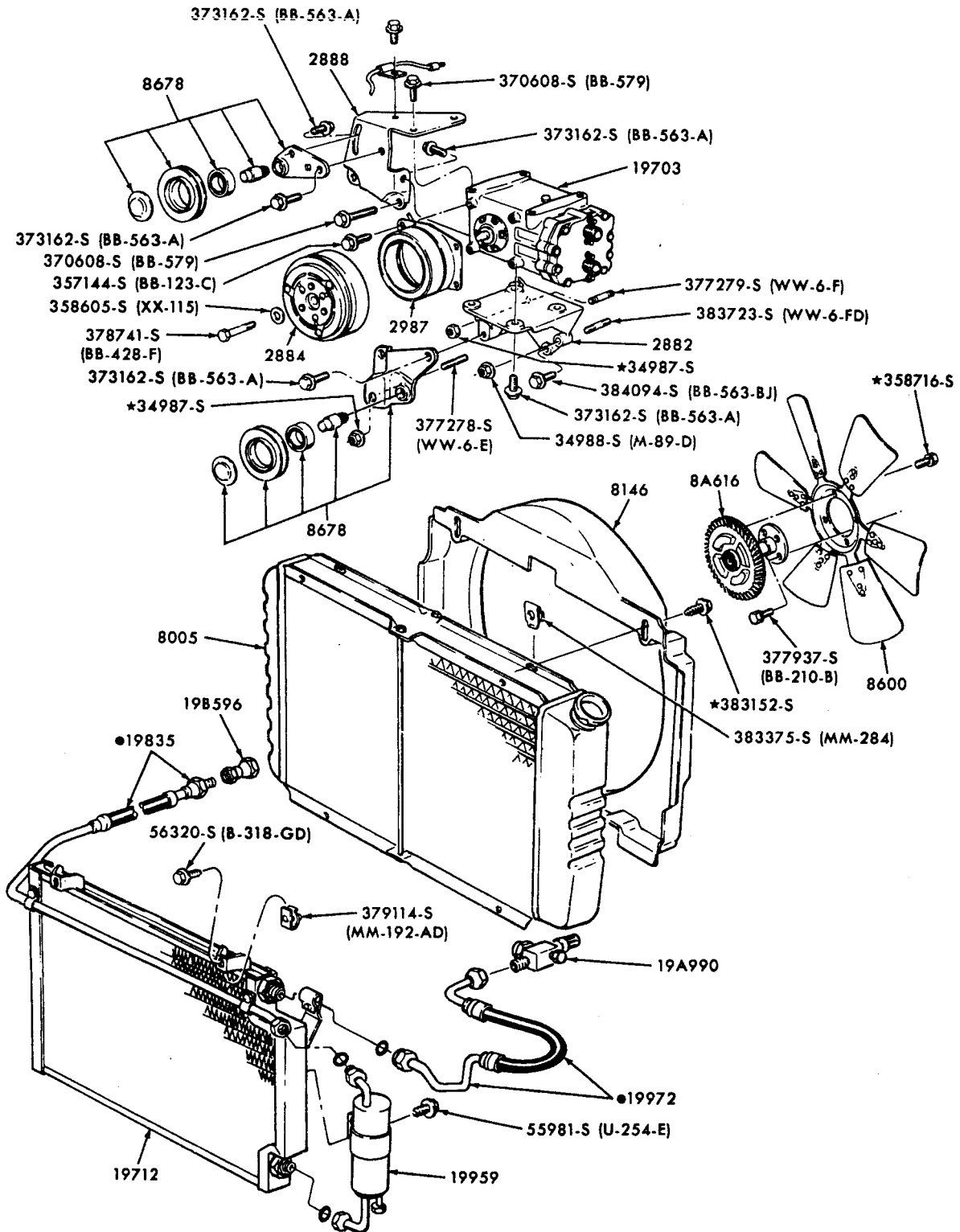
**8 CYLINDER 351 & 429 ENGINES**



P.7744

**VACUUM HOSES - AIR CONDITIONER  
1970/71 FAIRLANE/TORINO-w/INTEGRAL A/C**

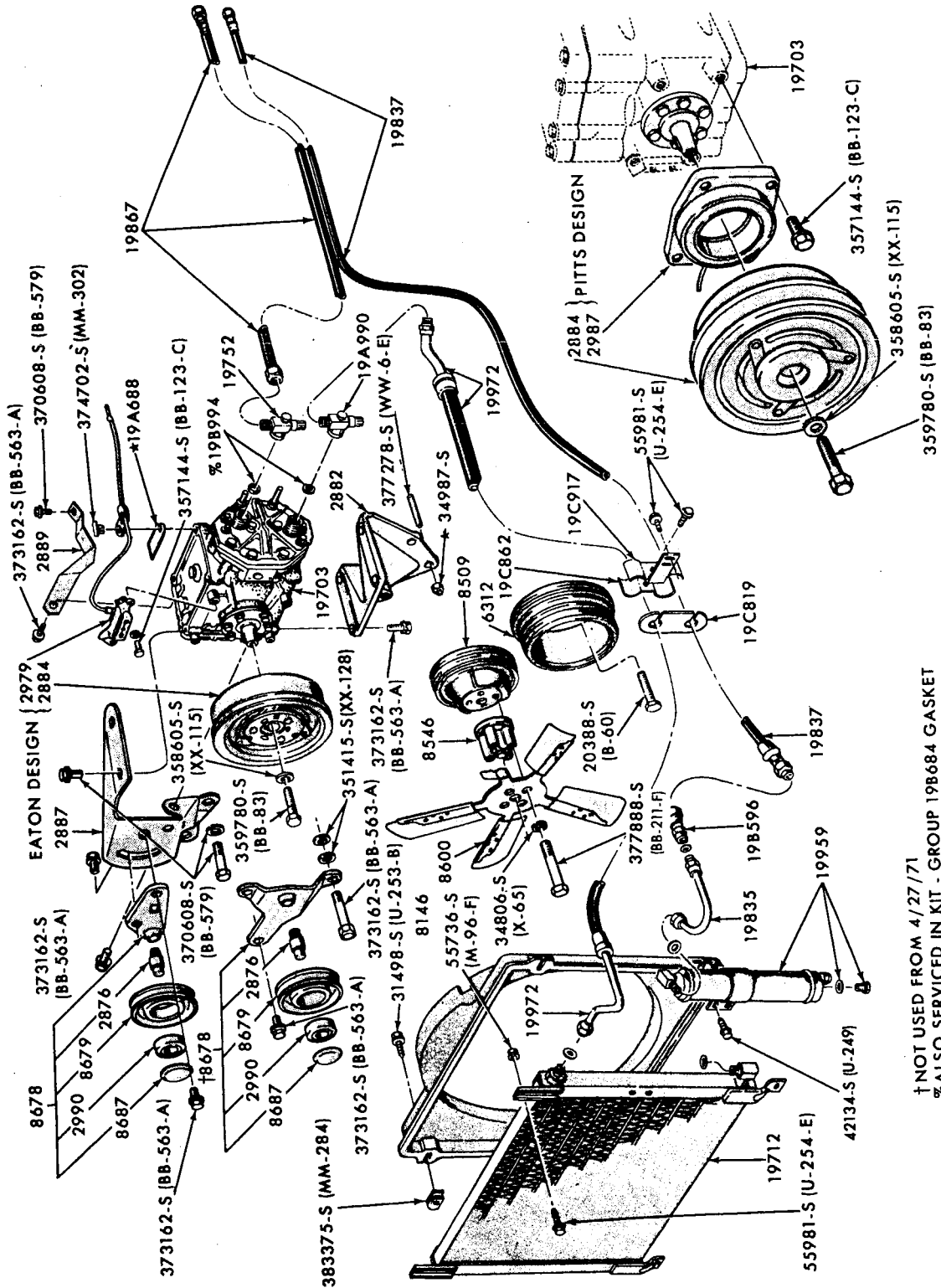
**FORD CAR PARTS**



●REFER TO GROUP 19C705-8 FOR SERVICE ASSEMBLY OR SERVICE DETAILS

P-7726

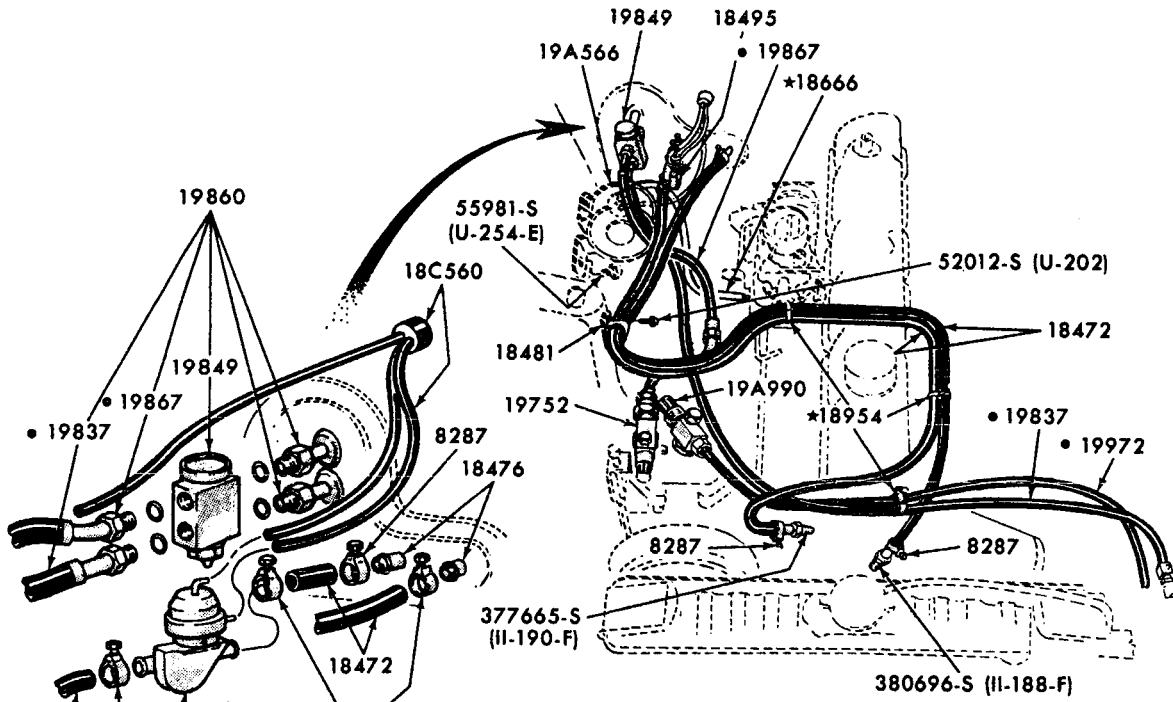
AIR CONDITIONING PARTS (ENGINE COMPARTMENT)  
1970/71 THUNDERBIRD-8 CYL. 429-w/INTEGRAL A/C



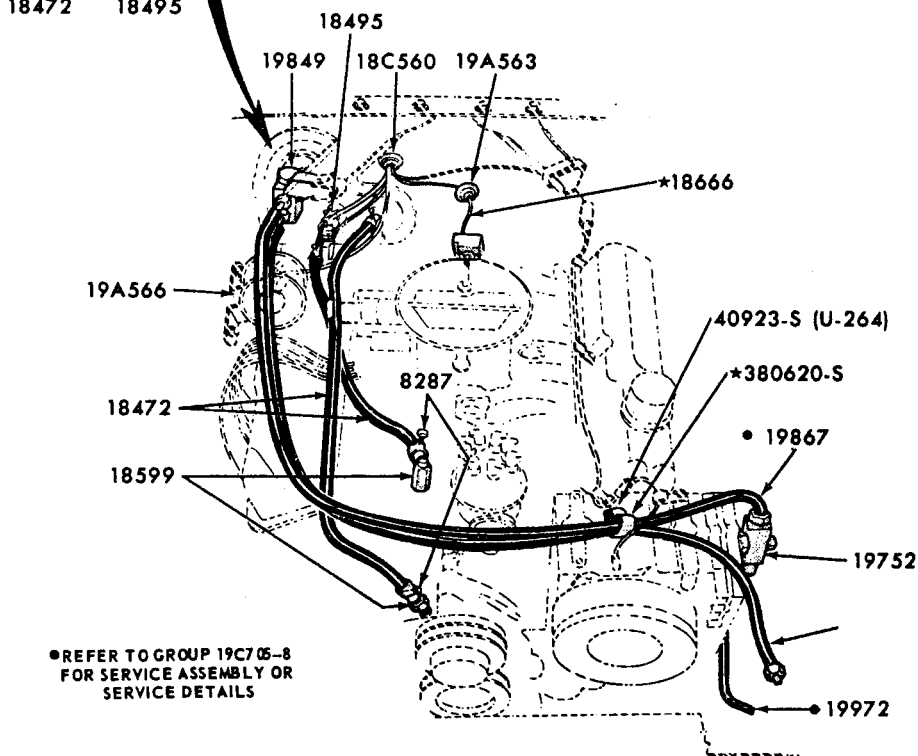
P-6905

AIR CONDITIONING PARTS (ENGINE COMPARTMENT)  
1971/72 MAVERICK-8 CYL.302-W/INTEGRAL A/C

# FORD CAR PARTS



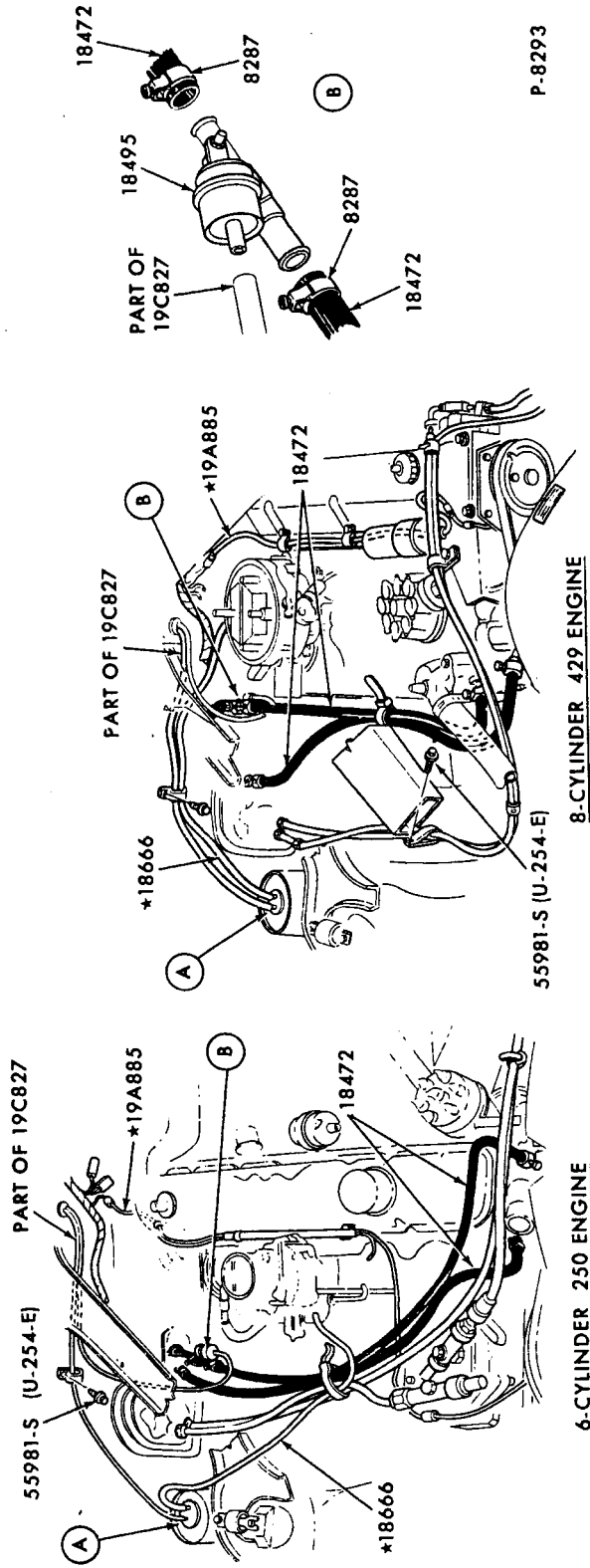
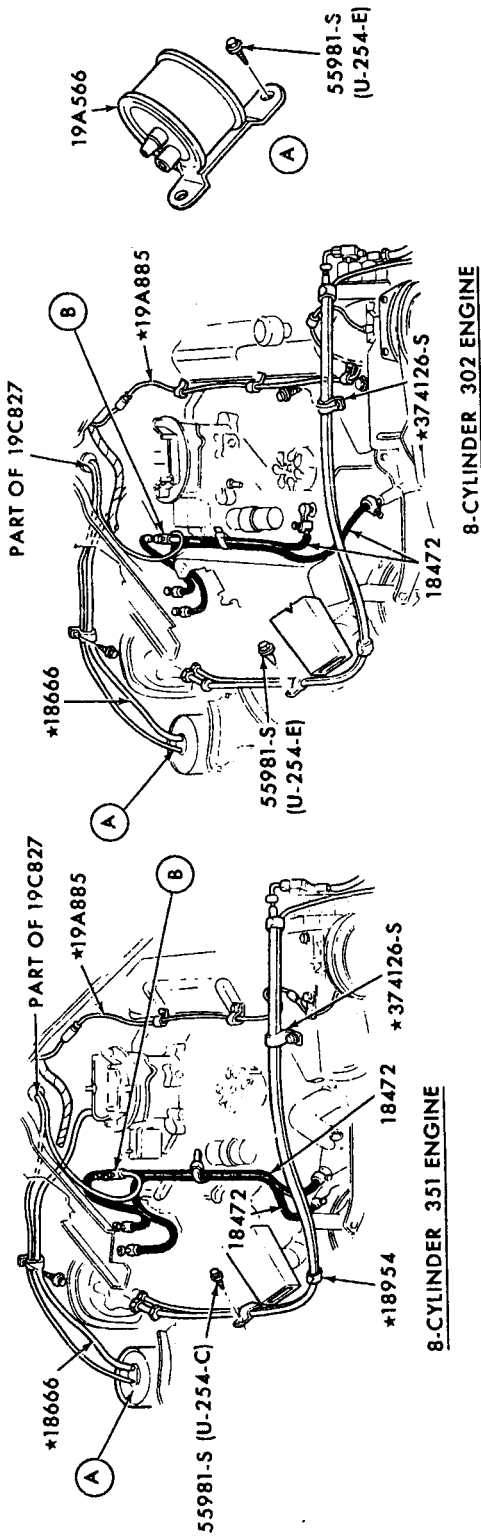
6 CYLINDER ENGINES



8 CYLINDER ENGINE

● REFER TO GROUP 19C705-8  
FOR SERVICE ASSEMBLY OR  
SERVICE DETAILS

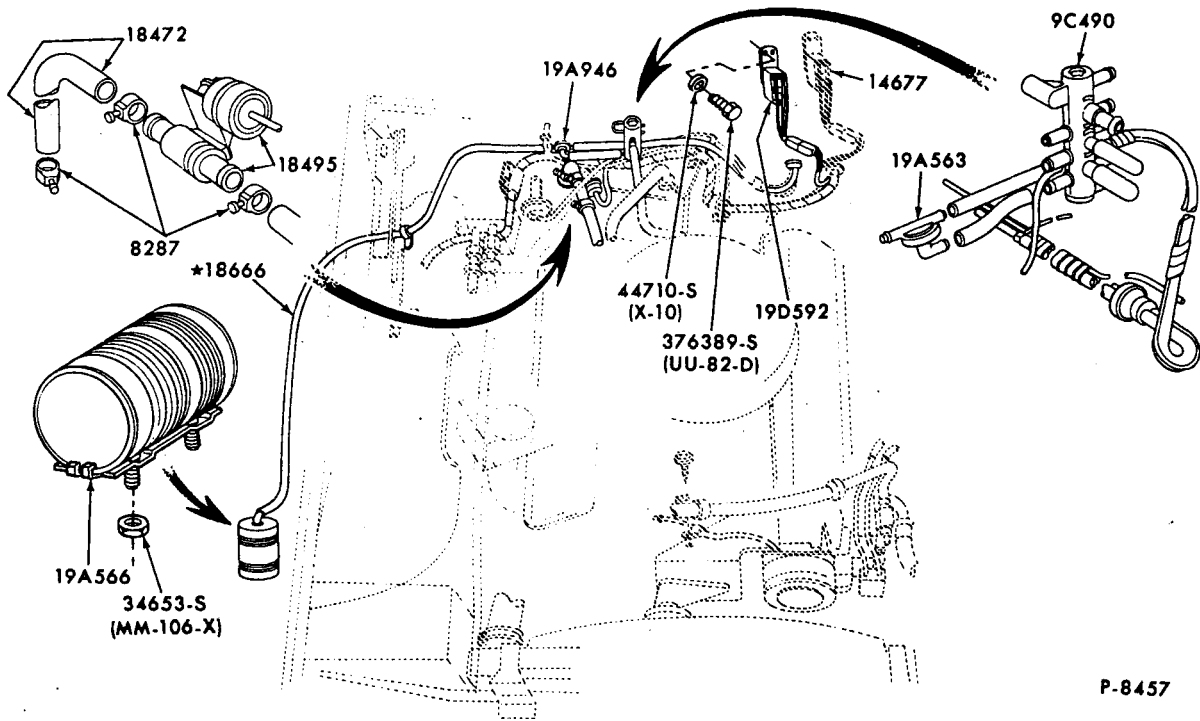
P.6928



P-8293

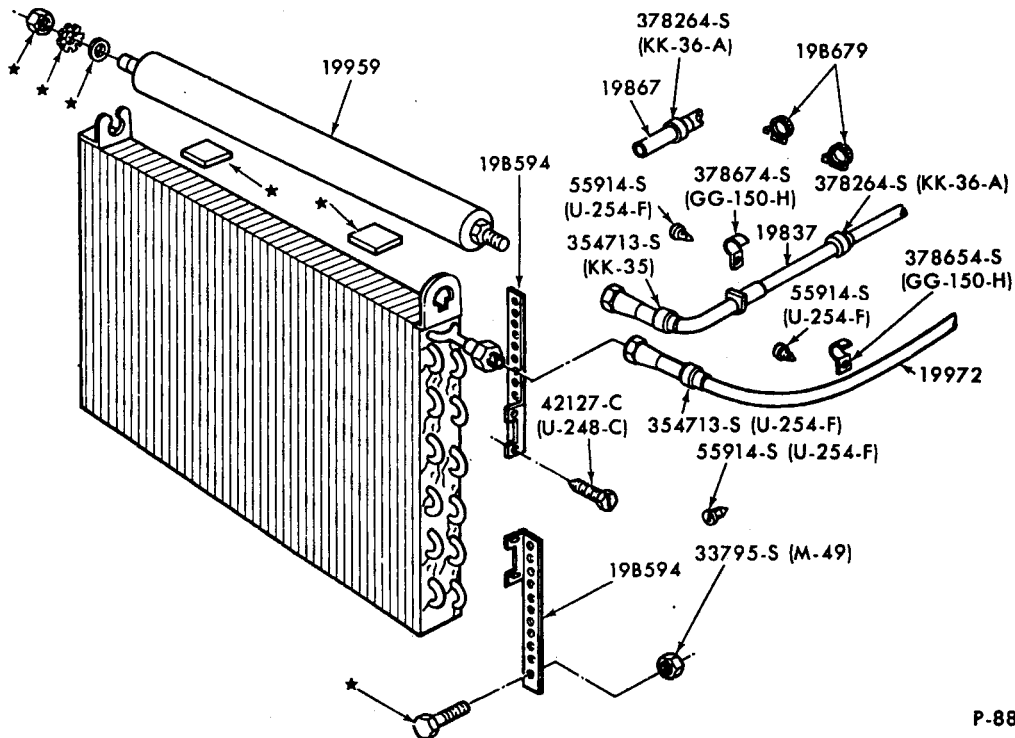
VACUUM HOSES-AIR CONDITIONING  
1971/72 MUSTANG-8 CYL.-w/INTEGRAL A/C

# FORD CAR PARTS



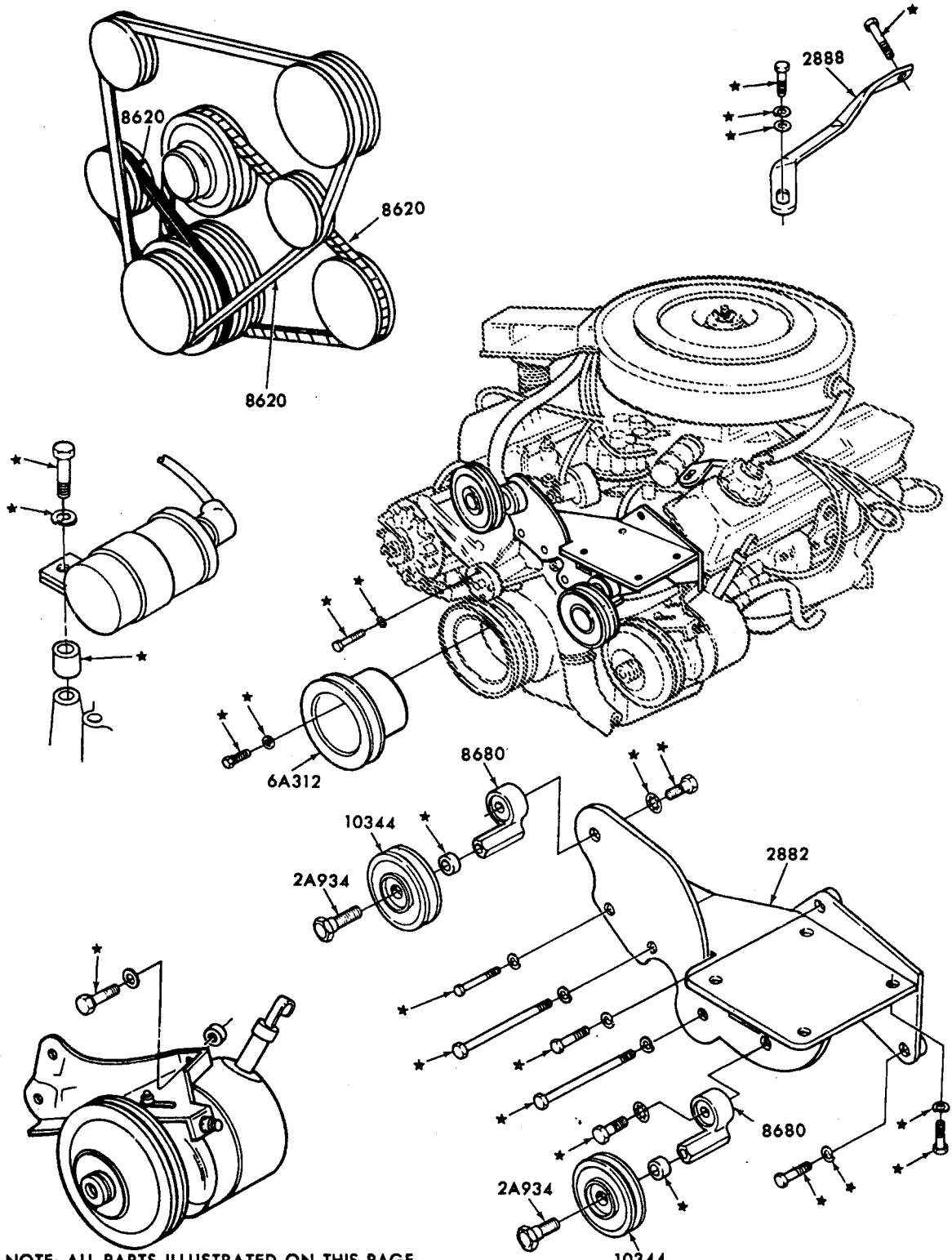
P-8457

VACUUM HOSES - AIR CONDITIONING  
1971/72 FORD-8 CYL.-w/INTEGRAL A/C



P-8882

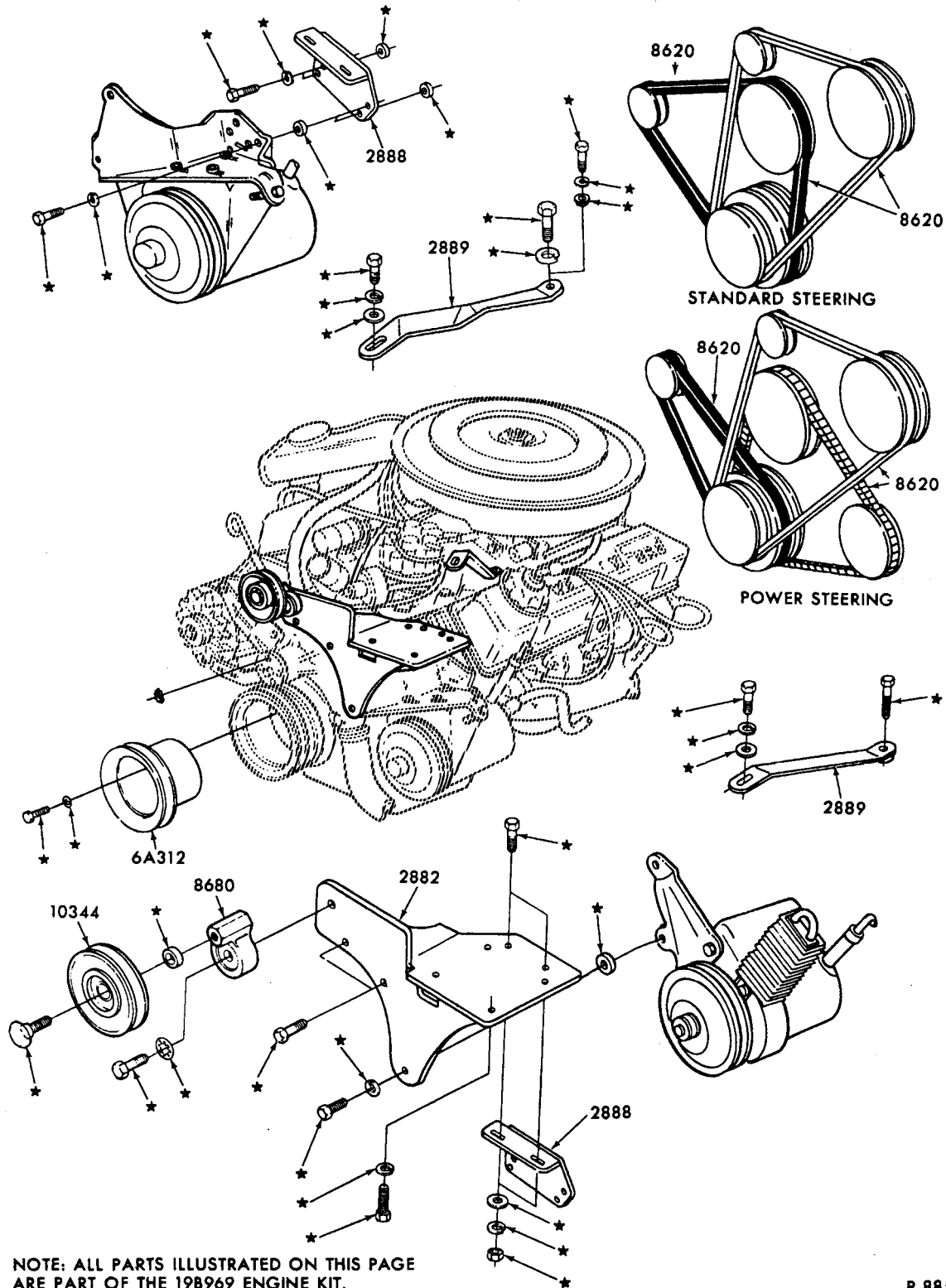
AIR CONDITIONER CONDENSER, DEHYDRATOR and RELATED PARTS  
1972 8 CYL. - w/ HANG-ON A/C



NOTE: ALL PARTS ILLUSTRATED ON THIS PAGE ARE PART OF THE 19B969 ENGINE KIT.

P-8854

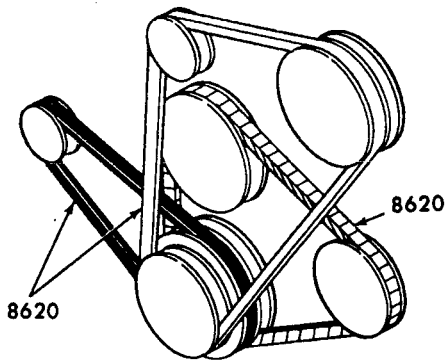
AIR CONDITIONING PARTS (ENGINE COMPARTMENT)  
1972 FORD, TORINO - 8 CYL.429 - W/HANG-ON A/C



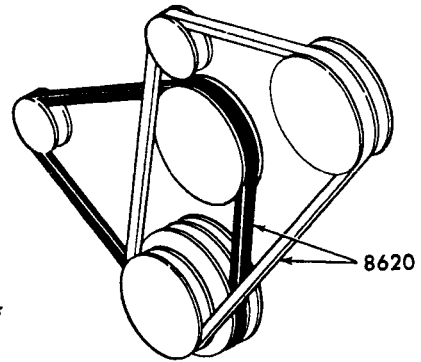
P-8855

AIR CONDITIONING PARTS (ENGINE COMPARTMENT)  
1972 FORD, TORINO, MUSTANG - 8 CYL. 351-C, 400 -w/ HANG-ON A/C

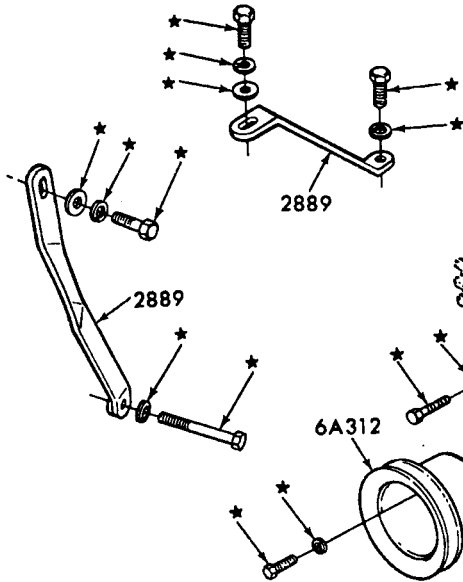
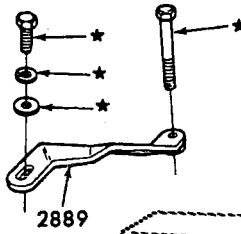




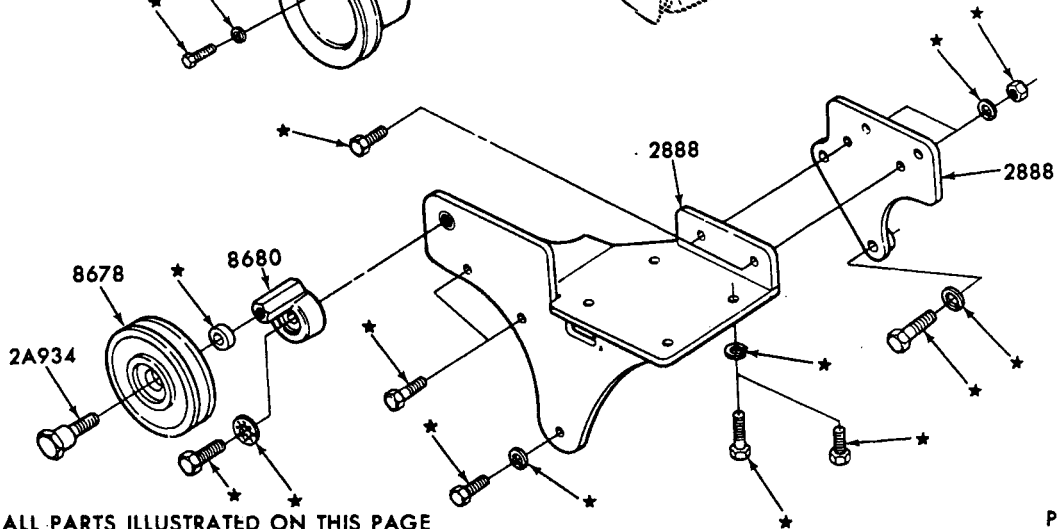
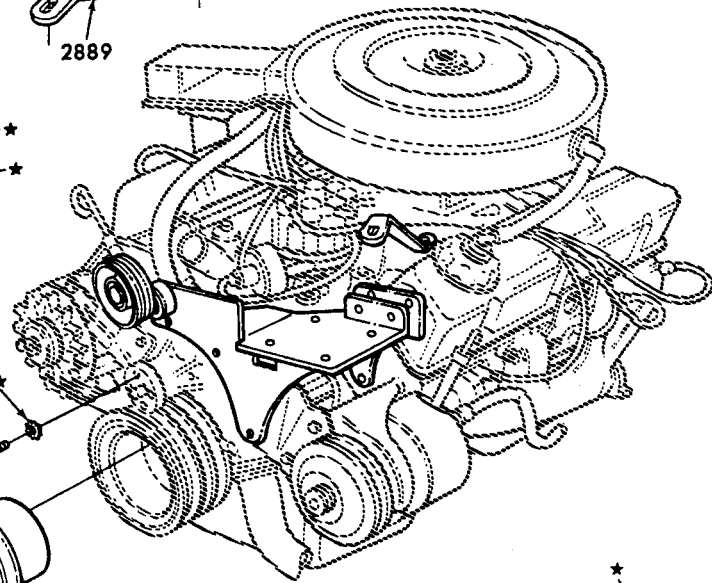
STANDARD STEERING



POWER STEERING



6A312



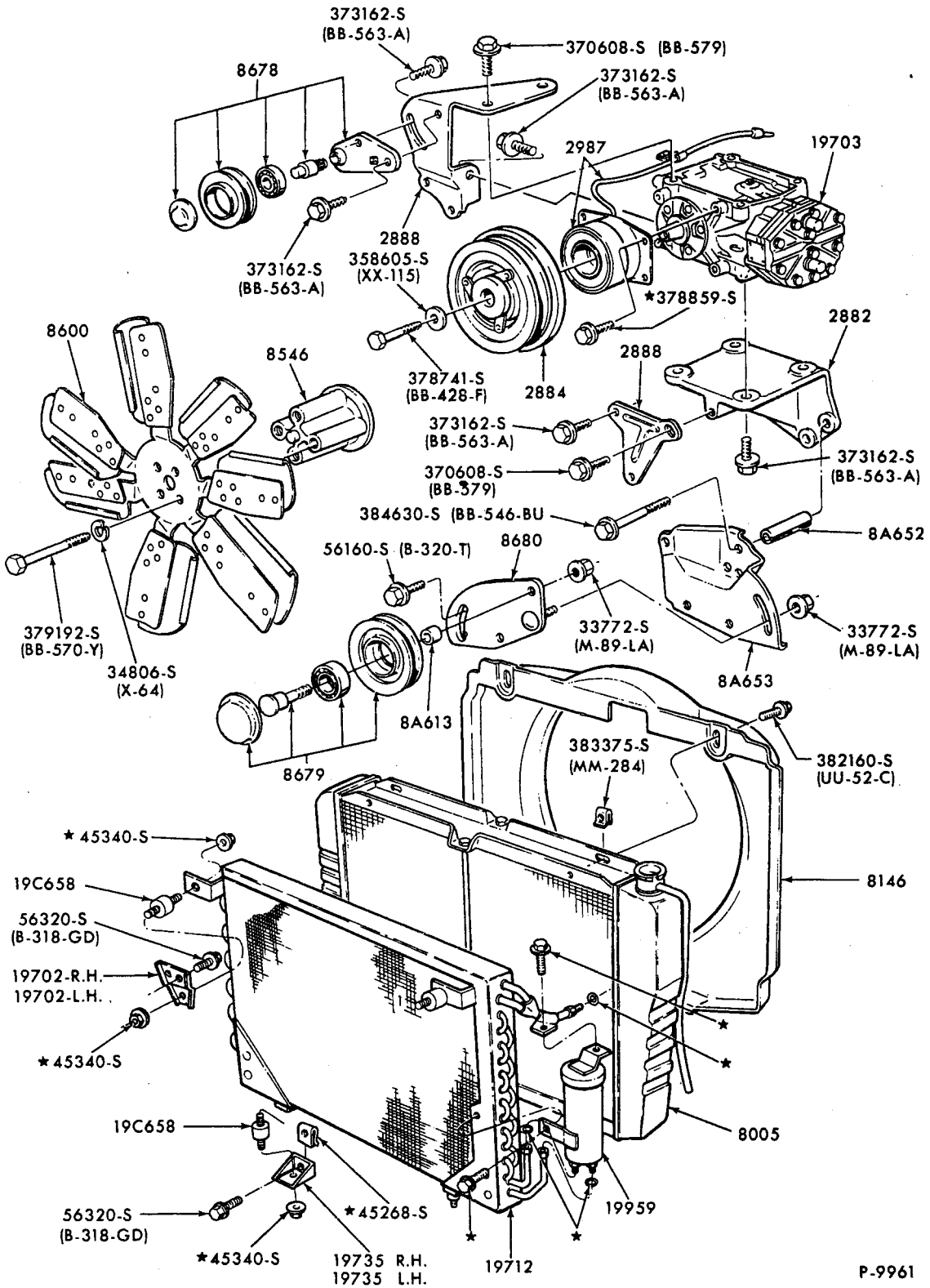
NOTE: ALL PARTS ILLUSTRATED ON THIS PAGE ARE PART OF THE 19B969 ENGINE KIT.

P-8856

AIR CONDITIONING PARTS (ENGINE COMPARTMENT)

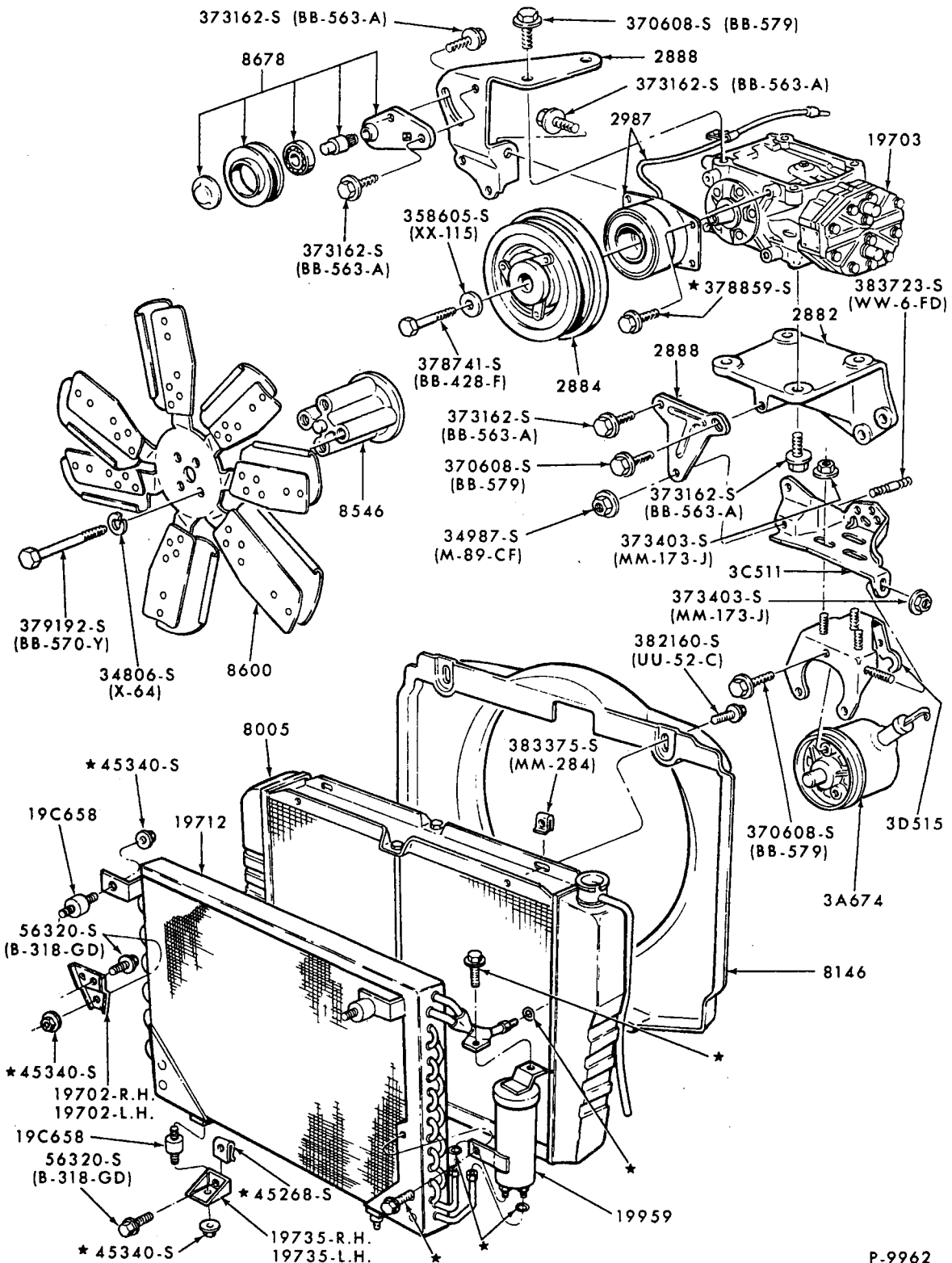
1972 FORD, TORINO, MUSTANG, MAVERICK - 8 CYL. 302, 351 - W/HANG-ON A/C

**FORD CAR PARTS**



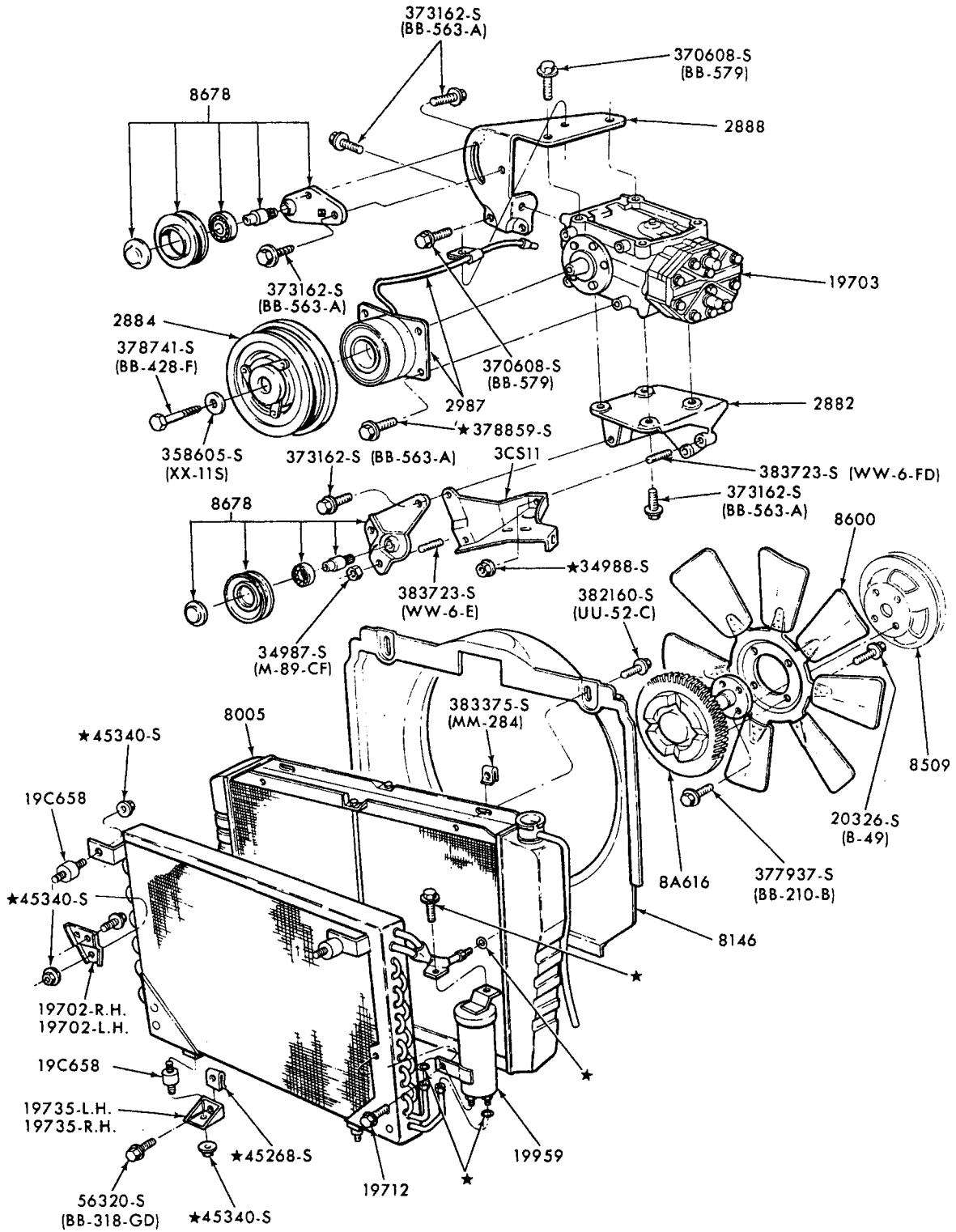
P-9961

AIR CONDITIONING PARTS (ENGINE COMPARTMENT)  
1972 TORINO - 8 CYLINDER 302,351 -w/INTEGRAL A/C



P.9962

AIR CONDITIONING PARTS (ENGINE COMPARTMENT)  
1972 TORINO - 8 CYLINDER 400 - w/INTEGRAL A/C

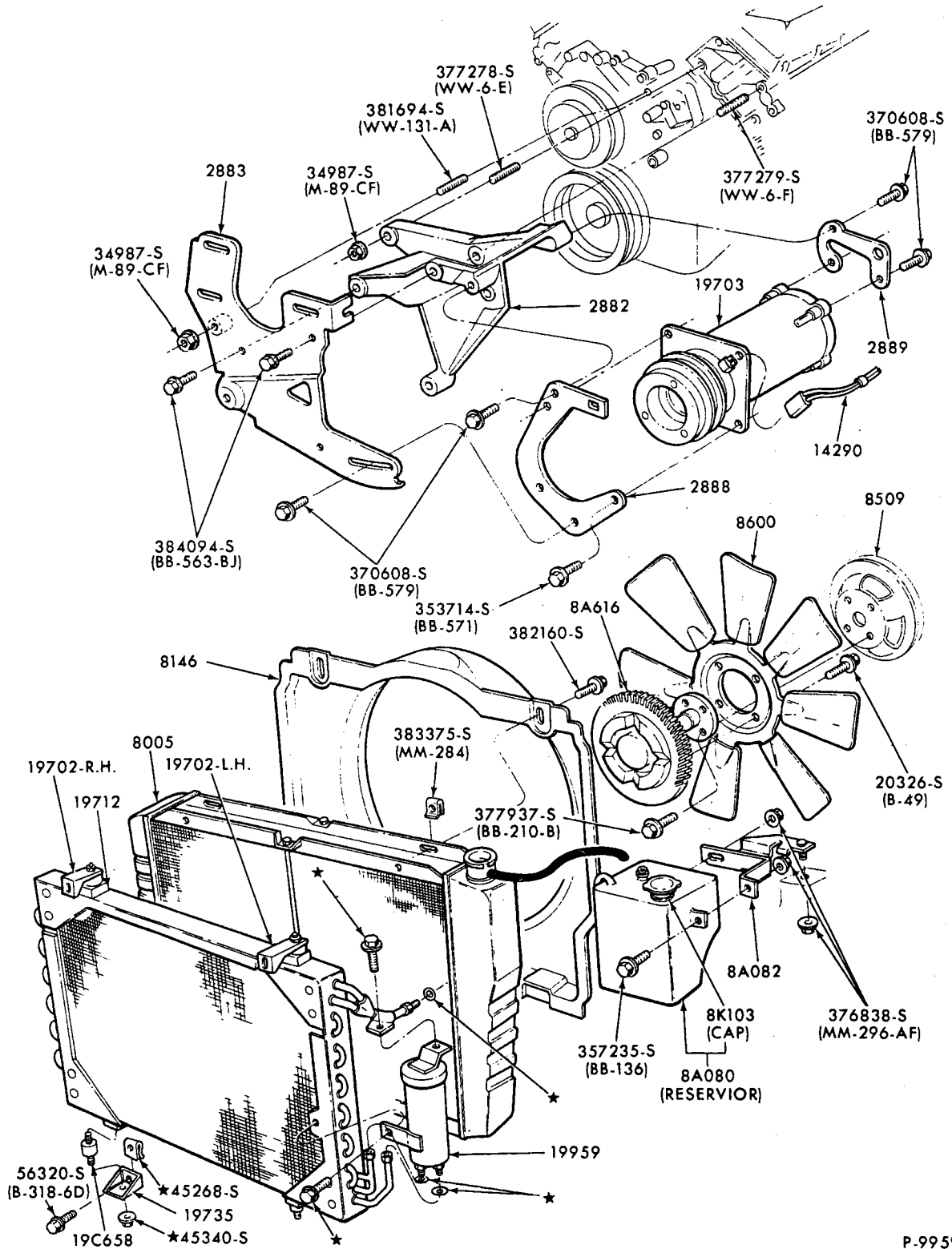


P-9963

AIR CONDITIONING PARTS (ENGINE COMPARTMENT)  
1972 TCRING - 8 CYLINDER 429 - w/INTEGRAL A/C

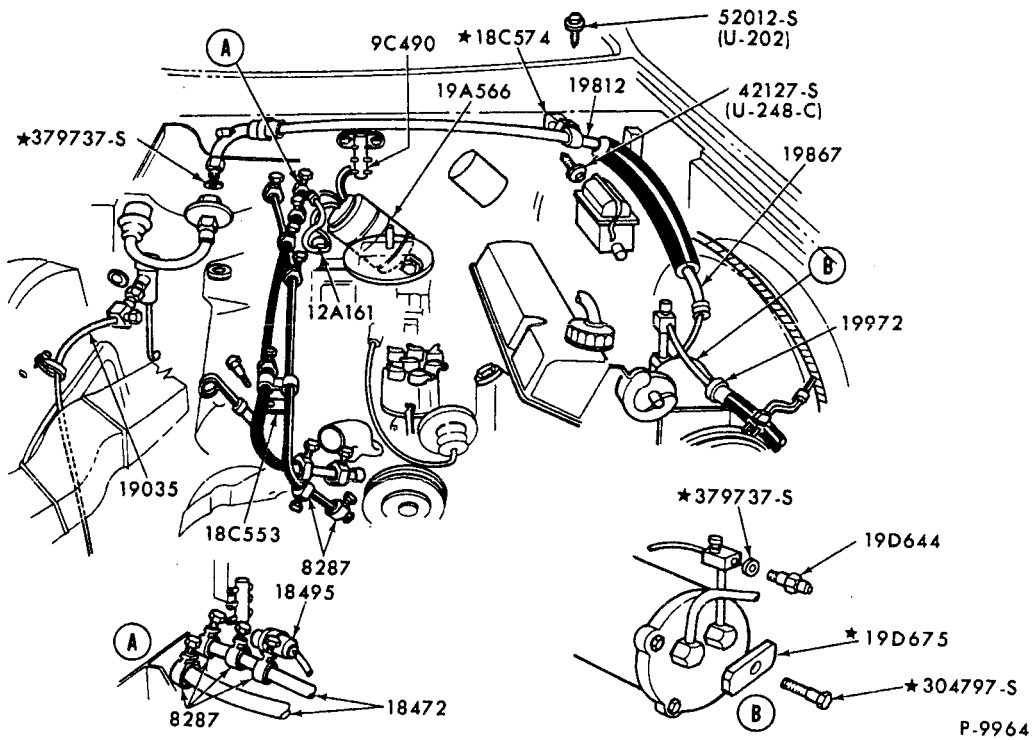


# FORD CAR PARTS

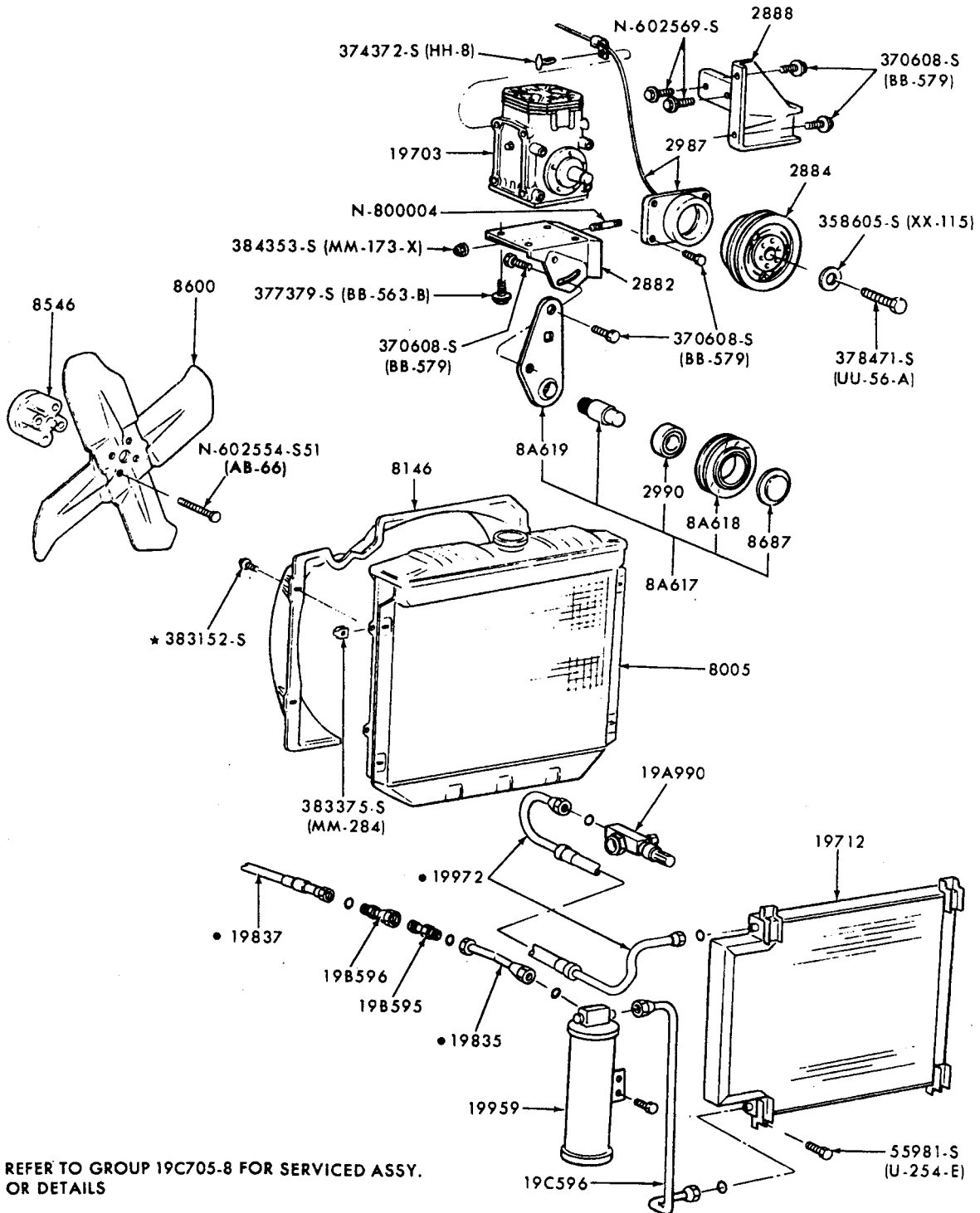


P-9959

AIR CONDITICNING PARTS (ENGINE CCMPARTMENT)  
1972 THUNDERBIRD - 8 CYLINDER 429,460 - w/INTEGRAL A/C



VACUUM HOSES - AIR CONDITIONING  
1972 THUNDERBIRD - w/INTEGRAL A/C



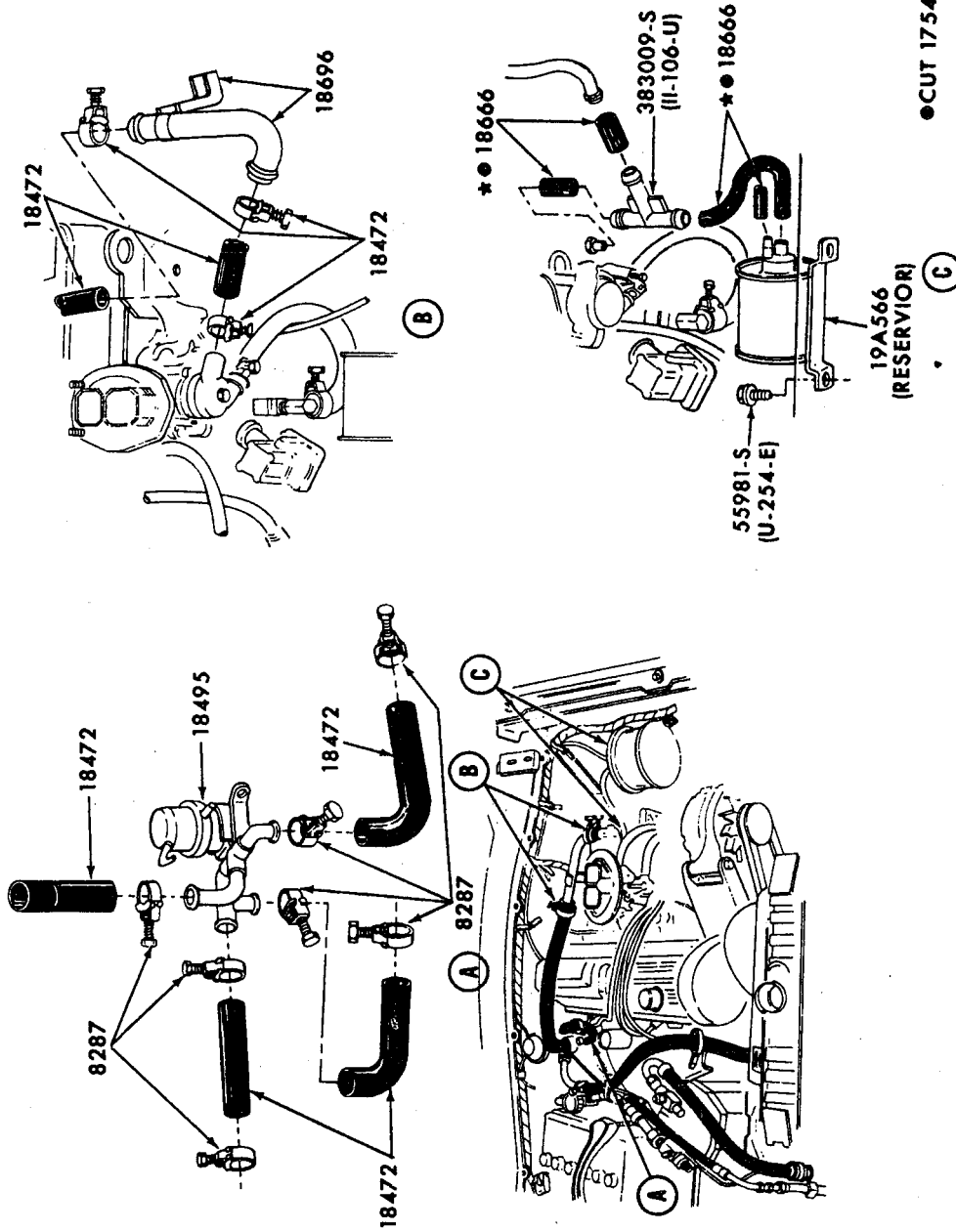
• REFER TO GROUP 19C705-8 FOR SERVICED ASSY. OR DETAILS

P-8021

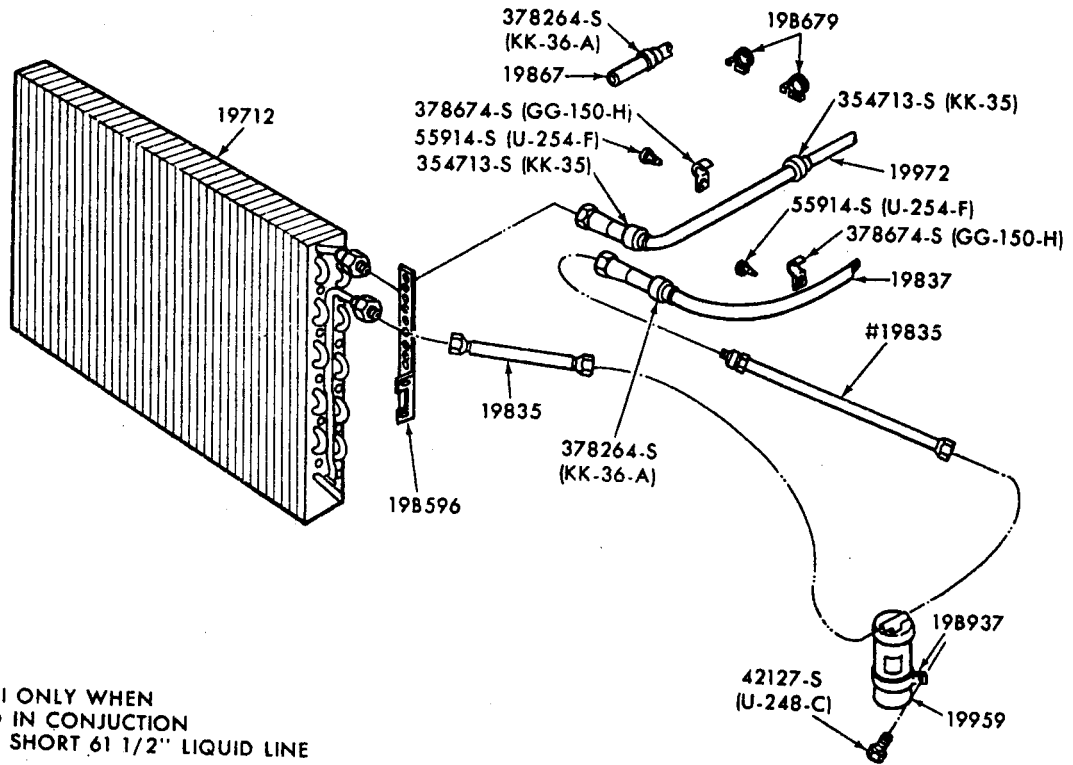
AIR CONDITIONING PARTS ( ENGINE COMPARTMENT)  
1971/72 PINTO - 4 CYL. 122 - w/INTEGRAL A/C



**FORD CAR PARTS**

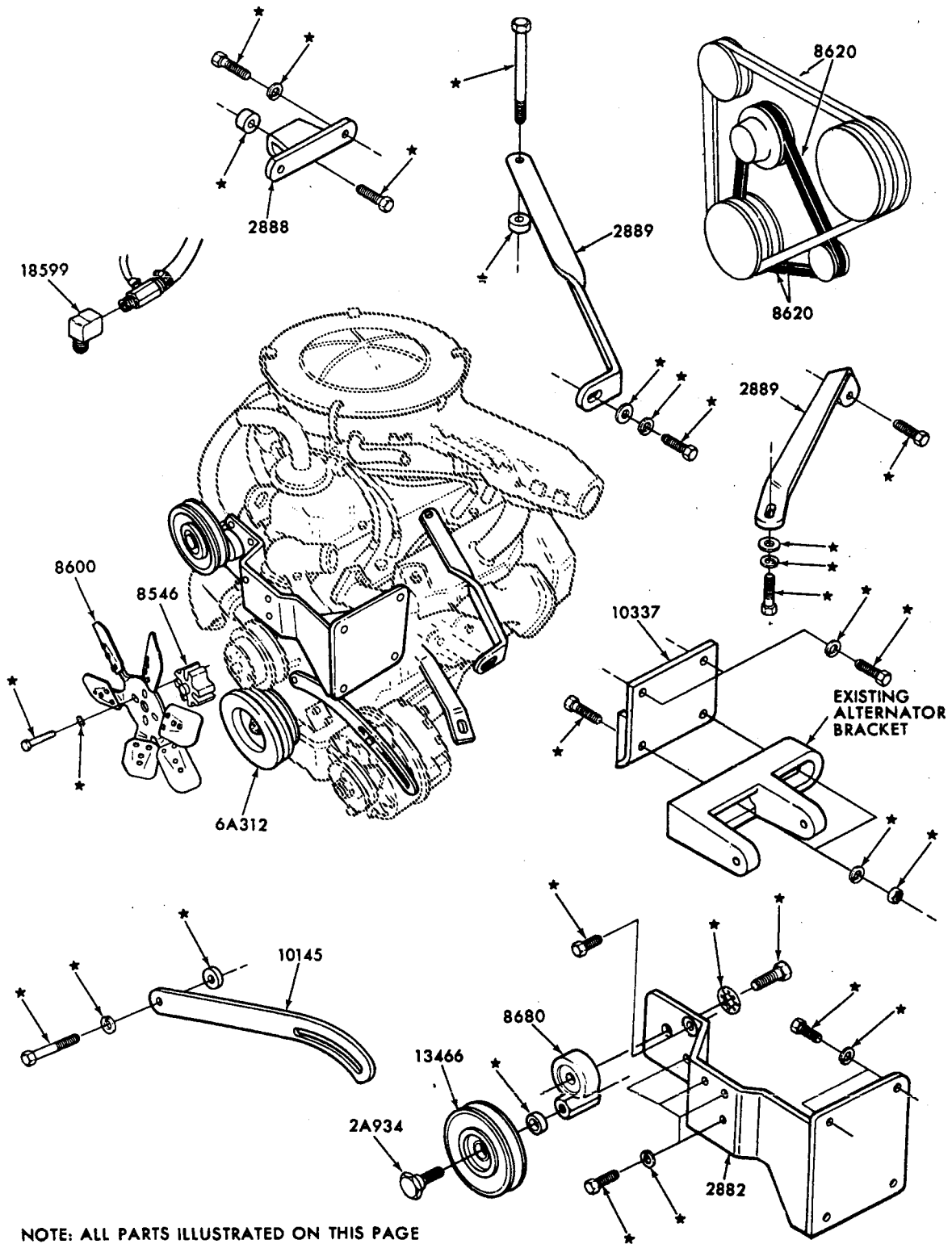


VACUUM HOSES - AIR CONDITIONER  
1971/72 PINTO -w/INTEGRAL A/C



AIR CONDITIONER CONDENSER, DEHYDRATOR and RELATED PARTS  
1972 PINTO - 4 CYL/ 98 ENGINE - W/HANG-ON A/C

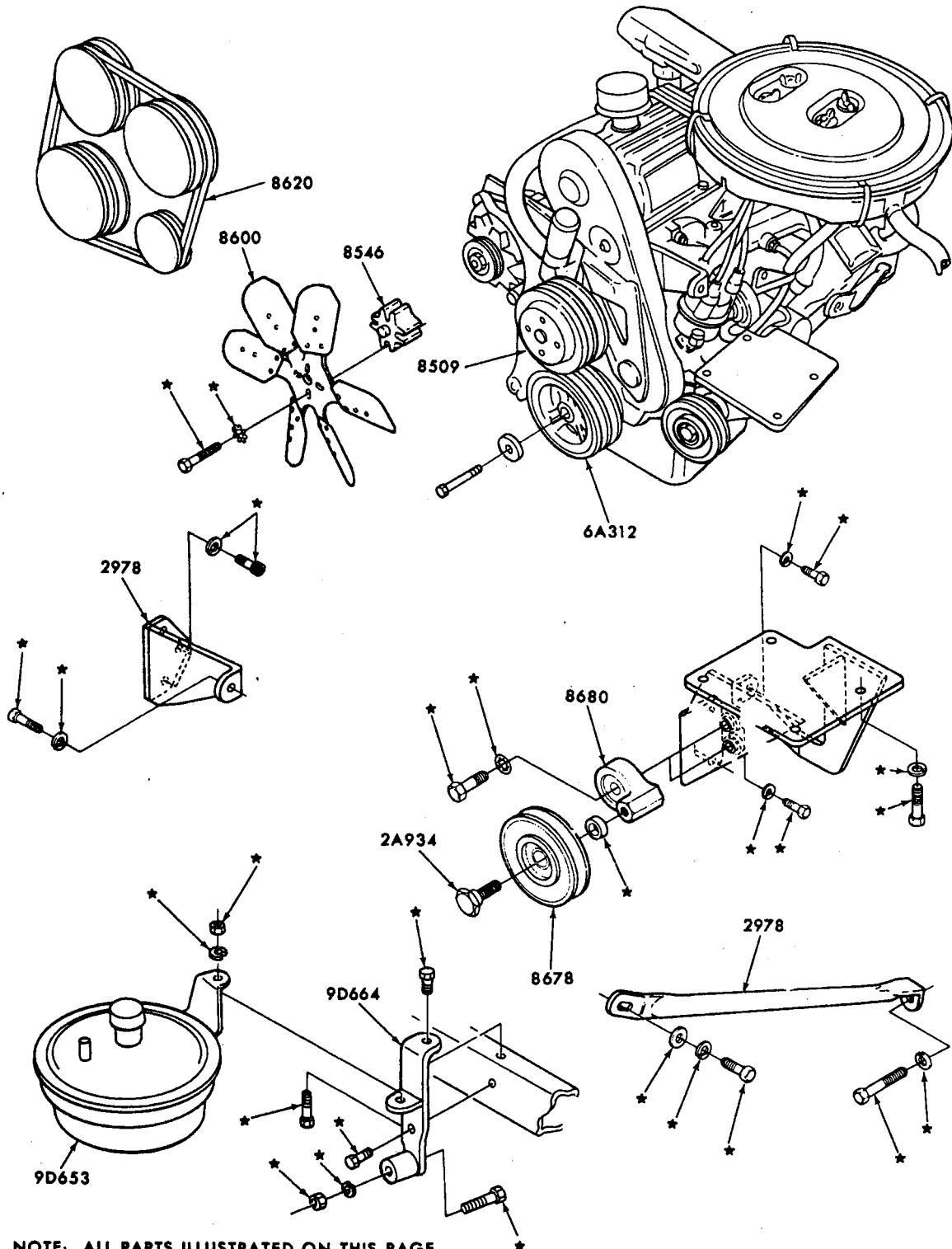
P-8883



NOTE: ALL PARTS ILLUSTRATED ON THIS PAGE  
ARE PART OF THE 19B969 ENGINE KIT.

P-8859

AIR CONDITIONER PARTS (ENGINE COMPARTMENT)  
1972 PINTO - 4 CYL. 98 ENGINE - W/HANG-ON A/C



NOTE: ALL PARTS ILLUSTRATED ON THIS PAGE ARE PART OF THE 19B969 ENGINE KIT.

P-8941

AIR CONDITIONER PARTS (ENGINE COMPARTMENT)

1972 PINTO - 4 CYL. 98(1600cc), 122(2000cc) ENGINES - w/HANG-CN A/C

### INDEX

THIS INDEX SECTION INCLUDES THE FOLLOWING MAJOR GROUPS:

BODY BOLTS, MOUNTINGS and RELATED PARTS  
CONSOLE and RELATED PARTS, FLOOR and ROOF  
FLOOR PAN RUBBER PLUGS and RELATED PARTS

INSTRUMENT PANEL, PAD  
VENTILATING SYSTEMS  
WINDSHIELD and RELATED PARTS

TITLE	SECTION	PAGE	ILLUS. NO.
<b>1965</b>			
<b>A (FORD)</b>			
Console	045	1	P-4737
Forced air ventilation system - body type 57	000	2	P-4633
Instrument panel and pad	042	5	P-8990
Ventilating ducts	000	1	P-4020
Windshield - body types 54, 62, 71	030	1	P-4649
- body types 57, 63, 65	030	1	P-4652
- body type 76	030	2	P-4736
<b>B (FAIRLANE)</b>			
Console - except body type 65B	045	2	P-3618
- body type 65B	045	2	P-3971
Instrument panel and pad	042	6	P-8988
Ventilating ducts	000	1	P-4020
Windshield - body types 54, 62, 71	030	2	P-3759
- body type 65	030	3	P-4018
<b>F (MUSTANG)</b>			
Console - with A/C	045	3	P-4602
-without A/C	045	3	P-4493
Instrument panel and pad - w/gauges	042	1	P-8972
- w/indicator lights	042	2	P-8984
Ventilating ducts	000	1	P-4020
Windshield - body types 63, 65	030	3	P-4491
- body type 76	030	4	P-4492
<b>S (THUNDERBIRD)</b>			
Console	045	4	P-4355
Forced air ventilation system - body type 63	000	3	P-4406
Instrument panel and pad	042	4	P-8982
Windshield - body type 63	030	4	P-4336
- body type 76	030	5	P-4337
<b>X (FALCON)</b>			
Console - except body types 63C,D, 66G,H,76B.D	045	2	P-3618
- body types 63C,D, 66G,H,76B.D	045	5	P-4497
Instrument panel and pad	042	3	P-8994
Ventilating ducts	000	1	P-4020
Windshield - except body types 63, 76	030	5	P-3156
- body type 63	030	6	P-4092
- body type 76	030	6	P-4019

B

**BODY ILLUSTRATION  
SECTION 000**
**FORD CAR PARTS**
**INDEX**

TITLE

SECTION

PAGE

ILLUS. NO.

**1966**
**A (FORD)**

Console	045	1	P-4737
Forced air ventilation system - body type 57	000	2	P-4633
Instrument panel and pad	042	5	P-8990
Ventilating ducts	000	1	P-4020
Windshield - body types 54, 62, 71	030	1	P-4649
- body types 57, 63, 65	030	1	P-4652
- body type 76	030	2	P-4736

**B (FAIRLANE)**

Console	045	6	P-5093
Instrument panel	042	11	P-8976
Ventilating ducts	000	1	P-4020
Windshield - except body type 76	030	7	P-5068
- body type 76	030	7	P-5069

**F (MUSTANG)**

Console - with A/C	045	3	P-4602
- without A/C	045	3	P-4493
Instrument panel and pad - w/gauges	042	1	P-8972
Ventilating ducts	000	1	P-4020
Windshield - body types 63, 65	030	3	P-4491
- body type 76	030	4	P-4492

**S (THUNDERBIRD)**

Console	045	4	P-4355
Forced air ventilation system - body type 63	000	3	P-4406
Instrument panel and pad	042	4	P-8982
Windshield - body type 63	030	4	P-4336
- body type 76	030	5	P-4337

**U (BRONCO)**

Instrument panel and pad	042	7	P-8980
Windshield	030	8	P-4970

**X (FALCON)**

Console	045	6	P-5093
Instrument panel and pad	042	13	P-8986
Ventilating ducts	000	1	P-4020
Windshield	030	7	P-5068

# FORD CAR PARTS

BODY ILLUSTRATION  
SECTION 000

C

## INDEX

TITLE

SECTION

PAGE

ILLUS. NO.

# 1967

### A (FORD)

Console	045	7	P-5529
Instrument panel	042	10	P-8992
Instrument panel pad and attaching parts	042	20	P-7671
Ventilating ducts	000	1	P-4020
Windshield - body types 54, 62, 71	030	1	P-4649
- body types 57, 63, 65	030	1	P-4652
- body type 76	030	2	P-4736

### B (FAIRLANE)

Console	045	6	P-5093
Instrument panel	042	11	P-8976
Ventilating ducts	000	1	P-4020
Windshield - except body type 76	030	7	P-5068
- body type 76	030	7	P-5069

### F (MUSTANG)

Console	045	5	P-5539
Instrument panel	042	8	P-8974
Instrument panel pad and attaching parts	042	20	P-7661
Ventilating ducts	000	1	P-4020
Windshield - body types 63, 65	030	3	P-4491
- body type 76	030	4	P-4492

### S (THUNDERBIRD)

Console (floor) - body type 57	045	8	P-5477
- body type 65	045	8	P-5478
Instrument panel	042	9	P-8978
Instrument panel pad and attaching parts	042	22	P-7663
Windshield	030	8	P-5358

### U (BRONCO)

Instrument panel and pad	042	7	P-8980
Windshield	030	8	P-4970

### X (FALCON)

Instrument panel and pad	042	13	P-8986
Ventilating ducts	000	1	P-4020
Windshield	030	7	P-5068

May, 1975

COPYRIGHT © 1975 —

FORD MOTOR  
COMPANY

— DEARBORN, MICHIGAN

**FINAL ISSUE**

D

**BODY ILLUSTRATION  
SECTION 000**
**FORD CAR PARTS**
**INDEX**

TITLE	SECTION	PAGE	ILLUS. NO.
<b>1968</b>			
<b>A (FORD)</b>			
Console	045	10	P-6185
Instrument panel and pad	042	17	P-5994
Ventilating ducts	000	1	P-4020
Windshield - body types 54, 62, 71	030	1	P-4649
- body types 57, 63, 65	030	1	P-4652
- body type 76	030	2	P-4736
<b>B (FAIRLANE/TORINO)</b>			
Console	045	11	P-6186
Instrument panel	042	15	P-6190
Instrument panel pad and attaching parts	042	21	P-7660
Ventilating ducts	000	1	P-4020
Windshield - except body type 76	030	7	P-5068
- body type 76	030	7	P-5069
<b>F (MUSTANG)</b>			
Console	045	12	P-6184
Instrument panel	042	8	P-8974
Instrument panel pad and attaching parts	042	20	P-7661
Ventilating ducts	000	1	P-4020
Windshield - body types 63, 65	030	3	P-4491
- body type 76	030	4	P-4492
<b>S (THUNDERBIRD)</b>			
Console (floor)	045	14	P-6183
Instrument panel	042	16	P-6036
Instrument panel pad and attaching parts	042	22	P-7664
Windshield	030	8	P-5358
<b>U (BRONCO)</b>			
Instrument panel and pad	042	12	P-8996
Windshield	030	8	P-4970
<b>X (FALCON)</b>			
Instrument panel	042	15	P-6190
Instrument panel pad and attaching parts	042	21	P-7660
Ventilating ducts	000	1	P-4020
Windshield	030	7	P-5068



# FORD CAR PARTS

## BODY ILLUSTRATION SECTION 000

E

### INDEX

TITLE

SECTION

PAGE

ILLUS. NO.

# 1969

#### A (FORD)

Console	045	13	P-6726
Instrument panel	042	19	P-6653
Instrument panel pad and attaching parts	042	22	P-7673
Ventilating ducts	000	4	P-6977
Windshield - body types 54, 57, 62, 63, 65, 71	030	9	P-6684
- body type 76	030	9	P-6685

#### B (FAIRLANE/TORINO)

Console	045	11	P-6186
Instrument panel	042	15	P-6190
Instrument panel pad and attaching parts	042	21	P-7660
Ventilating ducts	000	4	P-6977
Windshield - except body type 76	030	7	P-5068
- body type 76	030	7	P-5069

#### F (MUSTANG)

Console - except Shelby GT350/500	045	12	P-6737
- Shelby GT350/500	045	16	P-6949
Instrument panel	042	14	P-6659
Instrument panel pad and attaching parts	042	23	P-7662
Ventilating ducts	000	4	P-6977
Windshield - body types 63, 65	030	10	P-6740
- body type 76	030	10	P-6741

#### P (MAVERICK)

Ventilating ducts	000	4	P-6977
-------------------	-----	---	--------

#### S (THUNDERBIRD)

Console (floor) - before 4/1/69	045	14	P-6183
- from 4/1/69	045	15	P-6873
Instrument panel	042	16	P-6036
Instrument panel pad and attaching parts	042	22	P-7664
Ventilating ducts	000	4	P-6977
Windshield	030	8	P-5358

#### U (BRONCO)

Instrument panel and pad	042	12	P-8996
Windshield	030	8	P-4970

#### X (FALCON)

Instrument panel	042	15	P-6190
Instrument panel pad and attaching parts	042	21	P-7660
Ventilating ducts	000	4	P-6977
Windshield	030	7	P-5068

F

**BODY ILLUSTRATION  
SECTION 000**
**FORD CAR PARTS**
**INDEX**

TITLE

SECTION

PAGE

ILLUS. NO.

**1970**
**A (FORD)**

Console (floor)	045	13	P-6726
Instrument panel	042	19	P-6653
Instrument panel pad and attaching parts	042	22	P-7673
Windshield - body types 54, 57, 63, 65, 71	030	9	P-6684
- body type 76	030	9	P-6685
Ventilating ducts	000	4	P-6977

**B (FAIRLANE/TORINO)**
**B (FALCON) - FROM 1/2/70**

Console	045	21	P-8223
Instrument panel	042	18	P-7099
Instrument panel pad and attaching parts	042	23	P-7659
Ventilating ducts	000	4	P-6977
Windshield - body types 54, 57, 62, 65, 71	030	12	P-7186
- body type 63	030	12	P-7187
- body type 76	030	13	P-7188

**F (MUSTANG)**

Console (floor)-except Shelby GT350 500	045	12	P-6737
Console (floor)-Shelby GT350 500	045	16	P-6949
Instrument panel	042	14	P-6659
Instrument panel pad and attaching parts	042	23	P-7662
Ventilating ducts	000	4	P-6977
Windshield - body types 63, 65	030	10	P-6740
- body type 76	030	10	P-6741

**P (MAVERICK)**

Console	045	16	P-6948
Instrument panel and pad	042	29	P-6850
Ventilating ducts	000	4	P-6977
Windshield	030	11	P-6940

**S (THUNDERBIRD)**

Console (floor)	045	20	P-8153
Console (roof) - body type 57	045	17	P-7198
- body type 65	045	17	P-7197
Forced air ventilation system	000	5	P-7703
Instrument panel	042	16	P-6036
Instrument panel pad and attaching parts	042	22	P-7664
Ventilating ducts	000	4	P-6977
Windshield - body type 57	030	11	P-7125
- body type 65	030	13	P-7384

**U (BRONCO)**

Instrument panel and pad	042	12	P-8996
Windshield	030	8	P-4970

**X (FALCON) - BEFORE 1/2/70**
**FOR UNITS BUILT FROM 1/2/70 REFER TO B (FALCON)**

Instrument panel and pad	042	12	P-8996
Instrument panel	042	15	P-6190
Ventilating ducts	000	4	P-6977
Windshield	030	7	P-5068

# FORD CAR PARTS

BODY ILLUSTRATION  
SECTION 000

G

## INDEX

TITLE	SECTION	PAGE	ILLUS. NO.
<b>1971</b>			
<b>A (FORD)</b>			
Console (floor)	045	13	P-8726
Instrument panel	042	26	P-8139
Instrument panel pad and attaching parts	042	24	P-8096
Windshield - body types 53, 54, 57, 65, 71	030	16	P-7842
- body type 76	030	15	P-7843
Ventilating ducts	000	6	P-9108
<b>B (TORINO)</b>			
Console	045	21	P-8223
Instrument panel	042	18	P-7099
Instrument panel pad and attaching parts	042	23	P-7659
Ventilating ducts	000	4	P-8977
Windshield - body types 54, 57, 65, 66, 71	030	12	P-7186
- body type 63	030	12	P-7187
- body type 76	030	13	P-7188
<b>F (MUSTANG)</b>			
Console (floor)	045	18	P-8052
Consolette (floor)	045	19	P-8057
Instrument panel	042	27	P-8210
Instrument panel pad and attaching parts	042	25	P-8211
Ventilating ducts	000	6	P-9106
Windshield - body types 63, 65	030	14	P-8051
- body type 76	030	14	P-8059
<b>L (PINTO)</b>			
Consolette (floor)	045	19	P-7931
Instrument panel and pad	042	31	P-8037
Instrument panel pad and attaching parts	042	25	P-8036
Ventilating ducts	000	5	P-8200
Windshield	030	16	P-8033
<b>P (MAVERICK)</b>			
Console	045	16	P-6948
Instrument panel and pad	042	29	P-6850
Ventilating ducts	000	7	P-9105
Windshield	030	11	P-6940
<b>S (THUNDERBIRD)</b>			
Console (floor)	045	20	P-8153
Console (roof) - body type 57	045	17	P-7198
- body type 65	045	17	P-7197
Forced air ventilation system	000	5	P-7703
Instrument panel	042	16	P-6036
Instrument panel pad and attaching parts	042	22	P-7664
Ventilating ducts	000	4	P-6977
Windshield - body type 57	030	11	P-7125
- body type 65	030	13	P-7384
<b>U (BRONCO)</b>			
Instrument panel and pad	042	12	P-8996
Windshield	030	8	P-4970

May, 1975

COPYRIGHT © 1975 —

FORD MOTOR  
COMPANY

— DEARBORN, MICHIGAN

**FINAL ISSUE**

H

**BODY ILLUSTRATION  
SECTION 000**
**FORD CAR PARTS**
**INDEX**

TITLE

SECTION

PAGE

ILLUS. NO.

**1972**
**A (FORD)**

Instrument panel	042	26	P-8139
Instrument panel pad and attaching parts	042	24	P-8096
Windshield - body types 53, 54, 57, 65, 71	030	16	P-7842
- body type 76	030	15	P-7843
Ventilating ducts	000	6	P-9108

**B (TORINO)**

Console	045	22	P-8611
Instrument panel and pad	042	30	P-8719
Ventilating ducts	000	7	P-9104
Windshield	030	17	P-8600

**F (MUSTANG)**

Console (floor)	045	18	P-8052
Consolette (floor)	045	19	P-8057
Instrument panel	042	27	P-8210
Instrument panel pad and attaching parts	042	25	P-8211
Ventilating ducts	000	6	P-9106
Windshield - body types 63, 65	030	14	P-8051
- body type 76	030	14	P-8059

**L (PINTO)**

Consolette (floor)	045	19	P-7931
Instrument panel cover and brace	045	24	P-9925
Instrument panel and pad	042	31	P-8037
Instrument panel pad and attaching parts	042	25	P-8036
Ventilating ducts	000	5	P-8200
Windshield	030	16	P-8033

**P (MAVERICK)**

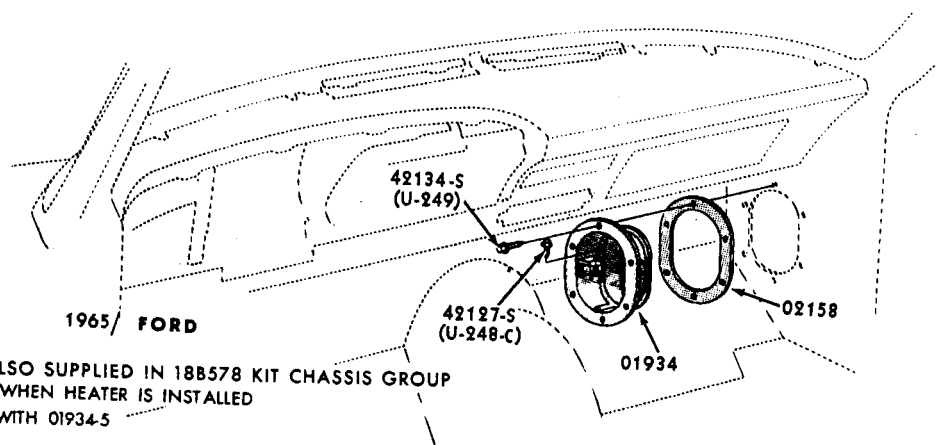
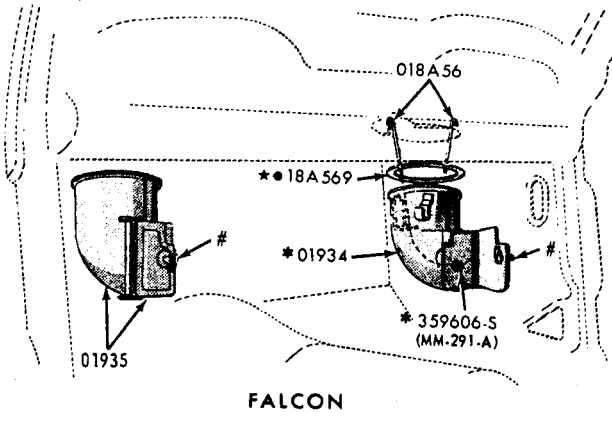
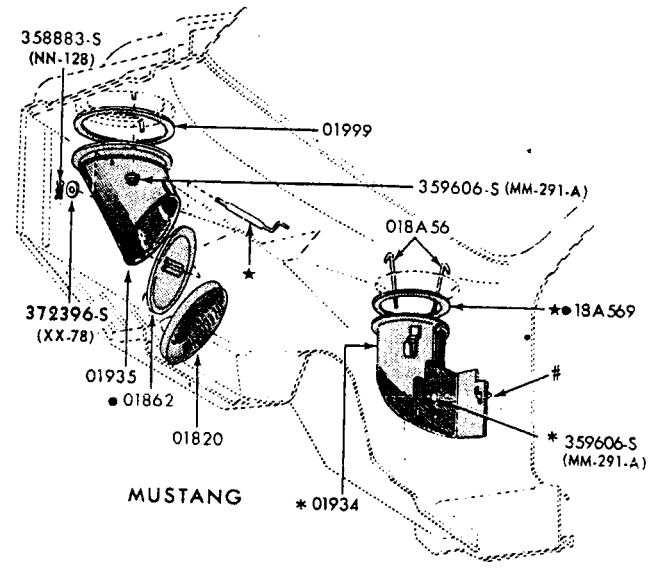
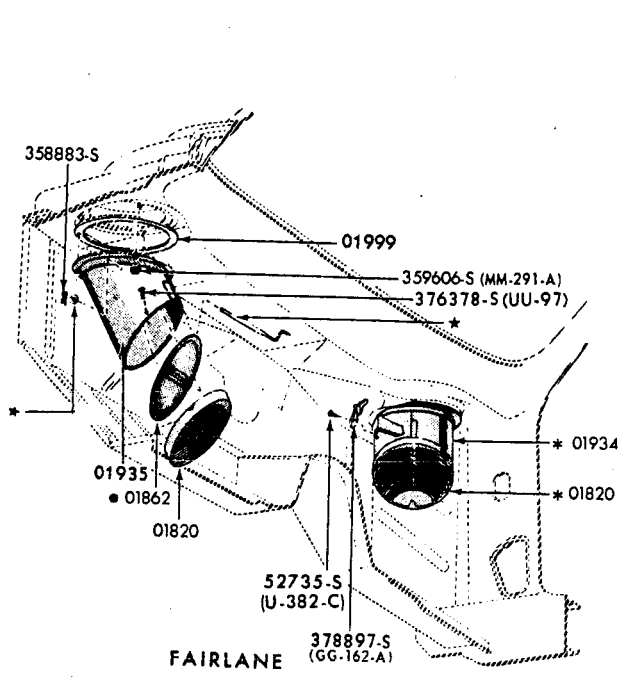
Console	045	16	P-6948
Instrument panel and pad	042	29	P-6850
Ventilating ducts	000	7	P-9105
Windshield	030	11	P-6940

**S (THUNDERBIRD)**

Console (floor)	045	23	P-8610
Instrument panel and pad	042	28	P-8619
Windshield	030	17	P-8691

**U (BRONCO)**

Instrument panel and pad	042	12	P-8996
Windshield	030	8	P-4970

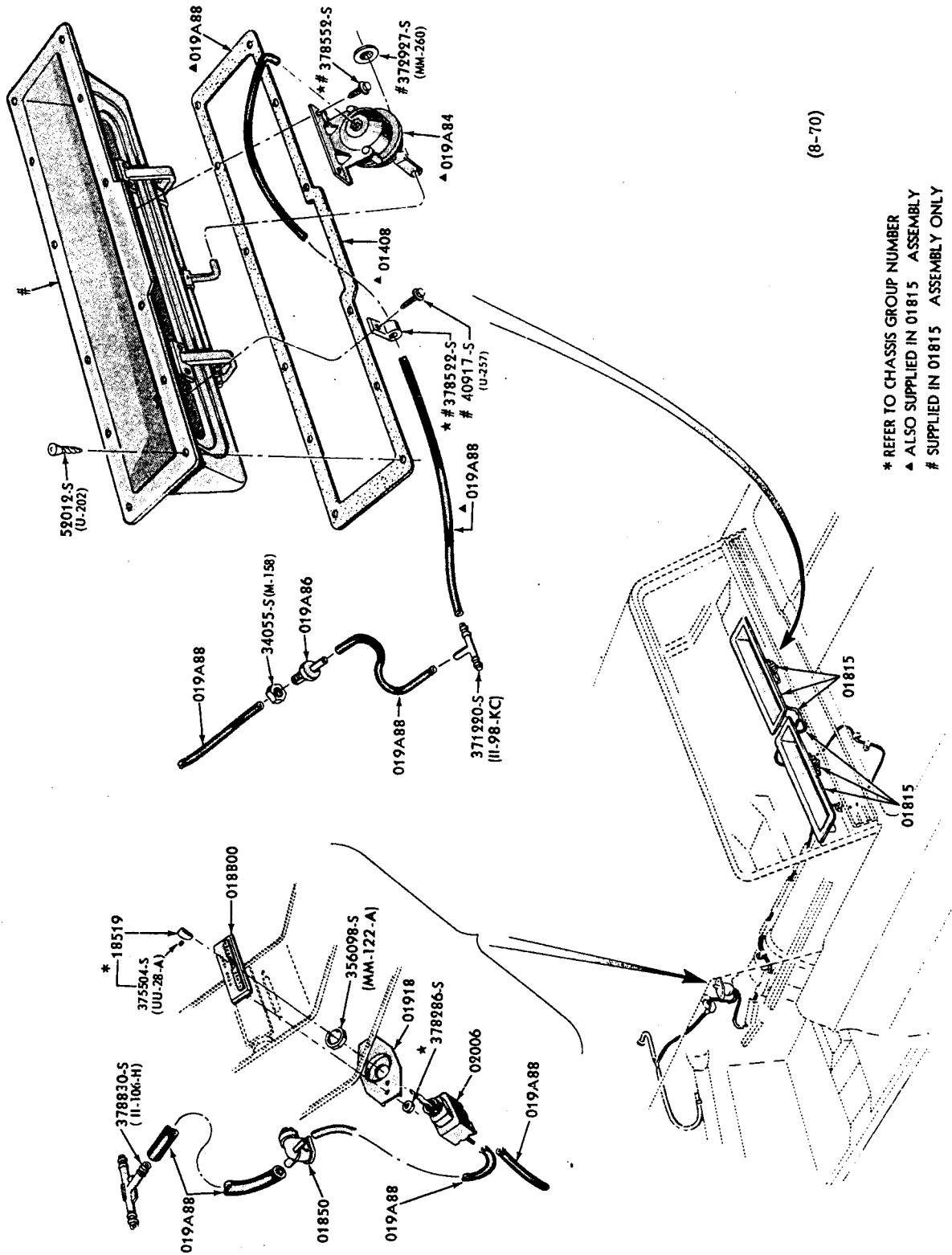


# HANDLE ALSO SUPPLIED IN 18B578 KIT CHASSIS GROUP  
 \* NOT USED WHEN HEATER IS INSTALLED  
 • INCLUDED WITH 01934-S

**VENTILATING DUCTS**  
 1965/68 FORD, FAIRLANE/TORINO, FALCON and MUSTANG - TYPICAL

P-4020





P.4406

\* REFER TO CHASSIS GROUP NUMBER  
 ▲ ALSO SUPPLIED IN 01815 ASSEMBLY  
 # SUPPLIED IN 01815 ASSEMBLY ONLY

(8-70)

FORCED AIR VENTILATION SYSTEM

1965/66 THUNDERBIRD - BODY TYPE 63

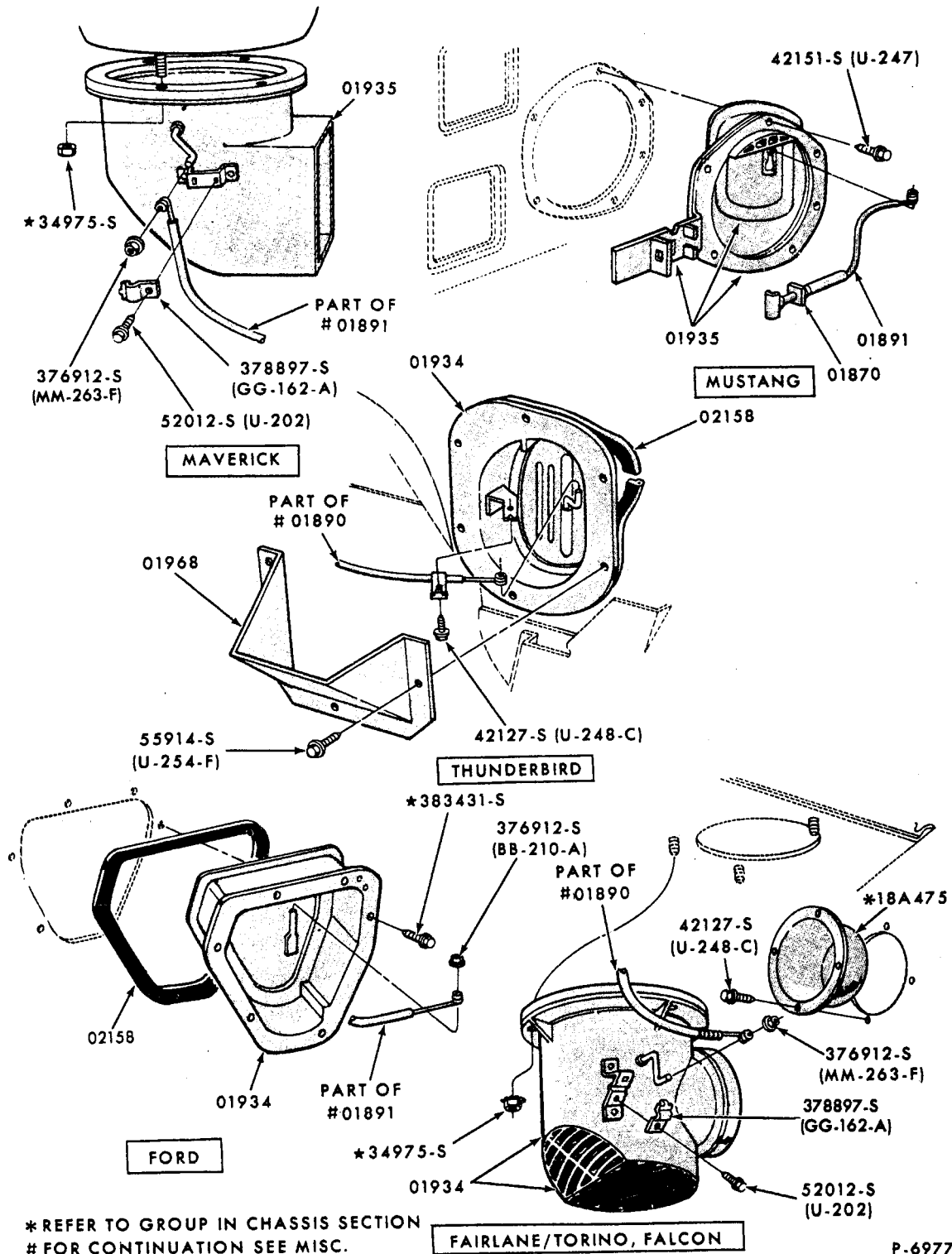
May, 1975

COPYRIGHT © 1975 — FORD MOTOR COMPANY — DEARBORN, MICHIGAN

FINAL ISSUE

BODY ILLUSTRATION  
SECTION 000

FORD CAR PARTS



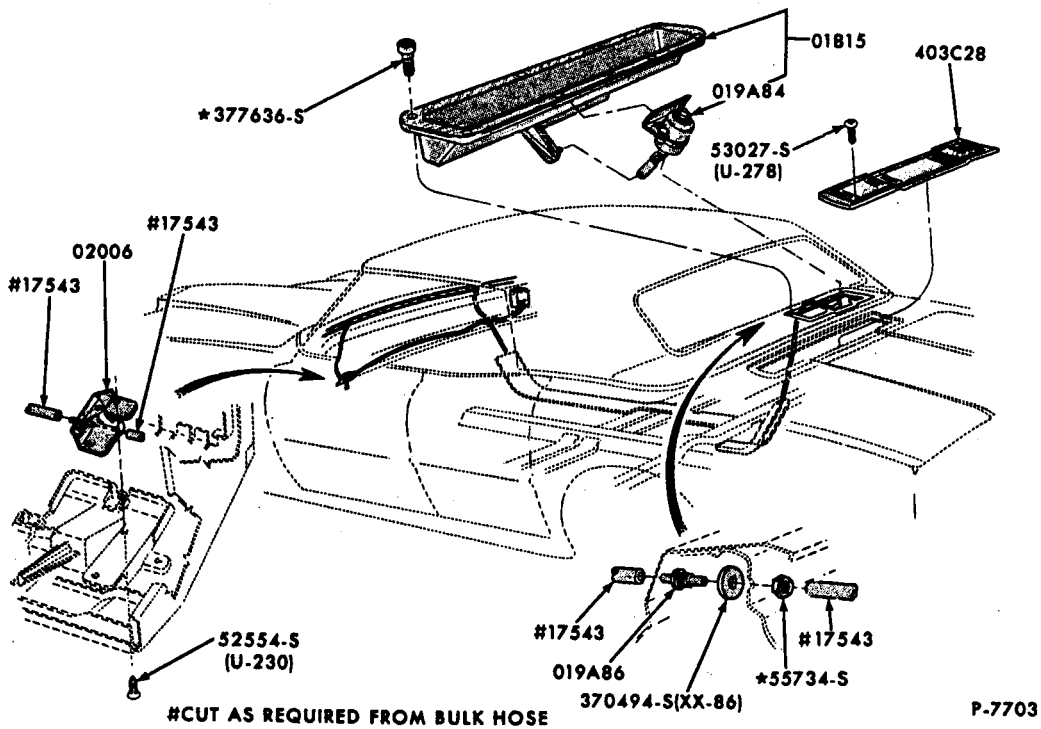
\*REFER TO GROUP IN CHASSIS SECTION  
# FOR CONTINUATION SEE MISC.  
ILLUSTRATION SECTION

FAIRLANE/TORINO, FALCON

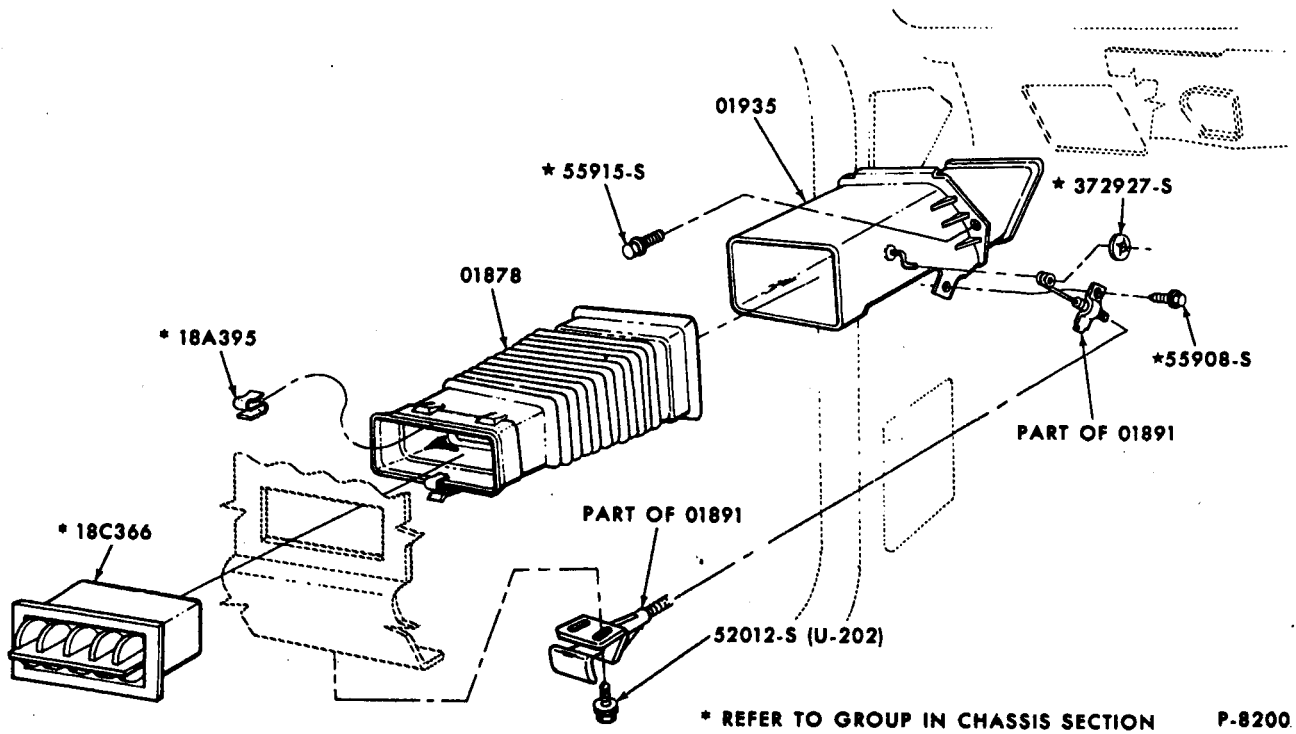
P-6977

VENTILATING DUCTS  
1969/70 ALL

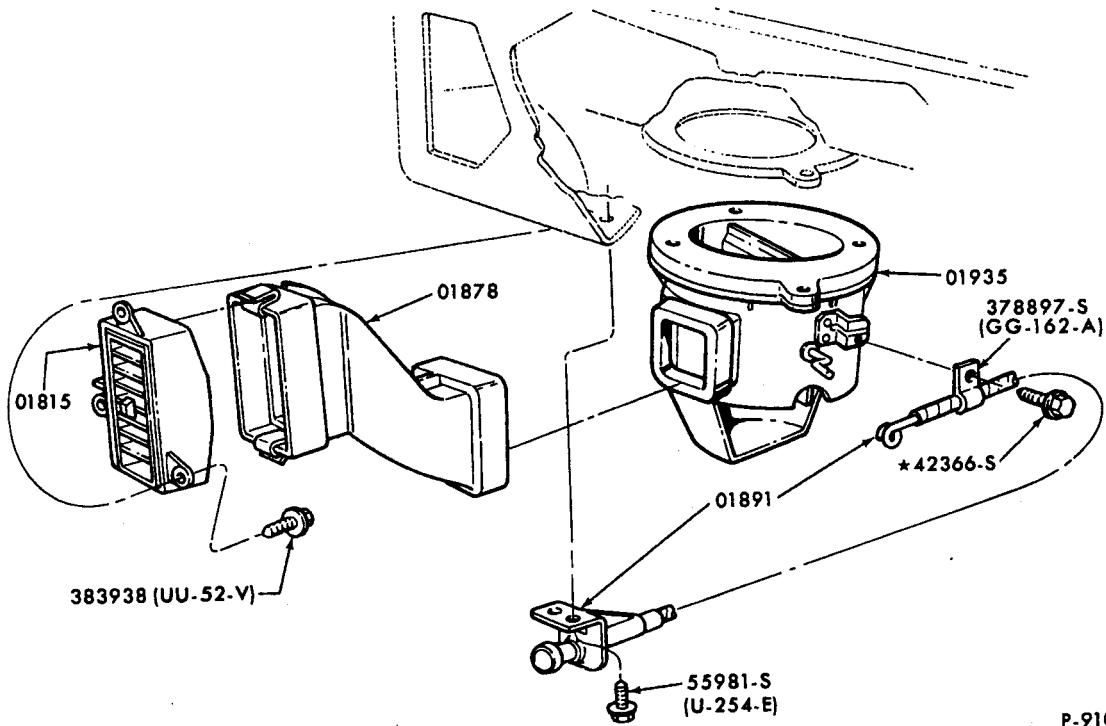




FORCED AIR VENTILATION SYSTEM  
1970/71 THUNDERBIRD

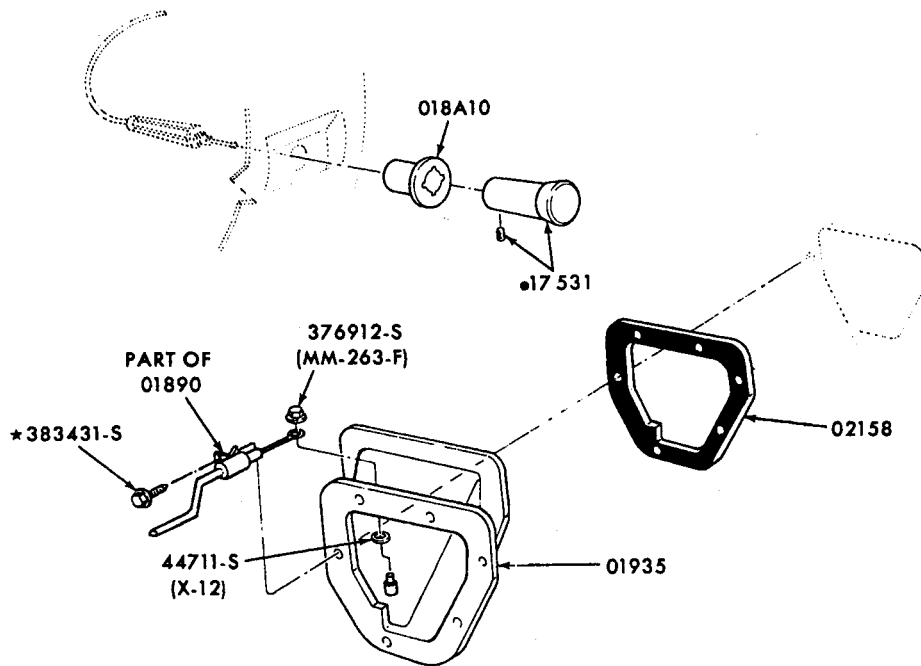


VENTILATING DUCTS  
1971/72 PINTO



P-9106

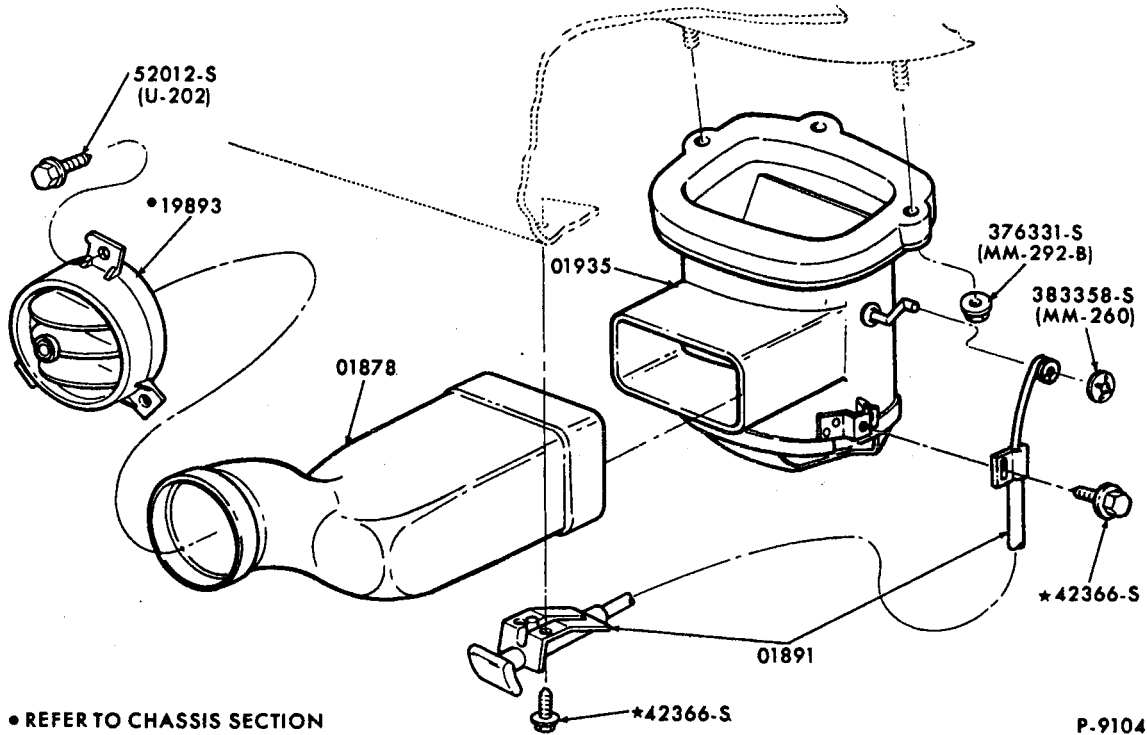
AIR VENT and RELATED PARTS  
1971/72 MUSTANG



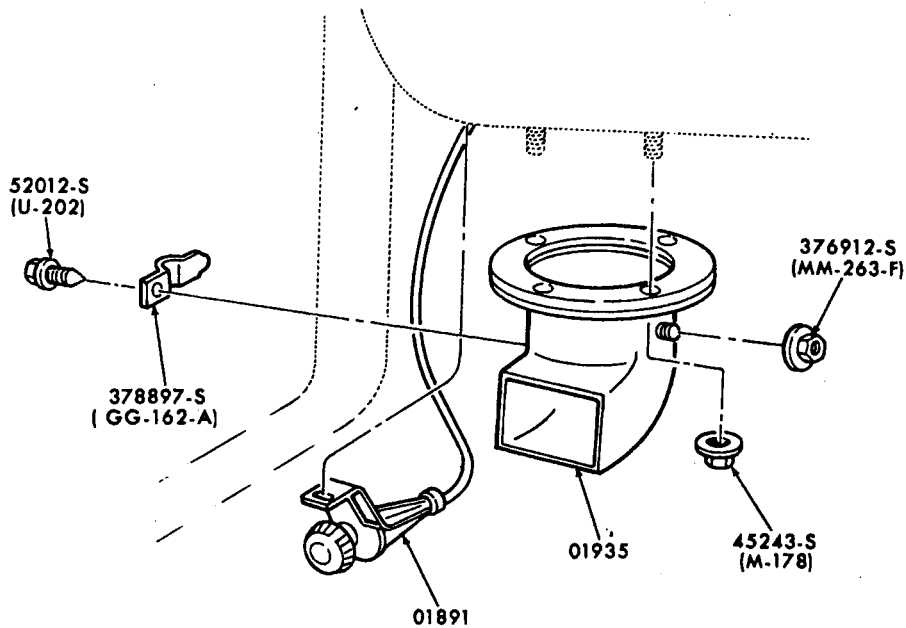
• REFER TO CHASSIS SECTION

P-9108

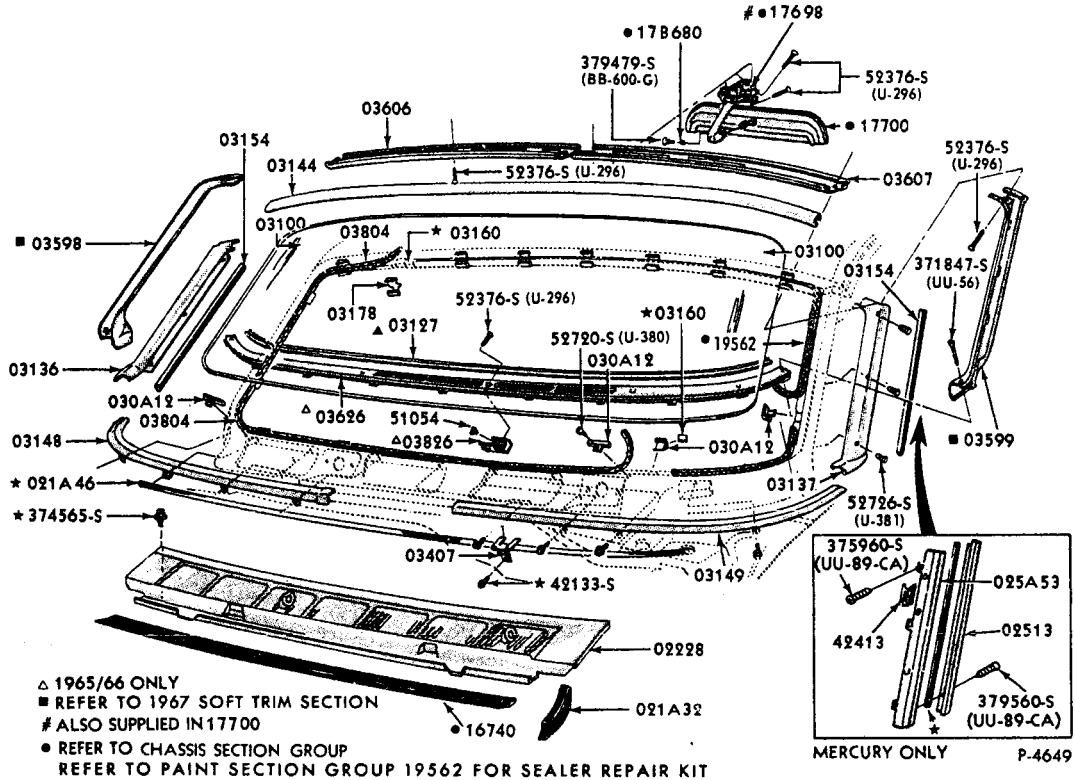
AIR VENT and RELATED PARTS  
1971/72 FORD



AIR VENT and RELATED PARTS  
1972 TORINO

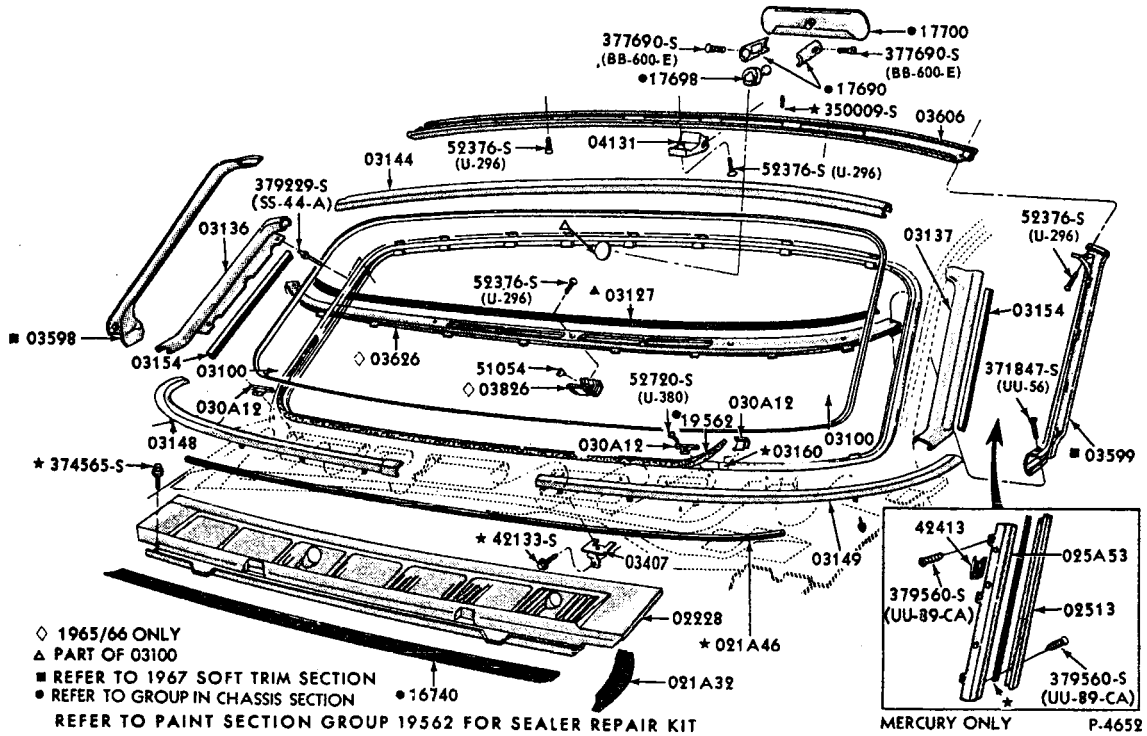


AIR VENT and RELATED PARTS  
1971/72 MAVERICK



**WINDSHIELD and RELATED PARTS**

1965/68 FORD - BODY TYPES 54,62,71 - TYPICAL

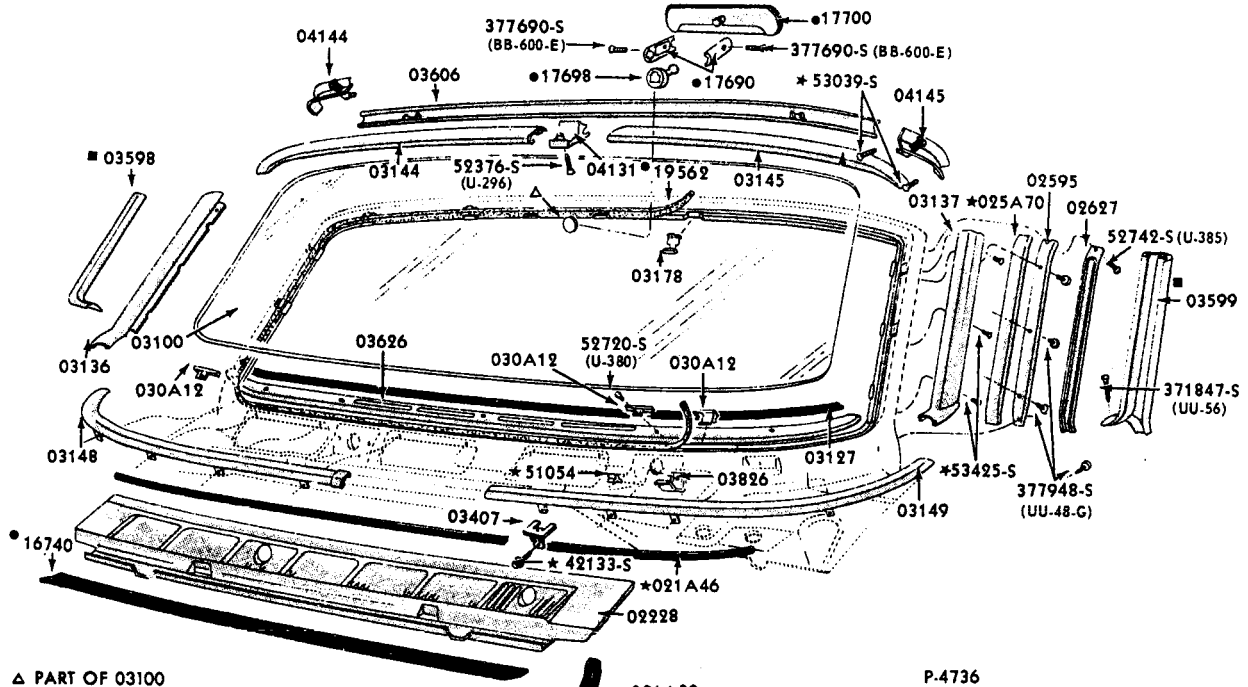


**WINDSHIELD and RELATED PARTS**

1965/68 FORD - BODY TYPES 57,63,65 - TYPICAL

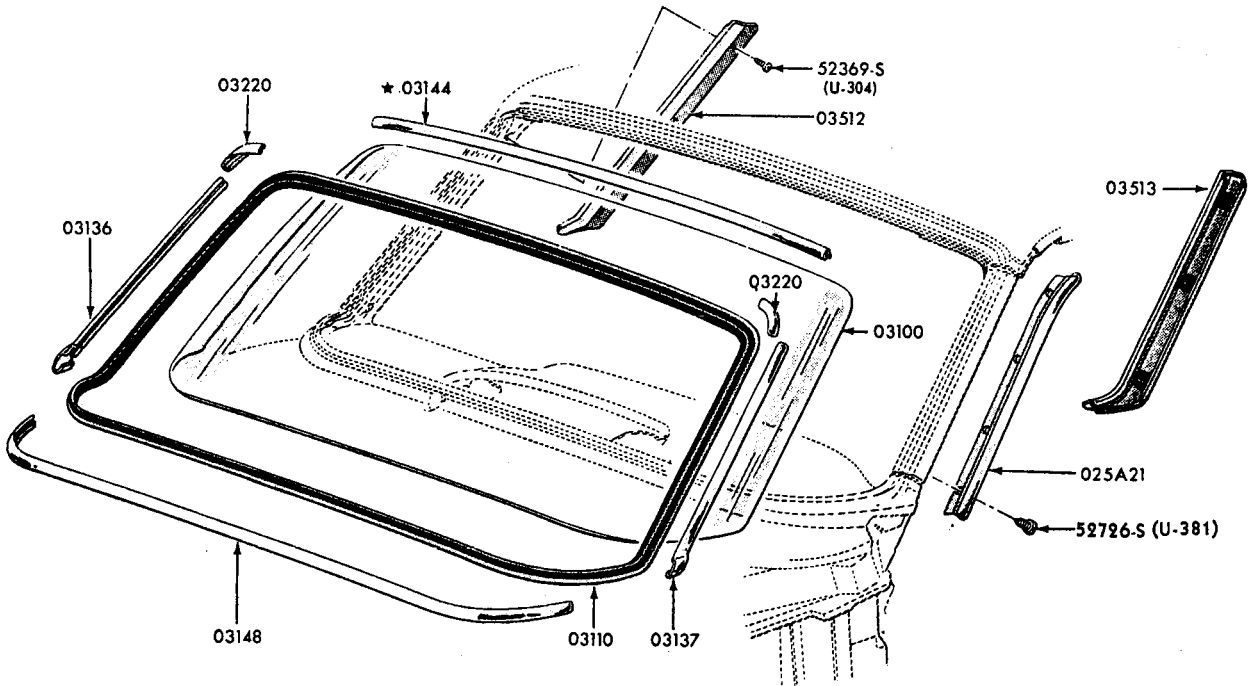
**BODY ILLUSTRATION  
SECTION 030**

**FORD CAR PARTS**

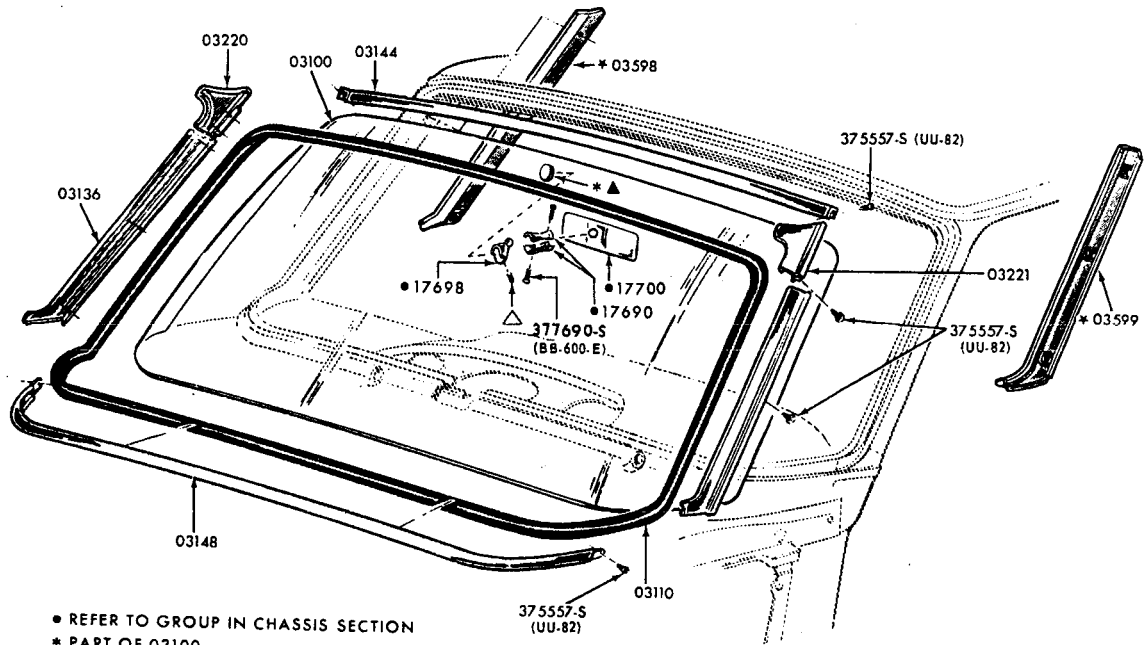


- ▲ PART OF 03100
- REFER TO 1967 SOFT TRIM SECTION
- REFER TO GROUP IN CHASSIS SECTION
- REFER TO PAINT SECTION GROUP 19562 FOR SEALER REPAIR KIT

**WINDSHIELD and RELATED PARTS  
1965/68 FORD - BODY TYPE 76 - TYPICAL**



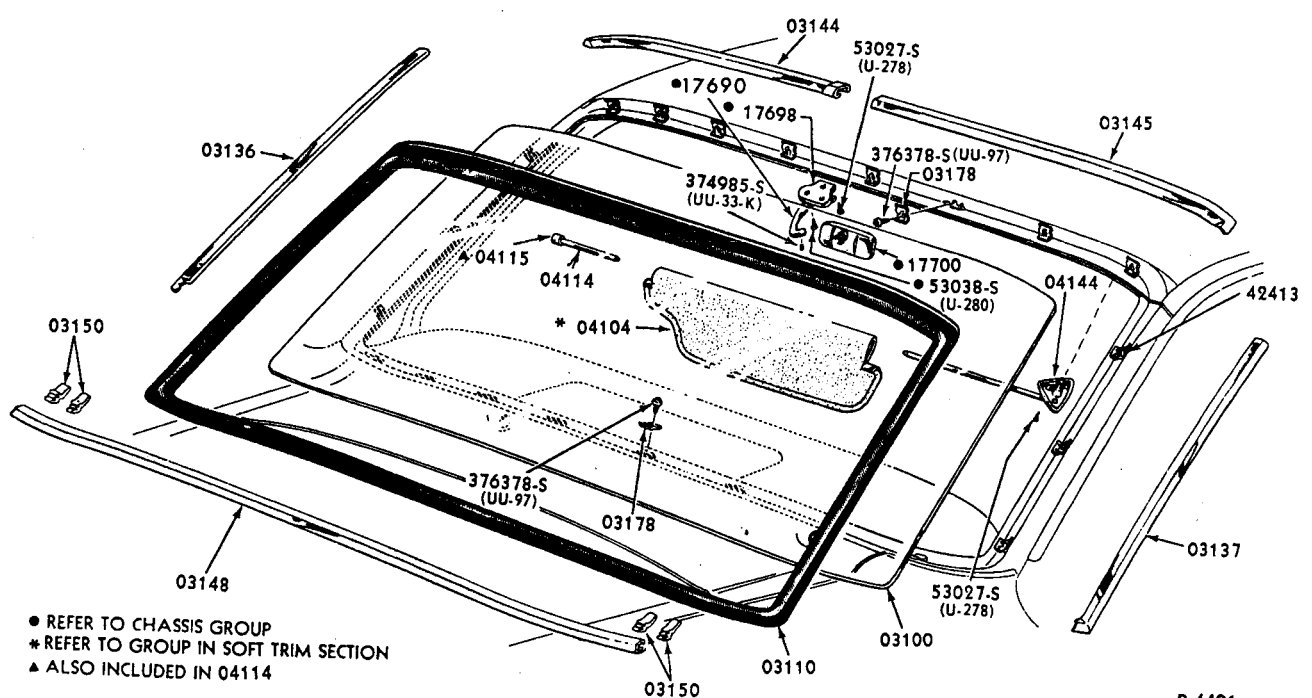
**WINDSHIELD and RELATED PARTS  
1965 FAIRLANE - BODY TYPE 54, 62, 71**



- REFER TO GROUP IN CHASSIS SECTION
- \* PART OF 03100
- ▲ ALSO INCLUDED WITH ●17698
- △ INCLUDED WITH ●17698

P-4018

**WINDSHIELD and RELATED PARTS  
1965 FAIRLANE - BODY TYPE 65**

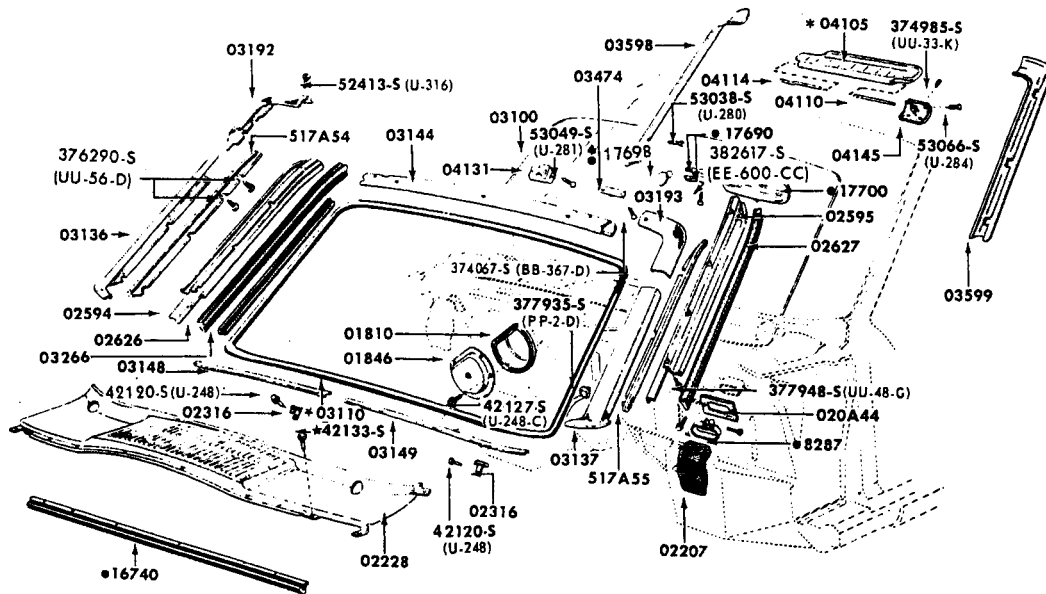


- REFER TO CHASSIS GROUP
- \* REFER TO GROUP IN SOFT TRIM SECTION
- ▲ ALSO INCLUDED IN 04114

P-4491

**WINDSHIELD and RELATED PARTS  
1965/68 MUSTANG - BODY TYPES 63, 65**

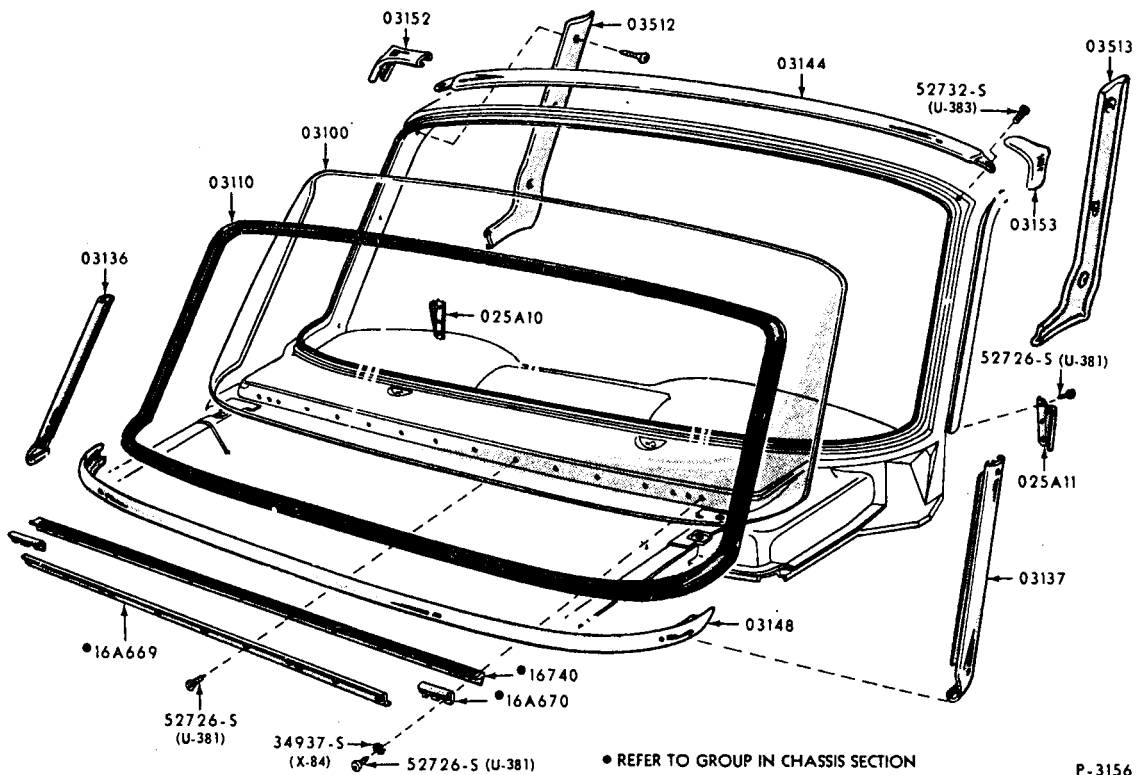




- ▲ ALSO INCLUDED IN 03100
- REFER TO GROUP IN CHASSIS SECTION
- \* REFER TO GROUP IN SOFT TRIM SECTION

P-4337

**WINDSHIELD and RELATED PARTS  
1965/66 THUNDERBIRD - BODY TYPE 76**



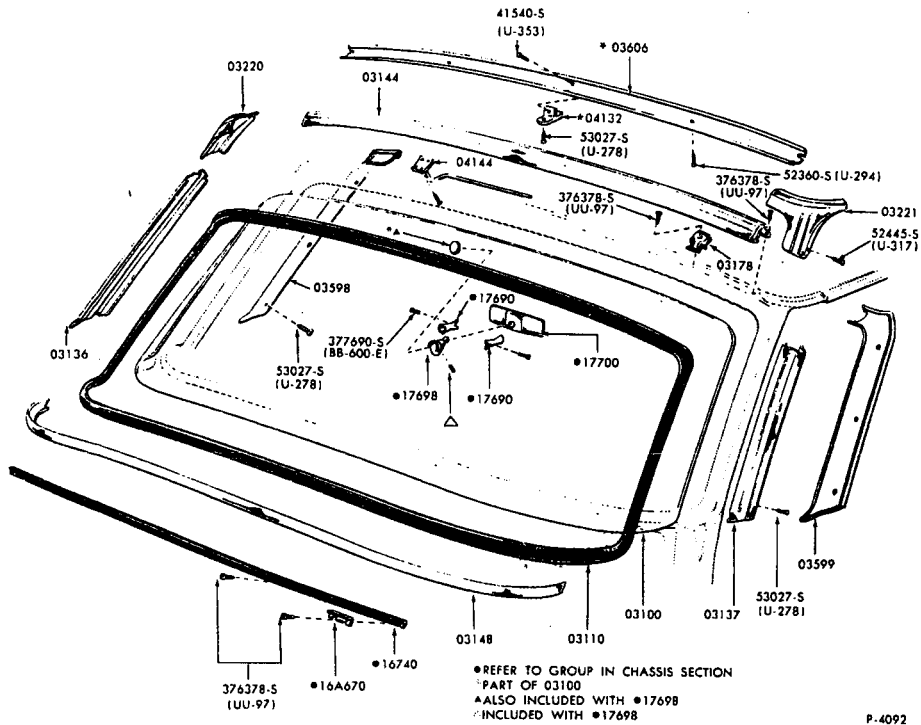
● REFER TO GROUP IN CHASSIS SECTION

P-3156

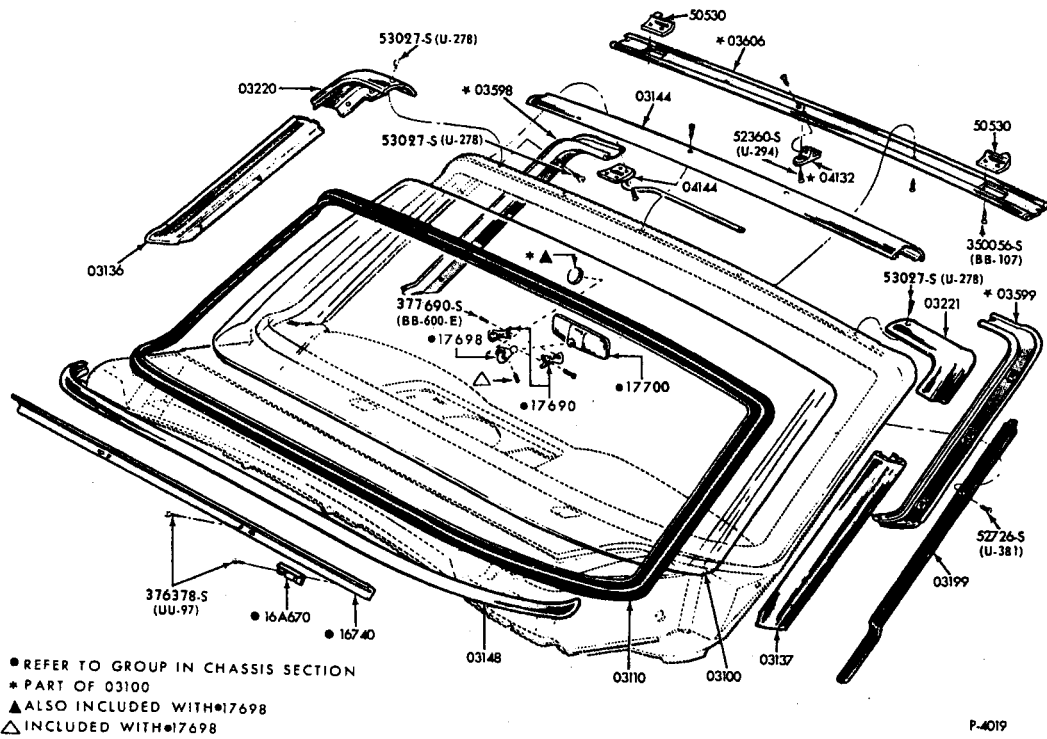
**WINDSHIELD and RELATED PARTS  
1965 FALCON - except BODY TYPES 63, 76**



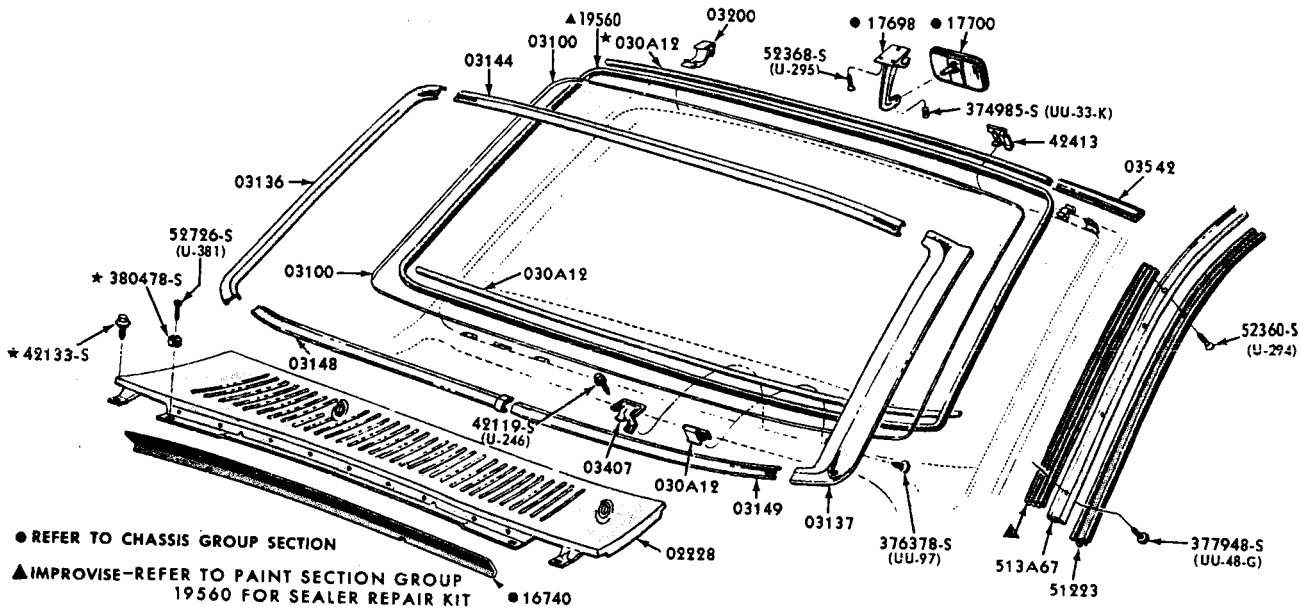
**BODY ILLUSTRATION FORD CAR PARTS**  
**SECTION 030**



**WINDSHIELD and RELATED PARTS**  
**1965 FALCON - BODY TYPE 63**

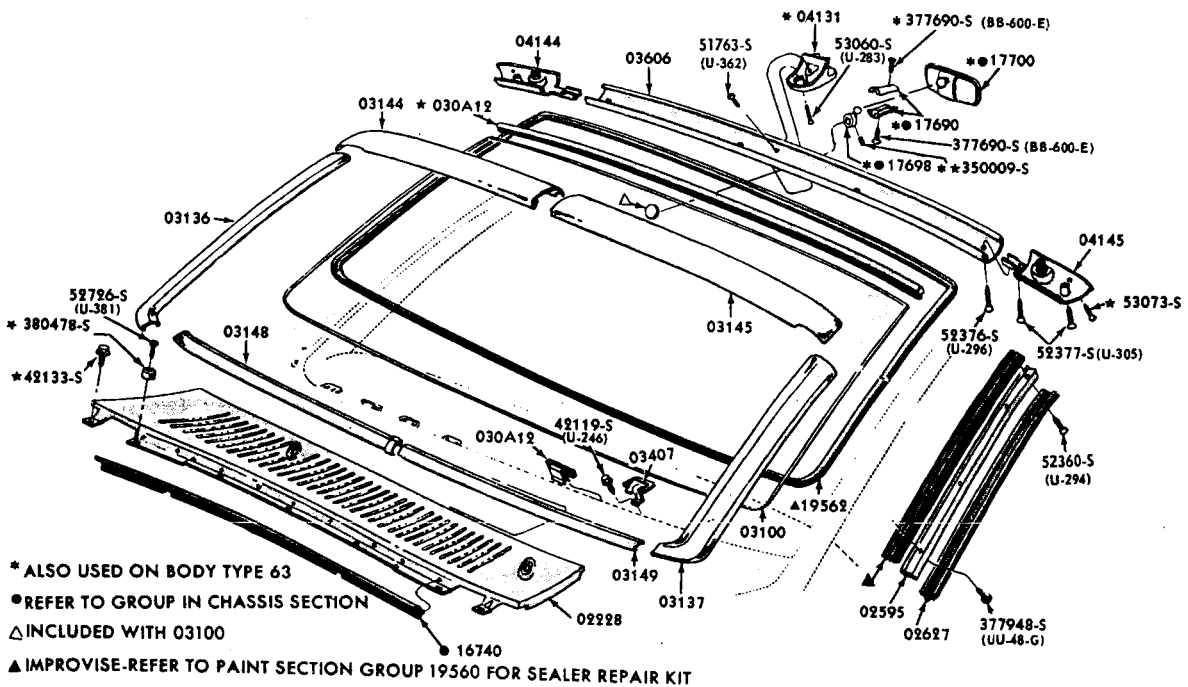


**WINDSHIELD and RELATED PARTS**  
**1965 FALCON - BODY TYPE 76**



P-5068

**WINDSHIELD and RELATED PARTS**  
 1966/69 FAIRLANE/TORINO - EXCEPT BODY TYPE 76 and 1966/70 FALCON

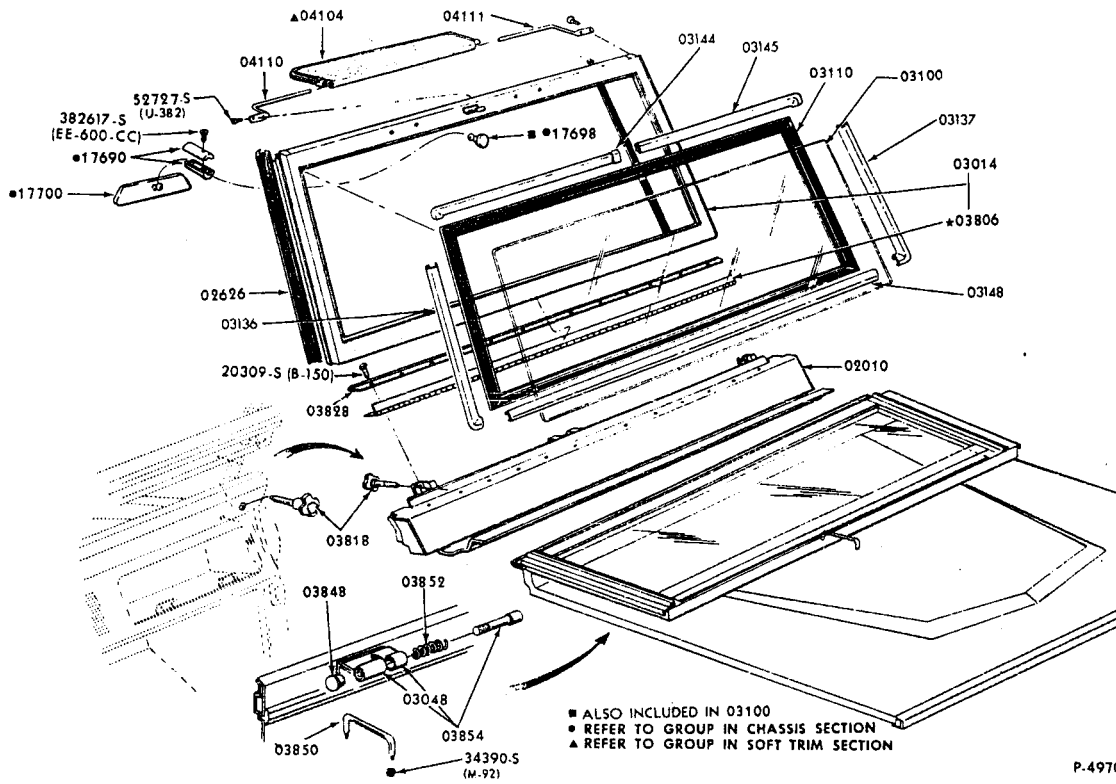


P-5069

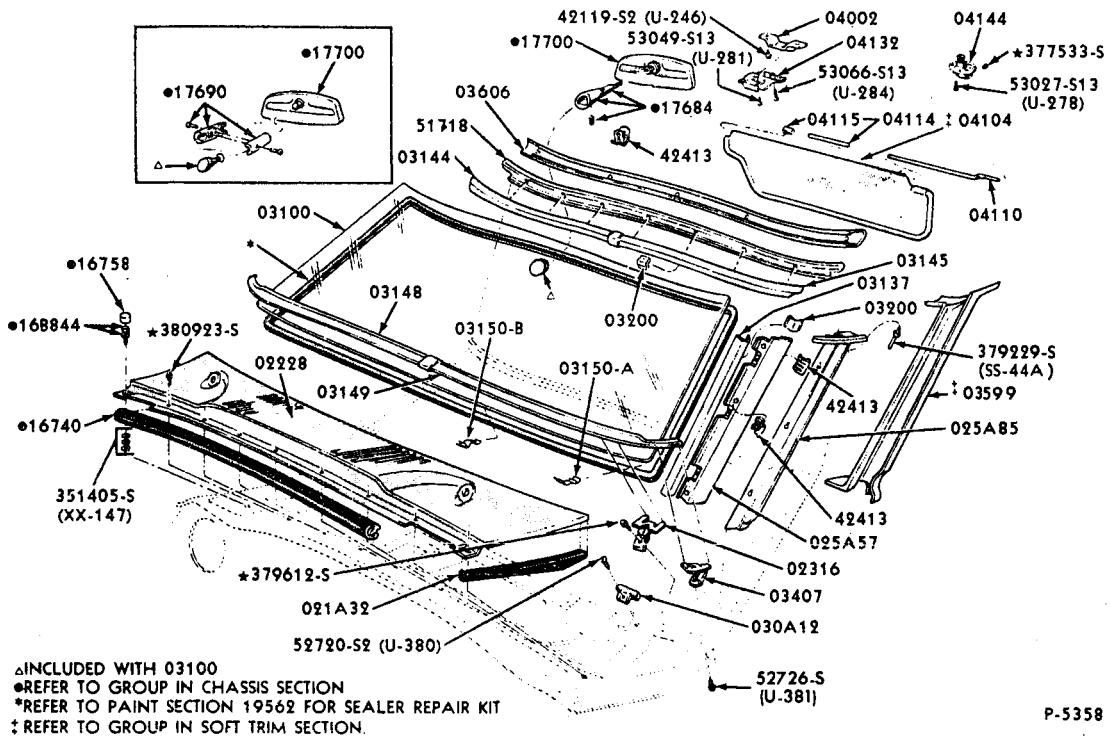
**WINDSHIELD and RELATED PARTS**  
 1966/69 FAIRLANE/TORINO - BODY TYPE 76

**BODY ILLUSTRATION  
SECTION 030**

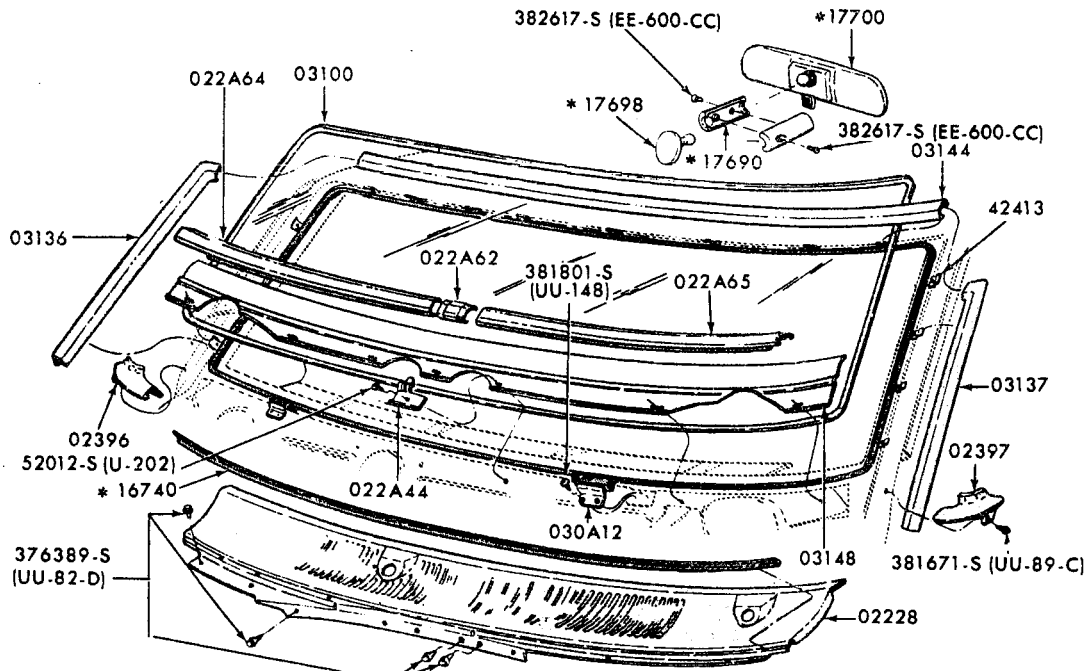
**FORD CAR PARTS**



**WINDSHIELD and RELATED PARTS  
1966/72 BRONCO**



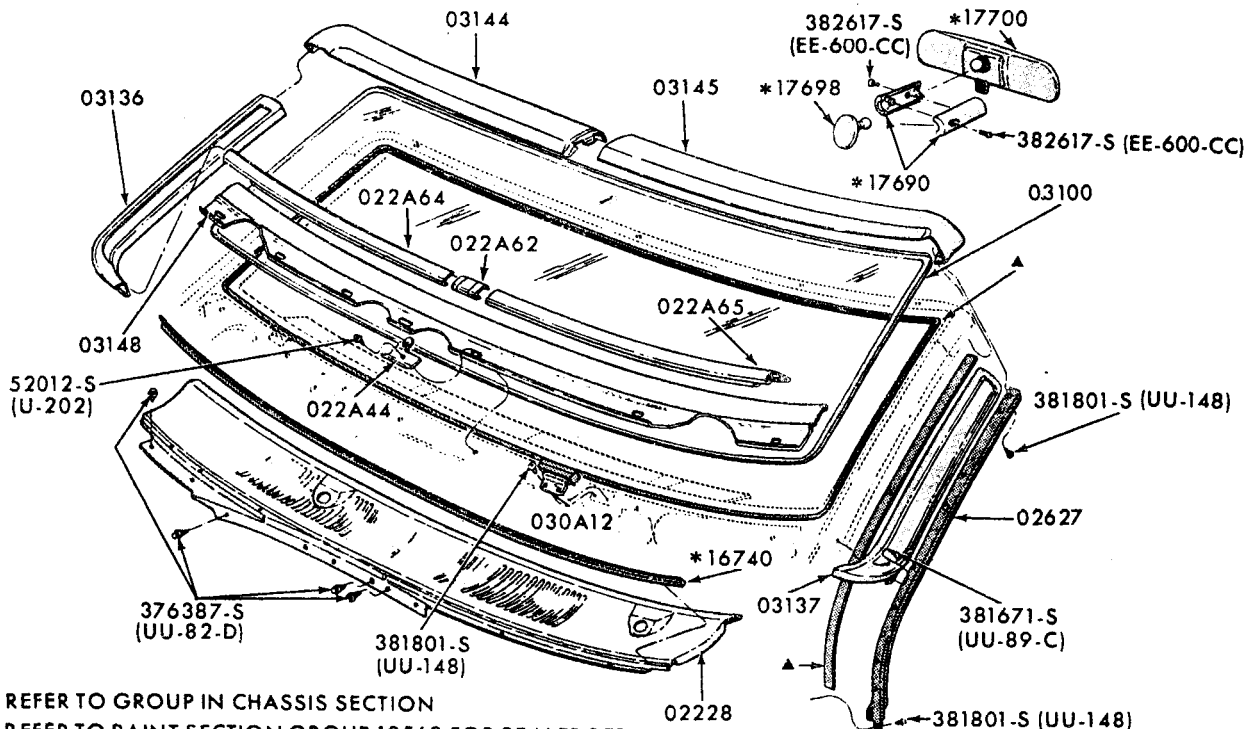
**WINDSHIELD and RELATED PARTS  
1967/69 THUNDERBIRD**



\* REFER TO GROUP IN CHASSIS SECTION

P-6684

**WINDSHIELD and RELATED PARTS**  
 1969/70 FORD - BODY TYPES 54, 57, 62, 63, 65, 71



\* REFER TO GROUP IN CHASSIS SECTION

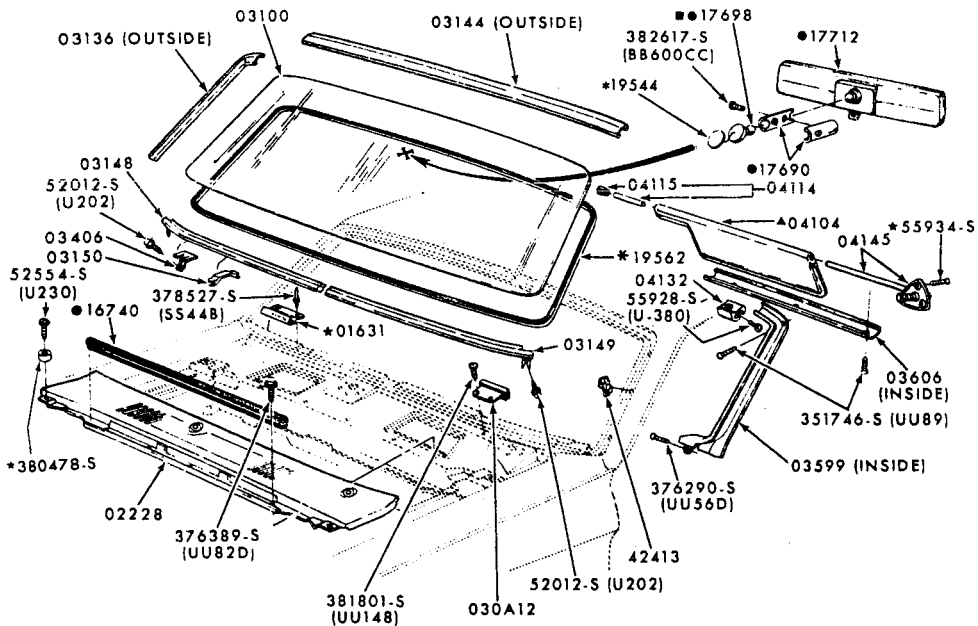
▲ REFER TO PAINT SECTION GROUP 19562 FOR SEALER REPAIR KIT

P-6685

**WINDSHIELD and RELATED PARTS**  
 1969/70 FORD - BODY TYPE 76

**BODY ILLUSTRATION  
SECTION 030**

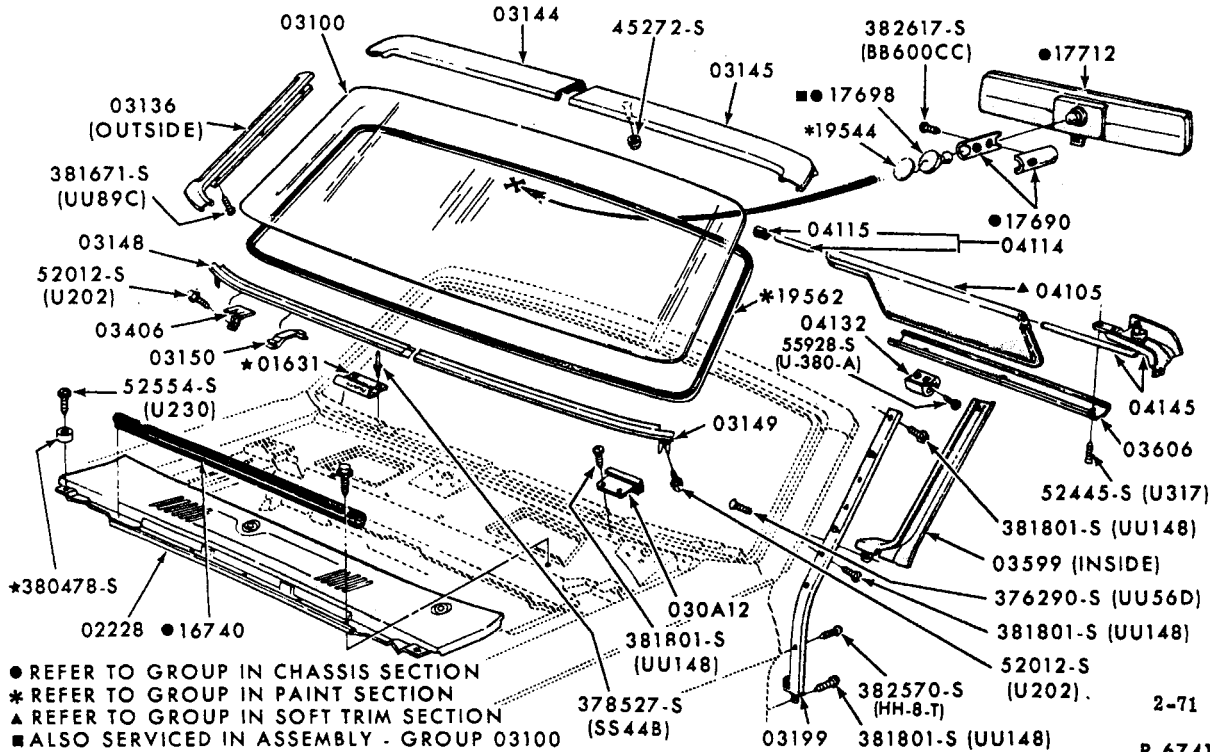
**FORD CAR PARTS**



- REFER TO GROUP IN CHASSIS SECTION
- \* REFER TO GROUP IN PAINT SECTION
- ▲ REFER TO GROUP IN SOFT TRIM SECTION
- ALSO SERVICED IN ASSEMBLY-GROUP 03100

P-6740

**WINDSHIELD and RELATED PARTS  
1969, 70 MUSTANG - BODY TYPES 63, 65**

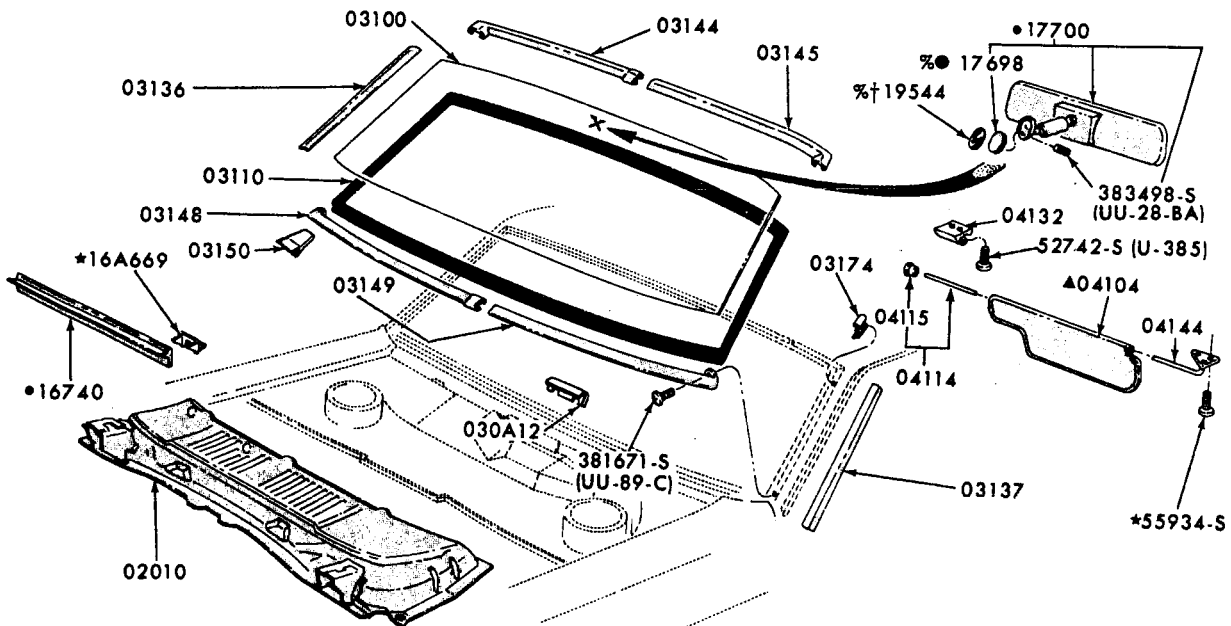


- REFER TO GROUP IN CHASSIS SECTION
- \* REFER TO GROUP IN PAINT SECTION
- ▲ REFER TO GROUP IN SOFT TRIM SECTION
- ALSO SERVICED IN ASSEMBLY - GROUP 03100

2-71

P-6741

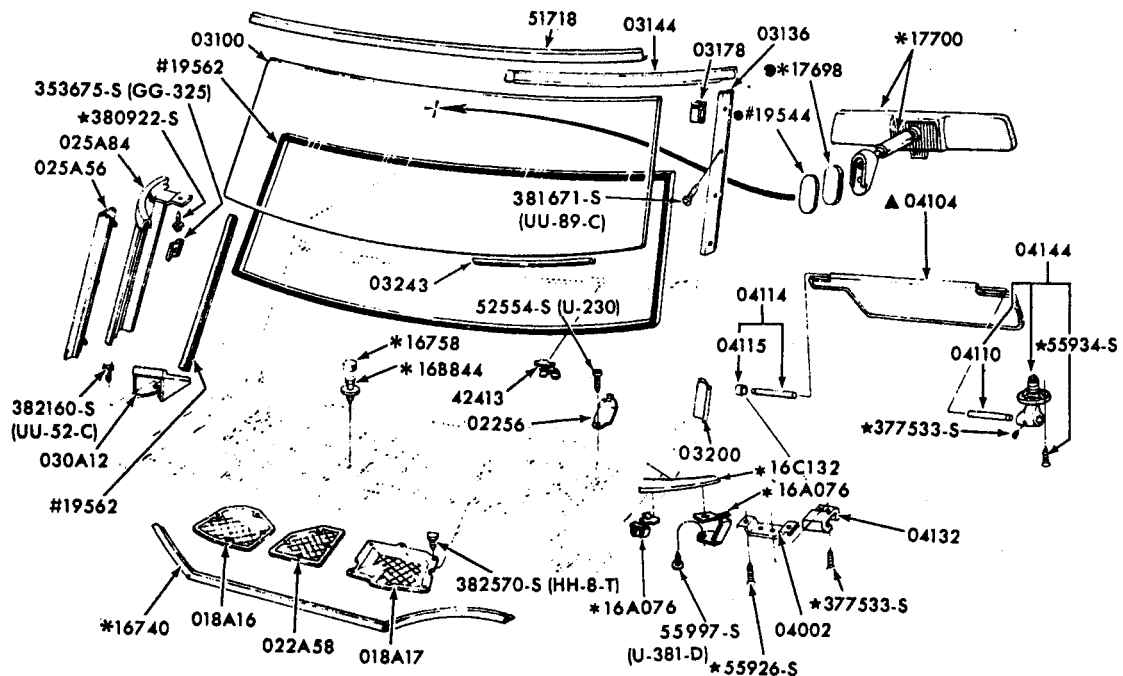
**WINDSHIELD and RELATED PARTS  
1969, 70 MUSTANG - BODY TYPE 76**



% ALSO SERVICED IN ASSEMBLY-GROUP 03100  
 • REFER TO GROUP IN CHASSIS SECTION  
 ▲ REFER TO GROUP IN SOFT TRIM SECTION  
 † REFER TO GROUP IN PAINT SECTION

P-6940

**WINDSHIELD and RELATED PARTS  
1970/72 MAVERICK**



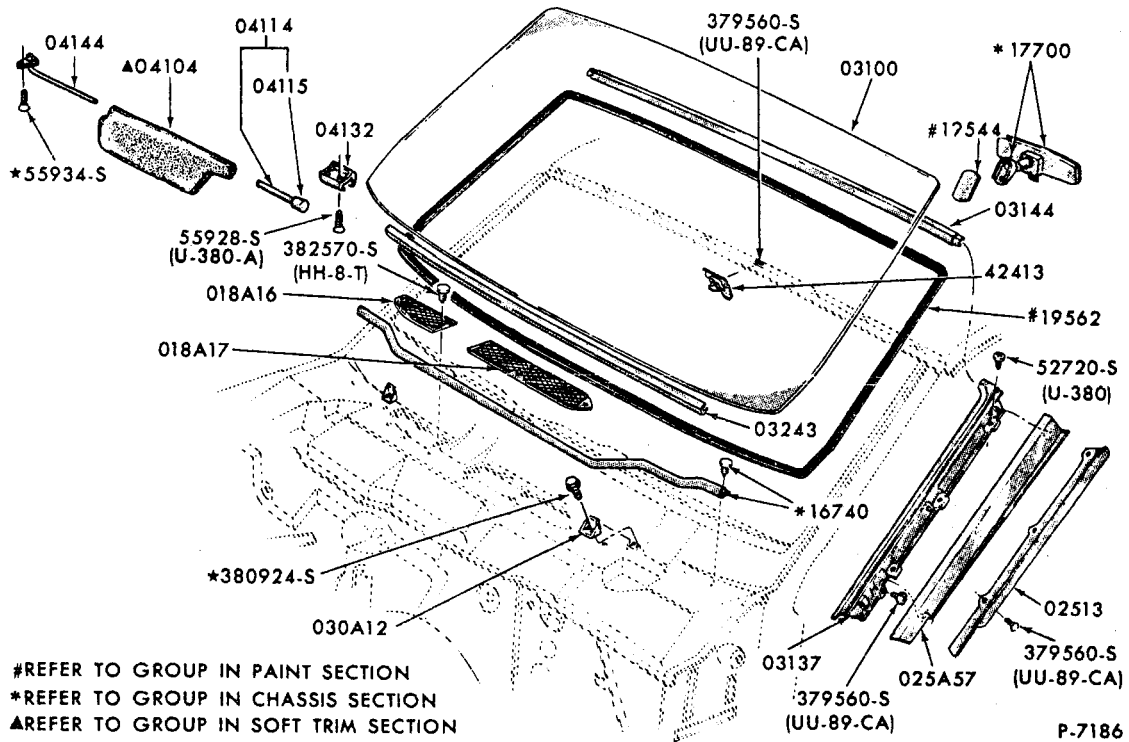
▲ REFER TO GROUP IN SOFT TRIM SECTION    # REFER TO PAINT SECTION  
 \* REFER TO GROUP IN CHASSIS SECTION       • ALSO SERVICED IN ASSEMBLY-GROUP 03100

P-7125

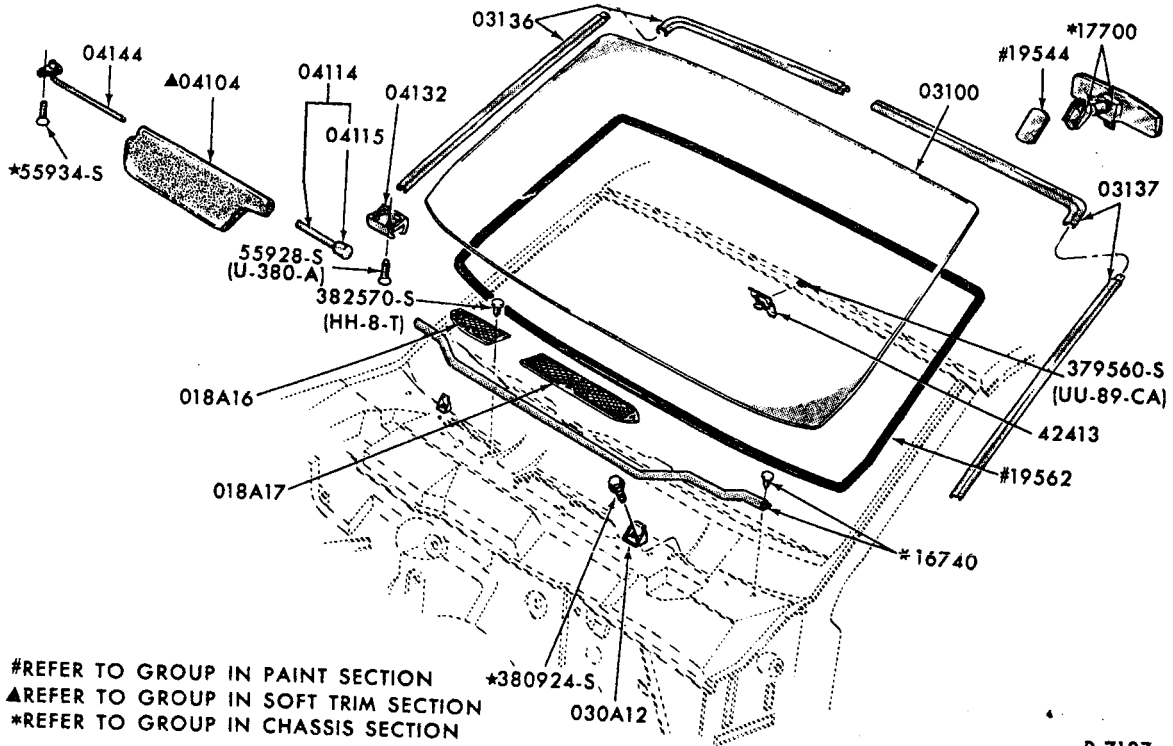
**WINDSHIELD and RELATED PARTS  
1970/71 THUNDERBIRD - BODY TYPE 57**

**BODY ILLUSTRATION  
SECTION 030**

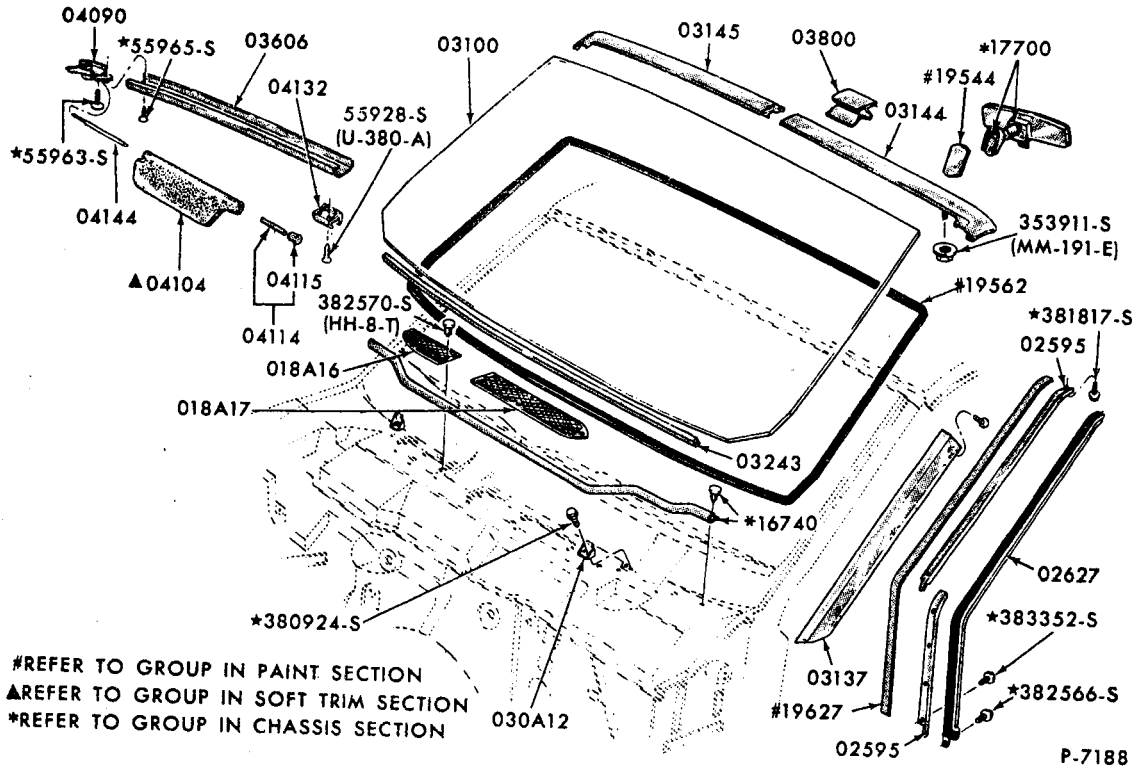
**FORD CAR PARTS**



WINDSHIELD and RELATED PARTS  
1970/71 FAIRLANE/TORINO - BODY TYPES 54, 57, 62, 65, 66, 71

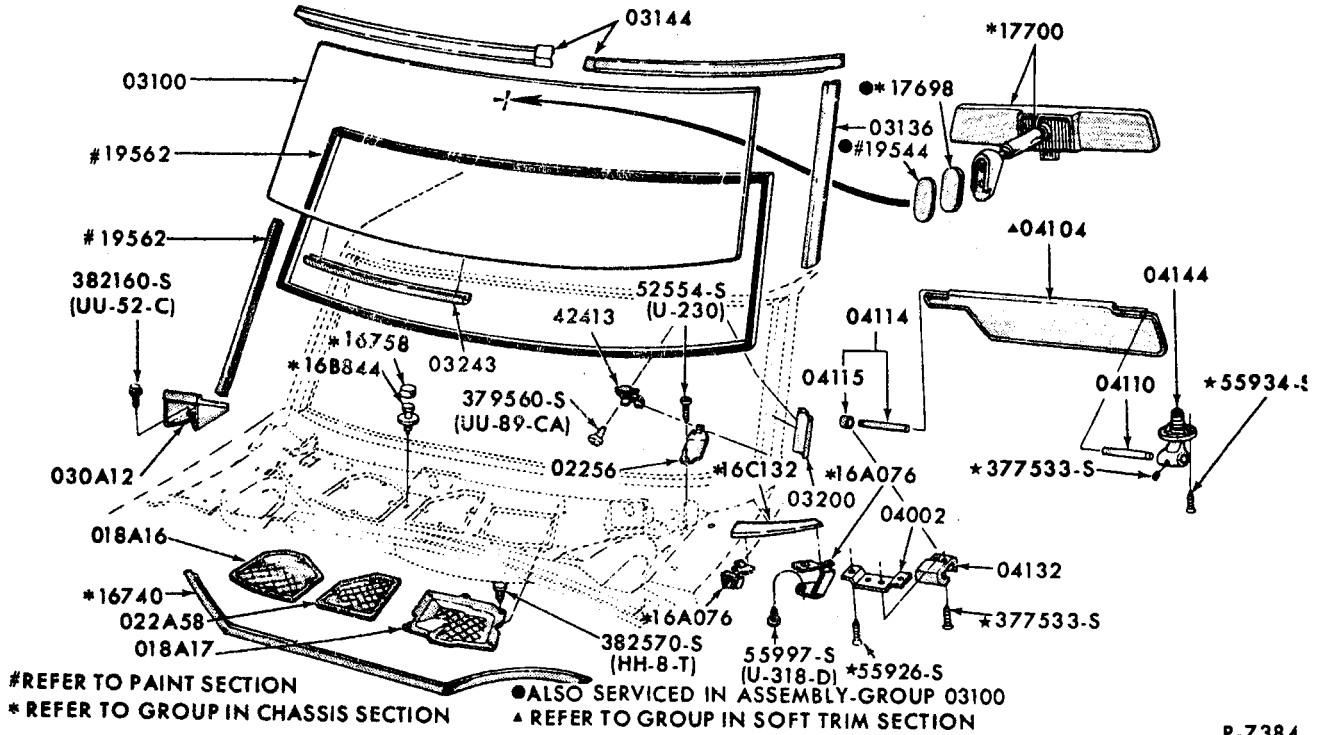


WINDSHIELD and RELATED PARTS  
1970/71 FAIRLANE/TORINO - BODY TYPE 63



P-7188

WINDSHIELD and RELATED PARTS  
1970/71 FAIRLANE/TORINO - BODY TYPE 76



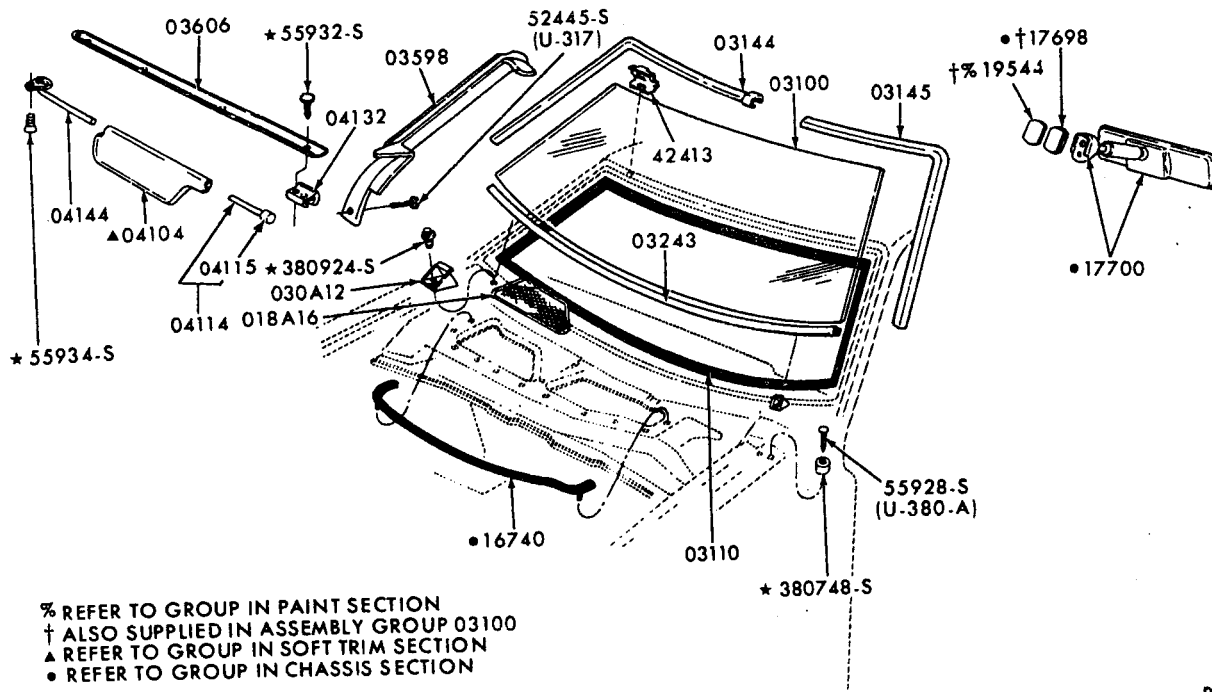
P-7384

WINDSHIELD and RELATED PARTS  
1970/71 THUNDERBIRD - BODY TYPE 65



**BODY ILLUSTRATION  
SECTION 030**

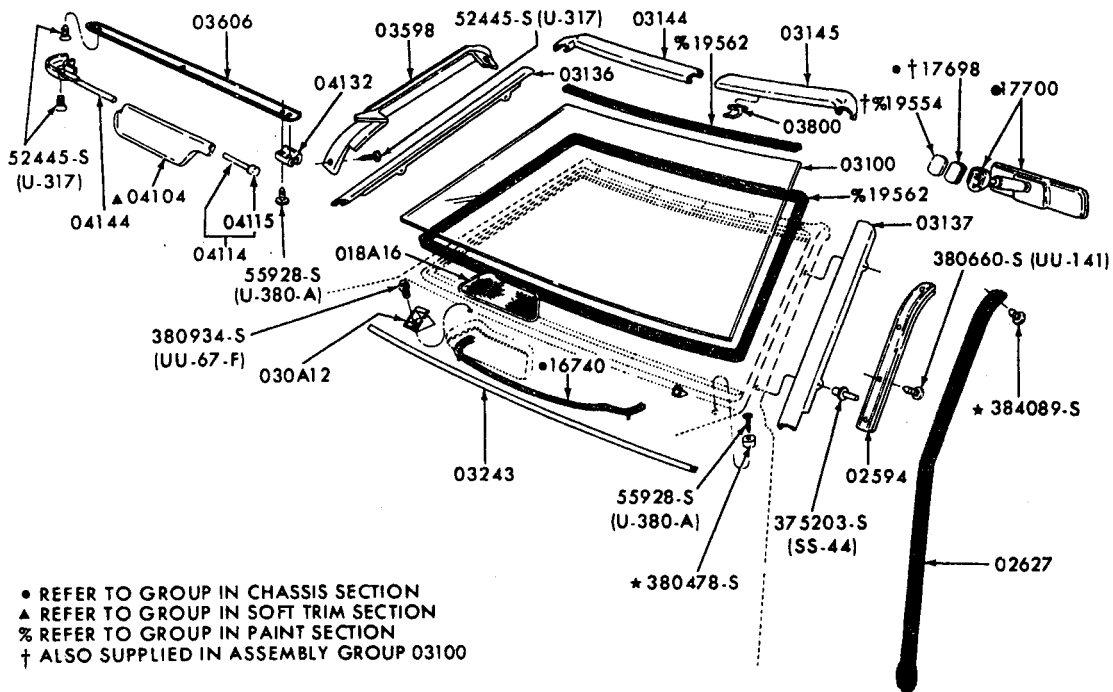
**FORD CAR PARTS**



% REFER TO GROUP IN PAINT SECTION  
 † ALSO SUPPLIED IN ASSEMBLY GROUP 03100  
 ▲ REFER TO GROUP IN SOFT TRIM SECTION  
 • REFER TO GROUP IN CHASSIS SECTION

P-8051

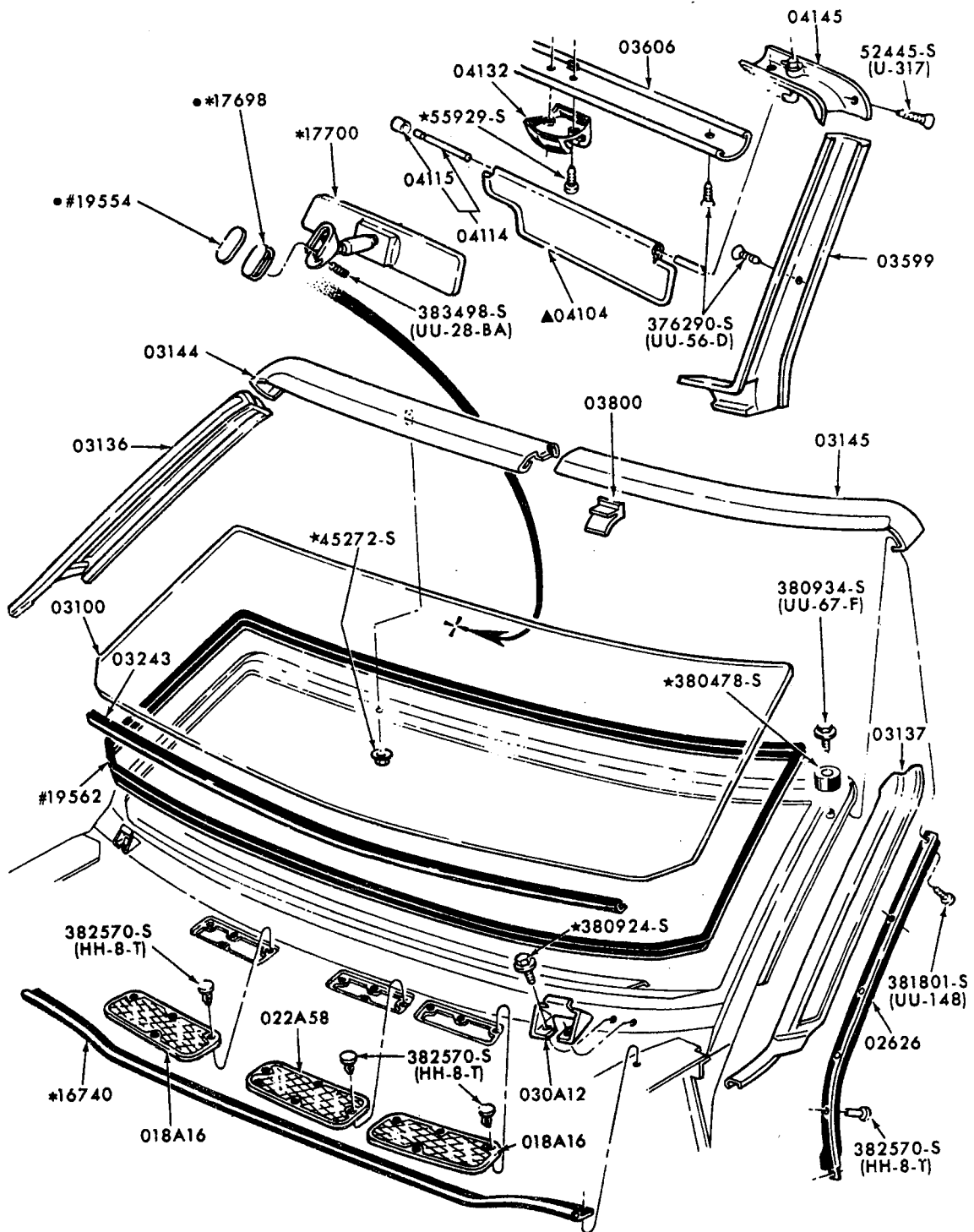
**WINDSHIELD and RELATED PARTS  
1971/72 MUSTANG - BODY TYPES 63, 65**



• REFER TO GROUP IN CHASSIS SECTION  
 ▲ REFER TO GROUP IN SOFT TRIM SECTION  
 % REFER TO GROUP IN PAINT SECTION  
 † ALSO SUPPLIED IN ASSEMBLY GROUP 03100

P-8059

**WINDSHIELD and RELATED PARTS  
1971/72 MUSTANG - BODY TYPE 76**



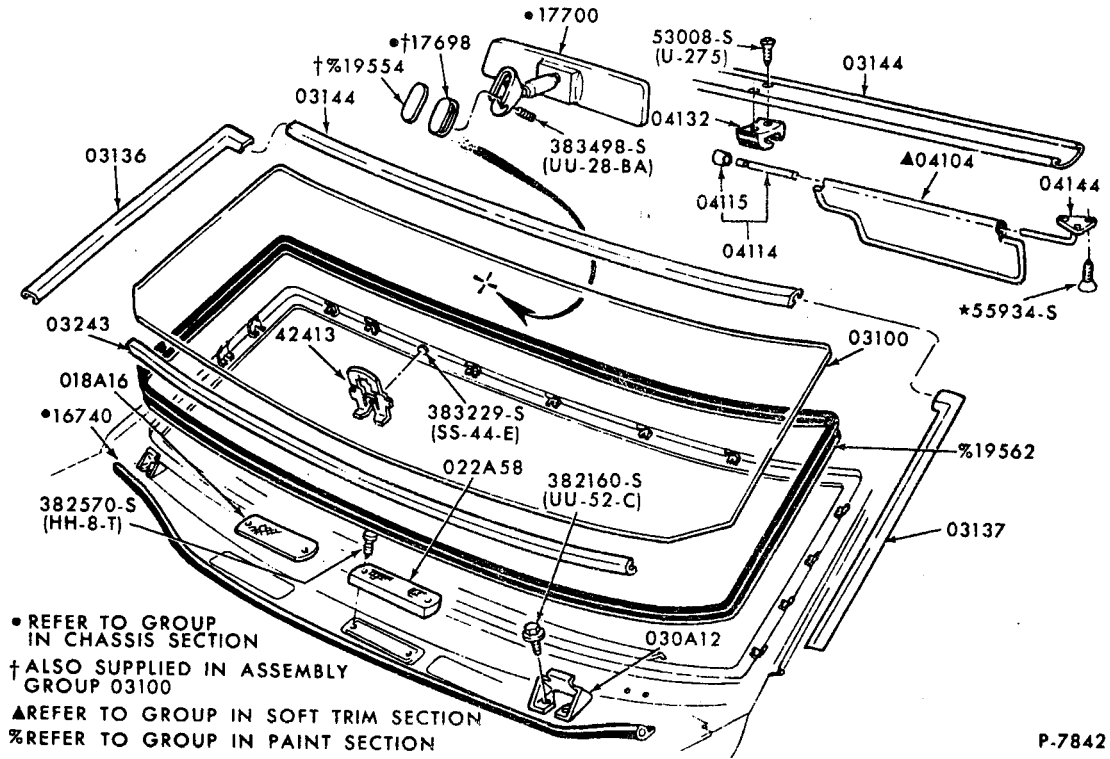
#REFER TO GROUP IN PAINT SECTION  
 \*REFER TO GROUP IN CHASSIS SECTION  
 •ALSO SUPPLIED IN ASSEMBLY GROUP 03100  
 ▲REFER TO GROUP IN SOFT TRIM SECTION

P-7843

WINDSHIELD and RELATED PARTS  
 1971/72 FORD - BODY TYPE 76

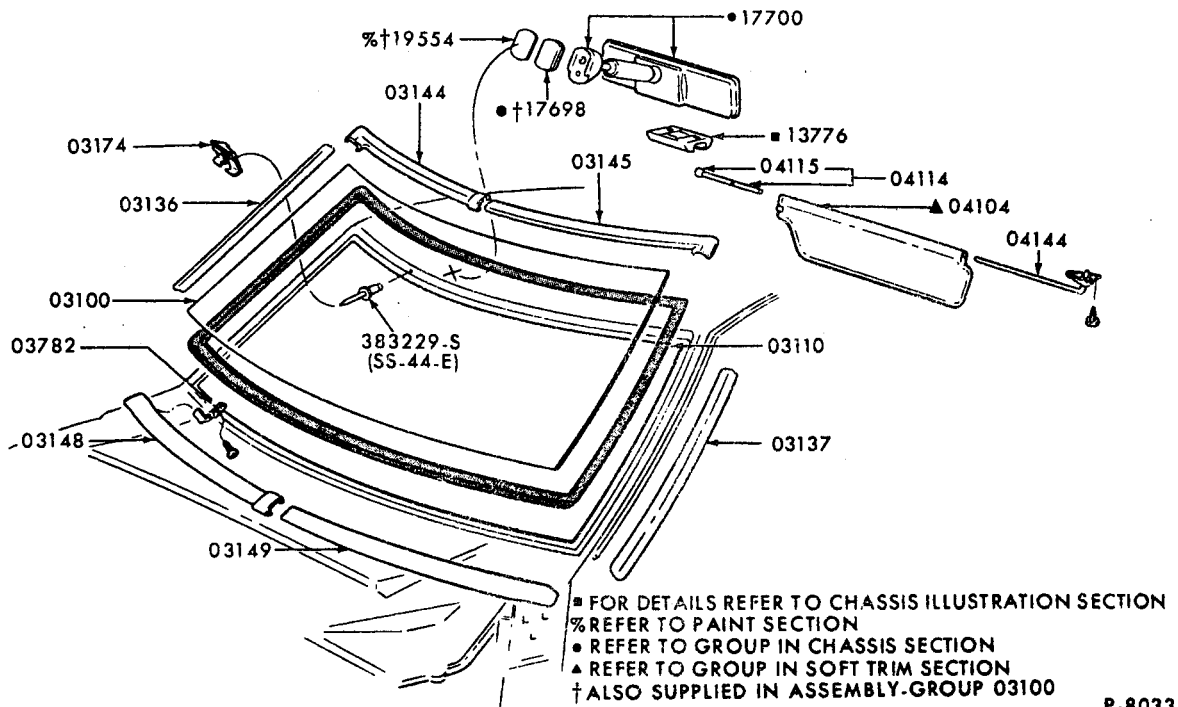
16 BODY ILLUSTRATION  
SECTION 030

FORD CAR PARTS



P-7842

WINDSHIELD and RELATED PARTS  
1971/72 FORD - BODY TYPES 53, 54, 57, 65, 71

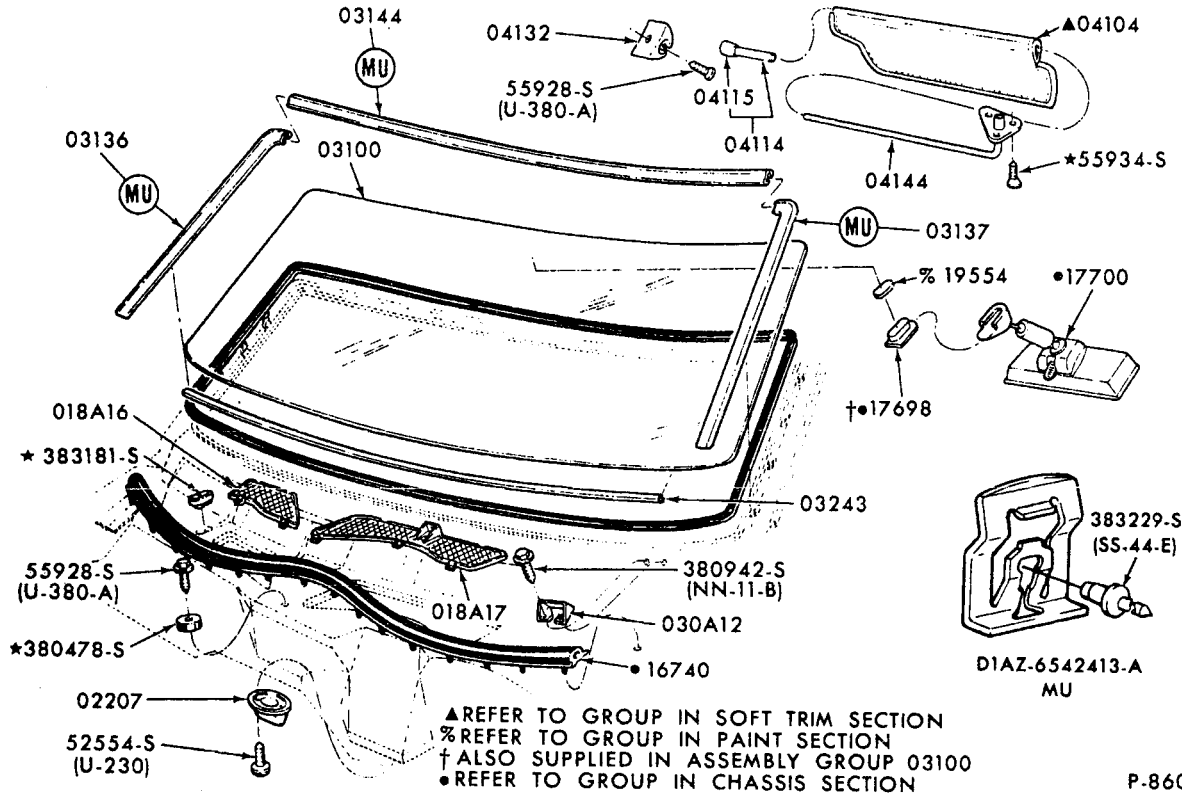


P-8033

WINDSHIELD and RELATED PARTS  
1971/72 PINTO

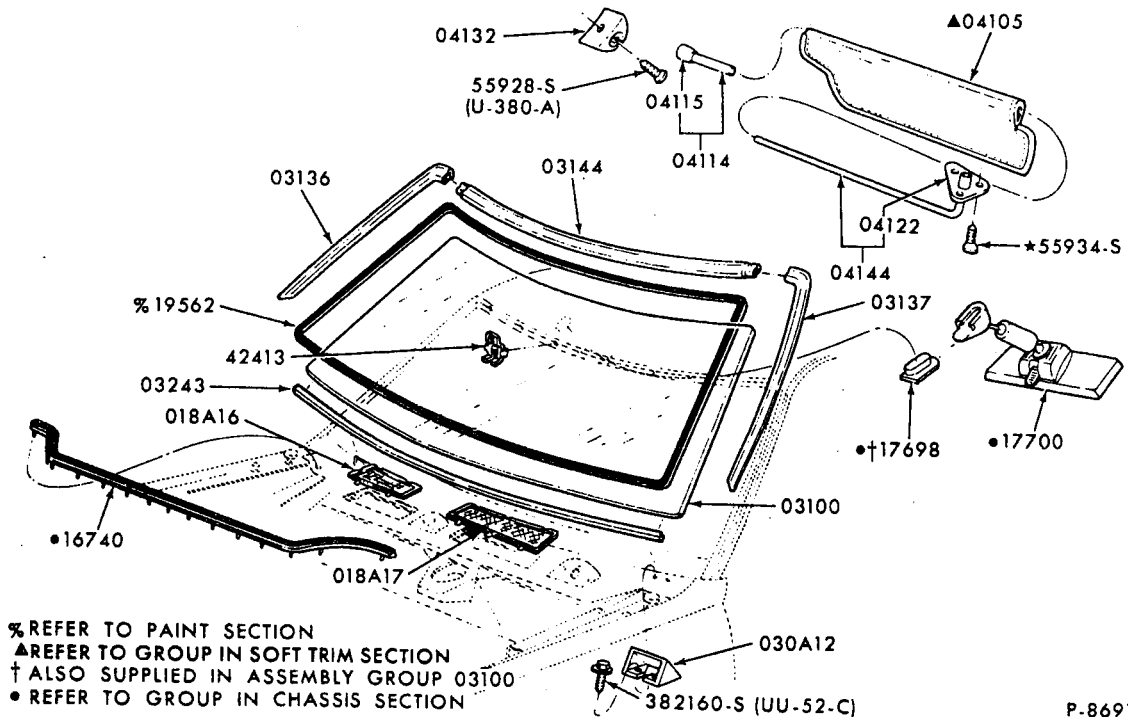
# FORD CAR PARTS

BODY ILLUSTRATION SECTION 17  
SECTION 030



P-8600

## WINDSHIELD and RELATED PARTS 1972 TORINO



P-8691

## WINDSHIELD and RELATED PARTS 1972 THUNDERBIRD

May, 1975

COPYRIGHT © 1975 —

FORD MOTOR  
COMPANY

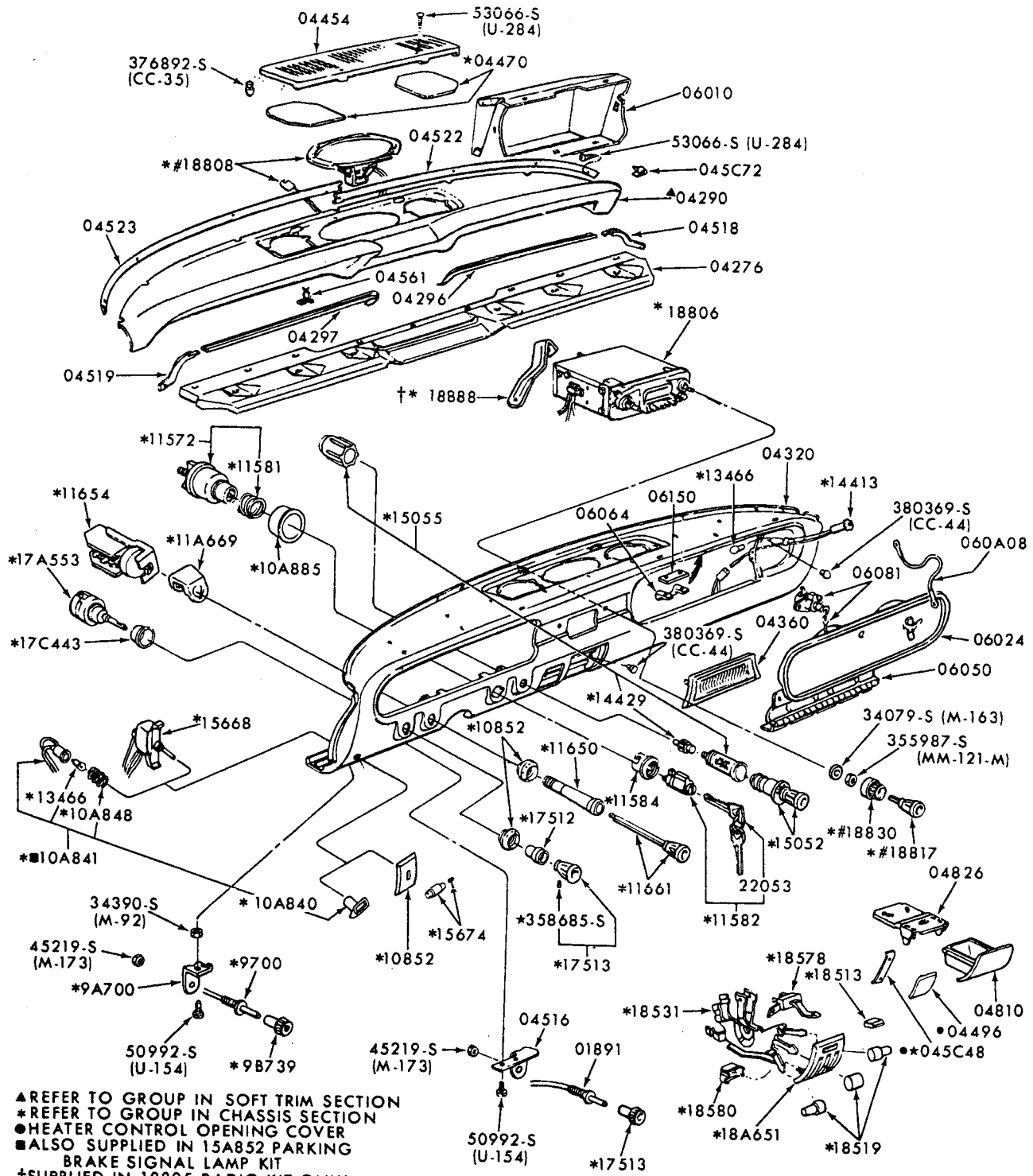
— DEARBORN, MICHIGAN

**FINAL ISSUE**

# FORD CAR PARTS

BODY ILLUSTRATION  
SECTION 042

1



P-8972

## INSTRUMENT PANEL, PAD and RELATED PARTS 1965/66 MUSTANG - w/GAUGES

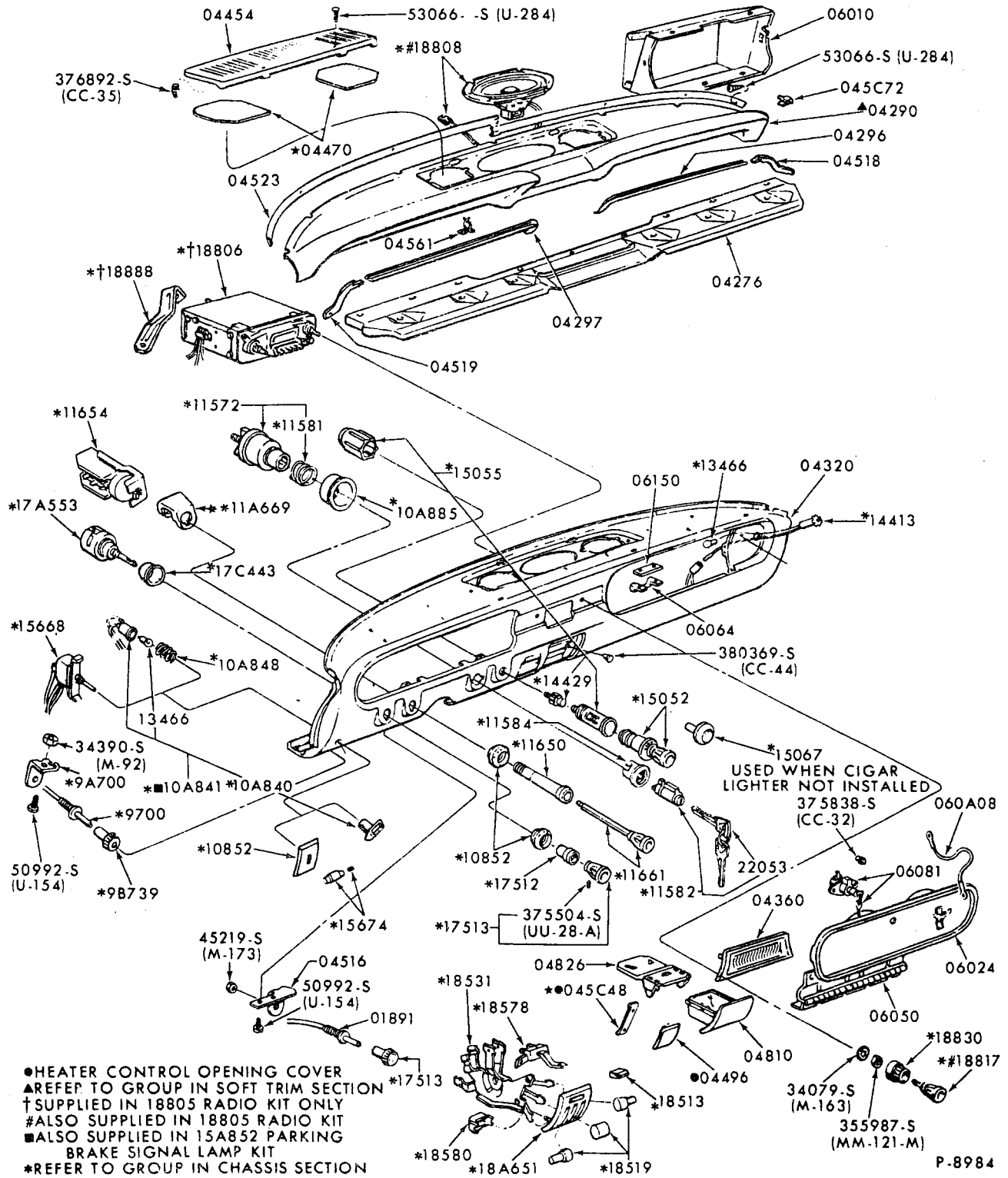
May, 1975

COPYRIGHT © 1975 —

FORD MOTOR  
COMPANY

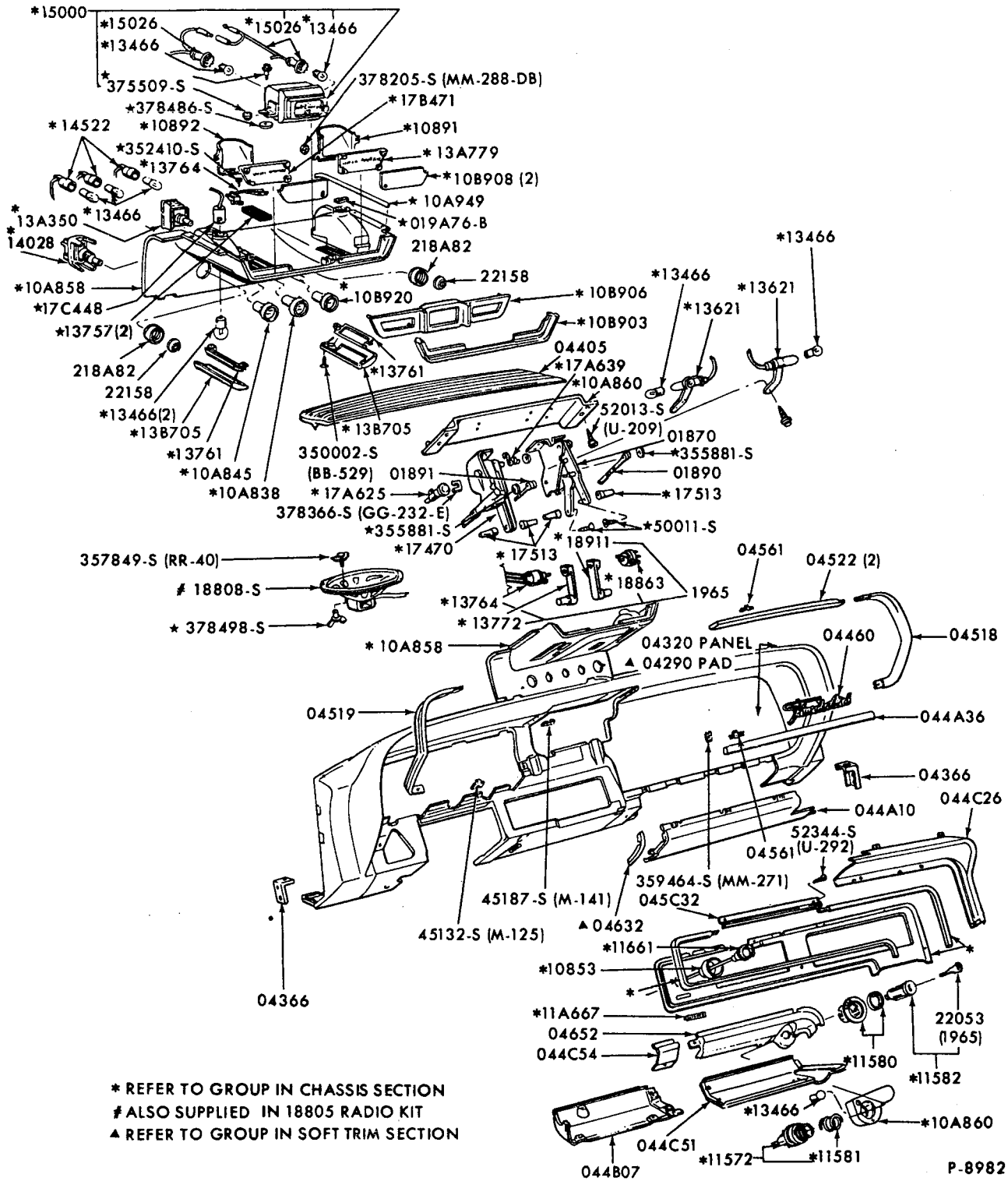
— DEARBORN, MICHIGAN

**FINAL ISSUE**



**INSTRUMENT PANEL, PAD and RELATED PARTS  
1965 MUSTANG - w/INDICATOR LIGHTS**

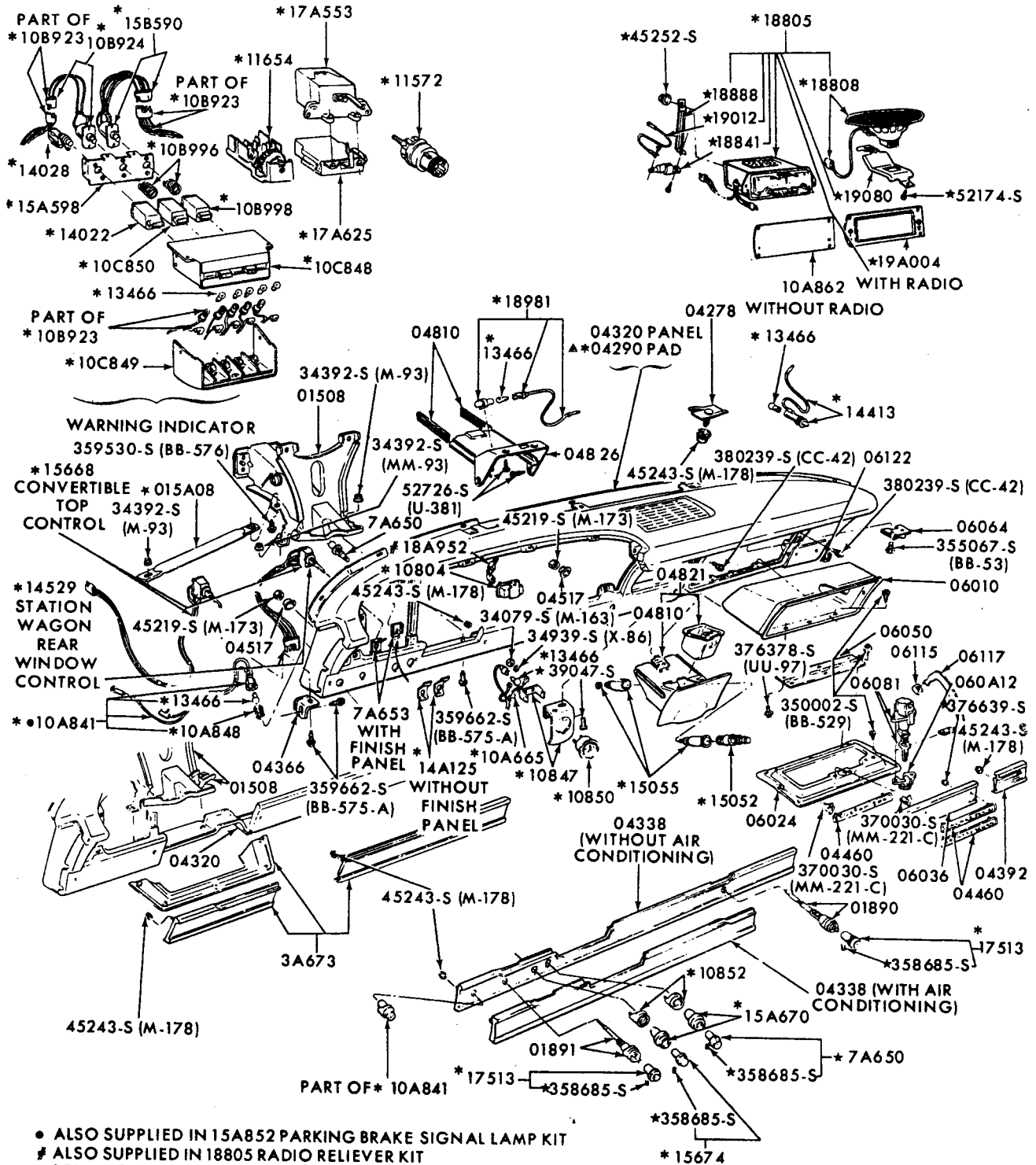




P-8982

INSTRUMENT PANEL, PAD and RELATED PARTS  
1965/66 THUNDERBIRD





- ALSO SUPPLIED IN 15A852 PARKING BRAKE SIGNAL LAMP KIT
- \* ALSO SUPPLIED IN 18805 RADIO RELIEVER KIT
- \* REFER TO GROUP IN CHASSIS SECTION
- ▲ REFER TO GROUP IN SOFT TRIM SECTION

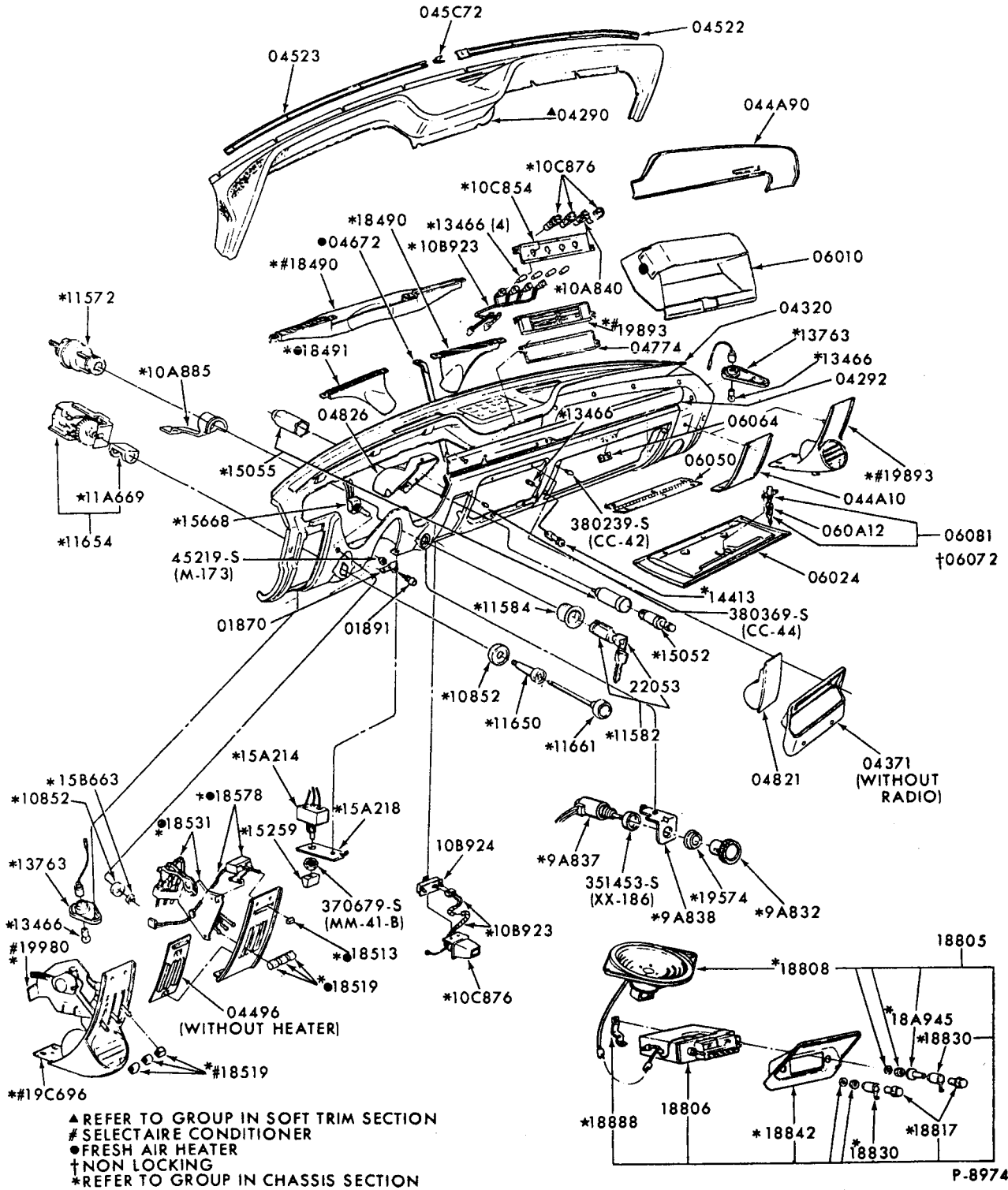
P-8990

INSTRUMENT PANEL, PAD and RELATED PARTS  
1965/66 FORD





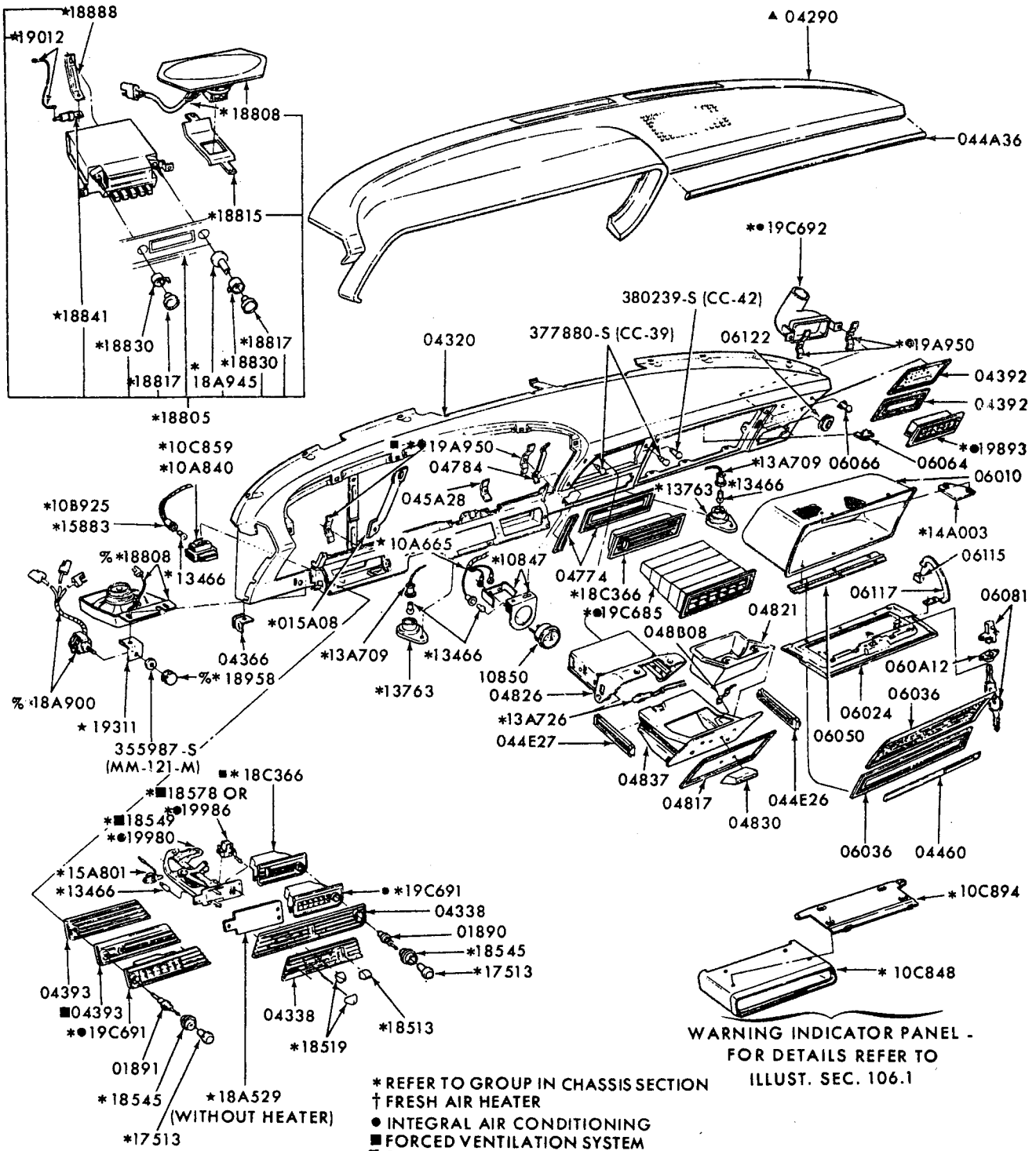
**FORD CAR PARTS**



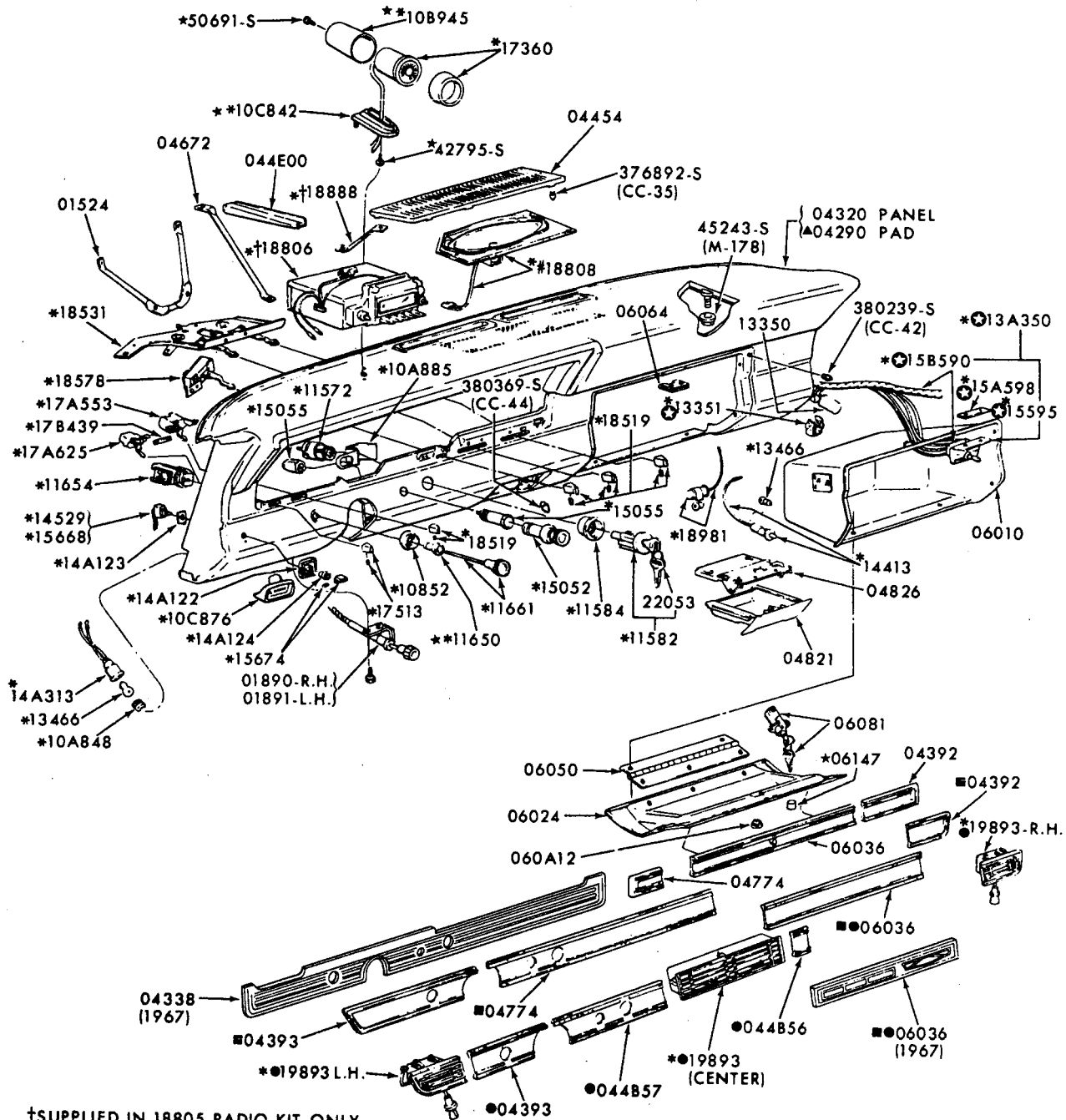
INSTRUMENT PANEL and RELATED PARTS  
1967/68 MUSTANG



**FORD CAR PARTS**



INSTRUMENT PANEL and RELATED PARTS  
1967 FORD



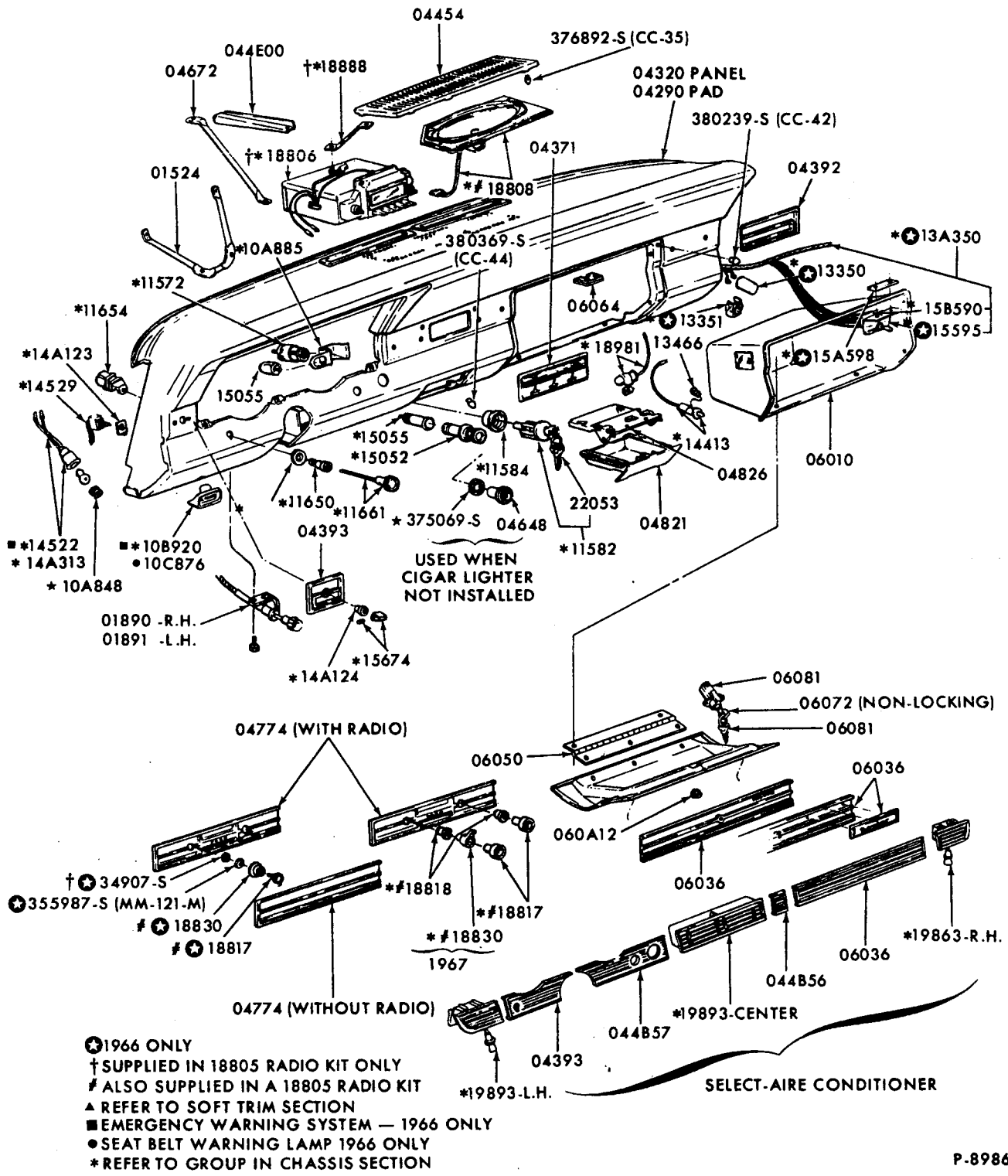
† SUPPLIED IN 18805 RADIO KIT ONLY  
 ▲ REFER TO SOFT TRIM SECTION  
 ■ LESS AIR CONDITIONING BODY TYPES B (63C, 63D, 71E, 76C, 76D)  
 ● WITH AIR CONDITIONING BODY TYPES B (63C, 63D, 71E, 76C, 76D)  
 ○ 1966 ONLY  
 \* REFER TO GROUP IN CHASSIS SECTION  
 # ALSO SUPPLIED IN 18805 RADIO KIT

P-8976

**INSTRUMENT PANEL, PAD and RELATED PARTS  
1966/67 FAIRLANE**



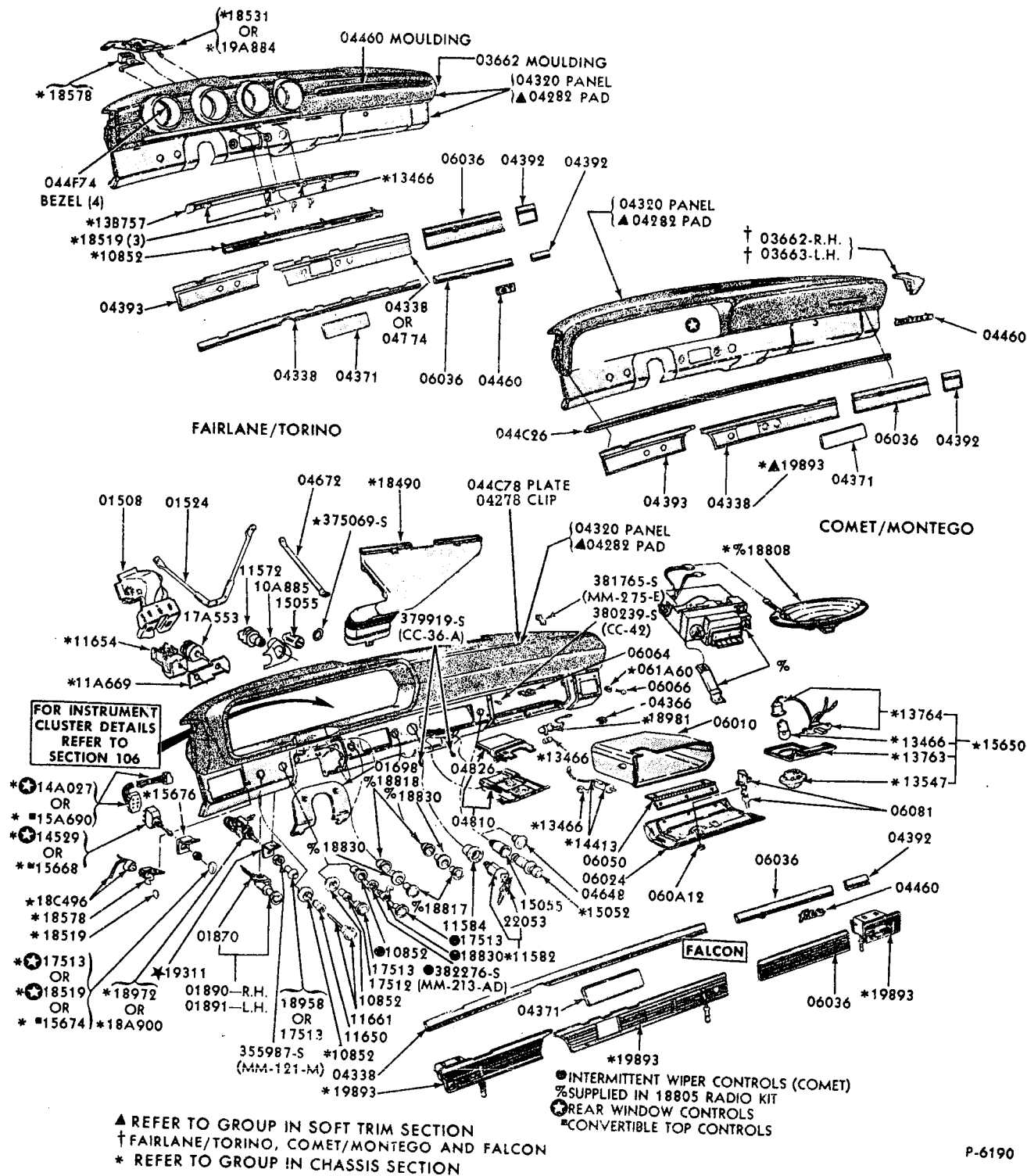




P-8986

**INSTRUMENT PANEL, PAD and RELATED PARTS  
1966/67 FALCON**





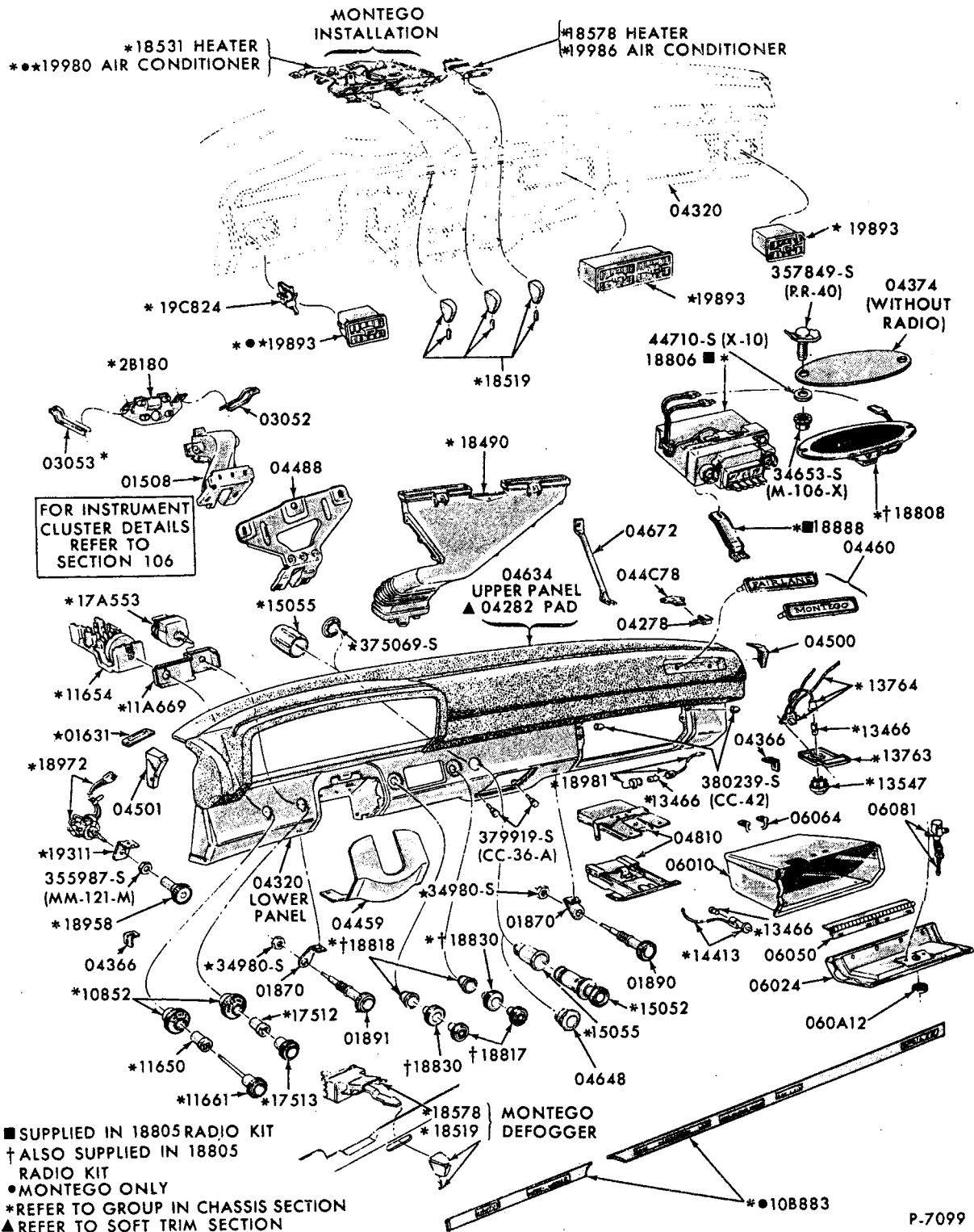
P-6190

INSTRUMENT PANEL and RELATED PARTS  
1968/69 FAIRLANE and 1968/70 FALCON



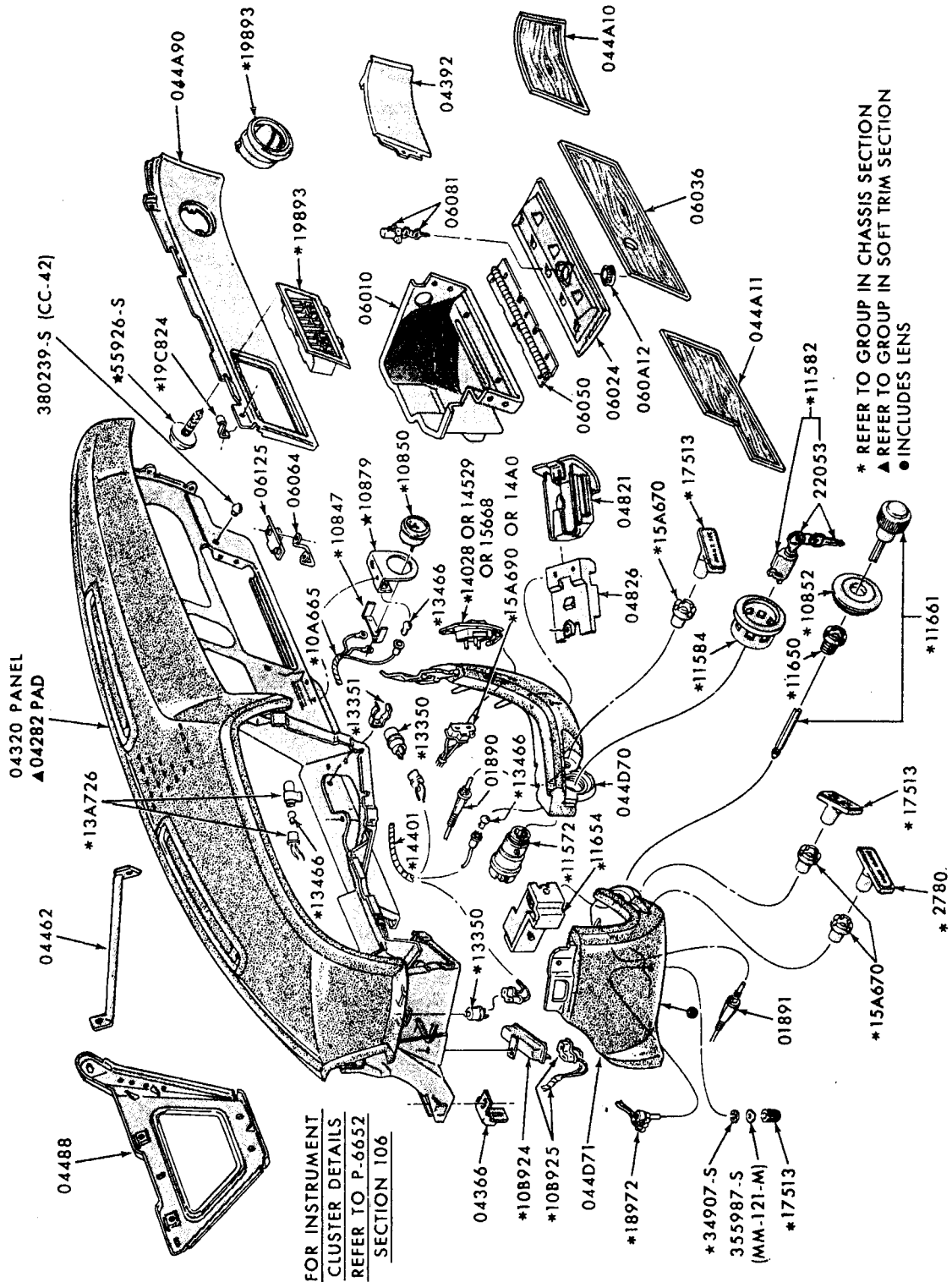


**FORD CAR PARTS**



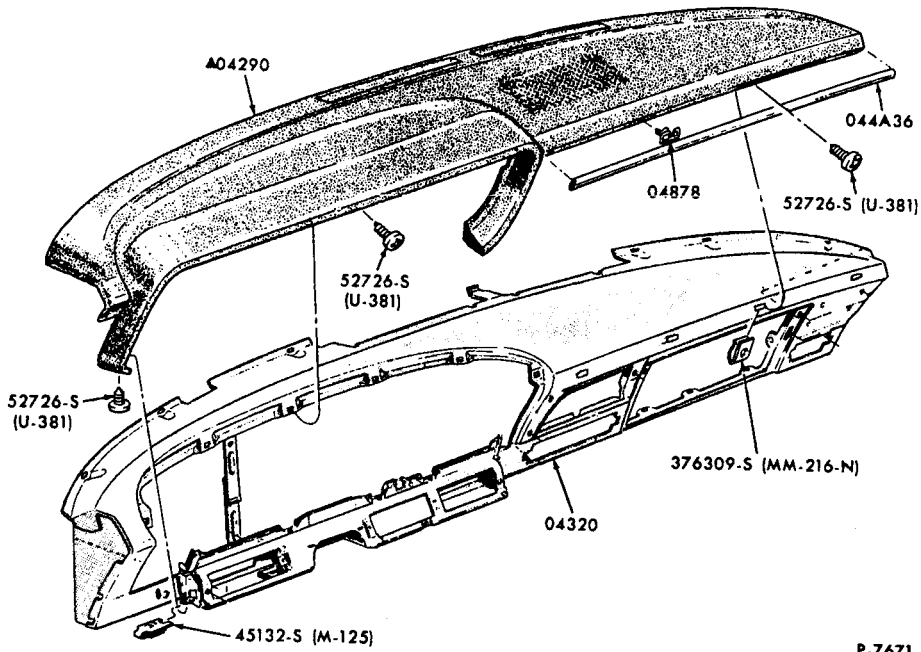
P-7099

INSTRUMENT PANEL and RELATED PARTS  
1970/71 FAIRLANE/TORINO



INSTRUMENT PANEL and RELATED PARTS  
1969/70 FORD

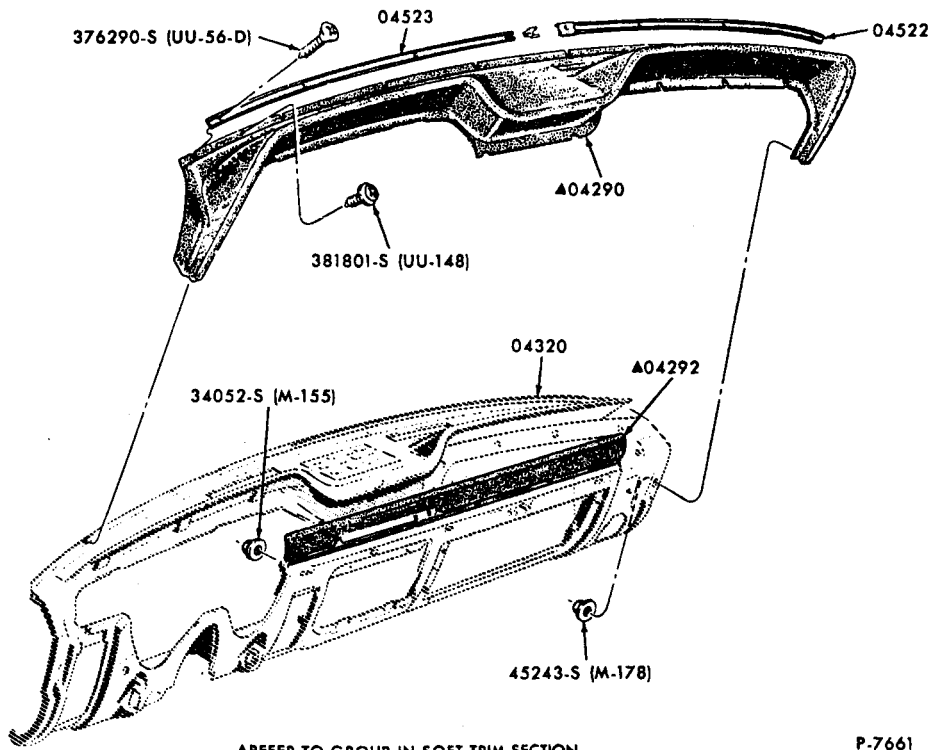
# FORD CAR PARTS



P-7671

▲ REFER TO GROUP IN SOFT TRIM SECTION

## INSTRUMENT PANEL PAD and ATTACHING PARTS 1967 FORD

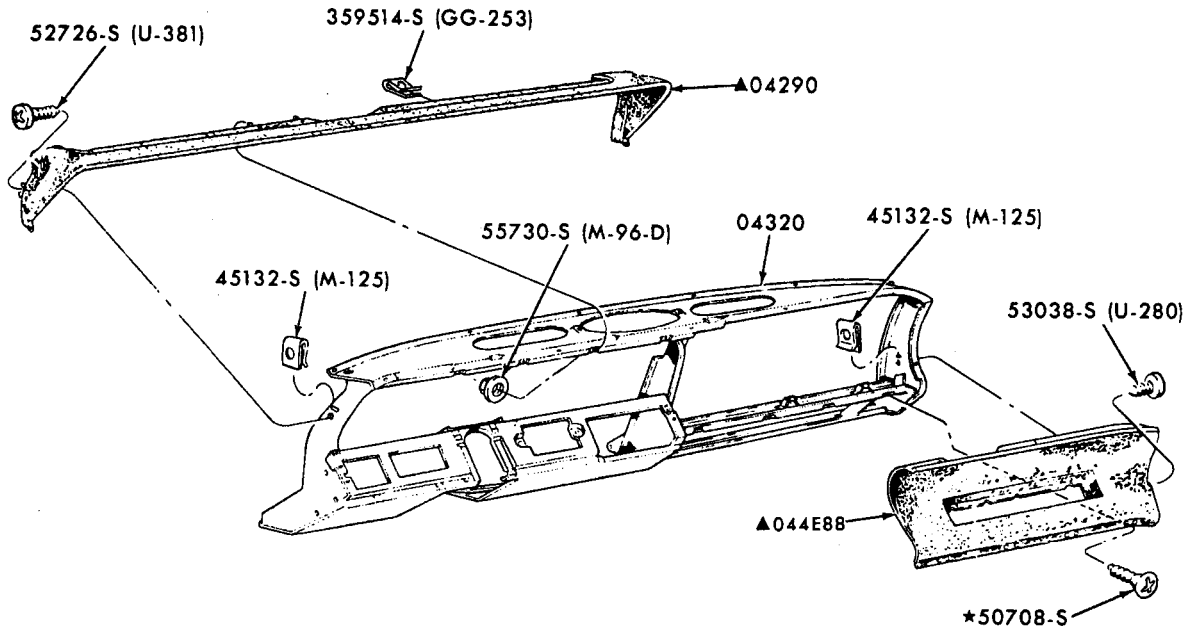


P-7661

▲ REFER TO GROUP IN SOFT TRIM SECTION

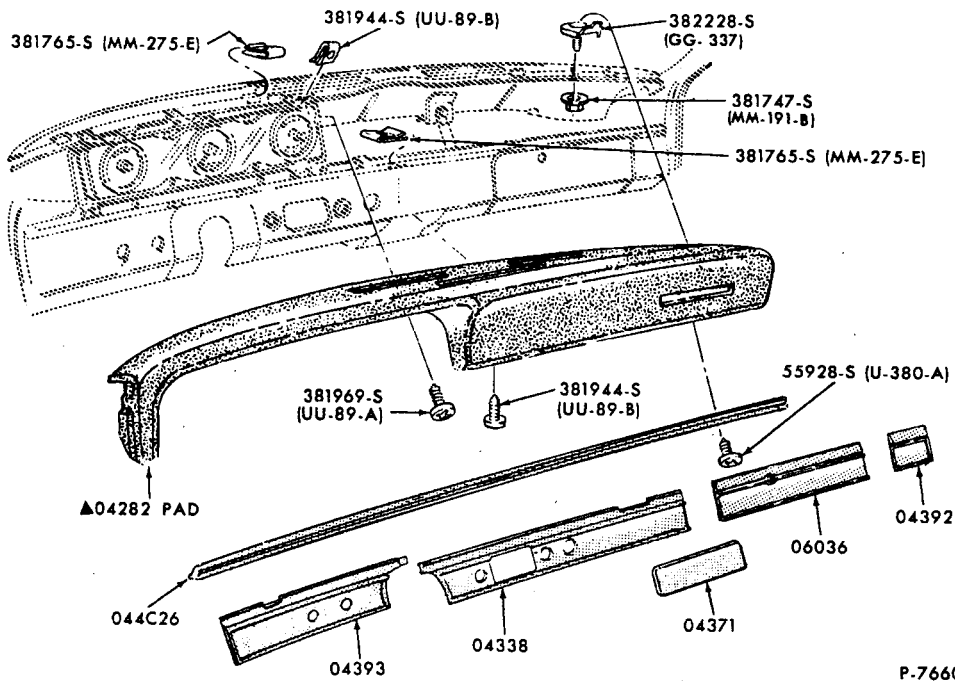
## INSTRUMENT PANEL PAD and ATTACHING PARTS 1967/ 68 MUSTANG





P-7663

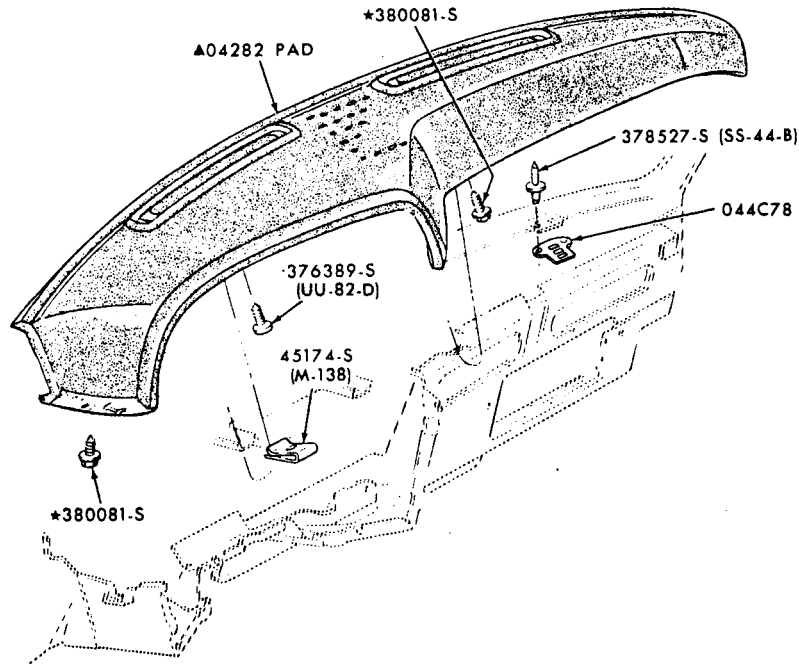
▲ REFER TO GROUP IN SOFT TRIM SECTION  
INSTRUMENT PANEL PAD and ATTACHING PARTS  
1967 THUNDERBIRD



P-7660

▲ REFER TO GROUP IN SOFT TRIM SECTION  
INSTRUMENT PANEL PAD and ATTACHING PARTS  
1968/69 FAIRLANE/TORINO, FALCON

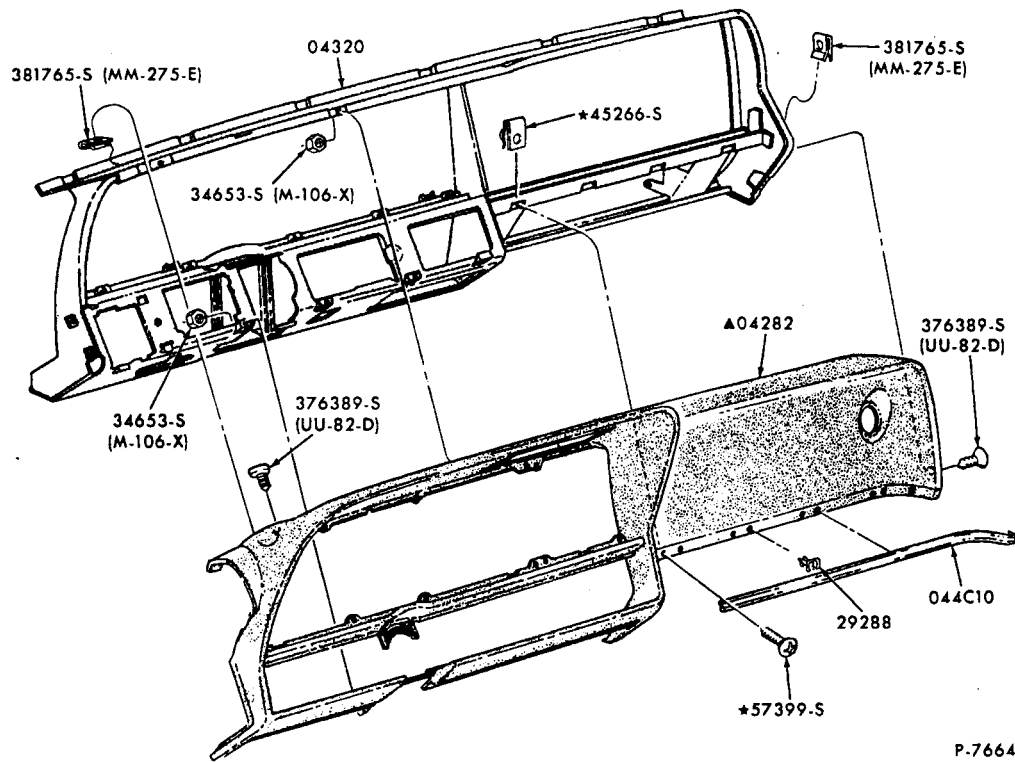
# FORD CAR PARTS



P-7673

▲ REFER TO GROUP IN SOFT TRIM SECTION

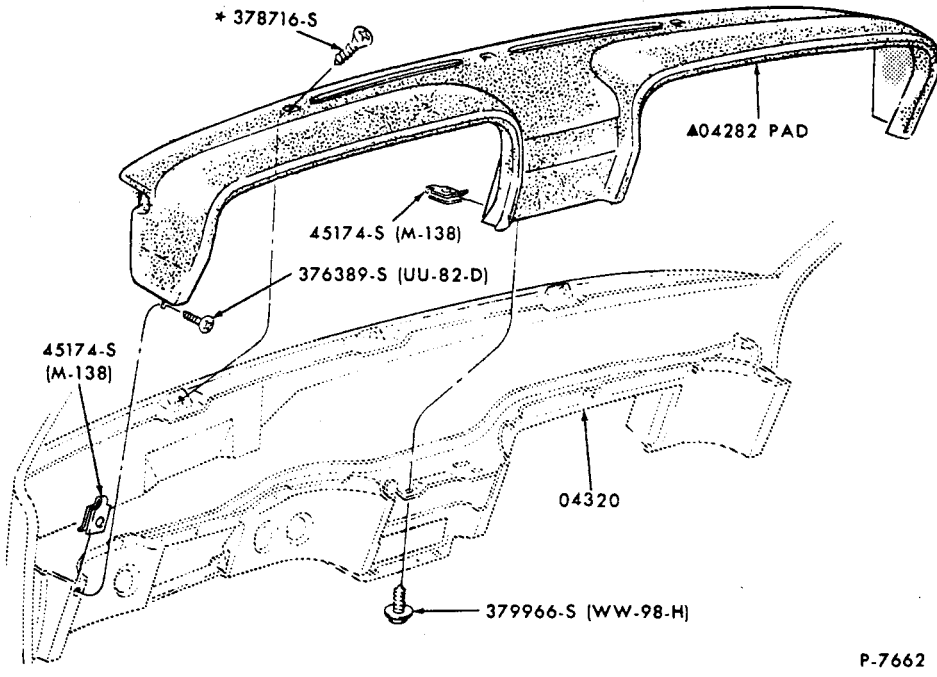
INSTRUMENT PANEL PAD and ATTACHING PARTS  
1969 70 FORD



P-7664

▲ REFER TO GROUP IN SOFT TRIM SECTION

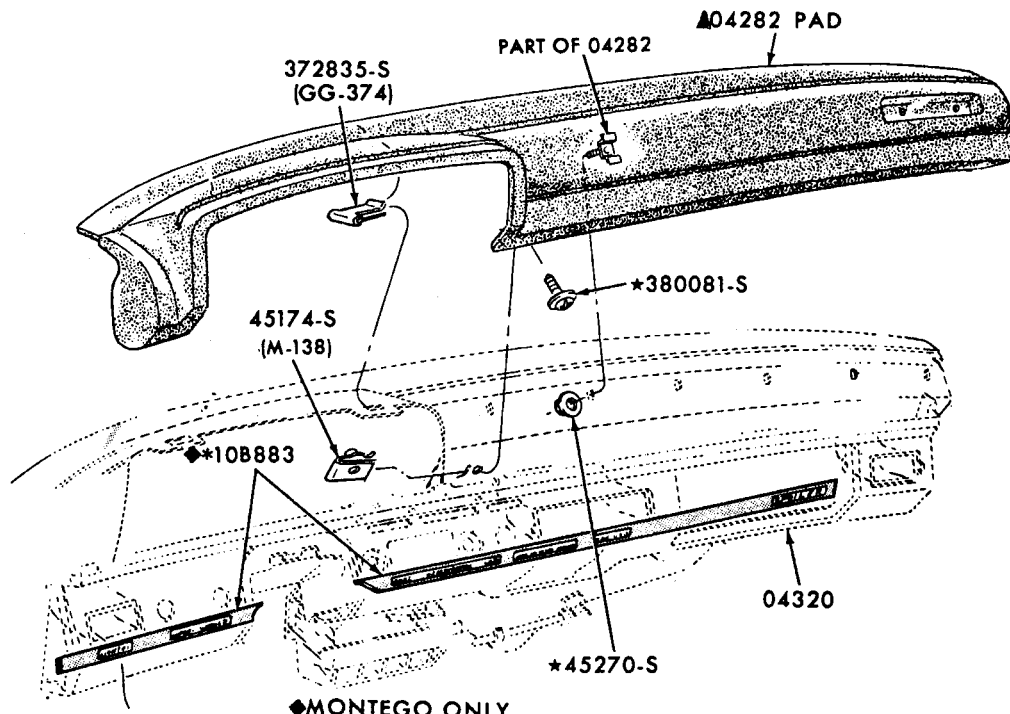
INSTRUMENT PANEL PAD and ATTACHING PARTS  
1968/71 THUNDERBIRD



P-7662

▲ REFER TO GROUP IN SOFT TRIM SECTION

**INSTRUMENT PANEL PAD and ATTACHING PARTS  
1969,70 MUSTANG**



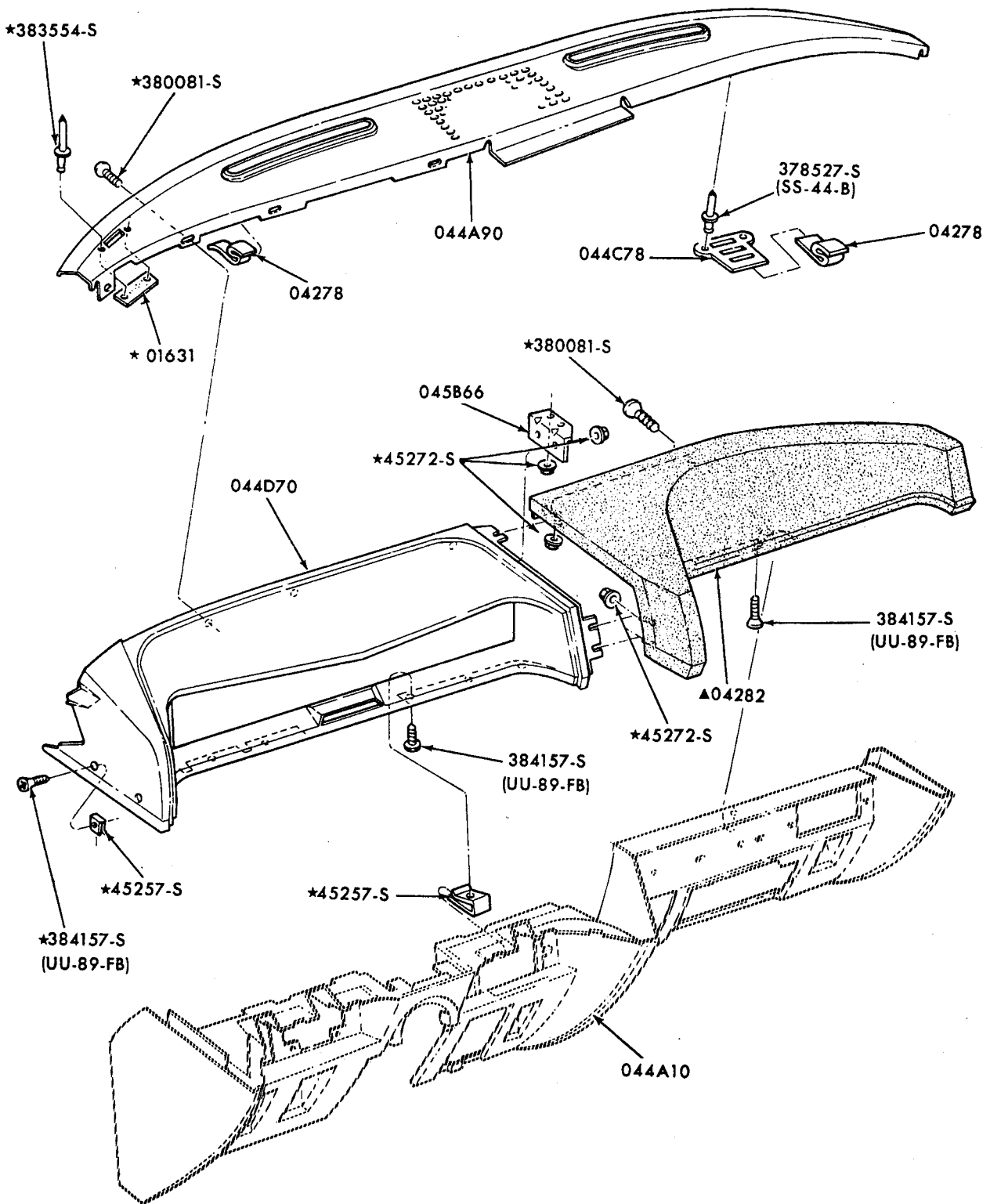
P-7659

◆ MONTEGO ONLY

▲ REFER TO GROUP IN SOFT TRIM SECTION

\* REFER TO GROUP IN CHASSIS SECTION

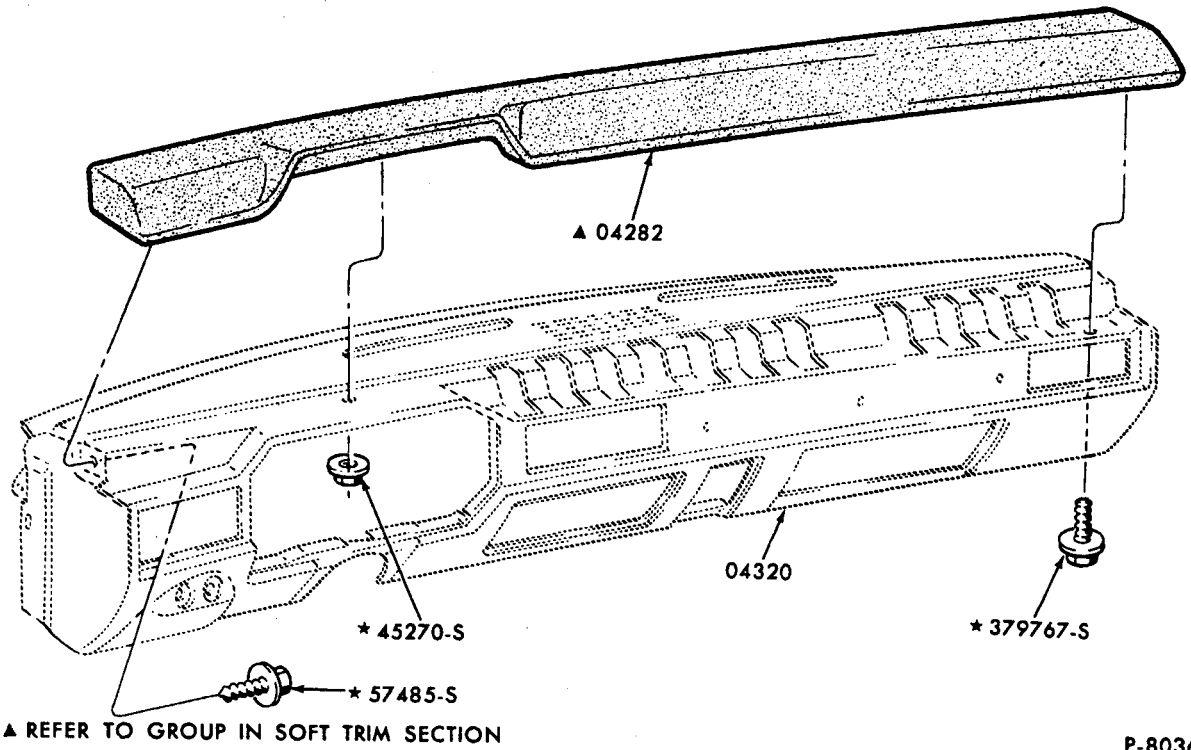
**INSTRUMENT PANEL PAD and ATTACHING PARTS  
1970/71 FAIRLANE/TORINO**



▲ REFER TO GROUP IN SOFT TRIM SECTION

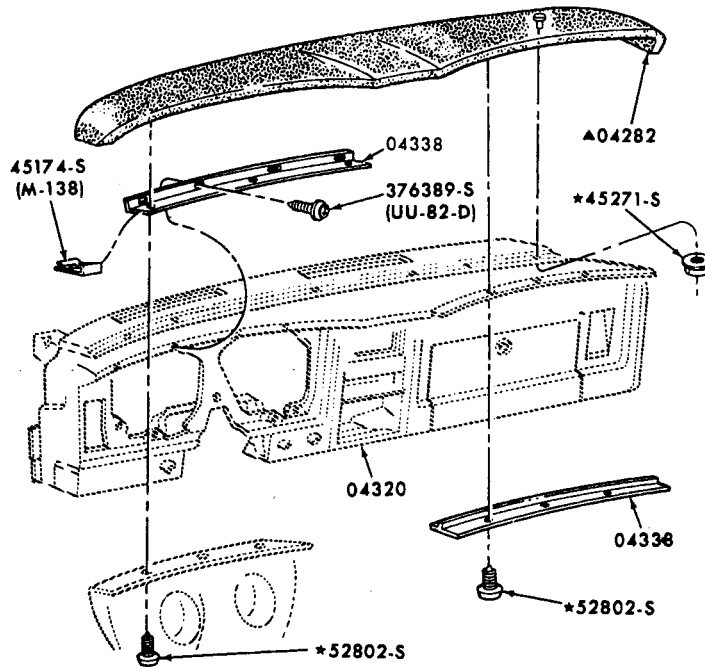
P-8096

INSTRUMENT PANEL PAD and ATTACHING PARTS  
1971/72 FORD



P-8036

INSTRUMENT PANEL PAD and ATTACHING PARTS  
1971/72 PINTO

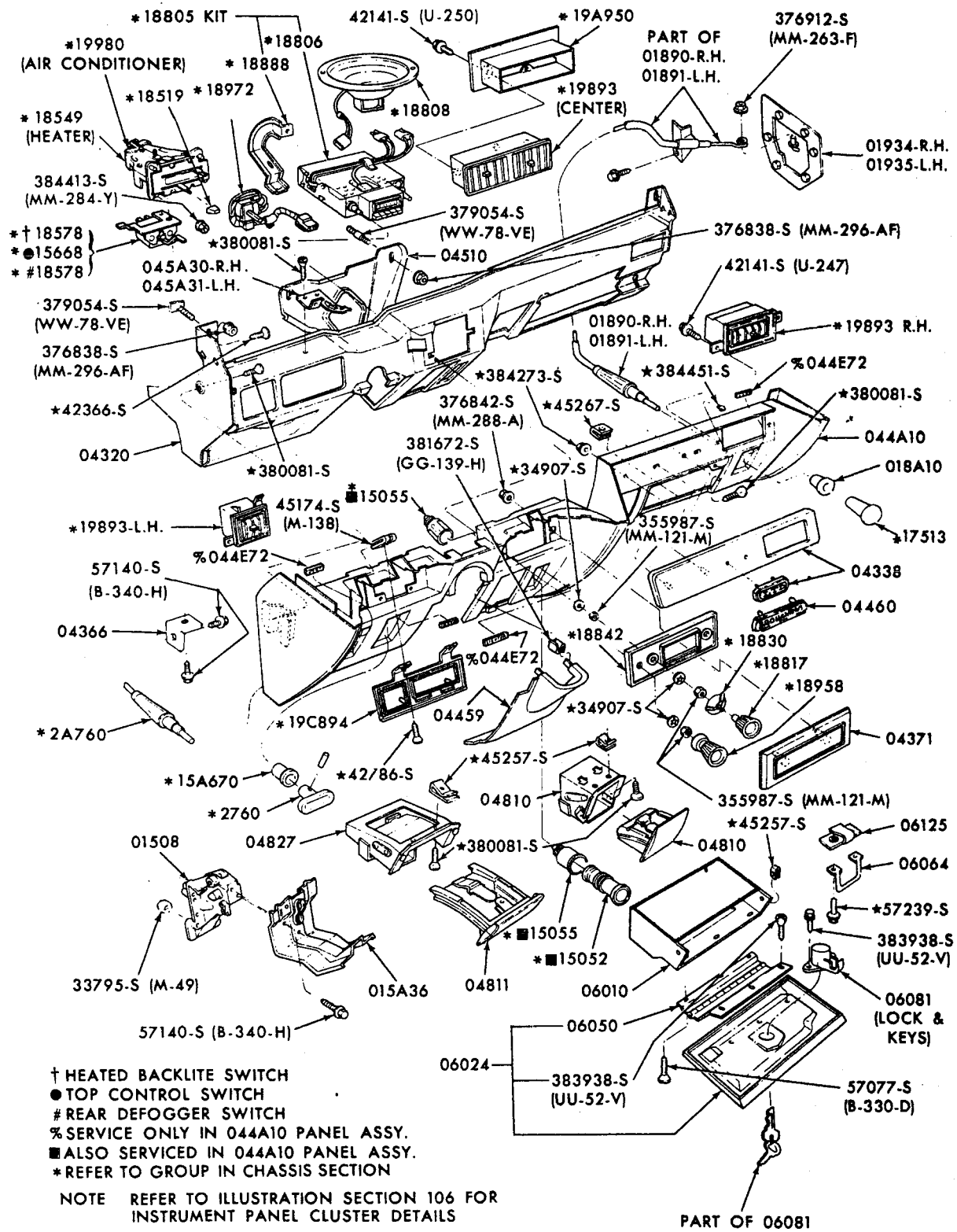


P-8211

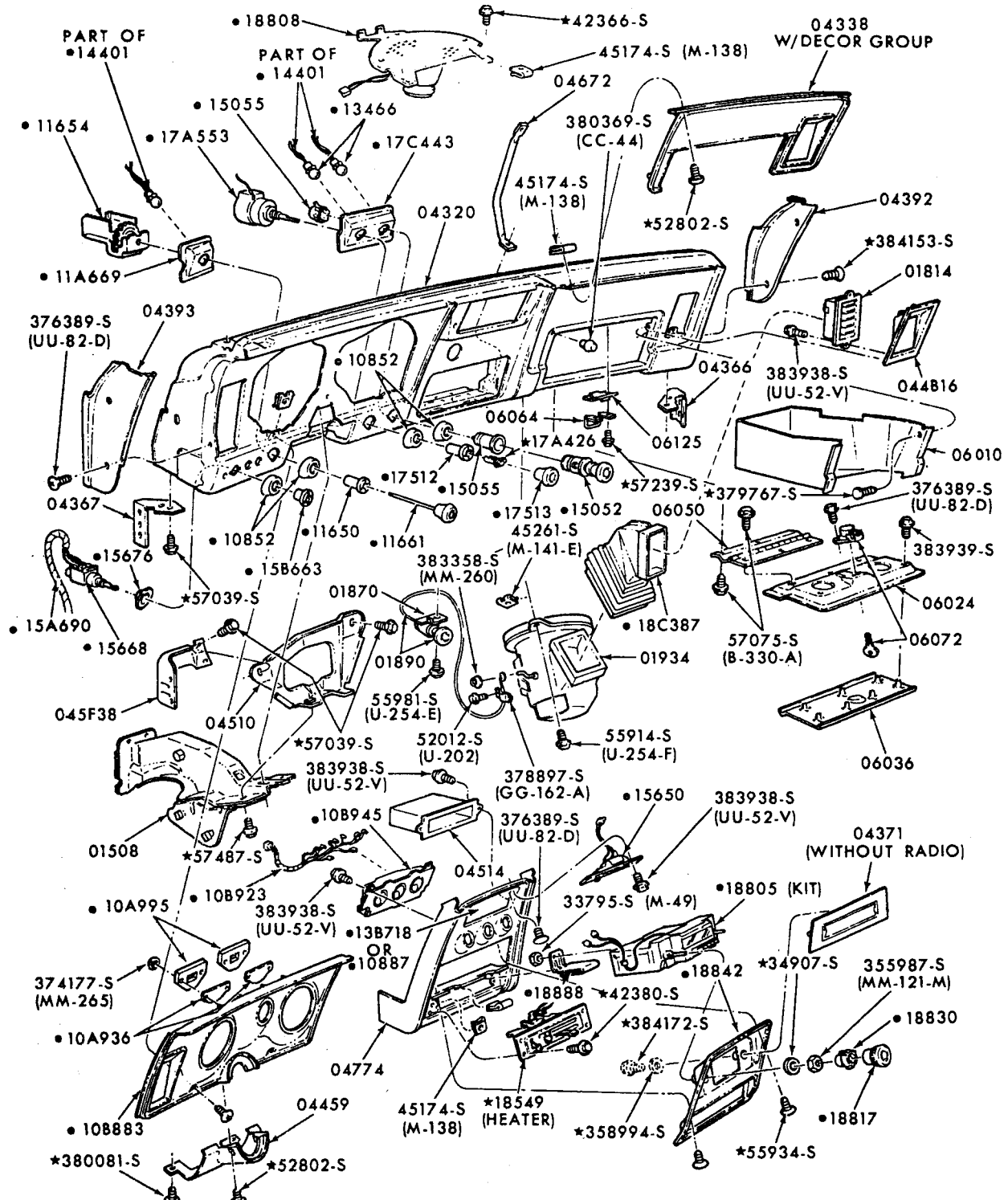
REFER TO GROUP IN SOFT TRIM SECTION

INSTRUMENT PANEL PAD and ATTACHING PARTS  
1971/72 MUSTANG

**FORD CAR PARTS**



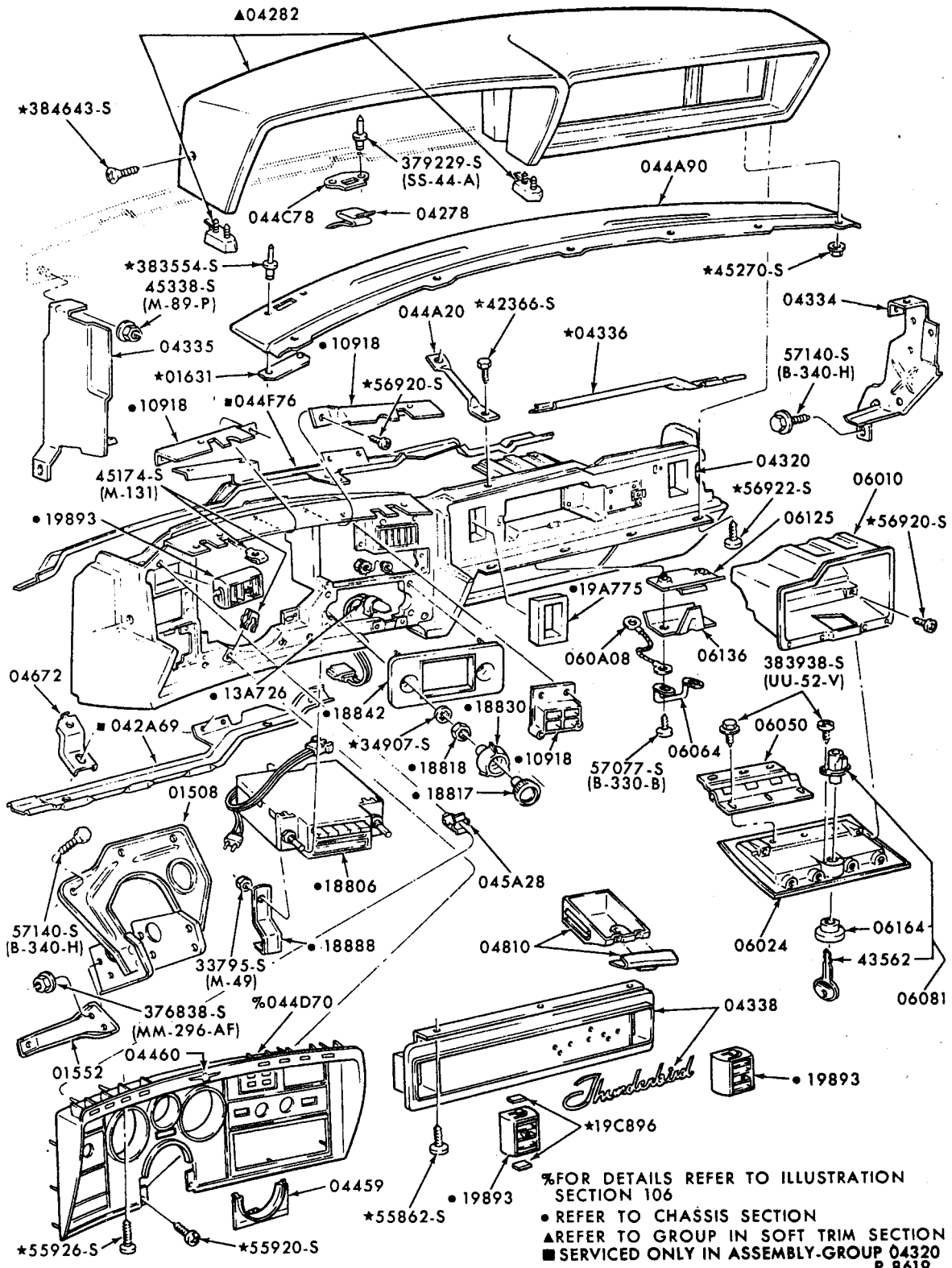
INSTRUMENT PANEL and RELATED PARTS  
1971/72 FORD



NOTE: REFER TO ILLUSTRATION SECTION 106 FOR INSTRUMENT PANEL CLUSTER DETAILS ETC.  
 NOTE: REFER TO ILLUSTRATION SECTION 140.1 FOR INSTRUMENT PANEL WIRING ETC.  
 • REFER TO CHASSIS SECTION

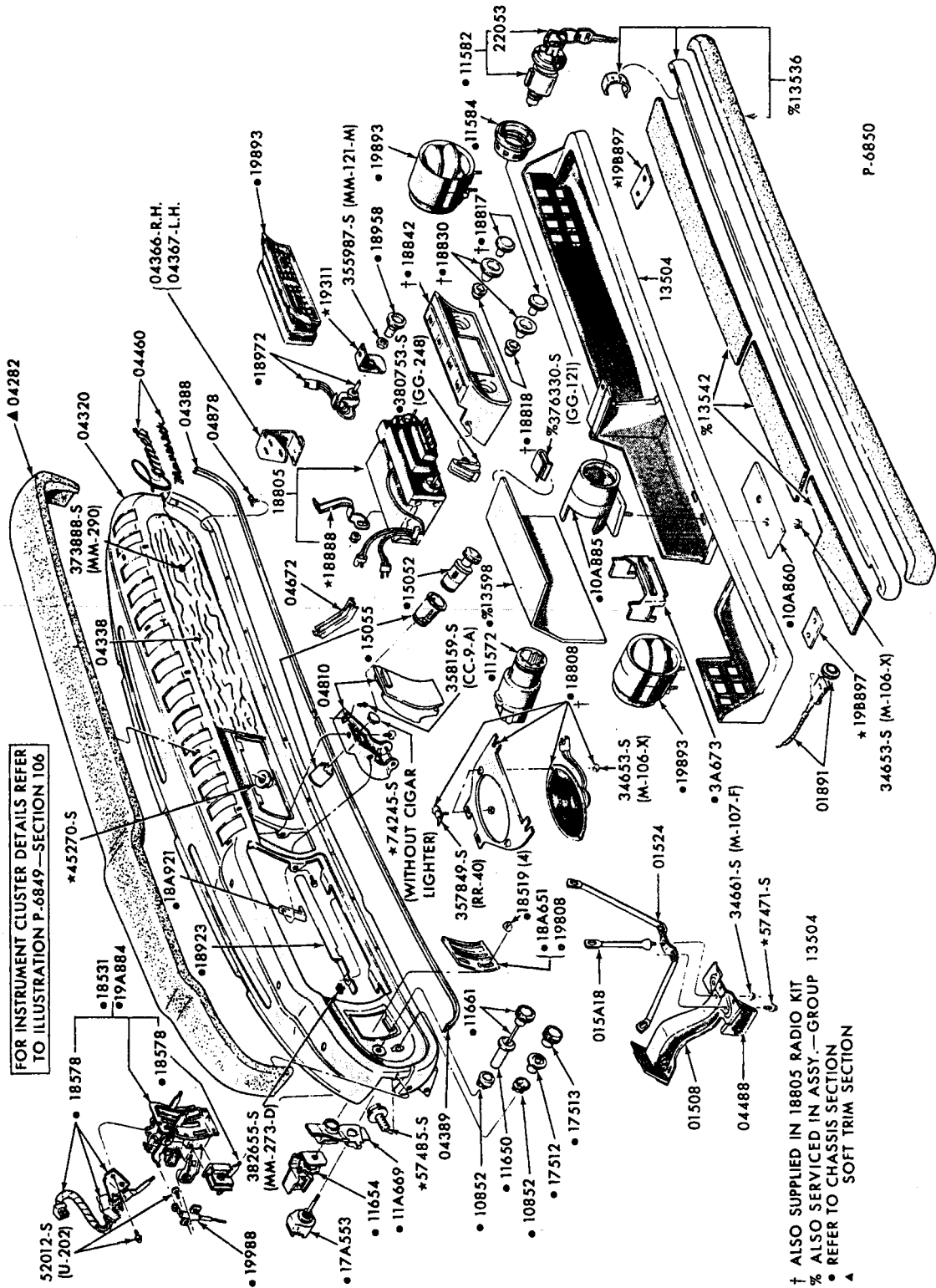
P-8210

INSTRUMENT PANEL and RELATED PARTS  
 1971/72 MUSTANG

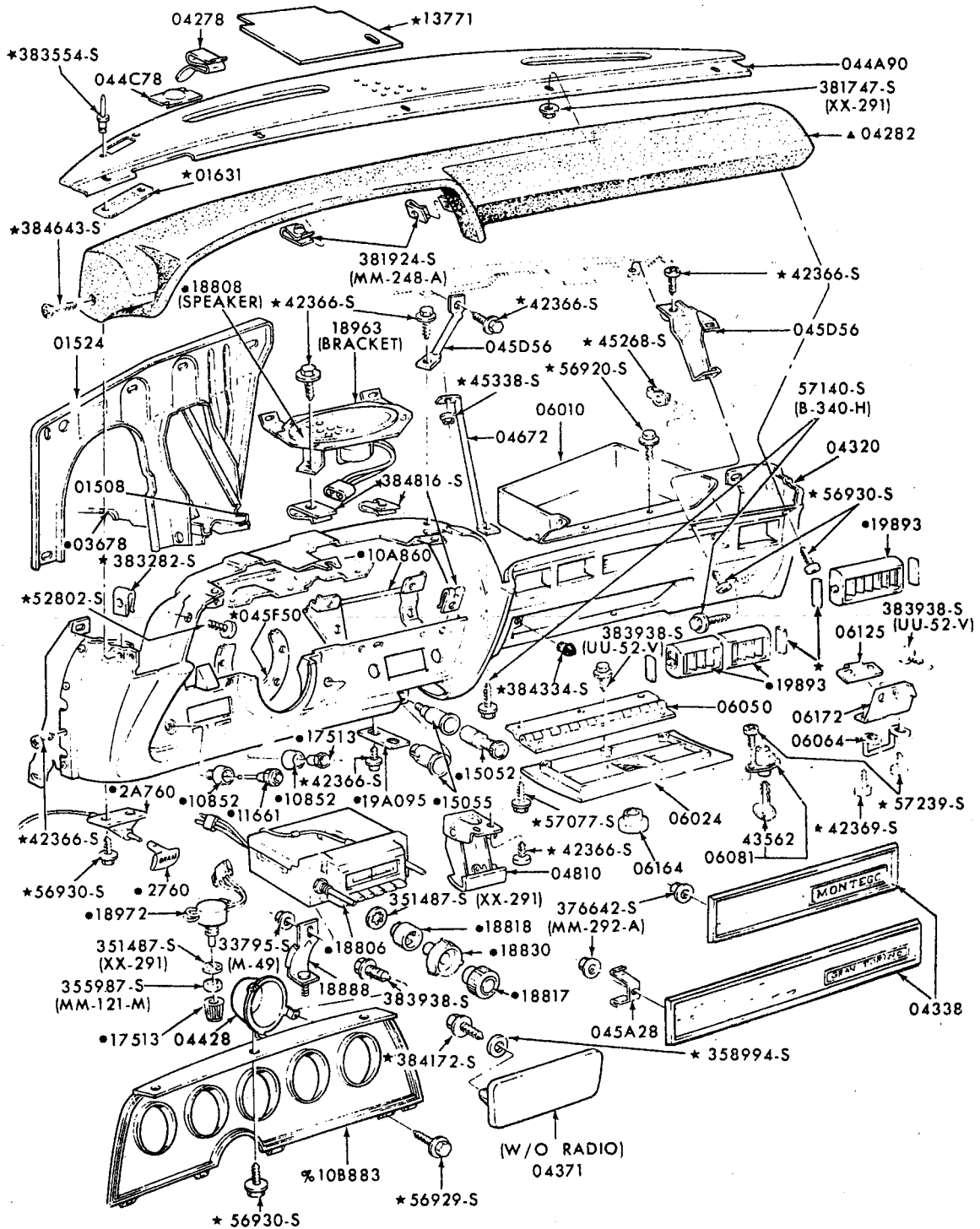


INSTRUMENT PANEL, PAD and RELATED PARTS  
1972 THUNDERBIRD





INSTRUMENT PANEL, PAD and RELATED PARTS  
1970/72 MAVERICK

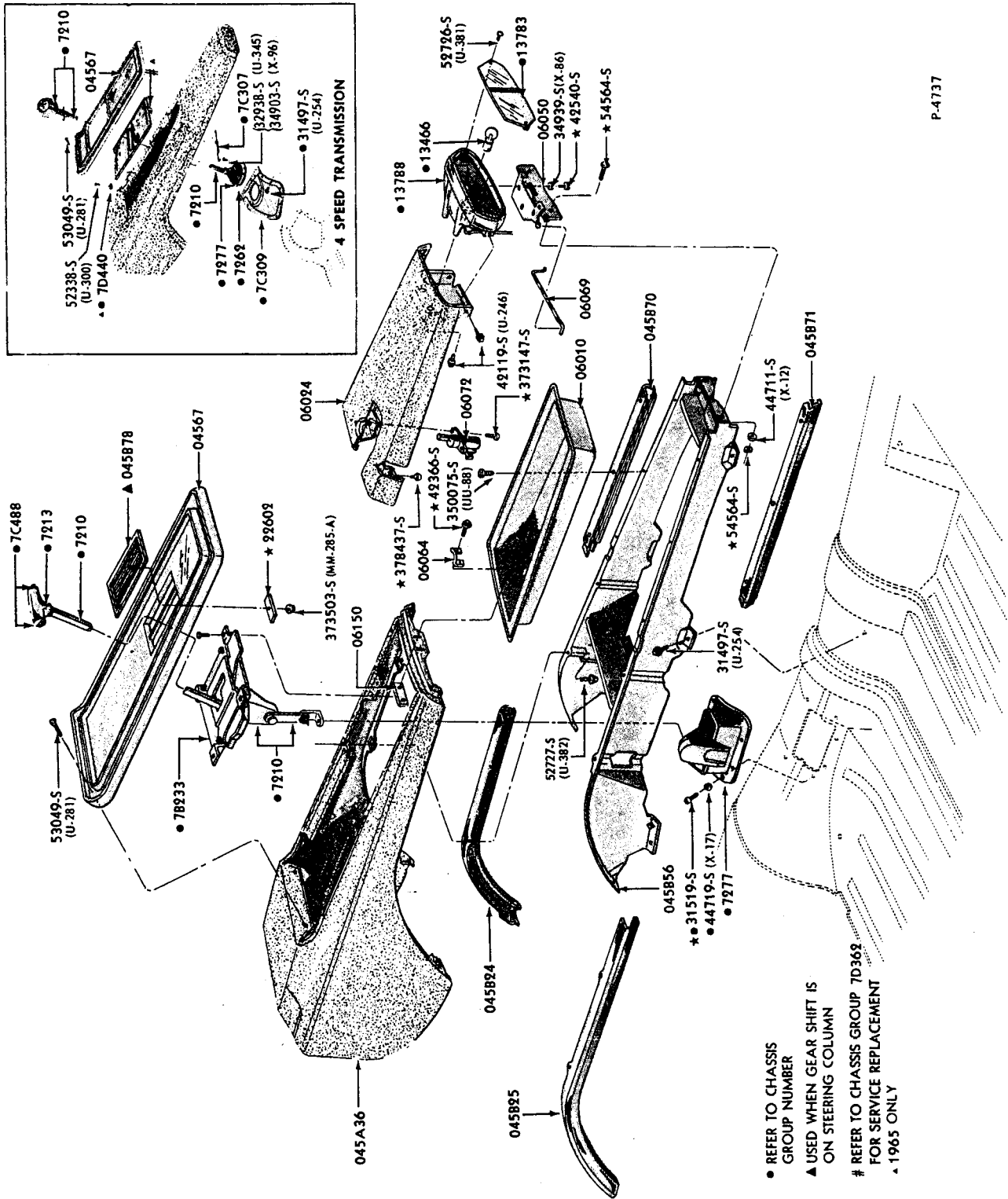


- FOR DETAILS OF CLUSTER, REFER TO CHASSIS ILLUSTRATION SECTION 106
- ▲ REFER TO GROUP IN SOFT TRIM SECTION
- REFER TO GROUP IN CHASSIS SECTION

P-8719

INSTRUMENT PANEL, PAD and RELATED PARTS  
1972 TORINO

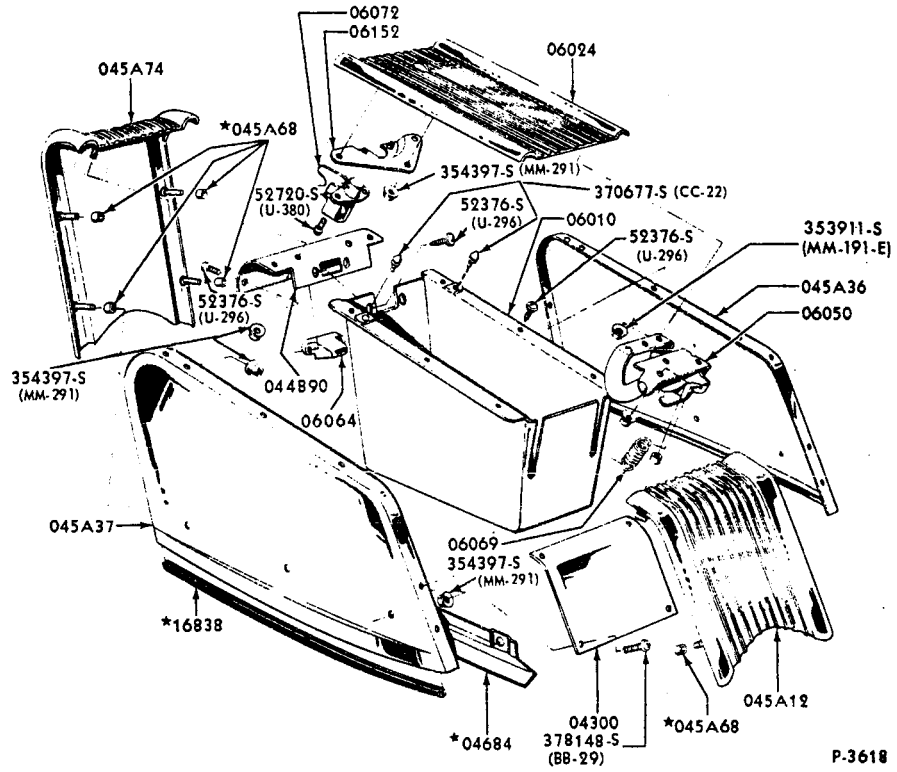




P-4737

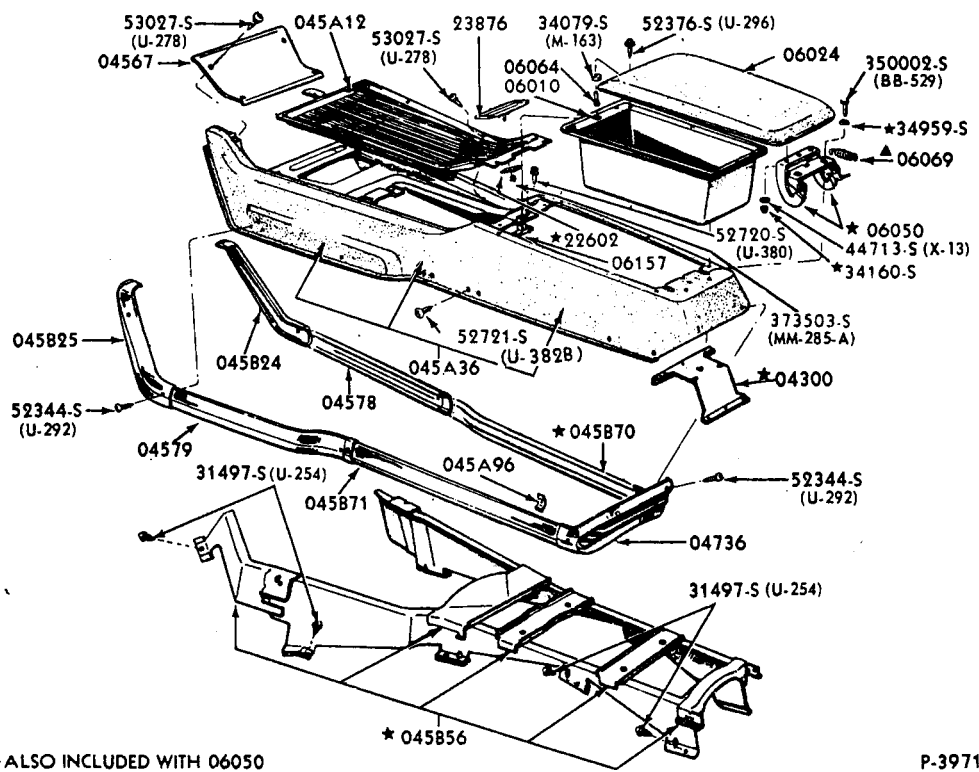
CONSOLF and RELATED PARTS  
1965/66 FORD

# FORD CAR PARTS



## CONSOLE and RELATED PARTS

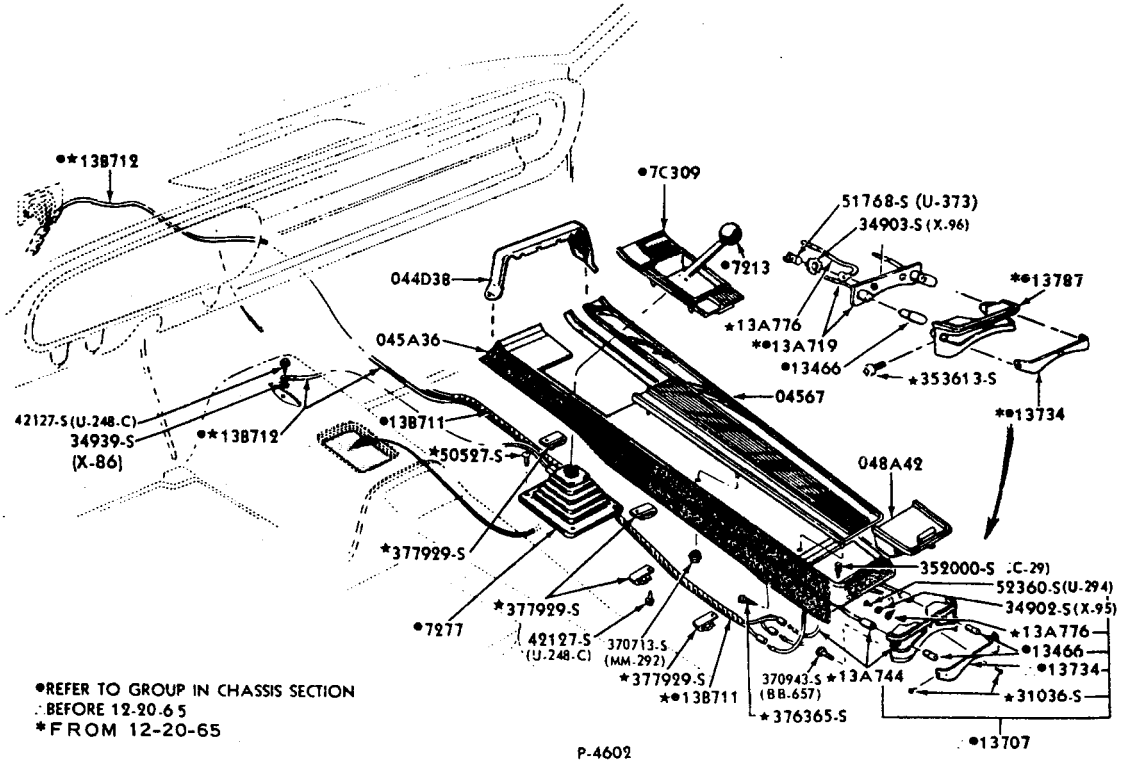
1965 FAIRLANE - except BODY TYPE 65B and FALCON - except BODY TYPE 63C, D, 66G, H, 76B, D - TYPICAL



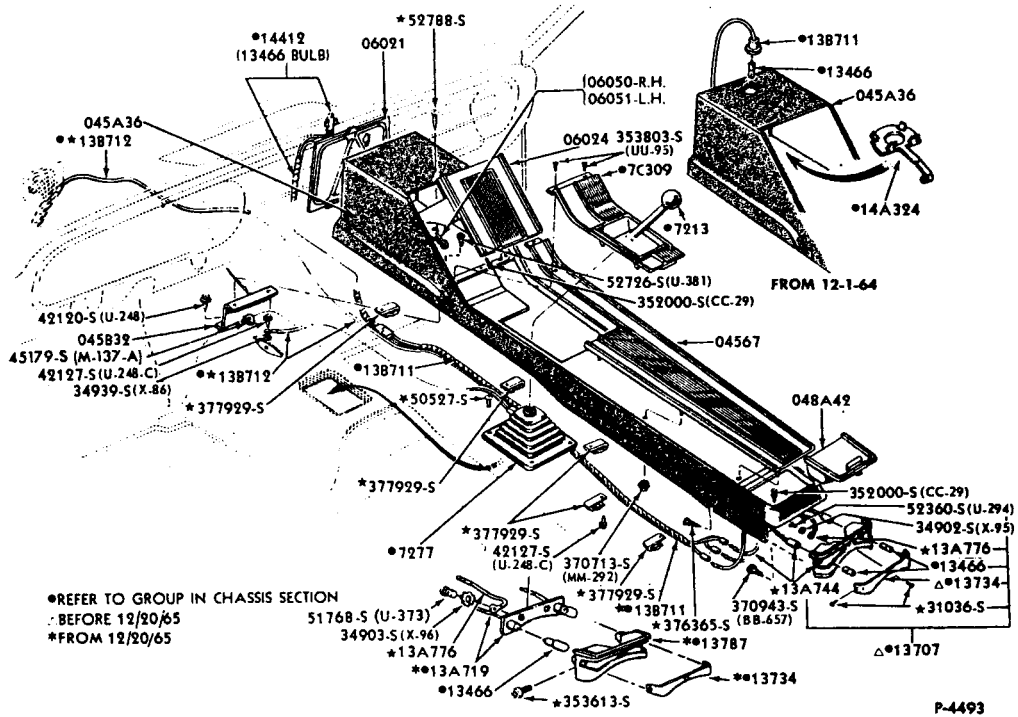
▲ ALSO INCLUDED WITH 06050

P-3971

## CONSOLE and RELATED PARTS 1965 FAIRLANE - BODY TYPE 65B



CONSOLE and RELATED PARTS  
1965/66 MUSTANG (WITH A/C)

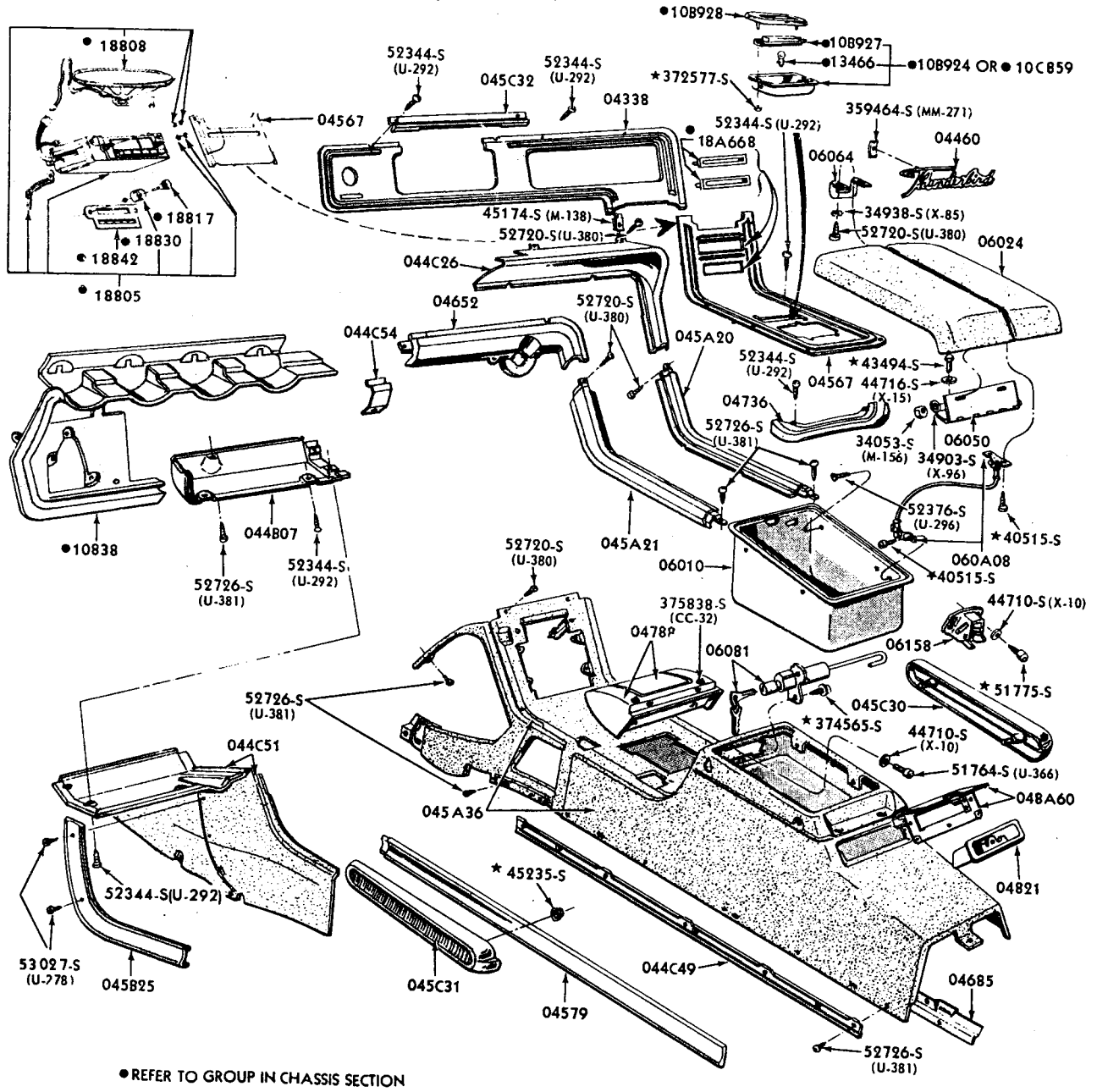


CONSOLE and RELATED PARTS  
1965/66 MUSTANG (WITHOUT A/C)



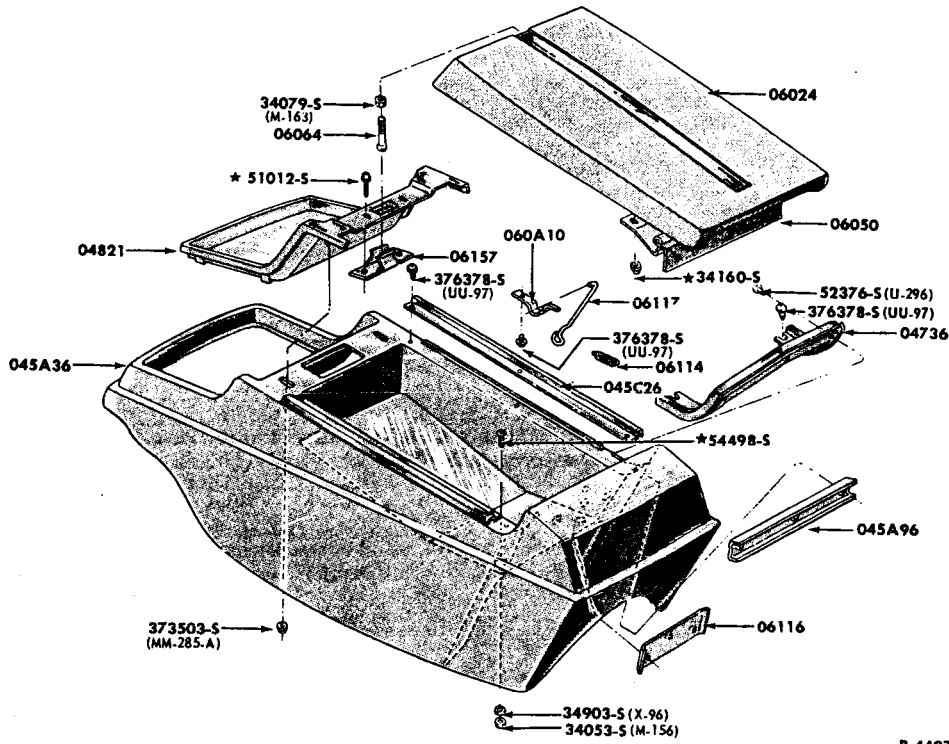
**BODY ILLUSTRATION  
SECTION 045**

**FORD CAR PARTS**



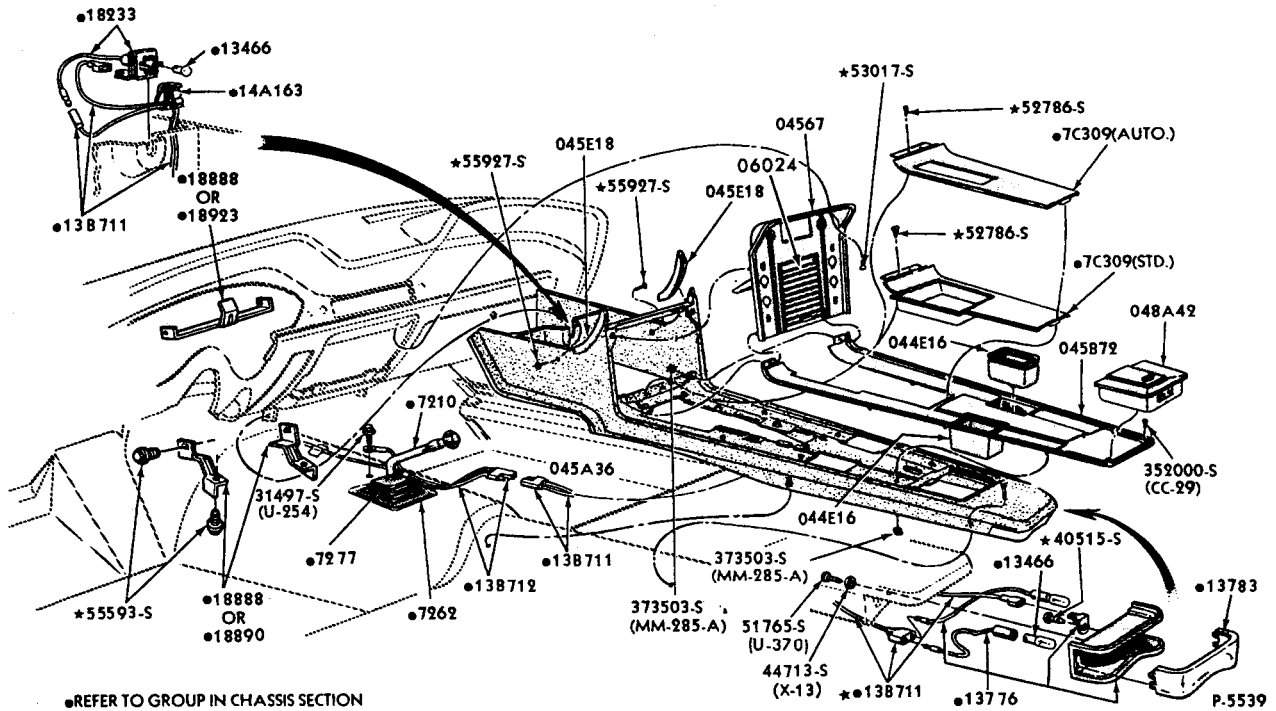
P-4355

CONSOLE and RELATED PARTS  
1965/66 THUNDERBIRD - TYPICAL



P-4497

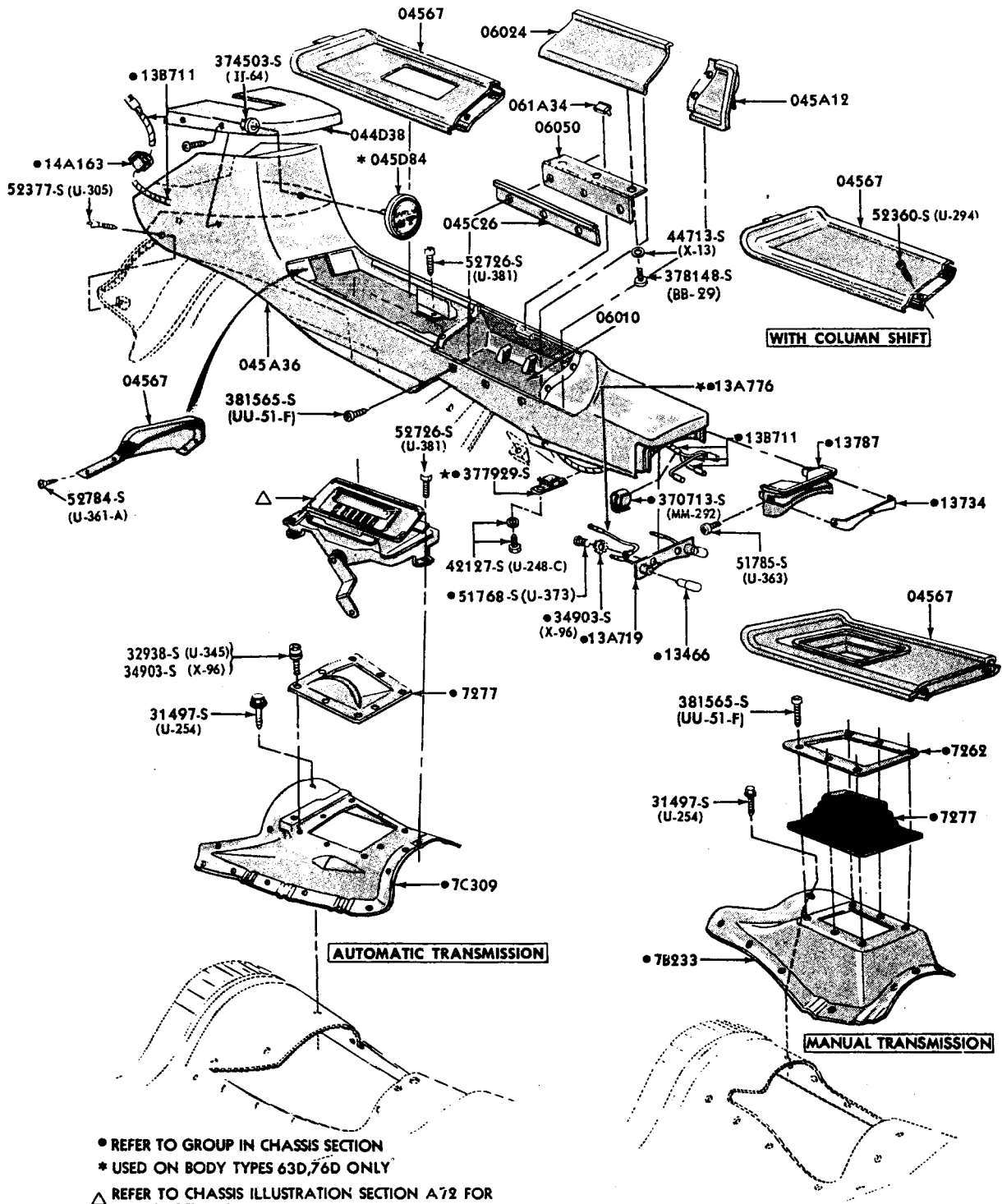
CONSOLE and RELATED PARTS  
1965 FALCON - BODY TYPES 63C, D, 66G, H, 76B, D - TYPICAL

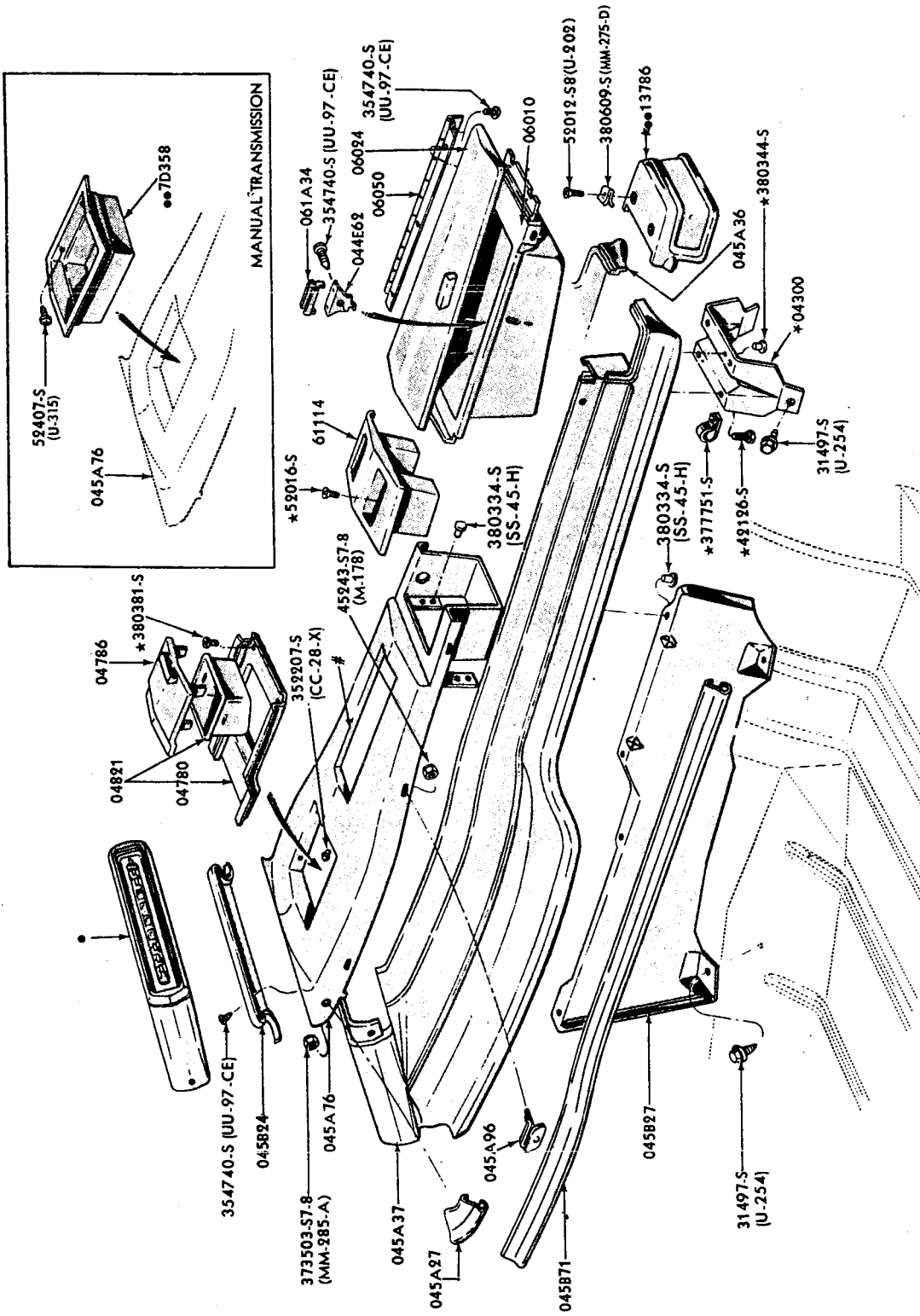


REFER TO GROUP IN CHASSIS SECTION

CONSOLE and RELATED PARTS  
1967 MUSTANG







• REFER TO CHASSIS ILLUSTRATION SECTION 106.1 FOR SERVICE DETAILS  
 • REFER TO GROUP IN CHASSIS SECTION  
 # FOR SHIFTING MECHANISM REFER TO CHASSIS SECTION A72

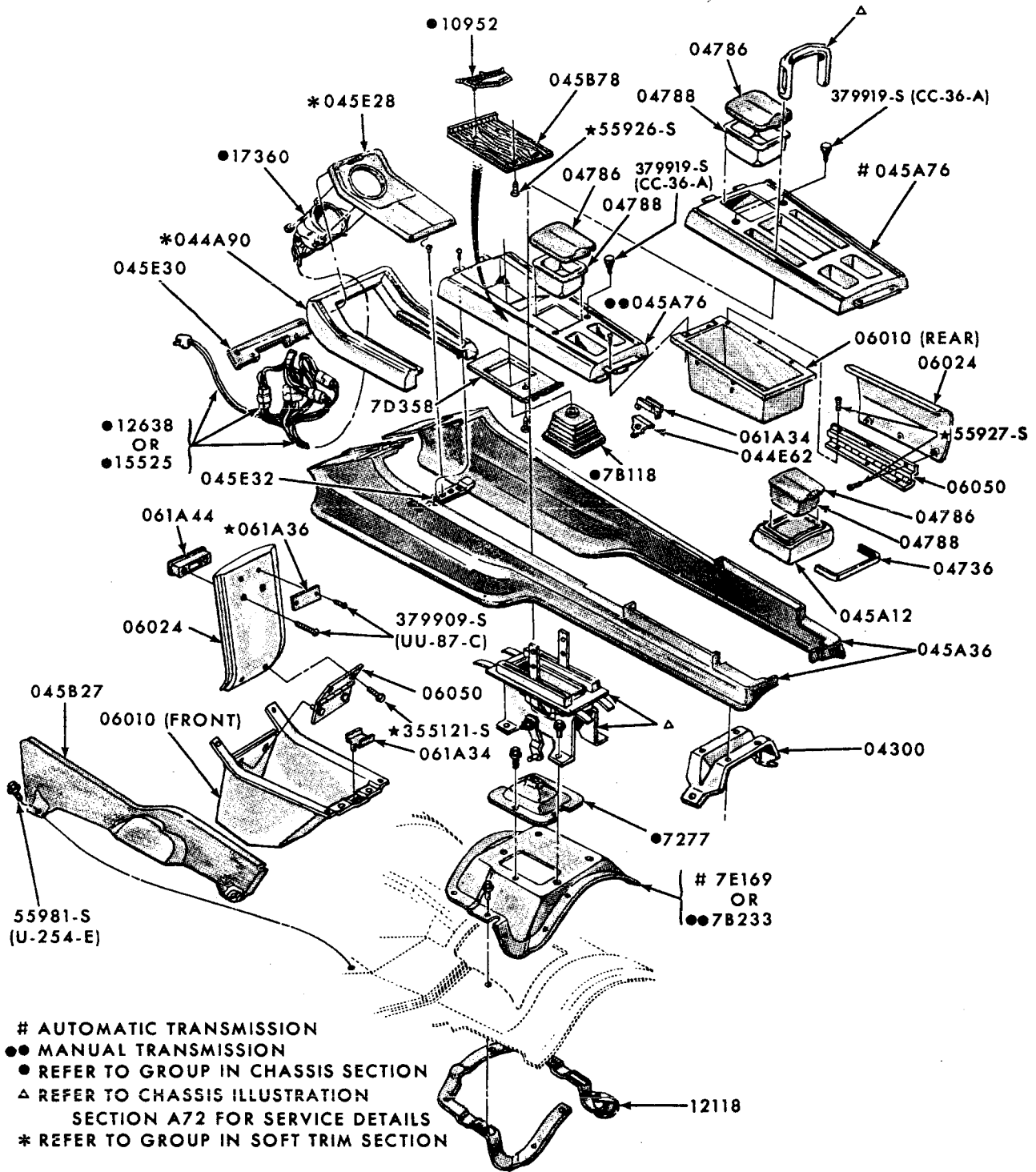
P-5529

CONSOLE and RELATED PARTS  
1967 FORD

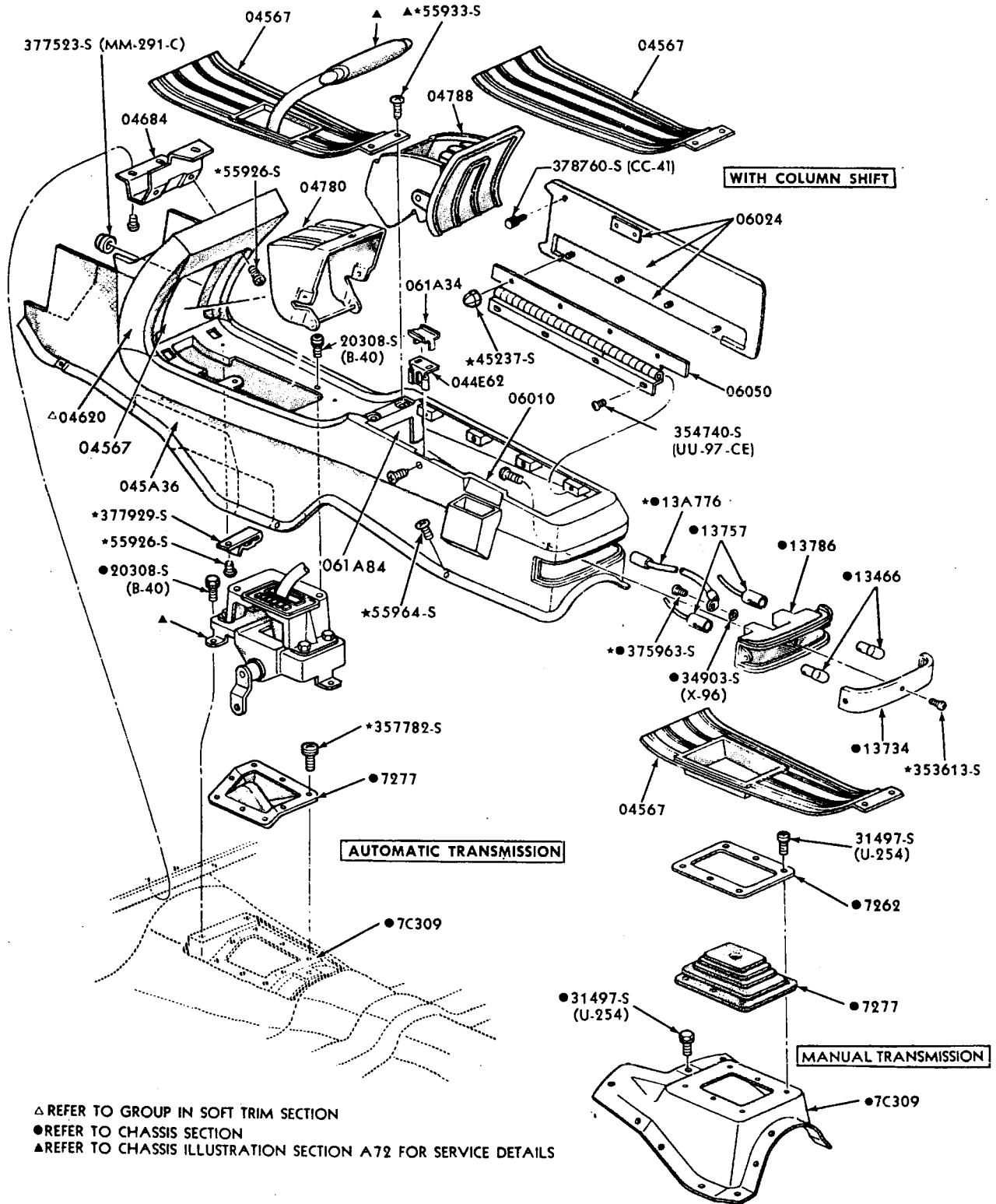




**FORD CAR PARTS**



- # AUTOMATIC TRANSMISSION
- MANUAL TRANSMISSION
- REFER TO GROUP IN CHASSIS SECTION
- △ REFER TO CHASSIS ILLUSTRATION SECTION A72 FOR SERVICE DETAILS
- \* REFER TO GROUP IN SOFT TRIM SECTION



▲ REFER TO GROUP IN SOFT TRIM SECTION  
 ● REFER TO CHASSIS SECTION  
 ▲ REFER TO CHASSIS ILLUSTRATION SECTION A72 FOR SERVICE DETAILS

CONSOLE and RELATED PARTS  
 1968/69 FAIRLANE/TORINO

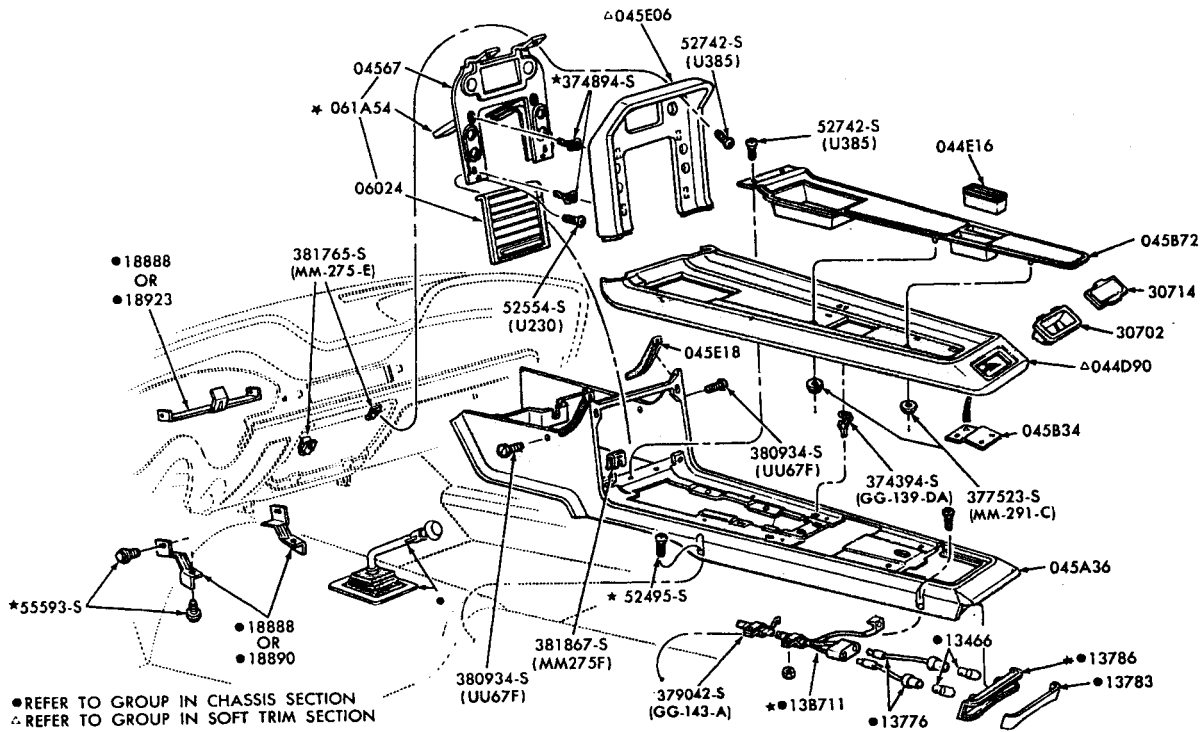
COPYRIGHT © 1975 — FORD MOTOR COMPANY — DEARBORN, MICHIGAN

P-6186

May, 1975

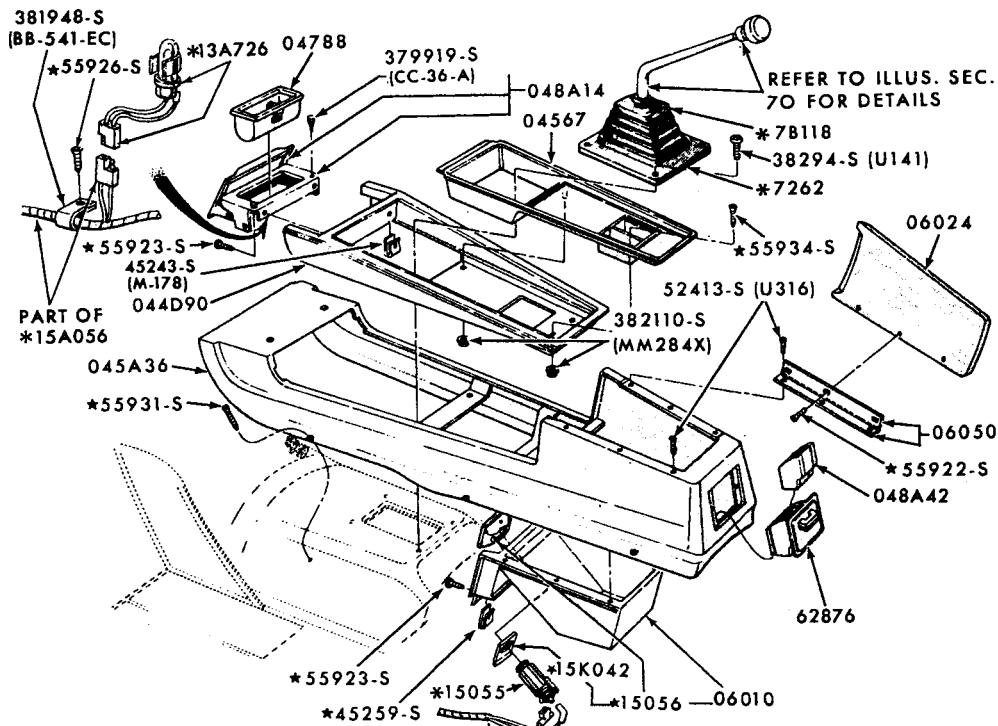
**FINAL ISSUE**

**FORD CAR PARTS**



P6184

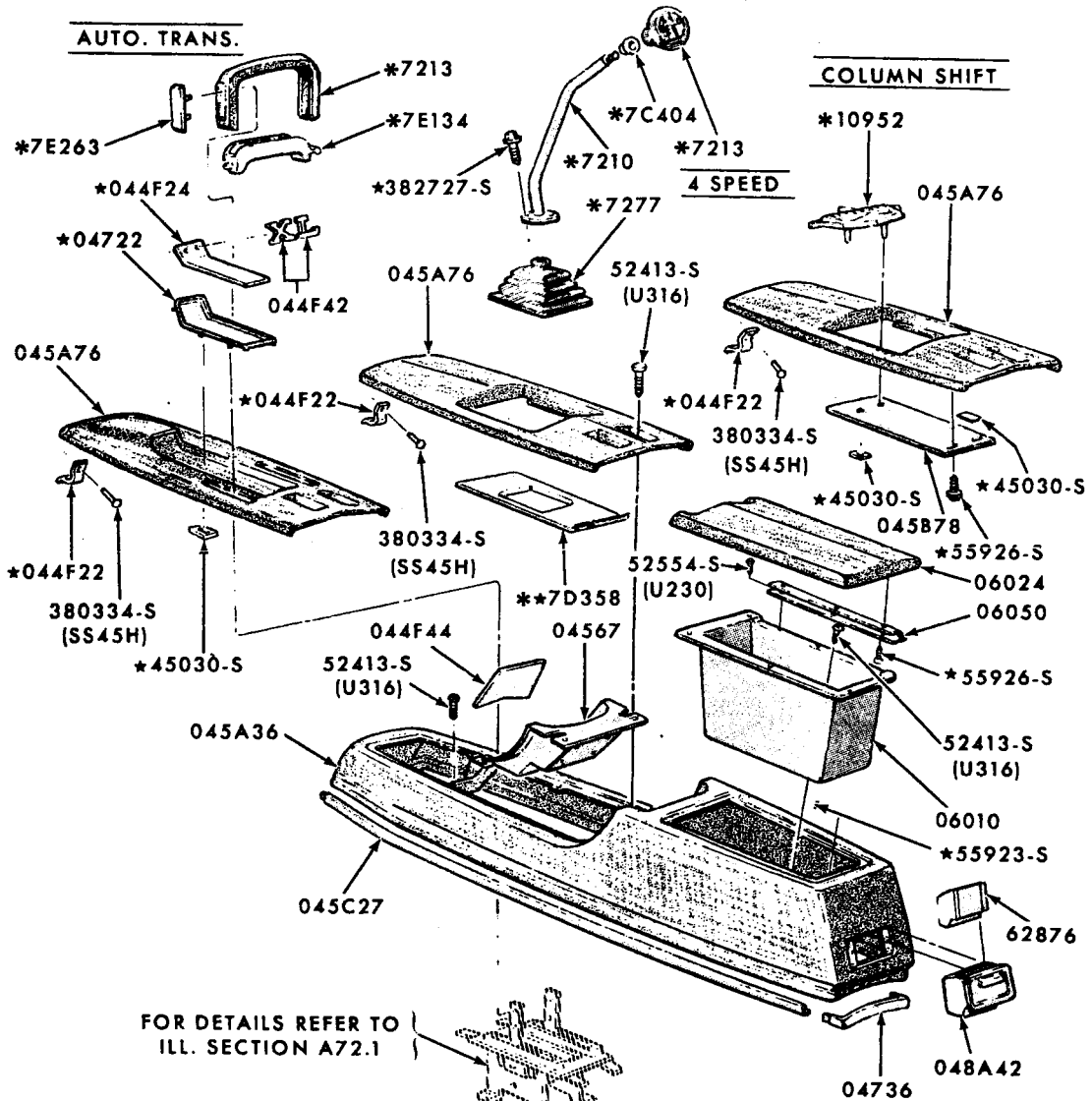
CONSOLE and RELATED PARTS  
1968 MUSTANG



\*REFER TO GROUP IN CHASSIS SECTION PART OF \*15A056

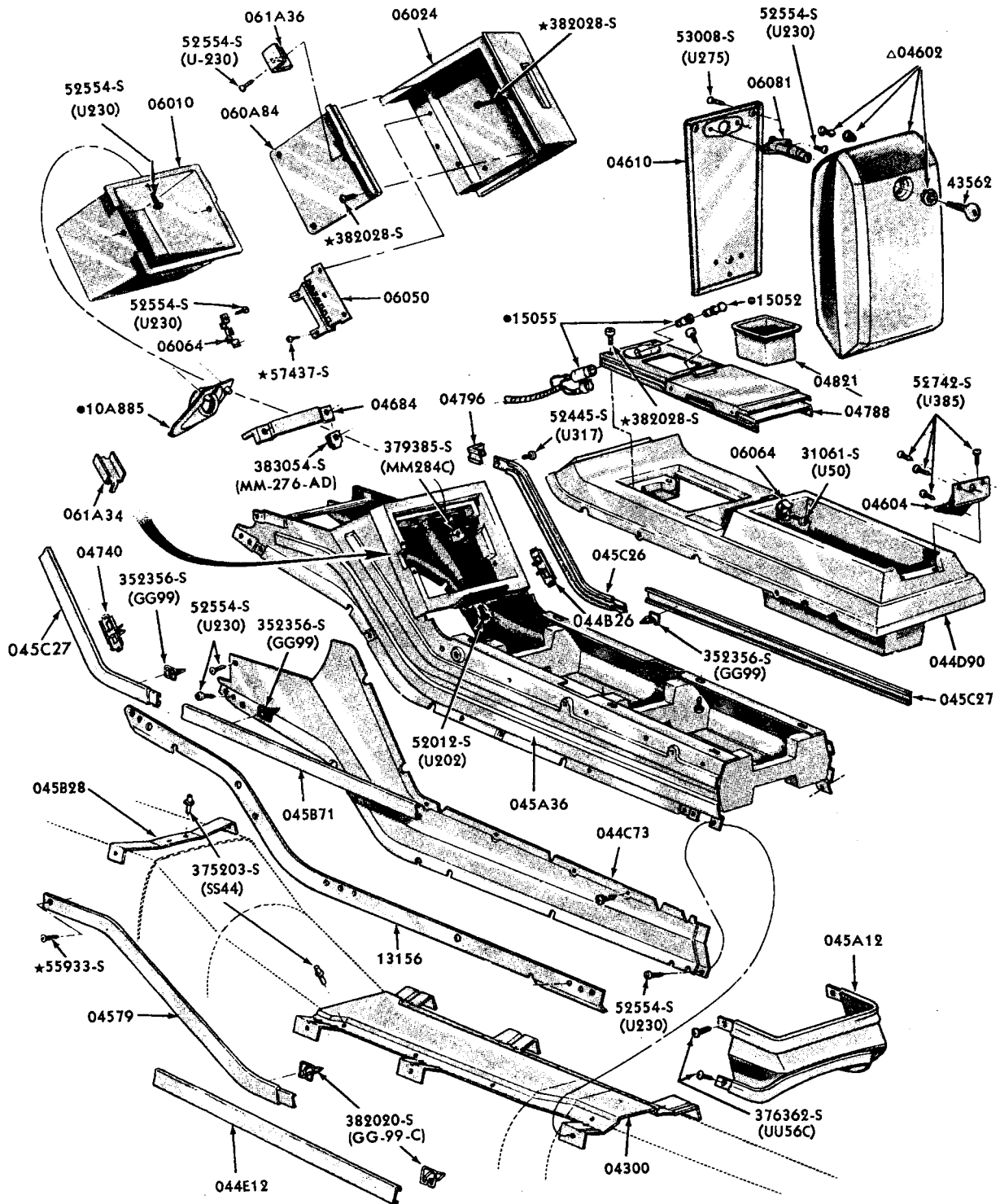
P-6737

CONSOLE and RELATED PARTS  
1969/70 MUSTANG - except SHELBY GT350/500



CONSOLE and RELATED PARTS  
1969/71 FORD

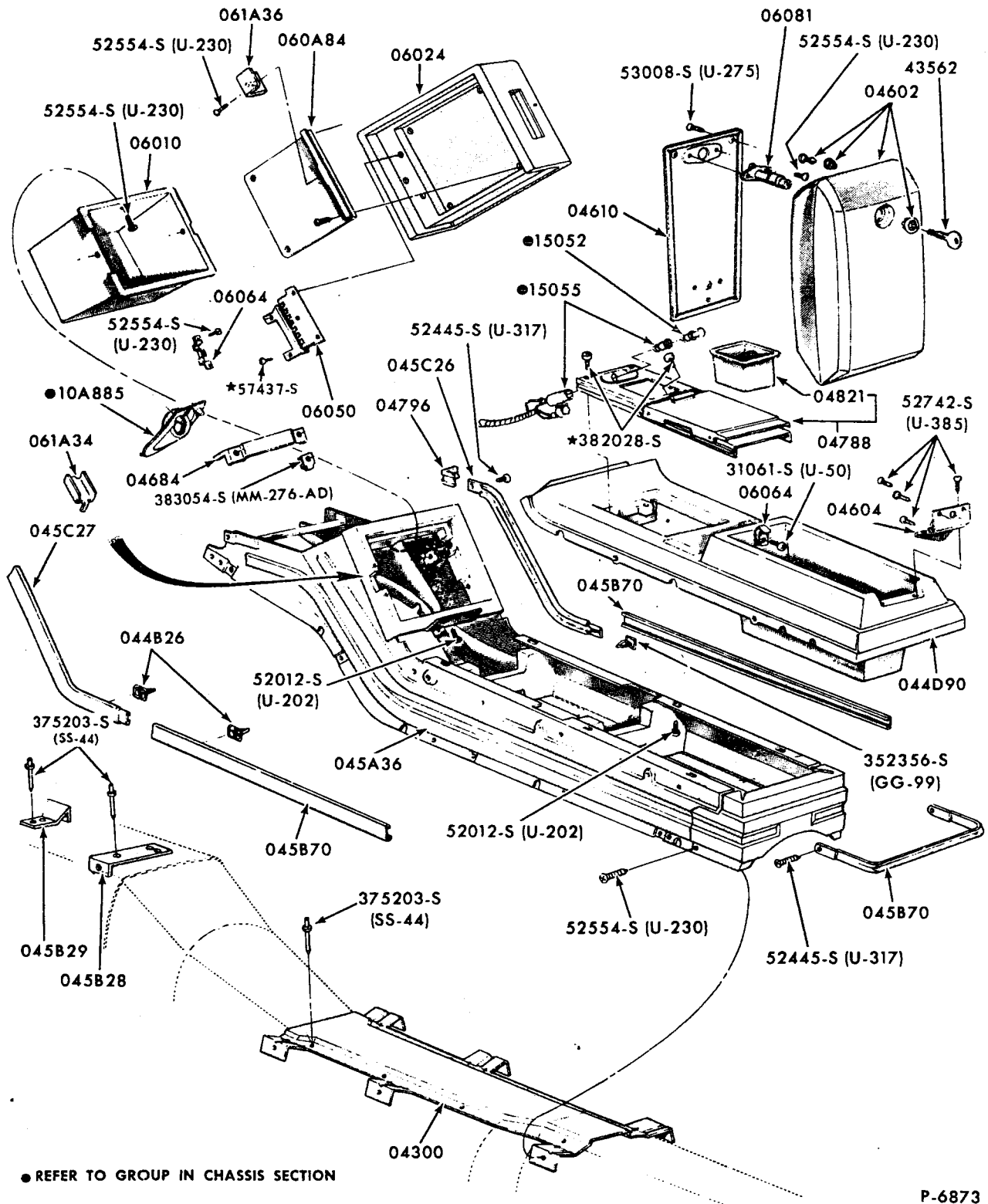




●REFER TO GROUP IN CHASSIS SECTION  
△REFER TO GROUP IN SOFT TRIM SECTION

P-6183

FLOOR CONSOLE and RELATED PARTS  
1968/69 THUNDERBIRD - "Before 4/1/69"

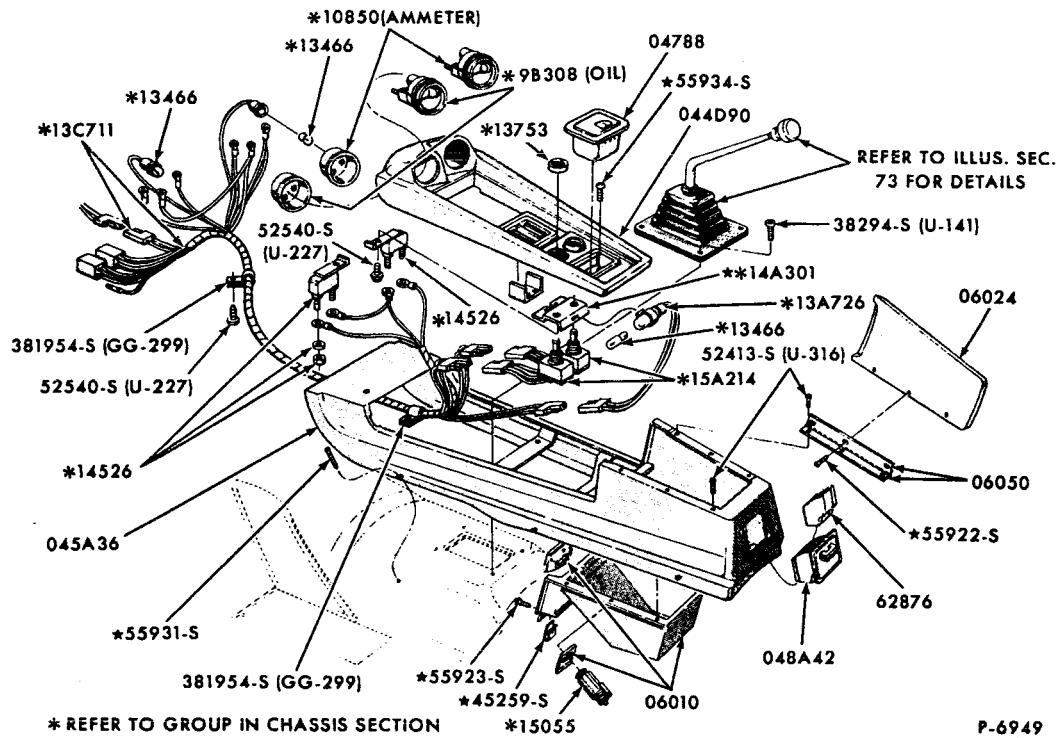


P-6873

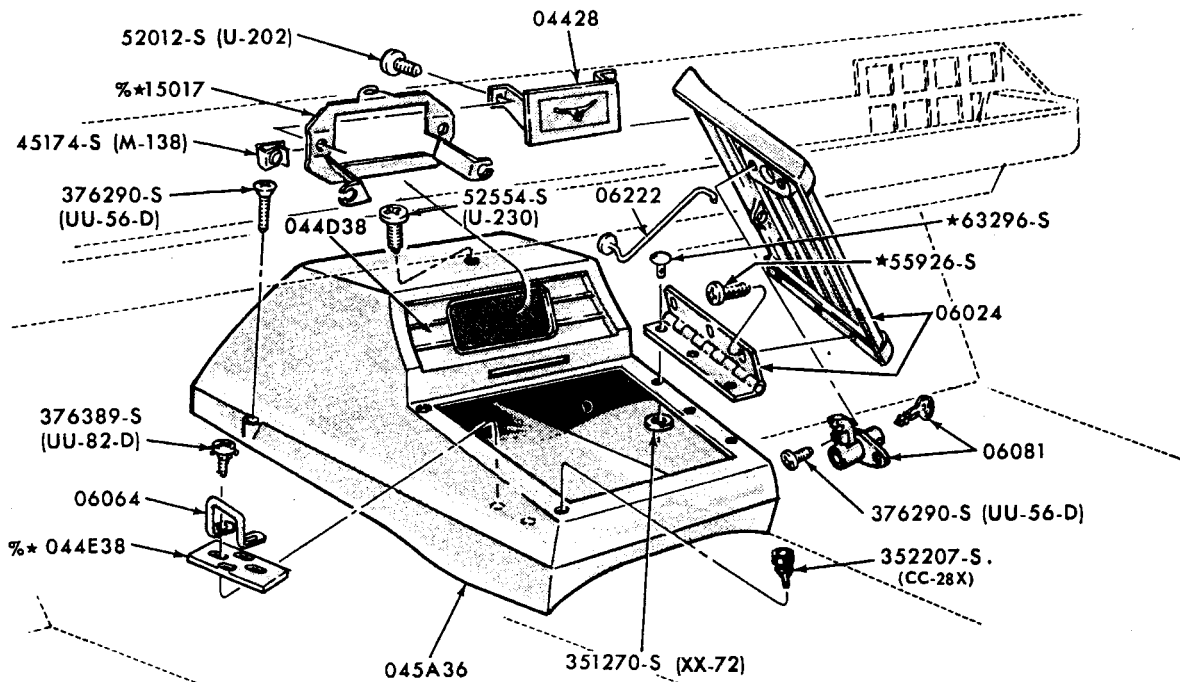
FLOOR CONSOLE and RELATED PARTS  
1969 THUNDERBIRD - "From 4/1/69"

**BODY ILLUSTRATION  
SECTION 045**

**FORD CAR PARTS**



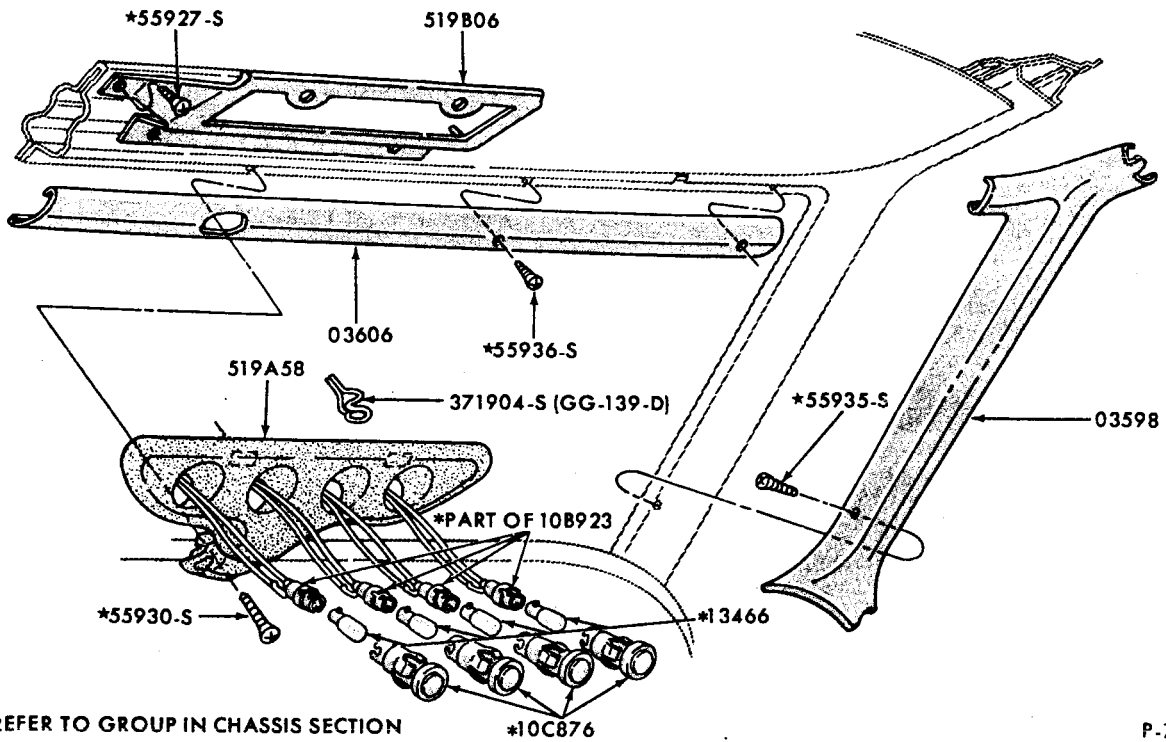
**CONSOLE AND RELATED PARTS  
1969/70 MUSTANG - SHELBY GT350/500**



CONSOLE ASSEMBLY ALSO SUPPLIED IN CLOCK KIT-GROUP •15A000  
% SUPPLIED ONLY IN ASSEMBLY-GROUP 045A36

\* REFER TO CHASSIS SECTION

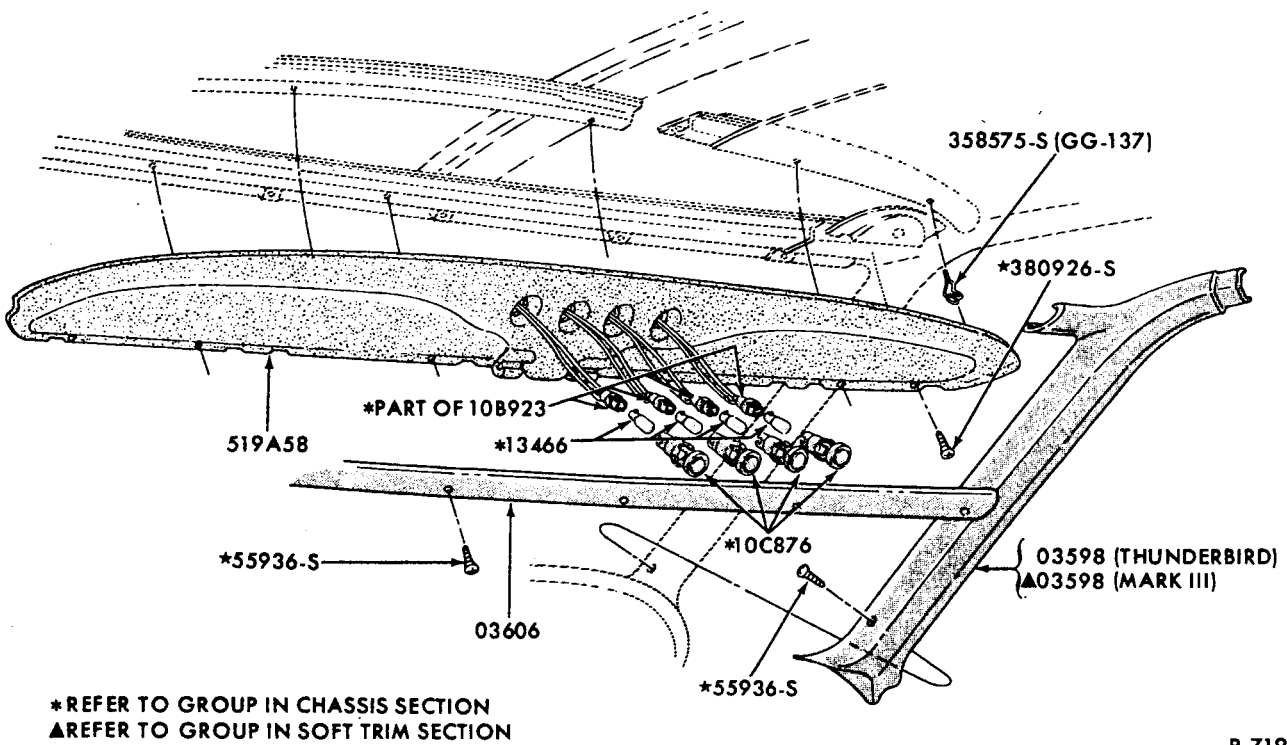
**CONSOLE and RELATED PARTS  
1970/72 MAVERICK**



\*REFER TO GROUP IN CHASSIS SECTION

P-7197

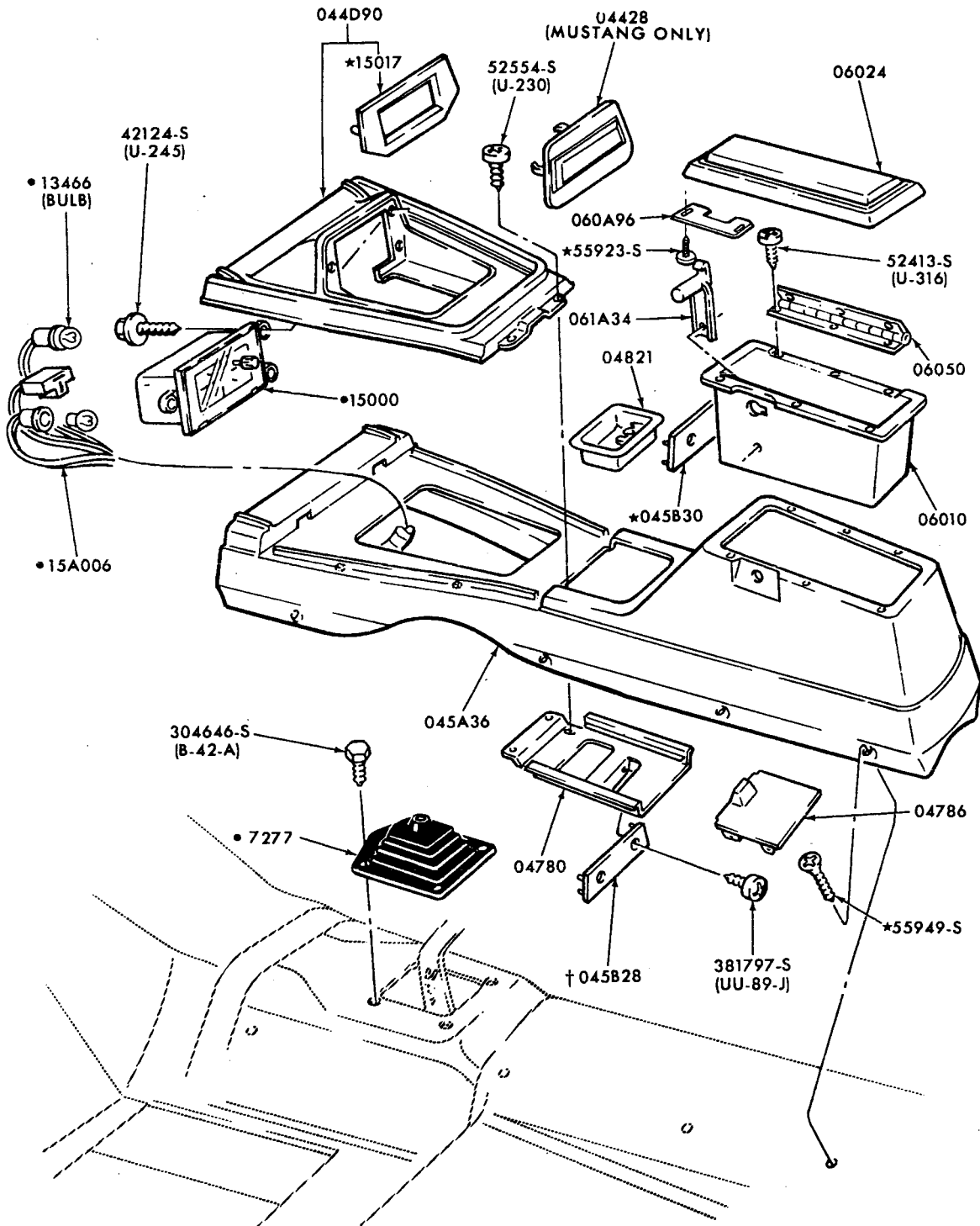
**ROOF CONSOLE and RELATED PARTS  
1970/71 THUNDERBIRD - BODY TYPE 65**



\*REFER TO GROUP IN CHASSIS SECTION  
▲REFER TO GROUP IN SOFT TRIM SECTION

P-7198

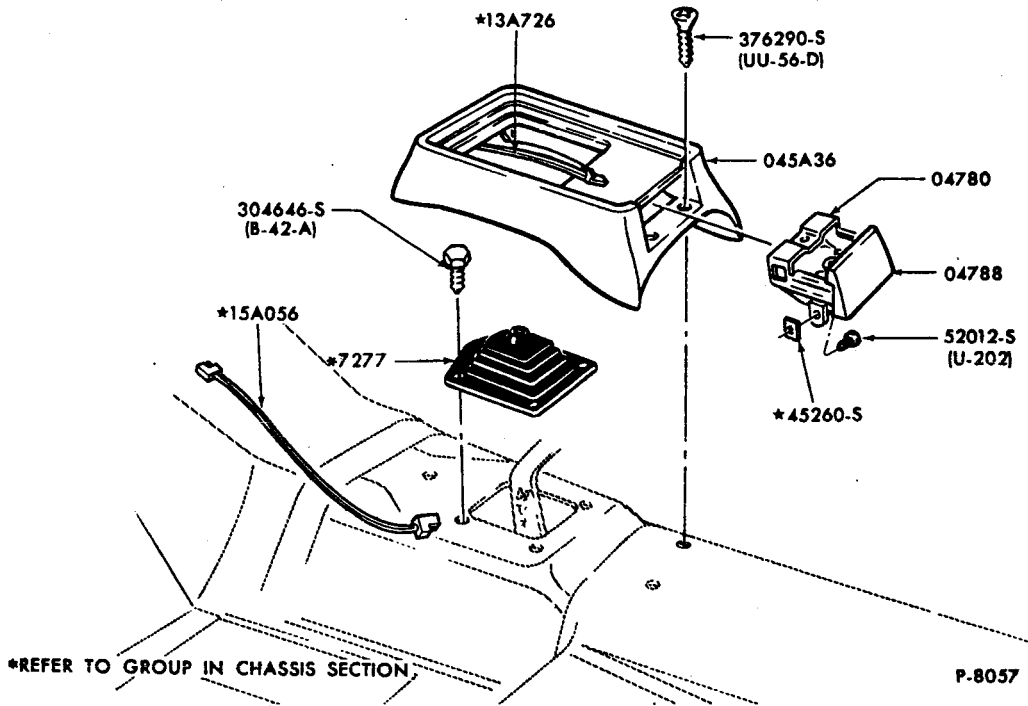
**ROOF CONSOLE and RELATED PARTS  
1970/71 THUNDERBIRD - BODY TYPE 57**



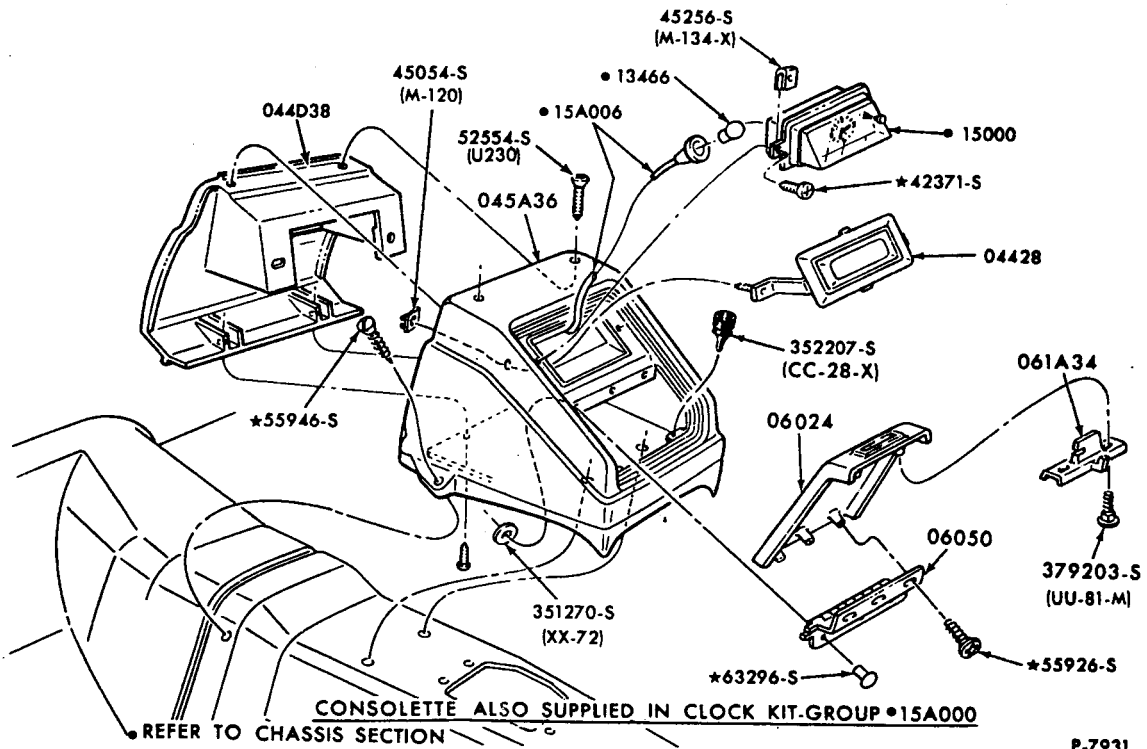
† SERVICED ONLY IN ASSY.GROUP 045A36  
• REFER TO CHASSIS SECTION

P-8052

CONSOLE and RELATED PARTS  
1971/72 MUSTANG

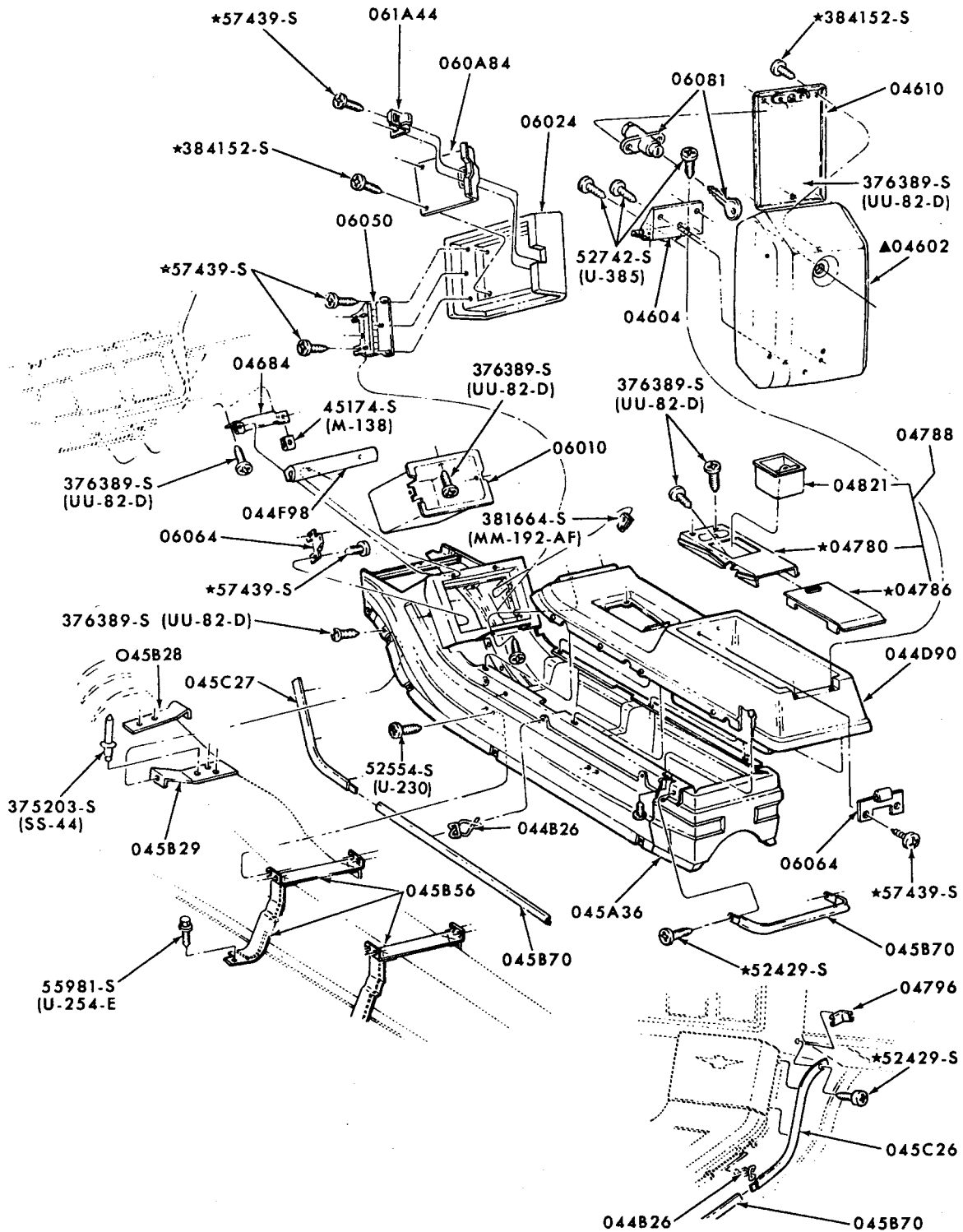


CONSOLETTES and RELATED PARTS  
1971/72 MUSTANG



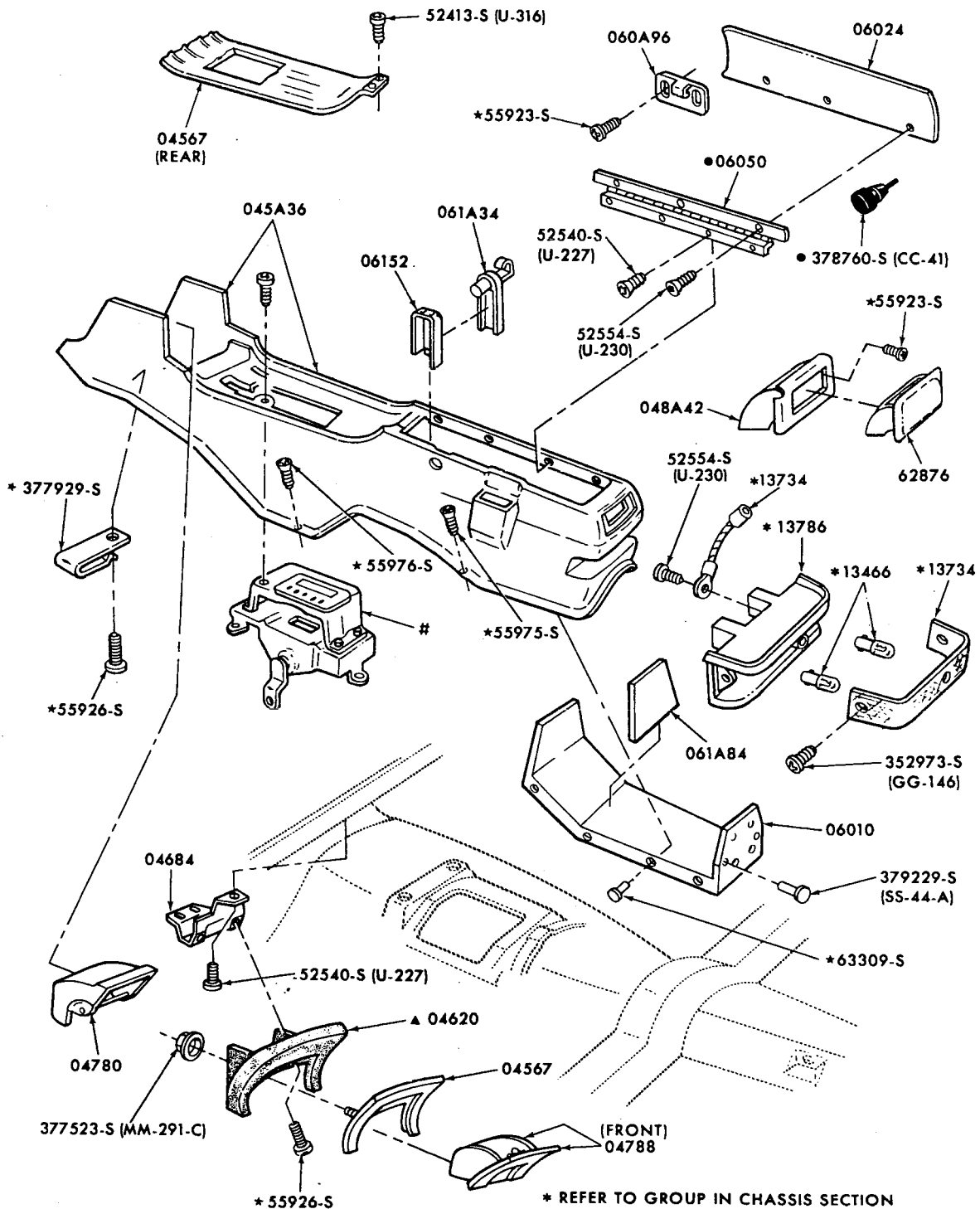
CONSOLETTES and RELATED PARTS  
1971/72 PINTO

**FORD CAR PARTS**



▲REFER TO GROUP IN SOFT TRIM SECTION

P-8153

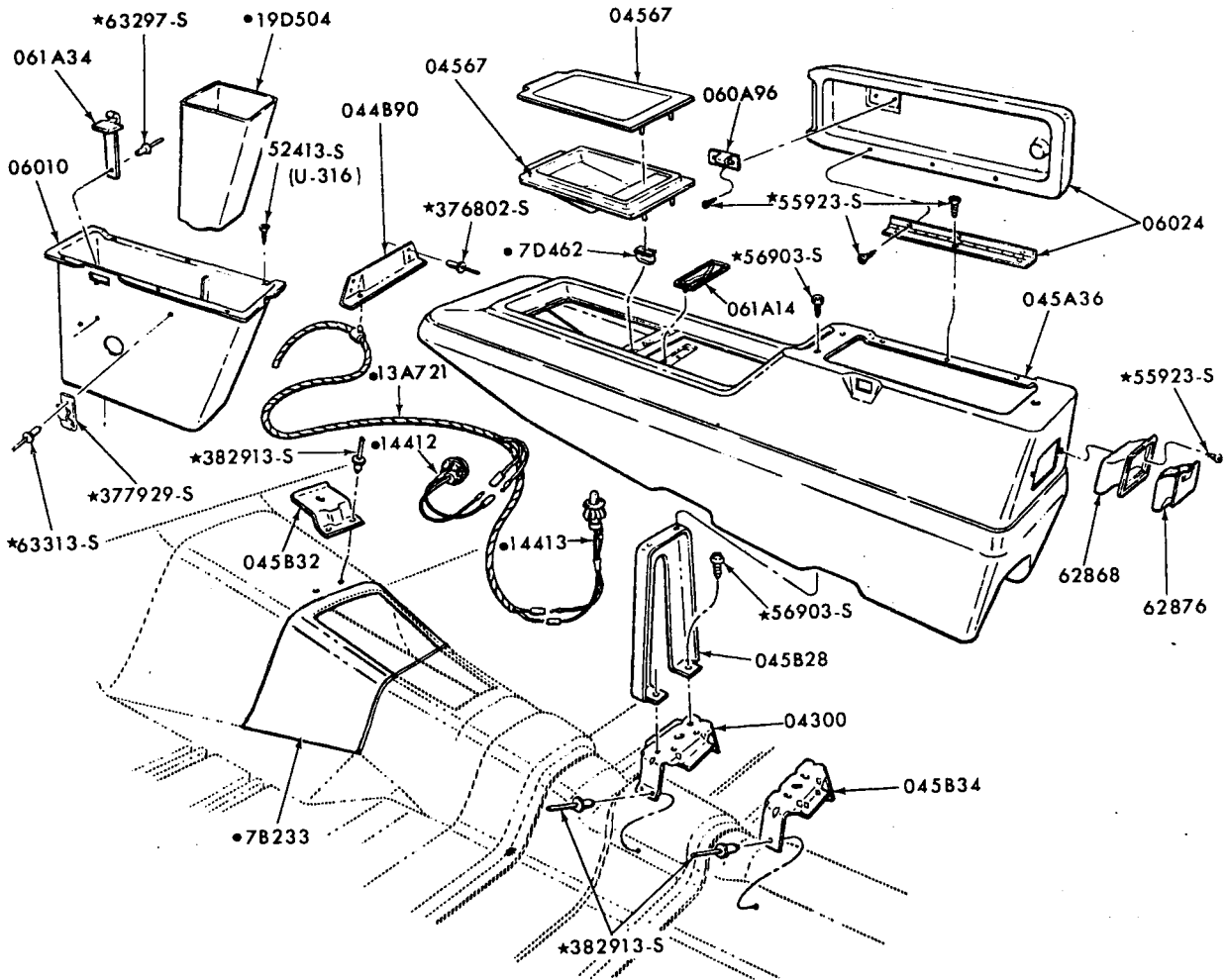


\* REFER TO GROUP IN CHASSIS SECTION  
 ● ALSO SERVICED IN ASSEMBLY—GROUP 06024  
 # REFER TO CHASSIS ILLUSTRATION SECTION A72  
 ▲ REFER TO GROUP IN SOFT TRIM SECTION

P-8223

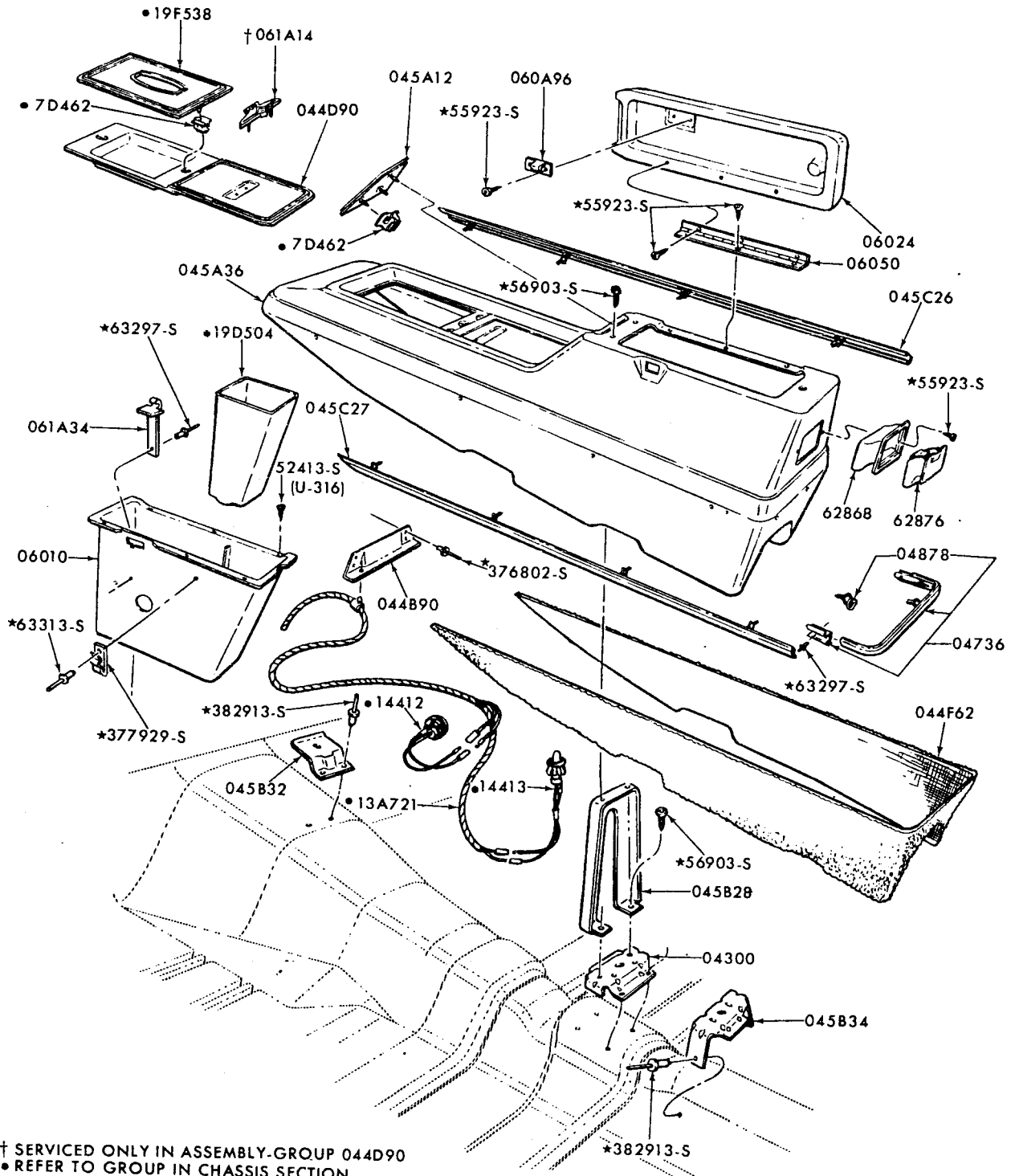
**FLOOR CONSOLE and RELATED PARTS  
 1970/71 FAIRLANE/TORINO**





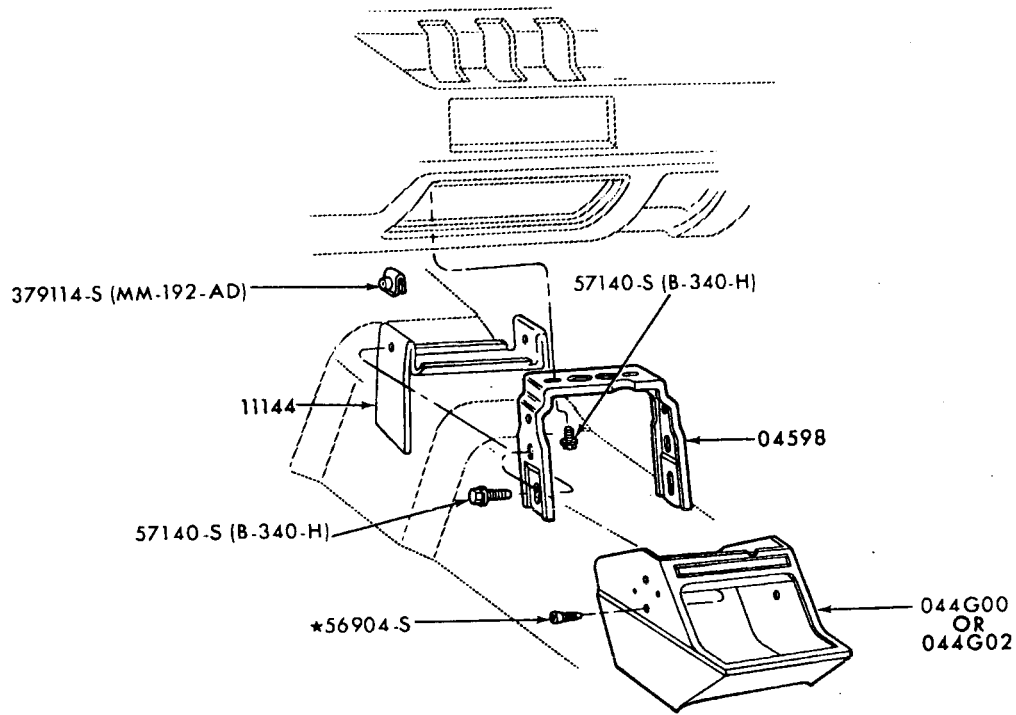
• REFER TO CHASSIS SECTION

P-8611



P-8610

FLOOR CONSOLE and RELATED PARTS  
1972 THUNDERBIRD



P-9925

INSTRUMENT PANEL BRACE COVER  
1972 PINTO

### INDEX

THIS INDEX SECTION INCLUDES THE FOLLOWING MAJOR GROUPS:

- FRONT DOOR and RELATED PARTS (WINDOWS, LOCKS, HANDLES, ETC.)
- REAR DOOR and RELATED PARTS (WINDOWS, LOCKS, HANDLES, ETC.)
- QUARTER WINDOW and RELATED PARTS
- VACUUM DOOR LATCH SYSTEM

TITLE	SECTION	PAGE	ILLUS. NO.
<b>1965</b>			
<b>A (FORD)</b>			
Handles and latch parts (front door)	230.1	1	P-4741
Handles and latch parts (rear door) - body types 54, 57, 71	240.1	1	P-4744
Hinges - front door lower	230	27	P-6981
Hinges - front door upper	230	27	P-6980
Hinges - rear door lower	240	17	P-6983
Hinges - rear door upper	240	17	P-6982
Vacuum door latch system	230.2	1	P-4840
Window parts (front door) - body types 54, 62, 71	230	1	P-4738
- body types 57, 63, 65, 76	230	2	P-4740
Window parts (quarter) - body type 62	290	1	P-4745
- body type 63	290	2	P-4746
Window parts (quarter) - body type 76	290	3	P-4747
Window parts (quarter outside) - body type 71	290.1	1	P-4632
(quarter inside) - body type 71	290.1	2	P-4754
Window parts (rear door) - body types 54, 71	240	1	P-4742
- body type 57	240	2	P-4743
<b>B (FAIRLANE)</b>			
Handles and latch parts (front door) - body type 65	230	4	P-4031
- body types 54, 62, 71	230	3	P-4857
(rear door) - body types 54, 71	240	3	P-3763
Hinges - front door lower	230	27	P-6981
Hinges - front door upper	230	27	P-6980
Hinges - rear door lower	240	17	P-6983
Hinges - rear door upper	240	17	P-6982
Window parts (front door) - body type 65	230	4	P-4031
- body types 54, 62, 71	230	3	P-4857
Window parts (rear door) - body types 54, 71	240	3	P-3763
(quarter) - body type 62	290	4	P-3764
- body type 65	290	5	P-4032
- body type 71	290.1	3	P-4033
<b>F (MUSTANG)</b>			
Air extractor parts (quarter) - body type 63	290.1	4	P-4795
Handles and latch parts (front door)	230.1	2	P-4495
Hinges - front door lower	230	27	P-6981
Hinges - front door upper	230	27	P-6980
Window parts (front door)	230	5	P-4494
Window parts (quarter) - body types 65, 76	290	6	P-4496

B

**BODY ILLUSTRATION  
SECTION 230**
**FORD CAR PARTS**
**INDEX**

TITLE	SECTION	PAGE	ILLUS. NO.
-------	---------	------	------------

**1965**
**S (THUNDERBIRD)**

Handles and latch parts (front door)	230.1	1	P-4755
Hinges - front door lower	230	27	P-6981
Hinges - front door upper	230	27	P-6980
Vacuum door latch system	230.2	2	P-4902
Window parts (front door)	230	6	P-4858
Window parts (quarter)	290	7	P-4344

**X (FALCON)**

Handles and latch parts (front door) - except body types 63, 76 - body types 63, 76	230	7	P-4339
	230	8	P-4035
Hinges - front door lower	230	27	P-6981
Hinges - front door upper	230	27	P-6980
Hinges - rear door lower	240	17	P-6983
Hinges - rear door upper	240	17	P-6982
Window parts (front door) - except body types 63, 76 - body types 63, 76	230	7	P-4339
	230	8	P-4035
Window panel parts (quarter) - body type 78	290.1	5	P-3593
Window parts (rear door) - body type 54	240	4	P-4342
- body type 71	240	5	P-4343
(quarter) - body types 59, 62	290	8	P-3160
- body type 63	290	9	P-3952
- body type 76	290	10	P-4036

**1966**
**A (FORD)**

Handles and latch parts (front door)	230.1	1	P-4741
Handles and latch parts (rear door) - body types 54, 57, 71	240.1	1	P-4744
Hinges - front door lower	230	27	P-6981
Hinges - front door upper	230	27	P-6980
Hinges - rear door lower	240	17	P-6983
Hinges - rear door upper	240	17	P-6982
Vacuum door latch system	230.2	1	P-4840
Window parts (front door) - body types 54, 62, 71	230	1	P-4738
- body types 57, 63, 65, 76	230	2	P-4740
Window parts (quarter) - body type 62	290	1	P-4745
- body type 63	290	2	P-4746
Window parts (quarter) - body type 76	290	3	P-4747
Window parts (quarter outside) - body type 71	290.1	1	P-4632
(quarter inside) - body type 71	290.1	2	P-4754
Window parts (rear door) - body types 54, 71	240	1	P-4742
- body type 57	240	2	P-4743

### INDEX

# 1966

TITLE	SECTION	PAGE	ILLUS. NO.
<b>B (FAIRLANE)</b>			
Handles and latch parts (front door)	230.1	3	P-5074
Handles and latch parts (rear door) - body types 54, 71	240.1	2	P-5075
Hinges - front door lower	230	27	P-6981
Hinges - front door upper	230	27	P-6980
Hinges - rear door lower	240	17	P-6983
Hinges - rear door upper	240	17	P-6982
Window parts (front door) - body types 54, 71	230	9	P-5070
- body type 62	230	10	P-5071
- body types 63, 76	230	11	P-5072
Window parts (quarter) - body type 62	290	11	P-5076
- body type 63	290	12	P-5077
- body type 76	290	13	P-5078
Window parts (quarter outside) - body type 71	290.1	9	P-6030
Window parts (rear door) - body types 54, 71	240	6	P-5073
<b>F (MUSTANG)</b>			
Air extractor parts (quarter) - body type 63	290.1	4	P-4795
Handles and latch parts (front door)	230.1	2	P-4495
Hinges - front door lower	230	27	P-6981
Hinges - front door upper	230	27	P-6980
Window parts (front door)	230	5	P-4494
Window parts (quarter) - body types 65, 76	290	6	P-4496
<b>S (THUNDERBIRD)</b>			
Handles and latch parts (front door)	230.1	1	P-4755
Hinges - front door lower	230	27	P-6981
Hinges - front door upper	230	27	P-6980
Vacuum door latch system	230.2	2	P-4902
Window parts (front door)	230	6	P-4858
Window parts (quarter)	290	7	P-4344
<b>U (BRONCO)</b>			
Handles and latch parts (front door)	230	12	P-4964
Hinges - front door lower	230	27	P-6981
Hinges - front door upper	230	27	P-6980
Window parts (front door)	230	12	P-4964
Window parts (quarter) - body type 98	290.1	5	P-6775
<b>X (FALCON)</b>			
Handles and latch parts (front door)	230.1	3	P-5074
Handles and latch parts (rear door) - body types 54, 71	240.1	2	P-5075
Hinges - front door lower	230	27	P-6981
Hinges - front door upper	230	27	P-6980
Hinges - rear door lower	240	17	P-6983
Hinges - rear door upper	240	17	P-6982
Window parts (front door) - body types 54, 71	230	9	P-5070
- body types 62, 66	230	10	P-5071
Window parts (quarter) - body type 62	290	11	P-5076
Window parts (quarter outside) - body type 71	290.1	9	P-6030
Window parts (rear door) - body types 54, 71	240	6	P-5073

D

**BODY ILLUSTRATION  
SECTION 230**
**FORD CAR PARTS**
**INDEX**

TITLE	SECTION	PAGE	ILLUS. NO.
<b>1967</b>			
<b>A (FORD)</b>			
Handles and latch parts (front door)	230.1	1	P-4741
Handles and latch parts (rear door) - body types 54, 57, 71	240.1	1	P-4744
Hinges - front door lower	230	27	P-6981
Hinges - front door upper	230	27	P-6980
Hinges - rear door lower	240	17	P-6983
Hinges - rear door upper	240	17	P-6982
Vacuum door latch system	230.2	3	P-5643
Window parts (front door) - body types 54, 62, 71	230	1	P-4738
- body types 57, 63, 65, 76	230	2	P-4740
Window parts (quarter) - body type 62	290	1	P-4745
- body type 63	290	2	P-4746
Window parts (quarter) - body type 76	290	3	P-4747
Window parts (quarter outside) - body type 71	290.1	6	P-5530
(quarter inside) - body type 71	290.1	7	P-5791
Window parts (rear door) - body types 54, 71	240	1	P-4742
- body type 57	240	2	P-4743
<b>B (FAIRLANE)</b>			
Handles and latch parts (front door)	230.1	3	P-5074
Handles and latch parts (rear door) - body types 54, 71	240.1	2	P-5075
Hinges - front door lower	230	27	P-6981
Hinges - front door upper	230	27	P-6980
Hinges - rear door lower	240	17	P-6983
Hinges - rear door upper	240	17	P-6982
Window parts (front door) - body types 54, 71	230	9	P-5070
- body types 62, 66	230	10	P-5071
- body types 63, 76	230	11	P-5072
Window parts (quarter) - body type 62	290	11	P-5076
- body type 63	290	12	P-5077
- body type 76	290	13	P-5078
Window parts (quarter outside) - body type 71	290.1	9	P-6030
Window parts (rear door) - body types 54, 71	240	6	P-5073
<b>F (MUSTANG)</b>			
Air extractor parts (quarter) - body type 63	290.1	8	P-5538
Handles and latch parts (front door)	230.1	4	P-5627
Hinges - front door lower	230	27	P-6981
Hinges - front door upper	230	27	P-6980
Window parts (front door)	230	13	P-5628
Window parts (quarter) - body types 65, 76	290	14	P-5537





**INDEX**

TITLE SECTION PAGE ILLUS. NO.

**1968**

**B (FAIRLANE/TORINO)**

Handles and latch parts (front door)	230.1	3	P-5074
Handles and latch parts (rear door) - body types 54, 71	240.1	2	P-5075
Hinges - front door lower	230	27	P-6981
Hinges - front door upper	230	27	P-6980
Hinges - rear door lower	240	17	P-6983
Hinges - rear door upper	240	17	P-6982
Window parts (front door) - body types 54, 71	230	16	P-6290
- body types 63, 65, 66, 76	230	17	P-6291
Window parts (quarter) - body types 63, 65, 76	290	17	P-6158
Window parts (quarter outside) - body type 71	290.1	9	P-6030
Window parts (rear door) - body type 54	240	8	P-6292
Window parts (rear door) - body type 71	240	9	P-6293

**F (MUSTANG)**

Air extractor parts (quarter) - body type 63	290.1	8	P-5538
Handles and latch parts (front door)	230.1	4	P-5627
Hinges - front door lower	230	27	P-6981
Hinges - front door upper	230	27	P-6980
Window parts (front door)	230	13	P-5628
Window parts (quarter) - body types 65, 76	290	14	P-5537

**S (THUNDERBIRD)**

Handles and latch parts (front door)	230.1	5	P-5361
Handles and latch parts (rear door) - body type 57	240.1	3	P-5362
Hinges - front door lower	230	27	P-6981
Hinges - front door upper	230	27	P-6980
Hinges - rear door lower	240	17	P-6983
Hinges - rear door upper	240	17	P-6982
Window parts (front door) - body type 57	230	14	P-5360
- body type 65	230	15	P-5371
Window parts (quarter) - body type 65	290	15	P-5366
Window parts (rear door) - body type 57	240	7	P-5363
Vacuum door latch system -	230.2	9	P-6865-A
(continued)	230.2	10	P-6865-B

**U (BRONCO)**

Handles and latch parts (front door)	230	12	P-4964
Hinges - front door lower	230	27	P-6981
Hinges - front door upper	230	27	P-6980
Window parts (front door)	230	12	P-4964
Window parts (quarter) - body type 98	290.1	5	P-6775

**X (FALCON)**

Handles and latch parts (front door)	230.1	3	P-5074
Handles and latch parts (rear door) - body types 54, 71	240.1	2	P-5075
Hinges - front door lower	230	27	P-6981
Hinges - front door upper	230	27	P-6980
Hinges - rear door lower	240	17	P-6983
Hinges - rear door upper	240	17	P-6982
Window parts (front door) - body types 54, 71	230	9	P-5070
- body type 62	230	10	P-5071
Window parts (quarter) - body type 62	290	11	P-5076
Window parts (quarter outside) - body type 71	290.1	9	P-6030
Window parts (rear door) - body types 54, 71	240	6	P-5073





# FORD CAR PARTS

# BODY ILLUSTRATION SECTION 230

J

## INDEX

TITLE	SECTION	PAGE	ILLUS. NO.
-------	---------	------	------------

# 1970

### A (FORD)

Bumpers door - rubber	230	30	P-6440
Handles and latch parts (front door)	230.1	6	P-7253
Handles and latch parts (rear door) - body types 54, 57, 71	240.1	4	P-7254
Hinges - front door lower	230	27	P-6981
- front door upper	230	27	P-6980
- rear door lower	240	17	P-6983
- rear door upper	240	17	P-6982
Pressure release vent - quarter	290	22	P-7183
Vacuum door latch system	230.2	5	P-6863-A
(cont'd)	230.2	6	P-6863-B
Window parts (front door) - body types 54, 71	230	18	P-6693-A
- body types 54, 71	230	19	P-6693-B
- body types 57, 63, 65, 76	230	20	P-6694-A
- body types 57, 63, 65, 76	230	21	P-6694-B
Window parts (rear door) - body types 54, 71	240	10	P-6695-A
- body types 54, 71	240	11	P-6695-B
- body type 57	240	12	P-6696-A
- body type 57	240	13	P-6696-B
Window parts (quarter) - body type 63	290	18	P-6814
- body types 65, 76	290	19	P-6815
Window parts (quarter inside) - body type 71	290.1	10	P-6891
Window parts (quarter outside) - body type 71	290.1	9	P-6774

### B (FAIRLANE/TORINO)

### B (FALCON) - FROM 1/2/70

Bumpers door - rubber	230	30	P-6440
Handles and latch parts (front door)	230.1	7	P-7251
Handles and latch parts (rear door) - body types 54, 57, 71	240.1	5	P-7252
Hinges - front door lower	230	27	P-6981
- front door upper	230	27	P-6980
- rear door lower	240	17	P-6983
- rear door upper	240	17	P-6982
Pressure release vent - quarter	290	22	P-7183
Window parts (front door) - body type 54	230	24	P-7097
- body type 57	230	25	P-7095
- body type 62	230	29	P-7467
- body types 63, 65, 66, 76	230	26	P-7094
- body type 71	230	16	P-6290
Window parts (rear door) - body type 54	240	14	P-7092
- body type 57	240	15	P-7096
- body type 71	240	16	P-7093
Window parts (quarter) - body type 62	290	25	P-7466
- body types 63, 65, 76	290	23	P-7045
Window parts (quarter outside) - body type 71	290.1	9	P-6030

### F (MUSTANG)

Bumpers door - rubber	230	30	P-6440
Handles and latch parts (front door)	230.1	4	P-5627
Hinges - front door lower	230	27	P-6981
- front door upper	230	27	P-6980
Pressure release vent - quarter	290	22	P-7183
Window parts (front door)	230	22	P-6816
Window parts (quarter) - body type 63	290	20	P-6732
- body types 65, 76	290	21	P-6733

K

**BODY ILLUSTRATION  
SECTION 230**
**FORD CAR PARTS**
**INDEX**

TITLE	SECTION	PAGE	ILLUS. NO.
<b>1970</b>			
<b>P (MAVERICK)</b>			
Bumpers door - rubber	230	30	P-6440
Handles and latch parts (front door)	230.1	7	P-7251
Hinges - front door lower	230	27	P-6981
- front door upper	230	27	P-6980
Pressure release vent - quarter	290	22	P-7183
Window parts (front door)	230	23	P-6862
Window parts (quarter) - body type 62	290	22	P-6836
<b>S (THUNDERBIRD)</b>			
Bumpers door - rubber	230	30	P-6440
Handles and latch parts (front door) - body type 57	230.1	9	P-7983
- body type 65	230.1	10	P-7982
Handles and latch parts (rear door) - body type 57	240.1	3	P-5362
Hinges - front door lower	230	27	P-6981
- front door upper	230	27	P-6980
- rear door lower	240	17	P-6983
- rear door upper	240	17	P-6982
Pressure release vent - quarter	290	22	P-7183
Vacuum door latch system	230.2	7	P-6864-A
(cont'd)	230.2	8	P-6864-B
Window parts (front door) - body type 57	230	14	P-5360
- body type 65	230	15	P-5371
Window parts (quarter) - body type 65	290	24	P-7033
Window parts (rear door) - body type 57	240	7	P-5363
<b>U (BRONCO)</b>			
Bumpers door - rubber	230	30	P-6440
Handles and latch parts (front door)	230.1	8	P-7407
Hinges - front door lower	230	27	P-6981
- front door upper	230	27	P-6980
Window and related parts (quarter)	290.1	5	P-6775
Window parts (front door)	230	28	P-7408
<b>X (FALCON) - BEFORE 1/2/70 FOR UNITS BUILT FROM 1/2/70 REFER TO B (FALCON)</b>			
Bumpers door - rubber	230	30	P-6440
Handles and latch parts (front door)	230.1	3	P-5074
Handle and latch parts (rear door) - body types 54, 71	240.1	2	P-5075
Hinges - front door lower	230	27	P-6981
- front door upper	230	27	P-6980
- rear door lower	240	17	P-6983
- rear door upper	240	17	P-6982
Window parts (front door) - body types 54, 71	230	9	P-5070
- body type 62	230	10	P-5071
Window parts (quarter) - body type 62	290	11	P-5076
Window parts (quarter outside) - body type 71	290.1	9	P-6030
Window parts (rear door) - body types 54, 71	240	6	P-5073

**INDEX**

TITLE	SECTION	PAGE	ILLUS. NO.
-------	---------	------	------------

**1971**

**A (FORD)**

Bumpers door - rubber	230	30	P-6440
Handles and latch parts (front door)	230.1	11	P-7802
Handles and latch parts (rear door) - body types 53, 54, 57, 71	240.1	8	P-7803
Hinges - front door lower	230	27	P-6981
- front door upper	230	27	P-6980
- rear door lower	240	17	P-6983
- rear door upper	240	17	P-6982
Pressure release vent - quarter	290	22	P-7183
Vacuum door latch system	230.2	11	P-8192
Window parts (front door) - body types 54, 71	230	34	P-7781
- body types 53, 57	230	36	P-8174
- body types 65, 76	230	20	P-6694-A
- body types 65, 76 (cont'd)	230	21	P-6694-B
Window parts (rear door) - body types 54, 71	240	21	P-7910
- body types 53, 57	240	20	P-7909
Window parts (quarter) - body type 65	290	29	P-7874
- body type 76	290	19	P-6815
Window parts (quarter inside) - body type 71	290.1	10	P-6891
Window parts (quarter outside) - body type 71	290.1	9	P-6774

**B (TORINO)**

Bumpers door - rubber	230	30	P-6440
Handles and latch parts (front door)	230.1	7	P-7251
Handles and latch parts (rear door) - body types 54, 57, 71	240.1	5	P-7252
Hinges - front door lower	230	27	P-6981
- front door upper	230	27	P-6980
- rear door lower	240	17	P-6983
- rear door upper	240	17	P-6982
Pressure release vent - quarter	290	22	P-7183
Window parts (front door) - body type 54	230	24	P-7097
- body type 57	230	25	P-7095
- body types 63, 65, 66, 76	230	26	P-7094
- body type 71	230	16	P-6290
Window parts (rear door) - body type 54	240	14	P-7092
- body type 57	240	22	P-7782
- body type 71	240	16	P-7093
Window parts (quarter) - body type 63, 65, 76	290	23	P-7045
Window parts (quarter outside) - body type 71	290.1	9	P-6030

**F (MUSTANG)**

Bumpers door - rubber	230	30	P-6440
Handles and latch parts (front door)	230.1	11	P-7802
Hinges - front door lower	230	27	P-6981
- front door upper	230	27	P-6980
Pressure release vent - quarter	290	22	P-7183
Window parts (front door)	230	35	P-7824
Window parts - moveable - (quarter) - body type 63, 65, 76	290	27	P-7847
Window parts - stationary (quarter) - body type 63	290	28	P-7846

M

**BODY ILLUSTRATION  
SECTION 230**
**FORD CAR PARTS**
**INDEX**

TITLE

SECTION

PAGE

ILLUS. NO.

**1971**
**L (PINTO)**

Bumpers door - rubber	230	30	P-6440
Handles and latch parts (front door)	230.1	12	P-7930
Hinges - front door lower	230	27	P-6981
- front door upper	230	27	P-6980
Pressure release vent - quarter	290	22	P-7183
Window parts (front door)	230	33	P-7785
Window parts - moveable (quarter)	290	26	P-7924
Window parts - stationary (quarter)	290	26	P-7923

**P (MAVERICK)**

Bumpers door - rubber	230	30	P-6440
Handles and latch parts (front door)	230.1	4	P-5627
Handles and latch parts (rear door)	240.1	6	P-7838
Hinges - front door lower	230	27	P-6981
- front door upper	230	27	P-6980
- rear door lower	240	17	P-6983
- rear door upper	240	17	P-6982
Pressure release vent - quarter	290	22	P-7183
Window parts (front door)	230	23	P-6862
Window parts (rear door)	240	18	P-7786
Window parts (quarter) - body type 62	290	22	P-6836

**S (THUNDERBIRD)**

Bumpers door - rubber	230	30	P-6440
Handles and latch parts (front door) - body type 57	230.1	9	P-7983
- body type 65	230.1	10	P-7982
Handles and latch parts (rear door) - body type 57	240.1	7	P-7984
Hinges - front door lower	230	27	P-6981
- front door upper	230	27	P-6980
- rear door lower	240	17	P-6983
- rear door upper	240	17	P-6982
Pressure release vent - quarter	290	22	P-7183
Vacuum door latch system	230.2	12	P-8281
Window parts (front door) - body type 57	230	31	P-7980
- body type 65	230	32	P-7979
Window parts (rear door) - body type 57	240	19	P-7981
Window parts (quarter) - body type 65	290	24	P-7033

**U (BRONCO)**

Bumpers door - rubber	230	30	P-6440
Handles and latch parts (front door)	230.1	8	P-7407
Hinges - front door lower	230	27	P-6981
- front door upper	230	27	P-6980
Window and related parts (quarter)	290.1	5	P-6775
Window parts (front door)	230	28	P-7408

# FORD CAR PARTS

BODY ILLUSTRATION N  
SECTION 230

## INDEX

TITLE SECTION PAGE ILLUS. NO.

# 1972

### A (FORD)

Bumpers door - rubber	230	30	P-6440
Door edge guards	230	40	P-10061
Handles and latch parts (front door)	230.1	11	P-7802
Handles and latch parts (rear door) - body types 53, 54, 57, 71	240.1	8	P-7803
Hinges - front door lower	230	27	P-6981
- front door upper	230	27	P-6980
- rear door lower	240	17	P-6983
- rear door upper	240	17	P-6982
Pressure release vent - quarter	290	22	P-7183
Vacuum door latch system	230.2	12	P-8192
Window parts (front door) - body types 54, 71	230	34	P-7781
- body types 53, 57	230	36	P-8174
- body types 65, 76	230	20	P-6694-A
- body types 65, 76 (cont'd)	230	21	P-6694-B
Window parts (rear door) - body types 54, 71	240	21	P-7910
- body types 53, 57	240	20	P-7909
Window parts (quarter) - body type 65	290	29	P-7874
- body type 76	290	19	P-6815
Window parts (qtr. inside) - body type 71	290.1	10	P-6891
Window parts (qtr.outside) - body type 71	290.1	9	P-6774

### B (TORINO)

Bumpers door - rubber	230	30	P-6440
Door edge guards	230	40	P-10061
Handles and latch parts (front door)-manual-body types 53, 71	230.1	14	P-8791
-manual-body types 63, 65, 97	230.1	15	P-8793
-electric	230.2	14	P-9099
Handles and latch parts (rear door)-manual-body types 53, 71	240.1	9	P-8792
-electric	240.1	10	P-9100
Hinges - front door lower	230	27	P-6981
- front door upper	230	27	P-6980
- rear door lower	240	17	P-6983
- rear door upper	240	17	P-6982
Pressure release vent - quarter	290	22	P-7183
Window parts (front door) -body types 53, 71	230	38	P-8789
-body types 63, 65, 97	230	39	P-8788
Window parts (rear door) -body types 53, 71	240	23	P-8790
Window parts (quarter) - body type 63	290	32	P-8887
- body type 65	290	31	P-8888
Window parts (qtr.outside) - body type 71	290.1	11	P-8612

### F (MUSTANG)

Bumpers door - rubber	230	30	P-6440
Door edge guards	230	40	P-10061
Handles and latch parts (front door)	230.1	11	P-7802
Hinges - front door lower	230	27	P-6981
- front door upper	230	27	P-6980
Pressure release vent - quarter	290	22	P-7183
Window parts (front door)	230	35	P-7824
Window parts - moveable - (quarter) - body types 63, 65, 76	290	27	P-7847
Window parts - stationary - (quarter) - body type 63	290	28	P-7846



**INDEX**

TITLE SECTION PAGE ILLUS. NO.

**1972**

**L (PINTO)**

Bumpers door - rubber	230	30	P-6440
Door edge guards	230	40	P-10061
Handles and latch parts (front door)	230.1	12	P-7930
Hinges - front door lower	230	27	P-6981
- front door upper	230	27	P-6980
Pressure release vent - quarter	290	22	P-7183
Window parts (front door)	230	33	P-7785
Window parts - moveable (quarter) - body types 62, 64 - "Before 5/1/72"	290	26	P-7924
"From 5/1/72"	290	34	P-10375
Window parts - stationary (quarter) - body types 62, 64	290	26	P-7923
Window parts - moveable (quarter) - body type 73 - "Before 5/1/72"	290	33	P-8936
- "From 5/1/72"	290	33	P-10322
Window parts-stationary (quarter)-body type 73	290.1	11	P-10150

**P (MAVERICK)**

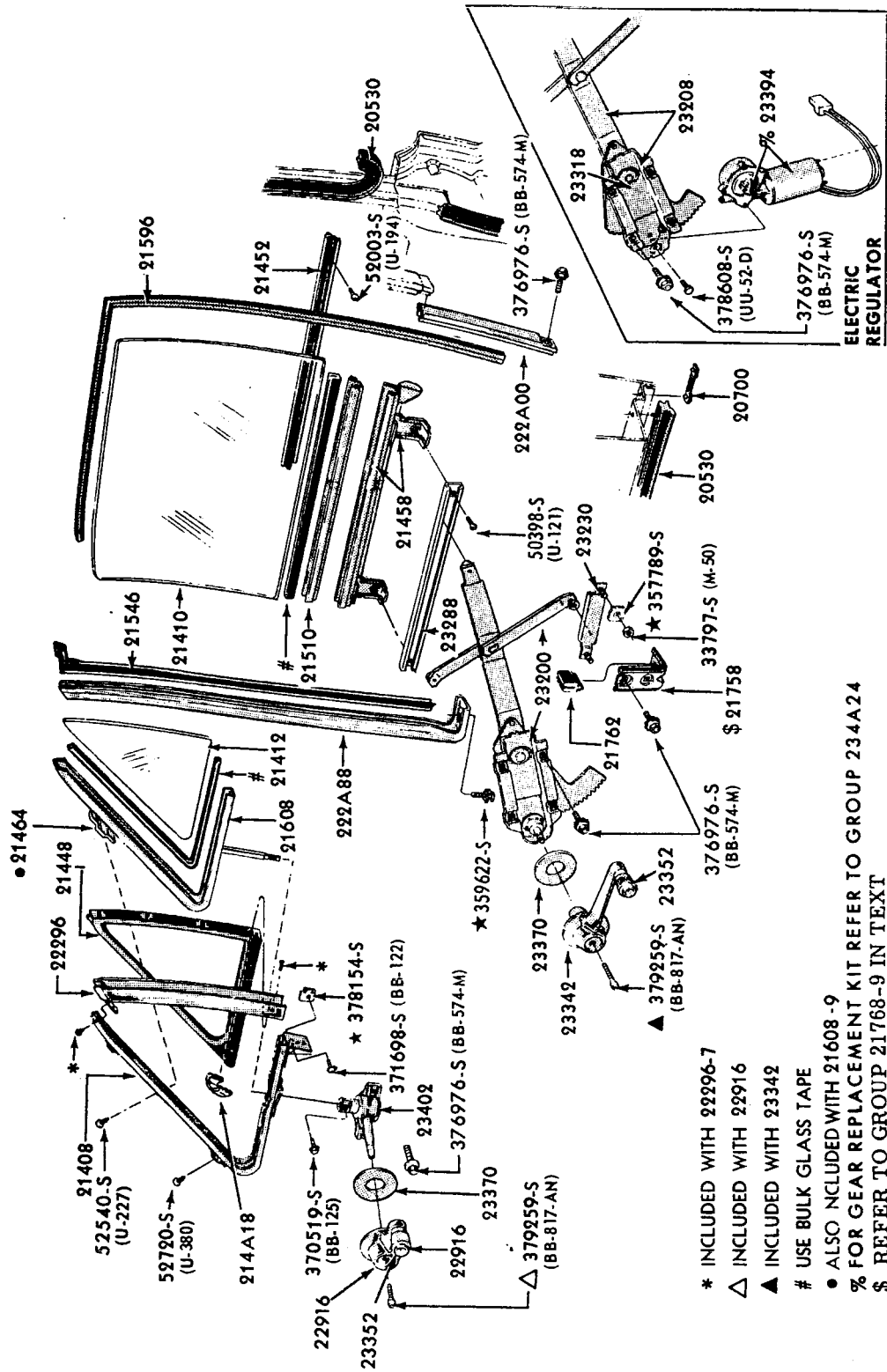
Bumpers door - rubber	230	30	P-6440
Door edge guards	230	40	P-10061
Handles and latch parts (front door)	230.1	4	P-5627
Handles and latch parts (rear door)	240.1	6	P-7838
Hinges - front door lower	230	27	P-6981
- front door upper	230	27	P-6980
- rear door lower	240	17	P-6983
- rear door upper	240	17	P-6982
Pressure release vent - quarter	290	22	P-7183
Window parts (front door)	230	23	P-6862
Window parts (rear door)	240	18	P-7786
Window parts (quarter) - body type 62	290	22	P-6836

**S (THUNDERBIRD)**

Bumpers door - rubber	230	30	P-6440
Door edge guards	230	40	P-10061
Handles and latch parts - manual - (front door) - body type 65	230.1	13	P-8604
- electric - (front door) - body type 65	230.2	13	P-8817
Hinges - front door lower	230	27	P-6981
- front door upper	230	27	P-6980
Pressure release vent - quarter	290	22	P-7183
Window parts (front door) - body type 65	230	37	P-8603
Window parts (quarter) - body type 65	290	30	P-8800

**U (BRONCO)**

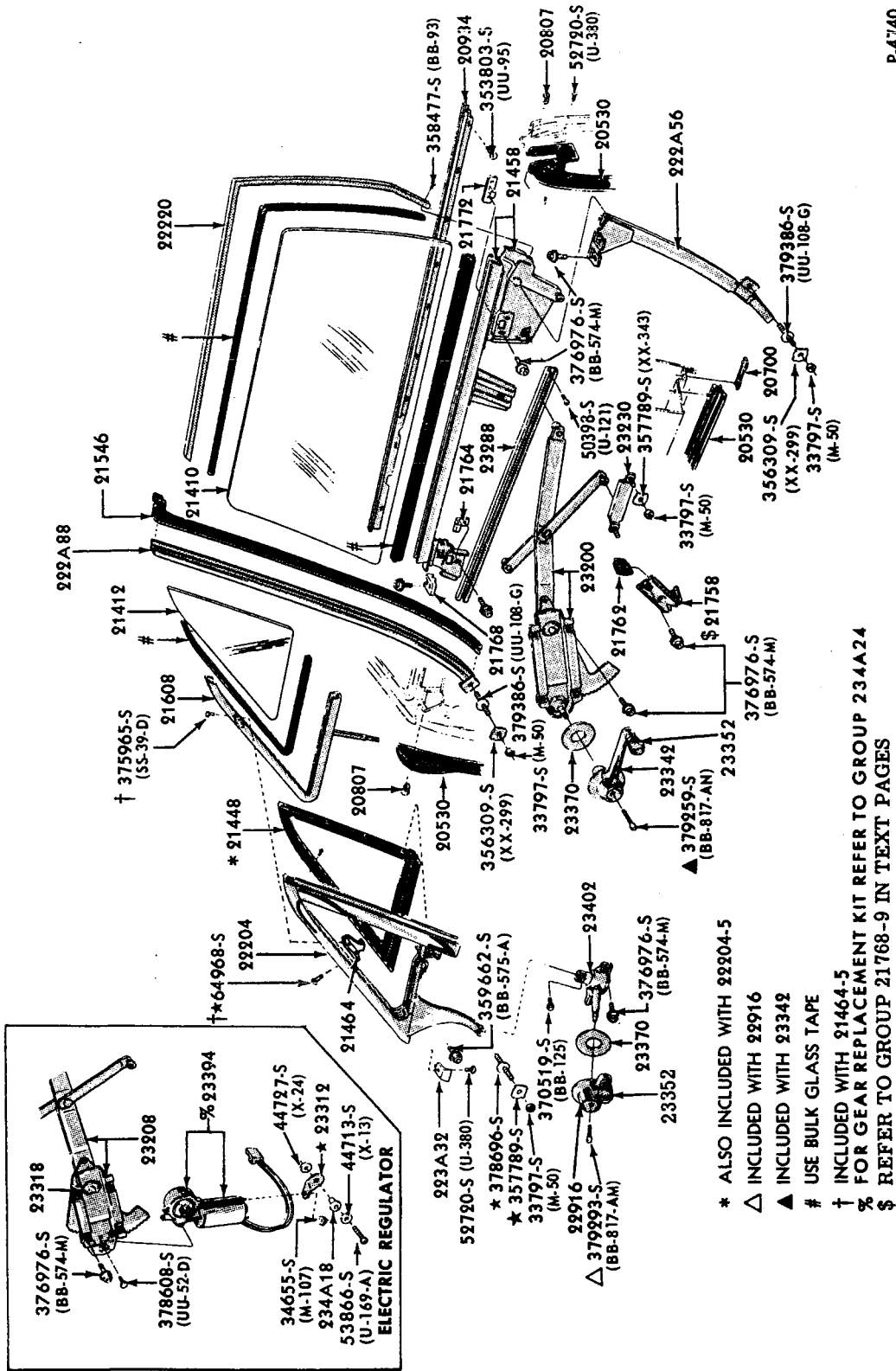
Bumpers door - rubber	230	30	P-6440
Handles and latch parts (front door)	230.1	8	P-7407
Hinges - front door lower	230	27	P-6981
- front door upper	230	27	P-6980
Window and related parts (quarter)	290.1	5	P-6775
Window parts (front door)	230	28	P-7408



P-4738

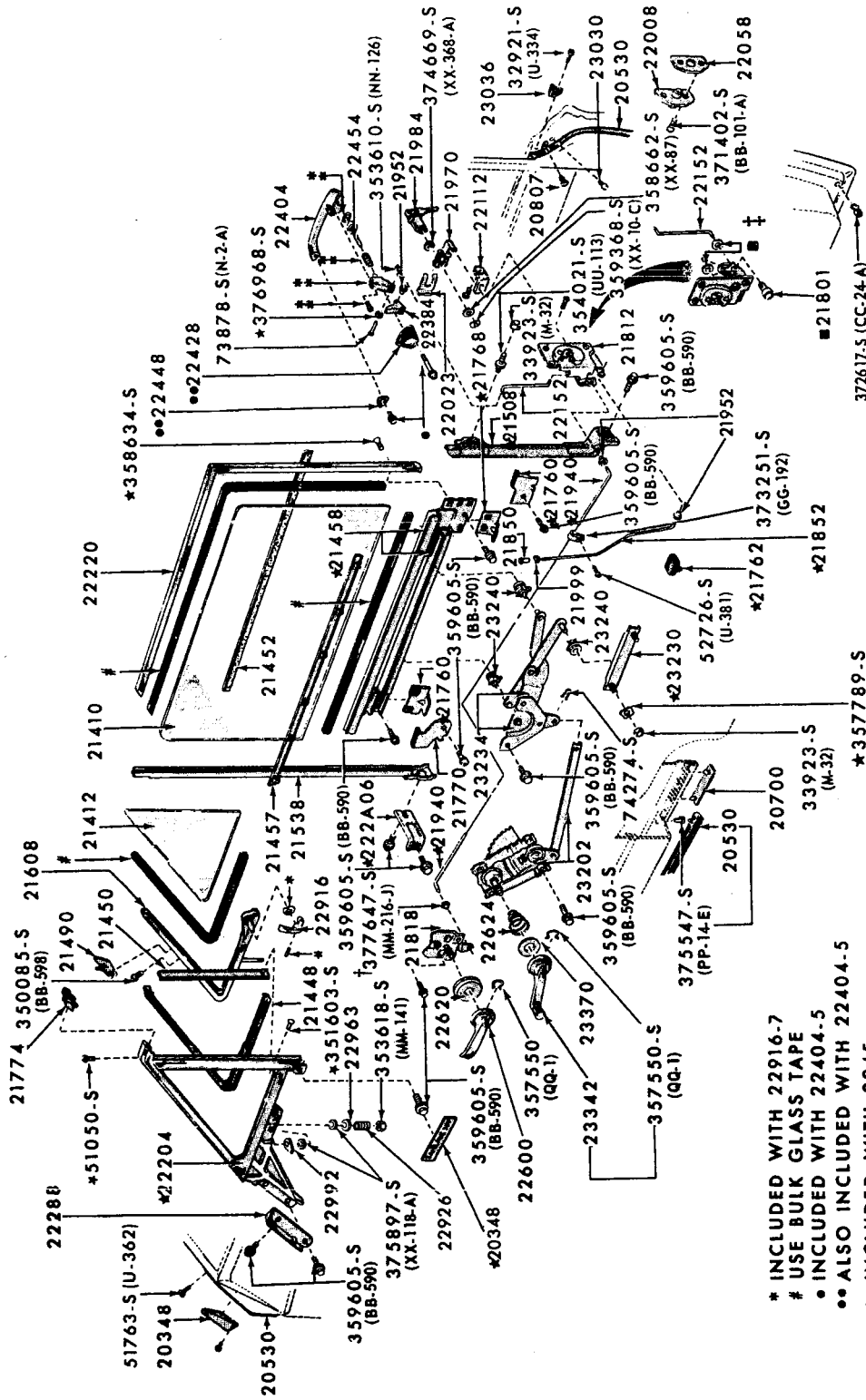
- \* INCLUDED WITH 22296-7
- △ INCLUDED WITH 22916
- ▲ INCLUDED WITH 23342
- # USE BULK GLASS TAPE
- ALSO INCLUDED WITH 21608-9
- % FOR GEAR REPLACEMENT KIT REFER TO GROUP 234A24
- \$ REFER TO GROUP 21768-9 IN TEXT

FRONT DOOR WINDOW and RELATED PARTS  
1965/68 FORD - BODY TYPES 54, 62, 71



FRONT DOOR WINDOW and RELATED PARTS  
1965/68 FORD - BODY TYPES 57,63,65,76



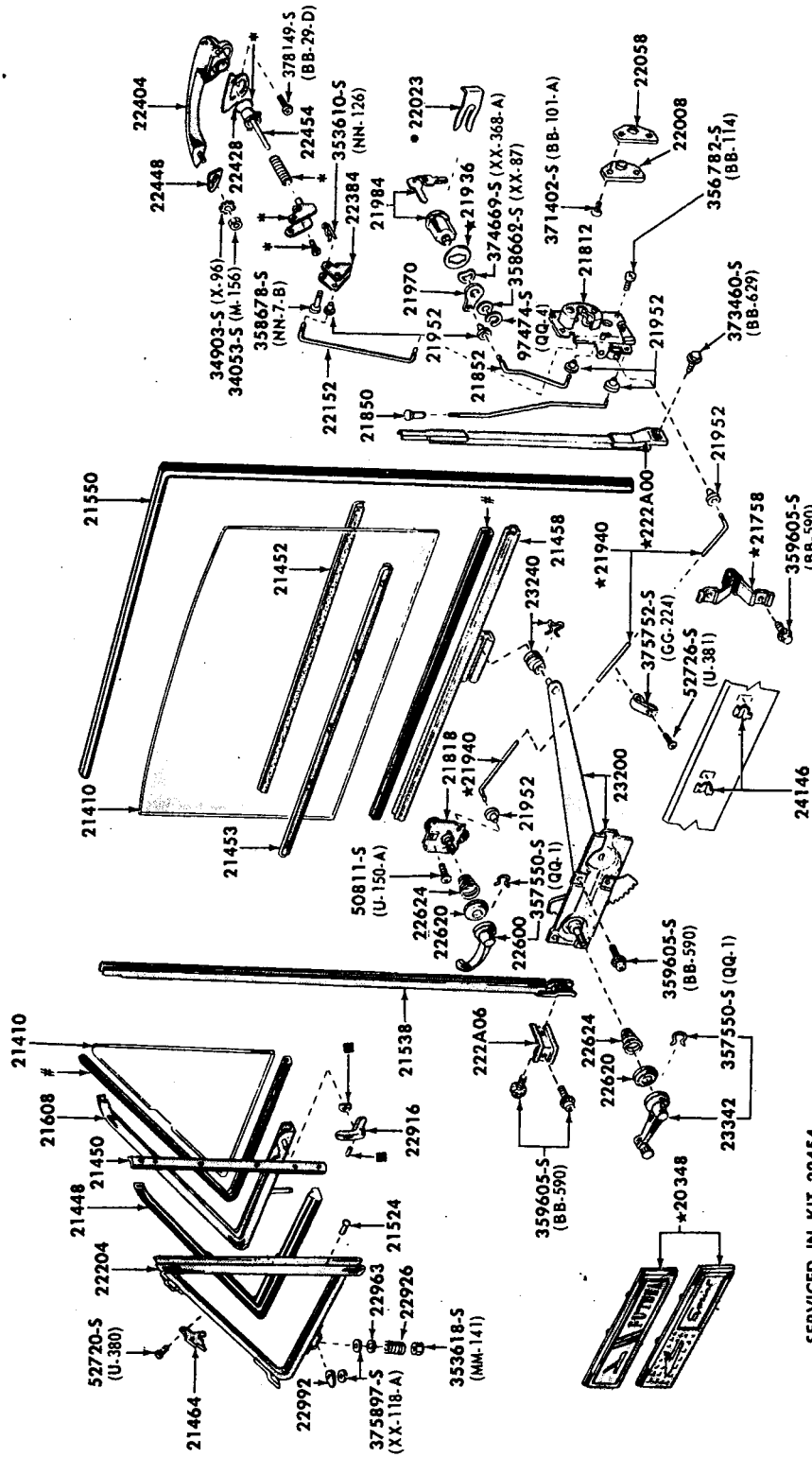


- \* INCLUDED WITH 22916-7
- # USE BULK GLASS TAPE
- INCLUDED WITH 22404-5
- ALSO INCLUDED WITH 22404-5
- \*\* INCLUDED WITH 2245-
- ▲ INCLUDED WITH 21984
- ALSO INCLUDED WITH 21812-3
- ‡ INCLUDED WITH 21801

FRONT DOOR WINDOW and RELATED PARTS  
1965 FAIRLANE - BODY TYPE 65



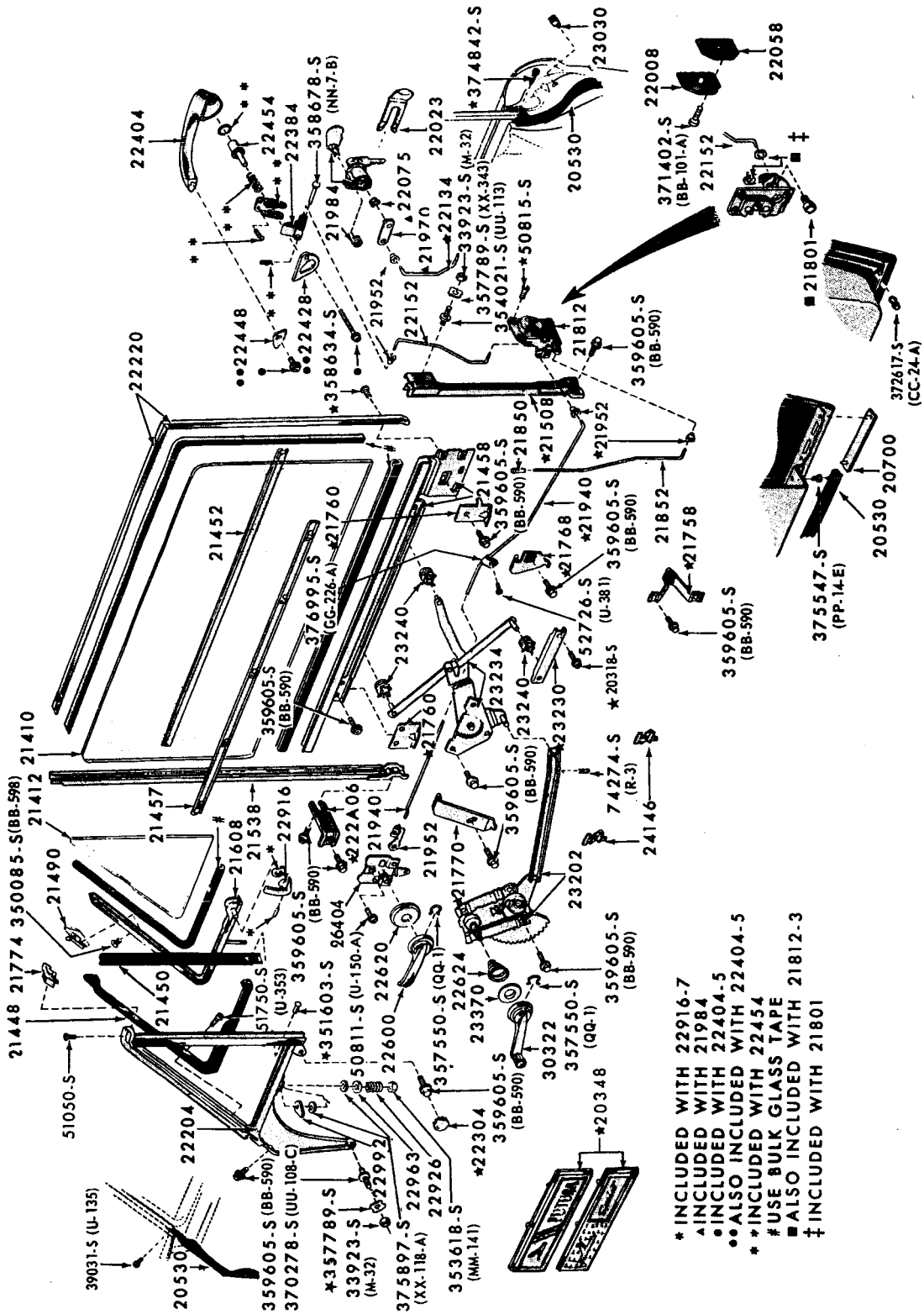




- \* SERVICED IN KIT 22454
- SERVICED IN KIT 22916-7
- # USE BULK GLASS TAPE
- ALSO SUPPLIED WITH 21984

FRONT DOOR WINDOW and RELATED PARTS  
1965 FALCON - except BODY TYPES 63, 76





- \* INCLUDED WITH 22916-7
- ▲ INCLUDED WITH 21984
- ▲ INCLUDED WITH 22404-5
- ALSO INCLUDED WITH 22404-5
- \* INCLUDED WITH 22454
- # USE BULK GLASS TAPE
- ALSO INCLUDED WITH 21812-3
- ‡ INCLUDED WITH 21801

FRONT DOOR WINDOW and RELATED PARTS  
1965 FALCON - BODY TYPES 63, 76

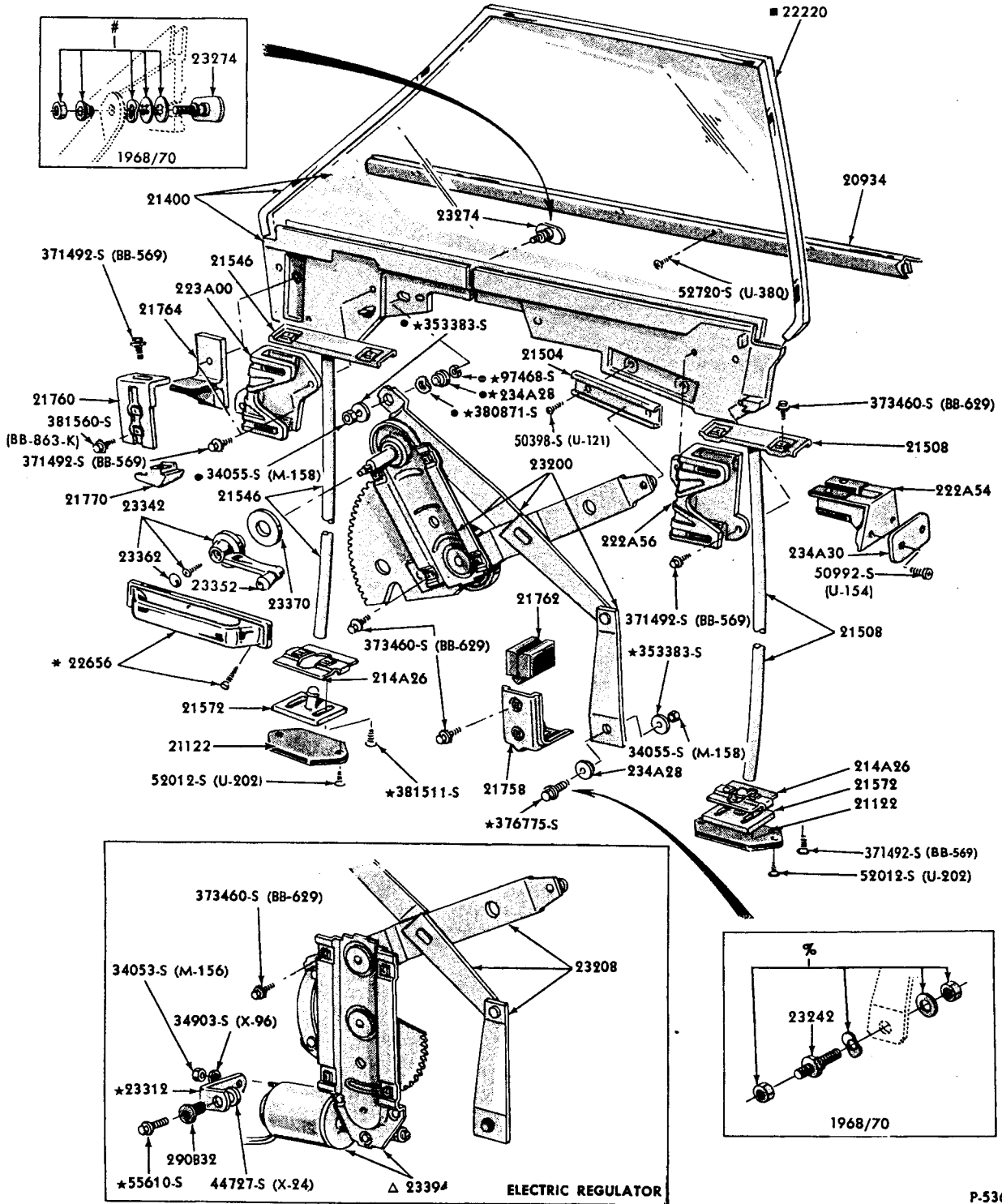






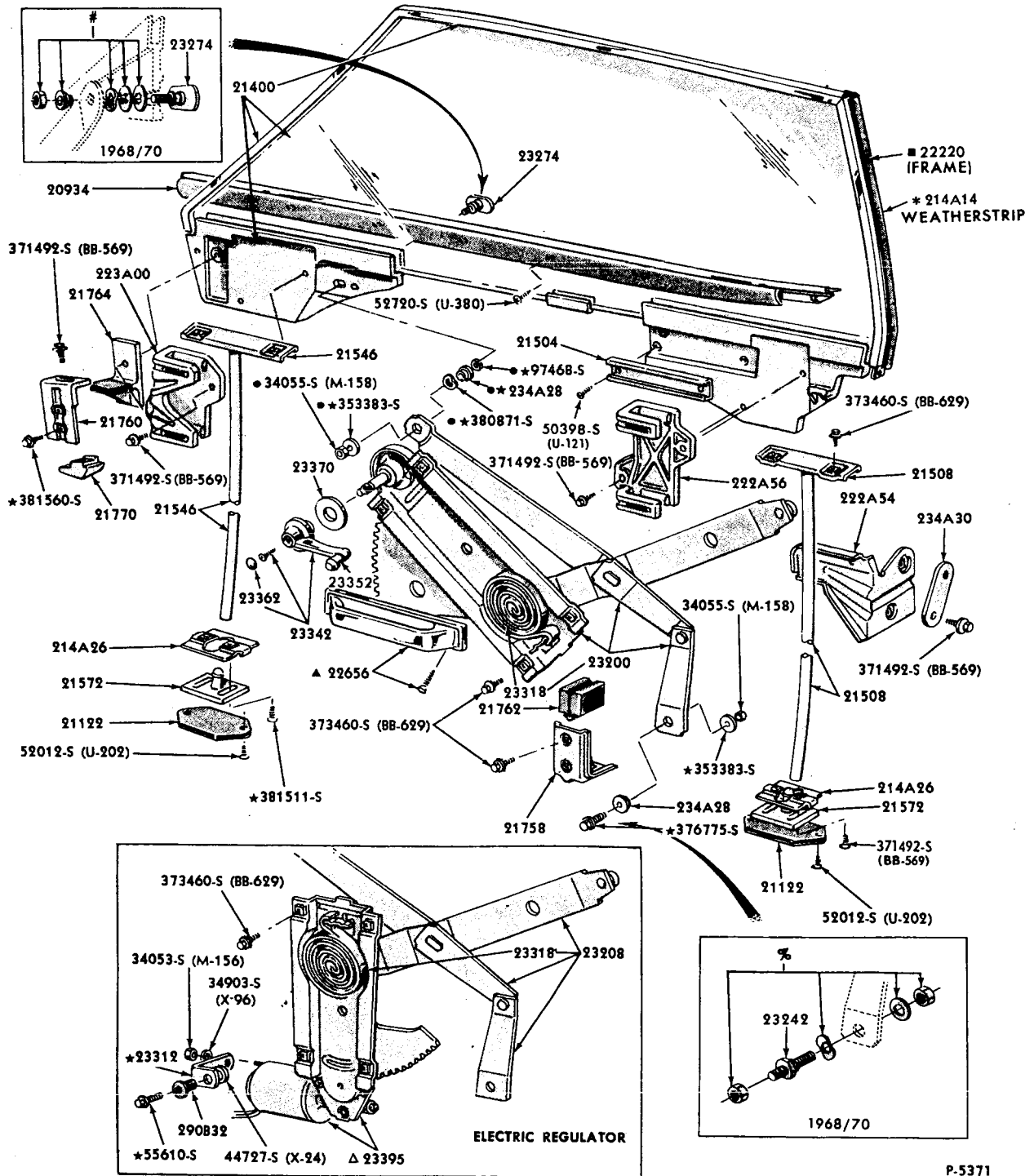






- INCLUDED WITH 23274    # INCLUDED WITH 23274    ■ 1967/69
- △ FOR GEAR REPLACEMENT KIT REFER TO GROUP 234A24
- ‰ INCLUDED WITH 23242    \* REFER TO SOFT TRIM SECTION

FRONT DOOR WINDOW and RELATED PARTS  
1967/70 THUNDERBIRD - BODY TYPE 57

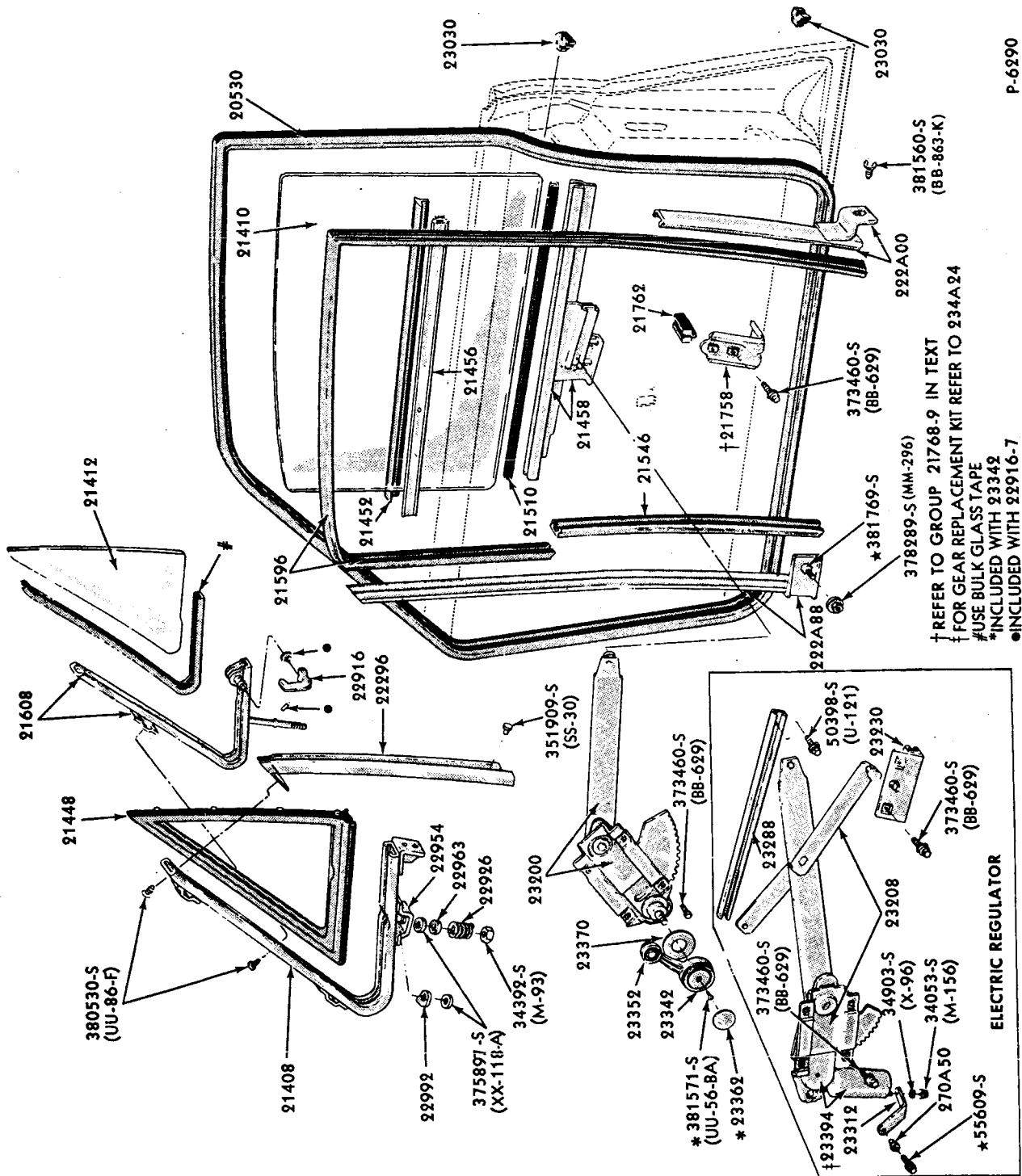


P-5371

● INCLUDED WITH 23274    \* ALSO INCLUDED IN 21400    ▲ REFER TO SOFT TRIM SECTION  
 Δ FOR GEAR REPLACEMENT KIT REFER TO GROUP 234A24    ■ 1967/69  
 % INCLUDED WITH 23242    # INCLUDED WITH 23274

FRONT DOOR WINDOW and RELATED PARTS  
 1967/70 THUNDERBIRD - BODY TYPE 65

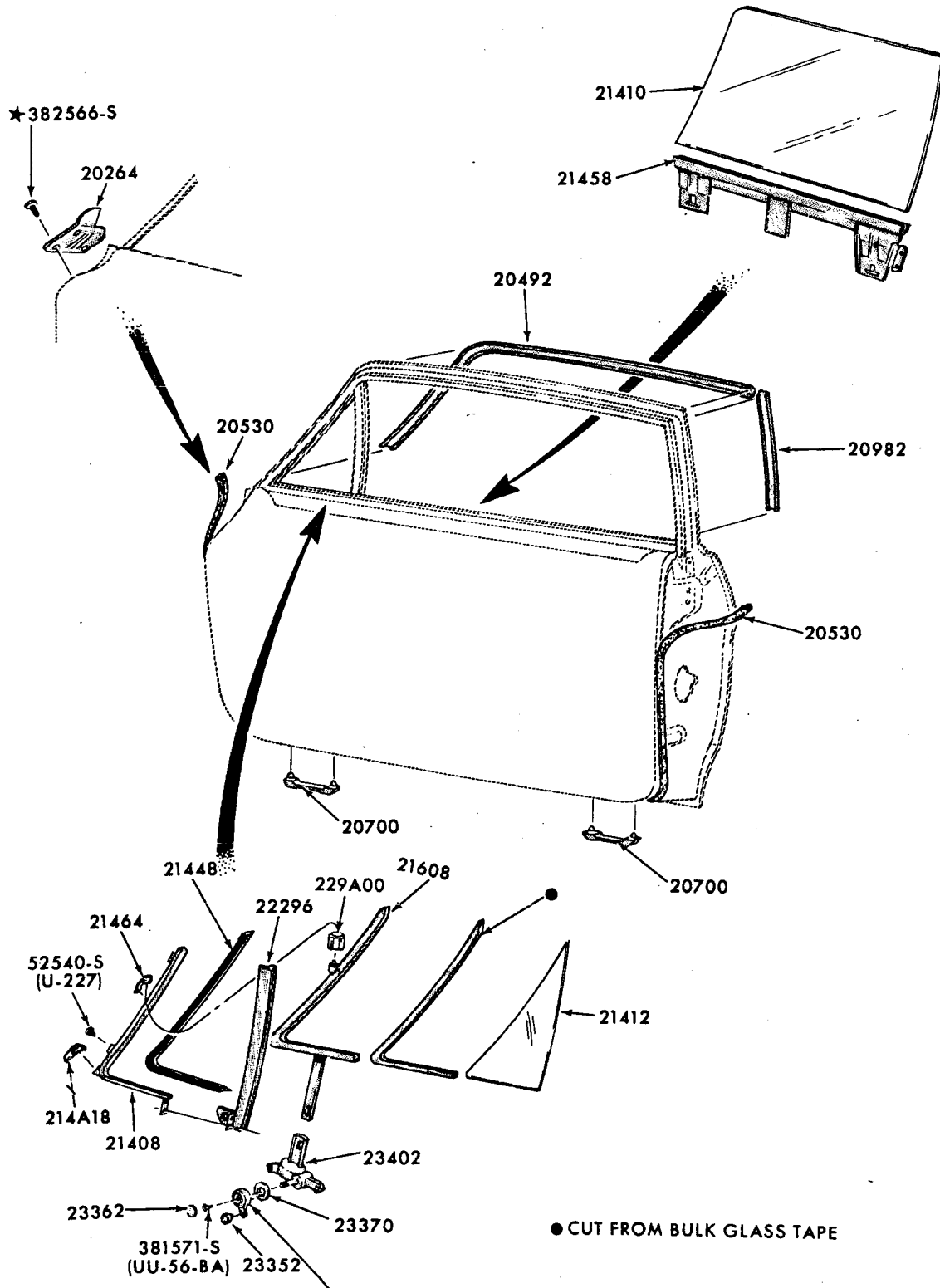




P-6290

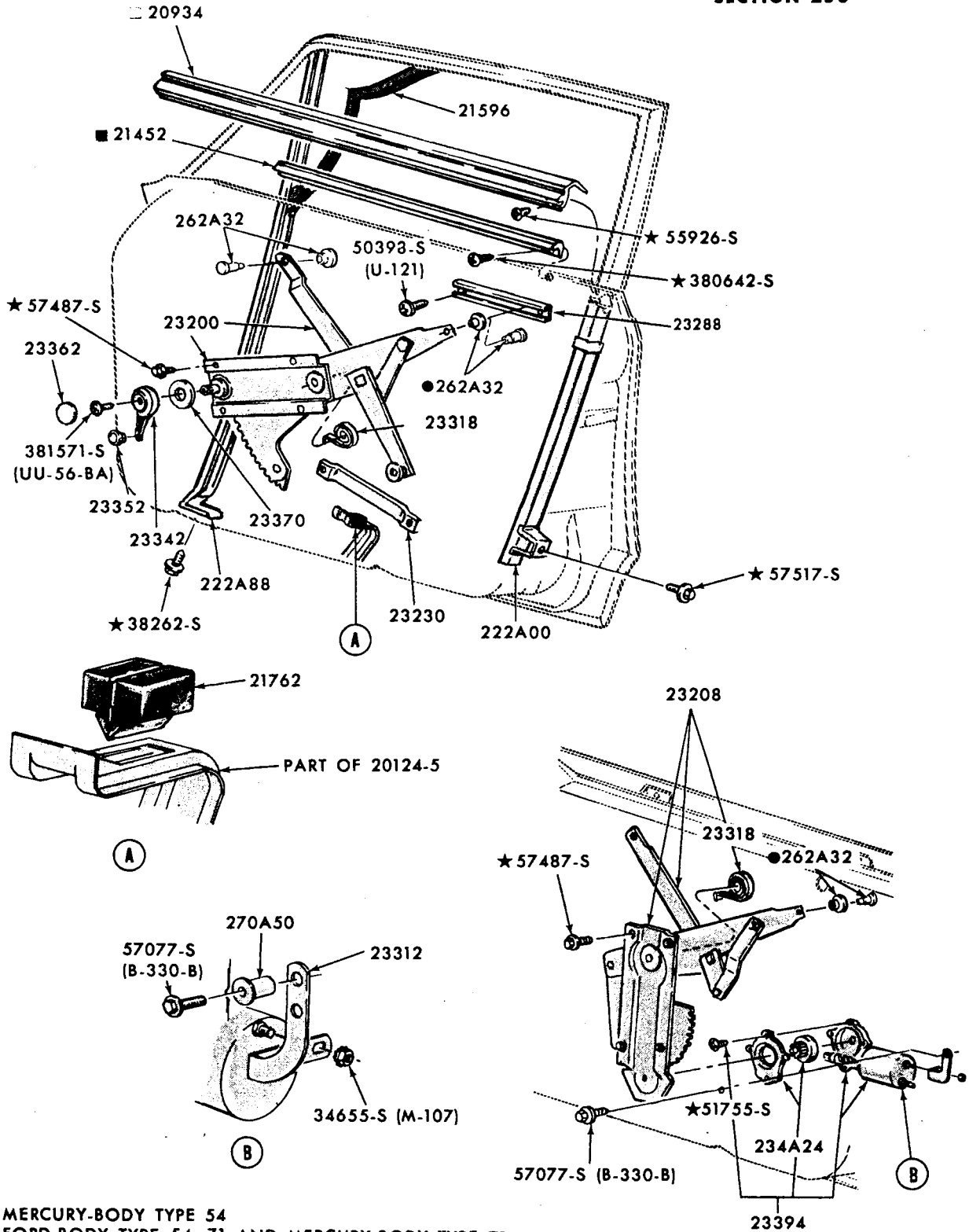
FRONT DOOR WINDOW and RELATED PARTS  
1968/69 FAIRLANE/TORINO - BODY TYPE 54  
1968/71 FAIRLANE/TORINO - BODY TYPE 71





P-6693-A

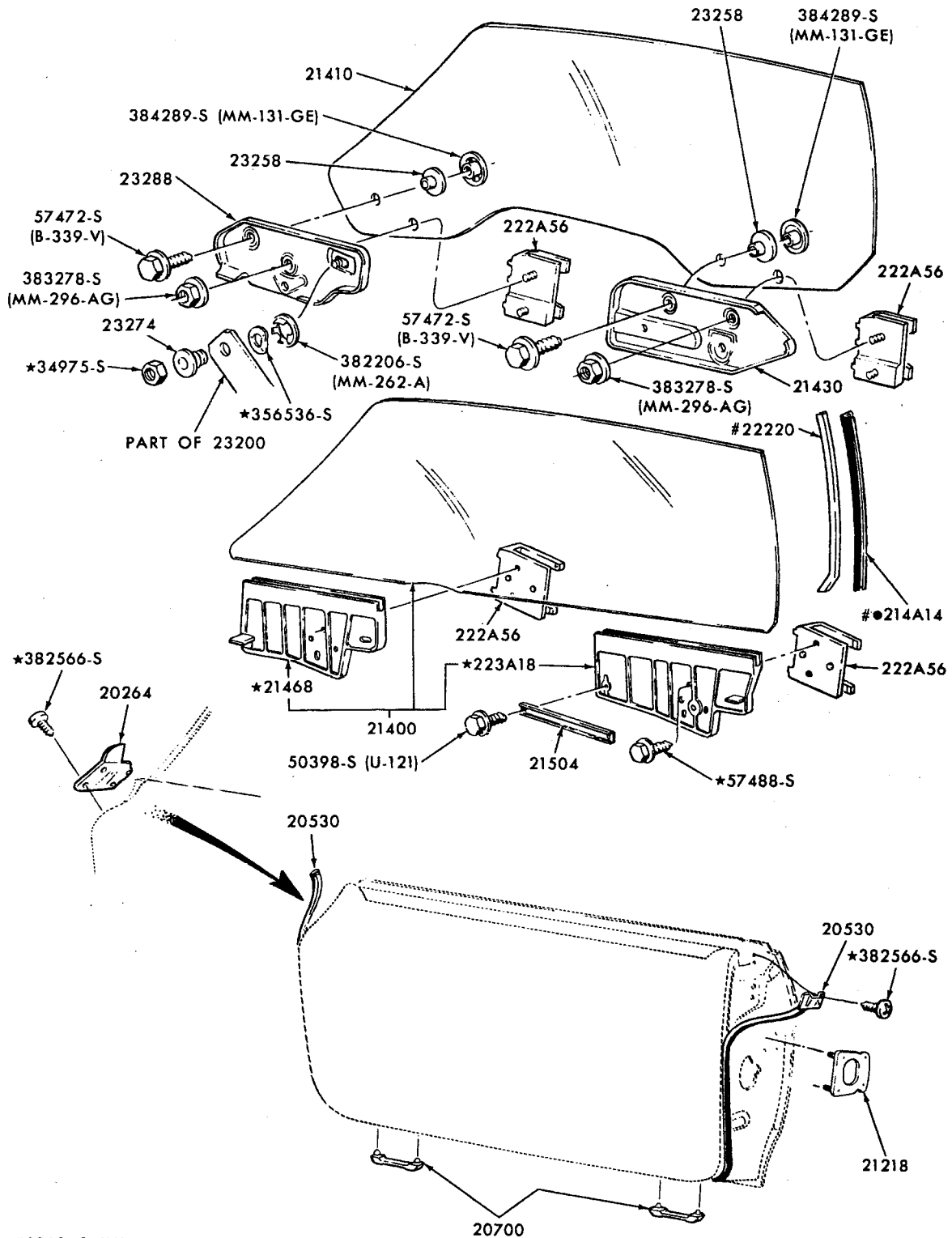
FRONT DOOR WINDOW and RELATED PARTS  
1969/70 FORD - BODY TYPES 54, 62, 71



- MERCURY-BODY TYPE 54
- FORD-BODY TYPE 54, 71 AND MERCURY-BODY TYPE 71
- ALSO SERVICED IN ASSEMBLY-GROUP 23200 OR 23208

P-6693-B

FRONT DOOR WINDOW and RELATED PARTS - continued  
1969/70 FORD - BODY TYPES 54, 62, 71

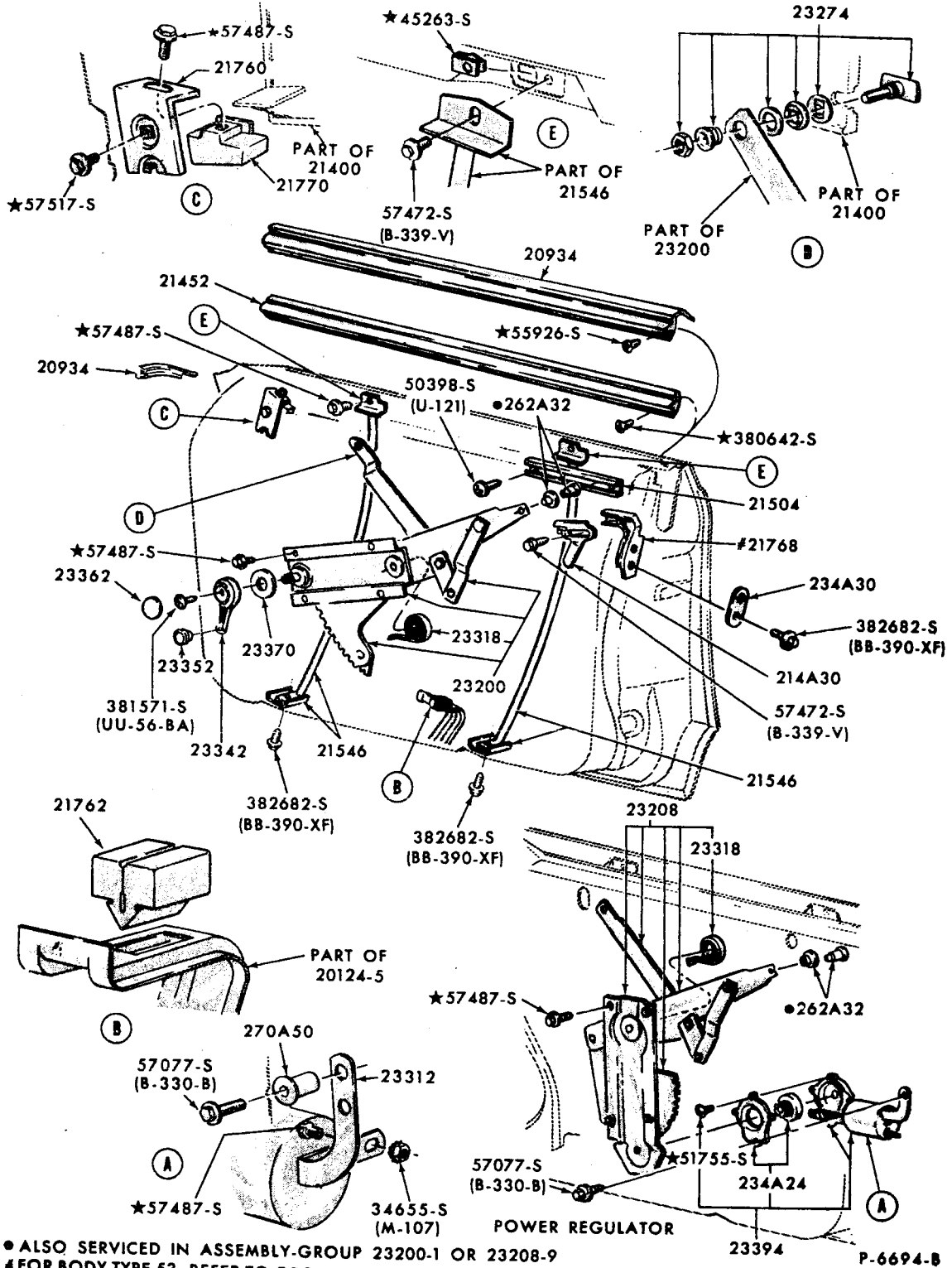


#1969 ONLY

● ALSO SUPPLIED IN ASSEMBLY—GROUP 21400-1

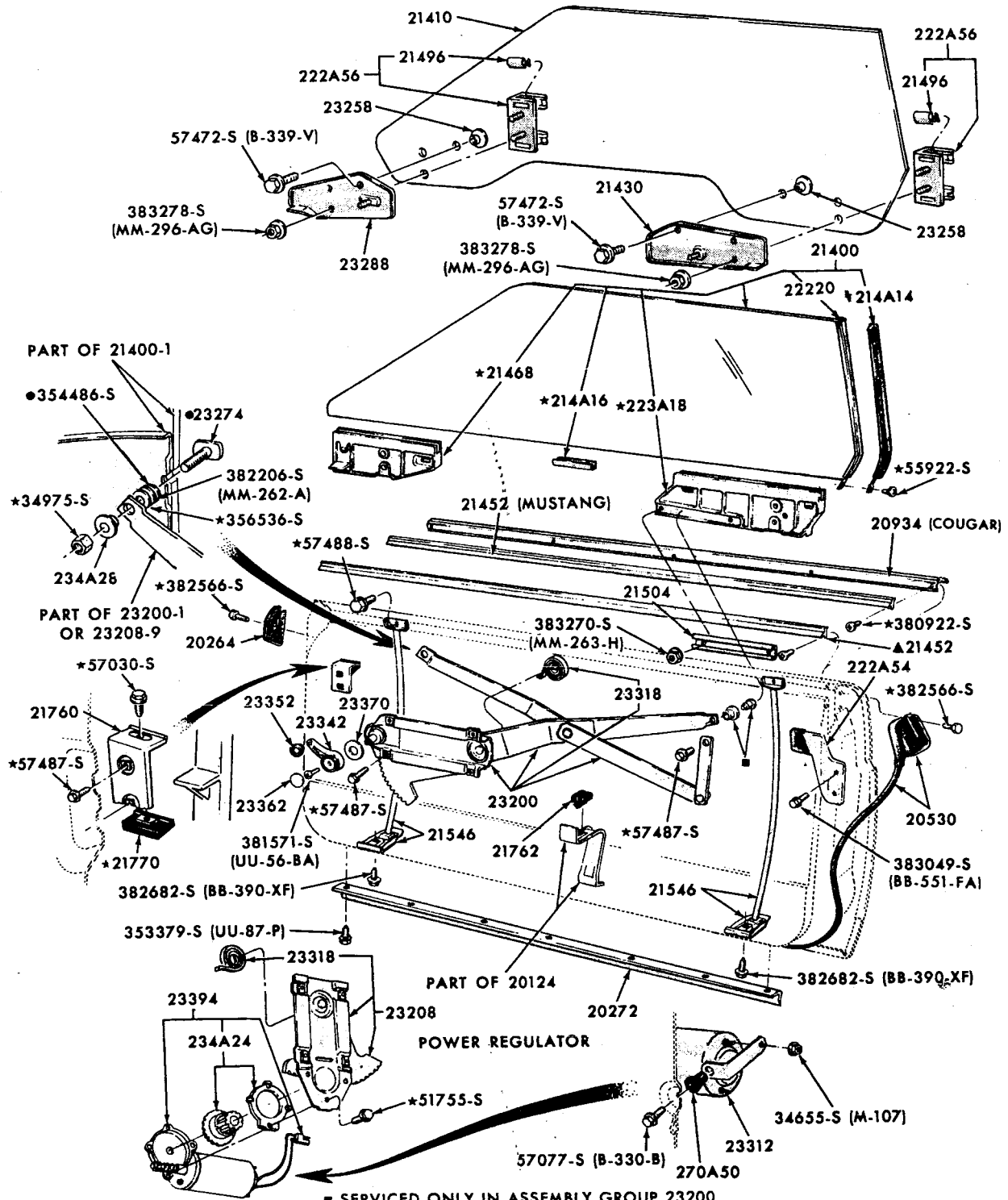
FRONT DOOR WINDOW and RELATED PARTS  
1969/70 FORD - BODY TYPES 57, 63, 65, 76  
1971/72 FORD - BODY TYPES 65, 76

P-6694-A



• ALSO SERVICED IN ASSEMBLY GROUP 23200-1 OR 23208-9  
 # FOR BODY TYPE 53, REFER TO GROUP 222A54.5

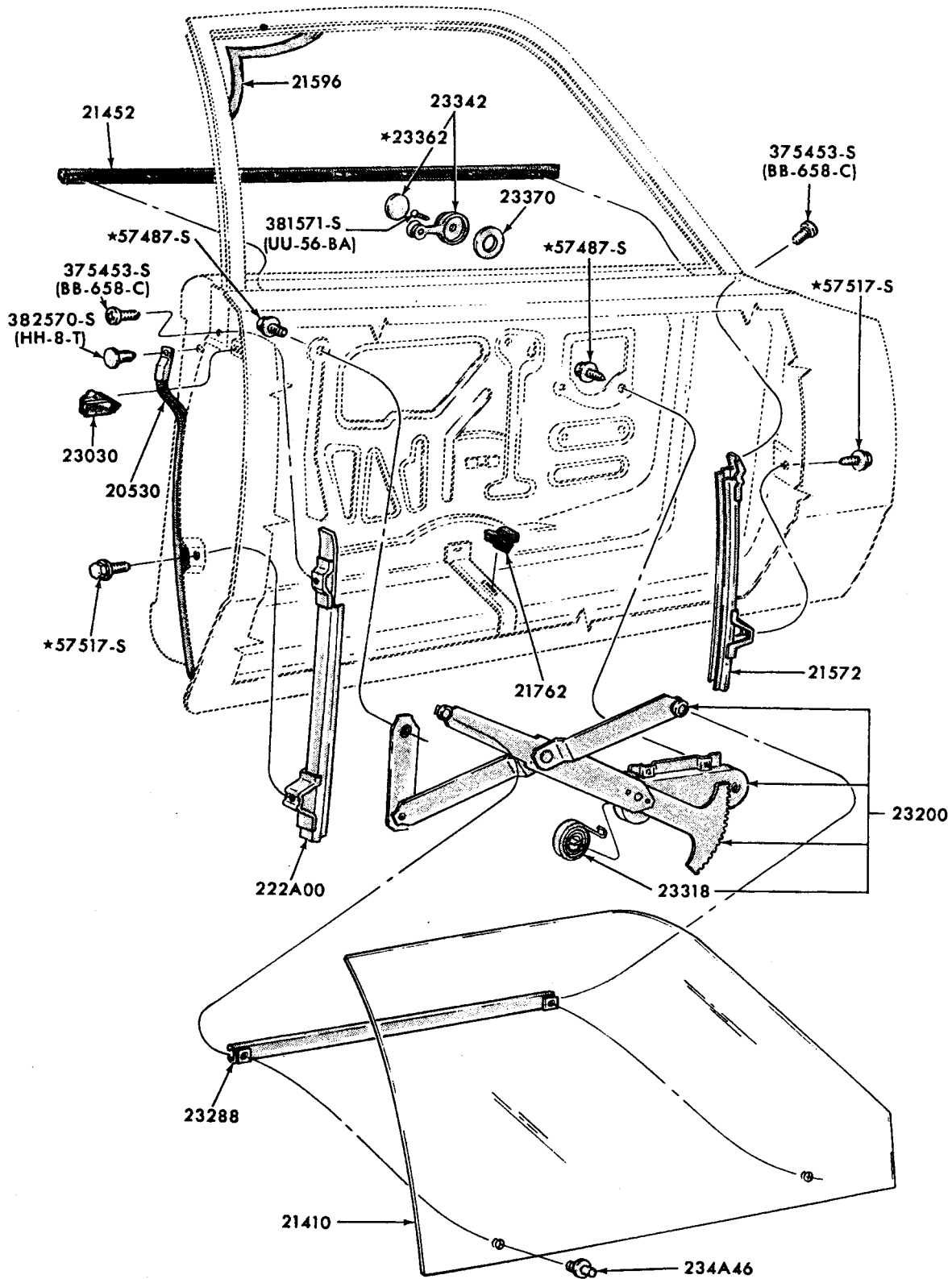
FRONT DOOR WINDOW and RELATED PARTS - continued  
 1969/70 FORD - BODY TYPES 57, 63, 65, 76  
 1971/72 FORD - BODY TYPES 65, 76



- SERVICED ONLY IN ASSEMBLY GROUP 23200
- ▲ COUGAR-BODY TYPE 65A, C, 76A, AND MUSTANG
- SERVICED ONLY IN ASSEMBLY - GROUP 23288
- ‡ 1969 ONLY

P-6816

FRONT DOOR WINDOW and RELATED PARTS  
1969/70 MUSTANG



P-6862

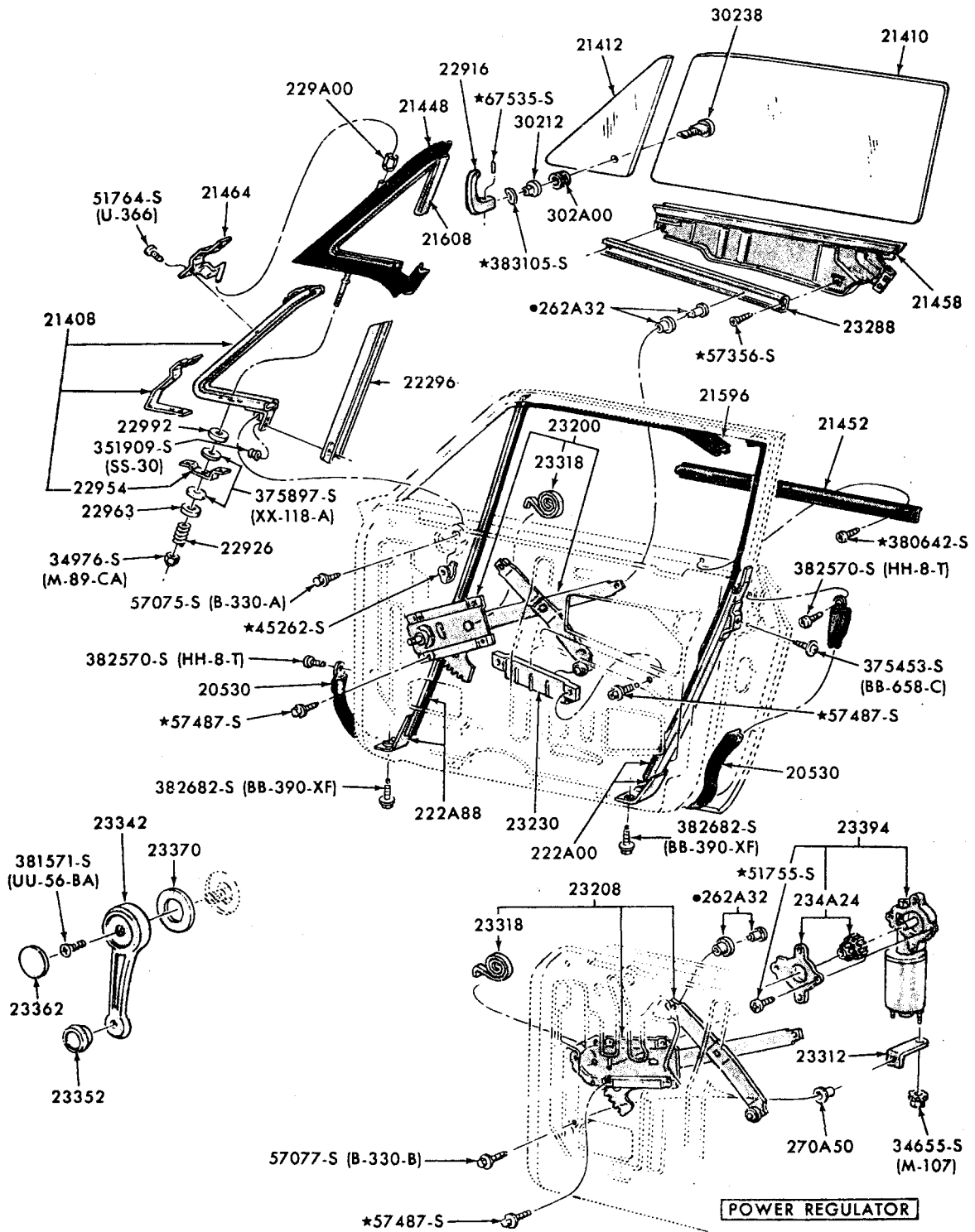
**FRONT DOOR WINDOW and RELATED PARTS**  
1970/72 MAVERICK

May, 1975

COPYRIGHT © 1975 — FORD MOTOR COMPANY — DEARBORN, MICHIGAN

**FINAL ISSUE**

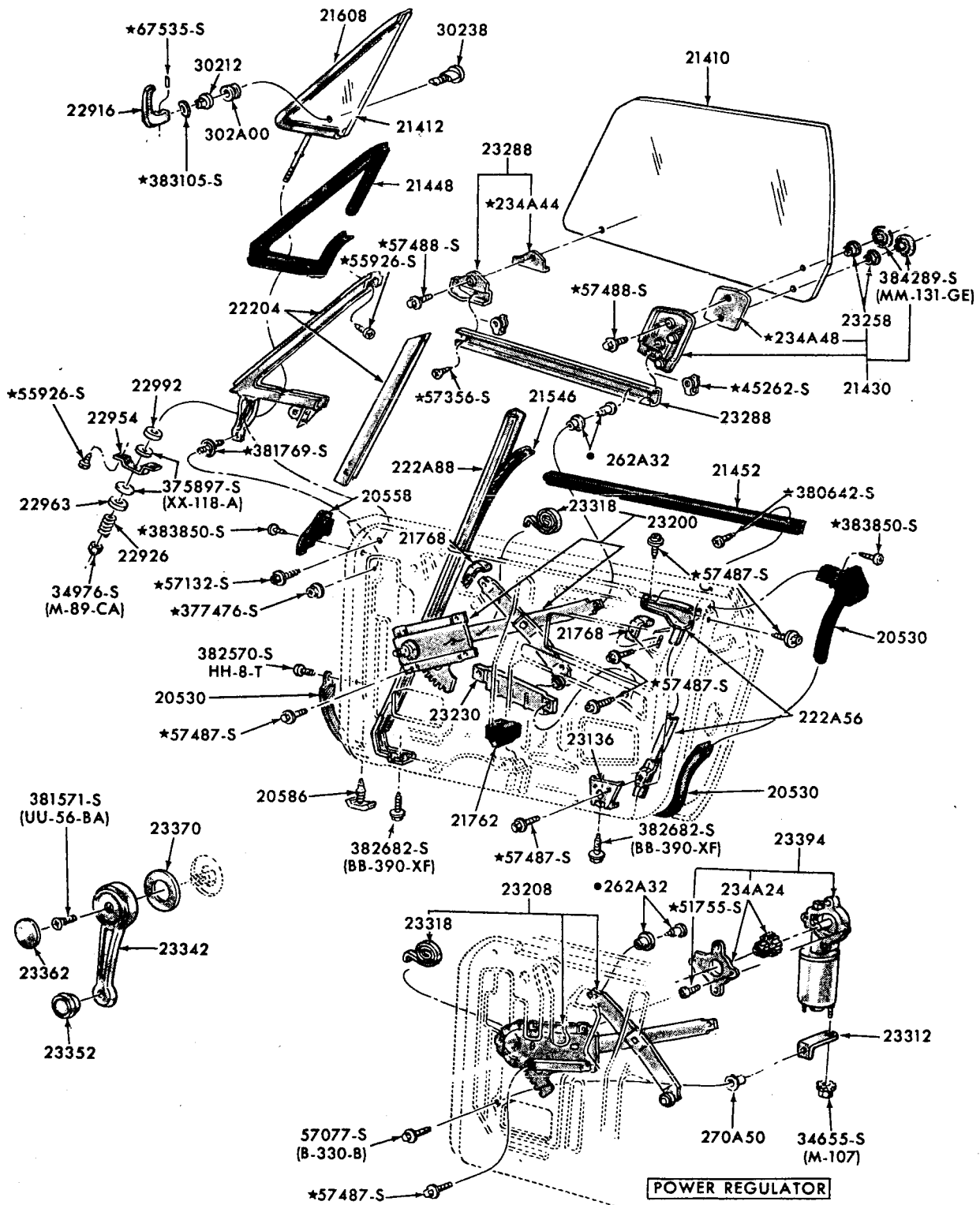




• ALSO SERVICED IN ASSEMBLY-GROUP 23200 OR 23208

P-7097

FRONT DOOR WINDOW MECHANISM and RELATED PARTS  
1970/71 FAIRLANE/TORINO - BODY TYPE 54



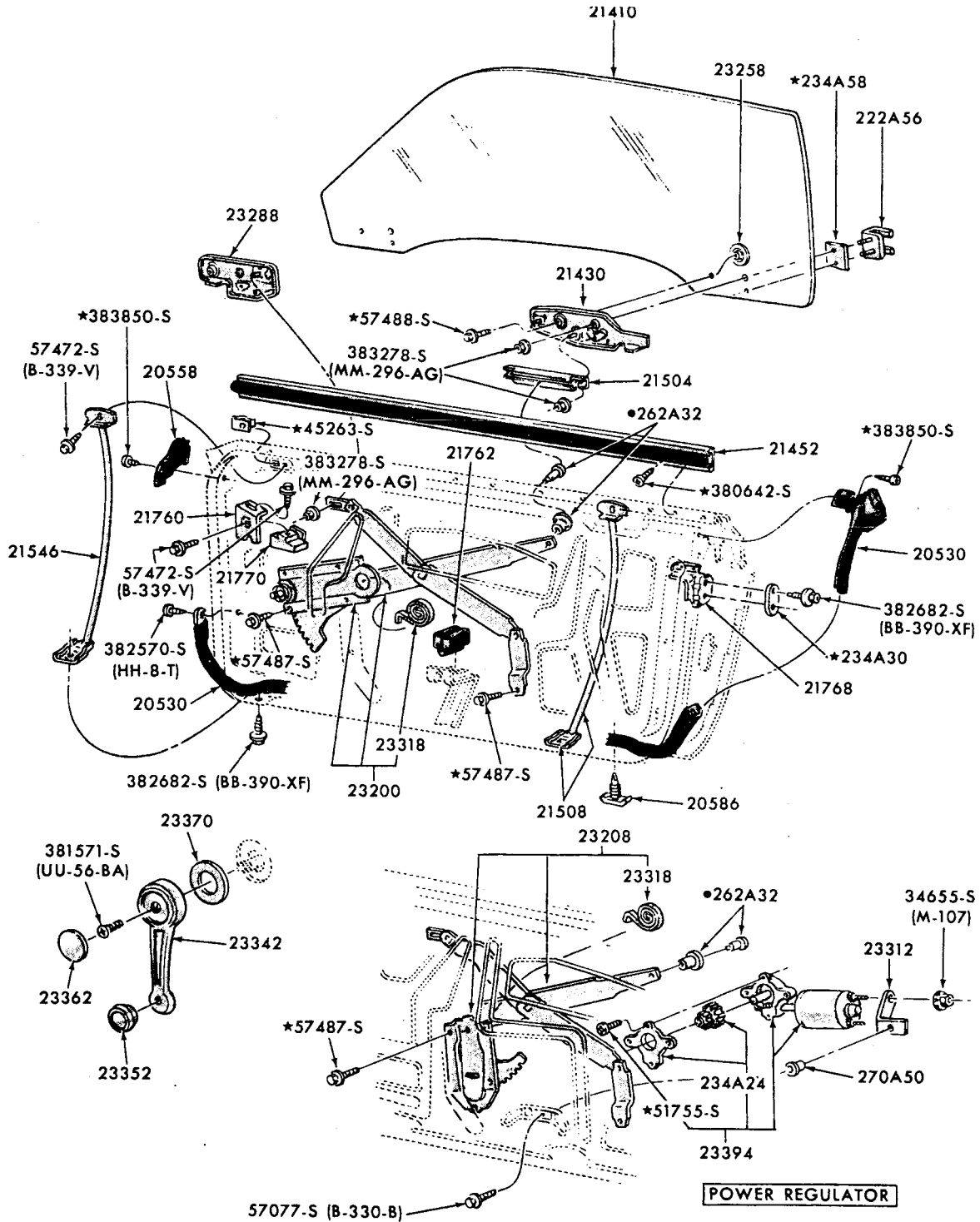
• ALSO SERVICED IN ASSEMBLY GROUP 23200 OR 23208

P-7095

FRONT DOOR WINDOW MECHANISM and RELATED PARTS  
1970/71 FAIRLANE/TORINO - BODY TYPE 57

**BODY ILLUSTRATION  
SECTION 230**

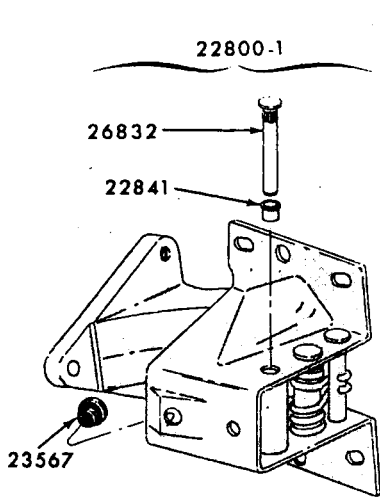
**FORD CAR PARTS**



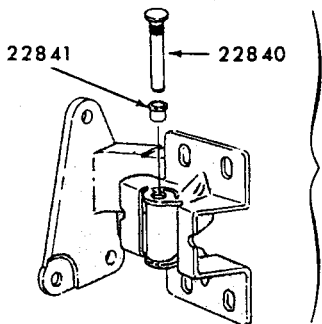
...SO SERVICED IN ASSEMBLY-GROUP 23200 OR 23208

P-7094

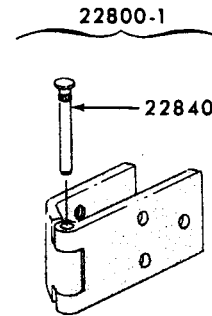
**FRONT DOOR WINDOW and RELATED PARTS**  
1970/71 FAIRLANE/TORINO - BODY TYPE 63, 65, 66, 76



1966/THUNDERBIRD, 1965/LINCOLN  
1969 MARK III



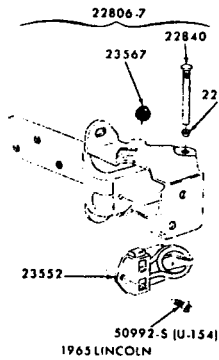
1965/FORD, MERCURY,  
COMET/MONTEGO, MUSTANG AND  
COUGAR 1965/FALCON AND  
FAIRLANE/TORINO,  
1965 THUNDERBIRD



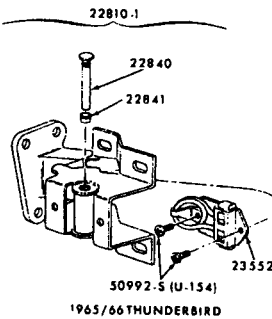
1966/ BRONCO

P-6980

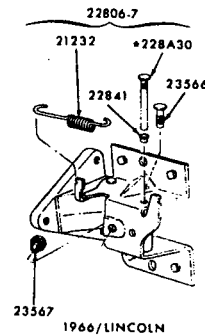
**FRONT DOOR HINGES - UPPER**  
1965/72 ALL



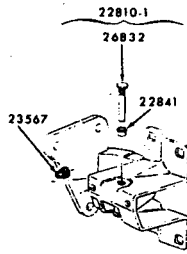
50992-S [U-154]  
1965 LINCOLN



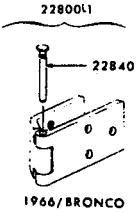
50992-S [U-154]  
1965/66 THUNDERBIRD



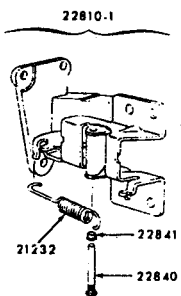
1966/LINCOLN



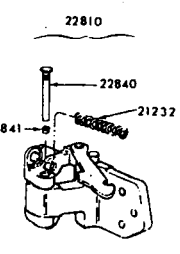
1969/FORD AND MERCURY,  
1968/FAIRLANE/TORINO, FALCON  
AND COUGAR 1967/THUNDERBIRD,  
MUSTANG, MAVERICK AND  
MARK III, IV 1968/COMET



1966/BRONCO



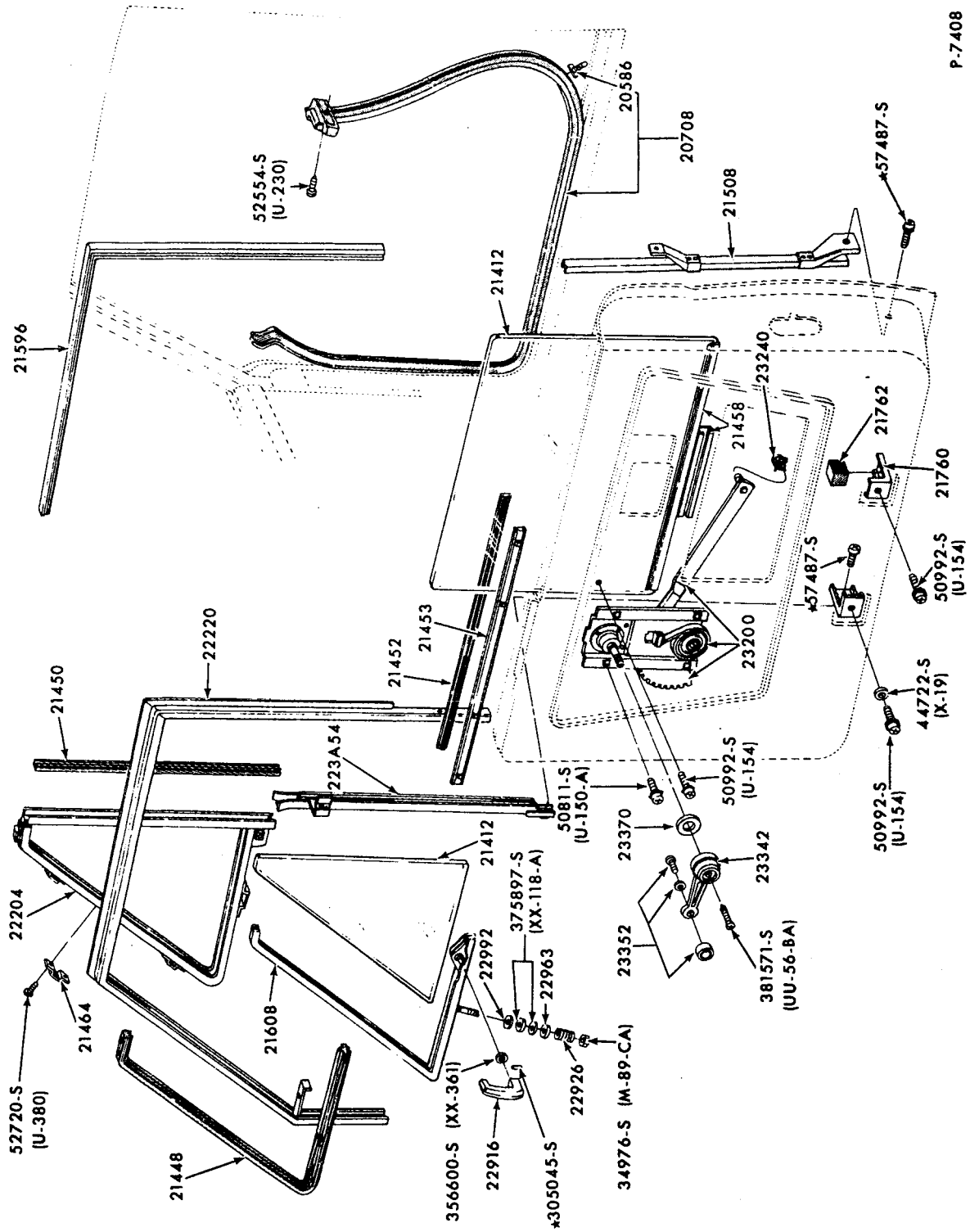
1965/68 FORD AND  
MERCURY, 1965 FALCON  
AND FAIRLANE.



1965/66 MUSTANG,  
1965/67 COMET,  
1966/67 FAIRLANE,  
FALCON, COUGAR

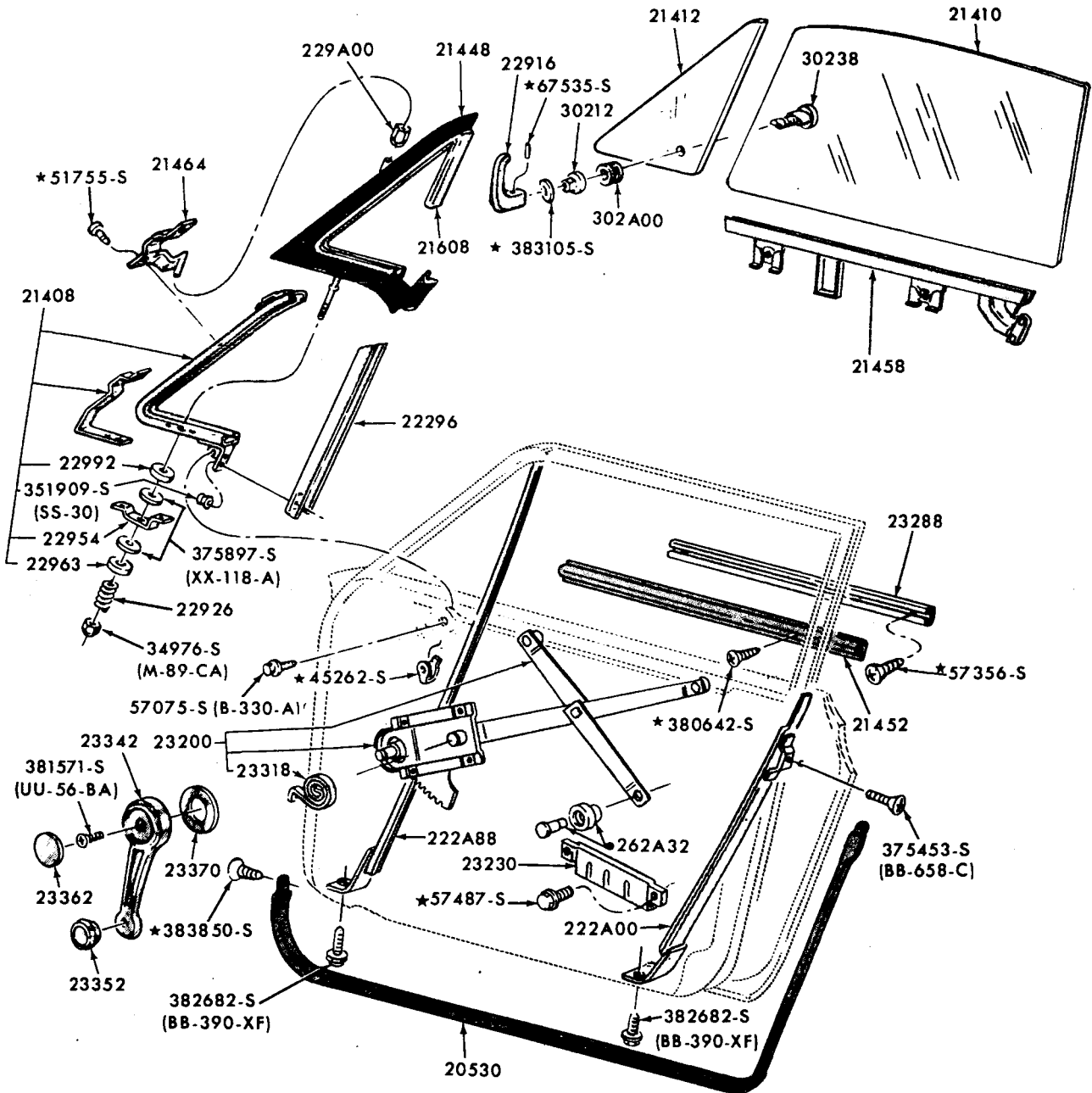
P-6981

**FRONT DOOR HINGES - LOWER**  
1965/72 ALL



FRONT DOOR WINDOW MECHANISM and RELATED PARTS

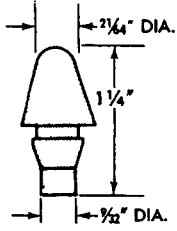
1969/72 BRONCO



•ALSO SERVICED IN ASSEMBLY-GROUP 23200

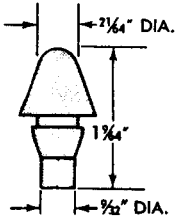
P-7467

FRONT DOOR WINDOW and RELATED PARTS  
1970 FAIRLANE - BODY TYPE 62

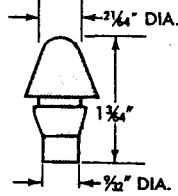


\*352848-S

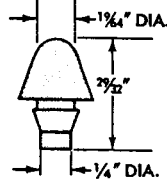
REPLACED BY 372486-S



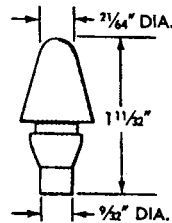
358712-S  
(CC-13)



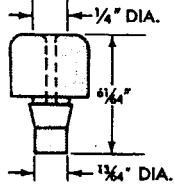
358713-S  
(CC-13)



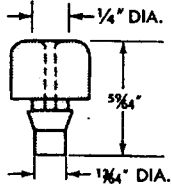
354434-S  
(CC-4)



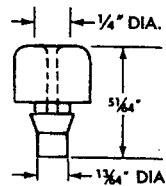
359933-S  
(CC-33)



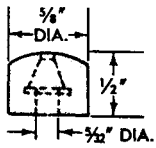
371496-S  
(CC-2)



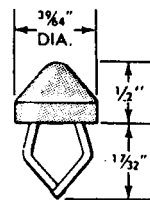
354860-S  
(CC-6)



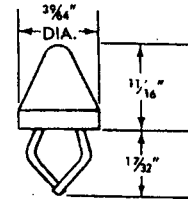
377781-S  
(CC-34)



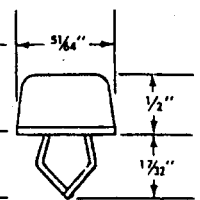
358953-S  
(CC-18)



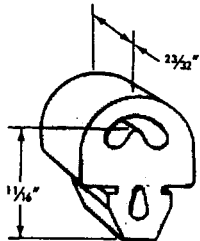
372617-S  
(CC-24-A)



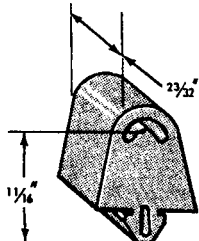
372486-S  
(CC-24)



C20Z-6223030-A



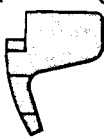
C7AZ-54265A28-A



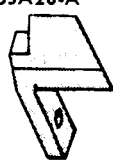
C80Z-54265A28-A



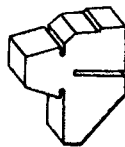
C20Z-5427224-A



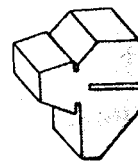
C20Z-5423036-A



C20Z-6223036-A



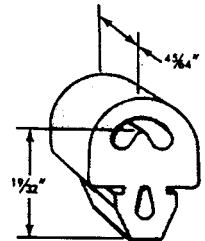
C2AZ-6223030-A



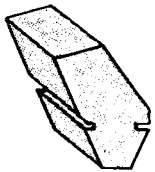
C3DZ7623030-A



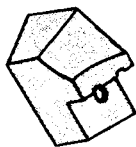
C3AZ6223036-A



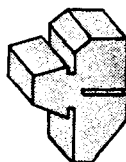
C7SZ6523030-A



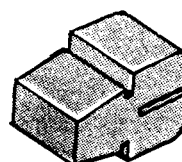
C3AZ-5423030-A



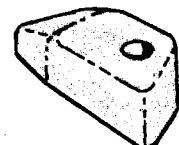
C30Z-6523036-A



C4SZ-6323030-A

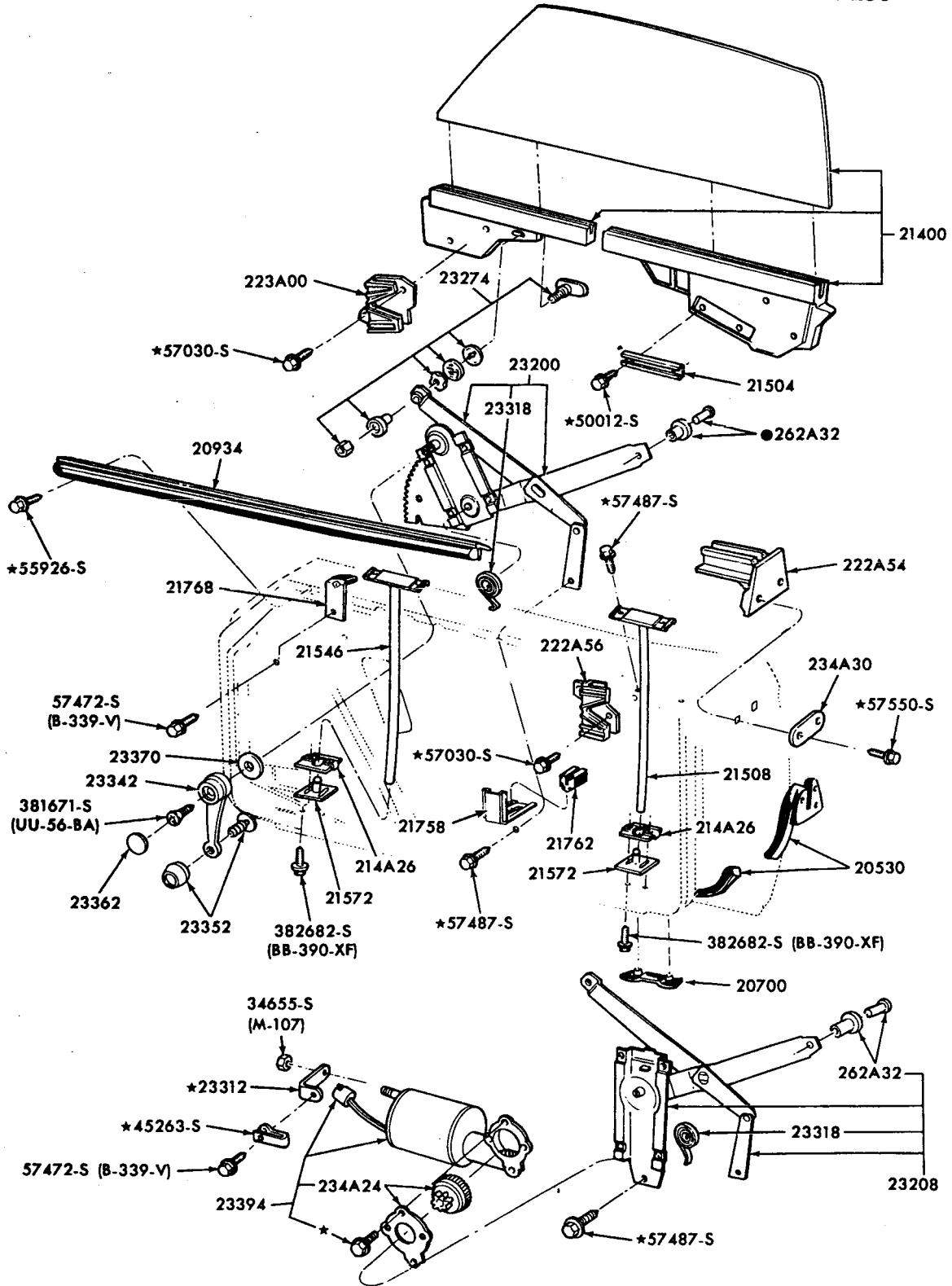


C5AZ-57265A28-A



C7SZ5723036-A

P-6440

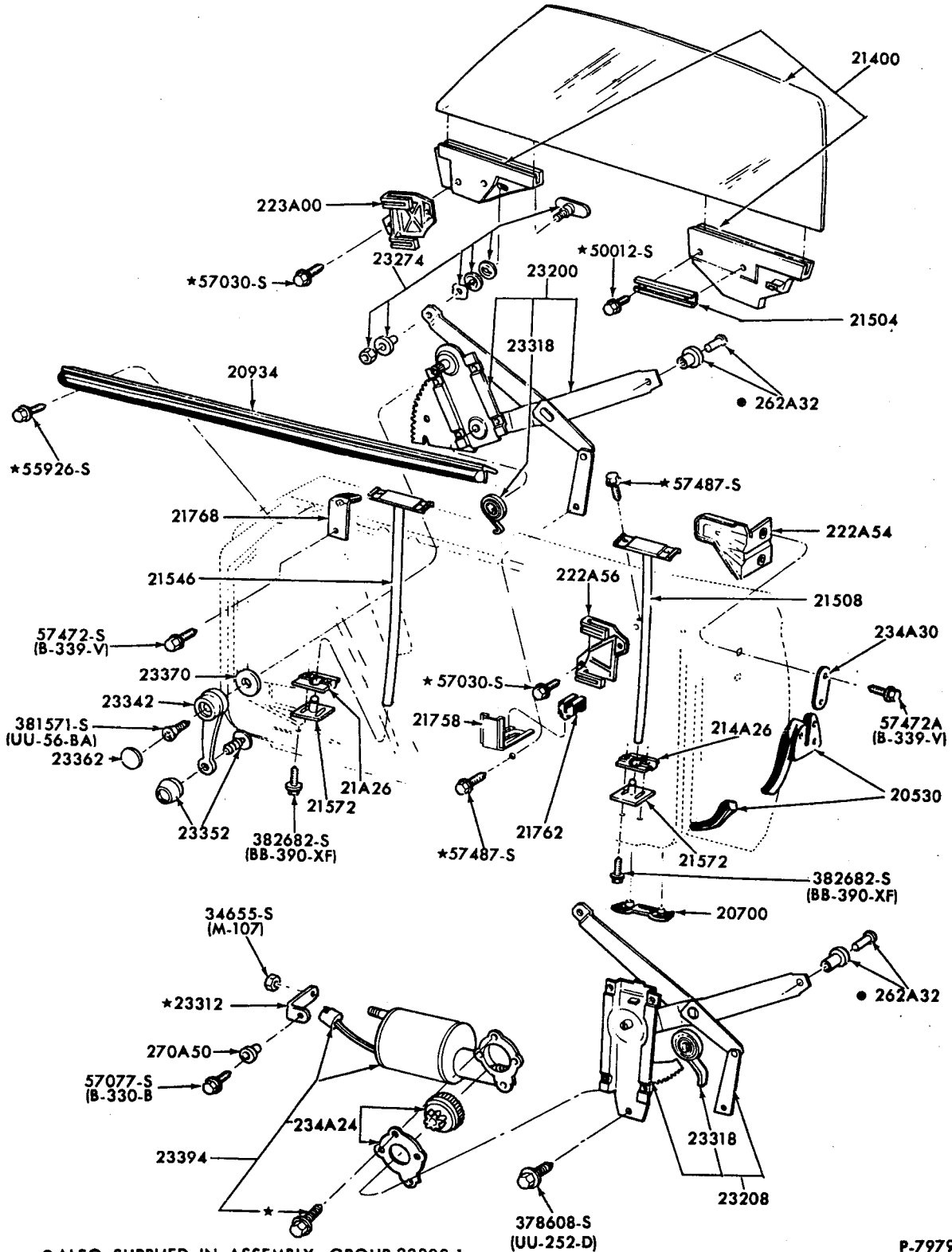


● ALSO SUPPLIED IN ASSEMBLY-GROUP 23200-1

P-7980

FRONT DOOR WINDOW and RELATED PARTS  
1971 THUNDERBIRD - BODY TYPE 57

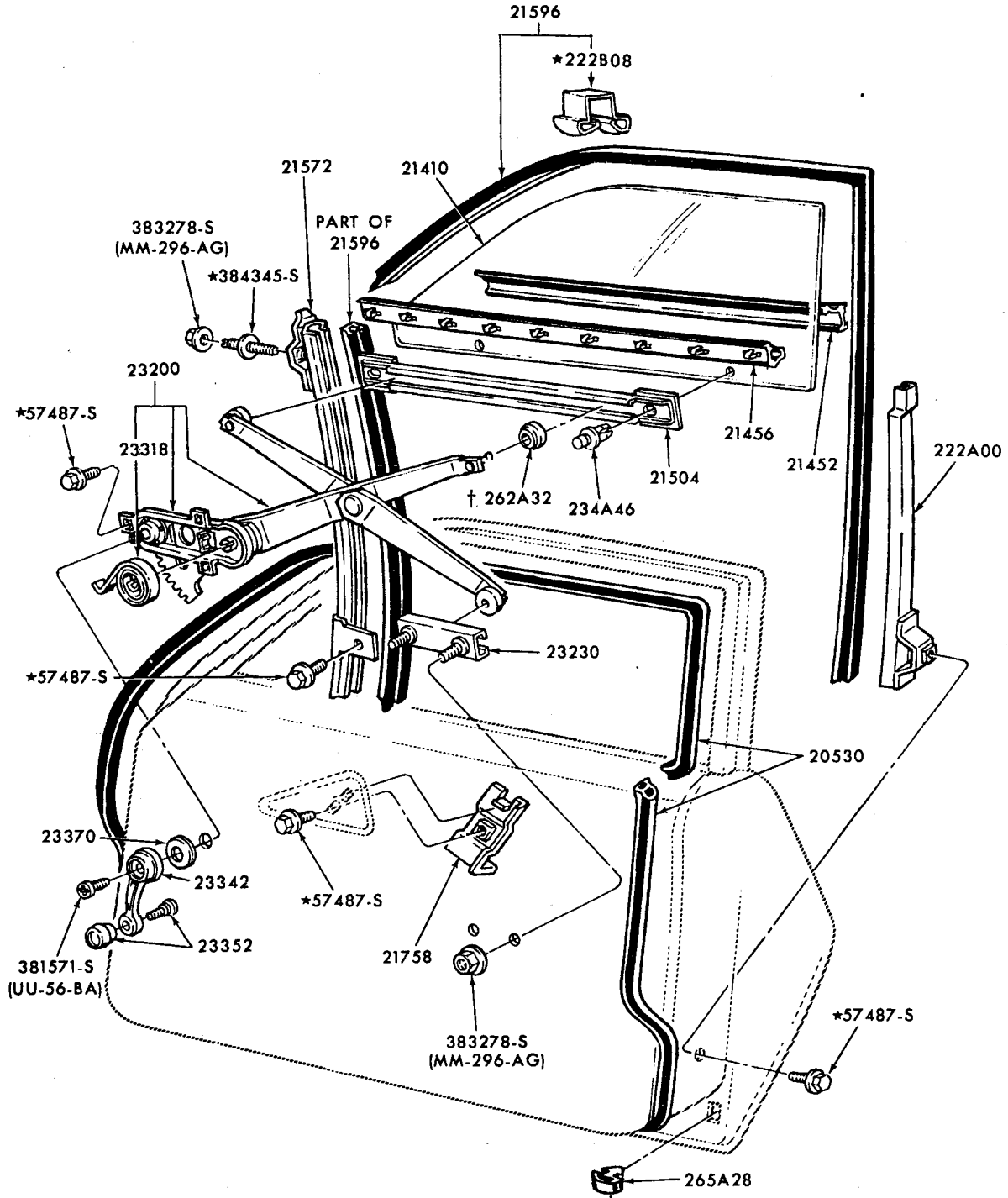




● ALSO SUPPLIED IN ASSEMBLY -GROUP 23200-1

P-7979

FRONT DOOR WINDOW and RELATED PARTS  
1971 THUNDERBIRD - BODY TYPE 65

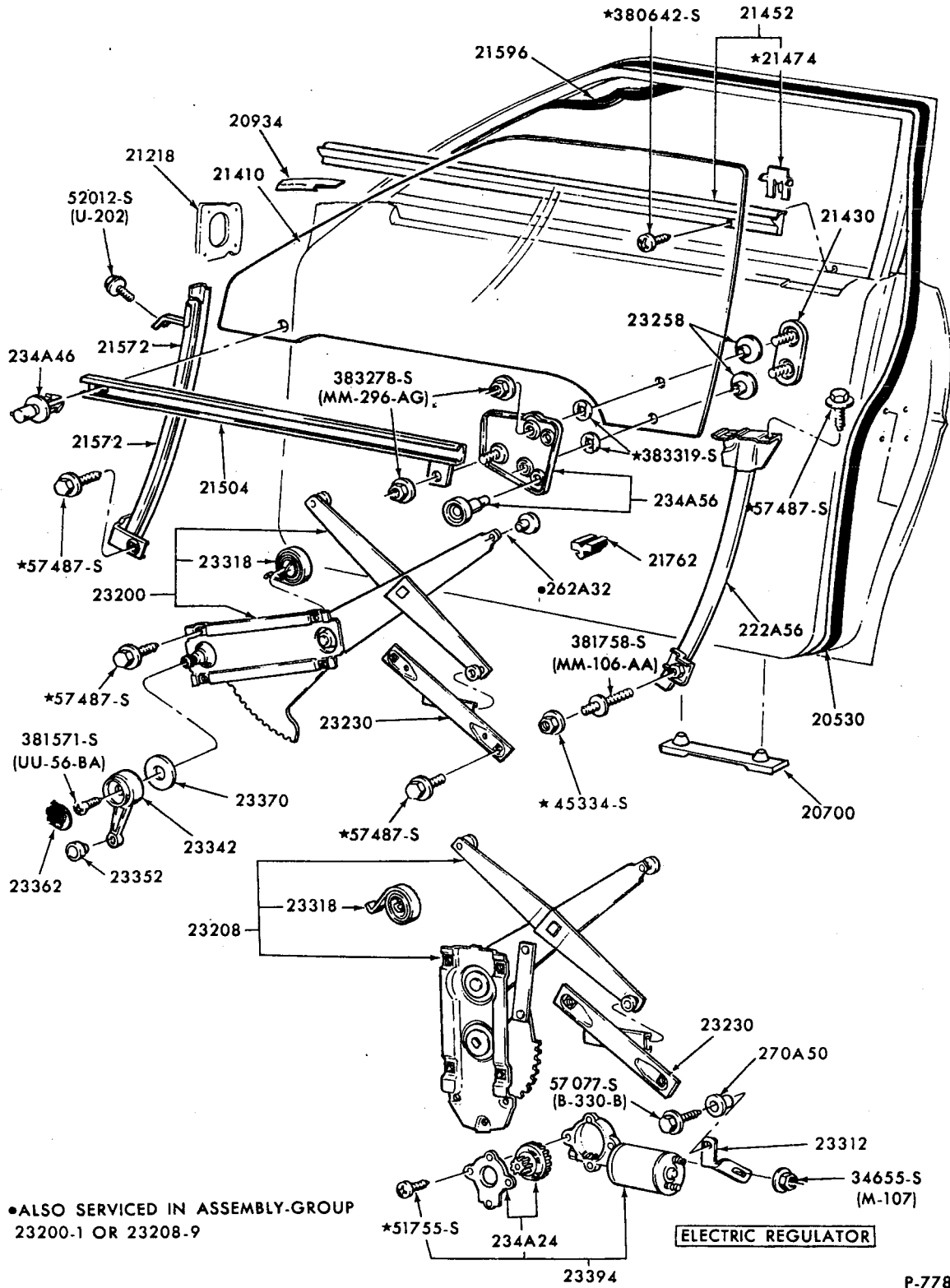


P-7785

† SERVICED ONLY IN ASSY-GROUP 23200-1

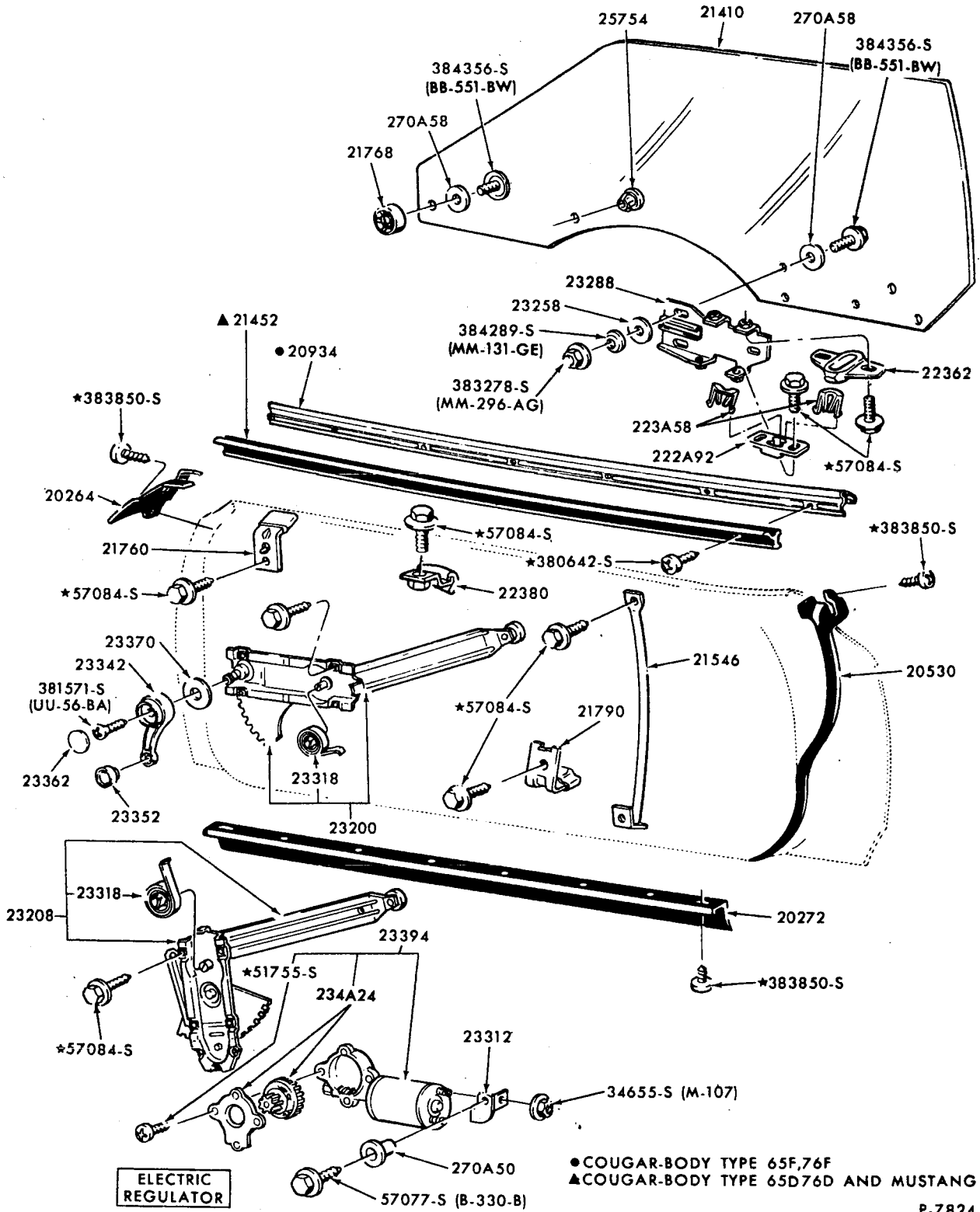
FRONT DOOR WINDOW and RELATED PARTS  
1971/72 PINTO

**FORD CAR PARTS**

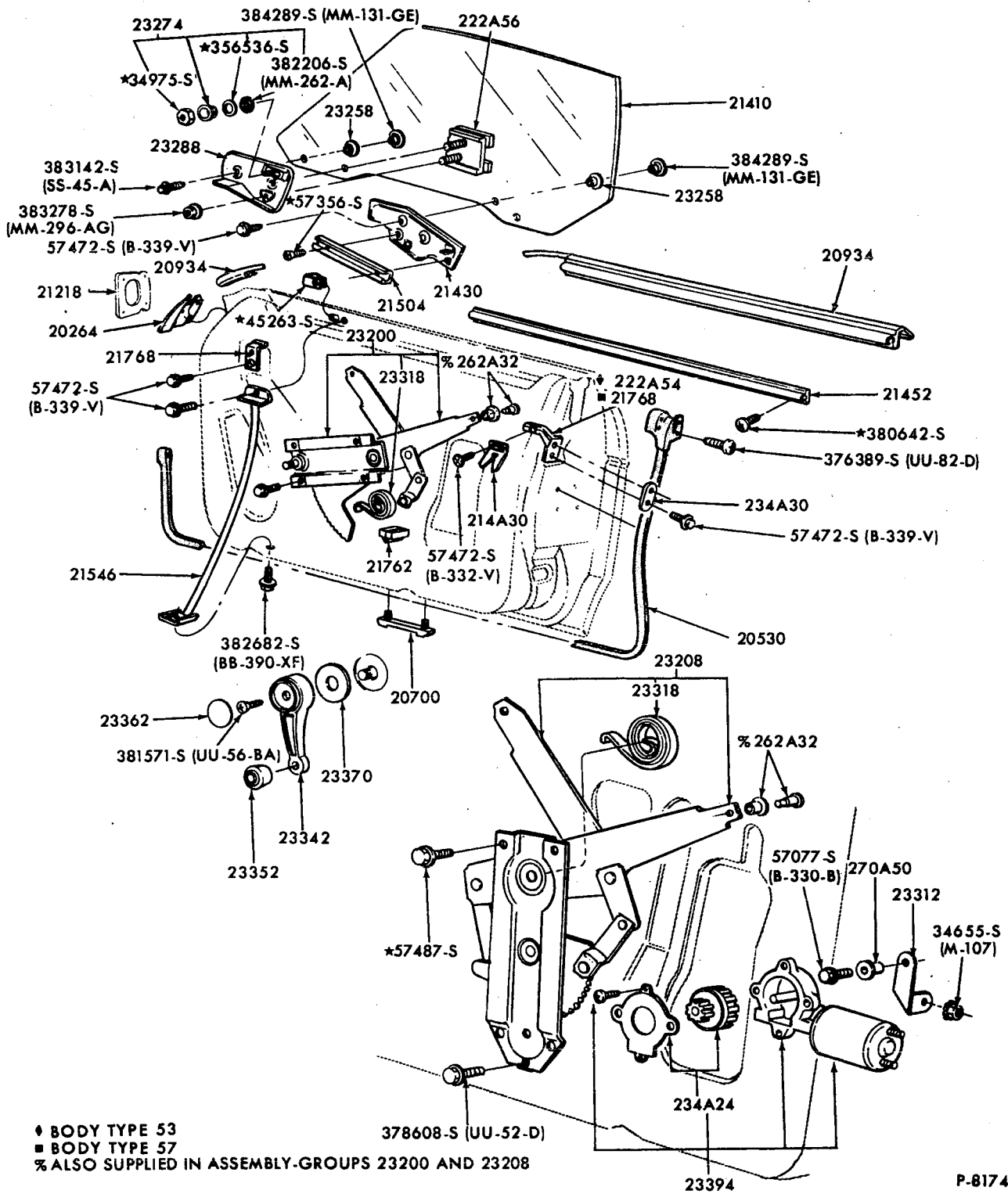


P-7781

**FRONT DOOR WINDOW and RELATED PARTS**  
1971/72 FORD - BODY TYPES 54, 71

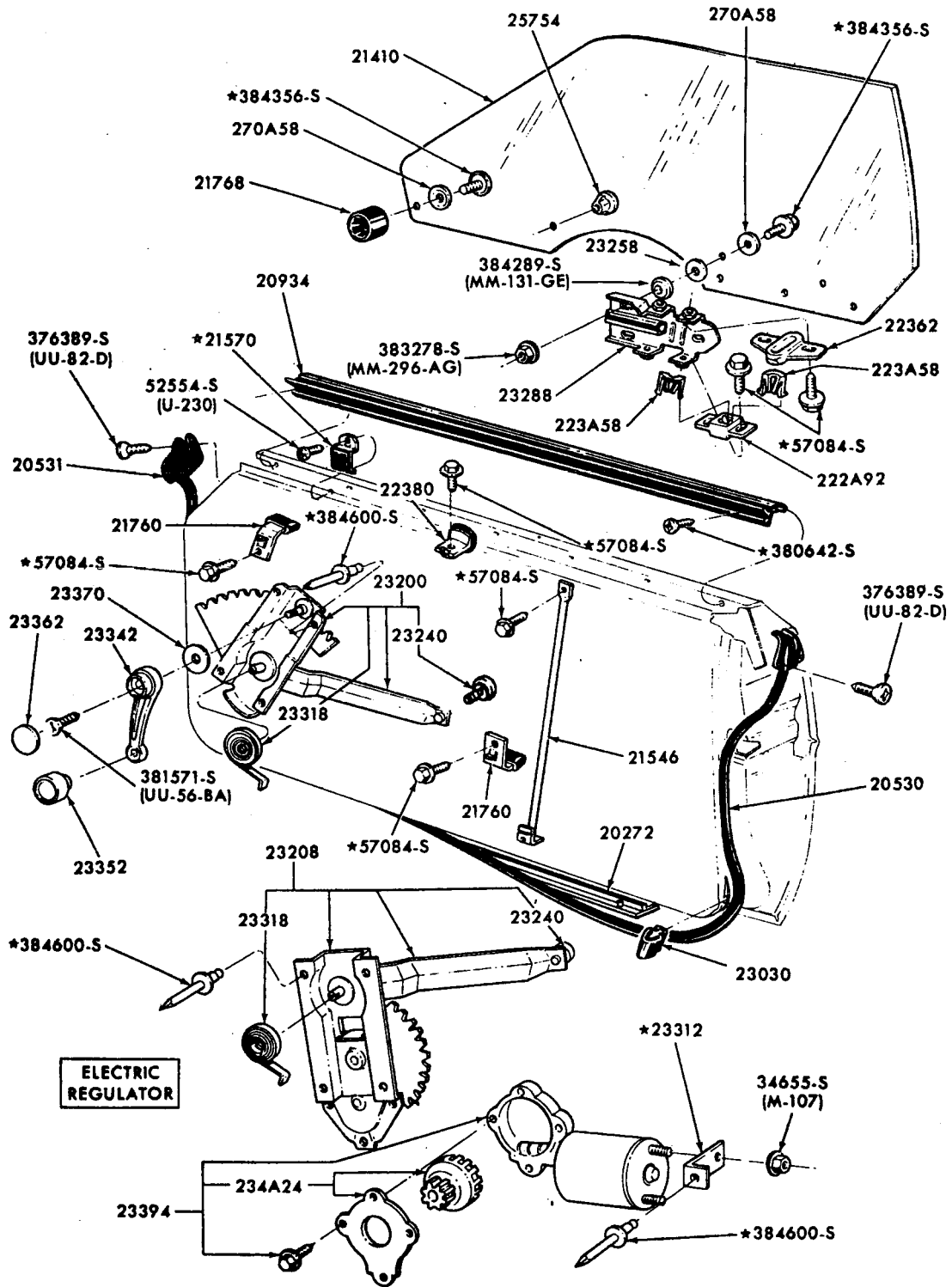


FRONT DOOR WINDOW and RELATED PARTS  
1971/72 MUSTANG



P-8174

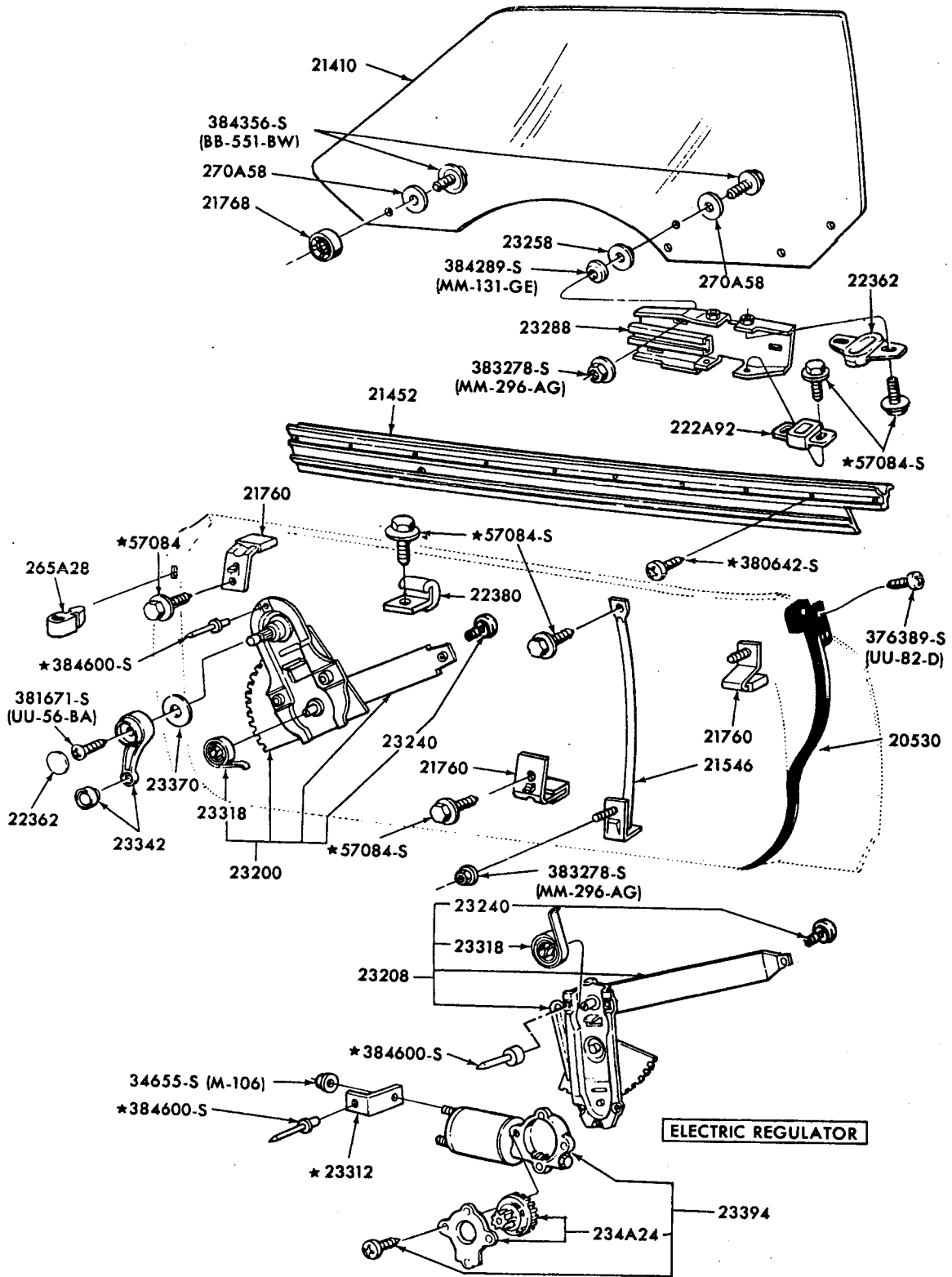
**FRONT DOOR WINDOW and RELATED PARTS  
1971/72 FORD - BODY TYPES 53, 57**



P-8603

FRONT DOOR WINDOW and RELATED PARTS  
1972 THUNDERBIRD

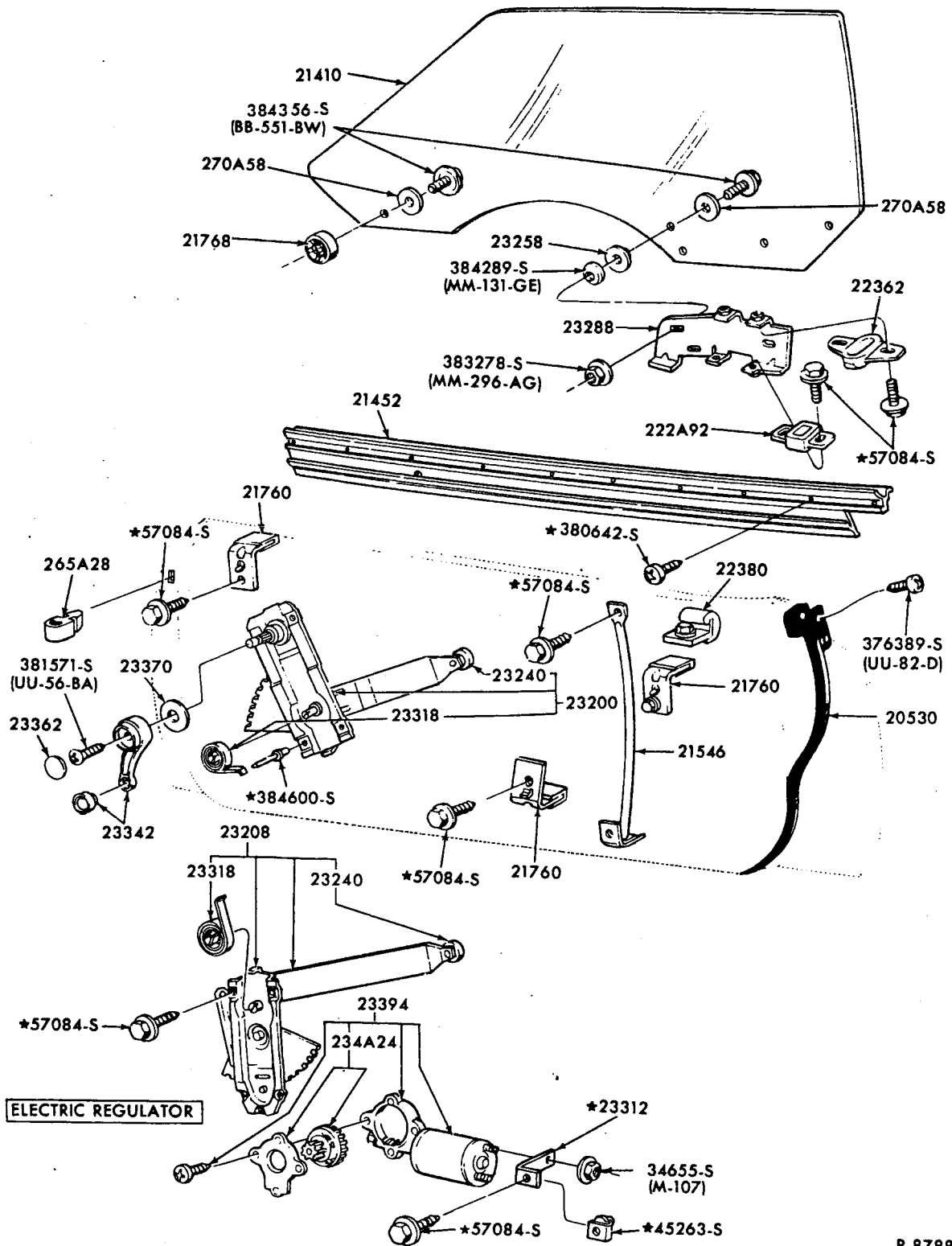
**FORD CAR PARTS**



**ELECTRIC REGULATOR**

P-8789

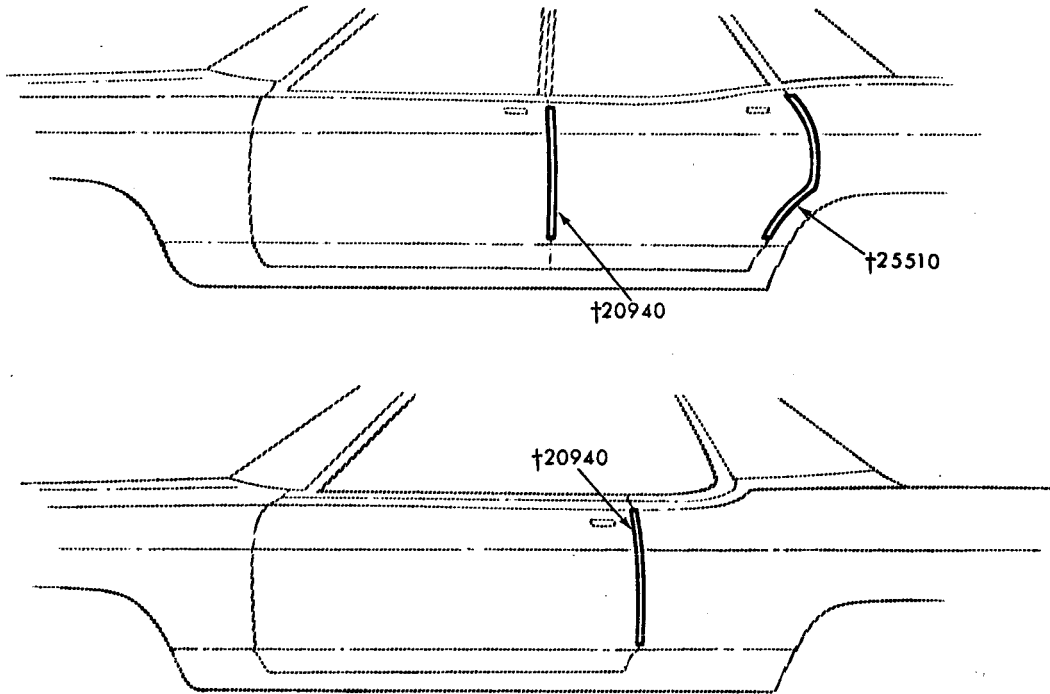
FRONT DOOR WINDOW and RELATED PARTS  
1972 TORINO - BODY TYPES 53,71



P-8788

FRONT DOOR WINDOW and RELATED PARTS  
1972 TORINO - BODY TYPES 63, 65, 97

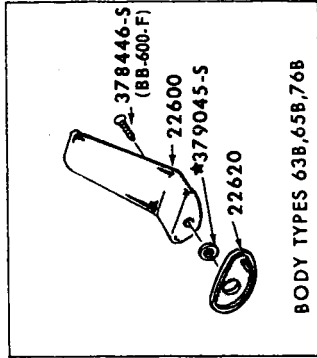




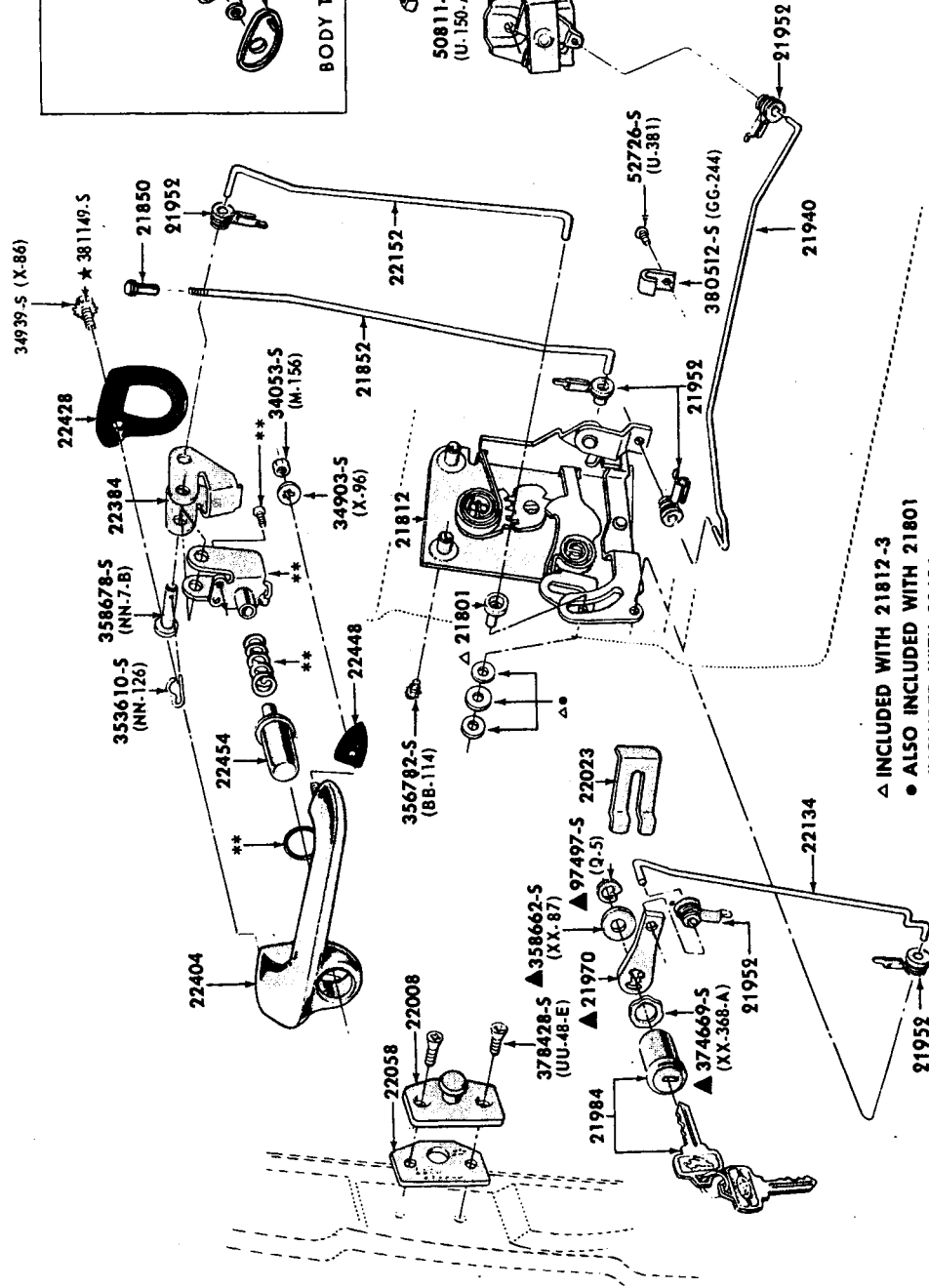
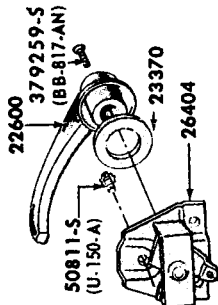
†ALSO SERVICED IN KIT-GROUP 20910  
DOOR EDGE GUARDS  
1972 ALL

P-10061





BODY TYPES 63B, 65B, 76B

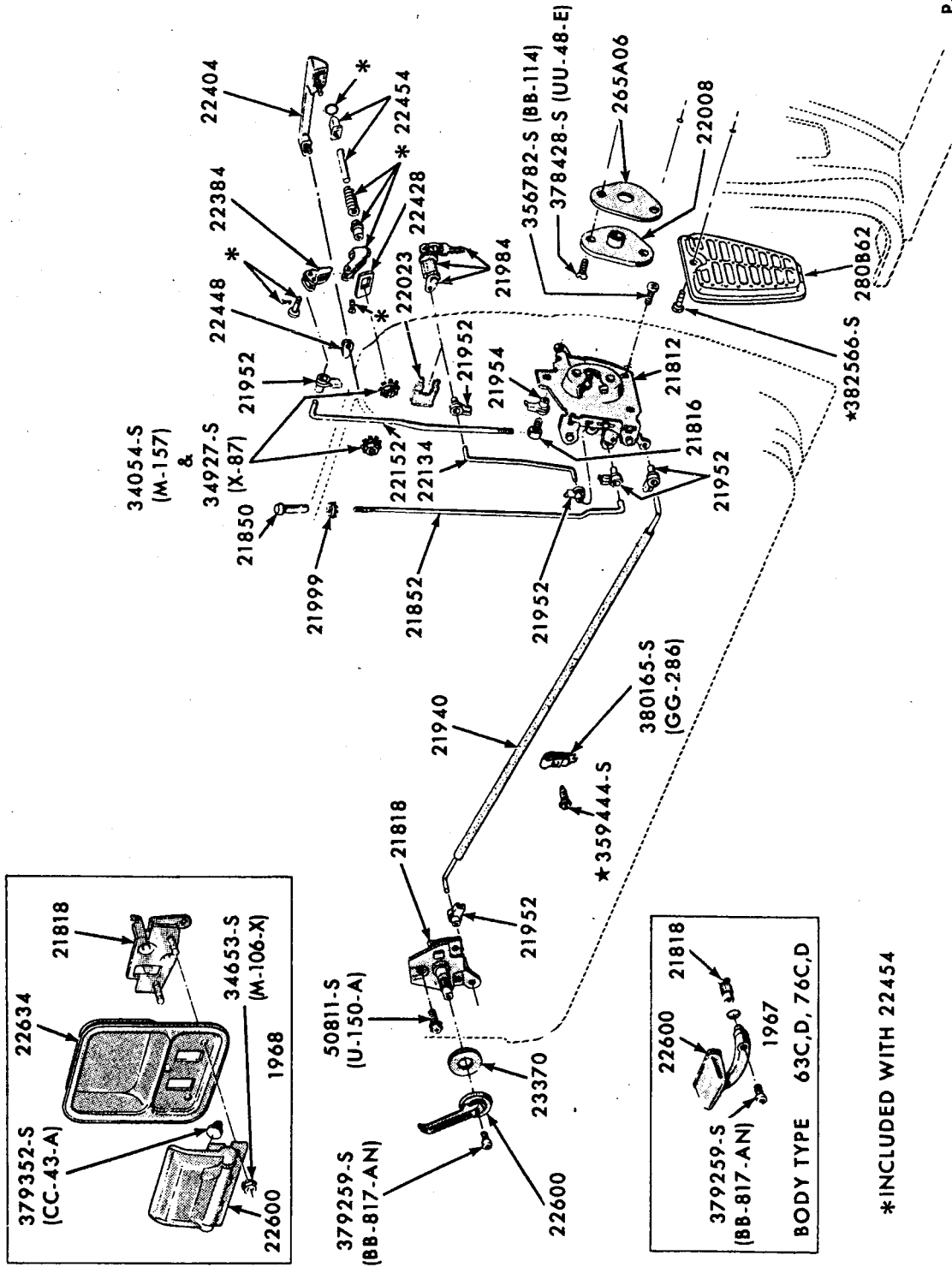


- ▲ INCLUDED WITH 21812-3
- ALSO INCLUDED WITH 21801
- \*\* INCLUDED WITH 22454
- ▲ ALSO INCLUDED WITH 21984

P-4495

FRONT DOOR HANDLES, LATCH and RELATED PARTS  
1965/66 MUSTANG

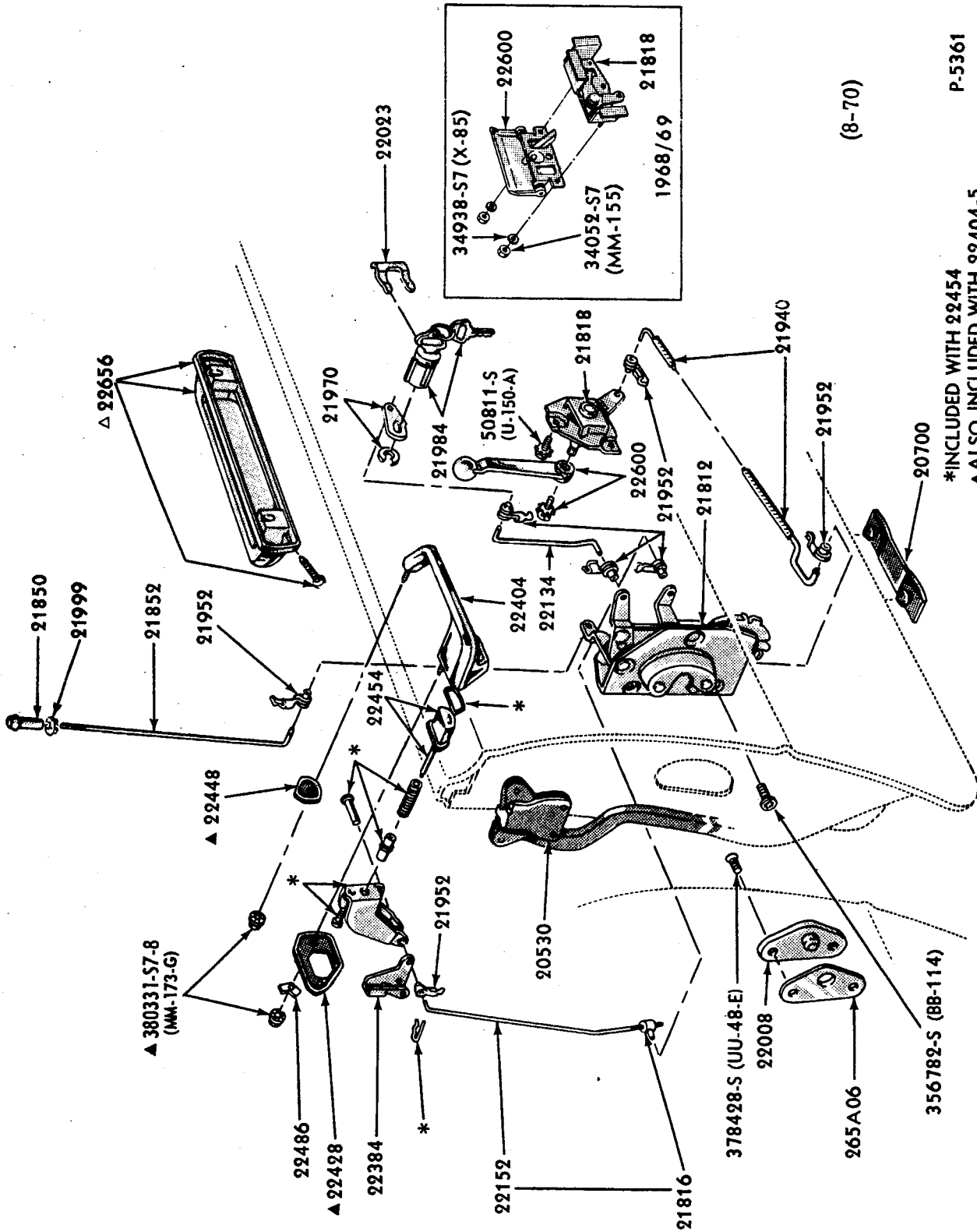
P-5074



\*INCLUDED WITH 22454

**FRONT DOOR HANDLES, LATCH and RELATED PARTS**  
1966/68 FAIRLANE/TORINO, FALCON





P-5361  
 \*INCLUDED WITH 22454  
 ▲ALSO INCLUDED WITH 22404-5  
 ▲ REFER TO SOFT TRIM SECTION

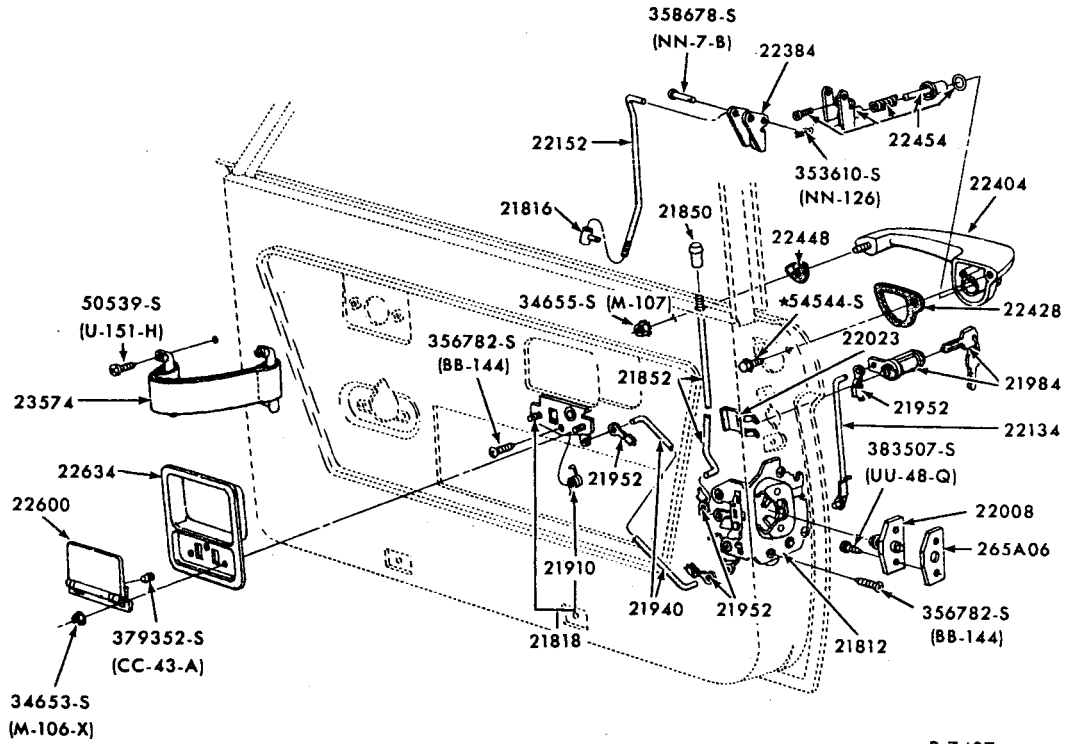
(8-70)

FRONT DOOR HANDLES, LATCH and RELATED PARTS  
 1967/69 THUNDERBIRD





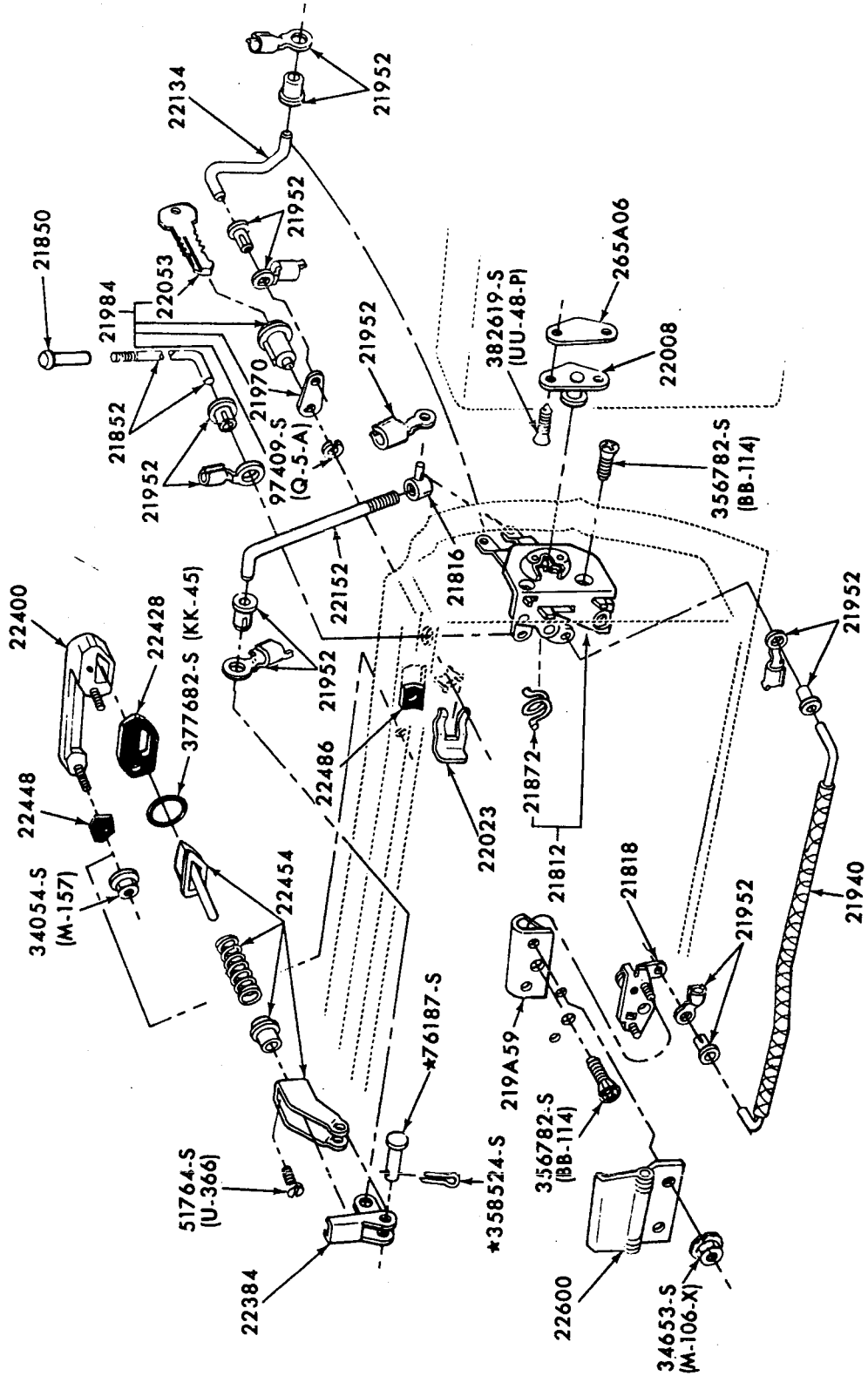




P-7407

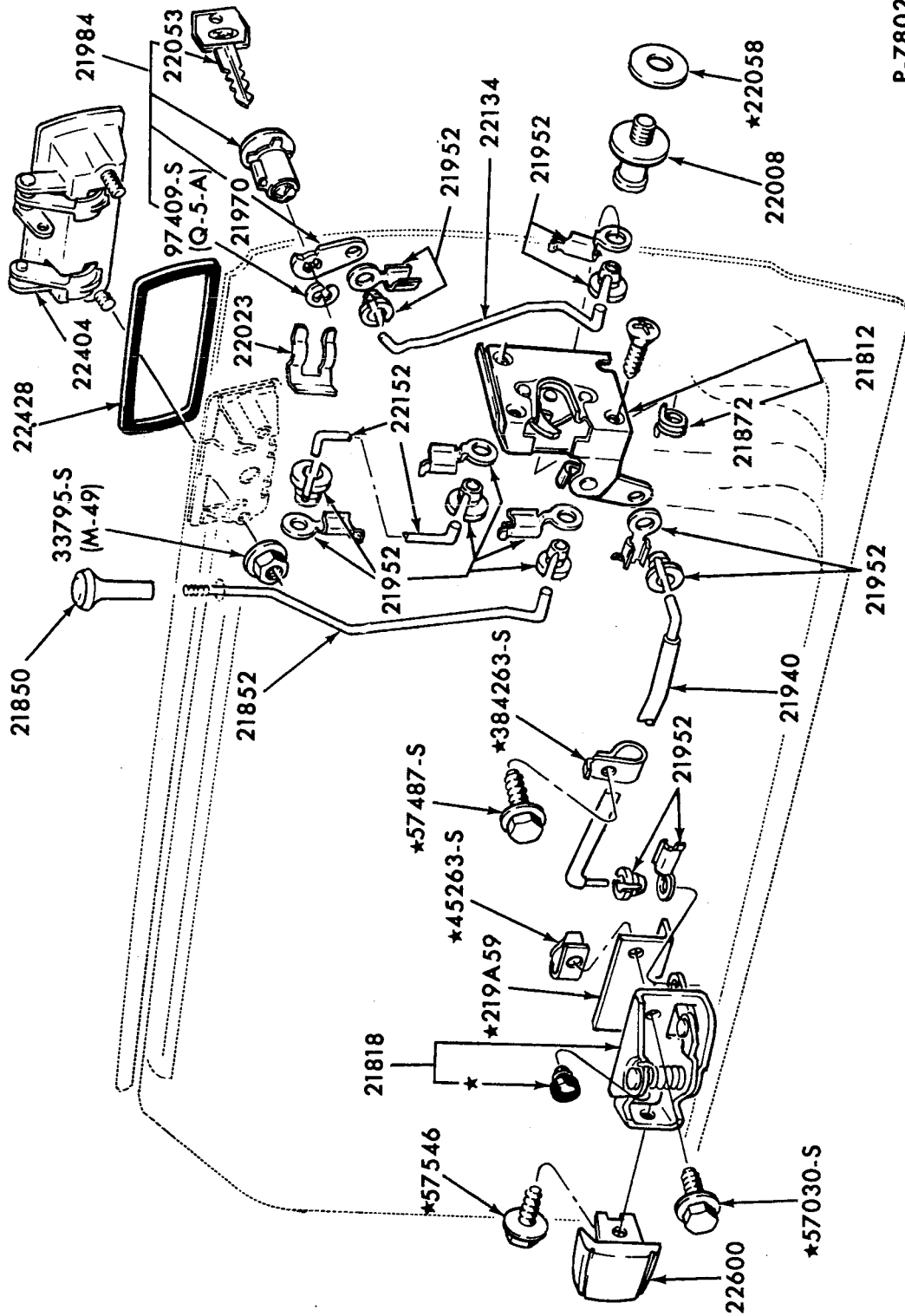
**DOOR LATCH, HANDLES and RELATED PARTS  
1969/72 BRONCO**

P-7983



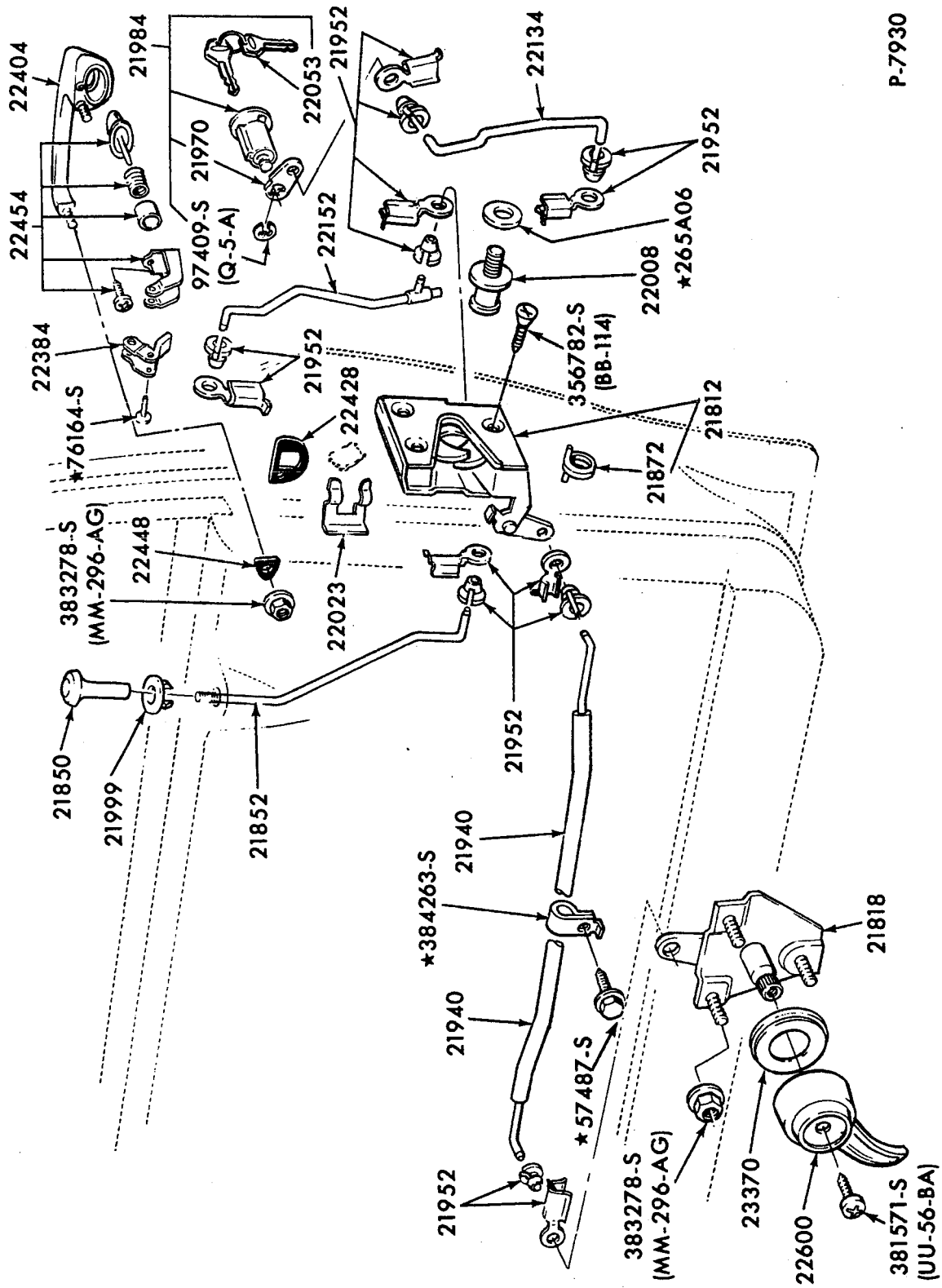
FRONT DOOR HANDLES, LATCH and RELATED PARTS  
1970/71 THUNDERBIRD - BODY TYPE 57



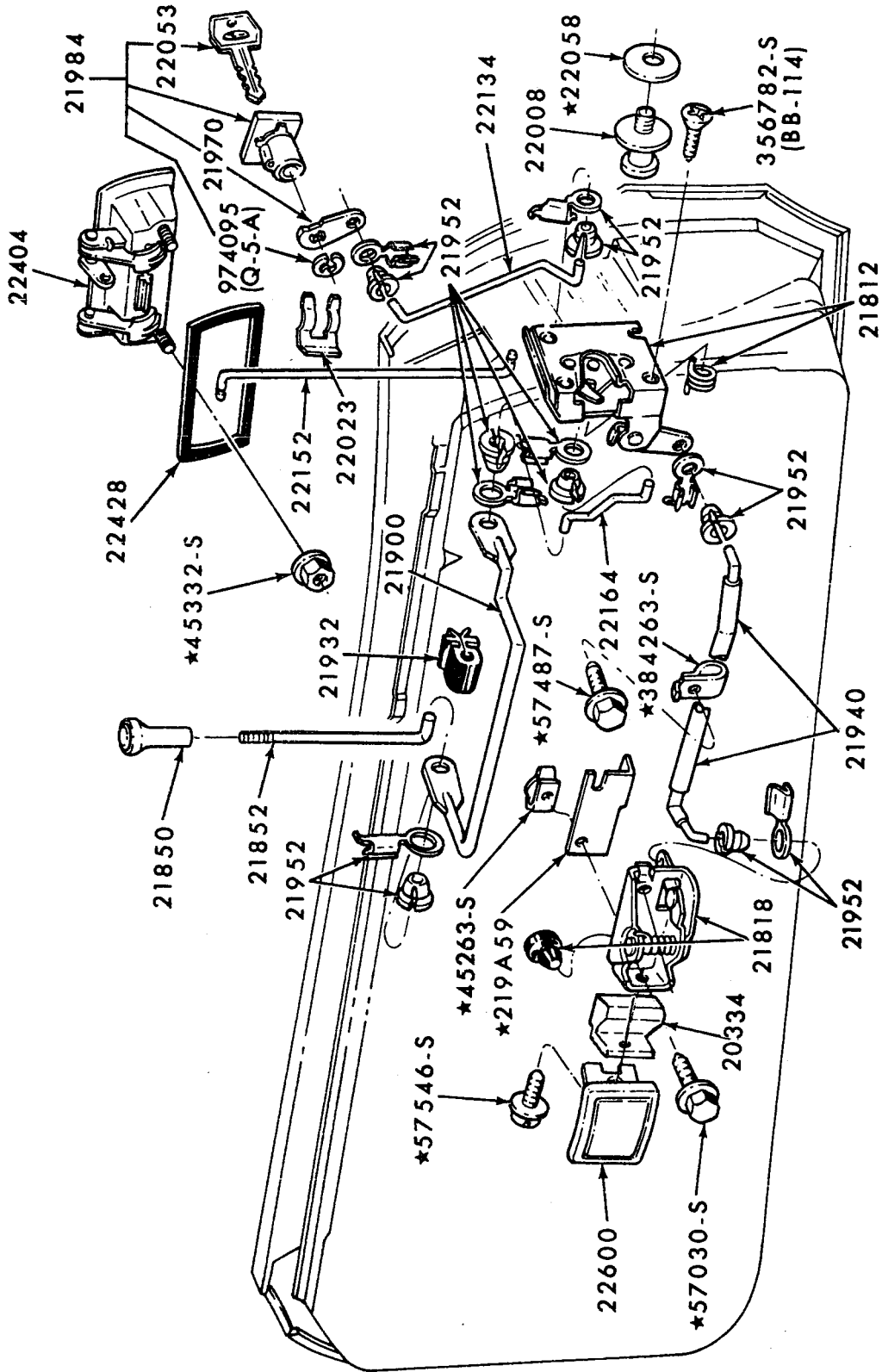


P-7802

FRONT DOOR HANDLES, LATCH and RELATED PARTS  
1971/72 FORD, MUSTANG



FRONT DOOR HANDLES, LATCH and RELATED PARTS  
1971/72 PINTO



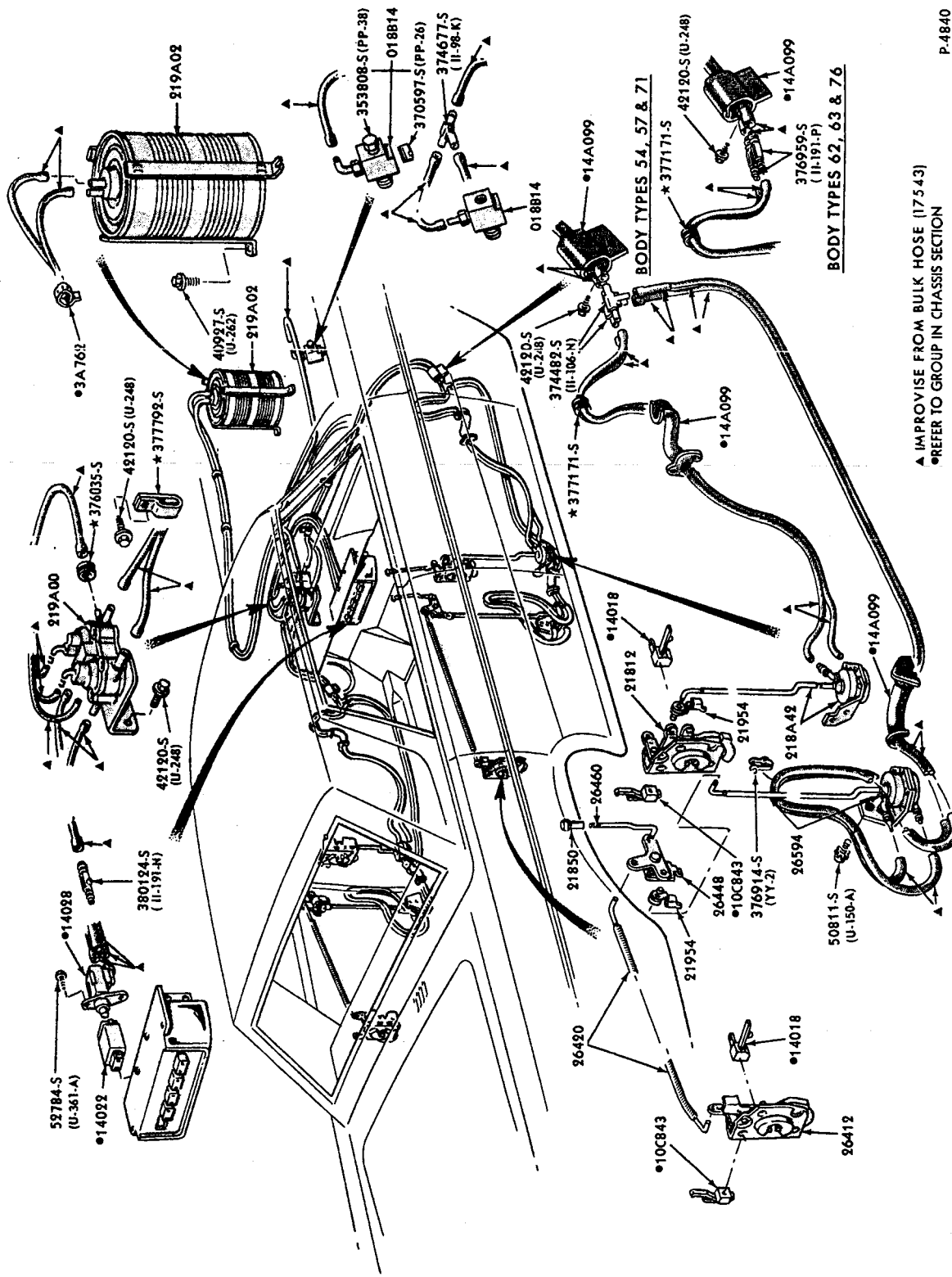
P-8604

FRONT DOOR HANDLES, LATCH and RELATED PARTS  
1972 THUNDERBIRD







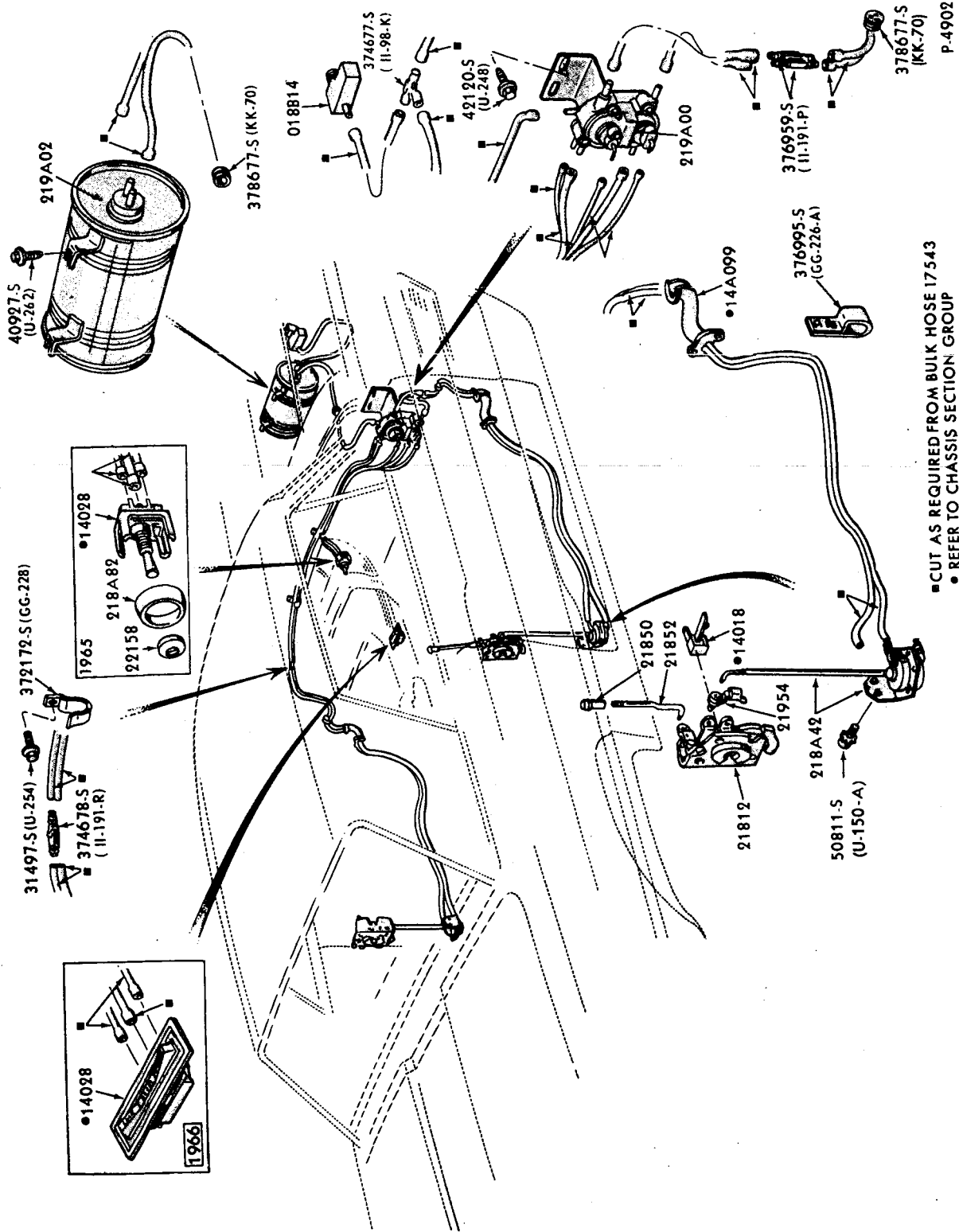


VACUUM DOOR LATCH SYSTEM  
1965/66 FORD

▲ IMPROVISE FROM BULK HOSE (I75.43)  
● REFER TO GROUP IN CHASSIS SECTION

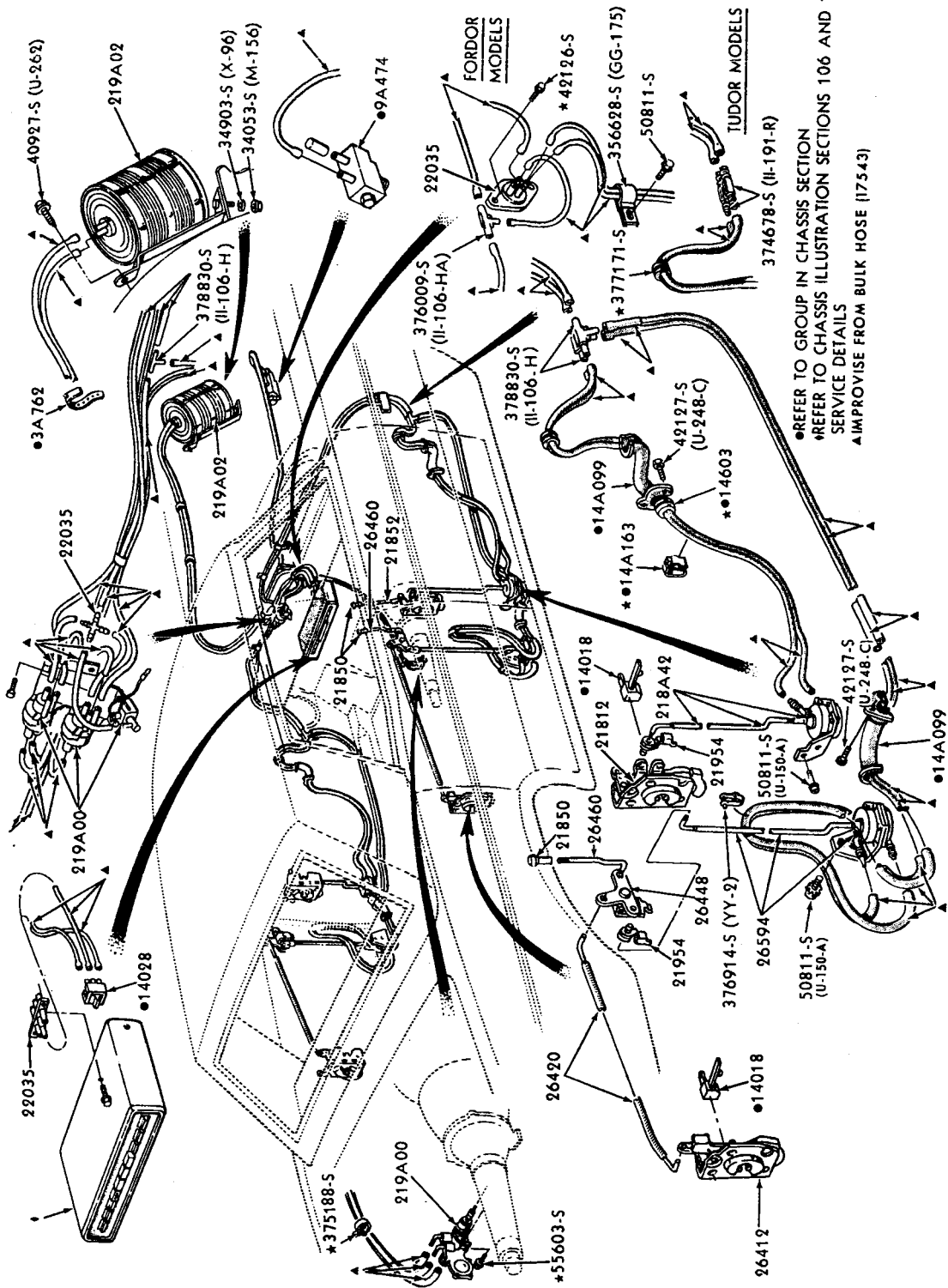
BODY TYPES 54, 57 & 71  
BODY TYPES 62, 63 & 76

P.4840



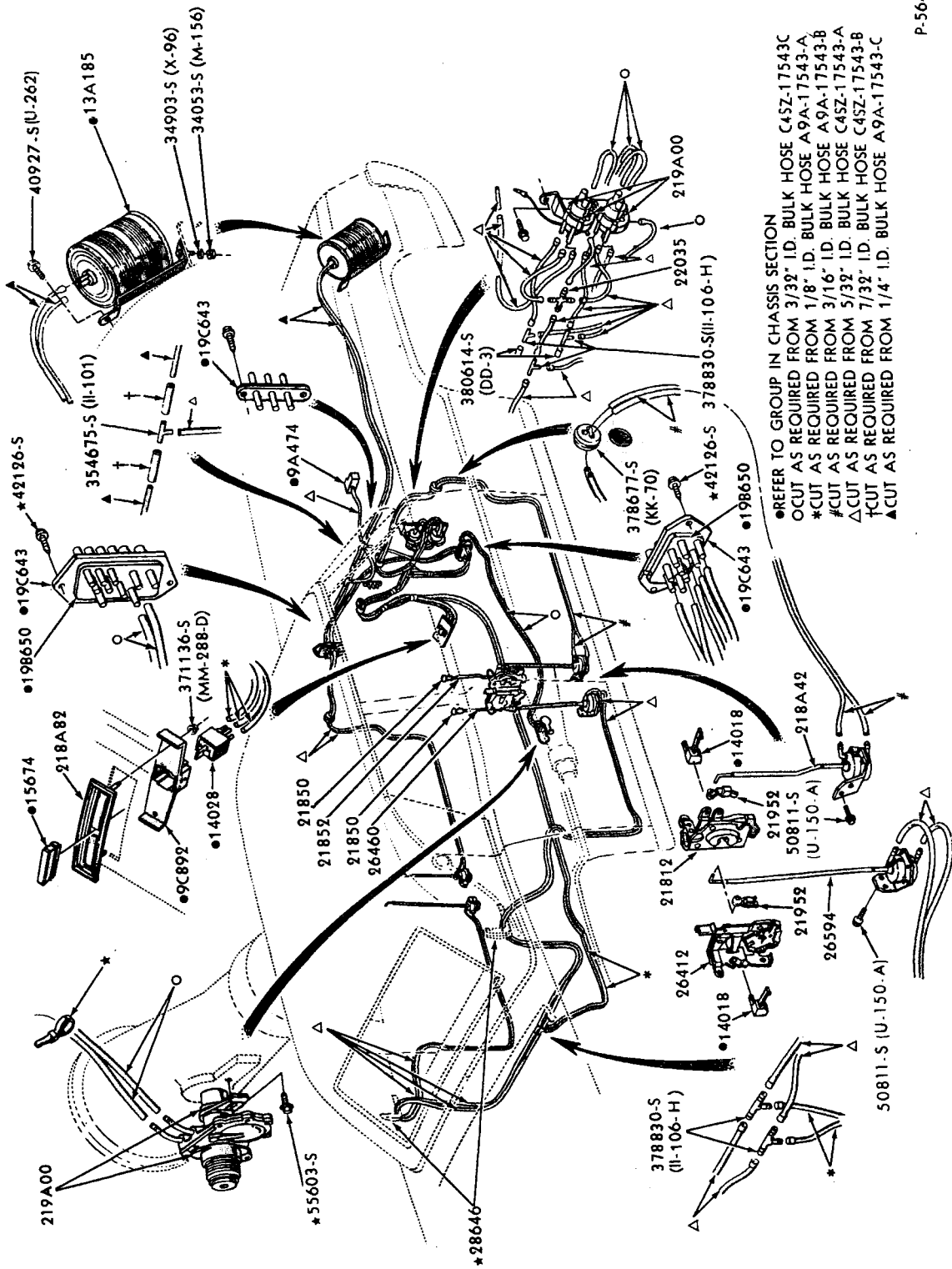
■ CUT AS REQUIRED FROM BULK HOSE 17543  
 ● REFER TO CHASSIS SECTION GROUP

VACUUM DOOR LATCH SYSTEM  
 1965/66 THUNDERBIRD



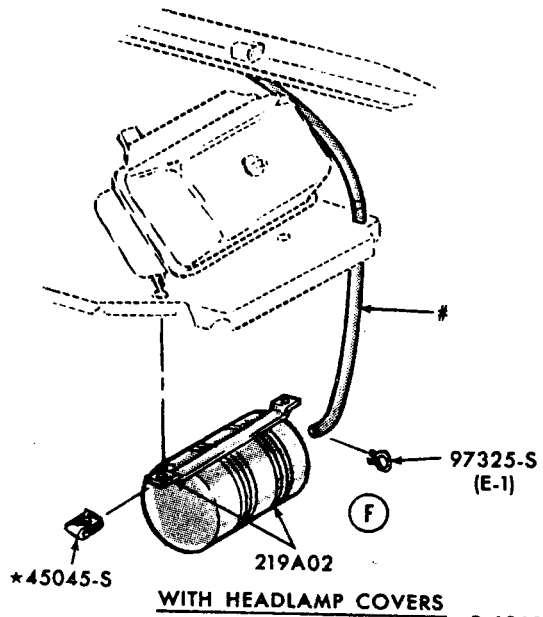
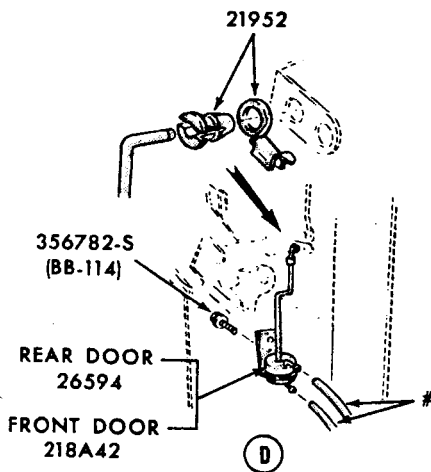
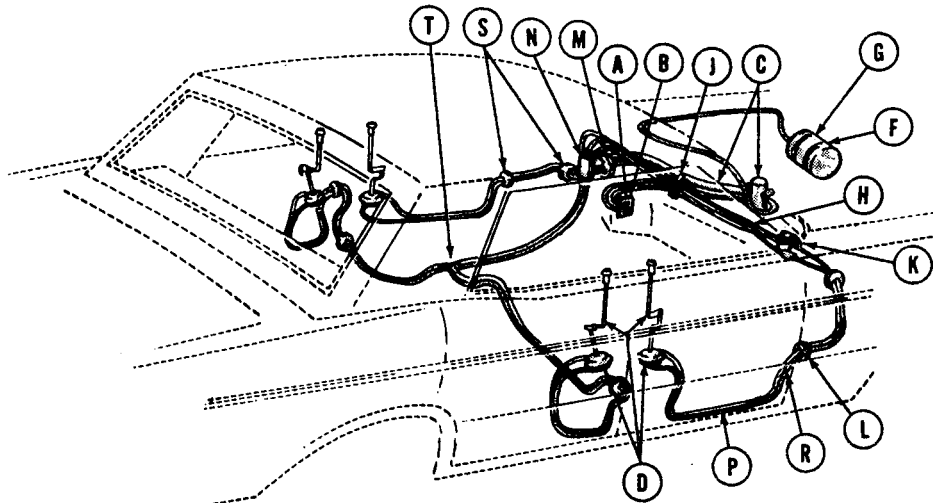
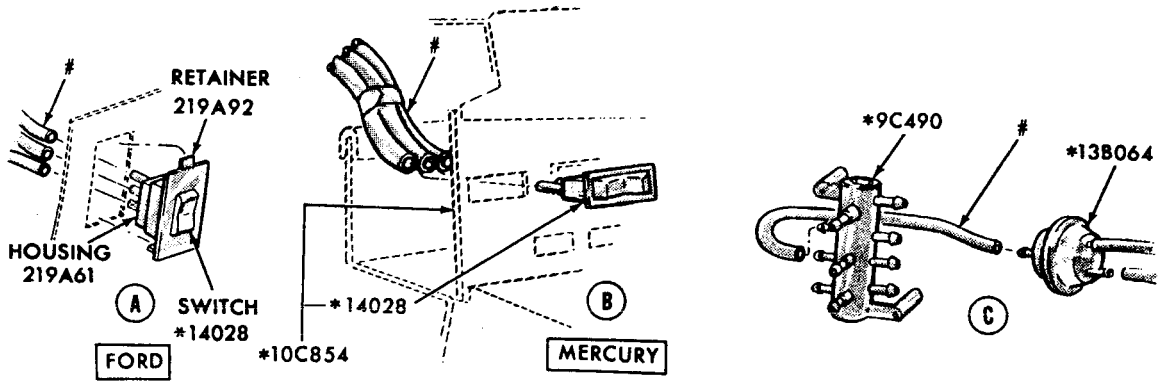
● REFER TO GROUP IN CHASSIS SECTION  
 ▲ REFER TO CHASSIS ILLUSTRATION SECTIONS 106 AND 140 FOR SERVICE DETAILS  
 ▲ IMPROVISE FROM BULK HOSE (I7543)

VACUUM DOOR LATCH SYSTEM  
1967 FORD



REFER TO GROUP IN CHASSIS SECTION  
 O CUT AS REQUIRED FROM 3/32" I.D. BULK HOSE C45Z-17543C  
 \* CUT AS REQUIRED FROM 1/8" I.D. BULK HOSE A9A-17543-A  
 # CUT AS REQUIRED FROM 3/16" I.D. BULK HOSE A9A-17543-B  
 Δ CUT AS REQUIRED FROM 5/32" I.D. BULK HOSE C45Z-17543-A  
 † CUT AS REQUIRED FROM 7/32" I.D. BULK HOSE C45Z-17543-B  
 ▲ CUT AS REQUIRED FROM 1/4" I.D. BULK HOSE A9A-17543-C

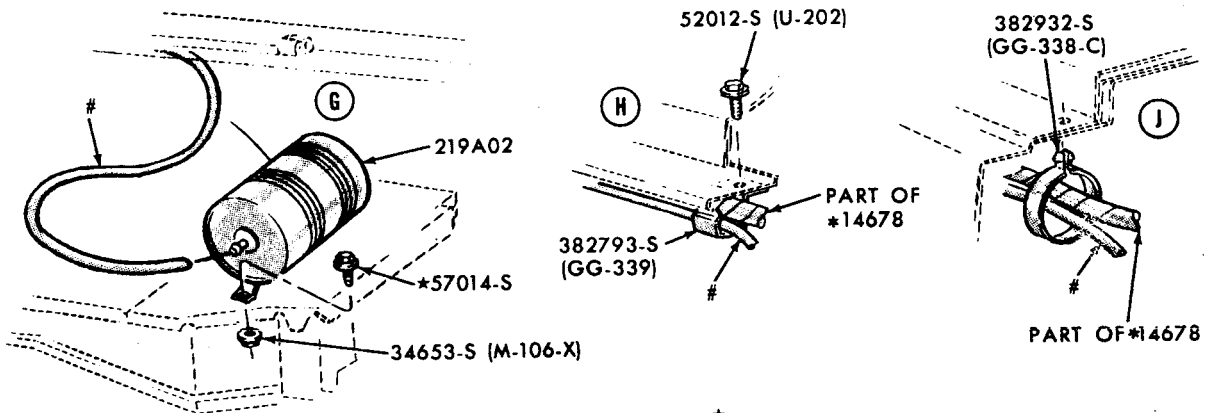
VACUUM DOOR LATCH SYSTEM  
 1967 THUNDERBIRD



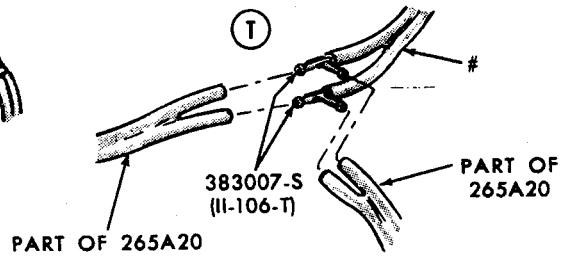
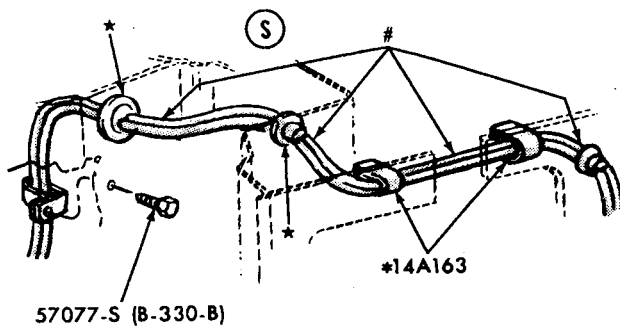
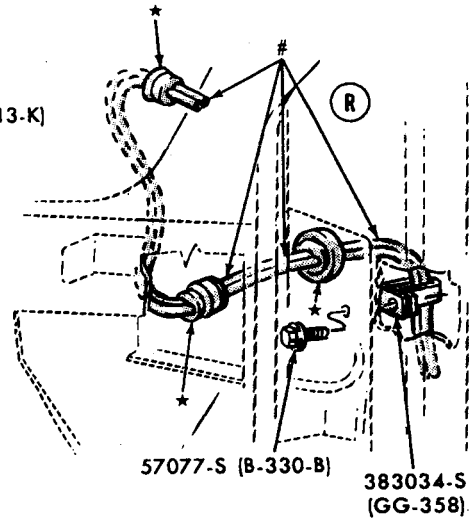
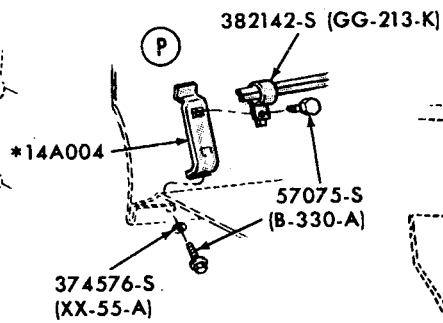
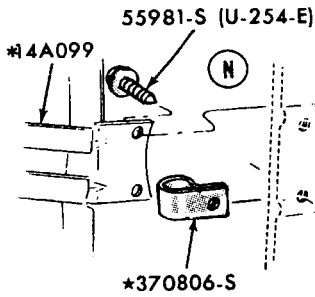
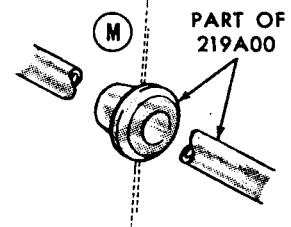
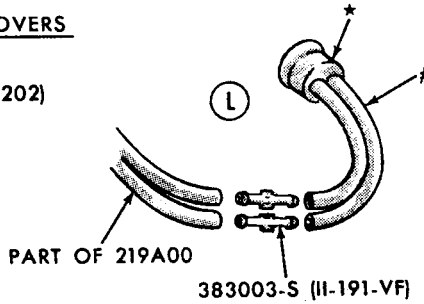
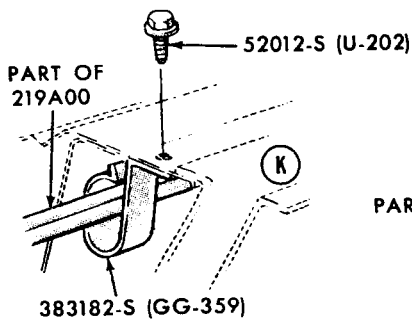
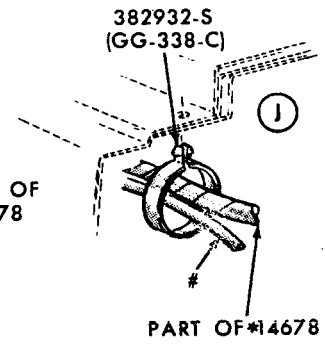
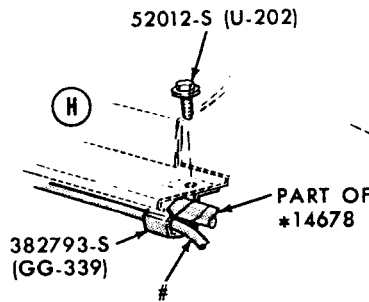
\* REFER TO GROUP IN CHASSIS SECTION  
# CUT AS REQUIRED FROM HOSE BASIC 17543 IN CHASSIS SECTION

P-6863-A

VACUUM DOOR LATCH SYSTEM  
1969/70 FORD



**WITHOUT HEADLAMP COVERS**



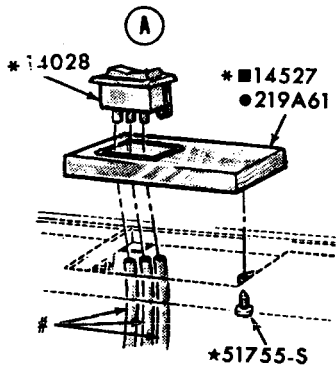
\* REFER TO GROUP IN CHASSIS SECTION

# CUT AS REQUIRED FROM BULK HOSE, BASIC 17543 IN CHASSIS SECTION

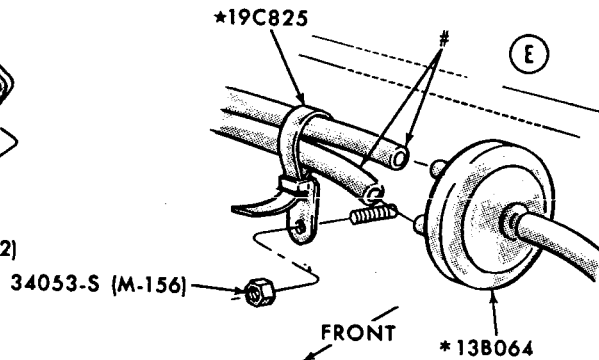
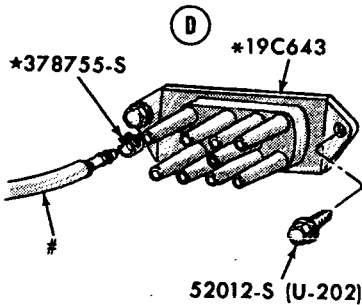
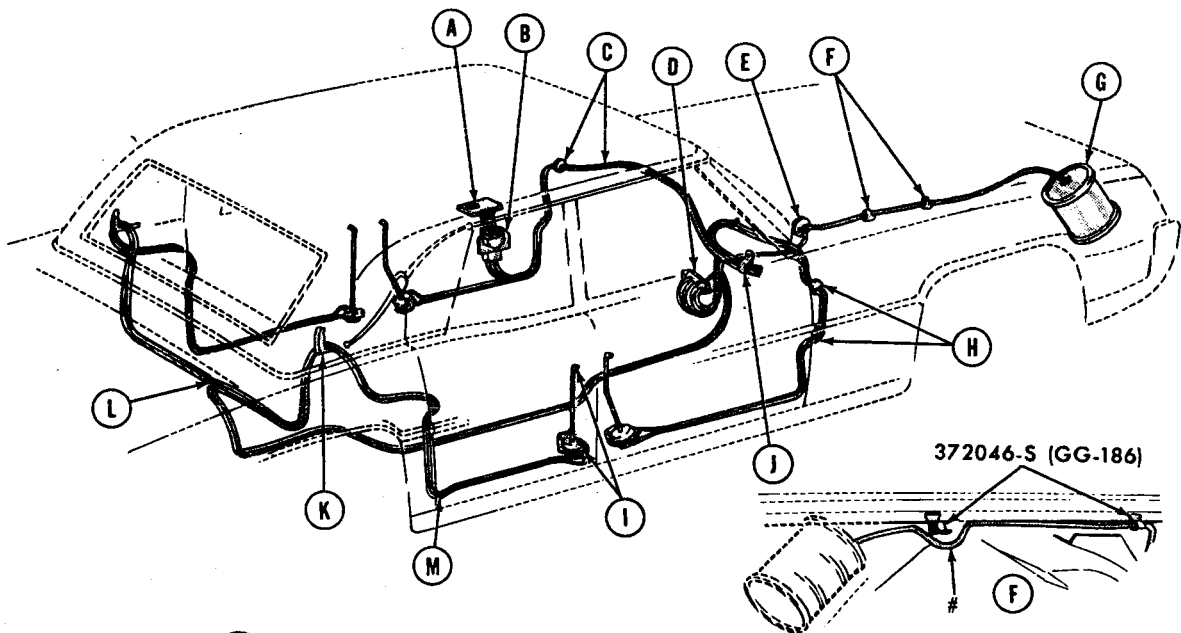
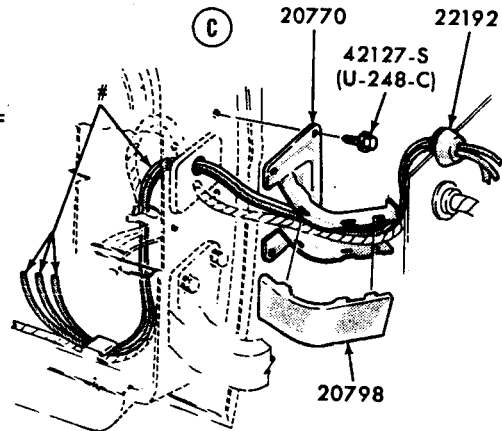
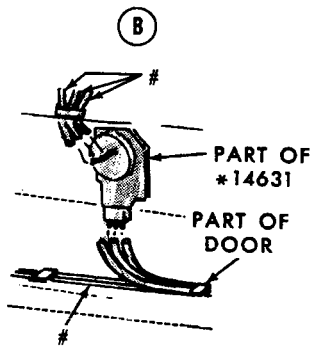
P-6863-B

# FORD CAR PARTS

BODY ILLUSTRATION  
SECTION 230.2



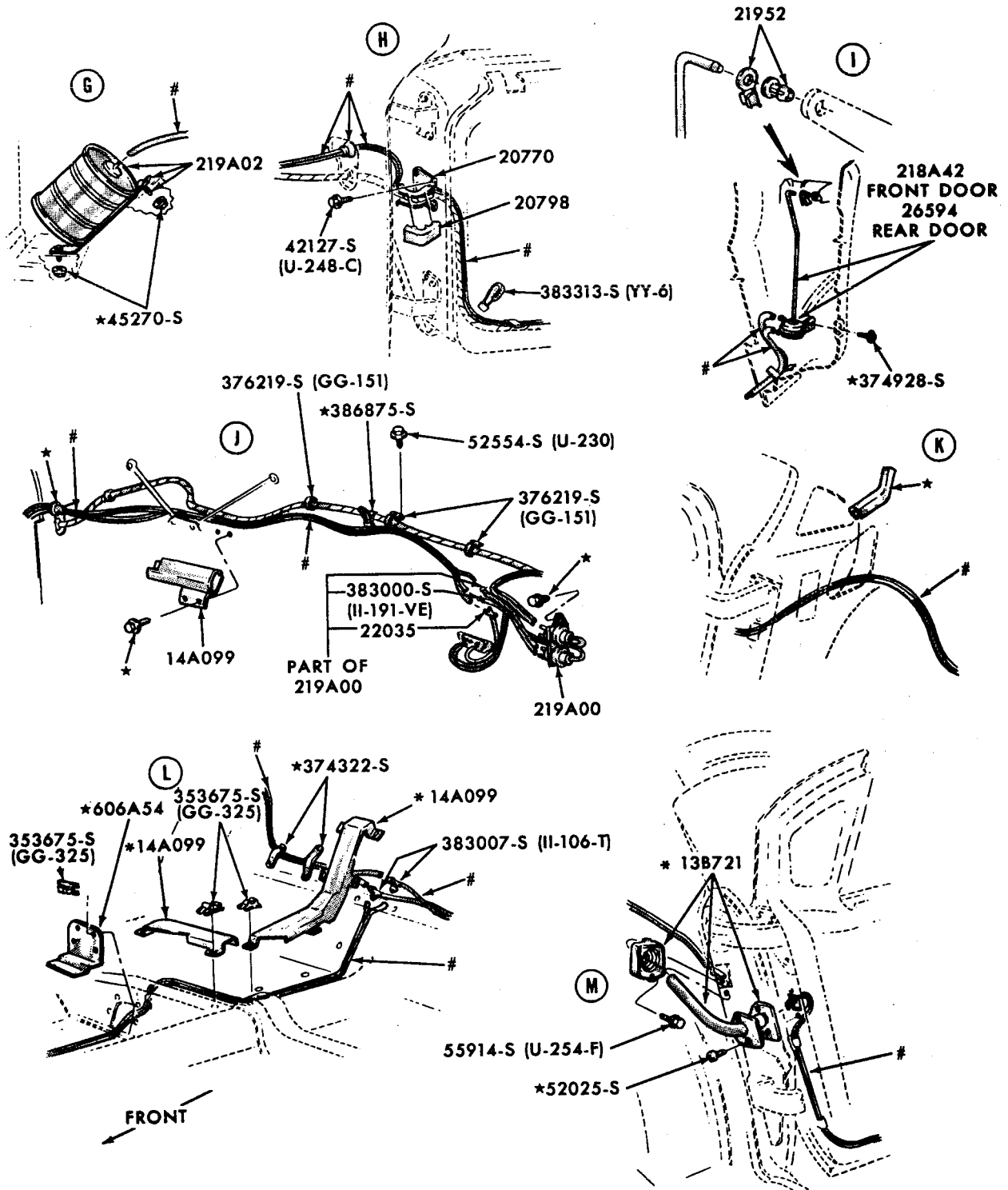
● VACUUM DOOR LOCK ONLY  
■ VACUUM DOOR LOCK WITH POWER WINDOWS



\* REFER TO GROUP IN CHASSIS SECTION  
# CUT AS REQUIRED FROM BULK HOSE, BASIC 17543 IN CHASSIS SECTION

P-6864-A

## VACUUM DOOR LATCH SYSTEM 1969/70 THUNDERBIRD



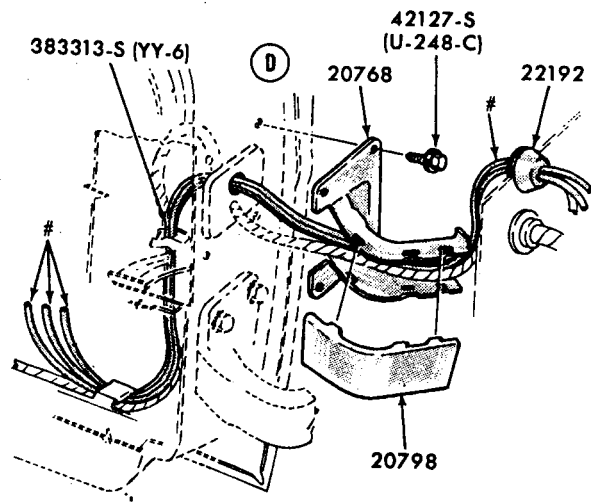
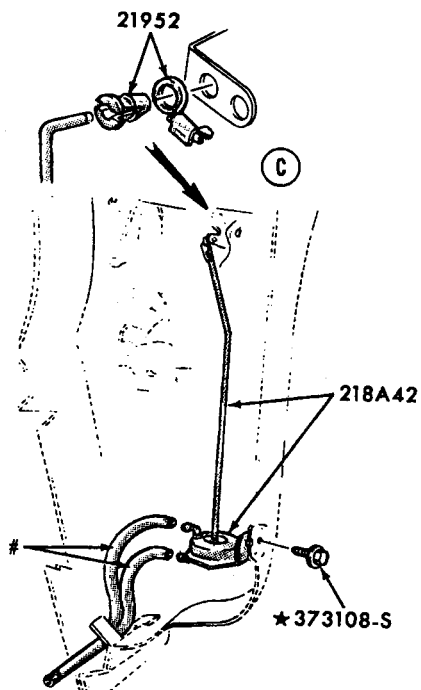
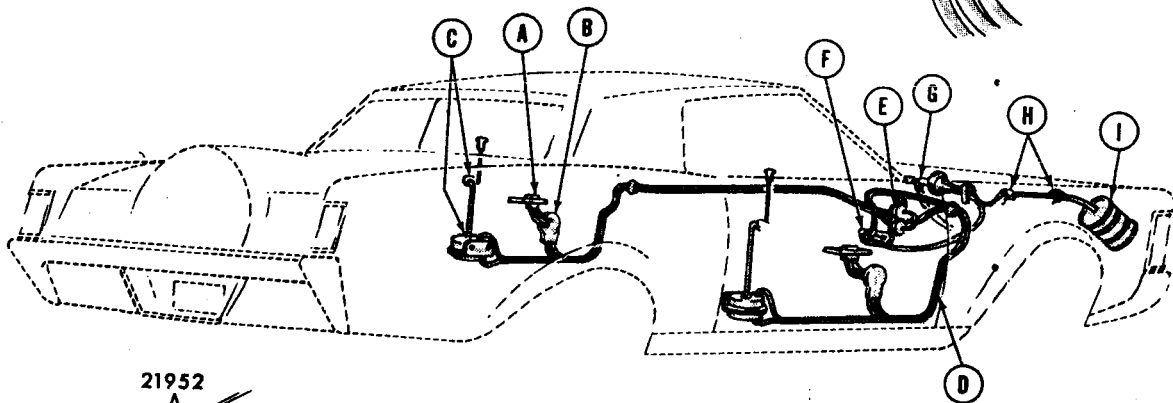
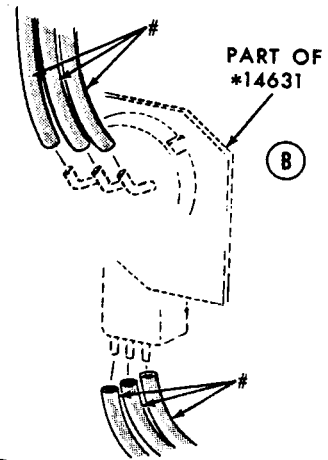
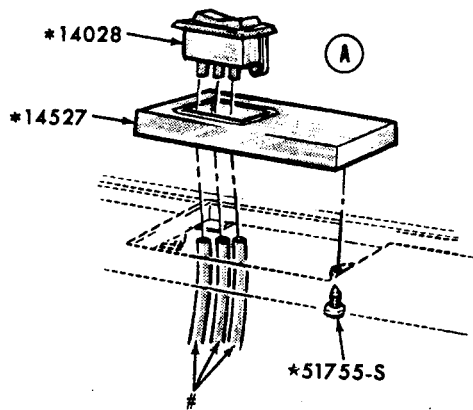
\* REFER TO GROUP IN CHASSIS SECTION

# CUT AS REQUIRED FROM BULK HOSE, BASIC 17543 IN CHASSIS SECTION

P-6864-B

VACUUM DOOR LATCH SYSTEM - continued  
1969/70 THUNDERBIRD



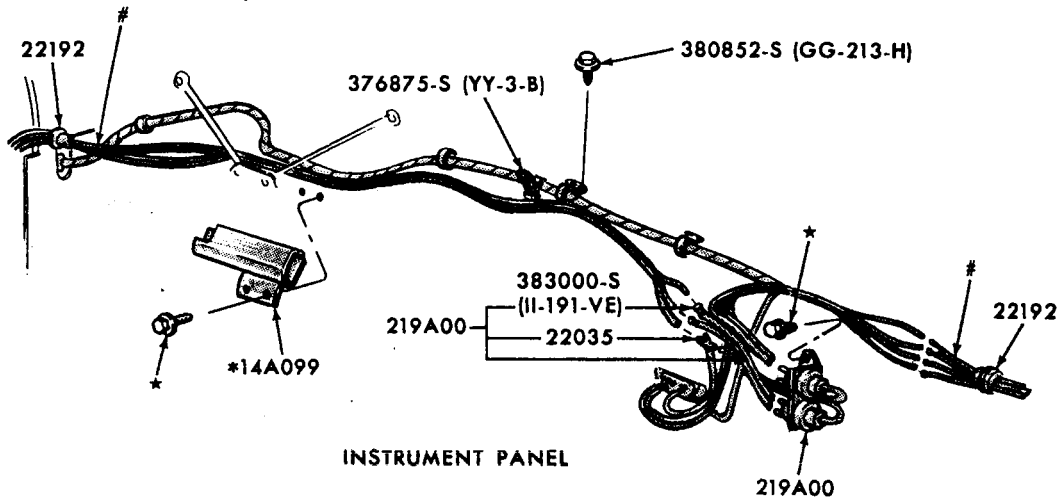


\*REFER TO GROUP IN CHASSIS SECTION

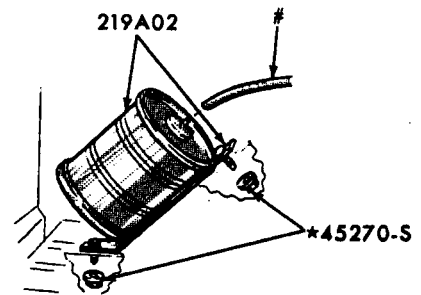
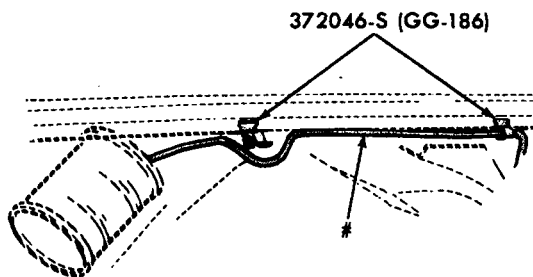
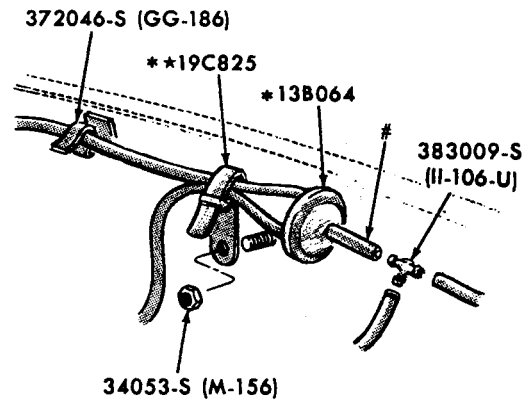
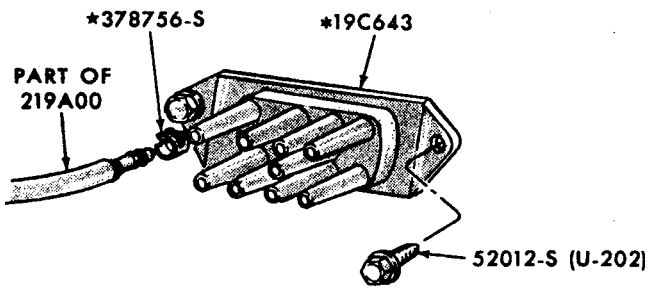
#CUT AS REQUIRED FROM BULK HOSE, BASIC 17543 IN CHASSIS SECTION

VACUUM DOOR LATCH SYSTEM  
1968 THUNDERBIRD

P-6865-A

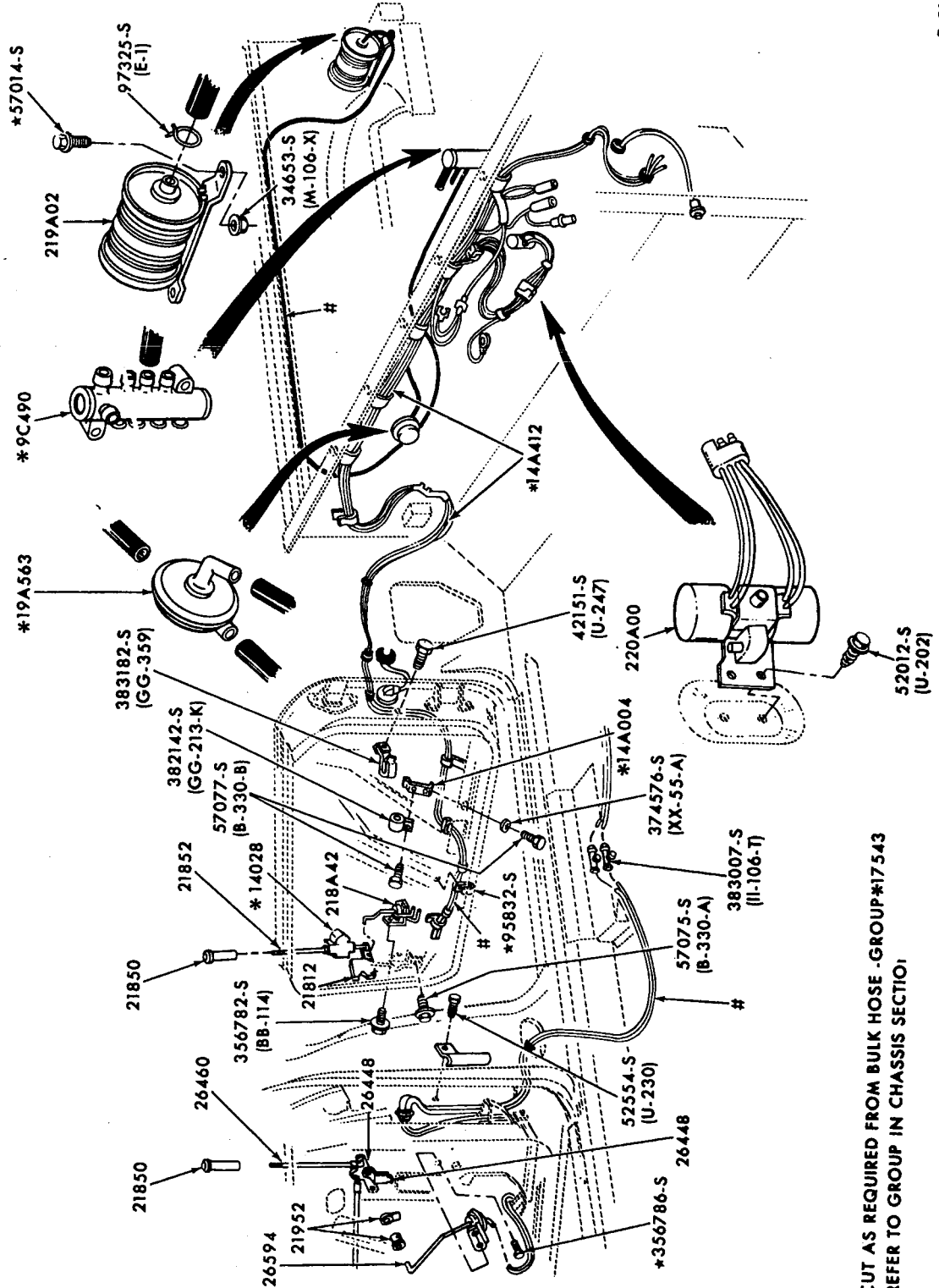


**INSTRUMENT PANEL**



\* REFER TO GROUP IN CHASSIS SECTION  
# CUT AS REQUIRED FROM BULK HOSE,  
BASIC 17543 IN CHASSIS SECTION

P-6865-B



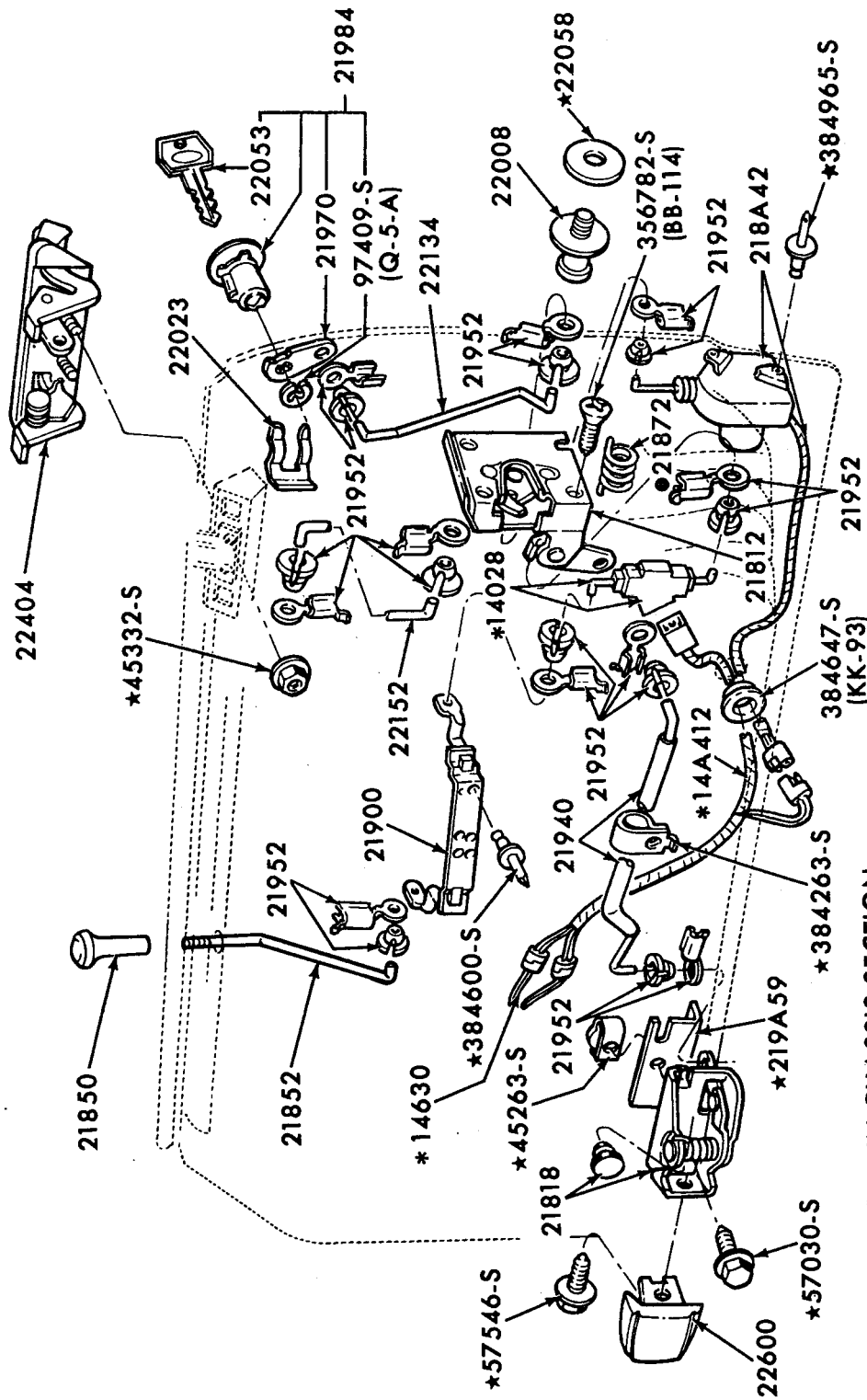
# CUT AS REQUIRED FROM BULK HOSE - GROUP #17543  
 \* REFER TO GROUP IN CHASSIS SECTION!

VACUUM DOOR LATCH SYSTEM

1971/72 FORD



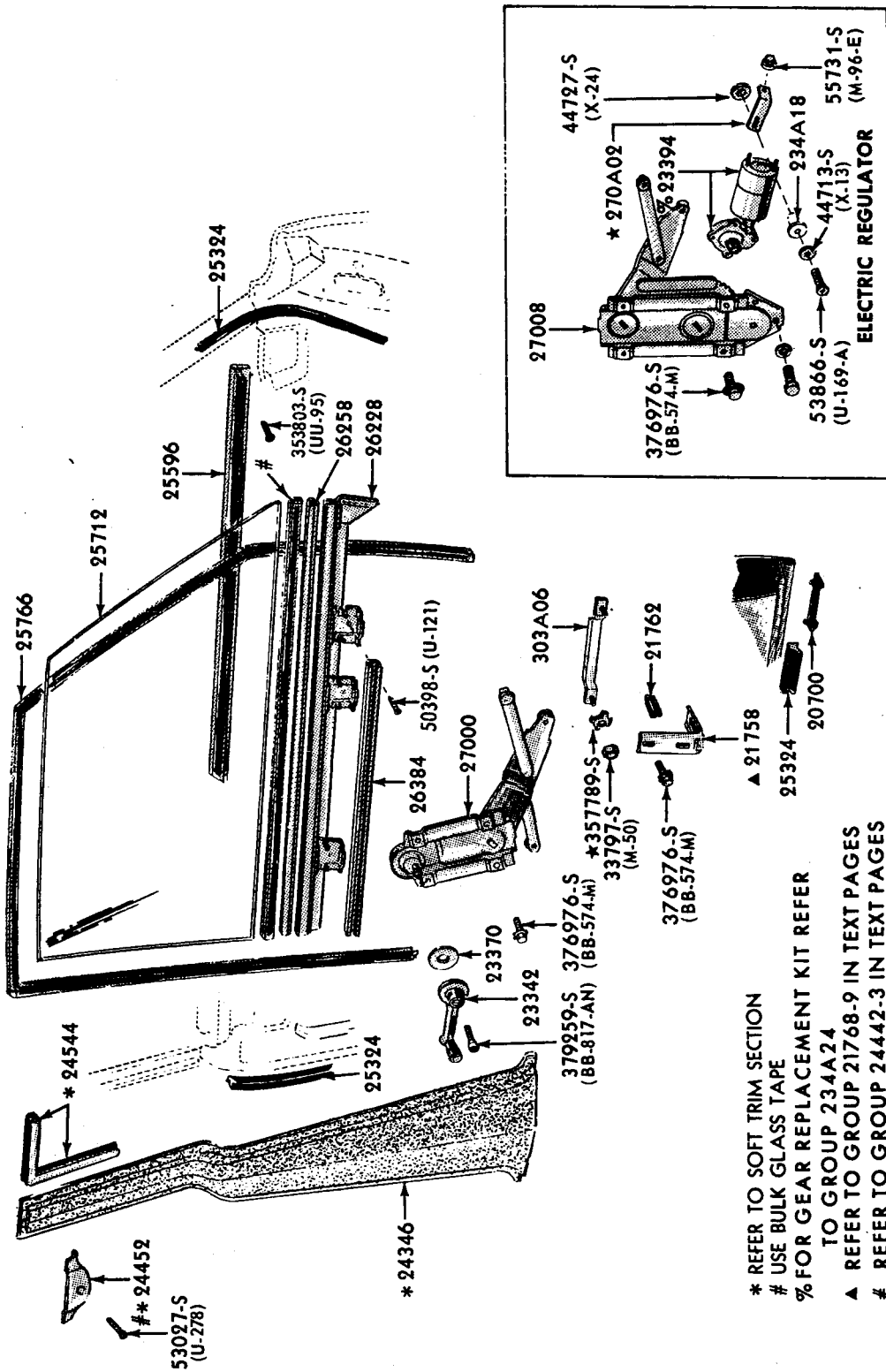




P-9099

\* REFER TO GROUP IN CHASSIS SECTION  
● ALSO SERVICED IN ASSEMBLY-GROUP 21812

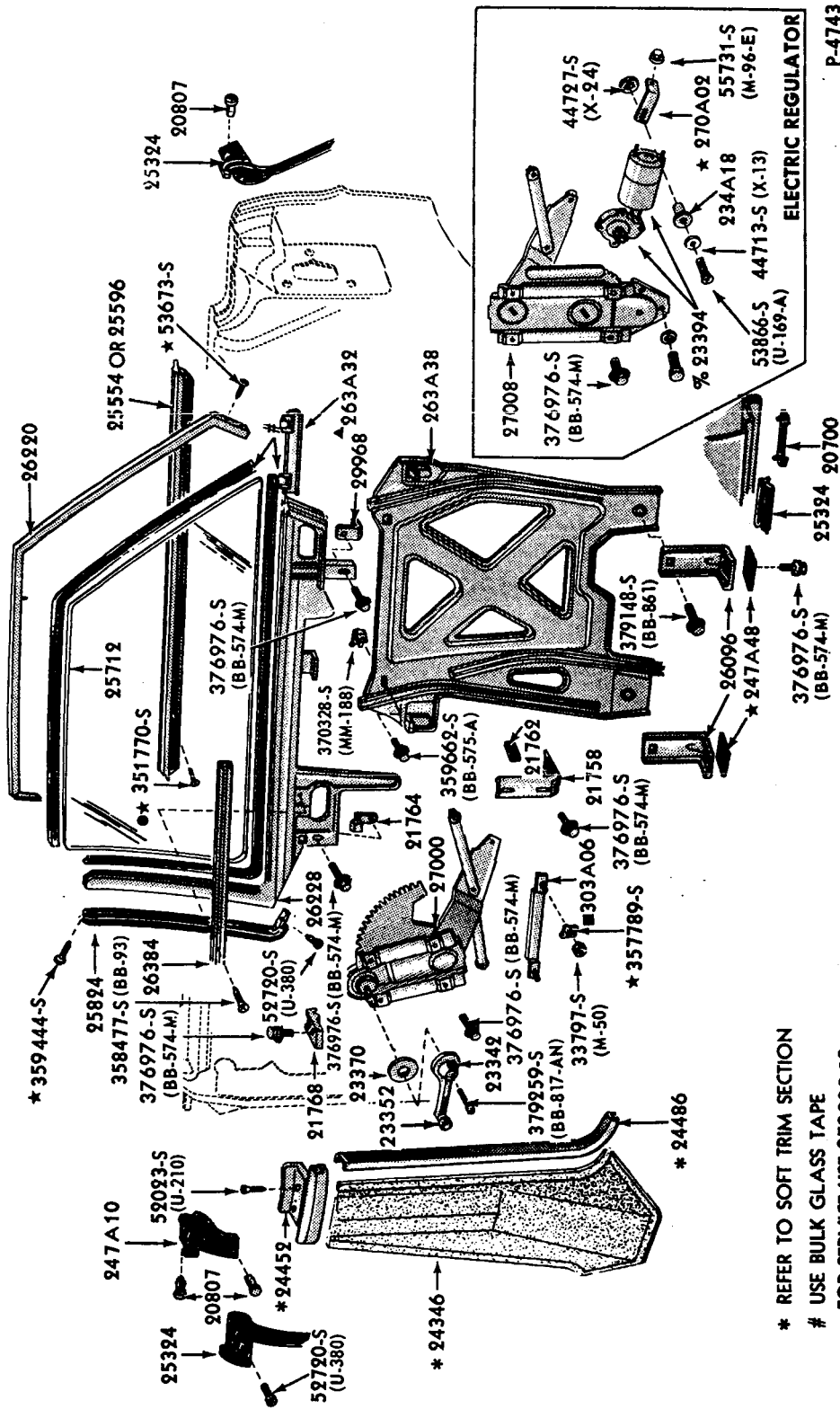
ELECTRIC FRONT DOOR LATCH SYSTEM  
1972 TORINO



P-4742

- \* REFER TO SOFT TRIM SECTION
- # USE BULK GLASS TAPE
- % FOR GEAR REPLACEMENT KIT REFER TO GROUP 234A24
- ▲ REFER TO GROUP 21768-9 IN TEXT PAGES
- # REFER TO GROUP 24442-3 IN TEXT PAGES

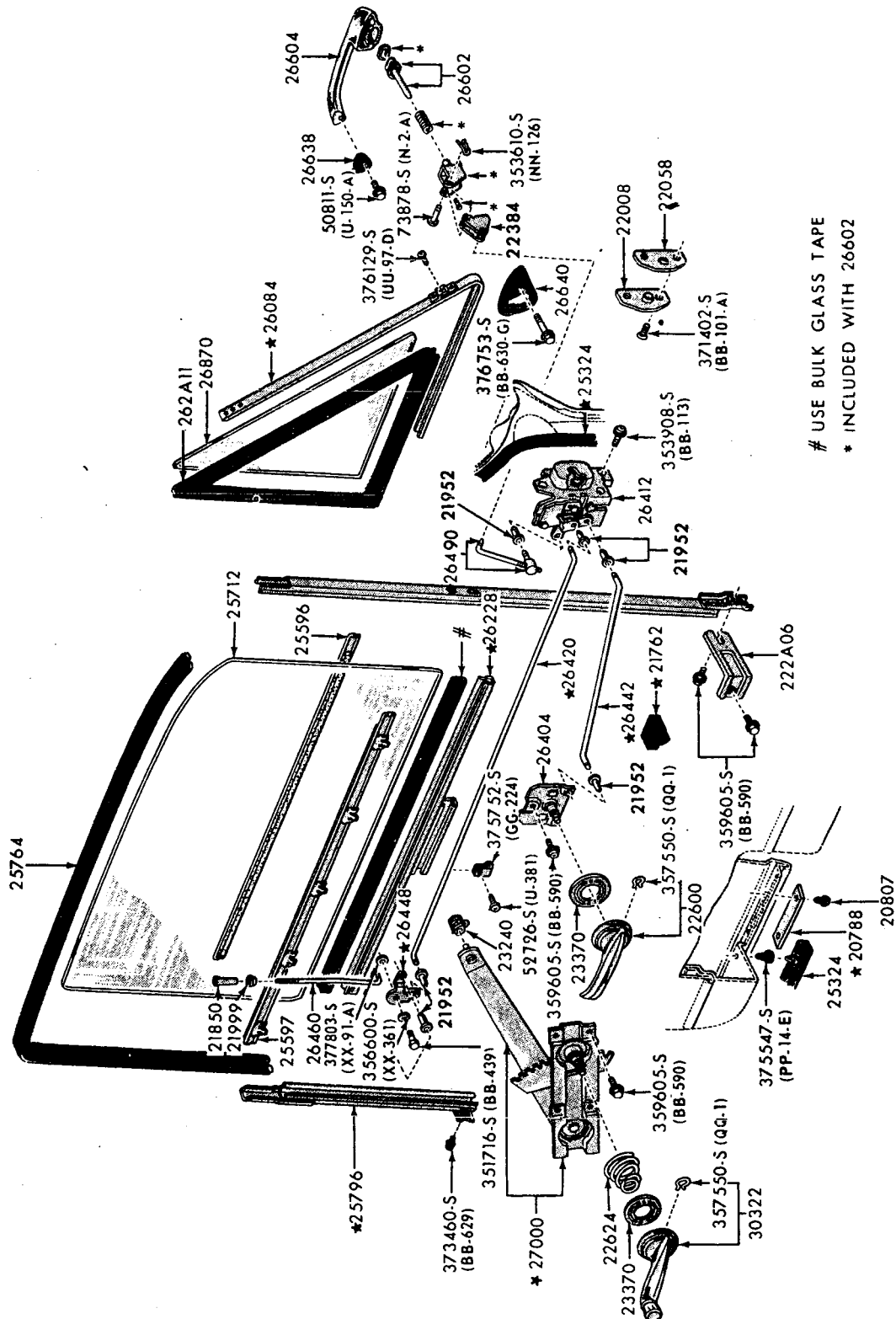
REAR DOOR WINDOW and RELATED PARTS  
1965/68 FORD - BODY TYPES 54, 71



- \* REFER TO SOFT TRIM SECTION
- # USE BULK GLASS TAPE
- FOR SERVICE USE 353803-S8
- ▲ 1967 UNITS
- % FOR GEAR REPLACEMENT KIT REFER TO GROUP 234A24
- USED FOR 1965/67 ONLY

REAR DOOR WINDOW and RELATED PARTS  
1965/68 FORD - BODY TYPE 57



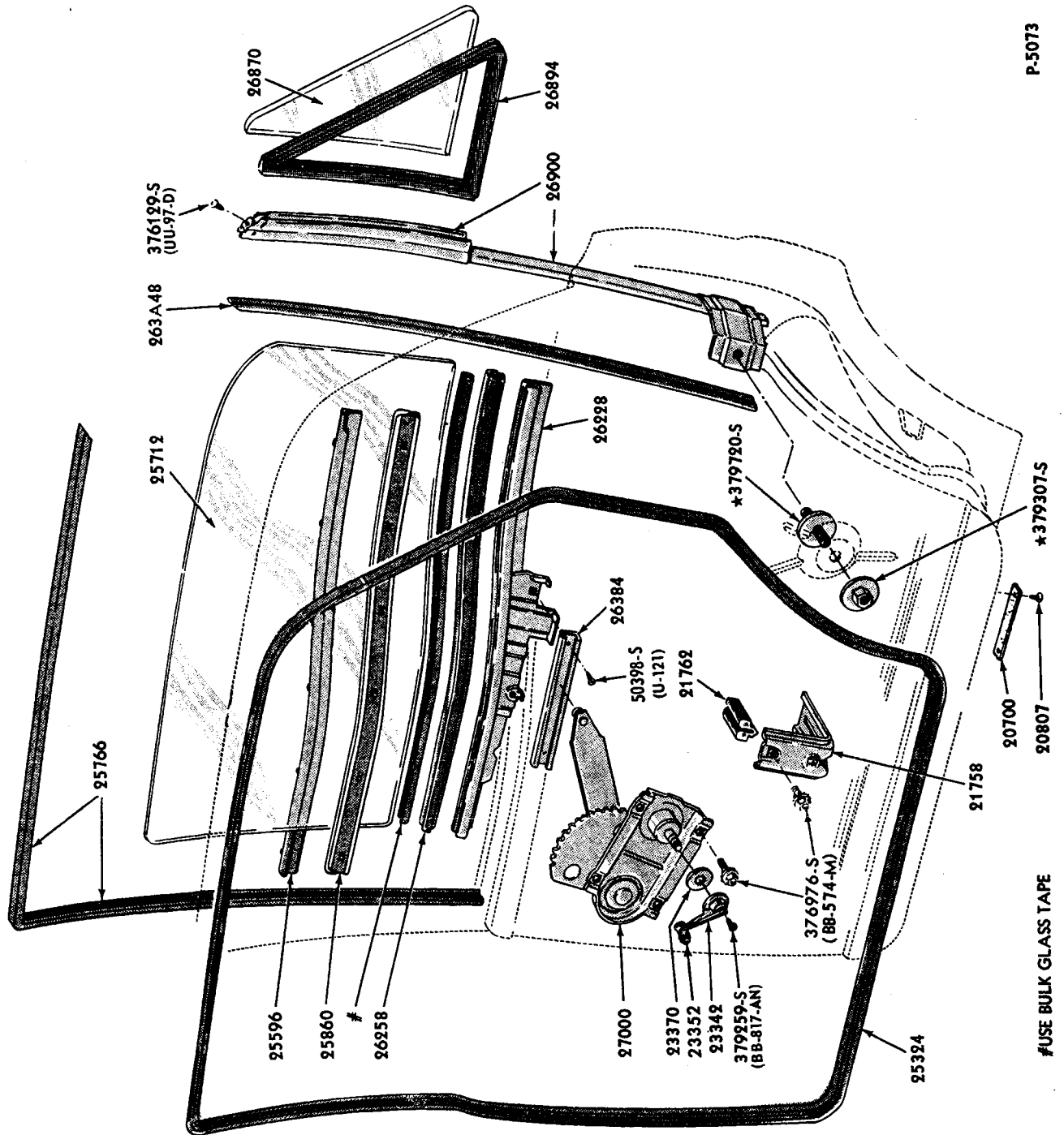


**REAR DOOR WINDOW and RELATED PARTS  
1965 FAIRLANE - BODY TYPES 54, 71**





BODY ILLUSTRATION SECTION 240 FORD CAR PARTS



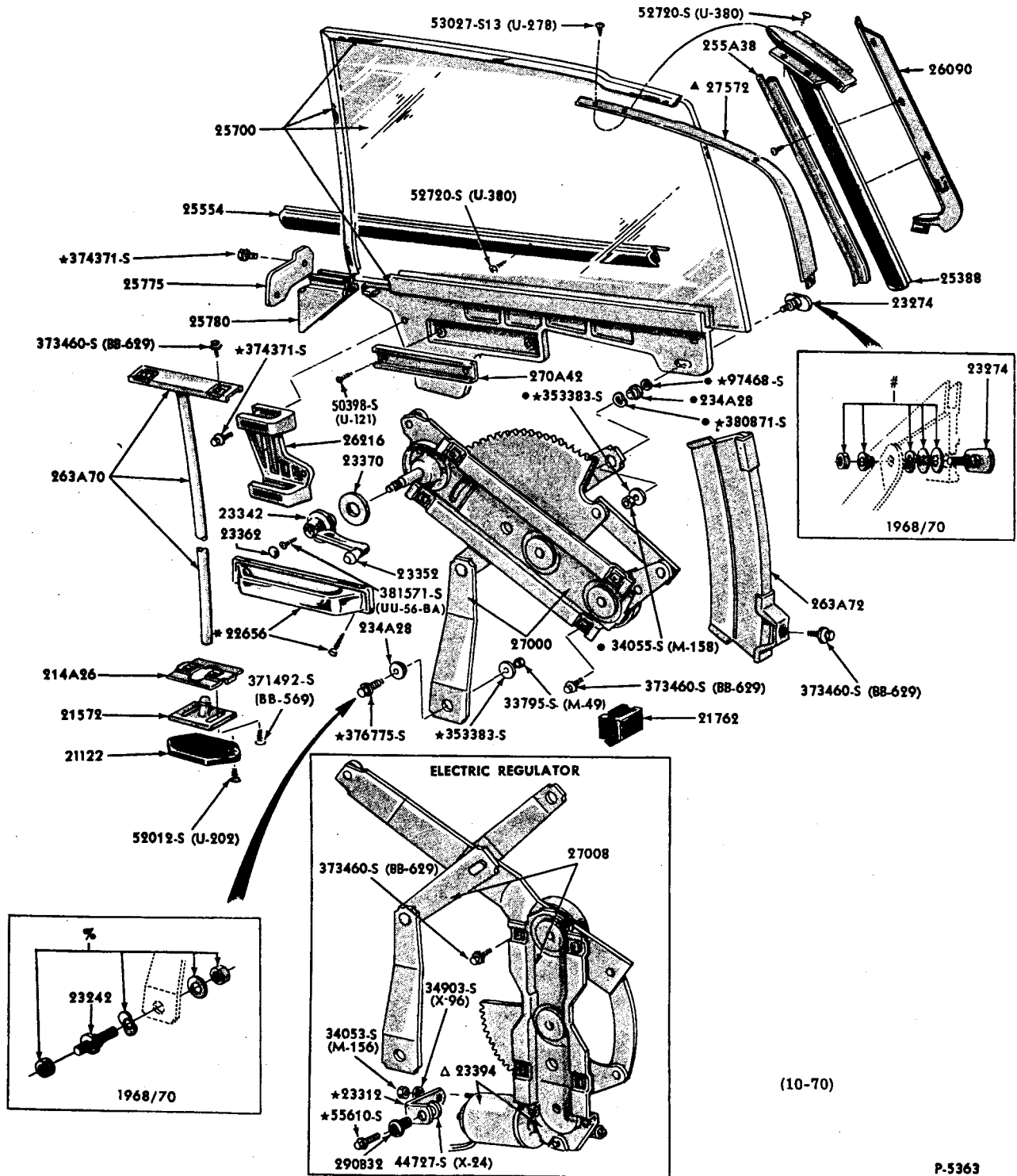
P-5073

\*379307-S

20700 20807

#USE BULK GLASS TAPE

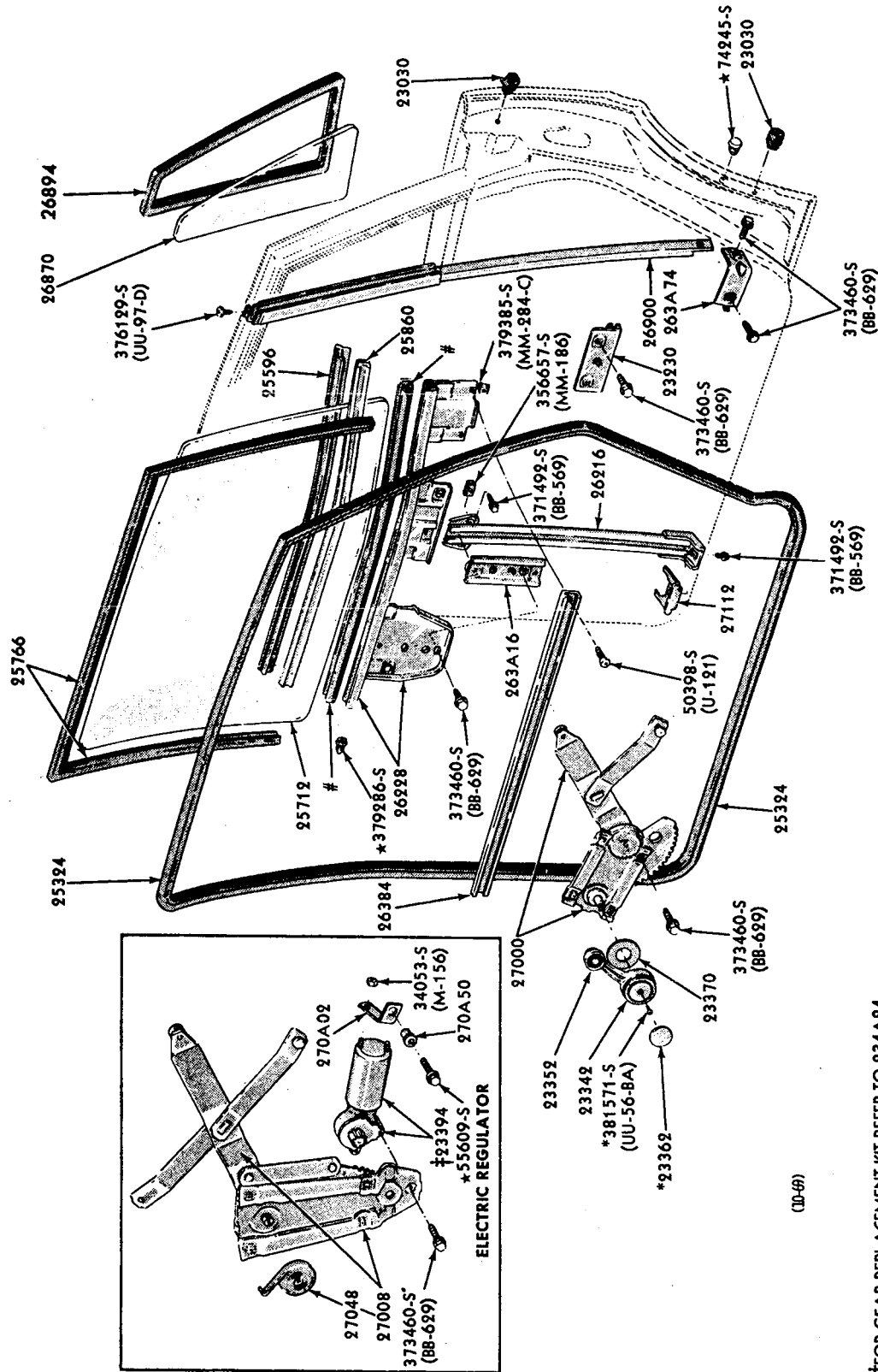
REAR DOOR WINDOW and RELATED PARTS  
1966/67 FAIRLANE - BODY TYPES 54, 71  
1966/70 FALCON - BODY TYPES 54, 71



\* INCLUDED WITH 23274      ▲ 1967 ONLY      \* REFER TO SOFT TRIM SECTION  
 Δ FOR GEAR REPLACEMENT KIT REFER TO GROUP 234A24  
 % INCLUDED WITH 23242      # INCLUDED WITH 23274

**REAR DOOR WINDOW and RELATED PARTS  
 1967/70 THUNDERBIRD - BODY TYPE 57**



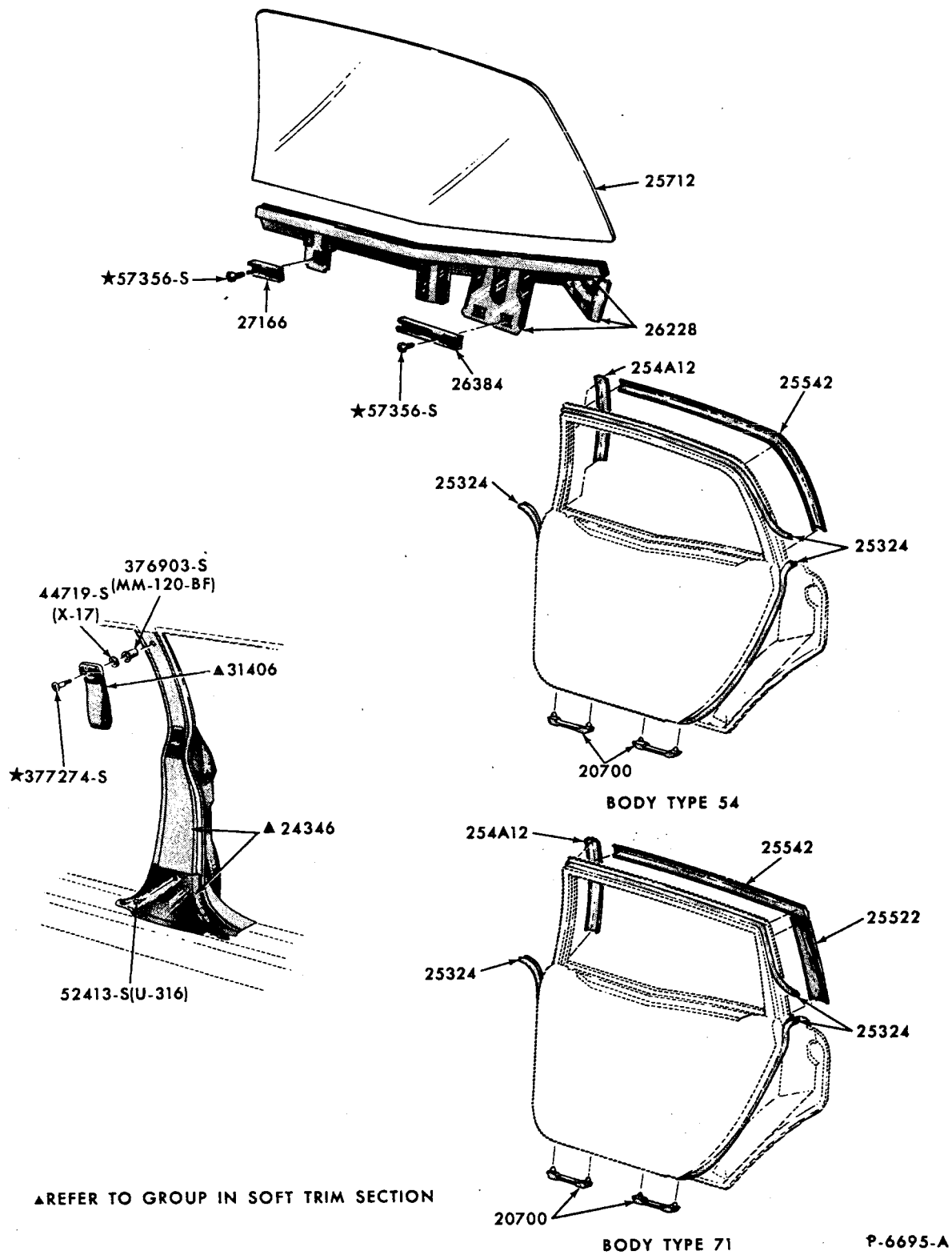


P-6293

†FOR GEAR REPLACEMENT KIT REFER TO 234A24  
#USE BULK GLASS TAPE  
\*ALSO INCLUDED WITH 23342

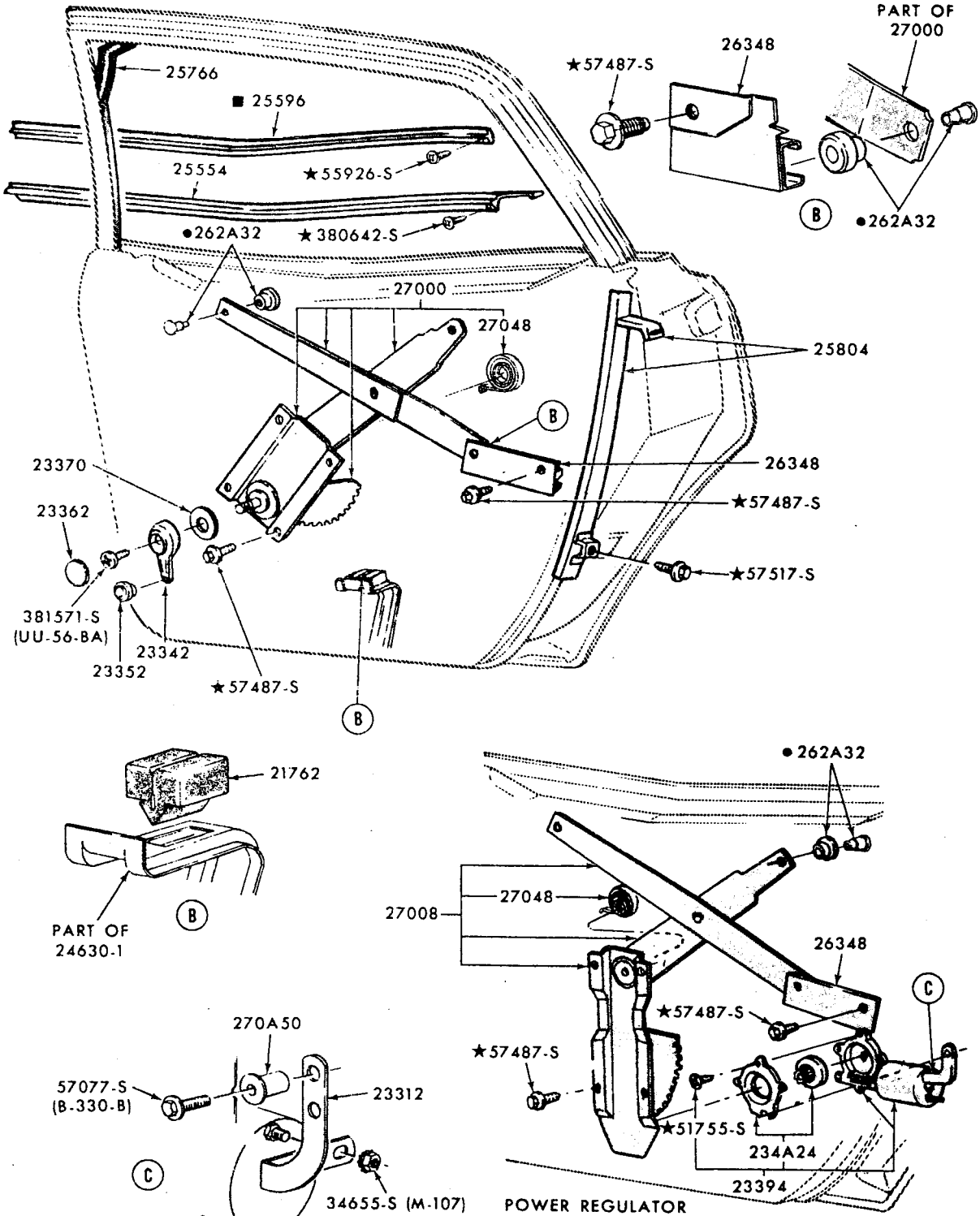
(10-4)

REAR DOOR WINDOW and RELATED PARTS  
1968/69 FAIRLANE/TORINO - BODY TYPE 71



REAR DOOR WINDOW and RELATED PARTS  
1969/70 FORD - BODY TYPES 54, 71

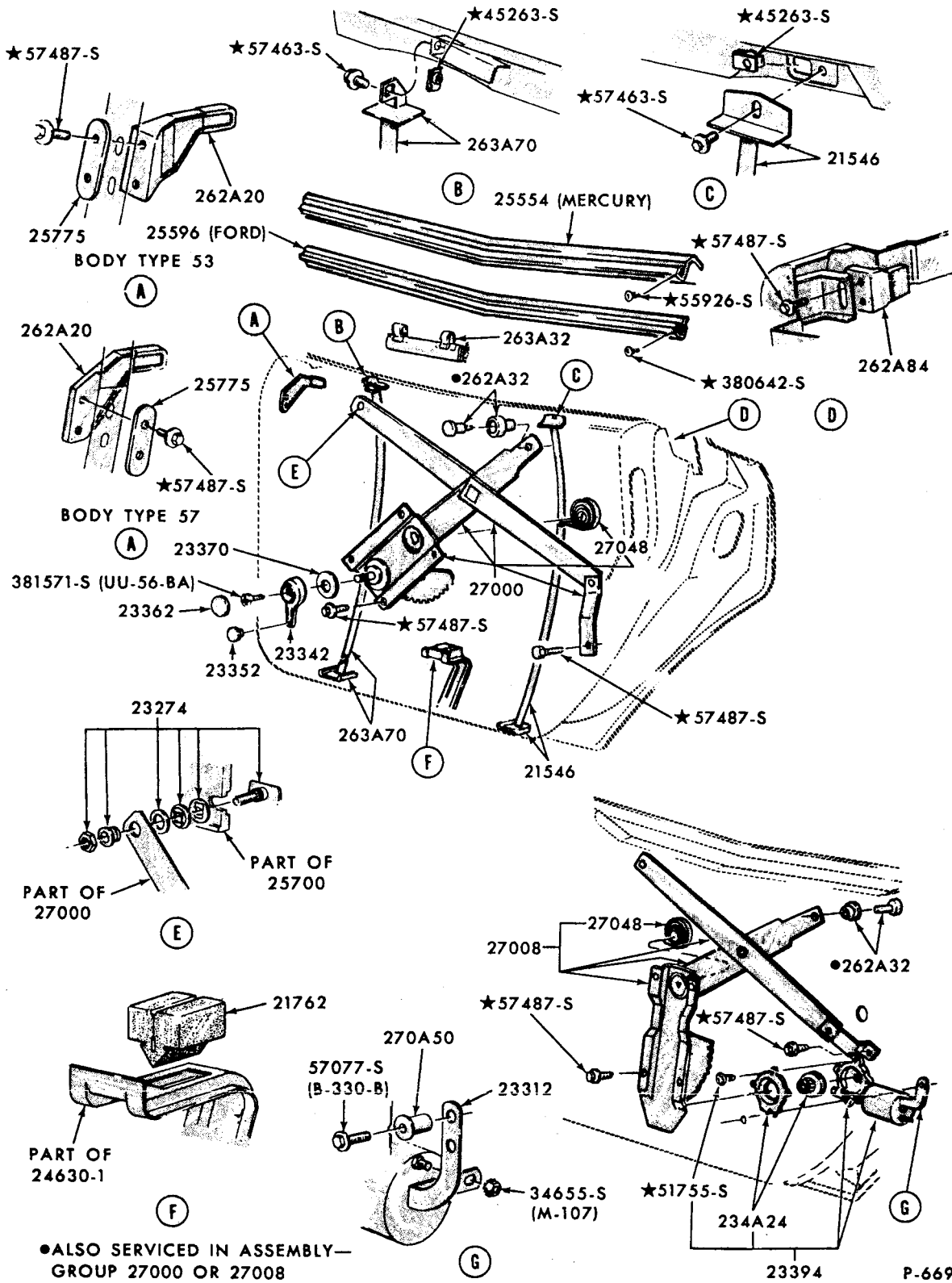




MERCURY - BODY TYPE 54   
  ALSO SERVICED IN ASSEMBLY-GROUP 27000-1 OR 27008-9 P-6695-B  
 FORD - BODY TYPE 54, 71 and MERCURY - BODY TYPE 71

REAR DOOR WINDOW and RELATED PARTS - continued  
 1969-70 FORD - BODY TYPES 54, 71

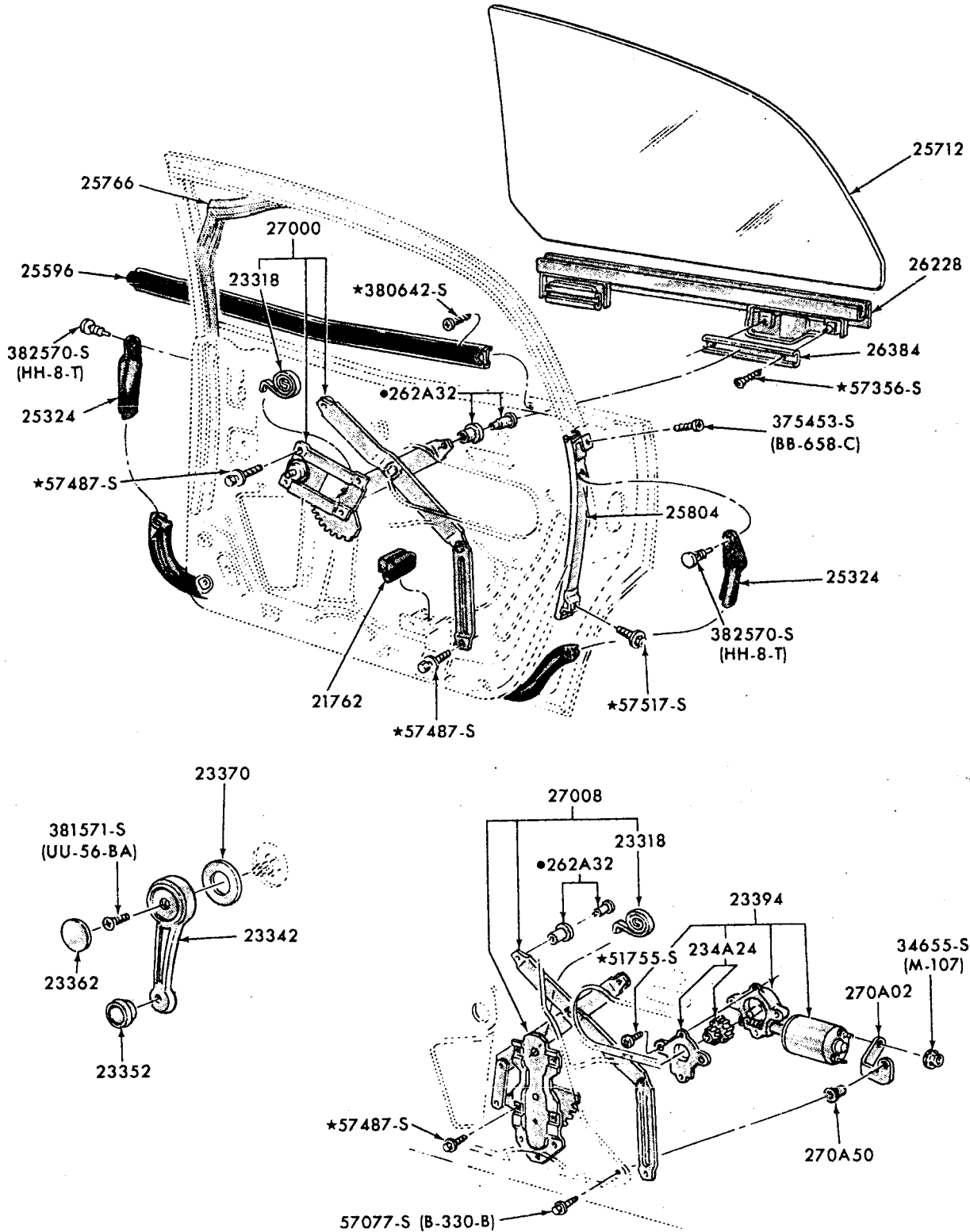




●ALSO SERVICED IN ASSEMBLY—  
GROUP 27000 OR 27008

REAR DOOR WINDOW and RELATED PARTS - continued  
1969/70 FORD - BODY TYPE 57

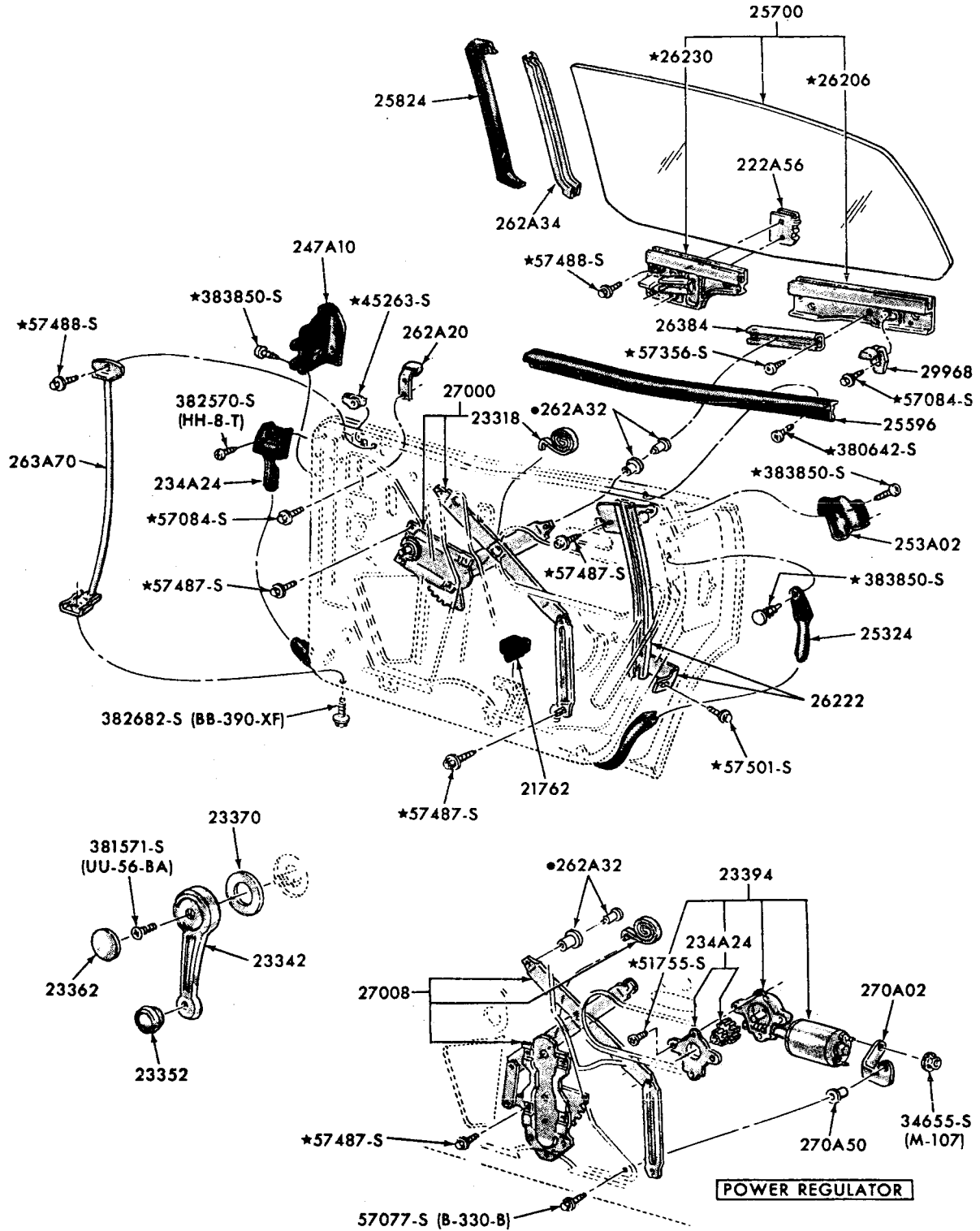
**FORD CAR PARTS**



• ALSO SERVICED IN ASSEMBLY - GROUP 27000 OR 27008

P-7092

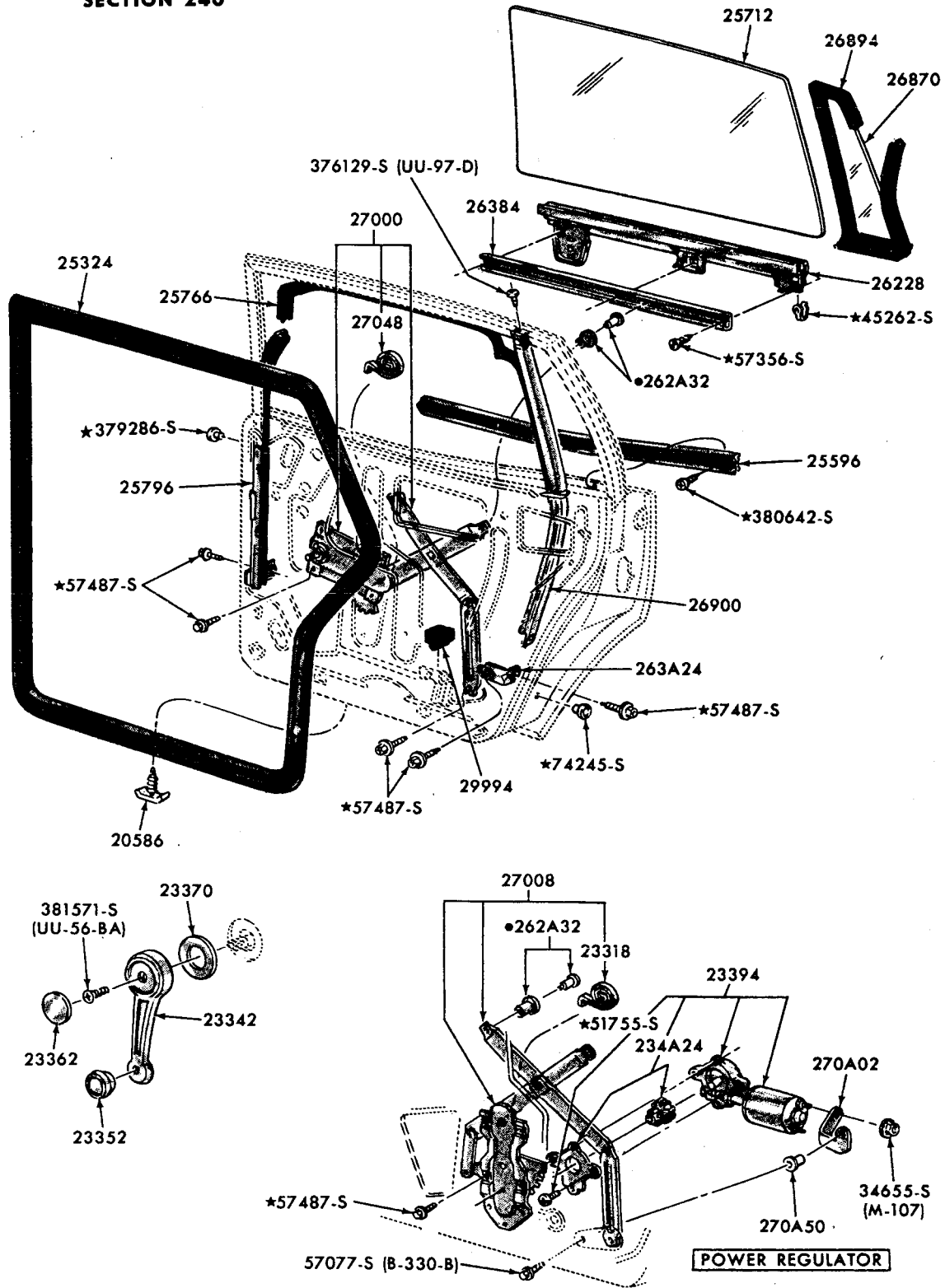
REAR DOOR WINDOW MECHANISM and RELATED PARTS  
1970/71 FAIRLANE/TORINO - BODY TYPE 54



•ALSO SERVICED IN ASSEMBLY-GROUP 27000 OR 27008

P-7096

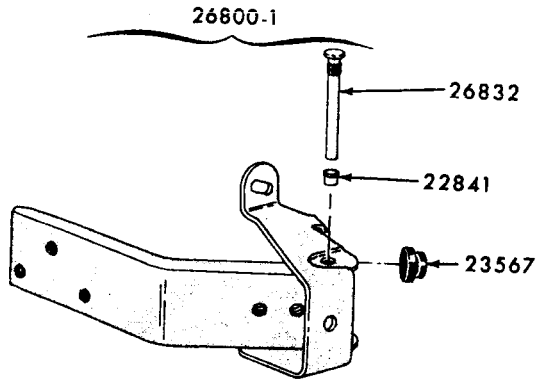
REAR DOOR WINDOW MECHANISM and RELATED PARTS  
1970 FAIRLANE/TORINO - BODY TYPE 57



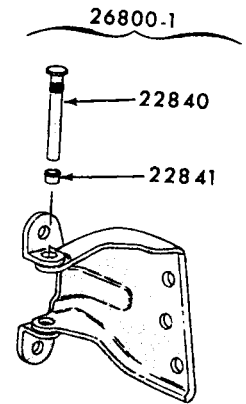
•ALSO SERVICED IN ASSEMBLY-GROUP 27000 OR 27008

P-7093

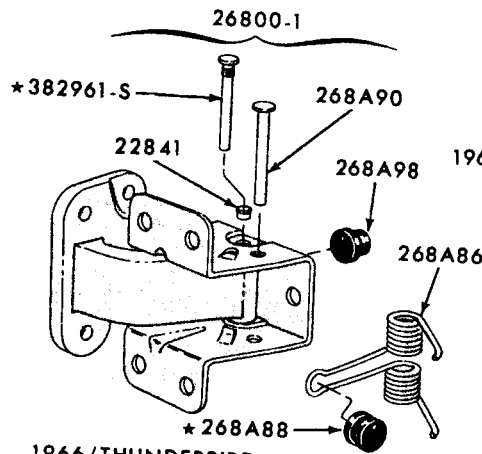
REAR DOOR WINDOW MECHANISM and RELATED PARTS  
1970/71 FAIRLANE/TORINO - BODY TYPE 71



1965 LINCOLN



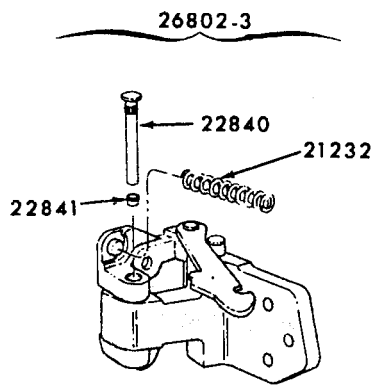
1965/FORD, FAIRLANE/TORINO, FALCON, MERCURY AND COMET/MONTEGO



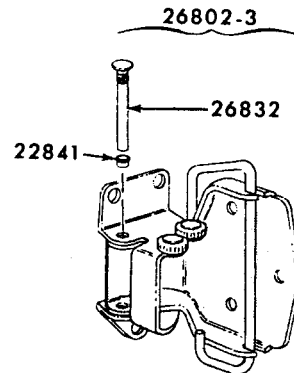
1966/THUNDERBIRD AND LINCOLN

REAR DOOR HINGES - UPPER  
1965/72 ALL

P-6982



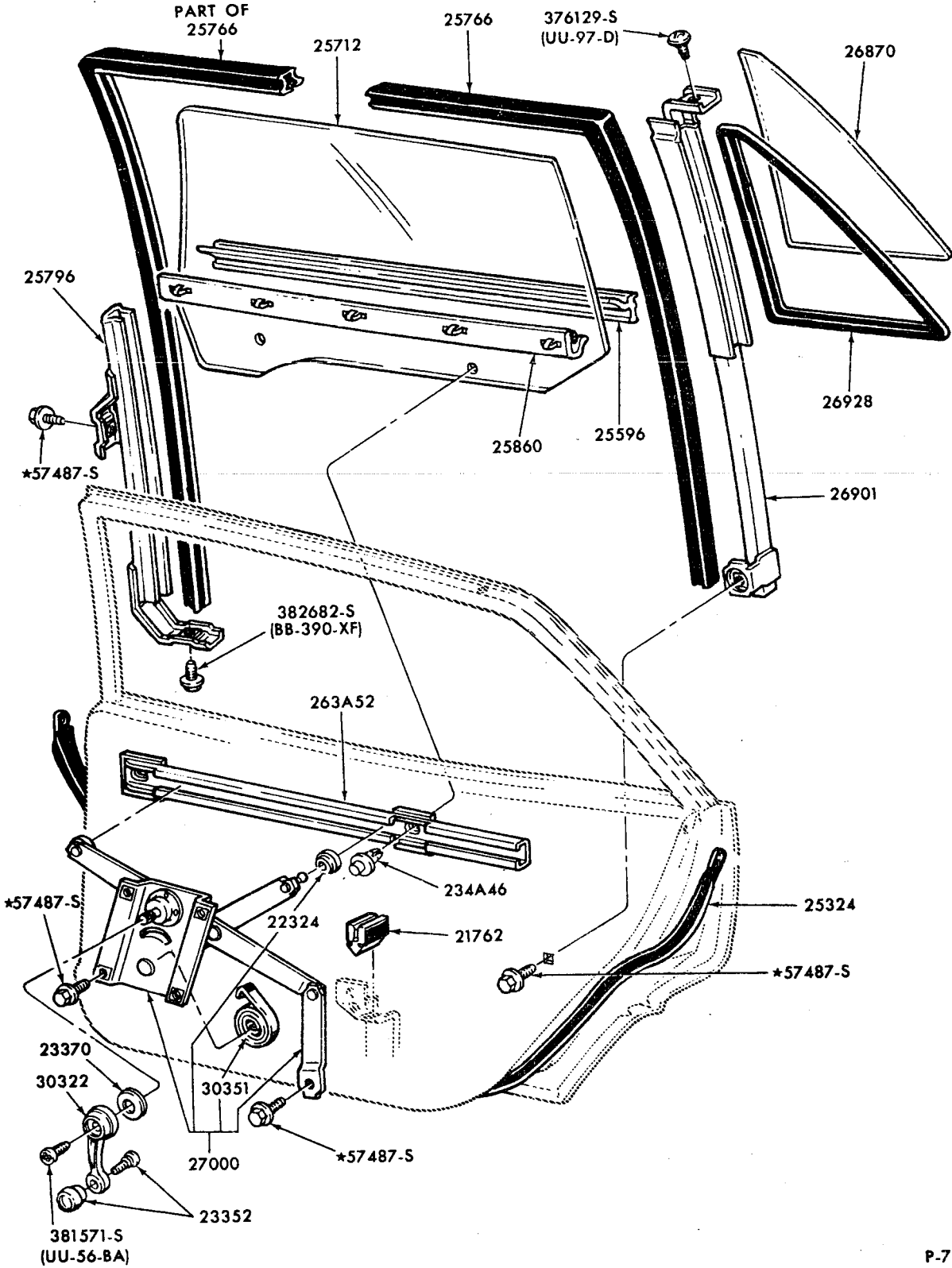
1965/68 FORD AND MERCURY, 1965 FAIRLANE  
1965/70 FALCON, 1965/67 COMET



1969 FORD AND MERCURY, 1965 FAIRLANE/TORINO, FALCON AND THUNDERBIRD, 1968/COMET/MONTEGO, 1965/LINCOLN

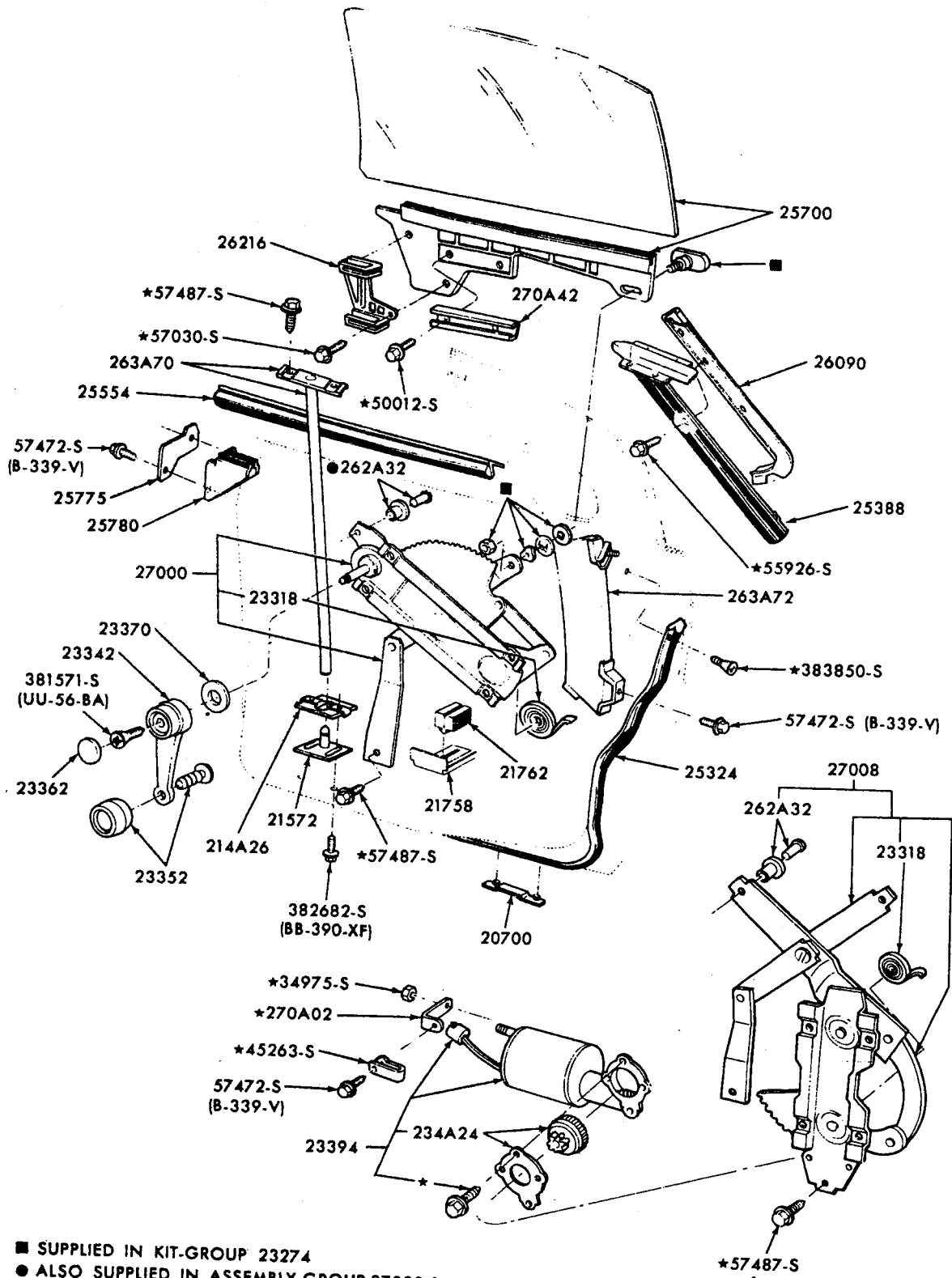
P-6983

REAR DOOR HINGES - LOWER  
1965/72 ALL



REAR DOOR WINDOW and RELATED PARTS  
1971/72 MAVERICK - BODY TYPE 54

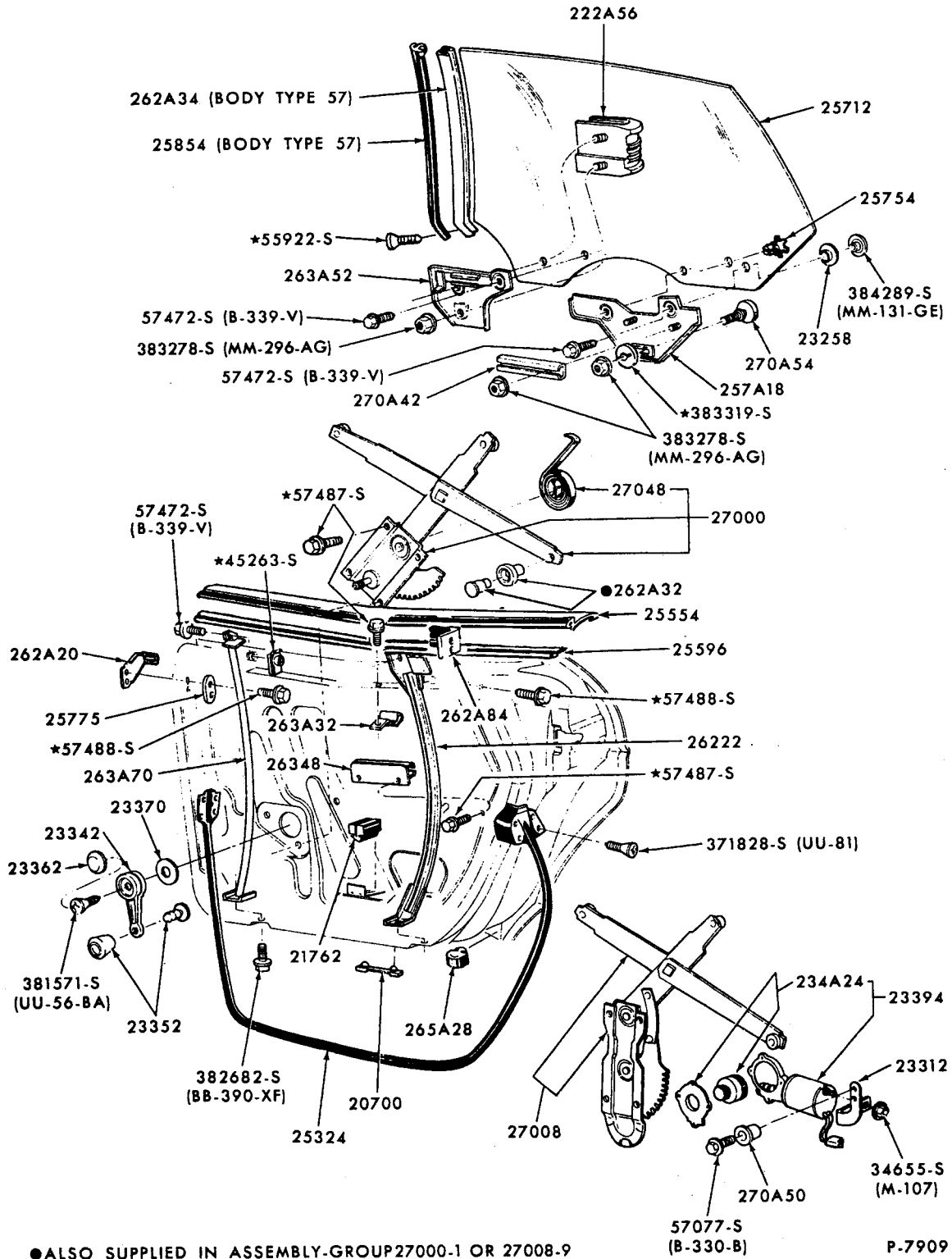




- SUPPLIED IN KIT-GROUP 23274
- ALSO SUPPLIED IN ASSEMBLY-GROUP 27000-1

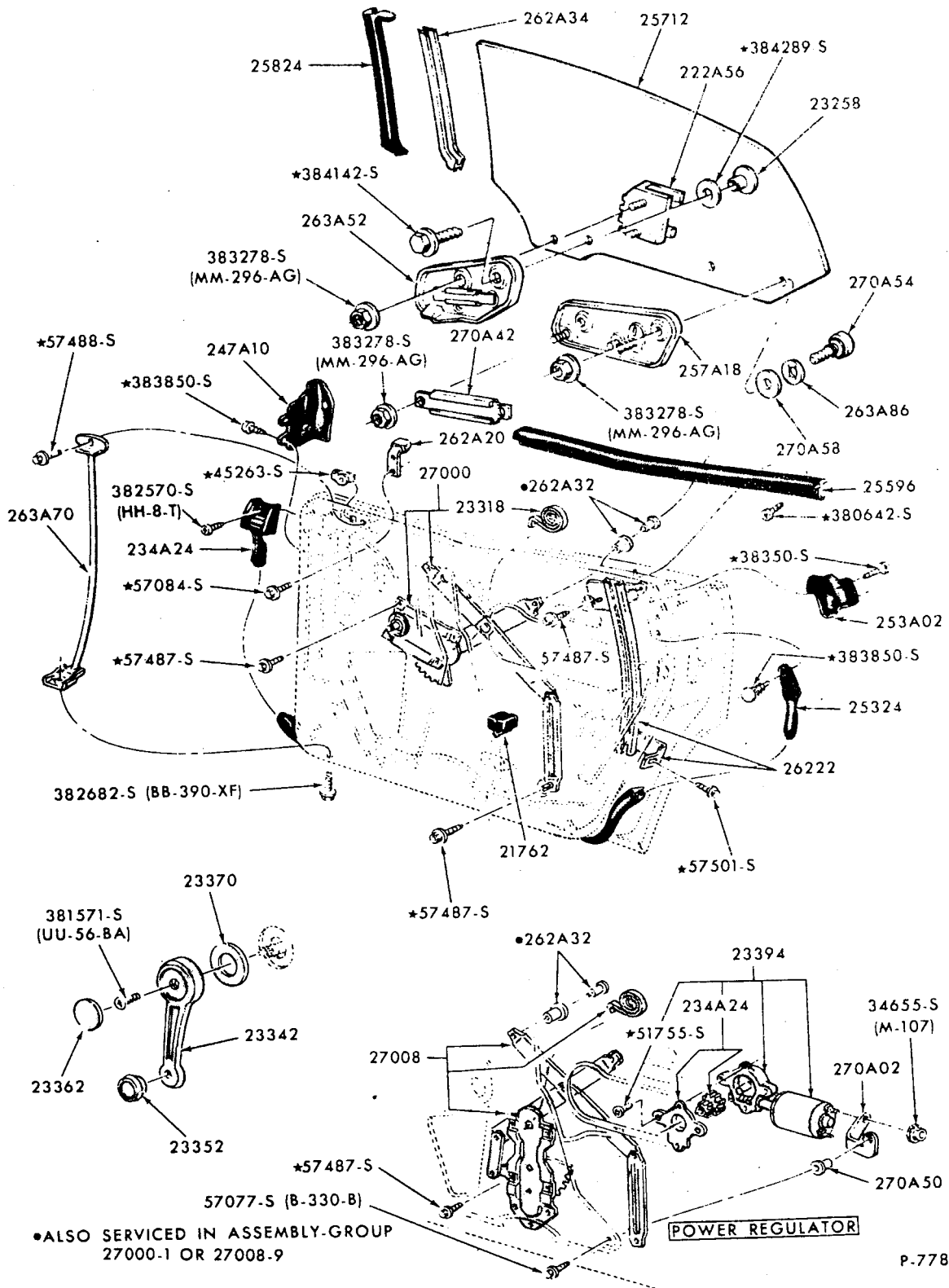
REAR DOOR WINDOW and RELATED PARTS  
1971 THUNDERBIRD - BODY TYPE 57

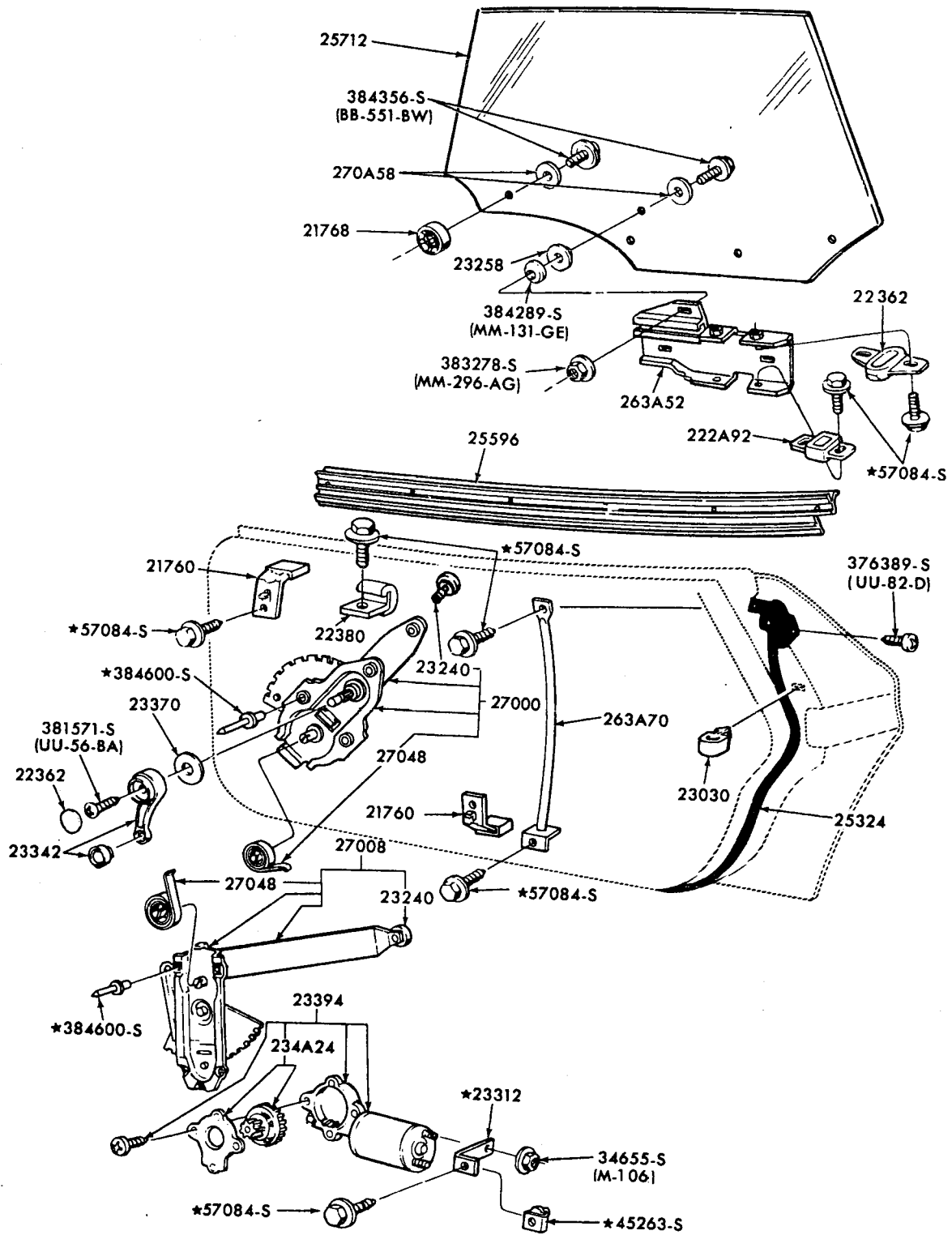
P-7981



**REAR DOOR WINDOW and RELATED PARTS  
1971/72 FORD - BODY TYPES 53, 57**







P-8790

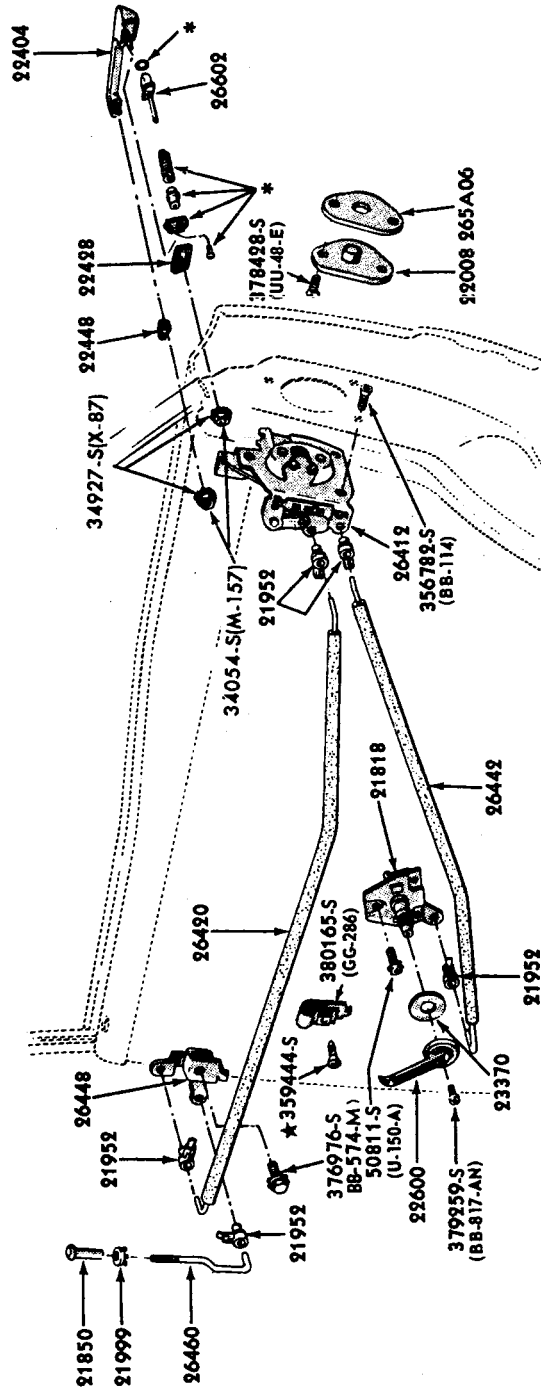
REAR DOOR WINDOW and RELATED PARTS  
1972 TORINO - BODY TYPES 53, 71

May, 1975

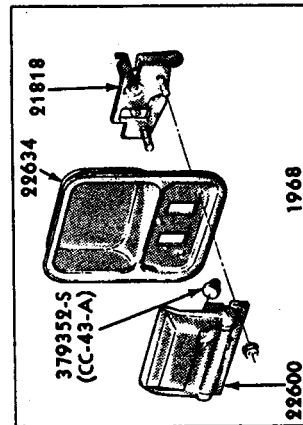
COPYRIGHT © 1975 - FORD MOTOR COMPANY - DEARBORN, MICHIGAN

FINAL ISSUE

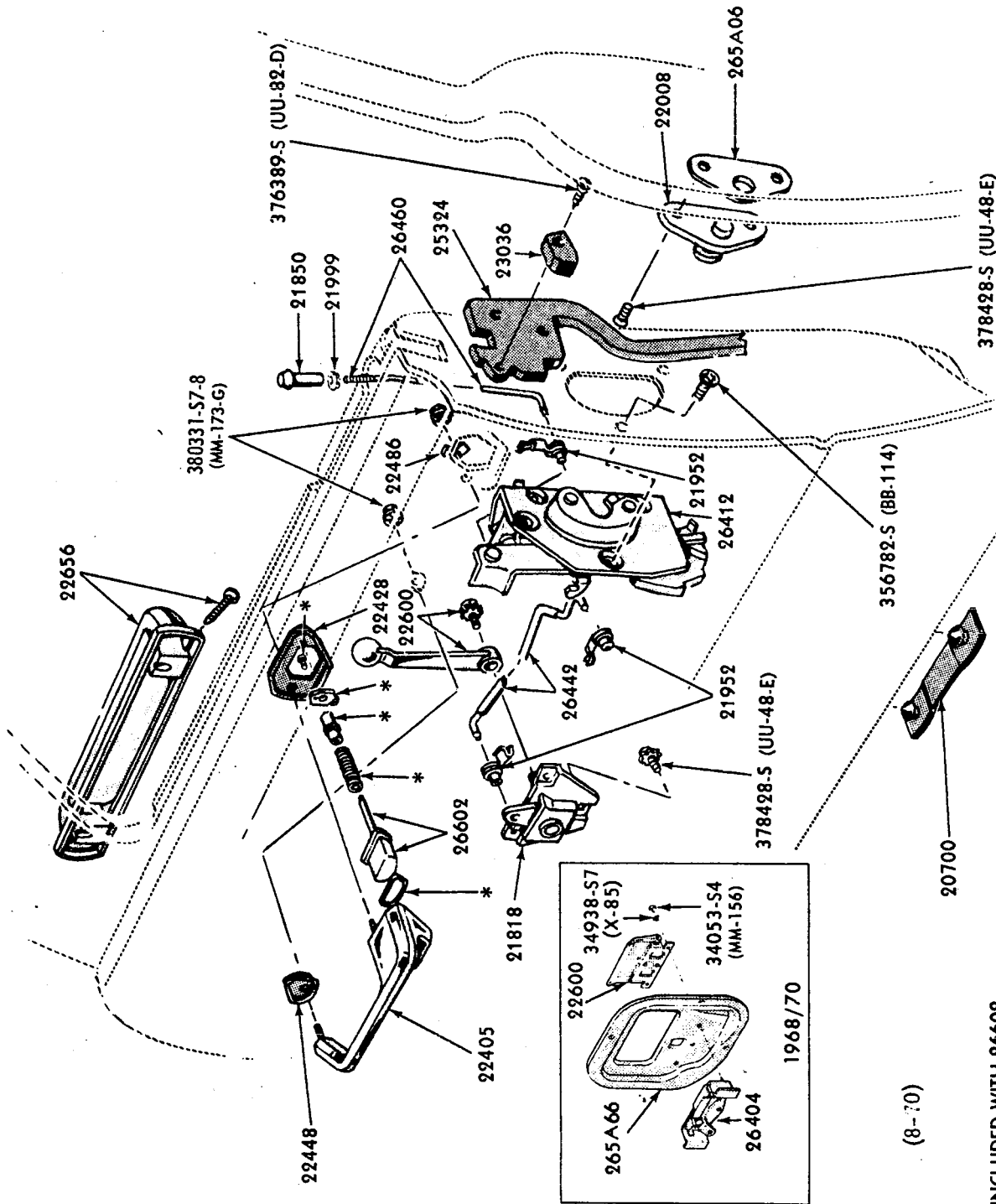




\*INCLUDED WITH 26602



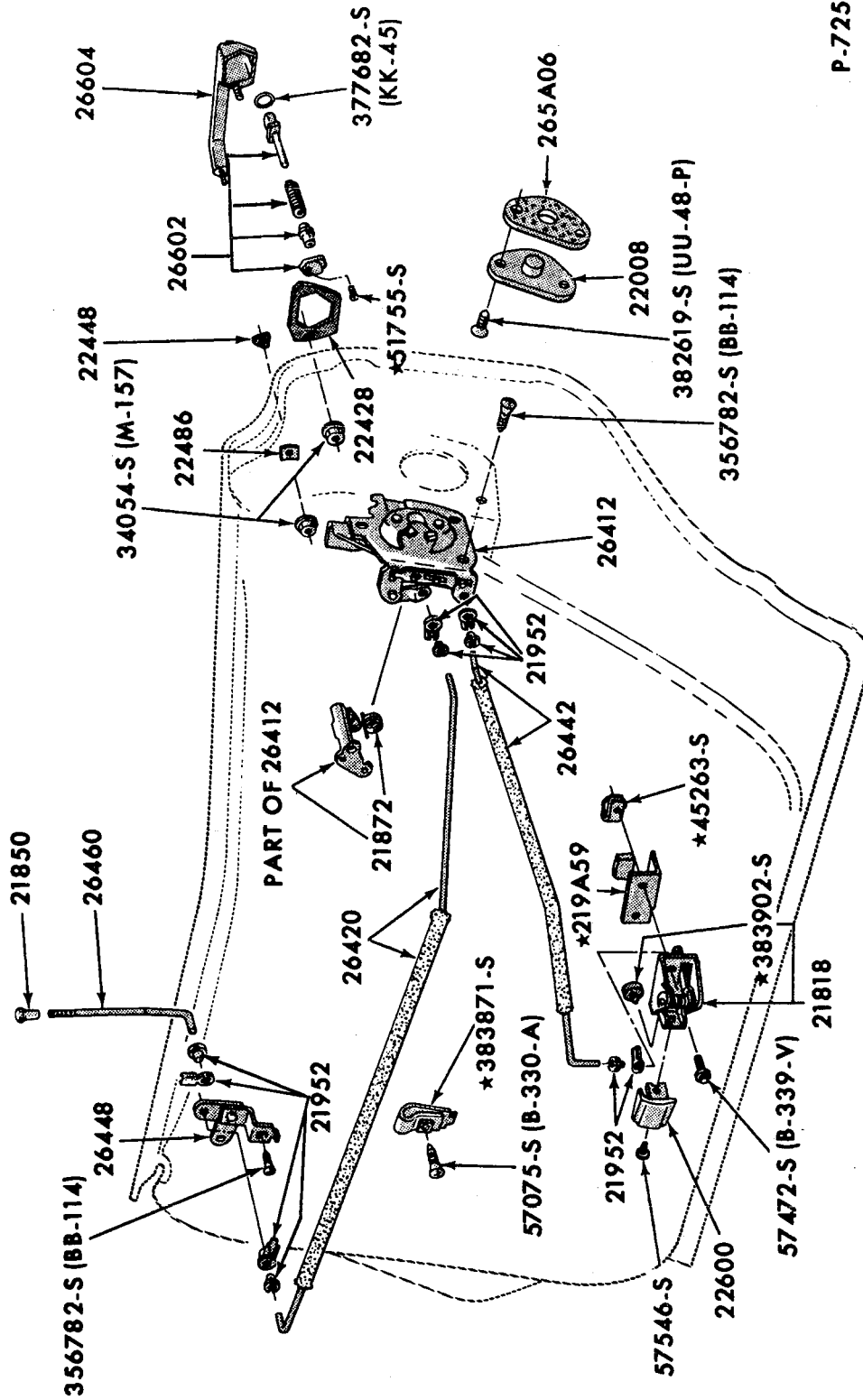
REAR DOOR HANDLES, LATCH, and RELATED PARTS  
1966/68 FAIRLANE/TORINO and FALCON - BODY TYPES 54, 71



REAR DOOR HANDLES, LATCH, and RELATED PARTS  
1967/70 THUNDERBIRD - BODY TYPE 57

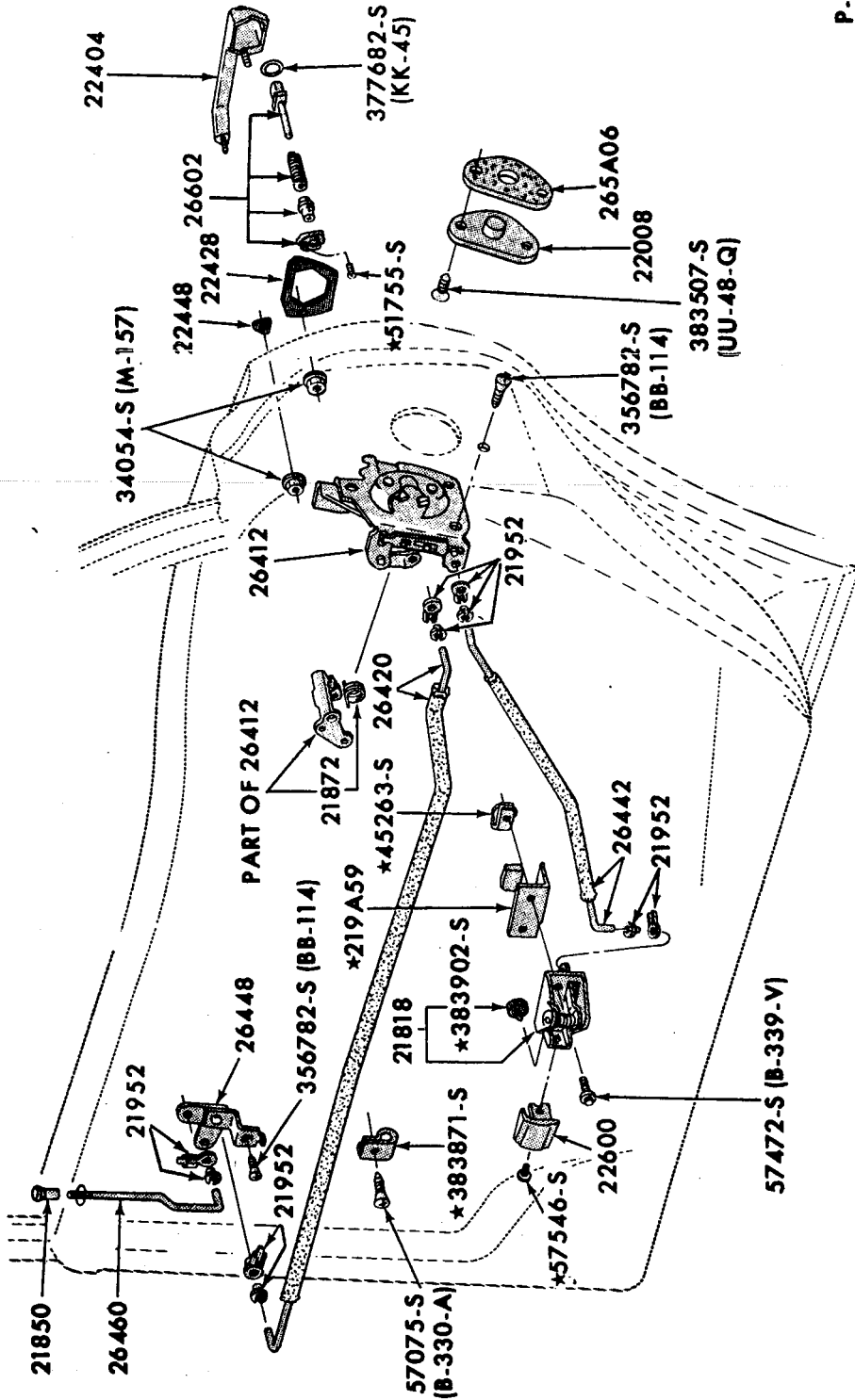
\*INCLUDED WITH 26602





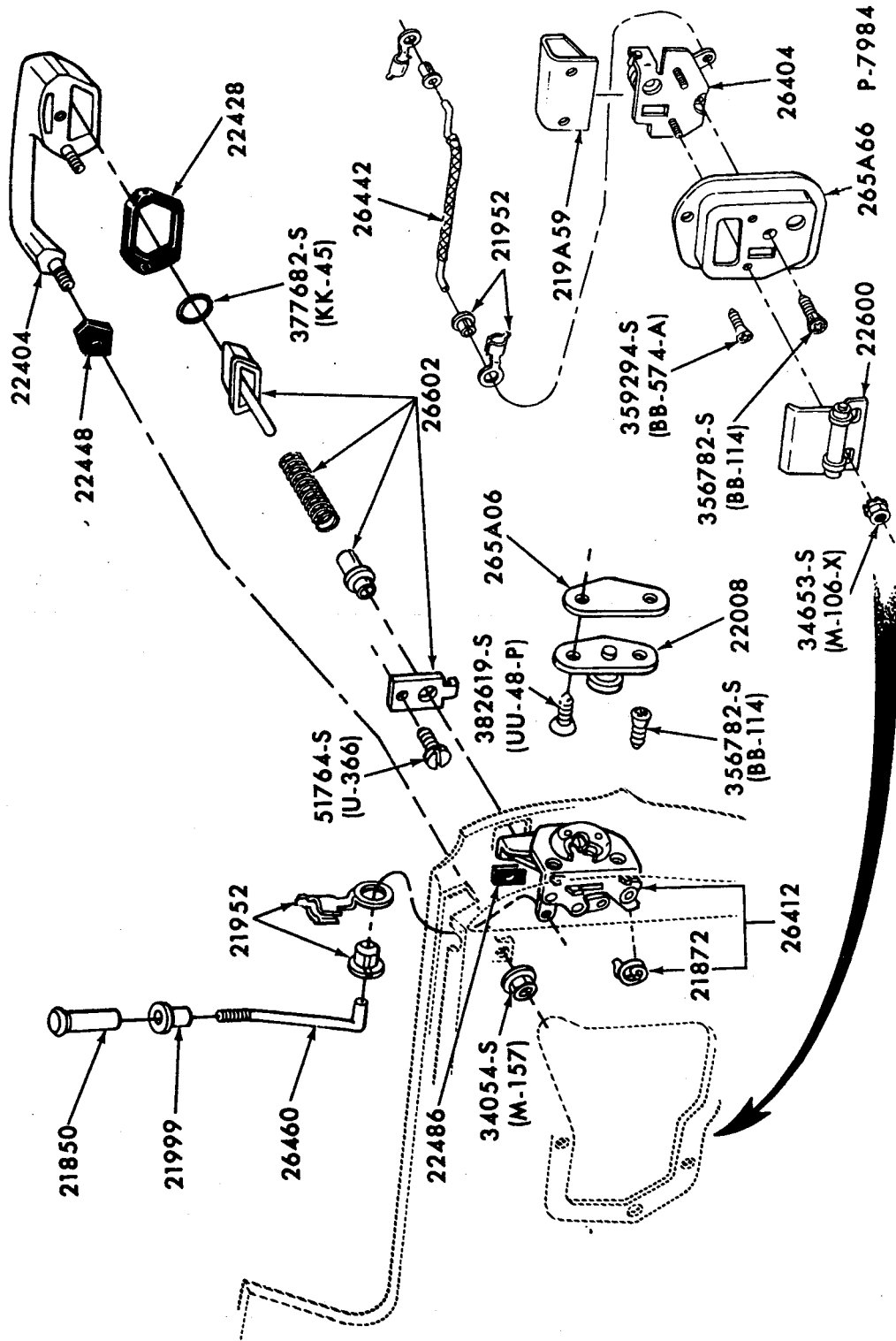
REAR DOOR HANDLES, LATCH and RELATED PARTS  
1969/70 FORD - BODY TYPES 54, 57, 71

P-7252

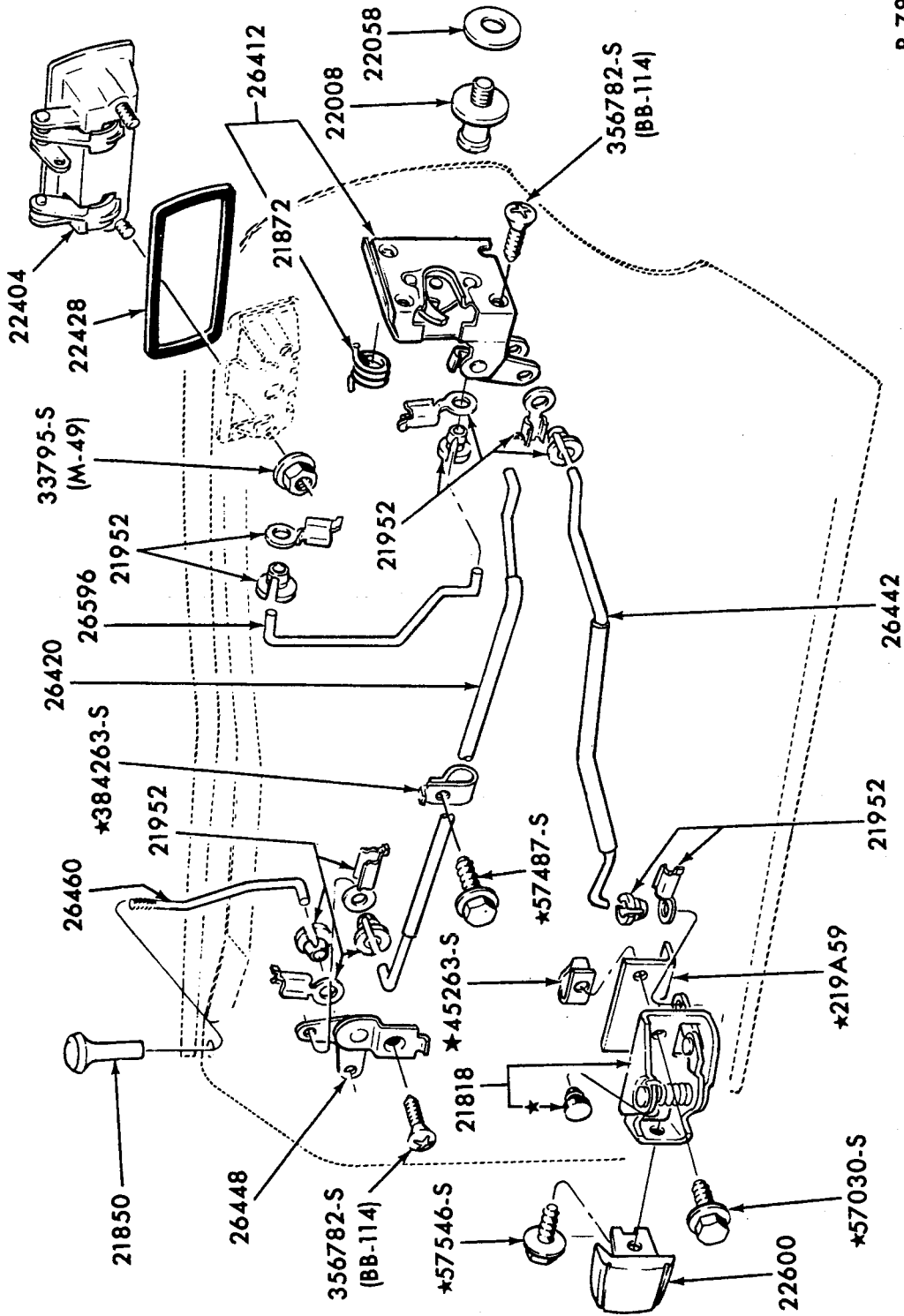


REAR DOOR HANDLES, LATCH and RELATED PARTS  
1969/71 FAIRLANE/TORINO and FALCON - BODY TYPE 54, 57, 71

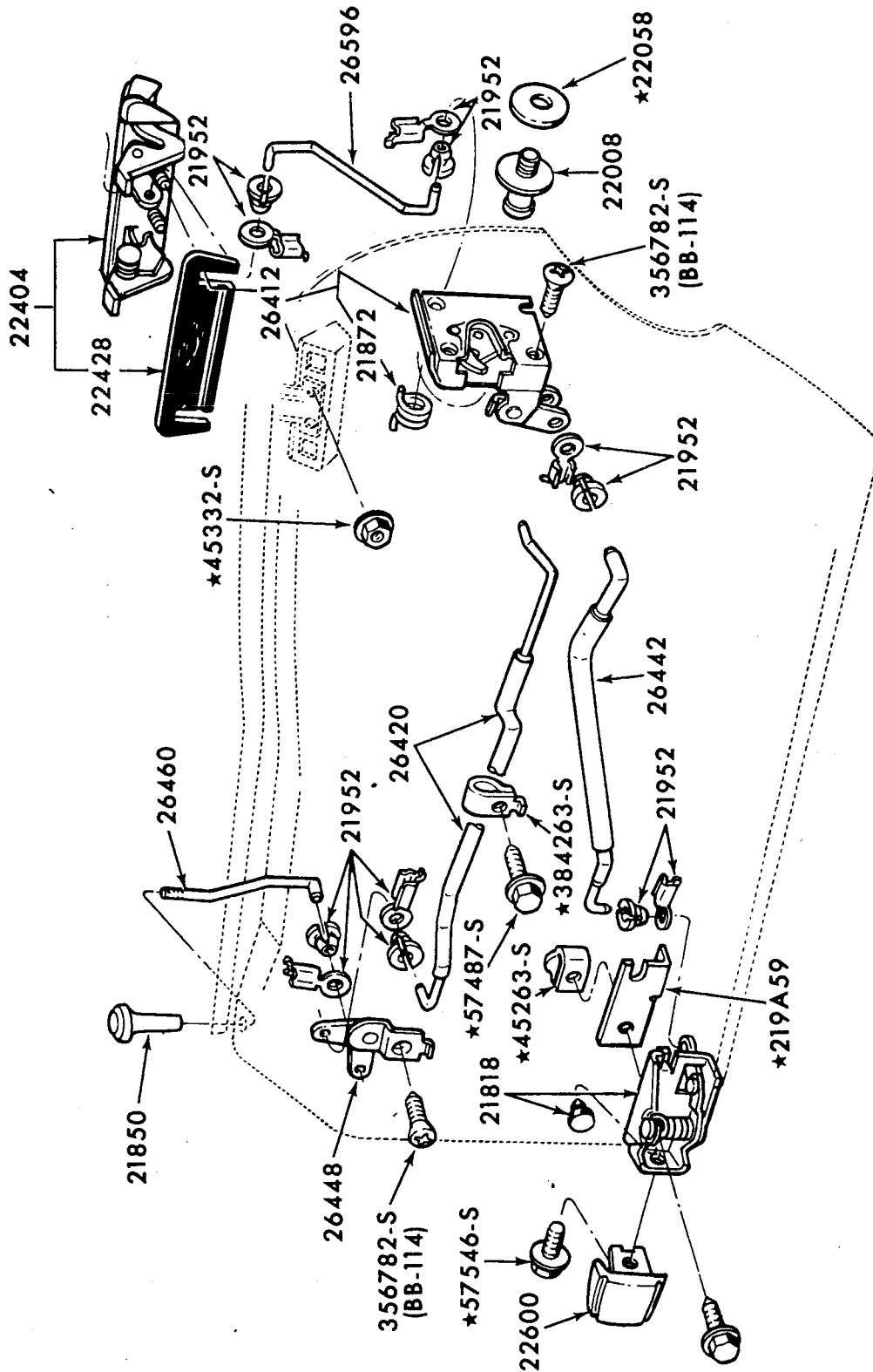




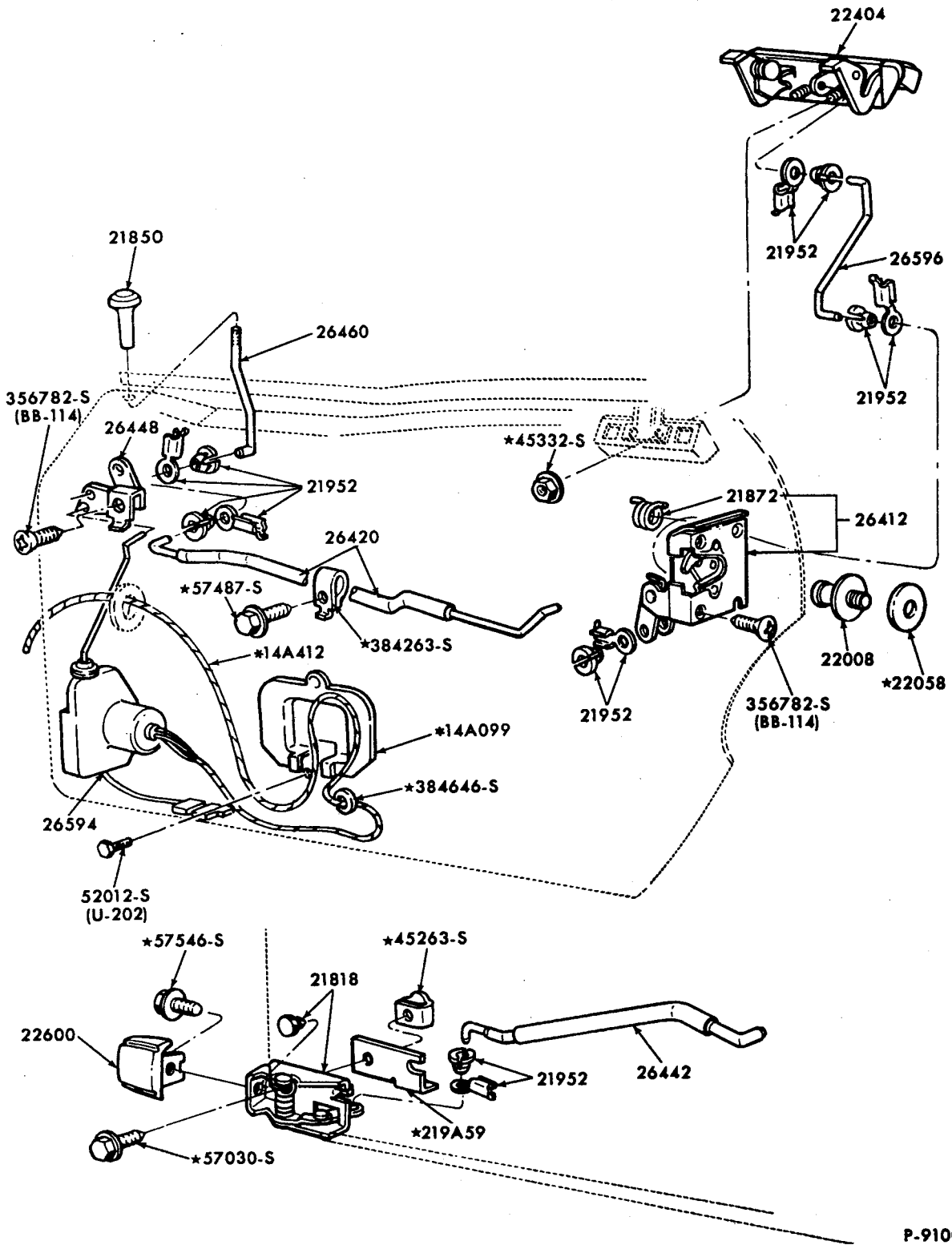
REAR DOOR HANDLES, LATCH and RELATED PARTS  
1971 THUNDERBIRD - BODY TYPE 57



REAR DOOR HANDLES, LATCH and RELATED PARTS  
1971 1/2 FORD - BODY TYPES 53, 54, 57, 71

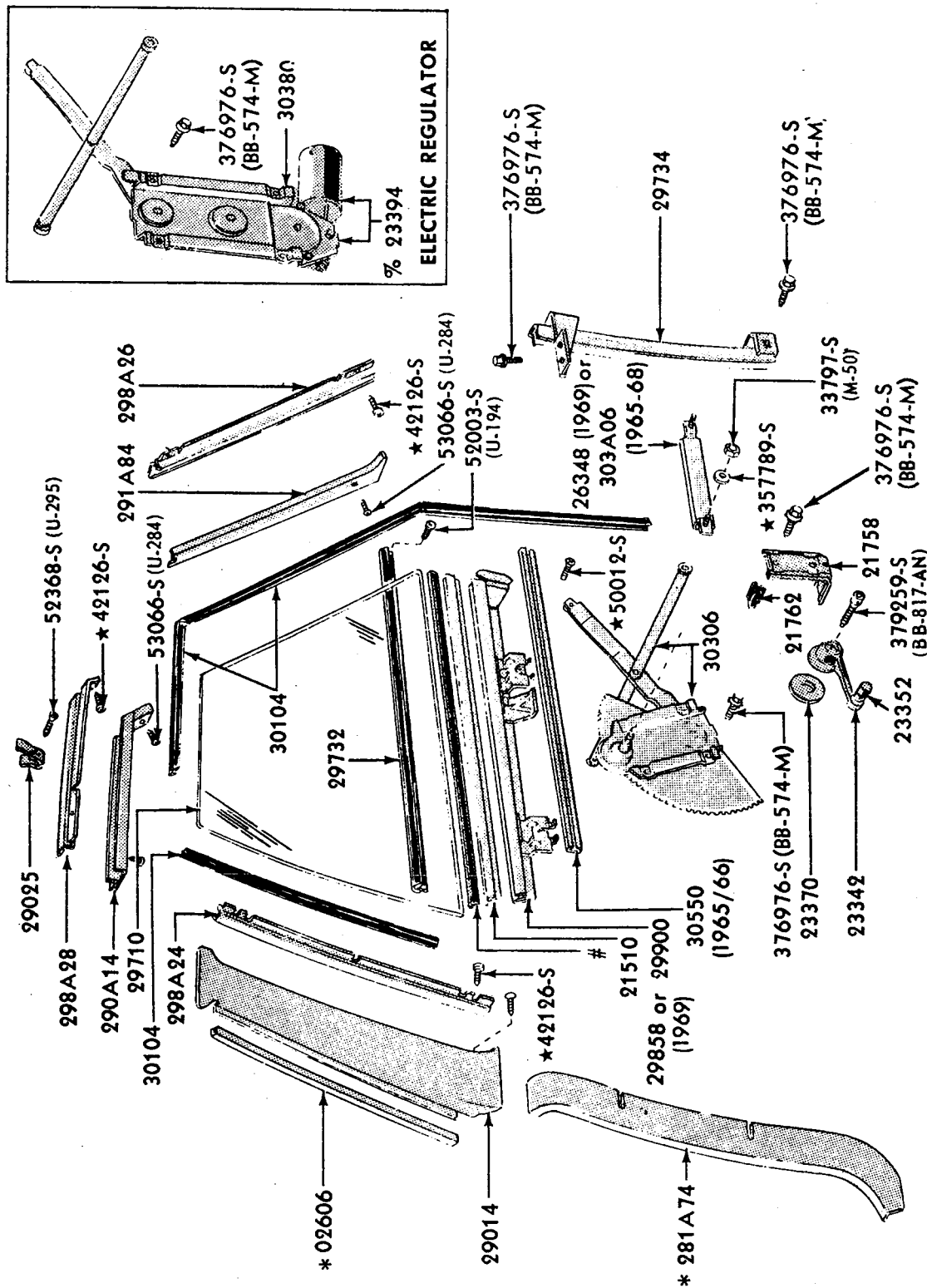


REAR DOOR LATCH and RELATED PARTS  
1972 TORINO - BODY TYPES 53, 71



P-9100

ELECTRIC REAR DOOR LATCH SYSTEM  
1972 TORINO - BODY TYPES 53,71



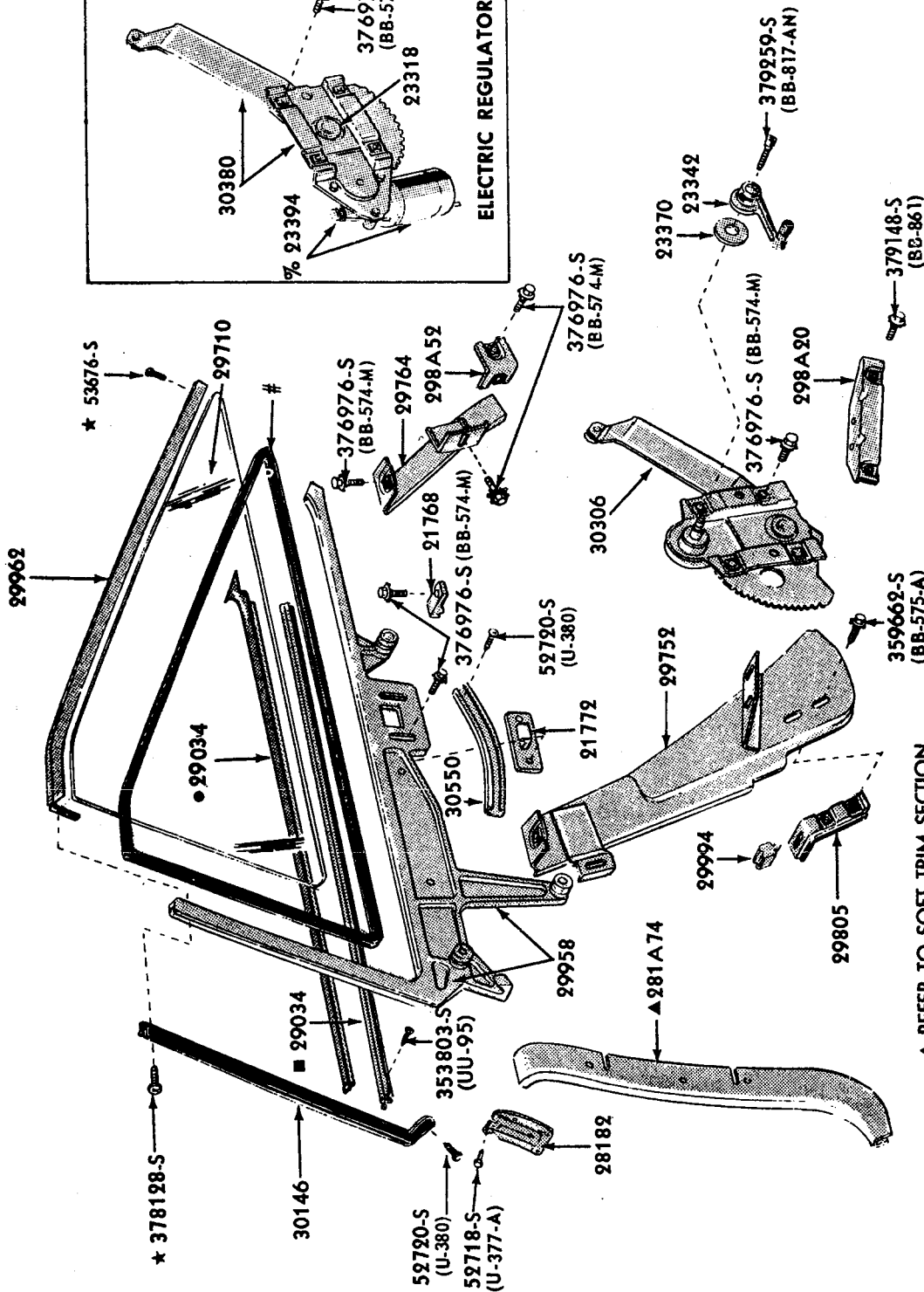
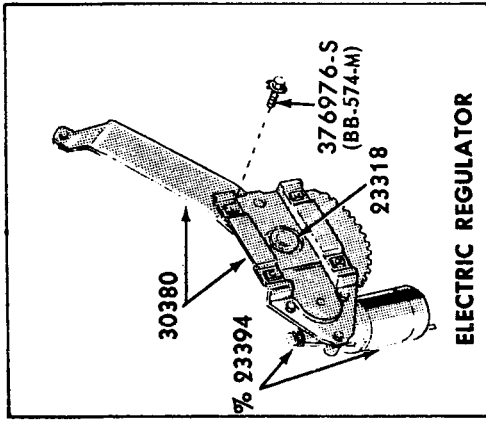
\* REFER TO SOFT TRIM SECTION

# USE BULK GLASS TAPE

% FOR GEAR REPLACEMENT KIT REFER TO GROUP 234A24

QUARTER WINDOW and RELATED PARTS  
1965/69 FORD - BODY TYPE 62

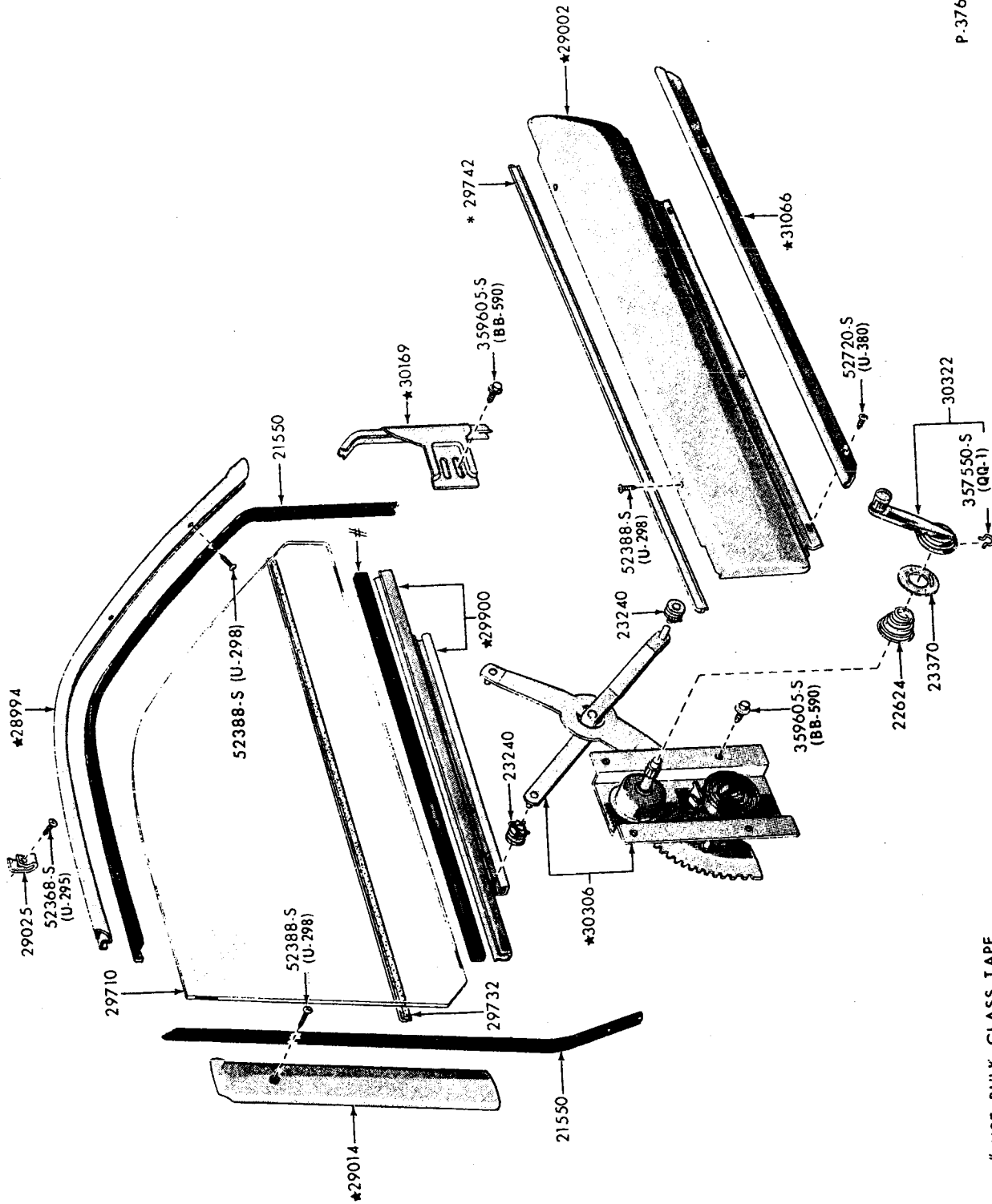




▲ REFER TO SOFT TRIM SECTION  
 # USE BULK GLASS TAPE  
 ■ 1965  
 ● 1966  
 % FOR GEAR REPLACEMENT KIT REFER TO GROUP 234A24

QUARTER WINDOW and RELATED PARTS  
 1965/67 FORD - BODY TYPE 63

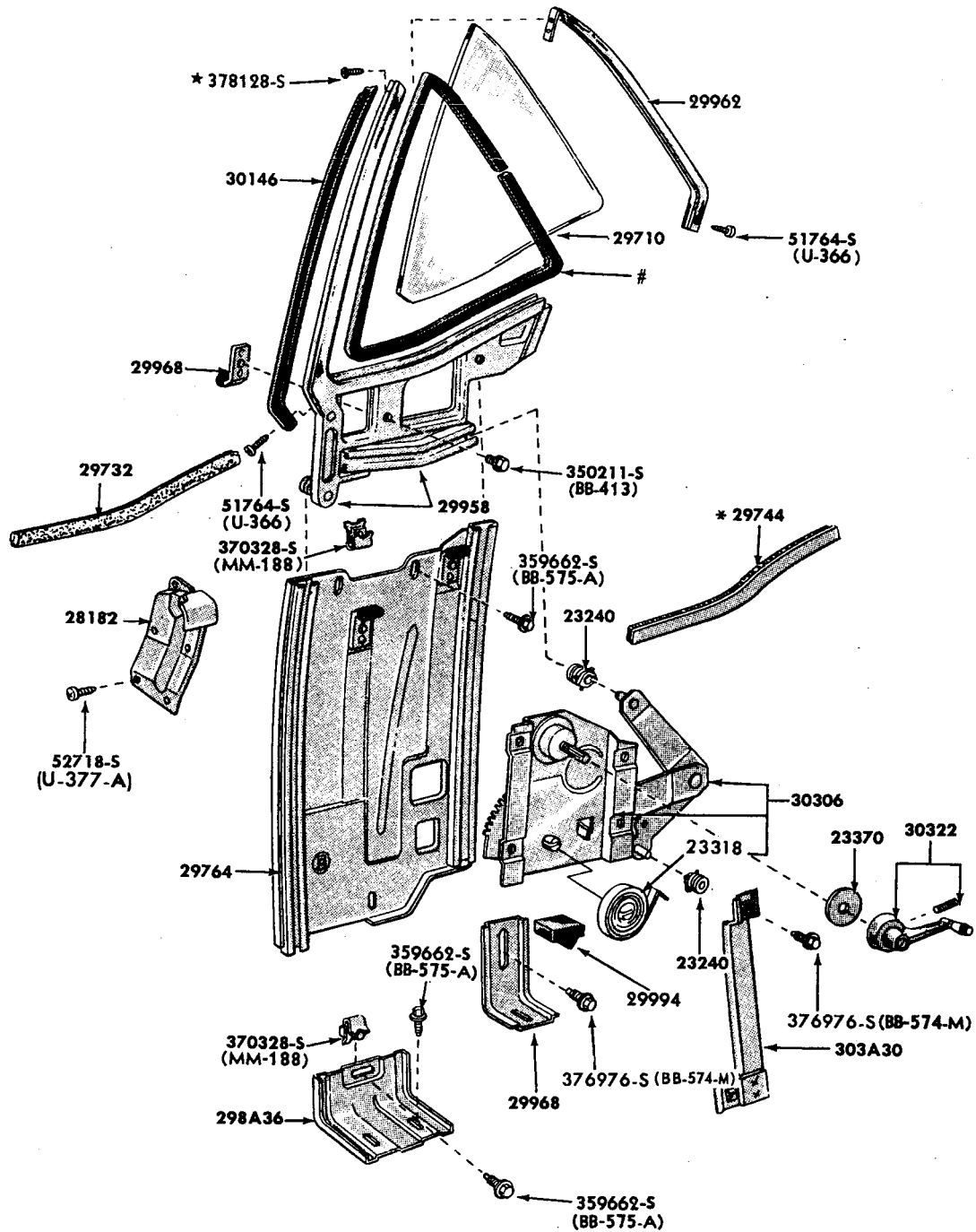




# USE BULK GLASS TAPE  
\* ALSO INCLUDED WITH 29002-3

QUARTER WINDOW and RELATED PARTS  
1965 FAIRLANE - BODY TYPE 62



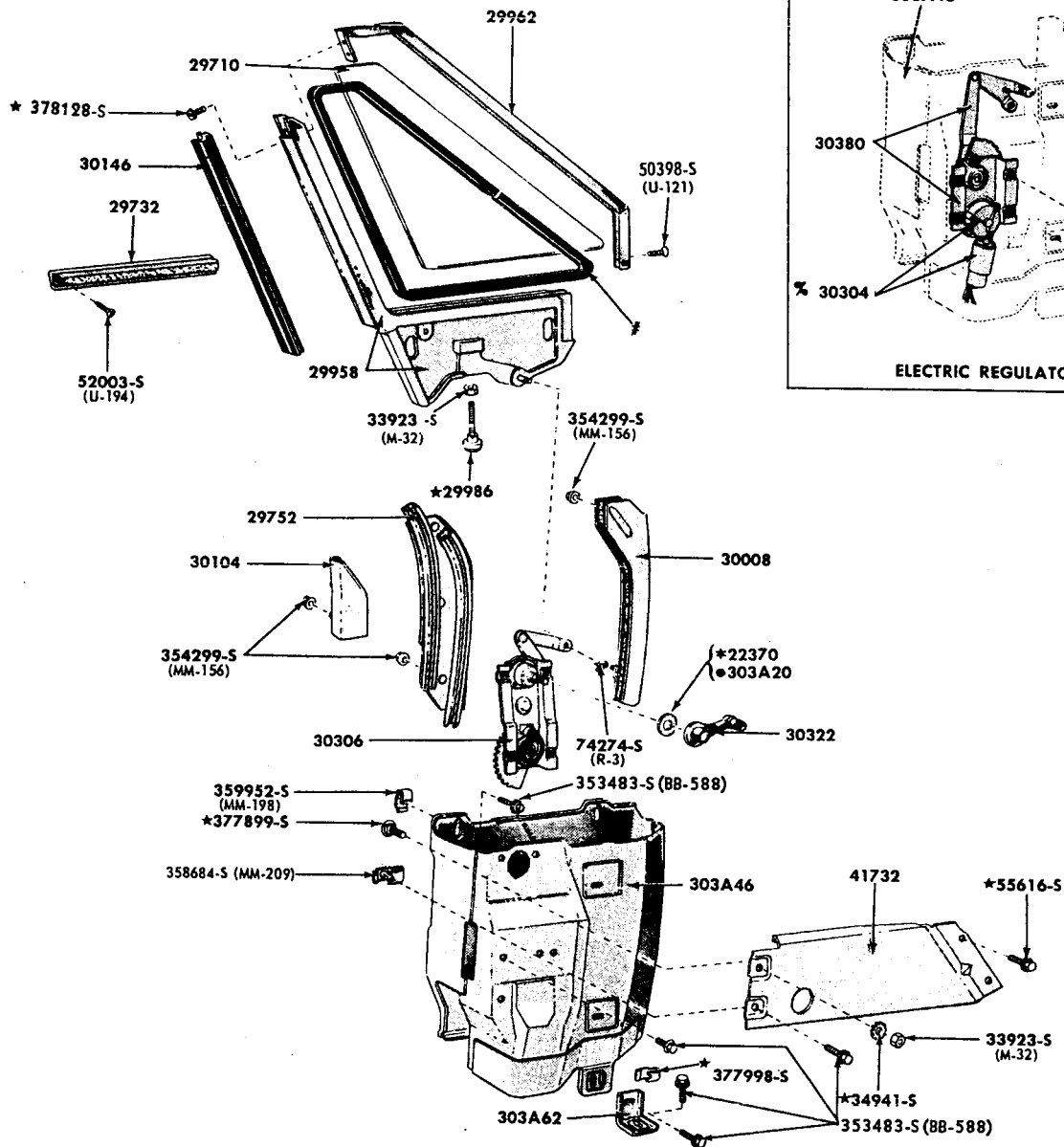
**FORD CAR PARTS**

\* ALSO INCLUDED WITH 31136-7

# USE BULK GLASS TAPE

P-4496

QUARTER WINDOW and RELATED PARTS  
1965/66 MUSTANG - BODY TYPES 65, 76



#USE BULK GLASS TAPE  
 \*BODY TYPES S(63A, 76)  
 •BODY TYPE S(63B)  
 % FOR GEAR REPLACEMENT KIT REFER TO GROUP 234A24

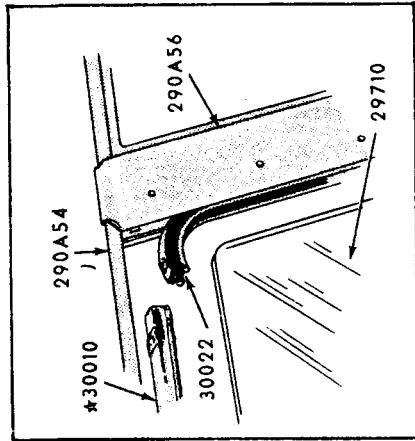
P-4344

QUARTER WINDOW and RELATED PARTS  
 1965/66 THUNDERBIRD

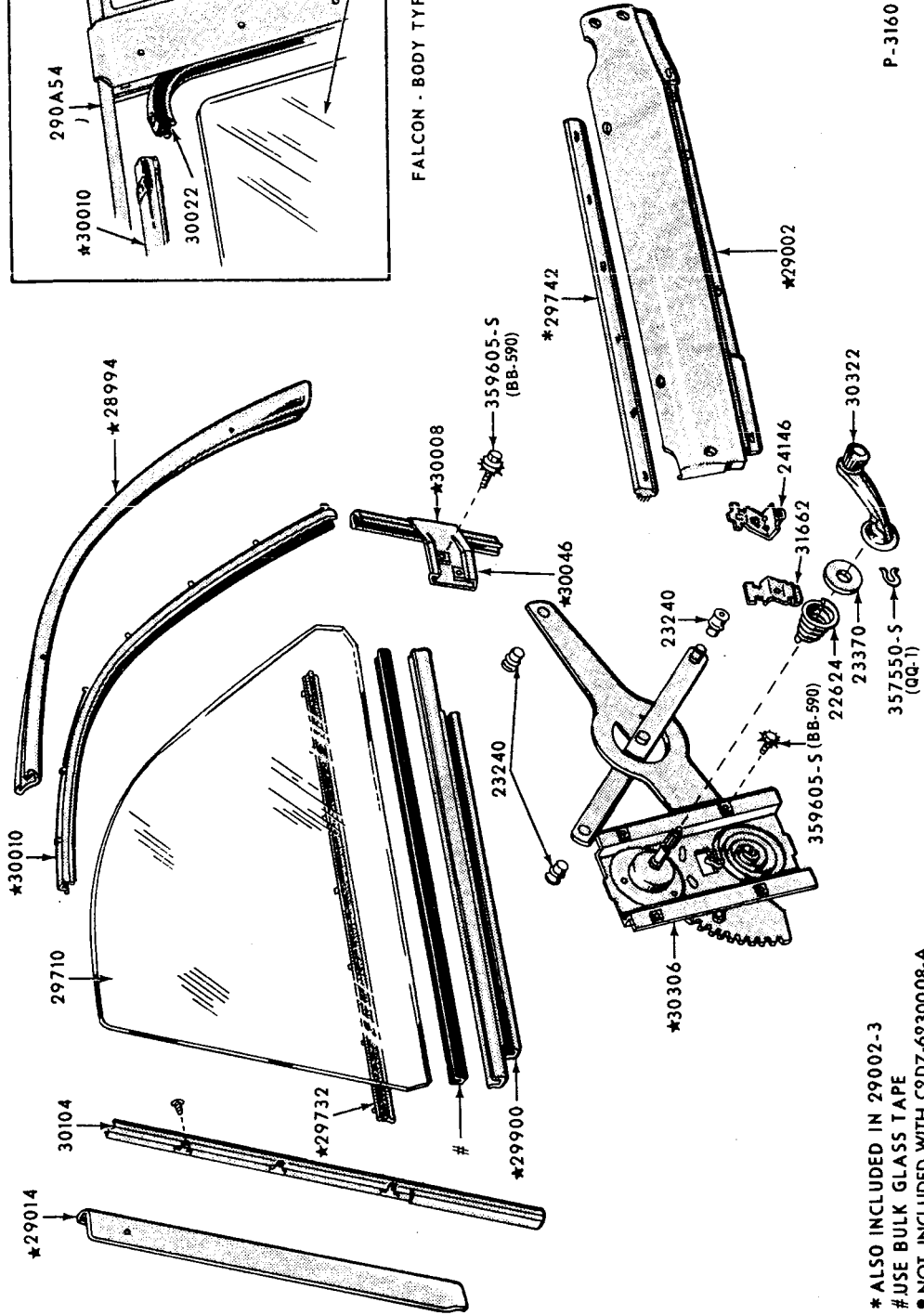
May, 1975

COPYRIGHT © 1975 — FORD MOTOR COMPANY — DEARBORN, MICHIGAN

FINAL ISSUE



FALCON - BODY TYPE 59



P-3160

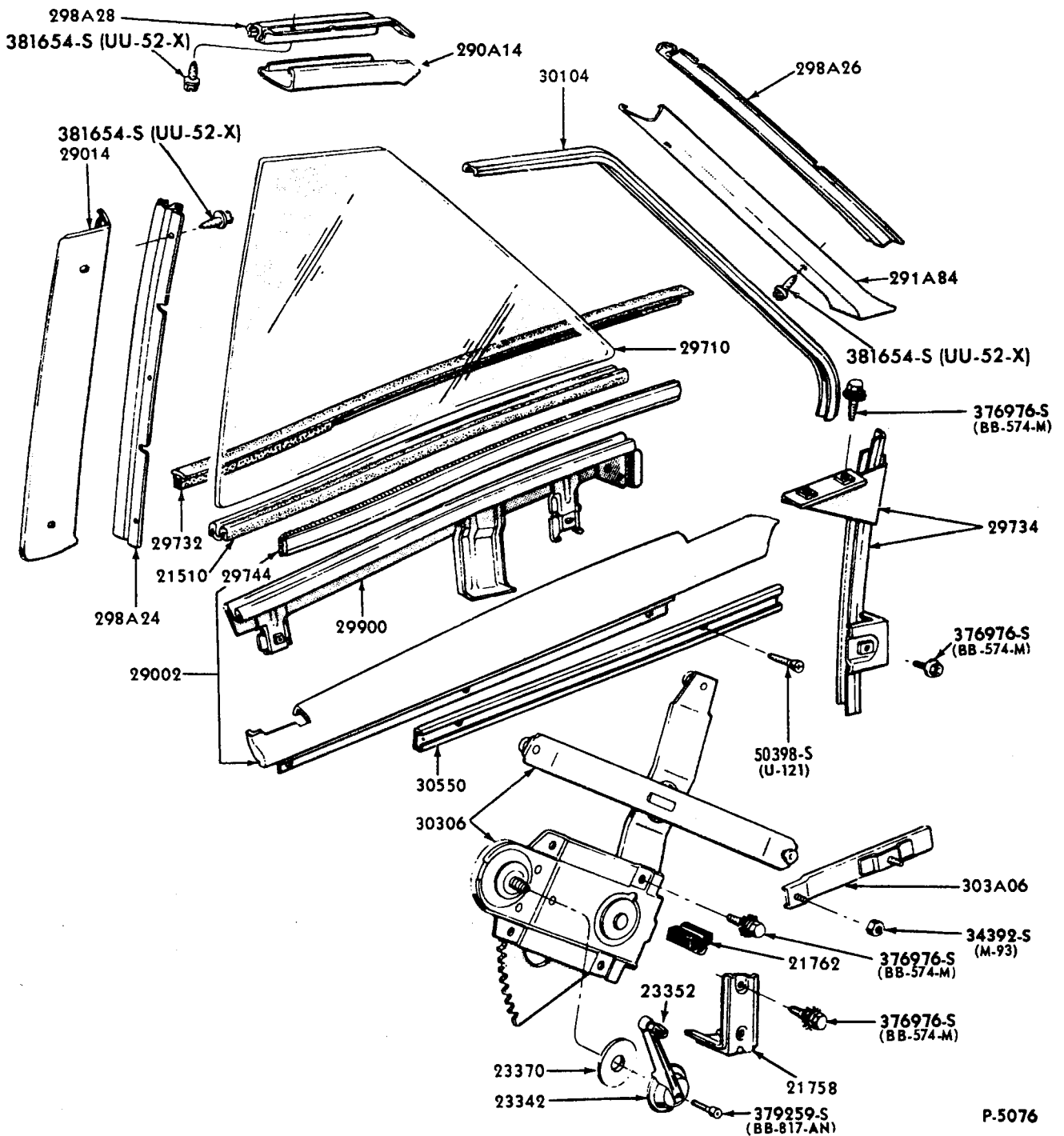
- \* ALSO INCLUDED IN 29002-3
- # USE BULK GLASS TAPE
- NOT INCLUDED WITH C8DZ-6230008-A

QUARTER WINDOW and RELATED PARTS  
1965 FALCON - BODY TYPES 59, 62



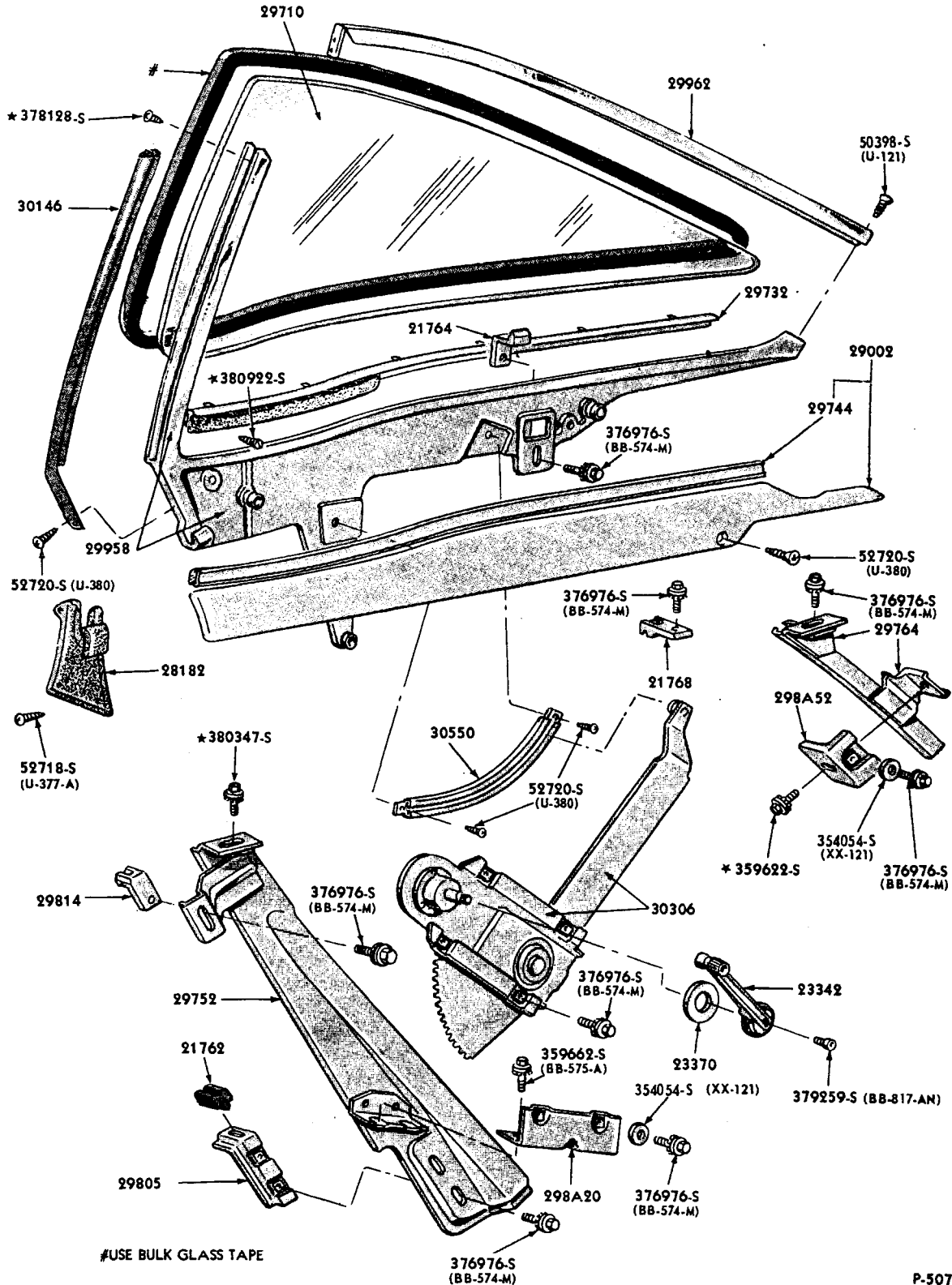




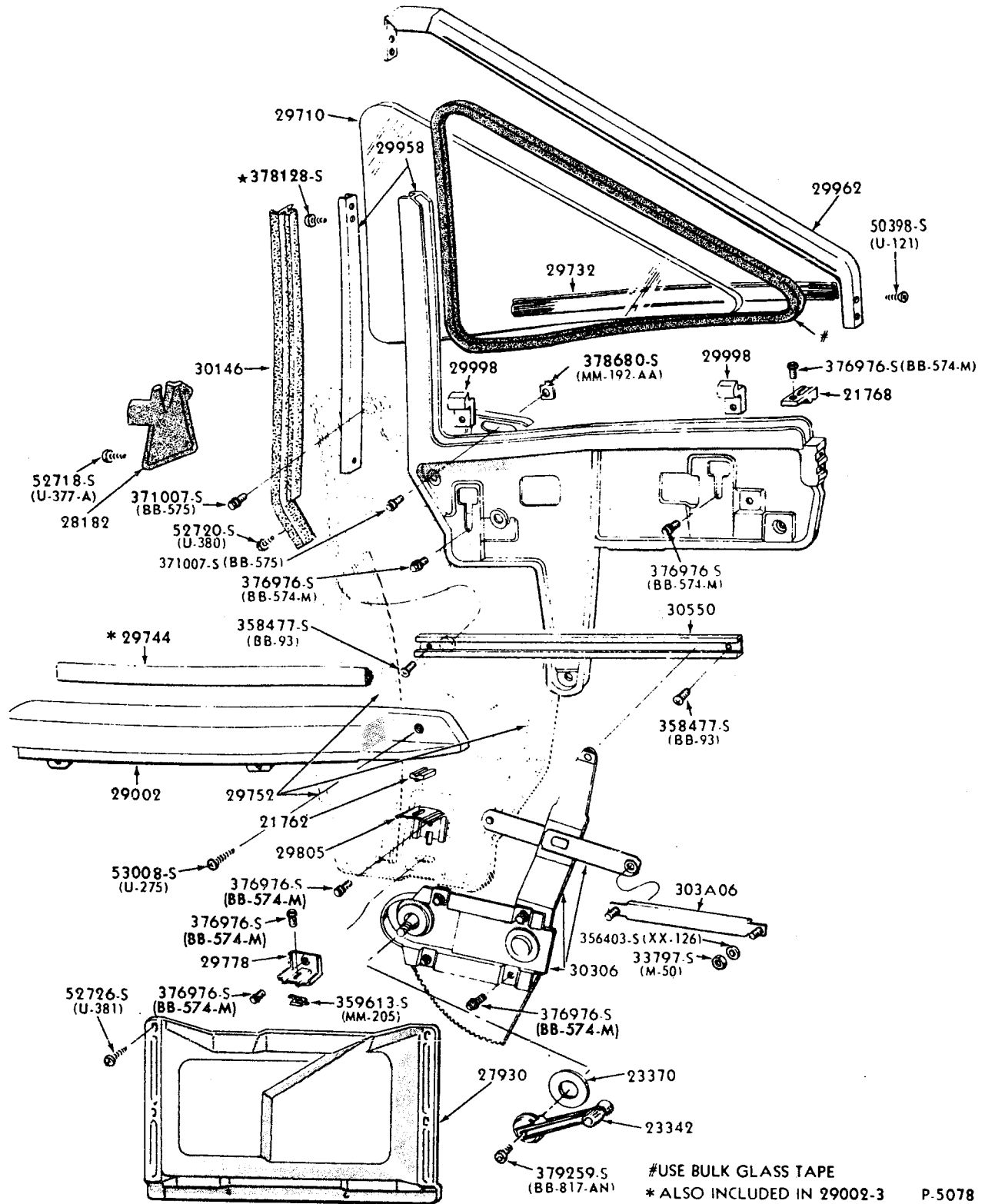


P-5076

QUARTER WINDOW and RELATED PARTS  
1966/67 FAIRLANE - BODY TYPE 62  
1966/70 FALCON - BODY TYPE 62

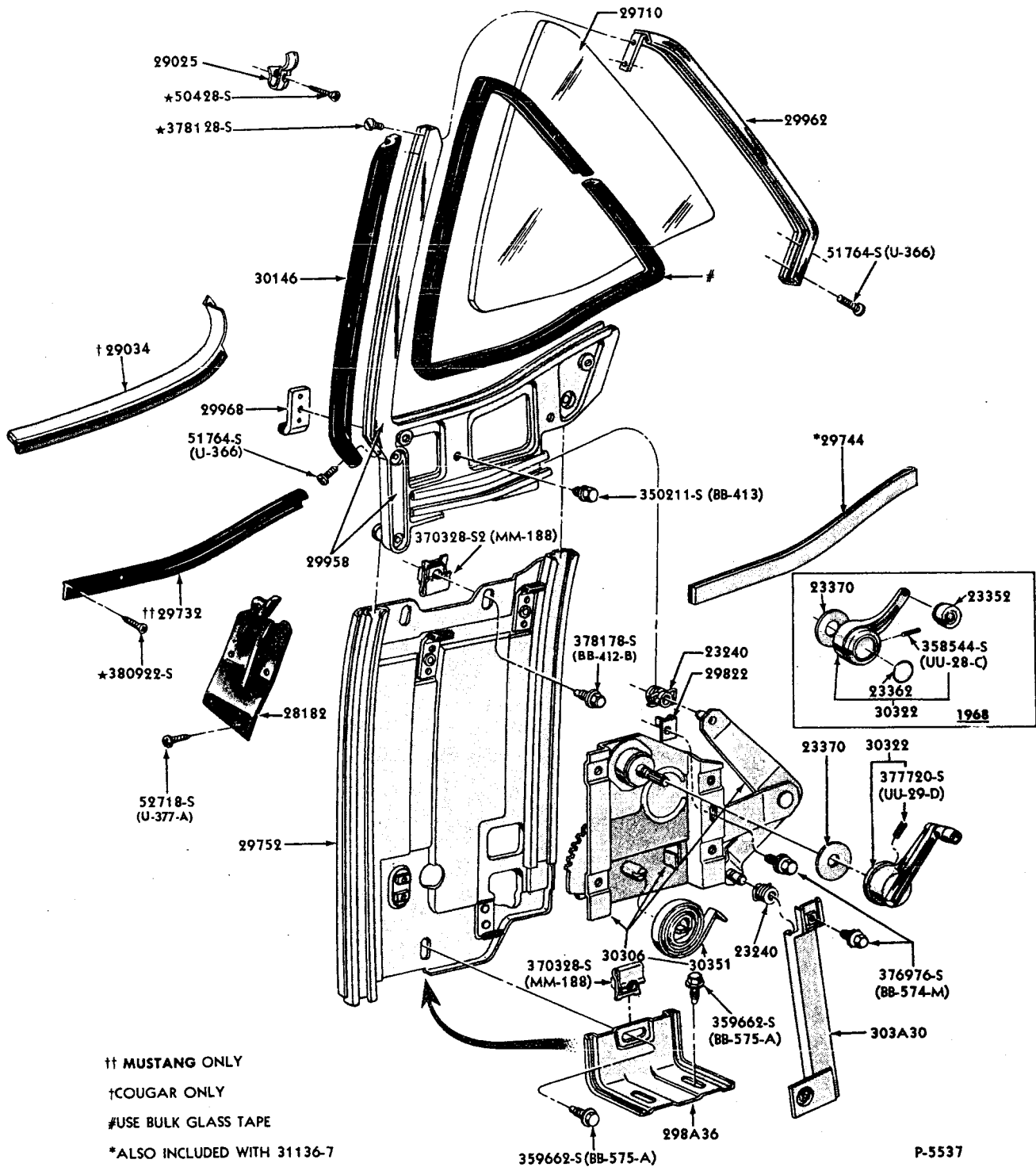


QUARTER WINDOW and RELATED PARTS  
1966/67 FAIRLANE - BODY TYPE 63



#USE BULK GLASS TAPE  
 \* ALSO INCLUDED IN 29002-3 P.5078

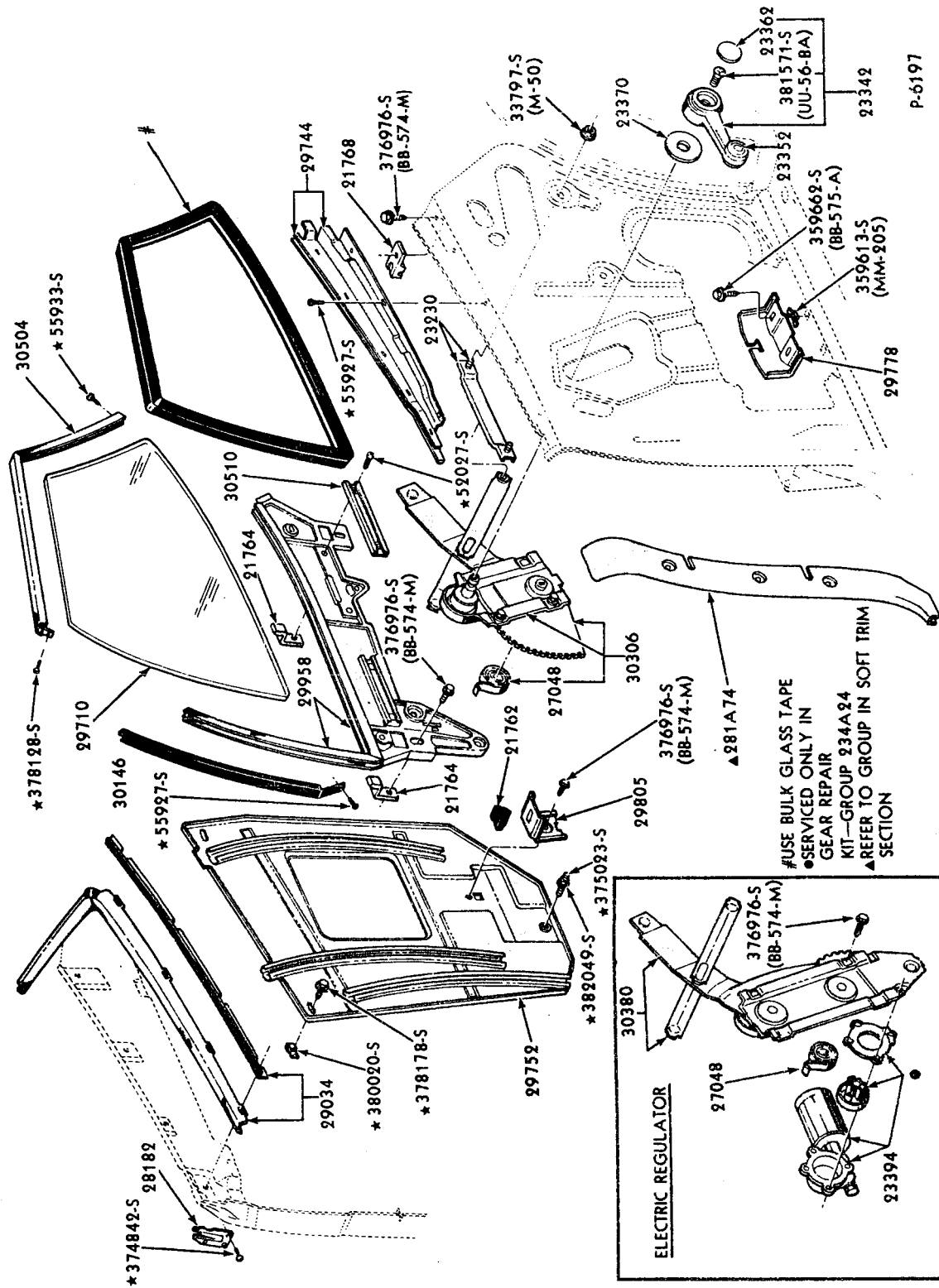
QUARTER WINDOW and RELATED PARTS  
 1966/67 FAIRLANE - BODY TYPE 76



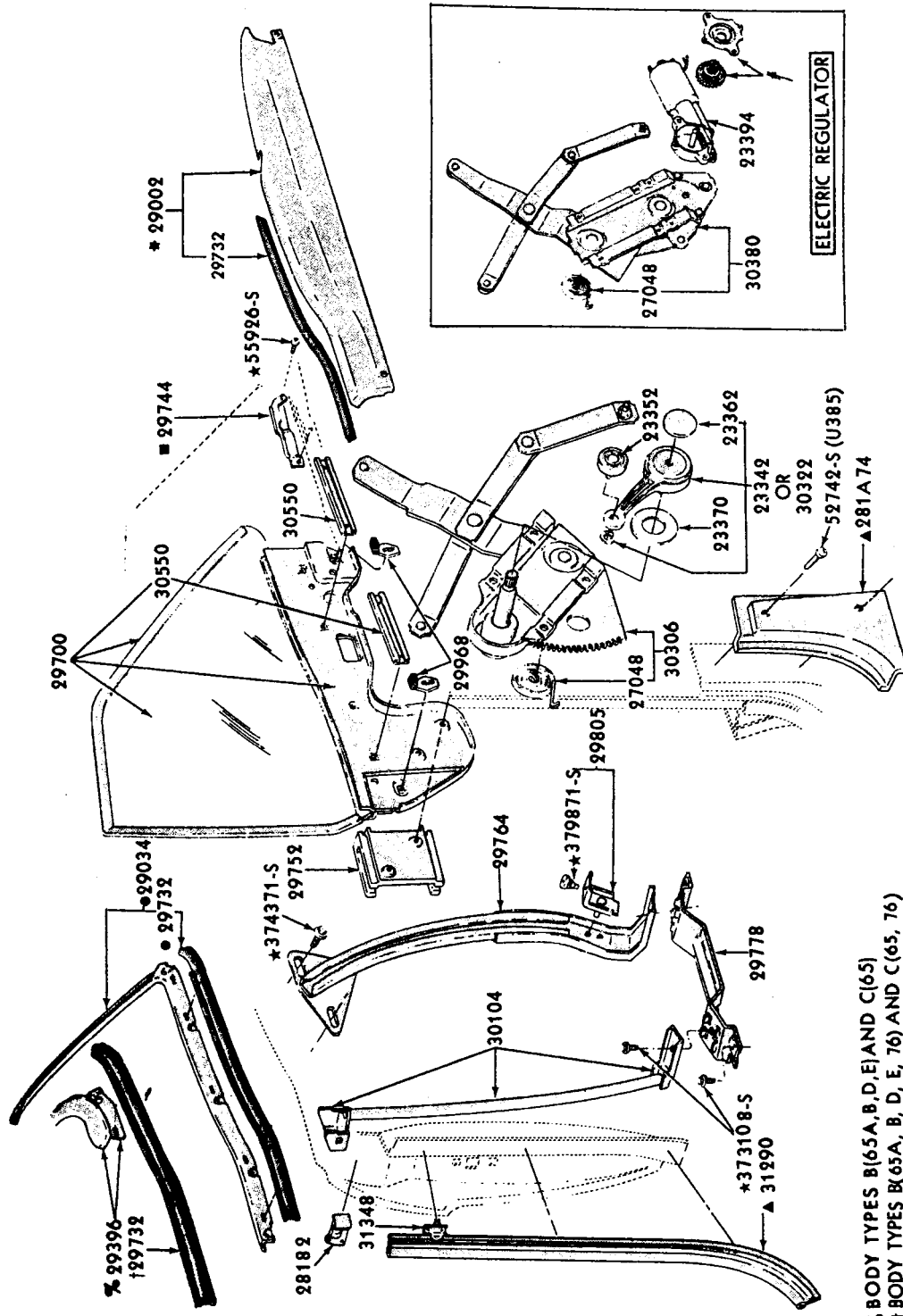
P-5537

QUARTER WINDOW and RELATED PARTS  
1967/68 MUSTANG - BODY TYPES 65, 76





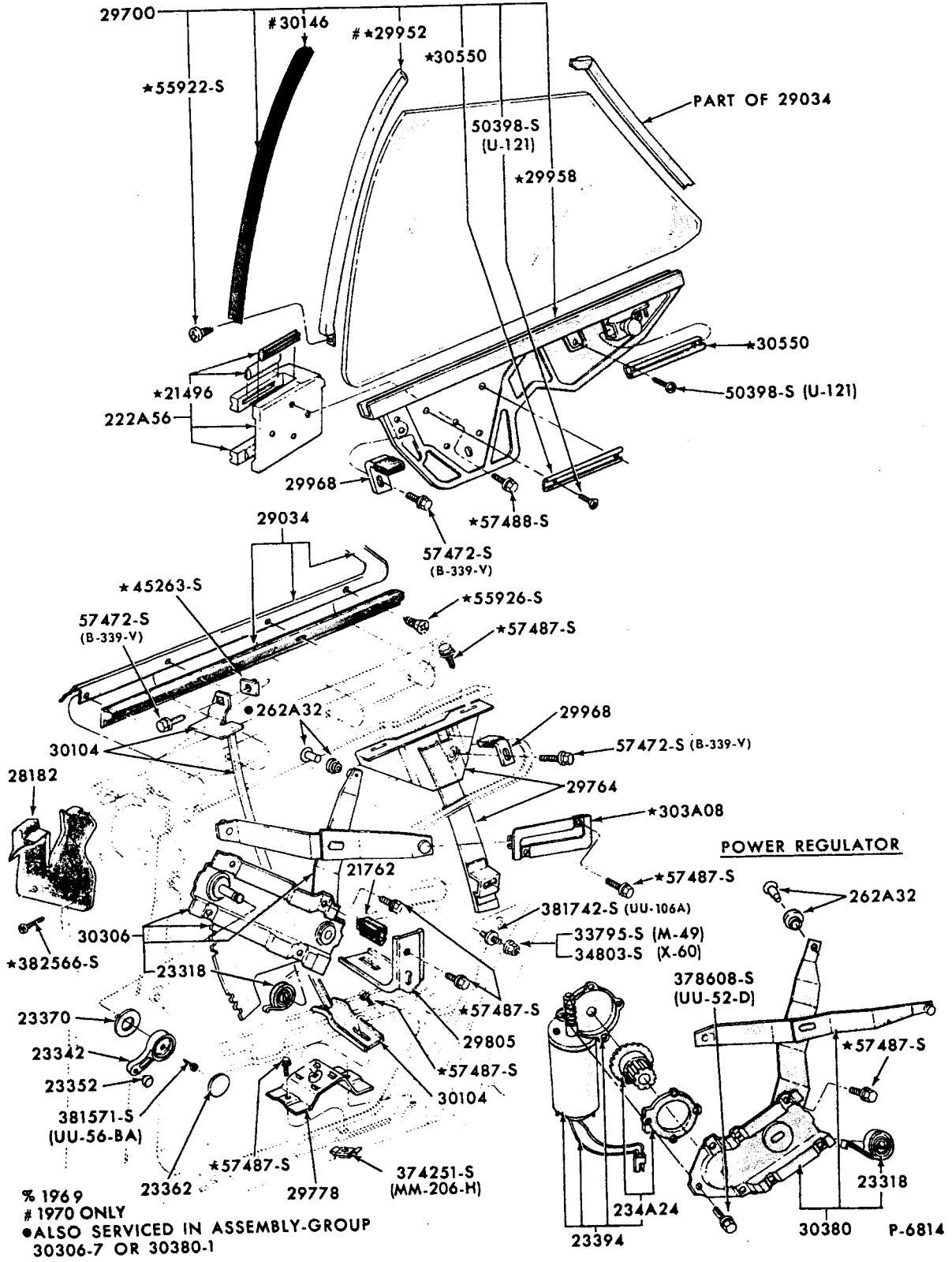
QUARTER WINDOW and RELATED PARTS  
1968 FORD - BODY TYPES 63, 65



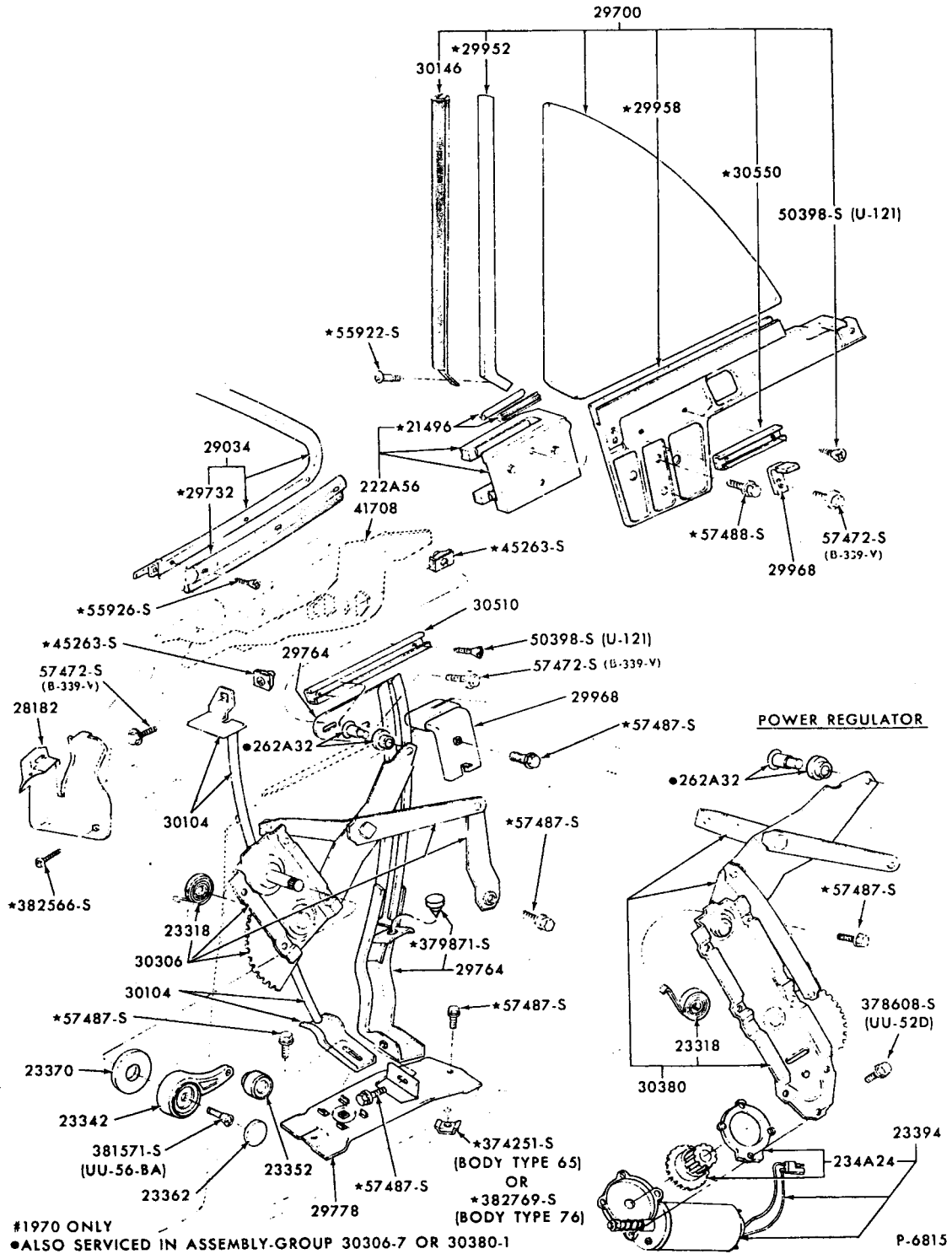
- % BODY TYPES B(65A, B, D, E) AND C(65)
- † BODY TYPES B(65A, B, D, E, 76) AND C(65, 76)
- BODY TYPES B(63, 65C) AND C(63)
- ▲ REFER TO GROUP IN SOFT TRIM SECTION
- # SERVICED ONLY IN GEAR REPAIR KIT—GROUP 234A 24
- BODY TYPE 65
- \* NOT USED ON B(76D)

QUARTER WINDOW and RELATED PARTS  
 1968/69 FAIRLANE/TORINO - BODY TYPES 63, 65, 76

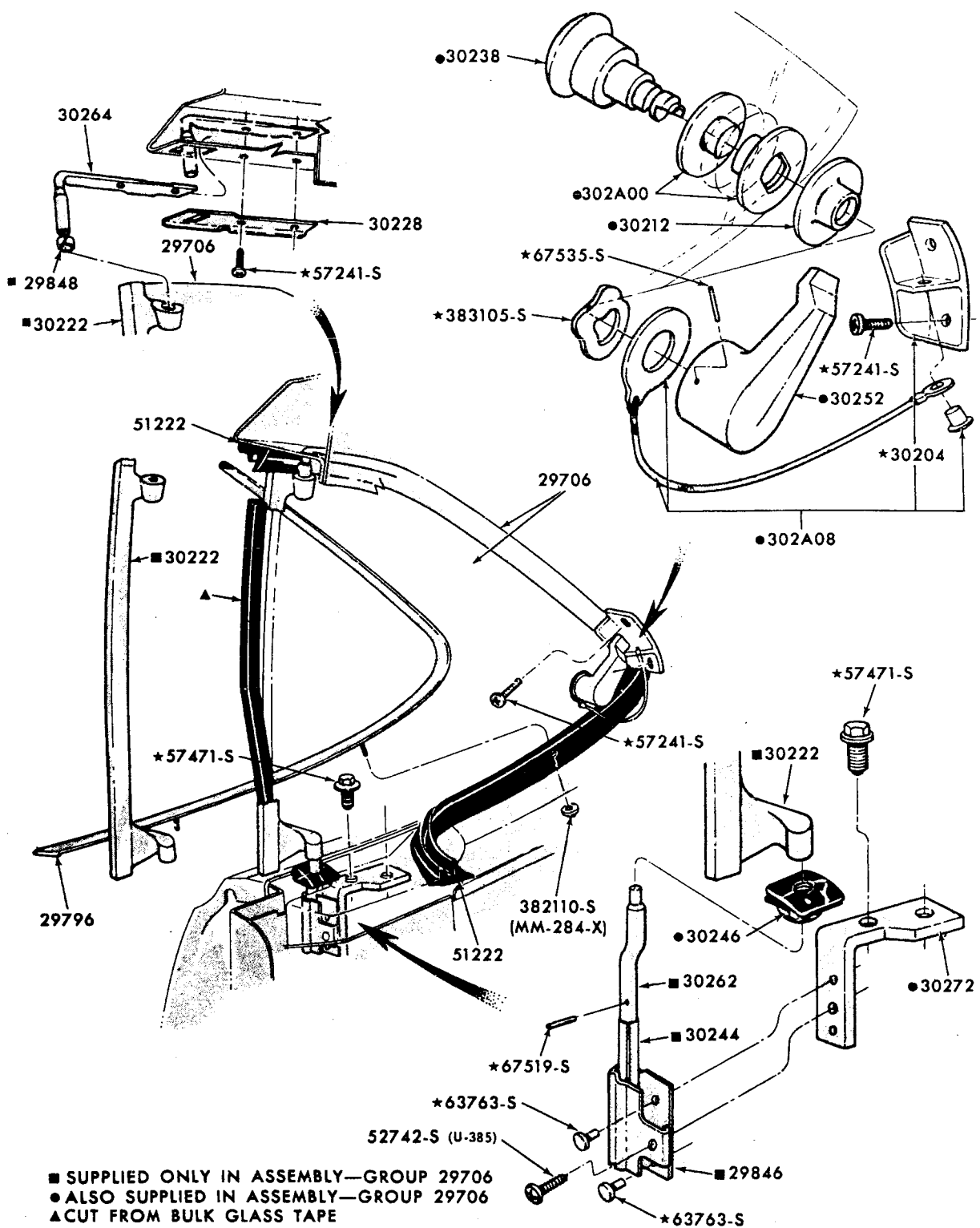




QUARTER WINDOW and RELATED PARTS  
1969/70 FORD - BODY TYPE 63

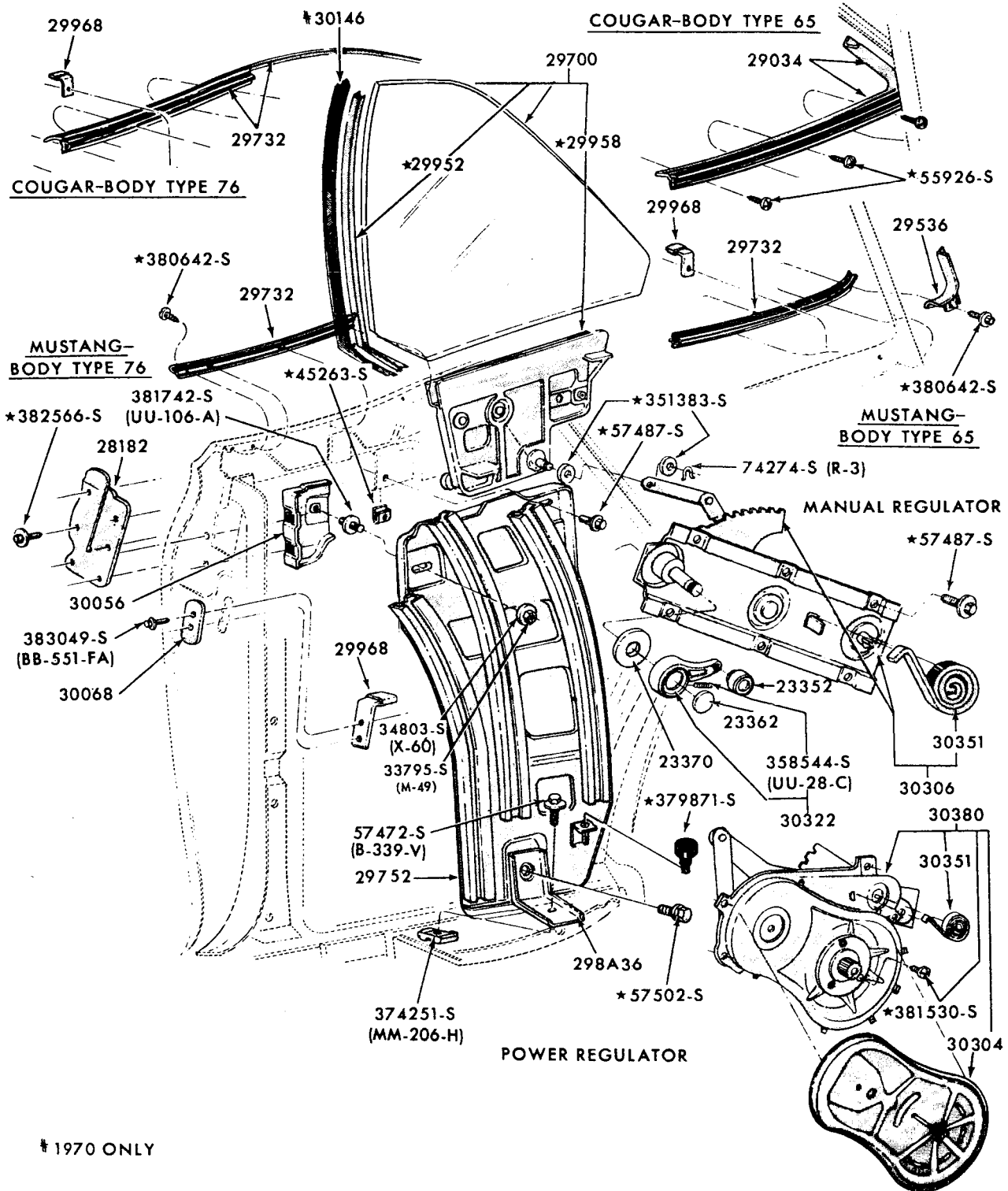


**QUARTER WINDOW and RELATED PARTS**  
1969/70 FORD-BODY TYPES 65, 76  
1971/72 FORD - BODY TYPE 76



P-6732

QUARTER WINDOW and RELATED PARTS  
1969/70 MUSTANG - BODY TYPE 63

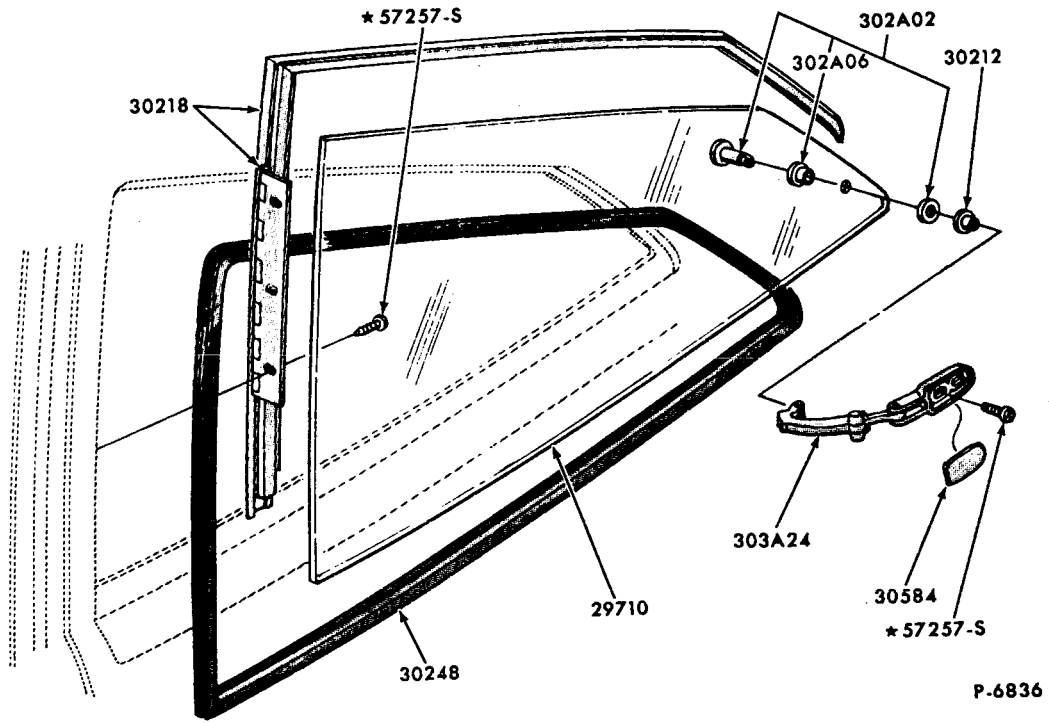


\*1970 ONLY

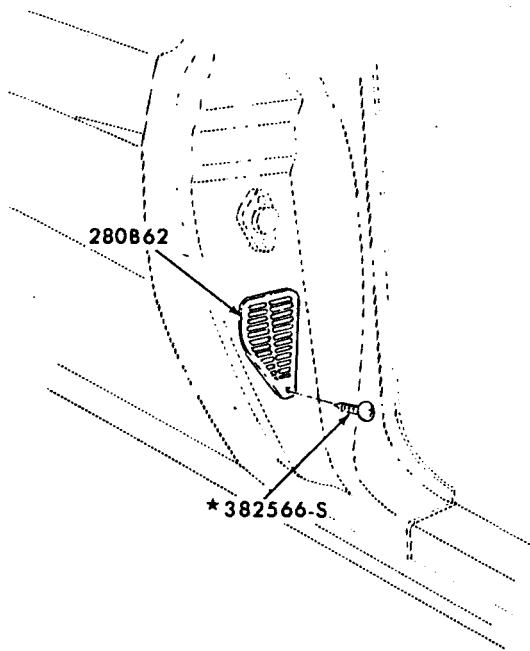
P-6733

QUARTER WINDOW and RELATED PARTS  
1969/70 MUSTANG - BODY TYPES 65, 76

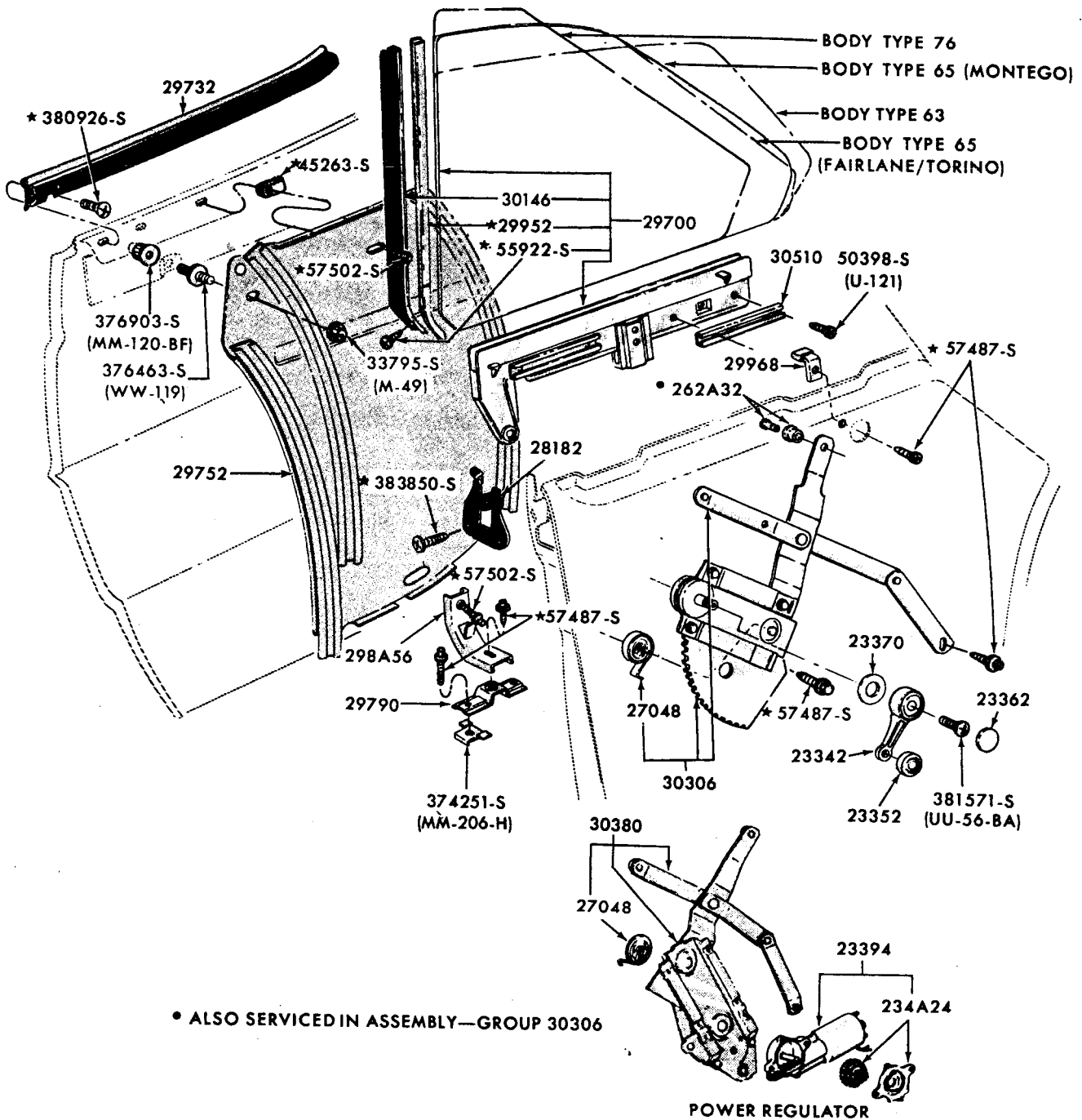
**FORD CAR PARTS**



QUARTER WINDOW and RELATED PARTS  
1970/72 MAVERICK - BODY TYPE 62

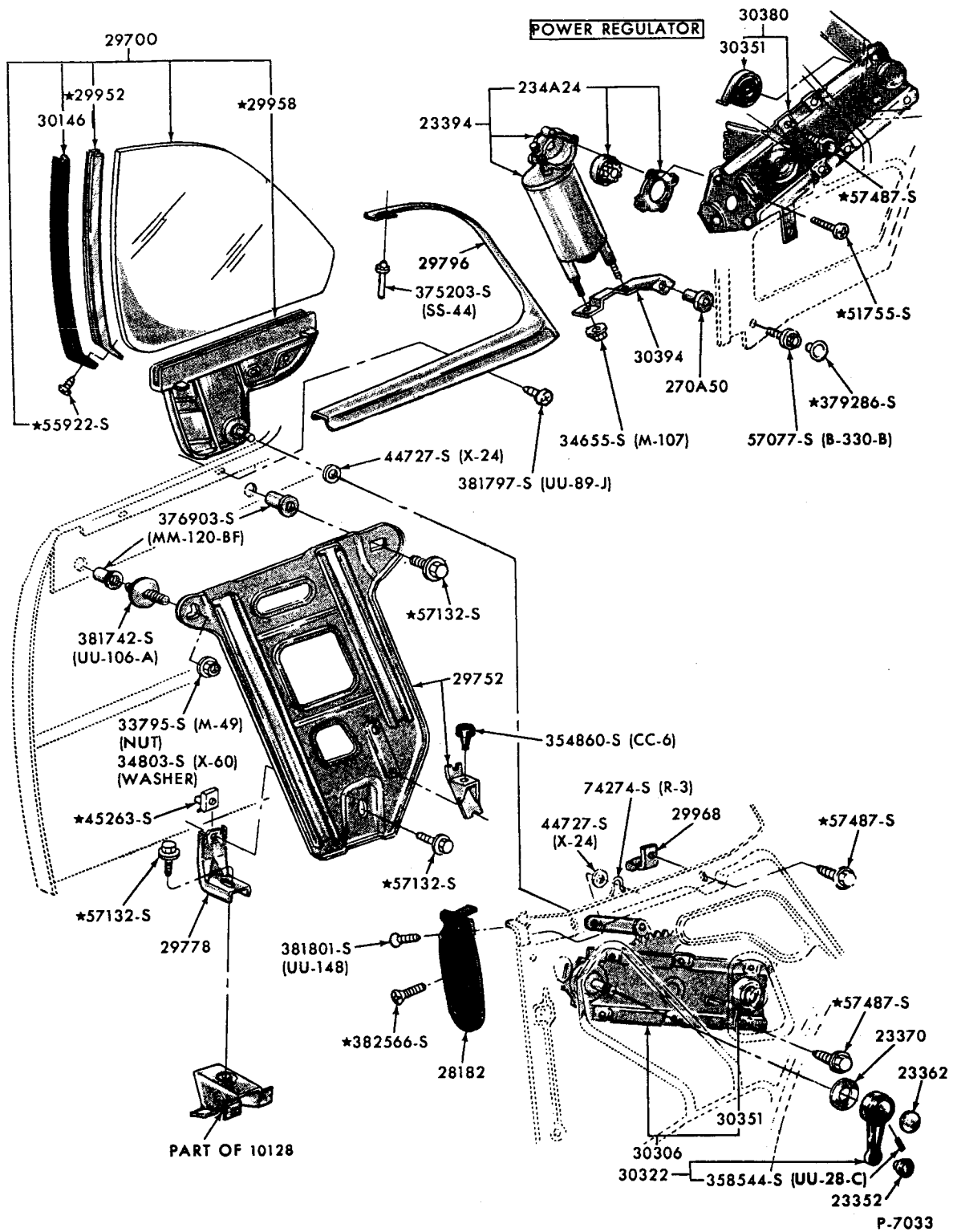


PRESSURE RELEASE VENT - QUARTER  
1970/72 ALL

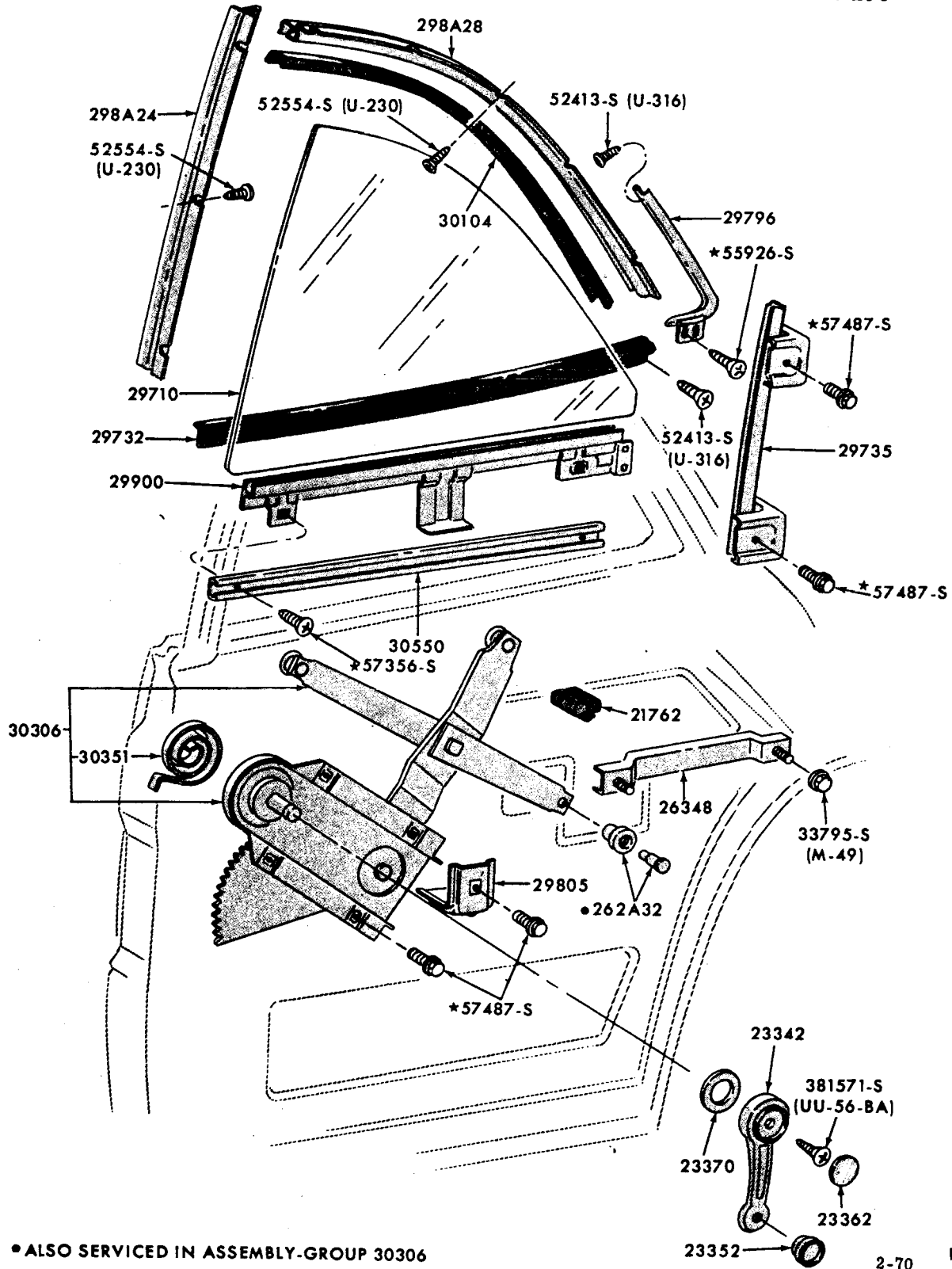


P-7045

QUARTER WINDOW and RELATED PARTS  
1970/71 FAIRLANE/TORINO - BODY TYPES 63, 65, 76



QUARTER WINDOW and RELATED PARTS  
1970/71 THUNDERBIRD - BODY TYPE 65



• ALSO SERVICED IN ASSEMBLY-GROUP 30306

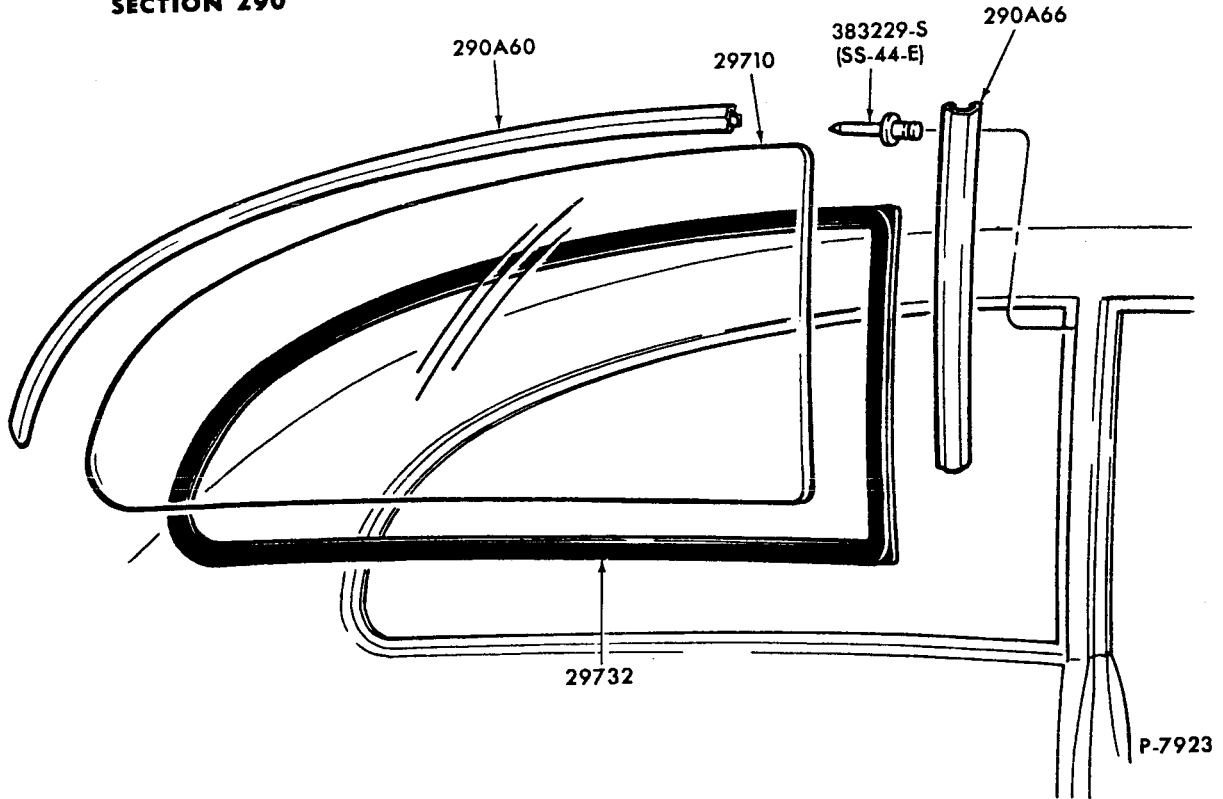
2-70

P-7466

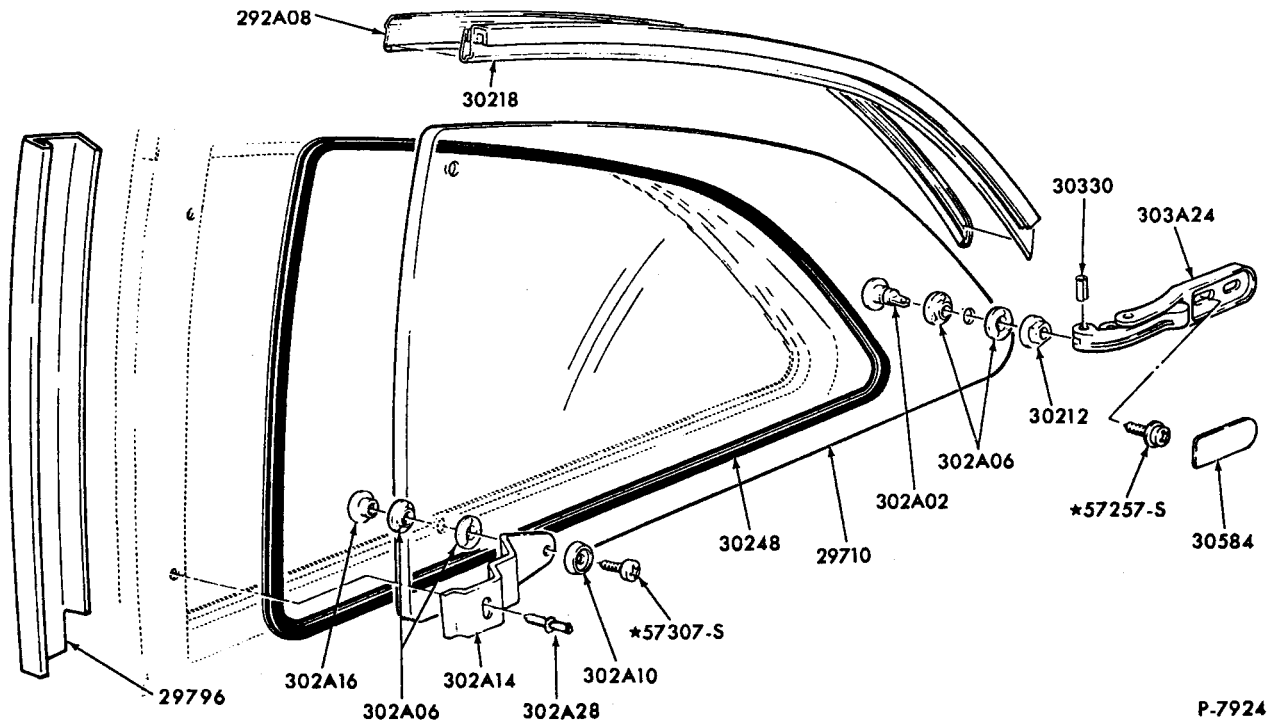
QUARTER WINDOW and RELATED PARTS  
1970 FAIRLANE - BODY TYPE 62



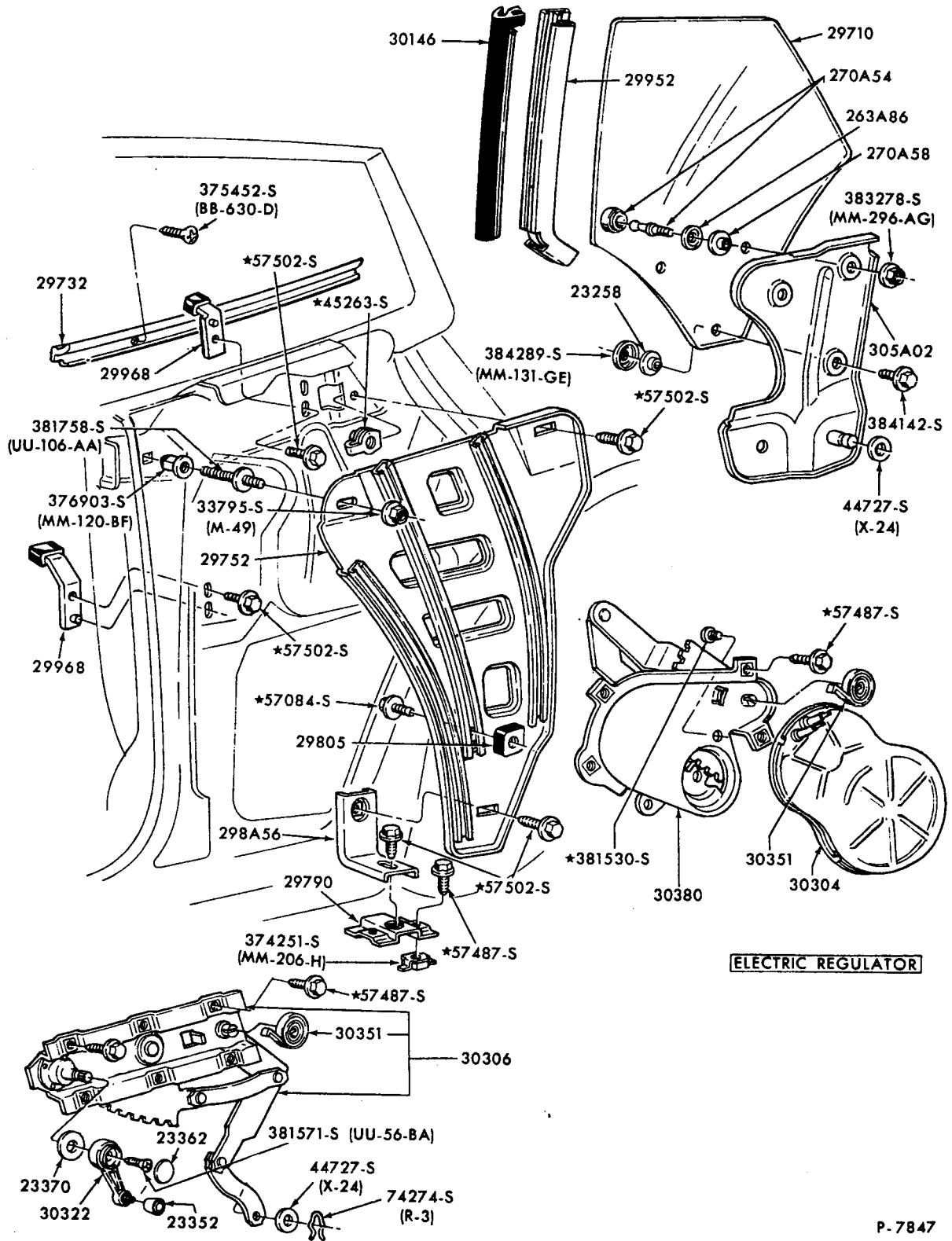
FORD CAR PARTS



QUARTER WINDOW and RELATED PARTS - STATIONARY  
1971/72 PINTO - BODY TYPES 62, 64

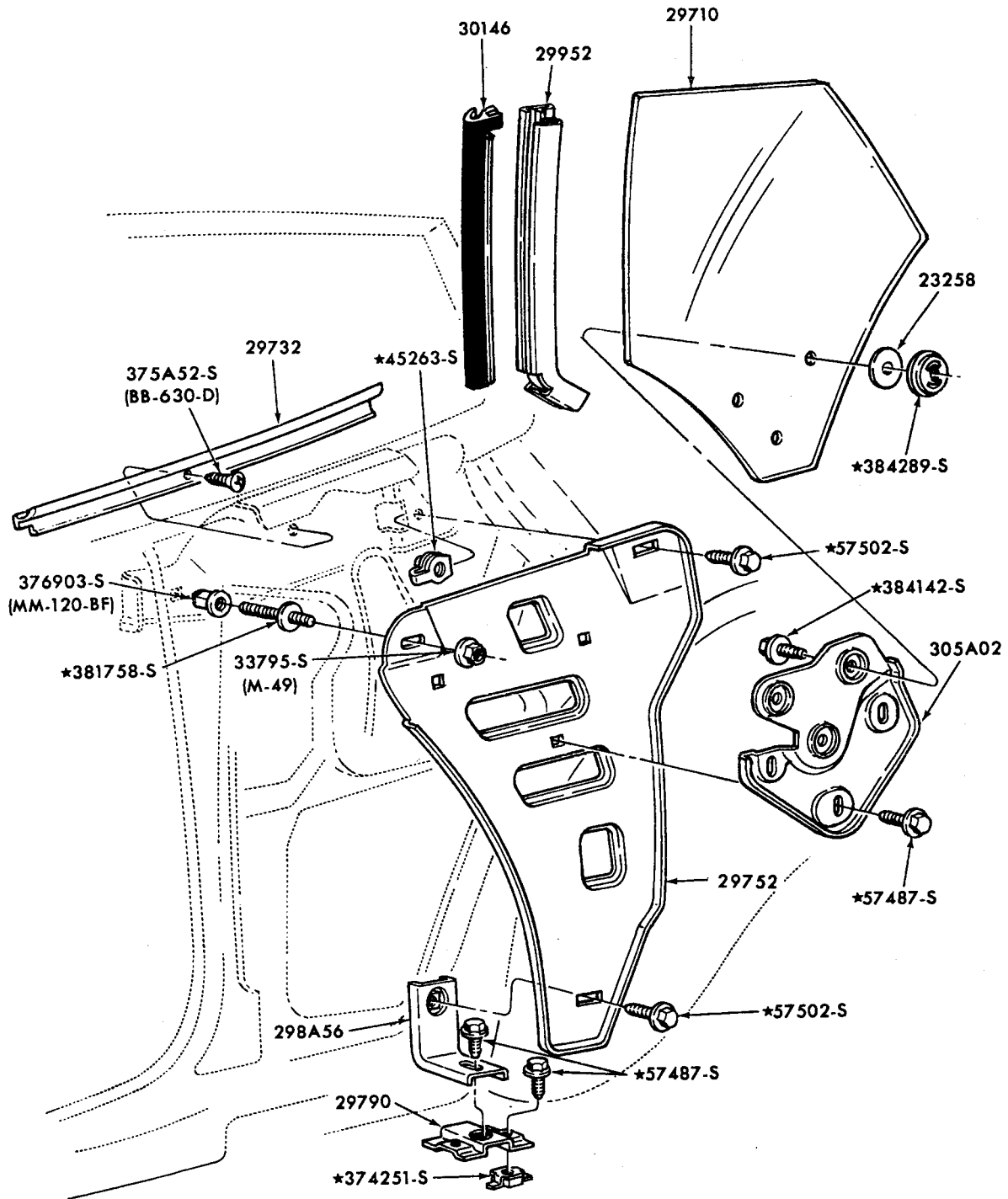


QUARTER WINDOW and RELATED PARTS - MOVEABLE  
1971/72 PINTO - BODY TYPES 62, 64 - "Before 5/1/72"



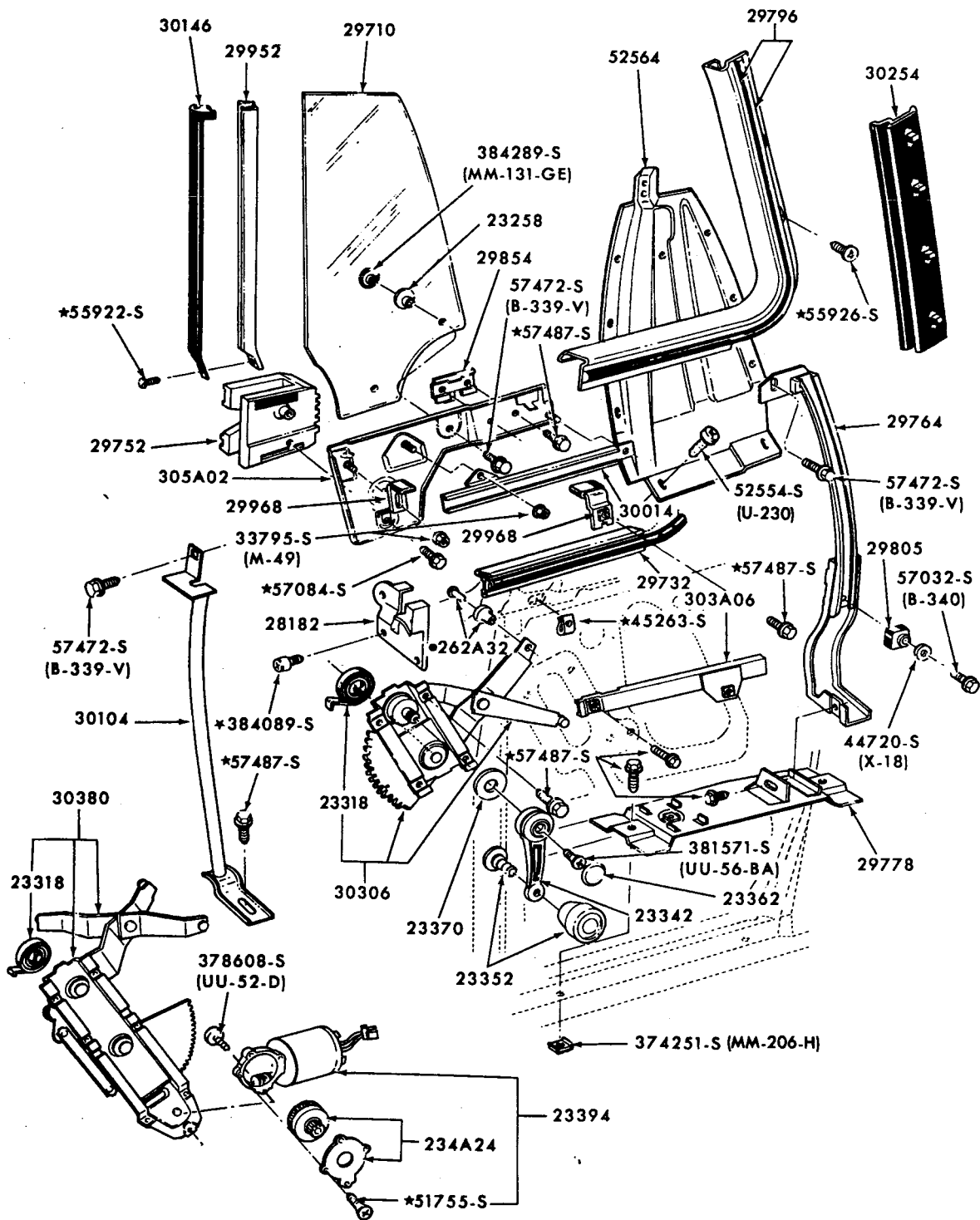
P-7847

QUARTER WINDOW and RELATED PARTS - MOVEABLE  
1971/72 MUSTANG



P-7846

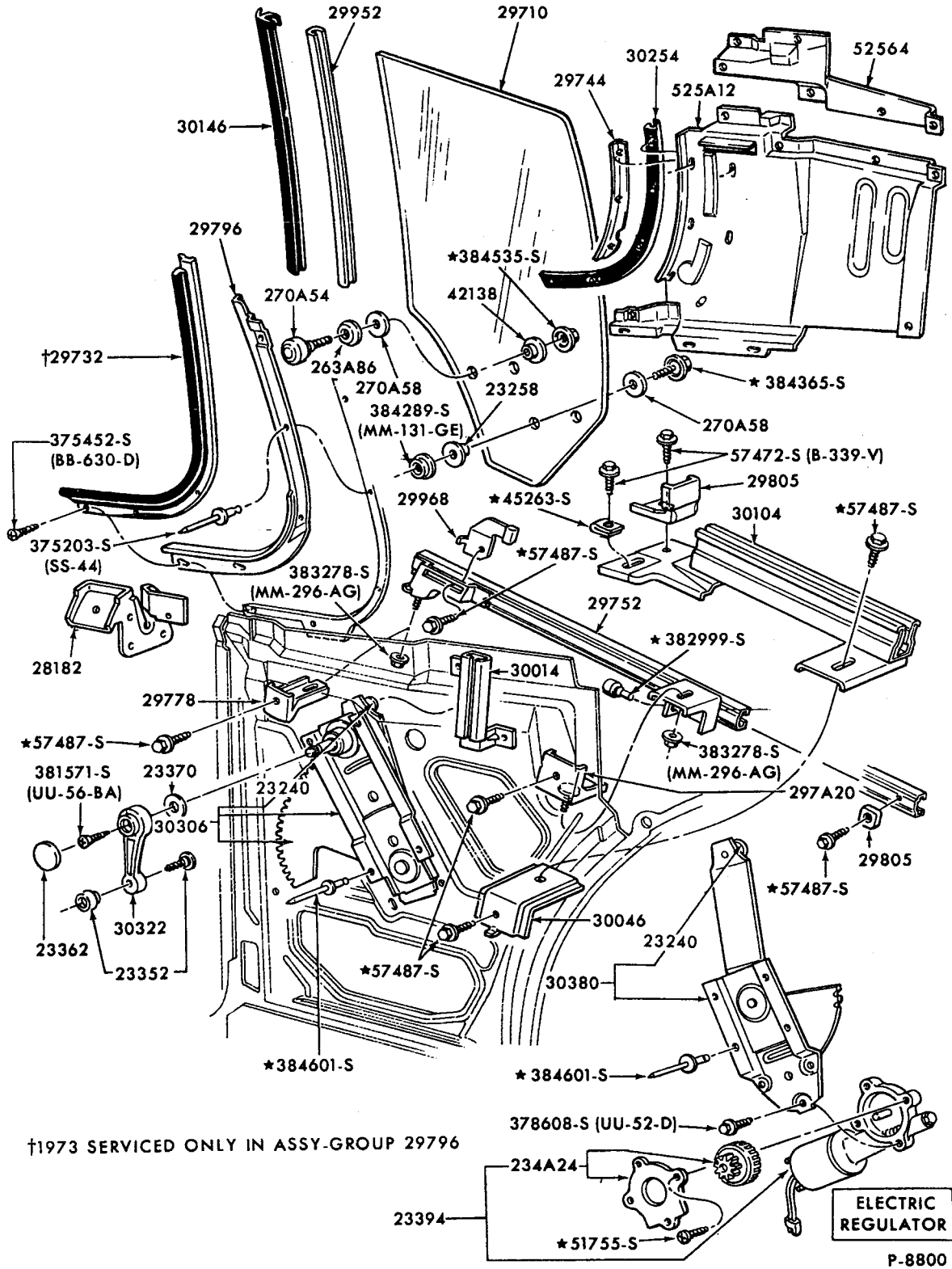
QUARTER WINDOW and RELATED PARTS - STATIONARY  
1971/72 MUSTANG - BODY TYPE 63



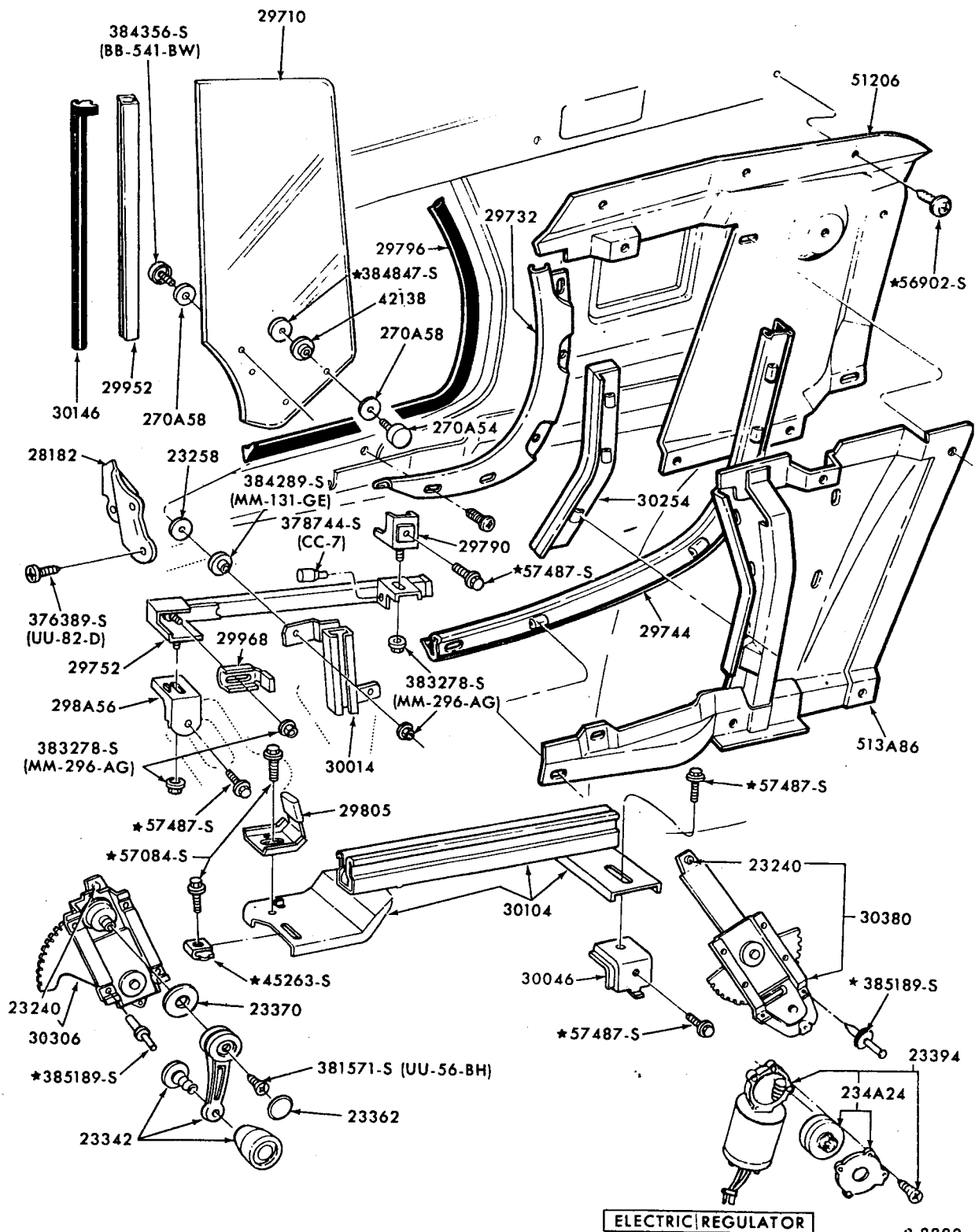
•ALSO SUPPLIED IN ASSEMBLY-GROUP 30306-7

P-7874

QUARTER WINDOW and RELATED PARTS  
1971/72 FORD - BODY TYPE 65

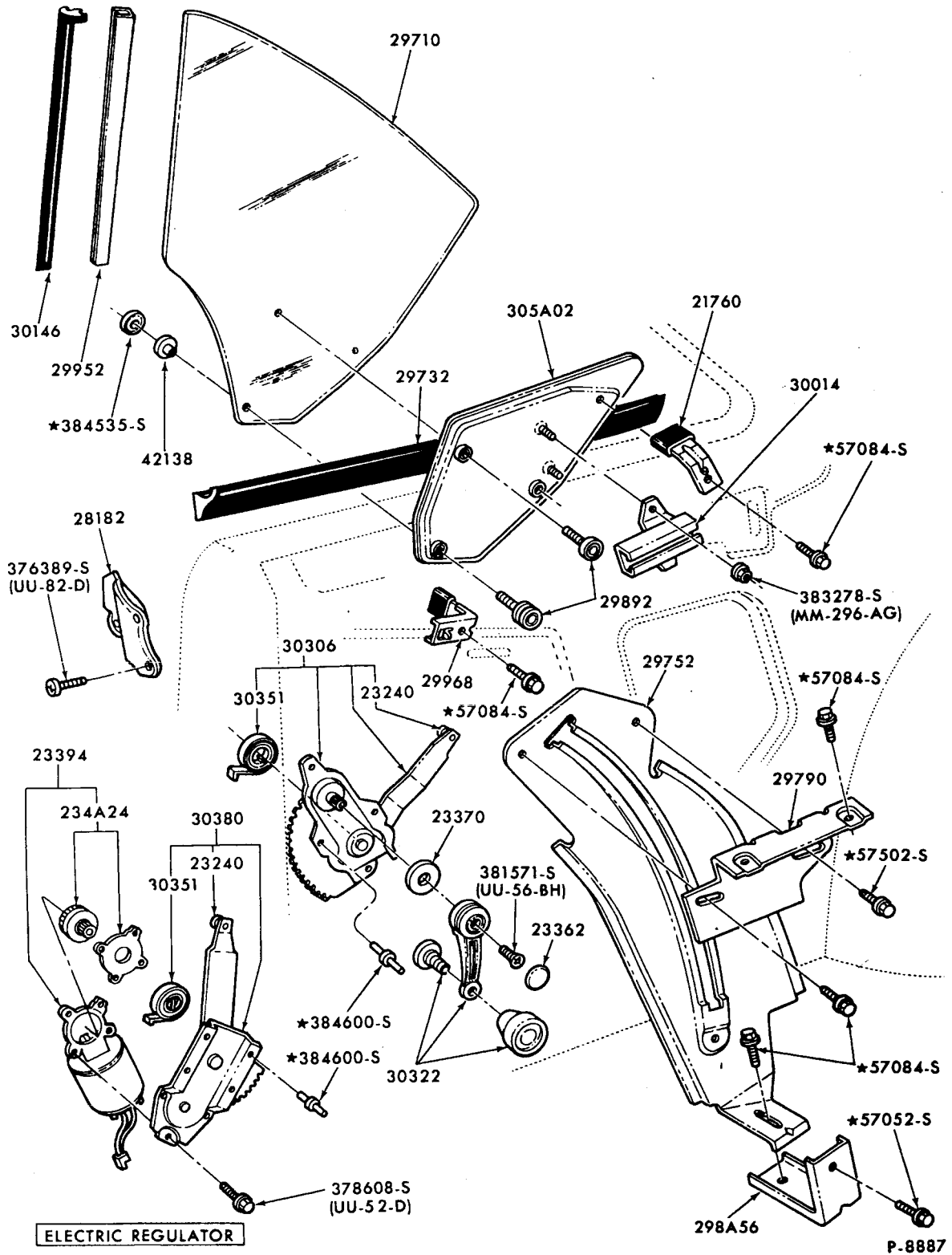


QUARTER WINDOW and RELATED PARTS  
1972 THUNDERBIRD

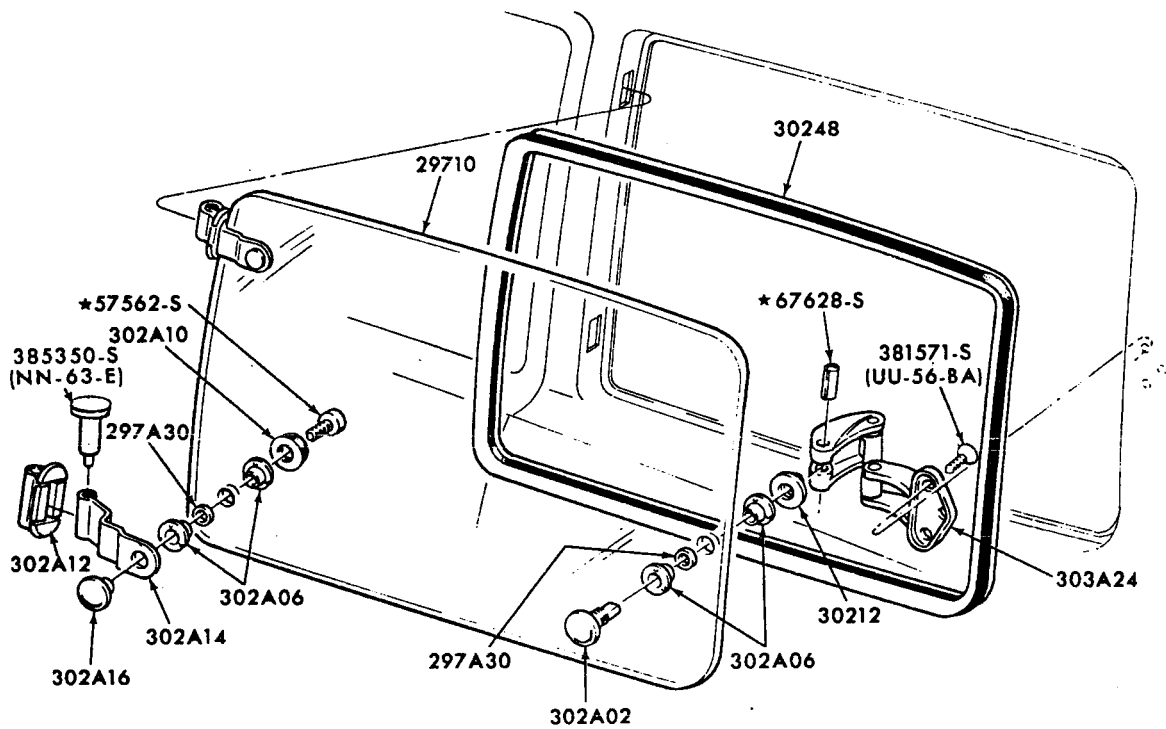


P-8888

QUARTER WINDOW and RELATED PARTS  
1972 TORINO - BODY TYPE 65

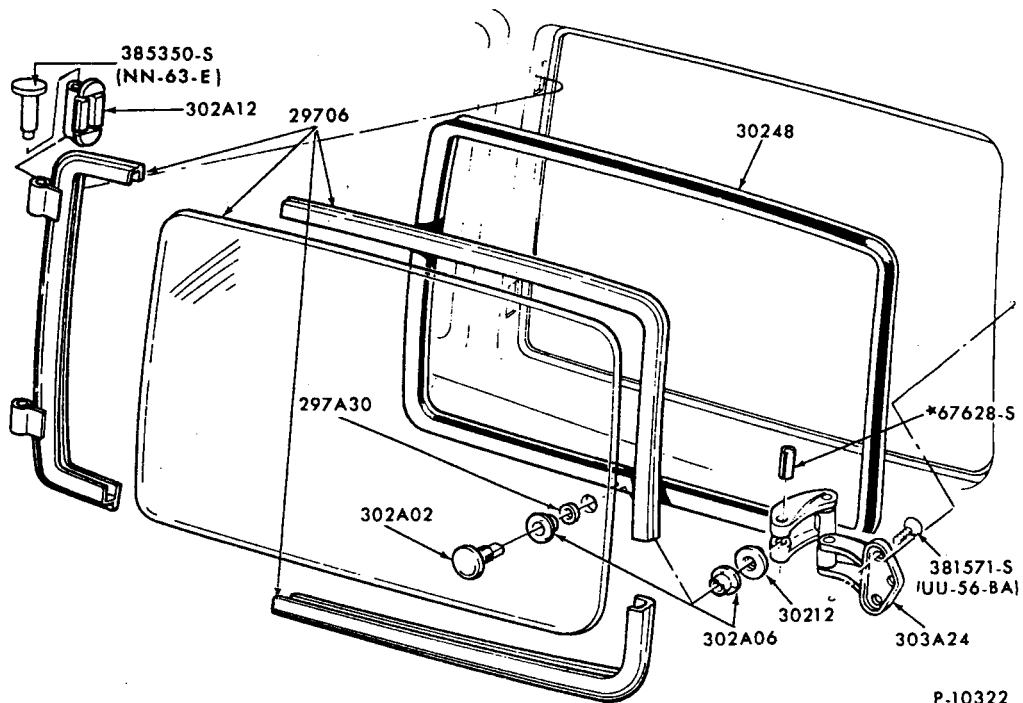


QUARTER WINDOW and RELATED PARTS  
1972 TORINO - BODY TYPE 63



P-8936

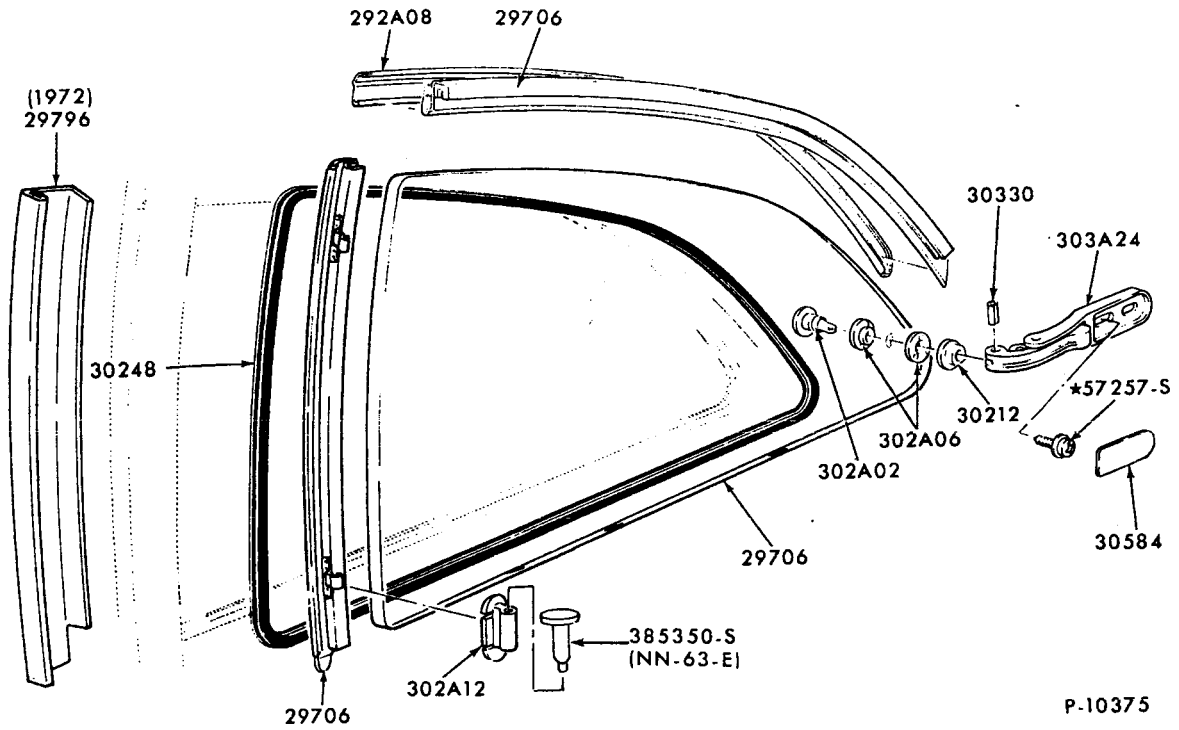
QUARTER WINDOW and RELATED PARTS - MOVEABLE  
1972 PINTO - BODY TYPE 73 - "BEFORE 5/1/72"



P-10322

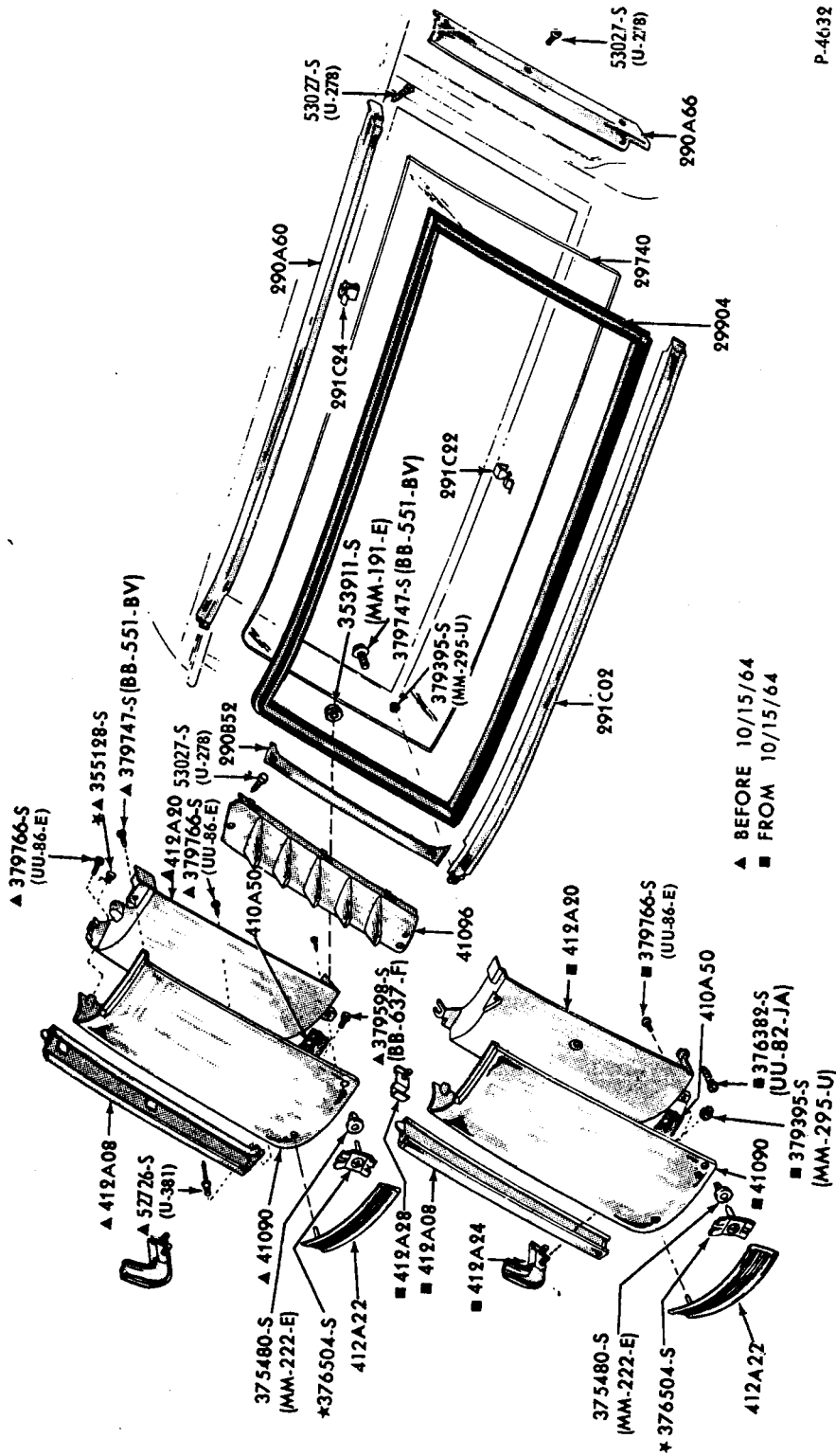
QUARTER WINDOW and RELATED PARTS - MOVEABLE  
1972 PINTO - BODY TYPE 73 - "FROM 5/1/72"



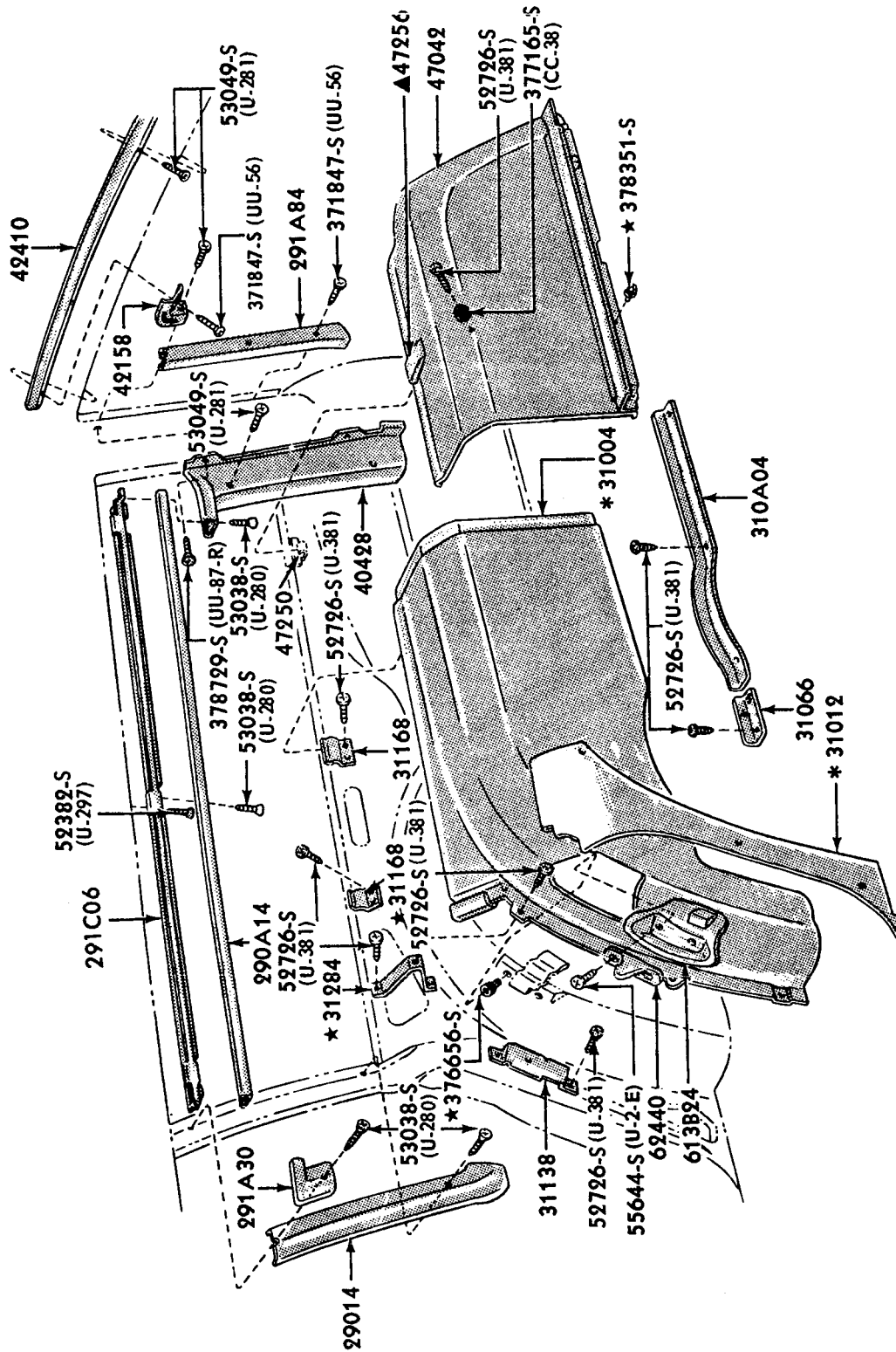


QUARTER WINDOW and RELATED PARTS - MOVEABLE  
1972 PINTO - BODY TYPES 62, 64 - "From 5/1/72"

P-4632



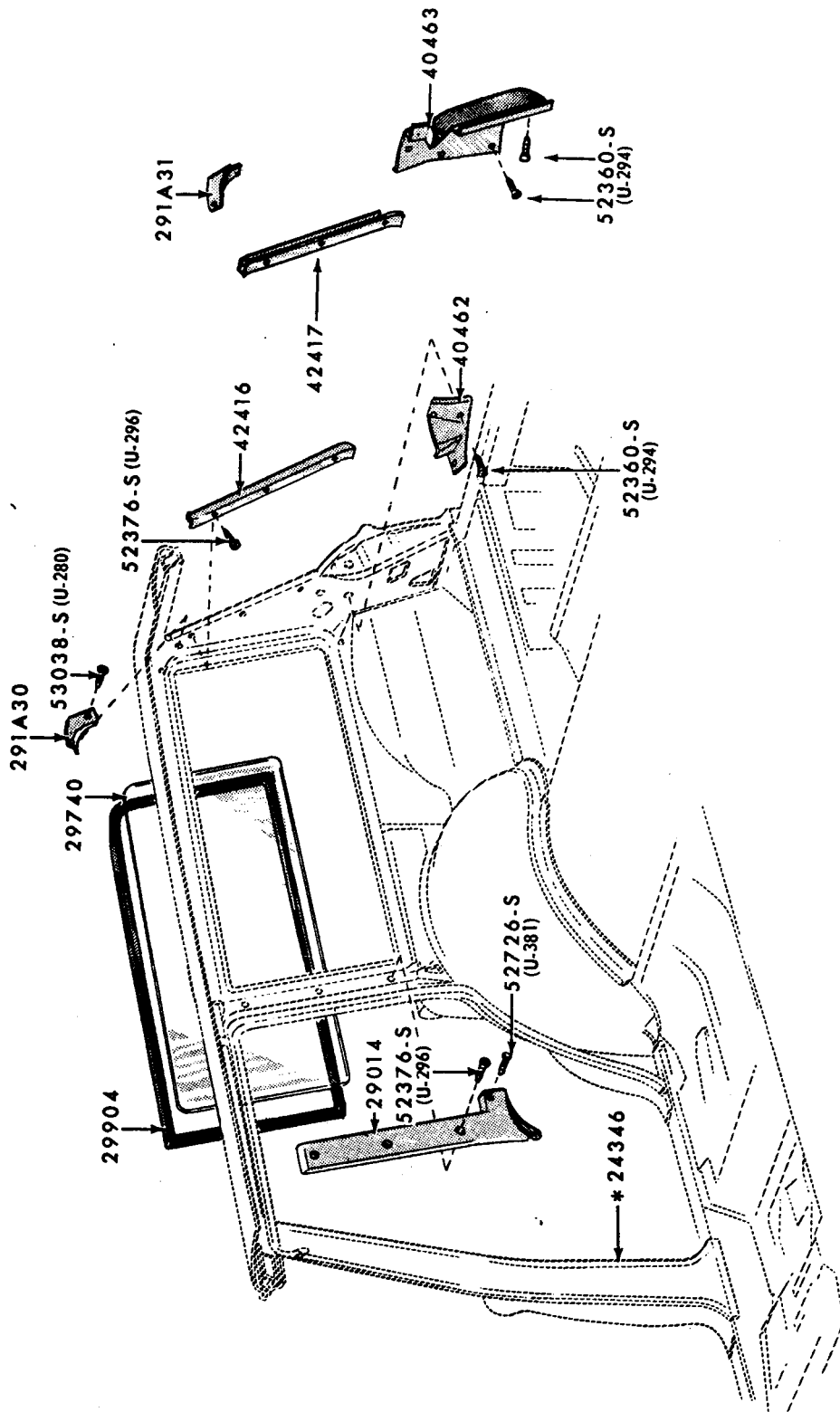
QUARTER WINDOW and RELATED PARTS  
1965/66 FORD - BODY TYPE 71



P-4754

\* REFER TO SOFT TRIM SECTION  
▲ ALSO INCLUDED IN 47042

QUARTER WINDOW and RELATED PARTS - INSIDE  
1965/66 FORD - BODY TYPE 71

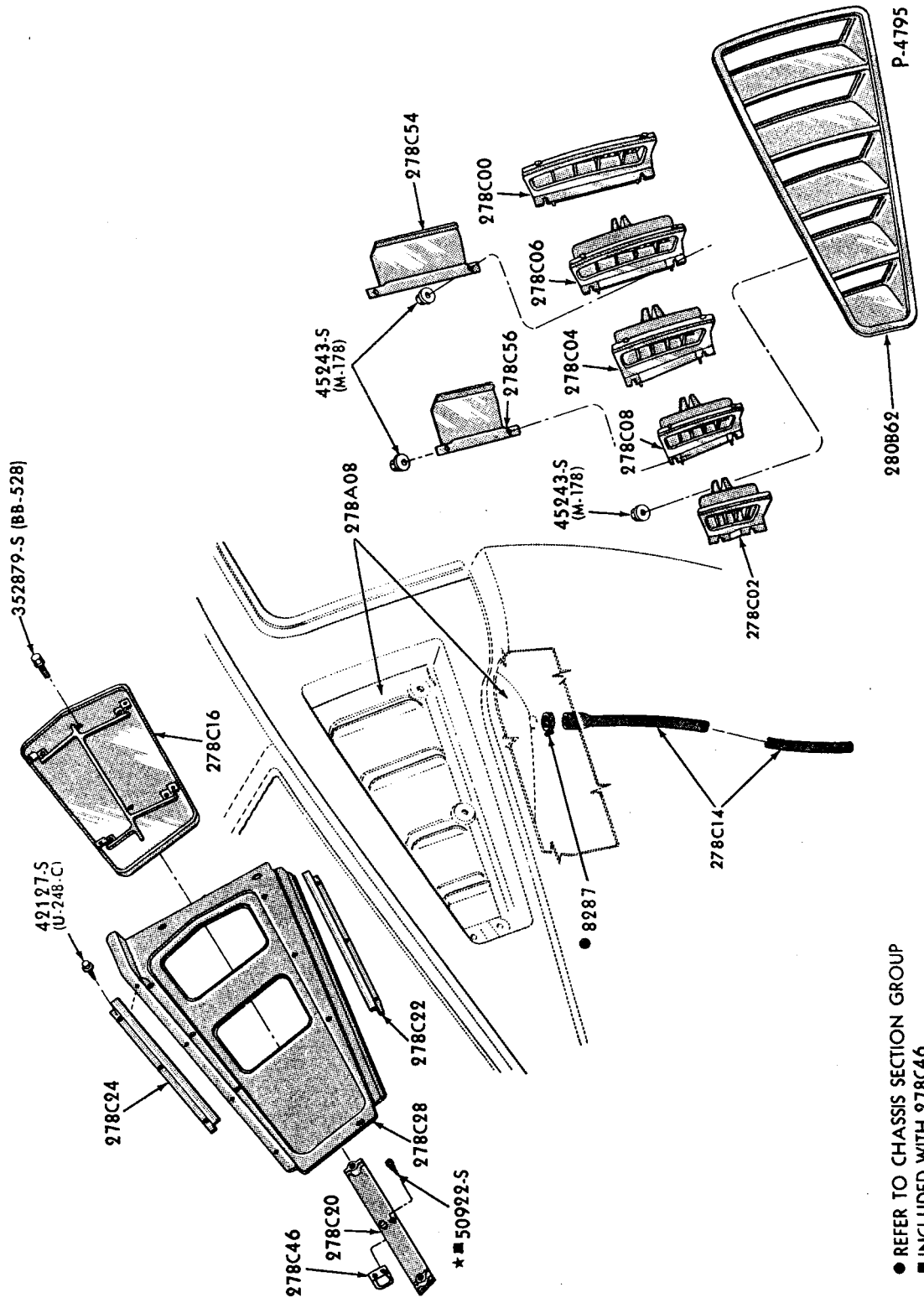


P-4033

\* REFER TO SOFT TRIM SECTION

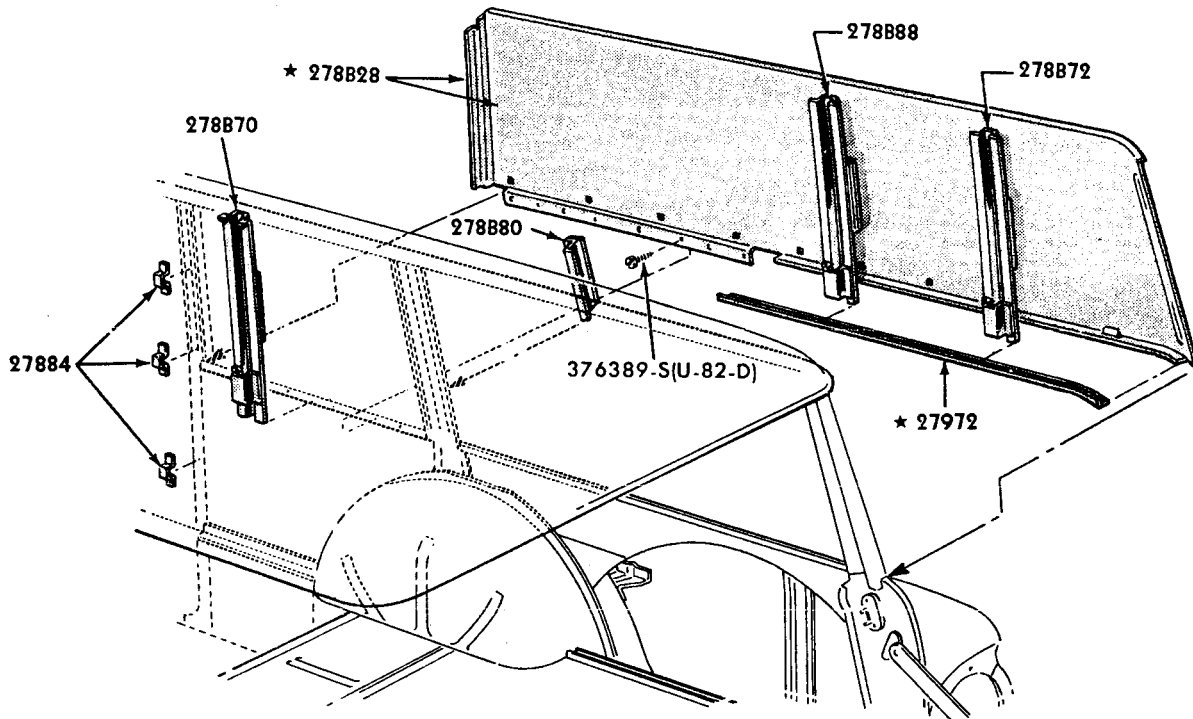
QUARTER WINDOW and RELATED PARTS - REAR  
1965 FAIRLANE - BODY TYPE 71

# FORD CAR PARTS



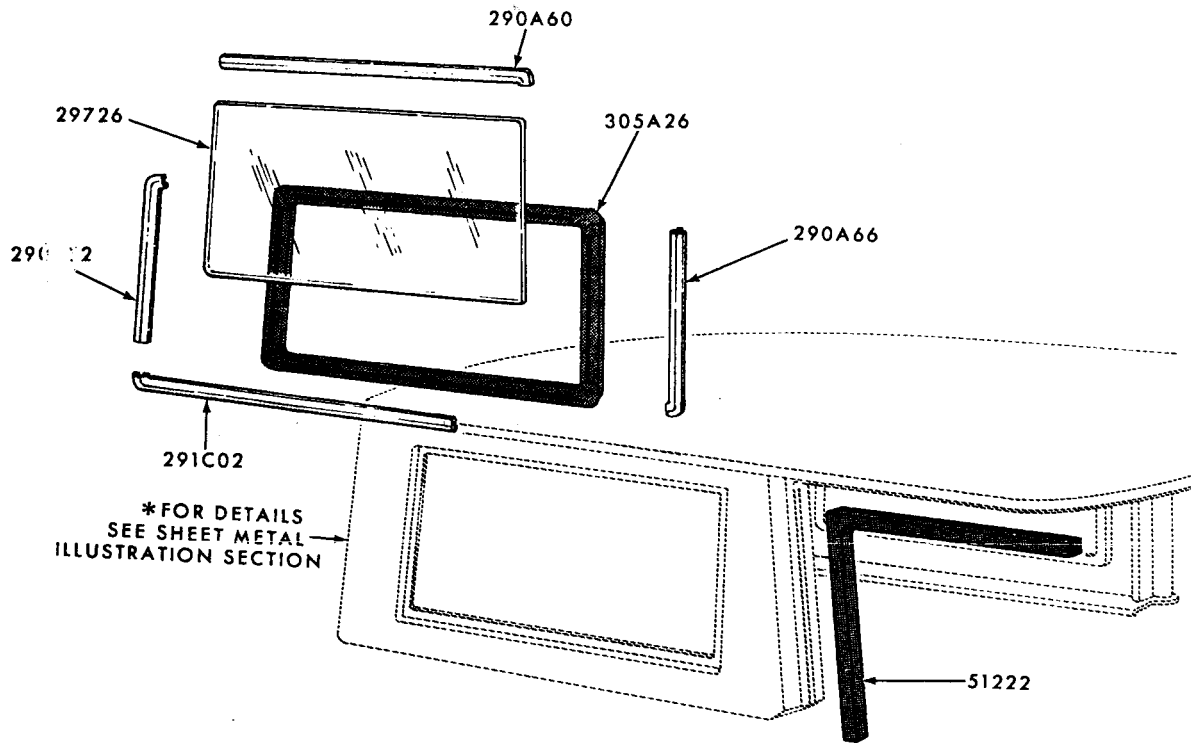
● REFER TO CHASSIS SECTION GROUP  
 ■ INCLUDED WITH 278C46

QUARTER AIR EXTRACTOR and RELATED PARTS  
 1965/66 MUSTANG - BODY TYPE 63



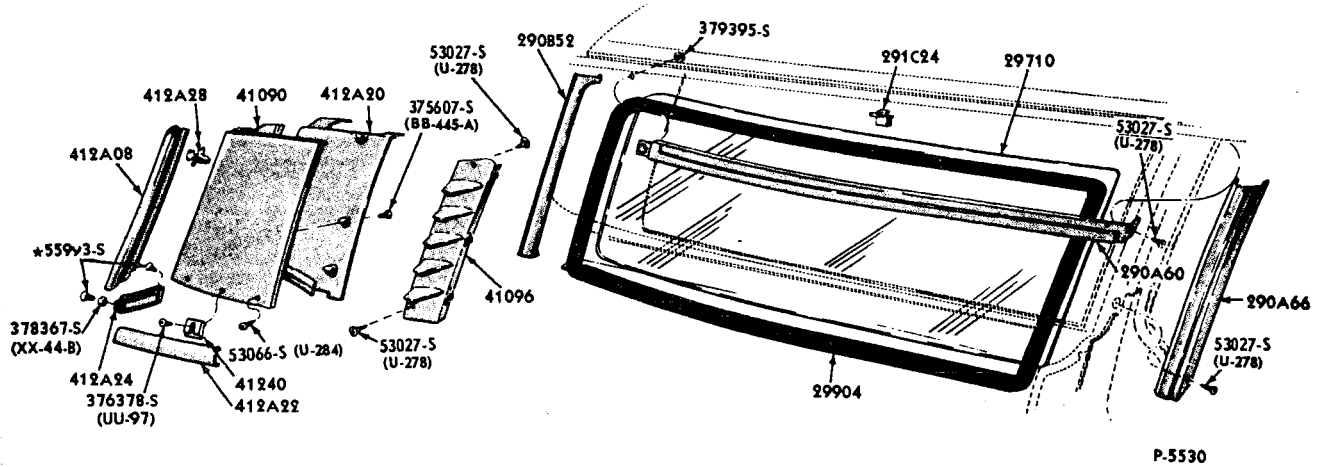
P-3593

QUARTER WINDOW PANEL and RELATED PARTS  
1965 FALCON - BODY TYPE 78

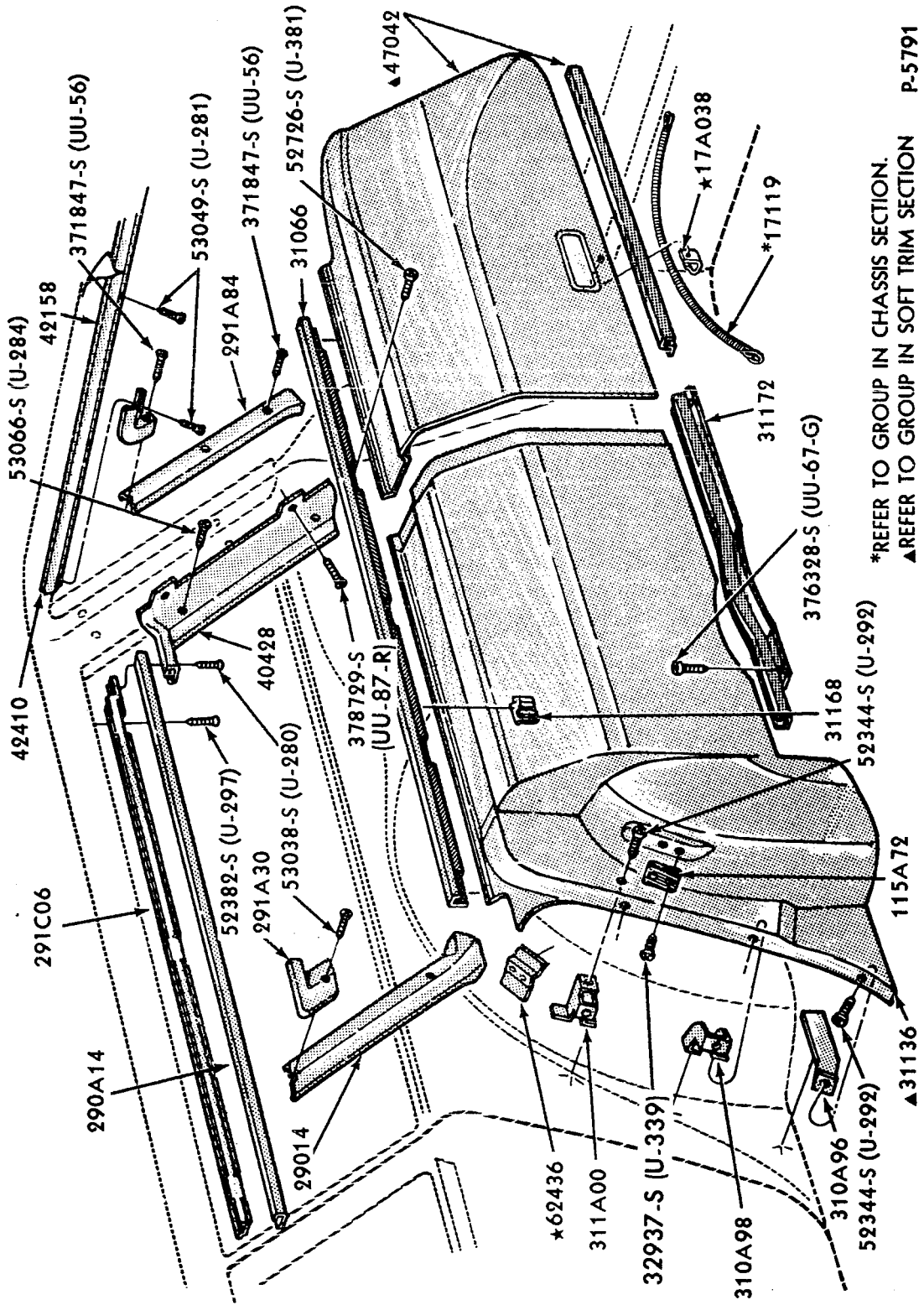


P-6775

QUARTER WINDOW and RELATED PARTS - OUTSIDE  
1966/72 BRONCO - BODY TYPE 98



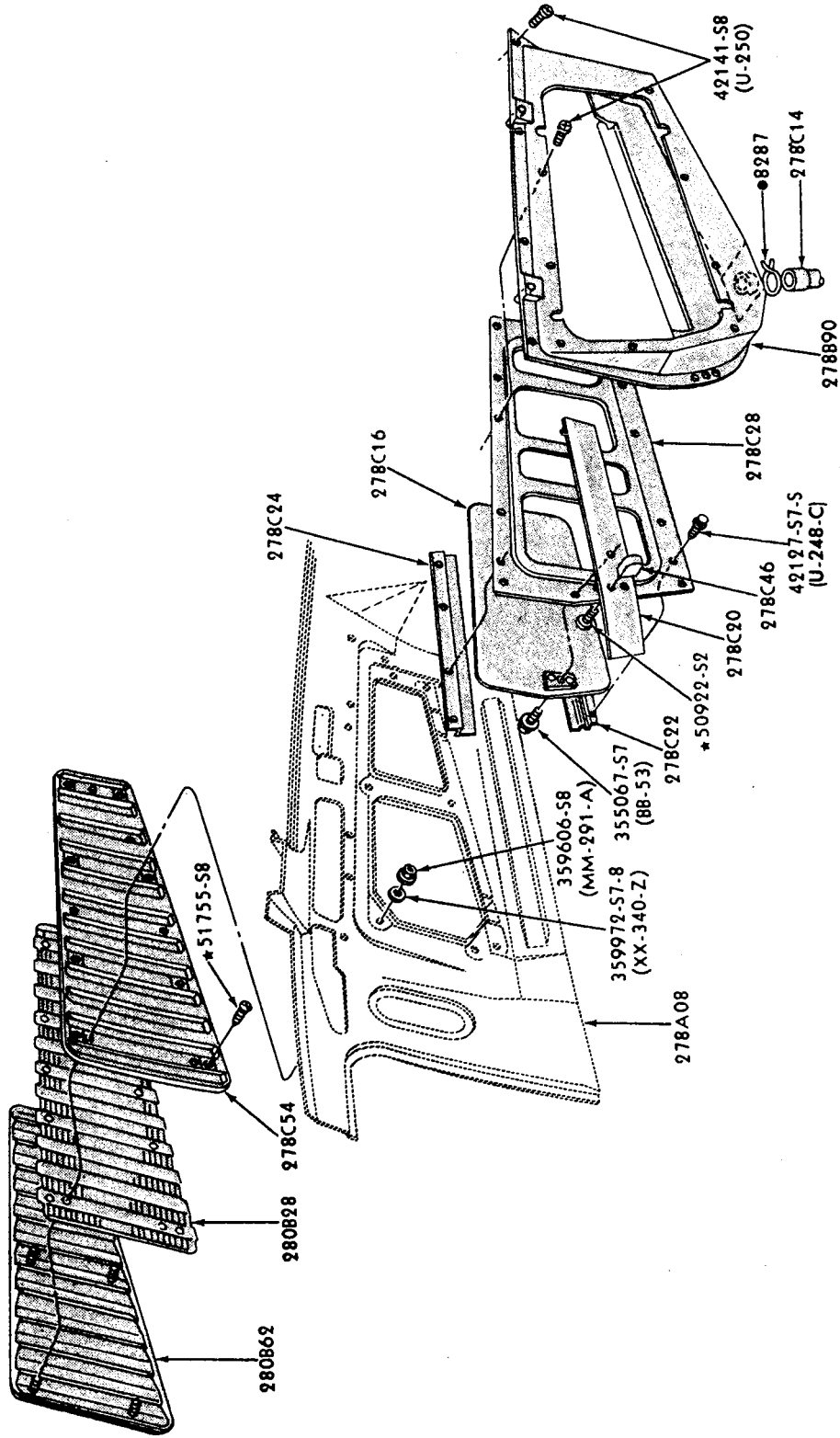
QUARTER WINDOW and RELATED PARTS - OUTSIDE  
1967/68 FORD - BODY TYPE 71



\*REFER TO GROUP IN CHASSIS SECTION.  
 ▲REFER TO GROUP IN SOFT TRIM SECTION P-5791

QUARTER WINDOW and RELATED PARTS - INSIDE  
 1967/68 FORD - BODY TYPE 71





• REFER TO GROUP IN CHASSIS SECTION

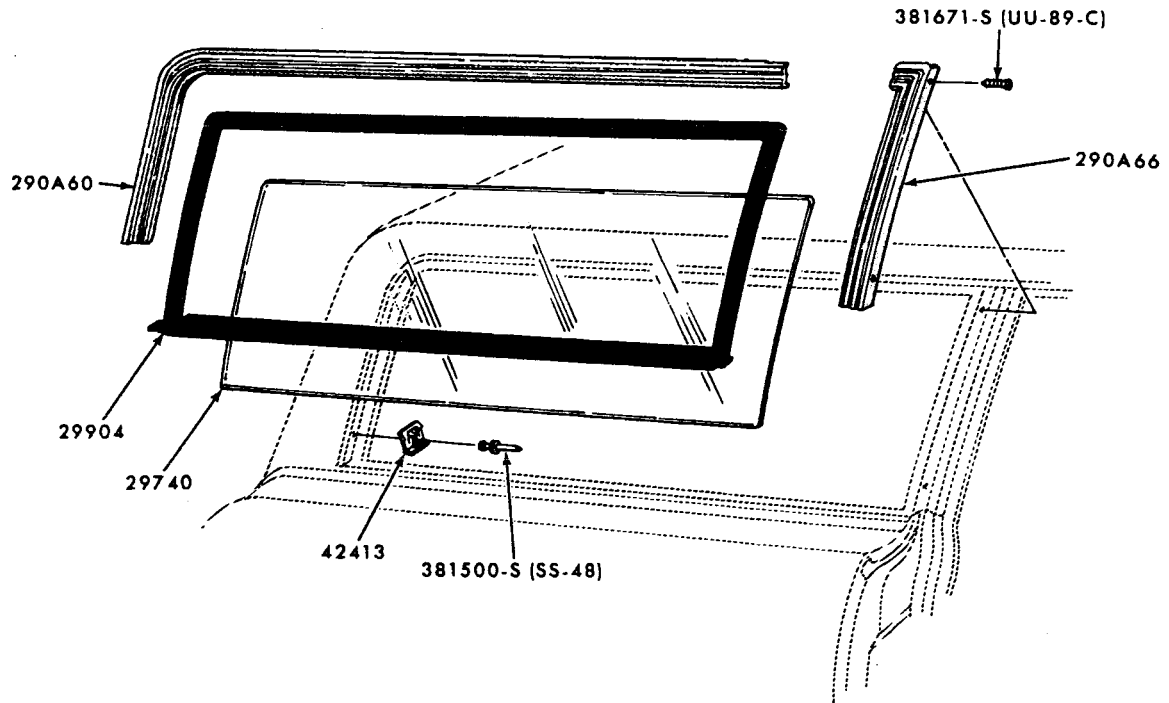
P-5538

QUARTER AIR EXTRACTOR and RELATED PARTS  
1967/68 MUSTANG - BODY TYPE 63

# FORD CAR PARTS

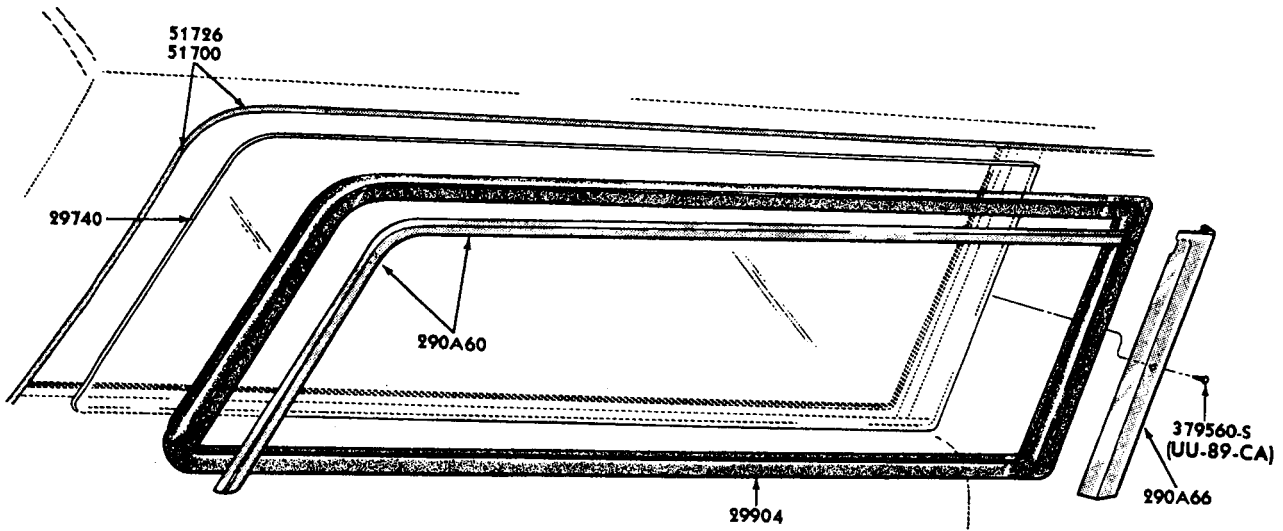
BODY ILLUSTRATION  
SECTION 290.1

9



QUARTER WINDOW and RELATED PARTS - OUTSIDE  
1969/72 FORD - BODY TYPE 71

P-6774



P-6030

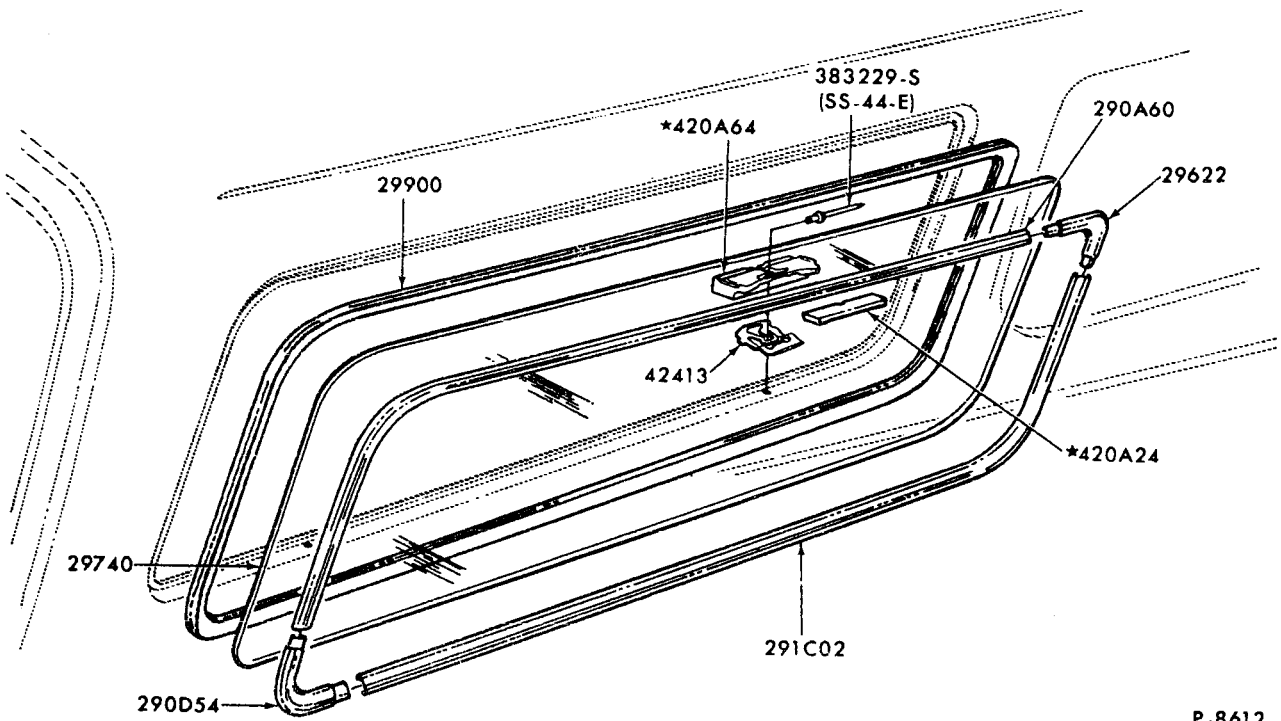
QUARTER WINDOW and RELATED PARTS - OUTSIDE  
1966/71 FAIRLANE/TORINO and FALCON - BODY TYPE 71

May, 1975

COPYRIGHT © 1975 — FORD MOTOR COMPANY — DEARBORN, MICHIGAN

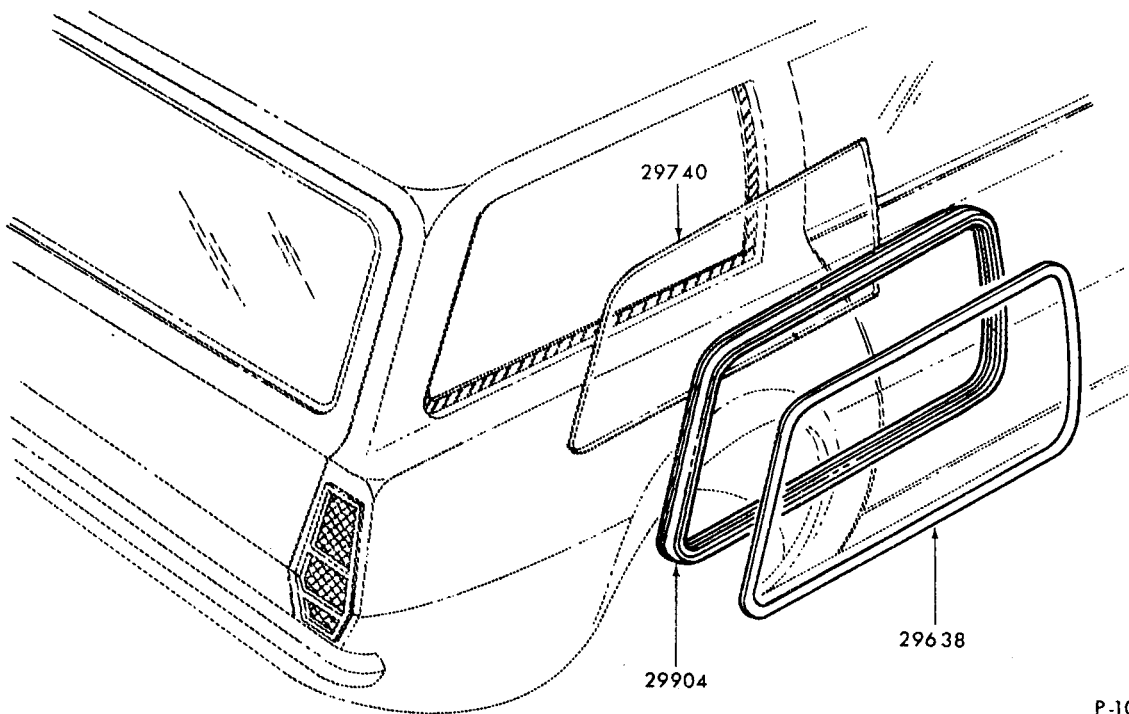
**FINAL ISSUE**





P-8612

QUARTER WINDOW and RELATED PARTS - OUTSIDE  
1972 TORINO - BODY TYPE 71



P-10150

QUARTER WINDOW and RELATED PARTS  
1972 PINTO - BODY TYPE 73

**INDEX**

THIS INDEX SECTION INCLUDES THE FOLLOWING MAJOR PARTS:

- |  |                                       |
|--|---------------------------------------|
| BACK BELT MOULDINGS                                | ROOF SIDE MOULDINGS and WEATHERSTRIPS |
| BACK WINDOW - TAIL & LIFT GATE                     | SLIDING ROOF PARTS                    |
| FOLDING TOP PARTS                                  | VACUUM DOOR LATCH SYSTEM              |
| FOLDING TOP and LUGGAGE COMPARTMENT HYDRAULIC LIFT | TAIL GATE WEATHERSTRIPS               |
| LUGGAGE COMPARTMENT LATCH PARTS                    | TAIL GATE WINDOW PARTS                |
| LUGGAGE and SKI CARRIERS and RACKS                 |                                       |

TITLE	SECTION	PAGE	ILLUS. NO.
<b>1965</b>			
<b>A (FORD)</b>			
Back window - body types 54, 62	420	1	P-4748
Back window - outside - body type 57	420	1	P-4750
Back window and roof side mouldings - inside - body type 57	420	2	P-4751
Back window - outside - body type 63	420	2	P-4752
Back window and roof side mouldings - inside - body type 63	420	3	P-4753
Folding top parts - less trim - body type 76	530	1	P-4859
Latch parts - except body type 71 (LUGGAGE COMPARTMENT)	430	1	P-5086
Luggage and ski carrier - non adjustable - roof mounted	550	2	P-4863
Ski carrier - roof mounted	550	1	P-4050
Tail gate weatherstrips - body type 71	400	1	P-4758
Tail gate window - body type 71	400	2	P-4759
<b>B (FAIRLANE)</b>			
Back window - body types 54, 62	420	3	P-3760
Back window - body type 65	420	4	P-4037
Latch parts - body types 54, 62, 65 (LUGGAGE COMPARTMENT)	430	1	P-4359
Luggage and ski carrier - non adjustable - roof mounted	550	2	P-4863
Ski carrier - roof mounted	550	1	P-4050
Tail gate weatherstrips - body type 71	400	3	P-4040
Tail gate window - body type 71	400	4	P-4041
<b>F (MUSTANG)</b>			
Back window - body type 65	420	5	P-4476
Back window - body type 63	420	4	P-4839
Folding top parts - less trim - body type 76	530	2	P-4479
Latch parts - body type 63 (LUGGAGE COMPARTMENT)	430	2	P-4844
Latch parts - body types 65, 76 (LUGGAGE COMPARTMENT)	430	2	P-4477
Luggage and ski carrier - non adjustable - roof mounted	550	2	P-4863
Roof side mouldings and weatherstrips - body type 65	500	1	P-4478
Roof side mouldings and weatherstrips - body type 63	500	1	P-4838
<b>S (THUNDERBIRD)</b>			
Back window - body type 63	420	6	P-4756
Folding top parts - less trim - body type 76	530	3	P-4385
Folding top and luggage compartment hydraulic lift - body type 76	530	4	P-4386
Latch parts - body type 63 (LUGGAGE COMPARTMENT)	430	3	P-4357
Luggage and ski carrier - non adjustable - roof mounted	550	2	P-4863
Roof side weatherstrips - body type 63A, B	500	2	P-4354
Ski carrier - roof mounted	550	1	P-4050
Vacuum door latch system - body type 63	430.1	1	P-4900
Weatherstrips and related parts - body type 76	430	3	P-4387

B

**BODY ILLUSTRATION  
SECTION 400**
**FORD CAR PARTS**
**INDEX**

TITLE	SECTION	PAGE	ILLUS. NO.
<b>1965</b>			
<b>X (FALCON)</b>			
Back window - body types 54, 62	420	5	P-3815
Back window - body type 63	420	7	P-3982
Folding top parts - less trim - body type 76	530	5	P-4006
Latch parts - body types 54, 62, 63, 76 (LUGGAGE COMPARTMENT)	430	4	P-4360
Luggage and ski carrier - non adjustable - roof mounted	550	2	P-4863
Ski carrier - roof mounted	550	1	P-4050
Tail gate parts - body type 66	400	7	P-3202
Tail gate weatherstrips - body types 59, 71	400	5	P-4151
Tail gate window - body types 59, 71	400	6	P-3199

**1966**

<b>A (FORD)</b>			
Back window and roof side mouldings - inside - body type 57	420	2	P-4751
Back window and roof side mouldings - inside - body type 63	420	8	P-5291
Back window - body types 54, 62	420	1	P-4748
Back window - outside - body type 57	420	1	P-4750
Back window - outside - body type 63	420	7	P-5233
Folding top parts - less trim - body type 76	530	1	P-4859
Latch parts - except body type 71 (LUGGAGE COMPARTMENT)	430	1	P-5086
Luggage and ski carrier - non adjustable - roof mounted	550	2	P-4863
Luggage carrier - adjustable (5 slats) - body type 71	550	3	P-5079
Luggage carrier - non adjustable - roof mounted - body type 71	550	1	P-5091
Tail gate weatherstrips - body type 71	400	8	P-5095
Tail gate window - dual action - body type 71	400	9	P-5094

**B (FAIRLANE)**

Back window - body type 54	420	8	P-5080
Back window - body type 62	420	9	P-5081
Back window - body type 63	420	9	P-5082
Folding top parts - less trim - body type 76	530	6	P-5090
Latch parts - except body type 71 (LUGGAGE COMPARTMENT)	430	1	P-5086
Luggage and ski carrier - non adjustable - roof mounted	550	2	P-4863
Luggage carrier - adjustable (5 slats) - body type 71	550	3	P-5079
Luggage carrier - non adjustable - roof mounted - body type 71	550	1	P-5091
Roof side weatherstrips - body type 63	500	2	P-5089
Tail gate weatherstrips - body type 71	400	10	P-5085
Tail gate window - dual action - body type 71	400	11	P-5084

**F (MUSTANG)**

Back window - body type 63	420	4	P-4839
Back window - body type 65	420	5	P-4476
Folding top parts - less trim - body type 76	530	2	P-4479
Latch parts - body type 63 (LUGGAGE COMPARTMENT)	430	2	P-4844
Latch parts - body types 65, 76 (LUGGAGE COMPARTMENT)	430	2	P-4477
Luggage and ski carrier - non adjustable - roof mounted	550	2	P-4863
Roof side mouldings and weatherstrips - body type 63	500	1	P-4838
Roof side mouldings and weatherstrips - body type 65	500	1	P-4478

**S (THUNDERBIRD)**

Back window - body type 63A	420	10	P-5030
Back window - body types 63C, D	420	11	P-5013
Back window, roof side mouldings and console - inside - body types 63C, D	420	11	P-5014
Folding top and luggage compartment hydraulic lift - body type 76	530	4	P-4386
Folding top parts - less trim - body type 76	530	3	P-4385

**INDEX**

TITLE

SECTION

PAGE

ILLUS. NO.

**1967**

**S (THUNDERBIRD)**

Back window - outside - body type 57	420	16	P-5355
Back window - outside - body type 65	420	17	P-5359
Back window and roof side mouldings - inside - body type 57	420	17	P-5472
Back window and roof side mouldings - inside - body type 65	420	18	P-5473
Latch parts (LUGGAGE COMPARTMENT)	430	6	P-5368
Vacuum door latch system	430.1	2	P-5369
Roof side weatherstrips - body type 57	500	3	P-5370
Roof side weatherstrips - body type 65	500	3	P-5367

**U (BRONCO)**

Back window - body type 97	420	12	P-6811
Back window - body type 98	420	12	P-6812
Tail gate and lift gate parts	400	13	P-4965

**X (FALCON)**

Back window - body type 54	420	8	P-5080
Back window - body type 62	420	9	P-5081
Latch parts - body types 54, 62 (LUGGAGE COMPARTMENT)	430	4	P-5087
Luggage carrier - adjustable (5 slats) - body type 71	550	3	P-5079
Luggage carrier - non adjustable - roof mounted - body type 71	550	1	P-5091
Tail gate weatherstrips - body type 71	400	10	P-5085
Tail gate window - dual action - body type 71	400	11	P-5084
Tail gate window - single action - body type 71	400	14	P-5083

**1968**

**A (FORD)**

Back window - body types 54, 62	420	13	P-5532
Back window - outside - body types 57, 65	420	18	P-6851
Back window - outside - body type 63	420	19	P-6852
Back window - inside - body types 57, 65	420	19	P-6853
Folding top parts - less trim - body type 76	530	1	P-4859
Latch parts - except body type 71 (LUGGAGE COMPARTMENT)	430	1	P-5086
Luggage carrier - non adjustable - roof mounted - body type 71	550	1	P-5091
Luggage carrier - adjustable (5 slats) - body type 71	550	3	P-5079
Tail gate weatherstrips - body type 71	400	8	P-5095
Tail gate window - dual action - body type 71	400	9	P-5094

**B (FAIRLANE/TORINO)**

Back window - body type 54	420	8	P-5080
Back window - body type 63	420	20	P-6379
Back window - body type 66	420	20	P-6380-B
Back window - body type 65	420	26	P-6917
Folding top parts - less trim - body type 76	530	7	P-5531
Latch parts - except body type 71 (LUGGAGE COMPARTMENT)	430	1	P-5086
Luggage carrier - non adjustable - roof mounted - body type 71	550	1	P-5091
Luggage carrier - adjustable (5 slats) - body type 71	550	3	P-5079
Roof side weatherstrips - body type 63	500	2	P-5089
Tail gate parts - body type 66	400	12	P-5088
Tail gate weatherstrips - body type 71	400	10	P-5085
Tail gate window - dual action - body type 71	400	11	P-5084

# FORD CAR PARTS

## BODY ILLUSTRATION SECTION 400

C

### INDEX

TITLE	SECTION	PAGE	ILLUS. NO.
-------	---------	------	------------

## 1966

#### S (THUNDERBIRD)

Latch parts - body type 63 (LUGGAGE COMPARTMENT)	430	3	P-4357
Luggage and ski carrier - non adjustable - roof mounted	550	2	P-4863
Roof side weatherstrips - body type 63A, B	500	2	P-4354
Vacuum door latch system - body type 63	430.1	1	P-4900

#### U (BRONCO)

Back window - body type 97	420	12	P-6811
Back window - body type 98	420	12	P-6812
Tail gate and lift gate parts	400	13	P-4965

#### X (FALCON)

Back window - body type 54	420	8	P-5080
Back window - body type 62	420	9	P-5081
Back window - body type 66	420	10	P-6380-A
Latch parts - body types 54, 62 (LUGGAGE COMPARTMENT)	430	4	P-5087
Luggage and ski carrier - non adjustable - roof mounted	550	2	P-4863
Luggage carrier - non adjustable - roof mounted - body type 71	550	1	P-5091
Luggage carrier - adjustable (5 slats) - body type 71	550	3	P-5079
Tail gate parts - body type 66	400	12	P-5088
Tail gate weatherstrips - body type 71	400	10	P-5085
Tail gate window - dual action - body type 71	400	11	P-5084
Tail gate window - single action - body type 71	400	14	P-5083

## 1967

#### A (FORD)

Back window - outside - body type 57	420	13	P-5533
Back window - outside - body type 63	420	14	P-5535
Back window and roof side mouldings - inside - body type 57	420	14	P-5534
Back window and roof side mouldings - inside - body type 63	420	15	P-5536
Back window - body types 54, 62	420	13	P-5532
Folding top parts - less trim - body type 76	530	1	P-4859
Latch parts - except body type 71 (LUGGAGE COMPARTMENT)	430	1	P-5086
Luggage carrier - adjustable (5 slats) - body type 71	550	3	P-5079
Luggage carrier - non adjustable - roof mounted - body type 71	550	1	P-5091
Tail gate weatherstrips - body type 71	400	8	P-5095
Tail gate window - dual action - body type 71	400	9	P-5094

#### B (FAIRLANE)

Back window - body type 54	420	8	P-5080
Back window - body type 62	420	9	P-5081
Back window - body type 63	420	9	P-5082
Back window - body type 66	420	10	P-6380-A
Folding top parts - less trim - body type 76	530	7	P-5531
Latch parts - except body type 71 (LUGGAGE COMPARTMENT)	430	1	P-5086
Luggage carrier - adjustable (5 slats) - body type 71	550	3	P-5079
Luggage carrier - non adjustable - roof mounted - body type 71	550	1	P-5091
Roof side weatherstrips - body type 63	500	2	P-5089
Tail gate parts - body type 66	400	12	P-5088
Tail gate weatherstrips - body type 71	400	10	P-5085
Tail gate window - dual action - body type 71	400	11	P-5084

#### F (MUSTANG)

Back window - body type 63	420	16	P-5629
Back window - body type 65	420	15	P-5630
Folding top parts - less trim - body type 76	530	2	P-4479
Latch parts (LUGGAGE COMPARTMENT)	430	5	P-5634
Roof side mouldings and weatherstrips - body type 63	500	1	P-4838
Roof side mouldings and weatherstrips - body type 65	500	1	P-4478

May, 1975

COPYRIGHT © 1975 -

FORD MOTOR  
COMPANY

— DEARBORN, MICHIGAN

**FINAL ISSUE**



# FORD CAR PARTS

## BODY ILLUSTRATION SECTION 400

E

### INDEX

TITLE	SECTION	PAGE	ILLUS. NO.
-------	---------	------	------------

## 1968

#### F (MUSTANG)

Back window - body type 63	420	16	P-5629
Back window - body type 65	420	15	P-5630
Folding top parts - less trim - body type 76	530	2	P-4479
Latch parts - except body type 65 GT/CS (LUGGAGE COMPT.)	430	5	P-5634
Latch parts - body type 65 GT/CS (LUGGAGE COMPARTMENT)	430	5	P-6456
Roof side mouldings and weatherstrips - body type 65	500	1	P-4478
Roof side mouldings and weatherstrips - body type 63	500	1	P-4838

#### S (THUNDERBIRD)

Back window - outside - body type 57	420	16	P-5355
Back window - outside - body type 65	420	17	P-5359
Back window and roof side mouldings - inside - body type 57	420	17	P-5472
Back window and roof side mouldings - inside - body type 65	420	18	P-5473
Latch parts (LUGGAGE COMPARTMENT)	430	6	P-5368
Roof side weatherstrips - body type 57	500	3	P-5370
Roof side weatherstrips - body type 65	500	3	P-5367
Vacuum door latch system - body type 63	430,1	2	P-5369

#### U (BRONCO)

Back window - body type 97	420	12	P-6811
Back window - body type 98	420	12	P-6812
Tail gate and lift gate parts	400	13	P-4965

#### X (FALCON)

Back window - body type 54	420	8	P-5080
Back window - body type 62	420	9	P-5081
Latch parts - body types 54, 62 (LUGGAGE COMPARTMENT)	430	4	P-5087
Luggage carrier - non adjustable - roof mounted - body type 71	550	1	P-5091
Luggage carrier - adjustable (5 slats) - body type 71	550	3	P-5079
Tail gate weatherstrips - body type 71	400	10	P-5085
Tail gate window - dual action - body type 71	400	11	P-5084
Tail gate window - single action - body type 71	400	14	P-5083

## 1969

#### A (FORD)

Back window - outside - body types 54, 62	420	21	P-6748
Back window - outside - body type 57	420	21	P-6747
Back window - outside - body type 63 - without vinyl roof cover	420	22	P-6749
Back window - outside - body type 63 - with vinyl roof cover	420	22	P-6750
Back window - outside - body type 65	420	23	P-6752
Back window - inside - body types 54, 57, 62, 63	420	23	P-6855
Back window - inside - body type 65	420	24	P-6856
Back belt mouldings - body type 76	420	24	P-6753
Latch parts - except body type 71 (LUGGAGE COMPARTMENT)	430	1	P-5086
Luggage carrier - luggage compartment mounted - Removable	550	3	P-6738
Luggage carrier - non adjustable - roof mounted - body type 71	550	1	P-5091
Luggage carrier - roof mounted - adjustable - body type 71	550	4	P-6739
Roof side mouldings and weatherstrips - body type 57	500	8	P-6914
Roof side mouldings and weatherstrips - body types 63, 65	500	6	P-6915
Tail gate parts - body type 71	400	16	P-6745-A
Tail gate parts - body type 71 (continued)	400	17	P-6745-B

F

**BODY ILLUSTRATION  
SECTION 400**
**FORD CAR PARTS**
**INDEX**

TITLE	SECTION	PAGE	ILLUS. NO.
<b>1969</b>			
<b>B (FAIRLANE/TORINO)</b>			
Back window - body type 54	420	8	P-5080
Back window - body type 63	420	20	P-6379
Back window - body type 65	420	26	P-6917
Back window - body type 66	420	20	P-6380-B
Folding top parts - less trim - body type 76	530	7	P-5531
Latch parts - except body type 71 (LUGGAGE COMPARTMENT)	430	1	P-5086
Luggage carrier - adjustable (5 slats) - body type 71	550	3	P-5079
Luggage carrier - luggage compartment mounted -Removable	550	3	P-6738
Luggage carrier - non adjustable - roof mounted - body type 71	550	1	P-5091
Roof side weatherstrips - body type 63	500	2	P-5089
Tail gate parts - body type 66	400	12	P-5088
Tail gate weatherstrips - body type 71	400	10	P-5085
Tail gate window - dual action - body type 71	400	11	P-5084
<b>F (MUSTANG)</b>			
Back window - body type 63	420	25	P-6789
Back window - body type 65	420	25	P-6790
Back belt mouldings - body type 76	420	26	P-6788
Latch parts (LUGGAGE COMPARTMENT)	430	5	P-5634
Louvers - back window - body type 63	420	30	P-7412
Luggage carrier - luggage compartment mounted -Removable	550	3	P-6738
Roof side mouldings and weatherstrips - body type 65	500	4	P-6808
Roof side mouldings and weatherstrips - body type 63	500	7	P-7104
Folding top parts - less trim - body type 76	530	10	P-6987-A
Folding top parts - less trim - body type 76 (continued)	530	11	P-6987-B
<b>S (THUNDERBIRD)</b>			
Back window - outside - body type 57	420	16	P-5355
Back window - outside - body type 65	420	17	P-5359
Back window and roof side mouldings - inside body type 57	420	17	P-5472
Back window and roof side mouldings - inside - body type 65	420	18	P-5473
Latch parts (LUGGAGE COMPARTMENT)	430	6	P-5368
Roof side weatherstrips - body type 57	500	3	P-5370
Roof side weatherstrips - body type 65A, C	500	3	P-5367
Roof side weatherstrips body type 65B, D	500	4	P-6807
Sliding roof parts	500	5	P-6954
Vacuum door latch system	430.1	2	P-5369
<b>U (BRONCO)</b>			
Back window - body type 97	420	12	P-6811
Back window - body type 98	420	12	P-6812
Tail gate and lift gate parts	400	15	P-6858
<b>X (FALCON)</b>			
Back window - body type 54	420	8	P-5080
Back window - body type 62	420	9	P-5081
Latch parts - body types 54, 62 (LUGGAGE COMPARTMENT)	430	4	P-5087
Luggage carrier - adjustable (5 slats) - body type 71	550	3	P-5079
Luggage carrier - luggage compartment mounted -Removable	550	3	P-6738
Luggage carrier - non adjustable - roof mounted - body type 71	550	1	P-5091
Tail gate window - dual action - body type 71	400	11	P-5084
Tail gate window - single action - body type 71	400	14	P-5083
Tail gate weatherstrips - body type 71	400	10	P-5085



H

**BODY ILLUSTRATION  
SECTION 400**
**FORD CAR PARTS**
**INDEX**

TITLE	SECTION	PAGE	ILLUS. NO.
<b>1970</b>			
<b>F (MUSTANG)</b>			
Back belt mouldings - body type 76	420	26	P-6788
Back window - outside - body type 63	420	25	P-6789
- body type 65	420	27	P-7179
Folding top parts - less trim - body type 76	530	10	P-6987-A
(cont'd)	530	11	P-6987-B
Latch parts (LUGGAGE COMPARTMENT)	430	5	P-5634
Louvers - back window - body type 63	420	30	P-7412
Luggage carrier - Luggage compartment mounted-Removable	550	3	P-6738
Luggage carrier, ski rack, luggage cover-Luggage compartment mounted	550	6	P-7402
Spoiler - rear deck	E/M†	9	P-7102
Roof side weatherstrips - body type 63	500	7	P-7104
- body type 65	500	4	P-6808
<b>P (MAVERICK)</b>			
Back window	420	27	P-6837
Latch parts (LUGGAGE COMPARTMENT)	430	1	P-5086
Luggage carrier - Luggage compartment mounted-Removable	550	3	P-6738
Luggage carrier, ski rack, luggage cover-Luggage compartment mounted	550	6	P-7402
<b>S (THUNDERBIRD)</b>			
Back window and roof side mouldings - inside - body type 57	420	17	P-5472
- body type 65	420	18	P-5473
Back window - heated	186	3	P-7510
Back window - outside - body type 57	420	16	P-5355
- body type 65A, C	420	29	P-7126
- body type 65 B, D	420	17	P-5359
Fuel filler door	430	7	P-7413
Latch parts (LUGGAGE COMPARTMENT)	430	6	P-5368
Latch parts - vacuum system (LUGGAGE COMPARTMENT)	430.1	4	P-7471
Luggage carrier - Luggage compartment mounted-Removable	550	3	P-6738
Luggage carrier, ski rack, luggage cover-Luggage compartment mounted	550	6	P-7402
Roof side weatherstrips - body type 57	500	3	P-5370
- body type 65	500	7	P-7101
- body type 65 B, D	500	14	P-8177
Sliding roof and related parts	500	5	P-6954
Vacuum door latch system - body type 63	430.1	2	P-5369
Window parts (back) - body type 65	420	29	P-7126
<b>U (BRONCO)</b>			
Back window - body type 97	420	12	P-6811
- body type 98			
Tail gate and lift gate parts	400	15	P-6858
<b>X (FALCON) - BEFORE 1/2/70 FOR UNITS BUILT FROM 1/2/70 REFER TO B (FALCON)</b>			
Back window - body type 54	420	8	P-5080
- body type 62	420	9	P-5081
Latch parts - body types 54, 62 (LUGGAGE COMPARTMENT)	430	4	P-5087
Luggage carrier - non adjustable - roof mounted - body type 71	550	1	P-5091
Tail gate weatherstrips - body type 71	400	10	P-5085
Tail gate window - dual action - body type 71	400	11	P-5084
Tail gate window - single action - body type 71	400	14	P-5083

† Exterior Mouldings

**INDEX**

TITLE	SECTION	PAGE	ILLUS. NO.
<b>1971</b>			
<b>A (FORD)</b>			
Back belt mouldings - body type 76	420	33	P-7971
Back window - heated	186	4	P-8436
Back window - inside - body type 53, 54, 57	420	23	P-6855
- body type 65	420	24	P-6856
Back window - outside - body type 54	420	31	P-7972
- body type 53, 57	420	32	P-7973
- body type 65	420	32	P-7974
Folding top parts - less trim - body type 76	530	8	P-6776-A
	530	9	P-6776-B
Fuel filler door	430	7	P-7413
Latch parts - except body type 71 (LUGGAGE COMPARTMENT)	430	1	P-5086
Latch parts - vacuum system (LUGGAGE COMPARTMENT)	430.1	4	P-7471
Luggage carrier - Luggage compartment mounted - Removable	550	3	P-6738
Luggage carrier - non adjustable - body type 71	550	7	P-8173
Luggage carrier - adjustable - body type 71 - (aluminum)	550	5	P-7403
Luggage carrier - adjustable - body type 71 - (stainless steel)	550	8	P-8224
Luggage carrier, ski rack, luggage cover-Luggage compartment mounted	550	6	P-7402
Roof side mouldings and weatherstrips - body type 53	500	11	P-7839
- body type 54, 57	500	10	P-7458
- body type 65	500	12	P-7817
Roof cover parts - body type 71	530	16	P-6963
Tail gate parts - window mechanism - body type 71	400	18	P-8152-A
- hinge and latch - body type 71	400	19	P-8152-B
- washer, wiper system - body type 71	400	20	P-8152-C
Tail gate - vacuum latch system - body type 71	430.1	3	P-7468

**B (TORINO)**

Back window - body types 54, 57, 65	420	28	P-7138
- body type 63	420	20	P-6379
- body type 66	420	28	P-7128
Folding top parts - less trim	530	12	P-7435-A
	530	13	P-7435
Fuel filler door	430	7	P-7413
Latch parts - except body type 71 (LUGGAGE COMPARTMENT)	430	1	P-5086
Latch parts - vacuum system (LUGGAGE COMPARTMENT)	430.1	4	P-7471
Louvers - back window - body type 63	420	29	P-7228
Luggage carrier - adjustable - body type 71 - (aluminum)	550	5	P-7403
Luggage carrier - non adjustable - body type 71	550	7	P-8173
Luggage carrier - Luggage compartment mounted - Removable	550	3	P-6738
Luggage carrier, ski rack, luggage cover-Luggage compartment mounted	550	6	P-7402
Roof side mouldings and weatherstrips - body type 54	500	15	P-8294
- body type 57	500	14	P-8169
- body type 63	500	8	P-7180
- body type 65	500	8	P-7181
- body type 66	500	9	P-7182
Roof cover moulding - body type 65C	500	15	P-8529
Tail gate parts - body type 66	400	12	P-5088
Tail gate - vacuum latch system - body type 71	430.1	3	P-7468
Tail gate weatherstrips - body type 71	400	10	P-5085
Tail gate window - dual action - body type 71	400	11	P-5084

**INDEX**

TITLE	SECTION	PAGE	ILLUS. NO.
<b>1971</b>			
<b>F (MUSTANG)</b>			
Back belt mouldings - body type 76	420	35	P-8277
Back window - outside - body type 63	420	34	P-7857
- body type 65	420	35	P-7856
Folding top parts - less trim - body type 76	530	14	P-8225-A
(cont'd)	530	15	P-8225-B
Latch parts (LUGGAGE COMPARTMENT)	430	7	P-8179
Luggage carrier - Luggage compartment mounted - Removable	550	3	P-6738
Luggage carrier, ski rack, luggage cover-Luggage compartment mounted	550	6	P-7402
Roof cover mouldings - body type 65	500	16	P-8571
Roof side weatherstrips - body type 63	500	13	P-8172
- body type 65	500	13	P-9199
Spoiler - rear deck	E/M†	10	P-8112
<b>L (PINTO)</b>			
Back window - outside - body types 62, 64	420	31	P-7783
Latch parts (luggage compartment) - body types 62, 64	430	6	P-7784
Luggage carrier - roof mounted - non adjustable	550	4	P-7927
Luggage compartment door - body type 64	430	8	P-8272
Roof side weatherstrip	230	33	P-7785
<b>P (MAVERICK)</b>			
Back window - outside	420	27	P-6837
Latch parts (LUGGAGE COMPARTMENT)	430	1	P-5086
Luggage carrier - Luggage compartment mounted - Removeable	550	3	P-6738
Luggage carrier, ski rack, luggage cover-Luggage compartment mounted	550	6	P-7402
Roof side mouldings and weatherstrips - body type 54	500	11	P-7925
- body type 62	500	12	P-7876
<b>S (THUNDERBIRD)</b>			
Back window - heated	186	3	P-7510
Back window - outside - body type 57	420	16	P-5355
- body type 65A, C	420	29	P-7126
- body type 65B, D	420	17	P-5359
Fuel filler door	430	7	P-7413
Latch parts (LUGGAGE COMPARTMENT)	430	6	P-5368
Latch parts - vacuum system (LUGGAGE COMPARTMENT)	430.1	4	P-7471
Luggage carrier - Luggage compartment mounted-Removable	550	3	P-6738
Luggage carrier, ski rack, luggage cover-Luggage compartment mounted	550	6	P-7402
Roof side weatherstrips - body type 57	500	3	P-5370
- body type 65A, C	500	7	P-7101
- body type 65B, D	500	14	P-8177
Sliding roof and related parts	500	19	P-8891
Window parts (back) - body type 65	420	29	P-7126
<b>U (BRONCO)</b>			
Back window - body type 97	420	12	P-6811
- body type 98	420	12	P-6812
Tail gate and lift gate parts	400	15	P-6858

† Exterior mouldings



INDEX

TITLE	SECTION	PAGE	ILLUS. NO.
-------	---------	------	------------

1972

F (MUSTANG)

Back belt mouldings - body type 76	420	35	P-8277
Back window - outside - body type 63	420	34	P-7857
- body type 65	420	35	P-7856
Folding top parts - less trim - body type 76	530	14	P-8225-A
(cont'd.)	530	15	P-8225-B
Latch parts (LUGGAGE COMPARTMENT)	430	12	P-10159
Luggage carrier - Luggage compartment mounted - Removable	550	3	P-6738
Luggage carrier, ski rack, luggage cover - Luggage compartment mtd.	550	6	P-7402
Roof cover mouldings - body type 65	500	16	P-8571
Roof side weatherstrips - body type 63	500	13	P-8172
- body type 65	500	13	P-9199
Spoiler - rear deck	E/M†	10	P-8112

L (PINTO)

Back window - outside - body type 62	420	31	P-7783
- body type 64	420	36	P-8787
Latch parts (luggage compartment)-body types 62, 64	430	6	P-7784
Luggage carrier - roof mounted - non adjustable	550	4	P-7927
Luggage compartment door - body type 64 - "Before 12/1/71"	430	8	P-8272
- "From 12/1/71"	430	9	P-8938
Roof side weatherstrip	230	33	P-7785
Sliding roof and related parts	500	20	P-9240
Tailgate parts - window - body type 73	400	24	P-8913
- latch - body type 73	400	24	P-8914
- hinges - body type 73	400	25	P-8937

P (MAVERICK)

Back window - body type 62	420	27	P-6837
- body type 54	420	33	P-7926
Latch parts (LUGGAGE COMPARTMENT)	430	10	P-8838
Luggage carrier - Luggage compartment mounted - Removeable	550	3	P-6738
Luggage carrier, ski rack, luggage cover - Luggage compartment mtd.	550	6	P-7402
Roof side mouldings and weatherstrips - body type 54	500	11	P-7925
- body type 62	500	12	P-7876

S (THUNDERBIRD)

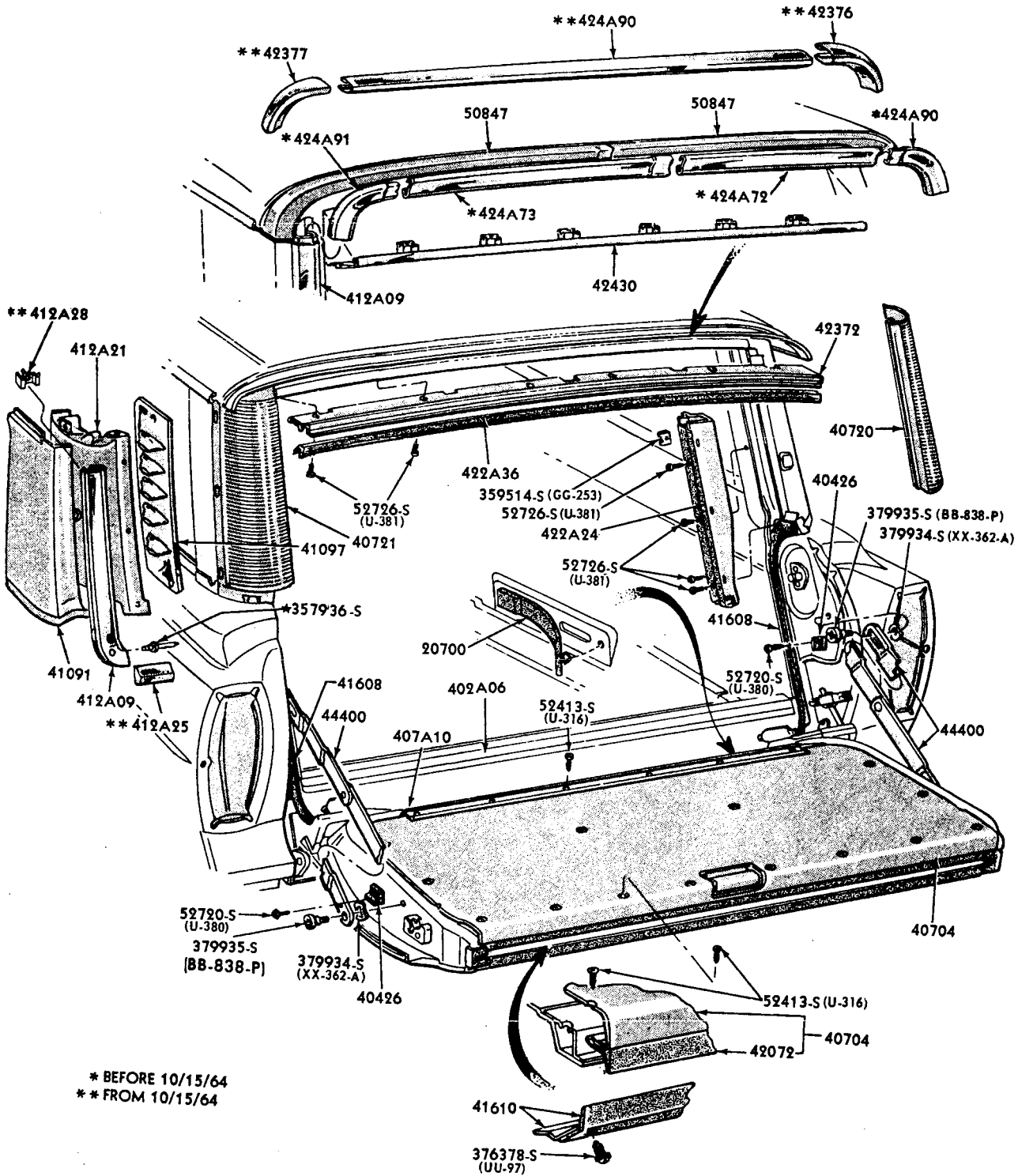
Back window - heated	186	3	P-7510
Back window - outside	420	38	P-8802
Latch parts (LUGGAGE COMPARTMENT)	430	11	P-8592
- vacuum system (LUGGAGE COMPARTMENT)	430.1	4	P-7471
- electric (LUGGAGE COMPARTMENT)	430.1	4	P-8932
Luggage carrier - Luggage compartment mounted-Removable	550	3	P-6738
Luggage carrier, ski rack, luggage cover - Luggage compartment mtd.	550	6	P-7402
Roof side weatherstrips	500	16	P-8935
Sliding roof and related parts	500	19	P-8891

U (BRONCO)

Back window - body type 97	420	12	P-6811
- body type 98	420	12	P-6812
Tail gate and lift gate parts	400	15	P-6858

† Exterior mouldings





\* BEFORE 10/15/64  
\*\* FROM 10/15/64

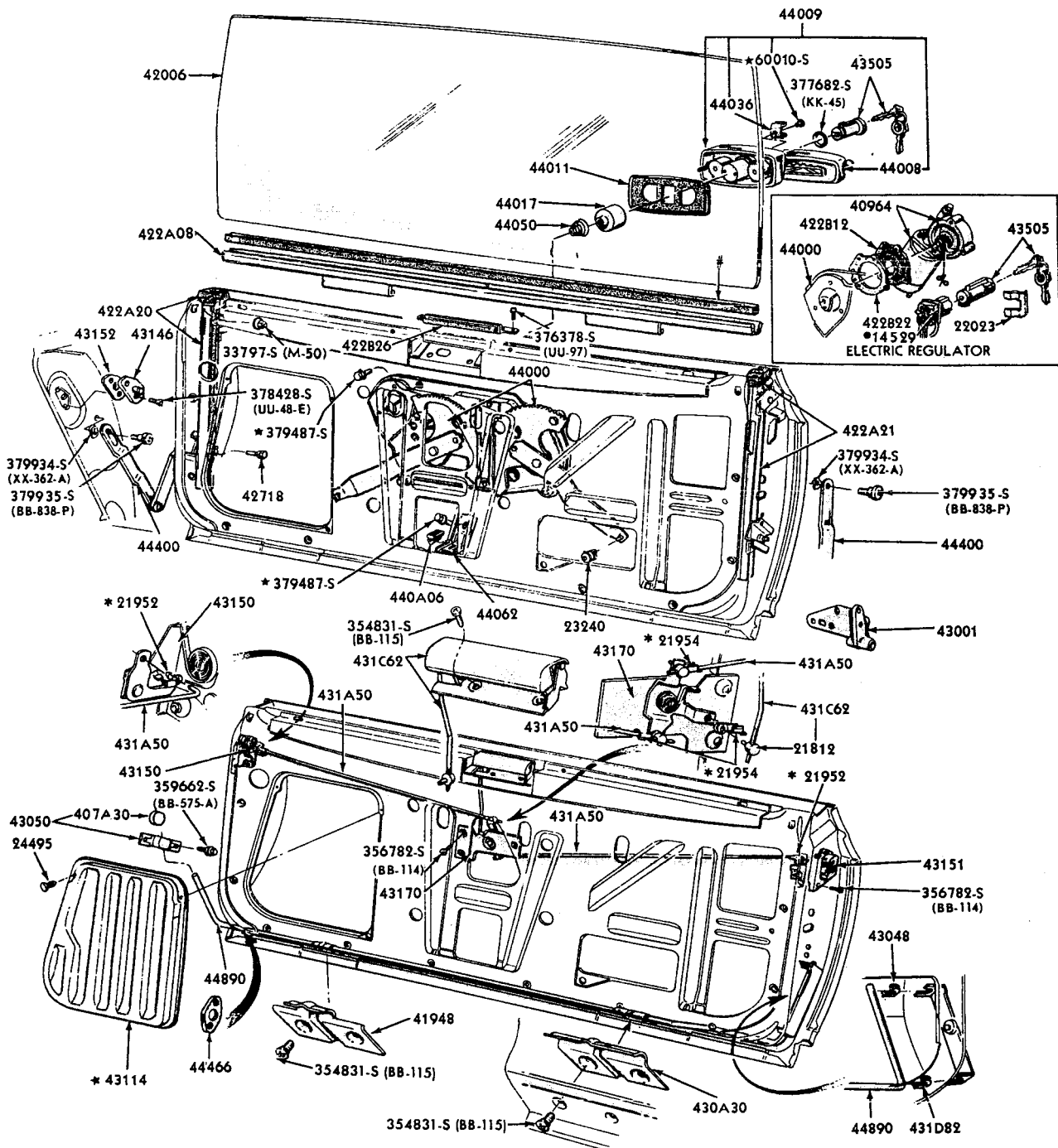
TAIL GATE WEATHERSTRIPS and RELATED PARTS  
1965 FORD - BODY TYPE 71

P-4758

May, 1975

COPYRIGHT © 1975 — FORD MOTOR COMPANY — DEARBORN, MICHIGAN

FINAL ISSUE

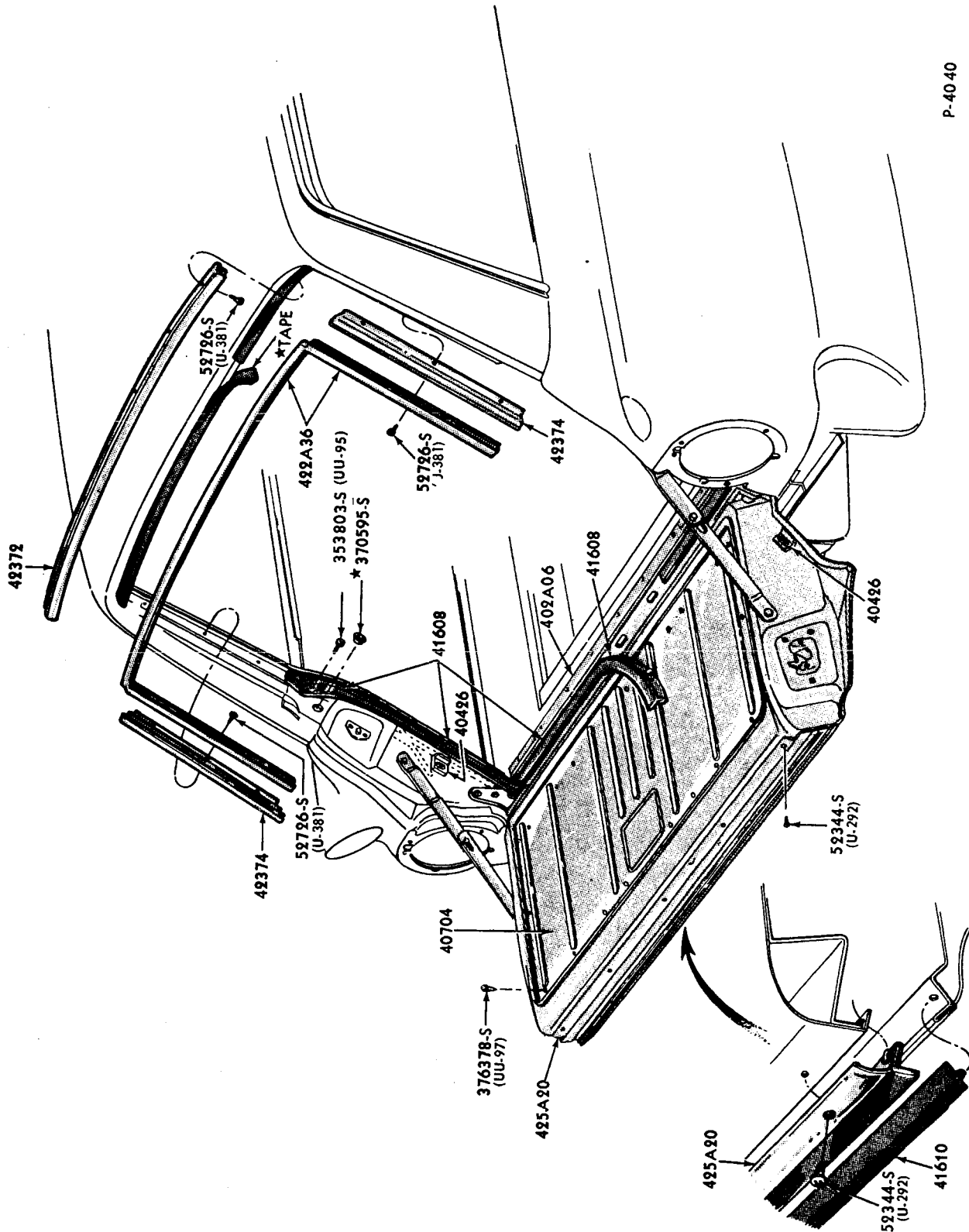


- # USE BULK GLASS TAPE
- \* ALSO INCLUDED WITH 431A50
- REFER TO GROUP IN CHASSIS SECTION
- % FOR GEAR REPLACEMENT KIT REFER TO GROUP 234A24

P-4759

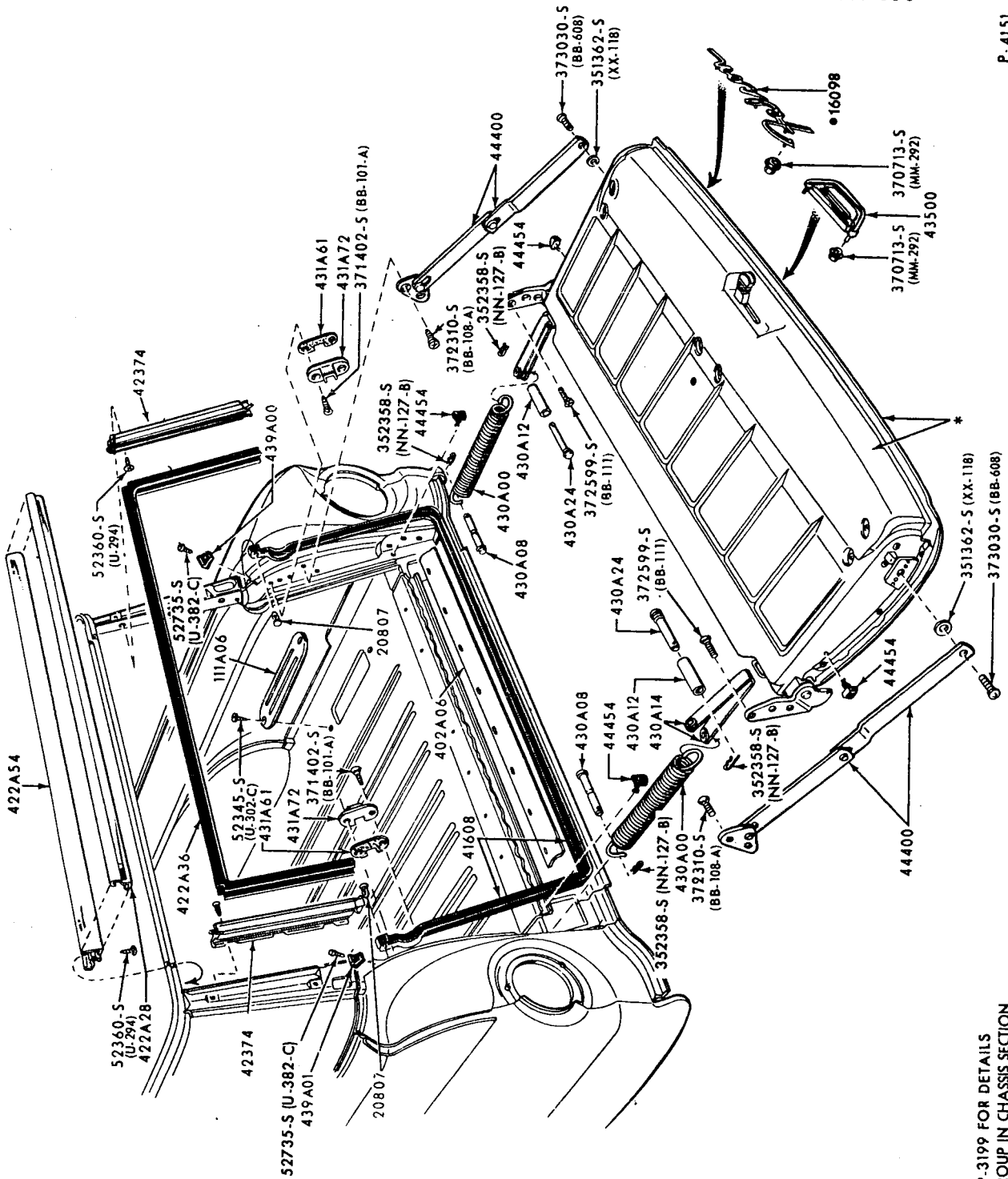
**TAIL GATE WINDOW and RELATED PARTS  
1965 FORD - BODY TYPE 71**

P-4040



TAIL GATE WEATHERSTRIPS and RELATED PARTS  
1965 FAIRLANE - BODY TYPE 71

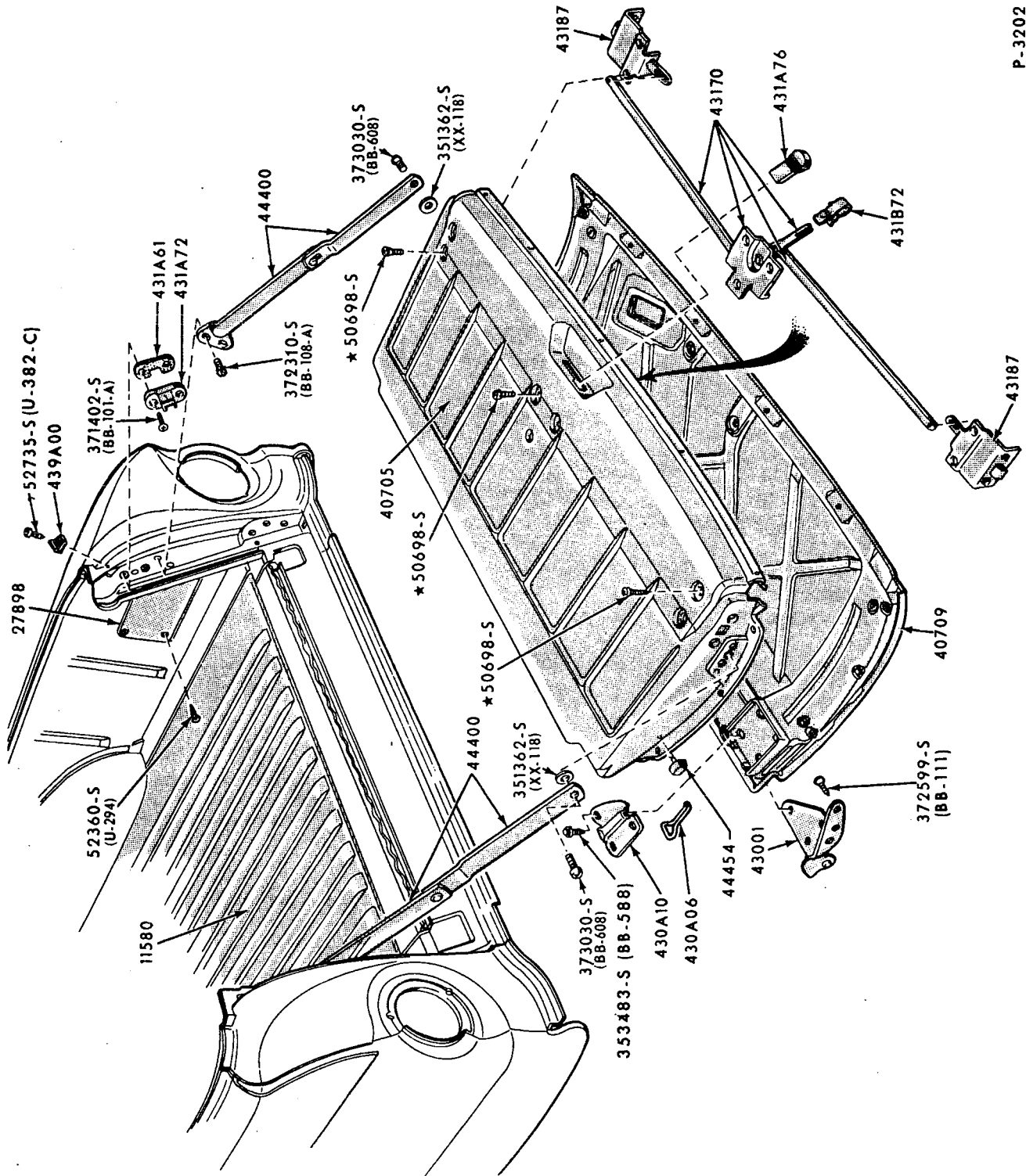




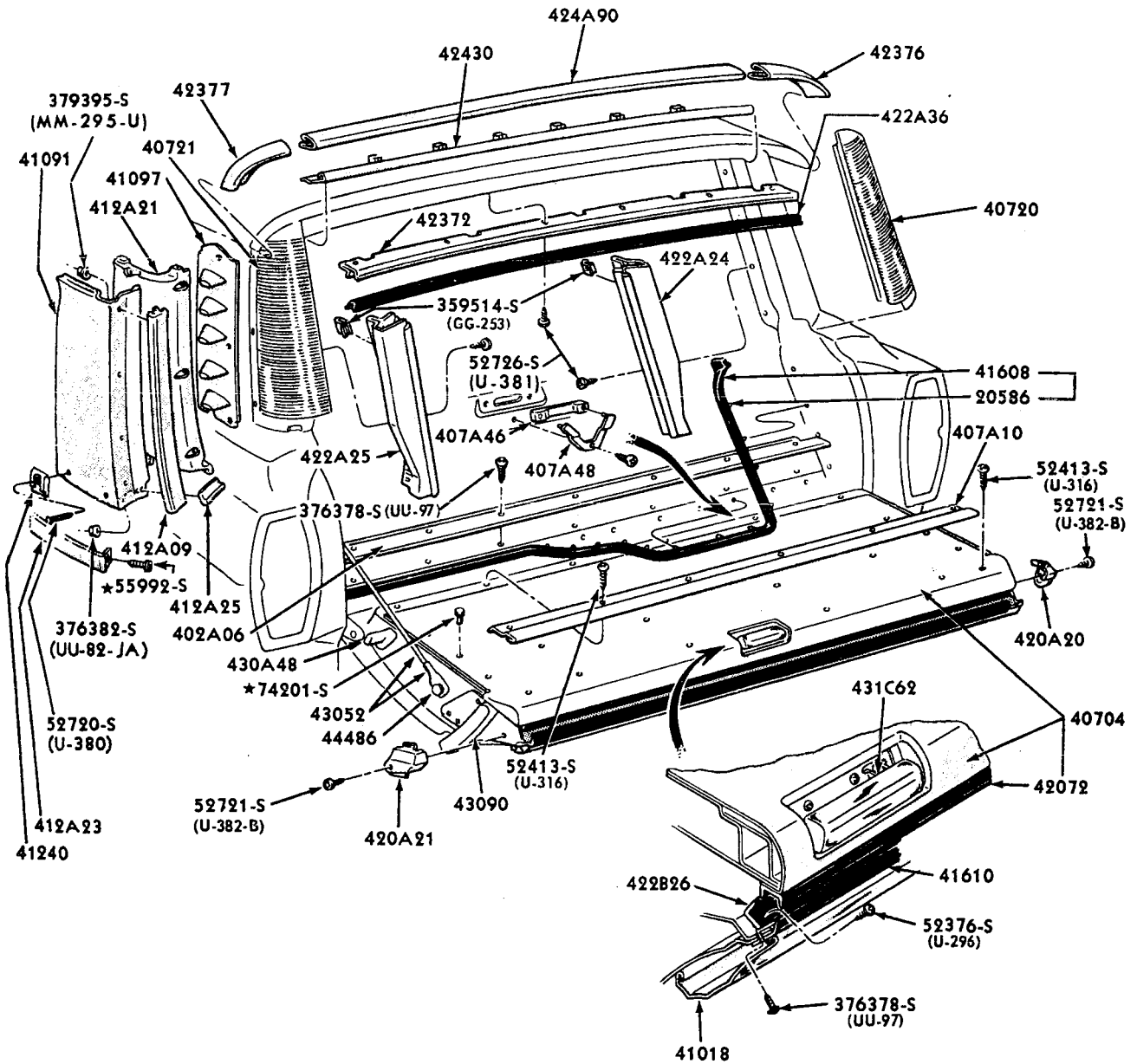
\* REFER TO P. 3199 FOR DETAILS  
 • REFER TO GROUP IN CHASSIS SECTION

TAIL GATE WEATHERSTRIPS and RELATED PARTS  
 1965 FALCON - BODY TYPES 59, 71





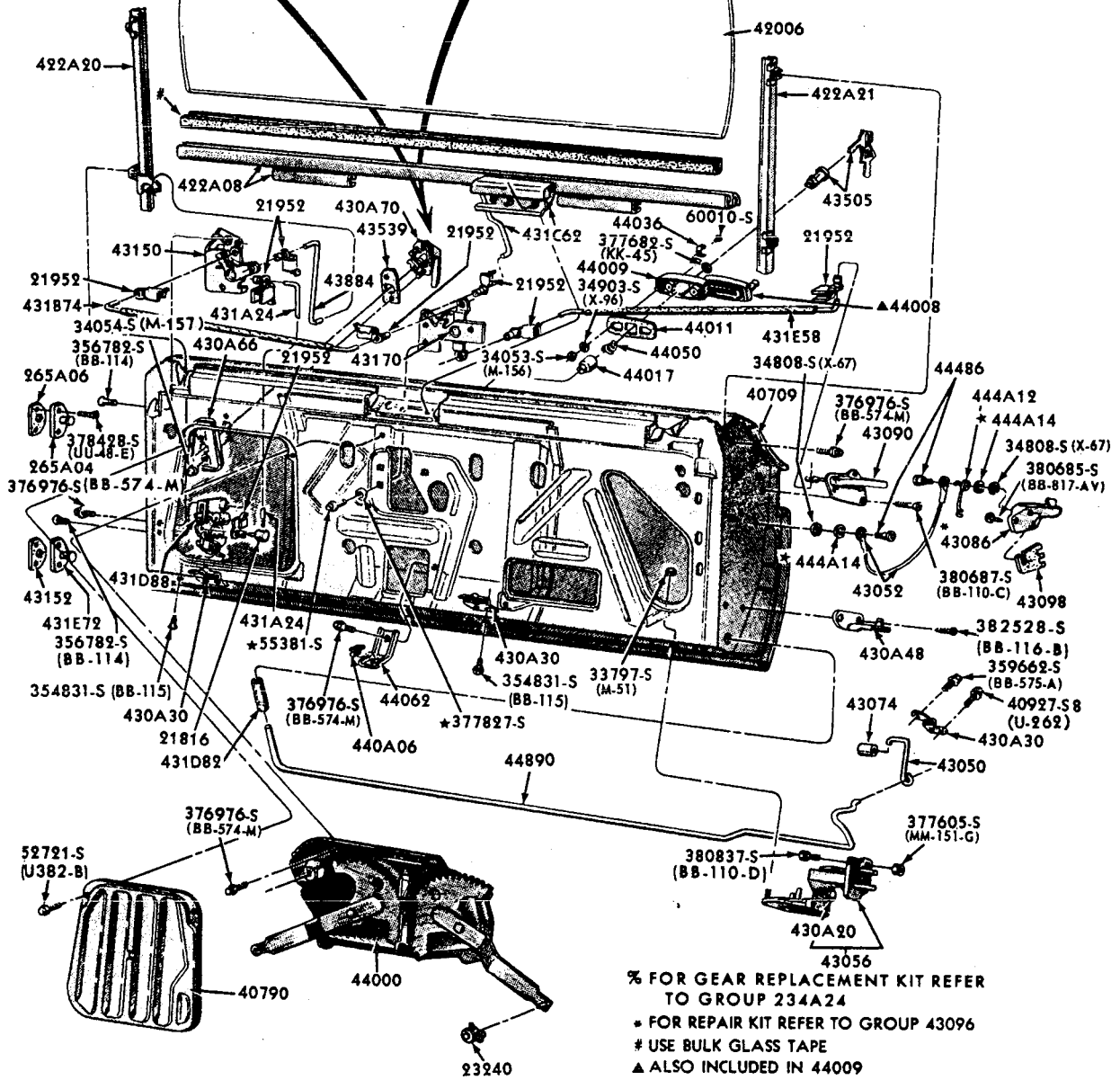
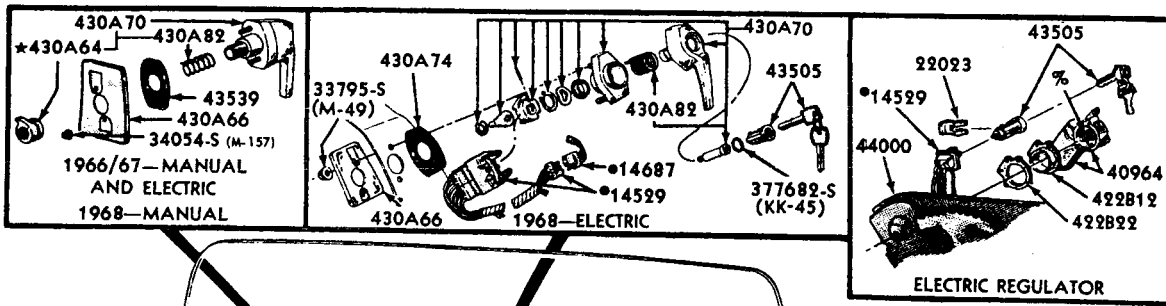
TAIL GATE and RELATED PARTS  
1965 FALCON - BODY TYPE 66



P-5095

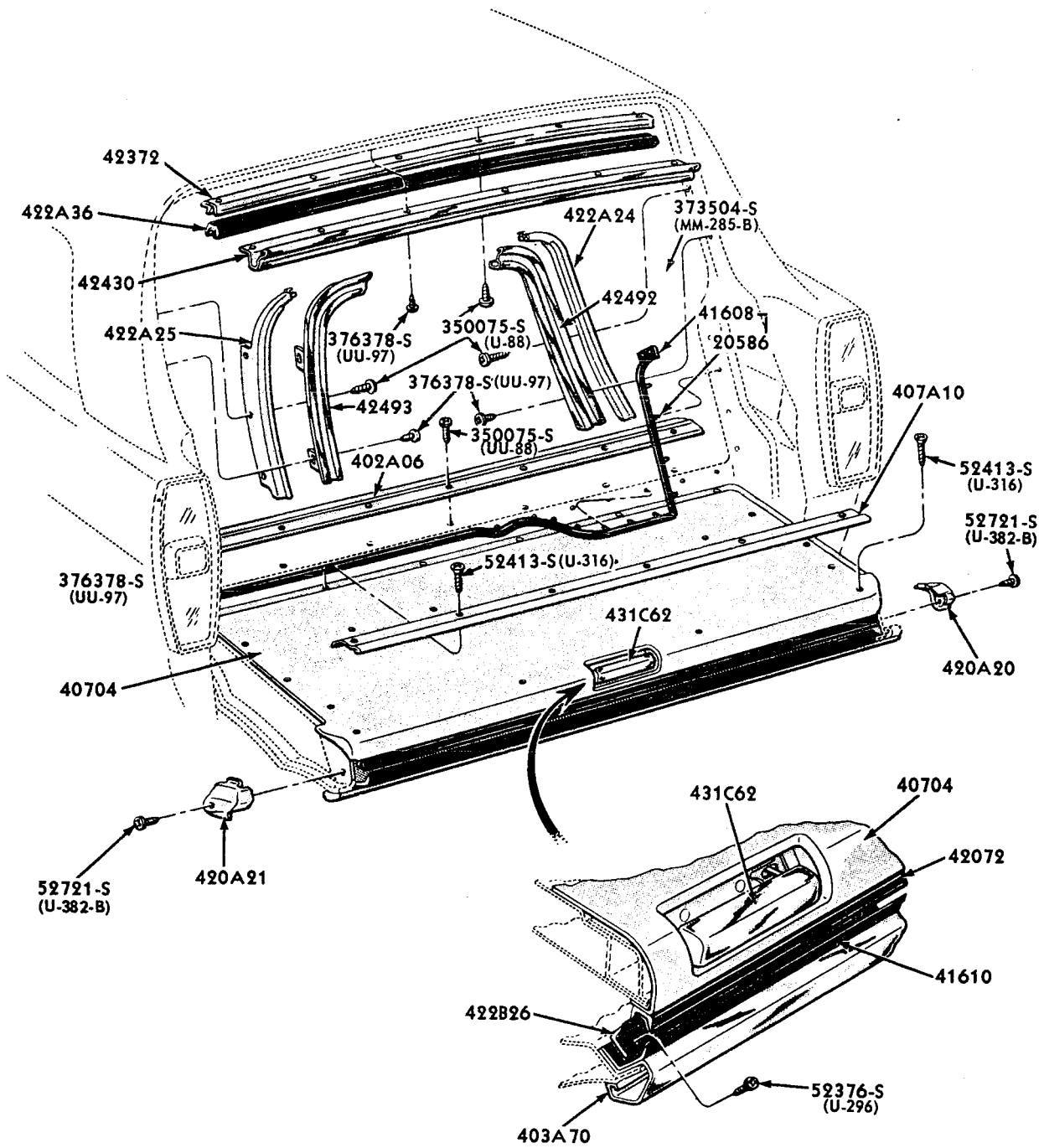
TAIL GATE WEATHERSTRIPS and RELATED PARTS  
1966/68 FORD-BODY TYPE 71



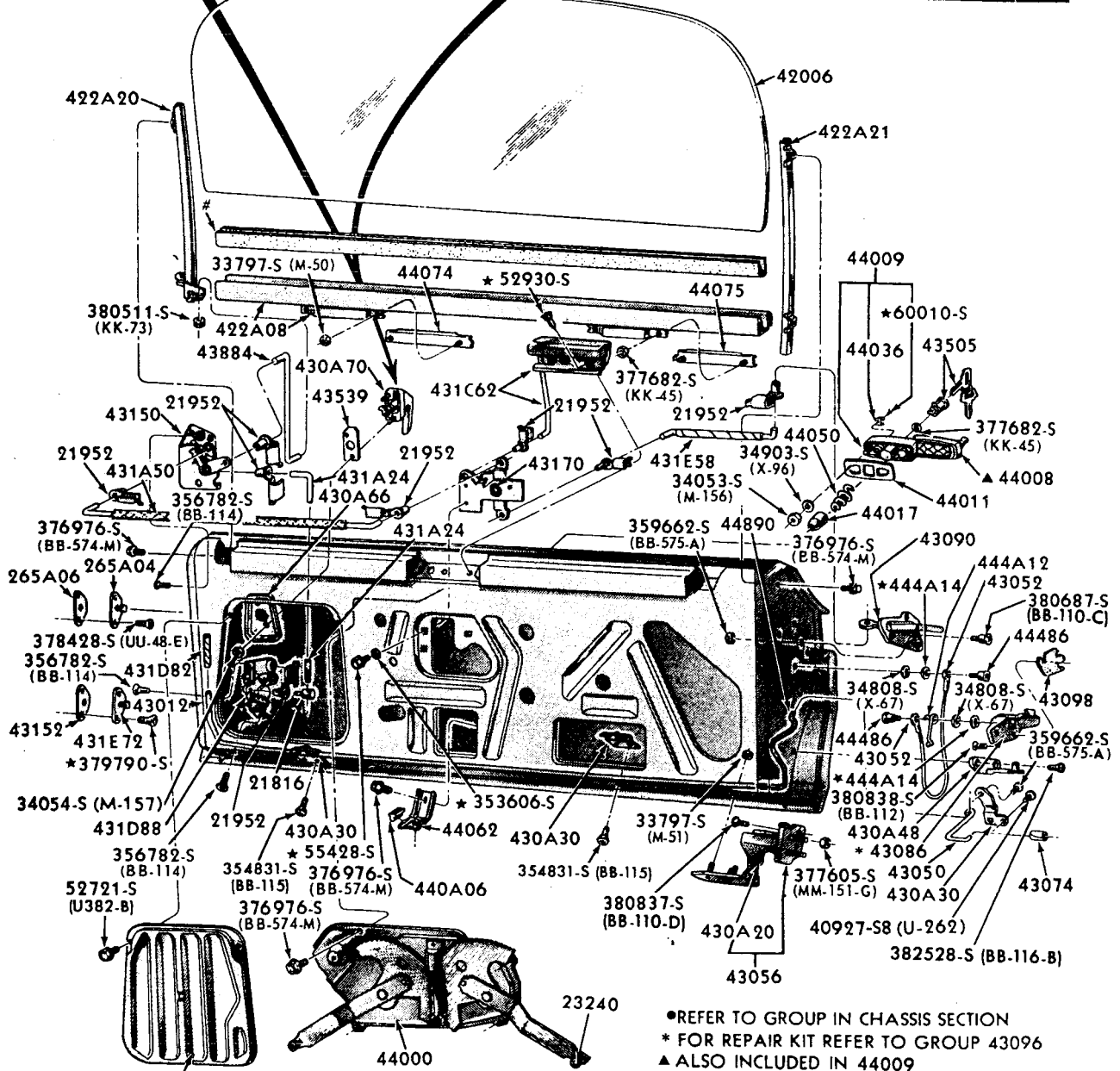
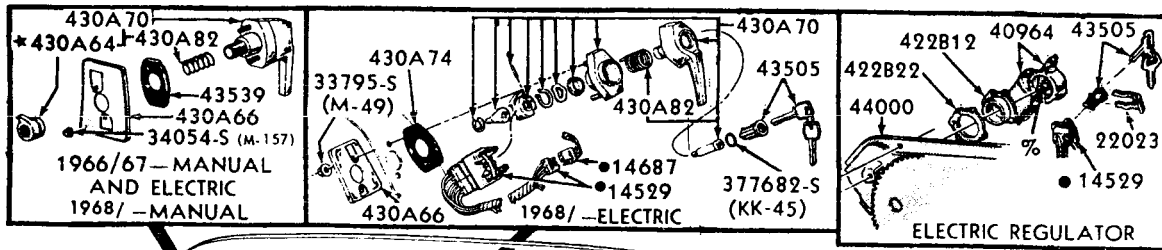


P-5094

TAIL GATE WINDOW and RELATED PARTS - DUAL ACTION  
1966/68 FORD - BODY TYPE 71



TAIL GATE WEATHERSTRIPS and RELATED PARTS  
1966/71 FAIRLANE/TORINO and FALCON - BODY TYPE 71



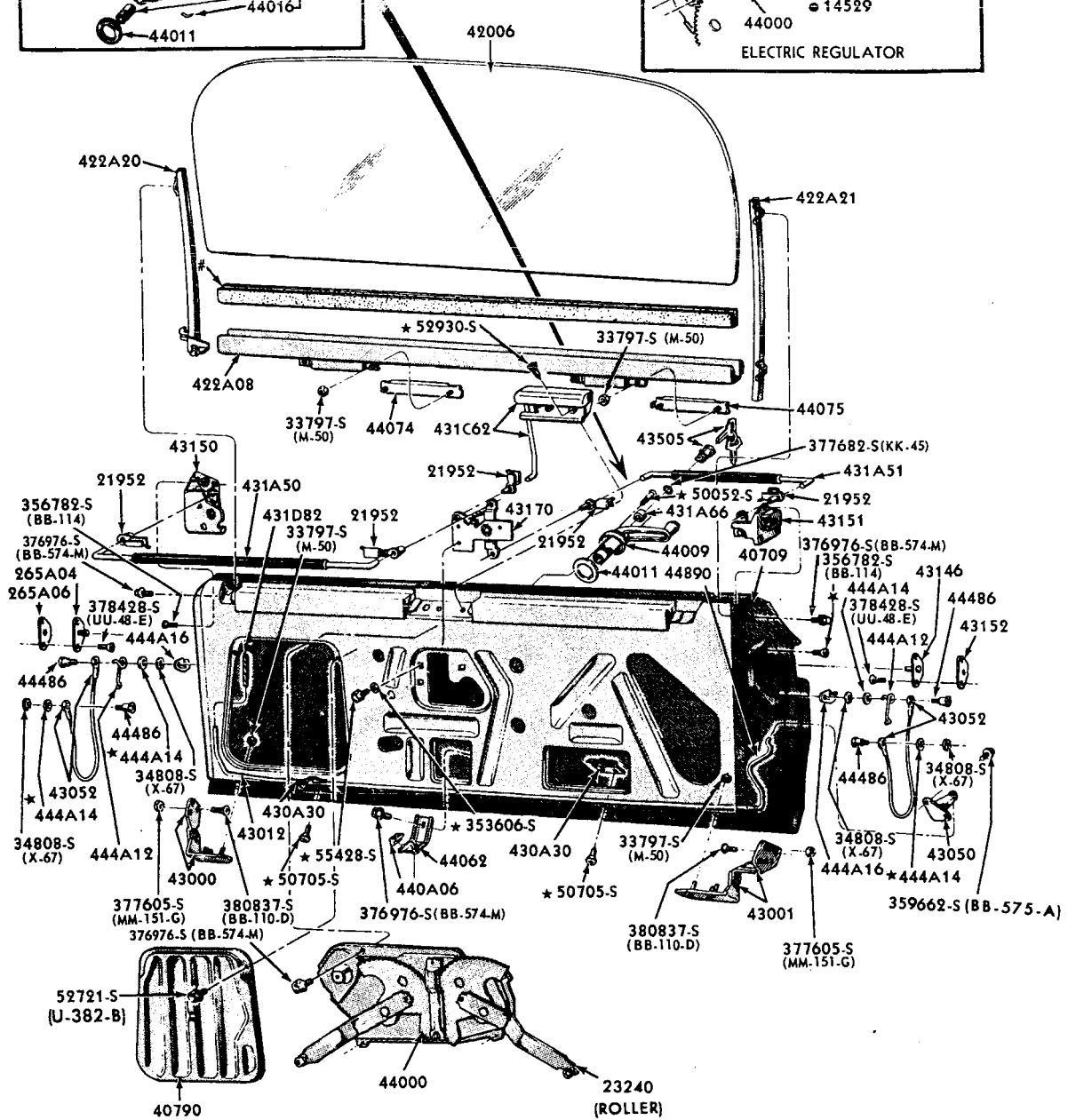
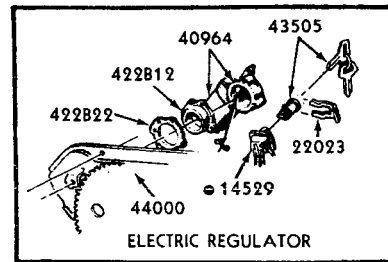
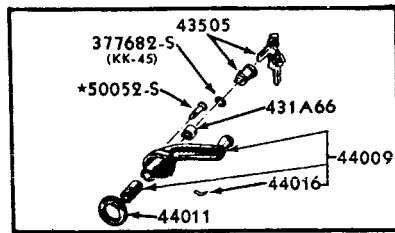
•REFER TO GROUP IN CHASSIS SECTION  
\* FOR REPAIR KIT REFER TO GROUP 43096  
▲ ALSO INCLUDED IN 44009  
#USE BULK GLASS TAPE

% FOR GEAR REPLACEMENT KIT REFER TO GROUP 234A24  
P-5084

TAIL GATE WINDOW and RELATED PARTS - DUAL ACTION  
1966/71 FAIRLANE and FALCON - BODY TYPE 71



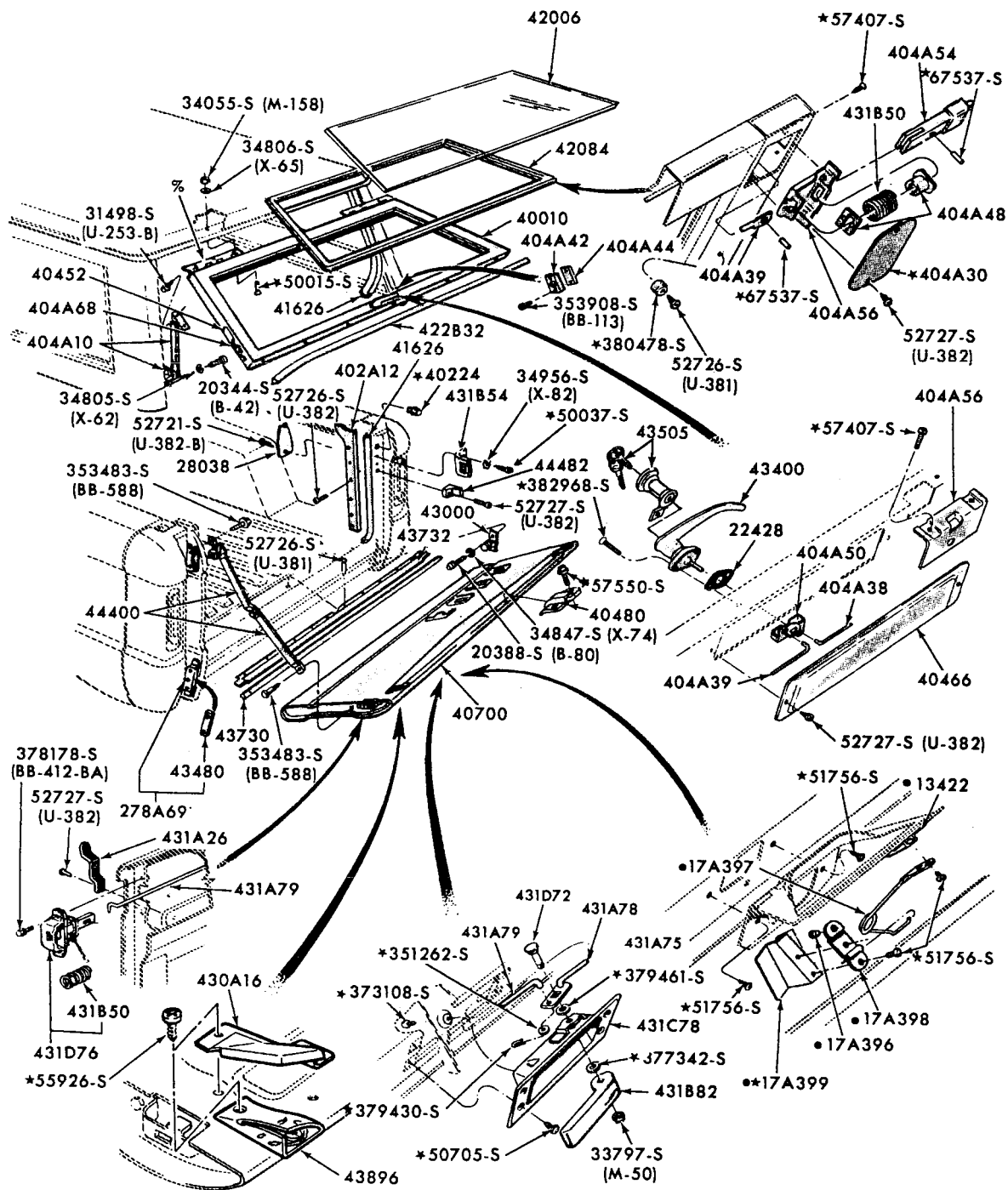




- #USE BULK GLASS TAPE
- REFER TO GROUP IN CHASSIS SECTION
- % FOR GEAR REPLACEMENT KIT REFER TO GROUP 234A24

P-5083

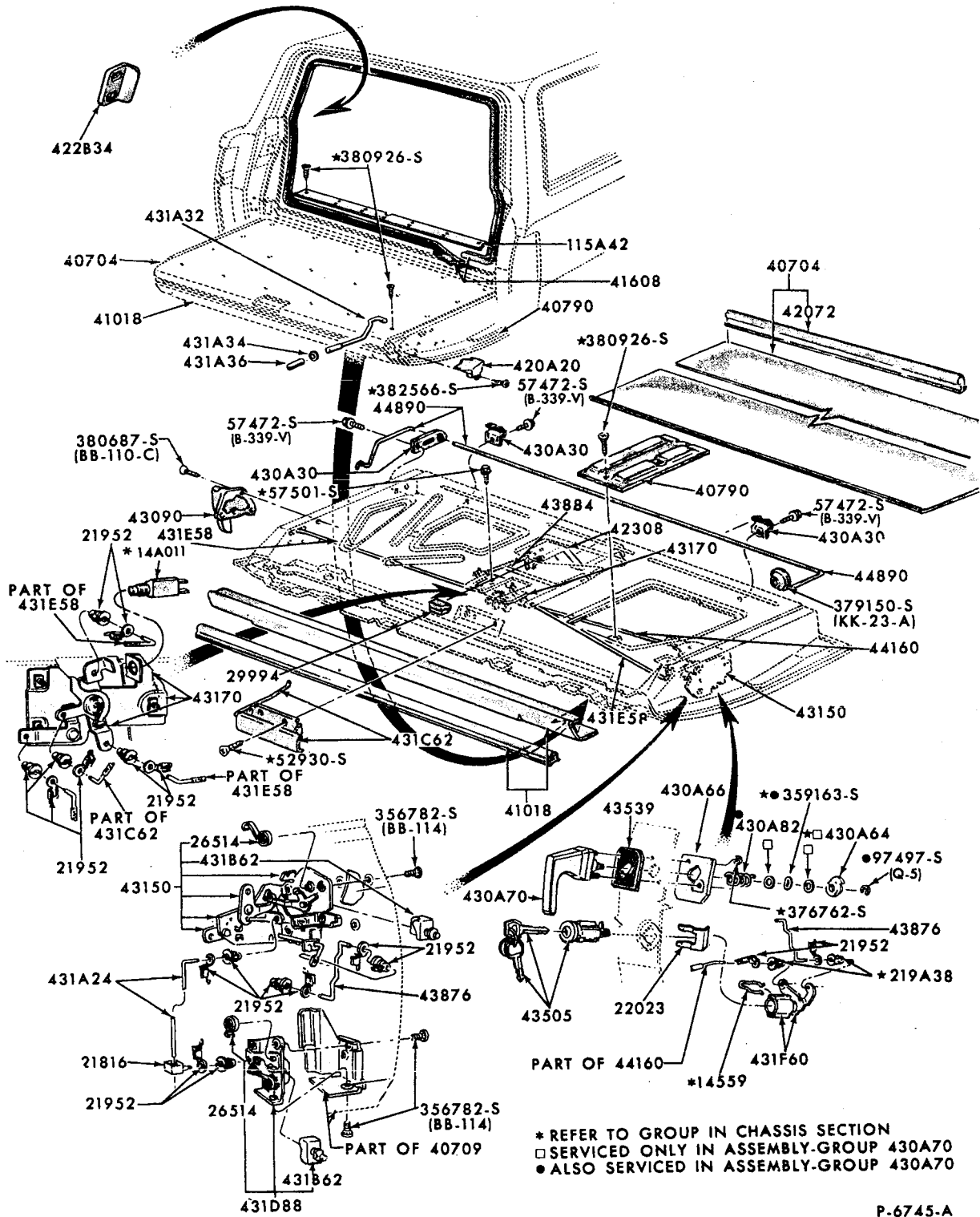
**TAILGATE WINDOW and RELATED PARTS - SINGLE ACTION  
1966/70 FALCON - BODY TYPE 71**



• REFER TO CHASSIS SECTION  
% SERVICED ONLY IN GROUP 40010

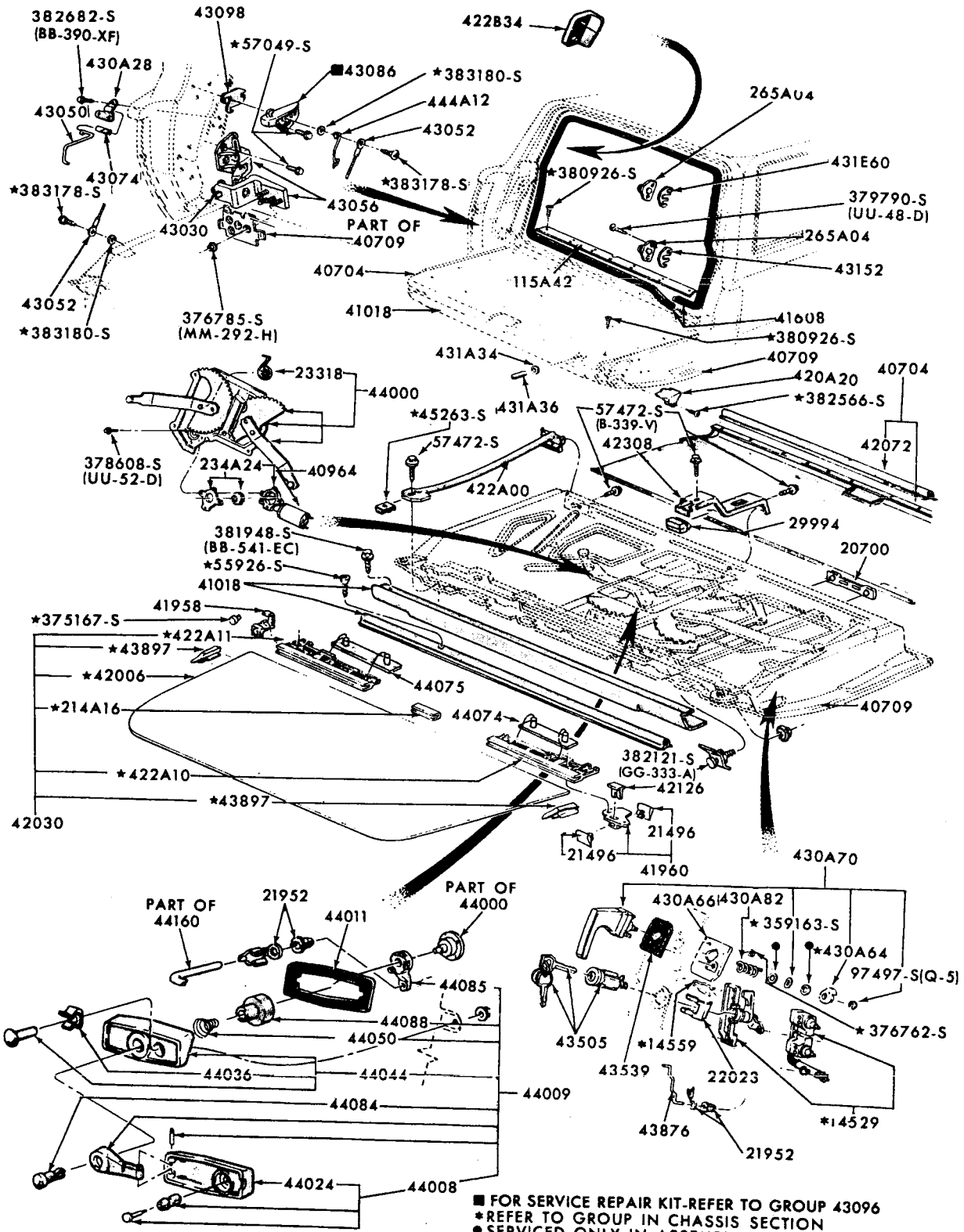
P-6858

TAILGATE, LIFTGATE and RELATED PARTS  
1969/72 BRONCO



TAIL GATE and RELATED PARTS  
1969/70 FORD - BODY TYPE 71

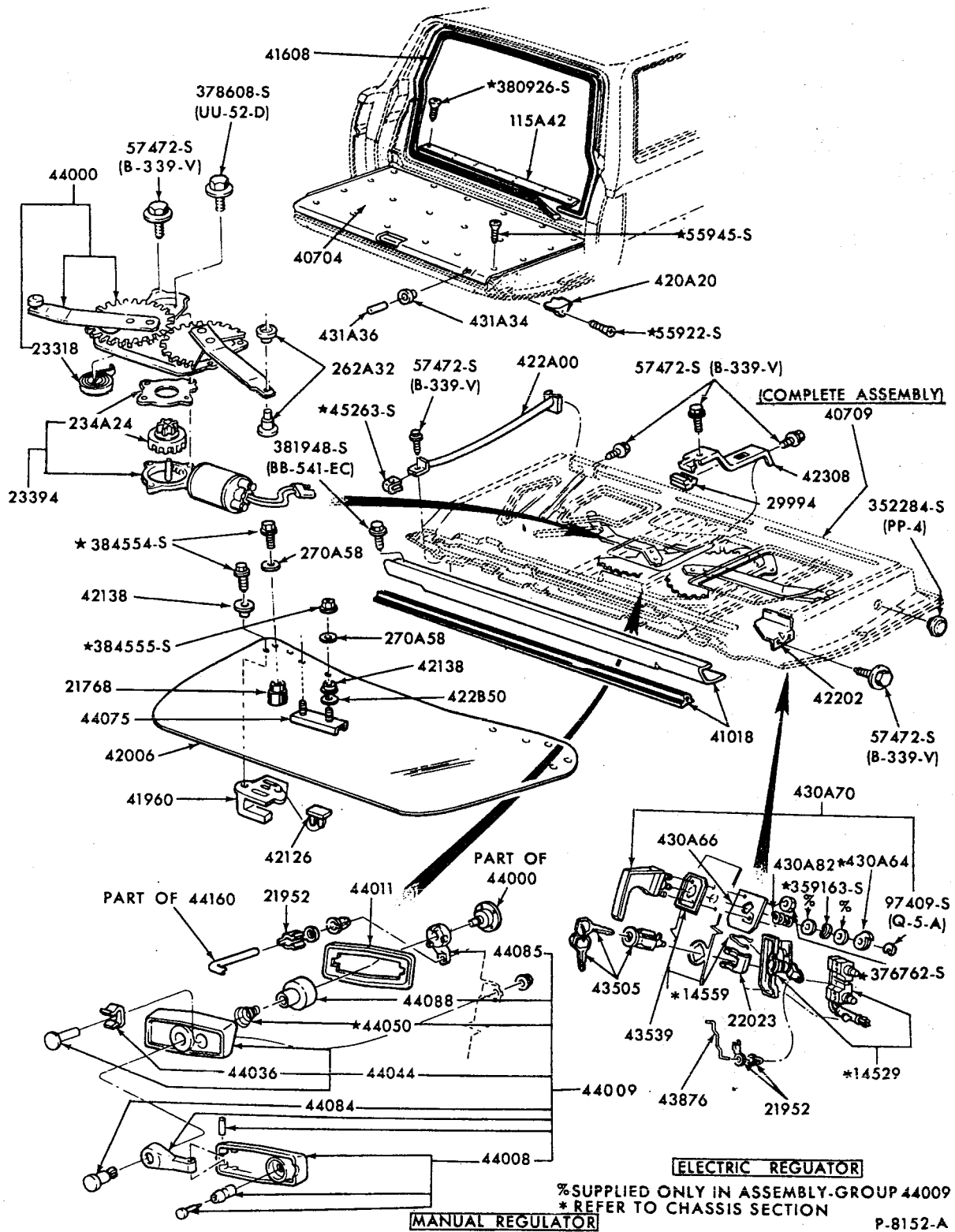




■ FOR SERVICE REPAIR KIT-REFER TO GROUP 43096  
 \*REFER TO GROUP IN CHASSIS SECTION  
 ● SERVICED ONLY IN ASSEMBLY-GROUP 44009

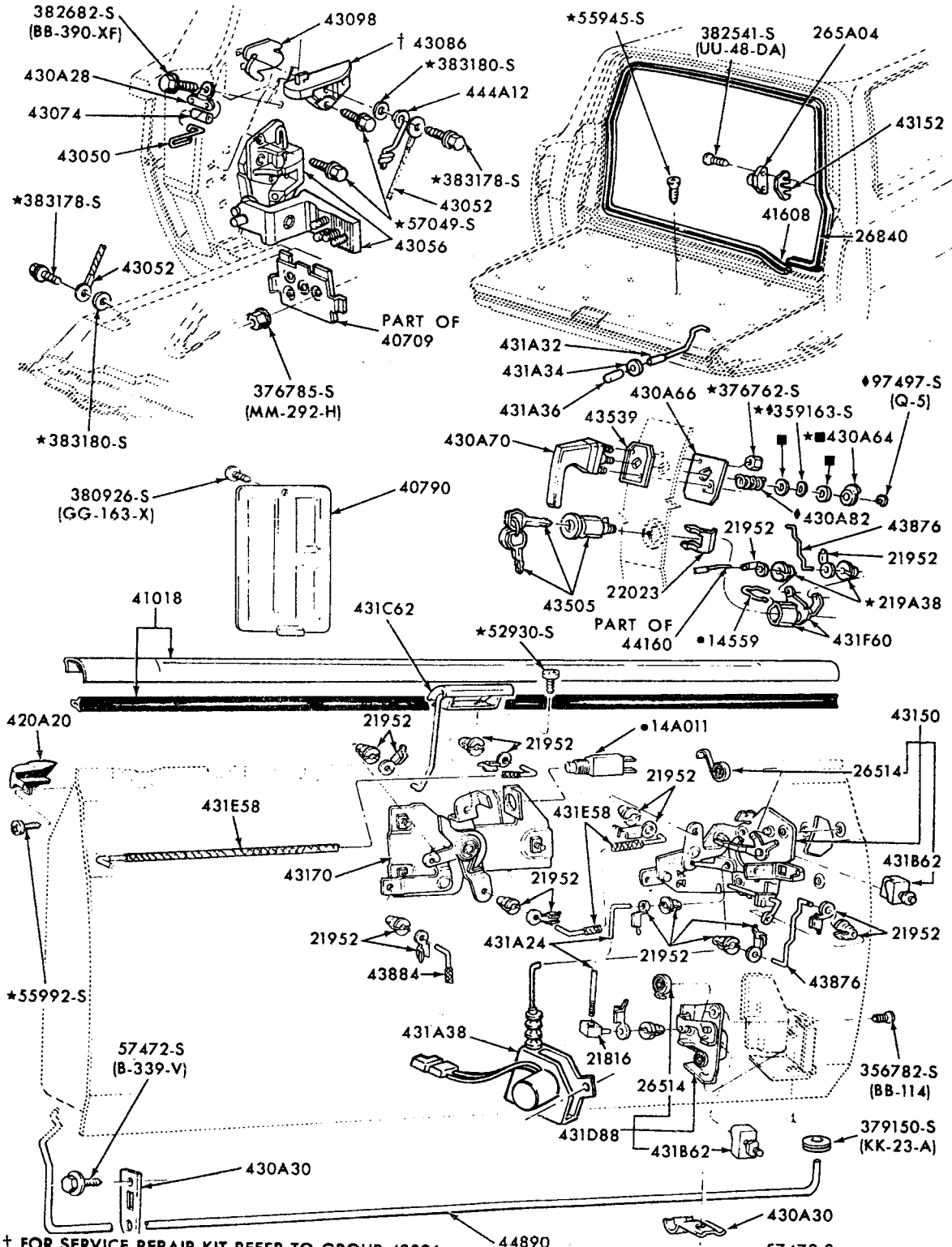
P-6745-B

TAILGATE and RELATED PARTS - CONTINUED  
1969/70 FORD - BODY TYPE 71



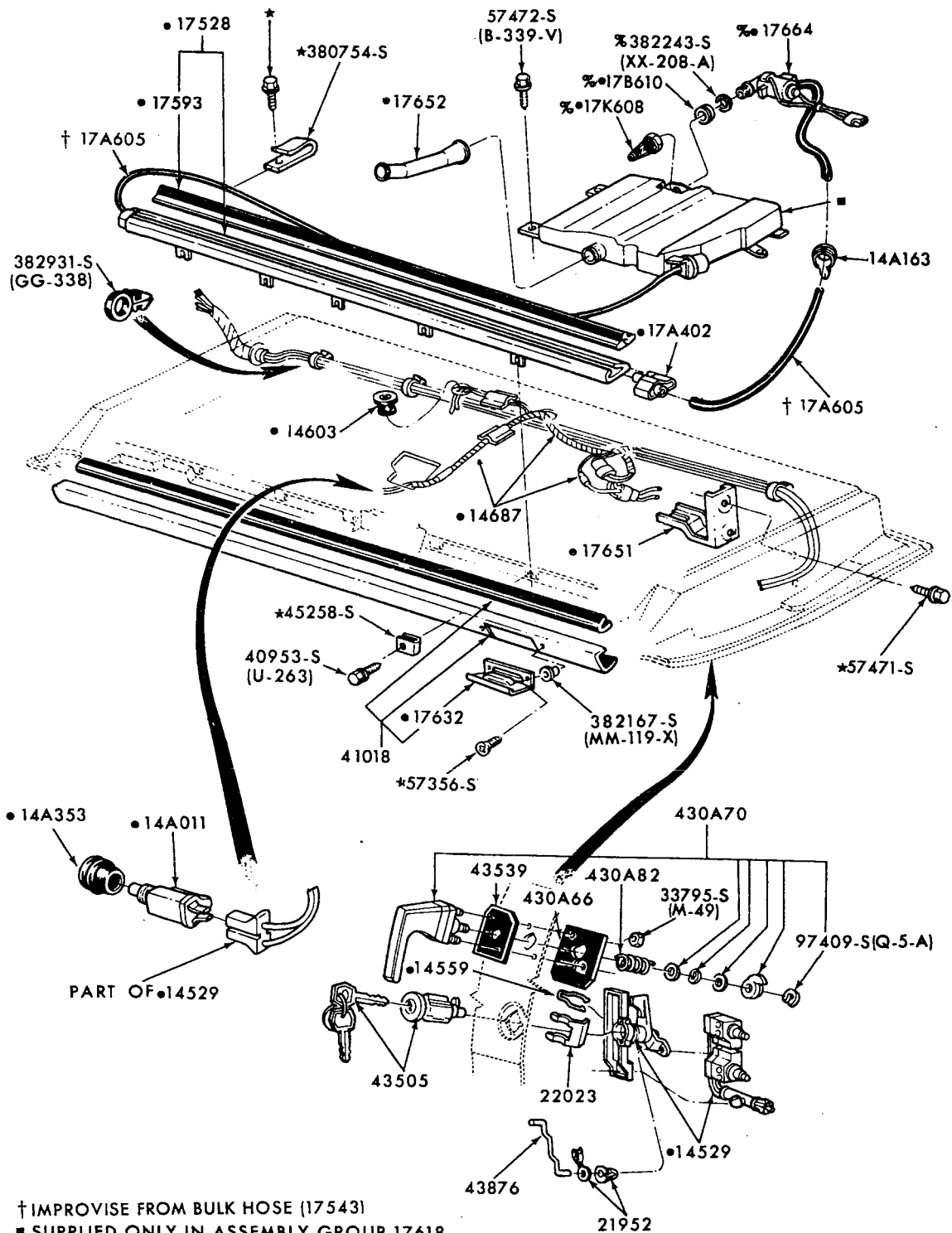
P-8152-A

TAILGATE PARTS - WINDOW MECHANISM  
1971/72 FORD - BODY TYPE 71



† FOR SERVICE REPAIR KIT-REFER TO GROUP 43096  
 ■SERVICED ONLY IN ASSEMBLY-GROUP 430A70  
 ●REFER TO GROUP IN CHASSIS SECTION ◆ SERVICED ONLY IN ASSEMBLY-GROUP 44009

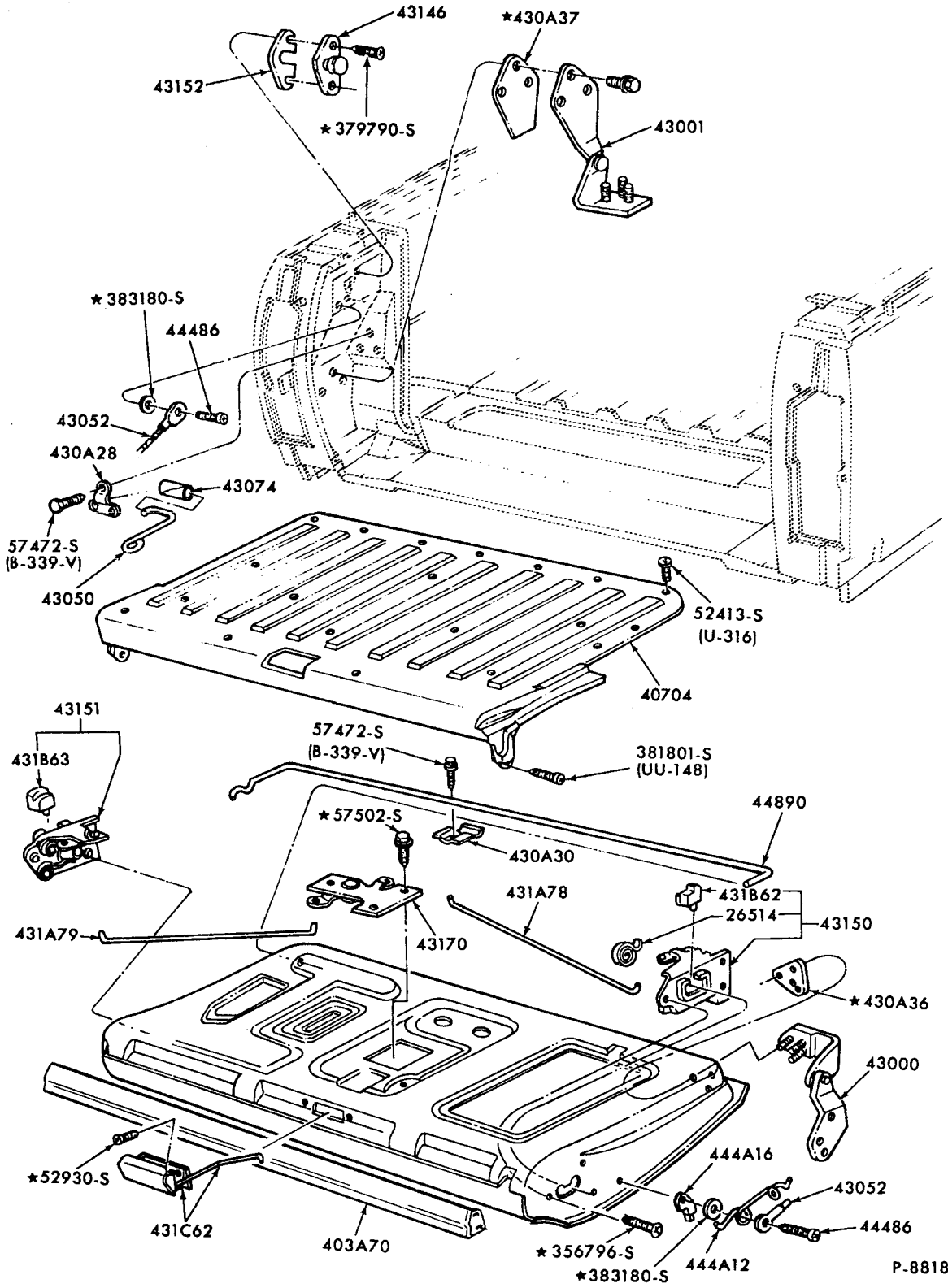
**TAILGATE PARTS - HINGE and LATCH**  
**1971/72 FORD - BODY TYPE 71**



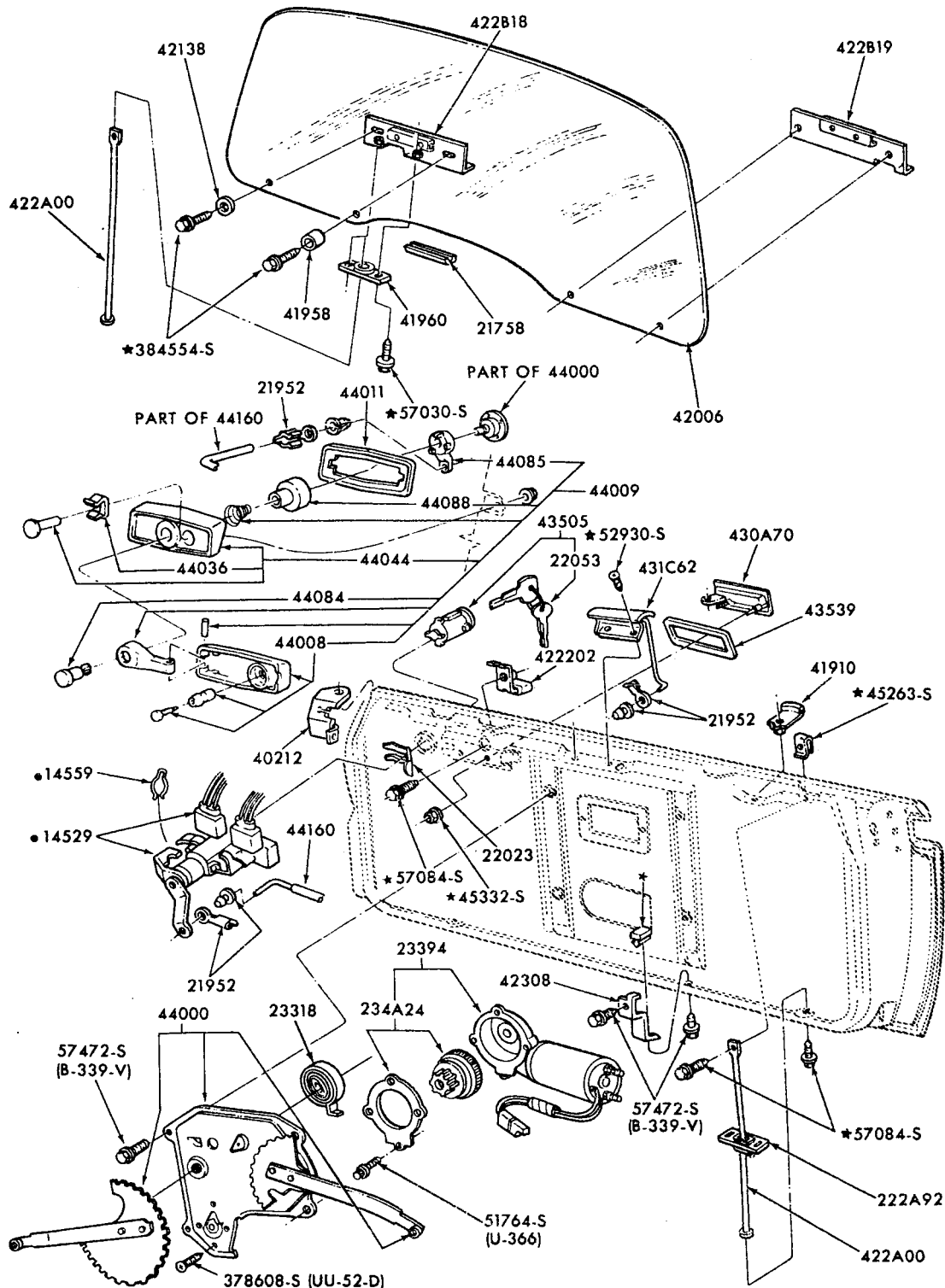
† IMPROVISE FROM BULK HOSE (17543)  
 ■ SUPPLIED ONLY IN ASSEMBLY-GROUP 17618  
 % ALSO SUPPLIED IN ASSEMBLY-GROUP 17618  
 • REFER TO GROUP IN CHASSIS SECTION

P-8152-C

TAILGATE PARTS - WASHER, WIPER SYSTEM  
 1971/72 FORD - BODY TYPE 71



TAILGATE PARTS - HINGE and LATCH  
1972 TORINO - BODY TYPE 97



● REFER TO CHASSIS SECTION

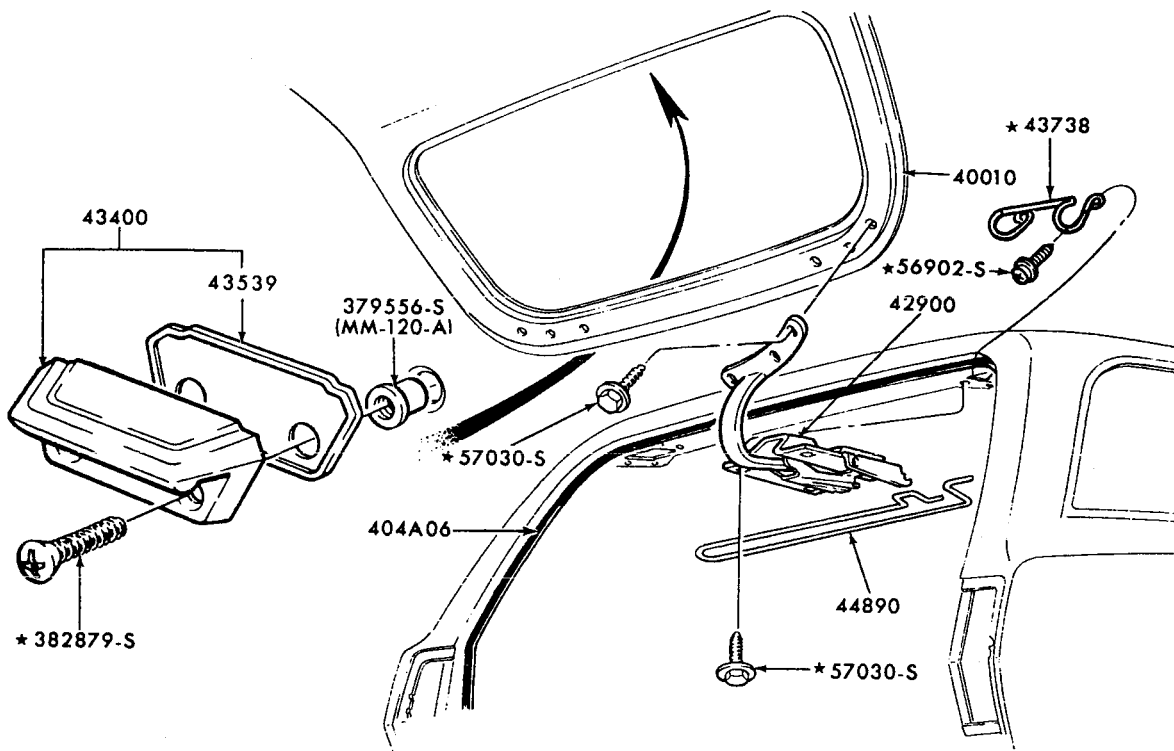
P-8751

TAILGATE PARTS - WINDOW MECHANISM  
1972 TORINO - BODY TYPE 71









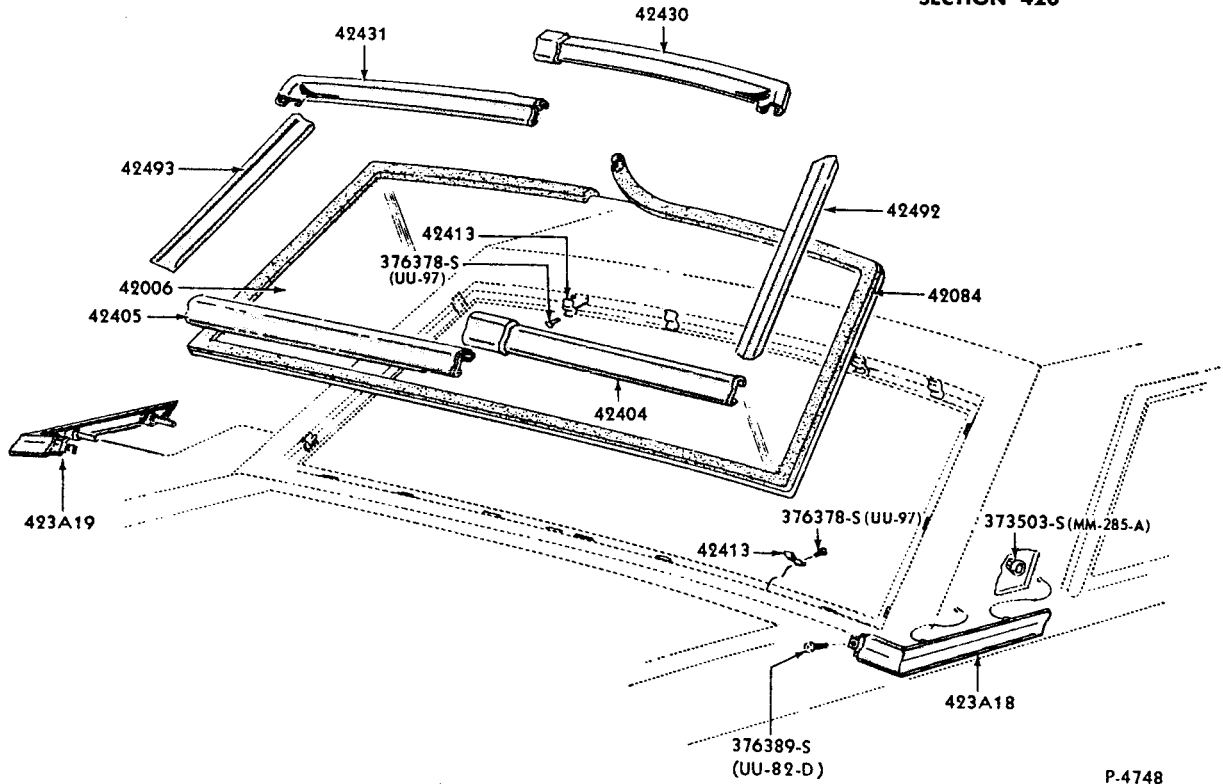
TAILGATE PARTS - HINGES  
1972 PINTO - BODY TYPE 73

P-8937

# FORD CAR PARTS

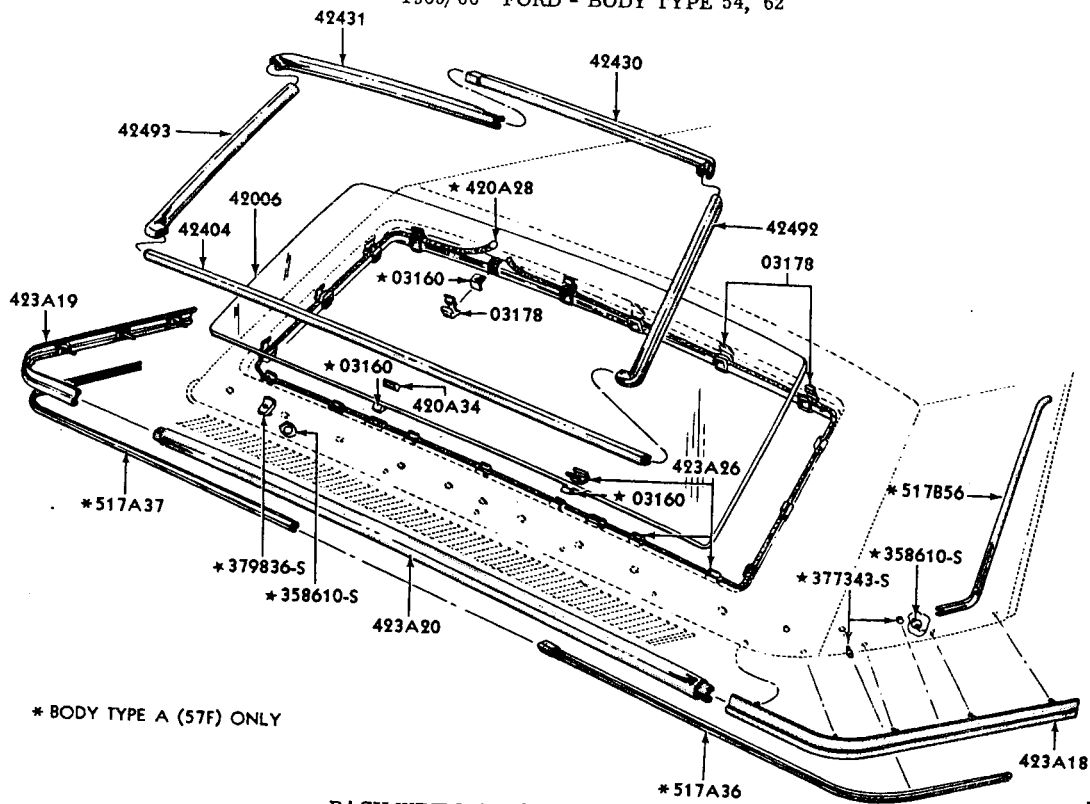
BODY ILLUSTRATION  
SECTION 420

1



BACK WINDOW and RELATED PARTS  
1965/66 FORD - BODY TYPE 54, 62

P-4748



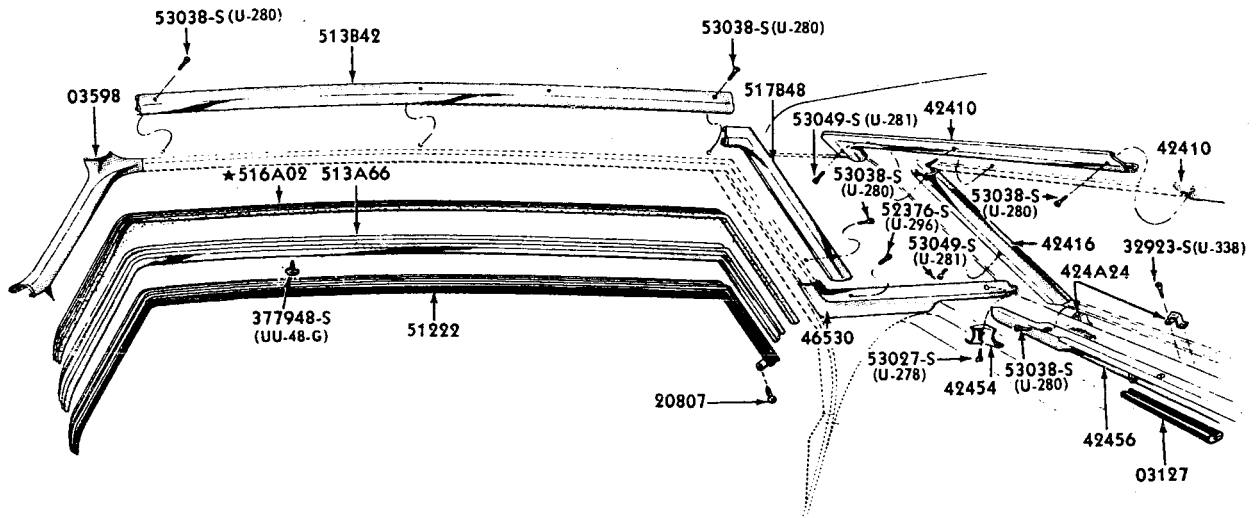
\* BODY TYPE A (57F) ONLY

BACK WINDOW and RELATED PARTS - OUTSIDE  
1965/66 FORD - BODY TYPE 57

P-4750

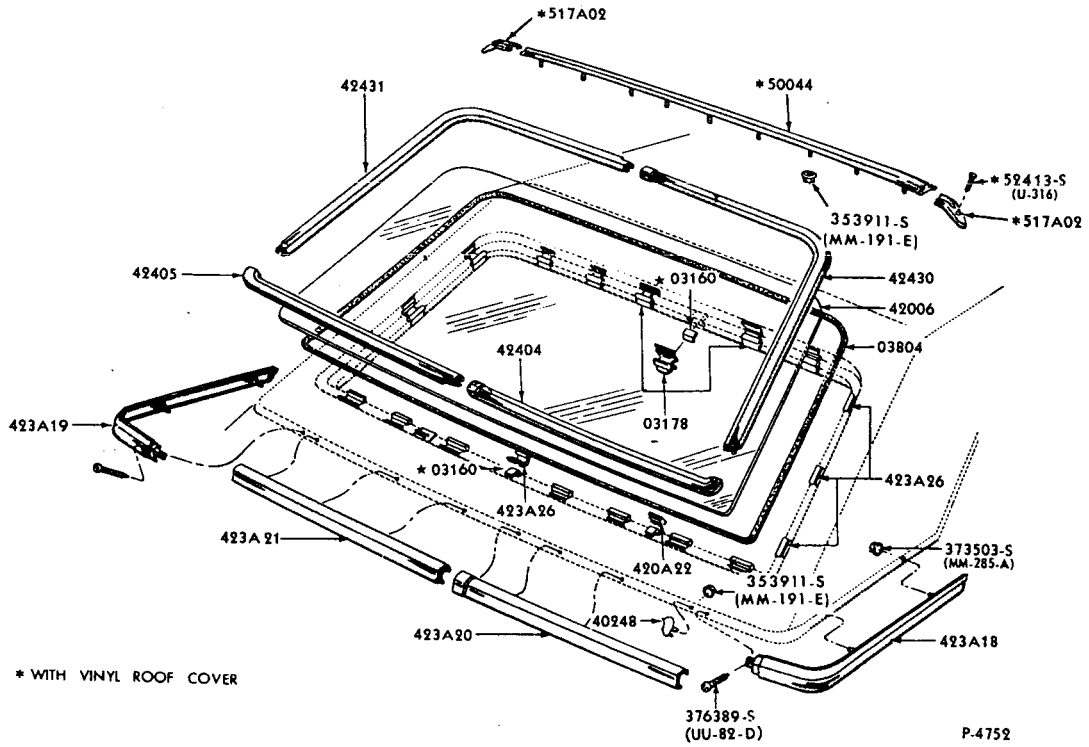
BODY ILLUSTRATION  
SECTION 420

FORD CAR PARTS



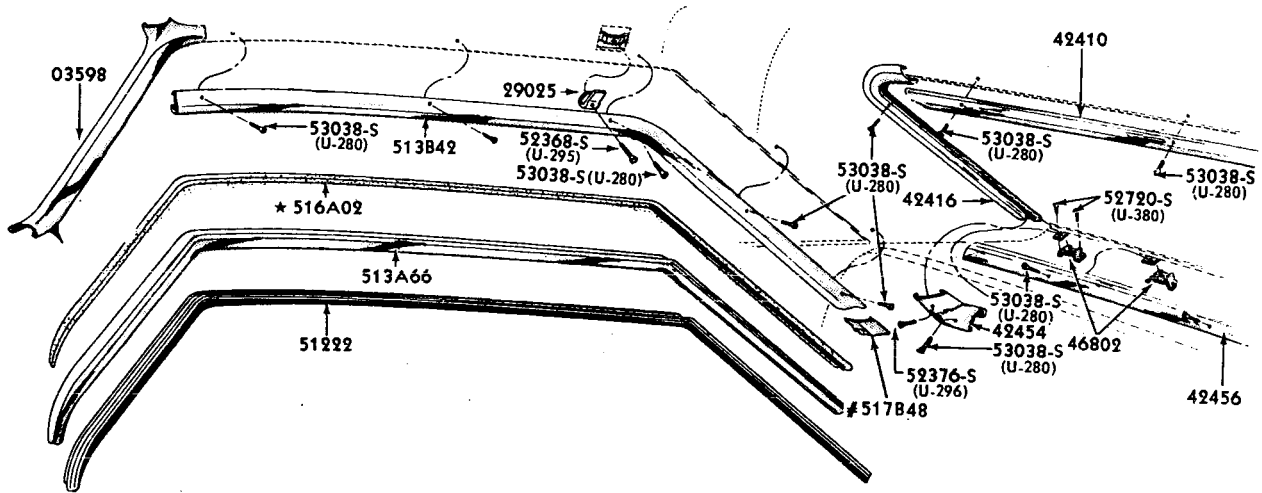
P-4751

BACK WINDOW and ROOF SIDE MOULDING - INSIDE  
1965/66 FORD - BODY TYPE 57



P-4752

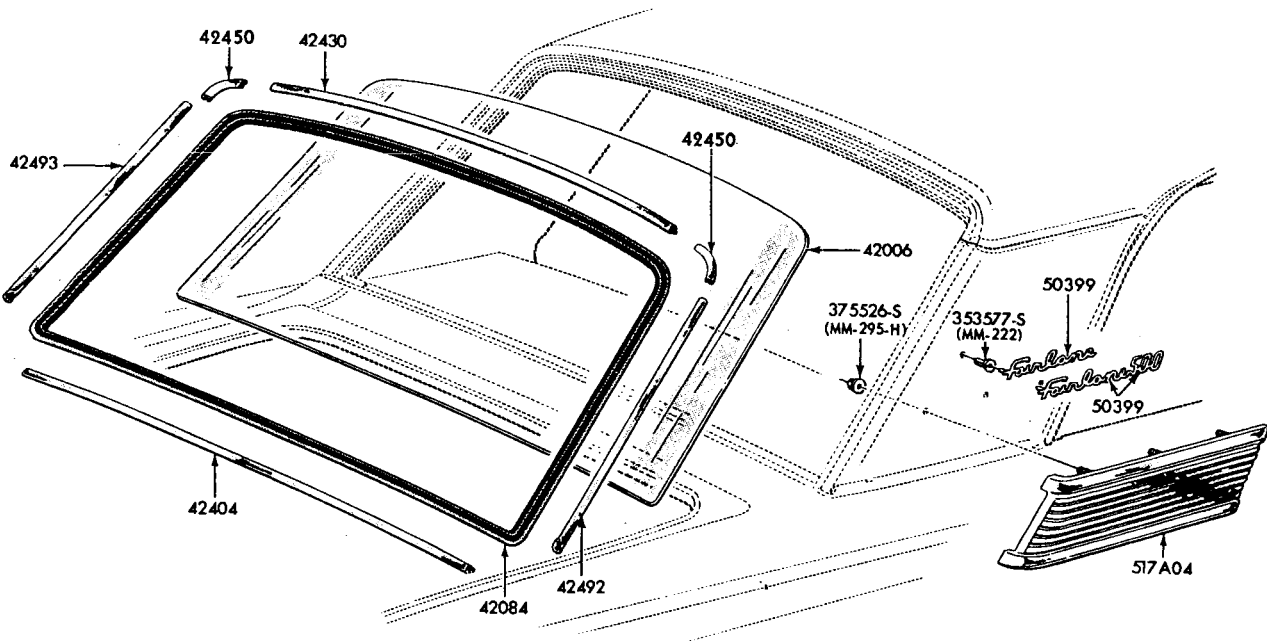
BACK WINDOW and RELATED PARTS - OUTSIDE  
1965 FORD - BODY TYPE 63



# BEFORE 11-9-64

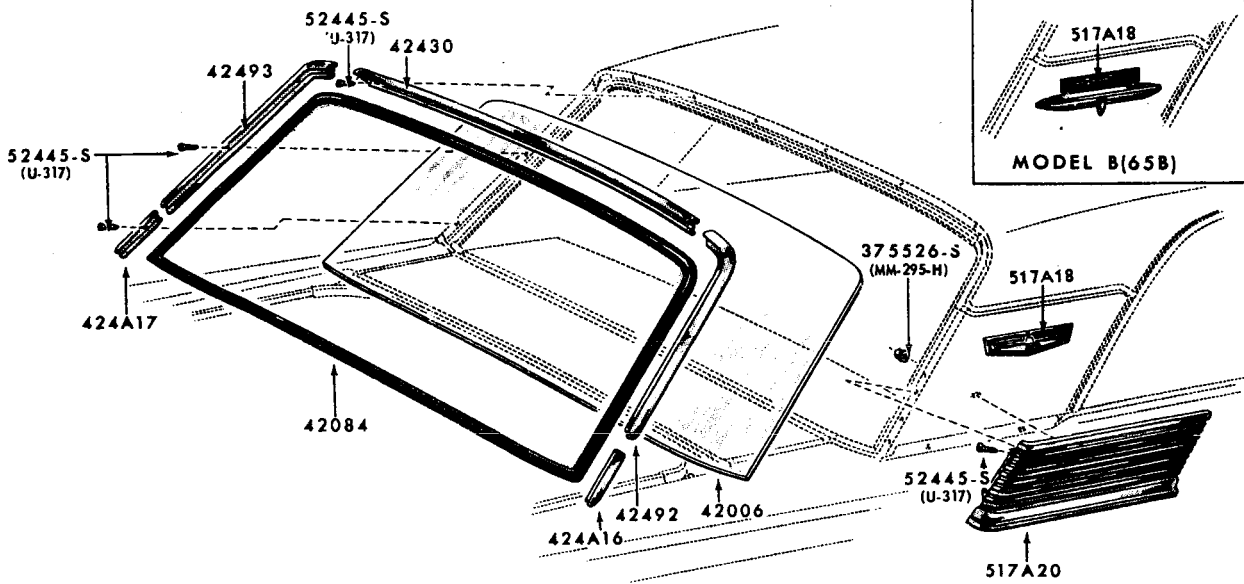
P-4753

BACK WINDOW and ROOF SIDE MOULDINGS - INSIDE  
1965 FORD - BODY TYPE 63



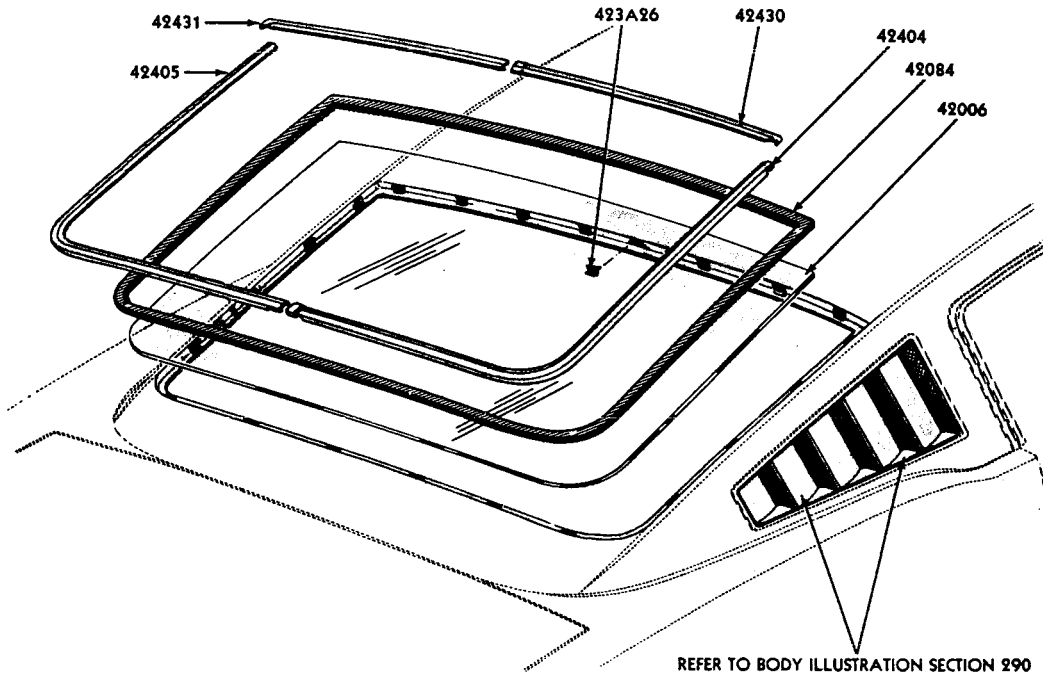
P-3760

BACK WINDOW and RELATED PARTS  
1965 FAIRLANE - BODY TYPES 54, 62



P-4037

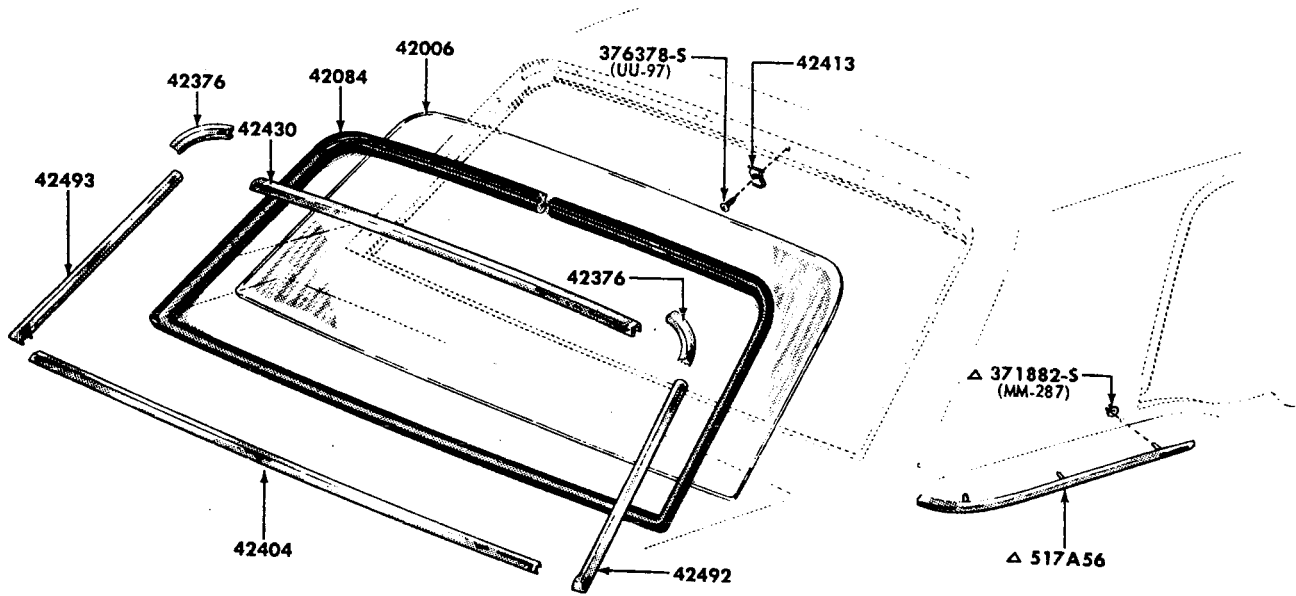
BACK WINDOW and RELATED PARTS  
1965 FAIRLANE - BODY TYPE 65



REFER TO BODY ILLUSTRATION SECTION 290

P-4839

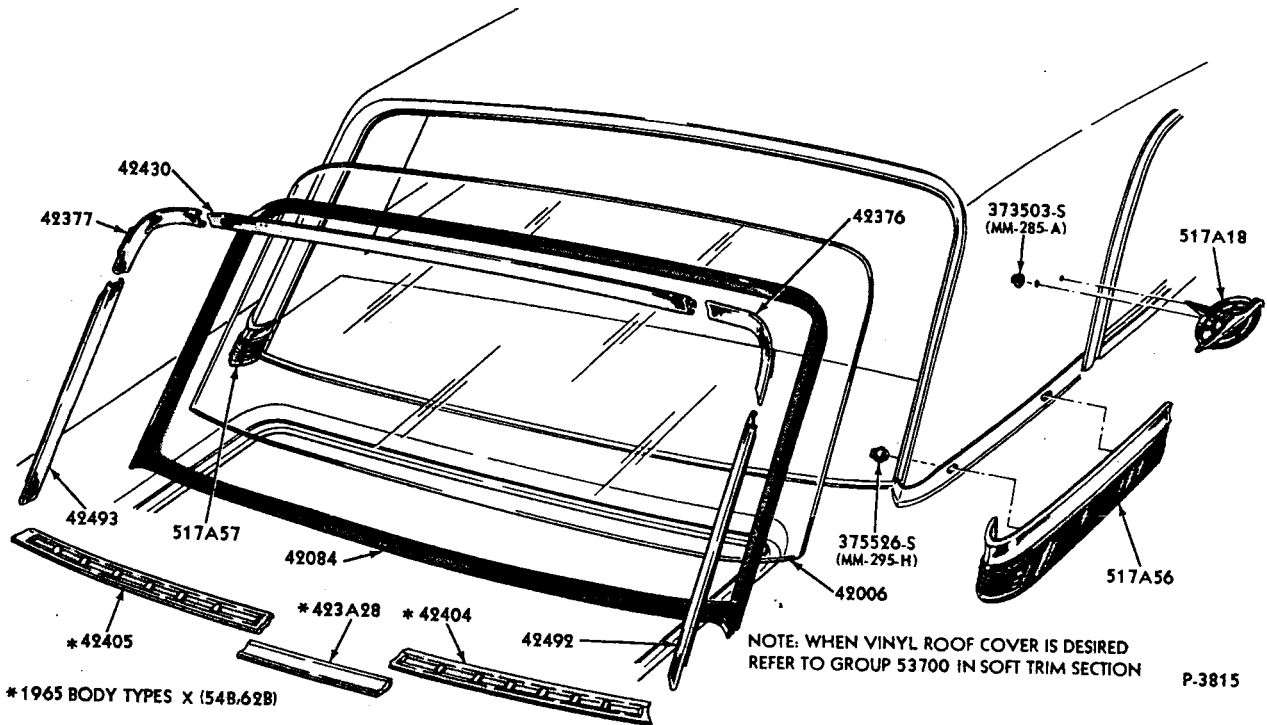
BACK WINDOW and RELATED PARTS  
1965/66 MUSTANG - BODY TYPE 63



△ USED WITH VINYL ROOF COVER OR TUTONE PAINT

P-4476

**BACK WINDOW and RELATED PARTS  
1965/66 MUSTANG - BODY TYPE 65**

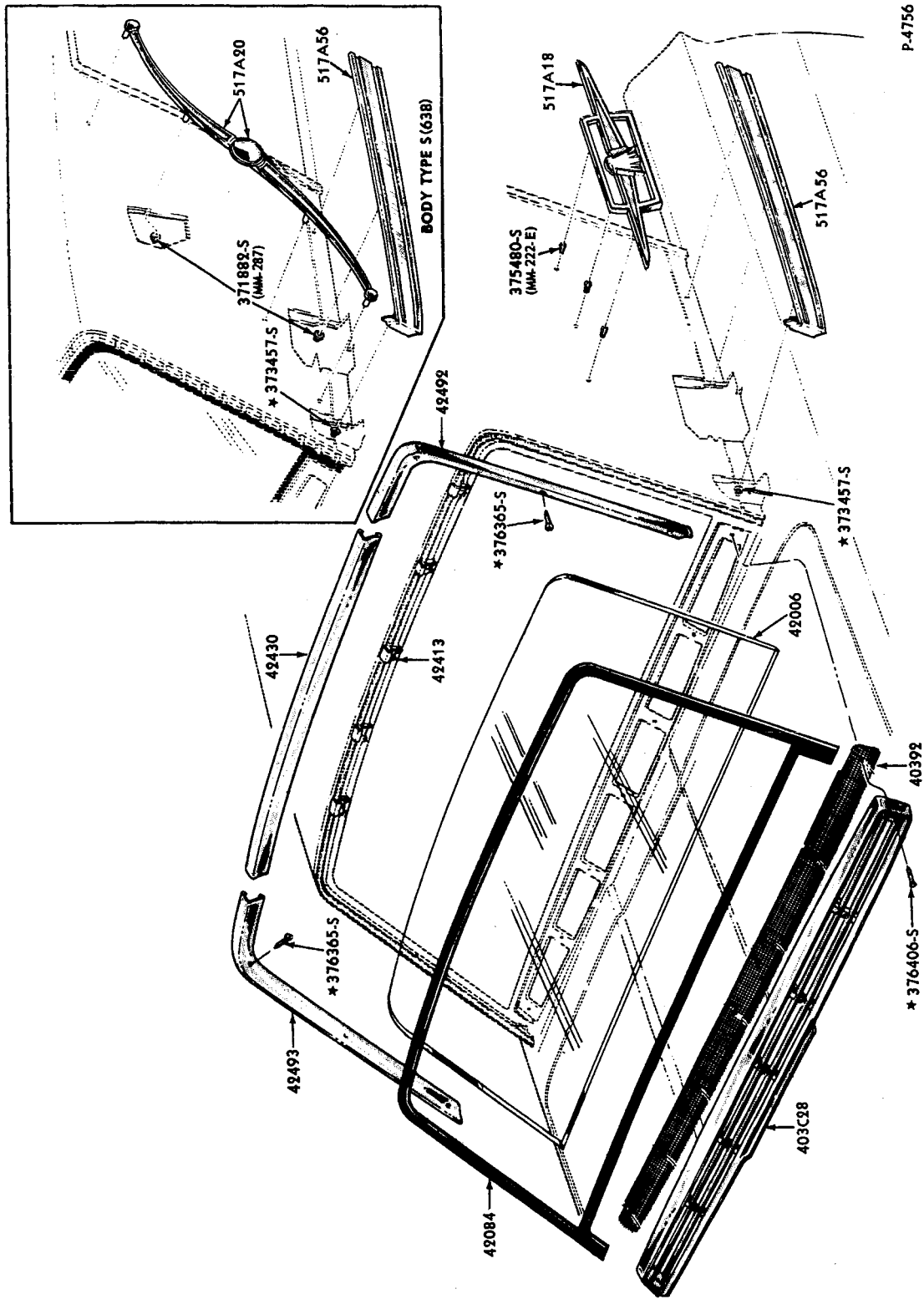


NOTE: WHEN VINYL ROOF COVER IS DESIRED  
REFER TO GROUP 53700 IN SOFT TRIM SECTION

P-3815

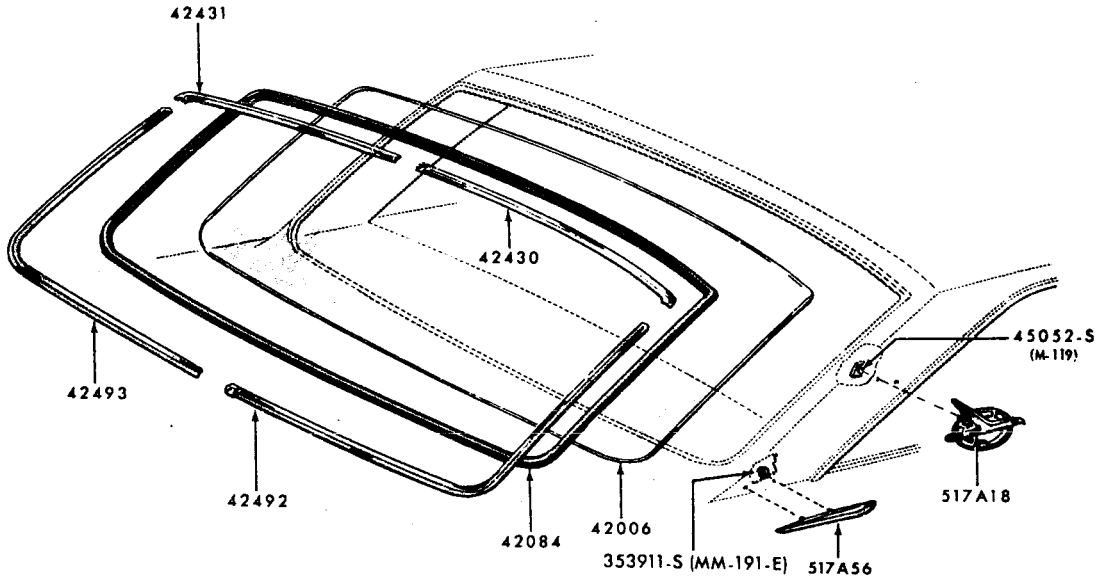
\*1965 BODY TYPES X (54B.62B)

**BACK WINDOW and RELATED PARTS  
1965 FALCON - BODY TYPES 54, 62**



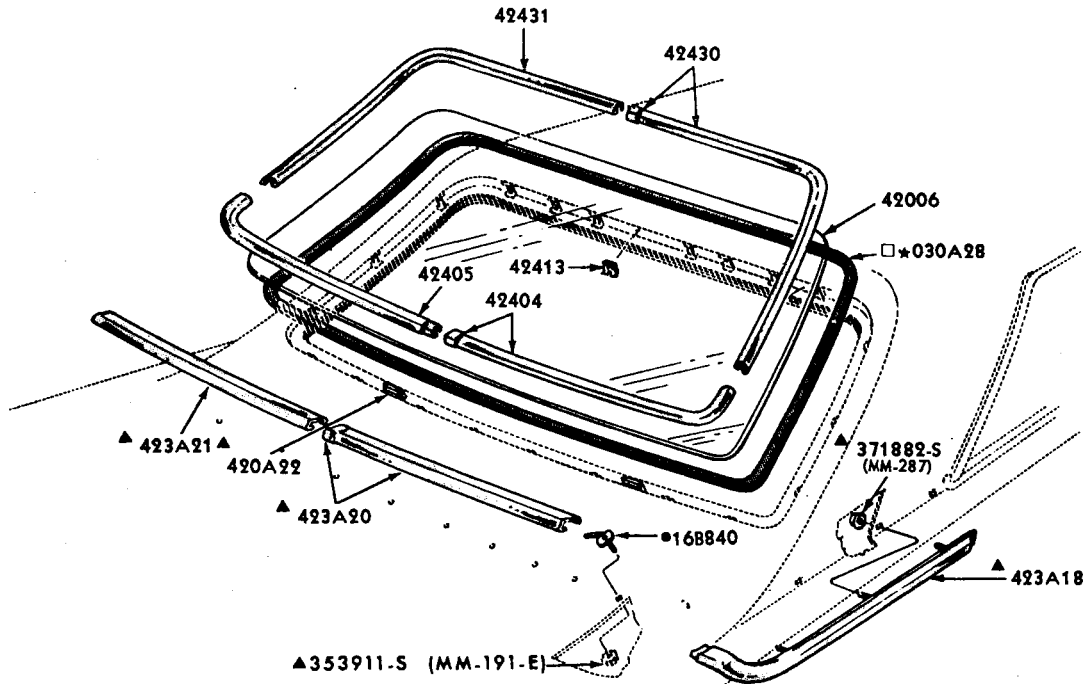
P-4756

BACK WINDOW and RELATED PARTS  
1965 THUNDERBIRD - BODY TYPE 63



P-3982

**BACK WINDOW and RELATED PARTS  
1965 FALCON - BODY TYPE 63**



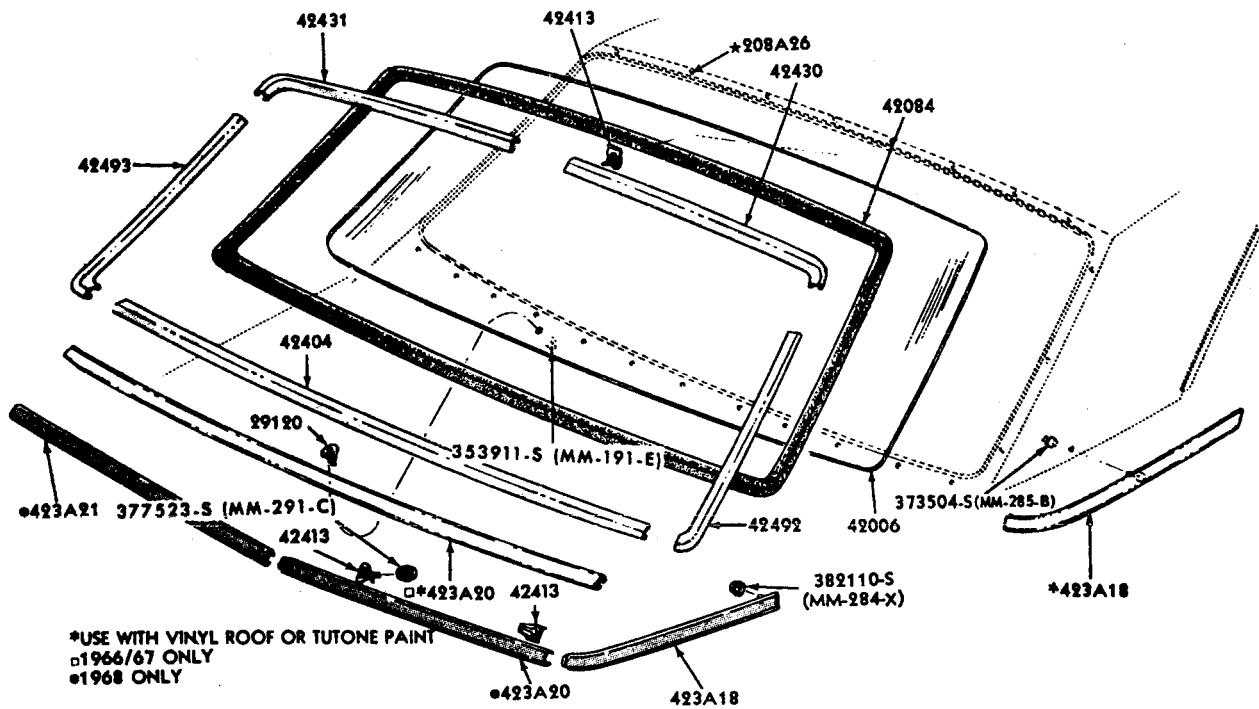
- REFER TO GROUP IN CHASSIS SECTION
- REFER TO PAINT GROUP 19562 FOR SEALER REPAIR KIT
- ▲ USE WITH VINYL ROOF OR TUTONE PAINT

P.5233

**BACK WINDOW and RELATED PARTS - OUTSIDE  
1966 FORD - BODY TYPE 63**

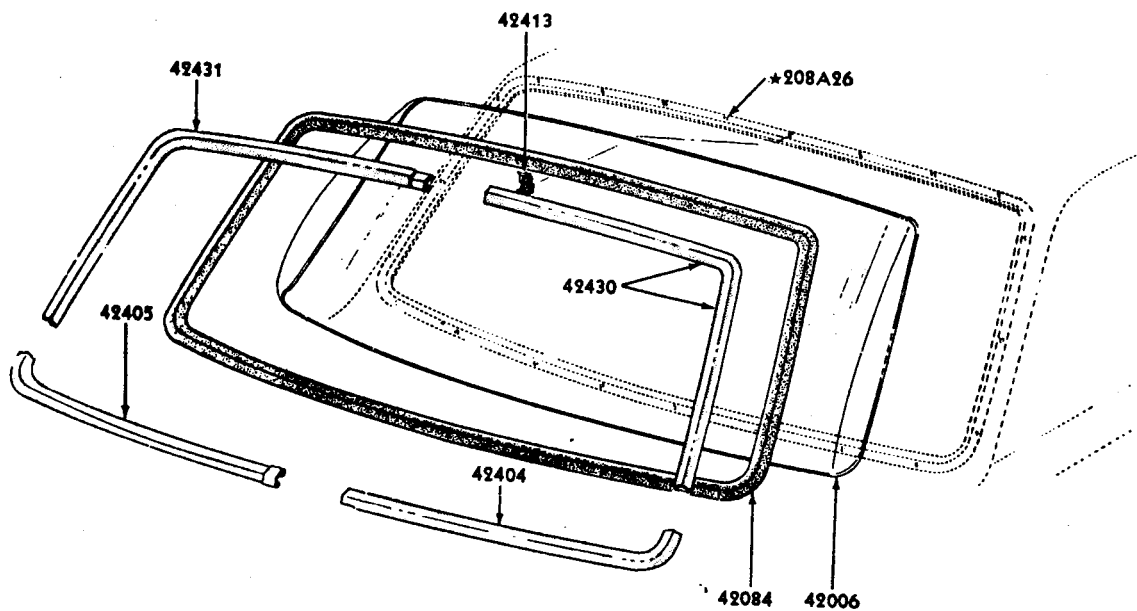






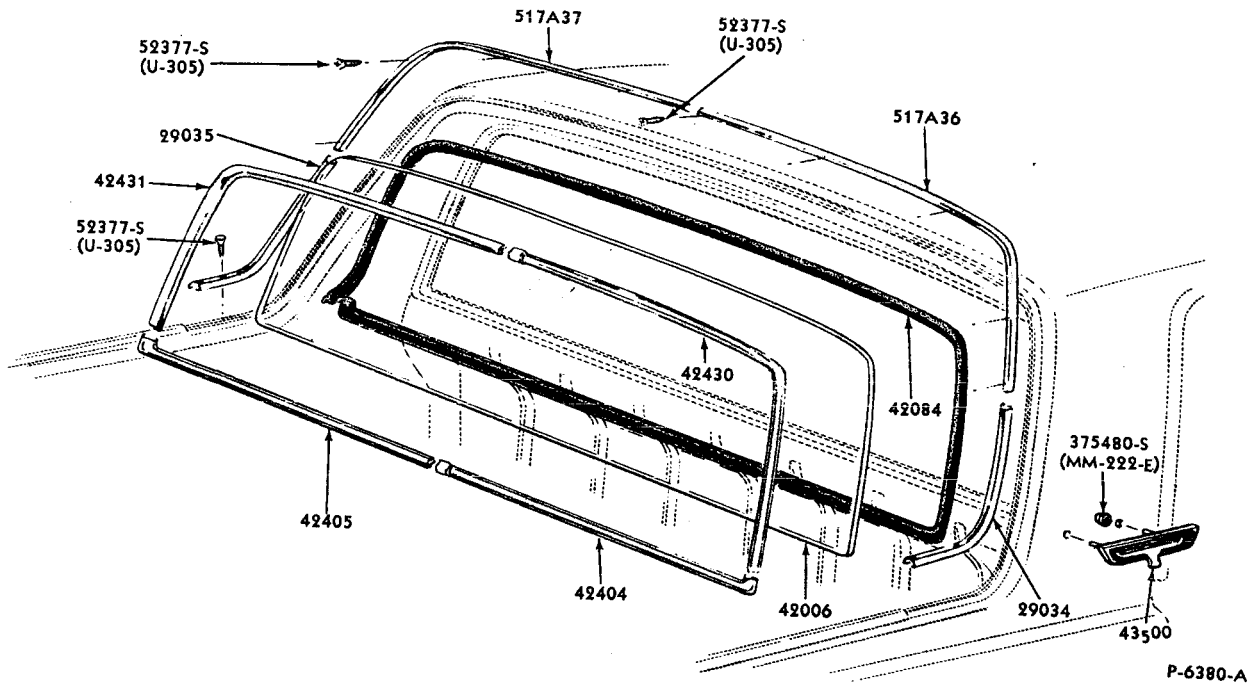
P-5081

**BACK WINDOW and RELATED PARTS**  
 1966/67 FAIRLANE - BODY TYPE 62  
 1968/70 FALCON - BODY TYPE 62

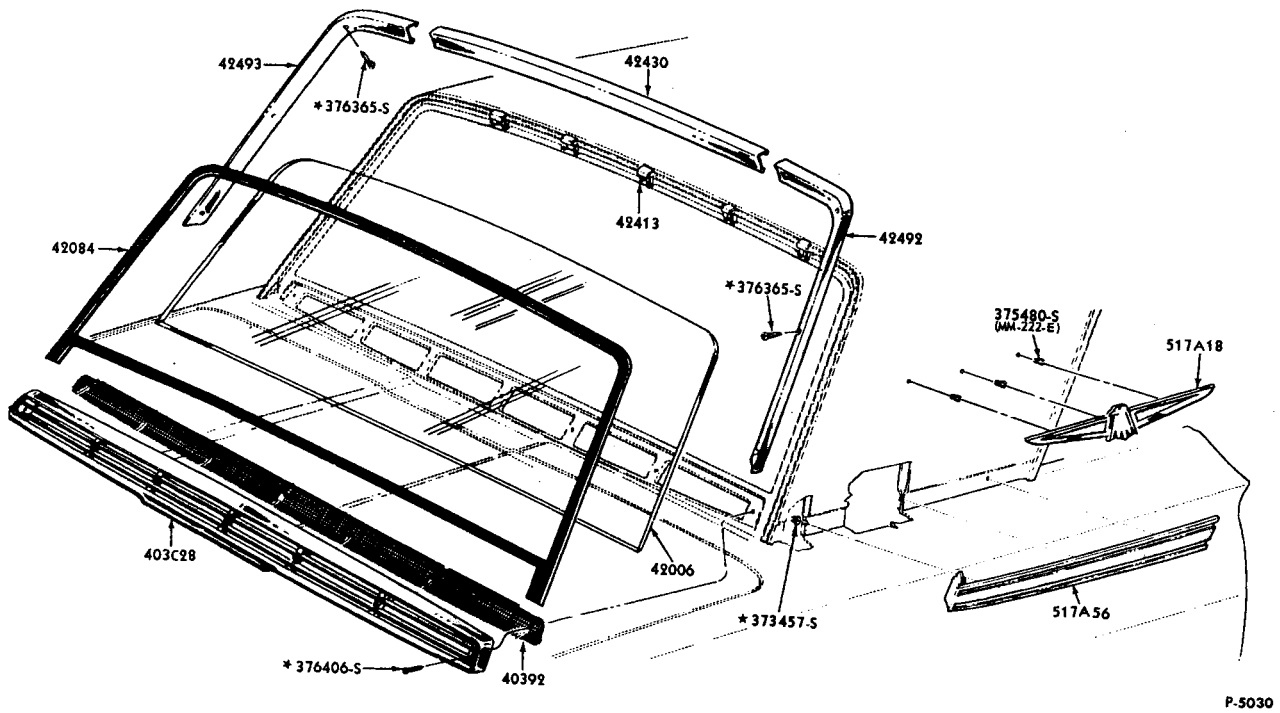


P-5082

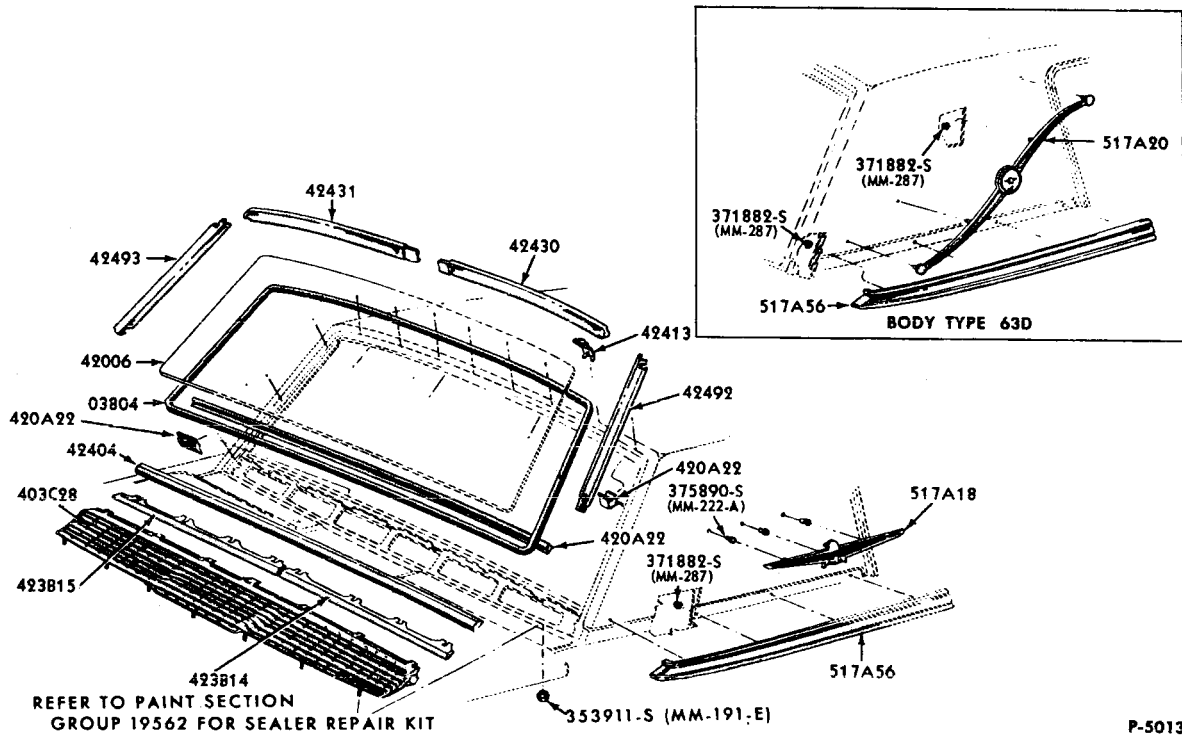
**BACK WINDOW and RELATED PARTS**  
 1966/67 FAIRLANE - BODY TYPE 63



BACK WINDOW and RELATED PARTS  
1966/67 FAIRLANE and FALCON - BODY TYPE 66

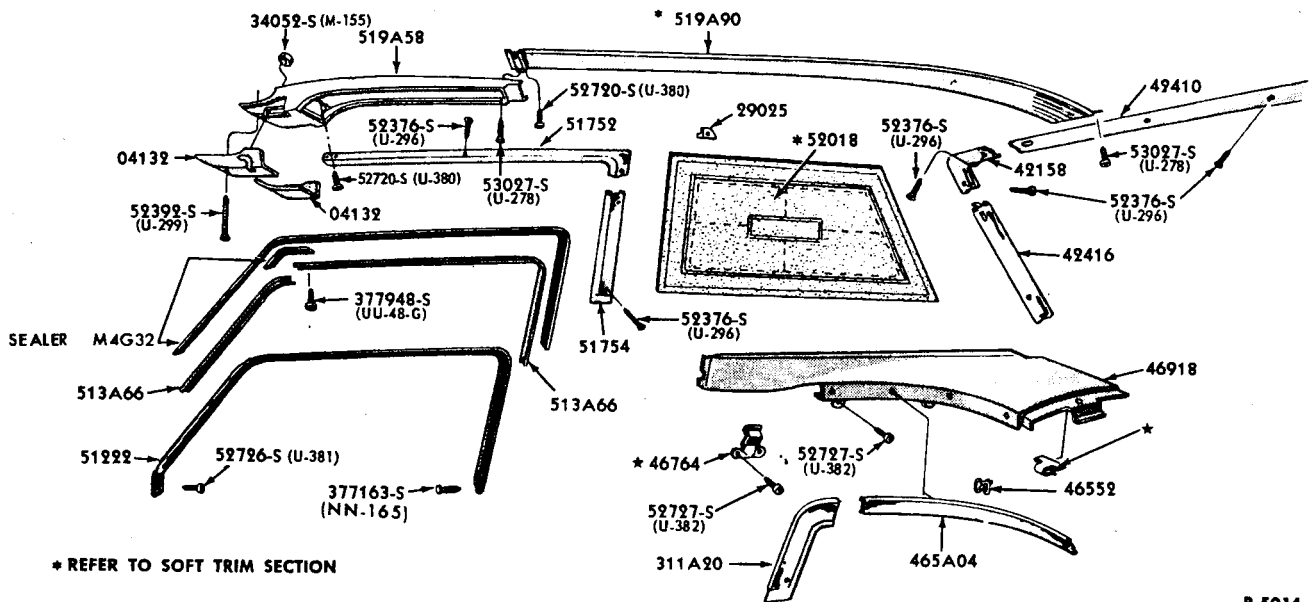


BACK WINDOW and RELATED PARTS  
1966 THUNDERBIRD - BODY TYPE 63A



P-5013

**BACK WINDOW and RELATED PARTS-OUTSIDE**  
1966 THUNDERBIRD-BODY TYPES 63C, D

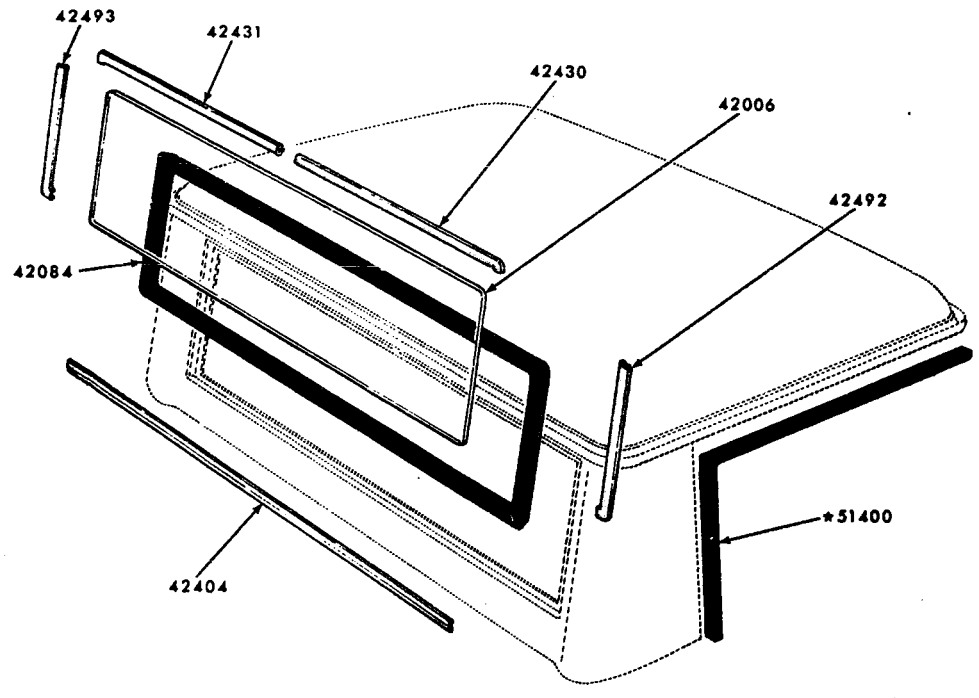


P-5014

**BACK WINDOW, ROOF SIDE MOULDINGS and CONSOLE - INSIDE**  
1966 THUNDERBIRD-BODY TYPE 63C, D

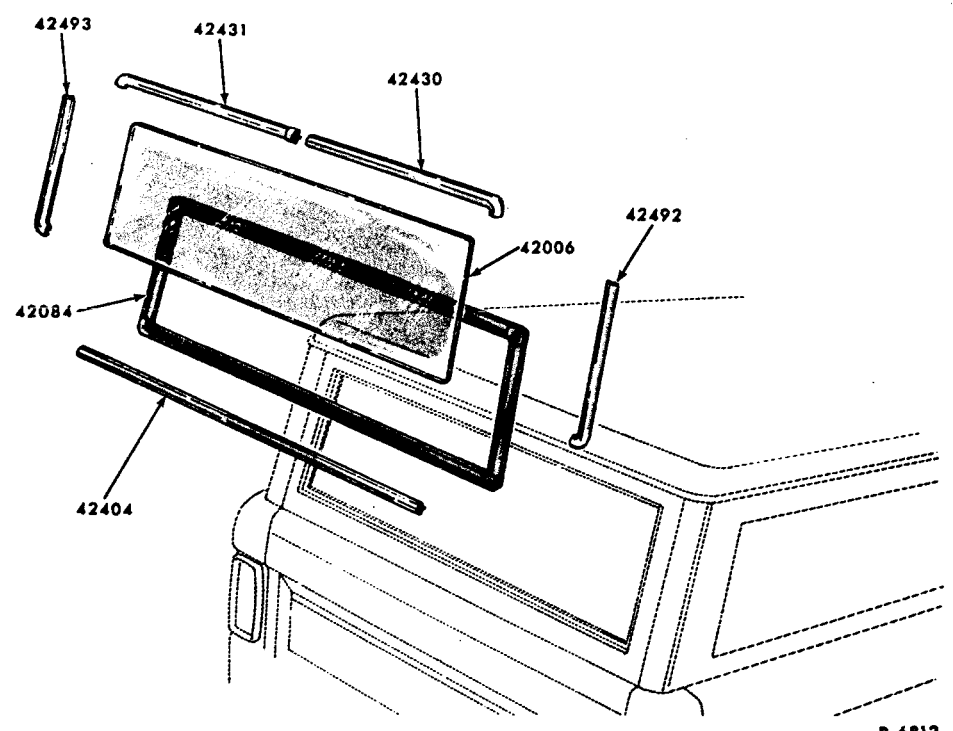
# FORD CAR PARTS

## BODY ILLUSTRATION SECTION 420



P-6811

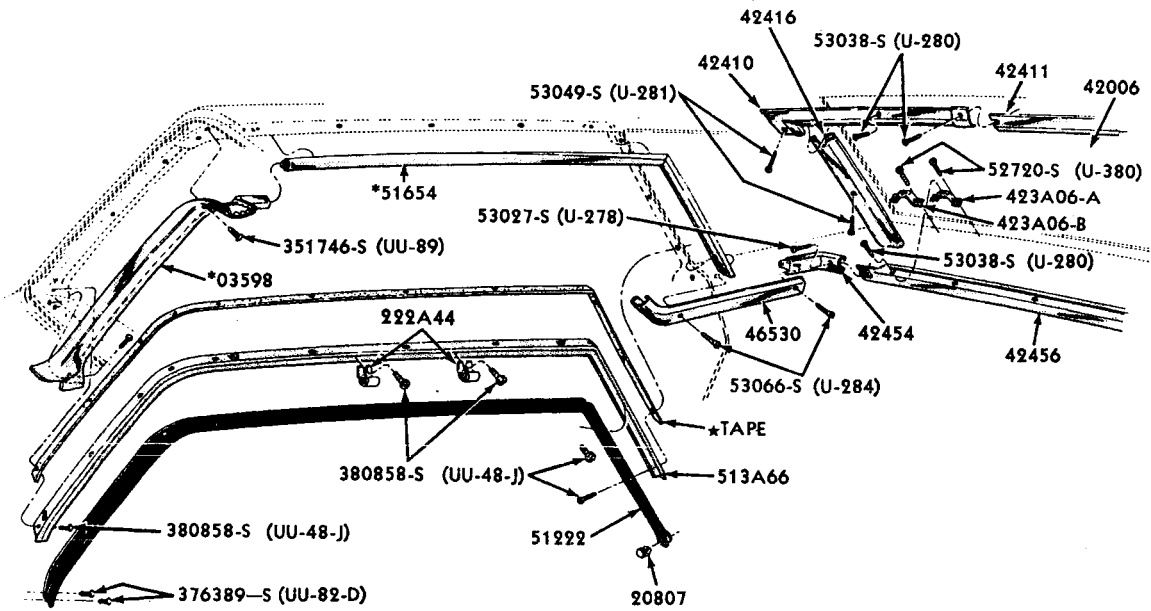
BACK WINDOW and RELATED PARTS  
1966/72 BRONCO - BODY TYPE 97



P-6812

BACK WINDOW and RELATED PARTS  
1966/72 BRONCO - BODY TYPE 98

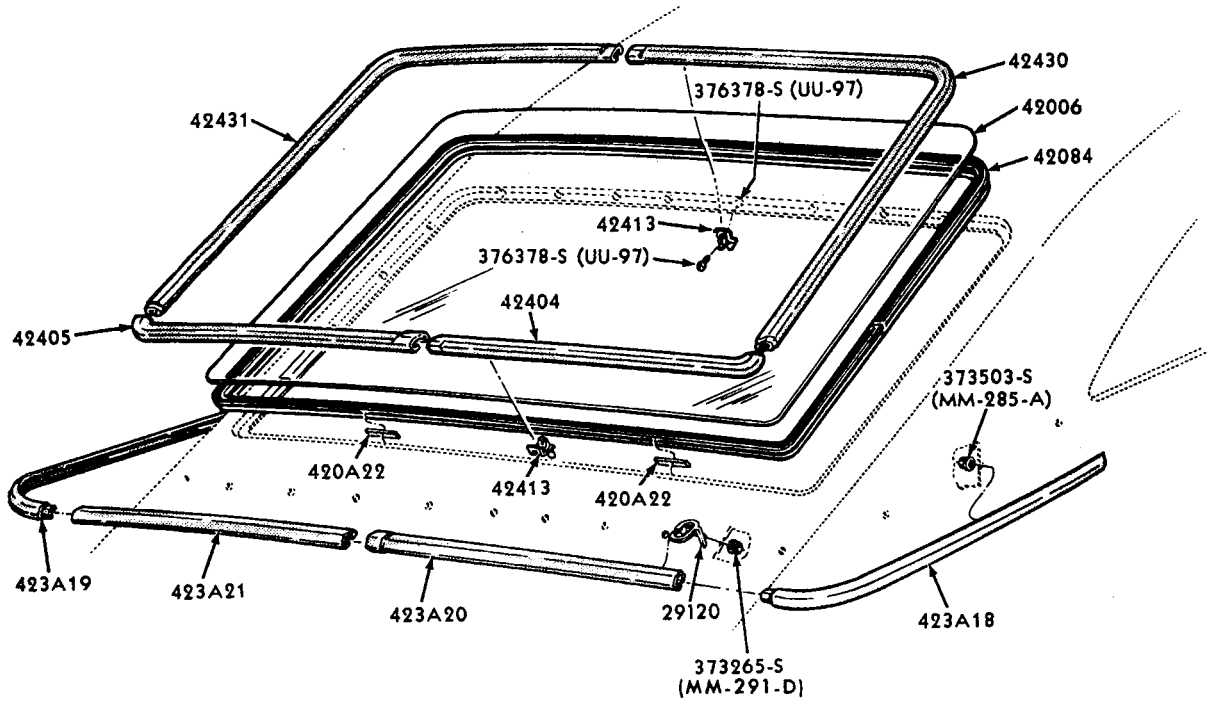




\*REFER TO SOFT TRIM SECTION

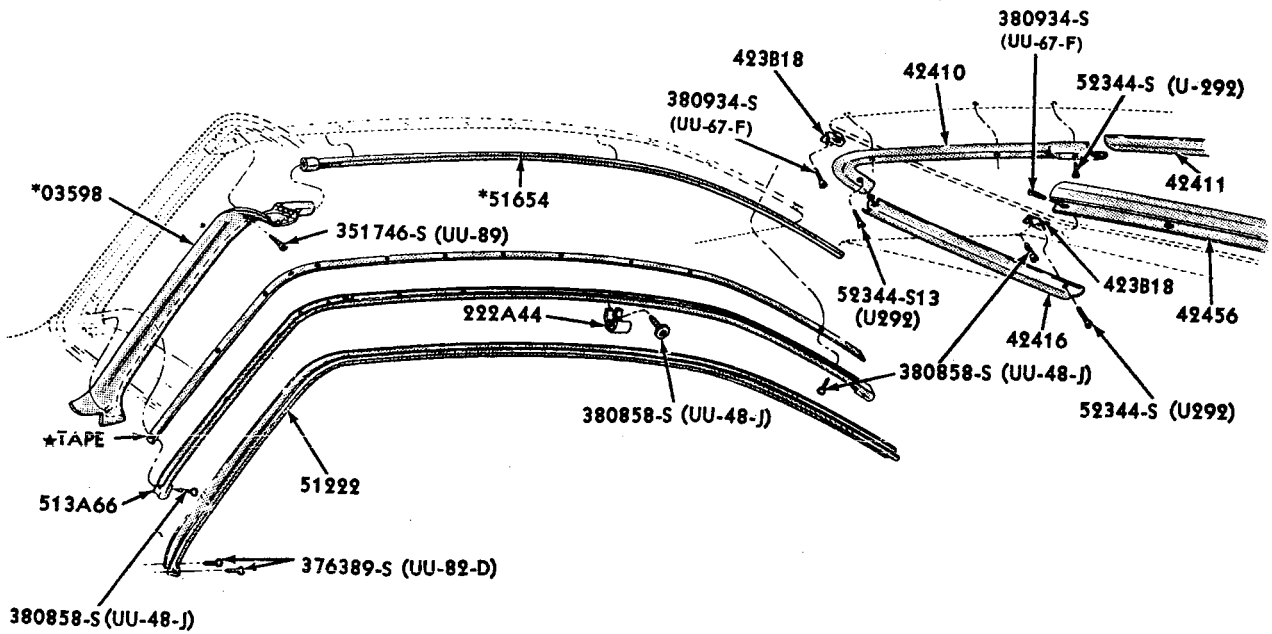
P-5534

BACK WINDOW and ROOF SIDE MOULDINGS  
1967 FORD - BODY TYPE 57



P-5535

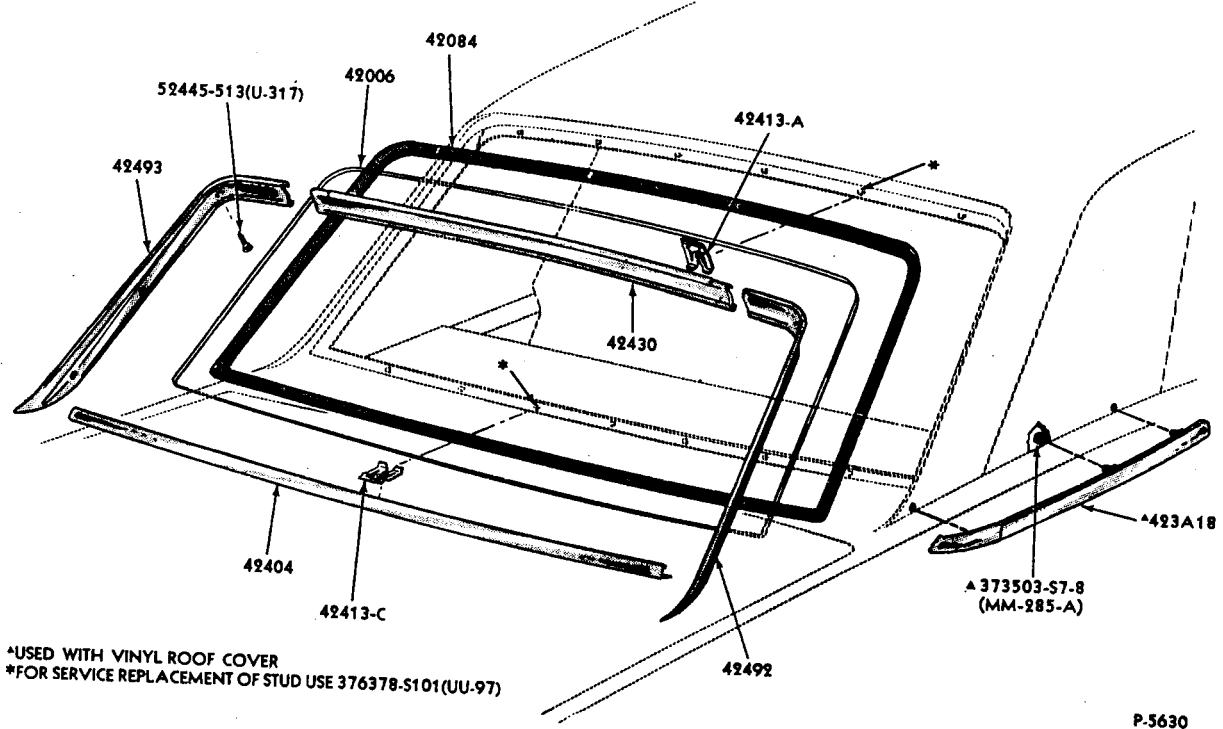
BACK WINDOW and RELATED PARTS - OUTSIDE  
1967 FORD - BODY TYPE 63



\*REFER TO SOFT TRIM SECTION

**BACK WINDOW and ROOF SIDE MOULDINGS  
1967 FORD - BODY TYPE 63**

P-5536



\*USED WITH VINYL ROOF COVER  
\*FOR SERVICE REPLACEMENT OF STUD USE 376378-S101(UU-97)

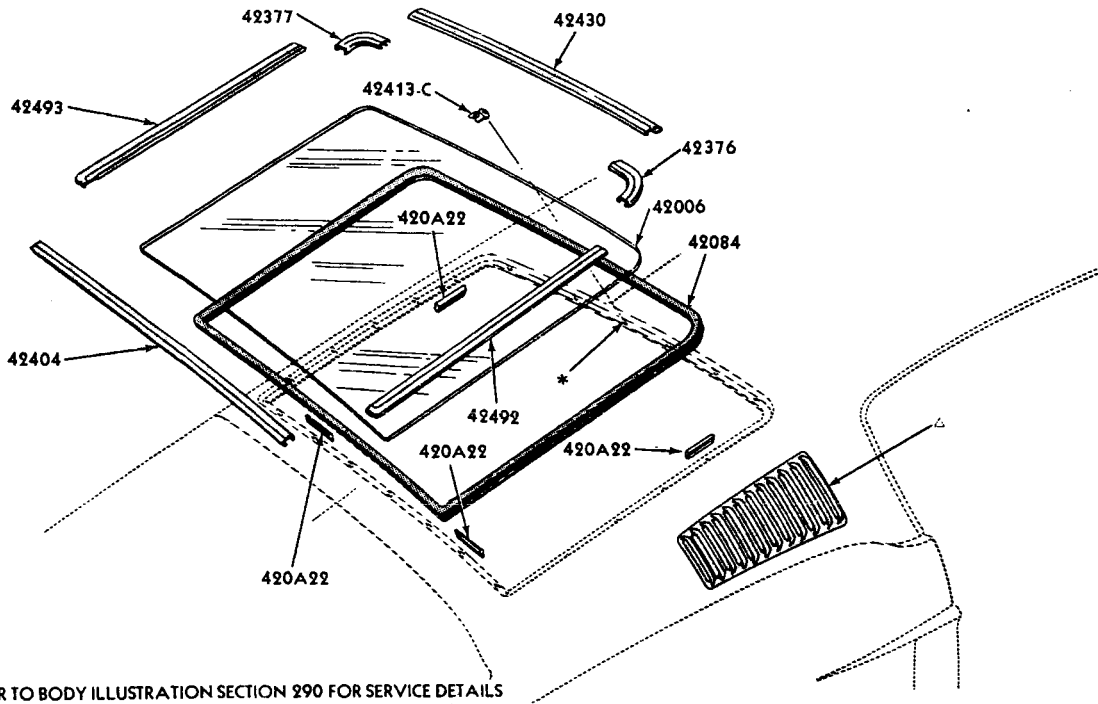
P-5630

**BACK WINDOW and RELATED PARTS  
1967/68 MUSTANG - BODY TYPE 65**



**BODY ILLUSTRATION  
SECTION 420**

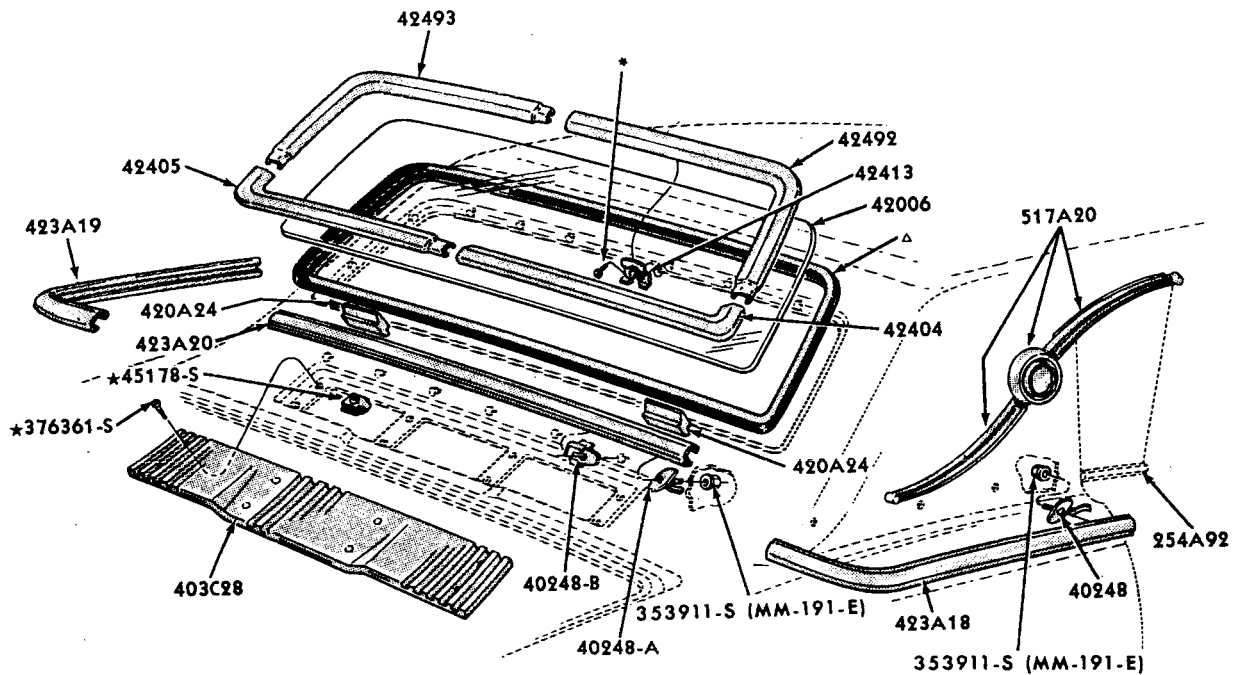
**FORD CAR PARTS**



△ REFER TO BODY ILLUSTRATION SECTION 290 FOR SERVICE DETAILS  
\*FOR SERVICE REPLACEMENT OF STUD USE 376378-S101(UU-97)

P-5629

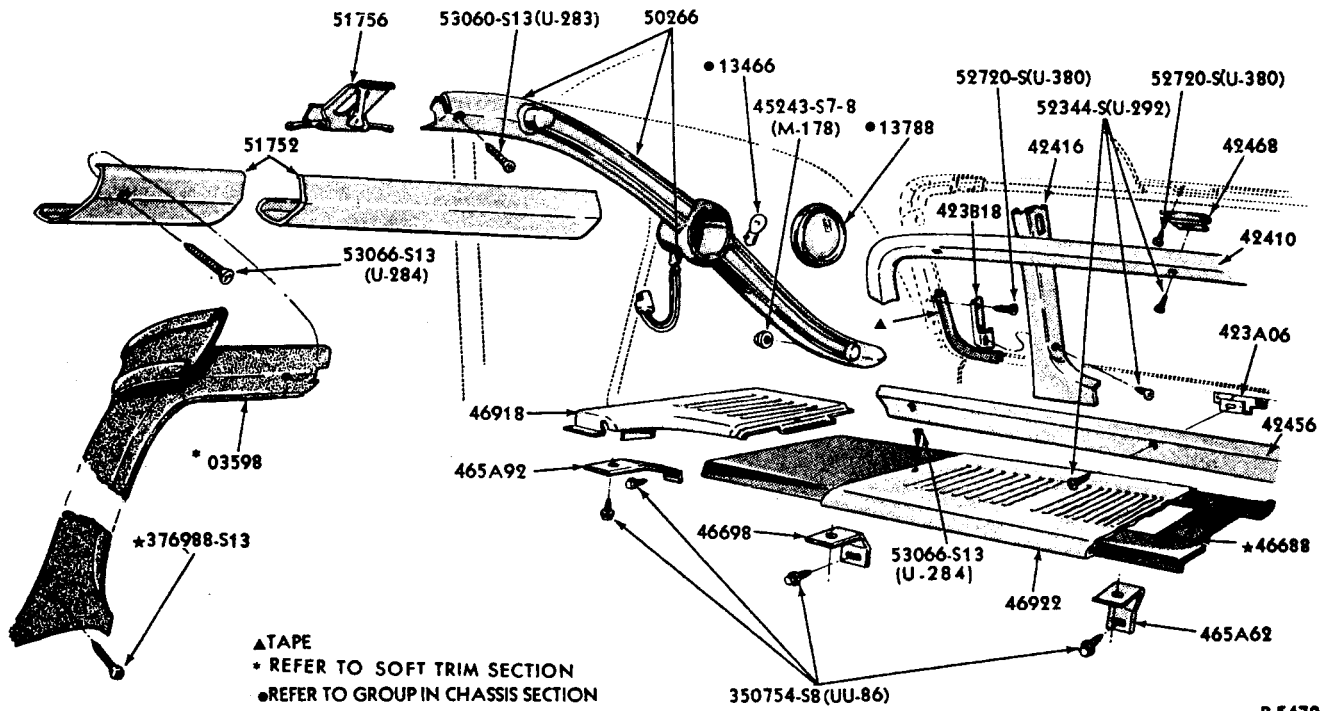
**BACK WINDOW and RELATED PARTS  
1967/68 MUSTANG - BODY TYPE 63**



\*SERVICE REPLACEMENT FOR STUD USE 376378-S 100 (UU-97)  
△ REFER TO PAINT SECTION GROUP 19562 FOR SEALER REPAIR KIT

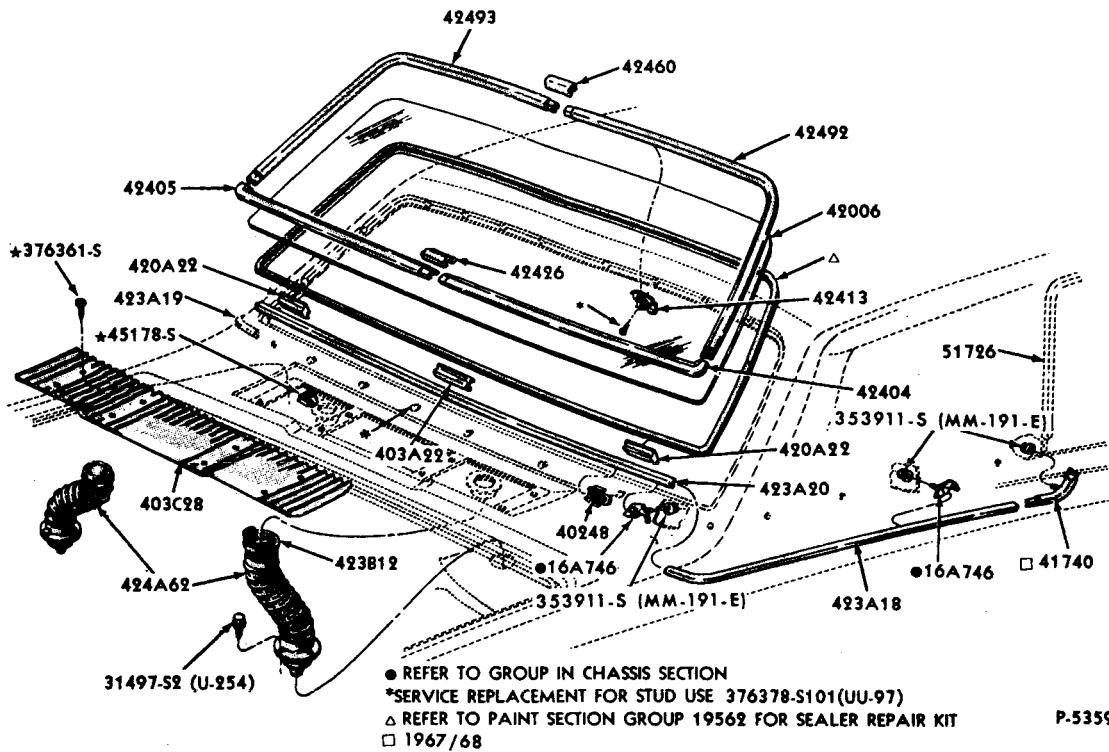
P-5355

**BACK WINDOW and RELATED PARTS - OUTSIDE  
1967/71 THUNDERBIRD - BODY TYPE 57**



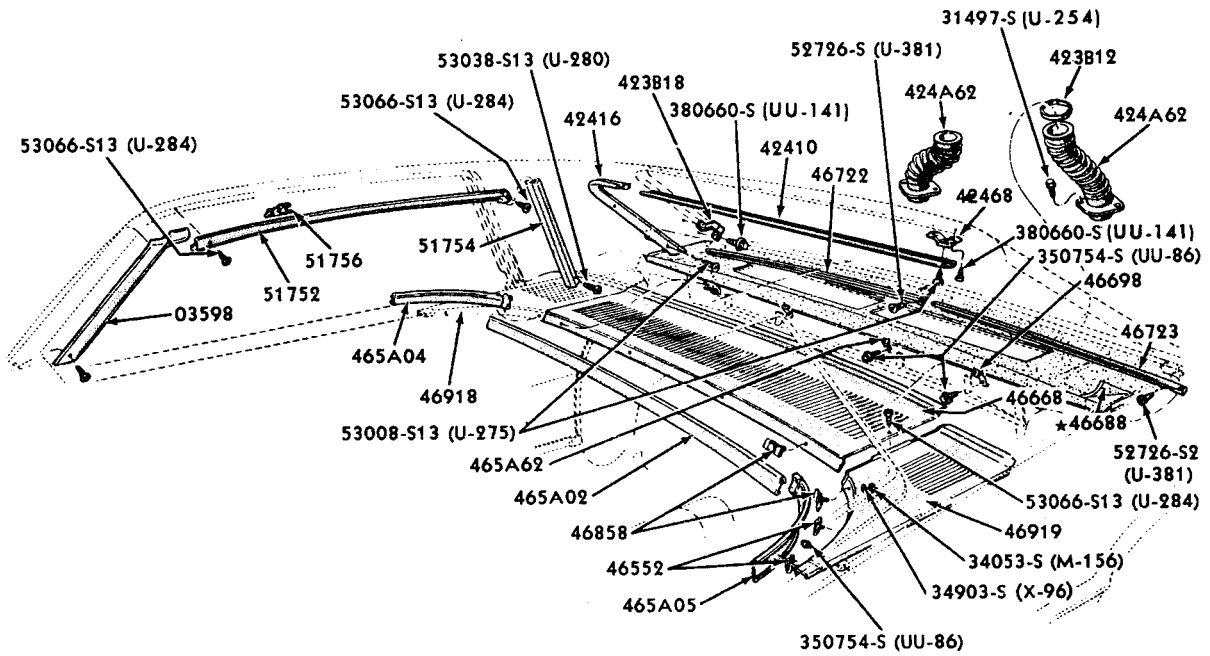
P-5472

BACK WINDOW and ROOF SIDE MOULDINGS  
1967/70 THUNDERBIRD - BODY TYPE 57



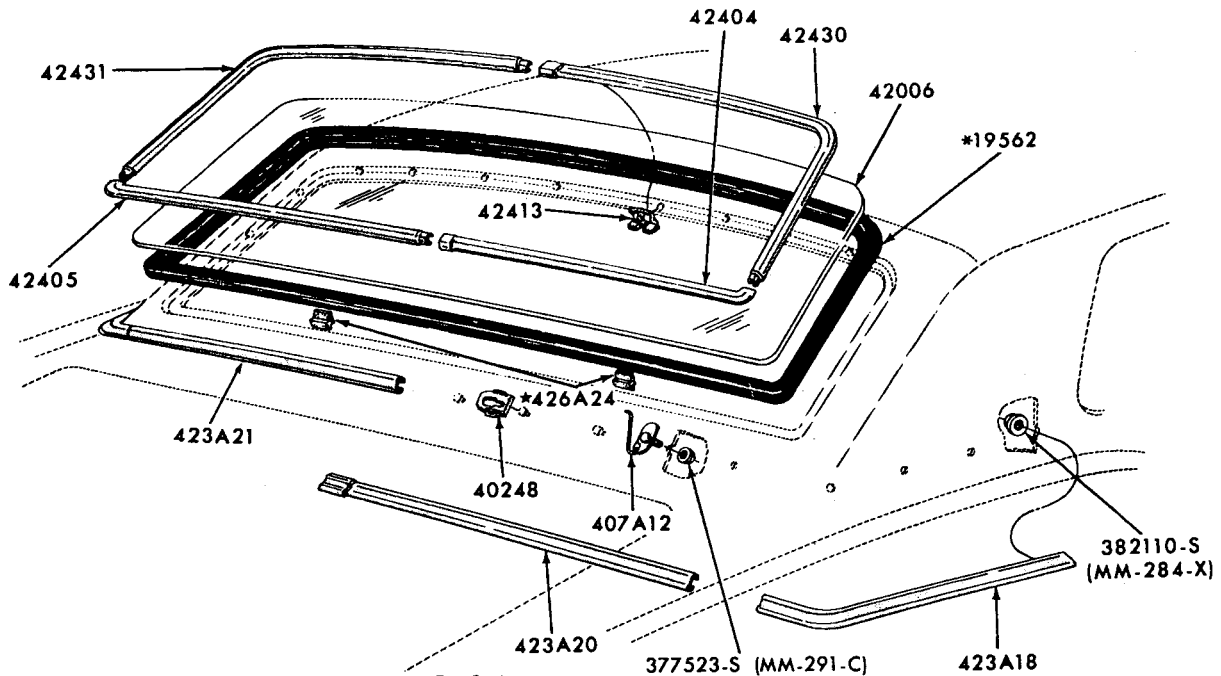
P-5359

BACK WINDOW and RELATED PARTS - OUTSIDE  
1967/71 THUNDERBIRD - BODY TYPE 65 B.D



P-5473

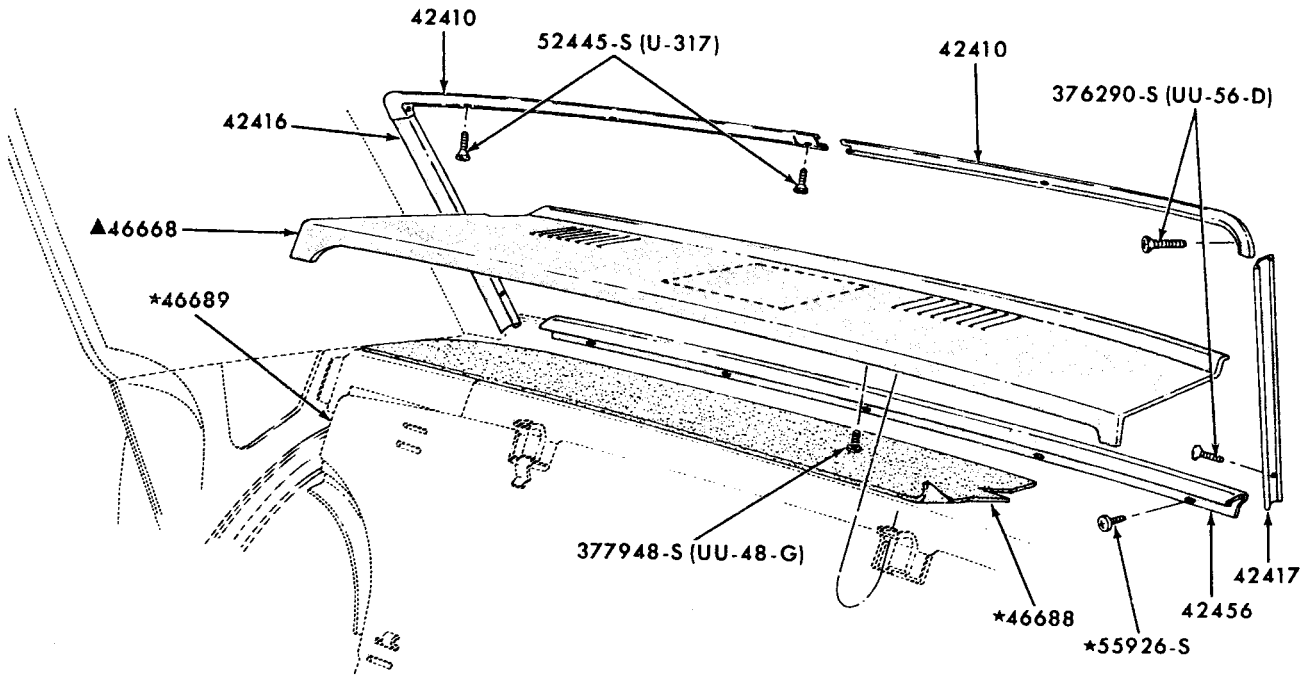
BACK WINDOW and ROOF SIDE MOULDINGS - INSIDE  
1967/70 THUNDERBIRD - BODY TYPE 65



\*REFER TO GROUP IN PAINT SECTION

P-6851

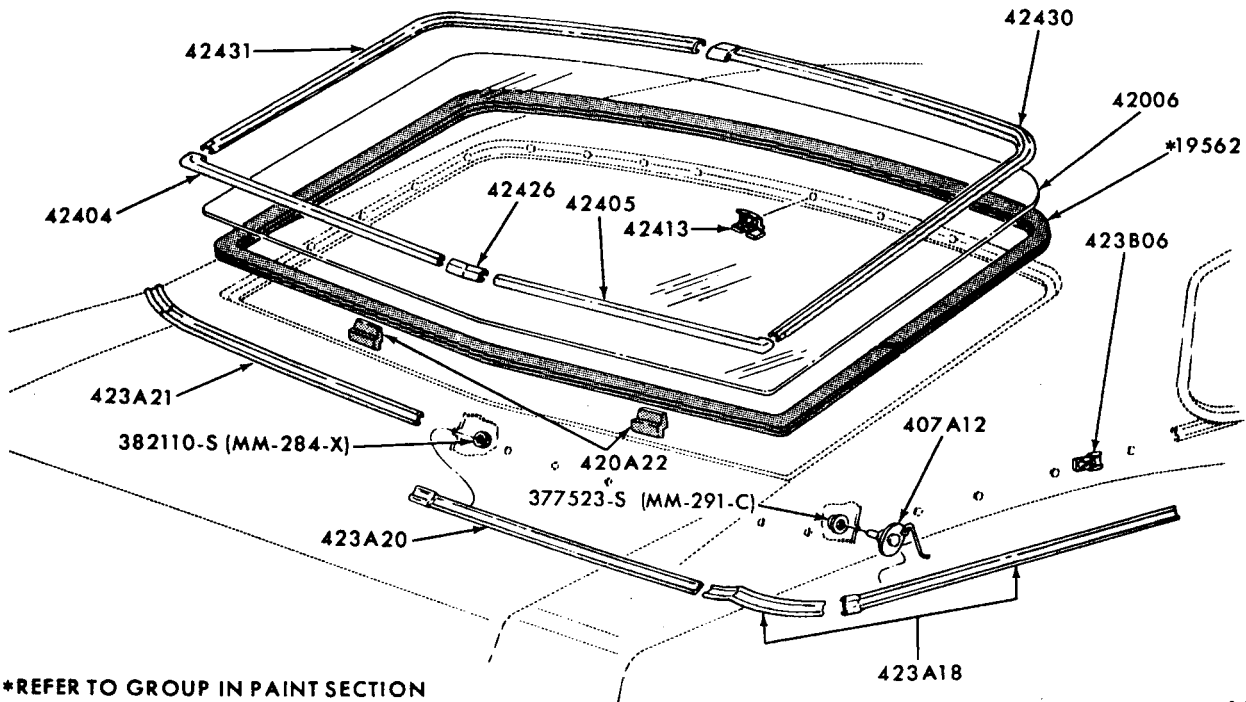
BACK WINDOW and RELATED PARTS - OUTSIDE  
1968 FORD - BODY TYPES 57, 65



▲REFER TO GROUP IN SOFT TRIM SECTION

P-6853

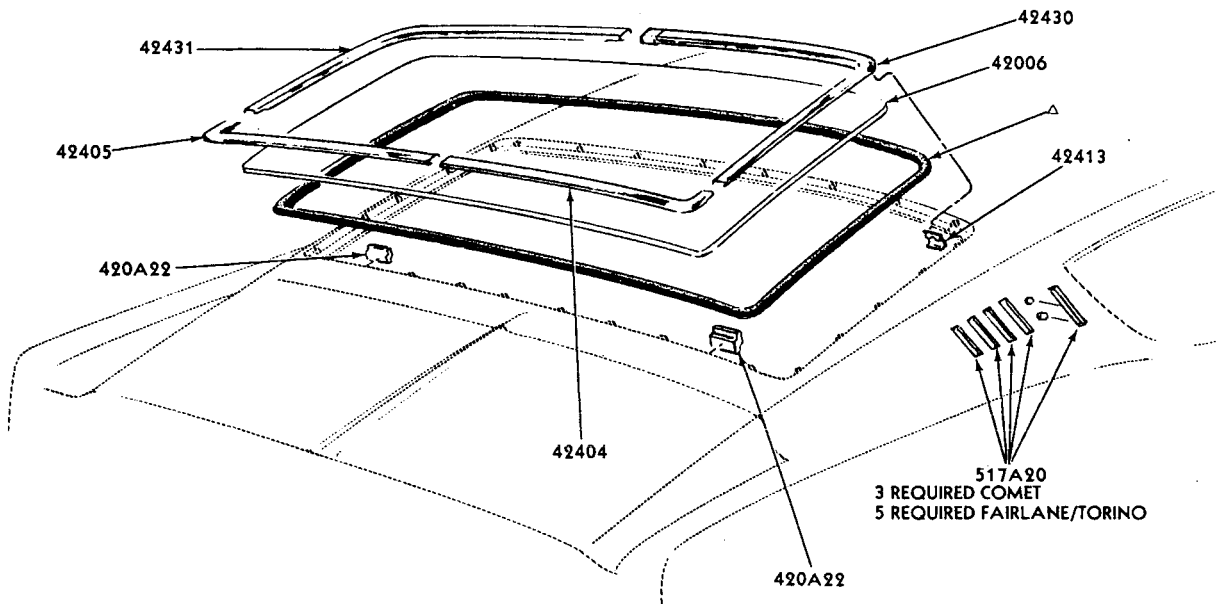
BACK WINDOW and RELATED PARTS - INSIDE  
1968 FORD - BODY TYPES 57, 65



\*REFER TO GROUP IN PAINT SECTION

P-6852

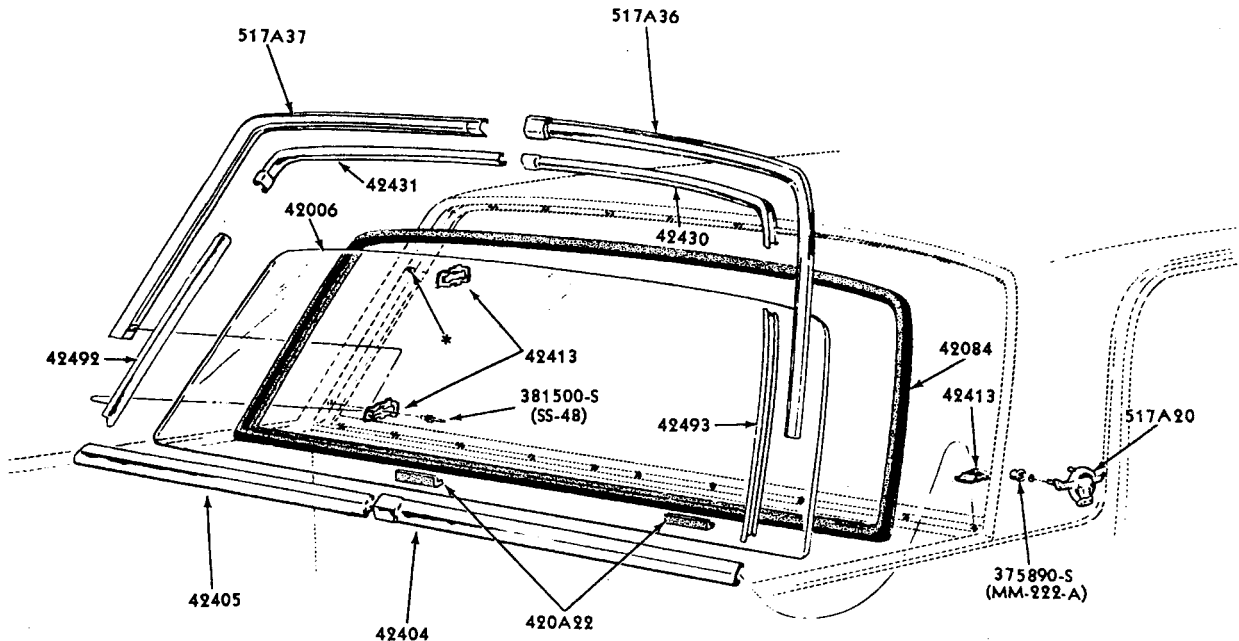
BACK WINDOW and RELATED PARTS  
1968 FORD - BODY TYPE 63



\*FOR SERVICE REPLACEMENT OF STUD USE 376378-S100 (UU-97)  
 ΔREFER TO PAINT SECTION GROUP 19562 FOR SEALER REPAIR KIT

P-6379

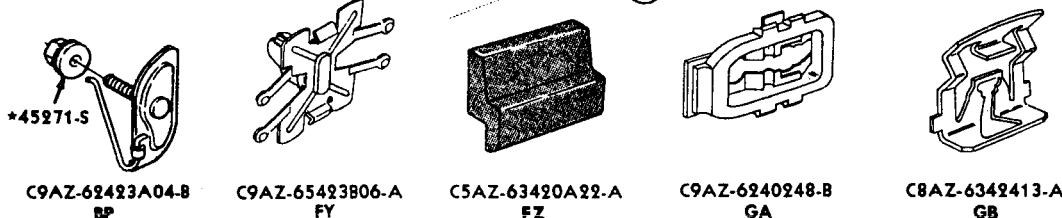
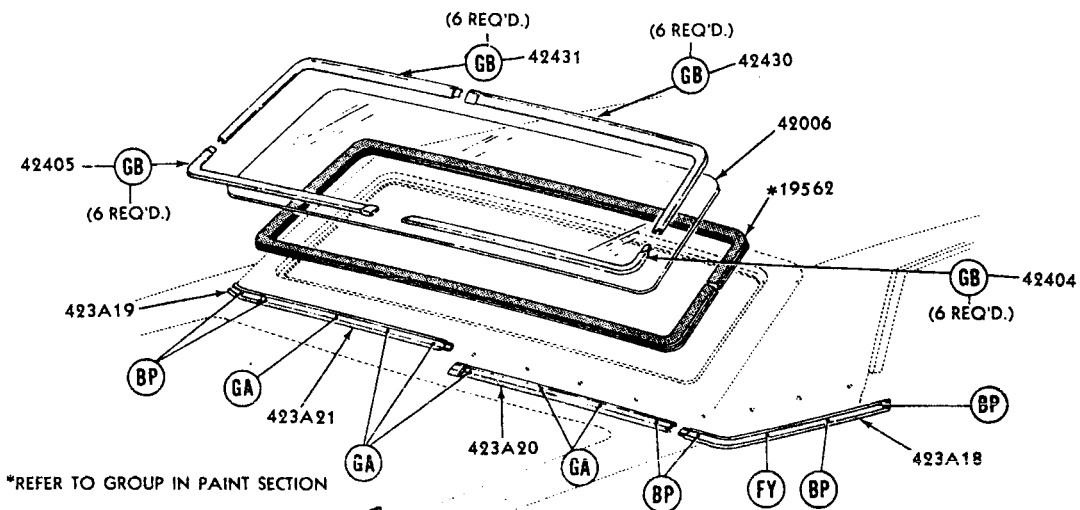
BACK WINDOW and RELATED PARTS  
 1968/71 FAIRLANE/TORINO - BODY TYPE 63



\*FOR SERVICE REPLACEMENT OF STUD USE 376378-S101 (UU-97)

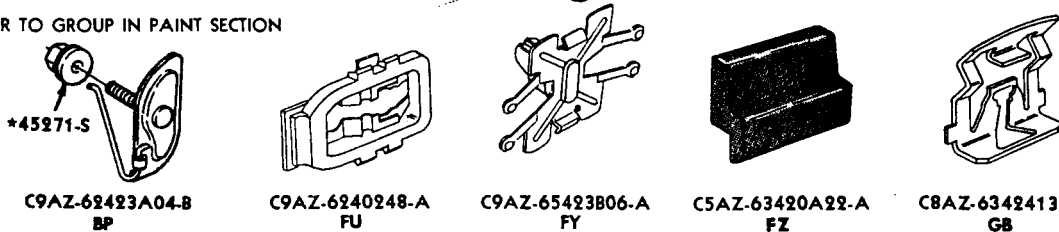
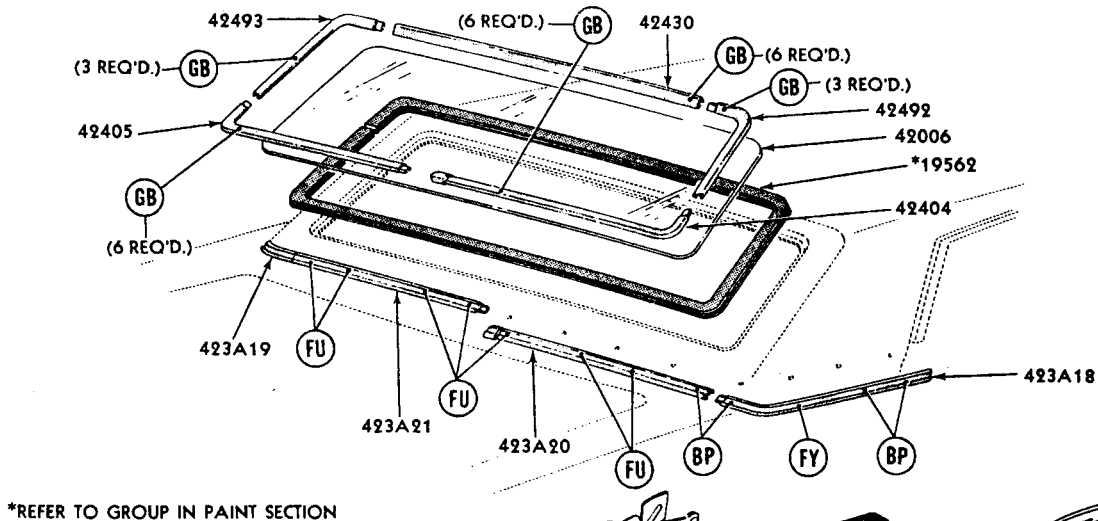
P-6380-B

BACK WINDOW and RELATED PARTS  
 1968/69 FAIRLANE - BODY TYPE 66



P-6748

**BACK WINDOW and RELATED PARTS - OUTSIDE**  
1969/70 FORD - BODY TYPES 54, 62

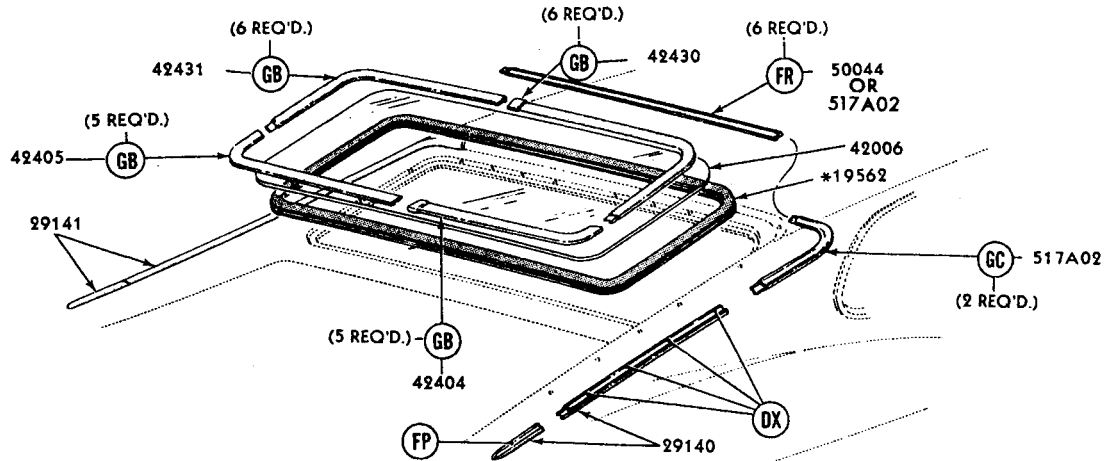


P-6747

**BACK WINDOW and RELATED PARTS - OUTSIDE**  
1969/70 FORD - BODY TYPE 57

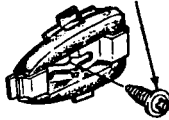
**BODY ILLUSTRATION  
SECTION 420**

**FORD CAR PARTS**



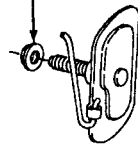
\*REFER TO GROUP IN PAINT SECTION

USE 379560-S (UU-89-CA)

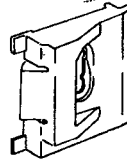


C6VY-16234-C  
DX

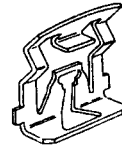
\*45277-S



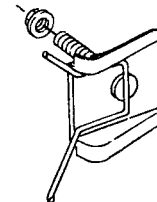
C9AZ-6329108-A  
FP



C9AZ-6350034-A  
FR



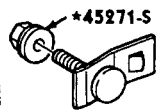
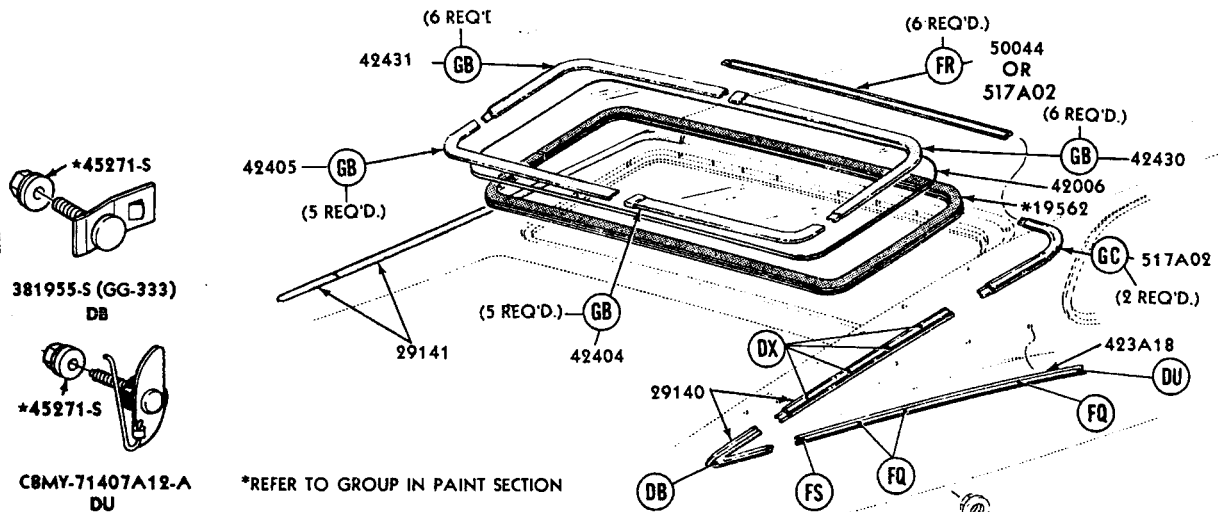
C8AZ-6342413-A  
GB



C9AZ-6350030-A  
GC

P-6749

**BACK WINDOW and RELATED PARTS - OUTSIDE  
1969/70 FORD - BODY TYPE 63 - WITHOUT VINYL ROOF COVER**



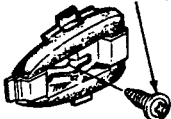
381955-S (GG-333)  
DB



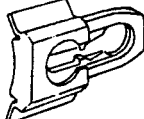
C8MY-71407A12-A  
DU

\*REFER TO GROUP IN PAINT SECTION

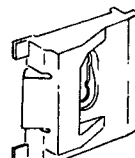
USE 379560-S (UU-89-CA)



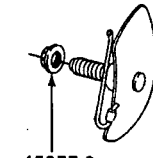
C6VY-16234-C  
DX



C7SZ-6540248-B  
FQ



C9AZ-6350034-A  
FR

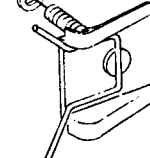


\*45277-S

C9AZ-63423806-A  
F5



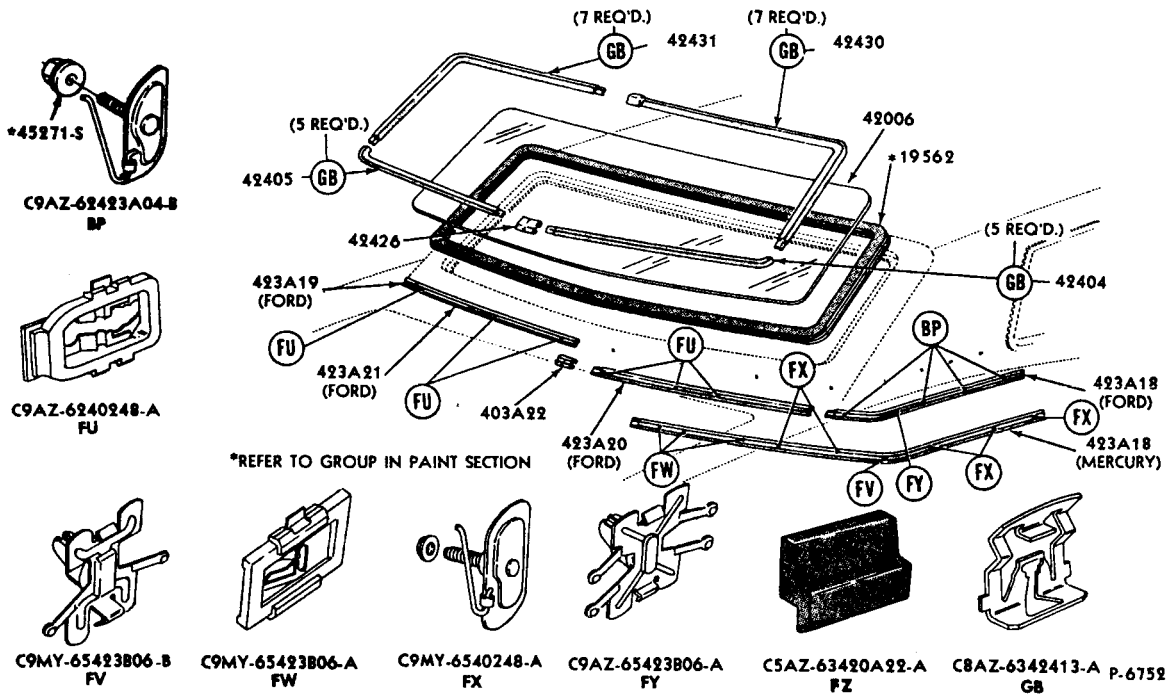
C8AZ-6342413-A  
GB



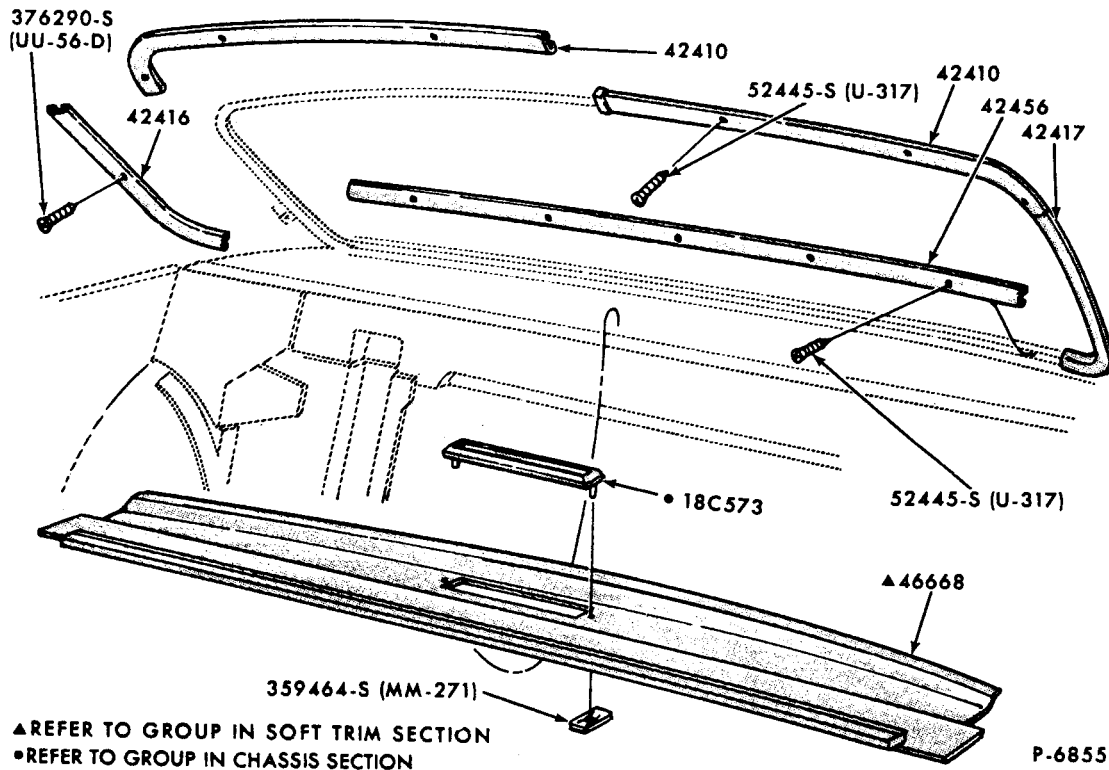
C9AZ-6350030-A  
GC

P-6750

**BACK WINDOW and RELATED PARTS - OUTSIDE  
1969/70 FORD - BODY TYPE 63 - WITH VINYL ROOF COVER**



**BACK WINDOW and RELATED PARTS - OUTSIDE  
1969/70 FORD - BODY TYPE 65**

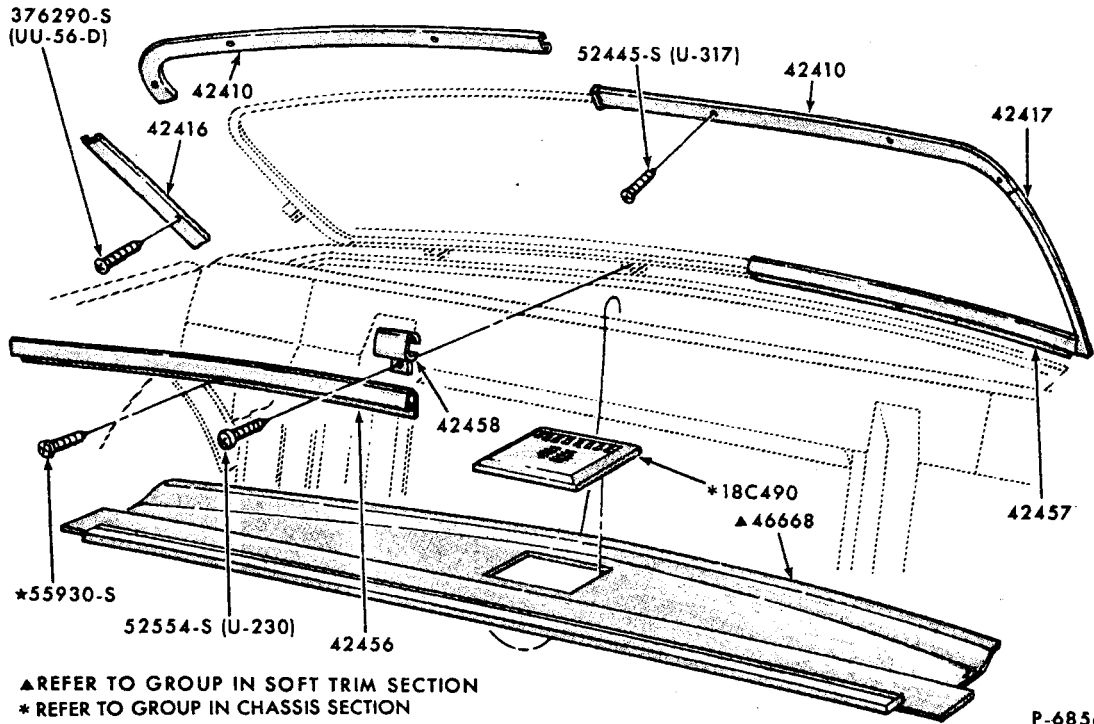


**BACK WINDOW and RELATED PARTS - INSIDE  
1969/72 FORD - BODY TYPES 53, 54, 57, 62, 63**

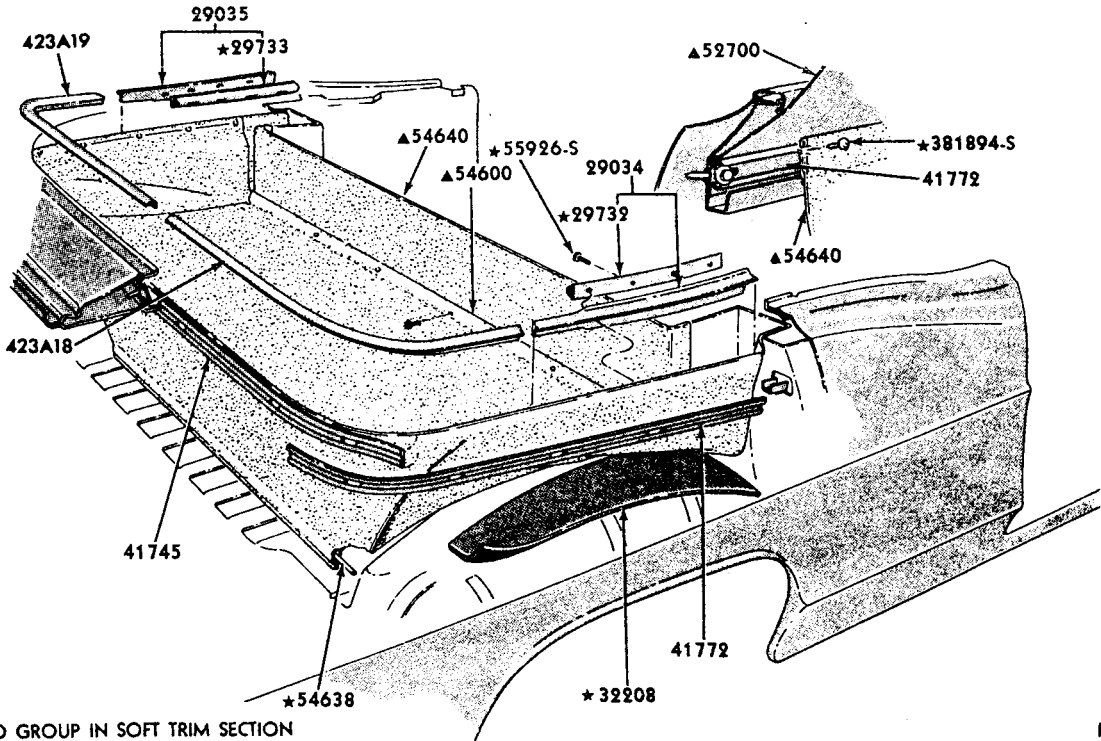


BODY ILLUSTRATION  
SECTION 420

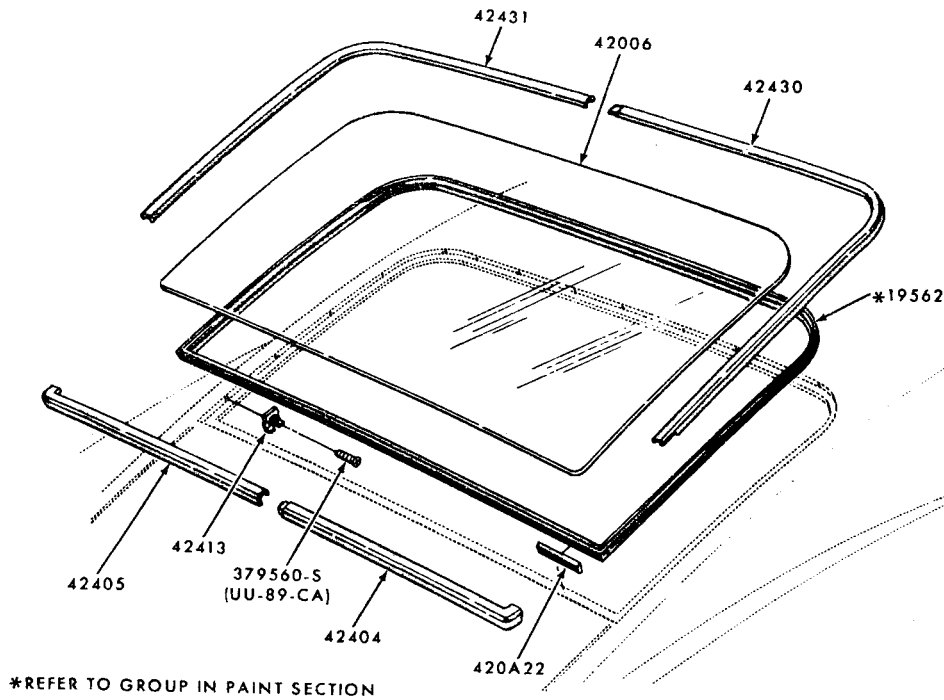
FORD CAR PARTS



BACK WINDOW and RELATED PARTS - INSIDE  
1969/72 FORD - BODY TYPE 65

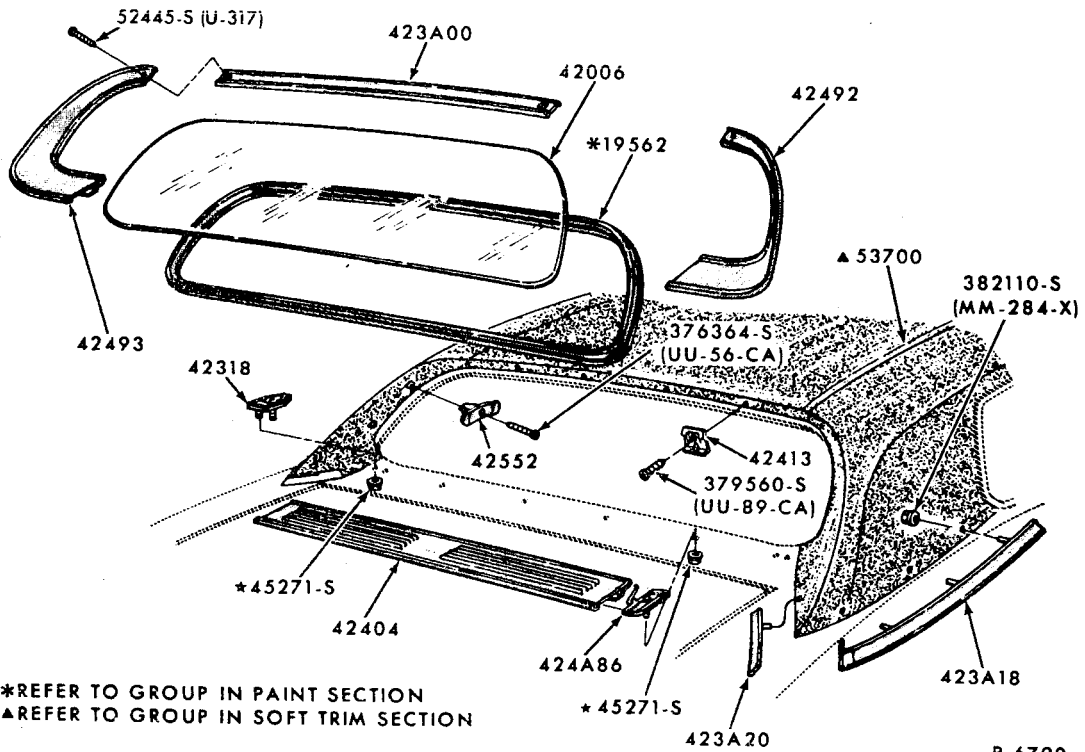


BACK BELT MOULDINGS  
1968/70 FORD - BODY TYPE 76



P-6789

**BACK WINDOW and RELATED PARTS  
1969/70 MUSTANG - BODY TYPE 63**

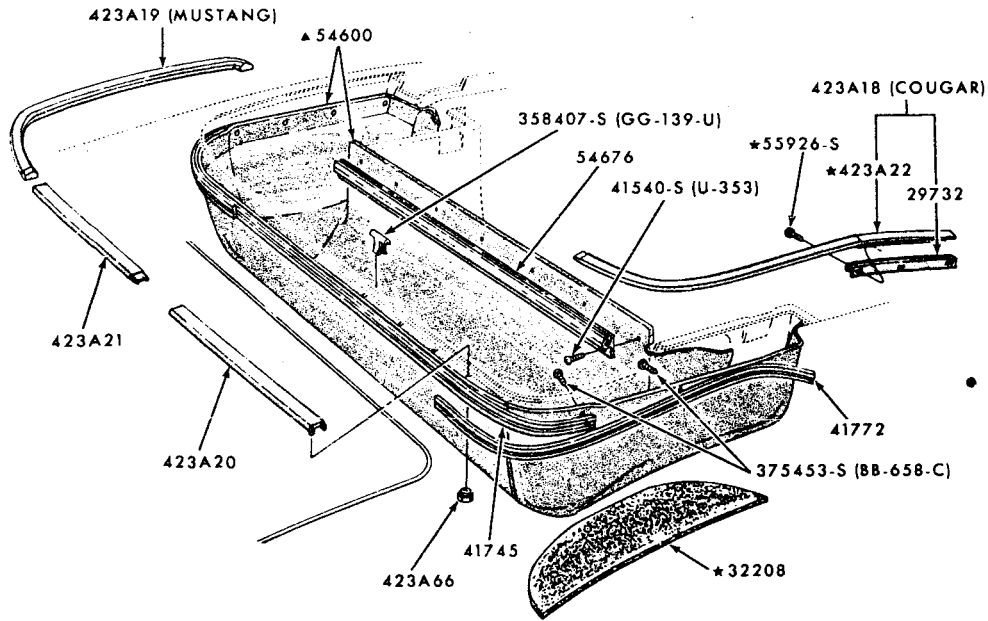


P-6790

**BACK WINDOW and RELATED PARTS  
1969 MUSTANG - BODY TYPE 65**

BODY ILLUSTRATION  
SECTION 420

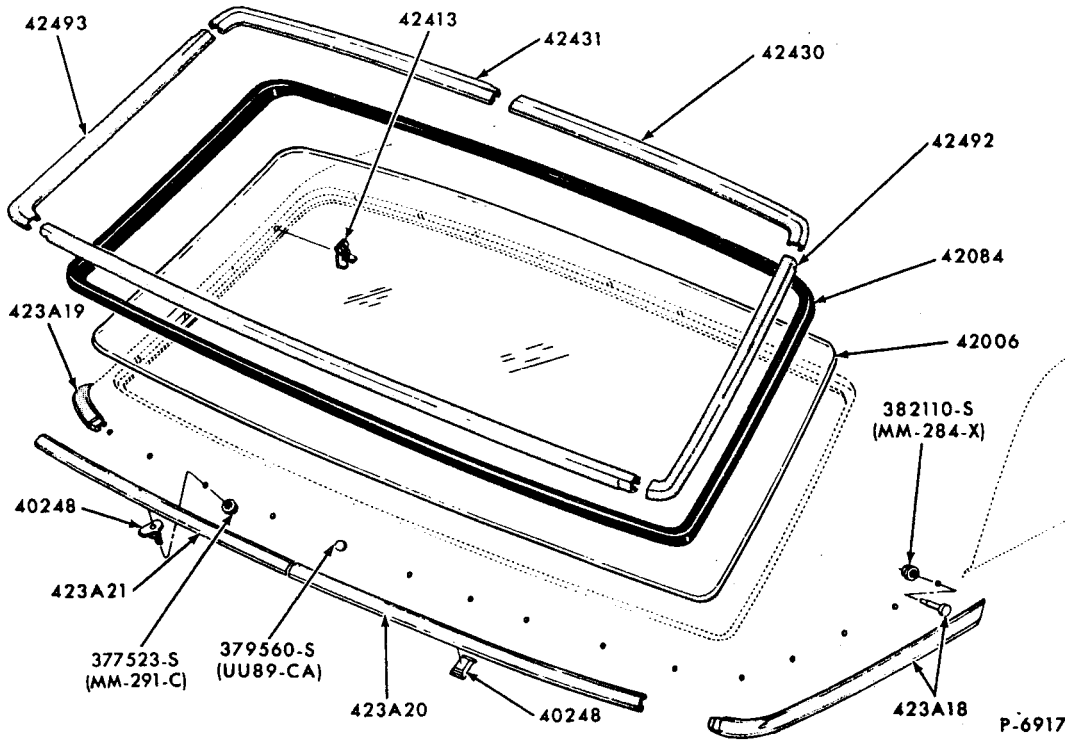
FORD CAR PARTS



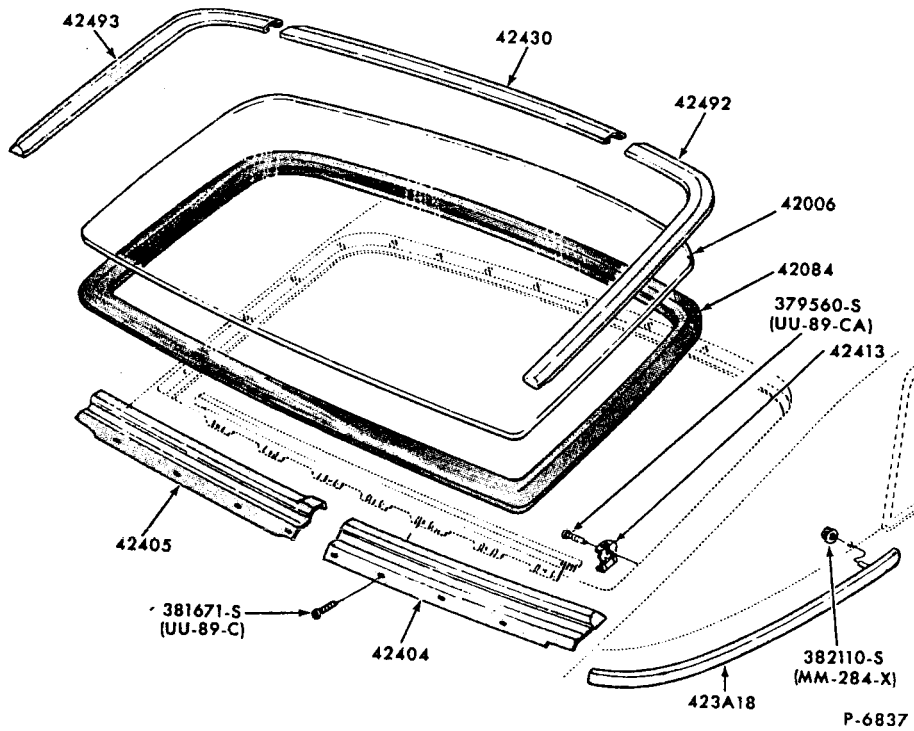
▲REFER TO GROUP IN SOFT TRIM SECTION

P-6788

BACK BELT MOULDINGS and RELATED PARTS  
1969/70 MUSTANG - BODY TYPE 76

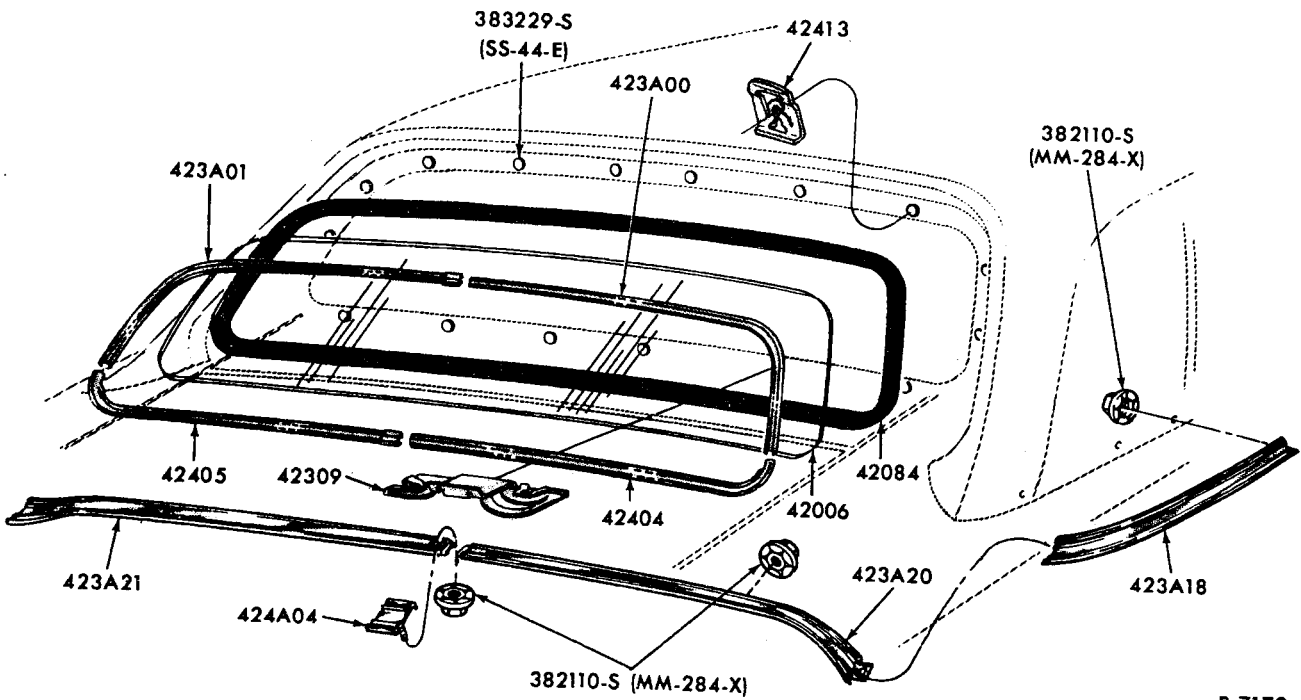


BACK WINDOW and RELATED PARTS  
1968/69 FAIRLANE/TORINO - BODY TYPE 65



BACK WINDOW and RELATED PARTS  
1970/72 MAVERICK - BODY TYPE 62

P-6837

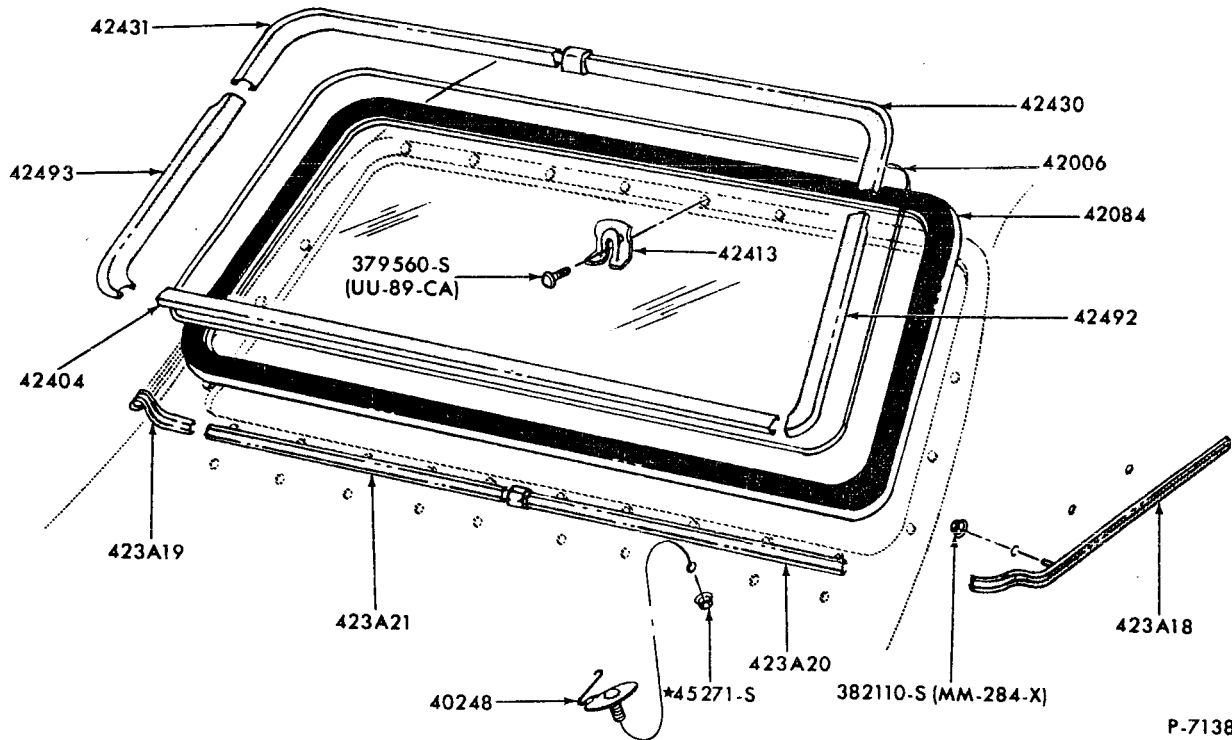


BACK WINDOW and RELATED PARTS - OUTSIDE  
1970 MUSTANG - BODY TYPE 65

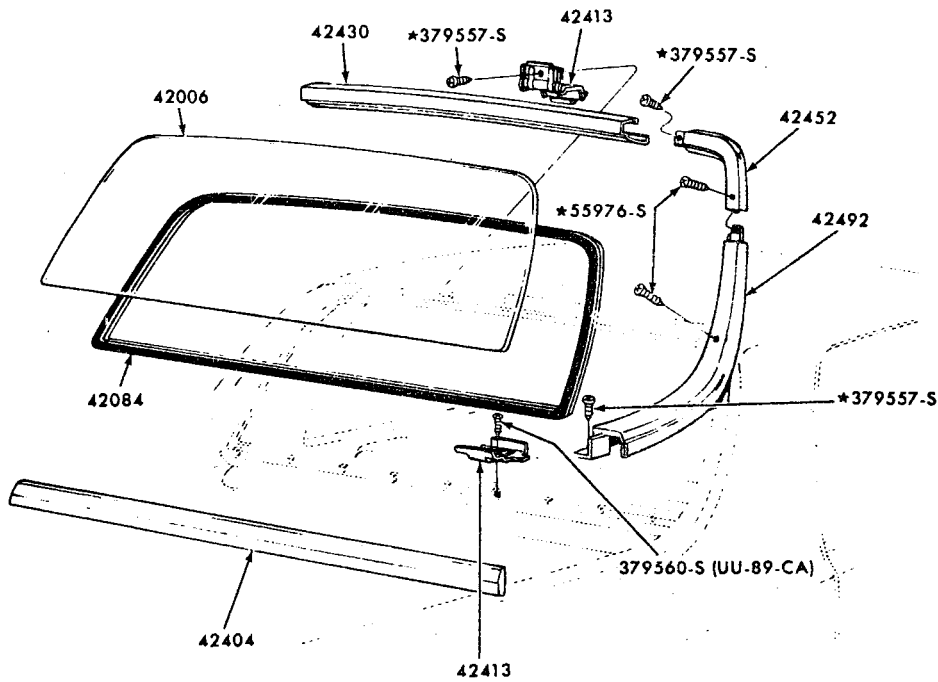
P-7179

BODY ILLUSTRATION  
SECTION 420

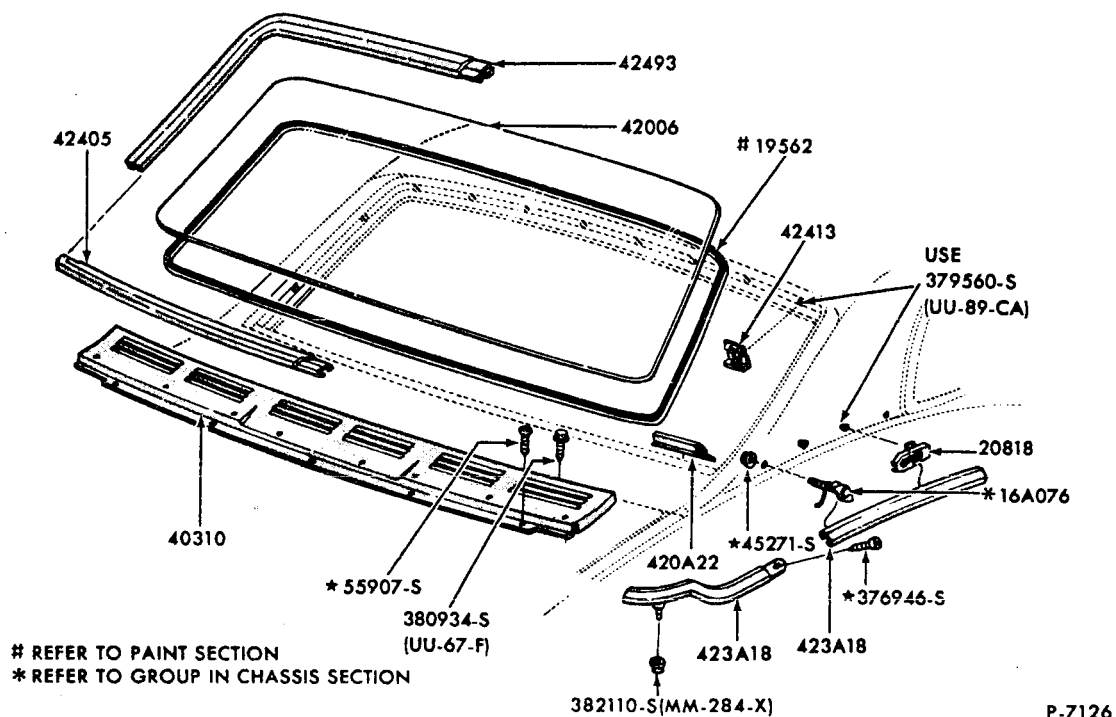
FORD CAR PARTS



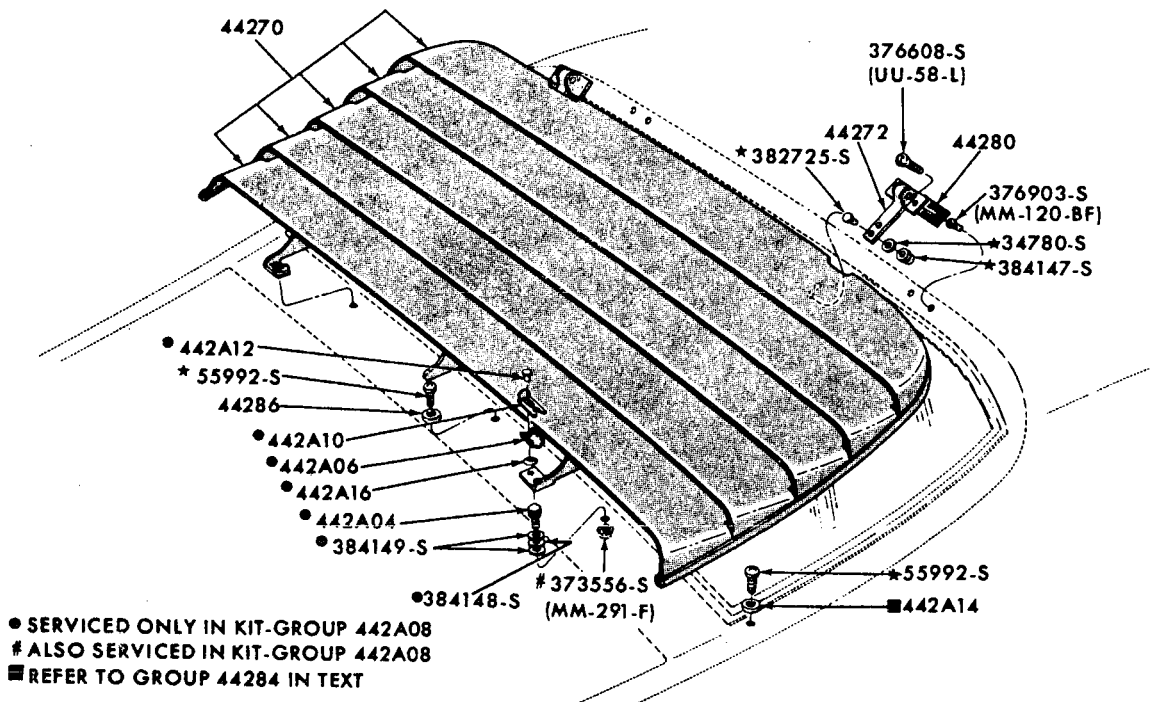
BACK WINDOW and RELATED PARTS  
1970/71 FAIRLANE/TORINO - BODY TYPES 54, 57, 62, 65



BACK WINDOW and RELATED PARTS  
1970/71 FAIRLANE/TORINO - BODY TYPE 66

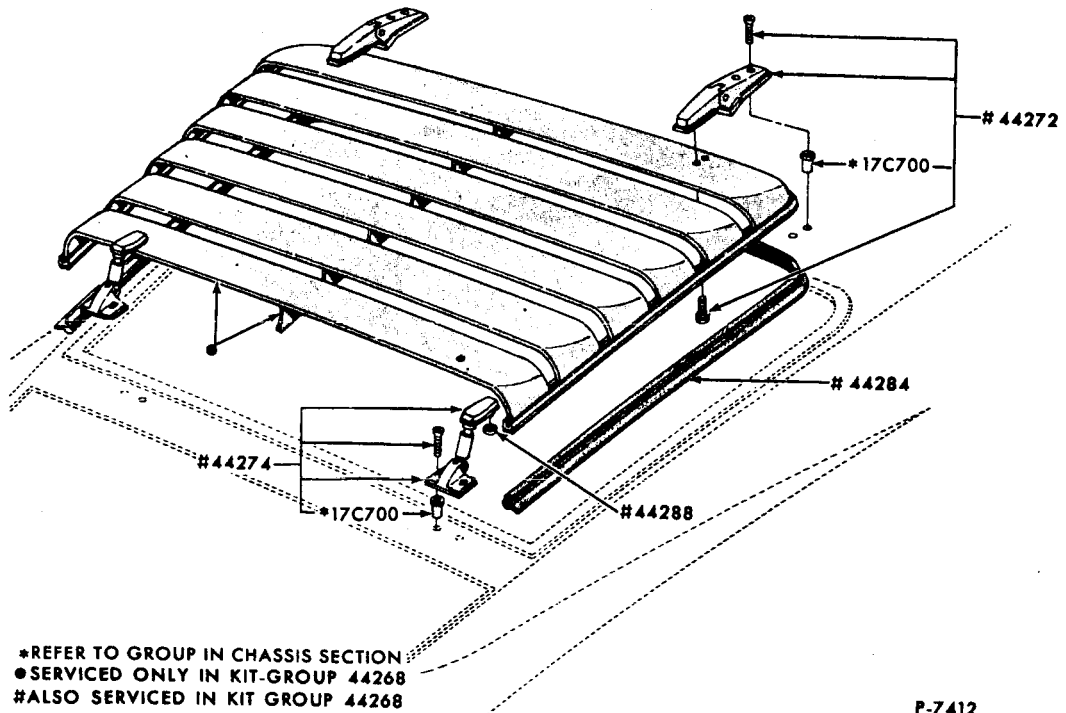


**BACK WINDOW and RELATED PARTS  
1970/71 THUNDERBIRD - BODY TYPE 65 A, C**

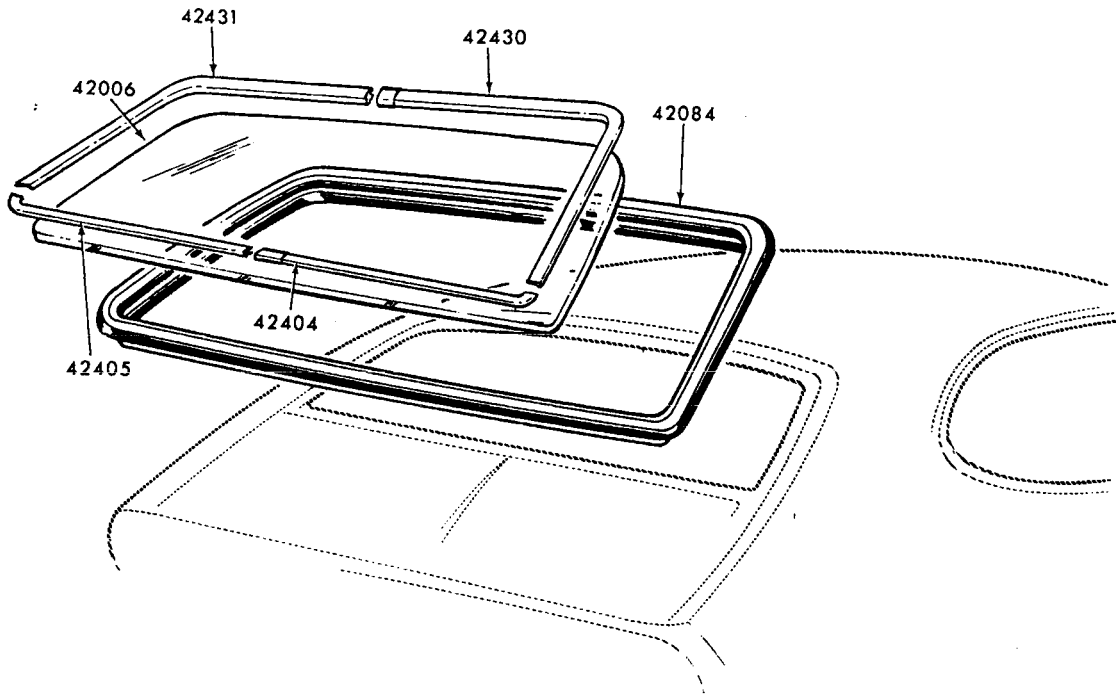


**LOUVERS - BACK WINDOW  
1970/71 FAIRLANE/TORINO - BODY TYPE 63**

# FORD CAR PARTS

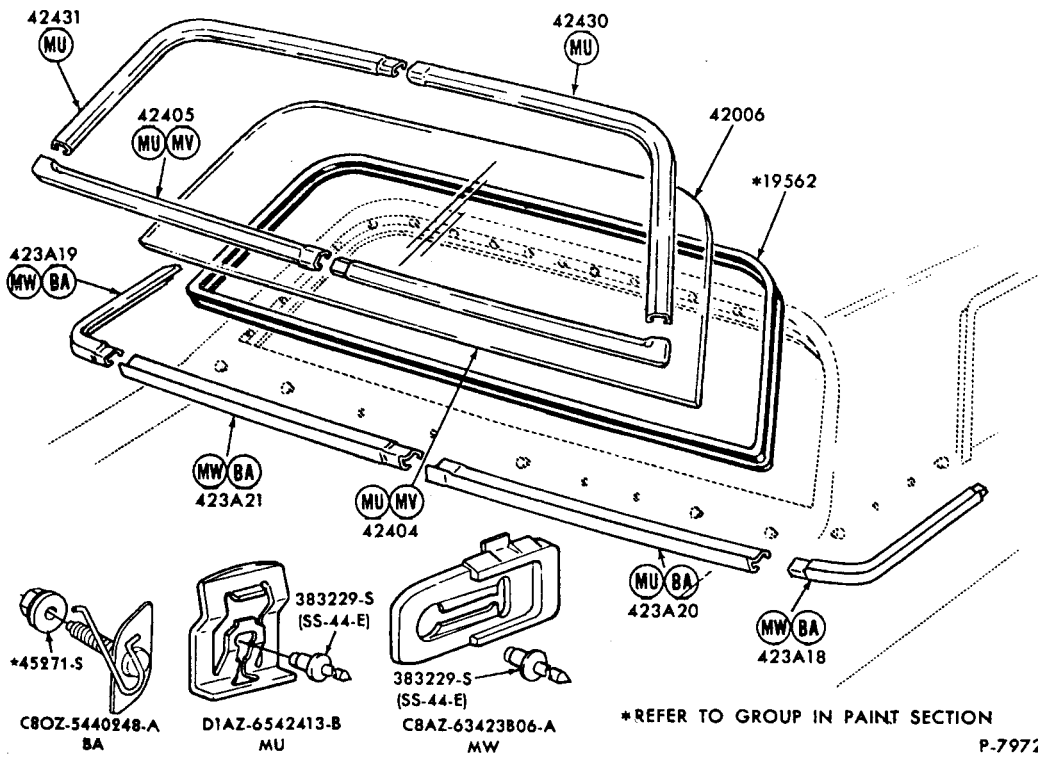


LOUVERS - BACK WINDOW  
1969/70 MUSTANG - BODY TYPE 63



**BACK WINDOW and RELATED PARTS - OUTSIDE**  
 1971/72 PINTO - BODY TYPE 62  
 1971 PINTO - BODY TYPE 64

P-7783



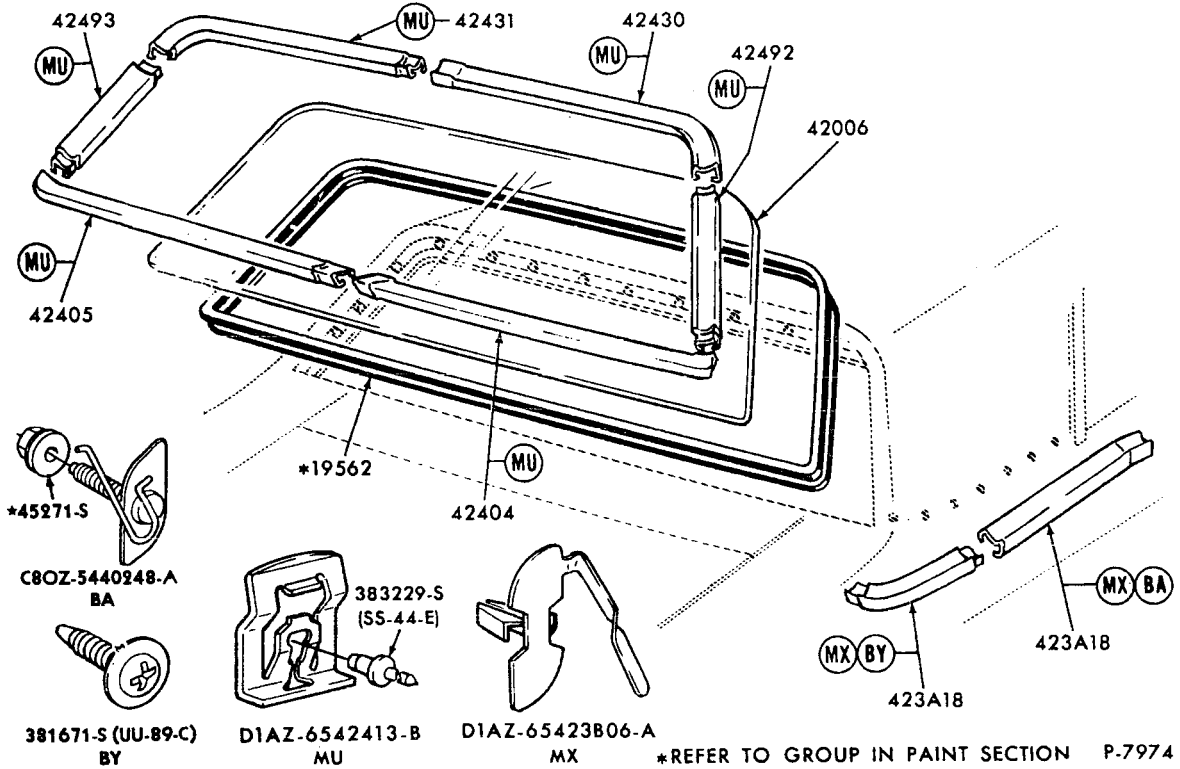
P-7972

**BACK WINDOW and RELATED PARTS - OUTSIDE**  
 1971/72 FORD - BODY TYPE 54

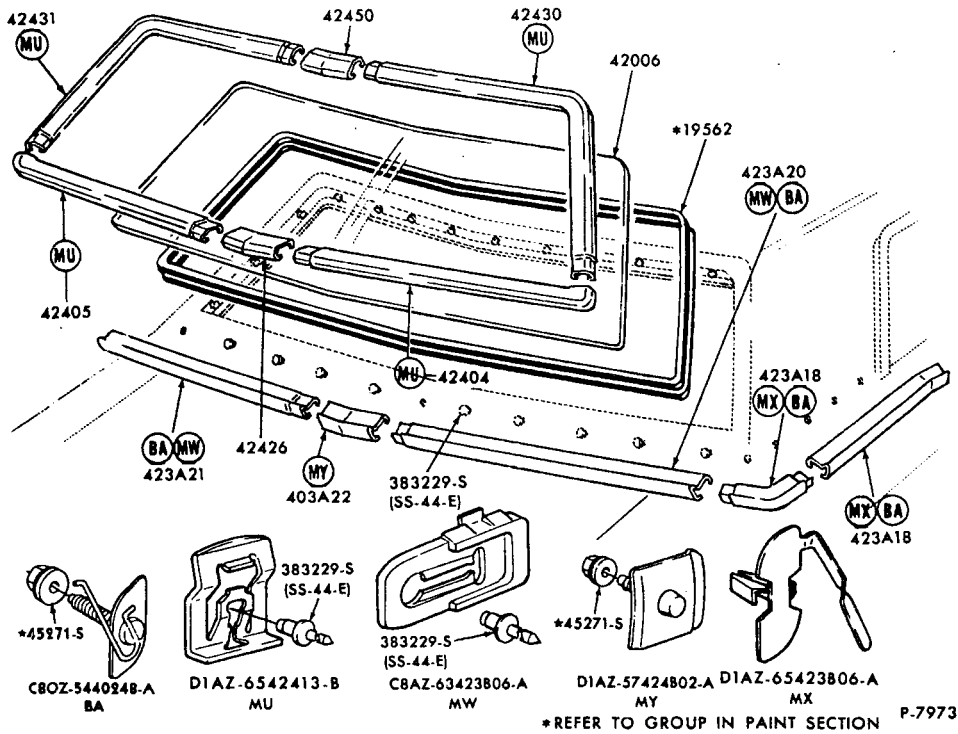


**BODY ILLUSTRATION  
SECTION 420**

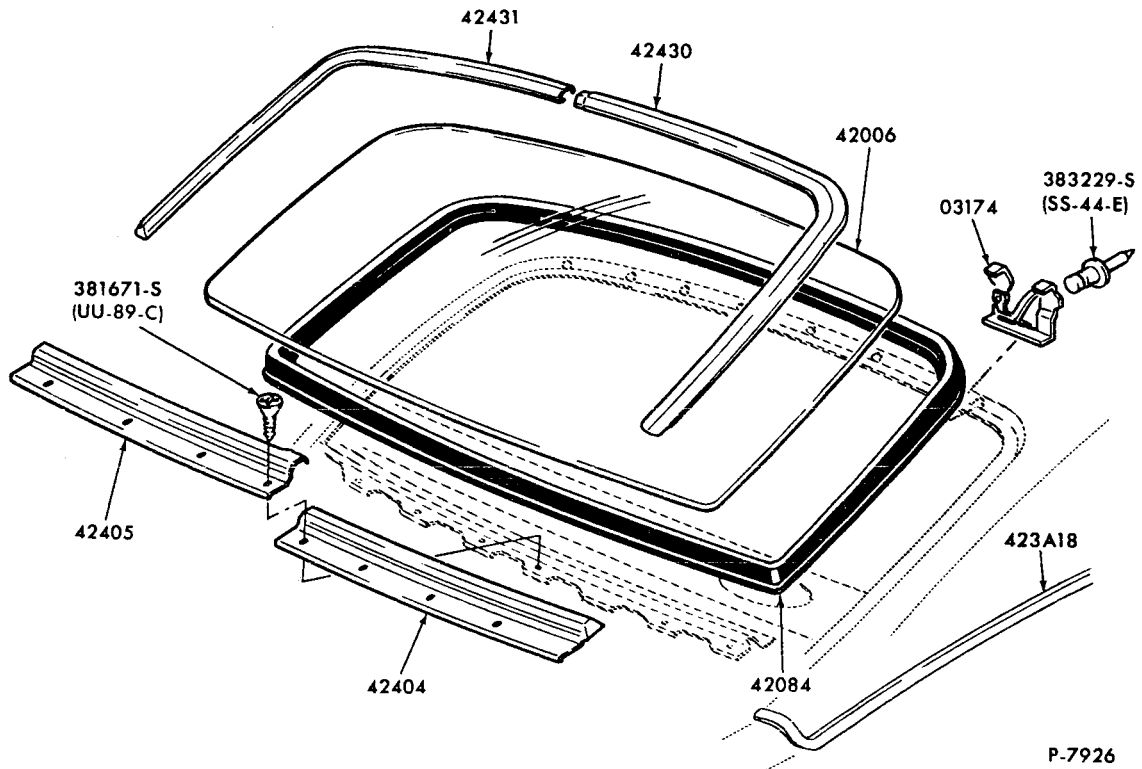
**FORD CAR PARTS**



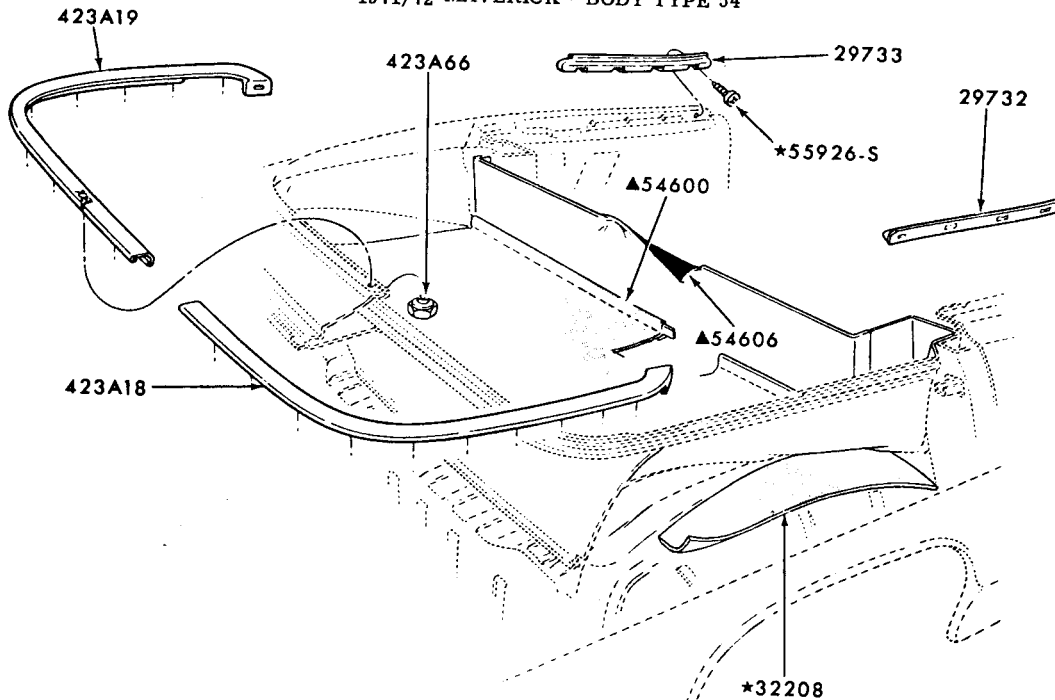
**BACK WINDOW and RELATED PARTS - OUTSIDE  
1971/72 FORD - BODY TYPE 65**



**BACK WINDOW and RELATED PARTS - OUTSIDE  
1971/72 FORD - BODY TYPE 53, 57**



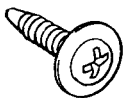
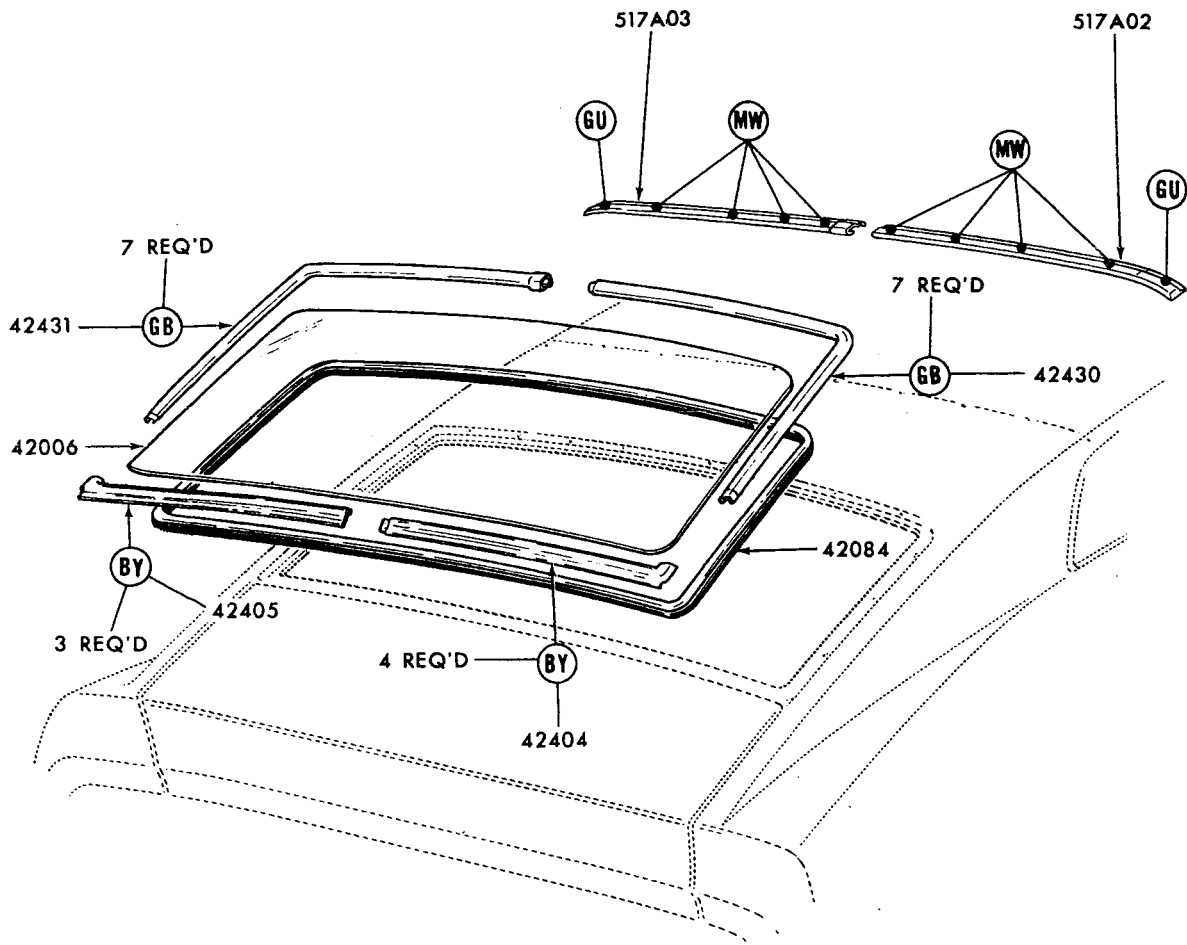
BACK WINDOW and RELATED PARTS - OUTSIDE  
1971/72 MAVERICK - BODY TYPE 54



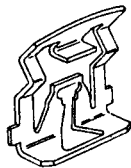
▲REFER TO GROUP IN SOFT TRIM SECTION

BACK BELT MOULDINGS and RELATED PARTS  
1971/72 FORD - BODY TYPE 76

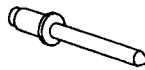
P-7971



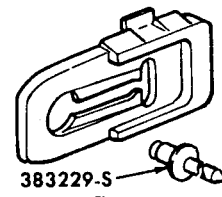
381671-S (UU-89-C)  
BY



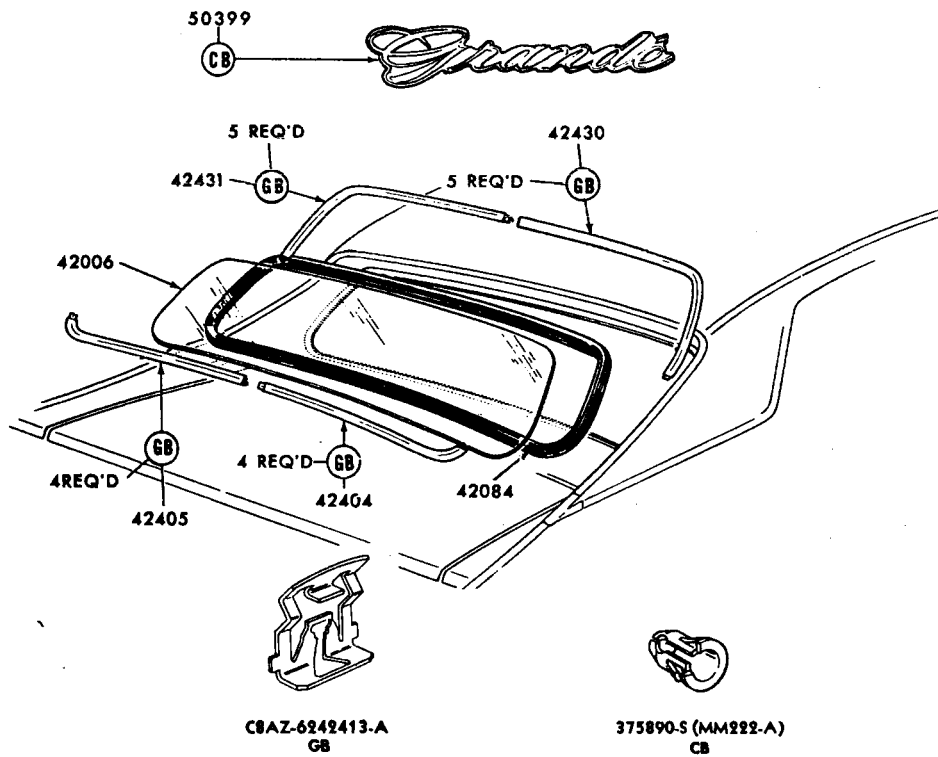
C8AZ-6342413-A  
GB



383229-S (SS-44-E)  
GU

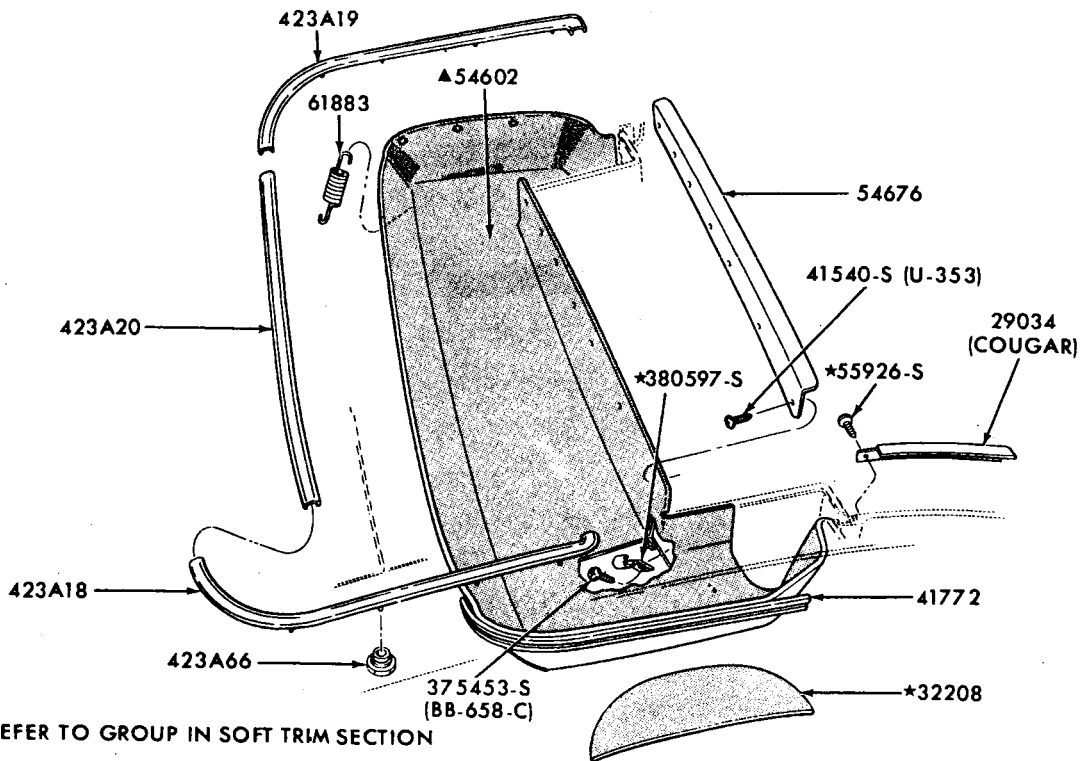


383229-S (SS-44-E)  
C8AZ-63423806-A  
MW



BACK WINDOW and RELATED PARTS - OUTSIDE  
1971/72 MUSTANG - BODY TYPE 65

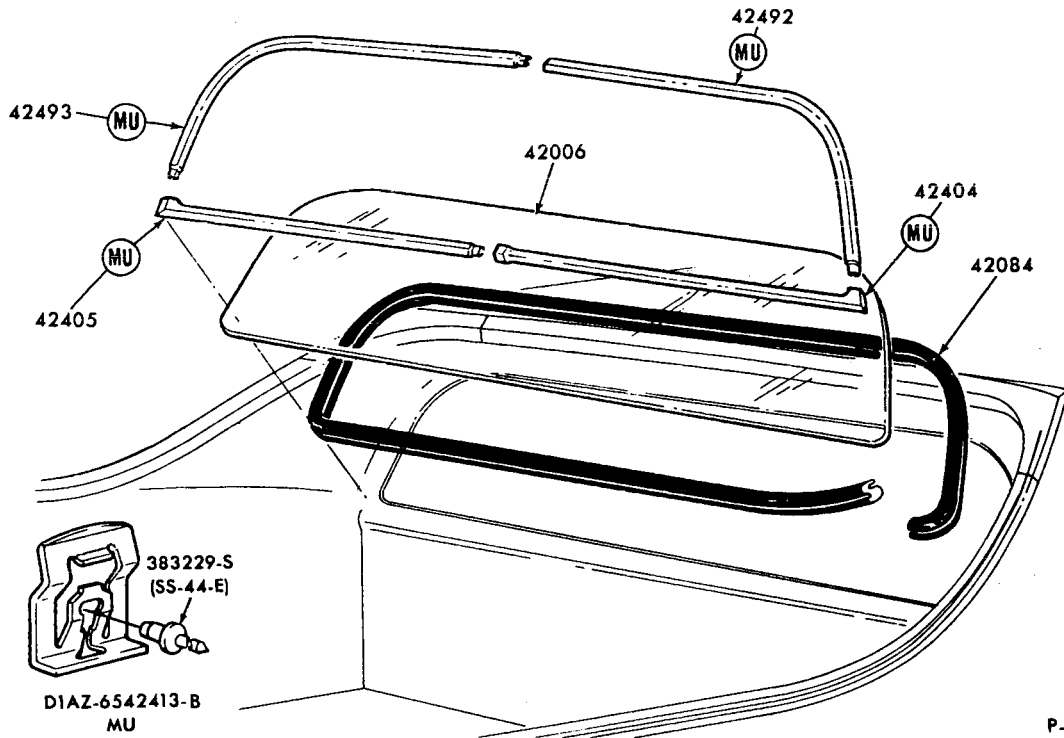
P-7856



BACK BELT MOULDINGS and RELATED PARTS  
1971/72 MUSTANG - BODY TYPE 76

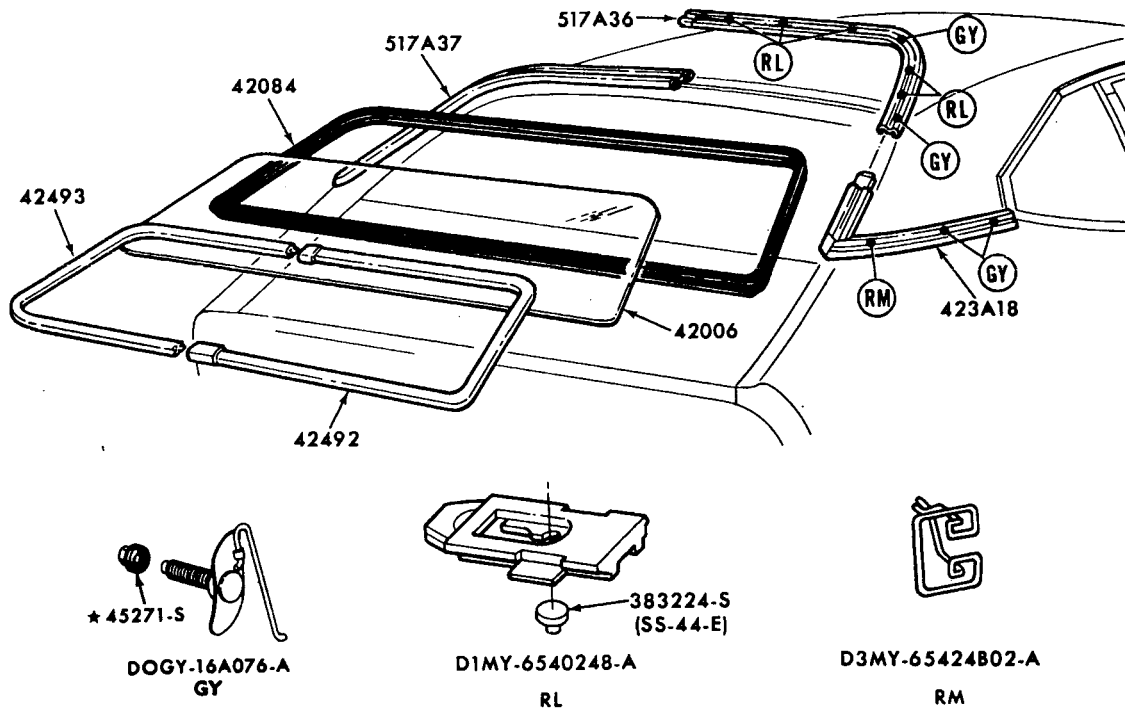
P-8277

# FORD CAR PARTS



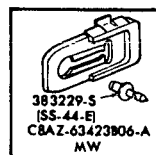
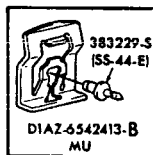
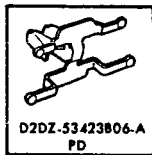
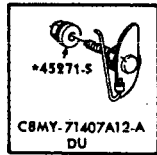
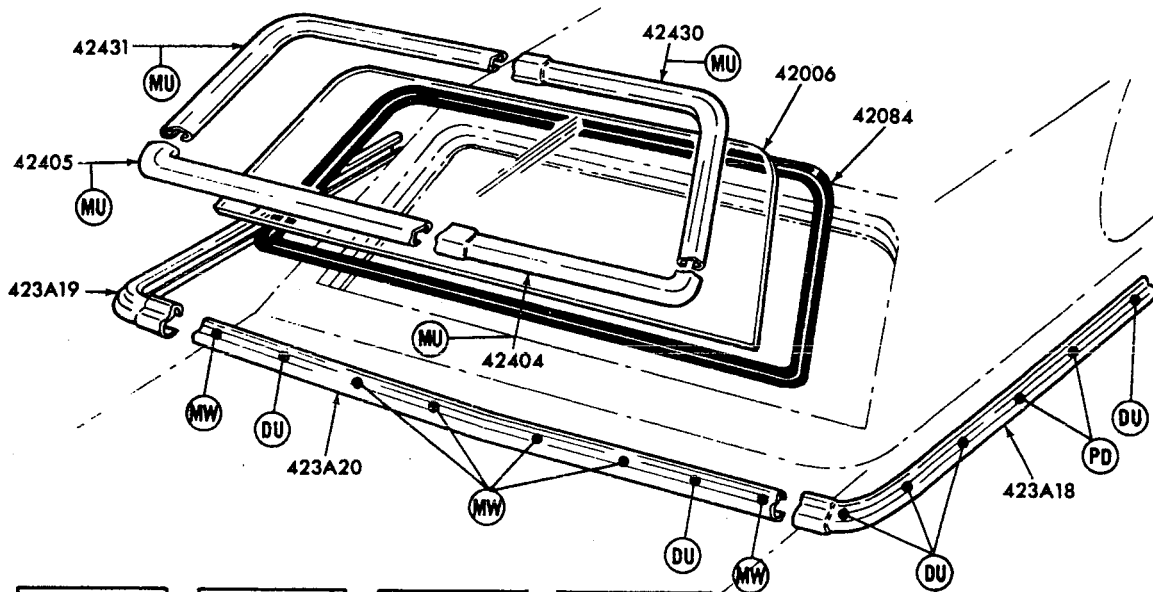
P-8594

BACK WINDOW and RELATED PARTS  
1972 TORINO - BODY TYPE 97



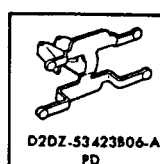
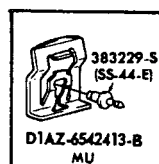
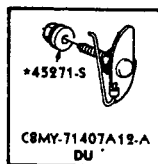
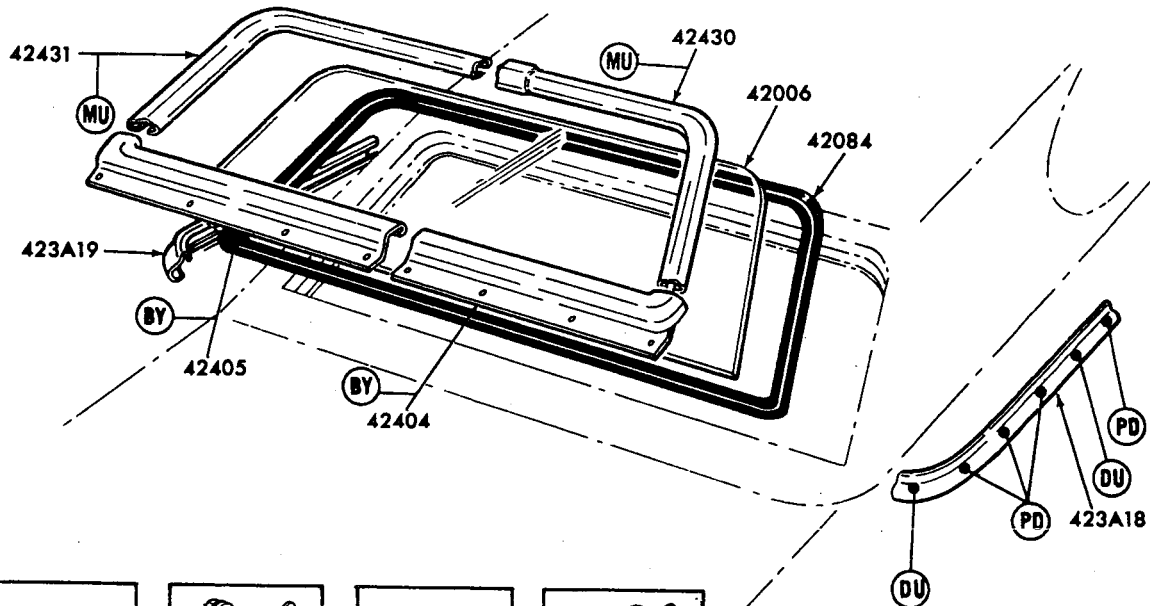
P-8787

BACK WINDOW and RELATED PARTS  
1972 PINTO - BODY TYPE 64



P-8794

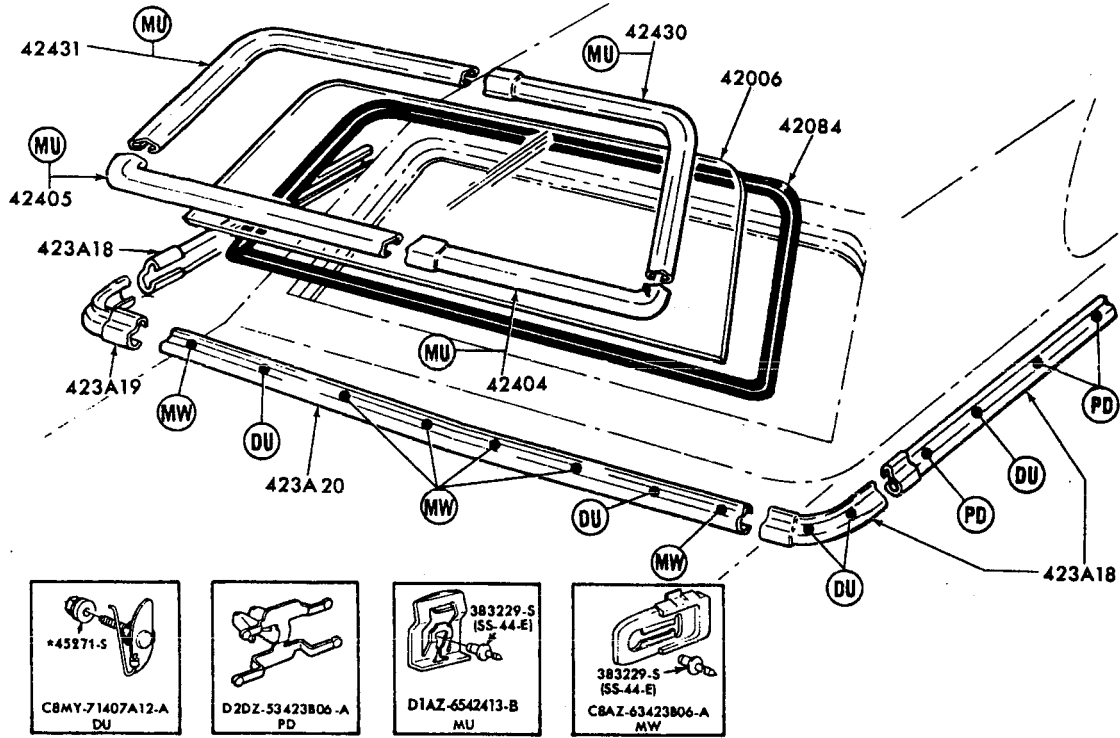
**BACK WINDOW and RELATED PARTS  
1972 TORINO - BODY TYPE 53**



P-8795

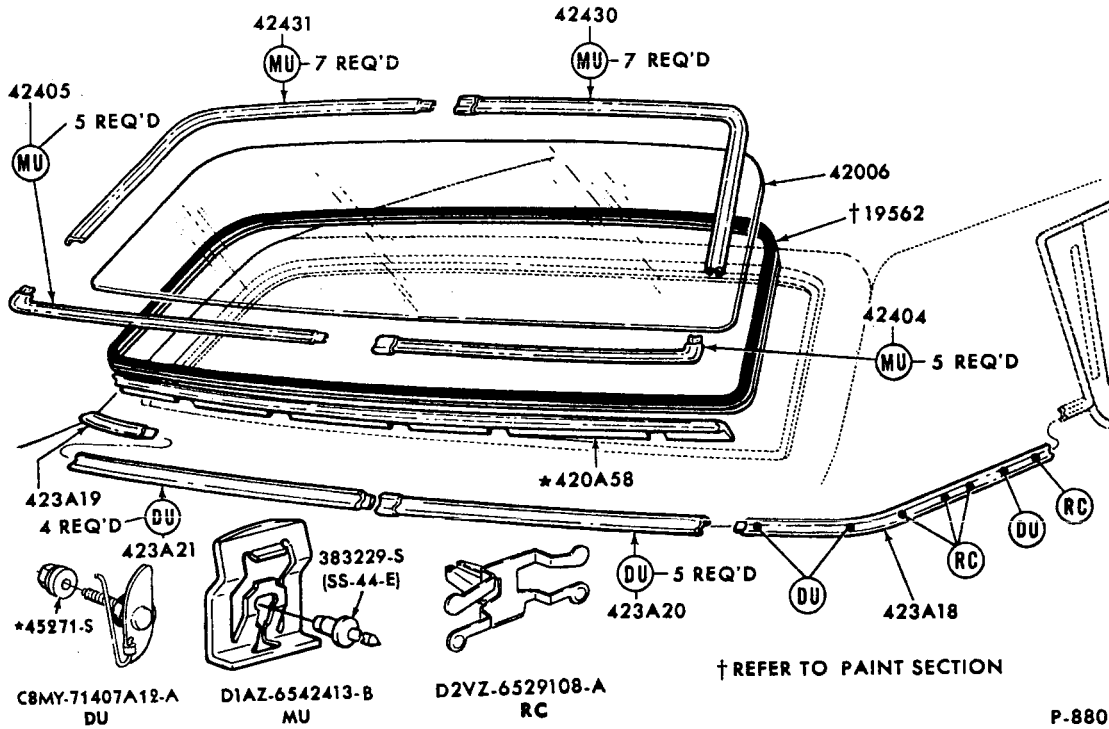
**BACK WINDOW and RELATED PARTS  
1972 TORINO - BODY TYPE 63**

**FORD CAR PARTS**



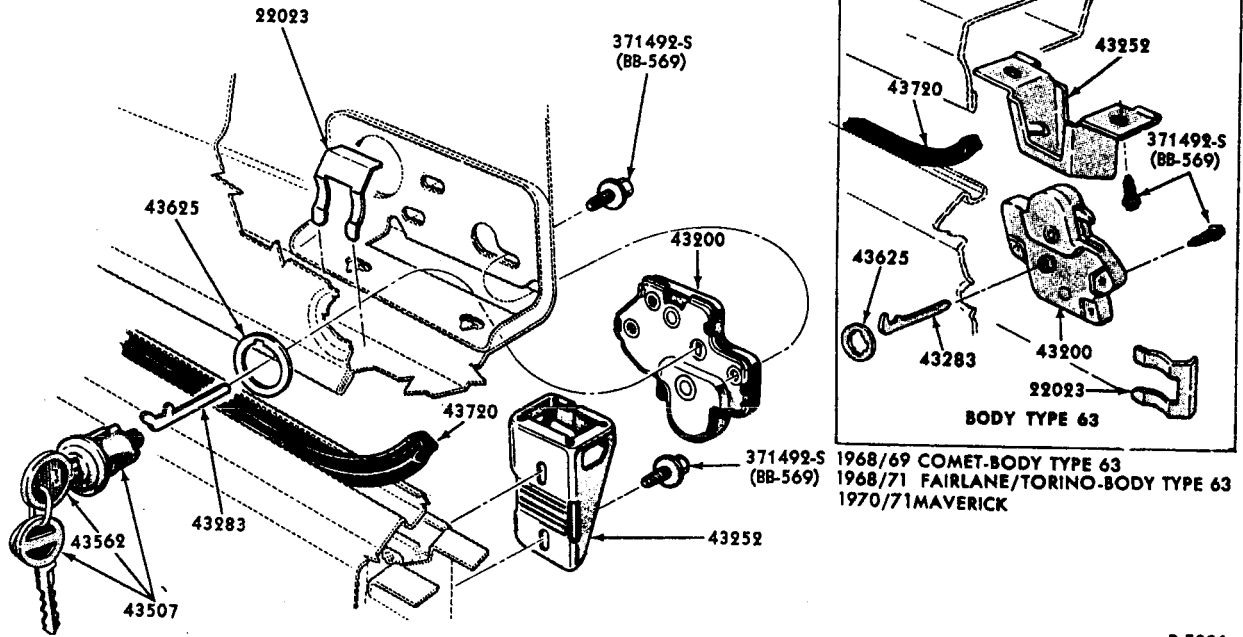
P-8796

BACK WINDOW and RELATED PARTS - OUTSIDE  
1972 TORINO - BODY TYPE 65



P-8802

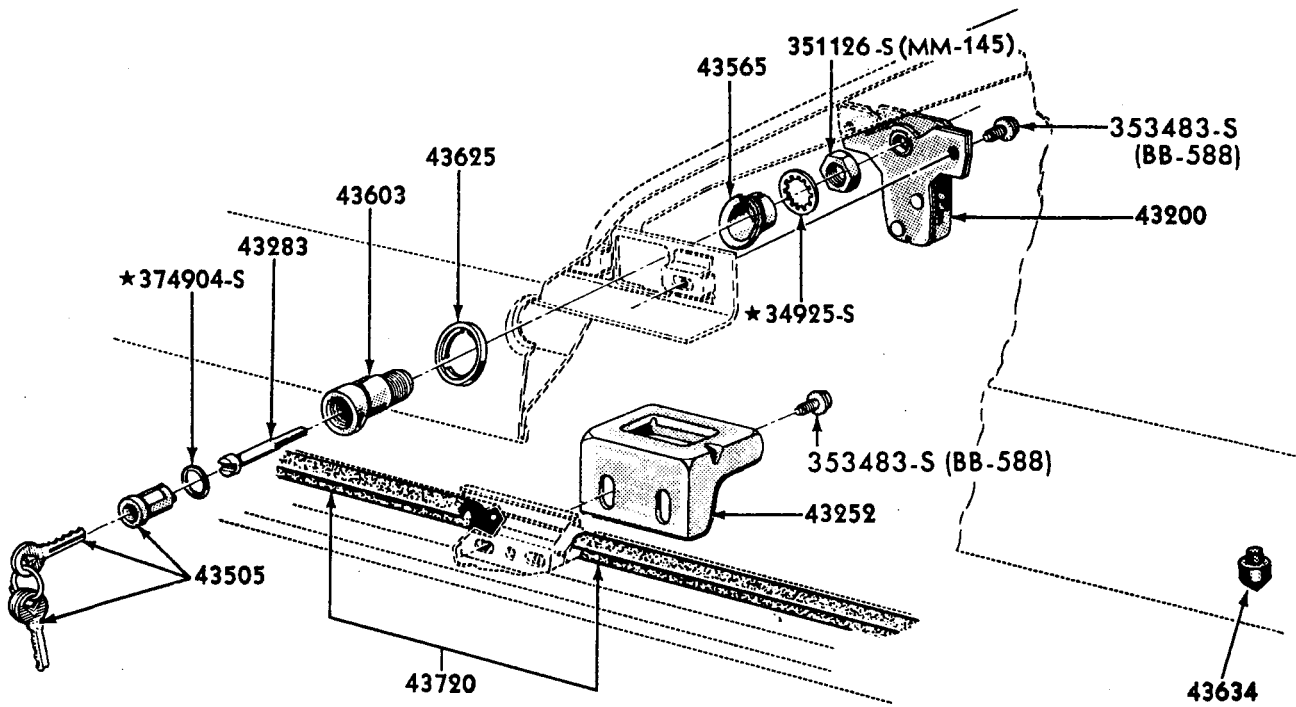
BACK WINDOW and RELATED PARTS - OUTSIDE  
1972 THUNDERBIRD



P-5086

**LUGGAGE COMPARTMENT DOOR LATCH and RELATED PARTS**

1965/71 FORD (exc. BODY TYPE 71) 1966/71 FAIRLANE/TORINO (exc. BODY TYPE 71) 1970/71 MAVERICK

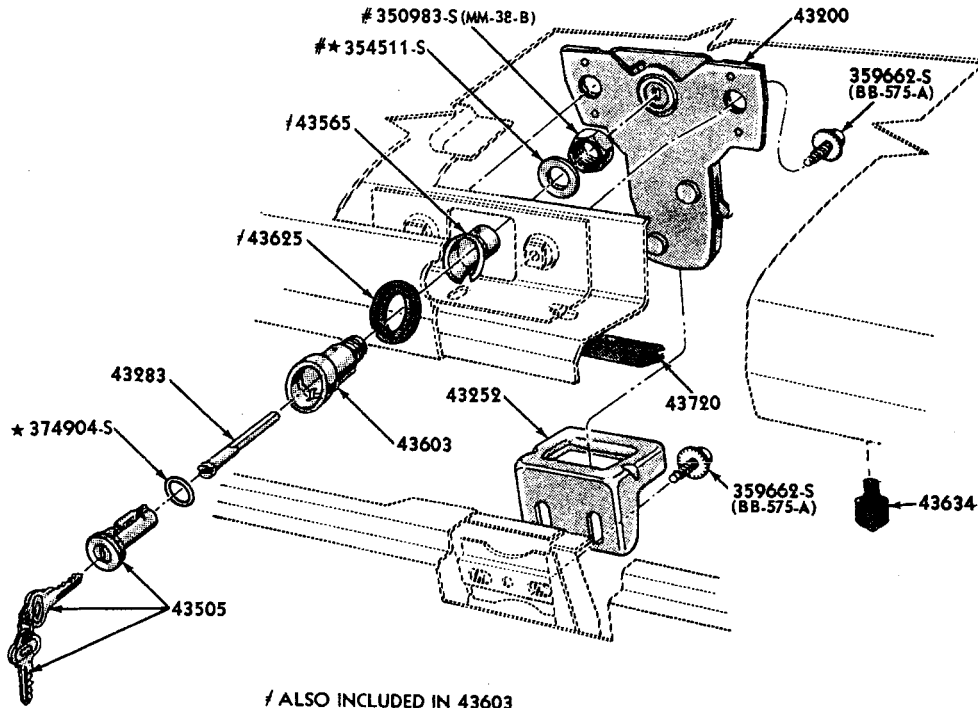


P-4359

**LUGGAGE COMPARTMENT DOOR LATCH and RELATED PARTS**

1965 FAIRLANE - BODY TYPES 54,62,65

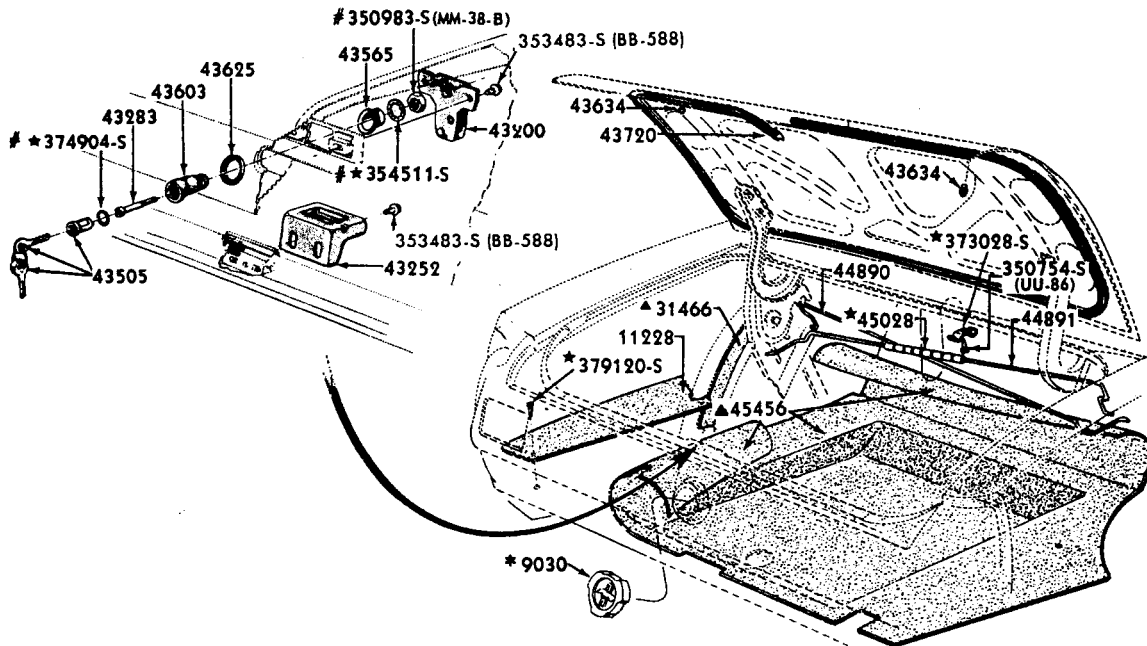




/ ALSO INCLUDED IN 43603  
# INCLUDED IN 43603

P-4844

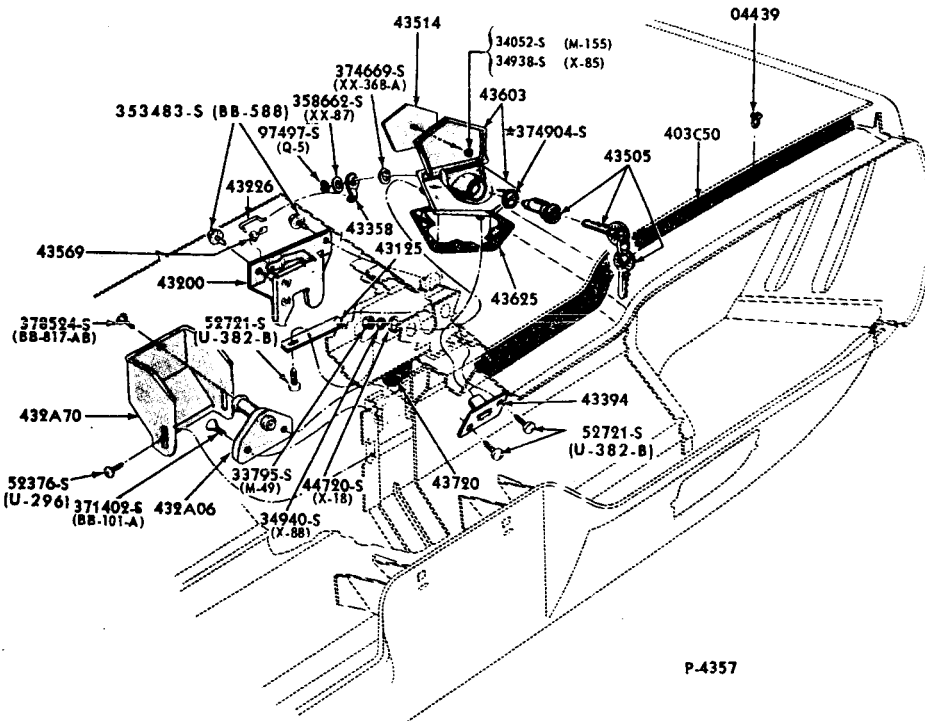
**LUGGAGE COMPARTMENT DOOR LATCH and RELATED PARTS  
1965/66 MUSTANG - BODY TYPE 63**



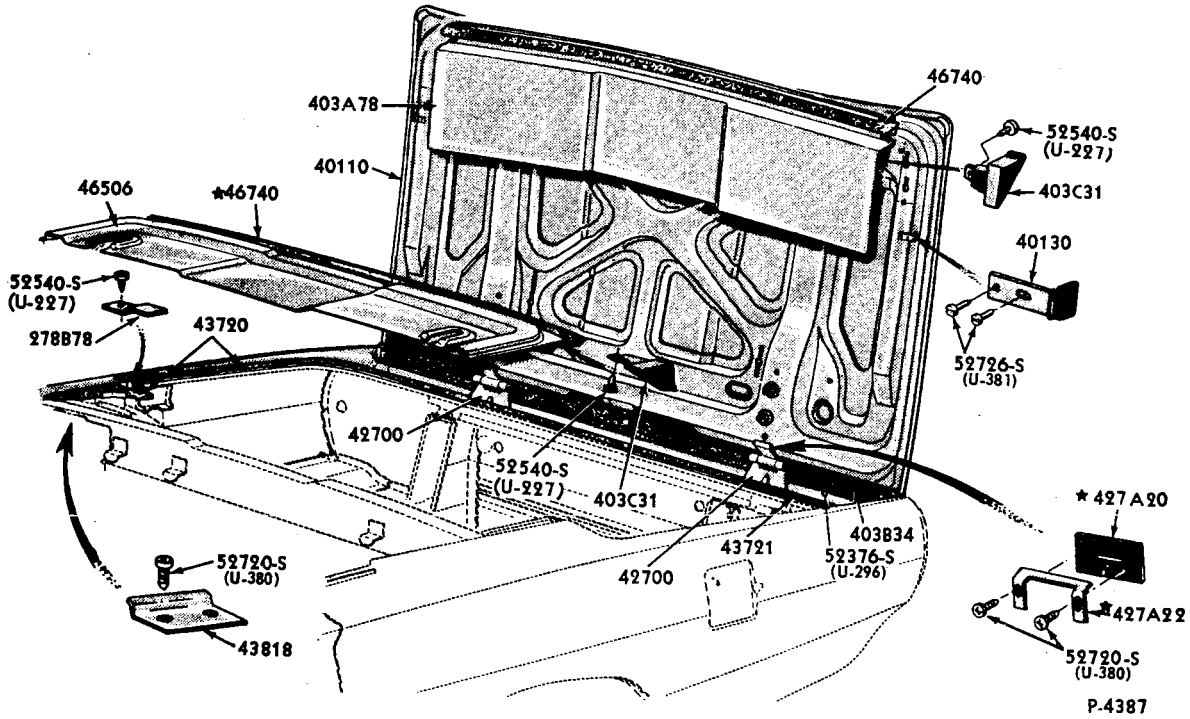
\* REFER TO GROUP IN CHASSIS SECTION  
▲ REFER TO GROUP IN SOFT TRIM SECTION  
# ALSO SERVICED IN ASSEMBLY—GROUP 43603

P-4477

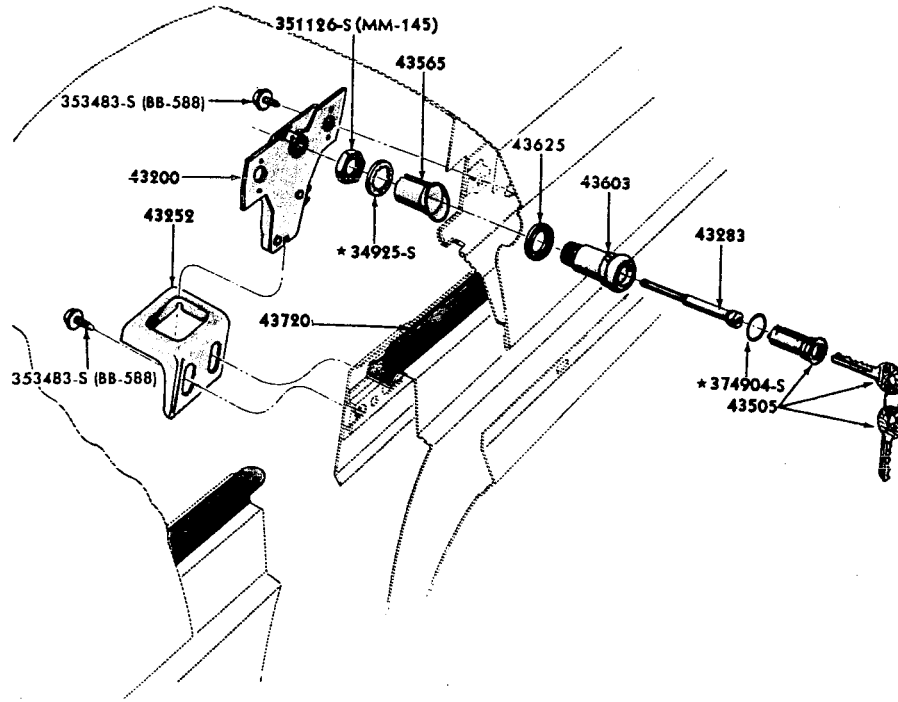
**LUGGAGE COMPARTMENT DOOR LATCH and RELATED PARTS  
1965/66 MUSTANG - BODY TYPES 65, 76**



LUGGAGE COMPARTMENT DOOR LATCH and RELATED PARTS  
1965/66 THUNDERBIRD - BODY TYPE 63

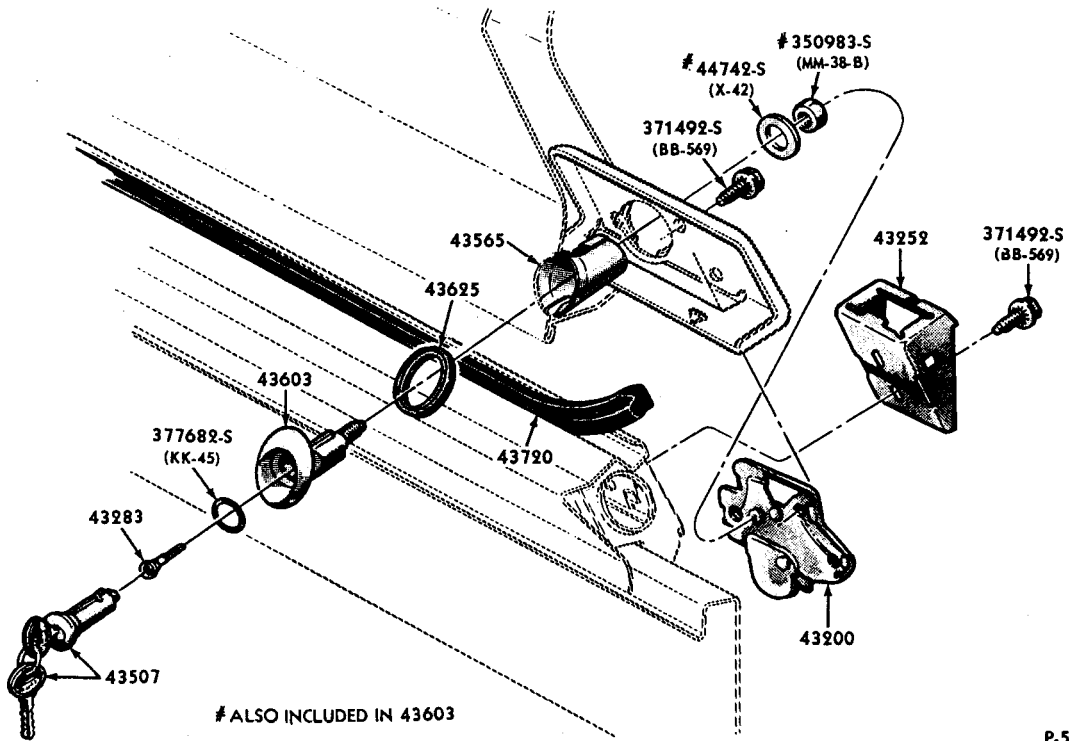


LUGGAGE COMPARTMENT DOOR WEATHERSTRIPS and RELATED PARTS  
1965/66 THUNDERBIRD - BODY TYPE 76



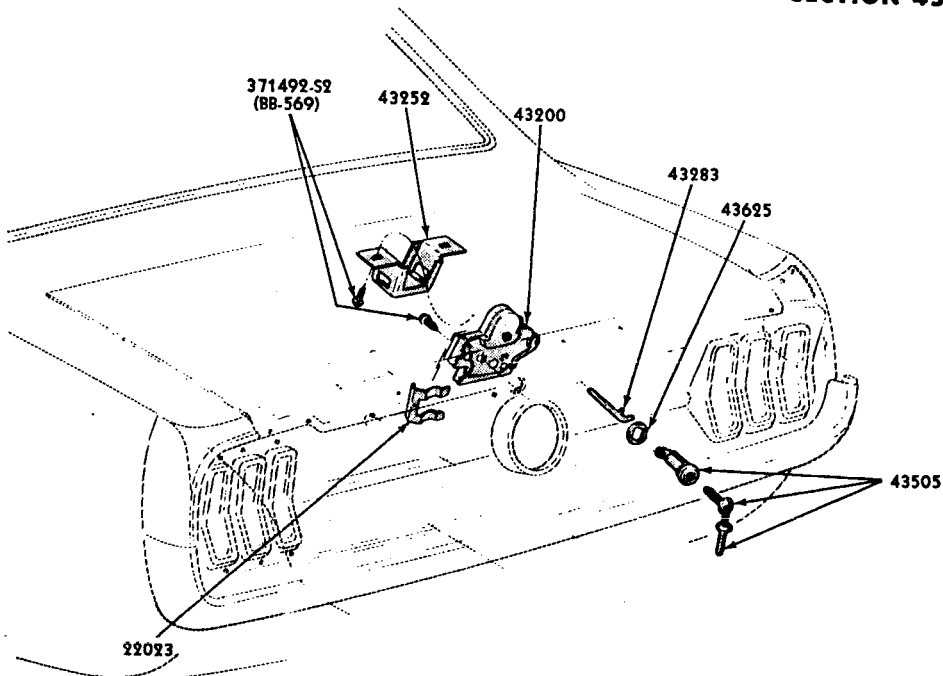
P-4360

LUGGAGE COMPARTMENT DOOR LATCH and RELATED PARTS  
1965 FALCON - BODY TYPES 54,62,63,76



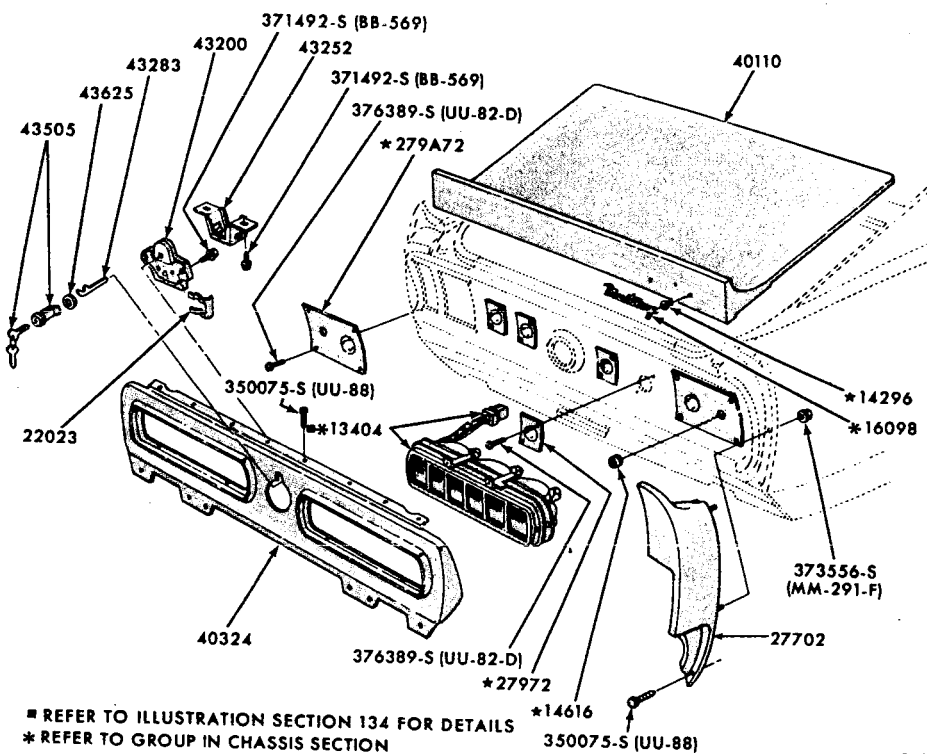
P-5087

LUGGAGE COMPARTMENT DOOR LATCH and RELATED PARTS  
1966/70 FALCON - BODY TYPE 54, 62



P-5634

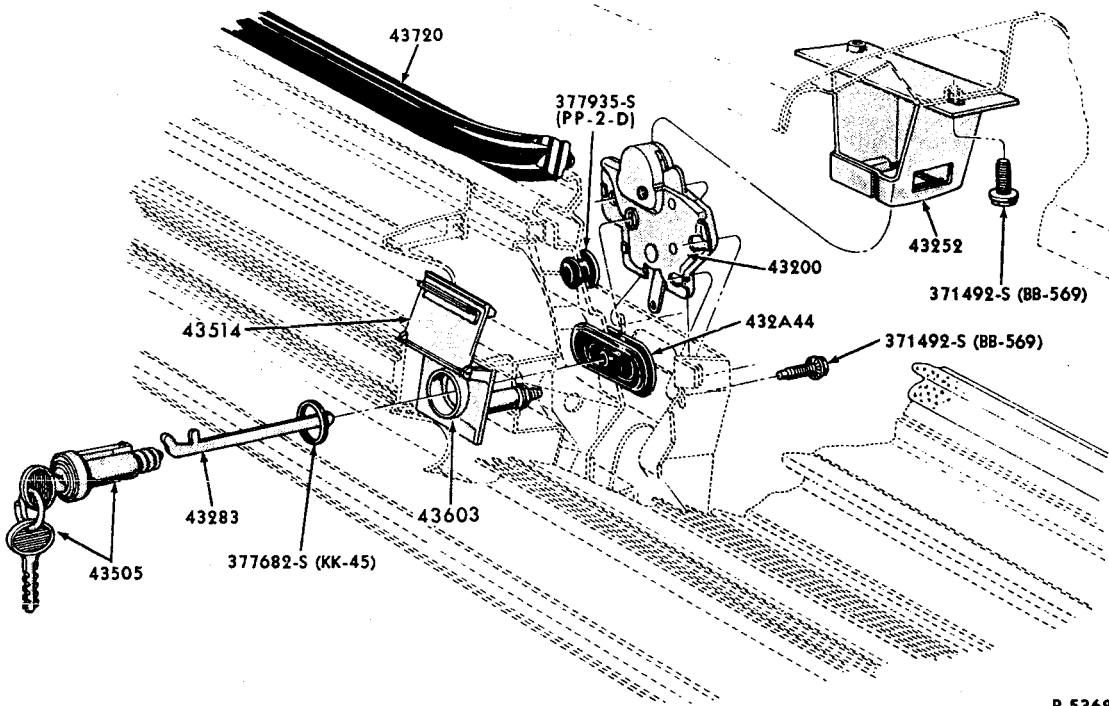
**LUGGAGE COMPARTMENT DOOR LATCH and RELATED PARTS  
1967/70 MUSTANG**



P-6456

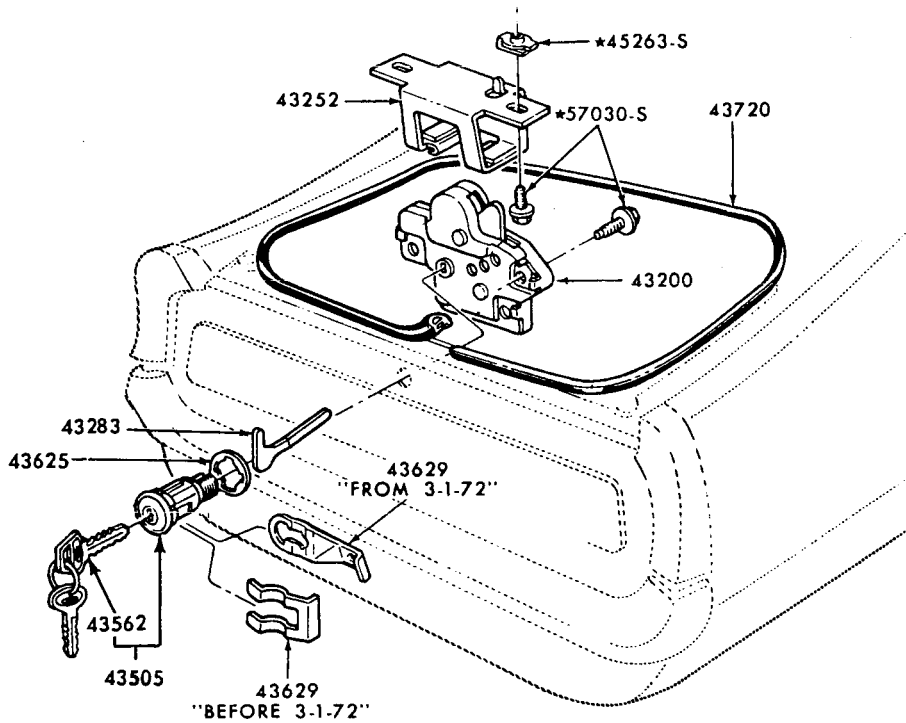
■ REFER TO ILLUSTRATION SECTION 134 FOR DETAILS  
\* REFER TO GROUP IN CHASSIS SECTION

**LUGGAGE COMPARTMENT DOOR LATCH and RELATED PARTS  
1968 MUSTANG - BODY TYPE 65 GT/CS**



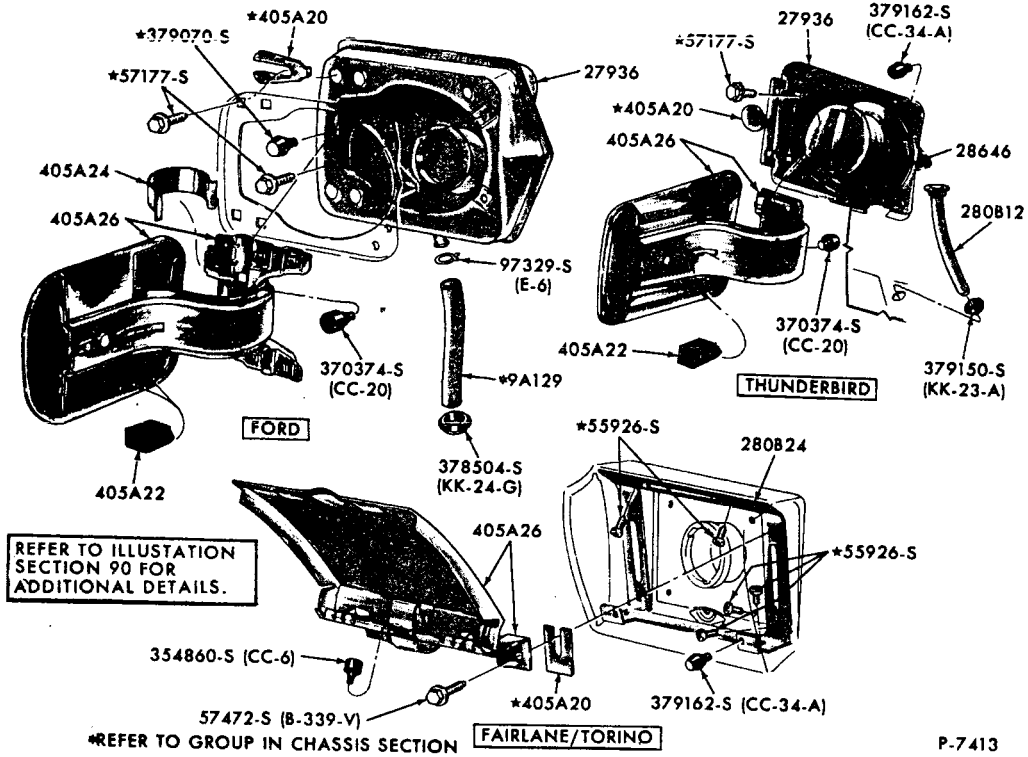
P-5368

LUGGAGE COMPARTMENT DOOR LATCH and RELATED PARTS  
1967/71 THUNDERBIRD

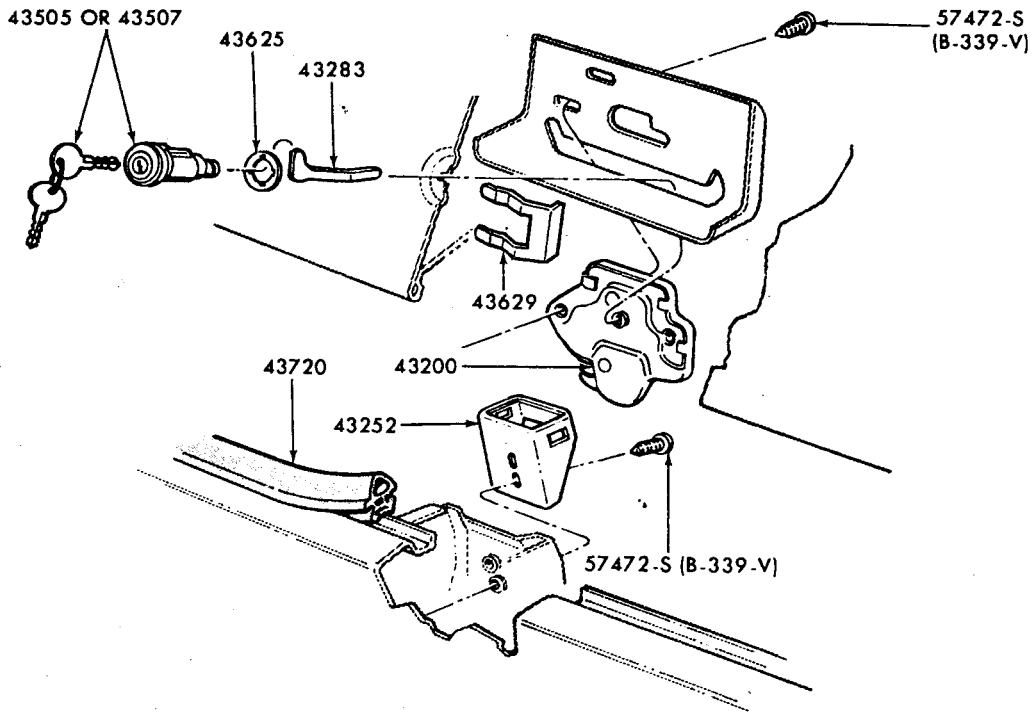


P-7784

LUGGAGE COMPARTMENT DOOR LATCH and RELATED PARTS  
1971/72 PINTO - BODY TYPES 62,64

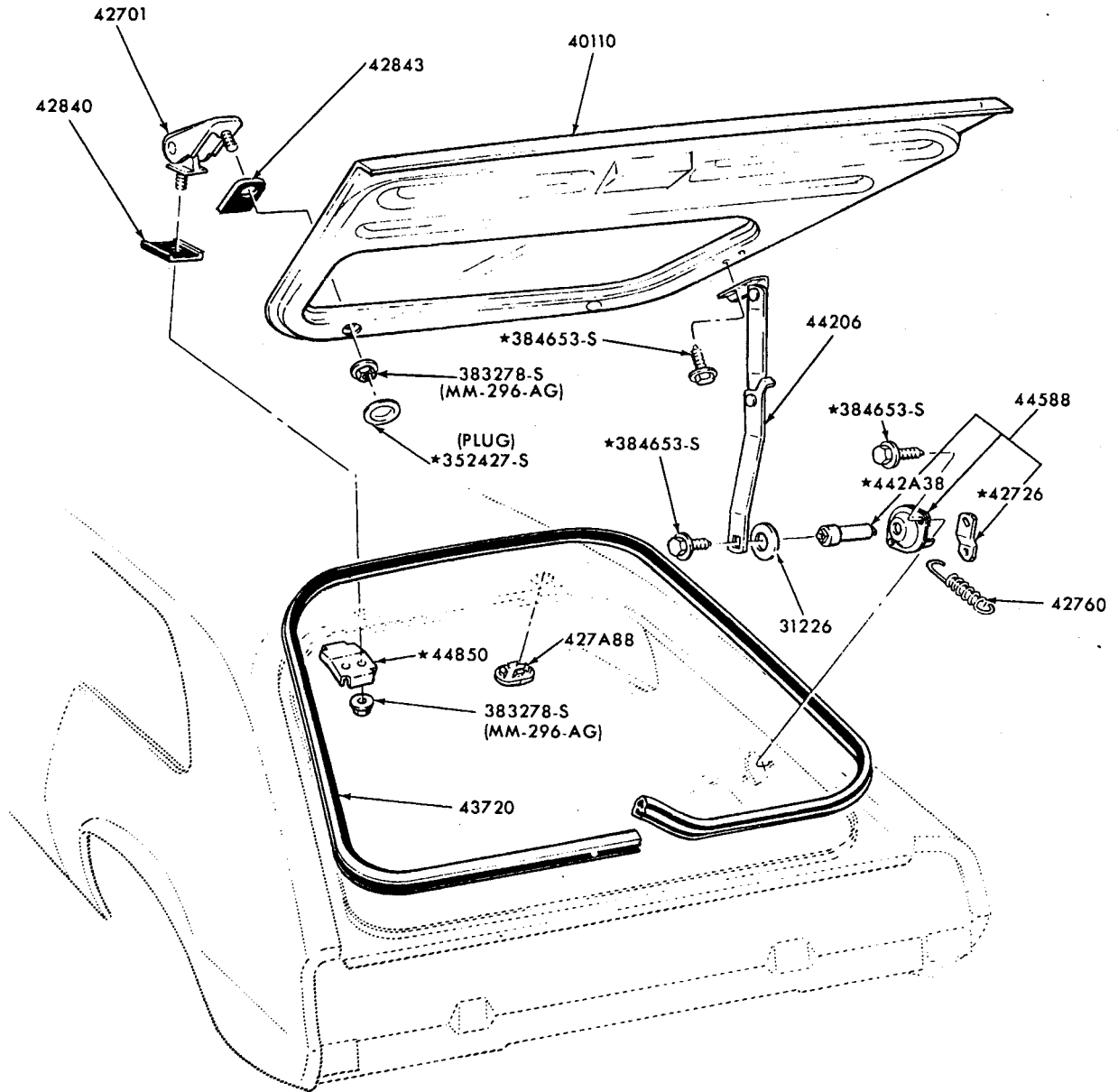


**FUEL FILLER DOORS**  
1970/71 ALL



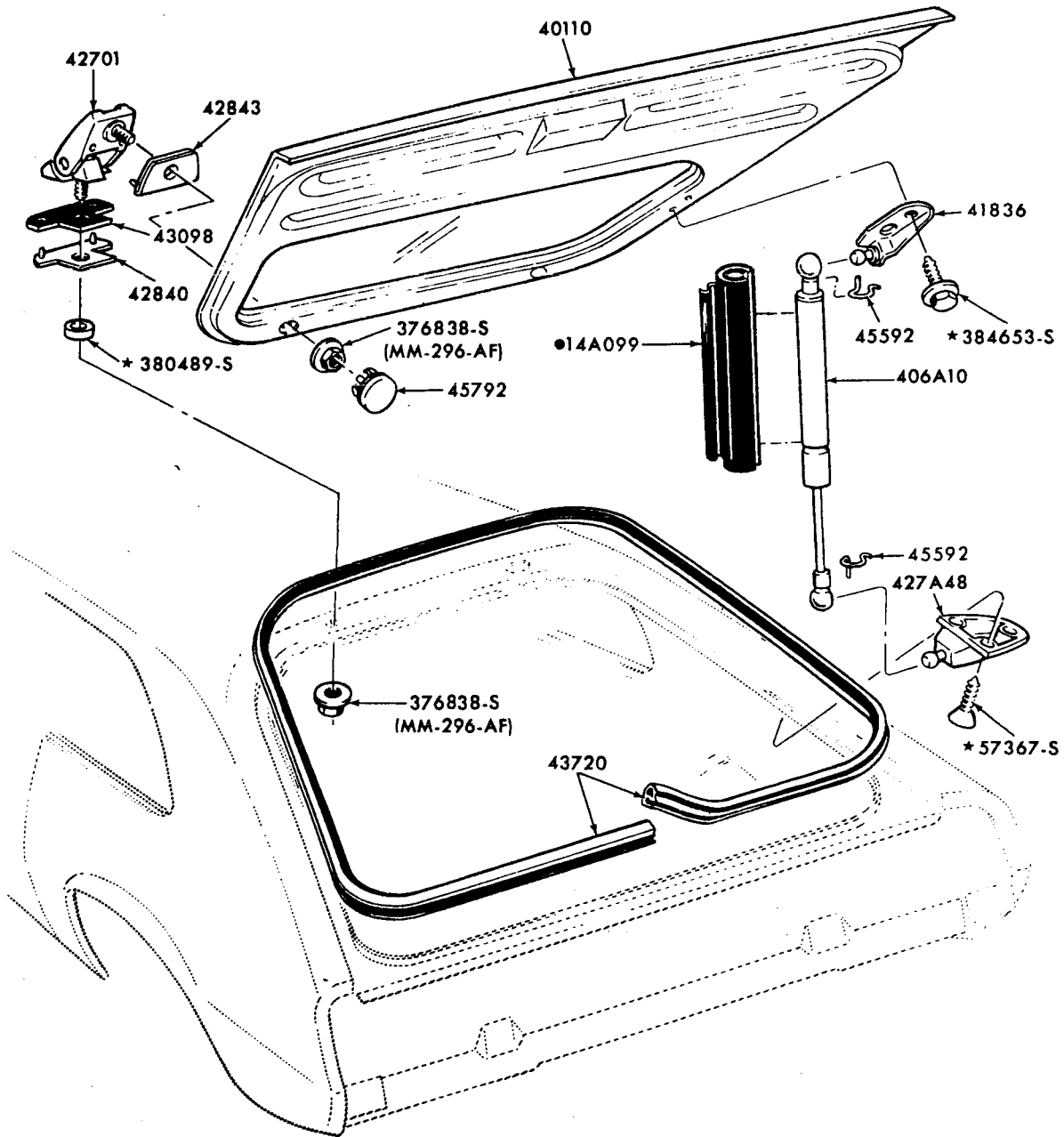
P-8179

**LUGGAGE COMPARTMENT DOOR LATCH and RELATED PARTS**  
1971 MUSTANG



P-8272

LUGGAGE COMPARTMENT DOOR and RELATED PARTS  
1971/72 PINTO - BODY TYPE 64 - "BEFORE 12/1/71"



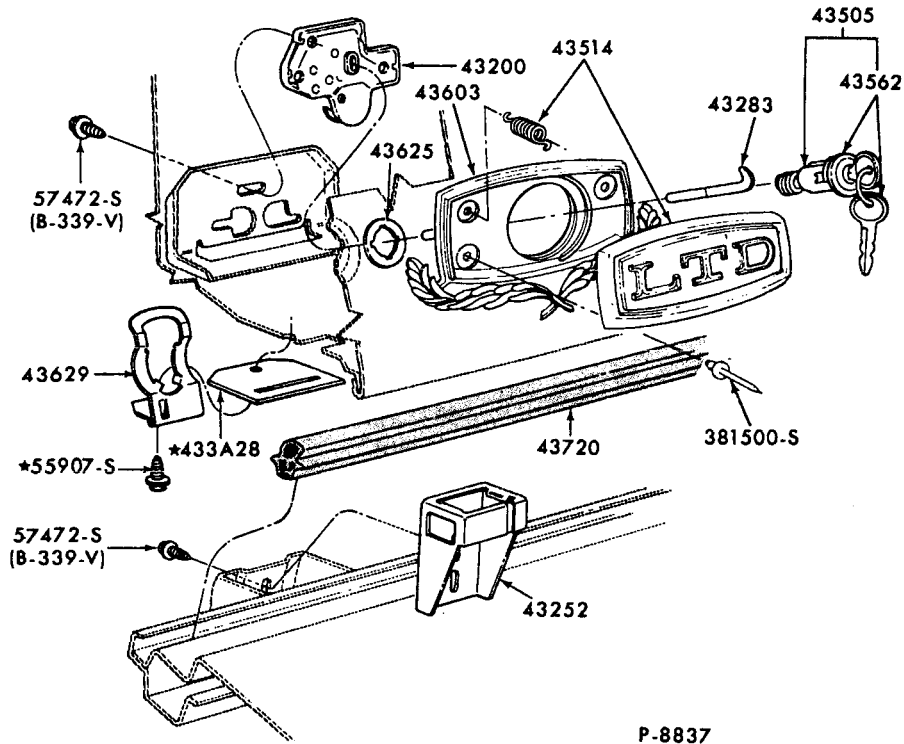
●REFER TO CHASSIS SECTION

P-8938

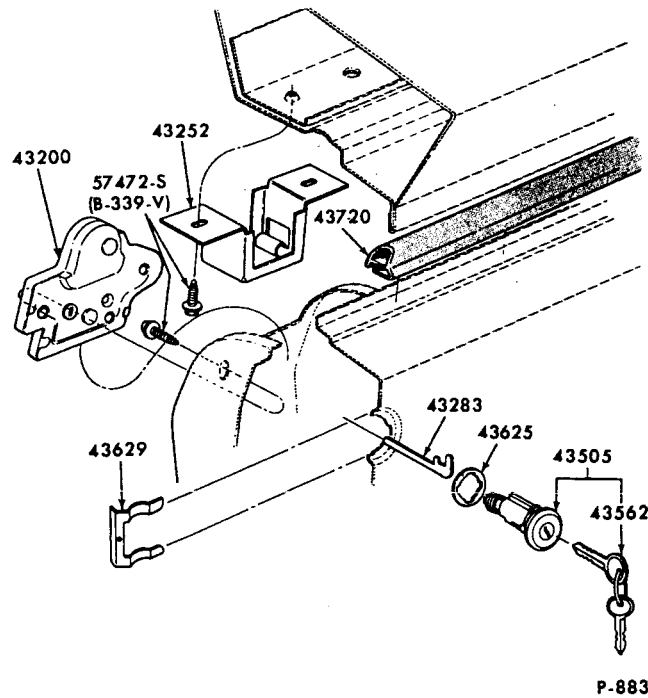
LUGGAGE COMPARTMENT DOOR and RELATED PARTS  
1972 PINTO - BODY TYPE 64 - "FROM 12/1/71"



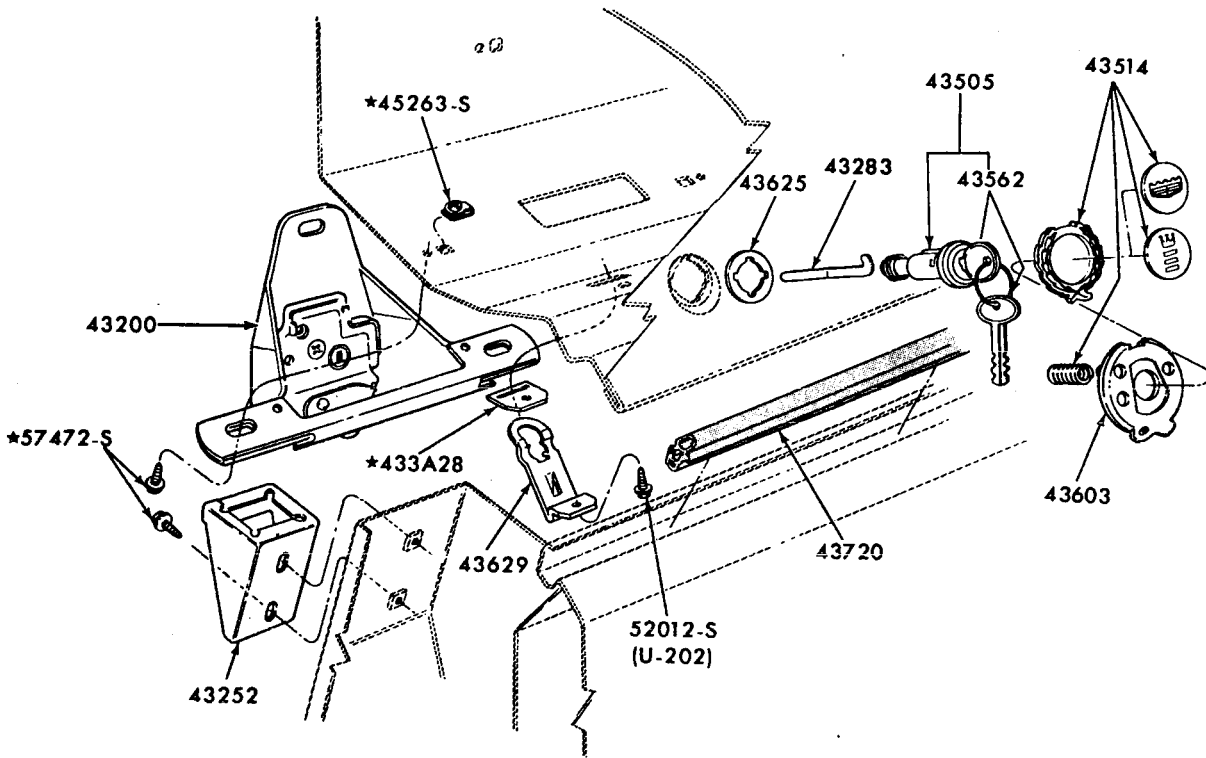
**FORD CAR PARTS**



LUGGAGE COMPARTMENT DOOR LATCH and RELATED PARTS  
1972 FORD - exc. BODY TYPE 71

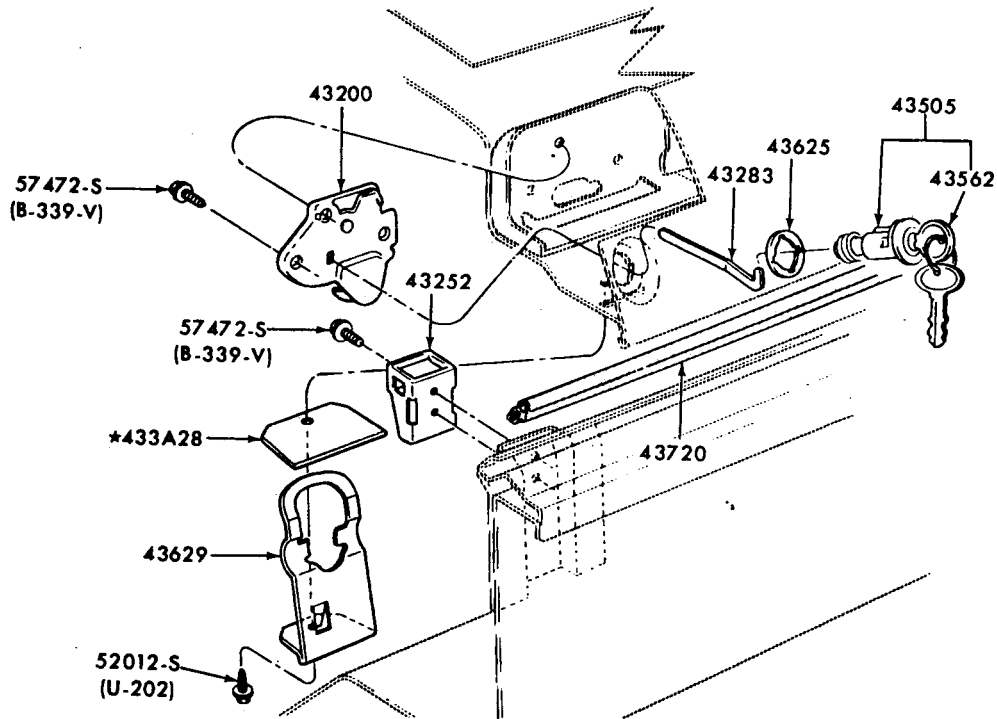


LUGGAGE COMPARTMENT DOOR LATCH and RELATED PARTS  
1972 MAVERICK



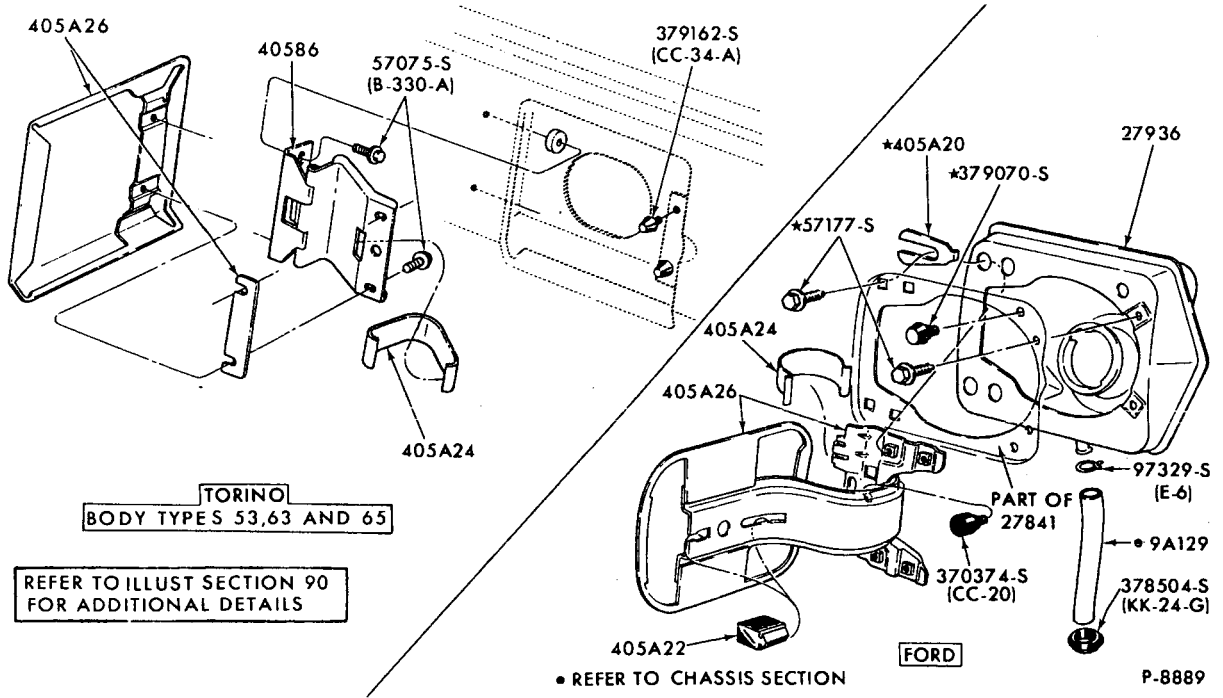
P-8595

LUGGAGE COMPARTMENT DOOR LATCH and RELATED PARTS  
1972 TORINO

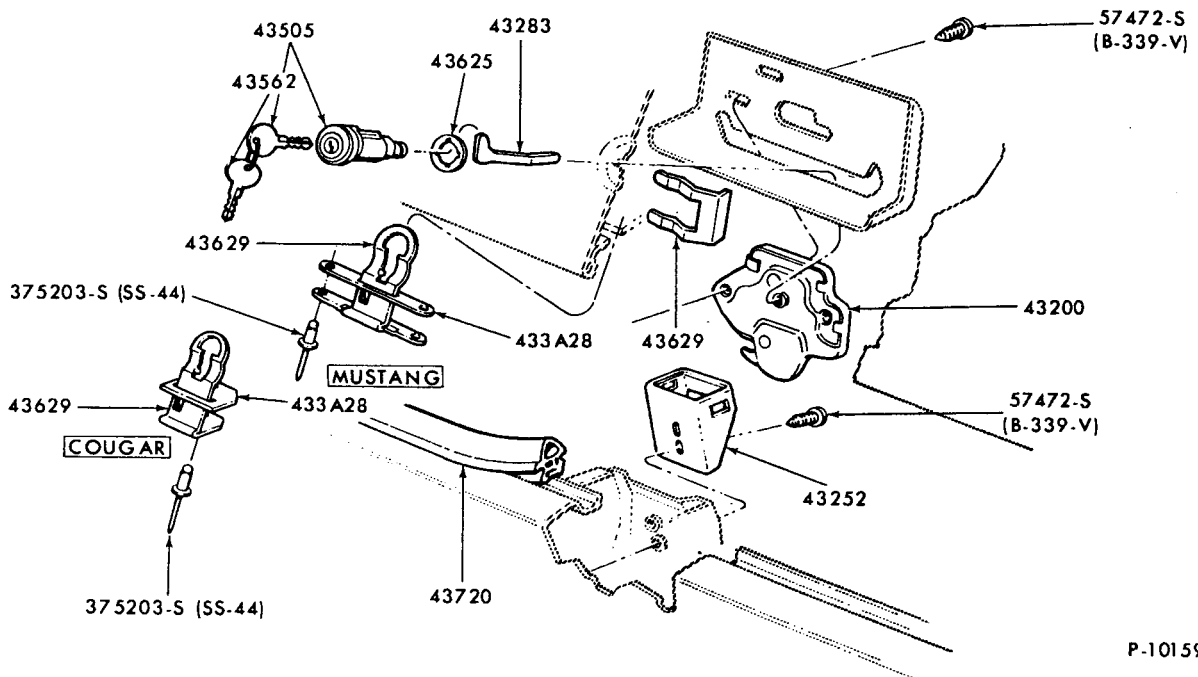


P-8592

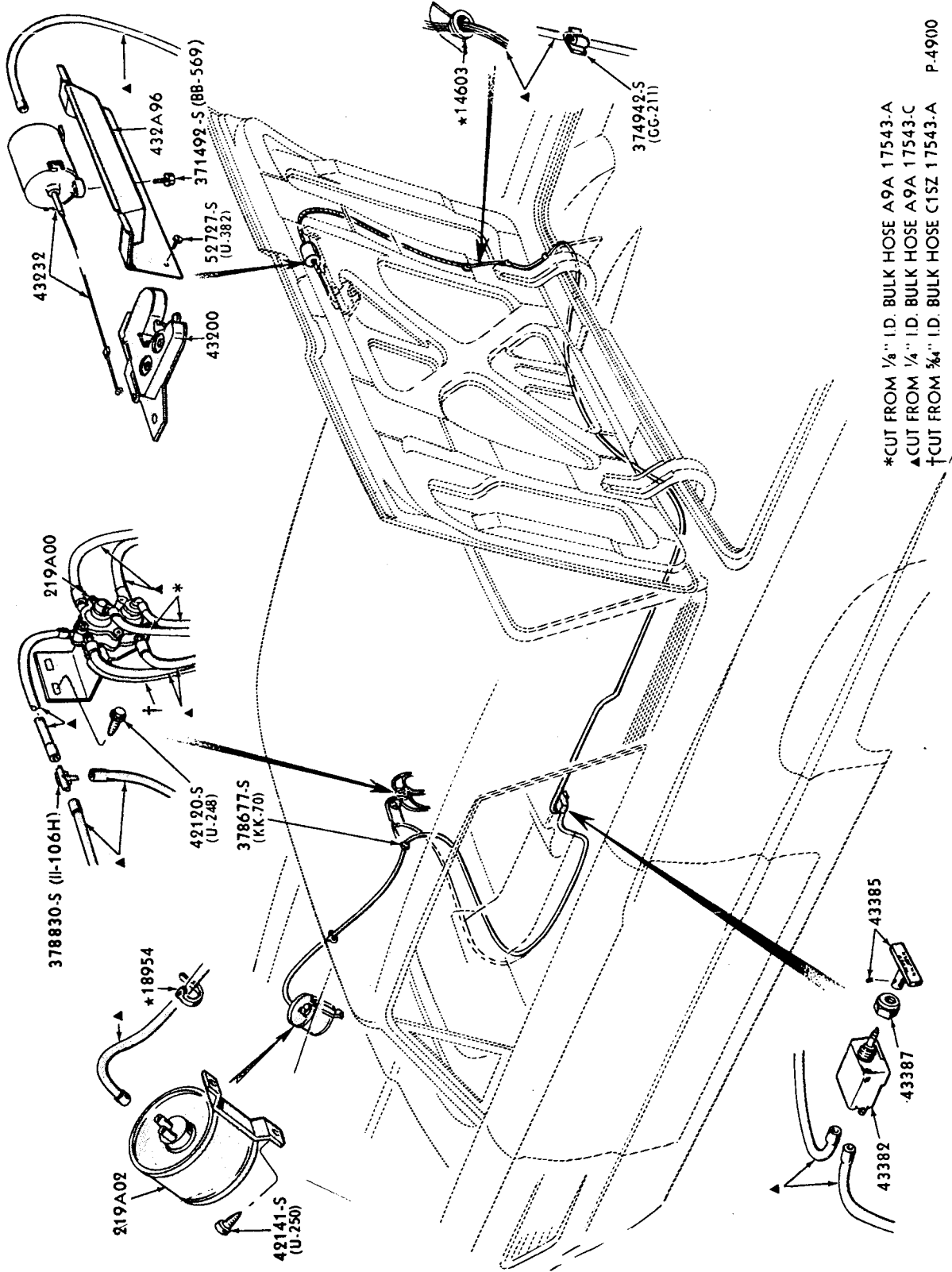
LUGGAGE COMPARTMENT DOOR LATCH and RELATED PARTS  
1972 THUNDERBIRD



**FUEL FILLER DOORS  
1972 FORD and TORINO**



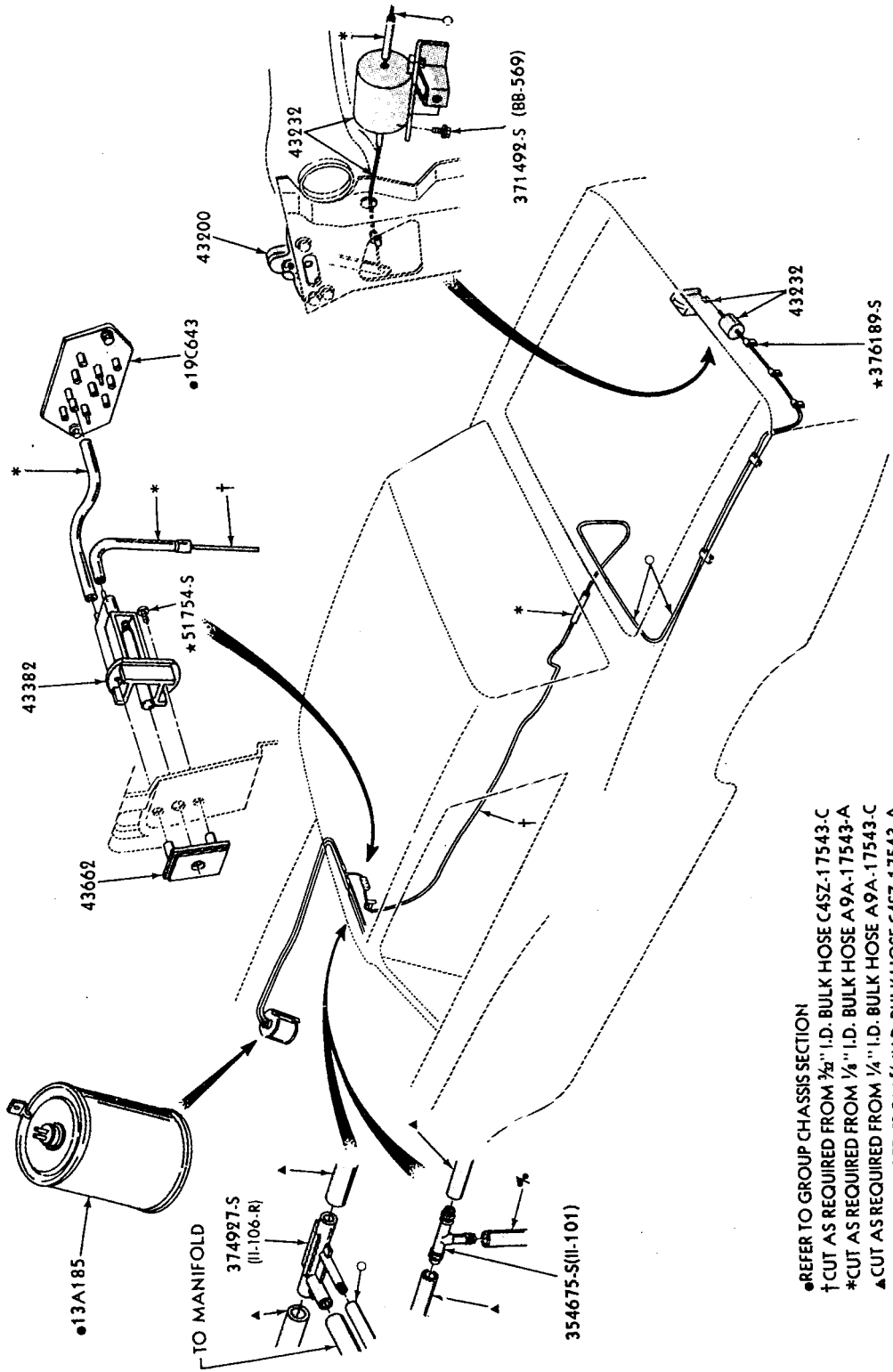
**LUGGAGE COMPARTMENT DOOR LATCH and RELATED PARTS  
1972 MUSTANG**



\*CUT FROM 1/8" I.D. BULK HOSE A9A 17543-A  
 ▲CUT FROM 1/4" I.D. BULK HOSE A9A 17543-C  
 †CUT FROM 3/4" I.D. BULK HOSE C15Z 17543-A P-4900

LUGGAGE COMPARTMENT VACUUM DOOR LATCH SYSTEM  
 1965/66 THUNDERBIRD - BODY TYPE 63

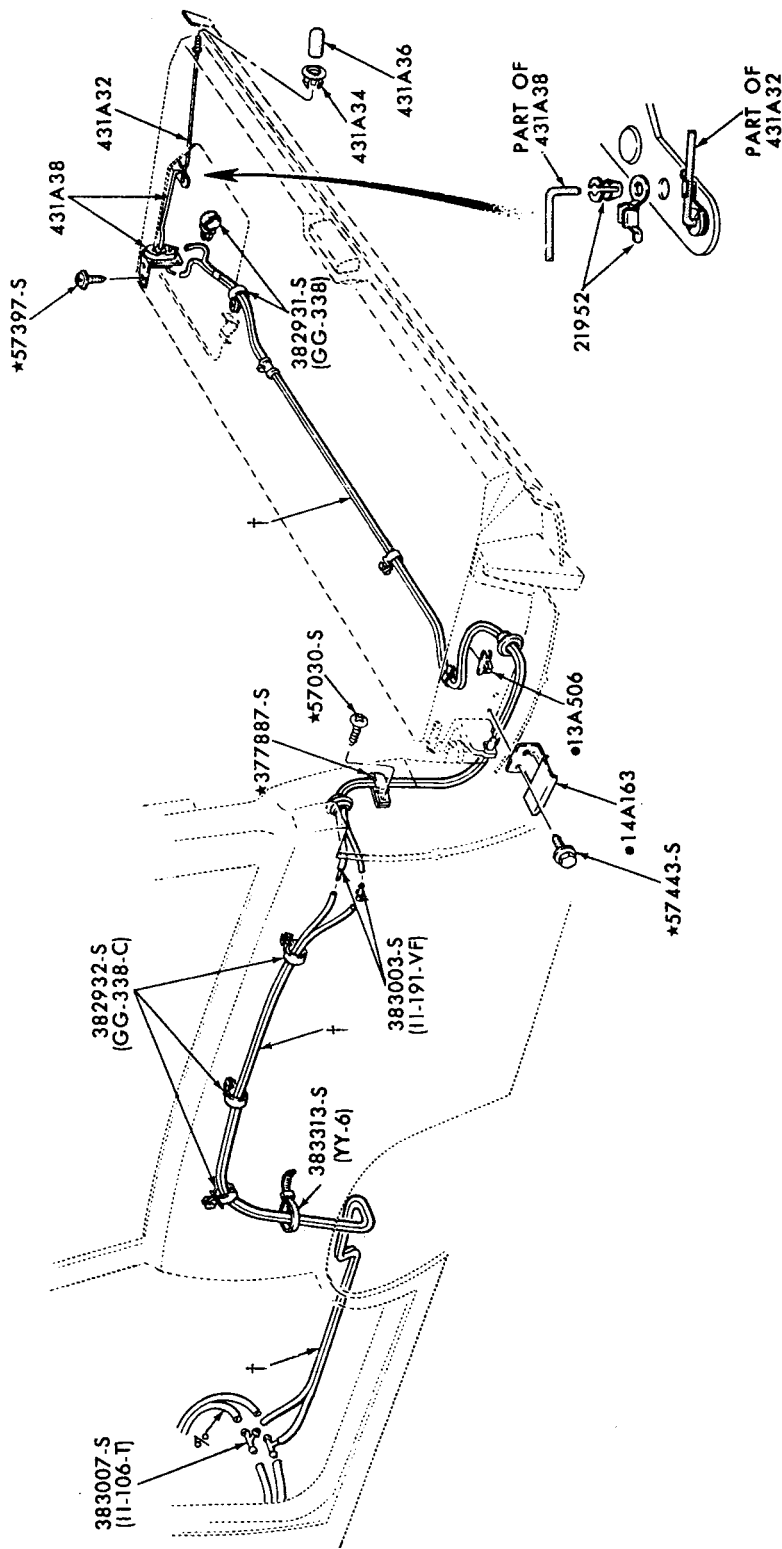
# FORD CAR PARTS



- REFER TO GROUP CHASSIS SECTION
- † CUT AS REQUIRED FROM 3/2" I.D. BULK HOSE C4SZ-17543-C
- \* CUT AS REQUIRED FROM 1/4" I.D. BULK HOSE A9A-17543-A
- ▲ CUT AS REQUIRED FROM 1/4" I.D. BULK HOSE A9A-17543-C
- ‰ CUT AS REQUIRED FROM 3/2" I.D. BULK HOSE C4SZ-17543-A

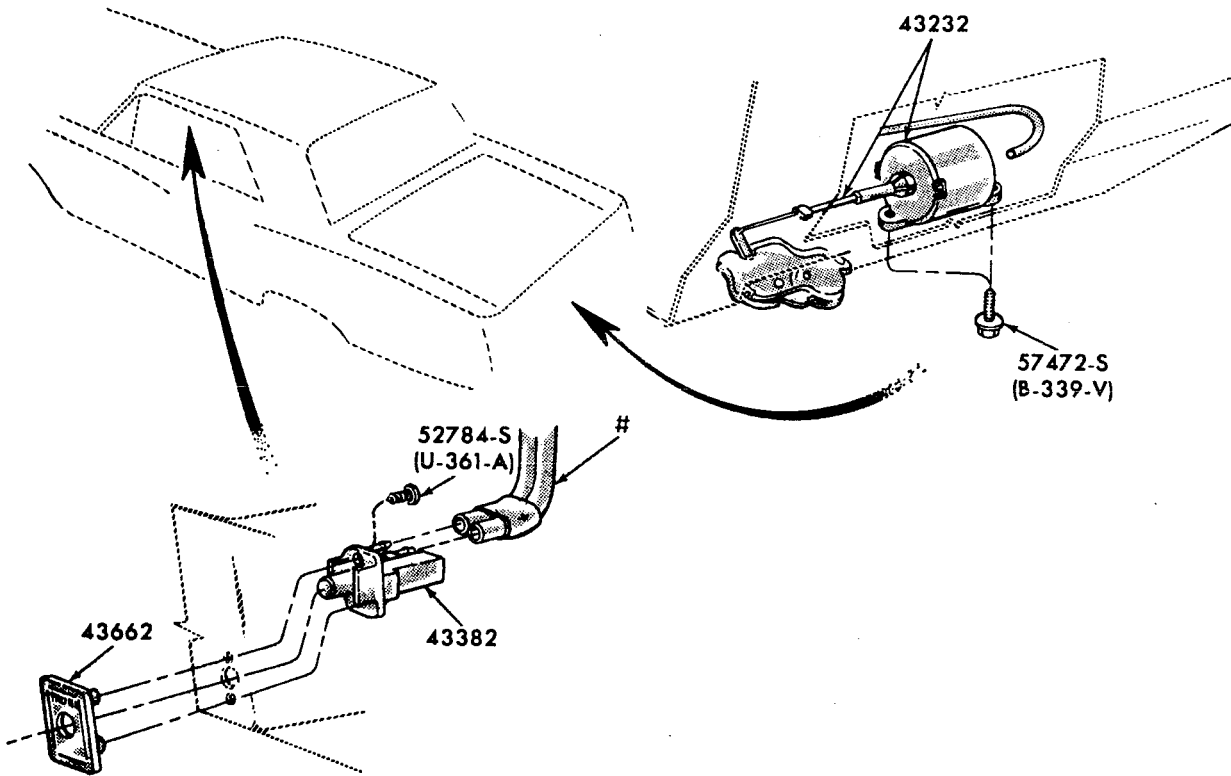
LUGGAGE COMPARTMENT VACUUM DOOR LATCH SYSTEM  
1967/70 THUNDERBIRD

P-7468



% FOR CONTINUATION OF SYSTEM SEE VACUUM DOOR LATCH  
 † IMPROVISE FROM BULK HOSE (17543)  
 • REFER TO CHASSIS SECTION

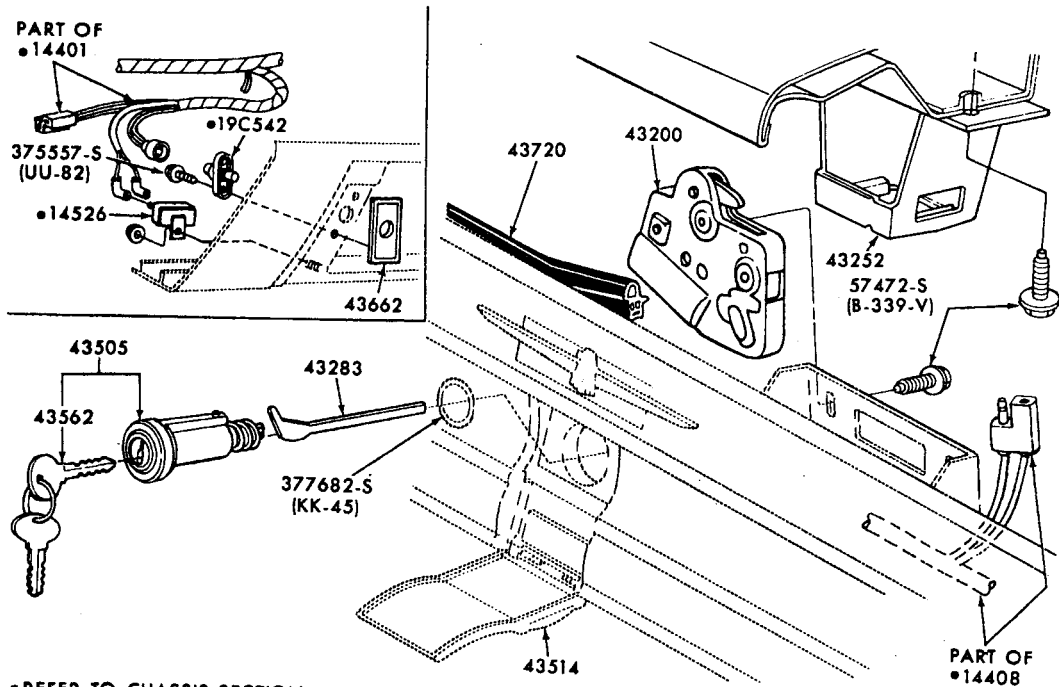
TAIL GATE - VACUUM LATCH SYSTEM  
 1970/72 FORD - BODY TYPE 71  
 1970/71 FAIRLANE/TORINO - BODY TYPE 71



# CUT AS REQUIRED FROM BULK HOSE - GROUP 17543 IN CHASSIS SECTION

P-7471

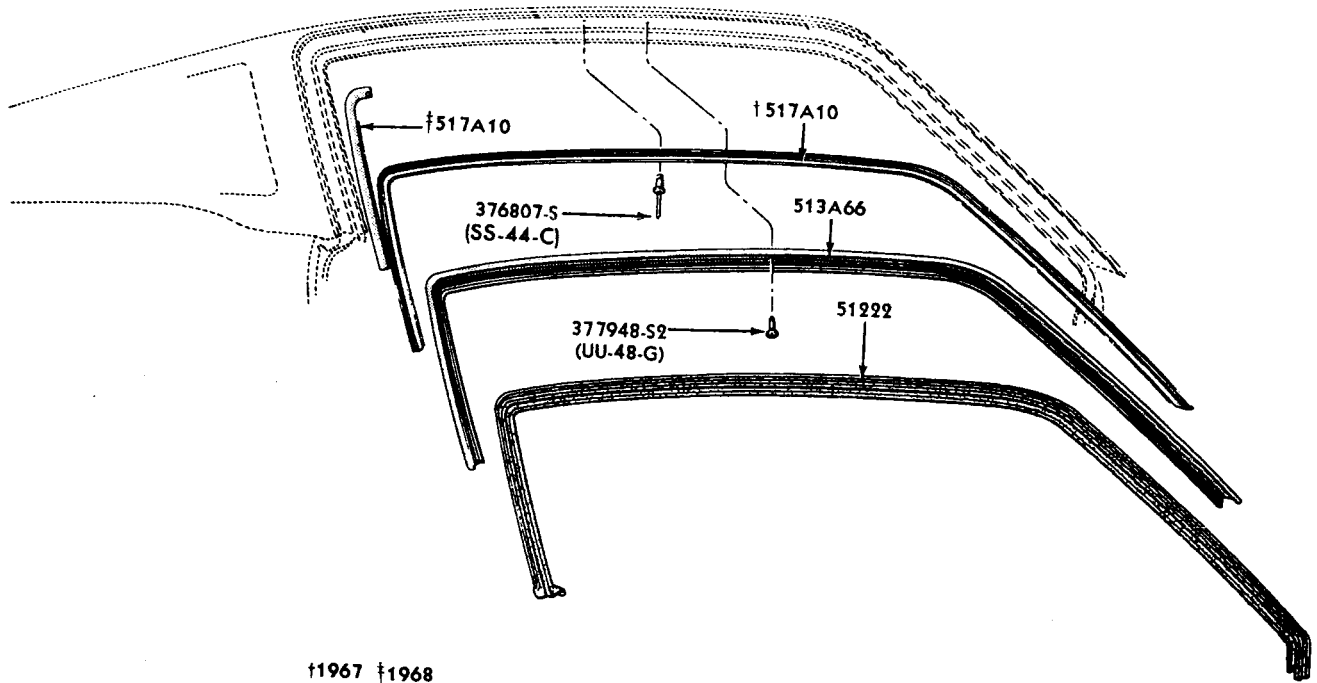
LUGGAGE COMPARTMENT VACUUM DOOR LATCH SYSTEM  
1970/71 ALL



•REFER TO CHASSIS SECTION

LUGGAGE COMPARTMENT ELECTRIC DOOR LATCH SYSTEM  
1971/72 THUNDERBIRD

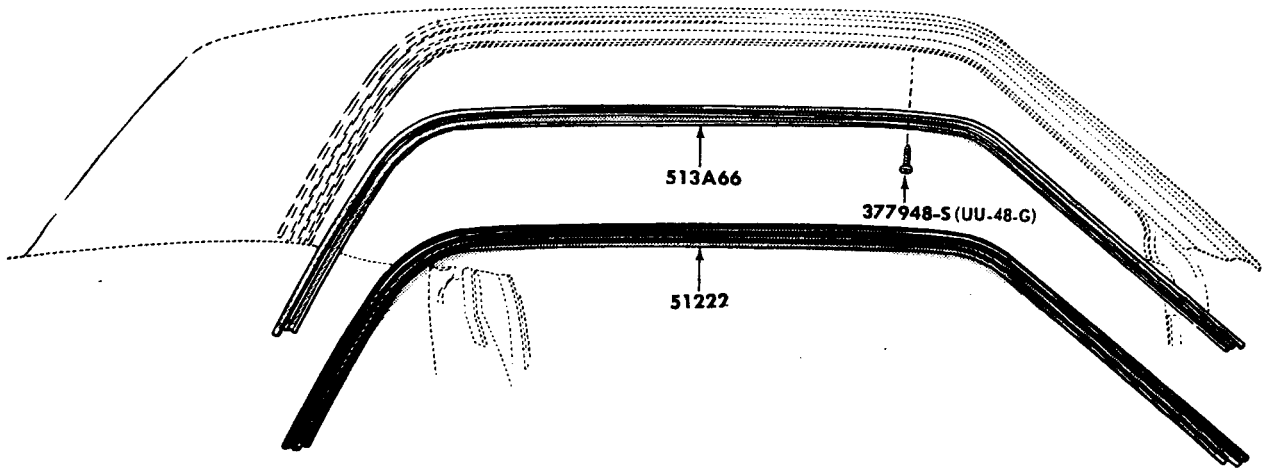
PART OF  
•14408  
P-8932



†1967 †1968

P-4838

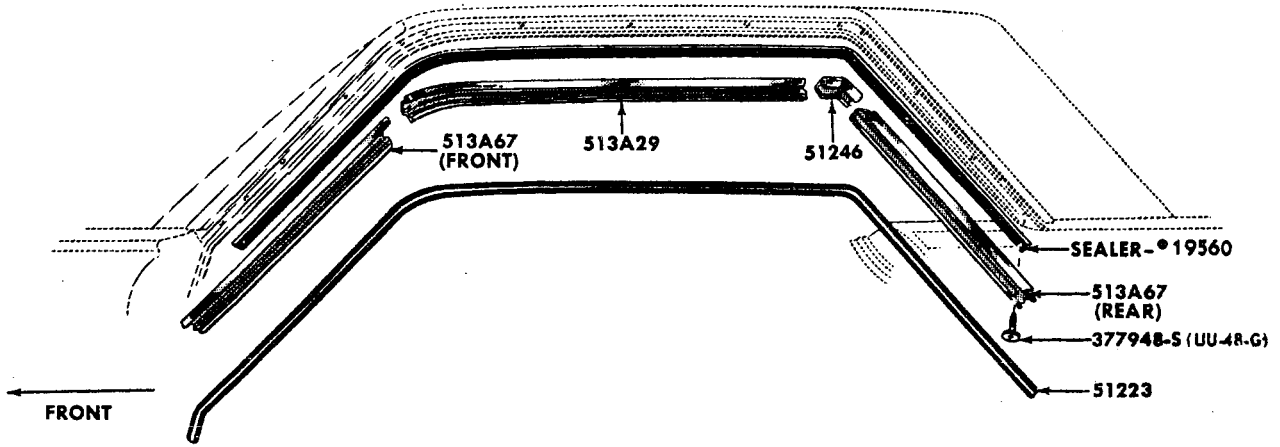
ROOF SIDE MOULDINGS and WEATHERSTRIPS  
1965/69 MUSTANG - BODY TYPE 63 - TYPICAL



P-4478

ROOF SIDE MOULDINGS and WEATHERSTRIPS  
1965/68 MUSTANG - BODY TYPE 65

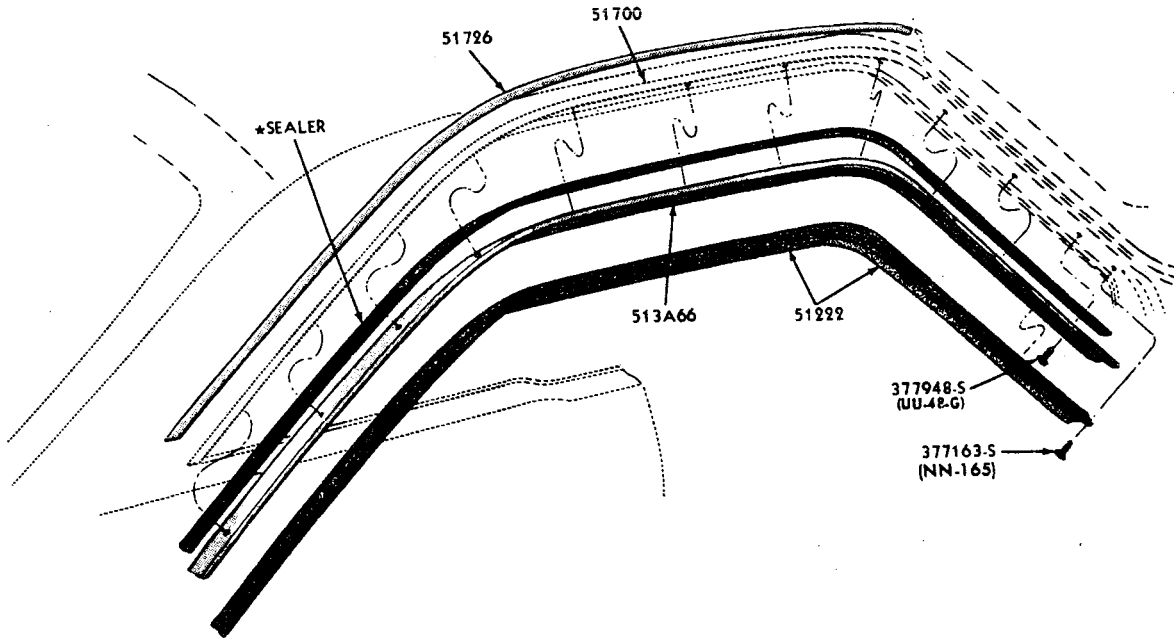




• REFER TO CHASSIS SECTION

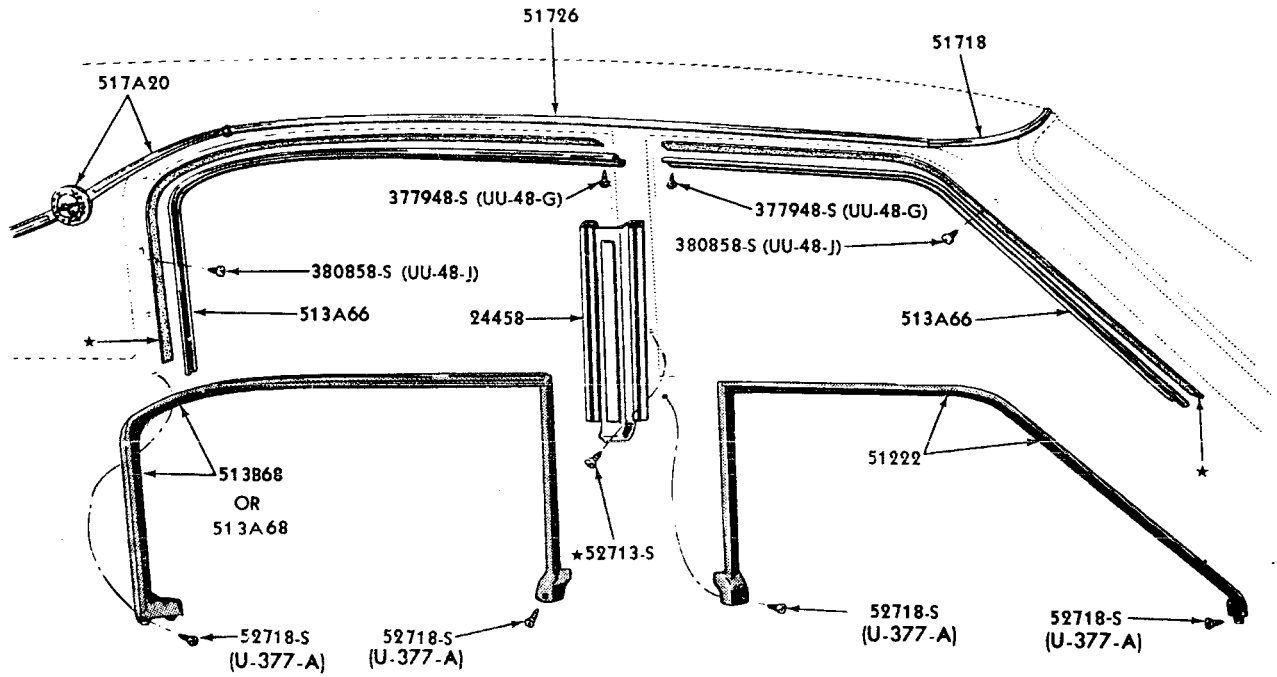
P-4354

ROOF SIDE WEATHERSTRIPS and RELATED PARTS  
1965/66 THUNDERBIRD - BODY TYPES 63A, B



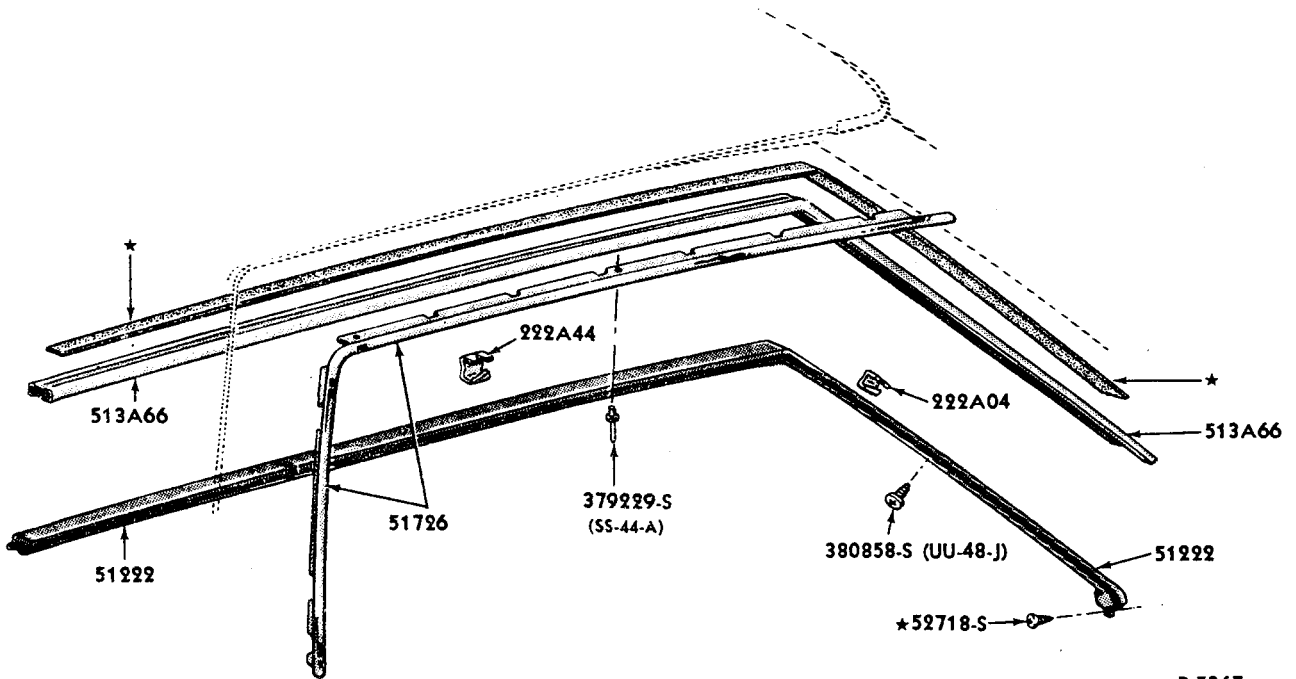
P-5089

ROOF SIDE WEATHERSTRIPS and RELATED PARTS  
1966/69 FAIRLANE/TORINO - BODY TYPE 63 - TYPICAL



P-5370

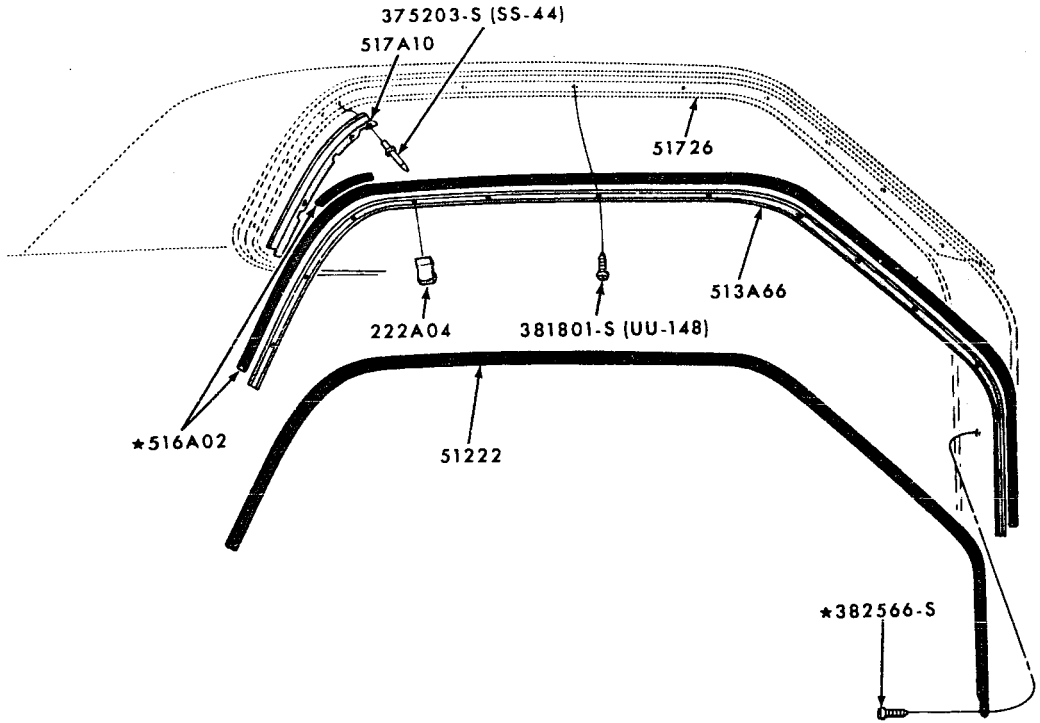
ROOF SIDE WEATHERSTRIPS and RELATED PARTS  
1967/71 THUNDERBIRD - BODY TYPE 57



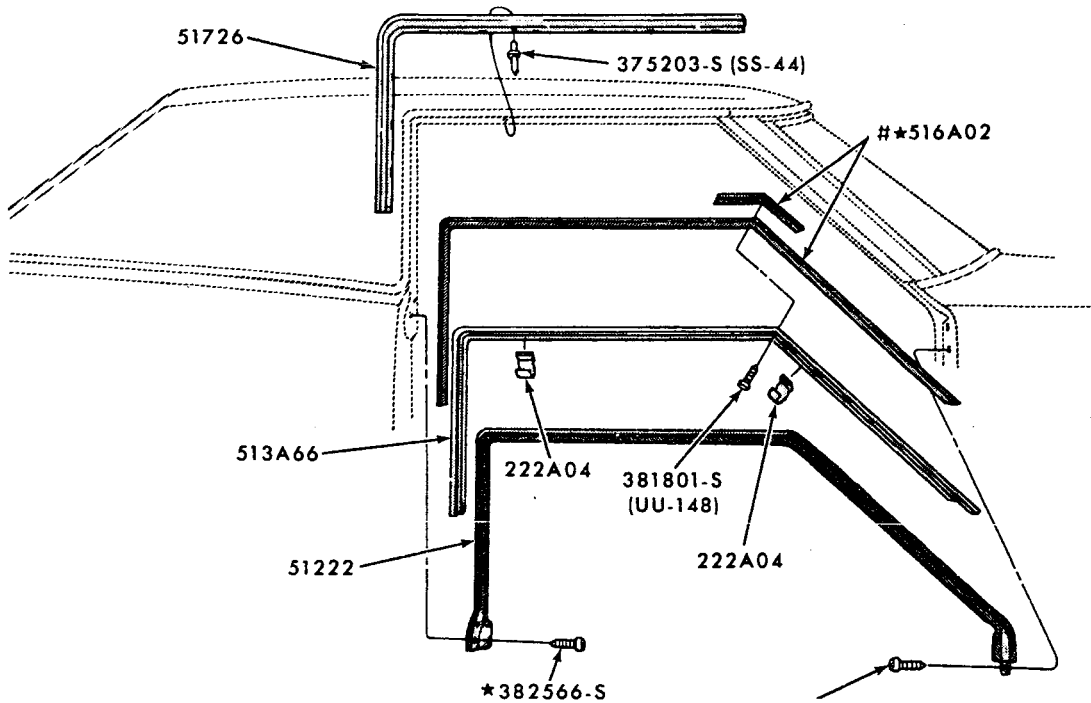
P-5367

ROOF SIDE WEATHERSTRIPS and RELATED PARTS

1967/68 THUNDERBIRD - BODY TYPE 65 1969 THUNDERBIRD - BODY TYPES 65A, C

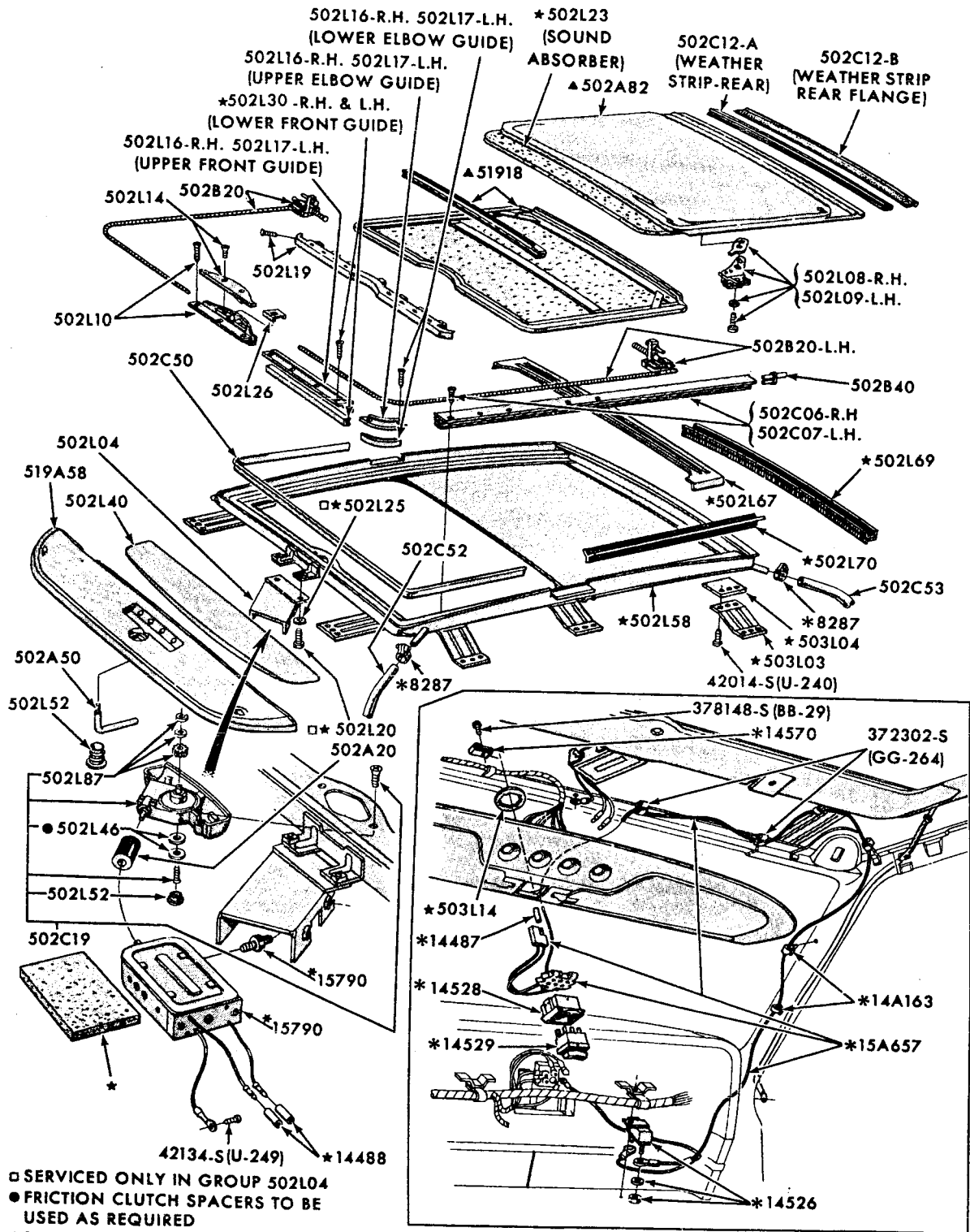


ROOF SIDE MOULDINGS and WEATHERSTRIPS  
1969/70 MUSTANG - BODY TYPE 65



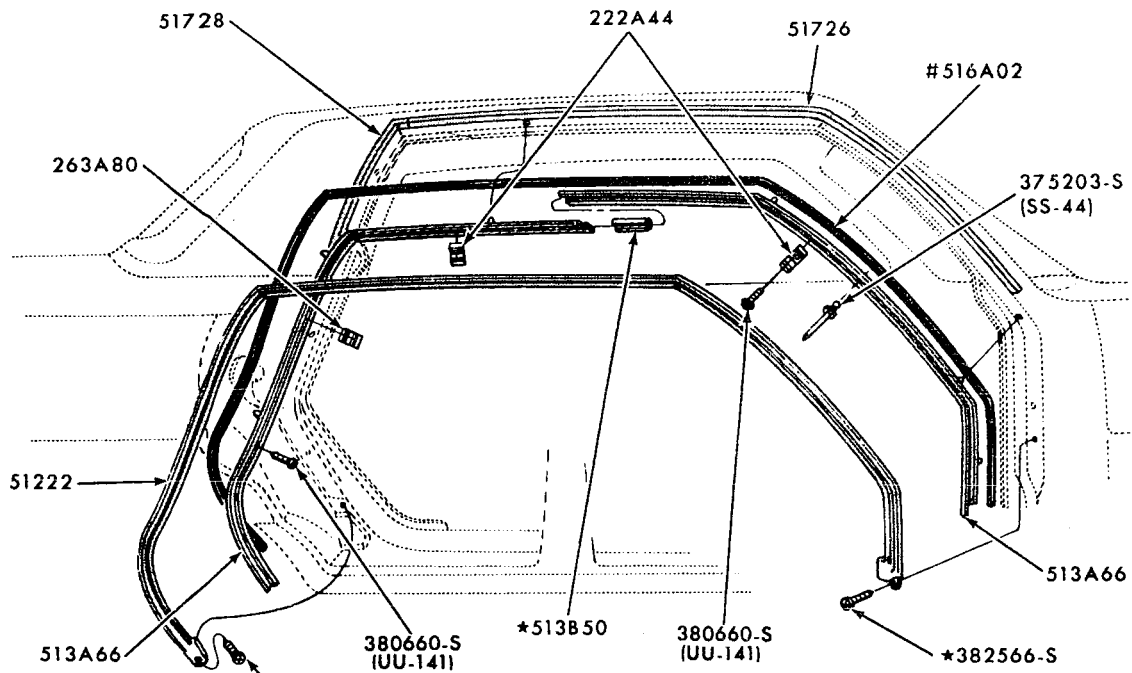
#CUT FROM 19627 - SEE PAINT SECTION

ROOF SIDE WEATHERSTRIPS and RELATED PARTS  
1969 THUNDERBIRD - BODY TYPE 65B, D



P-6954

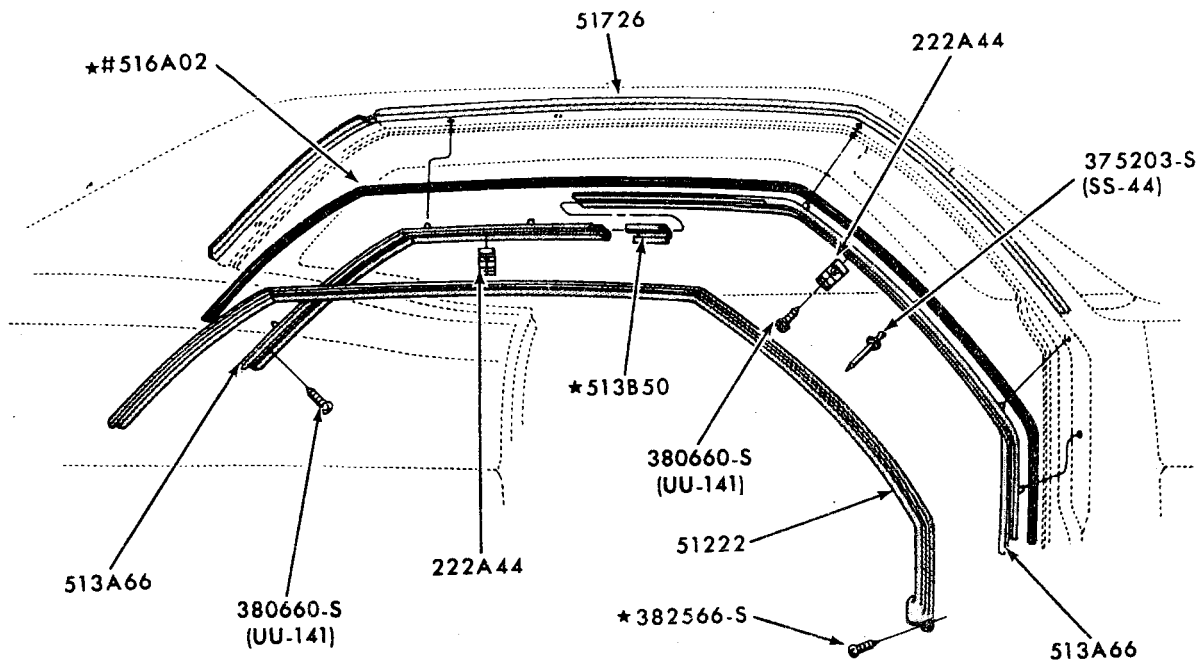
**SLIDING ROOF and RELATED PARTS  
1969/70 THUNDERBIRD**



# CUT FROM 19627-SEE PAINT SECTION

P-6914

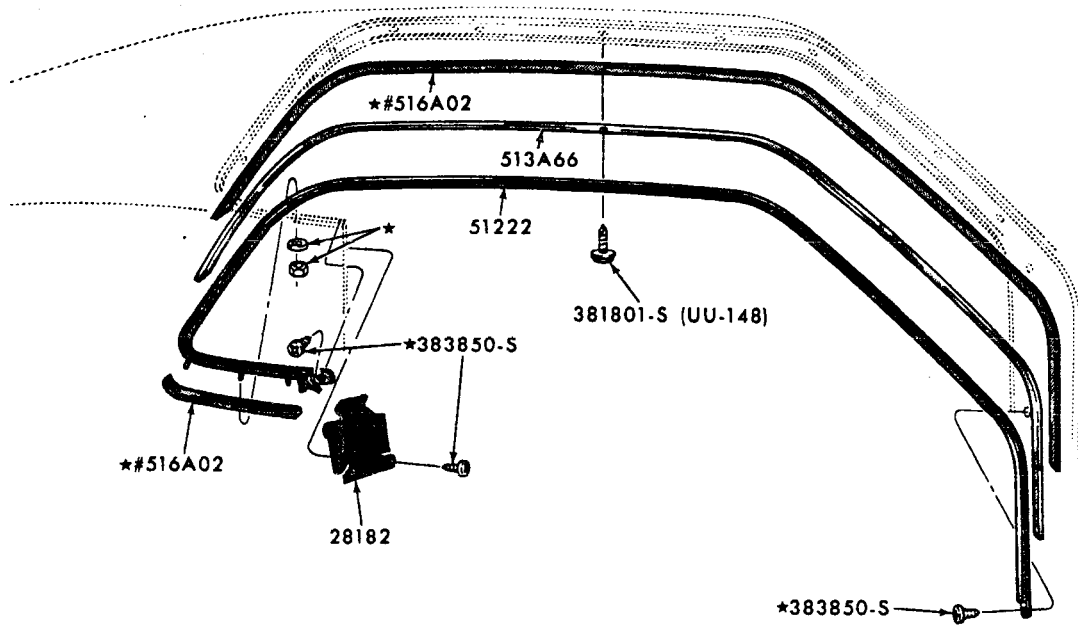
ROOF SIDE MOULDINGS and WEATHERSTRIPS  
1969 FORD - BODY TYPE 57



# CUT FROM 19627-SEE PAINT SECTION

P-6915

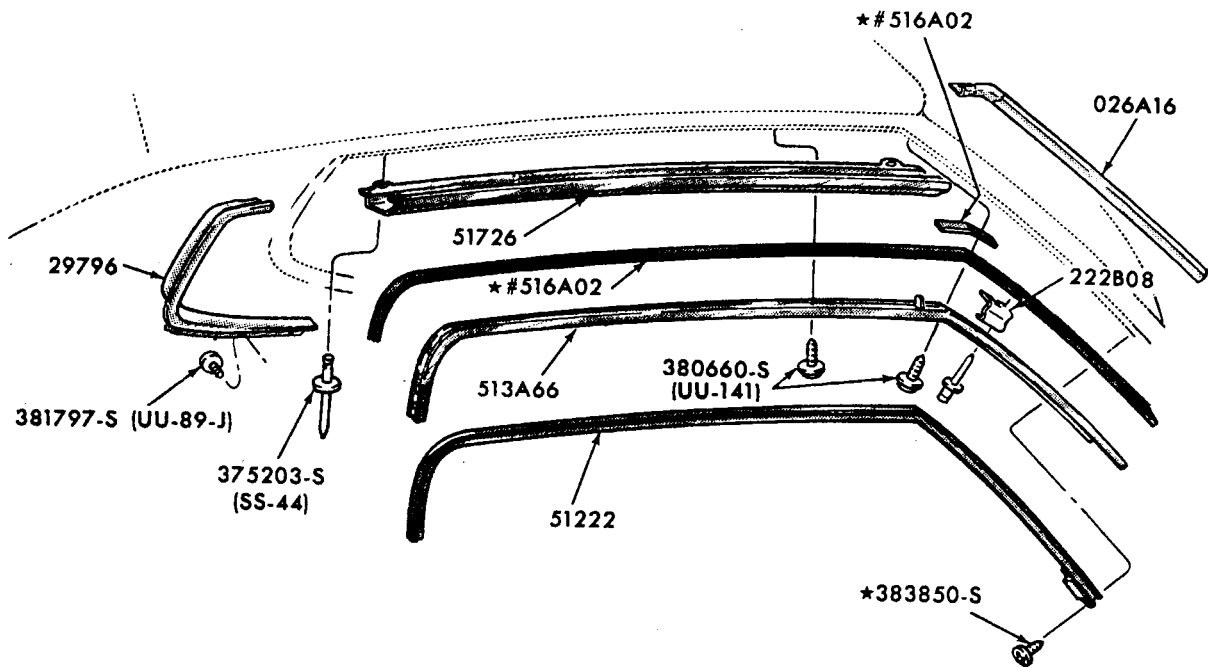
ROOF SIDE MOULDINGS and WEATHERSTRIP  
1969 FORD - BODY TYPES 63, 65



# CUT FROM 19627-SEE PAINT SECTION

P-7104

ROOF SIDE MOULDINGS and WEATHERSTRIPS  
1969/70 MUSTANG - BODY TYPE 63

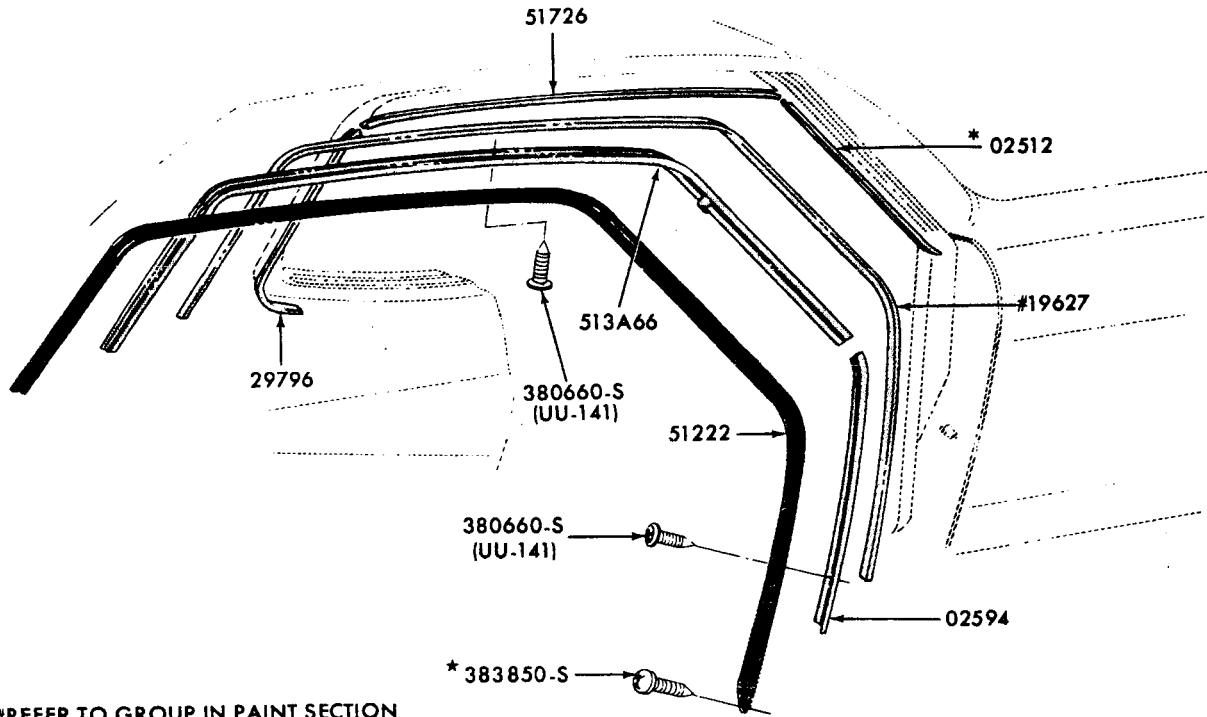


# CUT FROM 19627 - SEE PAINT SECTION

P-7101

ROOF SIDE MOULDING and WEATHER STRIPS  
1970/71 THUNDERBIRD - BODY TYPE 65 A, C

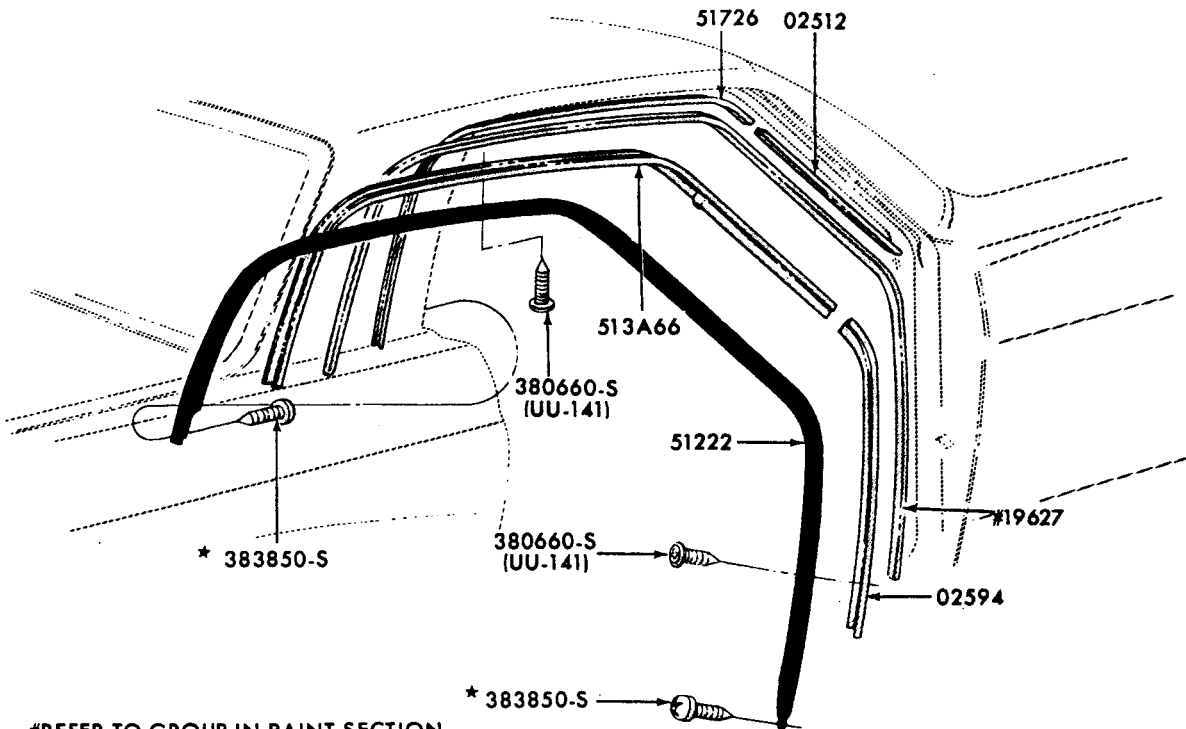
**FORD CAR PARTS**



#REFER TO GROUP IN PAINT SECTION

P-7181

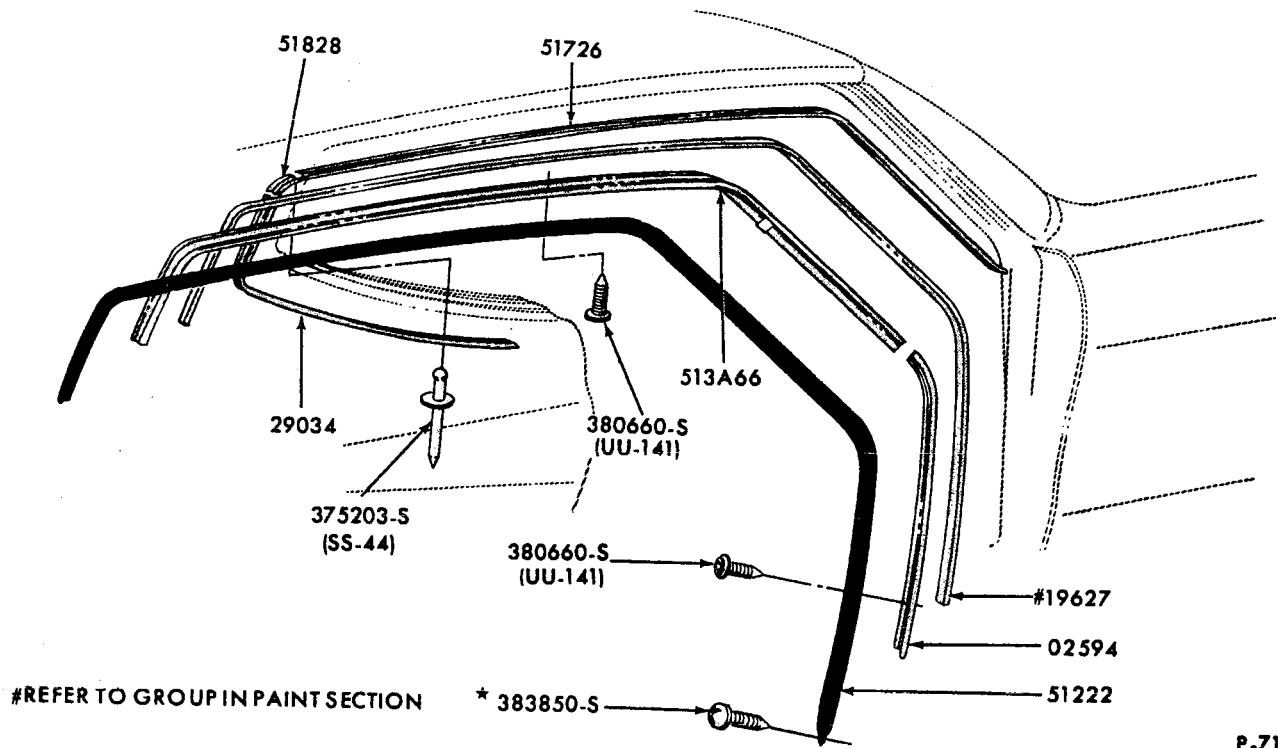
ROOF SIDE MOULDINGS and WEATHERSTRIPS  
1970/71 FAIRLANE/TORINO - BODY TYPE 65



#REFER TO GROUP IN PAINT SECTION

P-7182

ROOF SIDE MOULDINGS and WEATHERSTRIPS  
1970/71 FAIRLANE/TORINO - BODY TYPE 66

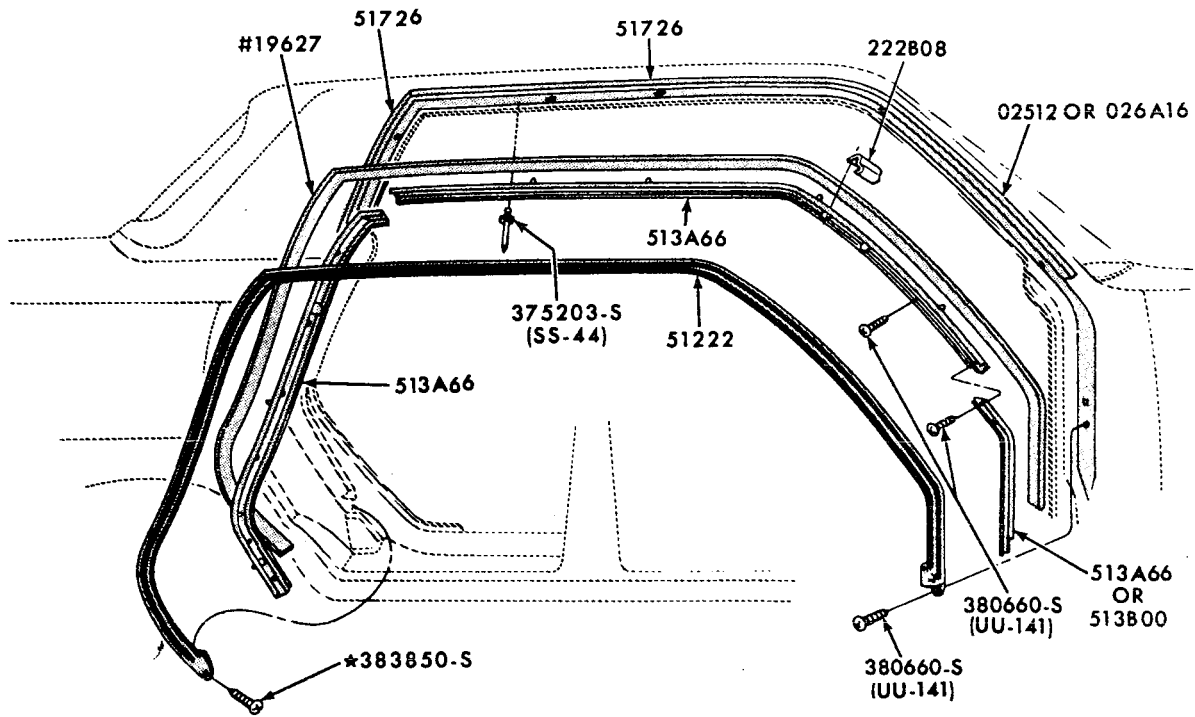


P-7180

ROOF SIDE MOULDINGS and WEATHERSTRIPS  
1970/71 FAIRLANE/TORINO - BODY TYPE 63



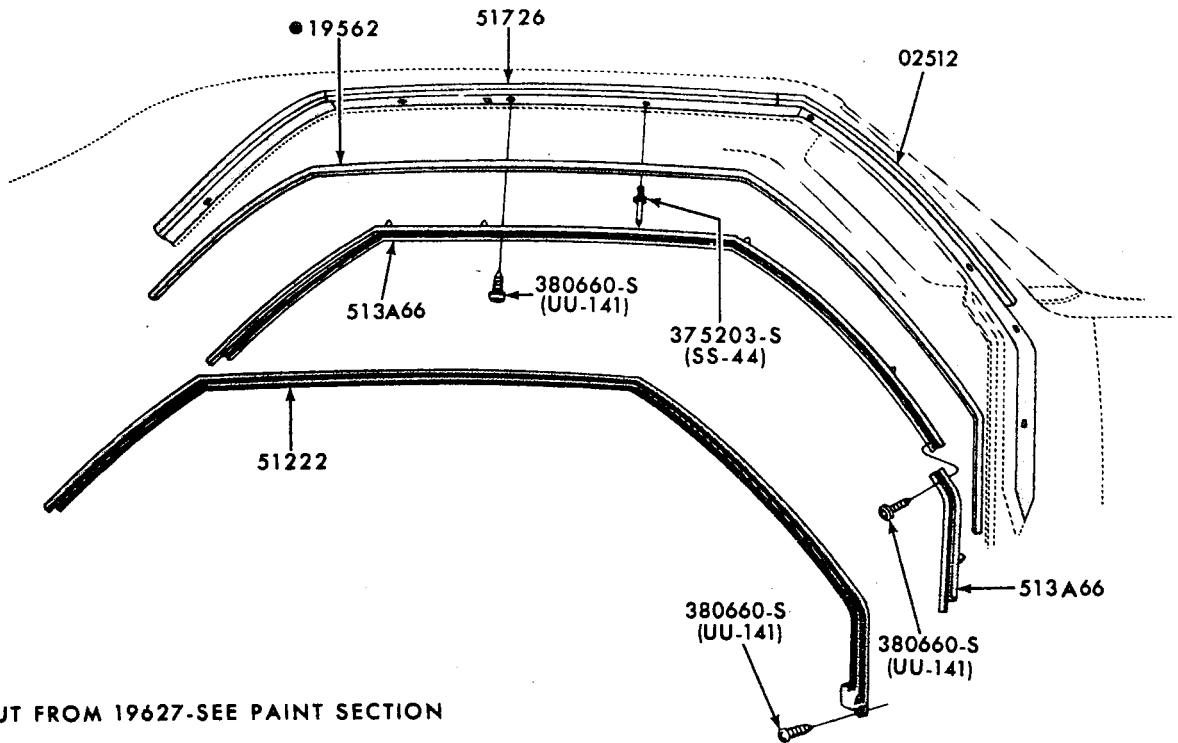
**FORD CAR PARTS**



#REFER TO GROUP IN PAINT SECTION

P-7458

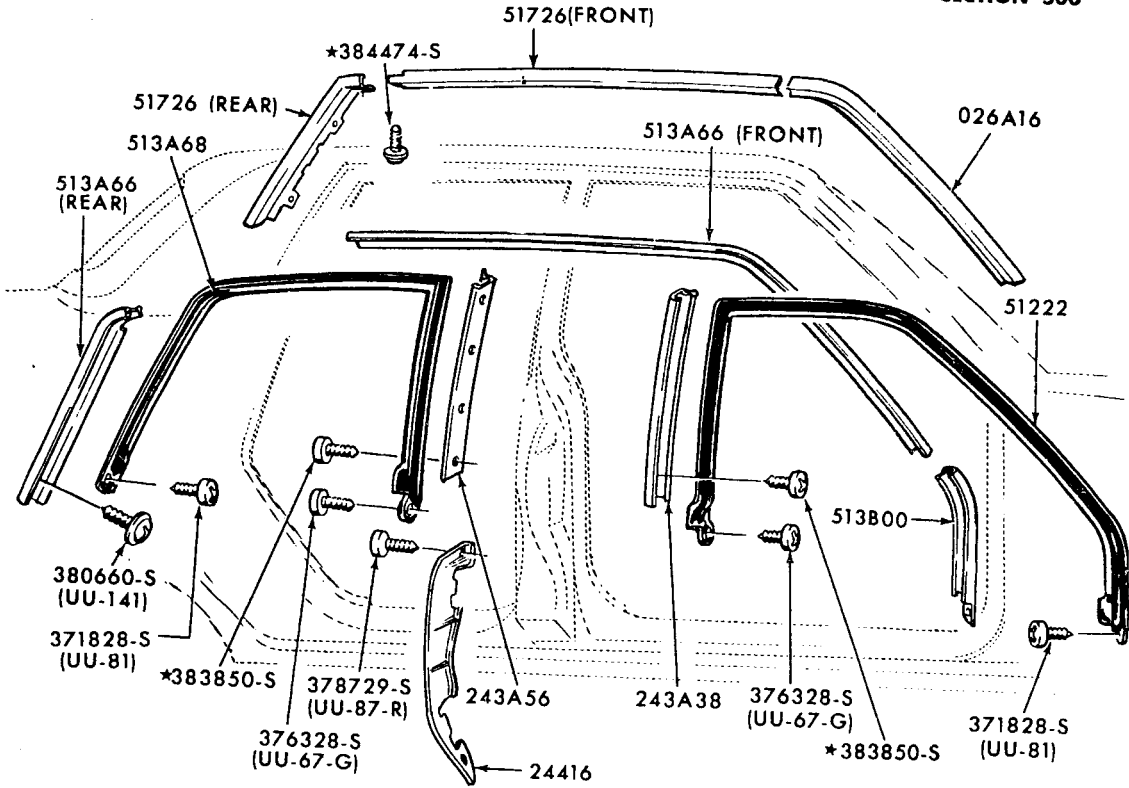
ROOF SIDE MOULDING and WEATHERSTRIPS  
1970/72 FORD - BODY TYPES 54,57



●CUT FROM 19627-SEE PAINT SECTION

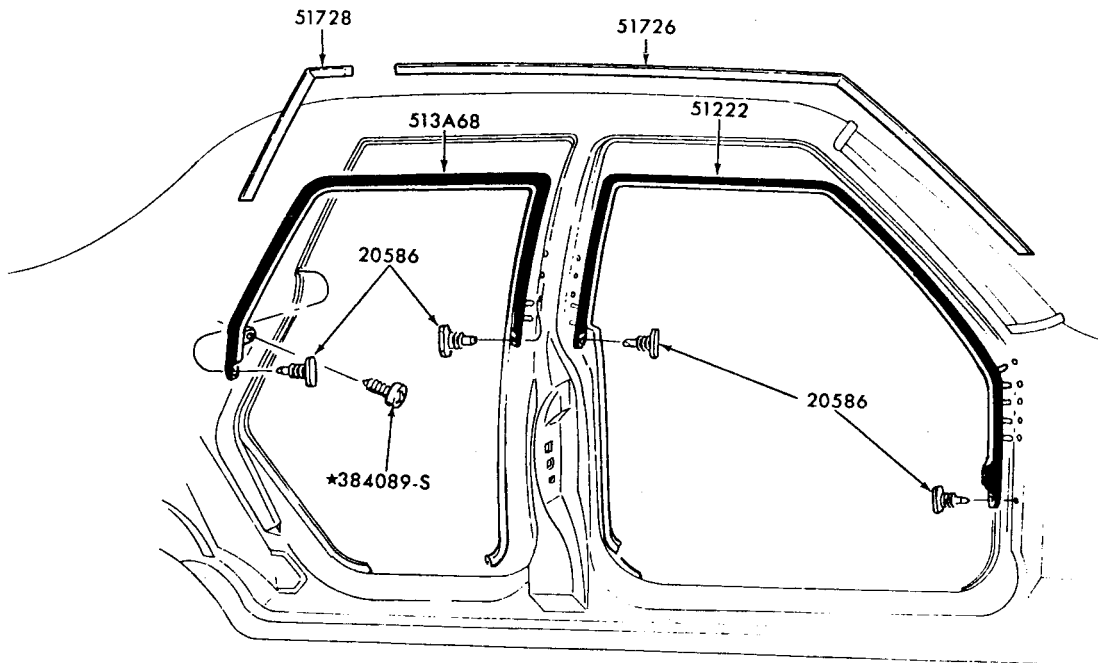
P-7459

ROOF SIDE MOULDING and WEATHERSTRIPS  
1970 FORD - BODY TYPE 63,65



ROOF SIDE MOULDINGS and WEATHERSTRIPS  
1971/72 FORD - BODY TYPE 53

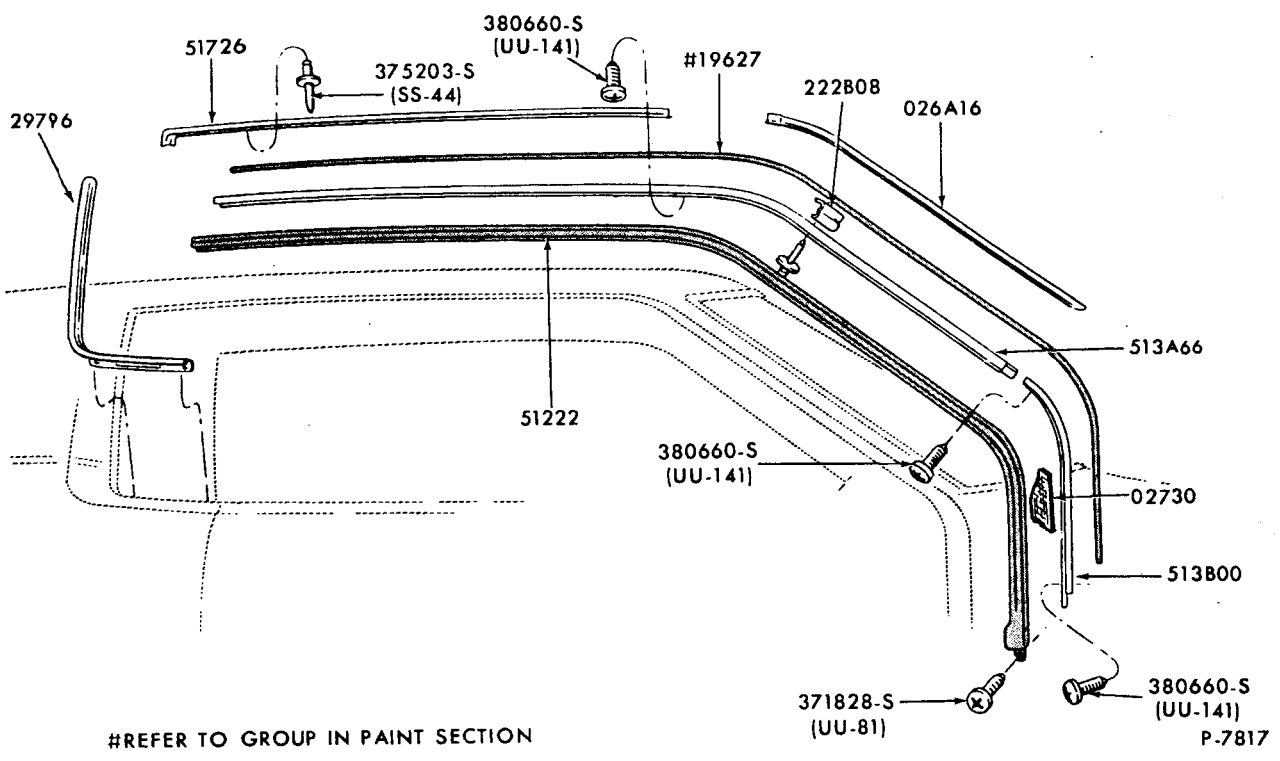
P-7839



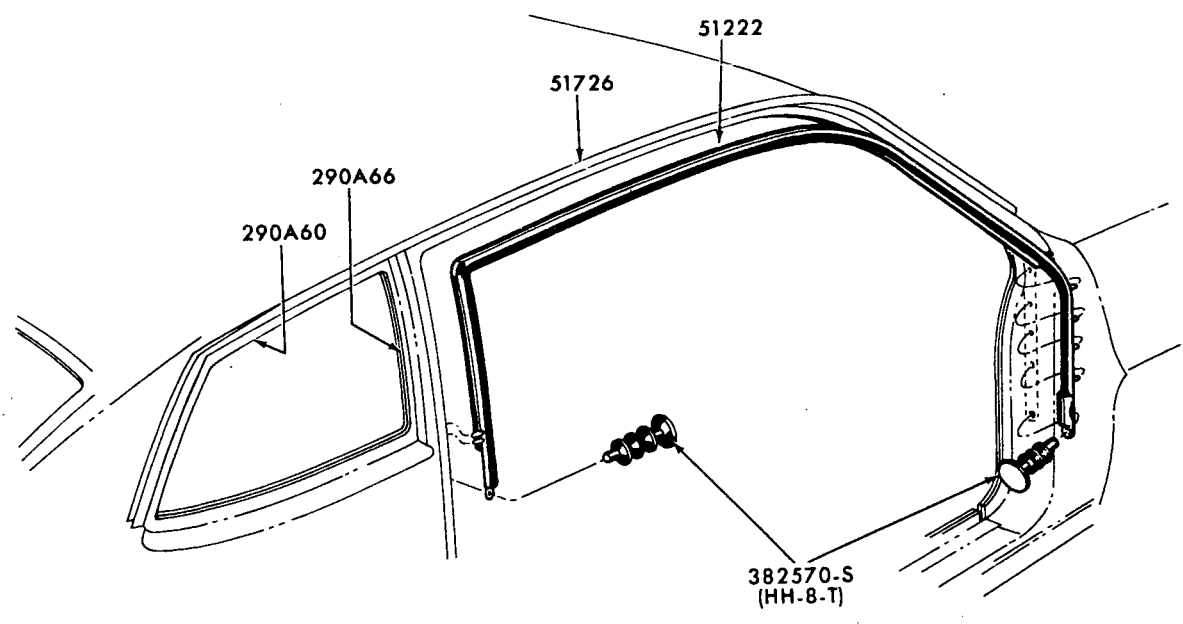
ROOF SIDE MOULDINGS and WEATHERSTRIPS  
1971/72 MAVERICK - BODY TYPE 54

P-7925

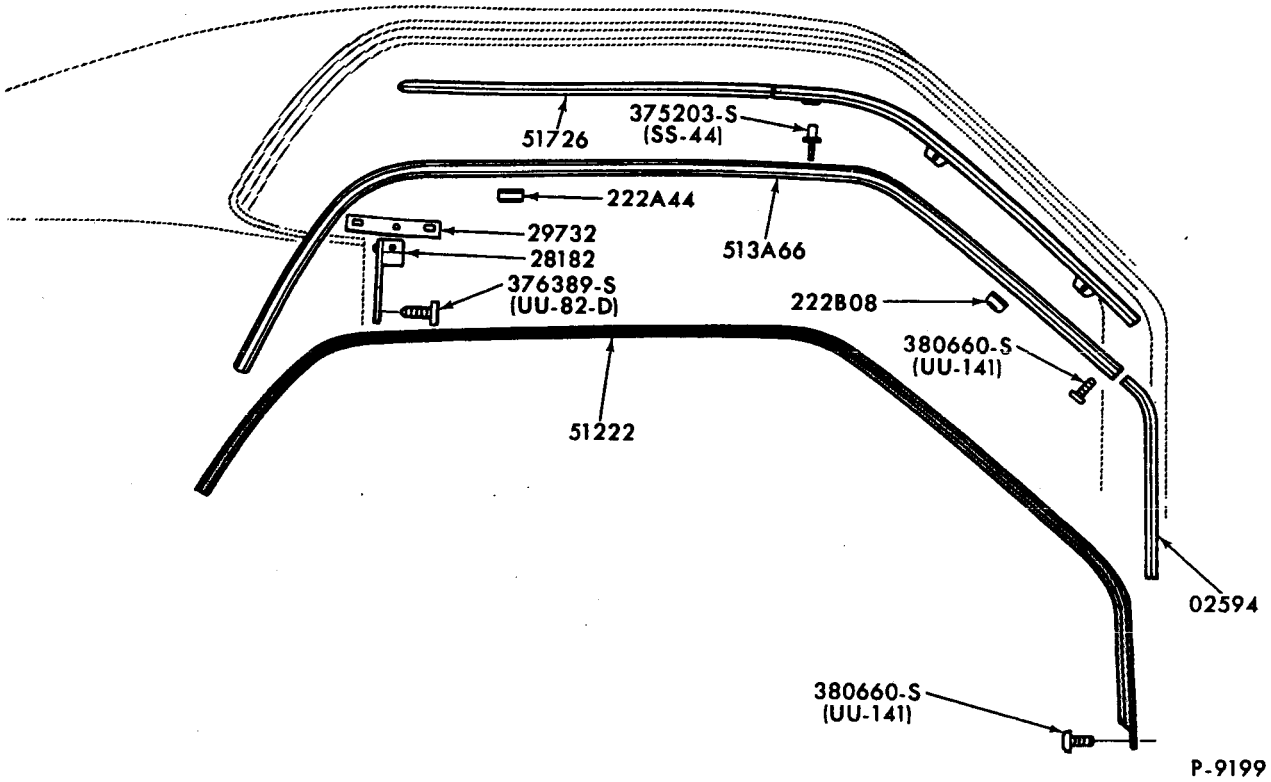
**FORD CAR PARTS**



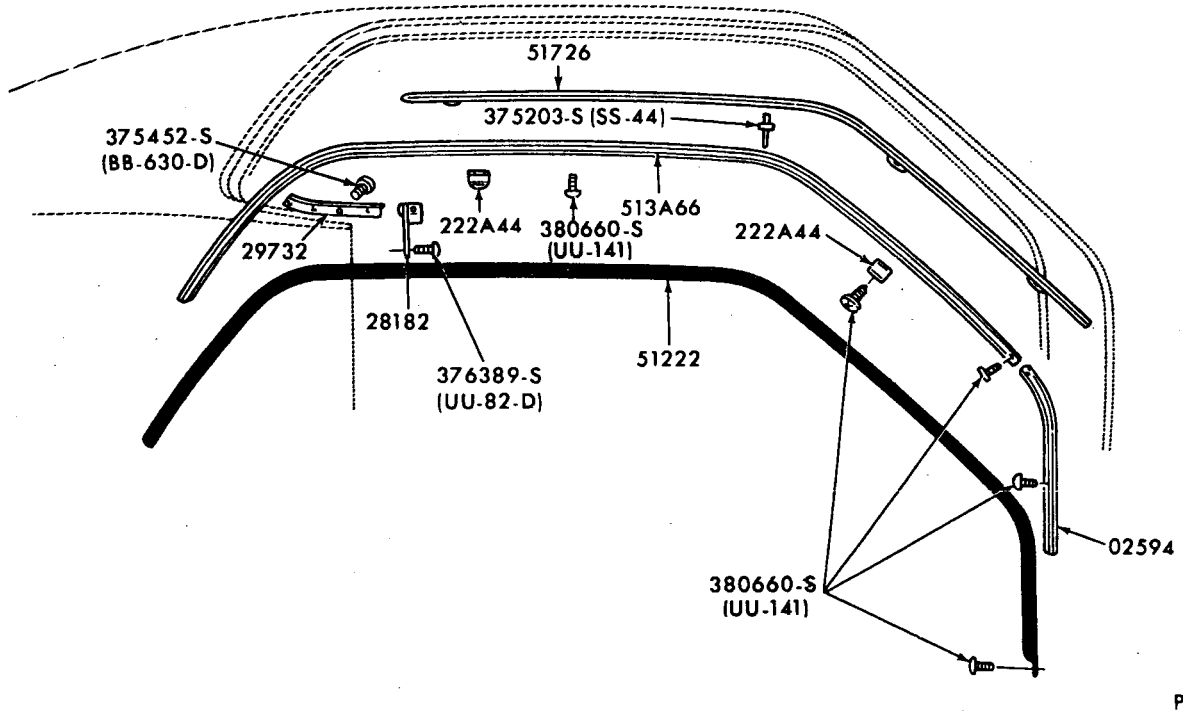
ROOF SIDE MOULDINGS and WEATHERSTRIPS  
1970/72 FORD - BODY TYPE 65



ROOF SIDE MOULDINGS and WEATHERSTRIPS  
1970/72 MAVERICK - BODY TYPE 62

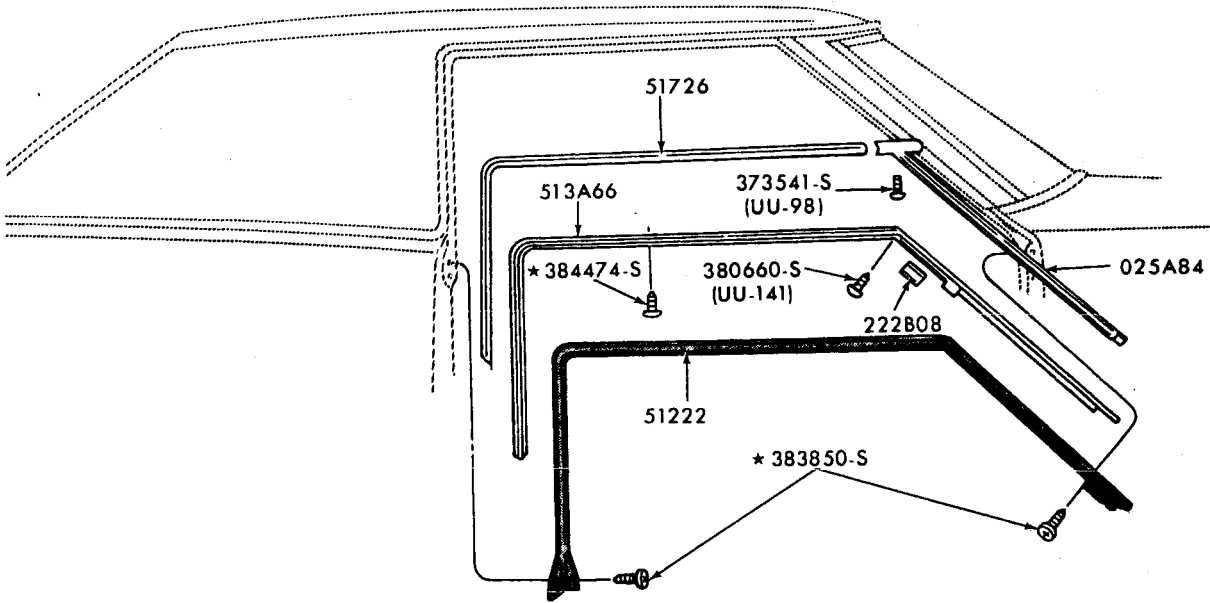


ROOF SIDE MOULDINGS and WEATHERSTRIPS  
1971/72 MUSTANG - BODY TYPE 65



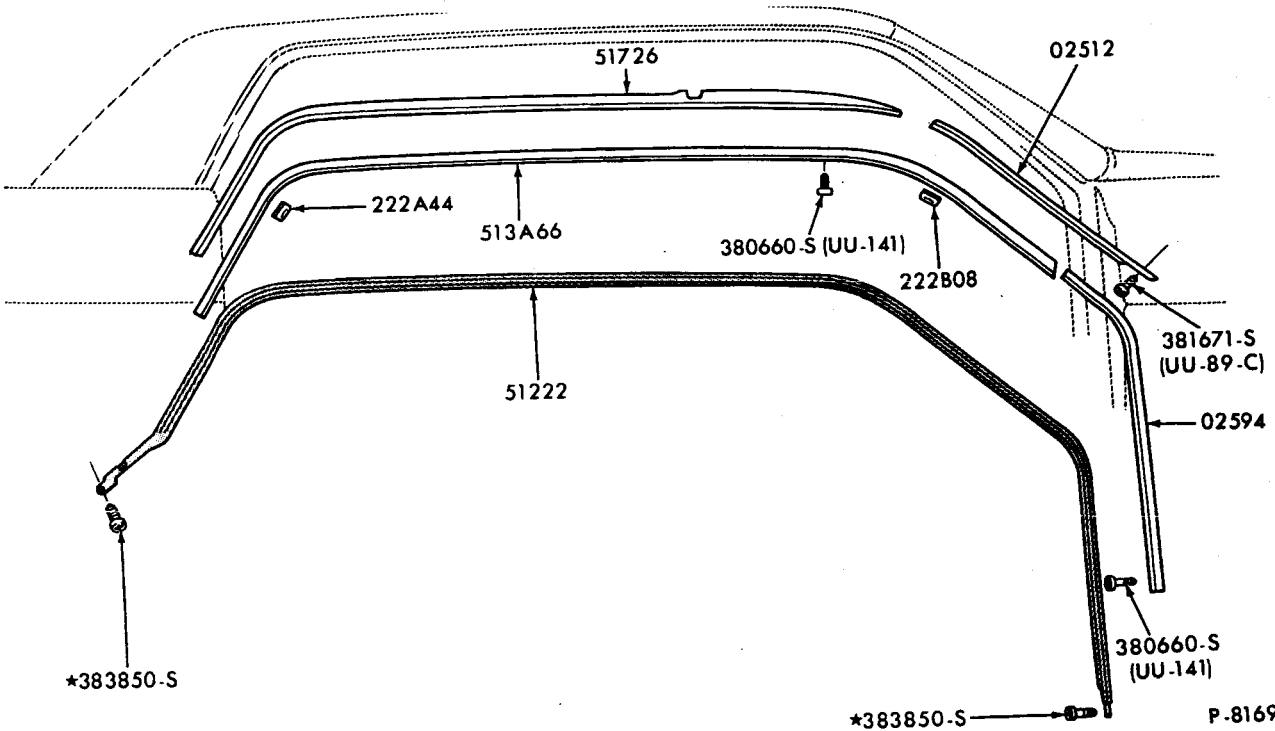
ROOF SIDE MOULDINGS and WEATHERSTRIPS  
1971/72 MUSTANG - BODY TYPE 63

# FORD CAR PARTS



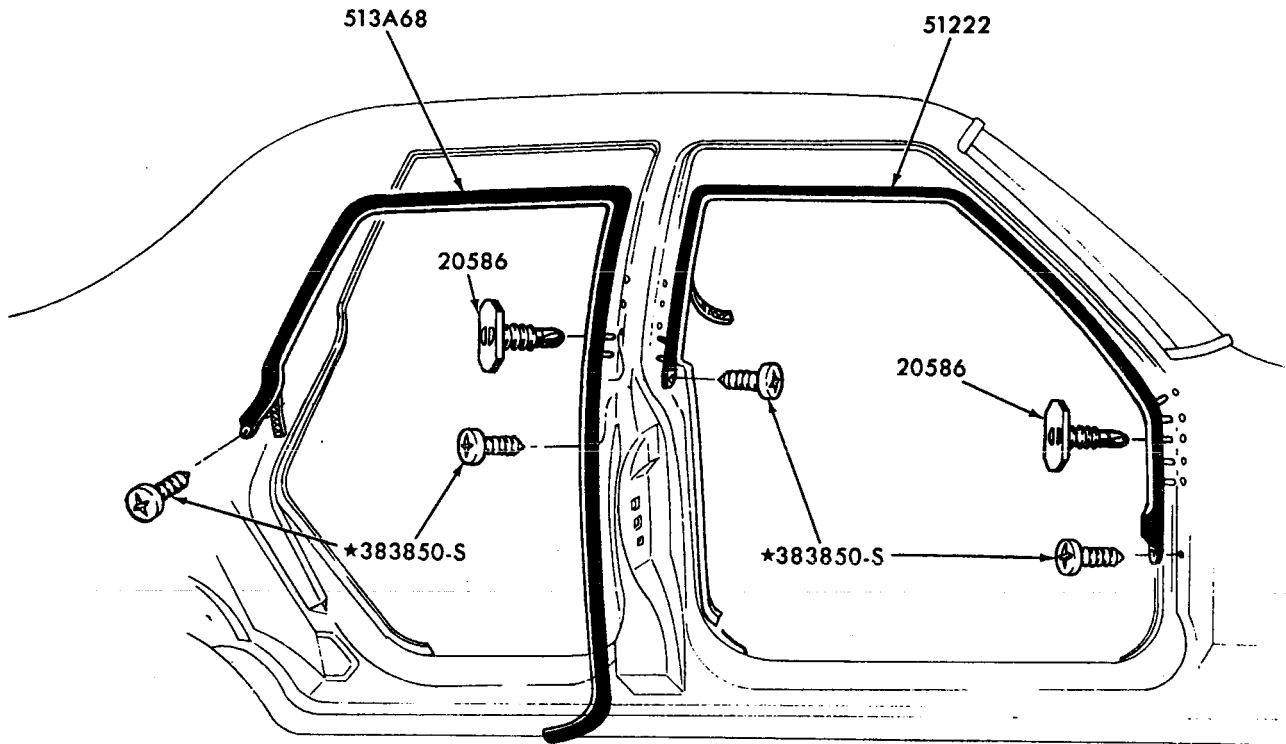
P-8177

ROOF RAIL MOULDINGS and WEATHERSTRIPS  
1970/71 THUNDERBIRD - BODY TYPE 65B,D



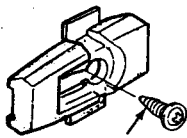
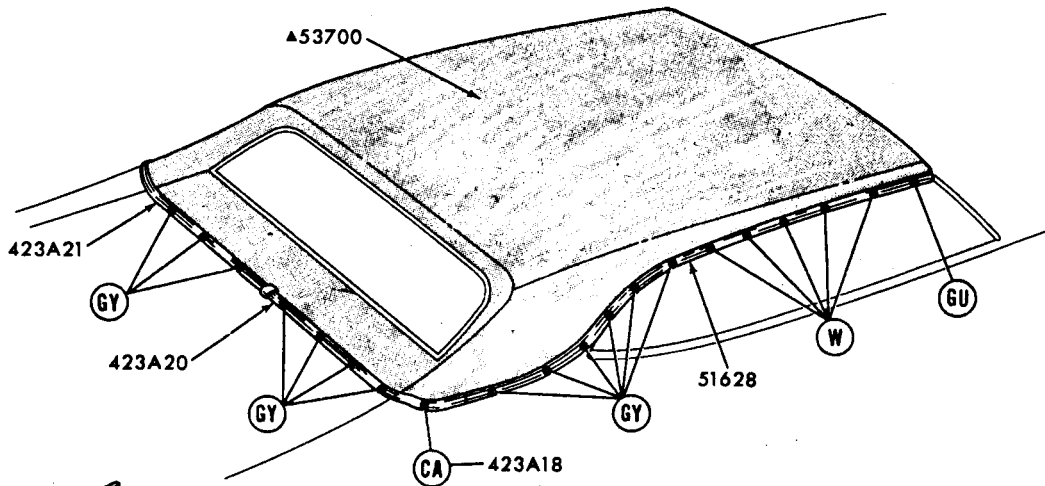
P-8169

ROOF SIDE MOULDINGS and WEATHERSTRIPS  
1970/71 FAIRLANE/TORINO - BODY TYPE 57



P-8294

**ROOF SIDE MOULDINGS and WEATHERSTRIPS  
1970/71 FAIRLANE/TORINO - BODY TYPE 54**



USE 379560-S  
(UU-89-CA)

C9AZ-6220818-A  
W



373888-S (MM-290)  
CA



383229-S (SS-44-E)  
GU



\*45271-S

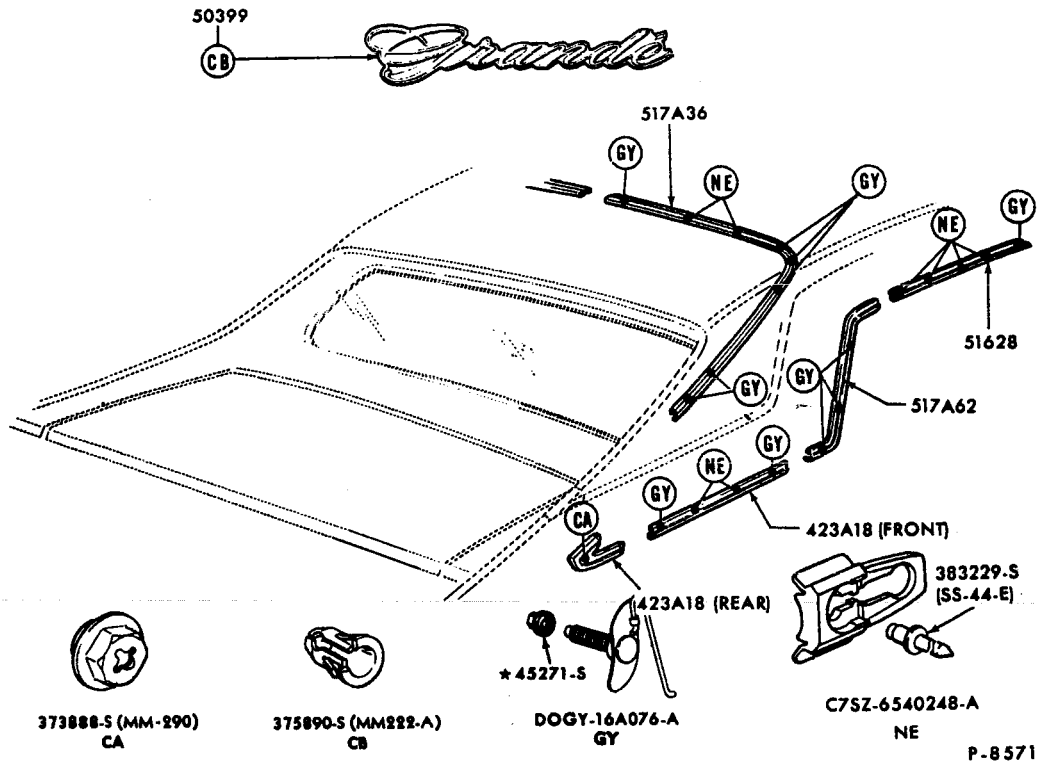
DOGY-16A076-A  
GY

REFER TO GROUP IN SOFT TRIM SECTION

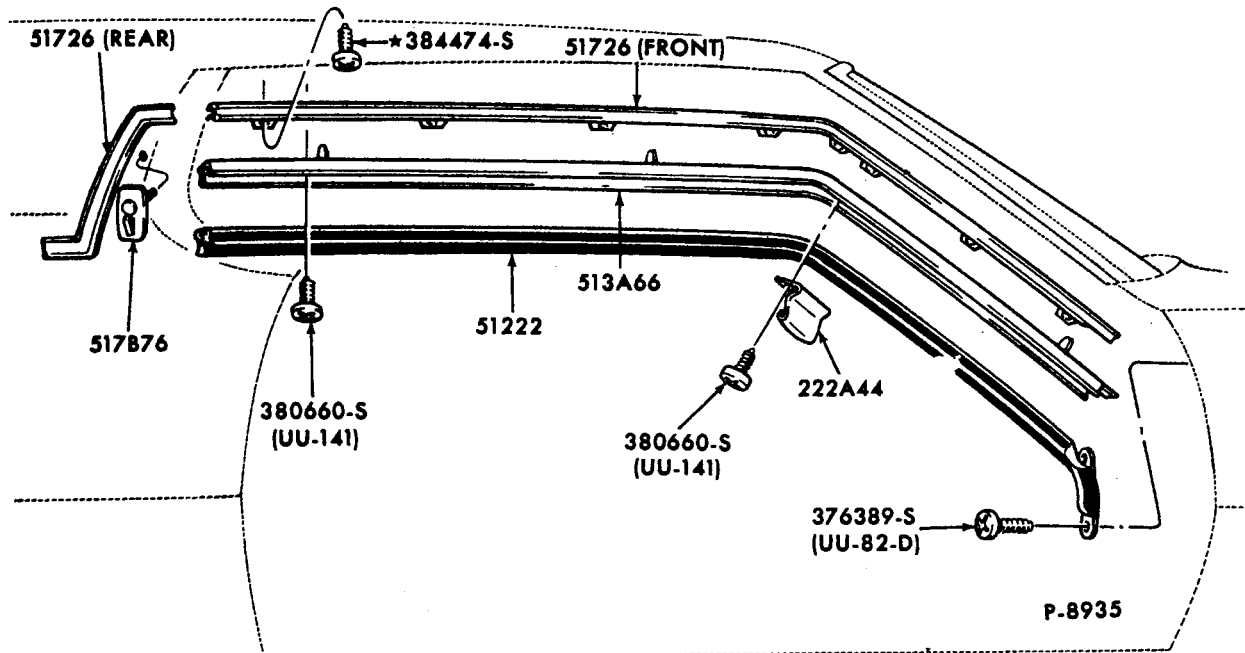
**ROOF COVER, MOULDINGS AND RELATED PARTS  
1971 TORINO - BODY TYPE 65C**

P-8529

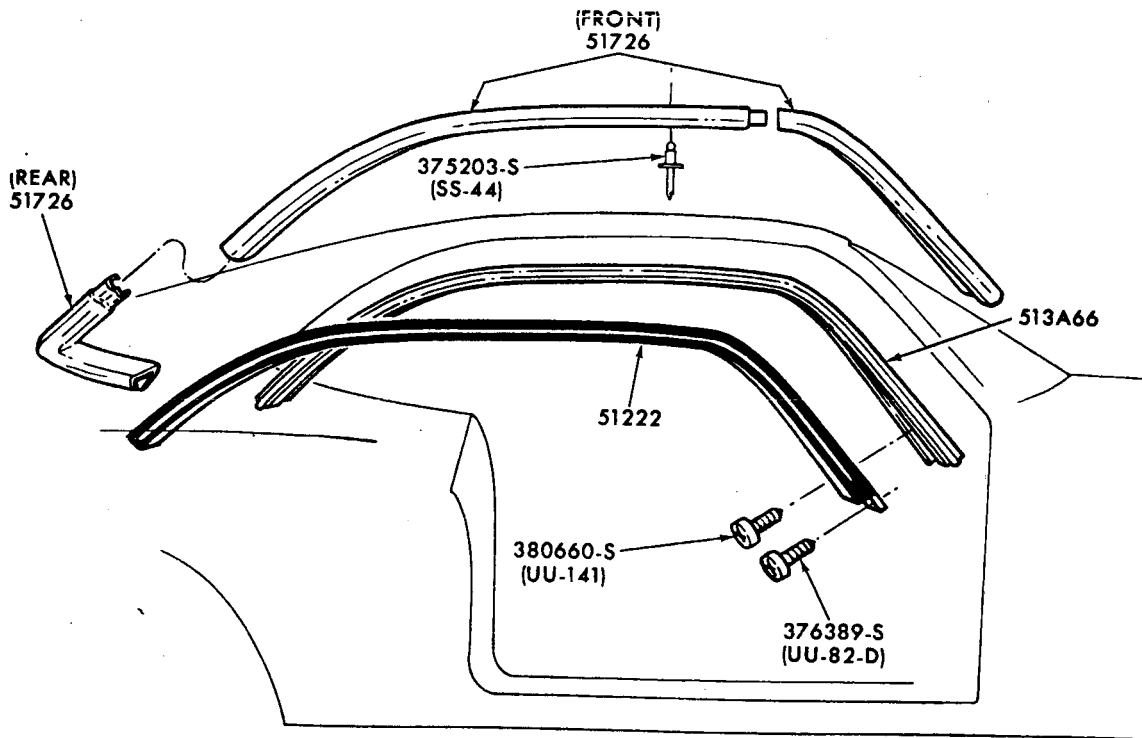
**FORD CAR PARTS**



ROOF COVER, MOULDINGS and RELATED PARTS  
1971/72 MUSTANG - BODY TYPE 65

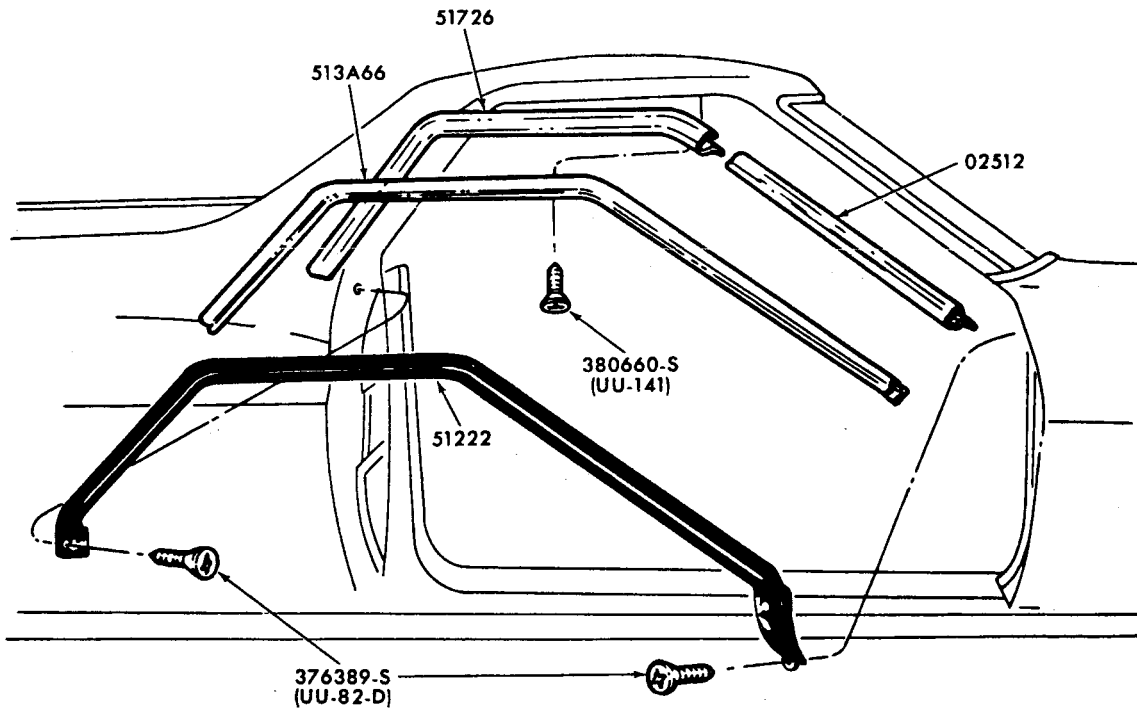


ROOF SIDE MOULDINGS and WEATHERSTRIPS  
1972 THUNDERBIRD



P-8598

ROOF SIDE MOULDINGS and WEATHERSTRIPS  
1972 TORINO - BODY TYPE 63

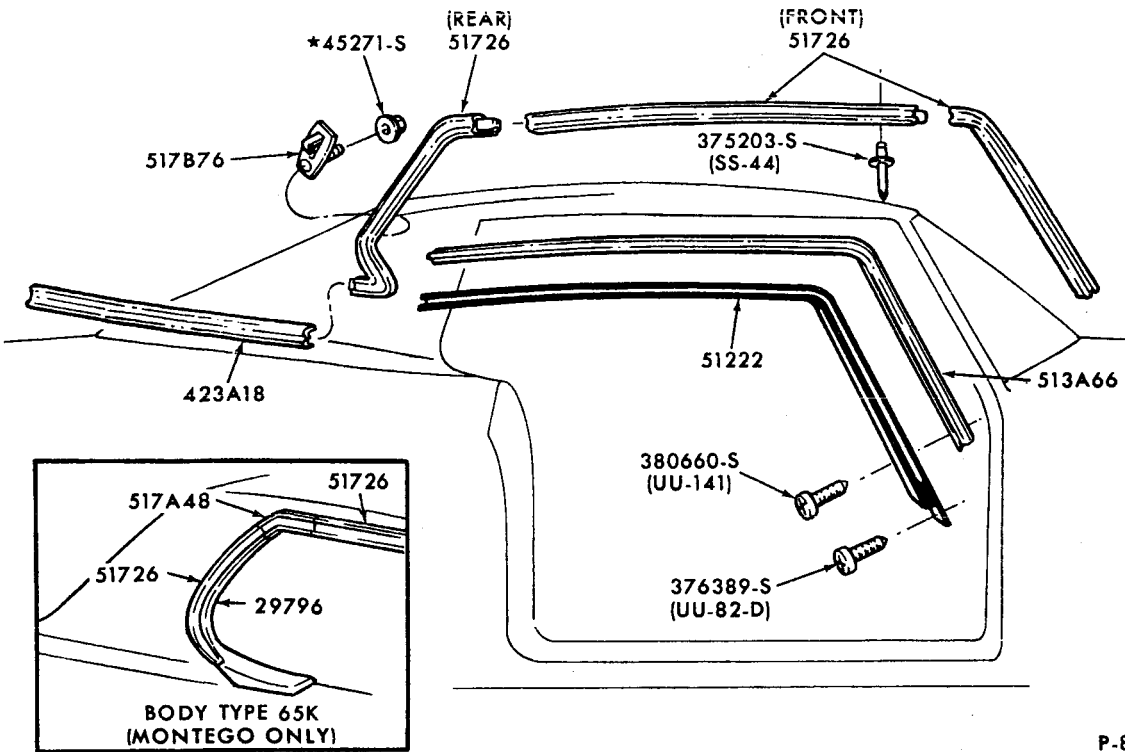


P-8599

ROOF SIDE MOULDINGS and WEATHERSTRIPS  
1972 TORINO - BODY TYPE 97

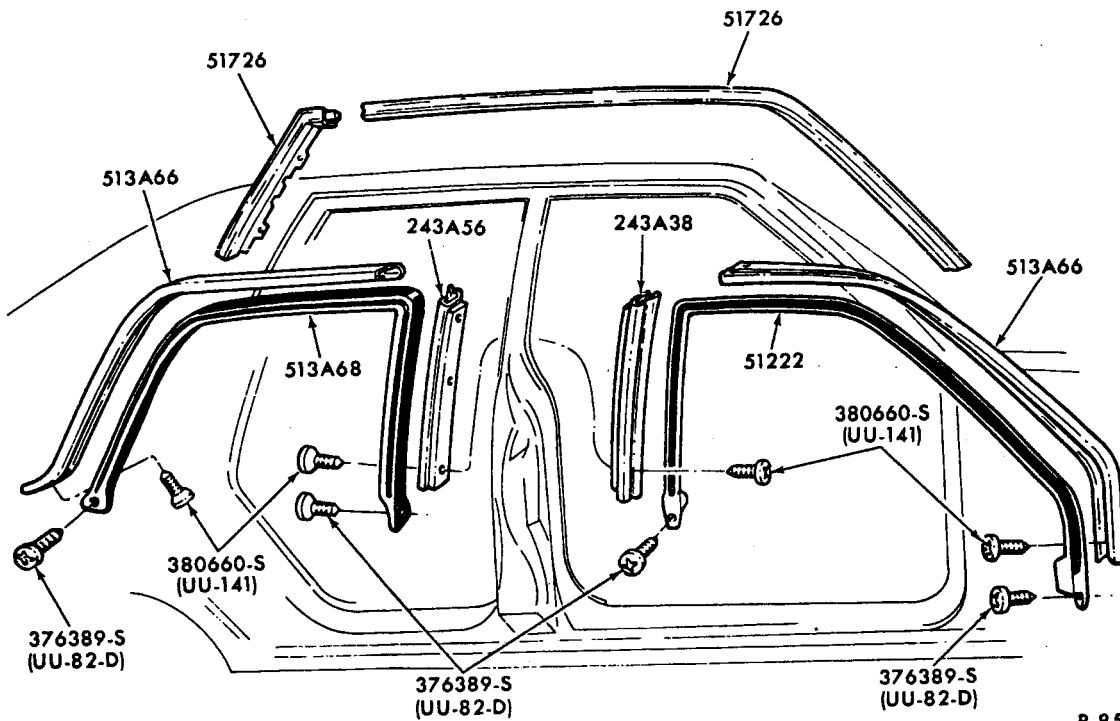


**FORD CAR PARTS**



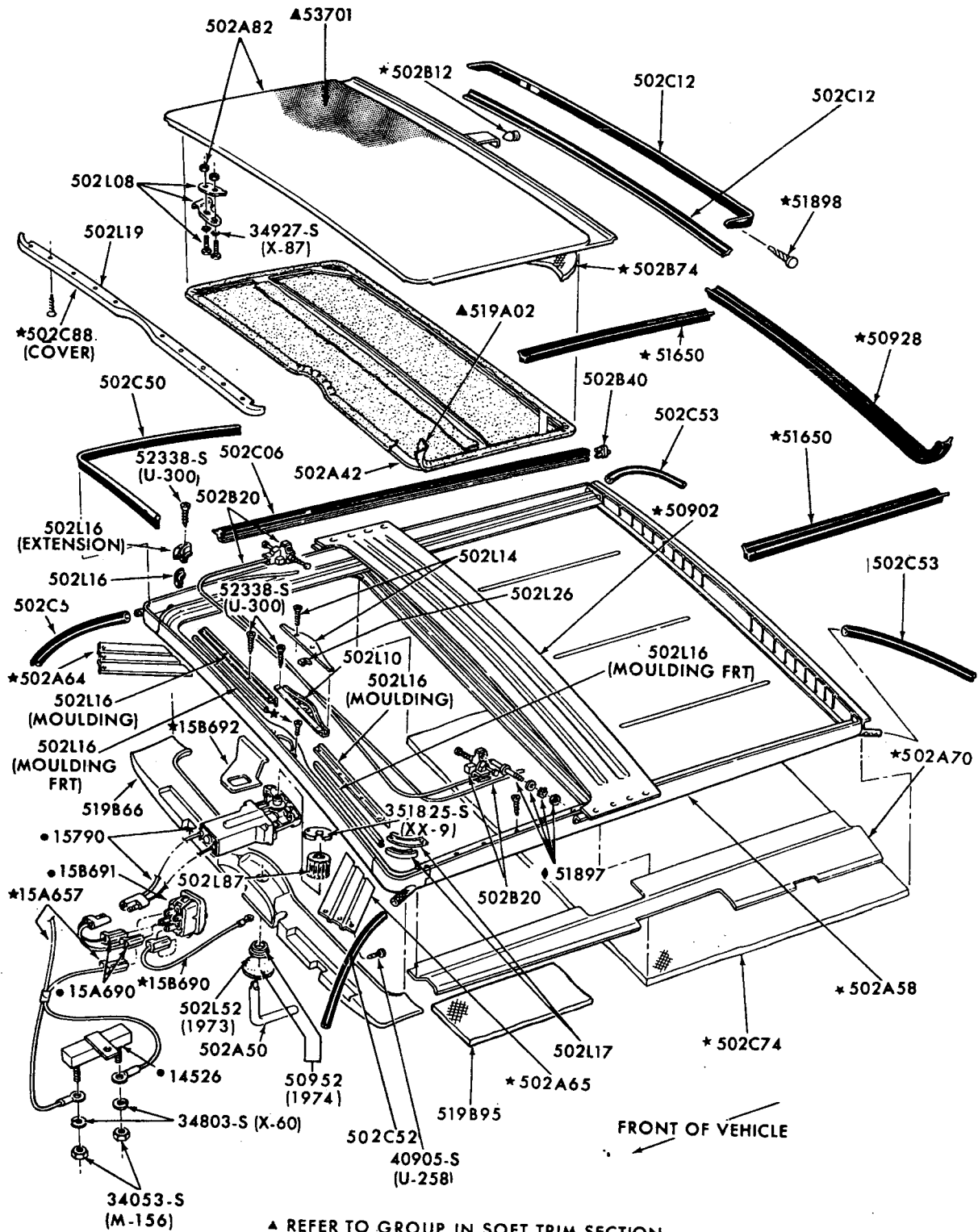
P-8596

ROOF SIDE MOULDINGS and WEATHERSTRIPS  
1972 TORINO - BODY TYPE 65



P-8597

ROOF SIDE MOULDINGS and WEATHERSTRIPS  
1972 TORINO - BODY TYPES 53, 71

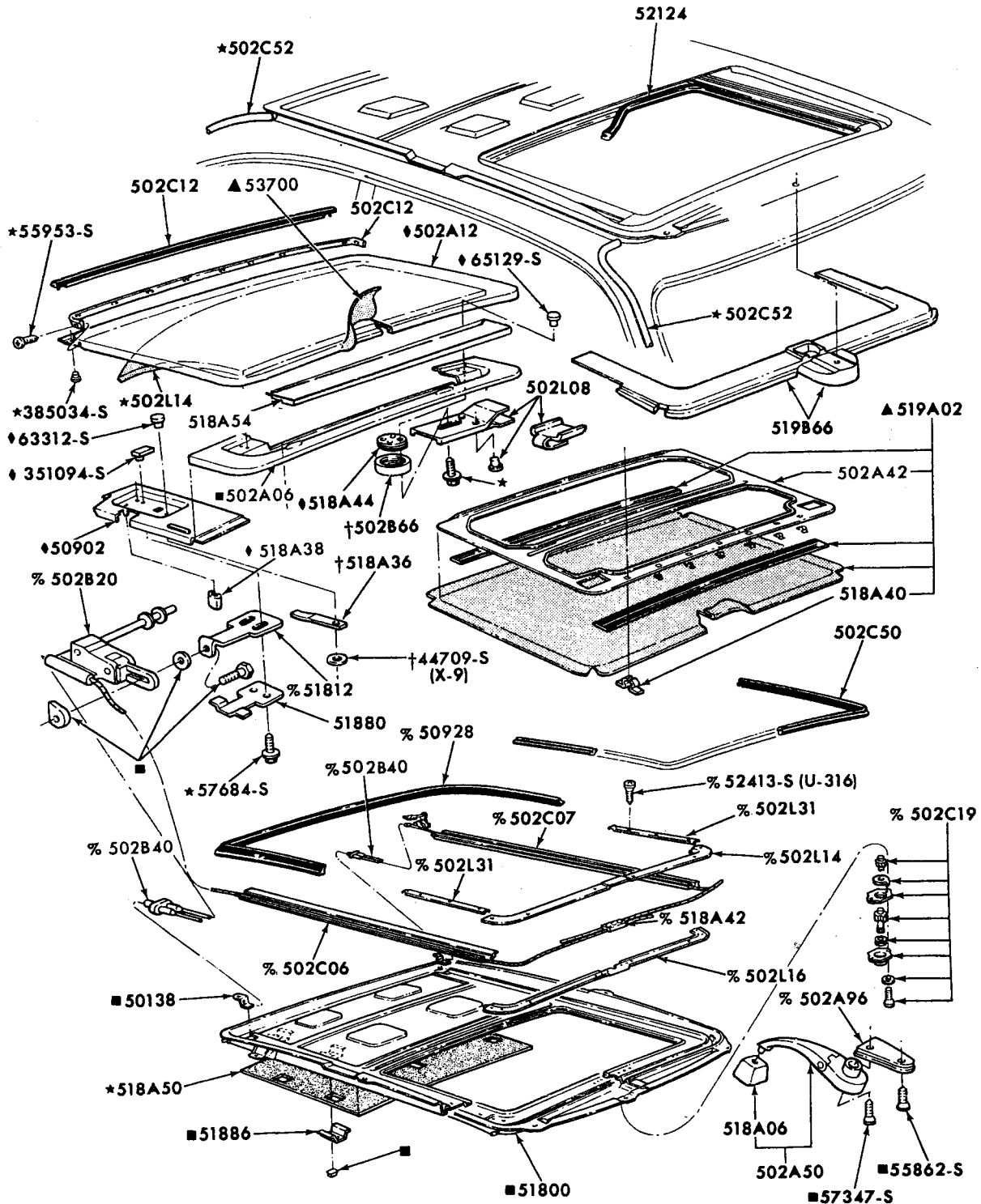


- ▲ REFER TO GROUP IN SOFT TRIM SECTION
- REFER TO GROUP IN CHASSIS SECTION
- ♦ SERVICED ONLY IN ASSY-GROUP 502B20

P-8891

**SLIDING ROOF and RELATED PARTS  
1971/72 THUNDERBIRD and 1972 FORD**

**FORD CAR PARTS**

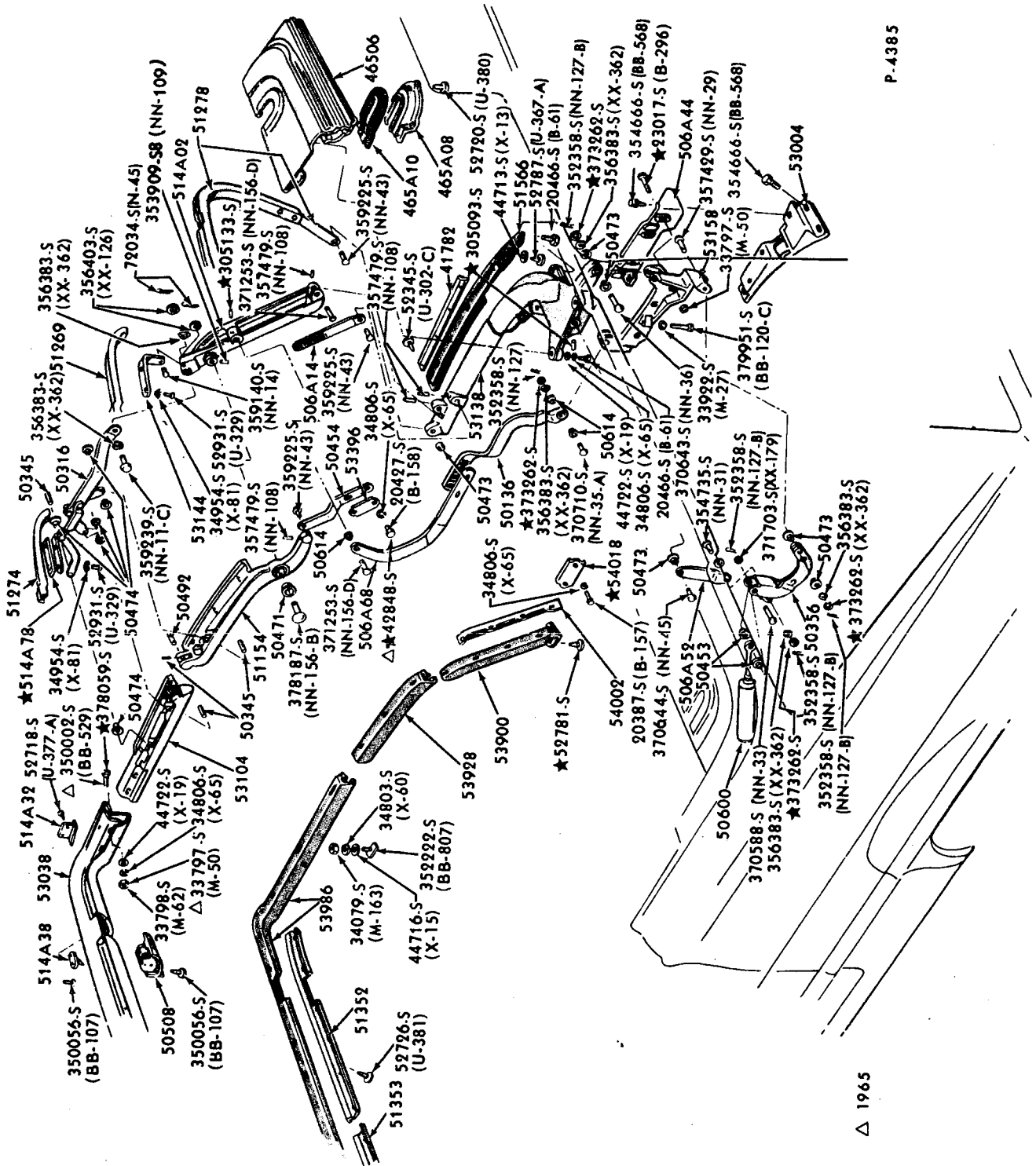


▲ REFER TO GROUP IN SOFT TRIM SECTION  
 ■ SERVICED ONLY IN ASSEMBLY-GROUP 502C22 † SERVICED ONLY IN ASSEMBLY-GROUP 502B98  
 % ALSO SERVICED IN ASSEMBLY-GROUP 502C22 † ALSO SERVICED IN ASSEMBLY-GROUP 502B98 P-9240

SLIDING ROOF and RELATED PARTS  
 1972 PINTO - BODY TYPES 62, 64





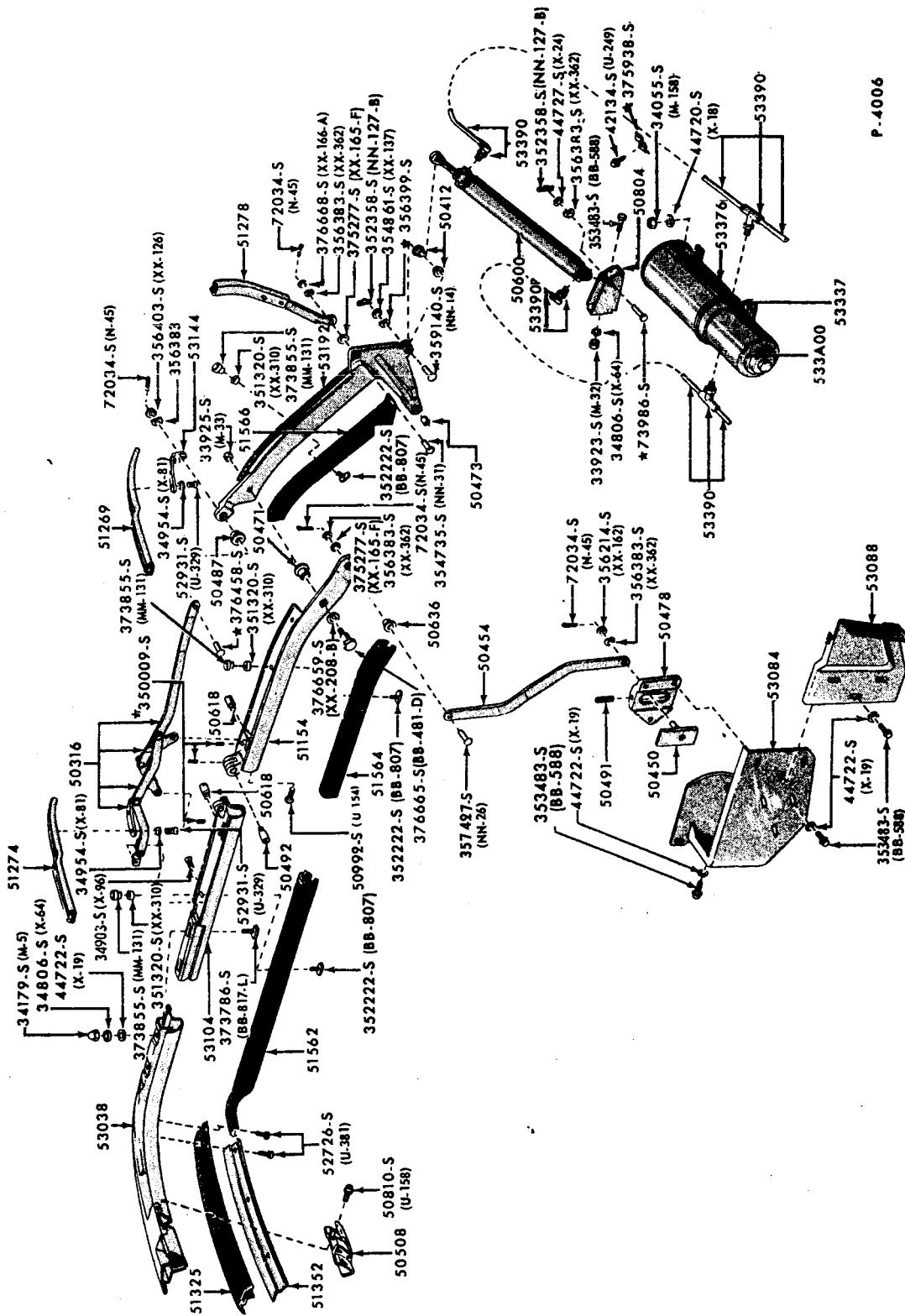


P-4385

Δ 1965

FOLDING TOP PARTS - LESS TRIM  
1965/66 THUNDERBIRD - BODY TYPE 76

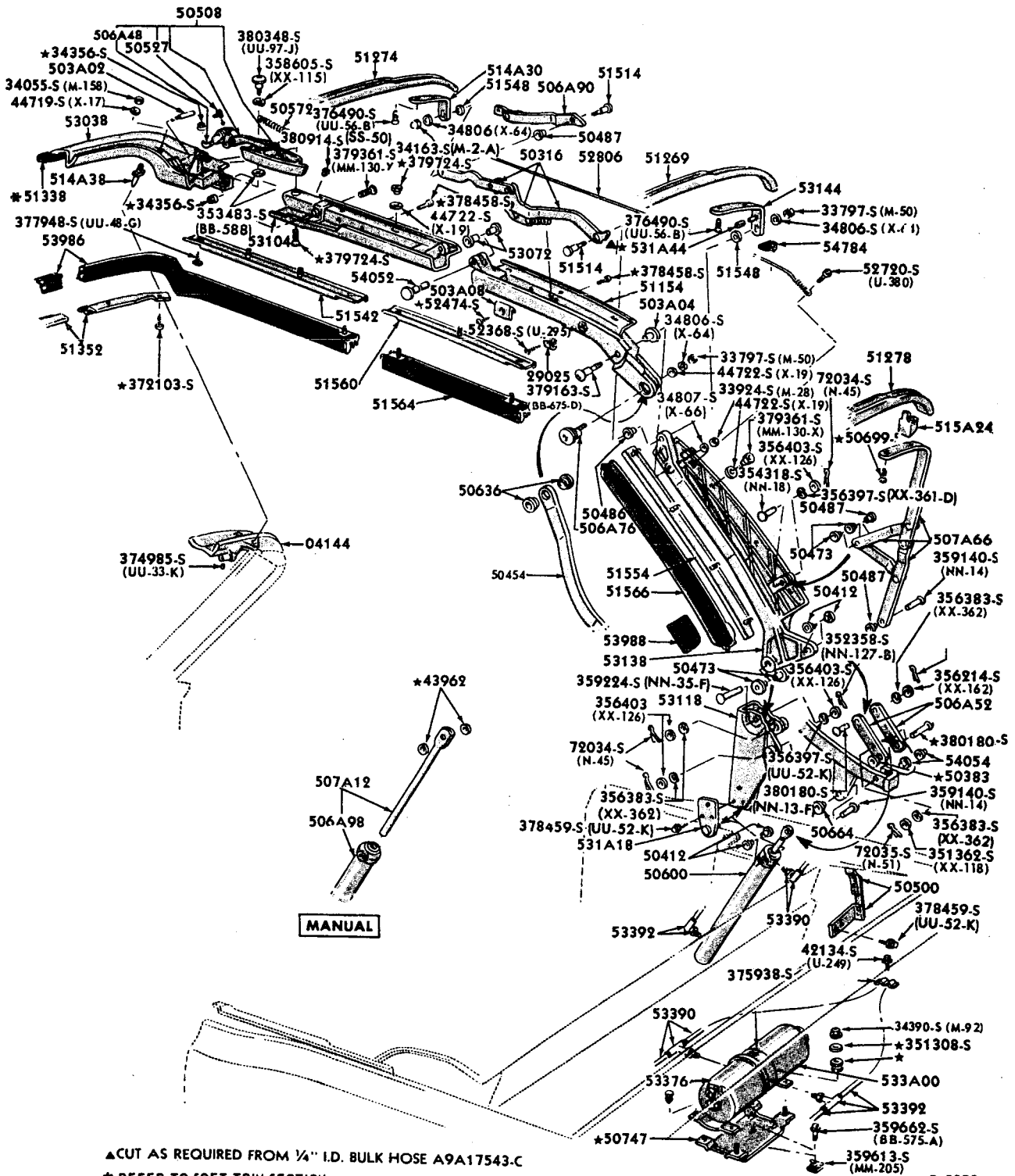




P-4006

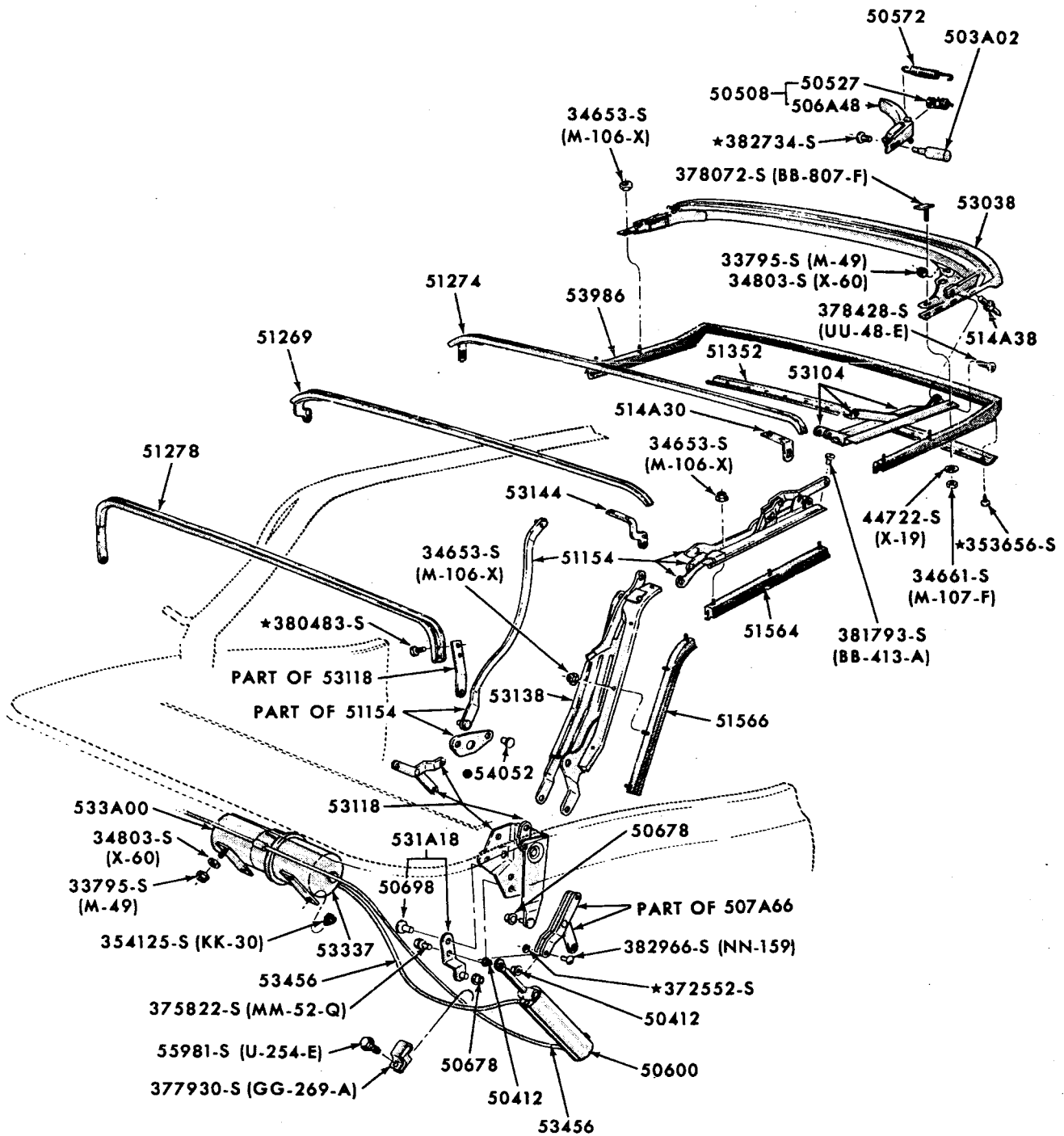
FOLDING TOP PARTS - LESS TRIM  
1965 FALCON - BODY TYPE 76





FOLDING TOP PARTS - LESS TRIM  
1966 FAIRLANE - BODY TYPE 76



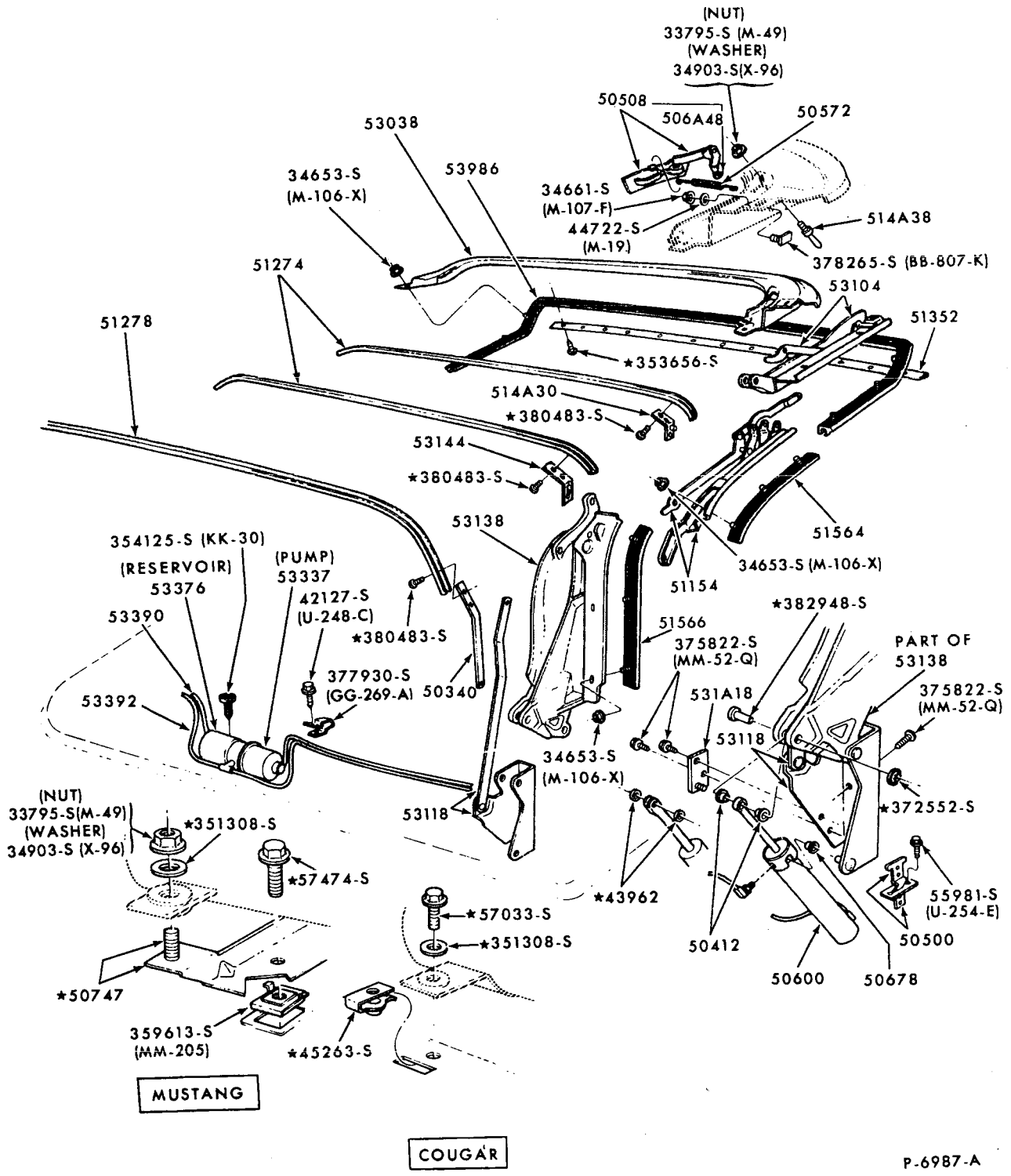


• ALSO SERVICED IN ASSEMBLY-GROUP 51154-5

P-6776-A

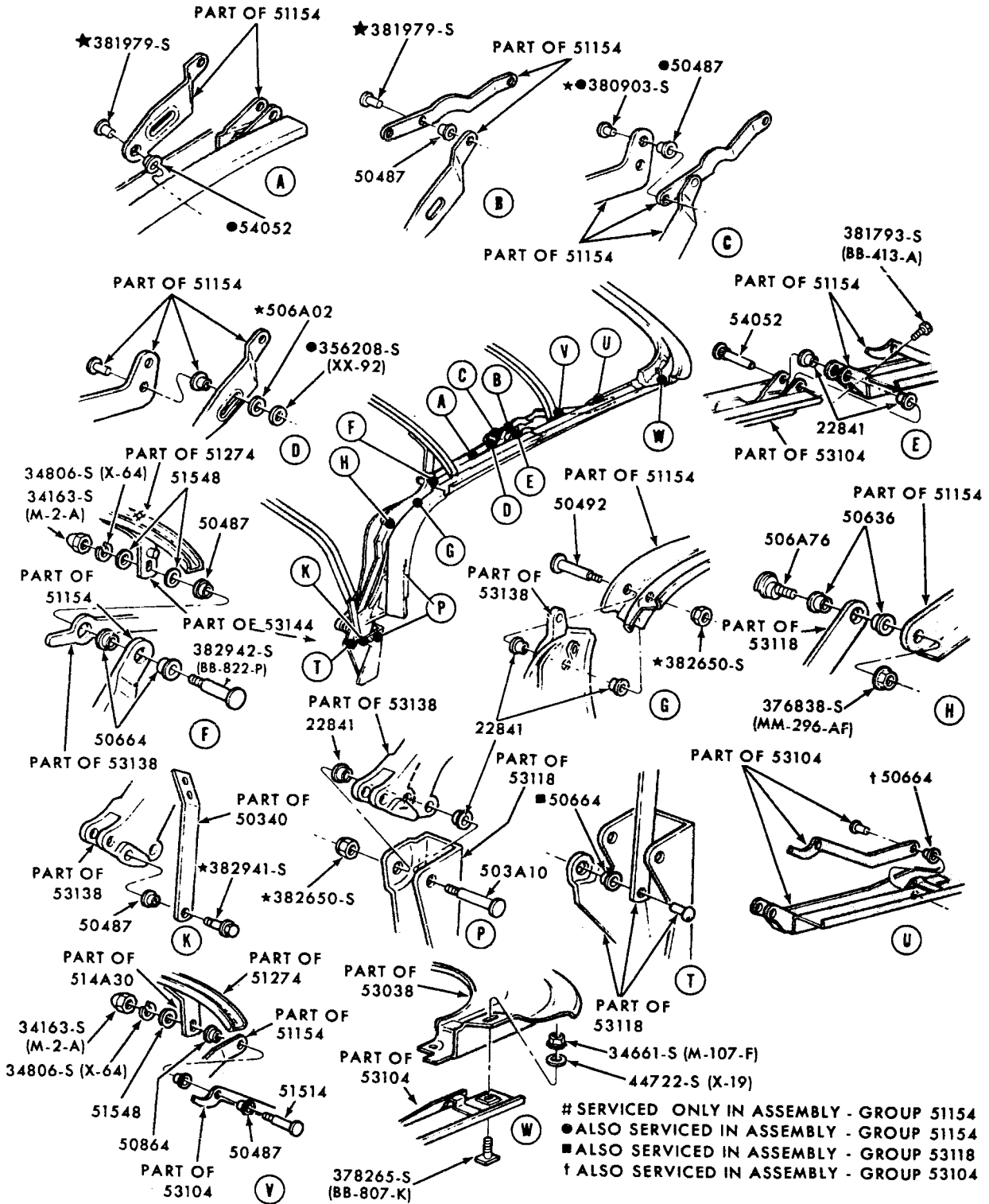
FOLDING TOP PARTS - LESS TRIM  
1969/72 FORD - BODY TYPE 76





P-6987-A

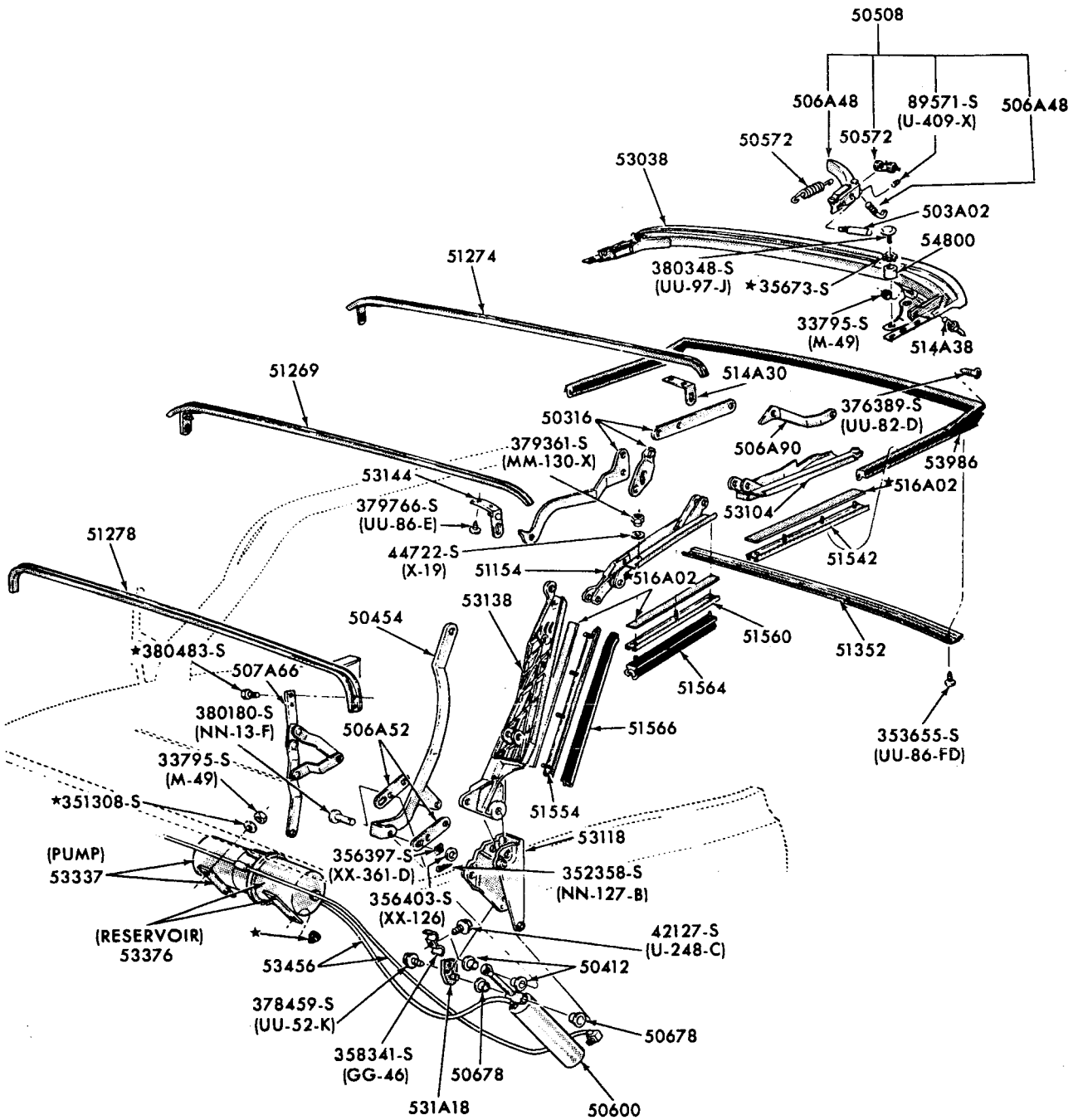
FOLDING TOP PARTS -LESS TRIM  
1969/70 MUSTANG



P-6987-B

FOLDING TOP PARTS - LESS TRIM- continued  
 1969/70 MUSTANG

**FORD CAR PARTS**



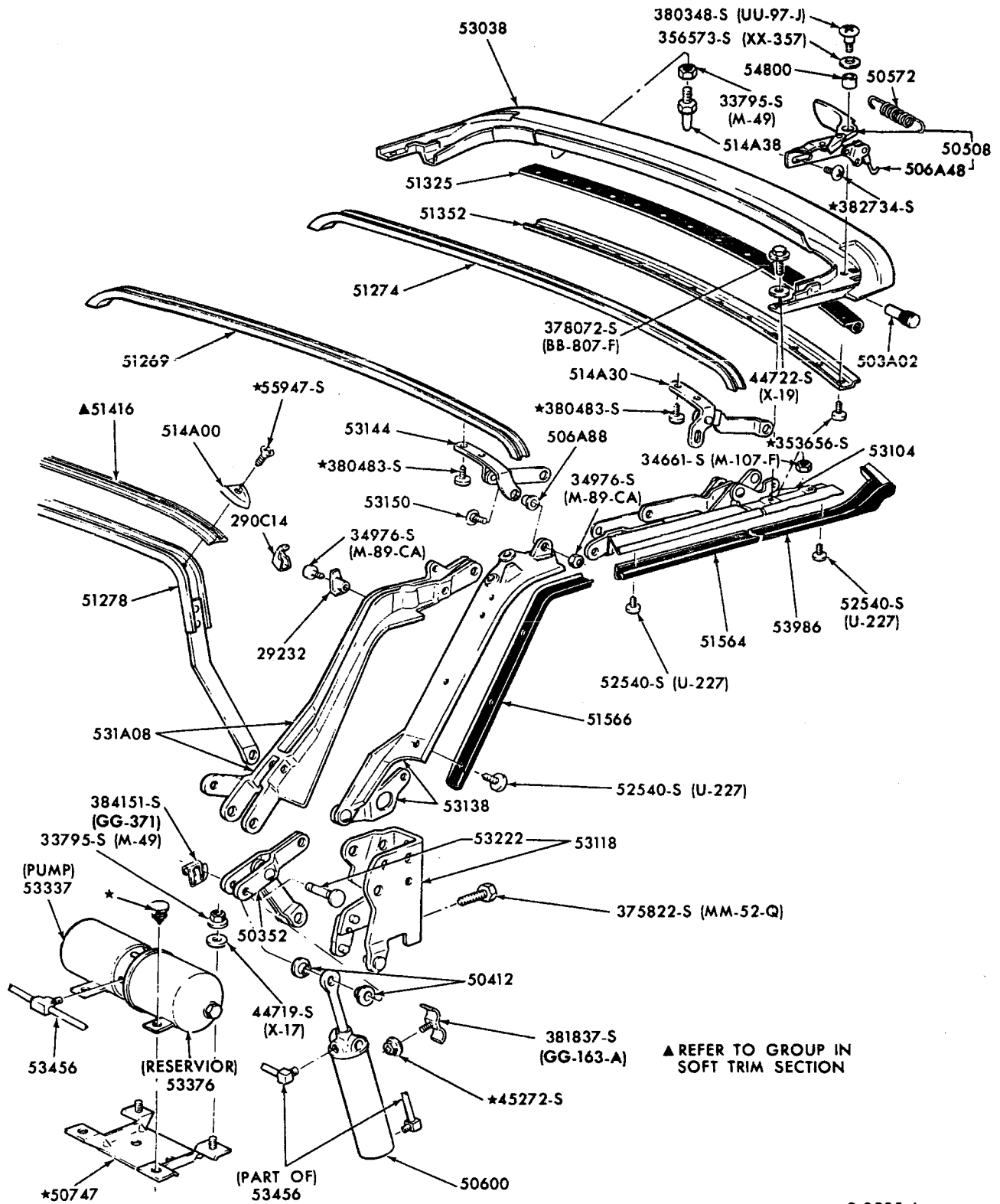
P-7435-A

FOLDING TOP PARTS - LESS TRIM  
1970/72 FAIRLANE/TORINO - BODY TYPE 76



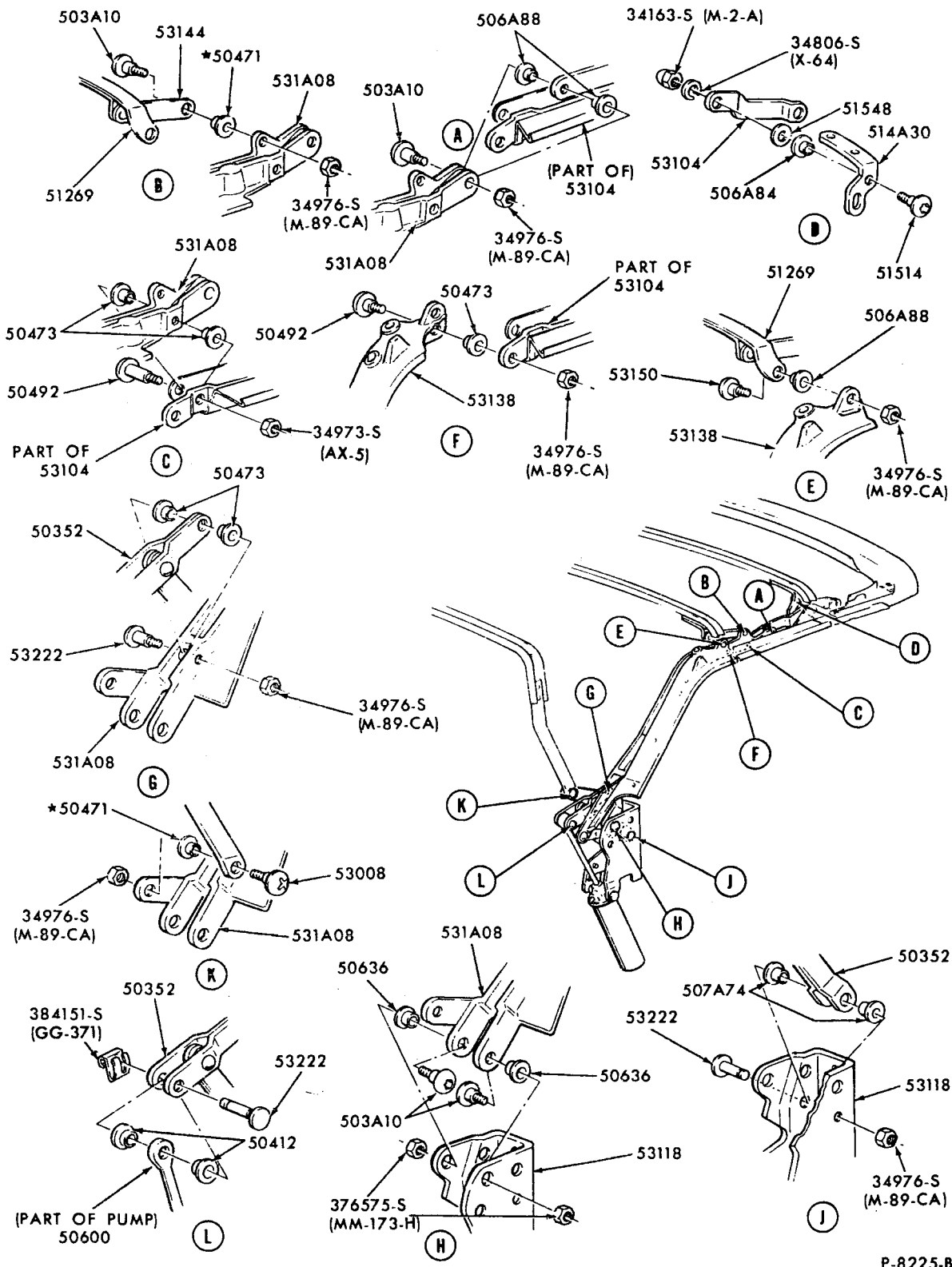


# FORD CAR PARTS



FOLDING TOP PARTS - LESS TRIM  
1971/72 MUSTANG - BODY TYPE 76

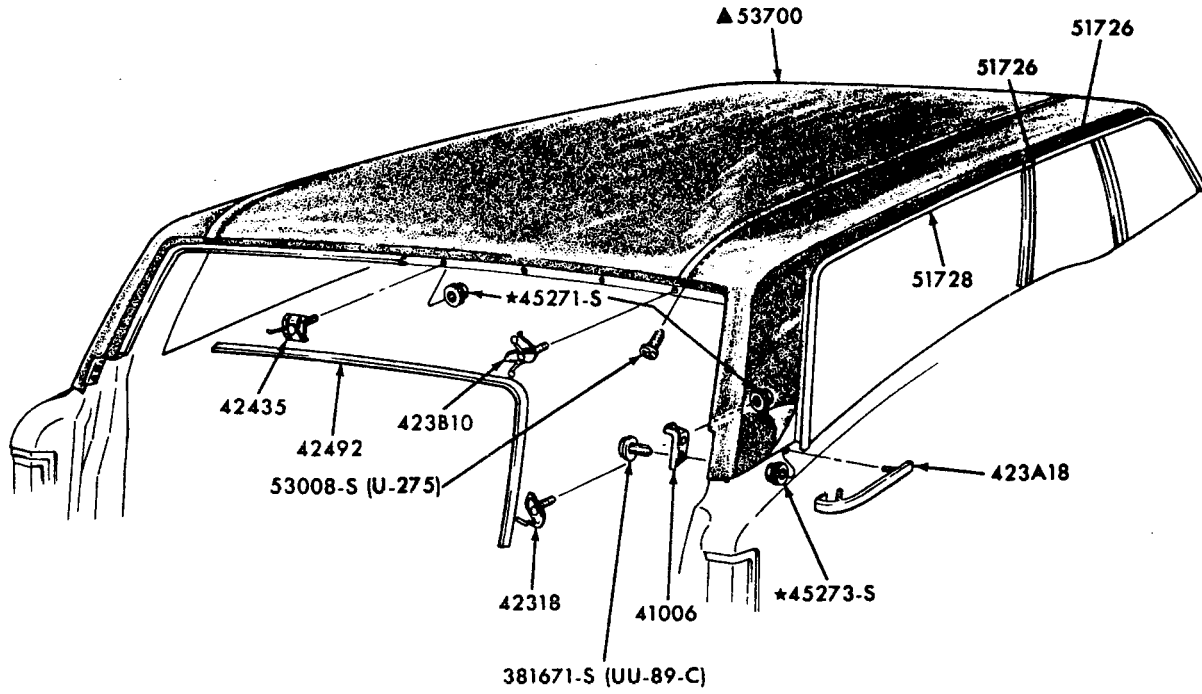
P-8225-A



P-8225-B

FOLDING TOP PARTS - LESS TRIM - continued  
1971/72 MUSTANG - BODY TYPE 76

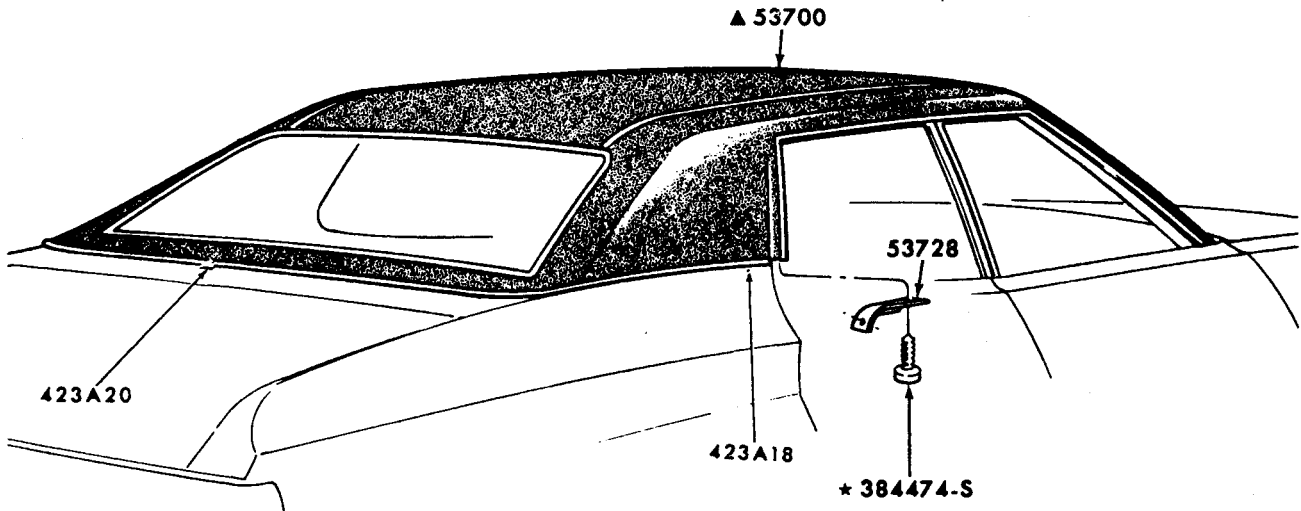
### FORD CAR PARTS



▲ REFER TO GROUP IN SOFT TRIM SECTION

P-6963

ROOF COVER and RELATED PARTS  
1969/72 FORD - BODY TYPE 71



▲ REFER TO GROUP IN SOFT TRIM SECTION

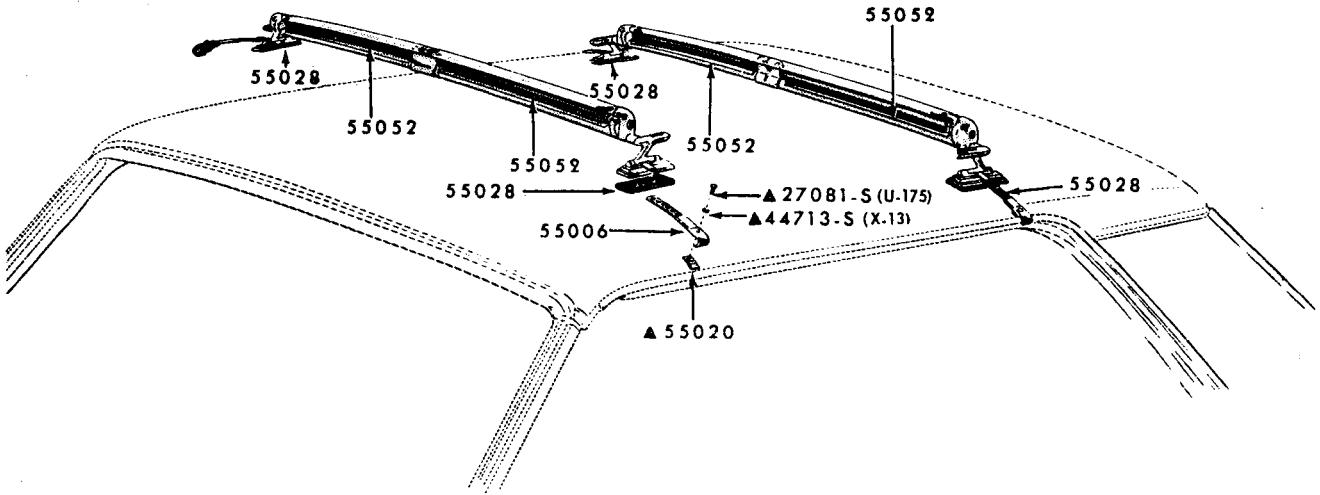
P-9241

ROOF COVER and RELATED PARTS  
1972 TORINO - BODY TYPE 53

# FORD CAR PARTS

BODY ILLUSTRATION  
SECTION 550

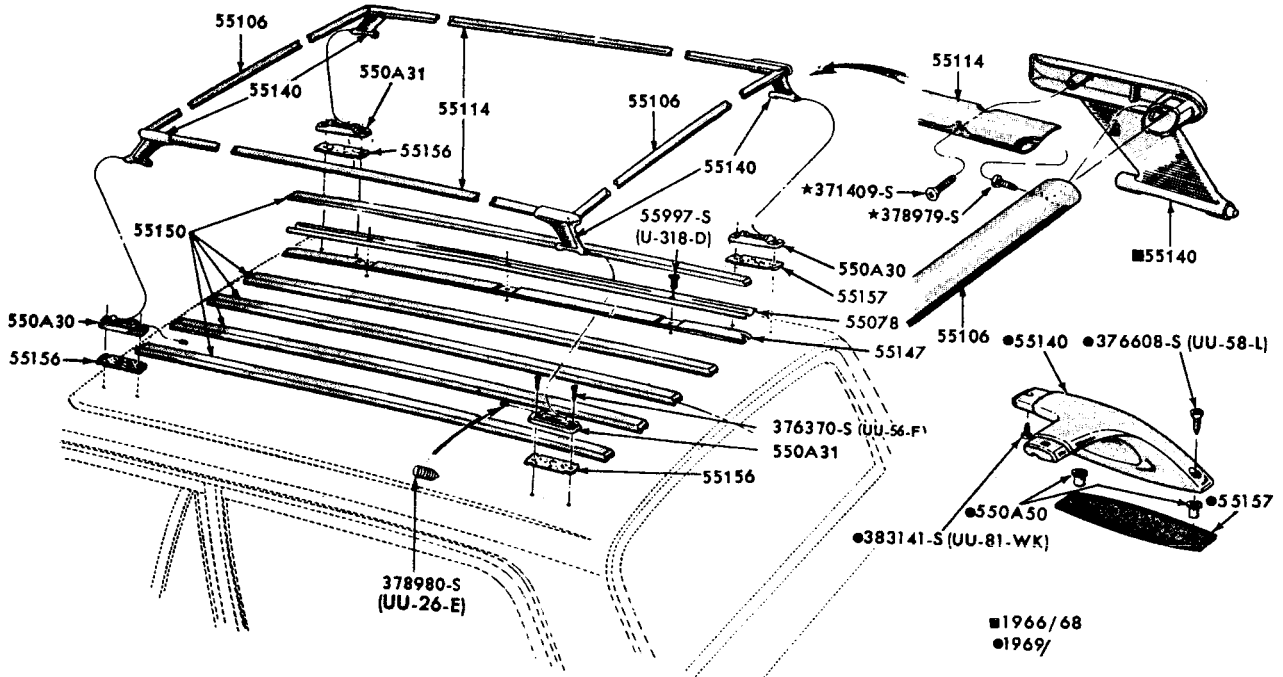
1



▲ALSO INCLUDED IN 55006

P-4050

## SKI CARRIER - ROOF MOUNTED 1965 FORD, FAIRLANE, FALCON, and THUNDERBIRD



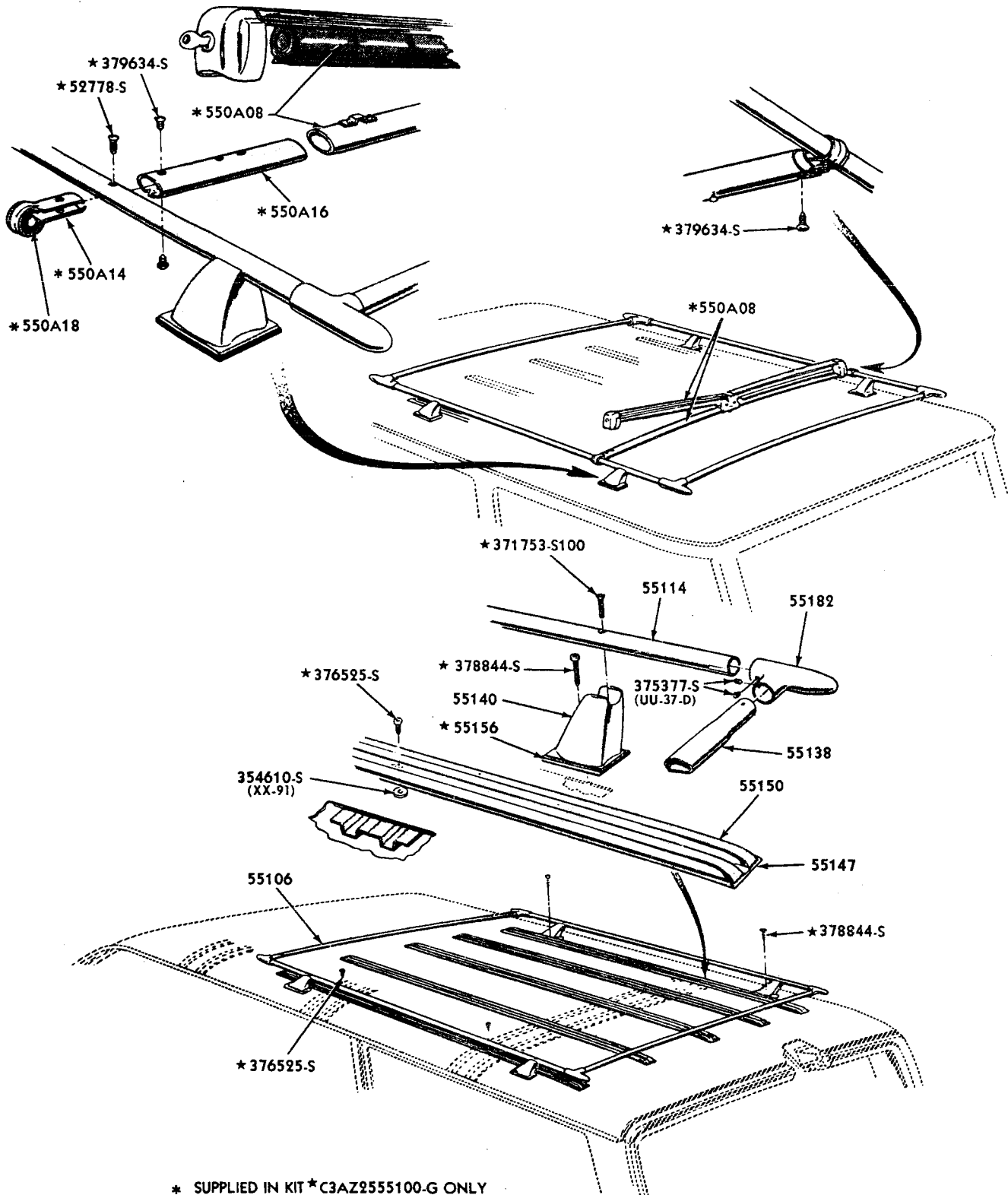
P-5091

## LUGGAGE CARRIER - NON-ADJUSTABLE - ROOF MOUNTED 1966/69 FORD, FAIRLANE/TORINO and FALCON - BODY TYPE 71 - TYPICAL

May, 1975

COPYRIGHT © 1975 — FORD MOTOR COMPANY — DEARBORN, MICHIGAN

**FINAL ISSUE**



\* SUPPLIED IN KIT \*C3AZ2555100-G ONLY

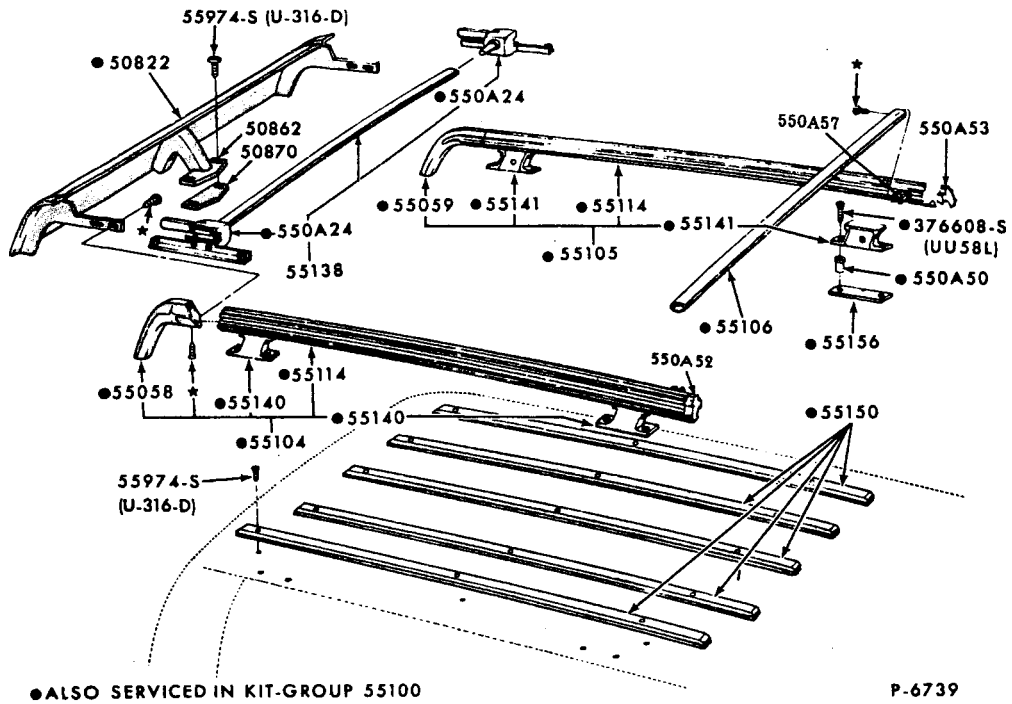
P-4863

LUGGAGE and CARRIER and RELATED PARTS - NON-ADJUSTABLE ROOF MOUNTED (5 SLATS)  
1965/66 FORD, FAIRLANE, FALCON, MUSTANG, and THUNDERBIRD - TYPICAL



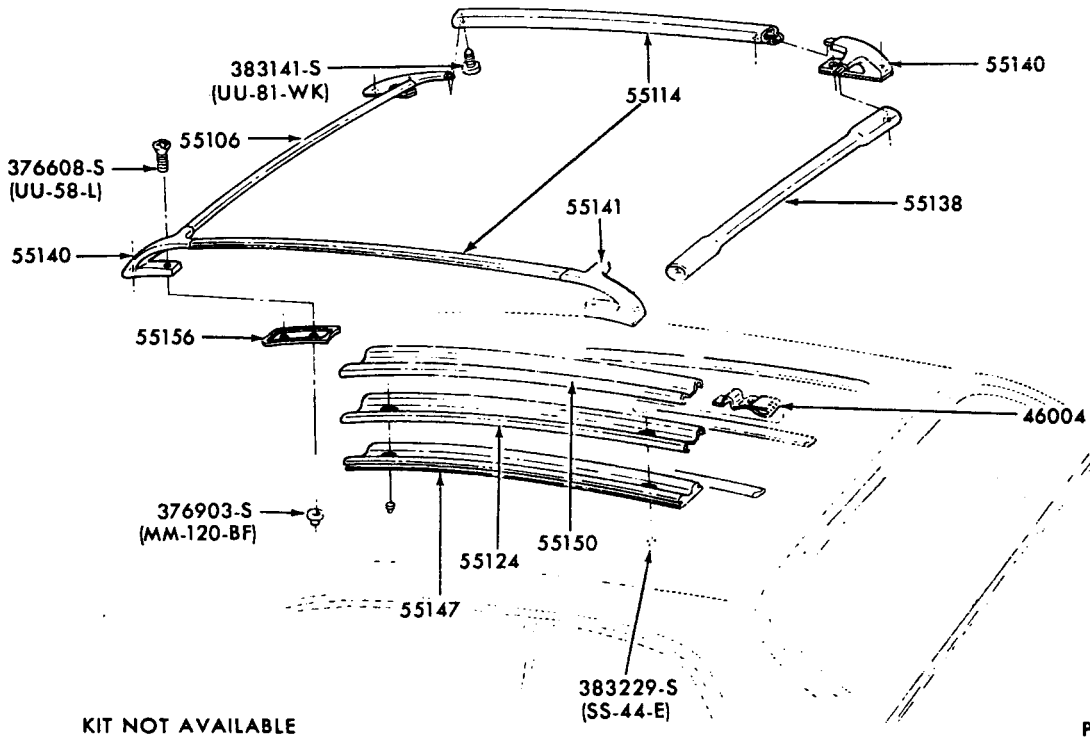
**BODY ILLUSTRATION  
SECTION 550**

**FORD CAR PARTS**



P-6739

**LUGGAGE CARRIER - ROOF MOUNTED - ADJUSTABLE  
1969 FORD - BODY TYPE 71**



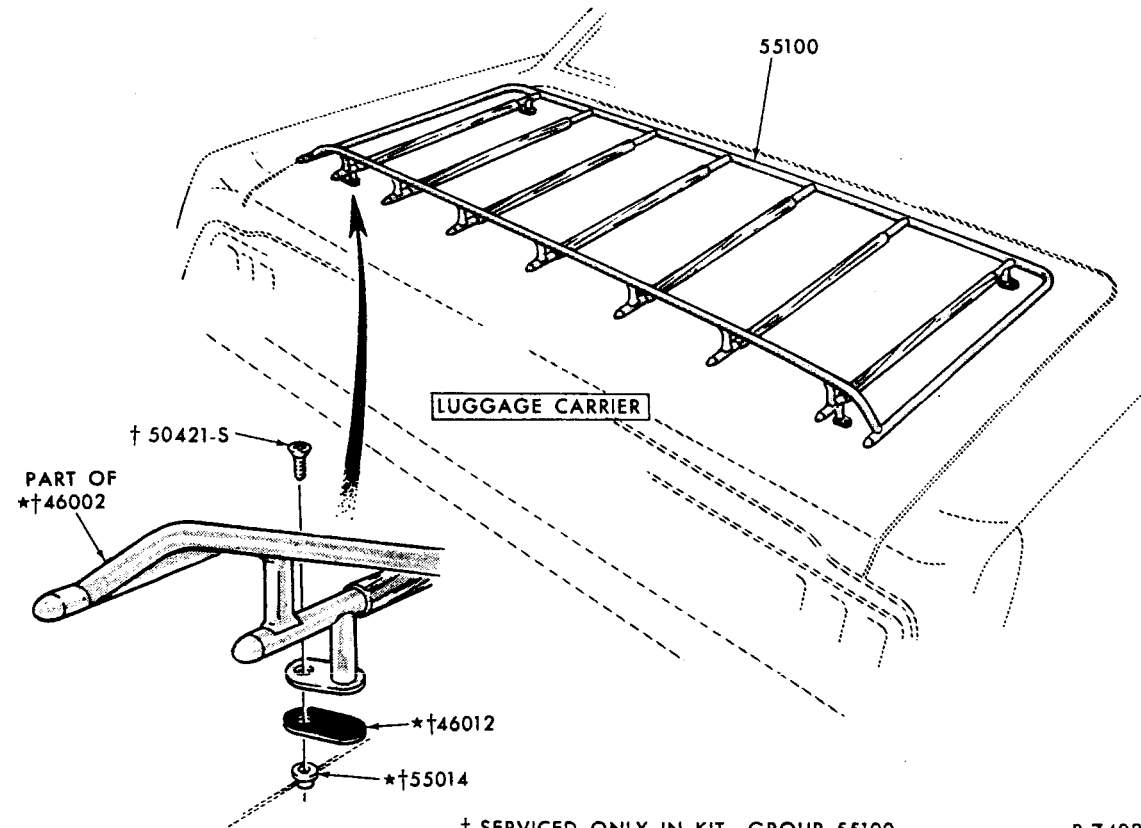
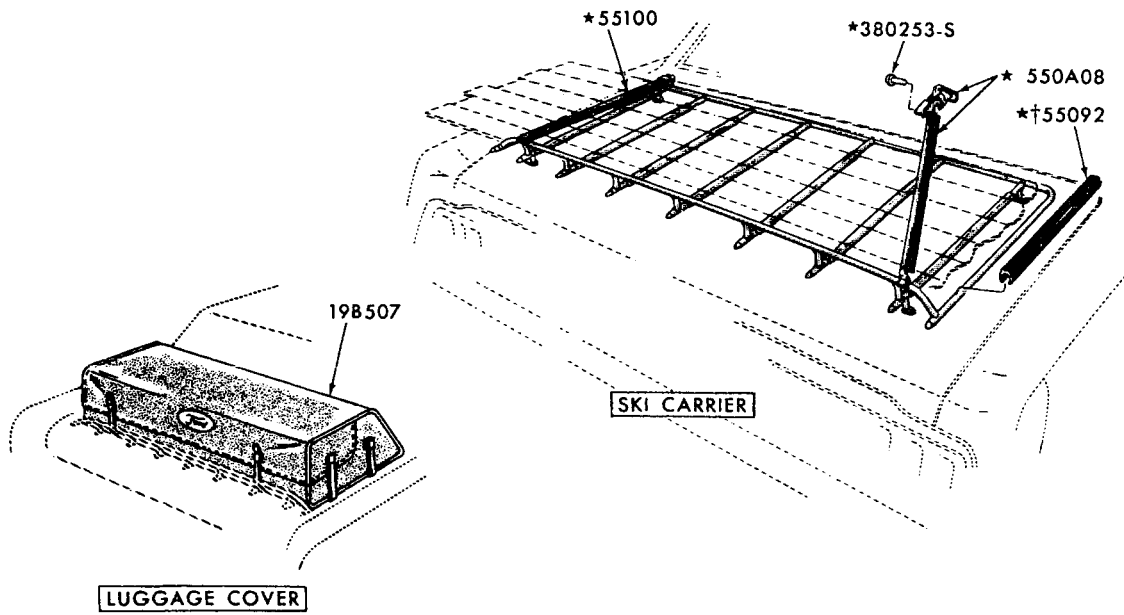
P-7927

**LUGGAGE CARRIER and RELATED PARTS - ROOF MOUNTED  
1971/72 PINTO**





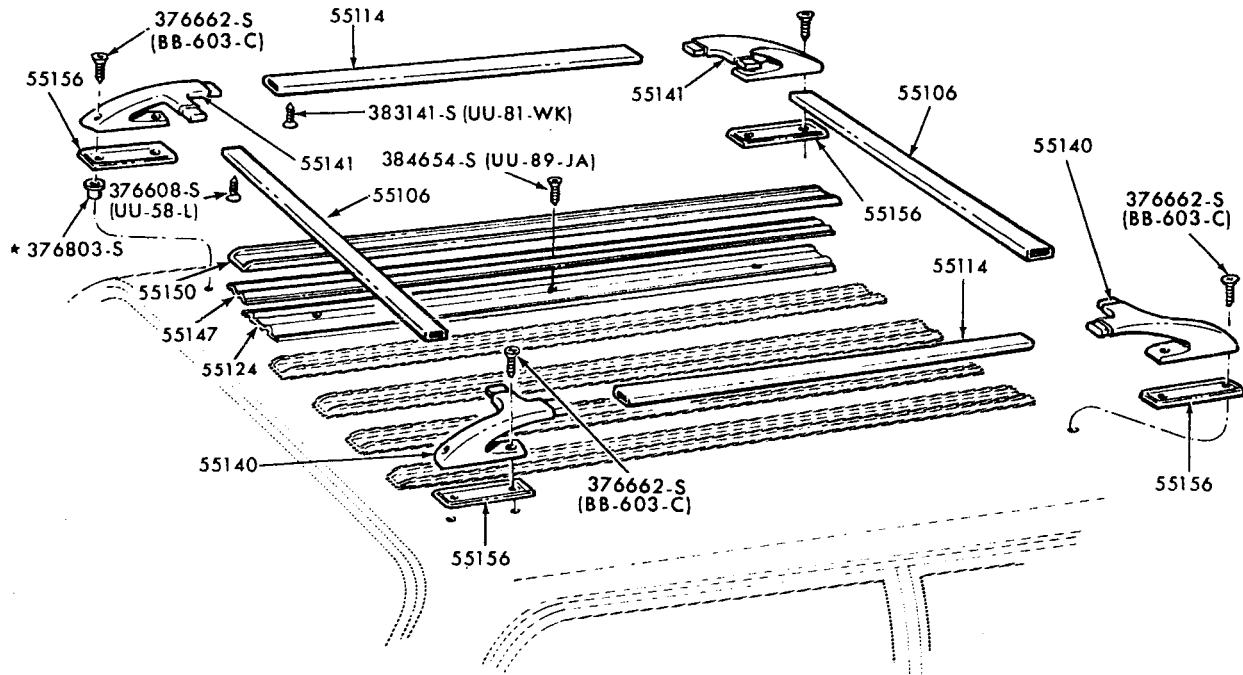
**FORD CAR PARTS**



† SERVICED ONLY IN KIT—GROUP 55100

P-7402

LUGGAGE CARRIER, SKI RACK and LUGGAGE COVER  
LUGGAGE COMPARTMENT MOUNTED - NON REMOVABLE  
1970/72 ALL



P-8173

LUGGAGE CARRIER - ROOF MOUNTED - NON-ADJUSTABLE  
1970/72 FORD, FAIRLANE/TORINO - BODY TYPE 71



## INDEX

THIS INDEX SECTION INCLUDES SEATS and RELATED PARTS, SUCH AS:

AUXILIARY SEATS and STORAGE COMPARTMENT  
HEADREST  
POWER SEAT PARTS  
REAR SEAT and AUXILIARY FLOOR

SEATS - FRONT and REAR  
SEAT BELTS  
SHOULDER HARNESS

TITLE	SECTION	PAGE	ILLUS. NO.
-------	---------	------	------------

# 1965

### A (FORD)

Auxiliary seats and storage compartment - body type 71A, C	610	3	P-4762
Child safety seat	620	2	P-11536
Front seats - bucket	600	3	P-4322
Front seat - manual full width	600	1	P-4768
Front seat - power full width	600	2	P-4765
Rear seat and storage compartment - body type 71	610	2	P-4761
Rear seat - folding - body type 54	610	1	P-4766
Reclining seat and head rest parts	600	4	P-4323
Seat belts - bucket seats	620	1	P-4397
Seat belts - full width seat	620	1	P-4398

### B (FAIRLANE)

Auxiliary seat and storage compartment - body type 71	610	5	P-4045
Child safety seat	620	2	P-11536
Front seats - bucket - body type 65B	600	6	P-4048
Front seat - full width	600	5	P-3765
Rear seat and auxiliary floor - body type 71	610	4	P-4044
Seat belts - bucket seats	620	1	P-4397
Seat belts - full width seat	620	1	P-4398

### F (MUSTANG)

Child safety seat	620	2	P-11536
Front seats - bucket	600	8	P-4455
Front seat - full width	600	8	P-4885
Rear seat - folding - body type 63	610	6	P-4764

### S (THUNDERBIRD)

Child safety seat	620	2	P-11536
Front seats - bucket	600	3	P-4322
Reclining seat and head rest parts	600	4	P-4323
Seat belts	620	2	P-4396

### X (FALCON)

Child safety seat	620	2	P-11536
Front seats - bucket - body types 62C, 63C, D, 66G, H	600	6	P-4048
Front seats - bucket - body type 76B, D	600	7	P-3859
Front seat - full width	600	5	P-3166
Rear seat - body types 59, 71	610	7	P-3201
Seat belts - bucket seats	620	1	P-4397
Seat belts - full width seat	620	1	P-4398

B

**BODY ILLUSTRATION  
SECTION 600**
**FORD CAR PARTS**
**INDEX**

TITLE

SECTION

PAGE

ILLUS. NO.

**1966**
**A (FORD)**

Auxiliary seats and storage compartment - body type 71A, C	610	3	P-4762
Child safety seat	620	2	P-11536
Front seats - bucket	600	10	P-5159
Front seat - manual full width	600	1	P-4768
Front seat - power full width	600	2	P-4765
Headrest	600	9	P-5392
Rear seat and storage compartment - body type 71	610	2	P-4761
Rear seat - folding - body type 54	610	1	P-4766
Reclining seat and head rest parts	600	4	P-4323
Seat belts - front and rear seats	620	3	P-5155

**B (FAIRLANE)**

Auxiliary seat and storage compartment - body type 71	610	9	P-5153
Child safety seat	620	2	P-11536
Headrest	600	9	P-5392
Front seats - bucket	600	9	P-5157
Front seat - full width	600	5	P-3765
Rear seat and auxiliary floor - body type 71	610	8	P-5152
Seat belts - front and rear seats	620	3	P-5155

**F (MUSTANG)**

Child safety seat	620	2	P-11536
Front seats - bucket	600	8	P-4455
Front seat - full width	600	8	P-4885
Headrest	600	9	P-5392
Rear seat - folding - body type 63	610	6	P-4764
Seat belts - front and rear seats	620	3	P-5155

**S (THUNDERBIRD)**

Child safety seat	620	2	P-11536
Front seats - bucket	600	10	P-5159
Reclining seat and head rest parts	600	4	P-4323
Seat belts - front and rear seats	620	4	P-5154

**U (BRONCO)**

Child safety seat	620	2	P-11536
Front seats - bucket	600	11	P-4967
Front seat - full width	600	11	P-4966
Rear seat	610	15	P-4971
Seat belts - front and rear seats	620	3	P-5155

**X (FALCON)**

Child safety seat	620	2	P-11536
Front seats - bucket	600	9	P-5157
Front seat - full width	600	5	P-3166
Headrest	600	9	P-5392
Rear seat and auxiliary floor - body type 71	610	8	P-5152
Seat belts - front and rear seats	620	3	P-5155

**INDEX**

TITLE

SECTION

PAGE

ILLUS. NO.

**1967**

**A (FORD)**

Auxiliary seats and storage compartment - body type 71A, C, J	610	11	P-5805
Child safety seat	620	2	P-11536
Front seats - driver power bucket	600	18	P-5703
Front seat - driver power split	600	14	P-5709
Front seats - manual bucket	600	17	P-5701
Front seat - manual full width	600	1	P-4768
Front seat - manual split	600	16	P-5704
Front seat - passenger power split	600	15	P-5705
Front seat - power full width - lower half	600	13	P-5843
Front seat - power full width - upper half	600	12	P-5707
Headrest	600	9	P-5392
Horizontal transmission parts - power seat	600	19	P-6966
Rear seat and storage compartment - body type 71	610	10	P-5804
Rear seat - folding - body type 54	610	1	P-4766
Seat belts - front and rear seats	620	3	P-5155
Shoulder harness - front seat	620	5	P-5600
Vertical transmission parts - power seat	600	19	P-6965

**B (FAIRLANE)**

Auxiliary seat and storage compartment - body type 71	610	12	P-5808
Child safety seat	620	2	P-11536
Front seats - bucket	600	9	P-5157
Front seat - full width	600	5	P-3765
Headrest	600	9	P-5392
Rear seat and auxiliary floor - body type 71	610	8	P-5152
Seat belts - front and rear seats	620	3	P-5155
Shoulder harness - front seat	620	5	P-5600

**F (MUSTANG)**

Child safety seat	620	2	P-11536
Front seats - bucket - body types 63A, 65, 76A	600	8	P-4455
Front seats - bucket - body types 63B, 65B, 76B	600	20	P-5767
Front seat - full width	600	8	P-4885
Headrest	600	9	P-5392
Rear seat - fixed - body type 63	610	14	P-5788
Rear seat - folding - body type 63	610	13	P-5787
Seat belts - front and rear seats	620	3	P-5155
Shoulder harness - front seat	620	5	P-5600

**S (THUNDERBIRD)**

Child safety seat	620	2	P-11536
Front seats - driver power bucket	600	22	P-5702
Front seats - manual bucket	600	21	P-5700
Horizontal transmission parts - power seat	600	19	P-6966
Reclining seat and head rest parts	600	4	P-4323
Seat belts - front and rear seats	620	4	P-5154
Shoulder harness - front seat	620	5	P-5600
Vertical transmission parts - power seat	600	19	P-6965

D

**BODY ILLUSTRATION  
SECTION 600**
**FORD CAR PARTS**
**INDEX**

TITLE	SECTION	PAGE	ILLUS. NO.
-------	---------	------	------------

**1967**
**U (BRONCO)**

Child safety seat	620	2	P-11536
Front seats - bucket	600	20	P-5768
Front seat - full width	600	11	P-4966
Rear seat	610	15	P-4971
Seat belts - front and rear seats	620	3	P-5155
Shoulder harness - front seat	620	5	P-5600

**X (FALCON)**

Child safety seat	620	2	P-11536
Front seats - bucket	600	9	P-5157
Front seat - full width	600	5	P-3166
Headrest	600	9	P-5392
Rear seat and auxiliary floor - body type 71	610	8	P-5152
Seat belts - front and rear seats	620	3	P-5155
Shoulder harness - front seat	620	5	P-5600

**1968**
**A (FORD)**

Auxiliary seats and storage compartment - body type 71A, C, J	610	11	P-5805
Child safety seat	620	2	P-11536
Front seat back latch	600	24	P-6240
Front seats - driver power bucket	600	26	P-6168
Front seat - driver power split	600	14	P-5709
Front seats - manual bucket	600	25	P-6167
Front seat - manual full width	600	1	P-4768
Front seat - manual split	600	16	P-5704
Front seat - passenger power split	600	15	P-5705
Front seat - power full width - lower half	600	13	P-5843
Front seat - power full width - upper half	600	12	P-5707
Headrest	600	23	P-6241
Horizontal transmission parts - power seat	600	19	P-6966
Rear seat and storage compartment - body type 71	610	10	P-5804
Seat belts - front and rear seats	620	3	P-5155
Shoulder harness - front seat	620	5	P-5600
Vertical transmission parts - power seat	600	19	P-6965

**B (FAIRLANE/TORINO)**

Auxiliary seat and storage compartment - body type 71	610	12	P-5808
Child safety seat	620	2	P-11536
Front seat back latch	600	24	P-6240
Front seats - bucket	600	9	P-5157
Front seat - manual full width	600	27	P-6243
Headrest	600	23	P-6241
Rear seat - folding - body type 54	610	1	P-4766
Seat belts - front and rear seats	620	3	P-5155
Shoulder harness - front seat	620	5	P-5600

**INDEX**

TITLE

SECTION

PAGE

ILLUS. NO.

**1968**

**F (MUSTANG)**

Child safety seat	620	2	P-11536
Front seat back latch	600	24	P-6240
Front seats - bucket	600	8	P-4455
Front seat - full width	600	8	P-4885
Headrest	600	23	P-6241
Rear seat - fixed - body type 63	610	14	P-5788
Rear seat - folding - body type 63	610	13	P-5787
Seat belts - front and rear seats	620	3	P-5155
Shoulder harness - front seat	620	5	P-5600

**S (THUNDERBIRD)**

Child safety seat	620	2	P-11536
Front seat back latch	600	24	P-6240
Front seats - driver power bucket	600	31	P-6169
Front seats - manual bucket	600	21	P-5700
Front seat - manual full width	600	30	P-6155
Front seat - power full width - lower half	600	29	P-6157
Front seat - power full width - upper half	600	28	P-6156
Headrest	600	23	P-6241
Horizontal transmission parts - power seat	600	19	P-6966
Reclining seat parts	600	32	P-6233
Shoulder harness - front seat	620	5	P-5600
Vertical transmission parts - power seat	600	19	P-6965

**U (BRONCO)**

Child safety seat	620	2	P-11536
Front seat back latch	600	24	P-6240
Front seats - bucket	600	20	P-5768
Front seat - full width	600	11	P-4966
Headrest	600	23	P-6241
Rear seat	610	15	P-4971
Seat belts - front and rear seats	620	3	P-5155
Shoulder harness - front seat	620	5	P-5600

**X (FALCON)**

Child safety seat	620	2	P-11536
Front seat back latch	600	24	P-6240
Front seats - bucket	600	9	P-5157
Front seat - manual full width	600	27	P-6243
Headrest	600	23	P-6241
Rear seat and auxiliary floor - body type 71	610	8	P-5152
Seat belts - front and rear seats	620	3	P-5155
Shoulder harness - front seat	620	5	P-5600



F

**BODY ILLUSTRATION  
SECTION 600**
**FORD CAR PARTS**
**INDEX**

TITLE

SECTION

PAGE

ILLUS. NO.

**1969**
**A (FORD)**

Auxiliary seat and storage compartment - body type 71	610	16	P-6843
Child safety seat	620	2	P-11536
Front seat back latch	600	39	P-7296
Front seat - driver power split	600	14	P-5709
Front seats - manual bucket	600	25	P-6167
Front seat - manual split	600	16	P-5704
Front seat - passenger power split	600	15	P-5705
Front seat - power full width - lower half	600	13	P-5843
Front seat - manual full width - body types 62, 63, 65, 76	600	34	P-7290
Front seat - manual full width - body types 54, 57, 71	600	35	P-7289
Front seat reclining mechanism and related parts	600	33	P-6959
Game and utility table - body type 71	610	23	P-10407
Headrest	600	33	P-6809
Horizontal transmission parts - power seat	600	19	P-6966
Vertical transmission parts - power seat	600	19	P-6965
Rear seat and storage compartment - body type 71	610	17	P-6844
Seat belts - front and rear seats	620	3	P-5155
Shoulder harness - front seat	620	5	P-5600

**B (FAIRLANE/TORINO)**

Auxiliary seat and storage compartment - body type 71	610	12	P-5808
Child safety seat	620	2	P-11536
Front seat back latch	600	39	P-7296
Front seats - bucket	600	9	P-5157
Front seat - manual full width	600	27	P-6243
Front seat - power full width	600	27	P-10486
Headrest	600	33	P-6809
Rear seat and auxiliary floor - body type 71	610	8	P-5152
Seat belts - front and rear seats	620	3	P-5155
Shoulder harness - front seat	620	5	P-5600

**F (MUSTANG)**

Child safety seat	620	2	P-11536
Front seat back latch	600	39	P-7296
Front seats - bucket	600	8	P-4455
Front seat - full width	600	8	P-4885
Headrest	600	33	P-6809
Rear seat - fixed - body type 63	610	14	P-5788
Rear seat - folding - body type 63	610	13	P-5787
Seat belts - front and rear seats	620	3	P-5155
Shoulder harness - front seat	620	5	P-5600

**S (THUNDERBIRD)**

Child safety seat	620	2	P-11536
Front seat back latch	600	39	P-7296
Front seats - manual bucket	600	21	P-5700
Front seats - driver power bucket	600	31	P-6169
Front seat - manual full width	600	30	P-6155
Front seat - power full width - lower half	600	29	P-6157
Front seat - power full width - upper half	600	28	P-6156
Headrest	600	33	P-6809
Horizontal transmission parts - power seat	600	19	P-6966
Vertical transmission parts - power seat	600	19	P-6965
Reclining seat parts	600	32	P-6233
Shoulder harness - front seat	620	5	P-5600



H

**BODY ILLUSTRATION  
SECTION 600**
**FORD CAR PARTS**
**INDEX**

TITLE

SECTION

PAGE

ILLUS. NO.

**1970**
**F (MUSTANG)**

Child safety seat	620	2	P-11536
Front seat back latch mechanism - manual	600	39	P-7296
Front seat head rest and related parts	600	33	P-6809
Front seat mechanism and related parts - bucket seat	600	38	P-7293
Rear seat - fixed - body type 63	610	14	P-5788
Rear seat - folding - body type 63	610	13	P-5787
Seat belt and shoulder harness installation - front seat	620	6	P-7450
Seat belt installation - rear seat	620	7	P-7451

**P (MAVERICK)**

Child safety seat	620	2	P-11536
Front seat back latch mechanism - manual	600	39	P-7296
Front seat head rest and related parts	600	33	P-6809
Front seat - manual full width	600	50	P-8079
Seat belt and shoulder harness installation - front seat	620	6	P-7450
Seat belt installation - rear seat	620	7	P-7451

**S (THUNDERBIRD)**

Child safety seat	620	2	P-11536
Front seat back latch - automatic	600	40	P-7297
Front seat back latch mechanism - manual	600	39	P-7296
Front seat head rest and related parts	600	33	P-6809
Front seat mechanism and related parts-driver power bucket lower half	600	31	P-6169
Front seat mechanism and related parts - manual bucket	600	21	P-5700
Front seat mechanism and related parts - manual full width	600	30	P-6155
Front seat mechanism and related parts-manual split bench-lower half	600	44	P-7446
Front seat mechanism and related parts-power full width-lower half	600	29	P-6157
Front seat mechanism and related parts-power full width-upper half	600	28	P-6156
Front seat mechanism and related parts-power split bench-lower half	600	43	P-7445
Front seat mechanism and related parts - split bench - upper half	600	42	P-7444
Horizontal transmission parts - power seat	600	19	P-6966
Reclining seat mechanism and related parts	600	41	P-7300
Seat belt and shoulder harness installation - front seat	620	6	P-7450
Seat belt installation - rear seat	620	7	P-7451
Vertical transmission parts - power seat	600	19	P-6965

**U (BRONCO)**

Child safety seat	620	2	P-11536
Front seat back latch mechanism - manual	600	39	P-7296
Front seat head rest and related parts	600	33	P-6809
Front seat mechanism and related parts - bucket	600	20	P-5768
Front seat mechanism and related parts - full width	600	11	P-4966
Rear seat	610	15	P-4971
Seat belt and shoulder harness installation - front seat	620	6	P-7450
Seat belt installation - rear seat	620	7	P-7451

**X (FALCON) - BEFORE 1/2/70**
**FOR UNITS BUILT FROM 1/2/70 REFER TO B (FALCON)**

Child safety seat	620	2	P-11536
Front seat back latch	600	24	P-6240
Front seats - bucket	600	9	P-5157
Front seat - manual full width	600	27	P-6243
Headrest	600	33	P-6809
Rear seat and auxiliary floor - body type 71	610	8	P-5152
Seat belt and shoulder harness installation - front seat	620	6	P-7450
Seat belt installation - rear seat	620	7	P-7451

# FORD CAR PARTS

# BODY ILLUSTRATION SECTION 600

J

## INDEX

TITLE	SECTION	PAGE	ILLUS. NO.
<b>1971</b>			
<b>A (FORD)</b>			
Auxiliary seat and storage compartment - body type 71	610	16	P-6843
Child safety seat	620	2	P-11536
Front seat back latch mechanism - automatic	600	40	P-7297
Front seat back latch mechanism - manual	600	39	P-7296
Front seat head rest and related parts	600	33	P-6809
Front seat mechanism - manual - full width - body types 65,76	600	34	P-7290
- body types 53,54,57,71	600	35	P-7289
- hi-back full width	600	53	P-8284
Front seat mechanism and related parts - manual - bucket	600	37	P-7292
Front seat mechanism and related parts - manual - split bench	600	36	P-7291
- hi-back split bench	600	52	P-8283
Front seat mechanism and related parts - power full width - lower half	600	47	P-7233-A
Front seat mechanism and related parts - power split bench - lower half	600	46	P-7232-A
Front seat reclining mechanism and related parts	600	61	P-8845
Game and utility table - body type 71	610	23	P-10407
Horizontal transmission parts - power seat	600	19	P-6966
Rear seat and storage compartment - body type 71	610	17	P-6844
Seat belt and shoulder harness installation - front seat	620	6	P-7450
Seat belt installation - auxiliary seat	620	8	P-7452
Seat belt installation - rear seat	620	7	P-7451
Vertical transmission parts - power seat	600	19	P-6965
<b>B (TORINO)</b>			
Auxiliary seat and storage compartment - body type 71	610	12	P-5808
Child safety seat	620	2	P-11536
Front seat back latch mechanism - manual	600	39	P-7296
Front seat head rest and related parts	600	33	P-6809
Front seat mechanism and related parts - full width	600	27	P-6243
Front seat mechanism and related parts - power full width - lower half	600	27	P-10486
Front seat mechanism and related parts - manual bucket	600	51	P-8276
Rear seat and auxiliary floor - body type 71	610	8	P-5152
Seat belt and shoulder harness installation - front seat	620	6	P-7450
Seat belt installation - auxiliary seat	620	8	P-7452
Seat belt installation - rear seat	620	7	P-7451
<b>F (MUSTANG)</b>			
Child safety seat	620	2	P-11536
Front seat back latch mechanism - automatic	600	41	P-8047
Front seat back latch mechanism - manual	600	39	P-7296
Front seat head rest and related parts	600	33	P-6809
Front seat mechanism and related parts - lower half	600	49	P-8075
Front seat mechanism and related parts - upper half	600	48	P-8076
Rear seat - folding - body type 63	610	18	P-7848
Seat belt and shoulder harness installation - front seat	620	6	P-7450
Seat belt installation - auxiliary seat	620	7	P-7451
<b>L (PINTO)</b>			
Child safety seat	620	2	P-11536
Front seat mechanism and related parts	600	45	P-7945
Rear seat - folding - body type 62	610	15	P-7929
Rear seat - folding - body type 64	610	19	P-8273
Seat belt and shoulder harness installation - front seat	620	6	P-7450
Seat belt installation - rear seat	620	7	P-7451

K

**BODY ILLUSTRATION  
SECTION 600**
**FORD CAR PARTS**
**INDEX**

TITLE	SECTION	PAGE	ILLUS. NO.
-------	---------	------	------------

**1971**
**P (MAVERICK)**

Child safety seat	620	2	P-11536
Front seat back latch mechanism - manual	600	39	P-7296
Front seat head rest and related parts	600	33	P-6809
Front seat - manual full width	600	50	P-8079
Front seat mechanism and related parts - bucket - lower half	600	49	P-8050
Front seat mechanism and related parts - bucket - upper half	600	48	P-8076
Seat belt and shoulder harness installation - front seat	620	6	P-7450
Seat belt installation - rear seat	620	7	P-7451

**S (THUNDERBIRD)**

Child safety seat	620	2	P-11536
Front seat mechanism and related parts - manual bucket	600	21	P-5700
Front seat mechanism and related parts - power full width - lower half	600	29	P-6157
Front seat mechanism and related parts - power full width - upper half	600	28	P-6156
Front seat mechanism and related parts - driver power bucket lower half	600	31	P-6169
Front seat mechanism and related parts - manual full width	600	30	P-6155
Front seat mechanism and related parts - manual split bench - lower half	600	44	P-7446
Front seat mechanism and related parts - passenger - split bench - power	600	15	P-5704
Front seat mechanism and related parts - power split bench - lower half	600	43	P-7445
Front seat mechanism and related parts - split bench - upper half	600	42	P-7444
Front seat back latch - automatic	600	40	P-7297
Front seat back latch mechanism - manual	600	39	P-7296
Front seat head rest and related parts	600	33	P-6809
Horizontal transmission parts - power seat	600	19	P-6966
Reclining seat mechanism and related parts	600	41	P-7300
Seat belt and shoulder harness installation - front seat	620	6	P-7450
Seat belt installation - rear seat	620	7	P-7451
Vertical transmission parts - power seat	600	19	P-6965

**U (BRONCO)**

Child safety seat	620	2	P-11536
Front seat back latch mechanism - manual	600	39	P-7296
Front seat head rest and related parts	600	33	P-6809
Front seat mechanism and related parts - bucket	600	20	P-5768
Front seat mechanism and related parts - full width	600	11	P-4966
Rear seat	610	15	P-4971
Seat belt and shoulder harness installation - front seat	620	6	P-7450
Seat belt installation - rear seat	620	7	P-7451

**INDEX**

TITLE	SECTION	PAGE	ILLUS. NO.
-------	---------	------	------------

**1972**

**A (FORD)**

Auxiliary seat and storage compartment - body type 71	610	16	P-6843
Child safety seat	620	2	P-11536
Front seat back latch mechanism - manual	600	39	P-7296
- automatic	600	40	P-7997
Front seat head rest and related parts	600	33	P-6809
Front seat parts - split bench - manual	300	36	P-7291
- split bench - hi-back - upper half	600	52	P-8283
- split bench - power - lower half - "Before 12/1/71"	600	46	P-7232-A
- split bench - power - lower half - "From 12/1/71"	600	64	P-8861
- full width - hi-back - upper half	600	53	P-8284
- full width - 6-way power - lower half - "Before 12/1/71"	600	47	P-7233-A
- full width - 6-way power - lower half - "From 12/1/71"	600	56	P-8673
- full width - manual - body types 65,76	600	34	P-7290
- full width - manual - body types 53,54,57,71	600	35	P-7289
- reclining	600	61	P-8846
Game and utility table - body type 71	610	23	P-10407
Rear seat and storage compartment - body type 71	610	17	P-6844
Seat belt and shoulder harness installation - front seat	620	8	P-8877
Seat belt installation - auxiliary seat	620	10	P-8879
Seat belt installation - rear seat	620	9	P-8878
Seat belt warning system	620	14	P-9260

**B (TORINO)**

Auxiliary seat and storage compartment - body type 71	610	21	P-8827
Child safety seat	620	2	P-11536
Front seat head rest and related parts	600	33	P-6809
Front seat back latch mechanism - manual	600	57	P-8734
- automatic	600	60	P-8733
Front seat parts - full width - manual-lower half	600	54	P-8674
- full width - power - lower half	600	56	P-8673
- full width - hi-back-w/o center arm rest- upper half	600	57	P-8734
- full width - w/hi back center arm rest- upper half	600	58	P-8735
- full width - lo-back w/center arm rest-upper half	600	67	P-10760
- bucket - upper half	600	59	P-8732
- bucket - lower half	600	55	P-8675
Rear seat and auxiliary floor - body type 71	610	20	P-8626
Seat belt and shoulder harness installation - front seat	620	8	P-8877
Seat belt installation - auxiliary seat	620	10	P-8879
Seat belt installation - rear seat	620	9	P-8878
Seat belt warning system	620	12	P-9259

**F (MUSTANG)**

Child safety seat	620	2	P-11536
Front seat back latch mechanism - automatic - outboard	600	54	P-8534
Front seat back latch mechanism - automatic - center	600	41	P-8047
Front seat back latch mechanism - manual	600	48	P-8076
Front seat head rest and related parts	600	33	P-6809
Front seat parts - lower half	600	49	P-8075
- upper half	600	48	P-8076
Rear seat - folding - body type 63	610	18	P-7848
Seat belt and shoulder harness installation - front seat	620	8	P-8877
Seat belt installation - rear seat	620	9	P-8878
Seat belt warning system	620	11	P-9266

**INDEX**

TITLE SECTION PAGE ILLUS. NO.

**1972**

**L (PINTO)**

Child safety seat	620	2	P-11536
Front seat parts	600	45	P-7945
Rear seat - folding - body type 62	610	15	P-7929
- body type 64	610	19	P-8273
- body type 73	610	22	P-8939
Seat belt and shoulder harness installation - front seat	620	8	P-8877
Seat belt installation - rear seat	620	9	P-8878
Seat belt warning system	620	13	P-9262

**P (MAVERICK)**

Child safety seat	620	2	P-11536
Front seat back latch mechanism - manual	600	48	P-8076
Front seat head rest and related parts	600	33	P-6809
Front seat - manual full width	600	50	P-8079
Front seat parts - bucket - lower half	600	49	P-8050
- bucket - upper half	600	48	P-8076
- bucket - reclining	600	65	P-10001
Seat belt and shoulder harness installation - front seat	620	8	P-8877
Seat belt installation - rear seat	620	9	P-8878
Seat belt warning system	620	15	P-9261

**S (THUNDERBIRD)**

Child safety seat	620	2	P-11536
Front seat head rest and related parts	600	33	P-6809
Front seat parts - bucket - power - lower half	600	64	P-8861
- bucket - manual - lower half	600	55	P-8675
- bucket - upper half	600	63	P-8862
- split bench - power - lower half	600	64	P-8861
- split bench - upper half	600	62	P-8863
- reclining	600	61	P-8845
Seat back latch - automatic	600	60	P-8733
Seat belt and should harness installation - front seat	620	8	P-8877
Seat belt installation - rear seat	620	9	P-8878
Seat belt warning system	620	16	P-9264

**U (BRONCO)**

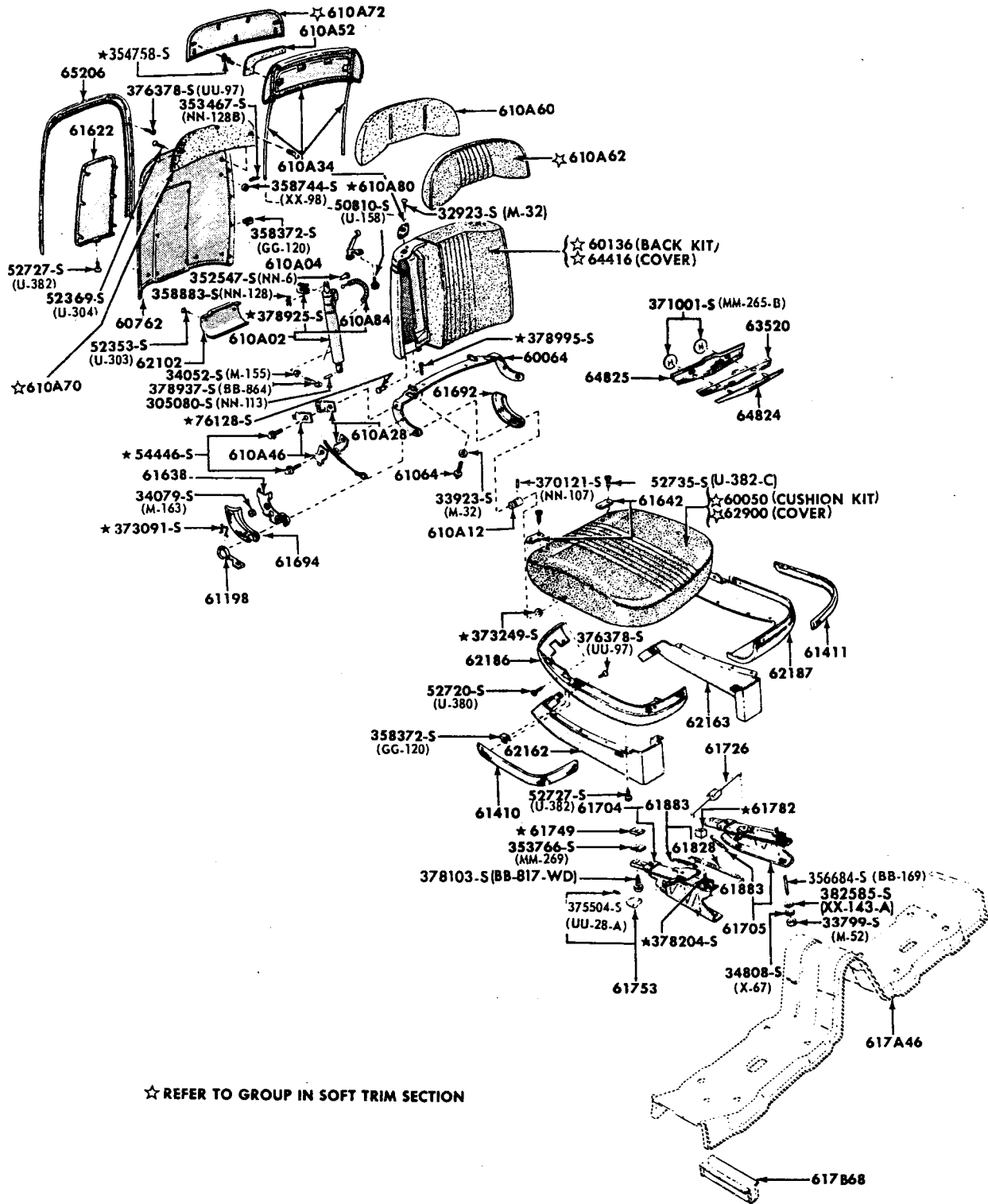
Child safety seat	620	2	P-11536
Front seat back latch mechanism - manual	600	39	P-7296
Front seat head rest and related parts	600	33	P-6809
Front seat parts - bucket	600	66	P-10388
Rear seat	610	15	P-4971
Seat belt and shoulder harness installation - front seat	620	8	P-8877
Seat belt installation - rear seat	620	9	P-8878

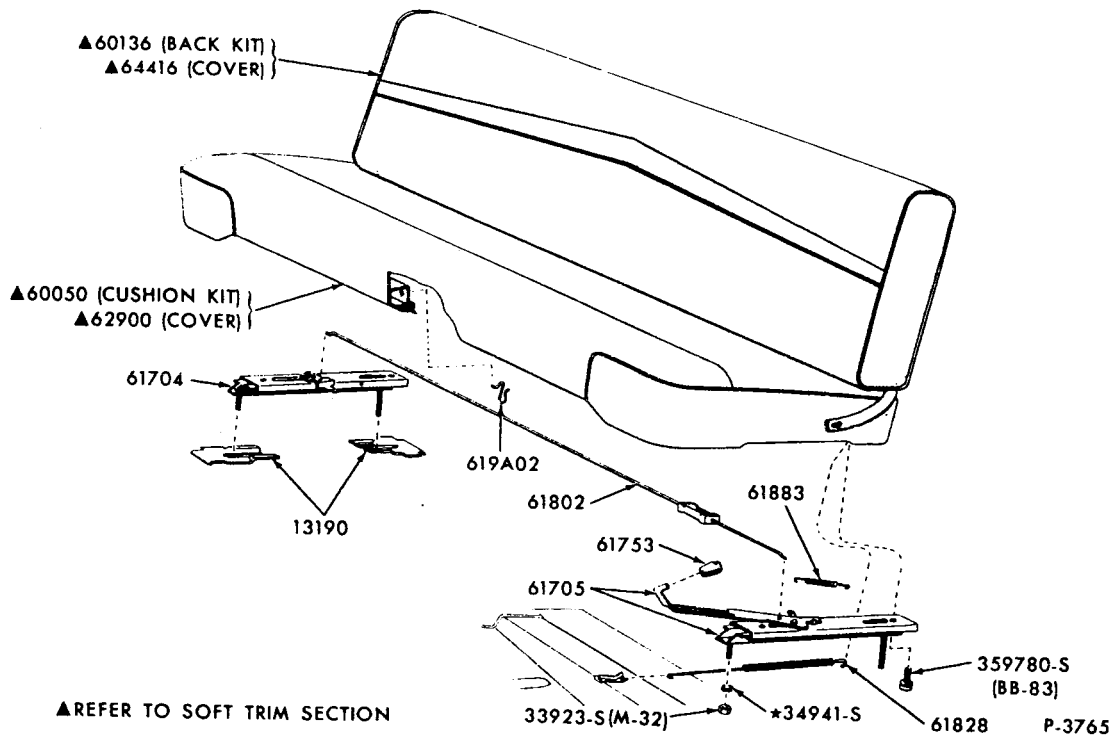




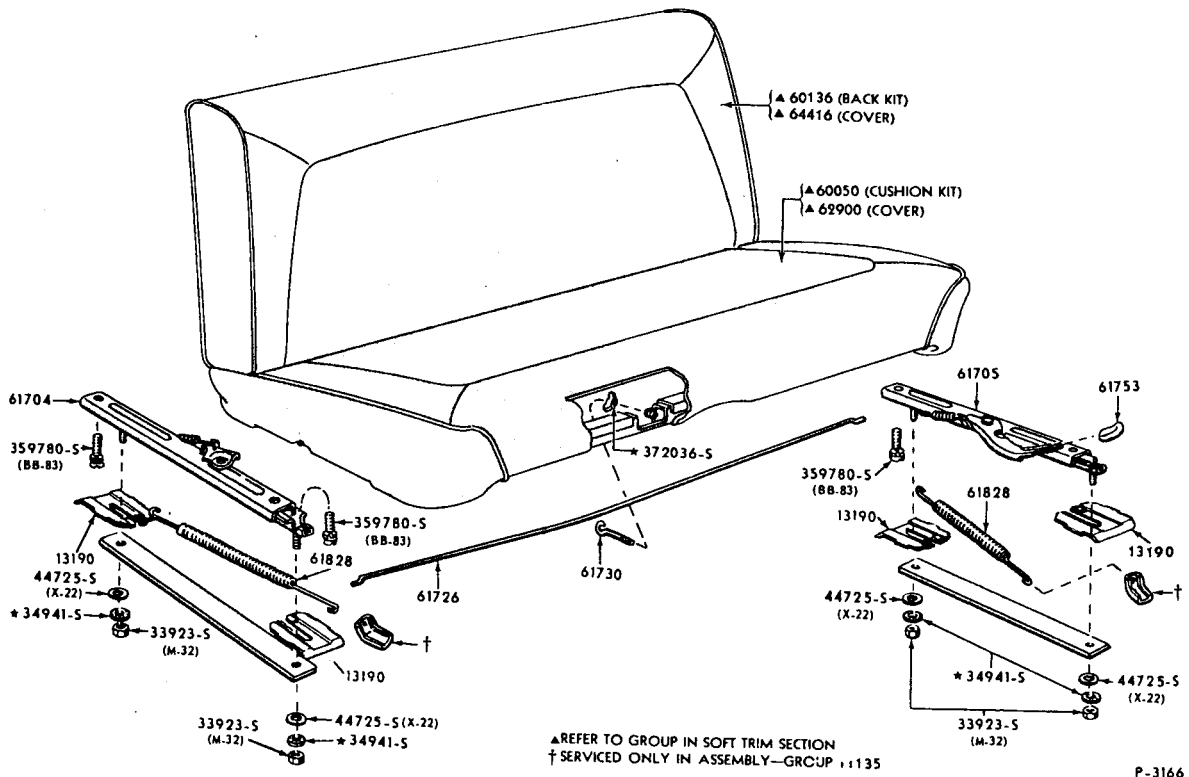






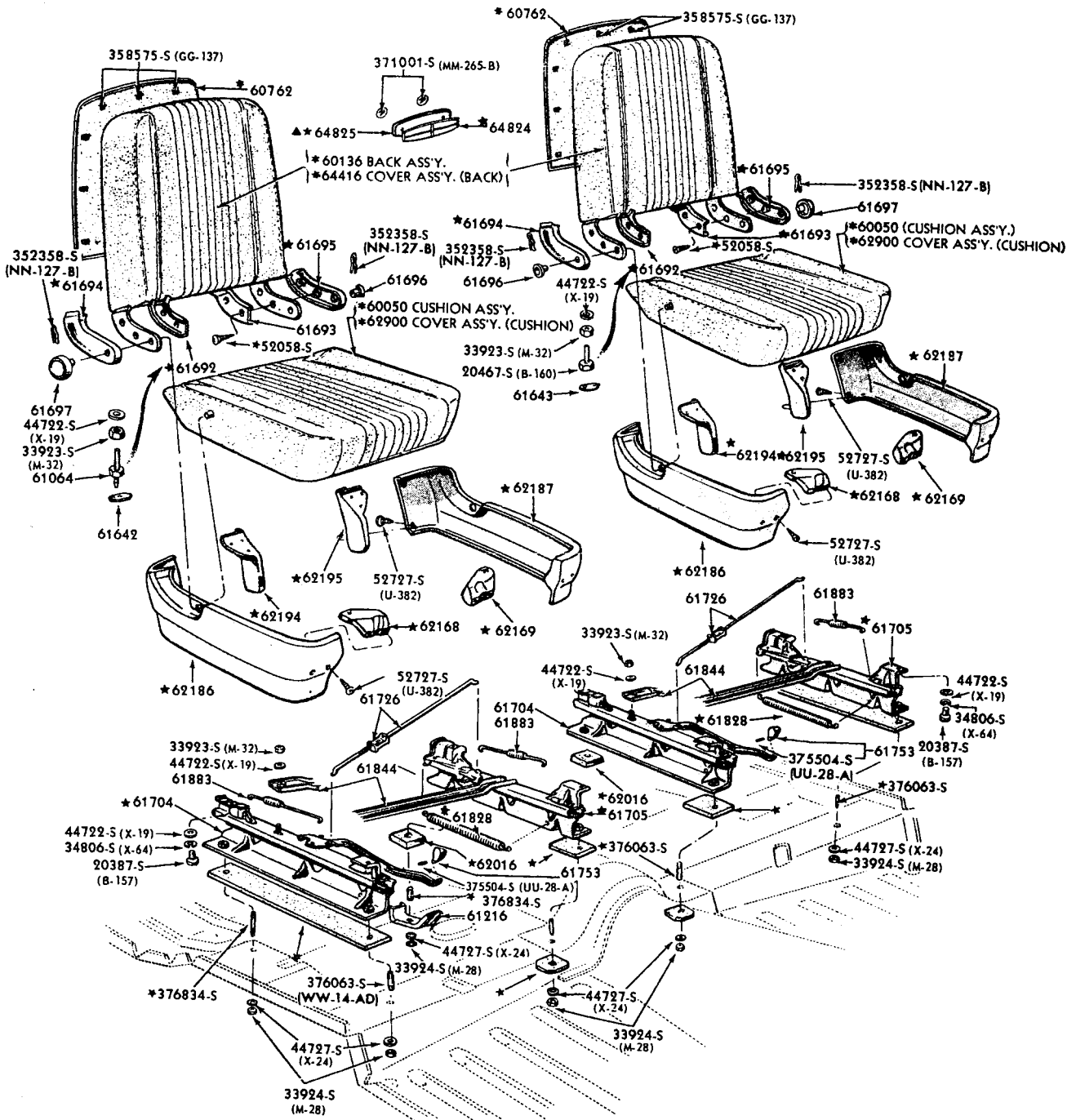


**FRONT SEAT MECHANISM and RELATED PARTS - FULL WIDTH  
1965/67 FAIRLANE**



**FRONT SEAT MECHANISM and RELATED PARTS - MANUAL FULL WIDTH  
1965/67 FALCON**



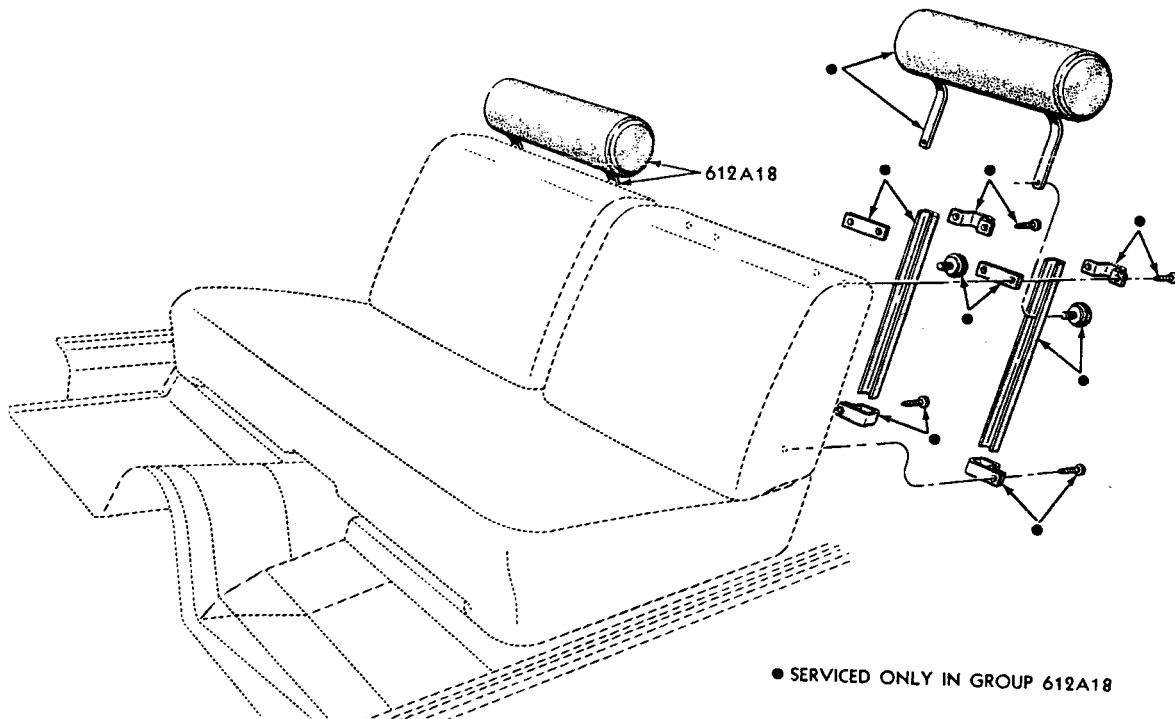


\* REFER TO GROUP IN SOFT TRIM SECTION  
▲ SUPPLIED WITH GROUP 64824

P.3859

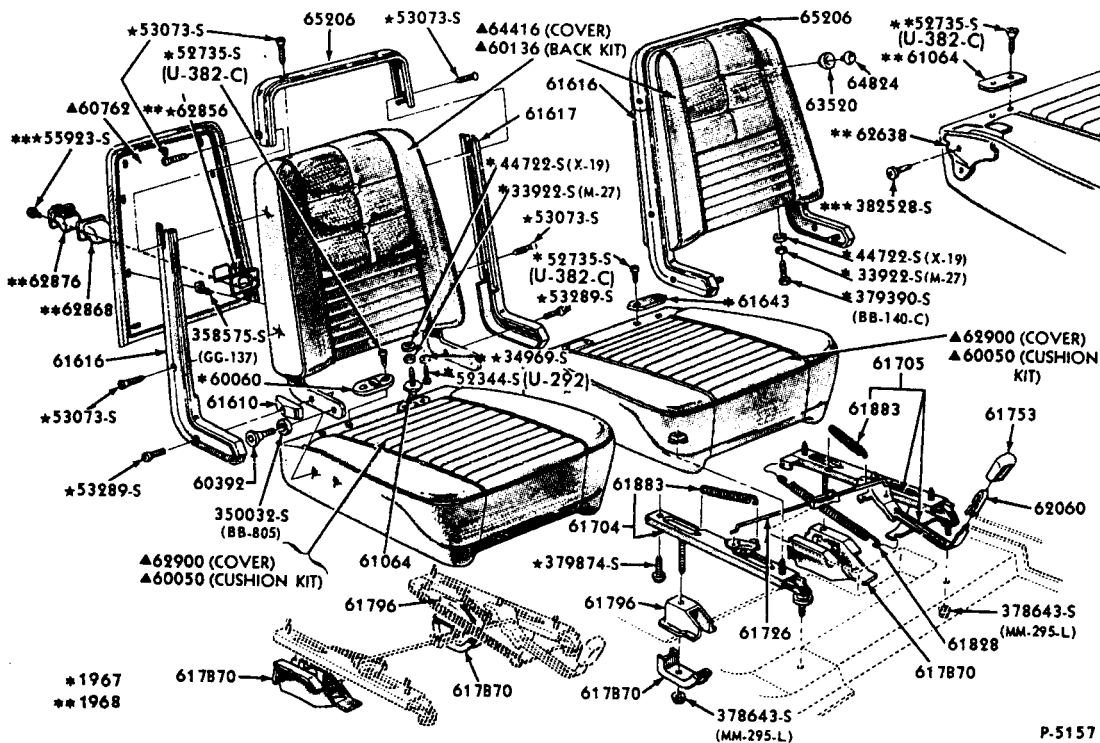
**FRONT SEAT MECHANISM and RELATED PARTS - BUCKET  
1965 FALCON - BODY TYPES 76B, D**





FRONT SEAT HEADREST and RELATED PARTS  
1966/67 FORD, FAIRLANE, MUSTANG and FALCON

P-5392

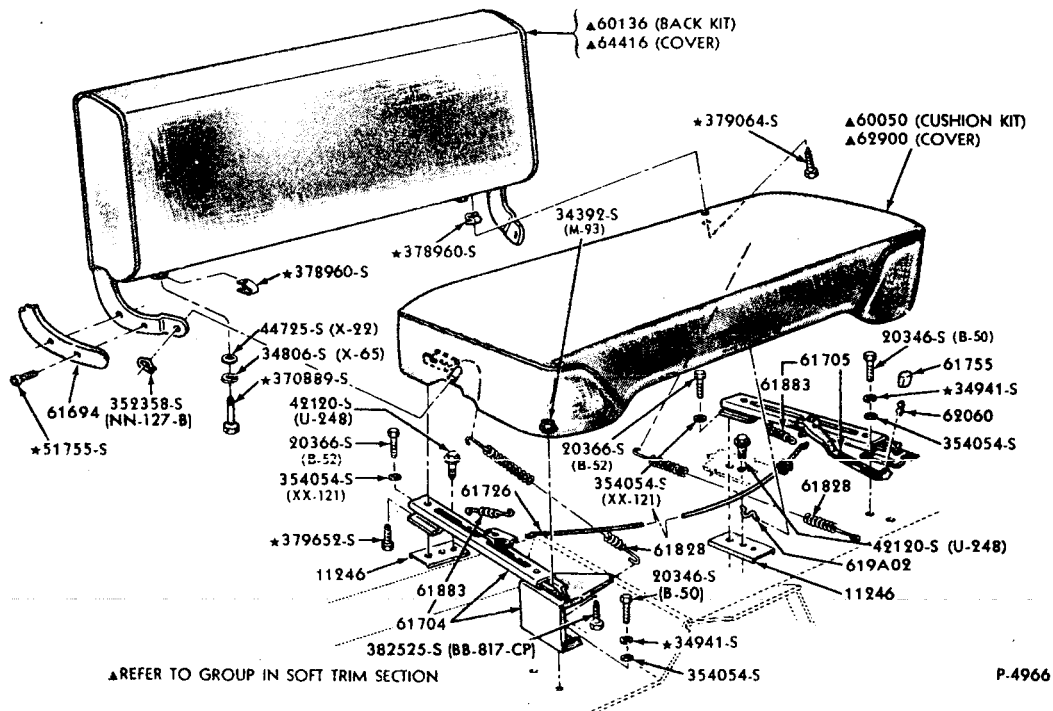


FRONT SEAT MECHANISM and RELATED PARTS - MANUAL BUCKET  
1966/70 FAIRLANE/TORINO and 1966/70 FALCON

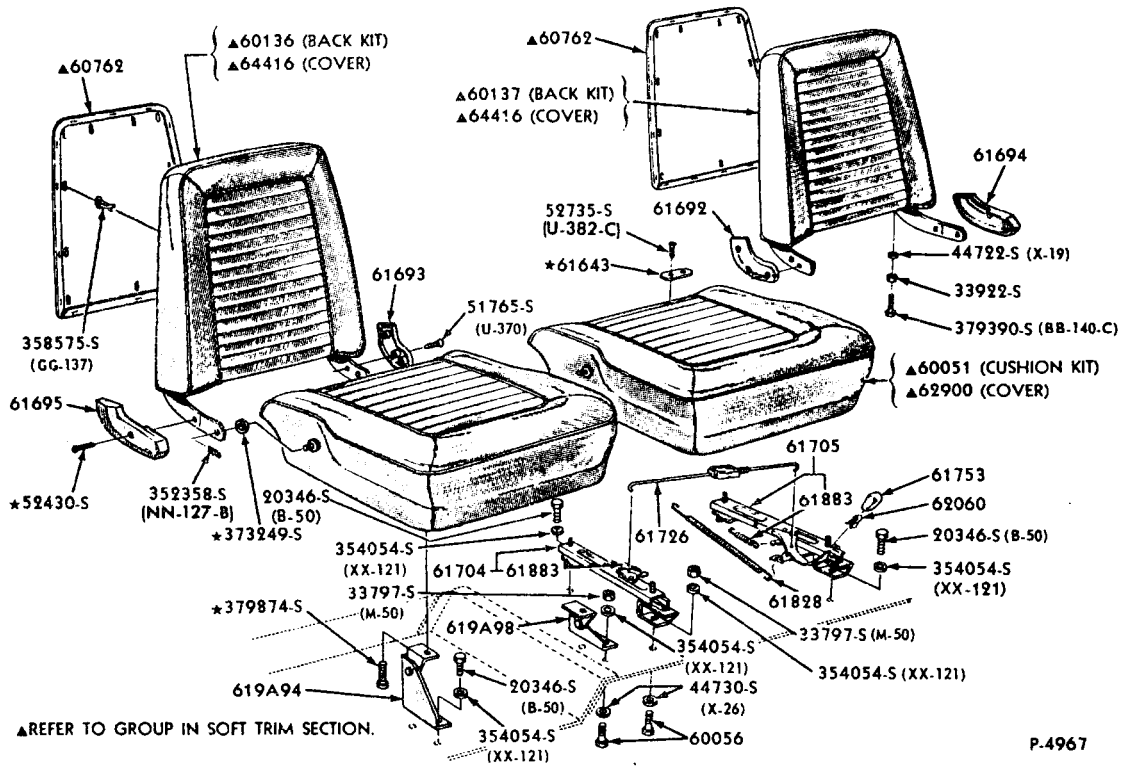
P-5157







FRONT SEAT MECHANISM and RELATED PARTS - FULL WIDTH 1966/72 BRONCO



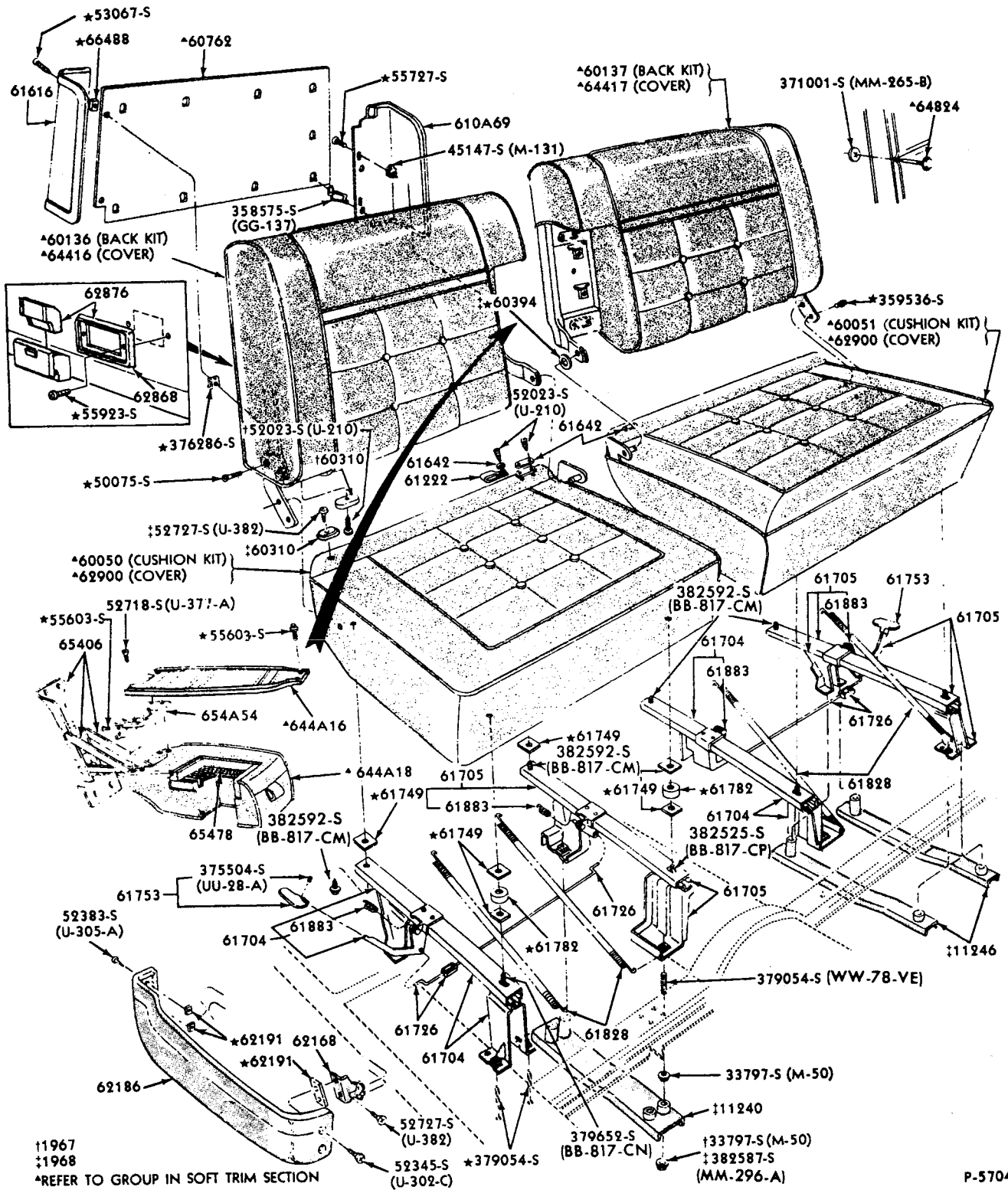
FRONT SEAT MECHANISM and RELATED PARTS - BUCKET 1966 BRONCO



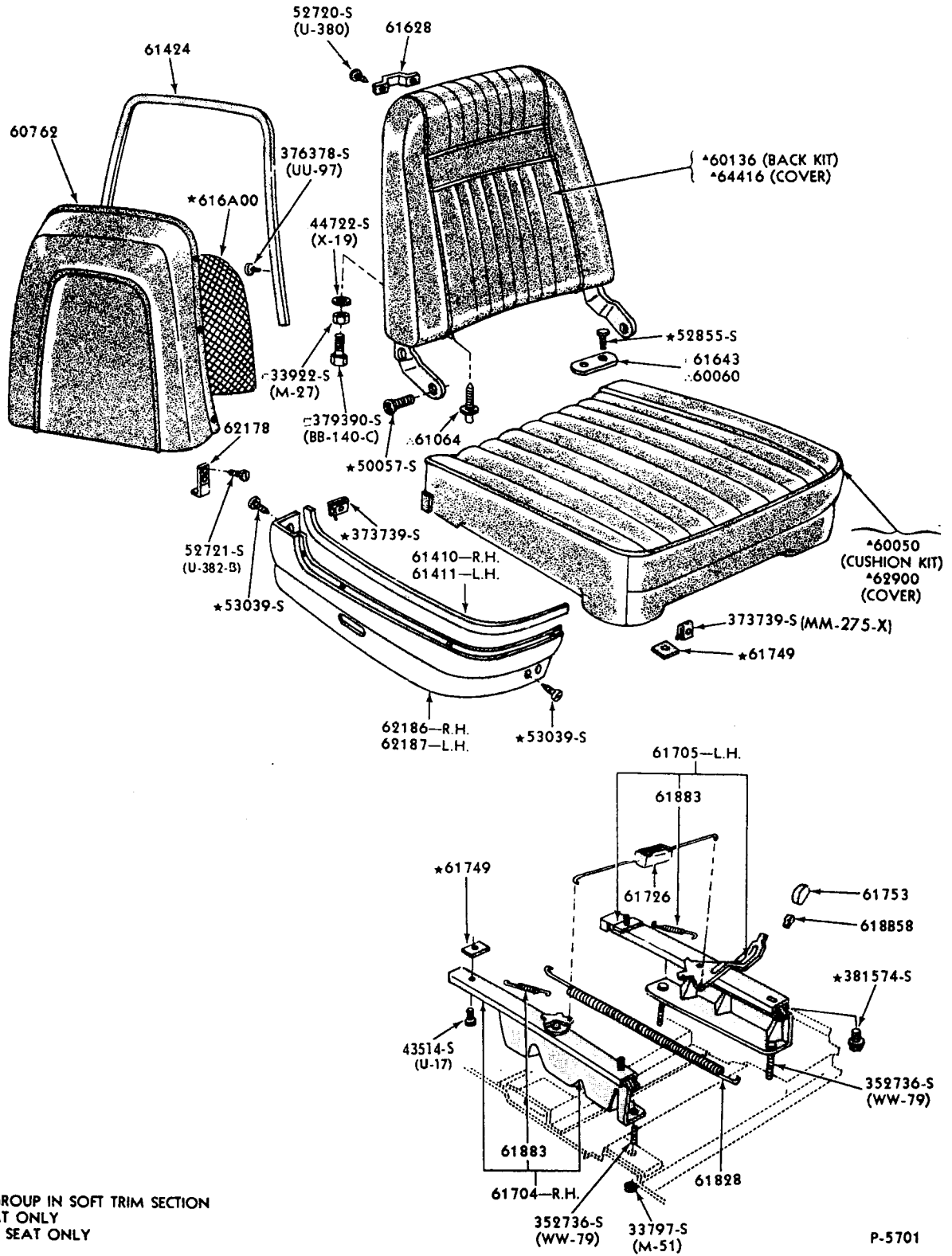






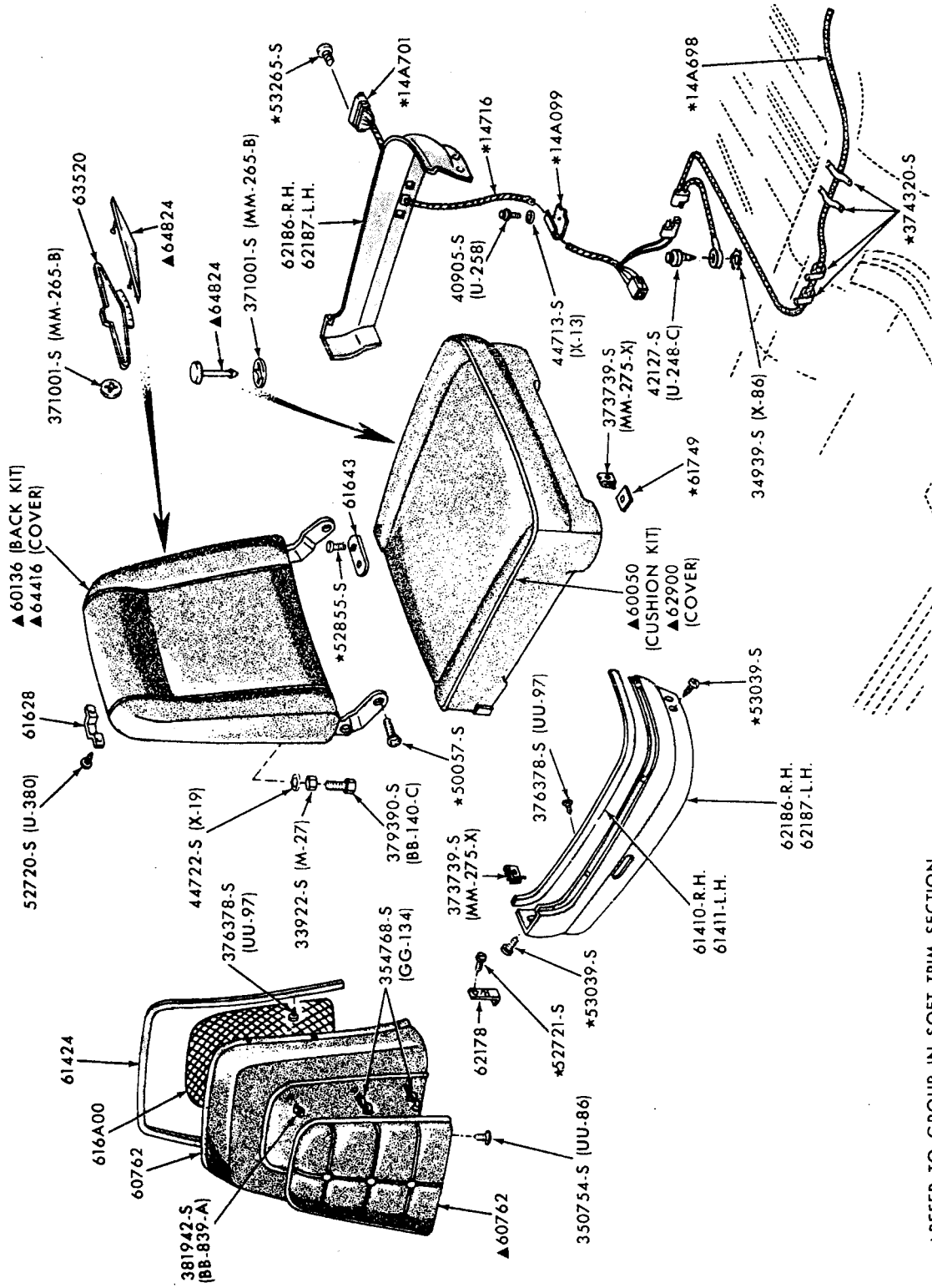


FRONT SEAT MECHANISM and RELATED PARTS - SPLIT BENCH  
1967/69 FORD



**FRONT SEAT MECHANISM and RELATED PARTS-MANUAL BUCKET  
1967 FORD**



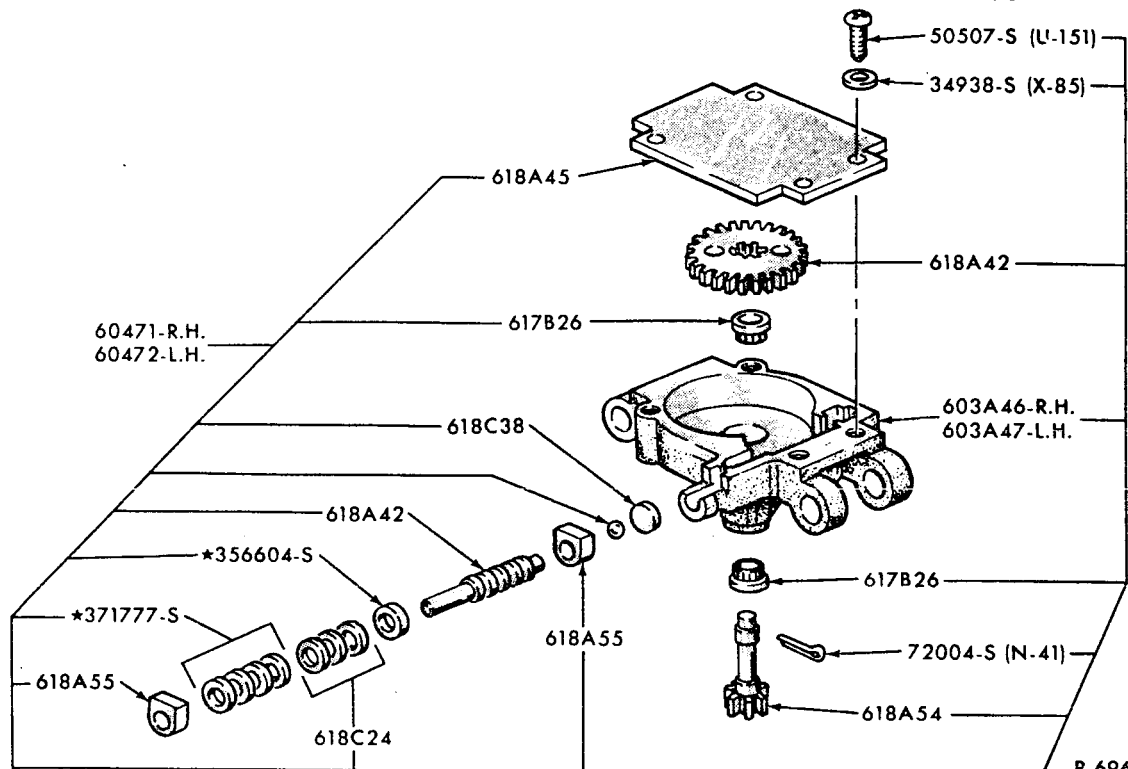


P-5703

FOR LOWER HALF - SEE P-5702

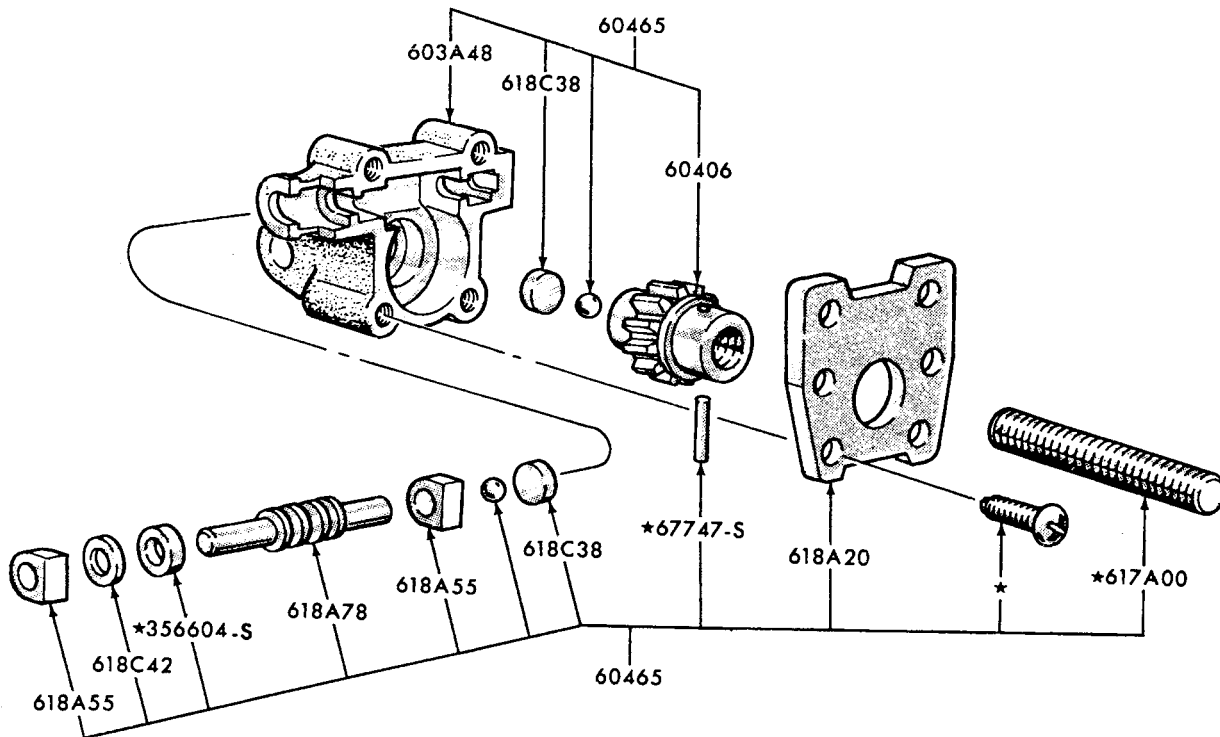
▲ REFER TO GROUP IN SOFT TRIM SECTION  
\* REFER TO GROUP IN CHASSIS SECTION

FRONT SEAT MECHANISM and RELATED PARTS - DRIVER POWER BUCKET - UPPER HALF  
1967 FORD and THUNDERBIRD



P-6965

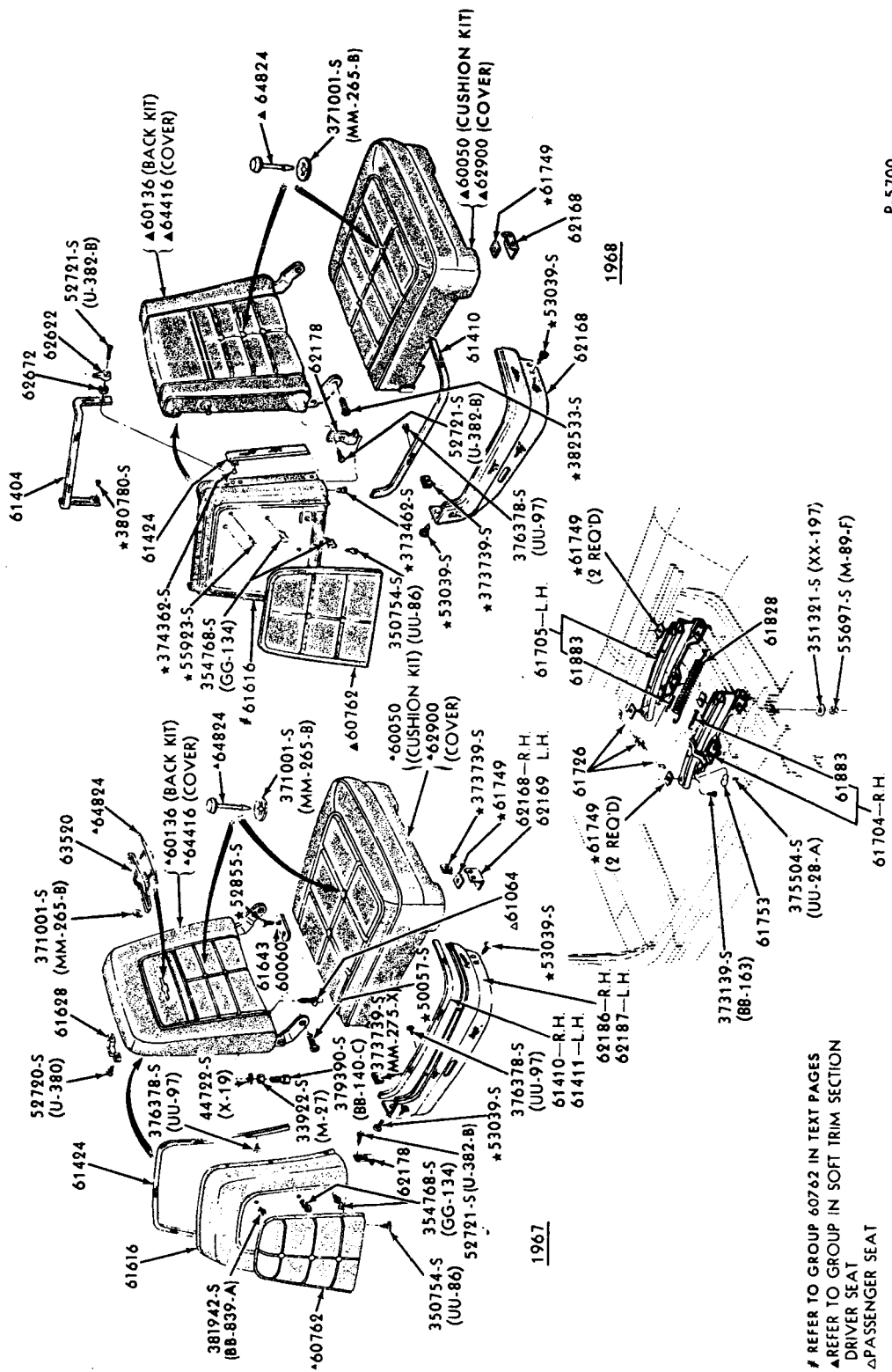
**TRANSMISSION DETAILS - POWER SEAT - HORIZONTAL  
1967/71 FORD and THUNDERBIRD**



P-6966

**TRANSMISSION DETAILS - POWER SEAT - VERTICAL  
1967/71 FORD and THUNDERBIRD**



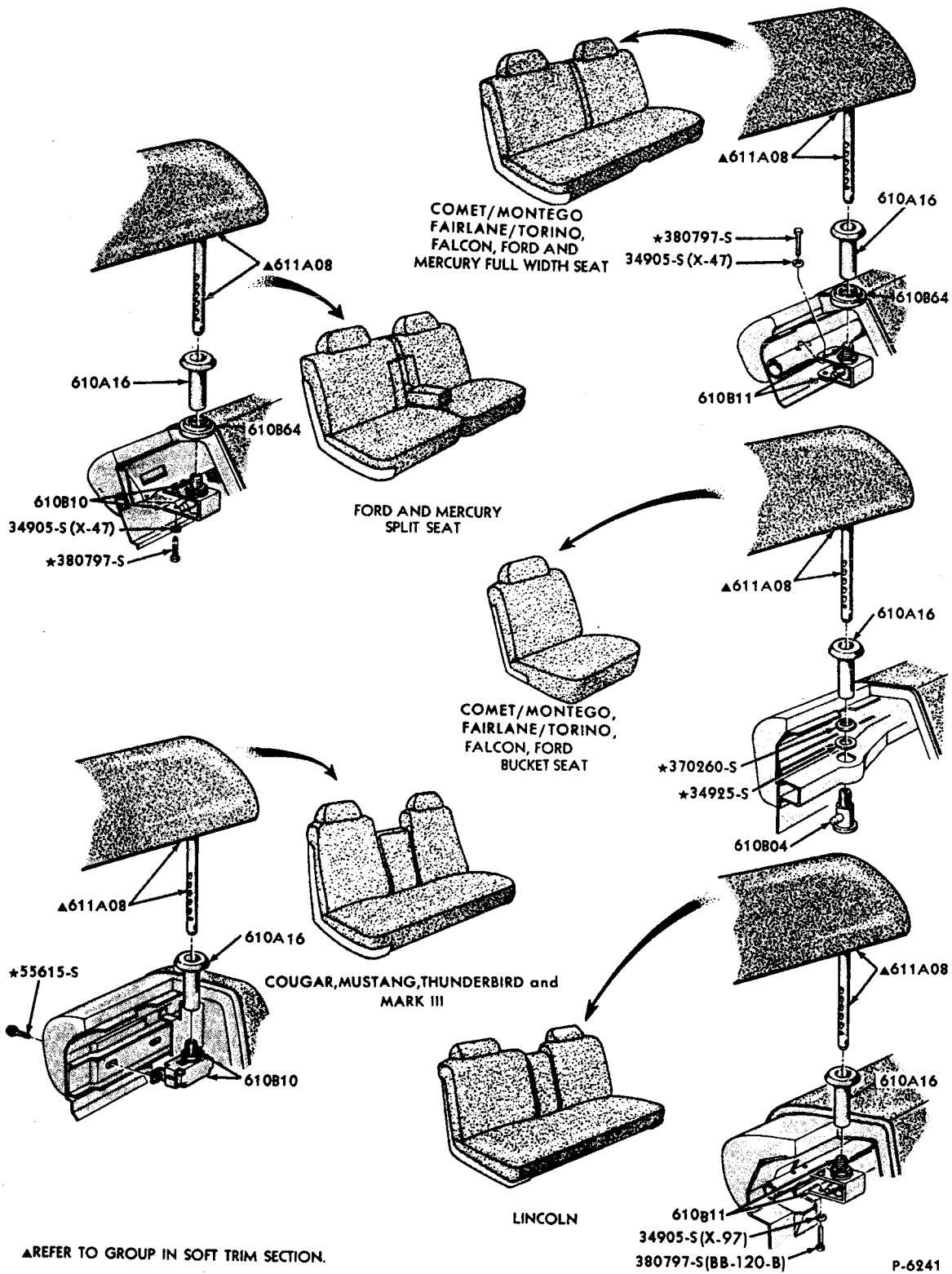


P-5700

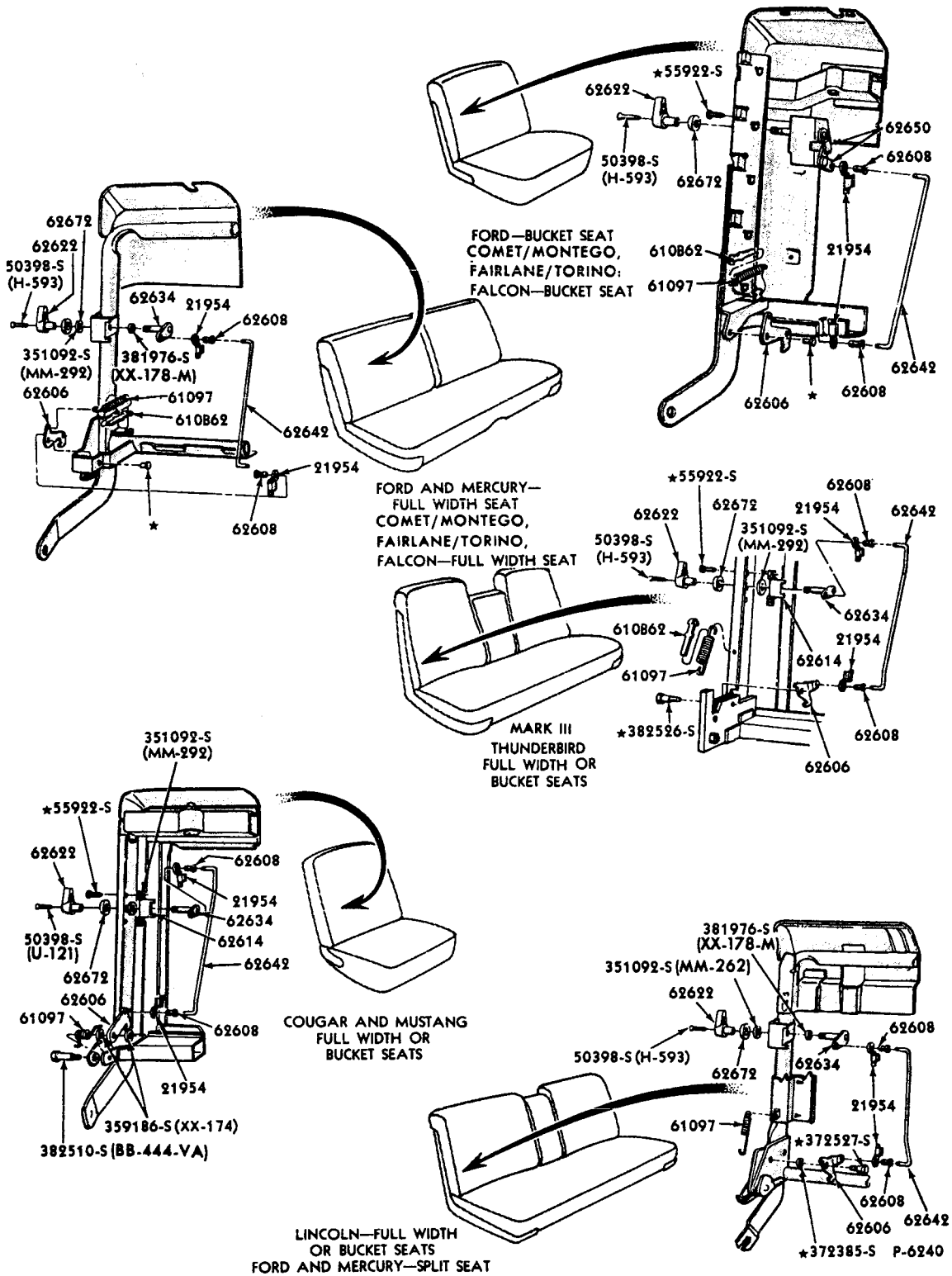
FRONT SEAT MECHANISM and RELATED PARTS-MANUAL BUCKET  
1967/71 THUNDERBIRD

# REFER TO GROUP 60762 IN TEXT PAGES  
▲ REFER TO GROUP IN SOFT TRIM SECTION  
Δ PASSENGER SEAT

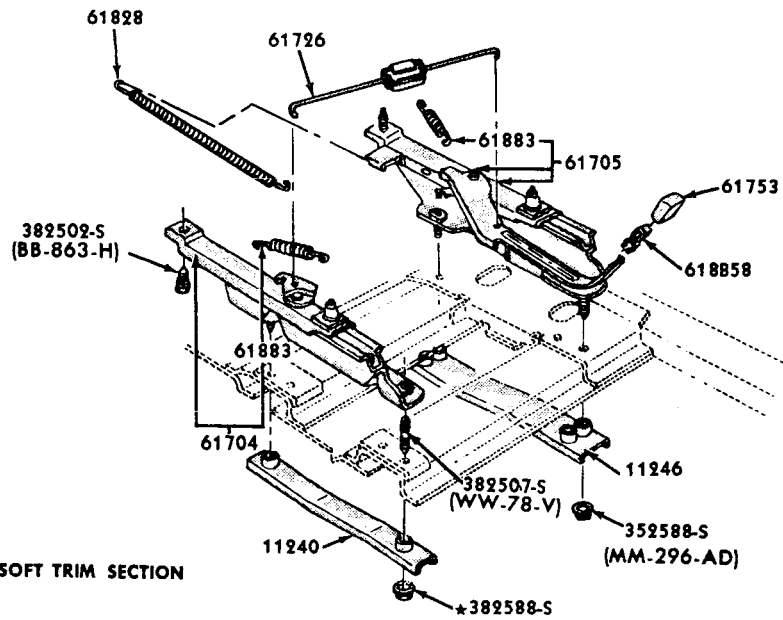
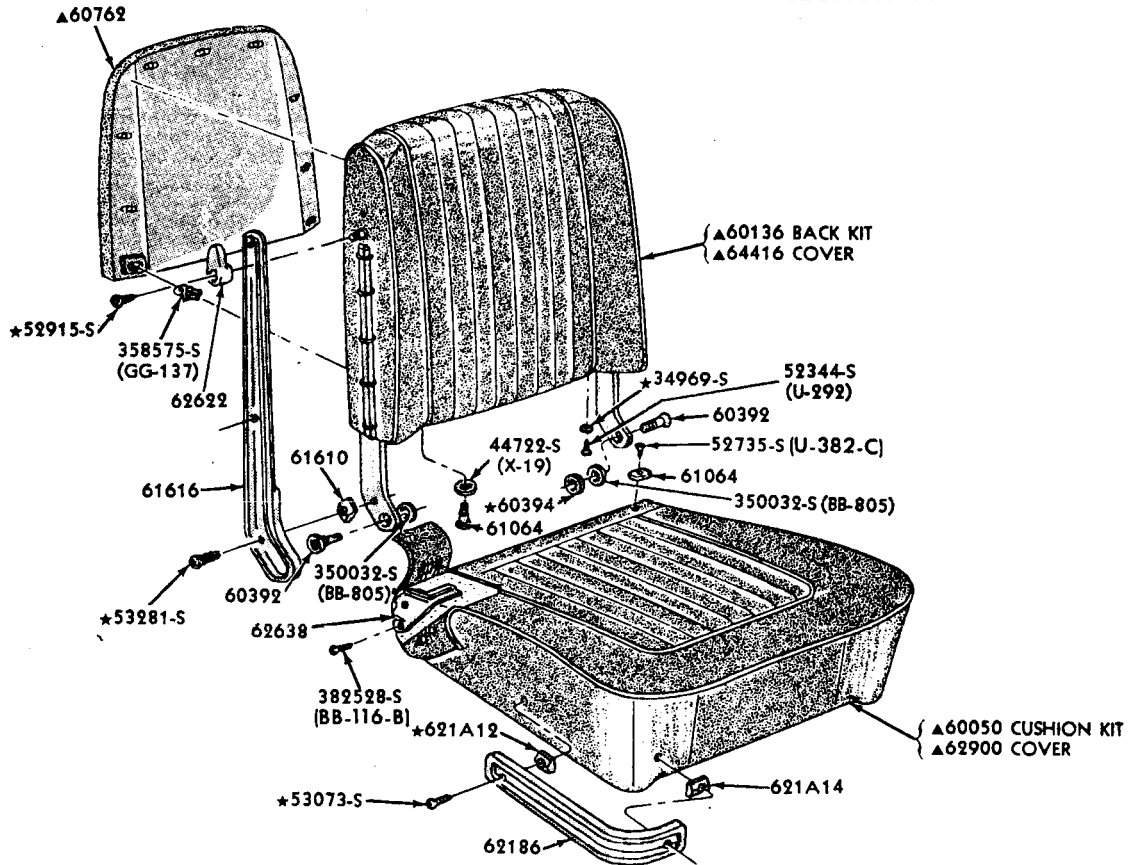




FRONT SEAT HEAD REST and RELATED PARTS  
1968 ALL



FRONT SEAT BACK LATCH and RELATED PARTS  
1968 ALL TWO DOORS



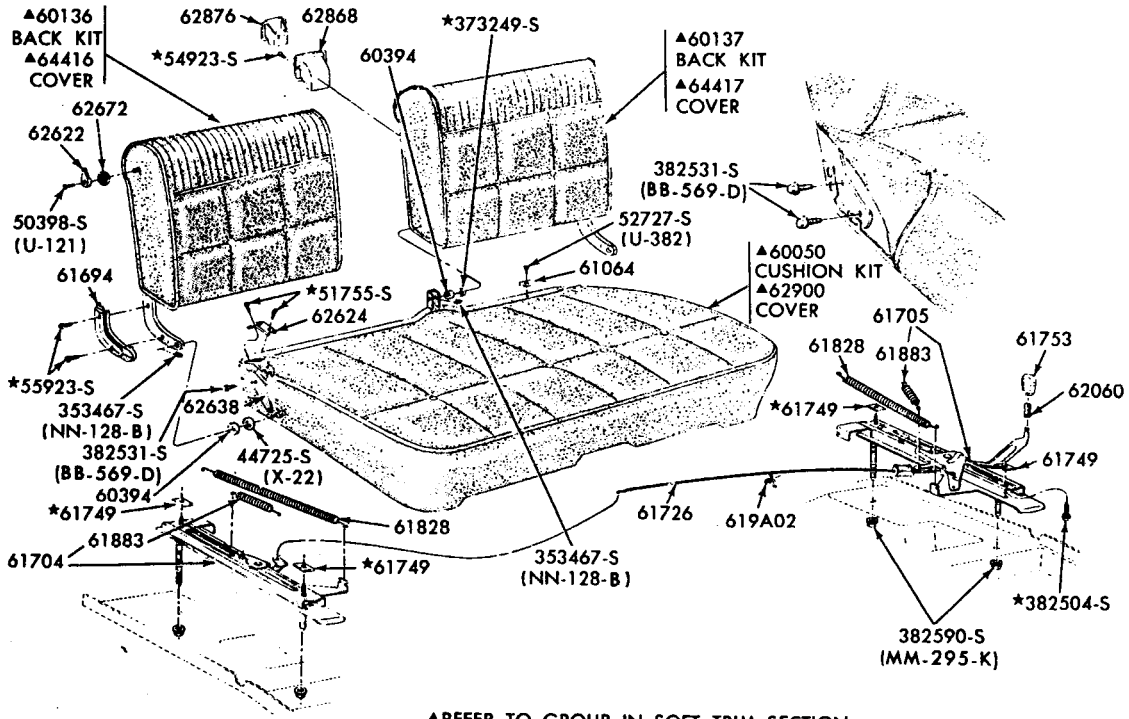
▲REFER TO GROUP IN SOFT TRIM SECTION

P-6167

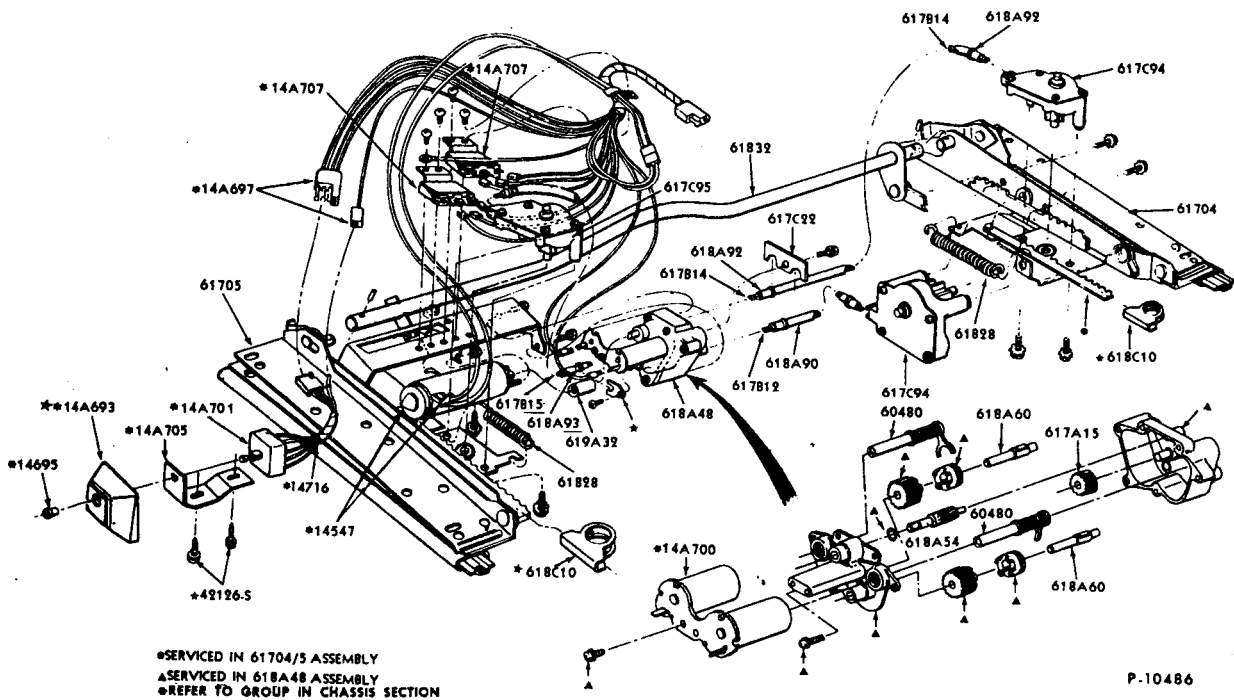
FRONT SEAT MECHANISM and RELATED PARTS - MANUAL BUCKET  
1968/69 FORD



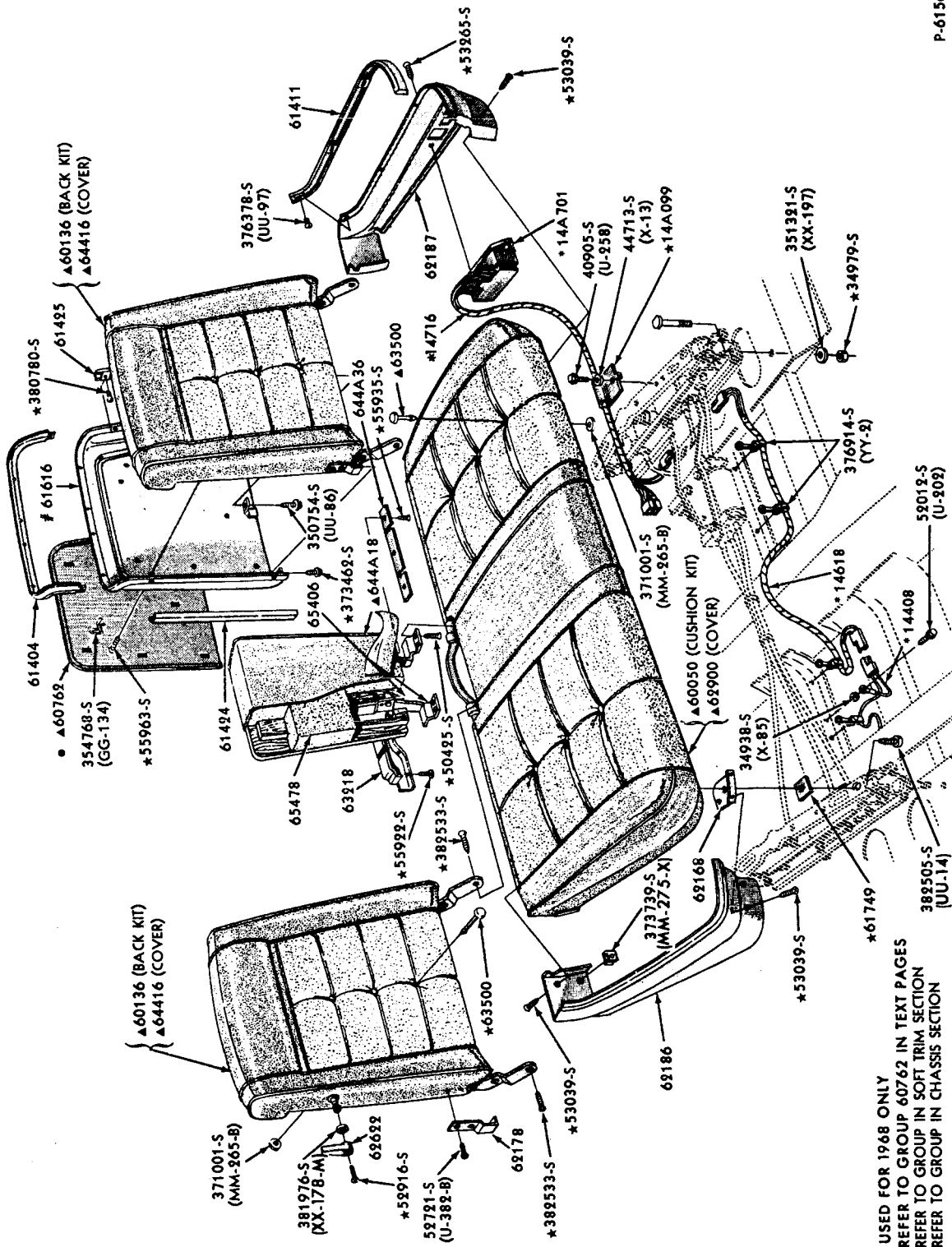




FRONT SEAT MECHANISM and RELATED PARTS - MANUAL FULL WIDTH  
1968/71 FAIRLANE/TORINO and FALCON



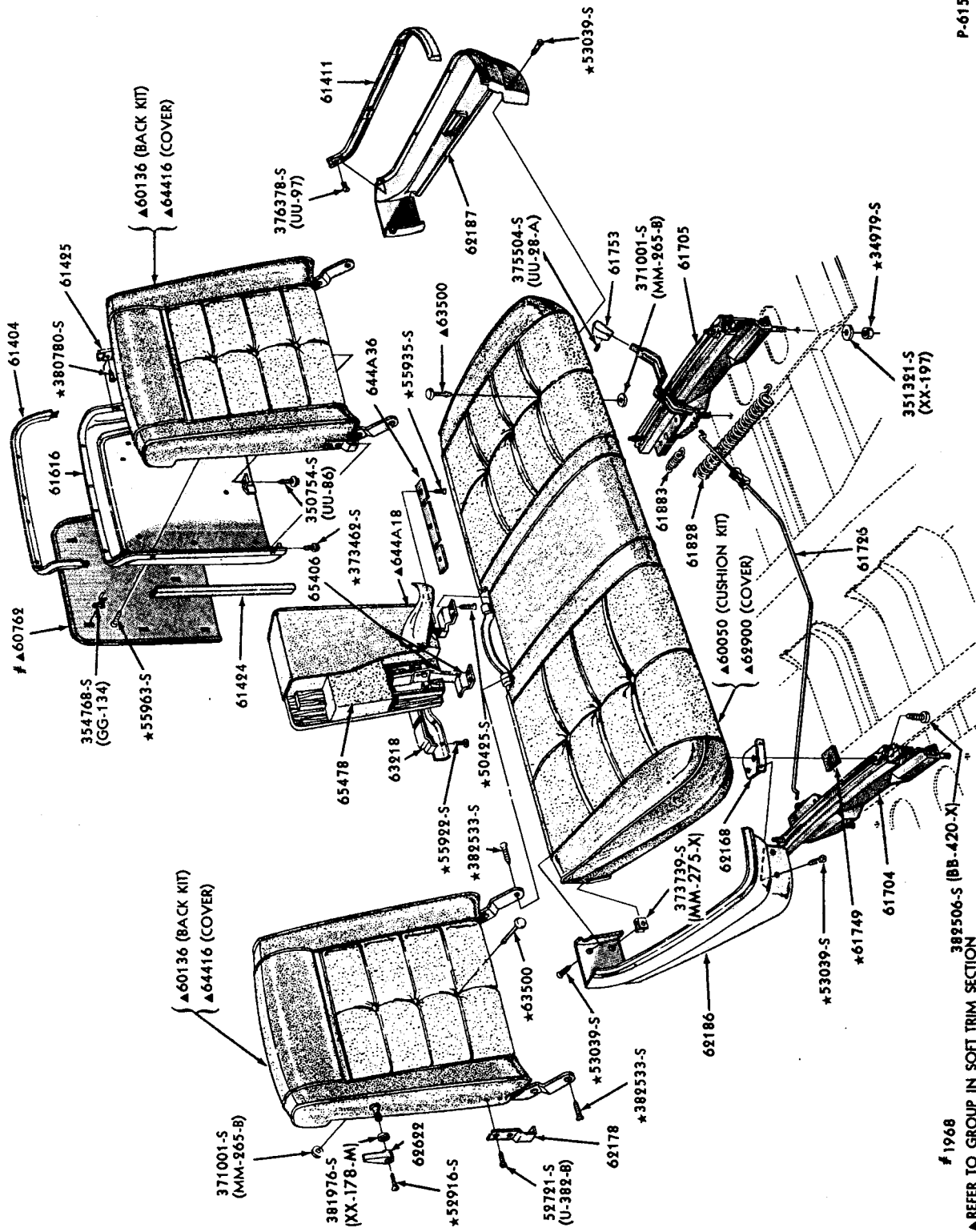
FRONT SEAT MECHANISM and RELATED PARTS - POWER FULL WIDTH - LOWER HALF  
1969/71 FAIRLANE/TORINO



• USED FOR 1968 ONLY  
# REFER TO GROUP 60762 IN TEXT PAGES  
▲ REFER TO GROUP IN SOFT TRIM SECTION  
\* REFER TO GROUP IN CHASSIS SECTION

FRONT SEAT MECHANISM and RELATED PARTS-POWER FULL WIDTH-UPPER HALF  
1968/71 THUNDERBIRD

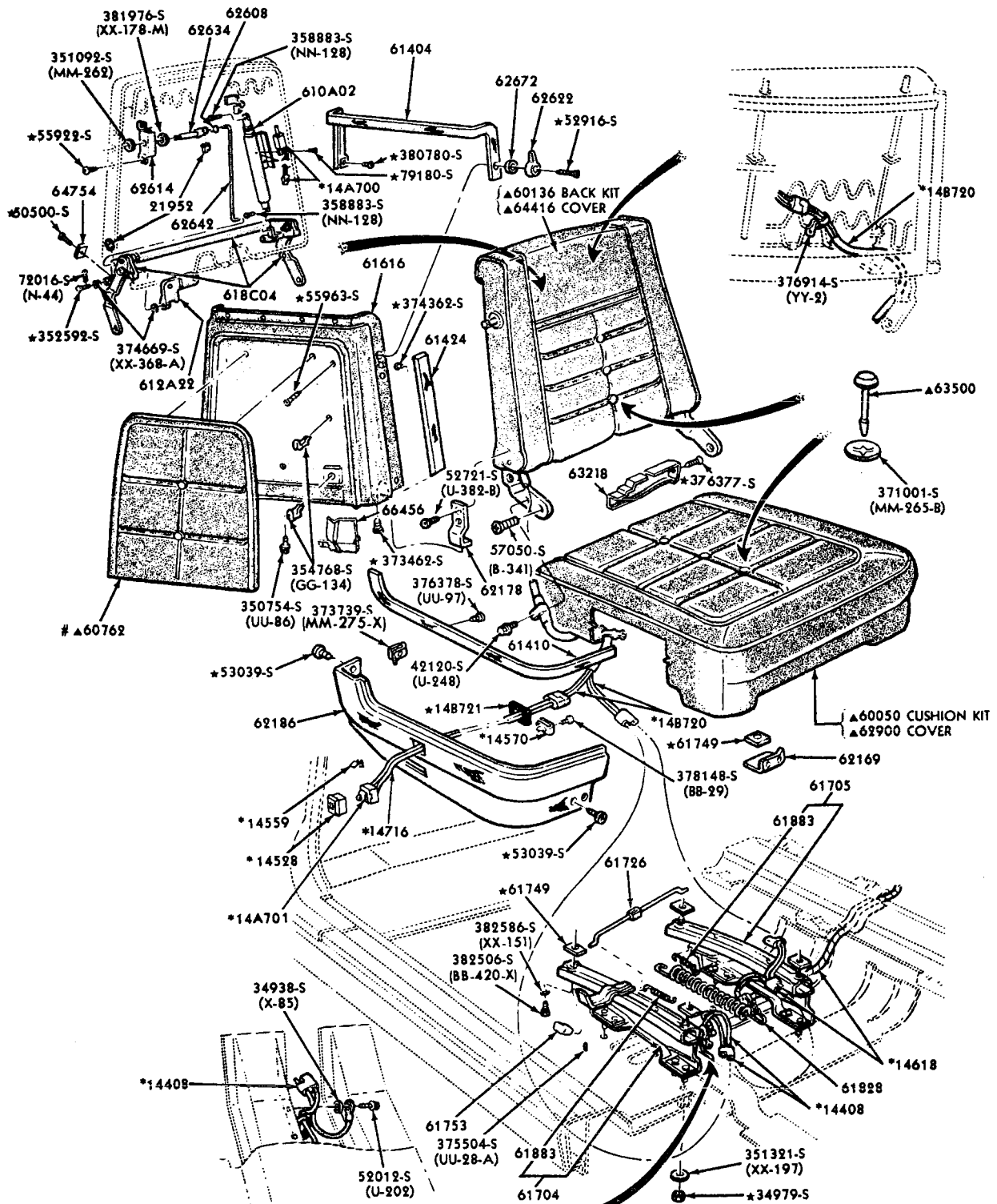




FRONT SEAT MECHANISM and RELATED PARTS-MANUAL FULL WIDTH  
1968/71 THUNDERBIRD

# 1968 389506-S (BB-420-X)  
▲ REFER TO GROUP IN SOFT TRIM SECTION

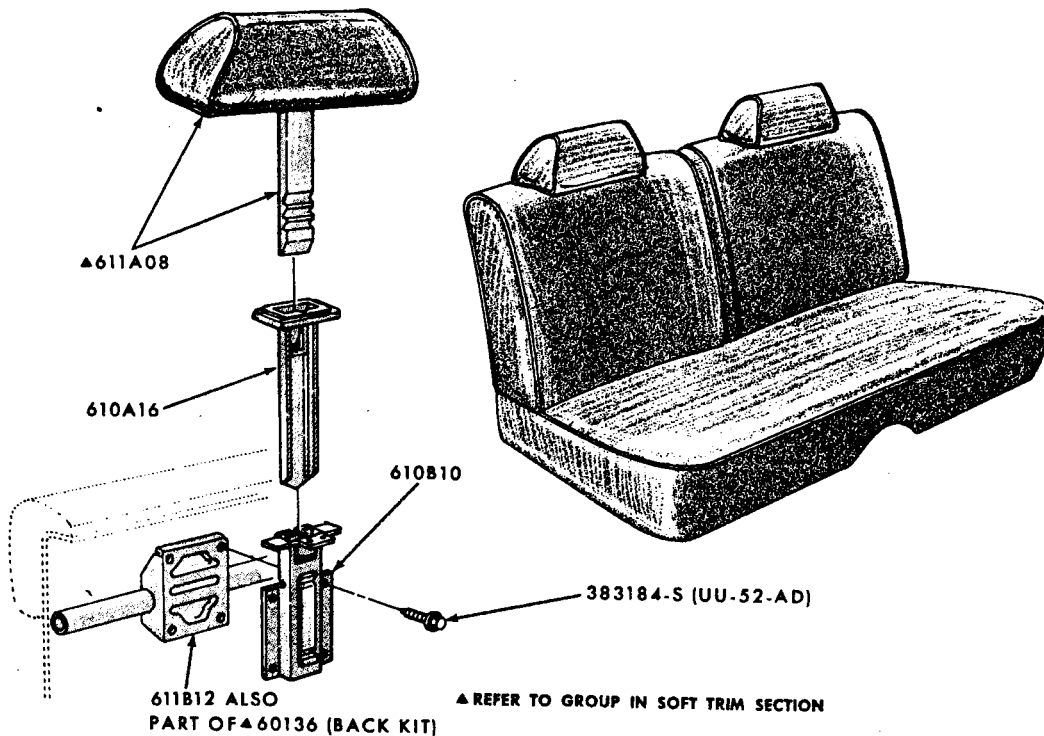




# USED FOR 1968 ONLY  
 ▲ REFER TO GROUP IN SOFT TRIM SECTION  
 \* REFER TO GROUP IN CHASSIS SECTION

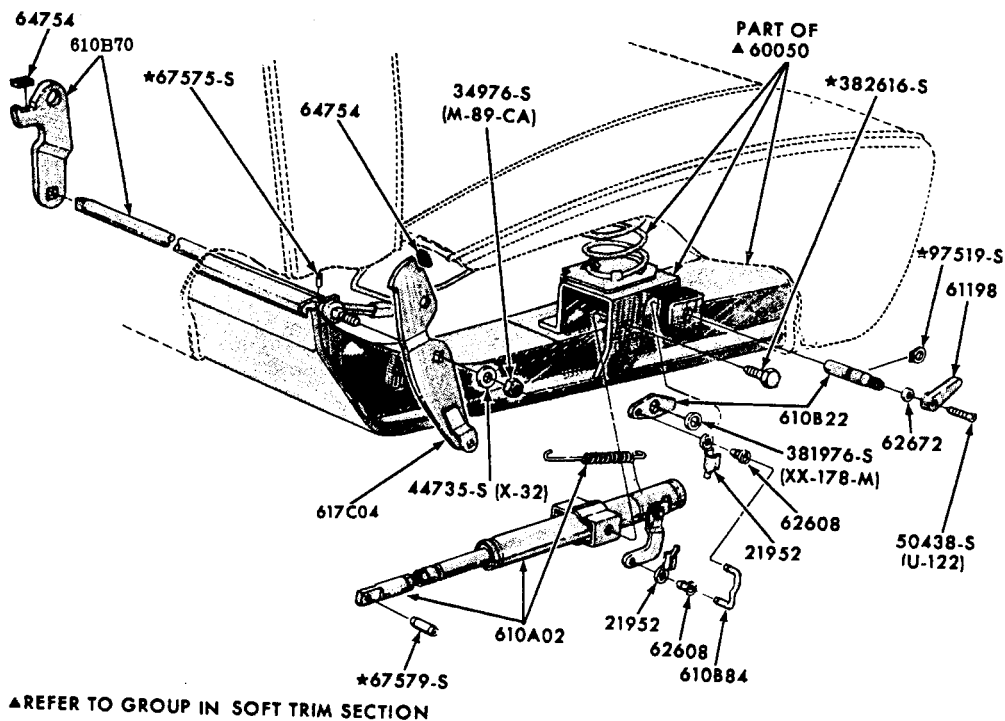
P-6233

**FRONT SEAT MECHANISM and RELATED PARTS - PASSENGER RECLINING  
 1968/69 THUNDERBIRD**



P-6809

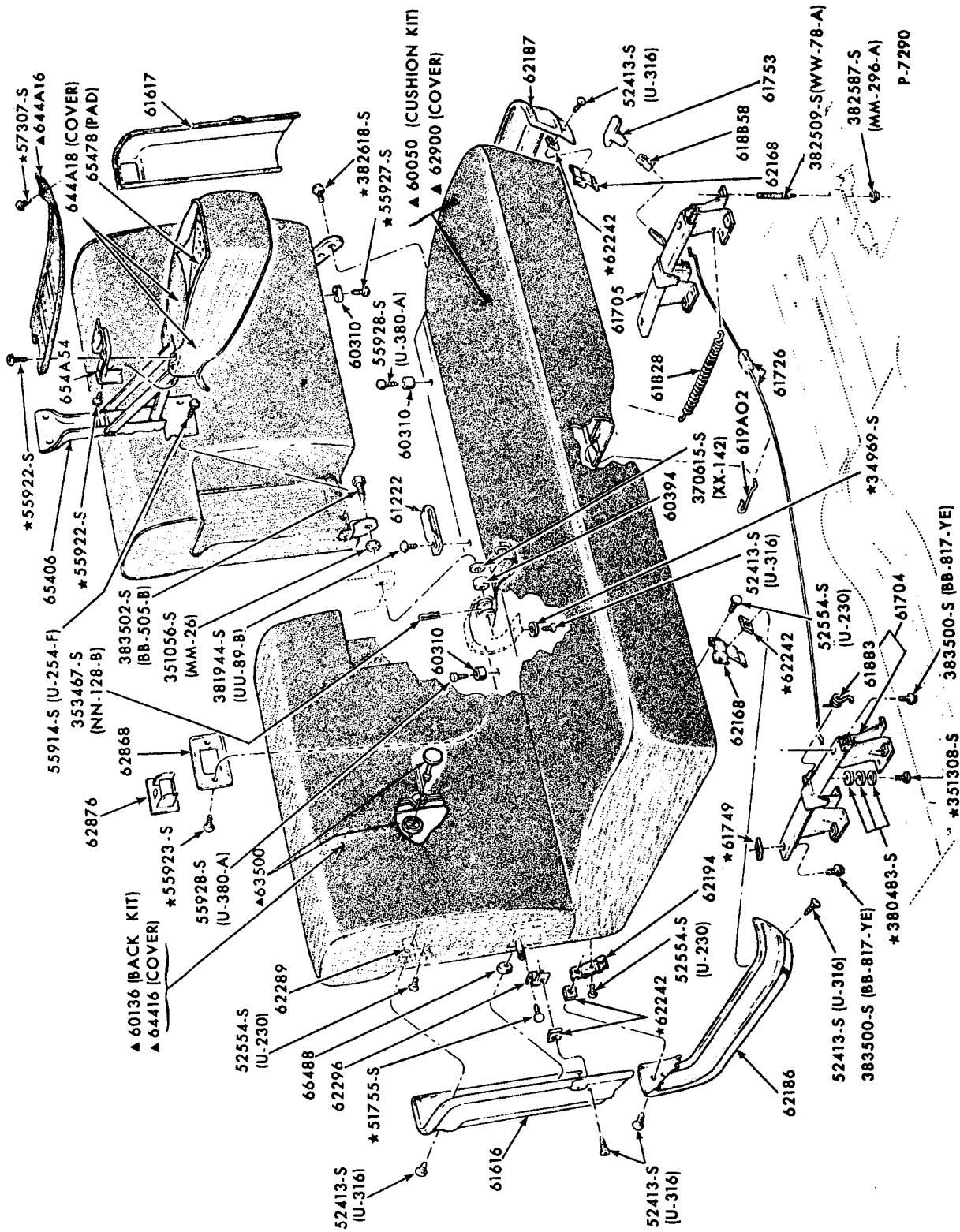
FRONT SEAT HEAD REST and RELATED PARTS  
1969/72 ALL



P-6959

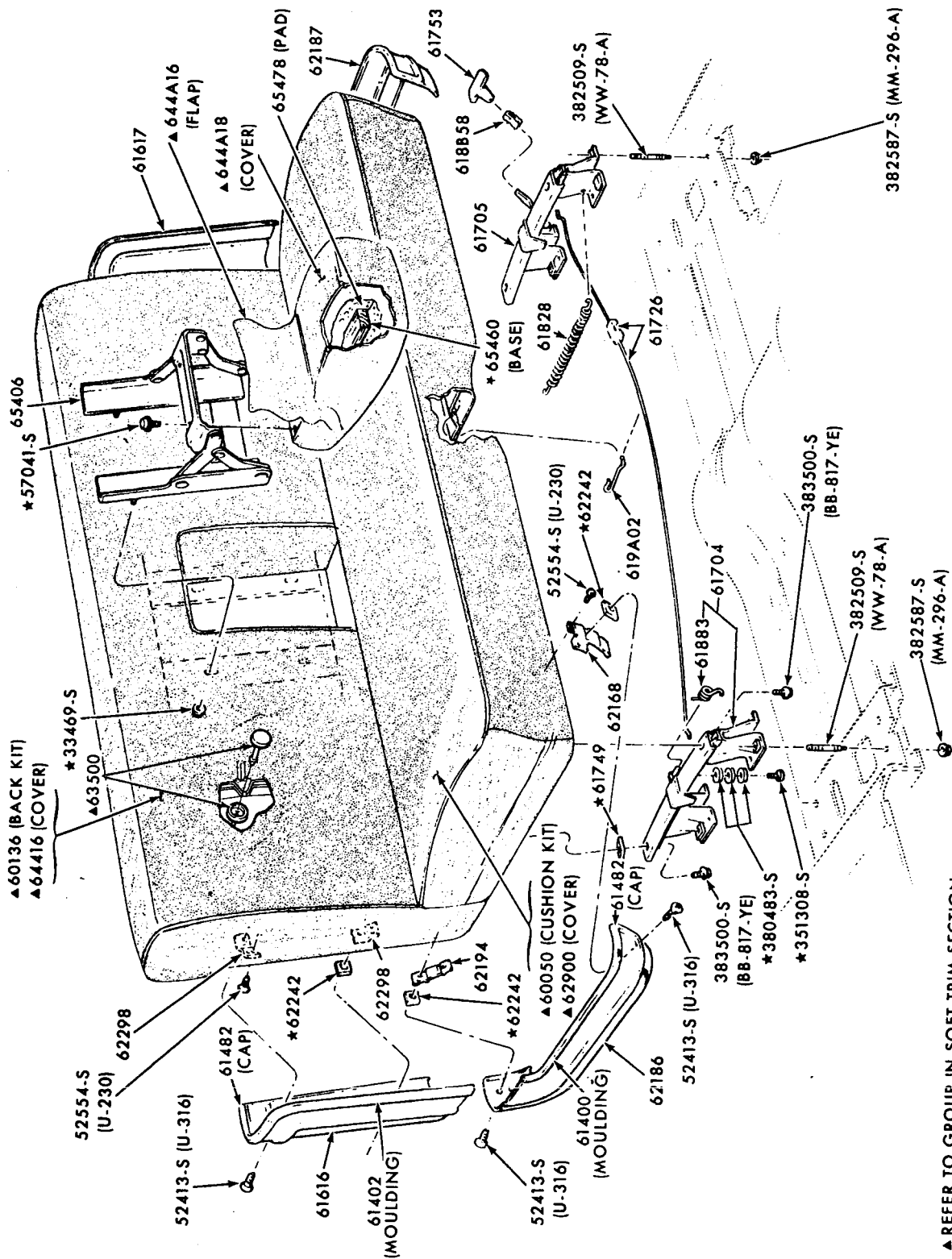
FRONT SEAT RECLINING MECHANISM and RELATED PARTS  
1969/70 FORD





FRONT SEAT MECHANISM and RELATED PARTS - FULL WIDTH  
1969/72 FORD-BODY TYPES 62, 63, 65, 76

▲ REFER TO GROUP IN SOFT TRIM SECTION



382587-S (MM-296-A)

383500-S (BB-817-YE)

382509-S (WW-78-A)

382587-S (MM-296-A)

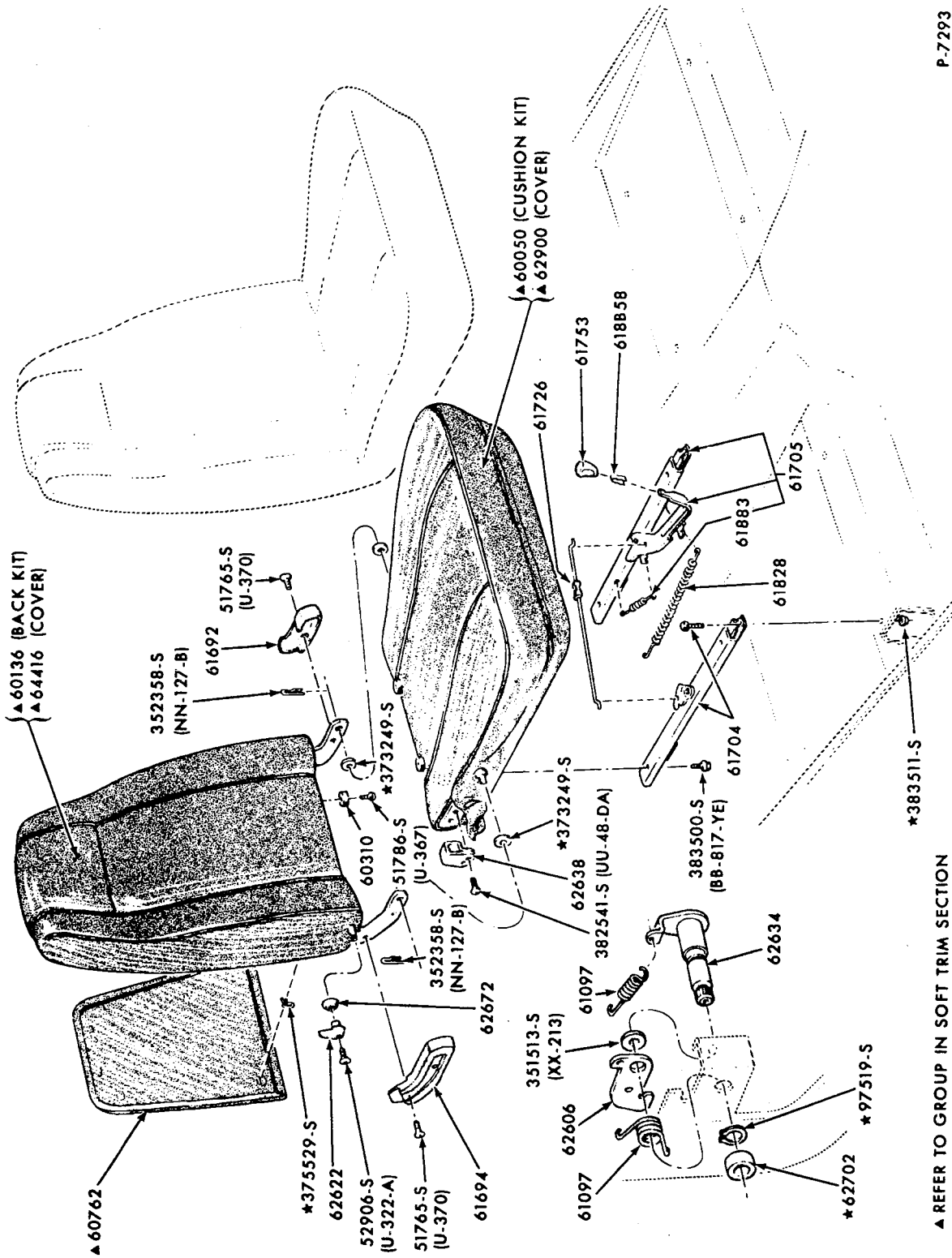
▲ REFER TO GROUP IN SOFT TRIM SECTION

P-7289

FRONT SEAT MECHANISM and RELATED PARTS - FULL WIDTH  
1969/72 FORD - BODY TYPES 53,54,57,71

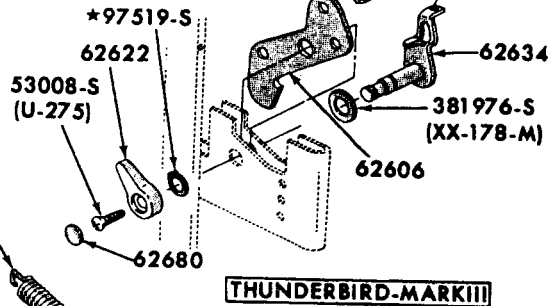
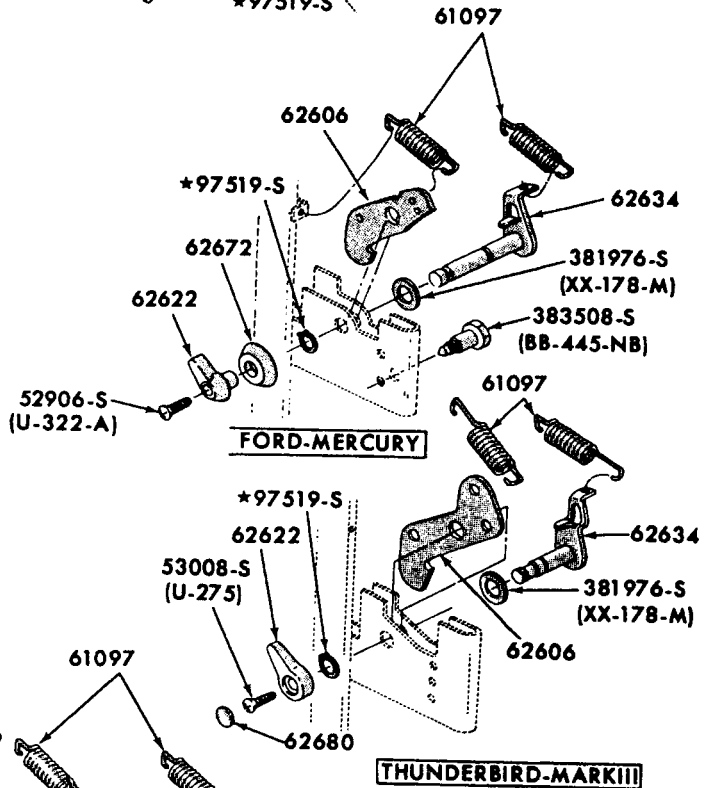
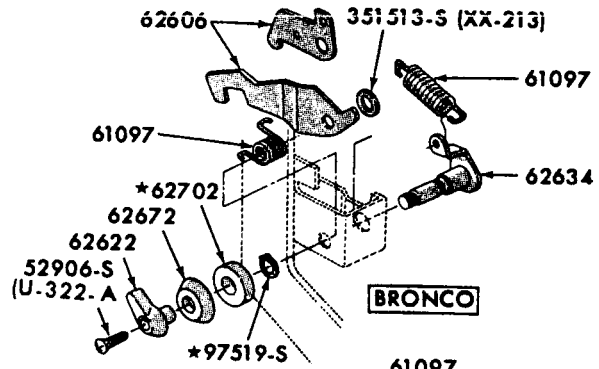
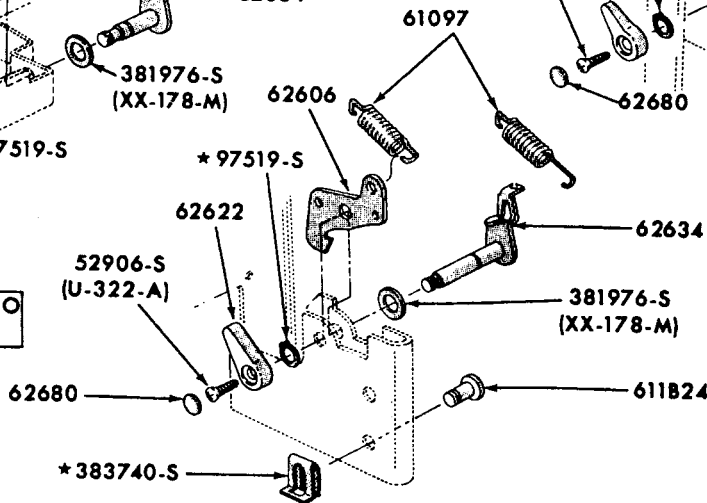
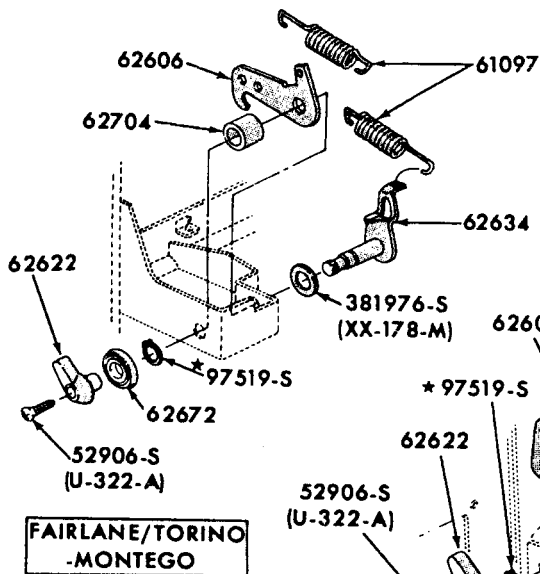
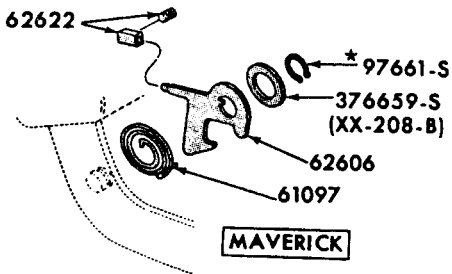
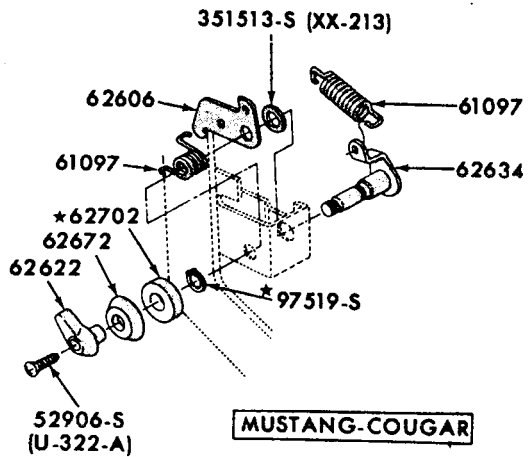






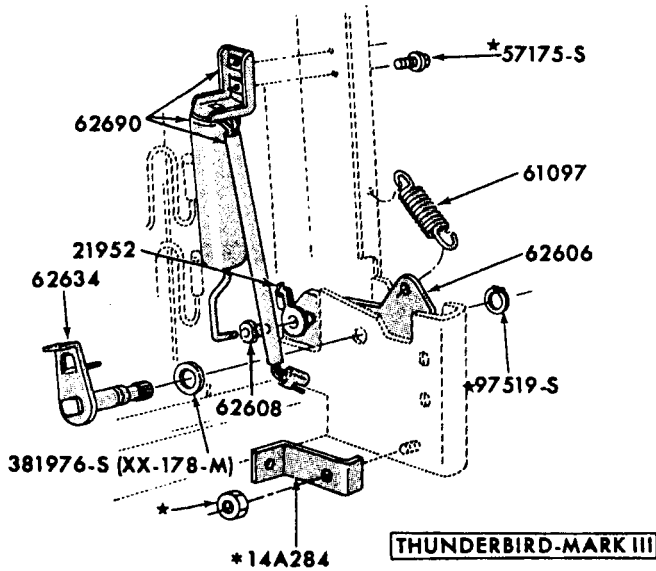
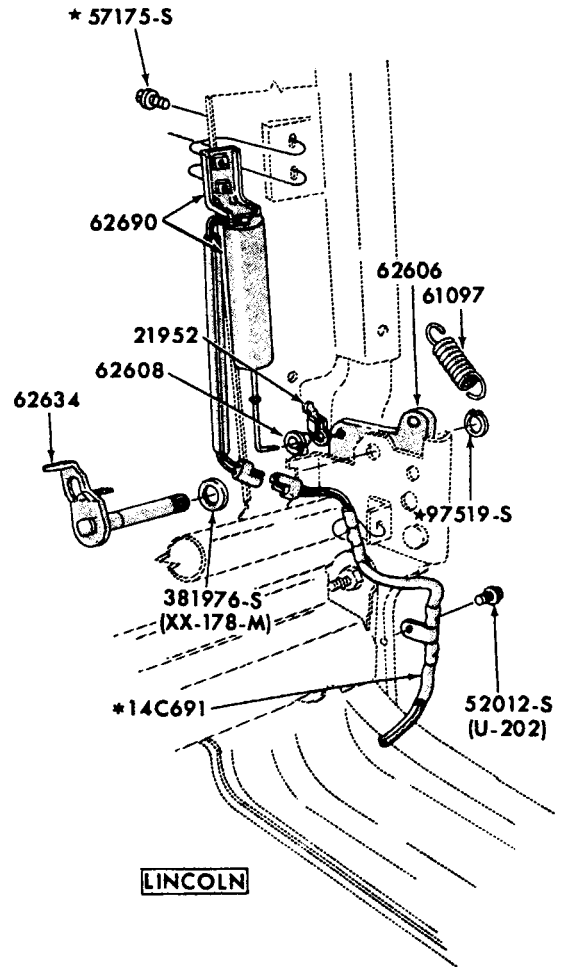
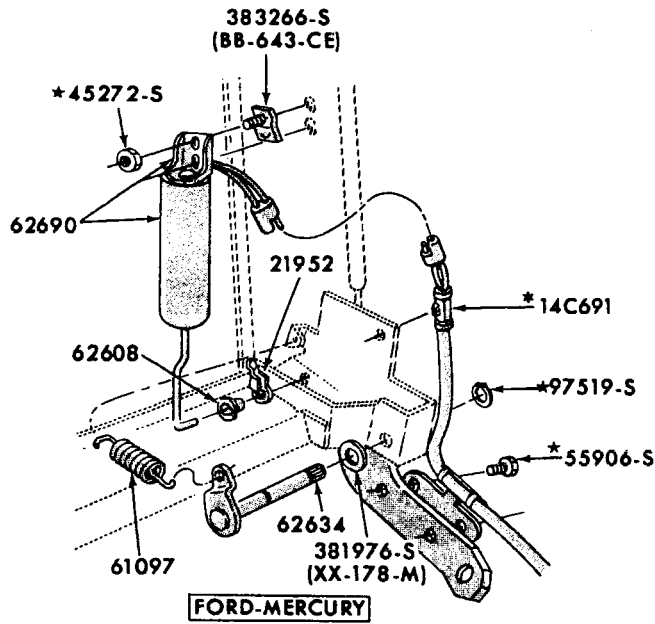
▲ REFER TO GROUP IN SOFT TRIM SECTION

FRONT SEAT MECHANISM and RELATED PARTS - BUCKET



**LINCOLN**  
 FRONT SEAT BACK LATCH MECHANISM - MANUAL  
 1969/71 ALL  
 1972 FORD

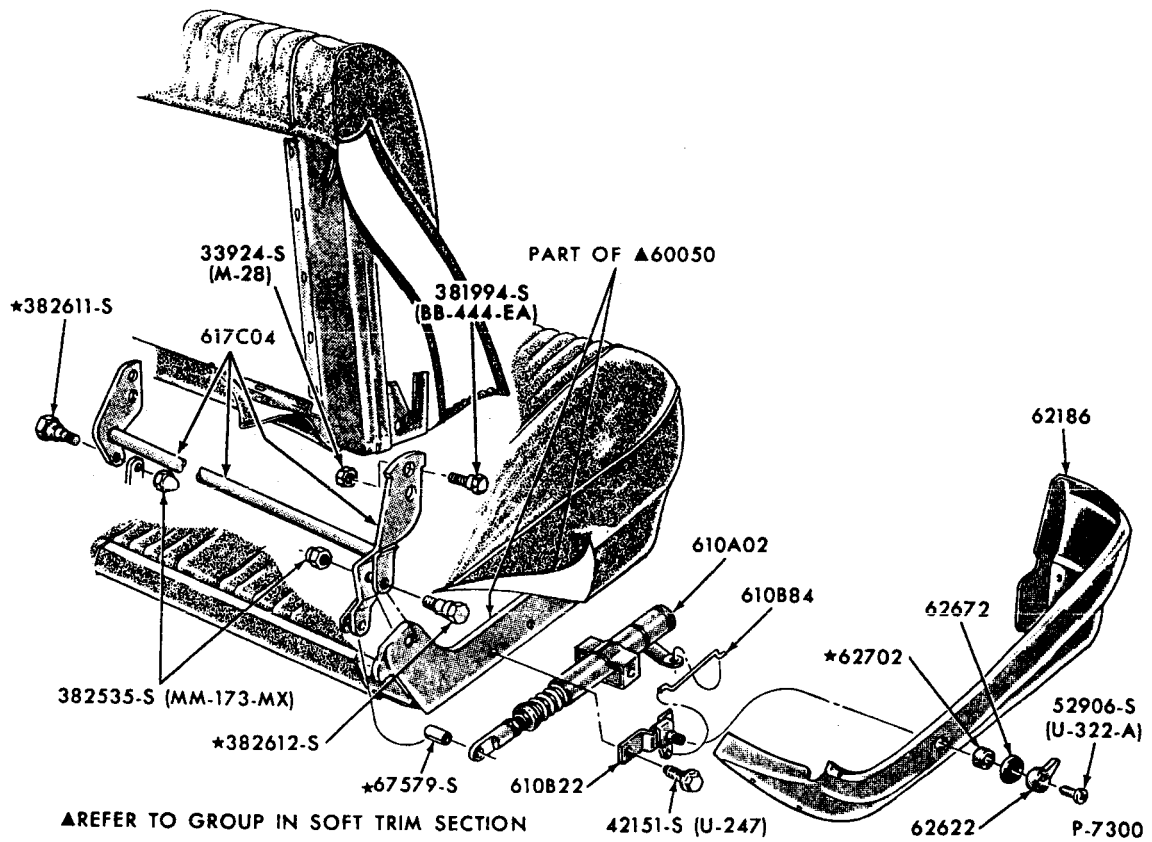
P-7296



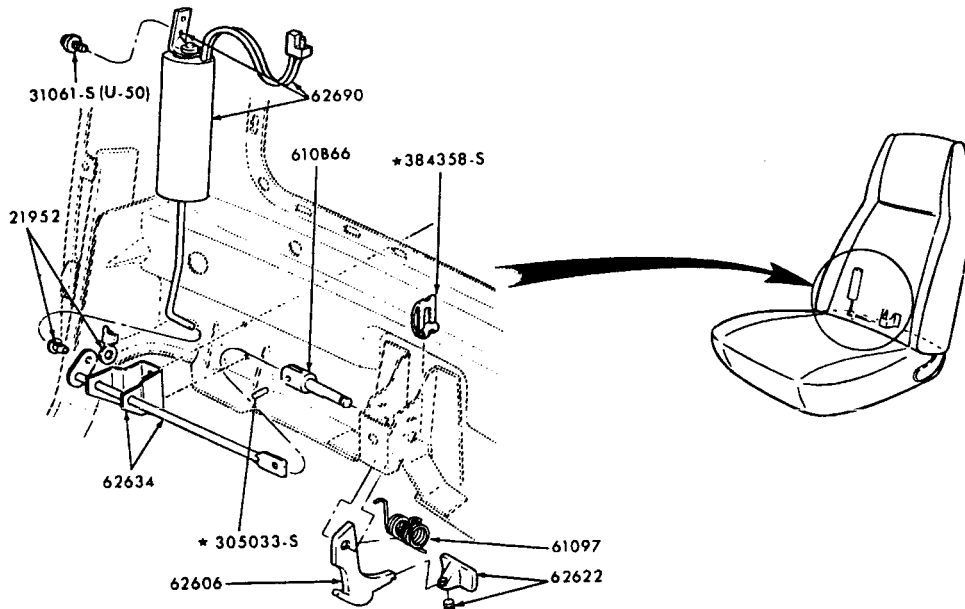
\*REFER TO CHASSIS SECTION

P-7297

FRONT SEAT BACK LATCH MECHANISM - AUTOMATIC  
1970/71 FORD, THUNDERBIRD  
1972 FORD



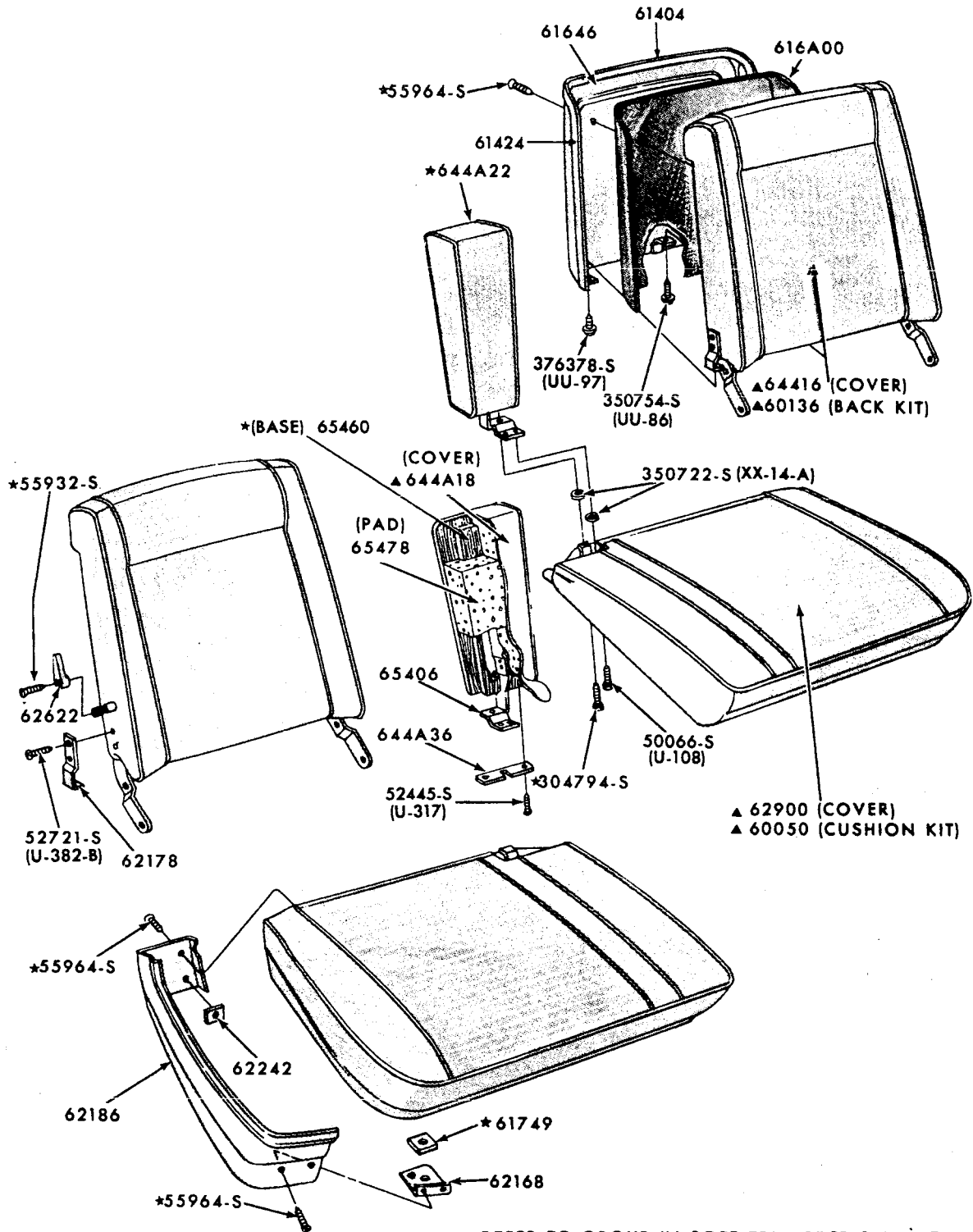
RECLINING SEAT MECHANISM and RELATED PARTS  
1970/71 THUNDERBIRD



FRONT SEAT BACK LATCH MECHANISM - AUTOMATIC - CENTER  
1971/72 MUSTANG

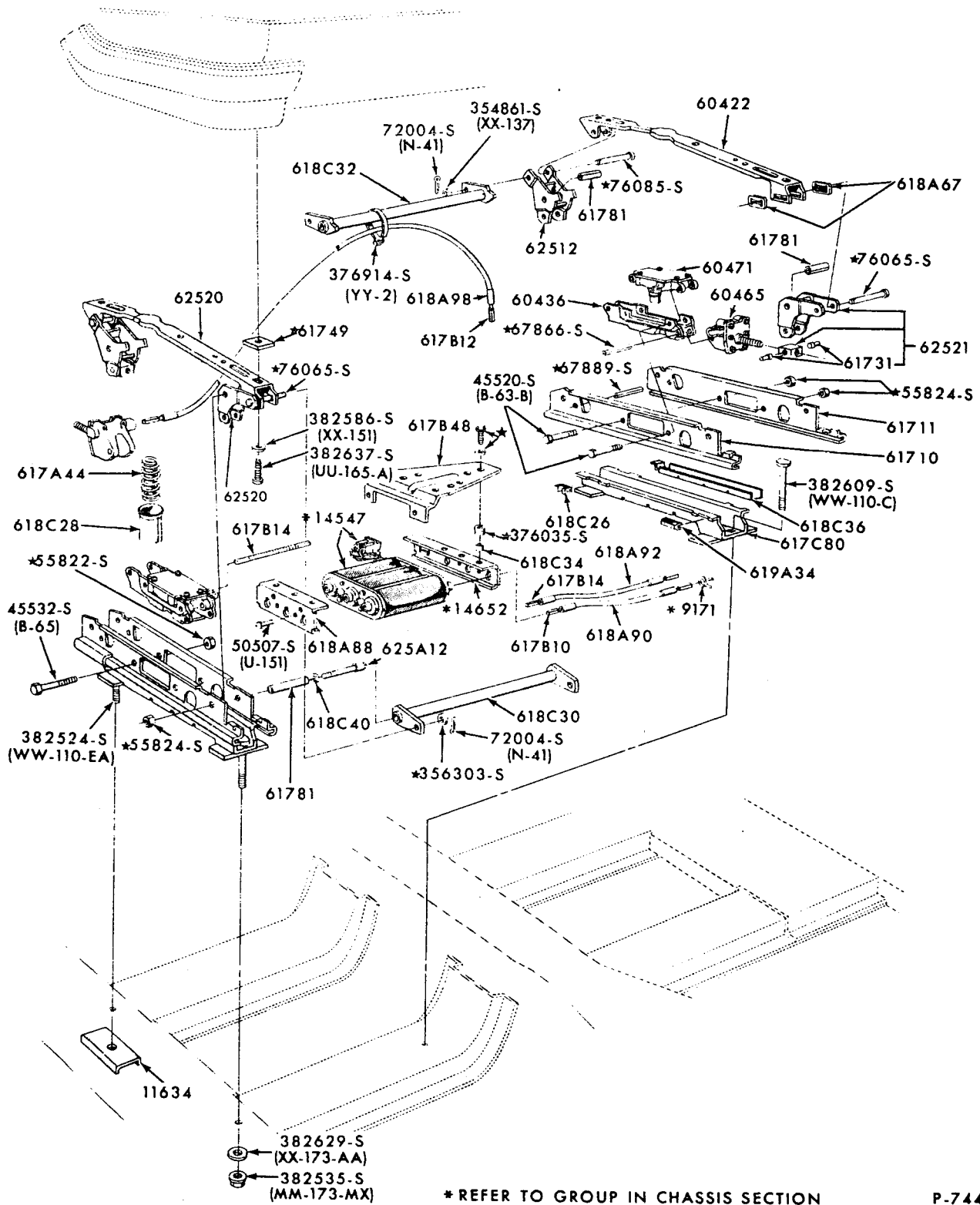
P.8047





▲ REFER TO GROUP IN SOFT TRIM SECTION P-7444

FRONT SEAT MECHANISM and RELATED PARTS-SPLIT BENCH-UPPER HALF  
1970/71 THUNDERBIRD

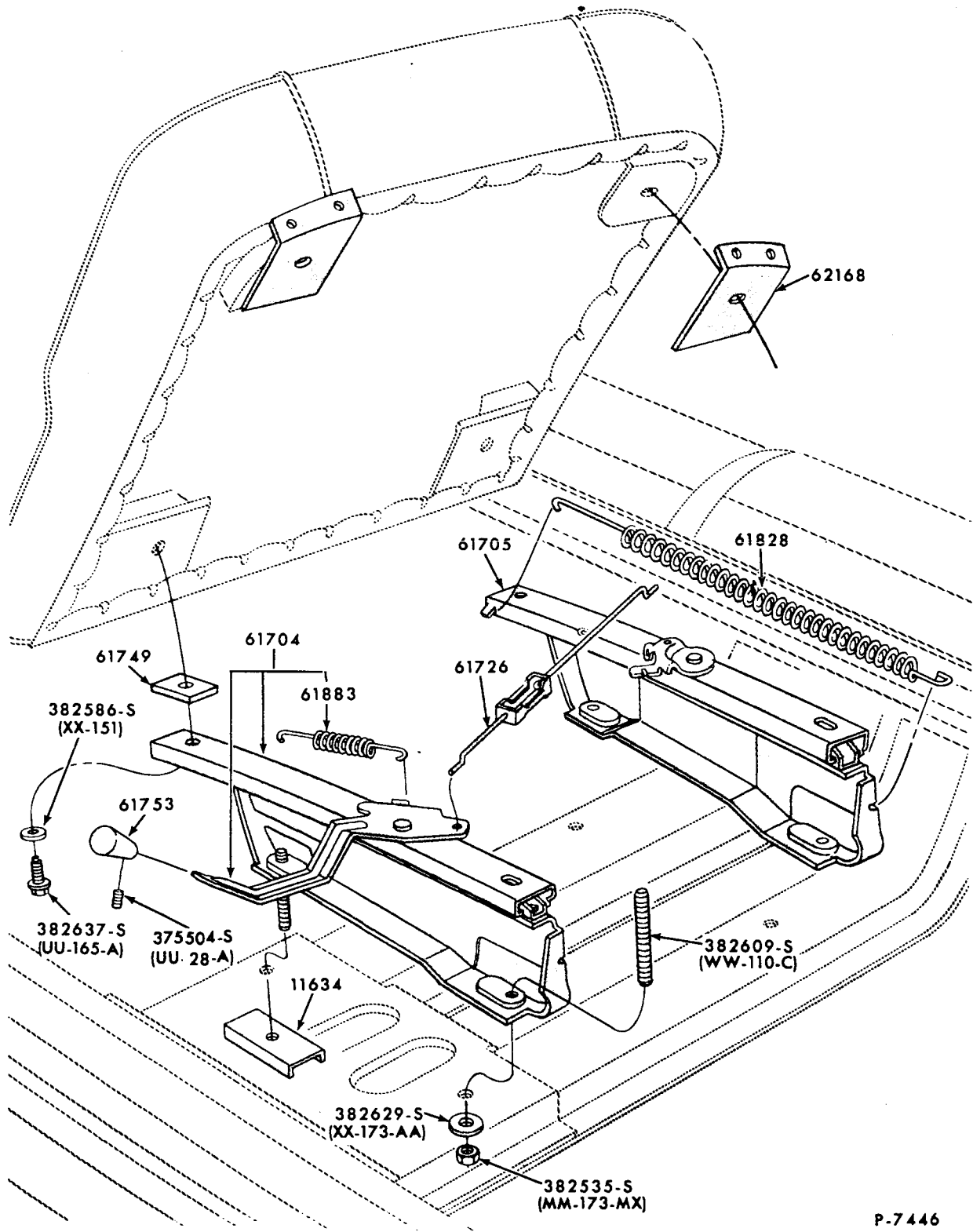


\* REFER TO GROUP IN CHASSIS SECTION

P-7445

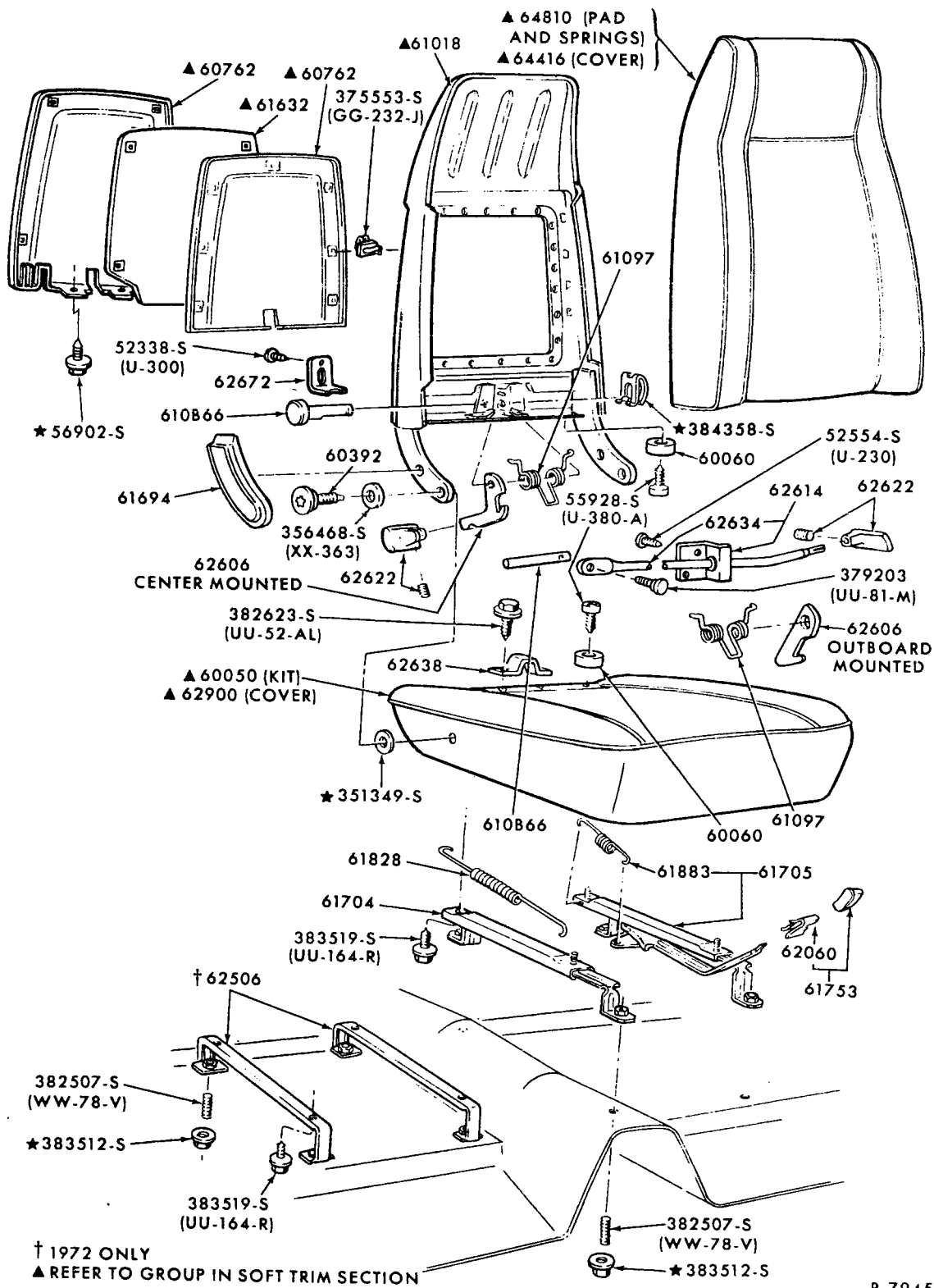
FRONT SEAT MECHANISM and RELATED PARTS - POWER SPLIT BENCH - LOWER HALF

1970/71 THUNDERBIRD



P-7446

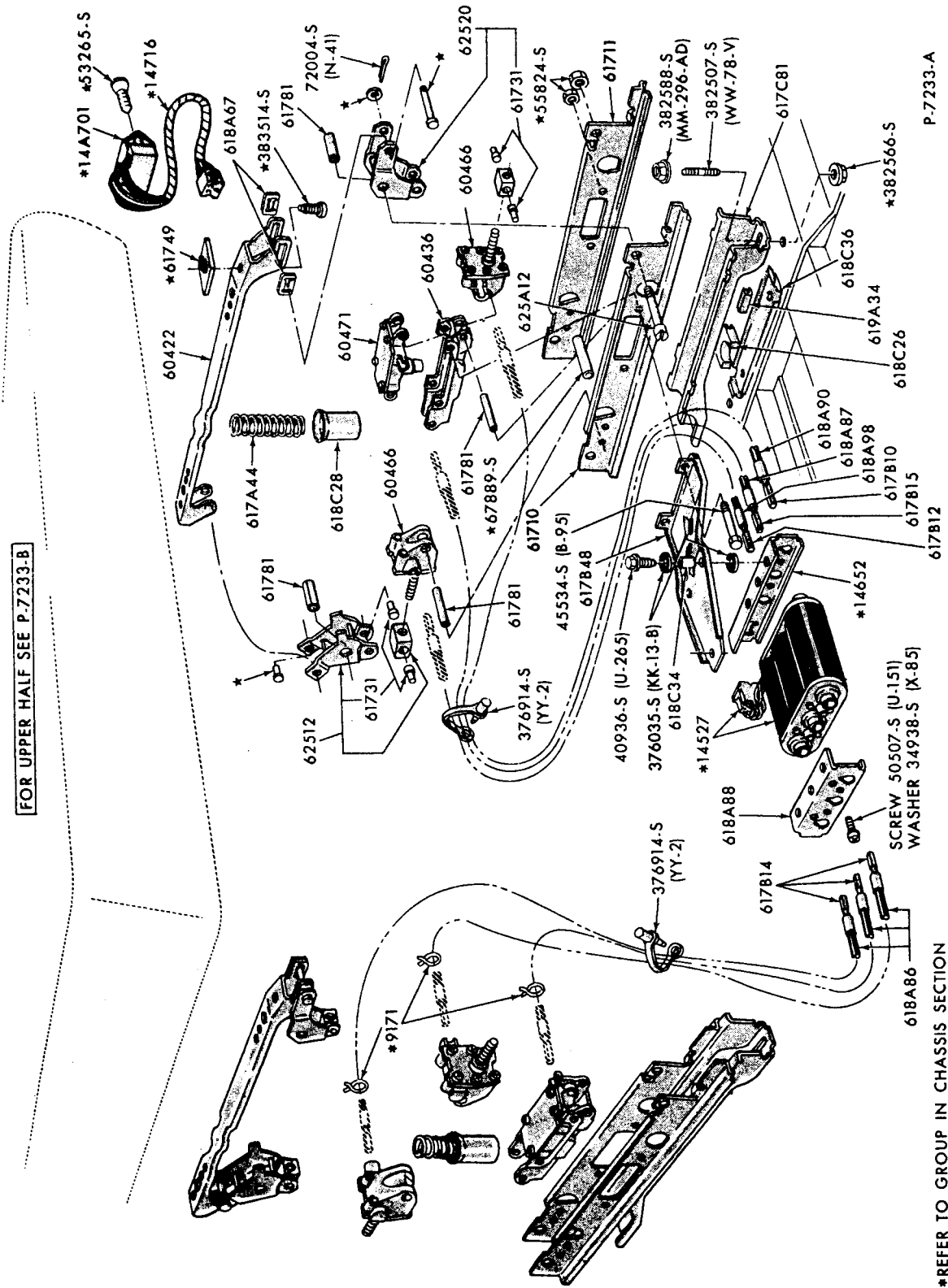
FRONT SEAT MECHANISM and RELATED PARTS - MANUAL SPLIT BENCH - LOWER HALF  
1970/71 THUNDERBIRD



P-7945

FRONT SEAT MECHANISM and RELATED PARTS  
1971/72 PINTO



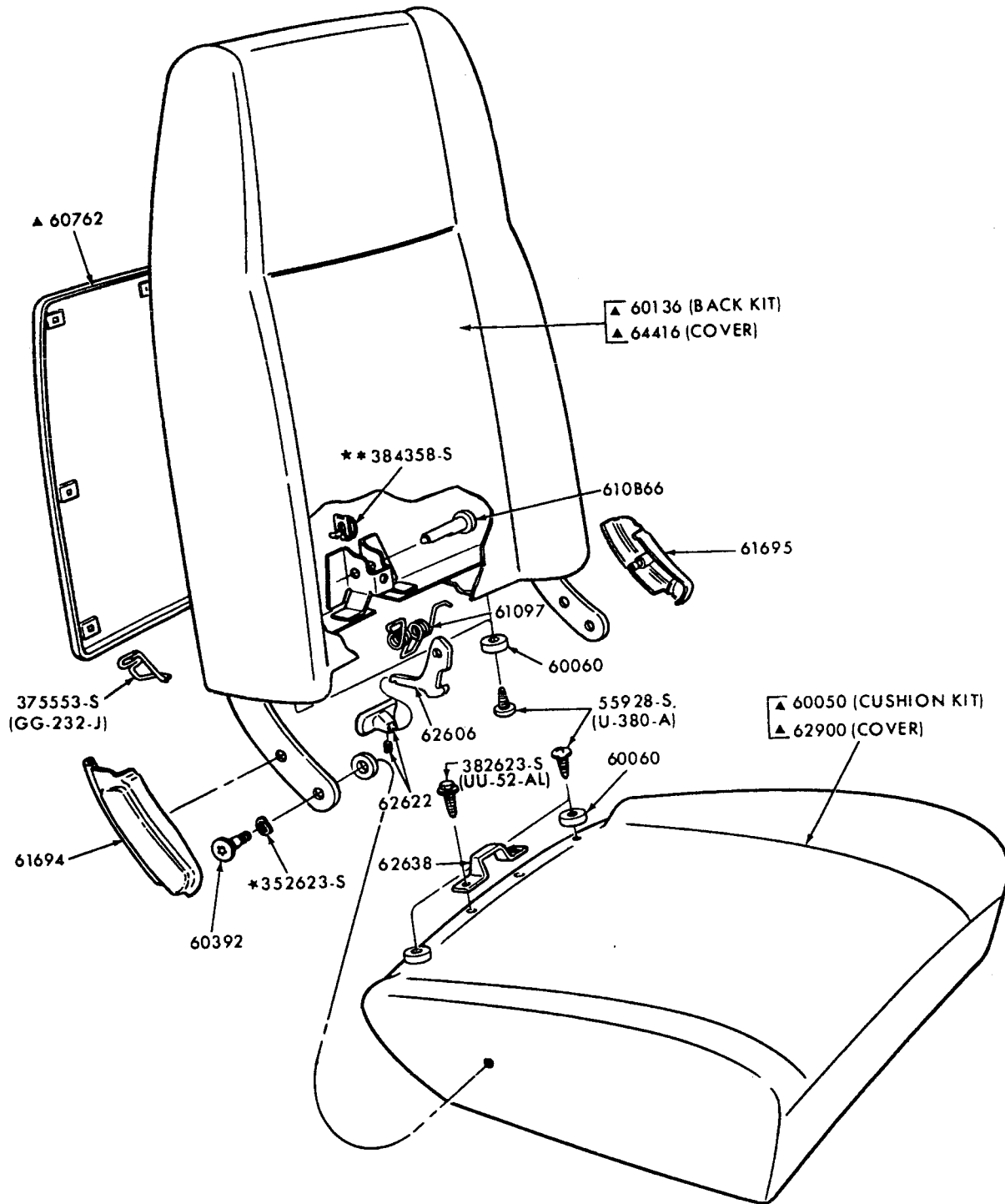


FOR UPPER HALF SEE P.7233-B

P-7233-A

\*REFER TO GROUP IN CHASSIS SECTION

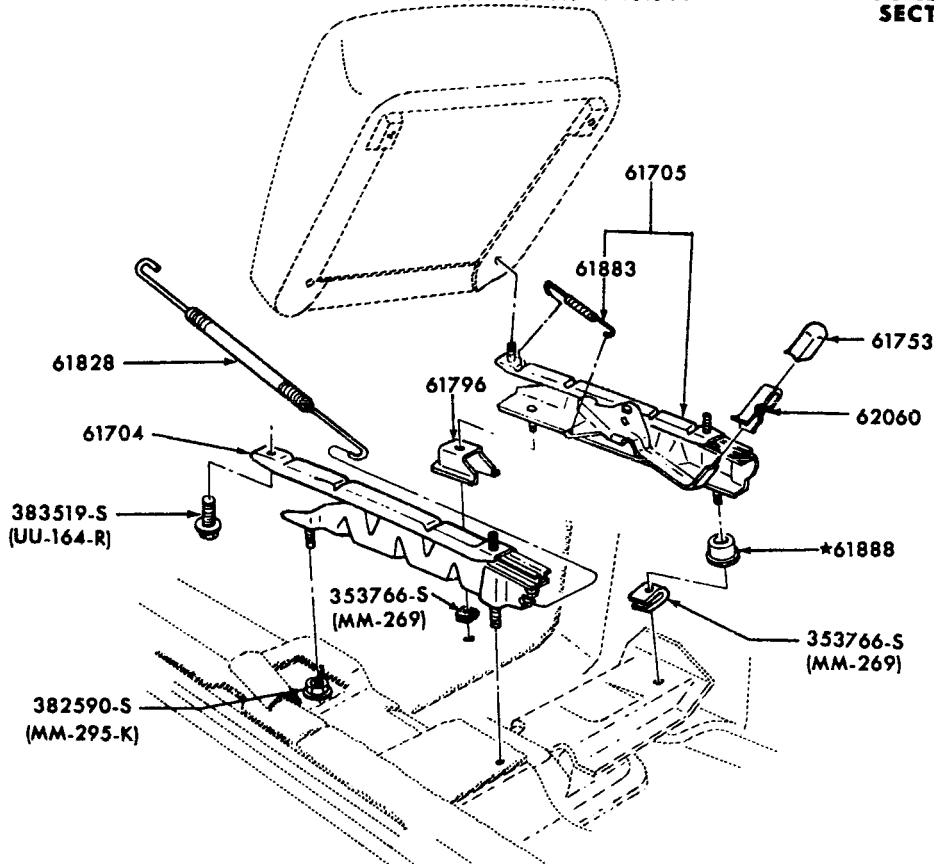
FRONT SEAT MECHANISM and RELATED PARTS - POWER FULL WIDTH - LOWER HALF  
1971/72 FORD - "Before 12/1/71"



▲ REFER TO GROUP IN SOFT TRIM SECTION

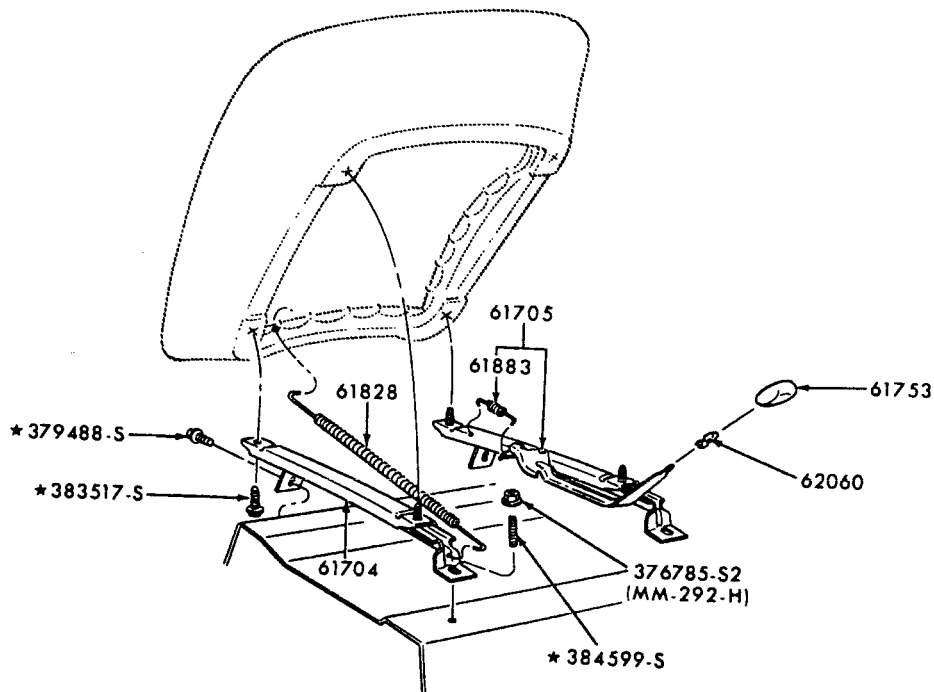
P-8076

FRONT SEAT MECHANISM and RELATED PARTS - UPPER HALF  
1971/72 MUSTANG and MAVERICK



P-8050

FRONT SEAT MECHANISM and RELATED PARTS - BUCKET - LOWER HALF  
1971/72 MAVERICK



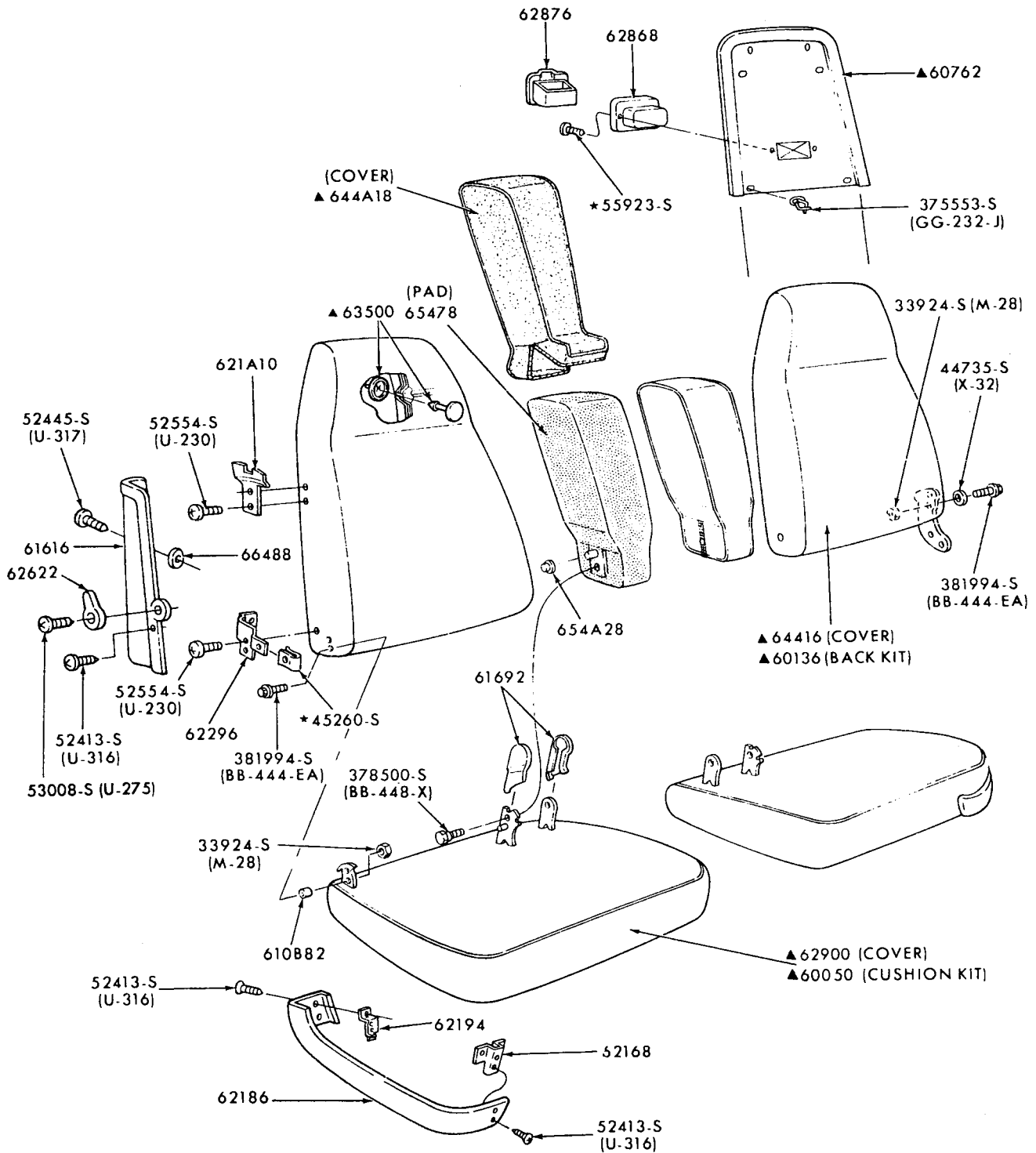
P-8075

FRONT MECHANISM and RELATED PARTS - MANUAL - LOWER HALF  
1971/72 MUSTANG



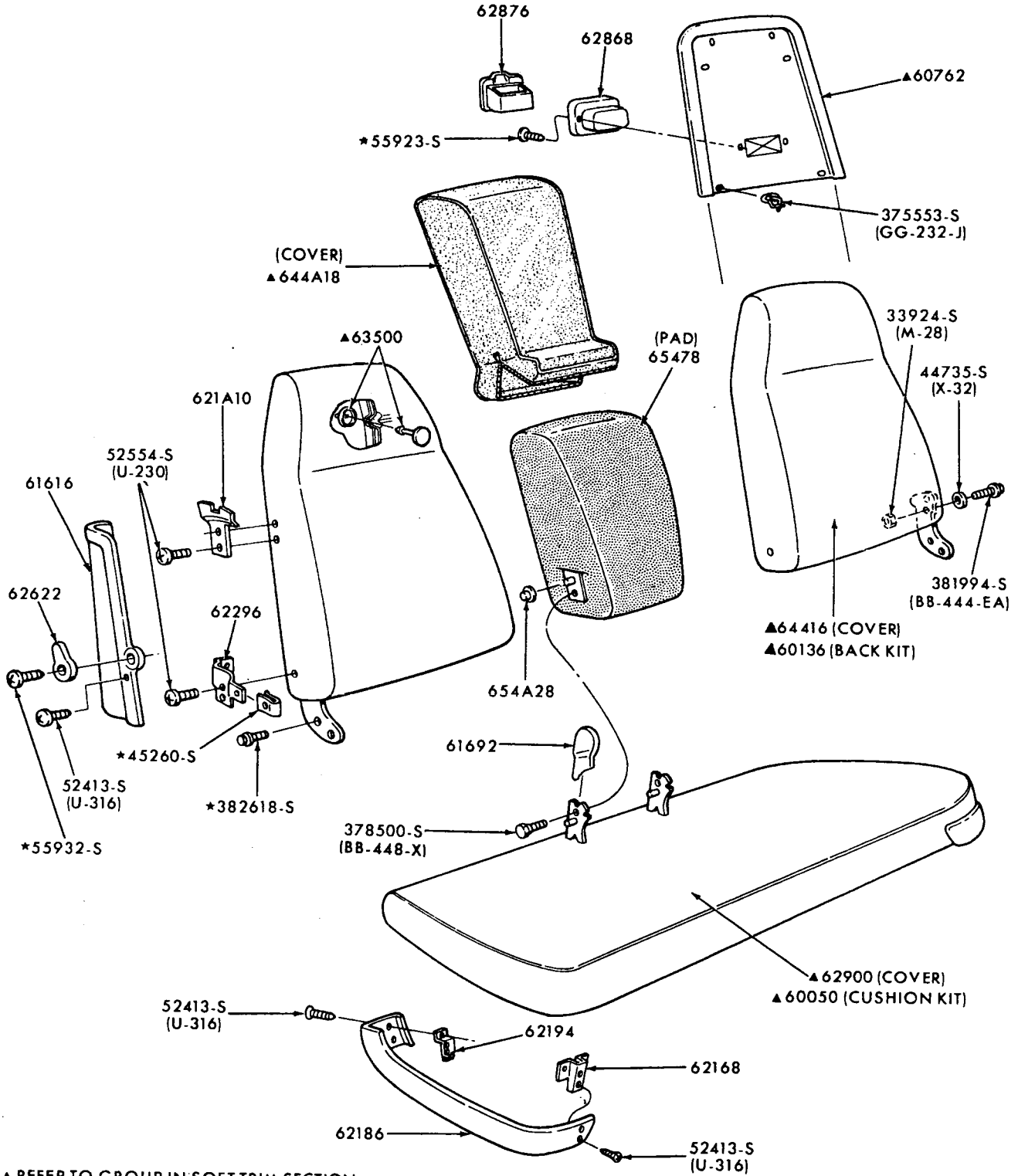






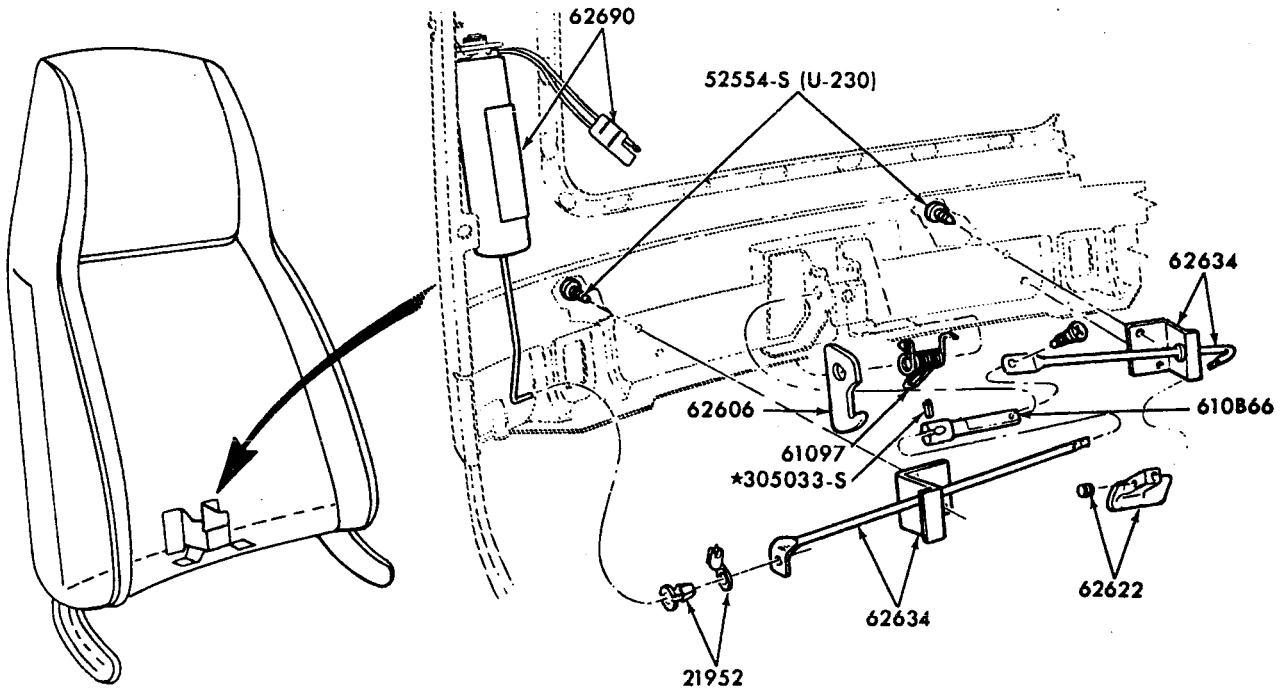
▲ REFER TO GROUP IN SOFT TRIM SECTION

P-8283



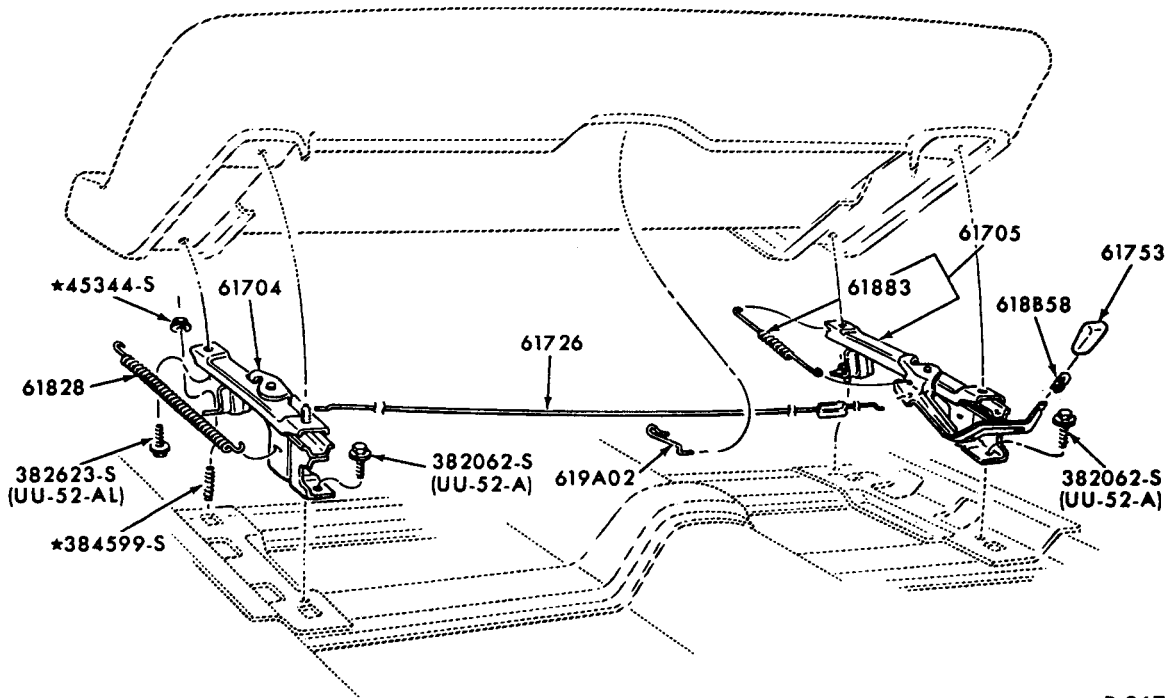
P-8284

FRONT SEAT MECHANISM and RELATED PARTS - HI-BACK FULL WIDTH  
1971/72 FORD



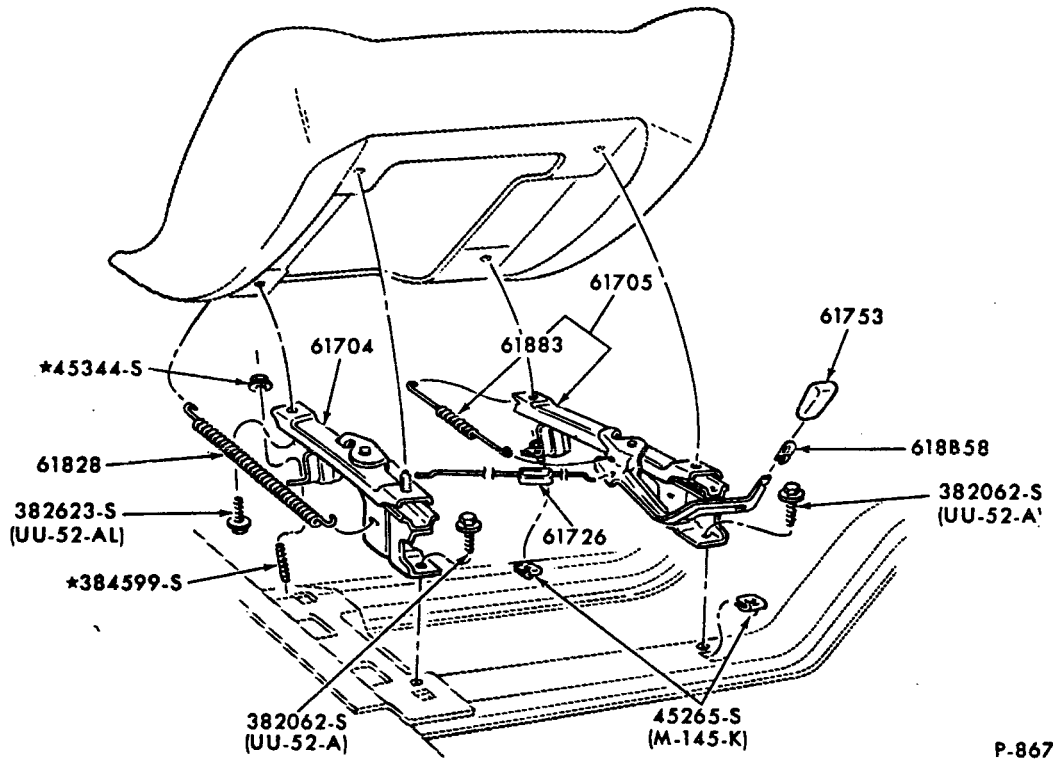
P-8534

FRONT SEAT BACK LATCH MECHANISM - AUTOMATIC - OUTBOARD  
1971/72 MUSTANG



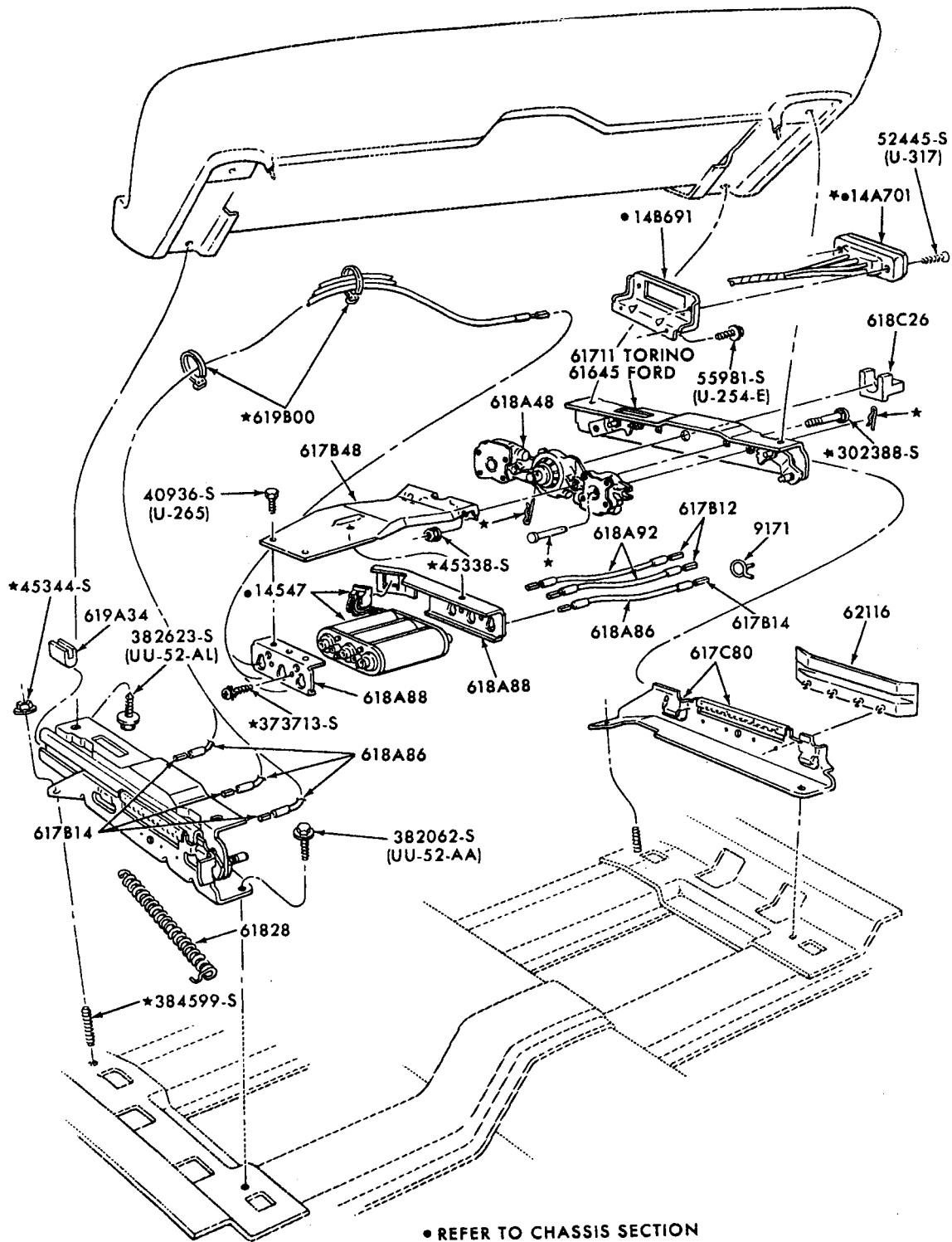
P-8674

FRONT SEAT MECHANISM and RELATED PARTS - MANUAL FULL WIDTH - LOWER HALF  
1972 TORINO



P-8675

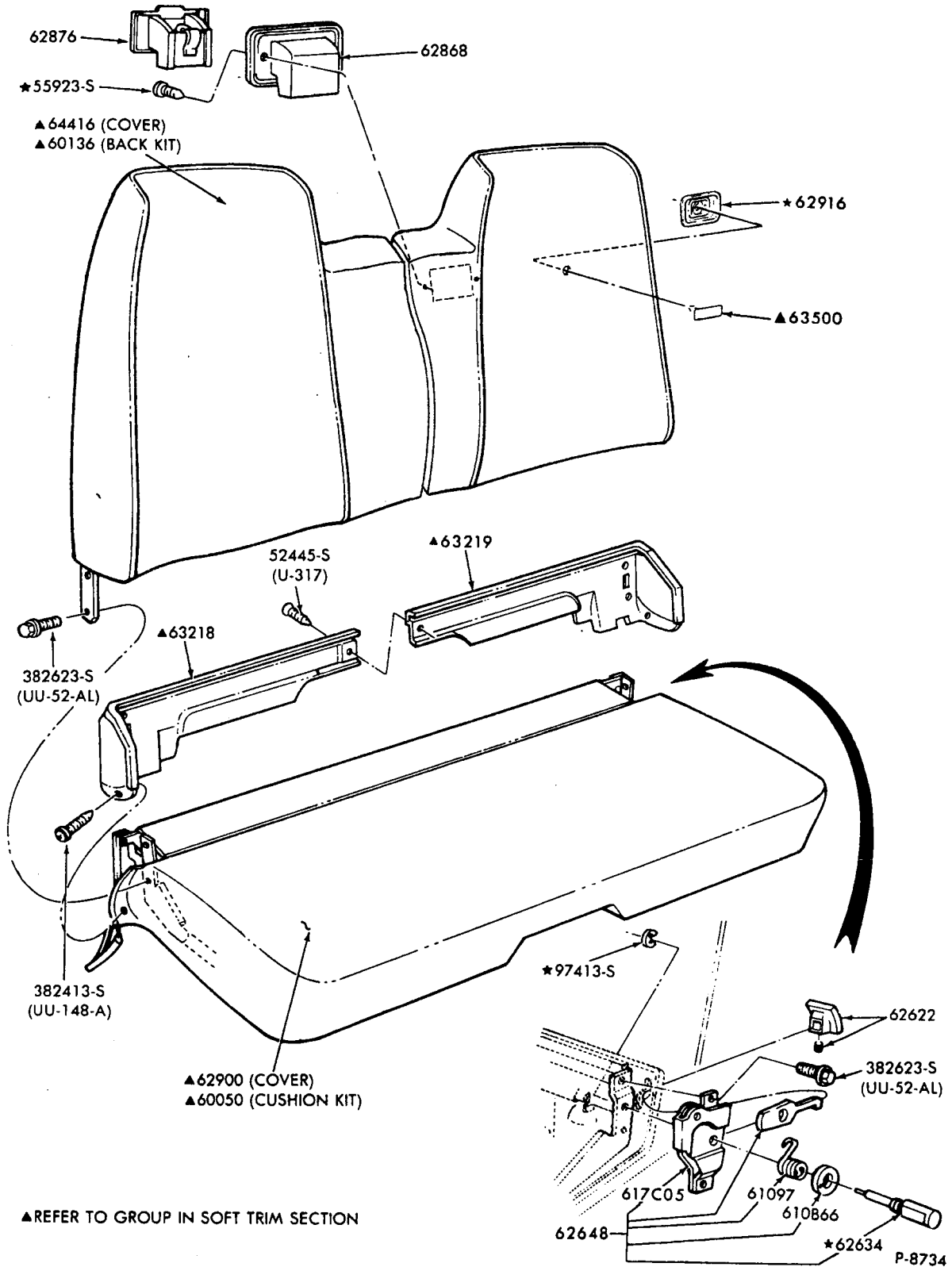
FRONT SEAT MECHANISM and RELATED PARTS - MANUAL BUCKET - LOWER HALF  
1972 TORINO and THUNDERBIRD



P-8673

FRONT SEAT MECHANISM and RELATED PARTS - POWER FULL WIDTH - LOWER HALF

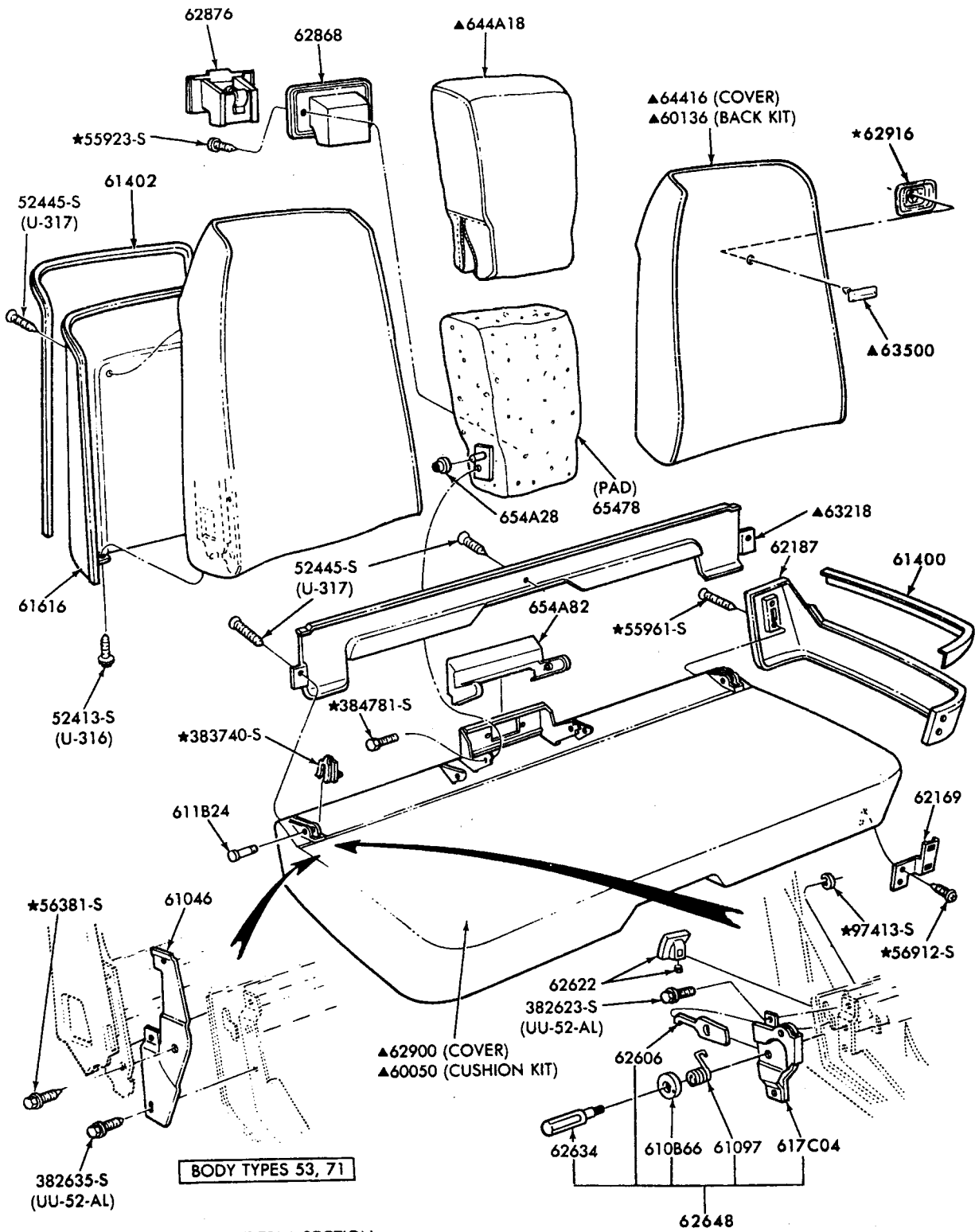
1972 TORINO  
1972 FORD - "From 12/1/71"



▲REFER TO GROUP IN SOFT TRIM SECTION

FRONT SEAT PARTS-HI-BACK FULL WIDTH-w/o CENTER ARM REST-UPPER HALF  
1972 TORINO

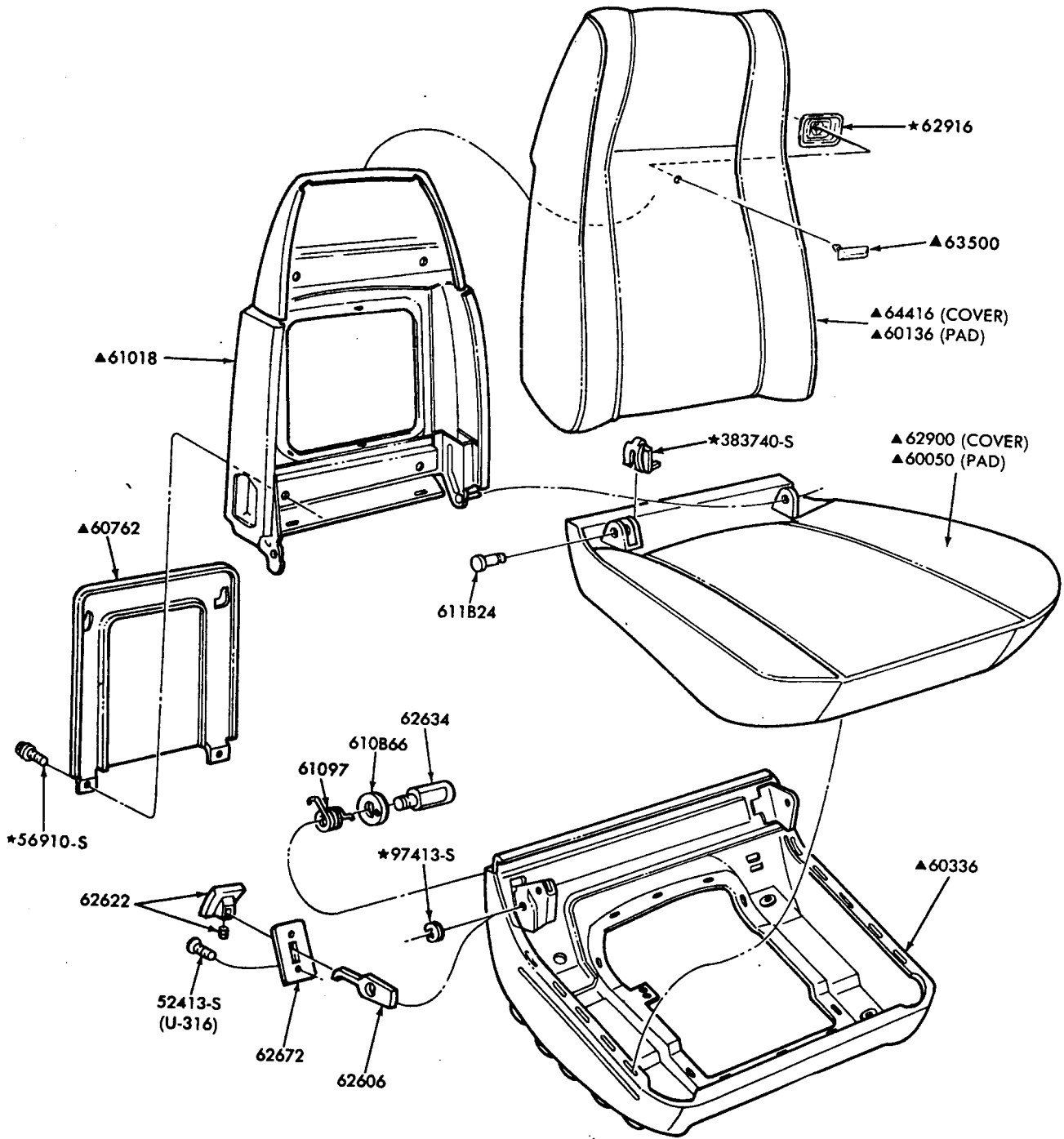




▲REFER TO GROUP IN SOFT TRIM SECTION

P-8735

FRONT SEAT PARTS-HI-BACK FULL WIDTH w/CENTER ARM REST-UPPER HALF  
1972 TORINO



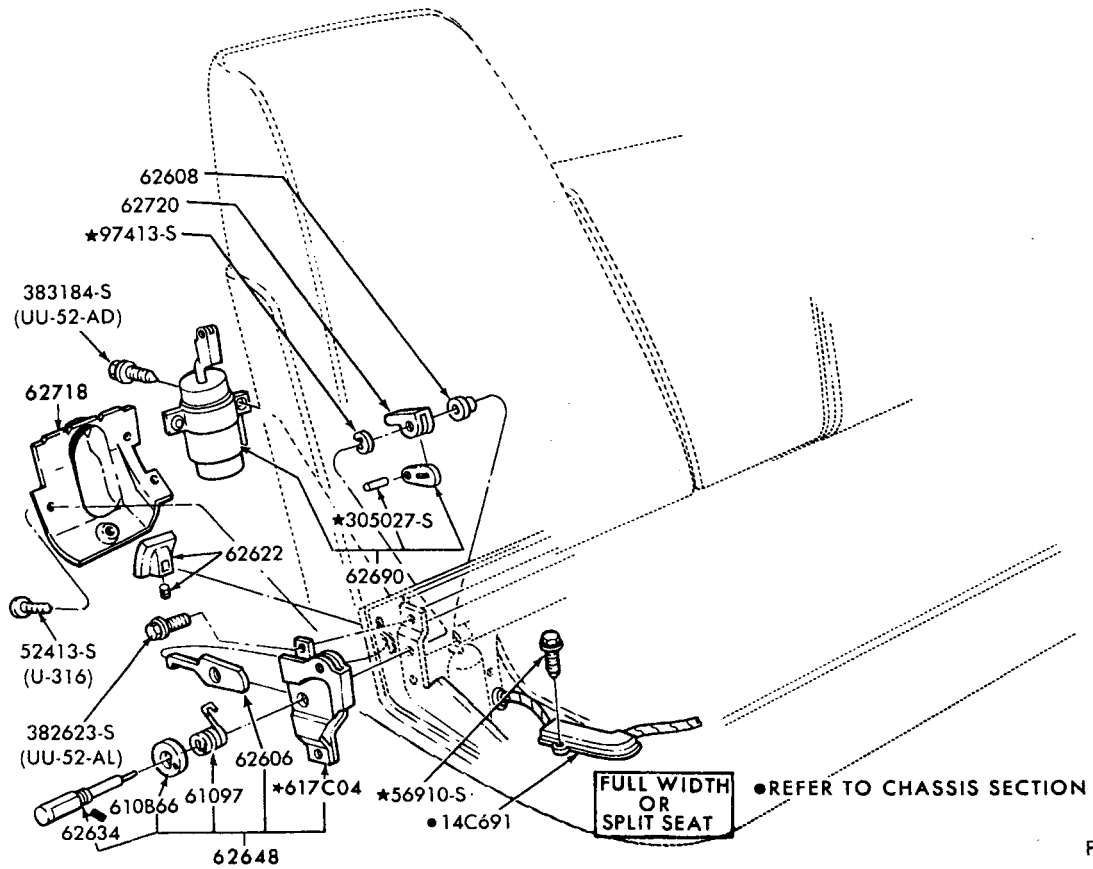
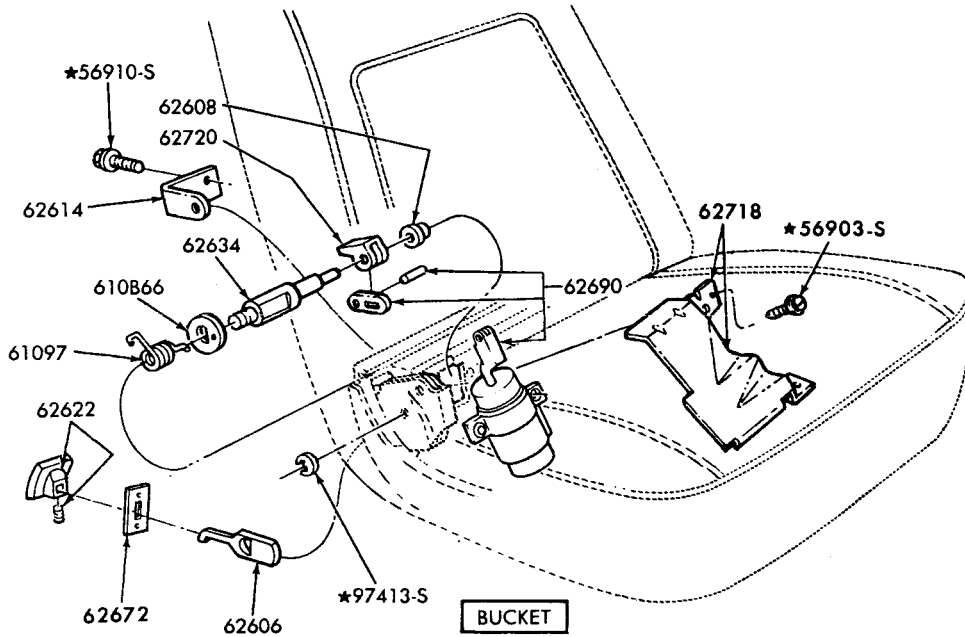
▲REFER TO GROUP IN SOFT TRIM SECTION

P-8732

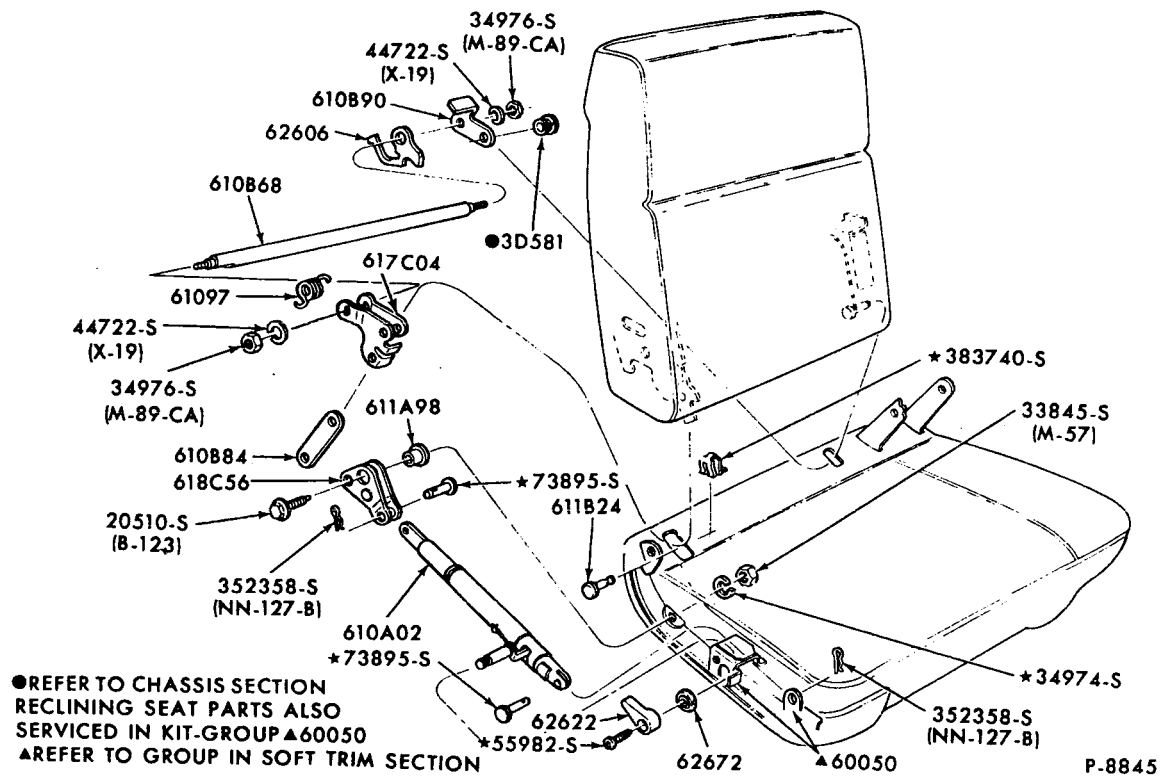
FRONT SEAT MECHANISM and RELATED PARTS - BUCKET - UPPER HALF  
1972 TORINO

60 BODY ILLUSTRATION  
SECTION 600

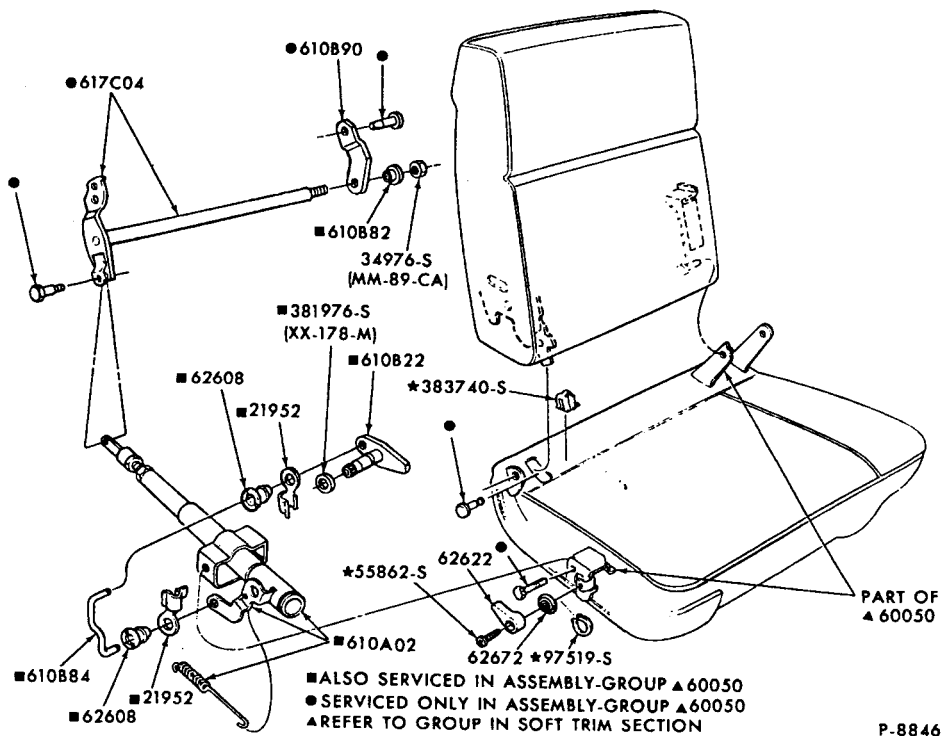
**FORD CAR PARTS**



FRONT SEAT BACK LATCH MECHANISM - AUTOMATIC  
1972 TORINO and THUNDERBIRD



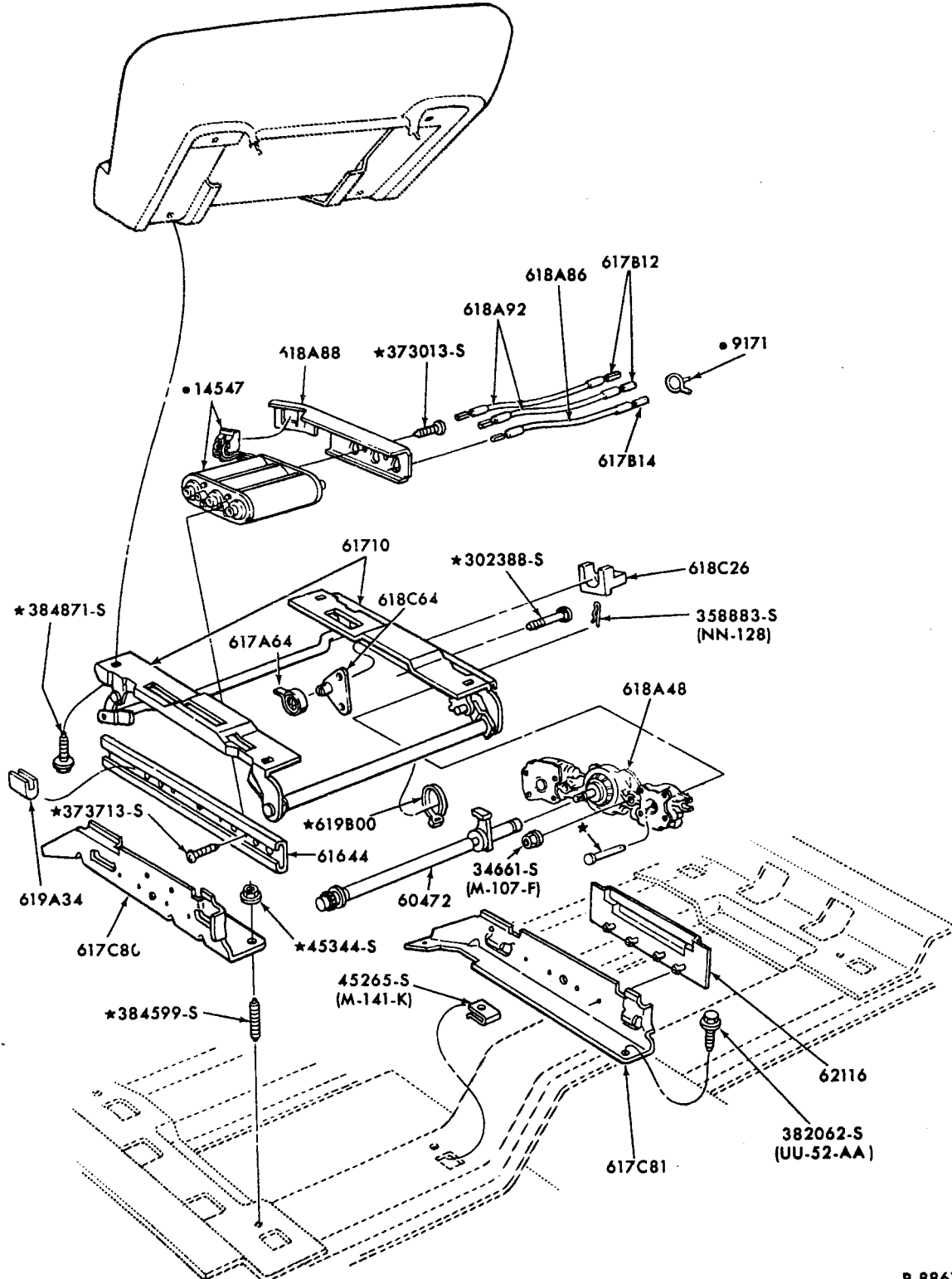
**RECLINING SEAT MECHANISM and RELATED PARTS  
1972 THUNDERBIRD**



**RECLINING SEAT MECHANISM and RELATED PARTS  
1971/72 FORD**



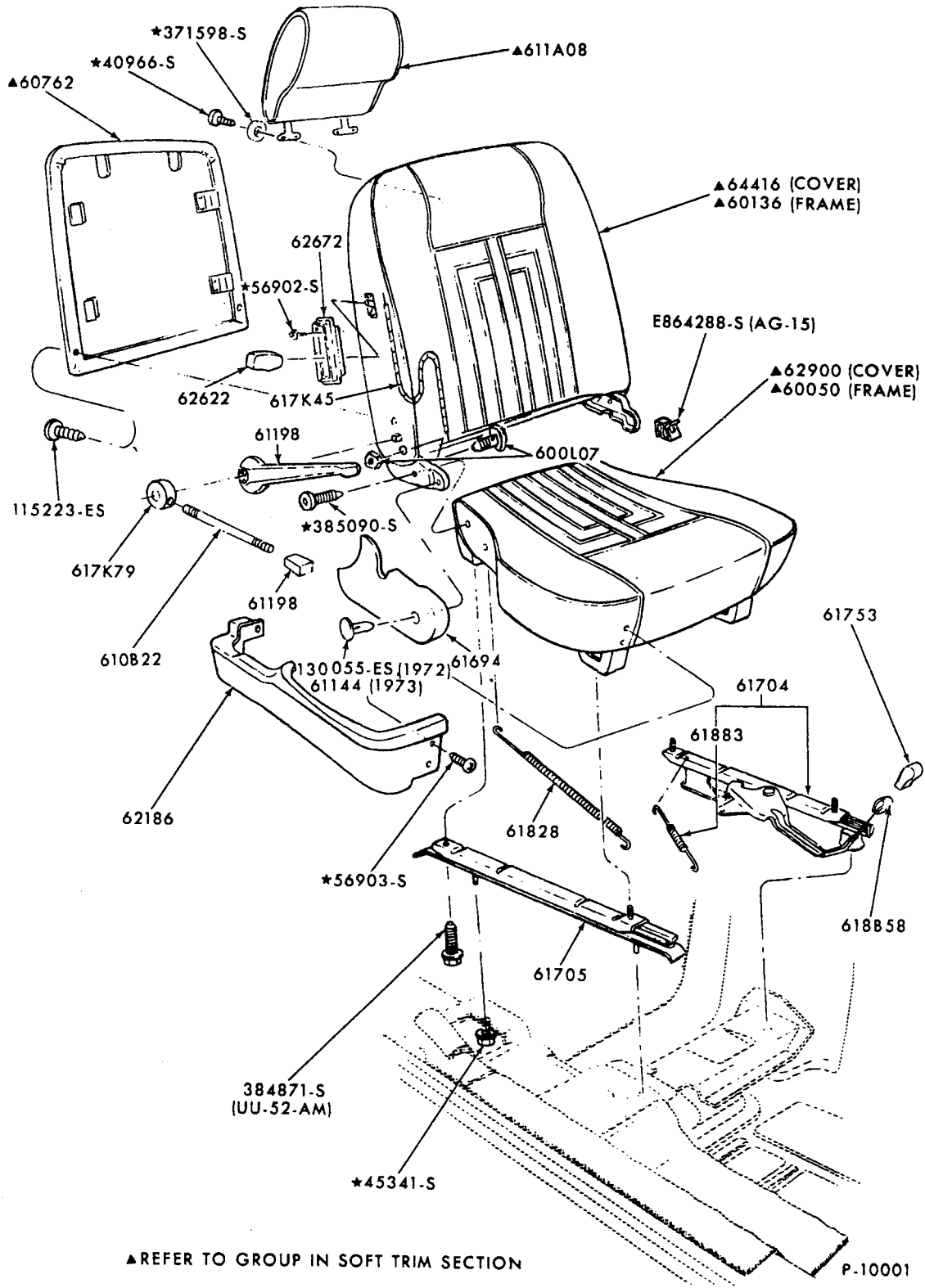




P-8861

FRONT SEAT MECHANISM and RELATED PARTS - POWER SPLIT BENCH LOWER HALF

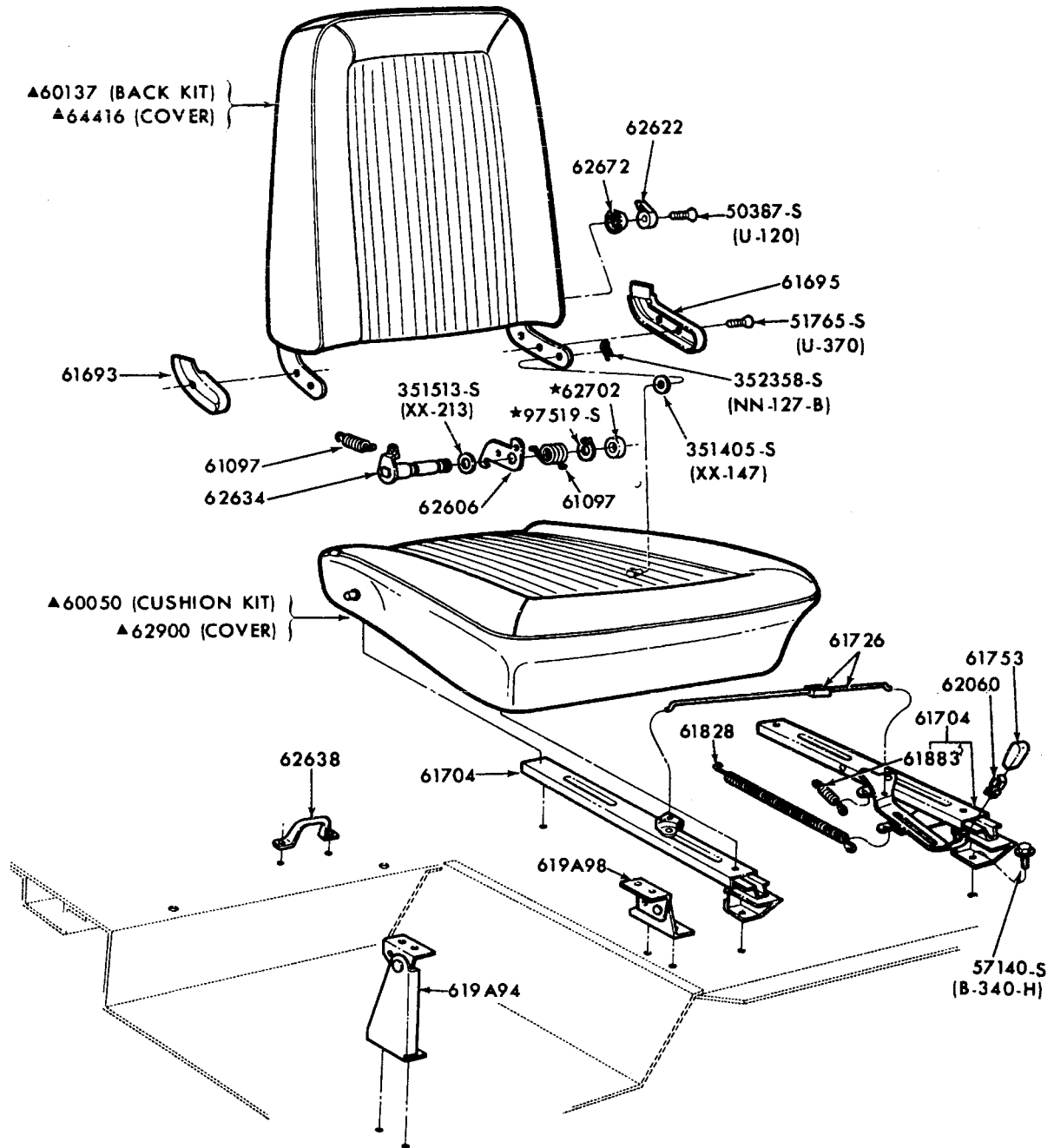
1972 THUNDERBIRD  
1972 FORD - "From 12/1/71"



FRONT SEAT MECHANISM and RELATED PARTS - BUCKET - RECLINING

1972 MAVERICK

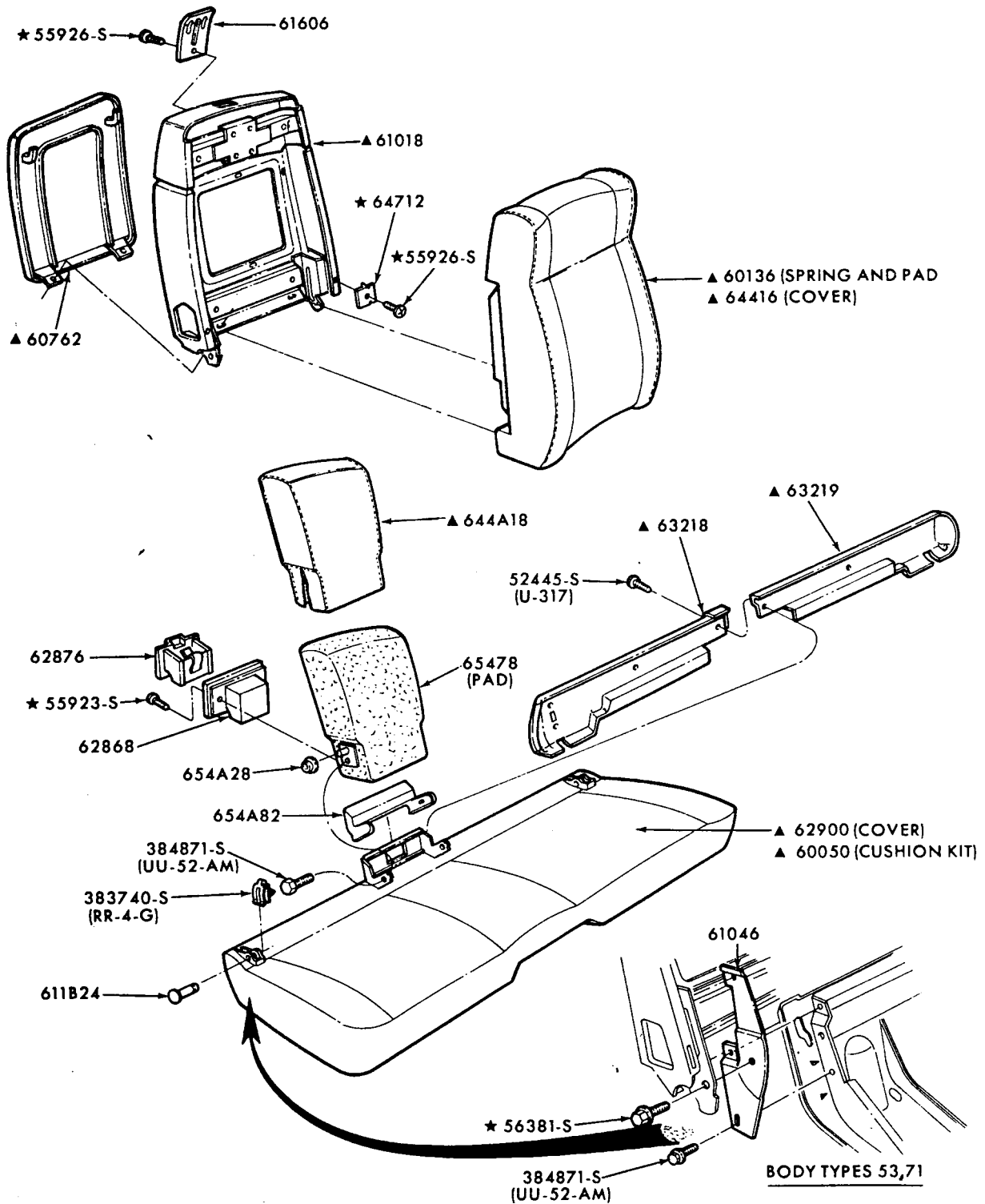




▲ REFER TO SOFT TRIM SECTION

P-10388

FRONT SEAT MECHANISM and RELATED PARTS - BUCKET  
1972 BRONCO

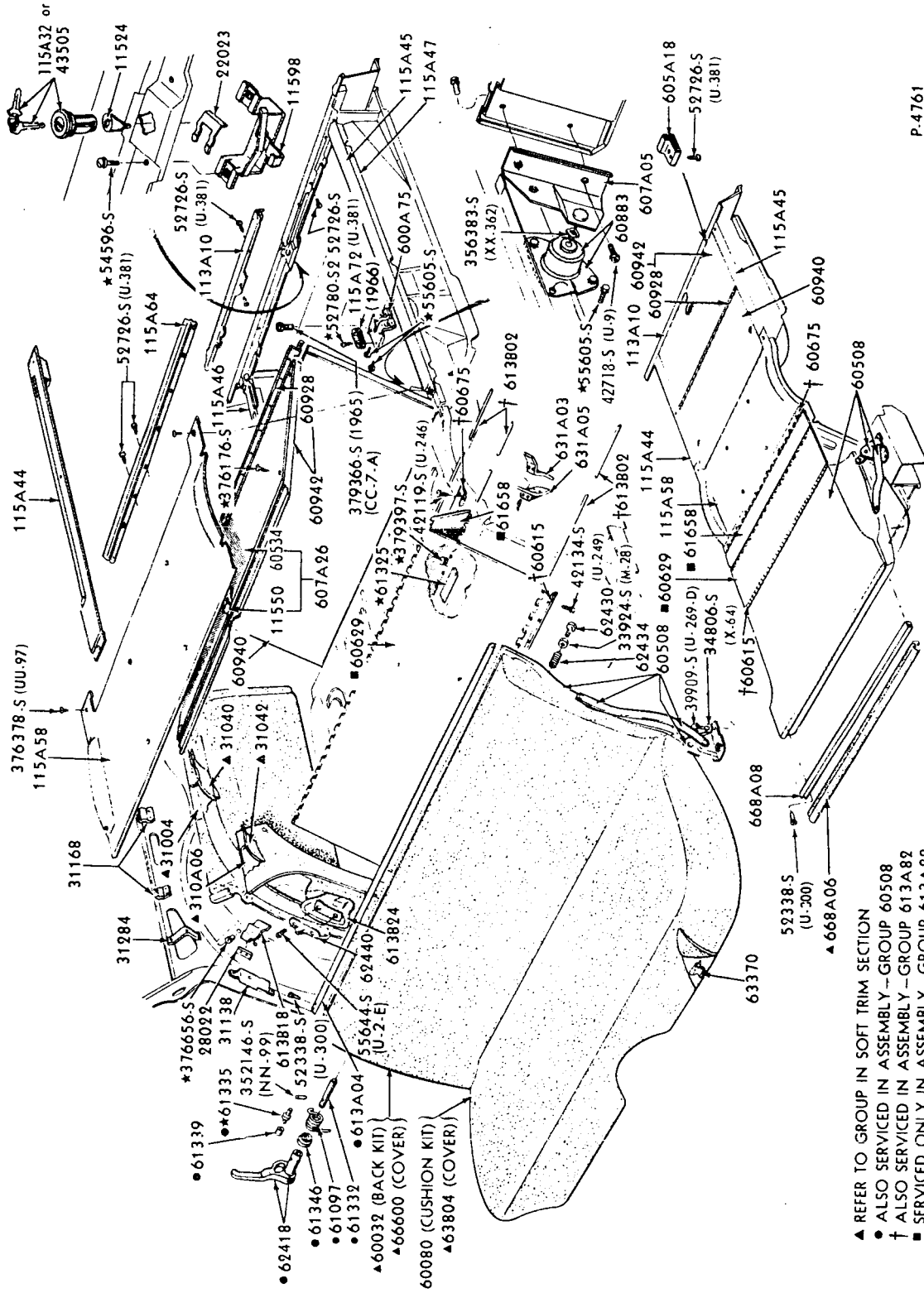


▲ REFER TO SOFT TRIM SECTION

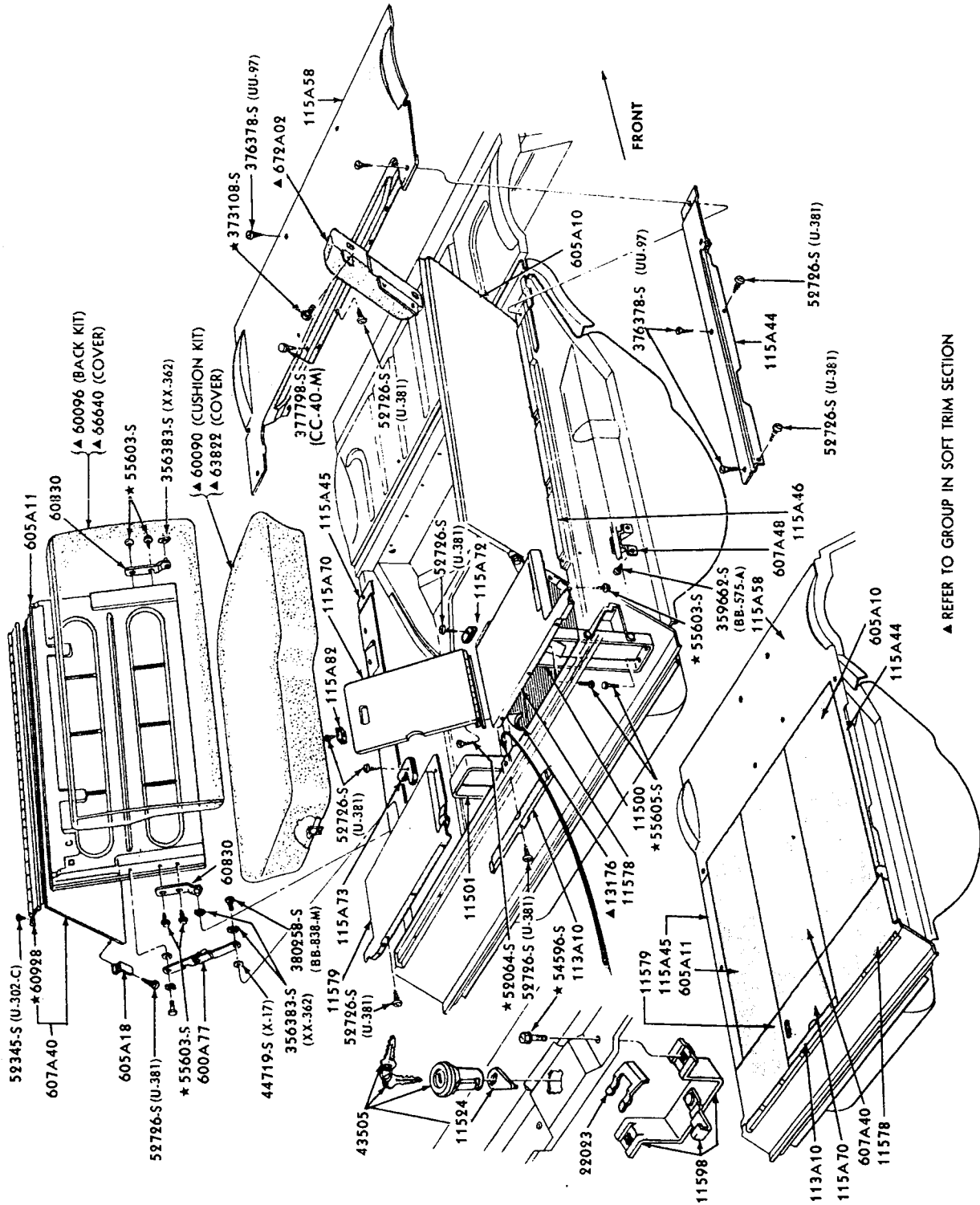
P-10760

FRONT SEAT PARTS-LO-BACK FULL WIDTH-w/CENTER ARM REST-UPPER HALF  
1972 TORINO

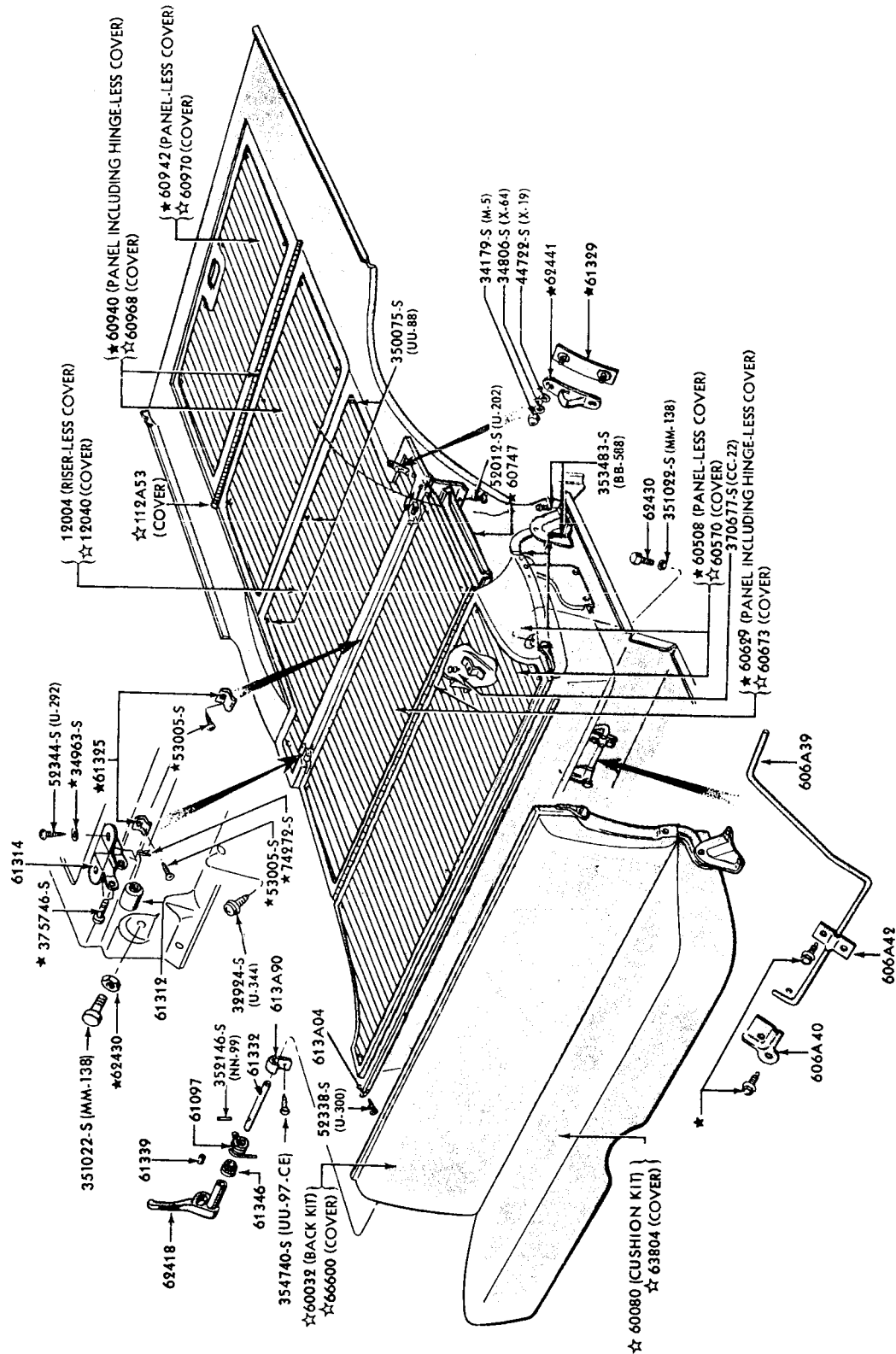




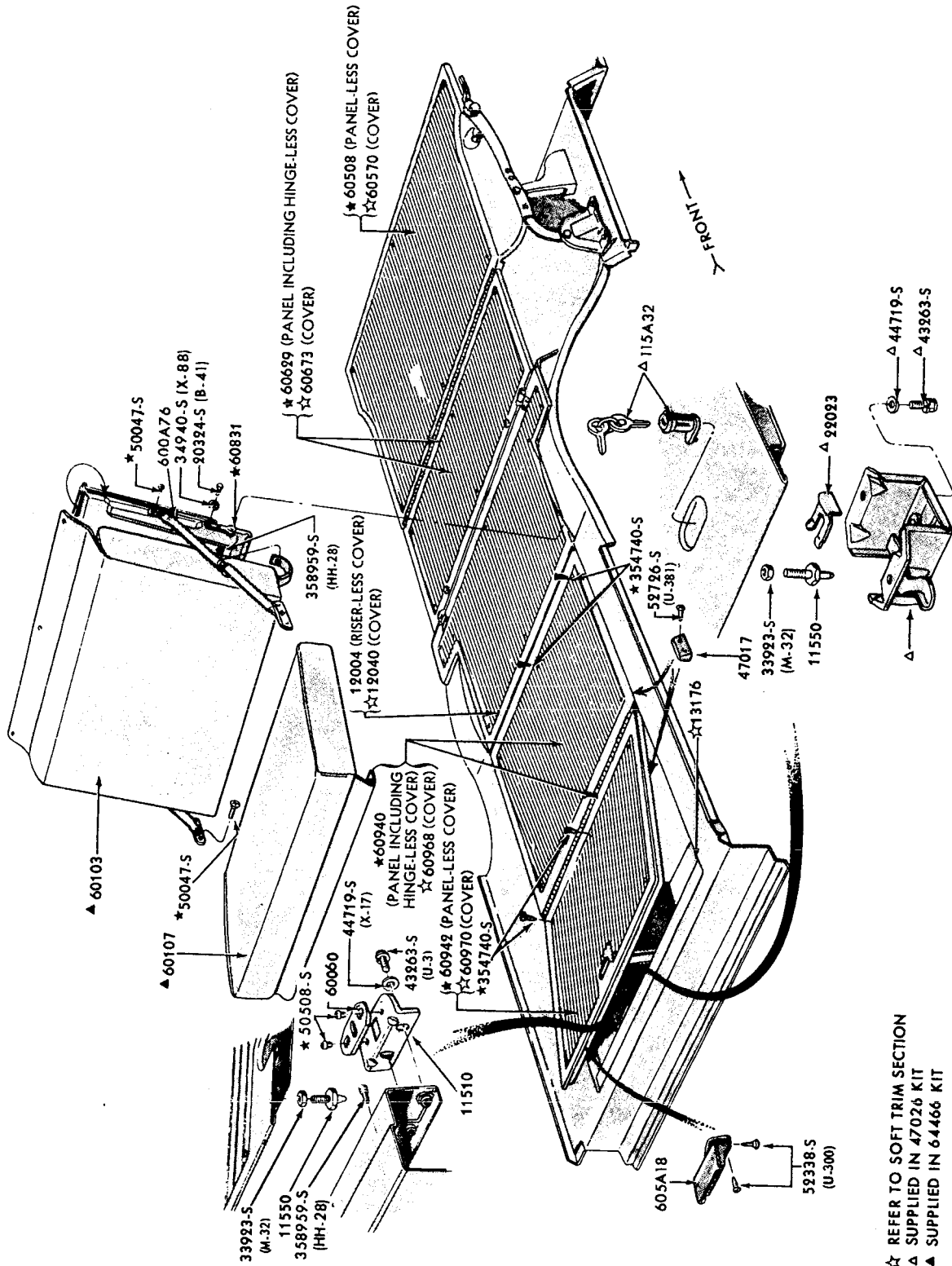
REAR SEAT, STORAGE COMPARTMENT and RELATED PARTS  
1965/66 FORD - BODY TYPE 71



AUXILIARY SEATS, STORAGE COMPARTMENT and RELATED PARTS  
1965/66 FORD - BODY TYPE 71A, C

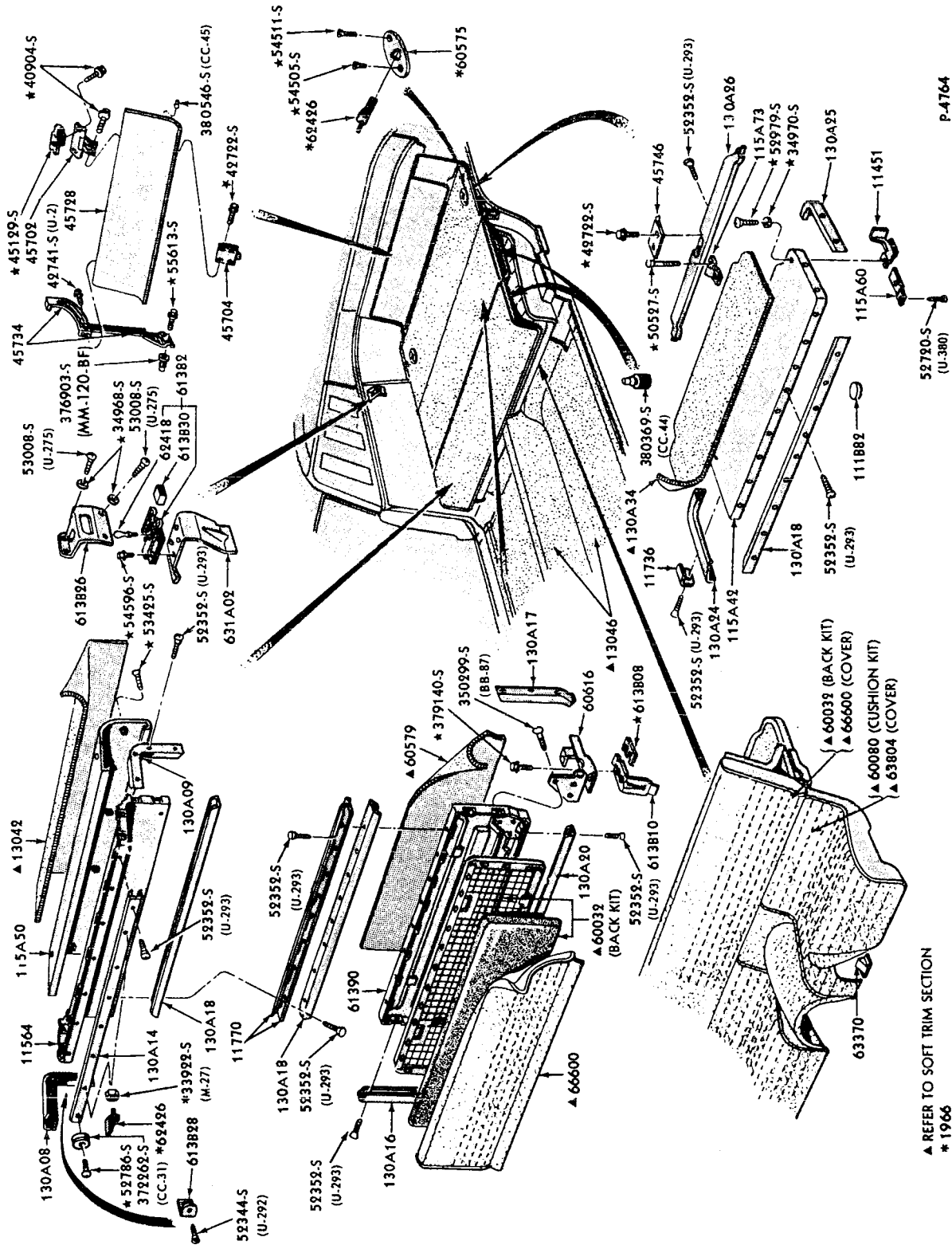


REAR SEAT, AUXILIARY FLOOR and RELATED PARTS  
1965 FAIRLANE - BODY TYPE 71



☆ REFER TO SOFT TRIM SECTION  
▲ SUPPLIED IN 47026 KIT  
▲ SUPPLIED IN 64466 KIT

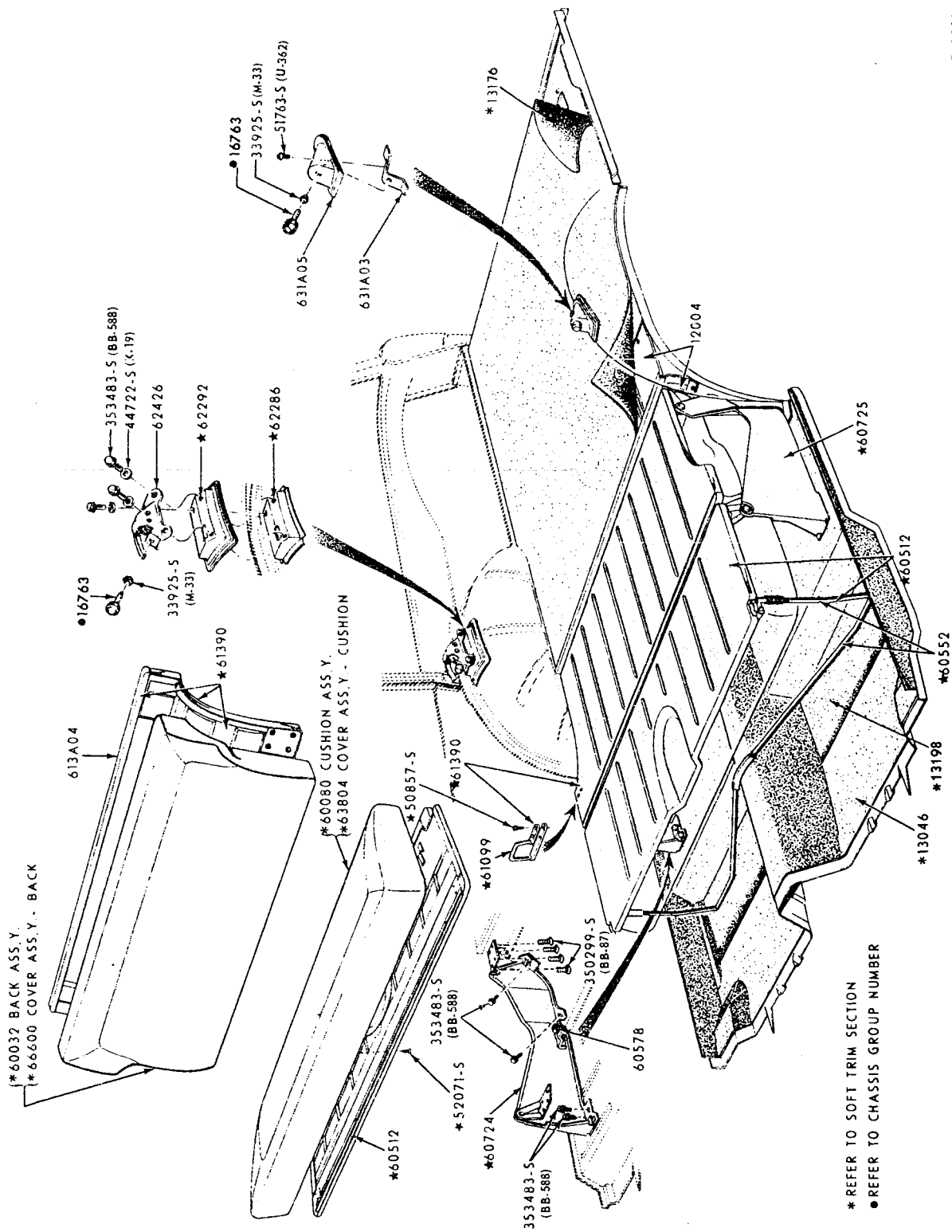
AUXILIARY SEAT, STORAGE COMPARTMENT and RELATED PARTS  
1965 FAIRLANE - BODY TYPE 71



REAR SEAT and RELATED PARTS-FOLDING  
1965/66 MUSTANG - BODY TYPE 63

▲ REFER TO SOFT TRIM SECTION  
\* 1966

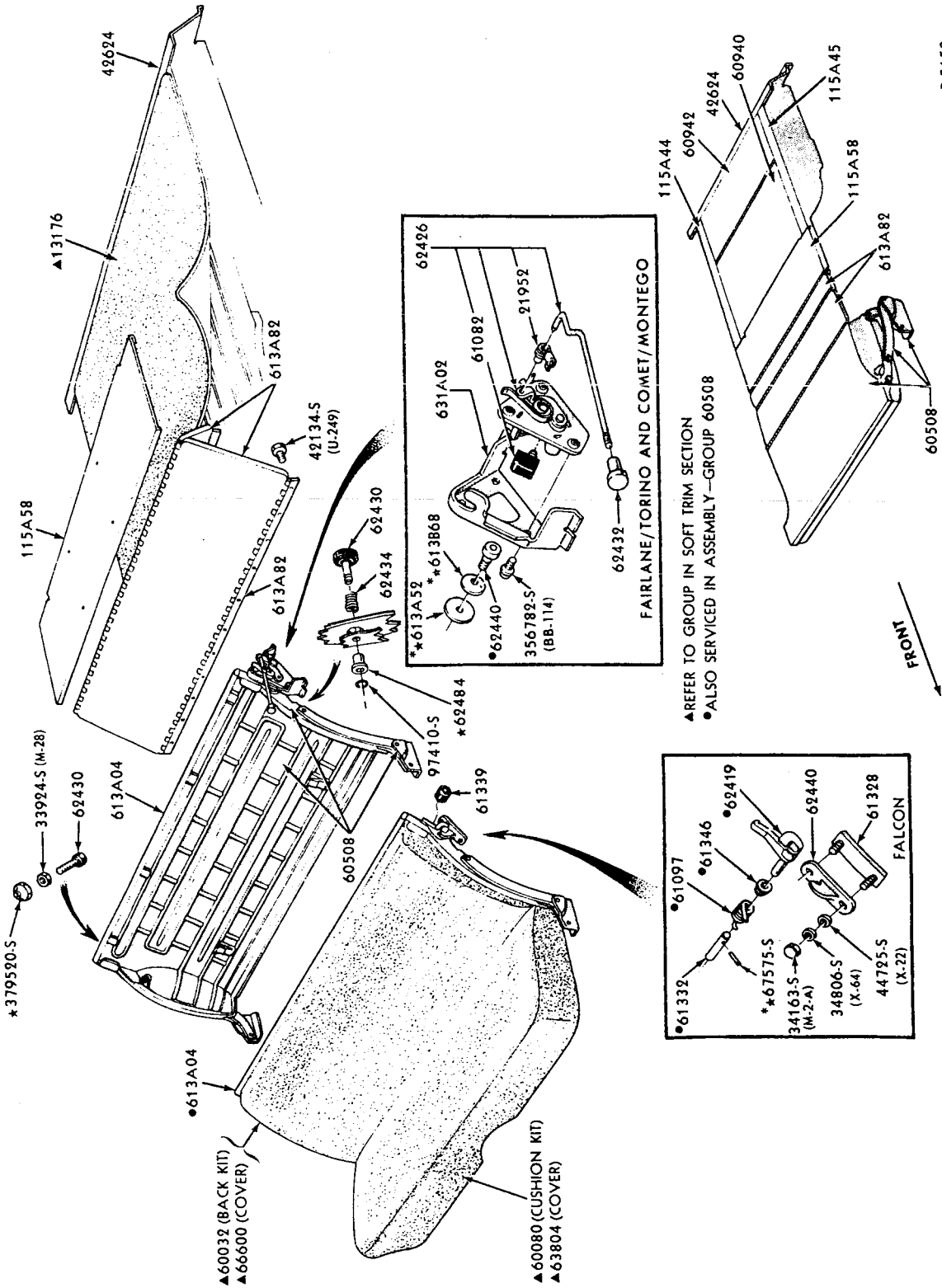




REAR SEAT and RELATED PARTS  
1965 FALCON - BODY TYPES 59, 71

BODY ILLUSTRATION  
SECTION 610

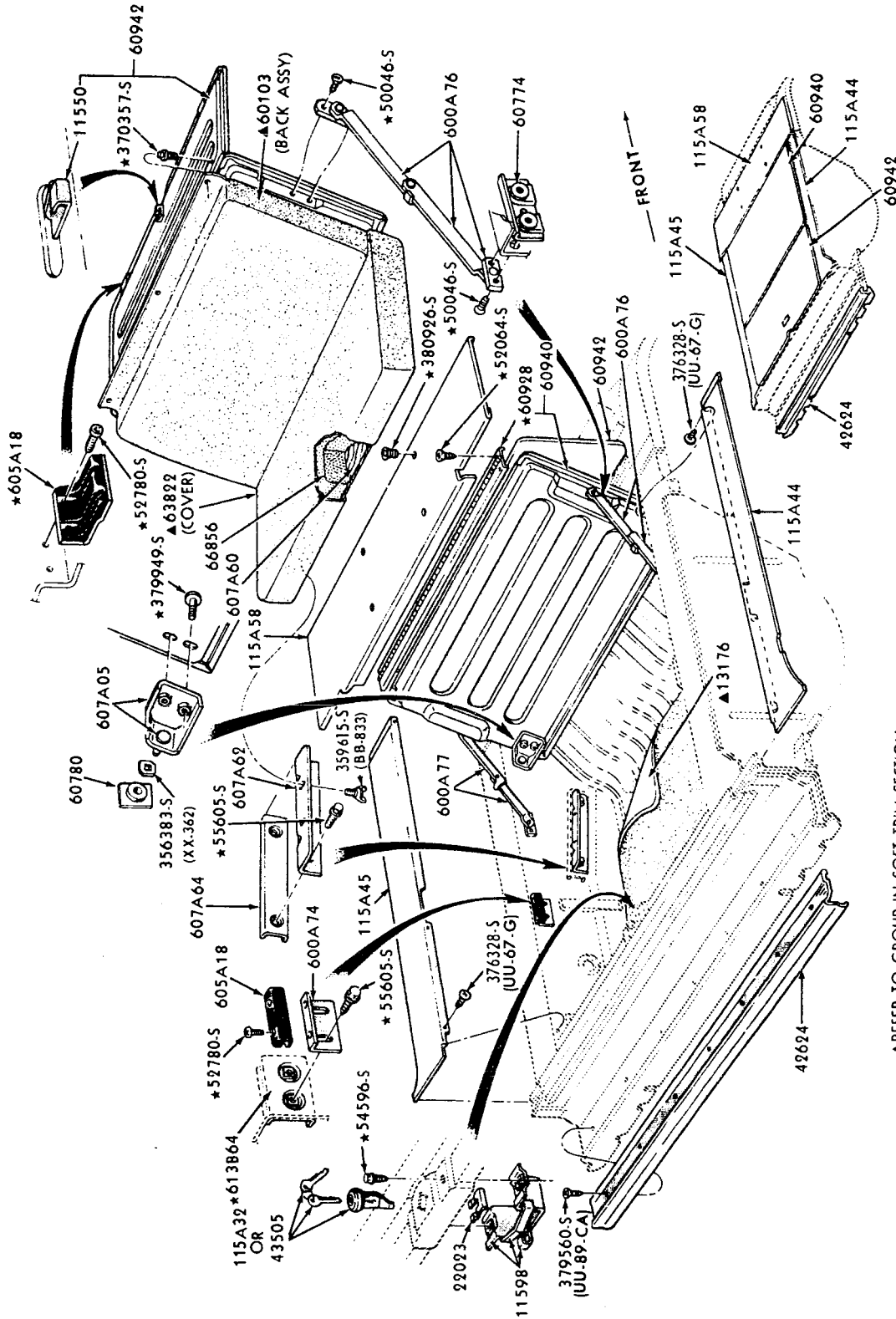
FORD CAR PARTS



P-5152

REAR SEAT, AUXILIARY FLOOR and RELATED PARTS

1966/71 FAIRLANE/TORINO - BODY TYPE 71 and 1966-70 FALCON - BODY TYPE 71

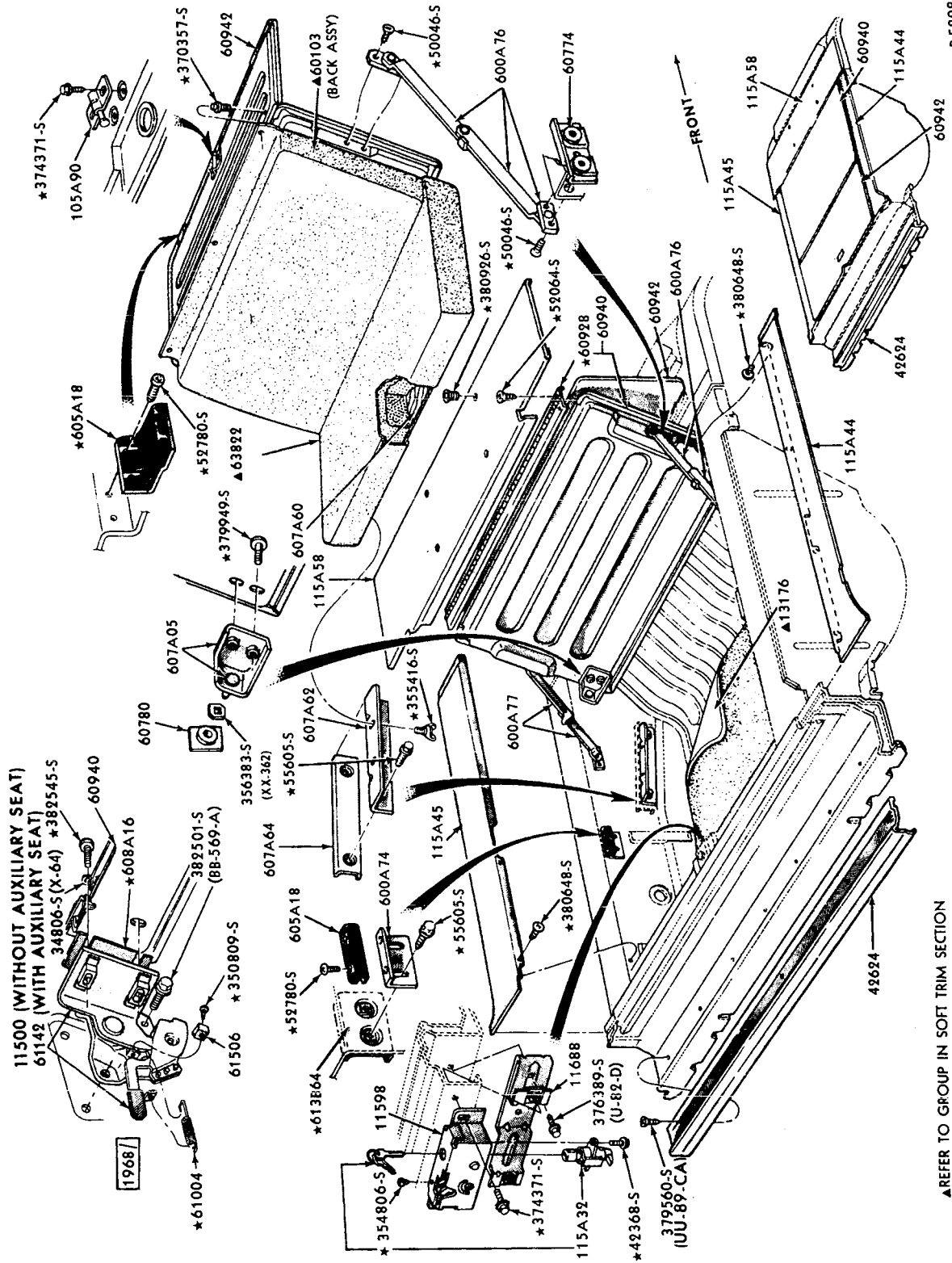


P-5153

AUXILIARY SEAT, STORAGE COMPARTMENT and RELATED PARTS  
1966 FAIRLANE - BODY TYPE 71

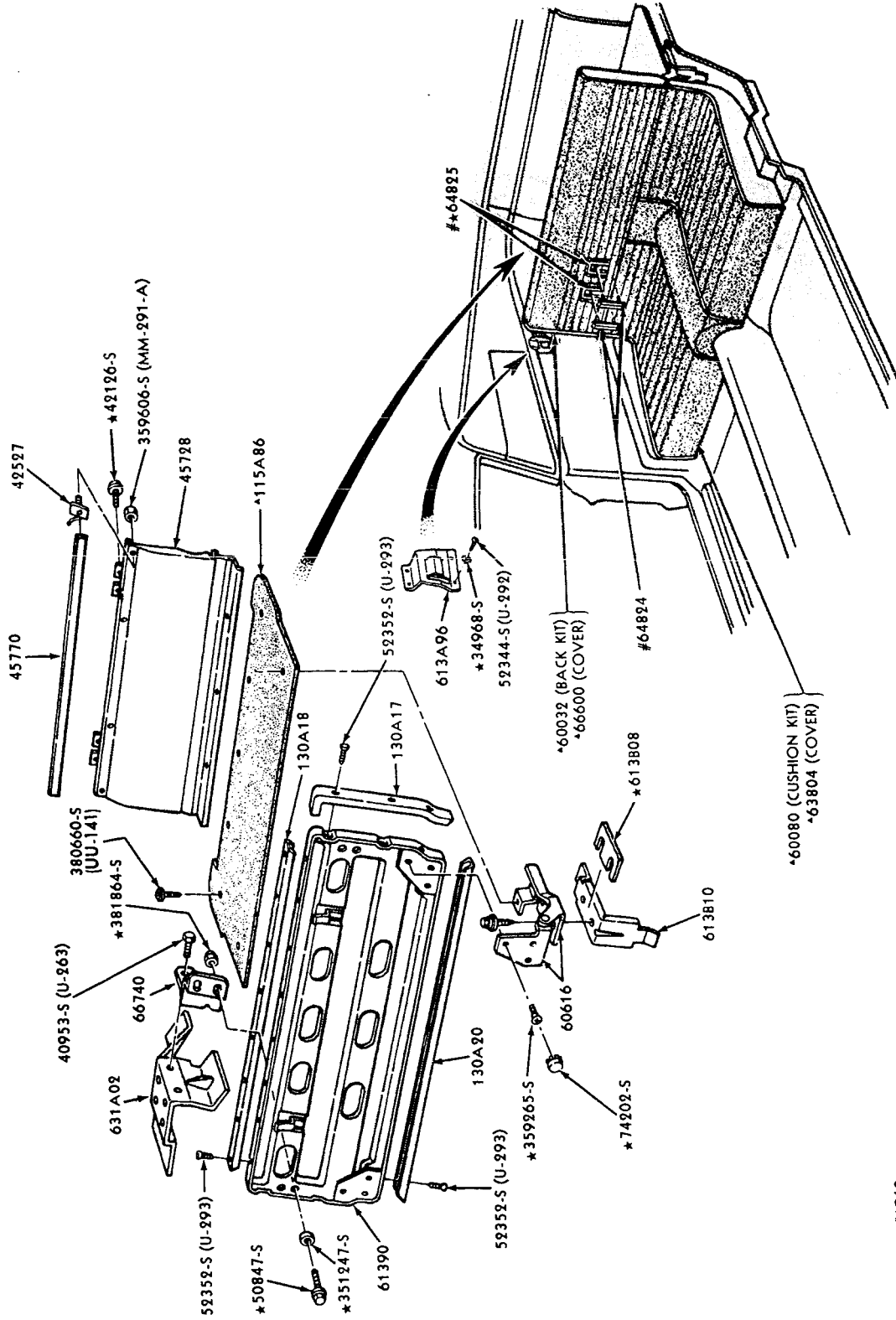






AUXILIARY SEAT, STORAGE COMPARTMENT and RELATED PARTS  
1967/71 FAIRLANE/TORINO - BODY TYPE 71

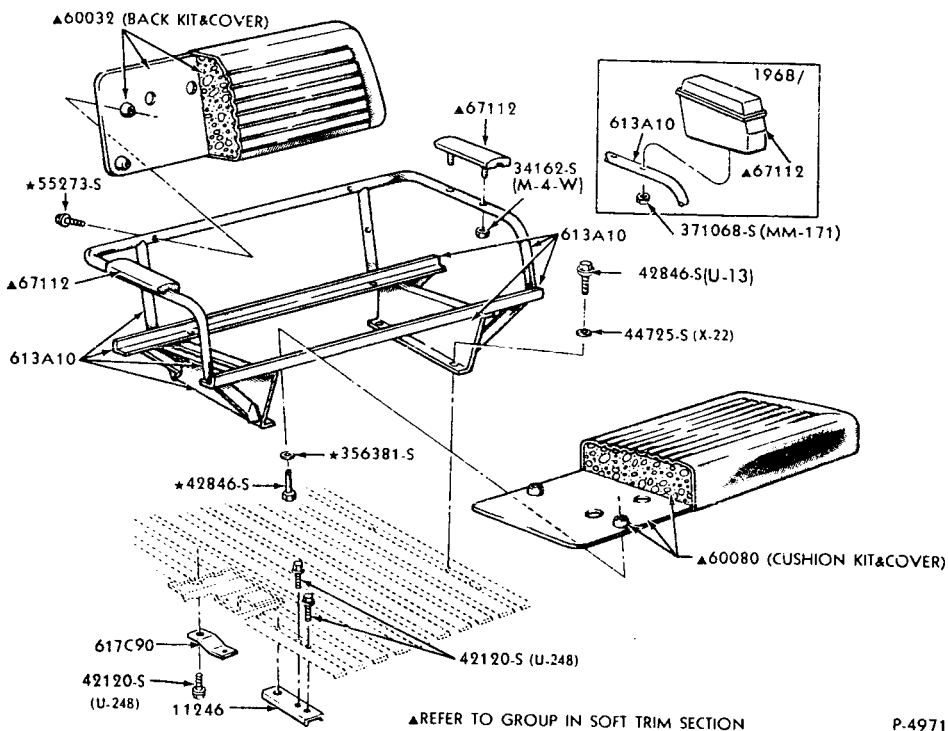




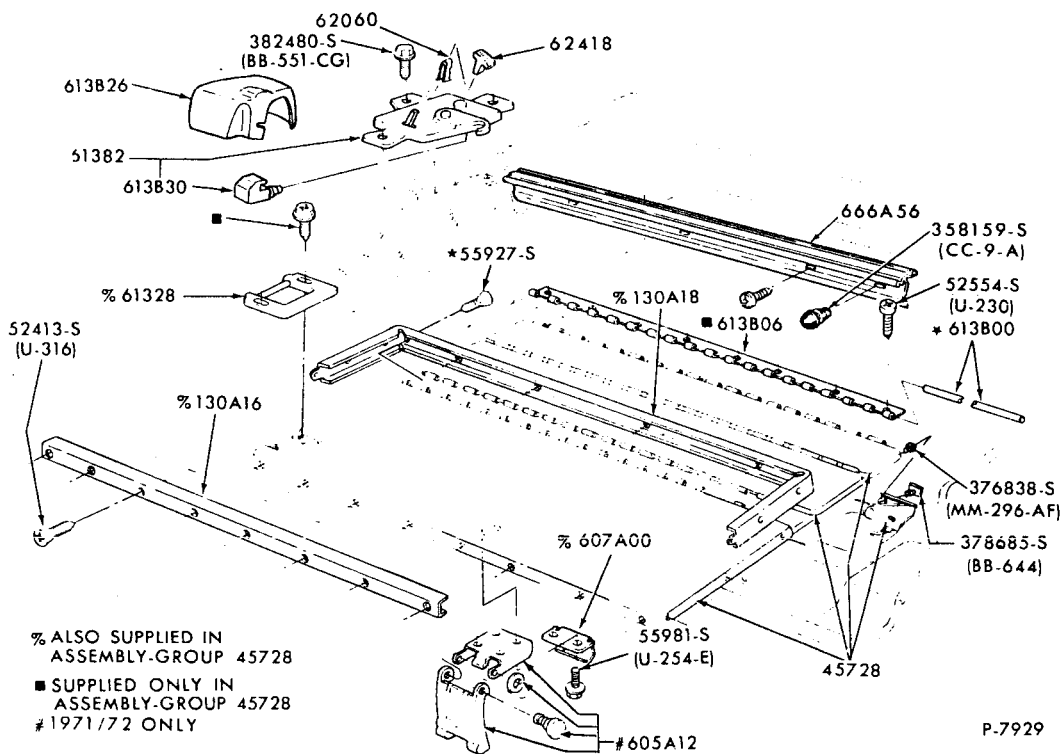
REAR SEAT and RELATED PARTS - FIXED  
1967/70 MUSTANG - BODY TYPE 63

#1968  
\*REFER TO GROUP IN SOFT TRIM SECTION

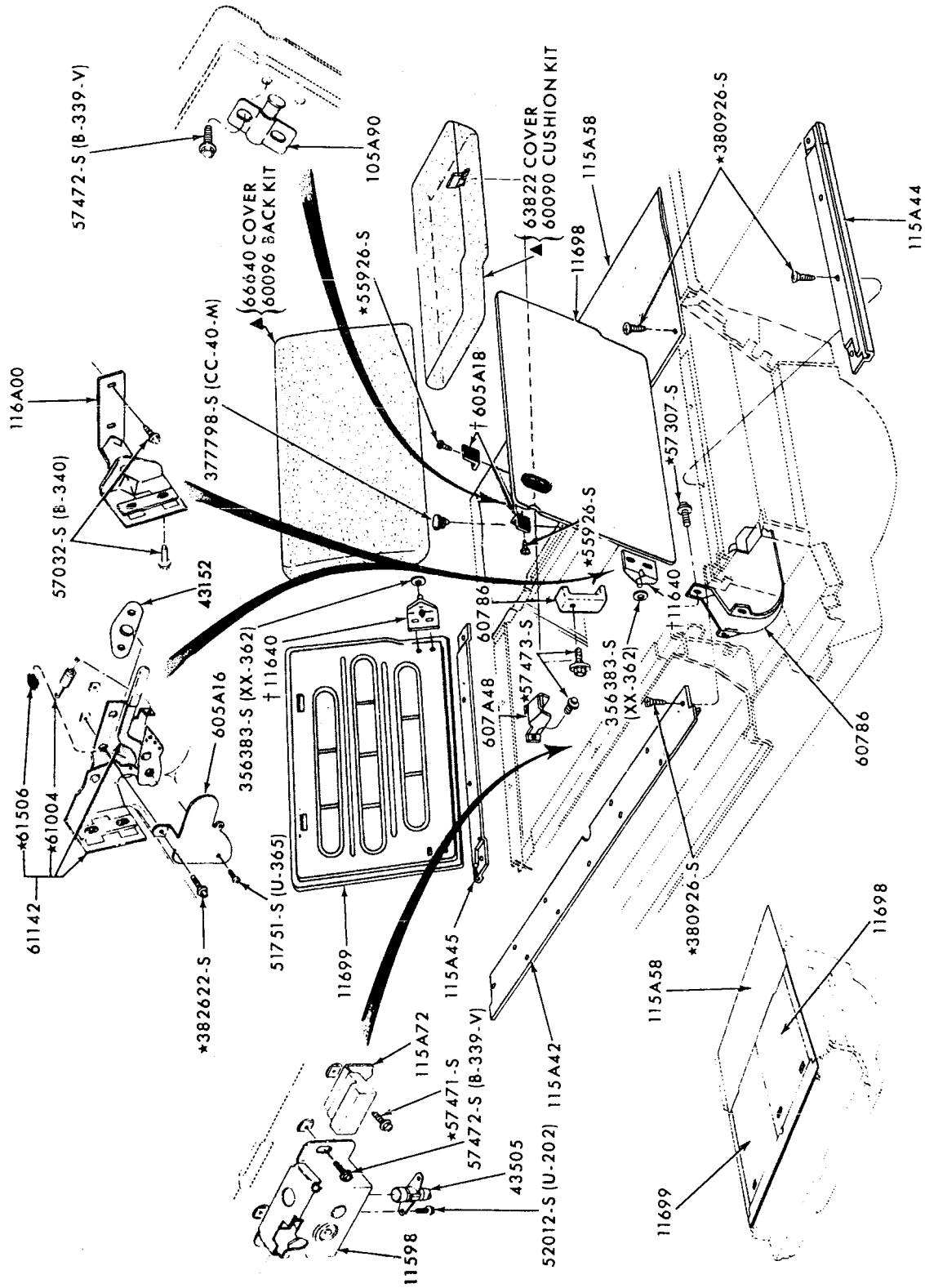




**REAR SEAT and RELATED PARTS  
1966/72 BRONCO**



**REAR SEAT and RELATED PARTS - FOLDING  
1971/72 PINTO - BODY TYPE 62**

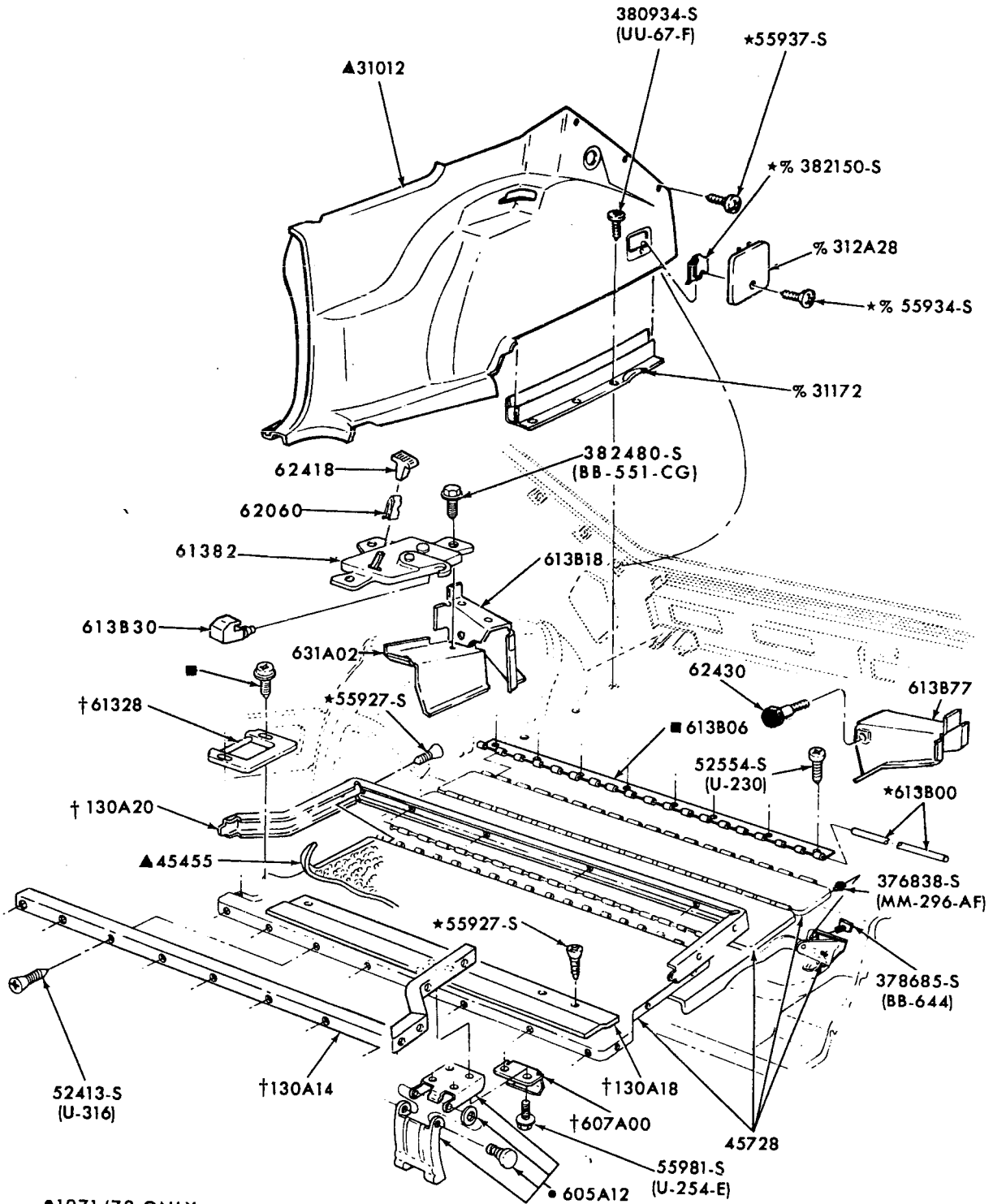


AUXILIARY SEAT, STORAGE COMPARTMENT and RELATED PARTS  
1969/72 FORD - BODY TYPE 71

▲ REFER TO SOFT TRIM SECTION  
† ALSO SERVICED IN ASSY.—GROUP 11698-9





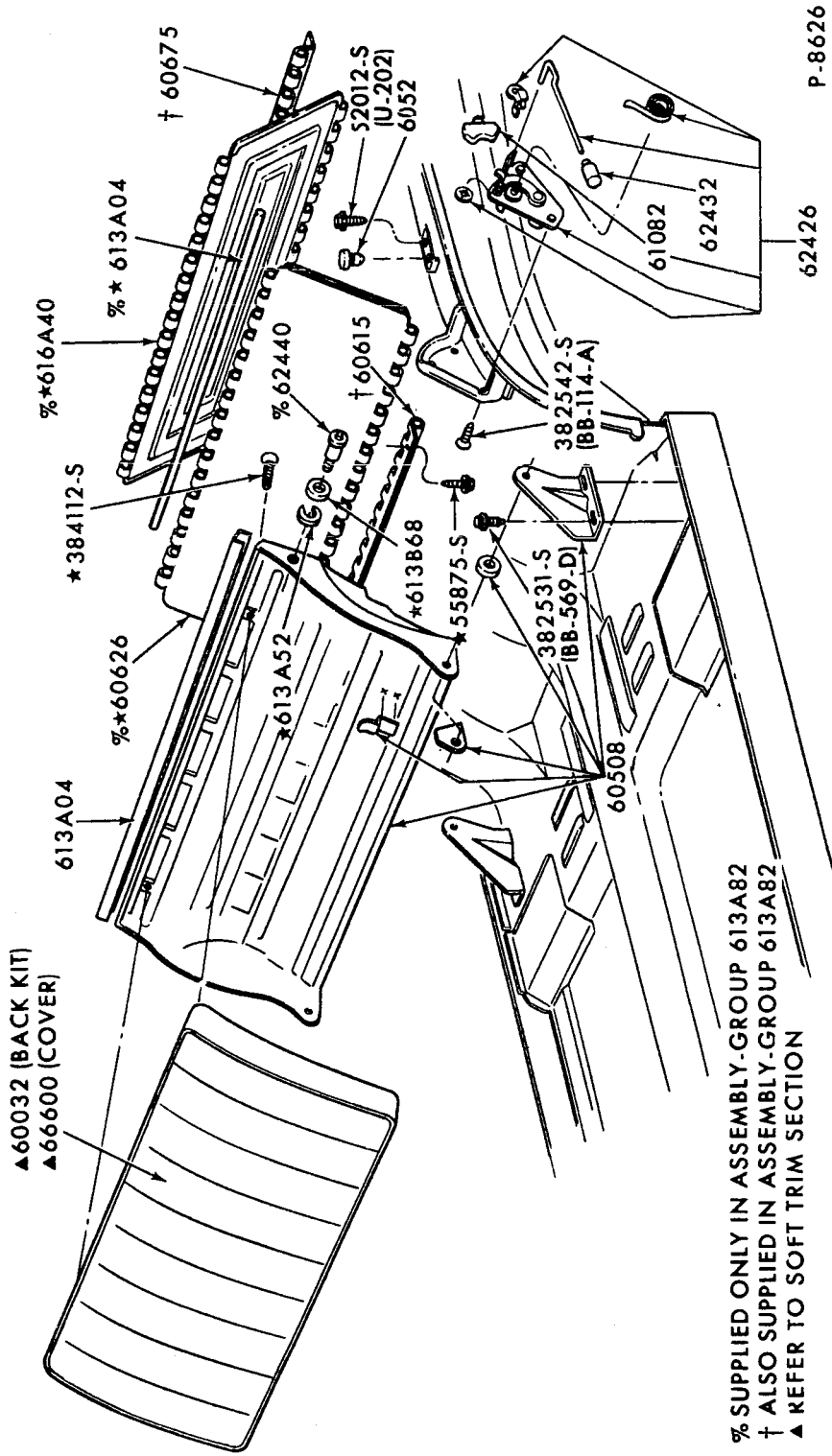


- 1971/72 ONLY
- SERVICED ONLY IN ASSY. - GROUP 45728
- † ALSO SERVICED IN ASSY. - GROUP 45728
- ▲ REFER TO SOFT TRIM SECTION
- % ALSO SERVICED IN ASSY. - GROUP 31012

P-8273

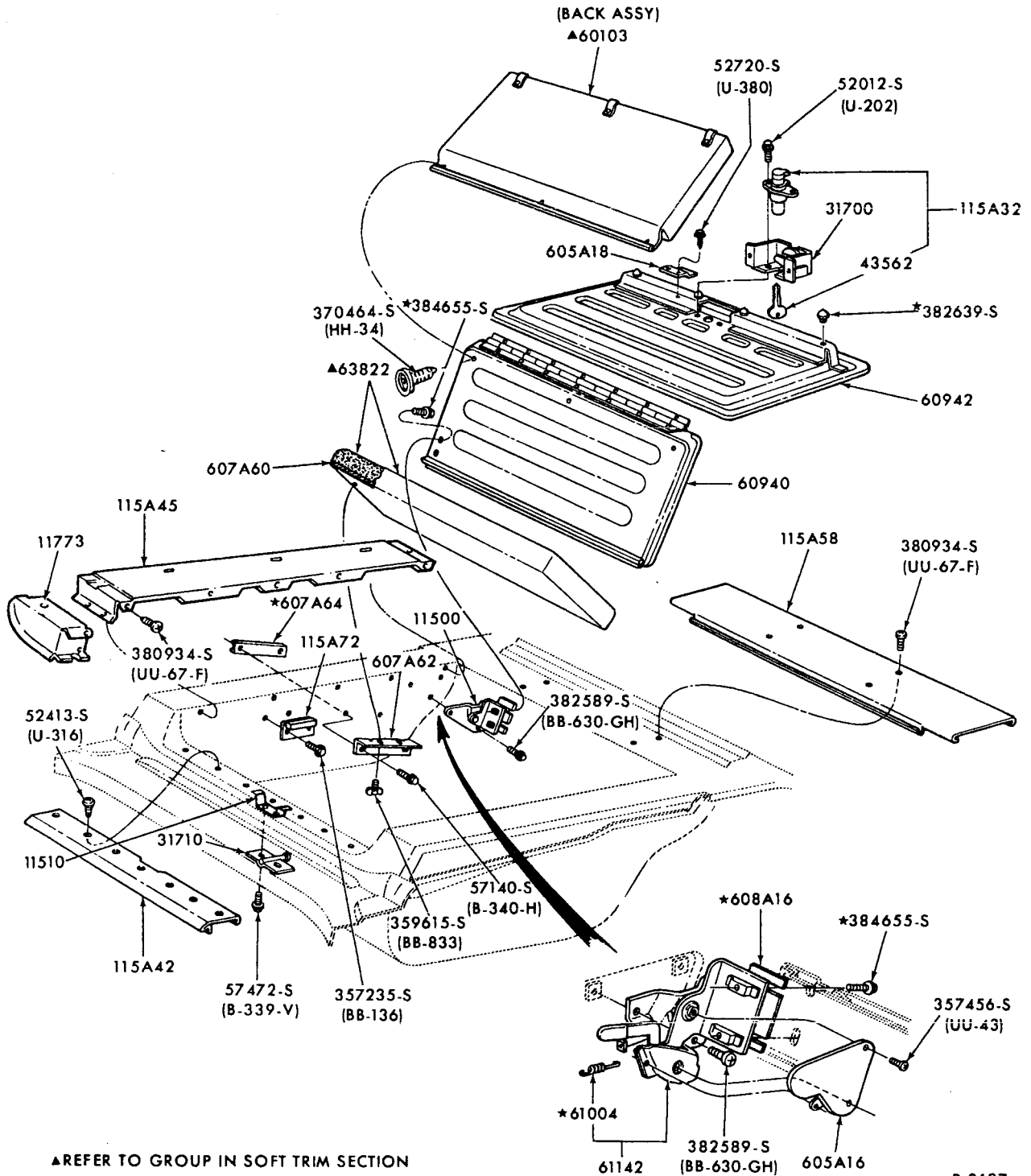
**REAR SEAT and RELATED PARTS - FOLDING  
1971/72 PINTO - BODY TYPE 64**

FORD CAR PARTS

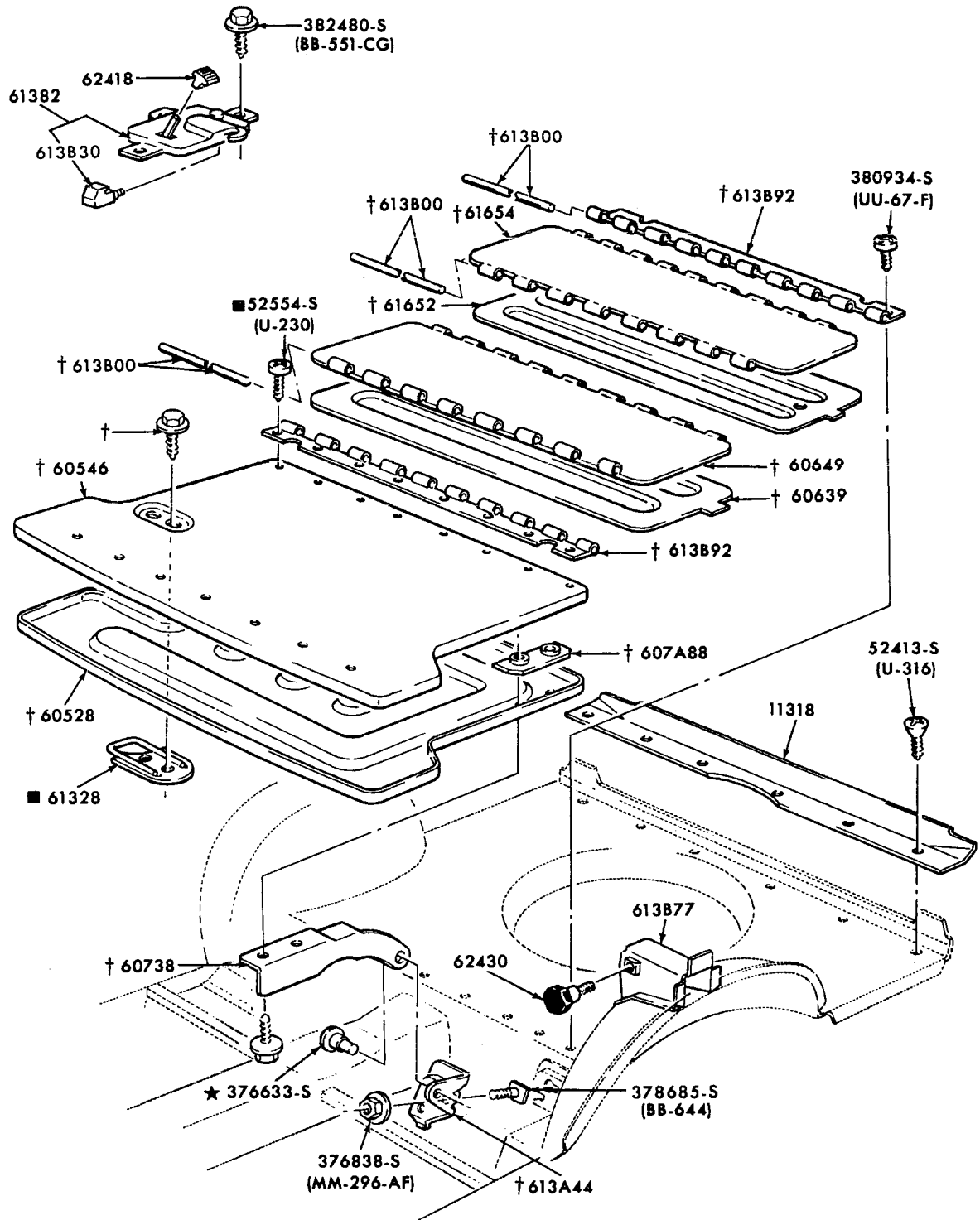


% SUPPLIED ONLY IN ASSEMBLY-GROUP 613A82  
 † ALSO SUPPLIED IN ASSEMBLY-GROUP 613A82  
 ▲ REFER TO SOFT TRIM SECTION

REAR SEAT and RELATED PARTS  
 1972 TORINO - BODY TYPE 71



AUXILIARY SEAT, STORAGE COMPARTMENT and RELATED PARTS  
1972 TORINO - BODY TYPE 71

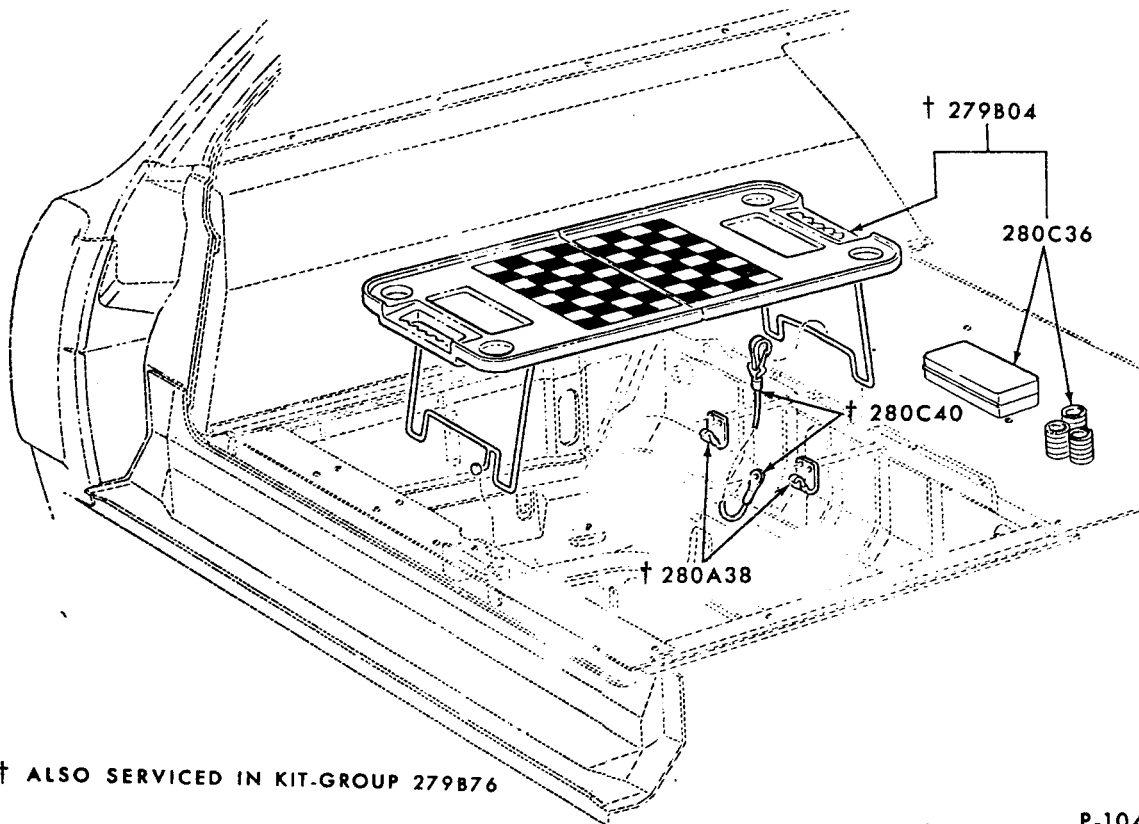


■ ALSO SERVICED IN ASSY-GROUP 60508  
† SERVICED ONLY IN ASSY-GROUP 60508

P-8939

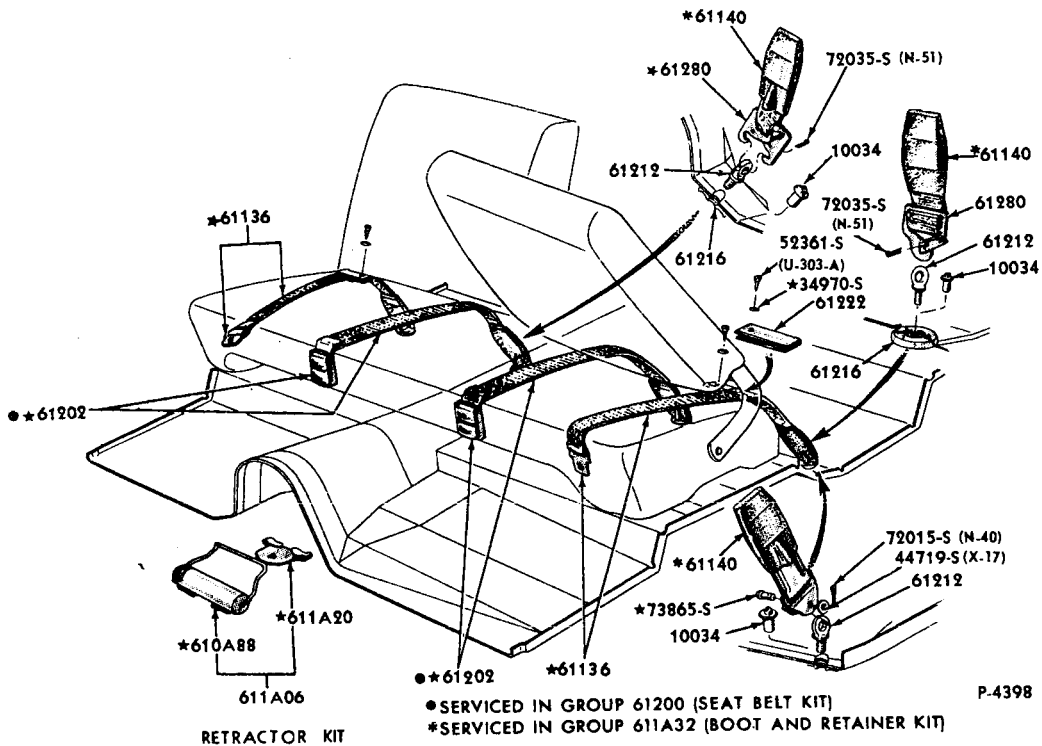
REAR SEAT and RELATED PARTS - FOLDING  
1972 PINTO - BODY TYPE 73



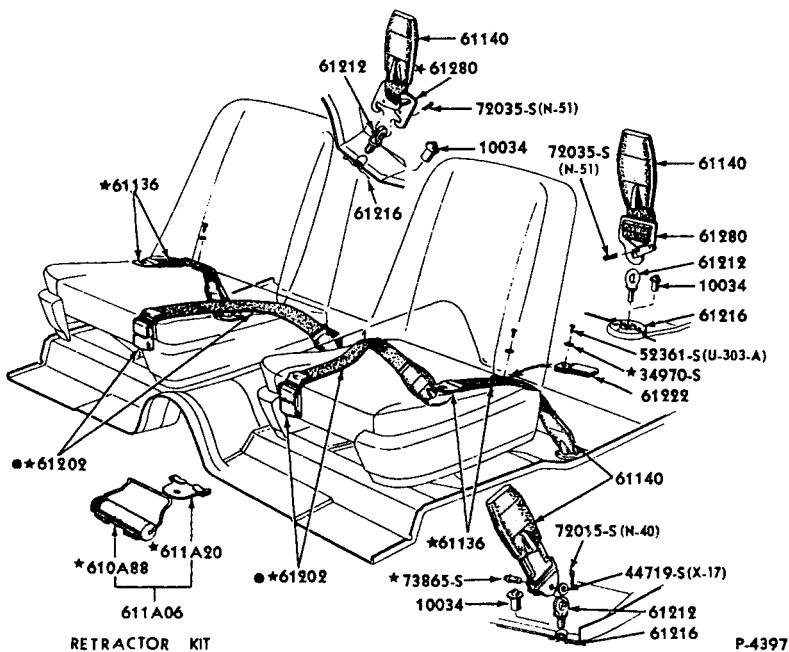


P-10407

**GAME and UTILITY TABLE  
1969/ FORD BODY TYPE 71**



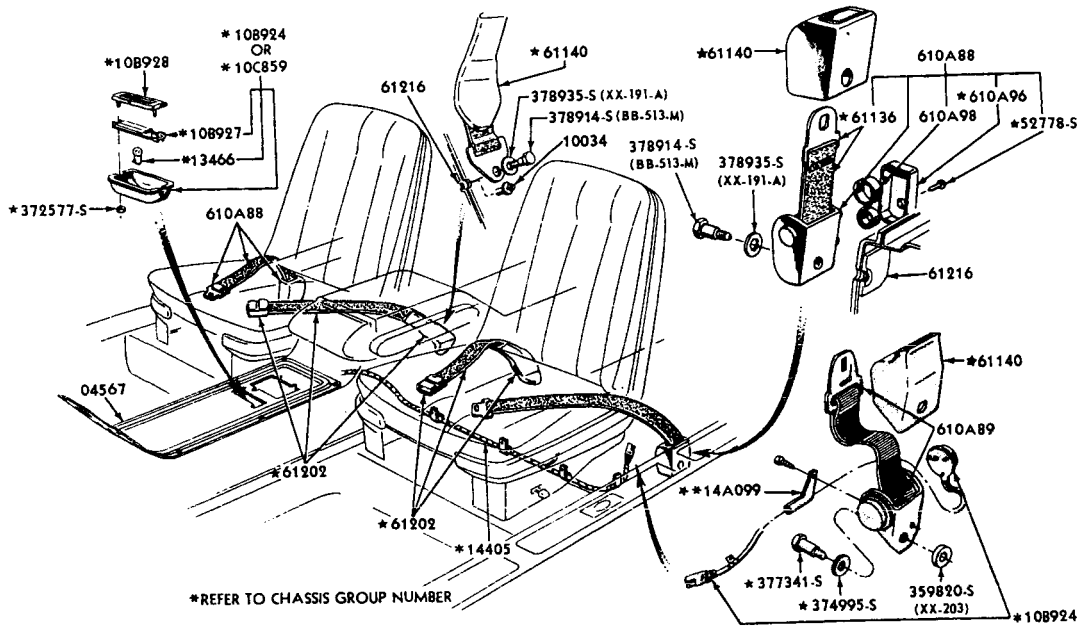
SEAT BELT INSTALLATION  
1965 FORD, FAIRLANE and FALCON - w/ FULL WIDTH SEAT



SEAT BELT INSTALLATION  
1965 FORD, FAIRLANE and FALCON - w/ BUCKET SEATS

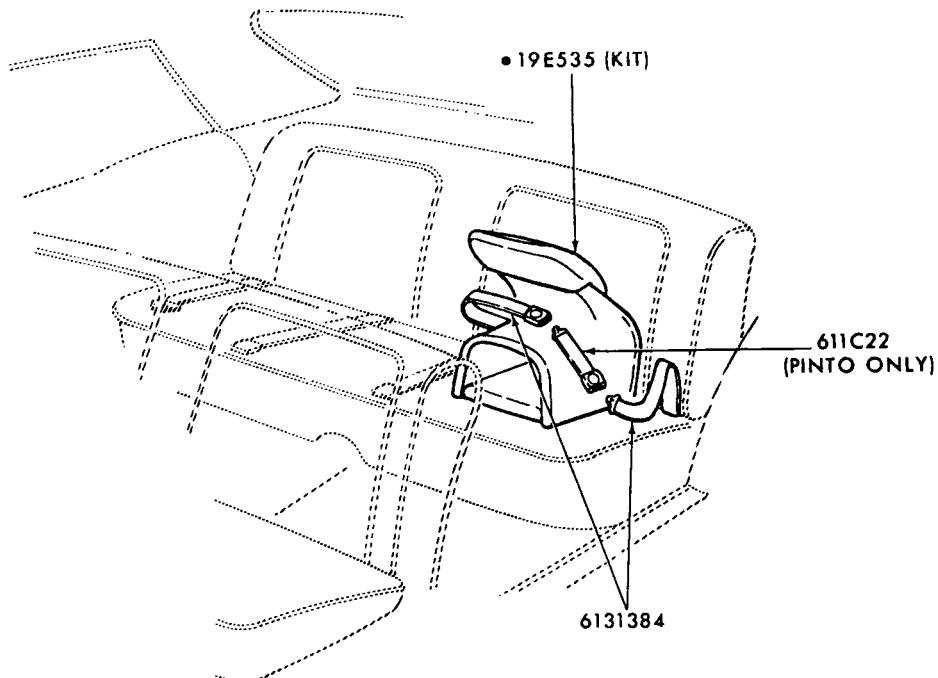
**BODY ILLUSTRATION  
SECTION 620**

**FORD CAR PARTS**



P-4396

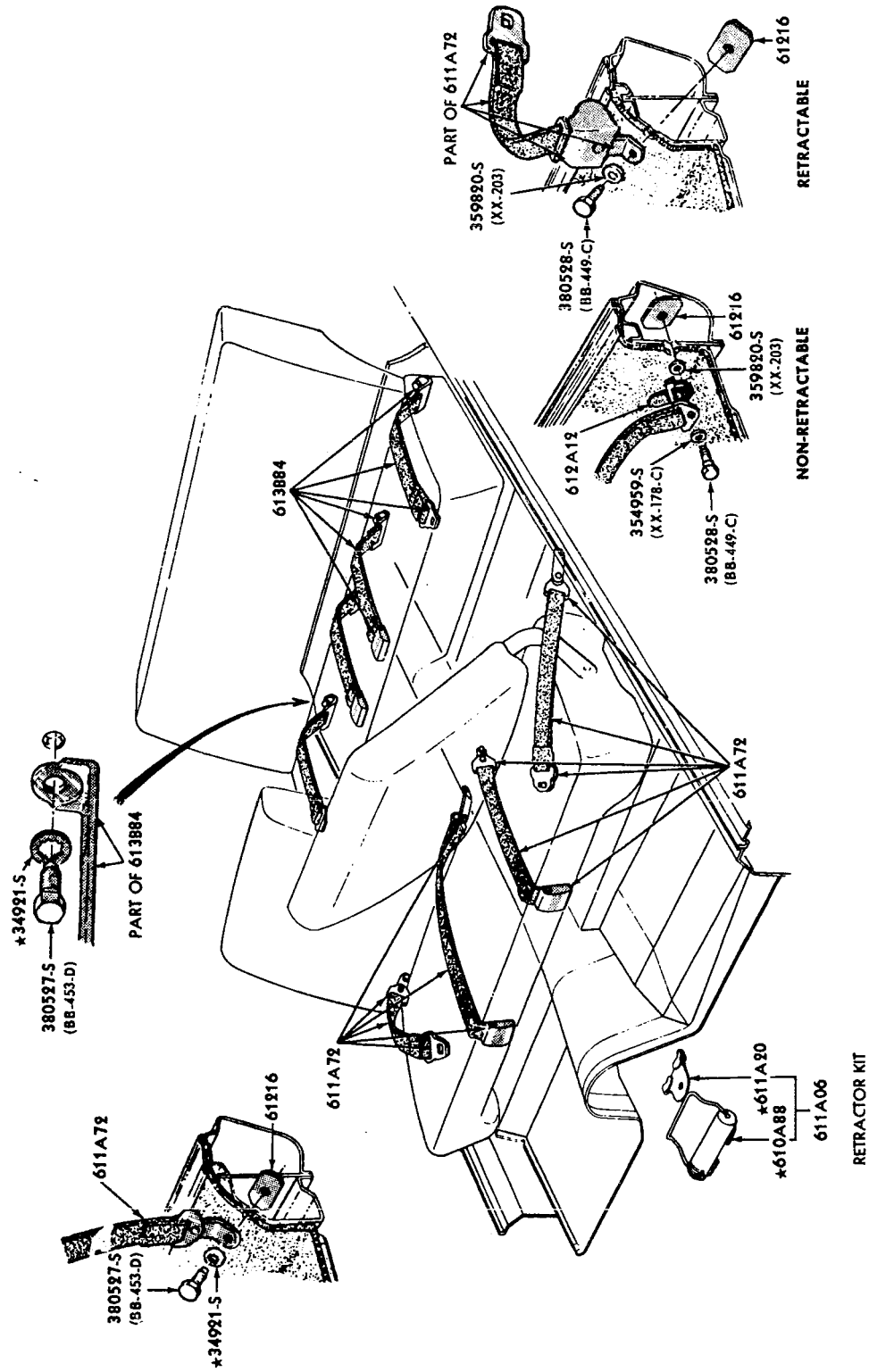
**SEAT BELT INSTALLATION  
1965 THUNDERBIRD**



• REFER TO CHASSIS SECTION

P-11536

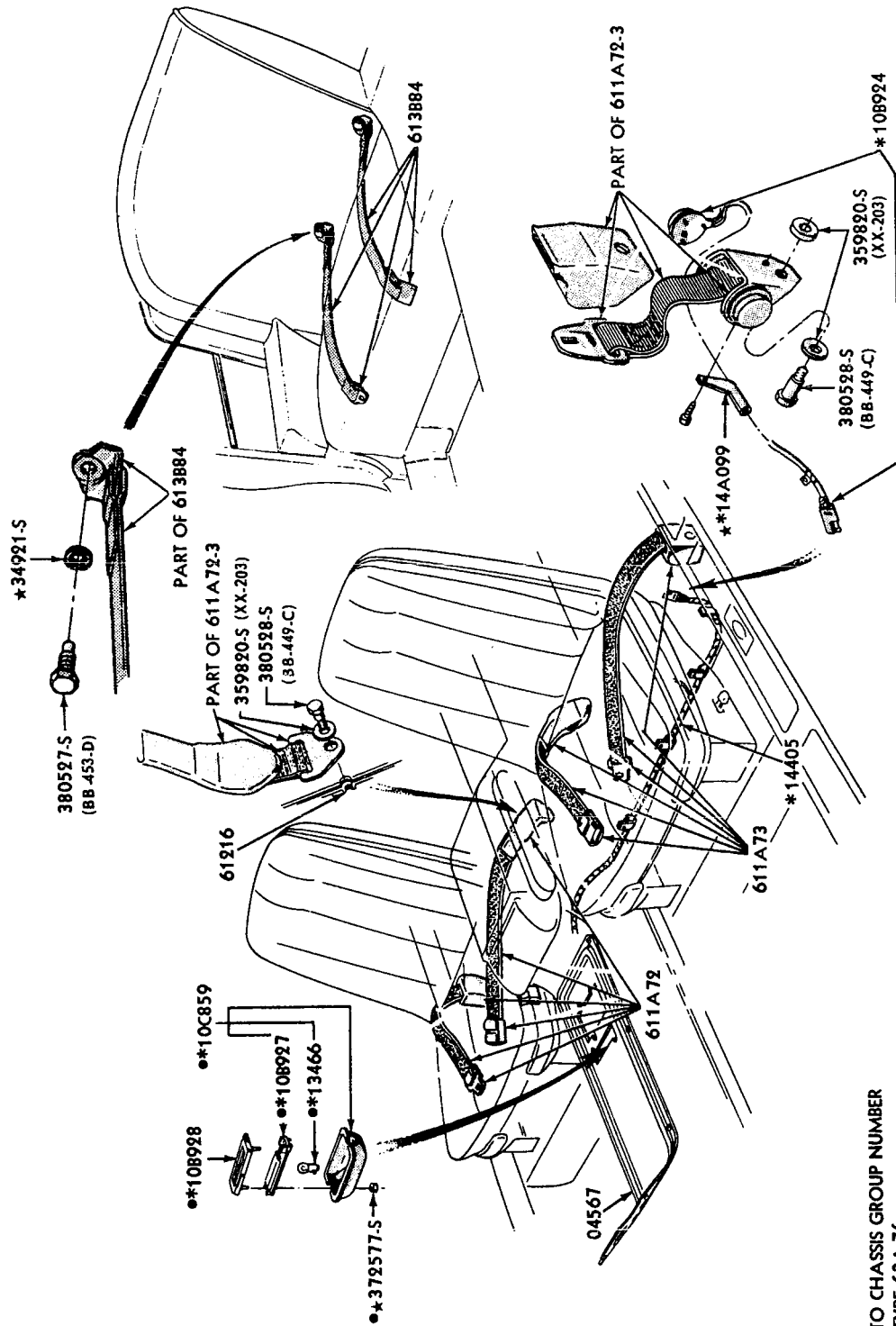
**CHILD SAFETY SEAT  
1965/72 ALL**



SEAT BELT INSTALLATION - FRONT and REAR

1966/69 FORD, FAIRLANE/TORINO, MUSTANG, BRONCO and FALCON - TYPICAL

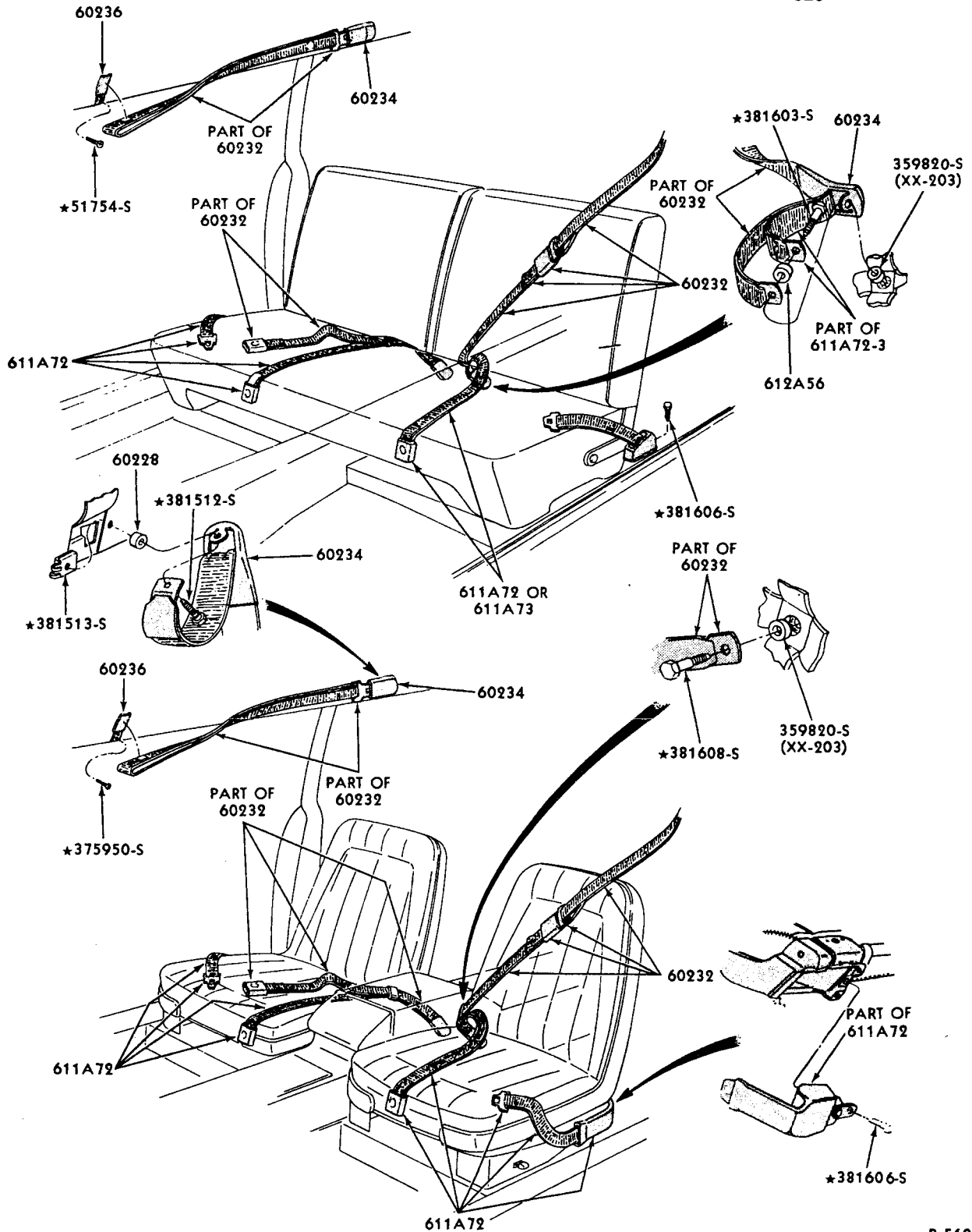
FORD CAR PARTS



\*REFER TO CHASSIS GROUP NUMBER  
BODY TYPE 63A,76

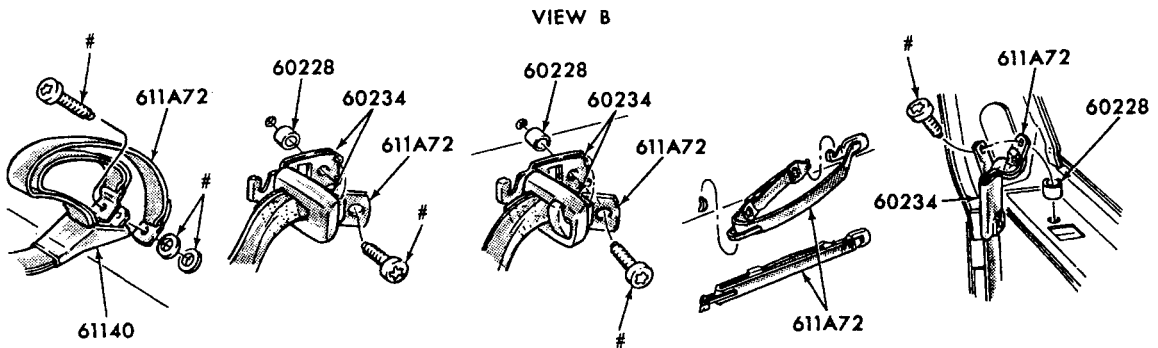
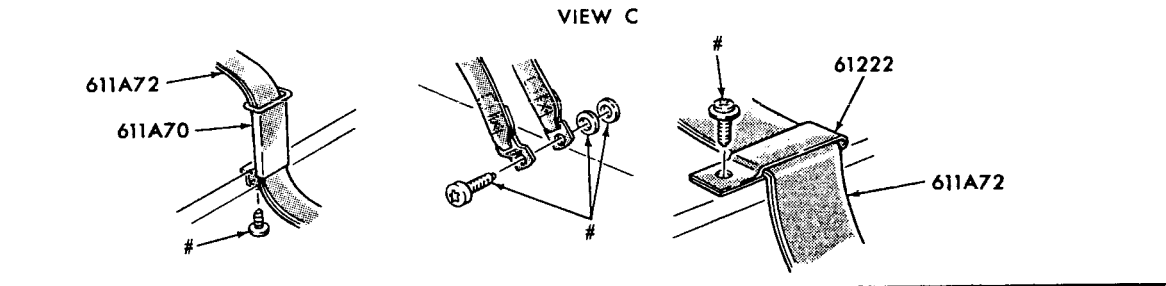
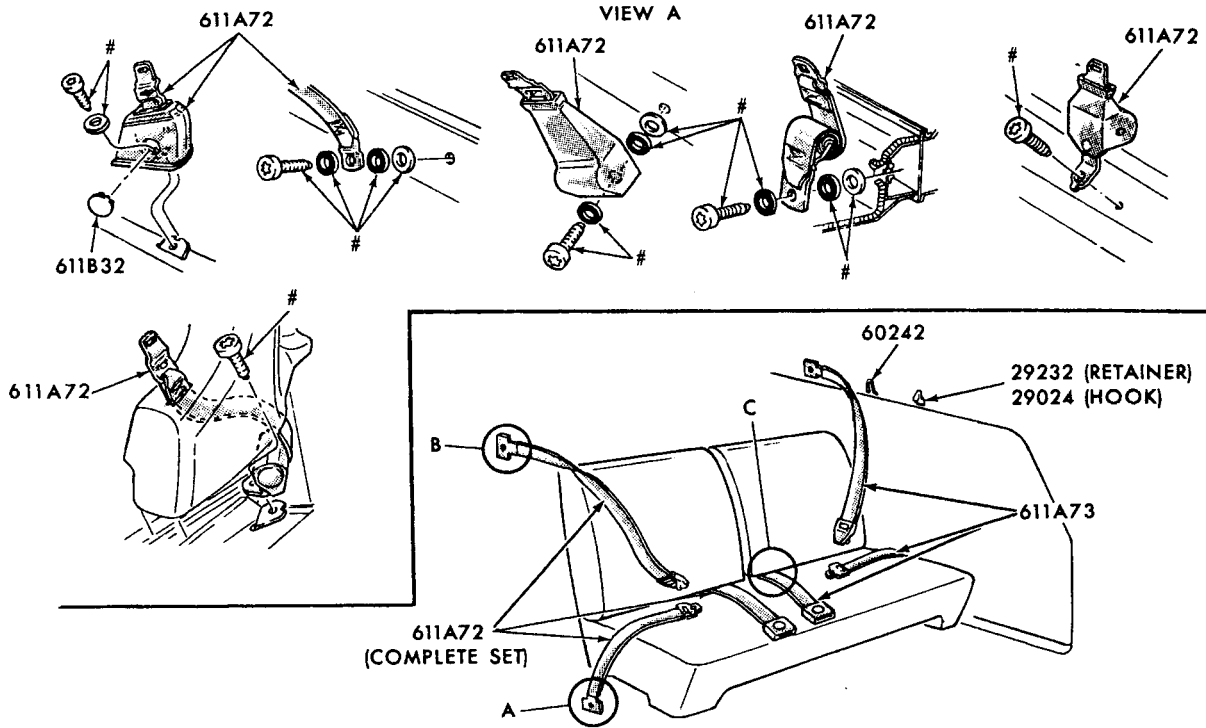
SEAT BELT INSTALLATION - FRONT and REAR

1966/67 THUNDERBIRD



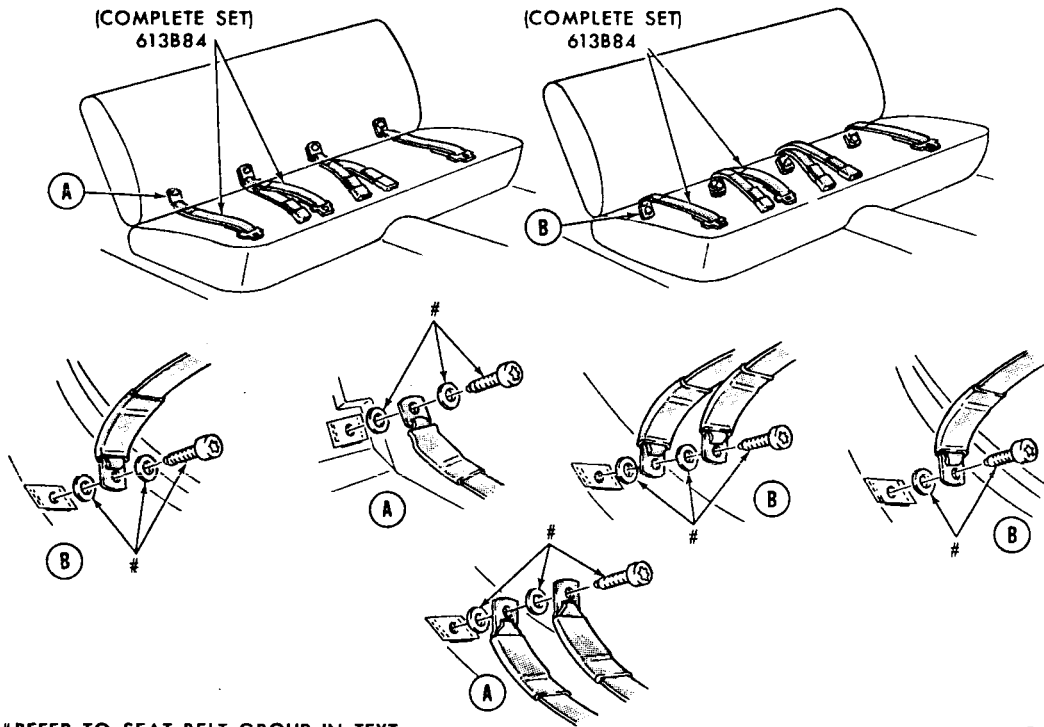
P-5600

SHOULDER HARNESS INSTALLATION-FRONT SEAT  
1967/69 ALL



# REFER TO SEAT BELT GROUP IN TEXT 611A72

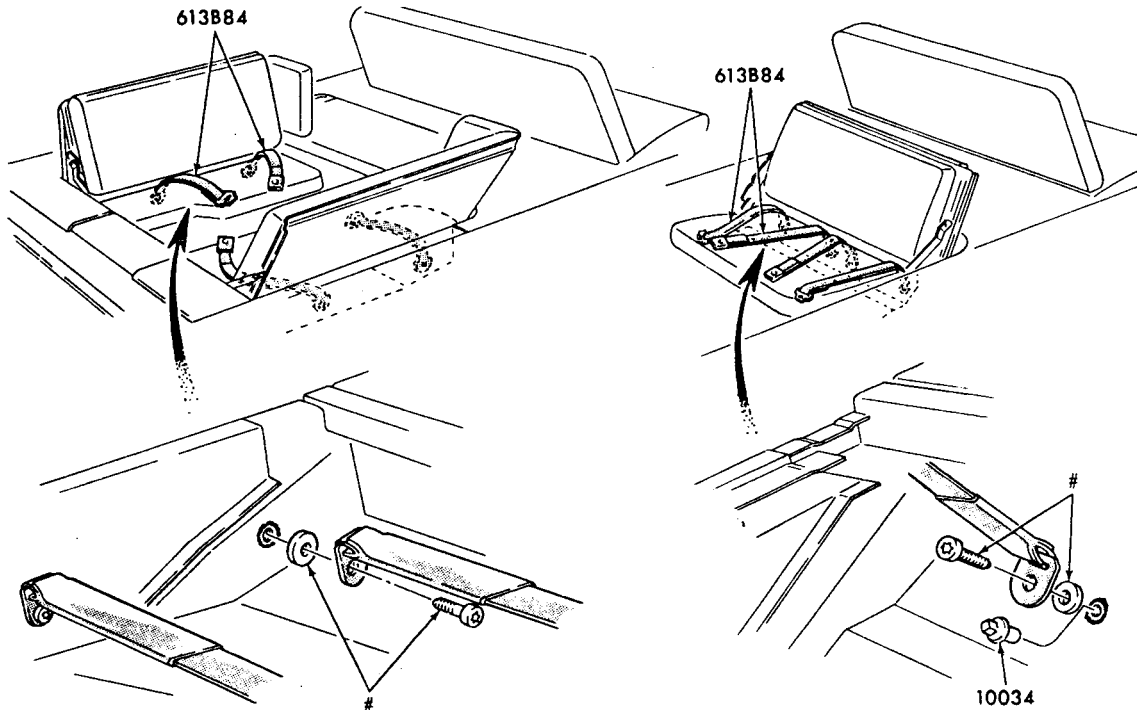
P-7450



#REFER TO SEAT BELT GROUP IN TEXT

P-7451

SEAT BELT INSTALLATION - REAR SEAT  
1970/71 ALL



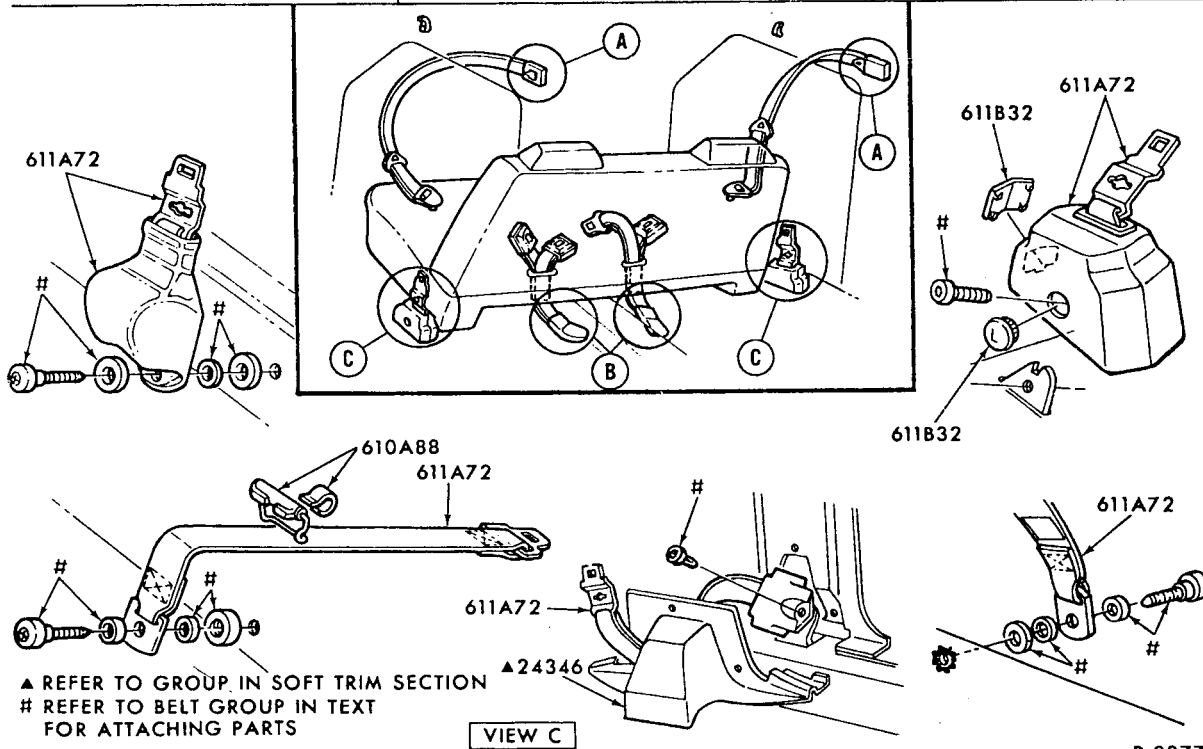
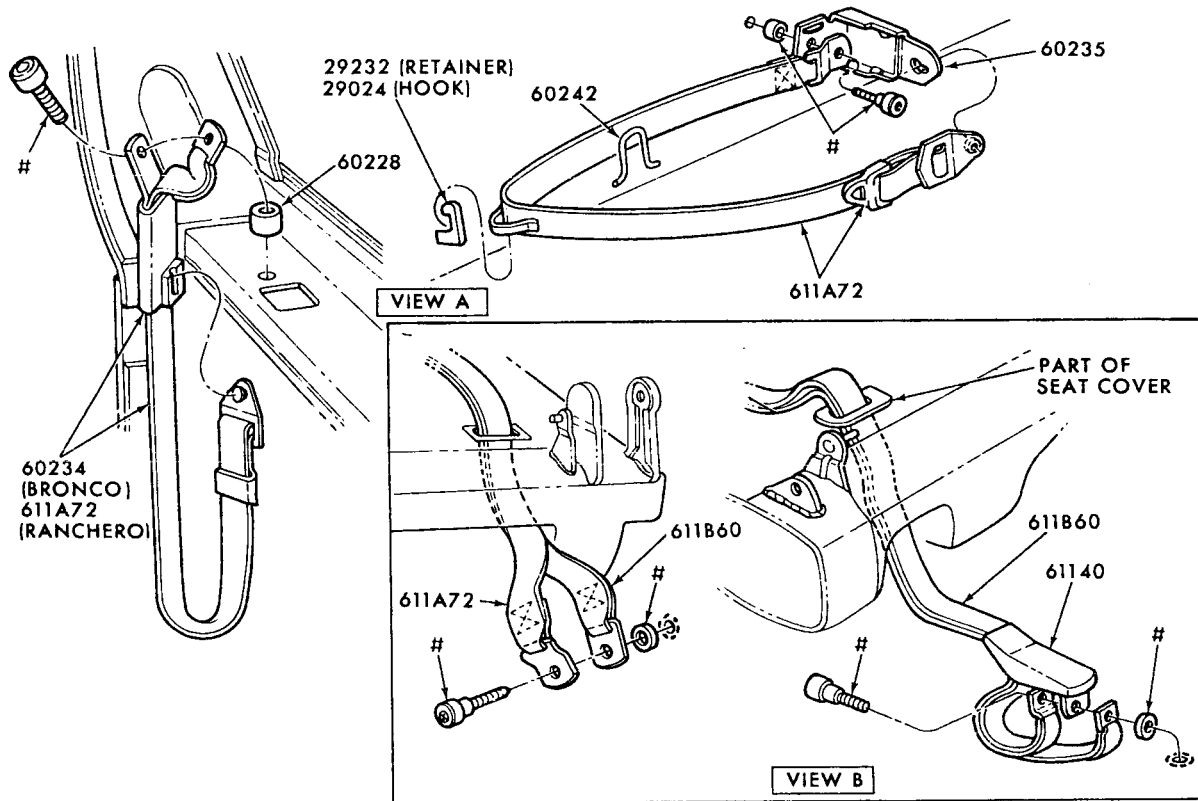
# REFER TO SEAT BELT GROUP IN TEXT 613B84

P-7452

SEAT BELT INSTALLATION - AUXILIARY SEAT  
1970/71 FORD and FAIRLANE/TORINO - BODY TYPE 71

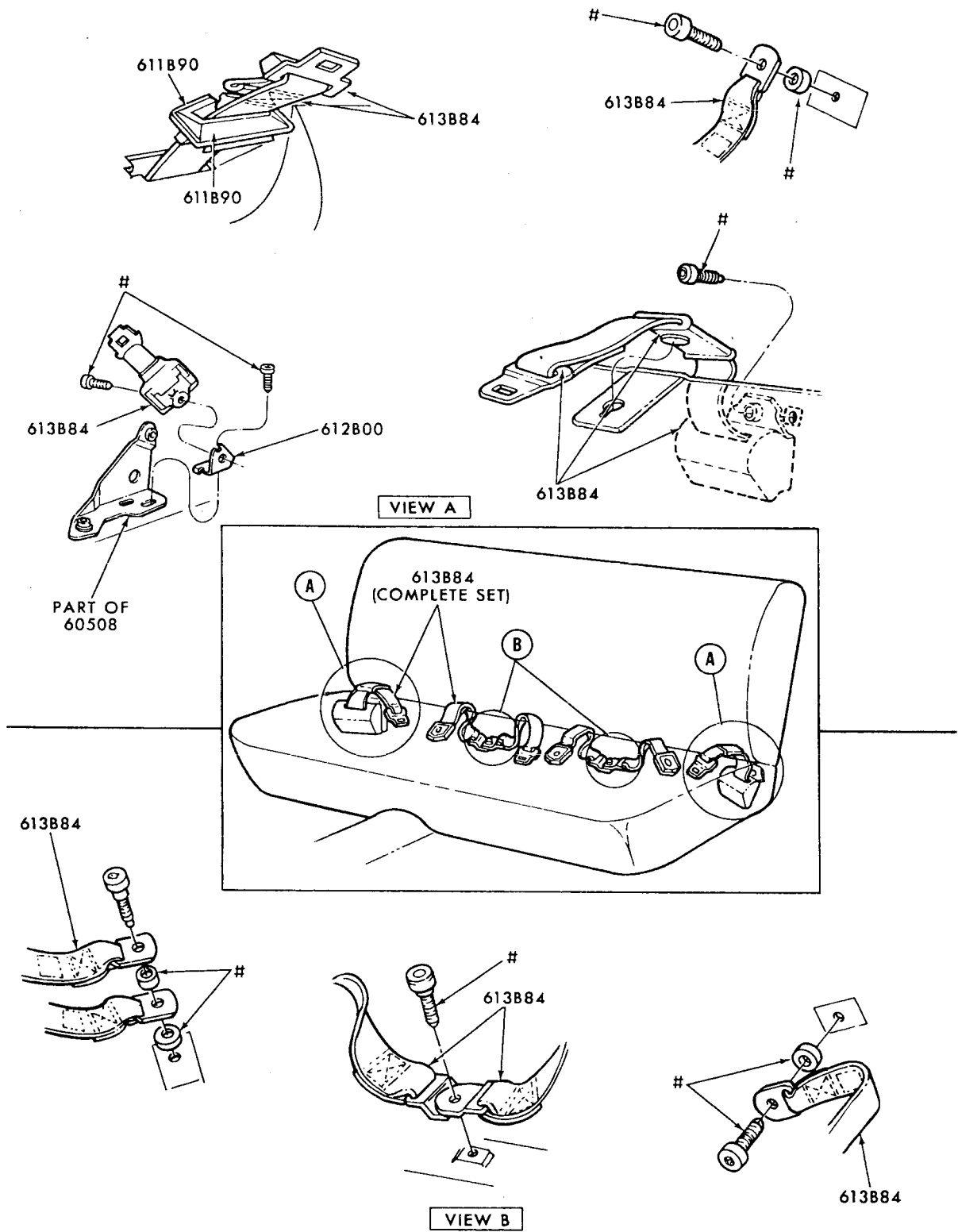


FORD CAR PARTS



P-8877

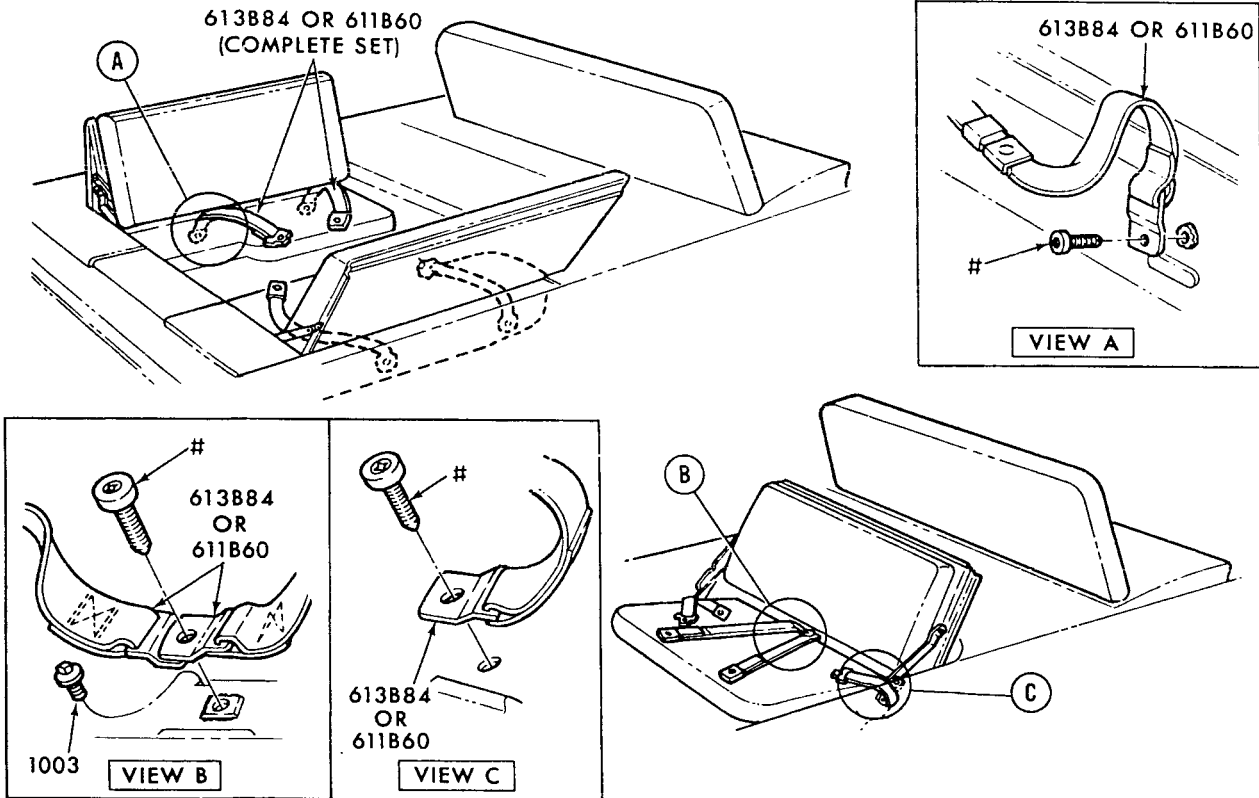
SEAT BELT and SHOULDER HARNESS INSTALLATION - FRONT SEAT  
1972 ALL



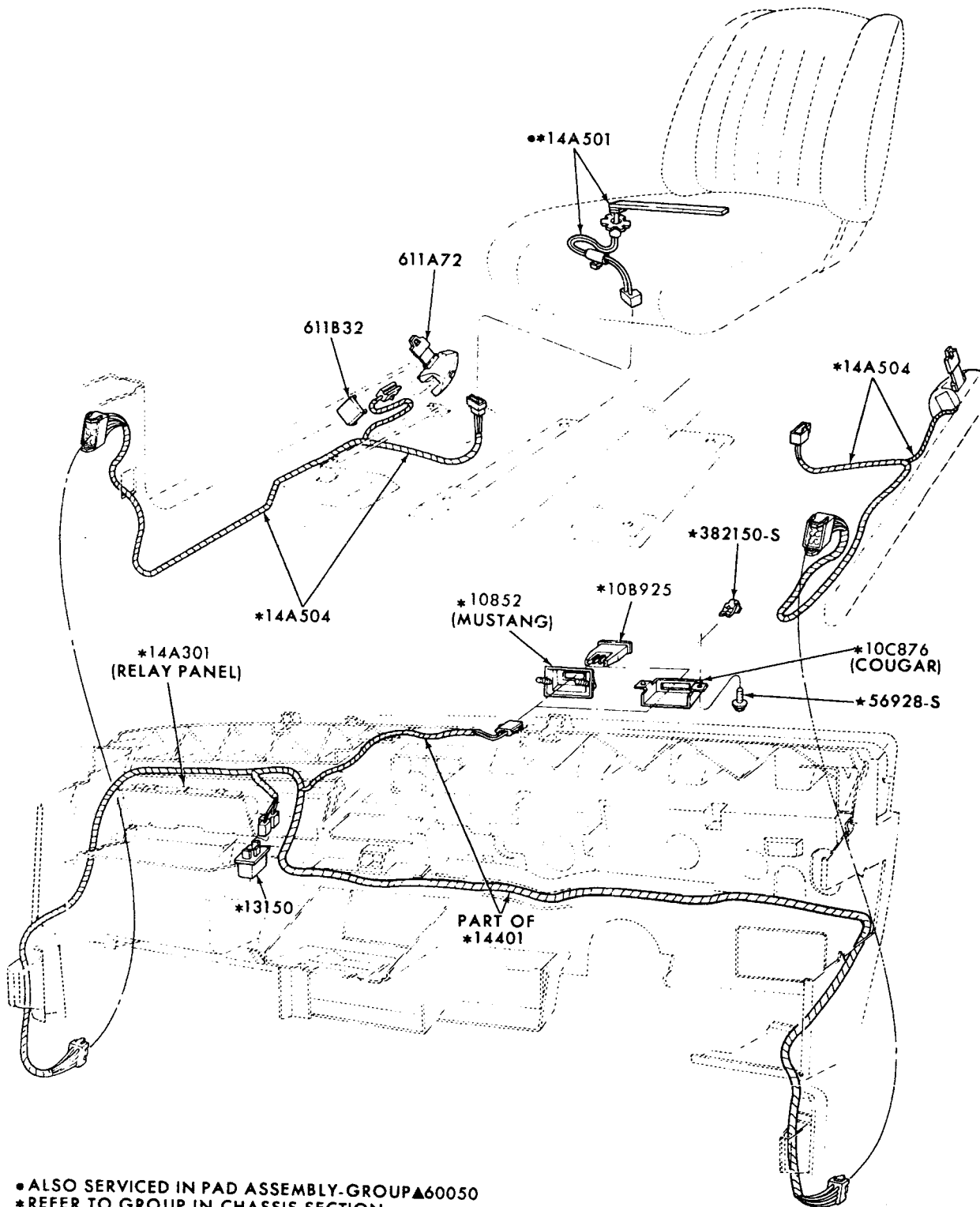
# REFER TO SEAT BELT GROUP IN TEXT FOR ATTACHING PARTS

P-8878

SEAT BELT INSTALLATION - REAR SEAT  
1972 ALL



SEAT BELT INSTALLATION - THIRD SEAT  
1972 FORD and TORINO - BODY TYPE 71

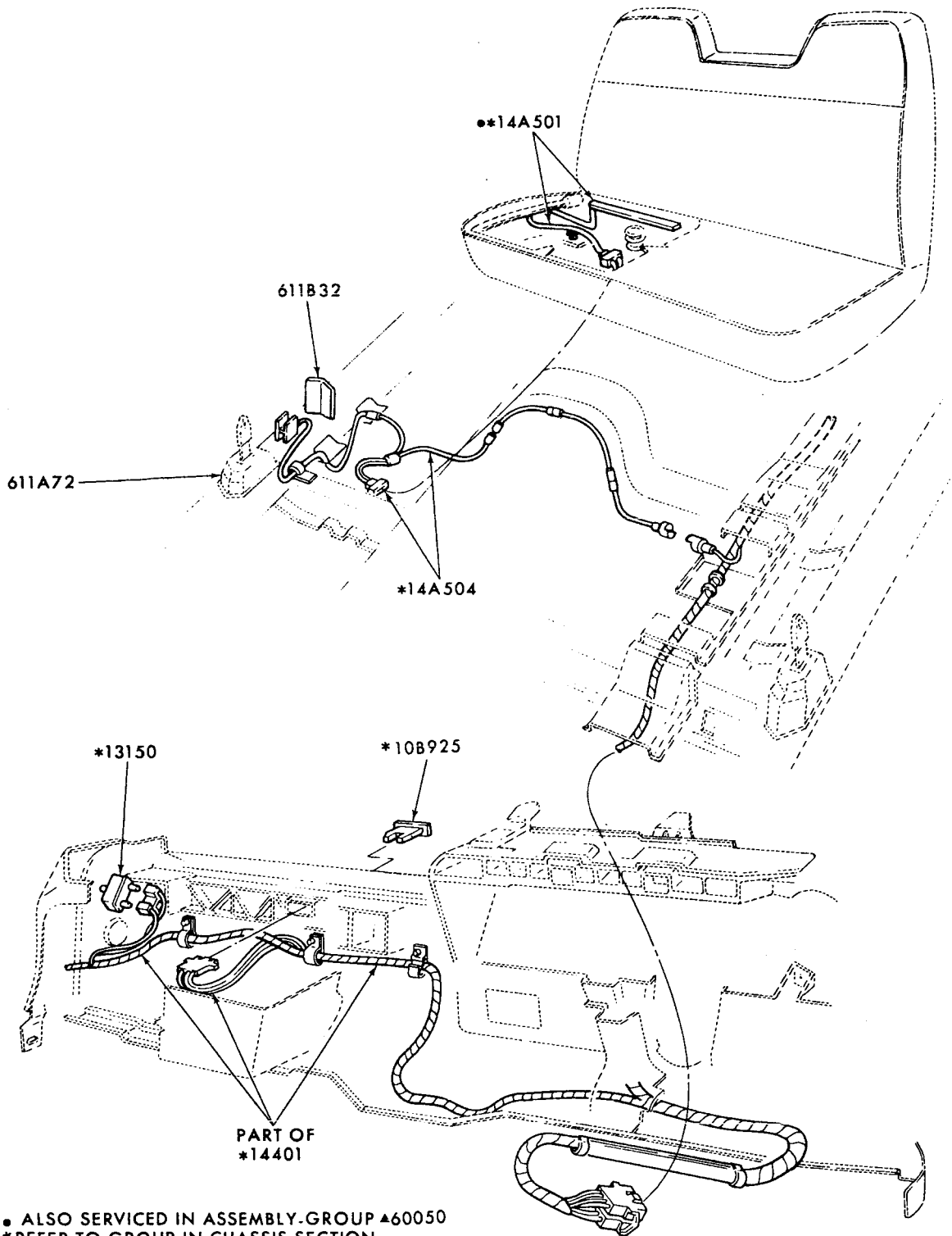


- ALSO SERVICED IN PAD ASSEMBLY-GROUP▲60050
- \*REFER TO GROUP IN CHASSIS SECTION
- ▲REFER TO GROUP IN SOFT TRIM SECTION

P-9266

SEAT BELT WARNING SYSTEM

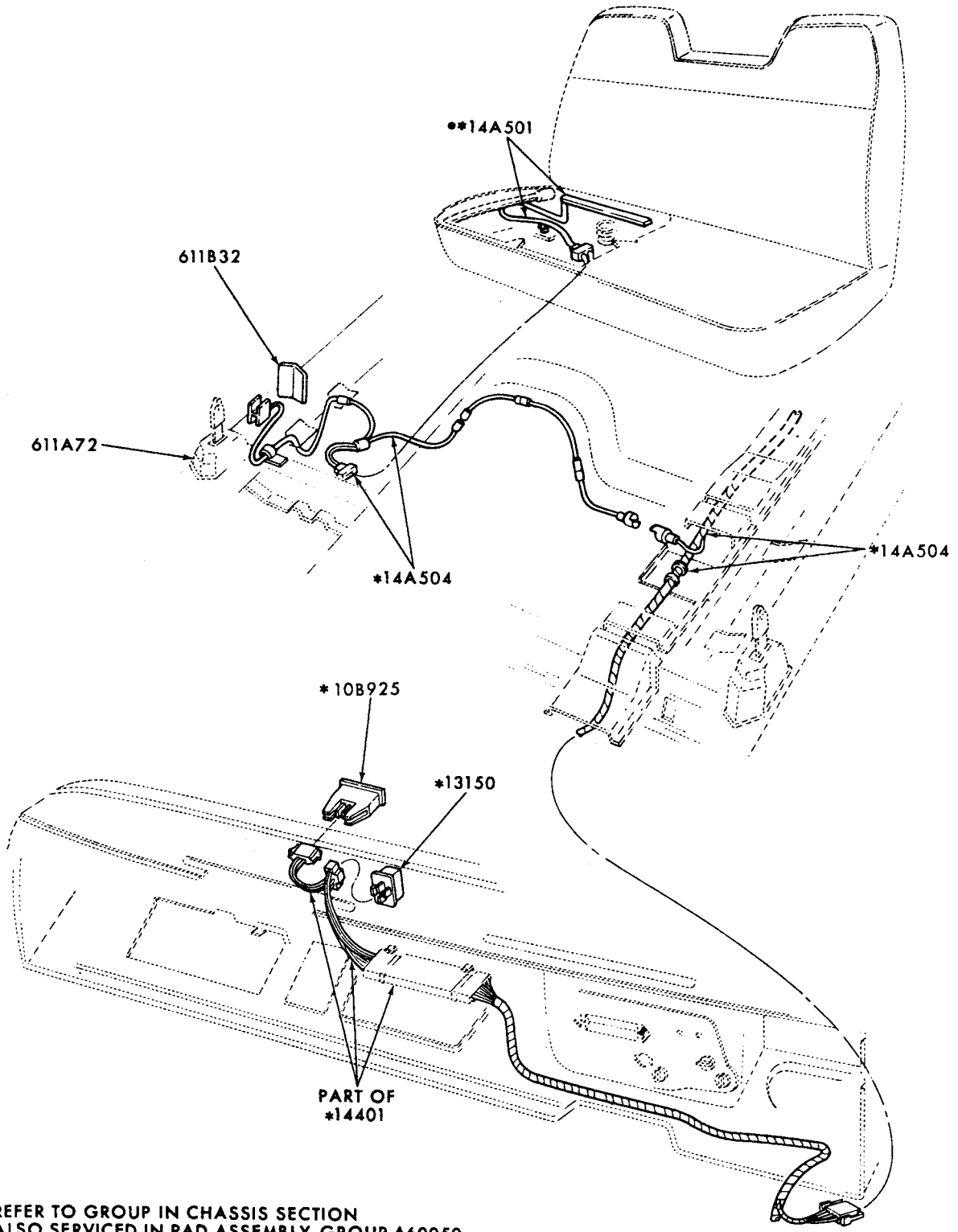
1972 MUSTANG



- ALSO SERVICED IN ASSEMBLY GROUP ▲60050
- \*REFER TO GROUP IN CHASSIS SECTION
- ▲REFER TO GROUP IN SOFT TRIM SECTION

P-9259

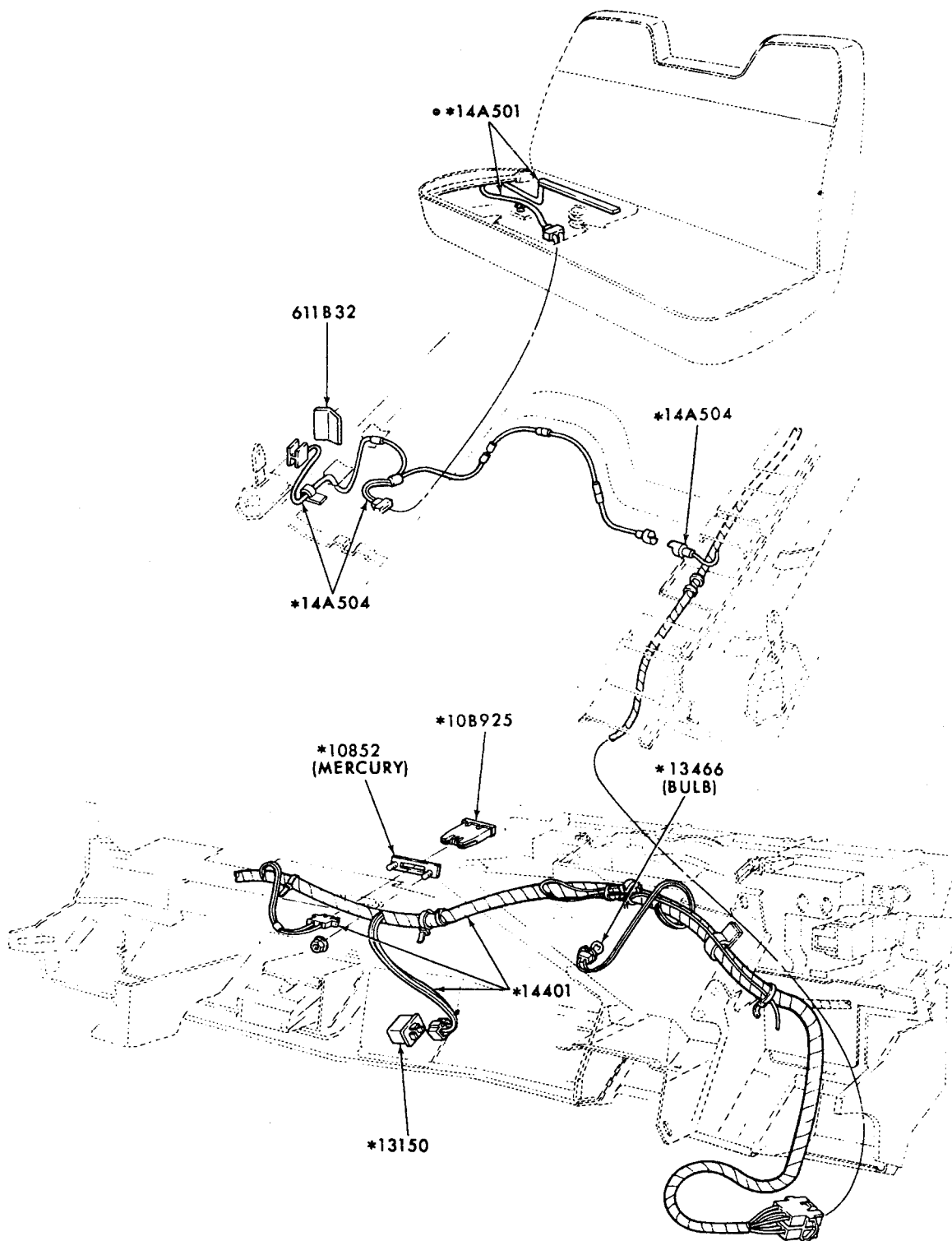
SEAT BELT WARNING SYSTEM  
1972 TORINO



\* REFER TO GROUP IN CHASSIS SECTION  
• ALSO SERVICED IN PAD ASSEMBLY-GROUP ▲60050  
▲ REFER TO GROUP IN SOFT TRIM SECTION

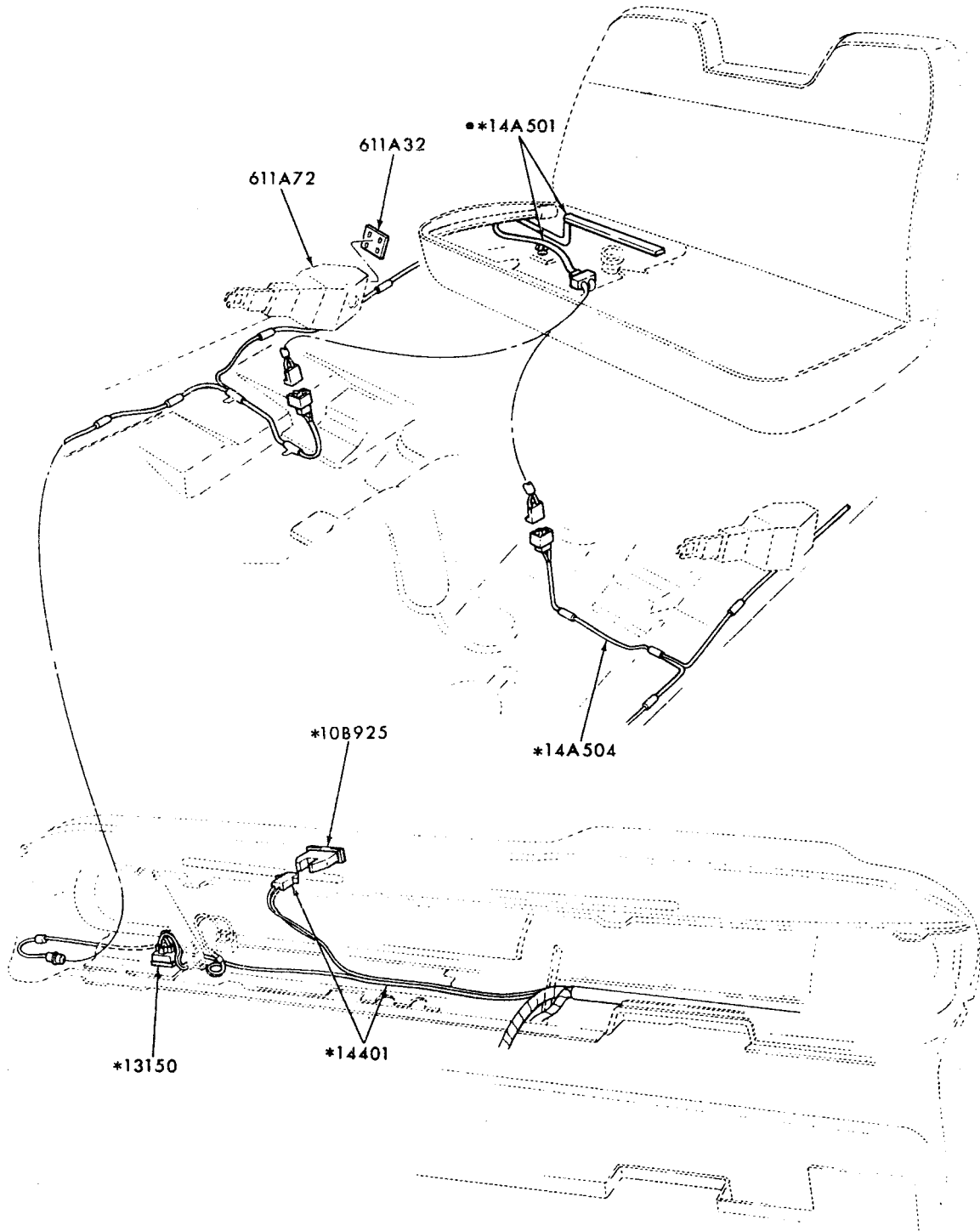
P-9262

SEAT BELT WARNING SYSTEM  
1972 PINTO



• ALSO SERVICED IN PAD-GROUP▲60050  
\* REFER TO GROUP IN CHASSIS SECTION  
▲REFER TO GROUP IN SOFT TRIM SECTION

P-9260

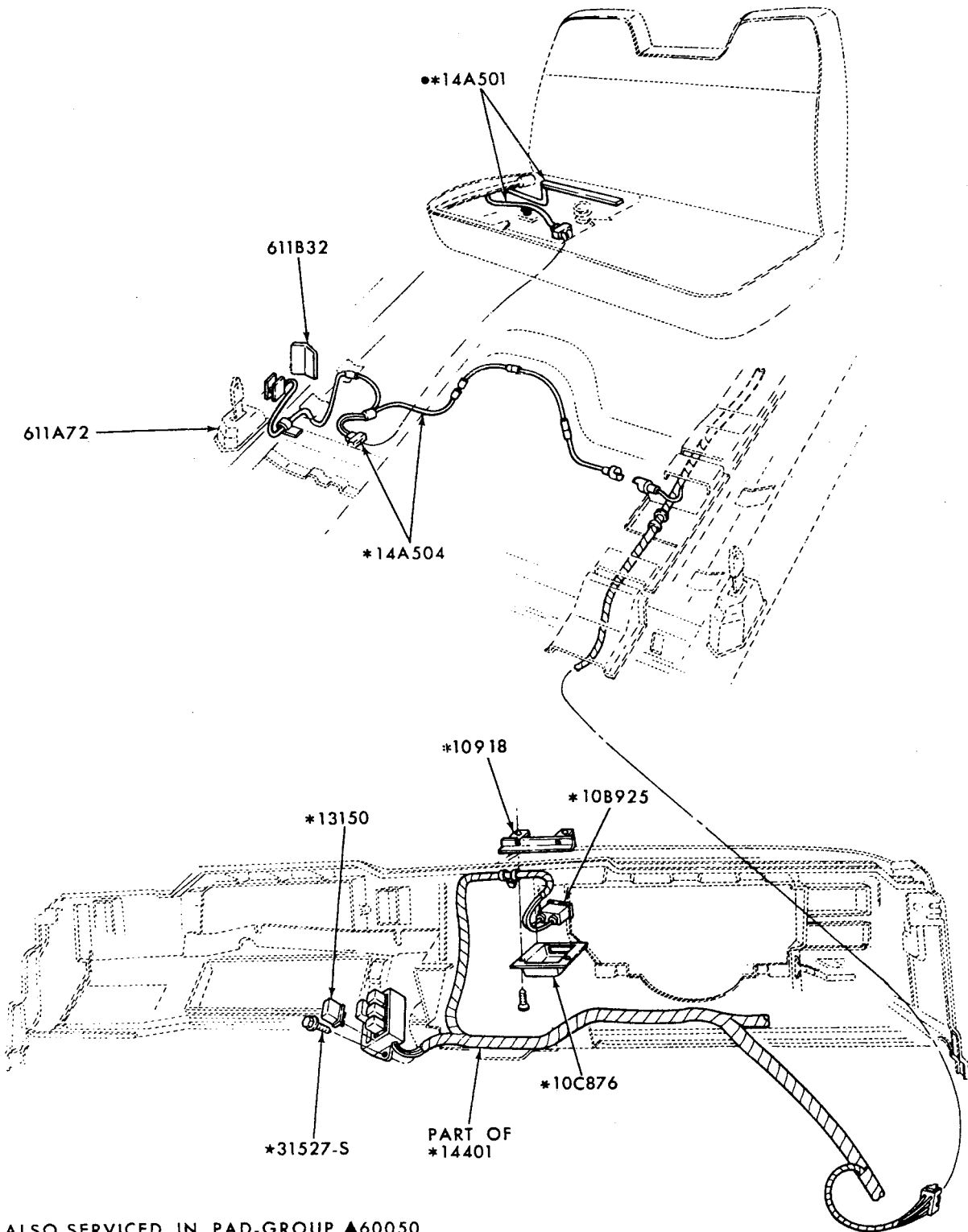


- ALSO SERVICED IN PAD-GROUP 60050
- \* REFER TO GROUP IN CHASSIS SECTION
- ▲ REFER TO GROUP IN SOFT TRIM SECTION

P-9261

SEAT BELT WARNING SYSTEM  
1972 MAVERICK





• ALSO SERVICED IN PAD-GROUP ▲60050  
\* REFER TO GROUP IN CHASSIS SECTION  
▲ REFER TO GROUP IN SOFT TRIM SECTION

P-9264

SEAT BELT WARNING SYSTEM  
1972 THUNDERBIRD

# FORD CAR PARTS

## SHEET METAL ILLUSTRATION SECTION

A

### INDEX

#### SHEET METAL

TITLE

SECTION | PAGE | ILLUS. NO.

TITLE

SECTION | PAGE | ILLUS. NO.

## 1965

#### A (FORD)

54	A	1	P-4626
57	A	2	P-4627
62	A	3	P-4628
63	A	4	P-4629
71	A	5	P-4630
76	A	6	P-4631

#### B (FAIRLANE)

71 - under body	B	5	P-4639
54, 62, 65 - under body	B	1	P-4638
54 - upper body	B	2	P-4634
62 - upper body	B	3	P-4635
65 - upper body	B	4	P-4636
71 - upper body	B	6	P-4637

#### F (MUSTANG)

63, 65 - under body	F	1	P-4486
76 - under body	F	4	P-4487
65 - upper body	F	3	P-4488
76 - upper body	F	5	P-4489
63 - upper body	F	2	P-4640

#### S (THUNDERBIRD)

63 - under body	S	1	P-4642
76 - under body	S	4	P-4644
63 - upper body	S	2	P-4641
76 - upper body	S	5	P-4643

#### X (FALCON)

54, 59, 62, 63, 66, 71, 78 - under body	X	1	P-4653
76 - under body	X	9	P-4654
54 - upper body	X	2	P-4645
59 - upper body	X	3	P-4646
62 - upper body	X	4	P-4647
63 - upper body	X	5	P-4648
66 - upper body	X	6	P-4317
71 - upper body	X	7	P-4650
76 - upper body	X	10	P-4651
78 - upper body	X	8	P-4325

## 1966

#### A (FORD)

54	A	7	P-5032
57	A	8	P-5033
62	A	9	P-5034
63	A	10	P-5035
71	A	11	P-5036
76	A	12	P-5037

#### B (FAIRLANE)

54, 62, 63 - under body	B	7	P-5023
71 - under body	B	13	P-5024
76 - under body	B	15	P-5025
54 - upper body	B	8	P-5018
62 - upper body	B	9	P-5019
63 - upper body	B	10	P-5020
71 - upper body	B	14	P-5021
76 - upper body	B	16	P-5022

#### F (MUSTANG)

63, 65 - under body	F	1	P-4486
76 - under body	F	4	P-4487
65 - upper body	F	3	P-4488
76 - upper body	F	5	P-4489
63 - upper body	F	2	P-4640

#### S (THUNDERBIRD)

63 - under body	S	1	P-4642
76 - under body	S	4	P-4644
63A, B - upper body	S	2	P-4641
63C, D - upper body	S	3	P-5017
76 - upper body	S	5	P-4643

#### U (BRONCO)

96, 97, 98	U	1	P-4963
97 - roof	U	2	P-4969
98 - roof	U	2	P-4968

#### X (FALCON)

54, 62 - under body	X	11	P-5142
66 - under body	X	14	P-5031
71 - under body	X	16	P-5148
54 - upper body	X	12	P-5026
62 - upper body	X	13	P-5027
66 - upper body	X	15	P-5028
71 - upper body	X	17	P-5141



# FORD CAR PARTS

## SHEET METAL ILLUSTRATION SECTION

C

### INDEX

#### SHEET METAL - continued

TITLE	SECTION	PAGE	ILLUS. NO.	TITLE	SECTION	PAGE	ILLUS. NO.
-------	---------	------	------------	-------	---------	------	------------

## 1969

A (FORD)				F (MUSTANG)			
54	A	26	P-6697	63, 65 - under body	F	6	P-5466
57	A	27	P-6698	65 - under body	F	12	P-7271
62	A	28	P-6702	76 - under body	F	13	P-7272
63	A	29	P-6703	63 - upper body	F	11	P-6716
65	A	30	P-6704	65 - upper body	F	14	P-7273
71	A	31	P-6705	76 - upper body	F	15	P-7275
76	A	32	P-6706				
B (FAIRLANE/TORINO)				S (THUNDERBIRD)			
54, 63, 65 - under body	B	17	P-6063	57, 65 - under body	S	9	P-6069
66 - under body	B	21	P-6064	57 - upper body	S	10	P-6068
71 - under body	B	23	P-6065	65 - upper body	S	11	P-6067
76 - under body	B	25	P-6066				
54 - upper body	B	18	P-6057	U (BRONCO)			
63 - upper body	B	19	P-6058	97, 98	U	1	P-4963
65 - upper body	B	20	P-6059	97 - roof	U	2	P-4969
66 - upper body	B	22	P-6060	98 - roof	U	2	P-4968
71 - upper body	B	24	P-6061				
76 - upper body	B	26	P-6062	X (FALCON)			
				54, 62 - under body	X	18	P-6073
				71 - under body	X	21	P-6074
				54 - upper body	X	19	P-6070
				62 - upper body	X	20	P-6071
				71 - upper body	X	22	P-6072

## 1970

A (FORD)				P (MAVERICK)			
54	A	26	P-6697	62 - under body	P	1	P-6874
57	A	27	P-6698	62 - upper body	P	2	P-6911
63	A	29	P-6703				
65	A	30	P-6704				
71	A	31	P-6705				
76	A	32	P-6706				
B (FAIRLANE/TORINO)				S (THUNDERBIRD)			
54, 57, 62, 63, 65 - under body	B	27	P-7072	57, 65 - under body	S	12	P-7034
66 - under body	B	28	P-7074	57 - upper body	S	13	P-7035
71 - under body	B	29	P-7073	65 - upper body	S	14	P-7036
76 - under body	B	30	P-7075				
54 - upper body	B	31	P-7081	U (BRONCO)			
57 - upper body	B	32	P-7082	97, 98	U	1	P-4963
62 - upper body	B	38	P-7083	97 - roof	U	2	P-4969
63 - upper body	B	33	P-7084	98 - roof	U	2	P-4968
65 - upper body	B	34	P-7085				
66 - upper body	B	35	P-7086	X (FALCON) - BEFORE 1/2/70			
71 - upper body	B	36	P-7087	<b>FOR UNITS BUILT FROM 1/2/70 REFER TO B (FALCON)</b>			
76 - upper body	B	37	P-7088	54, 62 - under body	X	18	P-6073
				71 - under body	X	21	P-6074
F (MUSTANG)				54 - upper body	X	19	P-6070
63 - under body	F	6	P-5466	62 - upper body	X	20	P-6071
65 - under body	F	12	P-7271	71 - upper body	X	22	P-6072
76 - under body	F	13	P-7272				
63 - upper body	F	11	P-6716				
65 - upper body	F	14	P-7273				
76 - upper body	F	15	P-7275				

May, 1975

COPYRIGHT © 1975 —

FORD MOTOR  
COMPANY

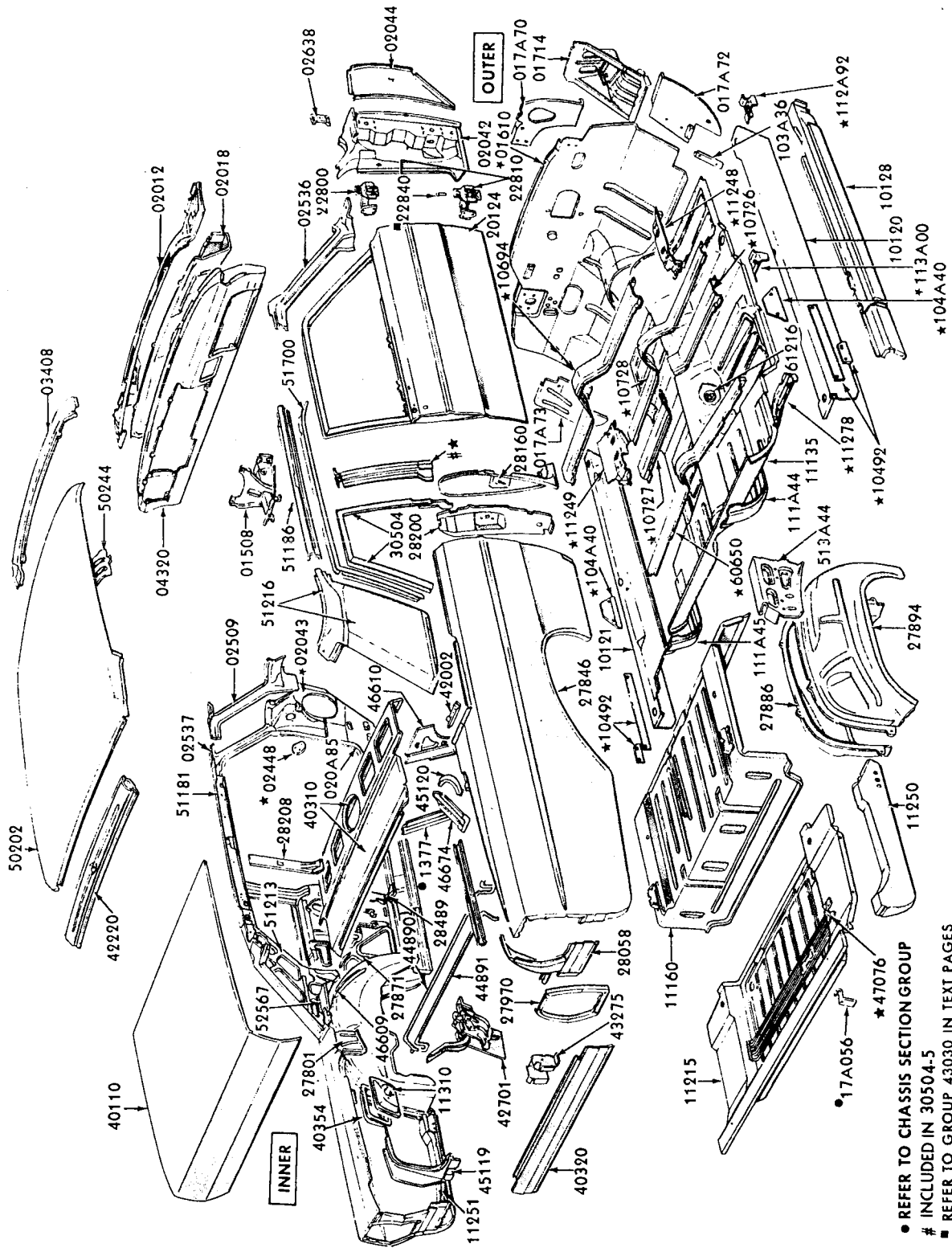
— DEARBORN, MICHIGAN

**FINAL ISSUE**









P-4628

- REFER TO CHASSIS SECTION GROUP
- # INCLUDED IN 30504-5
- REFER TO GROUP 43030 IN TEXT PAGES

1965 FORD - BODY TYPE 62

May, 1975

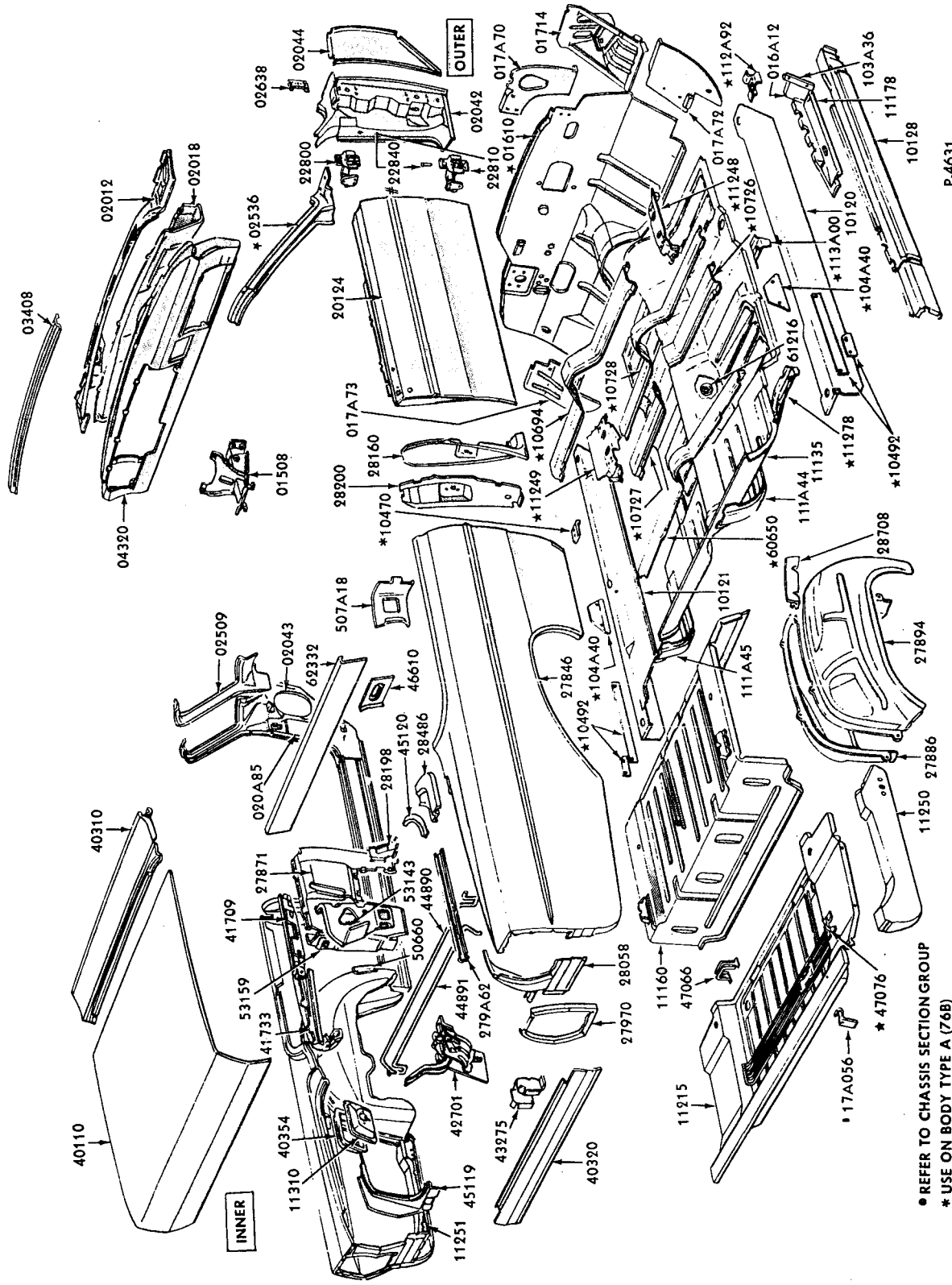
COPYRIGHT © 1975 - FORD MOTOR COMPANY - DEARBORN, MICHIGAN

FINAL ISSUE







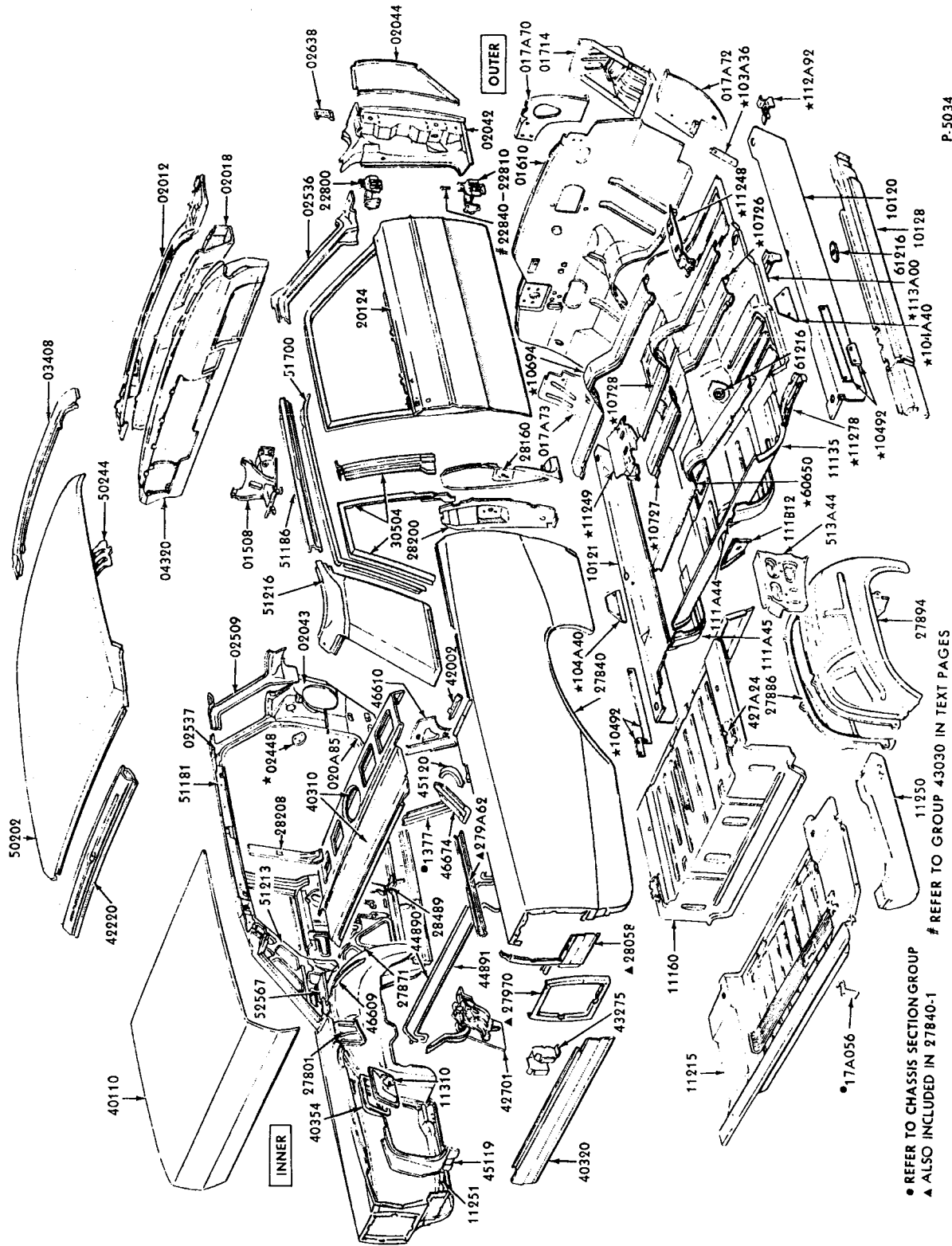


P.4631

● REFER TO CHASSIS SECTION GROUP  
\* USE ON BODY TYPE A (76B)  
# REFER TO GROUP 43030 IN TEXT PAGES







P-5034

● REFER TO CHASSIS SECTION GROUP  
 ▲ ALSO INCLUDED IN 27840-1  
 # REFER TO GROUP 43030 IN TEXT PAGES

1966 FORD - BODY TYPE 62





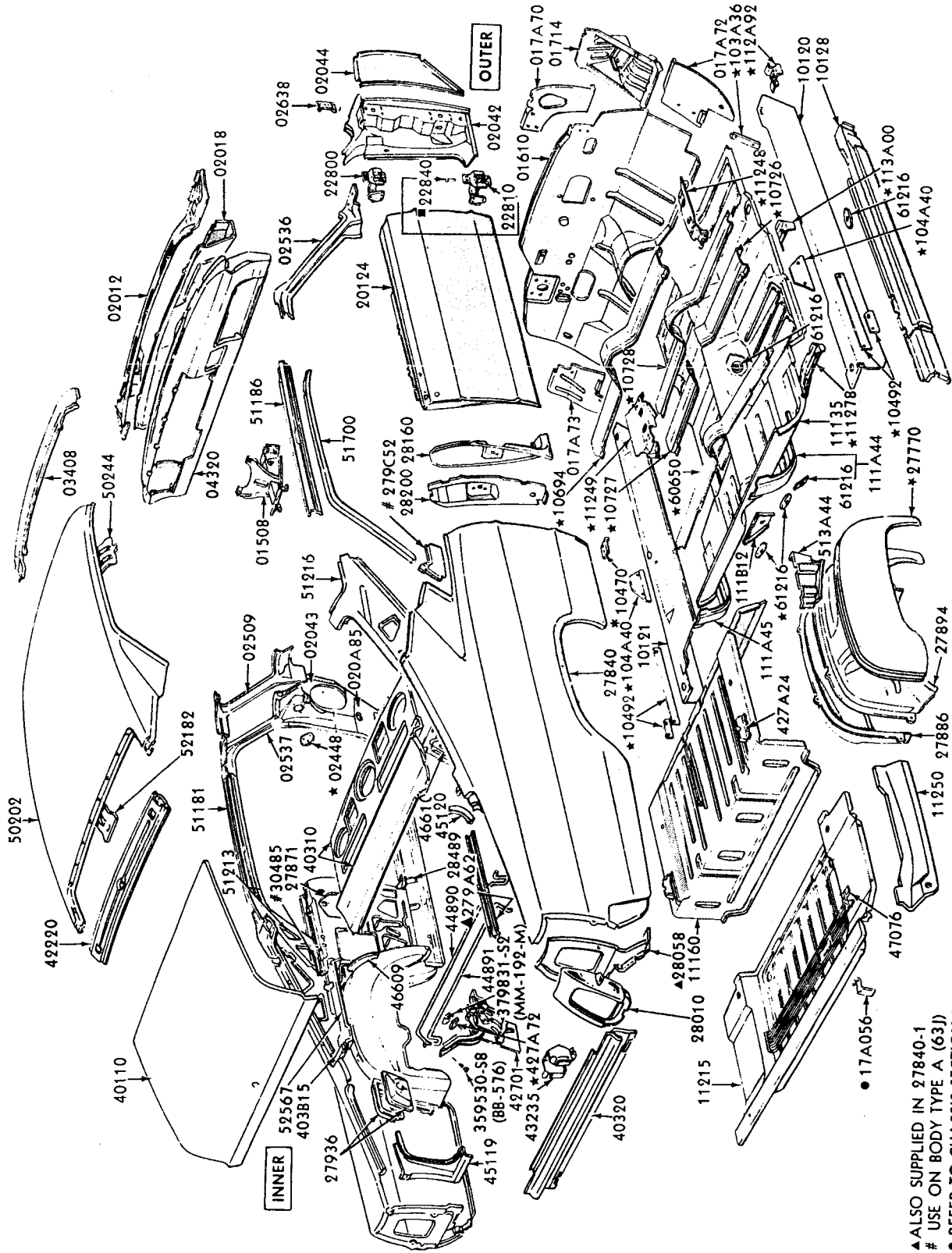








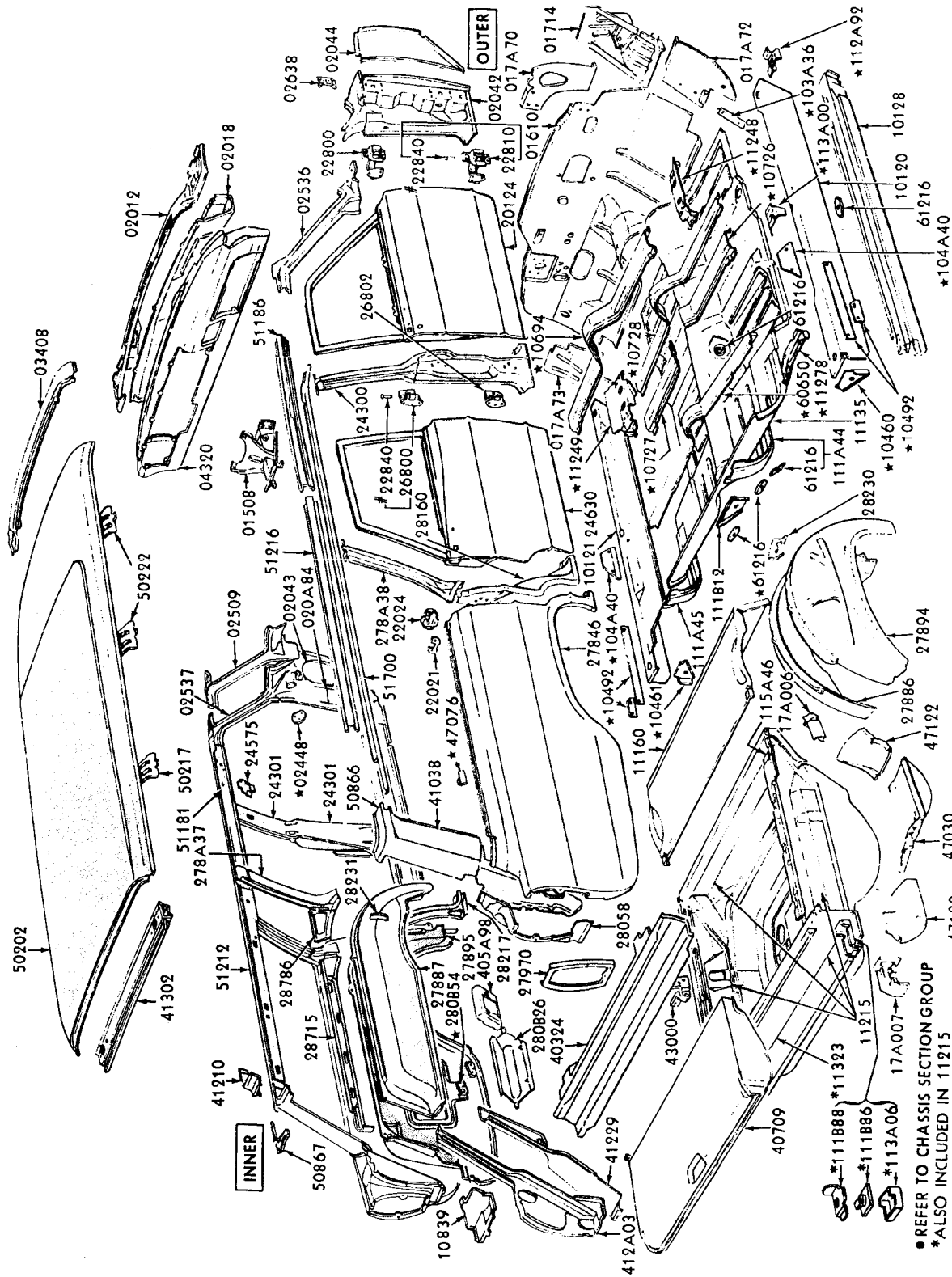




P-5489

■ REFER TO GROUP 43030 IN TEXT PAGES

- ▲ ALSO SUPPLIED IN 27840-1
- # USE ON BODY TYPE A (63J)
- REFER TO CHASSIS SECTION GROUP
- \* USE ON BODY TYPE A(63C)



P-5490

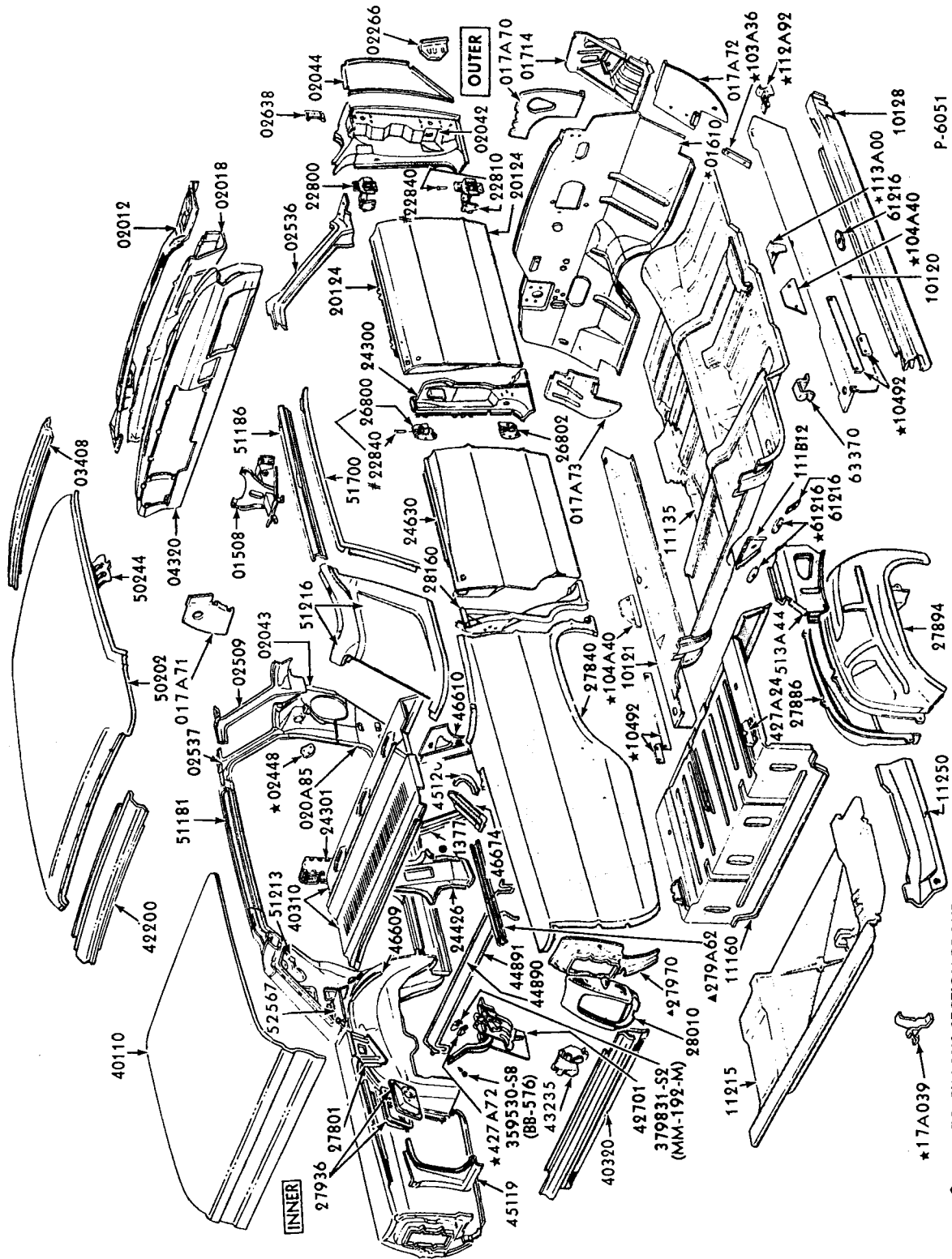
#REFER TO GROUP 43030 IN TEXT PAGES

● REFER TO CHASSIS SECTION GROUP  
 \* ALSO INCLUDED IN 11215



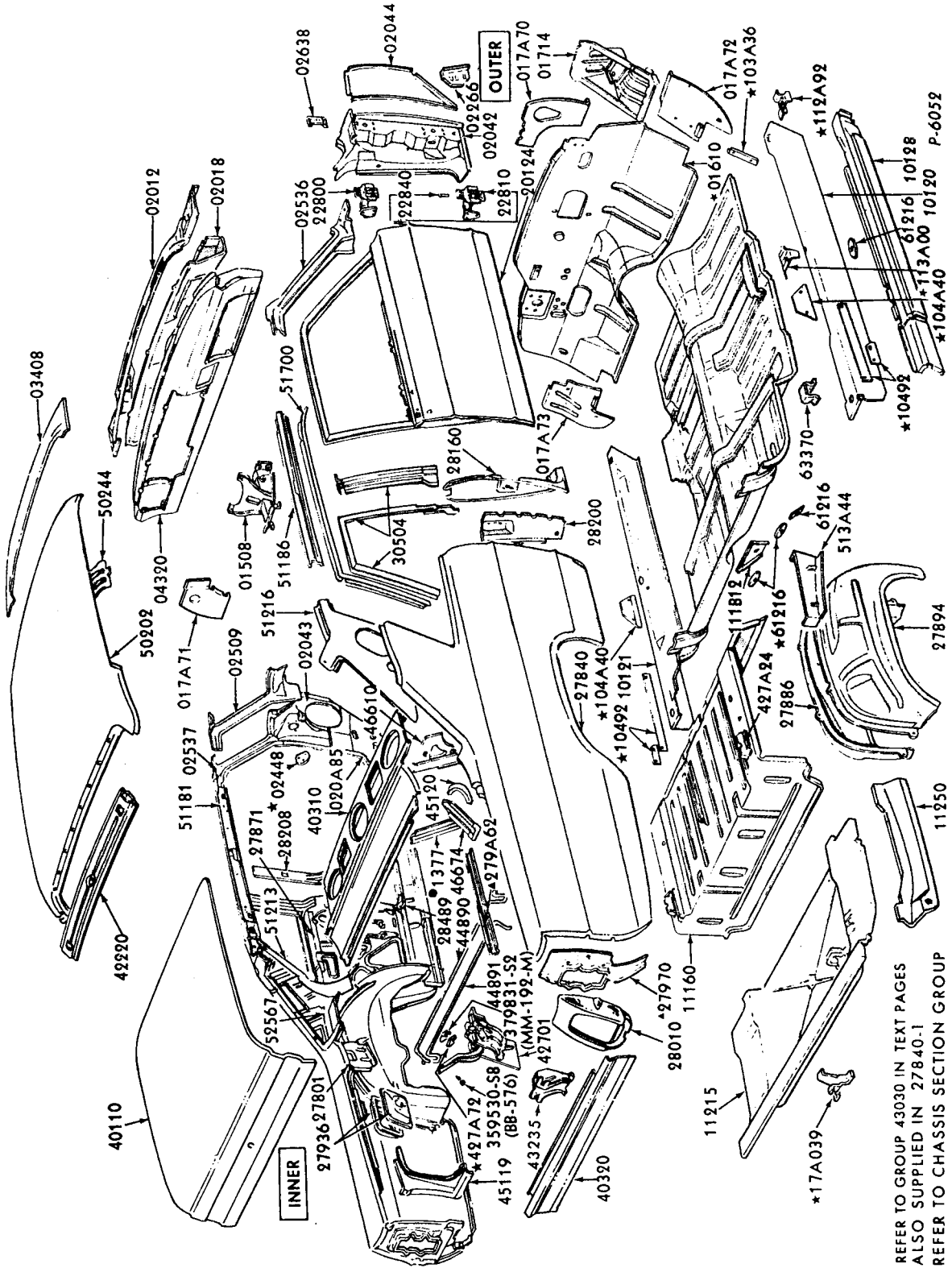






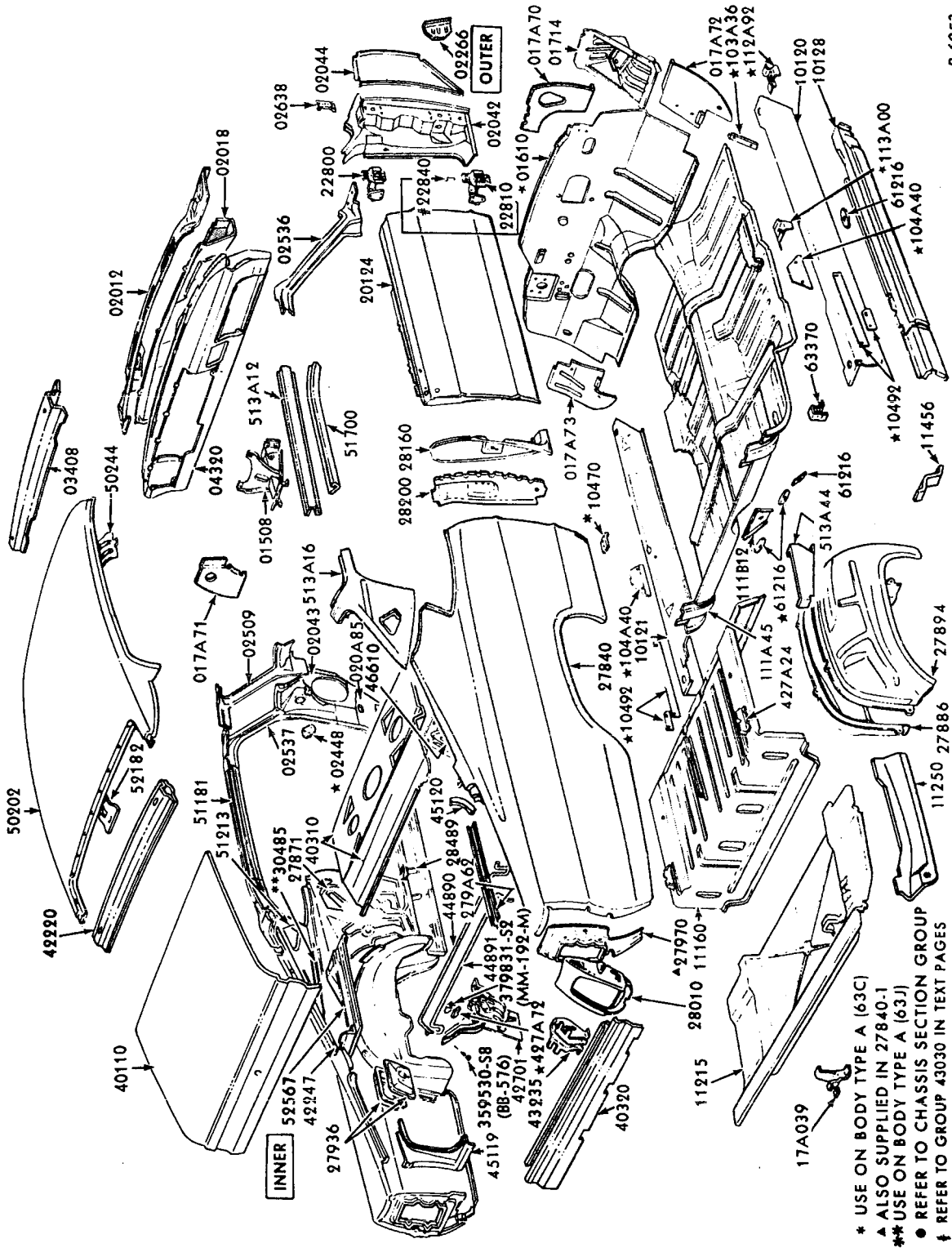
P-6051

• REFER TO CHASSIS SECTION GROUP  
 \* ALSO SUPPLIED IN 27840-1 # REFER TO GROUP 43030 IN TEXT PAGES



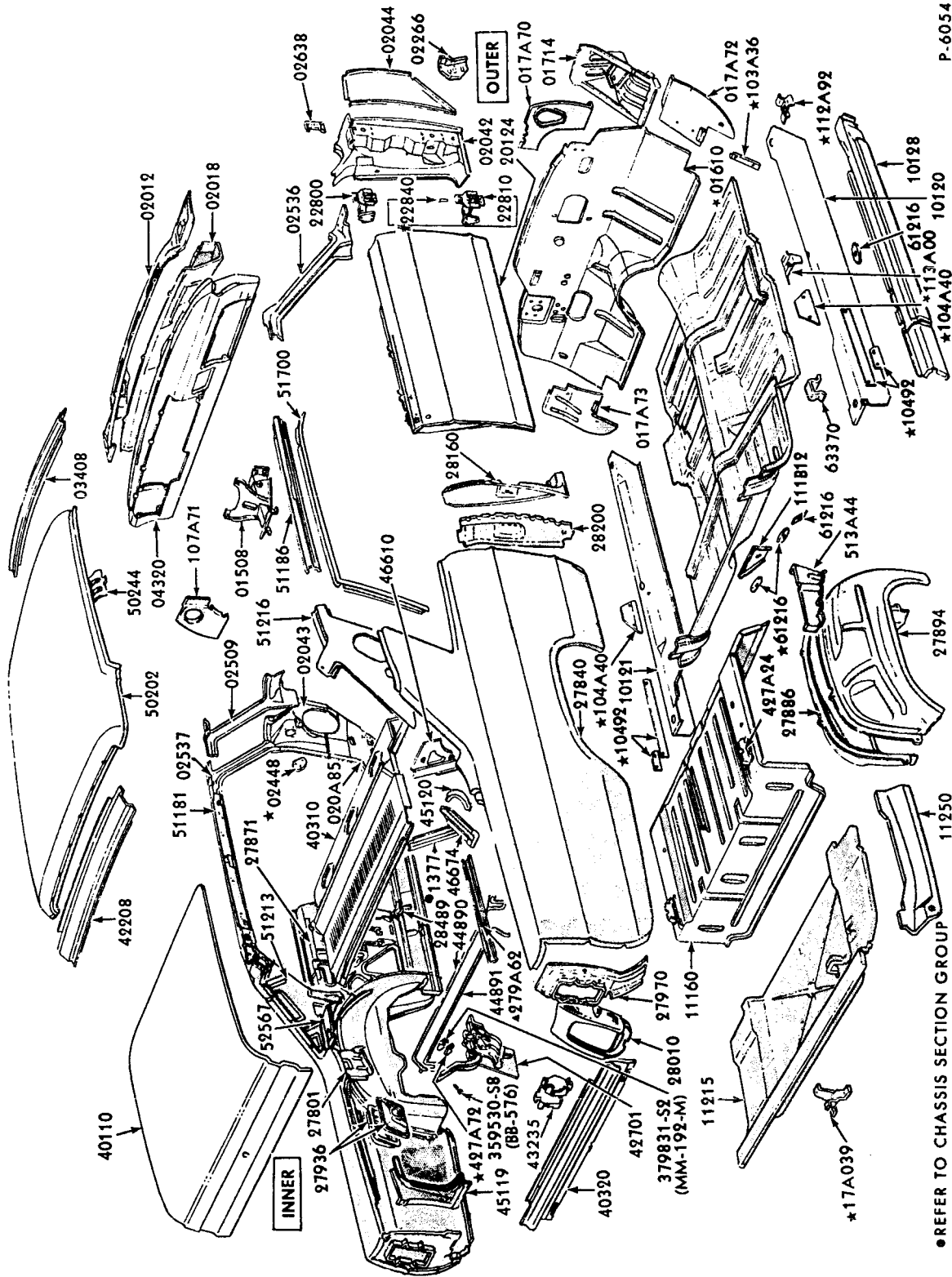
# REFER TO GROUP 43030 IN TEXT PAGES  
\* ALSO SUPPLIED IN 27840-1  
● REFER TO CHASSIS SECTION GROUP

1968 FORD - BODY TYPE 62



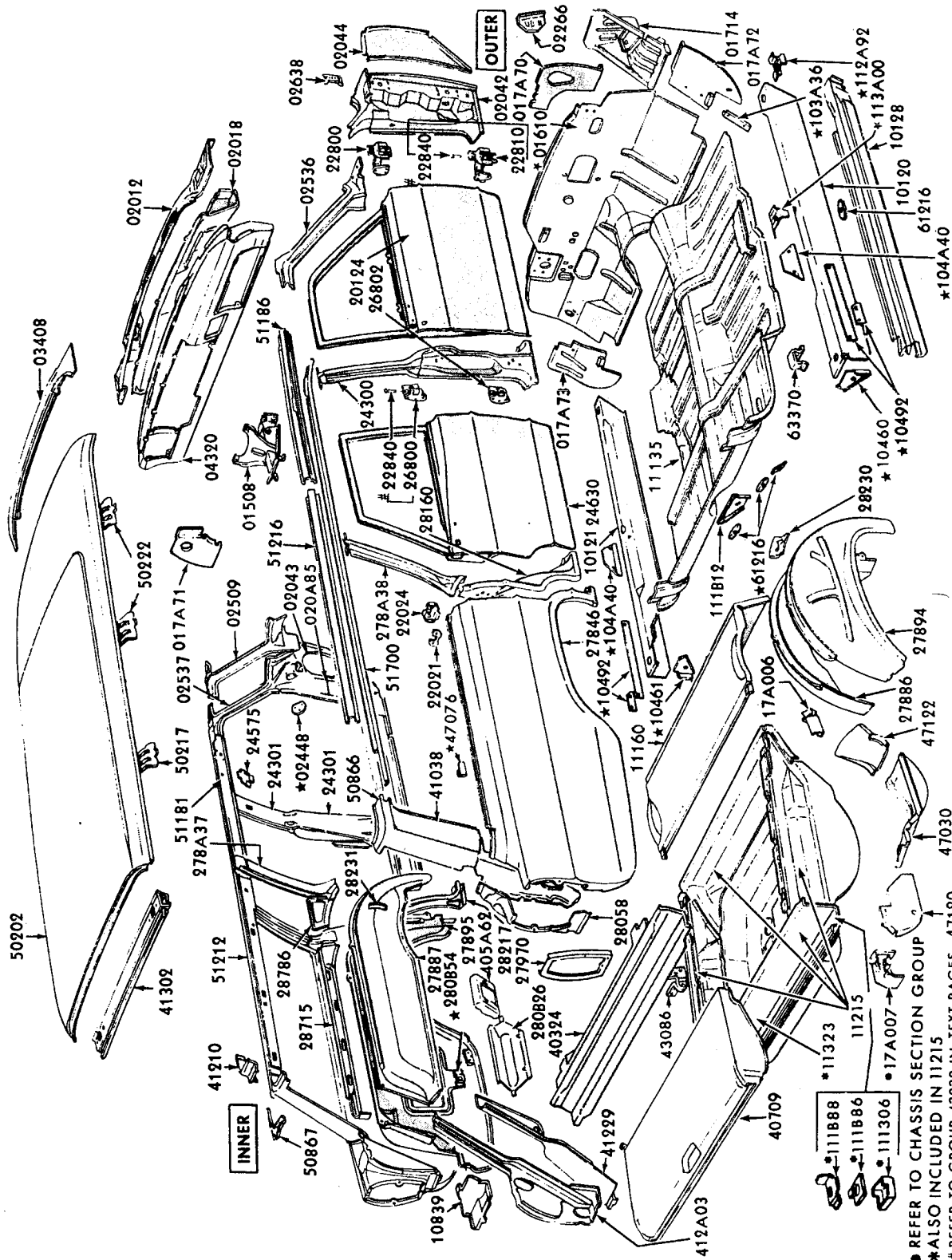
P-6053

- \* USE ON BODY TYPE A (63C)
- ▲ ALSO SUPPLIED IN 27840-1
- \*\* USE ON BODY TYPE A (63J)
- REFER TO CHASSIS SECTION GROUP
- ‡ REFER TO GROUP 43030 IN TEXT PAGES



P-6054

● REFER TO CHASSIS SECTION GROUP  
# REFER TO GROUP 43030 IN TEXT PAGES



P-6055

● REFER TO CHASSIS SECTION GROUP  
 \*ALSO INCLUDED IN 11215  
 # REFER TO GROUP 43030 IN TEXT PAGES 47120

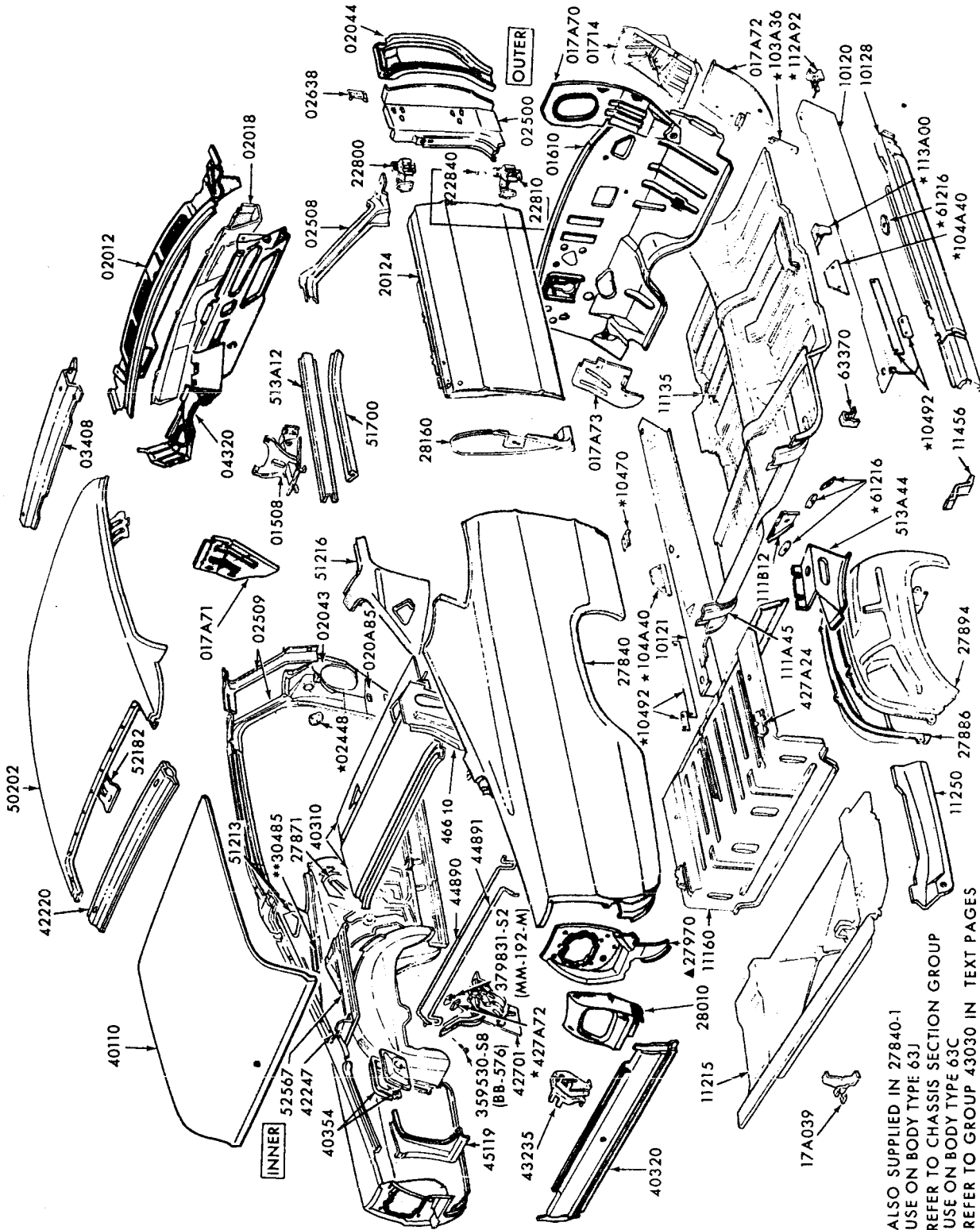












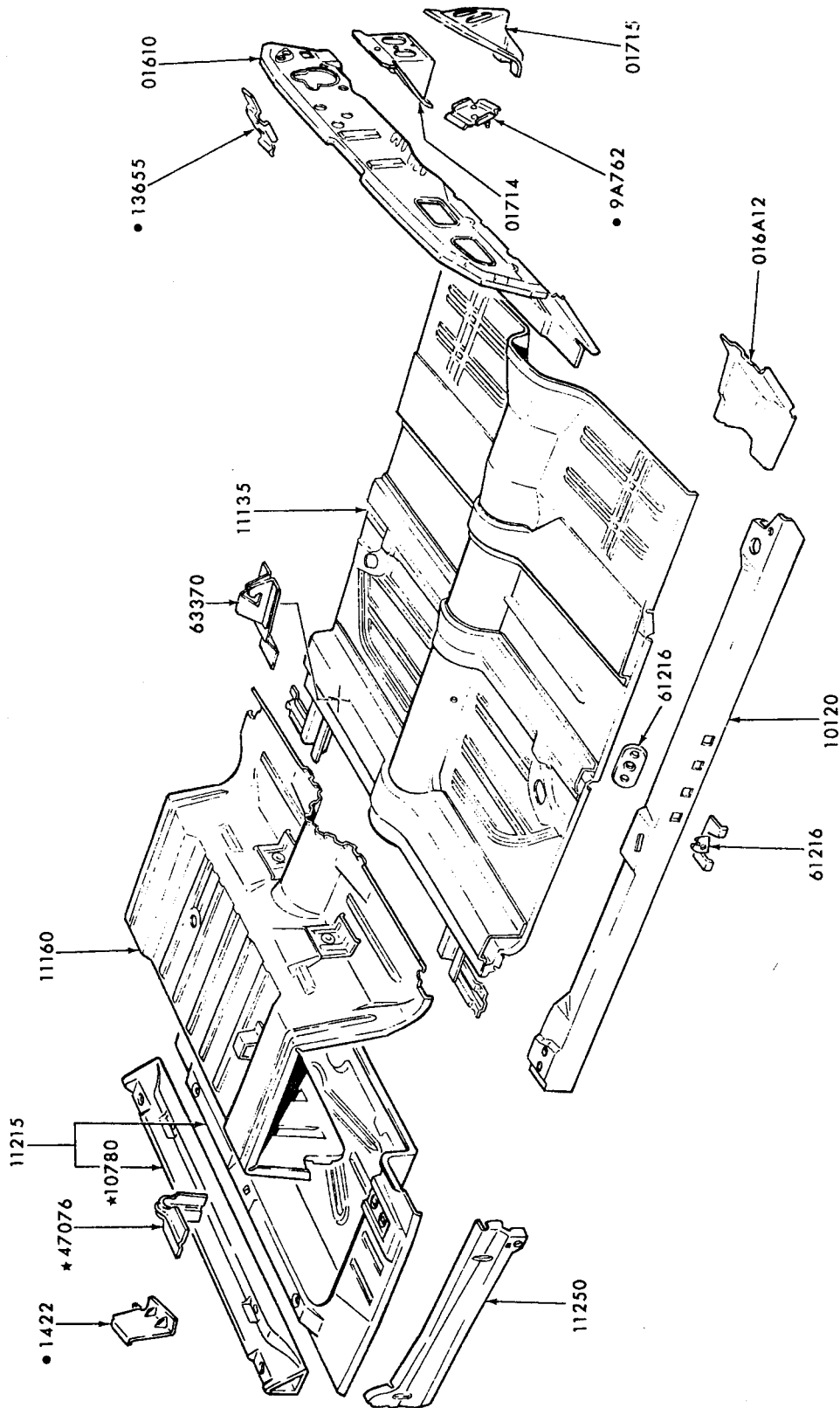
▲ ALSO SUPPLIED IN 27840-1  
 \*\* USE ON BODY TYPE 63J  
 ● REFER TO CHASSIS SECTION GROUP  
 \* USE ON BODY TYPE 63C  
 # REFER TO GROUP 43030 IN TEXT PAGES





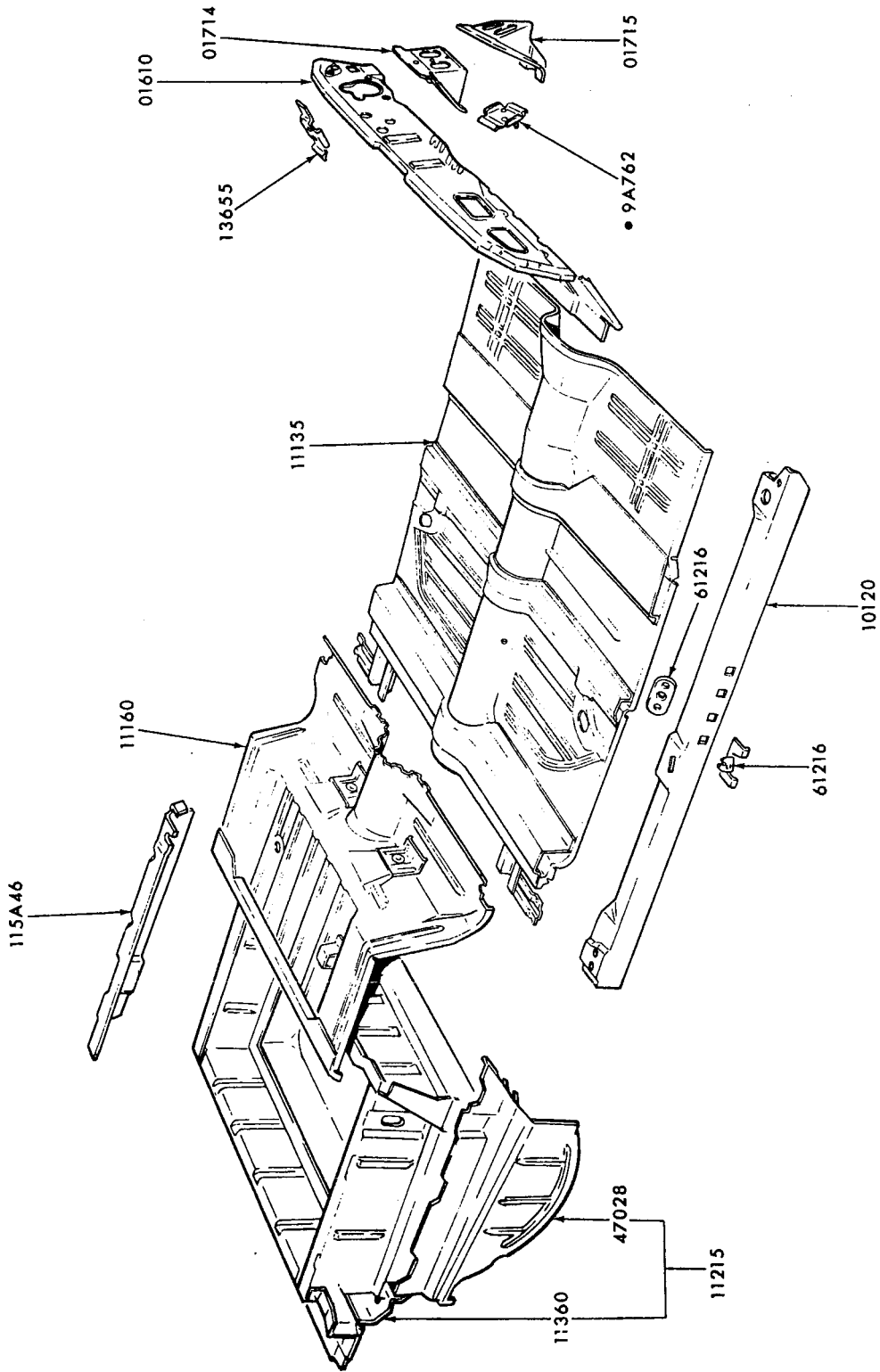


P-7989



• REFER TO CHASSIS SECTION

1971/72 FORD - BODY TYPES 53, 54, 57, 65, 76 - UNDERBODY



P-7990

• REFER TO CHASSIS SECTION

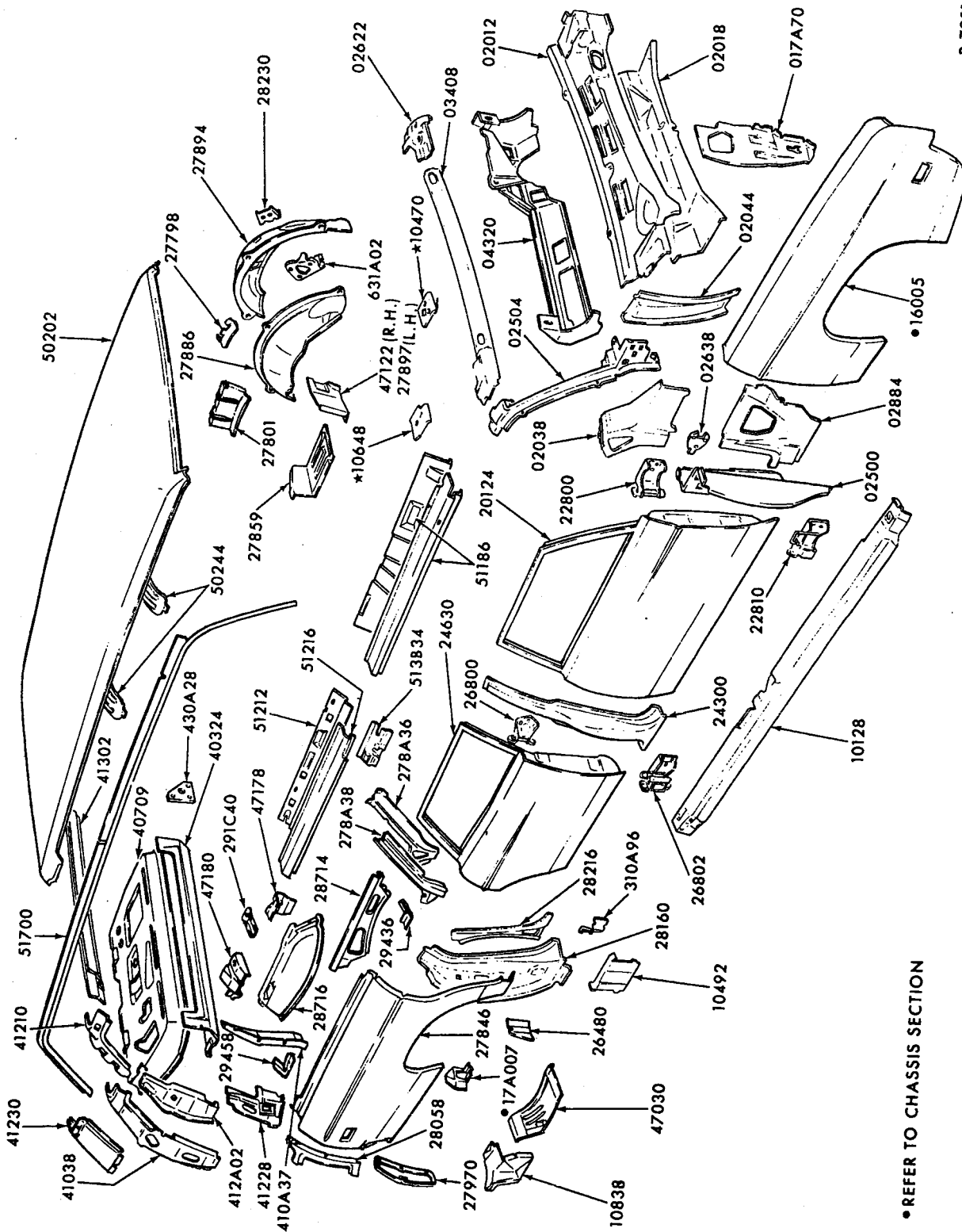






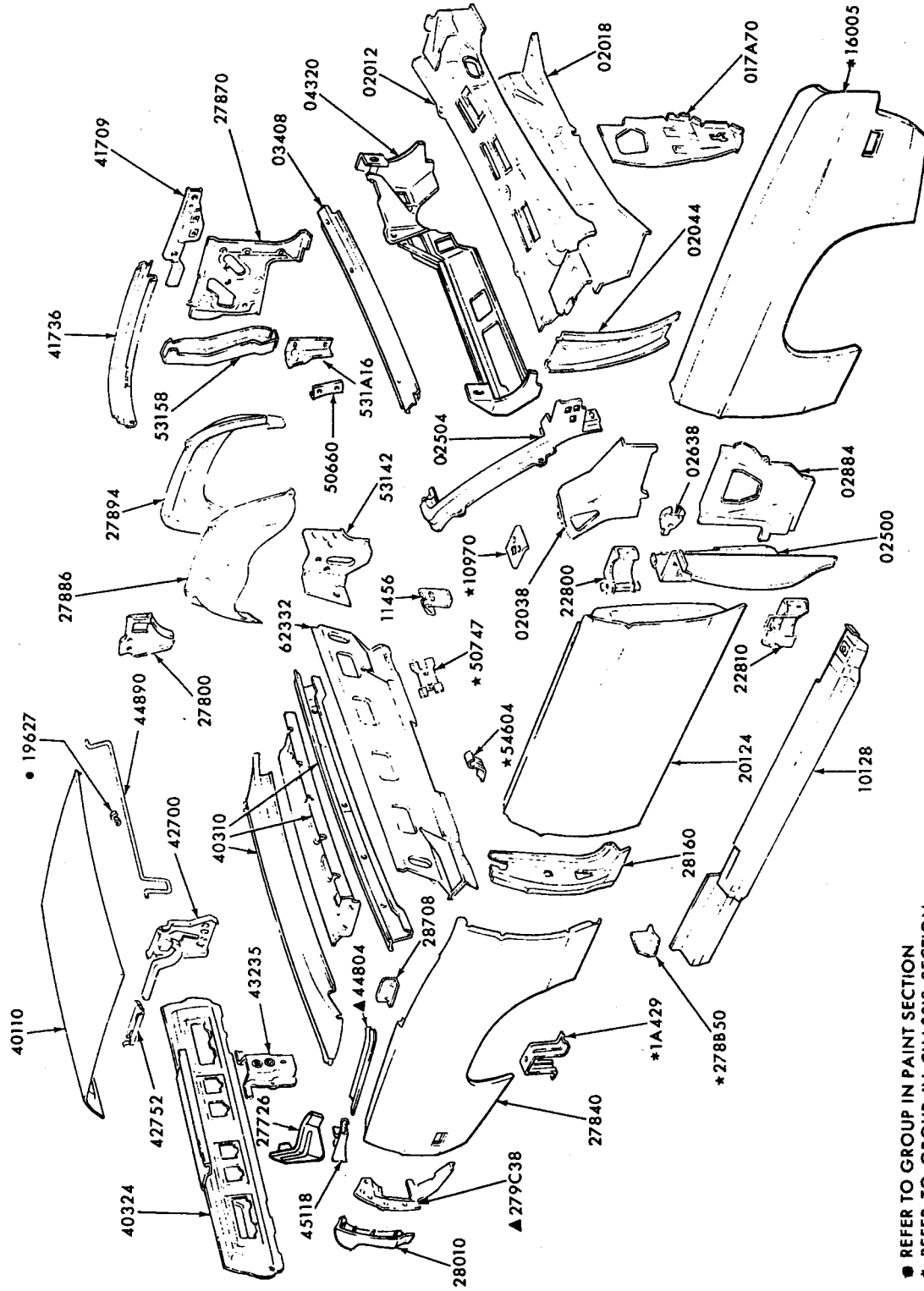






• REFER TO CHASSIS SECTION

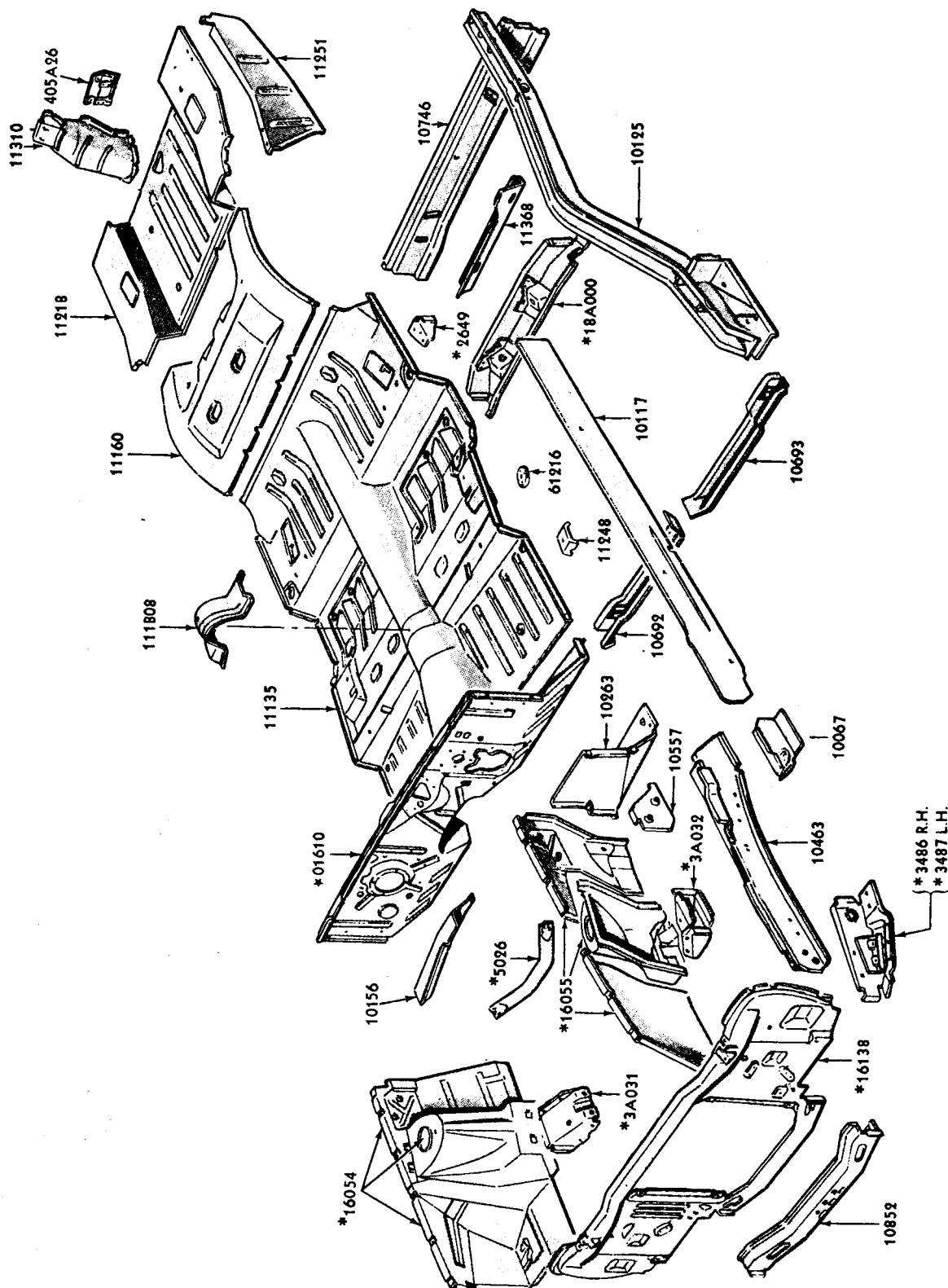
1971/72 FORD - BODY TYPE 71 - UPPER BODY



P-7992

● REFER TO GROUP IN PAINT SECTION  
 \* REFER TO GROUP IN CHASSIS SECTION  
 ▲ SUPPLIED ONLY IN ASSEMBLY-GROUP 27840-1

1971/72 FORD - BODY TYPE 76 - UPPER BODY

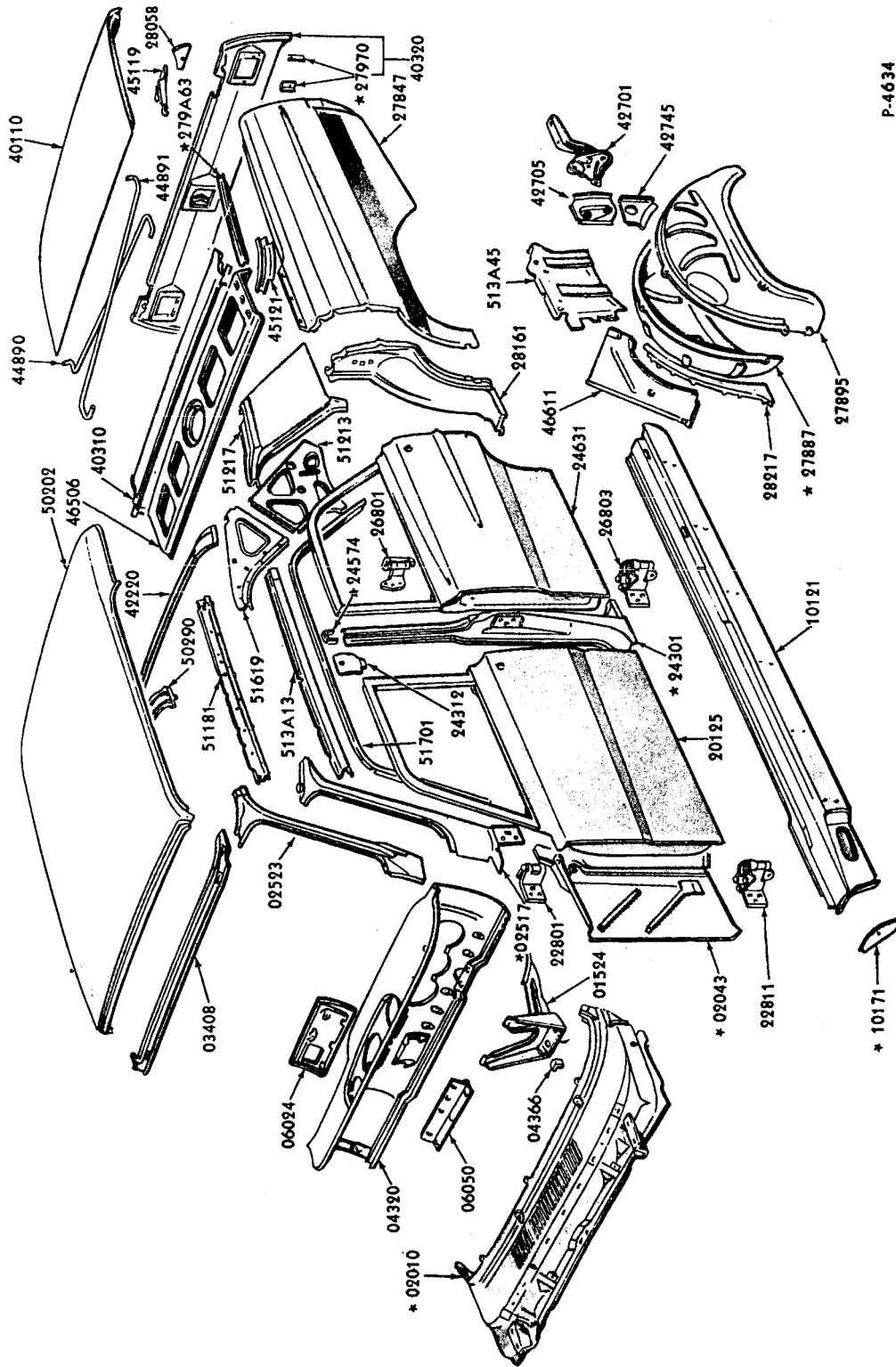


\* REFER TO GROUP IN CHASSIS SECTION

1965 FAIRLANE - BODY TYPES 54, 62, 65 - UNDER BODY

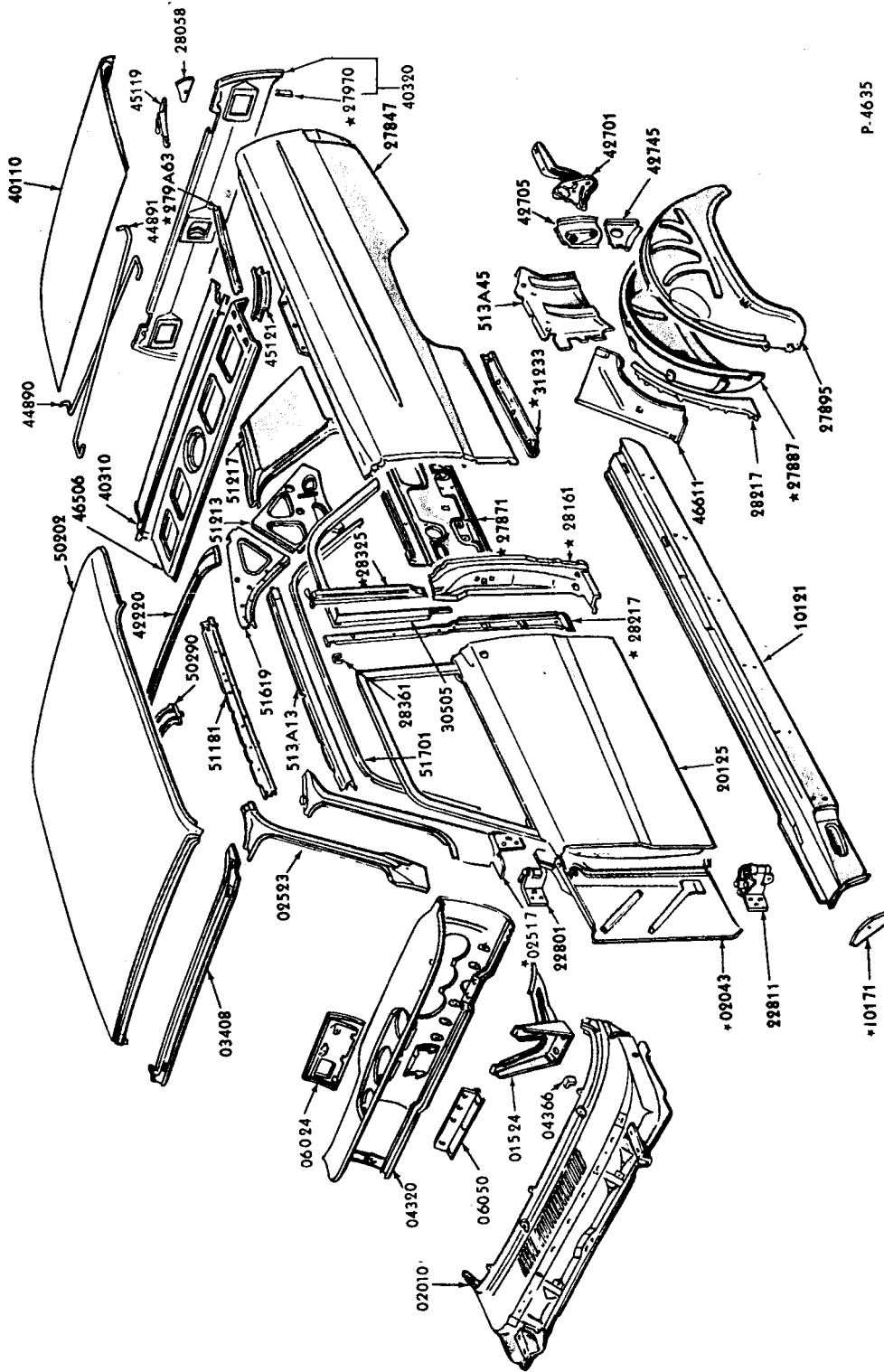
**B**  
SHEET METAL  
ILLUSTRATION SECTION

**FORD CAR PARTS**



P-4634

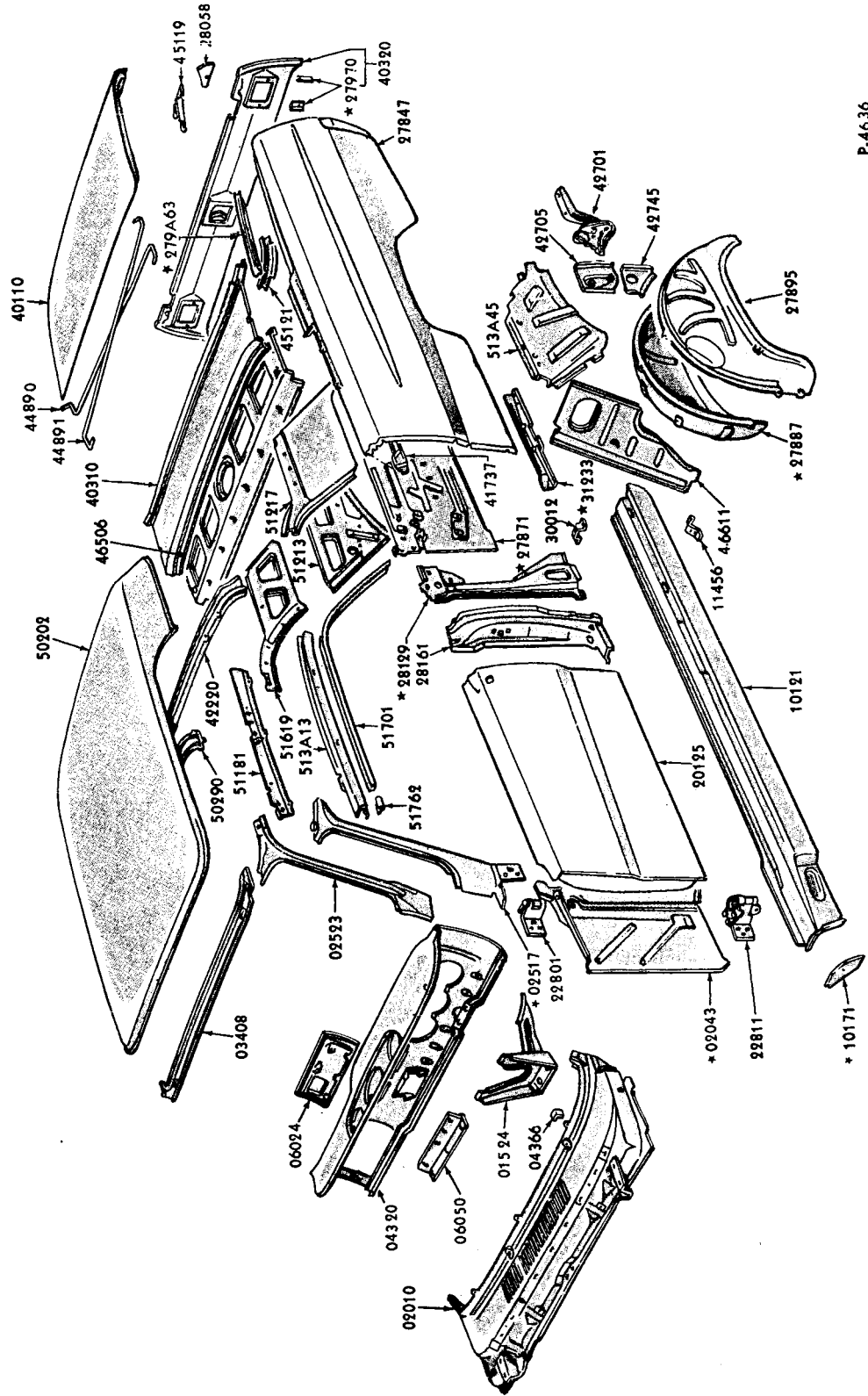
1965 FAIRLANE - BODY TYPE 54 - UPPER BODY



P.4635

1965 FAIRLANE - BODY TYPE 62 - UPPER BODY



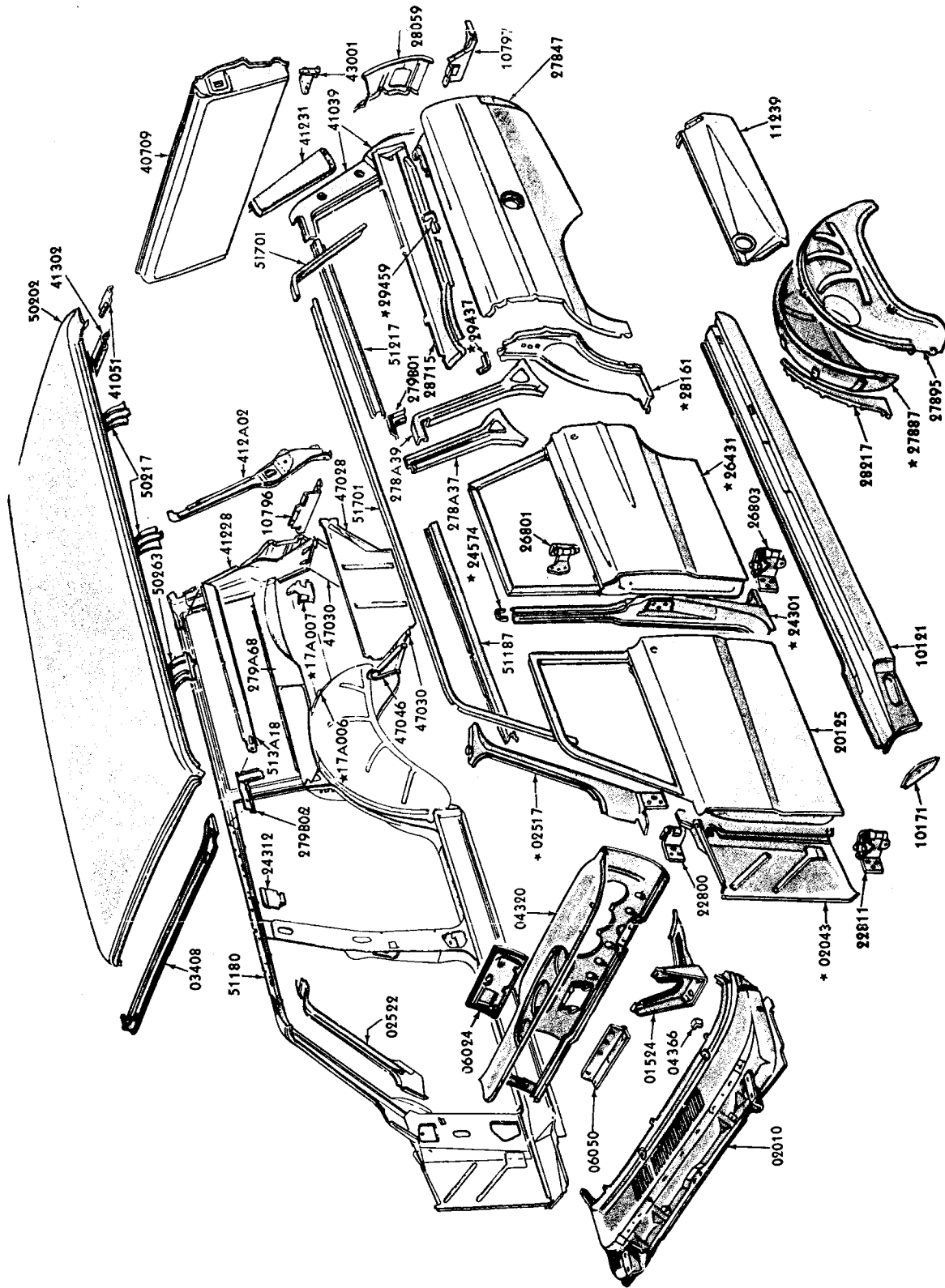


P-4636

1965 FAIRLANE - BODY TYPE 65 - UPPER BODY



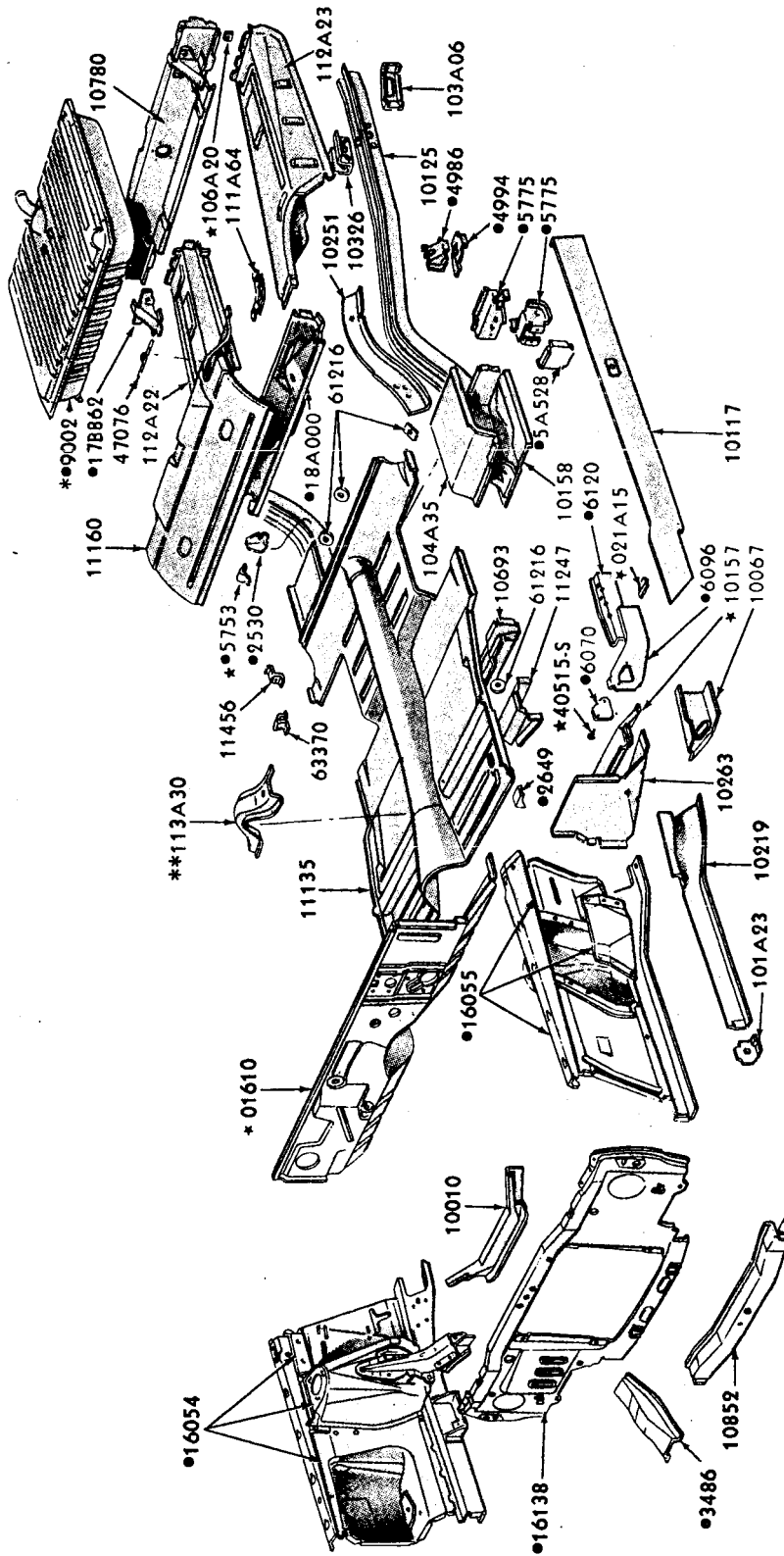
6 **B** SHEET METAL ILLUSTRATION SECTION **FORD CAR PARTS**



P-4637

1965 FAIRLANE - BODY TYPE 71 - UPPER BODY

P-5023



•REFER TO GROUP IN CHASSIS SECTION  
\*NOT PART OF UNDERBODY  
\*\*USED ON B(63C, 63D) ONLY

1966/67 FAIRLANE - BODY TYPES 54, 62, 63 - UNDERBODY

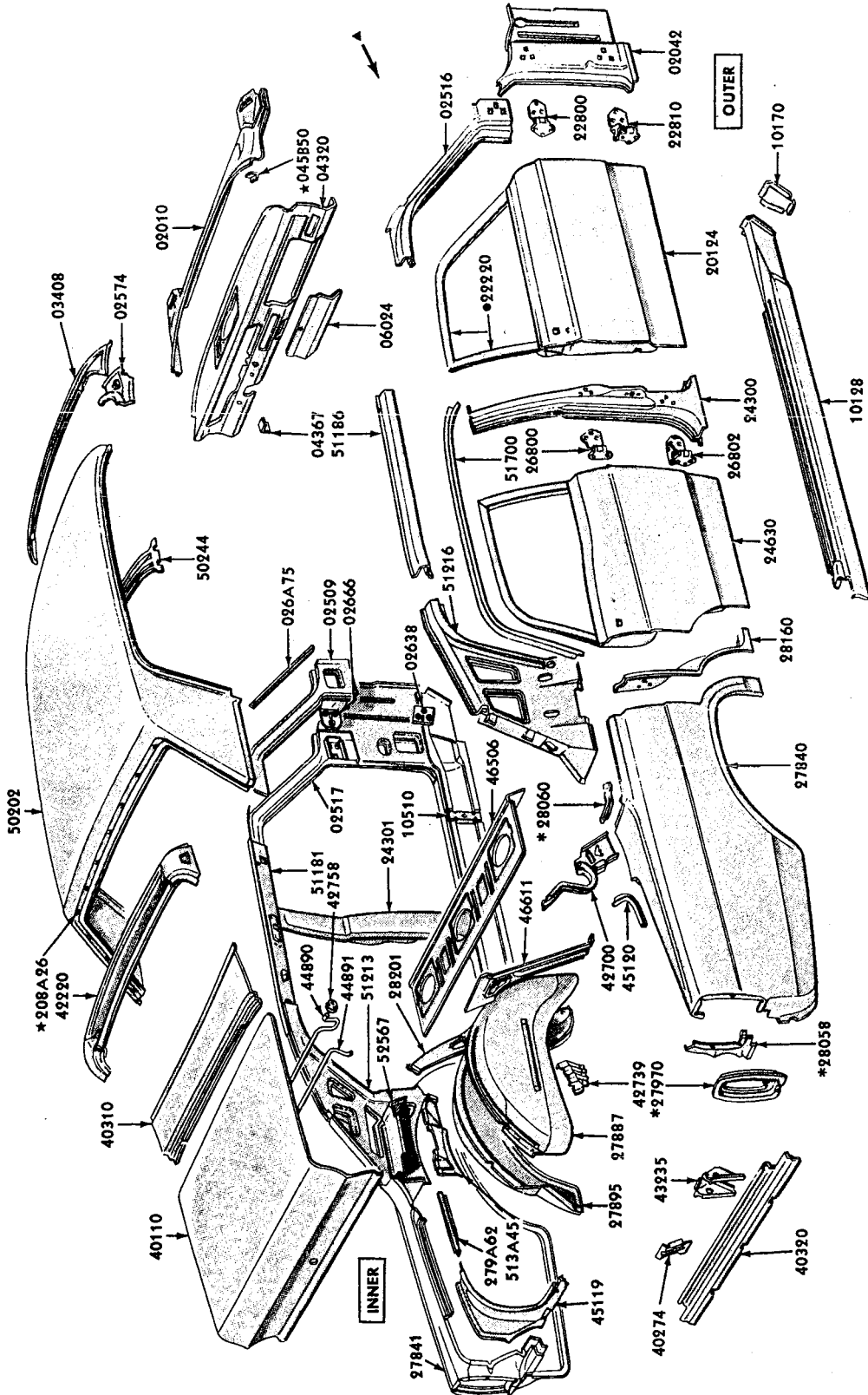
May, 1975

COPYRIGHT © 1975—

FORD MOTOR  
COMPANY

—DEARBORN, MICHIGAN

FINAL ISSUE



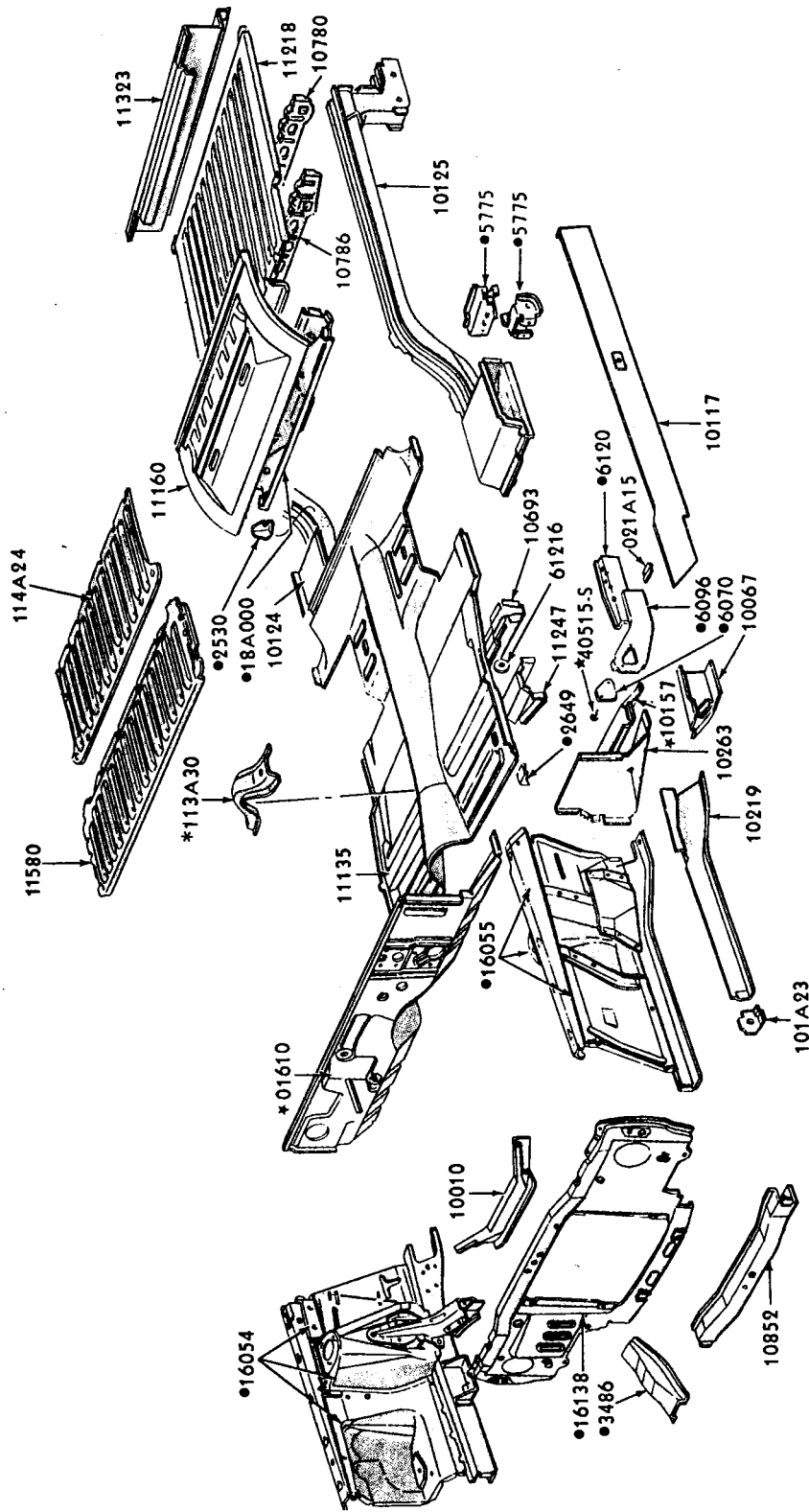
P-5018

\*ALSO INCLUDED IN 27840-1  
 ▲FOR FRONT BODY PARTS REFER TO UNDERBODY ILLUSTRATION  
 ●ALSO INCLUDED IN 20124-5

1966/67 FAIRLANE - BODY TYPE 54 - UPPER BODY







P-5031

●REFER TO GROUP IN CHASSIS SECTION  
\*USED ON (66D) ONLY



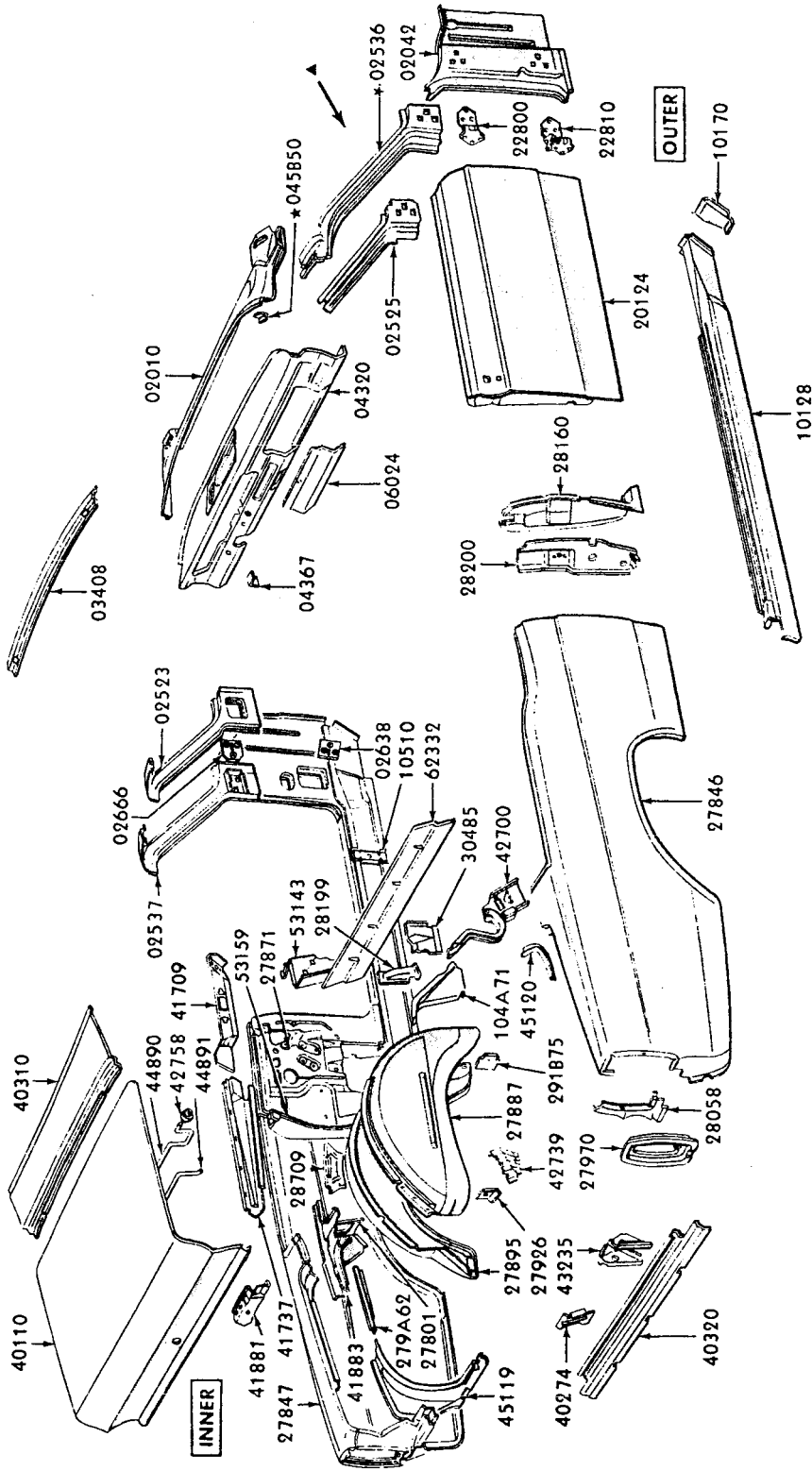








FORD CAR PARTS

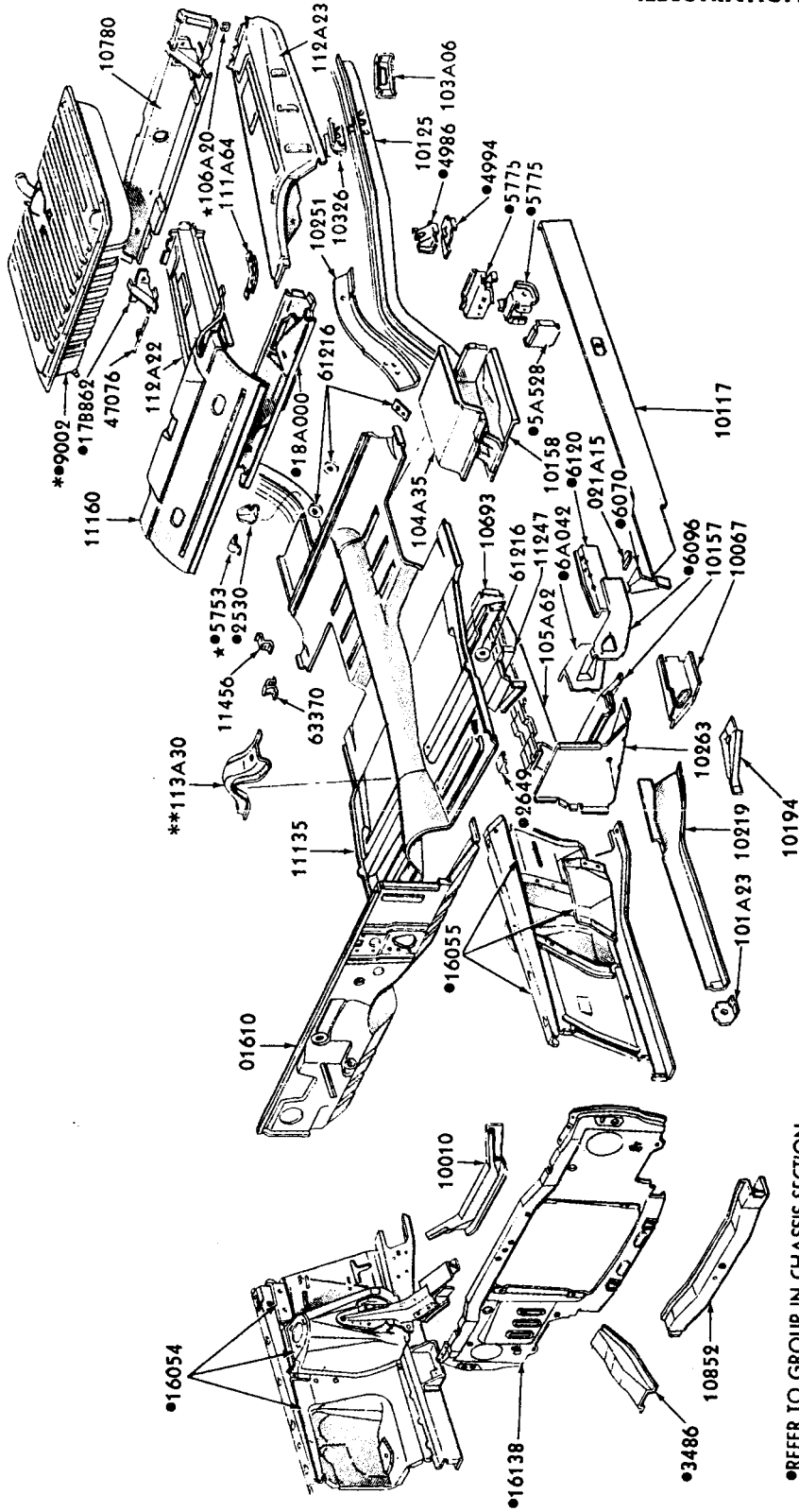


▲ FOR FRONT BODY PARTS REFER TO UNDERBODY ILLUSTRATION

P-5022

1966/67 FAIRLANE - BODY TYPE 76 - UPPER BODY

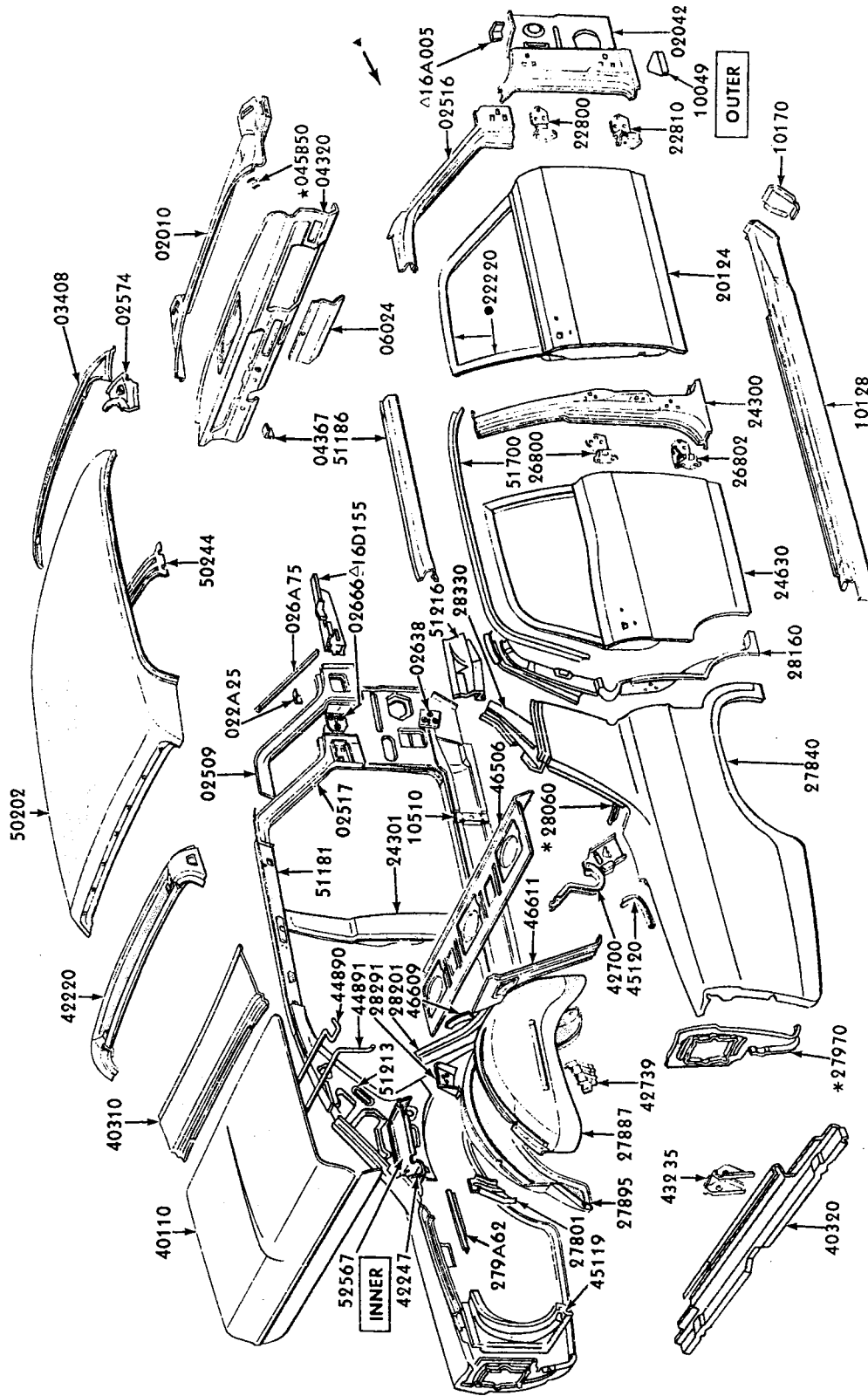
P-6063



● REFER TO GROUP IN CHASSIS SECTION  
 \* NOT PART OF UNDERBODY  
 \*\* USED ON B(63C, 63D) ONLY

1968/69 FAIRLANE/TORINO - BODY TYPES 54, 63, 65 - UNDERBODY

**FORD CAR PARTS**



P-6057

- \*ALSO INCLUDED IN 27840.1
- ▲FOR FRONT BODY PARTS REFER TO UNDERBODY ILLUSTRATION
- ALSO INCLUDED IN 20124-5
- REFER TO GROUP IN CHASSIS SECTION

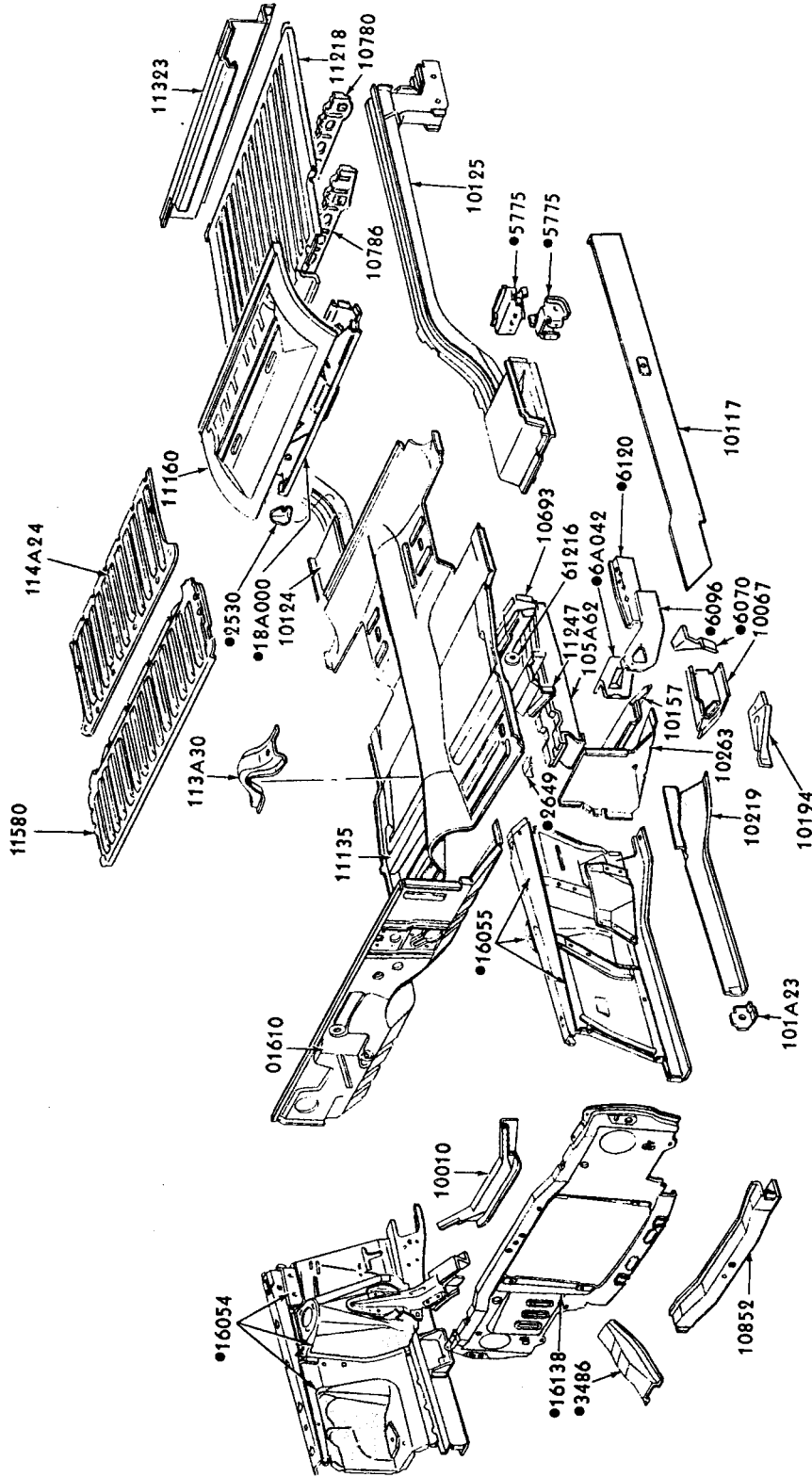
1968/69 FAIRLANE/TORINO - BODY TYPE 54 - UPPER BODY





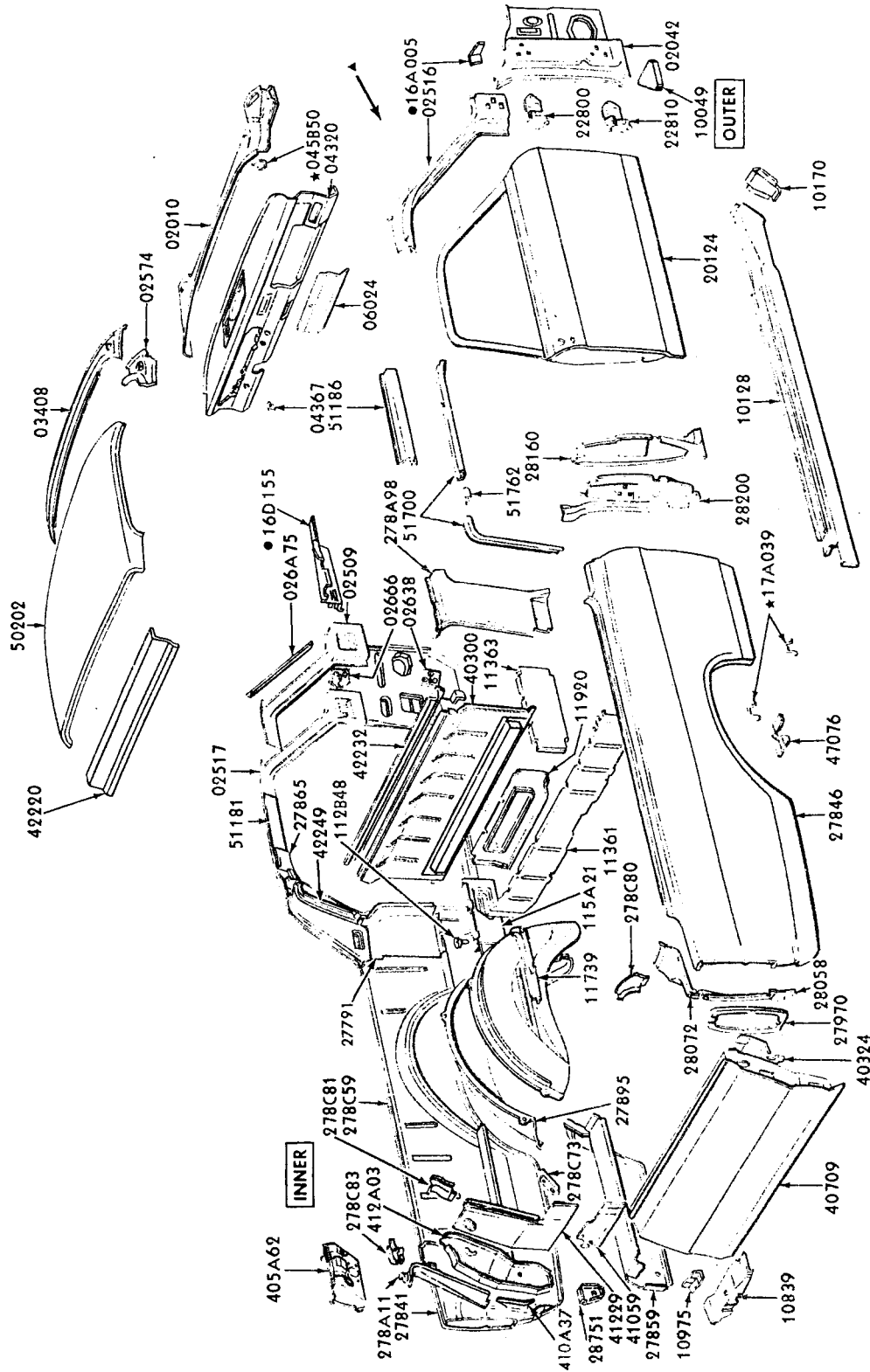


P-6064



REFER TO GROUP IN CHASSIS SECTION

1968/69 FAIRLANE - BCDY TYPE 66 - UNDERBODY



P-6060

▲FOR FRONT BODY PART REFER TO UNDERBODY ILLUSTRATION  
●REFER TO GROUP IN CHASSIS SECTION

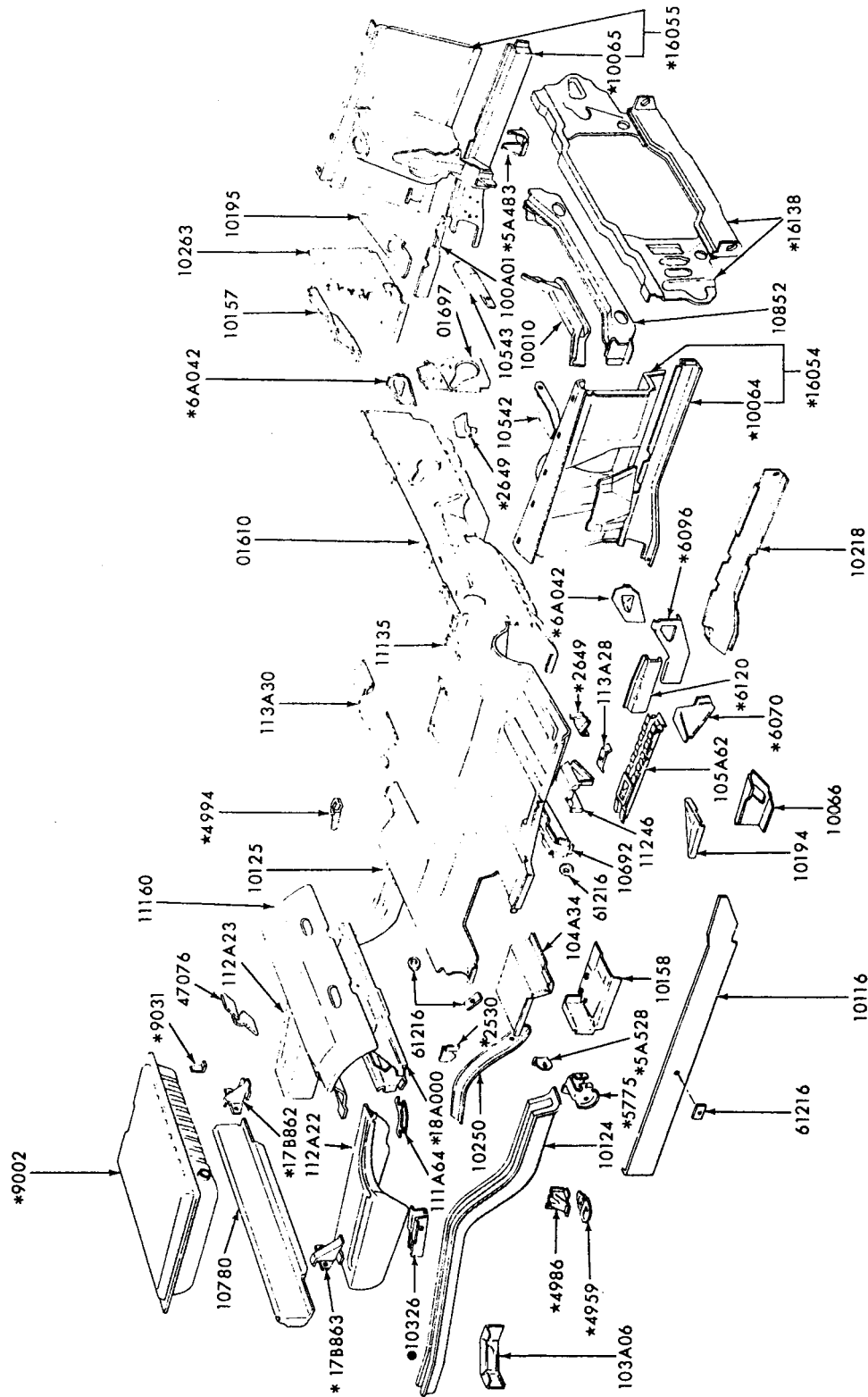
1968/69 FAIRLANE - BODY TYPE 66 - UPPER BODY











\*REFER TO GROUP IN CHASSIS SECTION  
 ●SERVICED ONLY IN ASSEMBLY 10124-5

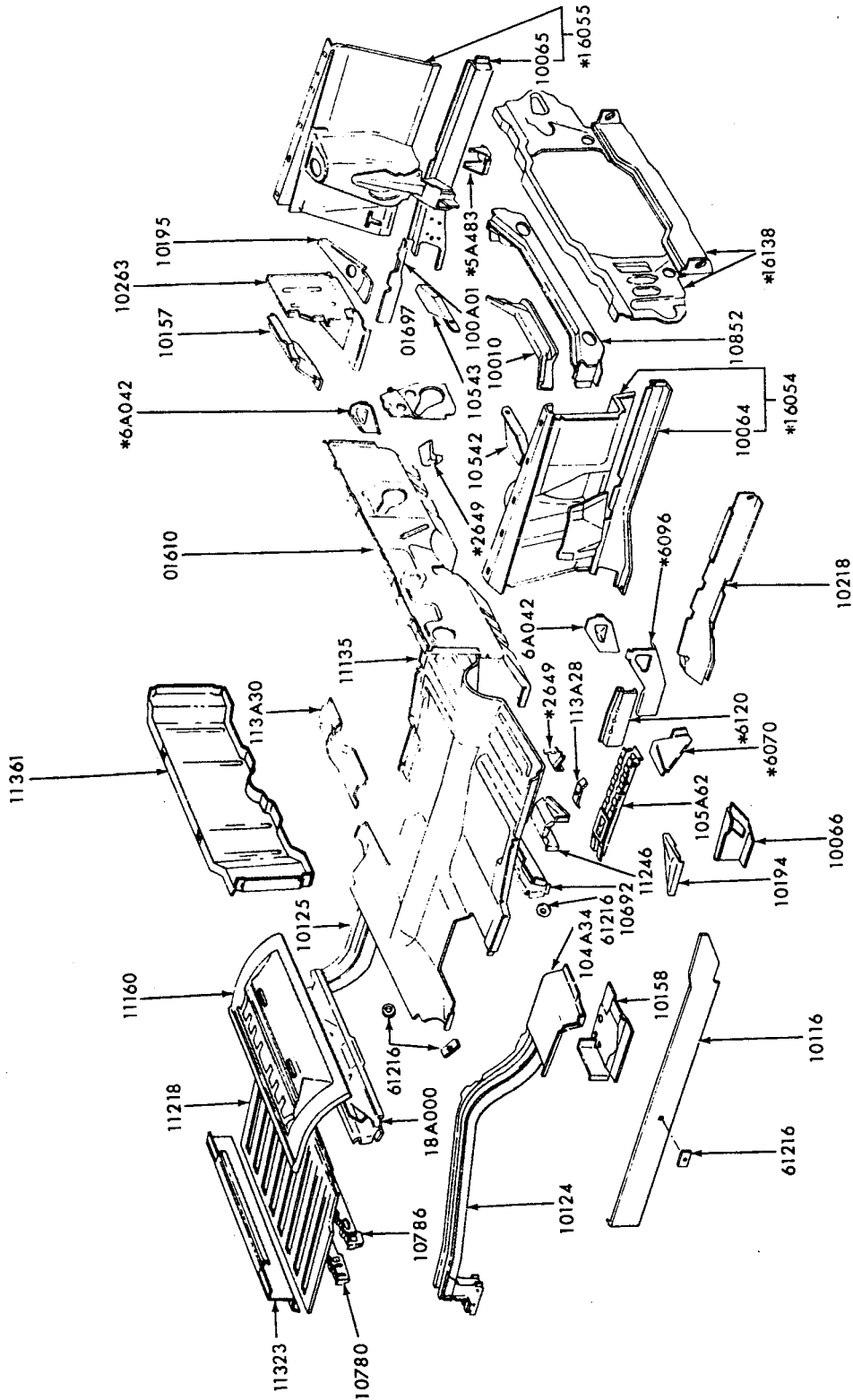
1970/71 FAIRLANE/TORINO-BODY TYPE 54, 57, 62, 63, 65-UNDER BODY

May, 1975

COPYRIGHT © 1975 - FORD MOTOR COMPANY - DEARBORN, MICHIGAN

FINAL ISSUE

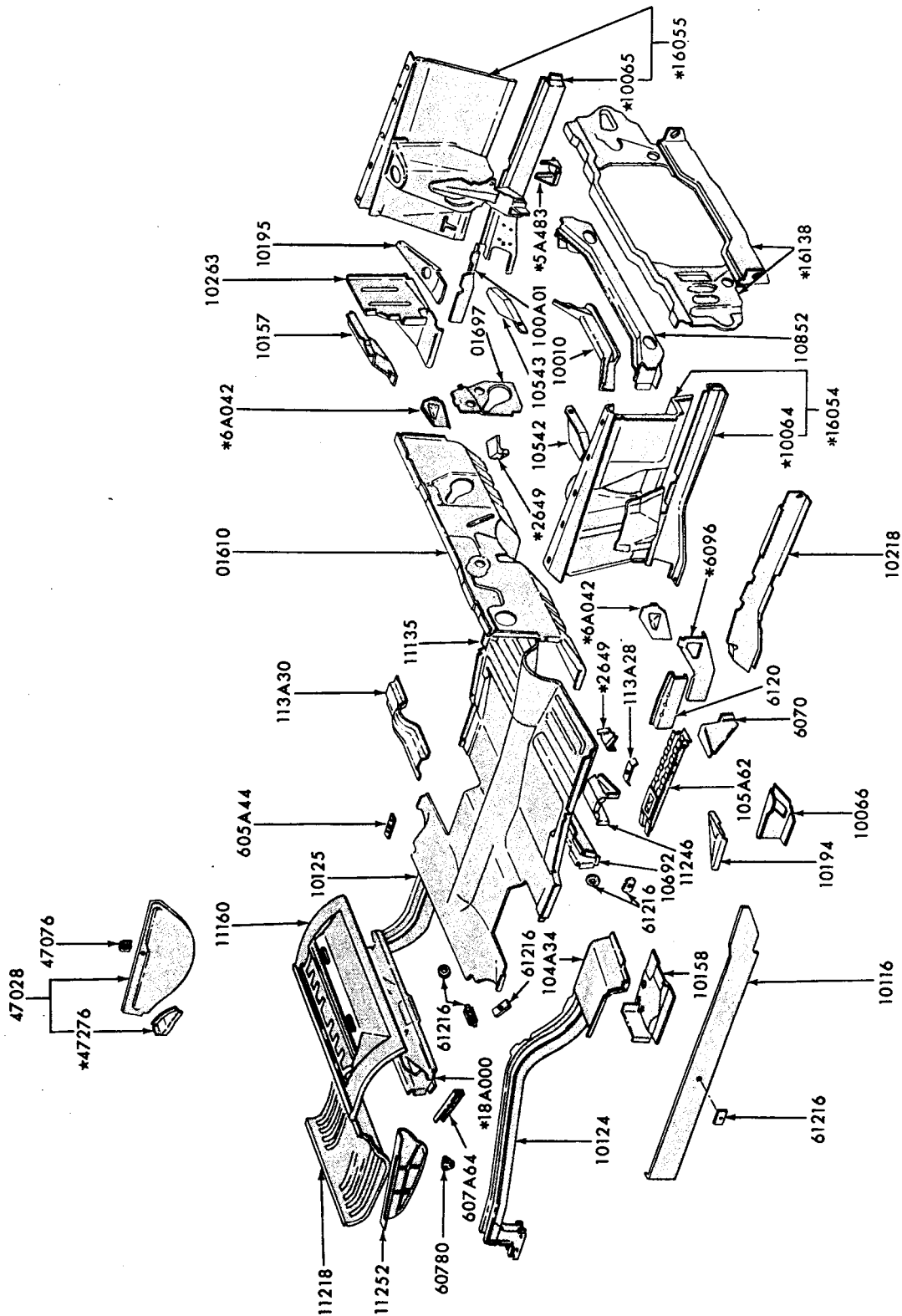




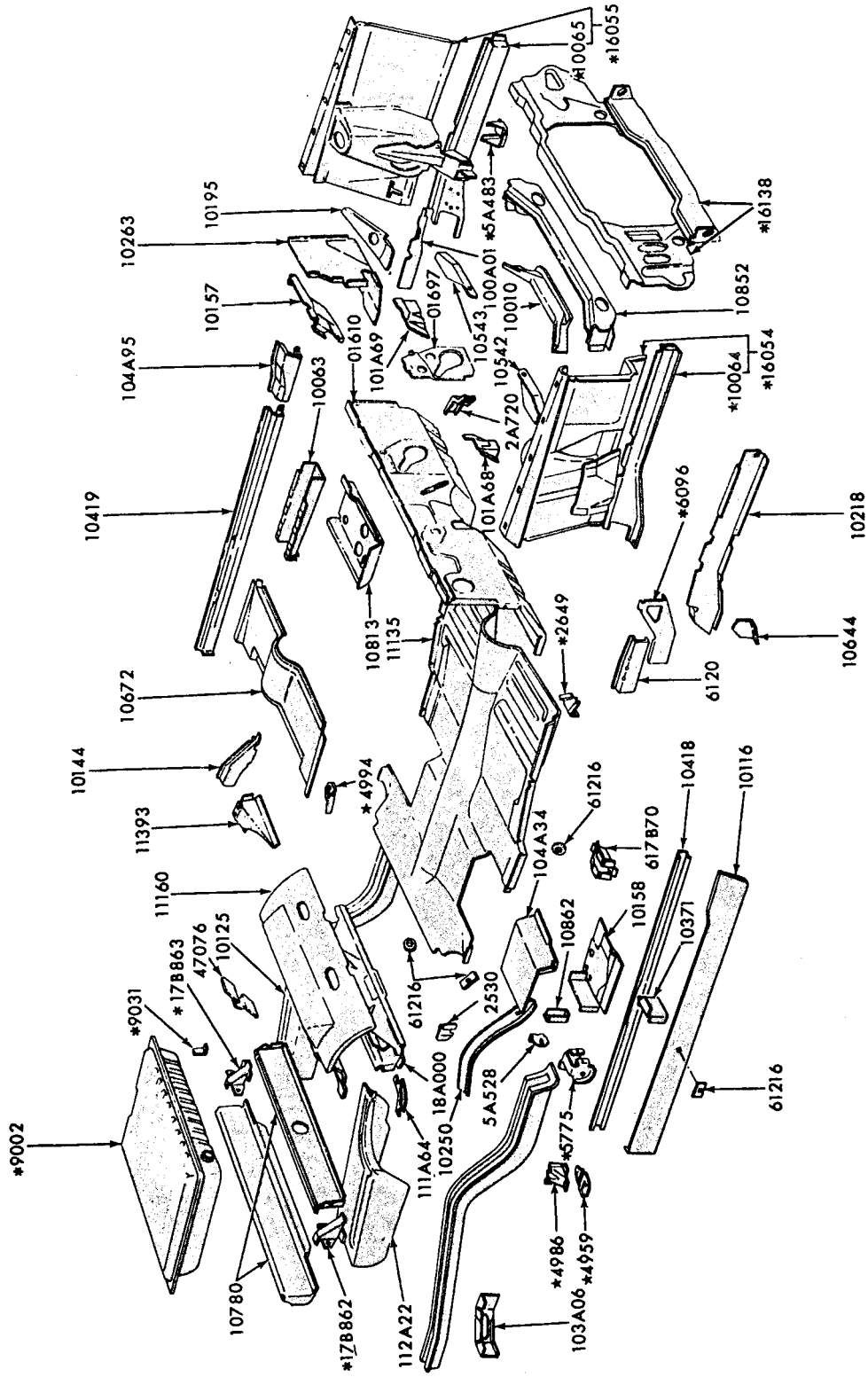
\*REFER TO GROUP IN CHASSIS SECTION

P-7074

1970/71 FAIRLANE/TORINO - BODY TYPE 66 - UNDER BODY

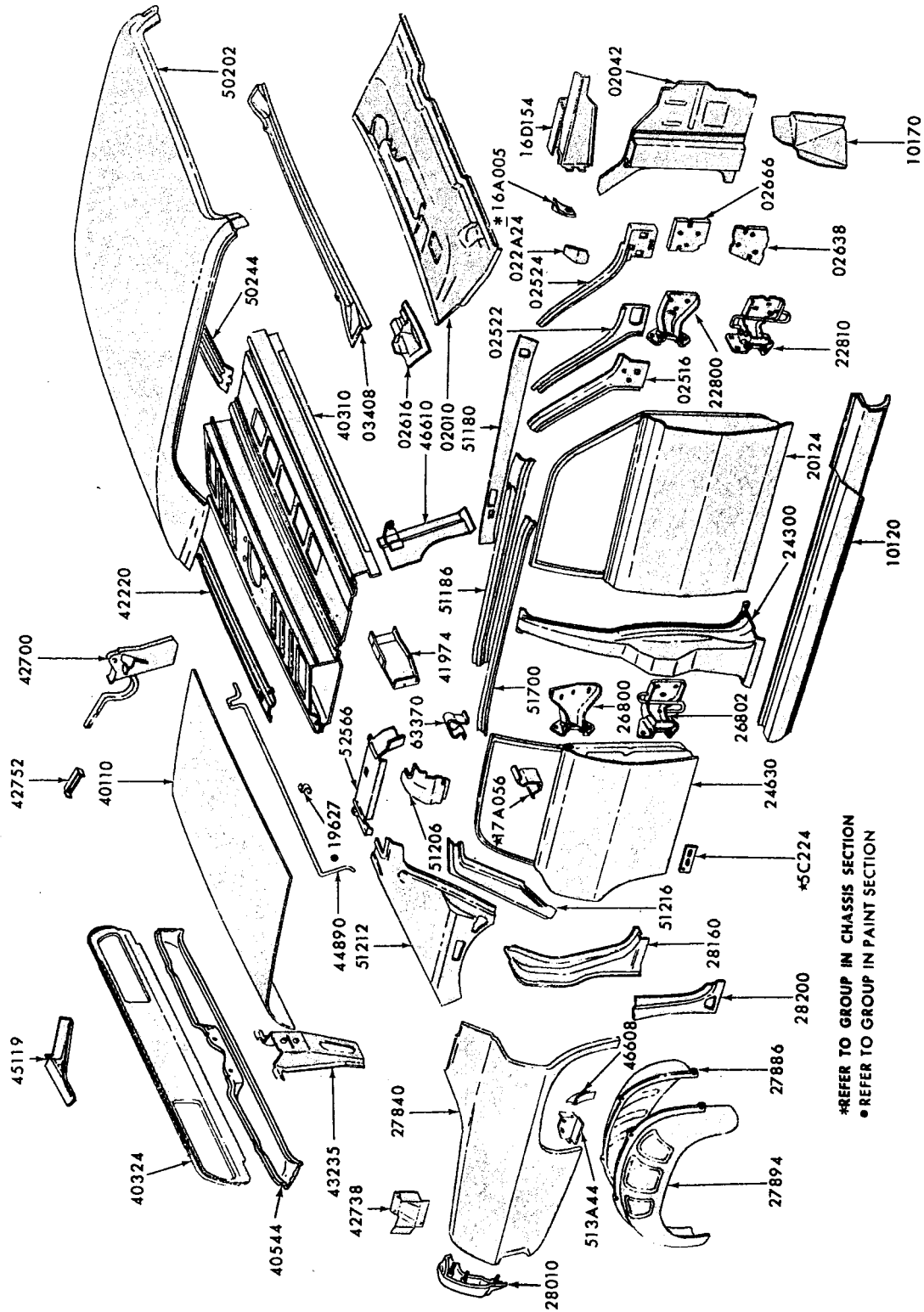


1970/71 FAIRLANE/TORINO - BODY TYPE 71 - UNDER BODY



\*REFER TO GROUP IN CHASSIS SECTION

1970/71 FAIRLANE/TORINO - BODY TYPE 76 - UNDER BODY



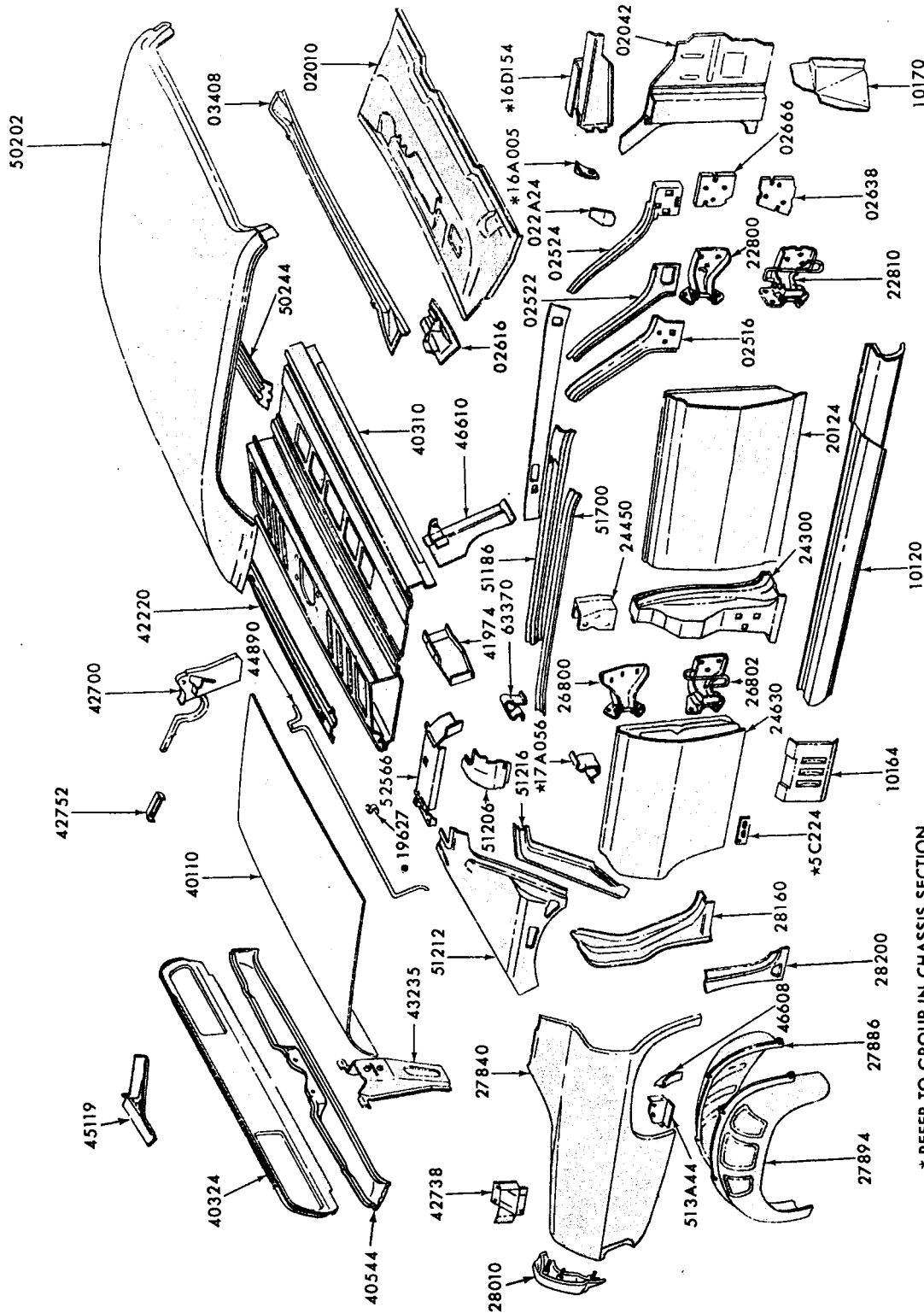
\*REFER TO GROUP IN CHASSIS SECTION  
 • REFER TO GROUP IN PAINT SECTION

1970/71 FAIRLANE/TORINO - BODY TYPE 54 - UPPER BODY

May, 1975

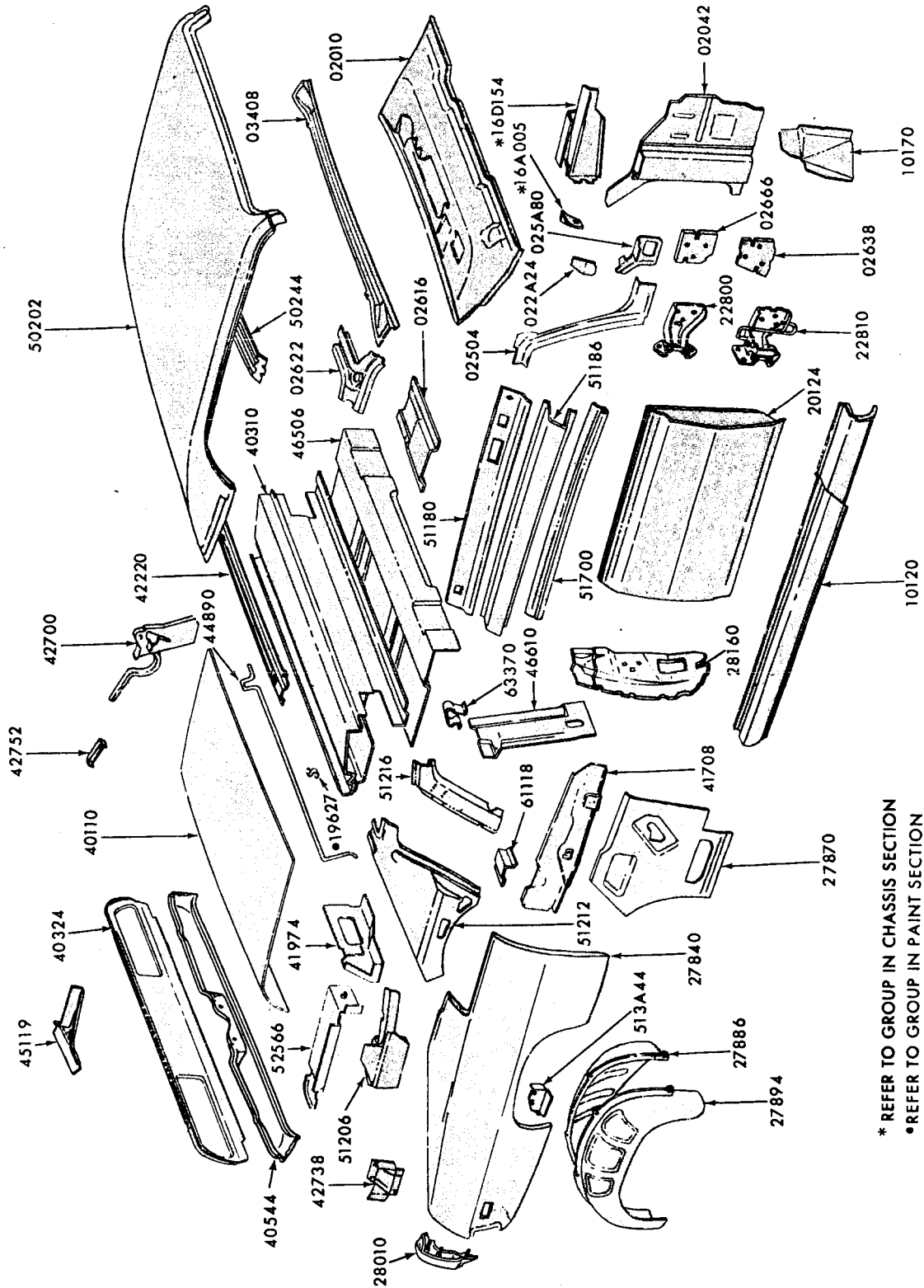
COPYRIGHT © 1975 - FORD MOTOR COMPANY - DEARBORN, MICHIGAN

FINAL ISSUE



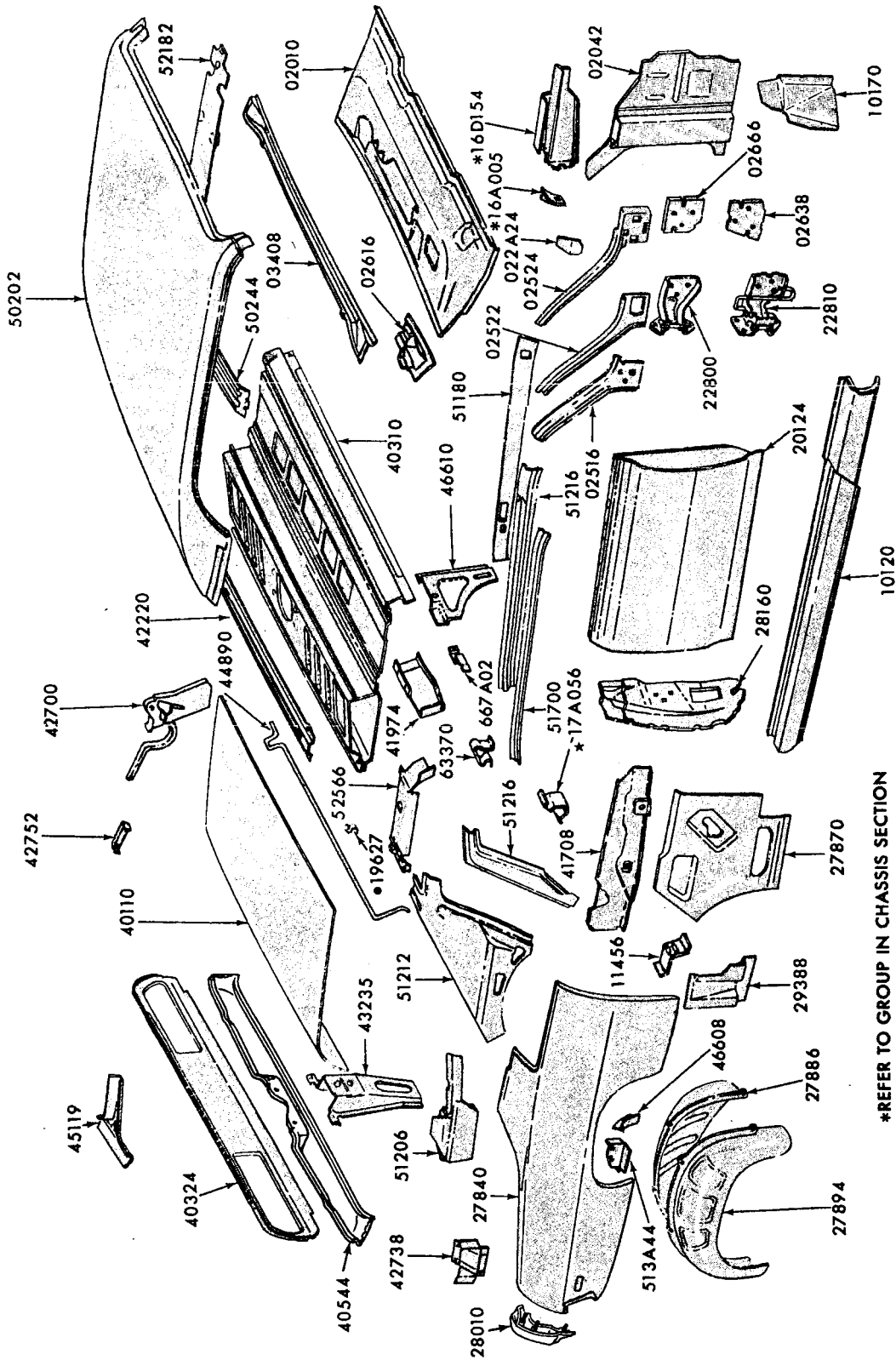
\* REFER TO GROUP IN CHASSIS SECTION  
 • REFER TO GROUP IN PAINT SECTION

1970/71 FAIRLANE/TORINO - BODY TYPE 57 - UPPER BODY



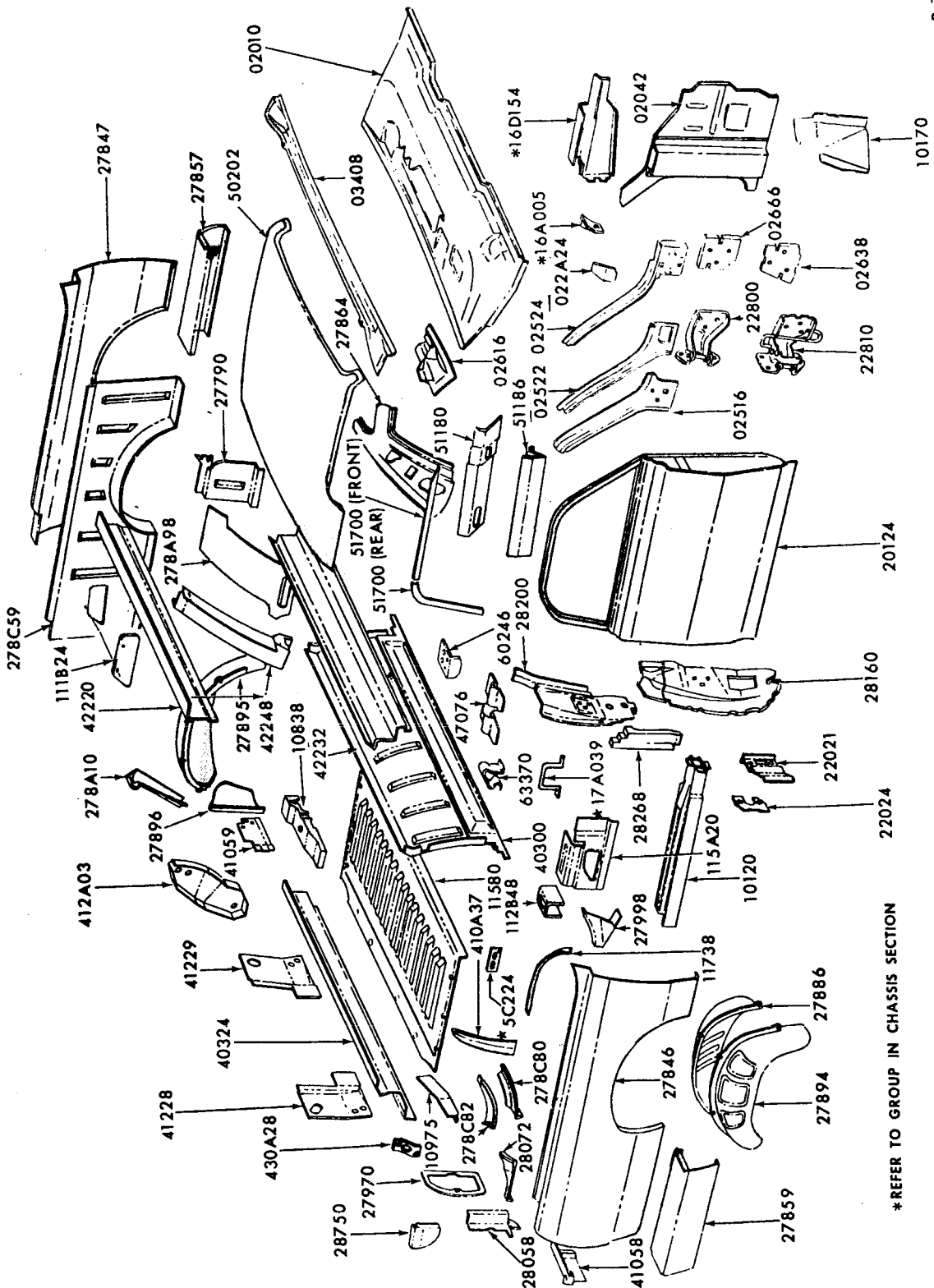
\* REFER TO GROUP IN CHASSIS SECTION  
• REFER TO GROUP IN PAINT SECTION

1970/71 FAIRLANE/TORINO - BODY TYPE 63 - UPPER BODY



\*REFER TO GROUP IN CHASSIS SECTION  
 • REFER TO GROUP IN PAINT SECTION

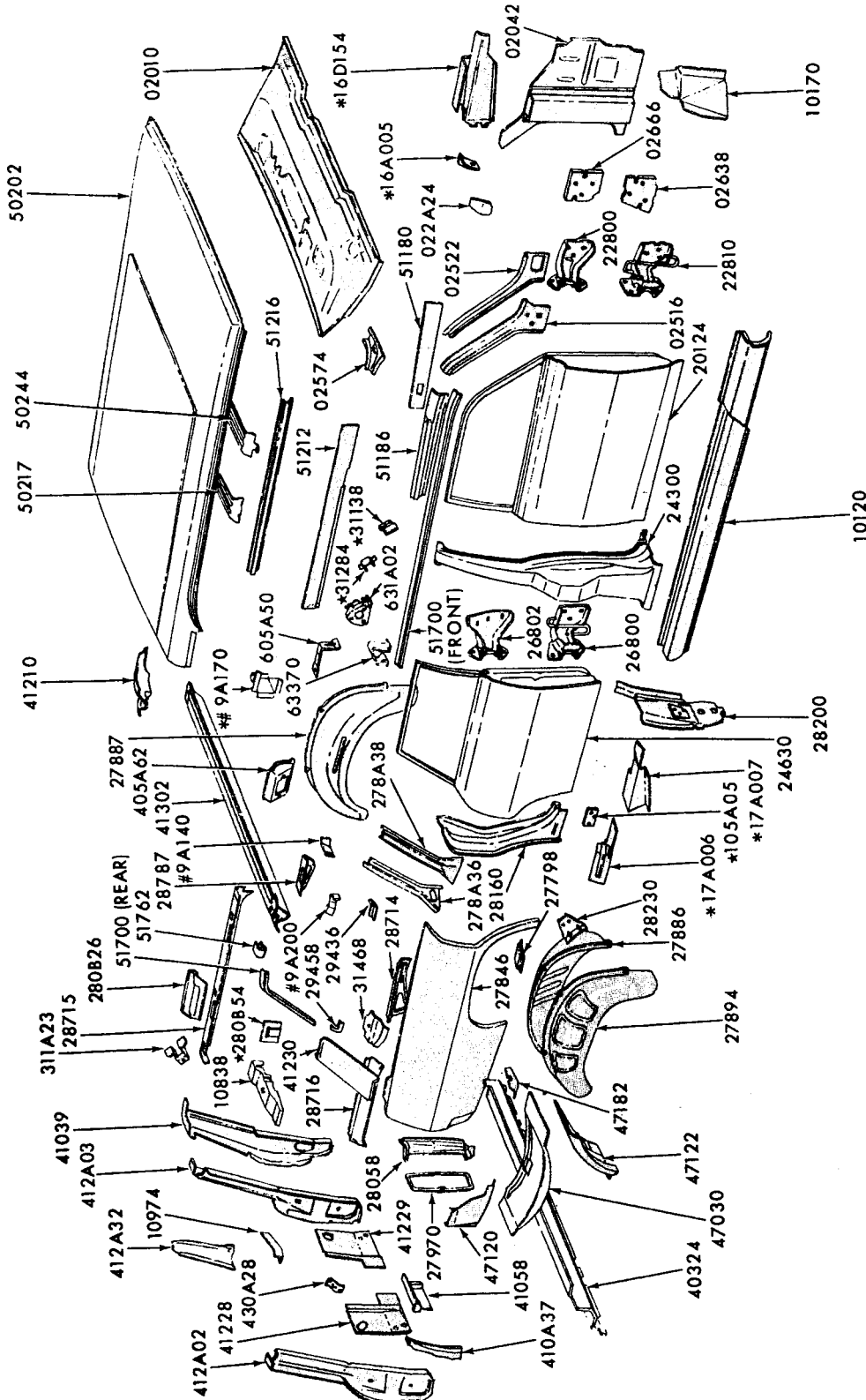
1970/71 FAIRLANE/TORINO - BODY TYPE 65 - UPPER BODY



\*REFER TO GROUP IN CHASSIS SECTION

1970/71 FAIRLANE/TORINO - BODY TYPE 66 - UPPER BODY

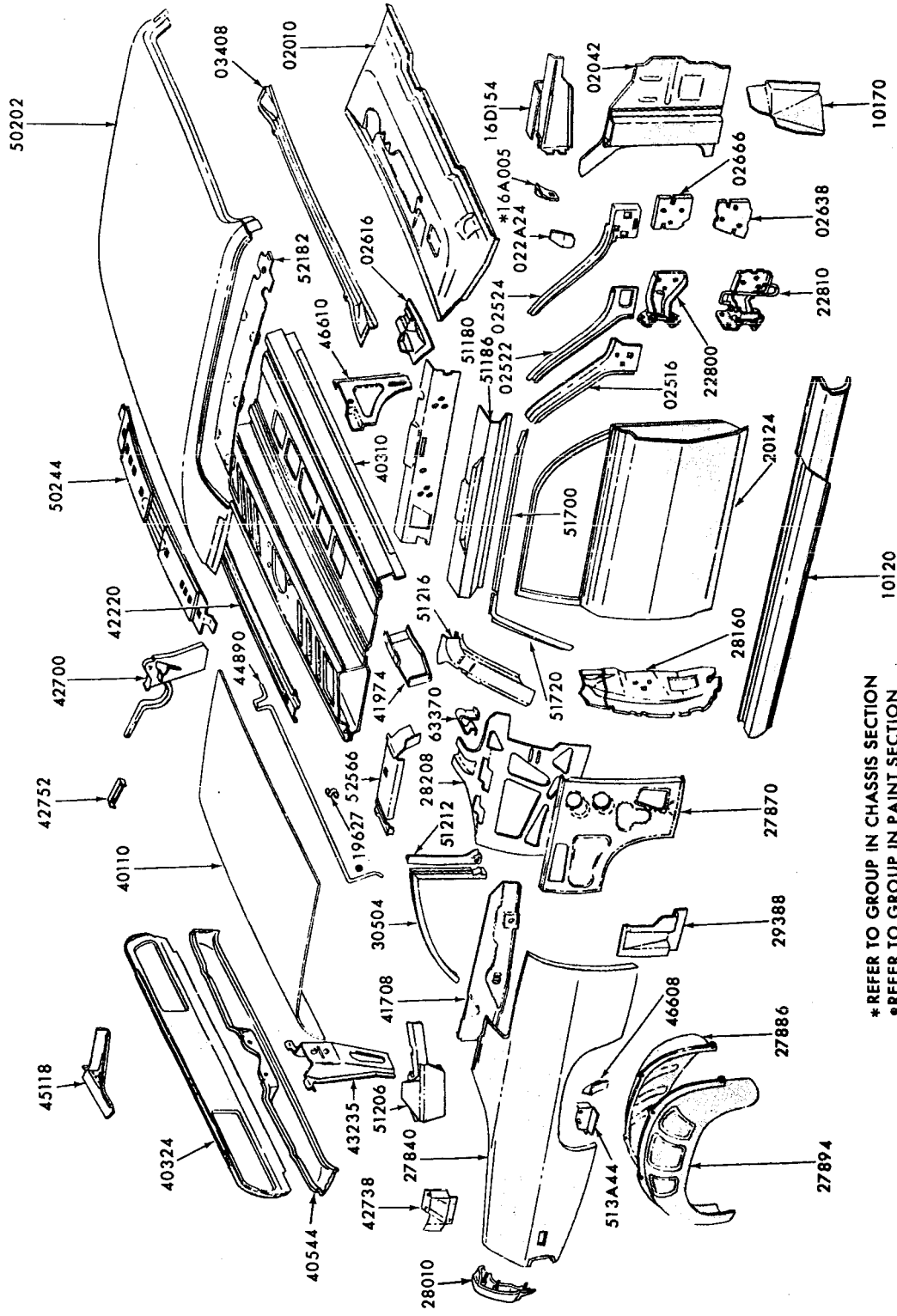




1970/71 FAIRLANE/TORINO - BODY TYPE 71 - UPPER BODY

\* REFER TO GROUP IN CHASSIS SECTION  
# SERVICED ONLY IN ASSEMBLY - GROUP 27846





\*REFER TO GROUP IN CHASSIS SECTION  
 •REFER TO GROUP IN PAINT SECTION

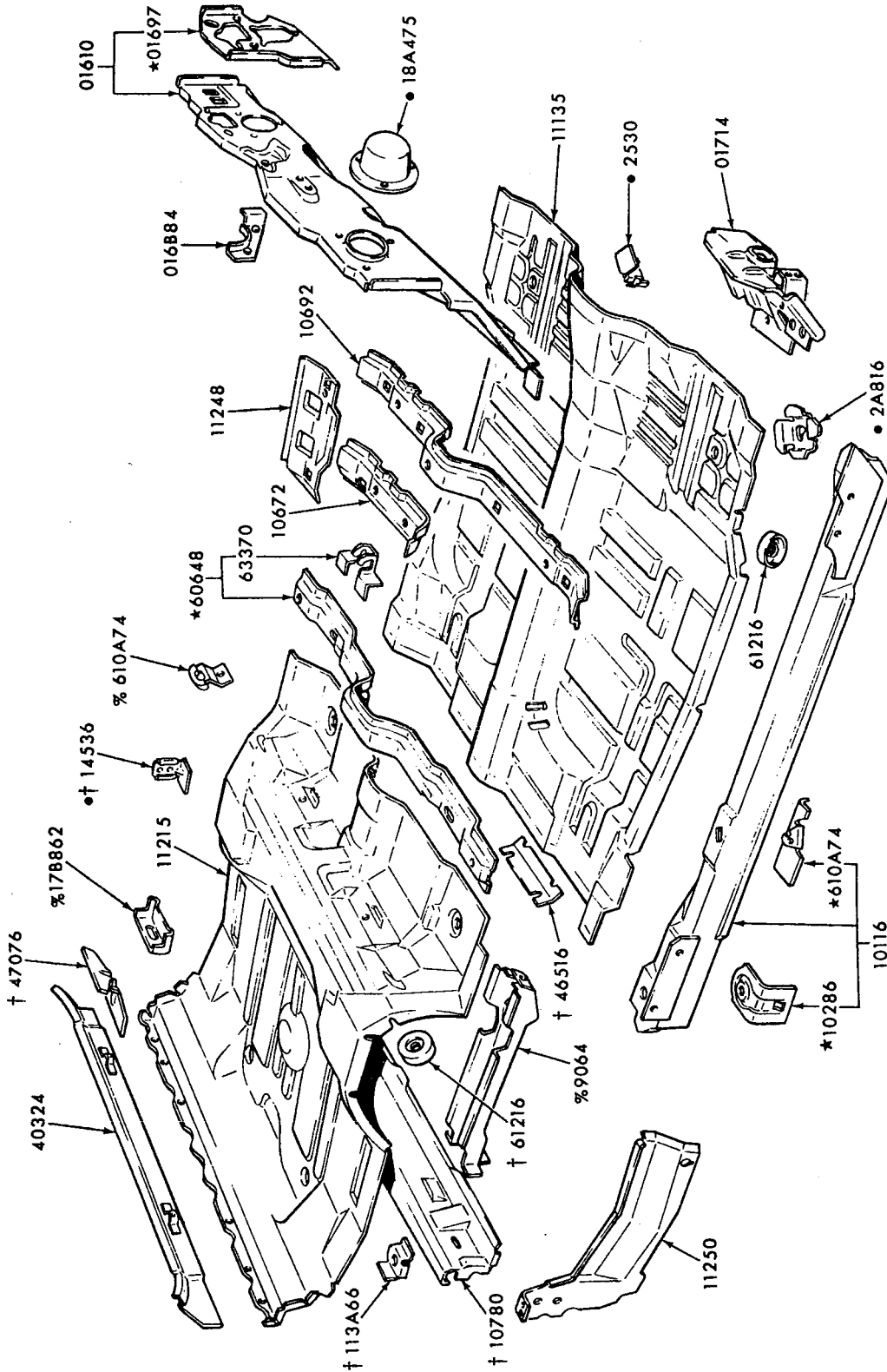
1970 FAIRLANE/TORINO - BODY TYPE 62 - UPPER BODY

# FORD CAR PARTS

## SHEET METAL ILLUSTRATION SECTION

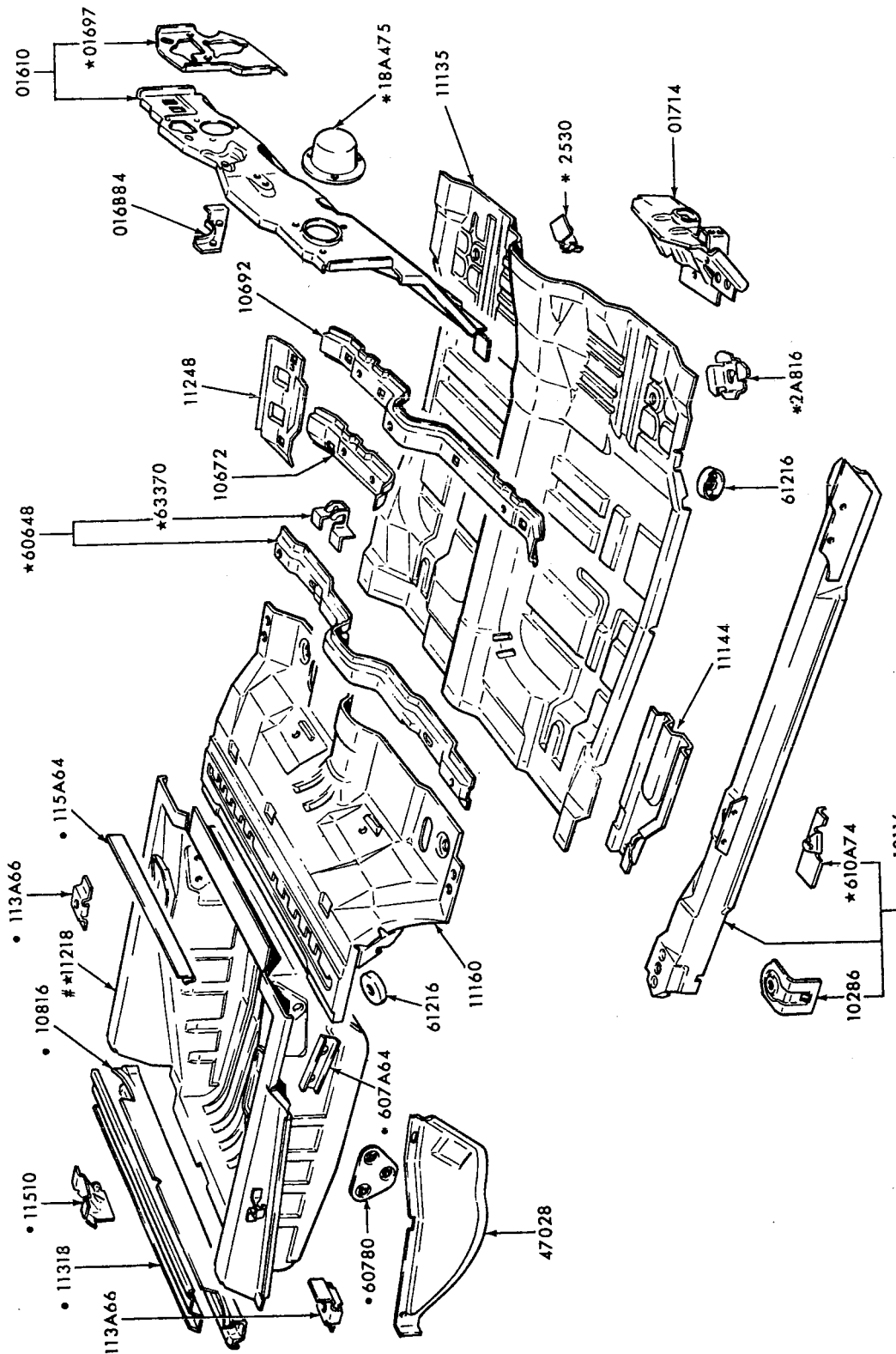
**B** 39

P-8642



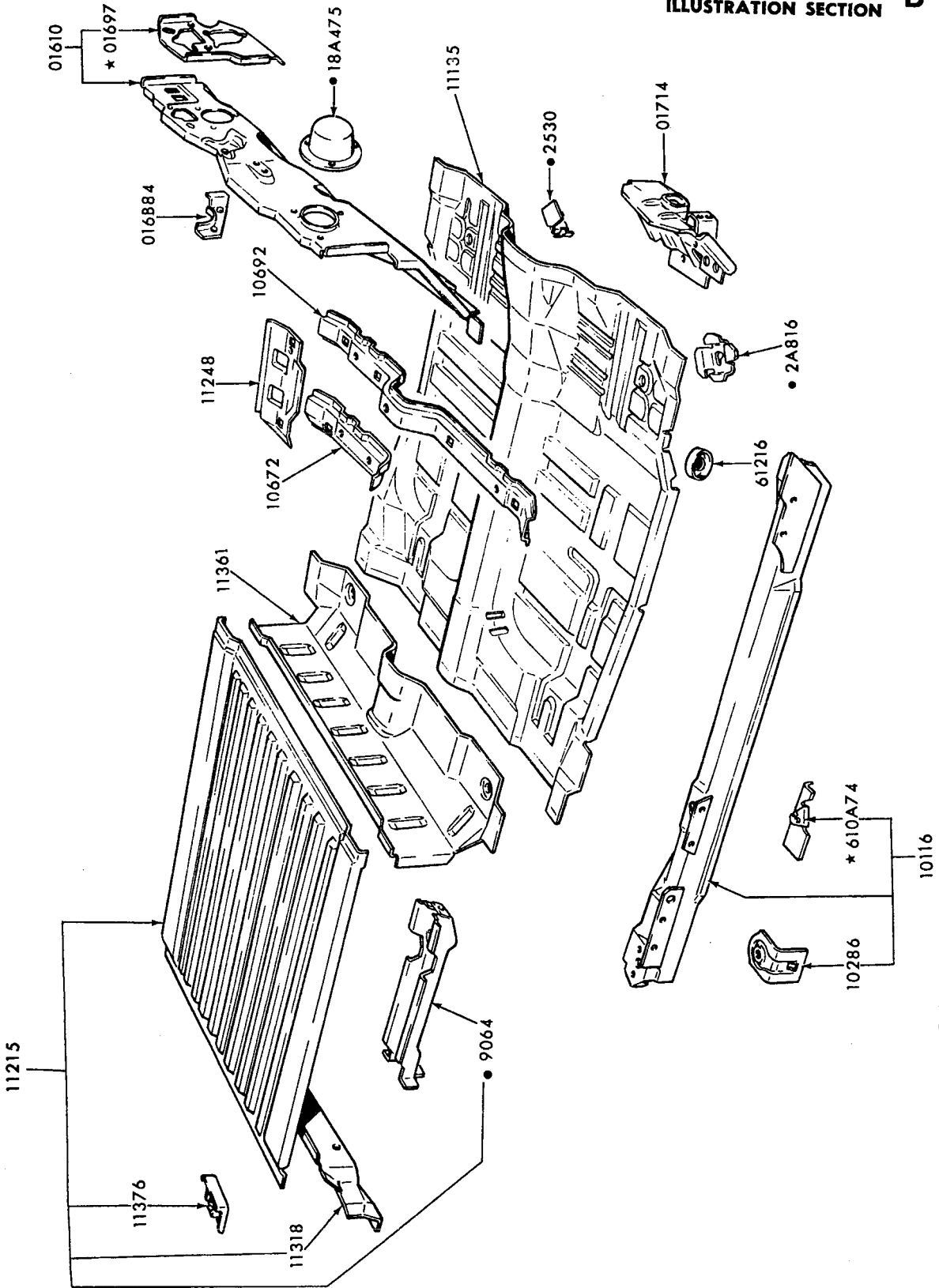
1972 TORINO - BODY TYPES 53,63,65 - UNDERBODY

% SUPPLIED ONLY IN ASSEMBLY-GROUP 11215  
 † ALSO SUPPLIED IN ASSEMBLY-GROUP 11215  
 • REFER TO CHASSIS SECTION

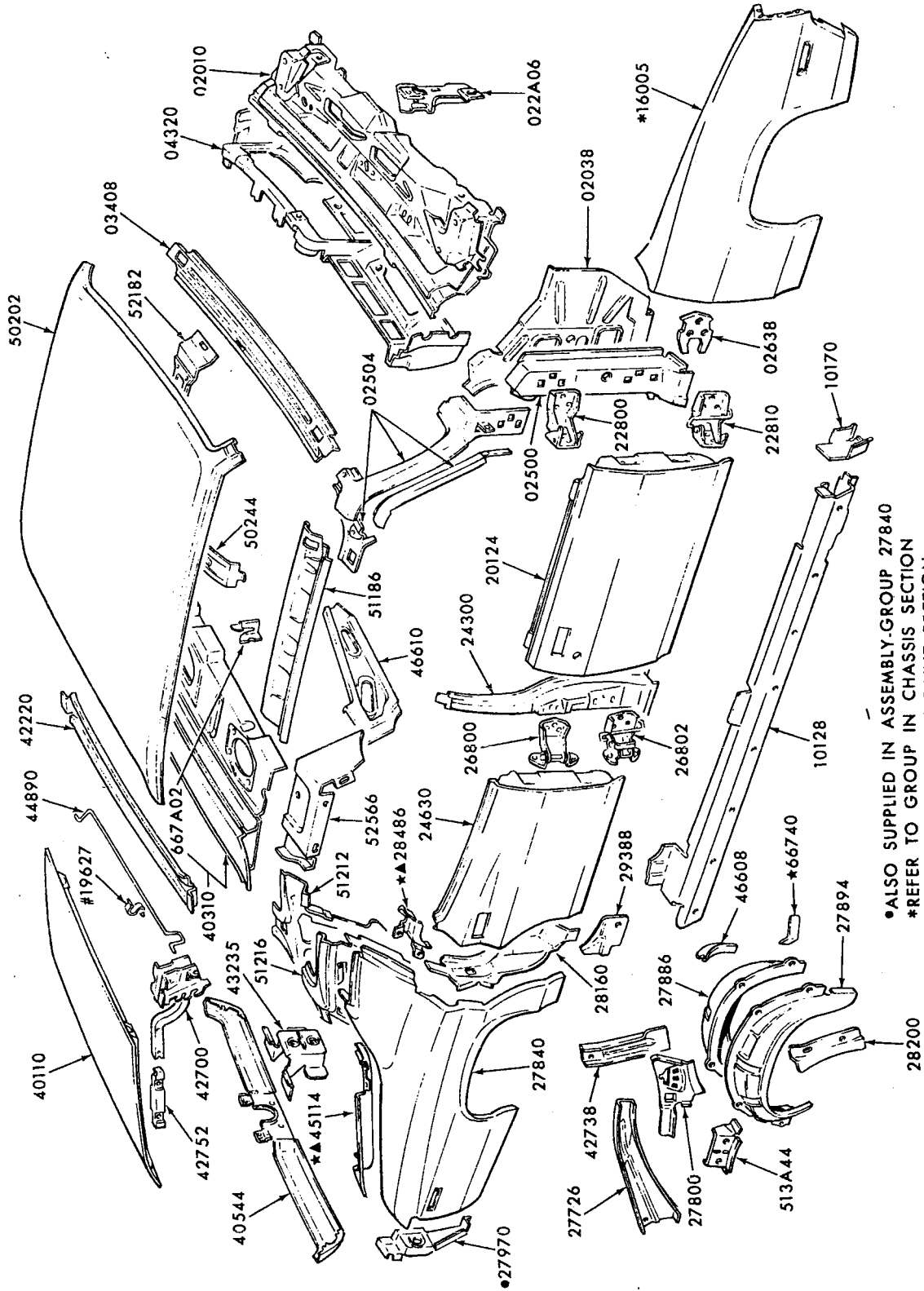


P-8643

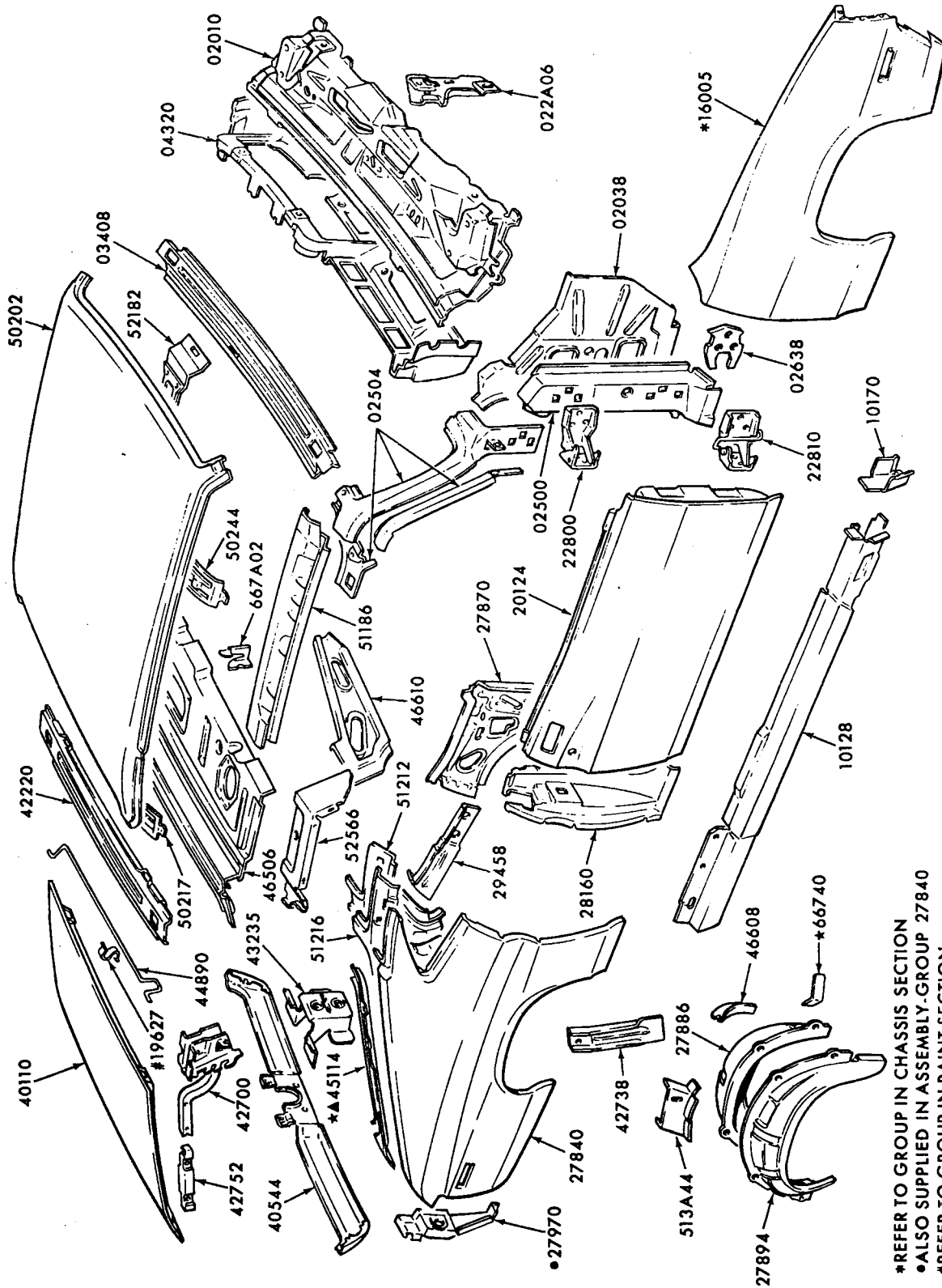
- REFER TO GROUP IN CHASSIS SECTION
- # SUPPLIED ONLY IN ASSEMBLY-GROUP 11215
- ALSO SUPPLIED IN ASSEMBLY-GROUP 11215



1972 TORINO - BODY TYPE 97 - UNDERBODY



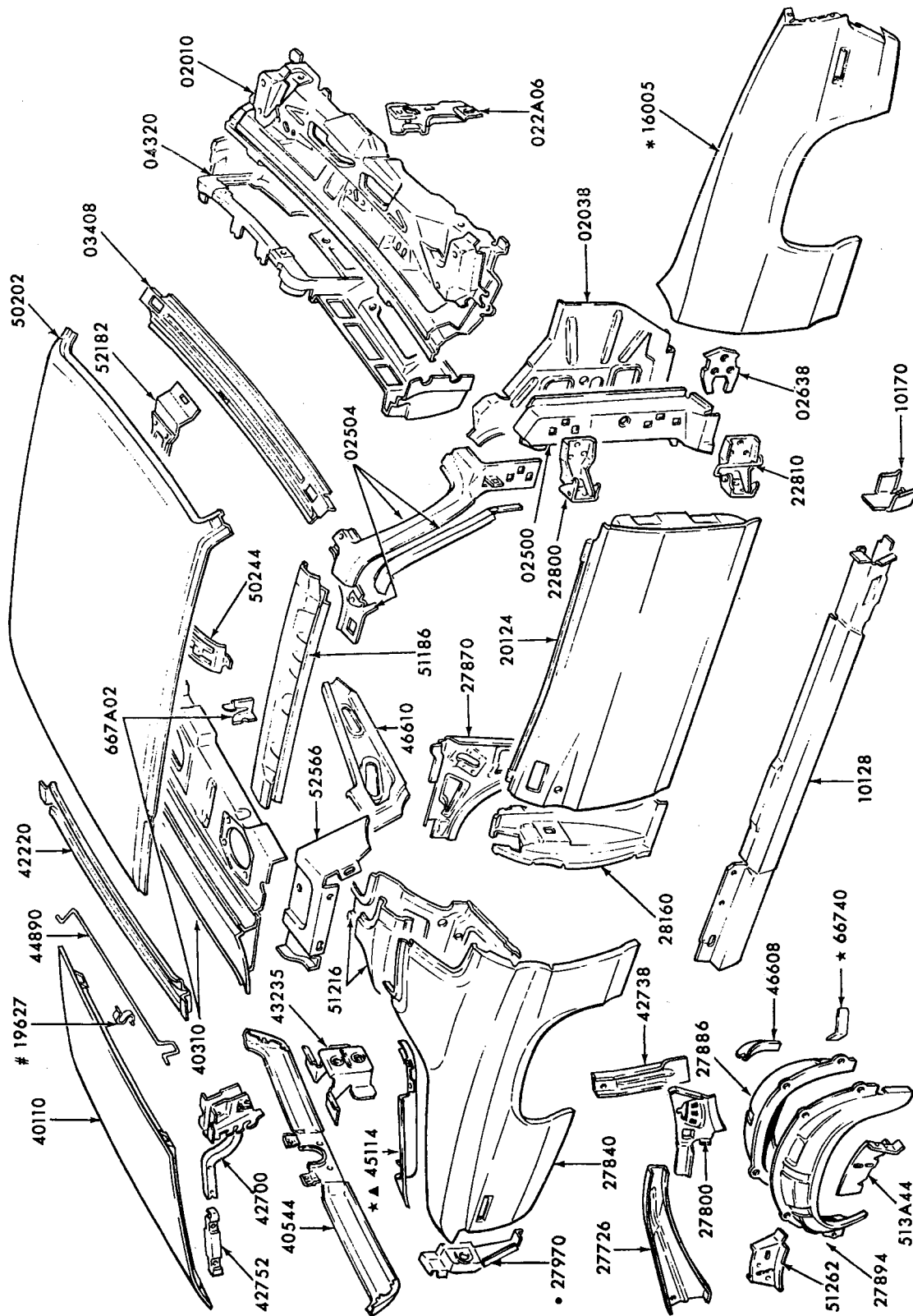
● ALSO SUPPLIED IN ASSEMBLY-GROUP 27840  
 \*REFER TO GROUP IN CHASSIS SECTION  
 #REFER TO GROUP IN PAINT SECTION  
 ▲ SUPPLIED IN ASSEMBLY-GROUP 27840



\*REFER TO GROUP IN CHASSIS SECTION  
 \*ALSO SUPPLIED IN ASSEMBLY-GROUP 27840  
 #REFER TO GROUP IN PAINT SECTION  
 #SUPPLIED IN ASSEMBLY-GROUP 27840

1972 TORINO - BODY TYPE 63 - UPPER BODY

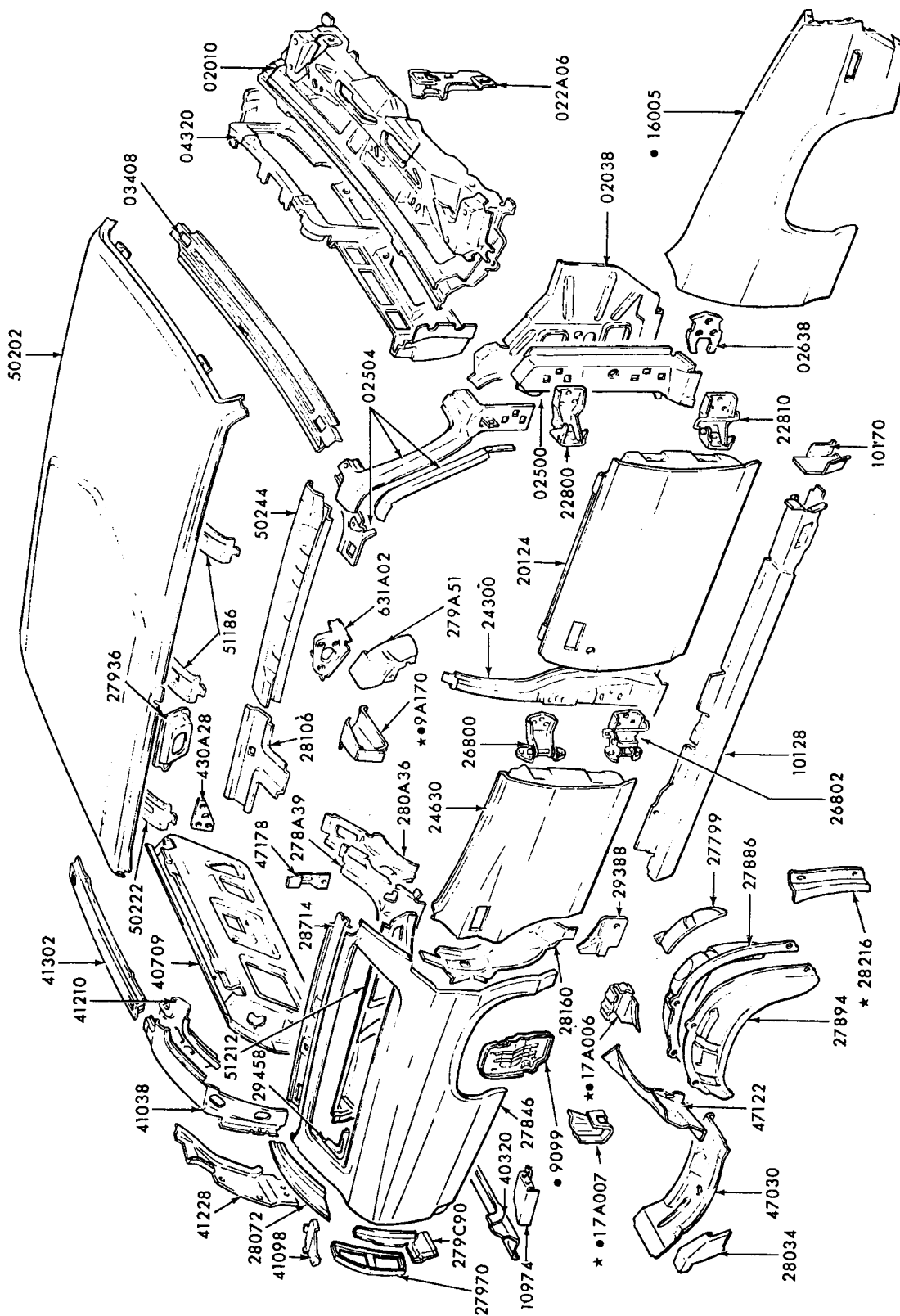




P-8647

1972 TORINO - BODY TYPE 65 - UPPER BODY

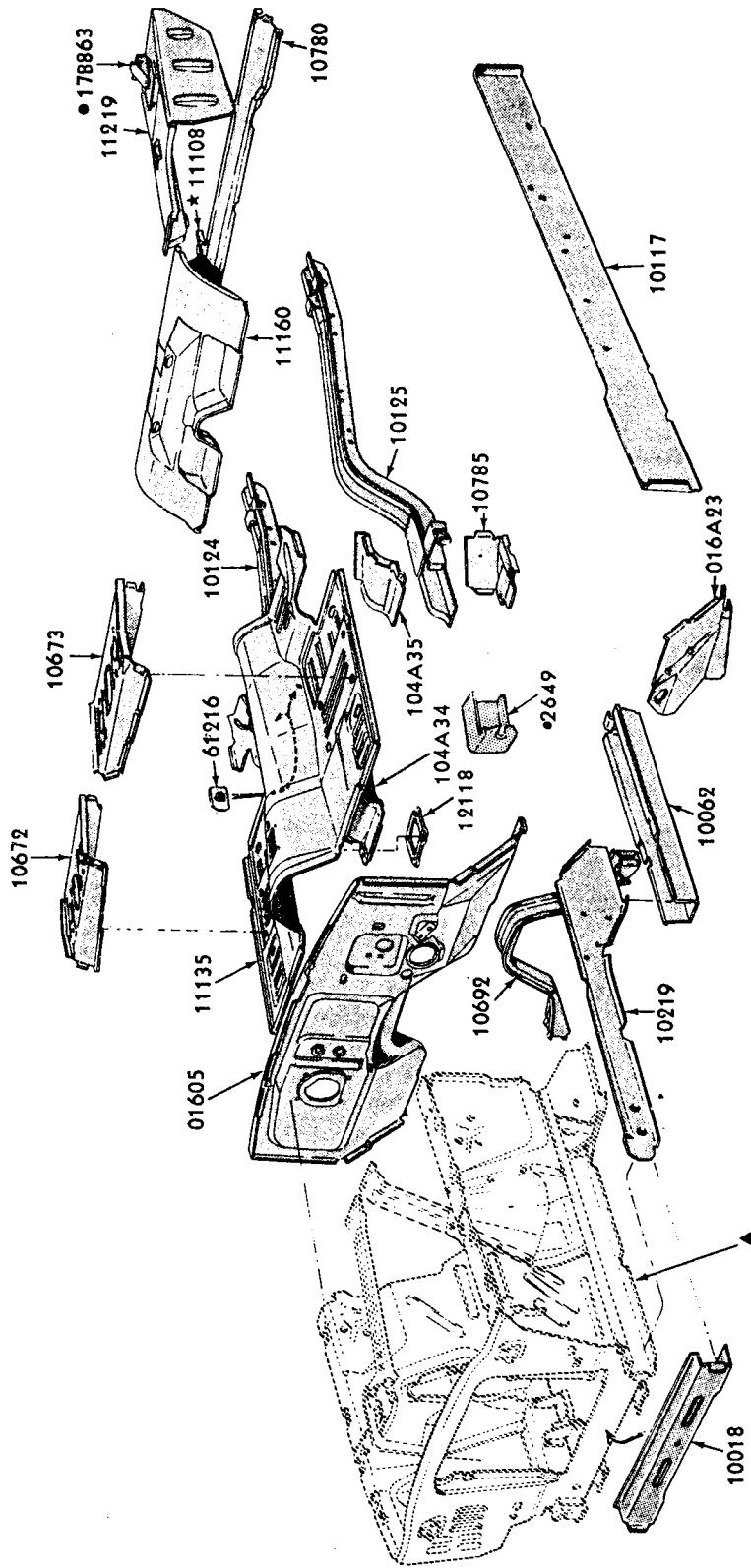
- \* REFER TO GROUP IN CHASSIS SECTION
- # REFER TO GROUP IN PAINT SECTION
- ALSO SUPPLIED IN ASSEMBLY-GROUP 27840
- ▲ SUPPLIED IN ASSEMBLY-GROUP 27840



• REFER TO CHASSIS SECTION

1972 TORINO - BODY TYPE 71 - UPPER BOD

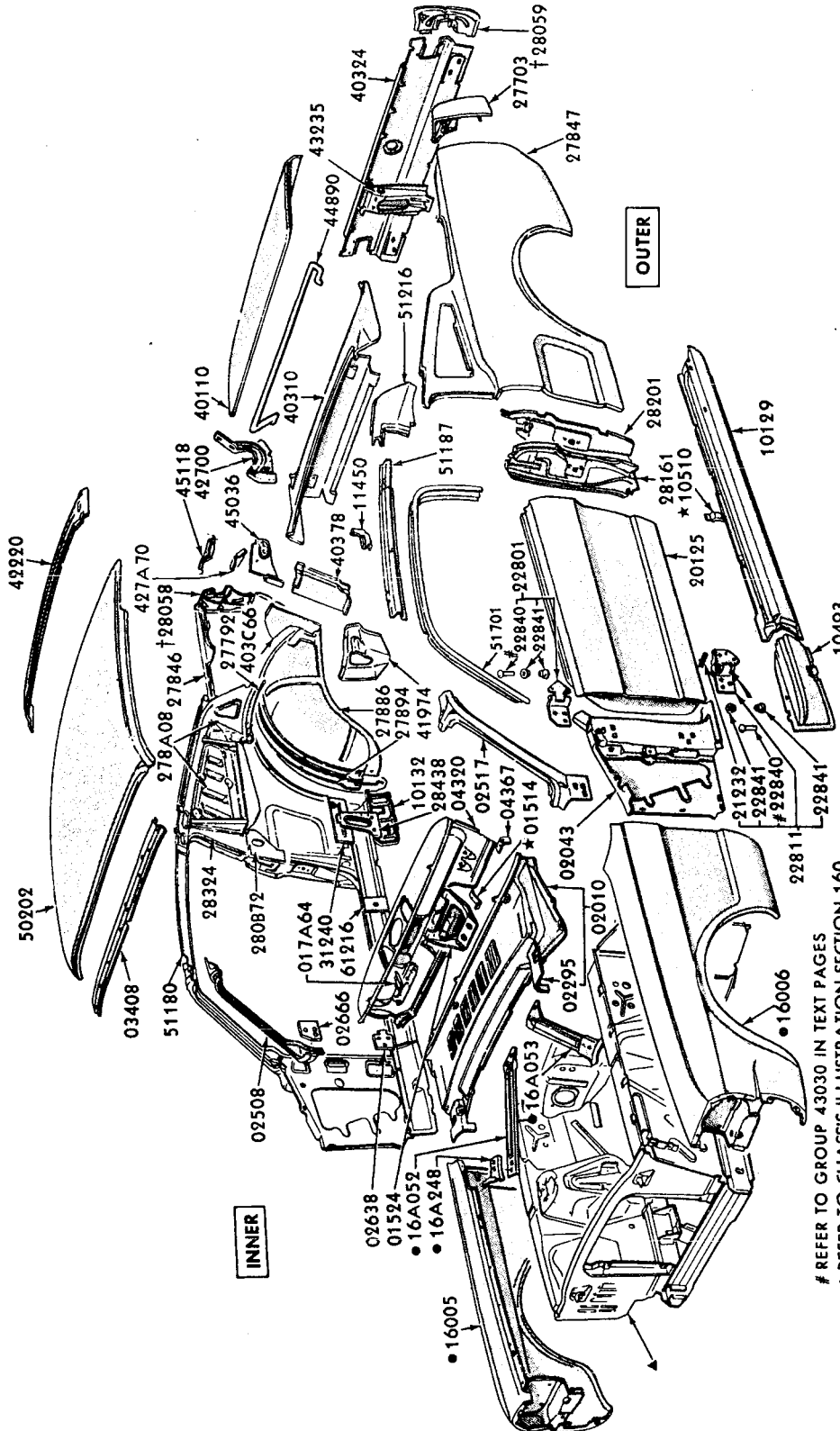




P.4486

▲ REFER TO CHASSIS ILLUSTRATION SECTION 160  
FOR EXPLODED VIEW INFORMATION  
● REFER TO CHASSIS GROUP

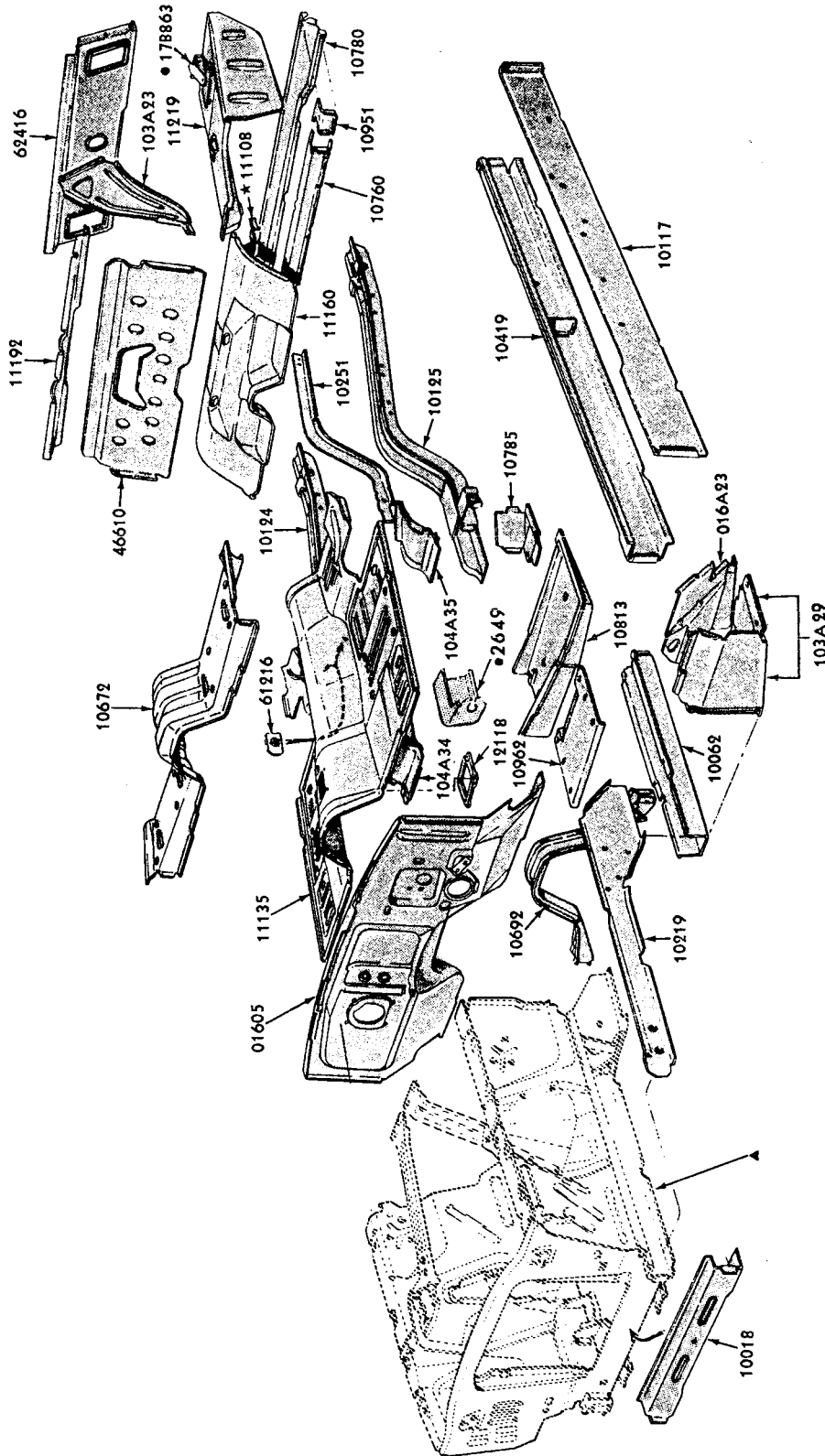
1965/66 MUSTANG - BODY TYPES 63, 65 - UNDER BODY



# REFER TO GROUP 43030 IN TEXT PAGES  
 ▲ REFER TO CHASSIS ILLUSTRATION SECTION 160 FOR EXPLODED VIEW INFORMATION  
 ● REFER TO CHASSIS GROUP  
 † ALSO INCLUDED IN 27846-7

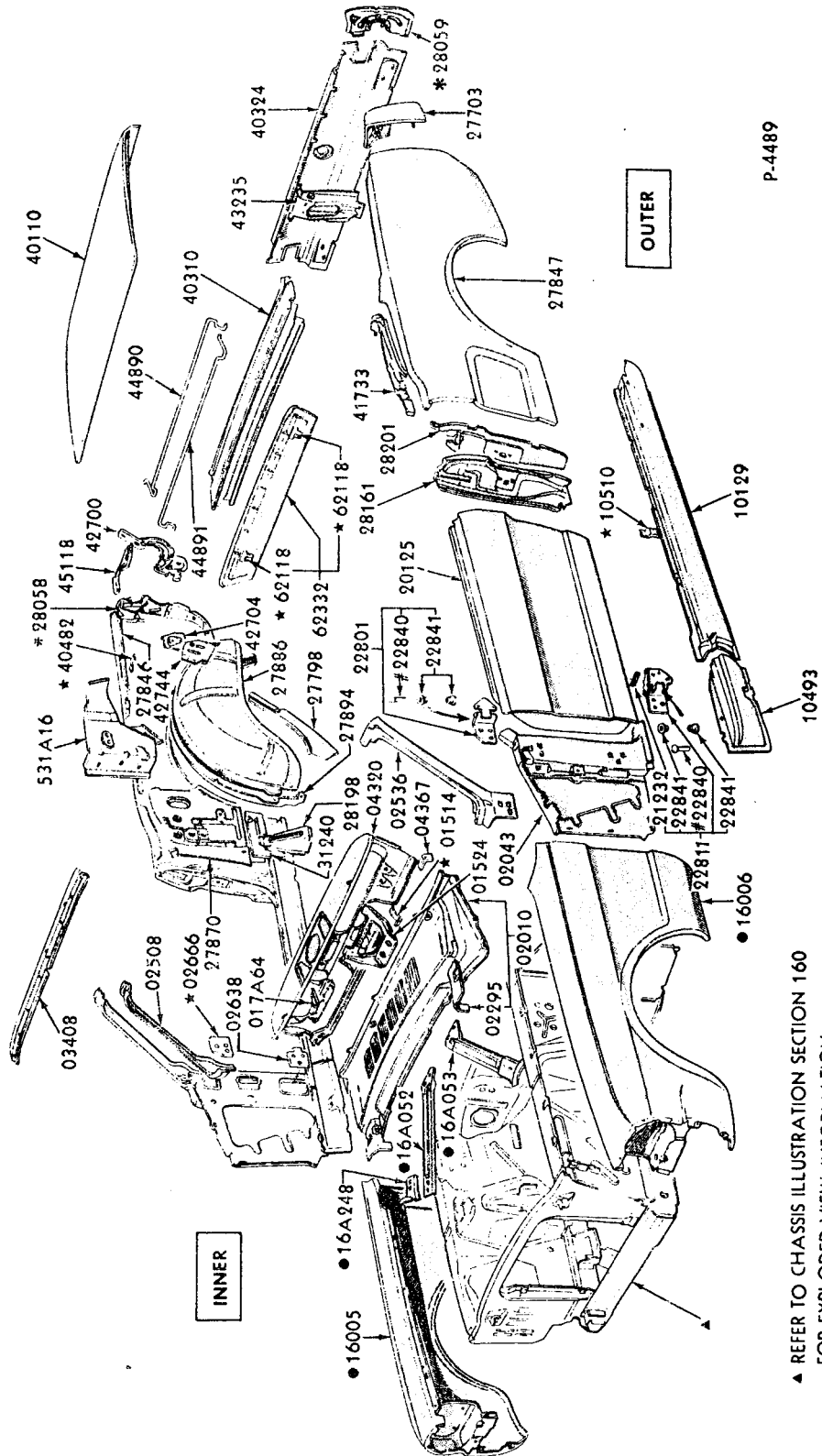
1965/66 MUSTANG - BODY TYPE 63 - UPPER BODY





P-4487

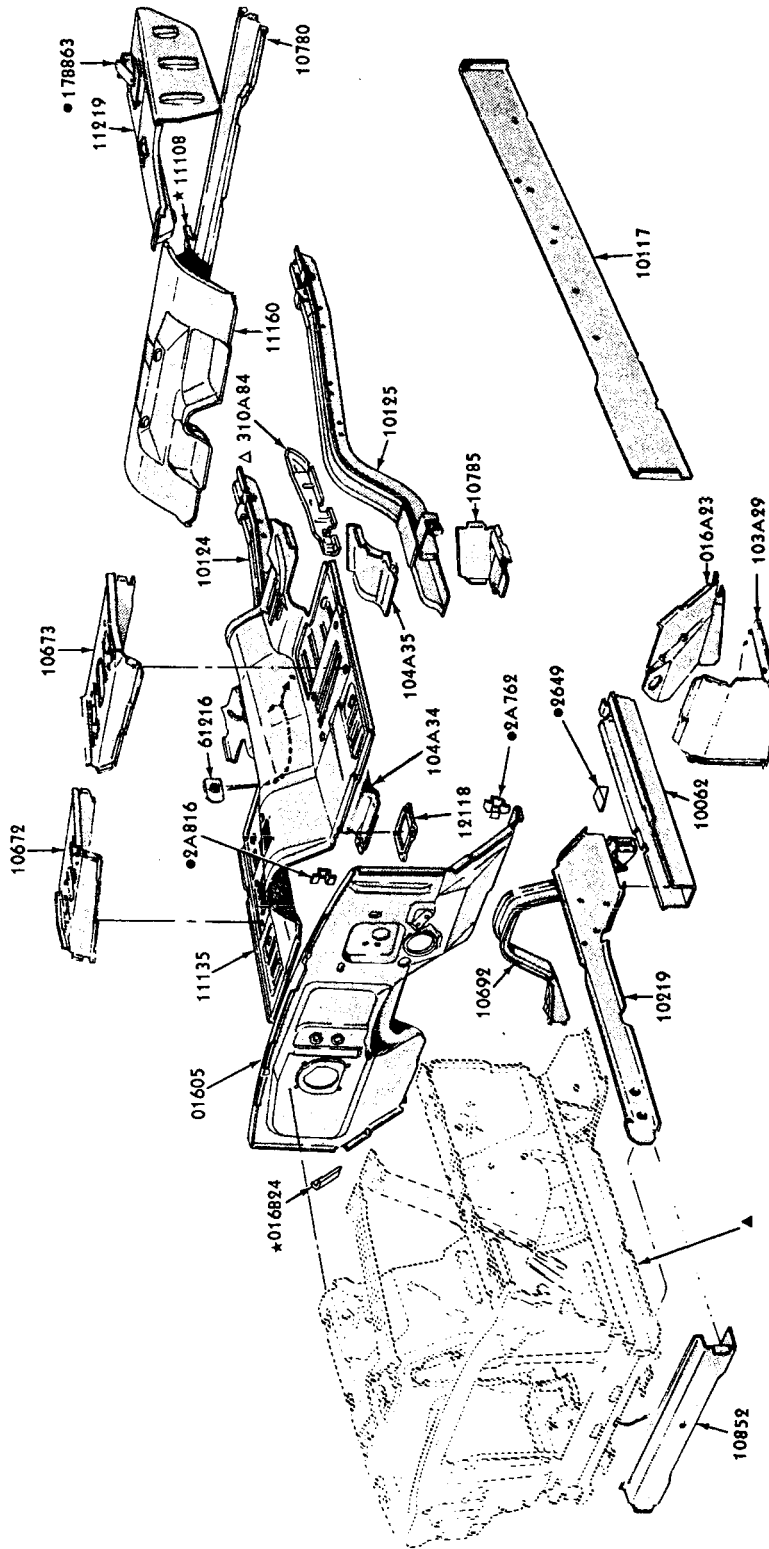
▲ REFER TO CHASSIS ILLUSTRATION SECTION 160  
 FOR EXPLODED VIEW INFORMATION  
 ● REFER TO CHASSIS GROUP



▲ REFER TO CHASSIS ILLUSTRATION SECTION 160  
FOR EXPLODED VIEW INFORMATION  
# REFER TO GROUP 43030 IN TEXT PAGES  
● REFER TO CHASSIS GROUP  
\* ALSO INCLUDED IN 27846-7

1965/66 MUSTANG - BODY TYPE 76 - UPPER BODY





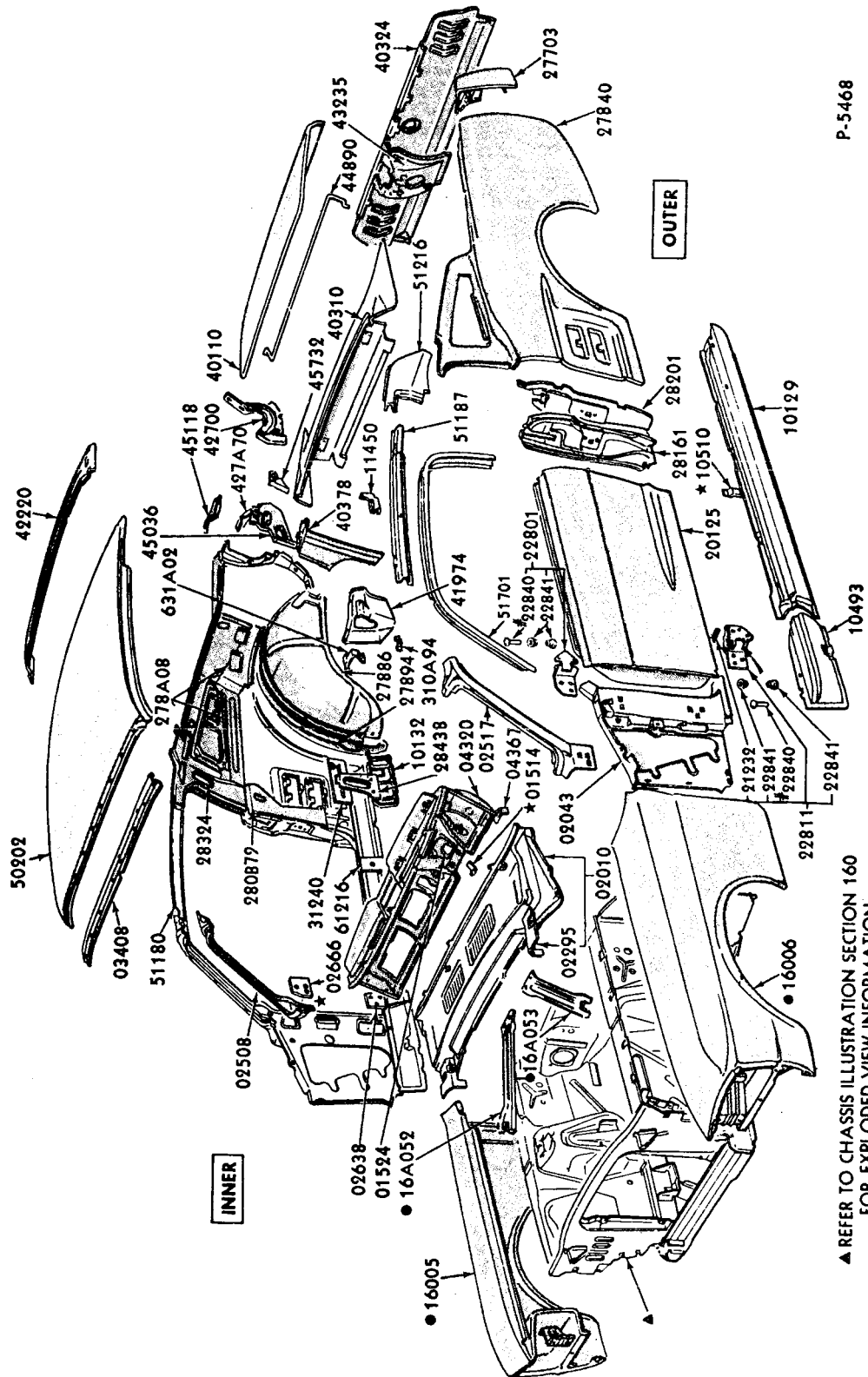
P-5466

▲ REFER TO CHASSIS ILLUSTRATION SECTION 160  
FOR EXPLODED VIEW INFORMATION

● REFER TO CHASSIS GROUP

▲ USED ON BODY TYPE F(63) ONLY

1967/70 MUSTANG - BODY TYPE 63 - UNDERBODY  
1967/69 MUSTANG - BODY TYPE 65 - UNDERBODY



P-5468

INNER

OUTER

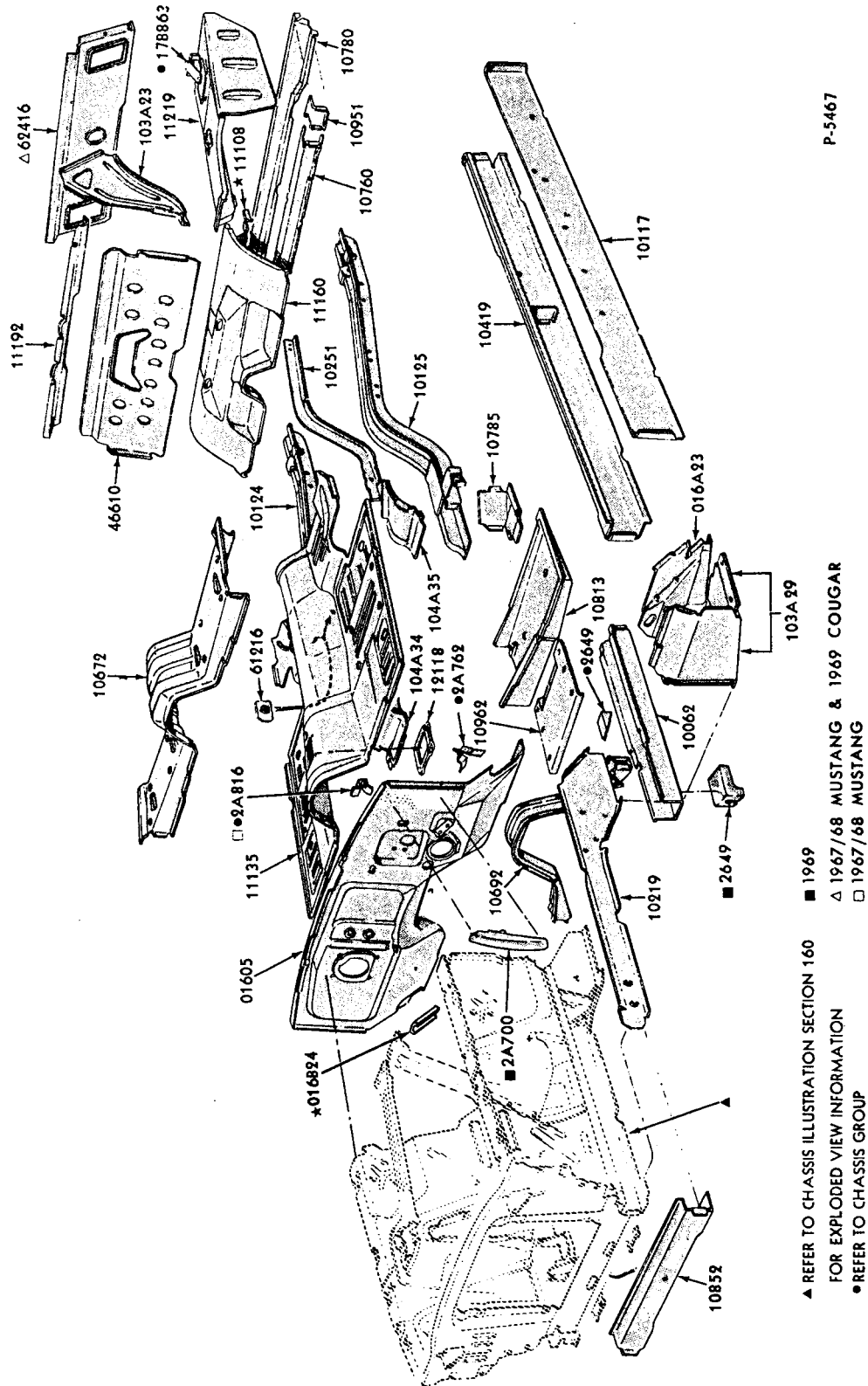
▲ REFER TO CHASSIS ILLUSTRATION SECTION 160 FOR EXPLODED VIEW INFORMATION

● REFER TO CHASSIS GROUP

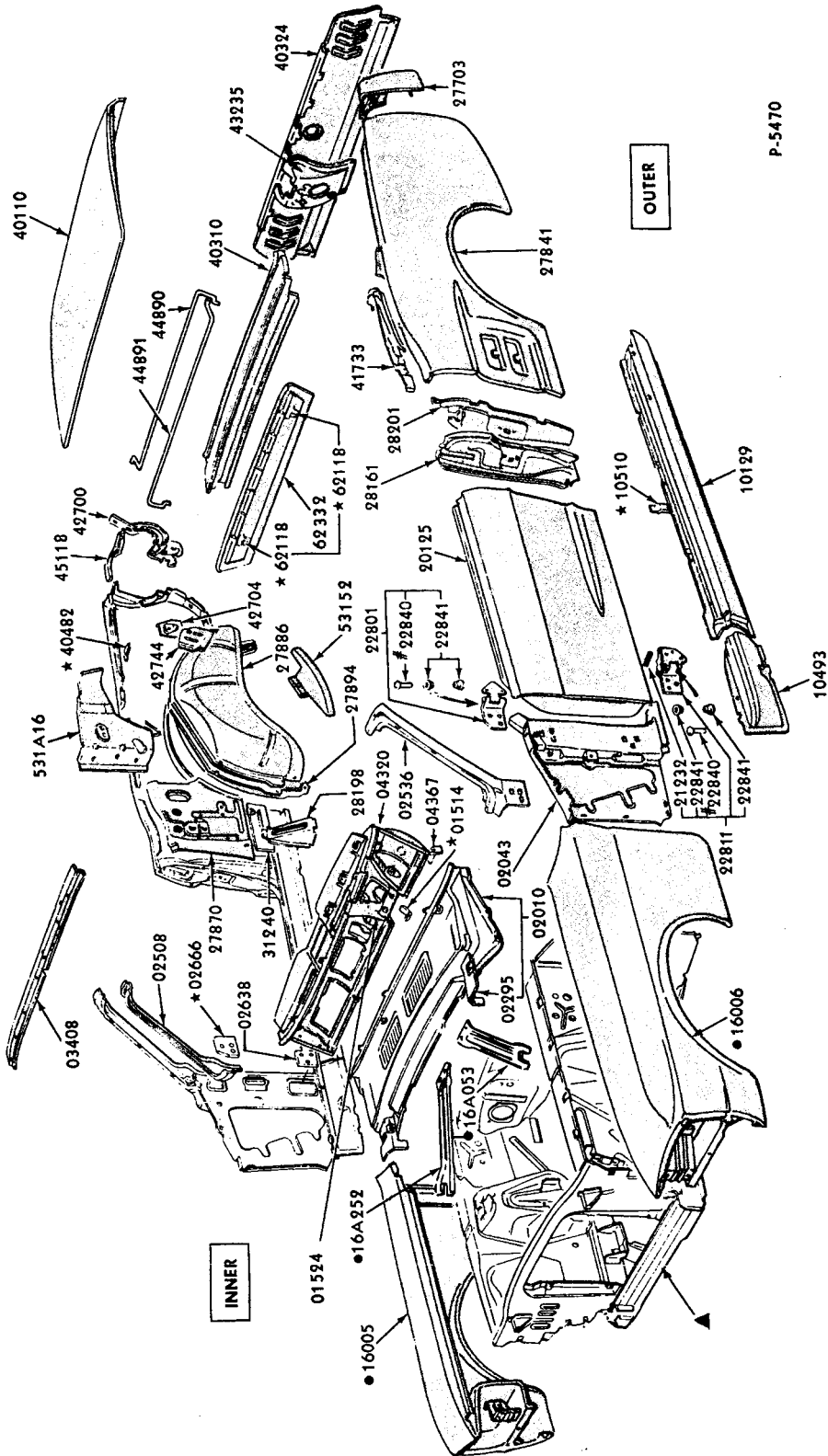
# REFER TO GROUP 43030 IN TEXT PAGES

1967/68 MUSTANG - BODY TYPE 63 - UPPER BODY





P-5467

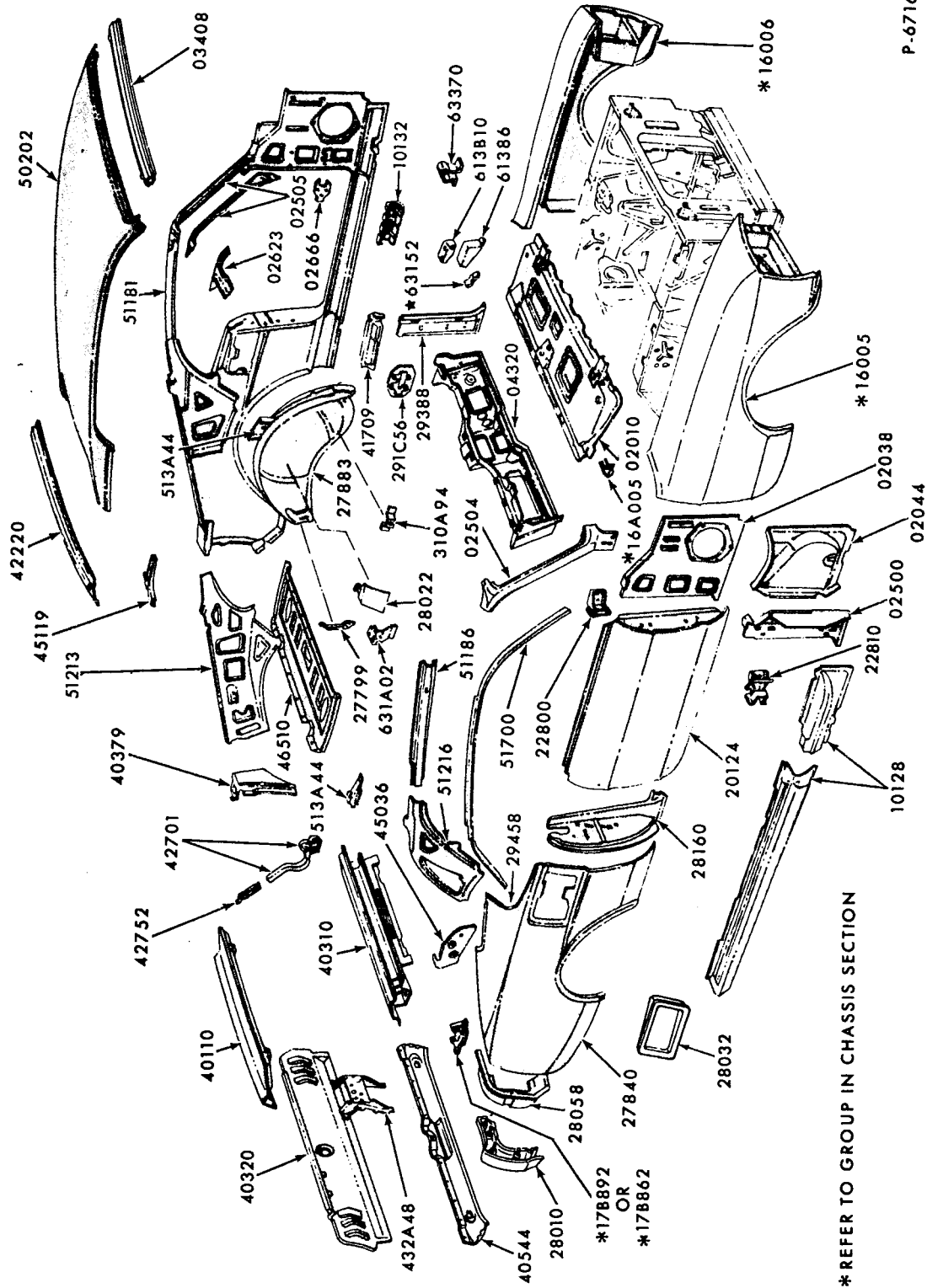


P-5470

▲ REFER TO CHASSIS ILLUSTRATION SECTION 160  
 FOR EXPLODED VIEW INFORMATION  
 # REFER TO GROUP 43030 IN TEXT PAGES  
 ● REFER TO CHASSIS GROUP

1967/68 MUSTANG - BODY TYPE 76 - UPPER BODY

P-6716



1969/70 MUSTANG - BODY TYPE 63 - UPPER BODY

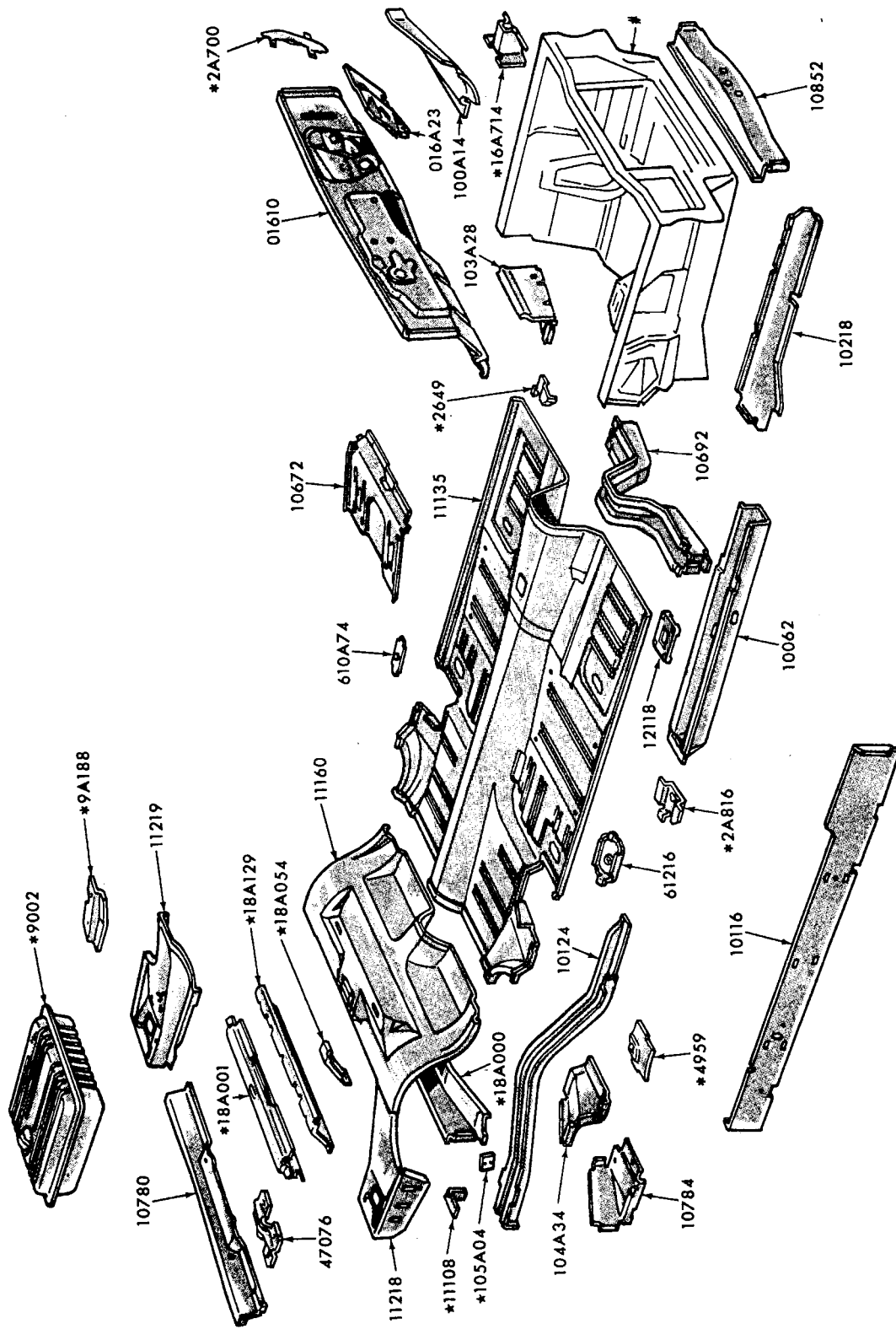
May, 1975

COPYRIGHT © 1975 -

FORD MOTOR  
COMPANY

- DEARBORN, MICHIGAN

FINAL ISSUE

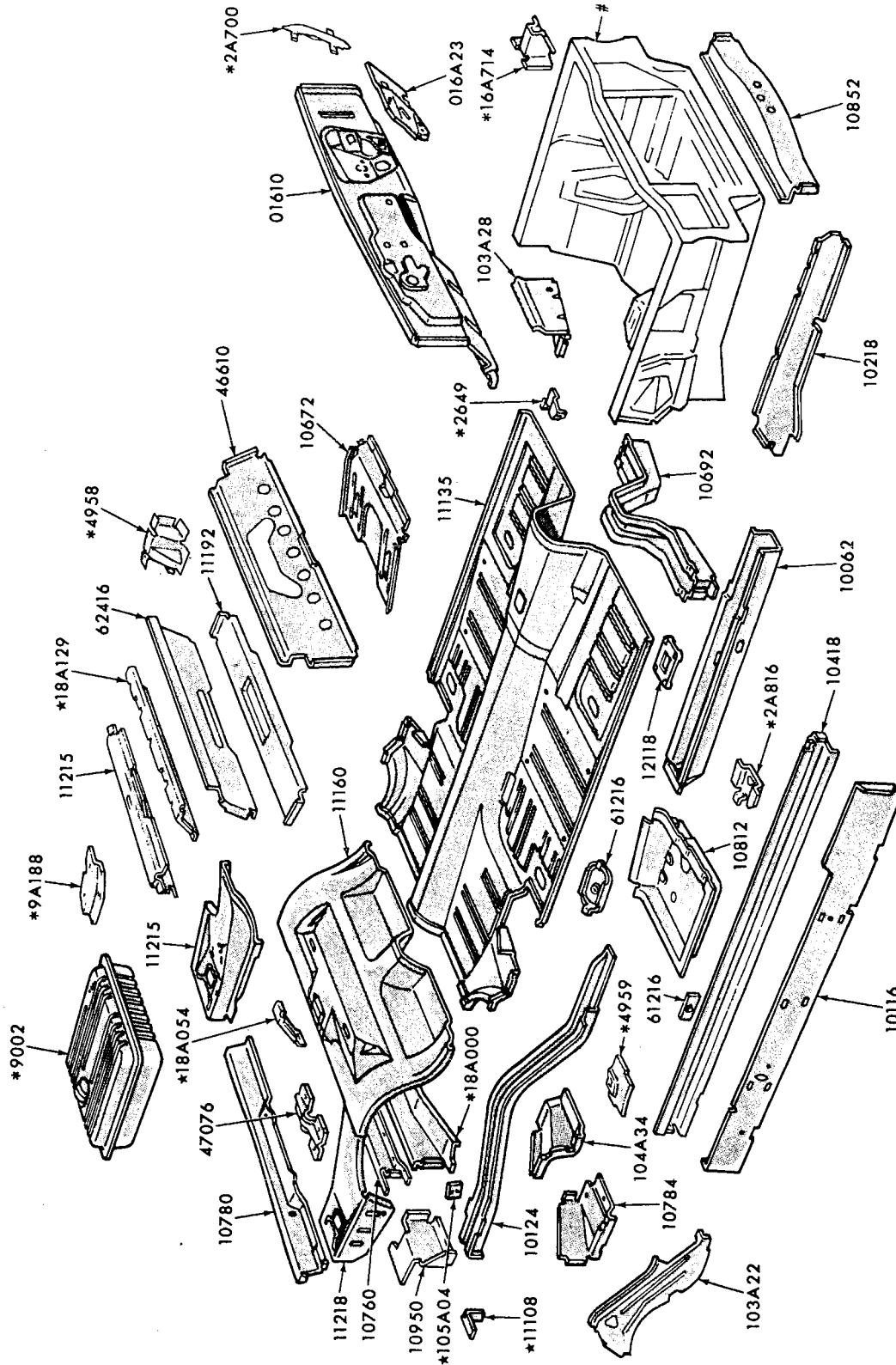


# REFER TO ILLUSTRATION SECTION 160 FOR DETAILS  
 \* REFER TO CHASSIS SECTION

# FORD CAR PARTS

## SHEET METAL ILLUSTRATION SECTION

F 13



\*REFER TO GROUP IN CHASSIS SECTION  
#REFER TO ILLUSTRATION SECTION 160 FOR DETAILS

P-7272

1969/70 MUSTANG - BODY TYPE 76 - UNDERBODY

May, 1975

COPYRIGHT © 1975 -

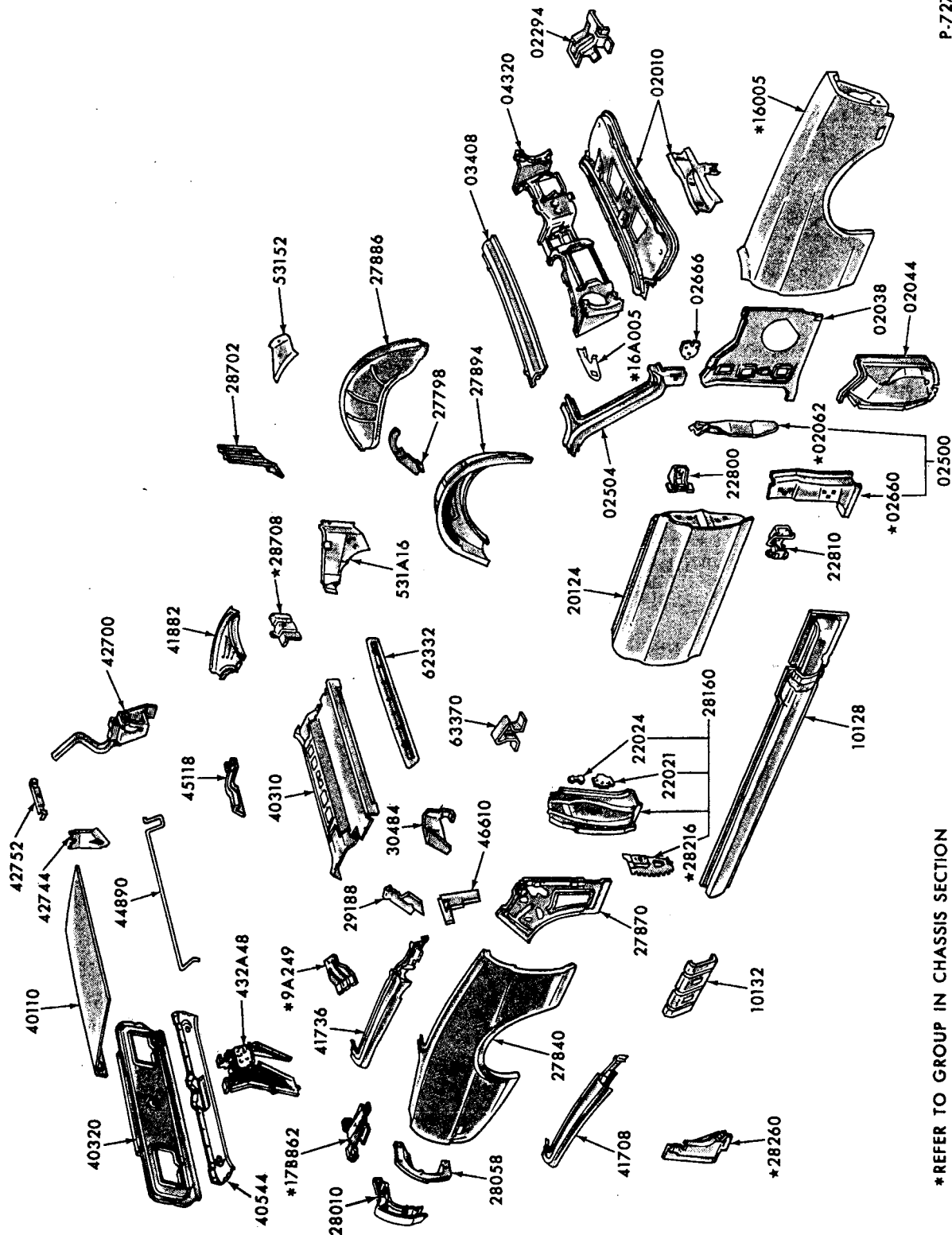
FORD MOTOR  
COMPANY

- DEARBORN, MICHIGAN

**FINAL ISSUE**







\* REFER TO GROUP IN CHASSIS SECTION

1969/70 MUSTANG - BODY TYPE 76 - UPPER BODY

May, 1975

COPYRIGHT © 1975 — FORD MOTOR COMPANY — DEARBORN, MICHIGAN

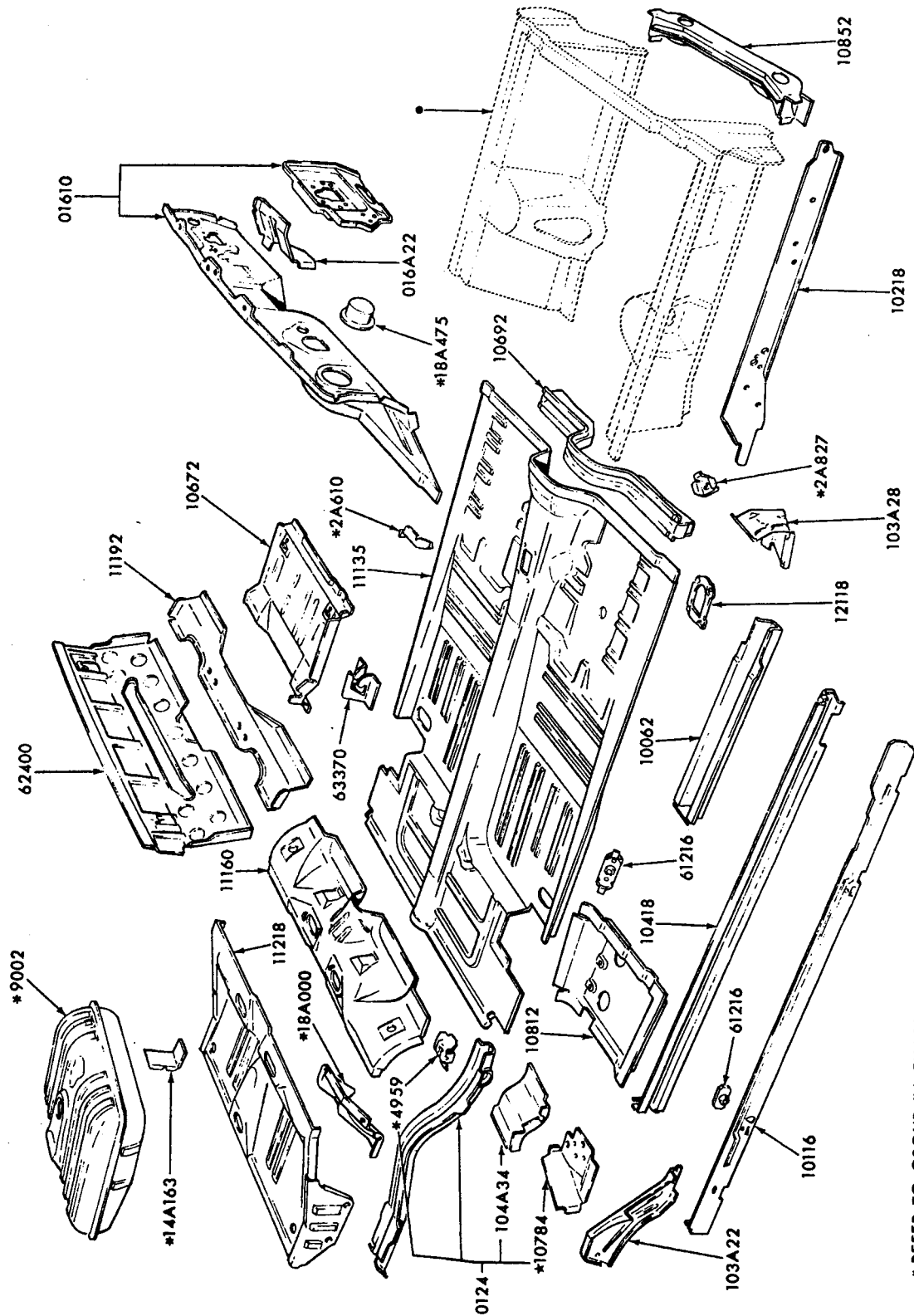
FINAL ISSUE



# FORD CAR PARTS

## SHEET METAL ILLUSTRATION SECTION

P-7878



\* REFER TO GROUP IN CHASSIS SECTION  
 • REFER TO ILLUSTRATION SECTION 160 FOR DETAILS

1971/72 MUSTANG - BODY TYPE 76 - UNDERBODY

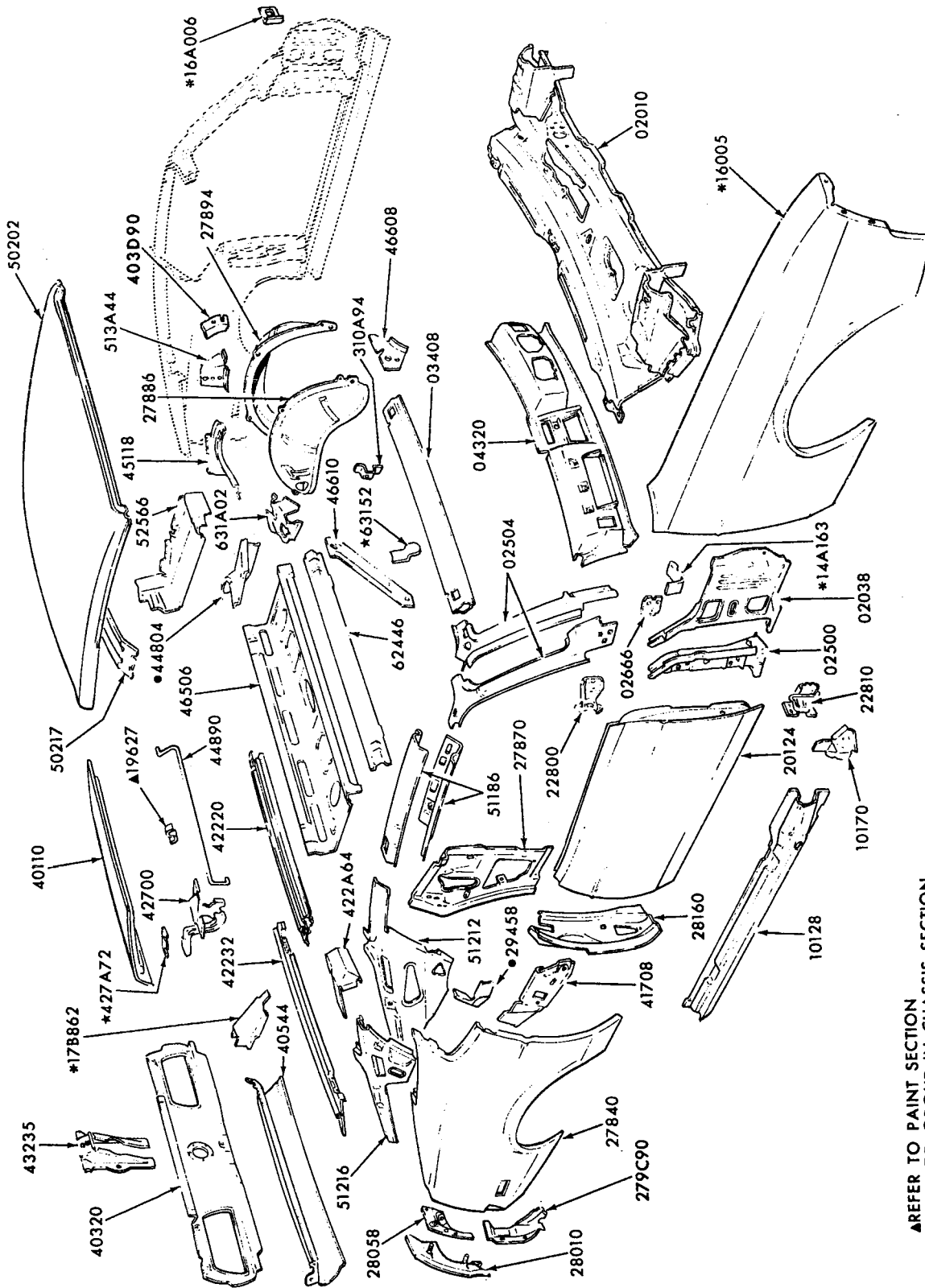
May, 1975

COPYRIGHT © 1975 -

FORD MOTOR  
 COMPANY

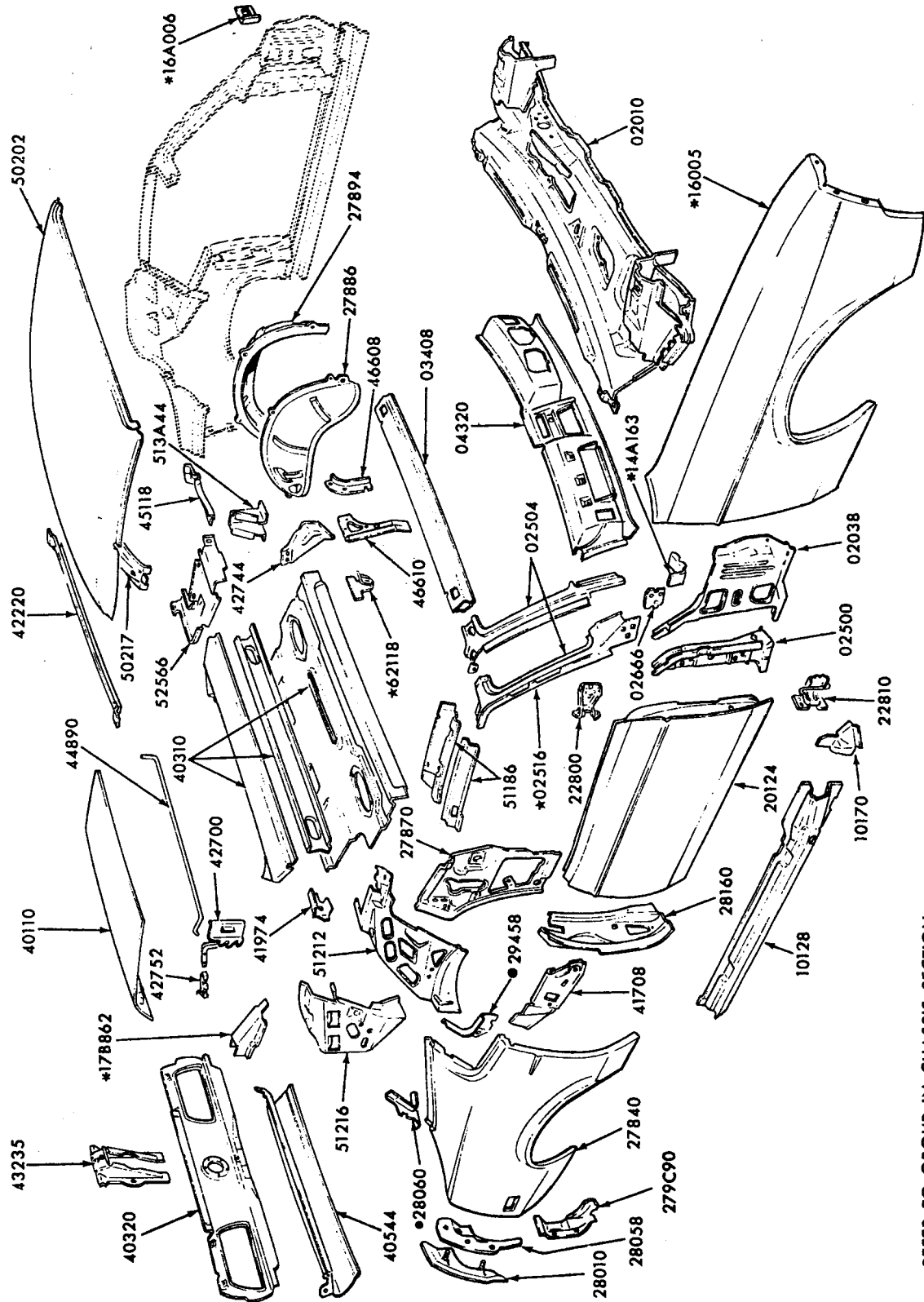
- DEARBORN, MICHIGAN

**FINAL ISSUE**

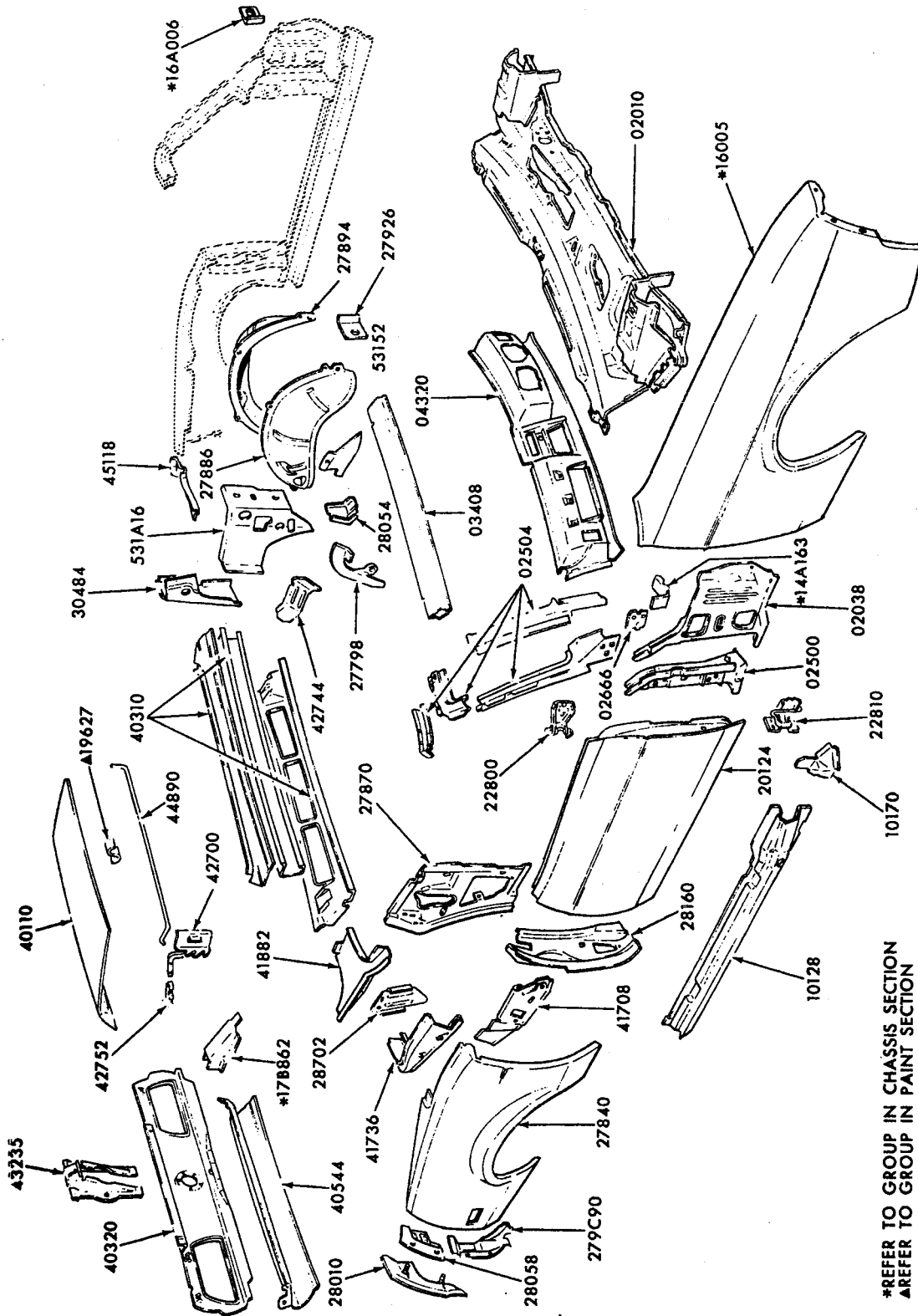


▲ REFER TO PAINT SECTION  
 \* REFER TO GROUP IN CHASSIS SECTION  
 ● SUPPLIED ONLY IN ASSEMBLY-GROUP 27840

1971/72 MUSTANG - BODY TYPE 63 - UPPER BODY



\*REFER TO GROUP IN CHASSIS SECTION  
 •SUPPLIED ONLY IN ASSEMBLY-GROUP 27840-1



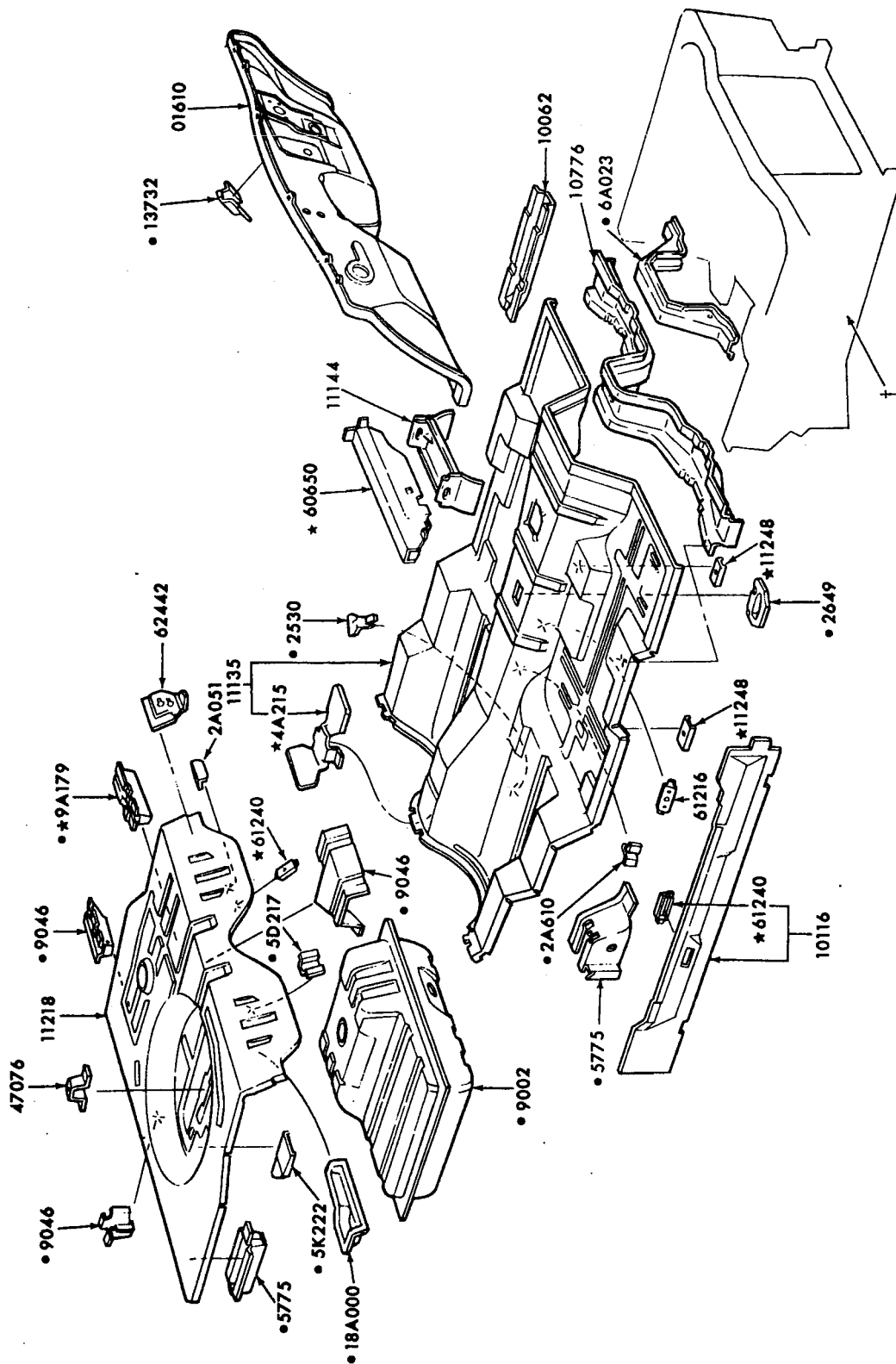
\*REFER TO GROUP IN CHASSIS SECTION  
▲REFER TO GROUP IN PAINT SECTION

1971/72 MUSTANG - BODY TYPE 76 - UPPER BODY

# FORD CAR PARTS

## SHEET METAL ILLUSTRATION SECTION L

1



P-7955

• REFER TO CHASSIS SECTION  
† REFER TO ILLUSTRATION SECTION 160 FOR DETAILS

May, 1975

1971/72 PINTO - UNDERBODY - BODY TYPES 62, 64

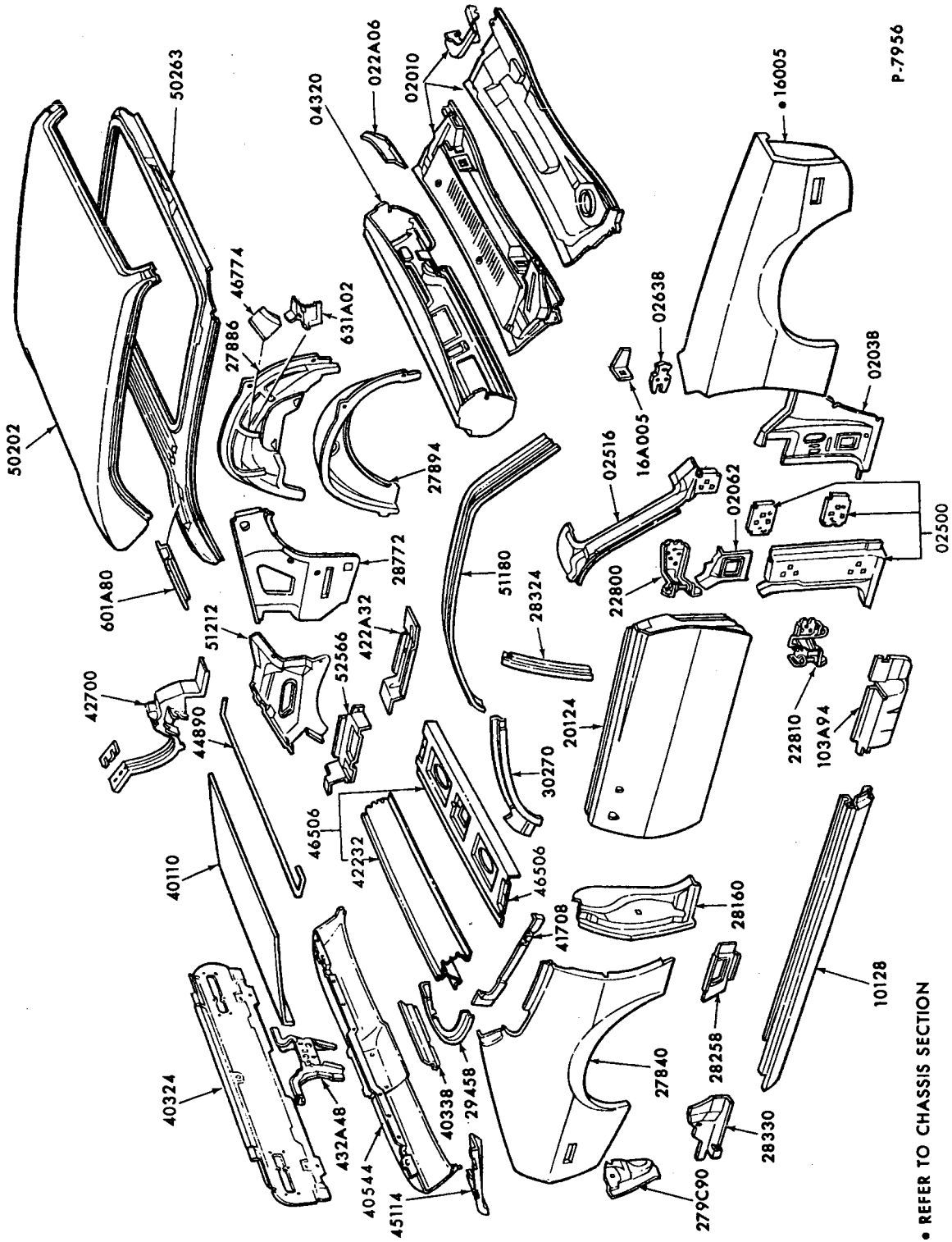
COPYRIGHT © 1975 -

FORD MOTOR  
COMPANY

- DEARBORN, MICHIGAN

FINAL ISSUE

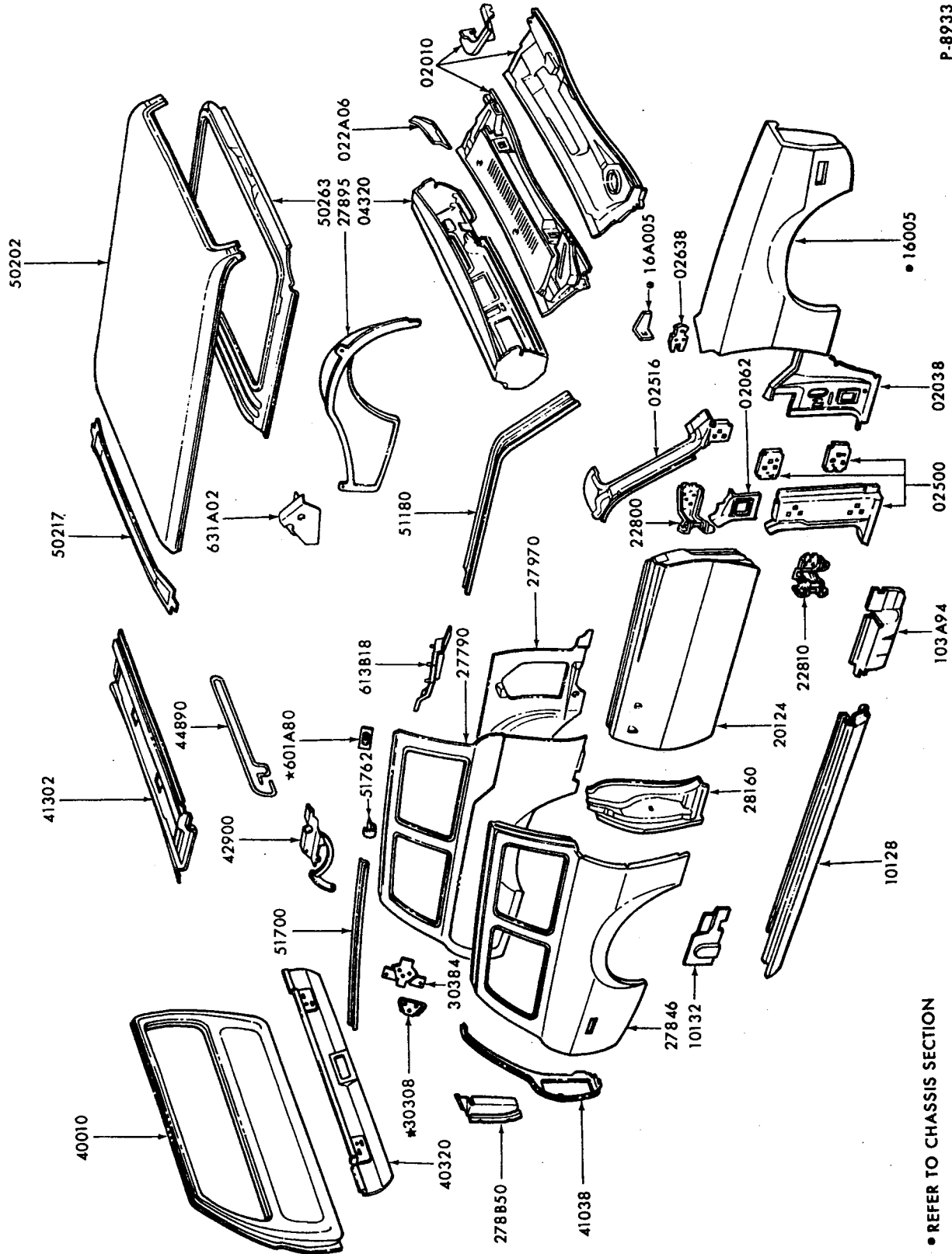




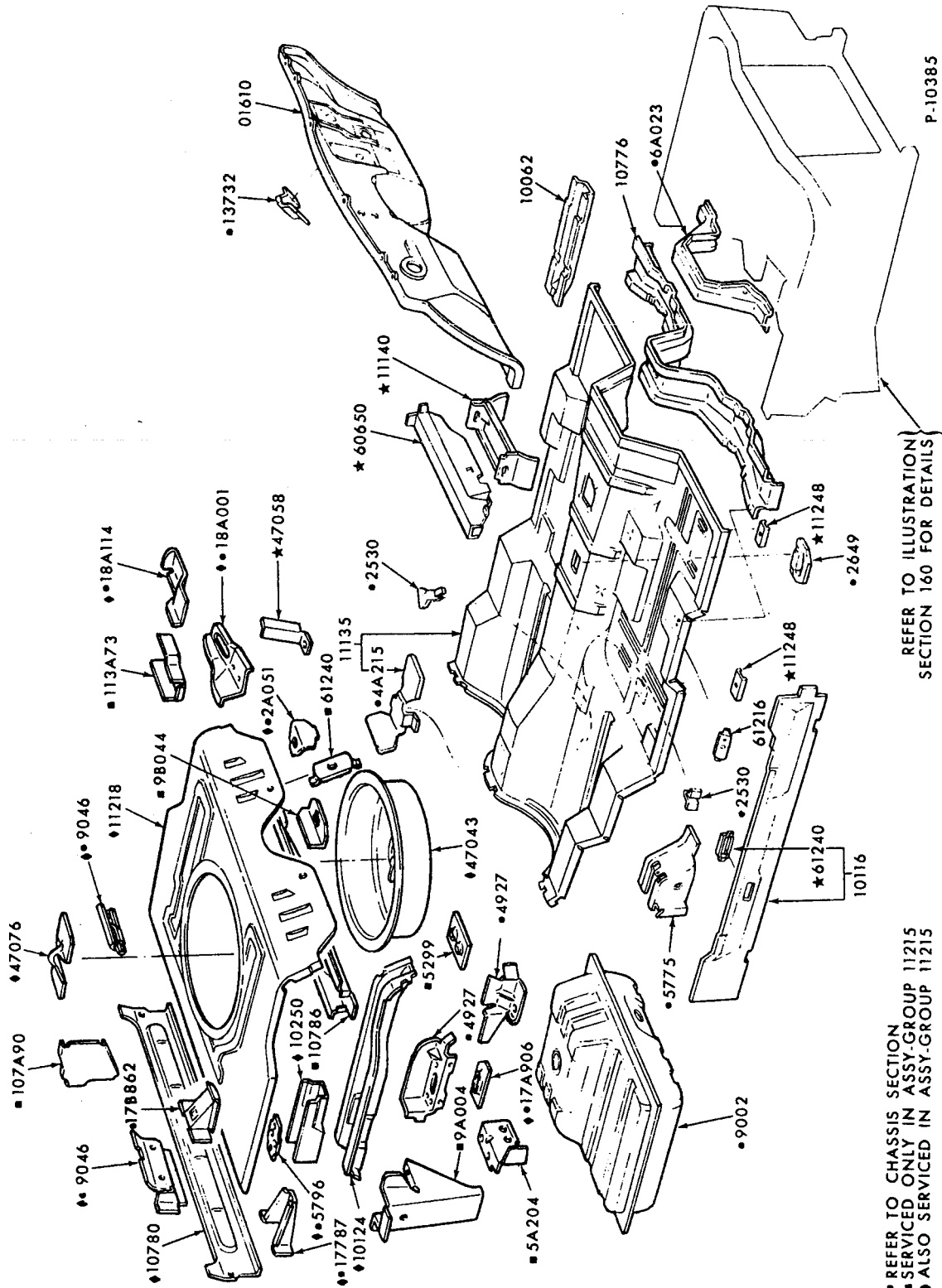
P-7956

• REFER TO CHASSIS SECTION





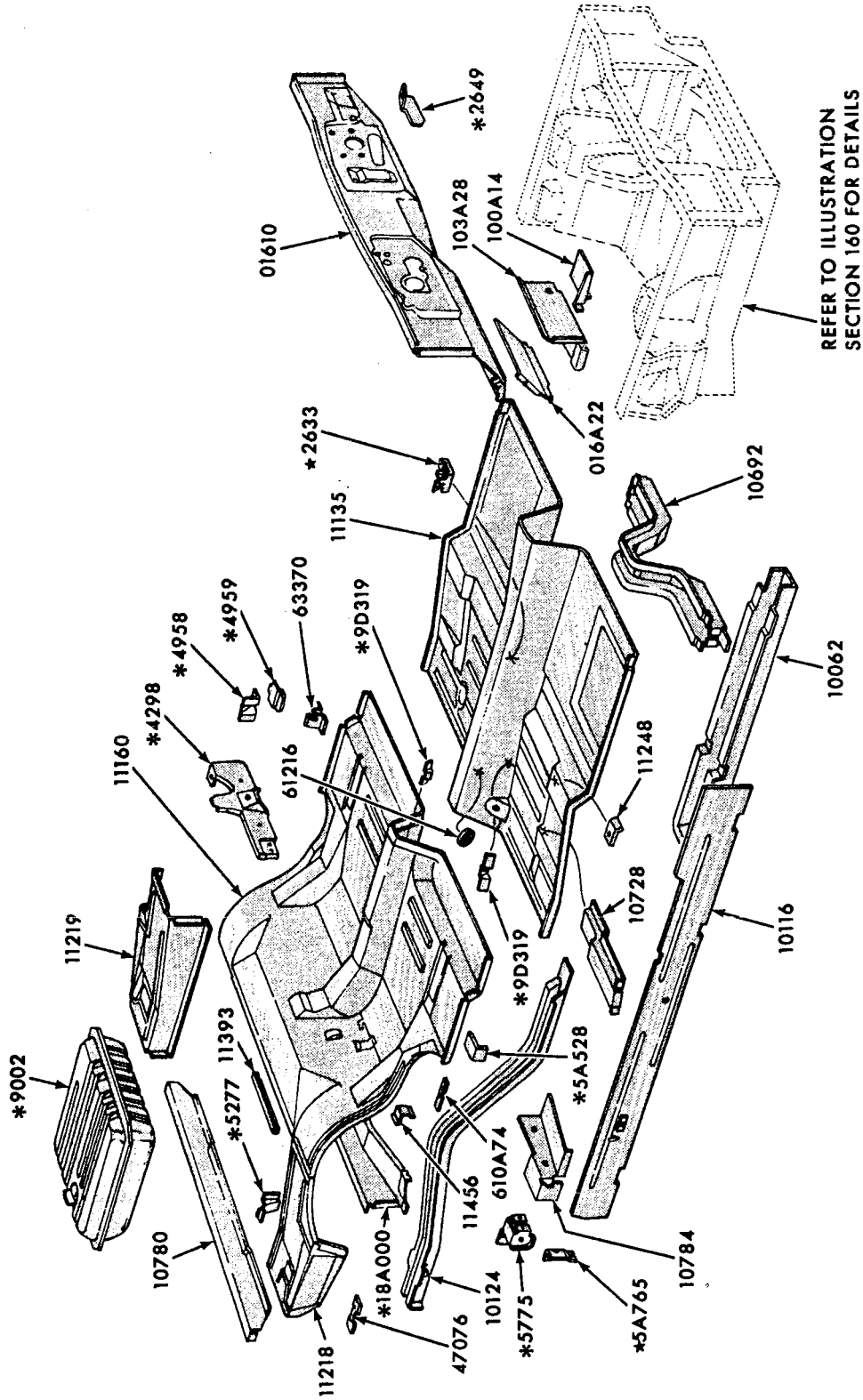
• REFER TO CHASSIS SECTION



REFER TO ILLUSTRATION SECTION 160 FOR DETAILS

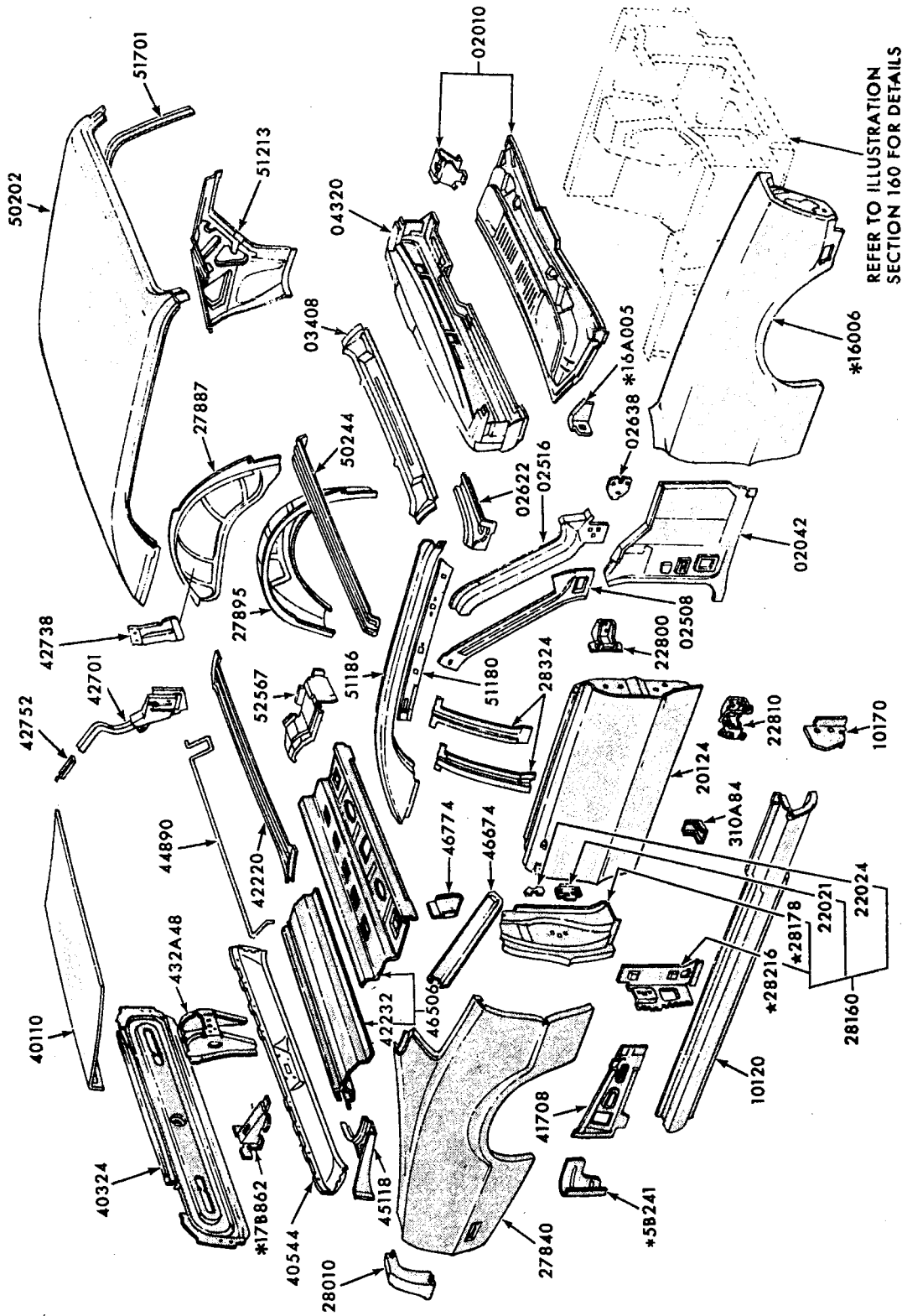
REFER TO CHASSIS SECTION  
SERVICED ONLY IN ASSY-GROUP 11215  
ALSO SERVICED IN ASSY-GROUP 11215

P-6874



REFER TO ILLUSTRATION SECTION 160 FOR DETAILS

\* REFER TO GROUP IN CHASSIS SECTION



REFER TO ILLUSTRATION  
SECTION 160 FOR DETAILS

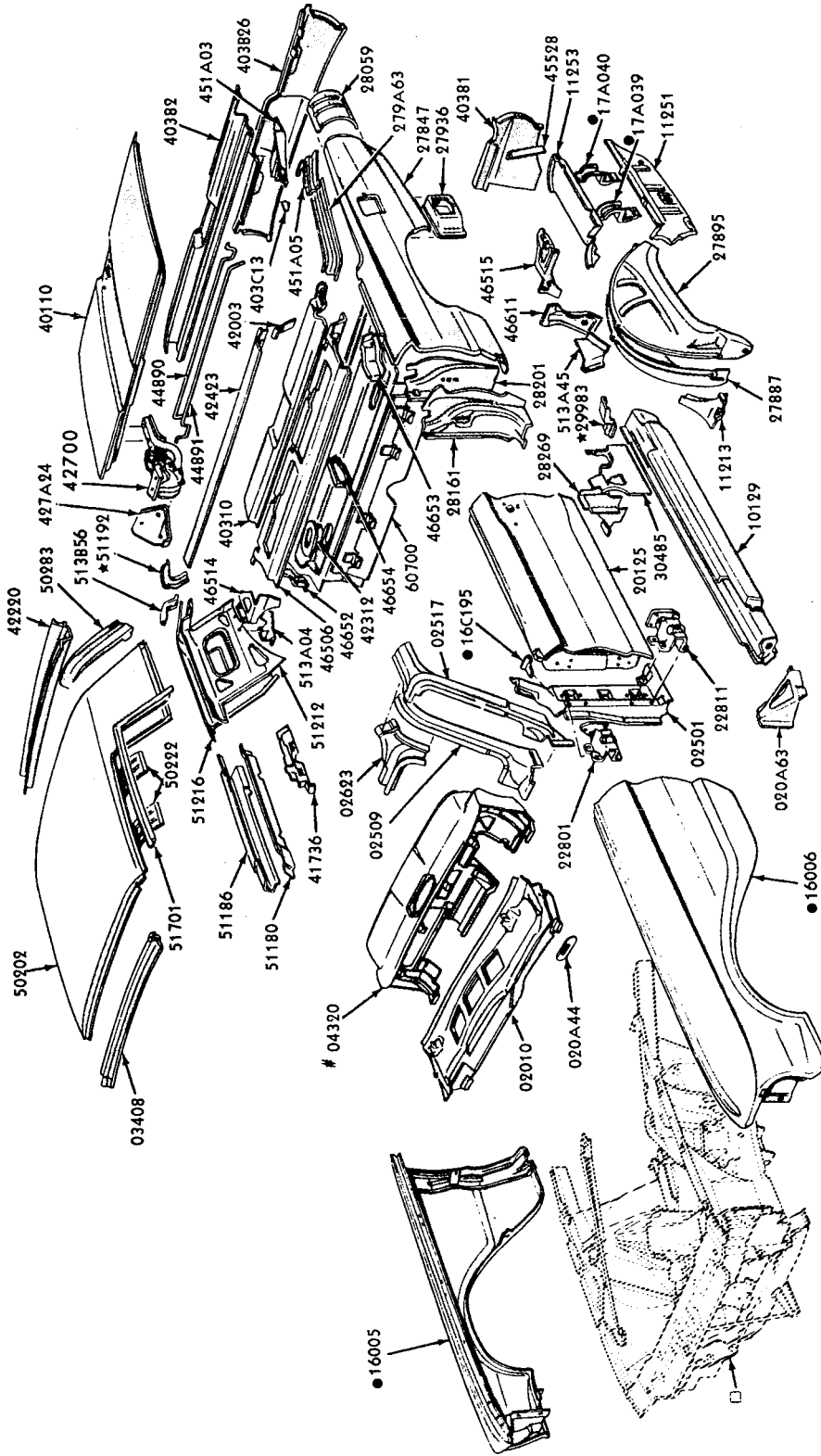
P-6911

\*REFER TO GROUP IN CHASSIS SECTION



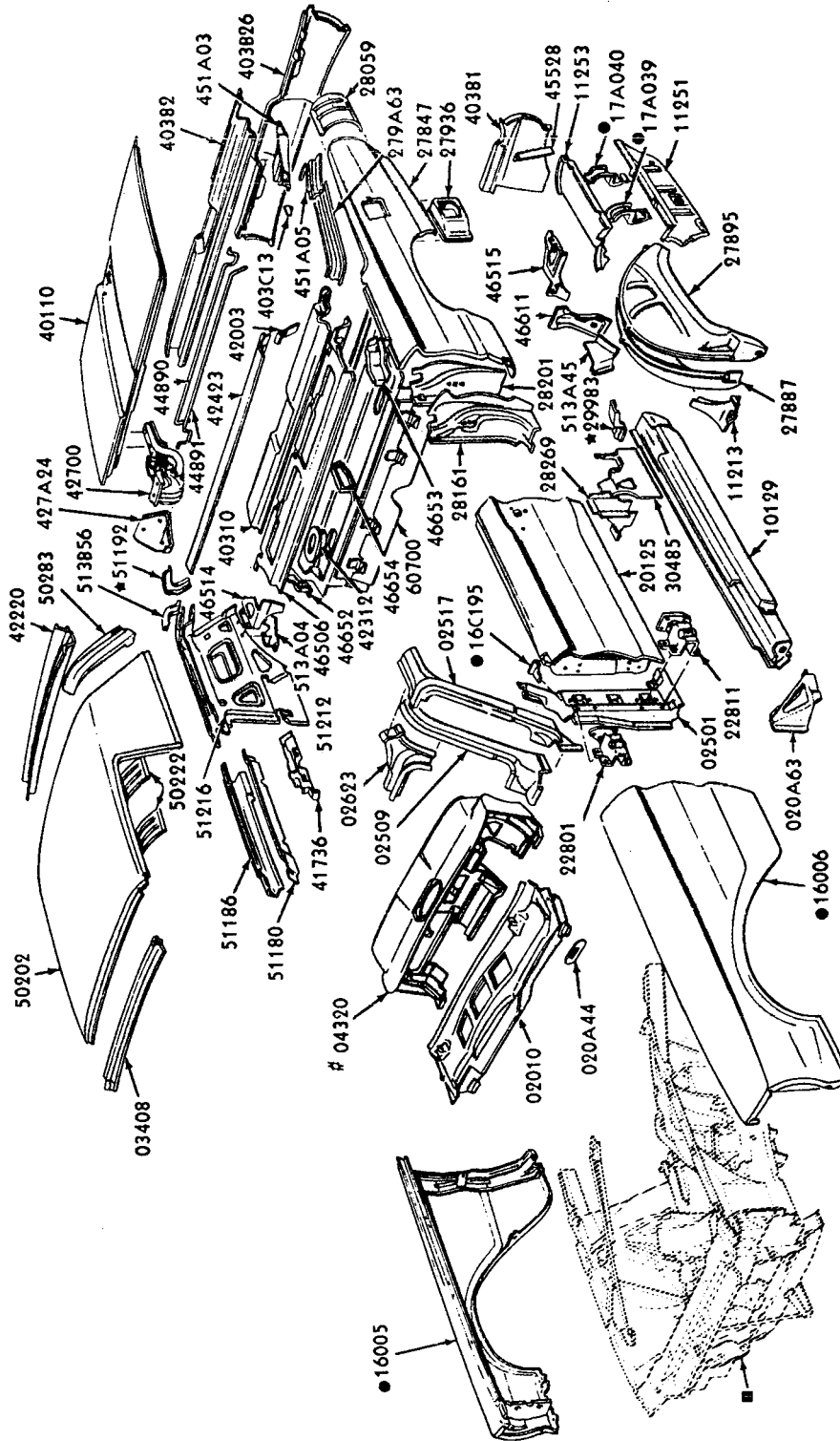






- # NOT INCLUDED IN SKELETON BODY
- REFER TO CHASSIS GROUP NUMBER
- REFER TO CHASSIS ILLUSTRATION SECTION 160

1965/66 THUNDERBIRD - BODY TYPE 63A, B - UPPER BODY

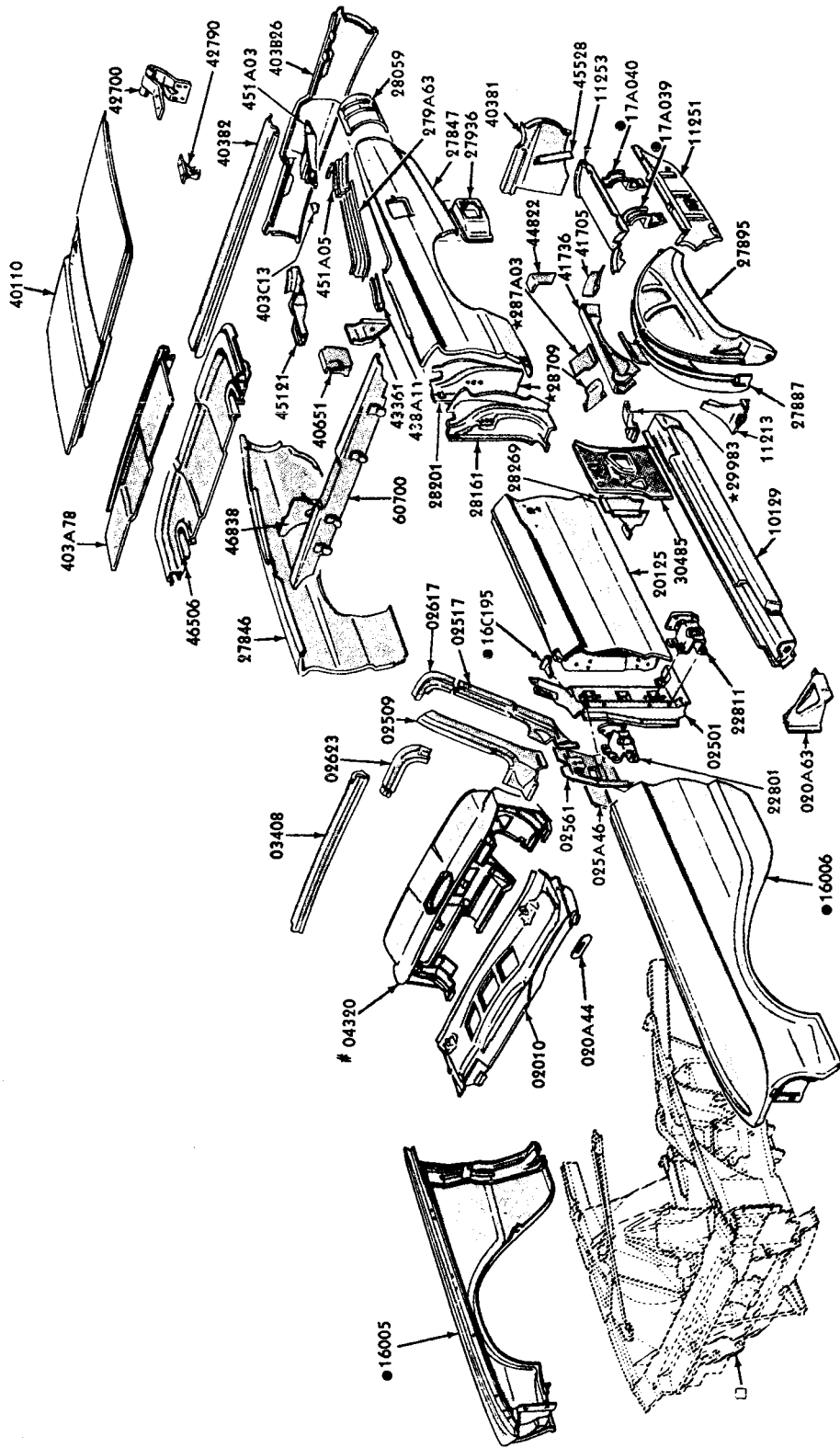


P-5017

- # NOT INCLUDED IN SKELETON BODY
- REFER TO CHASSIS GROUP NUMBER
- REFER TO CHASSIS ILLUSTRATION SECTION 160

1966 THUNDERBIRD - BODY TYPES 63C, D - UPPER BODY

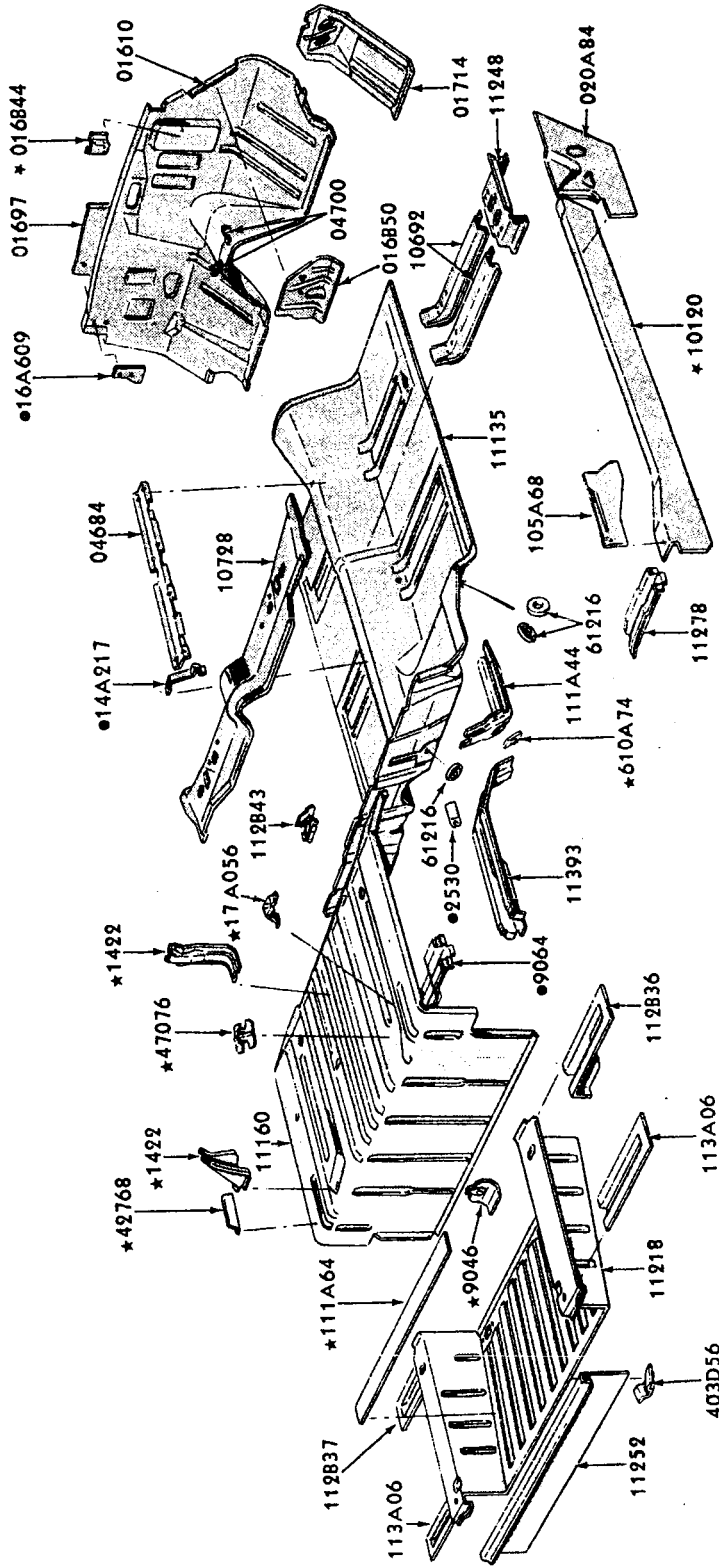




P-4643

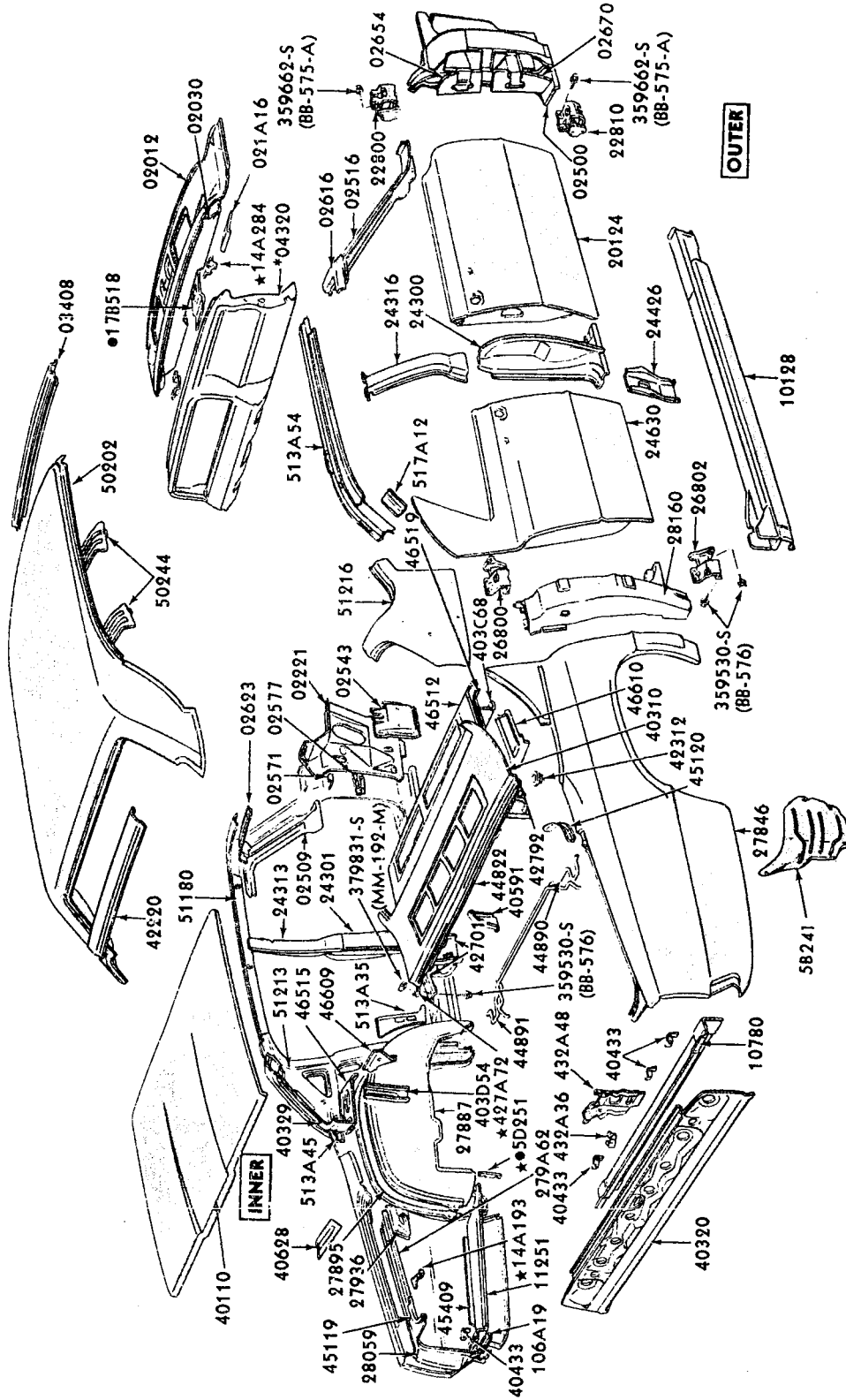
- # NOT INCLUDED IN SKELETON BODY
- REFER TO CHASSIS GROUP NUMBER
- REFER TO CHASSIS ILLUSTRATION SECTION 160

1965/66 THUNDERBIRD - BODY TYPE 76 - UPPER BODY



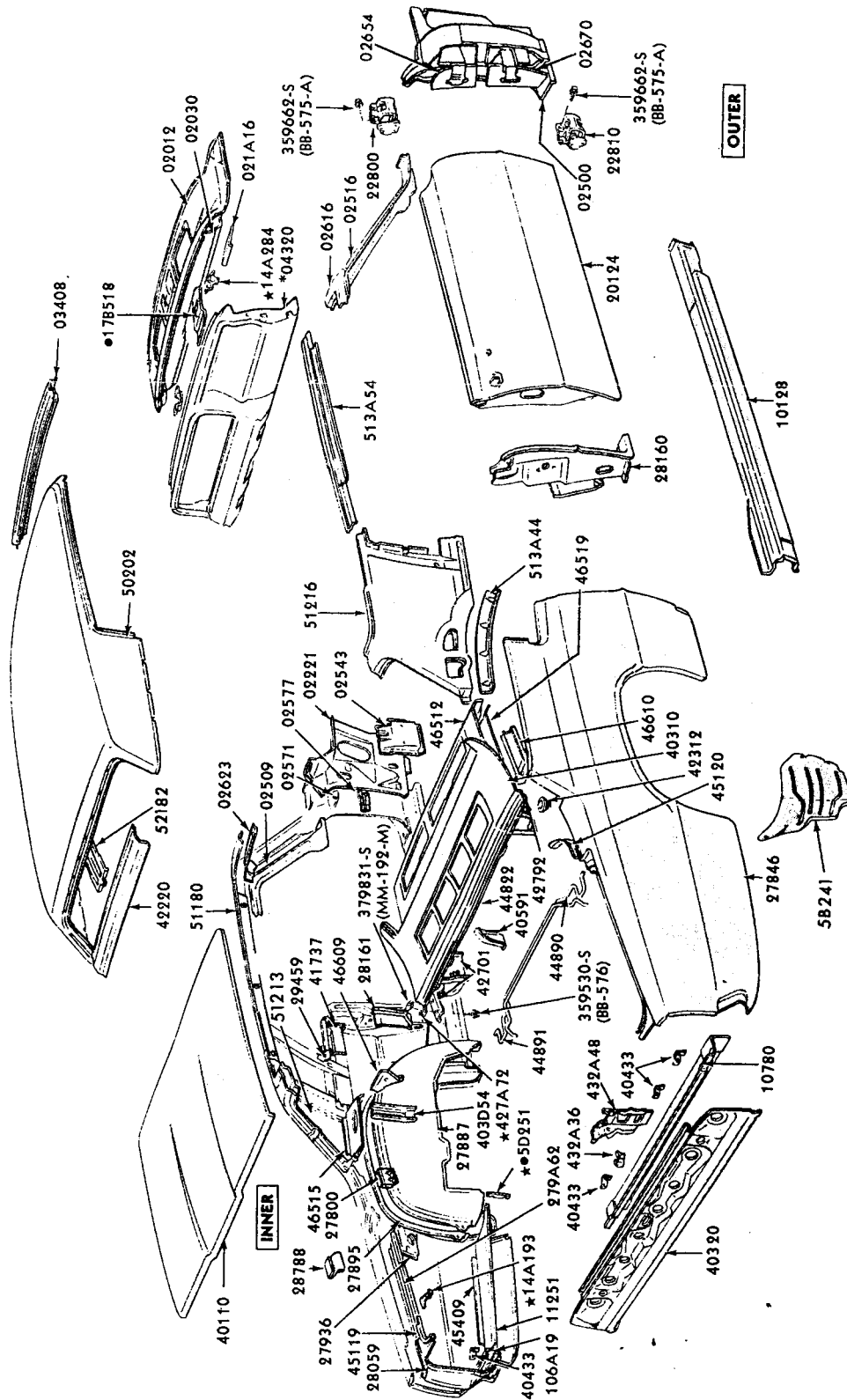
P-5354

●REFER TO GROUP IN CHASSIS SECTION



• REFER TO GROUP IN CHASSIS SECTION  
 \* NOT INCLUDED WITH SKELETON BODY

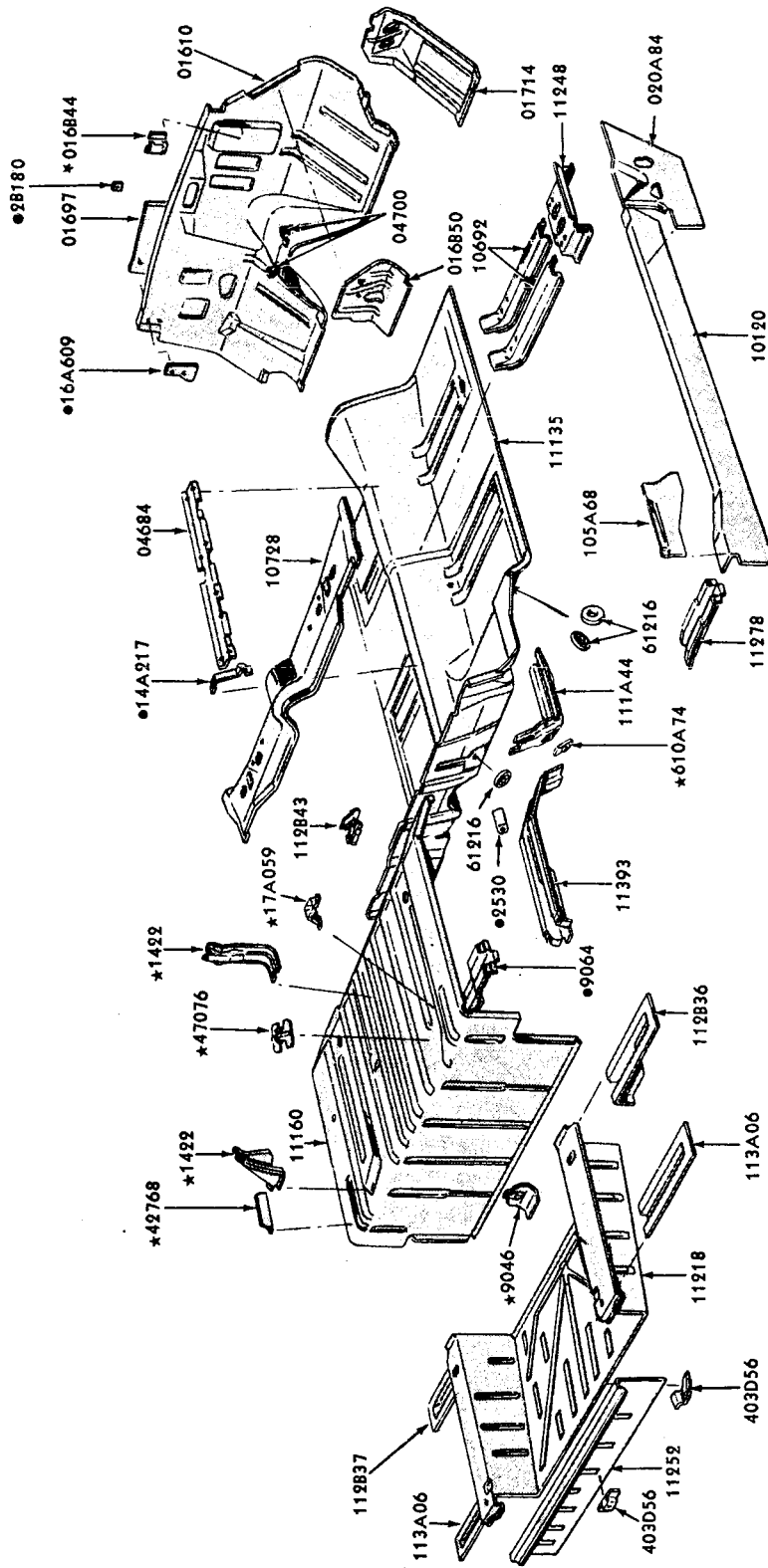
1967 THUNDERBIRD - BODY TYPE 57 - UPPER BODY



P-5357

•REFER TO GROUP IN CHASSIS SECTION  
\*NOT INCLUDED WITH SKELETON BODY

1967 THUNDERBIRD - BODY TYPE 65 - UPPER BODY



P-6069

•REFER TO GROUP IN CHASSIS SECTION

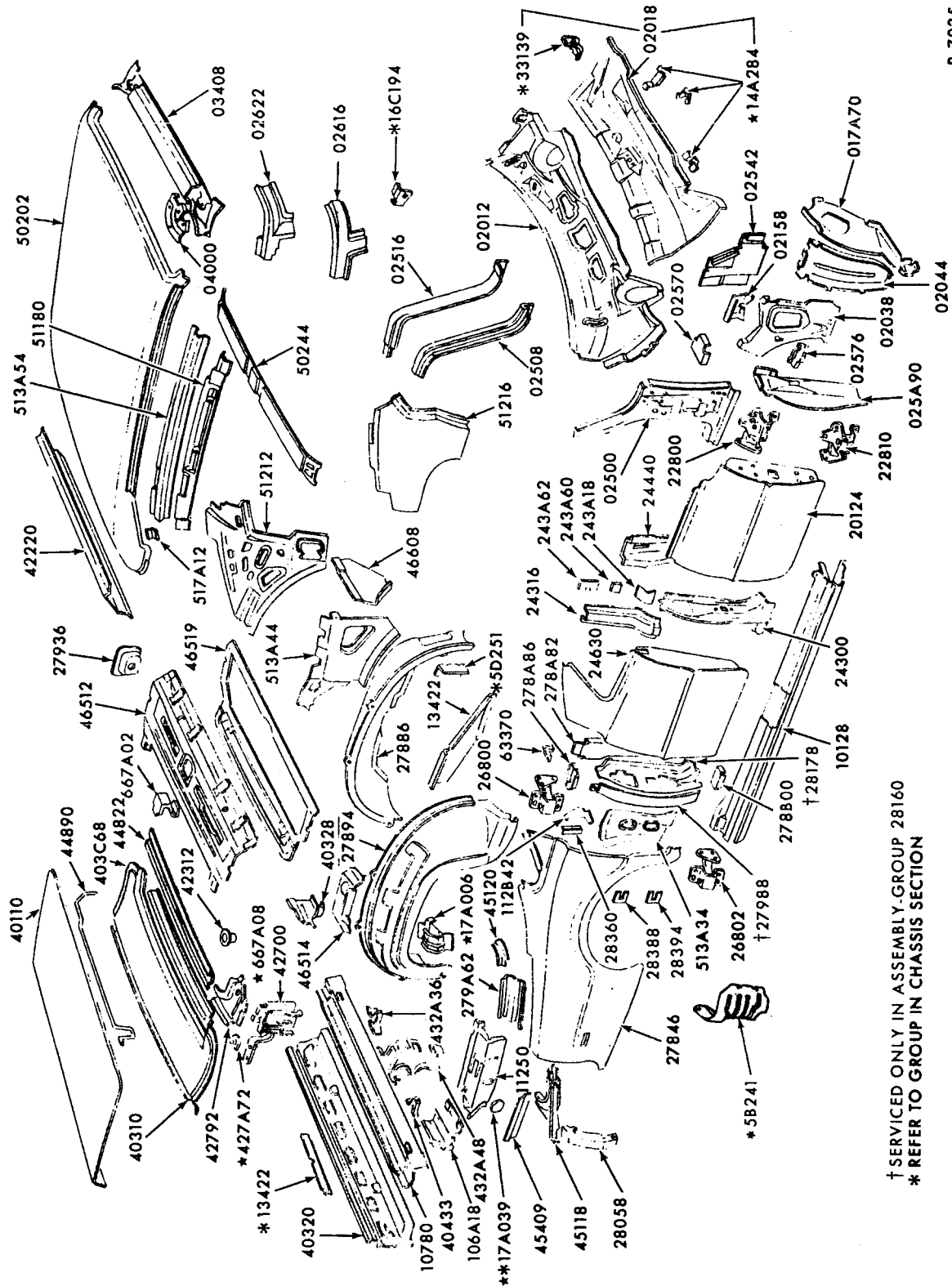
1968/69 THUNDERBIRD - UNDERBODY







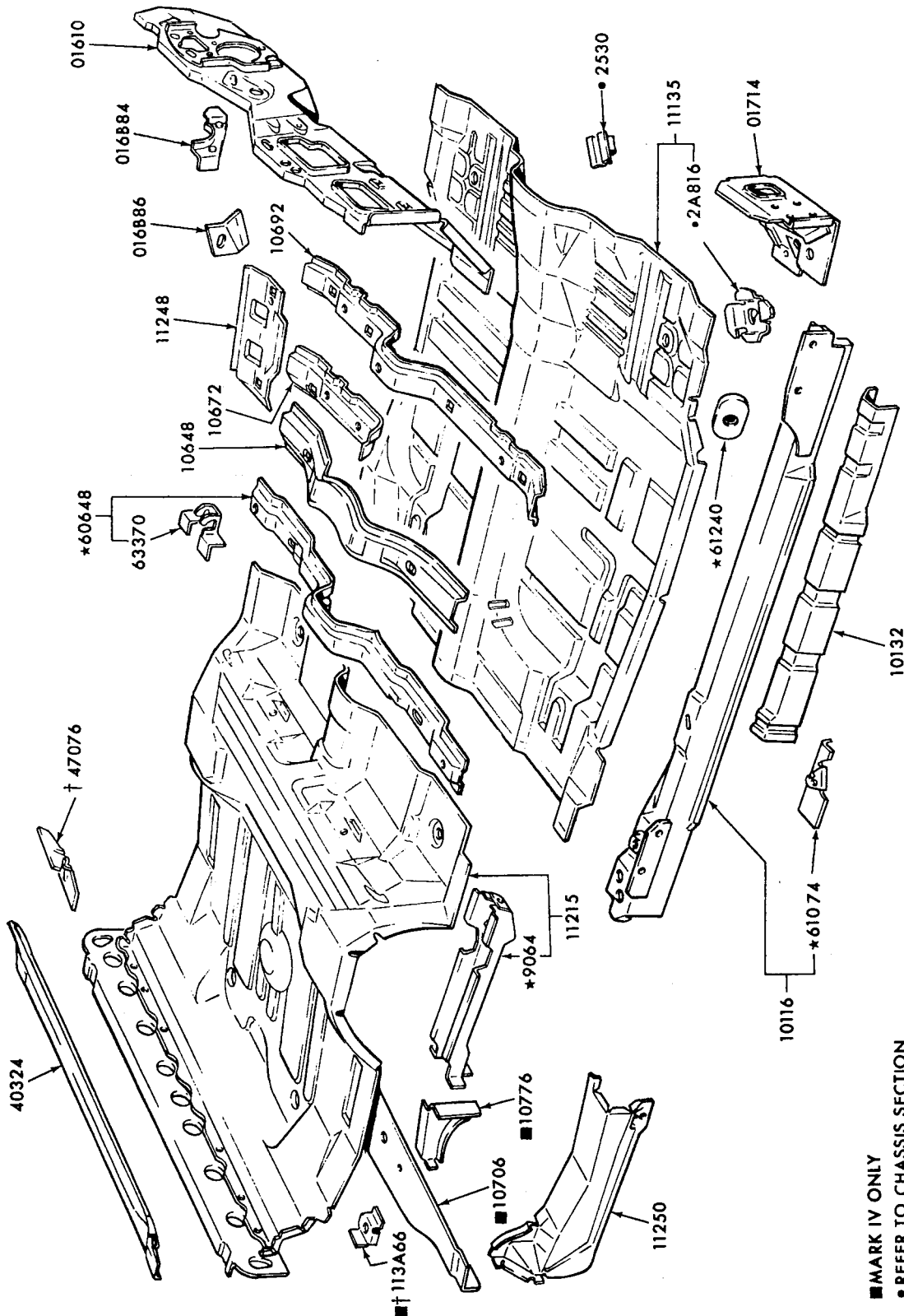




† SERVICED ONLY IN ASSEMBLY GROUP 28160  
 \* REFER TO GROUP IN CHASSIS SECTION

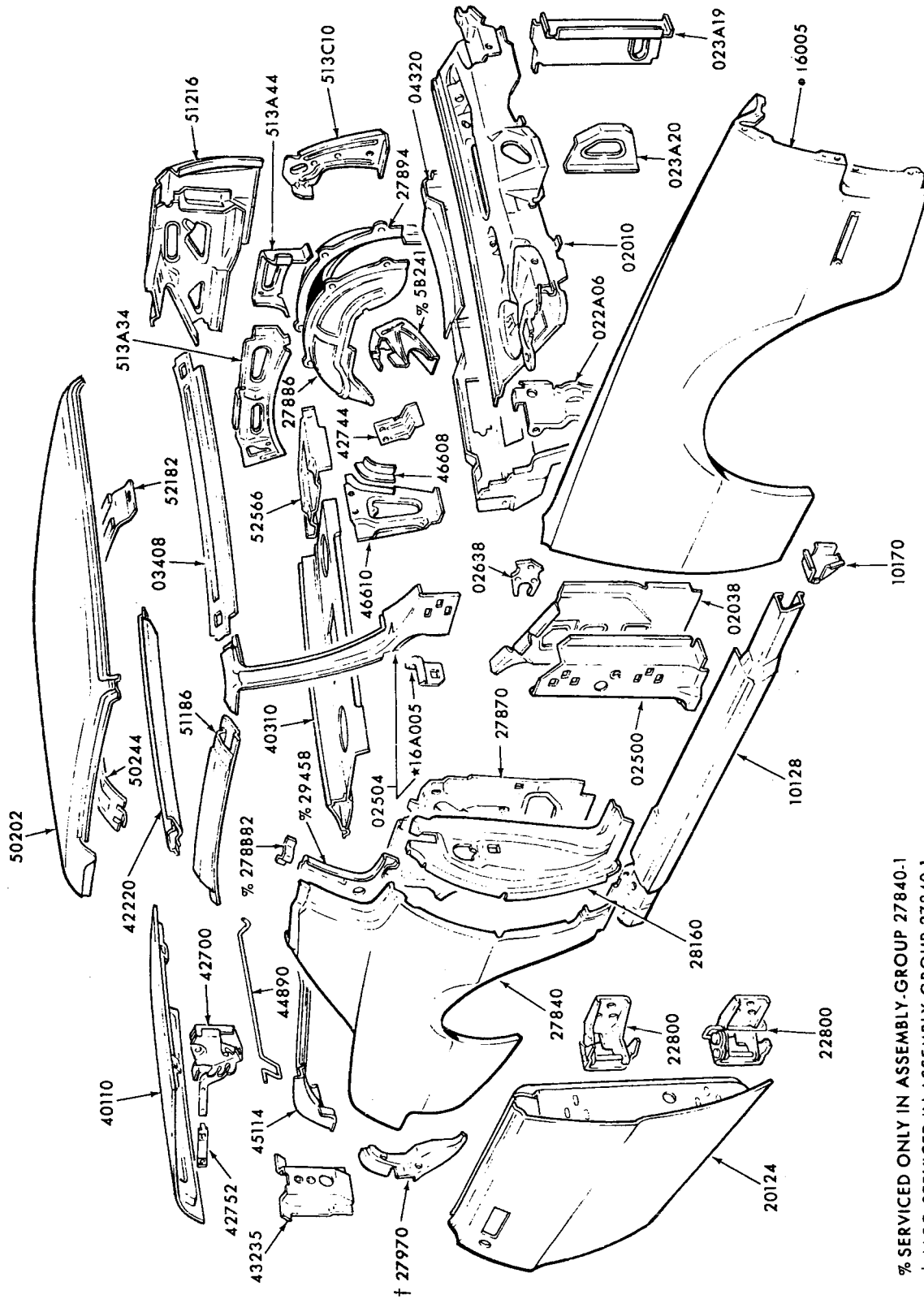
1970/71 THUNDERBIRD - BODY TYPE 57 - UPPER BODY





- MARK IV ONLY
- REFER TO CHASSIS SECTION
- † ALSO SERVICED IN ASSY. - GROUP 11215

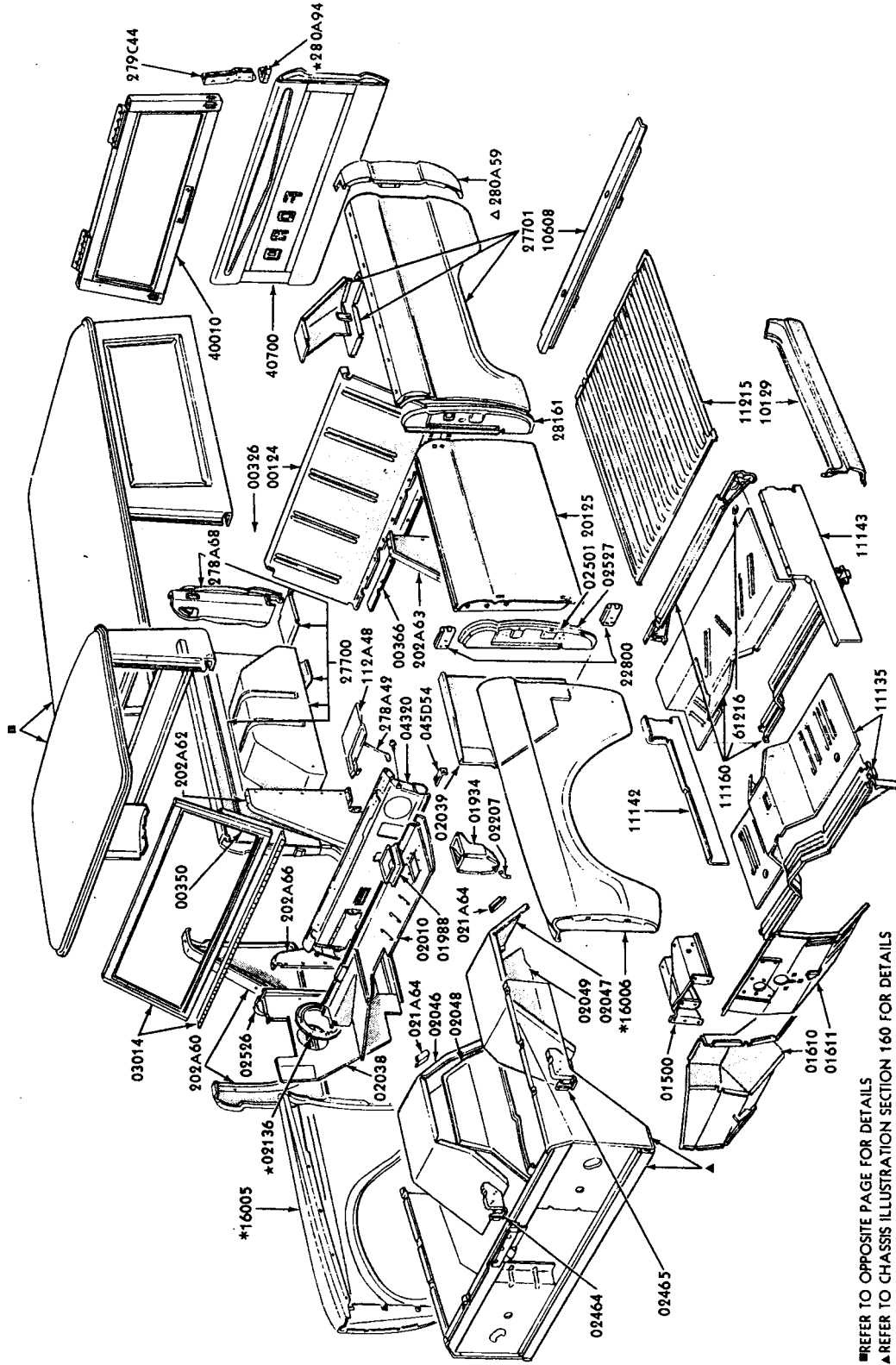
1972 THUNDERBIRD - UNDERBODY



P-8830

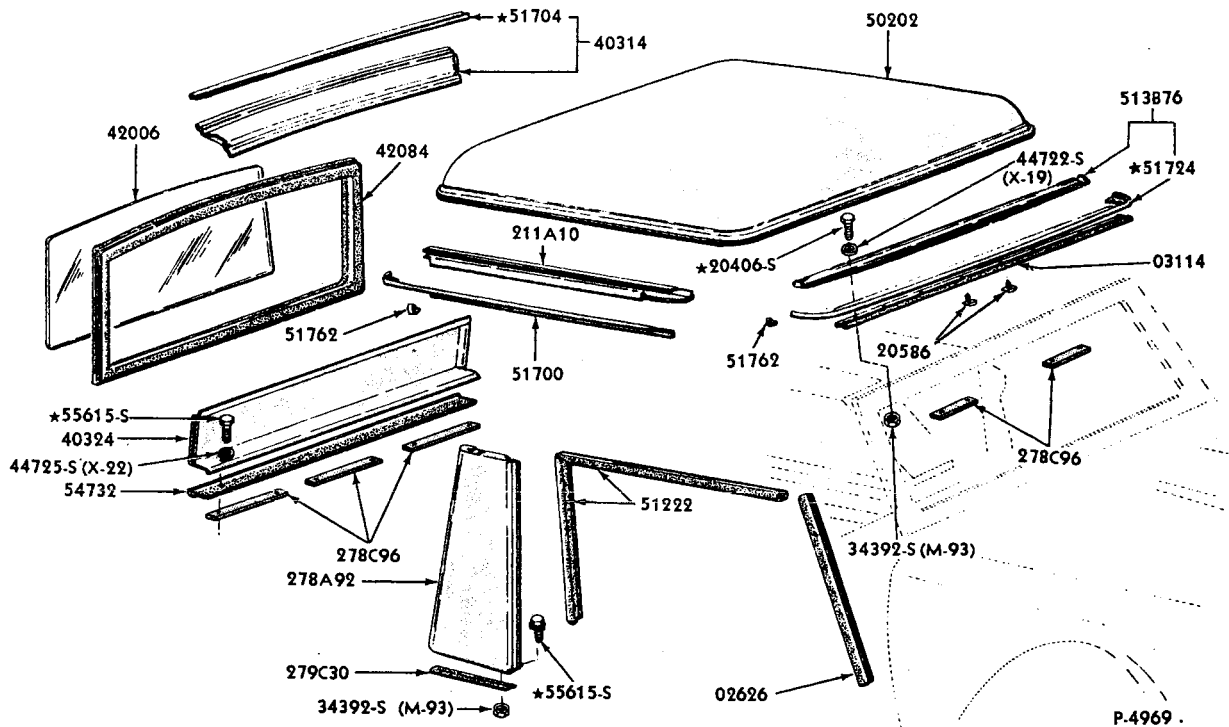
% SERVICED ONLY IN ASSEMBLY-GROUP 27840-1  
 † ALSO SERVICED IN ASSEMBLY-GROUP 27840-1  
 • REFER TO CHASSIS SECTION

1972 THUNDERBIRD - UPPER BODY



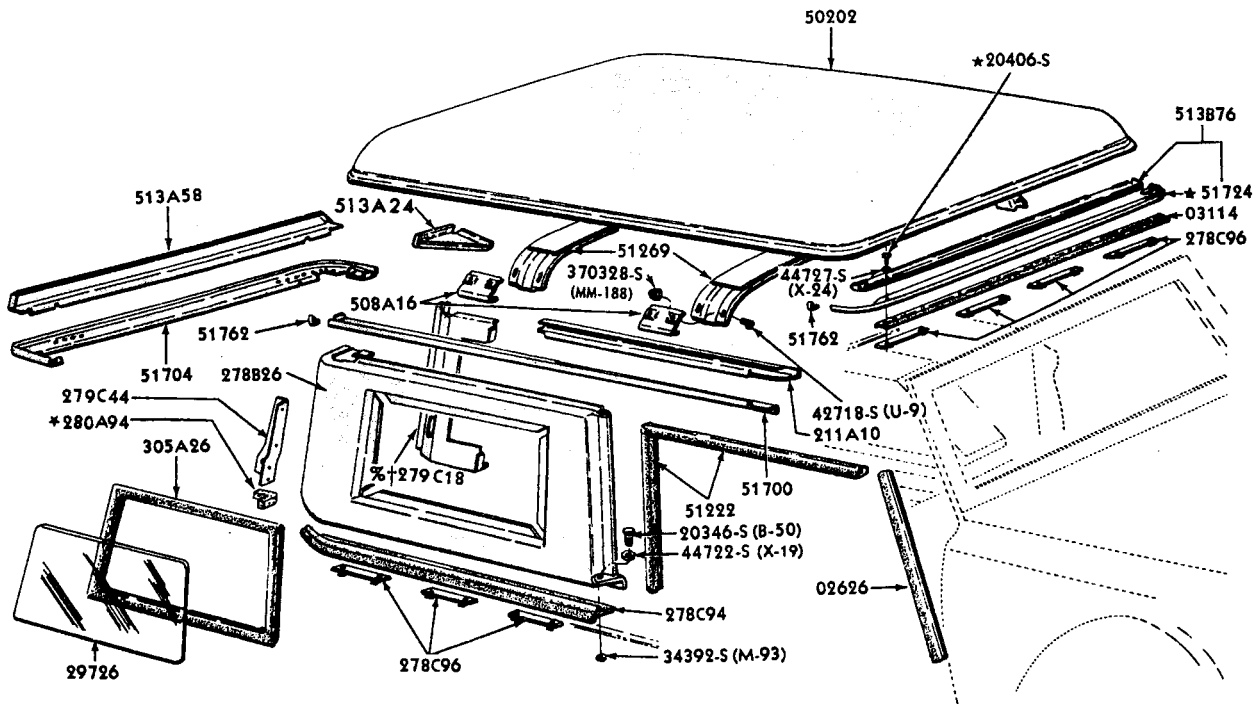
■ REFER TO OPPOSITE PAGE FOR DETAILS  
 ▲ REFER TO CHASSIS ILLUSTRATION SECTION 160 FOR DETAILS  
 \* REFER TO GROUP IN CHASSIS SECTION  
 ▲ ALSO INCLUDED IN 27700-1





P.4969

1966/72 BRONCO - ROOF - BODY TYPE 97



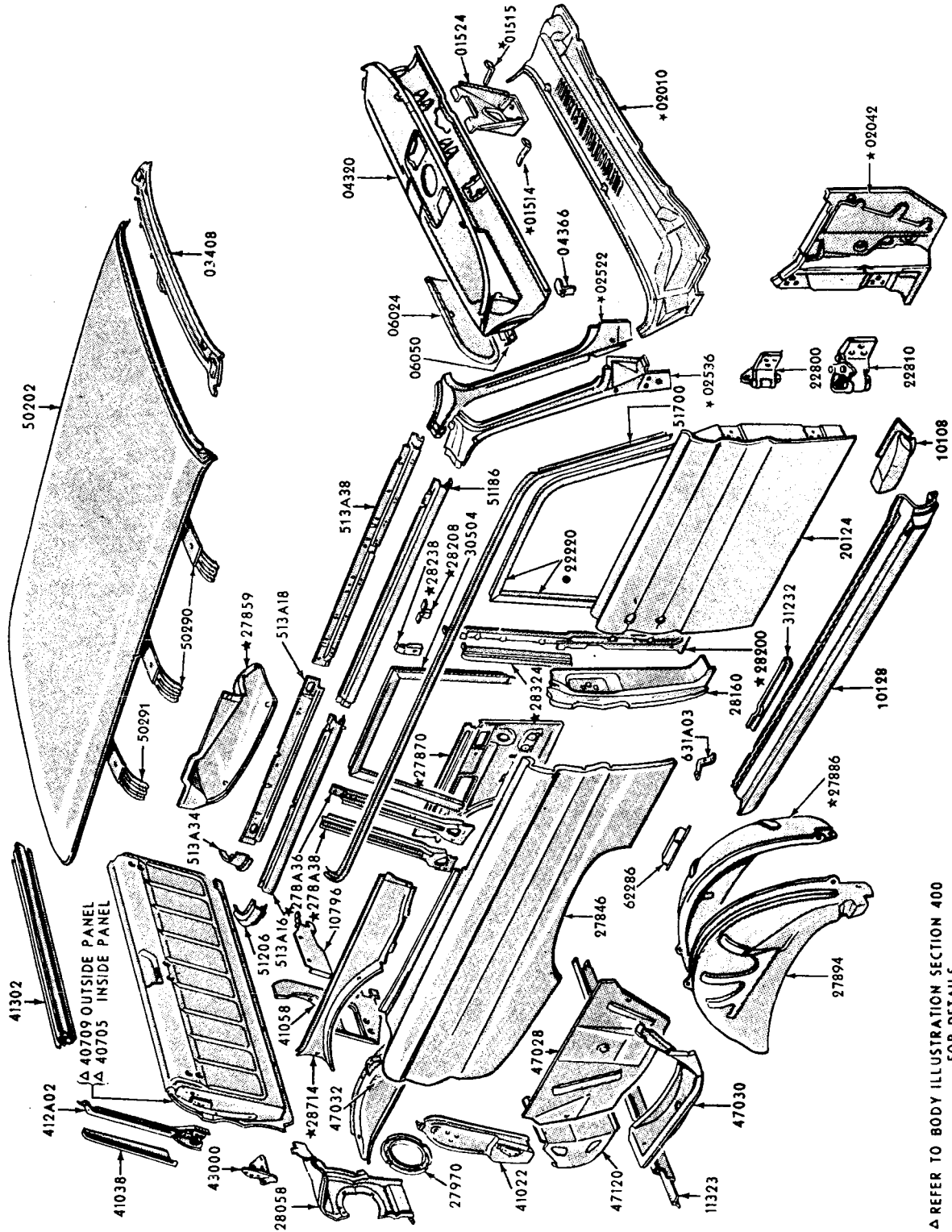
† BEFORE SER.D54,001  
 % FROM SER.D54,001 REFER TO GROUPS 279C20-1, 279C44-5 & 279C72-3

P.4968

1966/72 BRONCO - ROOF - BODY TYPE 98



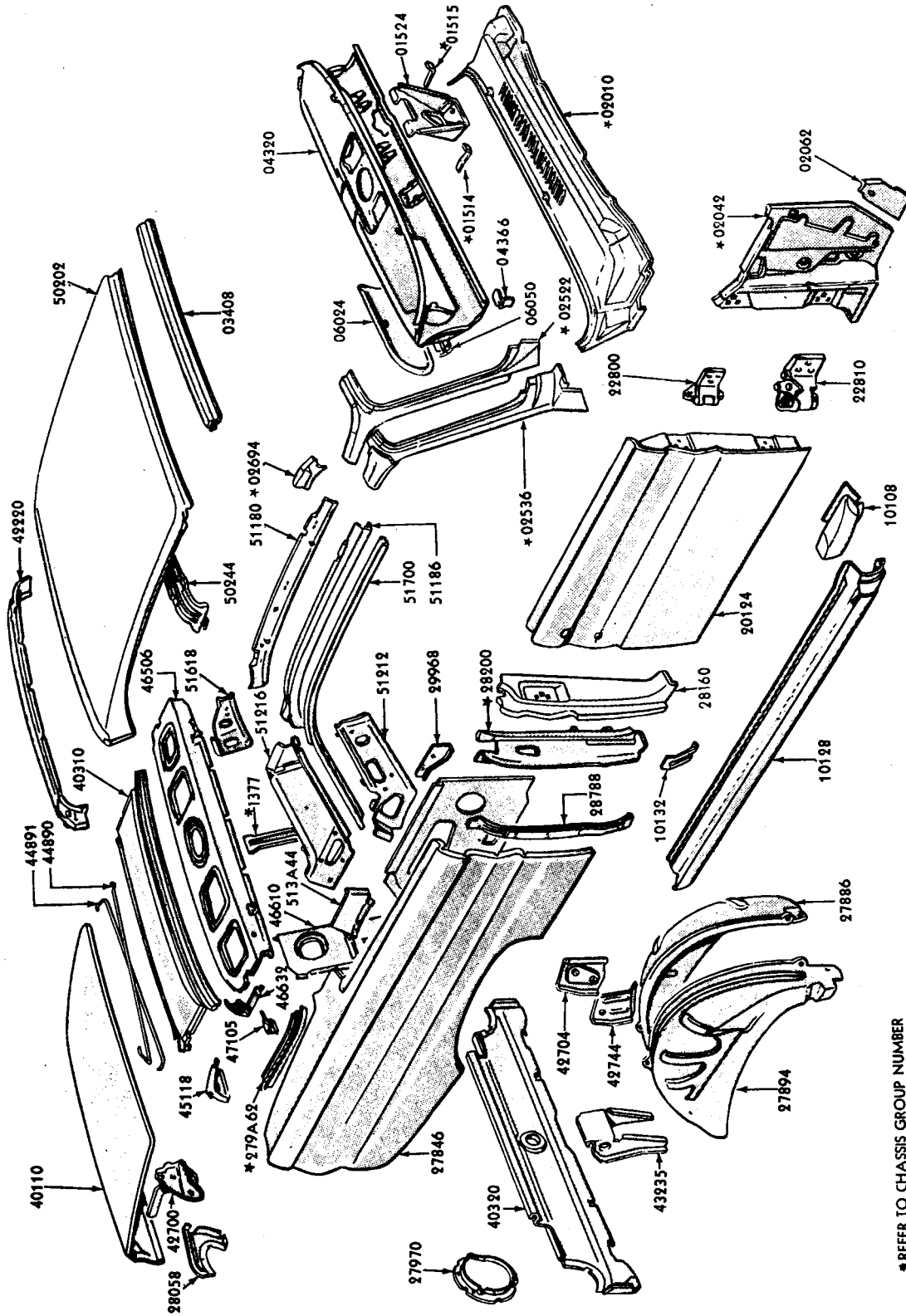




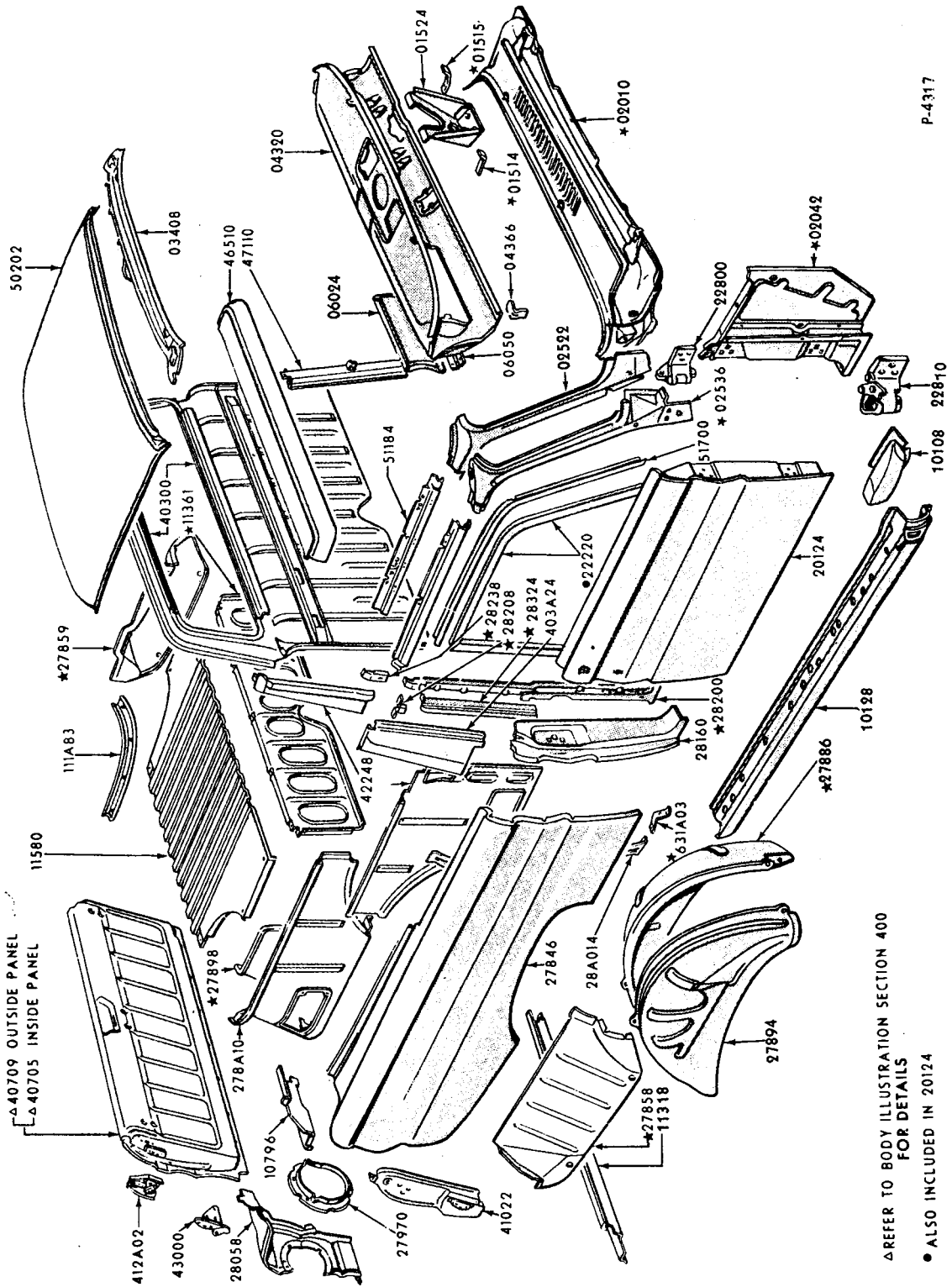
▲ REFER TO BODY ILLUSTRATION SECTION 400 FOR DETAILS  
 ● ALSO INCLUDED IN 20124

1965 FALCON - BODY TYPE 59 - UPPER BODY





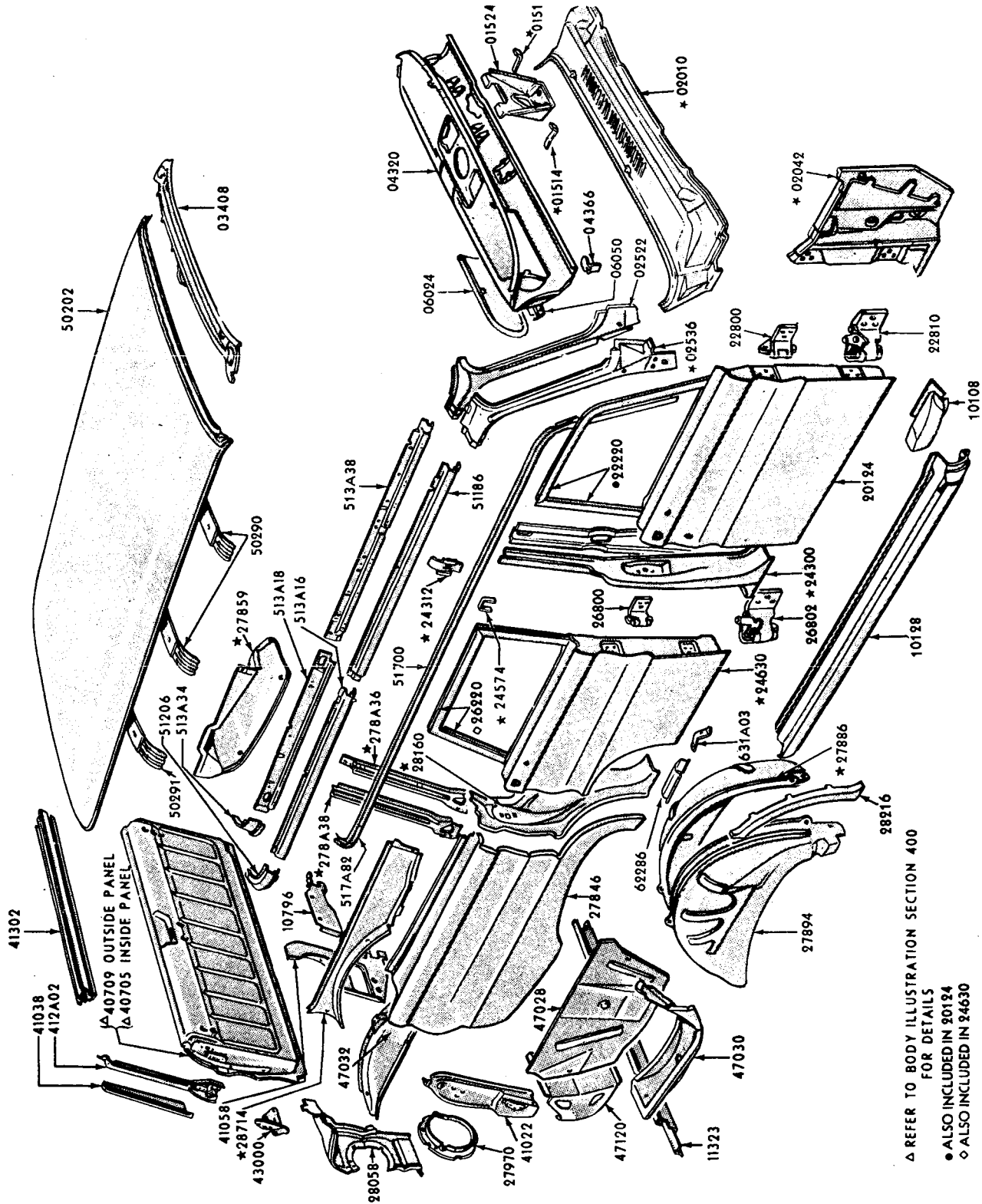
\* REFER TO CHASSIS GROUP NUMBER



P-4317

△REFER TO BODY ILLUSTRATION SECTION 400 FOR DETAILS  
 ● ALSO INCLUDED IN 20124

1965 FALCON - BODY TYPE 66 - UPPER BODY



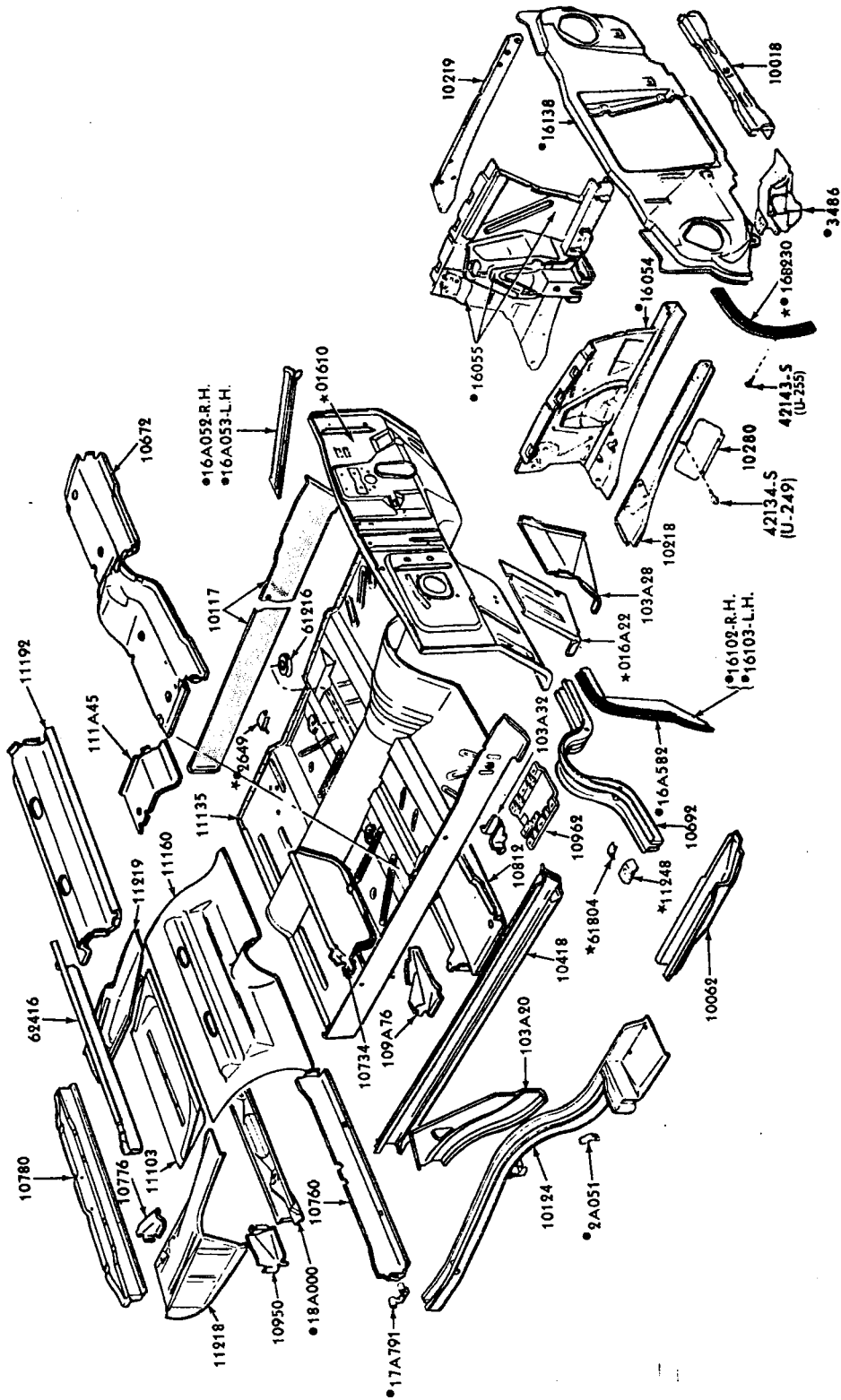
▲ REFER TO BODY ILLUSTRATION SECTION 400 FOR DETAILS  
 ● ALSO INCLUDED IN 20124  
 ○ ALSO INCLUDED IN 24630

1965 FALCON - BODY TYPE 71 - UPPER BODY





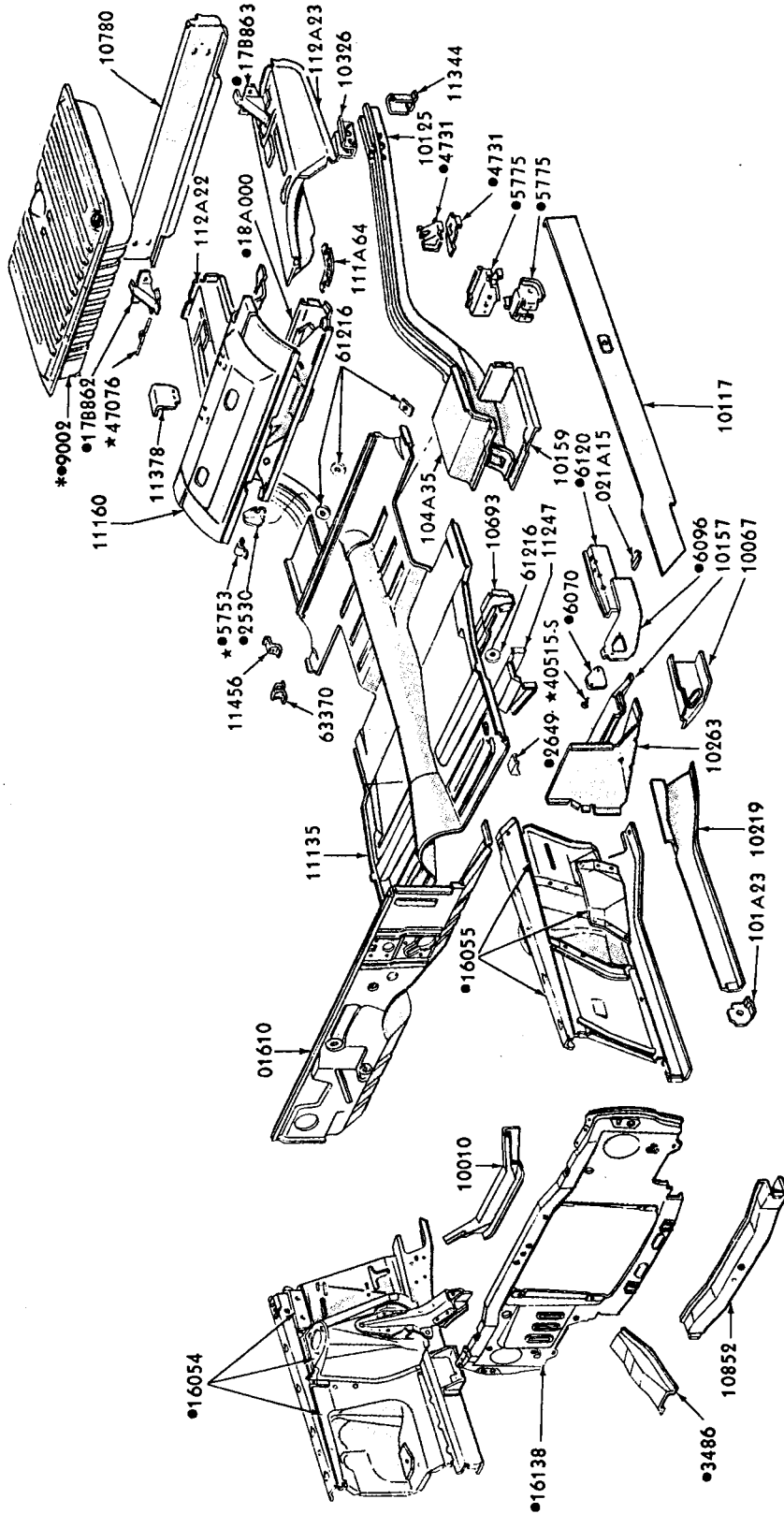
P-4654



• REFER TO CHASSIS GROUP

1965 FALCON - BODY TYPE 76 - UNDER BODY

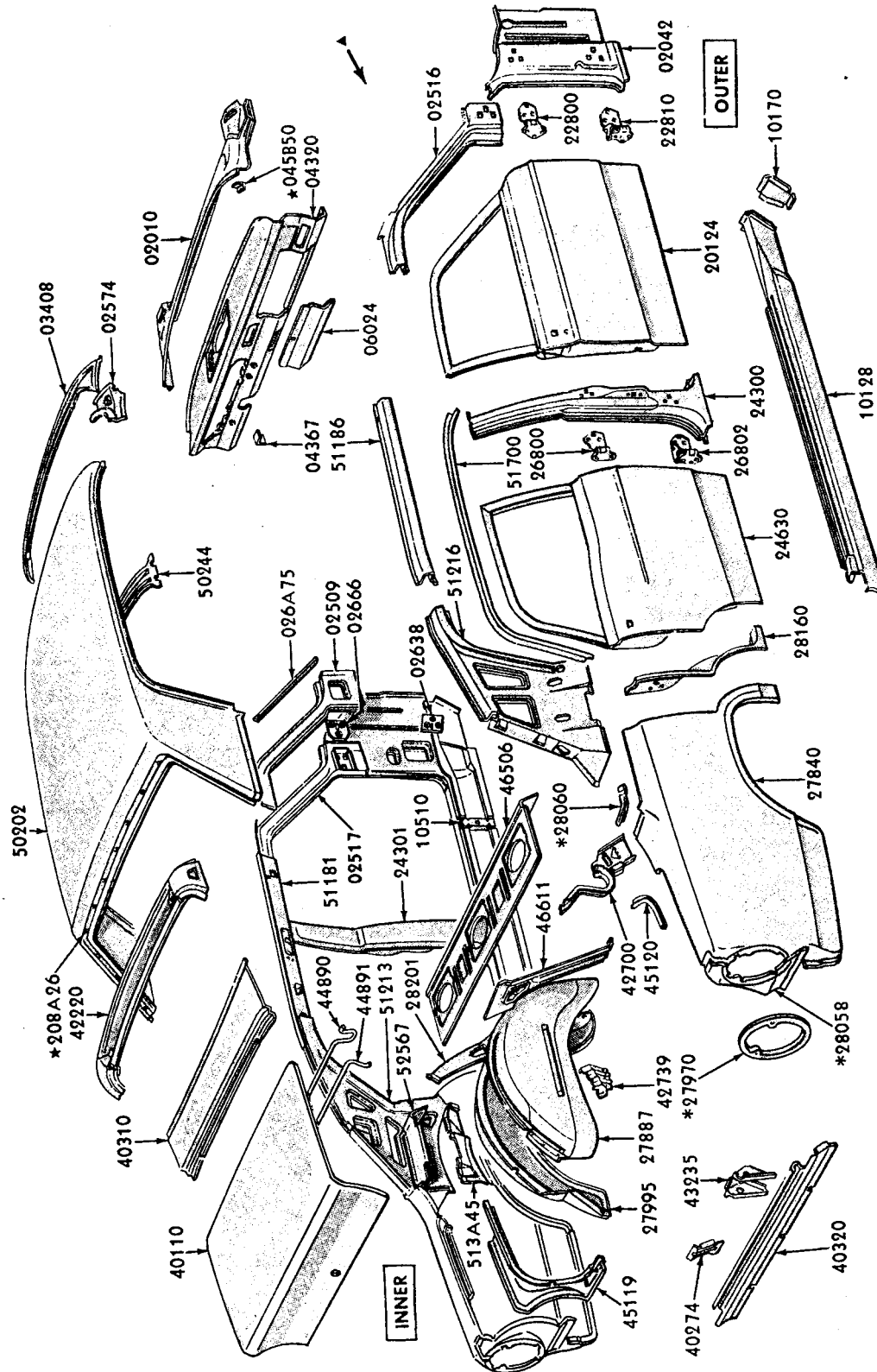




P-5142

•REFER TO GROUP IN CHASSIS SECTION  
\*NOT PART OF UNDERBODY

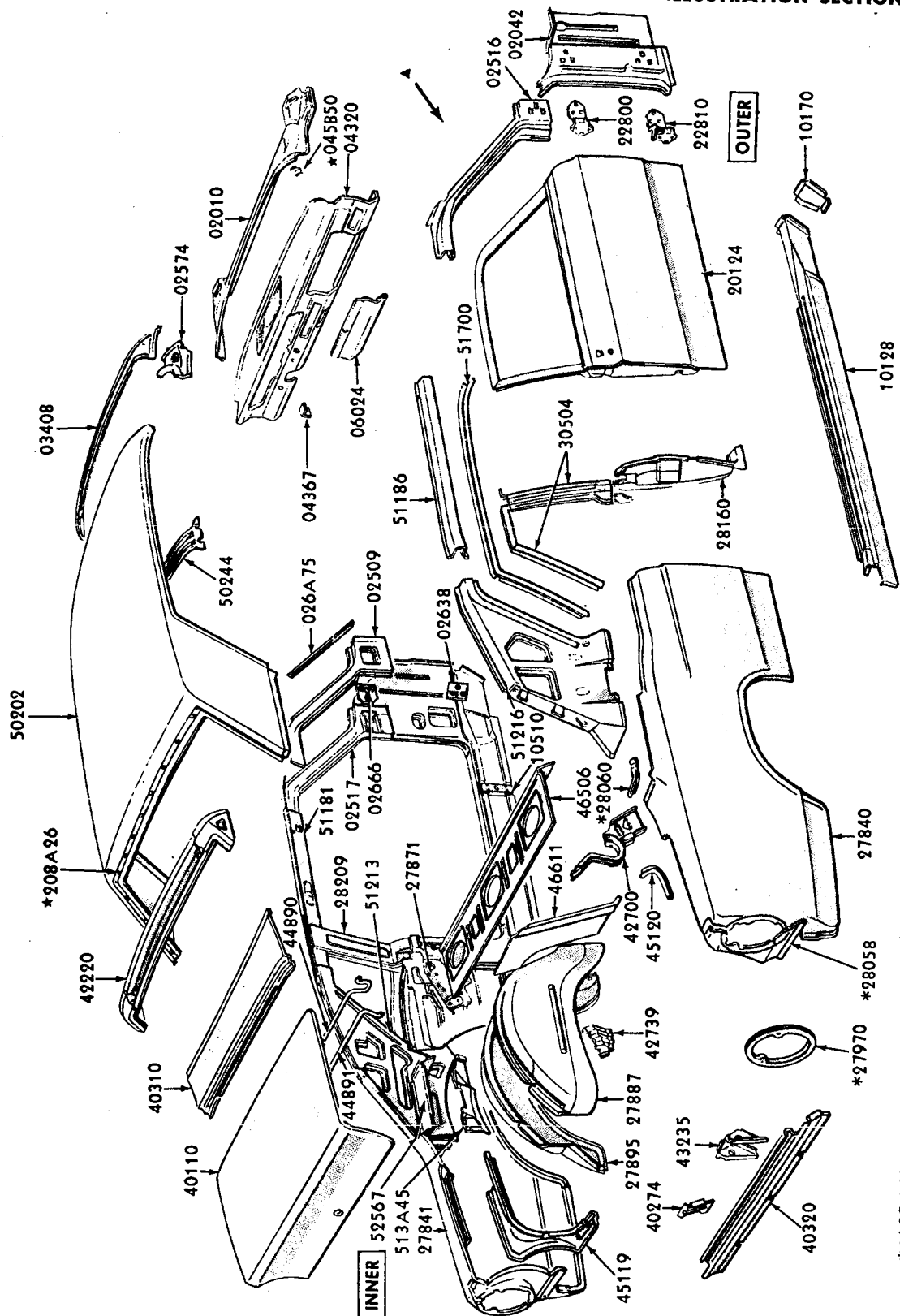
1966/67 FALCON - BODY TYPES 54, 62 - UNDERBODY



P-5026

\*ALSO INCLUDED IN 27840-1  
▲FOR FRONT BODY PARTS REFER TO UNDERBODY ILLUSTRATION

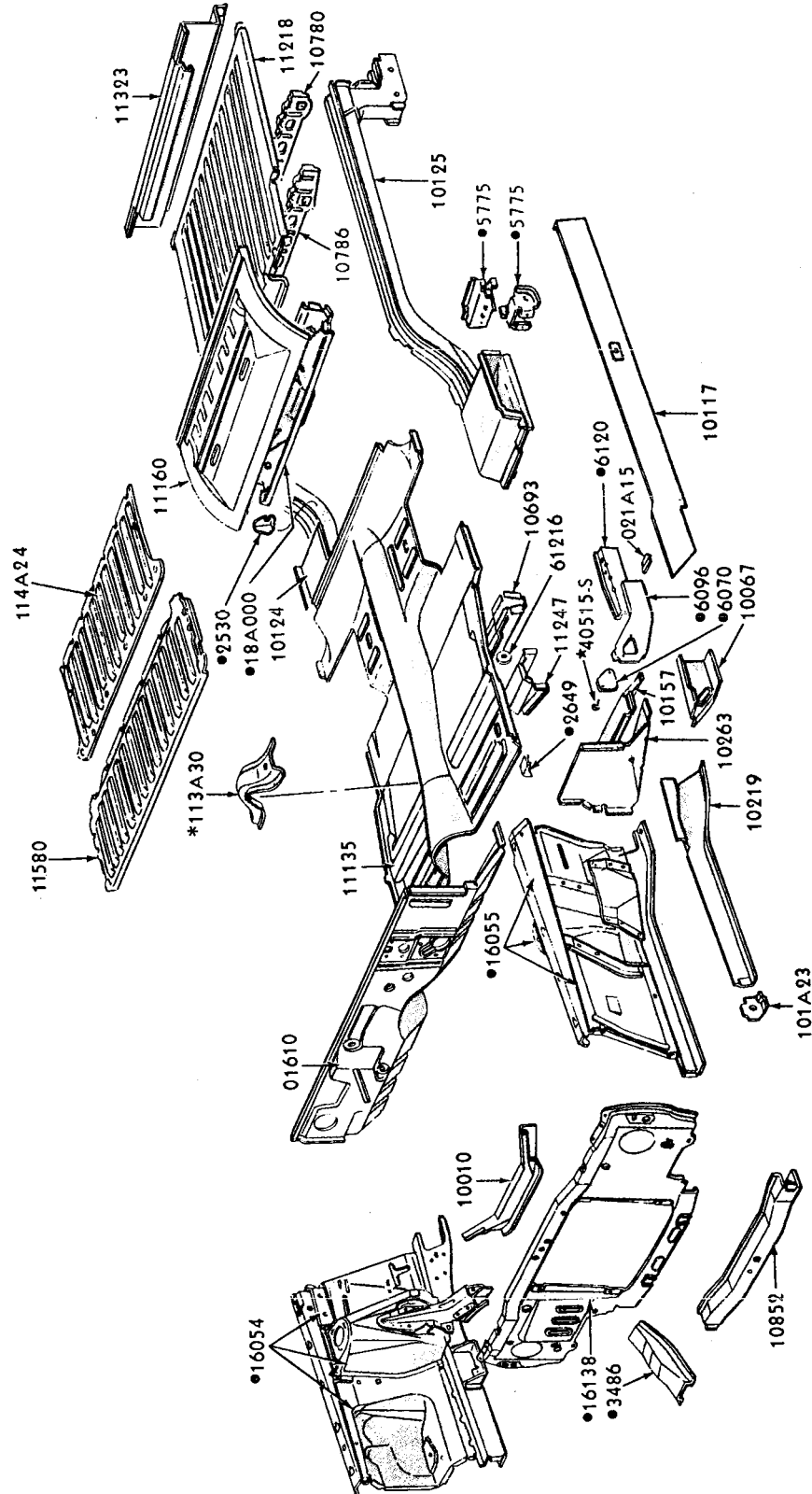
1966/67 FALCON - BODY TYPE 54 - UPPER BODY



P.5027

\* ALSO INCLUDED IN 27840-1  
 ▲ FOR FRONT BODY PARTS REFER TO UNDERBODY ILLUSTRATION

1966/67 FALCON - BODY TYPE 62 - UPPER BODY



P-5031

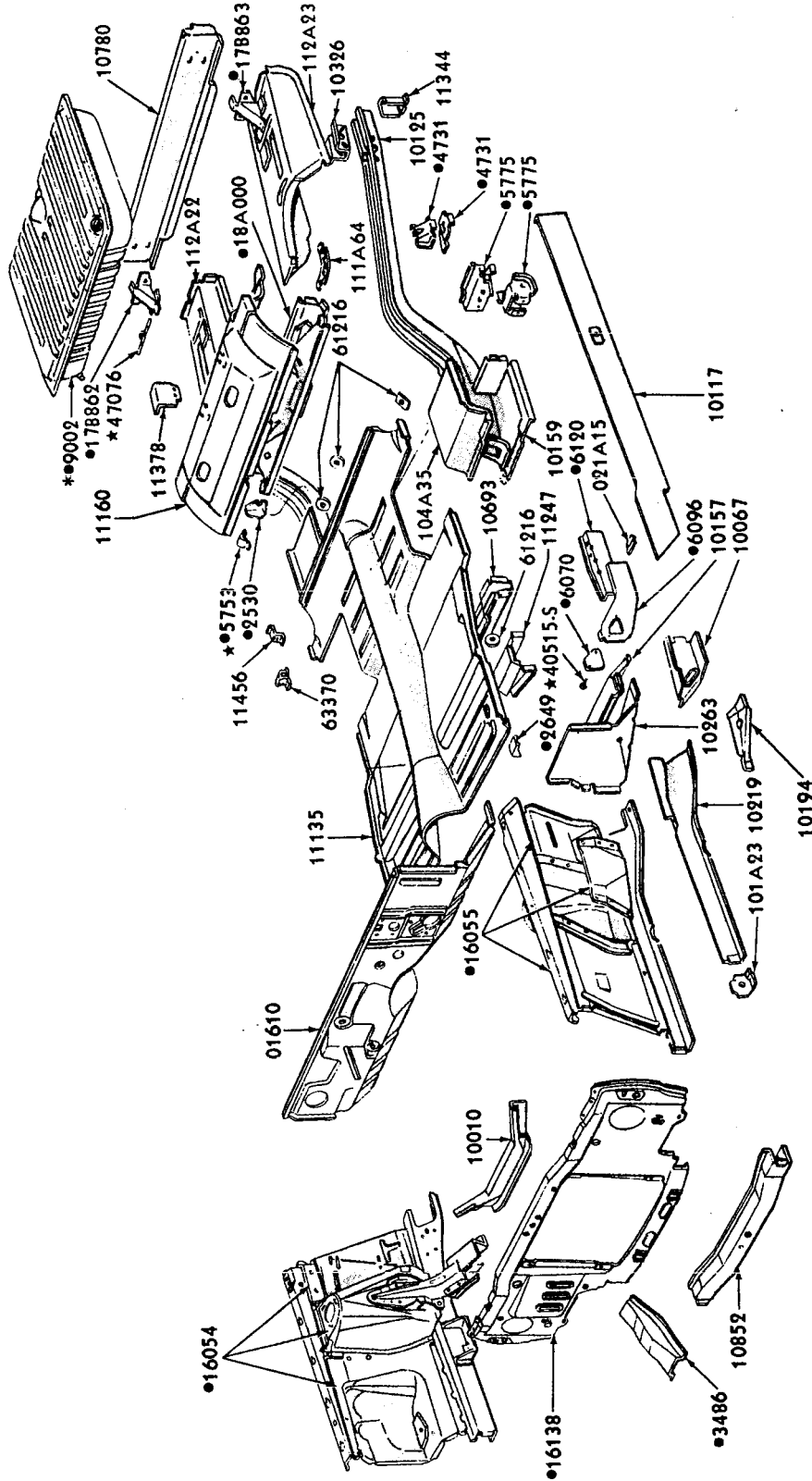
●REFER TO GROUP IN CHASSIS SECTION  
\*USED ON (66D) ONLY











P-6073

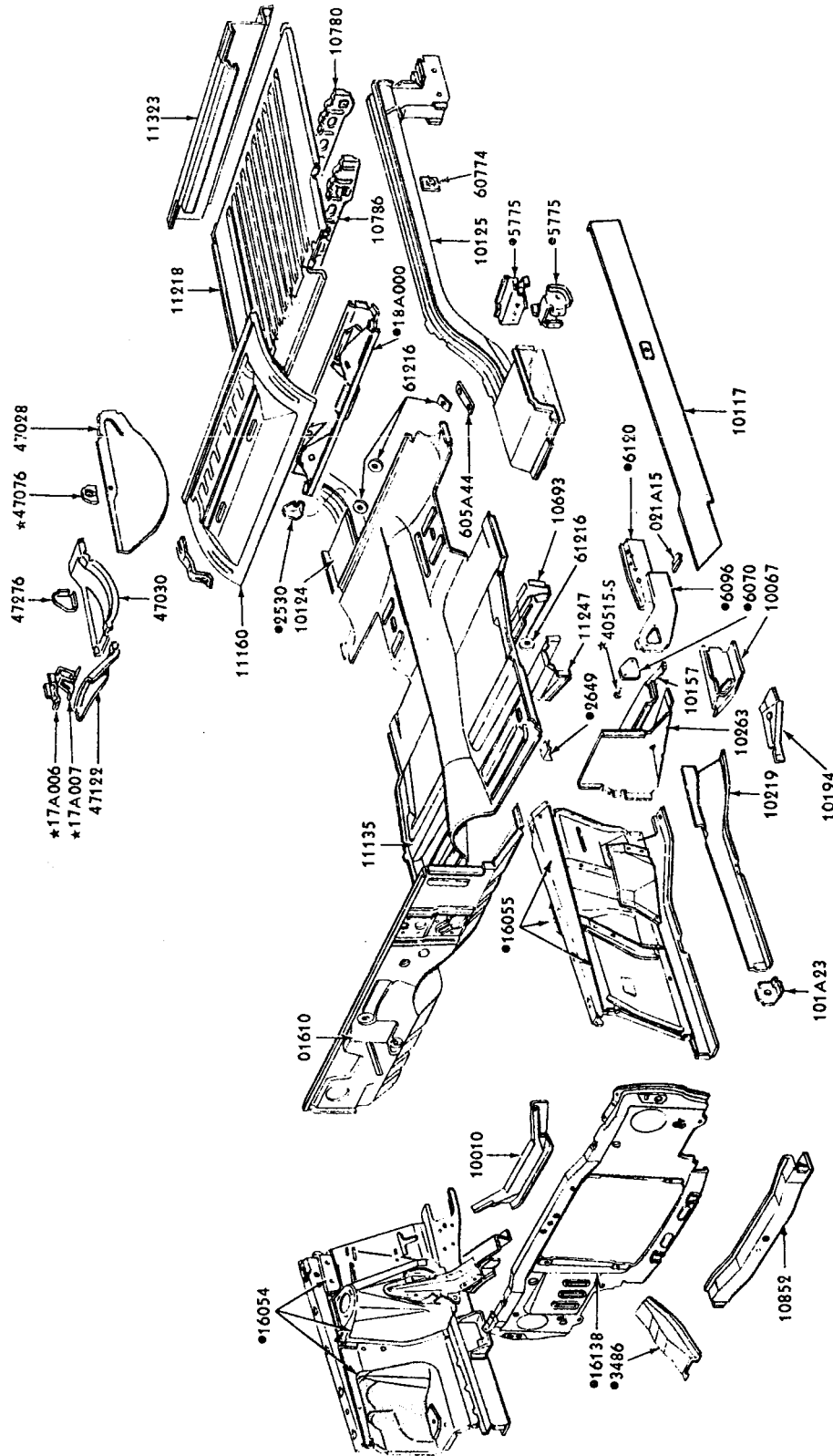
● REFER TO GROUP IN CHASSIS SECTION  
 \* NOT PART OF UNDERBODY

1968/70 FALCON-BODY TYPE 54, 62-UNDERBODY





P-6074



REFER TO GROUP IN CHASSIS SECTION

1968/70 FALCON - BODY TYPE 71 - UNDERBODY



### INDEX

#### EXTERIOR MOULDINGS - BACK and SIDE

TITLE	SECTION	PAGE	ILLUS. NO.	TITLE	SECTION	PAGE	ILLUS. NO.
-------	---------	------	------------	-------	---------	------	------------

## 1965

A (FORD)				F (MUSTANG)			
54A, 57B - side	A	1	P-4656	All	F	1	P-4490
54B - side	A	2	P-4657	S (THUNDERBIRD)			
54E, 62E - side	A	4	P-4660	63	S	1	P-4301
57F - side	A	5	P-4663	76	S	2	P-4302
62B - side	A	3	P-4658	X (FALCON)			
63B, 76A - side	A	6	P-4669	54A, D, 62A, D - side	X	1	P-4689
63C, F, 76B - side	A	7	P-4670	54B, 62B - side	X	2	P-4688
54, 57, 62, 63, 76 - back end	A	8	P-6953	71A, B - before 10/6/64 - side	X	3	P-4696
71 - back end	A	8	P-8356	66A, B - side	X	5	P-4296
71A, E - side	A	9	P-4757	66G, H	X	6	P-4760
71B, C, D - side	A	10	P-4749	63, 76 - side	X	4	P-4694
B (FAIRLANE)				71B - from 10/6/64	X	7	P-4837
54, 62 - side	B	1	P-4678	71C - side	X	8	P-4695
65 - side	B	2	P-4681	78 - side	X	9	P-4295
71 - side	B	3	P-4683	59, 71, 78 - back end	X	10	P-8353
54, 62, 65 - back end	B	4	P-8360	66 - back end	X	11	P-8351
71 - back end	B	4	P-8361	54, 62, 63, 76 - back end	X	11	P-8352

## 1966

A (FORD)				F (MUSTANG)			
54A, 57B - side	A	11	P-5038	All	F	1	P-4490
54B, E, 62B, E - side	A	12	P-5039	S (THUNDERBIRD)			
57F - side	A	13	P-5042	All	S	3	P-5015
63B, 76A - side	A	14	P-5045	U (BRONCO)			
63C, D, F, 76B, D - side	A	15	P-5046	97, 98	U	1	P-5548
54, 57, 62, 63, 76 - back end	A	16	P-5092	X (FALCON)			
71A, E	A	17	P-5047	54, 62 - side	X	12	P-5061
71B, C, D	A	18	P-5048	66 - side	X	13	P-5065
71 - back end	A	19	P-8355	71	X	14	P-5067
B (FAIRLANE)				54, 62 - back end	X	15	P-8357
54, 62 - side	B	5	P-5051	66 - back end	X	15	P-8358
63 - side	B	6	P-5055				
71B, D	B	7	P-5057				
71E	B	8	P-5059				
76	B	10	P-5102				
54, 62, 63, 76 - back end	B	9	P-8367				

## 1967

A (FORD)				B (FAIRLANE)			
54A, 57B	A	20	P-5559	71B	B	18	P-5550
54B, E	A	21	P-5560	71D	B	19	P-5551
54C, 57F, 63J	A	22	P-5563	71E	B	20	P-5552
62	A	23	P-5564	F (MUSTANG)			
63B, C, 76	A	24	P-5567	All	F	2	P-5541
71A, E	A	26	P-5571	S (THUNDERBIRD)			
71 - back end	A	28	P-8354	All	S	4	P-5364
54, 57, 62, 63, 76 - back end	A	25	P-5636	U (BRONCO)			
71B, C, D	A	27	P-5569	97, 98	U	1	P-5548
B (FAIRLANE)				X (FALCON)			
54A, 62A - side	B	11	P-5543	54, 62 - side	X	16	P-5554
54B, 62B - side	B	12	P-5546	71	X	17	P-5558
63B, C, 76B, C - side	B	13	P-5547	54, 62 - back end	X	15	P-8357
63D, 76D - side	B	14	P-5549				
66A - side	B	15	P-5604				
66B, D - side	B	16	P-5578				
54, 62, 63, 76 - back end	B	17	P-8363				
66 - back end	B	17	P-8359				





# FORD CAR PARTS

## EXTERIOR MOULDING ILLUSTRATION SECTION

C

### INDEX

#### EXTERIOR MOULDINGS - BACK and SIDE - continued

TITLE	SECTION	PAGE	ILLUS. NO.	TITLE	SECTION	PAGE	ILLUS. NO.
-------	---------	------	------------	-------	---------	------	------------

## 1970

A (FORD)			
54, 57 - side	A	46	P-7105
63B, 65A, C, 76A - side	A	47	P-7106
63C, 76B - side	A	48	P-7109
All except 71 - back end	A	49	P-7100
71 - Back end	A	45	P-6679
71A, E - side	A	43	P-6567
71B, C, D, H, J - side - with vinyl insert	A	50	P-7107
71D, H, J - side - without vinyl insert	A	51	P-7108

B (FAIRLANE/TORINO)			
B (FALCON) - FROM 1/2/70			
54B, C, 57C, E - side	B	38	P-7048
63C, H, 65B, C, E, H, 76C - side	B	39	P-7047
63F, 65F, 66F, 76F - side	B	40	P-7049
All except 63, 71 - back end	B	40	P-7132
63 - back end	B	41	P-7131
66A, B - side	B	42	P-7050
66E, 71E - side	B	43	P-7052
66 - back end	B	44	P-7129
71B, C, D - side	B	45	P-7051
71 - back end	B	35	P-6680

F (MUSTANG)			
Side - except Shelby	F	8	P-7103
Back end - except Shelby	F	9	P-7102
Side - Shelby GT350/500	F	7	P-6923
Back end - Shelby GT350/500	F	6	P-6922-B
65E - vinyl roof moulding	F	10	P-7383

P (MAVERICK)			
62 - side	P	1	P-6839
62 - back end	P	2	P-6838

S (THUNDERBIRD)			
Side	S	8	P-7069
Back end	S	9	P-7070
Side - body protection	S	10	P-7655

U (BRONCO)			
97, 98	U	1	P-5548

X (FALCON) - BEFORE 1/2/70			
FOR UNITS BUILT FROM 1/2/70 REFER TO B (FALCON)			
54, 62 - side	X	20	P-6559
71 - side	X	21	P-6560
54, 62 - back end	X	21	P-6682
71 - back end	X	22	P-6680

## 1971

A (FORD)			
54D, 71D - side	A	52	P-7825
53H, K, 57H, K - side	A	53	P-7821
54F, 57F, 65F - side	A	54	P-7823
65H, F, 76H - side	A	55	P-7822
71B, F - side	A	56	P-7826
71H - side	A	57	P-7829
Side - body protection	A	58	P-7827
53, 54, 57, 65, 76 - back end	A	59	P-8170
71B, D, F - back end	A	60	P-7828
71H - back end	A	60	P-7830

B (TORINO)			
54A, C, 57C - side	B	46	P-7791
57E, 65E - side	B	47	P-7792
63C, 65A, C - side	B	48	P-7790
63F, H, 76F - side	B	49	P-7789
66A, B - side	B	50	P-7797
66C - side	B	51	P-7798
71C, D - side	B	52	P-7795
Side - body protection	B	53	P-7794
63F, H, 76F - back end	B	54	P-8313
54, 57, 63C, 65 - back end	B	54	P-8312
66 - back end	B	44	P-7129
66E, 71E - side	B	43	P-7052
71 - back end	B	35	P-6680
66 - Tonneau cover	B	55	P-8335
65C - roof cover mouldings	500	15	P-8529

F (MUSTANG)			
63D, 65, 76 - side	F	11	P-7859
63R - side	F	12	P-7860
63D - back end	F	14	P-7895
63R - back end	F	13	P-7862
65F, 76D - back end	F	13	P-7861
Spoiler - rear deck	F	10	P-8112

L (PINTO)			
62 - side	L	1	P-7844
62 - back end	L	2	P-7845

P (MAVERICK)			
54 - side	P	3	P-7840
62 - side	P	1	P-6839
62 - back end	P	2	P-6838

S (THUNDERBIRD)			
Side	S	8	P-7069
Back end	S	9	P-7070
Side - body protection	S	10	P-7655

U (BRONCO)			
97, 98	U	1	P-5548

May, 1975

COPYRIGHT © 1975 -

FORD MOTOR  
COMPANY

- DEARBORN, MICHIGAN

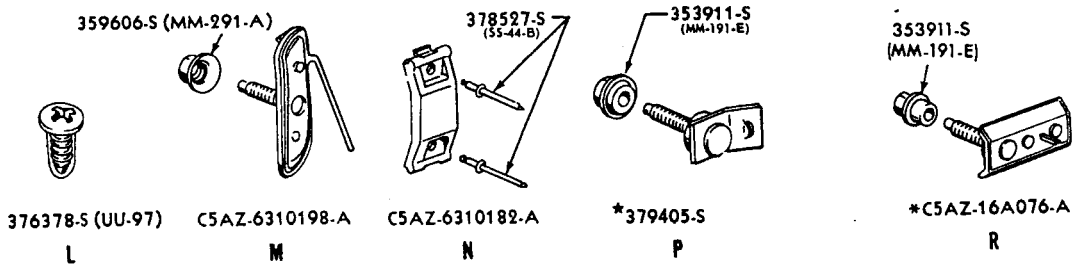
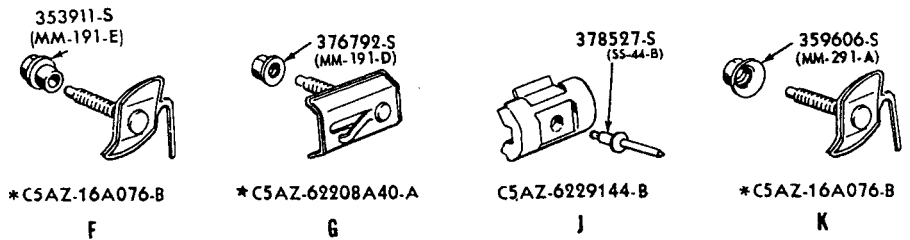
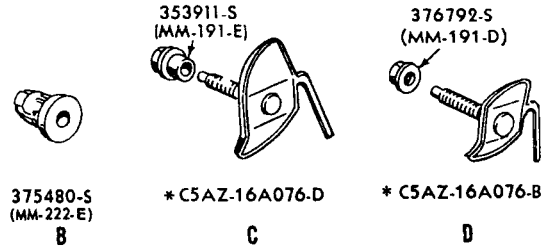
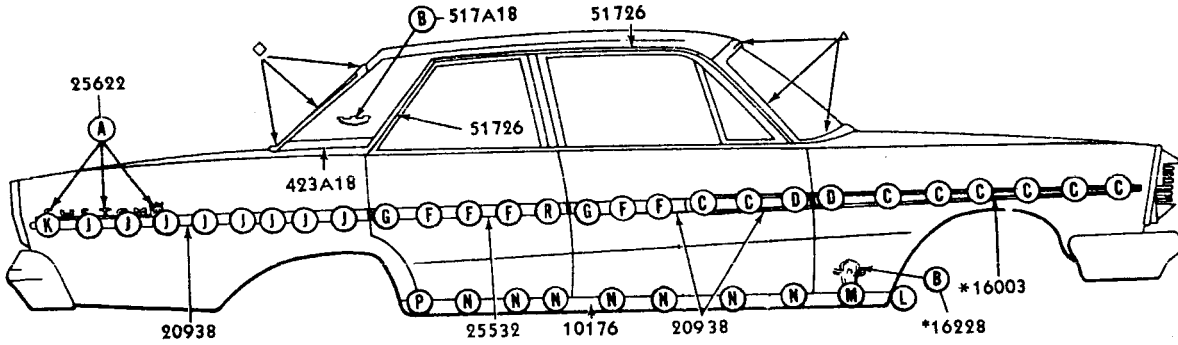
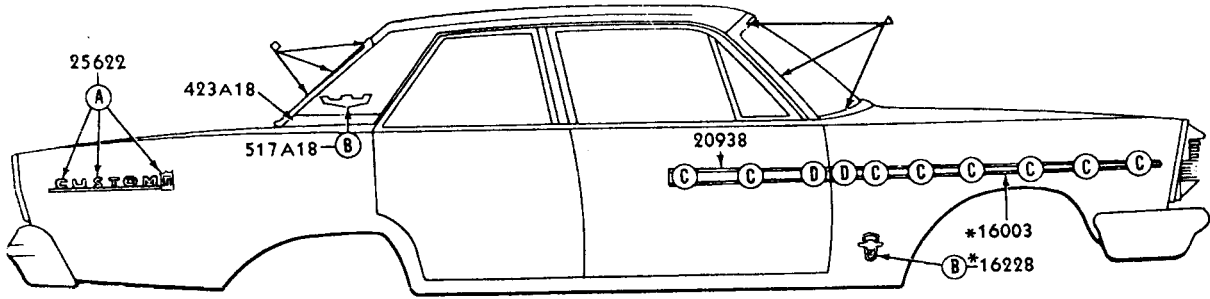
**FINAL ISSUE**



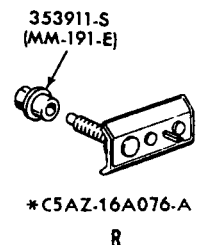
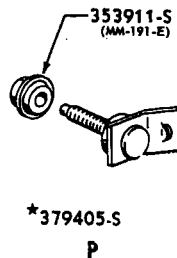
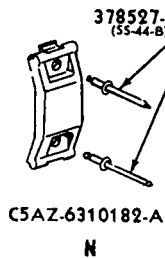
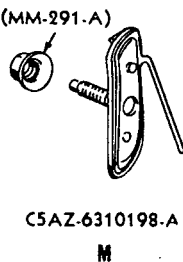
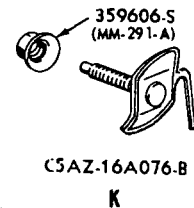
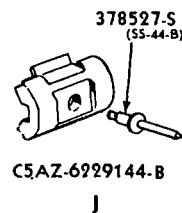
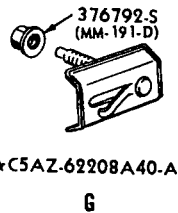
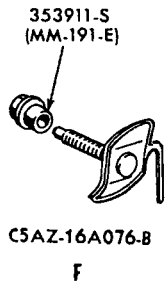
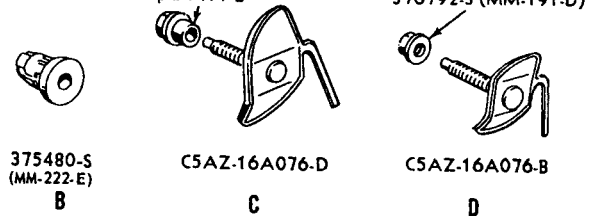
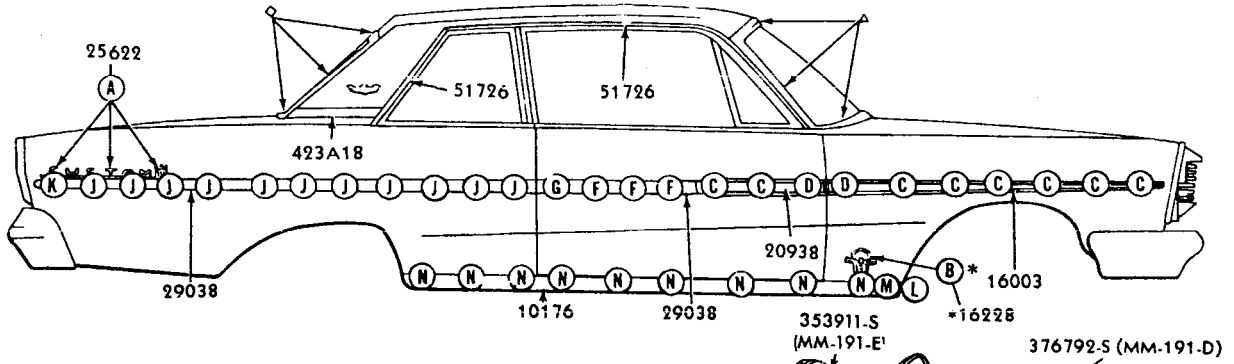
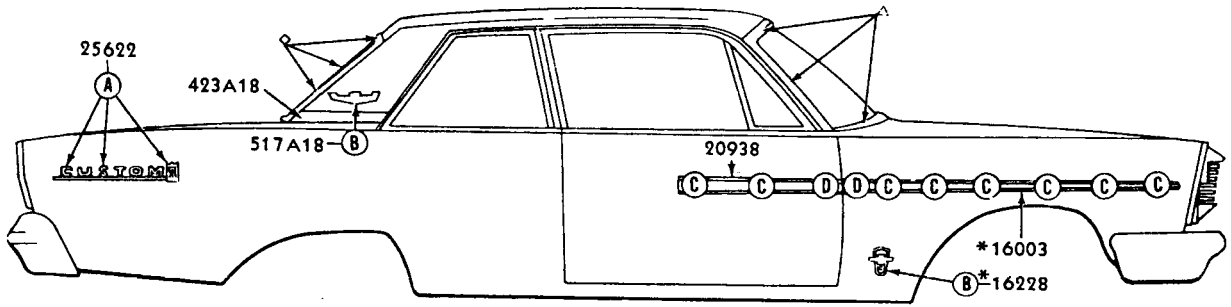


**A EXTERIOR MOULDING  
ILLUSTRATION SECTION**

**FORD CAR PARTS**



▲ REFER TO BODY ILLUSTRATION SECTION 030  
 ◇ REFER TO BODY ILLUSTRATION SECTION 400  
 \* REFER TO GROUP IN CHASSIS SECTION

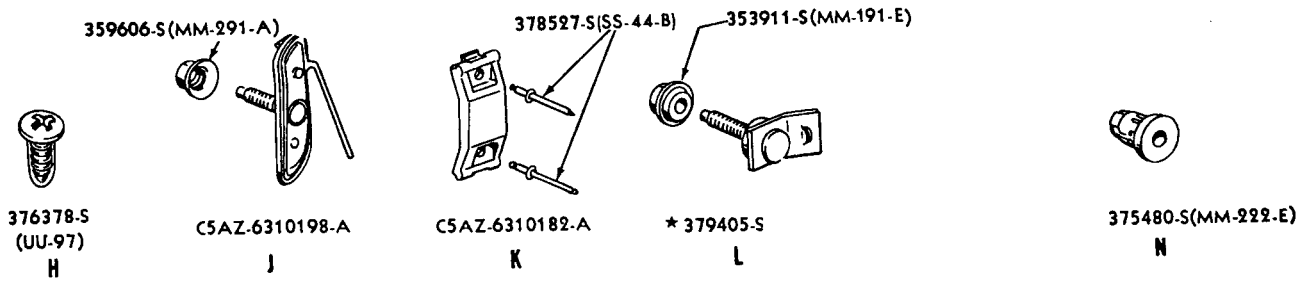
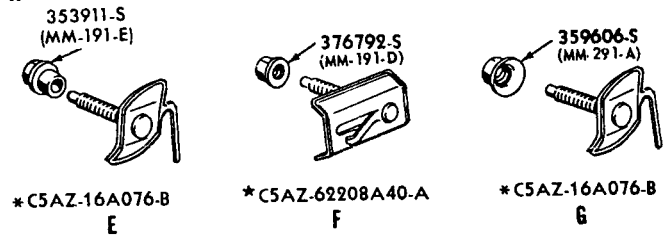
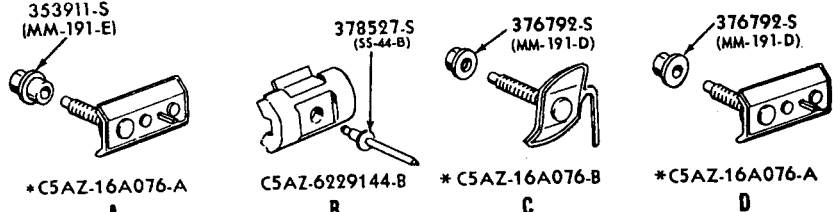
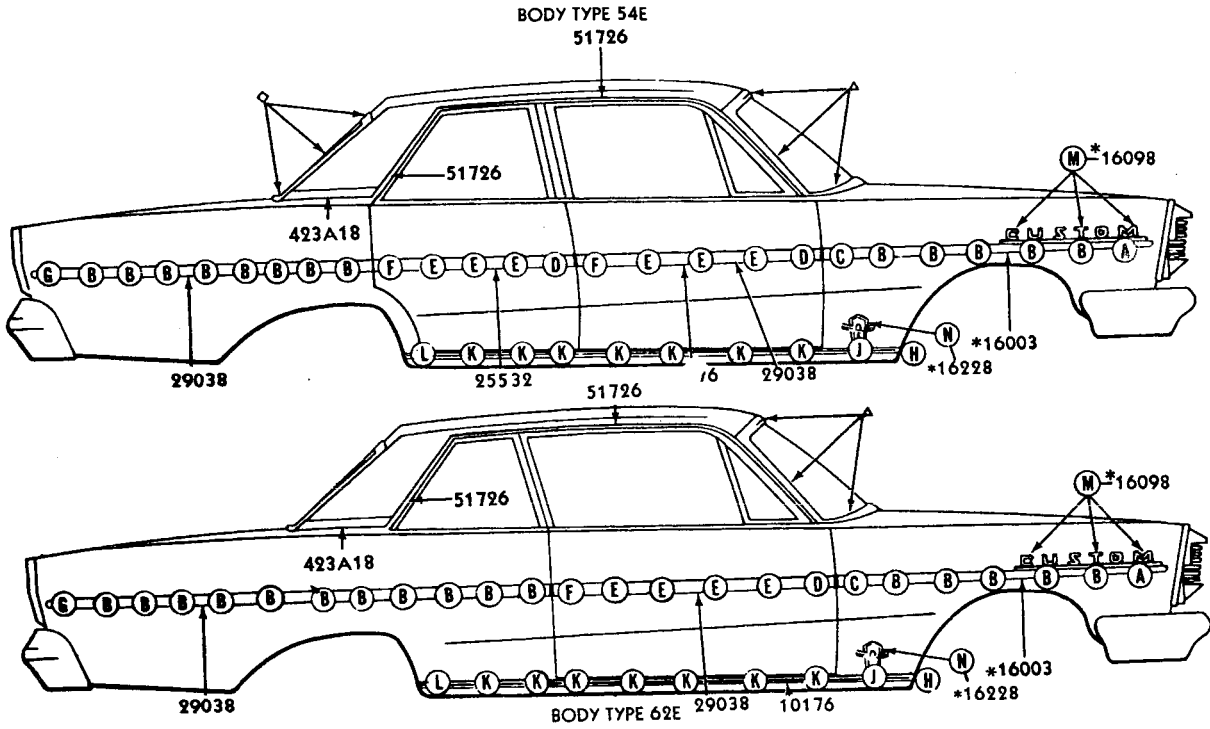


△ REFER TO BODY ILLUSTRATION SECTION 030  
 ◊ REFER TO BODY ILLUSTRATION SECTION 400  
 \* REFER TO GROUP IN CHASSIS SECTION

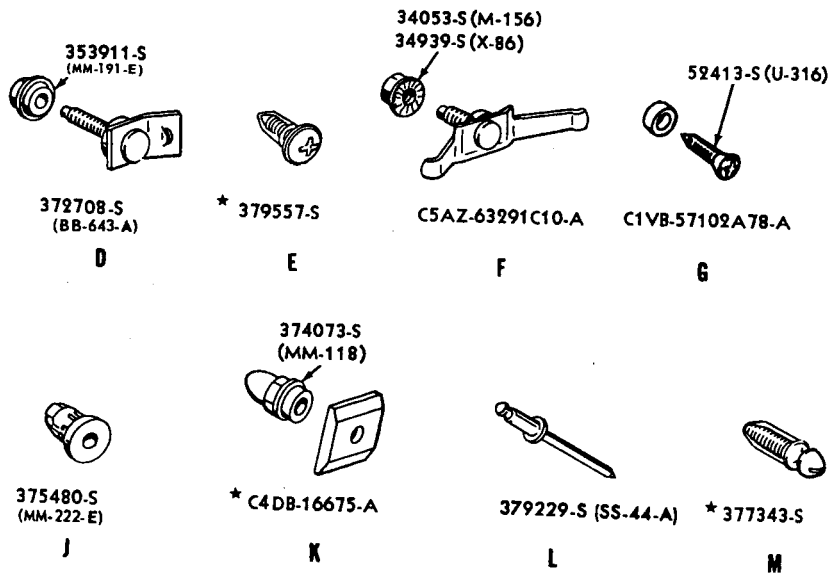
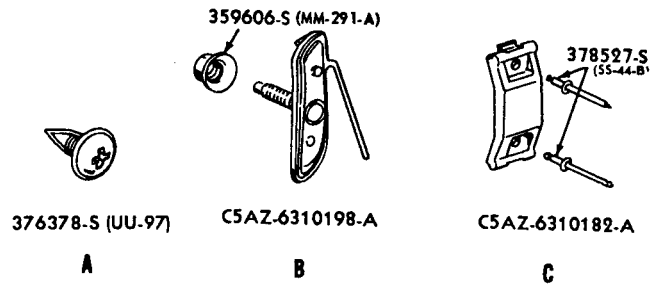
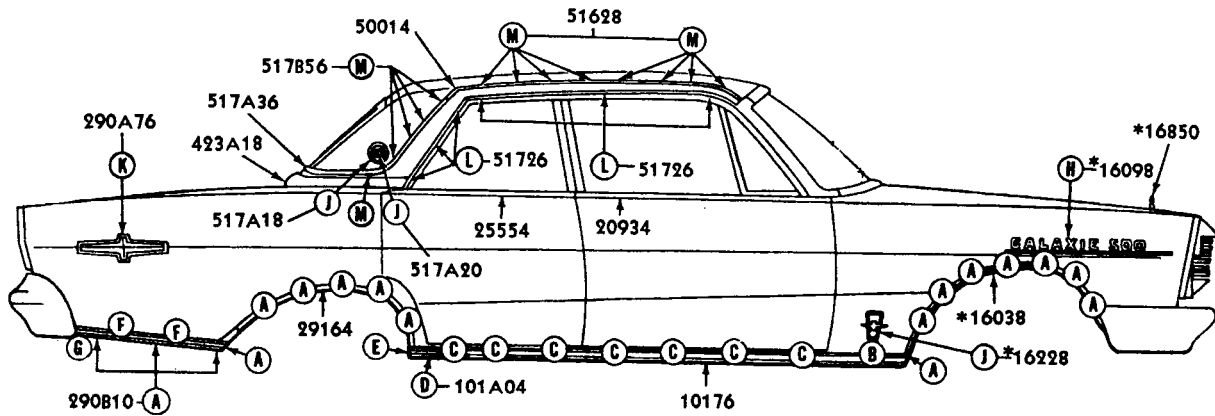
P.4658

**A EXTERIOR MOULDING  
ILLUSTRATION SECTION**

**FORD CAR PARTS**



▲ REFER TO BODY ILLUSTRATION SECTION 030  
 ◇ REFER TO BODY ILLUSTRATION SECTION 400  
 \* REFER TO GROUP IN CHASSIS SECTION



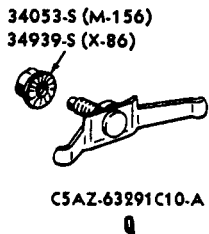
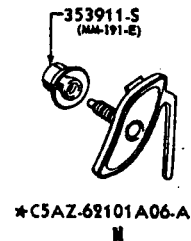
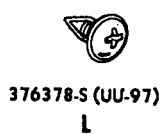
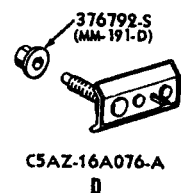
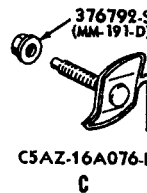
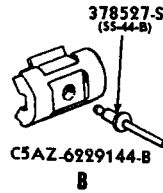
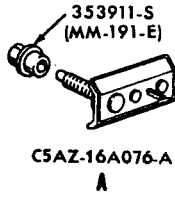
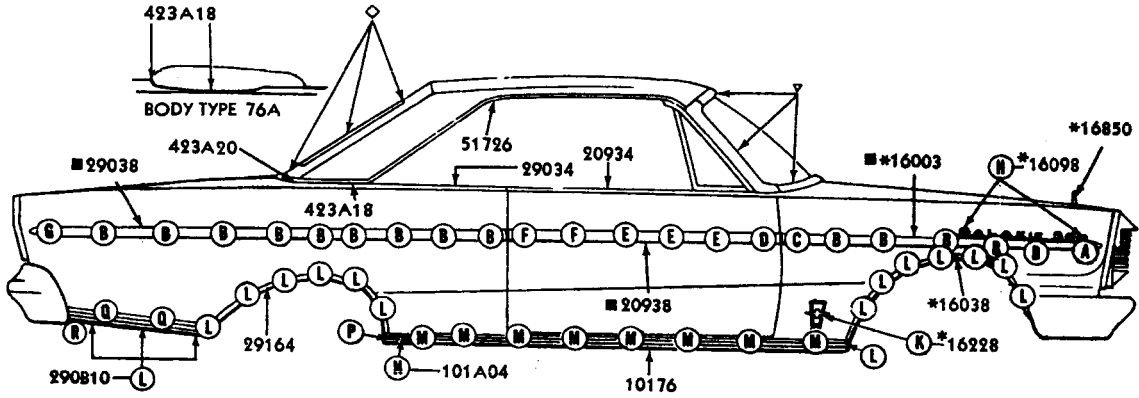
\* REFER TO GROUP IN CHASSIS SECTION

P.4663



**A EXTERIOR MOULDING  
ILLUSTRATION SECTION**

**FORD CAR PARTS**

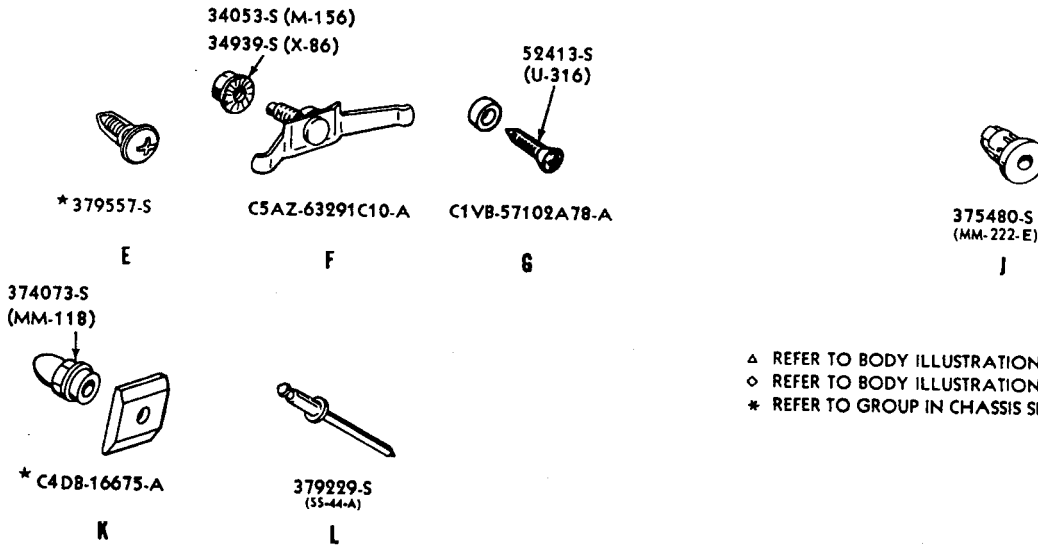
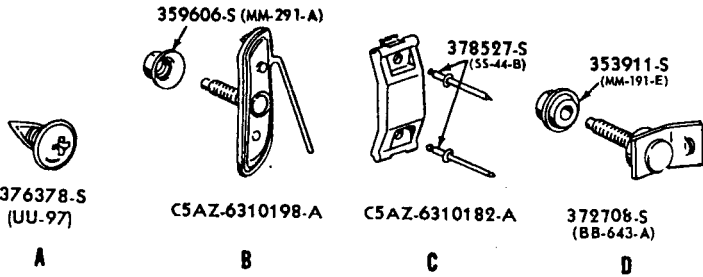
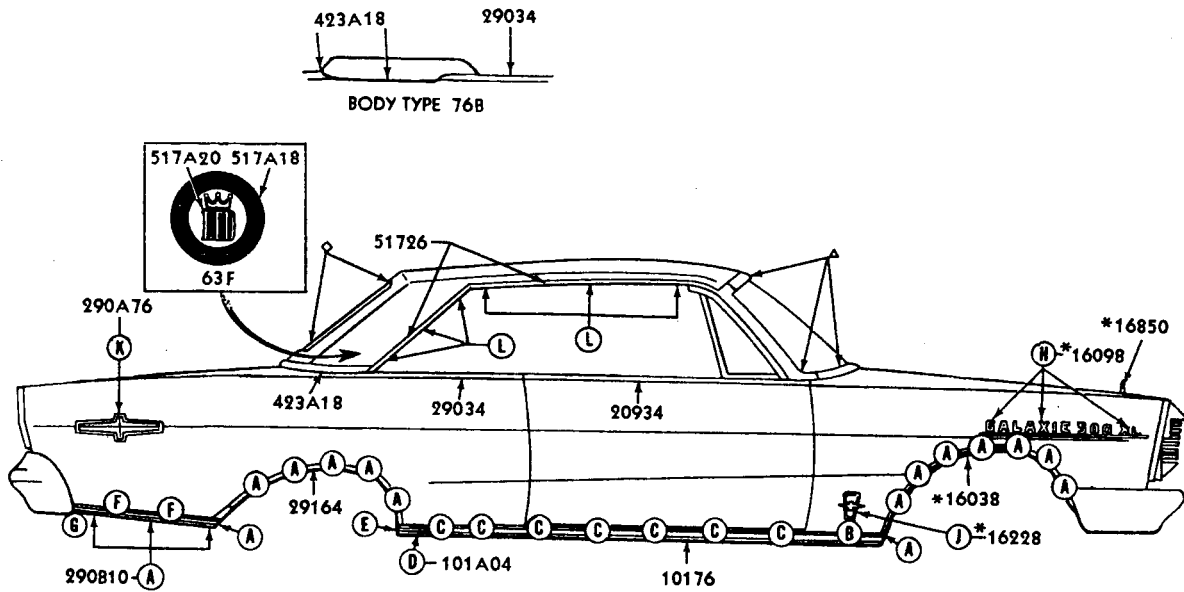


- ▲ REFER TO BODY ILLUSTRATION SECTION 030
- ◇ REFER TO BODY ILLUSTRATION SECTION 400
- \*REFER TO GROUP IN CHASSIS SECTION
- BODY TYPE 63B

# FORD CAR PARTS

## EXTERIOR MOULDING ILLUSTRATION SECTION A

7



- △ REFER TO BODY ILLUSTRATION SECTION 030
- ◇ REFER TO BODY ILLUSTRATION SECTION 400
- \* REFER TO GROUP IN CHASSIS SECTION

P-4670

May, 1975

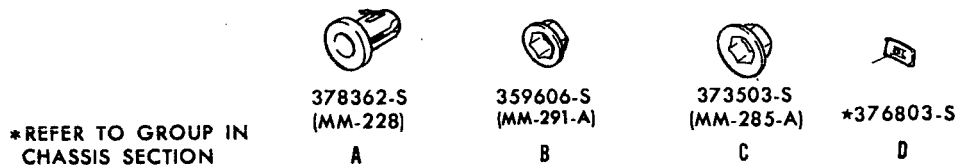
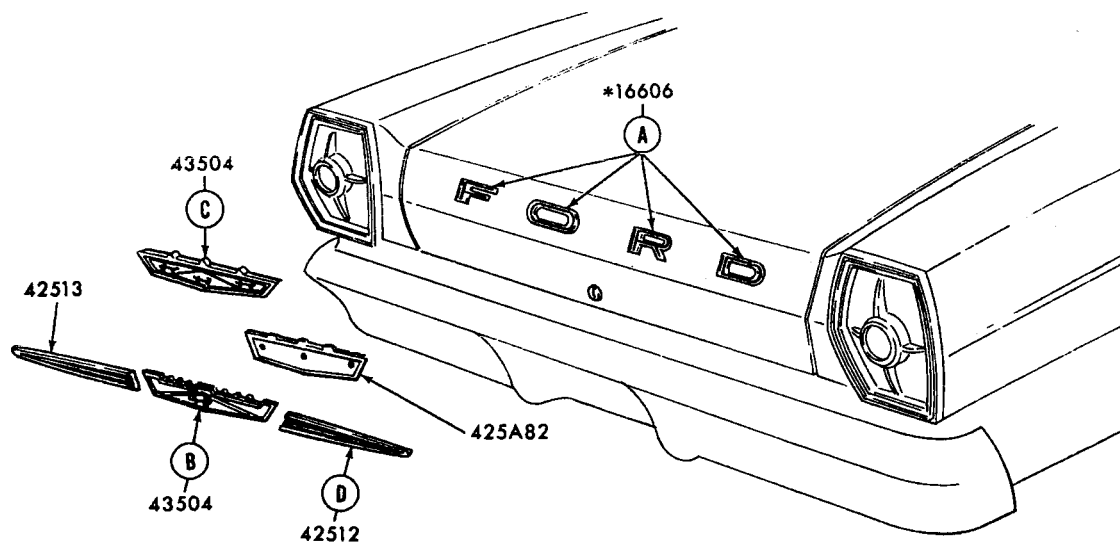
1965 FORD - BODY TYPE 63C, F, 76B - TYPICAL

COPYRIGHT © 1975 -

FORD MOTOR  
COMPANY

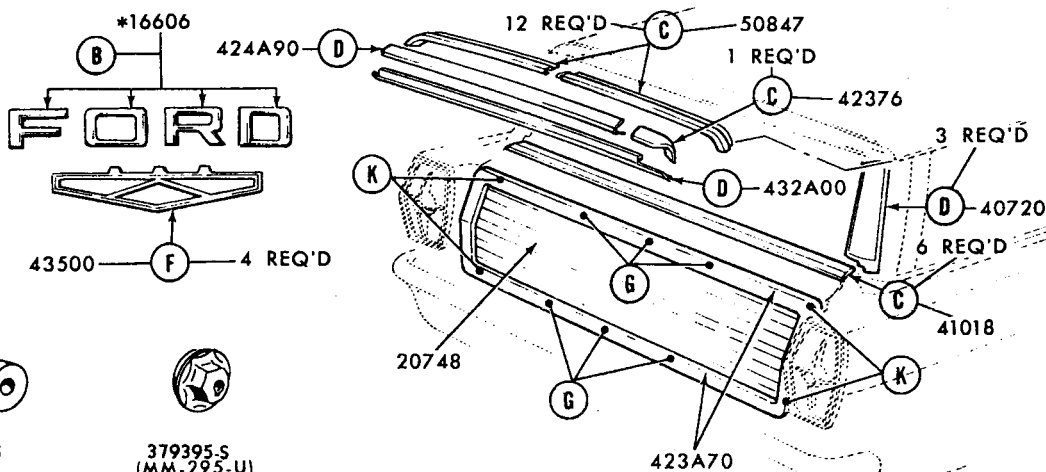
- DEARBORN, MICHIGAN

**FINAL ISSUE**



P-6953

1965 FORD - BODY TYPES 54,57,62,63,76 - BACK END



378362-S  
(MM-228)  
**B**



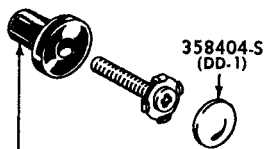
379395-S  
(MM-295-U)  
**C**



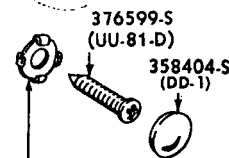
\* 376365-S  
**D**



375480-S  
(MM-222-E)  
**F**



358404-S  
(DD-1)  
**G**



376599-S  
(UU-81-D)  
358404-S  
(DD-1)  
**K**

**\*REFER TO GROUP IN CHASSIS SECTION**

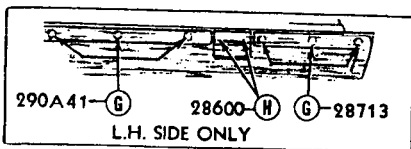
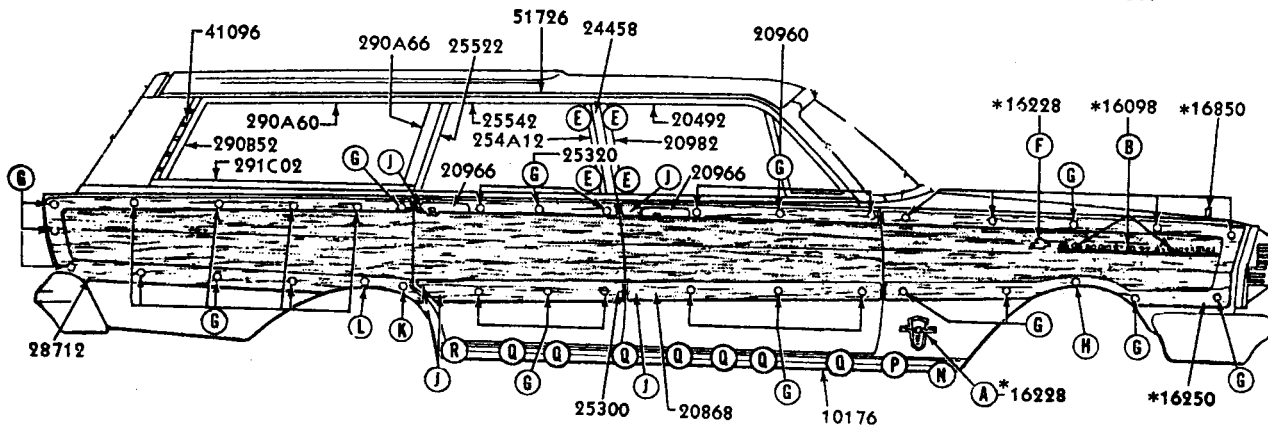
P-8356

1965 FORD - BODY TYPE 71 - BACK END

# FORD CAR PARTS

## EXTERIOR MOULDING ILLUSTRATION SECTION

A 9



375480-S  
(MM-222-E)  
A



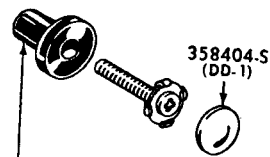
378369-S  
(MM-228)  
B



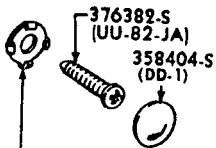
52726-S  
(U-381)  
E



373503-S  
(MM-285-A)  
F



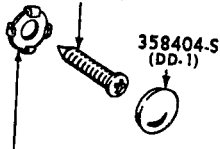
\*C5MY-71290B32-A  
G



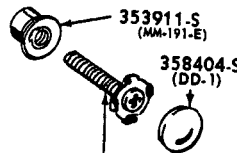
358403-S  
(GG-54)  
H

\*373815-S  
J

376599-S  
(UU-81-D)



358403-S  
(GG-54)  
K



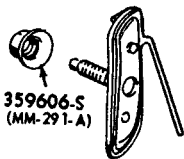
\*379532-S  
L



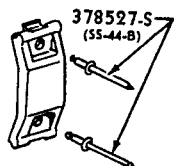
375690-S  
(MM-290-D)  
M



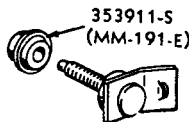
376378-S  
(UU-97)  
N



C5AZ-6310198-A  
P



C5AZ-6310182-A  
Q



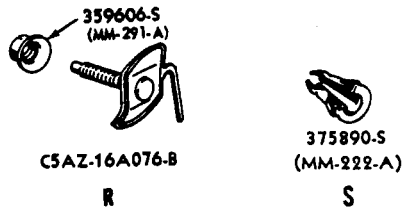
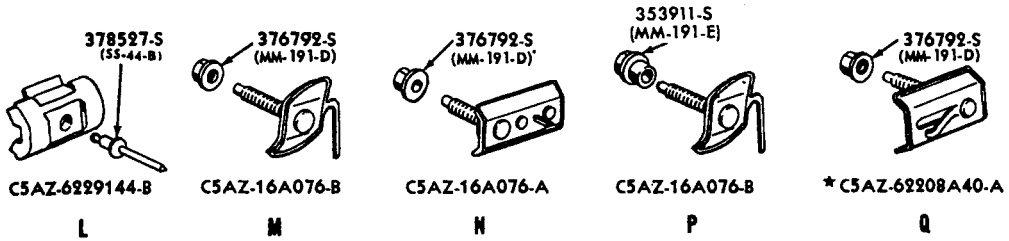
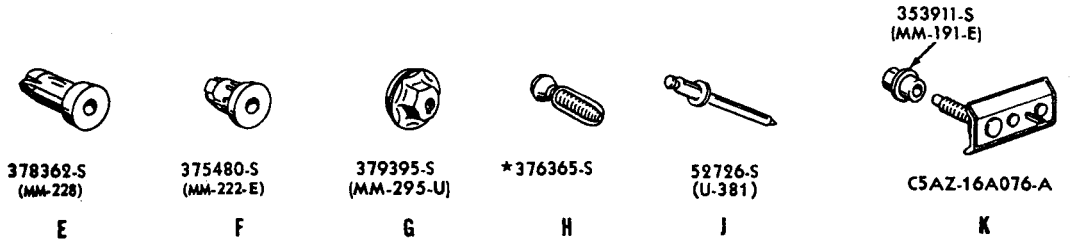
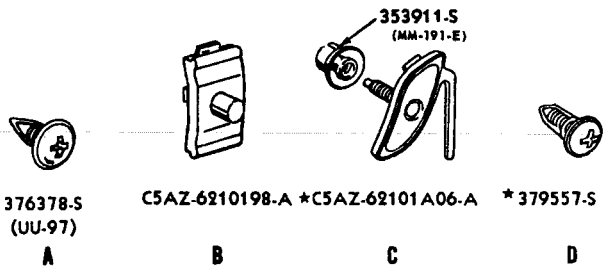
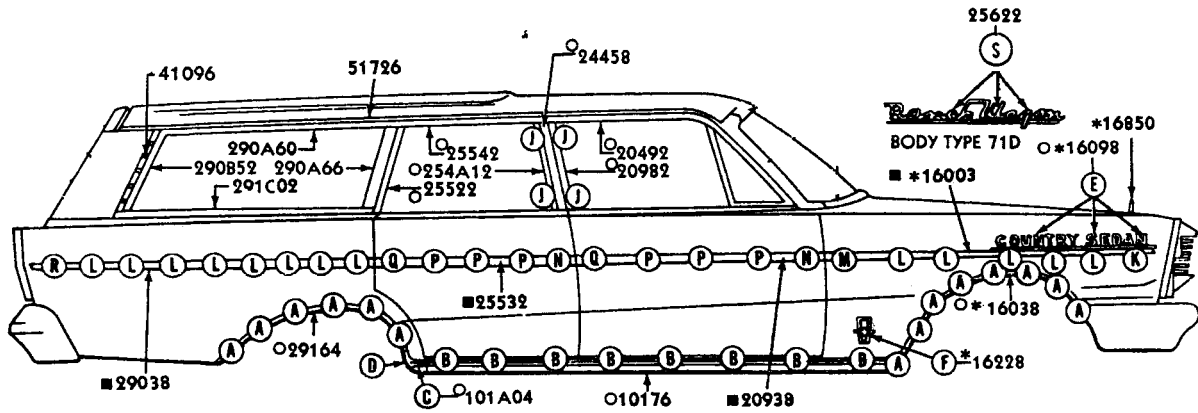
\*379405-S  
R

\* REFER TO GROUP IN CHASSIS SECTION

WALNUT GRAIN TRANSFER C4AZ-7120748-B

**A EXTERIOR Moulding  
ILLUSTRATION SECTION**

**FORD CAR PARTS**

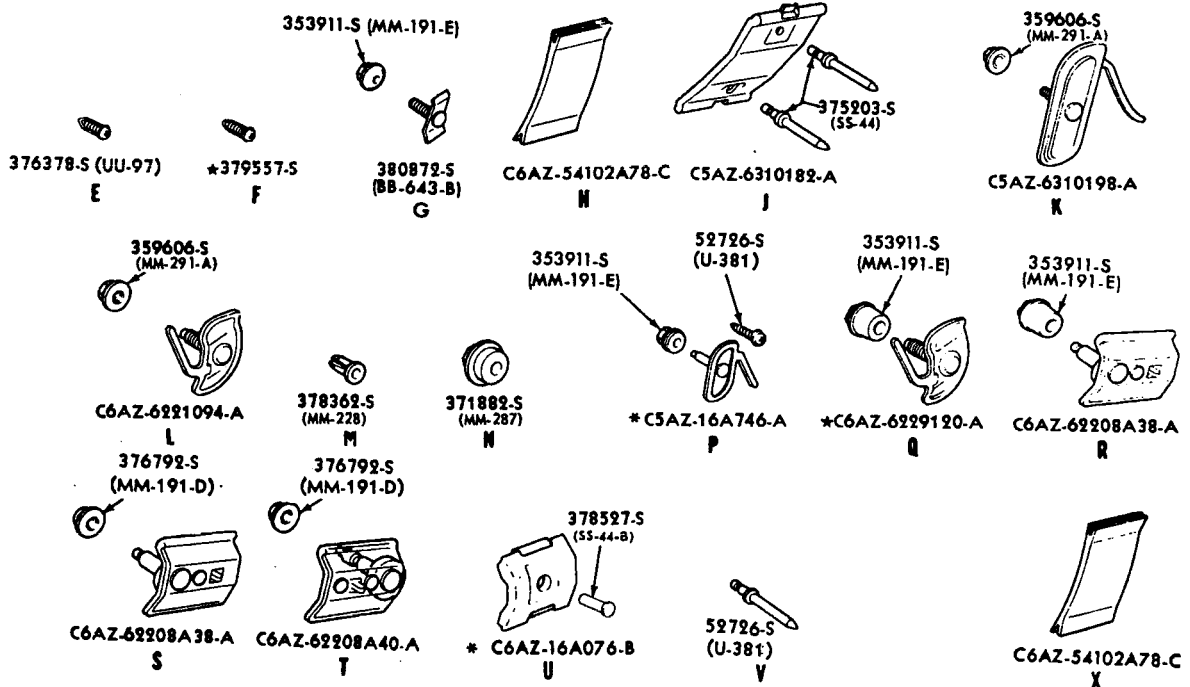
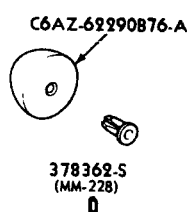
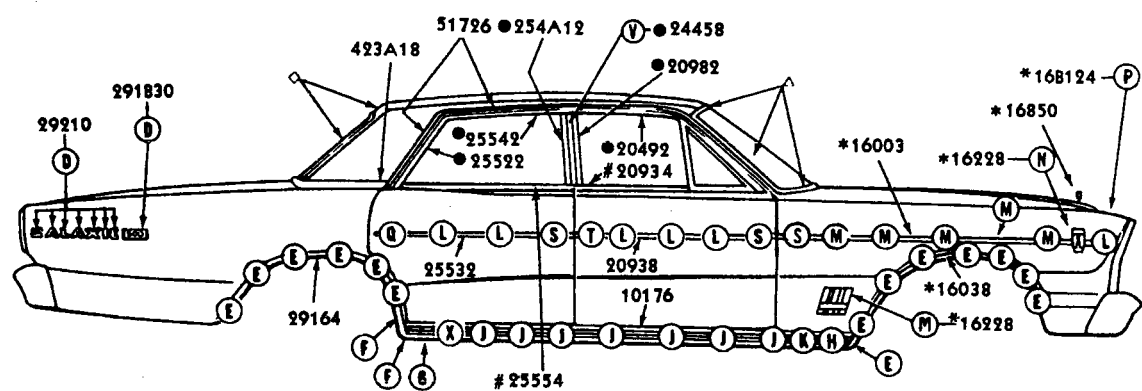


\* REFER TO CHASSIS SECTION

■ BODY TYPE 71B,C  
○ BODY TYPE 71B,C

# FORD CAR PARTS

## EXTERIOR MOULDING ILLUSTRATION SECTION A



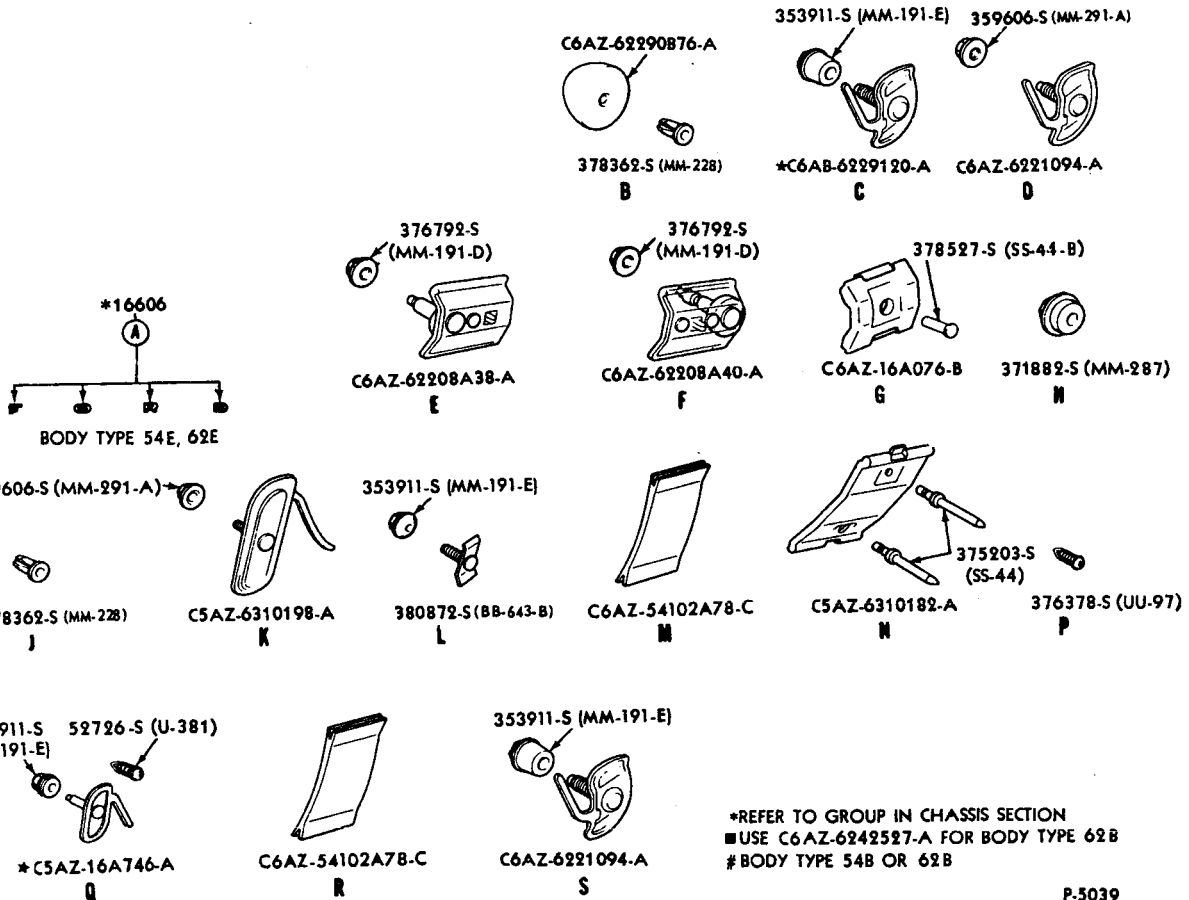
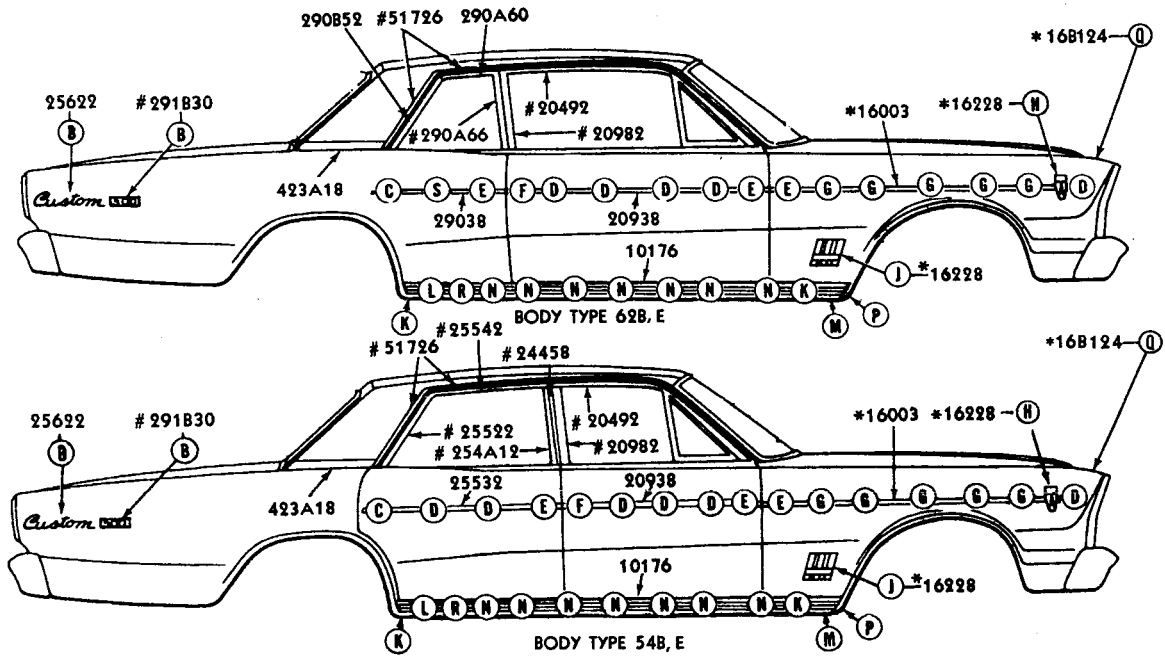
\*REFER TO GROUP IN CHASSIS SECTION  
 ΔREFER TO BODY ILLUSTRATION SECTION 030  
 ◊REFER TO BODY ILLUSTRATION SECTION 400  
 ●BODY TYPE 54A  
 #BODY TYPE 57B

P-5038

1986 FORD - BODY TYPE 54A, 57B

# FORD CAR PARTS

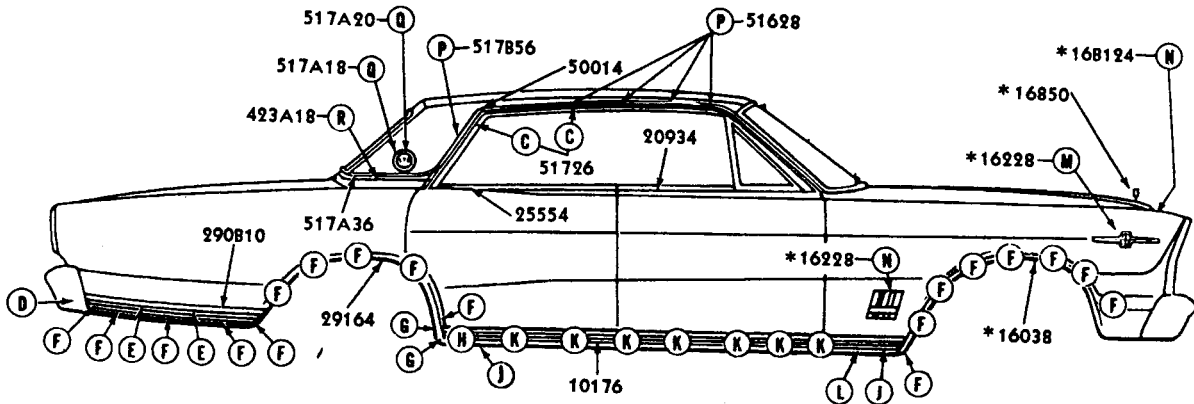
## A EXTERIOR Moulding ILLUSTRATION SECTION



# FORD CAR PARTS

## EXTERIOR MOULDING ILLUSTRATION SECTION A

13



379229-S (SS-44-A)  
C

C1V857102A78-A



52413-S (U-316)  
D

353911-S  
(MM-191-E)



C6AZ-63291C10-A  
E



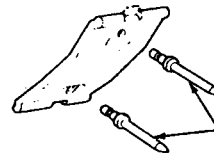
376378-S (UU-97)  
F

353911-S  
(MM-191-E)



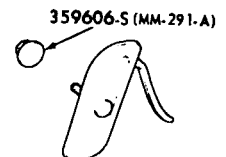
380872-S  
(BB-643-B)  
H

C6AZ-54102A78-C  
J



C5AZ-6310182-A  
K

375203-S  
(SS-44)

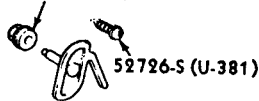


C5AZ-6310198-A  
L

\*379557-S  
G

371882-S (MM-287)  
M

353911-S (MM-191-E)



C5AZ-16A746-A  
N

52726-S (U-381)



380356-S (HH-17-H)  
P

375480-S  
(MM-222-E)  
Q

\*358610-S  
R

\*REFER TO GROUP IN CHASSIS SECTION

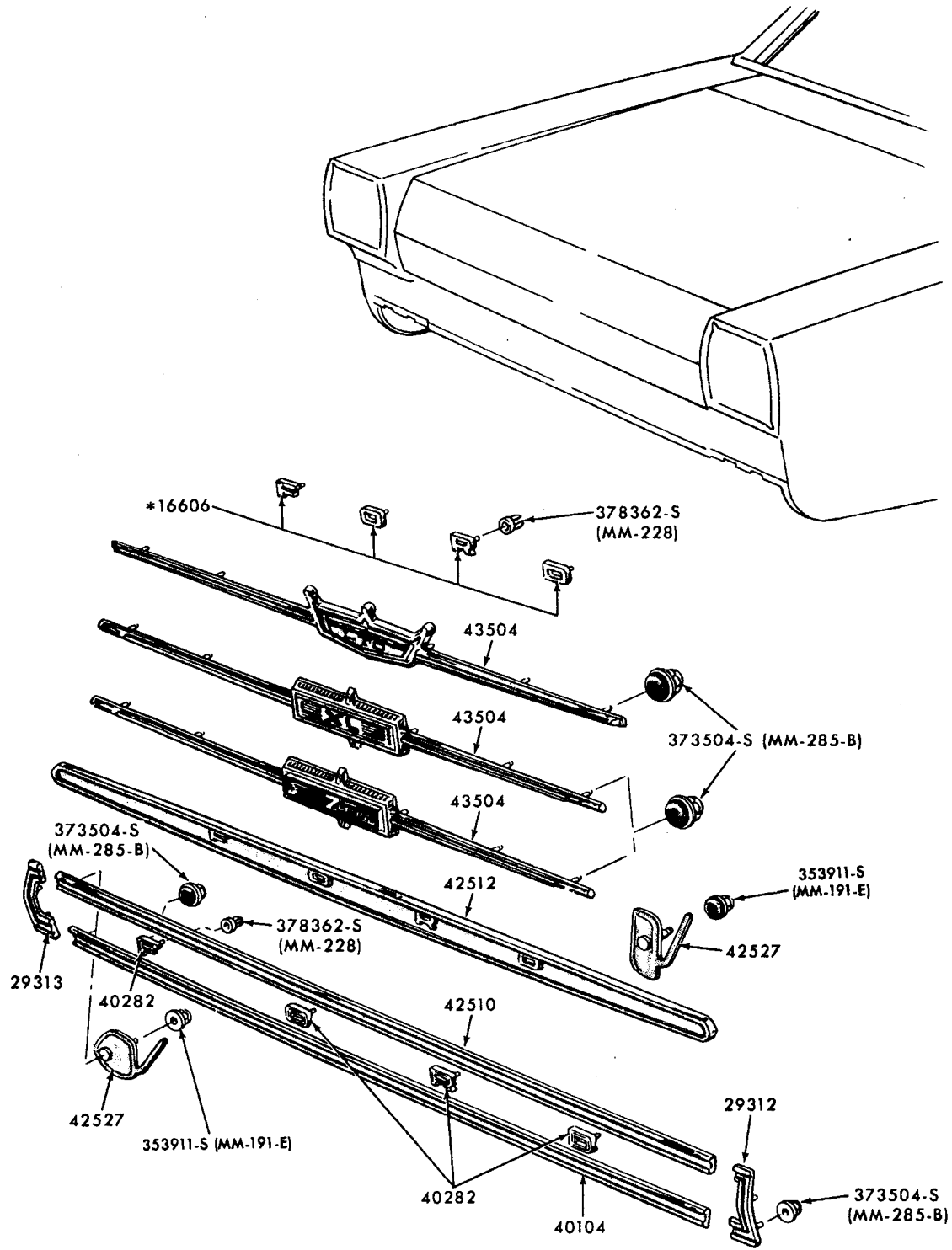
P-5042





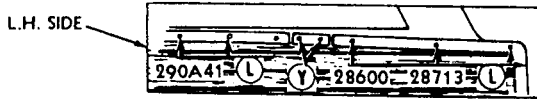
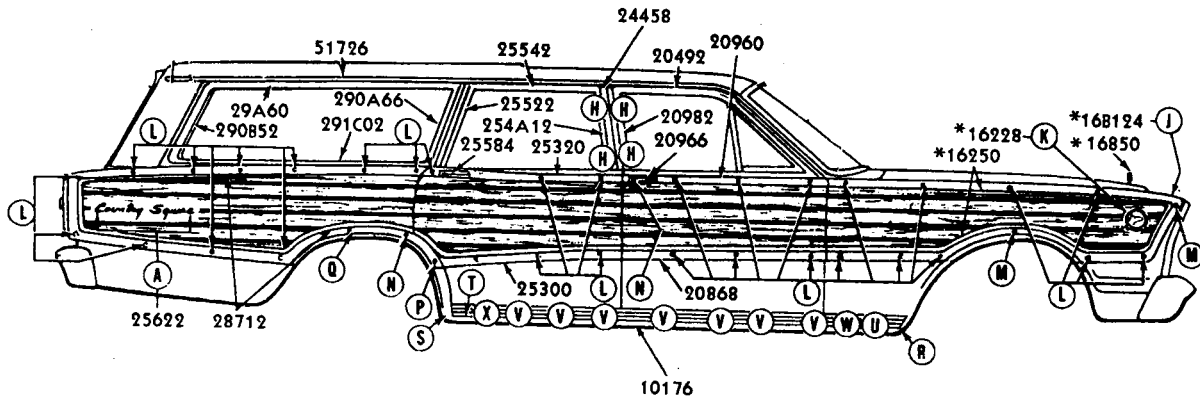


**A** EXTERIOR MOULDING  
ILLUSTRATION SECTION



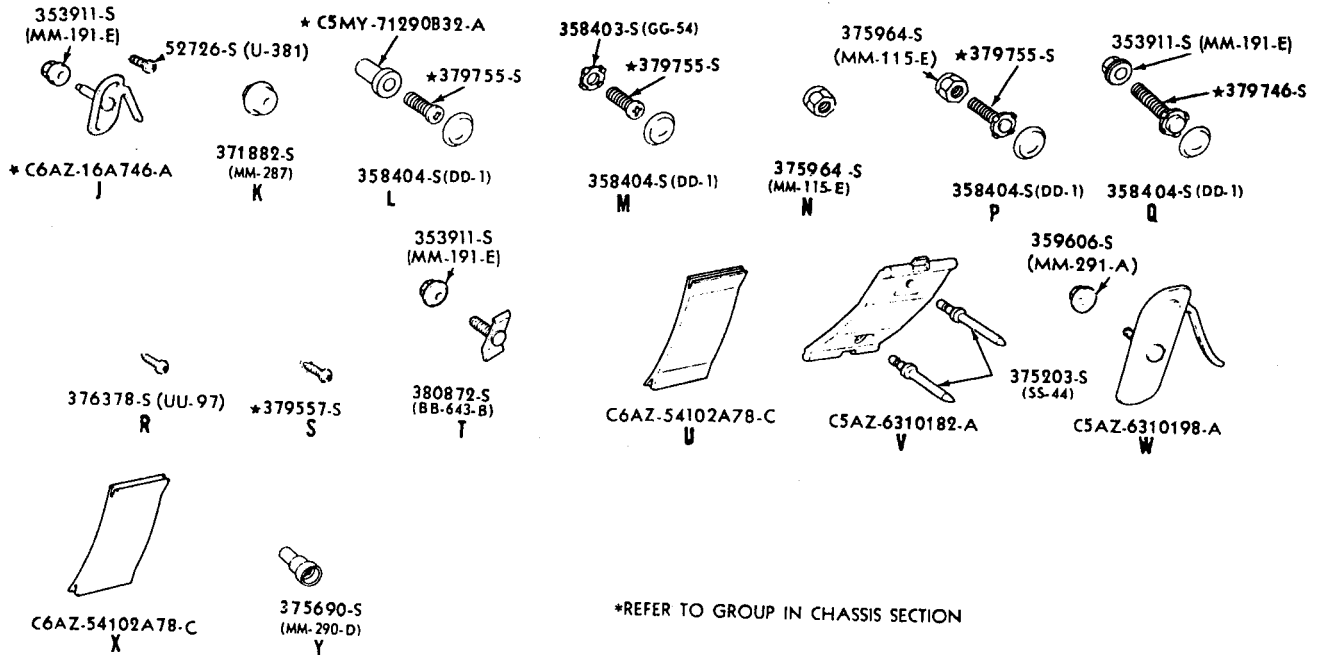
\*REFER TO GROUP IN CHASSIS SECTION

P-5092



378362-S (MM-228)  
A

52726-S (U-381)  
H



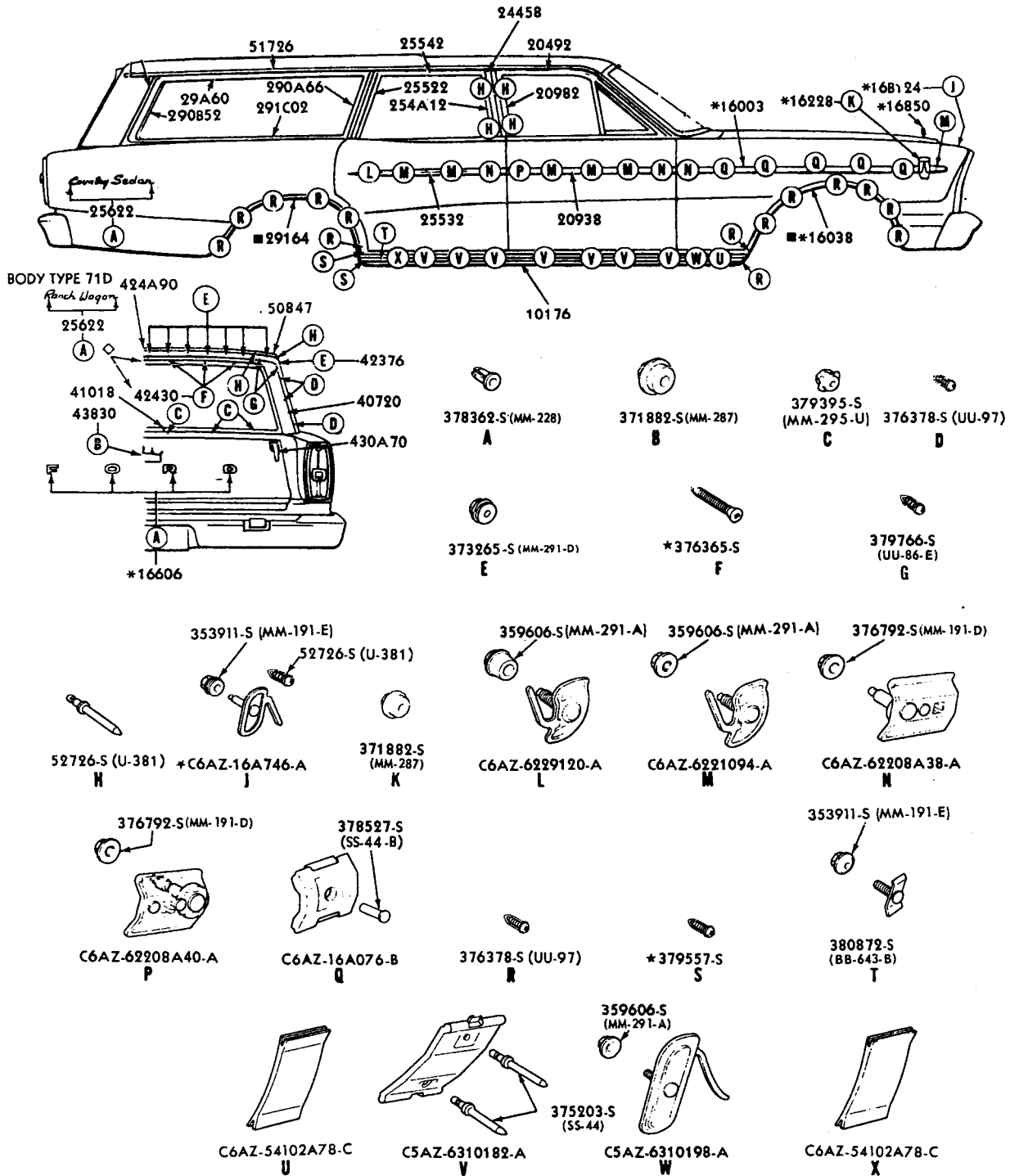
\*REFER TO GROUP IN CHASSIS SECTION

DARK WALNUT GRAIN TRANSFER WITH BLACK PLANKING LINES C6AZ-7120748-A

P-5047

**A EXTERIOR Moulding  
ILLUSTRATION SECTION**

**FORD CAR PARTS**



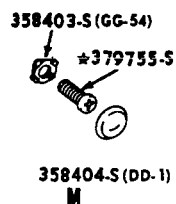
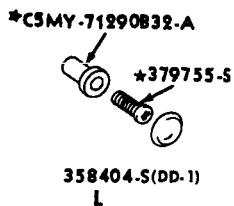
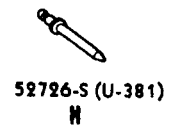
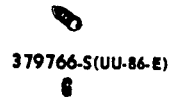
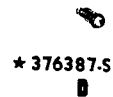
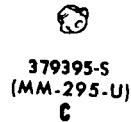
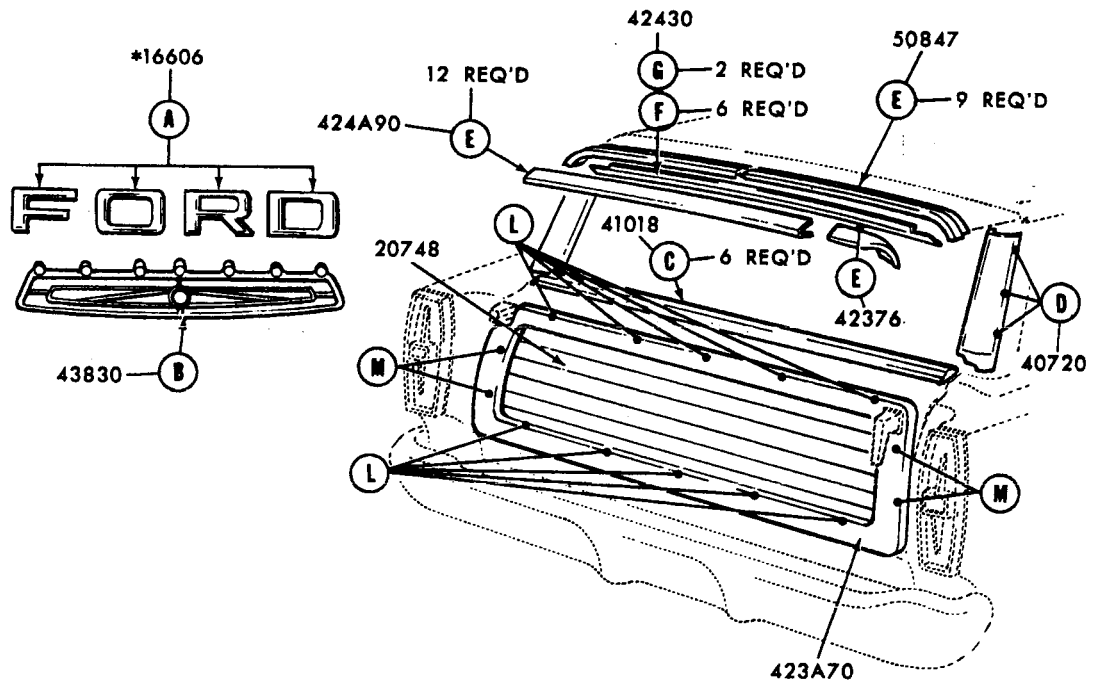
\*REFER TO GROUP IN CHASSIS SECTION  
 ■ BODY TYPE 71B, C ONLY

P-5048

# FORD CAR PARTS

## EXTERIOR MOULDING ILLUSTRATION SECTION A

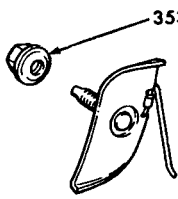
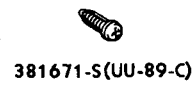
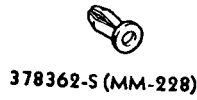
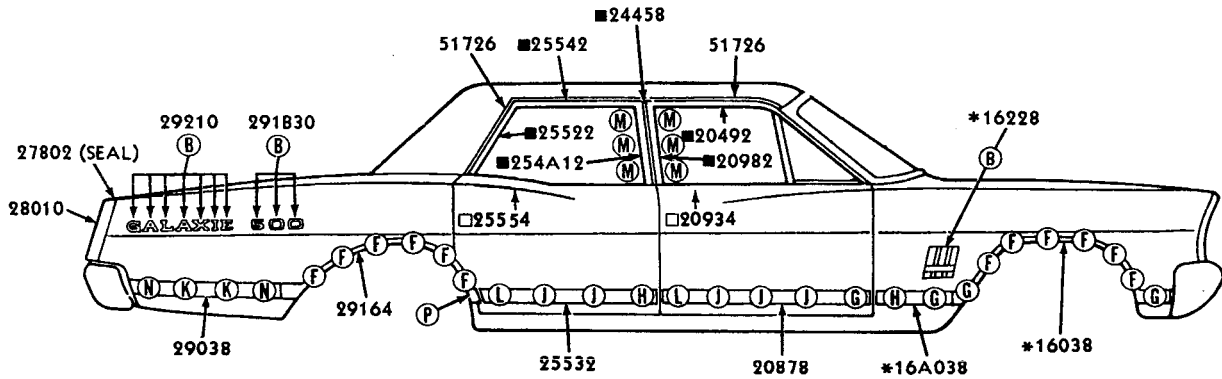
19



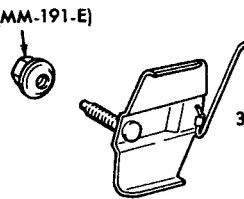
P-8355

**A EXTERIOR MOULDING  
ILLUSTRATION SECTION**

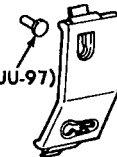
**FORD CAR PARTS**



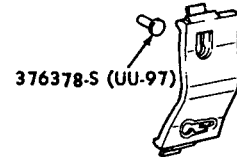
\*C7AZ-16A076-E



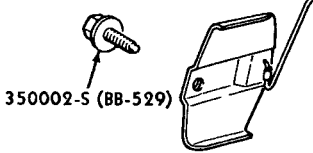
\*C7AZ-16A076-B



C7AZ-6220818-A

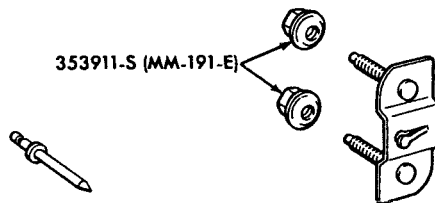


C7AZ-5429074-A



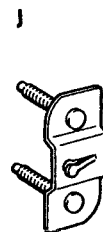
C7AZ-5421094-A

L



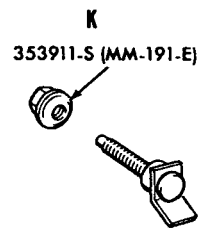
52726-S (U-381)

M



C7AZ-54290D00-A

N



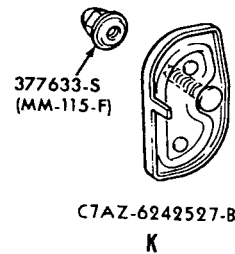
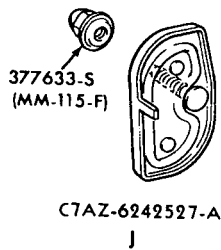
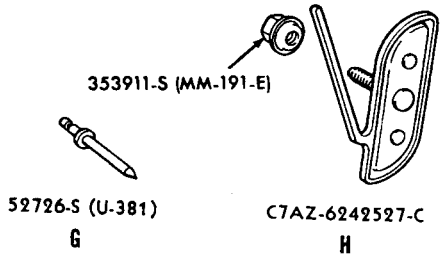
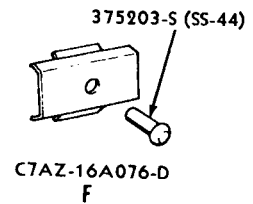
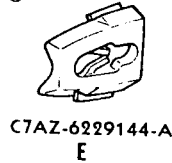
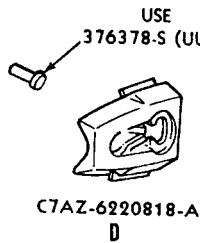
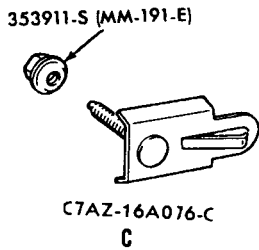
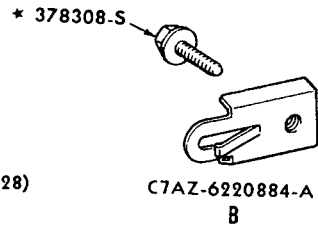
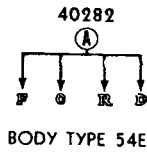
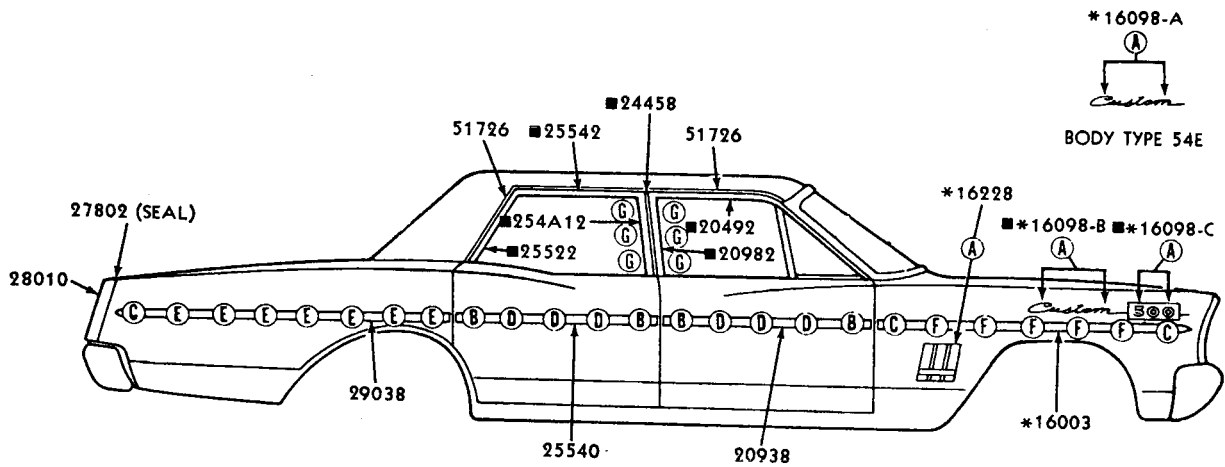
\*353272-S

P

□ BODY TYPE 57B

\*REFER TO GROUP IN CHASSIS SECTION  
■ BODY TYPE 54A

P-5559



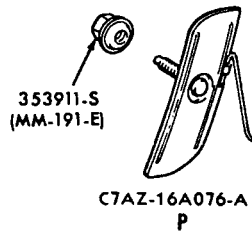
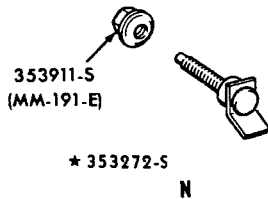
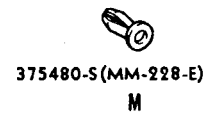
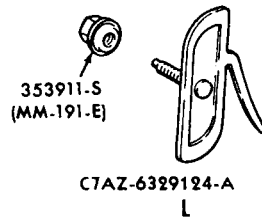
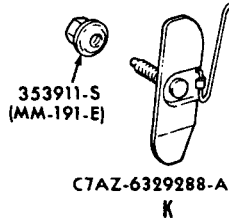
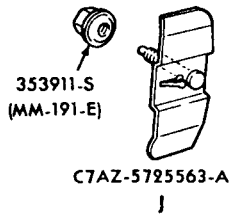
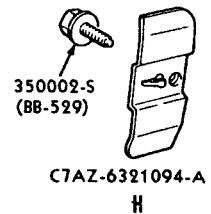
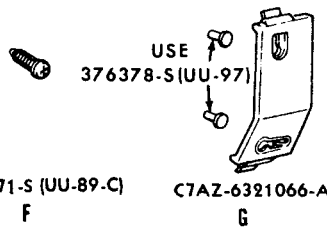
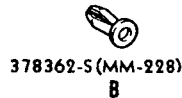
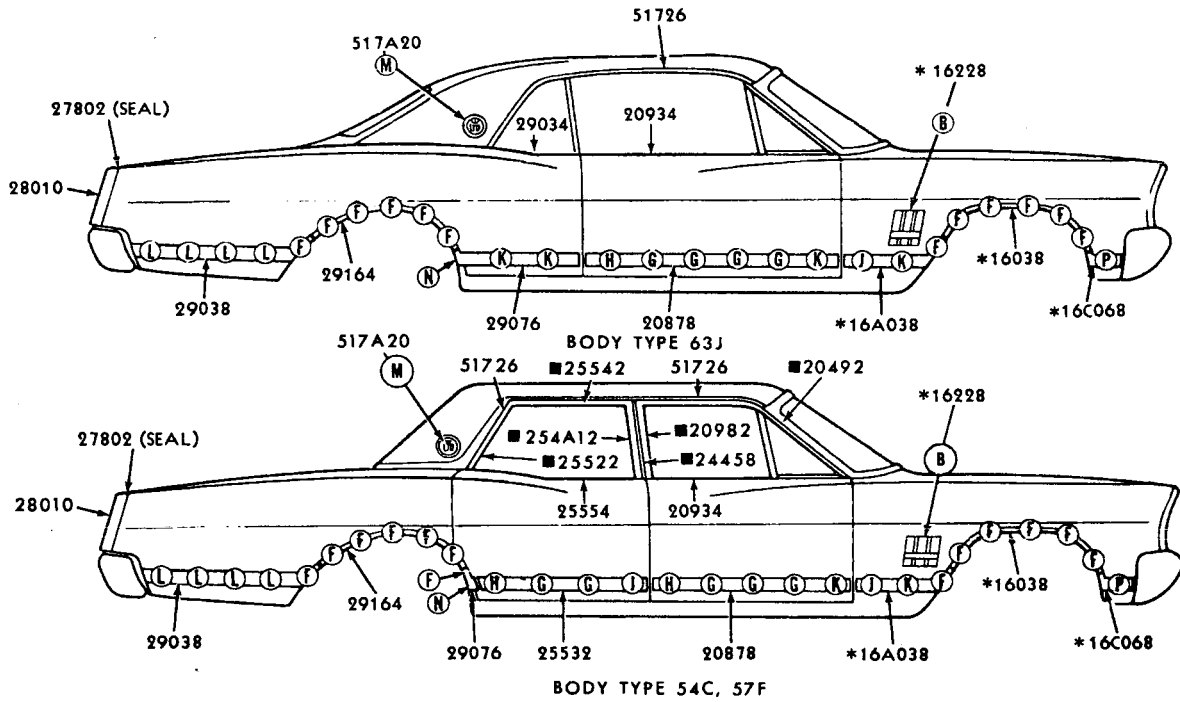
\*REFER TO GROUP IN CHASSIS SECTION

P-5560



# FORD CAR PARTS

## A EXTERIOR MOULDING ILLUSTRATION SECTION

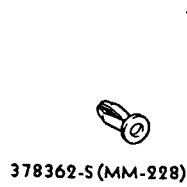
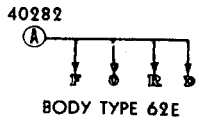
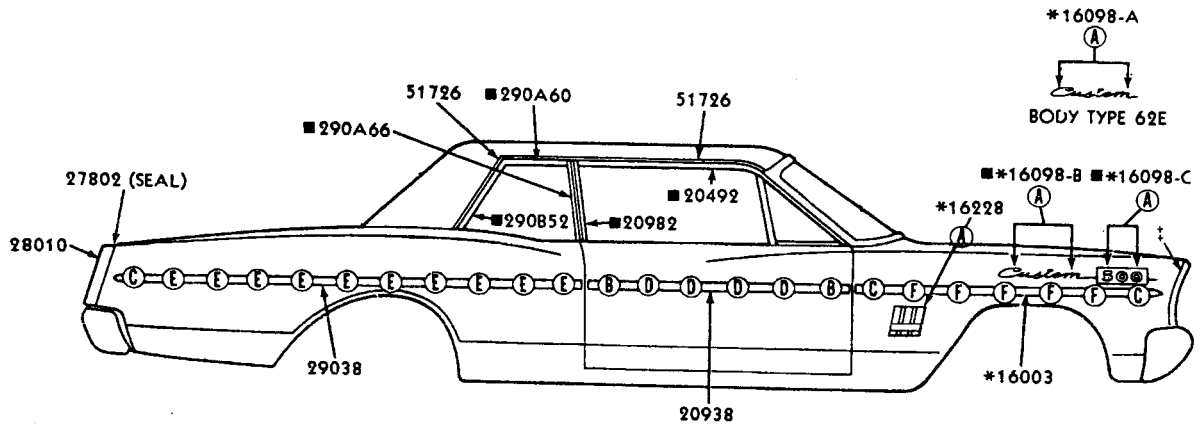


■ BODY TYPE 54C  
● REFER TO GROUP IN CHASSIS SECTION

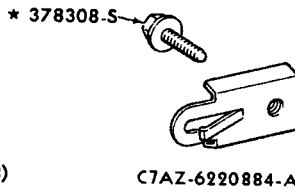
# FORD CAR PARTS

## EXTERIOR MouldING ILLUSTRATION SECTION A

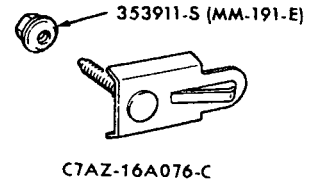
23



A



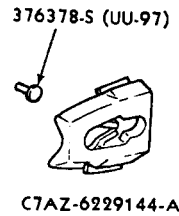
B



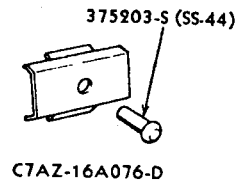
C



D



E

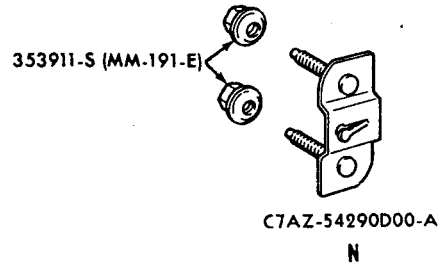
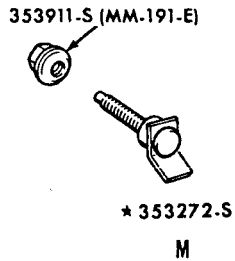
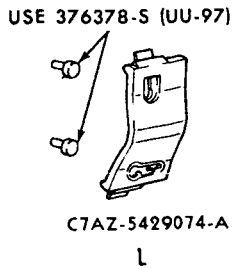
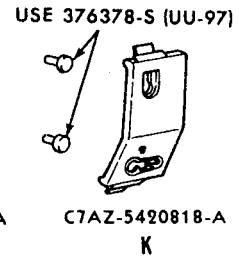
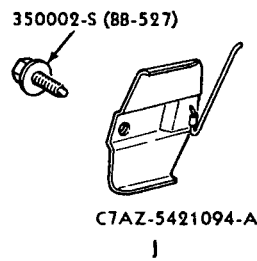
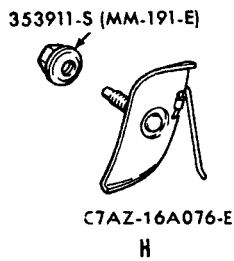
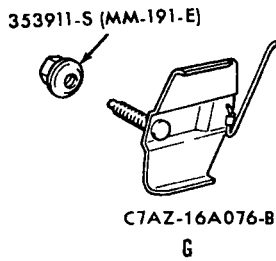
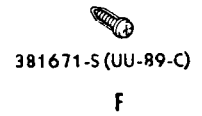
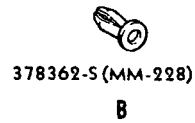
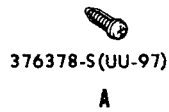
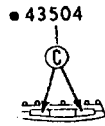
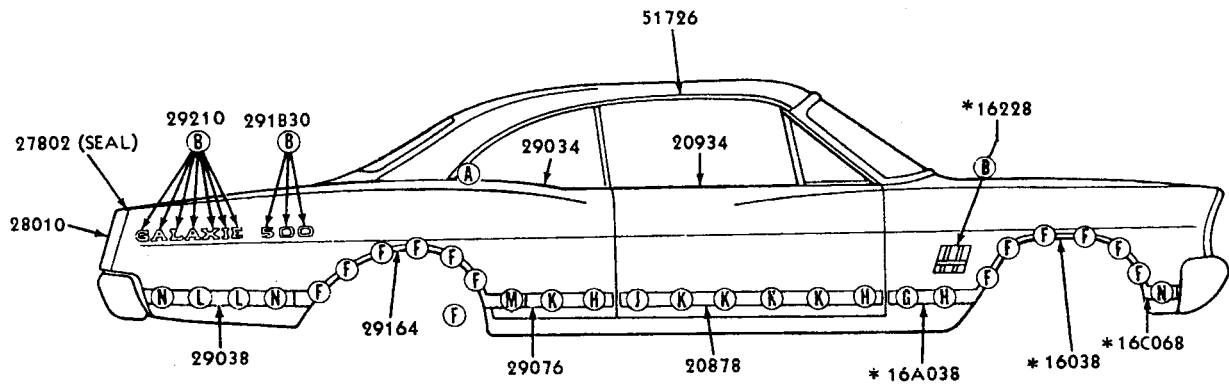


F

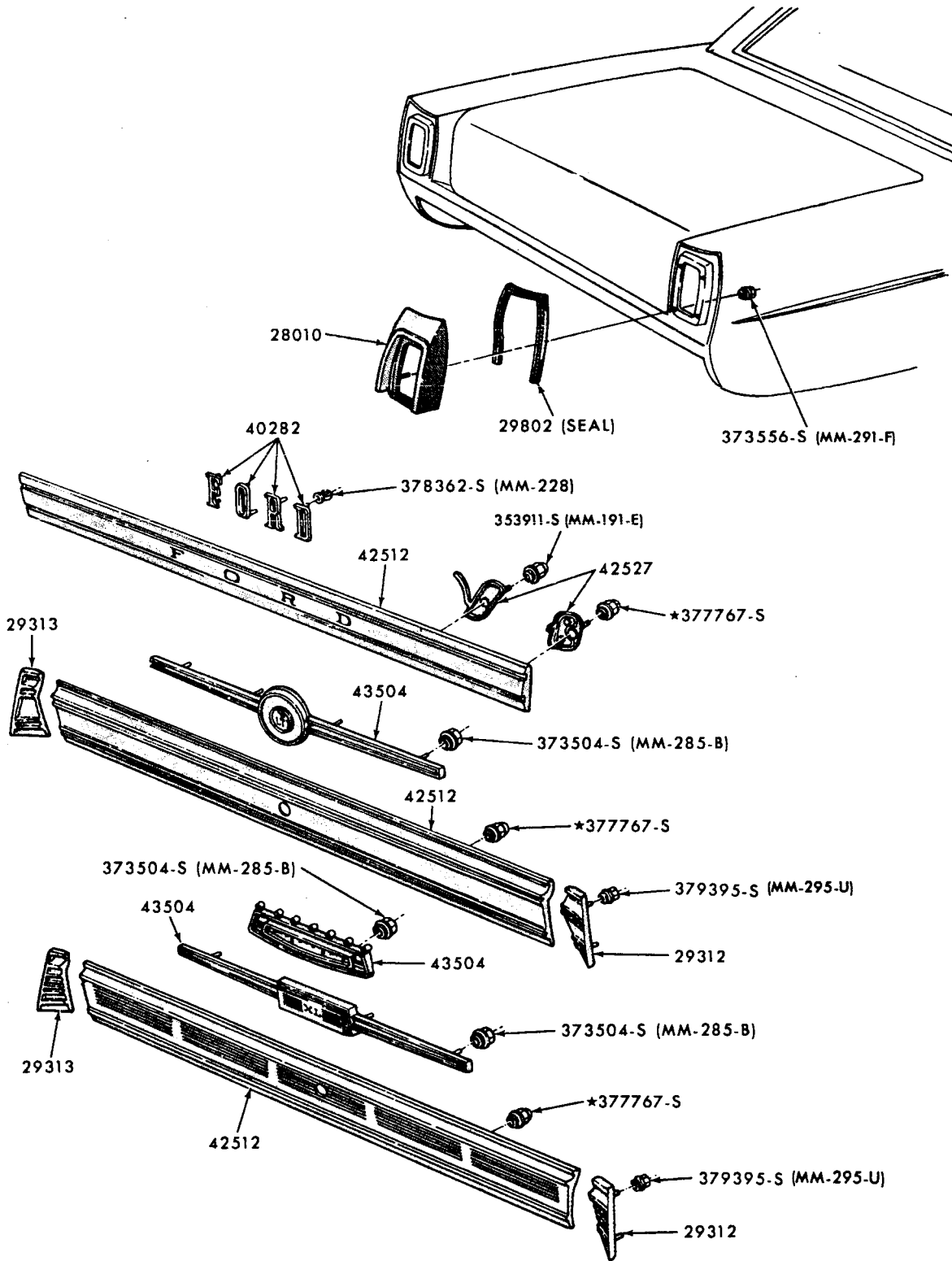
■ BODY TYPE 62B

\* REFER TO GROUP IN CHASSIS SECTION  
‡ REFER TO CHASSIS ILLUSTRATION SECTION

P-5564



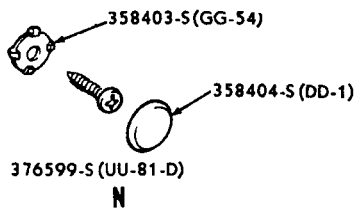
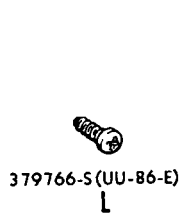
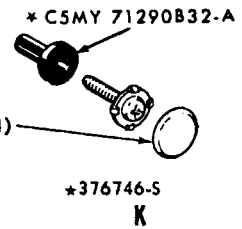
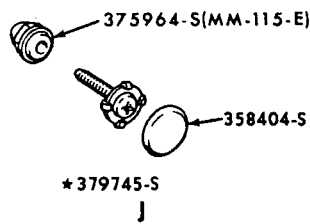
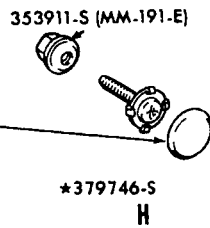
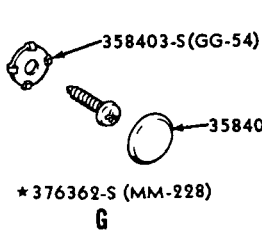
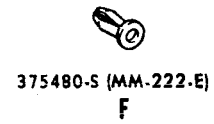
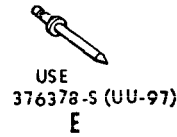
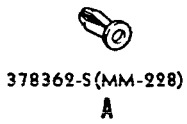
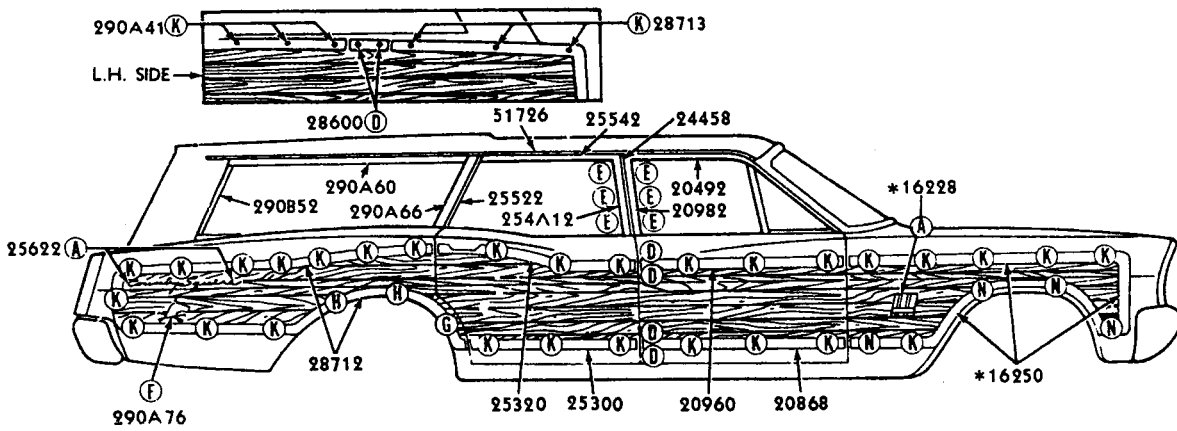
- BODY TYPE 63B, 76A
- \* REFER TO GROUP IN CHASSIS SECTION
- BODY TYPE 63C



P-5636

**FORD CAR PARTS**

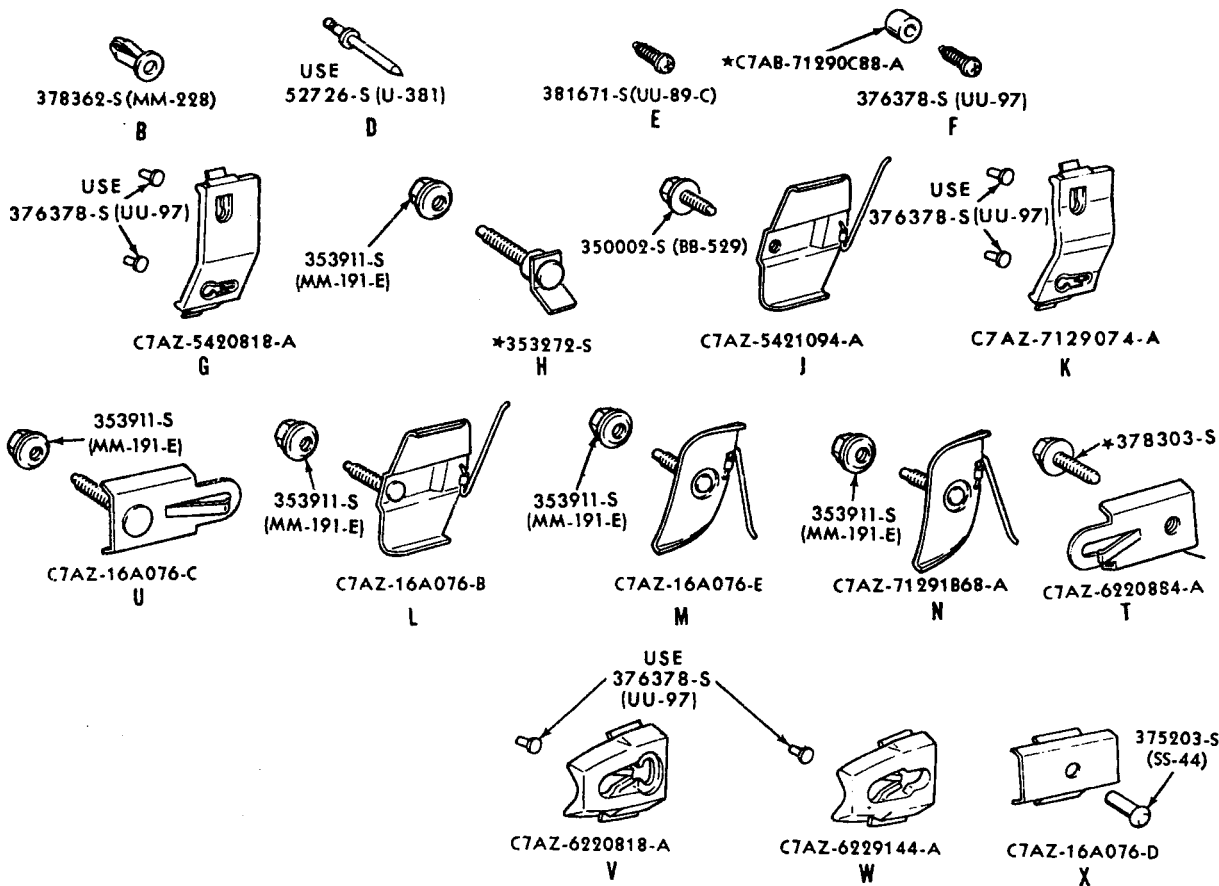
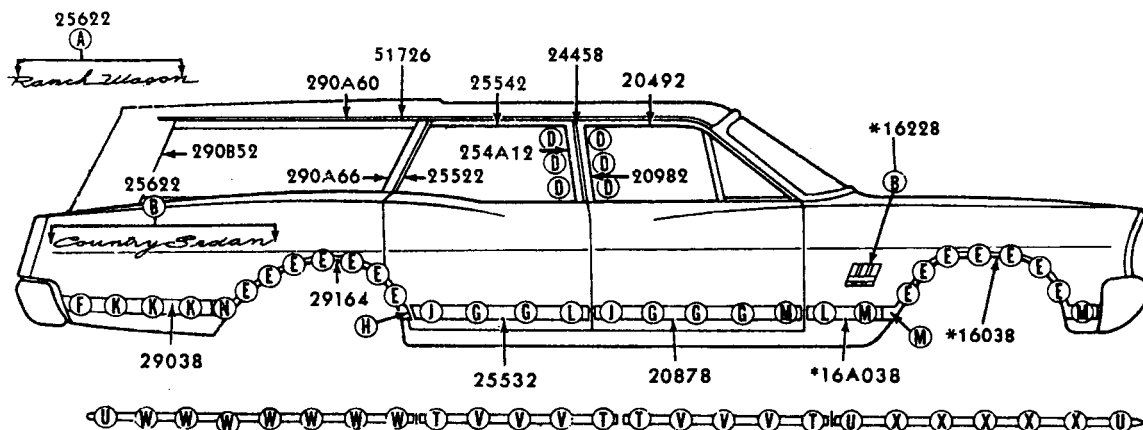
**A EXTERIOR MOULDING ILLUSTRATION SECTION**



\* REFER TO GROUP IN CHASSIS SECTION

FOR WOOD GRAIN TRANSFER —REFER TO GROUP 20748

P-5571



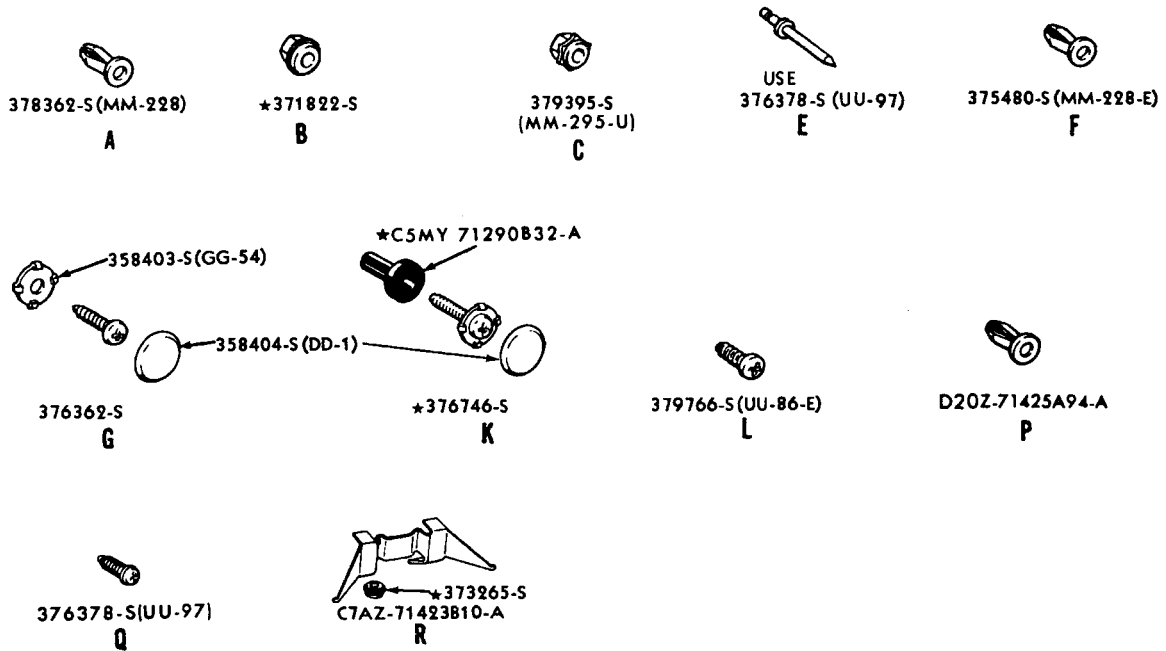
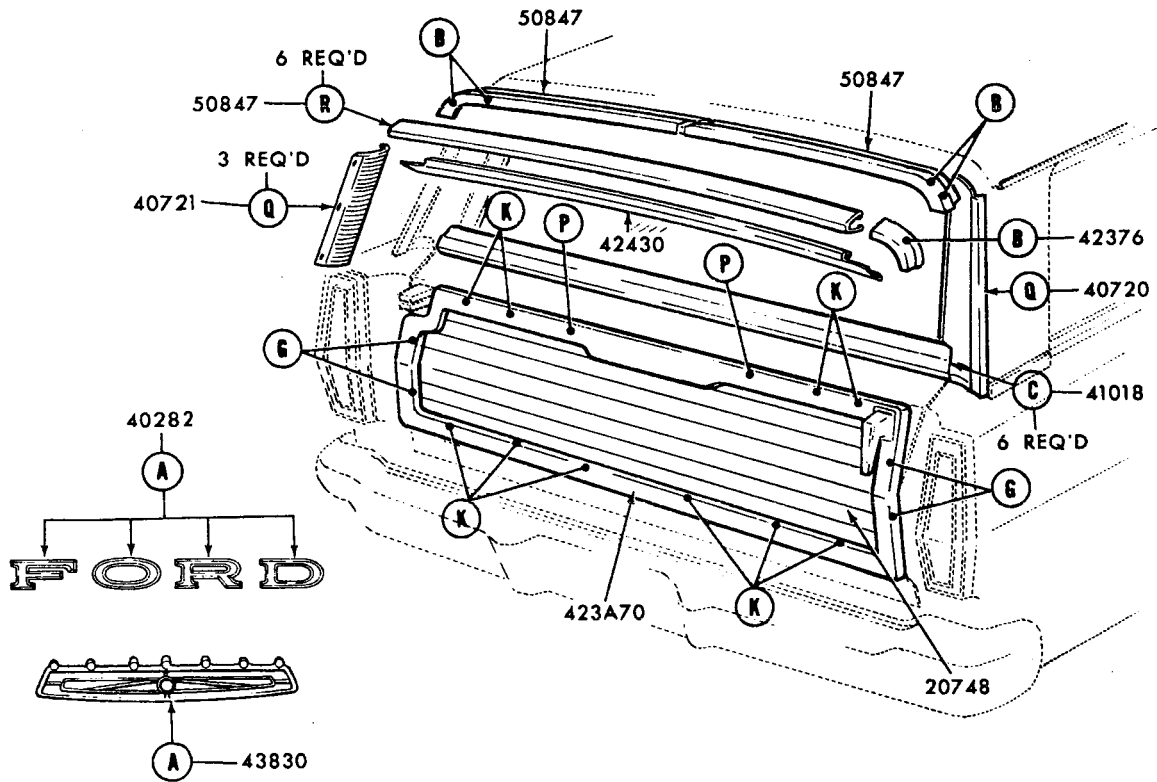
\*REFER TO GROUP IN CHASSIS SECTION

P-5569

1967 FORD - BODY TYPE 71B, C, D

**A** EXTERIOR MOULDING  
ILLUSTRATION SECTION

**FORD CAR PARTS**

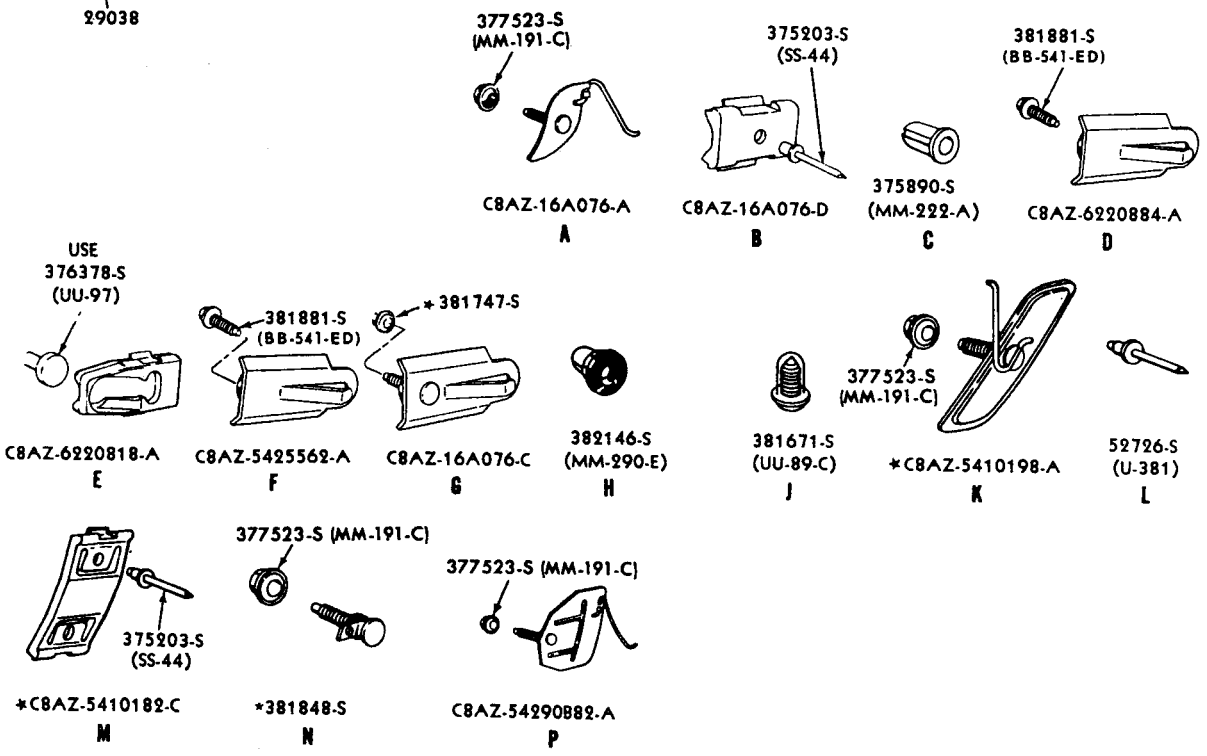
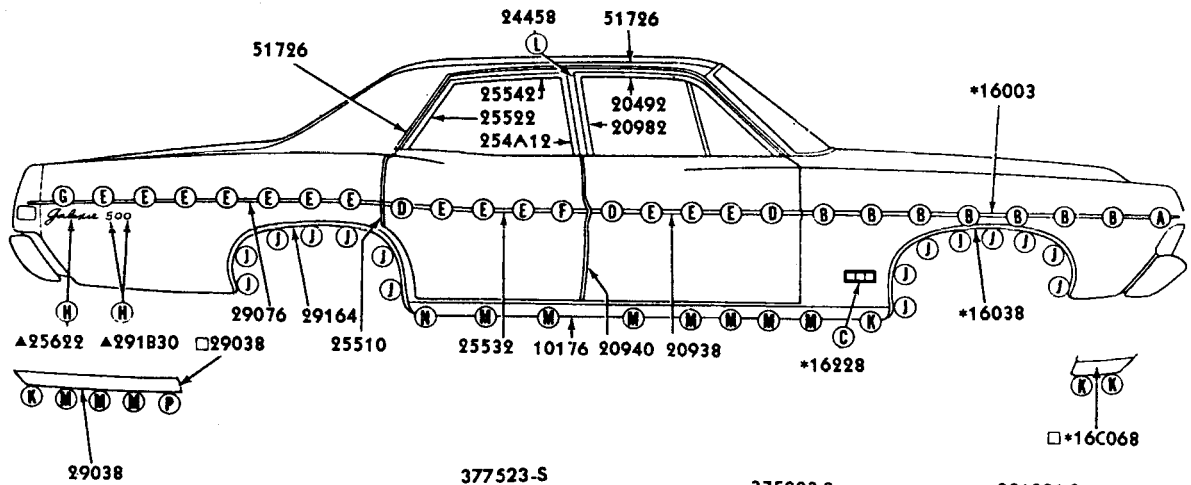


\*REFER TO GROUP IN CHASSIS SECTION

P-8354

# FORD CAR PARTS

## EXTERIOR MOULDING ILLUSTRATION SECTION A



▲BODY TYPE 54A  
 ▲REFER TO BODY ILLUSTRATION SECTION 030  
 \*REFER TO GROUP IN CHASSIS SECTION

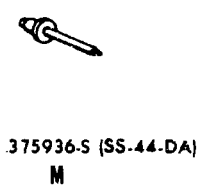
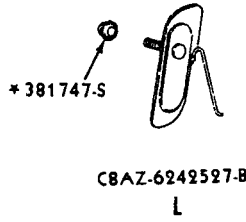
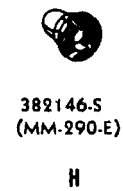
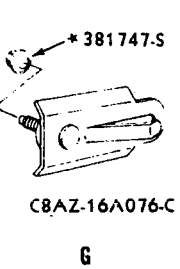
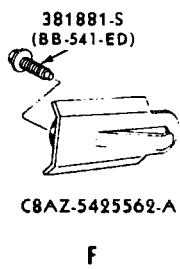
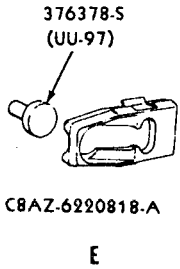
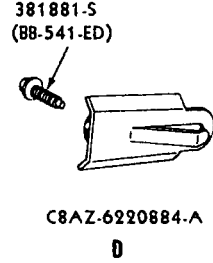
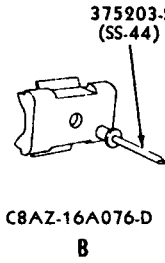
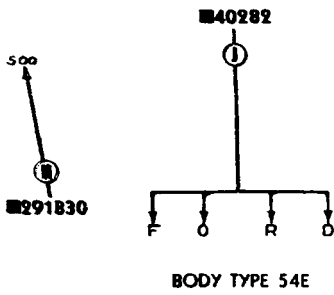
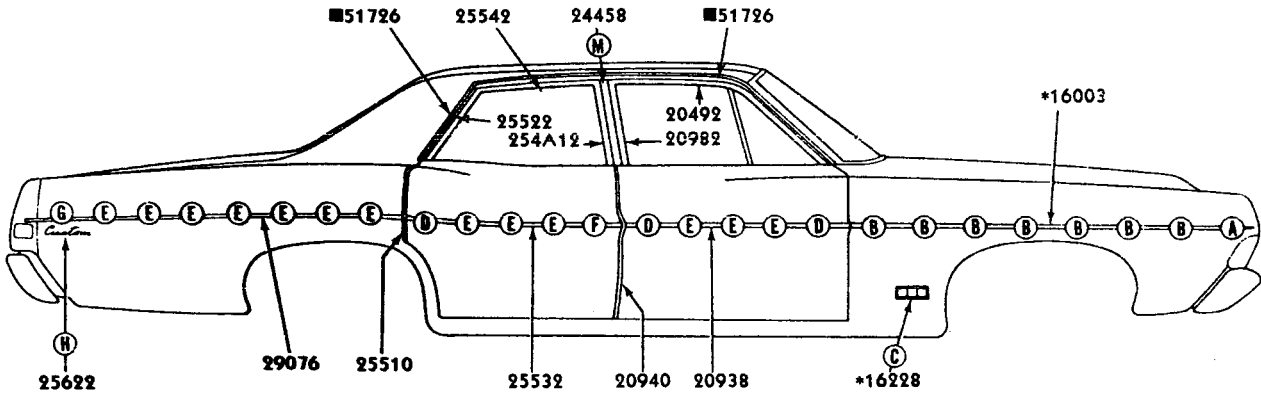
P-6137

1968 FORD - BODY TYPE 54A, C



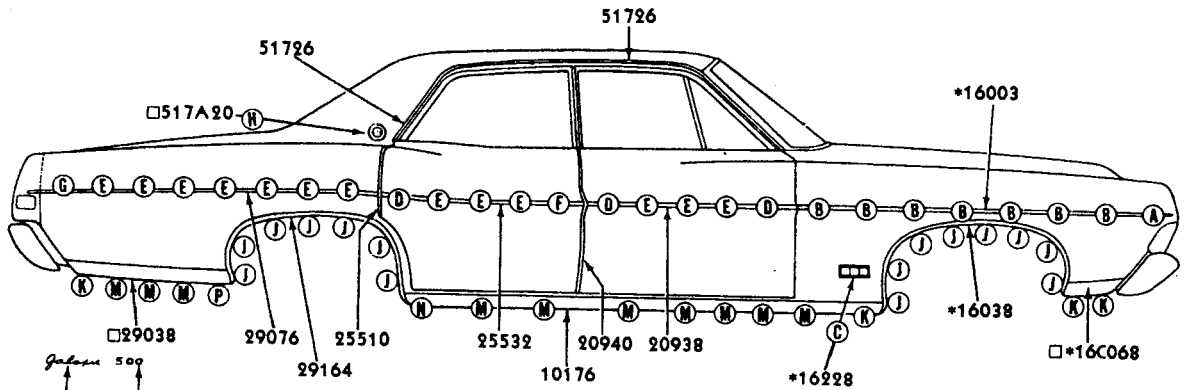
# FORD CAR PARTS

## A EXTERIOR MOULDING ILLUSTRATION SECTION



\*REFER TO GROUP IN CHASSIS SECTION

■FOR SERVICE REPLACEMENT USE ADHESIVE TYPE



- ▲25622
- ▲291830
- 29038
- 29076
- 25510
- 25532
- 20940
- 20938
- 10176
- \*16228
- \*16038
- \*16C068
- \*381747-S
- 375203-S (SS-44)
- 381881-S (BB-541-ED)
- C8AZ-16A076-A A
- C8AZ-16A076-D B
- 375890-S (MM-222-A) C
- C8AZ-6220884-A D
- USE 376378-S (UU-97)
- 381881-S (BB-541-ED)
- \*381747-S
- C8AZ-6220818-A E
- C8AZ-5425562-A F
- C8AZ-16A076-C G
- 373504-S (MM-285-B) H
- \*381747-S
- \*381747-S
- 375203-S (SS-44)
- 381671-S (UU-89-C) J
- \*C8AZ-5410198-A K
- \*C8AZ-5410182-C M
- \*381747-S
- \*381848-S N
- C8AZ-54290882-A P
- \*381747-S Q
- C8AZ-54291880-A R
- \*381747-S
- \*C8AZ-5429092-B S
- 382147-S (MM-118-H)
- C8AZ-5442592-A T
- 382147-S (MM-118-H) U
- C8AZ-5442527-A U
- \*381747-S V
- C8MY-71407A12-A V
- 374566-S W
- 378362-S (MM-228) X
- 382146-S (MM-290-E) Y

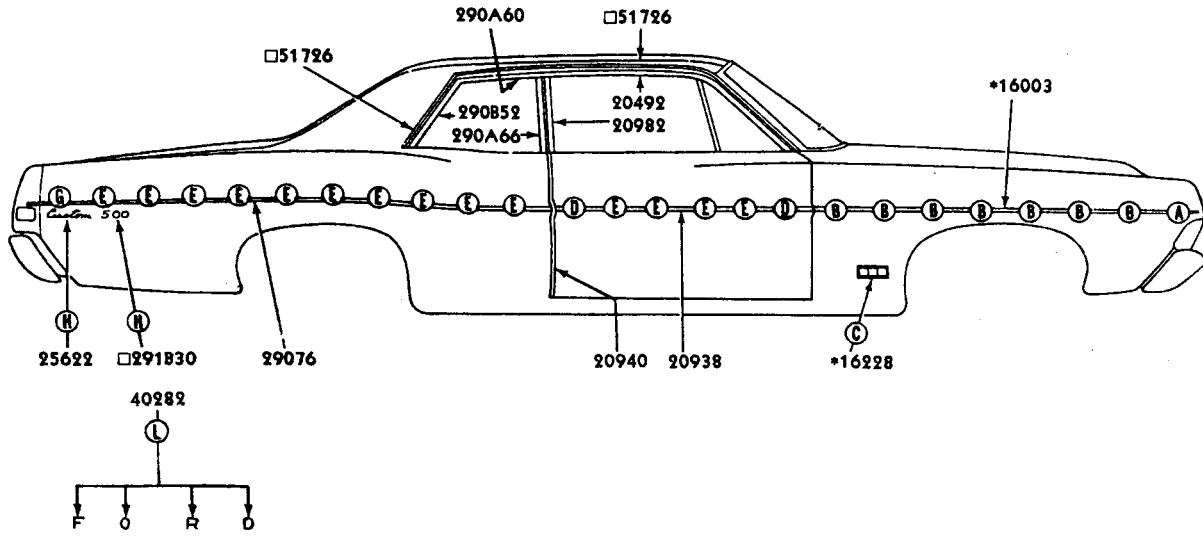
▲BODY TYPE 57B  
 □BODY TYPE 57F  
 \*REFER TO GROUP IN CHASSIS SECTION

■FOR SERVICE REPLACEMENT USE ADHESIVE TYPE

P-6142

**A EXTERIOR Moulding  
ILLUSTRATION SECTION**

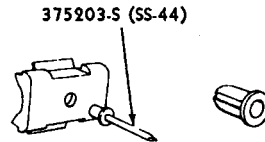
**FORD CAR PARTS**



BODY TYPE 62E



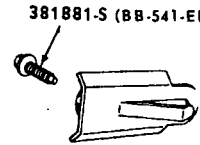
\*381747-S  
C8AZ-16A076-A  
A



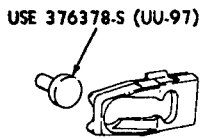
375203-S (SS-44)  
C8AZ-16A076-D  
B



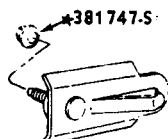
375890-S  
(MM-222-A)  
C



381881-S (BB-541-ED)  
C8AZ-6220884-A  
D



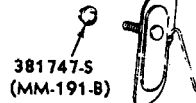
USE 376378-S (UU-97)  
C8AZ-6220818-A  
E



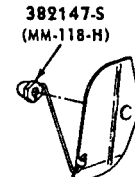
\*381747-S  
C8AZ-16A076-C  
G



382146-S (MM-290-E)  
H



381747-S  
(MM-191-B)  
C8AZ-6242527-B  
J



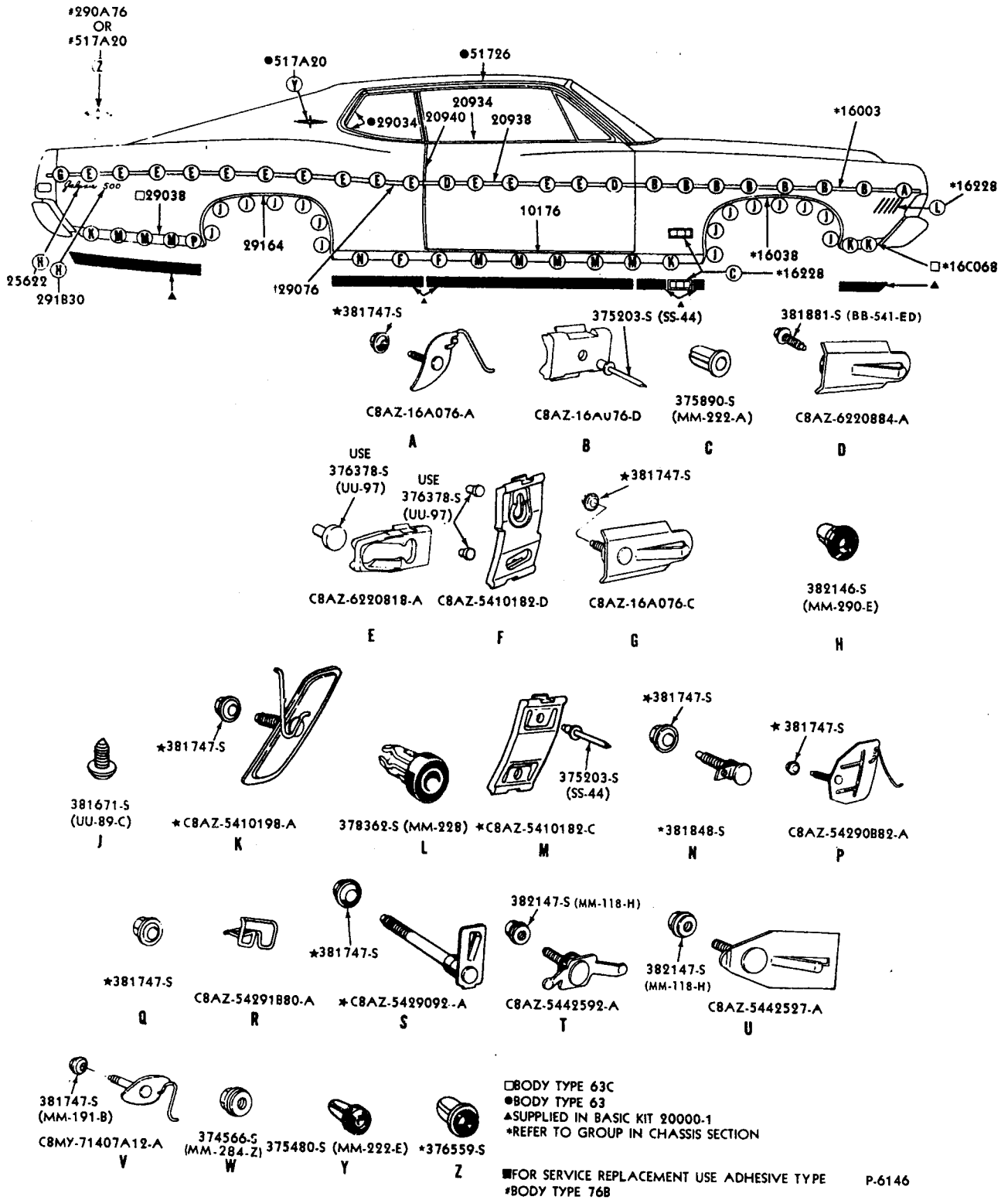
382147-S  
(MM-118-H)  
C8AZ-5442527-A  
K



378362-S (MM-228)  
L

□ BODY TYPE 62B

\*REFER TO GROUP IN CHASSIS SECTION



1968 FORD - BODY TYPE 63, 76

May, 1975

COPYRIGHT © 1975 -

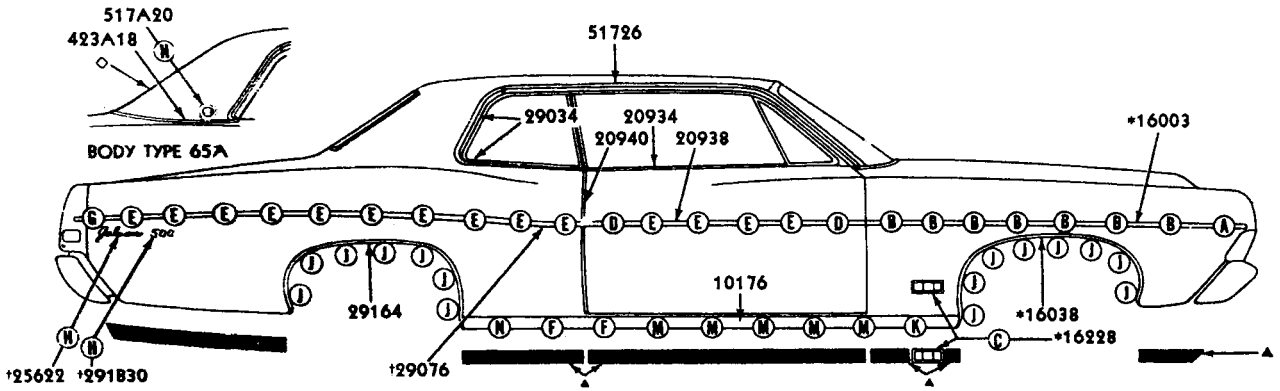
FORD MOTOR  
COMPANY

— DEARBORN, MICHIGAN

FINAL ISSUE

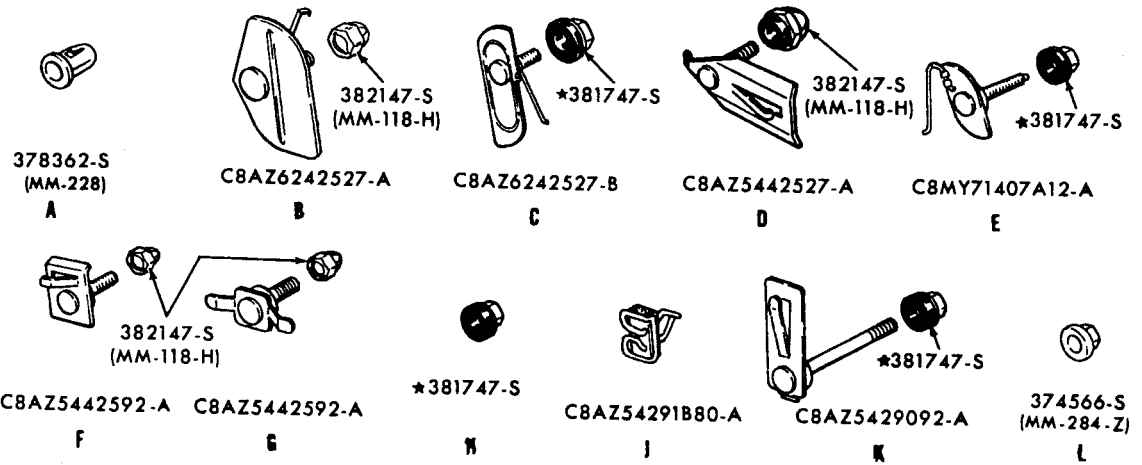
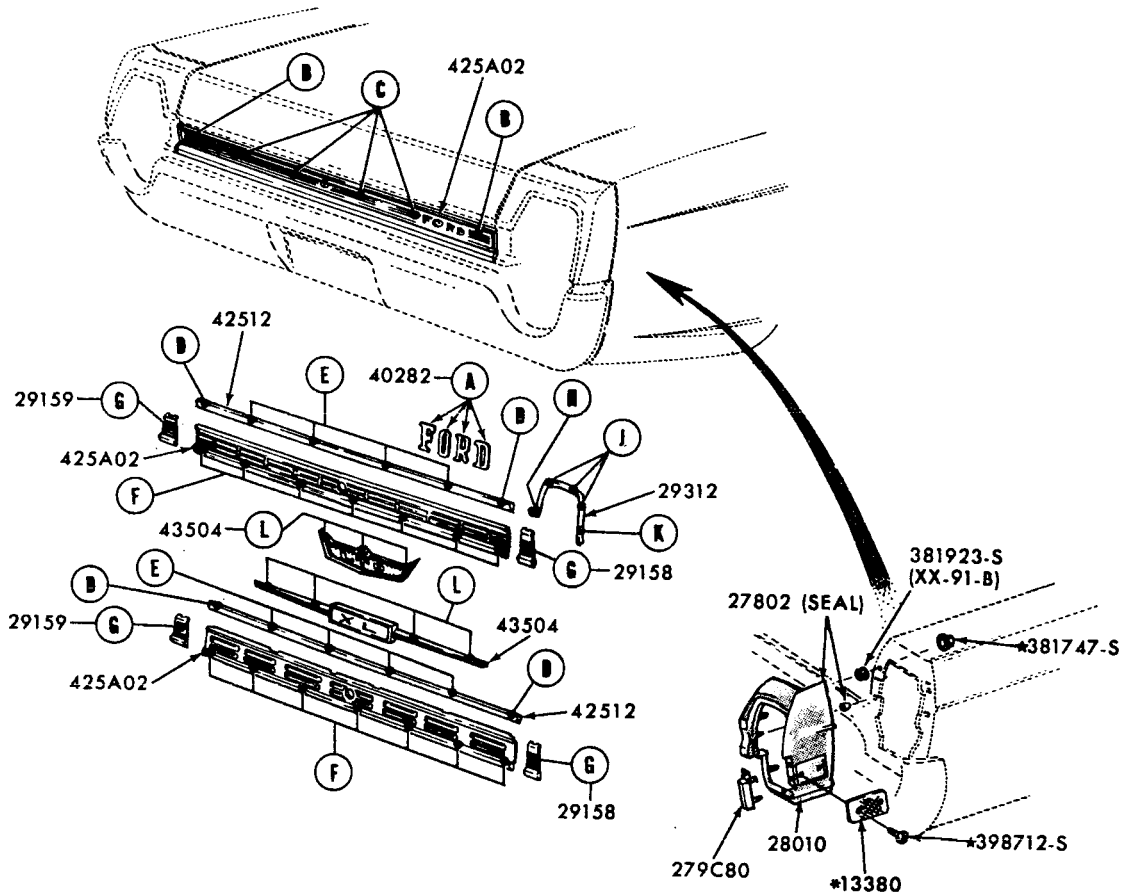
**FORD CAR PARTS**

**A EXTERIOR MOULDING  
ILLUSTRATION SECTION**



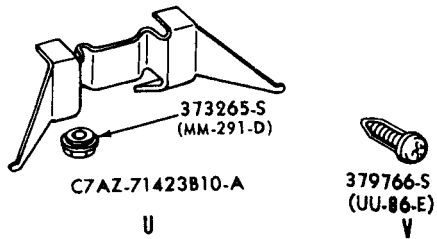
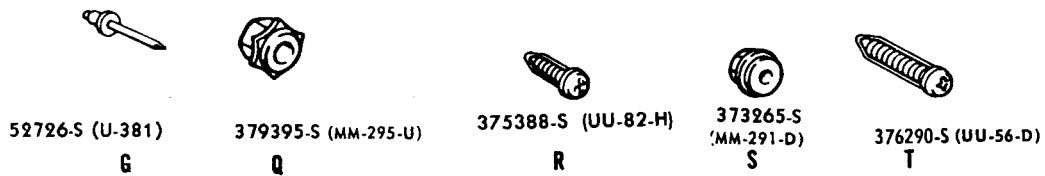
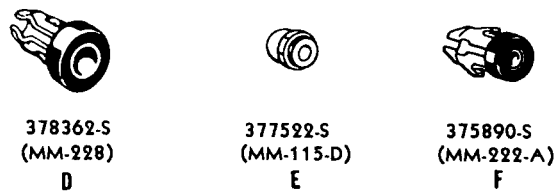
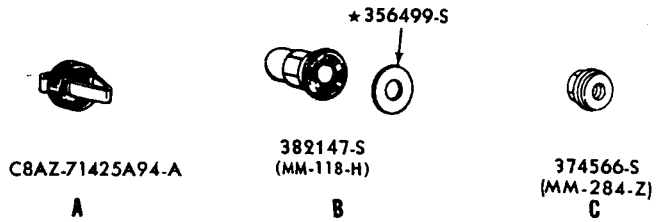
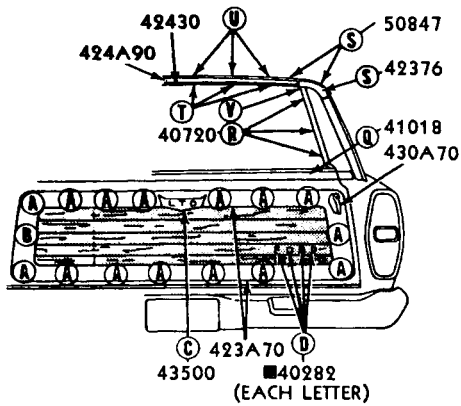
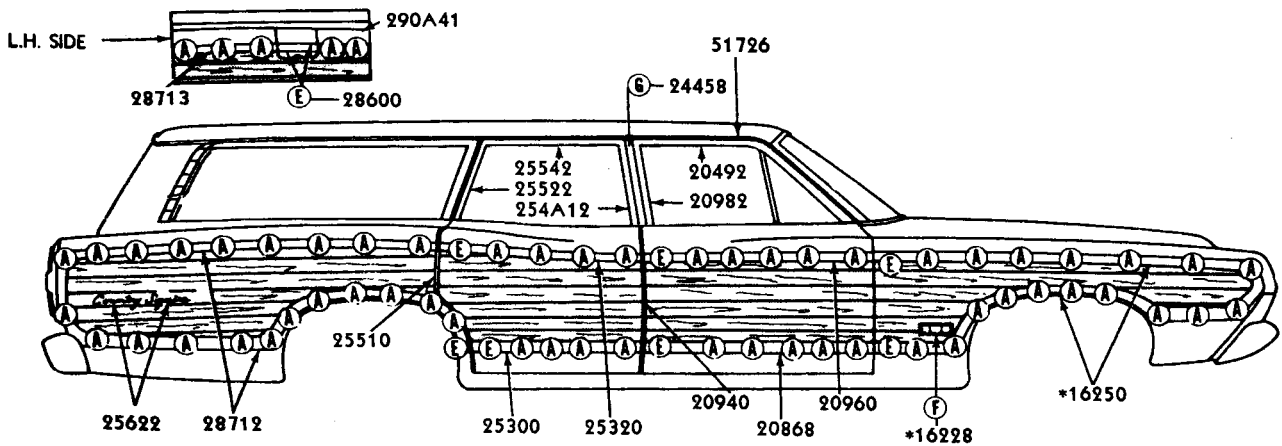
- 29038
- \*381747-S
- 375203-S (SS-44)
- 381881-S (BB-541-ED)
- 16C068
- \*C8AZ-16A076-A **A**
- \*C8AZ-16A076-D **B**
- 375890-S (MM-222-A) **C**
- C8AZ-6220884-A **D**
- USE 376378-S (UU-97) USE 376378-S (UU-97)
- C8AZ-6220818-A **E**
- C8AZ-5410182-D **F**
- \*381747-S
- \*C8AZ-16A076-C **G**
- 382146-S (MM-290-E) **H**
- 381671-S (UU-89-C) **J**
- \*381747-S
- C8AZ-5410198-A **K**
- 52726-S (U-381) **L**
- C8AZ-5410182-C **M**
- \*381747-S
- \*381848-S **N**
- \*381747-S
- C8AZ-54290882-A **P**

\*REFER TO GROUP IN CHASSIS SECTION  
 †BODY TYPE 65C  
 ‡SUPPLIED IN BASIC KIT 20000-1 FOR 65C



\*REFER TO GROUP IN CHASSIS SECTION

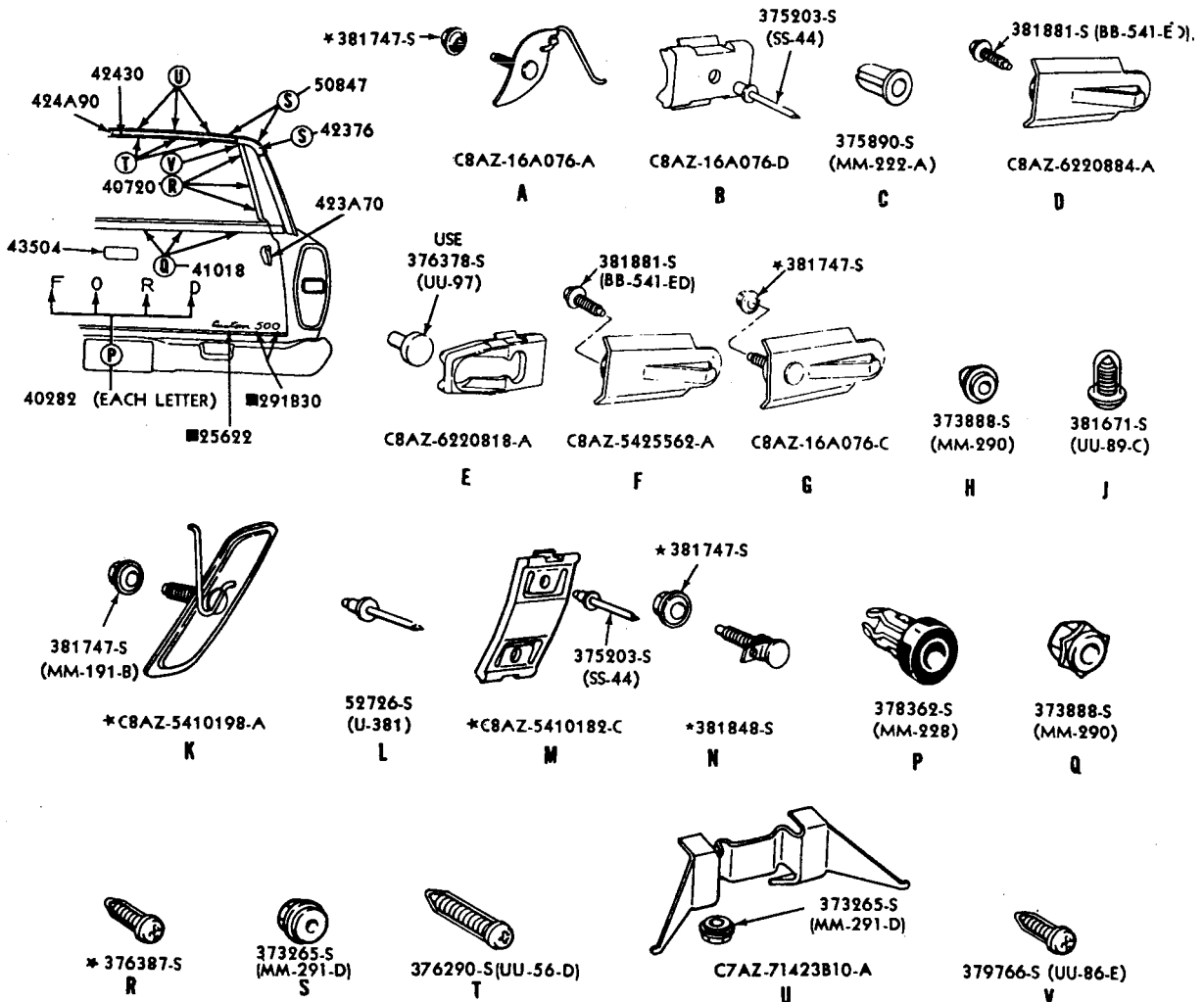
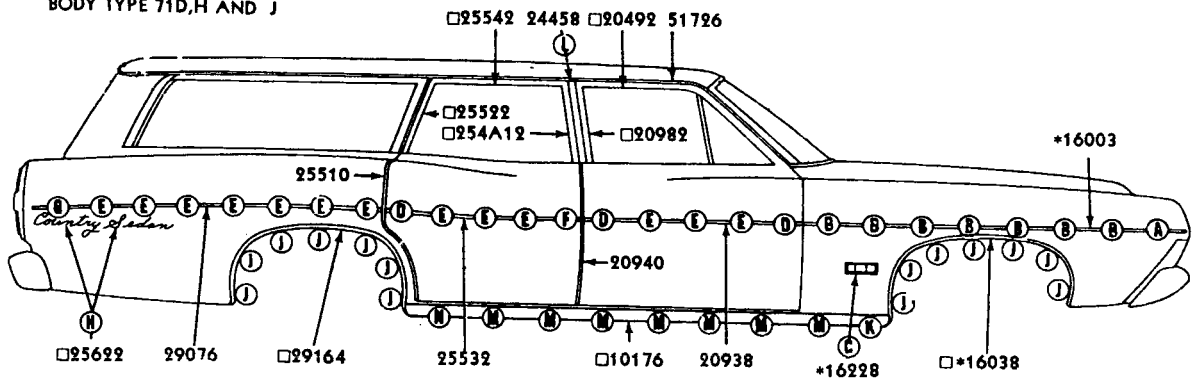
P-6950



■ FOR SERVICE REPLACEMENT USE ADHESIVE TYPE  
\* REFER TO GROUP IN CHASSIS SECTION

▲ REFER TO BODY ILLUSTRATION SECTION 290  
DARK WALNUT GRAIN TRANSFER BLACK PLANKING  
C8AZ-7120748-A (DI NOC)  
OR C8AZ-7120748-B (ADHESIVE TYPE)

■25622 25622  
 (H) (H)  
 Custom Ranch Wagon  
 BODY TYPE 71D, H AND J

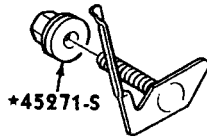
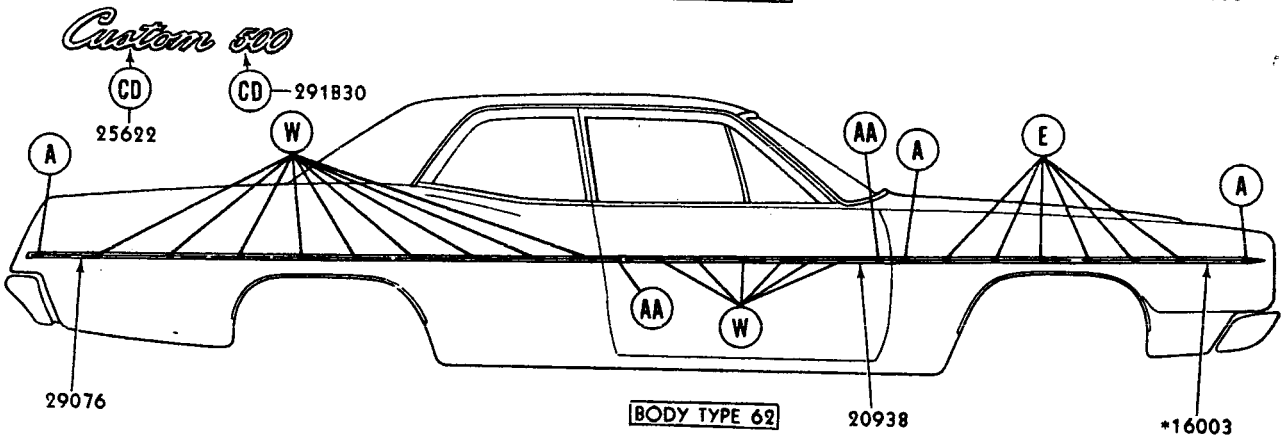
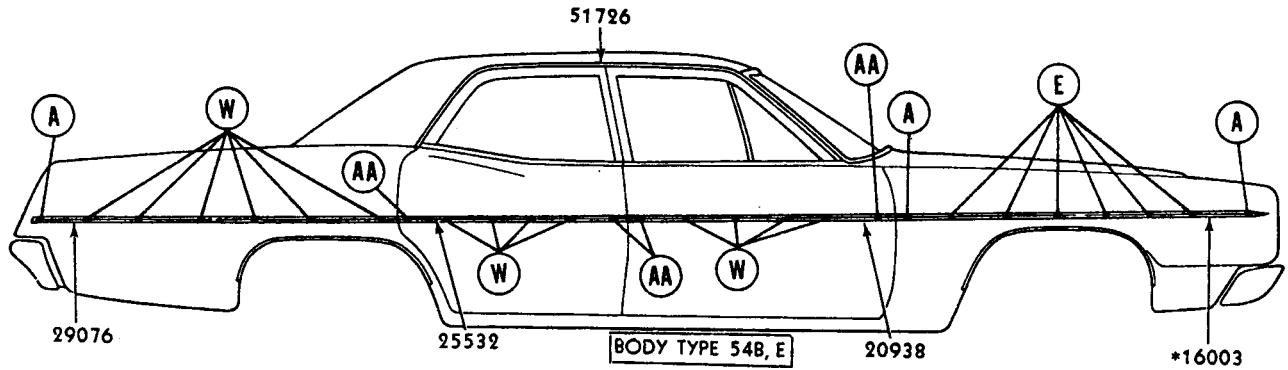


\*REFER TO GROUP IN CHASSIS SECTION  
 □ BODY TYPE 71B, C  
 ■ BODY TYPE 71H, J

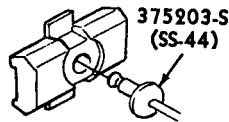
P-6150



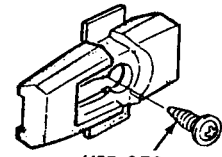




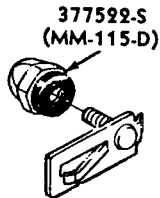
C8AZ-16A076-A  
A



C9AZ-16A076-B  
E



C9AZ-6220818-A  
W



C9AZ-6220884-A  
AA

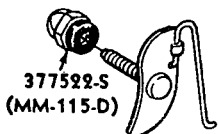
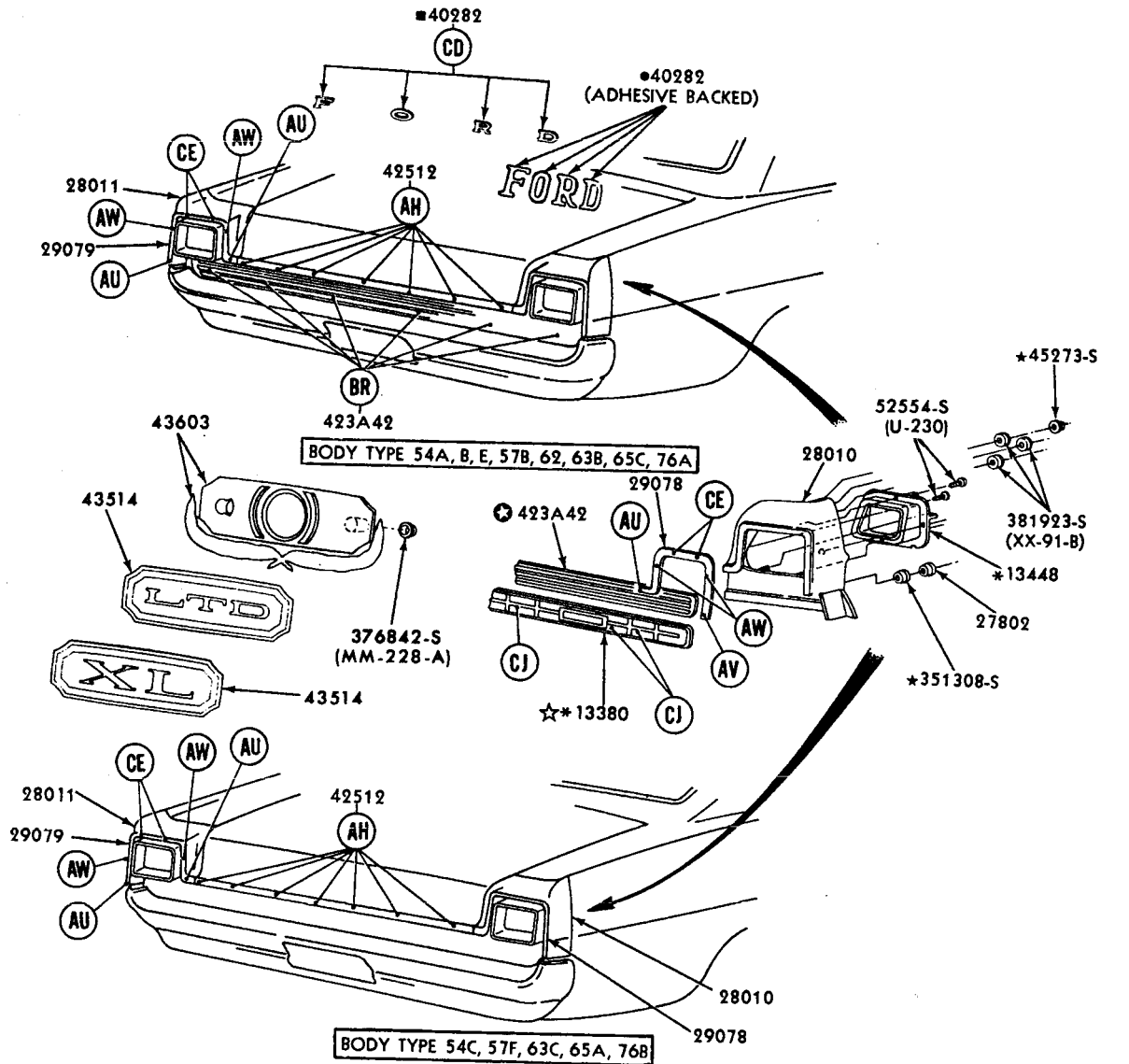


382146-S (MM-290-E)  
CD

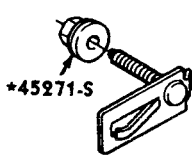
\*REFER TO GROUP IN CHASSIS SECTION

P-6562

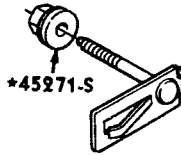




377522-S (MM-115-D)  
C8UZ-82290B32-A  
AH



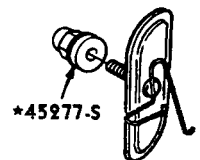
\*45271-S  
C9AZ-62291B80-A  
AU



\*45271-S  
C9AZ-62291B80-B  
AV



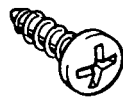
C9AZ-62291B80-C  
AW



\*45277-S  
C9AZ-54423A64-A  
BR



382146-S (MM-290-E)  
CD



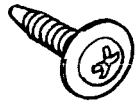
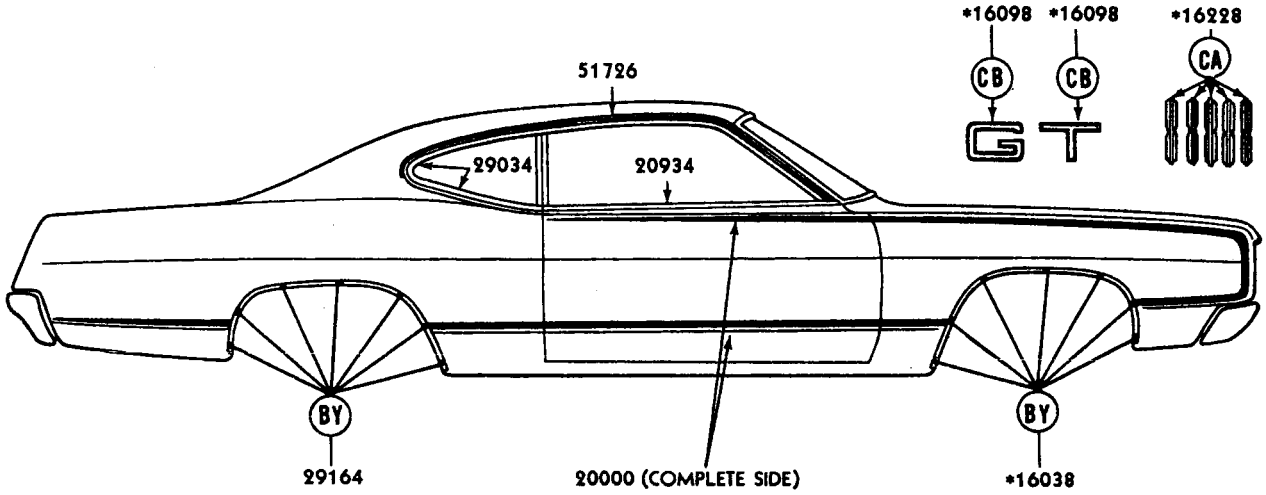
52720-S (U-380)  
CE



376842-S (MM-288-A)  
CJ

- BODY TYPE 54B, E, 62
- BODY TYPE 54A, 57B, 63B, 65C, 76A
- \* REFER TO GROUP IN CHASSIS SECTION
- ☆ BODY TYPE 54C, 57F, 63C, 65A, 76B
- ⊙ BODY TYPE 54A, B, E, 57B, 62, 63B, 65C, 76A

P-6626



**381671-S (UU-89-C)**  
BY



**373888-S (MM-290)**  
CA

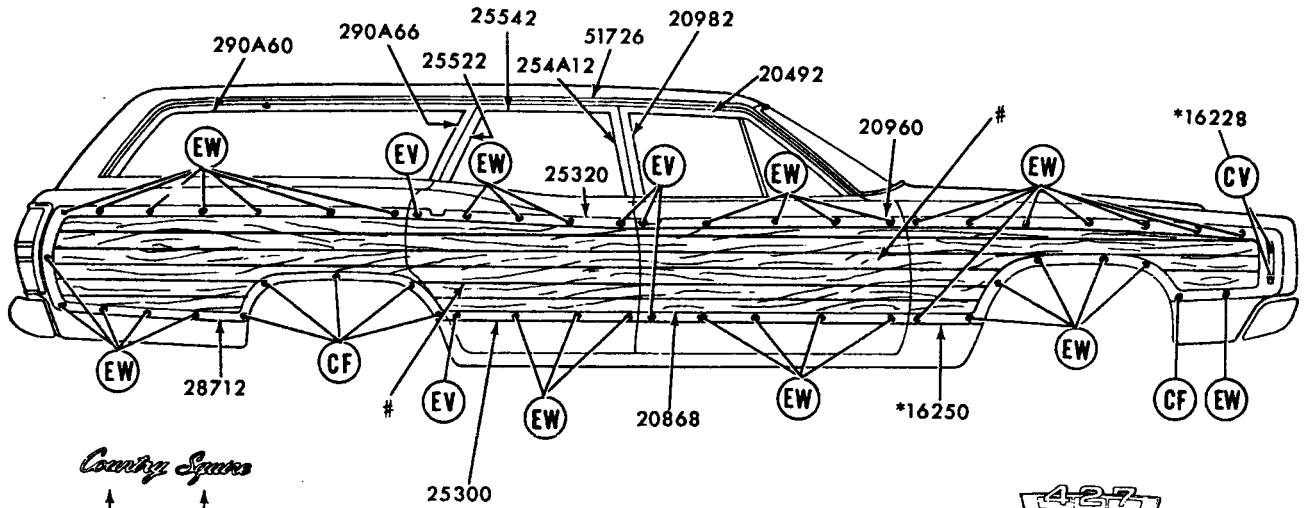


**375890-S (MM222-A)**  
CB

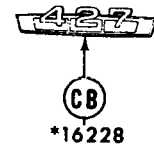
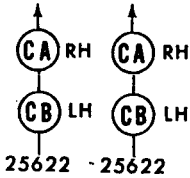
REFER TO GROUP IN CHASSIS SECTION

P-6565

1969 FORD - BODY TYPE 63C, 76B - SIDE



*Country Squire*



373888-S (MM-290)  
CA



375890-S (MM222-A)  
CB



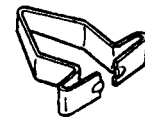
\*45271-S  
CF



52413-S (U-316)  
CV



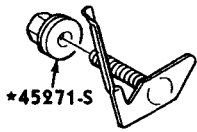
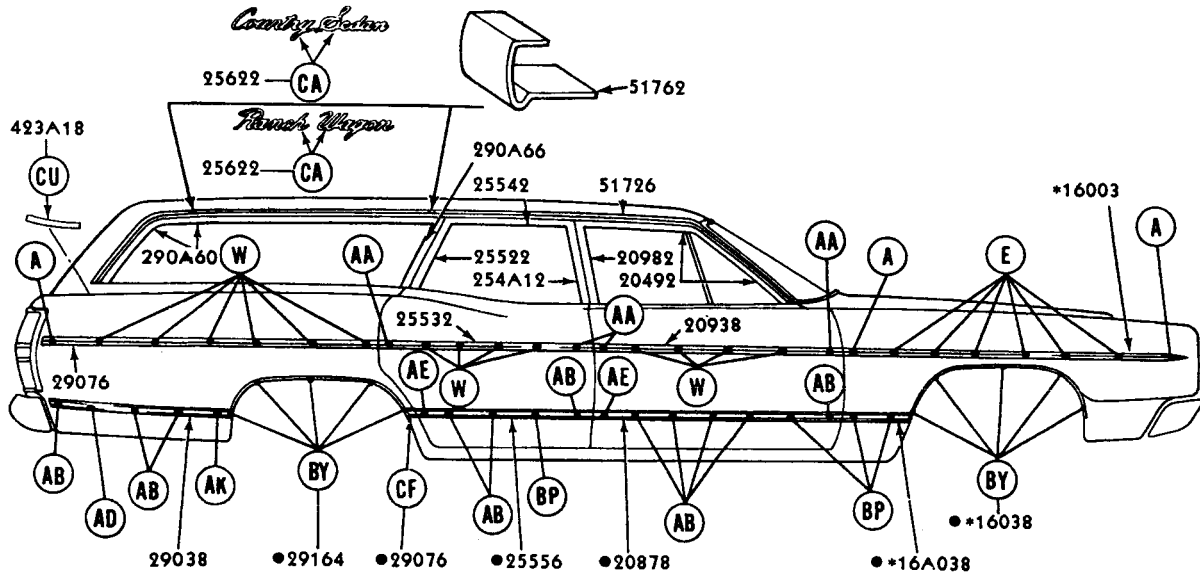
377522-S  
(MM-115-D)  
EV



C8AZ-71425A94-A  
EW

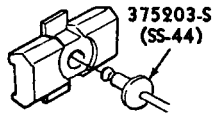
\* REFER TO GROUP IN CHASSIS SECTION  
#FOR WOOD GRAIN TRANSFER—REFER TO GROUP 20748

P-6567



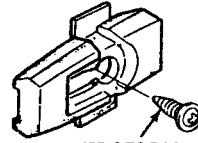
\*45271-S

**C8AZ-16A076-A**  
A



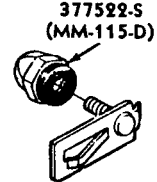
375203-S  
(SS-44)

**C9AZ-16A076-B**  
E



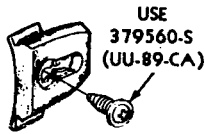
USE 379560-S  
(UU-89.CA)

**C9AZ-6220818-A**  
W



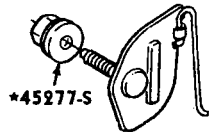
377522-S  
(MM-115-D)

**C9AZ-6220884-A**  
AA



USE  
379560-S  
(UU-89.CA)

**C9AZ-5421066-A**  
AB



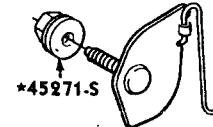
\*45277-S

**C9AZ-5421094-A**  
AD



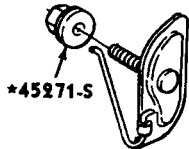
377522-S  
(MM-115-D)

**C9AZ-5421094-B**  
AE



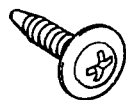
\*45271-S

**C9AZ-5429033-A**  
AK



\*45271-S

**C9AZ-6240248 -B**  
BP



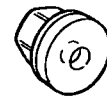
**381671-S (UU-89-C)**  
BY



**373888-S (MM-290)**  
CA



**\*45271-S**  
CF

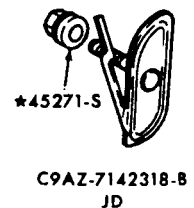
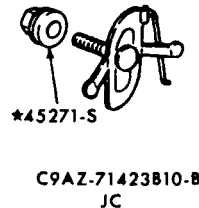
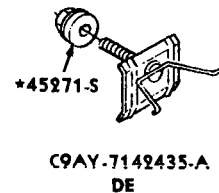
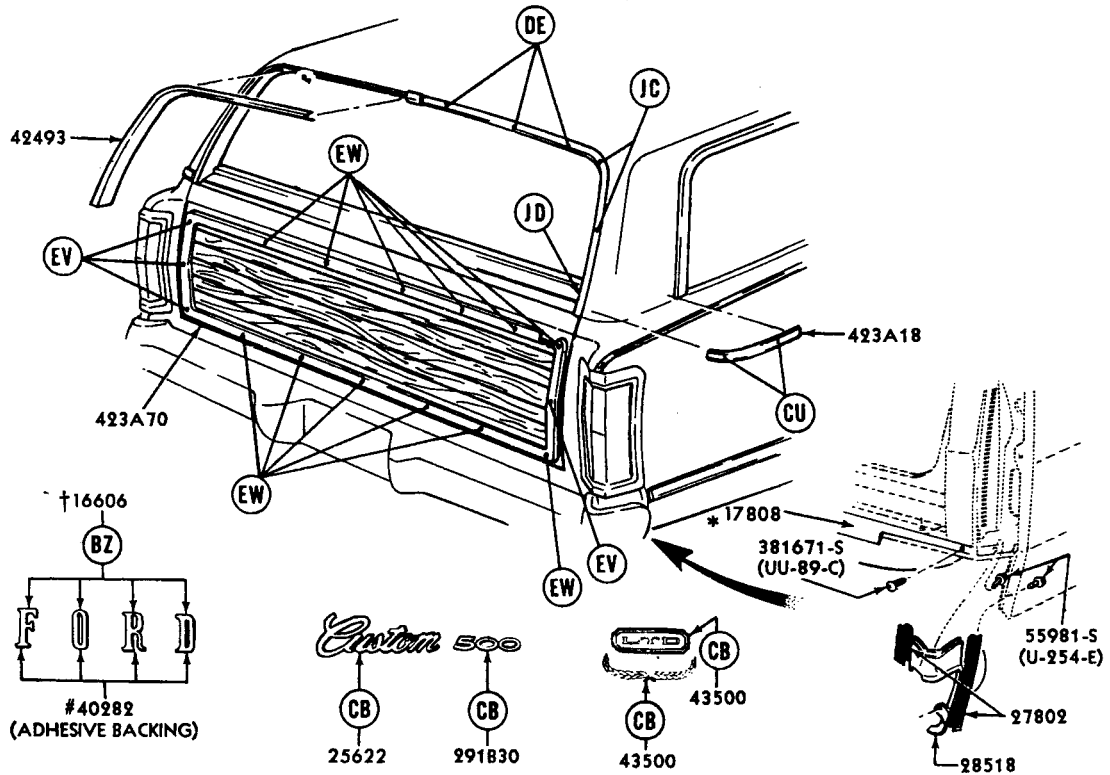


**\*45273-S**  
CU

\*REFER TO GROUP IN CHASSIS SECTION

●BODY TYPE 71B, C ONLY

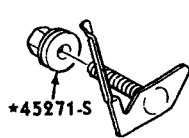
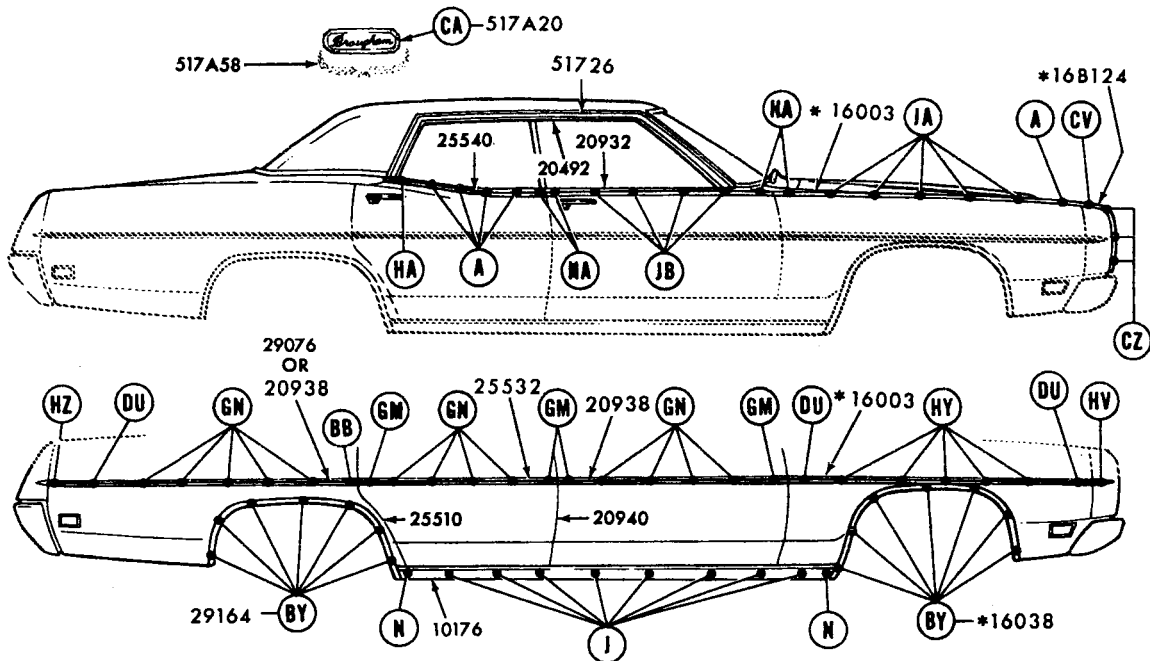
P-6566



FOR WOOD GRAIN TRANSFER - REFER TO GROUP 20748  
\*REFER TO GROUP IN CHASSIS SECTION  
†BODY TYPE 71B, C, D, H, J  
#BODY TYPE 71A, E

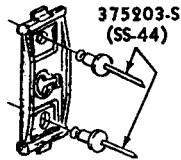
P-6679





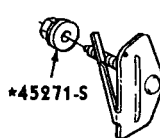
+45271-S

C8AZ-16A076-A  
A



375203-S  
(SS-44)

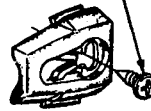
\*C9MY-5410182-A  
J



+45271-S

\*C9MY-5410198-A  
N

379560-S (UU-89-CA)



C7GY-5442331-A  
BB



381671-S (UU-89-C)  
BY



373888-S (MM-290)  
CA



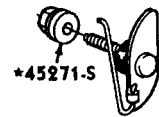
375890-S (MM222-A)  
CB



52413-S (U-316)  
CV



382110-S (MM-284-X)  
CZ



+45271-S

C8MY-71407A12-A  
DU

377522-S (MM-115-D)



C9GY-71407A12-A  
GM

379560-S (UU-89-CA)



DOVY-6520818-A  
GN



377522-S (MM-115-D)

DOGY-6520884-A  
HA

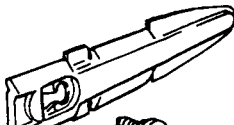


\*45277-S

DOGY-65291880-A  
HV



383229-S (SS-44-E)  
DOVY-6520818-A  
HY



382371-S (UU-81-L)  
DOAZ-6229144-A  
HZ

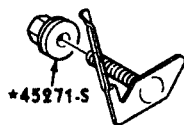
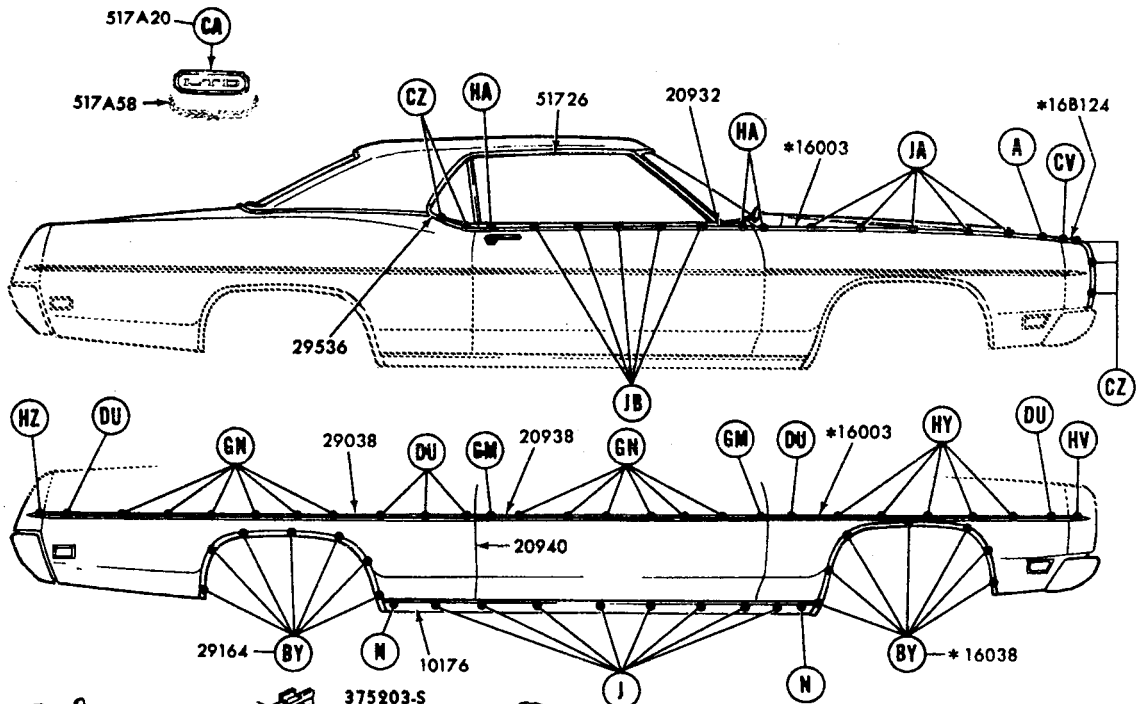


383229-S (SS-44-E)  
C6DZ-54254A46-A  
JA

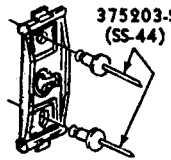


379560-S (UU-89-CA)  
C6DZ-54254A46-A  
JB

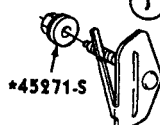
\* REFER TO GROUP IN CHASSIS SECTION



\*45271-S  
CBAZ-16A076-A  
A



375203-S (SS-44)  
\*C9MY-5410182-A  
J



\*45271-S  
\*C9MY-5410198-A  
N



381671-S (UU-89-C)  
BY



373888-S (MM-290)  
CA



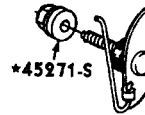
375890-S (MM222-A)  
CB



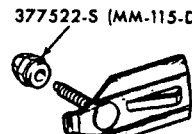
52413-S (U-316)  
CV



382110-S (MM-284-X)  
CZ



\*45271-S  
CBMY-71407A12-A  
DU

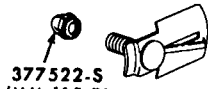


377522-S (MM-115-D)  
C9GY-71407A12-A  
GM

379560-S (UU-89-CA)



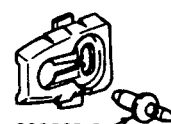
DOVY-6520818-A  
GN



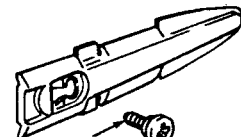
377522-S (MM-115-D)  
DOGY-6520884-A  
HA



\*45277-S  
DOGY-65291880-A  
HV



383229-S (SS-44-E)  
DOVY-6520818-A  
HY



382371-S (UU-81-L)  
\*DOAZ-6229144-A  
HZ



383229-S (SS-44-E)  
C6DZ-54254A46-A  
JA



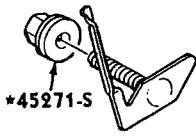
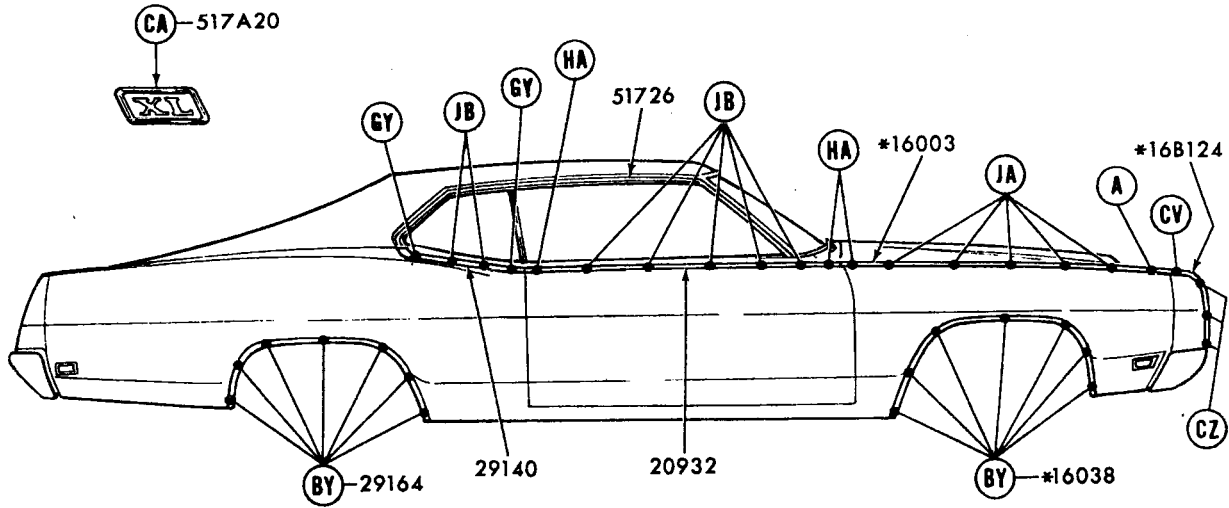
379560-S (UU-89-CA)  
C6DZ-54254A46-A  
JB

\*REFER TO GROUP IN CHASSIS SECTION

P-7106

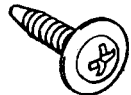
**A EXTERIOR MOULDING  
ILLUSTRATION SECTION**

**FORD CAR PARTS**



\*45271-S

C8AZ-16A076-A  
A



381671-S (UU-89-C)  
BY



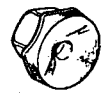
373888-S (MM-290)  
CA



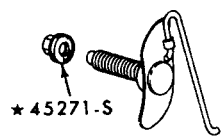
375890-S (MM222-A)  
CB



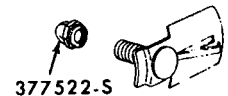
52413-S (U-316)  
CV



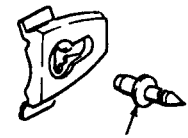
382110-S (MM-284-X)  
CZ



\*45271-S  
DOGY-16A076-A  
GY



377522-S (MM-115-D)  
DOGY-6520884-A  
HA



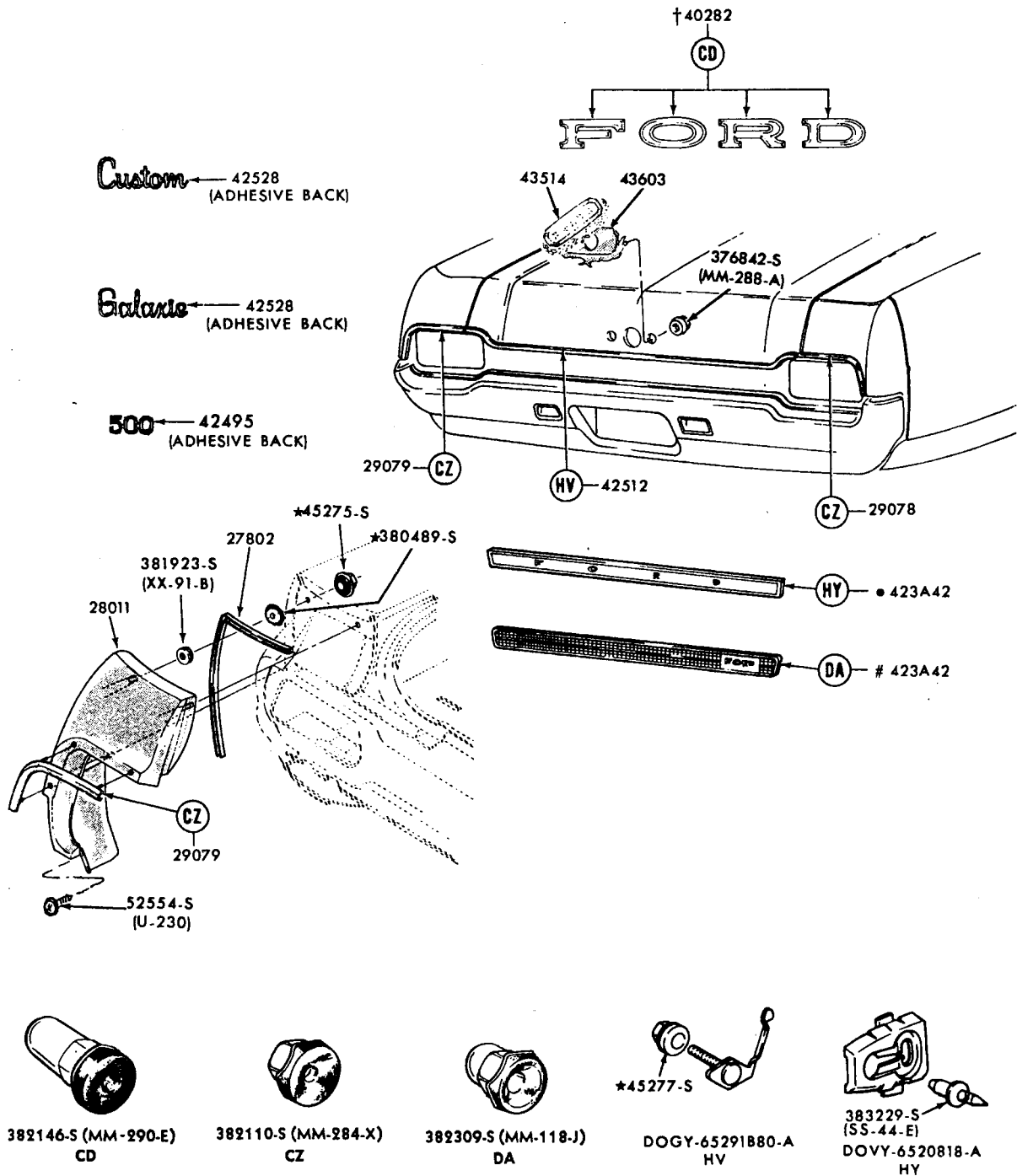
383229-S (SS-44-E)  
C6DZ-54254A46-A  
JA



379560-S (UU-89-CA)  
C6DZ-54254A46-A  
JB

\*REFER TO GROUP IN CHASSIS SECTION

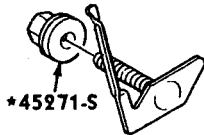
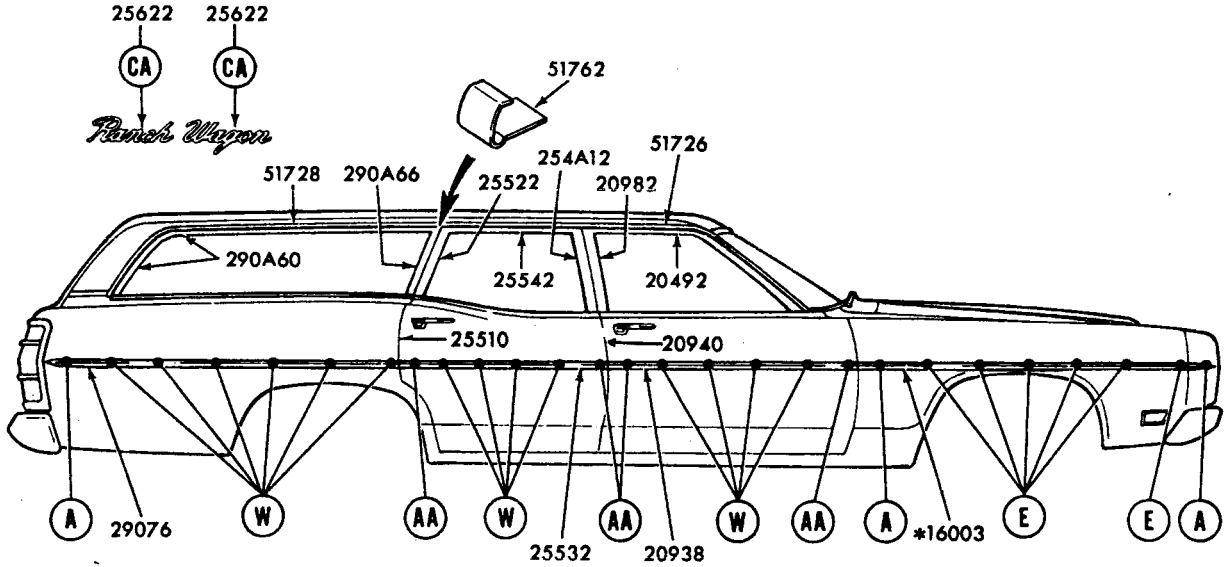
P-7109



•BODY TYPE 54A, 57B, 63B, 65C, 76A  
 # BODY TYPE 63C, 76B, 54C, 57F, 65A  
 †BODY TYPE 54B, E, 62B, E

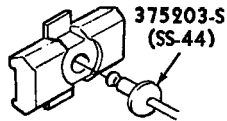
P-7100





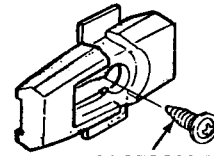
\*45271-S

C8AZ-16A076-A  
A



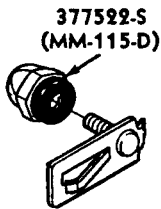
375203-S  
(SS-44)

C9AZ-16A076-B  
E



USE 379560-S  
(UU-89-CA)

C9AZ-6220818-A  
W



377522-S  
(MM-115-D)

C9AZ-6220884-A  
AA



373888-S (MM-290)  
CA



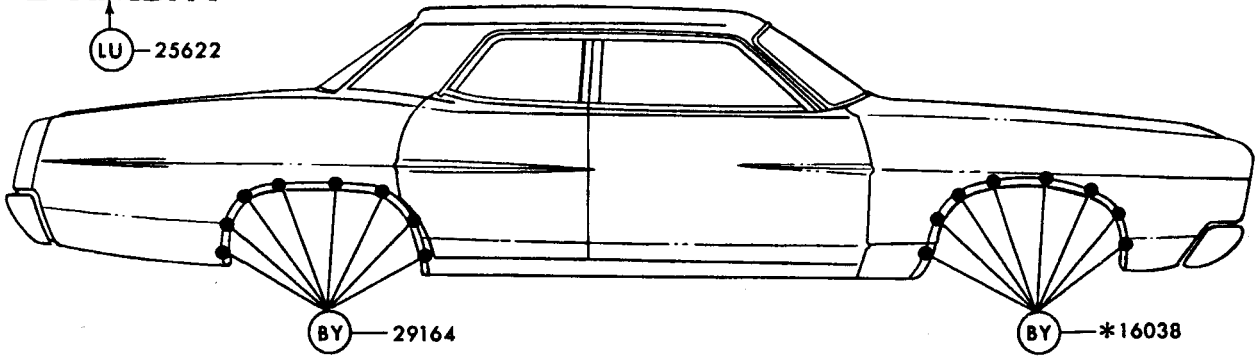
375890-S (MM222-A)  
CB

\*REFER TO GROUP IN CHASSIS SECTION

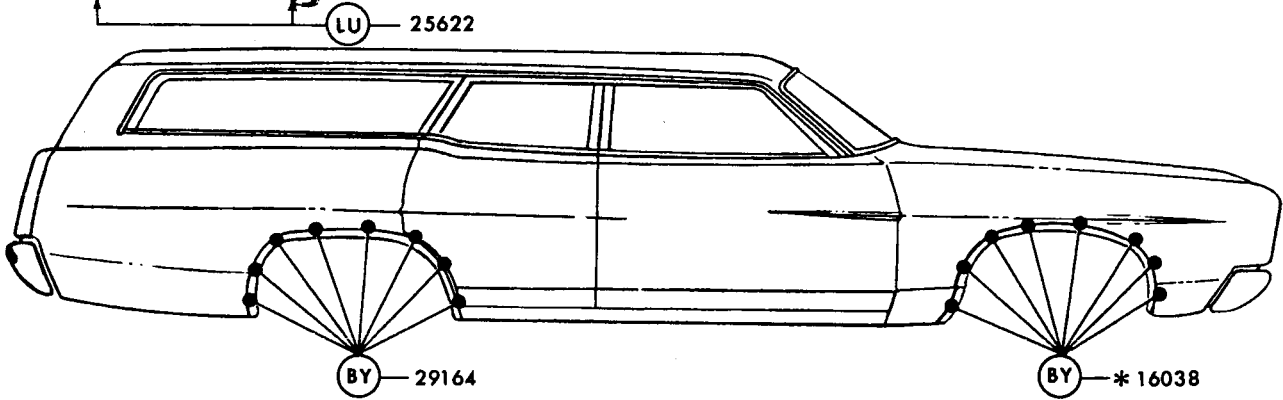
P-7108

1970 FORD - BODY TYPES 71D, H, J - SIDE  
WITHOUT VINYL INSERT

**Custom**



**Ranch Wagon**



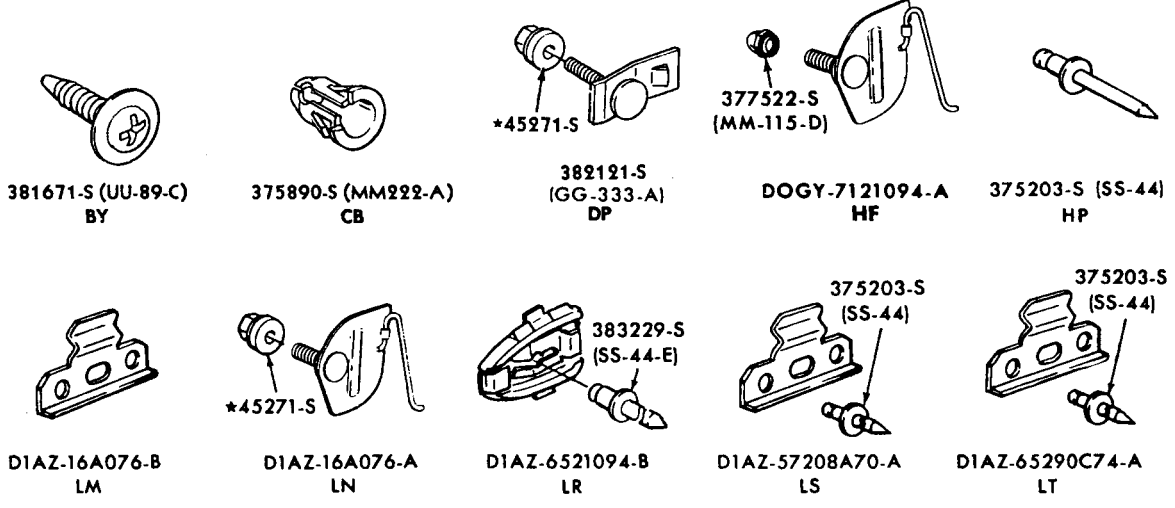
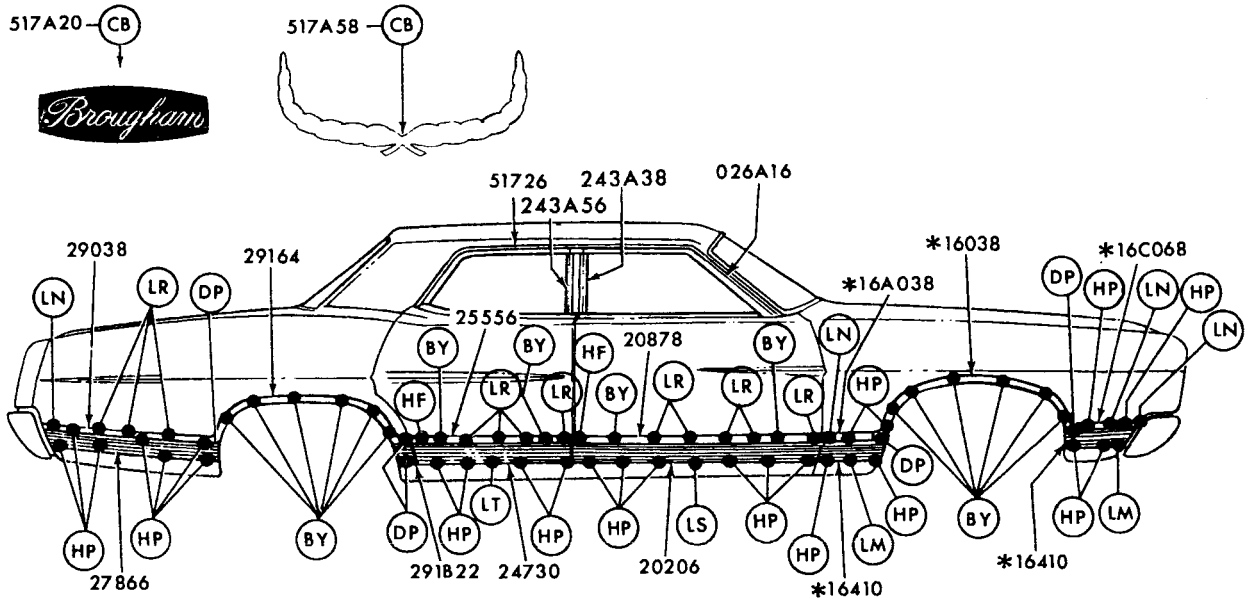
370713-S  
(MM-292)  
LU



381671-S (UU-89-C)  
BY

\* REFER TO GROUP IN CHASSIS SECTION

P-7825

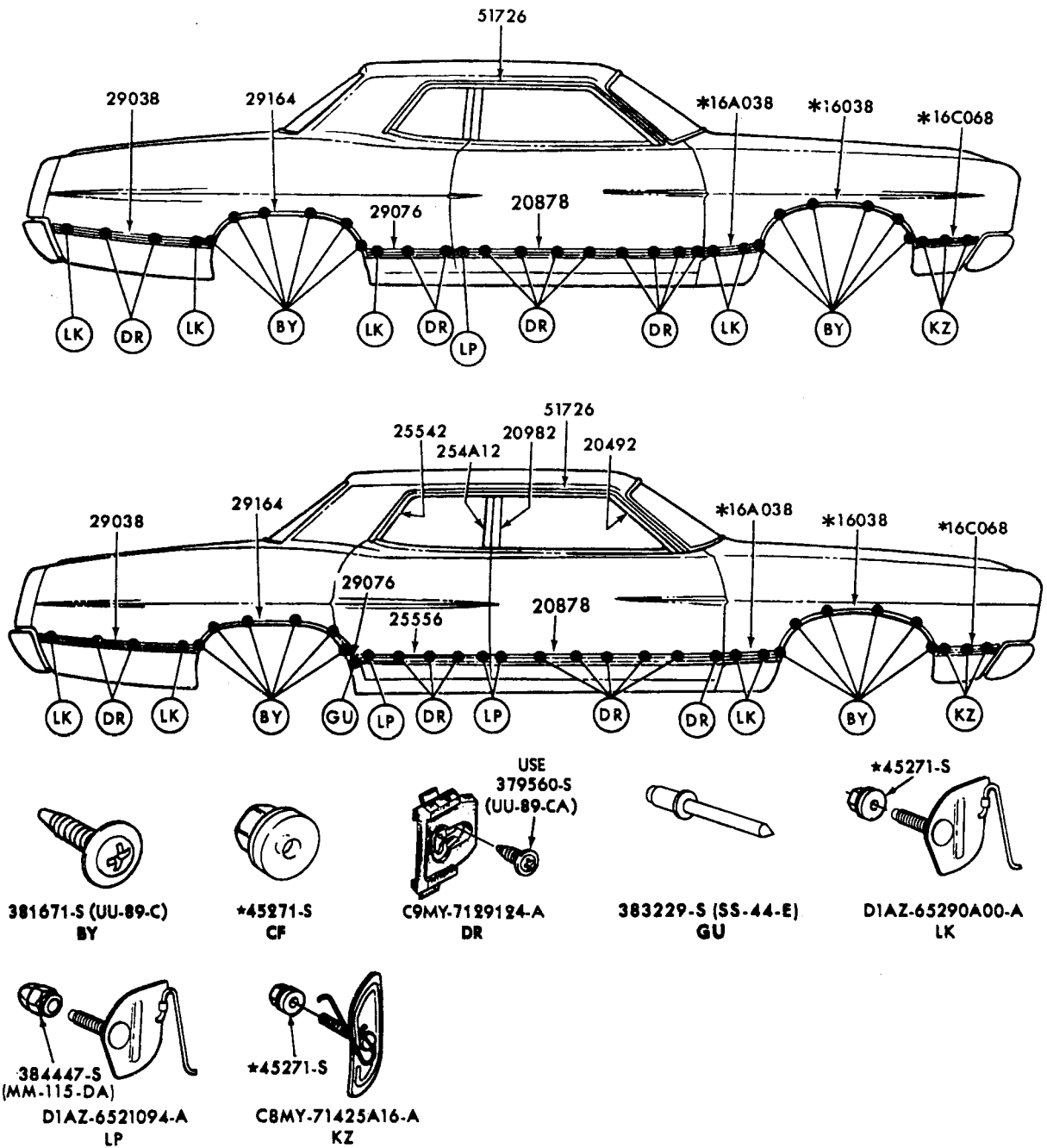


\*REFER TO GROUP IN CHASSIS SECTION

P-7821

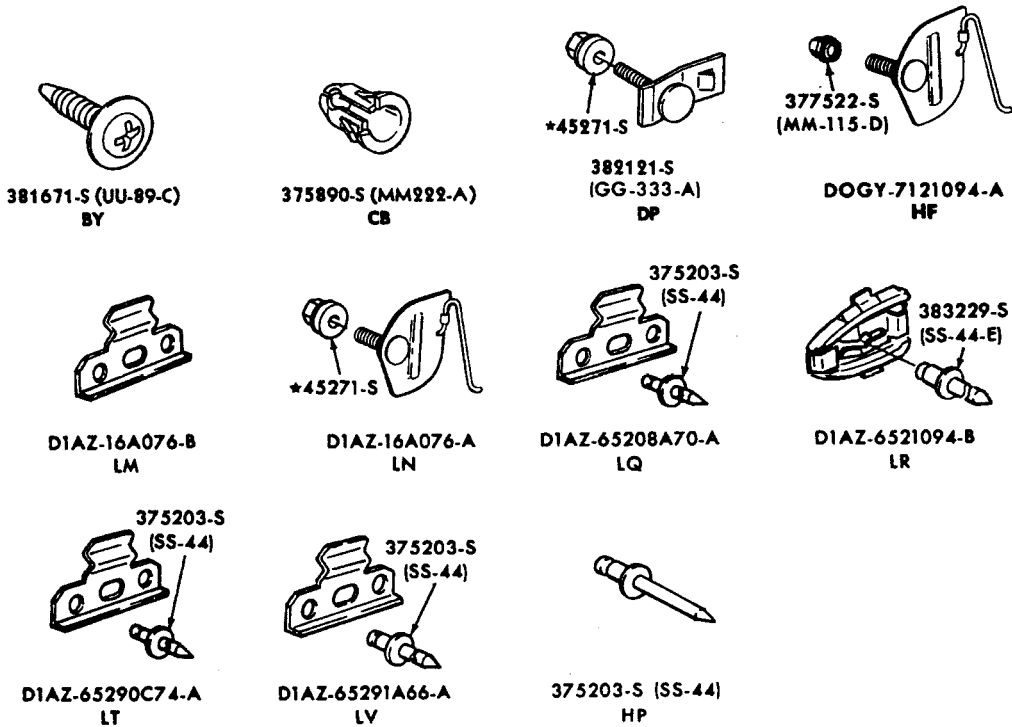
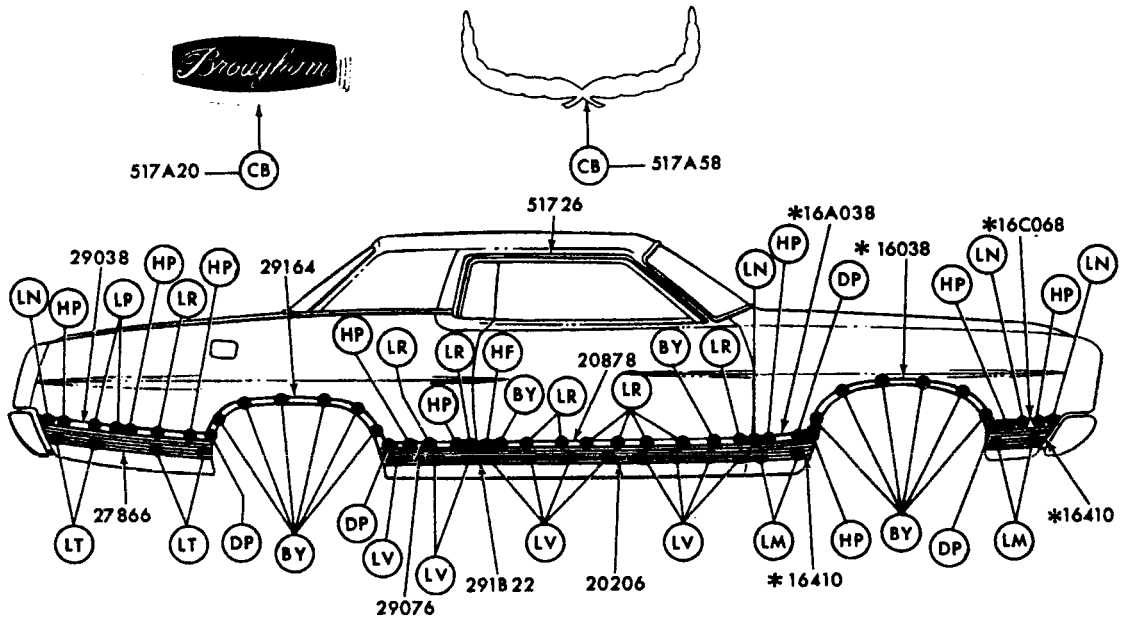
1971/72 FORD - BODY TYPES 53H, K, 57H, K - SIDE





\*REFER TO GROUP IN CHASSIS SECTION

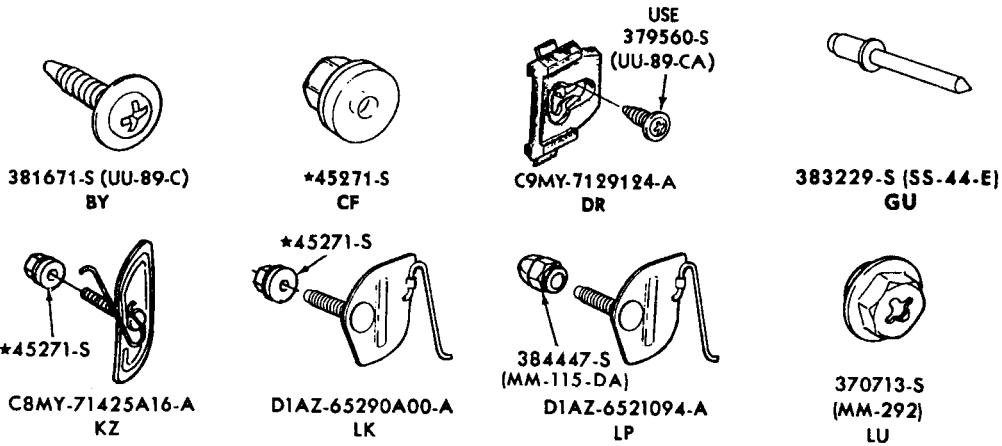
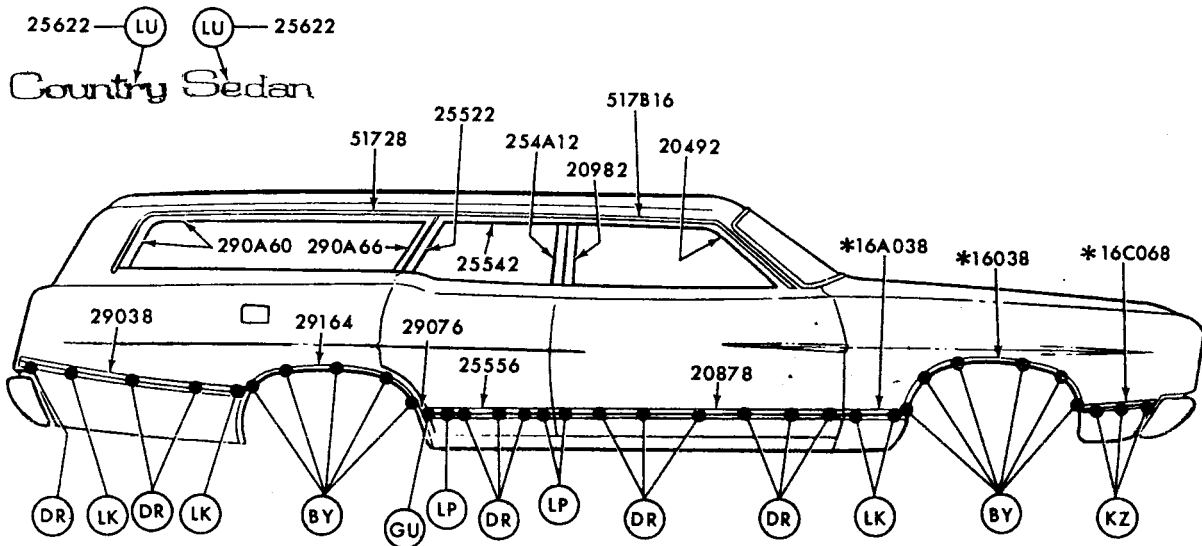
P-7823



\* REFER TO GROUP IN CHASSIS SECTION

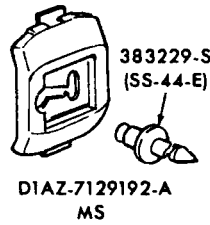
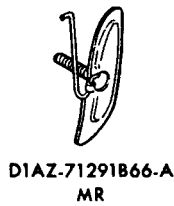
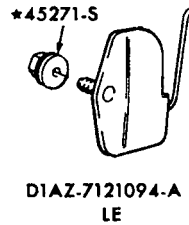
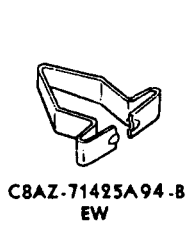
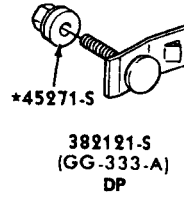
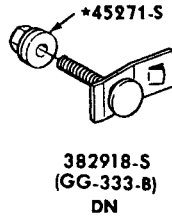
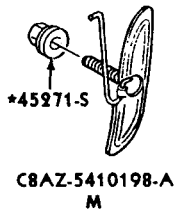
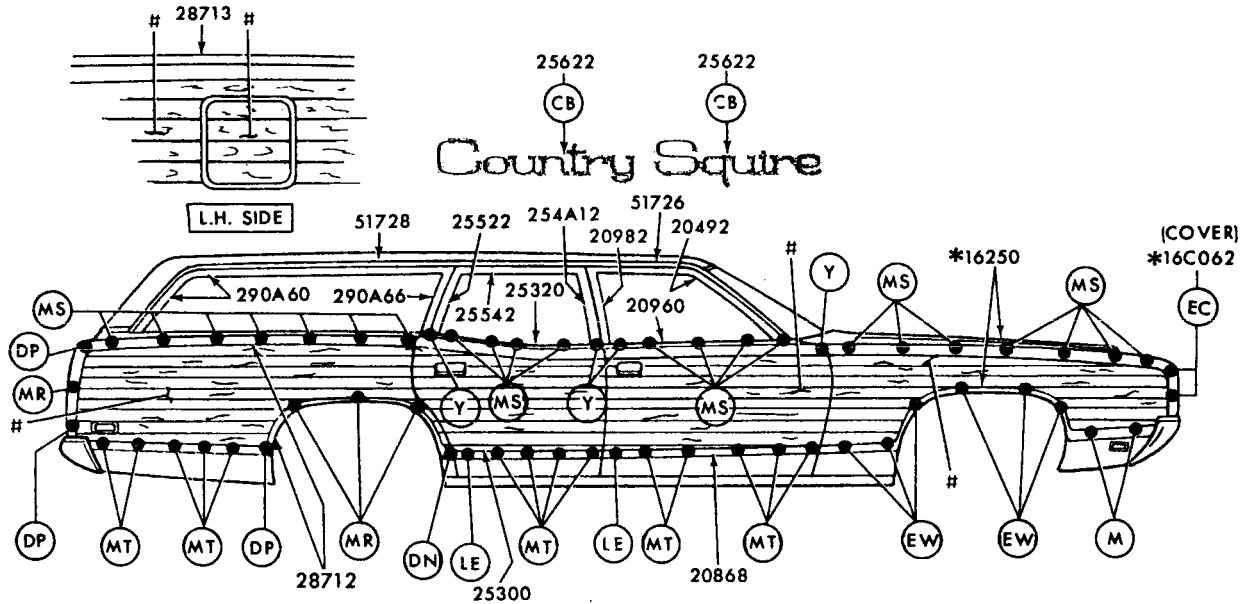
P-7822

1971/72 FORD - BODY TYPES 65H, K, 76H - SIDE



\* REFER TO GROUP IN CHASSIS SECTION

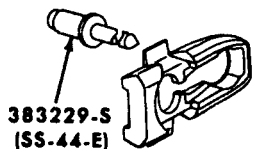
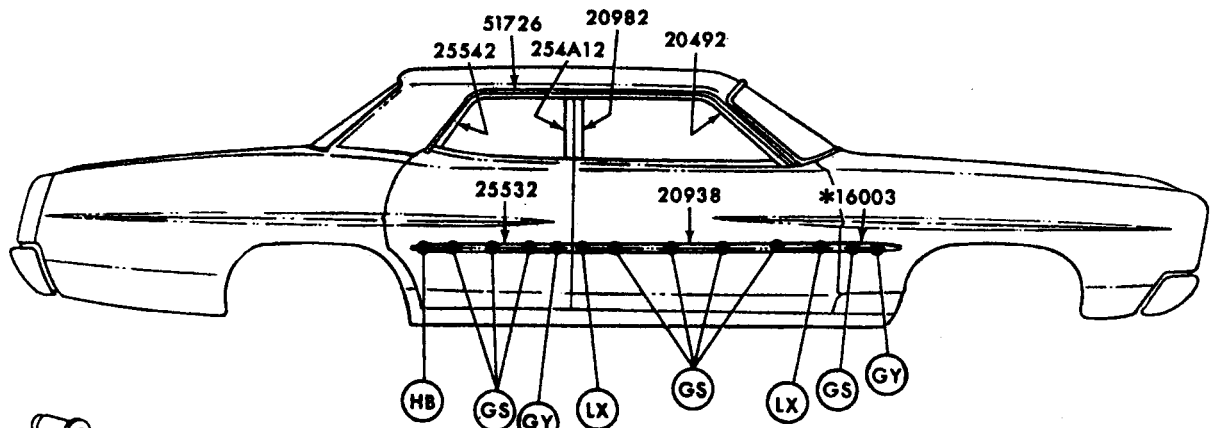
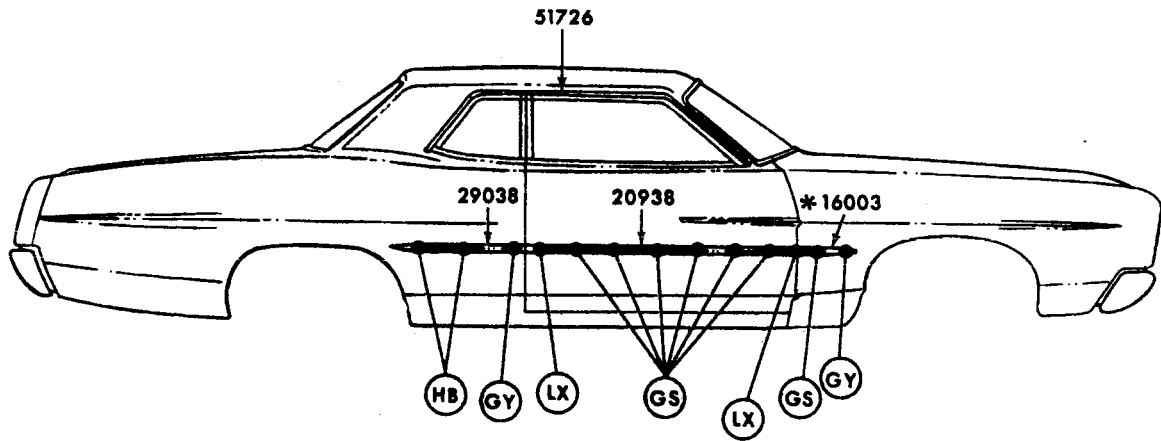
P-7826



# WOOD GRAIN TRANSFER—REFER TO GROUP 20748 IN TEXT  
\*REFER TO GROUP IN CHASSIS SECTION

P-7829

1971 FORD - BODY TYPE 71H - SIDE



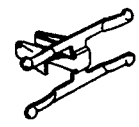
383229-S (SS-44-E)  
DOOZ-6620818-A  
GS



383229-S (SS-44-E)  
GU



\*45271-S  
DOGY-16A076-A  
GY



DODZ-6229120-A  
HB

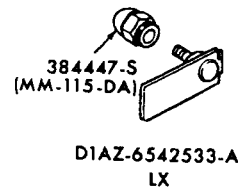
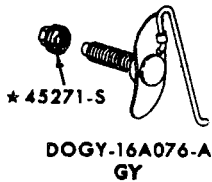
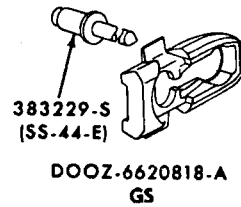
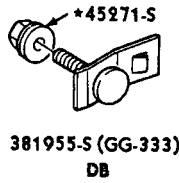
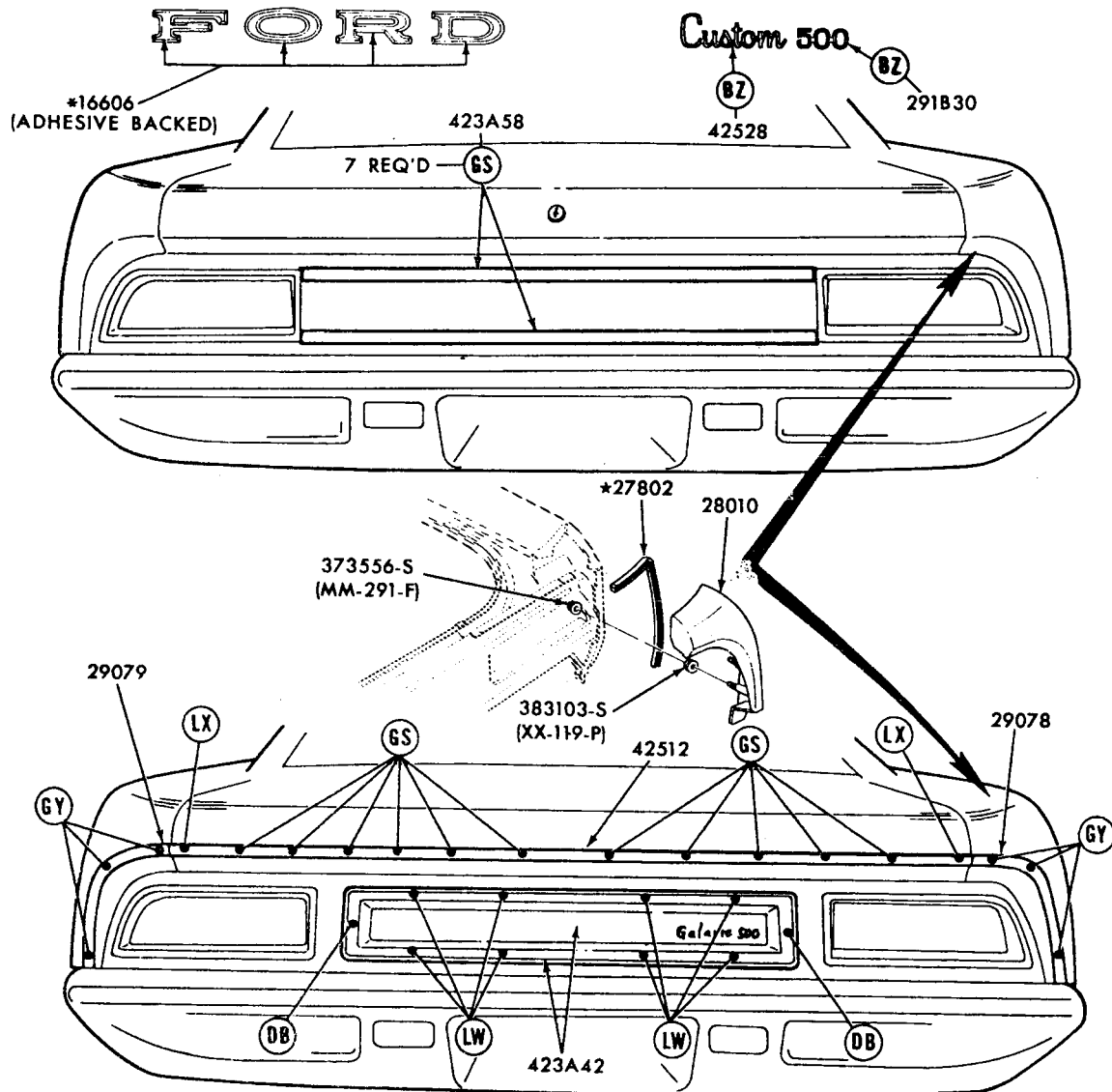


384447-S (MM-115-DA)  
DIAZ-6542533-A  
LX

\* REFER TO GROUP IN CHASSIS SECTION

P-7827

BODY SIDE PROTECTION MOULDINGS  
1971 FORD - ALL except BODY TYPE 71H



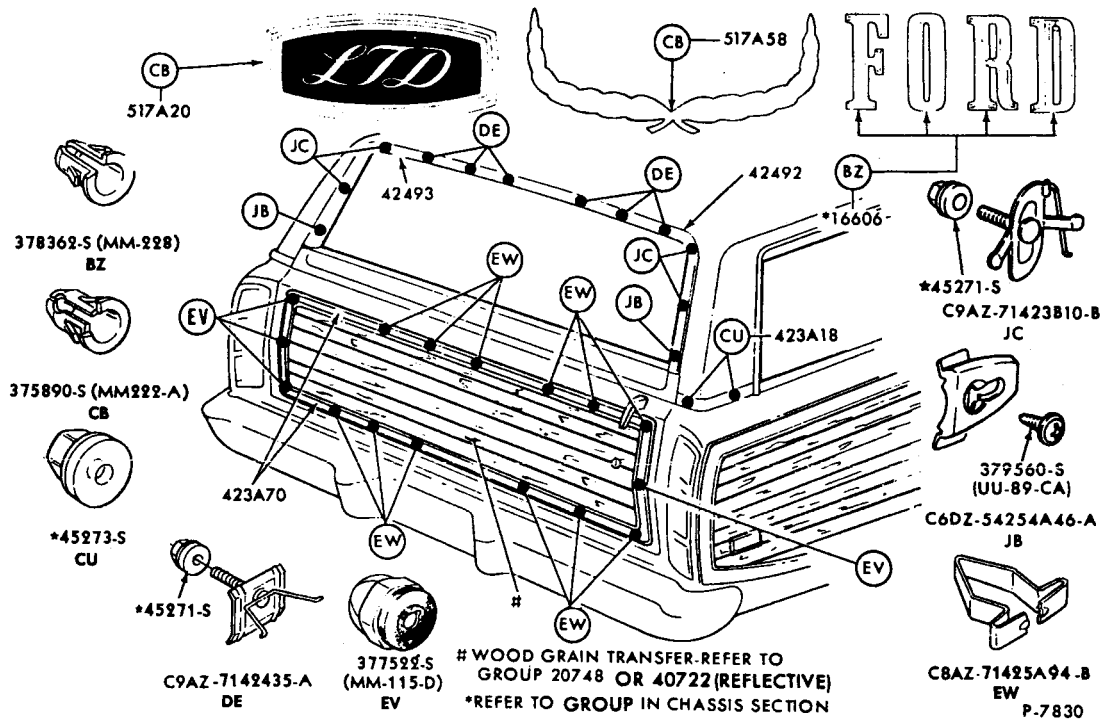
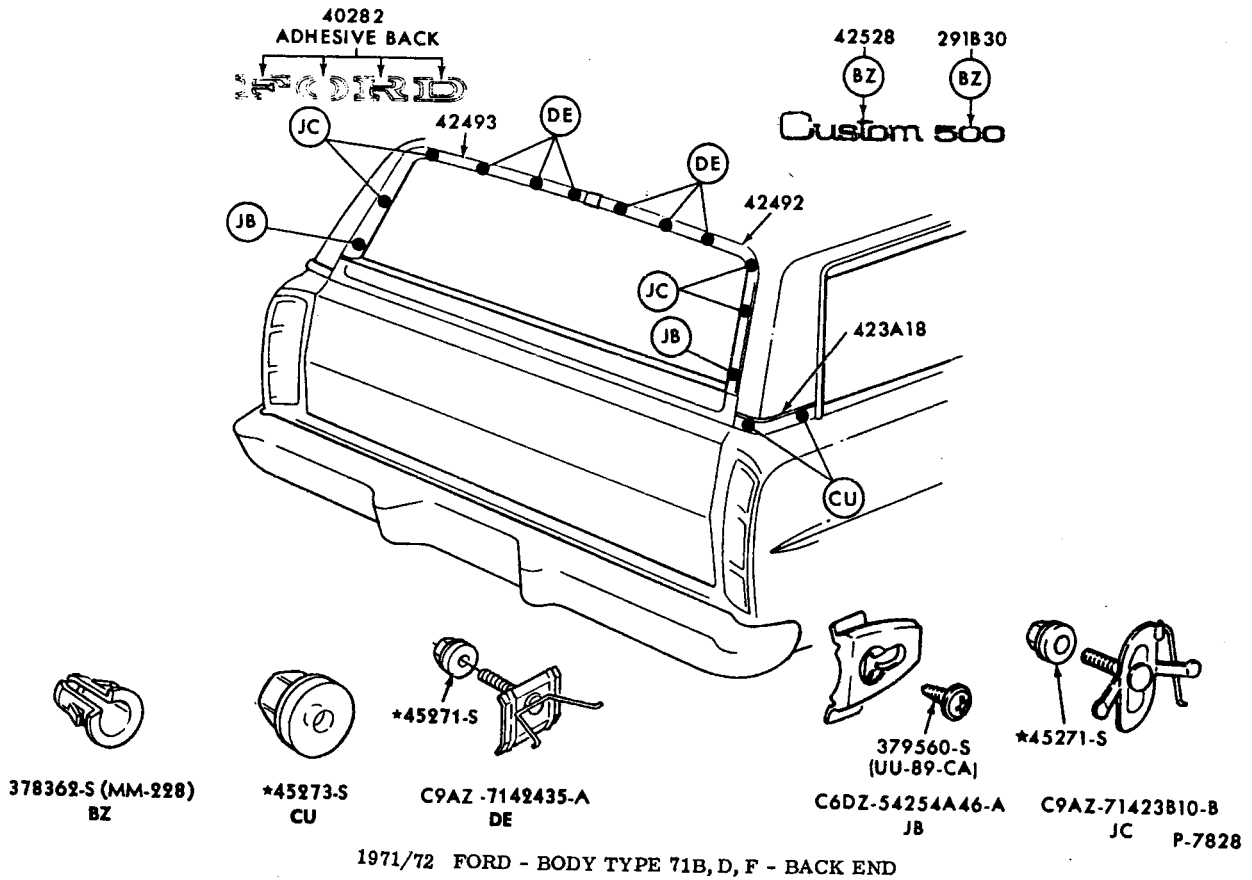
\*REFER TO GROUP IN CHASSIS SECTION

P-8170

1971 FORD - BODY TYPES 53, 54, 57, 65, 76 - BACK END

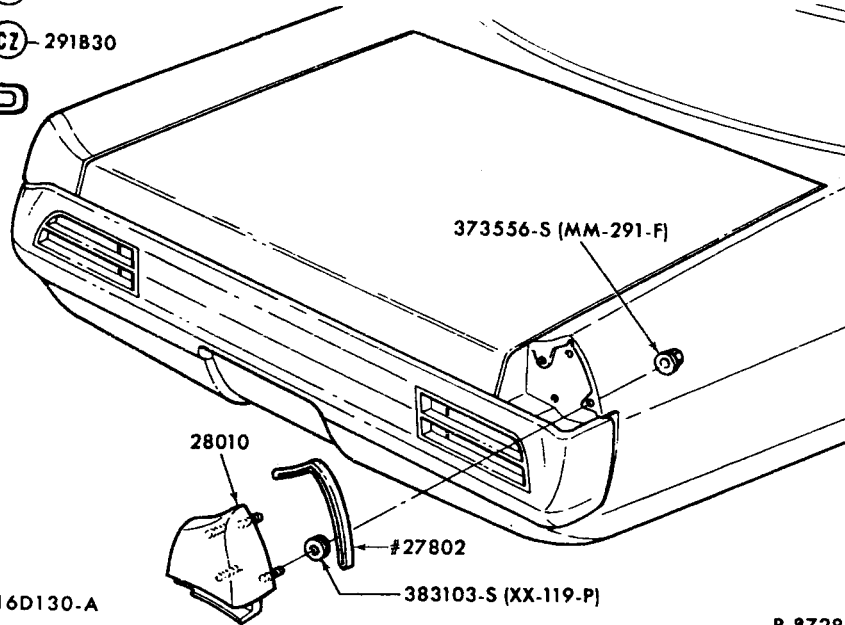
**A EXTERIOR Moulding  
ILLUSTRATION SECTION**

**FORD CAR PARTS**



1971 FORD - BODY TYPE 71H - BACK END

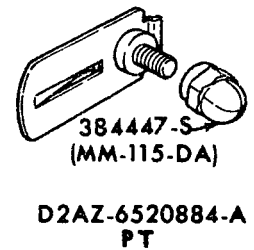
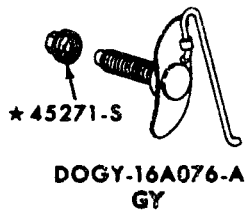
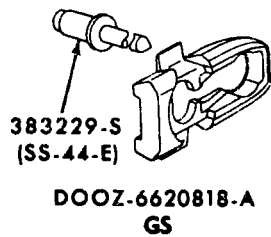
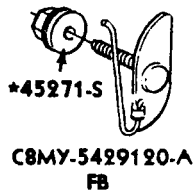
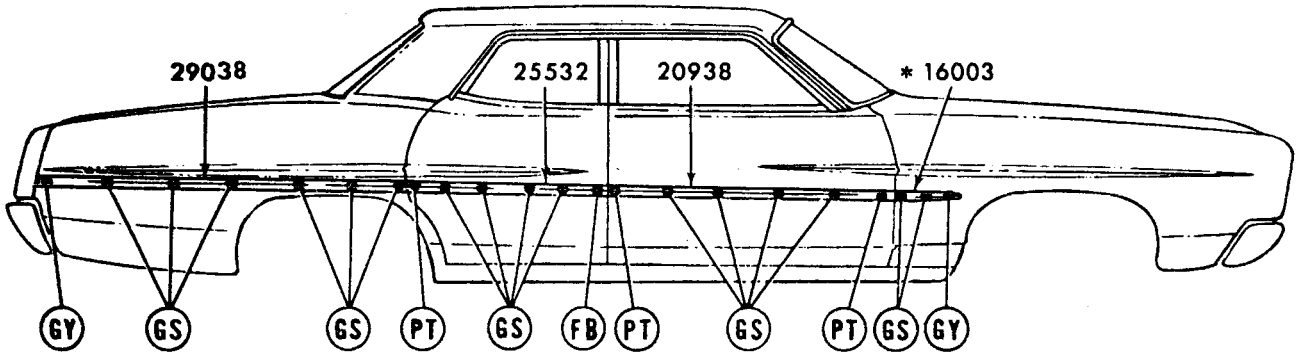
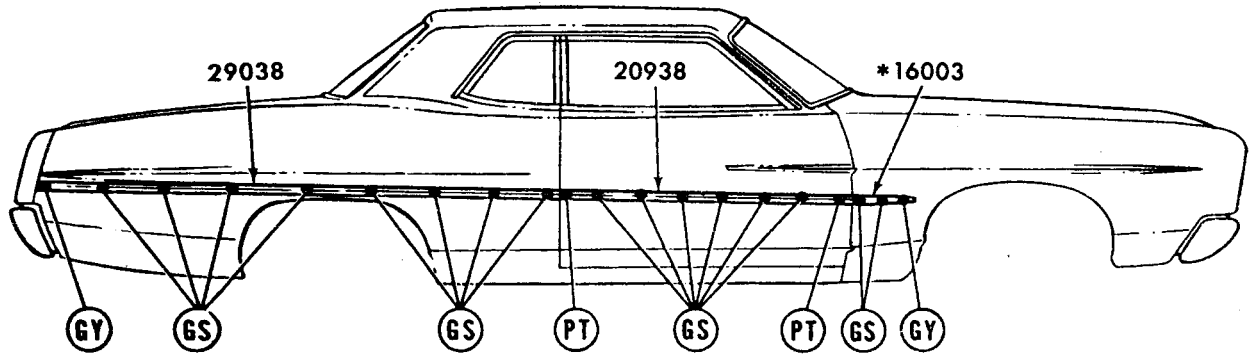
Custom — CZ-42528  
Galaxie — CZ-42528  
500 — CZ-291B30  
FORD — CZ-40282



P-8728

1972 FORD - BODY TYPES 53, 54, 57, 65, 76 - BACK END

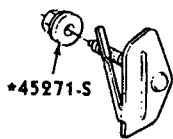
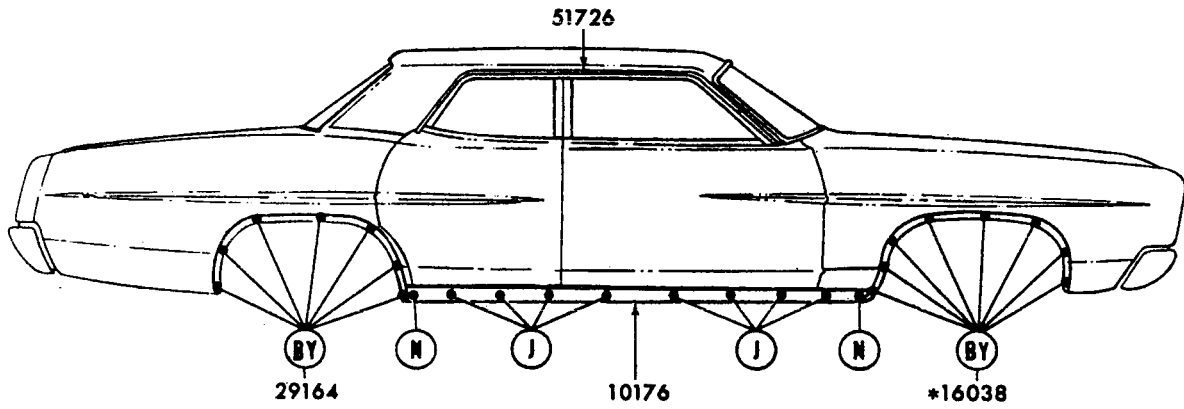
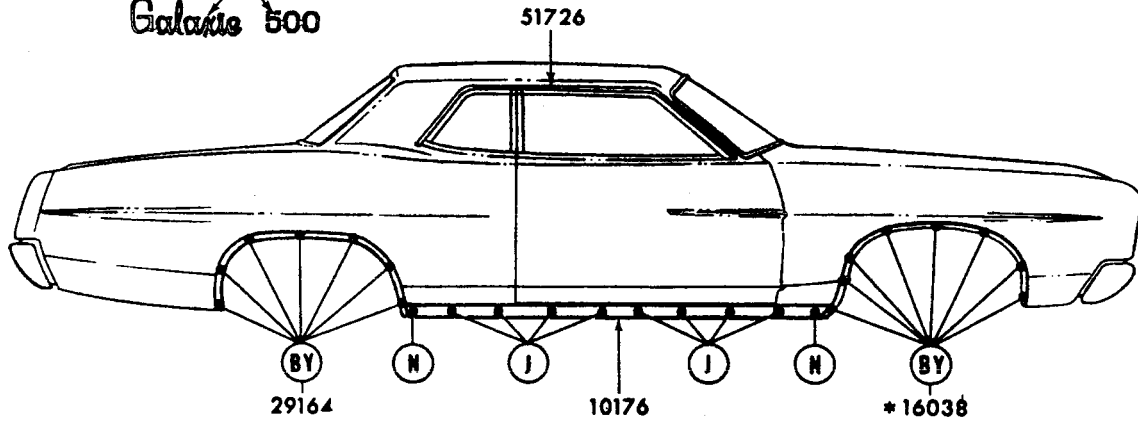




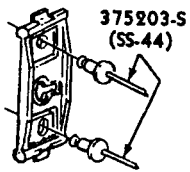
\* REFER TO GROUP IN CHASSIS SECTION

P-8729

517A20  
 (CB)  
 Galaxie 500



\*45271-S  
 \*C9MY-5410198-A  
 N



375203-S (SS-44)  
 \*C9MY-5410182-A  
 J



381671-S (UU-89-C)  
 BY

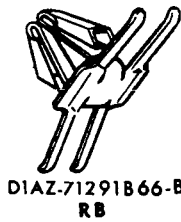
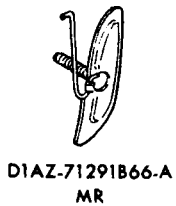
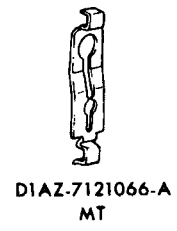
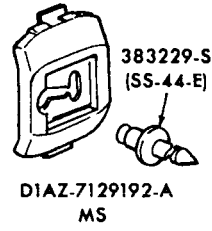
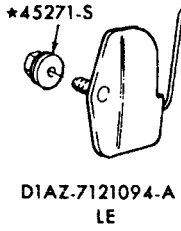
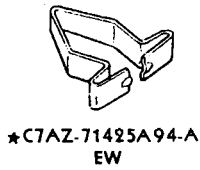
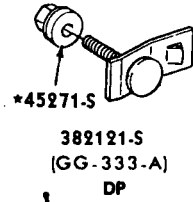
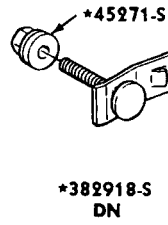
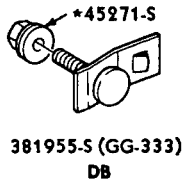
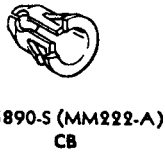
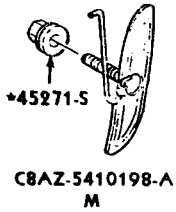
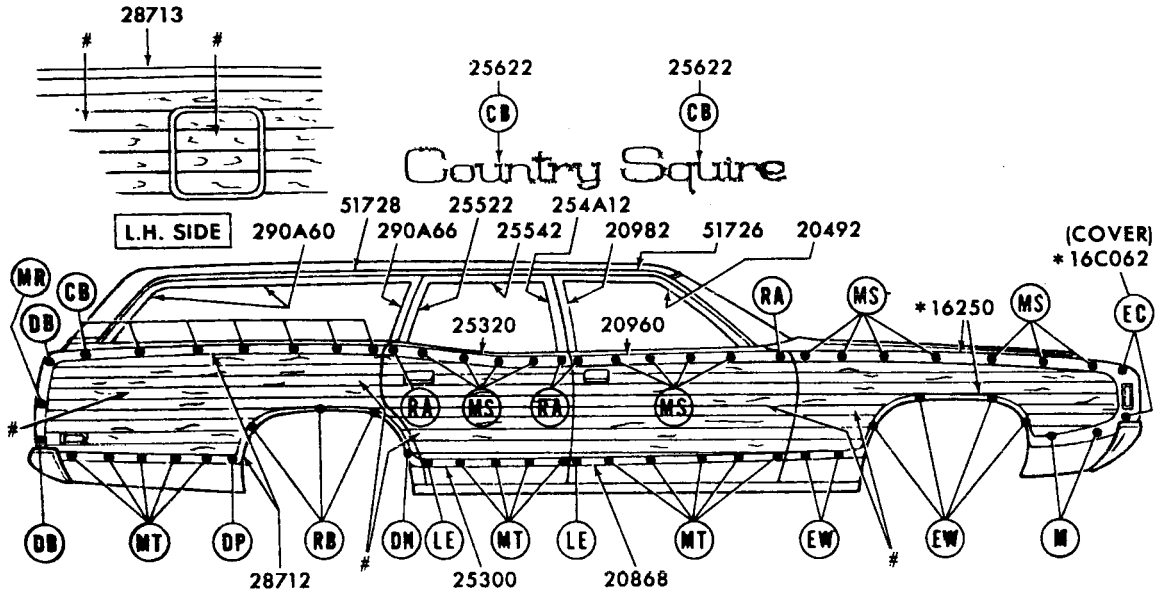


375890-S (MM222-A)  
 CB

\*REFER TO GROUP IN CHASSIS SECTION

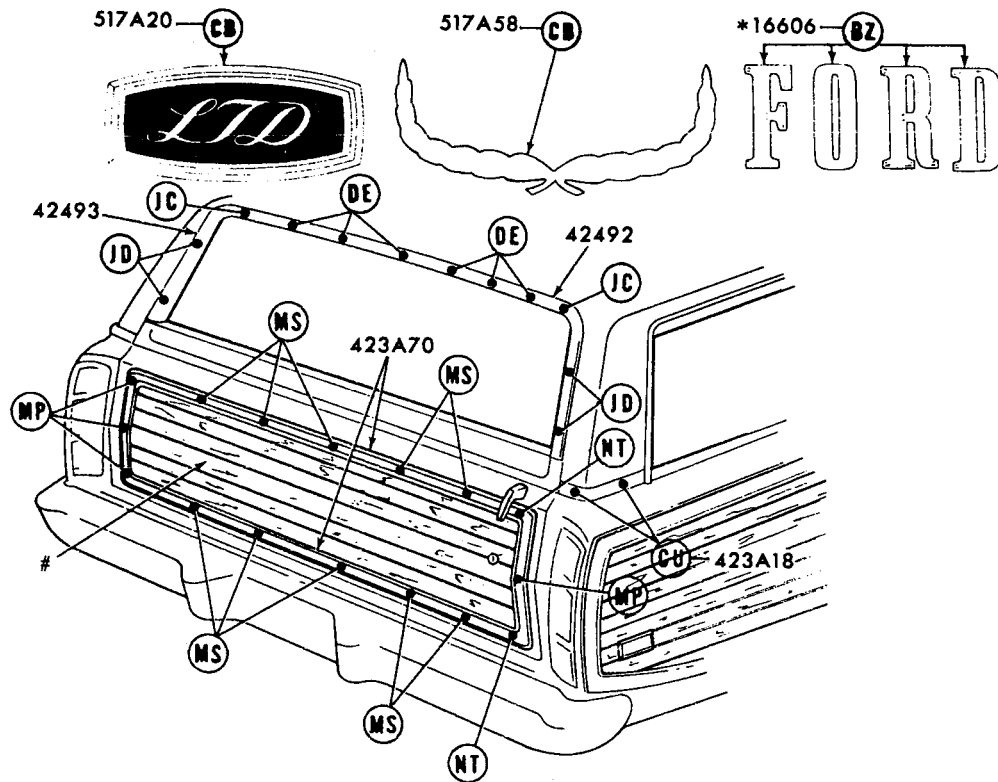
P-8730

1972 FORD - BODY TYPES 54F, 57F, 65F, 71F - SIDE



# WOOD GRAIN TRANSFER-REFER TO GROUP 20748 IN TEXT  
\* REFER TO GROUP IN CHASSIS SECTION

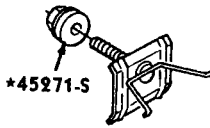
P-8726



378362-S (MM-228)  
BZ

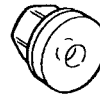


375890-S (MM222-A)  
CB

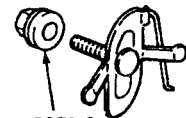


\*45271-S

\*C9AY-7142435-A  
DE

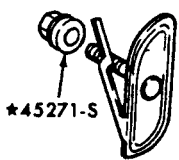


\*45273-S  
CU



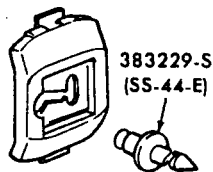
\*45271-S

C9AZ-71423B10-B  
JC



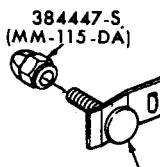
\*45271-S

C9AZ-7142318-B  
JD



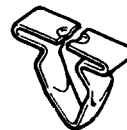
383229-S  
(SS-44-E)

D1AZ-7129192-A  
MS



384447-S  
(MM-115-DA)

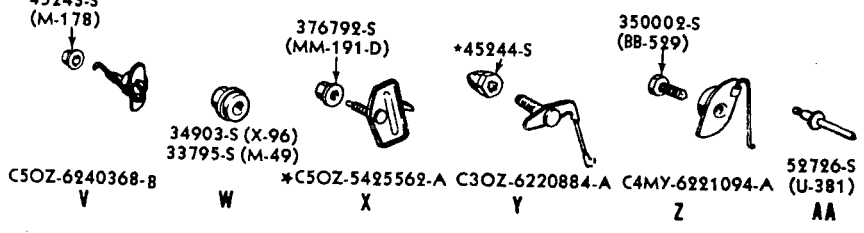
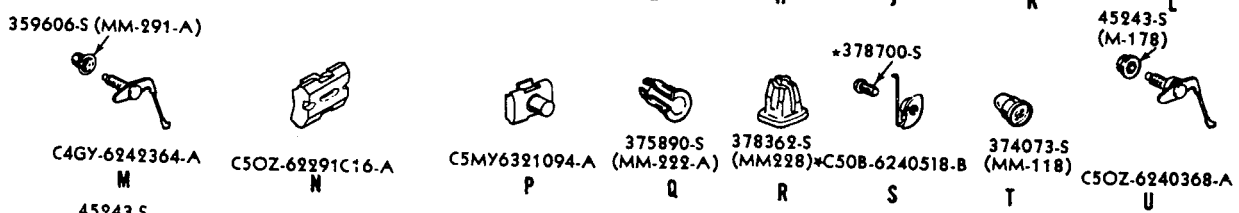
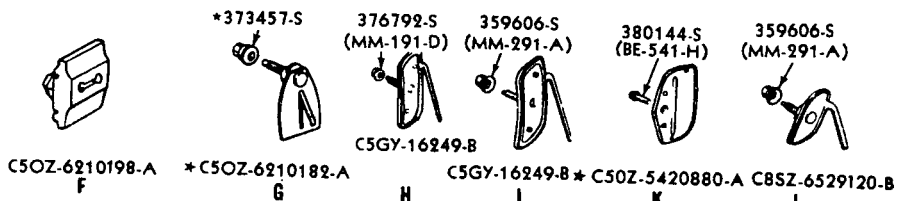
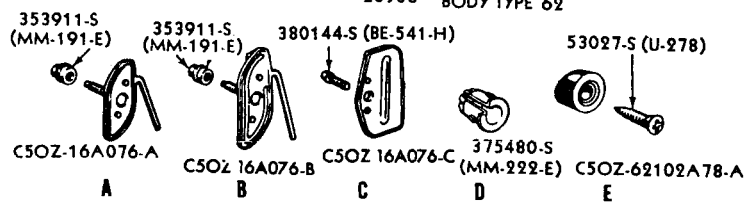
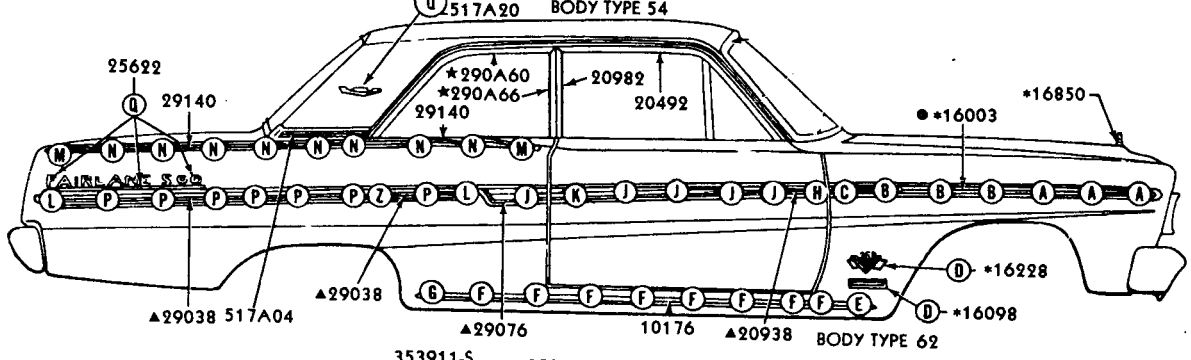
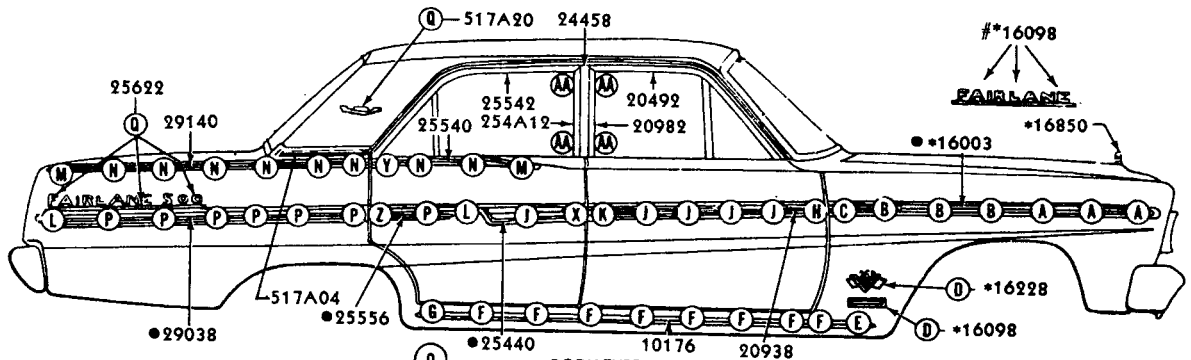
\*382946-S  
MP



D20Z-71425A94-A  
NT

# WOODGRAIN TRANSFER-REFER TO GROUP 20748 OR 40722

P-8727

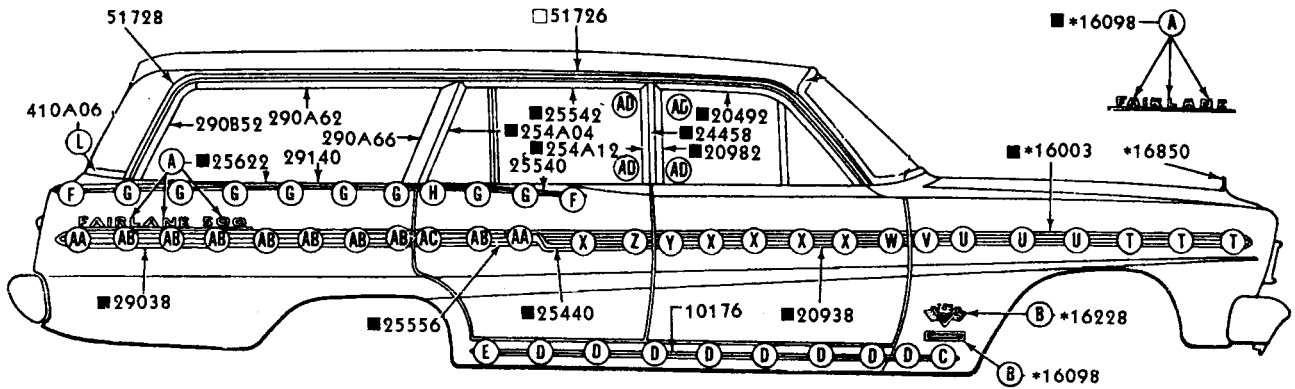


\*REFER TO GROUP IN CHASSIS SECTION  
 ●BODY TYPE 54B  
 ▲BODY TYPE 62B  
 #BODY TYPE 54A, 62A

P-4678

1965 FAIRLANE - BODY TYPE 54, 62 - SIDE





- 375890-S (MM-222-A)  
**A**
- 375480-S (MM-222-E)  
**B**
- \*376366-S  
**C**
- C5OZ-6210198-A  
**D**
- \*373457-S  
**E**
- 359606-S (MM-291-A)  
**F**
- C5OZ-62291C16-A  
**G**
- \*45244-S  
**H**
- 45243-S (M-178)  
**L**
- C5OZ-16A076-A  
**T**
- C5OZ-16A076-B  
**U**
- 380144-S (BB-541-H)  
**V**
- 376792-S (MM-191-D)  
**W**
- 359606-S (MM-291-A)  
**X**
- 380144-S (BB-541-H)  
**Y**
- 376792-S (MM-191-D)  
**Z**
- 359606-S (MM-291-A)  
**AA**
- C5MY6321094-A  
**AB**
- 350002-S (BB-529)  
**AC**
- 52726-S (U-381)  
**AD**

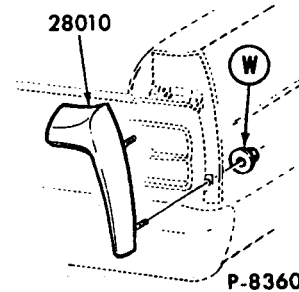
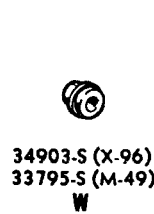
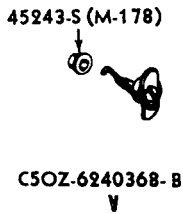
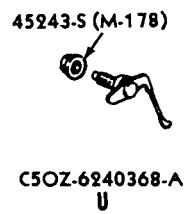
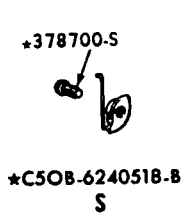
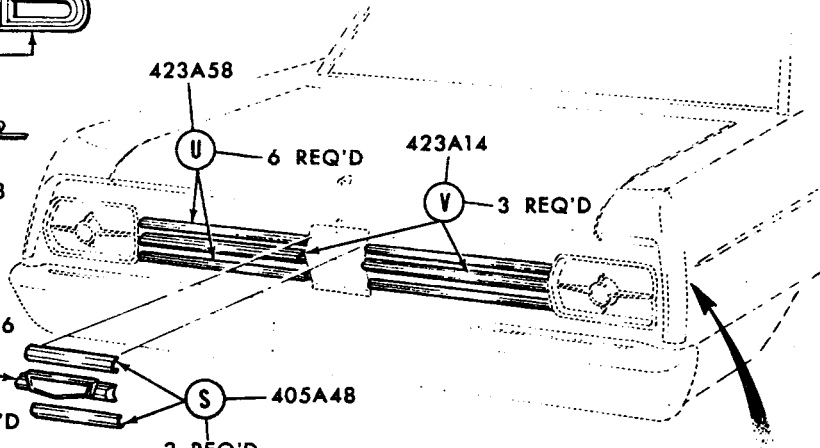
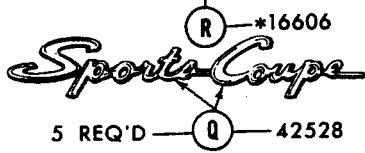
\*REFER TO GROUP IN CHASSIS SECTION  
 ■ BODY TYPE 71B  
 □ BODY TYPE 71D

P-4683

**B EXTERIOR MOULDING  
ILLUSTRATION SECTION**

**FORD CAR PARTS**

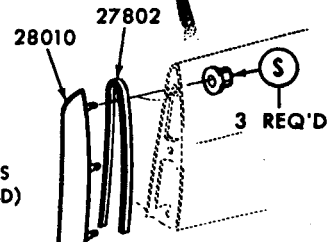
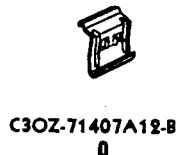
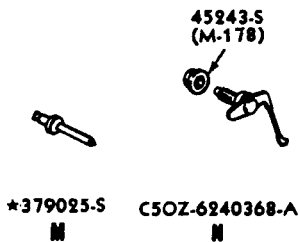
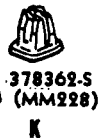
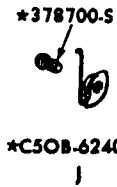
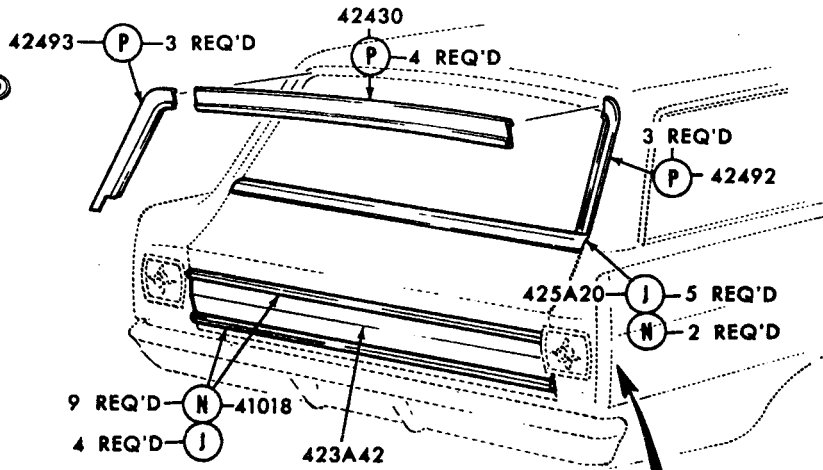
**FORD**



\*REFER TO GROUP IN CHASSIS SECTION

1965 FAIRLANE - BODY TYPES 54, 62, 65 - BACK END

**FORD**

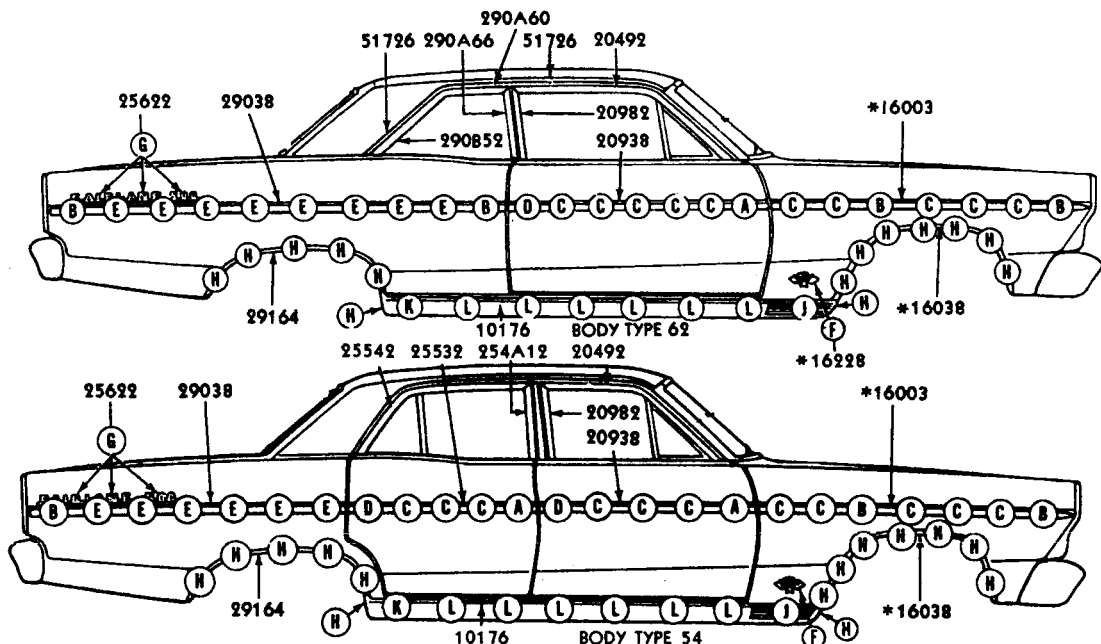


\* REFER TO GROUP IN CHASSIS SECTION

1965 FAIRLANE - BODY TYPE 71 - BACK END

P-8361





- 376792-S  
(MM-191-D)

C6OZ-6220884-A  
**A**
- 359606-S (MM-291-A)

C6OZ-6220884-A  
**B**
- 350002-S (BB-529)

C6OZ-6220880-A  
**C**
- 375557-S (UU-82)

C6OZ-6220818-A  
**D**
- 375480-S (MM-222-E)

C6OZ-6220818-A  
**E**
- 375890-S (MM-222-A)

C6OZ-62290876-A  
**F**
- 376378-S (UU-97)

C6OZ-6210182-B  
**G**
- 353911-S (MM-191-E)

C6OZ-6210182-B  
**H**
- 353911-S (MM-191-E)

C6OZ-6210182-C  
**I**
- 375203-S (SS-44)

C6OZ-6210182-A  
**J**
- 378362-S (MM-228)

C6OZ-6210182-A  
**K**
- 373504-S (MM-285-B)

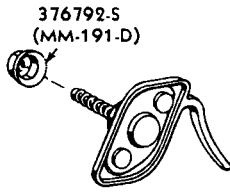
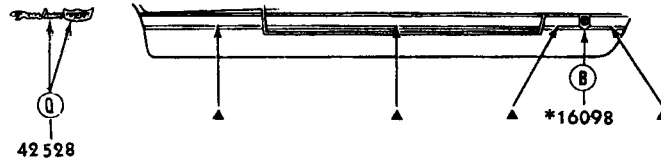
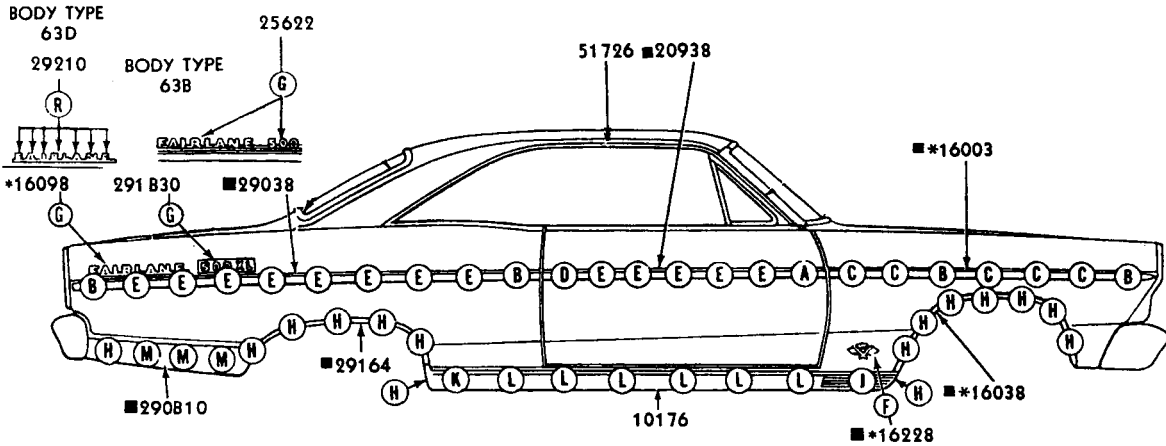
C6OZ-6210182-A  
**L**

\*REFER TO GROUP IN CHASSIS SECTION

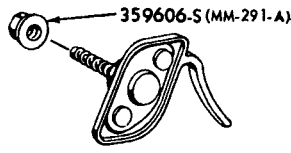
P.5051

**B EXTERIOR MOULDING  
ILLUSTRATION SECTION**

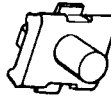
**FORD CAR PARTS**



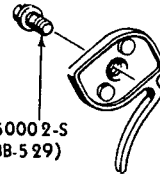
376792-S (MM-191-D)  
C6OZ-6220884-A  
A



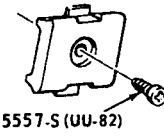
359606-S (MM-291-A)  
C6OZ-6220884-A  
B



C6OZ-6220818-A  
C



350002-S (BB-529)  
C6OZ-6220880-A  
D



375557-S (UU-82)  
C6OZ-6220818-A  
E



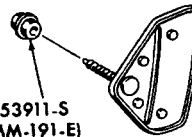
375480-S (MM-222-E)  
F



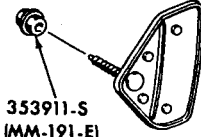
C6OZ-62290876-A  
375890-S (MM-222-A)  
G



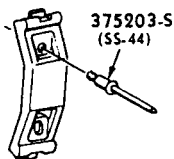
376378-S (UU-97)  
H



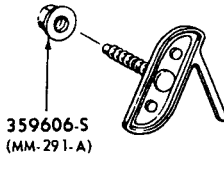
353911-S (MM-191-E)  
C6OZ-6210182-B  
J



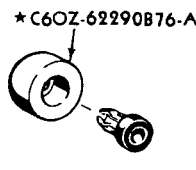
353911-S (MM-191-E)  
C6OZ-6210182-C  
K



375203-S (SS-44)  
C6OZ-6210182-A  
L



359606-S (MM-291-A)  
\*C6OZ-63290882-A  
M



\*C6OZ-62290876-A  
378362-S (MM-228)  
R

\* REFER TO GROUP IN CHASSIS SECTION

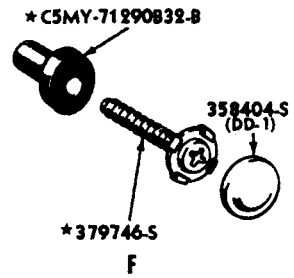
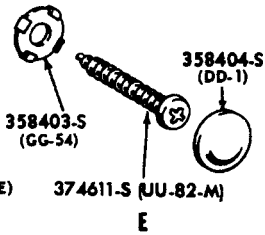
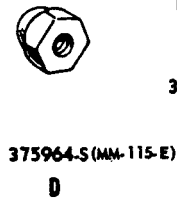
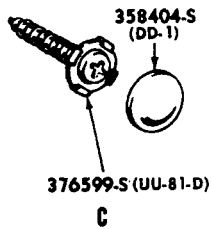
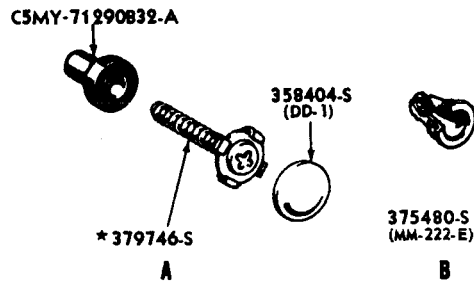
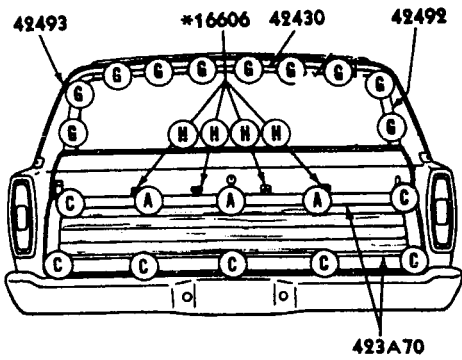
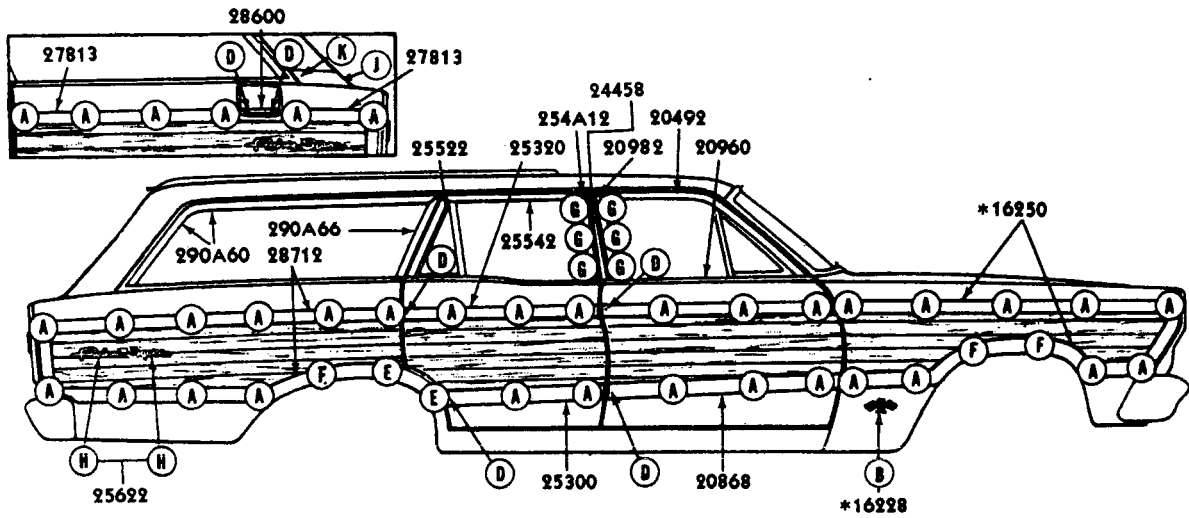
■ BODY TYPE 63B, C

▲ SUPPLIED IN BASIC KIT 20000

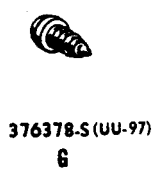


**B EXTERIOR MOULDING  
ILLUSTRATION SECTION**

**FORD CAR PARTS**



WALNUT GRAIN TRANSFER WITH BLACK PLANKING LINES C6OZ-7120748-A  
WALNUT GRAIN TRANSFER WITHOUT BLACK PLANKING LINES C6OZ-7120748-B

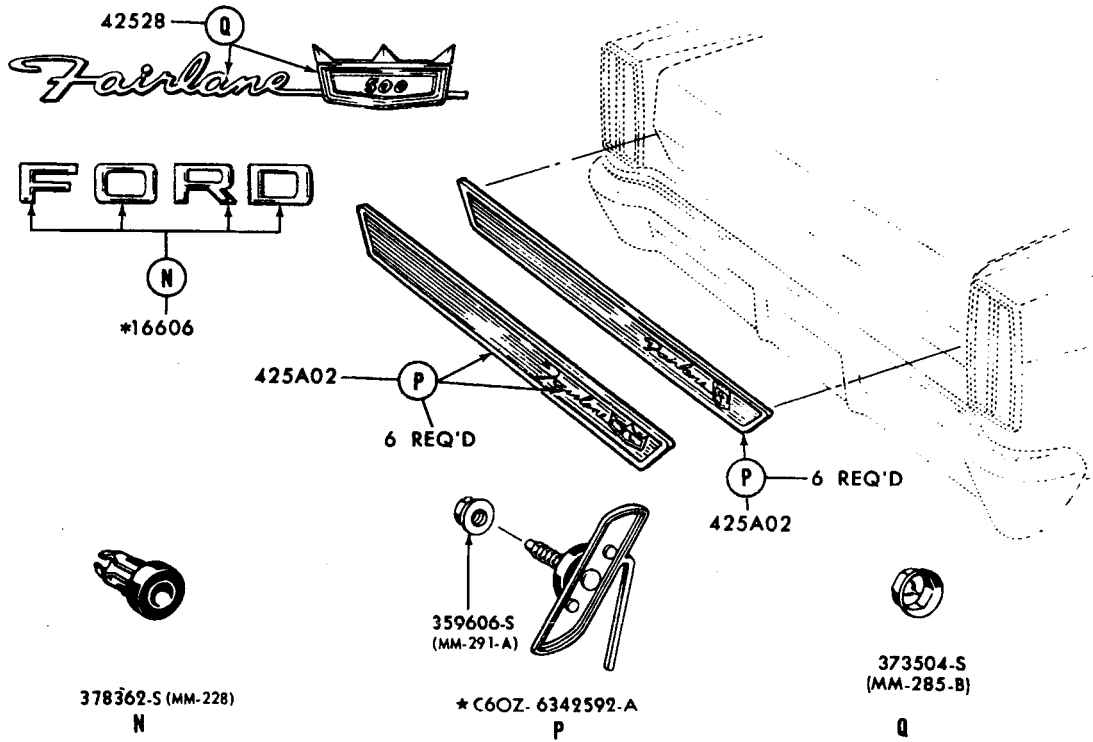


\*REFER TO GROUP IN CHASSIS SECTION

# FORD CAR PARTS

## EXTERIOR MOULDING ILLUSTRATION SECTION B

9



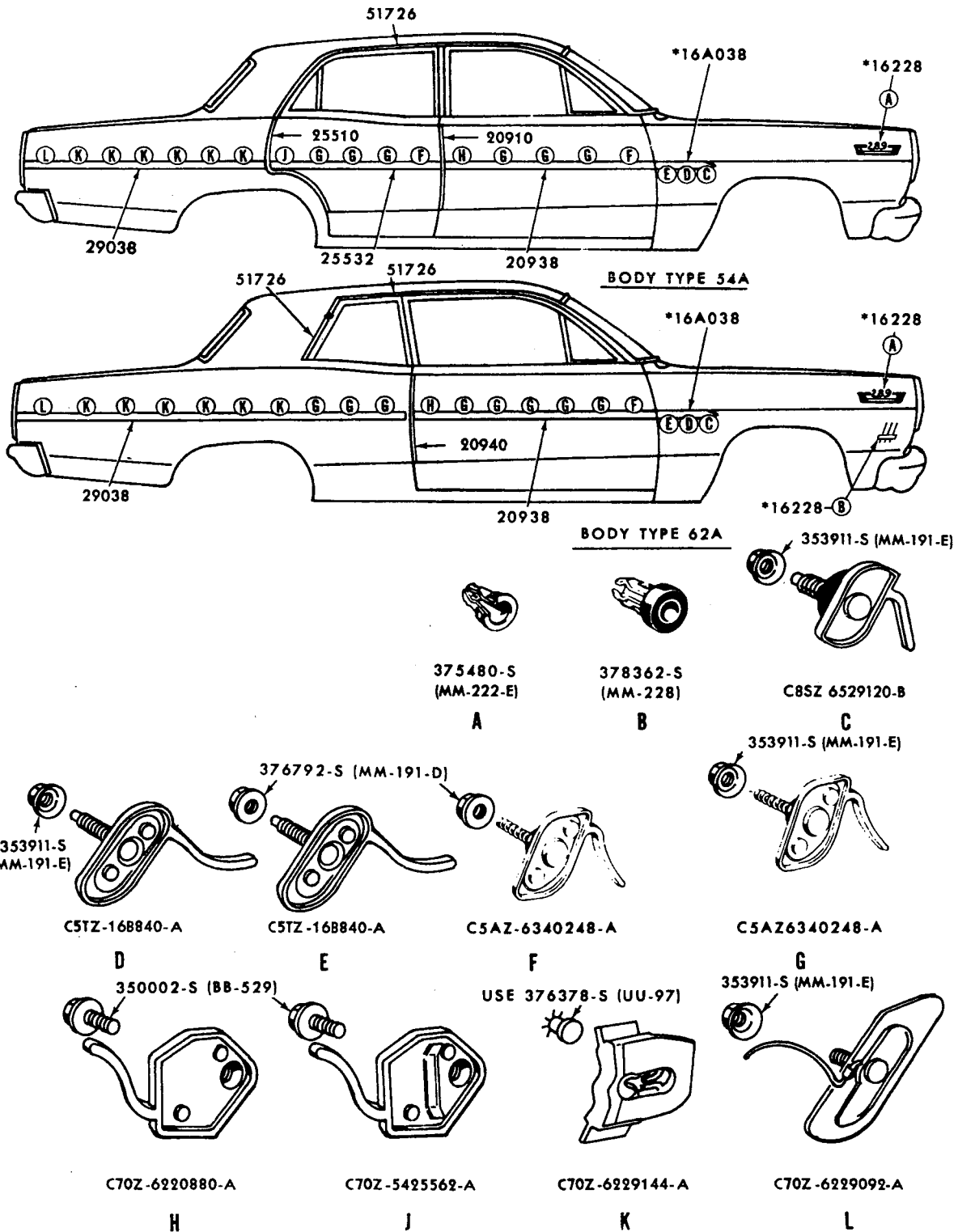
P-8362

1966 FAIRLANE - BODY TYPES 54, 62, 63, 76 - BACK END



# FORD CAR PARTS

## EXTERIOR MOULDING ILLUSTRATION SECTION B

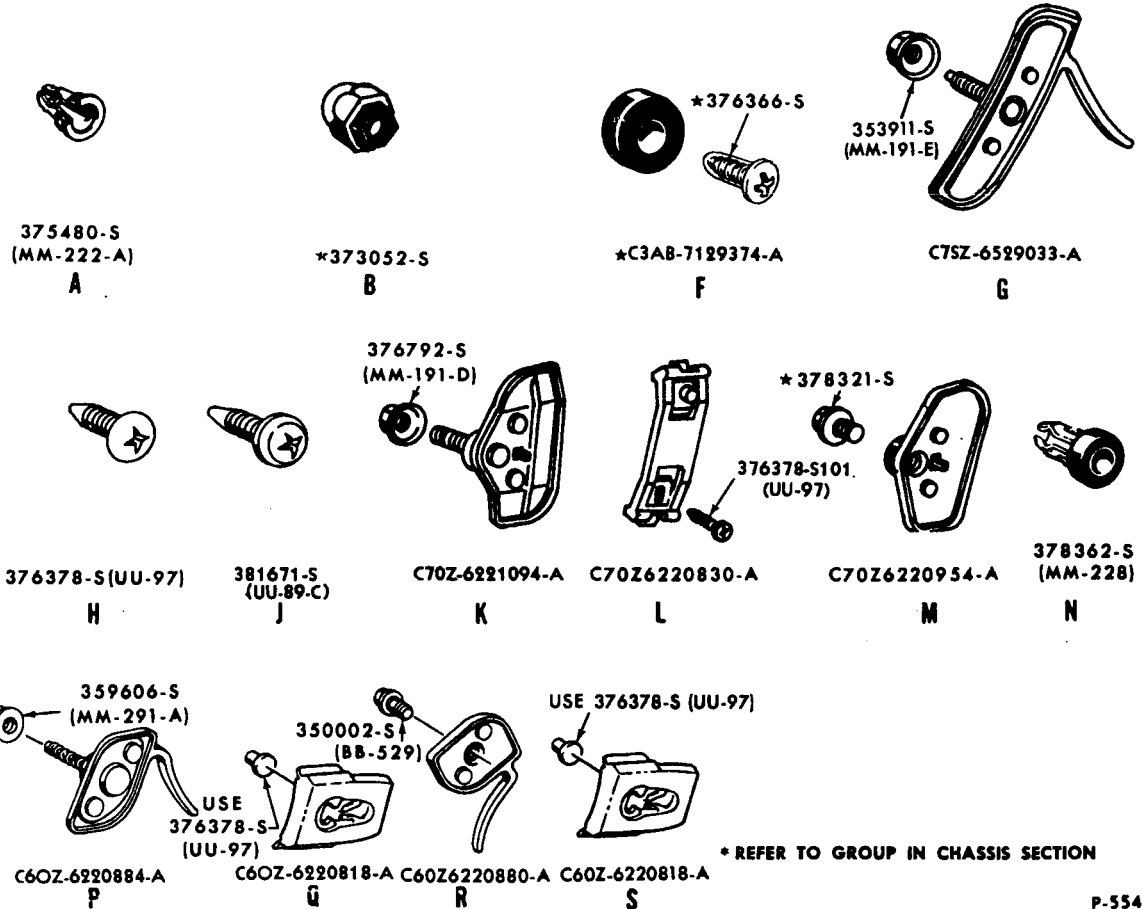
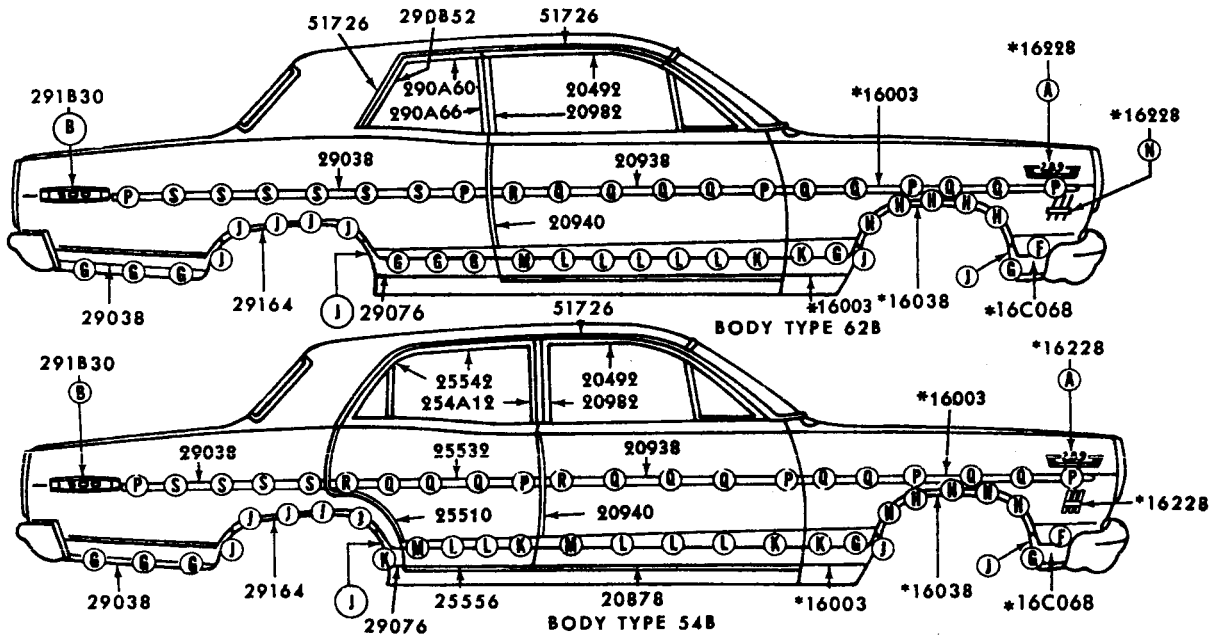


\* REFER TO GROUP IN CHASSIS SECTION

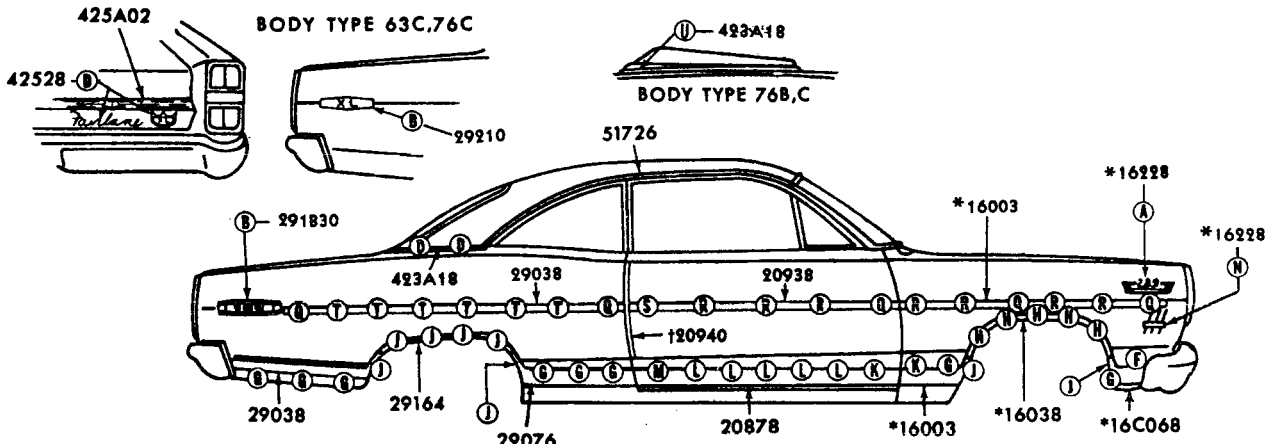
P-5543

**B EXTERIOR MOULDING  
ILLUSTRATION SECTION**

**FORD CAR PARTS**







- 375480-S (MM-222-E) A
- \*373052-S B
- 353911-S (MM-191-E) C
- 373504-S (MM-285-B) D

- 353911-S (MM-191-E) E
- \*C3AB-7129374-A F
- C7SZ-6529033-A G
- 376378-S(UU-97) (UU-89-C) H
- 381671-S J

- 376792-S (MM-191-D) K
- C7OZ-6242592-A L
- \*378321-S M
- 378362-S (MM-228) N
- C5OZ-6229120-A P

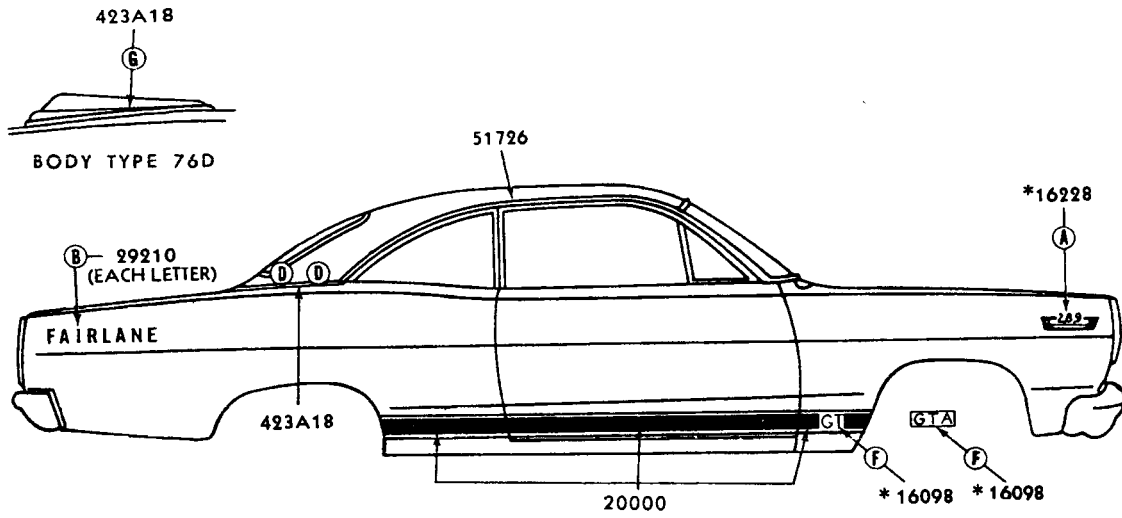
- C6OZ-6220884-A Q
- C6OZ-6220818-A R
- 350002-S (BB-529) S
- C6OZ-6220818-A T
- C6OZ7640248-A U

\*REFER TO GROUP IN CHASSIS SECTION

P-5547

**B EXTERIOR MOULDING  
ILLUSTRATION SECTION**

**FORD CAR PARTS**



375480-S (MM-222-A)  
**A**



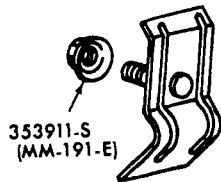
\*376559-S  
**B**



353911-S (MM-191-E)  
**C**



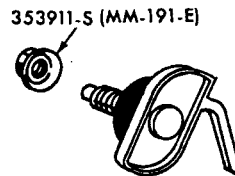
373504-S (MM-285-B)  
**D**



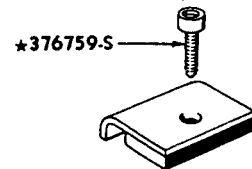
353911-S (MM-191-E)  
C70Z-6242592-A  
**E**



375890-S (MM-222-A)  
**F**

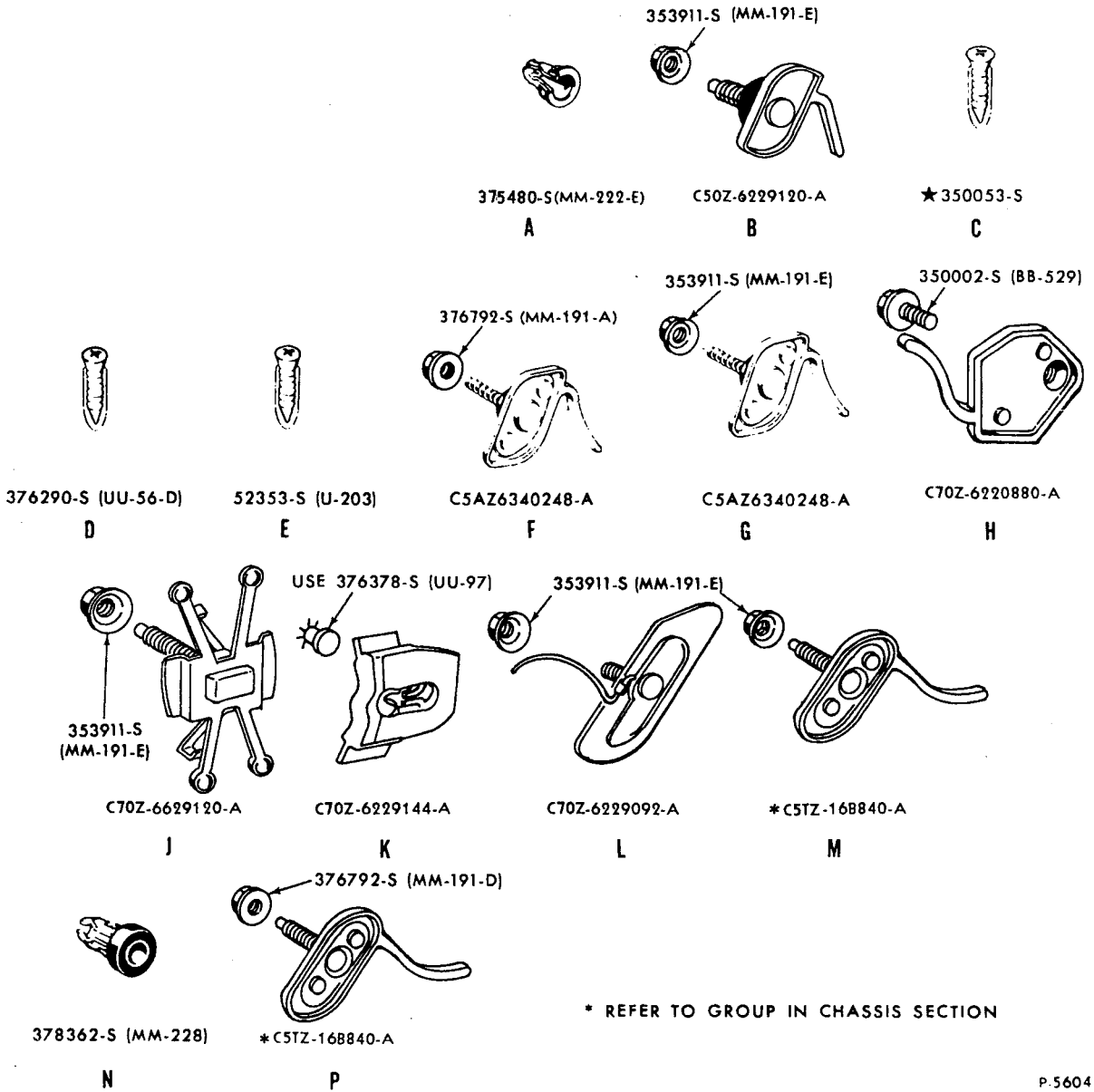
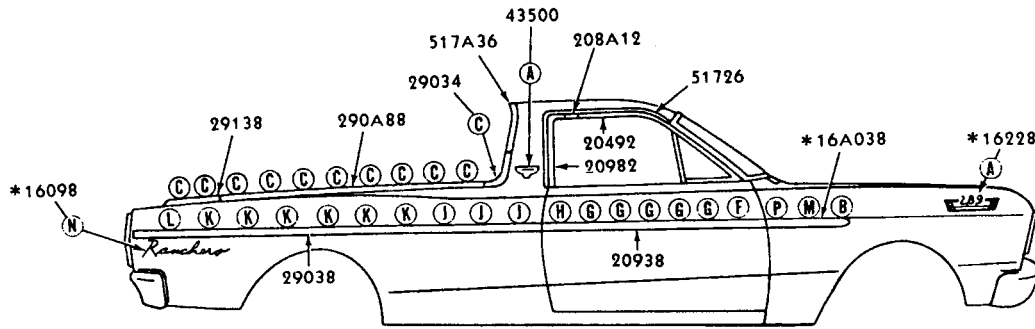


353911-S (MM-191-E)  
C5OZ 16A746-A  
**G**



\*376759-S  
C6OZ-7640248-A

\* REFER TO GROUP IN CHASSIS SECTION

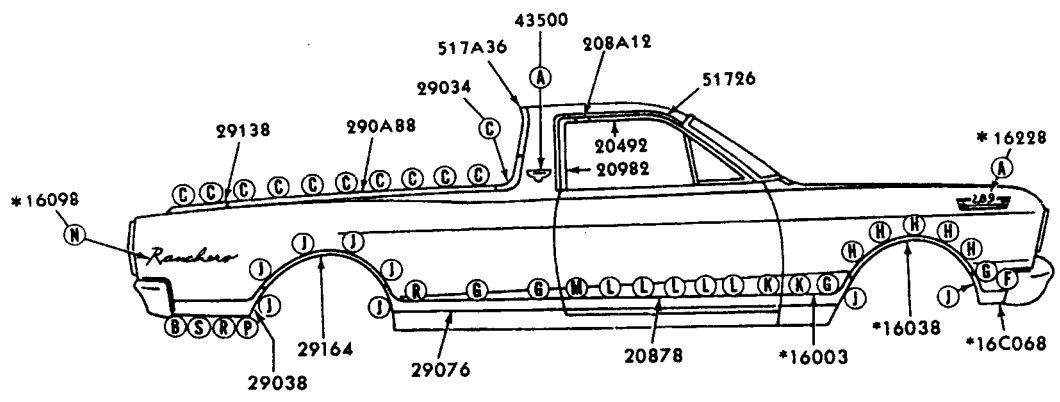


\* REFER TO GROUP IN CHASSIS SECTION

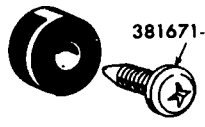
P.5604

**B EXTERIOR MOULDING  
ILLUSTRATION SECTION**

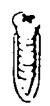
**FORD CAR PARTS**



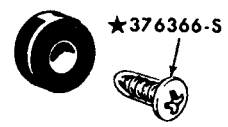
375480-S (MM-222-E)  
**A**



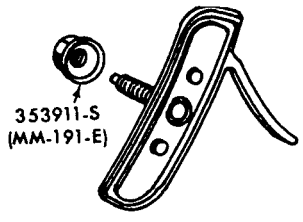
381671-S (UU-89-C)  
\*C3AB-7129374-A  
**B**



\*350053-S  
**C**



\*376366-S  
\*C3AB-7129374-A  
**F**



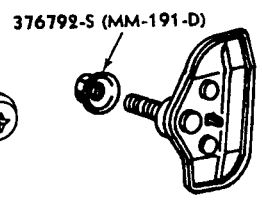
353911-S (MM-191-E)  
C75Z-6529033-A  
**G**



376378-S (UU-97)  
**H**



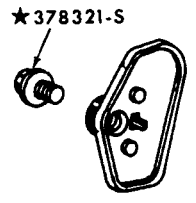
381671-S (UU-89-C)  
**J**



376792-S (MM-191-D)  
C70Z-6221094-A  
**K**



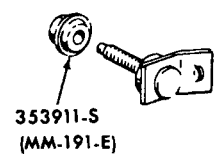
376378-S (UU-97)  
C70Z6220830-A  
**L**



\*378321-S  
C70Z-6220954-A  
**M**



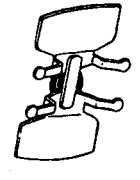
378362-S (MM-228)  
**N**



353911-S (MM-191-E)  
372708-S (BB-643-A)  
**P**

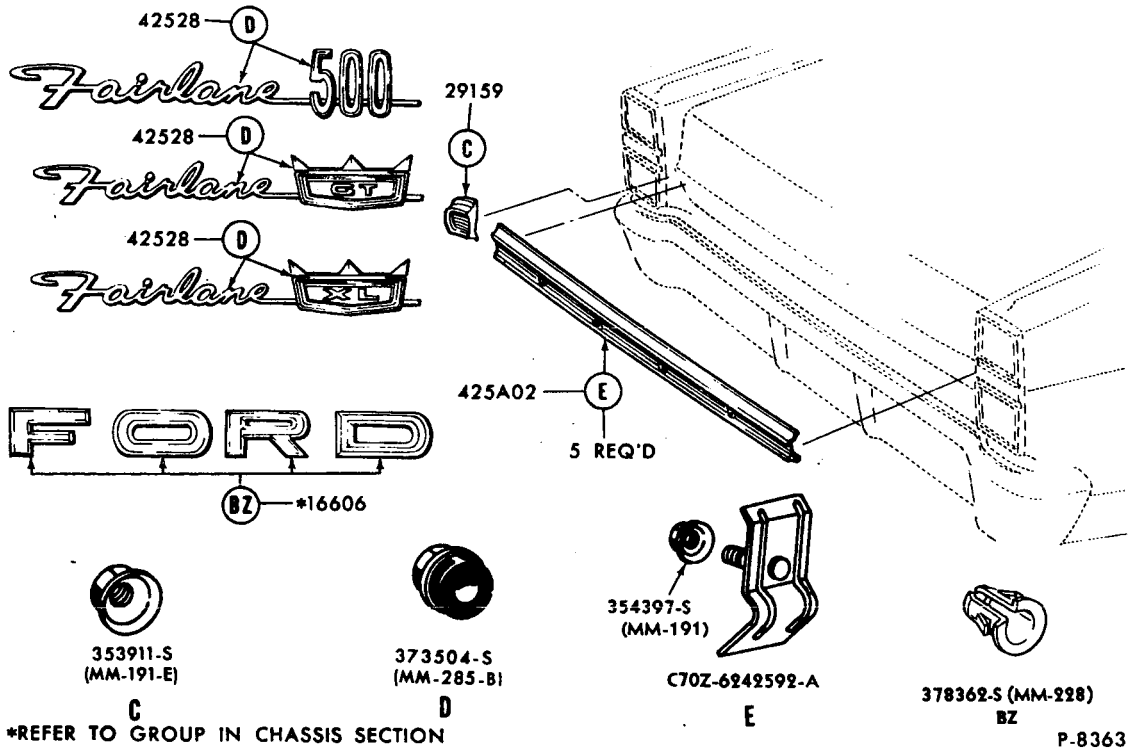


\*C70Z-6629124-A  
**R**

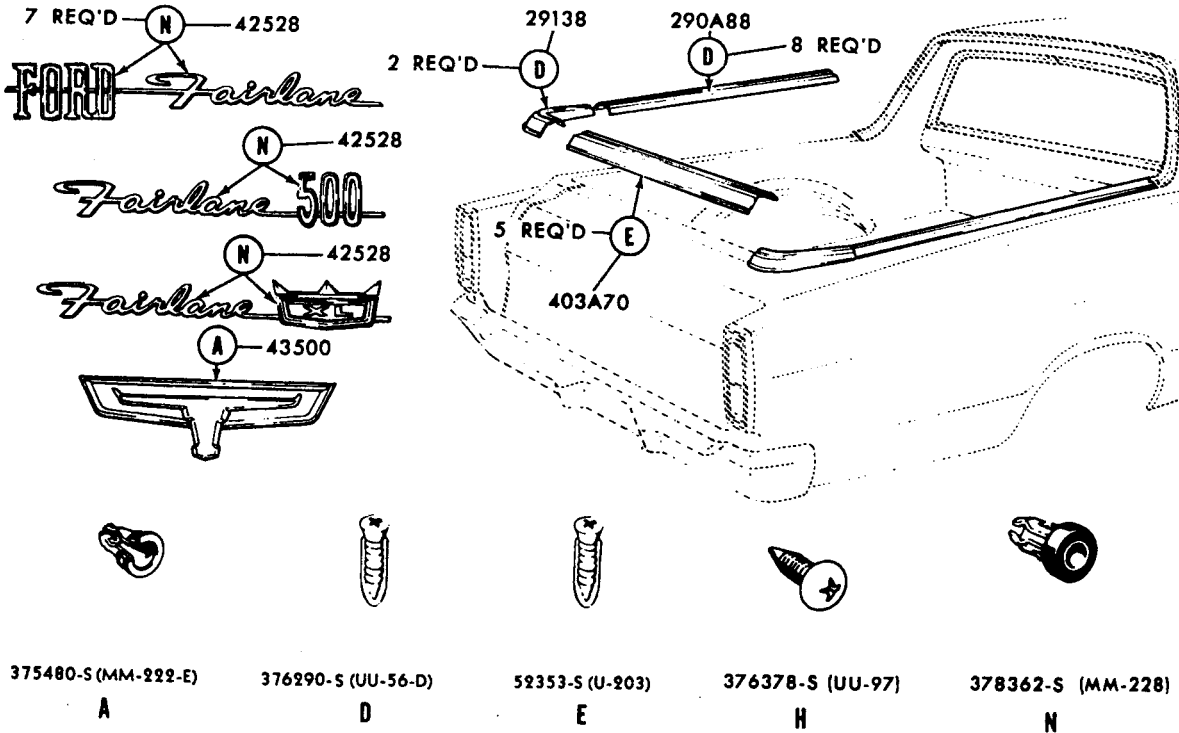


C70Z-6629124-B  
**S**

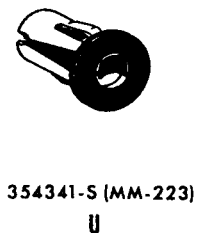
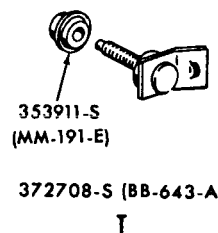
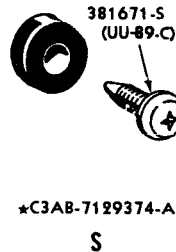
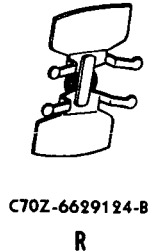
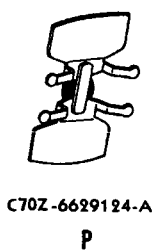
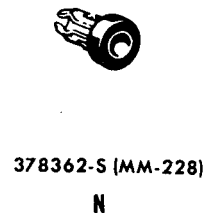
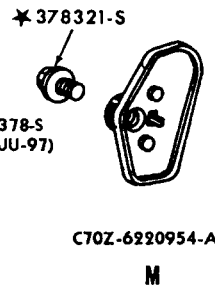
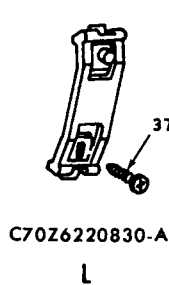
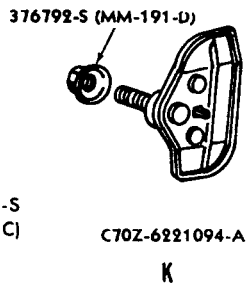
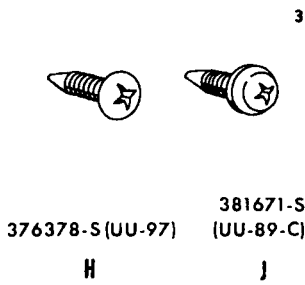
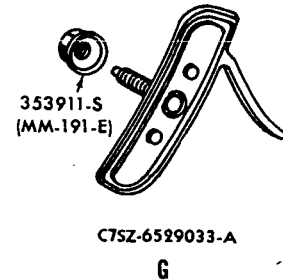
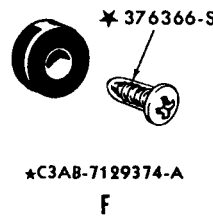
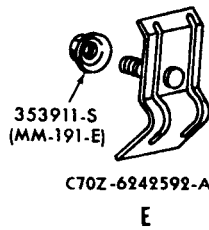
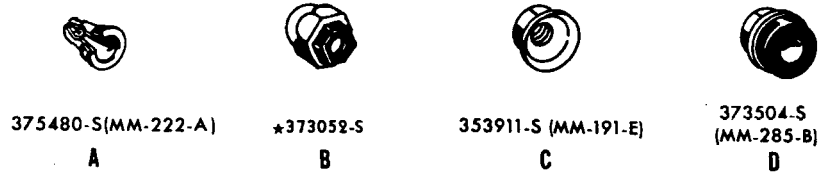
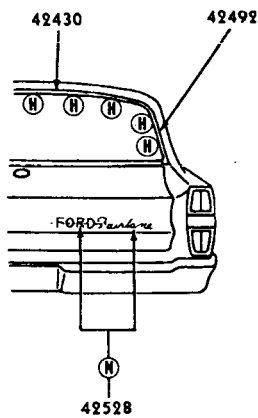
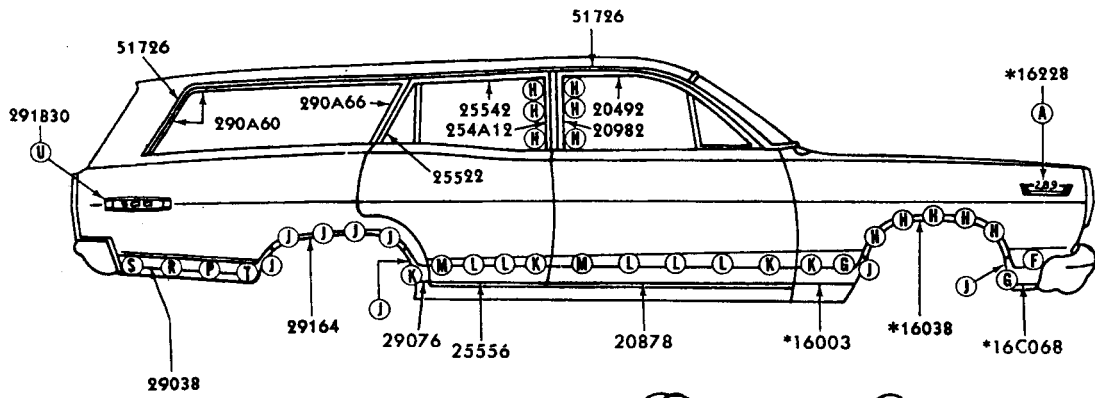
\*REFER TO GROUP IN CHASSIS SECTION



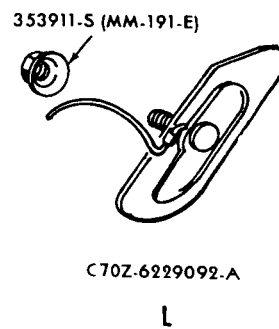
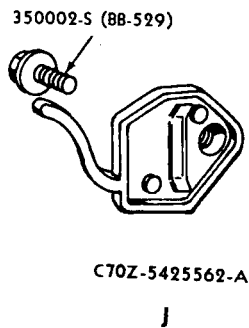
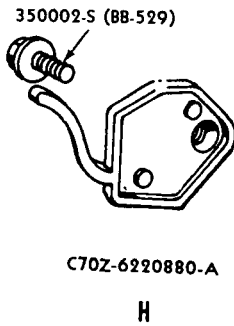
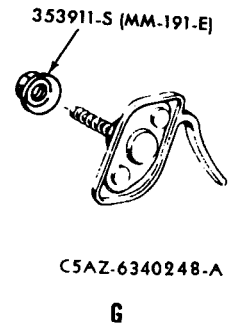
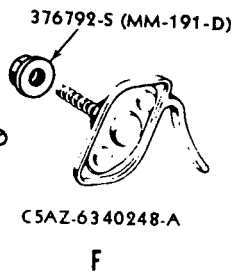
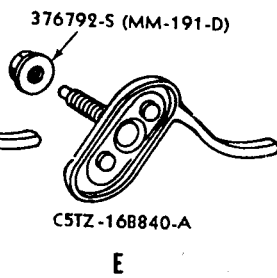
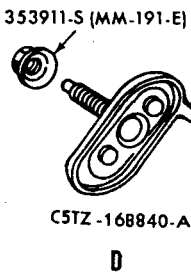
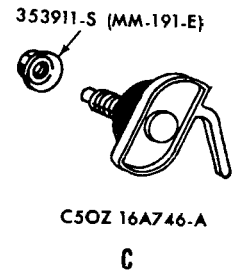
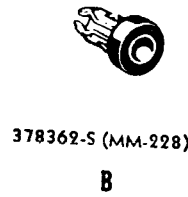
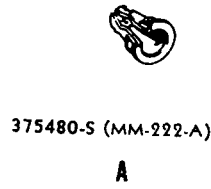
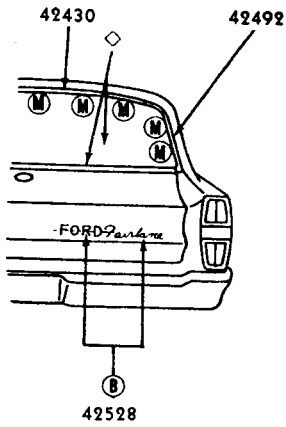
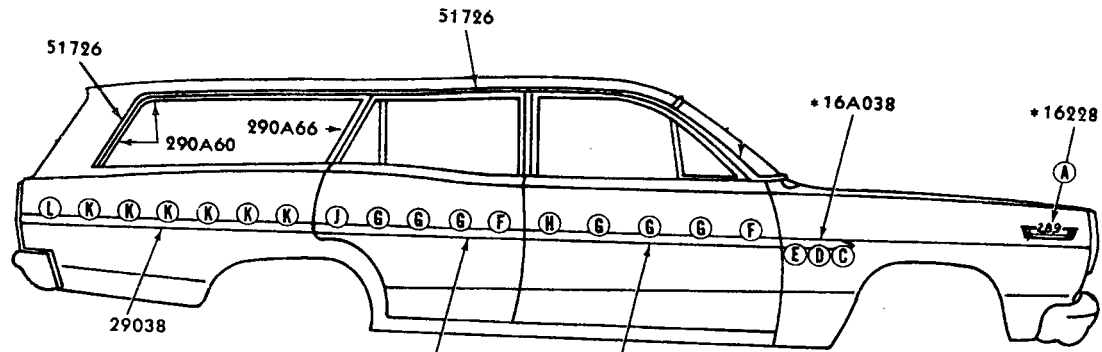
1967 FAIRLANE - BODY TYPES 54, 62, 63, 76 - BACK END



1967 FAIRLANE - BODY TYPE 66 - BACK END



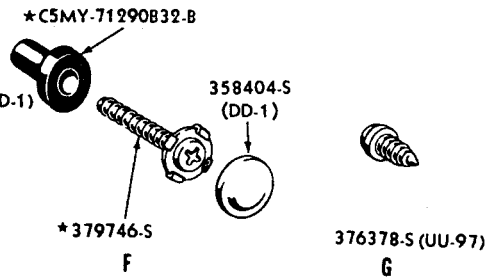
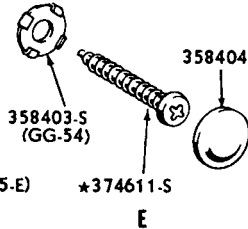
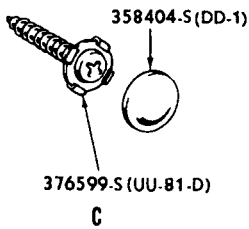
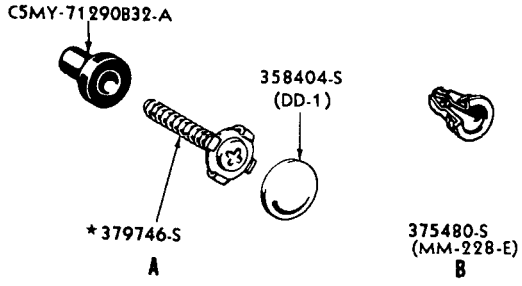
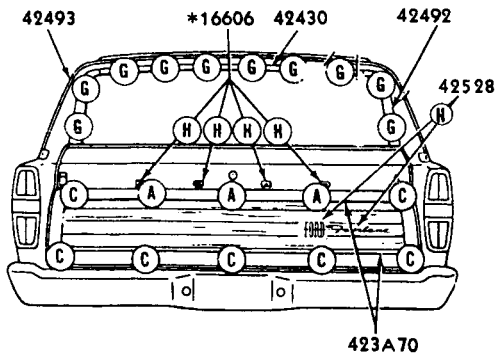
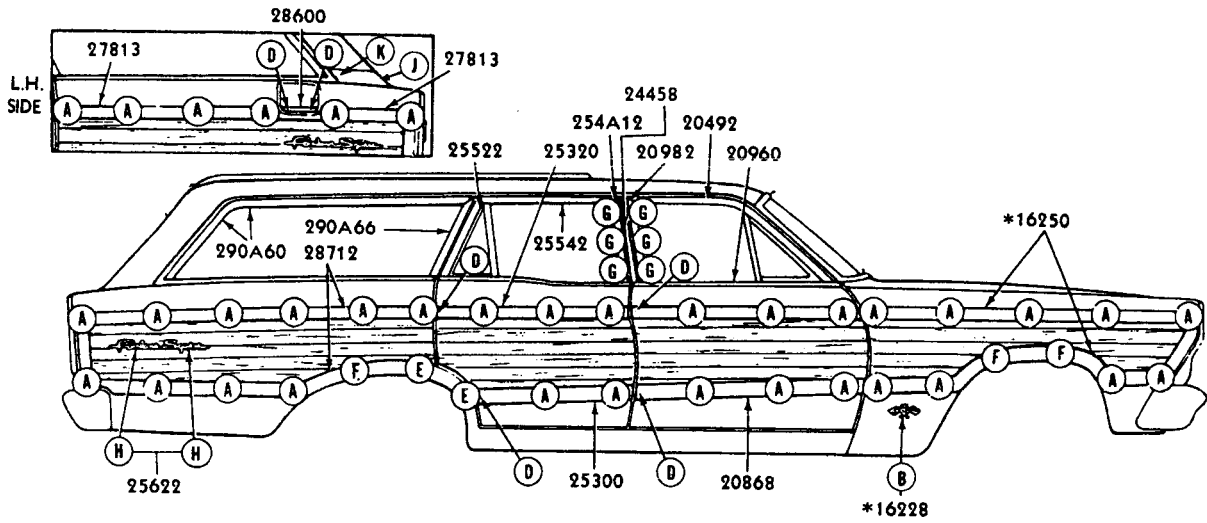
\*REFER TO GROUP IN CHASSIS SECTION



P-5551

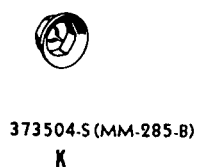
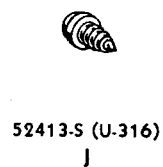
\*REFER TO GROUP IN CHASSIS SECTION

1967 FAIRLANE - BODY TYPE 71D



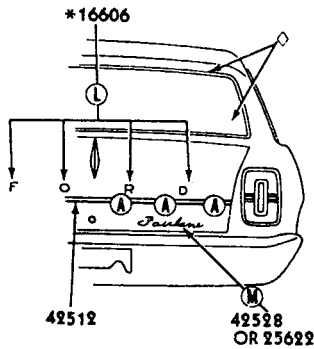
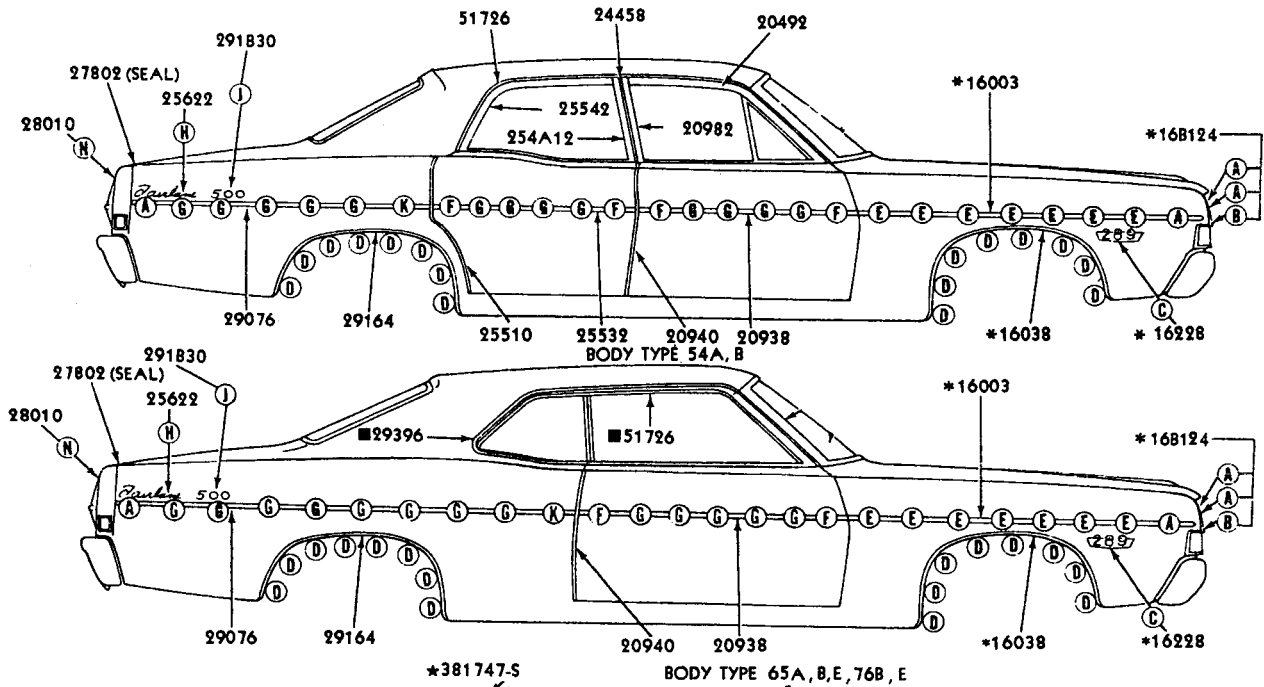
WALNUT GRAIN TRANSFER WITH BLACK PLANKING LINES  
WALNUT GRAIN TRANSFER WITH BLACK PLANKING LINES

C7OZ-7120748-A  
C7OZ-7120748-B



\* REFER TO GROUP IN CHASSIS SECTION



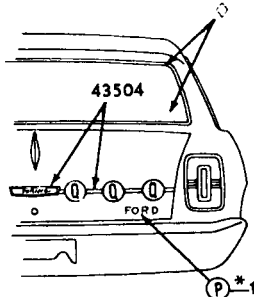
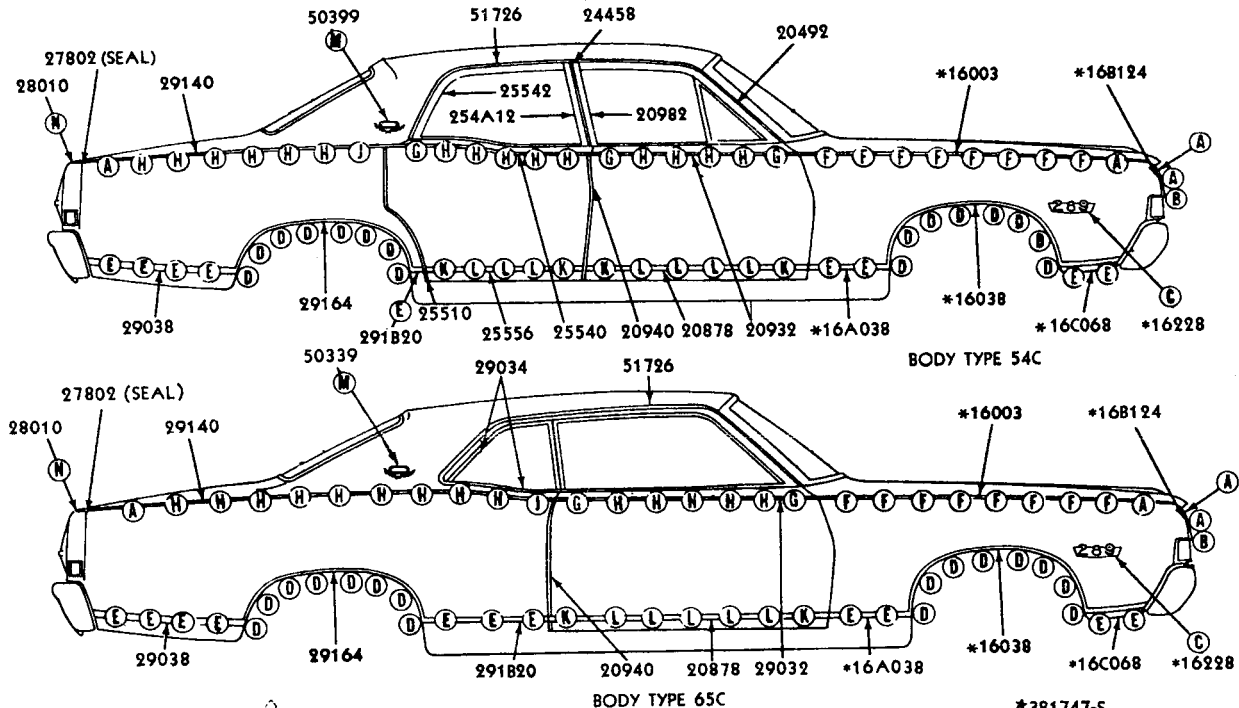


- \*381747-S
- C80Z-5440248-A
- A
- C80Z-16A076-A
- E
- 382154-S (SS-47)
- H
- 375890-S (MM-292-A)
- M
- 376378-S (UU-97)
- USE 376378-S (UU-97)
- C80Z-5420818-A
- G
- 373556-S (MM-291-F)
- N
- 381923-S (XX-91-B)
- 373888-S (MM-290)
- J
- 373888-S (MM-290)
- L
- 381948-S (BB-154-EC)
- C
- C80Z-5425562-A
- F
- 373888-S (MM-290)
- K
- 373888-S (MM-290)
- L
- 382146-S (MM-290-E)
- \*381814-S
- 376378-S (UU-97)
- B
- C7GY-5442331-A
- K
- 373888-S (MM-290)
- L
- \*16606
- 381923-S (XX-91-B)
- 373556-S (MM-291-F)
- N
- \*REFER TO GROUP IN CHASSIS SECTION

1968 FAIRLANE - BODY TYPE 54A, B, 65A, B, E, 76B, E - TYPICAL

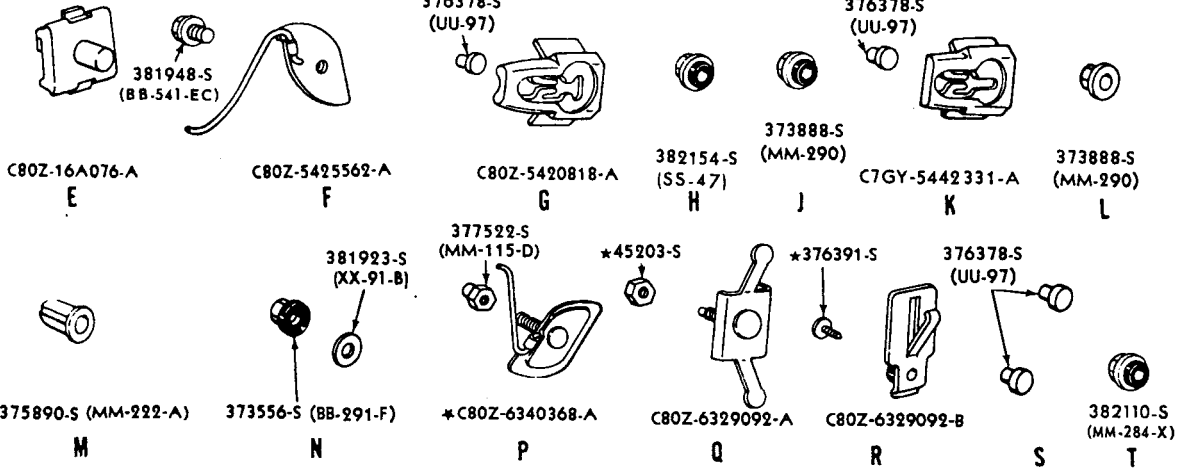
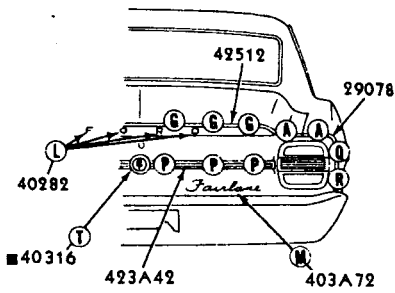
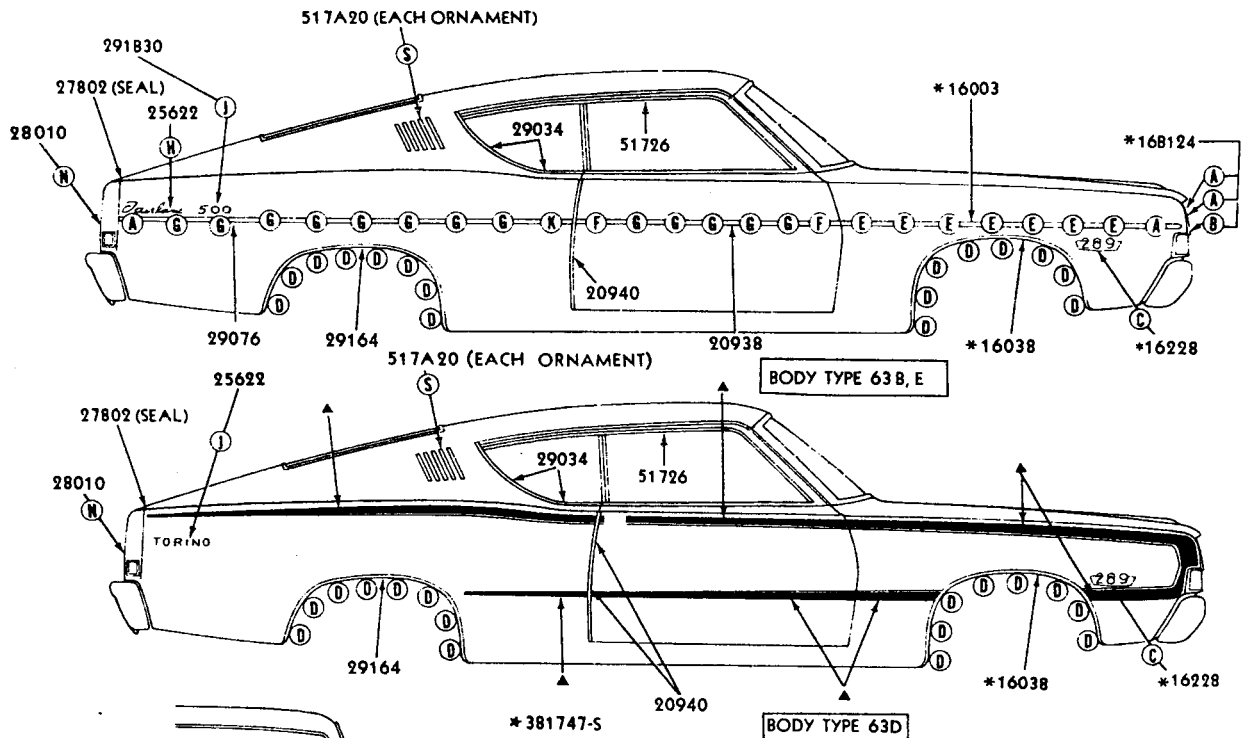
**B EXTERIOR Moulding  
ILLUSTRATION SECTION**

**FORD CAR PARTS**



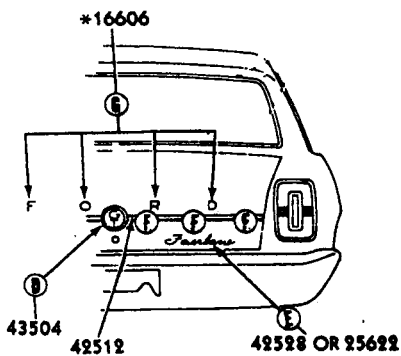
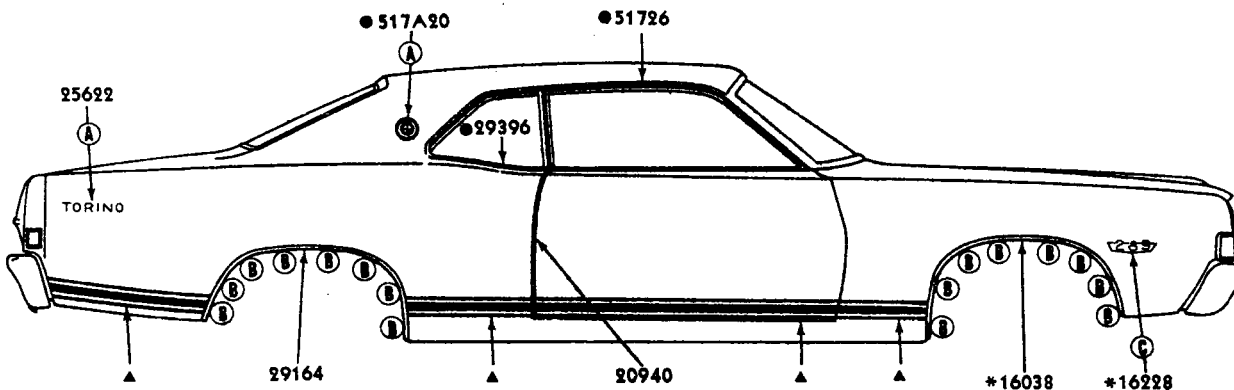
- \*381747-S**
- C80Z-5440248-A** **A**
- CBGY-16A076A** **B**
- 382146-S (MM-290-E)** **C**
- \*381814-S** **D**
- C80Z-5429124-A** **E**
- C6DZ-6229120-A** **F**
- 381948-S (BB-541-BC)** **G**
- C80Z-5420884-A** **G**
- USE 376378-S (UU-97)** **H**
- C6DZ-54254A46-A** **H**
- USE 376378-S (UU-97)** **J**
- C7DZ-6229144-A** **J**
- \*381948-S (BB-541-EC)** **K**
- \*C80Z-5421094-A** **K**
- \*376387-S** **L**
- C7DZ-6220880-A** **L**
- 375890-S (MM-222-A)** **M**
- 373556-S (BB-291-F)** **N**
- 381923-S (XX-91-B)** **N**
- 378362-S (MM-228)** **P**
- 382110-S (MM-284-X)** **Q**

\* REFER TO GROUP IN CHASSIS SECTION



\*REFER TO GROUP IN CHASSIS SECTION

P-6112



373888-S (MM-290)

A



381671-S  
(UU-89-C)

B



382146-S (MM-290-E)

C



382110-S  
(MM-284-X)

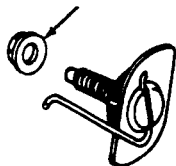
D



375890-S (MM-222-A)

E

\*381747-S



C80Z-5440248-A

F

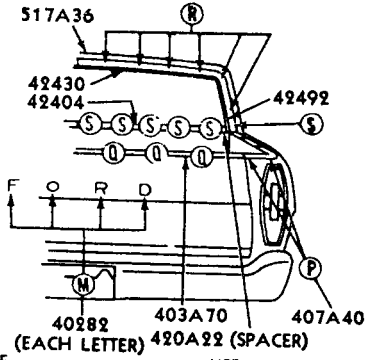
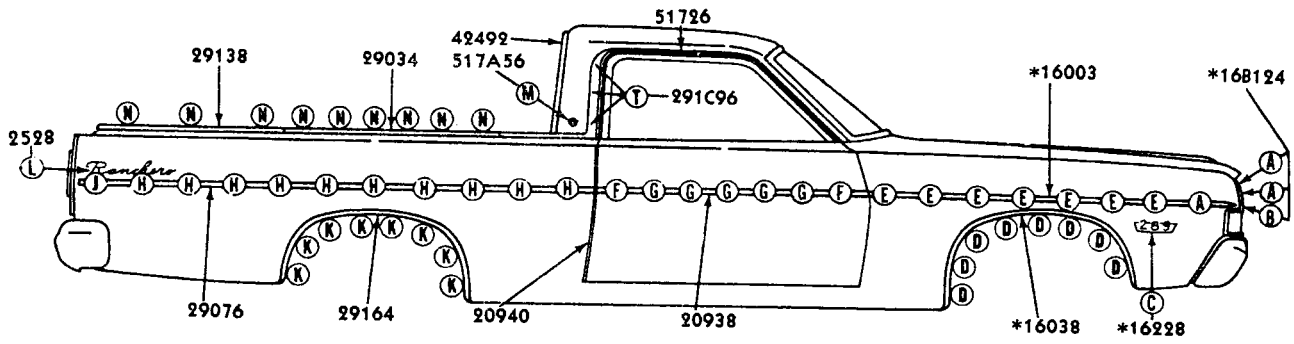


373888-S (MM-290)

G

● BODY TYPE 65D  
\* REFER TO GROUP IN CHASSIS SECTION

▲ SUPPLIED IN BASIC KIT 20000-1



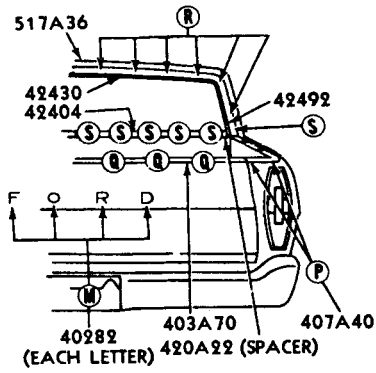
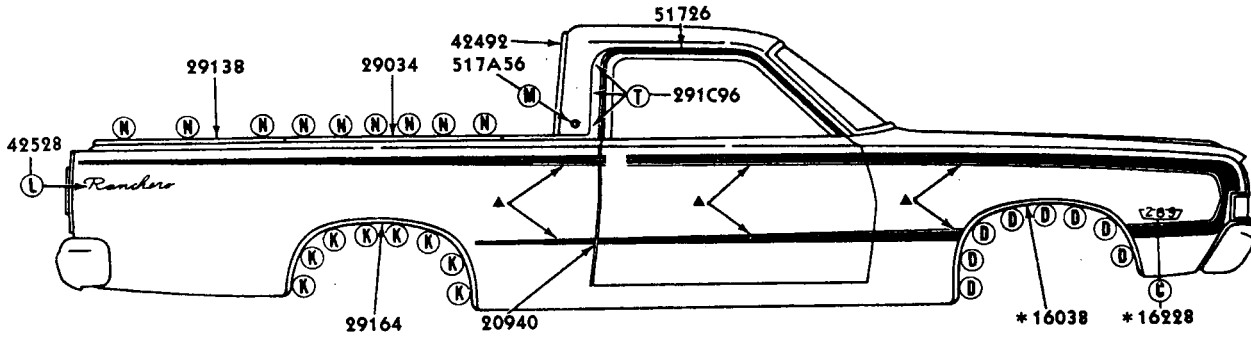
- \*381747-S
- C80Z-5440248-A
- A
- C8GY-16A076A
- B
- 382146-S (MM-290-E)
- C
- 381671-S (UU-89-C)
- D
- 381948-S (BB-541-EC)
- \*C80B-5425562-A
- F
- 376378-S (UU-97)
- C7GY-5442331-A
- E
- 376378-S (UU-97)
- C80Z-5420818-A
- G
- 376378-S (UU-97)
- C7GY-5442331-A
- H
- \*381747-S
- C8MY-71407A12-A
- J
- 381671-S (UU-89-C)
- K
- 378362-S (MM-228)
- L
- 375890-S (MM-222-A)
- M
- USE 376378-S (UU-97)
- \*55978-S
- N
- 376378-S (UU-97)
- P
- 55974-S (U-316-D)
- Q
- USE 376378-S (UU-97)
- C5ZZ 65423A26-A
- R
- 381500-S (55-48)
- C8AZ-6342413-A
- S
- 382110-S (MM-284-X)
- T

\* REFER TO GROUP IN CHASSIS SECTION

P-6117

**B EXTERIOR MOULDING  
ILLUSTRATION SECTION**

**FORD CAR PARTS**



382146-S (MM-290-E)  
**C**



381671-S (UU-89-C)  
**D**



381671-S (UU-89-C)  
**K**



378362-S (MM-228)  
**L**



375890-S (MM-222-A)  
**M**



+55978  
**N**



376378-S (UU-97)  
**P**



55974-S (U-316-D)  
**Q**

USE  
376378-S  
(UU-97)



C5ZZ 65423A26-A  
**R**



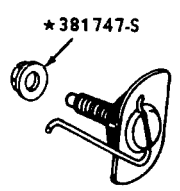
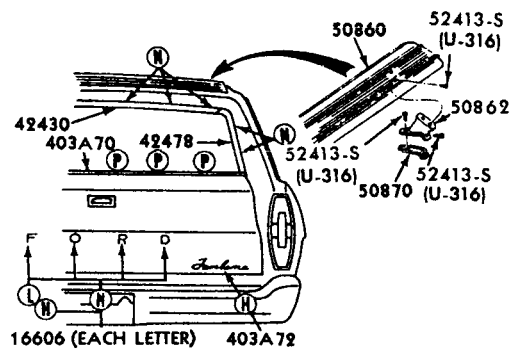
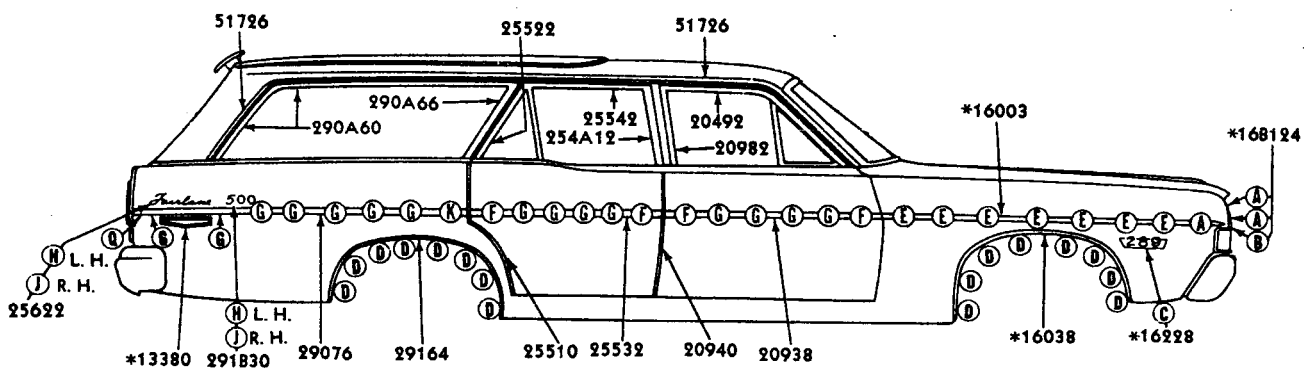
381500-S (SS-48)  
C8AZ-6342413-A  
**S**



382110-S (MM-284-X)  
**T**

\* REFER TO GROUP IN CHASSIS SECTION

▲ SERVICED IN 20000-1 KIT



C80Z-5440248-A

A



C8GY-16A076-A 382146-S (MM-290-E)

B



C



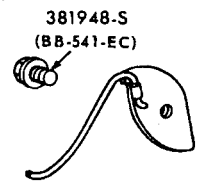
381671-S (UU-89-C)

D



C80Z-16A076-A OR C7GY-5442331-A

E



C80Z-5425562-A

F



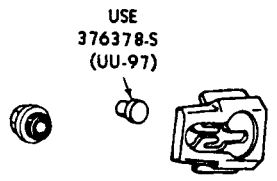
C80Z-5420818-A

G



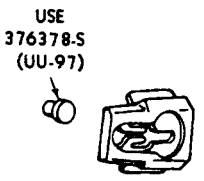
375890-S (MM-222-A)

H



373888-S (MM-290)

J



C7GY-5442331-A

K



378362-S (MM-228)

L



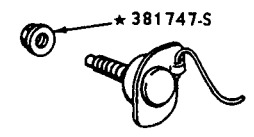
376378-S (UU-97)

N



381969-S (UU-89-A)

P



C8AZ-6240248-A

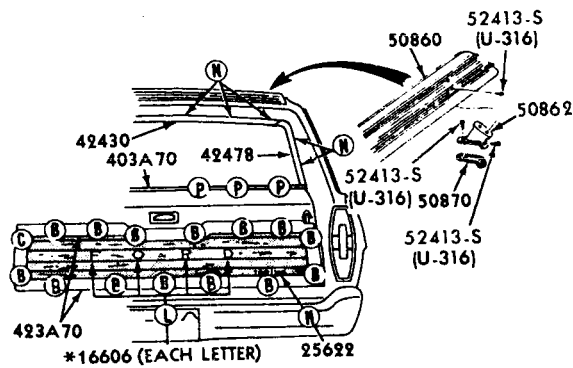
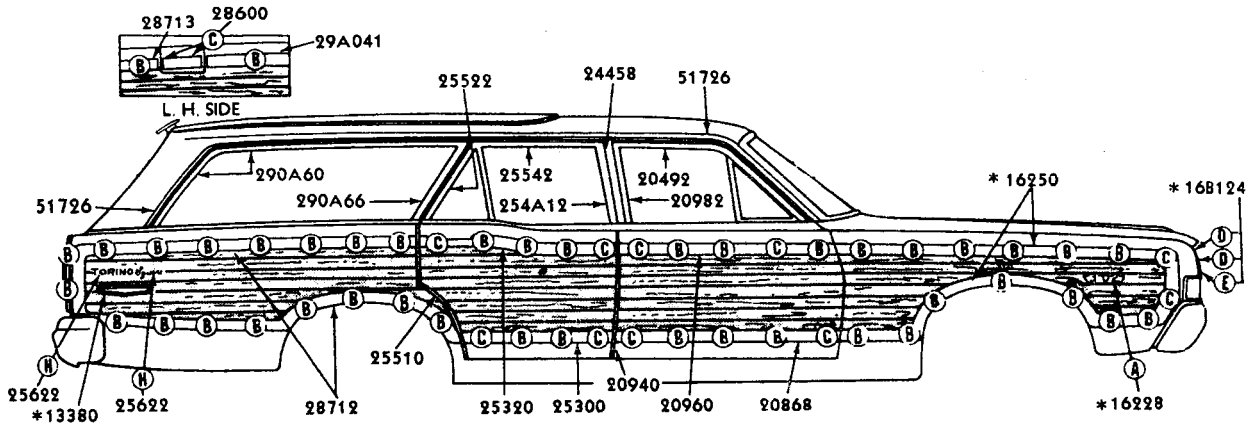
Q

\* REFER TO GROUP IN CHASSIS SECTION

P-6134

**B** EXTERIOR Moulding  
ILLUSTRATION SECTION

**FORD CAR PARTS**



382146-S (MM-290-E)

A



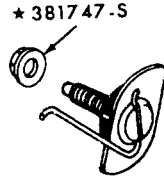
C8AZ-71425A94-A

B



377522-S (MM-115-D)

C



\* 381747-S

C80Z-5440248-A

D



C8GY-16A076-A

E



375890-S (MM-222-A)

H



378362-S (MM-228)

L



376378-S (UU-97)

N



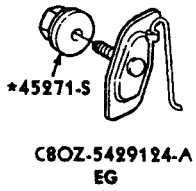
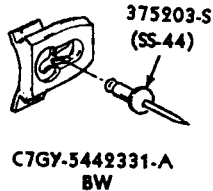
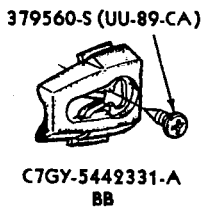
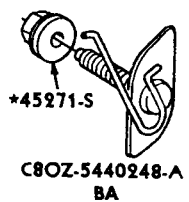
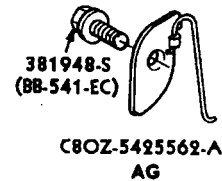
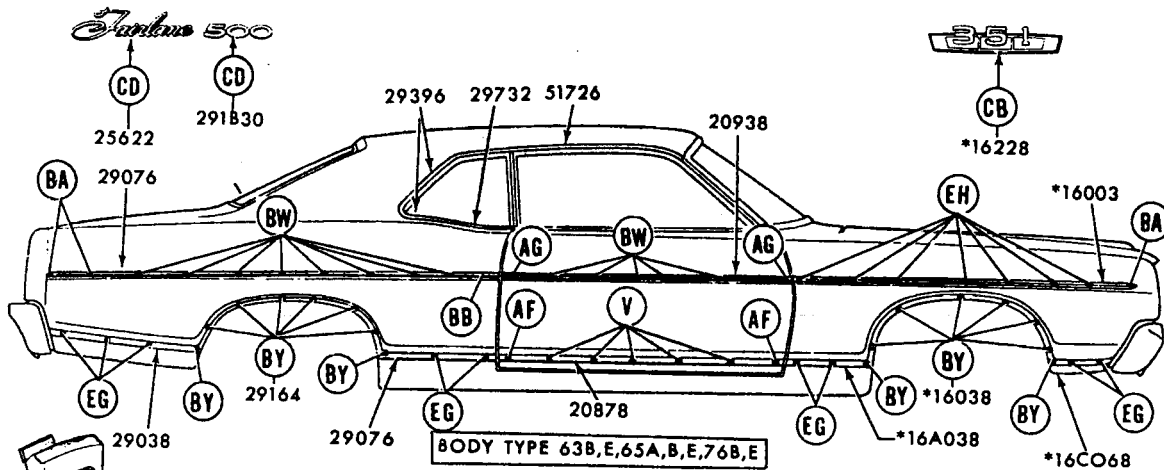
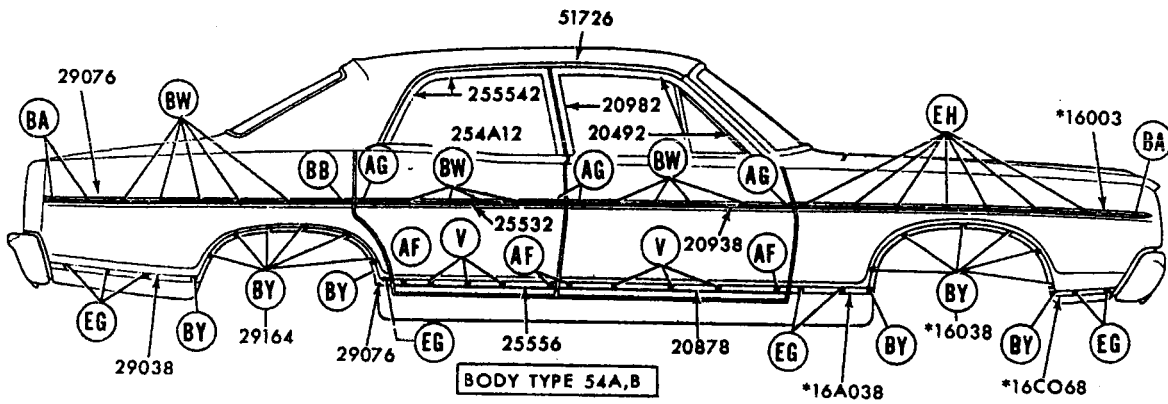
381969-S (M/A-192-QA)

P

\* REFER TO GROUP IN CHASSIS SECTION

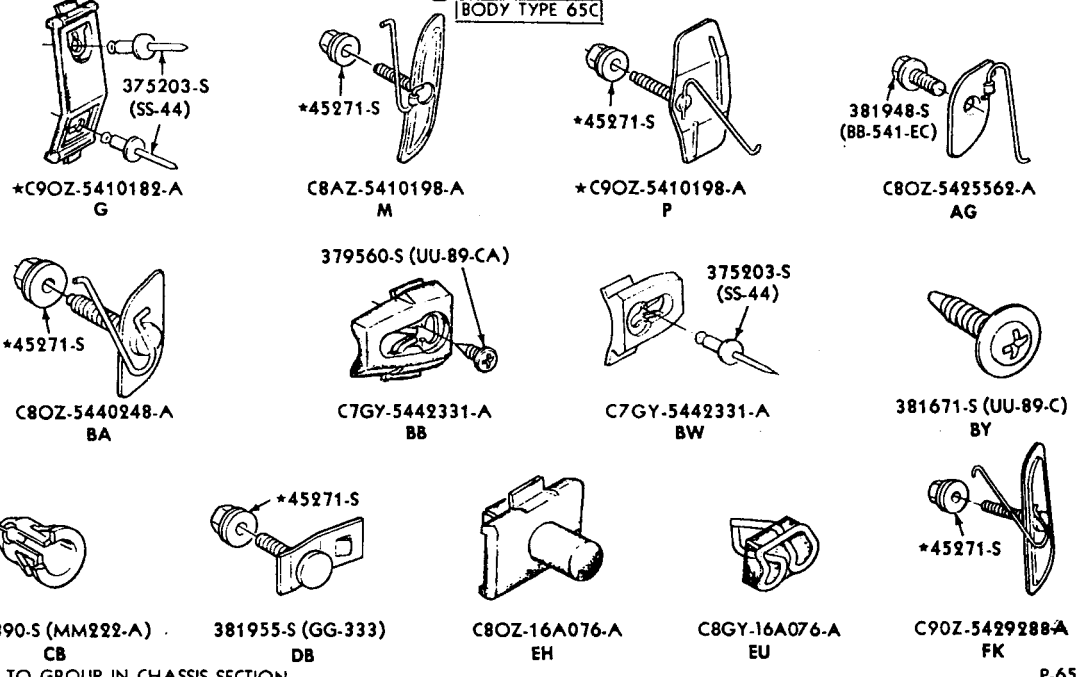
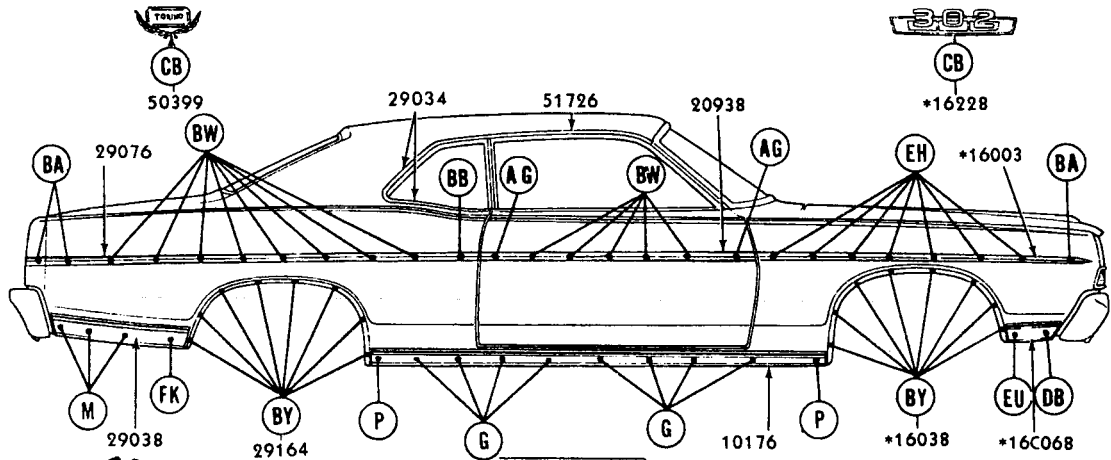
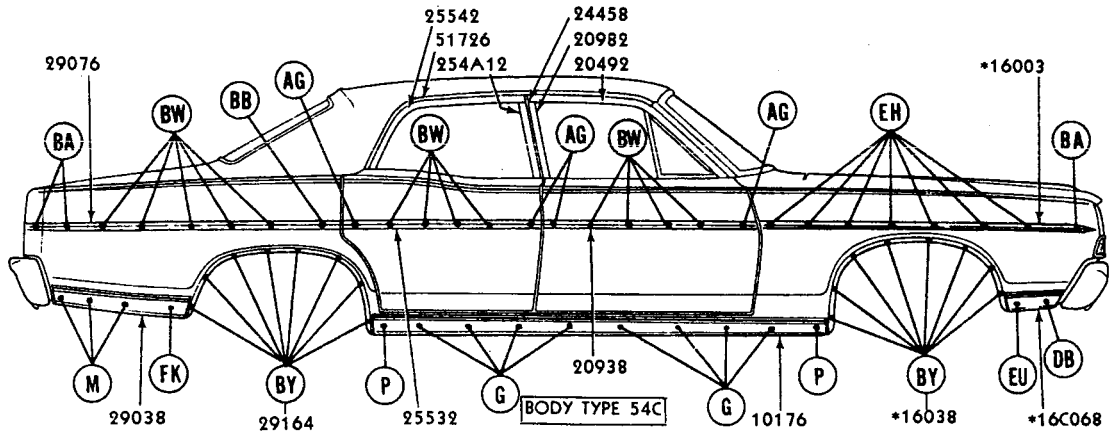
WALNUT GRAIN TRANSFER WITH BLACK PLANKING LINES  
C80Z-7120748-B (PRESSURE SENSITIVE TYPE)





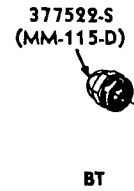
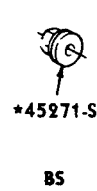
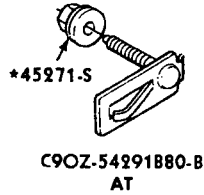
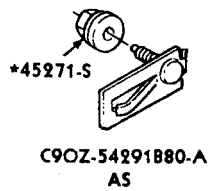
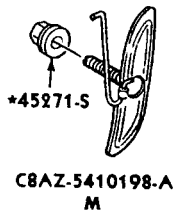
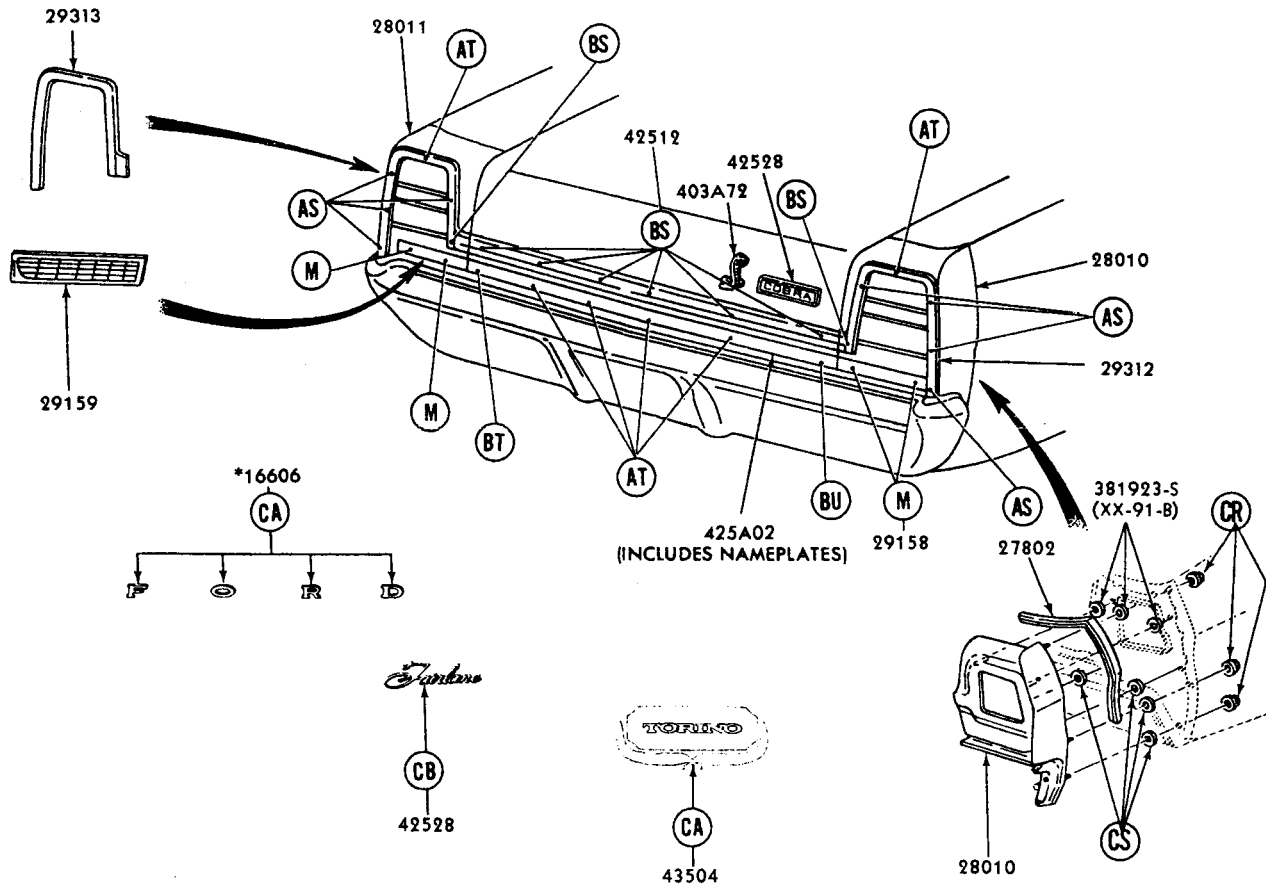
\*REFER TO GROUP IN CHASSIS SECTION

P-6578



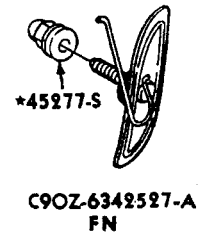
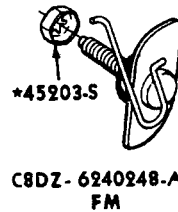
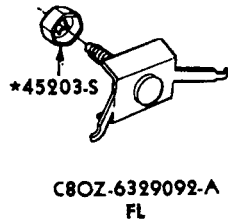
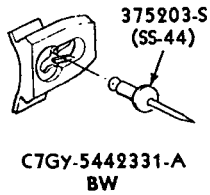
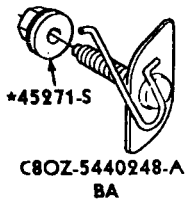
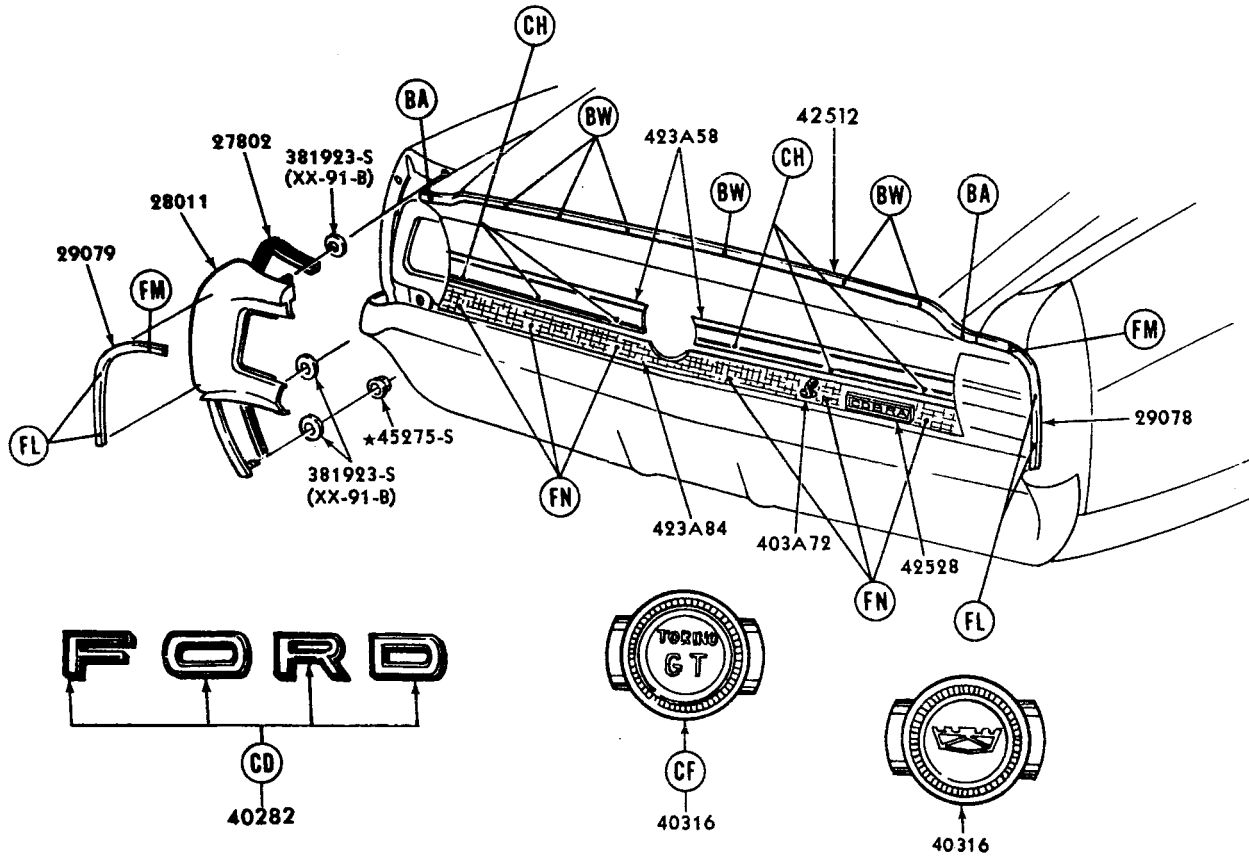
\*REFER TO GROUP IN CHASSIS SECTION

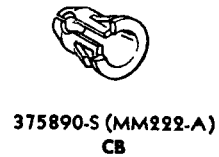
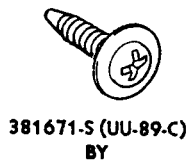
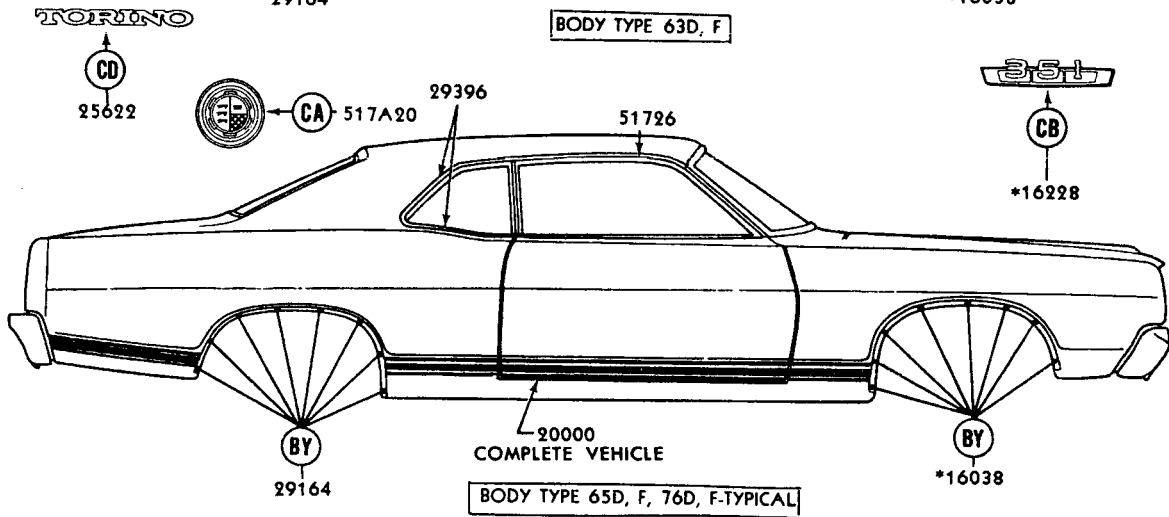
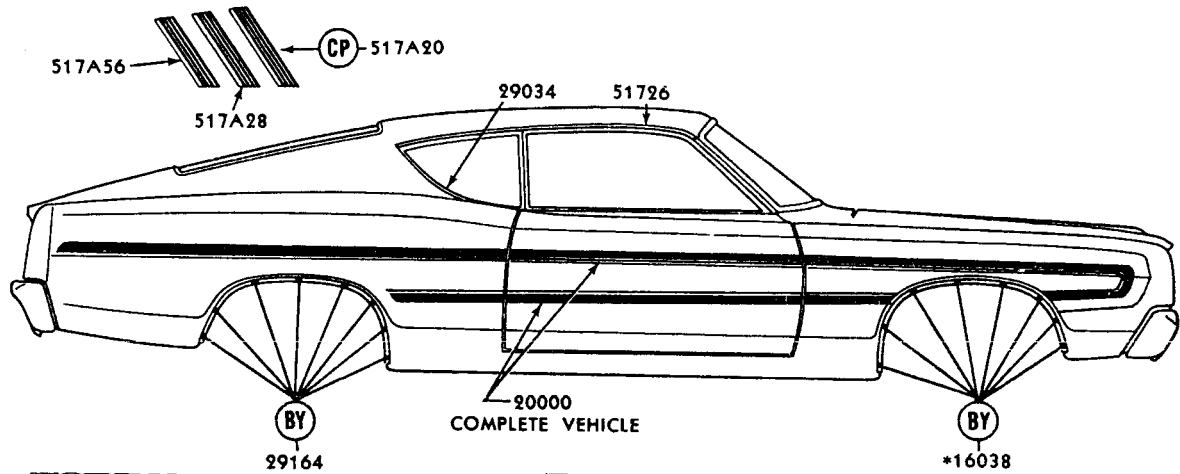
P-6579



\* REFER TO GROUP IN CHASSIS SECTION

P-6627

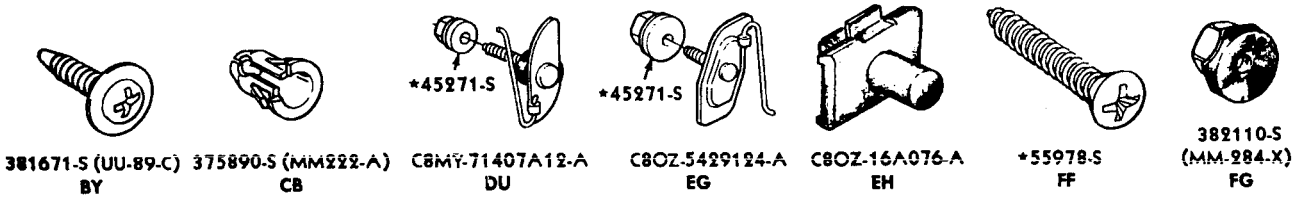
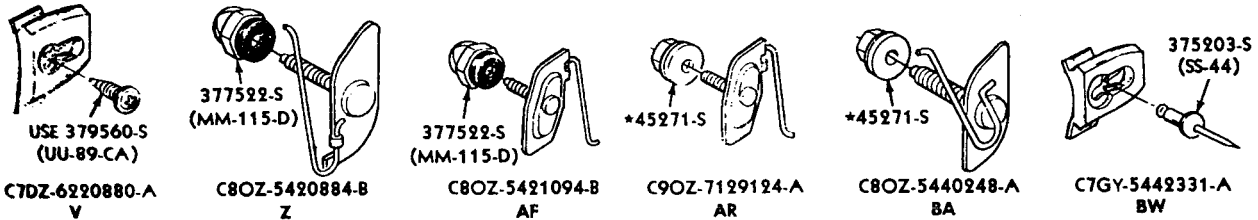
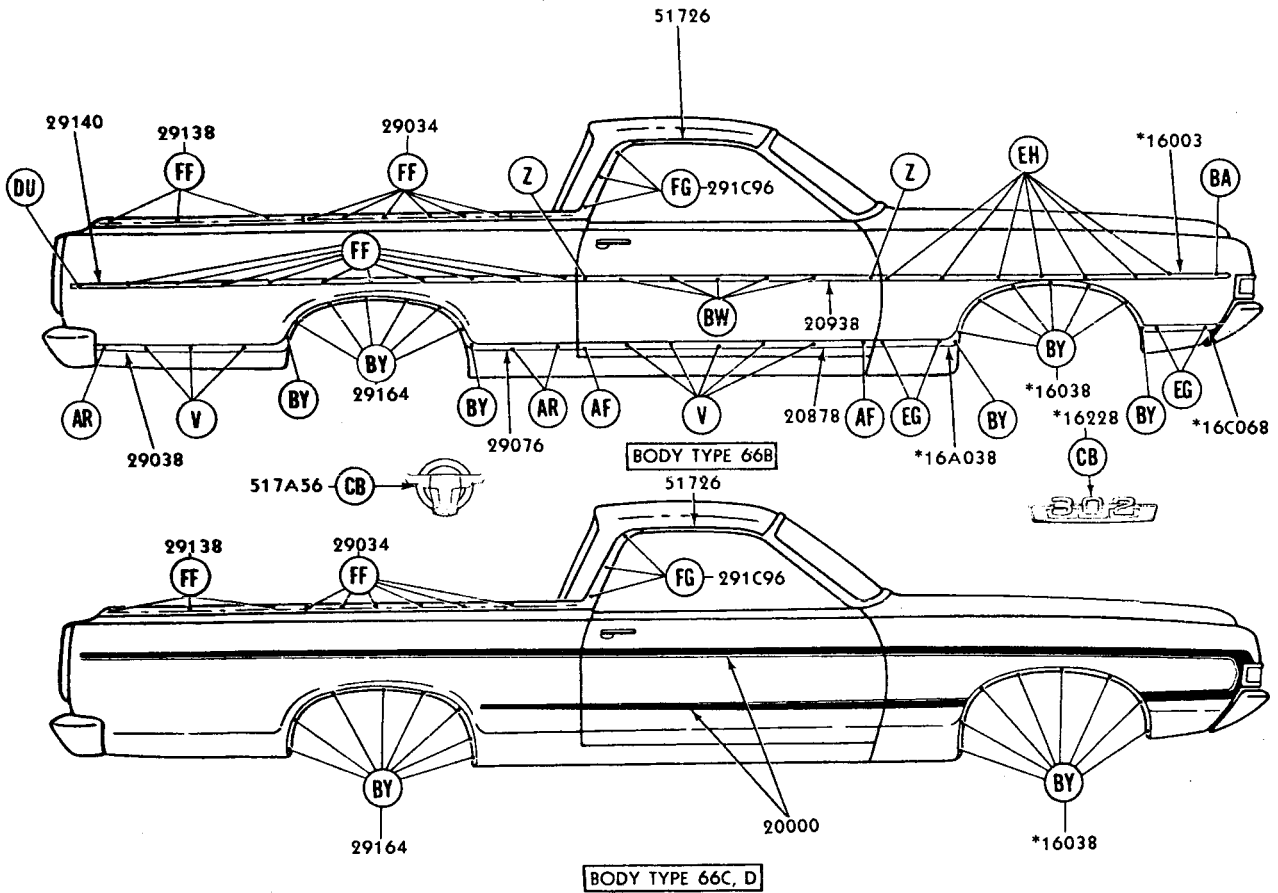




\*REFER TO GROUP IN CHASSIS SECTION

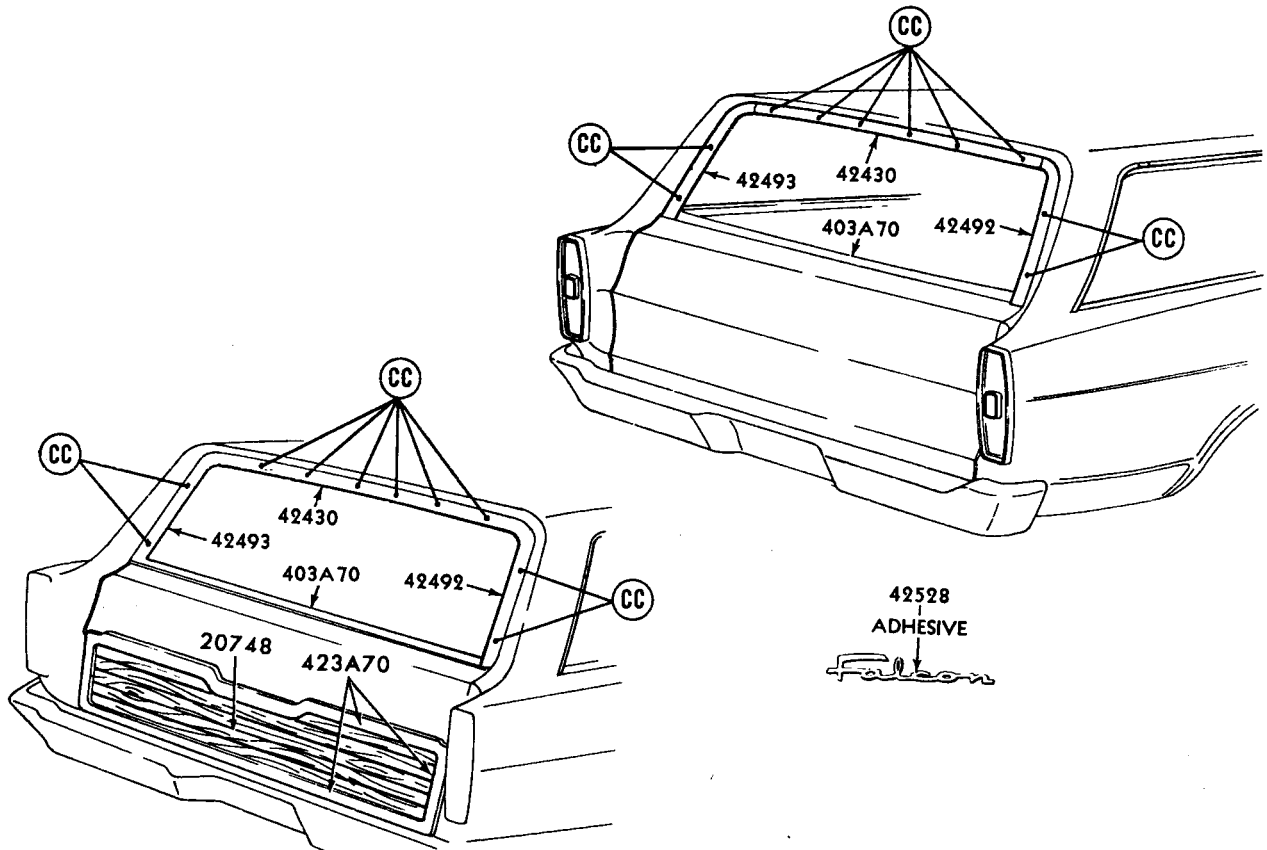
P-6580

1969 FAIRLANE/TORINO - BODY TYPE 63D, F, 65D, F, 76D, F - SIDE

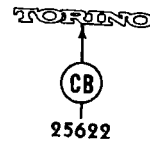
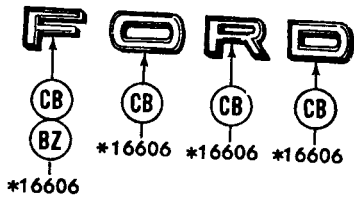


\* REFER TO GROUP IN CHASSIS SECTION

P-6581



42528  
ADHESIVE  
*Falson*



378362-S (MM-228)  
BZ



375890-S (MM222-A)  
CB



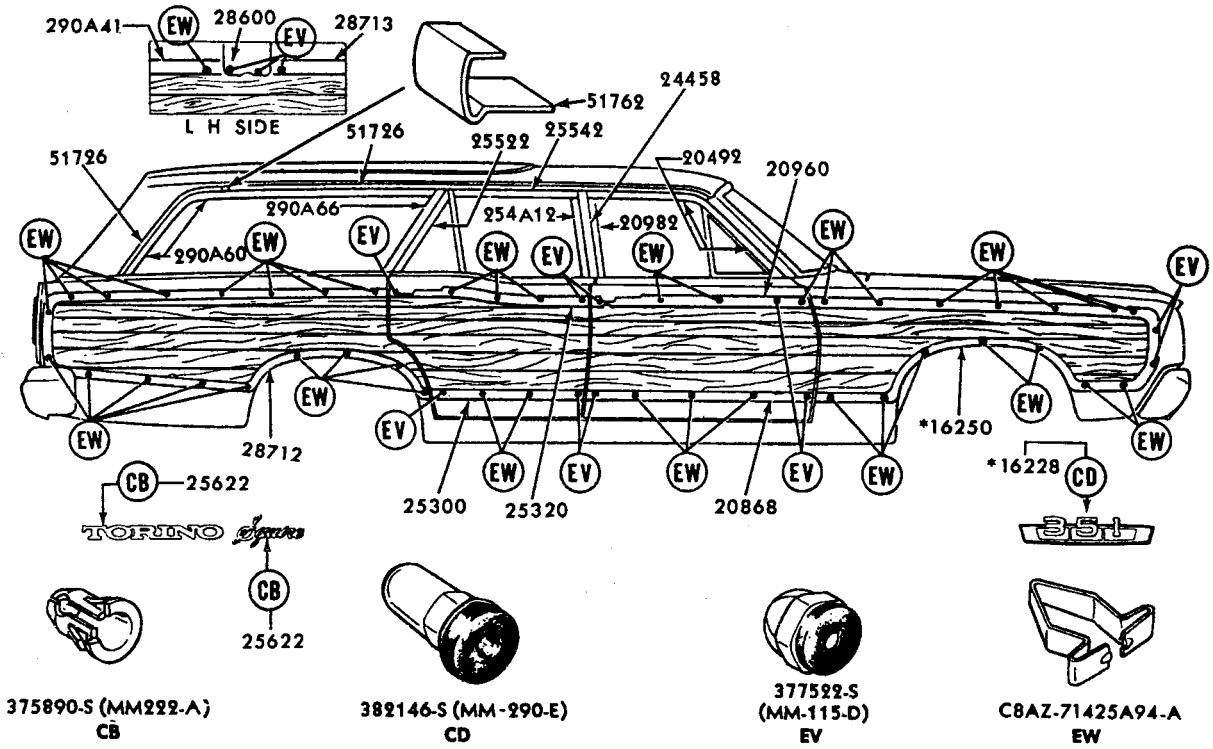
379560-S (UU-89-CA)  
CC

\*REFER TO GROUP IN CHASSIS SECTION

P-6680



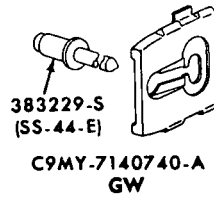
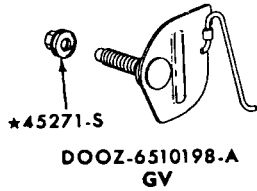
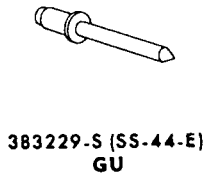
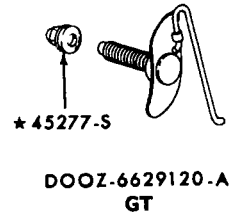
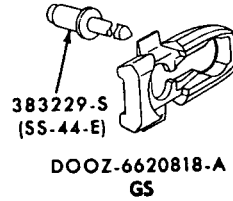
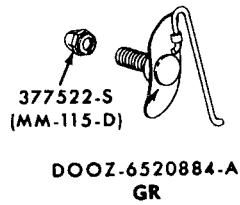
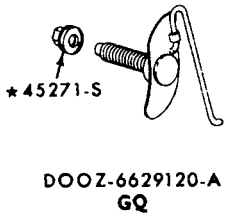
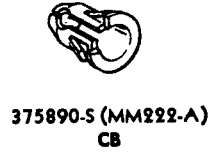
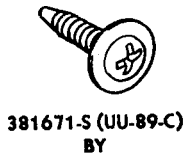
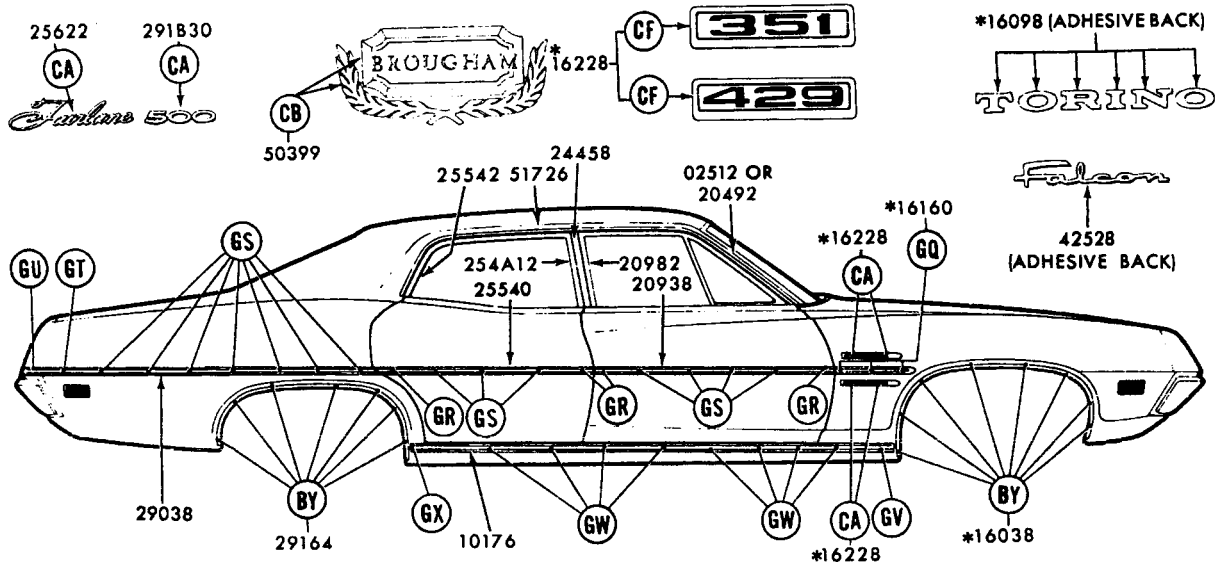




FOR WOOD GRAIN TRANSFER—REFER TO GROUP 20748  
 \* REFER TO GROUP IN CHASSIS SECTION

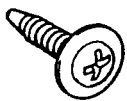
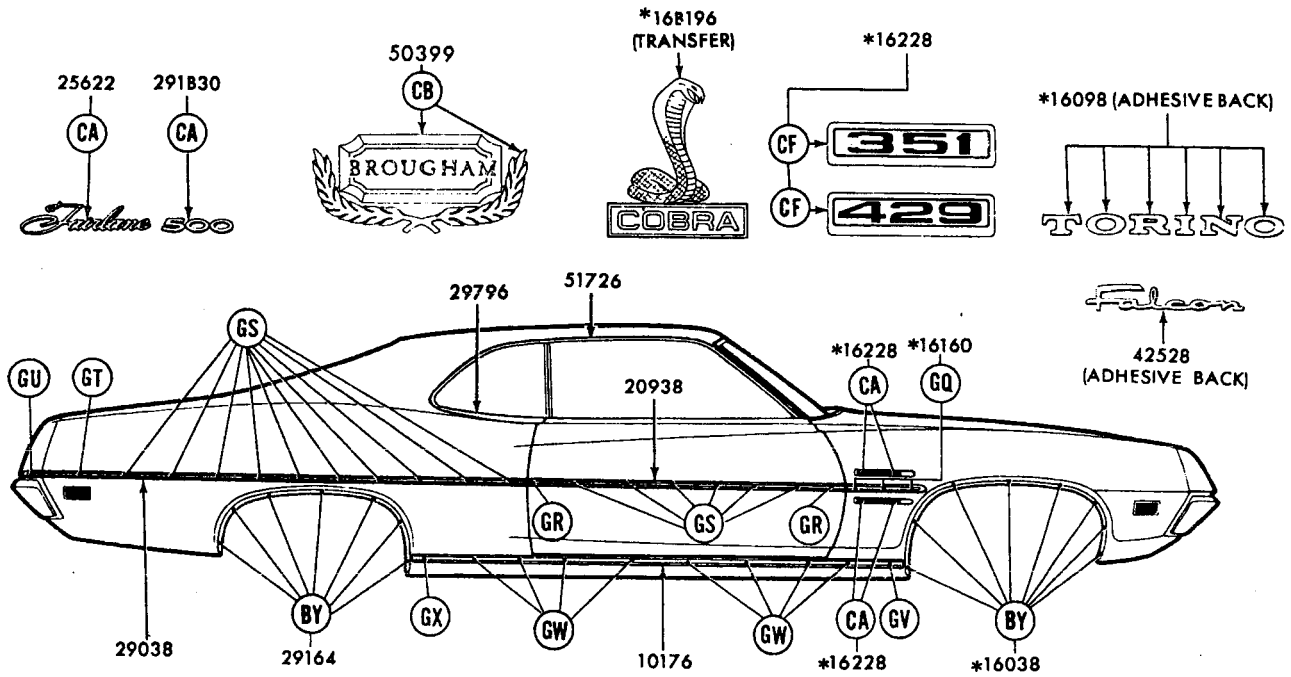
P-6583

1969 FAIRLANE/TORINO - BODY TYPE 71E - SIDE



\*REFER TO GROUP IN CHASSIS SECTION

P-7048



381671-S (UU-89-C)  
BY



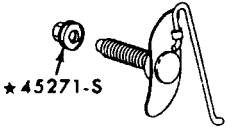
373888-S (MM-290)  
CA



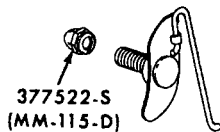
375890-S (MM222-A)  
CB



\*45271-S  
CF

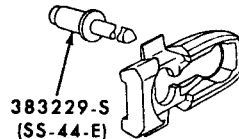


DOOZ-6629120-A  
GQ



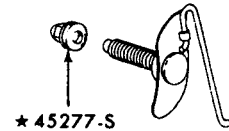
377522-S  
(MM-115-D)

DOOZ-6520884-A  
GR



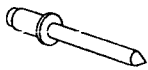
383229-S  
(SS-44-E)

DOOZ-6620818-A  
GS

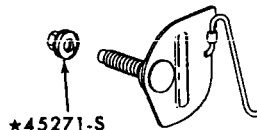


\*45277-S

DOOZ-6629120-A  
GT

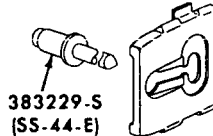


383229-S (SS-44-E)  
GU



\*45271-S

DOOZ-6510198-A  
GV



383229-S  
(SS-44-E)

C9MY-7140740-A  
GW



53027-S (U-278)  
GX

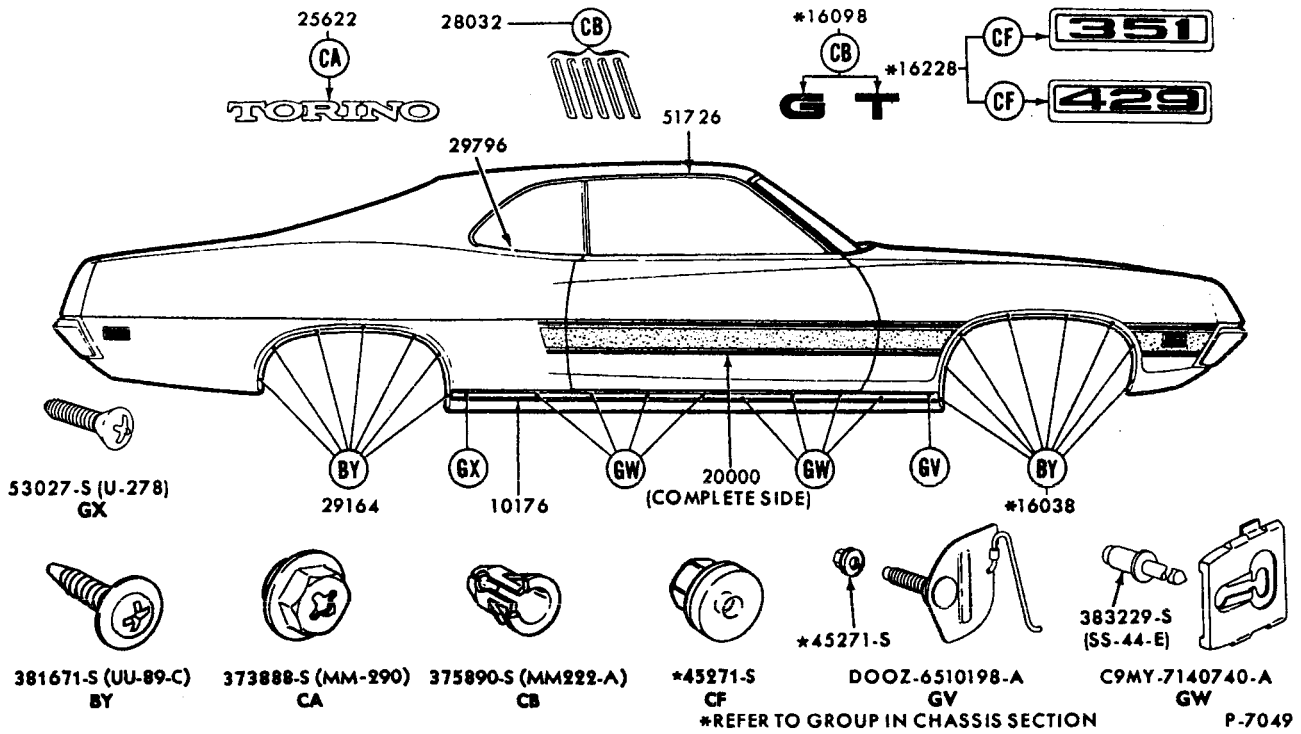
\* REFER TO GROUP IN CHASSIS SECTION

P-7047

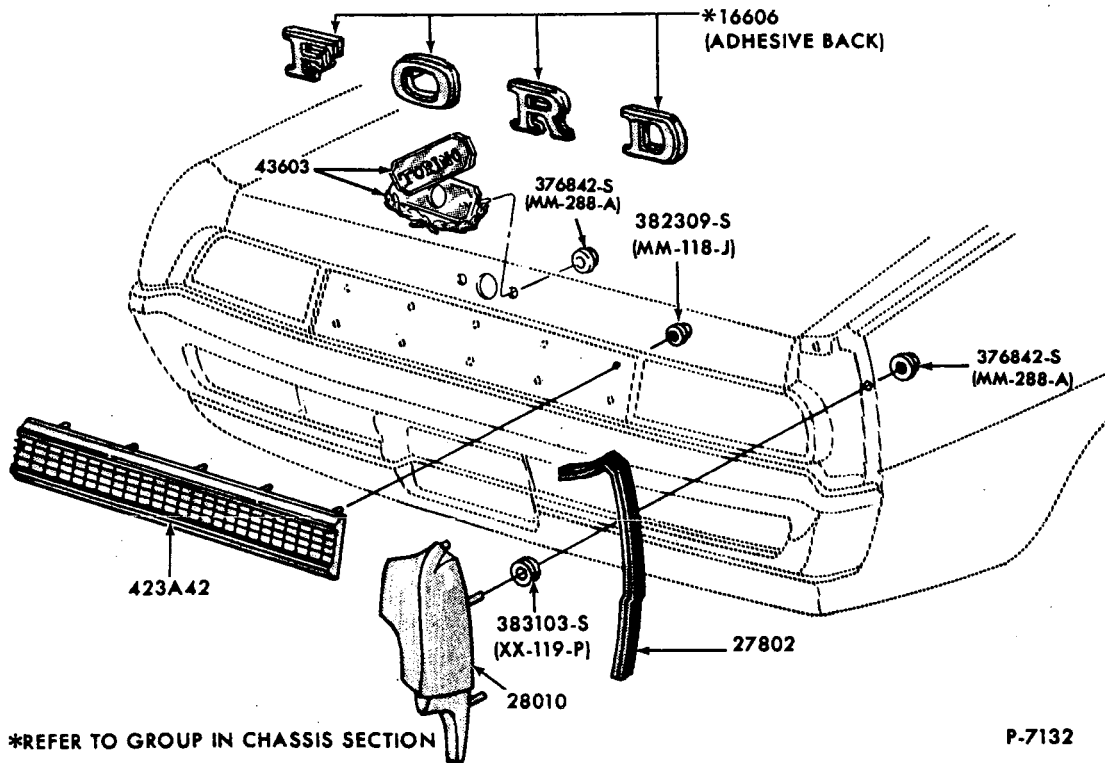
1970 FAIRLANE/TORINO - BODY TYPE 62A, 63C, H, 65E, C, E, H, 76C - SIDE

**B EXTERIOR MOULDING  
ILLUSTRATION SECTION**

**FORD CAR PARTS**

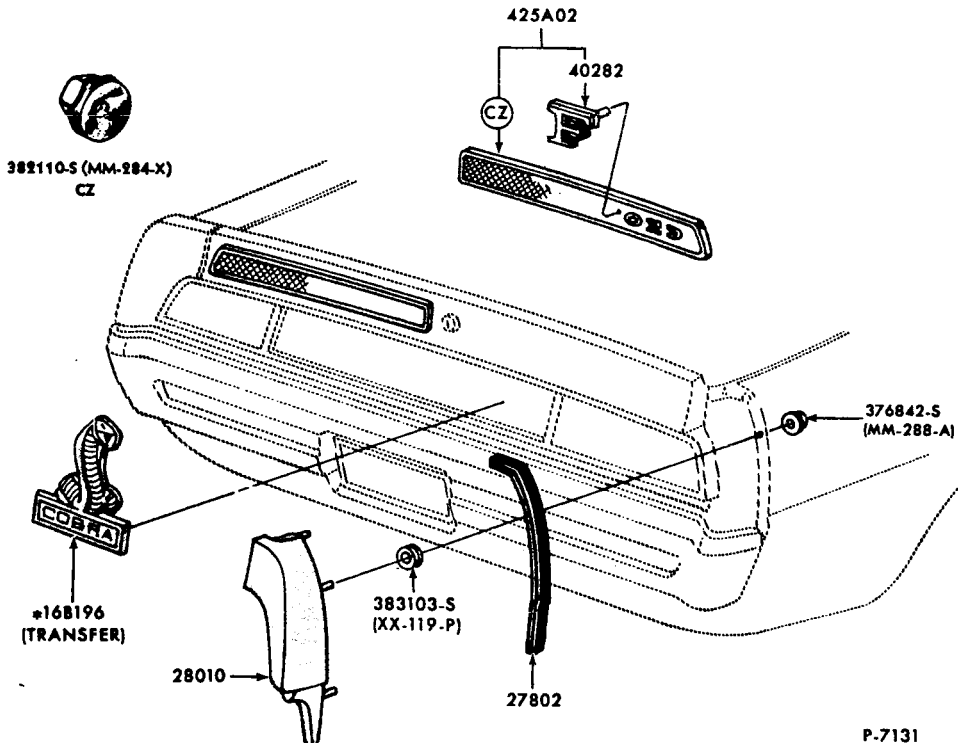


1970 FAIRLANE/TORINO - BODY TYPE 63F, 65F, 66C, 76F - SIDE



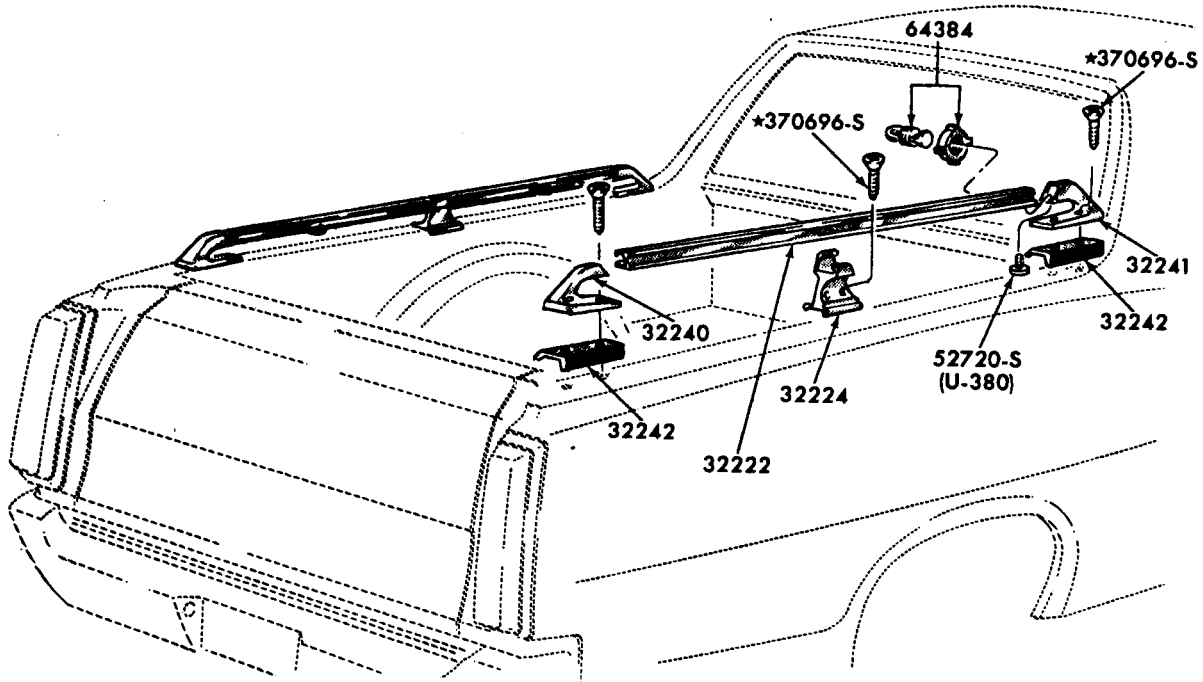
1970 FAIRLANE/TORINO - ALL except BODY TYPE 63, 66, 71 - BACK END

P-7132



\* REFER TO GROUP IN CHASSIS SECTION

1970 FAIRLANE/TORINO - BODY TYPE 63 - BACK END



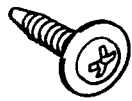
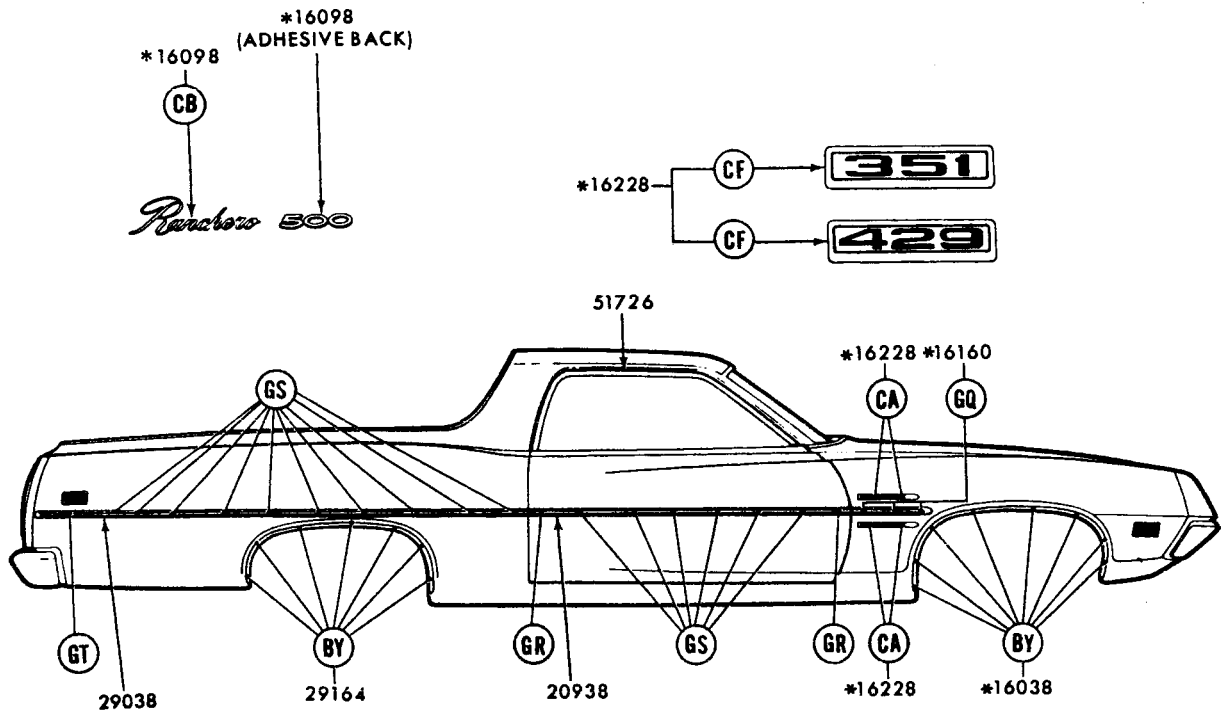
NO KIT AVAILABLE

P-7469

1969 FAIRLANE/TORINO - BODY TYPE 68 - RIO GRANDE RAILS

**B EXTERIOR Moulding  
ILLUSTRATION SECTION**

**FORD CAR PARTS**



381671-S (UU-89-C)  
BY



373888-S (MM-290)  
CA



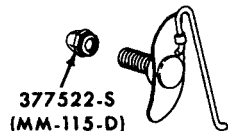
375890-S (MM222-A)  
CB



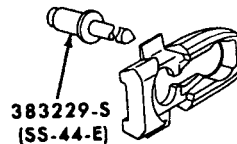
\*45271-S  
CF



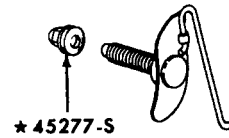
\*45271-S  
DOOZ-6629120-A  
GQ



377522-S (MM-115-D)  
DOOZ-6520884-A  
GR



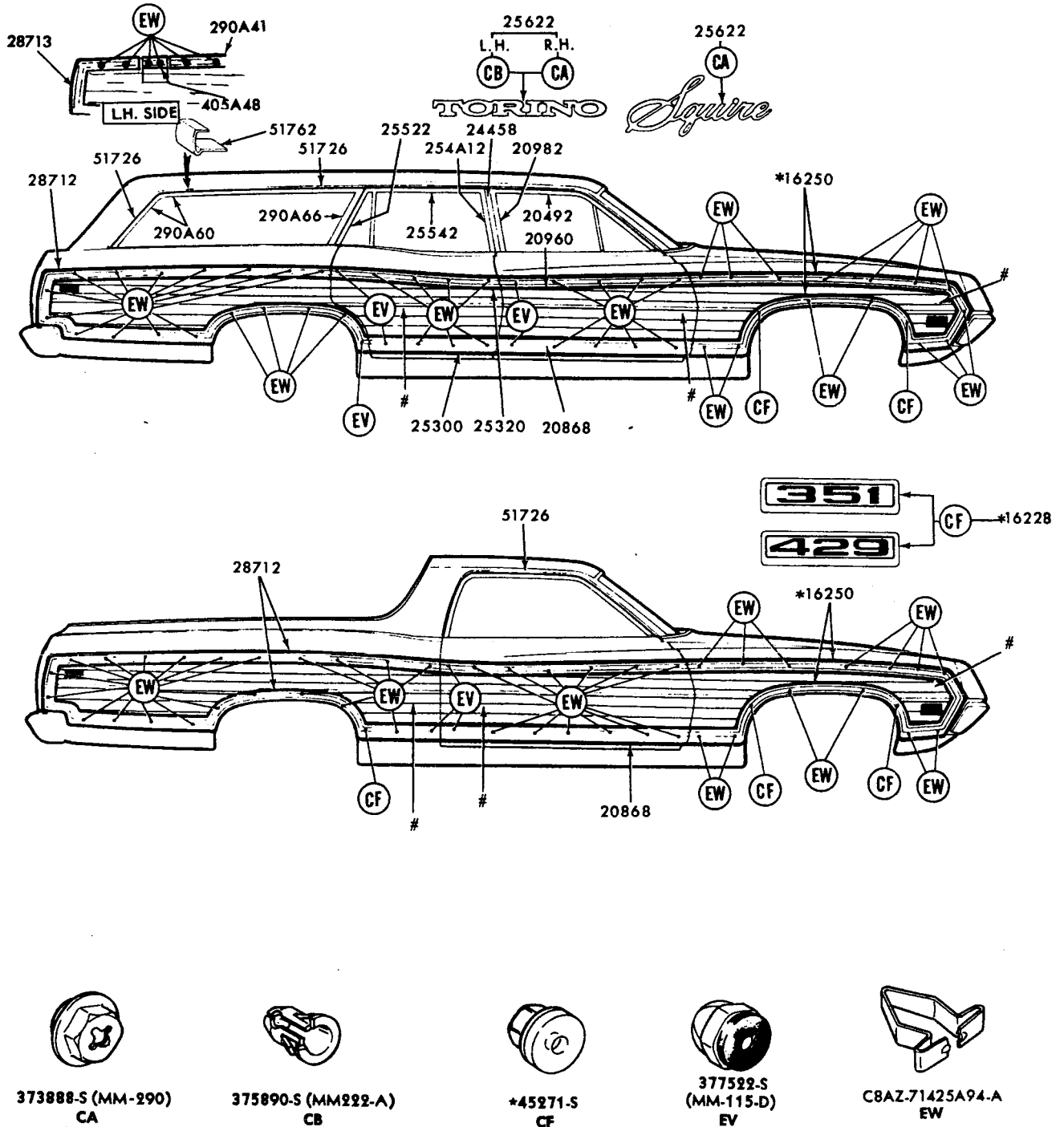
383229-S (SS-44-E)  
DOOZ-6620818-A  
GS



\*45277-S  
DOOZ-6629120-A  
GT

\*REFER TO GROUP IN CHASSIS SECTION

P-7050



# FOR WOOD GRAIN TRANSFER—REFER TO GROUP 207 48  
\* REFER TO GROUP IN CHASSIS SECTION

P-7052

1970/71 FAIRLANE/TORINO - BODY TYPES 66E, 71E - SIDE

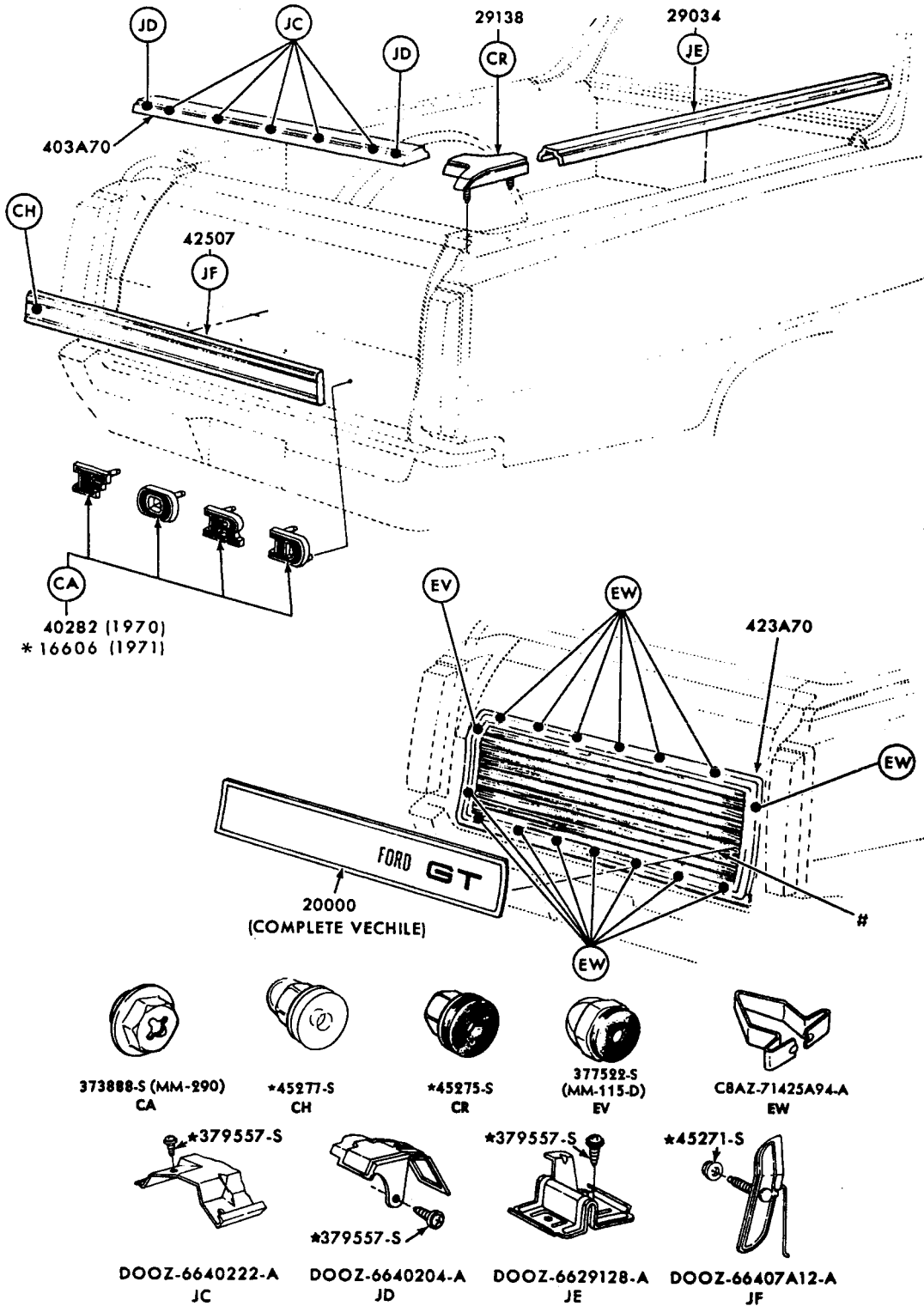
May, 1975

COPYRIGHT © 1975 — FORD MOTOR COMPANY — DEARBORN, MICHIGAN

FINAL ISSUE

**B EXTERIOR MOULDING  
ILLUSTRATION SECTION**

**FORD CAR PARTS**

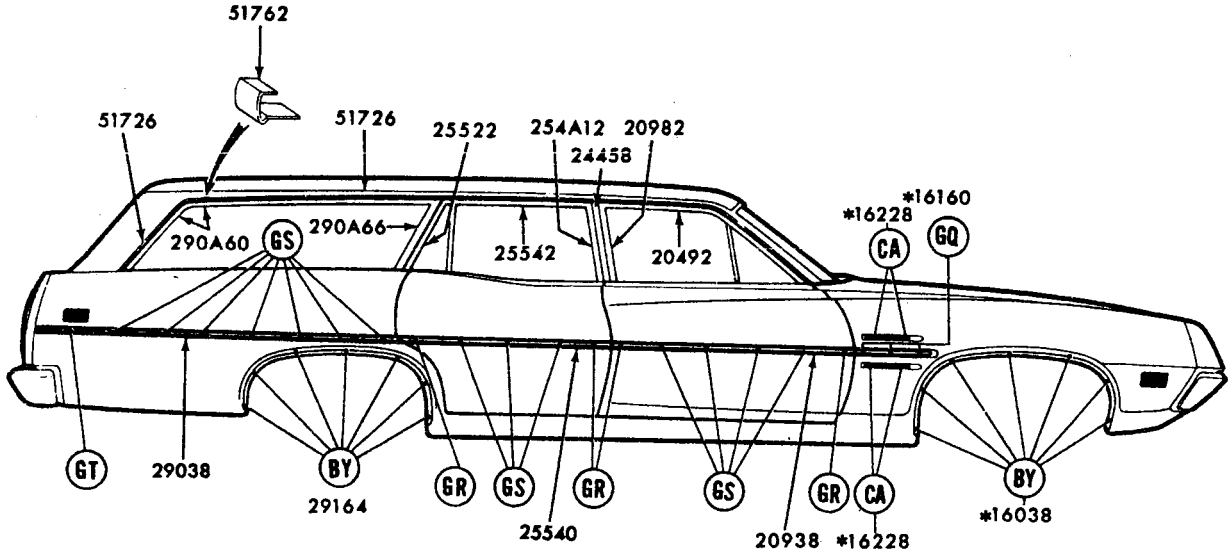
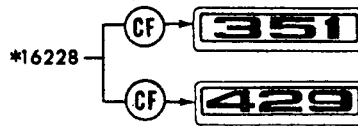
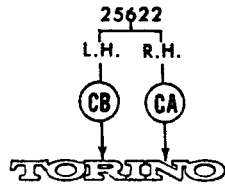
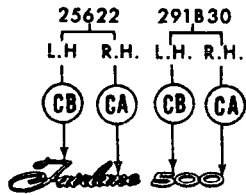


# FOR WOODGRAIN TRANSFER-REFER TO GROUP 20748  
\* REFER TO GROUP IN CHASSIS SECTION

P-7129

1970/71 FAIRLANE/TORINO - BODY TYPE 66 - BACK END





381671-S (UU-89-C)  
BY



373888-S (MM-290)  
CA



375890-S (MM222-A)  
CB

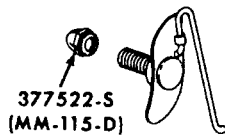


\*45271-S  
CF



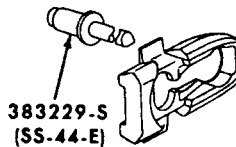
\*45271-S

DOOZ-6629120-A  
GQ



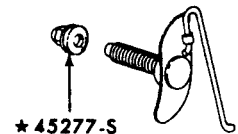
377522-S  
(MM-115-D)

DOOZ-6520884-A  
GR



383229-S  
(SS-44-E)

DOOZ-6620818-A  
GS



\*45277-S

DOOZ-6629120-A  
GT

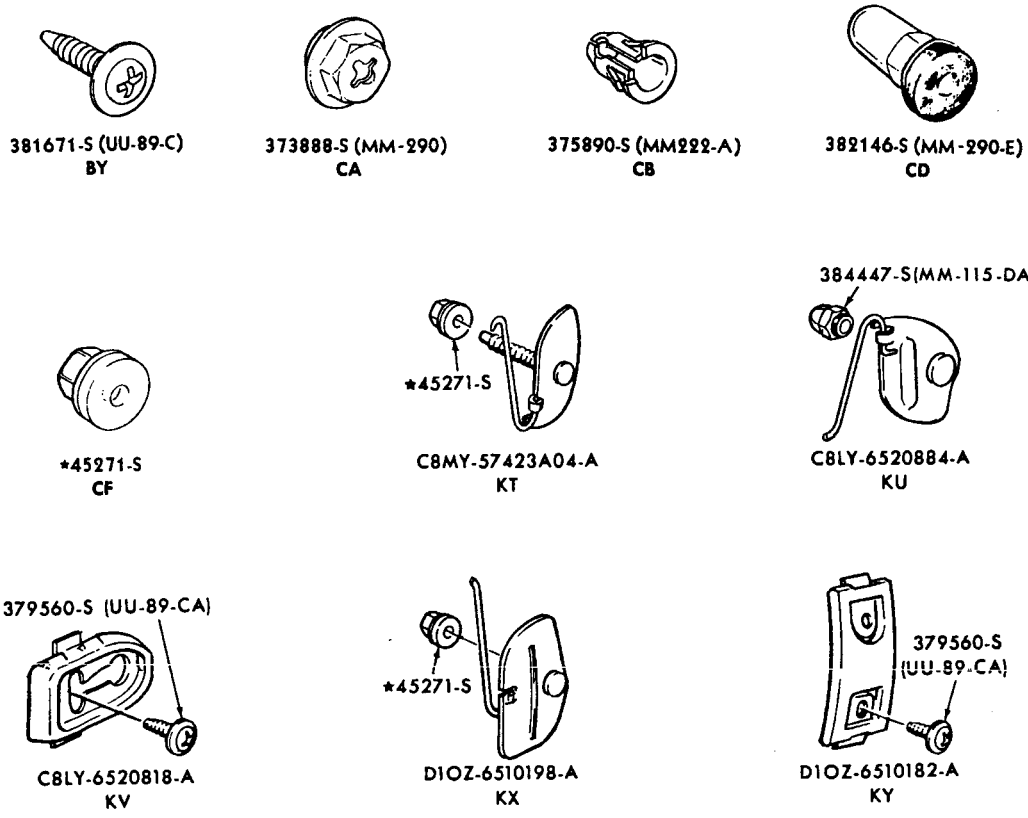
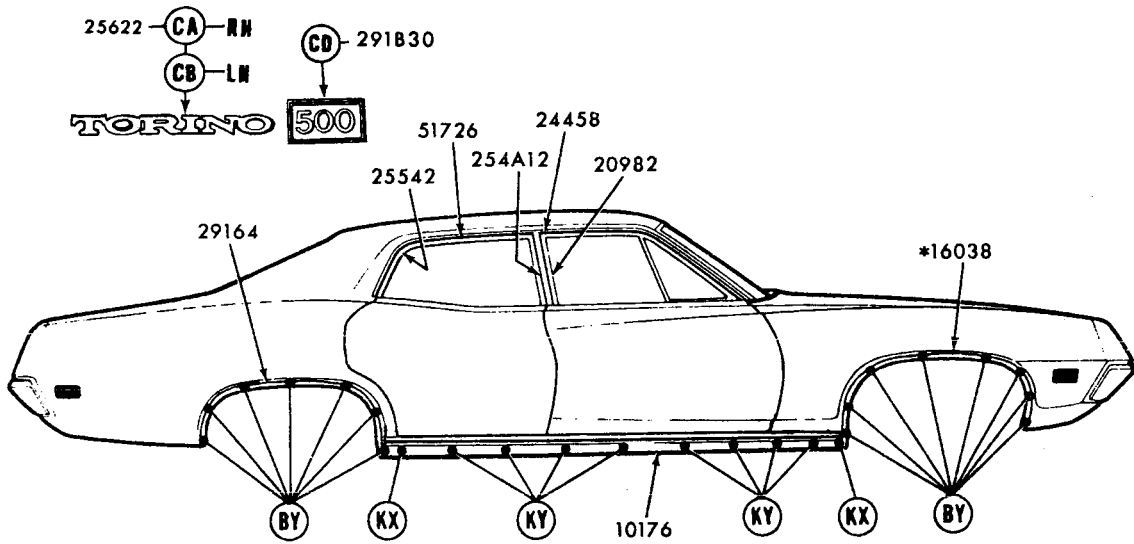
\*REFER TO GROUP IN CHASSIS SECTION

P-7051

1970 FAIRLANE/TORINO - BODY TYPE 71B,C,D - SIDE

**B EXTERIOR MOULDING  
ILLUSTRATION SECTION**

**FORD CAR PARTS**



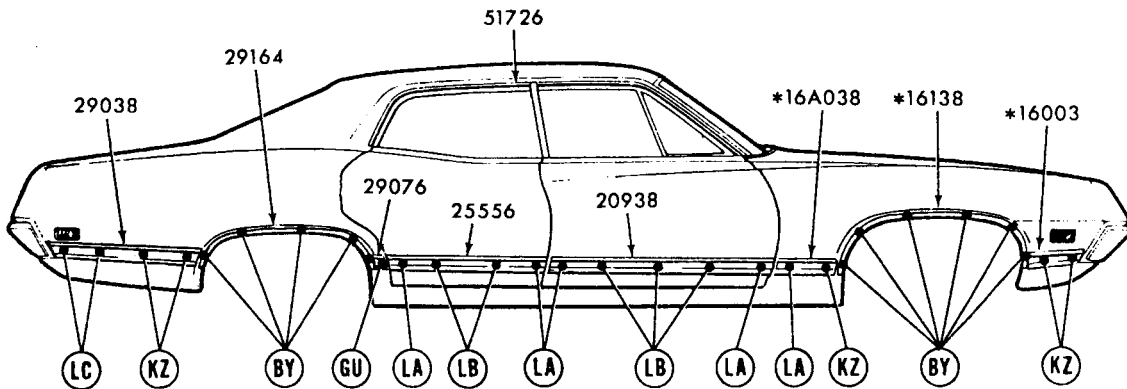
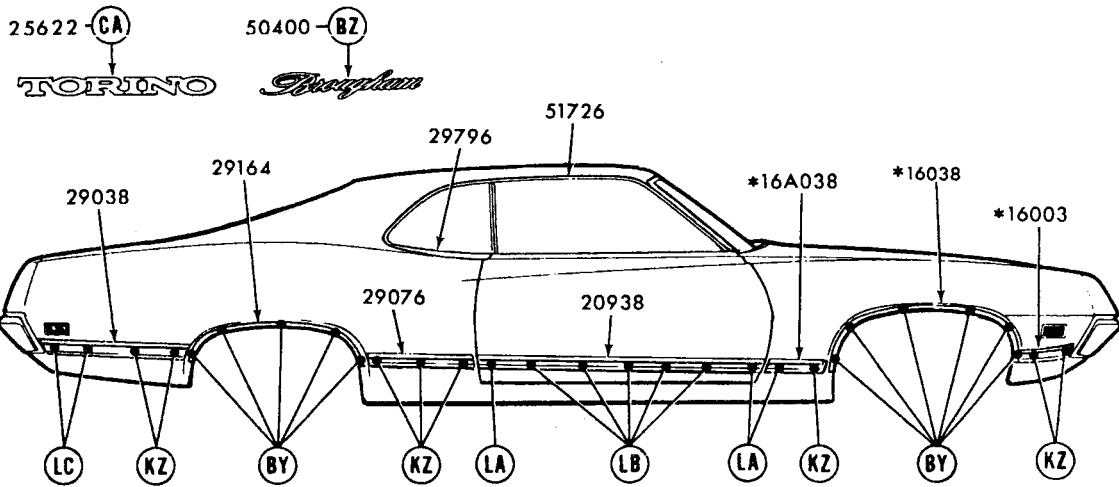
\*REFER TO GROUP IN CHASSIS SECTION

P-7791

# FORD CAR PARTS

## EXTERIOR MOULDING ILLUSTRATION SECTION

**B** 47



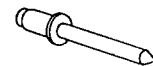
381671-S (UU-89-C)  
BY



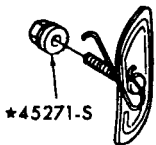
378362-S (MM-228)  
BZ



373888-S (MM-290)  
CA

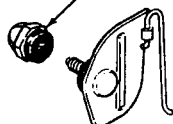


383229-S (SS-44-E)  
GU

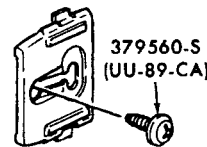


\*45271-S  
C8MY-71425A16-A  
KZ

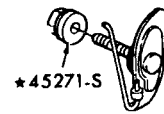
377522-S (MM-115-D)



D1OZ-6520884-A  
LA



379560-S (UU-89-CA)  
D1OZ-6520818-A  
LB



\*45271-S  
C8MY-7129124-A  
LC

\*REFER TO GROUP IN CHASSIS SECTION

P-7792

1971 TORINO - BODY TYPE 57E, 65E - SIDE

May, 1975

COPYRIGHT © 1975 -

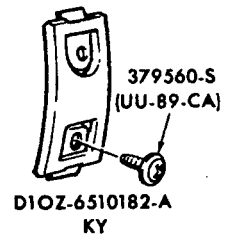
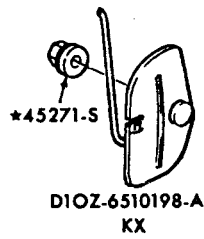
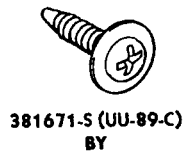
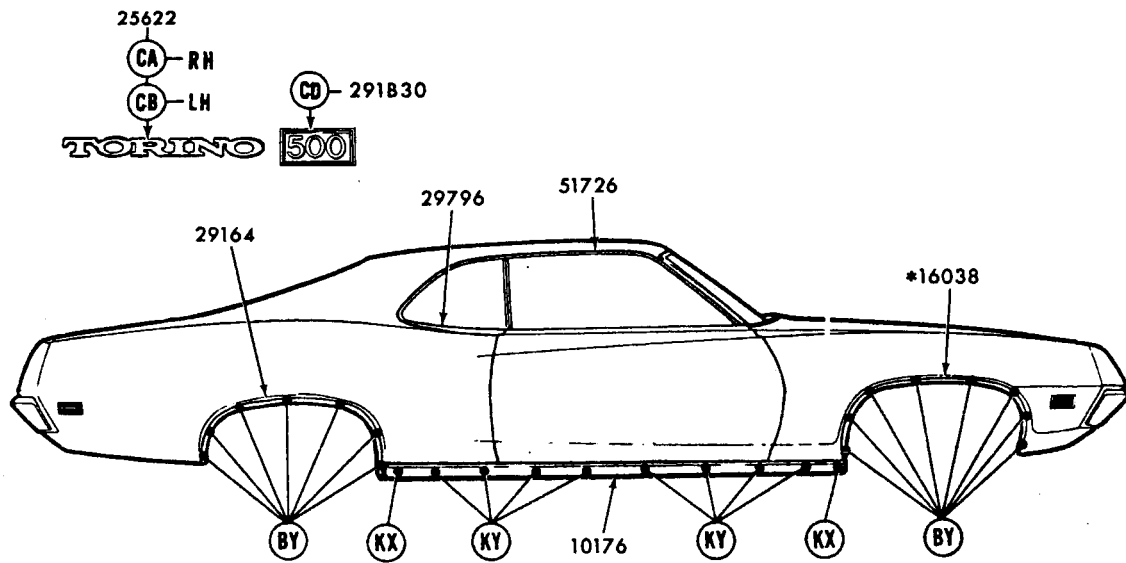
FORD MOTOR  
COMPANY

- DEARBORN, MICHIGAN

**FINAL ISSUE**

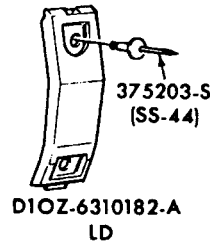
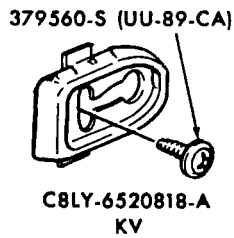
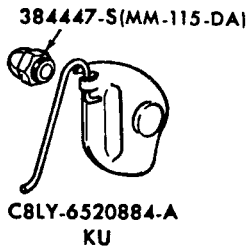
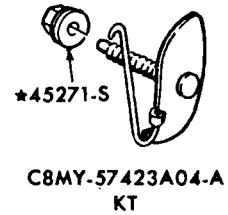
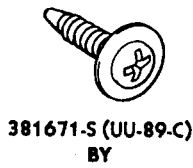
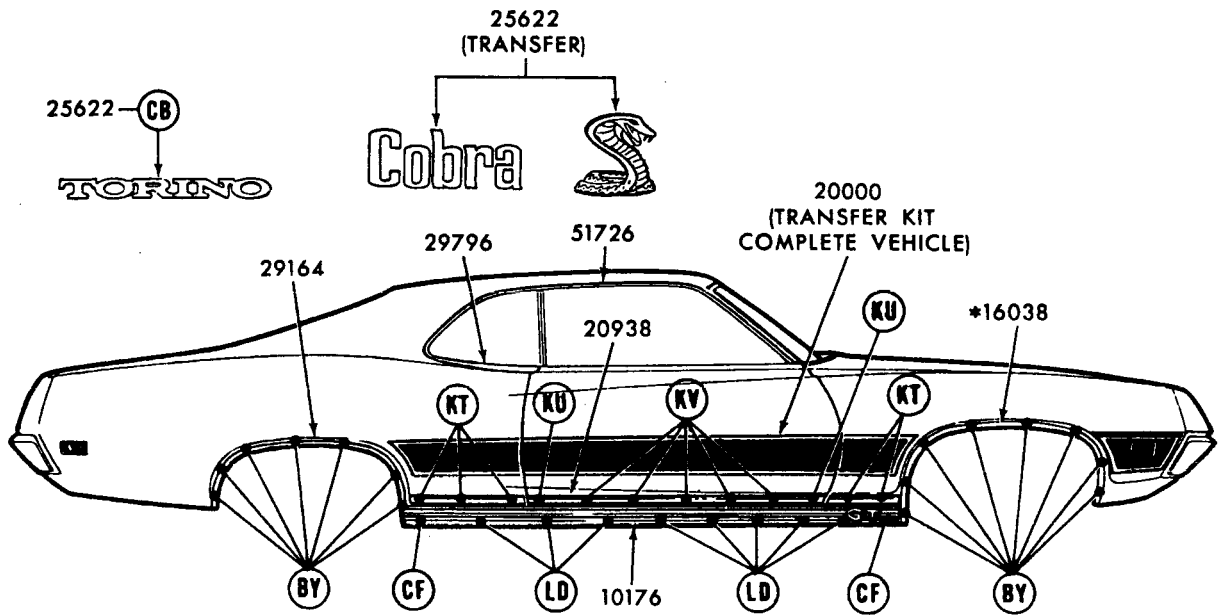
**B EXTERIOR MOULDING  
ILLUSTRATION SECTION**

**FORD CAR PARTS**



\*REFER TO GROUP IN CHASSIS SECTION

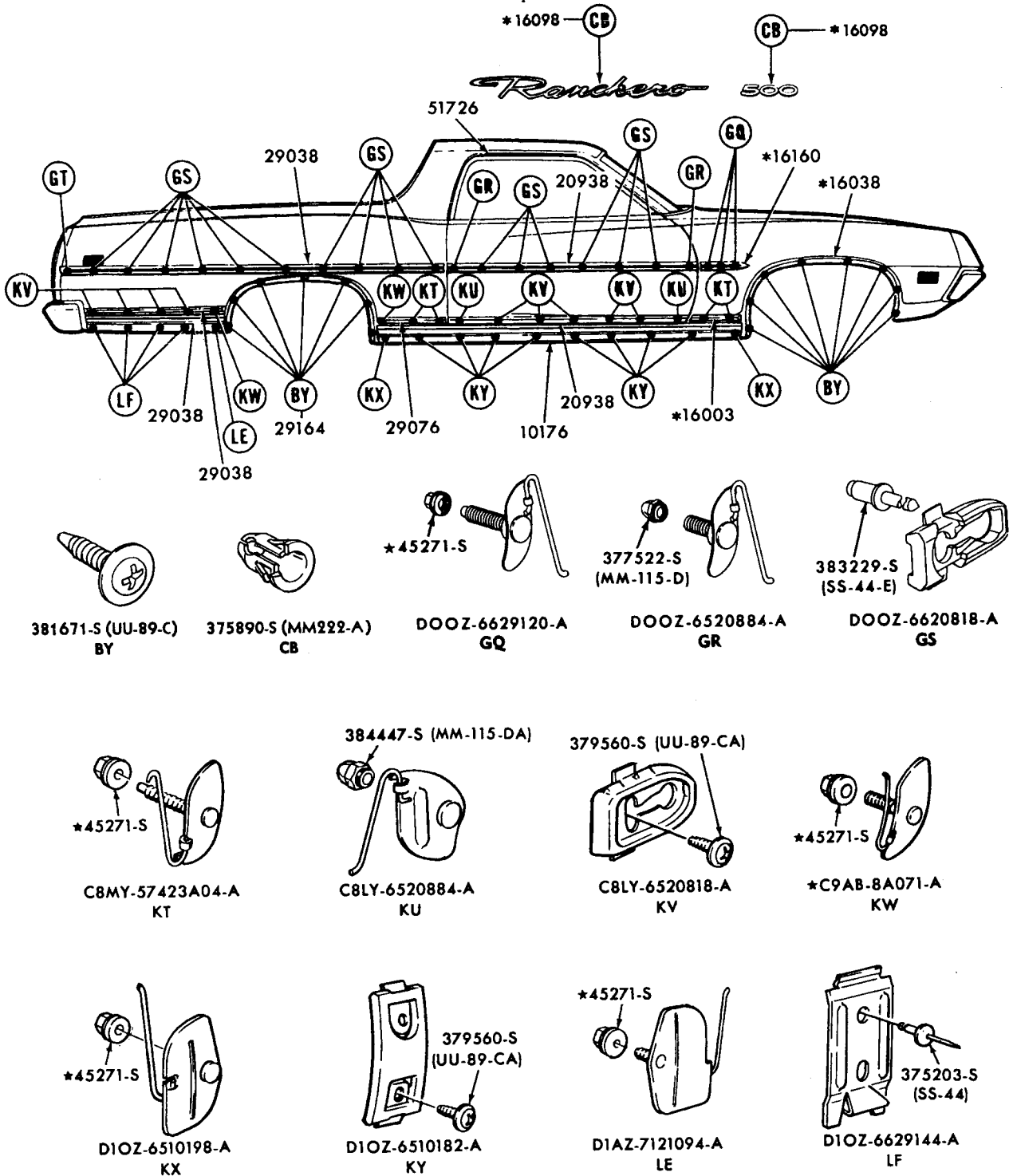
P-7790



\*REFER TO GROUP IN CHASSIS SECTION

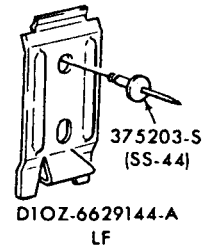
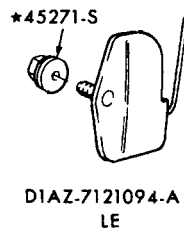
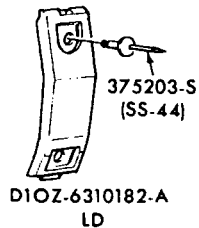
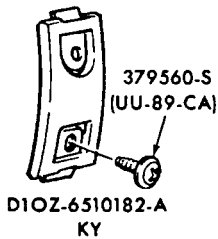
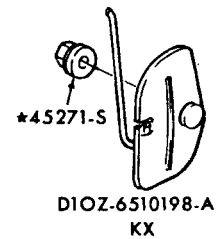
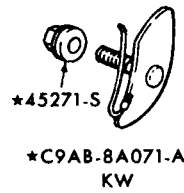
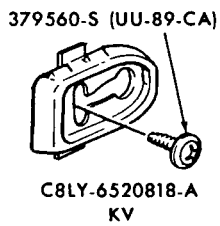
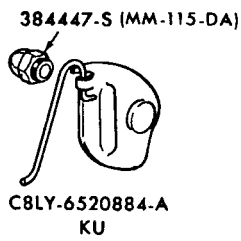
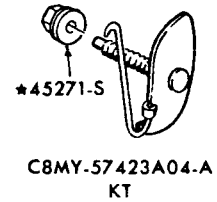
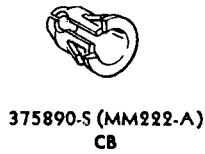
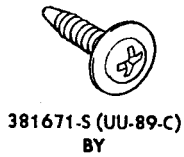
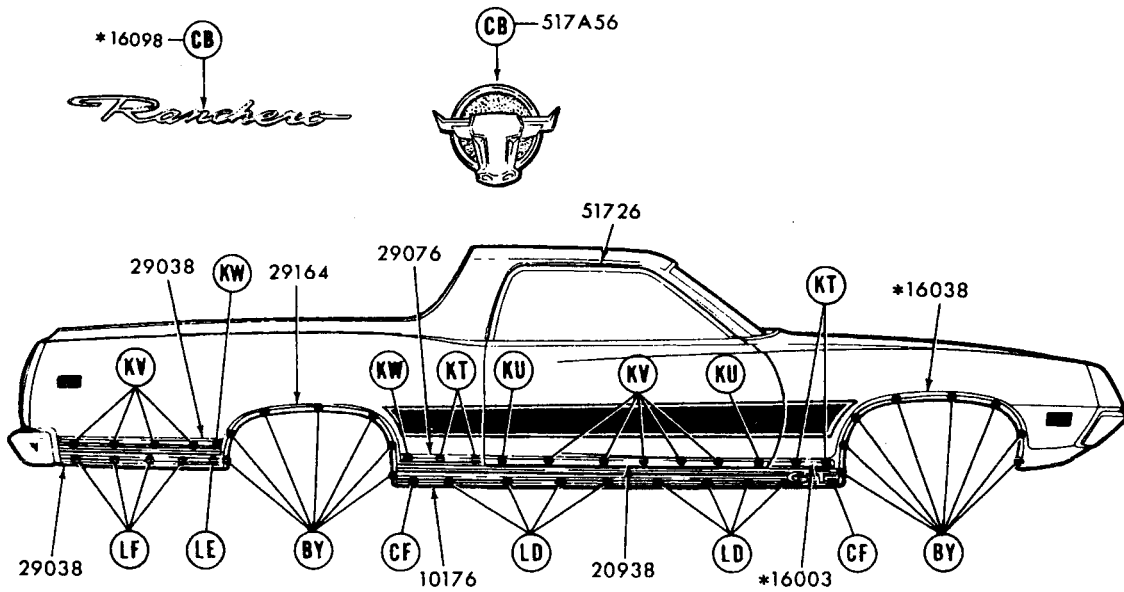
P-7789

1971 TORINO - BODY TYPE 63F, H, 76F - SIDE



\*REFER TO GROUP IN CHASSIS SECTION

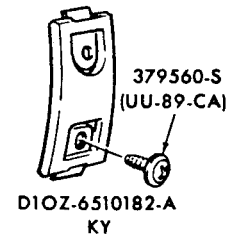
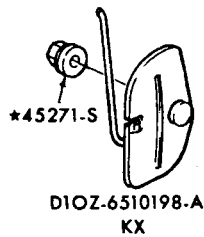
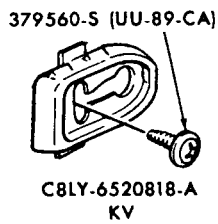
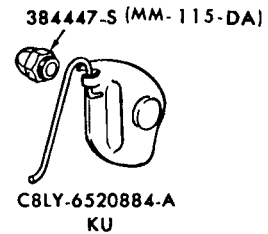
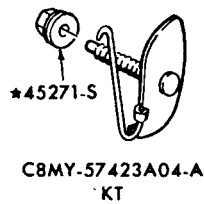
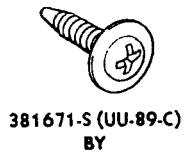
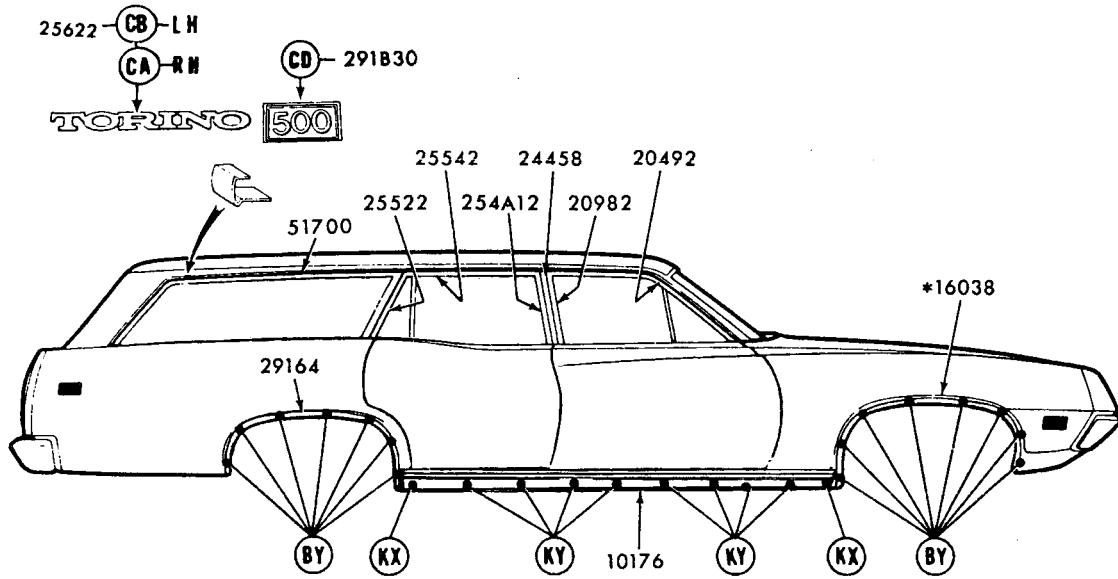
P-7797



\*REFER TO GROUP IN CHASSIS SECTION

P-7798

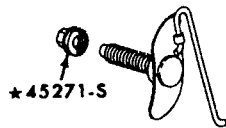
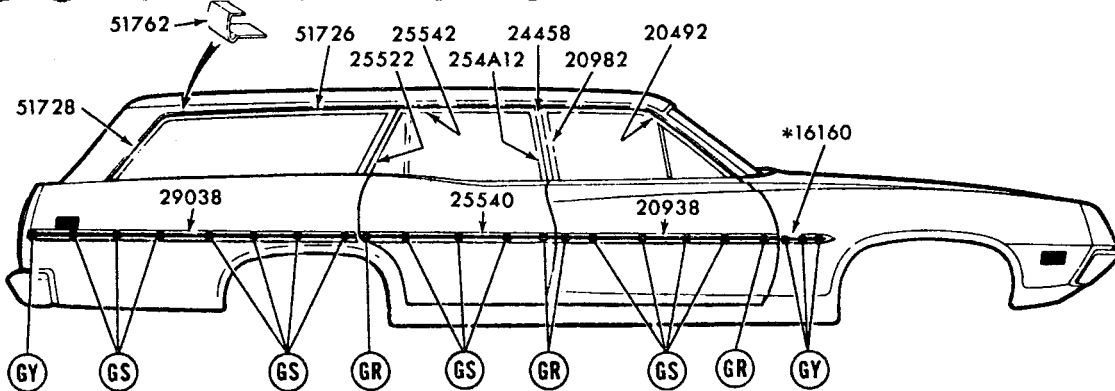
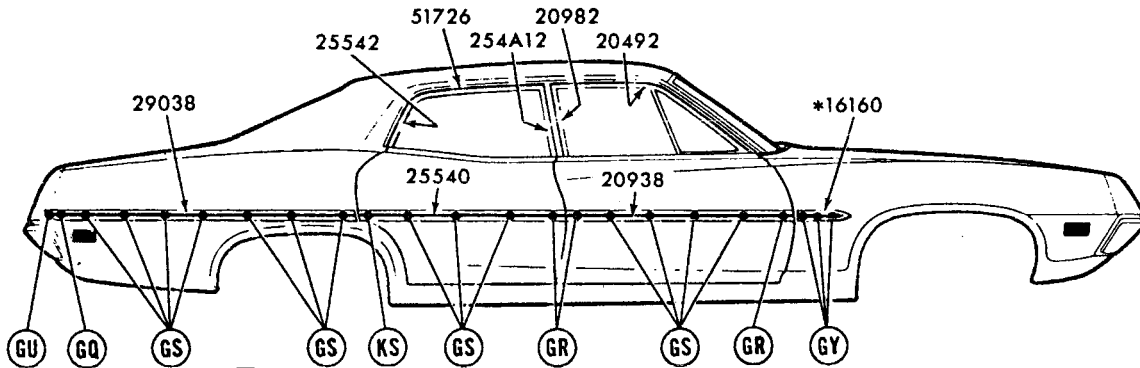
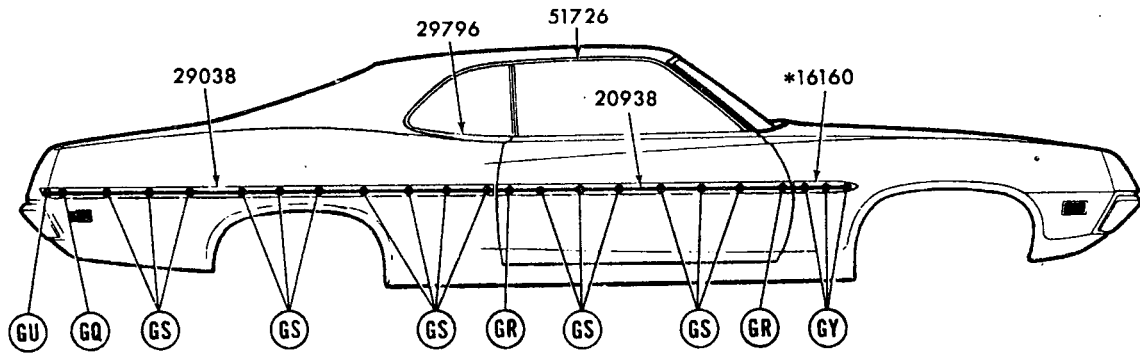
1971 TORINO - BODY TYPE 66C - SIDE



REFER TO GROUP IN CHASSIS SECTION

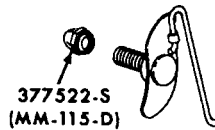
P-7795





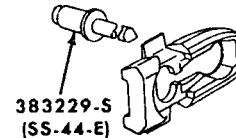
\*45271-S

DOOZ-6629120-A  
GQ



377522-S  
(MM-115-D)

DOOZ-6520884-A  
GR

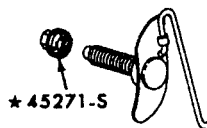


383229-S  
(SS-44-E)

DOOZ-6620818-A  
GS  
377522-S  
(MM-115-D)

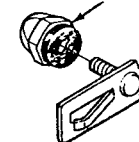


383229-S (SS-44-E)  
GU



\*45271-S

DOGY-16A076-A  
GY

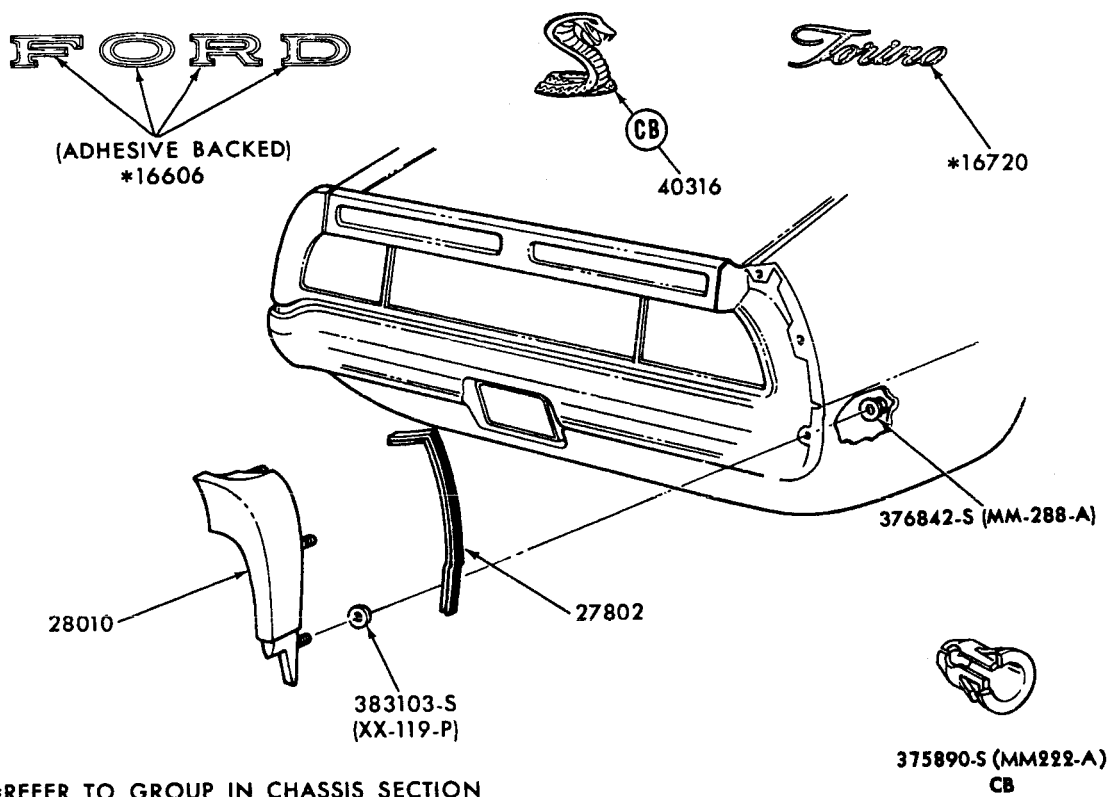


DOOZ-5425562-A  
KS

\*REFER TO GROUP IN CHASSIS SECTION

P-7794

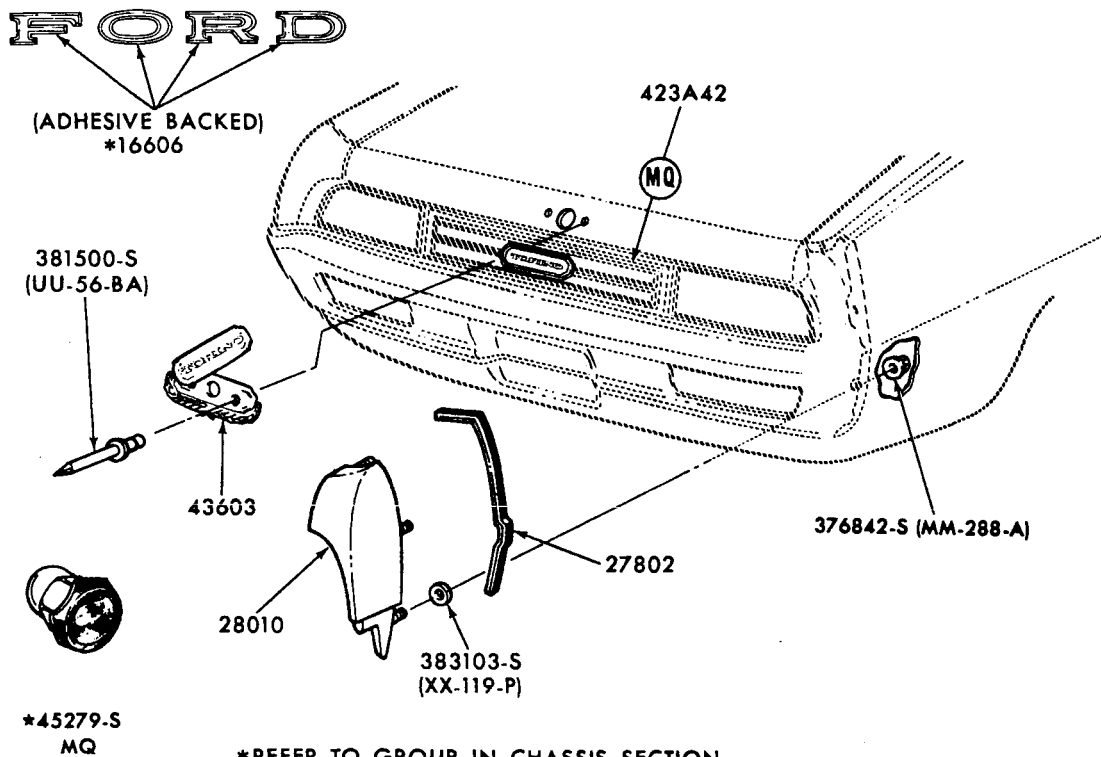
BODY SIDE PROTECTION MOULDINGS  
1971 TORINO



\*REFER TO GROUP IN CHASSIS SECTION

1971 FAIRLANE/TORINO - BODY TYPES 63F,H,76F - BACK END

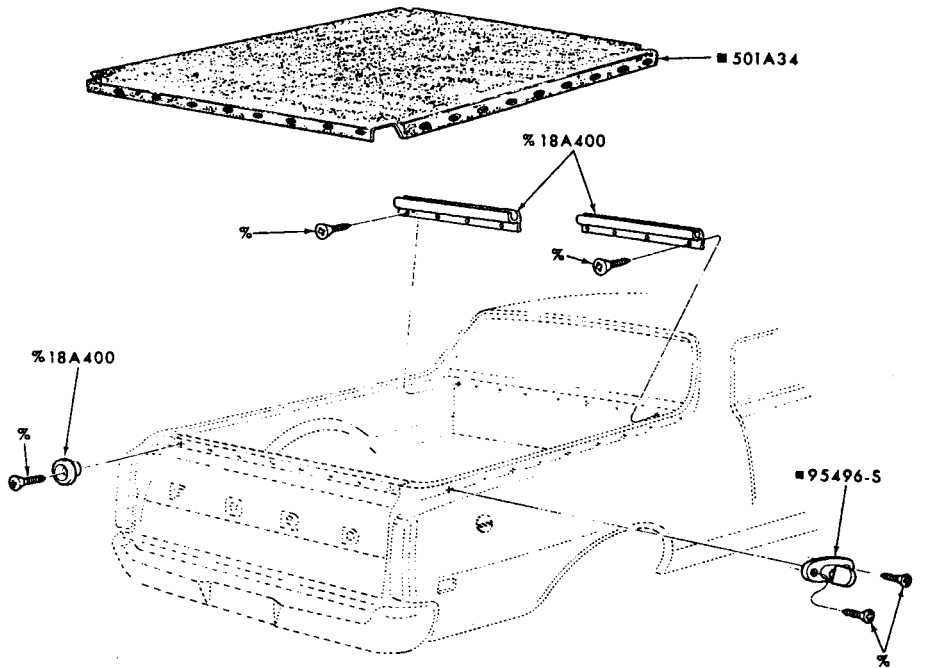
P.R.313



\*REFER TO GROUP IN CHASSIS SECTION

1971 FAIRLANE/TORINO - BODY TYPES 54,57,63C,65 - BACK END

P-8312

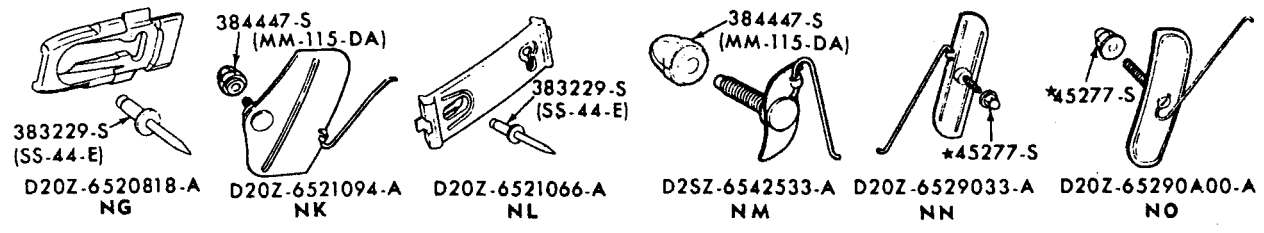
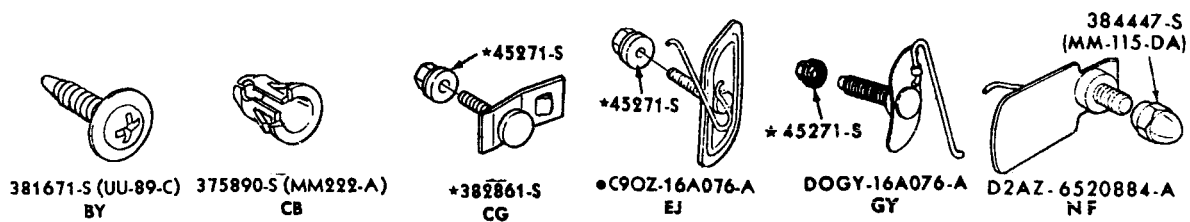
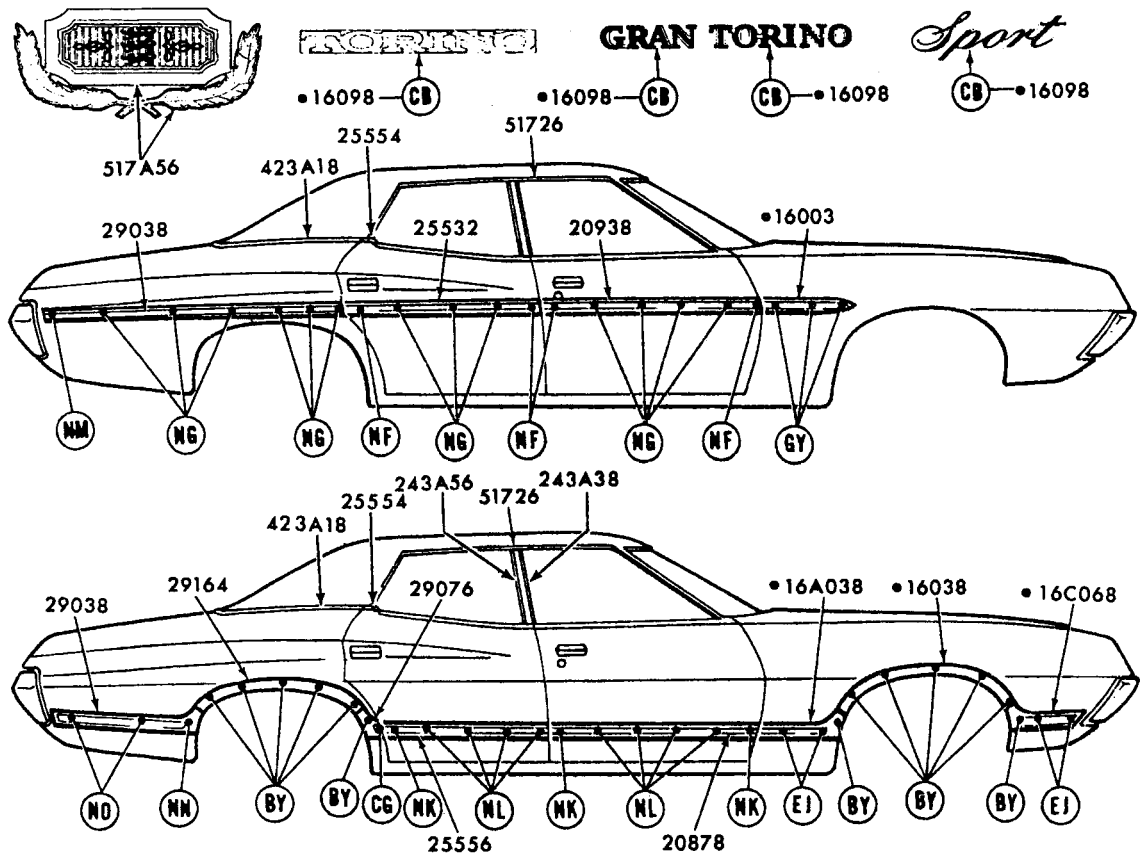


■ SERVICED ONLY IN KIT—GROUP 501A42 (INCLUDES STORAGE BAG)  
% ALSO SUPPLIED IN KIT—GROUP 501A42

P-8335

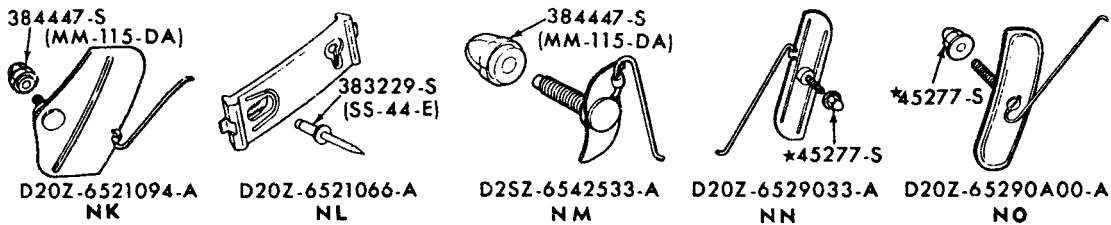
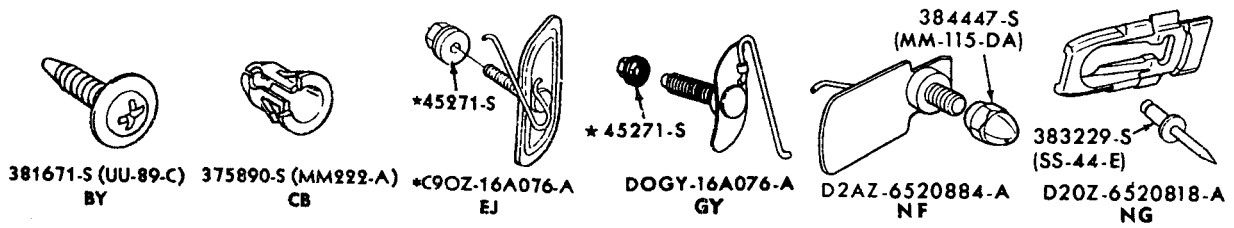
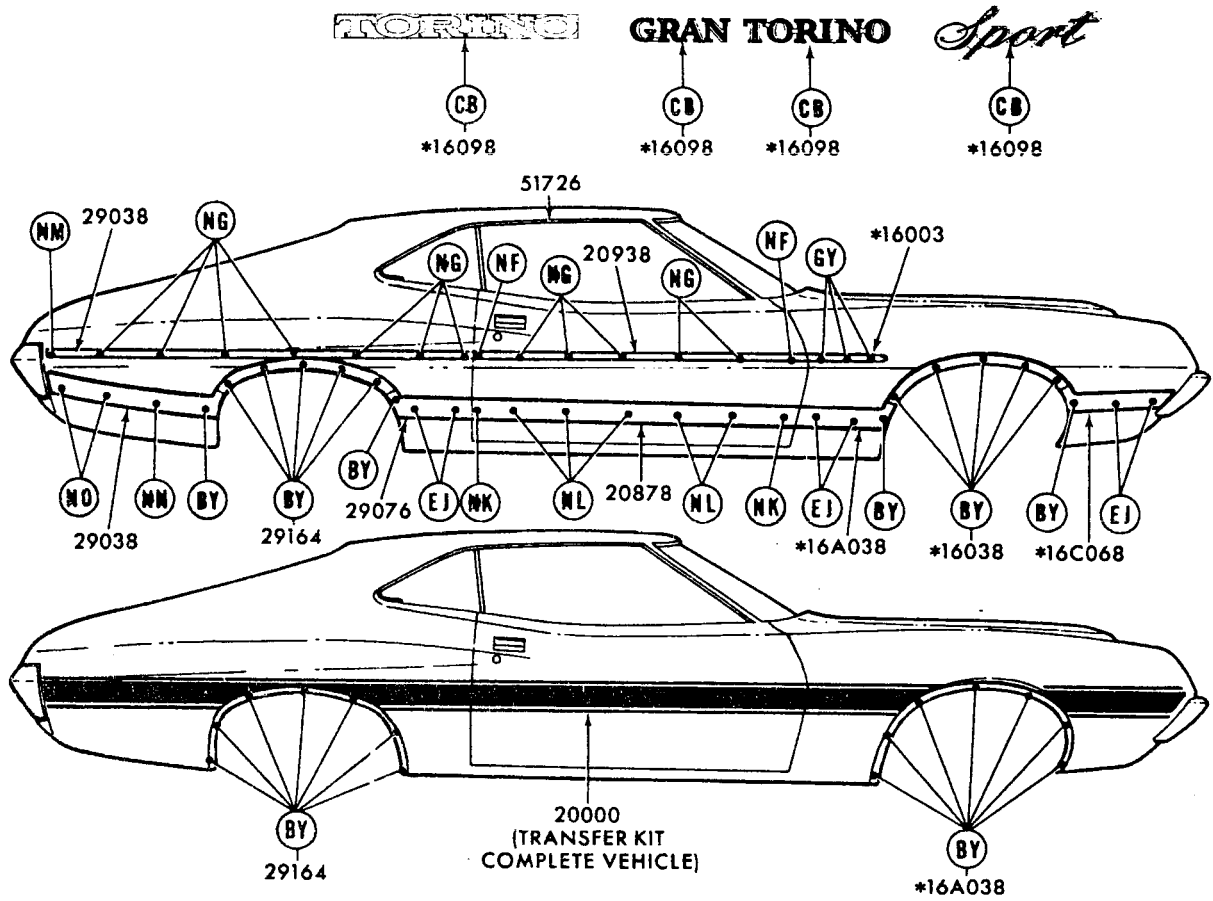
**TONNEAU COVER and RELATED PARTS**  
1971/72 TORINO - BODY TYPES 66,97

**FORD CAR PARTS**



• REFER TO CHASSIS SECTION

P-8706



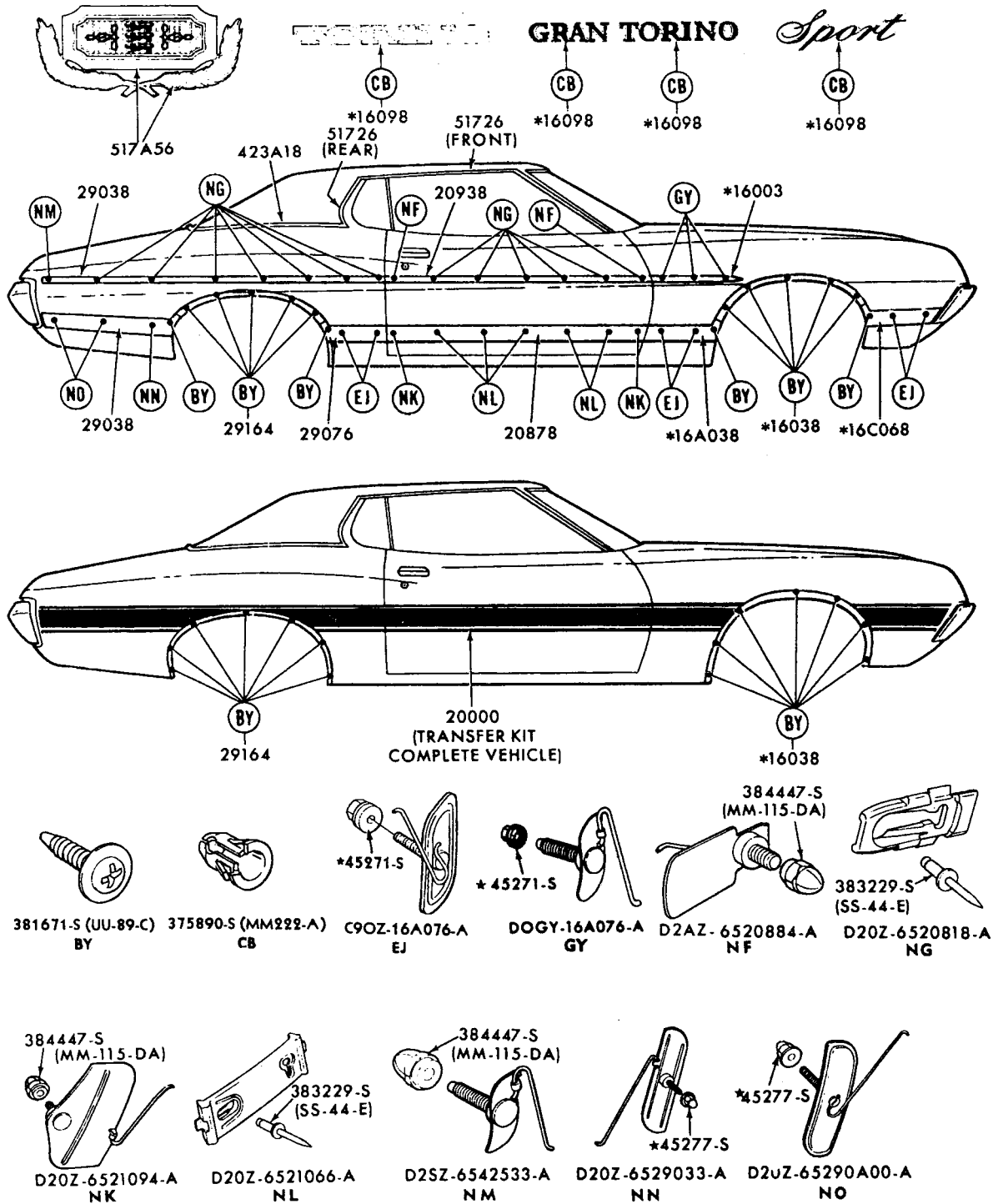
\*REFER TO GROUP IN CHASSIS SECTION

P-8708

1972 TORINO - BODY TYPE 63 - SIDE

**B** EXTERIOR Moulding  
ILLUSTRATION SECTION

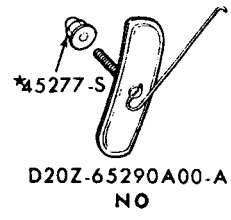
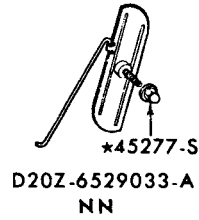
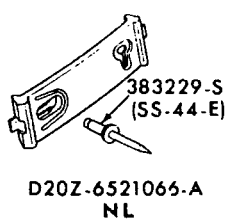
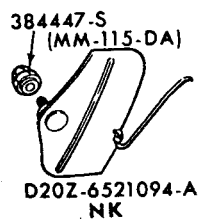
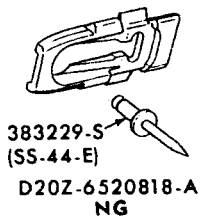
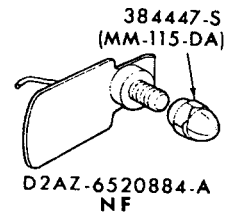
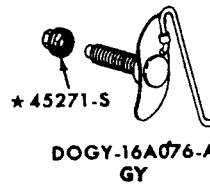
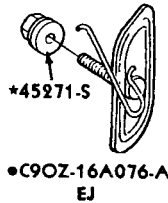
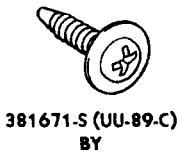
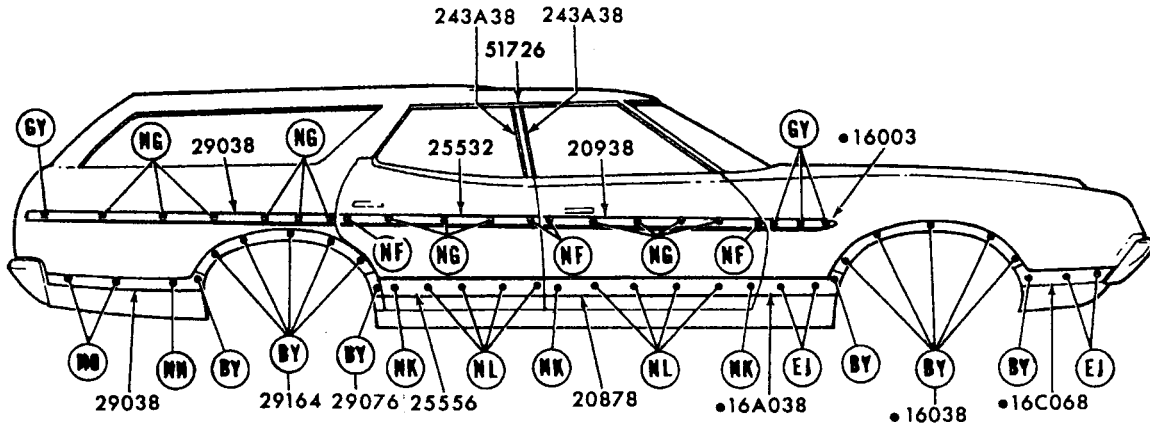
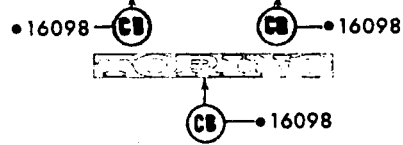
**FORD CAR PARTS**



\*REFER TO GROUP IN CHASSIS SECTION

P-8707

**GRAN TORINO**



• REFER TO CHASSIS SECTION

P-8702

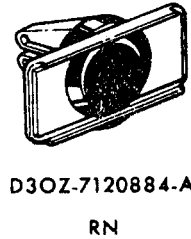
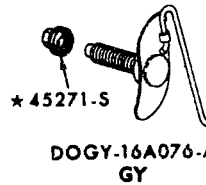
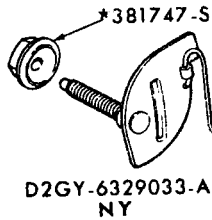
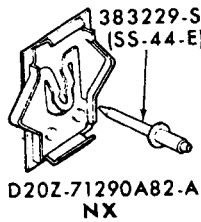
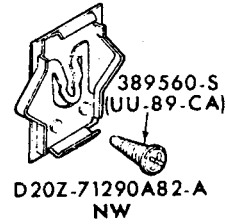
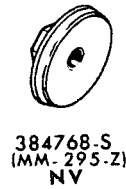
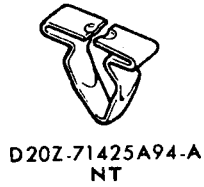
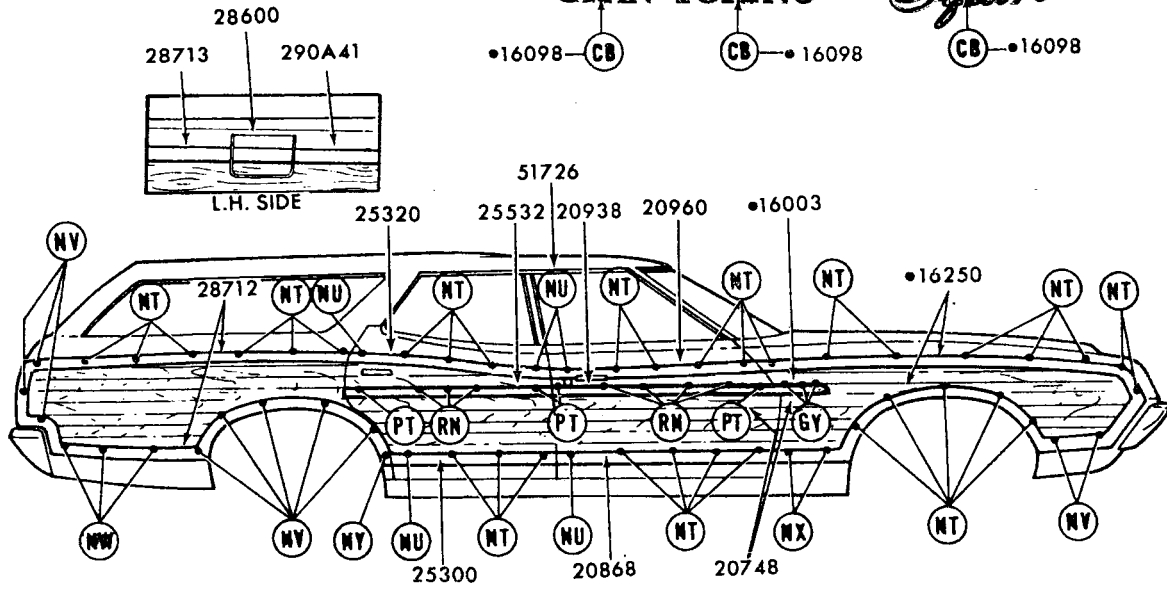
1972 TORINO - BODY TYPES 71B,D - SIDE

**B** EXTERIOR MOULDING  
ILLUSTRATION SECTION

**FORD CAR PARTS**

GRAN TORINO

*Squire*



• REFER TO CHASSIS SECTION

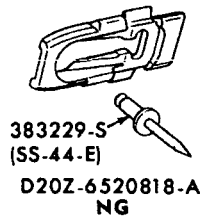
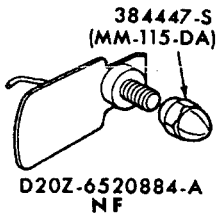
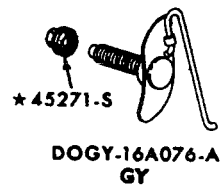
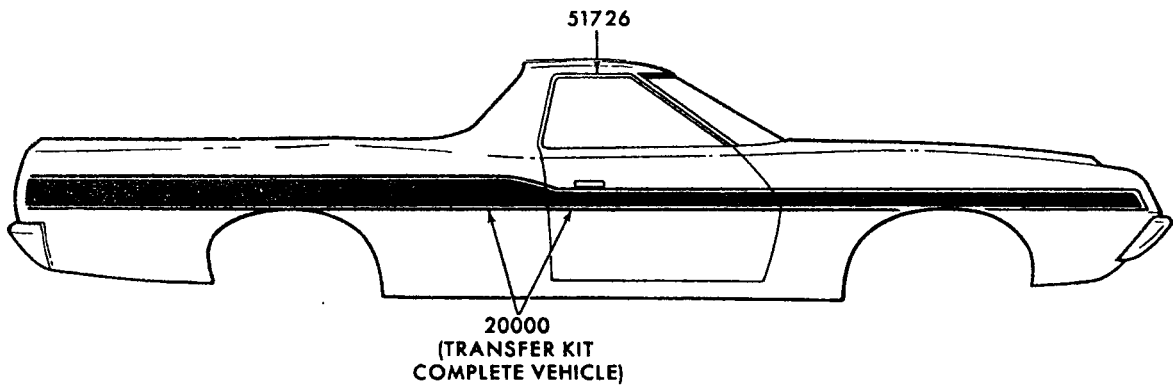
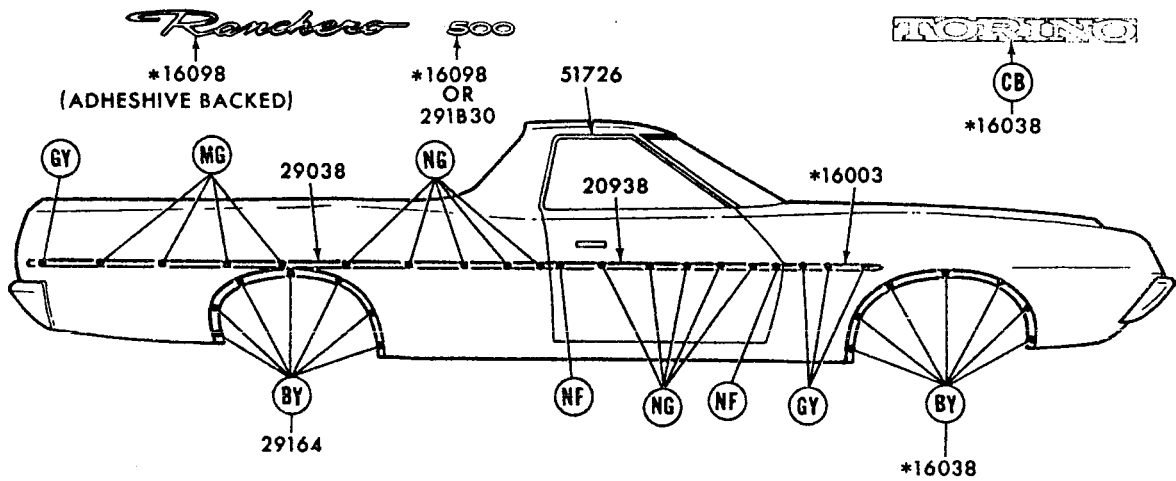
P-8701



# FORD CAR PARTS

## EXTERIOR MOULDING ILLUSTRATION SECTION

**B** 61



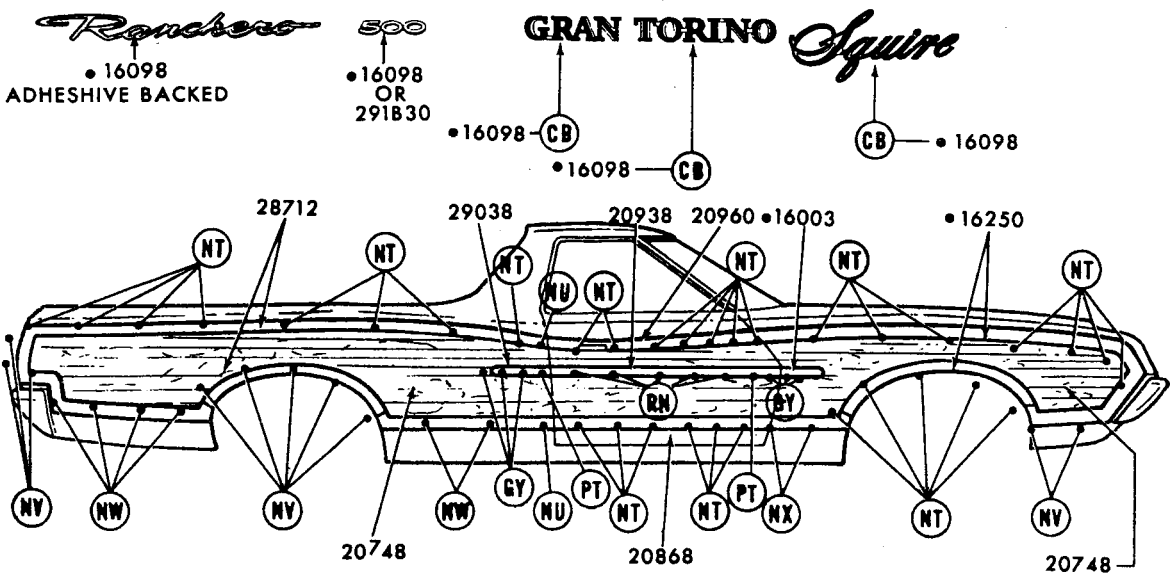
\*REFER TO GROUP IN CHASSIS SECTION

P-8704

1972 TORINO - BODY TYPES 97D, R - SIDE

**B EXTERIOR Moulding  
ILLUSTRATION SECTION**

**FORD CAR PARTS**



375890-S (MM222-A)  
CB



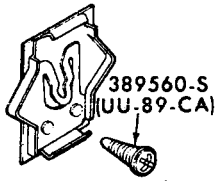
D20Z-71425A94-A  
NT



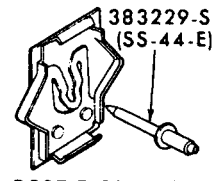
384447-S  
(MM-115-DA)  
NU



384768-S (MM-295-Z)  
NV



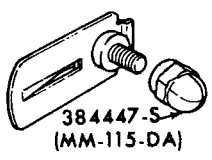
389560-S (UU-89-CA)  
D20Z-71290A82-A  
NW



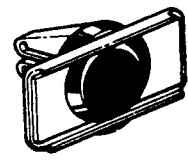
383229-S (SS-44-E)  
D20Z-71290A82-A  
NX



\* 45271-S  
DOGY-16A076-A  
GY



384447-S (MM-115-DA)  
D2AZ-6520884-A  
PT

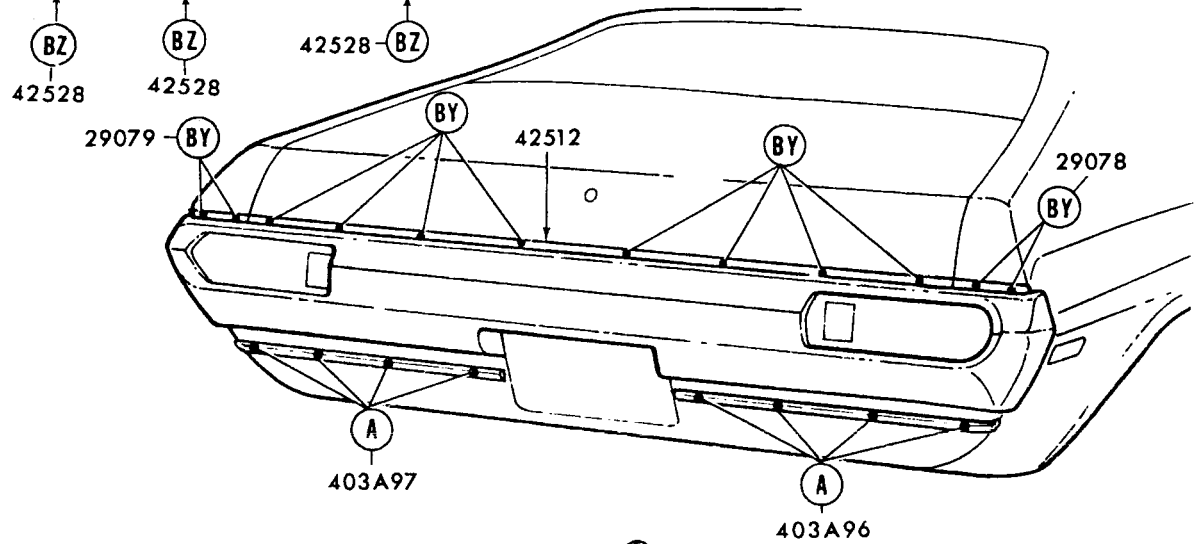


D3OZ-7120884-A  
RN

• REFER TO CHASSIS SECTION

P-8705

GRAN TORINO

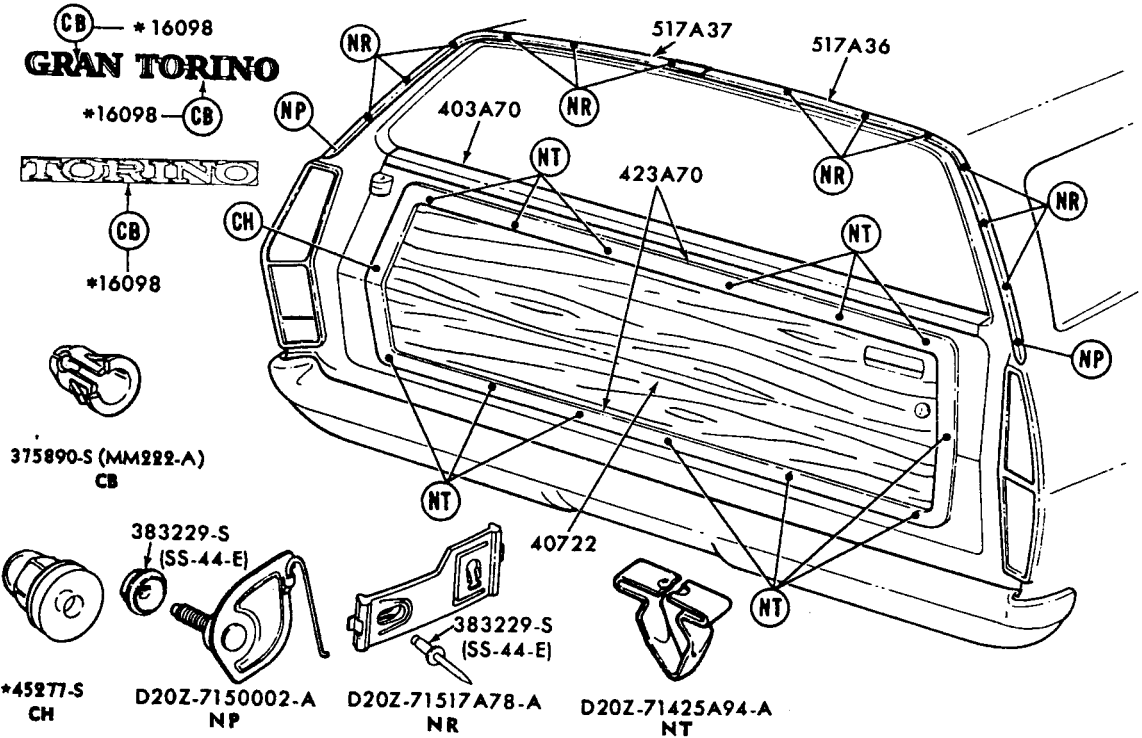


P-8703

1972 TORINO - BODY TYPES 53, 63, 65 - BACK END

GRAN TORINO

TORINO



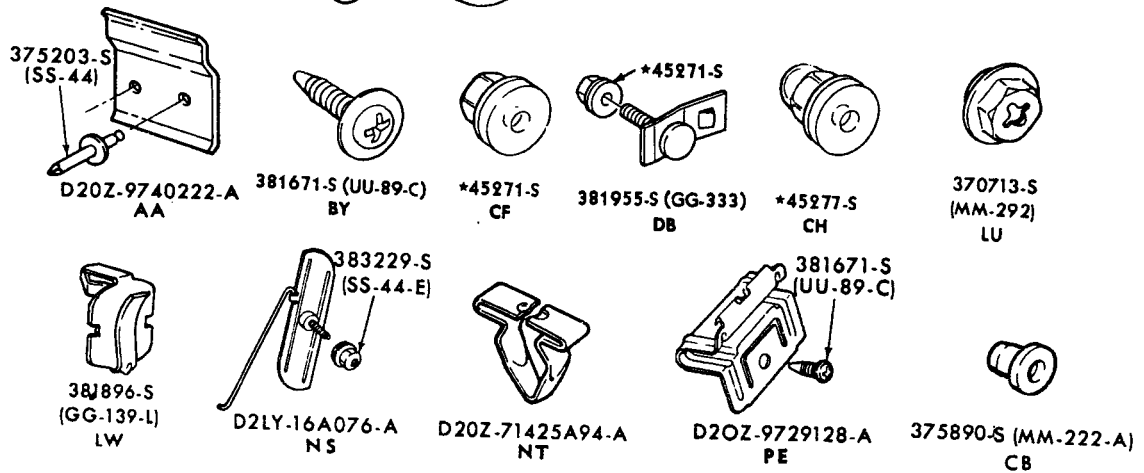
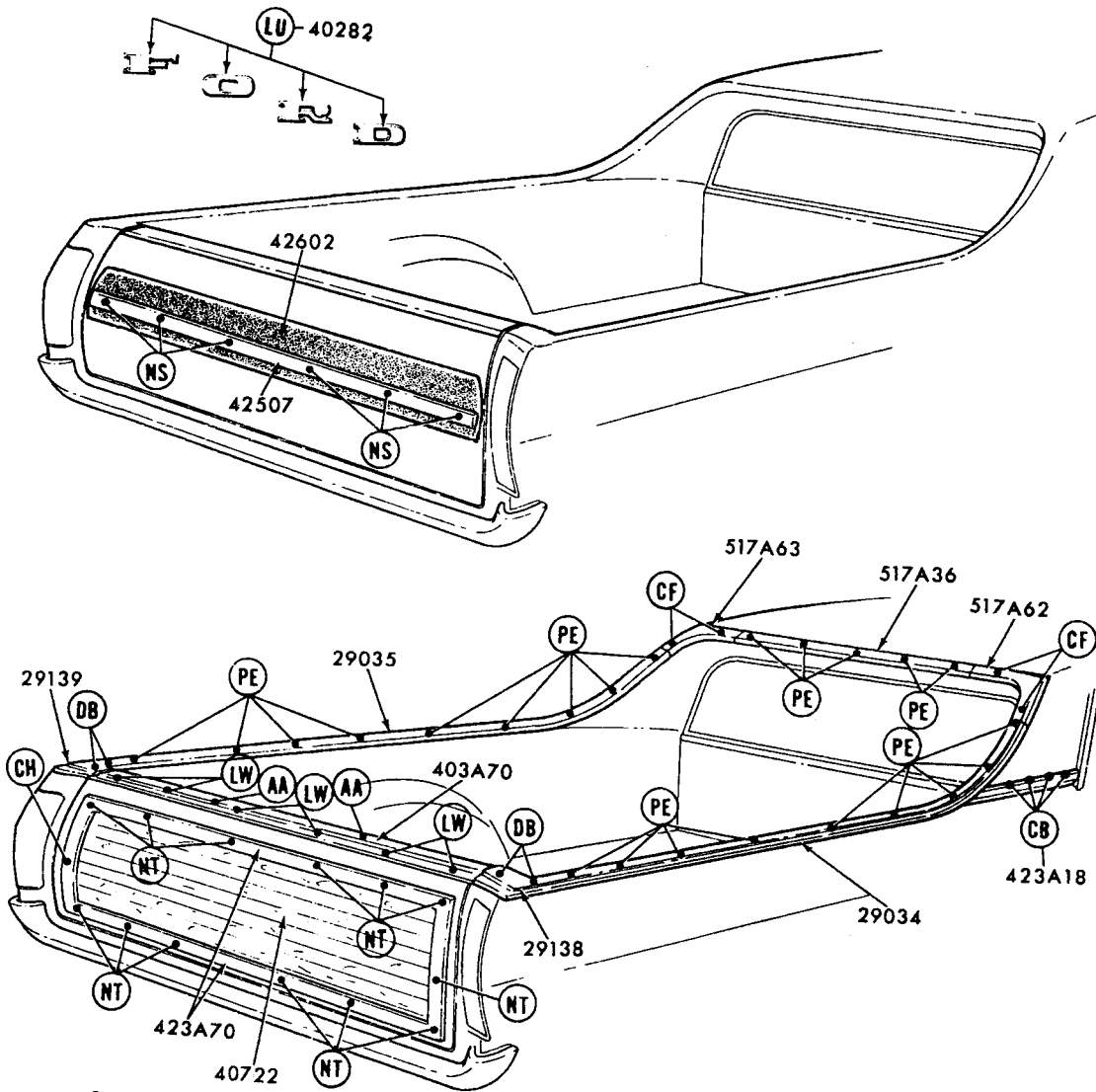
\*REFER TO GROUP IN CHASSIS SECTION

P-8692

1972 TORINO - BODY TYPE 71 - BACK END

**B EXTERIOR MOULDING  
ILLUSTRATION SECTION**

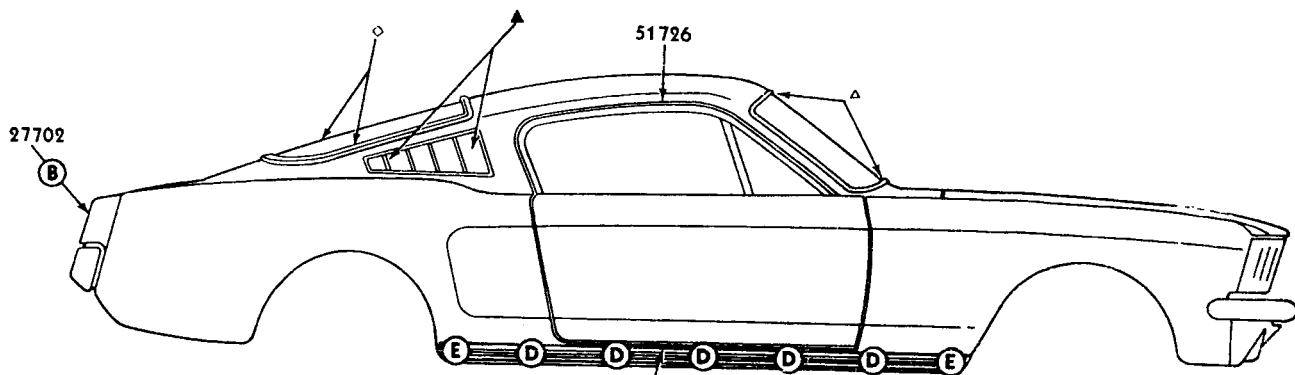
**FORD CAR PARTS**



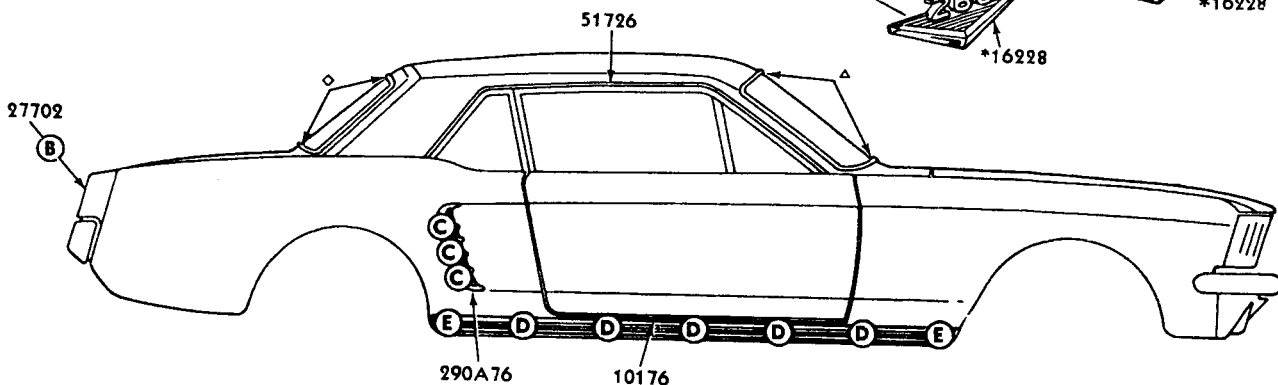
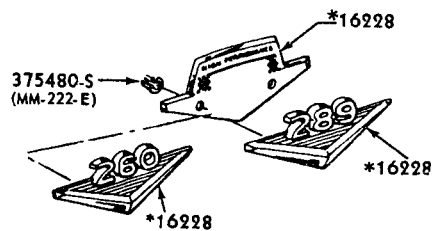
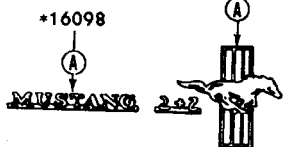
# FORD CAR PARTS

## EXTERIOR MOULDING ILLUSTRATION SECTION F

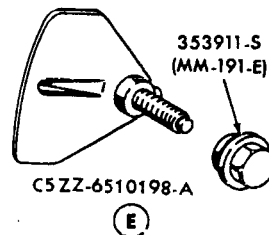
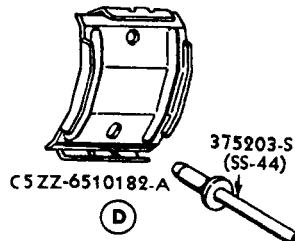
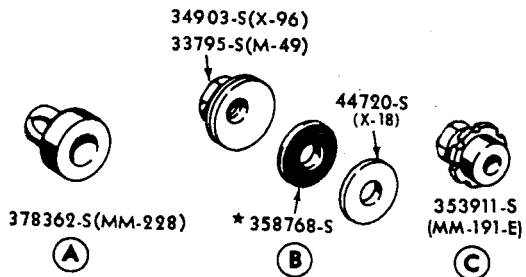
1



\*16229 10176 BODY TYPE 63

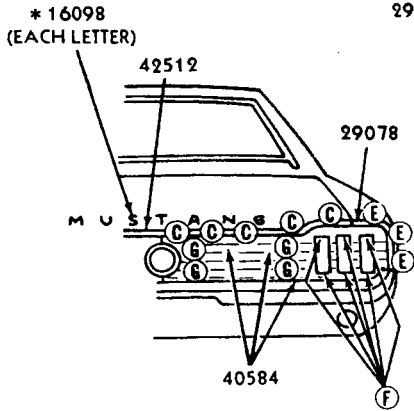
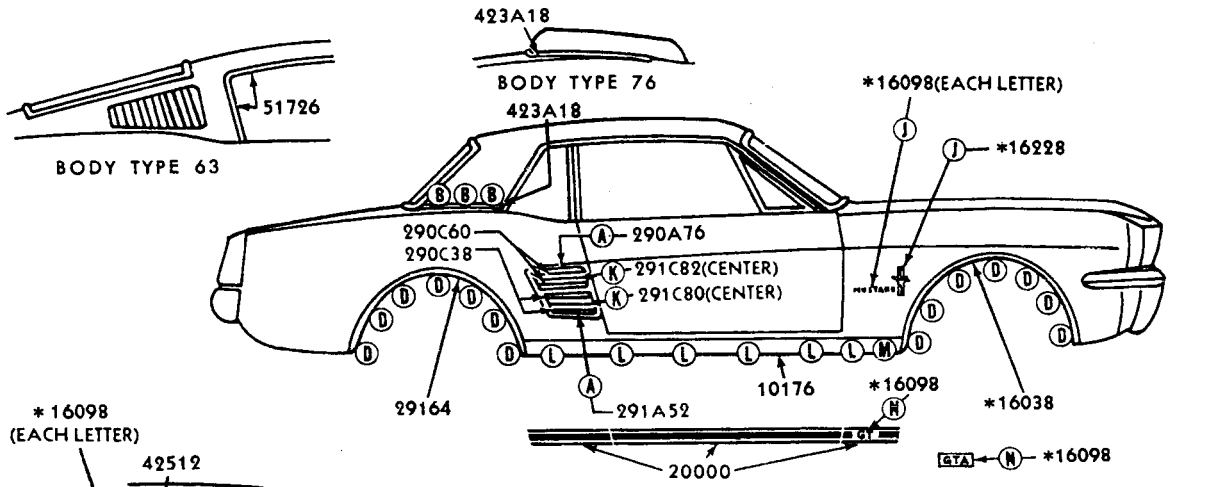


BODY TYPE 65, 76



▲ REFER TO BODY ILLUSTRATION SECTION 030  
 ◊ REFER TO BODY ILLUSTRATION SECTION 400  
 \* REFER TO GROUP IN CHASSIS SECTION

P.4490



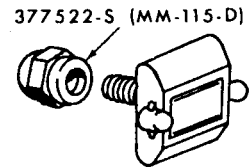
371024-S(MM-286)

A



373503-S(MM-285-A)

B



377522-S (MM-115-D)

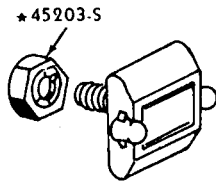
C7ZZ-63 291B80-A

C



381671-S(UU-89-C)

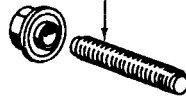
D



\*45203-S

C7ZZ-63291B80-A

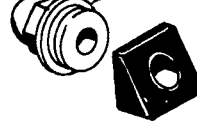
E



381680-S(WW-129)

377523-S(MM-291-C)

F



\* 376423-S

C7GY-63424A50-A

G



373556-S (MM-291-F)

H



378362-S(MM-228)

J



\*380002-S

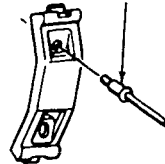
\*372703-S

K



C7ZZ-6510182-A

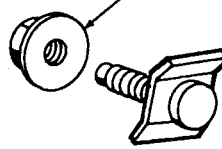
L



376807-S(SS-44-C)

\*380873-S

M

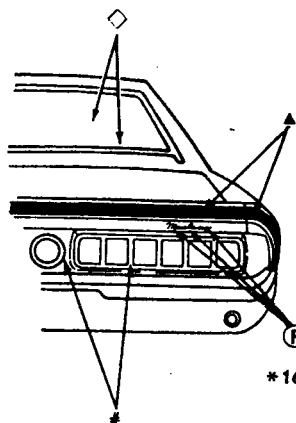
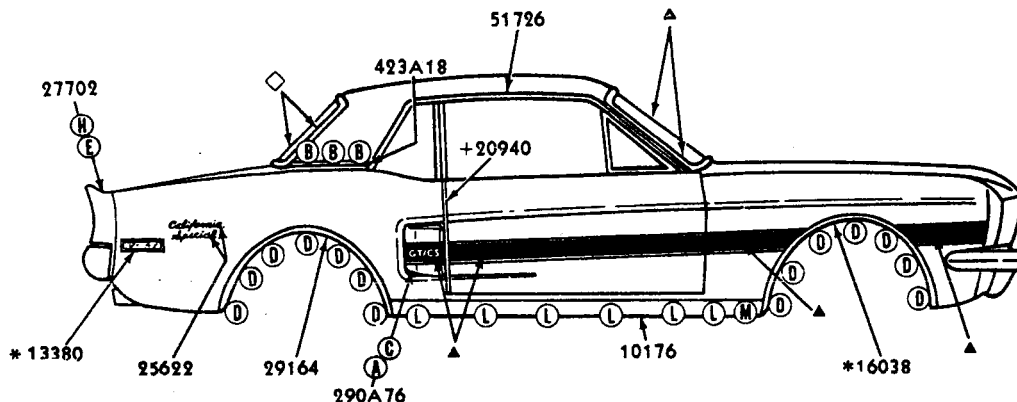


353911-S (MM-191-E)

375890-S (MM-222-A)

N

\* REFER TO GROUP IN CHASSIS SECTION



34390-S(M-92)

A



373503-S (MM-285-A)

B



376370-S (UU-56-F)

C



381671-S (UU-89-C)

D



350075-S (UU-88)

E



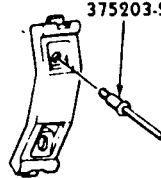
378362-S (MM-228)

F



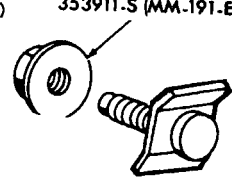
373556-S (MM-291-F)

H



C7ZZ-6510182-A

L



\*380873-S

M

△ REFER TO BODY ILLUSTRATION SECTION 030 # REFER TO BODY ILLUSTRATION SECTION 430  
 ◇ REFER TO BODY ILLUSTRATION SECTION 400 ▲ SUPPLIED IN BASIC KIT 20000-1  
 \*REFER TO GROUP IN CHASSIS SECTION

P-6455

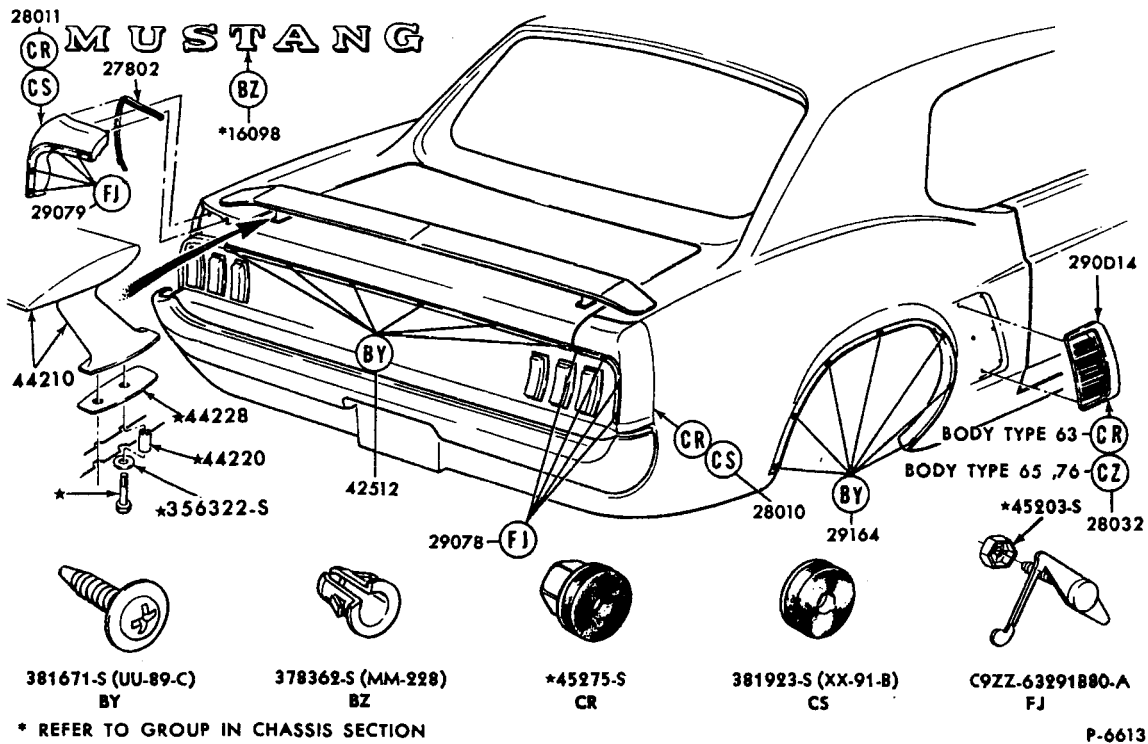




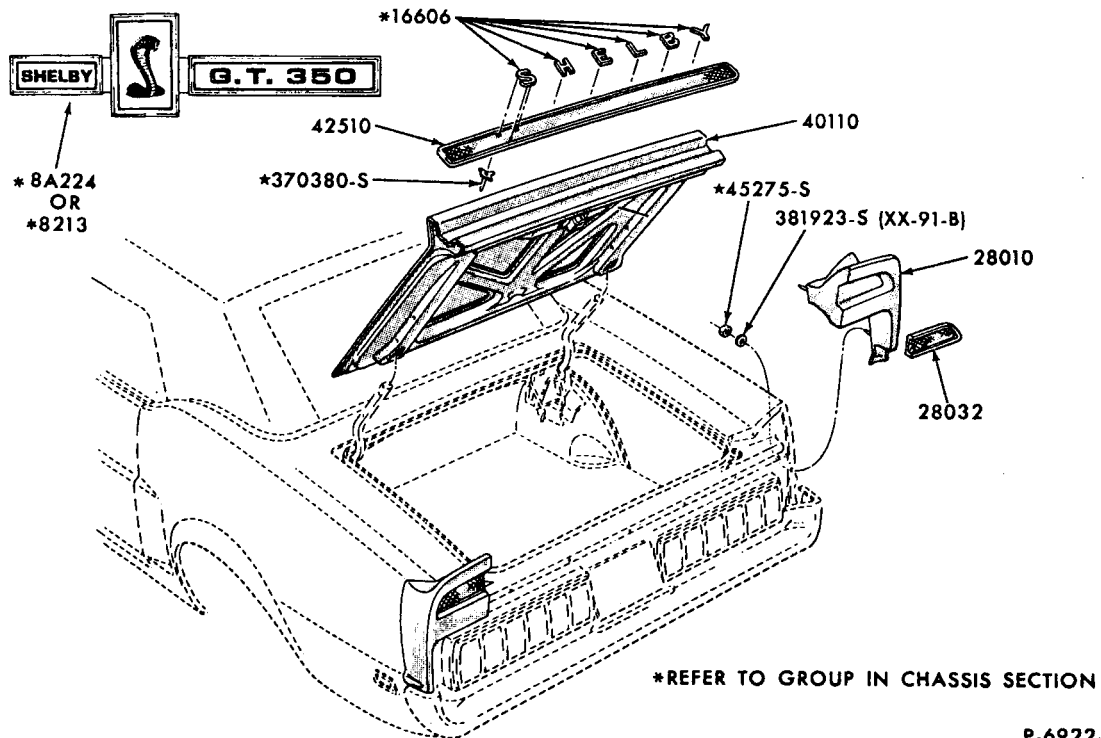


6 **F** EXTERIOR MOULDING  
ILLUSTRATION SECTION

**FORD CAR PARTS**



1969 MUSTANG - except SHELBY GT 350/500 - BACK END

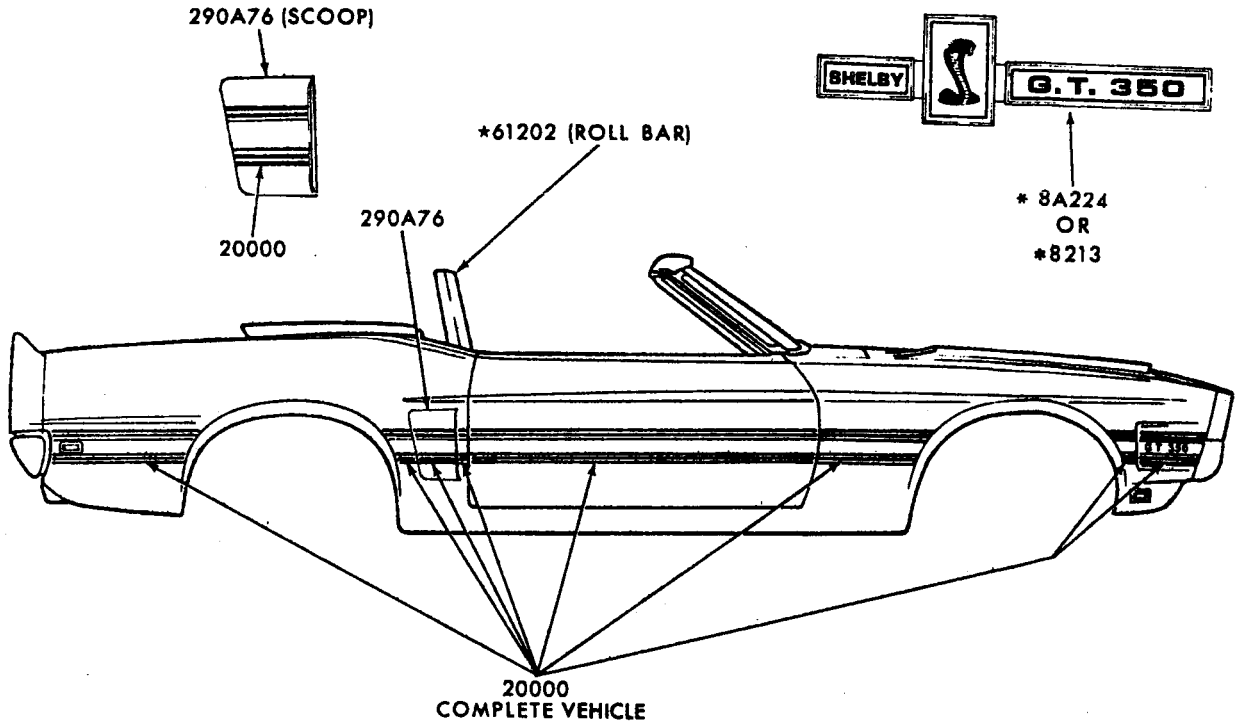


1969/70 MUSTANG - SHELBY GT 350/500 - BACK END

# FORD CAR PARTS

## EXTERIOR MOULDING ILLUSTRATION SECTION

F 7

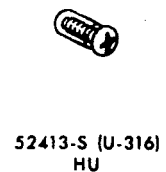
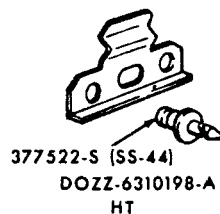
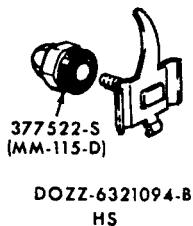
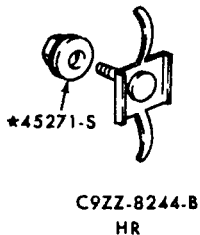
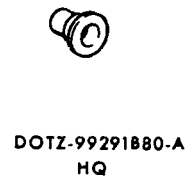
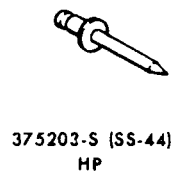
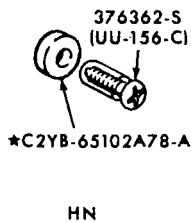
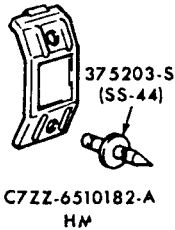
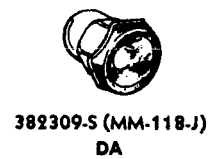
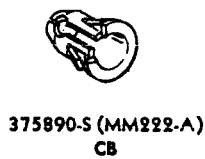
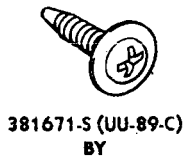
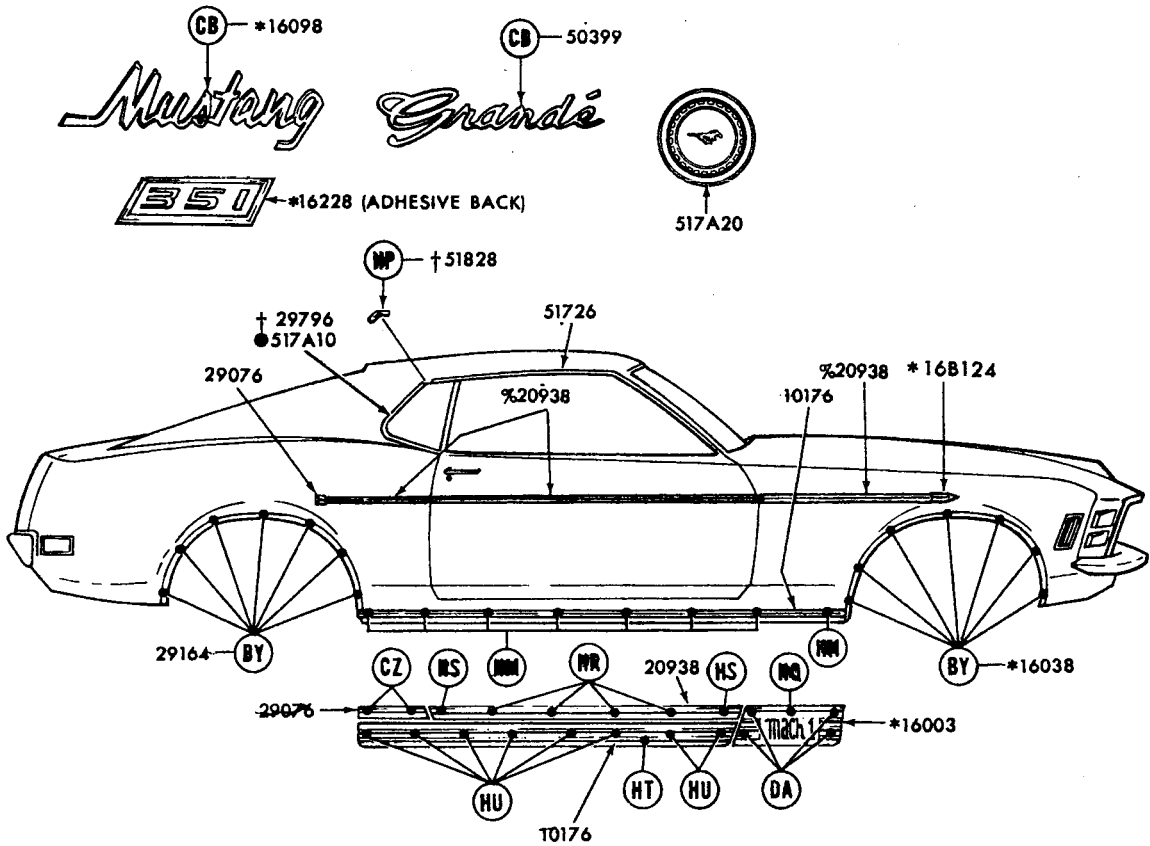


\* REFER TO GROUP IN CHASSIS SECTION

P-6923

1969/70 MUSTANG - SHELBY GT 350/500 - SIDE

**F EXTERIOR MOULDING ILLUSTRATION SECTION FORD CAR PARTS**

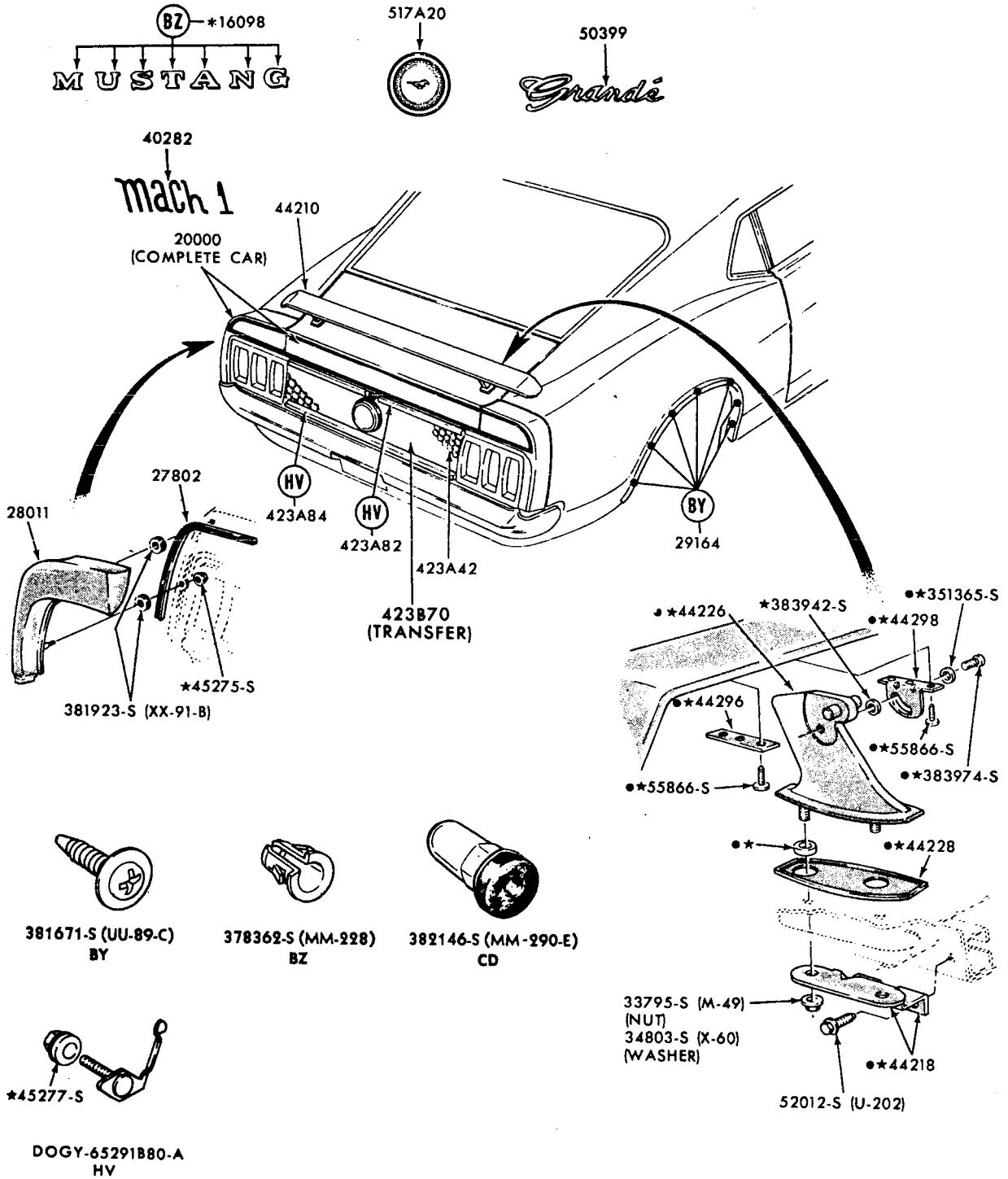


\*REFER TO GROUP IN CHASSIS SECTION %ALSO SERVICED IN KIT - GROUP 21048 IN ACCESSORIES SECTION  
 †BODY TYPE 63 ONLY  
 ●BODY TYPE 65 ONLY

P-7103

# FORD CAR PARTS

## EXTERIOR MOULDING ILLUSTRATION SECTION F



• SERVICED ONLY IN KIT 44210

P-7102

1970 MUSTANG - BACK END - except SHELBY GT 350/500

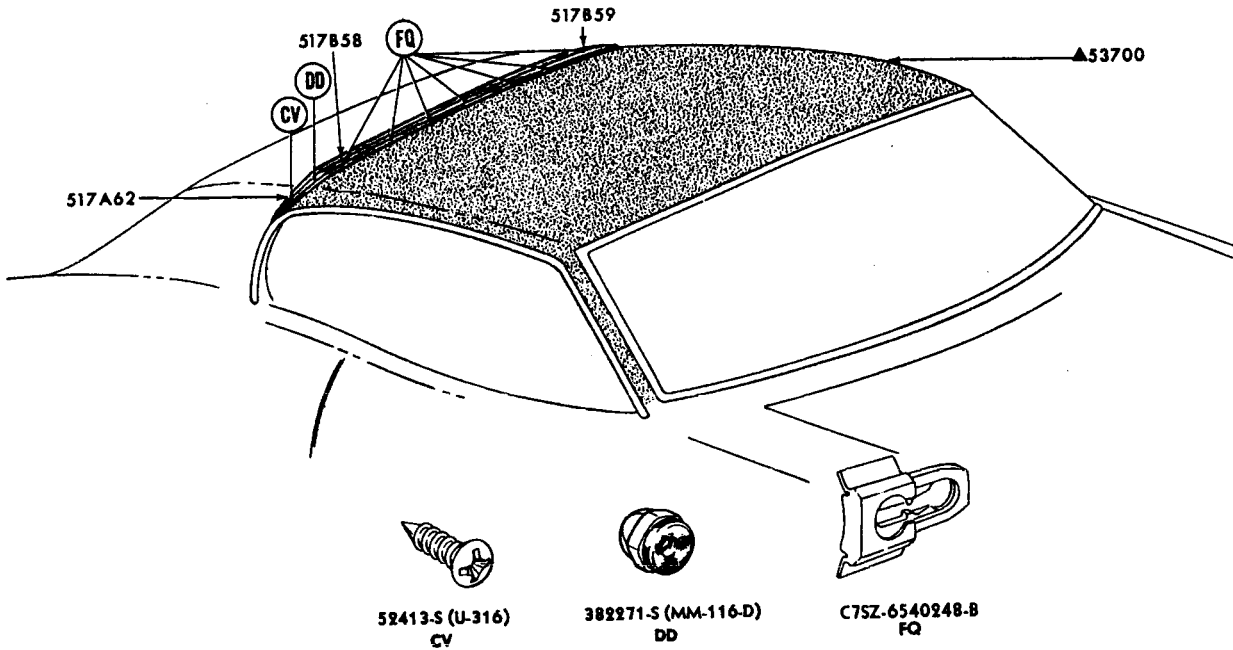
May, 1975

COPYRIGHT © 1975 -

FORD MOTOR  
COMPANY

- DEARBORN, MICHIGAN

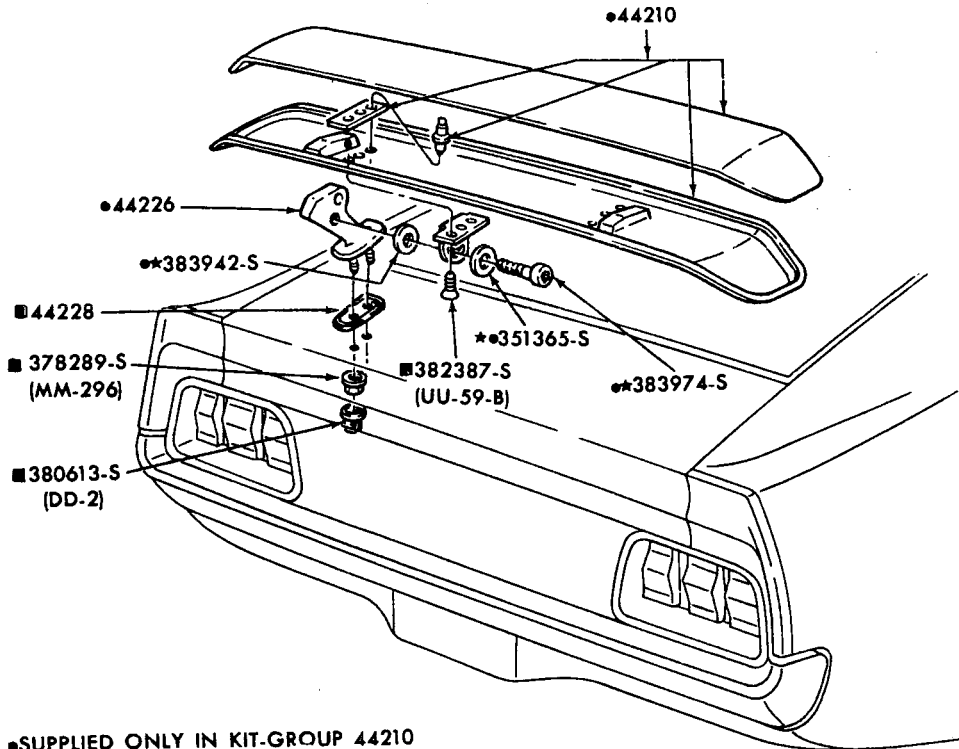
**FINAL ISSUE**



P-7383

▲REFER TO GROUP IN SOFT TRIM SECTION

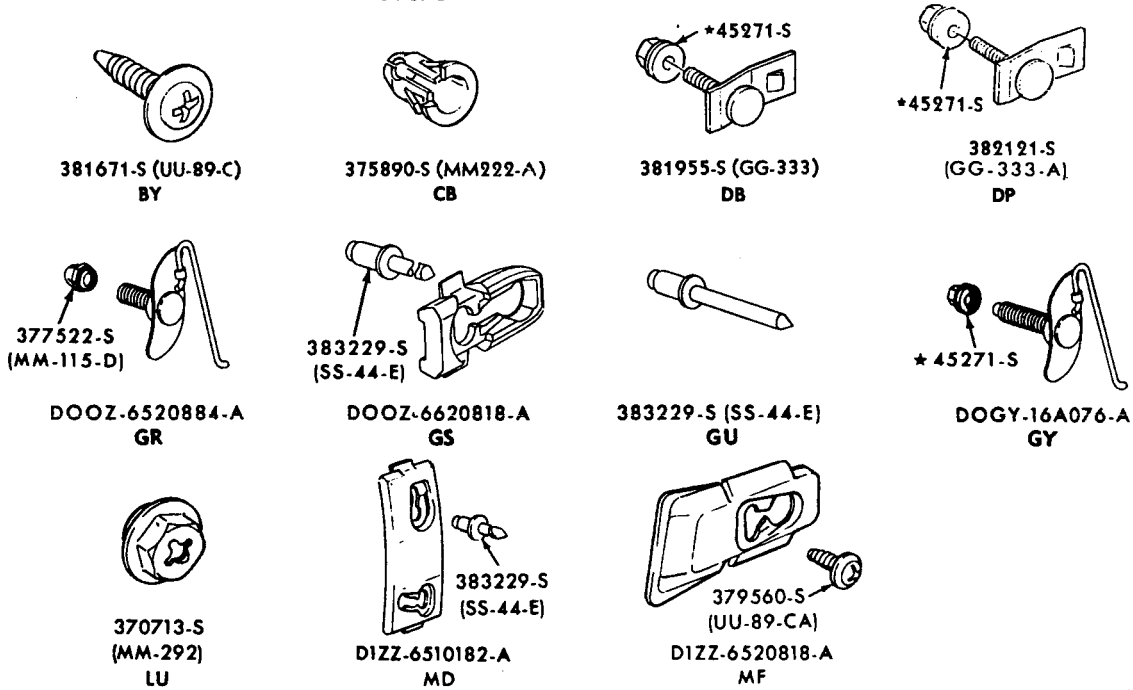
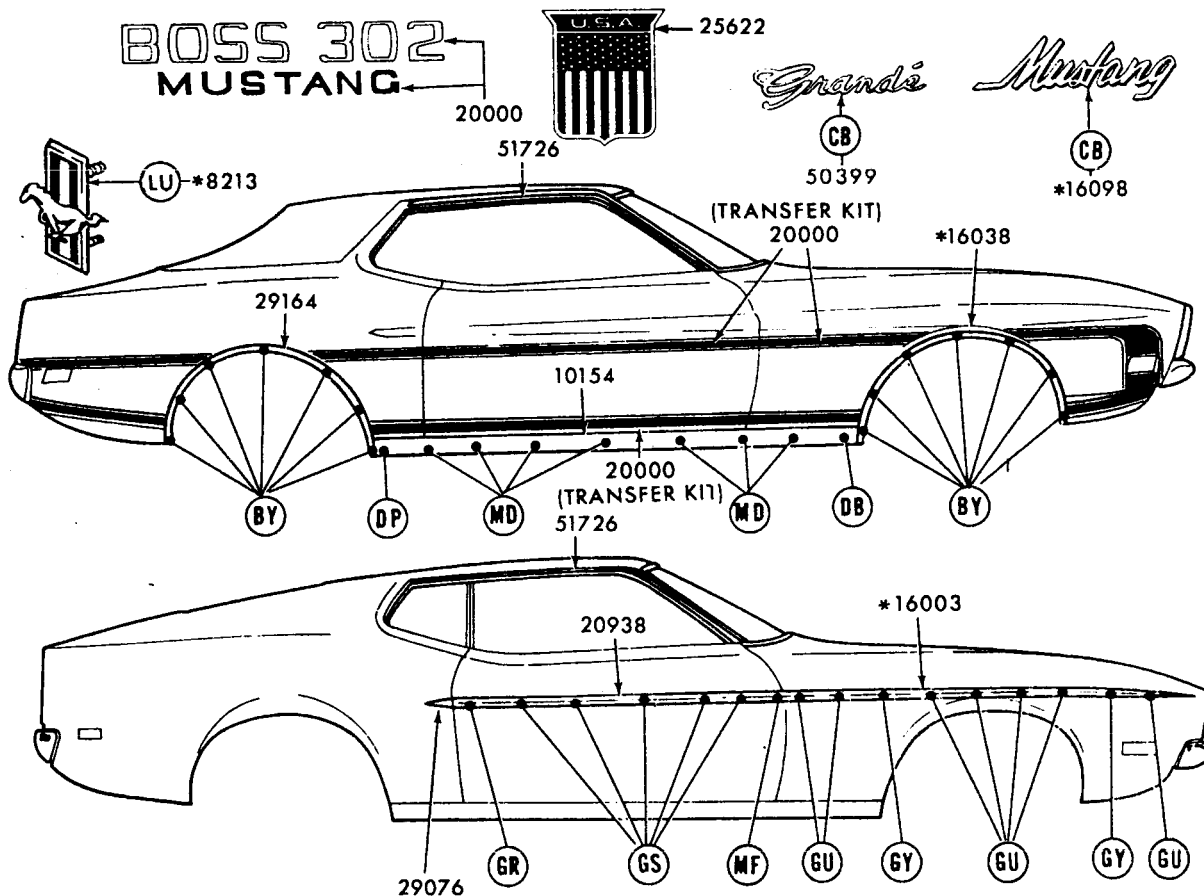
1970 MUSTANG - BODY TYPE 65E - VINYL ROOF MOULDING



●SUPPLIED ONLY IN KIT-GROUP 44210  
■ALSO ALSO SUPPLIED IN KIT-GROUP 44210

P-8112

REAR SPOILER and RELATED PARTS  
1971/72 MUSTANG

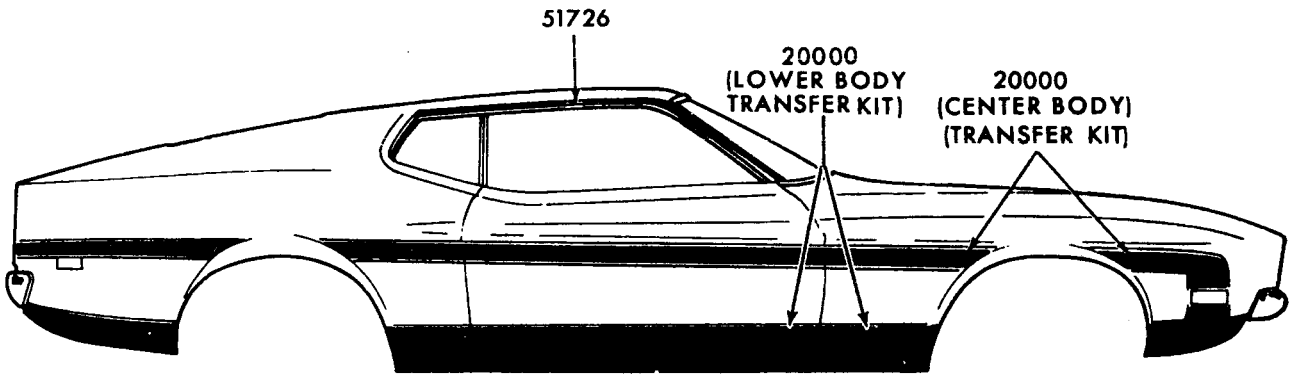
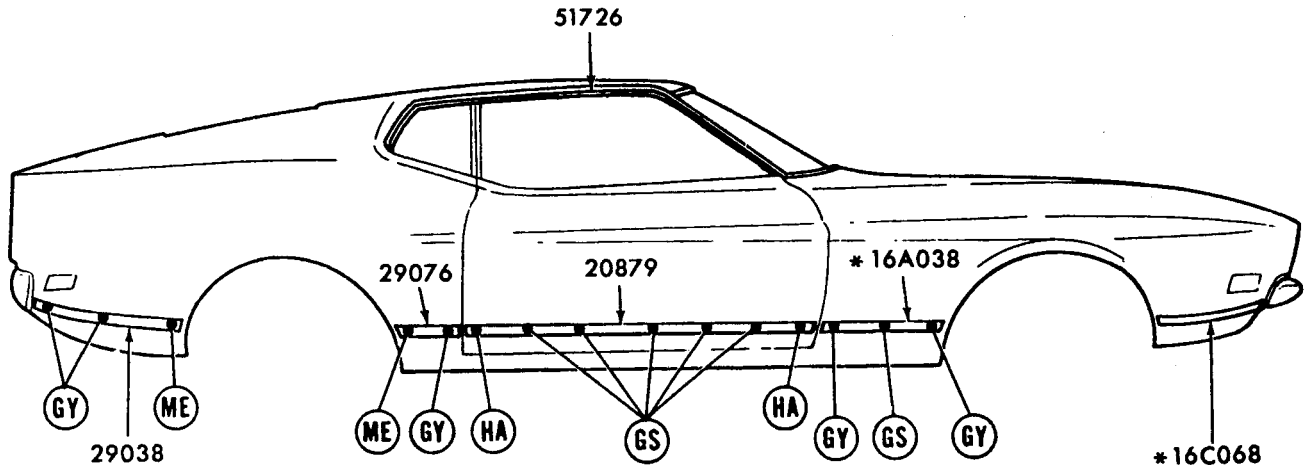


P-7859

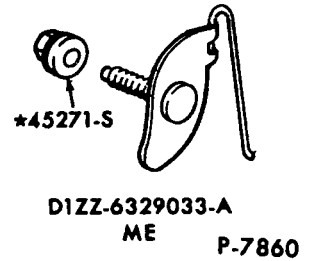
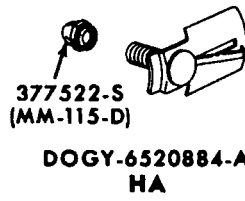
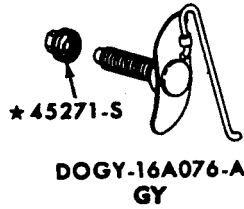
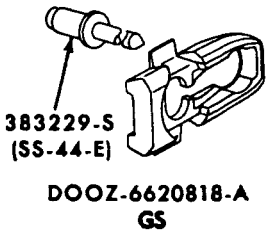
1971/72 MUSTANG - BODY TYPE 63D, 65,76 - SIDE

**FORD CAR PARTS**

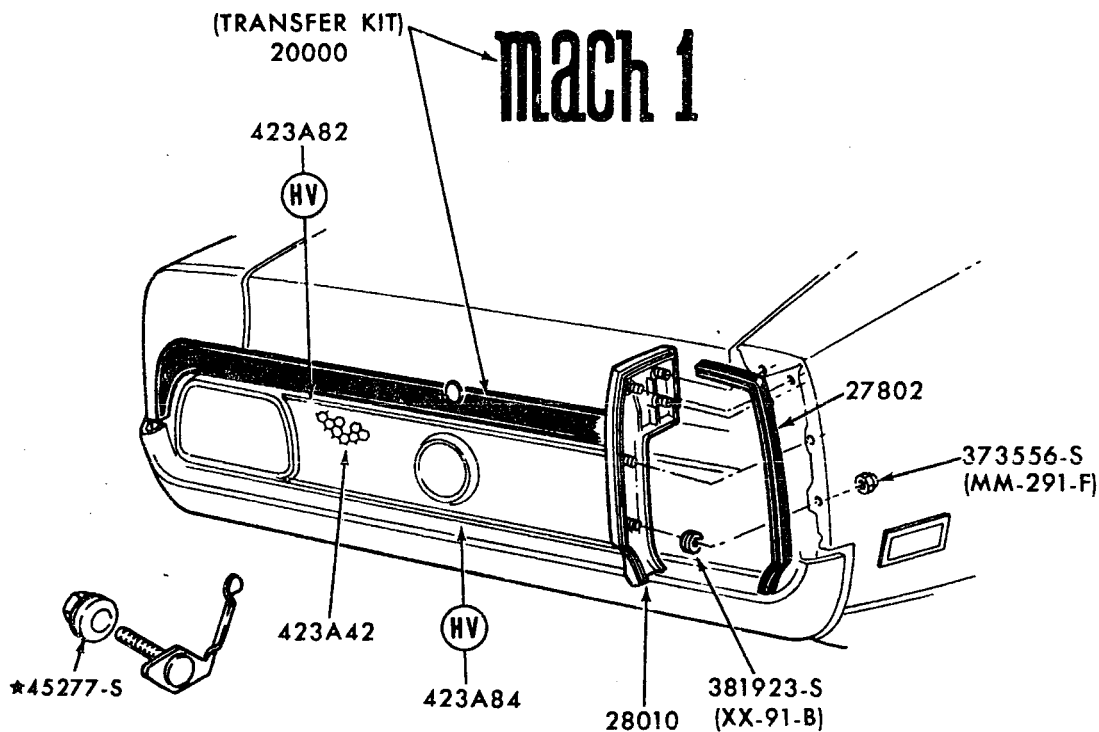
**Mach 1**  
**MUSTANG** (TRANSFER KIT) 20000



FOR PAINT REPAIR-REFER TO PAINT SECTION  
PAGE 19 ACRYLIC REPAIR MATERIAL







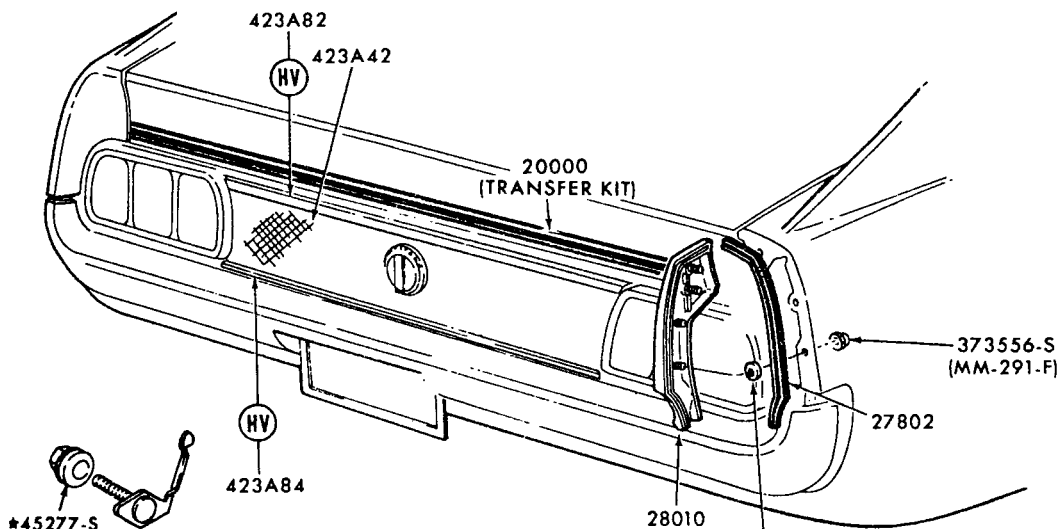
DOGY-65291B80-A  
HV

P-7862

1971/72 MUSTANG - BODY TYPE 63R - BACK END

**MUSTANG**

40282



DOGY-65291B80-A  
HV

P-7861

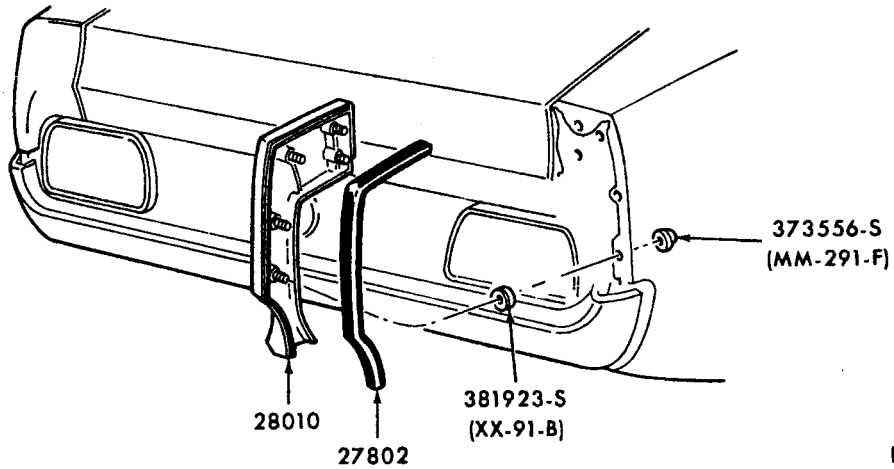
1971/72 MUSTANG - BODY TYPE 65D, F, 76 - BACK END

20000  
(TRANSFER KIT)

20000  
(TRANSFER KIT)

BOSS 302

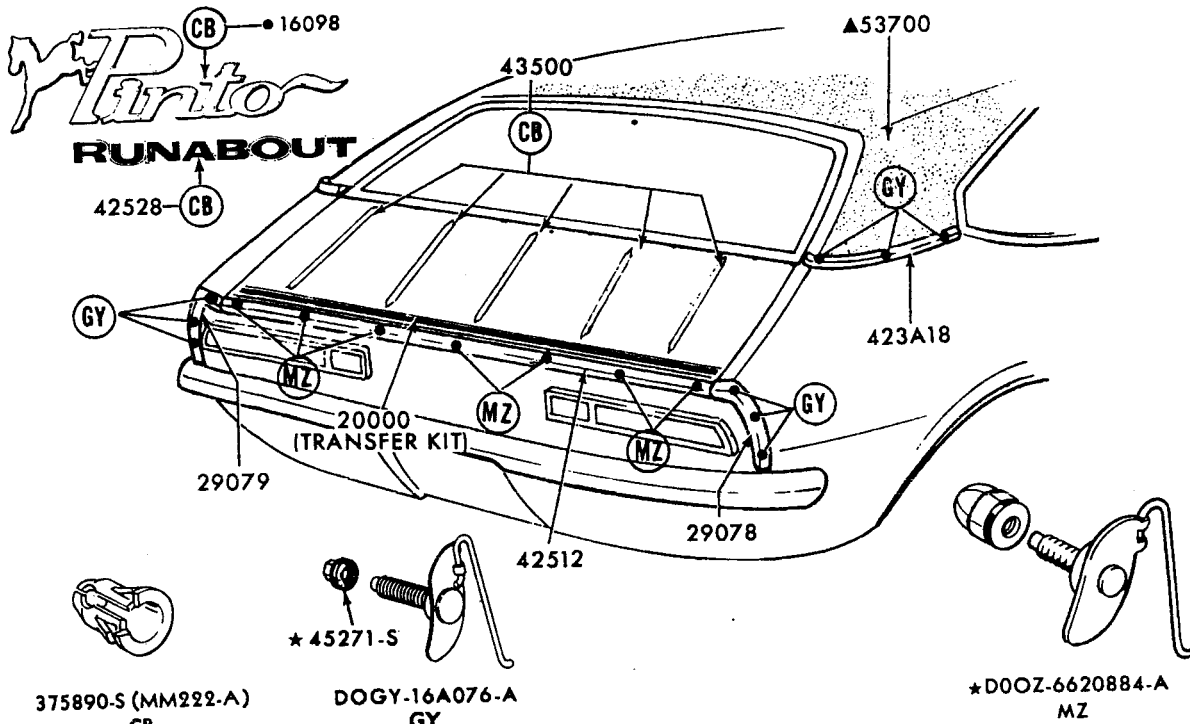
M U S T A N G



P-7895

1971/72 MUSTANG - BODY TYPE 63D - BACK END



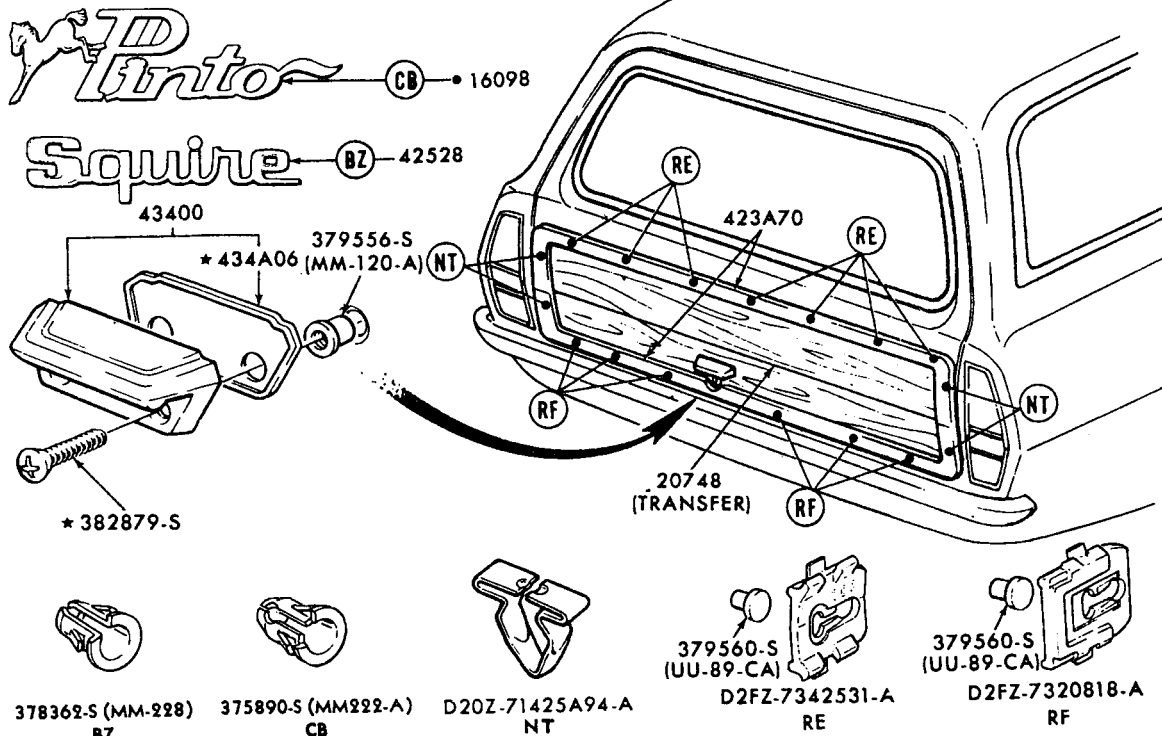


375890-S (MM222-A)      DOGY-16A076-A  
CB                              GY  
▲REFER TO SOFT TRIM SECTION  
●REFER TO CHASSIS SECTION

\*D00Z-6620884-A  
MZ

P-7845

1971/72 PINTO - BODY TYPES 62, 64 - BACK END



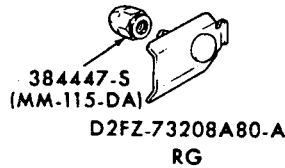
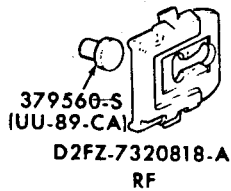
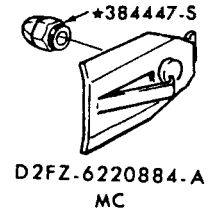
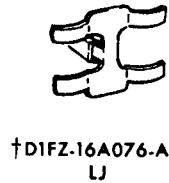
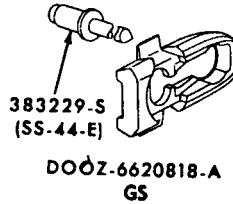
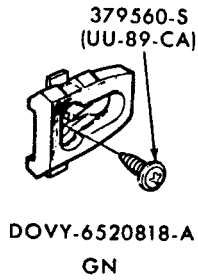
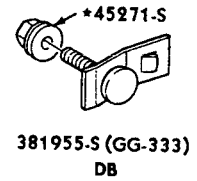
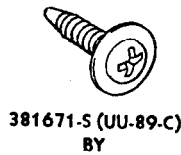
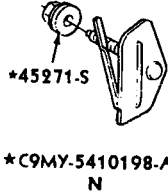
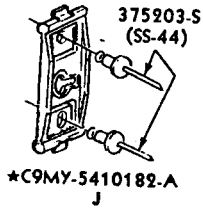
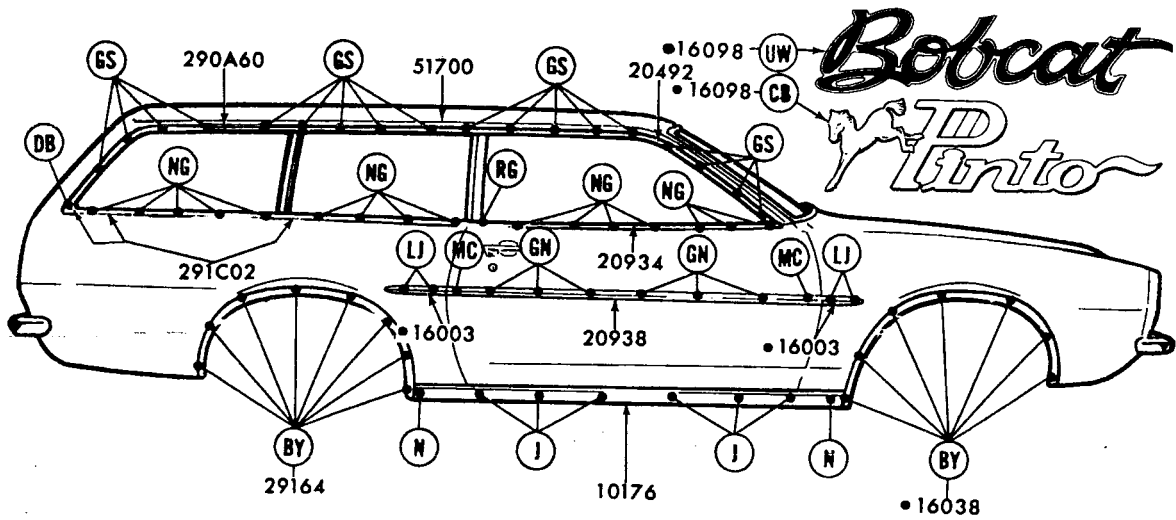
378362-S (MM-228)      375890-S (MM222-A)      D20Z-71425A94-A  
BZ                              CB                              NT

379560-S (UU-89-CA)      D2FZ-7320818-A  
RE

379560-S (UU-89-CA)      D2FZ-7320818-A  
RF

●REFER TO CHASSIS SECTION 1972 PINTO - BODY TYPE 73 - BACK END

P-8911

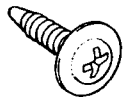
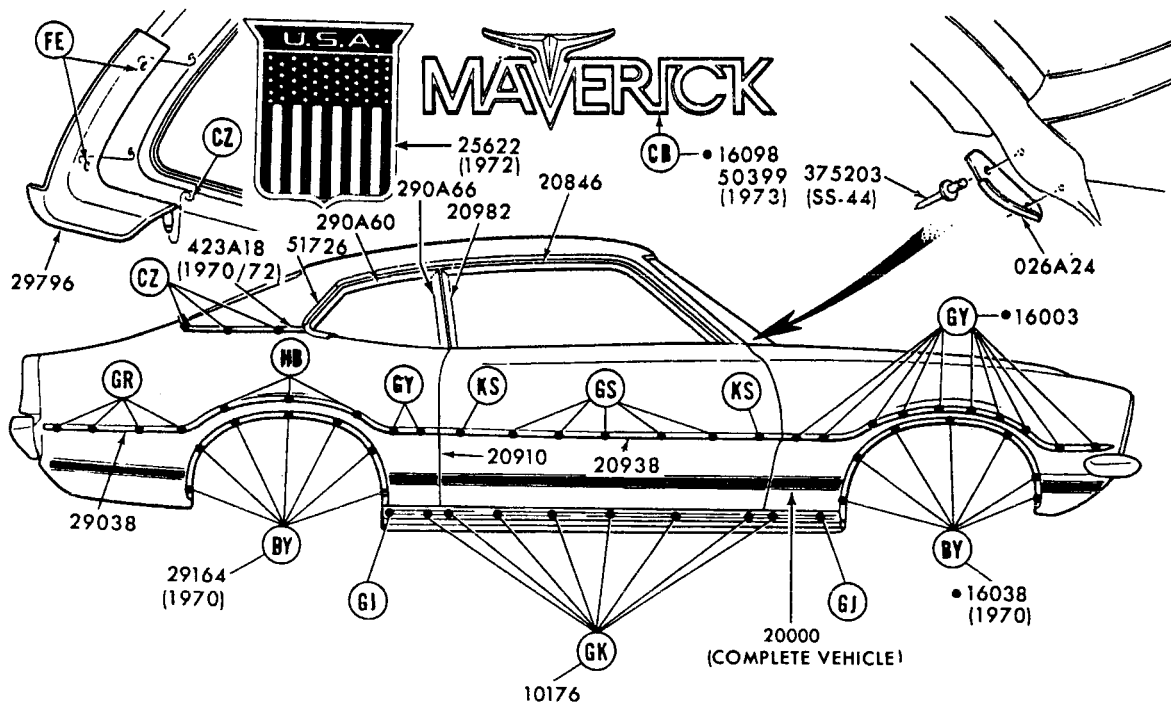


† BEFORE 3-1-72, FROM 3-1-72 USE D2FZ-16A076-B  
• REFER TO CHASSIS SECTION

P-8910

1972 PINTO - BODY TYPE 73 (EXCEPT SQUIRE) - SIDE





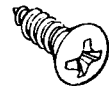
381671-S (UU-89-C)  
BY



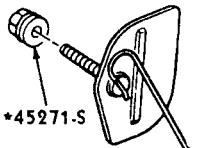
375890-S (MM222-A)  
CB



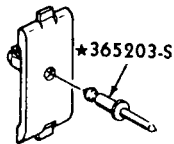
382110-S (MM-284-X)  
CZ



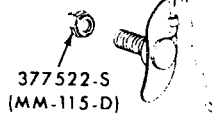
55974-S (U-316-D)  
FE



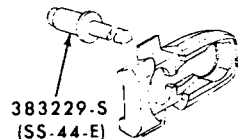
\*45271-S  
C6DZ-6210182-A  
GJ



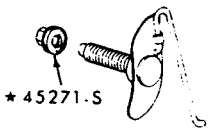
\*365203-S  
DODZ-6210182-A  
GK



377522-S (MM-115-D)  
DOOZ-6520884-A  
GR



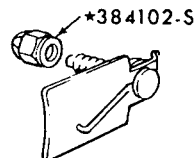
383229-S (SS-44-E)  
DOOZ-6620818-A  
GS



\*45271-S  
DOGY-16A076-A  
GY



DODZ-6229120-A  
HB



\*384102-S  
DOOZ-5425562-A  
KS

• REFER TO CHASSIS SECTION

P-6839

1970/72 MAVERICK - BODY TYPE 62 (w/o LUXURY DECOR) - SIDE

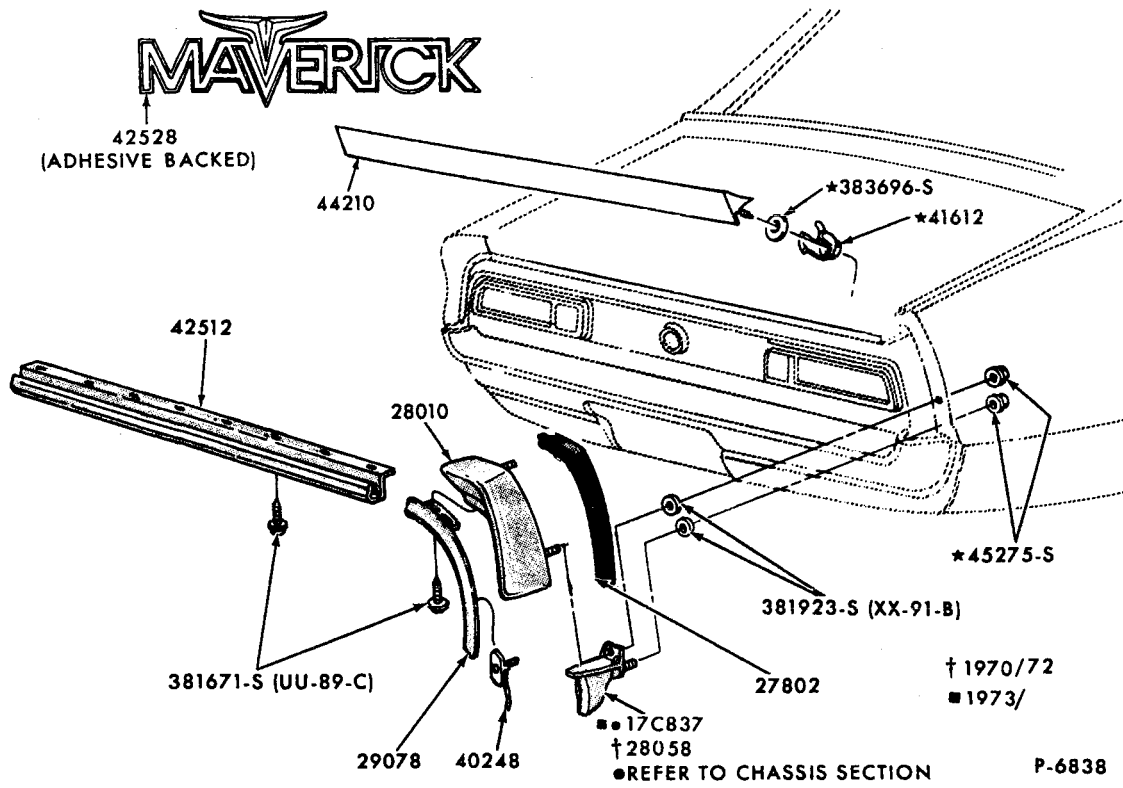
May, 1975

COPYRIGHT © 1975 -

FORD MOTOR  
COMPANY

- DEARBORN, MICHIGAN

**FINAL ISSUE**



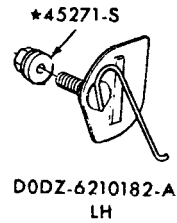
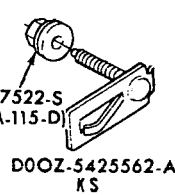
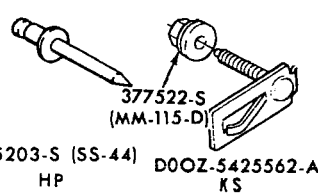
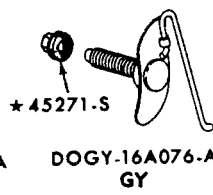
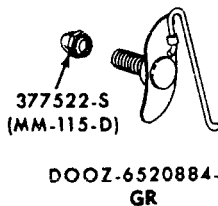
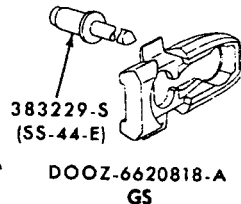
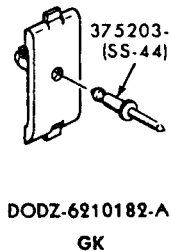
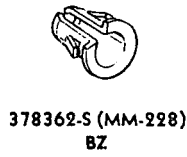
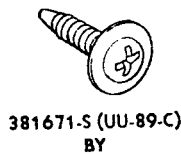
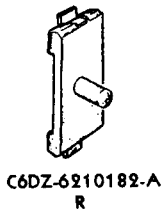
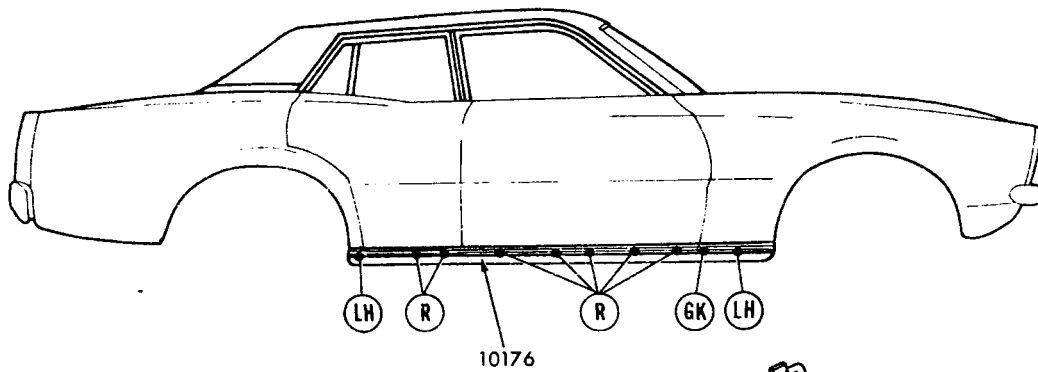
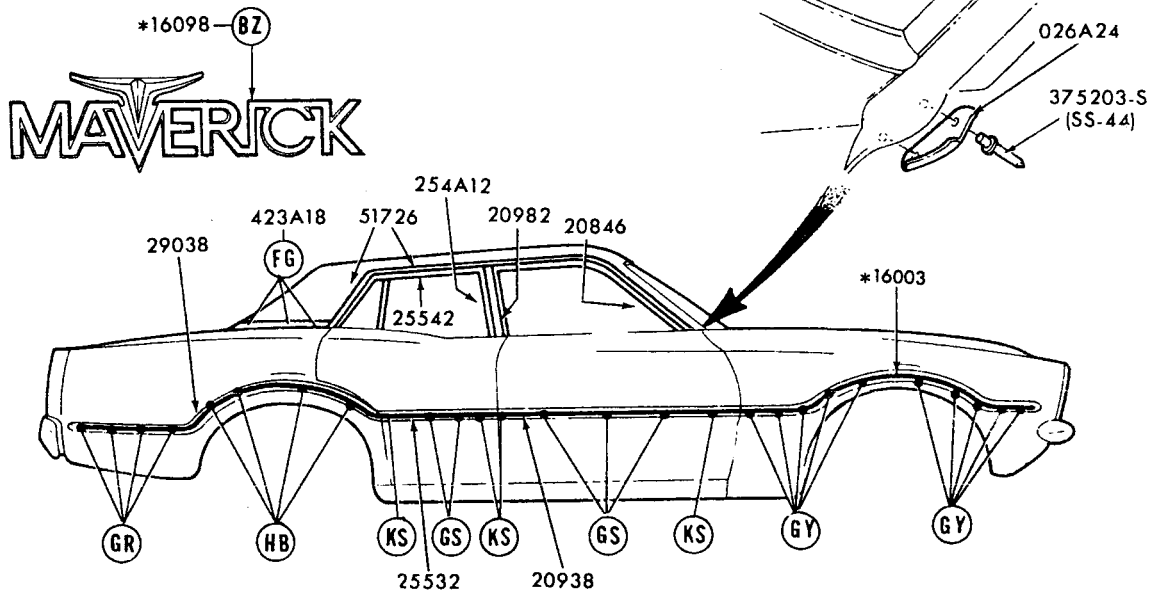
1970/72 MAVERICK - BACK END



# FORD CAR PARTS

## EXTERIOR Moulding Illustration Section

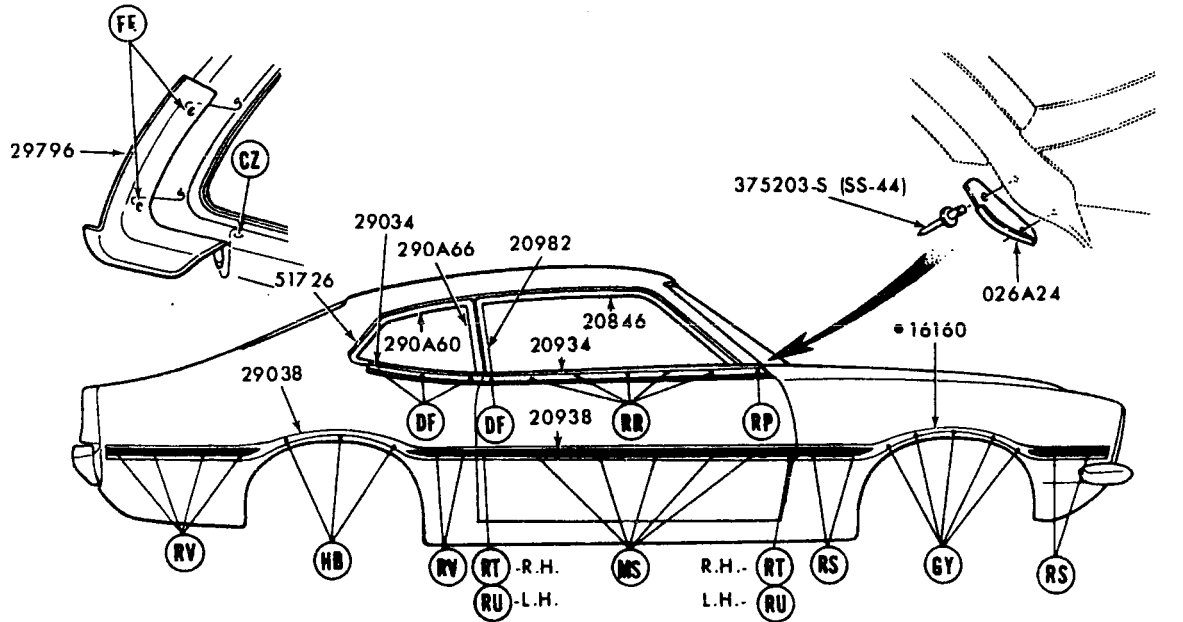
P 3



\* REFER TO GROUP IN CHASSIS SECTION

P-7840

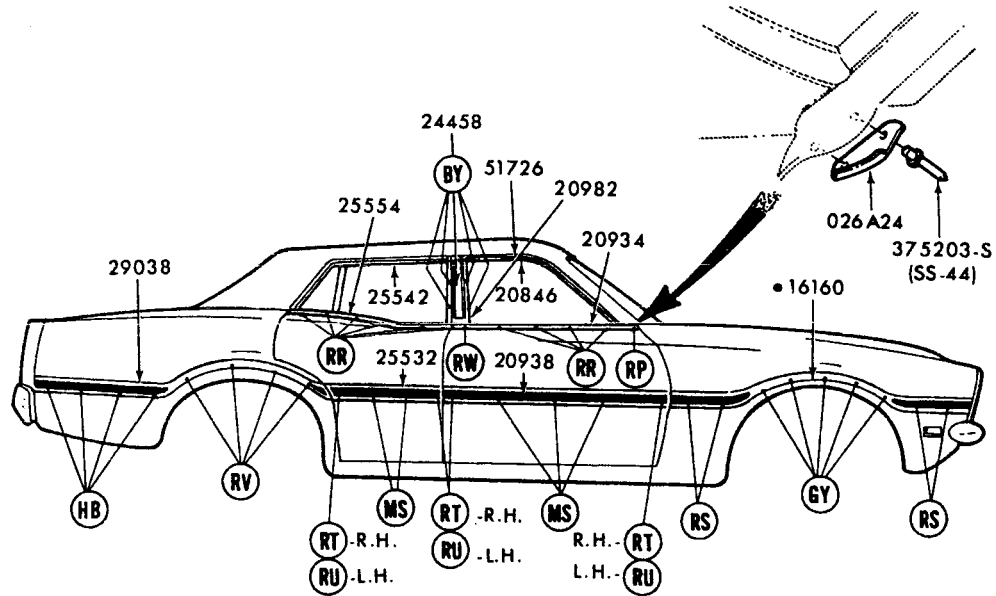
1971/72 MAVERICK - BODY TYPE 54 (w/o LUXURY DECOR) - SIDE



- |  |  |                                       |   |  |
|--|--|---------------------------------------|---|--|
| <br>375890-S (MM-222-A)<br>CB                    | <br>382110-S (MM-284-X)<br>CZ                  | <br>*45271-S<br>C9AZ-71423B10-B<br>DF | <br>*55974-S<br>FE                              | <br>*45271-S<br>DOGY-16A076-A<br>GY              |
| <br>DODZ-6229120-A<br>HB<br>384447-S (MM-115-DA) | <br>DIAZ-7129192-A<br>MS<br>383229-S (SS-44-E) | <br>*57561-S<br>D2DZ-6220884-A<br>RP  | <br>379560-S (UU-89-CA)<br>D2DZ-6220818-A<br>RR | <br>384447-S (MM-115-DA)<br>D2DZ-6220884-B<br>RT |
| <br>*D2DZ-6220885-B<br>RU                        | <br>D2DZ-6229120-A<br>RV<br>*377537-S          |                                       |   |  |

• REFER TO CHASSIS SECTION

P-10012



- |                          |                         |   |  |  |   |
|--------------------------|-------------------------|---|--|--|---|
|                          |                         |   |  |  |   |
| 381671-S (UU-89-C)<br>BY | 378362-S (MM-228)<br>BZ | 375890-S (MM222-A)<br>CB                        | *45271-S<br>DF                                 | 382110-S<br>(MM-284-X)<br>FG                   | DOG-Y-16A076-A<br>GY                            |
|                          |                         |   |  |  |   |
| DODZ-6229120-A<br>HB     | DIAZ-7129192-A<br>MS    | D2DZ-6220884-A<br>RP                            | 379560-S<br>(UU-89-CA)<br>D2DZ-6220818-A<br>RR | 377523-S<br>(MM-291-C)<br>C9AZ-7142318-A<br>RS | 384447-S<br>(MM-115-DA)<br>D2DZ-6220884-B<br>RT |
|                          |                         |   |  |  |   |
| *D2DZ-6220885-B<br>RU    | *377537-S<br>RV         | 384447-S<br>(MM-115-DA)<br>D2DZ-5420884-A<br>RW |  |  |   |

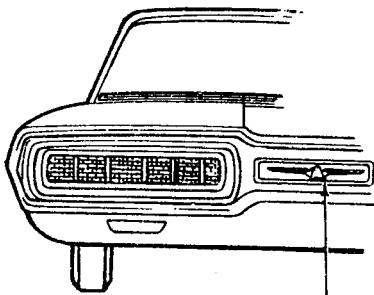
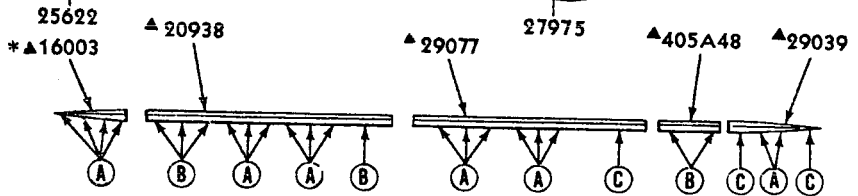
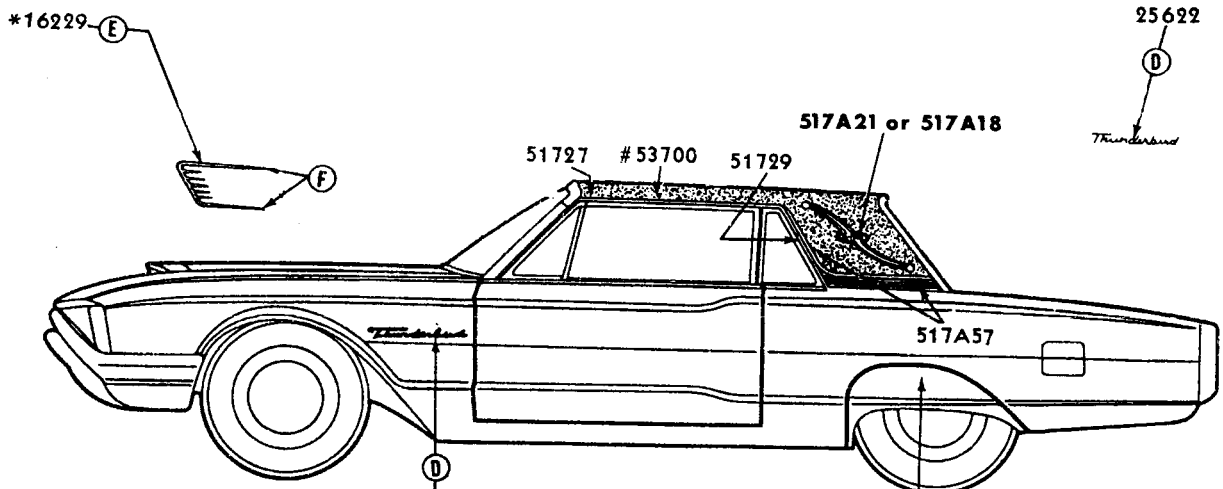
• REFER TO CHASSIS SECTION

P-10011

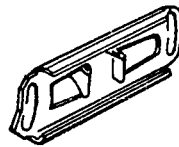
**FORD CAR PARTS**

**EXTERIOR MOULDING  
ILLUSTRATION SECTION**

**S 1**



\*17B850



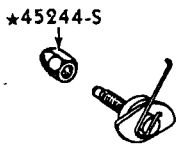
C2DZ-6420842-A

**A**



357182-S (BB-639)

**B**



C3OZ-6220884-A

**C**



375890-S (MM-222-A)

**D**



\*C5SZ-16D070-A

**E**



\*C5SZ-16A076-A

**F**

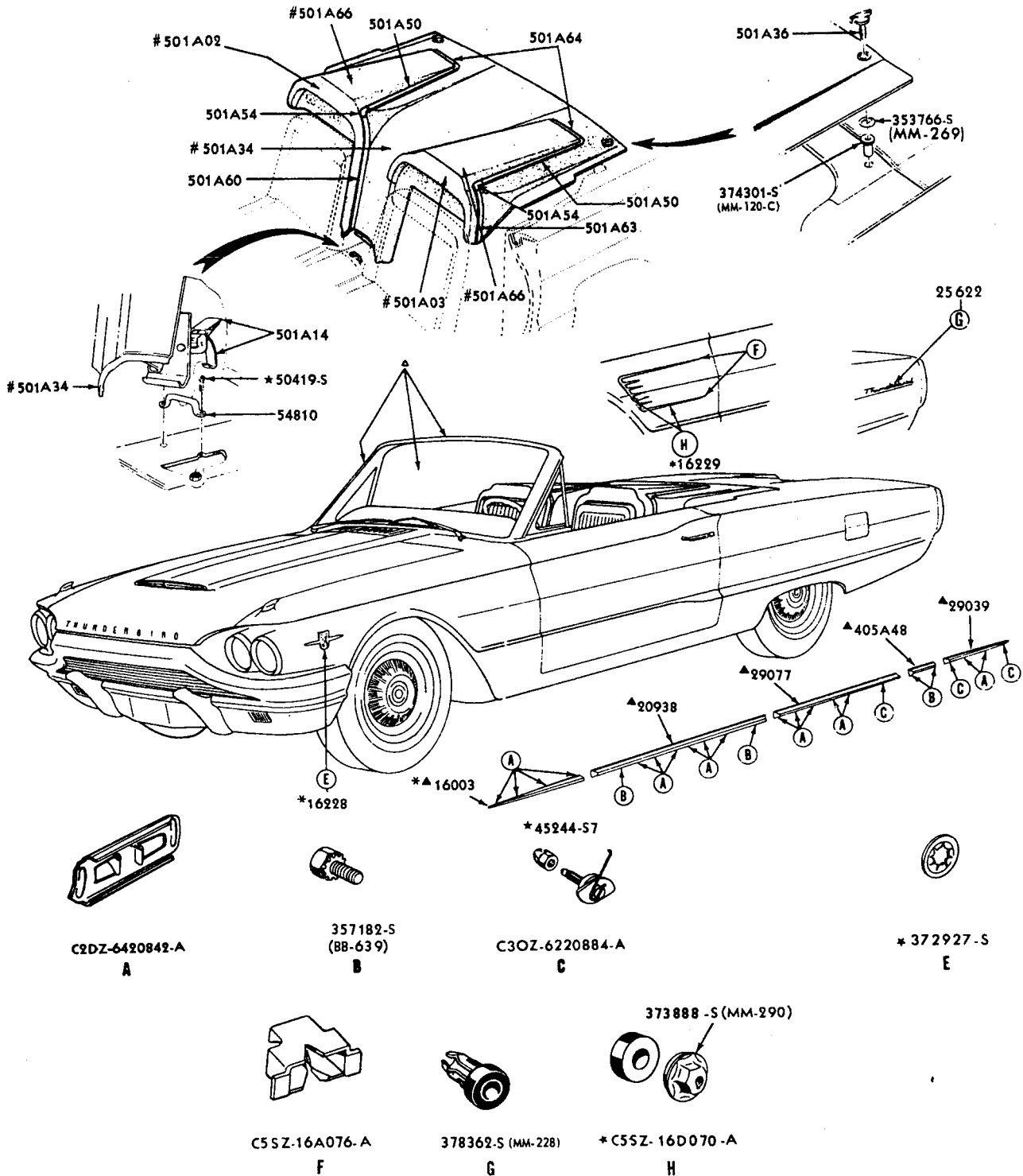


378362-S (MM-228)

**G**

# REFER TO SOFT TRIM SECTION  
 ▲ ALSO SUPPLIED IN 21048 BODY SIDE MOULDING KIT  
 \* REFER TO GROUP IN CHASSIS SECTION

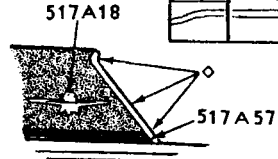
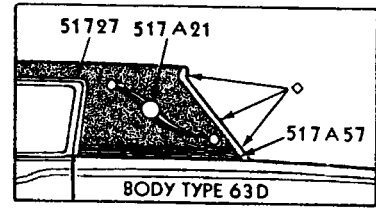
P-4301



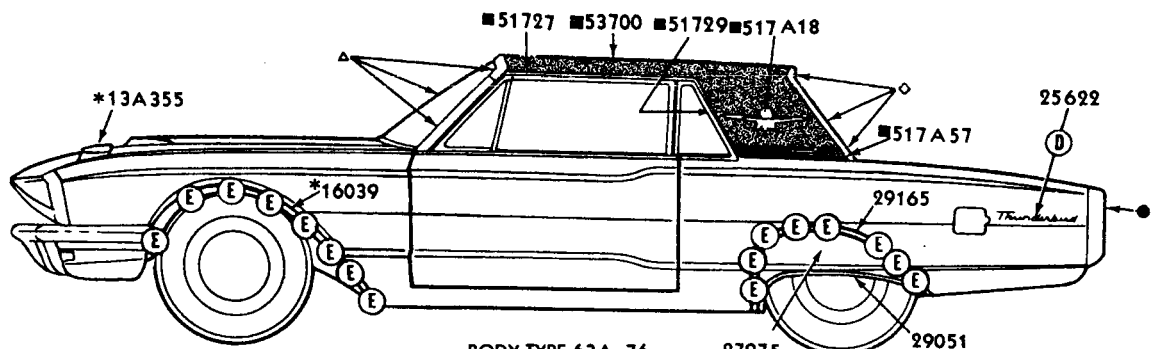
▲ REFER TO BODY ILLUSTRATION SECTION 030  
 ○ REFER TO BODY ILLUSTRATION SECTION 400  
 # REFER TO SOFT TRIM SECTION  
 ▲ ALSO SUPPLIED IN C4SZ-6321048-A BODY SIDE MOULDING KIT  
 \* REFER TO GROUP IN CHASSIS SECTION

# FORD CAR PARTS

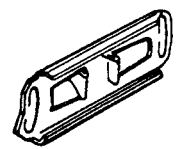
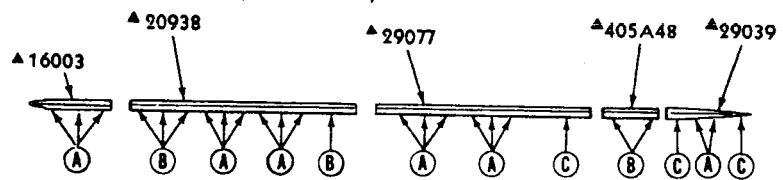
## EXTERIOR MOULDING ILLUSTRATION SECTION S



BODY TYPE 63C



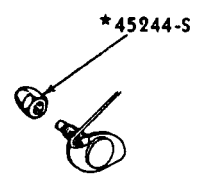
BODY TYPE 63A, 76



C2DZ-6420842-A  
A



357182-S (BB-639)  
B



\*45244-S  
C30Z-6220884-A  
C



378362-S (MM-228)  
D



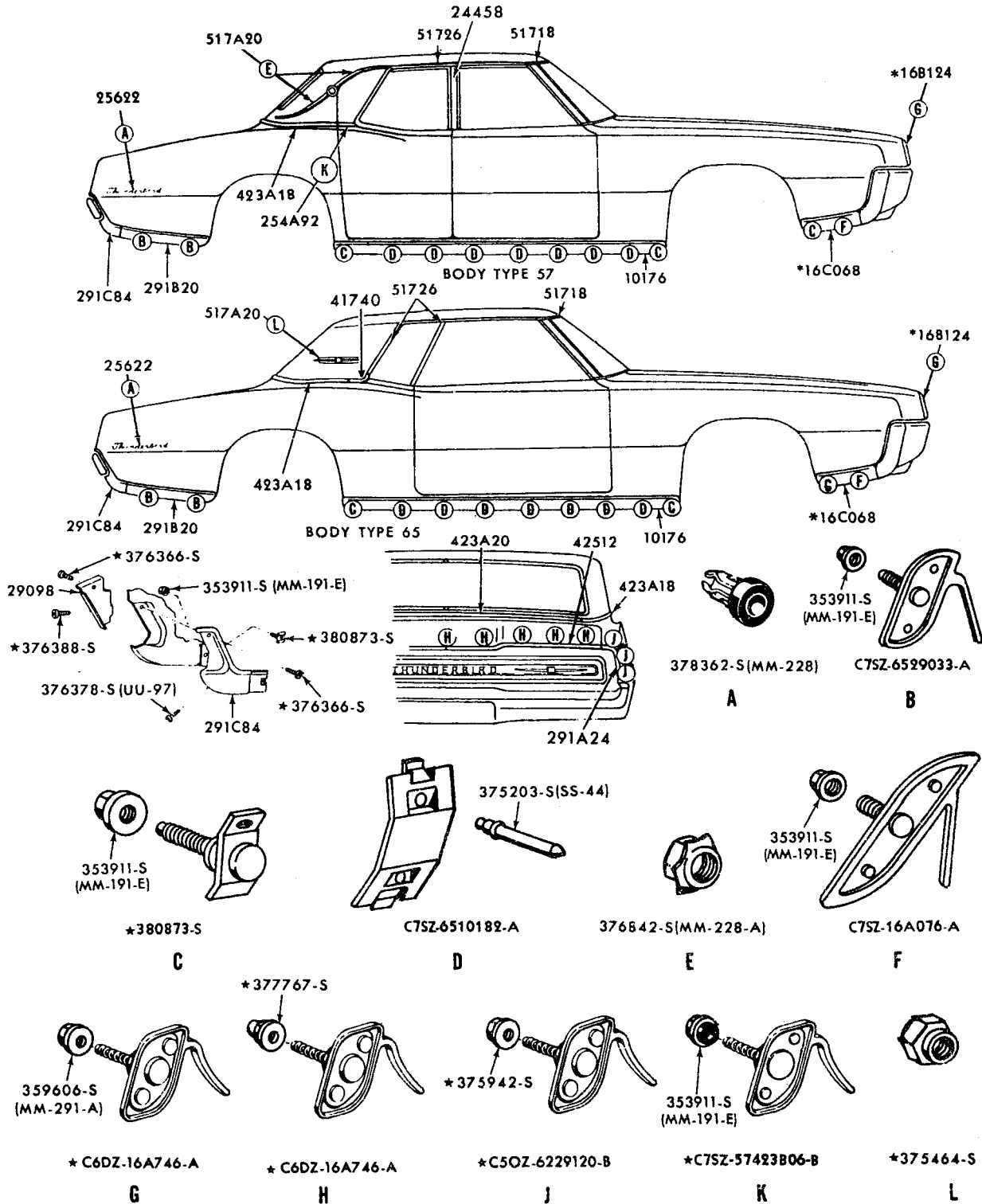
376378-S (UU-97)  
E

- ▲ REFER TO BODY ILLUSTRATION SECTION 030
- ◇ REFER TO BODY ILLUSTRATION SECTION 400
- \*REFER TO GROUP IN CHASSIS SECTION
- ▲ ALSO SUPPLIED IN C4SZ-6321048-A BODY SIDE MOULDING KIT
- REFER TO CHASSIS ILLUSTRATION SECTION 134
- BODY TYPE 63A

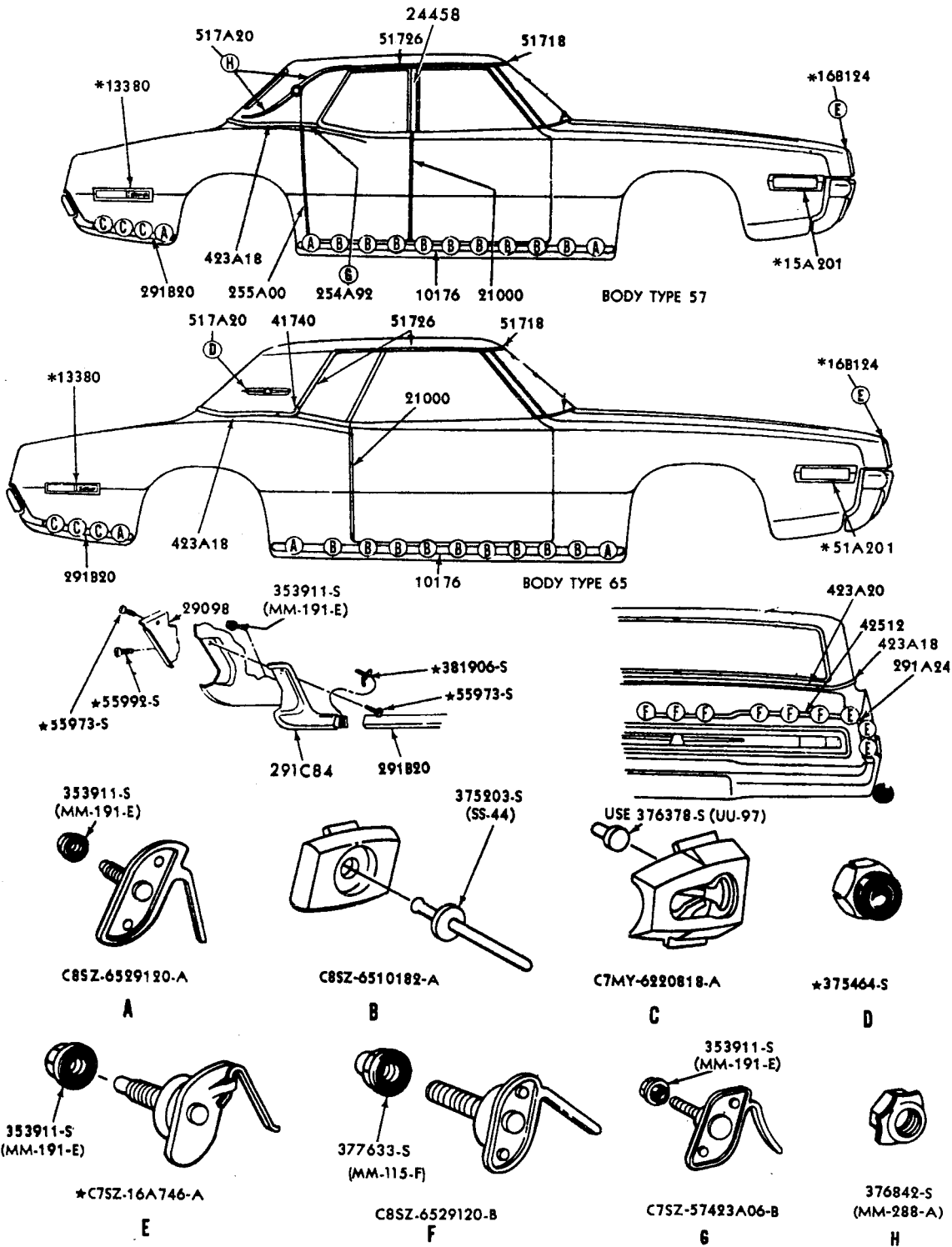
P-5015

**S EXTERIOR MOULDING  
ILLUSTRATION SECTION**

**FORD CAR PARTS**



\* REFER TO GROUP IN CHASSIS SECTION

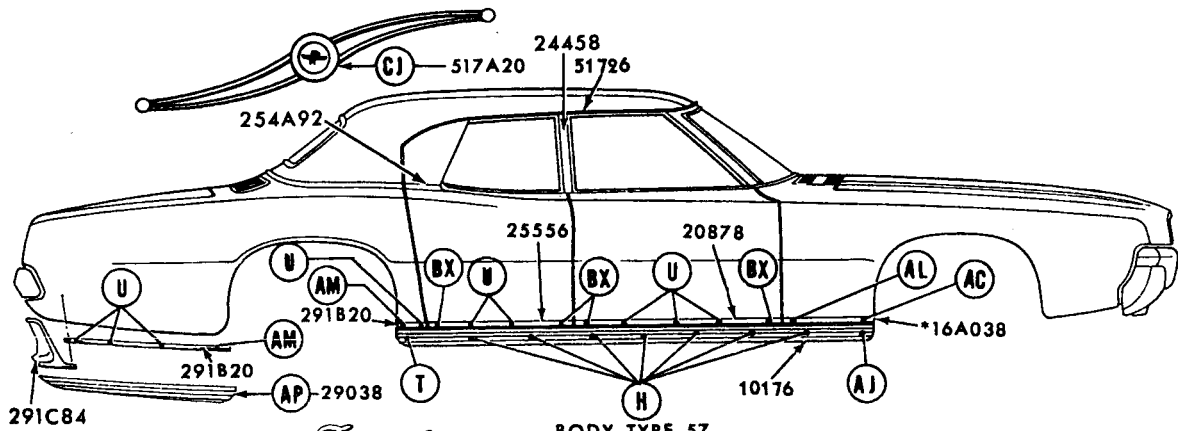


\* REFER TO GROUP IN CHASSIS SECTION

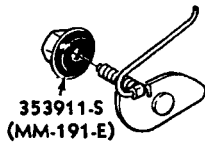
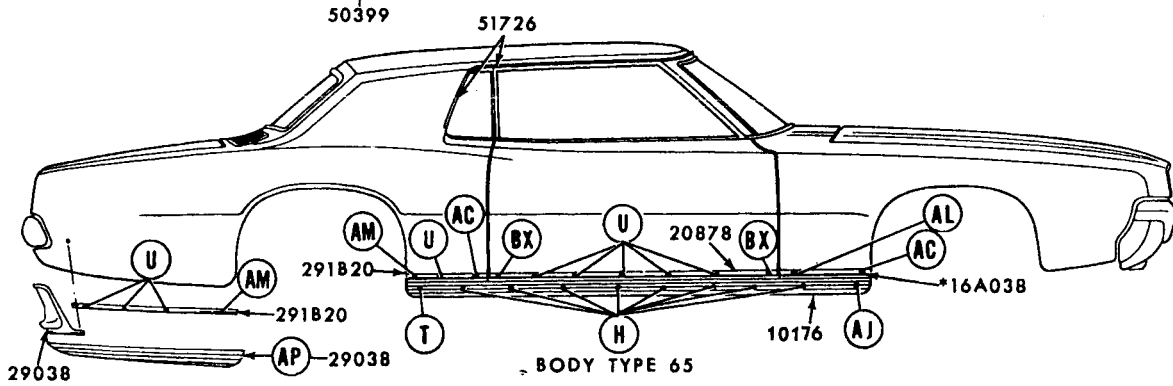
P-6092

1368 THUNDERBIRD

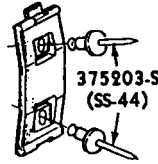




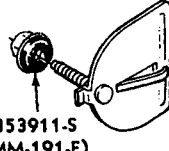
*Thunderbird*  
(ADHESIVE BACKED)



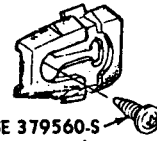
353911-S (MM-191-E)  
+C8SZ-16A746-A  
F



375203-S (SS-44)  
C9SZ-6510198-A  
H



353911-S (MM-191-E)  
C9SZ-6510182-A  
T



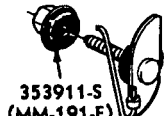
USE 379560-S (UU-89-CA)  
C9MY-5420818-A  
U



382371-S (UU-81-L)  
AC



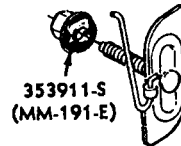
+378993-S  
AJ



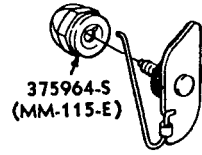
353911-S (MM-191-E)  
C8SZ-6529120-B  
AL



353911-S (MM-191-E)  
C9SZ-6529120-A  
AM



353911-S (MM-191-E)  
C9SZ-6529124-A  
AP



375964-S (MM-115-E)  
C9SZ-6520884-A  
BX

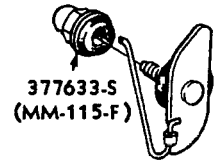
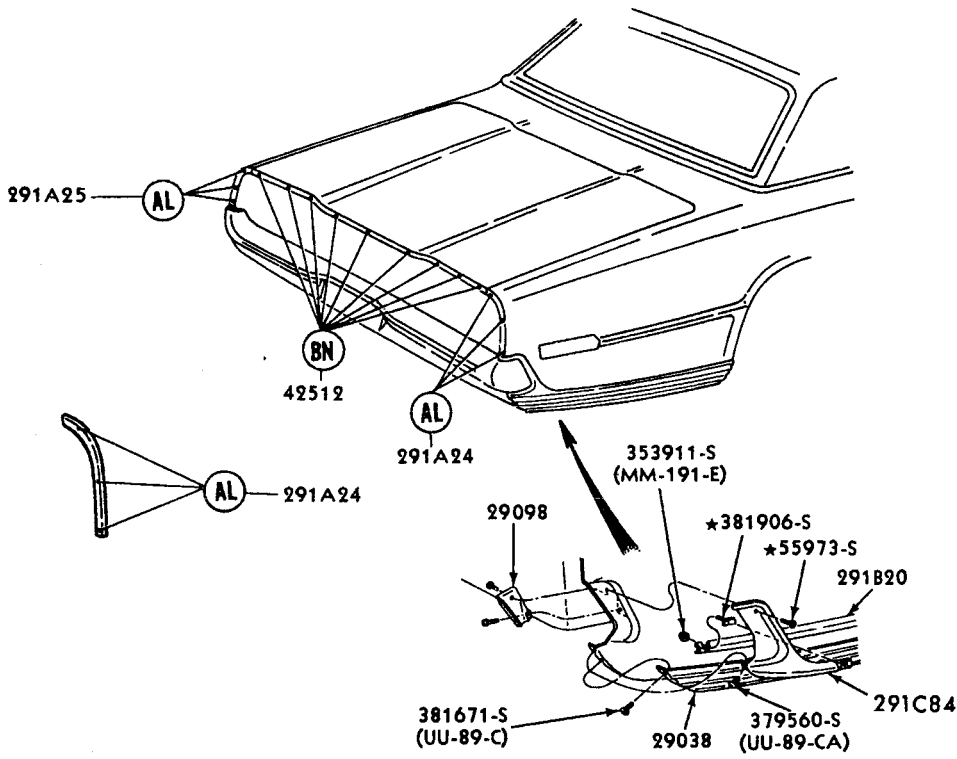


381671-S (UU-89-C)  
BY



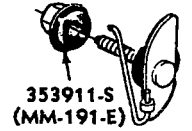
376842-S (MM-288-A)  
CJ

\* REFER TO GROUP IN CHASSIS SECTION



377633-S  
(MM-115-F)

C8SZ-6542527-A  
BN



353911-S  
(MM-191-E)

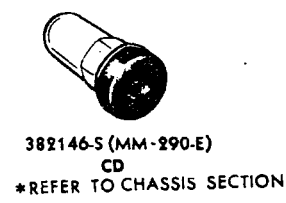
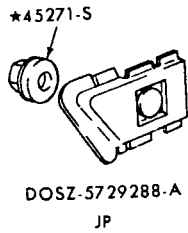
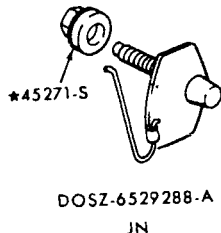
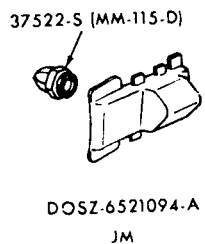
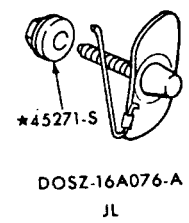
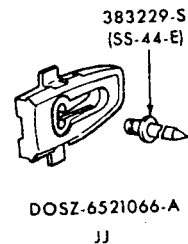
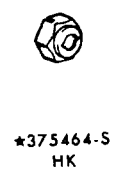
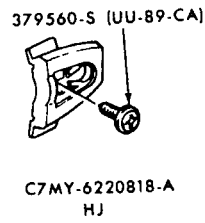
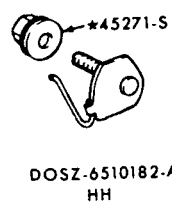
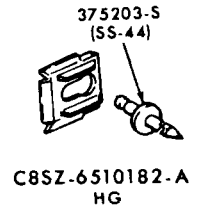
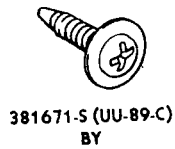
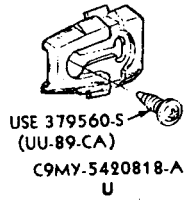
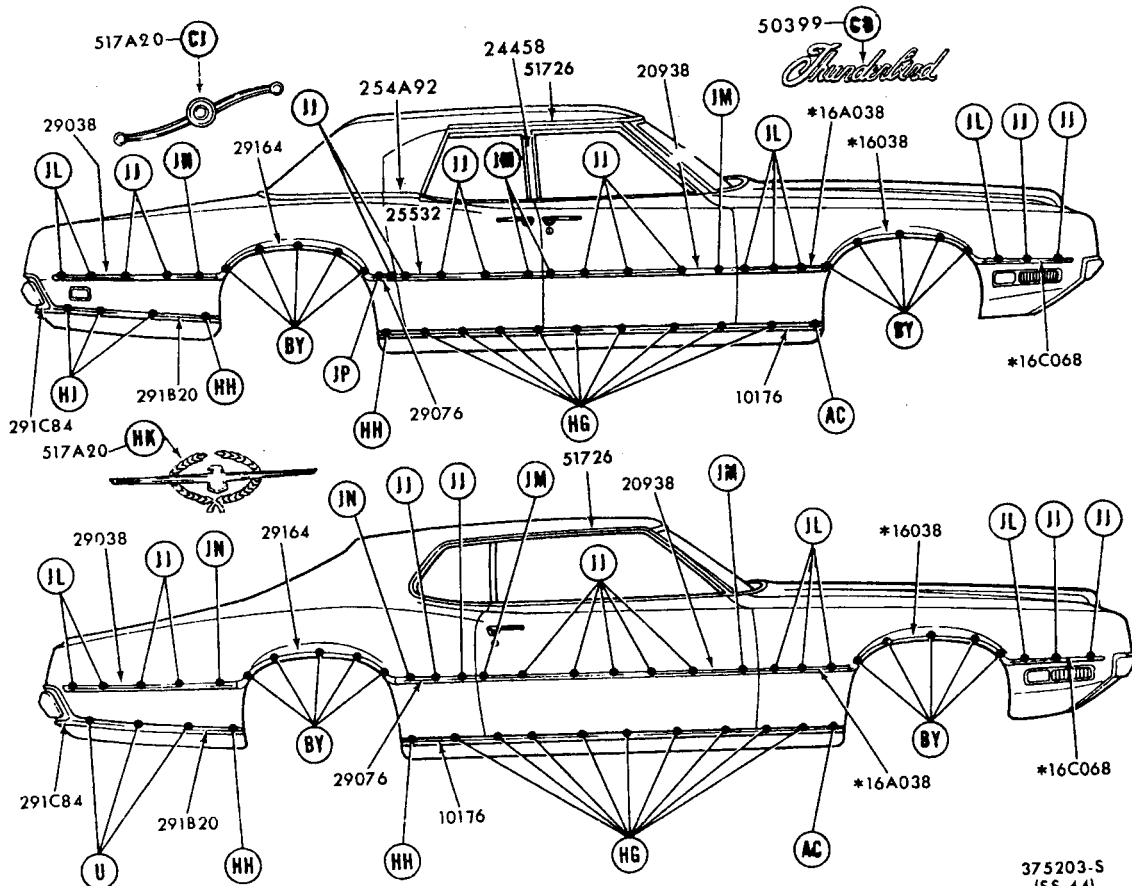
C8SZ-6529120-B  
AL

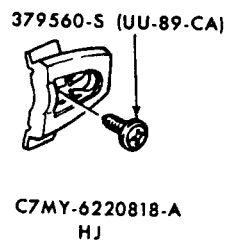
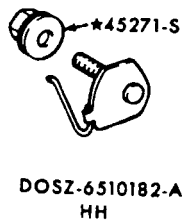
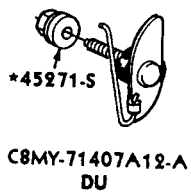
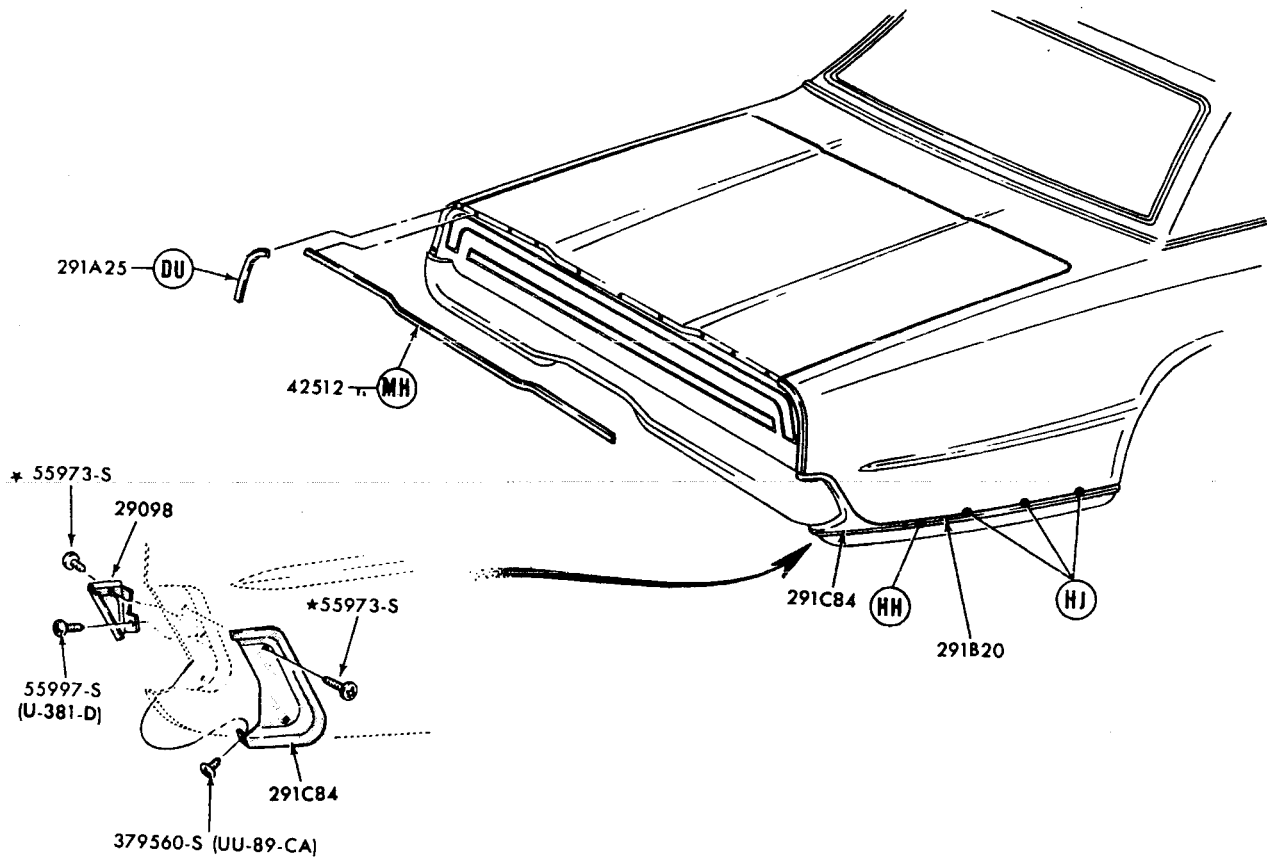
P-6633

1969 THUNDERBIRD - BACK END

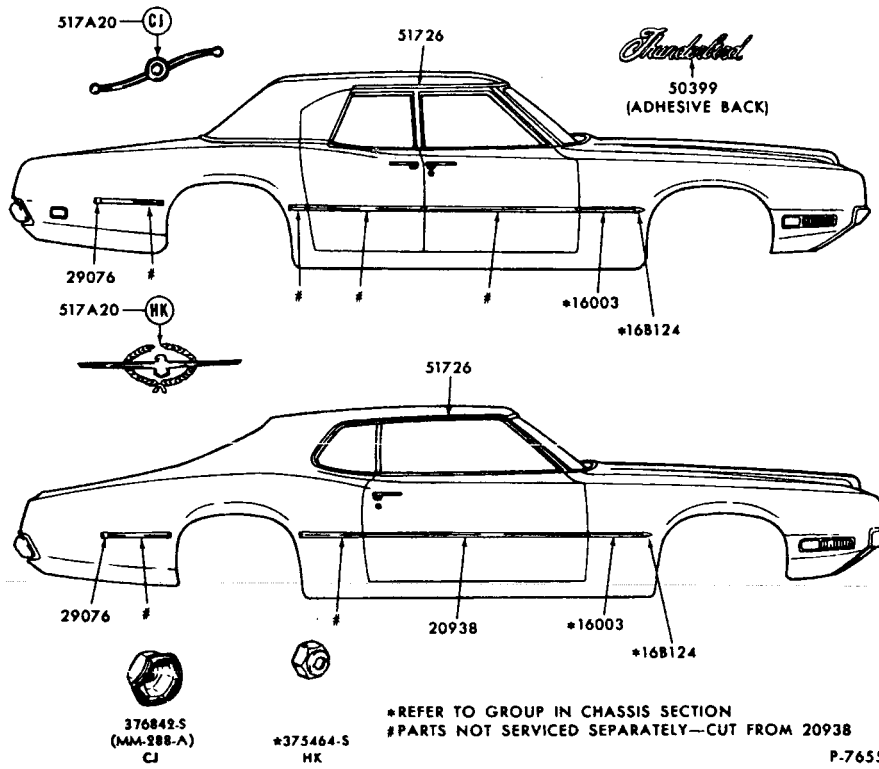
**S EXTERIOR MOULDING  
ILLUSTRATION SECTION**

**FORD CAR PARTS**

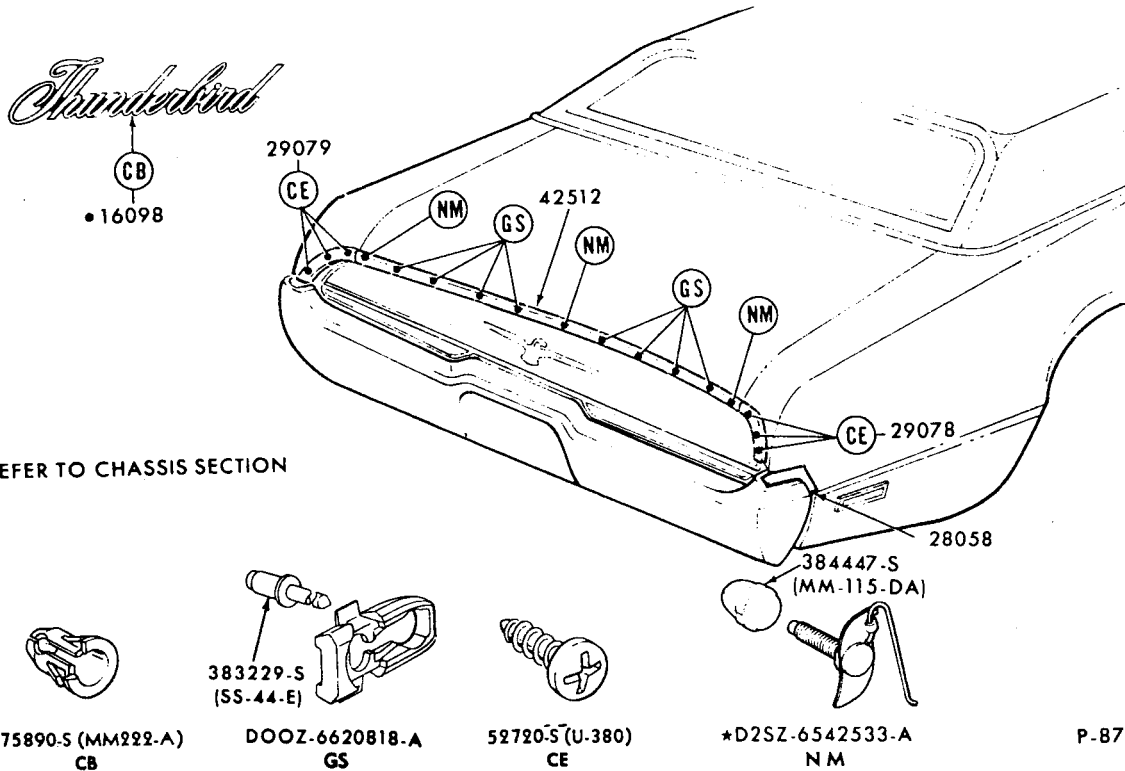




P-7070



1970/71 THUNDERBIRD - BODY SIDE PROTECTION



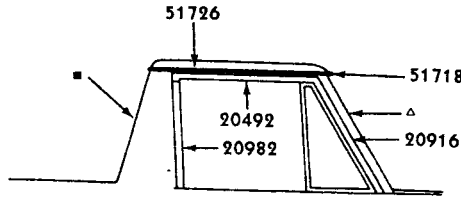
1972 THUNDERBIRD - BACK END



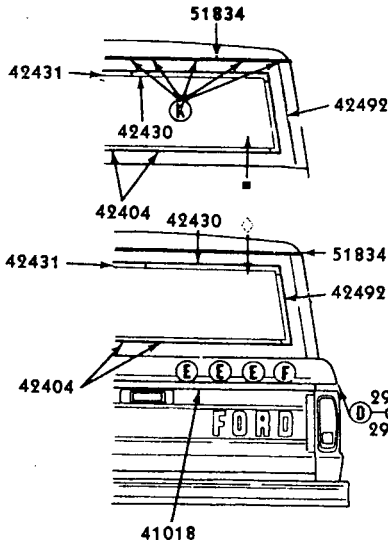
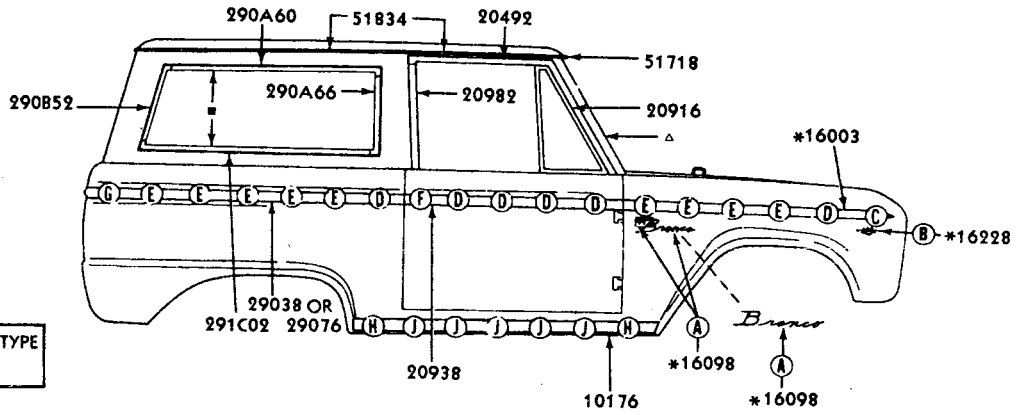
# FORD CAR PARTS

## EXTERIOR MOULDING ILLUSTRATION SECTION U I

BODY TYPE  
97



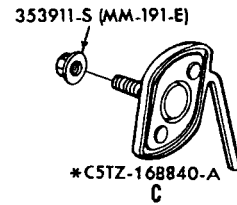
BODY TYPE  
98



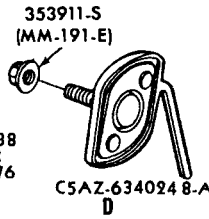
375890-S  
(MM-222-A)  
A



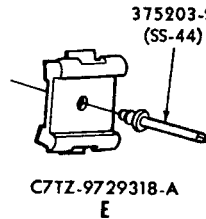
375480-S  
(MM-222-E)  
B



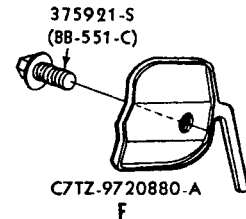
\*C5TZ-168840-A  
C



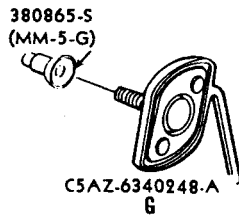
C5AZ-634024 8-A  
D



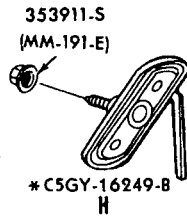
C7TZ-9729318-A  
E



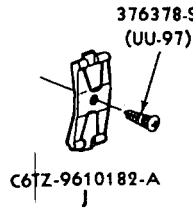
C7TZ-9720880-A  
F



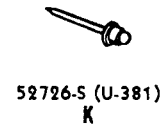
C5AZ-6340248-A  
G



\*C5GY-16249-B  
H



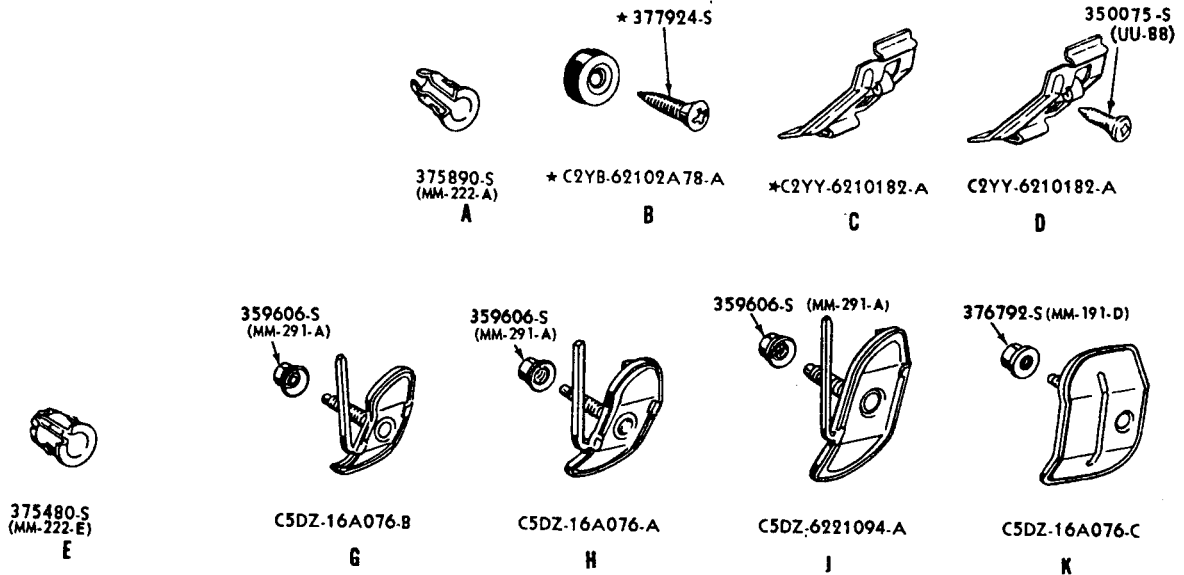
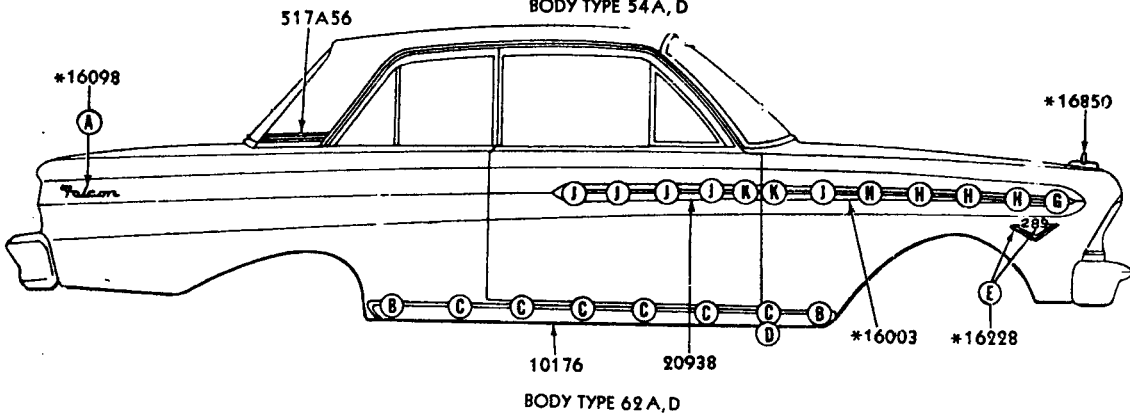
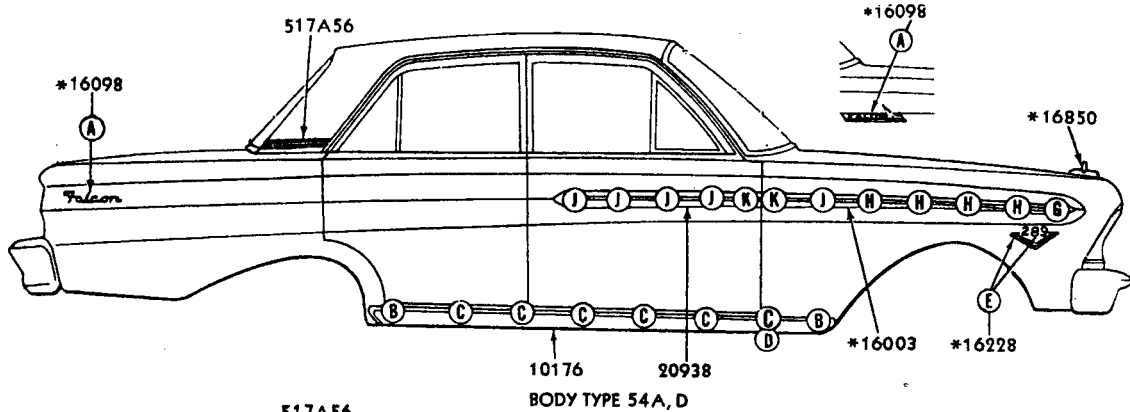
C6TZ-9610182-A  
J



52726-S (U-381)  
K

- ◇ REFER TO BODY ILLUSTRATION SECTION 400
- \* REFER TO GROUP IN CHASSIS SECTION
- REFER TO SHEET METAL ILLUSTRATION SECTION PAGE 127
- △ REFER TO BODY ILLUSTRATION SECTION 030

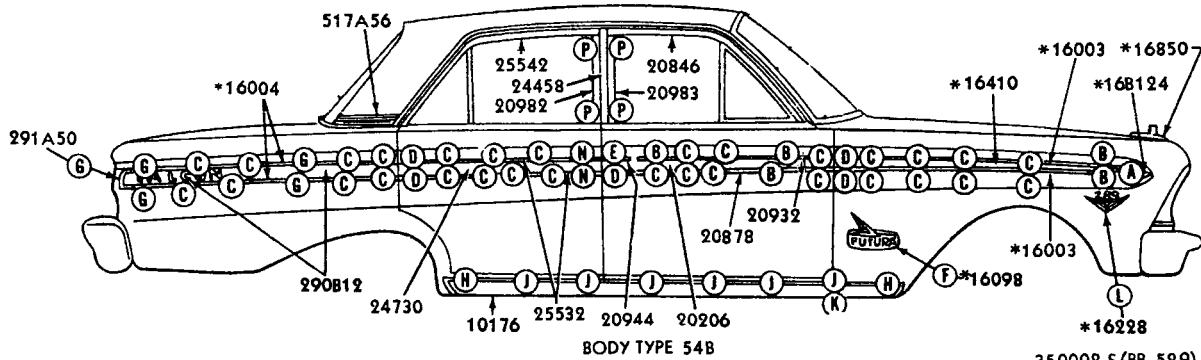
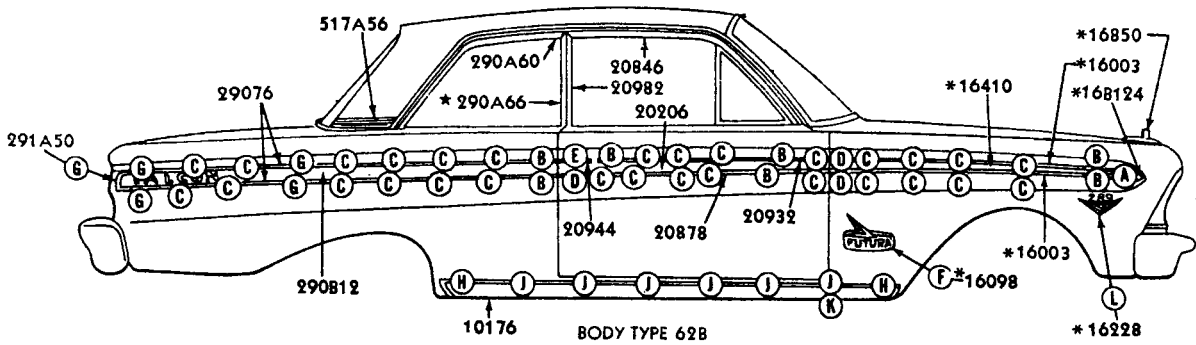
P-5548



\* REFER TO GROUP IN CHASSIS SECTION

P.4689





359606-S  
(MM-291-A)

359606-S  
(MM-291-A)

C5DZ-16A076D

C4OZ-16A076-A

ALTERNATES

C4DZ-16A076

C4MY-6221094-A

A

B

C

D

375690-S (MM-290-D)

\* 377924-S

\* C2YB-62102A78-A

C2YY-6210182-A

350075-S  
(UU-88)

C2YY-6210182-A

350002-S  
(BB-529)

E

375890-S  
(MM-222-A)

F

C5OZ-16A746-A

G

376792-S (MM-191-D)

\* C5DZ-54254A30-A

N



52726-S (U-381)

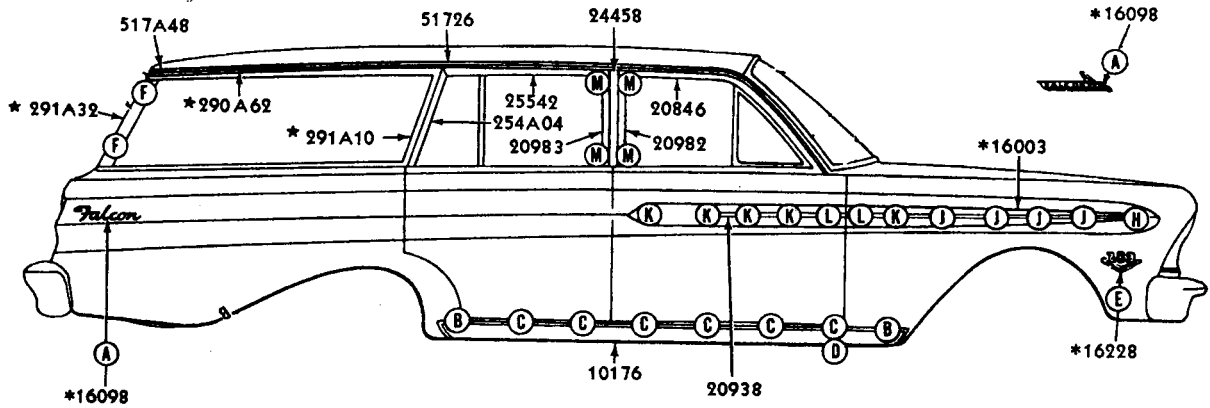
P

\* REFER TO GROUP IN CHASSIS SECTION

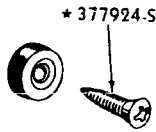
375480-S  
(MM-222-E)

L

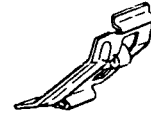
P-4688



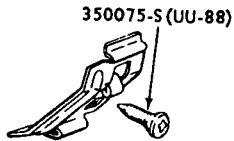
375890.S  
(MM-222-A)  
A



\*377924.S  
\*C2YB-62102A78-A  
B



\*C2YY-6210182.A  
C



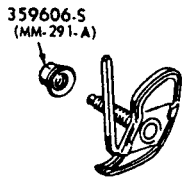
350075-S (UU-88)  
C2YY-6210182.A  
D



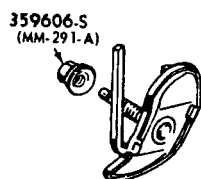
375480.S  
(MM-222-E)  
E



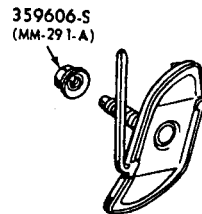
359606-S  
(MM-291-A)  
F



359606-S  
(MM-291-A)  
C5DZ-16A076-B  
H



359606-S  
(MM-291-A)  
C5DZ-16A076-A  
J



359606-S  
(MM-291-A)  
C5DZ-6221094.A  
K



376792-S (MM-191-D)  
C5DZ-16A076-C  
L

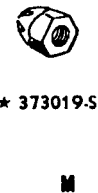
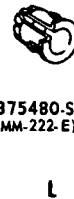
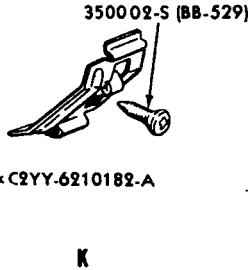
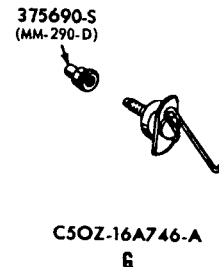
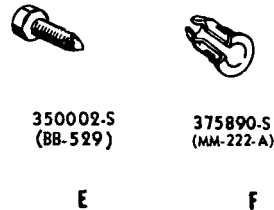
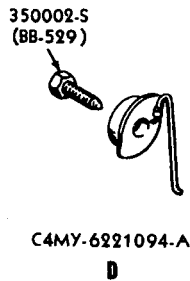
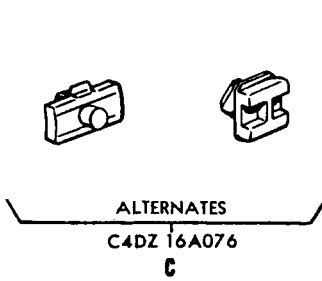
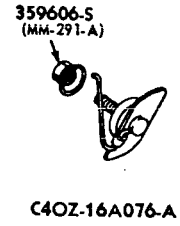
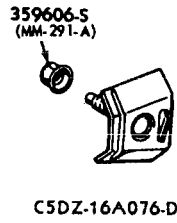
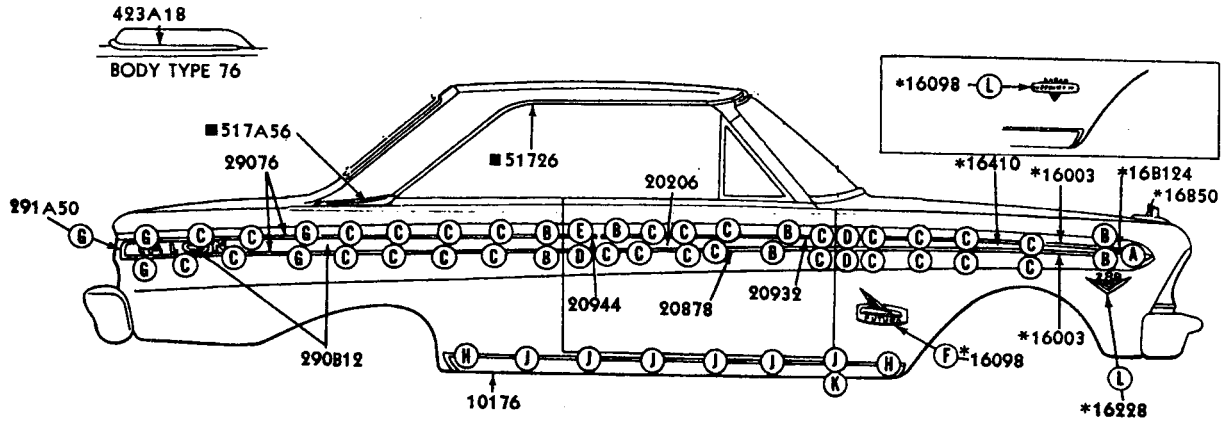


52726-S (U-381)  
M

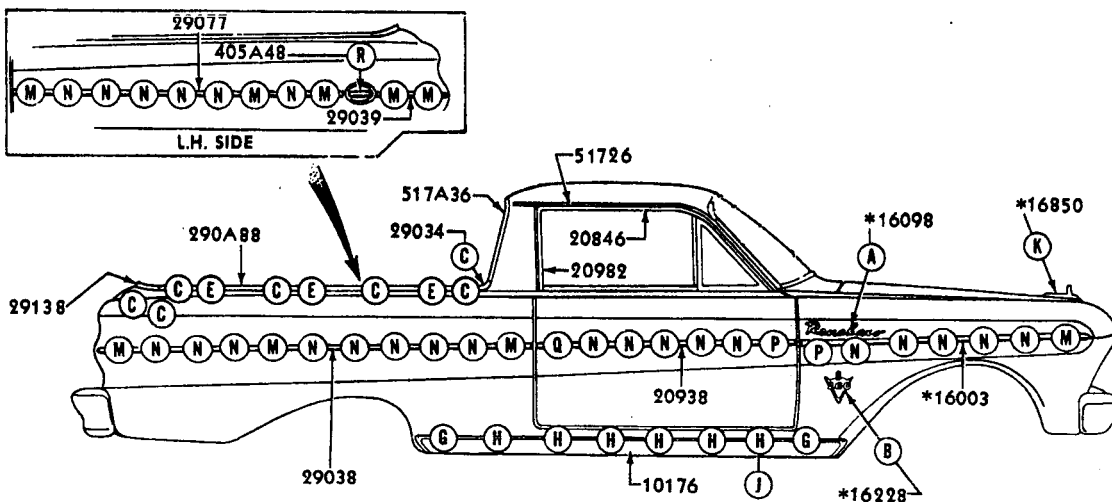
\* REFER TO GROUP IN CHASSIS SECTION

P.4696

1965 FALCON - BODY TYPE 59, 71A, B - Before 10/6/64 - SIDE



\* REFER TO GROUP IN CHASSIS SECTION  
 ■ BODY TYPE 63



375890-S  
(MM-222-A)  
**A**



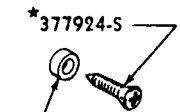
375480-S  
(MM-222-E)  
**B**



\*372666-S  
**C**



CODB-66290816-A  
**E**



\*377924-S  
\*C2YB-62102A78-A  
**G**



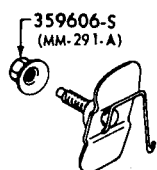
\*C2YY-6210182-A 52376-S (U-296)  
**H**



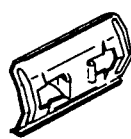
**J**



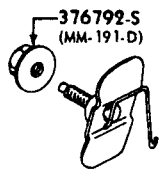
45243-S  
(M-178)  
**K**



359606-S  
(MM-291-A)  
C4DZ-6221094-A  
**M**



C4DZ-6221094-B  
**N**



376792-S  
(MM-191-D)  
C4DZ-6221094-A  
**P**



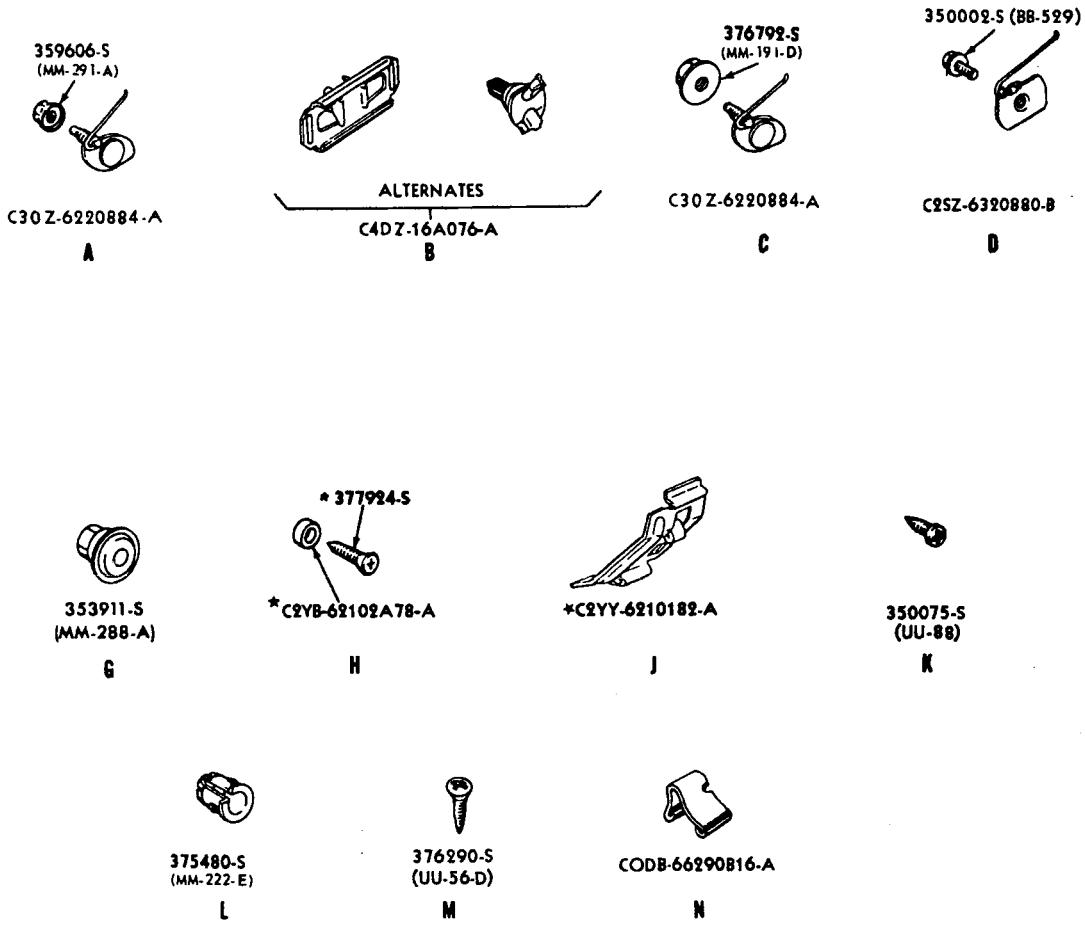
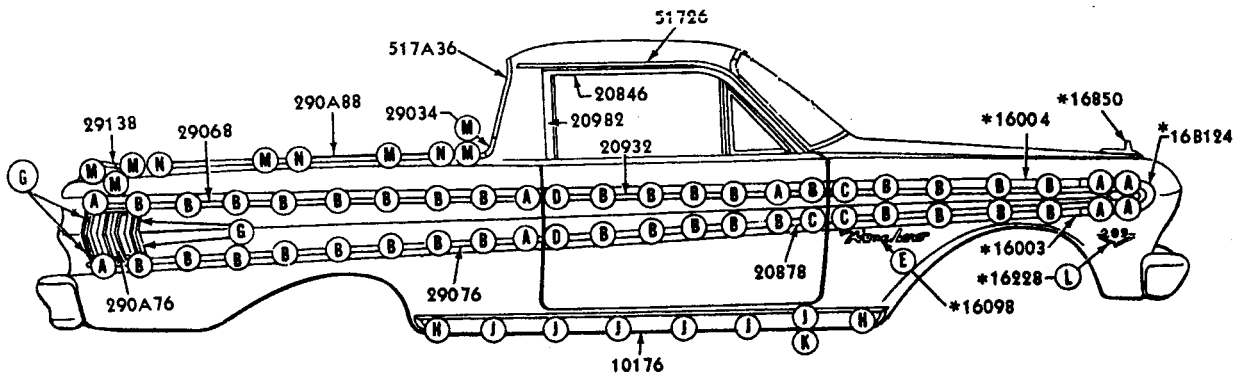
350002-S  
(BB-529)  
C4DZ-6221094-D  
**Q**



40917-S (U-257)  
**R**

\* REFER TO GROUP IN CHASSIS SECTION

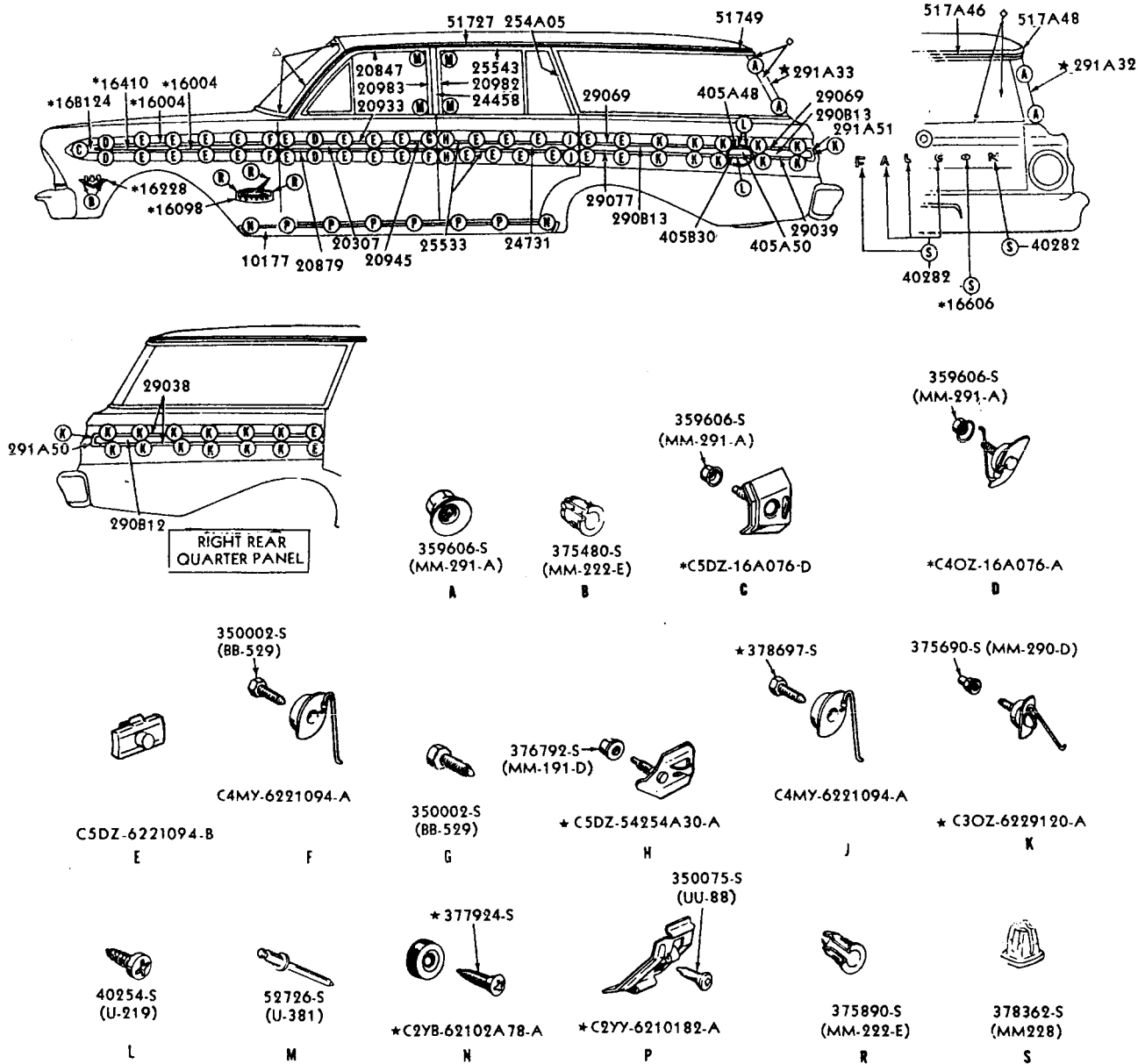
P-4296



\* REFER TO GROUP IN CHASSIS SECTION

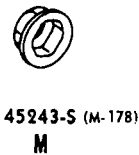
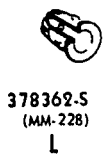
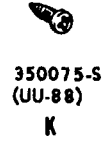
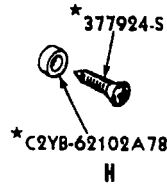
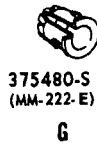
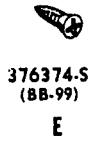
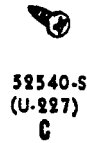
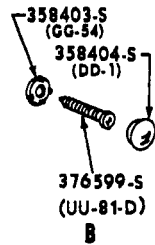
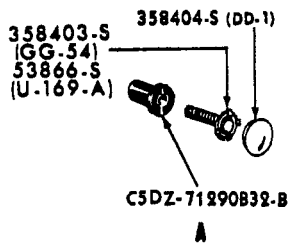
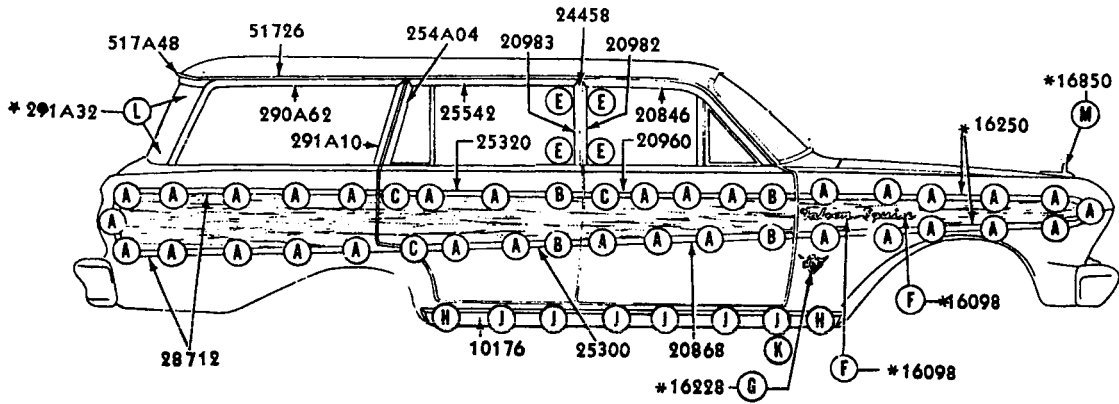
P-4760

1965 FALCON - BODY TYPES 66G,H - SIDE



△REFER TO BODY ILLUSTRATION SECTION 030  
 REFERENCE TO BODY ILLUSTRATION SECTION 400  
 \*REFER TO GROUP IN CHASSIS SECTION

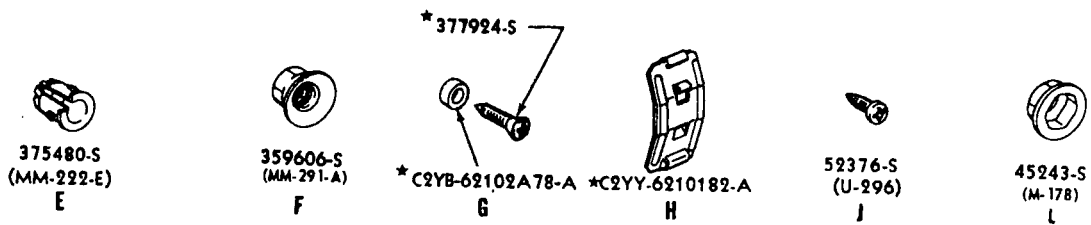
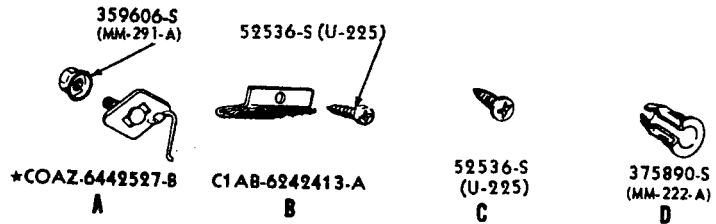
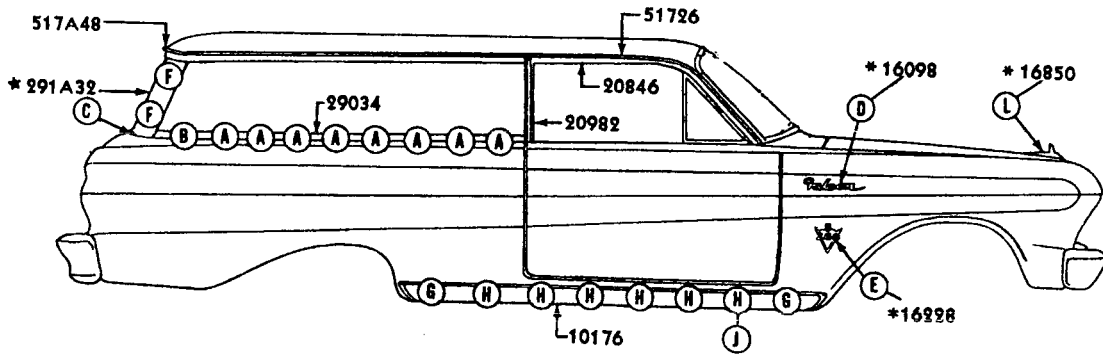
P-4837



WALNUT GRAIN TRANSFER REFER TO BODY GROUP 20748

\* REFER TO GROUP IN CHASSIS SECTION

P.4695

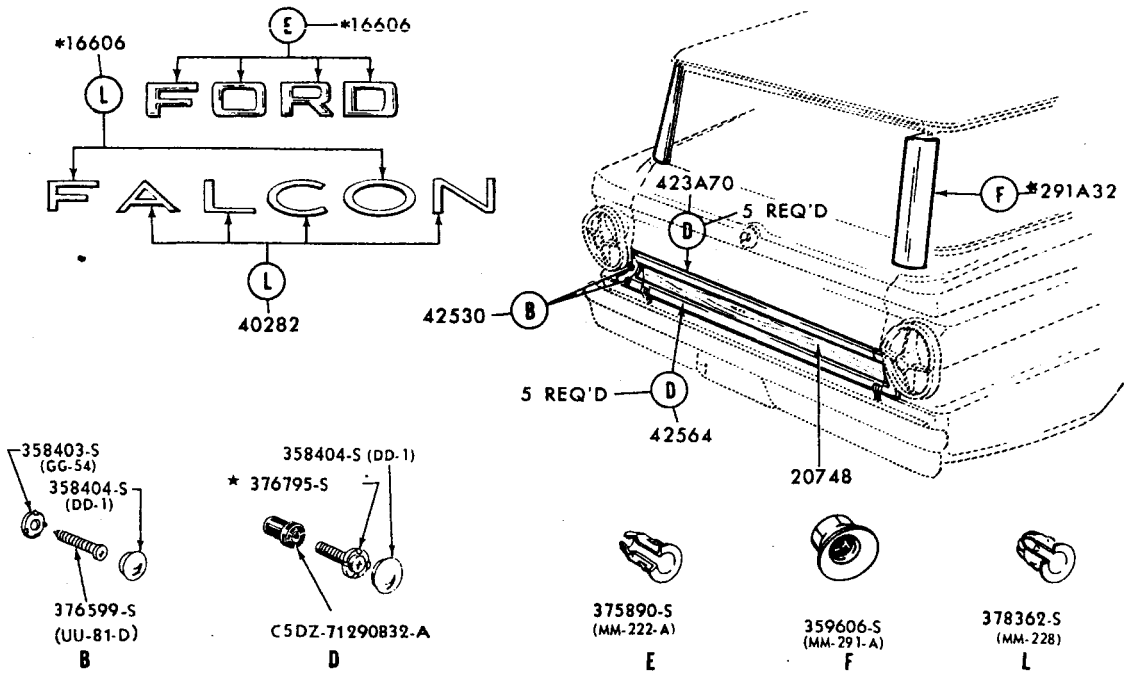


\* REFER TO GROUP IN CHASSIS SECTION

P.4295

1965 FALCON - BODY TYPE 78 - SIDE

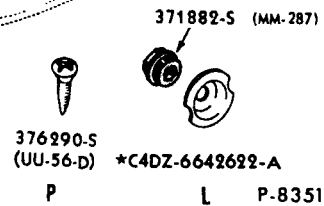
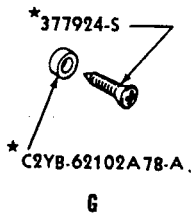
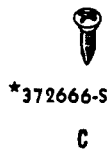
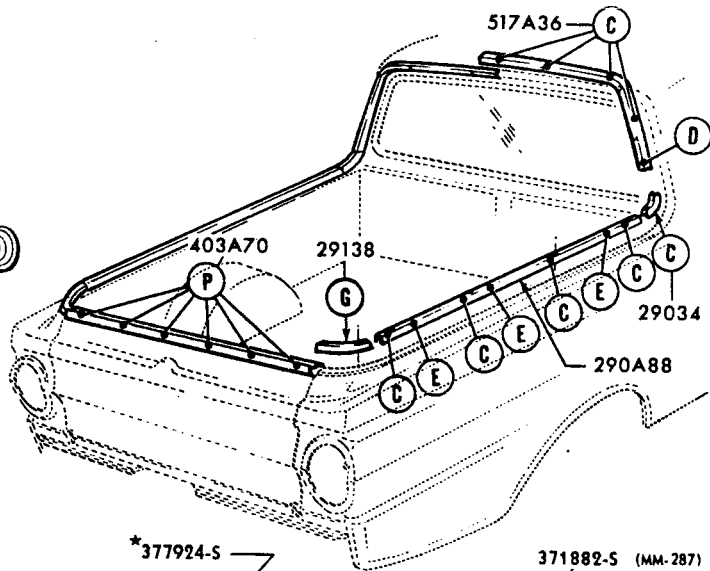
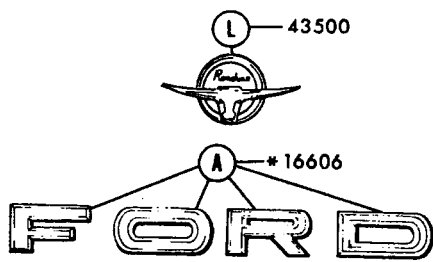




\*REFER TO GROUP IN CHASSIS SECTION

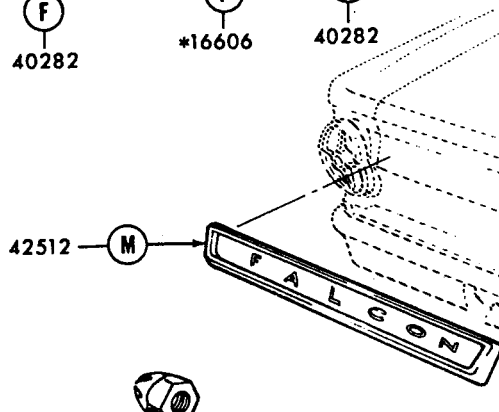
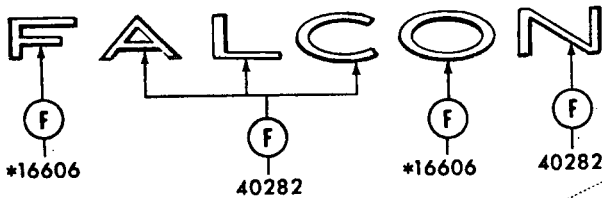
P-8353

1965 FALCON - BODY TYPES 59,71,78 - BACK END



\* REFER TO GROUP IN CHASSIS SECTION

1965 FALCON - BODY TYPE 66 - BACK END

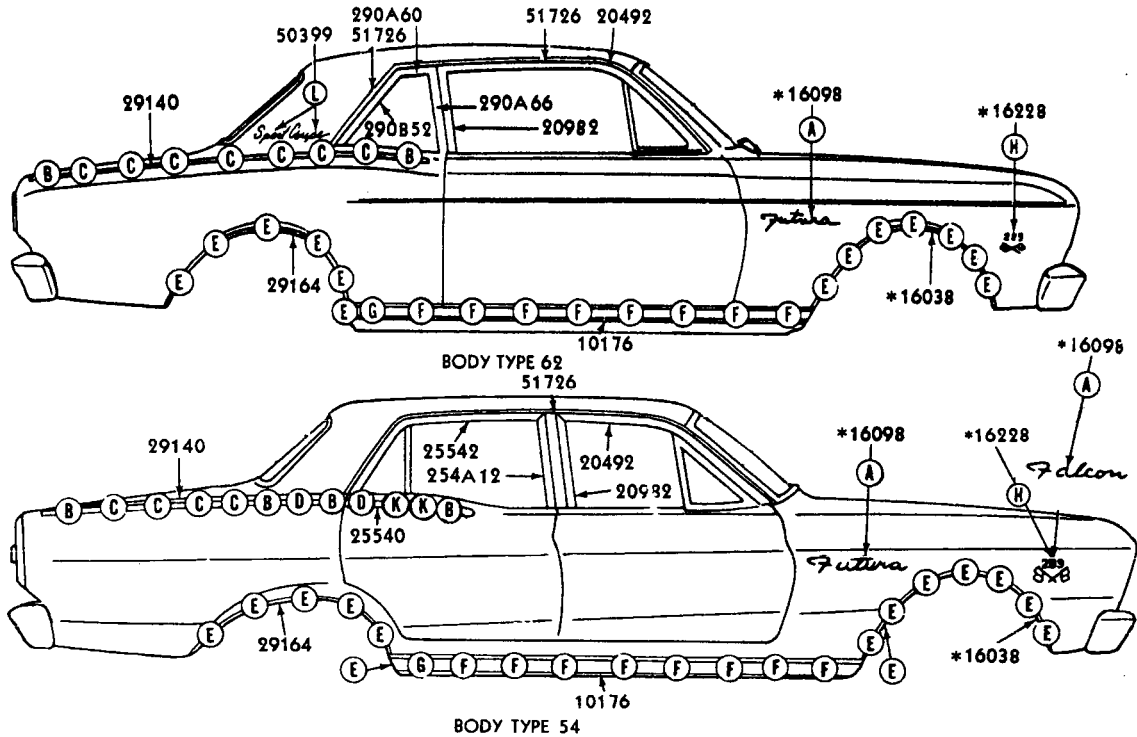


\* REFER TO GROUP IN CHASSIS SECTION

1965 FALCON - BODY TYPES 54, 62, 63, 76 - BACK END

P-8352

**FORD CAR PARTS**



359606-S  
(MM-291-A)



378362-S (MM-228)

A



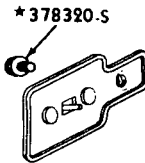
C50Z-16A746-A

B



C6DZ-6229120-A

C



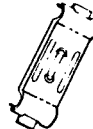
\*378320-S  
\*C6DZ-5425562-A

D



376378-S (UU-97)

E



C6DZ-6210182-A

F

353911-S (MM-191-E)



\*C6DZ-6210182-B

G



375480-S (MM-222-E)

H

376378-S  
(UU-97)



C6DZ-54254A46-A

K



375890-S (MM-222-A)

L

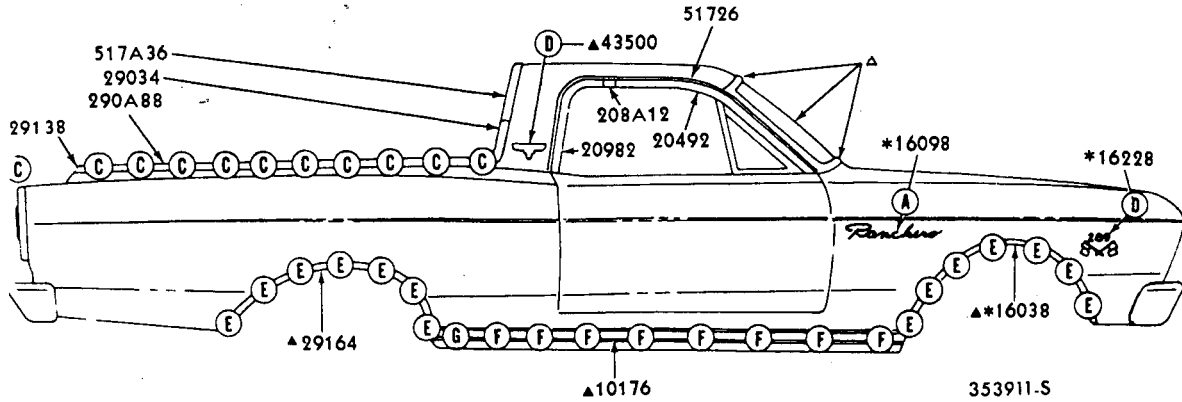
\* REFER TO GROUP IN CHASSIS SECTION

P-5061

# FORD CAR PARTS

## EXTERIOR MOULDING ILLUSTRATION SECTION X

13



378362-S  
(MM-228)

A



380049-S  
(UU-56-AB)

C



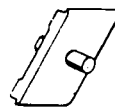
375480-S  
(MM-222-E)

D



376378-S  
(UU-97)

E



C6DZ-6210182-A

F

353911-S  
(MM-191-E)



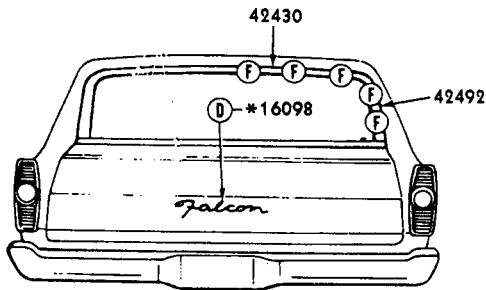
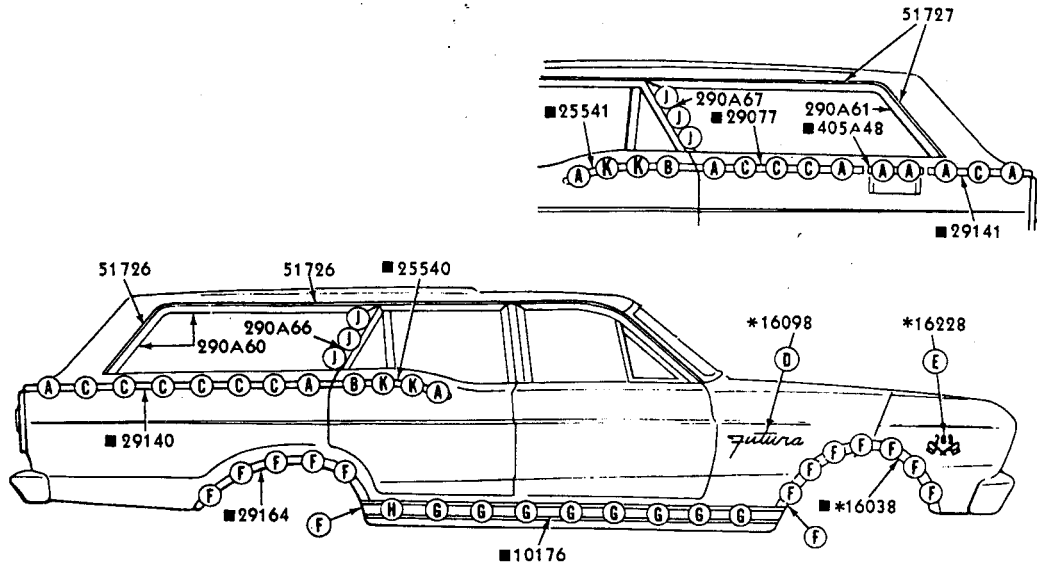
\*C6DZ-6210182-B

G

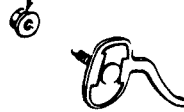
\*REFER TO GROUP IN CHASSIS SECTION  
▲BODY TYPE 66B, D ONLY

P-5065

1966 FALCON - BODY TYPE 66 - SIDE



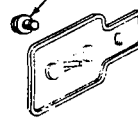
359606-S  
(MM-291-A)



C50Z-16A746-A

A

\*378320-S



\*C6DZ-5425562-A

B



C6DZ-6229144-A

C



378362-S  
(MM-228)

D



375480-S  
(MM-222-E)

E



376378-S  
(UU-97)

F



C6DZ-6210182-A

G

353911-S  
(MM-191-E)



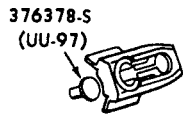
\* C6DZ-6210182-B

H



376378-S  
(UU-97)

J

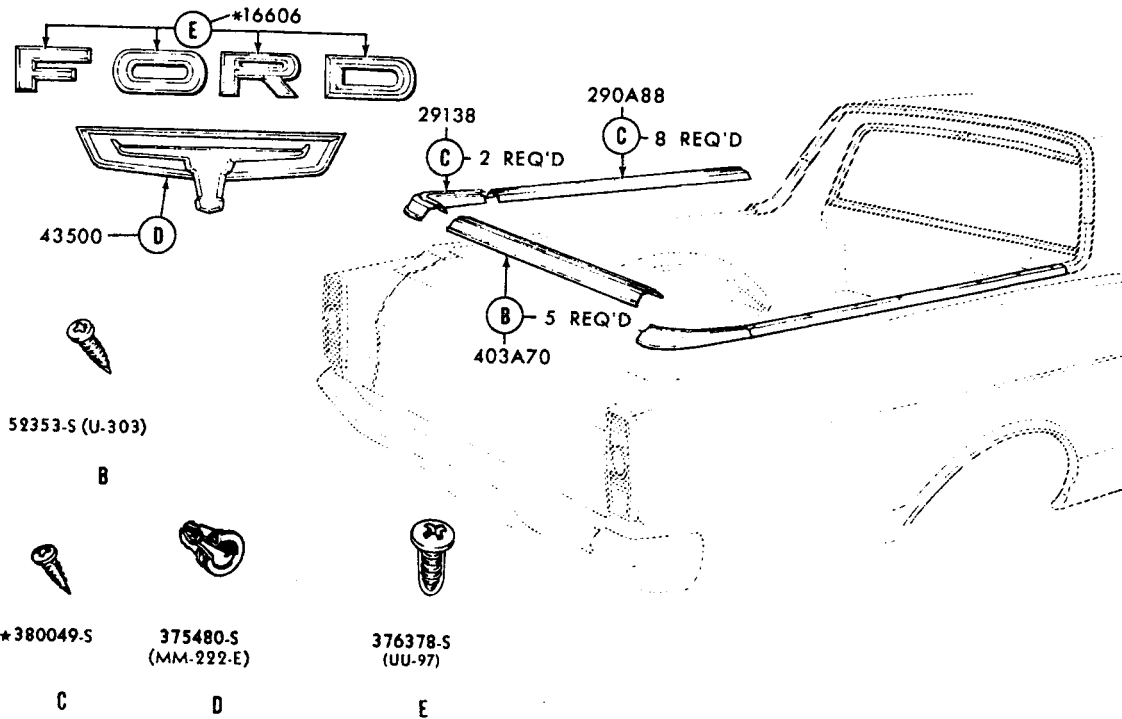


C6DZ-54254A46-A

K

\* REFER TO GROUP IN CHASSIS SECTION

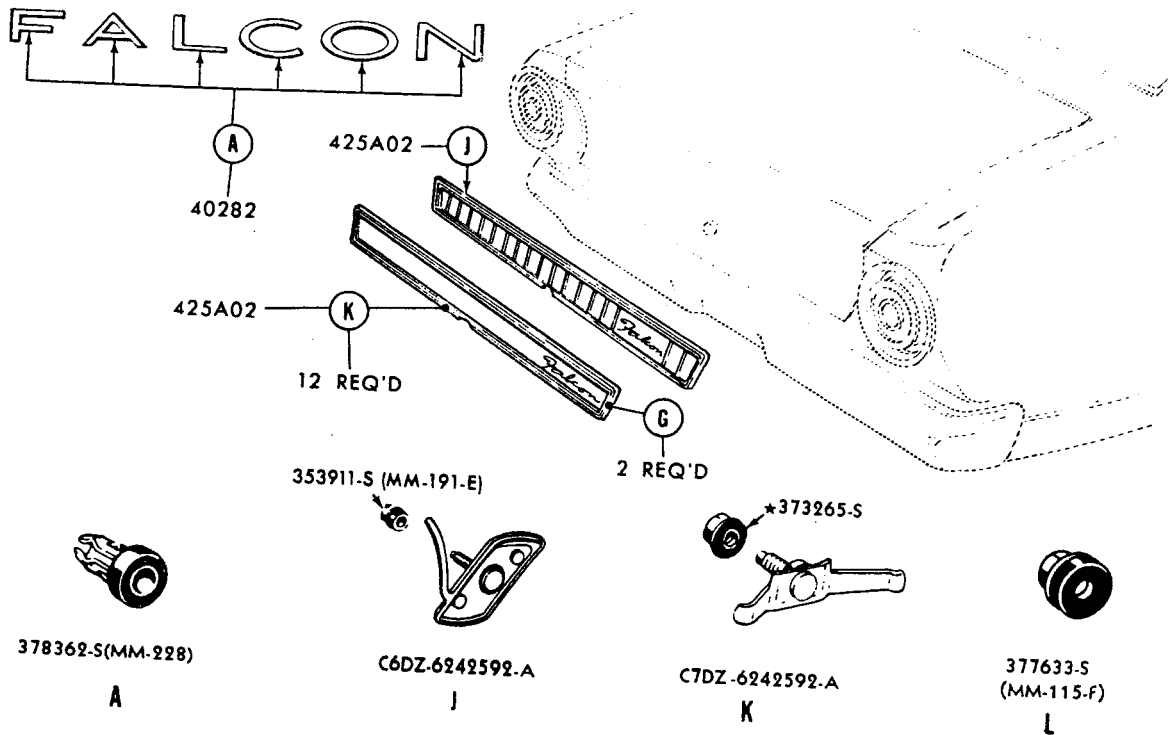
■ BODY TYPE 71B



\* REFER TO GROUP IN CHASSIS SECTION

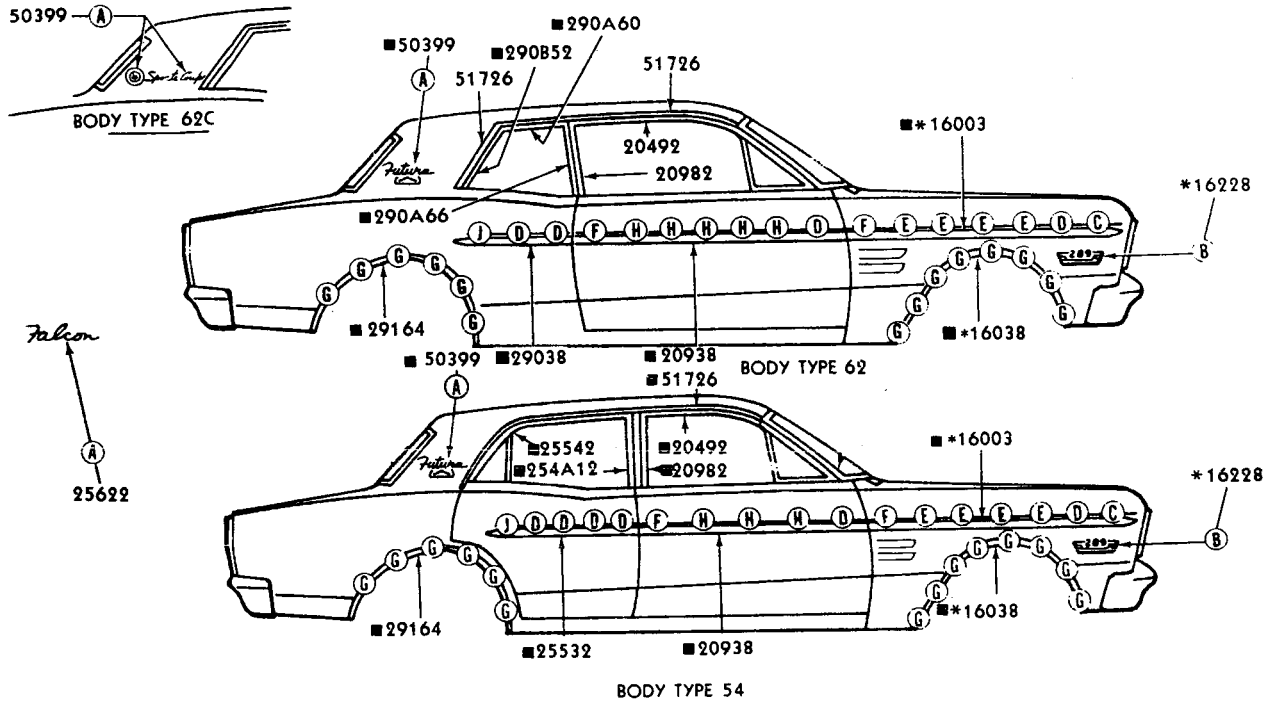
P-8358

1966 FALCON - BODY TYPE 66 - BACK END



1966/67 FALCON - BODY TYPES 54, 62 - BACK END

P-8357



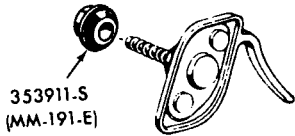
378362-S(MM-228)

A



375480-S(MM-222-E)

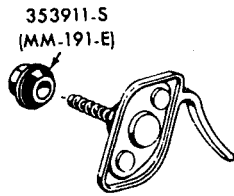
B



353911-S  
(MM-191-E)

\*C5AZ-16A746-B

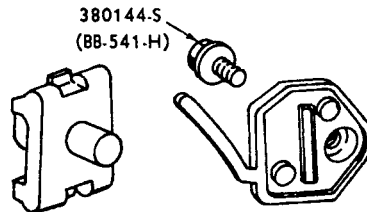
C



353911-S  
(MM-191-E)

C6MY-6329120-E

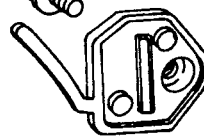
D



380144-S  
(BB-541-H)

C6VY-5321094-A

E



C6MY-6320880-B

F



381671-S  
(UU-89-C)

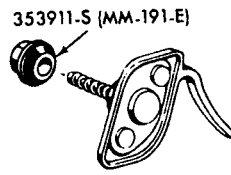
G



376378-S (UU-97)

C7DZ-6220880-A

H



353911-S (MM-191-E)

\*C6DZ-16A746-A

J



377633-S  
(MM-115-F)

L

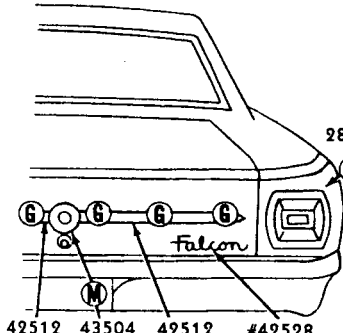
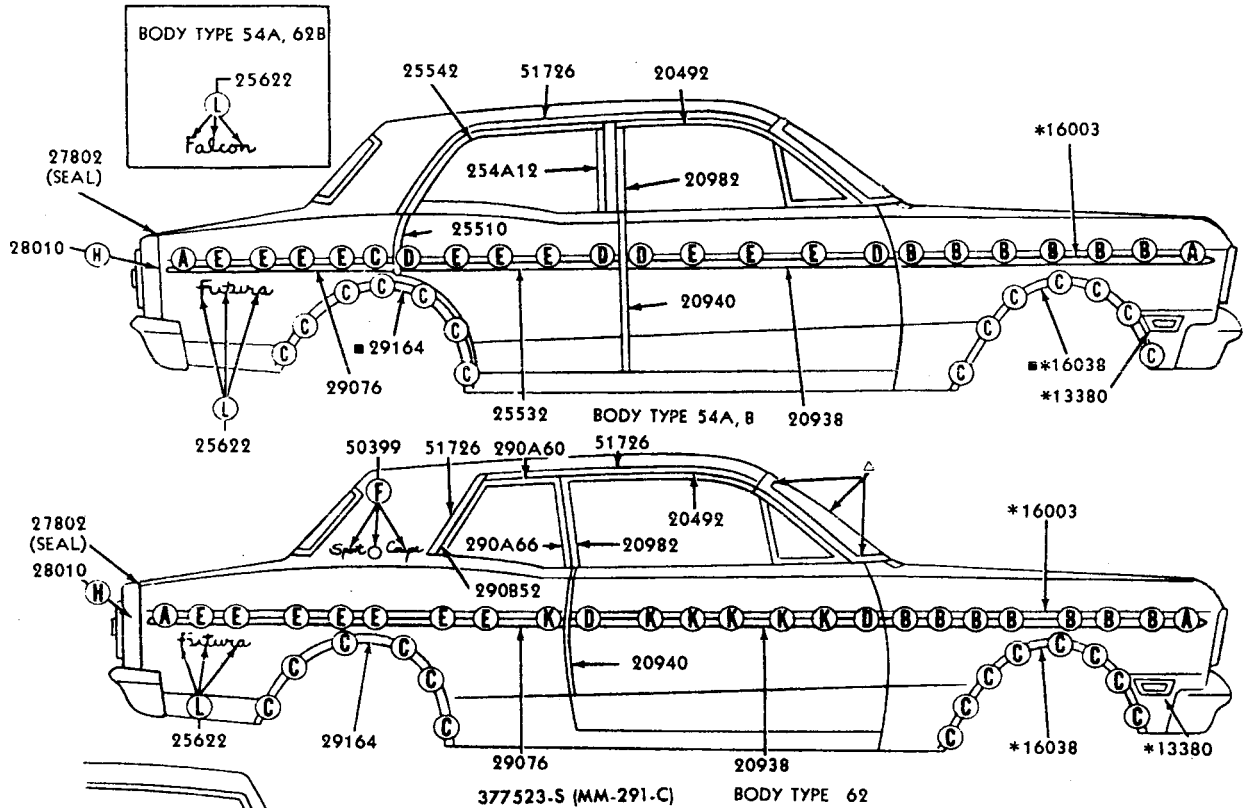
\*REFER TO GROUP IN CHASSIS SECTION



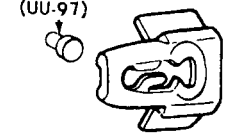


**X EXTERIOR MOULDING  
ILLUSTRATION SECTION**

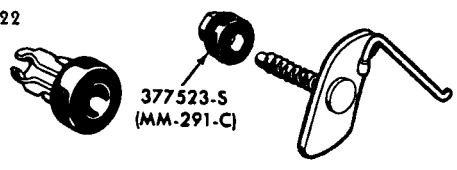
**FORD CAR PARTS**



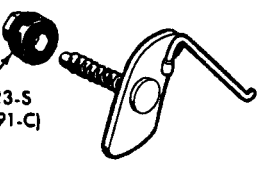
42512 43504 42512 #42528  
USE 376378-S (UU-97) OR #25622



C6DZ-54254A46-A  
**E**



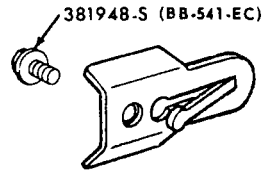
378362-S (MM-228)  
**F**



C8DZ-6240248-A  
USE 376378-S (UU-97)  
**G**



381671-S (UU-89-C)  
**C**



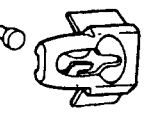
381948-S (BB-541-EC)  
C80Z-5420884-A  
**D**



373556-S (BB-291-F)  
**H**



375890-S (MM-222-A)  
**J**



C7DZ-6229144-A  
**K**



373888-S (MM-290)  
**L**

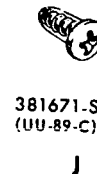
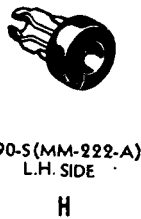
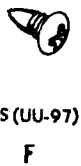
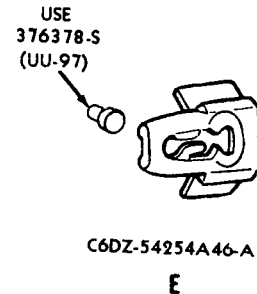
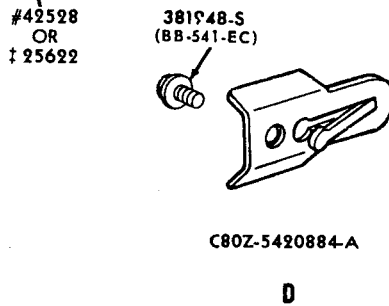
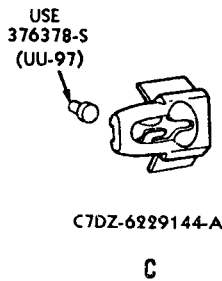
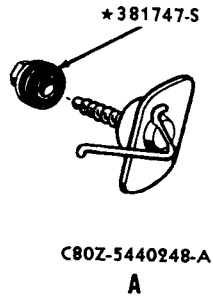
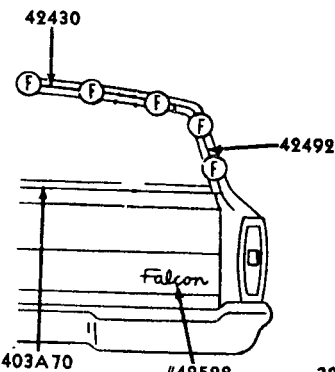
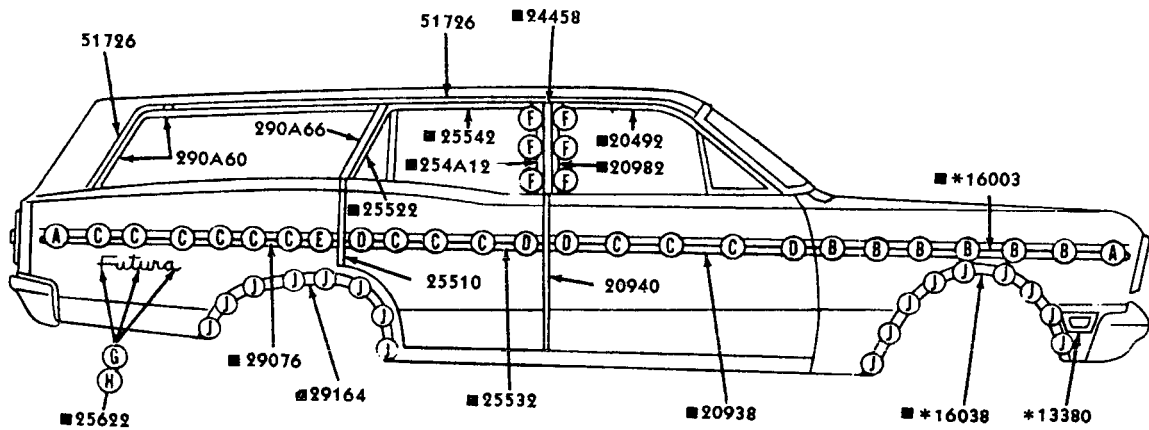


377523-S (MM-291-C)  
**M**

\*REFER TO GROUP IN CHASSIS SECTION

#PRESS ON TYPE  
;STUD TYPE  
□BODY TYPE 54B

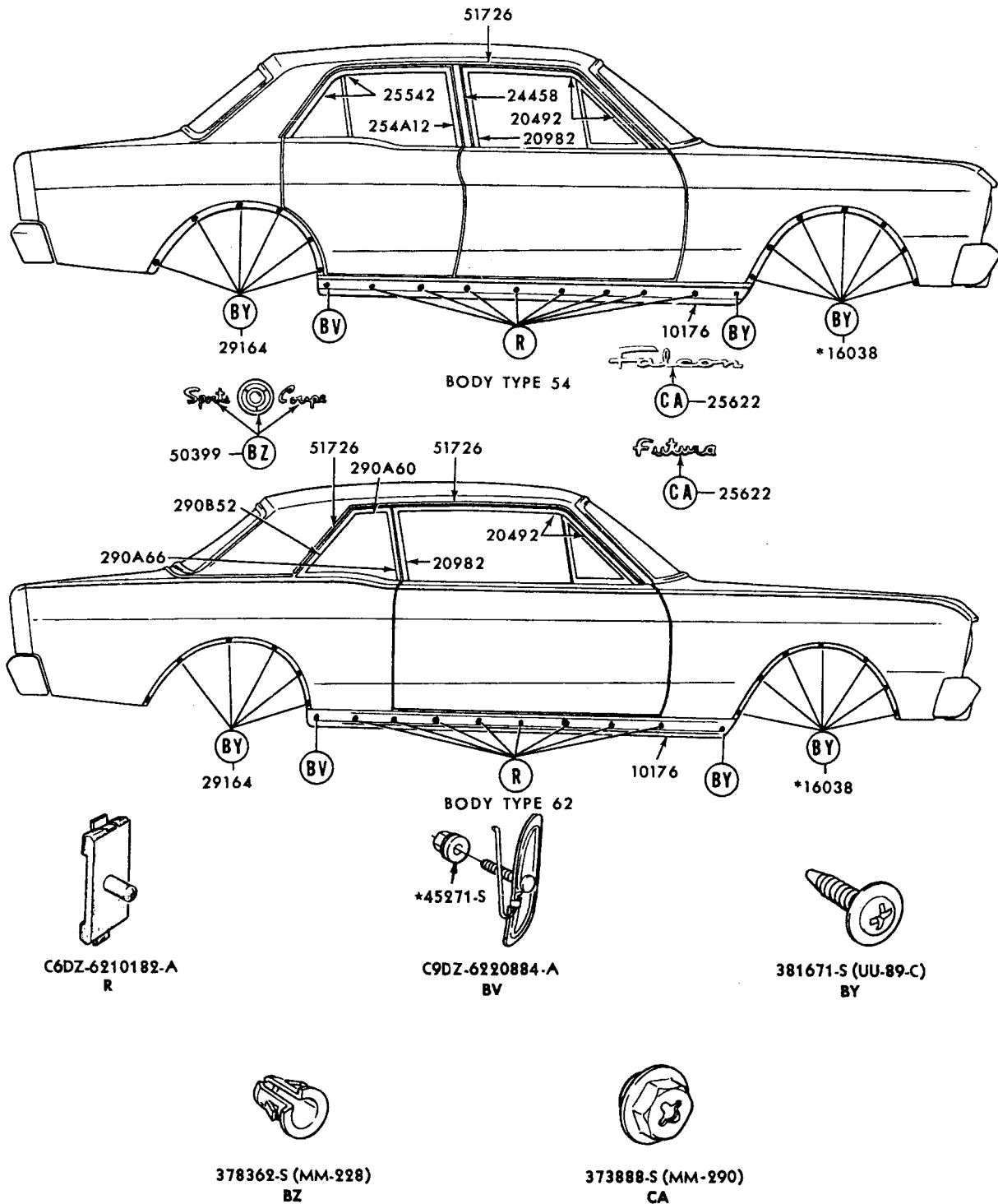
P-6109



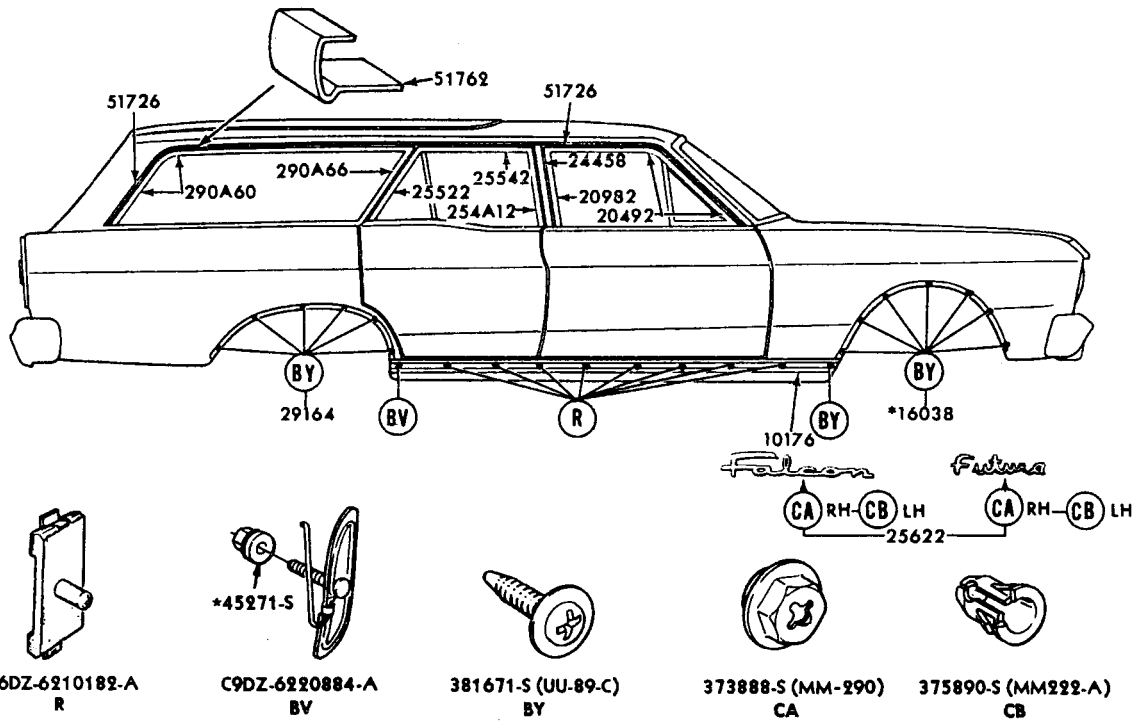
\*REFER TO GROUP IN CHASSIS SECTION

#PRESS ON TYPE  
:STUD TYPE  
■BODY TYPE 71B

P-6098



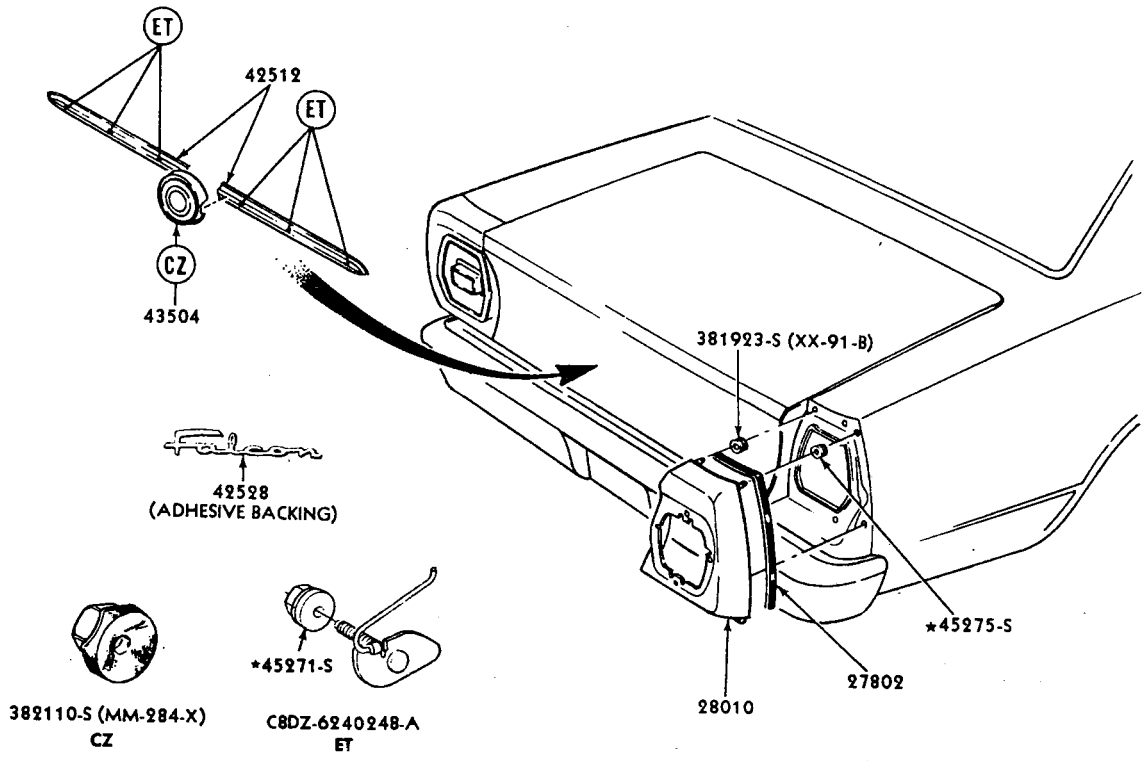
\*REFER TO GROUP IN CHASSIS SECTION



\* REFER TO GROUP IN CHASSIS SECTION

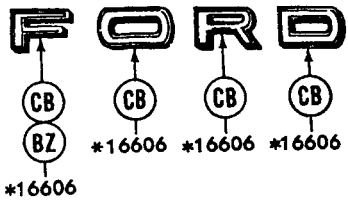
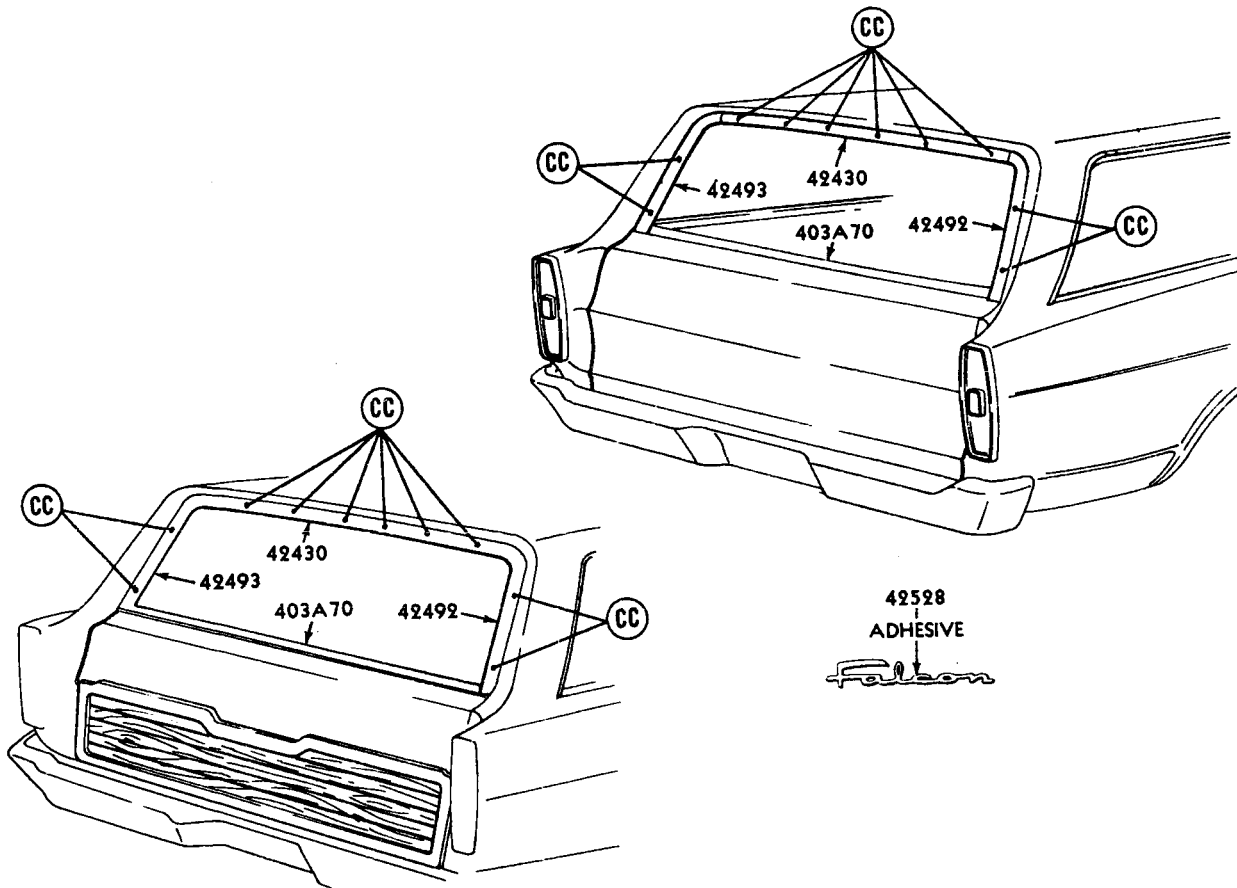
P-6560

1969/70 FALCON - BODY TYPE 71 - SIDE



1969/70 FALCON - BODY TYPE 54, 62 - BACK END

P-6682



378362-S (MM-228)  
BZ



375890-S (MM222-A)  
CB



379560-S (UU-89-CA)  
CC

\*REFER TO GROUP IN CHASSIS SECTION

# FORD CAR PARTS

## INTERIOR TRIM ILLUSTRATION SECTION

A

### INDEX

TITLE	SECTION	PAGE	ILLUS. NO.
-------	---------	------	------------

## 1965

### A (FORD)

Arm rest and door handle parts	A	1	P-6453
Door and quarter trim panels - body types 57F, 63F (U.S. only)	A	5	P-4818
Door trim panels - body types 53F, 57, 76F (Canada only)	A	34	P-9674
Door and quarter trim panels - body type 62	A	7	P-4820
Door and quarter trim panels - body types 63C, 76B	A	9	P-4814
Interior trim parts - body type 54	A	2	P-6371-A
Interior trim parts - body type 57	A	4	P-4817
Interior trim parts - body type 63	A	8	P-4815
Interior trim parts - body type 71	A	11	P-4763
Interior trim parts - body type 76	A	12	P-4816
Luggage compartment trim - body types 54, 57, 62, 63, 76	A	13	P-4919

### B (FAIRLANE)

Interior trim parts - body type 65	B	1	P-4111
Interior trim parts - body type 71	B	2	P-4112

### F (MUSTANG)

Folding top compartment trim - body type 76	F	4	P-3446
Interior trim parts - body type 63	F	1	P-4767
Interior trim parts - body type 65	F	2	P-4456
Interior trim parts - body type 76	F	3	P-4457

### S (THUNDERBIRD)

Door and quarter trim panels	S	1	P-4324
Interior trim parts - body type 63A, B	S	2	P-4378
Interior trim parts - body type 76	S	4	P-4374
Luggage compartment trim - body type 63	S	5	P-4370
Luggage compartment trim - body type 76	S	5	P-4371

### X (FALCON)

Interior trim parts - body type 59	X	1	P-3167
Interior trim parts - body type 63	X	2	P-4233
Interior trim parts - body type 66	X	6	P-5163
Interior trim parts - body type 71	X	3	P-3200
Interior trim parts - body type 76	X	4	P-4234
Interior trim parts - body type 78	X	5	P-3591

## 1966

### A (FORD)

Arm rest and door handle parts	A	1	P-6453
Door and quarter trim panels - body types 57F, 63F	A	6	P-5169
Door and quarter trim panels - body type 62	A	7	P-4820
Door and quarter trim panels - body types 63C, D, 76B, D	A	10	P-5168
Interior trim parts - body type 54	A	2	P-6371-A
Interior trim parts - body type 57	A	4	P-4817
Interior trim parts - body type 63	A	8	P-4815
Interior trim parts - body type 71	A	11	P-4763
Interior trim parts - body type 76	A	12	P-4816
Luggage compartment trim - body types 54, 57, 62, 63, 76	A	13	P-4919

### B (FAIRLANE)

Interior trim parts - body type 54	B	3	P-5160
Interior trim parts - body type 62	B	4	P-5161
Interior trim parts - body type 63	B	4	P-5162
Interior trim parts - body type 71	B	5	P-5164
Interior trim parts - body type 76	B	6	P-5165
Luggage compartment trim - body types 54, 62, 63, 65, 76	B	7	P-5764

**B****INTERIOR TRIM  
ILLUSTRATION SECTION****FORD CAR PARTS****INDEX**

TITLE	SECTION	PAGE	ILLUS. NO.
-------	---------	------	------------

**1966****F (MUSTANG)**

Folding top compartment trim - body type 76	F	4	P-3446
Interior trim parts - body type 63	F	1	P-4767
Interior trim parts - body type 65	F	2	P-4456
Interior trim parts - body type 76	F	3	P-4457

**S (THUNDERBIRD)**

Door and quarter trim panels	S	1	P-4324
Interior trim parts - body type 63A, B	S	2	P-4378
Interior trim parts - body type 63C, D	S	3	P-5158
Interior trim parts - body type 76	S	4	P-4374
Luggage compartment trim - body type 63	S	5	P-4370
Luggage compartment trim - body type 76	S	5	P-4371

**U (BRONCO)**

Roof trim panels - body type 98	U	2	P-5289
---------------------------------	---	---	--------

**X (FALCON)**

Interior trim parts - body type 54	X	6	P-5160
Interior trim parts - body type 62	X	7	P-5161
Interior trim parts - body type 66	X	6	P-5163
Interior trim parts - body type 71	X	8	P-5166
Luggage compartment trim - body types 54, 62	X	7	P-5764

**1967****A (FORD)**

Arm rest and door handle parts	A	1	P-6453
Door and quarter trim panels - body types 57F, 63J	A	15	P-5586
Door and quarter trim panels - body type 62	A	7	P-4820
Door and quarter trim panels - body types 63C, 76B	A	18	P-5587
Door trim panels - body type 54	A	3	P-6371-B
Interior trim parts - R.H. side - body type 71	A	20	P-5789
Interior trim parts - L.H. side - body type 71	A	19	P-5790
Interior trim parts - body type 54	A	2	P-6371-A
Interior trim parts - body type 57	A	14	P-6419
Interior trim parts - body types 63, 65	A	16	P-6418-A
Interior trim parts - body type 76	A	21	P-6421
Luggage compartment trim - body types 54, 57, 62, 63, 65, 76	A	13	P-5765

**B (FAIRLANE)**

Interior trim parts - body type 54	B	3	P-5160
Interior trim parts - body type 62	B	4	P-5161
Interior trim parts - body type 63	B	4	P-5162
Interior trim parts - body type 66	B	3	P-5163
Interior trim parts - body type 71	B	5	P-5164
Interior trim parts - body type 76	B	6	P-5165
Luggage compartment trim - body types 54, 62, 63, 65, 76	B	7	P-5764

**F (MUSTANG)**

Door and quarter trim panels - body type 63	F	5	P-5591
Door and quarter trim panels - body type 65	F	6	P-5592
Door and quarter trim panels - body type 76	F	7	P-5593

**S (THUNDERBIRD)**

Door and quarter trim panels - body type 57	S	6	P-5584
Door and quarter trim panels - body type 65	S	8	P-5585
Interior trim parts - body type 57	S	7	P-5582
Interior trim parts - body type 65	S	9	P-5583
Luggage compartment trim	S	10	P-5766

# FORD CAR PARTS

## INTERIOR TRIM ILLUSTRATION SECTION

C

### INDEX

TITLE	SECTION	PAGE	ILLUS. NO.
<b>1967</b>			
<b>U (BRONCO)</b>			
Door trim panels	U	1	P-5897
Floor mats	U	1	P-5896
Roof trim panels - body type 98	U	2	P-5289
<b>X (FALCON)</b>			
Interior trim parts - body type 54	X	6	P-5160
Interior trim parts - body type 62	X	7	P-5161
Interior trim parts - body type 71	X	8	P-5166
Luggage compartment trim - body types 54, 62	X	7	P-5764
<b>1968</b>			
<b>A (FORD)</b>			
Arm rest and door handle parts	A	1	P-6453
Door and quarter trim panels - body type 62	A	7	P-4820
Door and quarter trim panels - body types 63, 65	A	17	P-6418-B
Door trim panels - body type 54	A	3	P-6371-B
Interior trim parts - body type 54	A	2	P-6371-A
Interior trim parts - body type 57	A	14	P-6419
Interior trim parts - body types 63, 65	A	16	P-6418-A
Interior trim parts - R.H. side - body type 71	A	20	P-5789
Interior trim parts - L.H. side - body type 71	A	19	P-5790
Interior trim parts - body type 76	A	21	P-6421
Luggage compartment trim - body types 54, 57, 62, 63, 65, 76	A	13	P-5765
<b>B (FAIRLANE/TORINO)</b>			
Interior trim parts - body type 54	B	8	P-6353
Interior trim parts - body type 63	B	9	P-6354
Interior trim parts - body type 65	B	10	P-6355
Interior trim parts - body type 66	B	11	P-6352
Interior trim parts - body type 71	B	5	P-5164
Interior trim parts - body type 76	B	12	P-6356
Luggage compartment trim - body types - 54, 62, 63, 65, 76	B	7	P-5764
<b>F (MUSTANG)</b>			
Interior trim parts - body type 63	F	5	P-5591
Interior trim parts - body type 65	F	6	P-5592
Interior trim parts - body type 76	F	7	P-5593
<b>S (THUNDERBIRD)</b>			
Door and quarter trim panels - body type 65	S	13	P-6160
Door trim panels - body type 57	S	11	P-6159
Interior trim parts - body type 57	S	12	P-6161
Interior trim parts - body type 65	S	14	P-6162
Luggage compartment trim	S	10	P-5766
<b>U (BRONCO)</b>			
Door trim panels	U	1	P-5897
Floor mats	U	1	P-5896
Roof trim panels - body type 98	U	2	P-5289
<b>X (FALCON)</b>			
Interior trim parts - body type 54	X	9	P-6353
Interior trim parts - body type 62	X	7	P-5161
Interior trim parts - body type 71	X	8	P-5166
Luggage compartment trim - body types 54, 62	X	7	P-5764



D

INTERIOR TRIM  
ILLUSTRATION SECTION

**FORD CAR PARTS**

INDEX

TITLE

SECTION

PAGE

ILLUS. NO.

**1969**

**A (FORD)**

Arm rest and door handle parts	A	30	P-7472
Door and quarter trim panels - body types 54C, 57F, 65A	A	23	P-6801
Door and quarter trim panels - body type 62	A	7	P-4820
Interior trim parts - body type 54	A	22	P-6795
Interior trim parts - body type 57	A	24	P-6796
Interior trim parts - body types 63, 65	A	25	P-6797
Interior trim parts - R.H. side - body type 71	A	27	P-6798
Interior trim parts - L.H. side - body type 71	A	26	P-6799
Interior trim parts - body type 76	A	28	P-6800
Luggage compartment trim	A	29	P-7425

**B (FAIRLANE/TORINO)**

Interior trim parts - body type 54	B	8	P-6353
Interior trim parts - body type 63	B	9	P-6354
Interior trim parts - body type 65	B	10	P-6355
Interior trim parts - body type 66	B	11	P-6352
Interior trim parts - body type 71	B	5	P-5164
Interior trim parts - body type 76	B	12	P-6356
Luggage compartment trim - body types 54, 62, 63, 65, 76	B	7	P-5764

**F (MUSTANG)**

Interior trim parts - body type 63 - w/fixed rear seat	F	8	P-6845
Interior trim parts - body type 63 - w/folding rear seat	F	9	P-6848
Interior trim parts - body type 65	F	10	P-6846
Interior trim parts - body type 76	F	11	P-6847
Luggage compartment trim	F	12	P-7428
Roll bar parts - Shelby GT350/500	F	12	P-6939

**S (THUNDERBIRD)**

Door and quarter trim panels - body type 65	S	13	P-6160
Door trim panels - body type 57	S	11	P-6159
Interior trim parts - body type 57	S	12	P-6161
Interior trim parts - body type 65	S	14	P-6162
Luggage compartment trim	S	10	P-5766

**U (BRONCO)**

Door trim panels	U	1	P-5897
Floor mats	U	1	P-5896
Roof trim panels - body type 98	U	2	P-5289

**X (FALCON)**

Interior trim parts - body type 54	X	9	P-6353
Interior trim parts - body type 62	X	7	P-5161
Interior trim parts - body type 71	X	8	P-5166
Luggage compartment trim - body types 54, 62	X	7	P-5764

# FORD CAR PARTS

## INTERIOR TRIM ILLUSTRATION SECTION

E

### INDEX

TITLE	SECTION	PAGE	ILLUS. NO.
-------	---------	------	------------

# 1970

#### A (FORD)

Arm rest and door handle parts	A	30	P-7472
Curtain - driver compartment	A	29	P-7400
Interior trim parts - body type 54	A	22	P-6795
- body type 57	A	24	P-6796
- body types 63, 65	A	25	P-6797
- body type 76	A	28	P-6800
- R. H. side-body type 71	A	27	P-6798
- L. H. side-body type 71	A	26	P-6799
Luggage compartment trim	A	29	P-7425

#### B (FAIRLANE/TORINO)

#### B (FALCON) - FROM 1/2/70

Interior trim parts - body type 54	B	13	P-7559
- body type 57	B	14	P-7260
- body type 62	B	21	P-7261
- body type 63	B	15	P-7262
- body type 65	B	16	P-7263
- body type 66	B	17	P-7264
- body type 71 - L. H. side	B	18	P-7265
- body type 71 - R. H. side	B	19	P-7266
- body type 76	B	20	P-7267
Luggage compartment trim - body types 54, 62, 63, 65, 76	B	7	P-7427

#### F (MUSTANG)

Interior trim parts - body type 63 - w/fixed rear seat	F	8	P-6845
- body type 63 - w/folding rear seat	F	9	P-6848
- body type 65	F	10	P-6846
- body type 76	F	11	P-6847
Luggage compartment trim	F	12	P-7428
Roll bar parts - Shelby GT350/500	F	12	P-6939

#### P (MAVERICK)

Interior trim parts - body type 62	P	1	P-6901
Luggage compartment trim	P	2	P-7426

#### S (THUNDERBIRD)

Interior trim parts - body type 57	S	15	P-7250
- body type 65	S	16	P-7268
Luggage compartment trim	S	17	P-7429

#### U (BRONCO)

Door trim panels	U	1	P-5897
Floor mats	U	1	P-5896
Roof trim panels - body type 98	U	2	P-5289

#### X (FALCON) - BEFORE 1/2/70

#### FOR UNITS BUILT FROM 1/2/70 REFER TO B (FALCON)

Interior trim parts - body type 54	X	9	P-6353
- body type 62	X	7	P-5161
- body type 71	X	8	P-5166
Luggage compartment trim - body types 54, 62	X	7	P-5764

F

INTERIOR TRIM  
ILLUSTRATION SECTION

**FORD CAR PARTS**

INDEX

TITLE	SECTION	PAGE	ILLUS. NO.
<b>1971</b>			
<b>A (FORD)</b>			
Arm rest and door handle parts	A	30	P-7472
Curtain - driver compartment	A	29	P-7400
Interior trim parts - body type 53	A	31	P-8164
- body type 54	A	22	P-6795
- body type 57	A	24	P-6796
- body type 65	A	32	P-8165
- body type 76	A	28	P-6800
- R.H. side-body type 71	A	27	P-6798
- L.H. side-body type 71	A	33	P-8166
Luggage compartment trim	A	29	P-7425
<b>B (TORINO)</b>			
Interior trim parts - body type 54	B	13	P-7559
- body type 57	B	14	P-7260
- body type 63	B	15	P-7262
- body type 65	B	16	P-7263
- body type 66	B	17	P-7264
- body type 71 - L.H. side	B	18	P-7265
- body type 71 - R.H. side	B	19	P-7266
- body type 76	B	20	P-7267
Luggage compartment trim - body types 54, 63, 65, 76	B	7	P-7427
<b>F (MUSTANG)</b>			
Interior trim parts - body type 63 - w/fixed rear seat	F	13	P-8053
- body type 63 - w/folding rear seat	F	14	P-8054
- body type 65	F	15	P-8055
- body type 76	F	16	P-8056
<b>L (PINTO)</b>			
Interior trim parts - body type 62	L	1	P-7946
- body type 64	L	3	P-8275
Luggage compartment trim	L	2	P-7932
<b>P (MAVERICK)</b>			
Interior trim parts - body type 54	P	3	P-8194
- body type 62	P	1	P-6901
Luggage compartment trim	P	2	P-7426
<b>S (THUNDERBIRD)</b>			
Interior trim parts - body type 57	S	15	P-7250
- body type 65	S	16	P-7268
Luggage compartment trim	S	17	P-7429
<b>U (BRONCO)</b>			
Door trim panels	U	1	P-5897
Floor mats	U	1	P-5896
Roof trim panels - body type 98	U	2	P-5289

# FORD CAR PARTS

## INTERIOR TRIM ILLUSTRATION SECTION

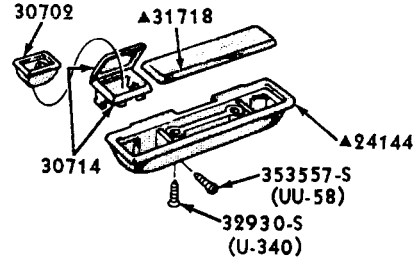
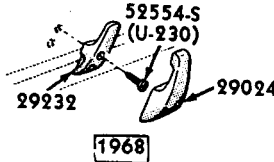
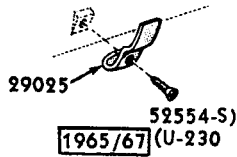
G

### INDEX

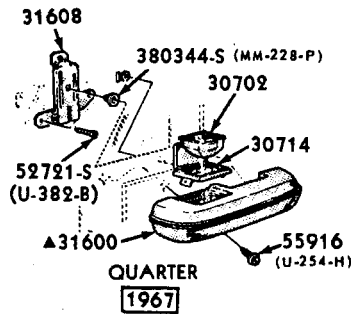
TITLE	SECTION	PAGE	ILLUS. NO.
<b>1972</b>			
<b>A (FORD)</b>			
Arm rest and door handle parts	A	30	P-7472
Curtain - driver compartment	A	29	P-7400
Interior trim parts - body type 53	A	31	P-8164
- body type 54	A	22	P-6795
- body type 57	A	24	P-6796
- body type 65	A	32	P-8165
- body type 76	A	28	P-6800
- R.H. side - body type 71	A	27	P-6798
- L.H. side - body type 71	A	33	P-8166
Luggage compartment trim	A	29	P-7425
<b>B (TORINO)</b>			
Interior trim parts - body type 53	B	22	P-8737
- body type 63R	B	27	P-8743
- body type 65	B	23	P-8739
- body type 97D, K	B	26	P-8742
- body type 71 - L. H. side	B	25	P-8741
- body type 71 - R.H. side	B	24	P-8740
- body type 97R	B	28	P-8744
Luggage compartment trim - body types 54, 63, 65	B	29	P-8869
<b>F (MUSTANG)</b>			
Door trim panels	F	17	P-10542
Interior trim parts - body type 63 - w/fixed rear seat	F	13	P-8053
- body type 63 - w/folding rear seat	F	14	P-8054
- body type 65	F	15	P-8055
- body type 76	F	16	P-8056
Luggage compartment trim	F	12	P-7428
<b>L (PINTO)</b>			
Interior trim parts - body type 62	L	1	P-7946
- body type 64	L	3	P-8275
- body type 73	L	4	P-8915
Luggage compartment trim	L	2	P-7932
<b>P (MAVERICK)</b>			
Interior trim parts - body type 54	P	3	P-8194
- body type 62	P	1	P-6901
<b>S (THUNDERBIRD)</b>			
Interior trim parts - body type 65	S	18	P-8615
Luggage compartment trim	S	17	P-8616
<b>U (BRONCO)</b>			
Door trim panels	U	1	P-5897
Floor mats	U	1	P-5896
Roof trim panels - body type 98	U	2	P-5289
Cover - spare tire	U	2	P-10800

# FORD CAR PARTS

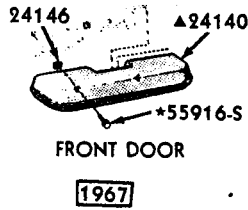
## INTERIOR TRIM ILLUSTRATION SECTION A<sup>1</sup>



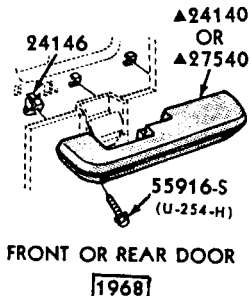
QUARTER  
1965/66



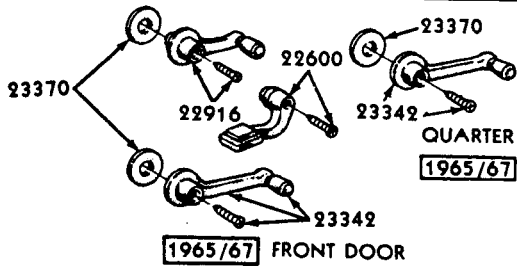
QUARTER  
1967



FRONT DOOR  
1967

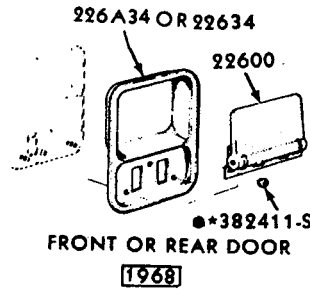


FRONT OR REAR DOOR  
1968

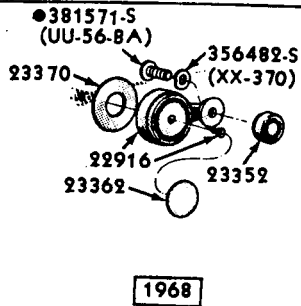


1965/67 FRONT DOOR

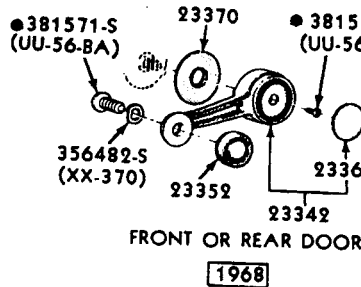
QUARTER  
1965/67



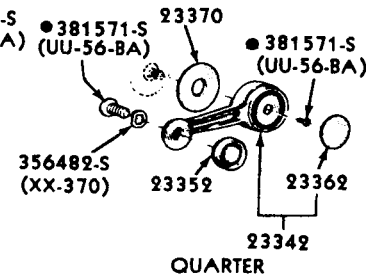
FRONT OR REAR DOOR  
1968



1968



FRONT OR REAR DOOR  
1968



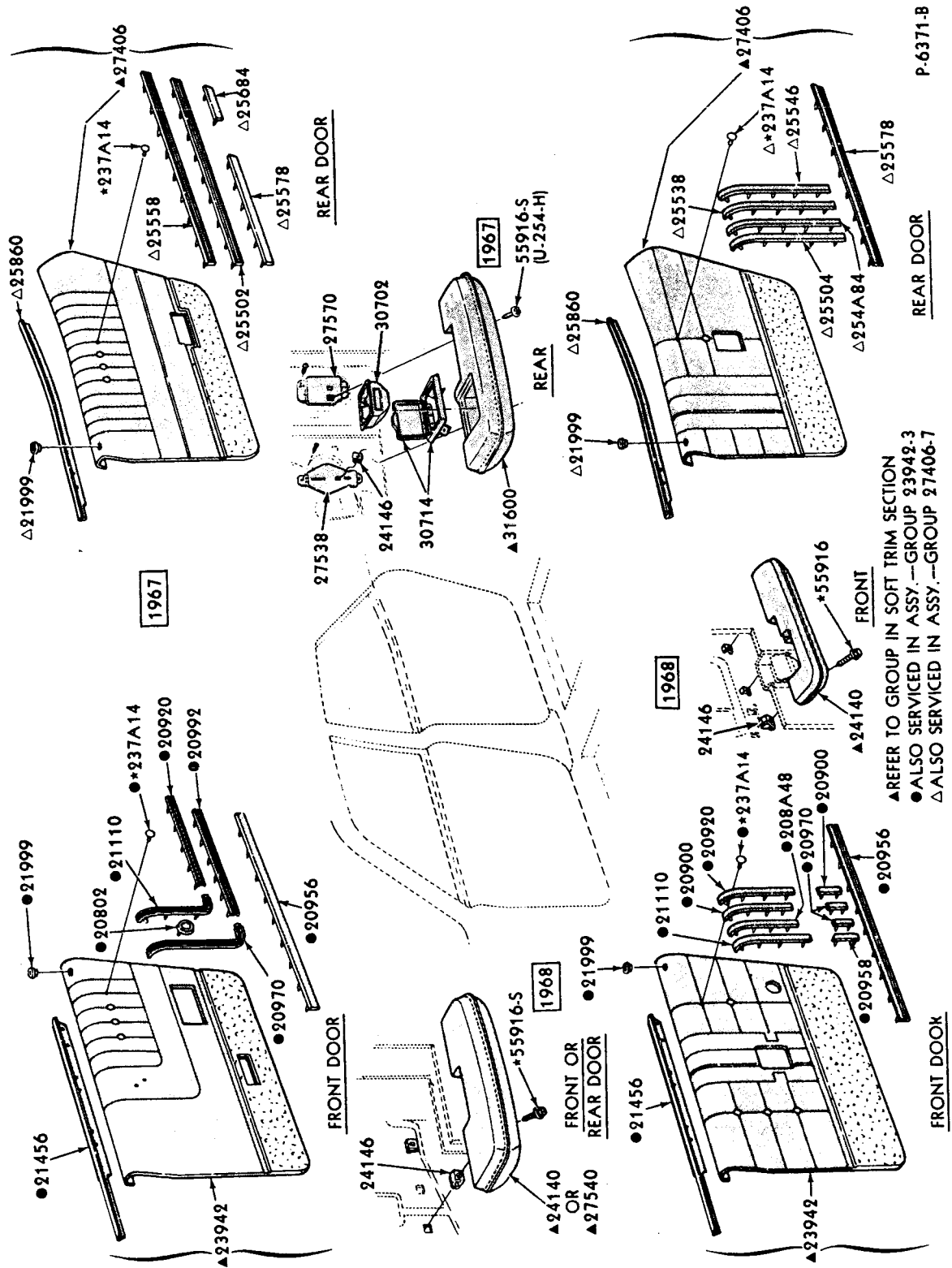
QUARTER

▲REFER TO GROUP IN SOFT TRIM SECTION  
●ALSO SERVICED IN GROUP 23342 OR 22916 OR 22600

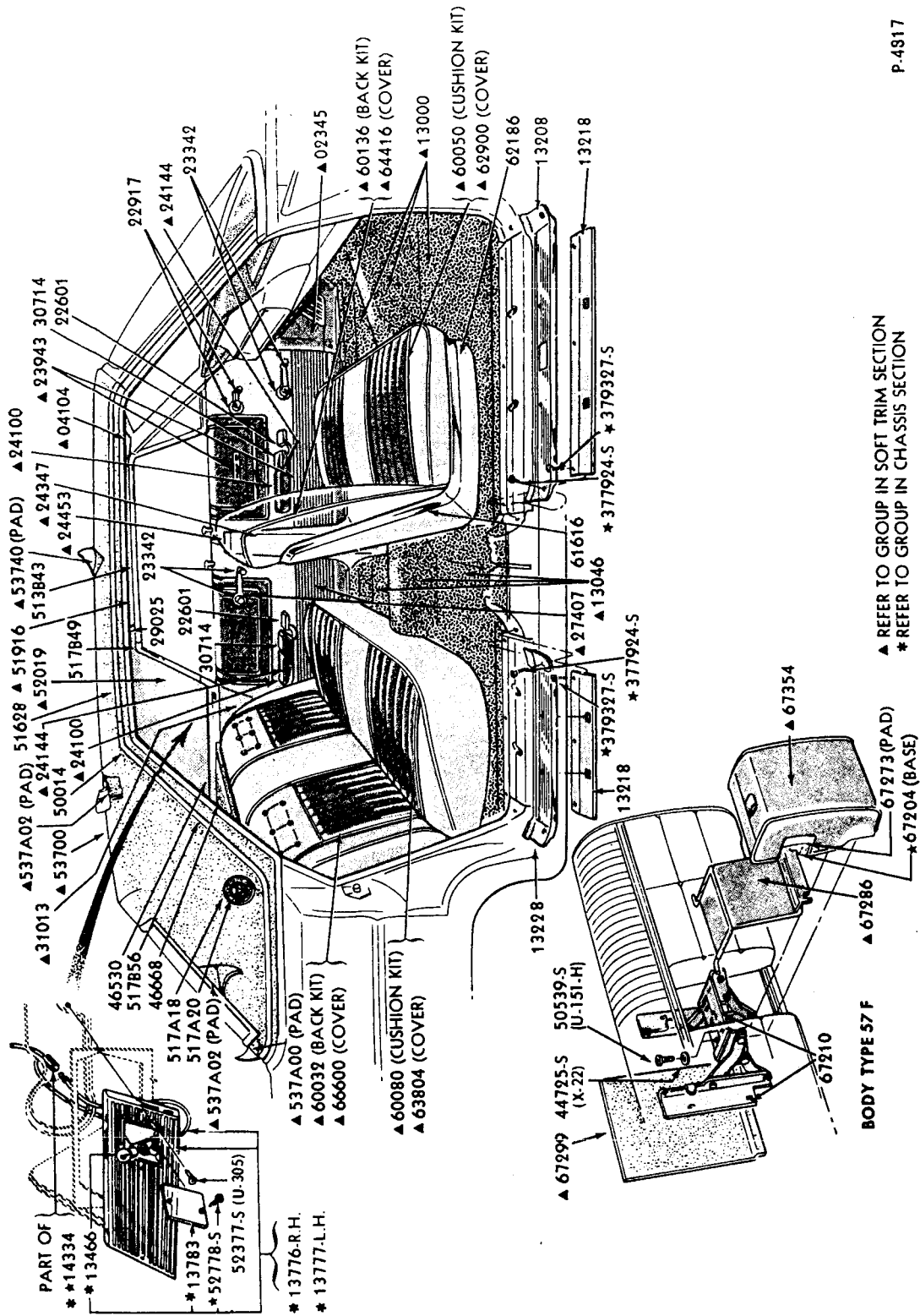
P-6453

ARM RESTS, DOOR HANDLES and RELATED PARTS  
1965/68 FORD





DOOR TRIM PANELS and RELATED PARTS  
1967/68 FORD - BODY TYPE 54



P-4817

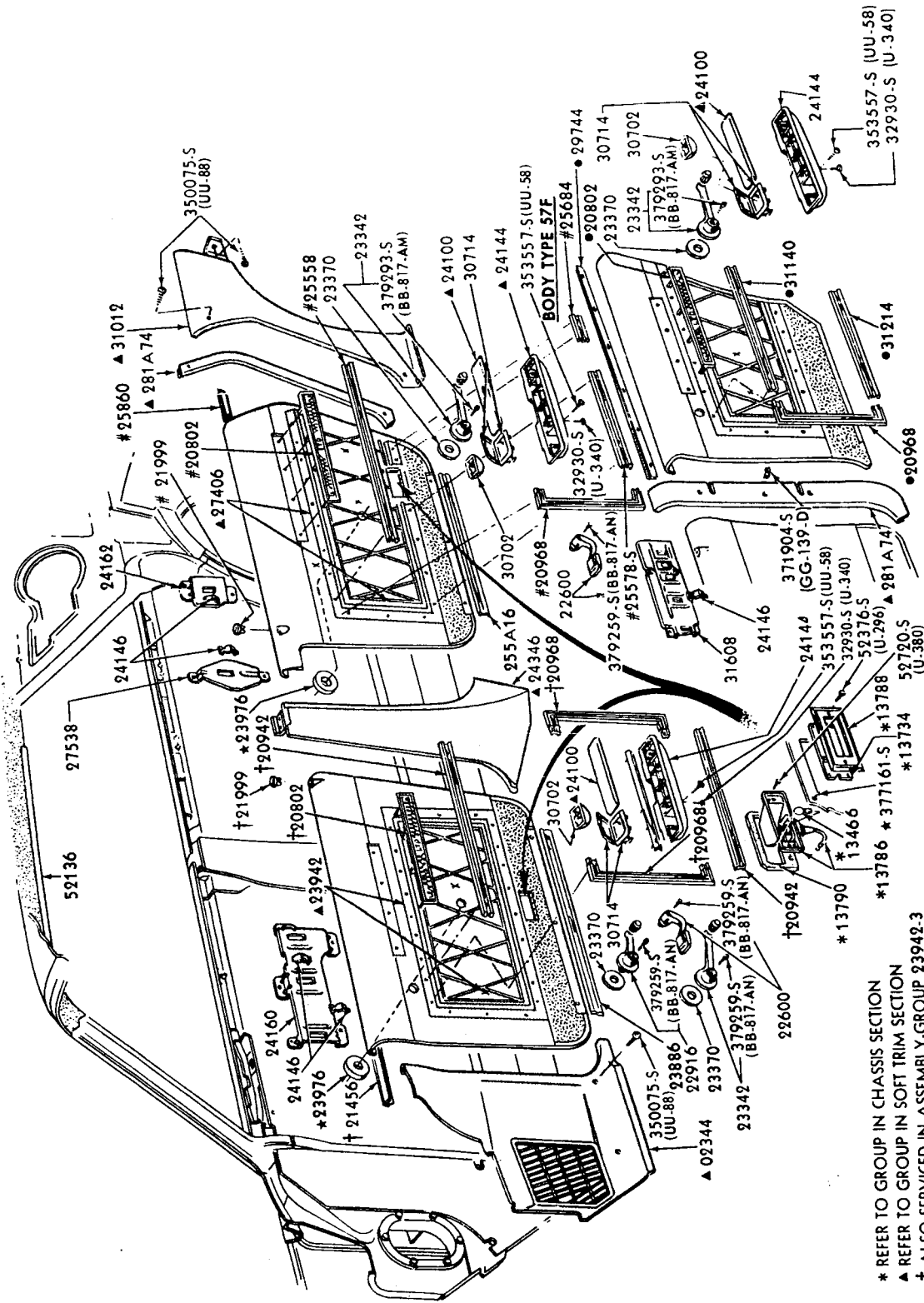
▲ REFER TO GROUP IN SOFT TRIM SECTION  
\* REFER TO GROUP IN CHASSIS SECTION

BODY TYPE 57 F

INTERIOR TRIM and RELATED PARTS - TYPICAL  
1965/66 FORD - BODY TYPE 57



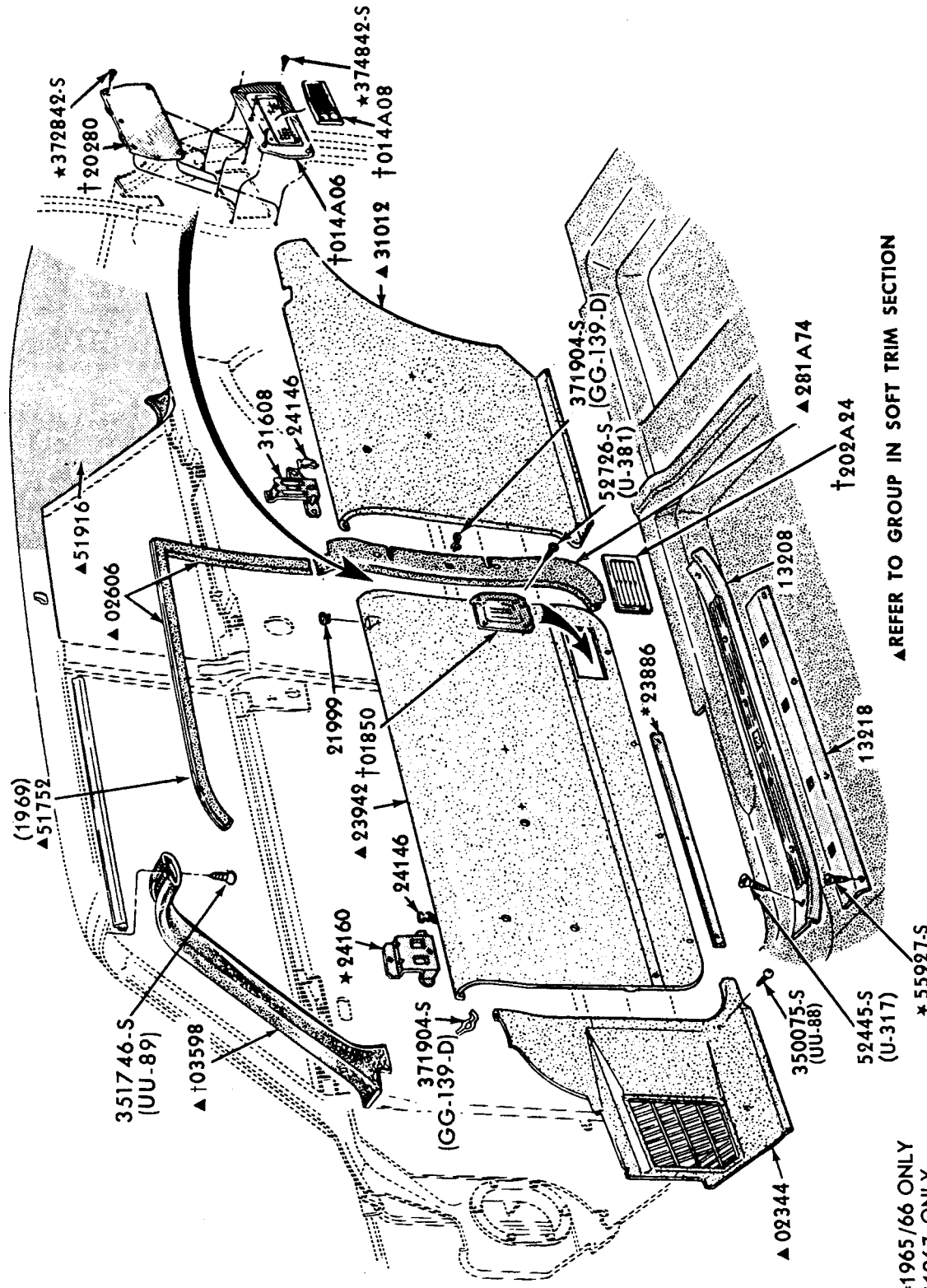




**BODY TYPE 63F**  
P-5169

- \* REFER TO GROUP IN CHASSIS SECTION
- ▲ REFER TO GROUP IN SOFT TRIM SECTION
- † ALSO SERVICED IN ASSEMBLY-GROUP 23942-3
- # ALSO SERVICED IN ASSEMBLY-GROUP 27406-7
- ALSO SERVICED IN ASSEMBLY-GROUP 31012-3

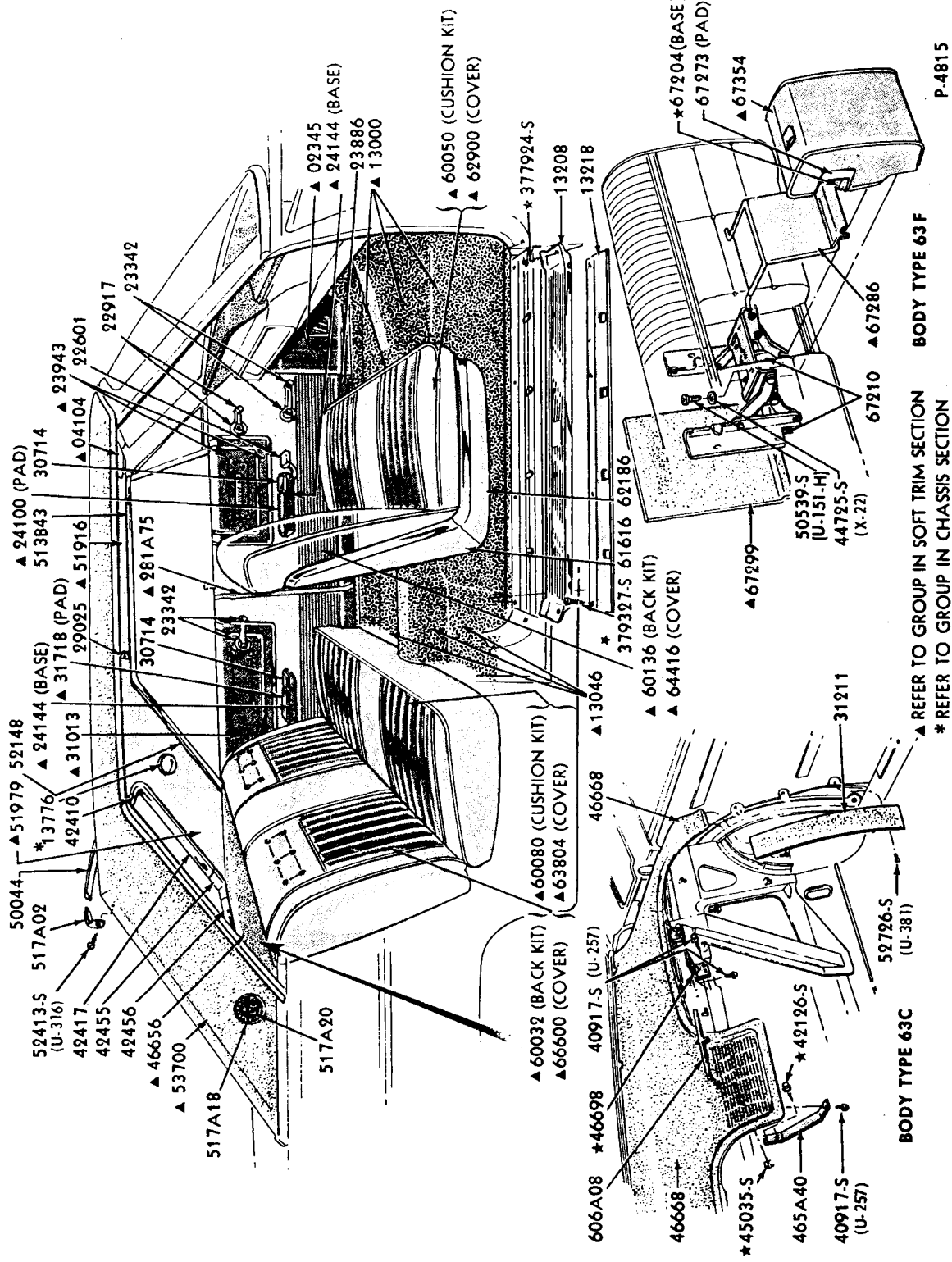
**DOOR and QUARTER TRIM PANELS and RELATED PARTS  
1966 FORD - BODY TYPE 57F, 63F**



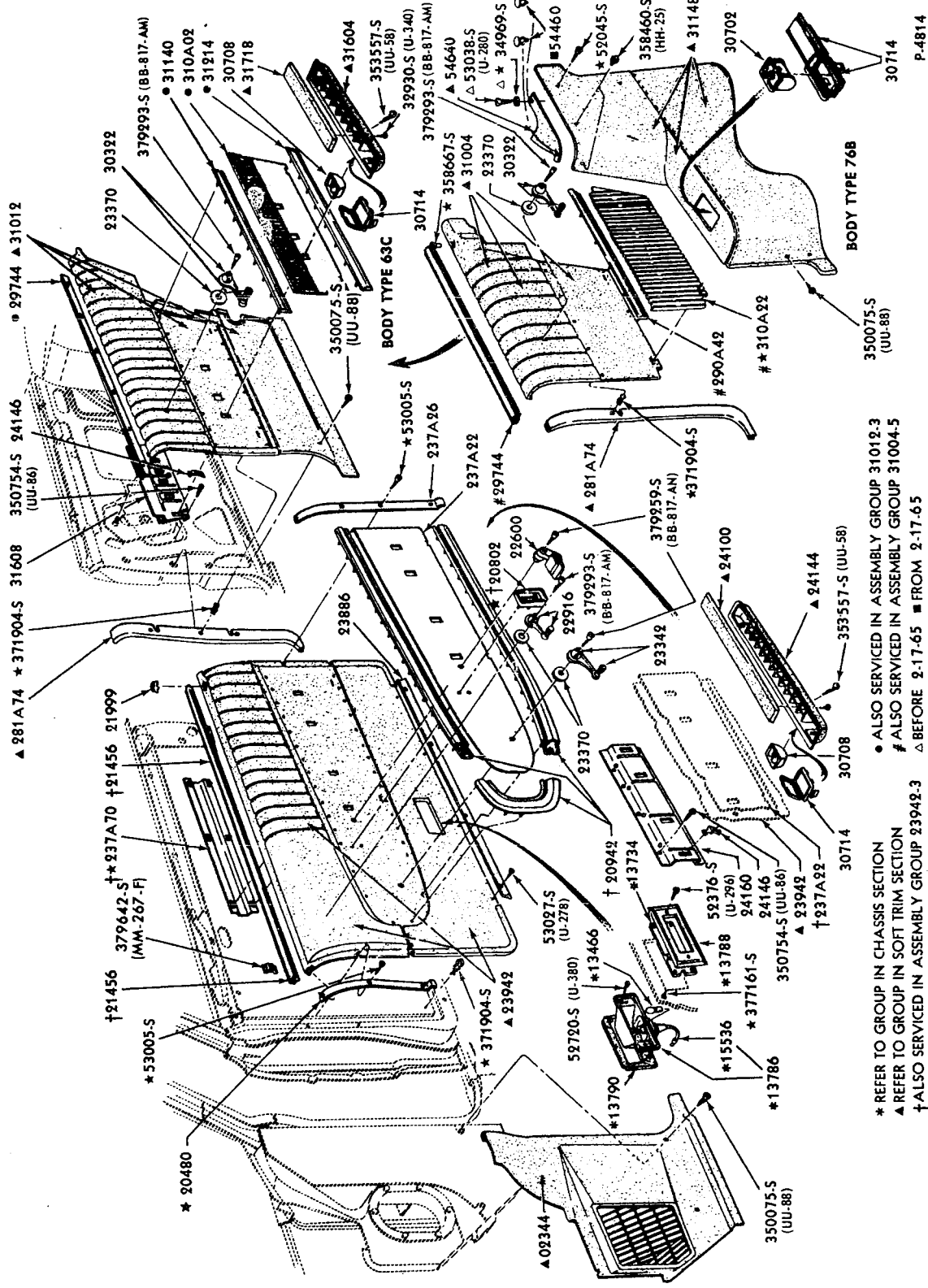
REFER TO GROUP IN SOFT TRIM SECTION

DOOR and QUARTER TRIM PANELS and RELATED PARTS  
1965/69 FORD - BODY TYPE 62

\*1965/66 ONLY  
†1967 ONLY



INTERIOR TRIM and RELATED PARTS - TYPICAL  
1965/66 FORD - BODY TYPE 63



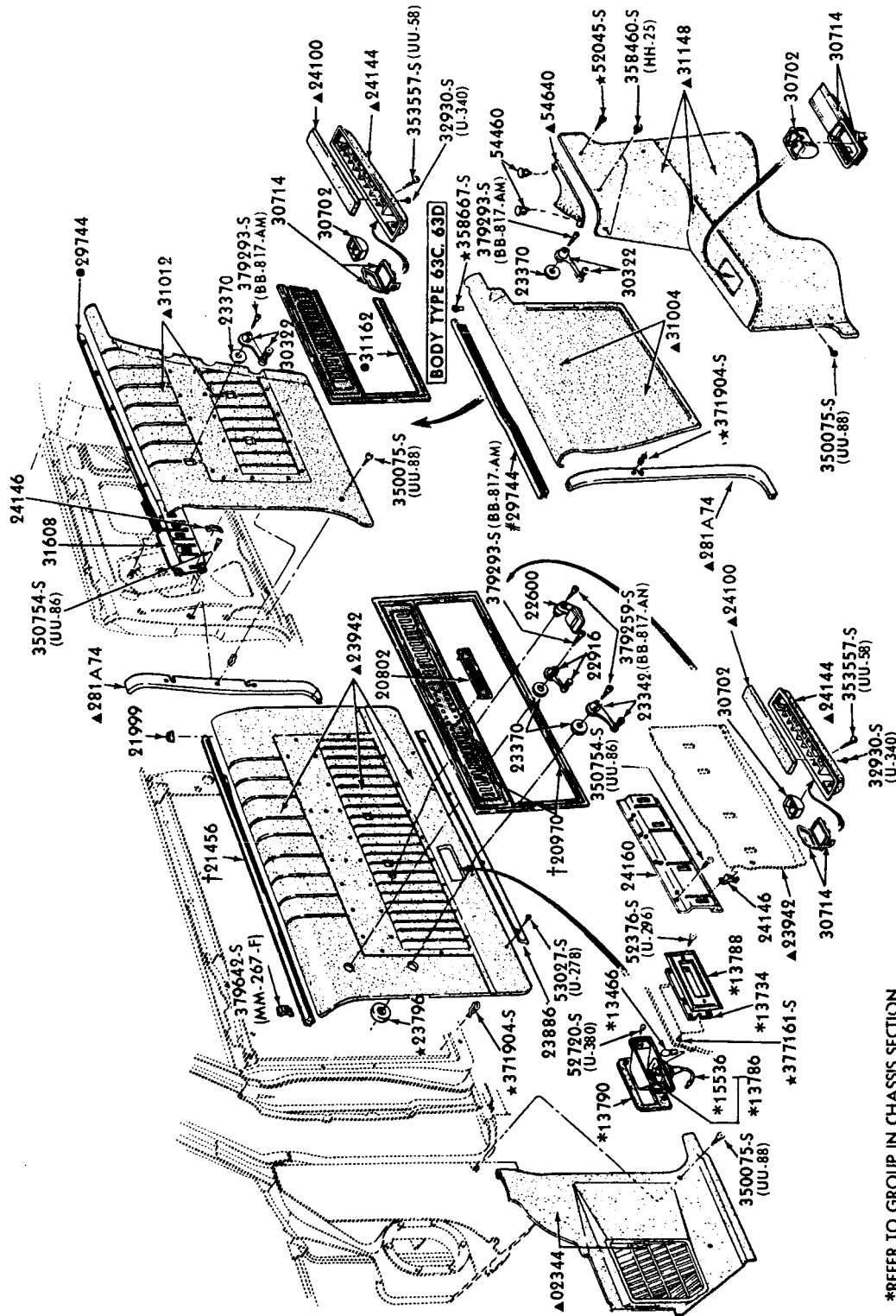
DOOR and QUARTER TRIM PANELS and RELATED PARTS  
1965 FORD - BODY TYPES 63C, 76B

May, 1975

COPYRIGHT © 1975 — FORD MOTOR COMPANY — DEARBORN, MICHIGAN

FINAL ISSUE

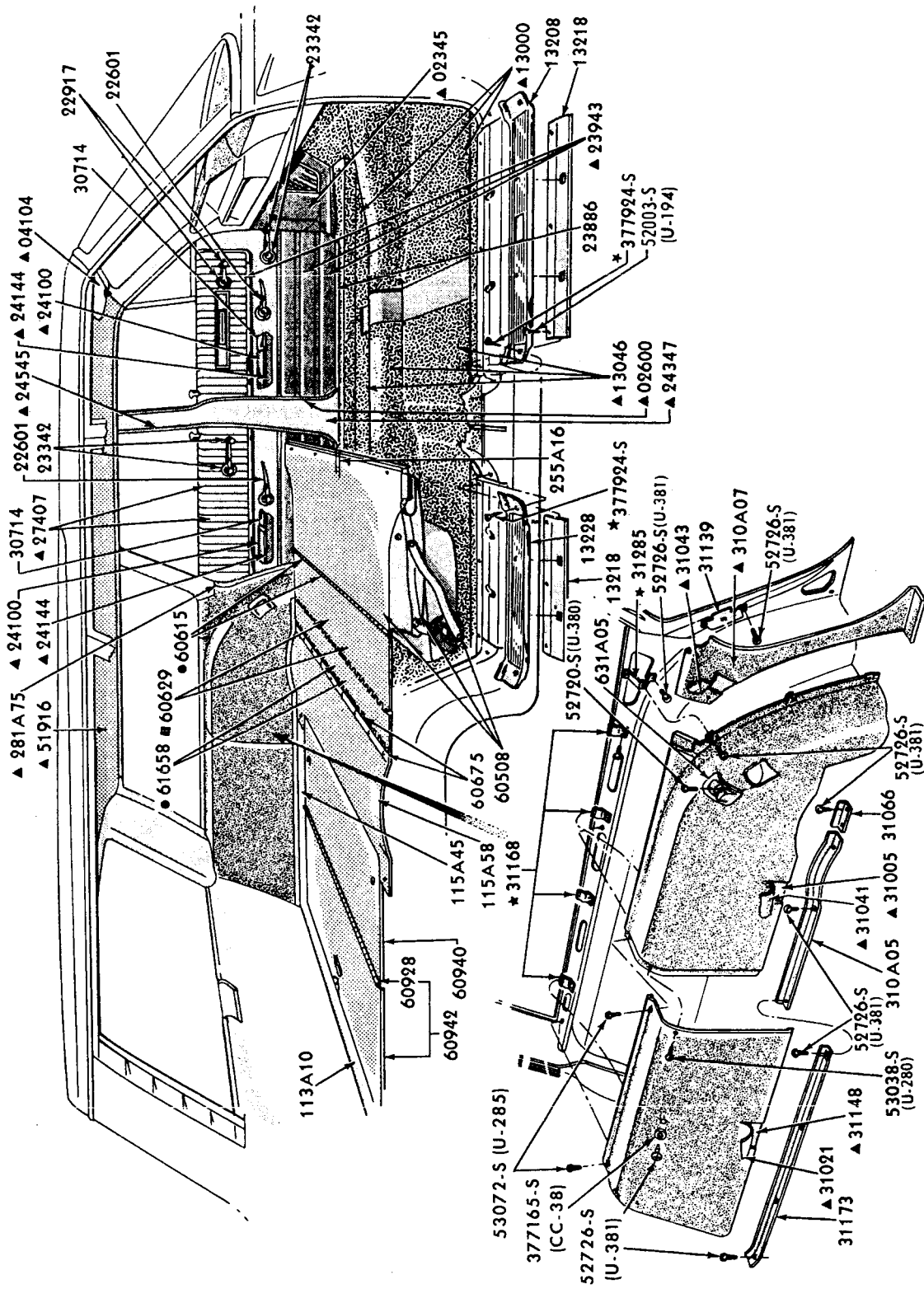
- \* REFER TO GROUP IN CHASSIS SECTION
- ▲ REFER TO GROUP IN SOFT TRIM SECTION
- † ALSO SERVICED IN ASSEMBLY GROUP 23942.3
- ALSO SERVICED IN ASSEMBLY GROUP 31012.3
- # ALSO SERVICED IN ASSEMBLY GROUP 31004.5
- △ BEFORE 2-17-65 ■ FROM 2-17-65



**BODY TYPE 63C, 63D**

DOOR and QUARTER TRIM PANELS and RELATED PARTS  
1966 FORD - BODY TYPES 63C, D, 76B, D

- \*REFER TO GROUP IN CHASSIS SECTION
- ▲REFER TO GROUP IN SOFT TRIM SECTION
- †ALSO SERVICED IN ASSEMBLY GROUP 23942-3
- ALSO SERVICED IN ASSEMBLY GROUP 31012-3
- #ALSO SERVICED IN ASSEMBLY GROUP 31004-5

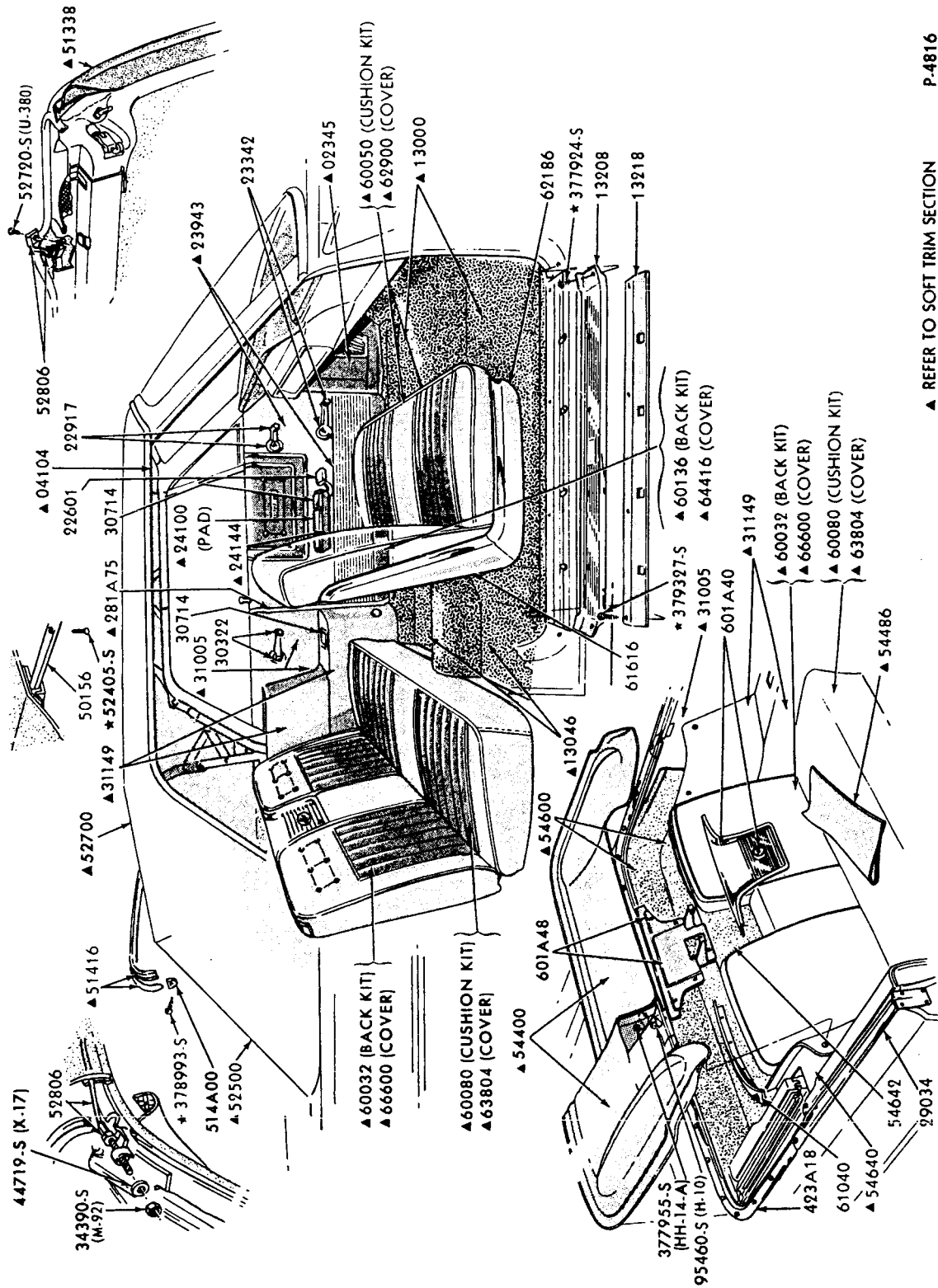


- ▲ REFER TO GROUP IN SOFT TRIM SECTION
- SERVICED ONLY IN ASSEMBLY-GROUP 613A82
- ALSO SERVICED IN ASSEMBLY-GROUP 613A82

INTERIOR TRIM and RELATED PARTS  
1965/66 FORD - BODY TYPE 71

**A** INTERIOR TRIM ILLUSTRATION SECTION

**FORD CAR PARTS**



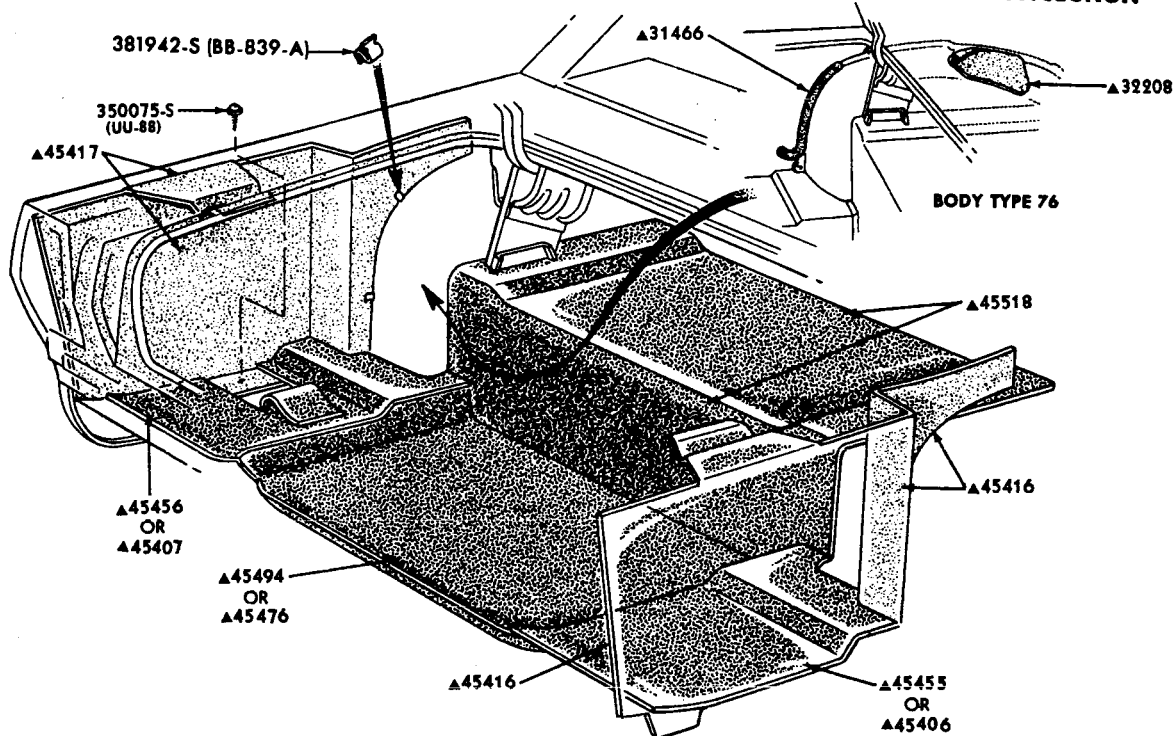
▲ REFER TO SOFT TRIM SECTION P-4816

INTERIOR TRIM and RELATED PARTS - TYPICAL  
1965/66 FORD - BODY TYPE 76



# FORD CAR PARTS

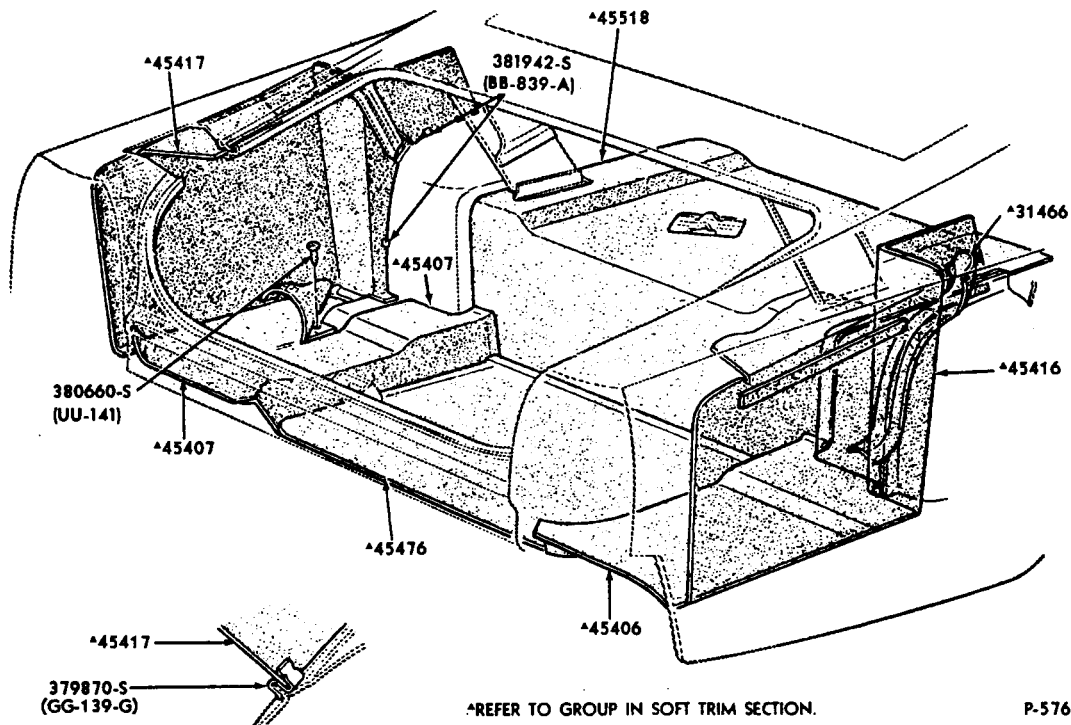
## INTERIOR TRIM ILLUSTRATION SECTION A 13



▲ REFER TO GROUP IN SOFT TRIM SECTION

P-4919

LUGGAGE COMPARTMENT TRIM  
1965/66 FORD - BODY TYPES 54, 57, 62, 63, 76



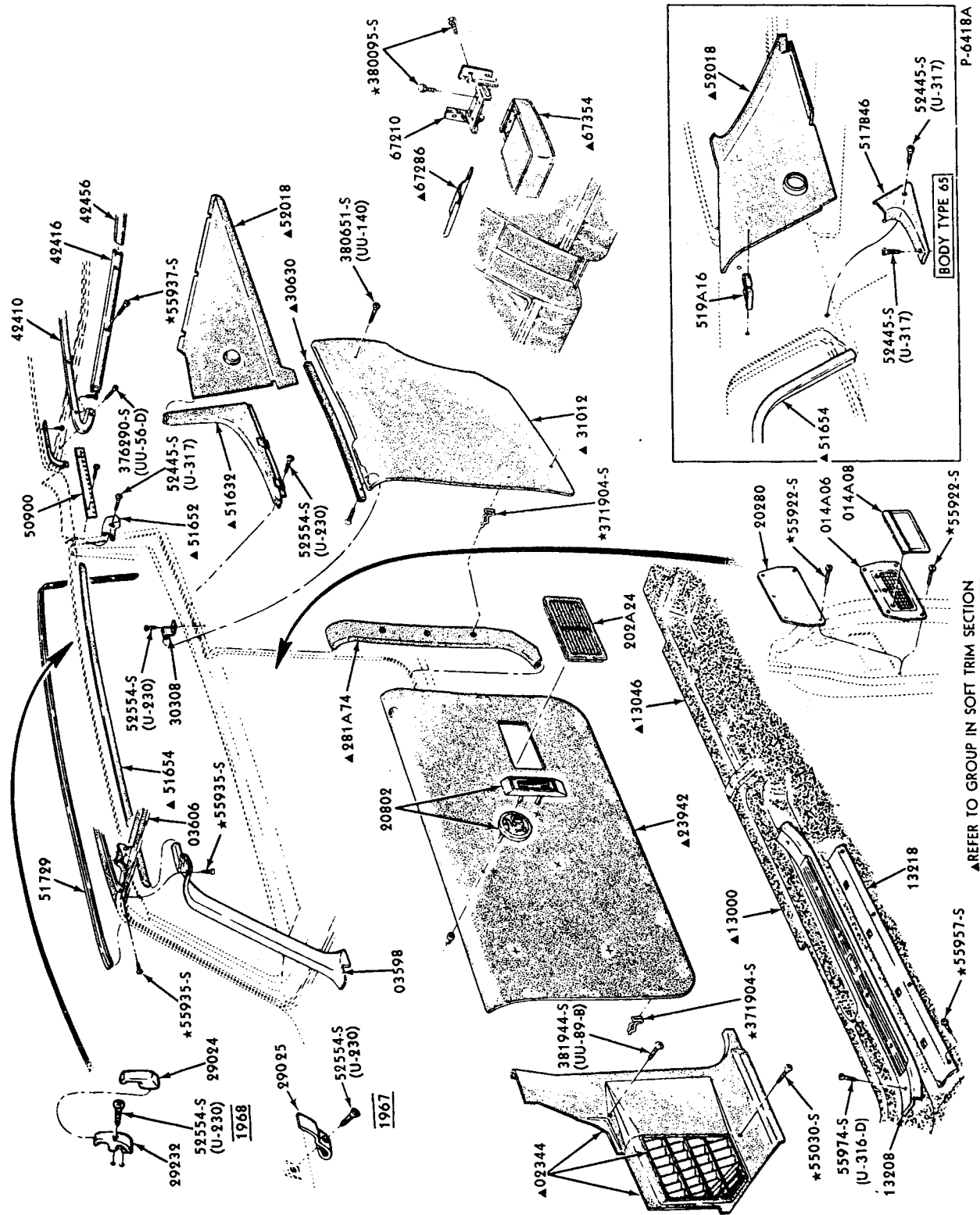
\*REFER TO GROUP IN SOFT TRIM SECTION.

P-5765

LUGGAGE COMPARTMENT TRIM  
1967/68 FORD - BODY TYPES 54, 57, 62, 63, 65, 76





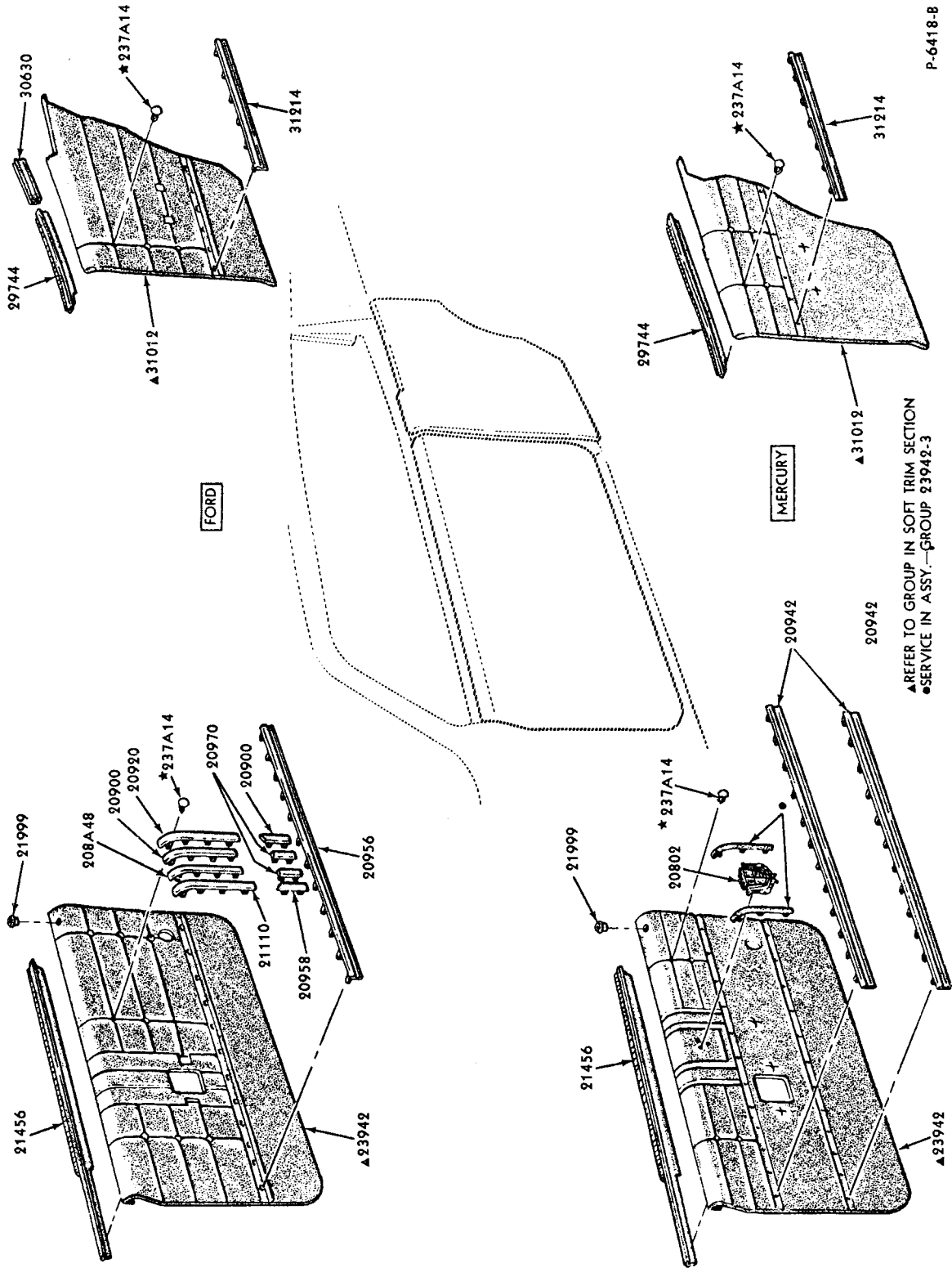


P-6418A

REFER TO GROUP IN SOFT TRIM SECTION

INTERIOR TRIM and RELATED PARTS  
1967/68 FORD - BODY TYPE 63, 65

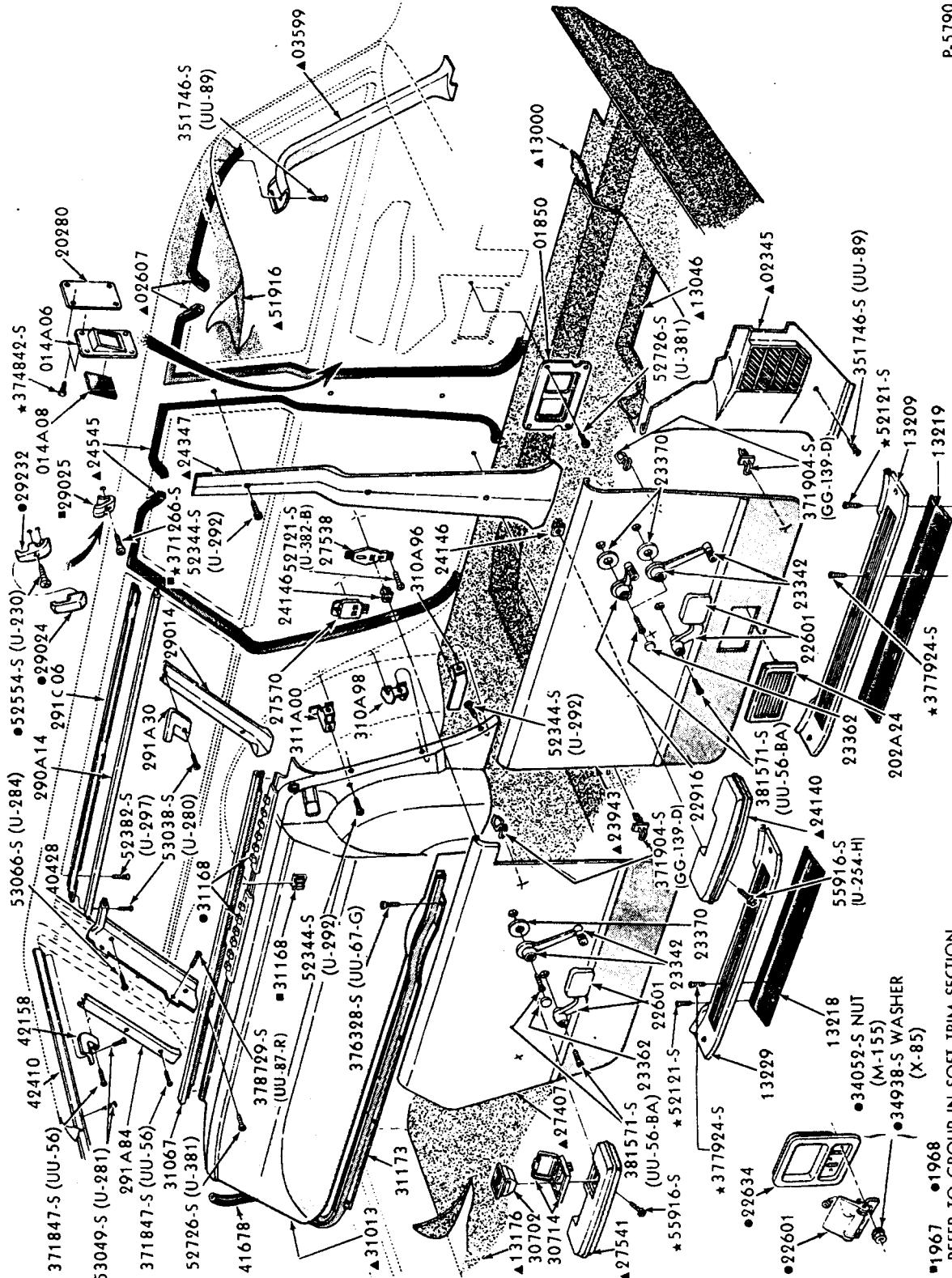
P-6418-8



▲ REFER TO GROUP IN SOFT TRIM SECTION  
 ● SERVICE IN ASSY.—GROUP 23942-3

DOOR and QUARTER TRIM PANELS and RELATED PARTS  
 1968 FORD - BODY TYPE 63, 65



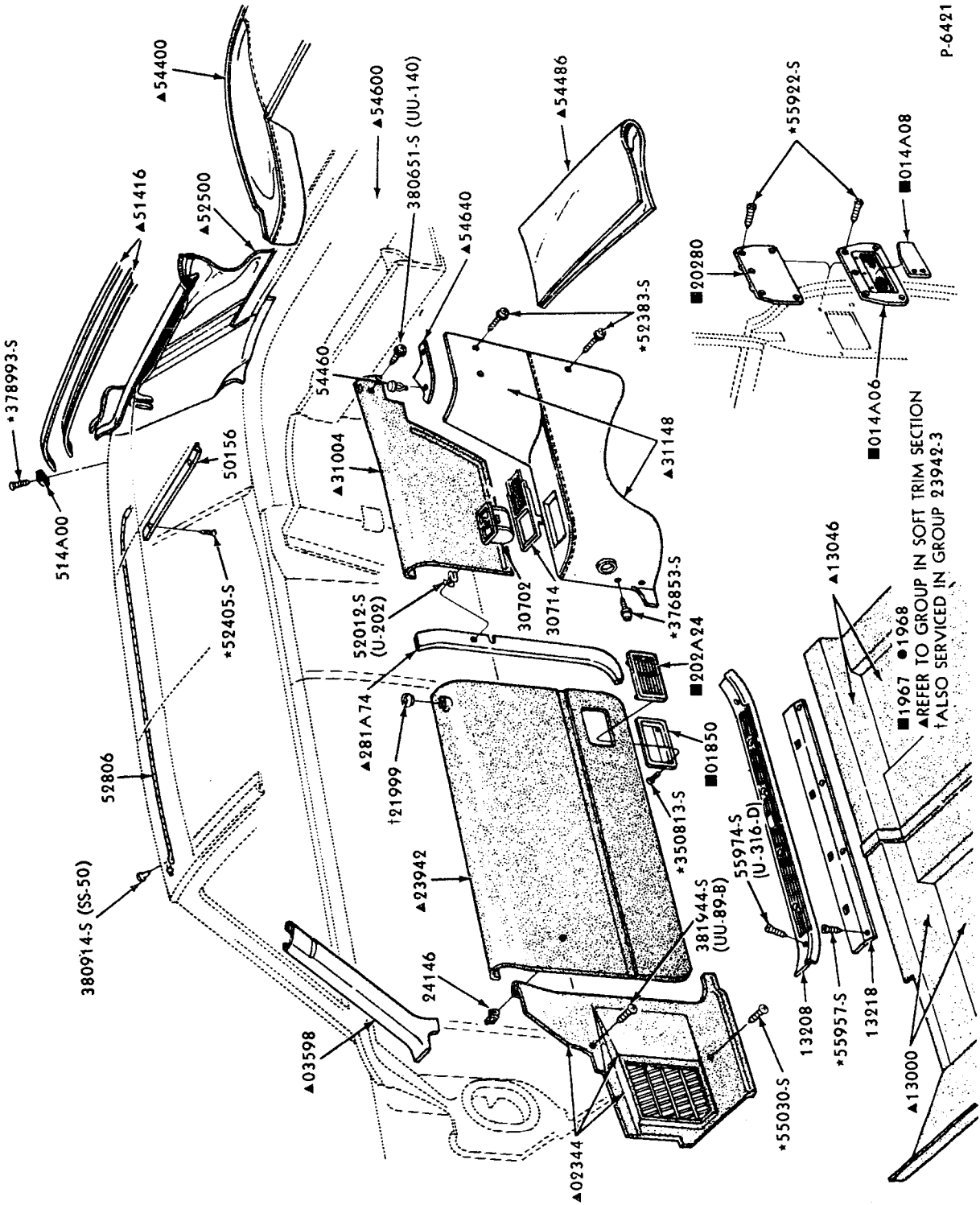


INTERIOR TRIM and RELATED PARTS - L. H. SIDE  
1967/68 FORD - BODY TYPE 71

▲ REFER TO GROUP IN SOFT TRIM SECTION





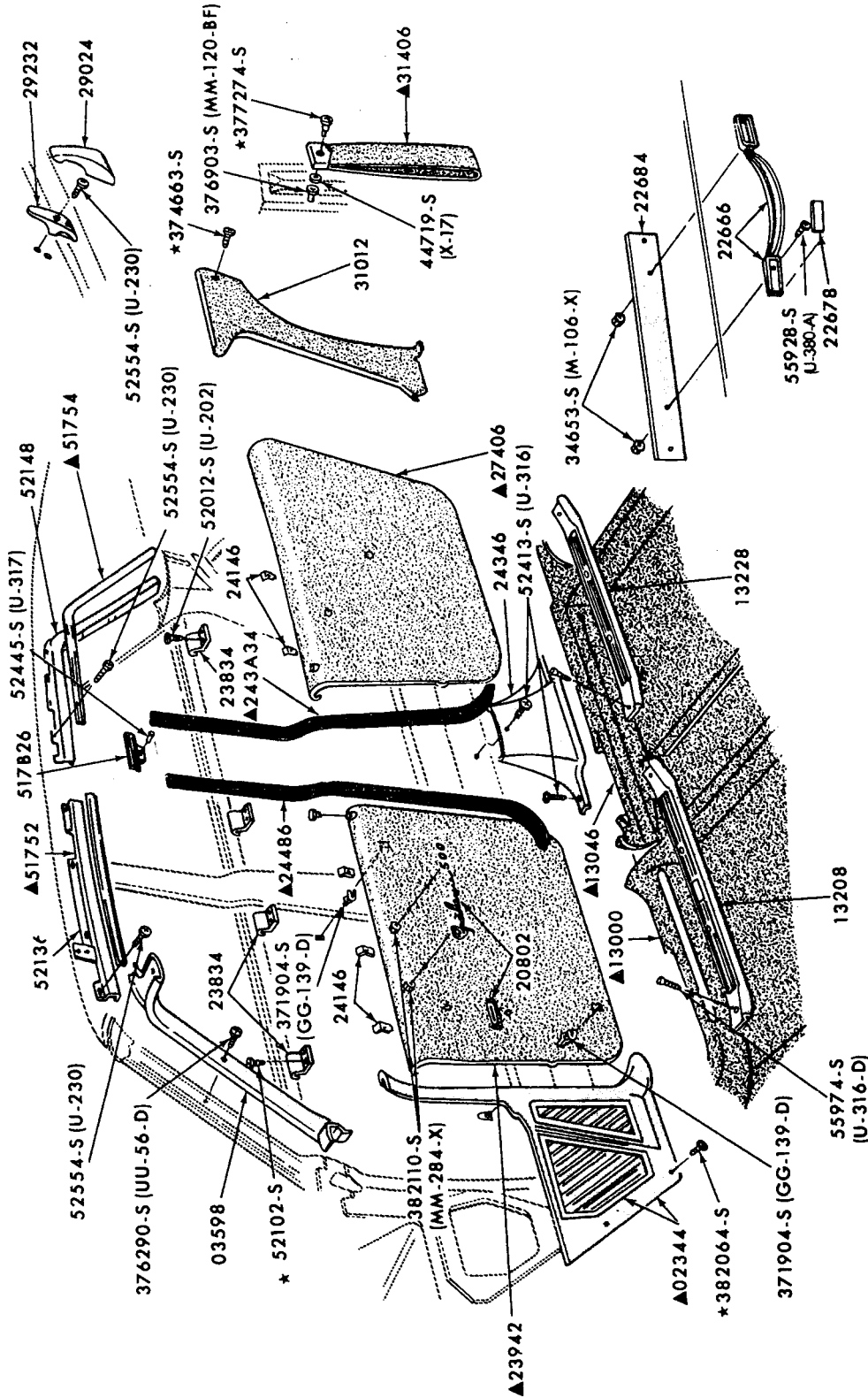


P-6421

INTERIOR TRIM and RELATED PARTS  
1967/68 FORD - BODY TYPE 76

**A** INTERIOR TRIM ILLUSTRATION SECTION

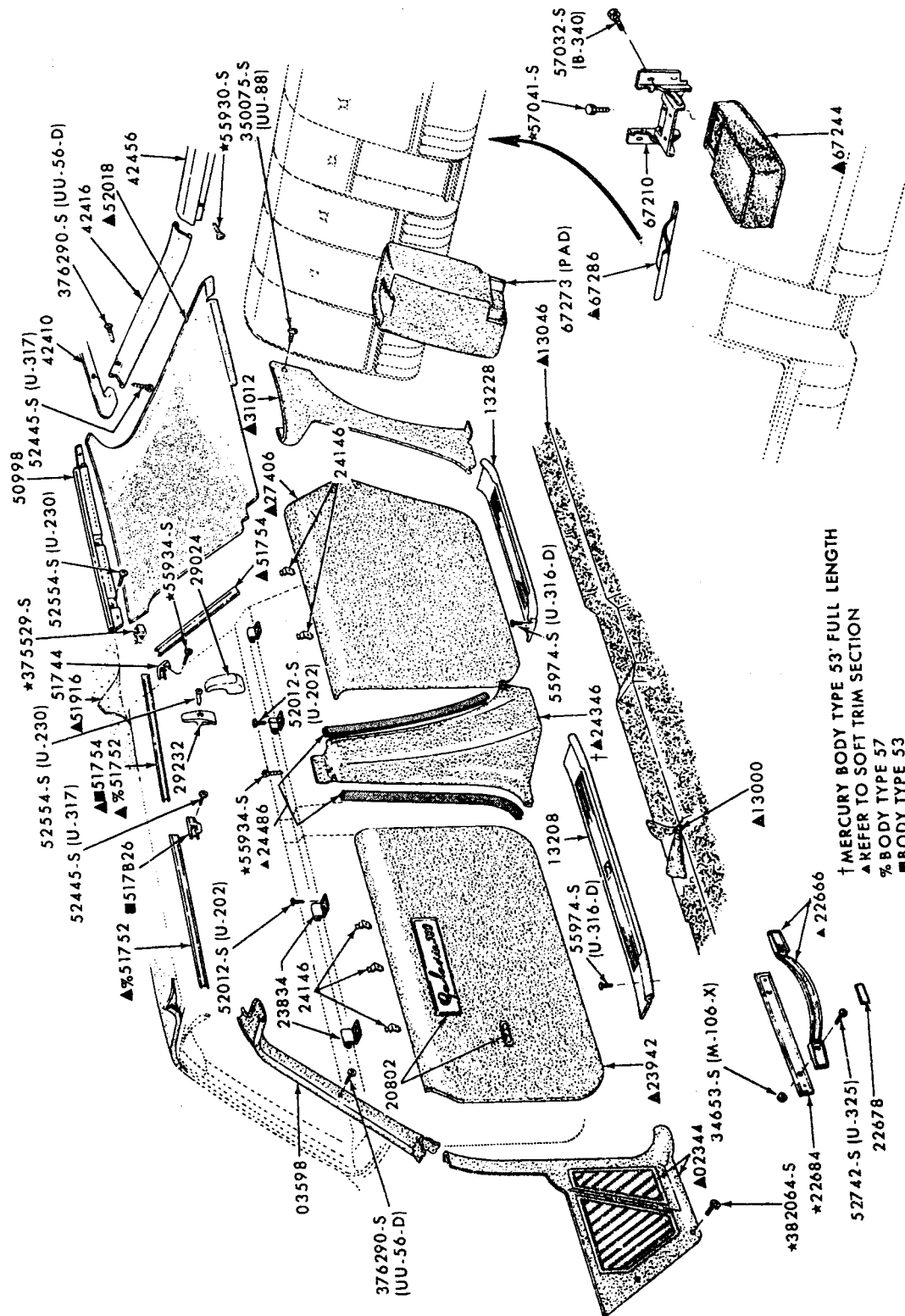
**FORD CAR PARTS**



▲ REFER TO GROUP IN SOFT TRIM SECTION

INTERIOR TRIM and RELATED PARTS  
1969/72 FORD - BODY TYPE 54



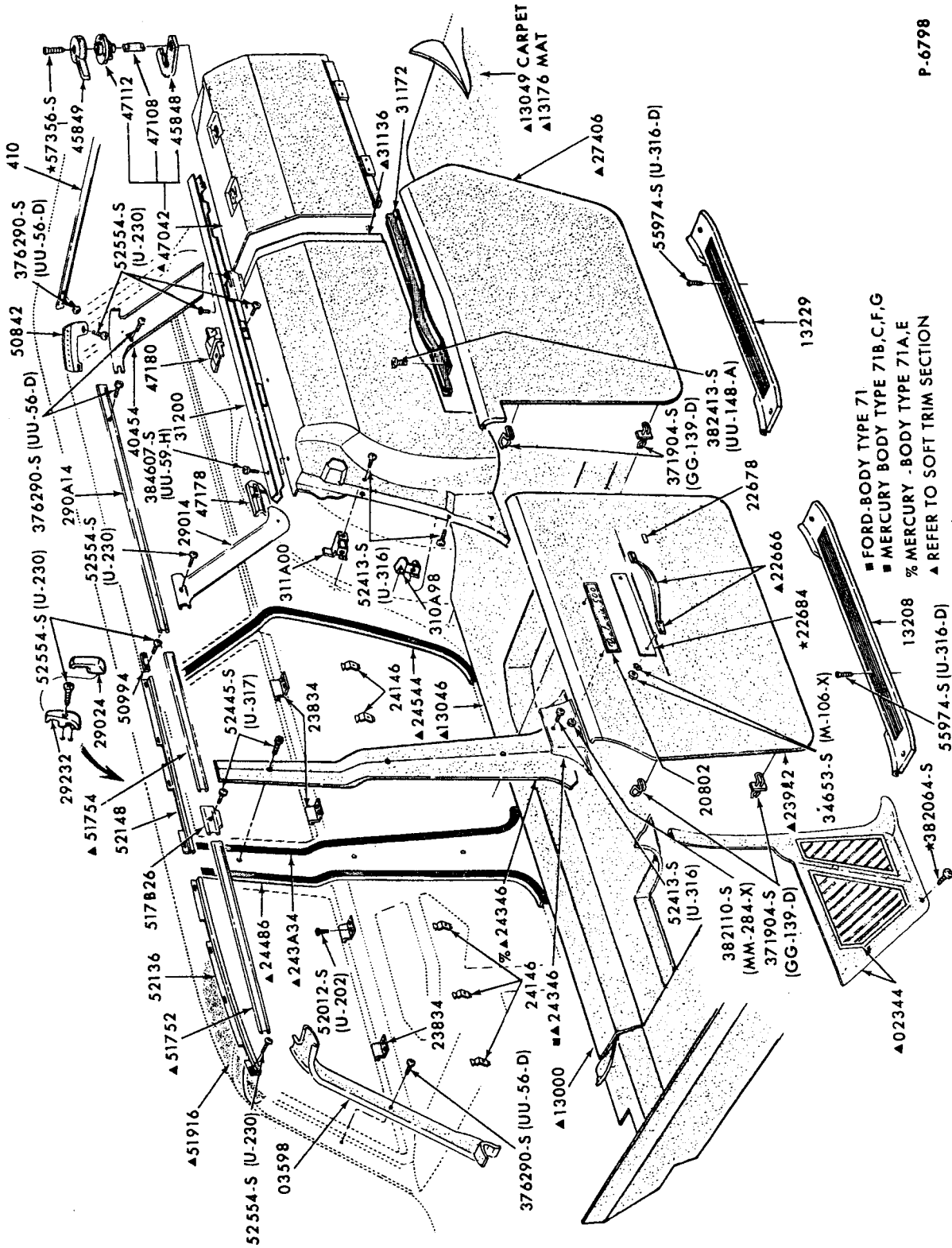


† MERCURY BODY TYPE 53: FULL LENGTH  
 ▲ REFER TO SOFT TRIM SECTION  
 % BODY TYPE 57  
 ■ BODY TYPE 53

INTERIOR TRIM and RELATED PARTS  
 1969/72 FORD - BODY TYPE 57



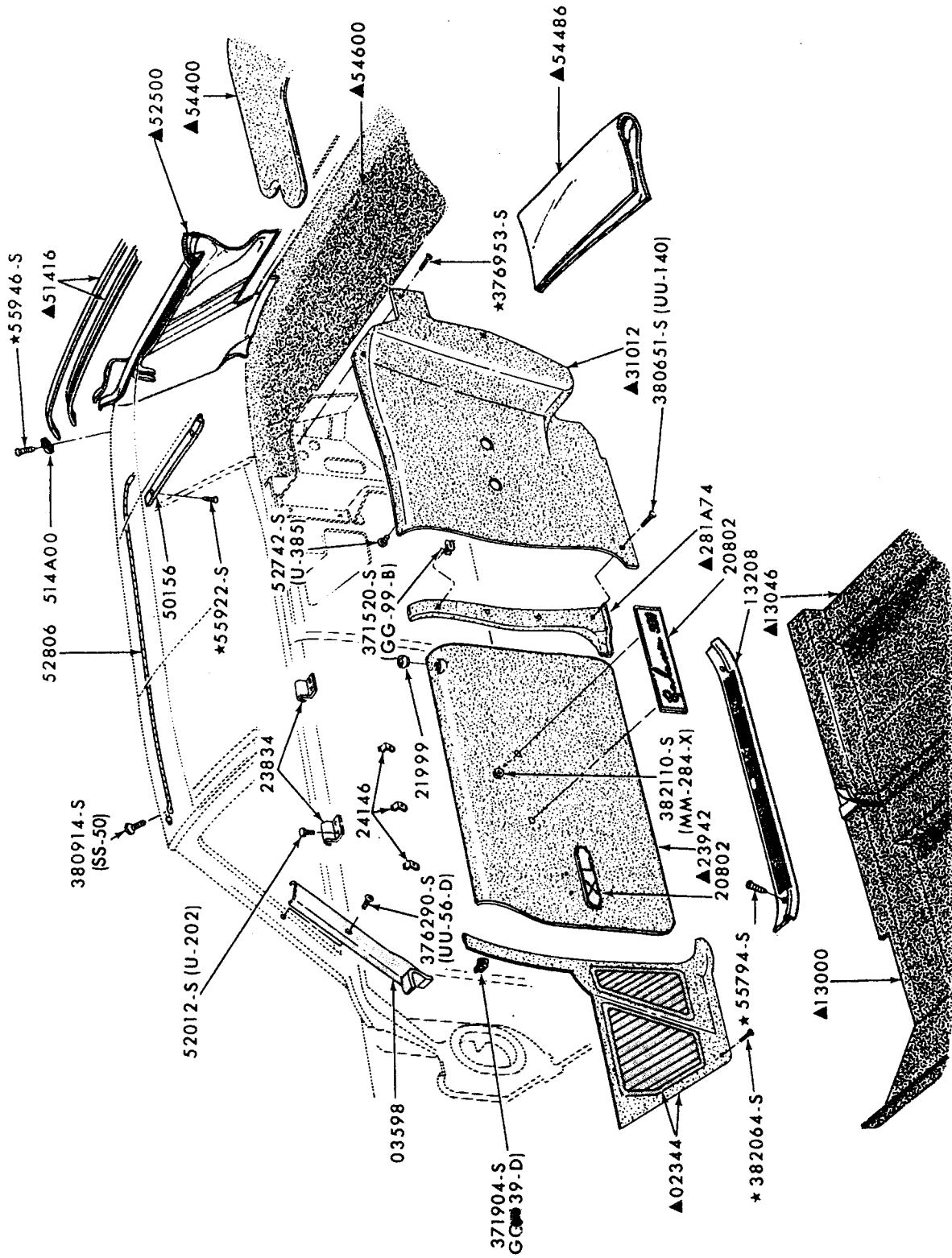




■ FORD-BODY TYPE 71  
 ■ MERCURY BODY TYPE 71B,C,F,G  
 % MERCURY - BODY TYPE 71A,E  
 ▲ REFER TO SOFT TRIM SECTION

P-6798

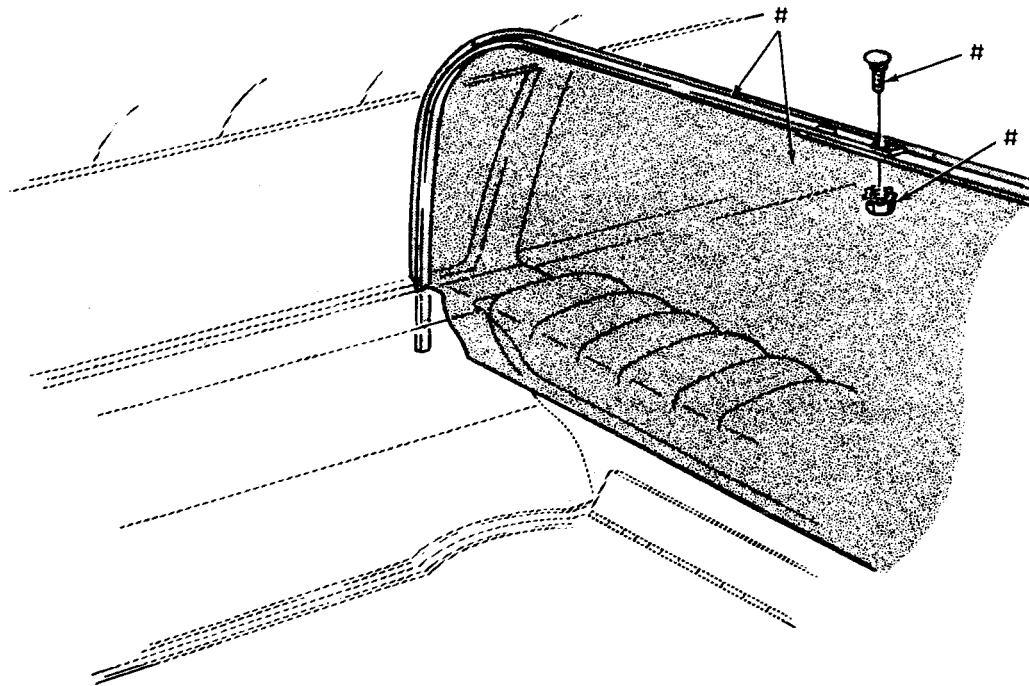
INTERIOR TRIM and RELATED PARTS - R. H. SIDE  
1969/72 FORD - BODY TYPE 71



▲ REFER TO GROUP IN SOFT TRIM SECTION

INTERIOR TRIM and RELATED PARTS  
1969/72 FORD - BODY TYPE 76

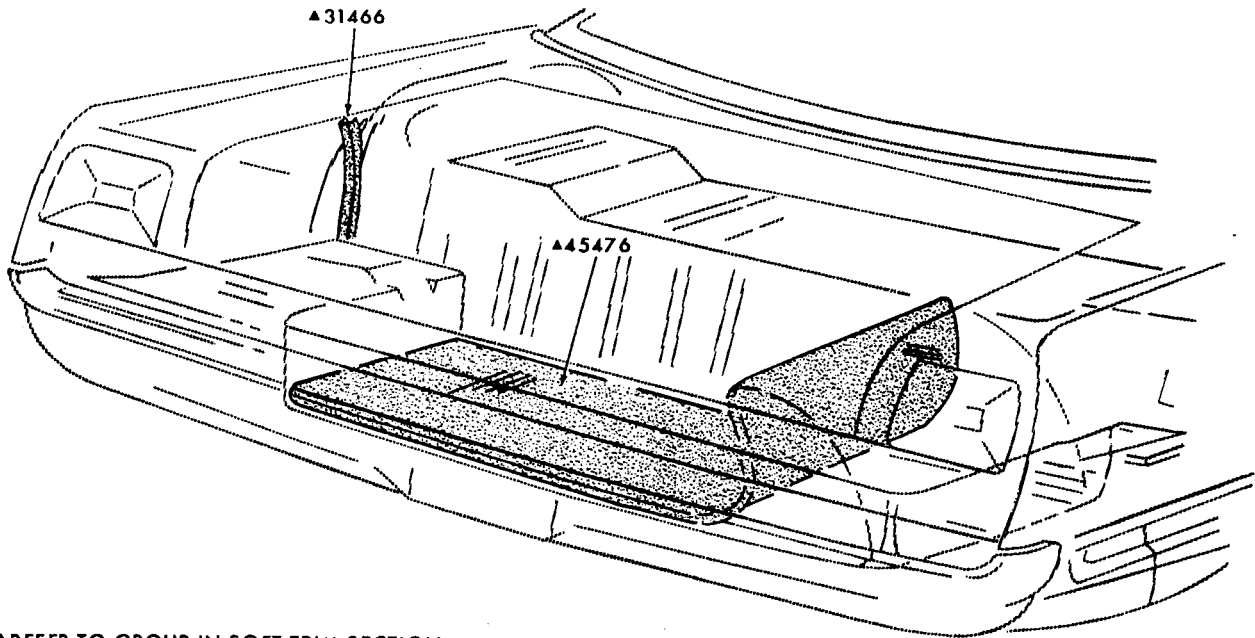




# SUPPLIED IN KIT-GROUP 64016 IN ACCESSORY SECTION

P-7400

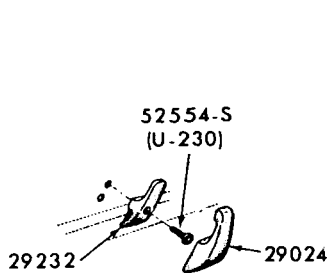
CURTAIN - DRIVER COMPARTMENT  
1970/71 FORD - BODY TYPE 71



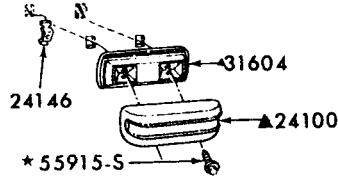
▲REFER TO GROUP IN SOFT TRIM SECTION

P-7425

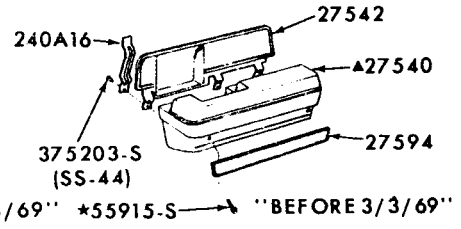
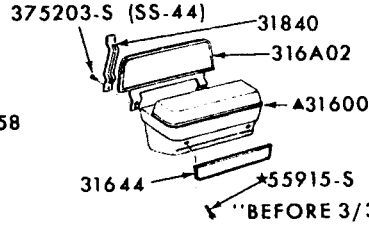
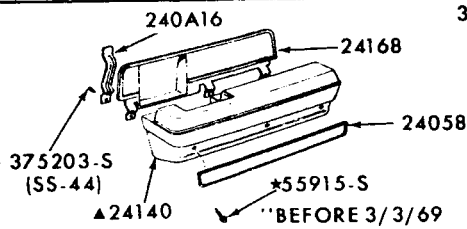
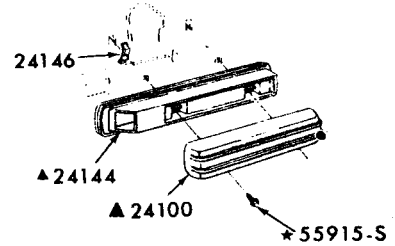
LUGGAGE COMPARTMENT TRIM  
1969/72 FORD



1970/  
QUARTER



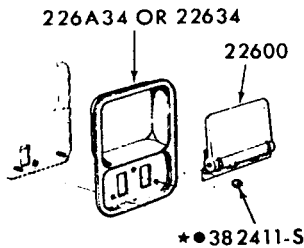
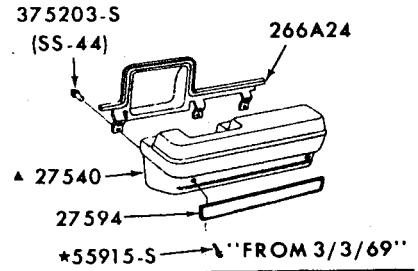
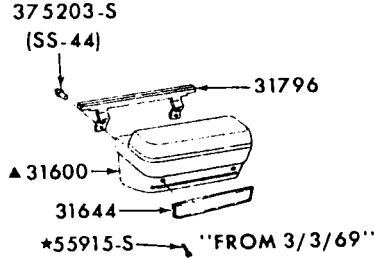
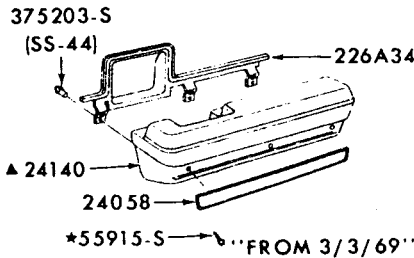
1970/  
FRONT OR REAR DOOR



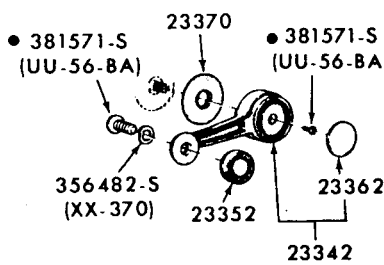
1969  
FRONT DOOR

1969  
QUARTER

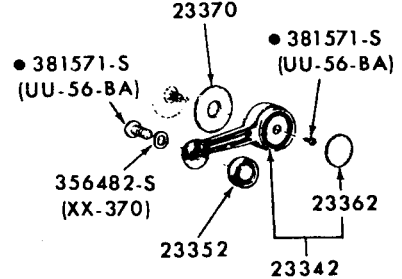
1969  
REAR DOOR



FRONT OR REAR DOOR



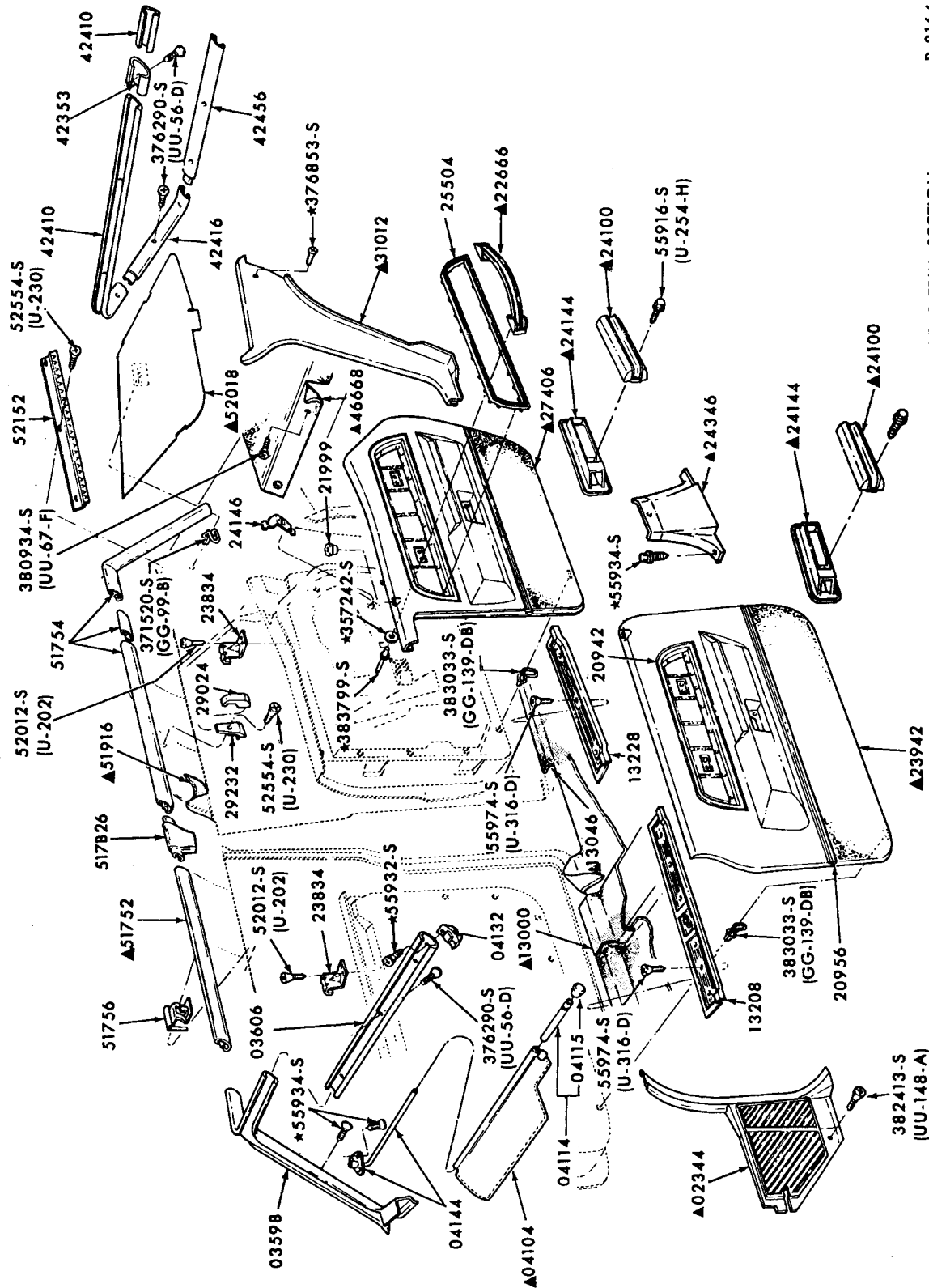
FRONT OR REAR DOOR



QUARTER

- ▲ REFER TO GROUP IN SOFT TRIM SECTION
- ALSO SERVICED IN GROUP 23342 OR 22916 OR 22600

P-7472



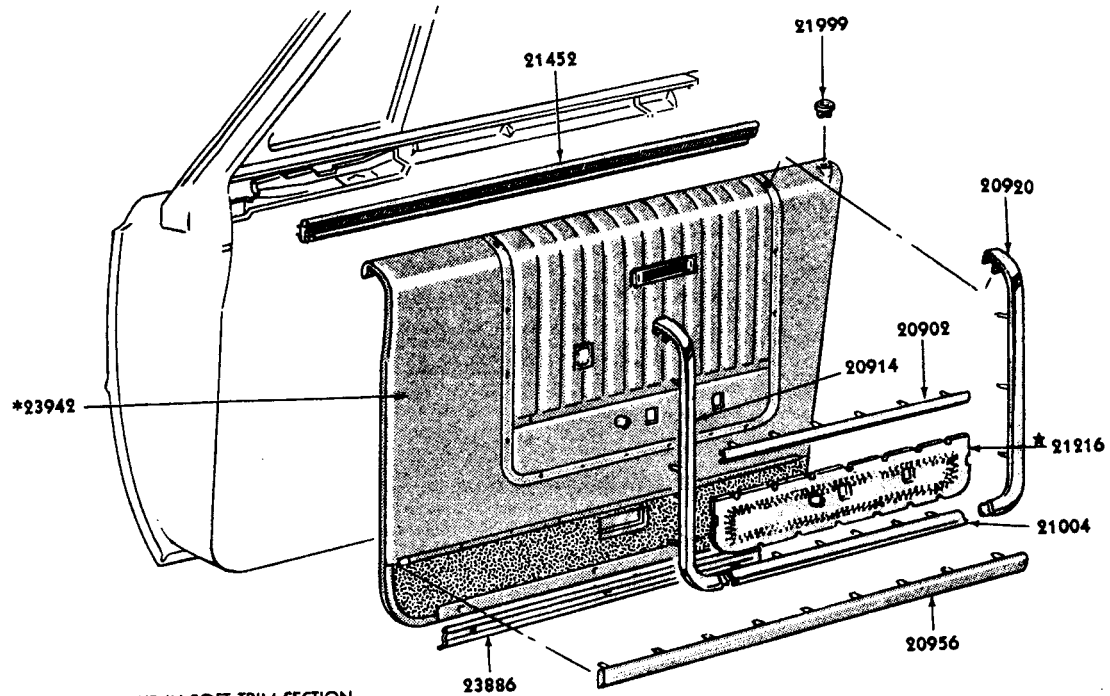
P-8164

▲ REFER TO GROUP IN SOFT TRIM SECTION

INTERIOR TRIM and RELATED PARTS  
1971/72 FORD - BODY TYPE 53

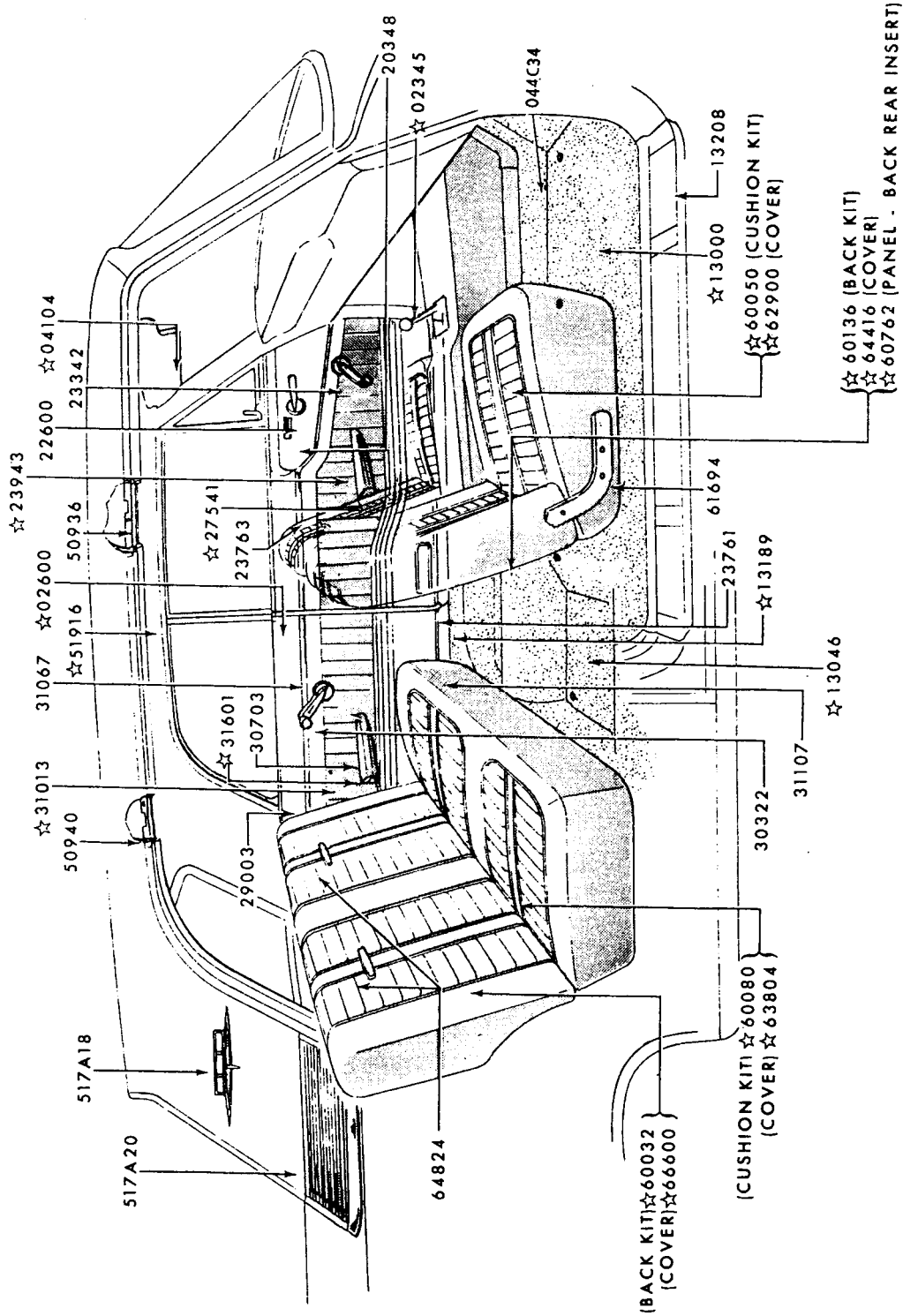






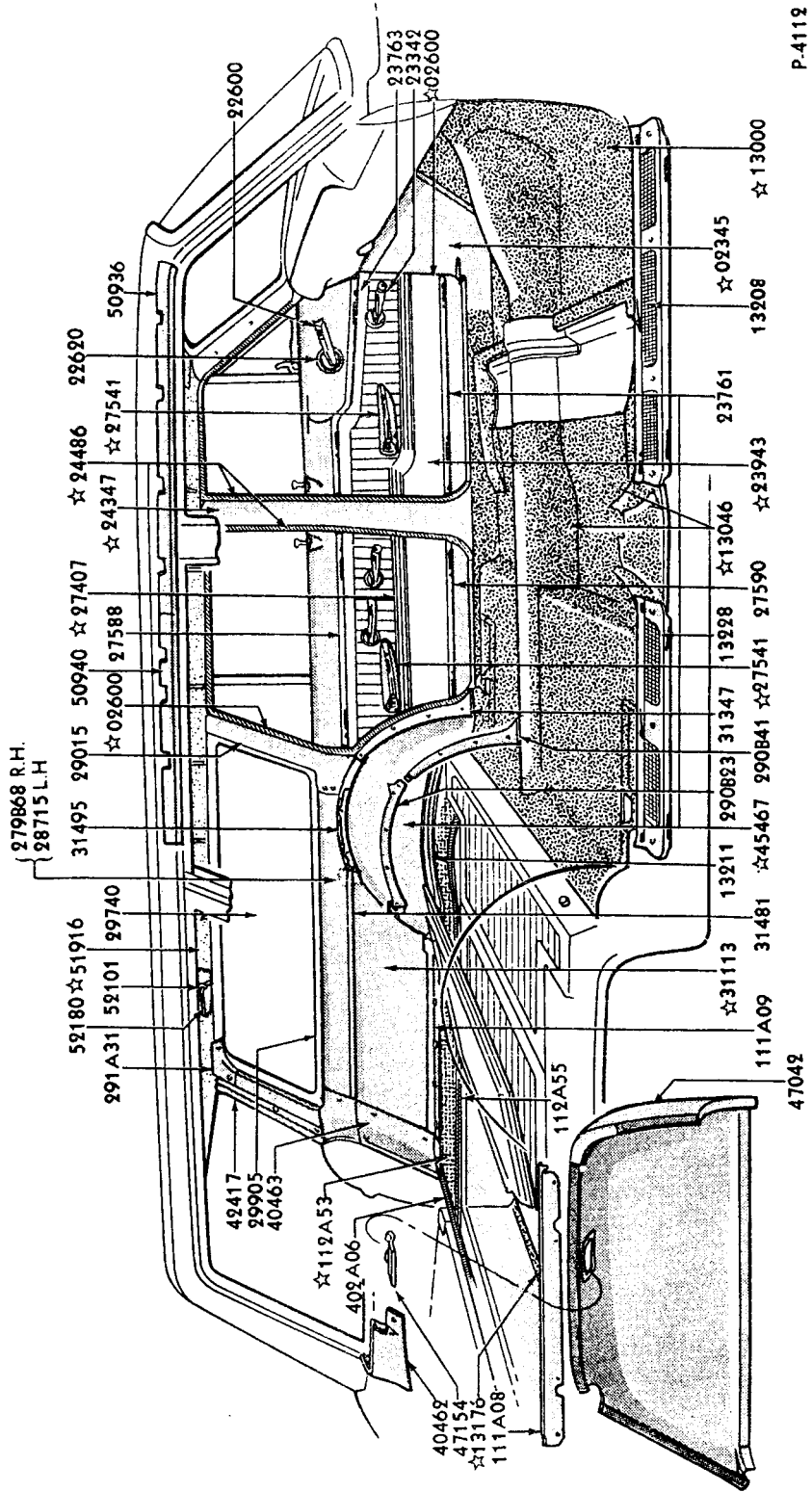
P-9674

**FRONT DOOR TRIM PANEL and RELATED PARTS - TYPICAL  
1965 FORD - BODY TYPES 57F, 63F, 76F (CANADA ONLY)**



☆REFER TO GROUP IN SOFT TRIM SECTION

INTERIOR TRIM and RELATED PARTS TYPICAL  
 1965 FAIRLANE - BODY TYPE 65

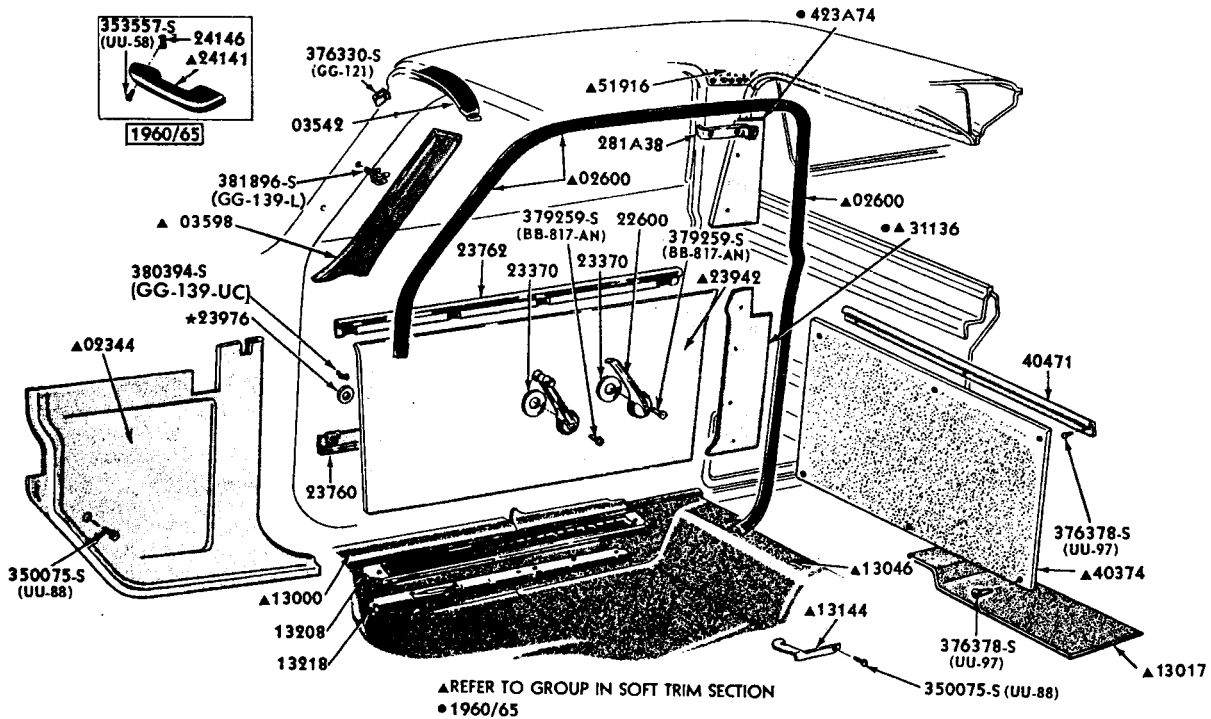


P.4112

☆REFER TO SOFT TRIM SECTION

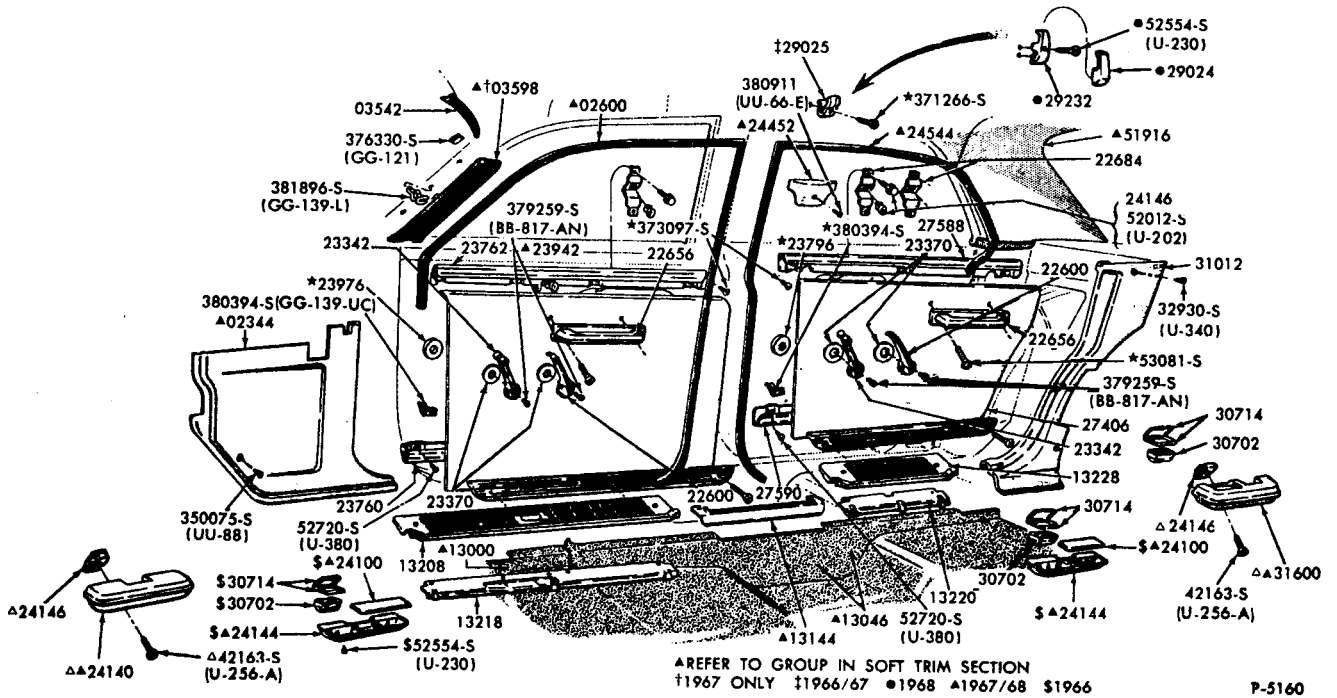
INTERIOR TRIM and RELATED PARTS  
1965 FAIRLANE - BODY TYPE 71





P-5163

INTERIOR TRIM and RELATED PARTS - TYPICAL  
1967 FAIRLANE - BODY TYPE 66

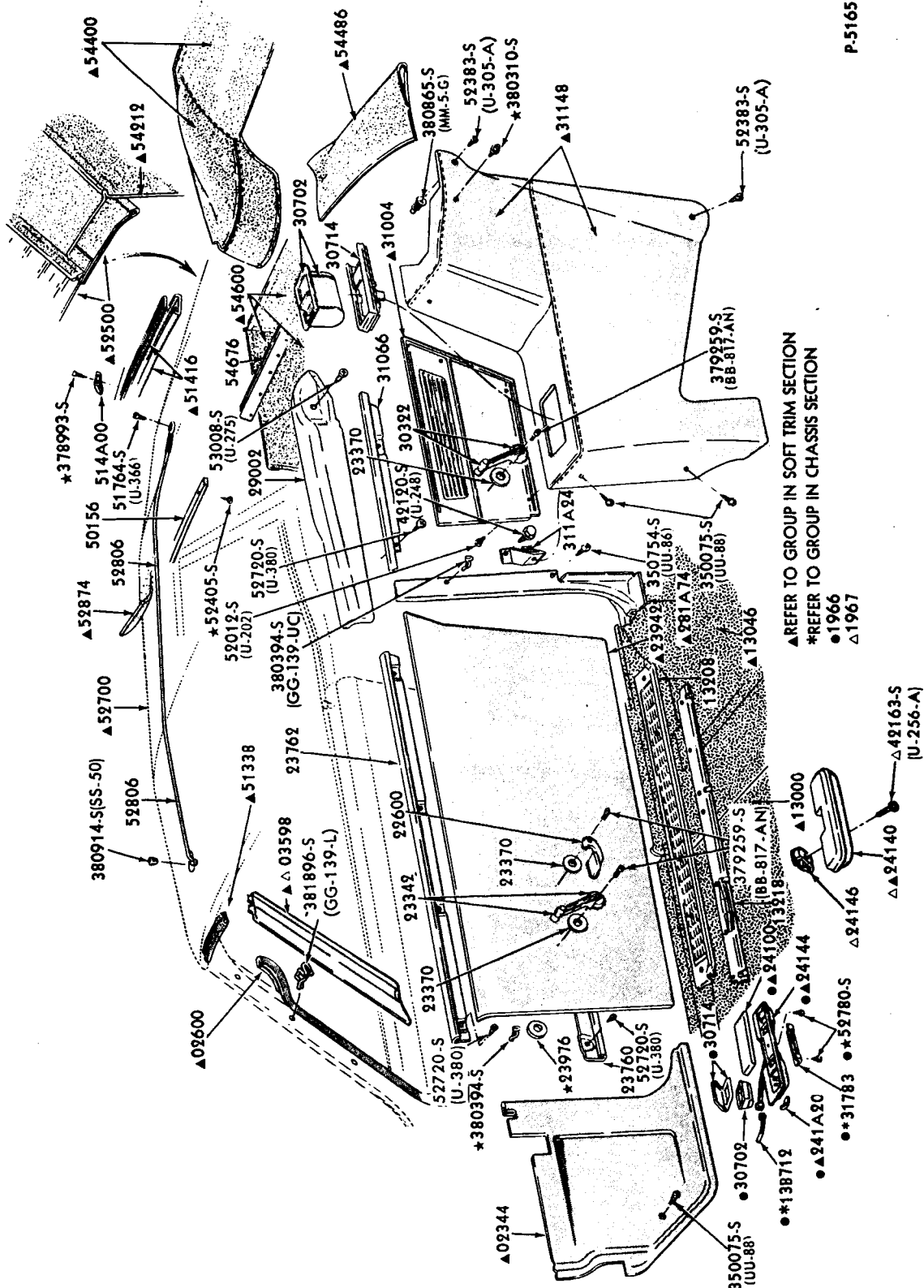


P-5160

INTERIOR TRIM and RELATED PARTS  
1966/67 FAIRLANE - BODY TYPE 54



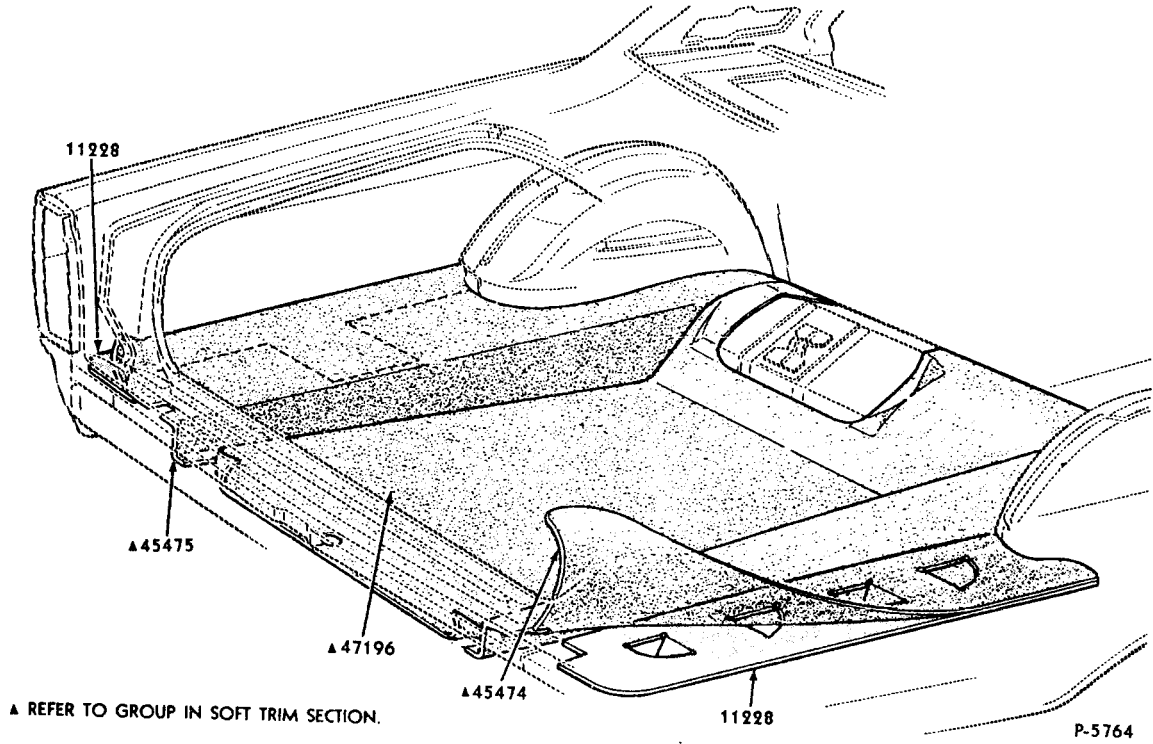




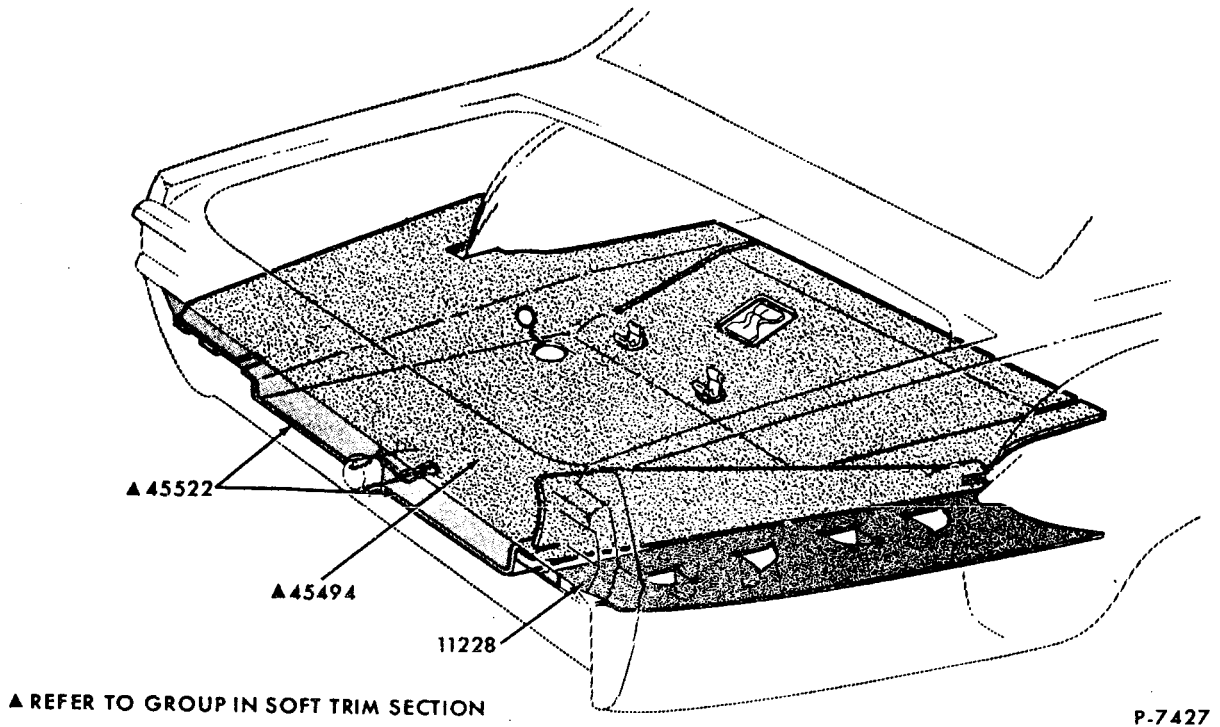
P-5165

REFER TO GROUP IN SOFT TRIM SECTION  
 \*REFER TO GROUP IN CHASSIS SECTION  
 ●1966  
 ▲1967

INTERIOR TRIM and RELATED PARTS  
 1966/67 FAIRLANE - BODY TYPE 76



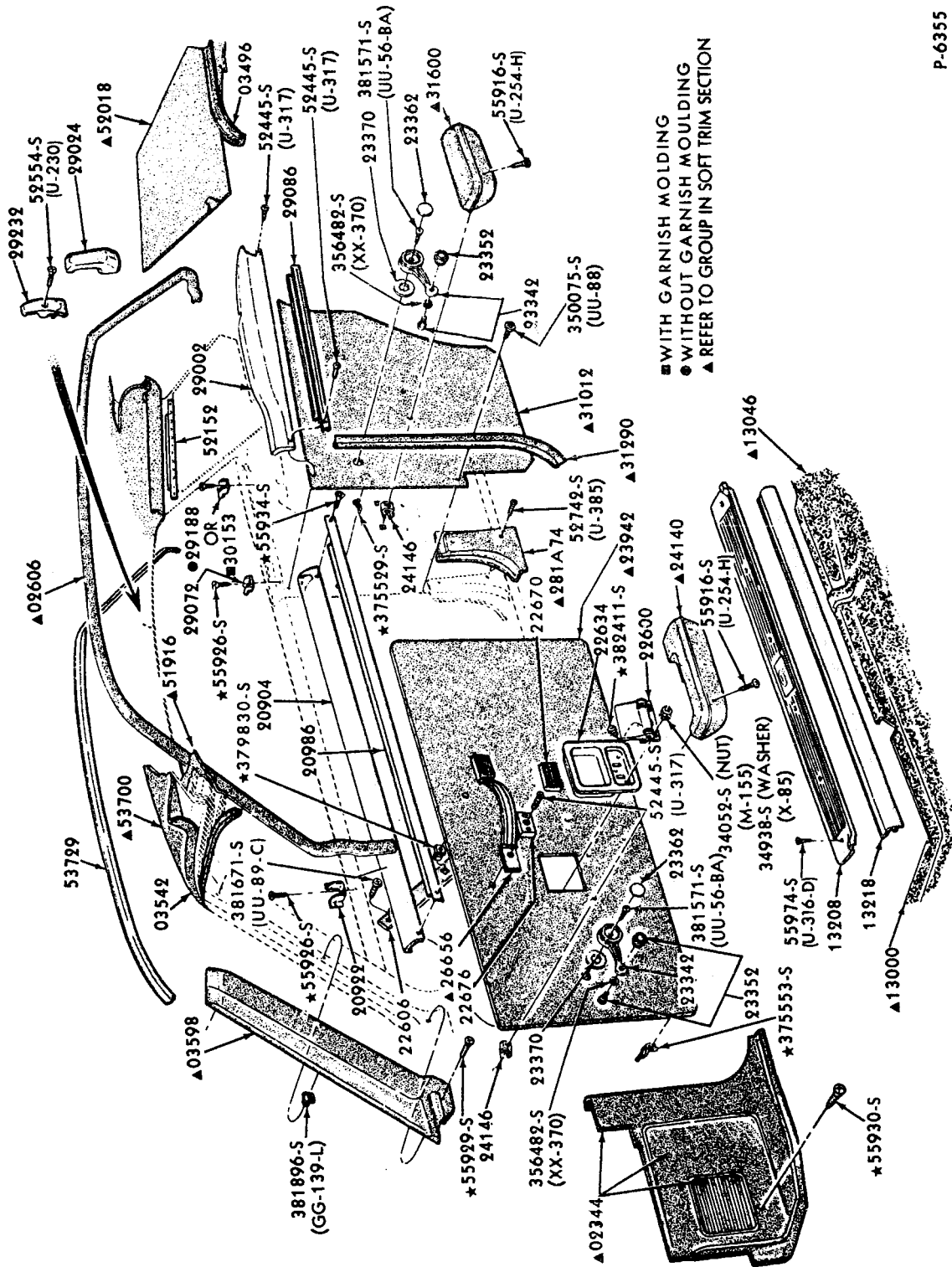
LUGGAGE COMPARTMENT TRIM  
1966/69 FAIRLANE/TORINO - BODY TYPES 54, 62, 63, 65, 76



LUGGAGE COMPARTMENT TRIM  
1970/71 FAIRLANE/TORINO - BODY TYPES 54, 57, 62, 63, 65 and 76

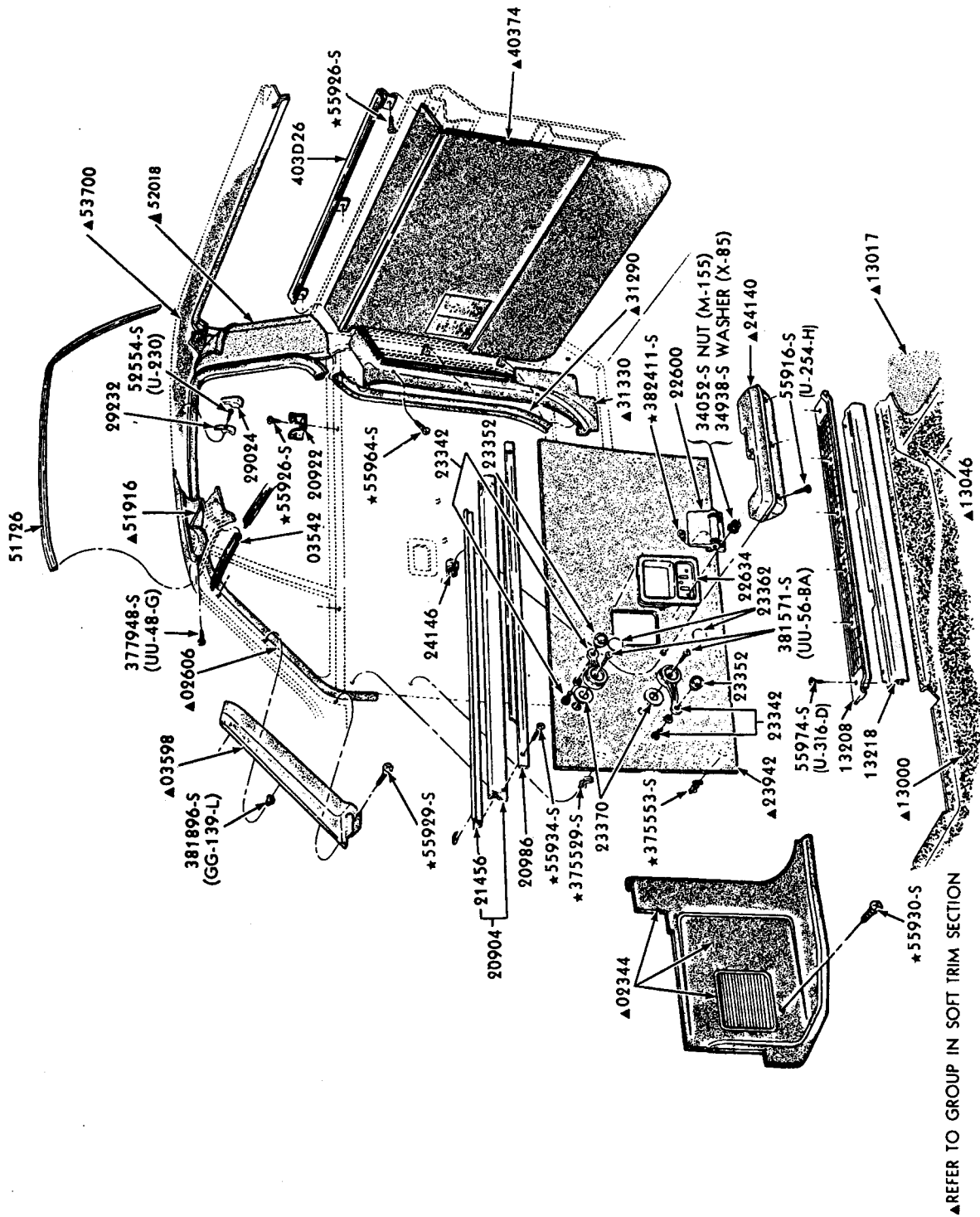




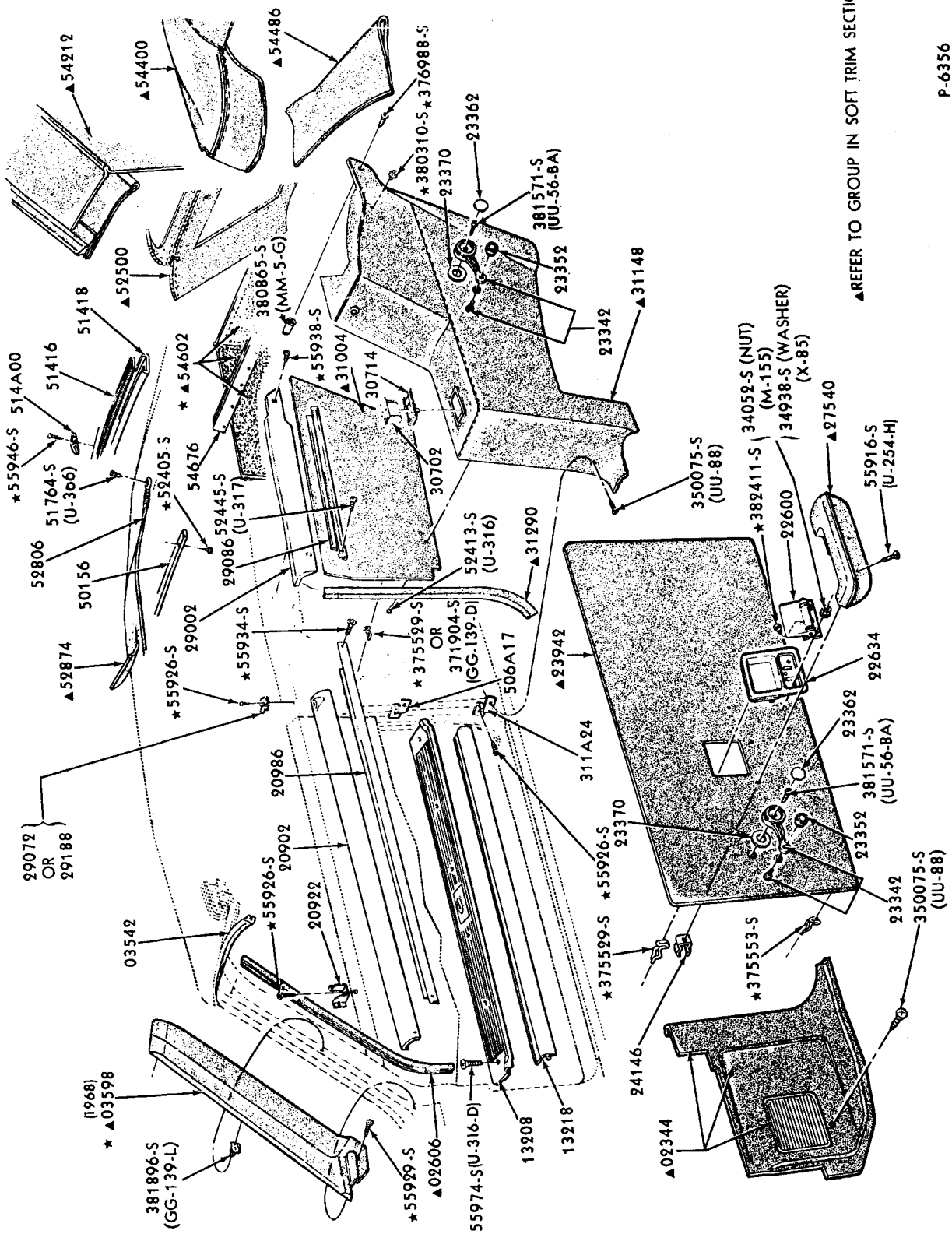


INTERIOR TRIM and RELATED PARTS  
1968/69 FAIRLANE/TORINO - BODY TYPE 65



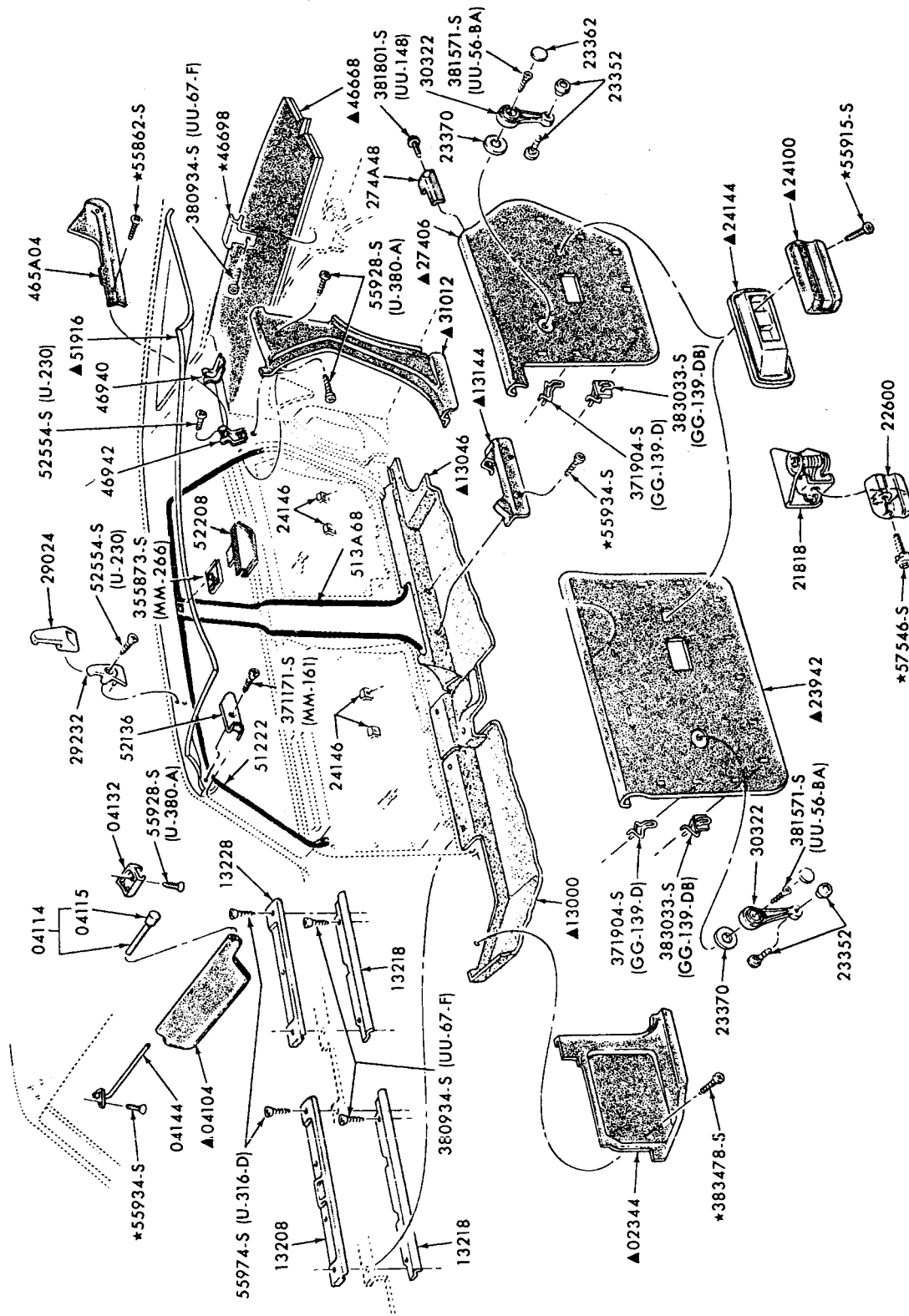


INTERIOR TRIM and RELATED PARTS  
1968/69 FAIRLANE - BODY TYPE 66



▲ REFER TO GROUP IN SOFT TRIM SECTION

INTERIOR TRIM and RELATED PARTS  
1968/69 FAIRLANE/TORINO - BODY TYPE 76

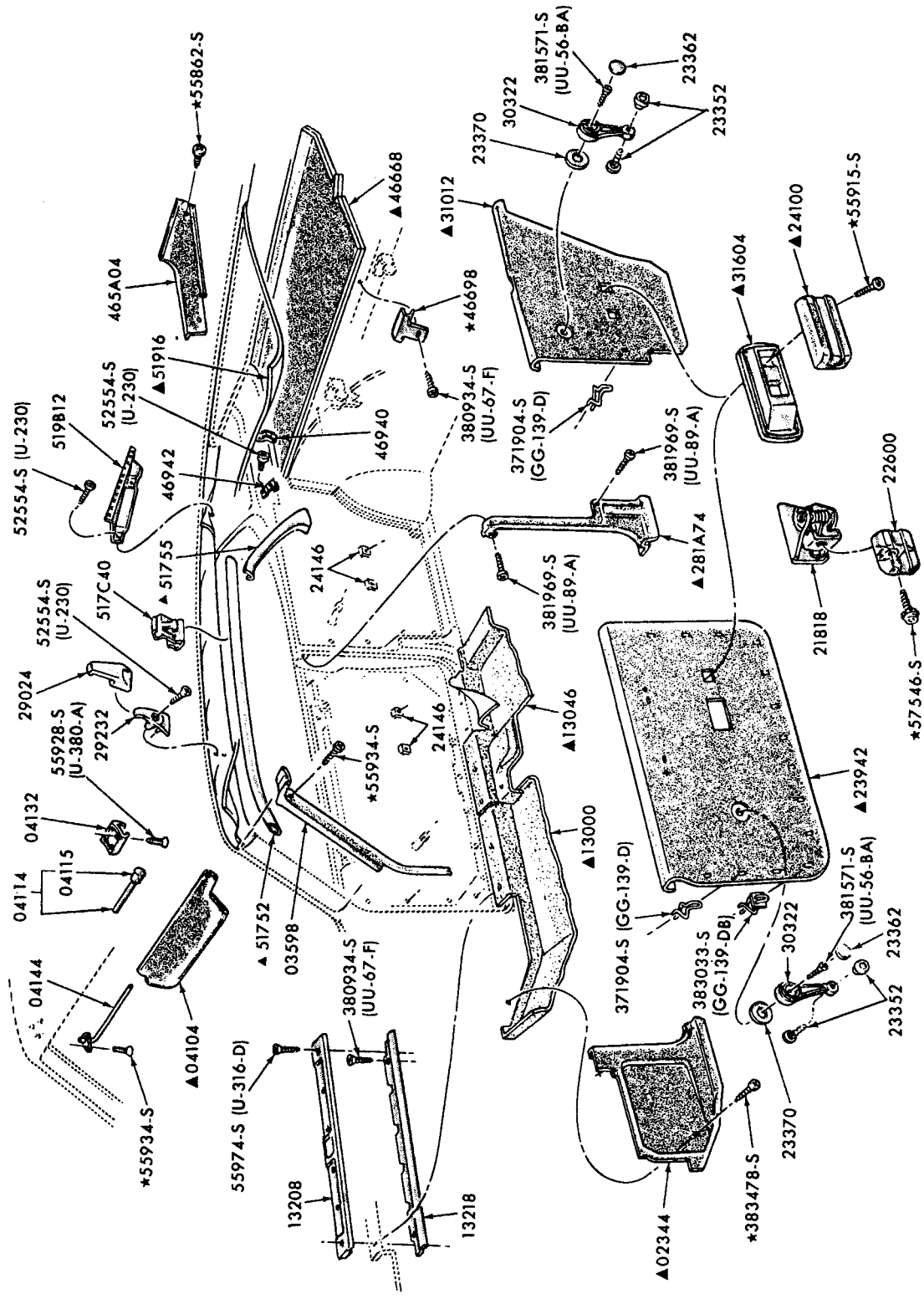


P-7259

▲ REFER TO GROUP IN SOFT TRIM SECTION

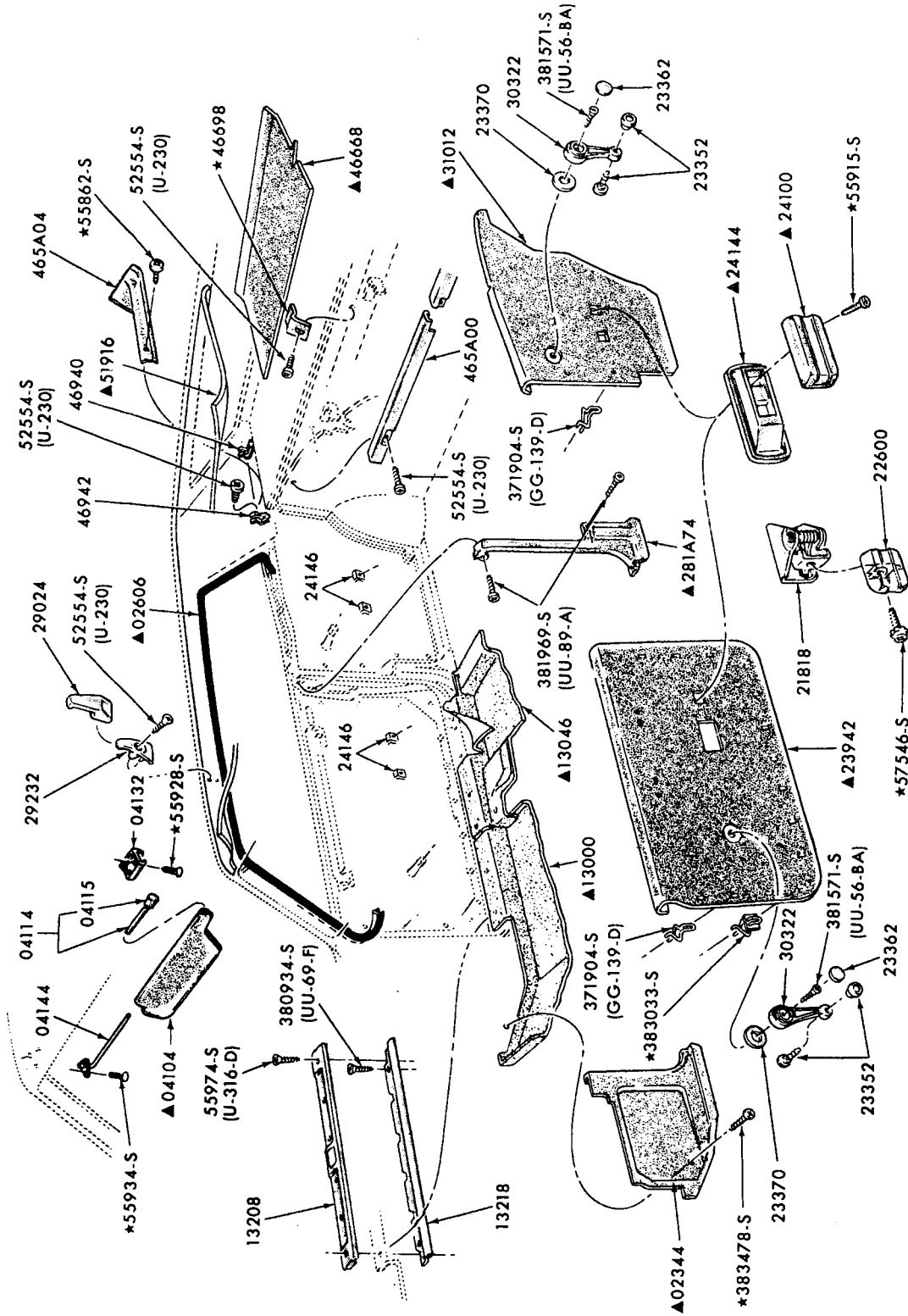
INTERIOR TRIM and RELATED PARTS  
1970/71 FAIRLANE/TORINO - BODY TYPE 54





▲ REFER TO GROUP IN SOFT TRIM SECTION

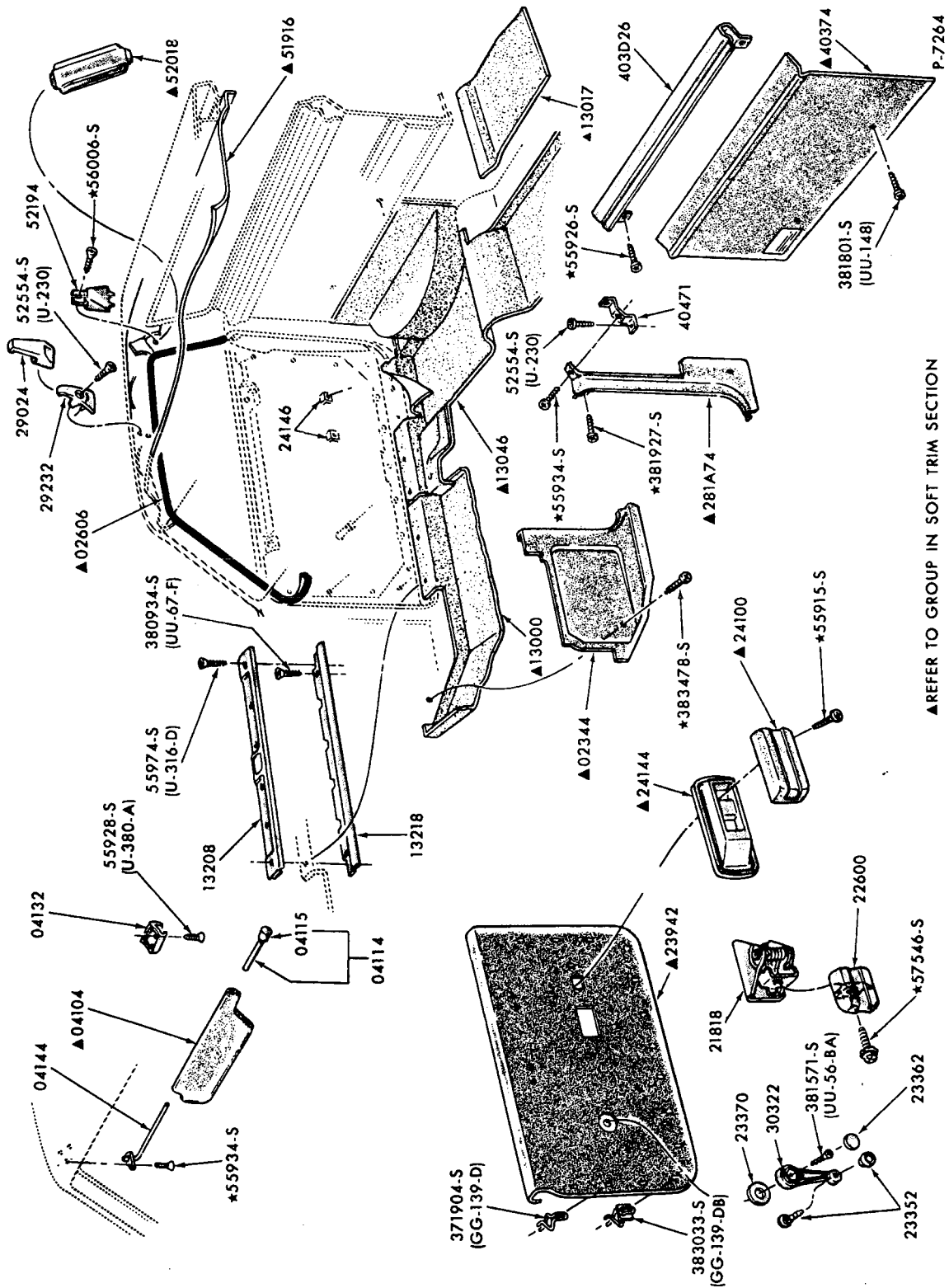
INTERIOR TRIM and RELATED PARTS  
1970 FAIRLANE/TORINO - BODY TYPE 63



P-7263

▲REFER TO GROUP IN SOFT TRIM SECTION

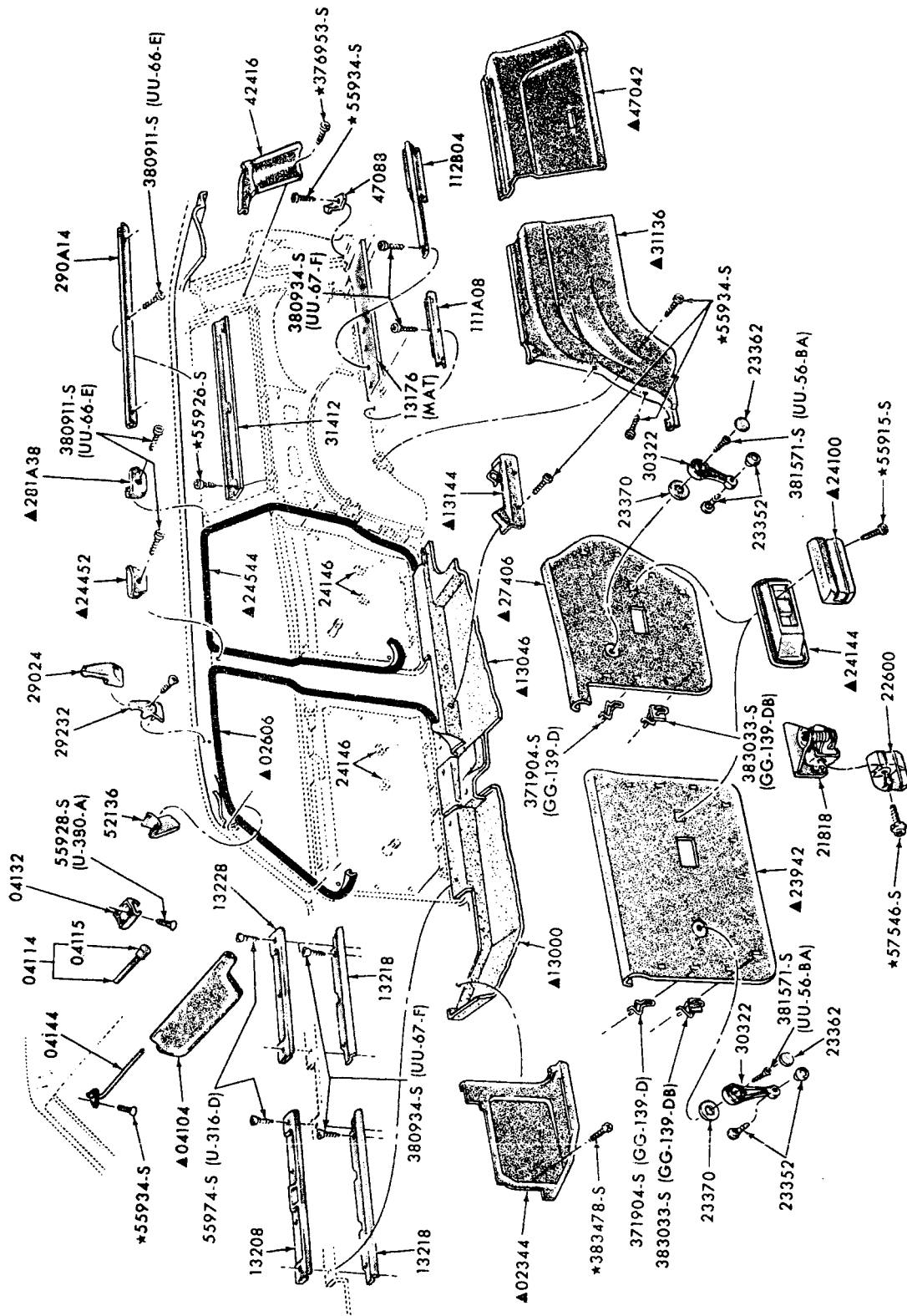
**INTERIOR TRIM and RELATED PARTS  
1970/71 FAIRLANE/TORNO - BODY TYPE 65**



INTERIOR TRIM and RELATED PARTS  
1970/71 FAIRLANE/TORINO - BODY TYPE 66



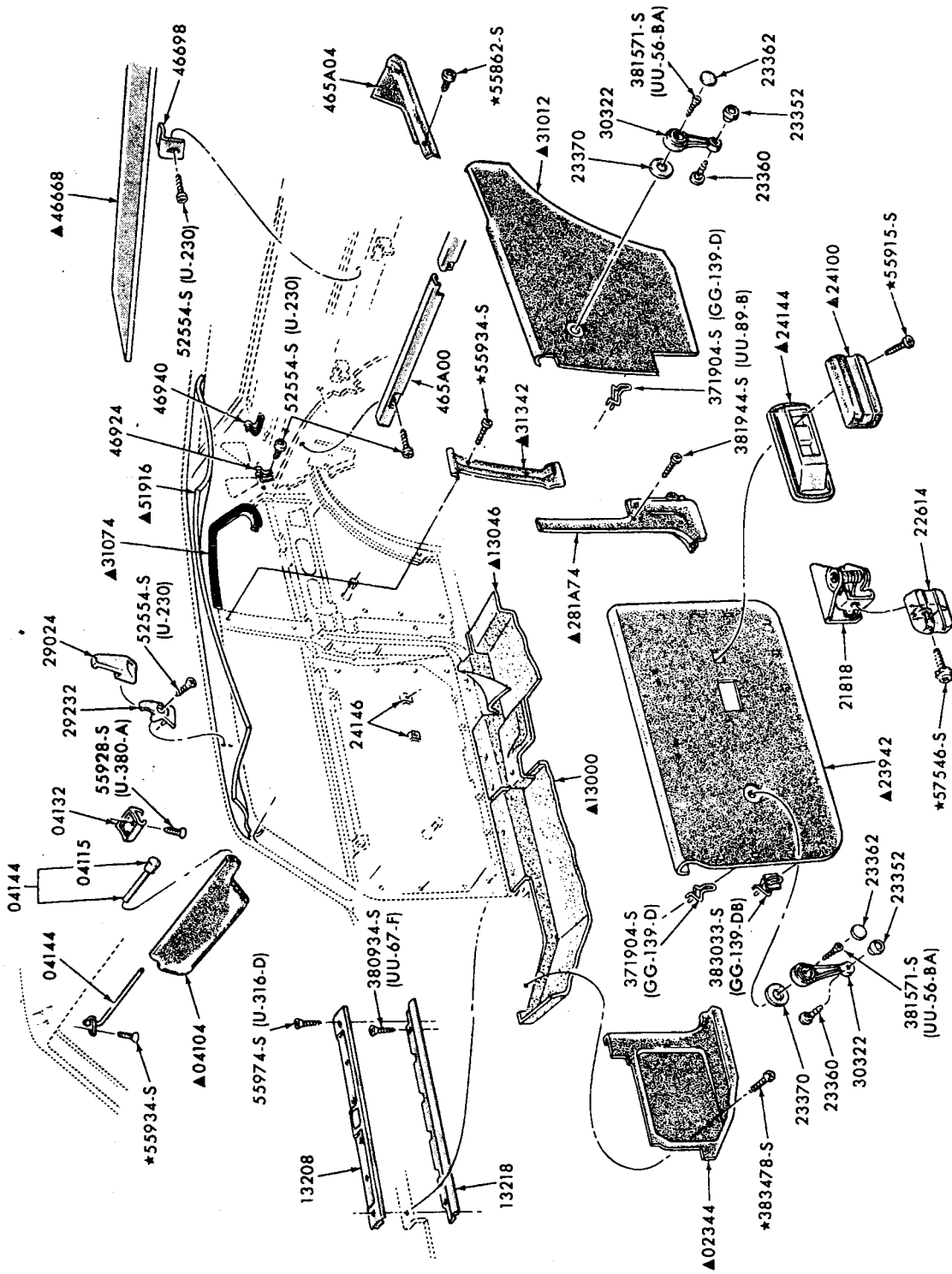




▲ REFER TO GROUP IN SOFT TRIM SECTION

INTERIOR TRIM and RELATED PARTS - R. H. SIDE  
1970/71 FAIRLANE/TORINO - BODY TYPE 71



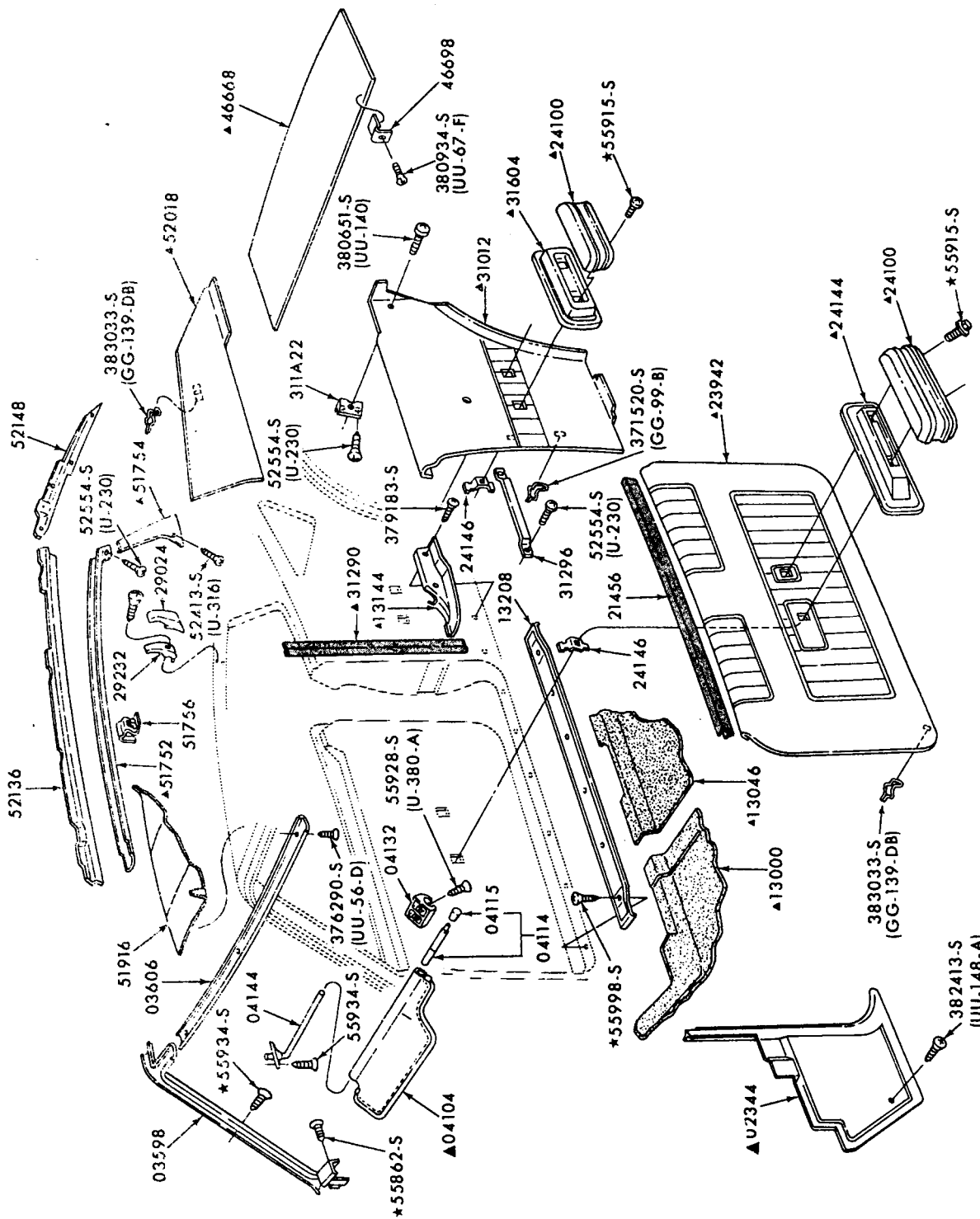


P-7261

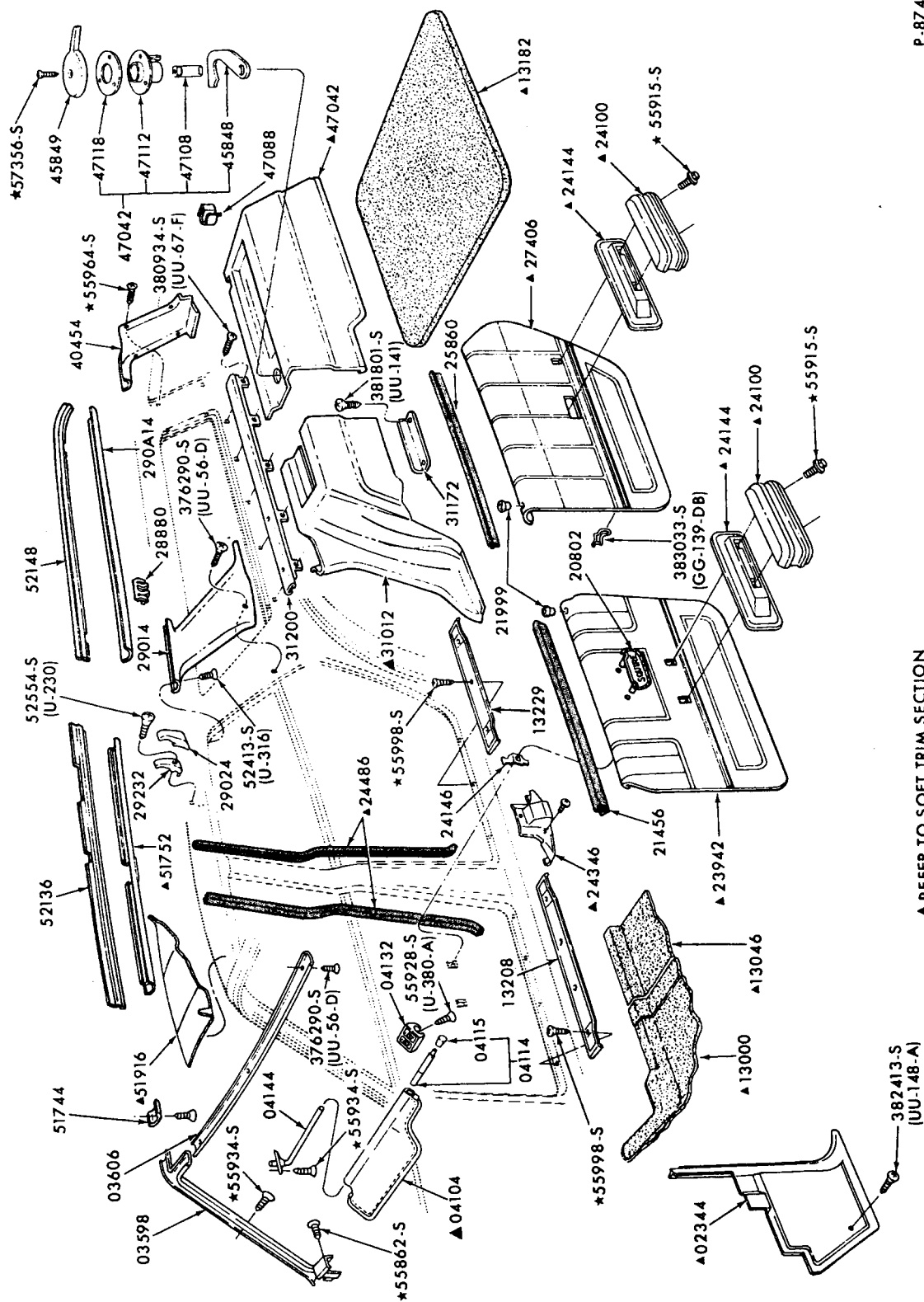
▲ REFER TO GROUP IN SOFT TRIM SECTION

INTERIOR TRIM and RELATED PARTS  
1970 FAIRLANE/TORINO - BODY TYPE 62





**INTERIOR TRIM and RELATED PARTS  
1972 TORINO - BODY TYPE 65**



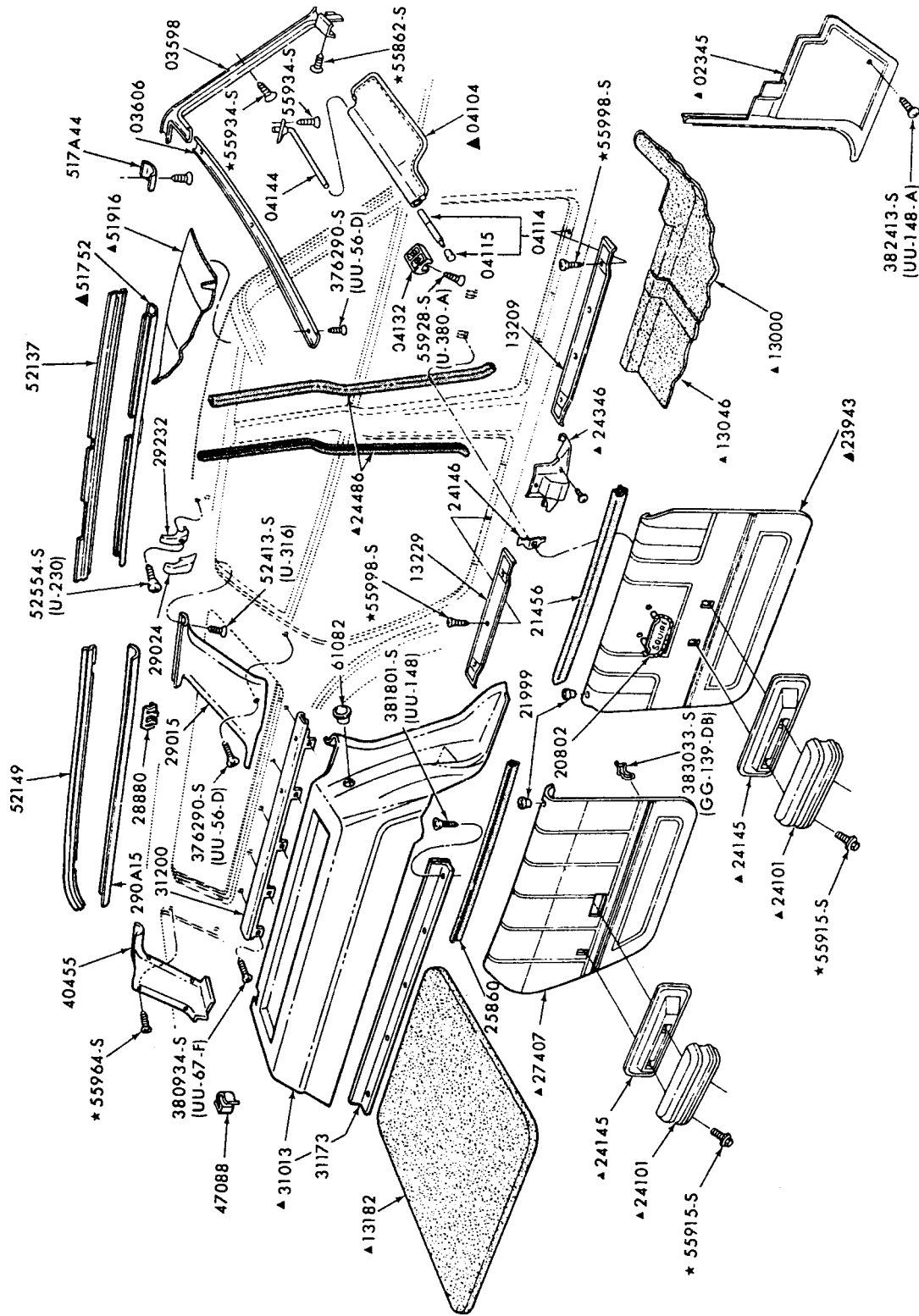
REFER TO SOFT TRIM SECTION

INTERIOR TRIM and RELATED PARTS  
1972 TORINO - BODY TYPE 71 - R.H. SIDE

# FORD CAR PARTS

## INTERIOR TRIM ILLUSTRATION SECTION

**B** 25



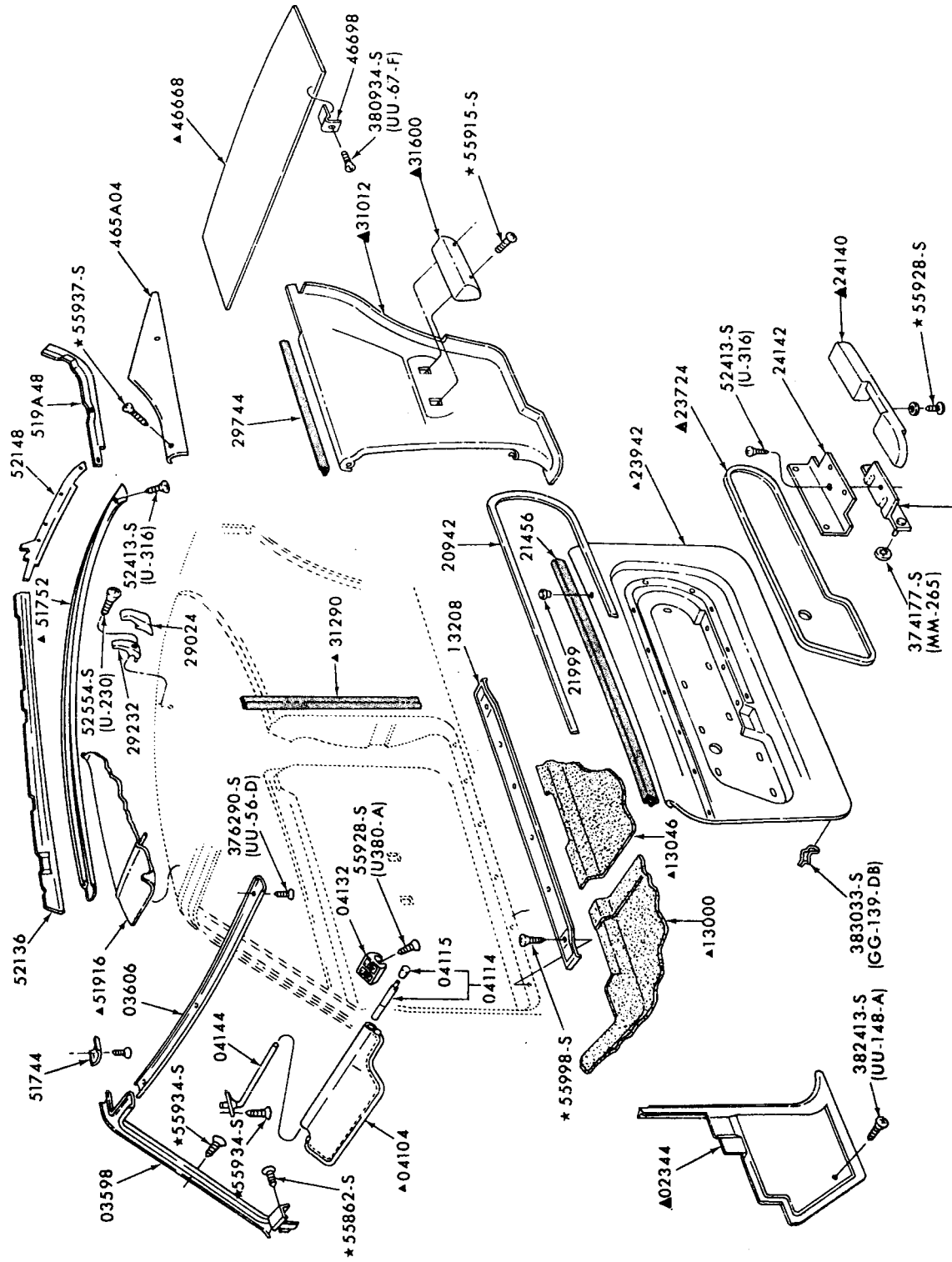
▲ REFER TO GROUP IN SOFT TRIM SECTION

P-8741

INTERIOR TRIM and RELATED PARTS  
1972 TORINO - BODY TYPE 71 - L.H. SIDE

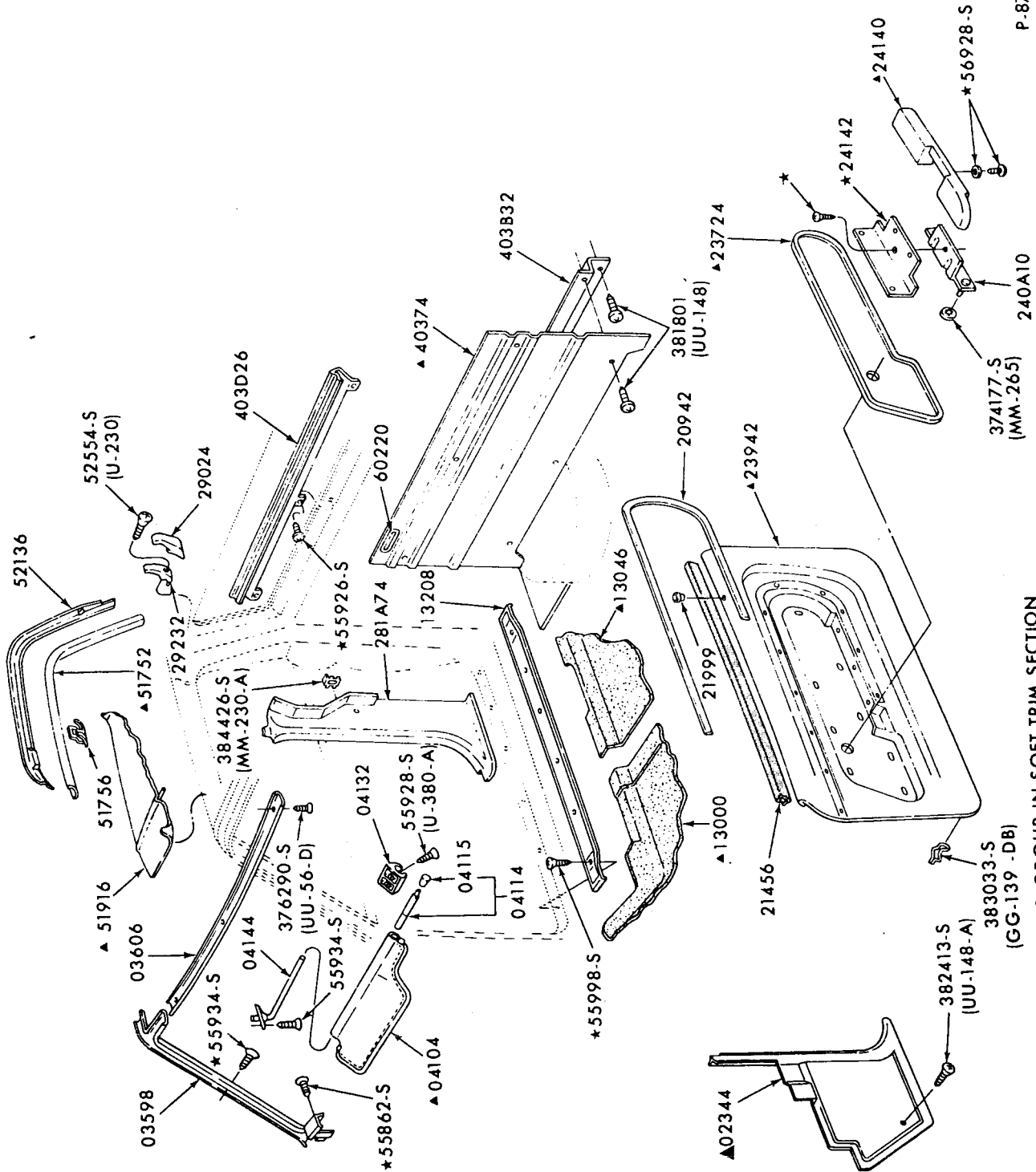






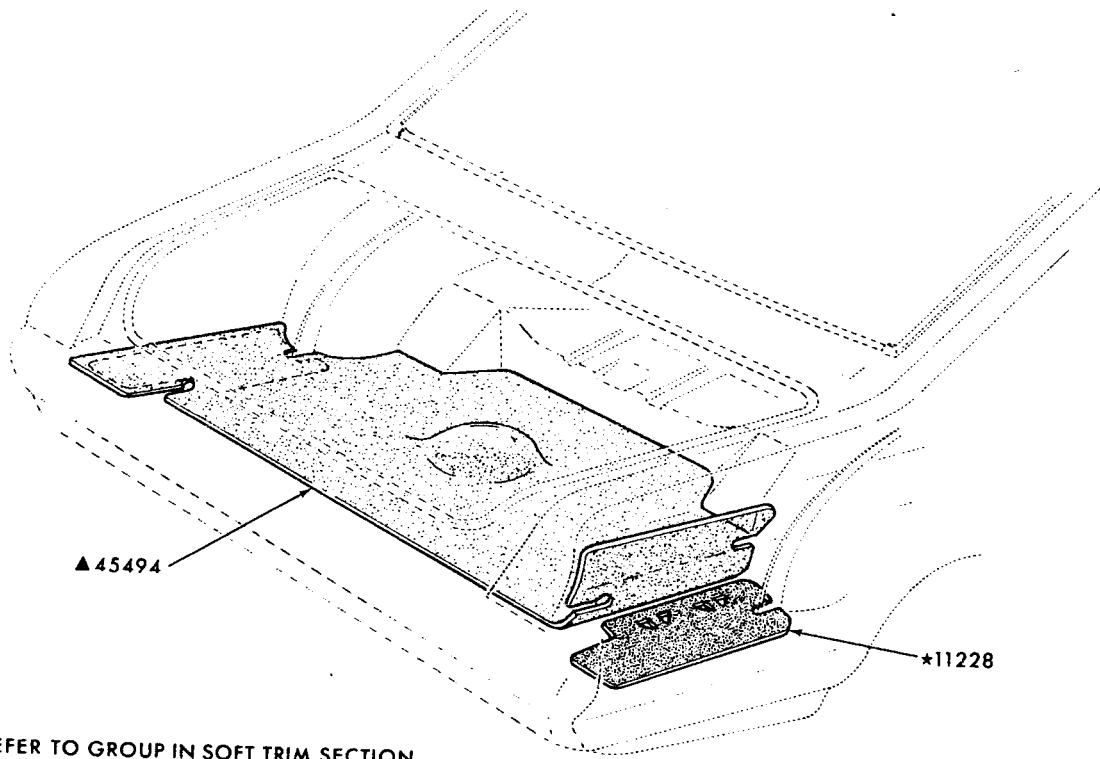
\* REFER TO SOFT TRIM SECTION

INTERIOR TRIM and RELATED PARTS  
1972 TORINO - BODY TYPE 63R



REFER TO GROUP IN SOFT TRIM SECTION

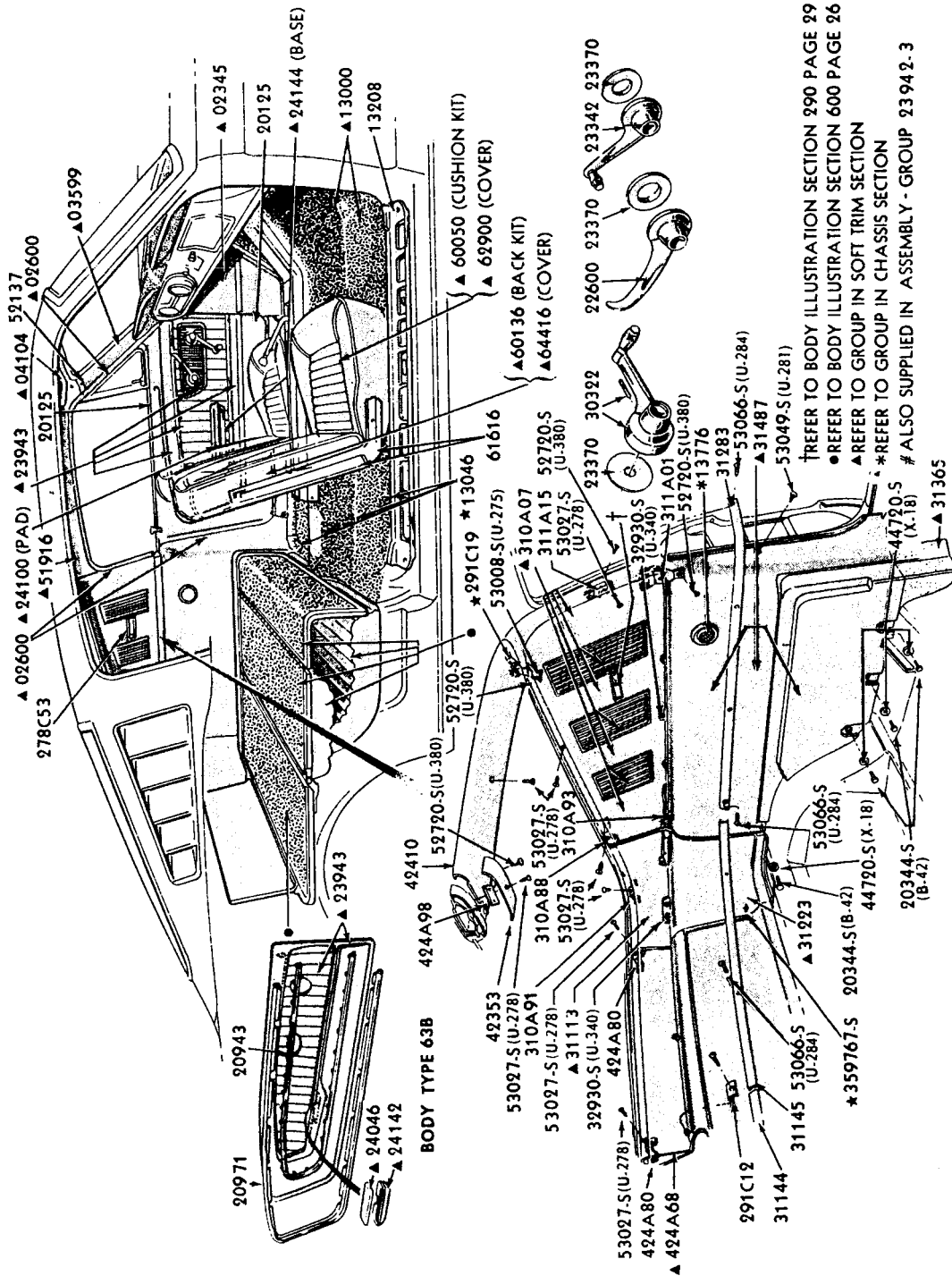
INTERIOR TRIM and RELATED PARTS  
1972 TORINO - BODY TYPE 97R



▲REFER TO GROUP IN SOFT TRIM SECTION

P-8869

LUGGAGE COMPARTMENT TRIM  
1972 TORINO



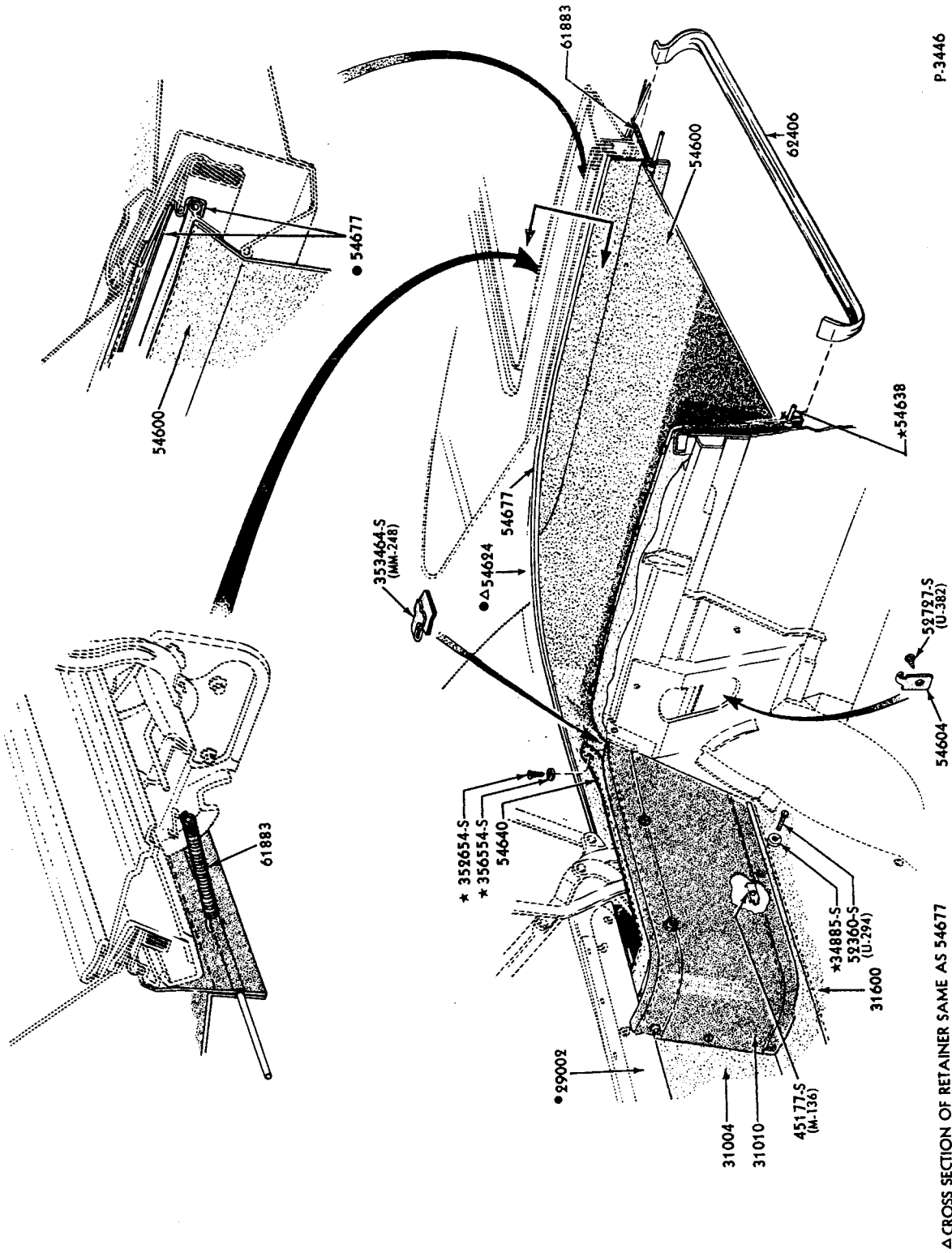
REFER TO BODY ILLUSTRATION SECTION 290 PAGE 29 FOR DETAILS.  
 ○ REFER TO BODY ILLUSTRATION SECTION 600 PAGE 26 FOR DETAILS.  
 ▲ REFER TO GROUP IN SOFT TRIM SECTION  
 \* REFER TO GROUP IN CHASSIS SECTION  
 # ALSO SUPPLIED IN ASSEMBLY - GROUP 23942-3

P-4767

INTERIOR TRIM and RELATED PARTS - TYPICAL  
 1965/66 MUSTANG - BODY TYPE 63







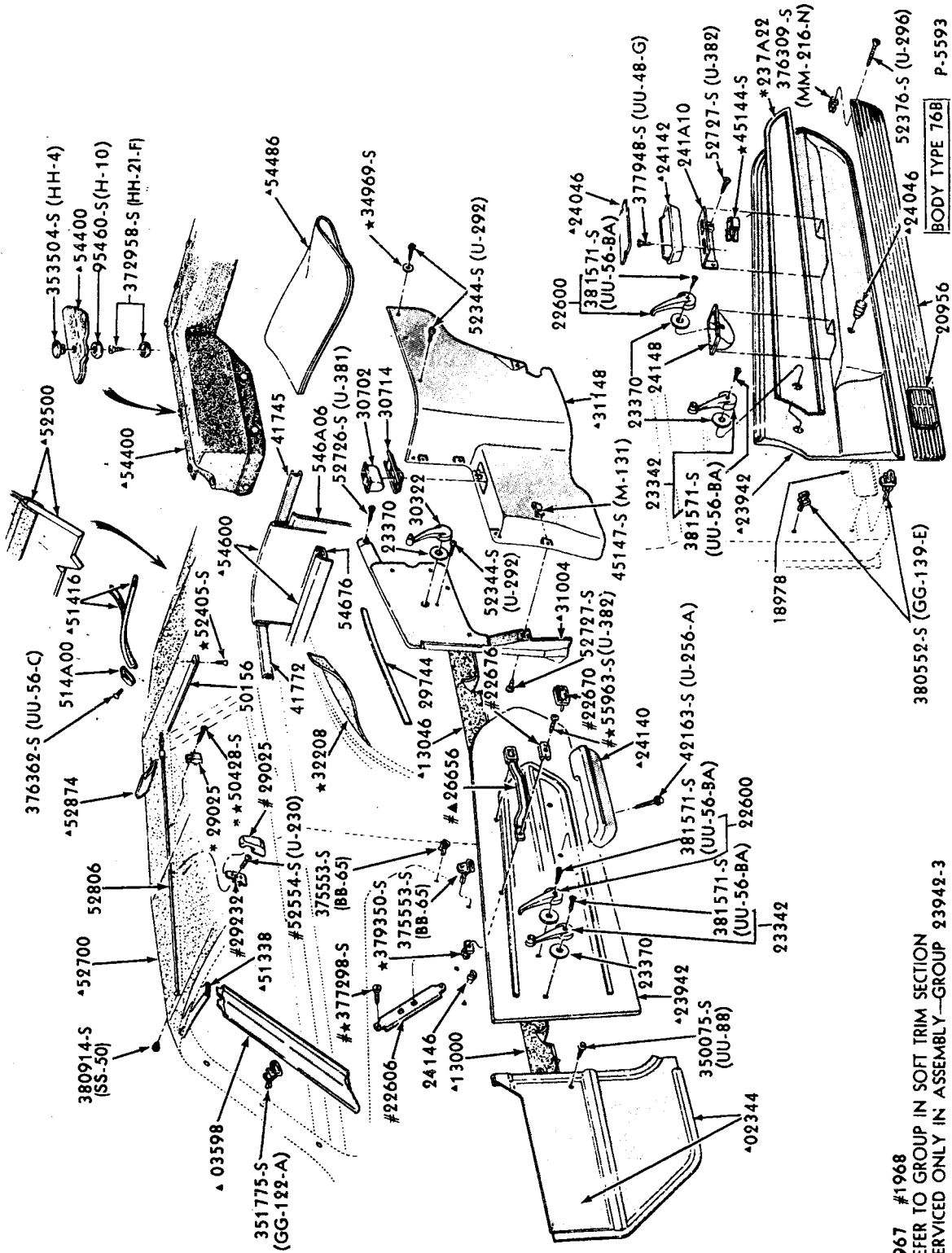
P-3446

FOLDING TOP COMPARTMENT TRIM and RELATED PARTS  
1965/66 MUSTANG - BODY TYPE 76









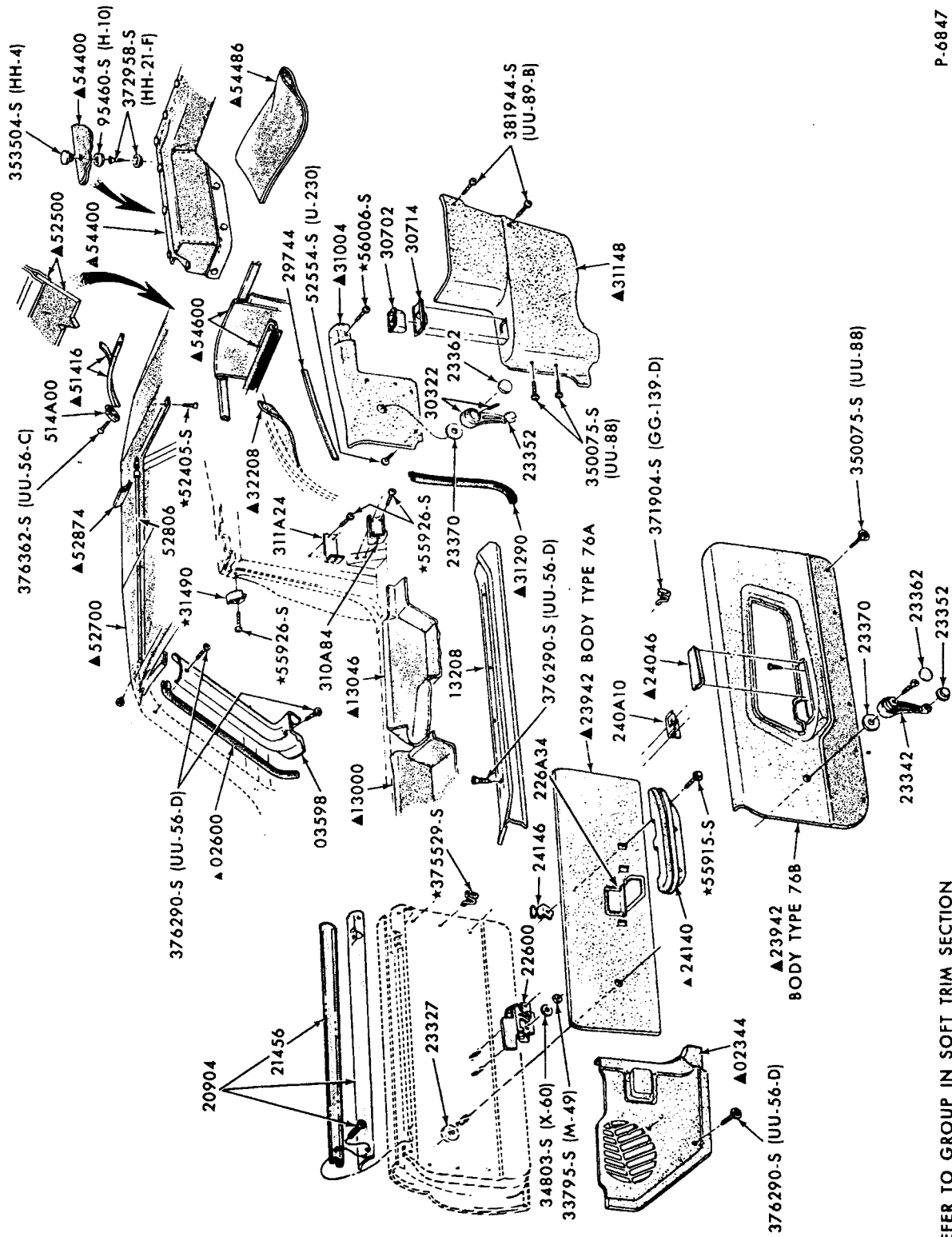
DOOR and QUARTER TRIM PANELS and RELATED PARTS  
1967/68 MUSTANG - BODY TYPE 76

1967 #1968  
\*REFER TO GROUP IN SOFT TRIM SECTION  
△ SERVICED ONLY IN ASSEMBLY—GROUP 23942-3







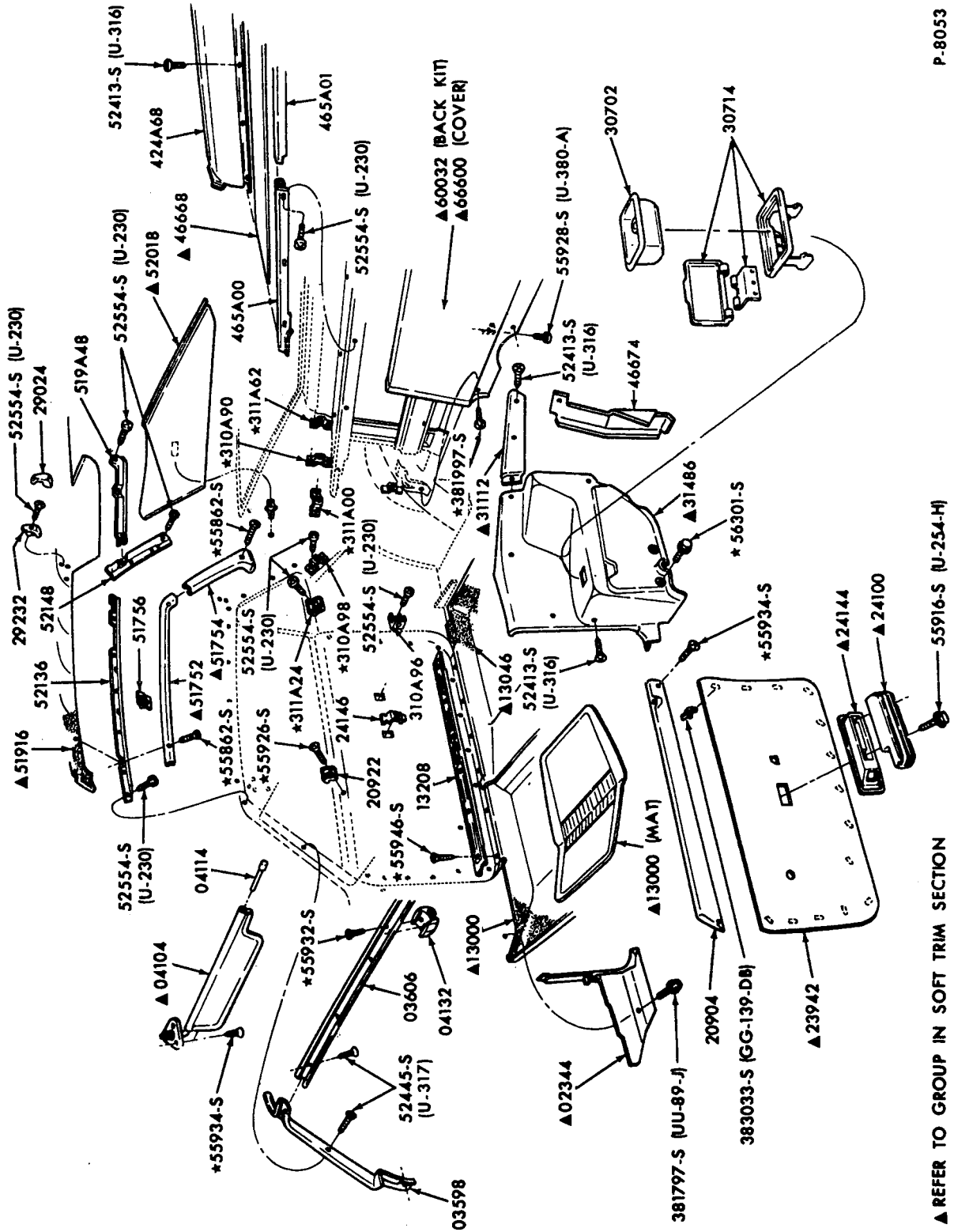


P-6847

REFER TO GROUP IN SOFT TRIM SECTION

INTERIOR TRIM and RELATED PARTS  
1969/70 MUSTANG - BODY TYPE 76



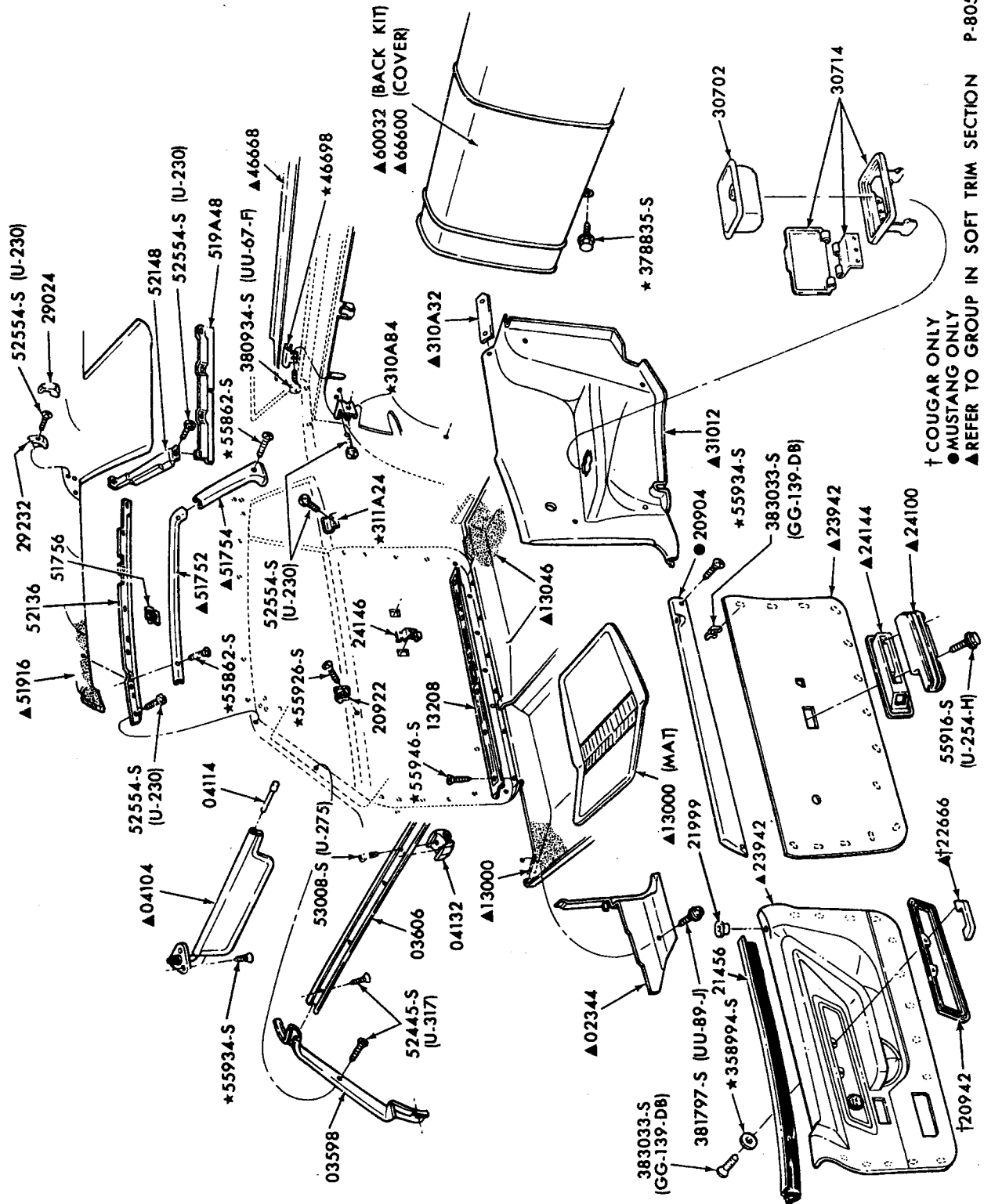


▲ REFER TO GROUP IN SOFT TRIM SECTION

INTERIOR TRIM and RELATED PARTS  
1971/72 MUSTANG - BODY TYPE 63 - WITH FIXED REAR SEAT



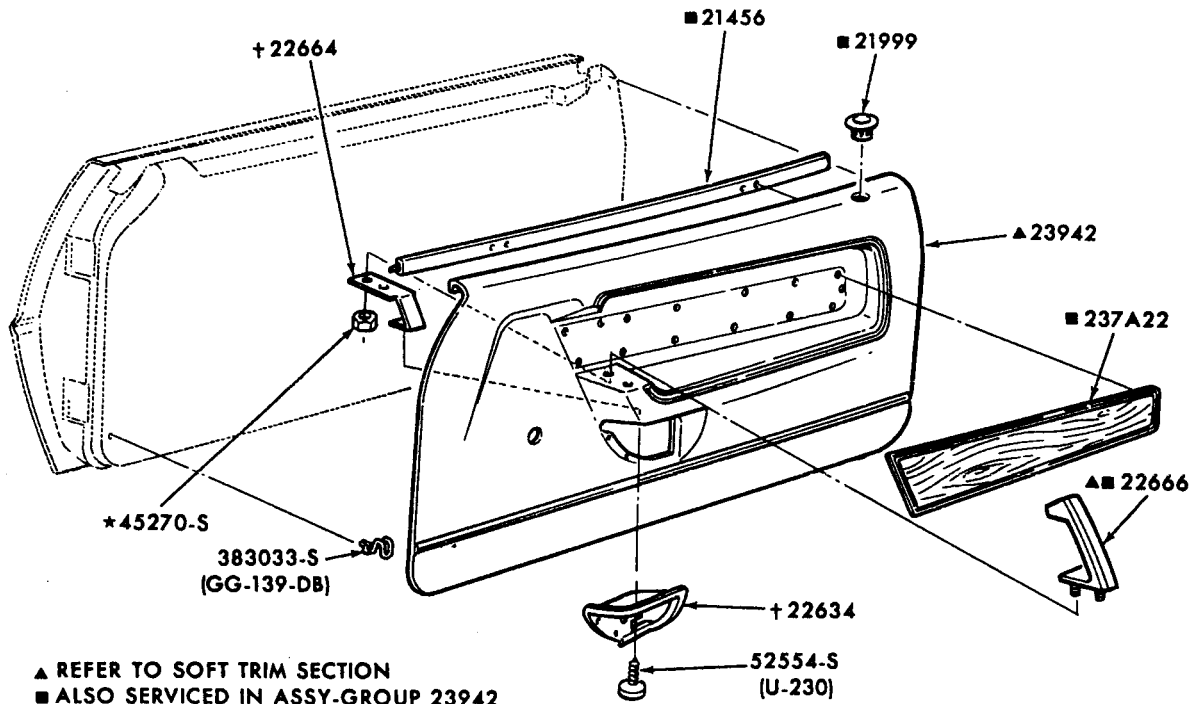




† COUGAR ONLY  
● MUSTANG ONLY  
▲ REFER TO GROUP IN SOFT TRIM SECTION P-8055

INTERIOR TRIM and RELATED PARTS  
1971/72 MUSTANG - BODY TYPE 65

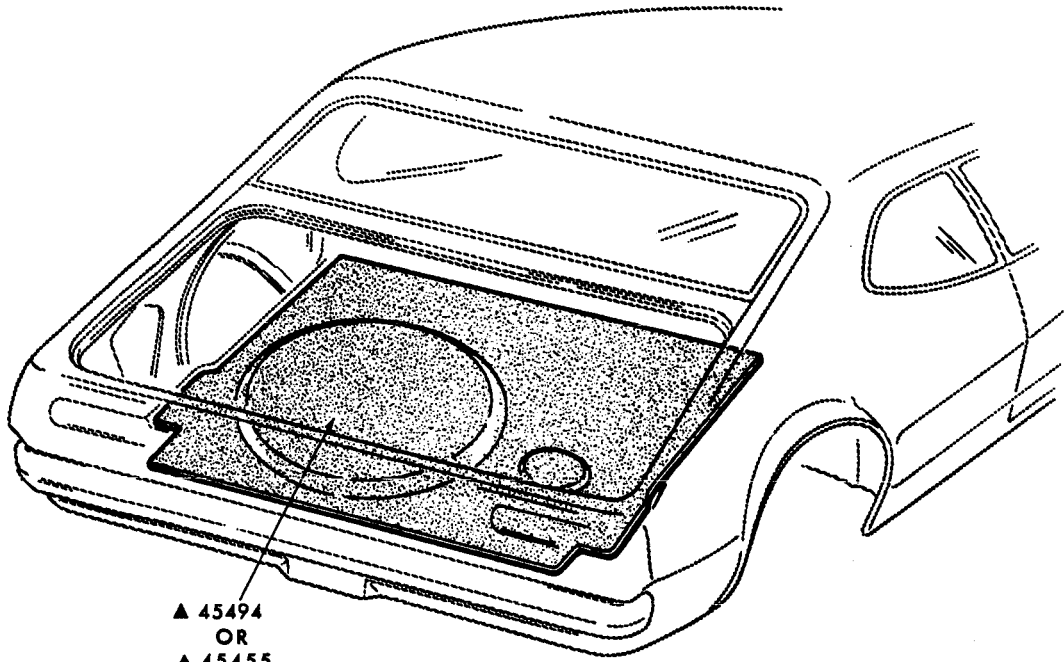




P-10542

**DOOR TRIM PANELS  
1972 MUSTANG**





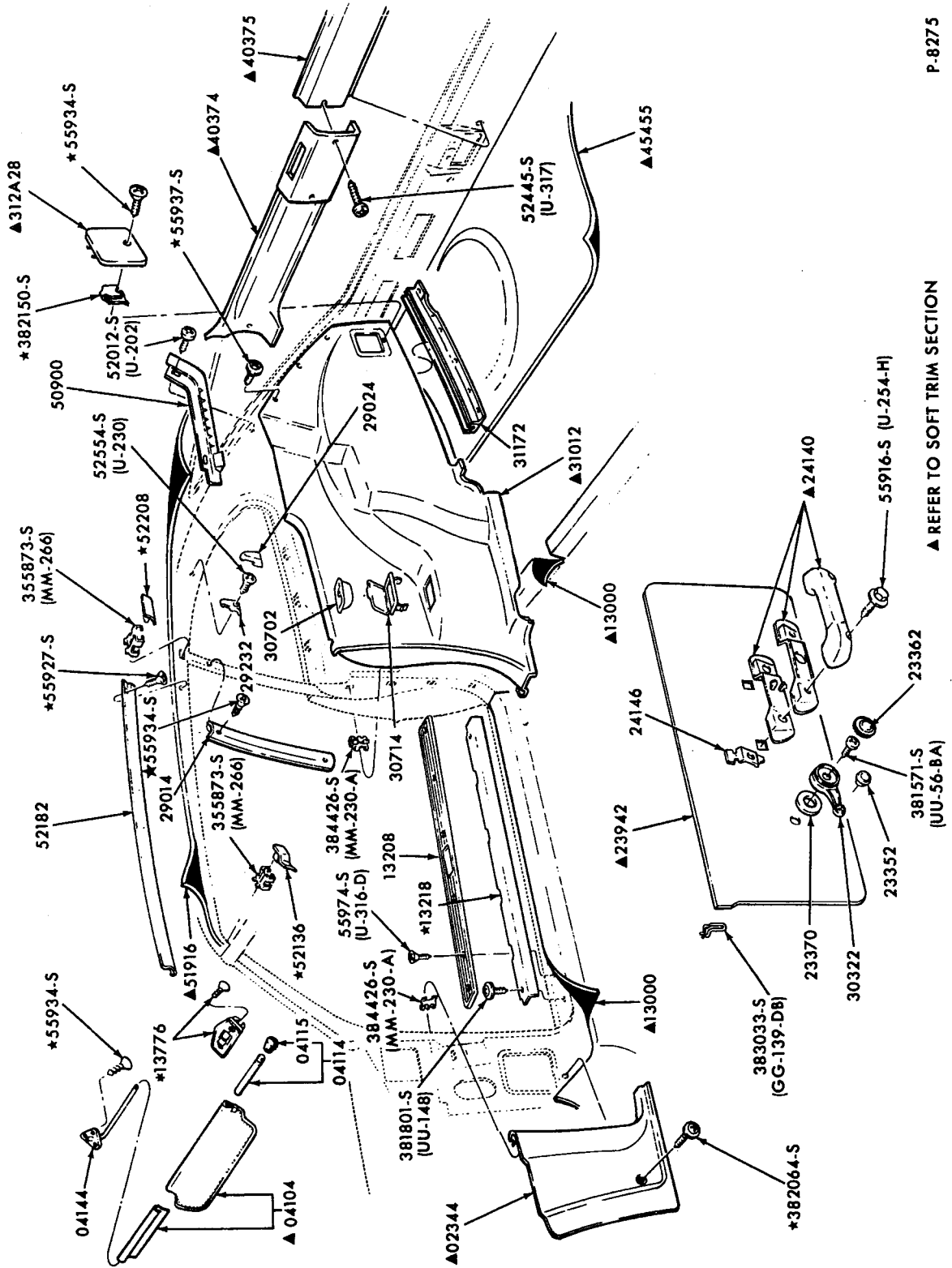
▲ 45494  
OR  
▲ 45455

▲REFER TO GROUP IN SOFT TRIM SECTION

P.7932

LUGGAGE COMPARTMENT TRIM  
1971/72 PINTO





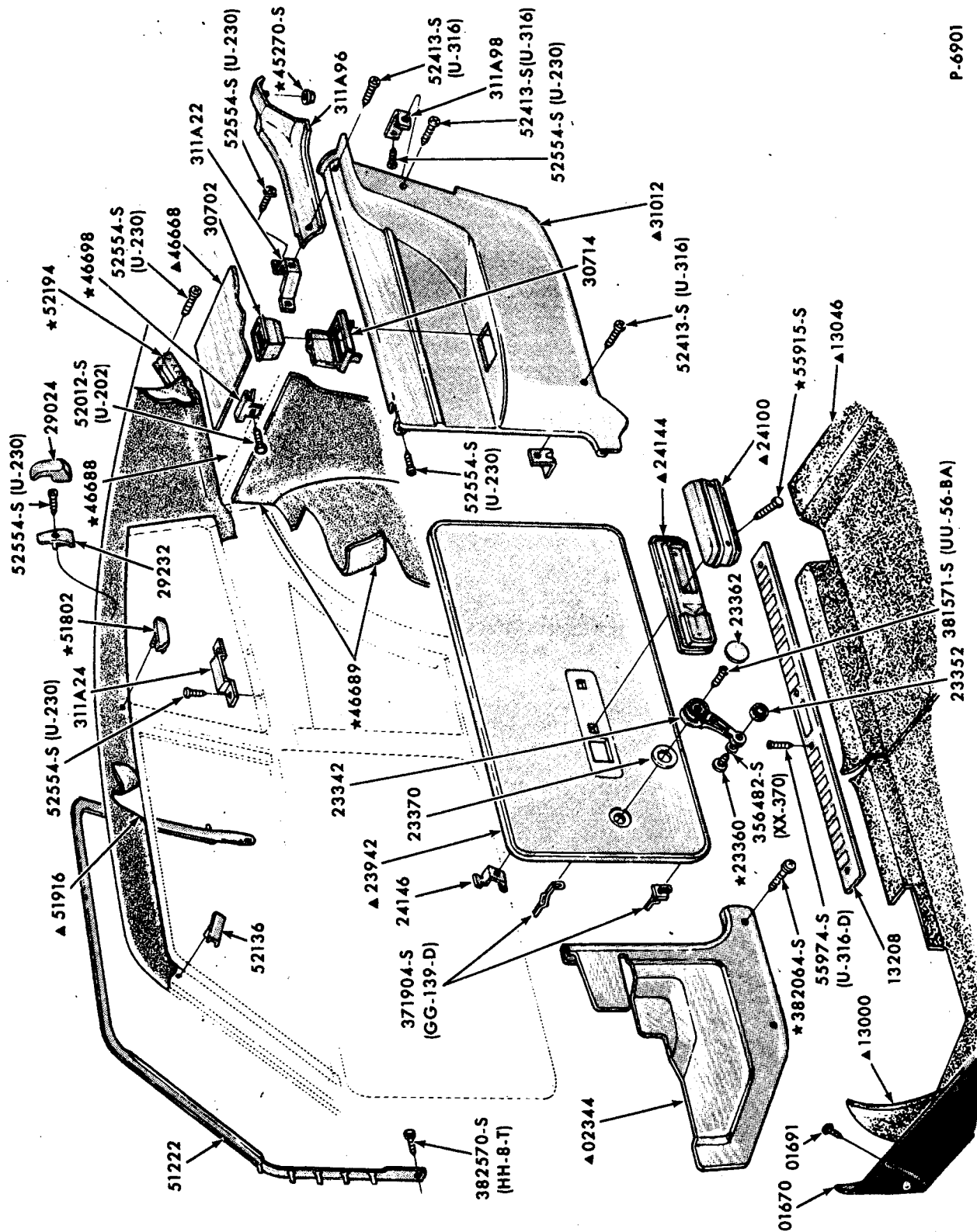
REFER TO SOFT TRIM SECTION

P-8275

INTERIOR TRIM and RELATED PARTS  
1971/72 PINTO - BODY TYPE 64







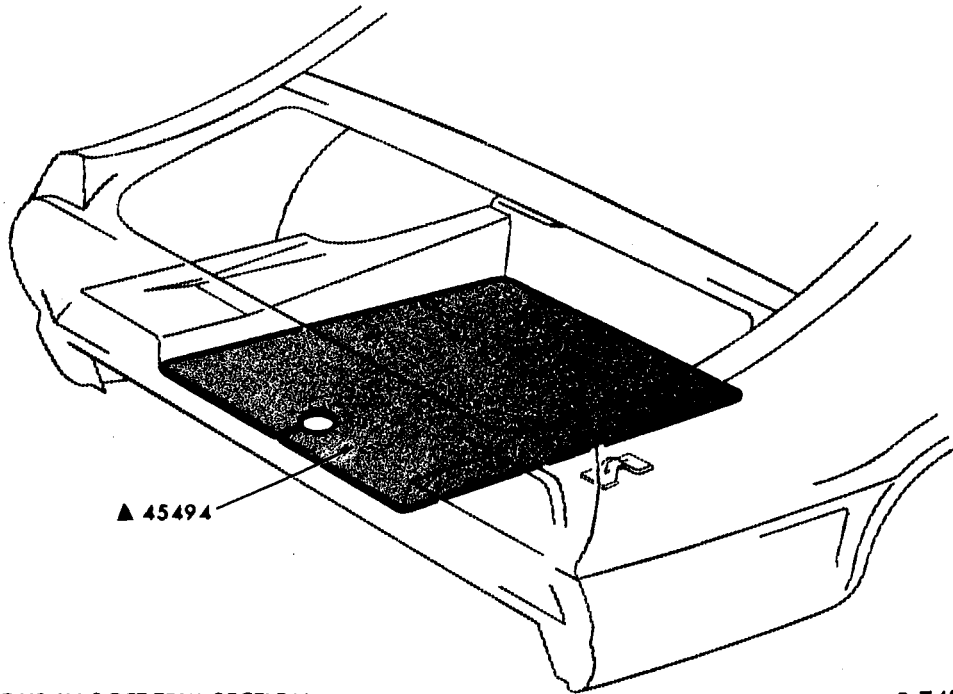
INTERIOR TRIM and RELATED PARTS  
1970/72 MAVERICK - BODY TYPE 62

2

P

INTERIOR TRIM  
ILLUSTRATION SECTION

**FORD CAR PARTS**

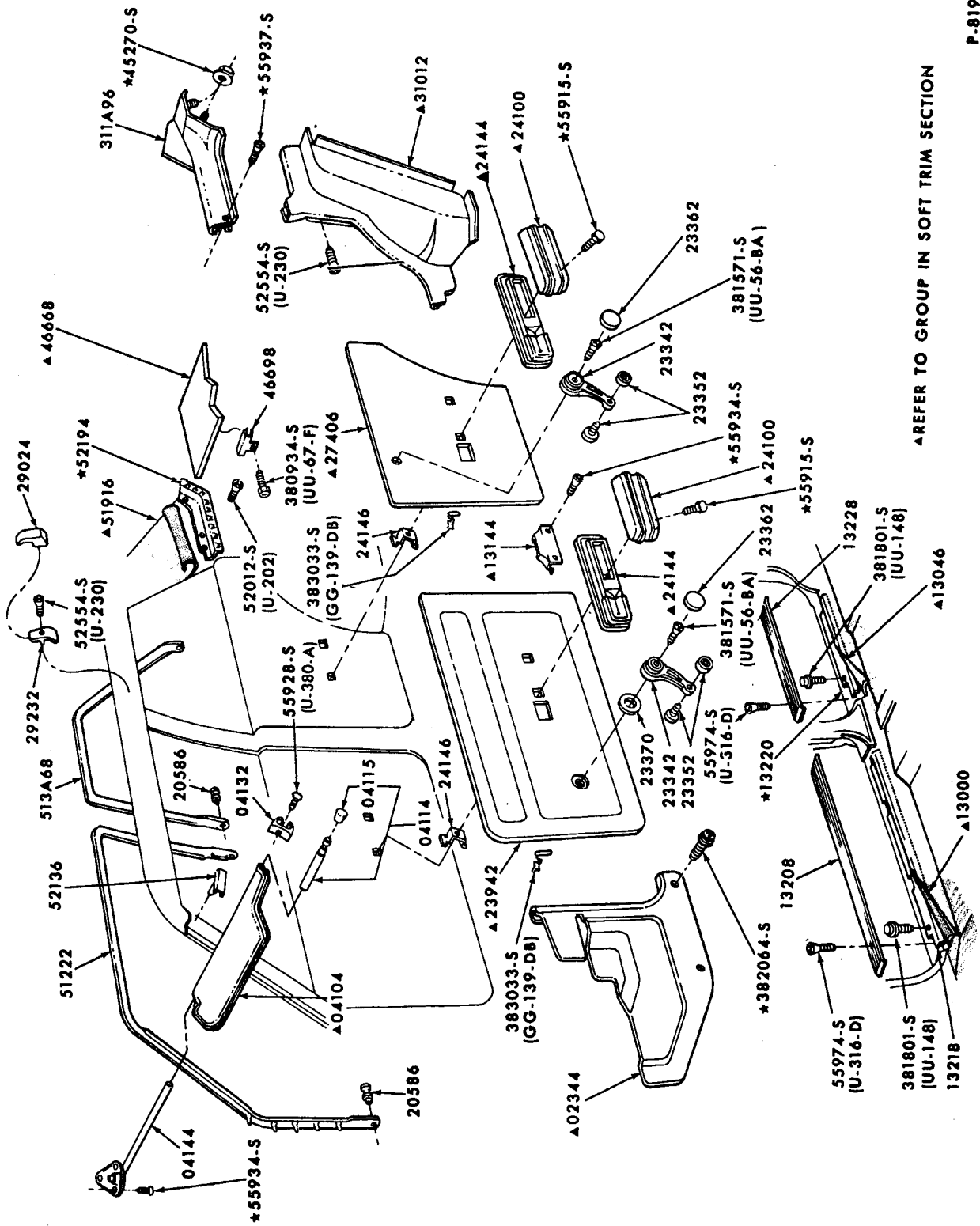


REFER TO GROUP IN SOFT TRIM SECTION

P-7426

LUGGAGE COMPARTMENT TRIM  
1970 MAVERICK

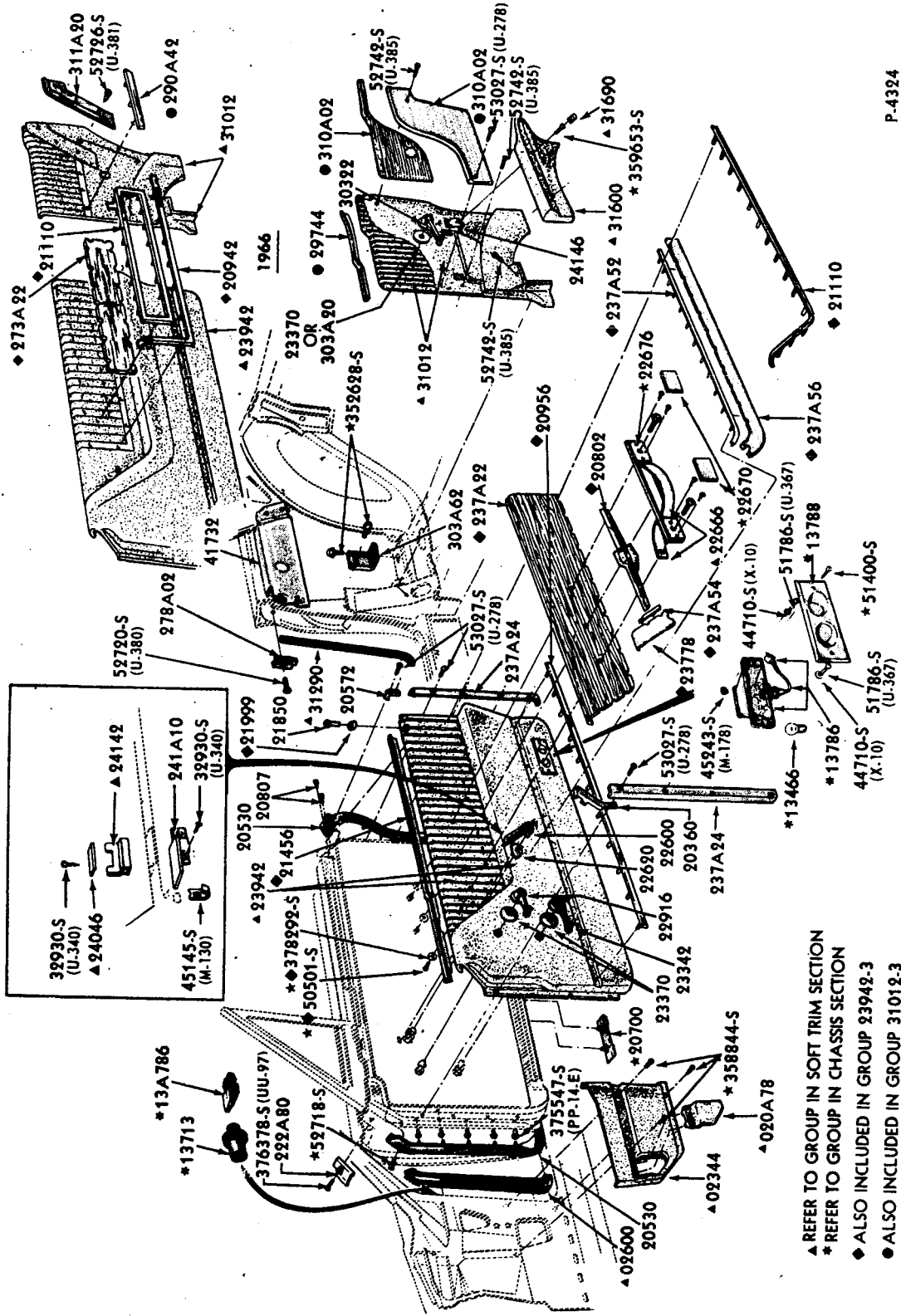
---



▲REFER TO GROUP IN SOFT TRIM SECTION

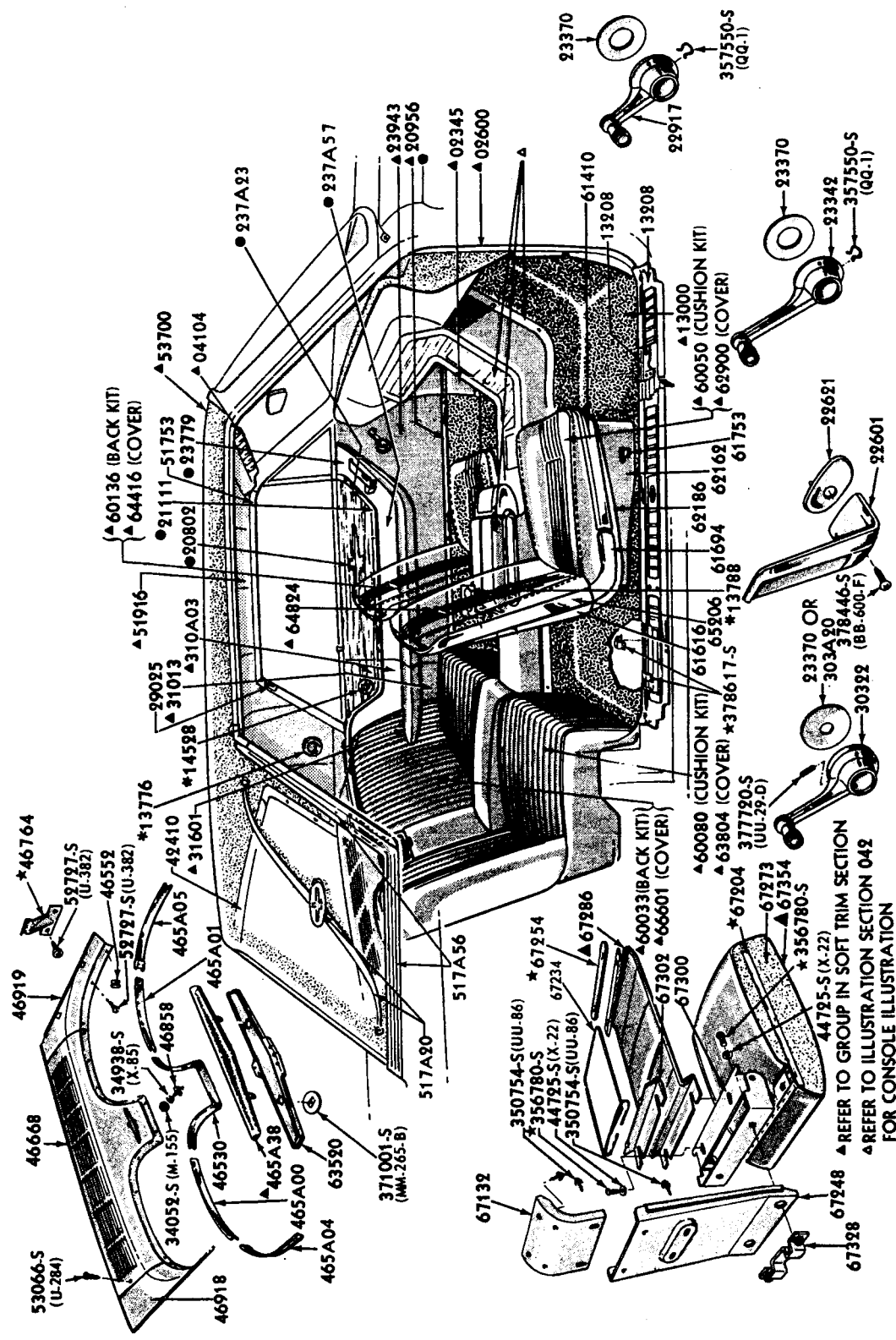
P-8194

**INTERIOR TRIM and RELATED PARTS  
1971/72 MAVERICK - BODY TYPE 54**



P-4324

DOOR and QUARTER TRIM PANEL and RELATED PARTS  
1965/66 THUNDERBIRD

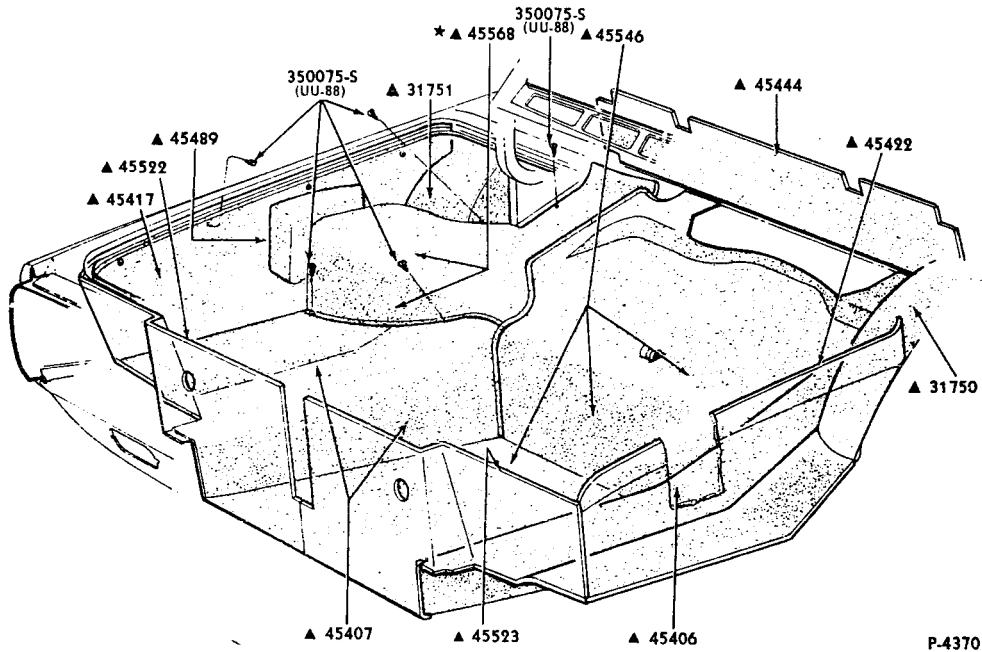


INTERIOR TRIM and RELATED PARTS - TYPICAL  
1965/66 THUNDERBIRD - BODY TYPES 63A,B

- ▲ REFER TO GROUP IN SOFT TRIM SECTION
- ▲ REFER TO ILLUSTRATION SECTION 042 FOR CONSOLE ILLUSTRATION
- \* REFER TO CHASSIS GROUP NUMBER
- ALSO INCLUDED IN GROUP 23942-3
- ◇ ALSO INCLUDED IN GROUP 31012-3

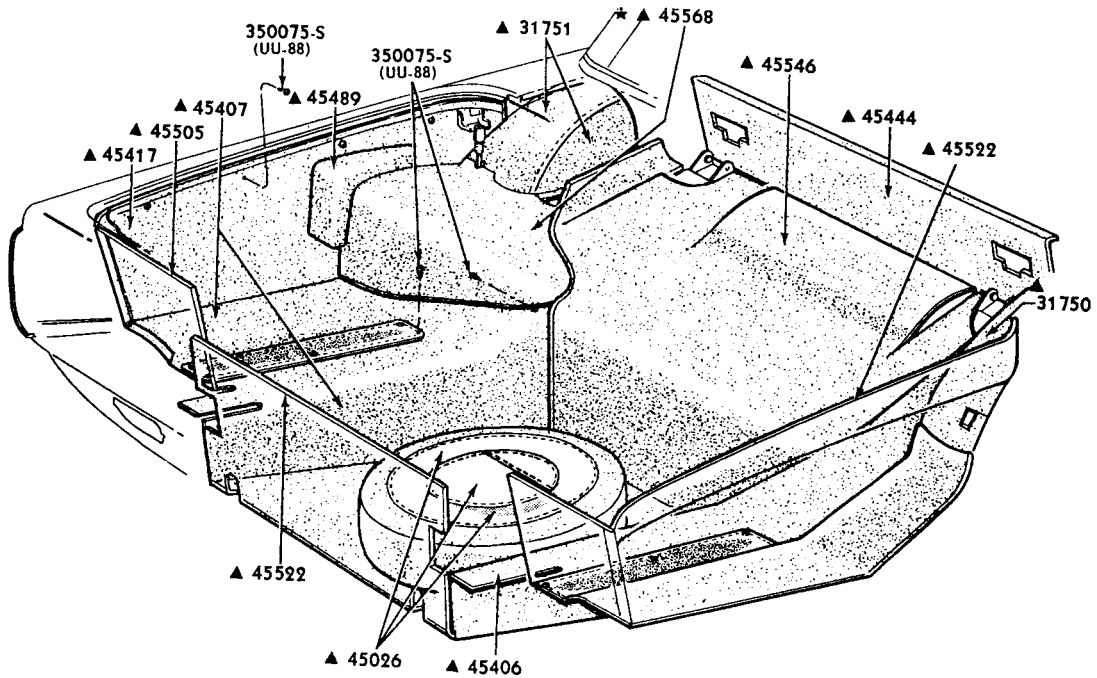






▲ REFER TO GROUP IN SOFT TRIM SECTION

LUGGAGE COMPARTMENT TRIM  
1965/66 THUNDERBIRD - BODY TYPE 63



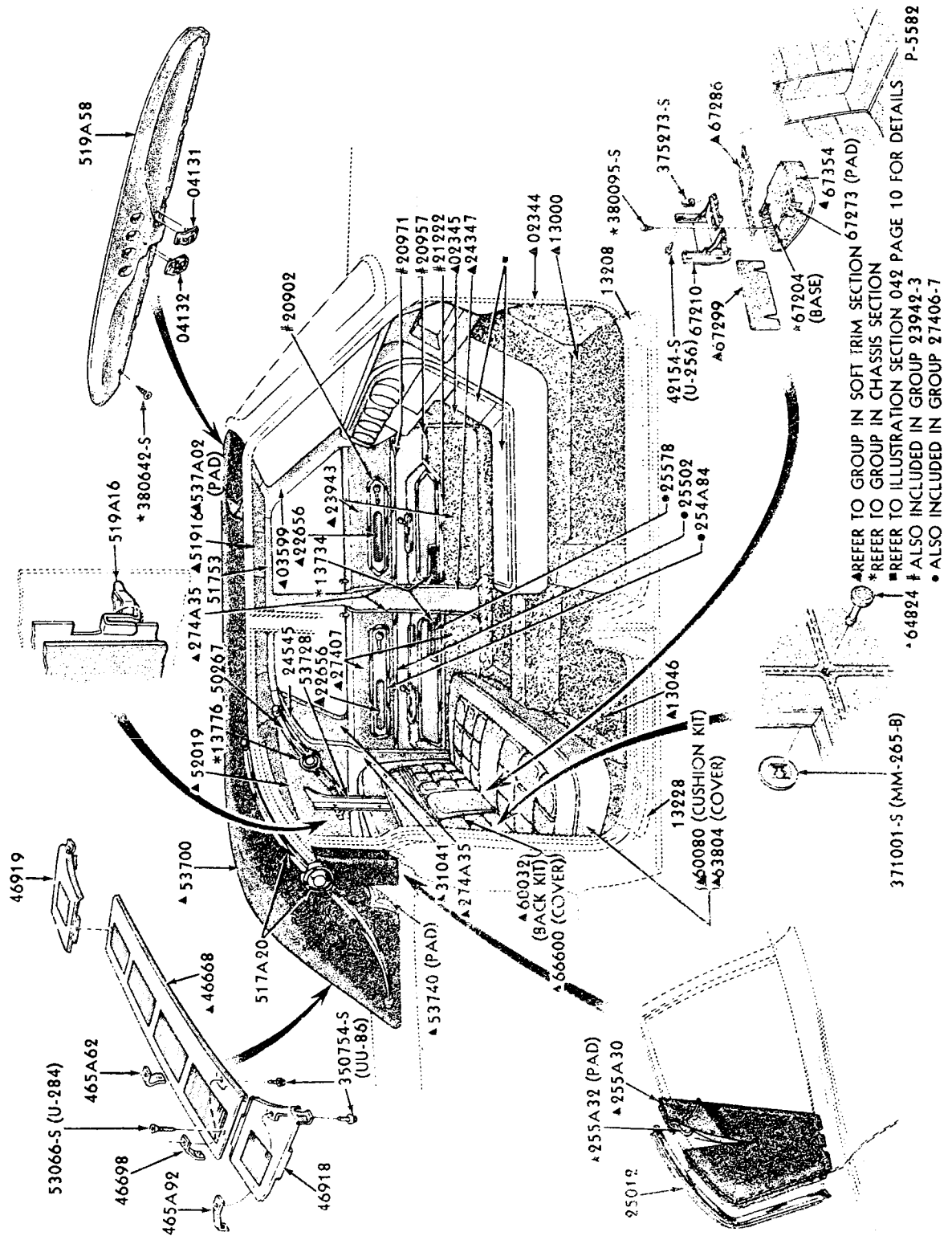
▲ REFER TO SOFT TRIM SECTION

P-4371

LUGGAGE COMPARTMENT TRIM  
1965/66 THUNDERBIRD - BODY TYPE 76

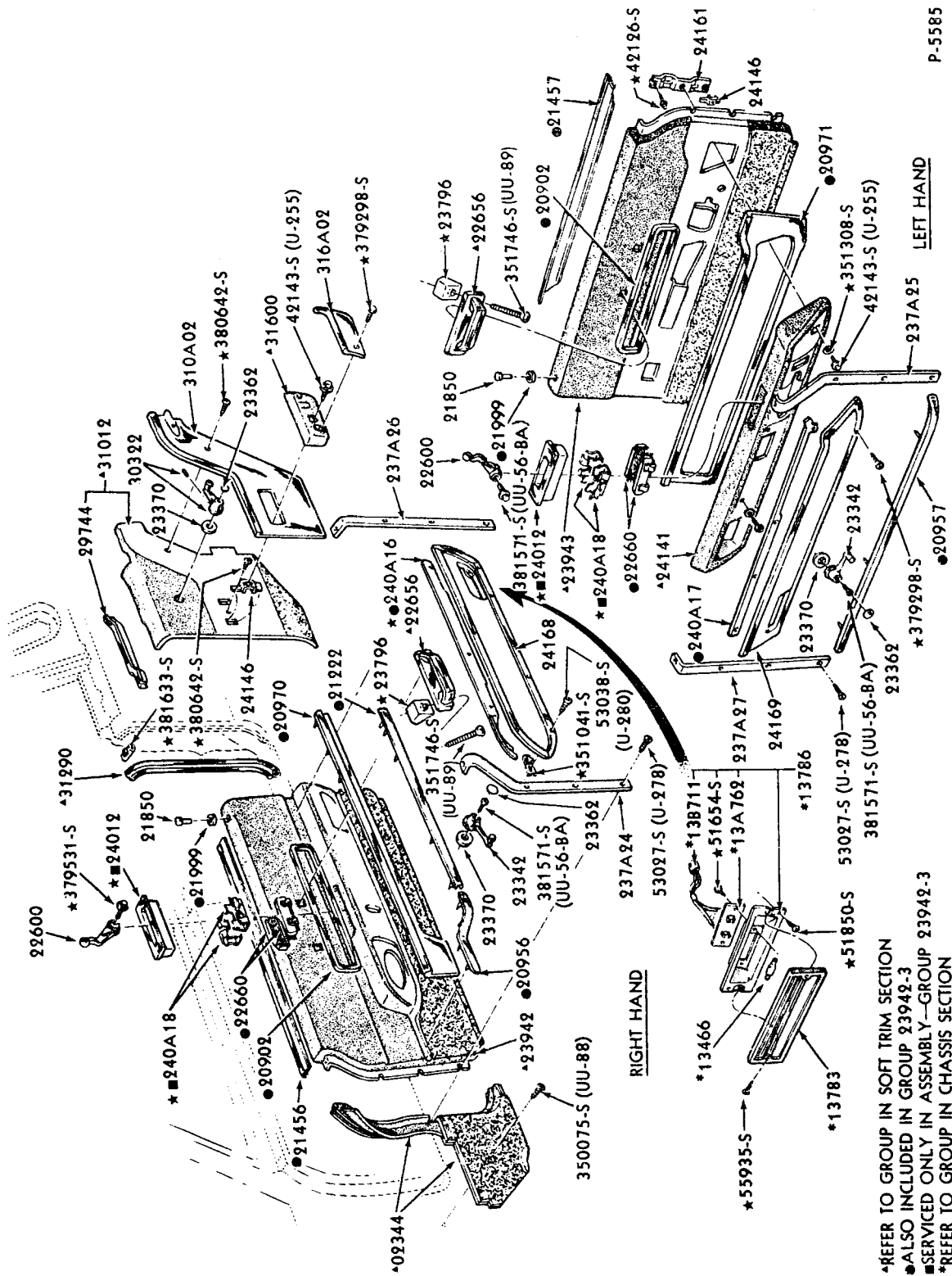






REFER TO GROUP IN SOFT TRIM SECTION 67273 (PAD)  
 \*REFER TO GROUP IN CHASSIS SECTION  
 ■REFER TO ILLUSTRATION SECTION 042 PAGE 10 FOR DETAILS  
 ●ALSO INCLUDED IN GROUP 27406-7

INTERIOR TRIM and RELATED PARTS  
 1967 THUNDERBIRD - BODY TYPE 57

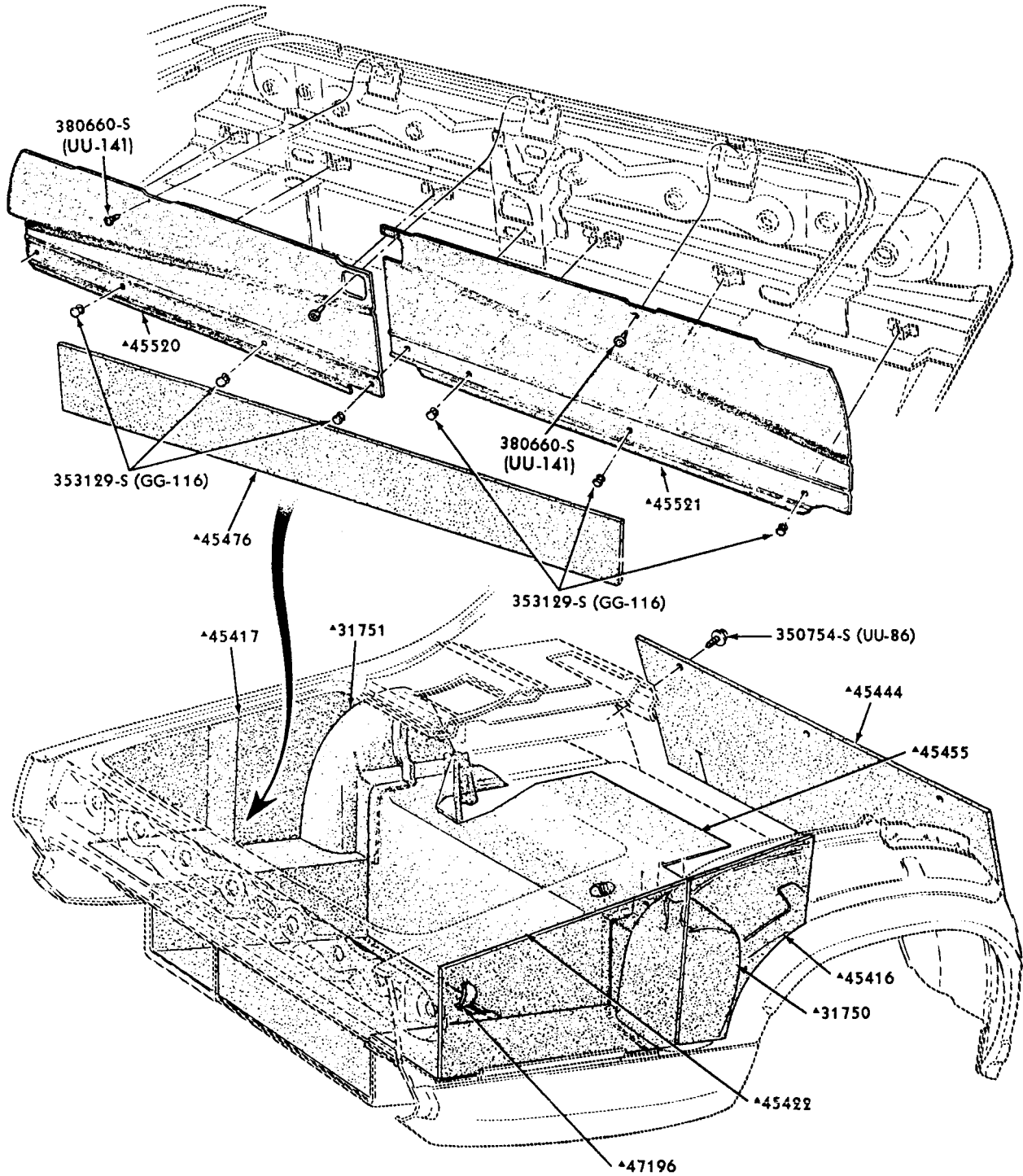


P-5585

\*REFER TO GROUP IN SOFT TRIM SECTION  
 ●ALSO INCLUDED IN GROUP 23942-3  
 ■SERVICED ONLY IN ASSEMBLY—GROUP 23942-3  
 \*REFER TO GROUP IN CHASSIS SECTION

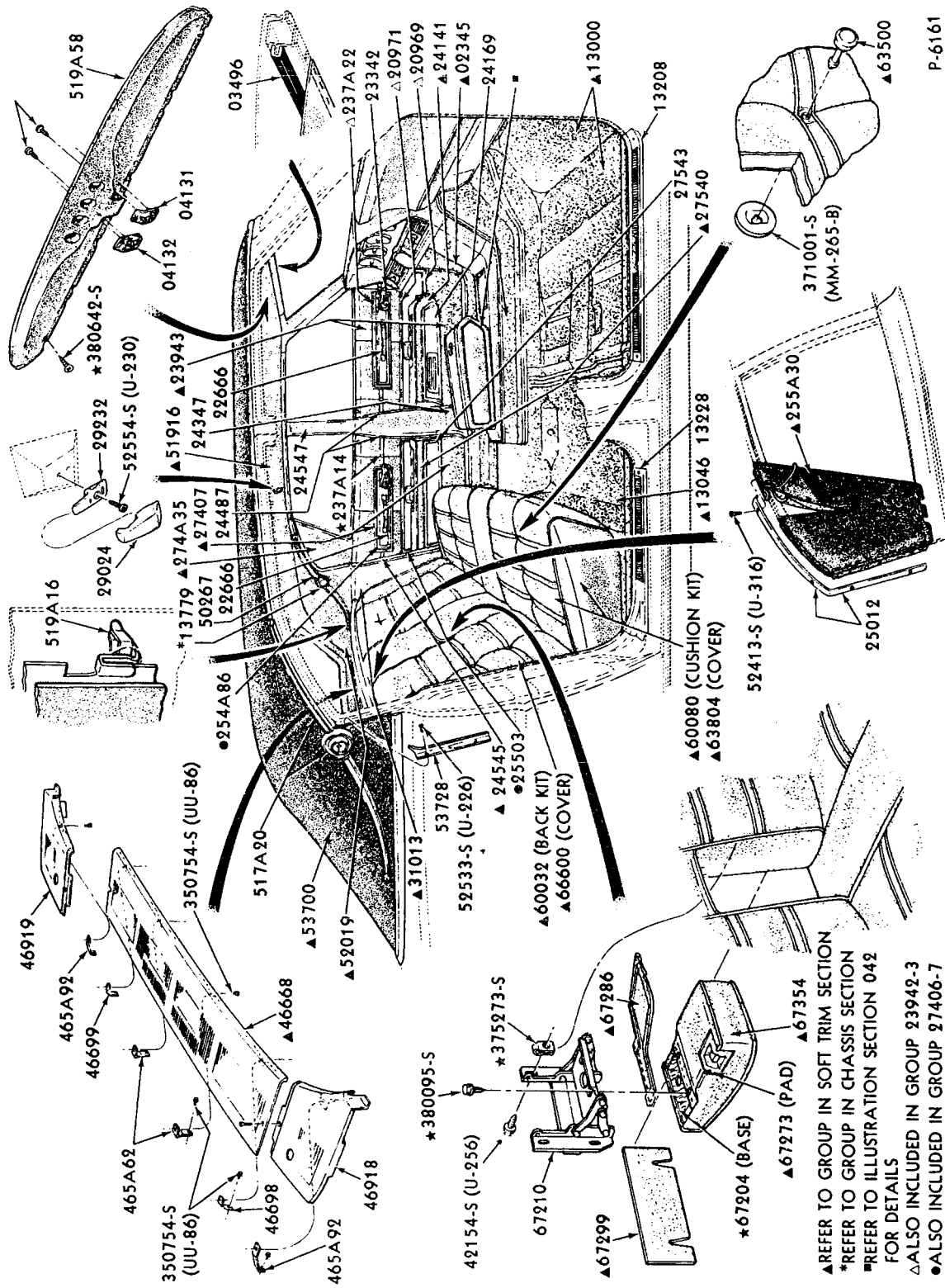
DOOR and QUARTER TRIM PANELS and RELATED PARTS  
1967 THUNDERBIRD - BODY TYPE 65





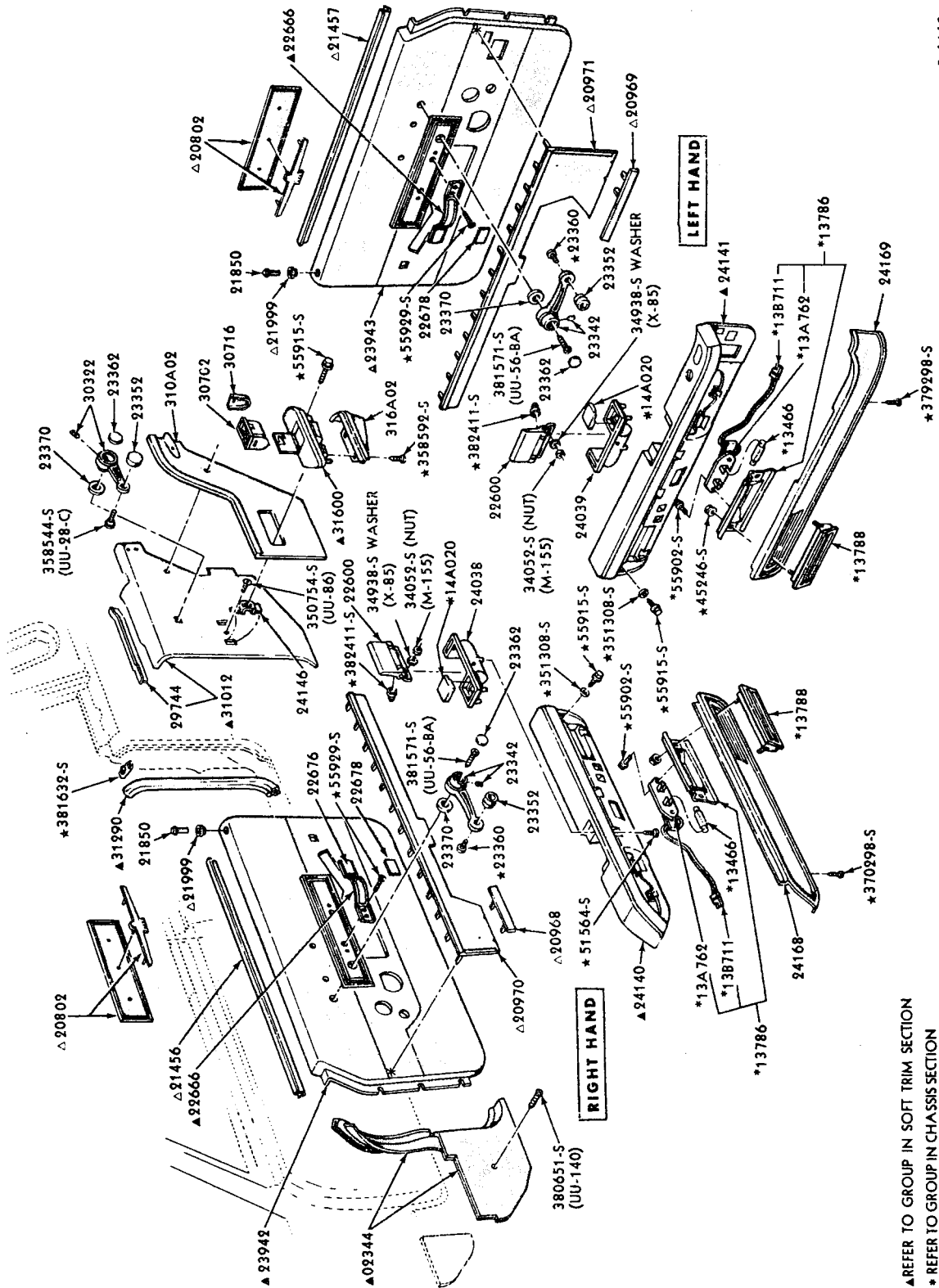
\*REFER TO GROUP IN SOFT TRIM SECTION





▲ REFER TO GROUP IN SOFT TRIM SECTION  
 \*REFER TO GROUP IN CHASSIS SECTION  
 ■REFER TO ILLUSTRATION SECTION 042 FOR DETAILS  
 ▲ALSO INCLUDED IN GROUP 23942-3  
 ●ALSO INCLUDED IN GROUP 27406-7

INTERIOR TRIM and RELATED PARTS  
 1968/69 THUNDERBIRD-BODY TYPE 57

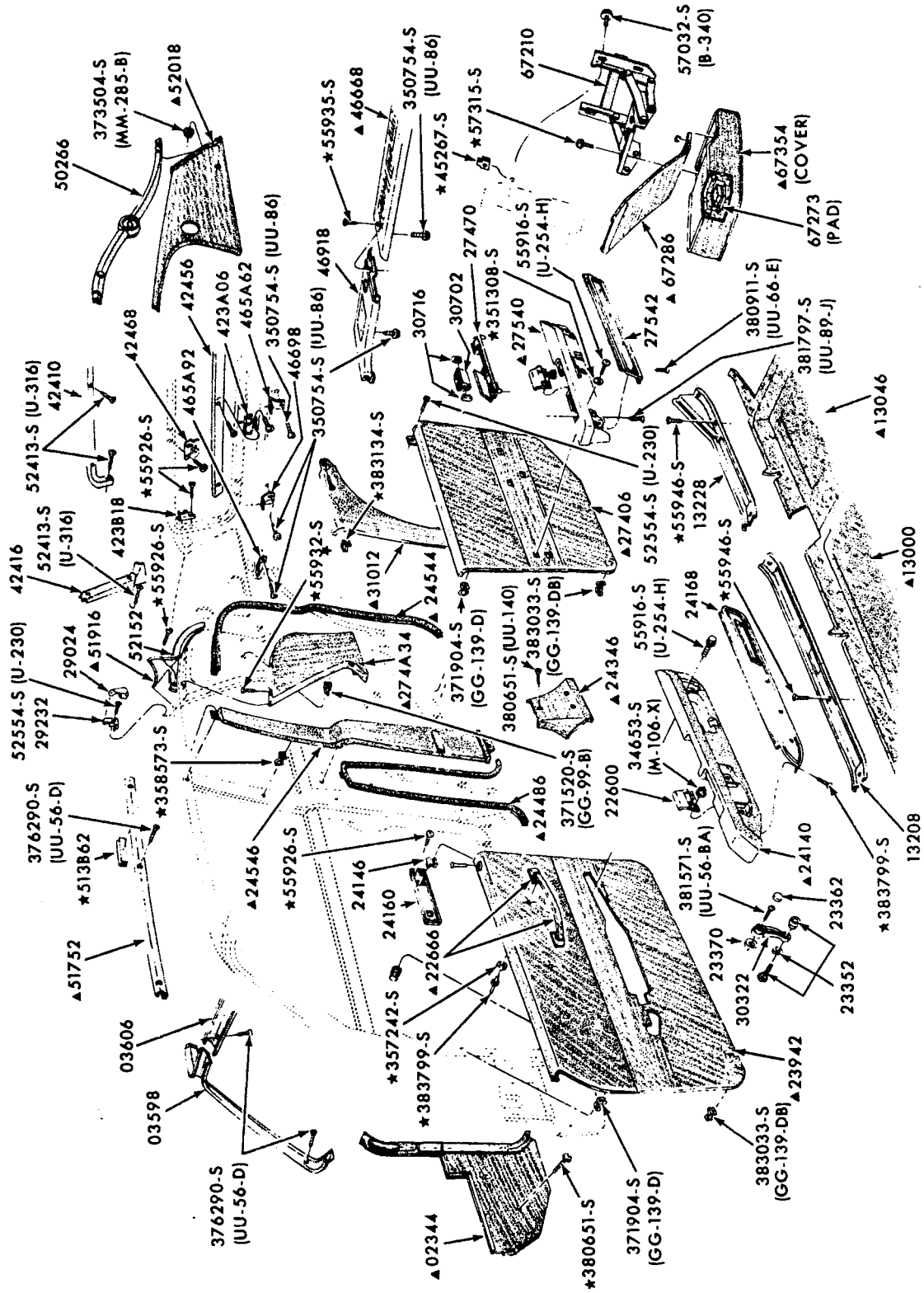


DOOR and QUARTER TRIM PANELS and RELATED PARTS  
1968/69 THUNDERBIRD-BODY TYPE 65

▲ REFER TO GROUP IN SOFT TRIM SECTION  
 \* REFER TO GROUP IN CHASSIS SECTION  
 △ ALSO INCLUDED IN GROUP 23942-3





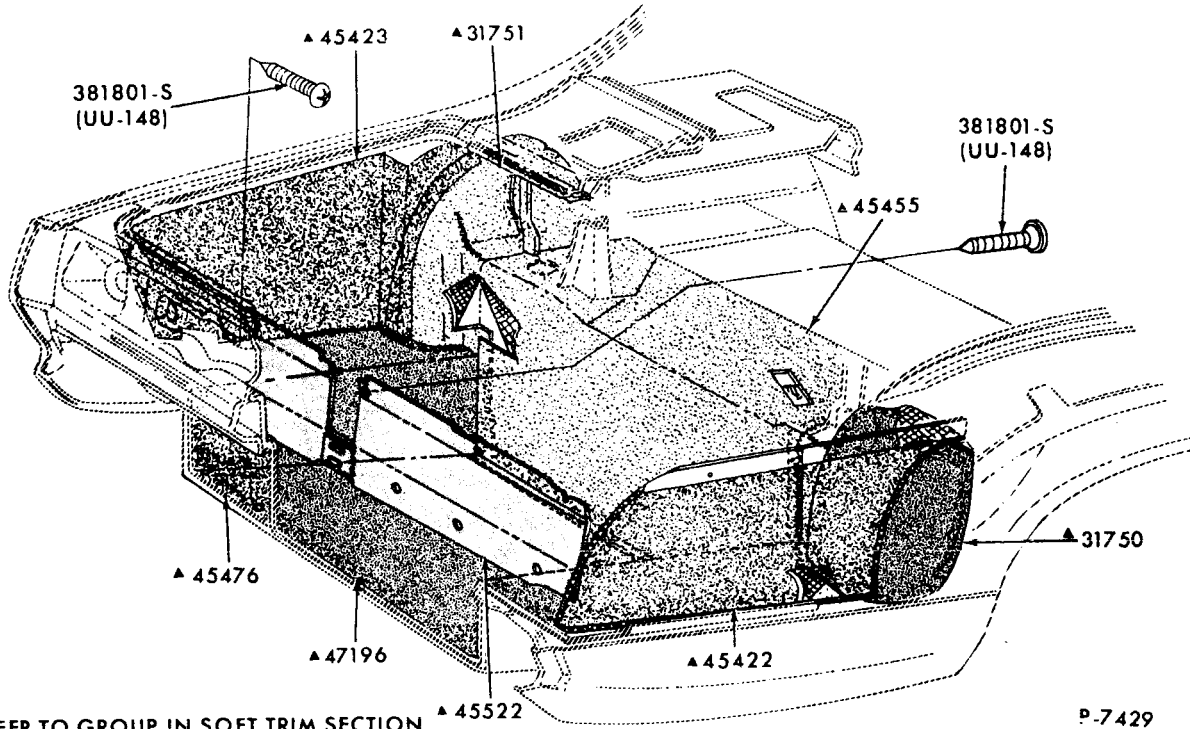


P-7250

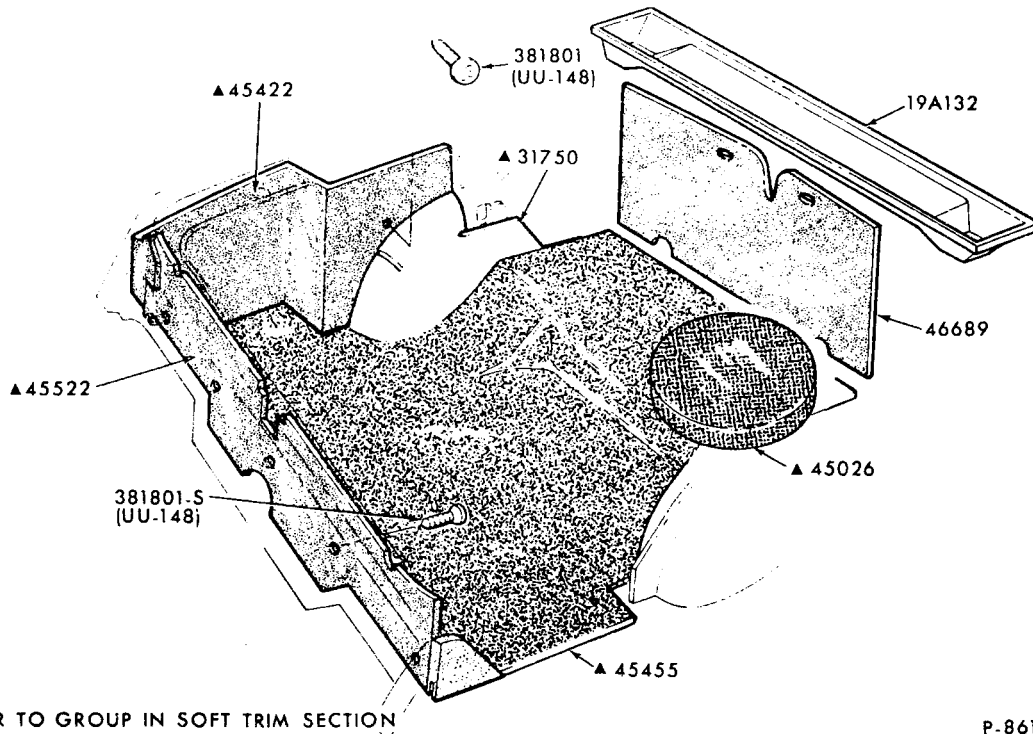
▲ REFER TO GROUP IN SOFT TRIM SECTION

INTERIOR TRIM and RELATED PARTS  
1970/71 THUNDERBIRD - BODY TYPE 57

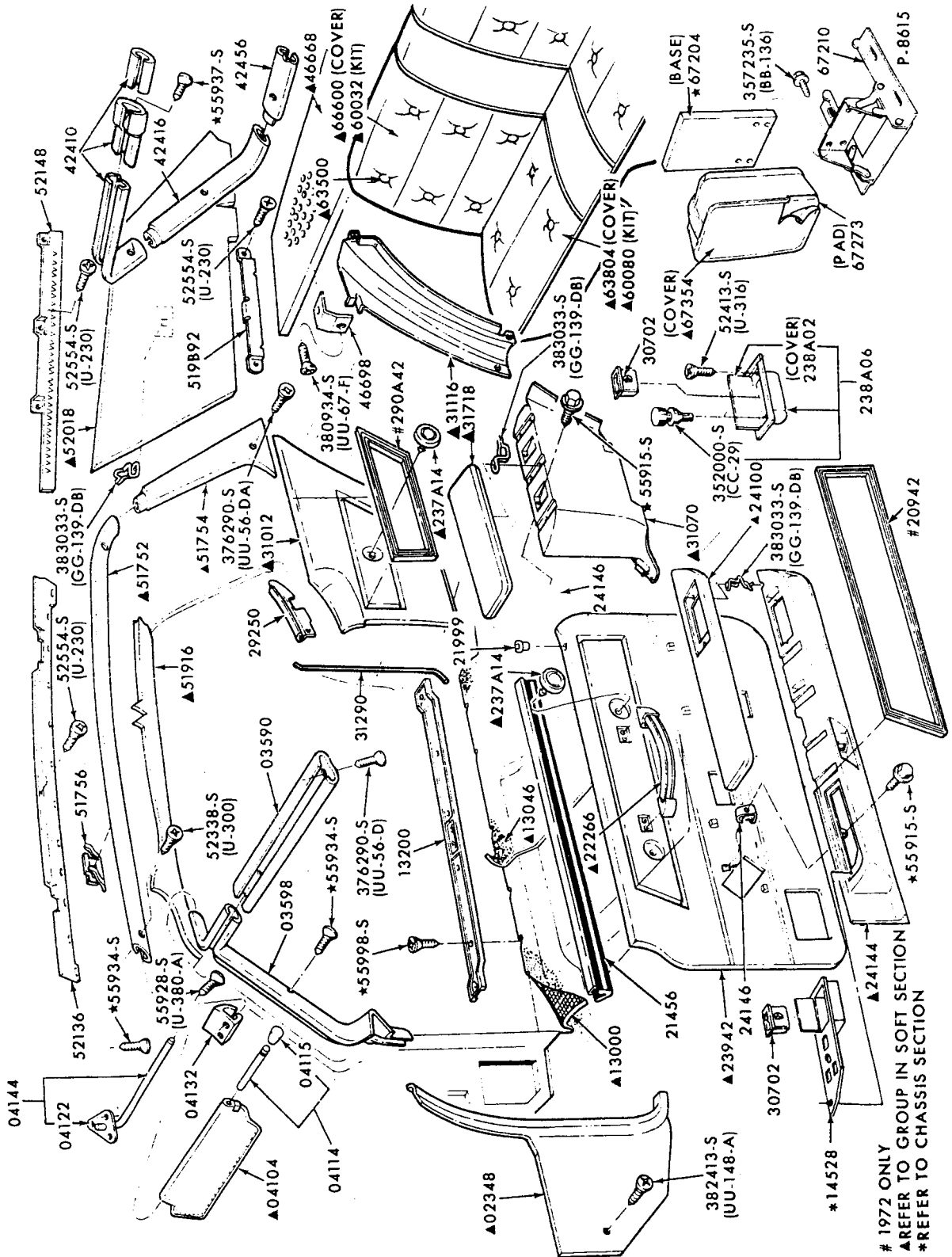




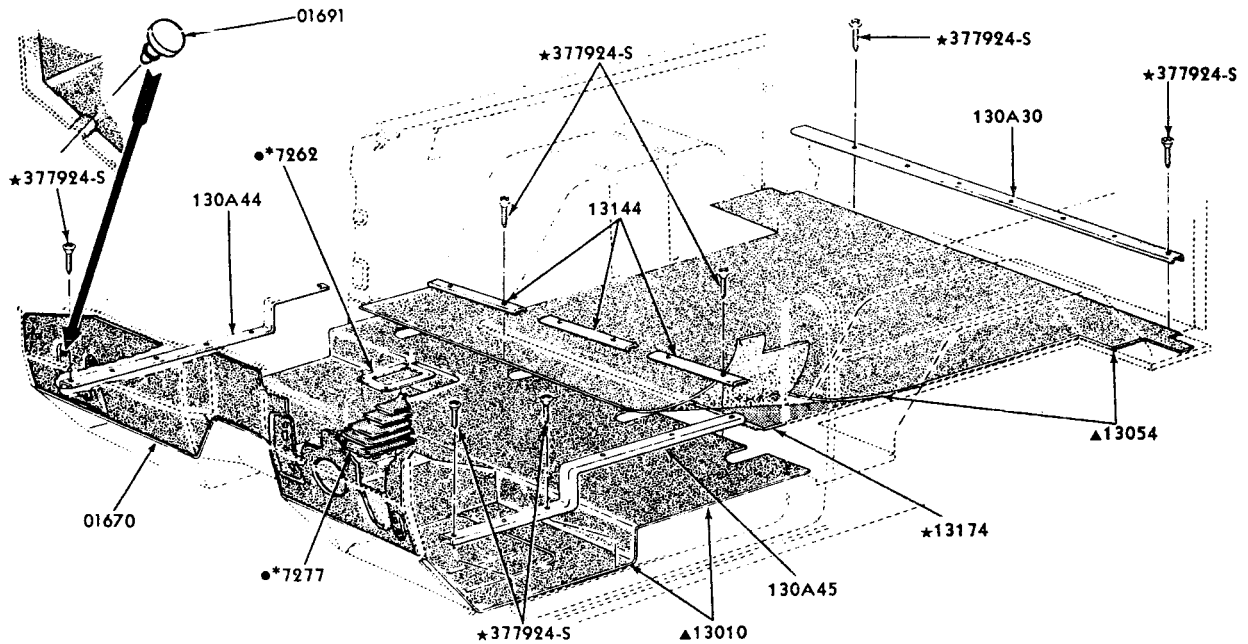
LUGGAGE COMPARTMENT TRIM  
1970/71 THUNDERBIRD



LUGGAGE COMPARTMENT TRIM  
1972 THUNDERBIRD



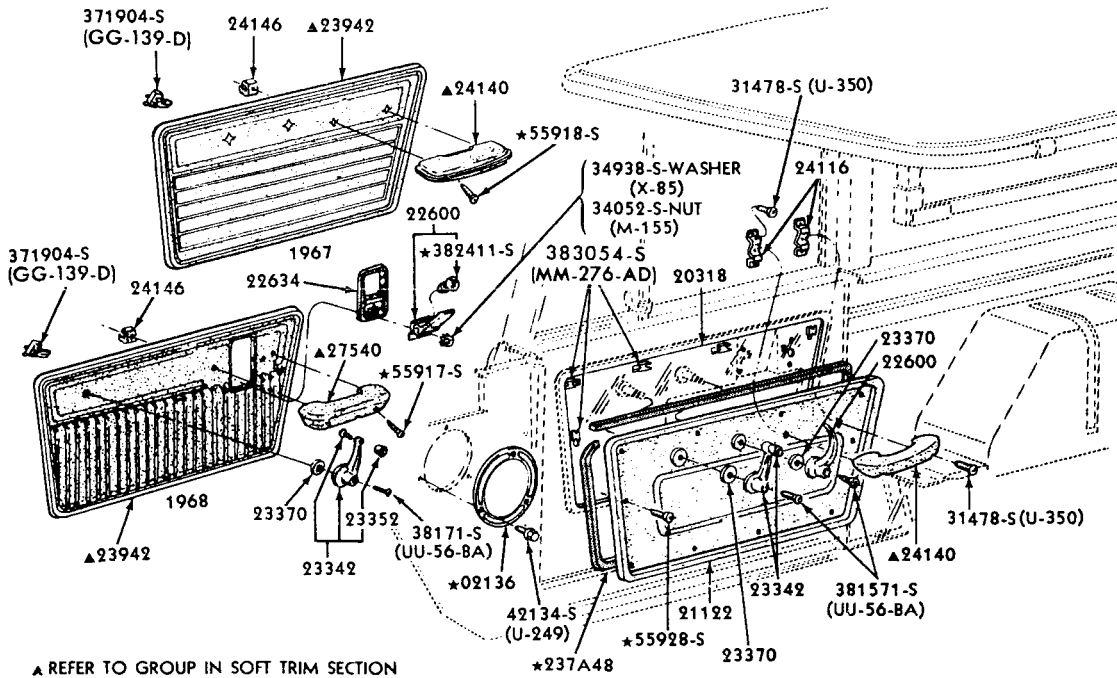
INTERIOR TRIM and RELATED PARTS  
1972 THUNDERBIRD



- ▲ REFER TO GROUP IN SOFT TRIM SECTION
- \* REFER TO GROUP IN CHASSIS SECTION
- REFER TO CHASSIS ILLUSTRATION SECTION 72 PAGE 18 FOR DETAILS

P-5896

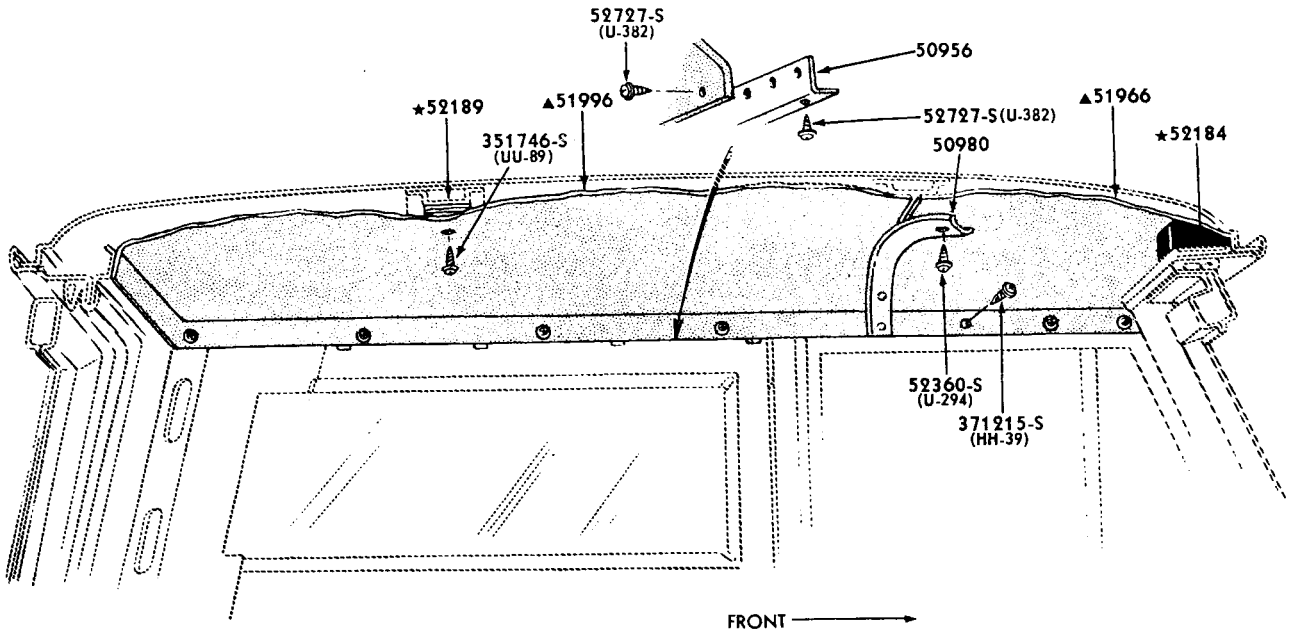
**FLOOR MATS and RELATED PARTS  
1967/72 BRONCO**



- ▲ REFER TO GROUP IN SOFT TRIM SECTION

P-5897

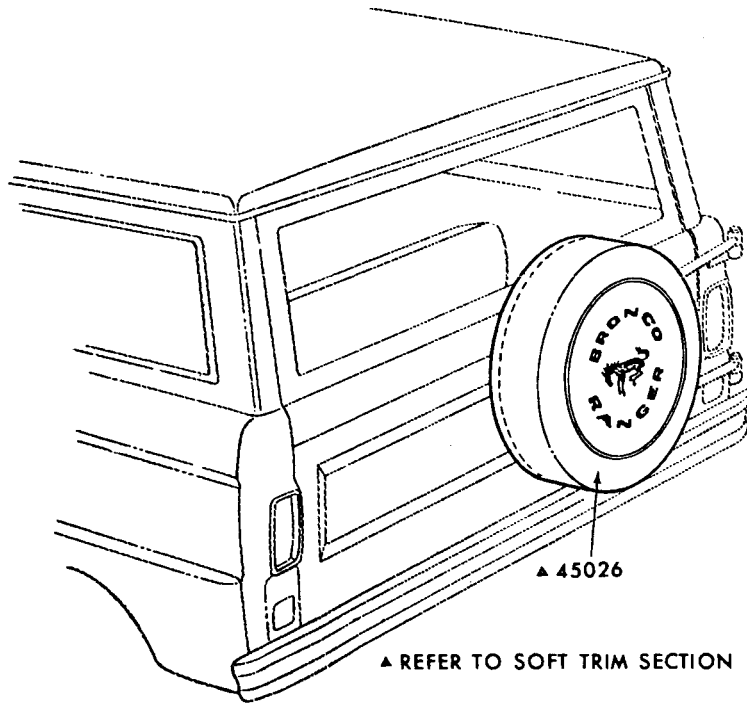
**DOOR TRIM PANELS AND RELATED PARTS  
1967/72 BRONCO**



▲ REFER TO GROUP IN SOFT TRIM SECTION

P-5289

ROOF TRIM PANEL and RELATED PARTS  
1966/72 BRONCO - BODY TYPE 98

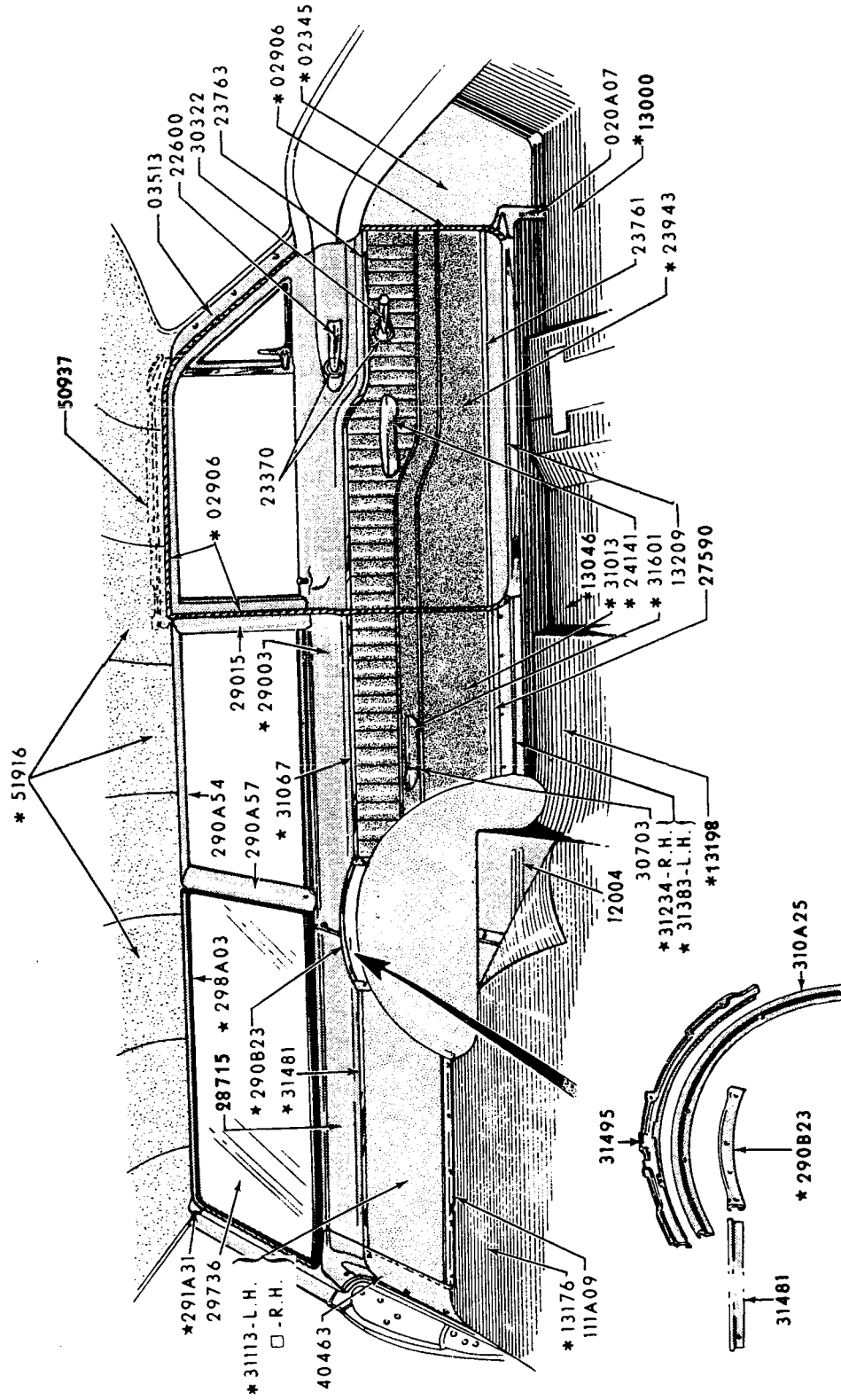


▲ REFER TO SOFT TRIM SECTION

P-10800

COVER - SPARE TIRE  
1972 BRONCO

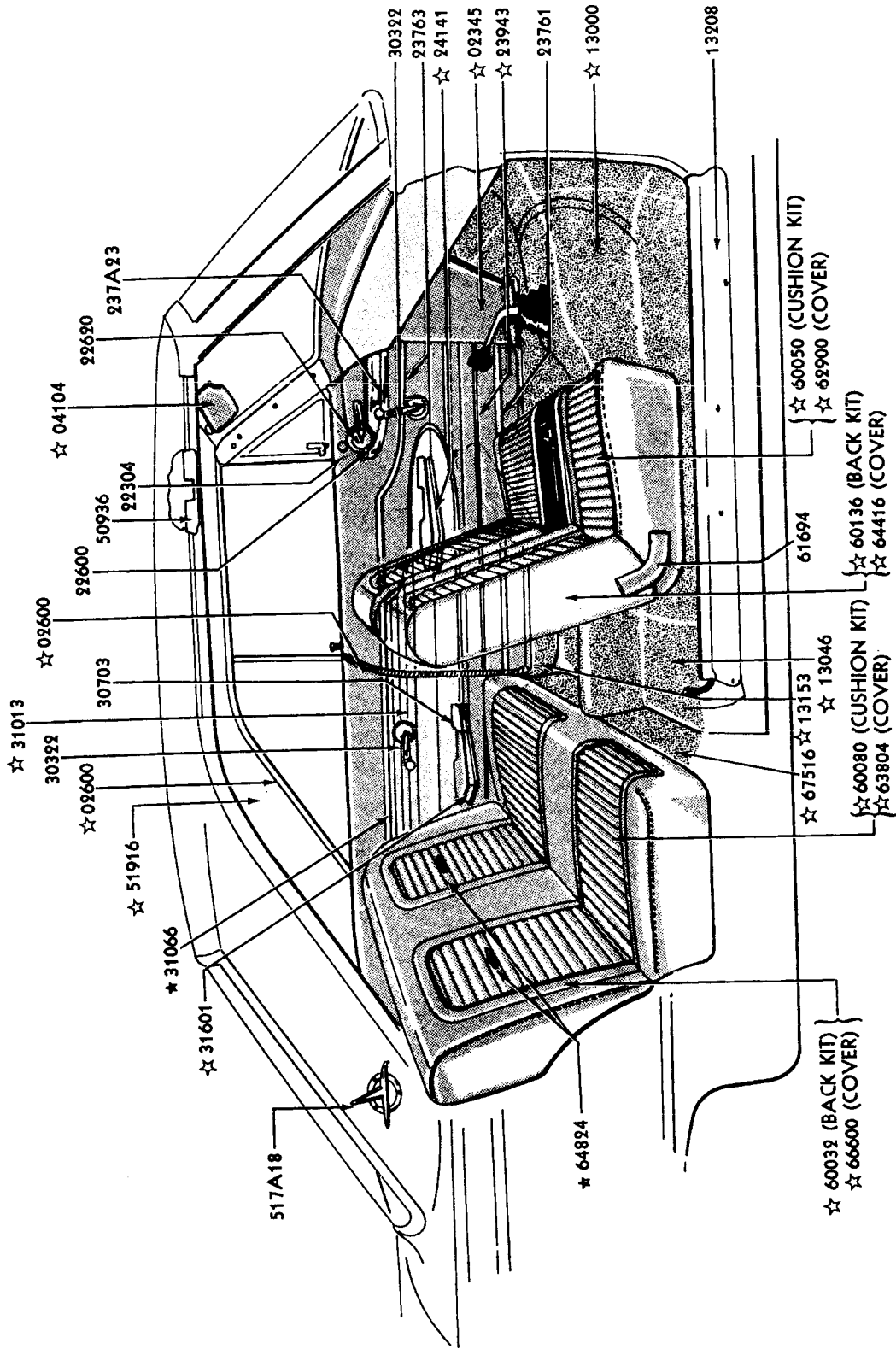
P-3167



\* REFER TO SOFT TRIM SECTION  
□ SPARE WHEEL WELL COVER ASSY. \*47042

INTERIOR TRIM and RELATED PARTS  
1965 FALCON - BODY TYPE 59



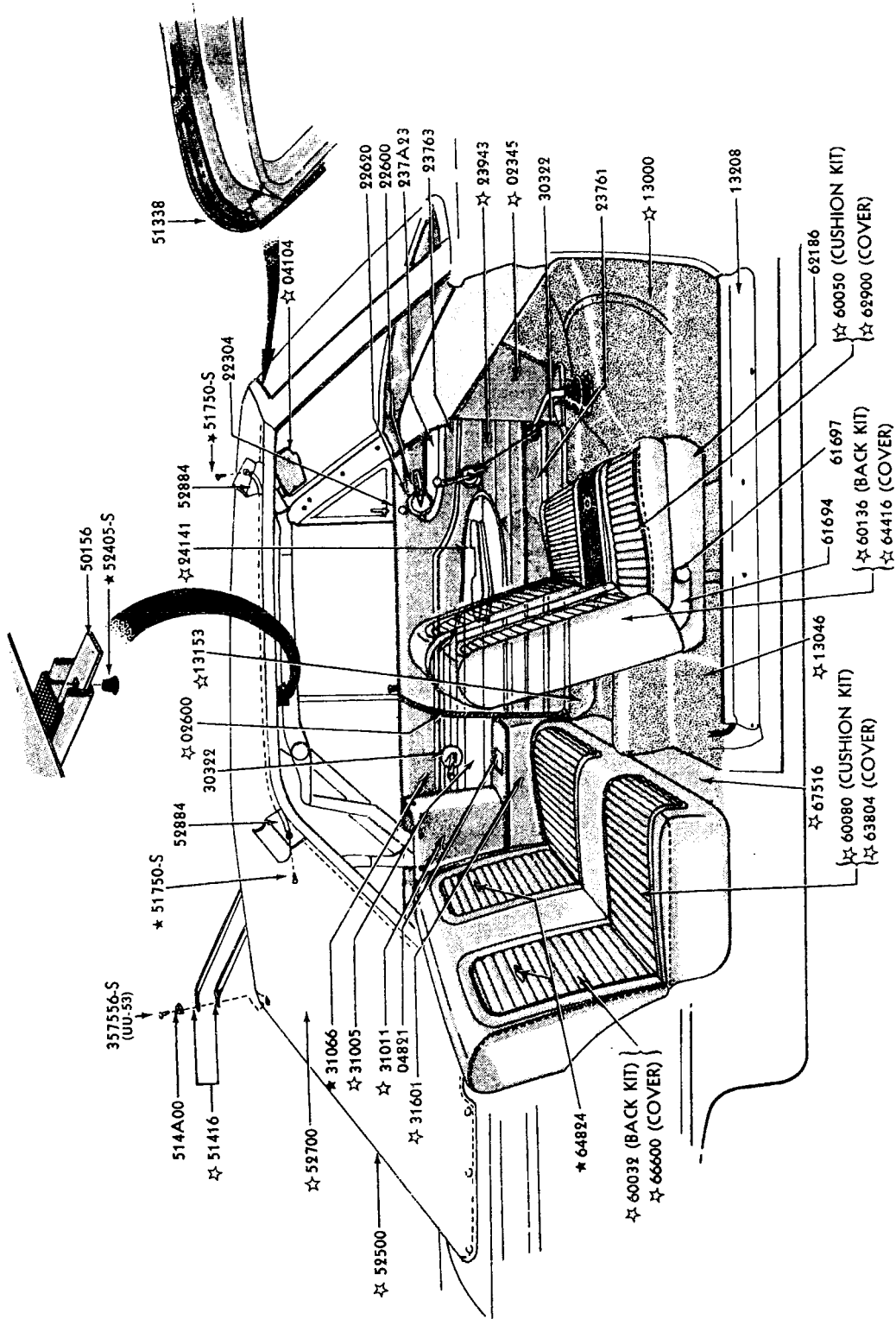


INTERIOR TRIM and RELATED PARTS - TYPICAL  
1965 FALCON - BODY TYPE 63

P-4933

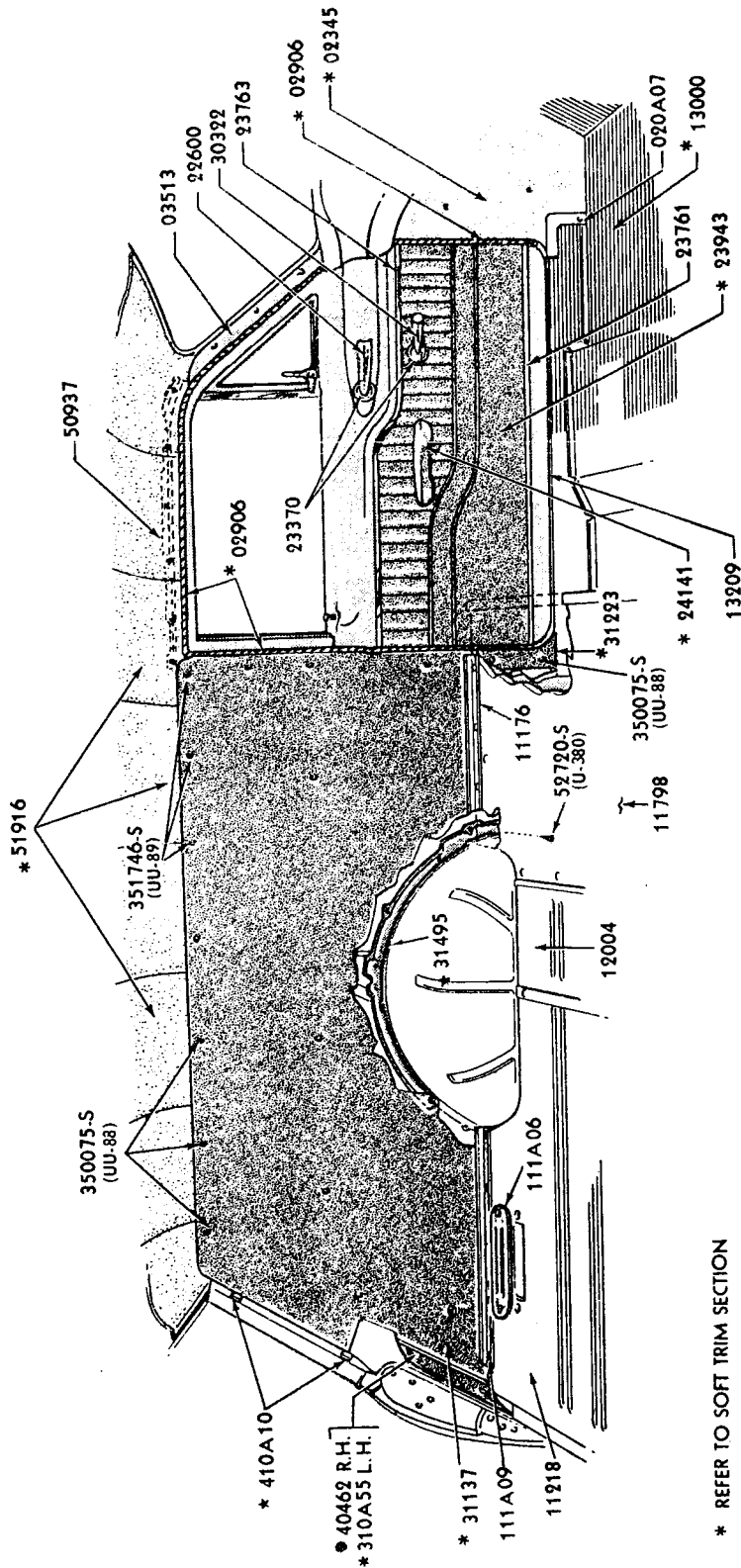
★ REFER TO GROUP IN SOFT TRIM SECTION





☆ REFER TO GROUP IN SOFT TRIM SECTION

INTERIOR TRIM and RELATED PARTS - TYPICAL  
1965 FALCON - BODY TYPE 76



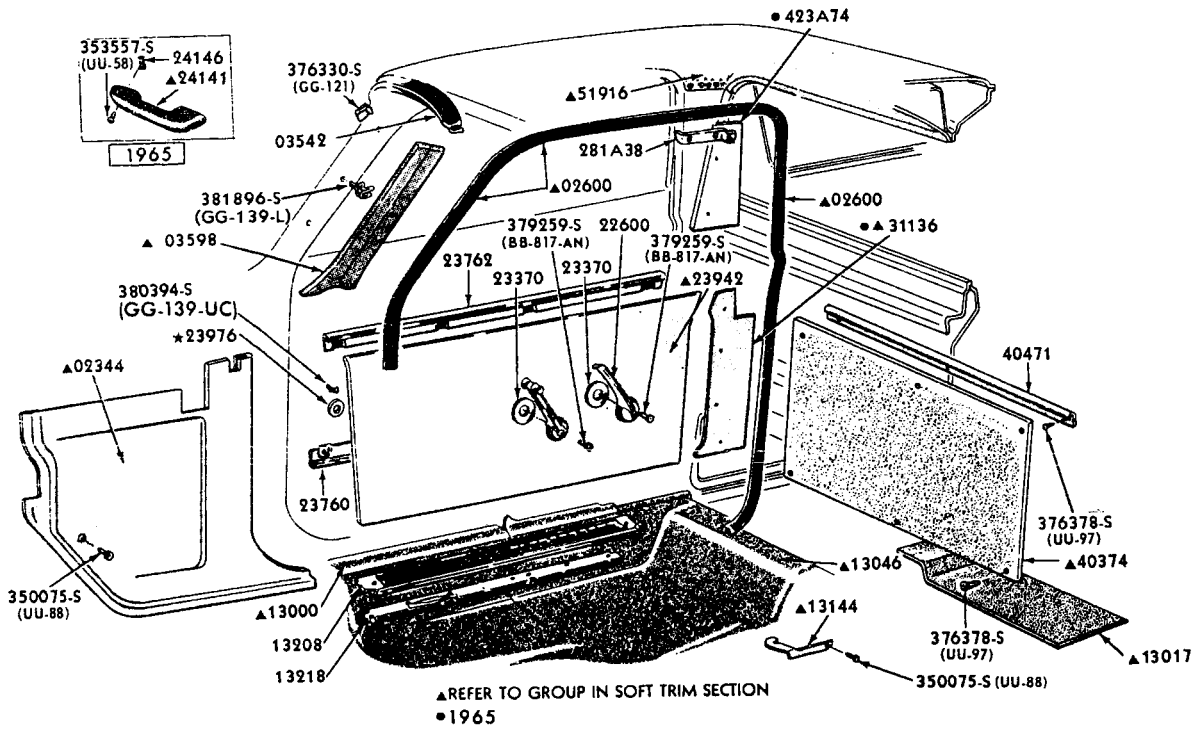
P-3591

- \* REFER TO SOFT TRIM SECTION
- REFER TO GROUP IN BODY SECTION

INTERIOR TRIM and RELATED PARTS  
1965 FALCON - BODY TYPE 78

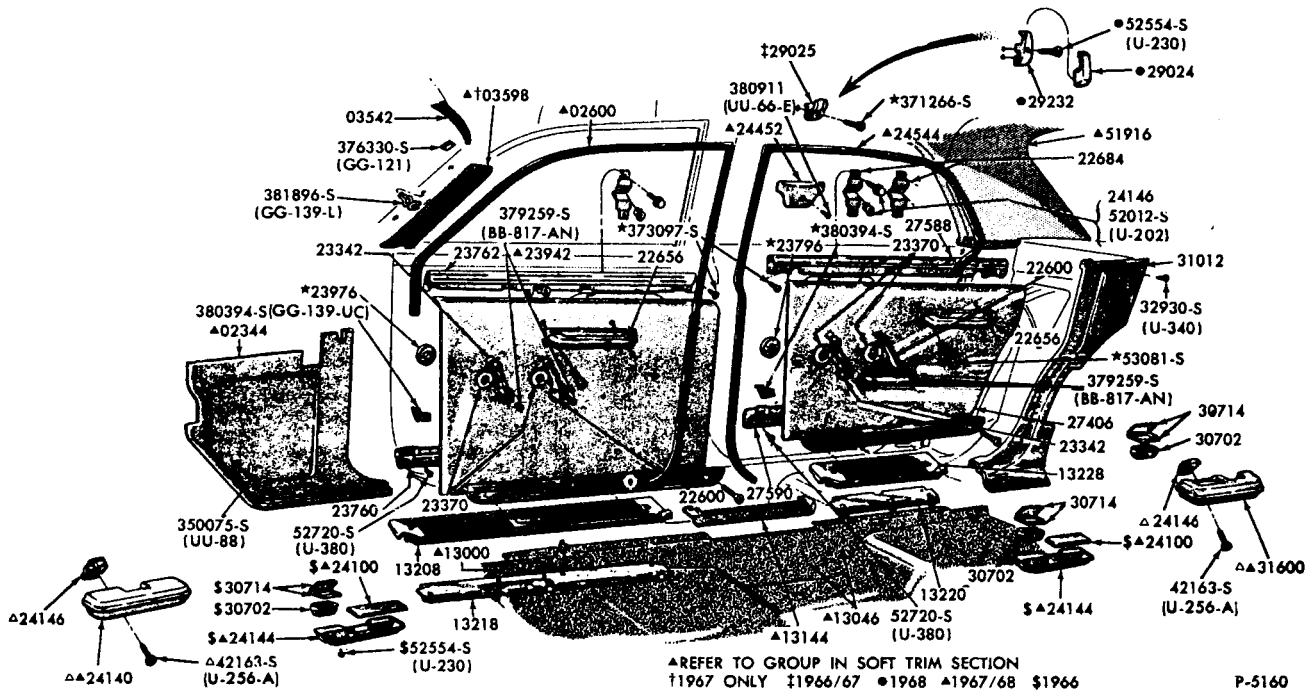
**6 X INTERIOR TRIM ILLUSTRATION SECTION**

**FORD CAR PARTS**



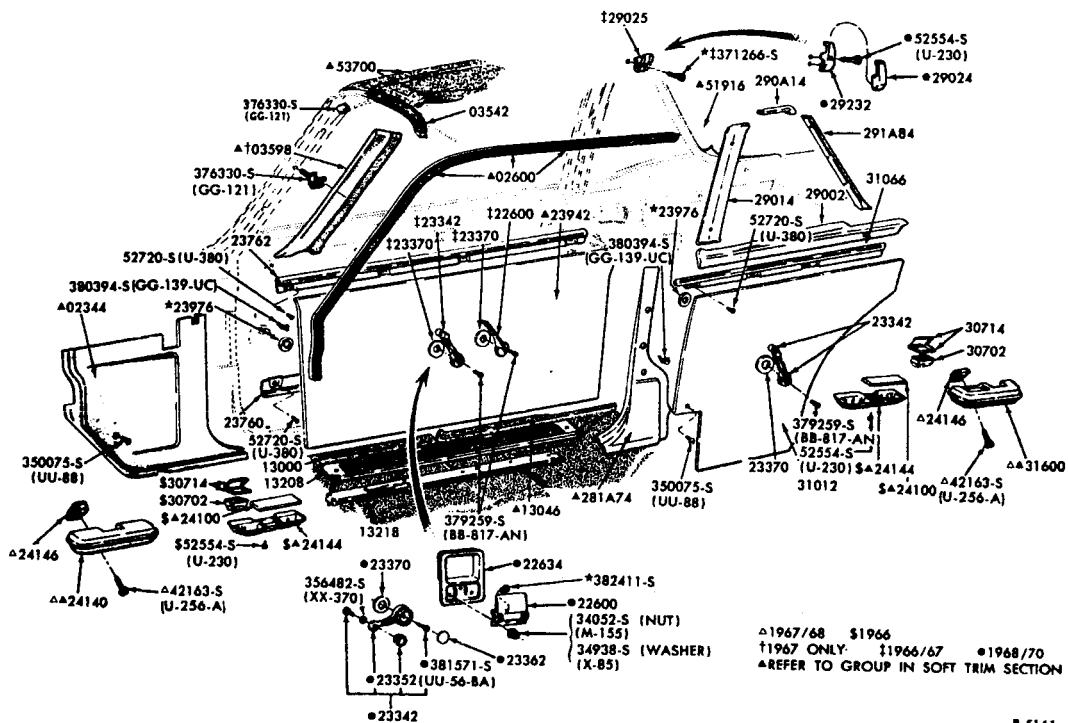
P-5163

**INTERIOR TRIM and RELATED PARTS - TYPICAL  
1965/66 FALCON - BODY TYPE 66**

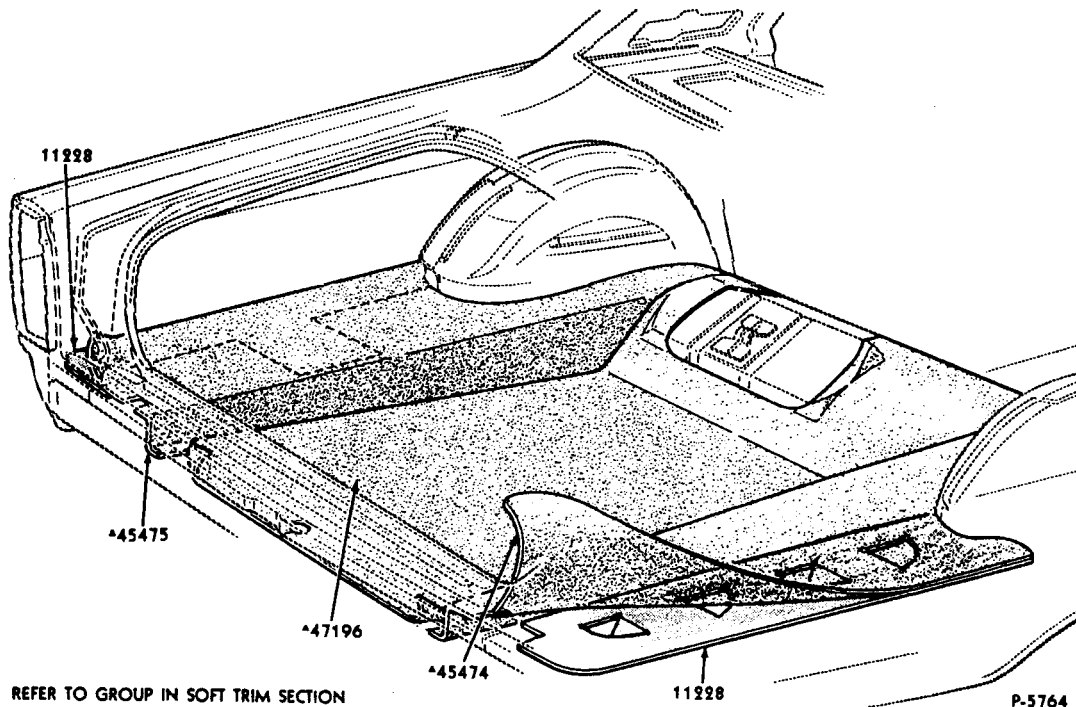


P-5160

**INTERIOR TRIM and RELATED PARTS  
1966/67 FALCON - BODY TYPE 54**



INTERIOR TRIM and RELATED PARTS  
1966/70 FALCON - BODY TYPE 62



LUGGAGE COMPARTMENT TRIM  
1966/70 FALCON - BODY TYPE 54, 62









