

# 1949-1959 FORD CAR PARTS AND ACCESSORIES

# TEXT CATALOG

1949-1959 CHASSIS

1953-1959 BODY

PARTS AND ACCESSORIES OPERATIONS  
FORD DIVISION  MOTOR COMPANY

COPYRIGHT © 1964—FORD MOTOR COMPANY • DEARBORN, MICHIGAN

QUICK REFERENCE INDEX • PAGE

GENERAL INFORMATION	II
MOULDING CLIP KITS	1
SECTIONS 10-24 WHEELS, BRAKES	7
SECTIONS 30-46 FRONT SUSPENSION, STEERING, REAR AXLE, DRIVE SHAFT	37
SECTIONS 50-54 FRAME, MUFFLER, SPRINGS	73
SECTIONS 60-66 ENGINE	110
SECTIONS 70-76 STANDARD TRANSMISSION, CLUTCH	147
SECTIONS A70 AUTOMATIC TRANSMISSION	185
SECTIONS 80-85 COOLING, GRILLE	259
SECTIONS 90-97 FUEL, CARBURETOR, ACCELERATOR	287
SECTIONS 100-120 GENERATOR, ALTERNATOR, STARTER, DISTRIBUTOR	501
SECTIONS 130-150 LAMPS, WIRING	557
SECTIONS 160-166 FENDER, HOOD	603
SECTIONS 170-190 SPEEDOMETER, BUMPER, ACCESSORIES	621
BODY PARTS INDEX	675
BODY SECTIONS 000-100 BODY FRONT, FLOOR	695
BODY SECTIONS 200-300 BODY SIDE, QUARTER	719
BODY SECTIONS 400-530 BACK, LUGGAGE COMPARTMENT	805
BODY SECTIONS 600-620 SEATS	865
SOFT TRIM	875

**PARTS and ACCESSORIES TEXT CATALOG**

FORM FD-9462

**1949/59 PASSENGER CAR**FORD DIVISION  MOTOR COMPANY**DISTRICT OFFICES**

Atlanta (East Point, Ga.)	Denver, Colo.	Louisville, Ky.	Philadelphia (Pennsauken, N. J.)
Boston	Des Moines, Iowa	Memphis, Tenn.	Pittsburgh, Pa.
(Natick, Mass.)	Detroit	New Orleans	Richmond, Va.
Buffalo, N. Y.	(Livonia, Mich.)	(Arabi, La.)	Rockford, Ill.
Charlotte, N. C.	Fargo, N. D.	Newark	St. Louis
Chicago	Houston, Texas	(Teterboro, N. J.)	(Clayton, Mo.)
(Melrose Park, Ill.)	Indianapolis, Ind.	New York	Salt Lake City, Utah
Cincinnati, Ohio	Jacksonville, Fla.	(White Plains, N. Y.)	San Jose, Calif.
Cleveland, Ohio	Kansas City, Mo.	Oklahoma City, Okla.	Seattle, Wash.
Dallas, Texas	Lansing, Mich.	Omaha, Neb.	Twin City
Davenport, Iowa	Los Angeles	Phoenix, Arizona	(Minneapolis, Minn.)
	(Pico-Rivera, Calif.)		Washington, D. C.

**INDEX FOR GENERAL INFORMATION SECTION**

Abbreviations	XX	Patent Plate Diagram and Explanation	X
Appearance & Maintenance Materials	XVIII, XIX	Patent Plate Codes	
BASIC BODY PARTS NUMBERING SYSTEM	IV	Assembly Plant	XI
Body Type Codes	IV	Body Type	XII
Catalog Format	IV	Body Style	XIII
Catalog Model Codes	III	District	XI
District Offices	II	Engine (Horsepower Rating)	XI
Explanation of Symbol ★	V	Exterior Paint Body Color	XVI, XVII
Ford Group and Basic Number Chart	VI thru IX	Model Year	XI
General Instructions	II	Months of the Year	XI
How to Order Parts	V	Rear Axle Ratio	XI
Model Years	III	Transmission Type	XI
Nomenclature Index	III	Trim Scheme	XIII, XIV, XV
Procedure for Using Catalog	V		
Quick Reference Index	I		
Section, Group and Basic Numbers	III		
Soft Trim	IV		
Standard and Utility Hardware	IV		
Used Car Reconditioning Materials	XIX		

**GENERAL INSTRUCTIONS**

This Ford Parts and Accessories Catalog contains parts information for the Ford passenger car line including Thunderbird, and is to be used in conjunction with "Illustration" Catalog, Form FD-9463.

Following are the model years for which parts information is provided in this catalog:

Chassis Parts . . . . .	1949 thru 1959
Body Parts . . . . .	1953 thru 1959
Soft Trim Parts . . . . .	1956 thru 1959

The driver's side is the left hand side of the vehicle and should govern in determining such parts as fenders, lamps, etc. as to whether a part is right or left hand.

## CATALOG MODEL CODES

Codes shown in the "Text" Catalog under heading "Model" are to be interpreted as follows:

A	♣ Passenger Car	F/M/2	FORDOMATIC 2 SPEED TRANSMISSION	S/C	Supercharger
A/C	Air Conditioner	M/L	Mainline	S/D	*Sedan Delivery
A/S	Air Suspension	O/D	Overdrive	S/L	Sunliner
C/L	Customline	P/I	Police Interceptor	S/T	Standard Transmission
C/M	Cruise-O-Matic	P/L	Parklane	S/W	*Station Wagon
F/L	Fairlane	P/S	Power Steering		
F/M	FORDOMATIC TRANSMISSION	S	Thunderbird		

- ♣ Includes parts common to Station Wagon, Sedan Delivery, Ranchero, Police Interceptor when applicable.
- \* Models S/D and S/W when shown separately apply to parts peculiar to Sedan Delivery and Station Wagons.

## MODEL YEARS

Model year application is indicated by showing the first year followed by a diagonal line to imply continued usage in all subsequent years until the insertion of the last year of usage, which will then be inserted after the diagonal line. If no diagonal line is shown the illustration is applicable only to the year shown.

- Example:
- 49 indicates part used 1949 model year only.
  - 49/59 indicates part used 1949 through 1959 model years.
  - 55/ indicates part used 1955 through 1959 and subsequent model years as indicated in the appropriate catalog for 1959 and up.

## SECTION, GROUP and BASIC NUMBERS

For greater convenience this catalog is divided into sections to conform with the Master Parts Catalogs.

Section Numbers are related to group numbers as follows:

SECTION NUMBER	GROUP NUMBER SERIES	PART NAME
10	1000 - 1999	Wheel Parts
20	2000 - 2999	Brake Parts

The "Illustration" Catalog is divided into sections also and like parts are shown under similar numbers in both the "Text" and "Illustrations" catalogs.

Illustrations contain basic group numbers only; therefore, it is necessary to refer to the basic group within the "Text" Catalog listing for complete applicable part number.

Some basic numbers include an alphabetical character in addition to the numerical digits shown in the charts on Page VI. In this catalog basic numbers expanded by an alphabetical character follow the numerical basic numbers from which they are expanded and are listed in the manner shown below:

2150	Bolt - Front Brake Line Connection
2A150	Bushing - Power Brake Booster Lever

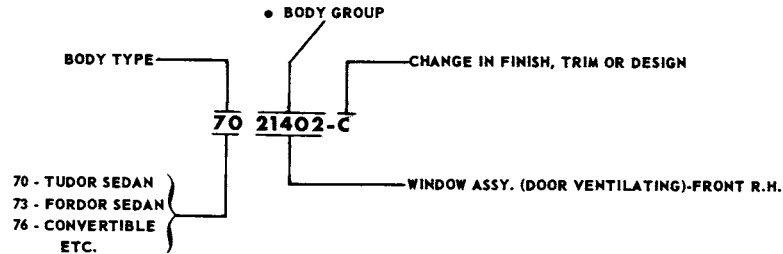
Refer to Pages VI thru IX for more information on Ford group and basic part numbers.

## NOMENCLATURE INDEX

A nomenclature index appears at the beginning of each major Chassis group listed in the Quick Reference Index shown on the cover and Page I. The Body nomenclature index is shown on pages 675 thru 694 in the beginning of the body area of the catalog.

**BASIC BODY PARTS NUMBERING SYSTEM**

FOLLOWING IS A DIAGRAM OF THE BASIC BODY PARTS NUMBERING SYSTEM



- These five digits comprise the Body Group Numbers as used through each body parts section.

A complete group index of body parts has been included on pages 675 through 694. The index is divided into areas of the car in alphabetical sequence; such as front, back, quarter, roof, doors, etc.

**SOFT TRIM**

Four sections are devoted to Soft Trim Parts, namely 1956 thru 1959. Each includes only those items which were available for service at the time of printing. To determine the complete part number of a required trim part, it is necessary to have the "Trim Scheme Code" which appears on the patent plate of the vehicle (refer to Pages XIII, XIV and XV). Soft Trim replacement parts are listed on pages 875 thru 908.

**BODY TYPE CODES**

Most body parts are identified with Body Type Codes. A complete listing of the codes and the body types which they represent is shown on Page XII. Body types which are similar are identified by the same code number; alphabetical suffixes are used to identify a particular body type. For instance, in 1959 Code 58 was used as follows:

BODY TYPE CODE	BODY TYPE
58A	Fairlane Town Sedan
58B	Fairlane "500" Town Sedan
58E	Custom "300" Fordor Sedan

The body type numbers only are shown on those illustrations which are applicable to all body types of a related group. For instance, Body Type Code 58 includes 58A, 58B and 58E.

**CATALOG FORMAT**

The format is specifically arranged to coincide with the normal procedure for selecting part numbers.

Column:	
	1. Model year
	2. Type of vehicle or equipment within a specific model year
	3. Description, size, etc.
	4. Number required per vehicle
	5. Complete part number

**STANDARD and UTILITY HARDWARE**

Standard and utility hardware, such as bolts, screws, fittings, etc. are listed below the part with which they are used. To facilitate the stocking and handling of Standard and Utility Parts by Ford dealers, locator codes are preassigned by Ford Motor Company. The locator codes are shown in parentheses immediately following or below the standard and utility part numbers.

For an example, refer to Body Section 030, Group 03086. The part number for a No. 8 x 1" cross recess oval head screw is 52344-S13 and the locator code is U292. In the catalog this item will be shown as 52344-S13(U292).

**EXPLANATION OF SYMBOL ★**

★ Symbol indicates part is not supplied for service due to the following:

- A. Part is superseded and replaced as indicated in the description column of the text.
- B. Part can be improvised as indicated in the description column of text.
- C. Due to its function there would be little or no demand.

Always refer to the description column of the text for possible substitution, or for material specifications and dimension which may be helpful in obtaining the non-serviced part locally.

**HOW TO ORDER PARTS**

When ordering parts, always give the complete part number.

In the event the part number is not known, the following information should be included.

- A. Complete description of part.
- B. Model year and body type.
- C. Dimension, number of teeth, size, etc.; if possible rough sketch of part.
- D. If applicable to engine, transmission, axle, steering, etc.; specify type; such as 312 cubic inch, Fordomatic, Power Steering, etc.
- E. Advise how shipment is to be made - Freight, Express, Air, Parcel Post.

**PROCEDURE FOR USING CATALOG**

Following is a recommended procedure for using this catalog:

Should an inquiry be received for a grease baffle for the brakes of a 1955 passenger model vehicle, use the following steps.

- A. Refer to the section and page designated in the Quick Reference Index on the cover for "Brakes".
- B. On the designated page (7) will be an index.
- C. Refer to the alphabetical nomenclature under heading "Brake System"; find name Baffle (Front Grease). The group number will be shown as 2060.
- D. Refer to Group 2060 and locate the year 1955 in the column head "Year". Refer then to column headed "Model" for "A" which indicated passenger car. The part number will be shown as AD 2060-C.

In the event the proper nomenclature is in doubt, an alternate method of locating basic part number would be as follows:

- A. Refer to the section and page designated in the Quick Reference Index of the Illustration Catalog for "Brakes".
  - B. On the designated Page 28 is an index of various Front and Rear Brakes.
  - C. Locate the front and rear brakes applicable to 1955 which is on Page 41 of the Illustration Catalog.
  - D. Refer to illustration on Page 41 and identify the proper part which will show the group number as 2060.
  - E. Refer to Group 2060 of this catalog and locate the year 1955 in the column headed "Year". Refer then to column headed "Model" for "A" which indicates passenger car. The part number will be shown as AD 2060-C.
-

## FORD GROUP AND BASIC PART NUMBERS

Ford group and basic part numbers are grouped according to their function; for example, all parts applying to the rear axle are grouped from 4000 to 4296, transmission and clutch from 6905 to 7997, etc.

Following is an index and section number of the various groups--

GROUP AND BASIC PART NO. SERIES	GROUP NAME	SECTION	GROUP AND BASIC PART NO. SERIES	GROUP NAME	SECTION
1000-1250	Wheels, hubs and drums	10	11000-11382	Starter motor	110
1350-1499	Spare wheel carrier	10	11450-11688	Lighting & ignition switch	110
2001-2285	Brakes (service)	20, 22	12000-12390	Ignition coil, distributor, condenser	120
2307-2438	Brakes (power)	23	12402-12425	Spark plug	120
2442-2482	Brake controls	24	13002-13248	Lamps (head and parking)	130
2505-2900	Brakes (parking)	24			
			13402-13796	Lamps (rear)	134, 137
			13809-13853	Lamps (license and pillar) & horn	137
3000-3359	Front suspension and steering linkage	30	14197-14689	Wiring	140, 145
3500-3764	Steering gear	35, 36	15000-15858	Miscellaneous accessories	150
4000-4296	Rear axle	40	16000-16550	Front fender	160
4600-4859	Drive shaft	46			
5000-5176	Frame	50	16600-16999	Hood	166
			17005-17125	Tools	170
5200-5299	Muffler & exhaust pipe	52	17248-17383	Speedometer & tachometer	170, 172
5300-5499	Front spring & stabilizer	53	17402-17666	Windshield wiper & washer	172, 175, 176
5550-5832	Rear spring	53	17700-17730	Mirror	176
6000-6898	Engine	60, 61, 62, 63, 65, 66	17736-17999	Bumper	176
6905-6968	Transmission overdrive & engine steady rest	69, 70			
			18000-18125	Shock absorber	180
			18148-18994	Miscellaneous accessories	180, 182, 184
7000-7997	Transmission and clutch	70, 71, 72, 73, 75, 76	19500-19585	Appearance and maintenance materials	Paint
7000-7997	Automatic Transmission	A70, A71, A72, A73, A75, A76	19600-19980	Air conditioner	190
8000-8499	Radiator and grille	80	4000000 & Up	Body Parts	
8500-8689	Water pump and fan	85			
9002-9296	Fuel tank & supercharger	90	<b>BODY SECTION</b>		
9301-9420	Fuel pump	93, 94		Body front	000
9421-9499	Manifolds, clamps, etc.	94		Windshield	030
				Instrument panel	042
				Floor	100
9500-9599	Carburetor & supercharger	95, 95A, 95B		Front door	200, 210, 220, 230
9600-9699	Air cleaner	96		Rear door	240, 260
9700-9999	Accelerator & choke control rods	97			
				Quarter	270, 280, 290, 295, 300
10000-10449	Generator & Alternator	100		Back window and luggage compartment	400, 420, 430, 440
10500-10653	Voltage regulator	100, 106			
10654-10756	Battery	106		Roof, folding top	500, 510, 520, 530
10838-10990	Instruments	106		Seats	600, 610, 620

## FORD MOTOR COMPANY BASIC PART NUMBERING

### CHASSIS, ENGINE AND ELECTRICAL BASIC NUMBER SERIES

BASIC PART NO. SERIES	BASIC SERIES EXPANSION	PARTS WHICH QUALIFY BY FUNCTIONAL AREA	BASIC PART NO. SERIES	BASIC SERIES EXPANSION	PARTS WHICH QUALIFY BY FUNCTIONAL AREA
1000-1250 1251-1349 1350-1499 1500-1724 1725-1999 2000-2594 2595-2874 2875-2999 3000-3499 3500-3776	1A000-1A250 1A251-1A349 1A350-1A499 1A500-1A724 1A725-1A999 2A000-2A594 2A595-2A874 2A875-2A999 3A000-3A499 3A500-3A776	Wheels, Hubs, and Drums Open Numbers Spare Wheel Carrier Tires and Tubes Open Numbers Brakes Brakes—Parking Air Compressor Front Axles and Front Suspensions Steering Gear and Steering Wheel	12450-12499 12500-12599 12600-12999 13000-13199 13200-13299 13000-13399 13400-13699 13700-13799  13800-13949 13950-13999	12A450-12A499 12A500-12A599 12A600-12A999 13A000-13A199 13A200-13A299 13A300-13A399 13A400-13A699 13A700-13A799  13A800-13A949 13A950-13A999	Engine Governor Open Numbers Open Numbers Head Lamps Parking Lamps Turn Signal License, Tail, and Stop Lamps Courtesy, Dome, and Instrument Lamps and Switches Horn Open Numbers
3777-3999 4000-4999  5000-5149 5150-5199 5200-5299  5300-5350 5351-5416 5417-5454 5455-5481  5482-5499	3A777-3A999 4A000-4A999  5A000-5A149 5A150-5A199 5A200-5A299  5A300-5A350 5A351-5A416 5A417-5A454 5A455-5A481  5A482-5A499	Open Numbers Rear Axle and Driveshaft and Coupling Shaft Frame and Brackets * Muffler, Exhaust Pipes, and Brackets Front Springs Sub-Frame (For Cab Mounting) Open Numbers Front Springs—Clips, Studs, and Bushings Stabilizer and Attaching Parts	14000-14689  14690-14724 14725-14999  15000-15039 15040-15074 15075-15114 15115-15199 15200-15299 15300-15399 15400-15489	14A000-14A689  14A690-14A724 14A725-14A999  15A000-15A039 15A040-15A074 15A075-15A114 15A115-15A199 15A200-15A299 15A300-15A399 15A400-15A489	Wiring and Circuit Breakers, Terminals and Connectors, Window Regulator, Fuse Panel Seat Regulator (Electrical) Junction Boxes and Electric Conduit Clocks Cigar Lighter Lamp Assy.—Cluster * Road Lamps Spot Lamps Lamp Assy.—Marker
5500-5515 5516-5999 6000-6899 6900-6944 6945-6999  7000-7499 7500-7649 7650-7799 7800-7999 8000-8499	5A500-5A515 5A516-5A999 6A000-6A899 6A900-6A944 6A945-6A999  7A000-7A499 7A500-7A649 7A650-7A799 7A800-7A999 8A000-8A499	Front Spring Covers Rear Springs and Attaching Parts Engine and Mounts * Engine Installation and Dress-up Kits Transmission and Shifting Controls Clutch and Controls Transmission Overdrive Torque Converter Radiator and Grille Parts	15490-15549 15550-15579 15580-15599 15600-15649 15650-15655 15656-15699 15700-15724 15725-15759  15760-15799 15800-15849	15A490-15A549 15A550-15A579 15A580-15A599 15A600-15A649 15A650-15A655 15A656-15A699 15A700-15A724 15A725-15A759  15A760-15A799 15A800-15A849	Lamp Assy.—Back-up Lamp Assy.—Utility Lamp Assy.—Police Flasher * Map Lamp Top Control Engine Compartment Lamp Commercial Pump Motors Note: Not used Passenger Car, Truck & Industrial Engines Open Numbers Lamp Assy.—Transmission Control Selector Indicator
8500-8599 8600-8669 8670-8999 9000-9269 9270-9339  9340-9423 9424-9499  9500-9599 9600-9699 9700-9899	8A500-8A599 8A600-8A669 8A670-8A999 9A000-9A269 9A270-9A339  9A340-9A423 9A424-9A499  9A500-9A599 9A600-9A699 9A700-9A899	Water Pumps Fan and Brackets Open Numbers Fuel Tank Fuel and Oil Gauges and Fuel Tubes Fuel Pumps Manifold, Clamps, Thermostats, etc. Carburetors Carburetor Air Cleaners Thermostatic Choke, Acc. Spark & Throttle Control Rods	15850-15874 15875-15899 15900-15999 16000-16249 16250-16299 16300-16449 16450-16549 16550-16579 16580-16599 16600-16999	15A850-15A874 15A875-15A899 15A900-15A999 16A000-16A249 16A250-16A299 16A300-16A449 16A450-16A549 16A550-16A579 16A580-16A599 16A600-16A999	Parking Brake Signal Open Numbers * Front Fender and Aprons Fender Shields Rear Fenders Running Boards and Brackets Splash Shields Open Numbers Hood, Brackets, and Controls
9900-9999 10000-10299 10300-10399 10400-10499 10500-10649 10650-10837  10838-10999 11000-11529 11530-11568 11569-11619	9A900-9A999 10A000-10A299 10A300-10A399 10A400-10A499 10A500-10A649 10A650-10A837  10A838-10A999 11A000-11A529 11A530-11A568 11A569-11A619	* Generators Alternator and Rectifier Open Numbers Generator Regulator Battery and Supports—Voltmeter and Charge Indicator Instrument Cluster and Controls Starting Motor and Starter Switch Open Numbers Ignition Switch	17000-17149 17150-17249 17250-17384 17385-17399 17400-17424 17425-17599 17600-17674 17675-17748 17749-17999	17A000-17A149 17A150-17A249 17A250-17A384 17A385-17A399 17A400-17A424 17A425-17A599 17A600-17A674 17A675-17A748 17A749-17A999	Tools Open Numbers Speedometer and Tachometer Open Numbers Rear Window Wiper Windshield Wipers Windshield Washers Rear View Mirrors Front and Rear Bumpers and Stone Deflectors
11620-11644 11645-11688 11689-11999 12000-12399  12400-12427 12428-12449	11A620-11A644 11A645-11A688 11A689-11A999 12A000-12A399  12A400-12A427 12A428-12A449	Open Numbers Lighting Switch Open Numbers Ignition Coil, Distributor, Condenser and Diaphragm Spark Plugs Open Numbers	18000-18199 18200-18241 18242-18699 18700-18799 18800-19499 19500-19549 19550-19999	18A000-18A199 18A200-18A241 18A242-18A699 18A700-18A799 18A800-19A499 19A500-19A549 19A550-19A999	Shock Absorbers * Heaters Air Brakes Radio Miscellaneous Accessories Air Conditioners

\*This series has become inactive and parts qualifying will be identified with part numbers from a more appropriate series.

## BODY BASIC NUMBERS AND CORRESPONDING FUNCTIONS

BASIC PART NO. SERIES	BASIC SERIES EXPANSION	PARTS WHICH QUALIFY BY FUNCTIONAL AREA	BASIC PART NO. SERIES	BASIC SERIES EXPANSION	PARTS WHICH QUALIFY BY FUNCTIONAL AREA			
*7000000-7000099	7000A00-7000A99	Body Assembly & Trim Sets Front End Assembly Ventilating Ducts & Valves Brake Pedal Support Dash Assembly Ventilating Ducts & Valves Cowl Assembly Front Body Pillar Assy. Open Body Front Tie Bow Braces, Etc. Windshield Assembly Visor Assembly Front Belt Rail Inst. Panel Assy. Panel Assy.—Instr. Panel Details	25000-25099 25100-25299 25300-25399 25400-25699 25700-25899 25900-25999 26000-26199 26200-26399 26400-26599 26600-26699 26700-26799 26800-26899 26900-26999 27000-27199	250A00-250A99 251A00-252A99 253A00-253A99 254A00-256A99 257A00-258A99 259A00-259A99 260A00-261A99 262A00-263A99 264A00-265A99 266A00-266A99 267A00-267A99 268A00-268A99 269A00-269A99 270A00-271A99	Rear Door Frame & Pillar Assy. Rear Door Header Rear Door Bottom Rear Door Garnish Moulding Rear Door Glass Open Rear Door Reinf. Rear Door Glass Frame Rear Door Lock Rear Door Handles Open Rear Door Hinge Open Rear Door Regulator			
04600-04799	046A00-047A99	Cigar Lighter Assy. & Instrument Cluster	27200-27299 27300-27399 27400-27699 27700-27799 27800-28099 28100-28399 28400-28499 28500-28599 28600-28699 28700-28799 28800-28999 29000-29199	272A00-272A99 273A00-273A99 274A00-276A99 277A00-277A99 278A00-280A99 281A00-283A99 284A00-284A99 285A00-285A99 286A00-286A99 287A00-287A99 288A00-289A99 290A00-291A99	Rear Door Check Rear Door Regulator Vacuum Lift Rear Door Trim Quarter Assy. Quarter Panel Assy. Quarter Lock Pillar Open Quarter Header Quarter Frame Quarter Belt Rail Open Quarter Window Garnish Moulding & Moulding Quarter Reinf. Braces & Brkts. Quarter Window Assy.			
04800-04899	048A00-048A99	Ash Receptacle Assy.	29200-29599 29600-29699	292A00-295A99 296A00-296A99	Quarter Window Glass Quarter Glass Channel Quarter Glass Run Quarter Window Reg. Quarter Vent. Window Quarter Window Regulator Quarter Glass Frame Quarter Arm Rest Ash Receptacle Open Quarter Trim Assy. & Assist Loop Open Qtr. Arm Rest Assy. & Rear Seat Center Arm Rest Quarter Panel Spare Wheel Compt. Open Side Slats—Trim Sticks—Anti-Squeaks			
04900-05999	049A00-059A99	Open	30200-30299 30300-30499 30500-30699 30700-30799 30800-30999 31000-31499 31500-31599 31600-31899	302A00-302A99 303A00-304A99 305A00-306A99 307A00-307A99 308A00-309A99 310A00-314A99 315A00-315A99 316A00-318A99	29700-29799 29800-29999 70300000-7030199	297A00-297A99 298A00-299A99 70300A00-70301A99		
06000-06199	060A00-061A99	Open	32000-32199 32200-32399	320A00-321A99 322A00-323A99	29900-29999 299A00-299A99	299A00-299A99 299A00-299A99		
06200-09999	062A00-099A99	Open	32400-32499 32500-39999 7040000-7040099	324A00-324A99 325A00-399A99 70400A00-70400A99	29900-29999 299A00-299A99	299A00-299A99 299A00-299A99		
*7010000-7010099	70100A00-70100A99	Floor Assembly Floor Side Member Assy. Floor Cross Sill Assy. Under Body Assy Floor Pan Assembly Floor Pan Silencers & Pads Floor Board Assy. Open Floor Board Riser	32500-32599 32600-32699 32700-32799 32800-32899 32900-32999 33000-33099 33100-33199 33200-33299 33300-33399 33400-33499 33500-33599 33600-33699 33700-33799 33800-33899 33900-33999 34000-34099 34100-34199 34200-34299 34300-34399 34400-34499 34500-34599 34600-34699 34700-34799	325A00-325A99 326A00-326A99 327A00-327A99 328A00-328A99 329A00-329A99 330A00-330A99 331A00-331A99 332A00-332A99 333A00-333A99 334A00-334A99 335A00-335A99 336A00-336A99 337A00-337A99 338A00-338A99 339A00-339A99 340A00-340A99 341A00-341A99 342A00-342A99 343A00-343A99 344A00-344A99 345A00-345A99 346A00-346A99 347A00-347A99	29900-29999 299A00-299A99	299A00-299A99 299A00-299A99		
10100-10599	101A00-105A99	Open	34800-34899 34900-34999 35000-35099 35100-35199 35200-35299 35300-35399 35400-35499 35500-35599 35600-35699 35700-35799 35800-35899 35900-35999 36000-36099 36100-36199 36200-36299 36300-36399 36400-36499 36500-36599 36600-36699 36700-36799 36800-36899 36900-36999 37000-37099 37100-37199 37200-37299 37300-37399 37400-37499 37500-37599 37600-37699 37700-37799 37800-37899 37900-37999 38000-38099 38100-38199 38200-38299 38300-38399 38400-38499 38500-38599 38600-38699 38700-38799 38800-38899 38900-38999 39000-39099 39100-39199 39200-39299 39300-39399 39400-39499 39500-39599 39600-39699 39700-39799 39800-39899 39900-39999	101A00-105A99 106A00-109A99 110A00-110A99 111A00-113A99 114A00-114A99 115A00-117A99 118A00-119A99 120A00-120A99	32400-32499 32500-39999 7040000-7040099 40100-40199 40200-40299 40300-40399 40400-40499 40500-40599 40600-40699 40700-40799 40800-40899 40900-40999 41000-41099 41100-41199	401A00-401A99 402A00-402A99 403A00-403A99 404A00-404A99 405A00-405A99 406A00-406A99 407A00-407A99 408A00-408A99 409A00-409A99 410A00-410A99 411A00-411A99	39900-39999 399A00-399A99	399A00-399A99 399A00-399A99
12100-12299	121A00-122A99	Floor Trans. Cover Dust Sealer	41200-41299 41300-41399	412A00-412A99 413A00-413A99	39900-39999 399A00-399A99	399A00-399A99 399A00-399A99		
12300-12599	123A00-125A99	Open	41400-41599 41600-41699 41700-41899 41900-41999 42000-42199 42200-42299 42300-42499 42500-42599 42600-42699 42700-42899	414A00-415A99 416A00-416A99 417A00-418A99 419A00-419A99 420A00-421A99 422A00-422A99 423A00-424A99 425A00-425A99 426A00-426A99 427A00-428A99	39900-39999 399A00-399A99	399A00-399A99 399A00-399A99		
12600-12699	126A00-126A99	Floor Skid Strip	42900-42999	429A00-429A99	39900-39999 399A00-399A99	399A00-399A99 399A00-399A99		
12700-12999	127A00-129A99	Open	43000-43099 43100-43199 43200-43299 43300-43399 43400-43499 43500-43599 43600-43699 43700-43799 43800-43899 43900-43999 44000-44099 44100-44199 44200-44299 44300-44399 44400-44499 44500-44599 44600-44699 44700-44799 44800-44899 44900-44999 45000-45099 45100-45199 45200-45299 45300-45399 45400-45499 45500-45599 45600-45699 45700-45799 45800-45899 45900-45999 46000-46099 46100-46199 46200-46299 46300-46399 46400-46499 46500-46599 46600-46699 46700-46799 46800-46899 46900-46999 47000-47099 47100-47199 47200-47299 47300-47399 47400-47499 47500-47599 47600-47699 47700-47799 47800-47899 47900-47999 48000-48099 48100-48199 48200-48299 48300-48399 48400-48499 48500-48599 48600-48699 48700-48799 48800-48899 48900-48999 49000-49099 49100-49199 49200-49299 49300-49399 49400-49499 49500-49599 49600-49699 49700-49799 49800-49899 49900-49999	126A00-126A99 127A00-129A99 130A00-131A99 132A00-132A99 133A00-134A99 135A00-135A99 136A00-137A99 140A00-140A99 141A00-141A99 142A00-142A99 143A00-199A99	41200-41299 41300-41399	412A00-412A99 413A00-413A99	49900-49999 499A00-499A99	499A00-499A99 499A00-499A99
13000-13199	130A00-131A99	Floor Mat & Carpet	49900-49999 499A00-499A99	499A00-499A99 499A00-499A99	49900-49999 499A00-499A99	499A00-499A99 499A00-499A99		
13200-13299	132A00-132A99	Floor Scuff Plate	50000-50099 50100-50199 50200-50299 50300-50399 50400-50499 50500-50599 50600-50699 50700-50799 50800-50899 50900-50999 51000-51099 51100-51199 51200-51299 51300-51399 51400-51499 51500-51599 51600-51699 51700-51799 51800-51899 51900-51999 52000-52099 52100-52199 52200-52299 52300-52399 52400-52499 52500-52599 52600-52699	132A00-132A99 133A00-134A99 135A00-135A99 136A00-137A99 140A00-140A99 141A00-141A99 142A00-142A99 143A00-199A99	50000-50099 50100-50199 50200-50299 50300-50399 50400-50499 50500-50599 50600-50699 50700-50799 50800-50899 50900-50999 51000-51099 51100-51199 51200-51299 51300-51399 51400-51499 51500-51599 51600-51699 51700-51799 51800-51899 51900-51999 52000-52099 52100-52199 52200-52299 52300-52399 52400-52499 52500-52599 52600-52699	500A00-500A99 501A00-501A99 502A00-502A99 503A00-503A99 504A00-504A99 505A00-505A99 506A00-506A99 507A00-507A99 508A00-508A99 509A00-509A99 510A00-510A99 511A00-511A99 512A00-512A99 513A00-513A99 514A00-514A99 515A00-515A99 516A00-516A99 517A00-517A99 518A00-518A99 519A00-519A99 520A00-520A99 521A00-521A99 522A00-522A99 523A00-523A99 524A00-524A99 525A00-525A99 526A00-526A99	50000-50099 500A00-500A99	500A00-500A99 500A00-500A99
13300-13499	133A00-134A99	Open	52700-52799 52800-52899 52900-52999 53000-53099 53100-53199 53200-53299 53300-53399 53400-53499 53500-53599 53600-53699 53700-53799 53800-53899 53900-53999 54000-54099 54100-54199 54200-54299 54300-54399 54400-54499 54500-54599 54600-54699 54700-54799 54800-54899 54900-54999 55000-55099 55100-55199 55200-55299 55300-55399 55400-55499 55500-55599 55600-55699 55700-55799 55800-55899 55900-55999 56000-56099 56100-56199 56200-56299 56300-56399 56400-56499 56500-56599 56600-56699 56700-56799 56800-56899 56900-56999 57000-57099 57100-57199 57200-57299 57300-57399 57400-57499 57500-57599 57600-57699 57700-57799 57800-57899 57900-57999 58000-58099 58100-58199 58200-58299 58300-58399 58400-58499 58500-58599 58600-58699 58700-58799 58800-58899 58900-58999 59000-59099 59100-59199 59200-59299 59300-59399 59400-59499 59500-59599 59600-59699 59700-59799 59800-59899 59900-59999	133A00-134A99 135A00-135A99 136A00-137A99 140A00-140A99 141A00-141A99 142A00-142A99 143A00-199A99	52700-52799 52800-52899 52900-52999 53000-53099 53100-53199 53200-53299 53300-53399 53400-53499 53500-53599 53600-53699 53700-53799 53800-53899 53900-53999 54000-54099 54100-54199 54200-54299 54300-54399 54400-54499 54500-54599 54600-54699 54700-54799 54800-54899 54900-54999 55000-55099 55100-55199 55200-55299 55300-55399 55400-55499 55500-55599 55600-55699 55700-55799 55800-55899 55900-55999 56000-56099 56100-56199 56200-56299 56300-56399 56400-56499 56500-56599 56600-56699 56700-56799 56800-56899 56900-56999 57000-57099 57100-57199 57200-57299 57300-57399 57400-57499 57500-57599 57600-57699 57700-57799 57800-57899 57900-57999 58000-58099 58100-58199 58200-58299 58300-58399 58400-58499 58500-58599 58600-58699 58700-58799 58800-58899 58900-58999 59000-59099 59100-59199 59200-59299 59300-59399 59400-59499 59500-59599 59600-59699 59700-59799 59800-59899 59900-59999	527A00-527A99 528A00-528A99 529A00-529A99 530A00-530A99 531A00-531A99 532A00-532A99 533A00-533A99 534A00-534A99 535A00-535A99 536A00-536A99 537A00-537A99 538A00-538A99 539A00-539A99 540A00-540A99 541A00-541A99 542A00-542A99 543A00-543A99 544A00-544A99 545A00-545A99 546A00-546A99 547A00-547A99 548A00-548A99 549A00-549A99 550A00-550A99 551A00-551A99 552A00-552A99 553A00-553A99 554A00-554A99 555A00-555A99 556A00-556A99 557A00-557A99 558A00-558A99 559A00-559A99 560A00-560A99 561A00-561A99 562A00-562A99 563A00-563A99 564A00-564A99 565A00-565A99 566A00-566A99 567A00-567A99 568A00-568A99 569A00-569A99 570A00-570A99 571A00-571A99 572A00-572A99 573A00-573A99 574A00-574A99 575A00-575A99 576A00-576A99 577A00-577A99 578A00-578A99 579A00-579A99 580A00-580A99 581A00-581A99 582A00-582A99 583A00-583A99 584A00-584A99 585A00-585A99 586A00-586A99 587A00-587A99 588A00-588A99 589A00-589A99 590A00-590A99 591A00-591A99 592A00-592A99 593A00-593A99 594A00-594A99 595A00-595A99 596A00-596A99 597A00-597A99 598A00-598A99 599A00-599A99	52700-52799 52800-52899 52900-52999 53000-53099 53100-53199 53200-53299 53300-53399 53400-53499 53500-53599 53600-53699 53700-53799 53800-53899 53900-53999 54000-54099 54100-54199 54200-54299 54300-54399 54400-54499 54500-54599 54600-54699 54700-54799 54800-54899 54900-54999 55000-55099 55100-55199 55200-55299 55300-55399 55400-55499 55500-55599 55600-55699 55700-55799 55800-55899 55900-55999 56000-56099 56100-56199 56200-56299 56300-56399 56400-56499 56500-56599 56600-56699 56700-56799 56800-56899 56900-56999 57000-57099 57100-57199 57200-57299 57300-57399 57400-57499 57500-57599 57600-57699 57700-57799 57800-57899 57900-57999 58000-58099 58100-58199 58200-58299 58300-58399 58400-58499 58500-58599 58600-58699 58700-58799 58800-58899 58900-58999 59000-59099 59100-59199 59200-59299 59300-59399 59400-59499 59500-59599 59600-59699 59700-59799 59800-59899 59900-59999	527A00-527A99 528A00-528A99 529A00-529A99 530A00-530A99 531A00-531A99 532A00-532A99 533A00-533A99 534A00-534A99 535A00-535A99 536A00-536A99 537A00-537A99



## BODY BASIC NUMBERS AND CORRESPONDING FUNCTIONS (Continued)

BASIC PART NO. SERIES	BASIC SERIES EXPANSION	PARTS WHICH QUALIFY BY FUNCTIONAL AREA	BASIC PART NO. SERIES	BASIC SERIES EXPANSION	PARTS WHICH QUALIFY BY FUNCTIONAL AREA	
43000-43099	430A00-430A99	Tail Gate Hinge Assy. Back Door Lock Assy. Tail Gate Lock Assy. Luggage Compt. Lock Assy. Back Door Handle Assembly Luggage Compt. Locking Handle Back Door Weatherstrip Luggage Compt., Bumper & Weatherstrip Tail Gate Bumper & Dowel Back Window Regulator Assy. Back Door Check Assy. Luggage Compt. Lid Support--Clamp Open Tail Gate Support	54900-54999	549A00-549A99	Roof Ventilator	
43100-43149	431A00-431A49		55000-55199	550A00-551A99	Top Luggage Carrier	
43150-43199	431A50-431A99		55200-55999	552A00-559A99	Open	
43200-43399	432A00-433A99		7060000-7060024	70600A00-70600A24	Front Seat Assy. Compt. Less Trim	
43400-43499	434A00-434A99		60025-60049	600A25-600A49	Rear Seat Assy.—Opera Seat Assy.	
43500-43699	435A00-436A99		60050-60074	600A50-600A74	Front Seat Assy.	
43700-43799	437A00-437A99		60075-60099	600A75-600A99	Rear Seat Cushion Assy.	
43800-43899	438A00-438A99		60100-60124	601A00-601A24	Driver's Seat Adjustment	
43900-43999	439A00-439A99		60125-60199	601A25-601A99	Rear Seat Back Assy.—Deck Seat Back Assy.	
44000-44099	440A00-440A99		60200-60299	602A00-602A99	Driver's Seat Back Assy. Comp.	
44100-44199	441A00-441A99	60300-60499	603A00-604A99	Front Seat Cushion Frame Assy.		
44200-44299	442A00-442A99	60500-60799	605A00-607A99	Rear Seat Cushion Framing		
44300-44399	443A00-443A99		608A00-609A99	Aux. Seat Cushion Framing		
44400-44599	444A00-445A99		610A00-612A99	Opera Seat Cushion Framing		
				Driver's Seat Cushion Framing		
				Front Seat Back Framing		
44600-44699	446A00-446A99	Back Reinf. Brackets Back Door Reinf. Luggage Compt. Opening Reinf. Tail Gate Reinforcement Luggage Compt. Drain Trough, Back Trim Back Curtain Luggage Compt. Trim Luggage Tool Compt. Luggage Compt. Partition Board Luggage Compt. Shelf Board Luggage Compt. Lamp Assy. Luggage Compartment Package Compt. Tool Compt. Deck Step	61300-61399	613A00-613A99	Rear Seat Back Frame	
44700-44799	447A00-447A99		61400-61499	614A00-614A99	Rear Seat Side Pillar—Front Seat Side Board	
44800-44999	448A00-449A99		61500-61599	615A00-615A99	Rear Seat Side Panel	
45000-45099	450A00-450A99		61600-61699	616A00-616A99	Front Seat Back Panel	
45100-45199	451A00-451A99		61700-61899	617A00-618A99	Front Seat Adjusting	
45200-45299	452A00-452A99		61900-62099	619A00-620A99	Driver's Seat Adjustment	
45300-45399	453A00-453A99		62100-62299	621A00-622A99	Front Seat Back Reinf.	
45400-45599	454A00-455A99		62300-62399	623A00-623A99	Driver's Back Reinf.	
45600-45699	456A00-456A99		62400-62499	624A00-624A99	Rear Seat Back Reinf.	
45700-45799	457A00-457A99		62500-62599	625A00-625A99	Driver & Passenger Seat Support	
45800-45899	458A00-458A99		62600-62799	626A00-627A99	Rear Seat Legs	
45900-45999	459A00-459A99		62800-62899	628A00-628A99	Front Seat Floor Rest Toe Guard	
46000-46099	460A00-460A99		62900-63199	629A00-631A99	Front Seat Back Robe Cord	
46100-46199	461A00-461A99				Front Seat Back Ash Receptacle	
46200-46299	462A00-462A99				Front Seat Cushion Cover—Center Seat Opera Seat Cushion	
46300-46399	463A00-463A99		Back Door Trim Luggage Compt. Trim Package Tray Spare Wheel Compartment Open Rear Rack Assy. Open Roof Assy. Top Assy. Roof Panel Assy. Top Slat Iron Top Operating Mechanism Roof Reinf. Retainers Roof Rail Assembly Top Bow Assy. & Dome Lamp--Brkts. & Att. Parts	63100-63199	631A00-631A99	Front Seat Cushion Spring—Center Seat
46400-46499	464A00-464A99			63200-63299	632A00-632A99	Opera Seat Cushion Spring
46500-46599	465A00-465A99	63300-63399		633A00-633A99	Rear Seat Cushion Spring	
47000-47299	470A00-472A99	63400-63499		634A00-634A99	Seat Cushion Pad	
47300-47999	473A00-479A99	63500-63599		635A00-635A99	Seat Cushion Facing	
48000-48099	480A00-480A99	63600-63699		636A00-636A99	Seat Cushion End Pipe	
48100-48999	481A00-489A99	63700-63799		637A00-637A99	Cushion Button	
7050000-7050099	70500A00-70500A99	63800-63899		638A00-638A99	Seat Cushion Welt Binding	
50100-50199	501A00-501A99	64000-64099		640A00-640A99	Front Seat Side Carpet	
50200-50299	502A00-502A99	64200-64399		642A00-643A99	Rear Seat Cushion Cover	
50300-50599	503A00-505A99	64400-64599		644A00-645A99	Deck Seat Cushion Cover	
50600-50799	506A00-507A99	64600-64699		646A00-646A99	Driver's Seat Rear Cover	
50800-51299	508A00-512A99				Partition Window Operating Mech.	
51300-51399	513A00-513A99			Front Seat Back Cushion Cover		
51400-51599	514A00-515A99			Seat Back & Pad Assy. Seat Back Division Frame		
51600-51699	516A00-516A99	64700-64799	647A00-647A99	Front Seat Back Spring—Center Seat		
51700-51799	517A00-517A99	64800-64899	648A00-648A99	Front Seat Back Pad		
51800-51899	518A00-518A99	64900-64999	649A00-649A99	Front Seat Back Cardboard		
51900-51999	519A00-519A99			Opera Seat Cardboard Cover		
52100-52299	521A00-522A99			Etc., Center Seat		
52300-52399	523A00-523A99	65000-65099	650A00-650A99	Front Seat Back Facing		
52400-52499	524A00-524A99	65100-65199	651A00-651A99	Front Seat Back Trim Rail		
52500-52599	525A00-525A99	65200-65299	652A00-652A99	Front Seat Back Cushion Welt & Mldg.		
52600-52699	526A00-526A99	65300-65399	653A00-653A99	Front Seat Back Wadding		
52700-52999	527A00-529A99	65400-65499	654A00-654A99	Front Seat Back Misc. Trim—Hassock Assy.		
53000-53099	530A00-530A99	65500-65599	655A00-655A99	Front Seat Back Bellows		
53100-53199	531A00-531A99	65600-65999	656A00-659A99	Open		
53200-53299	532A00-532A99	66000-66099	660A00-660A99	Pedestal Seat		
53300-53399	533A00-533A99	66100-66599	661A00-665A99	Open		
53400-53499	534A00-534A99	66600-66699	666A00-666A99	Rear Seat Back Cover Deck Seat Back Cover		
53500-53599	535A00-535A99	66700-66799	667A00-667A99	Rear Seat Back Spring		
53600-53699	536A00-536A99	66800-66899	668A00-668A99	Deck Seat Back Spring		
53700-53799	537A00-537A99	66900-66999	669A00-669A99	Rear Seat Back Pad		
53800-53899	538A00-538A99	67000-67099	670A00-670A99	Deck Seat Back Pad		
53900-54199	539A00-541A99	67100-67199	671A00-671A99	Rear Seat Cardboard		
54200-54299	542A00-542A99	67200-67299	672A00-672A99	Rear Seat Back Facing		
54300-54399	543A00-543A99	67300-67399	673A00-673A99	Rear Seat Back Center Arm Rest Cover		
54400-54499	544A00-544A99	67400-67599	674A00-675A99	Rear Seat Arm Rest		
54500-54599	545A00-545A99			Rear Seat Silencer		
54600-54699	546A00-546A99			Rear Seat Heelboard		
54700-54799	547A00-547A99					
54800-54899	548A00-548A99					

**IMPORTANT: AS EACH INDIVIDUAL EXPANSION SERIES BECOMES EXHAUSTED OF NUMBERS, ANOTHER SERIES WILL BE ESTABLISHED BY USE OF THE NEXT ALPHABETICAL EXPANSION LETTER SUCH AS "B" THRU "Z".**

**TYPICAL PATENT PLATE - thru 1959**

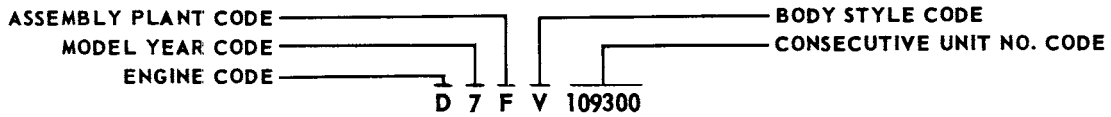
The Patent Plate is located on the left front body pillar on all passenger and Thunderbird models.

The following diagram of the Patent Plate specifies, in the Serial Number: the Engine Type, Model Year, Plant which assembled the car, Body Style and numerical sequence of assembly.

Indicated in the body specifications are the Body Type, Exterior Paint Color, Trim Scheme, Production Date, Transmission Type and Rear Axle Ratio.

**IMPORTANT** Always furnish appropriate Patent Plate information and DSO number if applicable when ordering parts not listed in the Catalog.

**PATENT PLATE DIAGRAM**



Serial Number (D7FV109300)

"D" -- 8 cyl. OHV Engine -- 312 cu. in. disp. -- 4-venturi carb.

"7" -- 1957 Model

"F" -- Assembled at Dearborn Plant

"V" -- Victoria body style -- Fairlane or Fairlane "500"

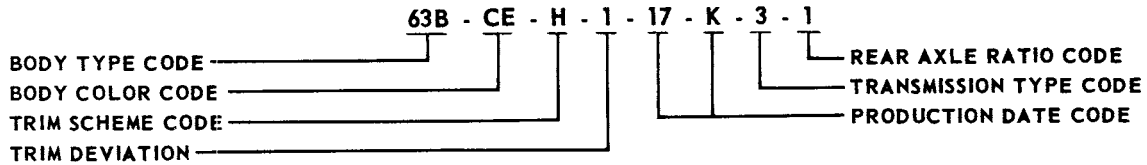
"109300" -- Nine thousand, three hundredth car assembled.

<b>SERIAL</b>	<b>NUMBER</b>	<b>MADE IN</b>				<b>REG. U. S.</b>
<b>D7FV</b>	<b>109300</b>	<b>U.S.A. BY</b>				<b>PAT. OFF.</b>
<b>BODY</b>	<b>COLOR</b>	<b>TRIM</b>	<b>DATE</b>	<b>TRANS</b>	<b>AXLE</b>	
<b>63B</b>	<b>CE</b>	<b>H-1</b>	<b>17K</b>	<b>3</b>	<b>1</b>	

**THIS VEHICLE IS CONSTRUCTED UNDER UNITED STATES LETTER PATENTS**

2 270 122	2 590 719	2 628 833	2 677 572	2 708 594
2 290 927	2 612 829	2 631 894	2 677 574	2 726 894
2 310 416	2 617 681	2 639 938	2 698 012	

**OTHER PATENTS PENDING**



Style and Body Specifications (63B - CE - H - 1 - 17K - 3 - 1)

"63B" -- Victoria -- Fairlane Tudor

\* "CE" -- Dresden Blue lower body, Colonial White upper body

"H" -- Colonial Vinyl and Blue Tropical-Leaf Fabric Bodycloth

"1" -- First Trim Deviation

"17" -- Seventeenth Day of Month

"K" -- Month of year -- October

"3" -- Fordomatic Transmission

"1" -- Rear Axle Ratio of 3.10 to 1.

\* When vehicle is two-toned the lower body color code will appear first in the Paint Color Code space.

**PATENT PLATE - CONTINUED**

REAR AXLE RATIO CODES						MODEL YEAR CODES							
REAR AXLE RATIO	REGULAR 1955/59	LOCKING DIFF. 1959	REAR AXLE RATIO	REGULAR 1955/59	LOCKING DIFF. 1959	CODE	YEAR	CODE	YEAR	CODE	YEAR	CODE	YEAR
2.69 to 1	6	F	3.70 to 1	3	C	3	1953	5	1955	7	1957	9	1959
2.91 to 1	5	F	3.89 to 1	4	D	4	1954	6	1956	8	1958		
3.10 to 1	1	A	4.11 to 1	0									
3.56 to 1	2	B											

ASSEMBLY PLANT CODES					
CODE	ASSEMBLY PLANT	CODE	ASSEMBLY PLANT	CODE	ASSEMBLY PLANT
A	Atlanta	G	Chicago	M	Memphis
C	Chester	H	Lorain	N	Norfolk
D	Dallas	J	Los Angeles	P	Twin Cities
E	Mahwah	K	Kansas City	R	San Jose
F	Dearborn	L	Long Beach	S	Pilot Plant
				T	Metuchen
				U	Louisville
				W	Wayne
				Y	Wixom
				Z	St. Louis

TRANSMISSION TYPE CODES							
CODE	TRANSMISSION	CODE	TRANSMISSION				
1	3 Speed Manual Shift	C	Fordomatic (3-speed)				
2	Overdrive	5	4 Speed Manual Shift				
3	Fordomatic (2-speed)	6	Cruise-O-Matic				
4	Cruise-O-Matic		(3-speed dual range)				

MONTHS OF THE YEAR CODES								
MONTH	YEAR First Second		MONTH	YEAR First Second		MONTH	YEAR First Second	
January	A	N	May	E	S	September	J	W
February	B	P	June	F	T	October	K	X
March	C	Q	July	G	U	November	L	Y
April	D	R	August	H	V	December	M	Z

**DISTRICT CODES**

CODE	DISTRICT	CODE	DISTRICT	CODE	DISTRICT	CODE	DISTRICT	CODE	DISTRICT
11	Boston	23	Philadelphia	34	Indianapolis	45	Davenport	62	Houston
12	Buffalo	24	Jacksonville	35	Lansing	51	Denver	63	Memphis
13	New York	25	Richmond	36	Louisville	52	Des Moines	64	New Orleans
14	Pittsburgh	26	Washington	41	Chicago	53	Kansas City	65	Oklahoma City
15	Newark	31	Cincinnati	42	Fargo	54	Omaha	71	Los Angeles
21	Atlanta	32	Cleveland	43	Rockford	55	St. Louis	72	San Jose
22	Charlotte	33	Detroit	44	Twin Cities	61	Dallas	73	Salt Lake City
								74	Seattle
								81	Ford of Canada
								83	Government
								84	HOME OFFICE RESERVE
								85	AMERICAN RED CROSS
								89	TRANSPORTATION SERVICES
								90's	Export

**ENGINE CODES and HORSEPOWER RATINGS**

ENGINE Cyl.	C.I.D.	TYPE	1952/53		1954		1955		1956		1957		1958		1959	
			CODE	H.P.	CODE	H.P.	CODE	H.P.	CODE	H.P.	CODE	H.P.	CODE	H.P.	CODE	H.P.
6	215	OHV	A	101												
8	239	L-HEAD	P	110												
8	239	L-HEAD	B													
6	223	OHV			A	115	A	120	A	137	A	144				
8	239	OHV			U	130										
8	256	OHV			P	161										
8	272	OHV-2V, Carb. -Standard					U	162	U	173	B	190				
8	272	OHV-2V, Carb. -Automatic					U	162	U	176	B	190				
8	272	OHV-4V, Carb. -Automatic					M	182								
8	292	OHV-2V, Carb. -Standard									C	206				
8	292	OHV-2V, Carb. -Automatic									C	212				
8	292	OHV-4V, Carb. -Standard					P	193	M	200						
8	292	OHV-4V, Carb. -Automatic					P	198	M	202						
8	312	OHV-4V, Carb. -Standard							P	215	D	245				
8	312	OHV-4V, Carb. -Automatic							P	225	D	245				
8	312	OHV-4V, Carb. (Supercharger)									F	300				
8	312	OHV-8V, Carb. (Hi-Performance Special)									E	270				
8	312	OHV-8V, Carb. (Racing)									E	285				
6	223	OHV-1V.											A	145	A	145
8	292	OHV-2V, Carb. -Standard											C	205	C	200
8	292	OHV-2V, Carb. -Automatic											C	205		
8	332	OHV-2V, Carb.											B	240	B	225
8	332	OHV-4V, Carb. (Special)											G	265		
8	352	OHV-4V, Carb. (Power option)											H	300	H	300
8	361	OHV-4V, Carb. (Police)												303		
8	430	OHV-4V, Carb. -Automatic											J	375	J	375

## PATENT PLATE - CONTINUED

## BODY TYPE CODES

CODE		BODY TYPE	MODEL YEARS	CODE		BODY TYPE	MODEL YEARS
BODY TYPE	SERIES			BODY TYPE	SERIES		
<b>FORD 1949 thru 1959</b>							
51A		Fairlane "500" Hide-Away Hardtop	1957/58	71F		Station Wagon "Country Sedan" (6 passenger)	1959
51A		Galaxie Hide-Away Hardtop	1959	71G		Station Wagon "Country Squire" (9 passenger)	1959
54A		Galaxie Town Sedan	1959	71H		Fordor Ranch Wagon	1959
57A		Fairlane Fordor Victoria	1956	72A		Ford Club Coupe	1949
57A		Fairlane "500" Town Victoria	1957/59	72B		Ford Custom Club Coupe	1949
57B		Fairlane Town Victoria	1957/58	72B		Custom Deluxe Club Coupe	1950
58A		Fairlane Town Sedan	1957/59	72B		Custom Club Coupe	1951
58B		Fairlane "500" Town Sedan	1957/59	72B		Customline Club Coupe	1952/54
58E		Custom "300" Fordor Sedan	1959	72C		Ford Business Coupe	1949
59A		Mainline Ranch Wagon	1952/56	72C		Deluxe Business Coupe	1950/51
59A		Tudor Ranch Wagon	1957/58	72C		Mainline Business Coupe	1952/54
59B		Customline Ranch Wagon	1954/56	73A		Ford Fordor Sedan	1949
59B		Tudor Ranch Wagon "Del Rio"	1957/58	73A		Deluxe Fordor Sedan	1950/51
59C		Fairlane Ranch Wagon	1956	73A		Mainline Fordor Sedan	1952/56
59C		Tudor Ranch Wagon	1959	73A		Custom Fordor Sedan	1957
59D		Tudor Ranch Wagon "Country Sedan"	1959	73A		Custom "300" Fordor Sedan	1958
59E		Tudor Commercial Ranch Wagon "Courier"	1959	73A		Custom "300" Fordor Sedan	1958
60		Victoria	1950	73B		Ford Custom Fordor Sedan	1949
60B		Crestline Victoria	1952/54	73B		Custom Deluxe Fordor Sedan	1950
60B		Fairlane Victoria	1955	73B		Custom Fordor Sedan	1951
60F		Crestline Skyliner	1954	73B		Customline Fordor Sedan	1952/56
63A		Fairlane "500" Club Victoria	1957/59	73B		Custom "300" Fordor Sedan	1957
63B		Fairlane Club Victoria	1957/58	73B		Custom "300" Fordor Sedan (optional Interior Trim)	1958
64A		Fairlane Crown Victoria-Solid Top	1955/56	73C		Crestline Fordor Sedan	1954
64A		Fairlane Club Sedan	1957/59	73C		Fairlane Town Sedan	1955/56
64B		Fairlane Crown Victoria- Transparent Top	1955/56	75A		Galaxie Town Victoria	1959
64B		Fairlane "500" Club Sedan	1957/59	76B		Ford Custom Convertible Coupe	1949
64C		Fairlane Victoria	1956	76B		Custom Deluxe Convertible Coupe	1950
64D		Customline Victoria	1956	76B		Custom Convertible Coupe	1951
64F		Custom "300" Tudor Sedan	1959	76B		Crestline Convertible Coupe	1952/54
64G		Custom "300" Business Tudor	1959	76B		Fairlane Convertible Coupe	1955/56
64H		Galaxie Club Sedan	1959	76B		Fairlane "500" Convertible Coupe	1957/58
65A		Galaxie Club Victoria	1959	76B		Galaxie Convertible Coupe (Sunliner)	1959
66A		Ranchero	1957/59	78A		Sedan Delivery	1952/58
66B		Ranchero	1957/58	79		Ford Custom Station Wagon	1949
66C		Ranchero	1959	79		Custom Deluxe Station Wagon	1950
70A		Ford Tudor Sedan	1949	79		Custom Station Wagon "Country Squire"	1950/51
70A		Deluxe Tudor Sedan	1950/51	79A		Fordor Ranch Wagon	1958
70A		Mainline Tudor Sedan	1952/56	79B		Customline Station Wagon "Country Sedan"	1952/55
70A		Custom Tudor Sedan	1957	79B		Customline Station Wagon "Country Sedan" (6 passenger)	1955
70A		Custom "300" Tudor Sedan	1958	79B		Fairlane Station Wagon "Country Sedan" (8 passenger)	1955/56
70B		Ford Custom Tudor Sedan	1949	79C		Crestline Station Wagon "Country Squire"	1952/55
70B		Custom Deluxe Tudor Sedan	1950	79C		Fairlane Station Wagon "Country Squire" (8 passenger)	1955/56
70B		Custom Tudor Sedan	1951	79D		Customline Station Wagon "Country Sedan" (6 passenger)	1956
70B		Customline Tudor Sedan	1952/56	79D		Station Wagon "Country Sedan" (6 passenger)	1957/58
70B		Custom "300" Tudor Sedan	1957	79E		Station Wagon "Country Squire" (9 passenger)	1957/58
70B		Custom "300" Tudor Sedan (optional Interior Trim)	1958				
70C		Fairlane Club Sedan	1955/56				
70D		Mainline Business Tudor	1955/56				
70D		Custom Business Tudor	1957				
70D		Custom "300" Business Tudor	1958				
71E		Station Wagon "Country Sedan" (9 passenger)	1959				

## THUNDERBIRD 1955/59

40		Thunderbird Convertible	1955/57	S(76A)		Thunderbird Convertible	1958
S(63A)		Thunderbird Hard Top	1958	S(76A)	J	Thunderbird Convertible	1959
S(63A)	H	Thunderbird Hard Top	1959				



PATENT PLATE - CONTINUED  
TRIM SCHEME CODES

CODE	TRIM SCHEME	CODE	TRIM SCHEME
<b>1957</b>			
A	Silver and Gray Shantung Vinyl and Gray Random Block Fabric	AJ	Colonial Vinyl and Red Silver-Shadow Fabric
E	Starmist Chain-Grain Vinyl and Blue Silver-Dash or Blue Flying-Dart Fabric	AN	Willow Chain-Grain Vinyl and Green Flying-Dart or Green Silver-Dash Fabric
F	Woodsmoke Chain-Grain Vinyl and Gray Silver-Dash or Gray Flying-Dart Fabric	AR	Blue Basket-Weave Fabric and Blue Sculptured Fabric
G	Doeskin Chain-Grain Vinyl and Brown Silver-Dash Fabric	AS	Green Basket-Weave Fabric and Green Sculptured Fabric
H	Colonial Vinyl and Blue Tropical-Leaf or Blue Silver-Shadow Fabric	AT	Raven Vinyl and Gold Ripple-Wave Fabric
J	Colonial Vinyl and Green Tropical-Leaf or Green Silver-Shadow Fabric	AU	Colonial Vinyl and Flame Embossed or Pleated Flame Vinyl
K	Colonial Vinyl and Gray Tropical-Leaf Fabric	AX	Doeskin Vinyl and Tan Sharkskin Woven Plastic
L	Colonial Vinyl and Brown Tropical-Leaf or Brown Silver-Shadow Fabric	AZ	Colonial Vinyl and Tan Silver-Tweed Woven or Tan Silver-Tweed Puff Woven Plastic
R	Gray Basket-Weave Fabric and Gray Sculptured Fabric	BC	Blue Airweave Vinyl
S	Brown Basket-Weave Fabric and Brown Sculptured Fabric	BD	Green Airweave Vinyl
T	Gold Basket-Weave Fabric and Black Sculptured Fabric	BE	Black Airweave Vinyl
U	Colonial Vinyl and Black Silver-Shadow Fabric	BF	Red Airweave Vinyl
X	Colonial Vinyl and Blue Silver Tweed Woven or Blue Silver Tweed Puff Woven Plastic	BG	Brown Airweave Vinyl
AA	Colonial Vinyl and Raven Embossed Vinyl		
AB	Colonial Vinyl and Dresden Embossed or Blue French Stitch Vinyl		<b>THUNDERBIRD</b>
AC	Colonial Vinyl and Cumberland Embossed or Pleated Cumberland Vinyl	XA	Pleated Raven Vinyl and Pleated Colonial Vinyl
		XH	Pleated Flame Vinyl
		XJ	Pleated Bronze Vinyl
		XK	Pleated Colonial Vinyl
		XL	Pleated Dresden Vinyl and Pleated Starmist Vinyl
		XM	Pleated Cumberland Vinyl and Pleated Willow Vinyl

**1958**

A	Silver Shantung Vinyl and Silver Lattice-Pattern Fabric	Z	Colonial Sof-Textured Vinyl and Black Whipcord Embossed Vinyl
C	Blue Sof-Textured Vinyl and Blue Box-Striped Fabric or Blue Random-Block Patterned Fabric or Blue Royal Scot Tweed	AB	Beige Sof-Textured Vinyl and Shadow Pattern Woven Plastic
D	Green Sof-Textured Vinyl and Green Box Striped Fabric or Green Random-Block Patterned Fabric or Green Royal Scot Tweed	AC	Blue Sof-Textured Vinyl and Blue Basket Weave Plastic or Blue Thong Patterned Plasti-Fab
E	Gray Sof-Textured Vinyl and Gray Box-Striped Fabric or Gray Random-Block Patterned Fabric	AH	Beige Sof-Textured Vinyl and Brown Basket Weave Plastic or Brown Thong Patterned Plasti-Fab
F	Beige Sof-Textured Vinyl and Brown Random-Block Patterned Fabric or Brown Royal Scot Tweed	AJ	Gray Shadow-Block Patterned and Gray Damask Cloth
G	Colonial Sof-Textured Vinyl and Black Random-Block Patterned Fabric or Black Royal Scot Tweed	AK	Colonial Sof-Textured Vinyl and Gulfstream Royal Scot Tweed
H	Colonial Sof-Textured Vinyl and Palomino Royal Scot Tweed	AL	Colonial Sof-Textured Vinyl and Gulfstream Whipcord Embossed Vinyl
J	Blue Shadow-Block Patterned and Blue Damask Cloth	AM	Gold Sof-Textured Vinyl and Black Royal Scot Tweed
K	Green Shadow-Block Patterned and Green Damask Cloth	*CZ	Blue Sof-Textured Vinyl and Blue Random-Block Patterned Fabric
L	Brown Shadow-Block Patterned and Brown Damask Cloth	*DZ	Green Sof-Textured Vinyl and Green Random-Block Patterned Fabric
R	Black Shadow-Block Patterned and Gold Damask Cloth	*EZ	Gray Sof-Textured Vinyl and Gray Random-Block Patterned Fabric
S	Colonial Sof-Textured Vinyl and Red Royal Scot Tweed		<b>THUNDERBIRD</b>
U	Blue Sof-Textured Vinyl and Blue Whipcord Embossed Vinyl or Blue Embossed-Stitch Vinyl	XA	Blue Sof-Textured Vinyl and Blue Highland Tweed
V	Green Sof-Textured Vinyl and Green Whipcord Embossed Vinyl or Green Sof-Textured Vinyl	XB	Green Sof-Textured Vinyl and Green Highland Tweed
X	Colonial Sof-Textured Vinyl and Palomino Whipcord Embossed Vinyl	XC	Black Sof-Textured Vinyl and Black Highland Tweed
Y	Colonial Sof-Textured Vinyl and Red Whipcord Embossed Vinyl or Red Sof-Textured Vinyl	XE	Blue and White Sof-Textured Vinyl
		XF	Green and White Sof-Textured Vinyl
		XG	Red and White Sof-Textured Vinyl
		XH	Black and White Sof-Textured Vinyl
		XK	Gulfstream Sof-Textured Vinyl and Gulfstream Highland Tweed
		XL	Palomino and White Sof-Textured Vinyl
		XM	Gulfstream and White Sof-Textured Vinyl

\* Used on Body Types 70B and 73B after May 9, 1958

**PATENT PLATE - CONTINUED**  
**TRIM SCHEME CODES**

**1959**

CODE	TRIM SCHEME	CODE	TRIM SCHEME
02	Blue Ribbed Vinyl Bolster and Blue Random Block Fabric	57	Radiant Colonial White Sof-Textured Vinyl Bolster and Torch Red Striped Nub Fabric with Silver Strand
03	Green Ribbed Vinyl Bolster and Green Random Block Fabric	58	Radiant Colonial White Sof-Textured Vinyl Bolster and Torch Red Shantung Pattern Vinyl
07	Blue Tweedweave Fabric Bolster and Blue Linen-Pattern Cloth with Silver Fleck	59	Medium Blue Shantung Vinyl
08	Green Tweedweave Fabric Bolster and Green Linen-Pattern Cloth with Silver Fleck	60	Medium Brown Shantung Vinyl
09	Bronze Tweedweave Fabric Bolster and Bronze Linen-Pattern Cloth with Silver Fleck	024	Radiant Blue Sof-Textured Vinyl Bolster and Blue Shadowweave Fabric
10	Gray Tweedweave Fabric Bolster and Gray Linen-Pattern Cloth with Silver Fleck	032	Radiant Green Sof-Textured Vinyl Bolster and Green Shadowweave Fabric
11	Turquoise Tweedweave Fabric Bolster and Turquoise Linen-Pattern Cloth with Silver Fleck	111	Turquoise Tweedweave Fabric Bolster and Turquoise Linen-Pattern Cloth with Silver Fleck
12	Gray Tweedweave Fabric Bolster and Gold Linen-Pattern Cloth with Silver Fleck	121	Gray Tweedweave Fabric Bolster and Gold Linen-Pattern Cloth with Silver Fleck
25	Blue Sof-Textured Vinyl Bolster and Blue Lattice Pattern Plasti-Fab Weave	296	Radiant Silver Sof-Textured Vinyl Bolster and Gunsmoke Shadowweave Fabric
26	Fawn Sof-Textured Vinyl Bolster and Bamboo Pattern Vinyl	301	Blue Tweedweave Fabric Bolster and Blue Linen-Pattern Cloth with Silver Fleck
29	Gunsmoke Ribbed Vinyl Bolster and Gunsmoke Random Block Fabric	302	Radiant Blue Sof-Textured Vinyl Bolster and Blue Striped Nub Fabric with Silver Strand
30	Radiant Blue Sof-Textured Vinyl Bolster and Blue Shadowweave Fabric	311	Green Tweedweave Fabric Bolster and Green Linen-Pattern Cloth with Silver Fleck
30	Radiant Blue Sof-Textured Vinyl Bolster and Blue Striped Nub Fabric with Silver Strand	312	Radiant Green Sof-Textured Vinyl Bolster and Green Striped Nub Fabric with Silver Strand
31	Radiant Green Sof-Textured Vinyl Bolster and Green Shadowweave Fabric	323	Gray Tweedweave Fabric Bolster and Gray Linen-Pattern Cloth with Silver Fleck
31	Radiant Green Sof-Textured Vinyl Bolster and Green Striped Nub Fabric with Silver Strand	331	Bronze Tweedweave Fabric Bolster and Bronze Linen-Pattern Cloth with Silver Fleck
32	Radiant Silver Sof-Textured Vinyl Bolster and Gunsmoke Shadowweave Fabric	331	Radiant Bronze Sof-Textured Vinyl Bolster and Bronze Shadowweave Fabric
33	Radiant Bronze Sof-Textured Vinyl Bolster and Bronze Shadowweave Fabric	332	Radiant Bronze Sof-Textured Vinyl Bolster and Bronze Striped Nub Fabric with Silver Strand
33	Radiant Bronze Sof-Textured Vinyl Bolster and Bronze Striped Nub Fabric with Silver Strand	341	Radiant Turquoise Sof-Textured Vinyl Bolster and Turquoise Striped Nub Fabric with Silver Strand
34	Radiant Turquoise Sof-Textured Vinyl Bolster and Turquoise Striped Nub Fabric with Silver Strand	371	Radiant Colonial White Sof-Textured Vinyl Bolster and Geranium Striped Nub Fabric with Silver Strand
37	Radiant Colonial White Sof-Textured Vinyl Bolster and Geranium Striped Nub Fabric with Silver Strand	381	Radiant Gold Sof-Textured Vinyl Bolster and Raven Striped Nub Fabric with Silver Strand
38	Radiant Gold Sof-Textured Vinyl Bolster and Raven Striped Nub Fabric with Silver Strand	571	Radiant Colonial White Sof-Textured Vinyl Bolster and Torch Red Striped Nub Fabric with Silver Strand
39	Radiant Blue Sof-Textured Vinyl Bolster and Blue Shantung Pattern Vinyl	<b>THUNDERBIRD</b>	
40	Radiant Green Sof-Textured Vinyl Bolster and Green Shantung Pattern Vinyl	1X	Blue Sof-Textured Vinyl Bolster and Blue Nylon Check Fabric with Silver Strand
45	Radiant Green-Sof Textured Vinyl Bolster and Green Thong Pattern Plasti-Fab Weave with Gold Strand	2X	Green Sof-Textured Vinyl Bolster and Green Nylon Check Fabric with Silver Strand
46	Radiant Colonial White Sof-Textured Vinyl Bolster & Red Thong Pattern Plasti-Fab Weave with Gold Strand	3X	Turquoise Sof-Textured Vinyl Bolster and Turquoise Nylon Check Fabric with Silver Strand
47	Radiant Bronze Sof-Textured Vinyl Bolster and Bronze Shantung Pattern Vinyl	4X	Raven Sof-Textured Vinyl Bolster and Raven and White Nylon Check Fabric with Silver Strand
48	Radiant Geranium Sof-Textured Vinyl Bolster and Raven Striped Nub Fabric with Silver Strand	5X	Blue Sof-Textured Vinyl Bolster and Blue Sof-Textured Vinyl
49	Radiant Blue Sof-Textured Vinyl Bolster and Radiant Blue Pleated Sof-Textured Vinyl	6X	Green Sof-Textured Vinyl Bolster and Colonial White Sof-Textured Vinyl
51	Radiant Turquoise Sof-Textured Vinyl Bolster and Radiant Turquoise Pleated Sof-Textured Vinyl	7X	Turquoise Sof-Textured Vinyl Bolster and Colonial White Sof-Textured Vinyl
52	Radiant Gold Sof-Textured Vinyl Bolster and Raven Pleated Sof-Textured Vinyl	8X	Raven Sof-Textured Vinyl Bolster and Colonial White Sof-Textured Vinyl
53	Radiant Geranium Sof-Textured Vinyl Bolster and Raven Pleated Sof-Textured Vinyl	9X	Torch Red Sof-Textured Vinyl Bolster and Colonial White Sof-Textured Vinyl
55	Torch Red Sof-Textured Vinyl Bolster and Raven Pleated Sof-Textured Vinyl	1Y	Raven Genuine Top Grain Leather
56	Torch Red Sof-Textured Vinyl Bolster and Raven Striped Nub Fabric with Silver Strand	2Y	Hickory Tan Genuine Top Grain Leather
		3Y	Turquoise Genuine Top Grain Leather
		4Y	Torch Red Genuine Top Grain Leather
		5Y	Hickory Tan Sof-Textured Vinyl Bolster and Colonial White Sof-Textured Vinyl

**PATENT PLATE - CONTINUED**

**EXTERIOR PAINT BODY COLOR CODES - Solid Colors**

CODE	PART NUMBER	COLOR	CODE	PART NUMBER	COLOR
<b>1952</b>					
A	M-1724	Raven Black	J	M-14200	Hawaiian Bronze
B	M-14285	Sheridan Blue	K	M-2J-16	Sandpiper Tan
C	M-14448	Alpine Blue	L	M-2J-68	Sungate Ivory
D	M-2J-64	Woodsmoke Gray	M	M-1722	Coral Flame Red
E	M-2J-65	Shannon Green Metallic	N	M-14283	Meadow Green
F	M-2J-67	Meadowbrook Green	P		Prime
G	M-2J-66	Glenmist Green	SS		Special Paints
H	M-2J-43	Carnival Red			

<b>1953</b>					
A	M-1724	Raven Black	J	M-2J-188	Polynesian Bronze Metallic
B	M-14285	Sheridan Blue	K	M-2J-16	Sandpiper Tan
C	M-2J-184	Glacier Blue	L	M-2J-68	Sungate Ivory
D	M-2J-64	Woodsmoke Gray	M	M-2J-175	Coral Flame Red (Non-Bleeding)
E	M-2J-185	Timberline Green Metallic		M-1722	Coral Flame Red (Special)
F	M-2J-186	Fernmist Green	P	M-4415	Prime
G	M-2J-187	Seafoam Green	S	M-2J-221	Flamingo Red
H	M-2J-43	Carnival Red Metallic	SS		Special Paints

<b>1954</b>					
A	M-1724	Raven Black	J	M-2J-259	Lancer Maroon Metallic
B	M-14285	Sheridan Blue	L	M-2J-261	Sandalwood Tan
C	M-2J-253	Cadet Blue Metallic	M	M-2J-273	Sandstone White
D	M-2J-184	Glacier Blue	N	M-2J-175	Torch Red
E	M-2J-238	Dovetone Gray	R	M-2J-263	Cameo Coral
F	M-2J-256	Highland Green Metallic	P	M-4415	Prime
G	M-2J-257	Killarney Green Metallic	SS		Special Paints
H	M-2J-258	Sea Haze Green	V	M-2J-358	Golden Rod Yellow

<b>1955</b>					
A	M-1724	Raven Black	K	M-2J-357	Buckskin Brown
B	M-2J-346	Banner Blue	M	M-2J-353	Regency Purple
C	M-2J-347	Aquatone Blue	R	M-2J-175	Torch Red
D	M-2J-355	Waterfall Blue	T	M-2J-359	Thunderbird Blue (Skyhaze Green)
E	M-2J-354	Snowshoe White	V	M-2J-358	Goldenrod Yellow
F	M-2J-348	Pine Tree Green	W	M-2J-352	Tropical Rose
G	M-2J-349	Sea Sprite Green	P		Prime
H	M-2J-350	Neptune Green	S		Special



**PATENT PLATE - CONTINUED**

**EXTERIOR PAINT BODY COLOR CODES - Solid Colors**

CODE	PART NUMBER	COLOR	CODE	PART NUMBER	COLOR
<b>1956</b>					
A	M-1724	Raven Black	J	M-2J-528	Buckskin Tan
B	M-2J-521	Nocturne Blue	K	M-2J-530	Fiesta Red
C	M-2J-529	Bermuda Blue	L	M-2J-534	Peacock Blue
D	M-2J-523	Diamond Blue	M	M-2J-531	Goldenglow Yellow
E	M-2J-524	Colonial White	N	M-2J-533	Mandarin Orange
F	M-2J-525	Pine Ridge Green	P		Prime
G	M-2J-527	Meadowmist Green	S		Special
H	M-2J-532	Platinum Gray			

<b>1957</b>					
A	M-1724	Raven Black	P		Prime
C	M-1J-834	Dresden Blue	Q	M-1J-706	Thunderbird Bronze
E	M-2J-524	Colonial White	S		Special
F	M-1J-633	Starmist Blue	T	M-1J-756	Woodsmoke Gray
G	M-1J-755	Cumberland Green	V	M-1J-640	Flame Red
J	M-1J-747	Willow Green	X	M-1J-835	Dusk Rose
K	M-1J-841	Dark Brown (Special)	Y	M-1J-641	Inca Gold
L	M-1J-748	Doeskin Tan	Z	M-1J-642	Coral Sand
N	M-1J-757	Gunmetal Gray			
D	M-1J-871	Silver Mocha			

<b>1958</b>					
A	M-1724	Raven Black	M	M-1J-900	Gulfstream Blue
B	M-1J-495	Winterset White	N	M-1J-894	Seaspray Green
C	M-1J-896	Desert Beige	O	M-1J-979	Platinum
D	M-1J-902	Palomino Tan	P		Prime
E	M-2J-524	Colonial White	R	M-2J-175	Torch Red
F	M-1J-893	Silvertone Green	S		Special
G	M-1J-899	Sun Gold	T	M-1J-891	Silvertone Blue
H	M-1J-897	Gunmetal Gray	V	M-1J-859	Casino Cream
I	M-1J-1026	Grenadier Red	W	M-1J-860	Cameo Rose
J	M-1J-895	Bali Bronze	X	M-1J-857	Cascade Green
K	M-1J-856	Everglade Green	Y	M-1J-853	Monarch Blue
L	M-1J-892	Azure Blue	Z	M-1J-854	Regatta Blue

<b>1959</b>					
<b>PASSENGER</b>			<b>THUNDERBIRD</b>		
A	M-1J-1724	Raven Black	A	M-1J-1724	Raven Black
C	M-1J-1012	Wedgewood Blue	C	M-1J-1168	Baltic Blue
D	M-1J-1019	Indian Turquoise	D	M-1J-1019	Indian Turquoise
E	M-1J-524	Colonial White	E	M-1J-524	Colonial White
F	M-1J-1016	Fawn Tan	F	M-1J-1068	Hickory Tan
G	M-1J-1014	April Green	G	M-1J-1066	Glacier Green
H	M-1J-1015	Tahitian Bronze	H	M-1J-1015	Tahitian Bronze
J	M-1J-1011	Surf Blue	J	M-1J-1061	Steel Blue
Q	M-1J-1013	Sherwood Green	K	M-1J-1073	Sandstone
R	M-1J-175	Torch Red	L	M-1J-921	Diamond Blue
T	M-1J-1018	Geranium	M	M-1J-1067	Doeskin Beige
Y	M-1J-641	Inca Gold	N	M-1J-1167	Starlight Blue
Z	M-1J-1206	Gunsmoke Gray	Q	M-1J-1065	Sea Reef Green
P		Prime	R	M-1J-1216	Brandywine Red
S		Special	T	M-1J-1071	Flamingo
L	M-1J-1284	Surf Blue	U	M-1J-1172	Cordova
M	M-1J-1285	Sherwood Green	V	M-1J-859	Casino Cream
K	M-1J-1286	Tahitian Bronze	W	M-1J-1169	Tamarack Green
N	M-1J-1287	Gunsmoke Gray	Z	M-1J-979	Platinum
1	DL60-1232	Monte Carlo Red			
4	DL60-1273	Meadowvale Green			
5	DL60-1225	Belmont Blue			
6	DL60-1226	Skymist Blue			
W	DL60-1274	Adriatic Green			

## APPEARANCE &amp; MAINTENANCE MATERIALS

P&A PART NUMBER (ROTUNDA SALES NO.)	DESCRIPTION	P&A PART NUMBER (ROTUNDA SALES NO.)	DESCRIPTION
B7A 19000-AS	Clear plastic (FoMoCo spray)-6oz. aerosol can 16 oz. can with brush	C0AZ 19526-A (R118-A)	Interior trim cleaner -for leathers, vinyls, car- pet & fabric upholstery-12 oz. bottle with brush
B7A 19000-BS	Chrome-alum.(FoMoCo spray)-6 oz.aerosol can	C0AZ 19526-B (R118-B)	Deep clean-upholstery foam cleaner-32 oz. plastic bottle
C1AZ 19000-A	Paint (Gloss Green-MX 6041168)-Enamel- air dry-1 gal. can	B7A 19528-A	Porcelainize liquid-6 oz. bottles
C1AZ 19000-B	Paint (Gloss Green-MX 6041168)-Enamel- air dry-5 gal. can	8A 19529-B	Porcelainize (wash cream)-8 oz. bottle
C1AZ 19000-C	Paint (Gloss Green-MX 6041168)-Enamel- 55 gal. drum	B6A 19530-A (R111-B)	Custom body polish-12 oz. plastic bottles
C0AA 19A501-A	Solvent & penetrating fluid-manifold heat control valve-3 oz. can with plastic spout	B7A 19530-A (R111-A)	Silicone body polish-16 oz. can
C1AZ 19C502-A (R102-A)	Solution (metal tinning)- 6 oz. Aerosol Spray can	B7A 19530-B (R111-C)	Custom Silicone Gloss (New Car Prep)- 1 gal.
C3AZ 19503-B	Paint assort. (30)-3 oz. cans of 1963 exterior colors including wire display stand	B9A 19530-D (R111-D)	Custom auto polish - 4 -1 Gal. plastic bottle
C3AZ 19503-C	Paint assort. (18)-6 oz. aerosol spray cans of 1963 exterior colors & (2) cans of primer surfacers-including wire display rack	B4A 19534-A (R128-B)	Custom auto wax-8 oz. can
C4AZ 19503-A	Paint Assort. (22)-1 qt. cans of 1964 exterior colors (2 qts.) recoating sealer (3 gals.) enamel reducer (2 gals.) non-sand primer surfacers, (1 gal.) Silicone & wax remover & (2 gal.) lacquer primer surfacer	B8A 19534-A (R128-A)	Custom auto wax - 1 lb. can
C4AZ 19503-B	Paint assort. (30)-3 oz. cans of 1964 exterior colors including wire display rack	B7A 19542-B (R103-B)	Brake & hydraulic clutch fluid (heavy duty)- 1 gallon
C4AZ 19503-C	Paint assort. (18)-6 oz. aerosol spray cans of 1964 exterior colors & (2) cans of primer surfacers-including wire display stand	B7A 19542-C (R103-C)	Brake & hydraulic clutch fluid (heavy duty)- 5 gallon
C1AZ 19C507-A (R110-A)	Cleaner (Convertible rear window)-8 oz. plastic bottle	B7AZ 19542-A (R103-A)	Brake & hydraulic clutch fluid (heavy duty)- 12 oz. can
B9AE 19B508-A (R112-A)	Contact Adhesive - Gasket & Seal 16 oz. can with brush	C3RZ 19C543-A (R140-A)	Tire inflator & Sealant kit
8A 19510-A (R123-A)	Dye (Convertible top dressing)-qt. can (Black)	B7A 19544-A (R100-A)	Anti-freeze (Methanol)-55 gal. drum
B9A 19514-A (R124-A)	Protector (chrome)-12 oz. Aerosol Spray can	1A 19544-A (R100-B)	Anti-freeze (Methanol)-1 gal. can
◇AB 19515-A (R108-B)	Body undercoating-53 gallon drum (WATER EMULSION)	1A 19544-C (R100-C)	Anti-freeze (Methanol)-1 quart can
B5A 19515-A (R108-A)	Body undercoating-53 gallon drum (regular)	C3RZ 19C544-A (R142-A)	De-Icer (windshield)-14 oz. Aerosol can
1A 19517 (R116-A)	Dusting cloth-wax treated-17 1/2" x 23"	8A 19546-C (R104-A)	Radiator rust inhibitor & water pump lubricant-16 oz.
8A 19517 (R116-B)	Rymplecloth-polishing-28" x 28"	C1AA 19B546-A	Lubricant (Hypoid additive)-4 oz. plastic bottle
8A 19519-A (R122-A)	Cleaner (body polish & wax)-1 pint can	TAA 19547-A	Fire extinguisher fluid-1 quart
B9LF 19B519-A (R125-A)	Refrigerant (Air Conditioner)-15 oz. can	C3RZ 19C547-B	Lubricant (std., 3 & 4 speed trans.)-5 gal.
B7A 19520-A (R126-A)	Tar & road oil remover-16 oz. can	C2RZ 19C548-A (R141-A)	Power steering & automatic trans. additive- 8 oz. can
8A 19520-G	Cleaner (body porcelainize)-1 gal. can	C2AZ 19549-C (R 100-F)	Anti-Freeze (permanent type-long life)- 55 gal. drum
B7A 19521-A (R121-A)	Spot Remover (chlorothene cleaner)- 1 pint can	8A 19549-A (R100-D)	Anti-freeze-permanent type-1 gallon- (Ethylene Glycol)
C0AA 19B521-A (R127-A)	Compound (body washing detergent)-12 oz. can	8A 19549-B (R100-E)	Anti-freeze-permanent type-1 quart- (Ethylene Glycol)
C0AZ 19522-A	Cleaner (chrome)-12 oz. plastic bottle w/brush	CPA 19550-A (R109-B)	W/shield washer solvent-6 oz. bottle
8A 19522 (R120-A)	Cleaner-chrome-1 pint can	C1AA 19550-A (R109-A)	W/shield washer solvent-16 oz. can
B7A 19523-A	Cleaner (Whitewall tire)-13 oz. plastic bottle	8A 19552-B (R133-A)	Rubber cement-5 oz. tube
B8A 19523-A (R119-B)	Cleaner (Whitewall tire)-1 qt. can liquid concentrate	C0AZ 19552-A	Rubber cement-5 oz. tube (light colored)
B8A 19523-B (R119-A)	Cleaner (all purpose)-1 gal. plastic bottle	C0AZ 19553-A (R113-A)	Silicone lubricant (jell type)-8 oz. tube
B8A 19524-A (R61-A)	Sprayer Self Energizing - 1 quart	C0AZ 19553-C (R113-C)	Silicone lubricant-16 oz. aerosol spray can
C3RZ 19524-A (R61-B)	Spray applicator (1-pint container)-for use with B8A 19523-B all purpose cleaner	B5A 19554-A (R134-B)	Perfect seal sealing compound- <sup>CARTON OF 12</sup> 4 OZ. CANS
B5A 19525-A	Kar Klean (all purpose trim cleaner)-28 oz. can	C0AA 19554-A (R104-B)	Radiator inhibitor-rust, stop leak & water pump lubricant-5 1/2 oz. bottle
C2AZ 19C525-A (R114-A)	Trim cement (Vinyl adhesive)-1 pint can	8A 19554-B (R134-A)	Perfect seal sealing compound-1 pint
		C3AZ 19554-B	Sealer (conductive)-3 oz. can with brush
		B6A 19555-A	Reactivator-brake lining bonding adhesive-1 qt.
		B6A 19558-A (R105-A)	Protector pellet (cooling system)- <sup>12 PELLETS</sup>
		C0AZ 19558-A (R105-B)	Protector pellet (cooling system)-1 ctn. containing 300 pellets individually wrapped

**APPEARANCE & MAINTENANCE MATERIALS**

P&A PART NUMBER (ROTUNDA SALES NO.)	DESCRIPTION	P&A PART NUMBER (ROTUNDA SALES NO.)	DESCRIPTION
AB 19560-A (R135-A)	Calking cord-6-80 foot rolls - 3/16" dia.	C2AZ 19580-D	Hypoid gear lubricant (rear axle)-1 gal. (8 cyl. 406)
B6A 19562-A	Body caulk & sealer kit	C2AZ 19580-E	Lubricant (differential gears & washer)-1 lb. can-apply to differential case side, gear hub bores before assembly
C3AZ 19562-A (R144-A)	Sealer & filler (silicone rubber)-5 oz. tube-for Vinyl tops, also body sealer-White	B5A 19581-A (R136-A)	Speedometer cable grease-1 lb. can
C3AZ 19562-B (R144-B)	Sealer & filler (silicone rubber)-5 oz. tube-for Vinyl tops, also body sealer-Black	C1AZ 19582-A (R106-A)	Fluid (Automatic Trans. & Power Steering)-1 qt. can
ΔB6A 19563-A	Caulk & sealer (Metallic)-7 1/2 oz. cartridge	C1AZ 19582-C (R106-B)	Fluid (Automatic Trans. & Power Steering)-1 gal. can
C3AZ 19578-A	Steering gear lubricant (life time)-14 1/2 oz. tube	C1AZ 19582-D (R106-C)	Fluid (Automatic Trans. & Power Steering)-55 gal. drum
B8A 19578-A	Special steering gear lubricant-20 oz. tube	B6A 19583-A (R137-A)	Ru-Glyde lubricant(for tubeless tire servicing)-1-gal. can
B7A 19579-A (R115-A)	Carb. & combustion chamber cleaner-16 oz. can	C0AZ 19584-A (R138-A)	Lubriplate (all purpose lubricant) 1 3/4 oz. tube
B7A 19579-C (R146-A)	Crankcase conditioner & rust inhibitor-16oz. can	C2AZ 19585-A	Grease (wheel bearing) 25 lb. pail - (30,000 mile lubricant)
*B9A 19579-A	Carb. & combustion chamber cleaner kit	C1AZ 19586-B	Lubricant ("U" joint)-14 1/2 oz. cartridge
C2AZ 19579-A (R107-A)	Crankcase oil conditioner-16 oz. can	B4A 19587-A (R117-A)	Lock lubricant-carton of 12-4 oz. cans
C1AZ 19580-E	Hypoid gear lubricant (rear axle)-1 gal. (S. A. E. 90)	B7A 19588-A	Anti-sludge oil additive-30 gal. drum
C1AZ 19580-F	Hypoid gear lubricant (rear axle)-110 lb. keg (S. A. E. 90)	B8A 19589-A	Lubricant (special purpose) 1 lb.
C2AZ 19580-A	Hypoid gear lubricant (rear axle)-110 lb. keg (S. A. E. 90)	C1AZ 19590-B	Grease (ball joint & tie rod lubricant)-14 1/2 oz. container
C2AZ 19580-B	Hypoid gear lubricant (rear axle)-5 gal. container-S.A.E.80 (temperature range-minus 25° and below)		

**USED CAR RECONDITIONING MATERIALS**

P&A PART NUMBER (ROTUNDA SALES NO.)	DESCRIPTION	P&A PART NUMBER (ROTUNDA SALES NO.)	DESCRIPTION
C0AA 19A536-A (R129-A)	Engine Shampoo (cleaner & degreaser) 5 gal. can	C0AB 19B544-A (R132-A)	Kit-Bright Metal Reconditioning - Consists of 1 pt. Bright Metal Base Coating 1-4 oz. can Bright Metal Powder 1 pt. Bright Metal Sealer Coating 1 piece 3 1/2" x 6" Lamb's Wool 1 Spray Pak Device Including Nozzle 1 Glass Reservoir & (2) 15 oz. Paint Spray Propellant with Delivery Tube 1 Extra Delivery Tube 4- 12" x 16" Paper Cloth Cleaners 1 Instruction Sheet - No. I. S. 539
C0AZ 19A536-B (R129-B)	Engine shampoo (cleaner & degreaser) 30 gal. drum	C0AB 19A547-A (R101-A)	Filler (Polyfiller)-body repair-3 lb. can & tube of cream hardener C0AZ 19B542-A
C0AZ 19A536-C (R129-C)	Engine Shampoo (cleaner & degreaser) 55 gal. drum		
B9AA 19537-A (R130-A)	Patch (Rubber Mat)-1 pkg. of 6		
C0AB 19B542-A (R101-B)	Cream (poly filler hardener)-1 pkg. of 5-1 oz. tubes		
C1AZ 19627-A	Tape (pressure sensitized)-5" wide x 60 yards-used to recover arm rests, seats, floor mats, etc.		

PART NUMBER	DESCRIPTION	PART NUMBER	DESCRIPTION	PART NUMBER (ROTUNDA SALES NO.)	DESCRIPTION	PART NUMBER (ROTUNDA SALES NO.)	DESCRIPTION
<b>NYLON DYE - QUART CAN</b>				<b>PLASTIC DYE - QUART CAN</b>			
B9AA 19A538-A	Black	B9AA 19A538-E	Green	B9AA 19A541-A	White	B9AA 19A541-E	Gray
B9AA 19A538-B	White	B9AA 19A538-F	Yellow	B9AA 19A541-B	Black	B9AA 19A541-F	Blue
B9AA 19A538-C	Brown	B9AA 19A538-G	Red	B9AA 19A541-C	Brown	B9AA 19A541-G	Turquoise
B9AA 19A538-D	Blue			B9AA 19A541-D	Green	B9AA 19A541-H	Red
<b>PLASTIC TINT - QUART CAN</b>				C0AA 19A541-A	Yellow	<b>FABRIC TINT - QUART CAN</b>	
B9AA 19A539-A	White	B9AA 19A539-E	Green	B9AA 19A542-A	Black	B9AA 19A542-F	Green
B9AA 19A539-B	Black	B9AA 19A539-F	Yellow	(R131-A)		(R131-F)	
B9AA 19A539-C	Brown	B9AA 19A539-G	Red	B9AA 19A542-B	Blue	B9AA 19A542-G	Turquoise
B9AA 19A539-D	Blue			(R131-B)		(R131-G)	
<b>LEATHER and VINYL DYE - QUART CAN</b>				B9AA 19A542-C	Gray	B9AA 19A542-H	Beige
B9AA 19A540-A	White	B9AA 19A540-E	Green	(R131-C)		(R131-H)	
B9AA 19A540-B	Black	B9AA 19A540-F	Yellow	B9AA 19A542-D	Brown	B9AA 19A542-J	Yellow
B9AA 19A540-C	Brown	B9AA 19A540-G	Red	(R131-D)		(R131-J)	
B9AA 19A540-D	Blue	B9AA 19A540-H	Turquoise	B9AA 19A542-E	Red		
				(R131-E)			

Δ Use with B6A 19562-A body caulk and sealer kit

\* 24 - 16 oz. cans of B7A 19579-A and (1) Plastic dispenser bottle

## ABBREVIATIONS

2/b or 2/v.....	2 barrel	exh.....	exhaust	pass.....	passenger
3/T.....	3 speed trans.	ext.....	external	pcs.....	pieces
4/b or 4/v.....	4 barrel	fdr.....	fender	P/I.....	Police Interceptor
4/T or 4/S/T.....	4 speed trans.	fill.....	fillister	P/L.....	Parklane
6/b or 6/V.....	6 barrel	frt.....	front	press.....	pressure
abs.....	absorber	F/L.....	Fairlane	P/S.....	power steering
A/C.....	air conditioner	flr.....	floor	pt.....	pint
altnr.....	alternating	F/M.....	Fordomatic	qtr.....	quarter
accel.....	accelerator	F/M/2.....	Fordomatic 2 speed	qty.....	quantity
adj.....	adjustment	ft.....	foot	rad.....	radiator
alum.....	aluminum	f/wheel.....	flywheel	rd.....	round
amp.....	ampere	flex.....	flexible	reg.....	regulator
approx.....	approximately	gen.....	generator	reinf.....	reinforcement
AR.....	As Required	gov.....	governor	repl.....	replaced
assy.....	assembly	H/D.....	heavy duty	ret.....	retainer
A/S.....	air suspension	hd.....	head	R. H.....	right hand
attach.....	attached	hex.....	hexagon	R. P. M.....	revolutions per minute
blk.....	block	HP.....	horsepower	S/C.....	Supercharger
brg.....	bearing	htr.....	heater	S/D.....	Sedan Delivery
brkt.....	bracket	hsg.....	housing	S/L.....	Sunliner
brkr.....	breaker	hyd.....	hydraulic	speedo.....	speedometer
bus.....	business	I. D.....	inside diameter	sprg.....	spring
carb.....	carburetor	identi.....	identification	s/ring.....	snap ring
C/CW.....	counter clockwise	indic.....	indicator	std.....	standard
C. I. D.....	cubic inch displacement	int.....	internal	strg.....	steering
C/L.....	Customline	ign.....	ignition	S/T.....	standard transmission
C/M.....	cruise-o-matic	instru.....	instrument	suppt.....	support
C. P.....	candle power	inter.....	intermediate	susp.....	suspension
clstr.....	cluster	lb.....	pound	S/W.....	Station Wagon
c/member.....	crossmember	L. H.....	left hand	tach.....	tachometer
col.....	column	lt. /frame.....	light weight frame	temp.....	temperature
com.....	compressor	lub.....	lubricator	thd.....	thread
compt.....	compartment	l/w.....	lockwasher	trans.....	transmission
cond.....	conditioning	l/washer.....	lockwasher	T. V.....	throttle valve
conn.....	connecting	lwr.....	lower	u/joint.....	universal joint
con.....	control	man.....	manifold	u/s.....	undersize
cvr.....	cover	med.....	medium	vac.....	vacuum
cov.....	cover	M/L.....	Mainline	vent.....	ventilation
cp.....	candle power	mldg.....	moulding	w/.....	with
c/pin.....	cotter pin	mtd.....	mounted	w/o.....	without
c/shaft.....	crankshaft	mtg.....	mounting	w/s.....	windshield
ctr.....	center	mtr.....	motor	w/shield.....	windshield
C/W.....	clockwise	No.....	number	w/strip.....	weather strip
cyl.....	cylinder	o/all.....	overall	warn.....	warning
def.....	defroster	O. D.....	outside diameter	wt.....	weight
defl.....	deflector	O/D.....	overdrive	x/c.....	extra cooling
dia.....	diameter	o/drive.....	overdrive		
diam.....	diameter	O. H. V.....	over head valve		
diff.....	differential	o/s.....	oversize		
disp.....	displacement	oz.....	ounce		
dist.....	distributor				
elec.....	electric				
eng.....	engine				
equal.....	equalizer				

**MOULDING CLIP KITS**

**NOTE - Each Kit Contains Sufficient Clips Etc. For Attaching 1 Moulding**

Year	Model Or Body Type	Part Number of Moulding Used With	Components of Kit				Kit Part Number
55/56	S	B5S 8156-A	8-43804-S8 8-44716-S8	Screw & Washer Washer			† B5S 100-A
53	A	B3A 8242-3-A	4-34053-S8 1-FAA 13241-A	Nut Spacer	3-44716-S8 4-34903-S8	Washer Washer	† B3A 101-A
54 55	A 60B, 64, 76	B4A 8242-B B5A 16856-A	10-B4A 8244-A	Retainer	2-352356-S32	Clip	B4A 101-A
55/56	S	B5S 8242-3-B	3-52360-S13	Screw	3-354515-S2	Nut	† B5S 101-A
55/56	S	B5S 8419-A	6-34053-S8 6-34803-S7	Nut Washer	6-351316-S8 6-358566-S100	Washer Clip	B5S 102-A
56/57	57A,59C,64A,64B, 64C,70C,73C,76	B6A 13011-A	1-41580-S8	Screw	1-354933-S32	Clip	† B6A 105-A
52/53	60B,70B,72B,73B, 76B,79B	BA 16003-B	1-357118-S8 3-358398-S8	Clip Clip	1-358484-S8	Clip Replaced by B2A 207-A	B2A 110-A
54	59B,60B,60F,70B, 72B,73B,76B,79B	BM 16003-4-B	1-34053-S8 1-44716-S8	Nut Washer	5-BM 7021020-B 1-BM 7029120-A	Retainer Retainer	B4A 110-A
55/57	59B,70A,73B,79B, 79D	B5A 16003-A	1-34053-S8 1-34903-S8	Nut Washer	5-358484-S8 1-358566-S100	Clip Clip Replaced by B5A 305-A	★ B5A 110-A
56	59B,64D,70B,73B, 79D	B6A 16003-4-A	2-354397-S100 3-B6A 7021066-C	Nut & washer Retainer	2-B6A 7029120-B	Retainer	B6A 110-A
57	51A,57A,58B,59B, 63A,64B,66B,70B, 73B,76B,79C,79D	B7A 16003-4-B	1-354397-S100 6-B6A 7021066-C	Nut & washer Chip	1-B7A 7029120-A	Retainer	B7A 110-A
58	59,66,70,73,78,79 57B,58A,63B,64A	B8A 16003-4-A B8A 16036-7-A	1-52726-S13 2-354397-S100	Screw Nut & washer	2-B8A 5728506-A 6-B8A 7021094-A	Retainer Retainer	B8A 110-A
59	51A,54A,57A, 58A,58B,59D, 63A,64A,64B,64H, 65A,71E,71F, 75A,76B	B9A 16036-7-A B9A 5820932-3 B9A 6320932-3	1-354397-S100 2-354613-S8 1-B8A 5728506-A	Nut & washer Screw Retainer	5-B9AB 6420262-A 2-B9A 6421082-A	Retainer Retainer	B9A 110-A
56	57A,59C,64A, 64B,64C,70C,73C, 76B,79B	B6A 16003-4-B	5-354397-S100 1-BJ 16249-B 1-B6A 16249-A	Nut & washer Retainer Retainer	2-B5A 7021094-A 1-B6A 7021094-A	Retainer Retainer	B6A 111-A
58	57B,58A,63B, 64A	B8A 16003-4-D	1-354397-S100 1-B8A 7021094-A	Nut & washer Retainer	1-B8A 7028506-A	Retainer	† B8A 111-A
59	51A,54A,57A, 58A,58B,59D, 63A,64A,64B,64H, 65A,71E,71F, 75A,76B	B9A 16003-4-B B9A 5720938-9-B B9A 6420938-9-B	1-354397-S100 2-354613-S8 2-B9A 5821094-A	Nut & washer Screw Retainer	1-B9A 5829120-B 6-B9A 6421094-A	Retainer Retainer	B9A 111-A
58	51A,57A,58B, 63A,64B,76	B8A 16003-4-C	6-B8A 16249-A 2-B7A 5929120-A	Retainer Retainer	2-354397-S100	Nut & washer	B8A 112-A
59	59C,58E,64F, 64G,66C,71H	B9A 16003-4-A	3-B9A 6421066-A 1-B9A 6421020-A	Retainer Retainer	2-B9A 5821066-A 3-354397-S100	Retainer Nut & washer	B9A 112-A
57	59B,66B,70B,73B, 79C,79D	B7A 16036-7-A	2-354397-S100	Nut & washer	7-B7A 16794-A	Retainer	B7A 115-A
57	51A,57A,58B,63A, 64B,76B,79C,79D	B7A 16036-7-B	2-354397-S100	Nut & washer	7-B7A 16794-B	Retainer	B7A 116-A
57	A	B7A 16074-A			Replaced by B7A 117-B		★ B7A 117-A
57	A	B7A 16074-5-A	2-45235-S7 1-B7A 16086-A 1-B7A 16087-A	Nut Retainer Retainer	2-B7A 16086-A 4-45235-S7	Retainer Nut	B7A 117-B
52	60B,70B,72B,73B, 76B,79B	BA 16188-9-A	2-34053-S7 1-358399-S8	Nut Clip	1-358400-S8	Clip	B2A 118-A
53	60B,70B,72B,73B, 76B,79B	BF 16188-9-A & B	2-34053-S8 1-358545-S8	Nut Clip	1-358548-S8	Clip	† B3A 118-A
57	A	B7A 16075-A	2-45235-S7	Nut	2-B7A 16087-A	Retainer Replaced by B7A 117-B	★ B7A 118-A

† No Longer Supplied Service Details

**MOULDING CLIP KITS**

**NOTE - Each Kit Contains Sufficient Clips Etc. For Attaching 1 Moulding**

Year	Model or Body Type	Part Number of Moulding Used With	Components of Kit				Kit Part Number
55	60B,64A,64B,70C,73C,76B,79B,79D	B5A 16326-7-A	1-52711-S13 10-354397-S100 1-358566-S100	Screw Nut & washer Clip	3-B5A 16249-A 1-B5A 16276-A 5-B5A 7021094-A	Retainer Retainer Retainer	B5A 119-A
55/56	64	B5A 6403136-7-A	2-34053-S8 2-34803-S7 2-44716-S8	Nut Washer Washer	3-52003-S13 2-B5A 6403166-A	Screw Retainer	† B5A 130-A
55/56	64	B5A 6403144-A	8-34053-S8 8-34903-S8	Nut Washer	8-44716-S8 8-B5A 6403166-A	Washer Retainer	† B5A 131-A
55/57	S	B5S 4003144-A	6-32914-S8	Screw	8-B6S 4005180-A	Clip	† B5S 131-A
57	51A 76B	B7A 5103144-A B7A 7603144-A	3-52368-S23	Screw	2-52720-S8	Screw	B7A 131-A
55/56	76B	B5A 7603144-A	4-41580-S8	Screw	4-52003-S13	Screw	† B5A 132-A
55	60B,64,70C,73C 76,79B	B5A 7020916-7-A	2-34053-S8 2-34903-S8 2-44716-S8 1-354793-S7	Nut Washer Washer Screw & washer	1-B5A 7021066-D 1-B5A 7021066-E 1-B5A 7021094-B 1-B5A 7021094-C	Retainer Retainer Retainer Retainer	B5A 200-A
57	51A	B7A 5120916-7-A	1-37611-S7 1-B7A 6421066-B	Screw Retainer	6-B6A 7021066-C	Retainer	B7A 200-A
58	51A,57A,58B 63A,64B,76B	B8A 6420442-A	1-37611-S7	Screw	1-B8A 7325553-A	Retainer	† B8A 200-A
57	63A,64B,76B	B7A 6420916-7-A	1-37611-S7 2-354397-S100 1-B7A 6421066-B	Screw Nut & washer Retainer	4-B6A 7021066-C 2-B7A 7029120-A	Retainer Retainer	★ B7A 201-A
57	63A,64B,76B	B7A 6420916-7-A	2-37611-S7 2-354397-S100 2-B7A 6421066-B	Screw Nut & washer Retainer	4-B9AB 6429144-A 2-B7A 7029120-A	Retainer Retainer	B7A 201-B
57	57A,58B 59B,66B,70B	B7A 5720938-9-A B7A 7020916-7-A	2-37611-S7 1-354397-S100 2-B7A 6421066-B	Screw Nut & washer Retainer	4-B6A 7021066-C 1-B7A 7029129-A	Retainer Retainer	★ B7A 202-A
57	73B,79C,79D	B7A 7320916-7-A	2-37611-S7 2-B7A 6421066-B	Screw Retainer	4-B6A 7021066-C Replaced by B7A 201-B	Retainer	★ B7A 203-A
57	51A 63,64B,76B	B7A 5120932-3-A B7A 6420932-3-A	1-37611-S7 1-354397-S100 1-358566-S100	Screw Nut & washer Clip	6-B7A 5820232-A 1-B7A 7021066-B 6-B7A 7350992-A	Retainer Retainer Retainer	† B7A 204-A
58	57B,58A 57A,58B 63B,64A 51A,63A,64B,76B 57B,58A 57A,58B 63B,64A 51A,63A,64B,76B 59,66,70,78 73,79C,79D 57A,58B	B8A 5720932-3-A B8A 5720932-3-B B8A 6420932-3-A B8A 6420932-3-B B8A 5720938-9-A B8A 5720938-9-B B8A 6420938-9-A B8A 6420938-9-B B8A 7020938-9-A B8A 7320938-9-A B8A 5725540-1-A	2-37611-S7 2-B7A 6421066-B	Screw Retainer	5-B8A 7021094-A	Retainer	B8A 204-A
59	58A,58E,59C, 64A,64F,64G, 66C,71E,71F,71H	B9A 5720938-9-A B9A 6320938-9-A	2-354613-S8 4-6421066-A	Screw Retainer	2-B9A 6428820-A	Retainer	B9A 204-A
57	57A,58B	B7A 5820932-3-A	1-37611-S7 5-B7A 5820232-A	Screw Retainer	Replaced by B7A 204-A 1-B7A 7021066-B 5-B7A 7350992-A	Retainer Retainer	★ B7A 205-A
58	59B,66B,70	B8A 7021188-A	4-358566-S100	Retainer	1-BM 7029120-A Replaced by B8A 206-A	Retainer	★ B8A 205-A

† No Longer Supplied Service Details

## MOULDING CLIP KITS

**NOTE - Each Kit Contains Sufficient Clips Etc. For Attaching 1 Moulding**

Year	Model or Body Type	Part Number of Moulding Used With	Components of Kit				Kit Part Number
55	59B,70B,70C	B6A 5920934-5-A	2-39016-S7	Screw	2-B5A 7021060-B	Retainer	B6A 206-A
55/56	73B,73C,79	B6A 7920934-5-A	2-B5A 7021060-A	Retainer			
56	59C,78	B6A 5920934-5-A					
56	79	B6A 7920934-5-A					
57	59B,70B	B7A 7020932-3-A	2-37611-S7	Screw	2-B7A 7021066-E	Retainer	B7A 206-A
	73B,79C,79D	B7A 7320932-3-A	5-B7A 7020232-A	Retainer	5-B7A 7350992-A	Retainer	
58	73, 79C, 79D	B8A 7321188-A	2-37611-S7	Screw	2-B7A 7021066-E	Retainer	B8A 206-A
			5-354397-S100	Nut & washer	1-BM 7029120-A	Retainer	
			4-358566-S100	Retainer			
52/53	60B,70B,72B,73B, 76,79 B	BA 7020938-B	2-34053-S8	Nut	4-358398-S8	Clip	† B2A 207-A
			2-357118-S8	Clip	1-358484-S8	Clip	
56	57	B6A 5720938-9-A	2-34053-S8	Nut	1-B6A 7021094-C	Retainer	B6A 207-A
	59C,64A,64B,64C, 70C,76	B6A 7020938-9-A	4-354397-S100	Nut & washer	1-B6A 7021094-D	Retainer	
	73C,79B	B6A 7320938-9-A	1-B6A 7021094-A	Retainer	3-B6A 7021094-F	Retainer	
57	51A	B7A 5120938-9-A	1-37611-S7	Screw	1-354397-S100	Nut & washer	B7A 207-A
	63A,64B,76B	B7A 6420938-9-A					
58	57A, 58B	B8A 5724712-3-A	3-37611-S7	Screw	1-B7A 6421066-B	Retainer	† B8A 207-A
			2-B8A 5725553-A	Retainer			
56	59B,64D,70B	B6A 7020938-9-A	2-34053-S8	Nut	2-B6A 7021094-G	Retainer	† B6A 208-A
	73B,79D	B6A 7320938-9-A	2-B6A 7021066-C	Retainer			
52/54	73B,73C,79	BA 7324462-A	1-352230-S8	Clip	1-352246-S8	Clip	B2A 209-A
58	73	B8A 7324712-3-A	1-37611-S7	Screw	1-B7A 7021066-E	Retainer	B8A 209-A
	79C, 79D	B8A 7924712-3-A	3-354397-S100	Nut & washer	3-B8A 7028506-A	Retainer	
	73	B8A 7324722-3-A	3-358566-S100	Retainer			
	79C, 79D	B8A 7924722-3-A					
58	73A(Special), 79A	B8A 7325440-1-A	3-354397-S100	Nut & washer	2-B6A 7029120-C	Retainer	† B8A 210-A
	73A(Special),79A	B8A 7325532-3-A	2-B8A 5728506-A	Retainer			
	59B, 66B, 70	B8A 7029038-9-C					
	59A, 66A, 70A,& 70D(Special),78	B8A 7029038-9-D					
57	57A,58B	B7A 5725334-5-A	1-37611-S7	Screw	1-B7A 5825553-B	Retainer	B7A 211-A
			3-354397-S100	Nut & washer	1-B7A 5825562-A	Retainer	
			1-B7A 6428820-A	Retainer	1-BN 7029120-A	Retainer	
			2-B7A 6429144-A	Retainer			
58	73	B8A 7325532-3-B	1-37611-S7	Screw	1-BM 7029120-A	Retainer	B8A 211-A
	79C, 79D	B8A 7925532-3-A	3-354397-S100	Nut & washer	1-B8A 7325553-A	Retainer	
			2-B7A 5929120-A	Retainer			
53	73B,79B	BF 7325532-3-A	1-34053-S8	Nut	1-357118-S8	Clip	B3A 212-A
			1-34903-S8	Washer	1-358484-S8	Clip	
			1-44716-S8	Washer			
56	57	B6A 5725532-A	2-34053-S8	Nut	2-B6A 7029144-A	Clip	B6A 212-A
	73C,79B	B6A 7325532-A	2-B6A 7021094-D	Retainer			
57	57B, 58A	B7A 5825532-3-A	1-37611-S8	Screw	1-B7A 6429144-E	Retainer	B7A 212-A
			3-354397-S100	Nut & washer	1-B7A 5825553-B	Retainer	
			3-B7A 5929120-A	Retainer			
58	73,79C,79D	B8A 7325532-3-C	3-354397-S100	Nut & washer	1-BM 7029120-A	Retainer	B8A 212-A
			2-B8A 5728506-A	Retainer	1-B6A 7029120-C	Retainer	

† No Longer Supplied Service Details

**MOULDING CLIP KITS**
**NOTE - Each Kit Contains Sufficient Clips Etc. For Attaching 1 Moulding**

Year	Model or Body Type	Part Number of Moulding Used With	Components of Kit				Kit Part Number
56	73A, 73B, 79D	B6A 7325532-3-A	1-34052-S8 Nut 1-B6A 7021066-C Retainer	1-B6A 7021094-G Retainer Replaced by B6A 208-A			*B6A 213-A
57	73A	B7A 7325532-3-A	1-57611-S7 Screw 3-354397-S100 Nut & washer 1-B7A 5929120-A Retainer	1-B7A 7029120-A Retainer 1-B7A 7029288-A Retainer 1-B7A 7325553-A Retainer			B7A 213-A
57	73B 79C, 79D	B7A 7325532-3-B B7A 7925532-3-B	1-37611-S7 Screw 4-354397-S100 Nut & washer 1-B7A 5929120-A Retainer	2-B7A 7029120-A Retainer 1-B7A 7321096-A Retainer 1-B7A 7325553-A Retainer			B7A 214-A
58	73, 79C, 79D 59B, 70	B8A 7325540-1-A B8A 7029140-1-A	1-354397-S100 Nut & washer 1-B8A 5728506-A Retainer	1-BM 7029120-A Retainer 1-B6A 7029120-C Retainer Replaced by B8A 212-A			*B8A 214-A
52/54	73, 79	BA 7325554-5-A	2-357568-S8 Clip	6-357862-S2 Clip			B2A 215-A
55	70B 73B	B5A 7029034-5-A B5A 7325554-5-A	3-B5A 7021060-A Retainer	2-B5A 7021062-A Retainer			B5A 215-A
57	73B, 79C, 79D	B7A 7325540-1-A	1-354397-S100 Nut & washer 1-358566-S100 Clip	2-B7A 7020232-A Retainer 2-B7A 7350992-A Retainer			B7A 215-A
55	73C	B5A 7325554-5-C	1-31061-S8 Screw 1-34938-S8 Washer 3-B5A 7021060-A Retainer	2-B5A 7021062-A Retainer 1-B5A 7325526-A Retainer			B5A 216-A
58	57B, 58A 57B, 58A 63B, 64A 63B, 64A 51A, 63A, 64B, 76B	B8A 5725556-7-A B8A 5725586-7 B8A 6429068-9-A B8A 6429076-7-A B8A 6429076-7-B	2-354397-S100 Nut & washer 2-B8A 5728506-A Retainer	3-B8A 7021094-A Retainer			B8A 216-A
54	73B, 73C, 79B	BM 7325556-7-B	3-34053-S8 Nut 3-34903-S8 Washer 1-358552-S100 Clip	1-B5A 7021060-A Retainer 2-BM 7029120-A Retainer			B4A 217-A
52/54	70	BA 7029034-5-A	6-34053-S8 Nut 6-34903-S8 Washer	6-357769-S7 Retainer 5-357862-S2 Clip			B2A 300-A
55	70C	B5A 7029034-5-C	1-34053-S8 Nut 1-34803-S7 Washer 3-B5A 7021060-A Retainer	1-B5A 7021062-A Retainer 1-B5A 7029130-A Retainer			B5A 300-A
57	59A, 78A	B7A 5929028-9-A	5-35397-S100 Nut & washer 1-B7A 5929120-A Retainer	1-B7A 5929120-B Retainer 2-B7A 7029120-A Retainer			B7A 300-A
58	59B, 66B, 70, 73, 79C, 79D 59B, 66B, 79C, 79D 59B, 66B, 79C, 79D	B8A 7028016-7-A B8A 5928685-A B8A 5928698-A	3-354397-S100 Nut & washer	2-358566-S100 Retainer			†B8A 300-A
52/54	73	BA 7329034-5-A	7-34053-S8 Nut 7-34903-S8 Washer	7-44716-S8 Washer 7-357769-S7 Retainer			†B2A 301-A
58	59B, 66B, 70	B8A 7028044-5-A	1-354397-S100 Nut & washer 1-358566-S100 Retainer	Replaced by B8A 303-A 8-B8A 5728506-A Retainer			B8A 301-A
59	51A, 54A, 57A, 58B, 63A, 64B, 64H, 65A, 75A, 76B	B9A 6329038-9-A	4-354397-S100 Nut & washer 1-B8A 5728506-A Retainer 3-B9A 6329120-A Retainer	6-B9A 6329144-A Retainer 2-B9A 6429144-A Retainer			B9A 301-A

† No Longer Supplied Service Details



**MOULDING CLIP KITS**

**NOTE - Each Kit Contains Sufficient Clips Etc. For Attaching 1 Moulding**

Year	Model or Body Type	Part Number of Moulding Used With	Components of Kit			Kit Part Number
57	51A	B7A 5129038-9-A	1-354397-S100 1-B7A 6428820-A	Nut & washer Retainer	9-B7A 6429144-A Retainer	B7A 302-A
58	51A,63A,64B,76B	B8A 6428046-7-A	2-354397-S100 2-B8A 5728506-A	Nut & washer Retainer	9-B8A 7021094-A Retainer	B8A 302-A
57	57A,58B 63A,64B,76B	B7A 5729038-9-A B7A 6429038-9-A	3-354397-S100 3-B7A 6428820-A	Nut & washer Retainer	4-B7A 6429144-A Retainer	B7A 303-A
58	59B,66B 59B,66B 70	B8A 7028046-A B8A 5928047-A B8A 7028046-7-A	3-354397-S100 3-358566-S100	Nut & washer Retainer	6-B8A 7028506-A Retainer	B8A 303-A
57	57B,58A	B7A 5829038-9-A	2-354397-S100 2-B7A 5929120-A	Nut & washer Retainer	5-B7A 6429144-E Retainer	B7A 304-A
58	79C, 79D	B8A 7928047-A	1-354397-S100 1-358566-S100	Nut & washer Retainer	3-B8A 7028506-A Retainer	B8A 304-A
54	59B,60,70B,72B, 76 73B,73C,79B	BM 7029038-9-B BM 7329038-9-B	1-34053-S8 1-34903-S8 1-44716-S8	Nut Washer Washer	1-BM 7029120-A Retainer 6-BM 7029144-B Retainer	B4A 305-A
55	59B,60B,64,70B, 70C,76 73B,73C,79B	B5A 7029038-C B5A 7329038-C	1-34053-S8 1-34803-S7 1-44716-S8	Nut Washer Washer	8-358484-S8 Clip 1-358566-S100 Clip	B5A 305-A
56	59B, 70B, 73B, 78, 79D	B6A 7029038-9-A B6A 7329038-9-A	1-354397-S100 8-B6A 7021066-C	Nut & washer Retainer	1-B6A 7029120-C Retainer	+ B6A 305-A
56	57A,59C,64,70C, 73C, 76, 79B	B6A 7029038-B B6A 7329038-B	1-354397-S100 1-B6A 7029120-C	Nut & washer Retainer	1-B6A 7029144-A Retainer	B6A 305-B
57	63B,64A	B7A 6429038-9-B	5-354397-S100 5-B7A 5929120-A	Nut & washer Retainer	6-B7A 6429144-E Retainer	B7A 305-A
58	59B, 70	B8A 7029038-9-B	6-B8A 16249-A 4-354397-S100	Retainer Nut & washer	3-B7A 5929120-A Retainer 1-BM 7029120-A Retainer	B8A 305-A
59	51A, 54A, 57A, 58,59C, 59D, 63A, 64, 65A, 66C,75A, 76B	B9A 5729038-9-A B9A 5929038-9-A	2-370076-S100 2-B9A 5829120-A	Nut & washer Retainer	5-B9A 5829211-A Retainer 3-B9A 5829211-B Retainer	B9A 305-A
57	70A,70D	B7A 7029038-9-A	5-354397-S100 1-B7A 5929120-A 3-B7A 7029120-A	Nut & washer Retainer Retainer	7-B7A 7029144-A Retainer 1-B7A 7029288-A Retainer	B7A 306-A
57	59B,66B,70B	B7A 7029038-9-B	5-354397-S100 1-B7A 5929120-A 3-B7A 7029120-A	Nut & washer Retainer Retainer	7-B7A 7029144-A Retainer 1-B7A 7321096-A Retainer	B7A 307-A
53	73B, 79B	BF 7329038-9-A	1-34053-S8 1-34903-S8 1-357118-S8	Nut Washer Clip	3-358398-S8 Clip 1-358484-S8 Clip Replaced by B2A 207-A	*B3A 308-A
57	59,66B,70,78	B7A 7029038-C	1-354397-S100 1-B7A 7029120-A	Nut & washer Retainer	7-B7A 7029144-A Retainer	B7A 308-A

+ No Longer Supplied Service Details

## MOULDING CLIP KITS

NOTE - Each Kit Contains Sufficient Clips Etc. For Attaching 1 Moulding

Year	Model or Body Type	Part Number of Moulding Used With	Components of Kit				Kit Part Number
53	60B,70B,72B,73B,76,79B	BF 7029076-7-A	2-34053-S8 2-34803-S7 2-44716-S8	Nut Washer Washer	1-358542-S8 1-358549-S8	Clip Clip	† B3A 309-A
54	59B, 60B, 60F, 70B, 72B, 76	BM 7029076-7-A	3-34053-S8 3-34803-S7 3-44716-S8	Nut Washer Washer	Replaced by B4A 217-A 1-358566-S100 2-BM 7029120-A	Clip Retainer	* B4A 309-A
57	73 79C, 79D	B7A 7329038-A B7A 7929038-A	2-354397-S100 2-B7A 7029120-A	Nut & washer Retainer	6-B7A 7029144-A Retainer Replaced by B7A 309-B		* B7A 309-A
57	59, 66B, 70, 78 73 79C, 79D	B7A 7029038-C B7A 7329038-A B7A 7929038-A	2-354397-S100 2-B7A 7029120-A 7-B7A 7029144-A	Nut & washer Retainer Retainer			B7A 309-B
53	60B,70B,72B,76	BF 7029098-A	1-34053-S8 1-34803-S7	Nut Washer	1-357118-S8 5-358398-S8	Clip Clip	B3A 310-A
55	70C 73C	B5A 7029138-9-A B5A 7329138-9-A	7-34053-S8 7-34903-S8 7-44716-S8	Nut Washer Washer	1-52003-S13 1-B5A 7029130-A 6-B5A 7029176-A	Screw Retainer Retainer	B5A 311-A
57	59B,70B	B7A 7029068-9-A	1-354397-S100 1-358566-S100	Nut & washer Retainer	1-B7A 7020232-A 1-B7A 7350992-A Retainer Retainer Replaced by B7A 215-A		* B7A 315-A
57	51A	B7A 5129076-7-A	1-354397-S100 1-B7A 5129155-A	Nut & washer Retainer	1-B7A 5929120-A 2-B7A 6429144-D Retainer Retainer		B7A 316-A
57	63A,64B,76B	B7A 6429076-7-A	1-354397-S100 2-B7A 6429144-A	Nut & washer Retainer	1-B7A 6429144-D 1-B6A 7021094-A Retainer Retainer		B7A 317-A
57	59,66B,79C,79D	B7A 5929138-9-A	1-354397-S100 3-359379-S100	Nut & washer Clip	1-B7A 5929128-A Retainer		B7A 318-A
52/53	60B,70B,72B,73B,76,79B	BA 7325616-7-E	8-34053-S8 8-34903-S8	Nut Washer	8-351218-S8 8-358394-S8	Washer Clip	B2A 320-A
56	59B 64D,70B 73B 79D	B6A 5925616-7-A B6A 7025616-7-A B6A 7325616-7-A B6A 7925616-7-A	1-34053-S8 3-354397-S100 1-358566-S100	Nut Nut & washer Clip	1-B6A 7021094-G 1-B6A 7025686-A 1-B6A 7025686-B Retainer Retainer Retainer		B6A 320-A
55	60B,64,70C,73C,76	B5A 7042514-A	7-44716-S8	Washer	7-357172-S8	Screw & washer	B5A 330-A

† No Longer Supplied Service Details

**INDEX**

**SECTION 10 - WHEELS, WHEEL CARRIERS and RELATED PARTS**

PART NAME	GROUP NUMBER
Bearing assy. (rear wheel)	1225
Bolt (front & rear hub)	1107
Bolt (spare wheel carrier)	1448 1449
Bracket assy. (spare wheel carrier)	1433
Cap (hub grease)	1131
Cap or cover (wheel hub)	1130
Clamp (spare wheel)	1446
Clip (wheel cover or hub cap)	1150
Cone & roller (front wheel inner bearing)	1201
Cone & roller (front wheel outer bearing)	1216
Cover ass'y. (spare wheel)	1406
Cover (spare wheel)-outer	1465
Cover (wheel hub cap trim)-plastic	1127
Cup (front wheel inner bearing)	1202
Cup (front wheel outer bearing)	1217
Dowel (spare wheel lock)	1494
Drum ass'y. (rear brake)	1126
Extension (tire valve)	1705
Gasket (front brake grease baffle)	1193
Gasket (rear wheel bearing retainer)	1001
Guard (spare wheel stone)-less seals	1352
Hinge ass'y. (spare wheel carrier)	1394
Hinge ass'y. (spare wheel)-on wheel	1481
Hub & brake drum (front)	1102

PART NAME	GROUP NUMBER
Kit (clip & bumper)-spring mounted wheel trim ring	1150
Kit (full wheel cover)	1130
Kit (wheel cover)-simulated wire	1130
Kit (wheel cover trim)	1129
Lock ass'y. (spare wheel)	1386
Medallion (wheel cover)-plastic	1141
Nut (hub bolt)	1012
Nut spare wheel carrier	1012
Nut (spare wheel carrier bolt)	1462
Pin (spare wheel hinge)	1487
Plate (spare wheel mounting)	1424
Retainer (front wheel grease)	1190
Retainer (rear wheel bearing)-inner	1180
Retainer (spare wheel cover)	1470
Ring assy. (wheel hub cap trim cover)	1128
Ring (spare wheel cover)	1351
Seal (rear wheel bearing oil)-inner	1177
Seal (spare wheel stone guard)-center	1357
Seal (spare wheel stone guard)-end	1362-3
Spring (brake drum silencer)	1140
Spring (spare wheel cover retainer)	1475
Support assy. (spare wheel carrier)	1A352 1405
Washer (front spindle nut to outer bearing)	1195
Wheel assy.	1007 1015

**SECTIONS 20, 22, 23 and 24 - BRAKE SYSTEM**

Baffle (front grease)	2060
Base (compressor)	2881
Bearing (compressor pulley)	2990
Bellows (power brake booster)	2366
Body (booster hydraulic cylinder)	2425
Body (booster)-rear	2366
Body (booster vacuum control valve)	2419
Bolt (brake)	2276
Bolt (front line connection)	2150
Bolt (master cylinder link rod)	2462
Bolt (power brake booster eccentric mounting)	2418
Bolt (rear carrier plate)	2248
Booster ass'y. (power brake)	2005
Boot (cylinder)	2206-7
Boof (master cylinder)	2180
Brace (compressor)-front	2888
Bracket (compressor mounting)	2882
Bracket (booster mounting)	2031
Bracket (front hose support)	2082

Bracket (parking cable to dash)	2857
Bracket (parking equalizer)	2631
Bracket (parking front cable clamp)	2153
Bracket (parking rear cable)	2530-1
Bracket (rear hose support)	2073
Brake pipe length chart	2268
Brush & holder ass'y. (air compressor)	2979
Bumper (brake pedal)	7583
Bumper (master cylinder push rod)	2144
Bushing (booster lever)	2A150
Bushing (booster push rod)	2385
Bushing (brake & clutch mounting bracket)	2471
Bushing (master cylinder push rod)	2474
Bushing (pedal)	2461
Cable & conduit (parking handle to equalizer lever)	2853
Cable (parking)-from equalizer to rear brake	2A635
Cap (master cylinder filler)	2162
Clamp (power steering return line)	2344
Clip (hose)	2814

## INDEX

## SECTIONS 20,22,23 and 24 - BRAKE SYSTEM - continued

PART NAME	GROUP NUMBER	PART NAME	GROUP NUMBER
Clip (master cylinder to pipe to frame)	14197	Hose (power booster to manifold)	2-2249
Clip (parking cable)-rear	2505	Hose (power brake booster)	2A047
<b>Clip (pipe)</b>	<b>2244</b>	Hose (power brake booster reservoir to manifold)	2A047
Clutch & pulley ass'y. (compressor)-air conditioner	2884	Hose (power brake booster to connector)	2078
Compressor assy. -less pulley & base	2878	Hose (power brake booster vacuum)	2A024
Connector (pipe) - front	2075	Hub ass'y. (power brake booster bellows mounting)	2439
Connector (pipe) - rear	2074	Insulator (pedal bushing to spring)	2481
Control (parking)-on dash	2780	Insulator (power booster outlet tube)	2-2241
Cover & tube ass'y. (booster air cleaner)	2A018	Kit (compressor mounting base)	2879
Cover (adjusting hole)	2092	Kit (compressor pulley, clutch & brush)	2901
Cup (booster hydraulic cylinder piston)	2408	Kit (booster minor repair)	2307
Cup (brake master cylinder primary)	2173	Kit (brake shoe hold down)	2A094
Cup (brake cylinder)	2201-2	Kit (compressor magnetic clutch & brg. replacement)	2990
Cup (shoe hold down spring)	2066	Kit (front cylinder repair)	2221
Cylinder & brake pedal bracket ass'y. (master)	2140	Kit (front shoe & lining)	2001
Cylinder assy. (master)	2140	Kit (master cylinder repair)	2004
Cylinder (front)	2061-2	Kit (master cylinder valve and seat)	2178
Cylinder (rear)	2261-62	Kit (power brake booster installation)	2A091
Diaphragm & pressure plate (booster cylinder)	2394	Kit (power brake booster major repair)	2309
Diaphragm (booster control valve)	2391	Kit (power brake booster piston packing)	2A200
Disc (booster control valve)	2308	Kit (rear cylinder repair)	2128
Eccentric ass'y. (front brake equalizer)	2030	Kit (rear shoe & lining)	2200
Eccentric (power brake booster master cyl. )	2435	Kit (shoe lining)	2007
Eccentric (power booster control valve adjusting)	2462	Lever & bushing ass'y. (booster)	2A016
Equalizer (parking brake)-rear	2768	Lever (booster master cyl. eccentric adjusting)	2444
Equalizer (parking cable)	2A602	Lever (parking brake equalizer)	2A605
Filter (power booster control valve air intake)	2386	Lever (parking cable to secondary brake shoe)	2A637-8
Fitting (brake)	2076	Lining (front secondary)-shoe	2022
Fitting (vacuum pump tube to valve chamber cover)	2131	Lining (primary)-shoe	2021
Gasket (booster hydraulic cylinder body)	2373	Lining (rear shoe)-primary & secondary	2284-85
Gasket (brake line)	2149	Link (parking brake cable connecting)	2861
Gasket (brake master cylinder outlet)	2152	Link (parking lever to primary brake shoe)	2A642
Gasket (front brake carrier plate to spindle)	2044	Link (shoe to cylinder)	2042
Gasket (master cylinder filler cap)	2167	Nut (adjusting screw)	2047
Gasket (master cylinder outlet)	2154	Nut (master cylinder to front connector tube)	2133
Gasket (power brake booster end plate)	2493	Nut (parking equalizer lever)	2091
Gasket (power brake booster tube connector)	2154	Pad (pedal)	2454
Grommet (parking brake cable to dash panel)	2273	Pad (pedal plate)	2457
Handle assy. (parking brake control)	2760	Pawl (parking ratchet bar)	2786
Head (compressor cylinder)	2995	Pedal (brake)	2455
Hose ass'y. (brake)	2078-9	Pin (booster lever pivot)	2A020
Hose ass'y. (rear brake)	2282	Pin (parking lever)	2859
Hose (brake & air suspension lines)	2270	Pin (shoe anchor)	2027
Hose (master cylinder to connector)	2079	Pin (shoe hold down spring)	2069

**INDEX**

**SECTIONS 20, 22, 23 and 24 - BRAKE SYSTEM - continued**

PART NAME	GROUP NUMBER	PART NAME	GROUP NUMBER
Piston (booster control valve)	2396	Shoe (front lining)-drilled	2020
Piston (brake cylinder)	2194-8	Sleeve (power brake booster control valve eccentric)	2401
Piston (brake master cylinder)	2169	Snap ring (brake pedal shaft)	2475
Piston (power brake booster body)	2395	Snap ring (master cylinder piston)	2174
Piston (power booster hydraulic cylinder)	2368	Socket (adjusting screw)	2048
Plate & reinforcement (rear carrier)	2259-60	Spacer (compressor mounting bracket)	2887
Plate ass'y. (booster piston)-front	2A158	Spacer (power booster control valve spring to disc)	2390
Plate ass'y. (brake pedal pad)	2453	Spring & retainer (master cylinder piston return)	2145
Plate (front carrier)	2012-14	Spring (adjusting screw)	2049
Plate (parking cable to dash)	2858	Spring (booster control valve diaphragm return)	2392
Plate (rear carrier)	2211-12	Spring (booster hydraulic cylinder piston return)	2-2418
Plate (shoe anchor pin)	2028	Spring (booster vacuum control valve)	2438
Plug (booster hydraulic cylinder end)	2369	Spring (brake cylinder piston return)	2204-5
Plunger assy. (power brake booster)	2A385	Spring (brake pedal & parking brake)	2456
Pulley (compressor)	2884	Spring (parking brake release)	2634
Pulley (parking cable)	2804	Spring (parking cable)	2745
Reservoir assy. (power brake booster)	2A038	Spring (parking link)	2A601
Retainer & sleeve (power booster bellows)	2-2471	Spring (parking ratchet bar pawl locking)	2788
Retainer (booster hydraulic cylinder piston spring)	2423	Spring (pedal retracting)	2472
Retainer (booster piston felt)	2429	Spring (power booster)	2361
Retainer (parking lever)	2106	Spring (shoe hold down)	2068
Retainer (power booster vacuum control valve cap)	2415	Spring (shoe retracting)	2035
Retainer (power brake booster piston felt)	2429	Tube ass'y. (air susp. compressor oil inlet)	2908
Ring (booster body to control valve transfer bushing)	2-2421	Tube ass'v. (air susp. compressor oil outlet)	2912
Ring (power brake booster bellows support)	2370	Tube ass'y. (brake & fuel line)-steel	2265
Ring (power brake booster tube to rear body)	2428	Tube ass'y. (frt. brake fitting to rear brake hose)-rear	2-2274
Rod (booster push)	2377	Tube assy. (front brake)-R. H.	2A007
Rod (master cylinder push)	2143	Tube assy. (front brake tube fitting to connector)-L. H.	2A006
Rod (parking equalizer)	2628	Tube assy. (inner hose bracket to outer hose bracket)	2A004-5
Screen (booster vacuum control valve)	2421	Tube ass'y. (power brake booster inlet)	2352
Screw (adjusting)	2041	Tube ass'y. (power brake booster to carburetor)	2-2247 2253
Screw (bleeder)	2208	Tube assy. (rear brake)	2269
Seal (booster bellows air filter)	2A134	Tube ass'y. (tee to rear brake hose)	2-2277
Seal (booster control valve piston)	2399	Tube (booster)	2420
Seal (booster push rod)	2384	Tube (booster connector to manifold)	2543
Seal (booster push rod bushing)	2373	Tube (power booster outlet)	2234
Seal (pedal weather)	2476	Tube (power booster to intake manifold)	2-2247
Seal (power booster check valve)	2-2112	Tube (power reservoir tank hose to manifold)	2-2243
Seal (power brake booster push rod to piston)	2A319	Tubing (brake & fuel line)	2269
Shaft (pedal)	2478	Valve ass'y. (power brake booster check)	2A185
Shoe & lining (front primary)	2018	Valve (booster body check)	2365
Shoe & lining (front secondary)	2019	Valve (master cylinder)	2178
Shoe & lining (rear primary)	2218	Washer (shoe anchor pin to carrier plate)	2029
Shoe & lining (rear secondary)	2219		

YEAR 19	MODEL	DESCRIPTION	QTY. PER VEHICLE	PART NUMBER
<b>1001 GASKET - REAR WHEEL BEARING RETAINER</b>				
49/59	A (except S/D, S/W, 51A & 66)	Outer-2 7/8" I. D. -4 holes	2	A8AZ 1001-A
49/	S/D, S/W, 51A, 66, Police Interceptor	3 7/32" I. D. -5 holes	4	A8AZ 1001-B
49/	S		4	
59	A, P/I, Taxicab	With H/D fade resistant lining	4	
52/53	S/D, S/W	Gasket (rear brake carrier plate)	2	
49/	A (except S/D, S/W, 51A & 66)	Gasket (rear brake carrier plate)-2 7/8" I. D.	2	C1AZ 1001-A
<b>1007 WHEEL ASSY.</b>				
49/59	S/D, S/W & 66)	15" x 5.00"-use with 15" x 7.10" tires	5	C0AA 1007-N
49/59	A (except S/D, S/W & 66)	Use with 15" x 6.70" tires	5	
55/56	S		5	
59	A, P/I, Taxicab	With H/D fade resistant brake lining	5	
<b>1012 NUT - HUB BOLT</b>				
49/	A, S	Front & rear-1/2"-20	20	B 1012
56	S	Spare wheel carrier	2	
49/51	A (except S/W)		1	
49/51	S/W		2	
57	51A, 57, 58, 63, 64, 76B	Outside mounted spare wheel carrier	3	
<b>1015 WHEEL ASSY.</b>				
49/56	A (except S/D & S/W)	16" x 4.50"-use with 16" x 6.00" tires	5	8A 1015-C
57/	A (except S/W, 51A & 66)	14" x 5.00"-5 slots-use with 14" x 7.50" tires	5	B7A 1015-A
57	S	14" x 5.00"	5	B7S 1015-A
57/59	A	14" x 5.50"-use with 14" x 8.00" tires	5	B8A 1015-A
58/61	S		5	
<b>1102 HUB and BRAKE DRUM ASSY. - FRONT</b>				
49/51			2	A9A 1102-A
52/54	A (except S/D & S/W)		2	
49/51	A	Standard bore hub	2	A9A 1102-B
52/53	A (except S/D & S/W)		2	
52/53	S/D, S/W	Standard bore hub	2	B2A 1102-B
52/54	S/D, S/W		2	B2A 1102-A
54	Police Interceptor		2	
54	A (except S/D & S/W)	Standard bore hub	2	B4A 1102-A
54	S/D, S/W	Standard bore hub	2	B4A 1102-B
54	Police Interceptor		2	
55/56	A, S		2	B5A 1102-C
57/59	A		2	B7A 1102-A
57	S		2	B7S 1102-A
57/59	Police Interceptor & Taxicab	11" I. D. -2 1/2" brake surface	2	C0AA 1102-C
57	A (8 cyl. 312 supercharger)		2	
58/	S		2	
<b>1107 BOLT - FRONT and REAR HUB</b>				
49/	A, S	1/2"-20 x 1 1/2"-serration diam. -.618"-.628"	AR	A9AZ 1107-A
56	S	Spare wheel carrier	3	
<b>1126 DRUM ASSY. - REAR BRAKE</b>				
49/54	A (except S/D & S/W)	10" I. D.	2	AB 1126-C
52/54	S/D, S/W	11" I. D.	2	MA 1126-A
54	Police Interceptor		2	
55/56	A (except S/D & S/W), S	11" I. D.	2	B5A 1126-B
55/56	S/D, S/W	11" I. D.	2	B5A 1126-C
57/59	A (except S/D, S/W, 51A, 66 & P/I)	11" I. D.	2	B7A 1126-A
57/59	S/D, S/W, 51A, 66, P/I & Taxicab	11" I. D.	2	B7A 1126-B
57/58	S	11" I. D.	2	B7S 1126-A
59	S	11" I. D.	2	B9SS 1126-A
59	A, P/I, Taxicab	With H/D fade resistant brake lining	2	
49/	A, S	Spring nut (drum to axle shaft)-1/2"	6	356080-S32 (MM270)
<b>1127 COVER - WHEEL HUB CAP TRIM - PLASTIC</b>				
59	A, S		4	B9A 1127-A
<b>1128 RING ASSY. - WHEEL HUB CAP TRIM COVER</b>				
59	A, S		4	B9A 1128-A
<b>1129 KIT - WHEEL COVER TRIM</b>				
59	A, S	Consists of 4-B9A 1127-A Cover 4-B9A 1128-A Ring 12-Nuts	1	B9A 1129-A

# FORD CAR PARTS

## SECTION 10

YEAR 19	MODEL	DESCRIPTION	QTY. PER VEHICLE	PART NUMBER
<b>1130 CAP OR COVER - WHEEL HUB</b>				
52/53		Wheel hub	4	AB 1130-E
53		Wheel hub-with Ford Crest-for 15" wheels	4	B3A 1130-A
54		Wheel hub-with Ford Crest & embossments-for 15" wheels	4	B4A 1130-A
54		Wheel hub	4	AD 1130-A
55/56	A, S	15 1/8" diameter-full wheel	4	B5A 1130-C
55	A, S	10 1/4" diameter-Red lettering	4	B5A 1130-D
56	A, S	10 1/4" diameter-White lettering	4	B6A 1130-A
56	S	Spare wheel	1	
57	A, S	14" diameter-24 depressions	4	B7A 1130-A
57	A, S	14" diameter-38 embossments	4	B7A 1130-B
57	A, S	10" diameter	4	B7A 1130-C
59	A		4	
58	A, S	10" diameter	4	B8A 1130-B
59	A, S	14" diameter-36 struts	4	B9A 1130-A
<b>1130 KIT - WHEEL COVER - SIMULATED WIRE</b>				
55/56	A, S	Part of B5A 18303-B kit-Consists of 1-Cover                      6-Clips                      6-Bumpers.	4	B5A 1130-E
<b>1130 KIT - FULL WHEEL COVER</b>				
58/59	A, S	Consists of 4-B8A 1130-A Cover 4-Valve Extensions	1	B8A 1130-C
59	A, S	14" diameter-36 struts-consists of 4-B9A 1130-A Cover 4-B7A 18304-B Extension	1	B9A 1130-B
<b>1131 CAP - HUB GREASE</b>				
49/54	A	Front-1 25/32" I. D. -use with A9A 1102-A & B2A 1102-A hub & drum	2	B5A 1131-A
55/	A, S		2	
49/54	A	Front-1 15/16" I. D. -use with A9A 1102-B, B2A 1102-B, B4A 1102-A & B hub drum	2	A8AZ 1131-A
<b>1140 SPRING - BRAKE DRUM SILENCER</b>				
57/	Taxicabs	32" long-use with bonded brake lining	4	B7A 1140-A
55/	A		4	
<b>1141 MEDALLION - WHEEL COVER - PLASTIC</b>				
55/56	A, S	Use with B5A 1130-C wheel cover	4	B5A 1141-A
<b>1150 CLIP - WHEEL COVER OR HUB CAP</b>				
49/53			5	AB 1150-A
54		Use with B4A 1130-A hub cap	5	
55	A, S	Use with full wheel cover	4	
<b>1150 KIT - CLIP and BUMPER - SPRING MOUNTED WHEEL TRIM RING</b>				
49/56	A, S	Use with simulated wire wheel-Consists of 6-Clips                      6-Bumpers	AR	B5A 1150-A
<b>1177 SEAL ASSY. - REAR WHEEL BEARING OIL - INNER</b>				
49/56	A (except S/D & S/W)	1 3/8" I. D.	2	8A 1177-A
49/	S/D, 51A, 66 & Police Interceptor, S	1 1/2" I. D. -2 1/2" O. D.	2	B7A 1177-A
49/58	S/W		2	
59/	Heavy Duty S/W		2	
57/58	A (except S/D, S/W, 51A & 66)	1 3/8" I. D. -2 3/8" O. D.	2	B7A 1177-B
59/	A (except Heavy Duty S/W, 51A & 66)		2	
<b>1180 RETAINER - REAR WHEEL BEARING - INNER</b>				
49/58	A (except S/D, S/W, 51A & 66)	1 3/8" I. D.	2	B9AW 1180-A
59/	A (except Heavy Duty S/W, 51A & 66)		2	
49/	S, S/D, 51A, 66 & Police Interceptor	1 17/32" I. D.	2	B9AW 1180-B
49/58	S/W		2	
59/	Heavy Duty S/W		2	
<b>1190 RETAINER - FRONT WHEEL GREASE</b>				
49/53		2 5/8" O. D.	2	8A 1190-A
54		2 5/8" O. D.	2	AD 1190-B
49/54		2 1/2" O. D. -use with A9A 1102-A or B2A 1102-A hub & drum	2	A9A 1190-A
54	A (except S/D & S/W)	2 1/2" O. D. -use with A9A 1102-A hub & drum	2	B5A 1190-A
55/	A, S		2	
<b>1193 GASKET - FRONT BRAKE GREASE BAFFLE</b>				
54/56	A, S		2	B4A 1193-A

## SECTION 10

## FORD CAR PARTS

YEAR 19	MODEL	DESCRIPTION	QTY. PER VEHICLE	PART NUMBER
<b>1195 WASHER - FRONT SPINDLE NUT TO OUTER BEARING</b>				
49/54	A	1 53/64" O. D. -use with A9A 1102-B, B2A 1102-B, B4A 1102-A hub & drum	2	B 1195
49/54	A	1 21/32" O. D. -use with A9A 1102-A & B2A 1102-A hub & drum	2	B5A 1195-A
55/	A, S		2	
<b>1201 CONE and ROLLER ASSY. - FRONT WHEEL INNER BEARING</b>				
49/54	A	Stamped 15123-Use with A9A 1102-B, B2A 1102-B, B4A 1102-A & B hub & drum	2	8A 1201-B
49/54	A	Stamped LM 67048-Use with A9A 1102-A & B2A 1102-A hub & drum	2	B5A 1201-A
55/	A, S		2	
<b>1202 CUP - FRONT WHEEL INNER BEARING</b>				
49/54	A	Stamped 15245-Use with A9A 1102-B, B2A 1102-B, B4A 1102-A & B hub & drum	2	8A 1202
49/54	A	Stamped LM 67010-Use with A9A 1102-A & B2A 1102-A hub & drum	2	B5A 1202-A
55/	A, S		2	
<b>1216 CONE and ROLLER ASSY. - FRONT WHEEL OUTER BEARING</b>				
49/54		Stamped 09067-Use with A9A 1102-B, B2A 1102-B, B4A 1102-A & B hub & drum	2	8A 1216-A
49/54		Stamped LM 11949-Use with A9A 1102-A & B2A 1102-A hub & drum	2	B5A 1216-A
55/	A, S		2	
<b>1217 CUP - FRONT WHEEL OUTER BEARING</b>				
49/54		Stamped 09195-Use with A9A 1102-B, B2A 1102-B, B4A 1102-A & B hub & drum	2	8A 1217
49/54	A	Stamped LM 11910-Use with A9A 1102-A & B2A 1102-A hub & drum	2	B5A 1217-A
55/	A, S		2	
<b>1225 BEARING ASSY. - REAR WHEEL</b>				
49/56	A (except S/D & S/W)	1 3/8" I. D. -2 13/16" O. D.	2	8A 1225-A
49/	51A, 66, S/D, Heavy Duty S/W, P/I, S	Includes retainer-1 17/32" I. D. -3 5/32" O. D. - stamped 88128	2	C1SZ 1225-B
57/	A (except 51A, 66, S/D & Heavy Duty S/W)	1 3/8" I. D. - 2 13/16" O. D.	2	B7A 1225-A
49/56	A(except S/D & S/W)	Includes retainer-1 3/8" I. D. -2 13/16" O. D. - stamped 88107-A	2	A9AZ 1225-A
57/	A(except 51A, 66, S/D, P/I & Heavy Duty S/W)	Includes retainer-1 3/8" I. D. -2 13/16" O. D. - stamped RW207CE or 2-3538	2	B7AZ 1225-A
<b>1351 RING - SPARE WHEEL COVER</b>				
52/	A (except 66, S/D & S/W)	Outside mounted-stainless steel	1	B8A 1351-A
58	A (except 66, S/D & S/W)	Outside mounted-prime	1	B8A 1351-B
<b>1352 GUARD - SPARE WHEEL STONE - LESS SEALS</b>				
56	S		1	B6S 1352-A
56	S	Bolt (guard to hinge on wheel)-1/4"-20 x 1/2"	4	20308-S7-8(B40)
		Lockwasher-1/4"		34805-S8(X62)
		Washer-flat-1/4"		44719-S8(X17)
<b>1A352 SUPPORT ASSY. - SPARE WHEEL CARRIER</b>				
59	A (except 51A, 66 & S/W)	Hinge to frame	1	B9AB 1A352-A
<b>1357 SEAL - SPARE WHEEL STONE GUARD - CENTER</b>				
56	S		1	B6S 1357-A
<b>1362-3 SEAL - SPARE WHEEL STONE GUARD - END</b>				
56	S	R. H.	1	B6S 1362-A
56	S	L. H.	1	B6S 1363-A
<b>1386 LOCK ASSY. - SPARE WHEEL</b>				
56	S	To hinge-includes keys	1	B5C 1386-A
49/51	S/W		1	
<b>1394 HINGE ASSY. - SPARE WHEEL CARRIER</b>				
59	54, 57, 58, 63, 64, 65, 75, 76B	Outside mounted	1	B9AB 1394-A
<b>1405 SUPPORT ASSY. - SPARE WHEEL CARRIER</b>				
58/	S	Outside mounted	1	B8SZ 1405-A
<b>1406 COVER ASSY. - SPARE WHEEL</b>				
56	S		2	B6S 1406-A
57	51A, 57, 58, 63, 64, 76B		1	B7A 1406-A



# FORD CAR PARTS

## SECTION 10

YEAR to	MODEL	DESCRIPTION	QTY. PER VEHICLE	PART NUMBER
<b>1424 PLATE - SPARE WHEEL MOUNTING</b>				
57	S		1	B7S 1424-A
<b>1433 BRACKET ASSY. - SPARE WHEEL CARRIER</b>				
49/50	S/W	Use with wood tail gate	1	8A 1433
49/51	S/W	Bolt (bracket to tail gate)-3/8"-16 x 1"	4	20388-S8(B80)
		Locknut-3/8"-16		*34369-S7-8
<b>1446 CLAMP - SPARE WHEEL - Also Refer to Group 17091</b>				
55	S		1	BA 1446-A
52/54	A (except S/D & S/W)		1	
57/59	51A (1957/58 66)		1	
58/59	S		1	
55/56	A (except S/D & S/W)		1	B5A 1446-A
57	A (except S/D, S/W, 51A & 66)		1	B7A 1446-A
<b>1448 BOLT - SPARE WHEEL CARRIER</b>				
52/54	A (except S/D & S/W)	3/8"-16 x 6"	1	BA 1448-A
52/54	A (except S/D & S/W)	Pin-self-locking	1	352358-S(NN127)
52/54	A (except S/D & S/W)	Clevis pin(bolt to mounting brkt.)-3/8" x 1 3/16"	1	*73926-S8
52/54	S/D, S/W	1/2"-13 x 1 3/4"	1	357451-S(BB195)
55/56	S/D, S/W	3/8"-16 x 3"	1	B5A 1448-A
55/56	S/D, S/W	Nut-wing-3/8"-16	1	33897-S8(M183)
55/55	A (except S/D, S/W, 51A & 66)	3/8"-16 x 7 7/8"	1	B5A 1448-B
57	S	3/8"-16 x 4 7/16"	1	B7S 1448-B
57/59	51A	3/8"-16 x 6 47/64"	1	B7A 1448-A
58/59	S		1	
57/59	66	3/8"-16 x 8 3/4"	1	B7A 1448-C
57/59	66	Pin (bolt)-self-locking	1	352358-S(NN127)
55/57	A (except 51A), S	Retainer (bolt to rear sill panel)-spring type	1	74274-S(R3)
<b>1462 NUT - SPARE WHEEL CARRIER BOLT</b>				
49/51	S/W		1	78 1462-A
56	S	1/2"-20 x 1" long	1	B5C 1462-A
52/55	A (except S/D, S/W & 51A)	Wing-3/8"-16	1	B9AZ 1462-A
57	S		1	
57	S		1	
<b>1465 COVER - SPARE WHEEL - OUTER</b>				
58	A (except 66, S/D & S/W)	Outside mounted	1	B8A 1465-A
58/59	S		1	
59	51A, 54, 57, 58, 63, 64, 65, 75, 76B		1	B9AB 1465-A
<b>1470 RETAINER - SPARE WHEEL COVER</b>				
56	S		1	B6S 1470-A
57	51A, 57, 58, 63, 64, 76B	Outside mounted	1	B7A 1470-A
<b>1475 SPRING - SPARE WHEEL COVER RETAINER</b>				
57	51A, 57, 58, 63, 64, 76B	Outside mounted	1	B7A 1475-A
58/59	A (except 66, S/D & S/W), S	Outside mounted	1	B8A 1475-A
<b>1481 HINGE ASSY. - SPARE WHEEL - ON WHEEL</b>				
56	S		1	B6S 1481-C
<b>1487 PIN - SPARE WHEEL HINGE</b>				
56	S		1	B6S 1487-A
56	S	Nut-castle-1/2"-20		34032-S7(M9)
		Washer-flat-1/2"	2	44735-S8(X32)
<b>1494 DOWEL - SPARE WHEEL LOCK</b>				
56	S		1	B6S 1494-A
57	S	Nut (dowel to hinge)-1/2"-20	1	33943-S8(M36)
		Lockwasher-1/2"		34809-S8(X68)
<b>1705 EXTENSION - TIRE VALVE</b>				
57/59	A, B, X	1 1/4" long	4	B7AZ 1705-A
<b>2001 KIT - FRONT BRAKE SHOE and LINING</b>				
49/51	A (All)	Consists of	1	A9A 2001-A
52/53	A (except S/D & S/W)	2-8A 2018-C Primary	1	
		2-0A 2019-A Secondary		
54	A (except S/D & S/W)	Consists of	1	B4A 2001-D
		2-AD 2018-U or Y Primary		
		2-AD 2019-U or Y Secondary		

YEAR 19	MODEL	DESCRIPTION	QTY. PER VEHICLE	PART NUMBER
<b>2001 KIT - FRONT BRAKESHOE and LINING - continued</b>				
55/56	S/D, S/W	Consists of 2-AF 2018-Y Primary 2-AF 2019-U Secondary	1	B6A 2001-B
57/58	A (All)	Consists of	1	B7A 2001-A
55/56	A (except S/D, S/W)	2-AJ 2018-G or Z Primary	1	
59	A (except 51A, 66 & S/W)	2-AJ 2019-G or Z Secondary	1	
55/59	A (except S/D, S/W, 51A, 66 & 76B)	Heavy duty-consists of 2-AJ 2018-E Primary 2-AJ 2019-E Secondary	1	B7A 2001-B
57/59	Police Interceptor & Highway Police	Consists of 2-AK 2018-B Primary 2-AK 2019-B Secondary	1	B7A 2001-E
57/59	Taxicab	Bonded - consists of 2-AJ 2018-T Primary 2-AJ 2019-L Secondary	1	B7A 2001-BA
59	51A, 66, S/W	Consists of 2-B9AA 2018-B Primary 2-B9AA 2019-B Secondary	1	B9A 2001-A
59	A, P/I, Taxicab (H/D fade resistant)	Front & rear-2 1/2" wide-consists of 2-B9KK 2018-B Primary 2-B9KK 2019-B Secondary	2	B9AZ 2001-A
57	S	Consists of 2-AH 2018-H Primary 2-AH 2019-B Secondary	1	B7S 2001-A
58/	S	Front & rear-consists of 2-COSS 2018-B Primary 2-COSS 2019-B Secondary	2	B9S 2001-A
<b>2004 KIT - BRAKE MASTER CYLINDER REPAIR</b>				
49/51	A	Consists of 2-91A 2152 Gasket 1-51A 2173 Cup 1- 8M 2167 Gasket 1-51A 2174-A Snap ring 1-51A 2169 Piston 1- 0A 2180 Boot 1-51A 2178 Valve or 1-A9A 2178-B Valve kit	1	A9A 2004-A
52/	A	Consists of	1	C0AZ 2004-A
55/	S	1-FAA 2169-A Piston 1-0A 2180 Boot 1-FAA 2173-A Cup 1-C1TT 7821-A S/ring 1-51A 2174-A S/ring 1-AJ 22179-A Seat 1-AJ 2178-A Valve	1	
57/59	A (with Power Brake Booster)	Consists of	1	C0AZ 2004-B
55/	S (with Power Brake Booster)	1-C0AA 2A034-A Seat 1-C0AA 2178-A Valve 1-C0AA 2169-B Piston 1-0A 2180 Boot 1-C0AA 2173-A Cup 1-TUCG 7821-A S/ring 1-AJ 2174-A S/ring	1	
59/	A-8 cyl. (with B9AZ 2005-A & C0AZ 2005-A Power Brake Boosters)	Consists of	1	C0AZ 2004-C
59/	S (with B9SZ 2005-A Power Brake Booster)	1-C0AA 2169-A Piston 1-TFAF 2493-A Gasket 1-FAA 2173-A Cup 1-C1TT 7821-A S/ring 1-51A 2174-A S/ring 1-AJ 22179-A Seat 1-AJ 2178-A Valve	1	
<b>2A004-5 TUBE ASSY. - INNER HOSE BRACKET TO OUTER HOSE BRACKET</b>				
59	S(8cyl. 430)	R. H. -15 1/2" long L. H. -15 1/2" long	1 1	ΔAN 2A004-A ΔAN 2A005-A
<b>2005 BOOSTER ASSY. - POWER BRAKE</b>				
56/57	S		1	B6A 2005-A
57/59	A		1	B7A 2005-A
59	A (8 cyl.) -Bendix	Diaphragm type-includes linkage-less master cyl.	1	B9AZ 2005-A
58/	S (Kelsey-Hayes)	Bellows type	1	B8S 2005-A
59/	S (Bendix)	Diaphragm type-includes linkage-less master cyl.	1	B9SZ 2005-A
54/56	A	Bolt (booster to bracket)-3/8"-24 x 5/8"	2	★20329-S8
55/57	S	Lockwasher - 3/8"	2	357629-S7(XX33)
58/59	S	Bolt (booster to dash panel)-5/16"-24 x 2"	2	20521-S8(B162)
58/59	A	Nut (booster to brake pedal)-5/16"-24	1	33798-S8(M62)
58/59	S	Nut (booster to dash panel)	4	
		Lockwasher-5/16"	4	34806-S7(X64)
59/	A, S	Screw (booster to dash panel)-No. 14 x 5/8"	2	31498-S8(U253B)

Δ Cut from 8C 2269-B tubing, use (2) 87942-58 nuts

# FORD CAR PARTS

## SECTION 20

YEAR 19	MODEL	DESCRIPTION	QTY. PER VEHICLE	PART NUMBER
<b>2A006 TUBE ASSY. - FRONT BRAKE TUBE FITTING TO CONNECTOR - L.H.</b>				
59	S(8cyl. 430)	6 1/2" long	1	ΔAN 2A006-A
<b>2007 KIT - BRAKE SHOE LINING</b>				
49/51	A	Front-off center ground-consists of	1	B4A 2007-C
52/54	A (except S/D & S/W)	2-AD2021-C,F or 8A 2021-R Primary 2-AD2022-C,F or 8A 2022-N Secondary 45-351939-S Rivet	1	
49/54	A (except S/D & S/W)	Rear-consists of	1	B4A 2007-E
		2-AD2284-C,F or 8A 2284-T Primary 2-AD2285-C,F or 8A 2285-R Secondary 45-351939-S Rivet		
49/54	A (except S/D & S/W)	Rear-heavy duty-off center ground Consists of	1	A9A 2007-F
		2-8A 2284-P Primary 2-0A 2285-B Secondary 45-351939-S Rivet		
49/54	S/D, S/W	Rear-consists of	1	A9A 2007-D
54	Police Interceptor	2-8M 2284-D Primary 2-0M 2285-B Secondary 45-351939-S Rivet	1	
52/54	S/D, S/W	Front-consists of	1	B2A 2007-A
54	Police Interceptor	2-8M 2021-D Primary 2-0M 2022-B Secondary 45-351939-S Rivet	1	
55/56	S	Front-consists of	1	B6SZ 2007-A
		2-AH 2284-F Primary 2-AF 2022-AK Secondary 45-351939-S Rivet		
55/56	S	Rear-consists of	1	B6SZ 2007-B
		2-AH 2284-F Primary 2-AF 2285-AB Secondary 45-351939-S Rivet		
55/59	A (except S/D, S/W, 51A & 66)	Front-consists of	1	B6A 2007-A
56	Highway Police	2-AF 2021-AN, AS or AJ 2021-M Primary 2-AF 2022-AH, AK or AJ 2022-L Secondary 45-351939-S Rivet	1	
55/59	A (except S/D, S/W, 51A & 66)	Front-heavy duty-consists of	1	B6A 2007-C
		2-AF 2021-AV Primary 2-AF 2022-AR Secondary 45-351939-S Rivet		
55/59	A (except S/D, S/W, 51A & 66)	Rear-consists of	1	B6A 2007-D
56	Highway Police	2-AF 2284-AM, AR or AJ 2284-N Primary 2-AF 2285-Z, AB or AJ 2285-L Secondary 45-351939-S Rivet	1	
55/59	A (except S/D, S/W, 51A & 66)	Rear-heavy duty-consists of	1	B6A 2007-F
		2-AF 2284-AV Primary 2-AF 2285-AF Secondary 45-351939-S Rivet		
55/59	S/D, S/W, 51A, 66	Front-consists of	1	B9A 2007-A
		2-B9AA 2021-B Primary 2-B9AA 2022-B Secondary 45-351939-S Rivet		
55/59	S/D, S/W, 51A, 66	Rear-consists of	1	B9A 2007-B
		2-B9AA 2284-B Primary 2-B9AA 2285-B Secondary 45-351939-S Rivet		
57	S	Front-consists of	1	B7SZ 2007-A
		2-AH 2021-E Primary 2-AH 2022-B Secondary 45-351939-S Rivet		
57	S	Rear-consists of	1	B7SZ 2007-B
		2-AH 2284-H Primary 2-AH 2285-B Secondary 45-351939-S Rivet		

Δ Cut from 8C 2269-B tubing, use (2) 87942-S8 nuts

## SECTION 20

## FORD CAR PARTS

YEAR 19	MODEL	DESCRIPTION	QTY. PER VEHICLE	PART NUMBER
<b>2007 KIT - BRAKE SHOE LINING - continued</b>				
57/59	P/I & Highway Police	Front & rear-consists of 2-AK 2021-B Front primary 2-AK 2022-B Front secondary 2-AK 2284-B Rear primary 2-AK 2285-B Rear secondary 88-351939-S Rivet	1	B7A 2007-B
57/59	P/I & Highway Police	Rear-2 1/2" wide-consists of 2-AK 2284-B Primary 2-AK 2285-B Secondary 45-351939-S Rivet	1	B7AZ 2007-A
58	S	Front & rear - Replaced by 1 each B8SZ 2007-A & COSZ 2007-A (3-63)	1	*B8S 2007-B
58	S	Rear-consists of 2-AN 2284-J Primary 2-AN 2285-C Secondary 45-351939-S Rivet	1	B8SZ 2007-A
59	A, P/I, Taxicab (H/D fade resistant)	Front or rear - 2 1/2" wide-consists of 2-AK 2021-B Primary 2-AK 2022-B Secondary 45-351939-S Rivet	2	B9AZ 2007-B
49/54	A (except S/D & S/W)	Front-heavy duty-off center ground Consists of 2-8A 2021-A Primary 2-0A 2022-D Secondary 45-351939-S Rivet	1	A9A 2007-E
59/	S	Front & rear-2 1/2" wide-consists of 2-COSS 2021-B Primary 2-COSS 2022-A Secondary 45-351939-S Rivet	2	COSZ 2007-A
<b>2A007 TUBE ASSY. - FRONT BRAKE - R.H.</b>				
59	S (8 cyl. 430) - use 27" of 91A 2269 tubing as sleeve	30" long-make from 8C 2269-B tubing and 2-87942-S8 nuts	1	AN 2A007-A
<b>2012-14 PLATE ASSY. - FRONT BRAKE CARRIER</b>				
52/53	S/D, S/W		2	MA 2012-A
54	S/D, S/W, P/I	R. H. L. H.	1 1	MB 2012-C MB 2013-C
57/59	Police Interceptor, Taxicab	Heavy duty	2	C0AA 2014-C
54	A (except S/D & S/W)	L. H. -stamped 304036	1	B4A 2013-A
56	A, S, Police Interceptor	R. H. -stamped 305826	1	B6A 2012-D
56	A, S, Police Interceptor	L. H. -stamped 305826	1	B6A 2013-D
57/59	A		2	B7A 2012-C
59	A	With H/D fade resistant brake lining	2	
58/	S		2	
57	S	R. H. -stamped 305819 L. H. -stamped 305818	1 1	B7S 2012-A B7S 2013-A
49/53	A	Bolt (plate to spindle)-upper holes- 7/16"-20x1 1/8" Locknut-7/16"-20	4	20411-S7(B184) 34447-S2(M83)
49/51	A	Bolt (plate to spindle)-lower hole rear- 1/2"-20 x 2 3/4"-end drilled	2	355758-S7(BB406)
49/53	A	Bolt (plate to spindle)-lower hole front- 1/2"-20 x 2 9/32"-end drilled	2	354248-S8(BB320)
54/56	A	Bolt (plate to spindle)-lower holes	4	
55/57	S		4	
		Nut-castle-1/2"-20 Cotter pin-1/8" x 1"		34032-S7(M9) 72035-S7-8(N51)
52/53	A	Bolt (plate to spindle)-lower hole rear- 1/2"-20 x 2 5/8"-end drilled	2	AB 2056-A
54/56	A	Bolt (plate to spindle)-upper holes-	4	356694-S(BB802)
55/57	S	3/8"-24 x 1 1/8"	4	
57/59	A	Bolt (plate to spindle)-rear-3/8"-24 x 1 3/4"	2	359870-S(BB378)
57/59	A	Bolt (plate to spindle)-front-3/8"-24 x 1 1/8"	2	359871-S(BB377)
		Nut - 3/8" - 24 Lockwasher - 3/8"		33800-S8(M63) 357629-S7(XX3-3)
57/59	A	Bolt (plate to spindle)-9/16"-18 x 2"	2	359788-S(BB265)
58/59	S		2	

# FORD CAR PARTS

## SECTION 20

YEAR 19____	MODEL	DESCRIPTION	QTY. PER VEHICLE	PART NUMBER
<b>2A016 LEVER and BUSHING ASSY. - POWER BRAKE BOOSTER</b> - Also Refer to Groups 2143				
59/	S	With B9SZ 2005-A booster	1	B9AA 2A016-A
59	A (8 cyl.)	With B9AZ 2005-A booster	1	
<b>2018 SHOE and LINING ASSY. - FRONT BRAKE PRIMARY</b>				
		2018-supplied in 2001 kits	2	
<b>2A018 COVER and TUBE ASSY. - POWER BRAKE BOOSTER AIR CLEANER</b>				
59/	A, S	With Bendix boosters	1	B9AA 2A018-A
		Screw (cover to bracket)-No. 8-32 x 3/8" tapping	2	40254-S8(U219)
<b>2019 SHOE and LINING ASSY. - FRONT BRAKE SECONDARY</b>				
		2019-supplied in 2001 kits	2	
<b>2A020 PIN - POWER BRAKE BOOSTER LEVER PIVOT</b>				
55/57	A, S	Front-for bonding or riveting	4	B6A 2020-A
<b>2020 SHOE - BRAKE LINING - DRILLED</b>				
59/	A, S	3/8"-24 x 3"-with Bendix boosters	1	B9MM 2A020-B
<b>2021 LINING - BRAKE PRIMARY SHOE</b>				
		2021-for riveting-supplied in 2007 kits	2	
<b>2022 LINING - FRONT BRAKE SECONDARY SHOE</b>				
		2022-supplied in 2007 kits	2	
		Rivet (lining)-9/64"x 9/32"	40	351915-AS(SS14)
		Rivet (lining)-9/64" x 1/4"	96	375991-S(SS23)
<b>2A024 HOSE - POWER BRAKE BOOSTER VACUUM</b>				
59/	A	5/16" I.D. -63 1/2" long	1	B9AA 2A024-A
<b>2027 PIN - BRAKE SHOE ANCHOR</b>				
49/53	A	5/8"-18 x 2 3/4"	4	96H 2027
54	A (except S/D & S/W)		4	
55	A, S		4	
49/56	A, S	Nut (anchor pin)-5/8"-18	4	33850-S8(M72)
57/	A	Nut (rear anchor pin)	2	
		Lockwasher-5/8"		34811-S2(X71)
57/59	A (1958/60 S)	Front-15/16"-16 x 2 19/32"	2	B7A 2027-B
57/	A (1958/ S)	Nut (front anchor pin)-15/16"-16	2	359398-S(MM126)
		Lockwasher-61/64"		358771-S(XX340)
<b>2028 PLATE - BRAKE SHOE ANCHOR PIN</b>				
49/59	A, S		4	96H 2028
<b>2029 WASHER - BRAKE SHOE ANCHOR PIN TO CARRIER PLATE</b>				
49/53			4	96H 2029
54	S/D, S/W, Police Interceptor		4	
55	A, S		4	
54	A (except S/D & S/W )	Rear	2	
<b>2030 ECCENTRIC ASSY. - FRONT BRAKE EQUALIZER</b>				
54	S/D, S/W, Police Interceptor		2	AD 2030-A
58	S	Rear		
54	A (except S/D & S/W)		2	AD 2030-B
58	S	Front		
		Nut (eccentric to carrier plate)-3/8"-24	2	33800-S8(M63)
		Lockwasher - 3/8"		34807-S7-8(X66)
58	S	Spacer (front eccentric roller)	2	371838-S(XX313)
<b>2031 BRACKET - POWER BRAKE BOOSTER MOUNTING</b>				
55/57	S		1	B6S 2031-A
55/57	S	Bolt (bracket to fender apron)-5/16"-24 x 7/8"	3or4	20347-S8(B156)
		Nut - 5/16"-24		33798-S8(M62)
		Lockwasher - 5/16"		34806-S7(X64)
55/56	A	Washer - flat - 5/16"		44722-S8(X19)
55/57	S	Washer-flat-5/16"		44725-S8(X22)
<b>2035 SPRING - BRAKE SHOE RETRACTING</b>				
49/54	A (except S/D & S/W)	Front & rear -4 9/16" long	8	8A 2035
49/51	S/W	Front	4	
49/51	S/W	Rear-4 7/16" long	4	B5A 2035-A
52/54	S/D, S/W	Front & rear	8	
54	Police Interceptor	Front & rear-heavy duty	8	
55/	A	Front & rear	8	
55/	S	Rear	4	
57/	A, S	Front-lower-7 3/4" long	2	B7A 2035-A

YEAR 19__	MODEL	DESCRIPTION	QTY. PER VEHICLE	PART NUMBER
<b>2A038 RESERVOIR ASSY. - POWER BRAKE BOOSTER</b>				
57/58	A		1	B7AZ 2A038-A
59	A		1	B9AZ 2A038-A
58	S		1	B8SZ 2A038-A
59/	S		1	B9SZ 2A038-A
57/	A	Nut (reservoir to fender apron)-5/16"-24	2	33798-S8(M62)
58/	S	Nut (reservoir to splash shield)	2	
		Lockwasher-5/16"		34806-S7(X64)
<b>2041 SCREW - BRAKE ADJUSTING</b>				
49/51	S/W	Rear-1/2"-20 x 2 1/2"	2	B7A 2041-A
52/54	S/D, S/W	Front & rear	4	
54	Police Interceptor	Front & rear - heavy duty	4	
55/	A, S	Front & rear	4	
49/54	A (except S/D & S/W)	Front & rear-7/16"-20 x 2 1/4"	4	8A 2041
49/51	S/W	Front	2	
<b>2042 LINK - BRAKE SHOE TO CYLINDER</b>				
49/	A, S	Front & rear-2 1/16" long	8	B7A 2042-A
55/	S		8	
<b>2044 GASKET - FRONT BRAKE CARRIER PLATE TO SPINDLE</b>				
57/	A	2 3/8" I.D.	2	B7A 2044-A
58/	S		2	
<b>2047 NUT - BRAKE ADJUSTING SCREW</b>				
49/51	A (except S/W)	Front & rear-7/16"-20-three grooves on body	4	AD 2047-A
52/54	A (except S/D & S/W)	for identification	4	
49/51	S/W	Front	2	
52/53	S/D	Front	2	
49/51	S/W	Rear-1/2"-20-three grooves on body for identifi-	2	B7A 2047-A
		cation-use with web 3/16" thick		
52/54	S/D, S/W	Front & rear	4	
54	Police Interceptor	Front & rear - heavy duty	4	
55/	A, S	Front & rear	4	
<b>2A047 HOSE - POWER BRAKE BOOSTER RESERVOIR TO MANIFOLD</b>				
57	A (6 cyl.)	27" long	1	◇B7AZ 2A047-A
57	S	Booster to manifold	1	
57	A	Reservoir to booster	1	
58	S	Booster to check valve	1	
59/	S (with A/C)		1	
57/59	A	Reservoir to booster-69" long	1	◇B7AZ 2A047-B
57/58	A (8 cyl.)	31" long	1	◇B7AZ 2A047-C
57	A (8 cyl.)	36" long	1	◇B7AZ 2A047-D
57/58	A-8 cyl.	42" long	1	◇B7AZ 2A047-E
58/59	S		1	
57	A-8 cyl. 312 (with dual 4 barrel carb.)	25" long	1	◇B7AZ 2A047-F
58	A (6 cyl.)	40" long	1	◇B8AZ 2A047-A
59	A-8 cyl. (with B9AZ 2005-A booster)	Check valve to booster	1	◇B9AA 2A047-A
59	A-8 cyl. 292 (with B9AZ 2005-A booster)	Check valve to connector to manifold tube- 18 1/2" long	1	◇B9AA 2A047-B
59	A-8 cyl. (with B9AZ 2005-A booster)	Check valve to reservoir	1	
58/59	S	29" long	1	◇B8AZ 2A047-B
59/	S	Reservoir to booster-16 1/2" long	1	◇B9SS 2A047-A
59/	S	Check valve to carburetor tube-2" long	1	◇B9SS 2A047-B
59/	S(8 cyl. 352)	Booster to check valve-12" long	1	◇B9SS 2A047-C
59/	S(8 cyl. 430)	Booster to check valve-8" long	1	◇B9SS 2A047-D
57/58	A-6 cyl.	Nipple (hose to manifold)	1	353652-S(II-4)
57/58	A-8 cyl.	Nipple (hose to manifold)	1	372554-S(II-190)
57	A-8 cyl. (except S/D & 66)	Connector (hose to manifold)-1/4" tube	1	359619-S(II-130)
57	A-8 cyl. (except S/D & 66)	Clip (hose to dash)	1	352605-S8(GG149)
58	A		1	
57	S	Fitting (booster to manifold hose to tee)- 1/4" x 1 15/32"	1	353793-S(II-3)
58	A (8 cyl. 332, 352)	Tee (hose to intake manifold)	1	370965-S(II-115)
58/	A (except 8 cyl. 332, 352)	Nipple (hose to manifold)	1	354316-S(II-132)
58/	A-6 cyl.	Elbow (hose to manifold)-3/8"-18	1	371737-S(II-10)
59	A	Connector (hose to intake manifold)	1	372095-S(II-116)
58	S	Grommet (hose to dash)	1	359771-S(RK11)
59	S (with A/C)		1	

◇ Make from B4C 4090-A hose

# FORD CAR PARTS

## SECTION 20

YEAR 19	MODEL	DESCRIPTION	QTY. PER VEHICLE	PART NUMBER
<b>2048 SOCKET - BRAKE ADJUSTING SCREW</b>				
49/50	S/W	Rear-1 3/32" long-use with web 5/32" thick	2	H 2048
49/54	A (except S/D & S/W)	Front & rear-1" long-three grooves	4	AD 2048-A
49/51	S/W	Front	2	
49/51	S/W	Rear-11/16" O.D. -1 3/32" long-one groove-use with web 3/16" thick	2	B7A 2048-A
52/54	S/D, S/W	Front & rear	4	
54	Police Interceptor	Front & rear - heavy duty	4	
55/	A, S	Front & rear	4	
<b>2049 SPRING - BRAKE ADJUSTING SCREW</b>				
49/51	S/W	Rear-5/8" diameter-3 1/4" long	2	H 2049
52/54	S/D, S/W	Front & rear	4	
54	Police Interceptor	Front & rear-heavy duty	4	
55/	A, S	Front & rear	4	
49/54	A (except S/D & S/W)	Front & rear-7/16" diameter-3 1/4" long	4	8A 2049
49/51	S/W	Front	2	
54	A (except S/D & S/W)	Cam-front	2	B4A 2049-A
54	S/D, S/W	Cam-front	2	B4A 2049-B
54	Police Interceptor	Cam-front - heavy duty	2	
55	A, S	Cam-front	2	B5A 2049-B
<b>2060 BAFFLE - FRONT BRAKE GREASE</b>				
54/56	A, S		2	AD 2060-C
55/57	S		2	
<b>2061-2 CYLINDER ASSY. - FRONT BRAKE</b>				
49/56	A	R. H. -1 1/8" diameter	1	AD 2061-A
55/57	S		1	
49/56	A	L. H. -1 1/8" diameter	1	AD 2062-A
55/57	S		1	
57	A	R. H. -1 1/8" diameter	1	B7A 2061-A
58	S	R. H.	1	
58	A	L. H.	1	
59	A	R. H.	1	
57	A	L. H. -1 1/8" diameter	1	B7A 2062-A
58	S	L. H.	1	
58	A	R. H.	1	
59	A	L. H.	1	
59/	S	R. H. -1 3/32" diam.	1	C3AZ 2061-A
59	A, A(P/I & Taxicab)	With H/D fade resistant lining	1	
59/	S	L. H. -1 3/32" diameter	1	B9SS 2062-A
59	A, A(P/I & Taxicab)	With H/D fade resistant lining	1	
49/	A, B, S	Bolt (cylinder to carrier plate)-5/16"-18 x 1/2"	4	20310-S8(B,18)
		Lockwasher-5/16"		★34941-S7
<b>2066 CUP - BRAKE SHOE HOLD DOWN SPRING</b>				
49/	A, S		16	B7A 2066-A
<b>2068 SPRING - BRAKE SHOE HOLD DOWN</b> <span style="float: right;"><i>Also Refer to Group 2A094</i></span>				
49/	A	23/32" O. D. -1 1/16" long	8	H 2068
49/58	S		8	
58/59	S	Rear	4	
58/59	S	Front-3/32" long	4	TDAA 2068-A
<b>2069 PIN - SHOE HOLD DOWN SPRING</b>				
49/51	S/W	Rear-2 1/64" long-stamped "2"	4	H 2069-A
52/54	S/D, S/W	Front & rear	8	
54	Police Interceptor	Front & rear - heavy duty	8	
55/59	A (except S/D, S/W, 51A & 66)	Rear	4	
55/56	S	Rear	4	
49/54	A (except S/D & S/W)	Front & rear-2 3/32" long-stamped "8"	8	8A 2069-A
49/51	S/W	Front	4	
55/59	S/D, S/W, 51A, 66, P/I & Taxicabs	Rear	4	
57/59	S	Rear	4	
55/59	A, S	Front-2 5/16" long	4	B7A 2069-A
59	A, P/I, Taxicab	Front & rear-with H/D fade resistant lining	8	
<b>2073 BRACKET - REAR BRAKE HOSE SUPPORT</b> <span style="float: right;"><i>Also Refer to Group 2082</i></span>				
58	51A		1	B8A 2073-D
58/	S		1	B8S 2073-A
59	A (except 51A, 66 & S/W)		1	B9A 2073-A
59	S/W, 66, 51A		1	B9AA 2073-B

## SECTION 20

## FORD CAR PARTS

YEAR 19	MODEL	DESCRIPTION	QTY. PER VEHICLE	PART NUMBER
<b>2074 CONNECTOR - BRAKE PIPE - REAR</b>				
49/56	A		1	8A 2074
57	A (except S/D, S/W & 66), S		1	
57	58		1	
55	S		1	
57	S/D, S/W, 66		1	B7A 2074-B
58/	S		1	B8SZ 2074-A
58/59	A (1958 S)	3/16" Tube	1	371566-S(II-120)
55/56	S	Bolt (connector to bracket)-7/16"-20 x 1"	1	20391-S8(B183)
		Lockwasher-7/16"		34808-S8(X67)
55/56	S	Bolt (bracket to rear axle)-5/16"-18 x 5/8"	1	20326-S7(B49)
<b>2075 CONNECTOR - BRAKE PIPE - FRONT</b>				
54/55	A		1	B4A 2075-A
57	A		1	B7A 2075-A
57	A	Master cylinder to connector	1	B7A 2075-B
58/	A		1	B8A 2075-A
58/	S		1	B8S 2075-A
52/53	A	Screw (connector to frame)-5/16"-18 x 3/4"- self-tapping	1	39909-S7(U269D)
52/57	S, S/D, S/W, 66	Nut (connector to rear brake hose)-7/16"-14	1	357855-S100 (MM108)
55/57	S	Connector (to stop light switch & front & rear brake tubes)	1	354446-S100 (II-134)
55/57	S	Union (connector to rear brake hose front tube to rear tube) -3/8"-24	1	*87211-S
<b>2076 FITTING - BRAKE</b>				
49/51	A	Master cylinder outlet	1	8M 2076
52/59	A	Master cylinder outlet	1	AB 2076-A
55/57	S	Master cylinder outlet	1	
54/56	A	Power brake booster outlet tube to booster	1	
58/	S	Master cylinder outlet	1	B8S 2076-A
<b>2078-9 HOSE ASSY. - BRAKE</b> <i>Refer to Group 2282</i>				
49/51	A	Rear-17 1/2" long	1	8A 2078
57/58	A (except S/D, S/W, 51A & 66)	Rear	1	
58	S	Rear	1	
58	S	Front	2	
49/53	A	Front-12" long	2	A9AZ 2078-A
54	A	Fitting to power brake booster outlet tube	1	
54/56	A	Front-14 1/4" long	2	B4AZ 2078-A
55/57	S	Front	2	
59/	A, S	Front	2	
57	S/D, S/W, 66	Rear	1	
57/58	A	Front-15" long	2	B7AZ 2078-A
57/58	51A	Rear	1	
58	S	Front	2	
58/	S	Rear	1	
59/	A	Rear	1	
55	A (with Power Brake Booster)	Fitting to outlet tube	1	LF 2078-B
55/56	S	Power brake booster to connector-25 3/8" long	1	B5SZ 2078-A
59	S (8cyl. 430)	Front cylinder to inner hose	2	B9A 2078-A
58/59	S-with Power Brake Booster	Master cylinder to connector-21" long-make from 8C 2269-B tubing	1	*B8S 2079-A
58	S	Front brake to connector-12 3/4" long	2	B8SZ 2078-A
<b>2082 BRACKET - FRONT BRAKE HOSE SUPPORT</b> <i>Also Refer to Group 2073</i>				
57/58	A	R. H.	1	B8A 2082-A
57/58	A	L. H.	1	B8A 2082-B
59	A	R. H.	1	B9AA 2082-A
58	S	R. H. -2 3/4" long	1	B8S 2082-A
58	S	L. H. -2 3/4" long	1	B8S 2082-B
58	S		2	B8S 2082-C
<b>2091 NUT - PARKING BRAKE EQUALIZER LEVER</b>				
49/	A, S	5/16"-24	1	8A 2091



# FORD CAR PARTS

## SECTION 20

YEAR 19	MODEL	DESCRIPTION	QTY. PER VEHICLE	PART NUMBER
<b>2A091 KIT - POWER BRAKE BOOSTER INSTALLATION</b>				
58/59	S		1	◇ B9SZ 2A091-A
Consists of				
	1-B8S 2005-A	Booster	1-B9S 22102-A	Reservoir
	1-B8S 2140-A	Cylinder	1-B9A 22109-A	Valve
	2-91T 2154-A	Gasket	2-33798-S8	Nut
	6-B6A 2344-A	Clamp	4-34806-S7	Lockwasher
	1-B9A 2454-B	Pad	1-354447-S	Connector
	4-B7A 2471-A	Bushing	1-Connector	2-Nuts
	1-20521-S8	Bolt	1-Tube	2-Screws
<b>2092 COVER - BRAKE ADJUSTING HOLE</b>				
49/	A, S	Rubber	4	8A 2092
<b>2A094 KIT - BRAKESHOE HOLD DOWN</b> <small>-Also Refer to Group 2068</small>				
49/51	S/W (front)	Consists of	2	A9AZ 2A094-A
49/54	A (except S/D & S/W) (front & rear)	4-B7A 2066-A Cup	2-H 2068 Spring	4
55/59	S/D, S/W, 51A, 66, P/I, Taxi Cab (rear)	2-8A 2069-A Pin		2
57/59	S (rear)			2
49/51	S/W (rear)	Consists of	2	A9AZ 2A094-B
52/54	S/D, S/W (front & rear)	4-B7A 2066-A Cup	2-H 2068 Spring	4
54	P/I (front & rear)	2-H 2069-A Pin		4
55/59	A (except 51A, 66 & S/W) (rear)			2
55/56	S (rear)			2
55/59	A, S, (front)	Consists of	2	B5AZ 2A094-A
		4-B7A 2066-A Cup	2-H 2068 Spring	
		2-B7A 2069-A Pin		
59	A, P/I, Taxicab (front & rear)	With H/D fade resistant brakes		4
<b>2106 RETAINER - PARKING BRAKE LEVER</b>				
49/	A, S		2	91A 2106
49/	A, S	Washer-spring (parking brake lever pin)-anti-rattle-3/8"	2	351467-S(XX352)
<b>2-2112 SEAL - POWER BRAKEBOOSTER CHECK VALVE</b>				
57/59	A		1	B7A 22112-A
58/59	S		1	
<b>2128 KIT - REAR BRAKE CYLINDER REPAIR</b>				
52/59	S/D, S/W, 51A, 66	15/16" diameter-consists of	2	B2A 2128-A
56/57	S	2-8L 2201 Cup 2-96H 2206 Boot	2	
59/	S	Consists of	2	B9S 2128-A
		2-B9S 2201-A Cup 2-96H 2206 Boot		
49/51	A	7/8" diameter	2	C3AZ 2128-A
52/59	A (except S/D, S/W, 51A, 66)		2	
55	S		2	
58	S		2	
<b>2131 FITTING - VACUUM PUMP TUBE TO VALVE CHAMBER COVER</b>				
49/50	A-6 cyl. 226		1	91D 2131
<b>2133 NUT - BRAKE MASTER CYLINDER TO FRONT BRAKE CONNECTOR TUBE</b>				
54/	A	3/8"-24	1	AD 2133-A
55/57	S		1	
<b>2A134 SEAL - POWER BRAKE BOOSTER BELLOWS AIR FILTER</b>				
57/59	A		1	B7AZ 2A134-A
58/	S		1	
<b>2140 CYLINDER and BRAKE PEDAL BRACKET ASSY. - BRAKE MASTER</b>				
49/51	A	Less push rod	1	A9 2140-A
49/51	A	Bolt (cyl. mounting)-3/8"-24 x 3 1/8"	2	352401-S8(BB225)
		Lockwasher-3/8"		34847-S8(X74)
52/54	A	Less push rod-Black	1	B2 2140-B
52/54	A	Bolt (cylinder to dash panel)-5/16"-24 x 1"	4	20387-S8(B157)
		Lockwasher-5/16"		34806-S7(X64)
<b>2140 CYLINDER ASSY. - BRAKE MASTER</b>				
55/56	A	Less push rod	1	B5A 2140-B
55/	S		1	
57/59	A	Less push rod	1	B7A 2140-A
57/59	A with Power Brake Booster	1 1/8" diameter	1	B7A 2140-B
59	A (8 cyl. )-with B9AZ 2005-A Booster	Less push rod	1	B9AZ 2140-A
58	S with Power Brake Booster	1 1/8" diameter	1	B8S 2140-A
59/	S (with Power Brake Booster & A/C)		1	
59/	S (except A/C)-with B9SZ 2005-A Booster	Less push rod	1	B9SZ 2140-A

◇ For booster to carburetor tube on 8 cylinder 430 cut 18 5/8" B7Q 2269-A tubing and add (1) 87945-S8 fitting

## SECTION 20

## FORD CAR PARTS

YEAR 19__	MODEL	DESCRIPTION	QTY. PER VEHICLE	PART NUMBER
<b>2140 CYLINDER ASSY. - BRAKE MASTER - continued</b>				
55/56	A	Bolt (cylinder to dash panel)-5/16"-24 x 1"	4	20387-S8(B157)
55/57	S		4	
57	A, S	Bolt (cylinder to dash panel)-5/16"-24 x 1 1/8"	4	353483-S2(BB588)
59/	S	Bolt & retainer assy. (cylinder to dash panel)- 5/16"-24 x 1 1/8"	4	371468-S2(RR26)
57/58	A with Power Brake Booster	Bolt (cylinder to dash panel)-5/16"-24 x 1 1/4"	4	20427-S8(B158)
57/	A	Bolt (cylinder to brake booster)-5/16"-24 x 1 1/2"	2	20467-S7(B160)
58/	S with Power Brake Booster	Bolt (cylinder to pedal support bracket)- 5/16"-24 x 2"	2	20521-S8(B162)
		Nut-5/16"-24		33798-S7-8(M62)
		Washer-flat-5/16"		44722-S8(X19)
		Lockwasher-5/16"		34806-S7(X64)
59	A	Screw (cylinder to booster)-No. 14 x 5/8" self- tapping	2	31498-S8(U253B)
59/	S (except A/C)	Nut (cylinder to booster)-5/16"-24	4	33798-S7-8(M62)
		Lockwasher		34806-S7(X64)
<b>2143 ROD ASSY. -BRAKE MASTER CYLINDER PUSH</b>				
49/51	A	Center to end 3 41/64	1	CIUU 2143-A
53/56	A	6 1/4" long	1	AB 2143-C
55/57	S		1	
57/59	A	6 17/32" long	1	B7A 2143-A
57/59	A with Power Brake Booster		1	B7A 2143-B
58/	S	6" long	1	B8S 2143-A
59/	S (with Bendix Booster)	3 3/16" center length	1	B9MM 2143-A
59	A (8 cyl.)-with B9AZ 2005-A Booster		1	
52/	A, S	Bushing (push rod)	2	B2A 2474-A
58/59	S	Locknut (rod to booster lever)- 5/16"-24	1	34443-S7-8(M79)
		Lockwasher - 5/16" internal tooth		34906-S8(X98)
<b>2144 BUMPER - BRAKE MASTER CYLINDER PUSH ROD</b>				
52/56	A, S	Rubber	1	B2A 2144-A
<b>2145 SPRING and RETAINER ASSY. - BRAKE MASTER CYLINDER PISTON RETURN</b>				
49/	A, S		1	C3AZ 2145-A
<b>2149 GASKET - BRAKE LINE</b>				
49/51	A	Windshield wiper silencer to manifold	1	91A 2149
49/51	A	Front brake line connection--. 39" I. D. -. 62" O. D.	2	8M 2149
55/	S		2	
56/	A		2	
49/59	A	Front brake line to brake cylinder	2	
55/57	S		2	
49/	A, S	Rear brake hose to rear brake line	1	
<b>2150 BOLT - FRONT BRAKE LINE CONNECTION</b>				
49/51	A	3/8"-24 x 13/16"	1	8M 2150
55/57	S		1	
56/57	A		1	
58	S		2	
<b>2A150 BUSHING - POWER BRAKE BOOSTER LEVER</b>				
59	A, S	1/2" long	2	B9MM 2A150-A
<b>2152 GASKET - BRAKE MASTER CYLINDER OUTLET</b>				
49/51	A	. 51" I. D. -. 81" O. D.	2	91A 2152
<b>2153 BRACKET - PARKING BRAKE FRONT CABLE CLAMP</b>				
55/56	A (except Sunliner)		1	B5A 2153-B
57	A (except 51A & 76B)		1	B7A 2153-A
59	A (except 51A & 76B)		1	B9A 2153-A
49/51	A (except Convertible Coupe)	Bolt (bracket to frame)-5/16"-24 x 1"	2	20387-S8(B157)
		Nut-5/16"-24		33798-S8(M62)
		Lockwasher-5/16"		34806-S7(X64)
<b>2154 GASKET - BRAKE</b>				
52/	A, S	Master cylinder outlet-. 51" I. D. -. 70" O. D.	2	91T 2154-A
54/57	A, S	Power brake booster outlet tube connector to master cylinder	2	
54/56	A	Power brake outlet tube to booster	2	
55/	S		2	
54/56	A	Power brake booster inlet tube connector	1	
55/57	S		1	

# FORD CAR PARTS

## SECTION 20

YEAR	MODEL	DESCRIPTION	QTY. PER VEHICLE	PART NUMBER
<b>2A158 PLATE ASSY. - POWER BRAKE BOOSTER PISTON - FRONT</b>				
59/	S	With Bendix Booster - Use with B9AA 2395-A	1	B9AA 2A158-A
59	A (8 cyl.)	Piston	1	
<b>2162 CAP ASSY. - BRAKE MASTER CYLINDER FILLER</b>				
49/51	A		1	1A 2162-A
52/59	A, S		1	AB 2162-C
<b>2167 GASKET - BRAKE MASTER CYLINDER FILLER CAP</b>				
49/59	A, S	1 41/64" I.D. - 1 7/8" O.D.	1	8M 2167
<b>2169 PISTON - BRAKE MASTER CYLINDER</b>				
		2169-supplied in 2004 kits	1	
<b>2173 CUP - BRAKE MASTER CYLINDER PRIMARY</b>				
		2173-supplied in 2004 kits	1	
<b>2174 SNAP RING - BRAKE MASTER CYLINDER PISTON</b>				
		2174-supplied in 2004 kits	1	
<b>2178 VALVE ASSY. - BRAKE MASTER CYLINDER</b>				
49/52	A	Optional with A9A 2178-B kit	1	C1TT 2178-A
<b>2178 KIT - BRAKE MASTER CYLINDER VALVE and SEAT</b>				
49/51	A	Supplied in A9A 2004-A kit-optional with C1TT 2178-A	1	A9A 2178-B
55/56	A	Replaced by COAZ 2004-B (2-63)	1	*B5A 2178-B
55/57	S		1	
<b>2180 BOOT - BRAKE MASTER CYLINDER</b>				
49/	A, S	Supplied in 2004 kits	1	0A 2180
59/	S	With B9SZ 2005-A booster	1	B9AA 2180-A
59	A (8 cyl.)	With B9AZ 2005-A booster	1	
<b>2A185 VALVE ASSY. - POWER BRAKE BOOSTER CHECK</b>				
57/58	A		1	B7AZ 2A185-A
58	S		1	
59/	A (6 cyl.)		1	B9AZ 2A185-C
59/	S (with A/C)		1	
59/	S (with B9SZ 2005-A booster)-except A/C	At dash panel-stamped 378629	1	B9AZ 2A185-A
59	A (8 cyl.)-with B9AZ 2005-A booster		1	
59/	A-8 cyl.(w/B9AZ 2005-A & COAZ 2005-A boosters)	At manifold	1	B9AZ 2A185-B
59/	S (with B9SZ 2005-A booster)-except A/C		1	
<b>2194-8 PISTON ASSY. - BRAKE CYLINDER</b>				
49/51		Rear-7/8" O.D.	4	8A 2197-A
52/59	A (except S/D, S/W, 51A & 66)		4	
55	S		4	
58	S		4	
52/59	S/D, S/W, 51A, 66	Rear-15/16" O.D.	4	8L 2197-A
56/57	S		4	
59/	S	Rear-29/32" O.D.	4	B9S 2197-A
49/59	A	Front-1 1/8" diameter	4	96H 2198-A
55/58	S		4	
59/	S	Front-1 3/32" O.D.	4	COLL 2196-A
59	A, P/I, Taxicab	With H/D fade resistant lining	4	
<b>2200 KIT - REAR BRAKE SHOE and LINING</b>				
49/53	A (except S/D & S/W)	Consists of 2-8A 2218-D Primary 2-8A 2219-D Secondary	1 1	A9A 2200-A
54	A (except S/D & S/W)	Consists of 2-AD 2218-M or R Primary 2-AD 2219-M or R Secondary	1	B4A 2200-D
55/59	A (except S/D, S/W, 51A & 66)	Consists of 2-AF 2218-AH, AM or AJ 2218-J Primary 2-AF 2219-AA, AE or AJ 2219-J Secondary	1	B6A 2200-A
55/59	S/D, S/W, 51A, 66	Consists of 2-B9AA 2218-B Primary 2-B9AA 2219-B Secondary	1	B9A 2200-A
55/59	A (except S/D, S/W, 51A & 66)-use with B6A 2211-G & B6A 2212-G plates	Heavy duty-consists of 2-AF 2218-AJ Primary 2-AF 2219-AB Secondary	1	B6A 2200-C
57/59	Police Interceptor & Highway Police	Consists of 2-AK 2218-B Primary	1	B7A 2200-C
57	A (8 cyl. 312 Supercharger)	2-AK 2219-B Secondary	1	

YEAR 19	MODEL	DESCRIPTION	QTY. PER VEHICLE	PART NUMBER
<b>2200 KIT - REAR BRAKE SHOE and LINING - continued</b>				
57/59	Taxicabs	Bonded-consists of 2-AJ 2218-A Primary 2-AJ 2219-A Secondary	1	B7A 2200-BA
57/58	S	Consists of 2-AN 2218-G Primary 2-AN 2219-E Secondary	1	B8S 2200-A
58/	S	Consists of 2-COSS 2018-B Primary 2-COSS 2019-B Secondary	1	B9S 2001-A
59	A, P/I, Taxicab	2 1/2" wide-H/D-fade resistant-consists of 2-B9KK 2018-A Primary 2-B9KK 2019-A Secondary	1	B9AZ 2001-A
<b>2A200 KIT - POWER BRAKE BOOSTER PISTON PACKING</b>				
59/	S	Bendix-consists of	1	B9AZ 2A200-A
59/	A (8 cyl.)	1-B9MM 2A019-A Expander 1-TBAD 2348-A Felt 1-B9MM 22381-A Hose 1-B9MM 2356-A Packing	1	
<b>2201-2 CUP - BRAKE CYLINDER</b>				
49/59	A (1955/58 S)	Front-1 1/8" diameter	4	91A 2202
52/59	S/D, S/W, 51A, 66	Rear-15/16" diameter	4	8L 2201
56/57	S		4	
59/	S	Rear	4	B9S 2201-A
49/51	A	Rear-7/8" diameter	4	C3AZ 2201-B
52/59	A (except S/D, S/W, 51A & 66)		4	
55&58	S		4	
59	A, P/I, Taxicab	Front-1 3/32" diam.-with H/D fade resistant lining	4	C2SZ 2201-A
<b>2204-5 SPRING - BRAKE CYLINDER PISTON RETURN</b>				
49/	A, S	Front	2	A0A 2205-A
49/	A, B, S	Rear-2 3/8" long	2	A0A 2204-A
<b>2206-7 BOOT - BRAKE CYLINDER</b>				
49/	A (1955/58 S)	Front & rear	8	96H 2206
59/	S	Rear	4	
59/	S	Front-supplied in 2221 Kits	4	★ 0M 2207-A
<b>2208 SCREW - BLEEDER</b>				
49/	A, S	Brake cylinder-3/8"-24 x 1 11/64"	4	8M 2208
54/56	A, S	Power brake booster	1	
<b>2211-12 PLATE ASSY. - REAR BRAKE CARRIER</b>				
49/54	A(except S/D & S/W)	R. H.	1	AB 2259-A
		L. H.	1	AB 2260-A
55/59	A (except S/D, S/W, 51A & 66)	R. H. -for standard or H/D shoe & lining- stamped 39930	1	B6A 2211-G
		L. H. -for standard or H/D shoe & lining	1	B6A 2212-G
55/59	S/D, 51A, 66	R. H. -stamped 39916-1/2" mounting holes	1	B6A 2211-E
55/58	S/W & P/I S/W		1	
57/58	S		1	
59	Heavy Duty S/W		1	
		L. H. -stamped 39917-1/2" mounting holes	1	B6A 2212-E
59	S/W & P/I S/W	R. H. -3/8" mounting holes-stamped 44327	1	B9AA 2211-A
		L. H. -3/8" mounting holes-stamped 44328	1	B9AA 2212-A
55/56	P/I	R. H. -stamped 40247	1	B6A 2211-F
49/54	S/D, S/W		1	
55/56	S (1956 Fairlane-8 cyl. 312)		1	
		L. H. -stamped 40248	1	B6A 2212-F
57/59	P/I, Taxicab	R. H. -H/D brakes-stamped 307488	1	B7A 2211-B
		L. H. -H/D brakes-stamped 307487	1	B7A 2212-B
49/	A (except S/D, S/W, 51A & 66)	Bolt (plate to rear axle)-3/8"-24 x 1 1/8"	8	356694-S(BB802)
		Locknut-3/8"-24		34445-S7(M80)
49/	S/D, S/W, 51A, 66, P/I, S	Locknut (plate to rear axle)-1/2"-20	8	34424-S7(M84)
<b>2218 SHOE and LINING ASSY. - REAR BRAKE PRIMARY</b>				
		2218-supplied in 2200 kits	2	
<b>2219 SHOE and LINING ASSY. - REAR BRAKE SECONDARY</b>				
		2219-supplied in 2200 kits	2	

YEAR 19__	MODEL	DESCRIPTION	QTY. PER VEHICLE	PART NUMBER
<b>2221 KIT - FRONT BRAKE CYLINDER REPAIR</b>				
49/59	A	Consists of	2	8M 2221
55/58	S	2-91A 2202 Cup 2-96H 2206 Boot	2	
59	S	1 3/32" diameter-consists of	2	C3AZ 2221-A
59	A, P/I, Taxicab(with H/D fade resistant lining)	2-C3AZ 2201-A Cup 2-B8E 2207-A Boot	2	
<b>2234 TUBE ASSY. - POWER BRAKE BOOSTER OUTLET</b>				
54	A	Make from 8C 2269-B pipe and 2-87942-S8 nuts	1	★ AD 2234-A
55	A	22 7/8" long-make from 8C 2269-B pipe and 2-87942-S8 nuts	1	★ AF 2234-B
56	A	Make from 8C 2269-B pipe and 2-87942-S8 nuts	1	★ AF 2234-C
54/56	A	Bolt (tube brkt. to fender apron)-1/4"-28 x 1/2"	1	20309-S8(B150)
		Nut-1/4"-28		33796-S7(M61)
		Lockwasher-1/4"		34805-S8(X62)
		Washer-flat-1/4"		44719-S8(X17)
<b>2-2241 INSULATOR - POWER BRAKE BOOSTER OUTLET TUBE</b>				
54	A	9" long-make from A9A 17543-B hose	2	★ AD 22241-A
55/56	A	5 1/16" long-make from A9A 17543-B hose	2	★ AF 22241-A
<b>2-2243 TUBE ASSY. - POWER BRAKE RESERVOIR TANK HOSE TO MANIFOLD</b>				
57	A (except 66 & S/D)-8 cyl. 312 with dual 4/B carb.	13" long-make from 8QH 2269-A and 1-87945-S8 nut	1	★ AK 22243-A
57	A (exc. 66 & S/D)-8 cyl. 312 w/dual 4/B carb.	Connector (tube to carburetor)	1	370539-S(II-168)
57	A (except 66 & S/D)-8 cyl.	Clip (tube to manifold)	1	356628-S(GG175)
57	A (except 66 & S/D)-8 cyl.	Bolt (clip to manifold)-5/16"-18 x 1/2"	1	20310-S8(B48)
		Lockwasher-5/16"		34806-S7(X64)
<b>2244 CLIP - BRAKE PIPE</b>				
54/57	A	Right front to frame	2	B4A 2244-A
55/57	S (1959/60 S)	Front to frame	1	
49/57	S, S/D, S/W, 66, Police Interceptor	To rear axle	2	
52/53		Right front to cross member	2	
57/58	57, 58	Rear brake & fuel line to frame	2	B7A 2244-A
58	57, 58	Rear air suspension spring leveling valve to regulator valve tube to frame	2	
49/50	A	Clip (master cyl. to front brake pipe to frame)	1	7RA 14197-B
49/50	A	Clip (master cyl. to rear brake pipe to frame)	4	
51/54	A	Clip (master cyl. to front brake pipe to frame)	1	357331-S32(GG5)
51/54	A	Clip (master cyl. to rear brake pipe to frame)	3	
55/56	A	Clip (master cyl. to rear brake hose to frame)	5	
57/	A		2 to 4	
59	51A		2	
55/57	S	Clip (front brake fitting to rear brake hose to frame)	3	
56	S/D, S/W	Bolt (clip to rear axle)-5/16"-18 x 5/8"	2	20326-S7(B49)
		Lockwasher-5/16"		34806-S7(X64)
57	A (except 51A, 57 & 58)	Clip (connector to rear brake hose to frame)	1	359558-S(GG39)
57/59	A	Clip (connector to rear brake hose to frame)	1	359559-S(GG158)
57/59	A	Clip (connector to front brake hose to frame)	1	
59	A (6 cyl.)	Clip (rear brake tube connector to rear hose to frame)	5	356626-S32(GG22)
59	A	Clip (right front brake tube to frame)	1	
57/59	A	Clip (right front brake tube to No. 2 cross member)	1	370085-S(GG57)
<b>2-2247 TUBE ASSY. - POWER BRAKE BOOSTER TO CARBURETOR</b>				
57	S	8 17/64" long-make from 8Q 2269-A & 1-87945-S8 nut	1	★ AH 22247-E
58/	S	20 1/2" long-make from 8QH 2269-A and 1-87945-S8 nut	1	★ AN 22247-A
59	S (8 cyl. 430)	16 29/32" long-make from B7Q 2269-A and 1-87945-S8 nut	1	★ AN 22247-B
58/	S	Tee-1/4" tube	1	370965-S(II-115)
58/	S	Connector (tube to manifold)	1	354447-S(II-80)
<b>2-2247 TUBE ASSY. - POWER BRAKE BOOSTER TO INTAKE MANIFOLD</b>				
57	S	Make from 8QH 2269-A and 1-87945-S8 nut	1	★ AH 22247-C
<b>2248 BOLT - REAR BRAKE CARRIER PLATE</b>				
49/56	S, S/D, S/W, Police Interceptor	1/2"-20 x 1 1/8"	8	8M 2248
57/	S/D, S/W, 51A, 66, S, P/I		8	B7A 2248-A
59	A, P/I, Taxicab	With H/D fade resistant lining	8	
		Locknut-1/2"-20	8	34424-S7(M84)

YEAR 19	MODEL	DESCRIPTION	QTY. PER VEHICLE	PART NUMBER
<b>2-2249 HOSE - POWER BRAKE BOOSTER TO MANIFOLD</b>				
54/56	A-6 cyl., S	13" long-make from B4C 4090-A	1	★AD 22249-A
54	A-8 cyl.	24" long-make from B4C 4090-A	1	★AE 22249-E
55/56	A-8 cyl.	24" long-make from B4C 4090-A	1	★AE 22249-A
55/56	S	31" long-make from 8QH 2269-A & 2-87945 nuts	1	★AH 22249-B
57	S	13 1/2" long-make from B4C 4090-A	1	★AH 22249-F
54	A-6 cyl.	Nipple (hose to manifold)	1	353652-S(II-4)
54	A-8 cyl.	Nipple (hose to connector)	1	372554-S(II-190)
55/56	A		1	
55/56	S	Fitting (hose to connector)-5/8"-18	1	87945-S8(I-23)
55	S	Connector (hose to manifold)	1	354447-S(II-80)
55/	A	Nipple (hose to manifold)	1	354316-S(II-132)
54	A-8 cyl.	Connector (hose to manifold)	1	353809-S(II-60)
<b>2253 TUBE ASSY. - POWER BRAKE BOOSTER TO CARBURETOR</b>				
56	A	Cut from 8QH 2269-A-use 2-87945-S8 nuts	1	★B6A 2253-A
<b>2259-60 PLATE AND REINFORCEMENT ASSY. - REAR BRAKE CARRIER - Refer to Group 2211-12</b>				
<b>2261-62 CYLINDER ASSY. - REAR BRAKE</b>				
52/59	S/D, S/W, 51A, 66	R. H. -15/16" diameter	1	B7A 2261-A
56/57	S	L. H.	1	B7A 2262-A
59/	S	R. H. -29/32" diameter	1	B9S 2261-A
59/	S	L. H. -29/32" diameter	1	B9S 2262-A
49/51	A	R. H. -7/8" diameter	1	C3AZ 2261-B
52/59	A (except S/D, S/W, 51A & 66)		1	
55	S		1	
58	S	L. H. -7/8" diameter	1	C3AZ 2262-B
49/	A, S	Bolt (cylinder to carrier plate)-5/16"-18 x 1/2"	4	20310-S8(B48)
<b>2263-4 PIPE ASSY. - BRAKE - Refer to Brake Pipe Length Chart following Group 2269</b>				
<b>2-2264 PIPE ASSY. - BRAKE - Refer to Brake Pipe Length Chart following Group 2269</b>				
<b>2265 TUBE ASSY. - TUBE BRAKE and FUEL LINE - STEEL - INCLUDES FLARED ENDS and FITTINGS</b>				
		3/16" x 12"		B6A 2265-AA
		3/16" x 20"		B6A 2265-AB
		3/16" x 30"		B6A 2265-AC
		3/16" x 40"		B6A 2265-AD
		3/16" x 51"		B6A 2265-AE
		3/16" x 60"		B6A 2265-AF
		1/4" x 12"		B6A 2265-BA
		1/4" x 20"		B6A 2265-BB
		1/4" x 30"		B6A 2265-BC
		1/4" x 40"		B6A 2265-BD
		1/4" x 51"		B6A 2265-BE
		1/4" x 60"		B6A 2265-BF
<b>2265-8 PIPE ASSY. - BRAKE - Refer to Brake Pipe Length Chart following Group 2269</b>				
<b>2269 TUBING - BRAKE and FUEL LINE - Refer to 2268, 9156 &amp; 9282 Charts</b>				
		Steel-1/4" O.D. -supplied in 25 ft. rolls		91A 2269
		Steel-5/16" O.D. -supplied in 25 ft. rolls		8C 2269-A
		Steel-3/16" O.D. -supplied in 25 ft. rolls		8C 2269-B
		Steel-3/8" O.D. -supplied in 25 ft. rolls		B7Q 2269-A
		Copper-3/8" O.D. -supplied in 25 ft. rolls		8QH 2269-A
		Nut-5/8"-18-use with B7Q 2269-A & 8QH 2269-A		87945-S8(I-23)
		Copper-1/2" O.D. -supplied in 25 ft. rolls		8QH 2269-B
		Copper-5/8" O.D. -supplied in 15 ft. lengths		8QH 2269-C
		Copper-1/4" O.D. -supplied in 50 ft. rolls		8QH 2269-D
<b>2269 TUBE ASSY. - REAR BRAKE TUBE CONNECTOR TO REAR HOSE</b>				
59	A (except 51A, 66 & S/W)	136 5/16" long	1	Δ8C 2269-B
59	S/W, 66	156 13/16" long	1	
59	51A	158 5/8" long	1	
<b>2269 TUBE ASSY. - POWER BRAKE CONNECTOR TUBE TO MANIFOLD</b>				
59	A	4" long-use 1-87945-S8 nut-cut to length	1	B7Q 2269-A

BRAKE PIPE LENGTH CHART

WHEEL BASE	MODEL	YEAR 19__	*PIPE DIAMETER	CUT TO LENGTH	WHEEL BASE	MODEL	YEAR 19__	*PIPE DIAMETER	CUT TO LENGTH
<b>2267 RIGHT REAR BRAKE</b>									
114"	A (except S/W)	49/51	3/16"	41"	115 1/2"	S/D, S/W, Police	56	3/16"	
114"	S/W	49	3/16"	48"		Interceptor			
114"	S/W	50/51	3/16"	48"	116"&118"	A	57	3/16"	43"
115"	All	52/53	3/16"	42"	102"	S	57	3/16"	43"
115 1/2"	A (except S/D & S/W)	54	3/16"	42"	118"	51A, 57, 58, 63, 64,	58	3/16"	41"
115 1/2"	S/D, S/W	54	3/16"	40"		76B, S/W (8 cyl.)-			
115 1/2"	A (except S/D & S/W)	55/56	3/16"	41"		with air suspension			
115 1/2"	S/D, S/W, Police	55	3/16"	39"	113"	S	58/	3/16"	22"
	Interceptor				116"&118"	A	58	3/16"	36"
102"	S	55/56	3/16"	36"	118"	A	59	3/16"	44"
<b>2268 LEFT REAR BRAKE</b>									
114"	A (except S/W)	49/51	3/16"	17"	115 1/2"	S/D, S/W, Police	56	3/16"	
114"	S/W	49/51	3/16"	15"		Interceptor			
115"	A (except S/D, S/W)	52/53	3/16"	17"	116"&118"	A	57	3/16"	17"
115 1/2"	A (except S/D & S/W)	54	3/16"	17"	102"	S	57	3/16"	17"
115"	S/D, S/W	52/53	3/16"	19"	118"	51A, 57, 58, 63, 64, 76B,	58	3/16"	18"
115 1/2"	S/D, S/W	54	3/16"	19"		S/W (8 cyl.)-with A/S			
115 1/2"	A (except S/D & S/W)	55/56	3/16"	17"	113"	S	58	3/16"	41"
115 1/2"	S/D, S/W, Police	55/56	3/16"	19"	113"	S	58	3/16"	18"
	Interceptor				116"&118"	A	58	3/16"	20"
102"	S	55/56	3/16"	23"	118"	A	59	3/16"	23"
					113"	S	59/	3/16"	42"
<b>MASTER CYLINDER TO FRONT BRAKE HOSE</b>									
114"	All	49/51	3/16"	39"					
<b>2263 RIGHT FRONT BRAKE</b>									
114"	All	49/50	3/16"	46"					
114"	All	50/51	3/16"	50"					
115"	All	52/53	3/16"	48"					
115 1/2"	All	54	3/16"	50"					
115 1/2"	A	55	3/16"	46"					
115 1/2"	A	56	3/16"	57"					
116"&118"	A	57	3/16"	53"					
118"	51A, 57, 58, 63, 64, 76B,	58	3/16"	42"					
	S/W (8 cyl.)-with A/S								
113"	S	58	3/16"	89"					
113"	S	58	3/16"	75"					
113"	S	59/	3/16"	57"					
116"&118"	A	58	3/16"	72"					
118"	A	59	3/16"	77"					
<b>2264 FRONT BRAKE</b>									
102"	S	55/57	3/16"	48"					
<b>2264 LEFT FRONT BRAKE</b>									
115"	All	52/53	3/16"	8"					
115 1/2"	All	54	3/16"						
115 1/2"	A	55	3/16"	5"					
<b>2272 FRONT BRAKE FITTING TO CONNECTOR</b>									
113"	S	58	3/16"	28"					
102"	S	55	3/16"	12"					
115 1/2"	A	56	3/16"	13"					
116"&118"	A	57	3/16"	13"					
116"&118"	A	58	3/16"	23"					
118"	A	59	3/16"	13"					
113"	S	59/	3/16"	19"					
<b>2273-4 FRONT CONNECTOR TO REAR BRAKE HOSE</b>									
115"	A (except S/D & S/W)	52/53	3/16"	122"					
115"	S/D, S/W	52/53	3/16"	112"					
102"	S Front	55/57	3/16"	50"					
102"	S Rear	55/56	3/16"	***55"					
102"	S Rear	57							
<b>2264 MASTER CYLINDER TO FRONT BRAKE CONNECTOR</b>									
115"	All	52/53	3/16"	**44"					
115 1/2"	All	54	3/16"	**17"					
116"&118"	A	57	3/16"	**21"					
115 1/2"	A	55	3/16"	**17"					
102"	S	55/56	3/16"	19"					
115 1/2"	A	56	3/16"	**23"					
102"	S	57	3/16"	**21"					
102"	S with Power Brake	57	3/16"	29"					
	Booster								
116"&118"	A	58	3/16"	18"					
113"	S with Power Brake	58/	3/16"	13"					
	Booster								
113"	S	58/	3/16"	24"					
118"	A	59	3/16"	18"					
118"	A-8 cyl. (with B9AZ	59	3/16"	20"					
	2005-A booster)								
113"	S (with B9SZ 2005-A	59/	3/16"	15"					
	booster)-except A/C								
114"	S/W	49/51	3/16"	81"					
114"	A (except S/W)	49/51	3/16"	83"					
<b>2265 MASTER CYLINDER TO REAR BRAKE HOSE</b>									
115 1/2"	A (except S/D & S/W)	54	3/16"	121"					
115 1/2"	S/D, S/W	54	3/16"	110"					
115 1/2"	A (except S/D & S/W)	55	3/16"	128"					
115 1/2"	A (except S/D & S/W)	56	3/16"	120"					
115 1/2"	S/D, S/W	55	3/16"	115"					
115 1/2"	S/D, S/W	56	3/16"	***104"					
116"&118"	S/D, S/W, 66	57	3/16"	115"					
116"&118"	A (except S/D, S/W & 66)	57	3/16"	111"					
118"	51A (8 cyl.)-with air	53	3/16"						
	suspension								
118"	57, 58 (8 cyl.)-with air	58	3/16"	140"					
	suspension								
118"	S/D, S/W, 66	58	3/16"	162"					
118"	57, 58, 63, 64, 70, 73, 76B	58	3/16"	141"					
113"	S	58	3/16"	154"					
118"	S/W, 66	58	3/16"	161"					
118"	S/W, 66	59	3/16"	157"					
113"	S	59/	3/16"	158"					

Δ Cut to length, use 2-87942-S8 nuts & 1-20" piece of 91A 2269 for guard

\* Make from 8C 2269-B and 2-87942-S8 nuts before flanging

\*\*\* Use 1 each 87942-S8 and 357855-S100 nuts

\*\* Use 1 each 87942-S8 and AD 2133-A nuts

YEAR 19	MODEL	DESCRIPTION	QTY. PER VEHICLE	PART NUMBER
<b>2270 HOSE - BRAKE and AIR SUSPENSION LINES</b>				
58/	A	Use with bulk tubing & 1/2" O. D. nuts	AR	B8T 2270-A
<b>2-2272-4 PIPE ASSY. - BRAKE - Refer to Brake Pipe Length Chart following Group 2269</b>				
<b>2273 GROMMET - PARKING BRAKE CABLE TO DASH PANEL</b>				
49/51	A		1	1A 2273
<b>2-2274 TUBE ASSY. - FRONT BRAKE FITTING TO REAR BRAKE HOSE - REAR</b>				
57	S	33" long- make from 8C 2269-B and 1 each 357855-S100 fitting & 87942-S8 nut	1	*AH 22274-D
<b>2276 BOLT - BRAKE</b>				
49/51	A	Master cylinder outlet fitting to master cylinder-1/2"-20 x 1 3/8"	1	91T 2276
55/58	S	51A, 57A, 58B, 63A, 64B, 70B, 73B, 76B (8 cyl. 332, 352)	1	
55/56	A (with Power Brake Booster)	Master cylinder outlet fitting to booster	1	
54/57	S (with Power Brake Booster)		1	
52/59	A	Master cylinder outlet fitting to master cylinder-1/2"-20 x 1 1/8"	1	8L 2276
54/56	A	Power brake booster outlet tube to booster fitting	1	
<b>2-2277 TUBE ASSY. - TEE TO REAR BRAKE HOSE</b>				
57	51A	132" long-make from 8C 2269-B and 2-87942-S8 nuts	1	*AL 22277-D
57	51A	Clip (tube to frame)	7	357331-S32(GG5)
57	51A (6 cyl)	Clip (tube to frame)	1	359559-S(GG158)
57	51A	Clip (tube to No. 2 cross member)	3	359261-S100(GG74)
<b>2282 HOSE ASSY. - REAR BRAKE - Refer to Group 2078</b>				
52/56	A (except S/D & S/W)	18 1/2" long	1	B2AZ 2282-A
58	66, S/D, S/W		1	
52/56	S/D, S/W	15 1/2" long	1	B2AZ 2282-B
55/57	S		1	
<b>2284 LINING - REAR BRAKE PRIMARY SHOE</b>				
			2	2284-for riveting-supplied in 2007 kits
<b>2285 LINING - REAR BRAKE SECONDARY SHOE</b>				
			2	2285-for riveting-supplied in 2007 kits
<b>2307 KIT - POWER BRAKE BOOSTER MINOR REPAIR</b>				
54/56	A	Consists of	1	B4A 2307-B
55/57	S		1	
1-B3T 2373-A Gasket 1-TEAA 2391-A Diaphragm 2-TEAA 2399-A Seal 1- Ring				
2- AD 2384-A Seal 1- AD 2396-A Piston 1- 59T 2408-A Cup 1-B3T 2373-C Seal				
1- AD 2386-A Filter 1- AD 2399-A Seal 1- AD 22421-B Ring 1-351204-S Washer				
1- Nut 1- Valve 1- Disc 1- Gasket				
57/	A (1958/60 S)	Consists of	1	B7A 2307-A
9-Bushings 1-Insulator 1-Valve				
1-Diaphragm 1-Tube 1-Washer				
<b>2308 DISC - POWER BRAKE BOOSTER CONTROL VALVE</b>				
54/56	A (1955/57 S)		1	B3T 2308-A
<b>2309 KIT - POWER BRAKE BOOSTER MAJOR REPAIR</b>				
54/56	A (1955/57 S)	Consists of	1	B4A 2309-B
1- 59T 2368-A Piston 1- TEAA 2392-A Spring 1-TEAA 2438-A Spring				
1- B3T 2373-A Gasket 1- B4A 2394-A Diaphragm 1- AD 22418-A Spring				
1- B3T 2373-C Seal 1- AD 2396-A Piston 1- AD 22421-B Ring				
2- AD 2384-A Seal 1- AD 2399-A Seal 1- Ring				
1- AD 2386-A Filter 2- TEAA 2399-A Seal 1- 351204-S Washer				
1- TEAA 2391-A Diaphragm 1- 59T 2408-A Cup 2- Snap Rings				
1- Nut 1- Gasket 2- Springs				
57/	A	Consists of	1	B7A 2309-A
58/	S		1	
1-B7A 2307-A Kit 1-Retainer 3-Springs 3-Bolts				
1-Baffle 1-Ring 2-Washers 1-Silencer				
59/	S (with B9SZ 2005-A booster)	Consists of	1	B9AZ 2309-A
59	A-8 cyl. (with B9AZ 2005-A booster)		1	
1-8A 2145 Spring 1-51A 2174-A Snap Ring 1-AJ 22719-A Seat				
1-B9MM 2A151-A Bumper 1-AJ 2178-A Valve 1-B9MM 22296-A Diaphragm				
1-8M 2167 Gasket 1-B8MM 2180-A Boot 1-B9MM 22300-A Disc				
1-C0AA 2169-A Piston 1-B9AZ 2A319-A Seal 1-B9MM 22301-A Poppet				
1-FAA 2173-A Cup 1-B9MM 2493-A Gasket 1-B9MM 22501-A Filter				



# FORD CAR PARTS

## SECTION 23

YEAR 19	MODEL	DESCRIPTION	QTY. PER VEHICLE	PART NUMBER
<b>2A319 SEAL - POWER BRAKE BOOSTER PUSH ROD TO PISTON</b>				
59/	A-8 cyl., S (Bendix)		1	B9AZ 2A319-A
<b>2344 CLAMP ASSY. - POWER STEERING RETURN LINE</b>				
56	A	To reservoir	1	B4Q 2344-A
57/	A (6 cyl.)	Reservoir to pump hose	2	
55	A, S	Power brake booster to manifold hose	2	
55/59	A, S	To pump	1	B5A 2344-A
56/	A, S	Power brake booster hose-use BPA 18572-A	AR	★B6A 2344-A
58	51A	Fuel tank vent hose-use BPA 18572-A	2	
59	A		2	
<b>2352 TUBE ASSY. - POWER BRAKE BOOSTER INLET - Make from 8C 2269-B tubing and (2) 87942-S8 nuts</b>				
54	A		1	★AD 2352-A
55/56	A	33 9/16" long	1	★AF 2352-B
55	S	18" long	1	★AH 2352-B
56/57	S	18" long	1	★AH 2352-C
54/56	A (1955/57 S)	Connector (tube to booster)	1	353706-S(II-66)
<b>2361 SPRING - POWER BRAKE BOOSTER</b>				
54/56	A	Diaphragm & pressure plate return	1	AD 2361-A
55/57	S		1	
57/59	A	Bellows return	1	B7A 2361-A
59/	A, S	With Bendix boosters	1	B9MM 2361-A
<b>2365 VALVE ASSY. - POWER BRAKE BOOSTER BODY CHECK</b>				
54/56	A		1	B4A 2365-A
55/57	S		1	
<b>2366 BODY ASSY. - POWER BRAKE BOOSTER</b>				
54/56	A, S	Rear	1	B4A 2366-A
59	A (8 cyl.) -Bendix	With B9AZ 2005-A booster	1	B9AA 2366-A
59/	S(Bendix)	With B9SZ 2005-A booster	1	B9MM 2366-A
<b>2366 BELLOWS - POWER BRAKE BOOSTER</b>				
57/59	A		1	B7A 2366-A
58/	S		1	
<b>2368 PISTON ASSY. - POWER BRAKE BOOSTER HYDRAULIC CYLINDER</b>				
54/56	A		1	59T 2368-A
55/57	S		1	
<b>2369 PLUG - POWER BRAKE BOOSTER HYDRAULIC CYLINDER END</b>				
54/56	A		1	TEAA 2369-A
55/57	S		1	
54/56	A	Gasket (plug)-copper-1 9/64" I. D.	1	351204-S(XX268)
55/57	S		1	
<b>2370 RING - POWER BRAKE BOOSTER BELLOWS SUPPORT</b>				
57/59	A		3	B7A 2370-A
58/	S		1	
<b>2373 SEAL - POWER BRAKE BOOSTER PUSH ROD BUSHING</b>				
54/56	A		1	B3T 2373-A
55/57	S		1	
<b>2373 GASKET - POWER BRAKE BOOSTER HYDRAULIC CYLINDER BODY</b>				
54/56	A	Supplied in B4A 2307-B & B4A 2309-B kits	1	B3T 2373-C
55/57	S		1	
<b>2377 ROD - POWER BRAKE BOOSTER PUSH</b>				
54/56	A	4 9/32" long	1	AD 2377-A
55/57	S		1	
54/56	A	Locknut (push rod)-5/16" - 24	1	34393-S7(M98)
55/57	S		1	
54/56	A	Washer-flat (push rod seal)-25/64"	1	353667-S(XX156)
55/57	S		1	
<b>2384 SEAL - POWER BRAKE BOOSTER PUSH ROD</b>				
54/56	A, S	Supplied in B4A 2307-B & B4A 2309-B kits	2	★AD 2384-A
55/57	S		2	
56	A	Snap ring (seal to bushing)	2	359384-S(QQ44)
56/57	S		2	
<b>2385 BUSHING - POWER BRAKE BOOSTER PUSH ROD</b>				
54/56	A		1	B4A 2385-A
55/57	S		1	
		Lockwasher (bushing to body)-1 1/4"	1	353719-S7(XX295)
<b>2A385 PLUNGER ASSY. - POWER BRAKE BOOSTER</b>				
59/	S (Bendix)		1	B9AZ 2A385-A
59	A (8 cyl.) -Bendix		1	

## SECTION 24

## FORD CAR PARTS

YEAR 19	MODEL	DESCRIPTION	QTY. PER VEHICLE	PART NUMBER
<b>2386 FILTER - POWER BRAKE BOOSTER CONTROL VALVE AIR INTAKE</b>				
54/56	A, S	Supplied in B4A 2307-B & B4A 2309-B kits	1	*AD 2386-A
55/57	S		1	
<b>2390 SPACER - POWER BRAKE BOOSTER CONTROL VALVE SPRING TO DISC</b>				
54/56	A		1	B3T 2390-B
55/57	S		1	
		Screw (spacer to disc)-No. 8-32 x 5/8"	1	*31077-S8
		Lockwasher - No. 8	1	34802-S7(X59)
<b>2391 DIAPHRAGM - POWER BRAKE BOOSTER CONTROL VALVE</b>				
54/56	A		1	TEAA 2391-A
55/57	S		1	
<b>2392 SPRING - POWER BRAKE BOOSTER CONTROL VALVE DIAPHRAGM RETURN</b>				
54/56	A	Supplied in B4A 2309-B kit	1	*TEAA 2392-A
55/57	S		1	
<b>2394 DIAPHRAGM and PRESSURE PLATE ASSY. - POWER BRAKE BOOSTER CYLINDER</b>				
54/57	A, S		1	B4A 2394-A
56	A		1	B6A 2394-A
56/57	S		1	
<b>2395 PISTON - POWER BRAKE BOOSTER BODY</b>				
59/	A, S (Bendix)	Front-use with B9AA 2A158-A Plate	1	B9AA 2395-A
59/	A, S (Bendix)	Rear-7 3/4" O. D.	1	B9MM 2395-A
<b>2396 PISTON - POWER BRAKE BOOSTER CONTROL VALVE</b>				
54/56	A		1	AD 2396-A
55/57	S		1	
<b>2399 SEAL - POWER BRAKE BOOSTER CONTROL VALVE PISTON</b>				
54/56	A	Supplied in B4A 2307-B & B4A 2309-B kits	1	*AD 2399-A
55/57	S		1	
54/56	A		2	TEAA 2399-A
55/57	S		2	
<b>2401 SLEEVE - POWER BRAKE BOOSTER CONTROL VALVE ECCENTRIC</b>				
57/59	A		1	B7A 2401-A
58/	S		1	
<b>2408 CUP - POWER BRAKE BOOSTER HYDRAULIC CYLINDER PISTON</b>				
54/56	A		1	59T 2408-A
55/57	S		1	
<b>2415 RETAINER - POWER BRAKE BOOSTER VACUUM CONTROL VALVE CAP</b>				
54/56	A		1	59T 2415-A
55/57	S		1	
<b>2418 BOLT - POWER BRAKE BOOSTER ECCENTRIC MOUNTING</b>				
57/59	A		1	B7A 2418-A
<b>2-2418 SPRING - POWER BRAKE BOOSTER HYDRAULIC CYLINDER PISTON RETURN</b>				
54/56	A	Supplied in B4A 2309-B kit	1	*AD 22418-A
55/57	S		1	
<b>2419 BODY - POWER BRAKE BOOSTER VACUUM CONTROL VALVE</b>				
54/56	A		1	AD 2419-A
55/57	S		1	
57/59	A		1	B7A 2419-A
58/	S		1	
<b>2420 TUBE ASSY. - POWER BRAKE BOOSTER</b>				
54/55	A, S	9 1/2" long-make from 8QH 2269-A	1	*AD 2420-A
56	A	14 5/16" long-make from 8QH 2269-A	1	*AF 2420-A
56/57	S		1	
56	A	Grommet (tube to booster rear body)	1	359048-S(KK31)
56/57	S		1	
<b>2421 SCREEN - POWER BRAKE BOOSTER VACUUM CONTROL VALVE</b>				
54/56	A		2	AD 2421-A
55/57	S		2	
<b>2-2421 RING - POWER BRAKE BOOSTER FRONT BODY TO CONTROL VALVE TRANSFER BUSHING</b>				
54/56	A	Supplied in B4A 2307-B & B4A 2309-B kits	1	*AD 22421-B
55/57	S		1	
<b>2423 RETAINER - POWER BRAKE BOOSTER HYDRAULIC CYLINDER PISTON SPRING</b>				
54/56	A		1	59T 2423
55/57	S		1	
<b>2425 BODY - POWER BRAKE BOOSTER HYDRAULIC CYLINDER</b>				
54/56	A	(1955/57 S)	1	AD 2425-B
		Bolt (body to control valve body)-1/4"-20 x 3/4"	4	20344-S8(B42)
		Lockwasher-1/4"		34905-S7(X97)

# FORD CAR PARTS

## SECTION 24

YEAR 19	MODEL	DESCRIPTION	QTY. PER VEHICLE	PART NUMBER
<b>2428 RING - POWER BRAKE BOOSTER TUBE TO REAR BODY</b>				
54/56	A		1	B4A 2428-A
55/57	S		1	
<b>2429 RETAINER - POWER BRAKE BOOSTER PISTON FELT</b>				
59/	A, S (Bendix)		1	B9MM 2429-A
<b>2435 ECCENTRIC - POWER BRAKE BOOSTER MASTER CYLINDER</b>				
57/59	A		1	B7A 2435-A
58/	S		1	
<b>2438 SPRING - POWER BRAKE BOOSTER VACUUM CONTROL VALVE</b>				
54/56	A		1	TEAA 2438-A
55/57	S		1	
<b>2439 HUB ASSY. - POWER BRAKE BOOSTER BELLOWS MOUNTING</b>				
57/59	A		1	B7A 2439-A
		Nut (bracket to hub)-1/4"-28	3	33796-S7(M61)
		Lockwasher-1/4" internal tooth		34905-S7(X97)
<b>2444 LEVER - POWER BRAKE BOOSTER MASTER CYLINDER ECCENTRIC ADJUSTING</b>				
57/59	A		1	B7A 2444-A
		Lockwasher(lever retaining)-5/16" internal tooth	1	34906-S8(X98)
<b>2453 PLATE ASSY. - BRAKE PEDAL PAD</b>				
54/56	A (with S/T & O/D)		1	B2A 2453-A
55/57	S (with S/T & O/D)		1	
57/	A (with S/T & O/D)-except 57C, 63C, 65B & 76B	With fixed steering column	1	B7A 2453-A
58/	S (with S/T & O/D)		1	
55/	A, S	Bolt (plate to pedal)-5/16"-24 x 1"	1	20387-S8(B157)
		Locknut-5/16"-24		34393-S7(M98)
<b>2454 PAD ASSY. - PEDAL - Also Refer to Group 2457</b>				
49/51	A (with S/T & O/D)	Brake	1	1A 2454-A
49/51	A	Clutch	1	
51	A (with F/M)	Brake	1	1A 2454-B
52/	A, S (with F/M & C/M)	Brake	1	AB 2454-B
54/	A, S (F/M & C/M)	Power brake pedal "Swift Sure" 1954-64	1	B9A 2454-B
54/	A, S (S/T & O/D)	Power brake pedal	1	B4A 2454-B
59/	A	Parking brake	1	B9A 2454-A
52/	A, S	Bolt (pad to brake pedal)-5/16"-24 x 1"	1	20387-S8(B157)
		Locknut-5/16"-24		34393-S7(M98)
<b>2455 PEDAL ASSY. - BRAKE</b>				
49/51	A		1	1A 2455-B
52/54	A	Nut (pedal to support)-7/16"-20	1	34671-S8(M67)
		Lockwasher-7/16"		34808-S8(X67)
55/56	A		1	B5A 2455-A
55/57	S		1	B5S 2455-B
57/59	A		1	B9AA 2455-A
58/	S		1	B8S 2455-A
57	A	Nut (power brake booster lever to pedal)-5/16"-24	1	33798-S7-8(M62)
55/	A (with F/M)	Nut (pedal to support)-7/16"-20	1	34671-S8(M67)
55/	S		1	
55	A (with F/M)	Lockwasher-7/16"		34808-S8(X67)
55/	S	Lockwasher-7/16"	1	357625-S7-8
56/	A (with F/M)		1	(XX304)
55/	A (1958/ S)	Locknut (pedal to master cylinder)-3/8"-24	1	34370-S8(M99)
54/	A, S, X	Bumper (brake pedal)	1	MA 7583-A
57/	A	Locknut (power brake pedal to master cyl. push rod)-5/16"-24	1	34443-S7-8(M79)
57/59	A (1958/S)	Pin (power brake pedal pivot)-1/2" x 1 7/8"	1	370068-S8B
57/59	A (1958/S)	Screw-set (power brake pedal to pivot pin)-	1	370070-S(UU35)
<b>2456 SPRING - BRAKE PEDAL and PARKING BRAKE</b>				
49/51	A	Brake pedal retracting	1	8A 2456-B
49/51	Convertible Coupe	Parking brake equalizer lever	1	
49	S/W	Parking brake equalizer lever-use with "X" type frame	1	
<b>2457 PAD - PEDAL PLATE - Also Refer to Groups 2454</b>				
54/58	A, S (with S/T & O/D)	Power brake	1	AD 2457-A
52/	A (with S/T & O/D)	Brake	1	B7A 2457-A
52/	A	Clutch	1	
55/	S	Brake	1	
55/	S	Clutch	1	

## SECTION 24

## FORD CAR PARTS

YEAR TO	MODEL	DESCRIPTION	QTY. PER VEHICLE	PART NUMBER
<b>2461 BUSHING - BRAKE PEDAL</b> -Also Refer to Group 2471				
52/56	A	11/16" O. D. -1 1/16" flange	1	AB 2461-B
55/57	S		1	
<b>2462 BOLT - BRAKE MASTER CYLINDER LINK ROD</b>				
49/	A, S	3/8"-24 x 1 11/32"	1	COTT 2462-A
<b>2462 ECCENTRIC - POWER BRAKE BOOSTER CONTROL VALVE ADJUSTING</b>				
57/59	A		1	B7A 2462-A
58/	S		1	
<b>2471 BUSHING - BRAKE and CLUTCH MOUNTING BRACKET</b> -Also Refer to Group 2461				
57/	A		4	B7A 2471-A
<b>2-2471 RETAINER and SLEEVE ASSY. - POWER BRAKE BOOSTER BELLOWS</b>				
57/59	A		1	B7A 22471-A
<b>2472 SPRING - BRAKE PEDAL RETRACTING</b>				
52/56	A		1	AB 2472-D
55/57	S		1	
57/59	A		1	B7A 2472-A
58/	S		1	
<b>2474 BUSHING - BRAKE MASTER CYLINDER PUSH ROD</b>				
52/	A, B, S, X	1/8" long	2	B2A 2474-A
57	A (with S/T & O/D)	Power brake lever to mounting bolt-supplied in B7A 2307-A kit	2	*B7A 2474-A
<b>2475 SNAP RING - BRAKE PEDAL SHAFT</b>				
49/51	A		1	8A 2475
49/51	A	Washer-flat (shaft snap ring)-5/8"	1	351503-S(XX204)
<b>2478 SHAFT - BRAKE PEDAL</b>				
52/56	A (with F/M)		1	B6A 2478-A
55/57	S (with F/M)		1	
57/	A (with F/M & C/M)	9/16" diameter-3 7/8" long	1	B7A 2478-A
58/	S (with F/M & C/M)		1	
57/58	A	Lockwasher (pedal thrust)-nylon-23/32"	1	359273-S(XX323)
58/	S		1	
57/	A	Washer-spring (shaft to support)-41/64"	1	358981-S(XX364)
58/	S		1	
57/	A (w/Power Brakes, F/M, F/M/2 & 3, C/M)	Retainer-spring (shaft to support)-9/16"	1	74279-S(R5)
58/	S (with Power Brakes, F/M & C/M)		1	
<b>2481 INSULATOR - BRAKE PEDAL BUSHING TO SPRING</b>				
54	A		1	B5A 2481-A
55/59	A (except Power Brake Booster)		1	
55/	S		1	
<b>2493 GASKET - POWER BRAKE BOOSTER END PLATE</b>				
59/	A (8 cyl.), S (with Bendix Power Brakes)		1	B9MM 2493-A
<b>2505 CLIP - PARKING BRAKE CABLE - REAR</b>				
49/51	A (except Convertible Coupe)	Use with box type frame	1	8A 2505
52/54	A		1	
55/56	A (except Sunliner & Victoria Fordor)		1	
<b>2530-1 BRACKET - PARKING BRAKE REAR CABLE</b>				
52/53	A	R. H.	1	AB 2530-A
		L. H.	1	AB 2531-A
57/59	A (except 51A & 76B)	R. H.	1	B7A 2530-A
		L. H.	1	B7A 2531-A
57/58	51A, 76B	R. H.	1	B7A 2530-B
		L. H.	1	B7A 2531-B
59	51A, 76B	R. H.	1	B9A 2530-A
		L. H.	1	B9A 2531-A
<b>2543 TUBE ASSY. - POWER BRAKE BOOSTER CONNECTOR TO MANIFOLD</b>				
59/	S (with B9SZ 2005-A Booster)	51" long - make from 8C 2269-A tubing and	1	*B9AA 2543-A
59/	A (with B9AZ 2005 & COAZ 2005-A Boosters)	1-87945-S8 nut	1	
<b>2A601 SPRING - PARKING BRAKE LINK</b>				
49/	A, S		2	A8TZ 2A601-A
<b>2A602 EQUALIZER - PARKING BRAKE CABLE</b>				
55/59	S		1	B8SZ 2A602-A
49/56	A (except Sunliner & Victoria Fordor)		1	
49/56	Sunliner, Victoria Fordor	Cut to length	1	

YEAR To	MODEL	DESCRIPTION	QTY. PER VEHICLE	PART NUMBER
<b>2A605 LEVER - PARKING BRAKE EQUALIZER</b>				
52/54			1	B2AZ 2A605-A
55/56	A (except Sunliner)		1	
57	A (except 51A & 76B)		1	B7AZ 2A605-A
57	51A, 76B		1	B7AZ 2A605-B
58	A		1	B8AZ 2A605-A
59	A		1	B8AZ 2A605-B
58	S		1	B8SZ 2A605-A
59/	S		1	B9SZ 2A605-A
52/54	A (except Convertible Coupe)	Clevis pin (lever)-5/16" x 63/64"	1	73931-S7(N9)
55/56	A (except Sunliner)		1	
57	51A, 76B		1	
58/59	S		1	
52/54	Convertible Coupe	Clevis pin (lever)-5/16" x 1 1/2"	1	73963-S7(N13)
57	A	Clevis pin (lever)-5/16" x 1 1/16"	1	76010-S8
52/56	A	Pin-self-locking	1	352358-S(NN127)
57	A (except 51A & 76B)		1	
		Cotter pin - 3/32" x 1/2"		72004-S(N41)
<b>2628 ROD - PARKING BRAKE EQUALIZER</b>				
52/	A	Universal-12" long-cut from thread end to	1	B7A 2628-B
55/57	S	required length	1	
59/	S		1	
49/51	Convertible Coupe	Use with "X" type frame	1	
49	S/W	Use with "X" type frame	1	
58	S		1	B8S 2628-A
		Locknut-5/16"-24		34443-S7-8(M79)
		Check nut-5/16"-24		33923-S7(M32)
55/57	S	Spring (parking brake equalizer lever retracting)	2	MB 7523-A
<b>2631 BRACKET - PARKING BRAKE EQUALIZER</b>				
57	A (except 51A & 76B)		1	B7A 2631-A
57	51A & 76B		1	B7A 2631-B
58/	S (except 8 cyl. 430)		1	B8S 2631-A
<b>2634 SPRING - PARKING BRAKE RELEASE</b>				
59/	A	18 coils	1	B9AA 2634-A
<b>2A635 CABLE ASSY. - PARKING BRAKE - FROM EQUALIZER TO REAR BRAKES</b>				
49	A (except Convertible Coupe & S/W)	153" long- Purple spring	1	B2AZ 2A635-A
50/51	A (except Convertible Coupe)		1	
52/53	A		1	
54	Convertible Coupe		1	
54	A (except Convertible Coupe, S/D & S/W)	143" long- Purple spring	1	B5AZ 2A635-A
55/56	A (except Sunliner, Victoria Fordor, S/D & S/W)		1	
54/56	S/D, S/W	144 1/2" long-Blue spring	1	B5AZ 2A635-B
55/56	Sunliner & Victoria Fordor	129 1/2" long	1	B5AZ 2A635-C
55/57	S	101" long	1	B7SZ 2A635-A
58	S	159 7/16" long	1	B8SZ 2A635-A
59	S (8 cyl. 430)	153 5/16" long	1	B8SZ 2A635-B
55/	A, S	Pin (cable to equalizer)	1	352358-S(NN127)
58/	S	Clip (cable to rear suspension arm)	2	352977-S100 (GG156)
57/58	A (except 51A & 76B)	80 1/2" long-Blue spring	2	B7AZ 2A635-A
59	A		2	
57	51A (8 cyl.)	79" long	2	B7AZ 2A635-C
57	76B	79 1/2" long-Purple spring	2	B7AZ 2A635-B
49/51	A	Retainer (cable to rear brake carrier plate)	2	351092-S32 (MM262)
58	57, 58, 63, 64, 76B, S/W (8 cyl.)-with air suspension	79 3/8" long	2	B8AZ 2A635-A
58	51A, 76B		2	
59/	S	77" long	2	C0SS 2A635-A
59	S	Cotter pin (cable to equalizer)-3/32"x1/2"	1	72004-S7(N41)
58	S/W (8 cyl.)-with air suspension	Clip (cable to rear suspension arm)	2	357946-S8(GG152)
58	A	Bolt & retainer ass'y. (cable to dash panel)-1/4"-20	1	358926-S2(RR23)
<b>2A637-8 LEVER ASSY. - PARKING BRAKE CABLE TO SECONDARY BRAKE SHOE</b>				
55/	A	R. H.	1	C1SS 2A637-A
49/54	S/D, S/W	R. H.	1	
54	Police Interceptor	R. H. -heavy duty	1	
55/	S	R. H.	1	
		L. H.	1	C1SS 2A638-A

YEAR 19	MODEL	DESCRIPTION	QTY. PER VEHICLE	PART NUMBER
<b>2A642 LINK - PARKING BRAKE LEVER TO PRIMARY BRAKE SHOE</b>				
55/	A, S	7 21/32" long	2	C0AA 2A642-A
49/54	S/D, S/W		2	
54	Police Interceptor	Heavy duty	2	
<b>2745 SPRING - PARKING BRAKE CABLE</b>				
53/54	A	Use with B2AZ 2A635-A cable	2	AB 2745-A
55/56	A		2	
59	S	6 1/16" long	1	B9S 2745-A
<b>2760 HANDLE ASSY. - PARKING BRAKE RELEASE</b>				
59	A		1	B9AZ 2760-A
<b>2768 EQUALIZER ASSY. - PARKING BRAKE - REAR</b>				
57/	A		1	C0AZ 2768-A
59/	S		1	
57/	A	Cotter pin (trunnion to cable)-3/32" x 1/2"	1	72004-S7(N41)
<b>2780 CONTROL ASSY. - PARKING BRAKE - ON DASH</b>				
51	A (except S/W)	Round holes in mounting bracket	1	1A 2780-AA
49/51	A	Screw (control to instrument panel)- No. 10-32 x 3/4"	2	27113-S7-8(U176)
51/54	A	Bolt (control to dash panel)-5/16"-24 x 1/2"	2	20311-S8(B153)
		Locknut-5/16"-24		34393-S7(M98)
52/56	A		1	B5A 2780-A
55/57	S		1	B5S 2780-B
57/58	A		1	B7A 2780-A
55/56	A	Bolt (control to dash panel)-5/16"-24 x 3/4"	2	355471-S8(BB651)
58	A		2	
		Locknut-5/16"-24		34393-S7(M98)
59	A	Includes pedal	1	B9A 2780-A
59	A	Bolt (control to cowl)-5/16"-24 x 1 1/8"	3	353483-S2(BB588)
58/	S		1	B8S 2780-A
58/	S	Bolt (control to dash)-1/4"-20 x 1/2"	2	20308-S7(B40)
		Nut-1/4"-20		33795-S7(M49)
		Lockwasher-1/4"-internal tooth		34905-S7(X97)
		Washer-flat-1/4"		44719-S8(X17)
58/	S	Nut (control to dash)-5/16"-24	3	33798-S8(M62)
		Lockwasher-5/16"		34806-S7(X64)
<b>2786 PAWL - PARKING BRAKE RATCHET BAR</b>				
52/56	A, S		1	OM 2786
57	A		2	
58	A		1	
58/	S		1	
<b>2788 SPRING - PARKING BRAKE RATCHET BAR PAWL LOCKING</b>				
52/56	A, S		1	OM 2788
57/58	A	Outer	1	
58/	S		1	
59/	A	Lever-1"long-9/32" O.D.-20 3/4 coils	1	B9AA 2788-A
<b>2804 PULLEY ASSY. - PARKING BRAKE CABLE</b>				
52/58	A (1955/60 S)		1	OM 2804
52/57	A, S	Clevis pin (pulley to handle)-5/16" x 63/64"	1	73931-S7(N9)
		Pin-self-locking		352358-S(NN127)
58	A (1958/60 S)	Clevis pin (pulley to handle)-5/16" x 13/16"	1	*73880-S8
<b>2814 CLIP - BRAKE HOSE</b>				
49/	A	Brake hose	AR	78 2814-A
54/56	A	Front brake fitting to power brake booster outlet tube hose to bracket	1	
55/	S	Front brake hose to connector	2	
55/	S	Rear brake hose to frame	1	
54	A	Bolt (bracket to fender apron)-1/4"-28 x 1/2"	1	20309-S8(B150)
		Lockwasher-1/4"		34805-S8(X62)
		Nut-1/4"-28		33796-S7(M61)
		Washer-flat-1/4"		44719-S8(X17)
49/54	A	Parking brake cable to frame	3	8M 2814
54/58	A (1955/60 S)	Parking brake cable to frame	2	
59/	A		3	
54/58	A (1955/60 S)	Parking brake cable to front bracket	1	
58/	S	Parking brake cable to dash	1	
59/	A, B	Parking brake cable to control	1	

YEAR 19	MODEL	DESCRIPTION	QTY. PER VEHICLE	PART NUMBER
<b>2853 CABLE and CONDUIT ASSY. - PARKING BRAKE HANDLE TO EQUALIZER LEVER</b>				
49/50	A (except Convertible Coupe)	75" long-use with box type frame	1	8A 2853-C
49/50	A	Clip (cable conduit to floor)	1	358341-S2(GG46)
49/50	A	Bolt (clip to floor)-1/4"-20 x 5/8"	1	20324-S8(B41)
51	A (except Convertible Coupe)	63 1/2" long	1	1A 2853-A
51	A	Clip (cable conduit to fender apron)	1	357332-S32(GG6)
54	Convertible Coupe	50" long-use with dual exhaust	1	B4A 2853-A
55/56	Sunliner	58 1/2" long	1	B5A 2853-C
52/56	A (except Sunliner)	52 1/2" long	1	B5A 2853-D
57/58	A		1	B8A 2853-A
59	A		1	B9A 2853-A
55/57	S	53 1/2" long	1	B5S 2853-D
58/	S	42" long	1	COSS 2853-A
58	A	Clip (cable to toe board)	1	357946-S8(GG152)
58/	S	Clip (cable to floor support)	1	
59	A	Clip (cable to dash panel)	1	357947-S8(GG153)
58/	A	Bolt & retainer (clip to toe board)-1/4"-20	1	358926-S2(RR23)
		Nut-1/4"-20		33795-S7(M49)
		Washer-flat-1/4"		44719-S8(X17)
58/59	S	Screw (clip to floor support)-5/16"-18 x 3/4"	1	39909-S7(U269D)
<b>2857 BRACKET - PARKING BRAKE CABLE TO DASH</b>				
52/54	A		1	B2A 2857-A
55/57	S		1	
55/58	A		1	B5A 2857-A
58/	S		1	B8S 2857-A
52/58	A	Screw (bracket to dash)-No. 14 x 3/4"-self-tapping	2	42143-S8(U255)
55/57	S		2	
<b>2858 PLATE - PARKING BRAKE CABLE TO DASH</b>				
52/54	A		1	B2A 2858-A
55/57	S		1	
<b>2859 PIN - PARKING BRAKE LEVER</b>				
49/51	A	Knurled-5/32" x 7/16"	1	8A 2859
52/58	A (1955/60 S)	Knurled-5/32" x 15/16"	1	0M 2859
<b>2861 LINK - PARKING BRAKE CONNECTING</b>				
59/	A		1	B9A 2861-A
<b>2878 COMPRESSOR ASSY. - LESS PULLEY and BASE</b>				
55	A-8 cyl.		1	B5A 2878-A
<b>2879 KIT - COMPRESSOR MOUNTING BASE</b>				
58/59	A	Consists of 1-B8A 2881-A Base, 1-Gasket	1	B8A 2879-A
<b>2881 BASE - COMPRESSOR</b>				
58/59	A, S		1	B8A 2881-A
58	A (8 cyl.)	Bolt (base to compressor)-5/16"-18 x 3/4"	4	20346-S8(B50)
		Lockwasher-5/16"		34806-S7(X64)
<b>2882 BRACKET - COMPRESSOR MOUNTING</b>				
55/56	A-8 cyl.		1	ECE 2882-A
57	A-8 cyl.		1	B7A 2882-A
58/	A (8 cyl. 292)		1	B9AE 2882-A
58/	A (8 cyl. 332, 352)	Front	1	B8A 2882-A
55/	S		1	
59	A-6 cyl.		1	B9AE 2882-B
55/56	A-8 cyl. (1960/X)	Bolt (brkt. to compressor)-3/8"-16 x 1 1/4"	1	20428-S7-8(B82)
57	A-8 cyl.	Bolt (bracket to compressor)-3/8"-16 x 1"	1	20388-S8(B80)
58/	A (8 cyl.), S		4	
58/	A (8 cyl.), S	Bolt (bracket to cylinder head)	2	
58	66, 70, 73, S/D (8 cyl.)	Bolt (bracket to cyl. head)-3/8"-16 x 1 3/8"	1	20448-S8(B83)
59/	A (8 cyl.)		1	
58	66, 70, 73, S/D (8 cyl.)	Bolt (bracket to cyl. head)-3/8"-16 x 1 5/8"	1	20488-S8(B86)
59/	A (8 cyl.)		1	
		Nut-3/8"-16		33799-S7(M52)
		Washer-flat-13/32"		351415-S(XX128)
59	A (6 cyl.)	Bolt (brkt. to cyl. head)-7/16"-14 x 4 1/2"	2	B9AE 6066-A
55/56	A-8 cyl.	Bolt (bracket to cyl. front cover)-3/8"-16 x 1 1/2"	1	20468-S8(B85)
55/56	A-8 cyl.	Washer-flat-13/32"		351415-S(XX128)
57	A-8 cyl.	Bolt (bracket to cyl. front cover)-3/8"-16 x 1 1/8"	1	20408-S7(B81)
55/56	A-8 cyl.	Bolt (bracket to cyl. block)-5/16"-18 x 3 1/4"	1	*45538-S8
57	A-8 cyl.	Bolt (bracket to cyl. block)-5/16"-18 x 3"	1	*45532-S8
		Lockwasher-5/16"		34806-S7(X64)

# FORD CAR PARTS

## SECTION 24

YEAR 19	MODEL	DESCRIPTION	QTY. PER VEHICLE	PART NUMBER
<b>2884 CLUTCH and PULLEY ASSY. - COMPRESSOR</b> - Also Refer to Group 2901				
55	A-8 cyl.		1	B5AZ 2884-A
56/57	A-8 cyl.		1	B6AZ 2884-A
58/	S (except 8 cyl. 430)	Less 2979 brush assy. -Eaton	1	C0AZ 2884-D
55	A-8 cyl.	Bolt (pulley disconnect)-3/8"-16 x 1 1/64"	2	354466-S8(UU121)
56/	A-8 cyl. (1958/ S)	Bolt(pulley to comp.)-5/16"-24 x 1" self locking	1	358606-S(BB427)
		Washer-flat-21/64"		358605-S(XX115)
58/59	A (6 cyl. & 8 cyl. 332, 352)		1	
59/	A (8 cyl. 292)	Pulley, rotor & armature assy. -Warner	1	C0AZ 2884-F
58/	A (8 cyl. 292)	Less 2979 brush assy. -Eaton	1	C0AZ 2884-B
59/	A, S (8 cyl. 332, 352, 390)	Pulley, rotor & armature assy. -Warner- replaced by C2AZ 2983-A (3-63)	1	*C0AZ 2884-G
<b>2887 SPACER - COMPRESSOR MOUNTING BRACKET</b>				
59/	A (8 cyl. 292)-except P/S	27/32" long	2	B9ME 2887-A
<b>2888 BRACE - COMPRESSOR - FRONT</b>				
55/56	A-8 cyl.		1	EBU 2888-A
55/57	A-8 cyl.	Bolt (brace to compressor)-3/8"-16 x 3/4"	1	20348-S8(B77)
		Washer-flat-3/8"		352981-S(XX143)
<b>2901 KIT - COMPRESSOR PULLEY, CLUTCH and BRUSH</b> - Also Refer to Group 2884				
58/59	A (8 cyl. 332, 352)	With top hose mounts-replaced by C0AZ 2884-D	1	*B8A 2901-B
59	A(8 cyl. 292)	(3-63)	1	
<b>2908 TUBE ASSY. - AIR SUSPENSION COMPRESSOR OIL INLET</b>				
58	A (8 cyl. 332, 352), S	18 1/4" long-make from 8C 2269-B and 2-87942-S Nuts	1	*EDC 2908-B
<b>2912 TUBE ASSY -AIR SUSPENSION COMPRESSOR OIL OUTLET</b>				
58	A (8 cyl. 332, 352), S	12 25/32" long-make from B7Q 2269-A and 2-87945-S8 Nuts	1	*EDC 2912-A
		Connector (tube to cylinder block)	1	371467-S7-8(II-86)
		Elbow (tube to compressor)-90°	1	*87384-S
<b>2979 BRUSH and HOLDER ASSY. - COMPRESSOR</b>				
56/57	A-8 cyl.		1	B6AZ 2979-A
59	S	With top hose mounts	1	B9AE 2979-B
58/59	A (8 cyl.)		1	
58/	A, S	With side hose mounts	1	C0AE 2979-A
56/57	A-8 cyl.	Screw (holder to compressor)-No. 8-32 x 1/4"	2	26457-S7(U167)
		Lockwasher - No. 8		34802-S7(X59)
58/	A (8 cyl.)	Bolt (holder to compressor)-3/8"-16 x 1/2"	1	20312-S7-8(B75)
<b>2990 BEARING ASSY. - COMPRESSOR PULLEY</b>				
58/59	A-8 cyl. (except 8 cyl. 332), S		1	B8AZ 2990-A
58/59	A (8 cyl. 332)		1	B9ME 2990-A
58/59	A (8 cyl. 332)	Snap ring (bearing to clutch shoe)	1	370377-S(QQ16)
58/59	A (8 cyl. 332)	Retainer-snap (bearing to clutch field housing)- 2 1/4"	1	372642-S(QQ80)
<b>2990 KIT - COMPRESSOR MAGNETIC CLUTCH and BEARING REPLACEMENT</b>				
57/59	A-8 cyl. S	Consists of 1-Bearing 2-Dust Shields 2-Snap Rings	1	B7AZ 2990-A
<b>2995 HEAD - COMPRESSOR CYLINDER</b>				
58	A (8 cyl.)	Tecumseh compressor	1	B8AZ 2995-A
58	A (8 cyl.)	Bolt (head to compressor)-5/16"-18 x 1 3/8"	8	20466-S8(B61)
58/	A, S	Lehigh or York compressor	1	C1AE 2995-A



**INDEX**

**SECTION 30 - FRONT SUSPENSION AND STEERING LINKAGE**

PART NAME	GROUP NUMBER	PART NAME	GROUP NUMBER
Arm & bushing (lower)	3041-2	Kit (spindle connecting rod end)	3A130-1
Arm ass'y. (lower)	3078-9	Kit (upper shaft)	3047
Arm (idler)	3355	Kit (upper spindle support)	3049
Arm (spindle)	3130-31	Reinforcement (frt. susp. lower arm stop)	3081
Arm (upper)	3082-3	Rod (arm to idler arm)	3304-05
Bearing ass'y. (spindle bolt)	3123	Rod (spindle connecting)	3280-1
Bolt (front suspension lower arm to spindle support)	3073	Seal (front suspension lower arm) outer	3088
Bolt (front suspension upper arm to spindle support)	3072	Seal (front suspension upper arm) outer	3075
Bolt (lower arm mounting)	3057	Seal (steering & front suspension)	3332
Bolt (spindle)	3115	Seal (steering idler arm)	3359
Bolt (spindle support clamp)	3067	Seat & bushing (frt. susp. upper arm spring)	3388
Bracket (bumper)	3382-3	Shaft (front suspension lower arm) inner	3057
Bracket (idler arm mounting)	3350-1	Shaft (upper arm)-inner	3056
Bumper (front suspension)	3019-20	Shim (lower arm front mounting bolt to frame)	3054
Bushing ass'y. (front suspension upper arm) inner	3062	Shim (spindle bolt)	3117
Bushing ass'y. (front suspension lower arm) inner	3063	Shim (upper arm mounting)	3043
Bushing (idler arm)	3356-8	Sleeve (drag link adjusting)	3310
Bushing (lower arm mounting bolt)	3069	Spacer (lower arm)-clamp	3061
Bushing (spindle)	3110	Spindle assy.	3105-8
Bushing (spindle support) upper	3046	Stop (front suspension upper arm)	3086
Bushing (upper arm inner shaft)	3068	Stop (lower arm)	3080
Bushing (upper arm inner shaft)-rear	3087	Stud (drag link to selector arm ball)	3311
Cap (power steering oil reservoir filler)	3A006	Support ass'y. (spindle)	3052-3
Clamp (steering spindle)	3287	Support (upper arm inner)	3084-5
Cover (lower arm ball joint dust)	3069	Tube (air susp. frt. spring L. H. valve to tee)	3-3205
Cup (lower arm bumper)	3028	Tube (air susp. frt. spring R. H. valve to tee)	3-3197
End (spindle rod)	3289-90	Tube (air susp. frt. spring to check valve)	3-3206-7
Hose (air susp. compressor to reserve tank)	3-3184	Tube (air susp. frt. spring valve to check valve)	3190-1
Hose (air suspension evaporator)	3255	Tube (air susp. frt. spring valve to regulator valve)	3188-9
Hose (air susp. reserve tank to tee)	3-3192	Tube (air susp. frt. spring valve to solenoid)	3185
Joint ass'y. (upper arm ball)	3263	Tube (air susp. pressure regulator valve to tee)	3-3194
Kit (idler arm & bushings)	3352	Tube (air susp. solenoid valve to tee)	3-3195
Kit (lower shaft or control arm mounting)	3048	Tube (air susp. tee to solenoid valve)	3-3193
Kit (lower spindle support)	3050	Tube (p/s pressure line to valve)	3494
Kit (spindle bolt & bushing)	3111	Washer (upper and lower arm bushing)-front	3091
		Washer (upper arm rear bushing)-inner	3090

**SECTION 35 and 36 - STEERING GEAR**

Adaptor (power steering pump to reservoir)	3670	Cup (worm bearing)	3552-3
Adjuster ass'y. (steering worm thrust bearing)	3A670	Cylinder assy. (power steering)	3A540
Arm (sector shaft)	3590	Element (power steering oil reservoir filter)	3-3538
Ball & cage (worm thrust bearing)	3571	Fitting & nut (power steering line)	3-3725
Bearing ass'y. (p/s control valve sleeve)	3B673	Fitting (power steering pump valve outlet)	3-3614
Bearing (column)-upper	3517	Flange & pin (column tube)	3511
Bearing (power steering pump to rotor shaft)	10094	Gasket (housing cap)-upper	3593
Bearing (sector shaft)	3576	Gasket (power steering oil reservoir cover)	3A642
Bearing (worm roller)	3571	Gasket (power steering pump cover)	3-3617
Body assy. (power steering oil reservoir)	3A699	Gasket (sector housing or housing cover)	3581
Body (power steering oil reservoir orifice)	3-3542	Gear (less arm, wheel & tube)	3504
Bolt (power steering control valve spool)	3-3698	Grommet (column to dash)	3512
Bolt (p/s oil filter element support or cover retaining)	3601	Guide (ball return)	3523
Bolt (steering column tube flange to tube)	3641	Hose ass'y. (p/s control valve to cylinder)	3A714
Bracket (column to instrument panel)	3676-8	Hose ass'y. (p/s control valve to cylinder)-rod end	3A717
Bracket (power steering hose insulator)	3A611	Hose (power steering pressure line)	3A719
Bracket (P/S hose insulator to engine mount)	3-3838	Hose (power steering reservoir to pump)	3691
Bracket (power steering pump adjusting)	3A732	Hose (power steering return line)	3A713
Bracket (power steering pump support)	3562	Housing ass'y. (steering gear)	3548
Bushing (column)-upper	3517	Housing (power steering pump)	3A643
Cap ass'y. (steering wheel hub)	3623	Insert (steering wheel hub cap retainer)	3660
Cap (housing)-upper	3589	Insert (steering wheel trim)	3C680
Cap (power steering oil reservoir filler)	3A006	Insulator (column bracket cover)	3683
Cap (power steering valve spool spring)	3-3705	Insulator (column lower flange)	3674
Clamp (ball return guide)	3544	Insulator (horn button)	3672
Clamp (power steering valve ball stud sleeve)	3-3739	Insulator (horn ring)	3673
Clamp (steering column)	3506	Insulator (power steering hose)	3A609
Cover (column bracket)	3A673	Insulator (power steering pump)	3-3640
Cover (power steering oil reservoir)	3A582	Keys & lock sets (ignition & door)	3685-9
Cover (power steering pump housing)	3A698	Key (power steering pump pulley)	3-3557
Cover (sector shaft housing)	3580	Kit (column seal)	3528

## INDEX

## SECTION 35 and 36 STEERING GEAR - continued

PART NAME	GROUP NUMBER	PART NAME	GROUP NUMBER
Kit (drag link ball stud repair)	3A533	Ring (power steering pump valve fitting)	3-3618
Kit (power steering control valve ball stud repair)	3A533	Screw (sector shaft adjusting)	3577
Kit (power steering control valve centering spring)	3A675	Seal (power steering pump rotor shaft oil)	3B592
Kit (power steering control valve orifice)	3610	Seal (shaft)	3738
Kit (power steering control valve repair)	3A650	Seal (weather)	3513
Kit (p/s cylinder end mounting bushing)	3C589	Seat (power steering filter element spring)	3B754
Kit (power steering cylinder seal)	3A764	Shaft & worm (sector)	3575
Kit (power steering installation) -complete	3A633	Shaft & worm (steering)	3524
Kit (power steering piston boot & insulator)	3C651	Shaft (power steering pump rotor)	3B559
Kit (power steering piston rod end bushing)	3C590	Shield (column tube)	3669
Kit (power steering pump impeller repair)	3A711	Shim (column bracket to inst. panel)	3682
Kit (power steering pump seal & gasket)	3B584	Sleeve ass'y. (power steering control valve)	3B671
Kit (power steering sleeve, shaft & torsion bar ass'y.)	3B671	Sleeve (column upper bearing)	3A649
Kit (sector shaft adjusting shim)	3A657	Sleeve (shaft extension adjusting)	3525
Kit (worm ball)	3647	Snap ring (column bearing)-outer	3521
Lock (thrust screw)	3564	Socket (power steering control valve stud)	3A754
Nut (worm thrust bearing)	3707	Spacer (power steering control valve spool)	3A658
Oil seal (sector shaft housing)	3591	Spacer (sector shaft bearing)	3567
Pin (power steering pump rotor shaft)	3-3633	Spring (column upper bearing)	3520
Plate & tube (housing end)	3597	Spring (power steering filter element retaining)	3B688
Plate (horn ring contact)	3630	Spring (power steering pump flow control valve)	3A570
Plug (housing oil filler)	3538	Spring (power steering pump relief valve)	3B608
Pulley (crankshaft)	6312	Stop (p/s control valve spool travel regulator)	3C560
Pulley (power steering pump)	3A733	Support (power steering pump)	3C511
Pump & pulley ass'y. (power steering)	3A696	Support (power steering reservoir filter element)	3C677
Pump (power steering-less reservoir & pulley)	3A674	Tube ass'y. (p/s control valve to cyl.)-head end	3A714
Pump, reservoir & pulley (power steering)	3A691	Tube ass'y. (p/s control valve to cyl.)-rod end	3A717
Reinforcement (power steering reservoir orifice)	3B563	Tube (column)	3509
Reservoir ass'y. (power steering oil)	3A697		3514
Retainer (horn ring)	3629	Tube (power steering reservoir cover)	7-7492
Retainer (power steering hose insulator)	3A610	Tube (power steering cylinder vent)	3-3660
Retainer (power steering reservoir orifice ring)	3-3625	"U" bolt (steering column to instrument panel)	3668
Retainer (power steering pump relief valve)	3-3627	Valve (power steering hydraulic control)	3A730
Retainer (power steering pump shaft bearing)	3-3621	Valve (power steering pump)	3A561
Ring (power steering flow pump director)	3-3619	Washer (worm sector thrust)	3579
Ring (power steering reservoir orifice)	3-3547-9	Wheel ass'y. (steering)	3600

## SECTIONS 40 AND 46 - REAR AXLE AND DRIVE SHAFT

Bolt (differential carrier to rear axle housing)	4347	Kit (universal joint yoke & plug)	4841
Bearing (universal joint flange)	4678	Knuckle & plug ass'y. (universal joint)	4841
Bracket ass'y. (track bar)	4266	Lock (differential bearing adjusting nut)	4143
Bumper (driving pinion bearing retainer)	4298	Lubricator (differential)	4159
Carrier & driving gear (differential)	4200	Nut or shim (differential bearing adjusting)	4067
Carrier (differential)	4017	Packing (universal joint)	4706
Carrier ass'y. (differential)	4141	Pinion (differential shaft)	4215
Case ass'y. (differential gear)	4204-5	Plate ass'y. (differential clutch)	4945
Cone & roller (differential bearing)	4221	Plate (differential gear clutch)	4947
Cone & roller (pinion bearing)	4621	Plate (drive shaft flange lock)	4693
Cone & roller (pinion bearing)-rear	4630	Retainer & bearing cups ass'y. (driving pinion brg.)	4614
Cover (housing)	4033		4659
Cup (differential bearing)	4222	Retainer (rear wheel bearing)-outer	4020
Cup (pinion bearing)	4616	Ring (driving pinion bearing retainer)	4669
Cup (pinion bearing)-rear	4628	Scoop (differential case oil)	4A050
Deflector (universal joint oil seal dust)	4859	Seal (pinion oil)	4676
Flange ass'y. (universal joint) axle end	4851	Shaft & bearing ass'y. (rear axle)	4234-5
Gasket (carrier or cover)	4035	Shaft & universal joint ass'y. (drive)	4602
Gasket (pinion oil seal)	4671	Shaft (differential pinion)	4211
Gear (differential side)	4236	Shim (driving pinion bearing cup)	4109
Hose ass'y. (rear axle vent)	4A058	Shim (pinion bearing)	4663
Hose-air suspension evaporator	4090	Shim (pinion front bearing)	4672
Hose-brake check valve	4090	Slinger (pinion shaft oil)	4670
Hose (power brake booster and air compressor)	4090	Snap ring (U joint spider bearing)	4891
Housing ass'y.	4010	Spacer (pinion bearing)	4662
Hub (differential gear clutch)	4946	Spring (differential clutch)	4214
Kit (differential gear & pinion)	4209	"U" bolt (universal joint)	4529
Kit (differential shaft pinion)	4215	Vent (rear brake line connection)	4022
Kit (differential side gear)	4236	Washer (crankshaft pulley retaining)	4637
Kit (locking differential)	4880	Washer (differential pinion shaft thrust)	4230
Kit (universal joint)	4635	Washer (differential side gear thrust)	4228
Kit (universal joint)-axle end	4635		

# FORD CAR PARTS

## SECTION 30

YEAR 19	MODEL	DESCRIPTION	QTY. PER VEHICLE	PART NUMBER
<b>3A006 CAP ASSY. - POWER STEERING OIL RESERVOIR FILLER</b>				
53/54	A-8 cyl.	Use with B3AZ 3A699-A reservoir	1	B3AZ 3A006-A
54	A-8 cyl.	Use with B4AZ 3A699-B reservoir	1	B4AZ 3A006-B
55/58	A-8 cyl., (1955/57 S)		1	B4AZ 3A006-B
54	A-6 cyl.	Use with B4AZ 3A699-A reservoir	1	B4AZ 3A006-A
55/56	A-6 cyl.		1	
59/	A		1	C1AA 3A006-A
<b>3019-20 BUMPER ASSY. - FRONT SUSPENSION</b>				
49/53	A	Rebound-frame side member	2	B2AZ 3020-A
49/52	A	Lower arm	2	AB 3019-A
53	A	Lower arm	2	AB 3019-B
54/56	A (1955/57 S)	Upper arm	2	B4AZ 3020-A
54	A	R. H. -lower arm	1	AD 3019-B
		L. H.	1	AD 3020-B
55/56	A (1955/57 S)	R.H. -lower arm	1	B5A 3019-A
55/56	A (1955/57 S)	L.H. -lower arm	1	B5A 3020-A
55/56	A (1955/57 S)	L.H. -lower arm	1	B5A 3020-A
57/	A (1959/ S)	Upper arm	2	C0AZ 3020-A
57	A	Lower arm	2	B7A 3019-A
57/	A, S	Lower arm	2	B8A 3019-A
		Nut-(upper arm)-3/8"-24		33800-S8(M63)
49/59	A, S	Nut (lower arm bumper to arm)-3/8"-24	2	33800-S8(M63)
		Lockwasher-3/8"	2	34847-S8(X74)
57	A	Bolt (lower arm bumper to arm)-5/16"-24 x 1"	4	20387-S8(B157)
		Nut-5/16"-24		33798-S7-8(M62)
		Lockwasher-5/16"		34806-S7(X64)
<b>3028 CUP - FRONT SUSPENSION LOWER ARM BUMPER</b>				
57/59	A (1958/59 S)		2	B7A 3028-A
<b>3041 ARM and BUSHING ASSY. - FRONT SUSPENSION - LOWER</b>				
54/56	Taxicabs	R. H.	1	B5A 3041-A
<b>3043 SHIM - FRONT SUSPENSION UPPER ARM MOUNTING</b>				
54/	A, S	.113"/.123" thick	AR	C0AA 3043-A
54/	A, S	.027"/.033" thick	AR	C0AA 3043-B
<b>3046 BUSHING - SPINDLE SUPPORT - UPPER</b>				
49/53	A	Supplied in 8A 3049 kit	2	*8M 3046
<b>3047 KIT - FRONT SUSPENSION UPPER SHAFT</b>				
49/53	A	Consists of 1-AB 3056-B Shaft 2-AB 3062-A Bushing 2-8M-3076 Seal	2	8A 3047
54/56	A	Consists of	2	B4A 3047-B
55/57	S	1-AD 3056-C Shaft 1-COLL 3068-A Bushing 1-B4A 3087-B Bushing 1-B4A 3090-A Washer 2-B4A 3091-A Washer 2-33947-S2 Nut 2-34811-S2 Lockwasher	2	
57	A (use with B8A 3082-B Arm)	Consists of	2	B7A 3047-A
58/	S	1-AJ 3056-A Shaft 2-357625-S7-8 L/washer 2-AJ 3068-A Bushing 2-373730-S2 Bolt 2-20431-S8 Bolt 2-Washers 2-Nuts 2-Lockwashers	2	
58/59	A (use with B8A 3082-C & B8A 3083-B & C arms)	Consists of 1-AJ 3056-D Shaft 2-373730-S2 Bolt 2-C1AA 3068-A Bushing 2-370367-S100 Seal 2-352596-S7 Nuts 2-34784-S7 L/washer 2-87924-S7 Fitting	2	B8A 3047-B
<b>3048 KIT - FRONT SUSPENSION LOWER SHAFT or CONTROL ARM MOUNTING</b>				
49/53	A	Shaft-consists of 1-8A 3057 Shaft 2-8A 3063-A Bushing 2-8M 3074 Seal	2	8A 3048
54/56	A	Control arm mounting-consists of	2	B6A 3048-A
55/57	S	2-AD 3057-C or D Bolt 4-B4A 3091-A Washer 2-C0AA 3069-A Bushing 2-33947-S2 Nut 2-34811-S2 Lockwasher 1-B4A 3061-A Spacer	2	
57/59	A	Control arm mounting-consists of	2	B7A 3048-A
58/59	S	1-AJ 3055-A Bolt 2-20431-S8 Bolt 1-AJ 3057-A Bolt 2-AJ 33042-B Washers 2-C0AA 3069-A Bushing 2-357625-S7-8 L/washer	2	

⚙ Use with Rotor Type Pump

YEAR 19	MODEL	DESCRIPTION						QTY. PER VEHICLE	PART NUMBER
<b>3049 KIT - FRONT SUSPENSION UPPER SPINDLE SUPPORT</b>									
49/53	A							2	8A 3049
Consists of									
	1-8M 3046	Bushing	2-8A 3075	Seal	2-356610-S	Lockwasher			
	1-8M 3072	Bolt	1-351146-S7	Nut					
54/56	A							2	B5A 3049-A
55/57	S							2	
Consists of									
	1-B5AZ 3263-A	Ball joint	1-B4A 3332-A	Seal	2-34847-S8	Lockwasher			
	1-B4A 3054-A	Cover	2-33800-S8	Nut	1-72035-S7-8	Cotter pin			
	1-B4A 3055-A	Shield	1-34033-S18	Nut	2-	Bolts			
	1-B4A 3058-A	Retainer							
57/	A, S							2	C1AZ 3049-A
Consists of									
	1-C3AA 3263-B	Ball joint	1-72035-S7-8	Cotter pin	2-34782-S	Lockwasher			
	2-20389-S8	Bolt	2-33800-S8	Nut					
<b>3050 KIT - FRONT SUSPENSION LOWER SPINDLE SUPPORT</b>									
49/53	A							2	8A 3050
Consists of									
	1-8A 3073	Bolt	1-8A 3089-B	Bushing	2-8A 3088-B	Seal			
	1-72053-S	Cotter pin	2-351148-S8	Nut					
54/56	A							2	B5A 3050-A
55/57	S							2	
Consists of									
	1-B5AZ 3395-A	Ball joint	1-B4A 3332-B	Seal	2-34809-S8	Lockwasher			
	1-B4A 3069-B	Cover	2-33846-S8	Nut	2-351761-S8	Bolt			
	1-B4A 3070-A	Retainer	1-34034-S18	Nut	1-	Cotter pin			
57/	A, S							2	C1AZ 3050-B
Consists of									
	1-C1AA 3395-D	Ball joint	2-33800-S8	Nut	2-34782-S	Lockwasher			
	2-20389-S8	Bolt	1-72035-S	Cotter pin					
<b>3052-3 SUPPORT - SPINDLE</b>									
49/53	A	R. H.						1	8A 3052-C
		L. H.						1	8A 3053-C
49/53	A	Plug (spindle support)-expansion-1"						4	*74117-S
49/53	A	Fitting-lubricator (spindle bolt bushing)						4	87907-S8(I-3)
<b>3054 SHIM - FRONT SUSPENSION LOWER ARM FRONT MOUNTING BOLT TO FRAME</b>									
54	A	1/16" thick						AR	LA 3054-A
55/57	S							AR	
55/59	A	1/16" thick						AR	B5A 3054-A
58/	S							AR	
<b>3056 SHAFT - FRONT SUSPENSION UPPER ARM - INNER</b>									
		OVERALL LENGTH	HOLE CENTER	THREAD					
49/53	A							2	*AB 3056-B
49/53	A	Bolt (shaft to frame)-1/2"-20 x 1 3/4"						4	20511-S8(B202)
		Locknut-1/2"-20							34449-S7-8(M85)
54/56	A	18 27/32"	7 1/8"	5/8"-18					
55/57	S							2	*AD 3056-C
57	A	(1957/60 S)	10 1/2"	6"	ENDS TAPPED				
58/59	A							2	*AJ 3056-A
55/56	A							2	*AJ 3056-D
58/	S	Lockwasher-special (shaft to mtg. bracket)-1/2"						2	357626-S7(XX305)
		Bolt (shaft to upper arm)-7/16"-20 x 1 1/8"						4	20411-S7(B184)
		Lockwasher-7/16"							34808-S8(X67)
58/	A	Seal (shaft) - .736" I. D.						4	370367-S100(KK49)
<b>3057 BOLT - FRONT SUSPENSION LOWER ARM MOUNTING</b>									
54/56	A	5/8"-18 x 6 1/4"-supplied in B6A 3048-A kit						4	*AD 3057-C
55/57	S							4	
54/56	A	5/8"-18 x 6 1/4"-supplied in B6A 3048-A kit						4	*AD 3057-D
55/57	S							4	
		Nut-5/8"-18						4	33947-S7-8(M73)
		Lockwasher-5/8"							34811-S2(X71)
<b>3057 SHAFT - FRONT SUSPENSION LOWER ARM - INNER</b>									
		3057-supplied in 3048 kits							
49/53	A	Bolt (shaft to frame)-7/16"-20 x 1 1/2"						8	354498-S8(BB232)
		Locknut-7/16"-20							34447-S2(M83)

\* Supplied in 3047 kits

YEAR 19---	MODEL	DESCRIPTION	QTY. PER VEHICLE	PART NUMBER
<b>3061 SPACER - FRONT SUSPENSION LOWER ARM - CLAMP</b>				
54/55	A, S	.56" wide-supplied in B6A 3048-A kit	2	★B4A 3061-A
54/55	A, S	.44" wide-supplied in B6A 3048-A kit	2	★B4A 3061-B
		Bolt (spacer to arm)-1/4"-28 x 3/4"	2	371722-S8(BB207)
		Nut-1/4"-28		33796-S7(M61)
		Lockwasher-1/4"		34805-S8(X62)
<b>3062 BUSHING ASSY. - FRONT SUSPENSION UPPER ARM - INNER - Also Refer to Group 3068</b>				
49/53	A	1 3/4" overall length	4	AB 3062-A
<b>3063 BUSHING ASSY. - FRONT SUSPENSION LOWER ARM - INNER</b>				
49/53	A		4	8A 3063-A
49/53	A	Fitting (bushing lubricator)-85°	8	358032-S8(II-205)
<b>3067 BOLT - SPINDLE SUPPORT CLAMP</b>				
49/53	A	3/8"-24 x 2 3/16"	4	8A 3067
49/53	A	Nut-3/8"-24	4	33800-S8(M63)
		Lockwasher-3/8"		34847-S8(X74)
<b>3068 BUSHING - FRONT SUSPENSION UPPER ARM INNER SHAFT - Also Refer to Group 3062</b>				
55/56	A	Front	2	LA 3068-A
55/57	S	Front	2	
57	A (1957/60 S)	Supplied in B7A 3047-A kit	4	★AJ 3068-A
58/	A	Supplied in B8A 3047-B kit	4	★CIAA 3068-A
<b>3069 COVER - FRONT SUSPENSION LOWER ARM BALL JOINT DUST</b>				
54/56	A		2	B4A 3069-B
55/57	S		2	
<b>3069 BUSHING - FRONT SUSPENSION LOWER ARM MOUNTING BOLT</b>				
54/59	A		4	B4A 3069-C
55/59	S		4	
57/59	A	7/8" I. D.	2	COAA 3069-A
59	S		2	
<b>3072 BOLT - FRONT SUSPENSION UPPER ARM TO SPINDLE SUPPORT</b>				
49/53	A	3/4"-11 x 3 7/8"-supplied in 8A 3049 kit	2	★8M 3072
		Nut-3/4"-11	2	351146-S7(MM43)
		Lockwasher-internal tooth-3/4"	4	356610-S2(XX293)
		Fitting-lubricator (upper & lower bolt)	4	87907-S8(I-3)
<b>3073 BOLT - FRONT SUSPENSION LOWER ARM TO SPINDLE SUPPORT</b>				
49/53	A	3/4"-11 x 3 7/8" end drilled-supplied in 8A 3050 kit	2	★8A 3073
		Nut-castle-3/4"-11		351148-S8(MM74)
		Cotter pin-1/8" x 1 1/4"		72053-S(N52)
<b>3075 SEAL - FRONT SUSPENSION UPPER ARM - OUTER</b>				
49/53	A	.78" I. D. -.125" thick	4	8A 3075
<b>3078-9 ARM ASSY. - FRONT SUSPENSION LOWER</b>				
49/52	A		2	AB 3078-A
53	A		2	MA 3078-A
54/56	A	R. H. -less joint	1	B6A 3078-B
55/57	S		1	
54/56	A	L. H. -less joint	1	B6A 3079-B
55/57	S		1	
58	A (with A/S), S	R. H. -includes joint	1	B8E 3078-C
58	A (with A/S), S	L. H. -includes joint	1	B8E 3079-C
57/59	A	<i>NOTE 1</i> R. H. -Replaced by C1AZ 3078-B & (7-61)	1	★B9A 3078-A
59	S	COAA 3069-A	1	
57/	A	R. H. -includes joint	1	C1AZ 3078-B
59/	S		1	
57/	A	L. H. -includes joint	1	C1AZ 3079-A
59/	S	L. H.	1	
57/58	A (1958 S)	Bolt (arm to frame)-7/16"-20 x 1 1/4"	4	20431-S8(B186)
		Lockwasher-7/16"		34808-S8(X67)
58/	S	Tee nut-5/16"-24	4	★34552-S
58/	S	Bolt (arm to underbody)-7/16"-20 x 1 1/2"	4	20471-S7(B188)
<b>3080 STOP - FRONT SUSPENSION LOWER ARM</b>				
58/	S		2	B8S 3080-A
<b>3081 REINFORCEMENT - FRONT SUSPENSION LOWER ARM STOP</b>				
58/	S		2	B8S 3081-A

*NOTE 1 - Remove COAA 3069-B Bushing & Replace by COAA 3069-A Bushing*

YEAR 19	MODEL	DESCRIPTION	QTY. PER VEHICLE	PART NUMBER
<b>3082-3 ARM ASSY. - FRONT SUSPENSION - UPPER</b>				
49/53	A		2	8A 3082
54/56	A		2	AD 3082-B
55/57	S		2	
58/	S	R. H.	1	B8S 3082-A
58/	S	L. H.	1	B8S 3083-A
58	A (with air suspension)	R. H.	1	C3AZ 3082-A
57/59	A (use B8A 3047-B kit)	R. H.	1	
		L. H.	1	C3AZ 3083-A
54/56	A	Bolt (arm to frame)-1/2"-20 x 2 3/8"	4	351759-S8(BB256)
55/57	S		4	
57/	A (1958/60 S)	Bolt (arm to frame)-1/2"-20 x 2 25/64"-serrated	4	373730-S2(BB375A)
		Nut-1/2"-20		33846-S8(M69)
		Lockwasher-1/2"		34809-S8(X68)
<b>3084-5 SUPPORT - FRONT SUSPENSION UPPER ARM INNER</b>				
58/	S	R. H.	1	B8S 3084-A
		L. H.	1	B8S 3085-A
<b>3086 STOP - FRONT SUSPENSION UPPER ARM</b>				
58/	S		2	B8S 3086-A
<b>3087 BUSHING - FRONT SUSPENSION UPPER ARM INNER SHAFT - REAR</b>				
54/56	A	3/4" I. D. -2 5/16" long	2	B4A 3087-B
55/57	S		2	
<b>3088 SEAL - FRONT SUSPENSION LOWER ARM - OUTER</b>				
49/53	A	.76" I. D. -1.36" O. D. - .40" thick	4	8A 3088-B
<b>3090 WASHER - FRONT SUSPENSION UPPER ARM REAR BUSHING - INNER</b>				
54/56	A	3/4" I. D.	2	B4A 3090-A
55/57	S		2	
<b>3091 WASHER - FRONT SUSPENSION UPPER and LOWER ARM BUSHING COMPRESSION - FRONT</b>				
54/56	A	Supplied in B4A 3047-B kit	8	*B4A 3091-A
55/57	S		8	
<b>3105-8 SPINDLE ASSY.</b>				
49/53	A		2	8A 3105-B
54/56	A		2	AD 3105-C
55/57	S		2	
58/	S	R. H.	1	COSS 3105-A
57/59	A	R. H.	1	
58/	S	L. H.	1	COSS 3106-A
57/59	A	L. H.	1	
49/	A (1955/60 S)	Nut-castle (spindle)-3/4"-16	2	354573-S(MM64)
		Cotter pin-5/32" x 1 1/4"		72054-S(N61)
54/	A (1955/60 S)	Nut-castle (upper ball joint to spindle)-9/16"-18	2	34033-S18(M11)
54/56	A	Bolt (ball joint to upper arm)-3/8"-24 x 2"	4	20523-S8(B177)
55/57	S		4	
		Nut-3/8"-24	6	33800-S8(M63)
		Lockwasher-3/8"		34847-S8(X74)
54/56	A	Bolt (ball joint to lower arm)-1/2"-20 x 2 1/16"	4	351761-S8(BB253)
55/57	S		4	
54	A	Nut-castle 1/2"-20		34032-S7(M9)
		Cotter pin - 1/8" x 1"		72035-S7-8(N51)
55/56	A (1955/57S)	Nut-1/2"-20		33846-S8(M69)
		Lockwasher-1/2"		34809-S8(X68)
54/	A (1955/60 S)	Nut-castle (lower ball joint to spindle)-5/8"-18	2	34034-S18(M12)
<b>3110 BUSHING - SPINDLE</b>				
49/53	A	1.30" long	4	8A 3110-B
<b>3111 KIT - SPINDLE BOLT and BUSHING</b>				
49/53	A	Consists of 4- 8A 3110-B Bushing 2- B 3123-A Bearing 2- 8A 3115 Bolt 2- 352655-S Pin 4- 8A 3117 Shim 4- 353092-S Plug	1	A9A 3111-A
<b>3115 BOLT - SPINDLE</b>				
49/53	A	5.52" overall length-supplied in A9A 3111-A kit	2	*8A 3115
49/53	A	Pin (locking)-7/16" x 1 7/16"	2	352655-S8(NN72)
<b>3117 SHIM - SPINDLE BOLT</b>				
49/53	A	27/32" L. D. -1 1/4" O. D.	AR	8A 3117
<b>3123 BEARING ASSY. - SPINDLE BOLT</b>				
49/53	A	Stamped T83	2	B 3123-A

YEAR 19__	MODEL	DESCRIPTION	QTY. PER VEHICLE	PART NUMBER
<b>3130-31 ARM - SPINDLE</b>				
54/56	A	RH	1	AD 3130-B
		LH	1	AD 3131-B
55	S	RH	1	B5S 3130-A
		LH	1	B5S 3131-A
56/57	S	RH	1	B6S 3130-A
		LH	1	B6S 3131-A
49/54	A	Bolt (arm to spindle)-front-1/2"-20 x 2 9/32"- end drilled	2	354248-S8(BB320)
49/51	A	Bolt (arm to spindle stop)-rear-1/2"-20 x 2 3/4"- end drilled	2	355758-S7(BB406)
52/53	A	Bolt (arm to spindle stop)-rear-1/2"-20 x 2 5/8"- end drilled	2	AB 2056-A
		Nut-castle-1/2"-20		34032-S7(M9)

**3A130-1 KIT - SPINDLE CONNECTING ROD END - R.H. and L.H.**

YEAR	MODEL AND DESCRIPTION	Without Power Steering				With Power Steering				PART NUMBER
		6 Cylinder		8 Cylinder		6 Cylinder		8 Cylinder		
		R.H.	L.H.	R.H.	L.H.	R.H.	L.H.	R.H.	L.H.	
49/51	A Consists of: 1-8A 3290 end 1-8M 3332 seal 1-87907-S8 fitting 1-351059-S nut 1-cotter pin	1	1	1	1					A8AZ 3A130-A
52/53	A Consists of: 1-AB 3290-A end 1-8M 3332 seal 1-72035-S7-8 c/pin 1-87924-S8 fitting 1-351059-S nut	1	1	1	1	1	1	1	1	B2AZ 3A130-A
54/59	A Consists of: 1-AD 3289-A end 1-8M 3332 seal 1-87924-S8 fitting 1-351059-S nut 1-cotter pin	1	1	1	1	1	1	1	1	B4AZ 3A130-A

YEAR 19__	MODEL	DESCRIPTION	QTY. PER VEHICLE	PART NUMBER
49/	A, S	Nut-castle-1/2"-20	2	351059-S(MM66)
49/	A, S	Fitting-lubricator-1/4"-28-90°	2	87924-S8(I-9)

**3-3184 HOSE ASSY. - AIR SUSPENSION COMPRESSOR TO RESERVE TANK**

58	A (8 cyl. 332, 352)	20" long-make from 2 pieces 91A 2269, 1 piece COTT 2A245-A & 2-87943-S8 Nuts	1	★ AK 33184-B
58	A (8 cyl. 332, 352) (with F/M & C/M)	Grommet (hose to fender apron)	1	355428-S(KK9)
58	A (8 cyl. 332, 352)	Elbow (hose to compressor)-90°	1	357763-S(II-161)

**3185 TUBE ASSY. - AIR SUSPENSION FRONT SPRING R.H. LEVELING VALVE TO SOLENOID**

58	A (8 cyl. 332, 352) (with F/M & C/M)	35" long	1	★ AK 3185-B
58	A (8 cyl. 332, 352)	Clip (tube to frame)	1	356628-S(GG175)

**3188-9 TUBE ASSY. - AIR SUSPENSION FRONT SPRING LEVELING VALVE TO REGULATOR VALVE**

58	A (8 cyl. 332, 352) (with F/M & C/M)	R. H. -8" long L. H. -53 1/4" long	1 1	☆ AK 3188-A ☆ AK 3189-A
58	A (8 cyl. 332, 352)	Clip (tube to solenoid)	4	357403-S32(GG30)
58	A (8 cyl. 332, 352) (with F/M & C/M)	Clip (tube to frame)	2	356628-S(GG175)

**3190-1 TUBE ASSY. - AIR SUSPENSION FRONT SPRING LEVELING VALVE TO CHECK VALVE**

58	A (8 cyl. 332, 352) (with F/M & C/M)	R. H. -8 1/2" long L. H. -7 3/16" long	1 1	☆ AK 3190-A ☆ AK 3191-B
----	--------------------------------------	---	--------	----------------------------

**3-3192 HOSE ASSY. - AIR SUSPENSION RESERVE TANK TO TEE**

58	A (8 cyl. 332, 352)	33" long	1	☆ AK 33192-B
58	A (8 cyl. 332, 352)	Clip (hose to fender apron)	1	357946-S8(GG152)
58	A (8 cyl. 332, 352)	Screw (clip to fender apron)-1/4"-20 x 5/8"	1	★ 39894-S
58	A (8 cyl. 332, 352)	Clip (hose to R. H. fender apron)	1	352204-S100 (GG148)

**3-3193 TUBE ASSY. - AIR SUSPENSION TEE TO SOLENOID VALVE**

58	A (8 cyl. 332, 352)-with F/M & C/M	42 49/64" long	1	☆ AK 33193-B
----	------------------------------------	----------------	---	--------------

**3-3194 TUBE ASSY. - AIR SUSPENSION PRESSURE REGULATOR VALVE TO TEE**

58	A (8 cyl. 332, 352)	9" long	1	☆ AK 33194-A
----	---------------------	---------	---	--------------

**3-3195 TUBE ASSY. - AIR SUSPENSION SOLENOID VALVE TO TEE**

58	S/W (8 cyl. 332, 352)	149 13/64" long	1	★ AK 33195-B
58	57, 58 (8 cyl. 332, 352)	115 1/2" long	1	★ AM 33195-D
58	51A (8 cyl. 332, 352)	118" long	1	★ AM 33195-E
58	63, 64, 76B (8 cyl. 332, 352)	116 1/2" long	1	★ AM 33195-F
		Clip (tube to frame)	2	352977-S100 (GG156)

† Make from BBA 55269-A tubing and (2) 87942-S8 nuts

☆ Make from 8C 2269-B tubing and (2) 87942-S8 nuts

## SECTION 30

## FORD CAR PARTS

YEAR 12	MODEL	DESCRIPTION	QTY. PER VEHICLE	PART NUMBER
<b>3-3197 TUBE ASSY. - AIR SUSPENSION FRONT SPRING R.H. LEVELING VALVE TO TEE</b>				
58	A (8 cyl. 332, 352)	8" long	1	*AK 33197-A
<b>3-3205 TUBE ASSY. - AIR SUSPENSION FRONT SPRING L.H. LEVELING VALVE TO TEE</b>				
58	A (8 cyl. 332, 352)	52 13/16" long	1	*AK 33205-A
<b>3-3206-7 TUBE ASSY. - AIR SUSPENSION FRONT SPRING TO CHECK VALVE</b>				
58	A (8 cyl. 332, 352)	R. H. -15 5/8" long	1	☆AK 33206-A
		L. H. -15 5/8" long	1	☆AK 33207-B
58	A (8 cyl. 332, 352)	R. H. -10 3/4" long	1	☆AK 33206-C
		L. H. -10 3/4" long	1	☆AK 33207-D
58	A (8 cyl. 332, 352)	Screw (L. H. tube to frame)-5/16"-18 x 3/4"		39909-S7(U269D)
<b>3255 HOSE - AIR SUSPENSION EVAPORATOR</b>				
58	A (8 cyl. 332, 352)	61 1/4" long-make from B3T 4090-B	1	*AK 3255-A
<b>3263 JOINT ASSY. - FRONT SUSPENSION UPPER ARM BALL</b>				
		3263 - Supplied in 3049 kits		
54/56	A	Fitting (ball joint lubricator) - 1/4"-straight	4	87907-S8(I-3)
55/57	S		4	
57/	A (1958/ S)	Fitting (lower ball joint lubricator)	2	
57/	A (1958/ S)	Fitting (upper ball joint lubricator)-1/4"-90°	2	87924-S8(I-9)
<b>3280-1 ROD ASSY. - SPINDLE CONNECTING</b>				
49/51	A	RH	1	8A 3280
		LH	1	8A 3281
52/53	A		2	AB 3280-A
54/56	A	Includes ball stud	2	AD 3280-B
55	S	Includes ball stud	2	B5S 3280-A
56/57	S	RH-includes ball stud	1	B6S 3280-A
		LH-includes ball stud	1	B6S 3281-A
57/58	A (1958 S)	RH-includes ball stud	1	B7A 3280-A
		LH	1	B7A 3281-A
59	A (1959/60 S)	RH-includes ball stud	1	B9AA 3280-A
		LH	1	B9AA 3281-A
		Nut-castle-1/2"-20	2	351059-S(MM66)
		Cotter pin-1/8" x 1"		72035-S7-8(N51)
49/51	A	Fitting-lubricator-1/4"-28	2	87907-S8(I-3)
52/	A, S	Fitting-lubricator-1/4"-28-90°	2	87924-S8(I-9)
<b>3287 CLAMP - STEERING</b>				
55	A, S	Power steering control valve ball stud sleeve	1	TFAA 3287-A
49/56	A, S	Spindle connecting rod end	4	B4C 3287-A
57/	A (1955/61 S)	Spindle connecting rod end	4	B7A 3287-A
49/56	A, S (1960/62 X)	Bolt (clamp)-5/16"-24 x 1 1/4"	4	20427-S7(B158)
<b>3289-90 END - SPINDLE CONNECTING ROD - Refer to Group 3A130-1</b>				
<b>3304-05 ROD ASSY. - STEERING ARM TO IDLER ARM</b>				
49/51	A		1	8A 3304-C
54/56	A (except Power Steering)		1	AD 3305-B
54/56	A (with Power Steering)		1	AD 3304-C
57/58	A (except Power Steering)		1	B7A 3305-A
57/58	A (with Power Steering)		1	B7A 3304-A
59	A (except P/S)		1	B9AA 3305-A
59	A (with P/S)		1	B9AA 3304-B
55/57	S (except Power Steering)		1	B5S 3305-A
55/56	S (with Power Steering)		1	B5S 3304-A
57	S (with Power Steering)		1	B7S 3304-A
58	S (except Power Steering)		1	B8S 3305-A
58	S (with Power Steering)		1	B8S 3304-A
59/	S (except P/S)		1	B9SS 3305-B
59/	S (with P/S)		1	B9SS 3304-A
53/	A, S (with Power Steering)	Locknut (rod to P/S cylinder)-1/2"-20	1	34424-S7(M84)
53/	A, S (with Power Steering)	Pin (rod to hydraulic control valve)-1/8" x 7/8"	1	352146-S(NN99)
49/	A, S	Nut-castle-1/2"-20	2	351059-S(MM66)
		Cotter pin-1/8" x 1"	1	72035-S7-8(N51)
49/51	A	Fitting (rod lubricator)-1/4"-28	1	87907-S8(I-3)
52/53	A	Fitting (rod lubricator)-85°	1	358032-S8(II-205)
59	A, S		2	
54/58	A, S	Fitting (rod lubricator)-1/4"-28-90°	1	87924-S8(I-9)

\* Make from 8C 2269-B tubing and two 87942-S8 nuts

\* Make from B8A 55269-A tubing

\* Make from B8A 55269-A tubing

\* Make from B8A55269-A tubing and (2) 87942-S8 nuts



YEAR 19	MODEL	DESCRIPTION	QTY. PER VEHICLE	PART NUMBER
<b>3310 SLEEVE - DRAG LINK ADJUSTING</b>				
49/	A, S		2	C0AA 3310-A
<b>3311 STUD - DRAG LINK TO SELECTOR ARM BALL</b>				
52/	A	Supplied in 3A533-A kits	1	*AB 3311-C
55/	S		1	
52/	A, S	Nut-castle (stud)-1/2"-20 Cotter pin-1/8" x 1"	1	351059-S(MM66) 72035-S7-8(N51)
<b>3332 SEAL - STEERING and FRONT SUSPENSION</b>				
49/51	A	Steering link ball stud	5	8M 3332
52/	A, S		4	
52/	A, S	Drag link to sector arm ball stud	1	B2A 3332-A
54/56	A	Front suspension upper arm ball joint dust-supplied in B5A 3049-A kit	2	*B4A 3332-A
55/57	S		2	
54/56	A	Front suspension lower arm ball joint dust-supplied in B5A 3050-A kit	2	*B4A 3332-B
55/57	S		2	
<b>3350-1 BRACKET - STEERING IDLER ARM MOUNTING</b>				
49/	A, S (except P/S)		1	B8A 3351-A
53	A-8 cyl. (with Power Steering)		1	AB 3351-C
54	A-6 & 8 cyl. (with Power Steering)		1	B4A 3351-A
55/56	A (with Power Steering)		1	B5A 3351-A
57/59	A (with P/S)		1	B9A 3351-A
55/57	S (with Power Steering)		1	B5S 3351-A
58/	S (with Power Steering)		1	B8S 3351-A
49/51	A	Bolt (bracket to frame)-3/8"-24 x 1"	1	20389-S8(B171)
49/51	A	Bolt (bracket to frame)-3/8"-16 x 4 1/4"	1	356682-S8(BB170)
		Nut-3/8"-24		33800-S8(M63)
		Nut-3/8"-16		33799-S7(M52)
		Lockwasher-3/8"		34847-S8(X74)
		Washer-flat-3/8"		352981-S(XX143)
53	A-8 cyl. (with Power Steering)	Bolt (bracket to frame)-3/8"-24 x 1 1/4"	1	20429-S8(B172)
55/59	A (with Power Steering)	Bolt (bracket to frame)-3/8"-24 x 1 1/2"	2	20469-S8(B174)
55/	S (with Power Steering)	Bolt (bracket to frame)	1	
		Nut-3/8"-24		351633-S8(MM119)
55/	A, S (with Power Steering)	Lockwasher-3/8"		357629-S7(XX3-3)
53	A-8 cyl. (with Power Steering)	Lockwasher-3/8"		34807-S7-8(X66)
		Washer-flat-3/8"		353992-S(XX127)
53/	A, S (with Power Steering)	Nut-castle (arm to rod)-1/2"-20	2	34032-S7(M9)
		Washer-flat - 33/64"		351810-S8(XX185)
		Washer-flat-17/32"		356606-S8(XX184)
		Cotter pin - 1/8" x 1"		72035-S7-8(N51)
<b>3352 KIT - STEERING IDLER ARM and BUSHINGS</b>				
49/51	A	Consists of 1-8A 3355-B Arm 2-MA 3356-A Bushing 2-8M 3359 Seal 2- Fitting	1	A9A 3352-A
52/53	A (without P/S)	Consists of 1- AB 3355-A Arm 2- 8M 3359 Seal 2- MA 3356-A Bushing 2- Fitting	1	B2A 3352-A
53	A-8 cyl. (with P/S)	Consists of 1-MA 3355-A Arm 1-MA 3356-B Bushing 1-MA 3358-A Bushing 2- Nut 2-72035-S7-8 Cotter pin 2-351810-S8 Washer	1	B3A 3352-A
54/56	A (without P/S)	Consists of 1-AD 3355-D Arm 2-MB 3356-A Bushing 2-8M 3359 Seal 2-Fittings	1	B5A 3352-A
54/59	A (with P/S)	Consists of	1	B4A 3352-B
58/	S (with P/S)	1-C0A7 3355-A Arm 1-MA 3356-B Bushing 1-MA 3358-A Bushing 2-72035-S7-8 Cotter pin 2-351810-S8 Washer 2-Nuts	1	
55/57	S (with P/S)	Consists of 1-AH 3355-B Arm 1-MA 3356-B Bushing 1-MA 3358-A Bushing 2-351810-S8 Washer 2-72035-S7-8 Cotter pin 2-Nuts	1	B5S 3352-B
57/59	A (without P/S)	Consists of 1-AJ 3355-A Arm 2-MB 3356-A Bushing 2-8M 3359 Seal 2-Fittings	1	B7A 3352-A

YEAR 19	MODEL	DESCRIPTION	QTY. PER VEHICLE	PART NUMBER
<b>3352 KIT - STEERING IDLER ARM and BUSHINGS - continued</b>				
55/57	S (without P/S)	Consists of 1-AH 3355-C Arm 1-MB 3356-A Bushing 2-8M 3359 Seal 2-Fittings	1	B5S 3352-C
58/	S (without P/S)	Consists of 1-AN 3355-B Arm 2-8M 3359 Seal 2-MB 3356-A Bushing 2-Fittings	1	B8S 3352-A
<b>3355 ARM - STEERING IDLER</b>				
		3355-supplied in 3352 kits		
<b>3356-8 BUSHING - STEERING IDLER ARM</b>				
52/	A, S (except Power Steering)		2	MB 3356-A
53/	A, S (with P/S)	Upper	1	MA 3356-B
53/	A, S (with P/S)	Lower-1.5" long-.63" I. D.	1	MA 3358-A
49/	A, S	Fitting (bushing lubricator)-85°	2	358032-S8(II-205)
<b>3359 SEAL - STEERING IDLER ARM</b>				
49/	A, S (except Power Steering)		2	8M 3359
<b>3382-3 BRACKET ASSY. - FRONT SUSPENSION BUMPER</b>				
55/56	A		2	B5AZ 3382-A
57/59	A		2	B7AZ 3382-A
<b>3494 TUBE ASSY. - POWER STEERING PRESSURE LINE TO VALVE</b>				
58/	A (8 cyl.), S		1	AK 3494-A
<b>3504 GEAR ASSY. - STEERING - LESS ARM, WHEEL and TUBE</b>				
56	A		1	B6A 3504-C
57	A		1	B7A 3504-B
58	A		1	B8A 3504-A
59	A		1	B9AR 3504-A
55/57	S		1	B6S 3504-A
58	S		1	B8S 3504-A
59/	S		1	B9SR 3504-A
49/51	A	Bolt (housing to frame)-upper-3/8"-16 x 7/8"	1	356685-S8(BB153)
49/51	A	Bolt (housing to frame)-center-3/8" -16 x 3 3/4"	1	356684-S8(BB169)
49/51	A	Bolt (housing to frame)-lower-3/8"-16 x 4 1/4"	1	356682-S8(BB170)
		Lockwasher-3/8"		34847-S8(X74)
52/53	A	Bolt(housing to frame)-lower-7/16"-14 x 4 5/8"	2	351989-S8(BB188)
52/54	A	Bolt(housing to frame)-upper	1	
55/57	A (with S/T & O/D)		1	
53/57	A (with S/T & O/D)	Bolt (housing to frame)-lower-7/16"-14 x 3 3/4"	2	351988-S8(BB187)
52/57	A (with F/M)	Bolt (housing to frame)	3	
58/	A		3	
55/	S		3	
55/57	A (with S/T & O/D)	Lockwasher-7/16"		357625-S7-8 (x x 304)
55/57	A (with F/M)	Lockwasher-7/16"		34808-S8(X67)
58/	A (1955/ S)			
52/54	A			
<b>3506 CLAMP ASSY. - STEERING COLUMN</b>				
49/58	A (1955/57 S)		1	COAA 3506-A
		Bolt (clamp)-7/16"-20 x 2 1/2"	1	*23548-S7-8
		Locknut-7/16"-20		34447-S2(M83)
<b>3509 TUBE ASSY. - STEERING COLUMN - PRIME - Also Refer to Group 3514</b>				
52/53	A (with S/T & O/D)		1	AB 3509-DP
54	A		1	AD 3509-BP
55	A (with S/T & O/D)	Bearing & flange	1	B5A 3509-A
56	A (with S/T & O/D)	Bearing & flange	1	B6A 3509-B
57	A (with S/T & O/D)	Bearing & flange	1	B7A 3509-A
58	A (with S/T & O/D)	Bearing & flange	1	B8A 3509-A
59	A (with S/T & O/D)	Bearing & flange	1	B9A 3509-A
56/57	S	Extension - 5 13/64" long	1	B6S 3509-A
56/57	S		1	B6S 3509-B
58/	S (with S/T & O/D)		1	B8S 3509-B
58/	S (with F/M & C/M)		1	B8S 3509-C
59/	S (with S/T & O/D)		1	B9S 3509-A
55/56	S	Screw (tube stop)-No. 8-32 x 5/16"	1	*39016-S7
		Lockwasher-No. 8		34938-S8(X85)
57	S	Screw (tube stop)-1/4"-28 x 7/16"	1	*38196-S

YEAR 19	MODEL	DESCRIPTION	QTY. PER VEHICLE	PART NUMBER
<b>3511 FLANGE and PIN ASSY. - STEERING COLUMN TUBE</b>				
54	A (with F/M)		1	AD 3511-BP
54	A (with F/M)	Screw (flange to tube)-No. 12-24 x 5/8"	2	*26498-S7-8
		Lockwasher-No. 12		34804-S8(X61)
54	A (with F/M)	Screw & washer (flange to tube)-No. 12-24 x 1 1/8"	1	*43415-S
54	A (with F/M)	Screw (flange to tube)-No. 10-32 x 1"	1	50555-S8(U160)
		Lockwasher-No. 10		34903-S8(X96)
56/57	A (with F/M)		1	B6A 3511-A
55/57	A (with F/M)	Screw (flange to tube)-No. 12-24 x 9/16"	3	*39060-S2
55/57		Lockwasher-No. 12		34804-S8(X61)
58/	A (with F/M, F/M/2 & C/M)		1	B8A 3511-A
56/57	S		1	B6S 3511-A
58/	S		1	B8S 3511-B
<b>3C511 SUPPORT - POWER STEERING PUMP</b>				
54/56	A-8 cyl.		1	B4AZ 3C511-A
55/57	S		1	B5SZ 3C511-A
57	A-8 cyl.		1	B7AZ 3C511-A
58	51A, 57, 58, 63, 64, 66, 70, 73, 76B, S/D (8 cyl. 292)	Use with roll type pump	1	B8AZ 3C511-A
59	A (8 cyl. 292)		1	
58	A-8 cyl. (Air conditioner mounting bracket)		1	B8AZ 3C511-A
59/	A (8 cyl. 292)		1	
58/	A (8 cyl. 332, 352, 390)	Adjusting bracket-air conditioning	1	B8AZ 3C511-B
58/	A (8 cyl. 332, 352, 390)-with A/C	Bracket	1	B8AZ 3C511-C
58/	A (8 cyl. )	Bolt (support to water pump)-5/8"-18 x 1 1/8"	1	370851-S8(BB268)
53	A	Bolt (cyl. hd.)-repl. by 40 6067 stud & 351025-S7 nut	2	*EAC 6066-A
		Washer-flat-15/32"	2	351815-S(XX172)
53	A-8 cyl.	Bolt (support to bracket)-3/8"-16 x 1 5/8"	1	20488-S8(B86)
53	A-8 cyl.	Bolt (support to water pump)-3/8"-16 x 2 1/4"	1	20534-S8(B90)
54	A-8 cyl.	Bolt (support to water pump)-5/16"-18 x 4 5/8"	1	352435-S(BB147)
55/57	A-8 cyl.	Bolt (support to cyl. block)	1	
58	66, 70, 73, S/D (8 cyl. 292)		1	
59/	A (8 cyl. 292)		1	
54/57	A-8 cyl. , S	Bolt (support to water pump)-5/8"-18 x 1 1/8" shoulder	1	354126-S8(BB267)
<b>3512 GROMMET - STEERING COLUMN TO DASH</b>				
55/57	S		1	B5S 3512-A
58/	S		1	B9S 3512-A
<b>3513 SEAL - STEERING COLUMN WEATHER</b>				
52/54	A (with S/T & O/D)	Three holes	1	BA 3513-C
55/56	A		1	B5A 3513-A
57	A		1	B7A 3513-B
58	A		1	B8A 3513-B
59	A		1	B9A 3513-A
55/57	S		1	B5S 3513-A
58/	S		1	B8S 3513-A
<b>3514 TUBE ASSY. - STEERING COLUMN - PRIME - Also Refer to Group 3509</b>				
54	A (with F/M)		1	AD 3514-CP
57	A (with F/M)		1	B7A 3514-A
58	A (with F/M)		1	B8A 3514-A
58	A (8 cyl. 332, 352)-with C/M		1	B8A 3514-B
59	A (with F/M/2)		1	B9A 3514-A
59	A (with C/M)		1	B9A 3514-B
<b>3517 BUSHING OR BEARING ASSY. - STEERING COLUMN - UPPER and LOWER</b>				
51	A (with F/M)	Bearing-1 7/16" O. D.	1	21A 3517
54/	A (1958/59S with F/M & C/M)		1	
49/53	A (with S/T & O/D)	Bushing	1	51A 3517
52/53	A (with F/M)		1	
55/57	S	Bearing	1	B5S 3517-A
58/59	S (with S/T & O/D)	Bearing	1	B8S 3517-A
<b>3520 SPRING - STEERING COLUMN UPPER BEARING</b>				
51	A (with F/M)	.9" long	1	8M 3520
54/57	A	1.64" long	1	AD 3520-A
58/	A	.78" I. D. -1.38" long	1	B8A 3520-A
51/	A	Washer-flat (spring seat)-3/4"	1	351811-S8(XX232)
58/	S		1	
58/	S		1	B8S 3520-A

YEAR 19	MODEL	DESCRIPTION	QTY. PER VEHICLE	PART NUMBER
<b>3521 SNAP RING - STEERING COLUMN BEARING - OUTER</b>				
55/57	S		1	B5S 3521-A
<b>3523 GUIDE - STEERING GEAR BALL RETURN</b>				
58/	A, S		4	B8A 3523-A
<b>3524 SHAFT and WORM ASSY. - STEERING</b>				
49/50	A	Overall length 45 1/2"	1	8A 3524
51	A	Overall length 46 1/4"	1	1A 3524
52/53	A	Overall length 41 5/16"	1	AB 3524-A
54	A	Overall length-41 5/8"-4 teeth-use w/AD 3504-A	1	AD 3524-A
54	A	Overall length 41 5/8"-5 teeth-use w/B4A 3504-A	1	B4A 3524-A
55	A	Overall length 39 7/8"	1	B5A 3524-A
55	A	Overall length 39 7/8"-use with B5A 3504-B	1	B5A 3524-B
56	A	Overall length 37 13/32"-use with 2 teeth sector	1	B6A 3524-B
56	A	Overall length 37 13/32"-use with 3 teeth sector	1	B6A 3524-C
57	A	Overall length 39 1/4"	1	B7A 3524-A
55/56	S	Overall length 12"	1	B5S 3524-C
56/57	S	Overall length 12"	1	B6S 3524-B
55	S	Extension- 36 41/64" long	1	B5S 3524-D
56/57	S	Extension-34 11/32" long	1	B6S 3524-A
58/59	A	Includes rack	1	B8A 3524-A
58/	S	Includes rack	1	B8S 3524-A
<b>3525 SLEEVE - STEERING SHAFT EXTENSION ADJUSTING</b>				
55/57	S		1	B5S 3525-A
<b>3528 KIT - STEERING COLUMN SEAL</b>				
55/57	S	Consists of (1) each Seal, Spring and Washer	1	B5S 3528-A
57	A		1	
<b>3A533 KIT - DRAG LINK BALL STUD REPAIR</b>				
52/	A, S (without Power Steering)		1	B2AZ 3A533-A
Consists of				
1-AB 3311-C Stud      1-72089-S      Cotter pin      1-Dust cover      2-Springs				
1-B2A 3332-A Seal      1-351059-S      Nut      1-Plug      2-Bumpers				
1-72035-S7-8 Cotter pin      1-358032-S8      Fitting      2-Seats				
53/56	A, S (with Power Steering)		1	B3AZ 3A533-A
Consists of				
1-Spring      1-AB 3311-C Stud      1-Shield				
<b>3A533 KIT - POWER STEERING CONTROL VALVE BALL STUD REPAIR</b>				
57/	A, S		1	C2AZ 3A533-A
Consists of				
2-AJ 3320-A Seat      1-AJ 33711-A Spring				
1-AJ 33327-A Bumper      1-C2AZ 3A728-A Clamp				
1-C0AA 3A533-A Stud      1-C2AZ 3A729-A Cover				
1-C2AZ 3C706-A Seal      2-33119-S8 Screw				
<b>3538 PLUG - STEERING GEAR HOUSING OIL FILLER</b>				
49/53	A	3/4"-20	1	B 3538
54/	A, S	5/8"-24	1	B6A 3538-A
<b>3-3538 ELEMENT ASSY. - POWER STEERING OIL RESERVOIR FILTER</b>				
53/54	A-8 cyl.		1	LA 33538-A
54/56	A		1	AE 33538-A
57/58	A-8 cyl.		1	AE 33538-A
55/57	S		1	
57/59	A-6 cyl.		1	B7A 33538-A
58/59	A-8 cyl., S		1	ΔB7A 33538-A
<b>3A540 CYLINDER ASSY. - POWER STEERING</b>				
53/56	A, S		1	B5AZ 3A540-A
57/58	A, S		1	B7AZ 3A540-A
59	A, S		1	B9AZ 3A540-A
53/56	A, S		1	34690-S8(M34)
Nut (cyl. to idler arm mounting brkt.)-7/16"-20				
Stamped nut-7/16"-20				
57/	A, B, S		1	45219-S(M173)
Nut (cylinder to idler arm bracket)-3/8"-24				
57/	A, S		1	33925-S7(M33)
Check nut (cyl. to idler arm brkt.)-3/8"-24				
53/59	A, S		1	45218-S8(M172)
Seat-1/8" tube				
53/59	A, S		1	353641-S(TT1)
Seat-3/8" tube-aluminum				
55/59	A, S		2	372896-S(TT6)
Seat-1/4" tube-aluminum				
53/55	A, S		2	372895-S(TT3)
Snap ring (scraper retainer)				
55/56	A, S		1	353650-S100(QQ11)
Snap ring (scraper retainer)				
53/55	A, S		1	358639-S8B(QQ10)
Ball (cylinder pressure relief valve)-1/8"				
59/	A, S		1	357186-S(AA1)
Snap ring (scraper retainer)				
			1	371033-S(QQ77)

Δ Use with Roll Type Pump

● Use with Rotor Type Pump

YEAR 19	MODEL	DESCRIPTION	QTY. PER VEHICLE	PART NUMBER
<b>3-3542 BODY - POWER STEERING OIL RESERVOIR ORIFICE</b>				
54/55	A-8 cyl., S	1 1/8" Hex. shoulder	1	AE 33542-A
53	A-8 cyl.	Stud (body to cover)-5/16"-24 x 2 5/8"	1	352695-S8(WW26)
		Nut-5/16"-24		354526-S8(MM18)
		Washer-flat-5/16"		44725-S8(X22)
<b>3544 CLAMP - STEERING GEAR BALL RETURN GUIDE</b>				
58/	AS		1	B8A 3544-A
58/	A, S	Screw & washer assy. (clamp to rack)- 1/4"-28 x 5/16"	1	352518-S(BB80)
<b>3-3547 RING - POWER STEERING OIL RESERVOIR ORIFICE or AIR COMPRESSOR OIL LEVEL INDICATOR GLASS</b>				
53/55	A, S	Power steering-3/4" I. D.	2	LA 33547-A
55	A-8 cyl.	Air compressor	1	
58/59	S	Windshield wiper pivot shaft-outer	2	
55/56	A-8 cyl.	Power steering-53/64" I. D.	2	B5A 33547-A
57/	A, X		1or2	
55/	S		1or2	
<b>3548 HOUSING ASSY. - STEERING GEAR</b>				
54/56	A, S		1	AD 3548-A
56/57	S		1	B6A 3548-A
56	A		1	
57	A		1	B7A 3548-B
58/	A, S		1	B9AR 3548-A
58	A, S	Plug-expansion (oil seal)-1 7/16"	1	74124-S(P10)
59/	A, S, X	Plug (expansion)-1 5/16"	1	351701-S(PP87)
<b>3-3549 RING - POWER STEERING OIL RESERVOIR ORIFICE REINFORCEMENT</b>				
53/55	A, S	5/16" I. D.	2	LA 33549-A
55/56	S	Carburetor air tube seal	1	
<b>3552 CUP - STEERING WORM BEARING</b>				
49/57	A, S	Lower-1.75" O. D. -stamped 6	1	B 3552
58/	A, S	Upper & lower	2	C2AZ 3552-A
<b>3553 CUP - STEERING WORM BEARING - UPPER</b>				
49/57	A, S	1.93" O. D. -stamped 6 CE	1	8A 3553
<b>3-3557 KEY - POWER STEERING PUMP PULLEY</b>				
53/54	A-8 cyl.		1	EAD 33557-A
55/56	A		1	
55/57	S		1	
<b>3B559 SHAFT - POWER STEERING PUMP ROTOR</b>				
53/56	A	3.98" long	1	B3AZ 3B559-A
55/57	S		1	
57/58	A	Use with rotor type pump-4.68" long	1	B7AZ 3B559-A
58/	A, S	3.728" long	1	ΔC2AZ 3B559-A
58/	A, S	Snap ring (rotor to housing)	1	Δ359290-S(QQ49)
<b>3C560 STOP - POWER STEERING CONTROL VALVE SPOOL TRAVEL REGULATOR</b>				
53/56	A, S		1	B3AZ 3C560-A
53/55	A, S	Pin (stop)-1/8" x 1 1/4"	1	353621-S100 (NN138)
57/	A, S		1	B7AZ 3C560-A
<b>3A561 VALVE ASSY. - POWER STEERING PUMP</b>				
53/57	A	Stamped "3D"	1	B5AZ 3A561-A
55/57	S		1	
57/58	A	Stamped "13"	1	●B7AZ 3A561-A
58	A, S	Stamped "A"	1	ΔB8AZ 3A561-A
59/	A, S	Stamped "H"	1	C0AA 3A561-A
<b>3562 BRACKET - POWER STEERING PUMP SUPPORT TO EXHAUST MANIFOLD</b>				
55/56	A-8 cyl.		1	B5A 3562-A
57	A-8 cyl.		1	B7A 3562-A
58	66, 70, 73, S/D (8 cyl. 292)		1	ΔB8A 3562-B
59/	A (8 cyl. 292)		1	
55/	A-8 cyl. (1955/57 S)	Bolt (bracket to cylinder head)-3/8"-16 x 1 1/4"	1	20428-S7-8(B82)
58	66, 70, 73, S/D (8 cyl. 292)	Bolt (bracket to manifold)-3/8"-16 x 1 1/4"	1	●20428-S7-8(B82)
		Washer-flat-3/8"		44727-S8(X24)
55/56	A-8 cyl.	Nut (bracket to pump)-3/8"-16	1	33799-S7(M52)
55/57	S		1	
		Lockwasher-3/8"		34807-S8(X66)
		Washer-flat-3/8"		352981-S(XX143)

Δ Use with Roll Type Pump

● Use with Rotor Type Pump

YEAR 19	MODEL	DESCRIPTION	QTY. PER VEHICLE	PART NUMBER
<b>3B563 REINFORCEMENT - POWER STEERING OIL RESERVOIR ORIFICE</b>				
53/54	A-6 & 8 cyl.		1	B4AZ 3B563-A
55	A-8 cyl., S		1	
55/56	A-6 cyl.		1	
55/56	A		1	B5AZ 3B563-A
57/	A (8 cyl.)		1	
55/	S		1	
<b>3564 LOCK - STEERING THRUST SCREW</b>				
52/56	A, S		1	78 3564
<b>3567 SPACER - STEERING SECTOR SHAFT BEARING</b>				
54/55	A, S	3 1/2" long	1	AD 3567-A
56/57	A, S	3 1/4" long	1	B6A 3567-A
<b>3A570 SPRING - POWER STEERING PUMP FLOW CONTROL VALVE</b>				
58/	A, S	Use with roll type pump	1	B8AZ 3A570-A
<b>3571 BEARING ASSY. - STEERING WORM ROLLER</b>				
49/57	A, S	Stamped 5 BC	2	68 3571-A
<b>3571 BALL and CAGE ASSY. - STEERING WORM THRUST BEARING</b>				
58/	A, B, S, X		2	C2AZ 3571-A
<b>3575 SHAFT and WORM ASSY. - STEERING SECTOR</b>				
49/51	A		1	8A 3575
52/53	A		1	AB 3575-B
54/56	A, S	2 teeth	1	AD 3575-A
56/57	A, S	3 teeth	1	B6A 3575-A
58/	A, S	7/8"-14 x 11.51"	1	B8A 3575-A
<b>3576 BEARING ASSY. - STEERING SECTOR SHAFT</b>				
49/56	A, S	1 1/8" I. D. -1 3/8" O. D. -1" long -with 2 teeth sector	2	68 3576
56/57	A, S	1 1/4" I. D. -1 1/2" O. D. -1" long -with 3 teeth sector	2	B6A 3576-A
58/	A, S	Bushing-1 1/8" I. D. -1 1/4" O. D. -1 3/8" long	2	B8A 3576-A
<b>3577 SCREW - SECTOR SHAFT ADJUSTING</b>				
52/57	A, S	1/2"-20 x 1 13/32"	1	B7J 3577-A
52/57	A, S	Nut-1/2"-20	1	33943-S8(M36)
49/51	A	Nut-check (screw)-9/16"-18	1	351075-S(MM27)
		Lockwasher-9/16"		34810-S7-8(X69)
58/	A, S	7/16"-20 x 1 9/16"	1	B8A 3577-A
58/	A, S	Nut-jam (screw)-7/16"-20	1	34690-S8(M34)
<b>3579 WASHER - STEERING WORM SECTOR THRUST</b>				
52/53	A	17/32" I. D. -5/64" thick	1	7RT 3579
54/55	A, S	33/64" I. D. -3/16" thick	1	78 3579
56/57	A, S	17/32" I. D. -3/16" thick	1	B6A 3579-A
<b>3580 COVER - STEERING SECTOR SHAFT HOUSING</b>				
52/53	A		1	AB 3580-A
54/55	A, S		1	AD 3580-A
56/57	A, S		1	B6A 3580-A
58/	A, S		1	B9AR 3580-A
52/	A (1955/60 S)	Bolt (cover to housing)-3/8"-16 x 3/4"	3	20348-S8(B77)
		Lockwasher-3/8"		34807-S8(X66)
<b>3581 GASKET - STEERING SECTOR HOUSING or HOUSING COVER</b>				
49/51	A	Housing	1	8A 3581
52/57	A, S	Housing cover	1	AB 3581-A
58/	A, S	Housing cover	1	B8A 3581-A
<b>3A582 COVER ASSY. - POWER STEERING OIL RESERVOIR</b>				
53/54	A-8 cyl.	6 5/8" O. D. -use with B3AZ 3A699-A reservoir	1	B3AZ 3A582-A
53	A	Tube (cover)	1	1P 77492-A
59/	A(8 cyl.)	Use with roll type pump	1	C0AA 3A582-A
54	A-8 cyl.		1	C0SS 3A582-A
59/	A(8 cyl.)-with A/C		1	
55/58	A-8 cyl. (1955/57 S)	Use with rotor type pump	1	C0SS 3A582-A
57/	A-6 cyl.		1	C1AA 3A582-A
54	A-6 cyl.	Bolt (body to cover)-5/16"-18 x 5"	1	45602-S8
55/56	A-6 cyl.	Bolt (cover to reservoir)	1	
57/	A-6 cyl.	Stud (cvr. to reservoir)-5/16"-18 & 5/16"-18 x 4 5/8"	1	359841-S8(WW22)
58/	A-8 cyl., S	Stud (cover to reservoir)-5/16"-18 & 5/16"-18 x 3 7/8"-use with roll type pump	1	370894-S8(WW18)

# FORD CAR PARTS

## SECTION 35

YEAR 19	MODEL	DESCRIPTION	QTY. PER VEHICLE	PART NUMBER
<b>3A582 COVER ASSY. - POWER STEERING OIL RESERVOIR - continued</b>				
57/	A-6 cyl.	Nut-wing-5/16"-18		33896-S8(M182)
58/	A-8 cyl., S	Nut-wing-use with roll type pump		33896-S8(M182)
57/	A-6 cyl.	Washer - flat 5/16"		359840-S8(XX107)
58/	A-8 cyl. (1958/ S)	Washer-flat-use with roll type pump		359840-S8 (XX107)
54/55	A-8 cyl., S	Bolt (cover to reservoir)-5/16"-18 x 2 1/2"	1	
55/	A (8 cyl.), S	Bolt (cover to reservoir)-5/16"-18 x 3 1/2"	1	354668-S8(BB516)
59/	A (8 cyl. 332, 352)-with A/C	Use with roll type pump	1	354668-S8
53/	A, S	Seal	1	B9A 6570-A
54/56	A	Spring nut-use with rotor type pump	1	353766-S
57/58	A-8 cyl.		1	(MM269)
55/58	S		1	
59	A (8 cyl. 332, 352)-with A/C	Use with roll type pump	1	353766-S
55/56	A	Washer-flat-5/16" -use with rotor type pump	1	44722-S8(X19)
57/58	A (8 cyl.)		1	
55/57	S		1	
59/	A (8 cyl. 332, 352)-with A/C	Use with roll type pump	1	44722-S8(X19)
<b>3B584 KIT - POWER STEERING PUMP SEAL AND GASKET</b>				
54	A (8 cyl.)	Consists of	1	B4AZ 3B584-C
55/57	S (for B5SZ 3A691-A pump)	1-EAA 6589-B Seal 1-LA 33617-A Gasket 1-C0AA 3A642-B Gasket 1-LA 33618-A Ring 2-LA 33547-A Ring 1-LA 33619-A Ring 2-LA 33549-A Ring 1-C2SZ 3B592-A Seal	1	
54/56	A (6 cyl.)	Consists of 1-C2SZ 3B592-A Seal 1-B4A 3592-A Gasket 2-LA 33549-A Ring 1-EAA 6589-B Seal 1-LA 33617-A Gasket 1-C0AA 3A642-C Gasket 1-LA 33618-A Ring 2-LA 33547-A Ring 1-LA 33619-A Ring	1	B4AZ 3B584-D
55/56	A(8 cyl.)-for B5AZ 3A691-A pump	Consists of	1	B5AZ 3B584-B
55/57	S (for B7SZ 3A691-A pump)	1-EAA 6589-B Seal 1-B7A 33617-A Gasket 1-C0AA 3A642-C Gasket 1-LA 33618-A Ring 1-C0AA 3A642-B Gasket 1-C2SZ 3B592-A Seal 2-B5A 33547-A Ring 1-87147-S91 Ring	1	
58/59	A-8 cyl. S(for B8AZ 3A691-A, B9AZ 3A691-A, B, C, D, B9SZ 3A691-A & B pumps)	Consists of 1-C0AA 3A642-A Gskt. 2-B5A 33547-A Ring 1-C0AA 3A642-B Gskt.	1	C2SZ 3B584-A
57/59	A(6 cyl.)-for B7AZ 3A696-A & B, B8AZ 3A696-A & B9AZ 3A696-A pumps	1-C2SZ 3B592-A Seal 1-EAA 6589-B Seal 1-B7A 33617-A Gasket 1-87014-S91 Ring	1	
57	A(8 cyl.)-for B7AZ 3A691-A & B pumps	1-LA 33618-A Ring 1-87147-S91 Ring 1-B7A 33619-A Ring 1-372144-S Gasket	1	
<b>3589 CAP - STEERING GEAR HOUSING - UPPER</b>				
52/57	A, S		1	AB 3589-A
<b>3C589 KIT - POWER STEERING CYLINDER END MOUNTING BUSHING</b>				
53/	A, S	Consists of 2-Bushings 2-Washers 1-34424-S7 Locknut	1	B3AZ 3C589-A
<b>3590 ARM - STEERING SECTOR SHAFT</b>				
52/53	A (except Power Steering)		1	MA 3590-A
54/56	A		1	AD 3590-B
57	A (except Power Steering)		1	B7A 3590-A
57	A (with Power Steering)		1	B7A 3590-B
55	S		1	B5S 3590-A
56/57	S		1	B6S 3590-A
58/59	A (except Power Steering)		1	B8E 3590-A
58/59	A (with Power Steering),		1	B8E 3590-C
58/	S		1	
49/	A, B, S	Nut (steering sector shaft & worm)-7/8"-14	1	351153-S(MM32)
<b>3C590 KIT - POWER STEERING PISTON ROD END BUSHING</b>				
53/56	A, S	Consists of 1-Nut 2-Insulators 2-Washers 1-45219-S Locknut	1	B3AZ 3C590-A
57/	A, S	Consists of 2-Insulators 2-Washers 1-Spacer 1-45218-S8 Locknut 1-33925-S7 Nut	1	B7AZ 3C590-A
<b>3591 OIL SEAL ASSY. - STEERING SECTOR SHAFT HOUSING</b>				
49/56	A, S	1 5/64" I.D. -1 9/16" O.D. -1/4" thick	1	C3AZ 3591-A
58/	A, S		1	
56/57	A, S	With 3 teeth sector	1	B6A 3591-A

## SECTION 35

## FORD CAR PARTS

YEAR 19	MODEL	DESCRIPTION	QTY. PER VEHICLE	PART NUMBER
<b>3B592 SEAL ASSY. - POWER STEERING PUMP ROTOR SHAFT OIL</b>				
53/	A, S		1	B3AZ 3B592-A
<b>3593 GASKET - STEERING GEAR HOUSING CAP - UPPER</b>				
49/57	A, S	.002" thick	AR	B 3593-A
49/57	A, S	.010" thick	AR	B 3593-C
<b>3597 PLATE and TUBE ASSY. - STEERING GEAR HOUSING END</b>				
49/57	A, S		1	B5S 3597-A
<b>3600 WHEEL ASSY. - STEERING</b>				
52/53	A		1	AB 3600-AA
54	A	White---Black no longer supplied	1	AD 3600-BB
55	Customline (except Country Sedan)	Hi-Lustre Black	1	B5A 3600-B
55	Mainline (with Power Steering)		1	
55	Fairlane		1	
55	Country Sedan	White	1	B5A 3600-F
55	Fairlane		1	
55	Mainline	Hi-Lustre Black	1	B5A 3600-G
55	S	Turquoise	1	B5S 3600-B
55	S	Black	1	B5S 3600-D
56	Victorias & Sunliner	Orange	1	B6A 3600-J
56/57	S	Peacock	1	B6S 3600-E
56/57	S	Black	1	B6S 3600-G
56/57	S	Brown	1	B6S 3600-H
56/57	S	Green	1	B6S 3600-J
57	S	White	1	B7S 3600-A
58	51A, 57, 58A, 63, 64A, 70B, 73B	Palamino tan (Buff)	1	B8A 3600-H
57	A (except Custom, 66 & 78)		1	
57	Custom (with Power Steering)		1	
58/59	51A, 57, 58, 63, 64, 76B, 79C, 79E	Medium Blue	1	B8A 3600-B
56	P/L, C/L 8 cyl. Country Sedan, Victorias, Club Sedan, Town Sedan, S/L & Country Squire		1	
58/59	51A, 57, 58, 63, 64, 76B, 79C, 79E	Medium Green	1	B8A 3600-C
56	Parklane, C/L 8 cyl. Country Sedan & F/L		1	
57	A (except Custom, 66 & 78)		1	
57	Custom with Power Steering		1	
58/	S	White	1	B8S 3600-A
59	51A, 54A, 65A, 75A, 76B	White with Raven Black spokes	1	B9A 3600-A
59	51A, 54A, 65A, 75A, 76B	White with Blue Metallic spokes	1	B9A 3600-B
59	51A, 54A, 65A, 75A, 76B	White with Brown Metallic spokes	1	B9A 3600-C
59	51A, 54A, 65A, 75A, 76B	White with Geranium spokes	1	B9A 3600-D
59	51A, 54A, 65A, 75A, 76B	White with Red spokes	1	B9A 3600-E
59	51A, 54A, 65A, 75A, 76B	White with Medium Green Metallic spokes	1	B9A 3600-F
59	51A, 54A, 65A, 75A, 76B	White with Turquoise Metallic spokes	1	B9A 3600-G
58/59	58A, 58B, 64A, 64B	Dark Gray Metallic	1	B9A 3600-J
56	Club Sedan & Town Sedan		1	
57	A (except Custom, 66 & 78)		1	
57	Custom with Power Steering		1	
59	A (except 58E, 59C, 64F, G & 71H)	White	1	B9A 3600-K
59	58E, 58F, 64F, 64G, 64H, 71H	Raven Black with horn button	1	B9A 3600-H
59/	59C		1	
56	Mainline & S/D		1	
58	59A, 66, 70A, 70D, 73A, S/D		1	
57	Custom (except Power Steering), 66, 78		1	
59	A (except 58E, 59C, 64F, G & 71H)	Raven Black	1	B9A 3600-L
56	Customline (except 8 cyl. Country Sedan)		1	
56	Fairlane (except Country Squire)		1	
56	Mainline (with Power Steering)		1	
57	A (except Custom, 66 & 78)		1	
57	Custom (with Power Steering)		1	
58	A		1	
49/	A, S	Nut (wheel to shaft)-5/8"-18	1	33947-S7-8(M73)
<b>3601 BOLT - POWER STEERING OIL FILTER ELEMENT SUPPORT OR COVER RETAINING</b>				
54/56	A (6 & 8 cyl.)	5/16"-18 & 3/4"-16	1	B4A 3601-A
57/	A (8 cyl.)-with roll type pump		1	
59/	S		1	



YEAR 19	MODEL	DESCRIPTION	QTY. PER VEHICLE	PART NUMBER
<b>3B608 SPRING - POWER STEERING PUMP RELIEF VALVE</b>				
53/54	A-6 & 8 cyl.		1	B3AZ 3B608-A
55	A-8 cyl. , S		1	
55/57	A-6 cyl.		1	
57	A-8 cyl.		1	
55/56	A-8 cyl.		1	B5AZ 3B608-A
55/57	S		1	
57	A	Use with B7AZ 3A561-A valve	1	B7AZ 3B608-A
58	A		1	
<b>3A609 INSULATOR - POWER STEERING HOSE</b>				
53/57	A, S		1	B3AZ 3A609-A
58/	S (1958/59 A)		1	B8AZ 3A609-A
<b>3610 KIT - POWER STEERING CONTROL VALVE ORIFICE</b>				
53/58	A, S	Consists of (1) Spring and (1) Plate -use with Rotor Type Pump	1	B3A 3610-A
<b>3A610 RETAINER - POWER STEERING HOSE INSULATOR</b>				
53/57	A, S		1	B3AZ 3A610-A
58/59	A		1	B8AZ 3A610-A
58/	S		1	
<b>3A611 BRACKET - POWER STEERING HOSE INSULATOR</b>				
55/57	S		1	B5SZ 3A611-A
57	A		1	B7AZ 3A611-A
58/59	A		1	B8AZ 3A611-A
58/	S		1	
<b>3-3614 FITTING - POWER STEERING PUMP VALVE OUTLET</b>				
53/54	A-6 & 8 cyl.		1	LA 33614-A
55	A-8 cyl. , S		1	
55/56	A-6 cyl.		1	
55/56	A-8 cyl.		1	B5A 33614-A
57/59	A (1955/59 S)		1	
<b>3-3617 GASKET - POWER STEERING PUMP COVER</b>				
53/57	A, S		1	LA 33617-A
57/58	A	Use with B7AZ 3A696-A & B7AZ 3A691-B pumps	1	B7A 33617-A
58	A, S	Use with rotor type pump	1	
58/	A, B, S, X	Seal-2 5/8" I. D. -use with roll type pump	1	87147-S91(T38)
<b>3-3618 RING - POWER STEERING PUMP VALVE OUTLET FITTING</b>				
53/57	A, S		1	LA 33618-A
<b>3-3619 RING - POWER STEERING PUMP FLOW DIRECTOR</b>				
53/56	A		1	LA 33619-A
55/57	S		1	
57/58	A	Use with Rotor Type Pump	1	B7A 33619-A
<b>3-3621 RETAINER - POWER STEERING PUMP ROTOR SHAFT BEARING</b>				
53/54	A-6 & 8 cyl.		1	LA 33621-A
55	A-8 cyl. , S		1	
55/56	A-6 cyl.		1	
55/56	A-8 cyl.		1	B5A 33621-A
55/57	S		1	
<b>3623 CAP ASSY. - STEERING WHEEL HUB</b>				
58/59	S (except Power Steering)		1	B8S 3623-A
58/59	S (with Power Steering)		1	B8S 3623-B
<b>3-3625 RETAINER - POWER STEERING OIL RESERVOIR ORIFICE RING</b>				
54/54	A (6 & 8 cyl.)		1	LA 33625-B
55	A-8 cyl. , S		1	
55/56	A-6 cyl.		1	
<b>3-3627 RETAINER - POWER STEERING PUMP RELIEF VALVE</b>				
53/54	A (6 & 8 cyl.)	11 7/8" long	1	LA 33627-A
55	A-8 cyl. , S		1	
55/56	A-6 cyl.		1	
55/56	A (8 cyl.)	Snap ring-use with rotor type pump	1	B5A 33627-A
57/58	A (1955/57 S)		1	
58/	A, S	Plug-use with roll type pump	1	B8E 33627-A
<b>3629 RETAINER - HORN RING</b>				
58/	S		1	B8S 3629-A
<b>3630 PLATE - HORN RING CONTACT</b>				
58/	S		1	B8S 3630-A
58/	S	Screw (plate to ring)-No. 6-32 x 1/2"	3	51763-S8(U362)

YEAR 19	MODEL	DESCRIPTION	QTY. PER VEHICLE	PART NUMBER
<b>3A633 KIT - POWER STEERING INSTALLATION - COMPLETE</b>				
57	A-8 cyl.		1	B7AZ 3A633-A
Consists of				
	1-B5A 2344-A Clamp	1-B7AZ 3A611-A Bracket	1-21063-S8	Bolt
	1-B7A 3304-A Rod	1-B7A 3627-B Ring	1-33799-S7	Nut
	2-8M 3332 Seal	1-B7AZ 3A691-B Pump	10-34807-S8	Lockwasher
	1-B9A 3351-A Bracket	1-B7AZ 3A713-A Hose	1-34850-S	Lockwasher
	1-B4A 3352-B Kit	2-B7AZ 3A714-A Hose	3-39883-S7	Screw
	1-B7AZ 3C511-A Support	1-B7AZ 3A719-A Hose	1-45565-S	Bolt
	1-B7AZ 3A540-A Cylinder	1-B7AZ 3A730-A Valve	1-45592-S	Bolt
	1-B7A 3562-A Bracket	1-B5A 6312-E Pulley	2-351633-S8	Nut
	1-B3AZ 3C589-A Kit	1-B7AZ 8620-A Belt	3-352981-S	Washer
	1-B7A 3590-B Arm	5-20408-S7	2-353992-S	Washer
	1-B7AZ 3C590-A Kit	2-20428-S8	1-354126-S	Bolt
	1-B3AZ 3A609-A Insulator	2-20429-S8	1-354193-S	Washer
	1-B3AZ 3A610-A Retainer	2-20469-S8	1-359098-S	Washer
57	A-6 cyl.		1	B7AZ 3A633-B
Consists of				
	2-B4Q 2344-A Clamp	1-B7A 3691-A Hose	1-20388-S8	Bolt
	1-B5A 2344-A Clamp	1-B7AZ 3A696-A Pump	5-20408-S7	Bolt
	1-B7A 3304-A Rod	1-B7AZ 3A713-A Hose	2-20429-S8	Bolt
	2-8M 3332 Seal	2-B7AZ 3A714-A Hose	2-20469-S8	Bolt
	1-B9A 3351-A Bracket	1-B7AZ 3A719-B Hose	2-33798-S8	Nut
	1-B4A 3352-B Kit	1-B7AZ 3A730-A Valve	2-34806-S7	Lockwasher
	1-B7AZ 3A540-A Cylinder	1-B7A 6129-A Bracket	10-34807-S8	Lockwasher
	1-B3AZ 3C589-A Kit	1-B4A 6318-B Pulley	3-39883-S7	Screw
	1-B7A 3590-B Arm	1-B4AZ 8620-C Belt	2-44722-S8	Washer
	1-B7AZ 3C590-A Kit	1-B7AZ 13A805-CP Ring	1-46172-S8	Bolt
	1-B3AZ 3A609-A Insulator	1-B7A 33531-B Reservoir	2-352981-S	Washer
	1-B3AZ 3A610-A Retainer	2-20327-S8	2-353992-S	Washer
	1-B7AZ 3A611-A Bracket			
58/59	A(6 cyl.)	Not replaced	(2-63)	1 ★B9AZ 3A633-G
59	A(6 cyl.)	Not replaced	(2-63)	1 ★B9AZ 3A633-C
59	A (8 cyl. 332, 352)-with A/C		1	B9AZ 3A633-D
Consists of				
	1-B5A 2344-A Clamp	1-B9AZ 3A691-B Pump	1-33799-S7	Nut
	1-B9AA 3304-B Rod	1-B8AZ 3A713-A Hose	10-34807-S8	Lockwasher
	1-B2A 3332-A Seal	1-B8AZ 3A717-A Tube	1-34850-S	Washer
	2-8M 3332 Seal	1-B8AZ 3A719-C Hose	3-39883-S7	Screw
	1-B9A 3351-A Bracket	1-B9AZ 3A730-C Valve	1-45565-S8	Bolt
	1-B4A 3352-B Kit	1-C0AE 8620-A Belt	1-45592-S	Bolt
	1-B9AZ 3A540-A Cylinder	1-B9AZ 13A850-B Ring	1-359098-S	Washer
	1-B3AZ 3A589-A Kit	1-AJ 33637-C Tube	1-351059-S	Nut
	1-B8E 3590-C Arm	5-20408-S7	2-351633-S8	Nut
	1-B7AZ 3A590-A Kit	2-20428-S8	3-352981-S	Washer
	1-B8AZ 3A609-A Insulator	2-20429-S8	2-353992-S	Washer
	1-B8AZ 3A610-A Retainer	2-20469-S8	1-354126-S8	Bolt
	1-B8AZ 3A611-A Bracket	1-21063-S8	1-354193-S	Washer
59	S (8 cyl. 352)	With air conditioning use B8AZ 6A312-C pulley	1	B9SZ 3A633-A
Consists of				
	2-B6A 2265-BB Hose	1-B8SZ 3A713-A Hose	5-34807-S8	Lockwasher
	1-B5A 2344-A Clamp	1-C0SS 3A713-A Hose	2-34897-S8	Lockwasher
	1-B9SS 3304-A Rod	1-B9AZ 3A730-C Valve	4-40156-S8	Screw
	1-B8S 3351-A Bracket	1-B8AZ 6A312-B Pulley	1-44726-S8	Washer
	1-B4A 3352-B Kit	1-C0AE 8620-A Belt	1-45218-S8	Nut
	1-B9AZ 3A540-A Cylinder	3-20328-S	2-45565-S8	Bolt
	1-B3AZ 3C589-A Kit	2-20408-S7	1-72035-S7	Cotter pin
	1-B7AZ 3C590-A Kit	1-20468-S8	1-87907-S8	Fitting
	1-B8AZ 3A609-A Insulator	2-20469-S8	1-87924-S8	Fitting
	1-B8AZ 3A610-A Retainer	3-33799-S7	2-351059-S	Nut
	1-B8AZ 3A611-A Bracket	3-33800-S8	1-352146-S	Pin
	1-B8S 3623-B Cap	1-33925-S7	1-352981-S	Washer
	1-C0AA 3A691-B Pump	2-34032-S7	2-357629-S7	Lockwasher

# FORD CAR PARTS

## SECTION 36

YEAR 19	MODEL	DESCRIPTION	QTY. PER VEHICLE	PART NUMBER
<b>3-3633 PIN - POWER STEERING PUMP ROTOR SHAFT</b>				
54/	A, S	Cut from No. 13 drill rod	1	*LA 33633-A
<b>3-3640 INSULATOR ASSY. - POWER STEERING PUMP</b>				
53	A(8 cyl.)	25/64" I. D. -3/4" O. D. -25/32" long	2	EAD 33640-A
54	A(8 cyl.)		3	
55	A, S		3	
<b>3641 BOLT - STEERING COLUMN TUBE FLANGE TO TUBE</b>				
51	A (with F/M)	1/4"-28 x 3/4"	2	8M 3641-B
58/	S		2	
51	A (with F/M)	Nut-1/4"-28		33796-S7(M61)
		Lockwasher-1/4"-external tooth		34940-S7-8(X88)
58/	S	Nut-1/4"-28	2	351754-S33 (MM167)
<b>3A642 GASKET - POWER STEERING OIL RESERVOIR COVER</b>				
53/54	A-8 cyl.	6 1/2" O. D.	1	B3AZ 3A642-A
54/	A (8 cyl.)	5 29/64" O. D.	1	C0AA 3A642-B
55/	S		1	
54/	A (6 cyl.)	4 5/32" O. D.	1	C0AA 3A642-C
<b>3A643 HOUSING ASSY. - POWER STEERING PUMP</b>				
53/54	A-6 & 8 cyl.		1	B3AZ 3A643-A
55	A-8 cyl., S		1	
55/56	A-6 cyl.		1	
55/56	A-8 cyl.		1	B5AZ 3A643-A
55/57	S		1	
57/58	A		1	B7AZ 3A643-A
58/	A, S		1	C2SZ 3A643-A
53/54	A-6 & 8 cyl.	Screw & lockwasher ass'y. (housing to cover)- 3/8"-16 x 1 3/4"	2	357649-S8(BB566)
55	A-8 cyl., S		2	
55/56	A-6 cyl.		2	
53/56	A	Bearing ass'y. (power steering pump rotor shaft)	1	7RA 10094-A
55/57	S		1	
58/	A-8 cyl., S	Bolt (housing to cover)-3/8"-16 x 2" locking	2	*A43006-S8
<b>3647 KIT - STEERING WORM BALL</b>				
58/	A, S	Consists of 60 balls	1	B8A 3647-B
<b>3A649 SLEEVE - STEERING COLUMN UPPER BEARING</b>				
51	A (with F/M)		1	C0AA 3A649-A
54/59	A		1	
58/	S		1	
<b>3A650 KIT - POWER STEERING CONTROL VALVE REPAIR</b>				
53/55	A, S	For AB 33577-B valve-consists of 2-Packings 2-Bushings	1	B3AZ 3A650-A
55/56	A, S	For B5AZ 3A730-A valve-consists of 2-Packings 2-Bushings	1	B5AZ 3A650-A
57/58	A, S	Consists of 2-Bushings 2-Seals 1-Washer	1	B7AZ 3A650-A
59/	A, S	Consists of 2-Bushings 2-Seals	1	B9AZ 3A650-A
57/	A, S		1	C2AZ 3A650-A
Consists of 2-B4A 2428-A Ring      1-B9MM 33697-B Seal      1-C2AZ 3A729-A Cover 2-C2AA 3C513-A Seal      1-C2AZ 3C706-A Ring      1-C1AA 3A740-B Gasket 1-C2OA 3C513-A Seal      1-C2AZ 3A728-A Clamp      2-32873-S7 Screw				
<b>3C651 KIT - POWER STEERING PISTON BOOT and INSULATOR</b>				
53/58	A		1	C1AZ 3C651-A
Consists of 2-C1AA 3A344-A Insulator      2-C3AA 3A345-A Washer      1-C1AA 3C528-B Boot				
<b>3A657 KIT - STEERING SECTOR SHAFT ADJUSTING SHIM</b>				
58/	A	Consists of 4 shims	1	B8AZ 3A657-A
57/	S		1	
<b>3A658 SPACER - POWER STEERING CONTROL VALVE SPOOL - SLEEVE END BUSHING</b>				
57/	A, S		1	C0AA 3A658-A
53/55	A, S	Bolt (sleeve to control valve)-3/8"-16 x 1"	2	353619-S100 (BB331)
53/55	A, S	Washer-flat (spacer to spool bolt)-11/32"	1	353622-S100 (XX119)
53/55	A, S	Washer-flat (spacer to spring)-9/16"	2	353623-S100 (XX196)
55	A, S	Washer-flat (bushing to spacer)-7/8"	1	354687-S8(XX248)
57/	A, S	Washer-flat (spacer retainer)-5/8"	1	370232-S(XX207)

Use with Rotor Type Pump

Use with Roll Type Pump

YEAR 19	MODEL	DESCRIPTION	QTY. PER VEHICLE	PART NUMBER
<b>3660 INSERT - STEERING WHEEL HUB CAP RETAINER</b>				
58/	S	1 59/64" O.D.	1	B8S 3660-A
<b>3-3660 TUBE ASSY. - POWER STEERING CYLINDER VENT</b>				
53/55	A, S		1	AC 33660-A
53/55	A, S	Fitting (vent to cylinder)-90° elbow	1	*87379-S
<b>3668 'U' BOLT - STEERING COLUMN TO INSTRUMENT PANEL</b>				
59	A	Clamp	1	B9A 3668-A
<b>3669 SHIELD ASSY. - STEERING COLUMN TUBE</b>				
56/57	S		1	B6S 3669-A
<b>3670 ADAPTOR ASSY. - POWER STEERING PUMP TO RESERVOIR</b>				
57/	A(6 cyl.)		1	B7A 3670-A
<b>3A670 ADJUSTER ASSY. - STEERING WORM THRUST BEARING</b>				
58	A, S		1	B8AZ 3A670-A
59/	A (without P/S)		1	B9AZ 3A670-A
59/	S		1	
<b>3B671 SLEEVE ASSY. - POWER STEERING CONTROL VALVE</b>				
58/	S	Double row ball bearing	1	C2SZ 3B671-D
58/	S	1.1264"/1.1269" diameter-stamped "A"	1	C2SZ 3B671-A
58/	S	1.1270"/1.1274" diameter-stamped "B"	1	C2SZ 3B671-B
58/	S	1.1275"/1.1280" diameter-stamped "C"	1	C2SZ 3B671-C
<b>3B671 KIT - POWER STEERING SLEEVE, SHAFT and TORSION BAR ASSY.</b>				
58/	S	With pin lock type coupling Consists of 1-C2VR 3B708-D Sleeve 1-C2VR 3B669-D Shaft	1	C2SZ 3B671-F
<b>3672 INSULATOR - HORN BUTTON</b>				
55	Customline, Fairlane	1 3/4" I. D. -2 3/4" O. D. -3/16" thick	1	B5A 3672-A
55	Mainline, S/D (with Power Steering)		1	
56	A, S		1	
58/	S		1	B8S 3672-A
<b>3673 INSULATOR - HORN RING</b>				
55	Customline, Fairlane		3	B5A 3673-A
55	Mainline, S/D (with Power Steering)		3	
56/58	A (1956/57 S)		3	
59	58E, 59C, 64F, G, 71H		3	
58/	S		1	B8S 3673-A
<b>3A673 COVER - STEERING COLUMN BRACKET</b>				
55	A (except Fairlane & Sunliner)-with S/T & O/D		1	B5AZ 3A673-B
56	Victoria Tudors, Sunliner (with S/T & O/D)		1	B6AZ 3A673-A
56	A (except Victoria Tudors & Sunliner)-with S/T & O/D		1	B6AZ 3A673-B
56	Victoria Tudors, Sunliner (with F/M)		1	B6AZ 3A673-C
57	A (with F/M)		1	B7AZ 3A673-A
57	A (with S/T & O/D)		1	B7AZ 3A673-B
57	S		1	B7SZ 3A673-A
58	A (with S/T & O/D)		1	B8AZ 3A673-A
58	A (with F/M & C/M)		1	B8AZ 3A673-B
59	A (with S/T & O/D)		1	B9AZ 3A673-A
59	A (with F/M & C/M)		1	B9AZ 3A673-B
59/	A	Screw (cover to instrument panel)-No. 8- 15 x 3/4"-oval head-self-tapping	2	52360-S13(U294)
		Spring-nut-No. 8		353304-SA (MM247)
<b>3B673 BEARING ASSY. - POWER STEERING CONTROL VALVE SLEEVE</b>				
58/	S	Double row input shaft ball bearing	1	C2SZ 3B673-A
<b>3674 INSULATOR - STEERING COLUMN LOWER FLANGE</b>				
58	S (with S/T & O/D)		1	B8S 3674-A
59/	S		1	B9S 3674-A
59/	A		1	B9A 3674-A
<b>3A674 PUMP - POWER STEERING - LESS RESERVOIR and PULLEY - Also Refer to Groups 3A691 &amp; 3A696</b>				
58	A, S		1	B8AZ 3A674-A
59	A (8 cvl. 332, 352)-with A/C		1	C0AA 3A674-B
59/	A (6 & 8 cyl.)-without A/C		1	C0AZ 3A674-B
59	S (8 cyl. 352)		1	

YEAR	MODEL	DESCRIPTION	QTY. PER VEHICLE	PART NUMBER
<b>3A675 KIT - POWER STEERING CONTROL VALVE CENTERING SPRING</b>				
53/56	A, S	Consists of 1-Spring                      1-Spacer                      1-Adapter 1-Nut                              3-Washers	1	B3AZ 3A675-A
57/	A, S	Consists of 1-353618-S100 Nut                      1-Plate                      1-Spring 1-353622-S100 Washer                      1-Spacer                      2-Washers	1	B9AZ 3A675-A
<b>3676-8 BRACKET - STEERING COLUMN TO INSTRUMENT PANEL</b>				
52/53	A	2 11/16" wide	1	AB 3678-BA
54	A	4" wide	1	AD 3678-CA
55	A	3 1/2" long	1	B5A 3678-A
56	A		1	B6A 3678-A
57	A		1	B7A 3678-A
58	A		1	B8A 3678-A
59	A		1	B9A 3678-A
55/57	S		1	B5S 3678-A
52/54	A	Screw (bracket to instrument panel)- 5/16"-24 x 3 5/8"	2	353468-S(BB21)
58	A (1957 S)		2	
55/56	S	Screw (bracket to instrument panel)- 5/16"-24 x 3"	2	351757-S8(BB30)
58/	S	Screw (bracket to pedal support bracket)	2	
55/57	A	Screw (bracket to instrument panel)- 5/16"-24 x 3 13/16"	2	359434-S8(BB42)
59	A	Screw (bracket to instrument panel)-5/16"- 24 x 1 1/2"	2	371894-S8(BB31)
		Nut-5/16"-24		33798-S7-8(M62)
		Washer-flat-5/16"		44722-S8(X19)
<b>3C677 SUPPORT - POWER STEERING OIL RESERVOIR FILTER ELEMENT</b>				
55/58	A-8 cyl. (1955/57 S)		1	B5AZ 3C677-A
57/59	A-6 cyl.		1	B7AZ 3C677-A
58/59	A-8 cyl., S	Use with roll type pump	1	B8SZ 3C677-A
<b>3C680 INSERT - STEERING WHEEL TRIM</b>				
58/	S		3	B8SZ 3C680-A
<b>3682 SHIM - STEERING COLUMN BRACKET TO INSTRUMENT PANEL</b>				
51	A (except S/W)	Paper-3 1/8" long	1	1A 3682
52/54	A		1	
58/	S	Rubber	1	B8E 3682-A
<b>3683 INSULATOR - STEERING COLUMN BRACKET COVER</b>				
55/57	S	Rubber	1	B5S 3683-B
57	A	Rubber	1	B7A 3683-A
56	A	Cut to fit	1	
<b>3685-9 KEY &amp; LOCK SET - IGNITION AND DOOR - Refer to Group 3687 Chart</b>				

**3687 LOCK SET CHART - IGNITION, DOORS, ETC.**

YEARS	MODELS	INDIVIDUAL LOCK CYLINDER AND KEYS				CYLINDER AND KEYS - MATCHED SET			KEY BLANKS	
		IGNITION	GLOVE BOX DOOR	SIDE DOOR (LESS LEVER AND SPRINGS)	LUGGAGE COMPARTMENT, TAIL GATE, LIFT GATE OR BACK DOOR	IGNITION AND SIDE DOOR (INCLUDES LEVER AND SPRINGS)	GLOVE BOX DOOR AND LUGGAGE COMPARTMENT, TAIL GATE, LIFT GATE OR BACK DOOR	COMPLETE VEHICLE SET (INCLUDES LEVER AND SPRINGS)	IGNITION AND SIDE DOOR	GLOVE BOX, LUGGAGE COMPARTMENT, BACK DOORS, TAIL GATE, LIFT GATE
49	Ex.79	1A 11582-A	8A 7006081-B	◇	8A 7043505-A	A9A 7022050-A			1A 3685-A	1A 7043562
49	79	1A 11582-A	8A 7006081-B	◇	01A 18309-A	A9A 7022050-A			1A 3685-A	1A 7043562
50	Ex.79	1A 11582-A	8A 7006081-E	◇	0A 7043505-A	A9A 7022050-A	0A 3689-G		1A 3685-A	1A 7043562
50	79	1A 11582-A	8A 7006081-E	◇	01A 18309-A	A9A 7022050-A			1A 3685-A	1A 7043562
51	Ex.79	1A 11582-A	1A 7006081-C	◇	1A 7043505-A	A9A 7022050-A			1A 3685-A	1A 7043562
51	79	1A 11582-A	8A 7006081-E	◇	01A 18309-A	A9A 7022050-A			1A 3685-A	1A 7043562
52/54	Ex.59,78, 79	B9A 11582-A	BA 7006081-C	△	B9A 6443505-A	B2A 7022050-B			B9A 3685-A	B5A 7043562-A
52/54	79C	B9A 11582-A	BA 7006081-C	△	BA 5943431-A	B2A 7022050-B			B9A 3685-A	B5A 7043562-A
52/54	59,78, 79B	B9A 11582-A	BA 7006081-C	△	BA 5943431-A	B2A 7022050-B			B9A 3685-A	B5A 7043562-A
55	Ex.59,78, 79	B9A 11582-A	B5A 7006081-A	△	B9A 6443505-A	B2A 7022050-B			B9A 3685-A	B5A 7043562-A
55	59,78,79	B9A 11582-A	B5A 7006081-A	△	BA 5943431-A	B2A 7022050-B			B9A 3685-A	B5A 7043562-A

△ R.H. - B7A 7021984-A      L.H. - B7A 7021985-A      ⊕ R.H. - B7A 5121984-A      L.H. - B7A 5121985-A (includes lever & spring)  
 ● R.H. - B7A 7921984-A      L.H. - B7A 7921985-A (includes lever & spring)      Ex. - Except  
 \* R.H. - B8S 6321984-A      L.H. - B8S 6321985-A (includes lever & spring)      ◇ R.H. - 1A 7021984      L.H. - 1A 7021985  
 % R.H. - B9A 6421984-A      L.H. - B9A 6421984-A (includes button)      □ B2A 7022050-B - Does not include levers & springs

3687 LOCK SET CHART - IGNITION, DOORS, ETC. - continued

YEARS	MODELS	INDIVIDUAL LOCK CYLINDER AND KEYS				CYLINDER AND KEYS - MATCHED SET			KEY BLANKS	
		IGNITION	GLOVE BOX DOOR	SIDE DOOR (LESS LEVER AND SPRINGS)	LUGGAGE COMPARTMENT, TAIL GATE, LIFT GATE OR BACK DOOR	IGNITION AND SIDE DOOR (INCLUDES LEVER AND SPRINGS)	GLOVE BOX DOOR AND LUGGAGE COMPARTMENT, TAIL GATE, LIFT GATE OR BACK DOOR	COMPLETE VEHICLE SET (INCLUDES LEVER AND SPRINGS)	IGNITION AND SIDE DOOR	GLOVE BOX LUGGAGE COMPARTMENT BACK DOORS TAIL GATE LIFT GATE
55	S	B9A 11582-A	B5S 4006081-A	Δ	B9A 6443505-A	□	B5S 3689-A		B9A 3685-A	B5A 7043562-A
56	Ex. 59, 78, 79	B9A 11582-A	B6A 7006081-A	Δ	B9A 6443505-A	B2A 7022050-B	B6A 3689-A		B9A 3685-A	B5A 7043562-A
56	59, 78, 79	B9A 11582-A	B6A 7006081-A	Δ	BA 5943431-A	B2A 7022050-B		B6A 3687-A	B9A 3685-A	B5A 7043562-A
56	S	B9A 11582-A	B5S 4006081-A	Δ	B9A 6443505-A	□	B5S 3689-A		B9A 3685-A	B5A 7043562-A
57	Ex. 51A, 59, 78, 79	B9A 11582-A	B7A 7006081-A	Δ	B9A 6443505-A	B2A 7022050-B	B7A 3689-A		B9A 3685-A	B5A 7043562-A
57	51A	B9A 11587-A	B7A 7006081-A	⊕		B7A 5122050-A			B9A 3685-A	B5A 7043562-A
57	79E	B9A 11582-A	B7A 7006081-A	⊕	B9A 6443505-A		B7A 3689-A	B7A 3687-B	B9A 3685-A	B5A 7043562-A
57	59, 78, 79 (Ex. 79E)	B9A 11582-A	B7A 7006081-A	Δ	B9A 6443505-A	B2A 7022050-B	B7A 3689-A		B9A 3685-A	B5A 7043562-A
57	66	B9A 11582-A	B7A 7006081-A	Δ		B2A 7022050-B			B9A 3685-A	B5A 7043562-A
57	S	B9A 11582-A	B5S 4006081-A	*	B9A 6443505-A	□	B5S 3689-A		B9A 3685-A	B5A 7043562-A
58	A	B9A 11582-A	B7A 7006081-A	Δ	B9A 6443505-A	B2A 7022050-B	B7A 3689-A		B9A 3685-A	B5A 7043562-A
58	S	B9A 11582-A	B8S 6306081-A	*	B9A 6443505-A	□	B8S 3689-A		B9A 3685-A	B5A 7043562-A
59	Ex. 51A, 59, 66C, 71	B9A 11582-A	B9A 6406081-A	%	B9A 6443505-A	B9A 6422050-A	B9A 3689-A		B9A 3685-A	B9A 6443562-A
59	59, 71	B9A 11582-A	B9A 6406081-A	%	B9A 5943505-A	B9A 6422050-A	B9A 3689-B		B9A 3685-A	B9A 6443562-A
59	51A, 66C	B9A 11582-A	B9A 6406081-A	%		B9A 6422050-A			B9A 3685-A	B9A 6443562-A
59	S	B9A 11582-A	B9S 6306081-A	*	B9A 6443505-A	□	B9S 3689-A		B9A 3685-A	B9A 6443562-A

YEAR 19	MODEL	DESCRIPTION	QTY. PER VEHICLE	PART NUMBER
---------	-------	-------------	------------------	-------------

3B688 SPRING - POWER STEERING OIL RESERVOIR FILTER ELEMENT RETAINING

53/58	A-8 cyl. (1955/57 S)	1 3/4" long-use with Rotor type pump	1	B3AZ 3B688-A
54/55	A-8 cyl., S	2 1/4" long	1	B4AZ 3B688-B
57/59	A-6 cyl.		1	B7AZ 3B688-A
58/59	A-8 cyl., S	Use with roll type pump	1	B8AZ 3B688-A

3691 HOSE - POWER STEERING RESERVOIR TO PUMP

57/59	A-6 cyl.	12" long	1	B7A 3691-A
-------	----------	----------	---	------------

3A691 PUMP, RESERVOIR & PULLEY ASSY. - POWER STEERING - Also Refer to Groups 3A674 & 3A696

55/56	A-8 cyl.		1	B5AZ 3A691-A
57	A-8 cyl.	Rotor type	1	B7AZ 3A691-B
59	A(8 cyl. 332, 352)-with A/C	Roll type-replaced by C0AA 3A674-B	1	*B9AZ 3A691-B
55/57	S	Rotor type - replaced by B7SZ 3A691-A	1	*B5SZ 3A691-A
55/57	S	Rotor type	1	B7SZ 3A691-A
59	S (8 cyl. 430)	Roll type	1	B9SZ 3A691-A
59	S (8 cyl. 430)	Nut (to adjusting bracket)-3/8"-16	2	33799-S7(M52)
		Lockwasher-3/8" internal tooth		*34920-S7
		Washer-flat-3/8"		351385-S8(XX158)

3A696 PUMP and PULLEY ASSY. - POWER STEERING - Also Refer to Groups 3A674 & 3A691

57/58	A (6 cyl.)	Rotor type	1	B7AZ 3A696-A
58	A (6 cyl.)	Roll type	1	B8AZ 3A696-A

3A697 RESERVOIR ASSY. - POWER STEERING OIL

57/	A(6 cyl.)	Includes outlet tube	1	C2AZ 3A697-A
57/	A (8 cyl.)	Includes outlet tube	1	C2AZ 3A697-B
58/	S (8 cyl. 352)		1	
57/	A	Bolt (Reservoir to fender apron)-5/16" - 24 x 3/4"	2	20347-S8(B156)

3A698 COVER ASSY. - POWER STEERING PUMP HOUSING

53/55	A-8 cyl.		1	B5AZ 3A698-A
53/56	A-6 cyl.		1	
55/57	S		1	
55/56	A-8 cyl.	Use with rotor type pump	1	B5AZ 3A698-B
57/58	A		1	
58/59	A	Use with roll type pump	1	B8AZ 3A698-A
59/	S (8 cyl. 352)		1	C0AA 3A698-A
59/	S (8 cyl. 430)		1	C3OZ 3A698-A
53/	A, S	Pin (cover to housing)-5/16" x 3/4"	2	357648-S8(NN55)

Δ R.H. - B7A 7021984-A L.H. - B7A 7021985-A  
 † R.H. - C1AB 6221985-B (reverse lever) L.H. - C1AB 6221985-B  
 ‡ R.H. - C2SZ 6321984-A (reverse lever) L.H. - C2SZ 6321984-A  
 \* R.H. - B8S 6321984-A L.H. - B8S 6321985-A (includes lever & spring)  
 # R.H. - C2AZ 6221985-A (reverse lever) L.H. - C2AZ 6221985-A  
 % R.H. - B9A 6421984-A L.H. - B9A 6421985-A (includes button)  
 □ Used on units manufactured before February 1, 1961  
 \* Without stowage compartment  
 □ B2A 7022050-B - Does not include lever and springs  
 @ With stowage compartment

YEAR 19--	MODEL	DESCRIPTION	QTY. PER VEHICLE	PART NUMBER
<b>3-3698 BOLT - POWER STEERING CONTROL VALVE SPOOL</b>				
53/55	A, S	5/16"-24-overall length 5 1/16"	1	AC 33698-A
57/	A, S		1	
53/55	A, S	Nut-5/16"-24	1	353618-S100 (MM141)
57/	A, S	Locknut-5/16"-24		34443-S7-8(MM79)
		Washer-flat-5/16"		44722-S8(X19)
57/	A, S	Pin-straight (bolt retainer)-1/8" x 1"	1	370235-S(NN102)
<b>3A699 BODY ASSY. - POWER STEERING OIL RESERVOIR</b>				
55/56	A-8 cyl. (1955/57 S)	Includes outlet tube	1	B5AZ 3A699-A
57/58	A-6 cyl.	Use with rotor type pump	1	B7AZ 3A699-A
54/56	A, S	Bolt (reservoir to pump)-5/16"-18 x 3/4"	4	20346-S8(B50)
		Lockwasher - 5/16"		34806-S7(X64)
58/	A, S	Pin (cam ring to pump rod)-1/8" x 1/4"	1	370903-S(NN53)
58/	A	Gasket (valve)-rubber-1/4" I. D.	1	372144-S(XX90)
<b>3-3705 CAP - POWER STEERING CONTROL VALVE SPOOL CENTERING SPRING</b>				
53/55	A, S		1	AC 33705-A
57/	A, S		1	
		Bolt (cap to adapter)-1/4"-20 x 1 1/2"	2	353620-S100(BB18)
		Lockwasher-1/4"		34805-S8(X62)
<b>3707 NUT - STEERING WORM THRUST BEARING</b>				
58/	A, S		1	B8A 3707-A
<b>3A711 KIT - POWER STEERING PUMP IMPELLER REPAIR</b>				
58/	A, S	Use with roll type pump	1	B9MY 3A711-A
<b>3A713 HOSE ASSY. - POWER STEERING RETURN LINE</b>				
53	A-8 cyl.		1	B3A 3A713-A
54/55	A-8 cyl.		1	B5AZ 3A713-A
54/59	A-6 cyl.		1	B5AZ 3A713-C
55/57	S		1	
55/59	A-8 cyl.		1	
58/59	S	23 5/8" long-cut from B8SZ 3A713-B	1	*B8SZ 3A713-A
59	S (8 cyl. 430)	27" long	1	B8SZ 3A713-B
53/55	A-8 cyl.	Fitting (hose to pump)	1	351788-S8(II-30)
53/54	A-8 cyl.	Washer-flat (fitting to pump)-41/64"	1	351789-S(XX208)
55	A-8 cyl. 272, S		1	
<b>3A714 HOSE ASSY. - POWER STEERING CONTROL VALVE TO CYLINDER</b>				
53	A	Head end-12 7/8" long	1	B3AZ 3A714-A
54/56	A-6 & 8 cyl.	Head end-15 3/4" long	1	B5AZ 3A714-A
57/59	A (1958/59 S)		2	B7AZ 3A714-A
55	S	Head end-13" long	1	B5SZ 3A714-A
55/56	S	13 1/2" long-use with B5AZ 3A540-A cylinder	2	B5SZ 3A714-B
57	S		2	B7SZ 3A714-A
<b>3A717 TUBE ASSY. - POWER STEERING CONTROL VALVE TO CYLINDER - ROD END</b>				
54/56	A	15" long-use with B5AZ 3A540-A cylinder	1	B5AZ 3A717-A
58/59	A	19 1/2" long-use B6A 2265-BB tube-form to fit	1	*B8AZ 3A717-A
55/56	S	13" long-use with B5AZ 3A540-A cylinder	1	B5SZ 3A717-A
53	A (8 cyl.)		1	
<b>3A719 HOSE ASSY. - POWER STEERING PRESSURE LINE</b>				
53	A-8 cyl.		1	B3AZ 3A719-A
54/55	A-8 cyl.		1	B4AZ 3A719-A
54/56	A-6 cyl.		1	B4AZ 3A719-B
56/57	A-8 cyl.		1	B7AZ 3A719-A
57/58	A-6 cyl.	Use with B7AZ 3A691-B & B8AZ 3A696-A pumps	1	B7AZ 3A719-B
58	51A, 57, 58, 63, 64, 66, 70, 73, 76B, S/D (8 cyl. 292)	27" long	1	B8AZ 3A719-B
59	A (8 cyl. 292)		1	
58	59A(8 cyl. 292, 352)66, S/D(8 cyl. 352) 51A, 57, 58, 59B, 63, 64, 76B, 79 (8 cyl. 332, 352), P. I		1	
59	A (8 cyl. 332, 352)	Use 7 1/4" B3T 4090-A hose for sleeve	1	
59	A-6 cyl.		1	B9AZ 3A719-A
55/57	S	Use with B5SZ 3A691-A pump	1	B5SZ 3A719-A
57	S	Use with B7SZ 3A691-A pump	1	B7SZ 3A719-A
59/	S	25" long	1	B9SZ 3A719-A
53/55	A, S	Fitting (hose to pump)	1	351791-S8(II-58)
54/55	A-6 cyl.	Fitting (hose to pump)	1	351788-S8(II-30)
53/55	A, S	Bolt (fitting to pump valve outlet)-5/8"-18 x 1 1/16"	1	351792-S8(II-150)
		Washer-flat-41/64"	2	351789-S(XX208)

YEAR 19	MODEL	DESCRIPTION	QTY. PER VEHICLE	PART NUMBER
<b>3-3725 FITTING and NUT ASSY. - POWER STEERING RETURN LINE TO PUMP</b>				
55/57	S		1	B5S 33725-A
		Nut-5/8"-18	1	33947-S7-8(M73)
<b>3A730 VALVE ASSY. - POWER STEERING HYDRAULIC CONTROL</b>				
53/56	A, S		1	B5AZ 3A730-A
57/58	A, S		1	B7AZ 3A730-A
59	A, S		1	B9AZ 3A730-C
53/54	A	Pin (locking)-1/8" x 1 1/4"-straight	1	353621-S100 (NN138)
55	A, S	Bolt (clamp)-3/8"-24 x 2"	1	20523-S8(B177)
53/	A, S	Bolt (clamp)-3/8"-24 x 1 1/2"	1	20469-S8(B174)
		Nut 3/8"-24		33800-S8(M63)
		Lockwasher-3/8"		357629-S7(XX33)
57/	A, S	Seat-3/8" tube-aluminum	1	372896-S(TT6)
53/56	A, S		2	
59/	A, S	Seat-1/4" tube-aluminum	1	372895-S(TT3)
53/56	A, S		1	
57/58	A, S		3	
57	A, S	Bolt (valve housing to ball stud)-5/16"-18 x 3/4"	2	20346-S8(B50)
		Lockwasher-5/16"		34806-S7(X64)
57/	A, S	Fitting (lubricator)-1/4"-28	1	87907-S(I-3)
<b>3A732 BRACKET - POWER STEERING PUMP ADJUSTING</b>				
53	A-8 cyl.		1	B3AZ 3A732-A
54	A-8 cyl.		1	B4AZ 3A732-B
54/56	A-6 cyl.		1	B4AZ 3A732-A
55/56	A-8 cyl.		1	B5AZ 3A732-A
55/57	S		1	
57	A-8 cyl.		1	B7AZ 3A732-A
58	A-8 cyl. 292 (except 59A)	Use with rotor type pump	1	
57/	A (6 cyl. )		1	B7AZ 3A732-B
58	A-8 cyl. 292 (except 59A)	Use with roll type pump	1	B8AZ 3A732-B
59/	A (8 cyl. 292)		1	
58	A (8 cyl. 332, 352), 59A (8 cyl. 292)		1	B8AZ 3A732-A
59/	A (8 cyl. 332, 352, 390)		1	
58/	S(8 cyl. 352)		1	
59/	S (8 cyl. 430)		1	B9SZ 3A732-A
53	A-8 cyl.	Bolt (bracket to support)-3/8"-16 x 2 1/4"	1	20534-S8(B90)
54	A-8 cyl.	Bolt (bracket to support)-3/8"-16 x 1 5/8"	1	20488-S8(B86)
		Nut-3/8"-16	1	33799-S7(M52)
		Washer-flat 3/8"	2	352981-S(XX143)
		Washer-flat-3/8"	4	351385-S(XX158)
		Lockwasher-3/8"	1	34807-S8(X66)
54	A-6 cyl.	Bolt (brkt. to gen. mounting brkt.)-3/8"-16 x 1 1/4"	2	20428-S7-8(B82)
55/57	A-8 cyl. , S	Bolt (bracket to support)	1	
58/	A-8 cyl. 292 (except 59A)		1	
58/	A-8 cyl. 292 (except 59A)	Bolt (bracket to manifold bracket)	1	
59/	A-8 cyl. , S	Bolt (bracket to water pump)	2	
59/	A (8 cyl. )-with A/C		1	
		Washer-flat-3/8"		352981-S(XX143)
		Lockwasher-3/8"		34807-S8(X66)
		Washer-flat-13/32"		354193-S(XX141)
57	A-8 cyl.	Bolt (bracket to manifold bracket)-	1	359099-S(BB417)
58	A-8 cyl. 292 (except 59A)	3/8"-16 x 3 1/16"-self-locking	1	
		Washer-flat-3/8"		356951-S(XX134)
		Nut-3/8"-16	1	33799-S7(M52)
		Lockwasher-3/8"		34807-S8(X66)
		Washer-flat-3/8"	2	352981-S(XX143)
		Lockwasher-3/8"		34807-S8(X66)
59/	A-8 cyl. 292	Bolt (bracket to exhaust manifold bracket)-	1	20448-S8(B83)
		3/8"-16 x 1 3/8"		
55/59	A-8 cyl. , S	Bolt (bracket to support)-3/8"-16 x 1 1/2"	1	20468-S8(B85)
		Nut-3/8"-16	1	33799-S7(M52)
		Washer-flat-3/8"	1	352981-S(XX143)
		Lockwasher-3/8"	1	34807-S8(X66)
55/56	A-8 cyl.	Bolt (bracket to pump)-3/8"-16 x 3 1/4"-	1	354580-S(BB167)
55/59	S	self-locking	1	



YEAR 19	MODEL	DESCRIPTION	QTY. PER VEHICLE	PART NUMBER
<b>3A732 BRACKET - POWER STEERING PUMP ADJUSTING - continued</b>				
55/56	A-6 cyl.	Bolt (bracket to generator mounting bracket)- 3/8"-16 x 1 1/8"	2	20408-S7(B81)
58/	A-6 cyl.		1	
58	A-8 cyl., S	Bolt (bracket to water pump)	2	
59	A-8 cyl.	Washer-flat (bracket to water pump)-29/64"	2	356214-S8(XX162)
57/	A-6 cyl.	Bolt (brkt. to generator mounting brkt.)-3/8"-16 x 1"	1	20388-S8(B80)
59/	A-8 cyl.	Bolt (bracket to support)	1	
59	S (8 cyl. 430)	Bolt (bracket to engine front support bracket)	1	
59	S (8 cyl. 430)	Nut-3/8"-16	1	33799-S7(M52)
		Washer-flat-3/8"		352981-S(XX143)
58/	A-8 cyl., S	Washer-flat-3/8"		44727-S8(X24)
		Lockwasher-3/8"		34807-S8(X66)
59/	S (8 cyl. 430)	Bolt (bracket to cylinder block)-7/16"-14 x 1"	2	20390-S8(B102)
59/	S (8 cyl. 430)	Lockwasher-7/16"		34808-S8(X67)
58/59	A (8 cyl. 332), S	Bolt (bracket to pump)-3/8"-16 x 2 3/8"	1or2	350388-S
58	A (6 cyl.)	Bolt (bracket to pump)-3/8"-16 x 2 1/8"	3	370967-S(BB158)
58/	A	Bolt (bracket to pump)-3/8"-16 x 2 1/2"	1	371741-S(BB160)
<b>3A733 PULLEY - POWER STEERING PUMP - Also Refer to Group 6A312</b>				
53	A-8 cyl.		1	B3AZ 3A733-A
55/56	A-8 cyl.		1	B5AZ 3A733-A
55/57	S		1	
57	A-8 cyl.		1	B7AZ 3A733-A
57/58	A-6 cyl.	Use with rotor type pump	1	B7AZ 3A733-B
58/59	A (8 cyl. 332, 352)-with A/C		1	B8AZ 3A733-B
58/	A, S	Flat hub type	1	B8AZ 3A733-A
55/	A, S	Bolt (pulley to pump)-5/16"-18 x 7/8"	1	20366-S8(B52)
		Lockwasher-5/16"		34806-S7(X64)
		Washer-flat-5/16"		353846-S8(XX120)
		Washer-flat-5/16"		44725-S8(X22)
53	A-8 cyl. (with Power Steering)	Pulley ass'y. (crankshaft)-double sheave	1	EAC 6312-A
		Washer-flat-11/16"		B5T 4637-A
54	A-8 cyl. (with Power Steering)	Pulley assy. (crankshaft)-double sheave	1	B4AZ 6A312-B
		Bolt (pulley retaining)-3/8"-16 x 1 1/8"	2	20408-S7(B81)
		Lockwasher - 3/8"		34807-S7(X66)
54	A-8 cyl. (with Power Steering)	Pulley ass'y. (crankshaft)-single sheave	1	EBY 6312-B
		Bolt (pulley retaining)-9/16"-18 x 2"	1	21063-S8(B215)
		Lockwasher - 9/16"		34810-S7-8(X69)
<b>3738 SEAL - STEERING SHAFT</b>				
52/56	A	Felt-3/4" I. D. -1 11/32" O. D.	1	21A 3738-A
55/57	S	Rubber-23/32" I. D. -1" O. D.	1	B5S 3738-A
57	A		1	
<b>3-3739 CLAMP - POWER STEERING CONTROL VALVE BALL STUD SLEEVE</b>				
57/	A, S		1	B7A 33739-A
<b>3A754 SOCKET - POWER STEERING CONTROL VALVE BALL STUD</b>				
53/55	A, S		1	B5AZ 3A754-A
57/	A, S		1	C0AA 3A754-A
<b>3B754 SEAT - POWER STEERING OIL RESERVOIR FILTER ELEMENT RETAINING SPRING</b>				
54/59	A, S	Depth 1/8"	1	B4AZ 3B754-A
58/59	A	Gasket (seat to support bolt)-rubber-1/4" I. D.	1	372144-S(XX90)
<b>3A764 KIT - POWER STEERING CYLINDER SEAL</b>				
53/55	A, S	For B5AZ 3A540-C cylinder-consists of 1-AC 33656-A Seal 1-AC 33659-A Scraper 1-AC 33658-A Seal 1-353650-S Snap ring	1	B3AZ 3A764-A
55/56	A, S	For B5AZ 3A540-A cylinder-consists of 1-AF 33656-A Seal 1-AF 33659-A Scraper 1-AF 33658-A Seal 1-AF 33738-A Bushing 1-231114 Snap ring	1	B5AZ 3A764-A
57/	A, S	Consists of 1-C1AA 3C561-A Spacer 1-C0AA 3A753-A Scraper 1-C1AA 3A751-A Bushing 2-AJ 33656-A Seal 1-C1AA 3A752-A Seal 1-371033-S Ring	1	C1AZ 3A764-A
<b>3-3838 BRACKET - POWER STEERING HOSE INSULATOR TO ENGINE MOUNT</b>				
59/	S (8 cyl. 430)		1	B8S 33838-A

YEAR 19	MODEL	DESCRIPTION	QTY. PER VEHICLE	PART NUMBER
<b>4010 HOUSING ASSY. - REAR AXLE</b>				
52/54	A (except S/D & S/W)		1	AB 4010-E
55/56	S/D, S/W, Police Interceptor		1	B5A 4010-D
55/56	A (except S/D & S/W)		1	B6A 4010-A
57	A (except S/D, S/W, 51A & 66)		1	*B7A 4010-A
57	S/D, S/W, 66		1	*B7A 4010-C
57	A (except S/D, S/W, 51A & 66)		1	†B7A 4010-E
57	51A, Police Interceptor		1	B7A 4010-F
57	S/D, S/W, 66		1	†B7A 4010-G
58	51A, S/W (8 cyl. 332, 352)(with air suspension)		1	B8A 4010-G
58	57, 58, 63, 64, 76B (8 cyl. 332, 352)(with air suspension)		1	B8A 4010-H
59	A (except 51A, 66, Heavy Duty S/W & P/I)		1	B9AW 4010-A
58	57, 58, 63, 64, 70, 73, 76B (except air suspension)		1	
59	51A, 66, Heavy Duty S/W & P/I		1	B9AW 4010-B
58	51A, 66, S/D, S/W, P/I(8 cyl.)(except air susp.)		1	
55	S		1	B5S 4010-B
56	S		1	B6S 4010-A
57	S		1	B7S 4010-A
58	S		1	B8S 4010-B
59/	S		1	B9S 4010-A
49/50	A (except S/W)	Plug (drain)-1/8" pipe	1	353054-S (PP28)
49/56	S, S/D, S/W	Bolt (differential bearing cap to carrier)-	4	355765-S (BB196)
55/56	Police Interceptor	1/2"-13 x 2 1/8"	4	
		Lockwasher-1/2"		*34944-S2
49/56	A (except S/D & S/W)	Plug (filler)-1/2" pipe	1	87675-S(P17)
57/59	A, S (1960 X)	Plug (filler)	1	
50/56	A (except S/D & S/W)	Plug (drain)-3/8"-18	1	87710-S(P16)
57/	A, S	Plug (drain)	1	
52/56	S/D, S/W, Police Interceptor	Plug (filler)-3/4"	1	358048-S (PP43)
55/56	S	Plug (drain)	1	
49/51	S/W	Plug (filler & drain)-3/4" x 15/16" pipe	2	353051-S (PP32)
52/54	S/D, S/W	Plug (filler)	1	
55/56	S	Plug (filler)	1	
55/56	S/D, S/W, Police Interceptor	Plug (drain)	1	
<b>4017 CARRIER ASSY. - DIFFERENTIAL</b> - Refer to Group 4141				
<b>4020 RETAINER - REAR WHEEL BEARING - OUTER</b>				
49/	S, S/D, 51A, 66, P/I		2	A8AZ 4020-A
49/58	S/W		2	
59/	Heavy Duty S/W		2	
49/	A (except S/D, Heavy Duty S/W, 51A & 66)		2	COAW 4020-B
<b>4022 VENT ASSY. - REAR BRAKE LINE CONNECTION</b>				
49/56		7/16" - 20	1	8A 4022
57	A, S		1	B7A 4022-A
49/57	A, S	Lockwasher (vent bolt)-7/16"	1	34808-S8(X67)
<b>4033 COVER - REAR AXLE HOUSING</b>				
51/56	S, S/D, S/W	10 holes 11/32" diameter	1	COTT 4033-A
55/56	Police Interceptor		1	
51/56	S, S/D, S/W	Bolt (cover to carrier)-5/16"-18 x 5/8"	10	20326-S7(B49)
55/56	Police Interceptor		10	
		Lockwasher-5/16"	10	34806-S7(X64)
49/56	S, S/D, S/W	Clip (rear brake pipe to cover)	1	358349-S32(GG140)
<b>4035-6 GASKET - REAR AXLE CARRIER or COVER</b>				
49/50	S/W	Cover-.035" thick-10 holes 13/32" diameter	1	8M 4035
49/56	A (except S/D & S/W)	Carrier to housing-.020" thick-paper	1	8A 4035-C
51/56	S, S/D, S/W, Police Interceptor	Cover-.035" thick-10 holes 11/32" diameter	1	1M 4035
57/	A, S	Carrier to hsg. -.020" thick-10 holes 27/64" dia.	1	B7A 4035-A
<b>4067 NUT or SHIM - DIFFERENTIAL BEARING ADJUSTING</b>				
49/56	S, S/D, S/W	Shim-.003" thick	AR	8M 4067-A
55/56	Police Interceptor		AR	
49/56	S, S/D, S/W	Shim-.005" thick	AR	8M 4067-B
55/56	Police Interceptor		AR	
49/56	S, S/D, S/W	Shim-.030" thick	AR	8M 4067-C
55/56	Police Interceptor		AR	
49/56	S, S/D, S/W	Shim-.010" thick	AR	8M 4067-D
55/56	Police Interceptor		AR	

\* Use on vehicles with rear spring insulators and retainers

† Use on vehicles without rear spring insulators and retainers

# FORD CAR PARTS

## SECTION 40

YEAR 19__	MODEL	DESCRIPTION	QTY. PER VEHICLE	PART NUMBER
<b>4067 NUT or SHIM - DIFFERENTIAL BEARING ADJUSTING - continued</b>				
56	A (except S/D & S/W)	Nut-3 3/16"-16	2	B6A 4067-A
57	A (except S/D, S/W, 51A & 66)	Nut-2 31/32"-16	2	B7A 4067-A
58	A (6 cyl. & 8 cyl. 292)		2	
57	S, S/D, S/W, 51A, 66, Police Interceptor	Nut-3 1/8"-16	2	B7A 4067-B
57	57, 58, 63, 64, 70, 73, 76B (8 cyl. 312)		2	
58	A (except 6 cyl. & 8 cyl. 292), P/I, S		2	
59	A, S		2	
59/	S (8 cyl. 430)	Nut-3 5/32"-16-stamped "L"-use with	2	B9MW 4067-A
57/59	S	B9AW 4017-A	2	
57	57, 58, 63, 64, 70, 73, 76B (8 cyl. 312)		2	
57	S/D, S/W, 51A, 66		2	
58	A (8 cyl. 332, 352)		2	
58	57B, 58A, 63B, 64A (8 cyl. 292) (with S/T & O/D)		2	
59/	A, S	With 3 1/16" I. D. -large bearing carriers	2	
<b>4090 HOSE - POWER BRAKE BOOSTER and AIR COMPRESSOR</b>				
54/	A, S	3/8" I. D. -supplied in 25 ft. rolls		B4C 4090-A
57/	A	1/2" I. D. -supplied in 25 ft. rolls		B3T 4090-B
<b>4090 HOSE - BRAKE CHECK VALVE</b>				
59	A (8 cyl. )	To booster-17" long	1	ΔB4C 4090-A
59	A	To reservoir tank-12" long	1	
59	A (6 cyl. )	To intake manifold-39" long	1	
59	58A, 58E, 64A, 64F, 64G, 66 (8 cyl. )	To intake manifold	1	
59	A (8 cyl. )	To intake manifold-28" long	1	
<b>4109 SHIM - DRIVING PINION BEARING CUP</b>				
49/51	A (except S/W)	.010" thick	AR	8A 4109-C
49/56	S, S/D, S/W	.005" thick	AR	8M 4109-B
55/56	Police Interceptor		AR	
49/56	S, S/D, S/W	.010" thick	AR	8M 4109-C
55/56	Police Interceptor		AR	
<b>4141 CARRIER ASSY. - DIFFERENTIAL</b>				
56	A (except S/D & S/W)		1	B6AZ 4141-A
56	Fairlane (8 cyl. 312)		1	B6AZ 4141-B
57/	A, S	With 2 57/64" O.D. bearing cups	1	C0AZ 4141-A
57/	A, S	With large differential bearings	1	C2AZ 4141-B
49/56	A (except S/D & S/W)	Bolt (cap to carrier)-1/2"-13 x 2 1/8" locking	4	*43098-S
57/	A, S		4	
<b>4143 LOCK - DIFFERENTIAL BEARING ADJUSTING NUT</b>				
49/56	A (except S/D & S/W)		2	8A 4143
57/	A, S, B		2	
49/56	A (except S/D & S/W) (1957 A, S)	Bolt (lock to diff. brg. cap)-5/16"-18 x 7/16"-2		350211-S(BB413)
<b>4159 LUBRICATOR - DIFFERENTIAL</b>				
59/	A, S	With locking axle	1	B9A 4159-A
<b>4204-5 CASE ASSY. - DIFFERENTIAL GEAR</b>				
57/	A-6 cyl. & 8 cyl. 272 & 292 (except S/D, S/W 51A & 66)	With 2 pinion differential & 1.628" I. D. small bearing-includes 2-C2OW 4228-A washer	1	C2AZ 4204-B
58	57, 58, 63, 64, 76B (6 cyl.)-70, 73 (6 cyl. & 8 cyl. 292)		1	
59/	A		1	
57	S	With 2 pinion differential & 1.784" I. D. -large bearing-includes 2-C2OW 4228-A washer	1	C2AZ 4204-C
57	S/D, S/W, 51A, 66, Police Interceptor		1	
57/59	A (57, 58, 63, 64, 76B-8 cyl. 312)		1	
58	A, 66, S/W (except 6 cyl. 57, 58, 63, 64, 76B & 6 cyl. & 8 cyl. 292, 70, 73)		1	
59/	A with locking axle	With 1.628" I. D. small bearing-includes 2-C2OW 4228-A washer	1	C2AZ 4204-E
49/50	S/W		1	8M 4205-A
49/51	A (except S/W)		1	B6A 4205-A
52/54	A (except S/D & S/W)		1	
55/56	A (except S/D & S/W)-with S/T & O/D	Use with 3/8" bolt	1	
51/56	S, S/D, S/W, (with S/T & O/D)	Use with 3/8" bolt	1	1M 4205-A
55/56	Police Interceptor (with S/T & O/D)		1	
51	S/W (with F/M)		1	1M 4205-B
52/53	8 cyl. S/D, S/W (with F/M)		1	
54	6 & 8 cyl. S/D, S/W (with F/M)		1	
55/56	S, S/D, S/W, Police Interceptor (with F/M)	Use with 3/8" bolt	1	

Δ Cut to Length

YEAR 19__	MODEL	DESCRIPTION	QTY. PER VEHICLE	PART NUMBER
<b>4204-5 CASE ASSY. - DIFFERENTIAL GEAR - continued</b>				
56	A (except S/D & S/W)-with F/M	3.55 to 1 ratio - use with 3/8" bolt	1	B6A 4205-B
51	A (except S/W)		1	
52/53	A-8 cyl. (except S/D & S/W)		1	
54	A-6 & 8 cyl. (except S/D & S/W)		1	
55	A (except S/D & S/W)-with F/M		1	
55	A (except S/D & S/W)-with F/M	3.22 to 1 ratio-use with 3/8" bolt	1	B6A 4205-C
56	A(except S/D&S/W, also F/L with 8 cyl. 312)-with F/M		1	
56	Fairlane (8 cyl. 312)-with F/M	3.22 to 1 ratio-use with 7/16" bolt	1	B6A 4205-D

**4209 KIT - DIFFERENTIAL GEAR and PINION**

See Stamping Number Identification Chart on Next Page

		RATIO	NUMBER OF TEETH GEAR	PINION		
49/50	S/W (with O/D)	4.27 to 1	47	11	1	8M 4209-B
49/55	A (except S/D & S/W)-with S/T	3.89 to 1	35	9	1	B5A 4209-B
51/54	A (except S/D & S/W)-with F/M				1	
49/55	A (except S/D & S/W)-with O/D	4.11 to 1	37	9	1	B5A 4209-C
51	S/W (with S/T & O/D)	3.92 to 1	47	12	1	1M 4209-A
55/56	S, Police Interceptor (with O/D)				1	
51/55	A (except S/D & S/W)-with F/M	3.30 to 1	33	10	1	B5A 4209-A
51/56	S/D, S/W (with F/M)	3.54 to 1	46	13	1	1M 4209-E
55/56	Police Interceptor (with F/M)				1	
51/56	S/D, S/W (with O/D)	4.27 to 1	47	11	1	1M 4209-B
52/56	S/D, S/W (with S/T & O/D)	4.09 to 1	45	11	1	AB 4209-D
55/56	S, Police Interceptor (with F/M)	3.31 to 1	43	13	1	1M 4209-D
55/56	S, Police Interceptor (with S/T)	3.73 to 1			1	B5S 4209-A
56	A (except S/D & S/W) with F/M (3/8" bolt holes)	3.22 to 1	29	9	1	B6A 4209-A
56	Fairlane (8 cyl. 312)-with F/M (7/16" bolt holes)	3.22 to 1	29	9	1	B6A 4209-K
56	A (except S/D & S/W)-with F/M	3.55 to 1	32	9	1	B6A 4209-D
56	A-8 cyl. (except S/D & S/W)-with S/T	3.78 to 1	34	9	1	B6A 4209-E
56	A (except S/D & S/W)-with S/T	3.89 to 1	35	9	1	B6A 4209-B
56	A (except S/D & S/W)-with O/D	4.11 to 1	37	9	1	B6A 4209-C
57/	A, S, P/I, Taxicab (All trans.)	3 to 1	39	13	1	+C0AZ 4209-A
57/	A, S, P/I, Taxicab	3.50 to 1	35	10	1	+B7A 4209-D
57/	A, Taxicab	3.70 to 1	37	10	1	+B7A 4209-A
58/	S				1	
57/	A, S, P/I, Taxicab	3.89 to 1	35	9	1	+B7A 4209-E
57/	A, S, Taxicab	4.11 to 1	37	9	1	+B7A 4209-C
58/59	A	2.69 to 1	35	13	1	B8A 4209-D
58/	A	3.22 to 1	29	9	1	+B8A 4209-F
49/50	S/W	Bolt (gear to case)-3/8"-24 x 1 1/8"			10	350634-S(BB216)
49/50	S/W	Lock (gear to case bolt)			5	356596-S(OO3)
51/56	S, S/D, S/W, Police Interceptor	Bolt (gear to case)-3/8"-24 x 15/16"			10	350672-S(BB214)
51/55	S, S/D, S/W	Lock (gear to case bolt)			5	356584-S(OO2)
49/56	A (except S/D & S/W)	Bolt (gear to case)-3/8"-24 x 7/8"-self locking			10	46027-S(B276)
55	A (except S/D & S/W)	Bolt (gear to case)-3/8"-24 x 3/4"-self-locking-use with B6A 4205-C case			10	46027-S(B276)
56	Fairlane (8 cyl. 312)	Bolt(gear to case)-7/16"-20x11/16"-self locking			10	B8A 6379-B
49/56	A (except S/D & S/W) (1960 X)	Locknut (pinion flange to pinion)-3/4"-20			1	371518-S(MM180)
57/	A, S, X				1	
59/	A (except locking axle) B, (X 8 cyl. 221, 260)	Bolt (gear to case)-7/16"-20 x 15/16"-locking			10	372487-S(BB395)
57	A (1957/ S)				10	
58/	A (except 8 cyl. 406)	Bolt (gear to case)-7/16"-20 x 1 1/8"-self-locking			10	350627-S(BB432)
57/	A, S	Washer-flat-29/64"				356214-S8(XX162)
49/55	A (except S/D & S/W)	Washer-flat-.77" I.D.			1	351588-S(XX227)
49/55	S, S/D, S/W	Locknut (pinion flange to pinion)-3/4"-16			1	351126-S(MM145)
49/55	S, S/D, S/W	Washer-flat-3/4"			1	356504-S(XX238)

† 8 3/4" ring gear with 7/16" bolt holes

**RING GEAR and PINION IDENTIFICATION CHART LISTED NUMERICALLY BY STAMPED NUMBER ON RING GEAR**

IDENTIFICATION NUMBER		RING GEAR & PINION PART NUMBER	REPLACED BY	IDENTIFICATION NUMBER		RING GEAR & PINION PART NUMBER	REPLACED BY
RING GEAR	PINION			RING GEAR	PINION		
AD 4210-A	AD 4610-A	B5A 4209-C		C3OW 4210-A	C3OW 4610-A	C3OZ 4209-A	
AD 4210-B	AD 4610-B	B5A 4209-B		C3UW 4210-B	C3UW 4610-A	C3UZ 4209-A	
AF 4210-A	AF 4610-E	B5A 4209-A		C4DW 4210-A	C4DW 4610-A	C4DZ 4209-A	
AF 4210-B	AF 4610-B	B5A 4209-D	B5A 4209-A				
AF 4210-B	AF 4610-F	B5A 4209-B					
C0AW 4210-A	C0AW 4610-A	C0AZ 4209-A		C4OW 4210-A	C4OW 4610-A	C4OZ 4209-A	
				C4OW 4210-B	C4OW 4610-B	C4OZ 4209-B	
C0DW 4210-C	C0DW 4610-C	C0DZ 4209-B		C4OW 4210-C	C4OW 4610-C	C4OZ 4209-C	
C0DW 4210-D	C0DW 4610-D	C0DZ 4209-D					
				WAA 4210-A	WAA 4610-C	WAA 4209-A	
C0DW 4210-G	C0DW 4610-M	C0DZ 4209-U		WAA 4210-A	WAM 4610-C	B7A 4209-A	
C0DW 4210-G	C0DW 4610-S	C0DZ 4209-A		WAA 4210-A	C1SW 4610-A	C1SZ 4209-A	B7A 4209-A
C0DW 4210-J	C0DW 4610-H	C0DZ 4209-B		WAA 4210-B	C1AW 4610-B	C1AZ 4209-B	C0AZ 4209-A
C0DW 4210-N	C0DW 4610-H	C0DZ 4209-B		WAA 4210-B	WAB 4610-A	B7A 4209-B	C0AZ 4209-A
C0DW 4210-N	C0DW 4610-N	C0DZ 4209-Y	C1DZ 4209-L	WAB 4210-A	C1TW 4610-A	C1TW 4209-A	
C0DW 4210-R	C0DW 4610-K	C0DZ 4209-Z	C1DZ 4209-M	WAB 4210-A	WAR 4610-C	B7A 4209-C	
C0DW 4210-S	C0DW 4610-L	C0DZ 4209-V		WAB 4210-B	WAB 4610-C	WAB 4209-J	
C0DW 4210-T	C0DW 4610-R	C0DZ 4209-AA	C1DZ 4209-M	WAB 4210-C	WAB 4610-E	WAB 4209-H	
C0DW 4210-T	C1DW 4610-K	C1DZ 4209-M					
				WAB 4210-D	WAB 4610-F	WAB 4209-G	
C1AW 4210-A	C1AW 4610-E	C1AW 4209-E		WAB 4210-E	WAB 4610-G	WAB 4209-F	
C1DW 4210-A	C1DW 4610-A	C1DZ 4209-A	C1DZ 4209-E	WAB 4210-F	WAB 4610-H	WAB 4209-E	
C1DW 4210-B	C1DW 4610-G	C1DZ 4209-N		WAB 4210-G	WAB 4610-K	WAB 4209-D	
C1DW 4210-C	C1DW 4610-C	C1DZ 4209-C	C1DZ 4209-G	WAB 4210-H	WAB 4610-J	WAB 4209-C	
C1DW 4210-C	C1DW 4610-F	C1DZ 4209-G		WAB 4210-J	WAB 4610-L	WAB 4209-B	
				WAB 4210-K	WAB 4610-D	WAB 4209-K	
C1DW 4210-D	C1DW 4610-H	C1DZ 4209-L		WAC 4210-A	C1AW 4610-C	C1AZ 4209-C	B7A 4209-D
C1DW 4210-D	C1DW 4610-K	C1DZ 4209-L		WAC 4210-A	WAS 4610-A	B7A 4209-D	
C1DW 4210-E	C1DW 4610-D	C1DZ 4209-E		WAC 4210-B	C1AW 4610-D	C1AZ 4209-D	B7A 4209-E
C1DW 4210-G	C1DW 4610-J	C1DZ 4209-J		WAC 4210-B	WAM 4610-D	B7A 4209-E	
C1UW 4210-A	C1UW 4610-B	C1UZ 4209-B		WAD 4210-A	WAD 4610-A	B6A 4209-C	
				WAD 4210-A	WAD 4610-D	B6A 4209-A	B6A 4209-D
C2AW 4210-A	C2AW 4610-J	C3AZ 4209-E		WAE 4210-A	WAE 4610-D	B6A 4209-B	
C2AW 4210-B	C2AW 4610-L	C2AZ 4209-M		WAE 4210-B	WAR 4610-B	B6A 4209-E	
C2AW 4210-D	C2AW 4610-R	C2AZ 4209-N		WAE 4210-C	WAE 4610-C	B6A 4209-D	
C2AW 4210-H	C2AW 4610-J	B7A 4209-C		WAE 4210-E	WAE 4610-E	B6A 4209-K	
C2AW 4210-H	C2AW 4610-J	C3AZ 4209-D					
C2AW 4210-J	C2AW 4610-E	C2AZ 4209-J		WAL 4210-B	C1AW 4610-A	C1AZ 4209-A	C0AZ 4209-A
				WAL 4210-B	WAM 4610-B	B8E 4209-A	C0AZ 4209-A
C2AW 4210-K	C2AW 4610-L	C2AZ 4209-K		WAM 4210-A	WAM 4610-A	B8A 4209-E	B8A 4209-F
C2AW 4210-L	C2AW 4610-J	C2AZ 4209-L		WAM 4210-A	WAM 4610-T	B8E 4209-F	B7A 4209-E
C2OW 4210-A	C2OW 4610-G	C2OZ 4209-A		WAM 4210-B	WAM 4610-B	B8E 4209-A	C0AZ 4209-A
C2OW 4210-B	C2OW 4610-H	C2OZ 4209-B		WAM 4210-B	WAM 4610-B	B8A 4209-F	
C2OW 4210-C	C2OW 4610-J	C2OZ 4209-C					
				WAR 4210-B	WAR 4610-D	B8A 4209-D	
C3AW 4210-A	C3AW 4610-A	C3AZ 4209-A	C3AZ 4209-C	1M 4210-B	1M 4610-B	1M 4209-B	
C3AW 4210-B	C3AW 4610-A	C3AZ 4209-C		1M 4210-E	1M 4610-E	1M 4209-E	
C3AW 4210-D	C3AW 4610-D	C3AZ 4209-B					

YEAR 19	MODEL	DESCRIPTION	QTY. PER VEHICLE	PART NUMBER
<b>4211 SHAFT - DIFFERENTIAL PINION</b>				
49/56	A (except S/D & S/W)	4.75" long	1	8A 4211-A
49/56	S, S/D, S/W	5" long	1	8L 4211
55/56	Police Interceptor		1	
49/56	S, S/D, S/W	Pin (shaft lock)-15/64" x 1 7/16"	1	357228-S(NN130)
55/56	Police Interceptor		1	
57/	A, S, B	4.92" long - .75" diameter	1	B7A 4211-A
49/54	A (except S/D & S/W)	Pin (shaft lock)-1/4" x 1 1/2"	1	352506-S(NN115)
55/56	A		1	
59/	A (with locking axle)		1	
57/	A, S	Pin (shaft lock)-1/4" x 1 3/4"	1	359475-S(NN116)
<b>4214 SPRING - DIFFERENTIAL CLUTCH</b>				
59/	A (with locking axle)		2	B9A 4214-A
<b>4215 PINION - DIFFERENTIAL SHAFT</b>				
49/56	S, S/D, S/W, Police Interceptor	10 teeth	2	8M 4215
<b>4215 KIT - DIFFERENTIAL SHAFT PINION</b>				
49/56	A (except S/D & S/W)	Consists of 2-B5A 4215-A Pinion 2-B5A 4230-A Washer	1	B5A 4215-B
57/	A, S	Consists of 2-WAA 4215-C Pinion 2-B7A 4230-A Washer	1	B7A 4215-B
<b>4221 CONE &amp; ROLLER ASSY. - DIFFERENTIAL BEARING</b>				
49/55	A (except S/D & S/W)	1 5/8" I. D. -Stamped 24780	2	8A 4221
49/56	S, S/D, S/W	1 11/16" I. D. -Stamped 25577	2	8M 4221
55/56	Police Interceptor		2	
56	A (except S/D & S/W)	1 5/8" I. D. -Stamped 26882	2	B6A 4221-A
57	A (except S/D, S/W, 51A & 66)	1 5/8" I. D. -Stamped LM 501349	2	B7A 4221-A
58	57, 58, 63, 64, 76B (6 cyl.)		2	
58	70, 73 (6 & 8 cyl.)		2	
59/	A		2	
57/58	S/D, S/W, 51A, 66, Police Interceptor	1 25/32" I. D. -Stamped LM 603049	2	B7A 4221-B
57	Fairlane (8 cyl. 312)		2	
57/59	S		2	
58	57, 58, 63, 64, 76B (8 cyl.)		2	
<b>4222 CUP - DIFFERENTIAL BEARING</b>				
49/55	A (except S/D & S/W)	3" O. D. -Stamped 24720	2	8A 4222
49/56	S, S/D, S/W	3 17/64" O. D. -Stamped 25523	2	8M 4222
55/56	Police Interceptor		2	
56	A (except S/D & S/W)	3 1/8" O. D. -Stamped 26822	2	B6A 4222-A
57/58	A (except S/D, S/W, 51A, 66 & P/I)	2 57/64" O. D. -Stamped LM 501310	2	B7A 4222-A
59/	A		2	
57/58	S/D, S/W, 51A, 66, Police Interceptor	3 1/16" O. D. -Stamped LM 603011	2	B7A 4222-B
57	Fairlane (8 cyl. 312) (1957/59S)		2	
58	57, 58, 63, 64, 76B (8 cyl.)		2	
<b>4228 WASHER - DIFFERENTIAL SIDE GEAR THRUST</b>				
49/54	A (except S/D & S/W)	1.72" I. D. -2.76" O. D. -.047" thick	2	0A 4228
49/56	A (except S/D & S/W)	1.72" I. D. -2.76" O. D. -.03" thick	2	B5A 4228-A
49/56	S/D, S/W	1.64" I. D. -2.81" O. D. -.03" thick	2	8M 4228
55/56	S, Police Interceptor		2	
57/	A, S	1.781" I. D. -.2875" O. D.	2	C2OW 4228-A
<b>4230 WASHER - DIFFERENTIAL PINION SHAFT THRUST</b>				
49/56	S/D, S/W	.77" I. D. -1.66" O. D.	2	8M 4230
55/56	S, Police Interceptor		2	
49/54	A (except S/D & S/W)	.78" I. D. -1.56" O. D.	2	0A 4230
49/56	A (except S/D & S/W)	.78" I. D. -1.68" O. D.	2	B5A 4230-A
57/	A, S	.78" I. D. -1.56" O. D.	2	B7A 4230-A
<b>4234-5 SHAFT and BEARING ASSY. - REAR AXLE</b>				
49/55	A (except S/D & S/W)	17 splines-27 27/32" long	2	AB 4234-B
52/56	S, S/D, S/W	19 splines -27 31/32" long	2	AB 4234-E
55/56	Police Interceptor		2	
55/56	A (except S/D & S/W)	28 splines - 27 27/32" long	2	B5A 4234-A
57/59	S/D, Heavy Duty S/W, 51A, 66 & P/I)	R. H. -28 splines-30 7/16" long-6 1/2" flange	1	B7A 4234-B
57	S	R. H.	1	
		L. H. -28 splines-26 1/16" long-6 1/2" flange	1	B7A 4235-B
58	57, 58, 63, 64, 70, 73, 76B	R. H. -30" long - 6" flange	1	B8A 4234-A
57	A (except S/D, S/W, 51A & 66)	R. H.	1	
59	A (except 51A, 66 & Heavy Duty S/W)	R. H.	1	
		L. H. -25 21/32" long - 6" flange	1	B8A 4235-A

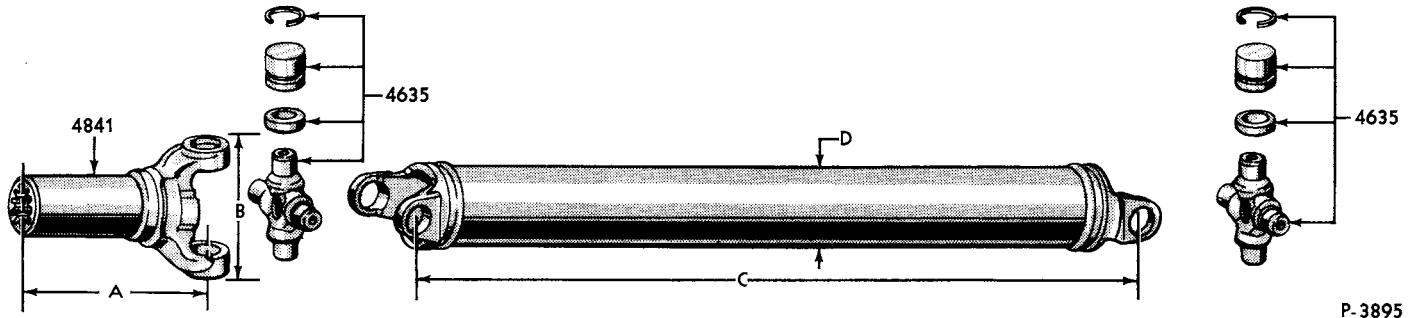
# FORD CAR PARTS

## SECTION 46

YEAR 19__	MODEL	DESCRIPTION	QTY. PER VEHICLE	PART NUMBER
<b>4234-5 SHAFT and BEARING ASSY. - REAR AXLE - continued</b>				
58	S	R. H. - 30" long - 6 1/2" flange	1	B8S 4234-A
		L. H.-26 3/8" long-6 1/2" flange	1	B8S 4235-A
59/	S	R. H.	1	B9S 4234-A
		L. H.	1	B9S 4235-A
49/	A, S	Spring nut (shaft to brake drum)-1/2"	6	356080-S32 <sup>(MM270)</sup>
<b>4236 GEAR - DIFFERENTIAL SIDE</b>				
49/56	S/D, S/W	19 splines-1 9/16" long	2	8M 4236
55/56	S, Police Interceptor		2	
49/55	A (except S/D & S/W)	17 splines -supplied in B5A 4236-C kit	2	B5A 4236-A
55/56	A (except S/D & S/W)	28 splines	2	B5A 4236-B
57/	A, S	28 splines-supplied in B7A 4236-B kit	2	WAA 4236-C
59/	A (with locking axle)	R. H.	1	
59/	A (with locking axle)	L. H.	1	B9A 4236-B
57/	A, S(with locking axle)	Splined for 28 tooth shaft-no hub -use with 1 pc. C2AZ 4236-A	1	C2AZ 4236-B
<b>4236 KIT - DIFFERENTIAL SIDE GEAR</b>				
49/55	A (except S/D & S/W)	Consists of 2-B5A 4236-A Gear 2-B5A 4228-A Washer	1	B5A 4236-C
57/	A, S	Consists of 2-WAA 4236-C Gear 2-C2OW 4228-A Washer	1	B7A 4236-B
<b>4266 BRACKET ASSY. - TRACK BAR</b>				
58	S		1	B8S 4266-A
58	S	Bolt (brkt. to reinforcement)-3/8"-16 x 1 1/8"	2	20408-S7(B81)
58	S	Bolt (bracket to member)-3/8"-16 x 3"	2	45534-S8(B95)
		Nut-3/8"-16		33799-S7(M52)
		Nut-3/8"-16-square		34131-S8(M150)
<b>4298 BUMPER - DRIVING PINION BEARING RETAINER</b>				
57	A, S	For 1957/59 discard rubber pad	1	COAW 4298-A
58/59	57, 58, 63, 64, 76B		1	
58	70, 73		1	
<b>4347 BOLT - DIFFERENTIAL CARRIER TO REAR AXLE HOUSING</b>				
57/	A, S	3/8"-24 x 1 3/8"	10	C1AW 4347-A
49/56	A (except S/D & S/W)		10	
		Washer-flat (copper)-25/64"	5	353667-S(XX156)
<b>4529 'U' BOLT - UNIVERSAL JOINT</b>				
56/	S, Police Interceptor	5/16"-24	2	01Y 4529
57/	A		2	
		Nut-5/16"-24		33798-S7-8(M62)
		Lockwasher-5/16"		34806-S7(X64)
<b>4602 DRIVE SHAFT and UNIVERSAL JOINT CHART</b>				

YEAR 19__	MODEL	TRANSMISSION	IDENTIFICATION	UNIV. JOINT CODE			DRIVE SHAFT		PART NUMBER
				FRONT	REAR	KNUCKLE & PLUG CODE	C LENGTH	D DIAMETER	
49	A (except S/W)	S/T		B	A	1	56 15/32"		1A 4602-C
49	S/W	S/T	1 Yellow band	B	A	1	55 7/8"		*1A 4602-E
50	A (except S/W)	S/T		B	A	1	56 15/32"		1A 4602-C
50	S/W	S/T	1 Yellow band	B	A	1	55 7/8"		*1A 4602-E
51	A (except S/W)	S/T		B	A	1	56 15/32"		1A 4602-C
51	S/W	S/T	1 Yellow band	B	A	1	55 7/8"		*1A 4602-E
51	A (except S/W)	F/M	1 Green band	B	A	1	58 5/32"		*1A 4602-D
51	S/W	F/M	1 Red band	B	A	1	57 45/64"		*1A 4602-F
52	A (except S/D & S/W)			B	A	1	53 3/4"		B5A 4602-A
52	S/D, S/W			B	A	1	53 1/8"		B5A 4602-B
53	A (except S/D & S/W)			B	A	1	53 3/4"		B5A 4602-A
53	S/D, S/W			B	A	1	53 1/8"		B5A 4602-B
54	A (except S/D & S/W)			B	A	1	53 3/4"		B5A 4602-A
54	S/D, S/W			B	A	1	53 1/8"		B5A 4602-B
55	A (except S/D, S/W & P/I)			B	A	1	53 3/4"		B5A 4602-A
55	S/D, S/W			B	A	1	53 1/8"		B5A 4602-B
55	Police Interceptor			B	A	2	49 23/64"	2 7/8"	*B5A 4602-C
55	S			B	A	1	27"	2"	B5S 4602-B

● For Universal Joint, Knuckle & Plug & Drive Shaft Code designations, see next page



P-3895

Universal Joint Codes used throughout the chart apply to part numbers as indicated

CODE	PART NUMBER	TYPE	CODE	PART NUMBER	TYPE
A	B5AZ 4635-A	Mechanics	N	C3AZ 4635-A	CLEVELAND STEEL - 1310 - 3 15/32" SPAN Repl. by C3AZ 4635-E (9-63)
B	B5AZ 4635-B	Mechanics	P	C3AZ 4635-B	CLEVELAND STEEL - 1310 - 3 15/32" SPAN
C	B7AZ 4635-A	Spicer - 1260	R	C3AZ 4635-C	SPICER or T & C - 1260 - 3 15/32" SPAN
D	B9AZ 4635-A	Mechanics	S	C3AZ 4635-D	SPICER or T & C - 1260 - 3 15/32" SPAN
E	B6TZ 4635-A	Spicer	T	C3AZ 4635-E	CLEVELAND STEEL - 1310 - 3 15/32" SPAN
F	C0DZ 4635-A	Mechanics	V	C3AZ 4635-F	CLEVELAND STEEL - 1310 - 3 15/32" SPAN
G	C1AZ 4635-A	Spicer	Y	C3AZ 4635-G	CLEVELAND STEEL - 1330 - 3 5/8" SPAN
H	C1AZ 4635-C	Cleveland Steel	Z	C3AZ 4635-H	CLEVELAND STEEL - 1330 - 3 5/8" SPAN
J	C1AZ 4635-D	Cleveland Steel-repl. by C3AZ 4635-B(9-63)			
K	C2SZ 4635-A	Cleveland Steel-1310-1330			
L	C3DZ 4635-A	Mechanics or SACO			
M	C3VY 4997-A	Spicer			

Knuckle and Plug Codes used throughout the chart apply to part numbers as indicated

CODE	PART NUMBER	A	B	CODE	PART NUMBER	A	B	CODE	PART NUMBER	A	B
1	B5A 4841-A	5 1/4"		10	C0DD 4841-D			19	C3AZ 4841-B	8, 10"	3, 34"
2	B5A 4841-B	5 1/4"		11	C1DD 4841-D	7 3/4"		20	C3AZ 4841-C	8, 20"	3, 47"
3	B5C 4841-A	5 11/32"		12	C1SS 4841-C	7 5/16"		21	C2MY 4841-A	8, 25"	3, 47"
4	B6S 4841-A			13	C2OA 4841-C	7 5/8"		22	C3SZ 4841-A	7, 50"	3, 875"
5	B8A 4841-B	7 5/16"		14	C2AZ 4841-A	7 7/32"		23	C3AZ 4841-D	8, 10"	3, 47"
6	B9A 4841-C	7 1/4"		15	C2OZ 4841-A	7 21/32"		24	C3AZ 4841-E	8, 23"	3, 65"
7	B9A 4841-D	5 1/2"		16	C0SS 4841-A	7 3/8"		25	C3AZ 4841-F	8, 23"	3, 875"
8	C0AA 4841-A	7 3/8"		17	C2YY 4841-A			26	C3AZ 4841-G	8, 23"	3, 875"
9	C0DD 4841-B	7 21/32"		18	C3AZ 4841-A	8, 25"	3, 47"	27	C4SZ 4841-A	7, 50"	3, 875"

4602 DRIVE SHAFT and UNIVERSAL JOINT CHART - continued

DRIVE SHAFT CHART

YEAR 19__	MODEL	TRANSMISSION	IDENTIFICATION	*UNIV. JOINT CODE		*KNUCKLE & PLUG CODE	DRIVE SHAFT		PART NUMBER
				FRONT	REAR		LENGTH	DIAMETER	
56	A (except S/D, S/W, P/I & Fairlane 8 cyl. 312)			B	A	1	53 3/4"		B5A 4602-A
56	S/W (except 8 cyl. 312), S/D			B	A	1	53 1/8"		B5A 4602-B
56	S/W (8 cyl. 312)			B	A	4	49 11/32"		B6A 4602-A
56	Police Interceptor			B	A	4	49 11/32"		B6A 4602-A
56	Fairlane (8 cyl. 312)			B	A	1	53 1/16"		*B6A 4602-B
56	S (8 cyl. 292)	S/T		C	C	3	27"	2"	B6S 4602-A
56	S (8 cyl. 312)	O/D, F/M		C	C	4	23 15/16"	2"	*B6S 4602-B



4602 DRIVE SHAFT and UNIVERSAL JOINT CHART - continued

YEAR 19__	MODEL	TRANSMISSION	IDENTIFICATION	UNIV. JOINT CODE			DRIVE SHAFT		PART NUMBER
				FRONT	REAR	• KNUCKLE & PLUG CODE	C LENGTH	D DIAMETER	
57	70,73 (6 cyl. & 8 cyl. 272)	All		B	A	7	54 35/64"		△B7A 4602-K
57	70,73 (8 cyl. 292, 312)except 312 with O/D	All		C	C	3	54 35/64"		△B7A 4602-G
57	70,73,S/D,S/W,P/I(8 cyl. 312)	O/D		B	A	4	47 31/64"		B7A 4602-E
57	70,73,S/W(8 cyl.312 Supercharger)	S/T,O/D		B	A	4	47 31/64"		B7A 4602-E
57	+70,73,S/D,S/W,P/I(8 cyl. 312)	F/M		B	A	4	51 31/64"		B7A 4602-F
57	51A, 57, 63, 64, 76B (6 cyl. & 8 cyl. 292)	All		C	C	3	55 35/64"		B7A 4602-H
57	51A,57,63,64,76B(8 cyl. 312)	S/T		C	C	3	55 35/64"		B7A 4602-H
57	+51A,57,58,63,64,76B(8 cyl.312)	O/D		C	C	4	49 31/64"		B7A 4602-L
57	+51A,57,58,63,64,76B(8 cyl.312)	F/M		C	C	4	53 31/64"		B7A 4602-M
57	66,S/D,S/W(6 cyl. & 8 cyl. 292)	All		B	A	7	54 35/64"		△B7A 4602-K
57	66,S/D,S/W,P/I(8 cyl. 312)			C	C	3	54 35/64"		△B7A 4602-G
57	S	S/T, F/M		C	C	6	27 39/64"		B7S 4602-A
57	S	O/D		C	C	4	27"		B7S 4602-B
58	70,73,S/W(6 cyl.)	All		C	C	6	54 35/64"	2 7/8"	△B8A 4602-D
58	70,73(8 cyl.292)(except Taxicab)	All	I Yellow band	B	A	7	54 35/64"		△B8A 4602-C
58	70,73(8 cyl. 332)	S/T		C	C	6	54 35/64"		△B8A 4602-D
58	70,73(8 cyl. 332)(except S/W)	C/M		C	C	6	54 35/64"		△B8A 4602-D
58	Taxicab(6 cyl. & 8 cyl. 292)	All		C	C	5	54 35/64"	2 7/8"	B8A 4602-G
58	S/W(8 cyl. 292, 332)	All		C	C	6	54 35/64"		△B8A 4602-D
58	70,73,S/D,S/W,66(8 cyl. 352)	S/T		C	C	6	54 35/64"		△B8A 4602-D
58	70,73,S/D,S/W,66(8 cyl. 352)	O/D, F/M, C/M		C	C	5	54 35/64"		△B8A 4602-B
58	57,58,63,64,76B(6 cyl. 223)	All	No color	B	A	6	56 17/32"	2 3/4"	△C0AA 4602-F
58	51A,57,58B,63,64,76B(8 cyl.292)	All	No color	B	A	6	56 17/32"	2 3/4"	△C0AA 4602-F
58	57B,58A,63B,64A(8 cyl. 292)	F/M	I Green band	B	A	7	56 35/64"	2 7/8"	△B8A 4602-H
58	51A, 57, 58, 63, 64, 76B(8 cyl. 332)	S/T, F/M, C/M	No color	B	A	6	56 17/32"	2 3/4"	△C0AA 4602-F
58	51A,57,58,63,64,76B(8 cyl. 332)	O/D		C	C	5	56 35/64"		B8A 4602-A
58	66,S/D(6 cyl. & 8 cyl. 292)	All		C	C	6	54 35/64"		△B8A 4602-D
58	S(8 cyl. 352)	All		C	C	5	52"	3"	B8S 4602-A
59	A(6 cyl.)	F/M/2		C	C	5	56 35/64"		B8A 4602-A
59	A(8 cyl. 292)	F/M/2							
59	A(8 cyl. 332)	O/D, F/M/2							
59	A(8 cyl. 352)	F/M/2, C/M, O/D							
59	A(all engines)		No color	B	D	6	56 17/32"	2 3/4"	△C0AA 4602-F
59	A(6 cyl.)	O/D, F/M/2							
59	A(8 cyl. 292)	O/D, F/M/2, C/M							
59	A(8 cyl. 332)	F/M/2, C/M							
59	A, Taxicab(6 cyl. & 8 cyl. 292)	S/T, O/D							
59	Taxicab(6 cyl. & 8 cyl. 292)	F/M/2	No color	C	C	5	56 17/32"	2 3/4"	C0AA 4602-D
59	S(8 cyl. 352)	All		C	C	5	52"	3"	B8S 4602-A
59	S(8 cyl. 430)	C/M		C	C	5			B8S 4602-B

YEAR 19__	MODEL	DESCRIPTION	QTY. PER VEHICLE	PART NUMBER
55/	A, S	Fitting (spider lubricator)-1/4"-28	2	87907-S8(I-3)

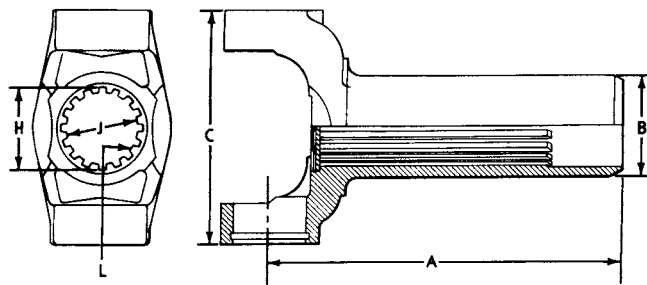
4614 RETAINER & BEARING CUP ASSY. - DRIVING PINION BEARING

57/	A(8 cyl.), S	Includes 2 pcs. B7A 4616-A	1	C2AZ 4614-A
57/	A, S, B	Bolt (retainer to differential carrier)- 3/8"-16 x 1 1/8" self locking	5	42999-S(B253)

† Also used with Supercharger      △ Attached with "U" bolts      † Attached with bolts  
 ● Refer to preceding page for Universal Joint & Knuckle & Plug Codes

YEA/R	MODEL	DESCRIPTION	QTY. PER VEHICLE	PART NUMBER
<b>4616 CUP - DRIVING PINION BEARING - Also Refer to Group 4628</b>				
49/54	A	Front-stamped 02820	1	8A 4616
55/56	S, S/D, S/W, Police Interceptor	Front	1	
55/56	A (except S/D & S/W)	Front-stamped HM 88510	1	B5A 4616-B
55/56	A(except S/D & S/W)	Rear-stamped HM 89410	1	TBAA 4616-A
57/	A, S	Stamped M88010	2	B7A 4616-A
<b>4621 CONE and ROLLER ASSY. - DRIVING PINION BEARING</b>				
49/54	A (except S/D & S/W)	Front-stamped 02876	1	8A 4621
49/56	S, S/D, S/W	Front-stamped 02872	1	8M 4621
55/56	Police Interceptor	Front	1	
55/56	A (except S/D & S/W)	Front-stamped HM 88542	1	B5A 4621-B
57/	A, S	Stamped M88048	2	B7A 4621-A
<b>4625 BEARING ASSY. - DRIVING PINION PILOT</b>				
57/	A, S	1. 10" I. D. -1. 85" O. D. -21/32" thick	1	C2AZ 4625-A
<b>4627 RETAINER - DRIVING PINION PILOT BEARING</b>				
57/	A, S		1	B7AZ 4627-A
<b>4628 CUP - DRIVING PINION BEARING - REAR - Also Refer to Group 4616</b>				
49/54	A	Stamped 31520	1	8A 4628
55/56	S, S/D, S/W, Police Interceptor		1	
<b>4630 CONE and ROLLER ASSY. - DRIVING PINION BEARING - REAR</b>				
49/54	A (except S/D & S/W)	Stamped 31597	1	8A 4630
49/56	S, S/D, S/W	Stamped 31594	1	8M 4630
55/56	Police Interceptor		1	
55/56	A (except S/D & S/W)	Stamped HM 89449	1	B5A 4630-A
<b>4635 KIT - UNIVERSAL JOINT - Refer to Chart in Group 4602</b>				
<b>4637 WASHER - CRANKSHAFT PULLEY RETAINING</b>				
49/53	A	11/16" I. D. -1 5/8" O. D.	1	B5T 4637-A
<b>4659 RETAINER and BEARING CUPS ASSY. - DRIVING PINION BEARING - Also Refer to Group 4614</b>				
58	A, S	With 4 1/8" O. D. seal	1	B8AZ 4659-A
<b>4662 SPACER - DRIVING PINION BEARING</b>				
49/54	A (except S/D & S/W)	2 9/32" long	1	8A 4662-B
55	A (except S/D & S/W)		1	B5A 4662-B
56	A (except S/D & S/W)		1	B6A 4662-A
57/	A, S	31/64" long	1	B7A 4662-A
<b>4663 SHIM - DRIVING PINION BEARING</b>				
49/55	A (except S/D & S/W)	Supplied in 4209 kits	AR	★ 8A 4663
56	A (except S/D & S/W)	Supplied in 4209 kits	AR	★ WAD 4663
57/	A, S, Police Interceptor	Supplied in 4209 kits	AR	★ WAA 4663
<b>4669 "O" RING - DRIVING PINION BEARING RETAINER</b>				
57/	A, S	4 3/4" I. D.	1	B7A 4669-A
<b>4670 SLINGER - DRIVING PINION SHAFT OIL</b>				
49/56	S, S/D, S/W	2 55/64" O. D.	1	8M 4670
55/56	Police Interceptor		1	
50/56	A (except S/D & S/W)	2 3/4" O. D.	1	B6A 4670-A
57/	A, S	2 5/8" O. D.	1	C1AW 4670-A
<b>4671 GASKET - DRIVING PINION OIL SEAL</b>				
49/56	S, S/D, S/W	2 3/4" I. D. -3 9/64" O. D. -1/32" thick	1	8M 4671
55/56	Police Interceptor		1	
<b>4672 SHIM - DRIVING PINION FRONT BEARING</b>				
49/56	S, S/D, S/W	.003" thick	AR	8M 4672-A
55/56	Police Interceptor		AR	
49/56	S, S/D, S/W	.010" thick	AR	8M 4672-C
55/56	Police Interceptor		AR	
<b>4676 SEAL ASSY. - DRIVING PINION OIL</b>				
49/56	A (except S/D & S/W)	1 5/8" I. D. -3" O. D.	1	8A 4676
49/56	S, S/D, S/W	1 9/16" I. D. -3 5/32" O. D.	1	B6A 4676-A
55/56	Police Interceptor		1	
57	A, S	1 13/16" I. D. -4 1/8" O. D. -21/32" thick - press in type	1	B7A 4676-A
58	A, S	1 13/16" I. D. -4 1/8" O. D. -3/4" thick - press in type	1	B8A 4676-A
58/	A, S	1 13/16" I. D. -3" O. D. -1/2" thick	1	B8A 4676-B
<b>4678 BEARING - UNIVERSAL JOINT FLANGE</b>				
49/54	A	Supplied in 8M 7039 kit	2	★ 8M 4678
55/56	A, S	Supplied in B5AZ 4635-A	2	★ B5A 4678-A
57	A (except 66 & S/D)		1	

YEAR 19	MODEL	DESCRIPTION	QTY. PER VEHICLE	PART NUMBER
<b>4693 PLATE - DRIVE SHAFT FLANGE LOCK</b>				
49/56	A		2	AB 4693-A
57	A (except 66, 70, 73 & S/D)		2	
55	S		2	
58	S/W (6 cyl.)		2	
58	66, S/D (6 cyl. & 8 cyl. 292)		2	
57	70, 73	Use with B7A 4602-K Drive shaft	2	
<b>4706 PACKING - UNIVERSAL JOINT - Also Refer to Group 7037</b>				
49/56	A, S	.572"/.582" I. D. -cork	8	B5A 4706-A
58	S/W (6 cyl.)		8	
58	66, S/D (6 cyl. & 8 cyl. 292)		8	
59/	A		8	
<b>4706 GREASE SEAL - UNIVERSAL JOINT SPIDER</b>				
56/57	S	.75" I. D. -1.01" O. D. -.16" thick	8	A0TZ 4706-A
<b>4761 RETAINER - UNIVERSAL JOINT SPIDER GREASE SEAL</b>				
56	S	.696"/.698" I. D. -1.048"/1.053" O. D. - .177"/.187" thick	8	A0TZ 4761-A
<b>4841 KNUCKLE and PLUGS ASSY. - UNIVERSAL JOINT</b>				



P-3758

PART NUMBER	DRIVE SHAFT CHART CODE	A	B	C	H	J	L
B5A 4841-A	1	5 1/4"	1.498"	3 3/32"	1.176"	1.036"	16
B5A 4841-B	2	5 1/4"	1.498"	3 3/32"	1.176"	1.036"	16
B5C 4841-A	3	5 11/32"	1.498"	3 1/2"	1.176"	1.036"	16
B6S 4841-A	4						
B8A 4841-B	5	7 5/16"	1.685"	3 1/2"	1.368"	1.264"	31
B9A 4841-C	6	7 1/4"	1.498"	3 1/2"	1.207"	1.095"	28
B9A 4841-D	7	5 1/2"	1.498"	3 1/8"	1.207"	1.095"	28
C0AA 4841-A	8	7 3/8"	1.498"	3 1/4"	1.207"	1.095"	28
C0SS 4841-A	16	7 3/8"	1.685"	3 1/4"	1.333"	1.264"	31
C1SS 4841-C	12	7 5/16"	1.685"	3 1/2"	1.375"	1.265"	31
C2AZ 4841-A	14	7 7/32"	1.498"	3 1/2"	1.207"	1.095"	28
C3AZ 4841-A	18	8.23"	1.685"	3 1/4"	1.368"	1.266"	31
C3SZ 4841-A	22	7.50"	1.685"	3.875"	1.368"	1.266"	31

**4841 KIT - UNIVERSAL JOINT YOKE AND PLUG**

YEAR 19	MODEL	DESCRIPTION	QTY. PER VEHICLE	PART NUMBER
49/56	A		1	B5A 4841-A
55	S		1	
55	Police Interceptor		1	B5A 4841-B
56	S-8 cyl. 292 (with S/T)		1	B5C 4841-A
56	Fairlane(8 cyl. 312)		1	
56	S-8 cyl.312 & P/I (with O/D & F/M)		1	B6S 4841-A
57	S, Police Interceptor-8 cyl. 312 (with O/D)		1	
57	S/W-8 cyl. 312(with O/D & F/M)		1	
57	51A, 57, 58, 63, 64, 70, 73, 76B-8 cyl. 312 (with O/D)		1	
59/	A (6 cyl. & 8 cyl. 292)-with S/T & O/D		1	B9A 4841-D
57	66,S/D,S/W (6 cyl.& 8 cyl.272 & 292)(w/all trans.)		1	
57	Custom-6 cyl. & 8 cyl. 272(with all trans. )		1	
58	S/W (6 cyl.)-with all trans.		1	
58	66, S/D (except 8 cyl. 352)( with all trans. )		1	

YEAR 19	MODEL	DESCRIPTION	QTY. PER VEHICLE	PART NUMBER
<b>4841 KNUCKLE and PLUGS ASSY. - UNIVERSAL JOINT - continued</b>				
59	A (8 cyl. 292, 332)-with C/M	Consists of	1	◇B9A 4841-C
57	S-292 (with S/T)	1-Yoke & plug 1-Seal 1-Snap ring	1	
57	S-312 (with F/M)		1	
57	70, 73 (6 cyl. & 8 cyl. 272) (with all trans.)		1	
57	51A, 57, 58, 63, 64, 76B (8 cyl. 292, 312)-w/S/T & F/M		1	
58	A-6 cyl. & 8 cyl. 292 (with all trans.)		1	
58	A (51A, 57, 58, 63, 64, 76B) (8 cyl. 332) except O/D		1	
59	Taxicab (6 cyl. & 8 cyl. 292)-with all trans.		1	
59	A (6 cyl. & 8 cyl. 292, 332)-with F/M/2		1	
59	A-8 cyl. 332 (with C/M)		1	
59	A (6 cyl. & 8 cyl. 292)-with O/D		1	
59	A (All Engines)-with S/T		1	
59	A (8 cyl. 352)-with O/D, F/M/2 & C/M	Consists of	1	C3AZ 4841-A
58	51A, 57, 58, 63, 64, 76B, S/W, P/I (8 cyl. 332)-w/O/D	1-Yoke & plug 1-B7A 7048-B Seal 1-Snap ring	1	
58	51A, 57, 58, 63, 64, 76B, S/W, P. I. (8 cyl. 352)- (with all transmissions)		1	
58	S (with all transmissions)		1	
59	A (6 cyl. & 8 cyl. 292, 332)-with F/M/2		1	
<b>4851 FLANGE ASSY. - UNIVERSAL JOINT - AXLE END</b>				
56	S, Police Interceptor		1	8C 4851
49/56	S/D, S/W		1	8M 4851-A
55	S, Police Interceptor		1	
49/56	S, S/D, S/W, Police Interceptor	Locknut (pinion flange to pinion)-3/4"-16	1	351126-S(MM145)
		Washer-flat-3/4"		356504-S(XX238)
49/56	A (except S/D & S/W)		1	AB 4851-A
56	Fairlane (8 cyl. 312)		1	B6A 4851-B
57/58	S/D, S/W, 66	Attached with bolts	1	B8A 4851-B
57/59	A		1	
49/56	A	Bolt (drive pinion flange to drive shaft)-5/16"- 24 x 3/4"	4	355208-S7(BB210)
55	S		4	
57	A (except 66 & S/D)		4	
58	66, S/D, S/W		4	
57/	S		1	C2SZ 4851-D
49/56	A (except S/D & S/W)	Locknut (universal joint flange to pinion)- 3/4"-20	1	371518-S(MM180)
57/	A, S		1	
49/56	A (except S/D & S/W)	Washer-flat-.77" I. D.	1	351588-S(XX227)
57/	A, S		1	
58	57B, 58B, 63B, 64A, 70, 73 (8 cyl. 292)	Bolt (flange to shaft)-5/16"-24 x 3/4" locking	4	371130-S (BB393)
<b>4859 DEFLECTOR - UNIVERSAL JOINT FLANGE OIL SEAL DUST</b>				
49/56	A (except S/D & S/W)	1.735" I. D. -2.89" O. D.	1	8A 4859-R
49/56	S, S/D, S/W	1.556" I. D. -2.12" O. D.	1	8M 4859
55/56	Police Interceptor		1	
57/	A, S		1	B8A 4859-A
<b>4880 KIT - LOCKING DIFFERENTIAL</b>				
57/58	A (except 51A, 66, S/D, S/W & P/I)		1	†B9AZ 4880-A
59/	A		1	
	Consists of			
	1-B9A 4159-A Lubricator	2-C2OW 4228-A Washer	1-C1AW 4946-A Hub	1-352506-S Pin
	2-C2AZ 4204-E Case	1-B9A 4236-B Gear	2-B9AZ 4947-A Plate	10-371246-S Bolt
	2-B9A 4214-A Spring	2-B9AZ 4945-A Plate		
<b>4891 SNAP RING - UNIVERSAL JOINT SPIDER BEARING RETAINING</b>				
49/56	A	.918" I. D.	6	A8AZ 4891-A
55	S		6	
57	59, 66, 78, 79 (6 & 8 cyl. 223, 272, 292)		6	
58	57B, 58A, 63B, 64A, 70, 73 (8 cyl. 292- except Taxi Cabs)		6	
59	A (6 & 8 cyl. 223, 292)-S/T & O/D	Used with B9A 4602-B-G drive shaft	6	
56/57	S		6	A1TZ 4891-B
57	51, 57, 58, 63, 64, 76		6	
57	S/W (8 cyl. 312)		6	
58/	A, S (8 cyl.)		6	
<b>4945 PLATE ASSY. - DIFFERENTIAL CLUTCH</b>				
59/	A, S (with locking axle)		2	B9AZ 4945-A
<b>4946 HUB - DIFFERENTIAL GEAR CLUTCH</b>				
59/	A, S-with locking axle		1	C1AW 4946-A
<b>4947 PLATE - DIFFERENTIAL GEAR CLUTCH</b>				
59/	A (with locking axle)		3	B9AZ 4947-A

◇ 28 Spline - 7 7/32" Center Length † Use with B7A 4222-A Bearing Cup

**INDEX**

**SECTION 50 - FRAME**

PART NAME	GROUP NUMBER	PART NAME	GROUP NUMBER
Bolt (bracket to frame)	5066	Bracket (rear shock absorber)	5135
Brace (side member to No. 3 cross member)	5048-49	Cross member assy. (frame)	5029
Bracket assy. (body to frame)-No. 1-outer	5075-76	Cross member assy. (frame No. 5)	5036
Bracket (body to frame)	5143-45	Cross member assy. (frame rear)	5035
Bracket (engine front support)	5057-58	Frame assy.	5005
Bracket (engine rear support cross member)	5060	Gusset (front cross member to frame)	5123-24
Bracket (frame No. 3 cross member support)	5A000-01	Kit (frame No. 3 cross member & engine support)	5027
Bracket (front suspension arm & shock absorber mounting)	5063-64	Reinforcement (front cross member to side member)	5091-92
		Support (engine rear)	5059

**SECTION 52 - EXHAUST SYSTEM**

PART NAME	GROUP NUMBER	PART NAME	GROUP NUMBER
Bracket & insulator assy. (muffler intermediate)	5273	Clamp (muffler inlet pipe extension)	5291
Bracket & insulator assy. (muffler outlet pipe)-rear	5294	Clamp (muffler outlet pipe)	5251
Bracket & insulator assy. (muffler outlet pipe to frame)-rear-L. H.	5256	Clamp (muffler to inlet pipe)	5270
Bracket assy. (muffler outlet pipe)	5259	Clamp (muffler to outlet pipe)-front-lower	5265
Bracket assy. (muffler outlet pipe to frame)-rear	5260-61	Cover (muffler inlet cross over pipe opening)	5269
Bracket (muffler inlet pipe to engine block)	5291	Deflector assy. (exhaust)	5202-03
Bracket (muffler outlet pipe to frame)-intermediate-L. H.	5276	Extension (muffler outlet pipe)	5263
Bracket (muffler outlet pipe to frame)-intermediate-R. H.	5274	Kit (dual exhaust installation)	5230
Bracket (muffler outlet pipe to frame)-rear	5278	Kit (muffler outlet pipe front hanger)	5259
Bracket (muffler to outlet pipe front clamp to frame)	5277	Muffler assy.	5230-32
Bracket (outlet pipe to frame)-intermediate-L. H.	5207	Muffler assy. (L. H.)	5232
Bracket (outlet pipe to frame)-intermediate-R. H.	5205	Pipe assy. (muffler inlet)	5246
Bracket (resonator)	5282	Pipe assy. (muffler inlet)-L. H.	5248
Clamp assy. (muffler inlet & outlet pipe)-yoke type	5A231	Pipe (muffler inlet cross over)	5267
Clamp assy. (muffler outlet pipe)	5259	Pipe (muffler inlet extension)	5A212-13
		Pipe (muffler outlet)	5255
		Plate (muffler outlet pipe insulator)-upper-rear	5287
		Sleeve (muffler outlet pipe)	5211

**SECTIONS 52, 53 - AIR SUSPENSION**

PART NAME	GROUP NUMBER	PART NAME	GROUP NUMBER
Arm assy. (rear)	5-5570-71	Compressor assy. (air suspension)	5-5200
Ball & bracket assy. (rear spring leveling valve linkage)	5-5589	Cover (compressor air strainer)	5-5214
Ball stud (spring leveling valve to upper suspension)	5-5336	Cover (compressor front)	5-5218
Bar assy. (rear suspension)-track	5-5580	Cover (compressor rear)	5-5216
Base (air compressor mounting)	5-5222	Crankshaft (compressor)	5-5212
Bracket & bushing assy. (rear arm to axle)	5-5599	Filter assy. (reserve tank)	5-5403
Bracket assy. (rear arm to frame)	5-5575-76	Filter (compressor air)	5-5220
Bracket assy. (reserve tank mounting)	5-5401	Filter (leveling valve exhaust)	5-5329
Bracket (compressor oil outlet tube)	5-5221	Gasket assy. (muffler inlet)	5C226
Bracket (compressor support)	5-5205	Gasket (compressor cylinder head)	5-5208
Bracket (front spring leveling valve mounting)	5-5332-33	Gasket (compressor mounting)	5-5202
Bracket (rear spring leveling valve mounting)	5-5334	Gasket (compressor valve plate)	5-5211
Bracket (rear spring to frame)	5-5567-68	Hose assy. (compressor oil inlet)	5-5203
Bushing assy. (rear arm)	5-5573	Insulator (front spring adapter tube)	5-5314
Cam & shaft (leveling valve)	5-5318	Kit (compressor valve plate)	5-5207
		Kit (leveling valve control nut & seal)	5-5321

## INDEX

## SECTIONS 52, 53 - AIR SUSPENSION - continued

PART NAME	GROUP NUMBER	PART NAME	GROUP NUMBER
Kit (leveling valve delivery nut & seal)	5-5322	Spring (rear)	5-5560
Kit (leveling valve orifice control & seal)	5-5320	Strap assy. (reserve tank)	5-5402
Kit (leveling valve plunger & seal)	5-5323	Strap (compressor adjusting)	5-5206
Kit (leveling valve supply nut & seal)	5-5319	Tank assy. (reserve)	5-5400
Kit (rear arm pivot & washer)	5-5572	Tee assy. (reserve tank hose)	5-5406
Kit (rear track bar insulator & washer)	5-5581	Tee assy. (spring leveling valve tube)	5-5337
Lever assy. (front spring leveling valve)	5-5335	Tube assy. (rear L.H. spring to check valve)	5636
Lever assy. (rear spring leveling valve)	5-5588	Tube assy. (rear R.H. spring to restrictor valve)	5639
Locator & spacer assy. (front spring)	5-5313	Tube assy. (rear spring check valve to restrictor valve)	5641
Pedestal assy. (front spring)	5-5312	Tube assy. (rear spring leveling valve to check valve)	5642
Pedestal assy. (rear spring)	5-5562	Tube assy. (rear spring leveling valve to regulator valve)	5638
Piston assy. (compressor)	5-5209	Tube assy. (rear spring leveling valve to restrictor valve)	5640
Plate (compressor air strainer)	5-5217	Tubing (air suspension lines)	5-5269
Pulley (compressor)	5-5204	Valve assy. (front spring check)	5-5317
Restrictor valve & tee assy. (rear spring)	5-5593	Valve assy. (leveling inlet)	5-5324
Retainer assy. (rear spring)	5-5564-65	Valve assy. (pressure regulator to leveling valve)	5-5331
Retainer (rear spring mounting)	5-5563	Valve assy. (rear spring check)	5-5569
Ring (compressor piston)	5-5210	Valve assy. (reserve tank check)	5-5404
Rod assy. (air compressor piston connecting)	5-5223	Valve assy. (solenoid)	5-5405
Rod assy. (spring leveling valve lever to upper arm)	5-5643	Valve assy. (spring leveling)	5-5315-16
Seal (compressor oil)	5-5219	Valve (compressor discharge)	5-5215
Sleeve (front spring retainer)	5-5311	Valve (compressor inlet)	5-5213
Sleeve (rear spring)-retainer	5-5561		
Spring (front)	5-5310		

## SECTION 53 - SPRINGS and STABILIZER

PART NAME	GROUP NUMBER	PART NAME	GROUP NUMBER
Anti-squeak (rear spring)	5586	Insulator (stabilizer to suspension lower arm)	5493
Arm & bushing assy. (rear suspension)-upper	5500	Kit (rear spring clamp)	5724
Arm & pivot assy. (rear suspension)	5546-47	Kit (shackle)	5630
Bar & bushing assy. (rear suspension track)	5-5543	Kit (stabilizer end repair)	5A486
Bar (rear spring shackle)-rear	5627	Leaf (rear spring)	5564-67
Bolt (stabilizer to front suspension lower arm rear)	5495	Liner (rear spring clamp)-rubber	5334
Bracket (rear axle or spring bumper)	5784	Pivot assy. (rear suspension arm)	5549
Bracket (rear suspension arm mounting)	5595-96	Plate (rear spring clip)	5798-99
Bracket (rear suspension upper arm to axle)	5503	Rear spring clamp	5724
Bracket (stabilizer)	5486	Retainer (rear spring center mounting insulator)	5736
Bumper (rear axle or spring)	5783	Retainer (stabilizer insulator to lower arm clamp)	5492
Bushing assy. (rear spring)-front & rear	5781	Retainer (stabilizer to suspension lower arm)-inner	5492
Bushing assy. (rear suspension track bar pivot)	5548	Shackle assy. (rear spring)-rear	5776
Bushing (rear spring front hanger)	5737	Shim (front spring)	5355
Clamp (rear spring)	5724	Spacer (rear spring center mounting)	5598
Clamp (stabilizer bar insulator)	5499	Spacer (rear spring clamp)	5703
Clamp (stabilizer to suspension lower arm)-inner	5499	Spacer (rear suspension arm to axle insulator)	5540
Clamp (stabilizer to suspension lower arm)-outer	5476-77	Spacer (rear suspension upper arm bushing)	5504
Clip (rear spring)	5705	Spacer (stabilizer bar)	5490
Hanger (rear spring)	5775	Spring assy. (rear)	5560
Hanger (rear spring shackle)-rear	5610-11	Spring (front)-coil	5310
Insulator (front suspension spring)-rubber	5415	Stabilizer assy.	5482
Insulator (rear spring)	5599	Stud & washer assy. (rear spring front hanger)	5780
Insulator (rear spring center mounting)	5741	Support (rear suspension arm)	5555
Insulator (rear suspension arm to axle)	5537	"U" bolt (rear suspension arm to axle)	5545
Insulator (rear suspension coil spring)	5536	Washer (rear suspension arm insulator)-upper	5-5596
Insulator (stabilizer bar)	5484		

YEAR 19	MODEL	DESCRIPTION	QTY. PER VEHICLE	PART NUMBER
<b>5005 FRAME ASSY.</b>				
54	A (except Convertible Coupe)	Box type	1	AD 5005-BF
55	S	"X" type	1	B5S 5005-D
55/56	S/D, S/W	Box type	1	B6A 5005-C
55/56	Victoria, Skyliner, Tudor, Fordor	Box type	1	B6A 5005-G
56/57	S	"X" type	1	B7S 5005-A
58	S/W (8 cyl. 332, 352)-with air suspension	Box type	1	B8A 5005-A
57/58	70, 73	Box type	1	B8A 5005-F
57/58	S/D, S/W, 66	Box type	1	B8A 5005-G
57/58	76B	"X" type	1	B8A 5005-H
57/58	51A	"X" type	1	B8A 5005-J
57/58	57, 58, 63, 64	Box type	1	B8A 5005-K
59	S/W, 66	Box type	1	B9AA 5005-V
59	76B	"X" type	1	B9AA 5005-U
59	57, 75	Box type	1	B9AA 5005-Y
59	54, 58, 63, 64, 65	Box type	1	B9AA 5005-Z
59	51A	Box type	1	B9AA 5005-L
<b>5019 CROSS MEMBER ASSY. - FRAME FRONT</b>				
52/53	A		1	AB 5019-B
54	A		1	B4A 5019-A
55/56	A		1	B5A 5019-C
57/58	51A		1	B7A 5019-C
59	A		1	B9AA 5019-A
57/58	A (except 51A)		1	
58/	S	Refer to body sheet metal illustration section		
<b>5027 KIT - FRAME NO. 3 CROSS MEMBER &amp; ENGINE SUPPORT</b>				
57/59	A(except 51A & 76B)	Consists of-1-cross member, 2-flanges, 1-lever	1	B8AZ 5027-A
57	A (except 51A & 76B)	Bolt (cross member to side member)-3/8"-16 x 1"	6	20388-S8(B80)
		Lockwasher - 3/8"		357629-S7(XX33)
<b>5029 CROSS MEMBER ASSY. - FRAME</b>				
55/56	S/D, S/W	No. 4	1	B5A 5029-E
<b>5035 CROSS MEMBER ASSY. - FRAME REAR</b>				
52/56	A		1	B5A 5035-B
57/59	51A		1	B7AZ 5035-A
57/58	A (except 51A & air suspension)		1	B8AZ 5035-A
59	A (except 51A)		1	B9AZ 5035-A
<b>5036 CROSS MEMBER ASSY.</b>				
57	S/D, S/W, 66		1	B7A 5036-B
57/58	57, 58, 63, 64		1	B8A 5036-D
57/58	70, 73		1	
58	S/D, S/W, 66		1	B8A 5036-F
59	54, 57, 58, 63, 64, 65, 75, 76B		1	B9A 5036-B
<b>5057-8 BRACKET - ENGINE FRONT SUPPORT</b>				
57/58	A	R. H.	1	B7A 5057-A
		L. H.	1	B7A 5058-A
59	A	R. H.	1	B9A 5057-A
		L. H.	1	B9A 5058-A
<b>5059 SUPPORT - ENGINE REAR - Also Refer to Groups 6A023, 5027</b>				
52/54	A (except Convertible Coupe)		1	AB 5059-C
55/56	A		1	
51	Convertible Coupe	Bolt (support to "X" member)-5/16"-24 x 1"	8	20387-S8(B157)
52/54	Convertible Coupe		6	
52/54	A (except Convertible Coupe)	Bolt (support to cross member brace)	6	
	A	Locknut-5/16"-24		34393-S7 (M98)
		Locknut-1/2"-20	2	34449-S8 (M85)
57	51A, 76B		1	B7A 5059-A
57	A (except 51A & 76B)		1	B7A 5059-B
58	51A, 76B (8 cyl. 332, 352)		1	B8A 5059-A
59	51A, 76B		1	B9A 5059-A
58/	S	Nut (support to body)-3/8"-24	4	33800-S8 (M63)
55/56	A (except Sunliner)	Bolt (support to No. 3 cross member brace)-5/16"-24 x 3/4"	6	20347-S8 (B156)
55/58	51A, 76B	Bolt (support to "X" member)	6	
		Nut-5/16"-24		33798-S7-8 (M62)
		Lockwasher-5/16"		34806-S7 (X64)

## SECTION 50

## FORD CAR PARTS

YEAR 19	MODEL	DESCRIPTION	QTY. PER VEHICLE	PART NUMBER
<b>5060 BRACKET - ENGINE REAR SUPPORT CROSS MEMBER</b>				
58	A (except 51A & 76B)		1	B8A 5060-A
<b>5063-4 BRACKET - FRONT SUSPENSION ARM and SHOCK ABSORBER MOUNTING</b>				
55/56	A	Upper-R. H.	1	B5A 5063-A
		Upper-L. H.	1	B5A 5064-A
57/58	A (except air suspension)	Upper	2	B7A 5063-B
59	A	Upper	2	B9A 5063-B
58/	S	Upper	2	B8S 5063-A
58	A (8 cyl. 332, 352)-with air suspension	Upper-R. H.	1	B8A 5063-B
		Upper-L. H.	1	B8A 5064-B
58	A (8 cyl. 332, 352)-with air suspension	Bolt (L. H. bracket to frame)-7/16"-14 x 4 5/16"	1	B6A 6066-B
58	A (8 cyl. 332, 352)-with air suspension	Bolt (bracket to frame)-3/8"-24 x 1 1/4"	5	371198-S8(BB217)
58	A (8 cyl. 332, 352)-with air suspension	Nut (bracket to frame)-3/8"-24	5	351633-S8(MM119)
		Lockwasher-3/8"		34807-S8(X66)
<b>5075-6 BRACKET ASSY. - BODY TO FRAME - No. 1 - OUTER</b>				
57/59	A	R. H.	1	B7A 5075-B
		L. H.	1	B7A 5076-B
<b>5123-4 GUSSET - FRONT CROSS MEMBER TO FRAME</b>				
57/59	A	R. H.	1	B7A 5123-A
		L. H.	1	B7A 5124-A
<b>5143-5 BRACKET - BODY TO FRAME</b>				
57/59	A	No. 3-Outer	2	B7A 5143-B
49/50	A	Bolt(body to frame brkt.No.3)-L.H.-5/16"-18 x 1"	3	20386-S8 (B53)
		Nut-5/16"-18		33797-S7(M50)
		Lockwasher-5/16"		34806-S7 (X64)
<b>5-5200 COMPRESSOR ASSY. - AIR SUSPENSION</b>				
58	A (8 cyl. 332, 352)		1	B8A 55200-A
58	A (8 cyl. 332, 352)	Bolt (compressor to generator brkt.)-3/8"-16 x 1"	2	20388-S8(B80)
		Nut-3/8"-16		33799-S7(M52)
		Lockwasher-3/8"		34807-S8(X66)
58	A (8 cyl. 332, 352)	Elbow (compressor discharge)-90°	1	357763-S(II-161)
<b>5202-3 DEFLECTOR ASSY. - EXHAUST</b>				
56	Fairlane	R. H. -includes attaching parts	1	B6AZ 5202-A
		L. H.	1	B6AZ 5203-A
56	Fairlane	Bolt (deflector to bumper)-5/16"-24 x 3/4"	4	355471-S8(BB651)
		Nut-5/16"-24		33798-S7-8(M62)
		Lockwasher-5/16"		34806-S7(X64)
		Spring nut-5/16"-10	2	357480-S32 <small>MM282</small>
56	S	R. H.	1	B6S 5202-C
		L. H.	1	B6S 5203-C
56	S	Bolt (deflector to bumper bar)-3/8"-24 x 3/4"	2	20349-S8(B170)
		Nut-3/8"-24		33800-S8(M63)
		Lockwasher-3/8"		34807-S8(X66)
57	S	Retainer-nut-5/16"-24	2	B7S 5202-A
				354926-S2(MM197)
<b>5-5202 GASKET - AIR SUSPENSION COMPRESSOR MOUNTING</b>				
58	A (8 cyl. 332, 352)		1	B8A 55202-A
<b>5-5203 HOSE ASSY. - AIR SUSPENSION COMPRESSOR OIL INLET</b>				
58	A (8 cyl. 332, 352)		1	B8A 55203-A
58	A (8 cyl. 332, 352)	Fitting (hose to filter adaptor tee)-3/8"-24	2	87942-S8(I-20)
<b>5-5204 PULLEY - AIR SUSPENSION COMPRESSOR</b>				
58	A (8 cyl. 332, 352)		1	B8A 55204-A
<b>5205 BRACKET - OUTLET PIPE TO FRAME - INTERMEDIATE - R.H.</b>				
56/57	S		1	B6S 5205-A
<b>5-5205 BRACKET - AIR SUSPENSION COMPRESSOR SUPPORT</b>				
58	A (8 cyl. 332, 352)		1	B8A 55205-B
58	A (8 cyl. 332, 352)	Bolt (bracket to mounting bracket)-5/16"-18 x 5/8"	1	20326-S7(B49)
58	A (8 cyl. 332, 352)	Bolt (bracket to water pump)-3/8"-16 x 1 3/8"	2	20448-S8(B83)
		Nut-5/16"-18		33797-S7(M50)
		Lockwasher-5/16"		34806-S7(X64)
		Washer-flat-3/8"		352197-S8(XX146)

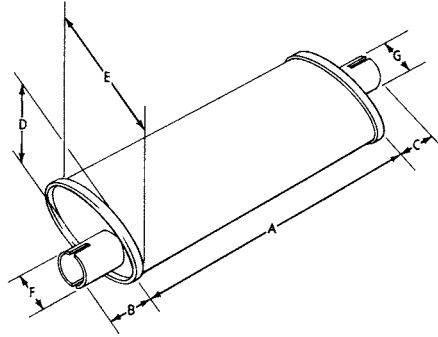


# FORD CAR PARTS

## SECTION 52

YEAR 19__	MODEL	DESCRIPTION	QTY. PER VEHICLE	PART NUMBER
<b>5-5206 STRAP - AIR SUSPENSION COMPRESSOR ADJUSTING</b>				
58	A (8 cyl. 332, 352)	"Before 7/10/58"	1	B8A 55206-C
58	A (8 cyl. 332, 352)	"From 7/10/58"	1	B8A 55206-B
58	A (8 cyl. 332, 352)	Bolt (strap to compressor)-5/16"-18 x 7/8"	2	20366-S8(B52)
<b>5207 BRACKET - OUTLET PIPE TO FRAME - INTERMEDIATE - L.H.</b>				
56/57	S		1	B6S 5207-A
56/57	S	Screw (brkt. to frame)-5/16"-18 x 3/4"-self-tapping	4	39909-S7(U290D)
<b>5-5207 KIT - AIR SUSPENSION COMPRESSOR VALVE PLATE</b>				
58	A (8 cyl. 332, 352)	Consists of 1-B8A 55208-A Gasket 1-Plate 1-B8A 55211-A Gasket	1	B8A 55207-A
<b>5-5208 GASKET - AIR SUSPENSION COMPRESSOR CYLINDER HEAD</b>				
58	A (8 cyl. 332, 352)		1	B8A 55208-A
<b>5-5209 PISTON ASSY. - AIR SUSPENSION COMPRESSOR</b>				
58	A (8 cyl. 332, 352)		1	B8A 55209-A
<b>5-5210 RING - AIR SUSPENSION COMPRESSOR PISTON</b>				
58	A (8 cyl. 332, 352)		3	B8A 55210-A
<b>5211 SLEEVE - MUFFLER OUTLET PIPE</b>				
55	S		2	B5S 5211-A
<b>5-5211 GASKET - AIR SUSPENSION COMPRESSOR VALVE PLATE</b>				
58	A (8 cyl. 332, 352)		1	B8A 55211-A
<b>5-5212 CRANKSHAFT - AIR SUSPENSION COMPRESSOR</b>				
58	A (8 cyl. 332, 352)		1	B8A 55212-A
<b>5A212-3 PIPE - MUFFLER INLET EXTENSION</b>				
58	S (8 cyl. 352)	R. H. - stamped AN 5376-B	1	B8SZ 5A212-A
58	S	L. H. - stamped AN 5378-B	1	B8SZ 5A213-A
59/	S (8 cyl. 352)	R. H. - stamped B9SS 5A212-B	1	B9SS 5A212-B
		L. H. - aluminized steel-stamped B9SS 5A213-B	1	B9SS 5A213-B
<b>5-5213 VALVE - AIR SUSPENSION COMPRESSOR INLET</b>				
58	A (8 cyl. 332, 352)		1	B8A 55213-A
58	A (8 cyl. 332, 352)	Pin-spring (valve to crankcase)-3/32" x 1/4"	2	371133-S(NN76)
<b>5-5214 COVER - AIR SUSPENSION COMPRESSOR AIR STRAINER</b>				
58	A (8 cyl. 332, 352)		1	B8A 55214-A
58	A (8 cyl. 332, 352)	Bolt (cover to crankcase)-No. 10-32 x 1/2"	2	27081-S8(U175)
		Lockwasher-No. 10		34903-S8(X96)
<b>5-5215 VALVE - AIR SUSPENSION COMPRESSOR DISCHARGE</b>				
58	A (8 cyl. 332, 352)		1	B8A 55215-A
58	A (8 cyl. 332, 352)	Pin-spring (valve to plate)-3/32" x 1/4"	2	371133-S(NN76)
<b>5-5216 COVER - AIR SUSPENSION COMPRESSOR REAR</b>				
58	A (8 cyl. 332, 352)		1	B8A 55216-A
58	A (8 cyl. 332, 352)	Seal (cover to compressor)	1	*87136-S91
58	A (8 cyl. 332, 352)	Screw (cover to crankcase)-No. 10-32 x 1/2"	4	27081-S8(U175)
		Lockwasher-No. 10		34903-S8(X96)
<b>5-5217 PLATE - AIR SUSPENSION COMPRESSOR AIR STRAINER</b>				
58	A (8 cyl. 332, 352)		1	B8A 55217-A
<b>5-5218 COVER - AIR SUSPENSION COMPRESSOR FRONT</b>				
58	A (8 cyl. 332, 352)		1	B8A 55218-A
58	A (8 cyl. 332, 352)	Seal (cover to compressor)	1	*87024-S91
58	A (8 cyl. 332, 352)	Bolt (cover to crankcase)-1/4"-20 x 5/8"	4	356748-S(BB124)
<b>5-5219 SEAL - AIR SUSPENSION COMPRESSOR OIL</b>				
58	A (8 cyl. 332, 352)		1	B8A 55219-A
<b>5-5220 FILTER - AIR SUSPENSION COMPRESSOR AIR</b>				
58	A (8 cyl. 332, 352)		1	B8A 55220-A
<b>5-5221 BRACKET - AIR SUSPENSION COMPRESSOR OIL OUTLET TUBE</b>				
58	A (8 cyl. 332, 352)		1	B8A 55221-A
<b>5-5222 BASE - AIR COMPRESSOR MOUNTING</b>				
58	A (8 cyl. 332, 352)	Air suspension	1	B8A 55222-A
58	A (8 cyl. 332, 352)	Bolt (bracket to compressor)-5/16"-18 x 3/4"	2	20346-S8(B50)
		Lockwasher-5/16"		34806-S7(X64)
<b>5-5223 ROD ASSY. - AIR COMPRESSOR PISTON CONNECTING</b>				
58	A (8 cyl. 332, 352)		1	B8A 55223-A

YEAR 19	MODEL	DESCRIPTION	QTY. PER VEHICLE	PART NUMBER
<b>5230 KIT - DUAL EXHAUST INSTALLATION</b>				
52/53	8 cyl. Convertible Coupe	Consists of	1	B2A 5230-A
	1-AC 5248-B Pipe	1-48 5270 Clamp	1-EAD 9685-A Valve	4-33816-S Nut
	1-AB 5259-A Bracket	1-B2A 5277-B Bracket	3-23438-S8 Bolt	4-34808-S8 Lockwasher
	1-51A 5260-B Clamp	1-AB 5287-A Plate	2-24387-S7 Bolt	2-88393-S Stud
	1-AB 5265-A Clamp	1-EAB 9431-A Manifold	3-33797-S7 Nut	2 Plates
	1-B2A 5269-A Plate	1-1GA 9450 Gasket	4-33798-S8 Nut	3 Screws
	4-Gaskets	4-Lockwashers	2-Bolts	
54	8 cyl. Convertible Coupe	Consists of	1	B4A 5230-A
	1-B4A 2153-A Bracket	1-48 5270 Clamp	1-EBU 9450-B Gasket	4-34806-S7 Lockwasher
	1-B4A 2853-A Cable	1-B2A 5277-B Bracket	2-1GA 9450 Gasket	4-34808-S8 Lockwasher
	1-AE 5248-B Pipe	1-AE 7523-A Spring	1-EBU 9685-B Valve	2-353409-S Stud
	1-AD 5259-A Clamp	1-B4A 7528-A Bar	Bolt	3 Plates
	1-AE 5261-A Bracket	1-AE 7542-A Bracket	7-33798-S8 Nut	3 Bolts
	1-AD 5265-A Clamp	1-B4A 7537-B Lever	2-33801-S8 Nut	3 Screws
	1-B4A 5269-A Cover	1-EBU 9431-D Manifold	2-33816-S Nut	3 Lockwashers



P-2912

<b>5230-32 MUFFLER ASSY.</b>										
YEAR 19	MODEL	DESCRIPTION							QTY. PER VEHICLE	PART NUMBER
		A	B	C	D	E	F	G		
49/53	A-8 cyl.	27"	2"	2"	4"	7 3/4"	2"	1 3/4"	1	A9A 5230-A
49/54	A-6 cyl.								1	
52/53	A-8 cyl. (Dual exhaust)								2	
54/56	A (8 cyl.)-single exhaust	29 1/4"	2 3/8"	4"	3 1/4"	7 3/4"	2"	2"	1	☆B4AA 5230-B
54/56	A (8 cyl.)P/I dual exhaust								2	
55/56	A (6 cyl.)								1	
57	51A, 76B (8 cyl. 312)	24"	7"	2"	4"	7 3/4"	2"	2"	2	☆B7A 5230-L
57	51A, 76B (8 cyl. 292 & 332)								1	
57	76B (6 cyl.)	Use w/B7A 5255-MA & B7A 5255-AE outlet pipes							1	
57	57, 58, 63, 64, 66, 70, 73, S/W (8 cyl. 312)	24"	7"	2"	4"	7 3/4"	2"	2"	2	☆B7A 5230-M
57	A-8 cyl. 292 (except 51A, 76B)								1	
57	66, 70, 73, S/D (8 cyl. 272)								1	
57	A-6 cyl. (except 76B)	24"	7"	2"	4"	7 3/4"	2"	1 3/4"	1	☆B7A 5230-N
58	76B (6 cyl.)	19"	7"	2"	4"	9 3/4"	2"	1 3/4"	1	☆B8A 5230-N
58	51A, 76B (8 cyl. 332, 352) (Dual exhaust)-R. H.	19"	7"	2"	4"	9 3/4"	2"	2"		☆B8A 5230-Q
	L. H.	19"	6 3/4"	1 3/4"	4"	9 3/4"	2"	2"	1	B8A 5230-P
58/59	A-6 cyl. (except 51A & 76B)	25"	7"	2"	4"	9 3/4"	2"	1 3/4"	1	☆B9A 5230-E
59	51A, 76B (8 cyl.) (Dual exhaust)-R. H.	22"	4 7/8"	3 1/8"	4"	9 3/4"	2"	2"	1	☆B9A 5230-B
	L. H.								1	☆B9A 5230-D
59	51A, 76B (8 cyl. 292)	22"	4 7/8"	3 1/8"	4"	9 3/4"	2"	2"	1	☆B9A 5230-A
59	76B (6 cyl.)	22"	4 7/8"	3 1/8"	4"	9 3/4"	2"	1 3/4"	1	☆B9A 5230-C

☆ Aluminized Steel

YEAR	MODEL	DESCRIPTION	QTY. PER VEHICLE	PART NUMBER						
<b>5230-32 MUFFLER ASSY. - continued</b>										
		A B C D E F G								
59	A-8 cyl. 332 (except 51A & 76B)	25"	7"	2"	4"	9 3/4"	2 1/4"	2"	1	☆B9A 5230-F
58	66, 70, 73, S/D (8 cyl. 292, 332)								1	
58	57, 58, 63, 64, S/W (8 cyl. 292)								1	
59	A (except 51A & 76B)-8 cyl. 292								1	
58	57, 58, 63, 64, S/W (8 cyl. 332) (Single exhaust)								1	
59	A, P/I (8 cyl. 352) (except 51A & 76B)	25"	7"	2"	4"	9 3/4"	2"	2"	1	☆B9A 5230-G
	(Dual exhaust)-R. H.									
59	64F, G, 58E (8 cyl. 332)								1	
58	70, 73 (8 cyl. 332, 352)								1	
58	57, 58, 63, 64, 66, S/D, S/W, P/I (8 cyl. 332, 352)								1	
	(Dual exhaust)-R. H.									
59	A, P/I (8 cyl. 352) (except 51A & 76B)	25"	7"	2"	4"	9 3/4"	2"	2"	1	☆B9A 5230-H
	(Dual exhaust)-L. H.									
59	64F, G, 58E (8 cyl. 332)								1	
58	70, 73 (8 cyl. 332, 352)								1	
58	57, 58, 63, 64, 66, S/D, S/W, P/I (8 cyl. 332, 352)								1	
	(Dual exhaust)-L. H.									
<b>5A231 CLAMP ASSY. - MUFFLER INLET and OUTLET PIPE - YOKE TYPE</b>										
⬇ LOCATION										
49/	A-6 & 8 cyl.	1 3/4" diameter				2-C, 5-A, B, D, F, G			AR	A9AA 5A231-A
57	A-6 cyl. (except 51A)					3-A & 4-A			1	
57	A (except S/D, S/W, 51A & 66)-8 cyl. 312	Outlet pipe to muffler							2	
57	A (except S/D, S/W, 51A, 66)-6 & 8 cyl.	Outlet pipe to muffler							1	
54	A					5-D			2	
54/56	A-8 cyl. (except Fairlane & S/W)					5-D			1	
55/56	A-8 cyl. (except Fairlane & S/W)					5-D			2	
55/57	S	Outlet pipe to extension							2	
58	76B (6 cyl.)					4-A			1	
<b>5231 CLAMP ASSY. - MUFFLER INLET and OUTLET PIPE - YOKE TYPE</b>										
⬇ LOCATION										
49/59	A-8 cyl.	2" diameter				2-C, 3-A, B, 4-A, C,			AR	A9AA 5A231-B
55/	S					5-A, B, D, E, F, G			AR	
57/59	A-8 cyl. (except 51A & 76B)								1	
49/59	A (except 1952/53 Convertible Coupe)					1-A			1	
54	Police Interceptor	Dual exhaust				1-A			2	
55/57	S	Dual exhaust				1-A			2	
58	S	Extension pipe to muffler							2	
57/59	51A, 76B	Front to rear outlet							2	
57	70, 73 (8 cyl.) P/I								1 or 2	
49/	A	2 1/4" diameter							AR	A9AA 5A231-C
<b>5232 MUFFLER ASSY. - L.H. (Refer to Group 5230)</b>										
<b>5246 PIPE ASSY. - MUFFLER INLET</b>										
49/50	A-8 cyl. (except Convertible Coupe)	Use with box type frame-Stamped 8BA 5246-A							1	8BA 5246-A
49/50	8 cyl. Convertible Coupe	Use with "X" type frame-Stamped 8BA 5246-B							1	8BA 5246-B
49	8 cyl. S/W	Use with "X" type frame							1	
49/51	A-6 cyl.	Stamped IHA 5246-A							1	1HA 5246-A
51	A-8 cyl. (except Convertible Coupe)	Stamped IBA 5246-A							1	1BA 5246-A
51	8 cyl. Convertible Coupe	Stamped IBA 5246-B							1	1BA 5246-B
52/53	A-6 cyl.	Stamped AB 5246-A							1	AB 5246-A
52/53	A-8 cyl. (except Convertible Coupe)	Stamped AC 5246-A							1	AC 5246-A
52/53	8 cyl. Convertible Coupe	Stamped AC 5246-B							1	AC 5246-B
54	A-6 cyl. (except Convertible Coupe)	Stamped AD 5246-A							1	AD 5246-A
54	6 cyl. Convertible Coupe	Stamped AD 5246-B							1	B4A 5246-A
54	A-8 cyl. (except Convertible Coupe)	Stamped AE 5246-A							1	AE 5246-A
54	8 cyl. Convertible Coupe	Stamped AE 5246-B							1	AE 5246-B
55	8 cyl. Sunliner	RH-Stamped AG 5246-E							1	B5A 5246-G
55/56	A-6 cyl. (except Sunliner & Victoria Fordor)	Stamped AF 5246-B							1	B5A 5246-B
55/56	6 cyl. Sunliner, Victoria Fordor	Stamped AF 5246-C							1	B5A 5246-A
55/56	A-8 cyl.	Single exhaust-Stamped AG 5246-B							1	B5A 5246-D
55/56	A-8 cyl. (except Sunliner), Police Interceptor	RH-Stamped AG 5246-G							1	B6A 5246-A
56	8 cyl. Sunliner	RH-Stamped AG 5246-H							1	B6A 5246-B

☆ Aluminized Steel

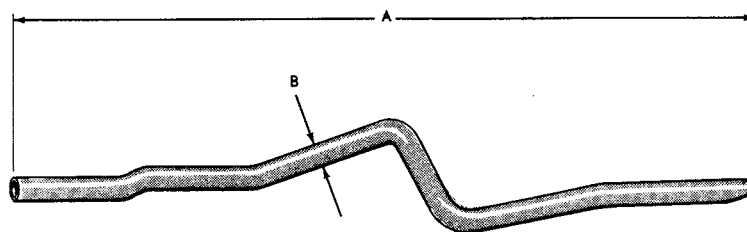
⬇ Refer to Illustration Number P3116 in Illustration Section 52

YEAR 19	MODEL	DESCRIPTION	QTY. PER VEHICLE	PART NUMBER
<b>5246 PIPE ASSY. - MUFFLER INLET - continued</b>				
57	A-8 cyl. 312 (except 51A, 76B & S/D), P/I	RH -Stamped AK 5246-B	1	B7A 5246-A
57	51A, 76B (8 cyl. 312)	RH -Stamped AM 5246-F	1	B7A 5246-D
57	A-6 cyl. (except 51A & 76B)	Stamped AJ 5246-B	1	B7A 5246-C
57	51A, 76B (6 cyl.)	Stamped AL 5246-C	1	B7A 5246-E
57	A (except 51A, 76B)-8 cyl. 272 & 292	Stamped AK 5246-E	1	B7A 5246-G
57	51A, 76B (8 cyl. 292)	Stamped AM 5246-G	1	B7A 5246-H
58	57, 58, 63, 64, S/W (8 cyl. 332)	Single exhaust -Stamped AK 5246-K	1	B8A 5246-A
58	57, 58, 63, 64, 66, 70, 73, S/D, S/W (8 cyl. 292)	Stamped AK 5246-G	1	B8A 5246-B
58	70, 73 (8 cyl. 332, 352)	R. H. -dual exhaust -Stamped AK 5246-L	1	B8A 5246-D
58	66, S/D, P/I (8 cyl. 352)-with C/M	R. H. -dual exhaust	1	
58	57, 58, 63, 64, S/W (8 cyl. 332, 352)	R. H. -dual exhaust	1	
59	A-8 cyl. 352 (except 51A & 76B)	R. H. -Dual exhaust	1	
59	A-8 cyl. 332 (except 51A & 76B)	Stamped 4146379	1	B9A 5246-B
58/59	51A, 76B (8 cyl. 332, 352)	R. H. -dual exhaust-23 27/32" long-2" dia.	1	B8A 5246-E
58/59	A-6 cyl. (except 51A, 76B)	Stamped AJ 5246-C	1	B8A 5246-C
59	A-8 cyl. 292 (except 51A & 76B)	Stamped 4146378	1	B9A 5246-C
59	51A, 76B (8 cyl. 292)	Stamped B9A 5246-A	1	B9A 5246-A
55/57	S	RH -Stamped AH 5246-D	1	B7S 5246-A
58/	S (8 cyl. 352)	Front stamped AN 5246-B-"H" type	1	B8S 5246-A
59/	S (8 cyl. 430)	R. H. -extension-stamped B9SS 5A217-A	1	‡B9S 5246-B
59/	S (8 cyl. 430)	Front -stamped B9SS 5246-C-"H" type	1	B9SS 5246-C
49/53	A	Nut-brass-7/16"-20		34673-S(M65)
54	A-6 cyl.			
49/54	A	Stud (inlet pipe to exhaust manifold)- 7/16"-14-20 x 1 1/2"	2	88393-S(W27)
49/	A, S	Stud (inlet pipe to R. H. manifold)-7/16"-14 & 7/16"-14 x 3"	2	‡371268-S
54	Police Interceptor	Stud (inlet pipe to exhaust manifold)-L. H. - 7/16"-14 & 7/16"-14 x 2 1/2"	2	353409-S(WW47)
54	A (8 cyl. 239)	Stud (inlet pipe to exhaust manifold) - 7/16"-14 & 7/16"-14 x 2 1/2"	2	370126-S7-8 (WW89)
54	A-8 cyl.	Nut-7/16"-14	2	34670-S8(M54)
54	A-8 cyl.	Dual exhaust	4	
		Lockwasher-7/16"		34808-S8(X67)
55/56	A, S	Stud (inlet pipe to exh.man.)-7/16"-14 & 20 x 1 3/4"	2	88413-S(W28)
55/56	A, Police Interceptor	Stud (inlet pipe to RH exh.man.)-7/16"-14 & 20 x 1 1/2"	2	88393-S(W27)
		Nut-brass-7/16"-20		34673-S(M65)
		Lockwasher-7/16"		357625-S7-8 (X X304)
58/	A	Stud (pipe to L. H. exhaust manifold)-7/16"-14 & 7/16"-14 x 1 5/8"	2	‡353460-S
58/	S			
58/	A (6 cyl.)	Stud (pipe to exhaust manifold)-7/16"-14 & 7/16"-14 x 1 1/2"	2	‡370164-S8
59	S (8 cyl. 430)	Stud (pipe to exhaust manifold)-7/16"-14 & 7/16"-14 x 1 13/16"	4	372542-S(WW81)
<b>5248 PIPE ASSY. MUFFLER INLET - L.H.</b>				
52/53	A (except Convertible Coupe)	Dual exhaust -stamped AC 5248-A	1	AC 5248-A
52/53	Convertible Coupe	Dual exhaust -stamped AC 5248-B	1	AC 5248-B
54	A (except Convertible Coupe)	Dual exhaust -stamped AE 5248-A	1	AE 5248-A
54	Convertible Coupe	Dual exhaust -stamped AE 5248-B	1	AE 5248-B
55	A-8 cyl. (except Sunliner), Police Interceptor	Stamped AG 5248-A	1	B5A 5248-A
55	8 cyl. Sunliner	Stamped AG 5248-B	1	B5A 5248-B
56	A-8 cyl. (except Sunliner), Police Interceptor	Stamped AG 5248-C	1	B6A 5248-A
56	8 cyl. Sunliner	Stamped AG 5248-D	1	B6A 5248-B
57	A-8 cyl. 312(except 51A, 66, 76B & S/D), P/I	Stamped AK 5248-B	1	B7A 5248-A
57	51A, 76B (8 cyl. 312)	Stamped AM 5248-C	1	B7A 5248-B
58	70, 73 (8 cyl. 332, 352)	Dual exhaust -stamped AK 5248-D-L. H.	1	B8A 5248-A
58	57, 58, 63, 64, 66, S/D, S/W, P/I (8 cyl. 352)		1	
59	A-8 cyl. 352 (except 51A & 76B)		1	
58/59	51A, 76B (8 cyl. 332, 352)	Dual exhaust -stamped AM 5248-D	1	B8A 5248-B
58/59	76B (6 cyl.)	32 9/32" long-2" diameter	1	B9AZ 5248-A
55/57	S	Stamped AH 5248-C	1	B5S 5248-B
59/	S (8 cyl. 430)	Extension-stamped B9SS 5A218-A	1	B9S 5248-B

‡ Includes resonator

YEAR 19__	MODEL	DESCRIPTION	QTY. PER VEHICLE	PART NUMBER
<b>5251 CLAMP - MUFFLER OUTLET PIPE</b> - Also Refer to Groups 5A231, 5265, 5277				
LOCATION				
57	S	Intermediate	2	B7A 5251-A
56	Fairlane		4-D	2
56	Fairlane		5-K	2
57	S	Rear	2	B7S 5251-A
57	S	Outlet pipe to extension	2	
59	A (8 cyl.)	2 1/16" diameter	5-C	1or2
59	A (8 cyl.)		4-D	1or2
59	S	Intermediate		2
59	66, S/W (6 cyl.)	1 13/16" diameter	4-D	1
49/56	A	Bolt (clamp)-5/16"-18 x 1 1/4"		1or2
55/	S			2
54	A (with Dual exhaust)	Bolt (clamp)-5/16"-18 x 1 1/2"		2
		Nut-5/16"-18		
		Lockwasher-5/16"		
				23438-S8 (B4)
				23468-S7-8 (B5)
				33797-S7 (M50)
				34806-S7 (X64)

**5255 PIPE - MUFFLER OUTLET** - ALSO REFER TO UNIVERSAL TYPE AT END OF THIS GROUP



P-12921

YEAR	MODEL	DESCRIPTION	A	B	IDENTIFYING STAMPING	QTY.	PART NUMBER
49/51	A (except Convertible & S/W)		88 3/8"			1	1A 5255-A
49/52	76 (8 cyl.)-use with 1-B6AZ 5263-A					1	A9AA 5255-A
55	Sunliner	RH-Dual exhaust				1	
52/53	A-6 cyl. (except S/D & S/W)		83 3/4"			1	AB 5255-G
52/53	A (except Convertible, S/D & S/W)	LH-Dual exhaust				1	
54	A-6 cyl. (except Convertible, S/D & S/W)					1	
49/51	A (S/W)-use with 1-B6AZ 5263-A					1	A9AA 5255-B
52/53	Convertible Coupe	LH-Dual exhaust	93 3/4"	1 3/4"	AC 55257-A	1	B2A 5255-A
54	6 cyl. Convertible Coupe					1	
52/54	A (S/W, S/D) 6 cyl. -use with 1-B6AZ 5263-A					1	B2A 5255-B
52/53	A-8 cyl. (except Convertible Coupe, S/D & S/W)		88 3/4"	1 3/4"	AC 5255-K	1	AC 5255-K
52/53	A (except Convertible Coupe, S/D & S/W)	RH-Dual exhaust				1	
54	A-8 cyl. (except Convertible, S/D & S/W)		83 3/4"	2"		1	AE 5255-B
54	8 cyl. S/D, S/W		79 11/16"	2"	AE 5255-C	1	AE 5255-C
54	A (except Convertible Coupe)	LH-Dual exhaust	83 3/4"	2"	AD 5255-A	1	B4A 5255-B
54	Convertible Coupe	LH-Dual exhaust	93 11/16"	2"	AE 55259-A	1	B4A 5255-A
55/	Sunliner-Victoria-use with 1-B6AZ 5263-A	LH-Dual exhaust				1	B2AA 5255-A
55	Fairlane(except Sunliner)	RH-Dual exhaust	84 1/2"	1 3/4"	AG 5255-D	1	B5A 5255-M
56	Mainline & Customline Tudor & Fordor (8 cyl.-272-182 H. P. Special)	RH-Dual exhaust				1	
55	A-Fairlane (except Sunliner)	LH-Dual exhaust	84 1/2"	1 3/4"		1	B5A 5255-N
55/56	A-6 cyl. (except Sunliner, Victoria Fordor, S/D & S/W)					1	
55/56	Mainline & Customline Tudor & Fordor (8 cyl.-272-182 H. P. Special)					1	
55/56	S/W, S/D (6 cyl.)		79"	1 3/4"		1	B5A 5255-K
55/56	S/W	LH-Dual exhaust				1	
56	S/D (8 cyl. 272-182 H. P. Special)	LH				1	
55/56	Police Interceptor	RH-Dual exhaust	84 1/2"	2"		1	B5A 5255-S
55/56	A (8 cyl.)					1	
55/56	Police Interceptor	LH-Dual exhaust	84 1/2"	2"	AG 55259-F	1	B5A 5255-T
55/56	A-8 cyl. (except Fairlane)	LH-Dual exhaust				1	
55/56	S/W (8 cyl.)	RH-Dual exhaust	79"	1 3/4"		1	B5A 5255-R
56	S/D (8 cyl. 272-182 H. P. Special)	RH-Dual exhaust				1	
56	S/D	RH	79"	2"	AG 5255-A	1	B5A 5255-G

Refer to Illustration Number P3116 in Illustration Section 52

YEAR 19	MODEL	DESCRIPTION	QTY. PER VEHICLE	PART NUMBER			
<b>5255 PIPE - MUFFLER OUTLET - continued</b>							
				IDENTIFYING STAMPING			
		A	B				
56	Victoria, Club Sedan, Town Sedan	RH-Dual exhaust LH	78 3/4"	1 3/4"	AG 5255-M AG 5255-L	1 1	B6A 5255-E B6A 5255-F
56	Sunliner	RH-Dual exhaust	89 1/4"	1 3/4"	AG 5255-N	1	B6A 5255-G
56	Sunliner	LH-Dual exhaust	89 1/4"	1 3/4"	AG 5255-M	1	B6A 5255-H
57	57,58,63,64 (8 cyl. 312)	RH	114 1/2"	2"	AM 5255-AD	1	B7A 5255-AJ
57	70,73 (8 cyl. 312)	RH-cut to fit from exhaust end				1	
57	57,58,63,64 (8 cyl. 312)	LH	114/12"	2"	AM 5255-L	1	B7A 5255-AG
57	70,73 (8 cyl. 312)	LH-cut to fit from exhaust end				1	
57	70,73 (6 cyl.)		108 31/32"	1 3/4"	AJ 5255-D	1	B7A 5255-L
57	57,58,63,64 (6 cyl.)		114 1/2"	1 3/4"	AI 5255-N	1	B7A 5255-AC
57	51A (8 cyl. 292, 312)	Rear-LH	79 5/32"	2"	AM 55302-A	1	B7A 5255-AF
57	51A (8 cyl. 312)	Rear-RH	79 5/32"	2"	AM 55302-B	1	B7A 5255-AK
57	51A, 76B (8 cyl. 312)	Front-RH	40 7/16"	2"	AM 5255-N	1	B7A 5255-MA
57	51A, 76B (8 cyl. 292)	Front-LH	40 7/16"	2"	AM 5255-B	1	B7A 5255-WA
57	51A, 76B (8 cyl. 312)	Front-LH - dual exhaust				1	
57	S/W (8 cyl. 312)	RH	101 19/32"	2"	AK 5255-Z	1	B7A 5255-AB
57	66, S/D, S/W (8 cyl. 272, 292)		101 19/32"	2"	AK 5255-H	1	B7A 5255-GA
57	S/W (8 cyl. 312)	LH				1	
57	S/D, S/W, 66 (6 cyl.)		101 19/32"	1 3/4"	AJ 5255-G	1	B7A 5255-HA
57	76B (8 cyl. 292)		76 13/64"	2"	AM 5255-L	1	B7A 5255-EA
57	51A, 76B (6 cyl.)	Front	40 7/16"	1 3/4"	AL 5255-E	1	B7A 5255-NA
57	76B (8 cyl. 312)	Rear-LH	75 5/8"	2"	AM 5255-K	1	B7A 5255-AH
57	76B (8 cyl. 312)	Rear-RH	75 5/8"	2"	AM 5255-AH	1	B7A 5255-AE
57/58	76B (6 cyl.)-with all trans.	Rear	75 5/8"	1 3/4"	AL 5255-M	1	B7A 5255-AD
57/58	57,58,63,64 (8 cyl. 292)		115 3/32"	2"	AM 5255-M	1	B7A 5255-BA
57/58	70,73 (8 cyl. 272) (1958 use on units built before April 1, 1958)	Cut 6" from exhaust end				1	
58	51A, 76B (8 cyl. 332, 352)	Front-RH - dual exhaust	39 11/32"	2"	AM 5255-Z	1	B8A 5255-N
58	51A, 76B (8 cyl. 332, 352)	Front-LH - dual exhaust	39 11/32"	2"	AM 5255-F	1	B8A 5255-NA
58	51A (8 cyl. 332, 352)	Rear-RH	78 1/2"	2"	AM 5255-AG	1	B8A 5255-AN
58	51A (8 cyl. 332, 352)	Rear-LH	78 1/2"	2"	AM 5255-H	1	B8A 5255-AS
58	76B (8 cyl. 332, 352)-with air suspension	Rear-LH- dual exhaust	72 3/4"	2"	AM 5255-M	1	‡B8A 5255-AV
58	76B (8 cyl. 332, 352)-with air suspension	Rear-RH- dual exhaust	72 3/4"	2"	AM 5255-AF	1	‡B8A 5255-AR
58	76B (8 cyl. 332, 352)	Rear-RH - dual exhaust	73 5/16"	2"	AM 5255-AE	1	B8A 5255-AU
58	76B (8 cyl. 332, 352)	Rear-LH	73 5/16"	2"	AM 5255-J	1	B8A 5255-AT
58	70,73 (6 cyl.)		106 11/32"	1 3/4"	AJ 5255-H	1	B8A 5255-A
58	76B (6 cyl.)	Front	40 7/16"	1 3/4"	AL 5255-F	1	B8A 5255-RA
58	57,58,63,64 (6 cyl.)-less air suspension		112 15/32"	2"	AL 5255-I	1	B8A 5255-E
58	57,58,63,64 (8 cyl. 292)-use with B8A 5230-B & B8A 5246-B		112 15/32"	2"	AM 5255-AB	1	B8A 5255-F
58	57,58,63,64 (8 cyl. 332)	Single exhaust					
58	57,58,63,64 (8 cyl. 352)-less air suspension	Dual exhaust- L, H,					

‡ Includes Resonator

### 5255 PIPE - MUFFLER OUTLET - continued

			A	B	IDENTIFYING STAMPING		
58	70,73 (8 cyl. 332)-4/B carb.-(less air suspension)		106 11/32"	2"	AK 5255-V	1	B8A 5255-G
58	70,73 P/I(8 cyl. 352)-less air suspension	Dual exhaust-R. H.					
58	70,73 (8 cyl. 292)-less air suspension	Single exhaust	106 11/32"	2"	AK 5255-T	1	B8A 5255-H
58	70, 73 (8 cyl. 332, 352)	LH-dual exhaust				1	
58	57,58,63,64 (8 cyl. 352)-less air suspension	Dual exhaust-R. H.	112 15/32"	2"	AM 5255-AA	1	B8A 5255-L
58	57, 58, 63, 64 (8 cyl. 332)-with air suspension	LH-dual exhaust	111 5/32"	2"	AM 555259-E	1	B8A 5255-Q
58	57, 58, 63, 64 (8 cyl. 352)-with air suspension	LH-dual exhaust				1	
58	57, 58, 63, 64 (8 cyl. 352)-with air suspension	RH-dual exhaust	111 5/32"	2"	AM 5255-AC	1	B8A 5255-P
58	S/D, S/W, 66 (6 cyl. )		100 29/32"	1 3/4"	AJ 5255-J	1	B8A 5255-B
58	S/D, 66 (8 cyl. 292), S/W (8 cyl. 332)		100 29/32"	2"	AK 55259-E	1	B8A 5255-K
58	S/W (8 cyl. 292)					1	
58	S/D, S/W, 66 (8 cyl. 352)	LH-dual exhaust				1	
58	S/D, S/W, 66(8 cyl. 352)	RH-dual exhaust	100 29/32"	2"	AK 5255-U	1	B8A 5255-J
58	S/W (8 cyl. 332)-with air suspension		100 29/32"	2"	AK 55259-F	1	B8A 5255-Z
58	S/W (8 cyl. 352)-with air suspension	LH-dual exhaust				1	
58	S/W (8 cyl. 352)-with air suspension	RH-dual exhaust	100 29/32"	2"	AK 5255-S	1	B8A 5255-Y
59	A-6 cyl. (except 51A, 66, 76B & S/W)		113 7/32"	1 3/4"		1	B9A 5255-A
58	57, 58, 63, 64 (6 cyl. )					1	
59	66, S/W (6 cyl. )		111 43/64"	1 3/4"		1	B9AA 5255-F
59	76B (6 cylinder)	Front	37 3/32"	1 3/4"		1	B9A 5255-D
59	76B (6 cyl. )	Rear	75 43/64"	1 3/4"		1	B9A 5255-J
59	A-8 cyl. (except 51A, 66, 76B & S/W)	RH-dual exhaust	113 7/32"	2"		1	B9A 5255-B
58	57, 58, 63, 64 (8 cyl. 332, 352)					1	
59	A-8 cyl. (except 51A, 66, 76B & S/W)	LH.	113 7/32"	2"	B9A 55259-A	1	B9A 5255-E
58	57, 58, 63, 64, 70, 73 (8 cyl. 332)					1	
58	57, 58, 63, 64, 70, 73 (8 cyl. 352)	LH-dual exhaust				1	
59	51A, 76B (8 cyl. )	Front-RH	37 1/16"	2"		1	B9A 5255-C
59	51A, 76B (8 cyl. )	Front-LH	37 1/16"	2"	B9A 55259-B	1	B9A 5255-F
59	51A (8 cyl. )	Rear-RH	75 25/32"	2"	B9A 55302-B	1	B9A 5255-K
59	51A (8 cyl. )	Rear-LH	75 25/32"	2"	B9A 55303-B	1	B9A 5255-L
59	76B (8 cyl. )	Rear-RH	75 43/64"	2"	B9A 55302-A	1	B9A 5255-G
59	76B (8 cyl. )	Rear-LH	75 43/64"	2"	B9A 55303-A	1	B9A 5255-H
59	66, S/W (8 cyl. )	RH-dual exhaust	111 43/64"	2"		1	B9AA 5255-E
59	66, S/W (8 cyl. )	LH	111 43/64"	2"	B9AA 55259-C	1	B9A 5255-M
59	51A (8 cyl. 292)	L. H. -single exhaust	111 3/16"	2"	B9AA 55259-D	1	B9AZ 5255-A
55	S	RH	50 21/64"	1 3/4"	AH 5255-A	1	B5S 5255-A
55	S	LH	50 21/64"	1 3/4"	AH 55259-A	1	B5S 5255-B
56	S (with F/M & O/D)	RH	38 15/16"	1 3/4"	AH 5212-A	1	*B6S 5255-C
56/57	S (with F/M & O/D)-8 cyl. 312	LH	38 15/16"	1 3/4"	AH 55255-A	1	*B6S 5255-D
56	S (with S/T)	RH	38 15/16"	1 3/4"	AH 5255-C	1	B6S 5255-E
56/57	S (with S/T)- 8 cyl. 292	LH	38 15/16"	1 3/4"	AH 55259-C	1	B6S 5255-F
57	S (8 cyl. 312)	RH	83 5/16"	1 3/4"	AH 5201-A	1	*B7S 5255-E
57	S (8 cyl. 312)	LH	83 5/16"	1 3/4"	AH 55213-A	1	*B7S 5255-F
57	S (8 cyl. 292)	RH	83 5/16"	1 3/4"	AH 5255-E	1	B7S 5255-G
57	S (8 cyl. 292)	LH	83 5/16"	1 3/4"	AH 55259-D	1	B7S 5255-H
58/	S		8 3/16"	2"		2	B9S 5255-A

‡ Includes resonator

YEAR 19	MODEL	DESCRIPTION	QTY. PER VEHICLE	PART NUMBER
<b>5255 PIPE - MUFFLER OUTLET - UNIVERSAL</b>				
49/51	A (except Convertible Coupe & S/W)	1 3/4" diameter-88 13/32" long - stamped	1	A9AA 5255-A
49/51	Convertible Coupe	A9AA 5255-A	Δ1	
52/53	Convertible Coupe (8 cyl.)		Δ1	
55	Sunliner	R. H. -dual exhaust	Δ1	
55	A-8 cyl. (except Sunliner)		Δ1	
49/51	S/W	1 3/4" diameter-82" long-stamped A9AA 5255-B	Δ1	A9AA 5255-B
52/53	S/D, S/W (8 cyl.)	A9AA 5255-B	Δ1	
55/56	S/W	R. H. -dual exhaust	1	
56	S/D (8 cyl. 272-182 H. P. Special)	R. H. -dual exhaust	1	
52/54	S/D, S/W (6 cyl.)	1 3/4" diameter-82" long-stamped B2AA 55259-A	Δ1	B2A 5255-B
52/53	S/D, S/W	L. H. -dual exhaust	Δ1	
54	S/D, S/W	L. H. -dual exhaust	1	
55/56	S/D, S/W (6 cyl.)		1	
56	S/D (8 cyl. 272-182 H. P. Special)	L. H.	1	
55/56	S/W	L. H. -dual exhaust	1	
52/53	A-6 cyl. (except S/D & S/W)	1 3/4" diameter-91 59/64" long - stamped	1	B2AA 5255-A
54	A-6 cyl. (except Convertible Coupe, S/D & S/W)	B2AA 5255-A	Δ1	
55	Sunliner	L. H. -dual exhaust	Δ1	
55/56	Sunliner, Victoria Fordor (6 cyl.)		Δ1	
52/53	A (except Convertible Coupe, S/D & S/W)	L. H. -dual exhaust	1	
55	Fairlane (except Sunliner)	L. H. -dual exhaust	Δ1	
55/56	A-6 cyl. (except Sunliner, Victoria Fordor, S/D & S/W)		Δ1	
55/56	Mainline & Customline Tudor & Fordor (8 cyl. 272-182 H. P. Special)	L. H.	1	
54/56	A-8 cyl. (except S/D & S/W)	2" diameter-85 15/16" long-stamped B4AA 5255-A	Δ1	B4AA 5255-A
55/56	P/I	R. H. -dual exhaust	1	

**5259 CLAMP ASSY. - MUFFLER OUTLET PIPE**

LOCATION

49/51	A (except Convertible Coupe)	Upper-use with box type frame	2 - B	1	8A 5259-C
49/51	Convertible Coupe	Front-upper-use with "X" type frame		1	
49	S/W	Front-upper-use with "X" type frame		1	
56	Fairlane		4 - D	2	B6A 5259-A
56/57	S	Center		2	B6S 5259-A
57	57, 58, 63, 64, 70, 73, 76B(8 cyl. 312)		5 - G	2	
52/57	A	Bolt (clamp to frame bracket)-5/16"-24x1"		2or4	20387-S8(B157)
55/57	S	Bolt (clamp to frame)		4	
49/51	A	Bolt (clamp to frame)		2	
49/57	A	Bolt (upper to lower clamp)-5/16"-18 x 1 1/4"		2or4	23438-S8(B4)
55/57	S	Bolt(upper to lower clamp)-5/16"-24 x 1"		4	23409-S7(B26)
		Nut-5/16"-24			33798-S7-8(M62)
		Nut-5/16"-18			33797-S7(M50)
		Lockwasher-5/16"			34806-S7(X64)
		Washer-flat-5/16"			44725-S8(X22)

**5259 BRACKET ASSY. - MUFFLER OUTLET PIPE**

58	S/D, S/W, 66 (8 cyl. 352)	R. H. -dual exhaust-includes insulator	3 - A	1	B8A 5259-D
58	S/D, S/W, 66 (6 cyl. & 8 cyl. 292, 332)	Includes insulator	3 - A	1	B8A 5259-E
58	S/D, S/W, 66 (8 cyl. 352)	L. H. -dual exhaust	3 - A	1	
58	51A (8 cyl. 332)	R. H. -dual exhaust	4 - C	2	B8A 5259-F
58	51A (8 cyl.)	L. H.	4 - C	1	

**5259 KIT - MUFFLER OUTLET PIPE FRONT HANGER**

52/59	A, P/I	Consists of	2 - A	1or2	B9A 5259-A
57/	S	1-Bracket & Insulator 2-23438-S8 Bolt		2	
58	S (rear)	1-Clamp 2-33797-S7 Nuts		2	
58	A-6 cyl. (except 51A)-front	1-Sleeve 2-34806-S7 Lockwasher		1	
58	66, 70, 73, S/D (8 cyl. 292)			1	
58	70, 73 (8 cyl. 332)			1	
58	51A, 76B, P/I (8 cyl. 332, 352)			1	
58	57, 58, 63, 64, 66, S/D, S/W (8 cyl. 352)			1	

Δ Must be used with B6AZ 5263-A extension and A9AA 5A231-A clamp

♣ Refer to Illustration Number P3116 in Illustration Section 52

♠ 1954/56 Convertible must use B6AZ 5253-B extension and A9AA 5A231-B clamp

♢ Cut 2" from muffler end and route over brake cable

‡ Includes Resonator



# FORD CAR PARTS

## SECTION 52

YEAR 19	MODEL	DESCRIPTION	QTY. PER VEHICLE	PART NUMBER	
<b>5260-1 BRACKET and INSULATOR ASSY. - MUFFLER OUTLET PIPE</b>					
LOCATION					
57	A (except S/D, S/W & 66)		5 - F	1	B7A 5260-F
57	A-8 cyl. 312 (except S/D, S/W, 51A & 66)		5 - F	2	
57	59, 66, 79, S/D (6 cyl.)		5 - G-H	2	B7A 5260-G
57	A-6 cyl. (except 51A, 66, 76B, S/D & S/W)- with S/T & O/D		5 - G-H	2	
57	59, 79 (8 cyl. 292)		5 - G-H	2	
57	S/D (8 cyl. 272)		5 - G-H	2	
57	A-8 cyl. 312 (except 51A, 66 & S/D)		5 - G-H	2	
58	70, 73 (6 cyl.)		5 - B-F	2	B8A 5260-A
58	57, 58, 63, 64 (6 & 8 cyl.)		5 - B-F	2	
58	70, 73 (8 cyl. 332), 57, 58, 63, 64, P/I (8 cyl. 352)	Dual exhaust	5 - B-F	4	
59	A (except 51A, 66 & S/W), P/I		5 - B-F	2or4	
54	A	Dual exhaust	4 - B	2	B4A 5261-A
57	51A (8 cyl.)		4 - B	1or2	
57	51A (6 cyl.)		4 - B	1	
59/	S	Extension pipe		2	
57	59, 66A, 79, S/D (6 cyl.)		5 - J	1	
57	66A, S/D (8 cyl. 272)		5 - J	1	
57	59, 66B, 79 (8 cyl. 292)		5 - J	1	
57	59, 79 (8 cyl. 312)		5 - J	2	
49/54	A		5 - H	1	B4A 5261-B
52/53	A (except Convertible Coupe)	Dual exhaust	5 - H	2	
55	A (except S/D & S/W)		5 - H	1	
55/56	A (8 cyl.)		5 - H	1or2	
55/56	A (6 cyl.)		5 - H	1	
56/57	S			2	
56	Fairlane		4 - B	2	
55/56	Police Interceptor		4 - B	2	
49/50	A	Bolt (bracket to frame)-3/8"-24 x 1"		1	20389-S8(B171)
		Locknut-3/8"-24			*34395-S8
49/54	A	Bolt (clamp)-5/16"-18 x 1"		1or2	23438-S8(B4)
		Nut-5/16"-18			33797-S7(M50)
		Lockwasher-5/16"			34806-S7(X64)
51	A (except S/W)	Bolt(bracket to frame)-3/8"-16 x 1"		1	20388-S8(B80)
		Lockwasher-No. 10			34903-S8(X96)
56	Fairlane		5 - K	2	B6A 5261-A
57	51A		5 - E	1or2	B7A 5261-C
57	S/W (8 cyl. 312)	Intermediate-R. H.		1	B7A 5261-H
57	S/D, S/W, 66	L.H.	3 - A	1	B7A 5261-J
58	S/W (8 cyl. 352)-with air suspension	R. H. -dual exhaust	3 - B	1	B8A 5261-B
58	S/W (8 cyl. 352)-with air suspension	L. H. -dual exhaust	3 - B	1	B8A 5261-C
58	51A (8 cyl. 332, 352)	R. H. -dual exhaust	5 - E	1	B8A 5261-D
58	51A (8 cyl. 332, 352)	L. H. -dual exhaust	5 - E	1	B8A 5261-E
58	76B (6 cyl.)S/D, S/W, 66 (6 & 8 cyl.)	Single exhaust	5 - D	1	B8A 5261-F
58	76B (8 cyl.)	Single exhaust	5 - D	2	
58	S/D, S/W, 66 (8 cyl. 352)	Dual exhaust	5 - D	2	
58	S	Extension pipe-R. H.		1	B8S 5261-A
		Extension pipe-L. H.		1	B8S 5261-B
59	A (except 51A, 66 & S/W), P/I		4 - A	1or2	B9A 5260-A
57	A-6 cyl. & 8 cyl. 272 & 292 (except S/D, S/W, 51A & 66)		4 - A	1	
57	A-8 cyl. 312 (except S/D, S/W, 51A & 66)		4 - A	2	
58	57, 58, 63, 64, 70, 73	Intermediate	4 - B	1	
58	57, 58, 63, 64, 76B, P/I (8 cyl. 352)	Dual exhaust	4 - B	2	
59	66, S/W (8 cyl.)		5 - A	1	B9A 5261-B
59	S/W	Dual exhaust	5 - A	2	
59	51A	R. H.		1	B9A 5261-C
59	51A	L. H.	5 - C	1	B9A 5261-D
57	57, 58, 63, 64, 76B	Screw (support to frame)-5/8"-18 x 3/4"		1or2	39909-S7(U269D)
57/59	A (except S/D, S/W, 51A & 66)	Screw (intermediate bracket to cross member)		1or2	
57/59	S/D, S/W, 66	Screw (bracket to frame)		AR	
60	X (58A, 64A)	Screw (bracket to underbody)		1	
55/	A, S, X	Bolt (clamp)-3/8"-24 x 1 1/4"		AR	23441-S(B33)
		Nut-3/8"-24			33800-S8(M63)
	S	Locknut (bracket to support)-3/8"-16-washer hd.		AR	373403-S8 MM173J)

YEAR 19	MODEL	DESCRIPTION	QTY. PER VEHICLE	PART NUMBER
<b>5263 EXTENSION - MUFFLER OUTLET PIPE</b>				
49/56	A-6 & 8 cyl.	1 3/4" dia. -6" long-use w/universal outlet pipes	1	B6AZ 5263-A
49/56	A-8 cyl.	2" dia. -6" long-use w/universal outlet pipes	1	B6AZ 5263-B
55	S	31 1/2" long	2	B5S 5263-C
56	S	RH-33 1/8" long	1	B6S 5263-A
56	S	LH-33 1/8" long	1	B6S 5263-B
<b>5265 CLAMP - MUFFLER TO OUTLET PIPE - FRONT - LOWER</b>				
58/59	A-6 cyl. (except 51A)		1	B8A 5265-A
58/	S	Rear	2	
		Locknut (clamp)-3/8"-16-washer head	AR	373403-S8 (MM173J)
58/59	A (8 cyl.)		1	B8A 5265-B
58	A (8 cyl.)	Dual exhaust	2	
58	S	Intermediate	2	B8S 5265-A
<b>5267 PIPE - MUFFLER INLET CROSS OVER</b>				
49/50	A	Use with 8BA 9685 exhaust valve	1	8BA 5267
50/53	A	Use with 0BA-9685-A exhaust valve	1	0BA 5267
54	A		1	EBU 5267-B
55/56	A-8 cyl.		1	B5A 5267-B
49/53	A	Stud (cross over pipe to manifold)-LH-7/16"-14 & 7/16"-20 x 1 1/2"	2	88393-S(W27)
50/53	A	Stud (cross over pipe to manifold)-RH	2	
54	A	Stud (cross over pipe to manifold)-LH-7/16"-14 & 7/16"-20 x 1 3/4"	2	88413-S (W28)
49/50	A	Stud (cross over pipe to manifold)-RH-7/16"-14 & 7/16"-20 x 2 1/2"	2	353409-S(WW47)
		Nut-brass-7/16"-20		34673-S (M65)
		Lockwasher-7/16"		34808-S8(X67)
		Nut-7/16"-14	2	34670-S7-8(M54)
<b>5269 COVER - MUFFLER INLET CROSS OVER PIPE OPENING</b>				
55	Mainline, Customline Tudor & Fordor & S/D	Dual exhaust	1	B5A 5269-A
52/53	A (except Convertible Coupe)	Stud (cover to manifold)-7/16"-14 & 7/16"-20 x 1 1/2"	2	88393-S(W27)
		Nut-brass-7/16"-20		34673-S(M65)
		Nut-7/16"-14		34670-S8(M54)
		Lockwasher-7/16"		34808-S8(X67)
<b>5-5269 TUBING - AIR SUSPENSION LINES</b>				
		Nylon-1/8" I.D. -3/16" O.D. -cut from 8C 2269-B bulk tubing and add (2) 87942-52B nuts, approx. length 33"		★ B8A 55269-A
		Seal (tubing)-3/16"	AR	370870-S(KK55)
		Seal (tubing)-3/16"	AR	ED 370868-S (KK46)
<b>5270 CLAMP - MUFFLER TO INLET PIPE</b>				
58/	S	"U" bolt (inlet pipe to extension clamp)-5/16"-18	2	B8S 5270-B
58/	S	Extension pipe to muffler clamp	2	
58/	S	Inlet pipe to extension	2	B8S 5270-C
58/	S	Extension pipe to muffler	2	
49/54	A	Bolt (clamp)-5/16"-18 x 1 1/4"	1or2	23438-S8(B4)
54	A (with Dual exhaust)	Bolt (clamp)-5/16"-18 x 1 1/2"	2	23468-S7-8(B5)
		Nut-5/16"-18		33797-S7(M50)
		Lockwasher-5/16"		34806-S7(X64)
55/	A, S, X	Bolt (clamp)-3/8"-24 x 1 1/4"	1or2	23441-S(B33)
		Nut 3/8"-24		33800-S8(M63)
		Lockwasher-3/8"		34807-S8(X66)
<b>5273 BRACKET and INSULATOR ASSY. - MUFFLER INTERMEDIATE</b>				
59	51A (8 cyl.)		2	PB9E 5273-A
59	66, SW(8 cyl. 352)		1	
59	76B (8 cyl. 332, 352)		1	

# FORD CAR PARTS

## SECTION 52

YEAR 19.....	MODEL	DESCRIPTION	QTY. PER VEHICLE	PART NUMBER
<b>5274 BRACKET - MUFFLER OUTLET PIPE TO FRAME - INTERMEDIATE - R. H.</b>				
58/59	A	Dual exhaust	1	B9AZ 5274-A
<b>5276 BRACKET - MUFFLER OUTLET PIPE TO FRAME - INTERMEDIATE - L. H.</b>				
58/59	A		1	B9AZ 5276-A
<b>5277 BRACKET - MUFFLER TO OUTLET PIPE CLAMP TO FRAME FRONT - Also Refer to Group 5278</b>				
LOCATION				
52/56	A-6 cyl.		2 - A	1 B5A 5277-C
55/56	A-8 cyl. (except Sunliner)	LH-Dual exhaust	2 - A	1
54/56	Police Interceptor	LH-dual exhaust	2 - A	1
55/56	A-8 cyl. (except Sunliner)Police Interceptor	RH	2 - A	1 B5A 5277-D
52/54	A-8 cyl.		2 - A	1
57	A (except 66 & S/D)-8 cyl. 312- P/I	R, H. -Dual exhaust	2 - A	1 B7A 5277-A
57	A		2 - A	1 B7A 5277-B
52/54	A	Screw (bracket to frame)-5/16"-18 x 3/4"-self-tapping	2or4	39909-S7(U269D)
58	51A, 76B		2	
55/56	A (except Sunliner)		2	
57	A, Police Interceptor		2or4	
<b>5278 BRACKET - MUFFLER OUTLET PIPE TO FRAME - REAR</b>				
LOCATION				
56	Fairlane	RH	4 - D	1 B6A 5278-A
56	Fairlane	LH	4 - D	1 B6A 5278-B
56	Fairlane, S	Screw(brkt.to frame)-5/16"-18 x 3/4"-self-tapping	4	39909-S7(U269D)
<b>5287 PLATE - MUFFLER OUTLET PIPE INSULATOR - UPPER - REAR - Also Refer to Groups 5277-8</b>				
49/54	A		5 - D	1 51A 5287
52/53	A(except Convertible Coupe)	Dual exhaust	5 - D	2
54	A	Dual exhaust	5 - D	2
55/57	A (except S/D, S/W & 66)		5 - D	1
55/57	A (except S/D, S/W & 66), S	Dual exhaust	4 - A	1or2
55/57	A (except S/D, S/W & 66), S	Dual exhaust	5 - D	1or2
58	76B (6 cyl.)		4 - A	1
58	76B (6 cyl.)		5 - D	1
58	76B (8 cyl.)		4 - A	2
58	76B (8 cyl.)		5 - D	2
58/	S	To bumper brace		4
50/53	S/W	Bolt (plate to bracket)-3/8"-24 x 1"		1 20389-S8 (B171)
		Locknut-3/8"-24		34395-S8(M99A)
<b>5294 BRACKET &amp; INSULATOR ASSY. - MUFFLER OUTLET PIPE - REAR</b>				
58	66, S/D, S/W		5 - D	1or2 B8A 5294-A
58	76B (6 cyl.)		5 - D	1
58	76B (8 cyl. 332, 352)	Dual exhaust	5 - D	2

### COIL SPRING IDENTIFICATION CHART

PART NUMBER	LOAD POUNDS	LOAD HEIGHT	FREE HEIGHT	DIAM. STOCK	NUMBER OF COILS	MARKINGS	PART NUMBER	LOAD POUNDS	LOAD HEIGHT	FREE HEIGHT	DIAM. STOCK	NUMBER OF COILS	MARKINGS
AB 5310-J						Green	B7A 5310-Q	2325	9.60"	15.52"	.693"	9.38	Aluminum ▲
AB 5310-K						Aluminum	B7S 5310-A	1640	9.59"	15.36"	.620"	8.81	†
AD 5310-D						Brown	B8A 5310-A	2025	9.72"	14.22"	.698"	8.51	White ▲
AD 5310-H						Blue	B8A 5310-B	2125	9.72"	14.45"	.698"	8.51	Brown ▲
AJ 5310-R	2100	10.62"	13.04"	.823"	8.01	Pink ▲	B8A 5310-C	2225	9.72"	14.67"	.698"	8.51	Pink ▲
B7A 5310-L	2225	9.60"	14.16"	.710"	8.39	Gray ▲	B9A 5310-A	2325	9.72"	14.88"	.698"	8.51	WHITE & GREEN
B7A 5310-P	2225	9.60"	15.26"	.693"	9.38	Red ▲							

◊ No number stamped on spring    † Part number stamped on last coil    ▲ Prefix only stamped on last coil    ▲ Prefix & basic number stamped on last coil

● Refer to Illustration Number P3116 in Illustration Section 52

## FRONT SPRING APPLICATION CHART

The Front Spring Application Chart is arranged by vehicle line in the following order:

Ford Line - Model Symbol "A"                      Thunderbird - Model Symbol "S"

Within each line the chart is arranged by Model Year, then by Model and within the Model by Load Pounds. In those instances when a spring is used on all models irrespective of engine, transmission, etc., no designation of engine, transmission, etc. is shown.

The Load Pounds figure shown indicates the mean load. Usually there is a variance of 30 to 50 lbs. plus or minus of the load pounds indicated in the chart. If the tested load rate is on the mean to low limits, a white stripe is shown in addition to the other identification markings.

The following symbols are used to indicate the type and location of the various markings:

- ◇ No number stamped on spring
- † Part number stamped on last coil
- ▲ Prefix only stamped on last coil
- ♣ Prefix and basic number stamped on last coil

To facilitate the identification of front coil springs, a Coil Spring Identification Chart is shown on the preceding page.

## 5310      SPRING - FRONT - COIL

## FRONT SPRING APPLICATION CHART

YEAR	MODEL	ENGINE		LOAD POUNDS	TRANSMISSION						MANUAL STEERING	POWER STEERING	AIR CONDITIONING	MARKINGS	QUANTITY PER VEHICLE	PART NUMBER
		NO. CYL.	CUBIC INCH DISP.		3 SPEED	4 SPEED	OVER-DRIVE	F/M/2	F/M/3	C/M						
<b>FORD LINE - MODEL SYMBOL "A"</b>																
49/50	A(except 76)													Blue	2	AD 5310-H
50	A(76)														2	
51	A(79)														2	
51	A(except 76, 79)													Green	2	AB 5310-J
51	A(76)													Aluminum	2	AB 5310-K
52/53	A(except 60B, 78A, 79)	6								x				Green	2	AB 5310-J
52/53	A(60B)	6			x										2	
52/53	A(exc. 60B, 76, 78A, 79)	8			x										2	
52/53	A(60B)	6								x				Aluminum	2	AB 5310-K
52/53	A(60B, 76)	8			x										2	
52/53	A(60B, 76)	8								x					2	
52/53	A(exc. 78A, 79)	8								x					2	
52/53	A	6												Blue	2	AD 5310-H
52/53	A(78A, 79)-H/D	8													2	
52/53	A(60B, 76)-H/D	8													2	
54	A(60B-F, 72C, 76)	8			x									Aluminum	2	AB 5310-K
54	A(70, 72B-C, 73)	8								x					2	
54	A(60B-F, 76)	6			x									Brown	2	AD 5310-D
54	A(70, 72B-C, 73)	6			x										2	
54	A(59A, 78A)	6												Blue	2	AD 5310-H
54	A(70, 72B-C, 73)-H/D	6			x										2	
54	A(79B)	6		2025										White	♣ 2	B8A 5310-A
54	A(59A)	8													2	
54	A(70, 72B-C, 73)-H/D	8			x										2	
54	A(exc. 59, 78A)	8											A		2	
54/56	A(60B-F, 76)	8		2225										Red	▲ 2	B7A 5310-P
55/56	A	6			x		x							Aluminum	2	AB 5310-K
55/56	A(70, 73)	6								x					2	
55/56	A(70, 73)	8			x		x								2	
55/56	A(59, 78A)	6												Blue	2	AD 5310-H
55/56	A(79)			2025										White	♣ 2	B8A 5310-A
55/56	A(59)	6													2	
55/56	A(70, 73)-H/D	6													2	
55/56	A(70, 73)-P/I, H/D	8		2125										Brown	▲ 2	B8A 5310-B

### 5310 SPRING - FRONT - COIL - continued

### FRONT SPRING APPLICATION CHART

YEAR	MODEL	ENGINE		LOAD POUNDS	TRANSMISSION					MANUAL STEERING	POWER STEERING	AIR CONDITIONING	MARKINGS	QUANTITY PER VEHICLE	PART NUMBER	
		NO. CYL.	CUBIC INCH DISP.		3 SPEED	4 SPEED	OVER-DRIVE	F/M/2	F/M/3							C/M
<b>FORD LINE - MODEL SYMBOL "A"</b>																
55/56	A(64, 76B)	6		2225					X				Red	▲	2	B7A 5310-P
55/56	A(64, 76B)	8			X		X								2	
55/56	A(70, 73)	8							X						2	
57/58	A(57, 58, 63, 64)	6		2225	X		X						Red	▲	2	B7A 5310-P
57/58	A(70, 73)	6							X						2	
57/58	A(76B)	6													2	
57/58	A(70, 73)	8			X		X								2	
57/58	A(57, 58, 63, 64)	6		2325					X				Aluminum	▲	2	B7A 5310-Q
57/58	A(57, 58, 63, 64)	8			X										2	
57/58	A(70, 73)	8			X		X				A				2	
57/58	A(70, 73)	8							X	X					2	
57	A(57, 76B)-H/D	8		2225									Purple	▲	2	B7A 5310-L
57/58	A(51A, 76B)	8													2	
57/58	A(57, 58, 63, 64)	8							X	X		A			2	
57/58	A(57, 58, 63, 64, 76B)	8							X	X		A			2	
57/58	A(57, 58, 63, 64)	8			X		X					A			2	
57/58	A(70, 73)	8							X	X		A			2	
57/58	A(59, 66, 79D)	6		2025									White	▲	2	B8A 5310-A
57/58	A(78)	6&8													2	
57/58	A(78)			2125								A	Brown	▲	2	B8A 5310-B
57	A(79C, E)-H/D	6													2	
57/58	A(70, 73)Taxicab-H/D	6													2	
57	A(79)	8													2	
57/58	A(66)	8													2	
57	A(70, 73, 79C, E)P/I, H/D	8		2225									Pink	▲	2	B8A 5310-C
57/58	A(Taxicab)	8													2	
57/58	A(66)	8										A			2	
58	A(70, 73)	6		2225	X		X						Red	▲	2	B7A 5310-P
58	A(79C, E)	6		2025	X		X						White	▲	2	B8A 5310-A
58	A(79C, E)	6		2125					X				Brown	▲	2	B8A 5310-B
58	A(59, 79D)	8													2	
58	A(79C, E)	8			X		X								2	
58	A(79)	8		2225								A	Pink	▲	2	B8A 5310-C
59	A(76B)	6											Aluminum		2	B7A 5310-Q
59	A(54, 57, 58, 63, 64, 65, 75)	8													2	
59	A(54, 57, 58, 63, 64, 65, 75)	6		2225									Red	▲	2	B7A 5310-P
59	A(51A, 76B)	8		2225									Purple	▲	2	B7A 5310-L
59	A(exc. 51A, 66, 76B, 79)	8	292		X	X	X	X	X	X	M	P	A		2	
59	A	8	332, 352		X					X			A		2	
59	A(exc. 51A, 66, 76B, 79)	8	332, 352		X			X		X					2	
59	A(66, 79)	6		2125									Brown	▲	2	B8A 5310-B
59	A(Taxicab)	6		2225									Pink	▲	2	B8A 5310-C
59	A(54, 57, 58, 63, 64, 65, 75)-H/D	6													2	
59	A(66, 79)	8													2	
59	A(79)	8		2325								A	1 WHITE & 1 GREEN	◇	2	B9A 5310-A
59	A(66)	8										A			2	
59	A(Taxicab)	8													2	
59	A(58E, 64F-G, 79)	8													2	
59	A(79)	8	332, 352						X						2	
<b>THUNDERBIRD - MODEL SYMBOL "S"</b>																
55/57	S													#	2	B7S 5310-A
58/59	S	8	352										Aluminum	▲	2	B7A 5310-Q
59/	S	8	430										Purple	▲	2	B7A 5310-L

▲ Prefix only stamped on last coil

★ Prefix & basic number stamped on last coil

# Add B8E 5355-A Shim for H/D and P/S

YEAR 19	MODEL	DESCRIPTION	QTY. PER VEHICLE	PART NUMBER
	<b>5-5310 SPRING - AIR SUSPENSION FRONT</b>			
58	A (8 cyl. 332, 352)		2	B8A 55310-A
	<b>5-5311 SLEEVE - AIR SUSPENSION FRONT SPRING RETAINER</b>			
58	A(8 cyl. 332, 352)		2	B8A 55311-A
	<b>5-5312 PEDESTAL ASSY. - AIR SUSPENSION FRONT SPRING</b>			
58	A (except 51A & S/W) (8 cyl. 332, 352)		2	B8A 55312-A
58	51A, S/W (8 cyl. 332, 352)		2	B8A 55312-B
58	A(except 51A & S/W) (8 cyl. 332, 352)	Heavy duty	2	
58	A (8 cyl. 332, 352)	Nut-Spring (pedestal to frame)-1/2"	2	371353-S32 (MM244)
58	A(8 cyl. 332, 352)	Bolt (pedestal to arm)-5/16"-24 x 1"	6	20387-S8(B157)
		Nut-5/16"-24		33798-S8(M62)
		Lockwasher-5/16"		34906-S8(X98)
58	A (8 cyl. 332, 352)	Locknut (pedestal to lower arm)-5/16"-24	6	354299-S2(MM156)
	<b>5-5313 LOCATOR &amp; SPACER ASSY. - AIR SUSPENSION FRONT SPRING</b>			
58	A (8 cyl. 332, 352)		2	B8A 55313-A
	<b>5-5314 INSULATOR - AIR SUSPENSION FRONT SPRING ADAPTER TUBE</b>			
58	A(8 cyl. 332, 352)		2	B8A 55314-A
	<b>5-5315-6 VALVE ASSY. - AIR SUSPENSION SPRING LEVELING</b>			
58	51A, 57, 58, 63, 64, 76B, S/W (8 cyl. 332, 352)	Front-R, H.	1	B8A 55315-A
58	51A, S/W (8 cyl. 332, 352)	Rear	1	
58	51A, 57, 58, 63, 64, 76B, S/W (8 cyl. 332, 352)	Front-L, H.	1	B8A 55316-A
58	57, 58, 63, 64, 76B (8 cyl. 332, 352)	Rear	1	
58	A (8 cyl. 332, 352)	Screw (valve to frame)-5/16"-18 x 3/4"	4	39909-S7(U269D)
58	A(8 cyl. 332, 352)	Screw (air lines to valve)-3/8"-24 x 9/16"	3	351112-S(MM109)
58	A (8 cyl. 332, 352)	Clip (front valve)	2	357946-S8(GG152)
	<b>5-5317 VALVE ASSY. - AIR SUSPENSION FRONT SPRING CHECK</b>			
58	A (8 cyl. 332, 352)		2	B8A 55317-A
	<b>5-5318 CAM and SHAFT - AIR SUSPENSION LEVELING VALVE</b>			
58	A (8 cyl. 332, 352)		3	B8A 55318-A
58	A (8 cyl. 332, 352)	Seal (shaft)-27/64" I. D.	3	1A 7288-A
	<b>5-5319 KIT - AIR SUSPENSION LEVELING VALVE SUPPLY NUT &amp; SEAL</b>			
58	A (8 cyl. 332, 352)	Consists of - 1-Nut, 2-Seals	3	B8A 55319-A
	<b>5-5320 KIT - AIR SUSPENSION LEVELING VALVE ORIFICE CONTROL &amp; SEAL</b>			
58	A (8 cyl. 332, 352)	Consists of - 1-Control, 1-Seal	3	B8A 55320-A
	<b>5-5321 KIT - AIR SUSPENSION LEVELING VALVE CONTROL NUT &amp; SEAL</b>			
58	A (8 cyl. 332, 352)	Consists of- 1-Gasket, 1-Nut, 1-Seal	3	B8A 55321-A
	<b>5A321 INSULATOR, - LOWER FRONT SPRING -Refer to Group 5415</b>			
	<b>5-5322 KIT - AIR SUSPENSION LEVELING VALVE DELIVERY NUT &amp; SEAL</b>			
58	A (8 cyl. 332, 352)	Consists of - 1-Nut, 1-Seal, 1-Washer	3	B8A 55322-A
	<b>5-5323 KIT - AIR SUSPENSION LEVELING VALVE PLUNGER &amp; SEAL</b>			
58	A (8 cyl. 332, 352)	Consists of 1-Plunger, 1-Seal	3	B8A 55323-A
	<b>5-5324 VALVE ASSY. - AIR SUSPENSION LEVELING INLET</b>			
58	A (8 cyl. 332, 352)		3	B8A 55324-A
	<b>5-5329 FILTER - AIR SUSPENSION LEVELING VALVE EXHAUST</b>			
58	A (8 cyl. 332, 352)		3	B8A 55329-A
	<b>5-5331 VALVE ASSY. - AIR SUSPENSION PRESSURE REGULATOR TO LEVELING VALVE</b>			
58	A (8 cyl. 332, 352)		1	B8A 55331-A
	<b>5-5332-3 BRACKET - AIR SUSPENSION FRONT SPRING LEVELING VALVE MOUNTING</b>			
58	A (8 cyl. 332, 352)	R. H.	1	B8A 55332-A
	<b>5334 LINER - REAR SPRING CLAMP - RUBBER</b>			
49/	A, S	7" long	6	8A 5334-F
	<b>5-5334 BRACKET - AIR SUSPENSION REAR SPRING LEVELING VALVE MOUNTING</b>			
58	S/W (8 cyl. 332, 352)		1	B8A 55334-A
58	A (8 cyl. 332, 352)	Screw (bracket to frame)-5/16"-18 x 1/2"	2	★39883-S7
	<b>5-5335 LEVER ASSY. - AIR SUSPENSION FRONT SPRING LEVELING VALVE</b>			
58	A (8 cyl. 332, 352)		2	B8A 55335-A
	<b>5-5336 BALL STUD - AIR SUSPENSION SPRING LEVELING VALVE TO UPPER SUSPENSION</b>			
58	A (8 cyl. 332, 352)		2	B8A 55336-A

# FORD CAR PARTS

## SECTION 54

YEAR 19__	MODEL	DESCRIPTION	QTY. PER VEHICLE	PART NUMBER
<b>5-5337 TEE ASSY. - AIR SUSPENSION SPRING LEVELING VALVE TUBE</b>				
58	A (8 cyl. 332, 352)		1	B8A 55337-A
58	A (8 cyl. 332, 352)	Washer-flat (fitting to tee)-3/16"	2	370878-S8(XX74)
<b>5355 SHIM - FRONT SPRING</b>				
58/	A(except 6 cyl.)	Use with air conditioning	2	B8E 5355-A
49/54	A		AR	C1SS 5355-A
55/56	A (8 cyl.)	Use with heavy duty front spring	2	
55/57	S	L.H.	1	
57	A	Use with air conditioning	2	
59	S (8 cyl. 430)		2	
58/	S (8 cyl. 352)	Use with air conditioning	2	
<b>5-5400 TANK ASSY. - AIR SUSPENSION RESERVE</b>				
58	A (8 cyl. 332, 352)		1	B8A 55400-A
<b>5-5401 BRACKET ASSY. - AIR SUSPENSION RESERVE TANK MOUNTING</b>				
58	A (8 cyl. 332, 352)		1	B8A 55401-A
58	A (8 cyl. 332, 352)	Bolt (brkt. to fender apron)-5/16"-24 x 1 1/8"	3	353483-S2(BB588)
<b>5-5402 STRAP ASSY. - AIR SUSPENSION RESERVE TANK</b>				
58	A (8 cyl. 332, 352)		2	B8A 55402-A
58	A (8 cyl. 332, 352)	Bolt (strap to bracket)-5/16"-24 x 1"	2	20387-S8(B157)
<b>5-5403 FILTER ASSY. - AIR SUSPENSION RESERVE TANK</b>				
58	A (8 cyl. 332, 352)		1	B8A 55403-A
58	A (8 cyl. 332, 352)	Seal (filter)	1	370866-S91(KK44)
<b>5-5404 VALVE ASSY. - AIR SUSPENSION RESERVE TANK CHECK</b>				
58	A (8 cyl. 332, 352)		1	B8A 55404-A
58	A (8 cyl. 332, 352)	Seal (valve)	1	370865-S91(KK43)
58	A (8 cyl. 332, 352)	Seal (valve)-1/4" tube	1	371056-S(KK48)
<b>5-5405 VALVE ASSY. - AIR SUSPENSION SOLENOID</b>				
58	A (8 cyl. 332, 352)		1	B8S 55405-A
58	A (8 cyl. 332, 352)	Screw (valve to bracket)-5/16"-18 x 1/2"	2	*39883-S7
58	A (8 cyl. 332, 352)	Screw (valve to frame)-1/4"-20 x 5/8"	2	*39894-S
<b>5-5406 TEE ASSY.-AIR SUSPENSION RESERVE TANK HOSE</b>				
58	A (8 cyl. 332, 352)		1	B8A 55406-A
<b>5415 INSULATOR - FRONT SUSPENSION SPRING - RUBBER</b>				
49/	A, S		2	B8A 5415-A
<b>5476-7 CLAMP - STABILIZER TO SUSPENSION LOWER ARM - OUTER</b>				
57/58	A		2	B7A 5476-A
59/	A (8 cyl.)	With H/D generator	2	
57/	A	Bolt (clamp to arm)-5/16"-24 x 1"	2	20387-S8(B157)
		Lockwasher-5/16"		*34941-S7
<b>5482 STABILIZER ASSY.</b>				
49/51	A	Linkless	1	AB 5482-B
52/53	S/D, S/W		1	
52/53	A (except S/D & S/W)	Linkless	1	AB 5482-C
49/51	A	Bolt (stabilizer to front suspension lower arm)-	4	20389-S8(B171)
52/53		3/8"-24 x 1"	4	
		Nut-3/8"-24		33800-S8(M63)
		Lockwasher-3/8"		34847-S8(X74)
		Locknut-3/8"-24		34370-S8(M99)
54	A (except S/D & S/W)		1	AD 5482-F
55/56	A		1	B5A 5482-B
57/58	A		1	B7A 5482-B
59	51A, 66, S/W (8 cyl.)	With H/D generator	1	
59	A (except 51A, 66 & S/W)	Link type	1	B9A 5482-A
59	51A, 66, S/W	Link type	1	B9A 5482-B
55/57	S	Link type	1	B5S 5482-B
58/	S	Link type	1	B9S 5482-A
58	A	Bolt (stabilizer to front suspension	6	20387-S8(B157)
		arm)-5/16"-24 x 1"		
		Locknut-5/16"-24		354299-S2(MM156)
59	A	Bolt (stabilizer to front suspension arm)-	4	372416-S8(BB498)
		3/8"-24 x 6 1/4"-shoulder		
59	A	Locknut-3/8"-24	4	359195-S(MM294)
58/	S	Bolt (stabilizer to front suspension lower arm)-	2	370499-S(BB465)
		5/16"-24 x 4 29/32"		

YEAR 19	MODEL	DESCRIPTION	QTY. PER VEHICLE	PART NUMBER
<b>5486 BRACKET - STABILIZER</b>				
54/56	A		2	8M 5486
59	A		2	B9AA 5486-A
58/	S		2	B8S 5486-A
58/	S	Bolt (bracket to under body)-5/16"-18 x 3/4"	4	20346-S8(B50)
		Lockwasher-5/16"		34806-S7(X64)
55/	A	Bolt (bracket to frame)-3/8"-16 x 1"	4	20388-S8(B80)
55/57	S		4	
55/57	S	Nut-3/8"-16		33799-S7(M52)
		Lockwasher-3/8"		357629-S7(XX3-3)
<b>5A486 KIT - STABILIZER END REPAIR</b>				
54/56	A	Consists of	2	B4AZ 5A486-A
55/57	S	1-AD 5490-A Spacer 1-Seat	2	
		1-B4A 5495-A Bolt 4-Bushings		
		1- Locknut 4-Washers		
58/	S	Consists of	2	B8SZ 5A486-A
		1-370499-S Bolt, 1-Nut, 2-Insulators,		
		1-Spacer, 4-Washers		
59	A	Consists of	2	B9AZ 5A486-A
		1-359195-S Locknut 1-372416-S8 Bolt		
		4-Insulators 1-Spacer 4-Washers		
<b>5492 RETAINER - STABILIZER INSULATOR TO LOWER ARM CLAMP</b>				
57/58	A		2	B7A 5492-B
59/	A (8 cyl.)	With H/D generator	2	
57/	A	Bolt (retainer to arm)-5/16"-24 x 1"	4	20387-S8(B157)
		Lockwasher-5/16" ext. tooth		351487-S(XX291)
<b>5492 RETAINER - STABILIZER TO SUSPENSION LOWER ARM - INNER</b>				
49/53	A		2	0A 5492
<b>5493 INSULATOR - STABILIZER TO SUSPENSION LOWER ARM</b>				
49	A (except S/W)	.53" I. D.	2	8A 5493-C
50/51	A (except S/W)		4	
49/53	S/D, S/W	.76" I. D.	4	8A 5493-D
52/53	A (except S/D & S/W)	.66" I. D.	4	AB 5493-B
57/58	A (except S/D, S/W, 51A & 66)	.60" I. D.	4	B7A 5493-A
58	S		2	
59/	A-8 cyl. (except 51A, 66 & S/W)	With H/D generator	4	
57/58	S/D, S/W, 51A, 66	.66" I. D.	4	B7A 5493-B
59	S (8 cyl. 430)		4	
59	51A, 66 & S/W (8 cyl.)	With H/D generator	4	
59/	A (except 51A, 66 & S/W)	.57" I. D.	2	B9A 5493-A
59/	51A, 66, S/W	.66" I. D.	2	B9A 5493-B
59/	S (8 cyl. 352)	.69" I. D.	2	B9S 5493-A
<b>5495 BOLT - STABILIZER TO FRONT SUSPENSION LOWER ARM REAR</b>				
54/56	A (1955/57 S)	3/8"-24 x 5 13/32"-supplied in B4AZ 5A486-A kit	2	B4A 5495-A
		Locknut-3/8"-24		34395-S8(M99A)
<b>5499 CLAMP - STABILIZER BAR INSULATOR</b>				
50/53	A		2	0A 5499
49	A	Bolt (clamp to suspension lower arm)-	2	20389-S8(B171)
50/53	A	3/8"-24 x 1"	4	
		Locknut-3/8"-24		34370-S8(M99)
<b>5499 CLAMP - STABILIZER TO SUSPENSION LOWER ARM - INNER</b>				
57	A	Use with B7A 5482-B stabilizer	2	B7A 5499-A
58	A, S		2	
59/	A(8 cyl.)	With H/D generator	2	
<b>5500 ARM &amp; BUSHING ASSY. - REAR SUSPENSION - UPPER</b>				
58	S		2	B8S 5500-A
58	S	Bolt (arm to body frame)-5/8"-18 x 4 41/64"	2	371261-S8B (B B 480)
		Locknut - 5/8"-18		34453-S8(M89)
58	S	Bolt (arm to axle bracket)-7/16"-20 x 2 3/8"	2	372163-S8(BB240)
		Locknut - 7/16"-20		34447-S2(M83)
<b>5503 BRACKET - REAR SUSPENSION UPPER ARM TO AXLE</b>				
58	S		2	B8S 5503-A



# FORD CAR PARTS

YEAR 19	MODEL	DESCRIPTION	QTY. PER VEHICLE	PART NUMBER
<b>5504 SPACER - REAR SUSPENSION UPPER ARM BUSHING</b>				
58	S		2	B8S 5504-A
<b>5536 INSULATOR - REAR SUSPENSION COIL SPRING</b>				
58	S		2	B8S 5536-B
<b>5537 INSULATOR - REAR SUSPENSION ARM TO AXLE</b>				
58	S	Upper - 2 1/2" O. D. -1" Thick	2	B8S 5537-A
58	S	Lower - 2 1/2" O. D. -2" Thick	2	B8S 5537-B
<b>5540 SPACER - REAR SUSPENSION ARM TO AXLE INSULATOR</b>				
58	S		2	B8S 5540-A
<b>5-5543 BAR and BUSHING ASSY. - REAR SUSPENSION TRACK</b>				
58	S		1	B8S 55543-A
58	S	Bolt (bar to track bar brkt.)-5/8"-18 x 3 1/2"	2	357588-S8(BB277)
58	S	Locknut-5/8"-18		34453-S8(M89)
<b>5545 'U' BOLT - REAR SUSPENSION ARM TO AXLE</b>				
58	S		2	B8S 5545-A
		Locknut-1/2"-20		34449-S7-8(M85)
<b>5546-7 ARM AND PIVOT ASSY.-REAR SUSPENSION</b>				
58	S	R. H.	1	B8S 5546-B
		L. H.	1	B8S 5547-B
58	S	Bolt (arm to underbody)-5/8"-18 x 4 1/2"	2	*45859-S8
58	S	Bolt (track bar bracket to arm)	2	
58	S	Bolt (track bar bracket to support)	2	
		Locknut-5/8"-18		34453-S8 (M89)
<b>5548 BUSHING ASSY. - REAR SUSPENSION TRACK BAR PIVOT</b>				
58	S		2	B8S 5548-B
<b>5549 PIVOT ASSY. - REAR SUSPENSION ARM</b>				
58	S		2	B8S 5549-A
<b>5555 SUPPORT - REAR SUSPENSION ARM</b>				
58	S		2	B8S 5555-B
58	S	Bolt (support to arm)-7/16"-20 x 1 1/8"	8	20411-S7(B184)
		Locknut-7/16"-20		34447-S2(M83)
<b>5560 SPRING ASSY. - REAR</b>				
49/50	A (except S/W)	7 leaf	2	8A 5560-L
49/51	S/W	9 leaf	2	1A 5560-F
51	A (except S/W)	7 leaf-use with heavy duty shock absorbers	2	1A 5560-K
52/53	A (except S/D & S/W)	7 leaf	2	AB 5560-P
52/54	A (except S/D,S/W,Convertible & Victoria)	7 leaf-heavy duty	2	AB 5560-H
54	A-8 cyl. with Air Cond. (except S/D & S/W)		2	
52/54	S/D, S/W	9 leaf	2	AB 5560-M
54/56	A (except S/D & S/W)	5 leaf	2	B6A 5560-A
55/56	A (except S/D & S/W), Police Interceptor	6 leaf-heavy duty	2	B5A 5560-C
55/56	S/D, S/W	7 leaf	2	B5A 5560-D
57	A (except S/D, S/W, 51A & 66)	4 leaf-use with B7A 4010-A axle housing	2	*B7A 5560-A
57	A (except S/D, S/W, 51A & 66)	4 leaf-heavy duty-use with B7A 4010-A axle housing	2	*B7A 5560-C
57	A (except S/D, S/W, 51A & 66)	4 leaf-use with B7A 4010-E axle housing	2	†B7A 5560-H
58/59	A (except S/D, S/W, 51A, 66, 75 & 76B)		2	
57	A (except S/D, S/W, 51A & 66)	4 leaf-heavy duty-use with B7A 4010-E axle housing	2	†B7A 5560-J
58/59	A (except S/D, S/W, 51A & 66)	Heavy duty	2	
57/59	Taxicab		2	
57	S/D, S/W, 51A, 66	6 leaf-use with B7A 4010-C axle housing	2	* B7A 5560-D
57	S/D, S/W, 51A, 66	6 leaf-use with B7A 4010-F & G axle housings	2	†B7A 5560-G
58	S/D		2	
58/59	51A, 66		2	
58/59	S/W	Heavy duty	2	
58	S/W		2	B8A 5560-A
59	75, 76B	5 leaf	2	B9A 5560-E
59	S/W, Taxicab, P/I	6 leaf	2	B9AA 5560-H
55	S	5 leaf	2	B5S 5560-D
56/57	S	5 leaf	2	B7S 5560-A
56	S	4 leaf	2	B6S 5560-B
58	S	Coil	2	B8S 5560-A
59/	S		2	B9SS 5560-B

\* Use on vehicles with Rear Spring Insulators & Retainers

† Use on vehicles without Rear Spring Insulators & Retainers

YEAR 19	MODEL	DESCRIPTION	QTY. PER VEHICLE	PART NUMBER
<b>5560 SPRING ASSY. - REAR - continued</b>				
49/51	A	Bolt (tie)-5/16"-24 x 3"	2	350303-S(BB852)
52/54	A (except S/D, S/W, Convertible & Victoria)	Use with AB 5560-H	2	
55/59	S/D, S/W, 51A, 66		2	
51	A (except S/W)	Bolt (tie)-5/16"-24 x 2"-use with B1A 5599-A insulator	2	355395-S(BB846)
52/53	A (except S/D & S/W)	Use with AB 5560-P	2	
55/56	A (except S/D & S/W)		2	
59	A (except 51A, 66 & S/W)	Use with B7A 5560-J spring	2	
52/54	S/D, S/W	Bolt (tie)-5/16"-24 x 2 3/4"-use with AB 5560-M	2	354724-S(BB858)
55/56	A (except S/D & S/W)	Bolt (tie)-5/16"-24 x 1 31/32"-use with	2	354721-S(BB855)
57/	A (except S/D, S/W, 51A & 66)	B5A 5560-C spring	2	
55/57	S		2	
55	S		2	
59	A (except 51A, 66 & s/W)	Use with B7A 5560-H spring	2	
55/58	S/D, S/W, 51A, 66	Bolt (tie)-5/16"-24 x 2 7/32"	2	354723-S(BB857)
49/	A, B, S, X	Nut-5/16"-24	2	33798-S7-8(M62)

## REAR SPRING LEAF CHART

SPRING ASSY.	LEAF No. 1	LEAF No. 2	SPRING ASSY.	LEAF No. 1	LEAF No. 2
AB 5560-H			B5S 5560-D	B5S 5564-C	
+ AB 5560-K	AB 5564-F	AB 5565-F	B6A 5560-A	AD 5564-A	B4A 5565-A
AB 5560-M	AB 5564-E	AB 5565-E			
AB 5560-P	AB 5564-F	AB 5565-F	B6S 5560-A	B6S 5564-B	
1A 5560-B	1A 5564-C	1A 5565-C	B6S 5560-B	B6S 5564-B	
1A 5560-D	8A 5564-G		B7A 5560-A	B7A 5564-E	B7A 5565-F
1A 5560-F	8A 5564-G		B7A 5560-C	B7A 5564-C	B7A 5565-G
1A 5560-H	1A 5564-C	1A 5565-C	B7A 5560-D	B7A 5564-D	B7A 5565-D
1A 5560-K			B7A 5560-H	B7A 5564-E	B7A 5565-F
8A 5560-B	1A 5564-C		B7A 5560-J	B7A 5564-C	B7A 5565-G
8A 5560-J	1A 5564-C	1A 5565-C	B7A 5560-G	B7A 5564-D	B7A 5565-D
8A 5560-K	8A 5564-G		B7S 5560-A	B6S 5564-B	B6S 5565-C
8A 5560-L	8A 5564-G				
			B8A 5560-A	B8A 5564-A	B8A 5565-A
B5A 5560-B	B5A 5564-B	B5A 5565-A	B9A 5560-E	B9A 5564-E	B9A 5565-D
B5A 5560-C	B5A 5564-B		B9AA 5560-H	B9AA 5564-D	B9AA 5565-D
B5A 5560-D	B5A 5564-B	B5A 5565-A	B9SS 5560-B	B9SS 5564-A	B9AA 5565-D

YEAR 19	MODEL	DESCRIPTION	QTY. PER VEHICLE	PART NUMBER
<b>5-5560 SPRING - REAR AIR SUSPENSION</b>				
58	57, 58, 63, 64, 76B (8 cyl. 332, 352)	Nylon	2	B8A 55560-A
58	51A, S/W (8 cyl. 332, 352)	Nylon	2	B8A 55560-B
<b>5-5561 SLEEVE - REAR AIR SUSPENSION SPRING - RETAINER</b>				
58	57, 58, 63, 64, 76B (8 cyl. 332, 352)		2	B8A 55561-A
58	51A, S/W (8 cyl. 332, 352)		2	B8A 55561-B
<b>5-5562 PEDESTAL ASSY. - REAR AIR SUSPENSION SPRING</b>				
58	51A, S/W (8 cyl. 332, 352)		2	B8A 55562-A
58	57, 58, 63, 64, 76B (8 cyl. 332, 352)		2	B8A 55562-B
58	A (8 cyl. 332, 352)	Nut (pedestal to frame)-5/16"-24	4	33798-S8(M62)
58	A (8 cyl. 332, 352)	Nut (pedestal to arm)-3/8"-16	2	33799-S7(M52)
		Lockwasher-3/8"		34807-S8(X66)
		Lockwasher-5/16"		34806-S7(X64)
		Lockwasher-9/16"		34810-S7-8(X69)
<b>5-5563 RETAINER - REAR AIR SUSPENSION SPRING MOUNTING</b>				
58	A(8 cyl. 332, 352)		2	B8A 55563-A
<b>5-5564-5 RETAINER ASSY. - REAR AIR SUSPENSION SPRING</b>				
58	A (8 cyl. 332, 352)	Inner	2	B8A 55564-A
		Outer	2	B8A 55565-A
58	A(8 cyl. 332, 352)	Adapter assy. (leveling tube to ret.)-3/16" tube	2	ED 371162-S(II 42)
58	A (8 cyl. 332, 352)	Snap ring (adaptor to retainer)-7/8"	2	358785-S(QQ39)
<b>5564-7 LEAF - REAR SPRING - Refer to Rear Spring Leaf Chart</b>				
<b>5-5567-8 BRACKET - REAR AIR SUSPENSION SPRING TO FRAME</b>				
58	S/W (8 cyl. 332, 352)	R. H.	1	B8A 55567-B
		L. H.	1	B8A 55568-B
58	57, 58, 63, 64, 76B (8 cyl. 332, 352)	R. H.	1	B8A 55567-A
		L. H.	1	B8A 55568-A

† Leaf No. 3 AB 5566-A

# FORD CAR PARTS

## SECTION 54

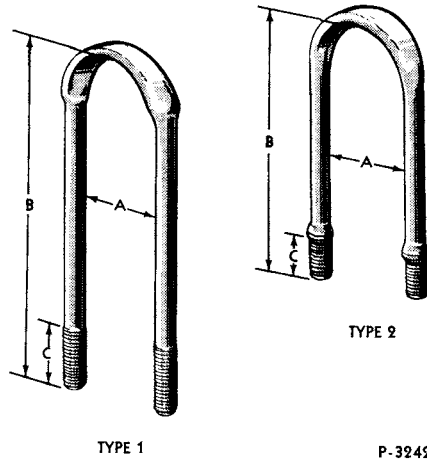
YEAR 19__	MODEL	DESCRIPTION	QTY. PER VEHICLE	PART NUMBER
<b>5-5569 VALVE ASSY. - REAR AIR SUSPENSION SPRING CHECK</b>				
58	A (8 cyl. 332, 352)		1	B8A 55569-A
58	A (8 cyl. 332, 352)	Clip (valve to frame)	1	357946-S8(GG152)
58	51A (8 cyl. 332, 352)	Clip (valve to frame)	1	356628-S(GG175)
<b>5-5570-1 ARM ASSY. - REAR AIR SUSPENSION</b>				
58	57, 58, 63, 64(7 cyl. 332, 352)	L. H.	1	B8A 55571-B
		Nut (arm to frame)-3/4"-16	2	*34455-S7-8
<b>5-5572 KIT - REAR AIR SUSPENSION ARM PIVOT &amp; WASHER</b>				
58	57, 58, 63, 64, S/W (8 cyl. 332, 352)	Consists of	2	B8A 55572-A
58	51A, 76B (8 cyl. 352)	2-Bushings	2	
58	66 (8 cyl. 292, 352)	2-Washers	2	
<b>5-5573 BUSHING ASSY. - REAR AIR SUSPENSION ARM</b>				
58	A (8 cyl. 332, 352)		4	B8A 55573-A
<b>5-5575-6 BRACKET ASSY. - REAR AIR SUSPENSION ARM TO FRAME</b>				
58	57, 58, 63, 64, S/W(8 cyl. 332, 352)	L. H.	1	B8A 55576-A
<b>5-5580 BAR ASSY. - REAR SUSPENSION TRACK</b>				
58	A (8 cyl. 332, 352)	Air	1	B8A 55580-B
58	A(8 cyl. 332, 352)	Nut (bar to bracket)-7/16"-20	2	34447-S2(M83)
58	51A (8 cyl. 332, 352)	Nut (adjustment lock)-5/8"-18	1	359553-S8(MM71)
58	51A (with A/S)	Washer (insulator cup)-inner	6	371194-S(XX32)
58	A (except 51A)-with A/S		2	
<b>5-5581 KIT - REAR AIR SUSPENSION TRACK BAR INSULATOR &amp; WASHER</b>				
58	A (8 cyl. 332, 352)	Consists of-4-insulators, 6-washers, 2-nuts	1	B8A 55581-B
<b>5586 ANTI-SQUEAK - REAR SPRING</b>				
49/53	A (except S/D & S/W)	Insert between leaves	12	AB 5586-A
49/53	S/D, S/W		16	
54/56	A		16	
57/58	A (except S/D, S/W, 51A & 66)		12	
57/58	S/D, S/W, 51A, 66		16	
55	S		16	
56/57	S		12	
59	A (except S/W, 51A & 66)		12	B8A 5586-A
59	S/W, 51A, 66 (1959/ S)		16	
<b>5-5588 LEVER ASSY. - REAR AIR SUSPENSION SPRING LEVELING VALVE</b>				
58	S/W (8 cyl. 332, 352)		1	B8A 55588-A
58	57, 58, 63, 64, 76B (8 cvl. 332, 352)		1	B8A 55588-D
58	51A (8 cvl. 332, 352)		1	B8A 55588-C
58	A (8 cyl. 332, 352)	Screw (valve to frame)-5/16"-18 x 1/2" self-tapping	2	*39883-S7
58	A (8 cyl. 332, 352)	Nut (valve to bracket)-No. 10-32	1	34079-S7(M163)
		Lockwasher-No. 10		34803-S7(X60)
<b>5-5589 BALL and BRACKET ASSY. - REAR AIR SUSPENSION SPRING LEVELING VALVE LINKAGE</b>				
58	A (8 cyl. 332, 352)		1	B8S 55589-A
<b>5-5593 RESTRICTOR VALVE AND TEE ASSY. - REAR AIR SUSPENSION SPRING</b>				
58	S/W (8 cyl. 332, 352)-with F/M & C/M	Includes bracket	1	B8A 55593-A
58	57, 58, 63, 64, 76B (8 cyl. 332, 352)-w/F/M & C/M	Includes bracket	1	B8A 55593-B
58	51A (8 cyl. 332, 352)-with F/M & C/M	Includes bracket	1	B8A 55593-C
58	51A, S/W (8 cyl. 332, 352)	Screw (valve to frame)-5/16"-18 x 3/4"	2	39909-S7(U269D)
		Bolt (valve)-5/16"-18 x 7/8"	2	20366-S8(B52)
		Nut-5/16"-18		33797-S7(M50)
		Lockwasher-5/16"		34806-S7(X64)
<b>5595-6 BRACKET - REAR SUSPENSION ARM MOUNTING</b>				
58	S	R. H.	1	B8S 5595-A
		L. H.	1	B8S 5596-A
58	S	Bolt (bracket to floor cross member)-3/8"-24 x 1 1/4"	10	20429-S8(B172)
		Lockwasher-3/8"		34847-S8(X74)
<b>5-5596 WASHER - REAR SUSPENSION ARM INSULATOR - UPPER</b>				
58	S		2	B8S 55596-A
<b>5599 INSULATOR - REAR SPRING</b>				
51	A (except S/W)	2 1/8" wide	4	B1A 5599-A
<b>5-5599 BRACKET and BUSHING ASSY. - REAR AIR SUSPENSION ARM TO AXLE</b>				
58	A (8 cyl. 332, 352)		2	B8A 55599-A
58	A (8 cyl. 332, 352)	Bolt (bracket to arm)-7/16"-20 x 1 1/8"	8	370821-S(BB381)
		Locknut-7/16"-20		371713-S(MM157)
58	A (8 cvl. 332, 352)	Bolt (bracket to clamp)-5/8"-18 x 4 1/2"	4	*45859-S8
		Locknut-5/8"-18		34453-S8(M89)

YEAR 19	MODEL	DESCRIPTION	QTY. PER VEHICLE	PART NUMBER
<b>5627 BAR - REAR SPRING SHACKLE - REAR</b> - Refer to Group 5630				
<b>5630 KIT - SHACKLE</b>				
49/54	A	Rear spring-front	2	A9A 5630-A
Consists of				
	1-AB 5780-B Stud	2-8A 5719 Bushing	1-Locknut	
55	A	Rear spring-front	2	B5A 5630-A
Consists of				
	1-B5A 5717-A Stud	1-B5A 5781-A Bushing	1-Locknut	
56	A (except S/W, S/D)	Rear spring-front	2	B6A 5630-A
Consists of				
	1-AJ 5717-A Stud	1-B5A 5781-C Bushing	1-34447-S3 Locknut	
56	A, S/D, S/W	Rear spring-front	2	B6A 5630-B
Consists of				
	1-AJ 5717-A Stud	1-AF 5781-B Bushing	1-34447-S2 Locknut	
57/59	A	Rear spring-front	2	B7A 5630-C
59/	S		2	
Consists of				
	1-AJ 5717-A Stud or 359521-S8 Bolt	1-AJ 5781-B Bushing or MG 5781-A Bushing	1-34447-S2 Locknut	
49/50	A	Rear spring-rear	2	COAZ 5630-D
Consists of				
	1-8A 5627-A Bar	1-8A 5713-A Shackle	4-A9AZ 5781-A Bushing	2-Locknuts
51/59	A (1955/57 S)	Rear spring-rear	2	COAZ 5630-B
59/	S		2	
Consists of				
	1-1A 5627-B Bar	1-AB 5713-B Shackle	4-8A 5719 Bushing	2-34420-S8 Locknut
<b>5636 TUBE ASSY. - REAR AIR SUSPENSION L.H. SPRING TO CHECK VALVE</b>				
58	S/W (8 cyl. 332, 352)-with F/M & C/M	42 3/8" long	1	☆AK 5636-A
58	51A (8 cyl. 332, 352)-with F/M & C/M	42 3/8" long	1	☆AM 5636-D
58	57, 58, 63, 64, 76B (8 cyl. 332, 352)-with F/M & C/M	33 39/64" long	1	☆AM 5636-C
<b>5638 TUBE ASSY. - REAR AIR SUSPENSION SPRING LEVELING VALVE TO REGULATOR VALVE</b>				
58	63, 64, 76B (8 cyl. 332, 352)-with F/M & C/M	159" long	1	☆AK 5638-B
58	51A (8 cyl. 332, 352)-with F/M & C/M	169" long	1	☆AM 5638-D
58	57, 58 (8 cyl. 332, 352)-with F/M & C/M	158" long	1	☆AM 5638-E
58	S/W (8 cyl. 332, 352)-with F/M & C/M	178 1/4" long	1	☆AM 5638-F
58	63, 64, 76B, S/W	Clip (tube to frame)	1	352970-S100
58	57, 58		2	(GG155)
58	51A, 57, 58, 63, 64, 76B, S/W	Clamp (tube to frame)	4	☆353265-S
58	51A	Clip (tube to frame)	3	357403-S32(GG30)
58	51A, 57, 58, 63, 64, 76B, S/W	Clip (tube to solenoid valve to tee tube)	4	
<b>5639 TUBE ASSY. - REAR AIR SUSPENSION R.H. SPRING TO RESTRICTOR VALVE</b>				
58	S/W (8 cyl. 332, 352)-with F/M & C/M	22" long	1	☆AK 5639-B
58	51A (8 cyl. 332, 352)-with F/M & C/M	5" long	1	☆AM 5639-C
58	57, 58, 63, 64, 76B (8 cyl. 332, 352)-with F/M & C/M	5 29/32" long	1	☆AM 5639-B
58	A(8 cyl. 332, 352)-with F/M & C/M	Adapter assy. -3/16" tube	2	ED 371162-S(II-42)
<b>5640 TUBE ASSY. - REAR AIR SUSPENSION SPRING LEVELING VALVE TO RESTRICTOR VALVE</b>				
58	51A (8 cyl. 332, 352)-with F/M & C/M	19" long-cut from 8C 2269-B tubing	1	☆ AM 5640-A
58	S/W (8 cyl. 332, 352)-with F/M & C/M	12 3/4" long-cut from 8C 2269-B tubing	1	☆ AK 5640-A
58	57, 58, 63, 64, 76B (8 cyl. 332, 352)	11 1/2" long-cut from 8C 2269-B tubing	1	☆ AM 5640-B
58	57, 58, 63, 64, 76B, S/W	Clip (tube to check valve tube)	1	357403-S32(GG30)
<b>5641 TUBE ASSY. - REAR AIR SUSPENSION SPRING CHECK VALVE TO RESTRICTOR VALVE</b>				
58	S/W (8 cyl. 332, 352)-with F/M & C/M	2 7/8" long	1	☆AK 5641-A
58	51A (8 cyl. 332, 352)-with F/M & C/M	9 3/8" long	1	☆AM 5641-C
58	57, 58, 63, 64, 76B (8 cyl. 332, 352)-with F/M & C/M	7 3/8" long	1	☆AM 5641-B
<b>5642 TUBE ASSY. - REAR AIR SUSPENSION SPRING LEVELING VALVE TO CHECK VALVE</b>				
58	S/W (8 cyl. 332, 352)-with F/M & C/M	15 1/8" long	1	☆AK 5642-A
58	51A (8 cyl. 332, 352)-with F/M & C/M	11 13/32" long	1	☆AM 5642-A
58	57, 58, 63, 64, 76B (8 cyl. 332, 352)-with F/M & C/M	8 3/4" long	1	☆AM 5642-B

☆ Cut from 8C 2269-B tubing and use (2) 87942-S8 nuts

YEAR 19	MODEL	DESCRIPTION	QTY. PER VEHICLE	PART NUMBER
<b>5-5643 ROD ASSY. - AIR SUSPENSION SPRING LEVELING VALVE LEVER TO UPPER ARM</b>				
58	51A (8 cyl. 332, 352)	Rear	1	B8A 55643-A
58	57, 58, 63, 64, 76B, S/W (8 cyl. 332, 352)	Rear	1	B8A 55643-B
58	A (8 cyl. 332, 352)	Front	2	B8A 55643-C

**5705 CLIP - REAR SPRING**

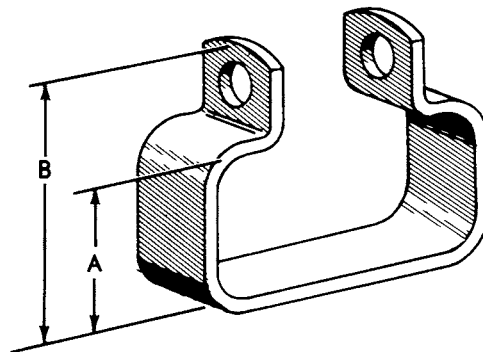


TYPE 1

P-3242

YEAR	MODEL	TYPE	A	B	C	THREAD SIZE	USE WITH SPRING	NO. REQ'D. PER SPRING	PART NUMBER
49/54	S/D, S/W	1	3.50"	8.68"	3.00"		Use with AB 5560-H heavy duty spring	2	MA 5705-E
54	A (except S/D, S/W, Convertible Coupe, Victoria & Fairlane)							1	
55/56	S/D, S/W							2	
49/56	A (except S/D & S/W), S	1	3.84"	8.20"	4.00"			2	MA 5705-F
57/55/	A	1	3.96"	8.00"	3.00"	1/2"-20		2	B7A 5705-A
	S							2	

**5724 REAR SPRING CLAMP**



TYPE 1

P-2393

**REAR SPRING CLAMP CHART**

YEAR 19	MODEL	TYPE	A	B	USE WITH SPRING	NO. REQ'D. PER SPRING	PART NUMBER
49/50	A (except S/W)	1	1.28"	1.90"	8A 5560-L	1	8A 5724-D
51	A (except S/W)				1A 5560-K	1	
52/54	A (except S/D, S/W & Convertible Coupe)				AB 5560-H	1	
52/54	A (except S/D & S/W)				AB 5560-P	1	
55/56	S				B5S 5560-D & B6S 5560-B	1	
55/56	A (except S/D & S/W) P/1				B5A 5560-C	1	
55/56	A (except S/D & S/W)				B6A 5560-A	1	
57/59	A (except S/D, S/W, 51A & 66)				B7A 5560-C, J	1	

YEAR 19__	MODEL	DESCRIPTION			QTY. PER VEHICLE	PART NUMBER	
<b>5724 REAR SPRING CLAMP - continued</b>							
YEAR 19__	MODEL	TYPE	A	B	USE WITH SPRING	NO. REQ'D PER SPRING	PART NUMBER
49/50	A (except S/W)	1	1.90"	3.10"	8A 5560-L	1	* AJ 5724-B
49/50	S/W				1A 5560-F	2	
51	A (except S/W)				1A 5560-K	1	
51	S/W				1A 5560-F	2	
52/54	A (except S/D, S/W & Convertible Coupe)				AB 5560-H	1	
52/54	A (except S/D & S/W)				AB 5560-P	1	
52/54	S/D, S/W				AB 5560-M	2	
55/56	S				B5S 5560-D & B6S 5560-B	1	
55/56	A (except S/D & S/W) P/I				B5A 5560-C	1	
55/56	S/D, S/W				B5A 5560-D	2	
55/56	A (except S/D & S/W)				B6A 5560-A	1	
57/59	A (except S/D, S/W, 51A & 66)				B7A 5560-A, C, H & J	1	
49/50	S/W	1	1.63"	2.25"	1A 5560-F	1	8A 5724-E
51	S/W				1A 5560-F	1	
52/54	S/D, S/W				AB 5560-M	1	
57/59	A				B7A 5560-A, D, G & H	1	
55/56	S	1	.74"	1.36"	B5S 5560-D & B6S 5560-B	1	8A 5724-F
55/56	A (except S/D & S/W)				B6A 5560-A	1	
59/	S				B9SS 5560-B	2	
55/56	S/D, S/W				B5A 5560-D	1	
55/56	A (except S/D & S/W) P/I				B5A 5560-C	1	
49/50	A (except S/W)				8A 5560-L	1	
49	Three Pass. Ford Coupe				8A 5560-L	2	
51	A (except S/W)				1A 5560-K	1	
52/54	A (except S/D, S/W & Convertible Coupe)				AB 5560-H	1	
52/54	A (except S/D & S/W)				AB 5560-P	1	
49/56	A (1955/ S)				Bolt (clamp)-1/4"-20 x 1 7/8"	6	45504-S7-8 (B43EC)
					Nut-1/4"-20		33795-S7(M49)
					Lockwasher-1/4"		34805-S8(X62)
<b>5724 KIT - REAR SPRING CLAMP</b>							
49/59	A				For 4 leaves-consists of	2	B7A 5724-B
59	S				1-AJ 5724-B Clamp 1-Liner	2	
55/56	S					2	
<b>5732 INSULATOR - REAR SPRING CENTER MOUNTING - Refer to Group 5741</b>							
<b>5736 RETAINER - REAR SPRING CENTER MOUNTING INSULATOR</b>							
51	A (except S/W)				2 3/16" wide	4	B1AZ 5736-A
52/57	A				2 5/16" wide	4	B2AZ 5736-A
55/	S					4	
<b>5741 INSULATOR - REAR SPRING CENTER MOUNTING</b>							
52/56	A					4	B9SZ 5741-A
57	A				4 45/64" long	4	B7AZ 5741-A
<b>5775 HANGER - REAR SPRING</b>							
49/51	A				Front	2	0A 5775-A
52/54	A				Front	2	AB 5775-A
55/56	A				Front	2	B5A 5775-B
52/56	A				R. H.-shackle-rear	1	B2AZ 5775-A
55	S				R. H.	1	
					L. H.	1	B2AZ 5775-B
55/57	S				R. H. -front	1	B6SZ 5776-C
56/57	S				R. H.-shackle-rear	1	B6SZ 5775-B
					L. H.	1	B6SZ 5775-A

\* Serviced in B7A 5724-B kit

# FORD CAR PARTS

YEAR 19	MODEL	DESCRIPTION	QTY. PER VEHICLE	PART NUMBER
<b>5775 HANGER - REAR SPRING - continued</b>				
57/58 59	57, 58, 63, 64, 66, 76B, S/D, S/W A (except 51A & 66)	Front	2 2	B7A 5775-B
57/59 59/	A(except 51A) S	Shackle-rear Shackle-rear	2 2	B7AZ 5775-A
57/58 57/59	70, 73 51A	Front R. H. -front	2 1	B7A 5775-C B7AZ 5775-D
		L. H.	1	B7A 5775-A
57/58	51A	R. H. -shackle-rear L. H.	1 1	B7AZ 5775-B B7AZ 5775-C
59	51A (8 cyl. 332, 352)	R. H. -shackle-rear L. H.	1 1	B9AZ 5775-A B9AZ 5775-B
59	S	R. H. -front L. H.	1 1	B9S 5775-A B9S 5775-B
59	S	R. H. -bracket-front L. H.	1 1	B9SZ 5775-A B9SZ 5775-A
<b>5776 SHACKLE ASSY. - REAR SPRING - REAR</b>				
51/59 59/	A (1955/57 S) S	Supplied in COAZ 5630-B kit	2 2	*B1AZ 5776-A
<b>5780 STUD and WASHER ASSY. - REAR SPRING FRONT HANGER</b>				
49/54 55	A S	3/8"-24 x 3 1/2"-supplied in A9A 5630-A kit 3/8"-24 x 7 35/64"	2 2	*AB 5780-B B5SZ 5780-A
55/56 56/57	A S	3/8"-24 x 3 11/32"-supplied in B5A 5630-A kit 7/16"-20 x 7 49/64"	2 2	*B5AZ 5780-A B6SZ 5780-A
57/59 59/	A S	7/16"-20 x 3 9/16"-supplied in 5630 kits	2 2	*B7AZ 5780-A B9SZ 5780-A
<b>5781 BUSHING ASSY. - REAR SPRING - FRONT and REAR - Also Refer to Group 5630</b>				
49/54 55/59 59/	A A (1955/57 S) S, X	Front & rear Rear spring-rear	8 4 4	A9AZ 5781-A
49/59 59/	A (1955/57 S) S	Shackle bar-upper	4 4	
55/56 55	A S	Front	2 2	B5A 5781-C
56	S/D, S/W	Supplied in B6A 5630-B kit -Front	2	AF 5781-B
56/57	S	Front	2	B6S 5781-A
57/59	A (1959/60 S)	Supplied in B7A 5630-C kit-front	2	MG 5781-A
57/59 59/	A (1959/60 S) S	Supplied in B7A 5630-C kit-front Bolt (hanger to underbody)-3/8"-16 x 1 3/8"	2 6	AJ 5781-B 372620-S8(BB572)
		Lockwasher - 3/8"		34807-S8 (X66)
51/54	A	Bolt (hanger to frame)-3/8"-24 x 1 1/4" Locknut-3/8"-24	6	20429-S8 (B172) 34445-S7-8(M80)
<b>5783 BUMPER - REAR AXLE or SPRING- Also Refer to Group 4730</b>				
49/51 49/51 52/56 55/ 57/58 49/51	S/W A (except S/W) A S 51A S/W	Axle Axle Axle Axle Axle Locknut-3/8"-24	2 2 2 2 2 2	8A 5783-B B6A 5783-A
55/56 57/59 57	A (except S/D & S/W), S S/D, S/W, 66 S	Spring Spring Axle nose	2 2 1	B6A 5783-B
57	S	Axle	2	B7S 5783-A
57/59 57/59	A (except S/D, S/W, 51A & 66) S/D, S/W, 66	Axle Axle	3 2	B7A 5783-A
57/59 59/	A (except S/D, S/W & 66) S	Spring	2 2	B7A 5783-B
58	51A (8 cyl. 332, 352)-with air suspension	Axle	2	B8A 5783-A

YEAR 19	MODEL	DESCRIPTION	QTY. PER VEHICLE	PART NUMBER
<b>5783 BUMPER - REAR AXLE or SPRING - continued - Also Refer to Group 4730</b>				
58	57, 58, 63, 64, 76B, S/W (8 cyl. 332, 352)-with air suspension	Axle-R. H.	1	B8A 5783-B
		Axle-L. H.	1	B8A 5783-C
59	51A	Axle	2	B9A 5783-A
52/57	A, S	Screw (bumper to frame)-5/16"-18 x 3/4"-self-tapping	4or8	39909-S7(U269D)
58	57, 58, 63, 64, 76B, S/W (8 cyl. 332, 352)-with air suspension		4	
58	51A (8 cyl. 332, 352)-with air suspension	Screw (bumper to frame)-5/16"-18 x 1"-self-tapping	4	*39935-S7
58/59	51A(8 cyl.)	Screw (bumper to frame)-5/16"-24 x 3/4"-self-tapping	4	*41210-S8
58/	S	Bolt (bumper to body)-5/16"-18 x 5/8"	4	20326-S7(B49)
		Lockwasher-5/16"		34806-S7(X64)
<b>5784 BRACKET - REAR AXLE or SPRING BUMPER - Also Refer to Group 4731</b>				
55/56	A (except S/D & S/W)	Spring	2	B5A 5784-A
57	57, 58, 63, 64, 76B	Axle	1	B7A 5784-C
58	57, 58, 63, 64, 76B	Axle-center	1	
57/58	70, 73		1	
57/58	51A	Axle	2	B7A 5784-B
58	A (except 51A)	Axle	2	B8E 5784-B
57	70, 73	Axle	2	
58	70, 73	Axle-center	1	
59	A (except 51A, 66 & S/W)	Axle-center	1	B9A 5784-A
59/	A (except 51A)	Axle	2	B9A 5784-B
49/51	S/W	Bolt (bracket to frame)-5/16"-24 x 1"	4	20387-S8 (B157)
		Nut-5/16"-24		33798-S8(M62)
		Lockwasher-5/16"		34806-S7(X64)
59/	S	Spring-R. H.	1	B9S 5784-A
		Spring-L. H.	1	B9S 5784-B
<b>5798-9 PLATE - REAR SPRING CLIP</b>				
52/54	A (except S/D & S/W)	R. H.	1	AB 5798-A
		L. H.	1	AB 5799-A
55/56	A (except S/D & S/W)	R. H.	1	B5A 5798-B
55/57	S		1	
		L. H.	1	B5A 5799-B
59	A (except 51A, 66 & S/W)	R. H.	1	B9A 5798-D
		L. H.	1	B9A 5799-D
55/56	S/D, S/W	R. H.	1	B5A 5798-C
		L. H.	1	B5A 5799-C
57/58	51A, S/D, S/W	R. H.	1	B7A 5799-A
57/58	66, 70, 73	L. H.	1	
57/58	57, 58, 63, 64, 76B	R. H.	1	B7A 5798-B
		L. H.	1	B7A 5799-B
57/58	66, 70, 73	R. H.	1	B7A 5798-A
57/58	51A, S/D, S/W	L. H.	1	
59	51A, 66, S/W	R. H.	1	B9A 5799-C
		L. H.	1	B9A 5798-C
59/	S	R. H.	1	B9SS 5798-C
		L. H.	1	B9SS 5799-C



**INDEX**

**SECTIONS 60, 61, 62, 63, 65 and 66 ENGINES**

PART NAME	GROUP NUMBER	PART NAME	GROUP NUMBER
Adapter and insert ass'y. (oil filter)	6881	Cap (oil filler and breather)	6766
Adapter (spark plug)	6060	Chain (timing)	6268
Arm & screw ass'y. (valve rocker)	6564	Cover & Baffle ass'y. (valve chamber) - rear	6520
Arm (valve rocker)	6564	Cover ass'y. (timing gear)-front	6019
Baffle (push rod valley crankcase ventilation)	6A630	Cover (crankcase ventilation tube and adapter)	6869
Baffle (valve chamber oil)	6524	Cover (cylinder block oil filter opening)	6A659
Baffle (valve spring oil)	6524	Cover (cylinder block ventilation tube opening)	6869
Bearing (camshaft)	6261	Cover (cylinder timing gear)-side	6017
Bearing (camshaft)	6262	Cover (flywheel housing)	6366
Bearing (camshaft)	6263	Cover (flywheel housing)-bottom	6409
Bearing (camshaft)	6267	Cover (oil filter)	6737
Bearing (camshaft)	6270	Cover (oil pump drive gear)	6658
Bearing (center main)	6337	Cover (starter pinion)	6677
Bearing (connecting rod)	6211	Cover (timing gear front)	6059
Bearing (frt., frt.inter., rear & rear inter. main)	6333	Cover (valve chamber)	6520
Bearings (rear intermediate main)	6342	Cover (valve push rod)	6519
Bearing (rear main)	6331	Cover (valve rocker arm)	6582-83 6601
Block ass'y. (cylinder)	6010	Crankshaft ass'y.	6303
Body (oil pump)	6603	Cylinder ass'y.	6009
Bolt & valve ass'y. (engine oil filter center)	6741	Damper assy. (timing chain vibration)	6284
Bolt (connecting rod)	6214	Diaphragm (oil filter)	6751
Bolt (crankshaft main bearing cap)	6345	Dowel (crankshaft to converter drive plate)	6387
Bolt (crankshaft rear seal retainer)	6350	Dowel (cylinder block to flywheel hsg.)	6397
Bolt (cylinder block oil filter opening cover)	6A660	Dowel (cylinder block to front cover)	6397
Bolt (cylinder head)	6065	Dowel (cylinder head to block)	6A008
Bolt (cylinder head)	6345	Dowel (engine rear plate to cylinder block)	6397
Bolt (damper to crankshaft)	6A340	Dowel (flywheel to crankshaft)	6387
Bolt (flywheel to crankshaft)	6379	Duct (crankcase ventilation)	6524 6A630
Bolt (oil filter cover)	6741	Dust seal (converter hsg. upper cover)	6411
Bolt (oil pump mounting)	6638	Dust seal (flywheel housing cover)	6411
Bolt (valve rocker arm shaft support)	6A527	Eccentric (fuel pump drive)	6287
Boss (oil lever indicator & oil filter return)	6751	Element (oil filter)-with gaskets	6731
Bracket assy. (engine front mounting)	6030-31	Extension or spacer (crankshaft pulley hub)	6359
Bracket (crankcase ventilation tube)	6788	Filter ass'y. (engine oil)	6714
Bracket (engine rear support)	6120	Flywheel	6380
Bracket (front support)	6028-9	Flywheel & ring gear ass'y.	6375
Bracket (generator to cylinder block mounting)	6129	Gasket (air spg. compressor oil drain hose connector)	6022
Bracket (rocker arm shaft inlet & outlet oil tubes)	6574	Gasket (crankshaft rear oil packing retainer)	6344
Bracket (crankcase vent tube)	6788	Gasket (crankcase ventilation adapter)	6872
Bracket (valve chamber rear cover vent-extension tube to cylinder block)	6788	Gasket (crankcase ventilation cover)	6870
Bracket (valve rocker arm oil outlet tube)	6575	Gasket (crankcase ventilation tube)	6870
Bushing (connecting rod)	6207	Gasket (crankcase ventilation tube & adapter cover)	6870
Bushing (fuel pump push rod)	6025	Gasket (cylinder block hole seal)	6734
Bushing (oil pump body)	6612	Gasket (cylinder block hole seal)	12410
Bushing (oil pump drive idler gear)	6657	Gasket (cylinder block ventilation tube opening cover)	6872
Bushing (valve guide)	6510	Gasket (cylinder head)	6051
Camshaft assy. (less gear)	6250	Gasket (cylinder head)-L. H.	6083

## INDEX

## SECTIONS 60, 61, 62, 63, 65 and 66 - ENGINES - continued

PART NAME	GROUP NUMBER	PART NAME	GROUP NUMBER
Gasket (cylinder timing gear side cover)	6018	Insulator (engine rear support)	6068
Gasket (engine oil filter cover)	6885	Insulator (front support)	6038
Gasket (engine oil filter tube)	6746	Insulator (front support rebound)-lower	6039
Gasket (oil filler & breather cap)	6789	Kit (camshaft bearings) -standard	6A251
Gasket (oil filter adaptor to cylinder block)	6A636	Kit (camshaft thrust button and spring)	6275
Gasket (oil filter center bolt to cover)	6749	Kit (camshaft thrust button and spring)	6295
Gasket (oil filter cover bolt)	6749	Kit (crankshaft rear main bearing seal)	6A321
Gasket (oil filter element)	6746	Kit (cylinder front cover)	6019
Gasket (oil filter mounting)	6838	Kit (disposable oil filter adapter)	6882
Gasket (oil pan)	6710	Kit (oil pump installation)	6600
Gasket (oil pan cleanout plate)	6698	Kit (rocker arm cover gasket and seal)	6A506
Gasket (oil pan clean out plate reinforcement)	6698	Locking plate (crankshaft to converter drive plate)	6386
Gasket (oil pan drain plug)	6734	Lock nut (valve rocker arm adjusting screw)	6552
Gasket (oil pump)	6659	Lock or key (valve spring retainer)	6518
Gasket (oil pump to block)	6659	Nut (connecting rod)	6212
Gasket (oil pump cover plate)	6619	Nut (front support insulator bolt)	6041
Gasket (oil pump inlet tube fitting)	6626	Nut (oil pump to oil pan inlet tube)	6673
Gasket (oil pump screen cover & inlet tube)	6626	Oil seal (cylinder front cover)	6700
Gasket (oil pump screen cover & tube to oil pan)	6625	Packing (crankshaft)-rear	6701
Gasket (oil pump to oil pump tube)	6648	Packing (cylinder front cover)	6700
Gasket (oil relief valve plug)	6669	Packing (engine oil pan)	6700
	12410	Packing (engine oil pan) - front	6707
Gasket set (engine oil pan)	6781	Packing (engine oil pan)-rear	6701
Gasket set (engine overhaul)	6008	Pan (oil)	6675
Gasket set (valve grind)	6079	Partial gasket set (engine overhaul)	6013
Gasket (timing gear/chain front cover)	6020	Partial gasket set (valve grind)	6014
Gasket (valve chamber cover)	6521	Pin (oil pump shaft upper gear)	6661
Gasket (valve push rod cover)	6521	Pin (piston)	6135
Gasket (valve rocker arm cover)	6584	Pin (timing)	6023
Gasket (w/s wiper silencer to valve chamber cover)	2149	Pipe & air scoop assy. (oil filler)	6763
Gear ass'y. (oil pump drive idler)	6655	Pipe ass'y. (engine oil filter inlet)	6716
Gear (camshaft)	6256	Pipe ass'y. (engine oil filter outlet)	6718
Gear (crankshaft)	6306	Pipe (engine oil filler)	6763
Gear (distributor drive)	6255	Piston assy.	6108
Gear (distributor driven)	6652	Plate (camshaft thrust)	6269
Gear (flywheel ring)	6384	Plate (converter drive)	6406
Gear (oil pump)	6610	Plate (converter pilot mounting)	6408
Gear (oil pump drive)	6254	Plate (engine rear mount adapter)	6126
Gear (oil pump driven)	6652	Plate (engine rear support)	6070
Grommet (power steering oil reservoir cover stud)	6570	Plate (engine rear support to floor)	6115
Grommet (rocker arm cover stud)	6570	Plate (flywheel reinforcing)	6A366
Grommet (valve push rod cover stud)	6570	Plate (oil pump body)	6616
Head (cylinder)	6049-50	Plate (vacuum pump lock)	6616
Housing (flywheel & clutch)	6392	Plug (crankshaft counterweight oil hole)	6307
Hub (camshaft)	6264	Plug (cylinder block)	6026
Indicator (oil level)	6750	Plug (cylinder head)	6052
Insert (oil filter mounting bolt)	6890	Plug (cylinder head)	6266
Insert (valve seat)	6057	Plug (oil pan drain)	6730
Insulator (engine front support rebound)	6039	Plug (oil pump body relief valve)	6666

**INDEX**

**SECTIONS 60, 61, 62, 63, 65 and 66 - ENGINES - continued**

PART NAME	GROUP NUMBER	PART NAME	GROUP NUMBER
Plug (oil pump body relief valve)	6672	Shaft & gear (oil pump drive)	6608
Plug (oil relief valve)	6666	Shaft (oil pump drive idler gear)	6656
Plug (valve rocker arm shaft)	6572	Shaft (oil pump intermediate)	6A618
Plunger (oil pump body relief valve)	6674	Shaft (valve rocker arm)	6563
Plunger (oil relief valve)	6663	Sleeve (crankcase ventilation tube adapter)	6760
Pointer (timing)	6023	Sleeve (cylinder block)	6055
Pulley (crankshaft)	6312	Sleeve (valve spring retainer)	6517
Pulley assy. (crankshaft)	6312	Slinger (crankshaft oil)	6310
Pulley (crankshaft air conditioning)	6A312	Snap ring (oil pump drive shaft)	6636
Pulley (crankshaft)-outer	6A312	Spacer (camshaft fuel pump eccentric)	6290
Pulley (crankshaft power steering)	6312	Spacer (camshaft sprocket)	6265
	6A312	Spacer (crankshaft damper)	6359
Pump assy. (engine oil)-less screen, tube & cover	6600	Spacer (cyl. head rocker arm support pad)	6A034
Pump (oil)	6600	Spacer (flywheel to crankshaft)	6434
Pump (vacuum)	6713	Spacer (front support insulator)	6A027
Reinforcement (engine rear support bracket)-L. H.	6124	Spacer (fuel pump drive eccentric)	6291
Reinforcement (engine rear support bracket)-R. H.	6122	Spacer (valve spring)	6515
Retainer and sleeve set (valve spring)	6534	Spring (oil filter element retaining)	6889
Retainer ass'y. (engine rear mounting bolt)	6053	Spring (valve)	6A511
Retainer (crankshaft rear oil packing)	6335		6513
Retainer (oil filter element)	6898	Spring (valve rocker arm to shaft locating)	6587
Retainer (oil pump screen)	6628	Sprocket (camshaft)	6256
Retainer (piston pin)	6140	Sprocket (crankshaft)	6306
Retainer (rear support)	6054	Stud (cylinder head)	6067
Retainer (valve guide bushing)	6512	Support ass'y. (engine rear)	6A023
Retainer (valve spring)	6514	Support (front insulator)-L. H.	5058
Ring (camshaft gear or sprocket locking)	6258	Support (front insulator)-R. H.	5057
Ring (oil pump intermediate shaft retainer)	6629	Support (rear)	6068
Ring set (piston)	6149	Support (valve rocker arm shaft)	6531-32
Ring set (piston)-partial	6148	Tappet (valve)	6500
Rod (connecting)	6200	Tee (engine oil filter)	6073
Rod (transmission to bellcrank lever)	7A024	Tube ass'y. (crankcase ventilation oil return)	6874
Rod (valve push)	6565	Tube ass'y. (oil pump to oil pan)	6639
Rotor & shaft assy. (oil pump drive)	6608	Tube (crankcase ventilation)	6758
Rotor & shaft kit (oil pump)	6650	Tube (crankcase ventilation) - front	6759
Screen (crankcase ventilation)	6A631	Tube (crankcase ventilation)-upper	6762
Screen (oil pump)	6623	Tube (oil level indicator)	6754
Screen tube and cover ass'y. (oil pump)	6622	Tube (vacuum pump to cylinder block)	6634
Screw (tappet & rocker arm adjusting)	6549	Tube (valve chamber rear cover vent. extension)	6758
Seal (crankshaft rear retainer)	6336	Tube (valve push rod cover ventilation)-upper	6499
Seal (oil pump intermediate shaft)	6A001	Tube (valve rocker arm shaft oil inlet)	6580
Seal (oil pan to oil pump tube)	6698	Tube (valve rocker arm shaft oil outlet)	6588
Seal (oil pump screen cover & inlet tube)	6643	Valve (intake and exhaust)	6505-07
Seal (rear main bearing cap)	6336	Washer (camshaft sprocket)	6278
Seal (starter to flywheel housing)	6436	Washer (crankshaft pulley or damper retaining)	6378
Seal (valve guide & valve stem)	6571	Washer-spring (valve rocker arm shaft)	6598
Seal (valve push rod cover ventilation tube)	6769	Washer (trans. gear shift selector tube bushing)	6598
Seal (valve rocker arm shaft oil inlet tube)	6594	Washer (valve rocker arm shaft)	6590

YEAR 19__	MODEL	NO. CYL.	CUBIC INCH DISP.	DESCRIPTION	QTY. PER VEHICLE	PART NUMBER
<b>6A001 SEAL - OIL PUMP INTERMEDIATE SHAFT</b>						
59/	S	8	430	.36" O.D. -.24" Hex. inside-.06" thick-rubber	1	B9LE 6A001-A
<b>6008 COMPLETE GASKET SET - ENGINE OVERHAUL</b>						
54/59	A	6	223	Optional with B9TZ 6008-A	1	B7AZ 6008-A
Consists of the following						
	1-C1AE 6020-A			Gasket (front cover)	2-B4A 6701-A	Packing (crankshaft) or
	1-C0AE 6051-B			Gasket (cylinder head)	C2AZ 6701-B	
	2-C1AE 6336-A			Oil seal (crankshaft)	1-C0AE 6710-A	Gasket (oil pan)
	1-C1AE 6521-C			Gasket (push rod cover)	1-C2OZ 6734-A	Gasket (drain plug)-1/2"
	2-EAA 6570-C			Grommet (rocker arm cover)	1-86H 6734-A	Gasket (drain plug)-7/8"
	4-B9A 6570-A			Grommet (push rod cover)	1-EAG 8255-B	Gasket (water outlet)
	12-B5A 6571-A			Seal (valve stem)	1-EAA 8507-A	Gasket (water outlet)-Truck
	1-B7A 6584-B			Gasket (rocker arm cover)	1-B7A 8507-A	Gasket (water outlet)-Passenger
	1-EAA 6594-A			Seal (oil inlet tube)	1-C1SZ 9417-A	Gasket (fuel pump mounting)
	1-EAA 6619-A			Gasket (cover plate)	1-1GA 9450	Gasket (main outlet) or
	1-B9AE 6626-A			Gasket (inlet tube)	C1SZ 9450-A	
	1-B7A 6659-A			Gasket (oil pump mounting)	4-B6A 9461-A	Gasket (intake manifold)-except P/D
	1-EAA 6700-B			Oil seal (crankshaft)	4-B6J 9461-A	Gasket (intake manifold)-P/D
54/59	A	6	223	Optional with B7AZ 6008-A	1	B9TZ 6008-A
Consists of the following						
	1-C1AE 6020-A			Gasket (front cover)	2-B4A 6701-A	Packing (crankshaft)-rear or-
	1-C0AZ 6051-A			Gasket (cylinder head)	C2AZ 6701-B	
	2-C1AE 6336-A			Oil seal (crankshaft)	1-C0AE 6710-A	Gasket (oil pan)
	1-C1AE 6521-C			Gasket (push rod cover)	1-C2OZ 6734-A	Gasket (drain plug)-1/2"
	2-EAA 6570-C			Grommet (rocker arm cover)	1-86H 6734-A	Gasket (drain plug)-7/8"
	4-B9A 6570-A			Grommet (push rod cover)	1-EAG 8255-B	Gasket (water outlet)
	12-B5A 6571-A			Seal (valve stem)	1-EAA 8507-A	Gasket (water pump)-truck
	1-B7A 6584-A			Gasket (rocker arm cover)	1-B7A 8507-A	Gasket (water pump)-passenger
	1-EAA 6594-A			Seal (oil inlet tube)	1-C1SZ 9417-A	Gasket (fuel pump mounting)
	1-EAA 6619-C			Gasket (cover plate)	1-1GA 9450-A	Gasket (manifold outlet) or-
	1-B9AE 6626-A			Gasket (inlet tube)	C1SZ 9450-A	
	1-B7A 6659-A			Gasket (oil pump mounting)	4-B6A 9461-A	Gasket (intake manifold) exc. P/D
	1-EAA 6700-B			Oil seal (crankshaft)	4-B6J 9461-A	Gasket (intake manifold) P/D
56/59	A, S (8 cyl. 272, 292, 312)	8			1	B7AZ 6008-C
Consists of the following						
	1-B4A 6020-A			Gasket (front cover)	1-EAA 6838-A	Gasket (oil filter adapter)
	2-C3TZ 6051-D			Gasket (cylinder head)	1-C0AZ 6870-A	Gasket (vent tube)
	2-C1AE 6336-B			Seal (rear retainer)	1-B7A 6870-A	Gasket (vent cover)
	1-B4A 6436-A			Seal (flywheel housing)	1-B4A 6872-A	Gasket (vent, tube cover)
	1-C0AE 6521-A			Gasket (push rod cover)	1-B5A 8255-A	Gasket (water outlet)
	6-B9A 6570-A			Grommet (4) Rocker Arm Cover	1-B5A 8507-A	Gasket (water pump)
				(2) Push Rod Cover	1-EAN 8563-B	Gasket (water by-pass)
	16-B5A 6571-A			Seal (valve stem)	1-C0SE 9417-A	Gasket (fuel pump)
	2-B9AE 6584-B			Gasket (rocker arm cover)	1-B7A 9439-B	Gasket (manifold)-R. H.
	1-B6Q 6619-A			Gasket (oil pump cover)	1-C3TZ 9439-A	Gasket (manifold)-R. H. -(H/D Truck)
	1-B4A 6626-B			Gasket (oil pump tube)	1-B7A 9441-B	Gasket (manifold)-L. H.
	1-B6Q 6659-A			Gasket (oil pump mounting)	1-C3TZ 9441-A	Gasket (manifold)-L. H. -(H/D Truck)
	1-8EL 6669			Gasket (relief valve plug)	3-1GA 9450	Gasket (manifold outlet)
	1-B4A 6698-A			Seal (oil pump tube)	3-B5A 9450-A	Gasket (manifold outlet)
	1-C3AZ 6700-A			Oil seal (crankshaft)	1-01A 12410-A	Gasket (drain plug)
	2-B4Q 6701-A			Packing (crankshaft)		
	1-C0AE 6710-B			Gasket (oil pan)		
58/	A, S	8	332,352		1	B8AZ 6008-B
Consists of the following						
	1-C0AE 6020-A			Gasket (front cover)	1-C0AE 6710-C	Gasket (oil pan)
	2-B9AE 6051-A			Gasket (cylinder head)	1-C2OZ 6734-A	Gasket (drain plug)
	2-C1AE 6336-B			Seal (rear retainer)	1-B8A 8255-A	Gasket (water outlet)
	1-B4A 6436-A			Seal (flywheel housing)	2-B8A 8507-A	Gasket (water pump)
	16-B8A 6571-B			Seal (valve stem)	1-B8A 8513-A	Gasket (water pump cover)
	2-B9AE 6584-A			Gasket (valve rocker arm cover)	1-B8A 9417-A	Gasket (fuel pump mounting)
	1-B8A 6626-A			Gasket (inlet tube)	1-B9AE 9A424-A	Seal (intake manifold, rear)
	1-C0AE 6A636-A			Gasket (filter adaptor)	1-B9AE 9A425-A	Seal (intake manifold, front)
	1-B8A 6659-A			Gasket (oil pump mounting)	2-C2AZ 9441-A	Gasket (manifold)
	1-C1AE 6700-B			Seal (crankshaft)	3-C1SZ 9450-A	Gasket (exhaust manifold to pipe)
	2-B4Q 6701-A			Packing (crankshaft)		

# FORD CAR PARTS

## SECTION 60

YEAR 19__	MODEL	NO. CYL.	CUBIC INCH DISPL.	DESCRIPTION	QTY. PER VEHICLE	PART NUMBER
<b>6008 COMPLETE GASKET SET - ENGINE OVERHAUL - continued</b>						
59/	S	8	430		1	COSZ 6008-A
Consists of the following						
	1-B9LE 6A001-A			1-C1VE 6710-A		Gasket (oil pan)
	1-B8S 6020-A			1-B8S 6769-A		Seal (ventilation tube)
	2-C1VE 6051-A			1-B8E 6870-A		Gasket (ventilation cover)
	2-C1ME 6336-A			1-B8S 6838-A		Gasket (oil filter adaptor)
	1-B9S 6411-A			1-C1VE 8255-A		Gasket (water outlet)
	1-B4A 6436-A			2-B8E 8507-A		Gasket (water pump)
	1-COME 6521-A			1-COSE 9417-A		Gasket (fuel pump)
	8-B8S 6571-A			2-B8S 9441-A		Gasket (intake manifold)
	8-B8S 6571-B			1-COSZ 9448-A		Gasket (exhaust manifold)-R. H.
	2-B9ME 6584-C			1-C1VE 9448-B		Gasket (exhaust manifold)-L. H.
	1-B8A 6626-A			2-B8S 9450-A		Gasket (exhaust manifold to pipe)
	1-B9ME 6659-A			1-01A 12410		Gasket (drain plug)
	1-EAA 6700-B			1-373195-S		Grommet (distributor mounting stud)
	2-B8E 6701-A					Packing (crankshaft rear)

<b>6A008 DOWEL - CYLINDER HEAD TO CYLINDER BLOCK</b>						
54/	A, S (239, 272, 292, 312)	8		.6738" / .6742" O. D. -.53" I. D. -.44" height	4	B2TZ 6A008-A
58/	A, S (332, 352, 430)	8		.7355" O. D. -.61" I. D. -.44" height-split	4	B9AE 6A008-A

<b>6009 CYLINDER ASSY</b>						
				Includes cylinder block with all internal parts of the engine but does not include cylinder heads, oil pan or cylinder front cover.		
52/53	A	6	215		1	B2TE 6009-A
54/	A	6	223	(16) 7/16"-14-cyl.head bolt holes	1	COTE 6009-G
54	A	8	339	This assy. contains B5A 6250-C camshaft (w/14 teeth distr. drive gear) & B4A 6303-B crankshaft	1	B5C 6009-C
55/57	A	8	272		1	B7C 6009-A
55/	A, S	8	292		1	B9TE 6009-L
56/57	A, S	8	312	Includes (2) C1AE 6051-B gaskets	1	B7A 6009-B
58	A	8	332	Mechanical tappets-includes (10) C1AE 6065-A	1	**B8AE 6009-B
58/59	A	8	332	Hydraulic tappets-includes (10) C1AE 6065-A	1	**B8AE 6009-C
58	A (except Police Interceptor)	8	352	Mechanical tappets	1	**B8A 6009-B
58/	Police Interceptor (4/B carb.)	8	352	Hydraulic tappets-includes (10) C1AE 6065-A	1	**C1AE 6009-S
58/59	A, S (except Police Interceptor)	8	352	Hydraulic tappets	1	**C0AE 6009-A
59/	S	8	430	Hydraulic tappets	1	**B9LE 6009-A

<b>6010 BLOCK ASSY. - CYLINDER</b>						
				<i>Also Refer to Group 6026</i>		
52/53	A	6	215	3 9/16" bore	1	B2AE 6010-A
54/56	A	6	223	3 5/8" bore-(16) 7/16"-14 cylinder head bolts	1	A C1AE 6010-C
55/57	A	8	272	3 5/8" bore	1	B6A 6010-D
55/	A, S	8	292	3 3/4" bore	1	B5AE 6010-B
56/57	A, S	8	312	3.8" bore	1	B6A 6010-C
58/		8	332,352	4" bore	1	Δ C3AZ 6010-B
59/	S	8	430	4.3" bore	1	COME 6010-A
52/	A	6	215,223	Dowel (cyl. block to front cover)-5/16" x 9/16"	2	73248-S (N86)
54/	A, S	6&8	All	Dowel (cyl. block to clutch housing)-3/8" x 9/16"	2	73249-S (N88)
58/	A, S	8	332,352	Dowel (intake man. to cyl. block)-5/16" x 11/16"	1	*73268-S
58	A, S	8	332,352	Pin-dowel (cylinder block)-5/16" x 3/4"	2	357648-S8 (NN55)
49/50	A	6	226	Plug (cylinder block expansion)-side-1 3/16"	4	74120-S(P7)
49/51	A	6	226	Plug (cylinder block expansion) -side-1 5/16"	4	351701-S (PP87)
49/53	A	8	239	Plug-pipe (cylinder block oil filter outlet)-1/8"	1	353054-S (PP28)
52/	A	6	215,223	Plug (cyl. block oil indicator hole)-.385" dia.-cup type	1	352532-S (PP60)
49/53	A	8	239	Plug-Main oil line-front-3/8" pipe	1	87710-S (P16)
49/51	A	6	226	Main oil line	5	
49/51	A	6	226	Plug (cylinder block oil line)-oil pressure	3	353055-S7 (PP29)
49/53	A	8	239	outlet-1/4"-18-extended head	2	
52/53	A	6	215	Plug (cylinder block main oil line)-right side-1/4"-18 x 27/64" pipe-steel	2	87837-S (P15)
54/	A, S (239, 272, 292, 312)	8		Plug (cylinder block main oil lines)-1/4"-18 x 27/64" pipe-steel	3or4	87837-S (P15)
54/	A	6	223		2	

\* Includes timing chain, camshaft and crankshaft sprockets      \*\* Does not include tappets  
 † When fuel & vacuum pump is involved use B4A 9350-C. Refer to Page 6 Operating & Merchandising Information Letter No.91, May 1957 issue.  
 Δ Includes (2) 376893-S bolts, (2) 376894-S flat washers and (2) 376895-S flat washers. If used with camshaft thrust button and spring use to plug holes in front of block. If used with thrust plate use to retain plate to block.      † Refer to Group 12390

YEAR 19__	MODEL	NO. CYL.	CUBIC INCH DISP.	DESCRIPTION	QTY. PER VEHICLE	PART NUMBER
<b>6010 BLOCK ASSY. - CYLINDER - continued</b> <i>Also Refer to Group 6026</i>						
58/	A	6	223	Dowel (cyl. block to clutch housing)-3/8"x 3/4"	2	*73279-S
52/53	A	6	215	Plug (cyl. block main oil line)-front-3/8" pipe	2	87710-S(P16)
54	A	8	239	Plug (cylinder block main oil lines)-3/8" pipe	3	87710-S(P16)
54/	A	6	223		2	
55/	A, S (272, 292, 312)	8			2	
55/	A, S (272, 292, 312)	8		Plug (cylinder block main oil line)-front-lower L. H. -3/8" pipe	1	87710-S(P16)
58	A, S	8	332,352	Plug (cylinder block main oil line)-front- 9/16" cup type	1	C2DZ 6666-A
59/	A, S	8	332,352	Plug-cup type(main oil gallery-tappet valley)- .448"/.452" & .428"/.432" O.D. -.202"o/all thick.	1	359899-S(P66)
59/	S	8	430		1	
58/	A, S	8	332,352	Plug (cylinder block camshaft rear bearing	1	353001-S(PP85)
58	A, S	8	332,352	Plug (cylinder block tappet oil crossover holes)-3/8"-cup type	3or4	358960-S(PP62)
59/	A, S	8	332,352	Plug-cup type(cyl. block tappet oil crossover holes)-.448"/.452" & .428"/.432"O.D. -.202"over- all thickness	3	359899-S(PP66)
58	A, S	8	332,352	Plug-cup(cyl. block front & rear main oil gallery)- .428"/.432" & .448"/.453" O.D. -.202" o/all height	2	371080-S(PP64)
59/	A, S	8	332,352	Plug-cup type (oil line front face)-.448"/.452" &	2	359899-S(PP66)
59/	A, S	8	332,352	Plug-cup type(oil gallery rear face)-.448"/.452"	4	359899-S(PP66)
59/	S	8	430	& .428"/.432" O.D. -.202" overall thickness	4	
58	A, S	8	332,352	Plug (cylinder block oil line rear)-3/8"-cup type	1	358960-S(PP62)
58	A, S	8	332,352	Plug-cup (cyl. block core holes)-.44"/.443" &	5	371080-S(PP64)
59	S	8	430	.442"/.445" O.D. -.160" overall length	4	
58	A, S	8	332,352	Plug (cylinder block sides)-1 1/2" diam. cup type	6	370352-S(PP79)
59/	S	8	430	Plug (rear face of block)-1 1/2" diam. cup type	2	370352-S(PP79)
54/	A, S (239, 272, 292, 312)	8		Plug (cylinder block oil level indicator tube hole)-.495" diameter cup type	1	357875-S(PP67)
58	A, S	8	332,352	Plug (cylinder block tappet oil lines front)- .495" diameter-cup type	2	357875-S(PP67)
52/	A, S (239, 272, 292, 312, 332, 352)	8		Plug (cylinder block side)-cup type- 1.731" & 1.761" O. D. -.31" overall height	4or6	357217-S(PP82)
54/	A, S (239, 272, 292, 312, 332, 352)	8		Plug (cylinder block side)-cup type-O/S-	AR	354942-S(PP81)
58	A, S	8	332,352	Bolt (cylinder block oil drain hole plug)- 1/2"-13 x 3/4"	1	*20352-S8
59/	A, S	8	332,352	Plug (cylinder block rear)-cup type-3/4"	1	371058-S(PP73)
59/	S	8	430		1	
58	A, S	8	332,352	Gasket (cylinder block hole seal when Air Suspension is not used)	1	C2OZ 6734-A
59/	S	8	430	Plug-cup type (cylinder block tappet oil lines front)-.448"/.452" & .428"/.432" O. D. - .202" overall thickness	2	359899-S(PP66)
59/	A	8	332,352		2	
59	S	8	430	Plug-cup type (rear face of block)	4	371080-S(PP64)
59	S	8	430	Plug-cup type (cylinder block oil holes)	4	371080-S(PP64)
59	S	8	430	Bolt (block rear tapped hole plug)- 5/16"-18 x .44"-hex. locking	1	359061-S8(BB531)
59	S	8	430	Bolt & nylon pellet (air spring compressor oil drain hole)-7/16"-14 x 5/8"	1	*371363-S
58/59	A	8	332,352	Bolt & nylon pellet (air ride hole plug)- 1/2"-13 x 3/4"	1	*371364-S
59/	S	8	430	Plug-cup type-(cylinder block camshaft rear bearing)-2.573"/2.579" & 2.540"/2.546" O.D. -.30" overall thickness	1	359390-S(PP86)
52/	A	6	215,223	Plug-to seal camshaft bearing oil hole - .335"/.340" O. D. -cup shape-tapered	4	B2A 6026-A
52/	A	6	215,223	Plug-at distributor boss -.270"/.275" O. D.-acorn shape-.20" overall length	1	B2A 6026-B
57/	A	6	223	To plug unused oil level indicator hole	1	
54/56	A	6	223	To plug water pump drain back hole in cylinder block	1	
58/	A, S	8	332,352	Valve assy. -plug type (tappet air bleed lubrication)	1	B8A 6026-A

# FORD CAR PARTS

## SECTION 60

107

YEAR 19	MODEL	NO. CYL.	CUBIC INCH DISP.	DESCRIPTION	QTY. PER VEHICLE	PART NUMBER
<b>6013 PARTIAL GASKET SET - ENGINE OVERHAUL</b>						
52/53	A	6	215		1	B7A 6013-A
	Consists of the following			2-B4A 6701-A	Packing (crankshaft)	
	2-EAA 6336-B	Oil seal (crankshaft)		1-86H 6734-A	Gasket (drain plug)-7/8"	
	1-EAA 6619-C	Gasket (cover plate)		1-B7A 8507-A	Gasket (water pump)	
	1-B4A 6626-A	Gasket (inlet tube)		1-EAA 8507-A	Gasket (water pump)	
	1-B7A 6659-A	Gasket (oil pump mounting)		1-B5A 9417-A	Gasket (fuel pump mounting)	
	1-EAA 6700-B	Oil seal (crankshaft)		1-01A 12410-A	Gasket (drain plug)-1/2"	
49/51	A	6	226		1	A7A 6013-B
	Consists of the following			1-7HA 6701	Packing (crankshaft rear)	
	1-7HA 6020	Gasket (cyl. timing gear front cover)		1- B 6734	Gasket (oil pan drain plug)	
	1-7HA 6344	Gasket (c/shaft rear oil packing ret.)		1-7HA 6838-A	Gasket (oil filter mounting)	
	3-7HA 6521	Gasket (valve chamber cover)		1-7HA 8255	Gasket (water outlet connection)	
	1-7HA 6619	Gasket (oil pump cover plate)		1-7HA 8507	Gasket (water pump housing)	
	1-7HA 6626	Gasket (oil pump inlet tube)		1-7RA 9417	Gasket (fuel pump mounting)	
	1-7HA 6659-B	Gasket (oil pump to cyl. block)		1-1GA 9435-C	Gasket (intake manifold)	
	1-1GA 6669	Gasket (oil relief valve plug)		1-7HA 9447	Gasket (carb. to int. manifold)	
	1-1GA 6700-A	Packing (cyl. front cover)		1-1GA 9450	Gasket (exhaust manifold)	
49/53	A	8	239		1	A8T 6013-C
	Consists of the following			2-8BA 8255-B	Gasket (water outlet)	
	1-8BA 6020	Gasket (cylinder front cover)		2-8BA 8507	Gasket (water pump mounting)	
	1-8BA 6619	Gasket (oil pump cover plate)		1- 48 9374	Gasket (fuel pump adapter)	
	1-7HA 6626	Gasket (oil pump inlet tube)		1-1GA 9417	Gasket (fuel pump mounting)	
	1-1CM 6659-A	Gasket (oil pump drive gear cover)		1- 18 9433	Gasket set (exhaust manifold)	
	1-8BA 6669-A	Gasket (oil pump relief valve nut)		1-EBV 9447-A	Gasket (carburetor to int. man.)	
	1- B 6700-A	Packing (cylinder front cover)		1-1GA 9450	Gasket (manifold outlet)	
	1-1BA 6701-B	Packing (crankshaft rear)				
54/55	A,S	8	239, 272,292		1	B4A 6013-J
	Consists of the following			1-EAA 6700-B	Oil seal (crankshaft)	
	2-B4A 6348-A	Seal (crankshaft rear retainer)		2-B4A 6701-A	Packing (crankshaft)	
	1-B4A 6436-A	Seal (starter to flywheel housing)		1-86H 6734	Gasket (drain plug)	
	1-EAD 6619-A	Gasket (cover plate)		1-EAM 6840-A	Gasket (oil filter adapter)	
	1-B4A 6625-A	Gasket (oil pump screen cover)		1-B6A 6870-A	Gasket (crankcase vent cover)	
	1-B4A 6643-A	Seal (oil pump inlet tube)		1-EAN 8507-B	Gasket (water pump)	
	1-B4A 6648-A	Gasket (oil pump tube)		1-B5A 9417-A	Gasket (fuel pump mounting)	
	1-B4A 6659-A	Gasket (oil pump mounting)		1-EBU 9417-A	Gasket (fuel pump mounting)	
	1-8EL 6669	Gasket (oil relief valve plug)				
<b>6014 PARTIAL GASKET SET - ENGINE UPPER SERVICE - VALVE GRIND</b>						
52/53	A	6	215		1	B5A 6014-C
	Consists of the following			1-EAG 8255-B	Gasket (water outlet)	
	1-EAA 6521-B	Gasket (valve push rod cover)		6-B6A 9447-B	Gasket (carburetor mounting)	
	2-EAA 6570-C	Grommet (valve rocker arm)		1-1GA 9450	Gasket (manifold outlet)	
	1-EAA 6584-C	Gasket (valve rocker arm cover)		4-B6J 9461-A	Gasket (manifold int.) (1954-55 only)	
	4-EAA 6589-B	Grommet (valve push rod cover)		4-EAA 9461-A	Gasket (intake manifold to cylinder block) (1952-53 only)	
	1-EAA 6594-A	Seal (oil inlet tube)				
52/53	A	6	215		1	B2AZ 6014-A
	Consists of the following			1-EAA 6594-A	Seal (oil inlet tube)	
	1-C1AE 6521-C	Gasket (push rod cover)		1-EAG 8255-B	Gasket (water outlet)-Truck	
	2-EAA 6570-C	Grommet (rocker arm cover)		1-C1SZ 9417-A	Gasket (fuel pump)	
	4-B9A 6570-A	Grommet (push rod cover)		1-1GA 9450	Gasket (manifold outlet) or	
	12-EAA 6571-A	Seal (valve stem)		C1SZ 9450-A		
	1-B7A 6584-A	Gasket (valve rocker arm cover)		4-EAA 9461-A	Gasket (manifold intake)	
54	A	8	239		1	B4AZ 6014-A
55	A,S	8	272,292		1	
	Consists of the following			1-EAN 8563-B	Gasket (radiator by-pass)	
	1-C0AE 6521-A	Gasket (valve push rod cover)		1-C0SE 9417-A	Gasket (fuel pump)	
	2-B9A 6570-A	Grommet (valve push rod cover)		3-EBU 9450-B	Gasket (manifold outlet)	
	4-B9A 6570-A	Grommet (valve rocker arm cover)		1-1GA 9450	Gasket (manifold outlet)	
	16-B5A 6571-A	Seal (valve stem)		2-B5A 9450-A	Gasket (manifold outlet)	
	2-B9AE 6584-B	Gasket (valve rocker arm cover)				
	1-B5A 8255-A	Gasket (water outlet)				

YEAR 19	MODEL	NO. CYL.	CUBIC INCH DISP.	DESCRIPTION	QTY. PER VEHICLE	PART NUMBER
<b>6017 COVER - CYLINDER TIMING GEAR - SIDE</b>						
49/51	A	6	226		1	7HA 6017-A
49/51	A	6	226	Bolt (cylinder side cover to cylinder block attaching)-3/8"-16 x 1"	2	20388-S8 (B80)
				Lockwasher-3/8"		34847-S8 (X74)
				Washer-flat-3/8"		44727-S8 (X24)
<b>6018 GASKET - CYLINDER TIMING GEAR SIDE COVER</b>						
49/51	A	6	226		1	7HA 6018
<b>6019 COVER ASSY. - CYLINDER TIMING GEAR -FRONT</b> <i>Also Refer to Group 6059</i>						
49/51	A	6	226		1	7HA 6019-C
49/51	A	6	226	Pressed steel	1	1HA 6019-A
49/51	A	6	226	Bolt (cylinder front cover to cylinder block)-3/8"-16 x 1"-use with pressed steel cover	5	20388-S8 (B80)
49/51	A	6	226	Bolt (cylinder front cover to cylinder block)-3/8"-16 x 1"-use with aluminum cover	4	
49/51	A	6	226	Bolt (cylinder front cover to cylinder block)-3/8"-16 x 2 1/4"-use with aluminum cover	1	20534-S8 (B90)
				Washer-flat-3/8"		44727-S8 (X24)
				Lockwasher-3/8"		34847-S8 (X74)
49/51	A	6	226	Bolt (cylinder front cover to side cover)-3/8"-16 x 1"-use with pressed steel side cover & aluminum front cover	3	20388-S8 (B80)
49/51	A	6	226	Bolt (cylinder front cover to side cover)-3/8"-16 x 1 1/4"-use with aluminum side cover & aluminum front cover	3	20428-S7-8 (B82)
51	A	6	226	Bolt (cylinder front cover to side cover)-3/8"-16 x 3/4"	3	20348-S8 (B77)
49/51	A	6	226	Bolt (cylinder front cover to side cover)-3/8"-16 x 1"-use with pressed steel front cov. & aluminum side cover	3	20388-S8 (B80)
49/51	A	6	226	Bolt (cylinder front cover to side cover)-3/8"-16 x 1"-use with aluminum front cover & cast iron side cover	3	20388-S8 (B80)
				Nut-3/8"-16		33799-S7 (M52)
				Washer-flat-3/8"		44727-S8 (X24)
				Lockwasher-3/8"		34847-S8 (X74)
59/	S	8	430		1	B9SZ 6019-A
59/	S	8	430	Plug-expansion-1.636"/1.640" O. D. -cup type	1	359875-S (PP80)
59	S	8	430	Bolt (cover to block)-5/16"-18 x 7/8"	2	20366-S8 (B52)
59	S	8	430	Bolt (cover to block)-5/16"-18 x 2"	4	20520-S8 (B63)
59/	S	8	430	Washer-flat-5/16"	8	44722-S8 (X19)
<b>6019 KIT - CYLINDER FRONT COVER</b> <i>Also Refer to Group 6059</i>						
52/	A	6	215,223		1	C1AZ 6019-B
Consists of the following						
1-C1AE 6019-A Cover			1-C1AE 6020-A Gasket			
1-C1AE 6310-A Slinger			1-C2AZ 6700-A Oil seal			
52/	A	6	215,223	Bolt (cyl. front cover to block)-1/4"-20 x 1/2"	10	20308-S7 (B40)
				Lockwasher-1/4"		34805-S8 (X62)
52/	A	6	215,223	Dowel (cyl. front cover to block)-5/16"x 9/16"	2	73248-S (N86)
55/57	S	8	292,312		1	C2TZ 6019-A
Consists of the following						
1-B4A 6020-A Gasket			1-C2AZ 6700-A Oil seal			
1-C2TE 6059-A Cover			1-C1SZ 9417-A Gasket			
56/	A	8	292		1	C2AZ 6019-B
55/57	A	8	272,312		1	
Consists of the following						
1-B4A 6020-A Gasket (cylinder front cover)			1-C2AZ 6700-A Oil seal (cylinder front cover crankshaft)			
1-C2AE 6059-B Cover (cylinder front)			1-C1SZ 9417-A Gasket (fuel pump mounting)			
58/	A, S (332, 352)	8			1	C2AZ 6019-A
Consists of the following						
1-C0AE 6020-C Gasket (cylinder front cover)			1-C2AZ 6700-A Oil seal (cylinder front cover crankshaft)			
1-C0AE 6023-C Pointer (timing)-(except 4/B Special)			1-C1SZ 9417-A Gasket (fuel pump mounting)			
1-C0AE 6023-D Pointer (timing)-(4/B Special)			4-374408-S Bolt-5/16"-18 x 3/4"			
1-C2AE 6059-C Cover (cylinder front)			2-373913-S Screw-No. 10-24 x .312"			
			4-374409-S Bolt-3/8"-16 x 7/8"			



# FORD CAR PARTS

## SECTION 60

YEAR 19.....	MODEL	NO. CYL.	CUBIC INCH DISP.	DESCRIPTION	QTY. PER VEHICLE	PART NUMBER
<b>6020 GASKET - CYLINDER TIMING CHAIN/TIMING GEAR FRONT COVER</b>						
49/51	A	6	226		1	7HA 6020
52/	A	6	223		1	C1AE 6020-A
49/53	A	8	239		1	8BA 6020
54/	A, S (239, 272, 292, 312)	8		(7) 11/32" & (3) 13/32" diam. holes-.018"/.023" thick	1	B4A 6020-A
58/	A, S	8	332,352	(4) 11/32" & (4) 13/32" diam. holes-.125" thick	1	COAE 6020-A
59/	S	8	430	Rubber & fibre-(10) 11/32" diam. bolt holes-.030"/.034" thick	1	B8S 6020-A
<b>6022 GASKET - AIR SPRING COMPRESSOR OIL DRAIN HOSE CONNECTOR</b>						
59	S	8	430		1	B8S 6022-A
<b>6023 PIN - TIMING</b>						
49/53	A	8	239	3/16" x 1.14"	1	8BA 6023
<b>6023 POINTER - TIMING</b>						
54	A	8	239	3 57/64" overall length (2) 21/64" holes	1	EAN 6023-B
55/59	A (272, 292, 312)	8		3 51/64" hole centers (2) 21/64" holes-1.08" pointer length	1	B5A 6023-C
55/59	A (272, 292, 312)	8		Bolt (pointer & water pump to cylinder front cover)-5/16"-18 x 1 1/4"-hex. head	2	20426-S8 (B55)
55/57	S-w/o S/C	8	292,312	3 51/64" hole centers (2) 21/64" holes-2 1/8" pointer length	1	B5S 6023-B
57	S-S/C	8	312	3 51/64" hole centers (2) 21/64" holes-1 5/8" pointer length	1	B7S 6023-A
58/	A, S	8	332,352	2 1/2" overall length-(2) 7/32" holes	1	COAE 6023-D
59/	S	8	430	3 17/32" hole centers (2) 21/64" holes	1	B8S 6023-A
<b>6A023 SUPPORT ASSY. - ENGINE REAR -Also refer to Group 6010</b>						
58/	S	8	352		1	B8SZ 6A023-A
59/	S	8	430		1	B9SZ 6A023-A
58/	S	8	430	Nut (support to body)-3/8"-24	4	33800-S8 (M63)
<b>6025 BUSHING - FUEL PUMP PUSH ROD</b>						
49/53		8	239		1	8BA 6025
<b>6026 PLUG - CYLINDER BLOCK -Also refer to Group 6010</b>						
52/	A	6	215,223	To seal camshaft bearing oil hole-.335"/.340" O. D. -cup shape-tapered	4	B2A 6026-A
52/	A	6	215,223	At distributor boss-.270"/.275" O. D. -acorn shape-.20" overall length	1	B2A 6026-B
57/	A	6	223	To plug unused oil level indicator hole	1	
54/56	A	6	223	To plug water pump drain back hole in cylinder block	1	
58/	A, S	8	332,352	Valve assy. (tappet air bleed lubrication)	1	B8A 6026-A
<b>6A027 SPACER - ENGINE FRONT SUPPORT INSULATOR</b>						
55/56	S	8	292,312	37/64" I. D. -.3/4" O. D. -1 23/64" long	1	B3TZ 6A027-A
57	S	8	292,312	.57"/.58" I. D. -.66"/.67" O. D. -1.55" long	2	B7TZ 6A027-A
<b>6028-9 BRACKET ASSY. - ENGINE FRONT SUPPORT</b>						
54/	A	6	223	R. H.	1	COAA 6028-A
				L. H.	1	COAA 6029-A
52/	A	6	215,223	Bolt (brkt. to cyl. block)-7/16"-14 x 1"-hex.head	6	20390-S8(B102)
54/	A	6	223	Lockwasher - 7/16"	6	357625-S7-8 <sup>(XX304)</sup>
55/57	S	8	292,312	Lockwasher - 7/16"	1	B6C 6028-A
55/57	S	8	292,312	Bolt (front support bracket & cyl. front cover to cyl. block)-5/16"-18 x 3 3/4"-hex. head	1	21579-S7-8(B305)
				Lockwasher - 5/16"		34806-S7(X64)
56/57	S	8	292,312	Bolt (bracket & cylinder front cover to block)-3/8"-16 x 3 3/4"-hex. head	2	356684-S8(BB169)
				Lockwasher 3/8"		34807-S8(X66)
				Lockwasher-3/8"-special	2	357629-S7(XX3-3)
59/	S	8	430		2	B9S 6028-A
59	S	8	430	Bolt (bracket to cyl. block)-7/16"-14 x 1"-hex. hd.	8	20390-S8(B102)
				Lockwasher-7/16"		34808-S8(X67)
				Washer-flat-1 1/4"	2	
				Nut-lock-1/2"-20	2	34449-S7-8(M85)
<b>6030-31 BRACKET ASSY. - ENGINE FRONT MOUNTING</b>						
59/	S	8	430	R. H.	1	B8S 6030-A
				L. H.	1	B8S 6031-A

YEAR 19	MODEL	NO. CYL.	CUBIC INCH DISP.	DESCRIPTION	QTY. PER VEHICLE	PART NUMBER
<b>6A034 SPACER - CYLINDER HEAD ROCKER ARM SUPPORT PAD</b>						
52/53	A	6	215	1.98" x 1" x .78"-(1) 1/2" hole-used under each rocker arm shaft support with B2AE 6049-A	6	B2AE 6A034-A
<b>6038 INSULATOR ASSY. - ENGINE FRONT SUPPORT - Also Refer to Groups 5057 &amp; 5058</b>						
54/58	A	6	223		2	B7A 6038-A
59/	A	6	223		2	B9A 6038-A
49/53	A	6	215,226		2	MA 6038-B
49/53	A	8	239		2	
49/51	A	6	226	Bolt (engine front support insulator to bracket)-3/8"-24 x 1 1/4"	4	20429-S8(B172)
52/53	A	6	215	Bolt(eng.front suppt.insulator to brkt)-3/8"-24 x 1"	4	20389-S8(B171)
				Locknut-3/8"-24		34445-S7-8(M80)
49/53	A	8	239	Bolt (engine front support insulator to water pump housing)-3/8"-16 x 3/4"	4	20348-S8 (B77)
				Lockwasher-3/8"		34847-S8 (X74)
				Locknut-3/8"-24		34445-S7-8(M80)
49/51	A	6	226	Support (engine front insulator)-R. H.	1	1HA 5057
49/51	A	6	226	Support (engine front insulator)-L. H.	1	1HA 5058
49/51	A	6	226	Bolt (engine front insulator support to frame)-3/8"-24 x 1 1/4"	4	20429-S8(B172)
				Locknut-3/8"-24		34445-S7-8(M80)
				Washer-flat-.875" O.D.-.41" I.D.-.19" thick		351415-S(XX128)
54	A	8	239		2	B7A 6038-B
55/56	A	8	272,292		2	
56	A (except 78)	8	312		2	
57/58	A(272, 292, 312, 332, 352)	8			2	
59/	A	8	292,352		2	C1MM 6038-C
58/	S	8	352		2	
54/	A (239, 272, 292, 312, 332, 352)	8		Bolt (engine front support insulator to cylinder block)-7/16" - 14 x 1"-hex head	4	20390-S8(B102)
54/	A	6	223	Bolt (engine front support insulator to bracket)-7/16" - 20 x 7/8" hex. head	4	★24371-S
54/	A	6	223	Nut-7/16" - 14	4	34671-S8(M67)
54/	A (239, 272, 292, 312, 332)	8			4	
54/	A	6	223	Lockwasher-7/16"	4	357625-S7-8(XX304)
54/	A (239, 272, 292, 312, 332)	8			4	
55/57	S	8	292,312		1	B5S 6038-A
55/57	S	8	292,312	Nut(eng.frt.insulator bolt)-9/16"-18-special round	1	B3T 6041-A
55/57	S	8	292,312	Bolt (insulator to frame bracket)-9/16"-18 x 2 3/8" hex. head	1	21090-S8(B216A)
				Lockwasher-9/16"		34810-S7(X69)
55/57	S	8	292,312	Bolt (engine front support insulator to bracket)-7/16"-20 x 1 1/8"-hex. head	2	20411-S7(B184)
55/57	S	8	292,312	Nut-7/16"-14-hex.	2	34671-S8(M67)
				Lockwasher-7/16"		357625-S7(XX304)
				Washer-flat-7/16"		351428-S7(XX166)
58/	S	8	352	Bolt(insulator to cyl. block)-7/16"-14 x 1"-hex.hd.	4	20390-S8(B102)
58/	S	8	352	Lockwasher-7/16"	4	357625-S7(XX304)
58/	S	8	352	Nut (insulator to frame)-1/2"-20	2	34424-S7(M84)
59/	S	8	430	Approx. 2.72" x 3.44" x 1.70"	2	B9S 6038-A
<b>6039 INSULATOR - ENGINE FRONT SUPPORT REBOUND</b>						
59/	S	8	430		1	C20Z 6039-B
<b>6039 INSULATOR - ENGINE FRONT SUPPORT REBOUND - LOWER</b>						
55/57	S	8	292,312	1.88" & 2.50" O.D. - .97" free height	1	TAAA 6039-A
59/	S	8	430	2 1/2" & 1 3/4" O.D. - 1" height	2	B9S 6039-A
<b>6041 NUT - ENGINE FRONT SUPPORT INSULATOR BOLT</b>						
55/57	S	8	292,312	9/16"-18-special round	1	B3T 6041-A
<b>6049-50 HEAD - CYLINDER</b>						
52/53	A	6	215	Includes (6) B2AE 6A034-A spacers	1	B2AE 6049-B
52/53	A	6	215	Consists of (1) B2AE 6049-B (1) EAA 6051-B gasket & (6) B2AE 6A034-A spacers	1	B2AZ 6049-A
54/59	A	6	223	Use with 7/16" head bolts-includes (1) COAZ 6051-A gasket	1	B9AZ 6049-F
49/51	A	6	226	Cast iron-identification OHA cast on top side of hd.	1	OHA 6050



# FORD CAR PARTS

## SECTION 60

YEAR	MODEL	NO. CYL.	CUBIC INCH DISP.	DESCRIPTION	QTY. PER VEHICLE	PART NUMBER
<b>6049-50 HEAD - CYLINDER - continued</b>						
49/51	A	8	239	R.H. -cast iron-identification marking 8RT cast on top side of head	1	8RT 6049-A
				L.H.-cast iron-identification marking 8RT cast on top side of head	1	8RT 6050-A
49/51	A	8	239	R.H.-cast iron-identification marking 8RT 6049-B cast on top side of head	1	8RT 6049-B
				L. H. -cast iron-identi. marking 8RT 6050-B cast on top side of head-use with EAB 6083-B Gasket	1	8RT 6050-B
52/53	A	8	239	R.H.-cast iron-identification marking EAB 6049-D cast on top side of head	1	EAB 6049-D
				L. H.-cast iron-identification marking EAB cast on top side of head	1	EAB 6050-C
53	A	8	239	L. H. -cast iron-identi.marking EAB 6050-D cast on top side of head-use with EAB 6083-B Gasket	1	EAB 6050-D
54	A	8	239	#EBU 6090-F or G-18MM spark plug holes-use B5A 6571-A seal with this cylinder head & 88492-S stud to attach intake manifold use - B5A 6060-A adapter for 14MM spark plugs	2	B4A 6049-G
55	A-except 182 H. P. special with F/M	8	272	Consists of (1) B6A 6049-M, (1) C1AE 6051-B gasket & (4) COME 6507-N valves	2	B6AZ 6049-A
56	A (S/T & O/D)	8	272		2	
56	A (F/M)	8	292		2	
55/56	S (S/T & O/D)	8	292		2	
56	A, S (F/M)	8	312		2	
56	A (with F/M)	8	272		2	
55	A-"182 H. P. Special"-(with F/M)	8	272	18MM Spark plug holes	2	B6A 6049-N
56	A-"Special"-(with F/M)	8	292		2	
55	S (with F/M)	8	292		2	
56	P/I (with S/T & O. D without S/C)	8	312	#ECZ 6090-A	1	B6A 6049-R
57/59	A	8	272,292	Consists of (1) B7A 6049-A & (1) C3TZ 6051-D gasket	2	B7AZ 6049-A
57	A (without S/C)	8	312		2	
57	S (S/T & O/D)	8	292		2	
57	S (F/M & O/D-without S/C)	8	312		2	
57	A, S (S/C)	8	312		2	
58/59	A, S	8	332,352	Refer to Product Service Letter P-457	2	B9AE 6049-C
58/59	A, S	8	332,352	Consists of (1) B9AE 6049-C & (1) B9AE 6051-A gasket	2	B9AZ 6049-G
59/	S	8	430	Note 1	2	B9ME 6049-C
59/	S	8	430	Consists of (1) B9MZ 6049-C & (1) C1VE 6051-A gasket - Note 1	2	B9SZ 6049-A
54	A	8	239	Bolt (rear water outlet bolt hole plug) - 3/8"-16 x 1/2"-hex. head	2	20312-S7-8 (B75)
55	A, S	8	272,292		1	
49/50	A	6	226	Plug (cylinder head)-1/4"-18 pipe	3	353055-S7(PP29)
49/51	A	6	226	Plug (cylinder head hot water heater outlet)-3/8"	1	358066-S8 (PP36)
52/57	A	6	215,223		1	
49/53	A	8	239		1	
52/	A, S (239, 272, 292, 312, 332, 352, 430)	8		Plug (cylinder head end)-1 3/4" diam. -cup type	4	357217-S(PP82)
58	A, S	8	332,352	Plug (cylinder head end)-1 1/4" expansion	4	353063-S7(PP78)
58/	A, S	8	332,352	Plug (cylinder head top)-3/4" pipe-socket head	6	358048-S(PP43)
59/	S	8	430		6	
54/56	A, S (239, 272, 292, 312)	8		Plug (cylinder head end)-cup type - O/S 1.788"/1.794" & 1.772"/1.778" O. D.	4	354942-S(PP81)
59/	S	8	430	Plug (cylinder head)-1 1/2" diam-cup type	4	370352-S(PP79)
59/	S	8	430	Washer (cyl.head to block)-flat-9/16"	20	371125-S(XX221)
<b>6051 GASKET - CYLINDER HEAD</b>						
52/53	A	6	215		1	EAA 6051-B
52/53	A	6	215	Asbestos & steel-use with 7/16" head bolts-	1	COAZ 6051-A
54/	A	6	223	optional with COAE 6051-B	1	
54/	A	6	223	Steel-use with 7/16" head bolts-optional with COAZ 6051-A	1	COAE 6051-B
49/51	A	6	226		1	7HA 6051
49/53	A	8	239	R. H. -.048"/.051" thick	1	EAB 6051-B
				L. H.	1	EAB 6083-B
54	A	8	239	Steel-.021" thick-#EBU 6051-H	2	B4A 6051-C

# Identification marking Note 1 - Use B8S 6505-AA valves

YEAR 19	MODEL	NO. CYL.	CUBIC INCH DISP.	DESCRIPTION	QTY. PER VEHICLE	PART NUMBER
<b>6051 GASKET - CYLINDER HEAD - continued</b>						
54	A	8	239	Used only when replacing cylinder block or cylinder ass'y. with 1955 model and using the (EBU identification marked) 1954 cylinder head	2	B5C 6051-A
55	A, S	8	272,292	Steel-.021" thick-#ECG 6051-A	2	B6A 6051-A
56/	A, S (272, 292, 312)	8		Steel-.021" thick-#CIAE 6051-B	2	C1AE 6051-B
58/	A (A Special), S, P/I	8	332,352		2	B9AE 6051-A
59/	S	8	430		2	C1VE 6051-A
<b>6052 PLUG - CYLINDER HEAD</b>						
54/	A, S (239, 272, 292, 312)	8		R. H. -rear-left side-cup type-.914"/.920" O.D. - .32" overall length	1	EAN 6052-A
<b>6053 RETAINER ASSY. - ENGINE REAR MOUNTING BOLT</b>						
58/	S	8	352	4.30" long-1.44" wide-3 1/16" bolt centers- (1) 13/32" hole	1	B8A 6053-A
<b>6054 RETAINER - ENGINE REAR SUPPORT</b>						
51/59	A (except 312 S/W)	6&8	All	Clearance recess 4.18" long-(1) 1/4" hole-(2) 17/32" holes- 6 9/32" hole centers	1	B7A 6054-A
57	S/W (with F/M)	8	312		1	
55/57	S (292, 312)	8			1	
58/	S	8	352		1	
56	S/W	8	312	Clearance recess 4.18" long-6 9/32" elongated bolt hole centers-7 9/32" overall length- 2 25/32" height	1	B5A 6054-A
51/56	A (215, 223, 226)	6		Bolt(engine rear support retainer to - transmission extension)-3/8" - 16 x 1"	2	20388-S8(B80)
51/56	A, S (239, 272, 292, 312)	8			2	
51/53	A (215, 223, 226)	6		Lockwasher-3/8"	2	34807-S8(X66)
51/53	A	8	239,272		2	
54/56	A	6	223	Lockwasher-3/8" - special	2	357629-S7(XX33)
54/56	A, S (239, 272, 292, 312)	8			2	
				Flat washer-3/8"	2	44727-S8(X24)
57/	A	6	223	Bolt(retainer to trans.extension)-1/2"-13 x 7/8" hex head	2	*20372-S8
57/	A, S-272, 292(312 exc. S/W), 332, 352, 430)	8			2	
				Nut - 1/2" - 13	2	33845-S8(M57)
				Lockwasher-1/2"	2	34809-S8(X68)
56	S	8	All	Nut-3/8"-16	2	33799-S7 (M52)
57	S/W	8	312	Lockwasher-3/8"	2	34807-S8(X66)
<b>6055 SLEEVE - CYLINDER BLOCK</b>						
49/53	A	8	239	Cast iron-3.168"/3.172" I. D. -3.368"/3.369" O. D. -6 1/2" long-rough finish-use with cyl. blocks without milled depression between valve port and cylinder	8	59A 6055-E
<b>6057 INSERT - VALVE SEAT</b>						
49	A	8	239	Intake & exhaust-1.6530"/1.6535" O. D.	16	A0A 6057-AA
50/53	A	8	239	Exhaust	8	
49/51	A	6	226	Exhaust	6	
49	A	8	239	Intake & exhaust-1.6330"/1.6335" O. D.	16	A0A 6057-AB
50/53	A	8	239	Exhaust	8	
49/51	A	6	226	Exhaust	6	
<b>6059 COVER - CYLINDER TIMING GEAR - FRONT</b> <i>Also Refer to Groups 6019</i>						
49/53		8	239	Aluminum	1	8BA 6059-C
49/53	A	8	239	Bolt (cover to block)-5/16"-18 x .90"	5	354634-S(BB440)
				Lockwasher-5/16"		34806-S7(X64)
54/59	A, S (239, 272, 292, 312)	8		Bolt (cover to block)-5/16"-18 x 1 1/4"-hex.head	1	20426-S8(B55)
54/	A (239, 272, 292, 312)	8		Bolt (cover to block)-3/8"-16 x 1 1/8"-hex.head	3	20408-S7(B81)
54/	A, S (239, 272, 292, 312)	8		Bolt(cover to block)-5/16"-18 x 2 3/4"-hex. hd.	1	*45526-S8
55/	A	8	272,292	Bolt (cover to block)-5/16"-18 x 3"-hex. head	1	45532-S8 (B65)
55/57	S	8	292	Bolt (generator front bracket & cylinder front cover to block)-5/16"-18 x 3"-hex. head	2	45532-S8(B65)
55/56	S	8	292	Bolt (generator adjustment arm to engine front support bracket & cylinder front cover to block)-3/8"-16 x 4"-hex. head	1	45564-S8(B97)
<b>6060 ADAPTER - SPARK PLUG</b>						
54	A	6	223	Use with 14 MM spark plug when installed in cylinder heads with 18MM spark plug holes	6	B5A 6060-A
54	A	8	239		8	

YEAR 19	MODEL	NO. CYL.	CUBIC INCH DISP.	DESCRIPTION	QTY. PER VEHICLE	PART NUMBER
<b>6065 BOLT - CYLINDER HEAD</b>						
52/	A	6	215,223	7/16"-14 x 4.06"	16	B2AZ 6065-A
54	A	8	239		10	
55	A, S	8	272,292		10	
56/	A, S (272, 292, 312)	8			6	
59	A - with A/C	6	223	Bolt (compressor mounting bracket to cvl. head) -7/16"-14 x 4 1/2"-hex. head	2	B9AZ 6065-A
49/53	A	8	239	7/16"-14 x 1.94"	20	8BA 6065-A
49/53	A	8	239	7/16"-14 x 2.62"	28	A8TZ 6065-A
49/51	A	6	226		33	
53	A-with power steering	8	239	7/16"-14 x 3.15"-replaced by 40 6067 stud & 351025-S7 nut this operation	2	★EAC 6066-A
54/	A, S (239, 272, 292, 312)	8		7/16"-14 x 2.13"	10	B6A 6065-A
56/	A, S (272, 292, 312)	8		7/16"-14 x 4.32"	4	B6AZ 6065-A
58/	A, S	8	332,352	1/2"-13 x 4.22"	10	B8AZ 6065-A
58/		8	332,352	1/2"-13 x 2 7/8"	10	B4A 6345-A
59/	S	8	430	9/16"-12 x 4.28"/4.34"	20	C0SZ 6065-A
59/	S	8	430	Washer-flat-5/8"	19	★359894-S
<b>6067 STUD - CYLINDER HEAD</b>						
53	A-with power steering	8	239	Power steering pump support brkt. to cyl. head	2	40 6067
53	A-with power steering	8	239	Nut (stud to bracket)-7/16"-20	2	351025-S7(MM23)
<b>6068 SUPPORT ASSY. - ENGINE REAR</b>						
49/50	A	6&8	All		1	8A 6068-B
49/50	A			Bolt (engine rear support to trans. extension & crossmember)-3/8"-24 x 3/4"	4	
49/50	A			Locknut-3/8"-24 -3/8"-24 x 3/4"-hex. head		34370-S8(M99)
49/50	A			Bolt (engine rear support to trans. extension)	2	20349-S7(B170)
49/50	A			Bolt (engine rear support to No. 2 cross member)-3/8"-24 x 1 1/4"	2	20429-S8(M172)
49/50	A			Locknut-3/8"-24		34445-S7-8(M80)
49/50	A			Washer-.875" O. D. -.41" I. D. -.19" thick		351415-S(XX128)
51/56	A (215, 223, 226)	6			1	AD 6068-D
51/56	A, S (239, 272, 292, 312)	8			1	
51/53	A	6	215,223	Bolt (engine rear support to frame)	2	20411-S7(B184)
51/53	A	8	239		2	
				Locknut-7/16"-20 x 1 1/8"	2	34447-S2(M83)
				Flat washer-7/16"	2	356590-S(XX171)
54/	A	6	223	Bolt (rear support to frame)-7/16"-20 x 1 1/8"	2	20411-S7(B184)
54/	A, S (239, 272, 292, 312, 332, 352)	8		hex. head	2	
				Nut-7/16"-20	2	34671-S8(M67)
				Flat washer-.47" I. D. -.78" O. D. -.10" thick- steel	2	356590-S(XX171)
				Lockwasher-7/16"	2	357625-S7-8(XX304)
57/59	A	6	223		1	B9AA 6068-A
57/	A (272, 292, 312, 332, 352)	8			1	B7A 6068-A
57	S	8	292,312		1	
58/	S	8	352		1	B8S 6068-A
59/	S	8	430		1	B9S 6068-A
59/	S	8	430	Bolt (support to insulator)-3/8"-24 x 2.86"- shoulder-square head	1	370897-S(BB523)
59/	S	8	430	Washer-flat-3/8"	1	44727-S8(X24)
59/	S	8	430	Washer-flat-1" I. D. -.2.26" O. D.	1	372348-S(XX260)
59/	S	8	430	Nut-3/8"-24	1	34445-S7-8(M80)
<b>6070 PLATE - ENGINE REAR SUPPORT</b>						
58/	A	6	223		1	B8A 6070-A
58/	A (292, 332, 352)	8			1	
59	A (F/M/2)	6	223	Approx. 7 1/2" long-2" width at center-1 3/4"	1	★ B9A 6070-A
59	A (F/M/2) (292, 332, 352)	8		width at ends-.042" thick-(2) 17/32" holes- steel-dealer improvise	1	
<b>6073 TEE - ENGINE OIL FILTER</b>						
51/53	A	8	239	1/8"-18 tapered internal thread-1/8"-27 external thread-7/16"-24 internal thread-oil pressure gauge & oil filter inlet pipe	1	IBA 6073

YEAR 19	MODEL	NO. CYL.	CUBIC INCH DISP.	DESCRIPTION	QTY. PER VEHICLE	PART NUMBER
<b>6079 GASKET SET - VALVE GRIND</b>						
54/59	A	6	223	Optional with B9TZ 6079-A	1	B7AZ 6079-A
Consists of the following						
	1-COAE 6051-B			Gasket (cylinder head)	1-EAA 6594-A	Seal (oil inlet tube)
	1-C1AE 6521-C			Gasket (push rod cover)	1-EAG 8255-B	Gasket (water outlet)
	1-EAA 6570-C			Grommet (rocker arm cover)	1-1GA 9450	Gasket (manifold outlet) or
	4-B9A 6570-A			Grommet (push rod cover)	C1SZ 9450-A	
	12-B5A 6571-A			Seal (valve stem)	4-B6A 9461-A	Gasket (intake manifold)-(except P/D)
	1-B7A 6584-A			Gasket (rocker arm cover)	4-B6J 9461-A	Gasket (intake manifold)-(P/D)
54/59	A	6	223	Optional with B7AZ 6079-A	1	B9TZ 6079-A
Consists of the following						
	1-COAZ 6051-A			Gasket (cyl. head)	1-EAA 6594-A	Seal (oil inlet tube)
	1-C1AE 6521-C			Gasket (push rod cover)	1-EAG 8255-B	Gasket (water outlet)
	2-EAA 6570-C			Grommet (rocker arm cover)	1-1GA 9450	Gasket (manifold outlet) or
	4-B9A 6570-A			Grommet (push rod cover)	C1SZ 9450-A	
	12-B5A 6571-A			Seal (valve stem)	4-B6A 9461-A	Gasket (intake manifold) exc. P/D
	1-B7A 6584-A			Gasket (rocker arm cover)	4-B6J 9461-A	Gasket (intake manifold) P/D
56/59	A, S (272, 292, 312)	8			1	B7AZ 6079-C
Consists of the following						
	2-C3TZ 6051-D			Gasket (cylinder head)	1-EAN 8563-B	Gasket (water by-pass)
	1-COAE 6521-A			Gasket (push rod cover)	1-B7A 9439-B	Gasket (manifold)-R. H.
	6-B9A 6570-A			Grommet (4) Rocker Arm Cover (2) Push Rod Cover	1-C3TZ 9439-A	Gasket (manifold)-R. H. -(H/D Truck)
					1-B7A 9441-B	Gasket (manifold)-L. H.
	16-B5A 6571-A			Seal (valve stem)	1-C3TZ 9441-A	Gasket (manifold)-L. H. -(H/D Truck)
	2-B9AE 6584-B			Gasket (rocker arm cover)	3-1GA 9450	Gasket (manifold outlet)
	1-C1AE 6870-A			Gasket (vent. tube)	3-B5A 9450-A	Gasket (manifold outlet)
	1-B5A 8255-A			Gasket (water outlet)		
58/	A, S	8	332,352		1	B8AZ 6079-B
Consists of the following						
	2-B9AE 6051-A			Gasket (cylinder head)	1-B9AE 9A424-A	Seal (intake manifold rear)
	16-B8A 6571-B			Seal (valve stem)	1-B9AE 9A425-A	Seal (intake manifold, front)
	2-B9AE 6584-A			Gasket (valve rocker arm cover)	2-C2AZ 9441-A	Gasket (manifold)
	1-B8A 8255-A			Gasket (water outlet)	3-C1SZ 9451-A	Gasket (exhaust manifold to pipe)
59/	S	8	430		1	C0SZ 6079-A
Consists of the following						
	2-C1VE 6051-A			Gasket (cylinder head)	1-C1VE 8255-A	Gasket (water outlet)
	1-C0ME 6521-A			Gasket (valve cover)	2-B8S 9441-A	Gasket (intake manifold)
	8-B8S 6571-A			Seal (intake valve stem)	1-C0SZ 9448-A	Gasket (exhaust manifold)-R. H.
	8-B8S 6571-B			Seal (exhaust valve stem)	1-C0SZ 9448-B	Gasket (exhaust manifold)-L. H.
	2-B9ME 6584-C			Gasket (rocker arm cover)	2-B8S 9450-A	Gasket (exhaust manifold to pipe)
	1-B8S 6769-A			Seal (vent. tube)	1-373195-S	Grommet (distributor mounting stud)
<b>6083 GASKET - CYLINDER HEAD - L.H.</b>						
49/53	A	8	239	.048"/.051" thick	1	EAB 6083-B

**6108-9 PISTON ASSEMBLY**

Year	ENGINE		Model and Remarks	INCLUDES	Type	QTY. REQD.	PISTON		Part Number
	NO. CYL.	CUBIC INCH DISP.					SKIRT		
							RING GROOVES	SIZE	
<b>6 CYLINDER</b>									
52/53	6	215	A	∆	Solid	6	3	Std. -3.5628"	EAA 6108-G
								.020"	EAA 6108-J
								.030"	EAA 6108-K
								.040"	EAA 6108-L
								.060"	C3AZ 6108-A
54/	6	223	A	∆	Solid	6	3	Std. -3.625"	C3AZ 6108-A
								.020"	COAE 6108-AE
								.030"	C3AZ 6108-C
								.040"	C3AZ 6108-D
								.060"	COAE 6108-AH
49/51	6	226	A	∆	Solid	6	4	Std. -3.3003"	OHA 6108-A
								.030"	OHA 6108-D
								.040"	OHA 6108-E
								.060"	OHA 6108-F

∆ Includes piston pin and retainer

# FORD CAR PARTS

## SECTION 61

115

### 6108-9 PISTON ASSEMBLY - continued

Year	ENGINE		Model and Remarks	INCLUDES	Type	QTY. REQD.	PISTON		Part Number
	NO. CYL.	CUBIC INCH DISP.					SKIRT		
							RING GROOVES	SIZE	
<b>8 CYLINDER</b>									
49	8	239	A	Δ	Split	8	4	Std. -3.1862" .020" .060"	49T 6108-A 49T 6108-C 49T 6108-F
49/53	8	239	A	Δ	Solid	8	4	Std. -3.1879" .020" .030" .040" .060" .0825"	8BA 6108-A 8BA 6108-C 8BA 6108-D 8BA 6108-E 8BA 6108-F 8BA 6108-G
54	8	239	A	Δ	Solid	8	3	Std. -3.5003" .020" .030" .040" .060"	EBU 6108-A EBU 6108-B EBU 6108-C EBU 6108-D EBU 6108-E
55/57	8	272	A, S	Δ	Solid	8	3	Std. -3.6253 .020" .030" .040" .060"	B5A 6108-A B5A 6108-C B5A 6108-E B5A 6108-G B5A 6108-J
55/	8	292	A, S	Δ	Solid	8	3	Std. -3.7503 .020" .030" .040" .060"	B5A 6108-B B5A 6108-D B5A 6108-F B5A 6108-H B5A 6108-K
56/57	8	312	A, S, (A S/C), (S S/C)	Δ	Solid	8	3	Std. -3.8003" .020" plus .030" plus .040" plus	B6A 6108-F B6A 6108-B B6A 6108-C B6A 6108-D
58/59	8	332	A	Δ	Solid	8	3	#EDC 6110-G Std. -4.0006" .020" .030" .040" .060"	B9A 6108-AA B9A 6108-AB B9A 6108-AC B9A 6108-AD B9A 6108-AE
59	8	352	A, S	Δ	Solid	8	3	#COAE 6110-K Std. -#Red-3.9986" Std. -#Blue-3.9989" .020" .030" .040" .060"	♣COAE 6108-A ♣COAE 6108-B ♣COAE 6108-D ♣COAE 6108-E ♣COAE 6108-F ♣COAE 6108-G
58	8	352	A, S (4/B carb.)	Δ	Solid	8	3	#COAE 6110-N #COAE 6110-R #COAE 6110-S #COAE 6110-T Std. -3.9986" .020" .030" .040" .060"	♣♣COAE 6108-H ♣♣COAE 6108-L ♣♣COAE 6108-M ♣♣COAE 6108-N ♣♣COAE 6108-R
59/	8	430	S	Δ	Solid	8	3	R, H. L, H. R, H. L, H. R, H. L, H. Std. -#Red Std. -#Red .020" .020" .030" .030"	C2VY 6108-A C2VY 6109-A C2VY 6108-D C2VY 6109-D C2VY 6108-E B9LE 6109-E

YEAR 19	MODEL	NO. CYL.	CUBIC INCH DISP.	DESCRIPTION	QTY. PER VEHICLE	PART NUMBER
<b>6115 PLATE ASSY. - ENGINE REAR SUPPORT TO FLOOR</b>						
59/	S	8	430		2	B9SS 6115-A
59/	S	8	430	Washer-flat-3/8"	4	44727-S8(X24)
59/	S	8	430	Nut-3/8"-24	4	34445-S7-8(M80)

# Identification marking    Δ Includes piston pin    ♣ Includes piston pin and retainer  
♣ Center line of piston pin hole to top of piston 1.8325"/1.8365"    ♣♣ Center line of piston pin hole to top of piston 1.8685"/1.8725"

**FORD CAR PARTS**

YEAR 19__	MODEL	NO. CYL.	CUBIC INCH DISP.	DESCRIPTION	QTY. PER VEHICLE	PART NUMBER
<b>6119-20 BRACKET ASSY. - ENGINE REAR SUPPORT</b> <i>Also Refer to Group 6A023</i>						
59/	S	8	430	R. H.	1	C0SZ 6120-A
				L. H.	1	C0SS 6120-A
59/	S	8	430	Bolt (brkt. to frame crossmember)-7/16"-20 x 1"	2	20391-S7-8(B183)
59/	S	8	430	Lockwasher-7/16"	2	34808-S8(X67)
59/	S	8	430	Washer-flat-7/16"	2	44730-S8(X26)
<b>6122-24 REINFORCEMENT ASSY. - ENGINE REAR SUPPORT BRACKET</b>						
59/	S	8	430	R. H.	1	COSS 6122-A
				L. H.	1	COSS 6124-A
59/	S	8	430	Washer-flat-3/8"	4	44727-S8(X24)
59/	S	8	430	Nut-3/8"-24	4	34445-S7-8(M80)
<b>6126 PLATE ASSY. - ENGINE REAR MOUNT ADAPTER</b>						
59/	S	8	430	Approx. 8 5/8" x 3 1/4"	1	B9SS 6126-A
59/	S	8	430	Bolt (adapter to trans. )-3/8"-16 x 1"	2	20388-S8(B80)
59/	S	8	430	Lockwasher-3/8"	2	34807-S7-8(X66)
59/	S	8	430	Washer-flat-3/8"	2	44727-S8(X24)
59/	S	8	430	Nut-3/8"-24	2	34445-S7-8(M80)
<b>6129 BRACKET - GENERATOR TO CYLINDER BLOCK MOUNTING</b> <i>Also Refer to Groups 10039,10151 &amp; 10156</i>						
51	A (with 6 volt-30 amp. generator)	6	226	6.00" overall width-2.25" bolt hole centers	1	OHA 6129-A
52/53	A (with 40 amp. generator)	6	215	6.80" overall length-2.85" bolt hole centers	1	EAA 6129-B
54	A (with 50 amp. generator)	6	223		1	
52/54	A	6	215,223	Bolt (bracket to block)-7/16"-14 x 1"-hex. head	2	20390-S7(B102)
51	A	6	226		2	
53/	A	6	215,223	Bolt (generator mounting bracket to block)-7/16"-14 x 1 1/8"-hex. head	2	20410-S8(B103)
				Lockwasher-7/16"		34808-S8(X67)
<b>6135 PIN - PISTON</b>						
49/53	A	8	239	Standard-.7501"/.7504" O.D. -# green	8	49T 6135-A
49/53	A	8	239	.002" O/S-.7521"/.7524" O.D. -# yellow	8	49T 6135-B
49/53	A	8	239	.001" O/S-.7511"/.7514" O.D. -# blue	8	49T 6135-D
52/56	A	6	215,223	Standard-#Green-.9120"/.9123" O/D-	6	B2AZ 6135-A
56/57	A	8	312	.595"/.605" I. D. -3.016"/3.030" long	8	
56/	A	8	292		8	
55/57	S	8	292,312		8	
				.001" O/S-#Blue		B2AZ 6135-B
				.002" O/S-#Yellow		B2AZ 6135-C
54	A	8	239	Standard-.9120"/.9123" O.D.	8	EBU 6135-A
				.001" O/S-#Blue		EBU 6135-B
				.002" O/S-#Yellow		EBU 6135-C
55/57	A	8	272	Standard-#Green-.9120"/.9123"-	8	B5A 6135-A
57/	A	6	223	3.010"/3.030" long	6	
				.001" O/S-#Blue		B5A 6135-B
				.002" O/S-#Yellow		B5A 6135-C
58/	A, S	8	332,352	Standard-#Green-.9750"/.9753" O. D.-	8	B8A 6135-AA
				3.156"/3.170" long		
				.001" O/S-#Blue		B8A 6135-AB
				.002" O/S-#Yellow		B8A 6135-AC
59/	S	8	430	Standard-.9750"/.9753" O.D.	8	B8E 6135-AA
<b>6140 RETAINER - PISTON PIN</b>						
49/53	A	8	239	Use with 49T 6135-A, B or D	16	78 6140
49/51	A	6	226		12	7HA 6140
52/	A	6	215,223		12	C2TZ 6140-A
54/57	A	8	239,272		16	
56/	A	8	292		16	
55/57	S	8	292,312		16	
58/	A, S	8	332,352	1.107" O.D. -.965" I. D. -.042" thick	16	C3AZ 6140-A
<b>6148 PARTIAL RING SET - PISTON</b> <i>CONSISTS OF THE NECESSARY RINGS TO RE-RING (2) PISTONS - (3) REQUIRED FOR 6 CYLINDER ENGINES - (4) REQUIRED FOR 8 CYLINDER ENGINES</i>						

YEAR 19__	MODEL AND REMARKS	ENGINE CUBIC INCH DISP.	NO. RINGS	*TYPE	PART NUMBER AND SIZE				
					STANDARD	.020' o/s	.030' o/s	.040' o/s	.060' o/s

**6 CYLINDER ENGINES**

52/53	A	215	3	Hi Lo	B2AZ 6148-A	B2AZ 6148-B	B2AZ 6148-C	B2AZ 6148-D	B2AZ 6148-F (.060" Plus)
-------	---	-----	---	-------	-------------	-------------	-------------	-------------	-----------------------------

# Identification marking \* L. M. - Low Mileage H. M. - High Mileage



**6148 PARTIAL RING SET - PISTON - continued - CONSISTS OF THE NECESSARY RINGS TO RE-RING (2) PISTONS -**  
(3) REQUIRED FOR 6 CYLINDER ENGINES - (4) REQUIRED FOR 8 CYLINDER ENGINES

### 6 CYLINDER ENGINES

YEAR 19__	MODEL AND REMARKS	ENGINE CUBIC INCH DISP.	NO. OF RINGS	*TYPE	PART NUMBER AND SIZE				
					STANDARD	.020" O/S	.030" O/S	.040" O/S	.060" O/S
54/	A, Taxi	223	3	Hi Lo	B4AZ 6148-F	B4AZ 6148-G	B4AZ 6148-H	B4AZ 6148-J	B4AZ 6148-K

### 8 CYLINDER ENGINES

49	A (NOTE 1)	239	4	L. M.	A0A 6148-AA	A0A 6148-AB	A0A 6148-AC	A0A 6148-AD	A0A 6148-AE
49/53	A (NOTES 2 & 3)	239	4	L. M.	A8A 6148-AA	A8A 6148-AB	A8A 6148-AC	A8A 6148-AD	A8A 6148-AE
49/53	A (NOTE 2)	239	4	H. M.	A8A 6148-AAA	A8A 6148-AAB	A8A 6148-AAC	A8A 6148-AAD	A8A 6148-AAE
54/	A	239	3	L. M.	B5A 6148-CA	B4AZ 6148-B	B4AZ 6148-C	B4AZ 6148-D	B4AZ 6148-E
				Hi Lo	B4AZ 6148-A	B4AZ 6148-B	B4AZ 6148-C	B4AZ 6148-D	B4AZ 6148-E
55/57	A	272	3	L. M.	B5A 6148-BA	B4AZ 6148-G	B5A 6148-H	B5A 6148-J	B4AZ 6148-K
				H. M.	B4AZ 6148-F	B4A 6148-G	B4A 6148-H	B4AZ 6148-J	B4AZ 6148-K
				Hi Lo	B4AZ 6148-F	B4AZ 6148-G	B4AZ 6148-H	B4AZ 6148-J	B4AZ 6148-K
55/	A, S	292	3	Hi Lo	B5AZ 6148-A	B5AZ 6148-B	B5AZ 6148-C	B5AZ 6148-D	B5AZ 6148-E
56/57	A, S(A & S-Spec.)	312	3	Hi Lo	B6AZ 6148-A	B6AZ 6148-B	B6AZ 6148-C	B6AZ 6148-D	
58/	A, S	332,352	3	L. M.	B8A 6148-AA	B8AZ 6148-B	B8AZ 6148-C	B8AZ 6148-D	B8AZ 6148-E
				Hi Lo	B8AZ 6148-A	B8AZ 6148-B	B8AZ 6148-C	B8AZ 6148-D	B8AZ 6148-E
59/	S	430	3	L. M.	C0SZ 6148-A	B8S 6148-AB	C0SZ 6148-C	C0SZ 6148-D	
				Hi Lo	C0SZ 6148-A	C0SZ 6148-B	C0SZ 6148-C	C0SZ 6148-D	

YEAR 19__	MODEL	NO. CYL.	CUBIC INCH DISP.	DESCRIPTION		QTY. PER VEHICLE	PART NUMBER	
<b>6149 RING SET - PISTON - Consists of the necessary rings to re-ring one engine</b>								
49/51	A	6	226	Standard-4 ring-Low Mileage type		1	7HA 6149-F	
49/51	A	6	226	.030" O/S-4 ring-Low Mileage type		1	7HA 6149-H	
49/51	A	6	226	.040" O/S-4 ring-Low Mileage type		1	7HA 6149-J	
49/51	A	6	226	.060" O/S-4 ring-Low Mileage type		1	7HA 6149-K	
49/51	A	6	226	Standard-4 ring-High Mileage type		1	#0HAS 6149-A	
<b>6200 ROD ASSY. - CONNECTING</b>								
52/	A	6	215,223			6	EAA 6200-B	
54	A	8	239	Oil squirt hole on side with bearing notch		8	B5A 6200-A	
55/	A, S	8	272,292			8		
56/57	A, S	8	312			8	C1TE 6200-C	
58/	A	8	332,352			8	C1AE 6200-A	
59/	S	8	430			8	COME 6200-A	
<b>6207 BUSHING - CONNECTING ROD</b>								
49/51	A	6	226	.825" I.D. -1.30" long-.010" U/S		6	2GA 6207-B	
52/	A	6	215,223	Split type-.9805" O.D. -.039"/.041" wall		6	EAA 6207-A	
54/	A, S (239, 272, 292, 312)	8		thickness-1.24" long		8		
49/53	A	8	239	.729" I.D. -1.36" long-.006" U/S		8	21A 6207-B	
58/	A, S	8	332,352	Split type-1.0435" O.D. -.039"/.041" wall		8	B8A 6207-A	
<b>6211 BEARING - CONNECTING ROD</b>								
	MODEL	UPPER	LOWER		SIZE			
52/	A	x	x	6	215,223	Std. -△Red size-.06155"/.06205"	12	EAG 6211-G
						Std. -△Blue size-.06195"/.06245"	12	EAG 6211-H
						.002" U/S	12	B2A 6211-AG
						.010" U/S	12	EAG 6211-D
						.020" U/S	12	EAG 6211-E
						.030" U/S	12	EAG 6211-F
49/51	A	x	x	6	226	Std.	12	7HA 6211-A
						.002" U/S	12	7HA 6211-B
						.010" U/S	12	7HA 6211-C
						.020" U/S	12	7HA 6211-D
						.030" U/S	12	7HA 6211-E
49/53	A	x	x	8	239	Std.	16	*0BA 6211-A
						.002" U/S	16	*0BA 6211-B
						.010" U/S	16	*0BA 6211-C
						.020" U/S	16	*0BA 6211-D
						.030" U/S	16	*0BA 6211-E
						.040" U/S	16	*0BA 6211-F

NOTE 3 - A8A 6148-AF - .0825" O/S also available

\* L.M. - Low mileage H.M. - High mileage

NOTE 2 - Use with solid skirt piston

NOTE 1 - Use with split skirt piston

# When used on split skirt pistons the rings for the 3rd & 4th oil grooves must be reversed △ Red size optional with blue size for selective fit \* With oil hole

YEAR 19	MODEL	NO. CYL.	CUBIC INCH DISP.	DESCRIPTION	QTY. PER VEHICLE	PART NUMBER		
<b>6211 BEARING - CONNECTING ROD - continued</b>								
	MODEL	UPPER	LOWER	NO. CYL.	CUBIC INCH DISP.	DESCRIPTION	QTY. PER VEHICLE	PART NUMBER
54	A	x	x	8	239	Std. -△Red size .06095"/.06145"	16	+B5T 6211-A
55/	A, S			8	272,292		16	
56/57	A, S			8	312	Std. -△Blue size .06135"/.06185"	16	+B5T 6211-B
						.002" U/S	16	B4A 6211-AG
						.010" U/S	16	+B5T 6211-C
						.020" U/S	16	+B5T 6211-D
						.030" U/S	16	+B5T 6211-E
						.040" U/S	16	+B4AE 6211-A
58/	A, S	x	x	8	332,352	Std. -△Red size .0753"	16	C2AZ 6211-H
						Std. -△Blue size .0757"	16	C2AZ 6211-J
						.002" U/S	16	C2AZ 6211-K
						.010" U/S	16	C2AZ 6211-L
						.020" U/S	16	C2AZ 6211-M
						.030" U/S	16	C2AZ 6211-N
						.040" U/S	16	C2AZ 6211-R
59/	S	x	x	8	430	Std. -△Red size .0753"/.0758"	16	C1VE 6211-B
						Std. -△Blue size .0761"/.0764"	16	C1VE 6211-D
						.002" U/S	16	B8S 6211-AG
						.010" U/S	16	B8S 6211-AC
						.020" U/S	16	B8S 6211-AD
						.030" U/S	16	B8S 6211-AE
<b>6212 NUT - CONNECTING ROD</b>								
52/	A			6	215,223	3/8"-24-.551"/.562" hex. chamfered	12	C1TE 6212-A
49/51	A			6	226	3/8"-24-use in conjunction with 45218-S8 pal nut	12	
49/	A, S (239, 256, 272, 292, 312, 332, 352, 430)			8			16	
49	A			8	239	Self locking-use without pal nut	16	1GA 6212
49/51	A			6	226	Pal nut (connecting rod nut) -3/8"-24-use	12	45218-S8(M172)
52/	A			6	215,223	with B4A 6212-A nut	12	
49/	A, S (239, 256, 272, 292, 312, 332, 352, 430)			8			16	
<b>6214 BOLT - CONNECTING ROD</b>								
52/	A			6	215,223	3/8"-24 x 2.10"	12	C1AE 6214-A
54	A			8	239		16	
55/	A, S (272, 292, 312, 332, 352)			8			16	
59/	S			8	430		16	
56/57	A, S			8	312	3/8"-24 x 1.86"	16	B6A 6214-A
<b>6250 CAMSHAFT ASSY. -- LESS GEAR</b>								
52/53	A			6	215	When used in place of earlier camshafts EBU 6265-A spacer must also be used	1	B3A 6250-A
54/	A. Taxi			6	223	#L-Induction hardened-27.35/64" overall length 12 tooth dist. gear-7/16"-14 x 1 27/64"- includes (12) B8C 6500-A tappets	1	C3TZ 6250-F
49/51	A			6	226	Stamped with letter "O" on front end	1	OHA 6250-B
49/53	A			8	239	Stamped with letter "E"	1	EAB 6250-A
54	A			8	239	(5) 2.0500"/2.0510" diameter bearing journals-7/16"-14 x 1" tap at front end-13 teeth on distributor drive gear 21.54" overall length	1	B4A 6250-A
55	A, S			8	272,292	7/16"-14 x 1" tap at frt. end-14 teeth on distri. drive gear-21.54" long-(5) 1.9255"/1.9265" brg. journals-(4) 3/16" openings No.3 journal-use with EBY 6263-B brg. on No. 3 journal	1	B5A 6250-C
54	A			8	239		1	
56/	A, S (272, 292, 312 without S/C)			8		7/16"-14 x 1" tap at front end-14 teeth on distributor drive gear-21.54" overall length-(5) 1.9255"/1.9265" bearing journals-grooved No. 3 journal-use with B6A 6262-A or B, or C3AZ 6262-A or B	1	B8A 6250-C
57	A, S (S/C)			8	312	7/16"-14 x 1" tap at front end-14 teeth on dist. drive gear-21.54" long-(5) 1.9255"/1.9265" brg. journals-grooved No.3 journal-high lift cam - #EDB 6250-E	1	B7A 6250-C

# Identification marking + Two oil holes

△ Red size optional with blue size for selective fit

# FORD CAR PARTS

## SECTION 62

YEAR	MODEL	NO. CYL.	CUBIC INCH DISP.	DESCRIPTION	QTY. PER VEHICLE	PART NUMBER
<b>6250 CAMSHAFT ASSY. - LESS GEAR - continued</b>						
58	A, Police Interceptor	8	332,352	7/16"-14 x 61/64" tap at frt.end-15 teeth on dist. drive gear-22.04" long-for mechanical tappets	1	B8A 6250-A
58/59	A, S	8	332,352	7/16"-14 x 61/64" tap at front end-15 teeth on distributor drive gear-22.04"long-for hydraulic tappets	1	B8A 6250-B
58/	Police Interceptor	8	352	High lift-7/16"-14 x 61/64" tap at front end-15 teeth on dist. drive gear-22.04" long-(5) 2.1238"/2.1248" bearing journals -#B9EA on rear of fifth journal	1	B9A 6250-A
59/	S	8	430	(3) 5/16"-18 holes at front end-16 teeth on distributor drive gear-23.27" long-(5) 2.264"/2.265" bearing journals-#BA	1	B9ME 6250-C
<b>6A251 KIT - CAMSHAFT BEARINGS - STANDARD</b>						
52/53	A	6	215		1	C2AZ 6A251-A
54/	A	6	223		1	
Consists of the following Bearings						
3-C3AZ 6261-C Front, Front Intermediate & Rear				1-EAA 6270-B Rear Intermediate		
55/57	A, S	8	(272, 292, 312)		1	C2AZ 6A251-B
58/	A	8	272,292		1	
Consists of the following Bearings						
1-B4C 6261-A Front		1-B6A 6262-A Center		3-EBY 6263-B Front Intermediate, Rear Intermediate & Rear		
58/59	A, S	8	332,352		1	C2AZ 6A251-C
Consists of the following Bearings						
1-B8A 6261-AA Front		1-B8A 6263-AA Rear		1-B8A 6270-AA Rear Intermediate		
1-B8A 6262-AA Center		1-B8A 6267-AA Front Intermediate				
59/	S	8	430		1	C0SZ 6A251-A
Consists of the following Bearings						
1-B8S 6261-AA Front		1-B8S 6263-AA Rear		1-B8S 6270-AA Rear Intermediate		
1-B8S 6262-AA Center		1-B8S 6267-AA Front Intermediate				
<b>6254 GEAR - OIL PUMP DRIVE</b>						
49/53	A	8	239	On rear end of camshaft	1	18 6254-B
<b>6255 GEAR - DISTRIBUTOR DRIVE</b>						
49/53	A	8	239	11 teeth-on front end of camshaft	1	7RA 6255
<b>6256 GEAR - CAMSHAFT</b>						
49/51	A	6	226	Standard-alum.-48 L. H. helical teeth-press on type-use with 7HA 6306-B	1	7HT 6256-A
49/51	A	6	226	.006" O/S-alum.-48 L. H. helical teeth-press on type-use with 7HA 6306-B	1	7HT 6256-B
49/50	A	6	226	Bolt (camshaft gear attaching)-5/16"-24 x .605"	4	350400-S(BB208)
49/51	A	6	226	Standard-fibre-48 L. H. helical teeth-press on type-use with 7HA 6306-B	1	0HA 6256-A
49/51	A	6	226	.006" O/S-fibre-48 L. H. helical teeth-press on type-use with 7HA 6306-B	1	0HA 6256-B
49/51	A	6	226	Key (camshaft gear)-5/32" x 3/4"	1	74147-S(L8)
49/53	A	8	239	Standard-aluminum-bolt on type-44 L. H. helical teeth	1	8BA 6256-A
49/53	A	8	239	.006" O/S-alum.-bolt on type-44 L. H. helical teeth-	1	8BA 6256-B
49/53	A	8	239	Standard-fibre-bolt on type-44 L. H. helical teeth	1	8BA 6256-D
49/53	A	8	239	.006" O/S-fibre-bolt on type-44 L. H. helical teeth	1	8BA 6256-E
49/53	A	8	239	Bolt (camshaft gear attaching)-5/16"-24 x .605"	4	350400-S(BB208)
<b>6256 SPROCKET - CAMSHAFT</b>						
52/	A	6	215,223	Cast iron-42 teeth	1	EAA 6256-A
54/	A, S (239, 272, 292, 312)	8			1	
54/	A, S (239, 272, 292, 312)	8		Key-woodruff (sprocket to camshaft)-5/32" x 3/4"	1	74147-S(L8)
52/	A	6	215,223	Key-woodruff(sprocket to camshaft)-5/32" x 5/8"	1	74175-S(L7)
54/	A, S (239, 272, 292, 312)	8		Bolt (sprocket to camshaft)-7/16"-14 x 1 1/8"-hex. head	1	20410-S(B103)

# Identification marking



## SECTION 62

## FORD CAR PARTS

YEAR 19__	MODEL	NO. CYL.	CUBIC INCH DISP.	DESCRIPTION	QTY. PER VEHICLE	PART NUMBER
<b>6256 SPROCKET - CAMSHAFT - continued</b>						
56/	A, S (272, 292, 312 without S/C)	8		Bolt (sprocket to camshaft)-7/16"-14 x 1 1/8"-	1	371643-S(BB296)
52/53	A	6	215	Bolt (sprocket to camshaft)-7/16"-14 x 3/4"	1	*20350-S8
54/	A	6	223	Bolt (sprocket to camshaft)-7/16"-14 x 1 5/8"	1	*20490-S
				Lockwasher-7/16"		34808-S8(X67)
58/	A, S	8	332,352	Cast iron-36 teeth	1	B8A 6256-A
58/	A, S	8	332,352	Pin-dowel (sprocket to camshaft)-5/16" x 7/8"	1	73298-S(N87)
58/	A, S	8	332,352	Bolt (sprocket to camshaft)-7/16"-14 x 1 1/4"	1	370301-S8
58/	A, S	8	332,352	Washer-flat-7/16"	1	44730-S8(X26)
59/	S	8	430	Includes dowel pin-cast iron-(3) 11/32" & (1) .88" bolt holes-40 teeth-6.326"/6.336" O.D.	1	B8S 6256-A
59/	S	8	430	Pin-dowel (sprocket to camshaft)-5/16" x 9/16"	1	73248-S(N86)
59/	S	8	430	Bolt (sprocket to camshaft)-5/16"-18 x 1 1/8"	3	*20406-S8
<b>6258 RING - CAMSHAFT GEAR OR SPROCKET LOCKING</b>						
49/50	A	6	226		1	91A 6258
49/53	A	8	239		1	
59/	S	8	430	(3) 21/64" holes	1	B8E 6258-A
<b>6261-63 CAMSHAFT BEARING CHART</b>						

## 6 CYLINDER ENGINES

YEAR	MODEL AND REMARKS	ENGINE CUBIC INCH DISP.	SIZE	FRONT	FRONT INTERMEDIATE	CENTER	REAR INTERMEDIATE	REAR
52/	A, taxi, P/I- non-cross drilled camshaft	215, 223	Standard .015" U/S	EAA 6261-B C3AZ 6261-D	EAA 6261-B C3AZ 6261-D		EAA 6270-B EAA 6270-C	EAA 6261-B C3AZ 6261-D
49/51	A	226	Standard	7HA 6262-C	7HA 6262-C		7HA 6262-C	7HA 6262-C

## 8 CYLINDER ENGINES

YEAR	MODEL AND REMARKS	ENGINE CUBIC INCH DISP.	SIZE	FRONT	FRONT INTERMEDIATE	CENTER	REAR INTERMEDIATE	REAR
49/53	A	239	Standard	01A 6261-C		01A 6262-C		01A 6261-C
54	A-use w/ B4A 6250-A camshaft	239	Standard .015" U/S	EBU 6261-A EBU 6261-B	EBU 6263-A EBU 6263-B	EBU 6263-A EBU 6263-B	EBU 6263-A EBU 6263-B	EBU 6263-A EBU 6263-B
54	A-use w/ B5A 6250-C camshaft	239	Standard .015" U/S	B4C 6261-A B4C 6261-B	EBY 6263-B EBY 6263-C	EBY 6263-B EBY 6263-C	EBY 6263-B EBY 6263-C	EBY 6263-B EBY 6263-C
55	A, S	272, 292	Standard .015" U/S	B4C 6261-A B4C 6261-B	EBY 6263-B EBY 6263-C	EBY 6263-B EBY 6263-C	EBY 6263-A EBY 6263-C	EBY 6263-B EBY 6263-C
56/	A, S	272, 292	Standard .015" U/S	B4C 6261-A B4C 6261-B	EBY 6263-B EBY 6263-C	B6A 6262-A B6A 6262-B	EBY 6263-B EBY 6263-C	EBY 6263-B EBY 6263-C
56/57	A, S	312	Standard .015" U/S	B4C 6261-A B4C 6261-B	EBY 6263-B EBY 6263-C	B6A 6262-A B6A 6262-B	EBY 6263-B EBY 6263-C	EBY 6263-B EBY 6263-C
58/59	A	332	Standard .015" U/S	B8A 6261-AA B8A 6261-AB	B8A 6267-AA B8A 6267-AB	B8A 6262-AA B8A 6262-AB	B8A 6270-AA B8A 6270-AB	B8A 6263-AA B8A 6263-AB
58/	A, A Spec., S	352	Standard .015" U/S	B8A 6261-AA B8A 6261-AB	B8A 6267-AA B8A 6267-AB	B8A 6262-AA B8A 6262-AB	B8A 6270-AA B8A 6270-AB	B8A 6263-AA B8A 6263-AB
59/	S	430	Standard .015" U/S	B8S 6261-AA B8S 6261-AB	B8S 6267-AA B8S 6267-AB	B8S 6262-AA B8S 6262-AB	B8S 6270-AA B8S 6270-AB	B8S 6263-AA B8S 6263-AB

YEAR 19__	MODEL	NO. CYL.	CUBIC INCH DISP.	DESCRIPTION	QTY. PER VEHICLE	PART NUMBER
<b>6264 HUB - CAMSHAFT</b>						
49/50	A	6	226		1	*7HA 6264-B
49/50	A	6	226	Key (hub to camshaft)-5/32" x 3/4"	1	74147-S(L8)
<b>6265 SPACER - CAMSHAFT SPROCKET</b>						
52/	A	6	215, 223		1	C2AZ 6265-A
54/	A, S (239, 272, 292, 312)	8			1	

# FORD CAR PARTS

## SECTION 63

121

YEAR 19	MODEL	NO. CYL.	CUBIC INCH DISP.	DESCRIPTION	QTY. PER VEHICLE	PART NUMBER
<b>6266 PLUG</b>						
49/51	A	6	226	Camshaft rear bearing-2.069"/2.074" O. D. -	1	7HA 6266-A
52/53	A	6	215	cup shaped-located at rear of cylinder block	1	
55/	A, S (272, 292, 312)	8			1	
49/51	A	6	226	Cylinder block expansion-rear-2.06" O. D.	1	91A 6266
52/	A	6	215,223	Cylinder head-2.069"/2.074" O. D. -cup shaped	1	7HA 6266-A
52/	A	6	215,223	Cylinder block-2.069"/2.074" O. D. -cup shaped	6	7HA 6266-A
49/51	A	6	226	Camshaft rear bearing-2.151"/2.156" O. D. -cup shaped-at rear of cylinder block-use with 7HA 6262-D	1	7HA 6266-B
54	A	8	239	Camshaft rear bearing	1	EAN 6266-A
<b>6267 BEARING - CAMSHAFT - Refer to Group 6261-63</b>						
<b>6268 CHAIN - TIMING</b>						
52/	A	6	215,223	56 links	1	EAA 6268-B
54/	A, S (239, 272, 292, 312)	8			1	
58/	A, S	8	332,352	48 links	1	B8A 6268-A
59/	S	8	430	52 links	1	B8E 6268-A
<b>6269 PLATE - CAMSHAFT THRUST</b>						
52/	A	6	223	(2) 11/32" bolt/stud holes(1) 1.44" diam.	1	EAA 6269-B
54/	A, S (239, 272, 292, 312)	8		center hole-.188"/.190" thick	1	
49/51	A	6	226		1	7HA 6269-A
49/51	A	6	226	Bolt (camshaft thrust plate to cylinder block)- 5/16"-18 x 1/2"	2	20310-S8(B48)
49/51	A	6	226	Lockwasher-5/16"	2	34906-S8(X98)
54/	A, S (239, 272, 292, 312)	8		Bolt (camshaft thrust plate to block) - 5/16"-18 x 3/4"	2	20346-S8(B50)
				Lockwasher-5/16"		34806-S7(X64)
52/	A	6	215,223	Screw (camshaft thrust plate to cylinder block)- 5/16"-18 x 3/4"-hex, head self locking	2	370790-S(BB428)
<b>6270 BEARING - CAMSHAFT - Refer to Group 6261-63</b>						
<b>6275 KIT - CAMSHAFT THRUST BUTTON AND SPRING - Refer to Group 6295</b>						
<b>6278 WASHER - CAMSHAFT SPROCKET</b>						
52/	A	6	223	1.26" O. D. -.46" I. D. -.224" thick	1	C1TE 6278-A
54/	A, S (239, 272, 292, 312)	8			1	
<b>6284 DAMPER ASSY. - TIMING CHAIN VIBRATION</b>						
52/	A	6	215,223		1	C3AZ 6284-A
<b>6287 ECCENTRIC - CAMSHAFT FUEL PUMP DRIVE</b>						
54/	A, S (239, 272, 292, 312)	8		2.5075"/2.5125" O. D. -.785"/.815" width-	1	C1AE 6287-A
58/	A, S	8	332,352		1	C3AZ 6287-A
59/	S	8	430	Includes (1) C3VY 6290-A & (1) C3VY 6281-B	1	C0SZ 6287-A
<b>6290 SPACER - CAMSHAFT FUEL PUMP ECCENTRIC</b>						
54/	A, S (except 430)	8		1.44" O. D. -.1.02" I. D. -.17" square slot	1	B7A 6290-A
<b>6291 SPACER - CAMSHAFT FUEL PUMP DRIVE ECCENTRIC</b>						
54/	A, S (239, 272, 292, 312)	8		1.32" O. D. -.1.010"/1.020" I. D. -.28" width	1	B4A 6291-A
<b>6295 KIT - CAMSHAFT THRUST BUTTON and SPRING</b>						
58/	A, S	8	332,352		1	C2AZ 6295-A
Consists of the following						
1-C1AE 6297-A Spring		1-C2AE 6298-A	Button	1-371760-S7 Bolt (7/16"-14 x 1 19/64")		
		1-356422-S8	Washer (7/16")			

YEAR 19	MODEL	NO. CYL.	CUBIC INCH DISP.	DESCRIPTION	QTY. PER VEHICLE	PART NUMBER
<b>6303 CRANKSHAFT ASSY.</b>						
52/53	A	6	215	30.90" overall length	1	B3A 6303-A
54/	A	6	223	31.26" overall length-when used to replace EBF 6303-A for service, spacer B4A 6434-A must be used between the crankshaft & f/wheel	1	B6A 6303-E
49/51	A	6	226	31.27" overall length-.78" diam.hole rear flange	1	8MTH 6303-B
49/53	A	8	239		1	EAB 6303-A
54	A	8	239	When used to replace EBU 6303-B, B4A 6434-A flywheel to crankshaft spacer must also be used	1	B4A 6303-B
55/	A, S	8	272,292	25.608" overall length-2.1880"/2.1888" O. D. connecting rod-2.4980"/2.4988" O. D. main bearing journals	1	B9TE 6303-A
56/57	A, S	8	312	25.608" overall length	1	B6A 6303-C
58/59	A	8	332	27.935" overall length-5/8"-18 x 1.42" hole front end-2.4380"/2.4388" O. D. connecting rod-2.7484"/2.7492" O. D. main bearing journals-#EDC	1	B9A 6303-B
58/	A, S	8	352	27.935" overall length-5/8"-18 x 1.42" hole front end-2.4380"/2.4388" O. D. connecting rod-2.7484"/2.7492" O. D. main bearing journals-#EDT	1	B9A 6303-A
59/	S	8	430	#(2) drilled holes in No. 4 & 5 journals	1	C2VY 6303-A
<b>6306 GEAR - CRANKSHAFT</b>						
49/51	A	6	226	24 R. H. helical teeth	1	7HA 6306-B
49/53	A	8	239	22 R. H. helical teeth	1	8BA 6306-A
				Key (crankshaft gear)-3/4" x 5/16" x 1/4"	1	357654-S(LL15)
<b>6306 SPROCKET - CRANKSHAFT</b>						
52/	A	6	215,223	21 teeth-steel	1	B8A 6306-B
54/	A, S (239, 272, 292, 312)	8			1	
52/	A	6	215,223	Key-woodruff (sprocket to crankshaft)-5/32" x 5/8"	1	74175-S(L7)
54/	A, S (239, 272, 292, 312)	8			1	
58/	A, S	8	332,352	18 teeth-steel	1	B8A 6306-A
58/	A, S	8	332,352	Key (sprocket to crankshaft)-3/16"	1	358985-S(LL12)
59/	S	8	430		1	
59/	S	8	430	20 teeth-steel	1	B8E 6306-A
<b>6307 PLUG - CRANKSHAFT COUNTERWEIGHT OIL HOLE</b>						
49/53	A	8	239	Cup type-.417"/.425" O. D. with 7° taper-approx. 1/2" overall length	4	8BA 6307
<b>6310 SLINGER - CRANKSHAFT OIL</b>						
56/	A	6	223	2.54" O. D. -1.252"/1.262" I. D.	1	B6A 6310-A
49/51	A	6	226	3 1/2" O. D. -1.493"/1.498" I. D.	1	1GA 6310
49/53	A	8	239	2.88" O. D. -1.314"/1.324" I. D.	1	81A 6310
56/	A, S (272, 292, 312)	8		3.90" O. D. -1.253"/1.263" I. D.	1	B6A 6310-B
58/	A, S	8	332,352	3.31" O. D. -1.39" I. D.	1	B8A 6310-A
59/	S	8	430	3 1/2" O. D. -1.376"/1.386" I. D.	1	B8S 6310-A
<b>6312 PULLEY ASSY. - CRANKSHAFT - Also Refer to Group 6A312</b>						
52/53	A	6	215	Single sheave-6 1/4" diam.damper-5.40" diam. pulley-5 timing marks	1	+ B2AZ 6312-A
54/		6	223		1	C2AZ 6312-A
49/51	A	6	226		1	+ A9AZ 6312-A
49/51	A	6	226	Bolt (crankshaft damper retaining)-5/8"-18 x 1"	1	*20639 -S
				Washer (crankshaft damper retaining)-5/8"		351582-S7-8 (XX219)
49/51	A	6	226	Key (crankshaft damper)-1/4" x 1"	1	74153-S(L14)
55/56	A(272, 292, 312)	8		Single sheave-6.575"/6.625" diam. pulley 6 timing marks-4.86" overall length	1	+ B5AZ 6312-A
49	A	8	239	Double sheave-3 11/16" long	1	8BA 6312-B

# Identification marking

+ Includes damper

# FORD CAR PARTS

## SECTION 63

YEAR 19__	MODEL	NO. CYL.	CUBIC INCH DISP.	DESCRIPTION	QTY. PER VEHICLE	PART NUMBER
<b>6312 PULLEY ASSY. - CRANKSHAFT - continued - Also Refer To Group 6A312</b>						
55/57	A (with 60 amp generator)	8	272,292	3 sheaves-6.575"/6.625" diam. pulleys- 6 timing marks-6.17" overall length	1	+B5AZ 6312-B
55/57	A (air conditioner)-272, 292, 312	8			1	
57	A (30, 50 amp. gen. or 50, 100 amp. - H/D alt.	8	312		1	
58/59	A (with 30, 50, 60 amp. gen. also 50, 100 amp. H/D alternator-without P/S, A/C or A/S)-"Before 1/15/59"	8	292		1	
50/53	A (except Power Steering)	8	239	Double sheave-3.08" long-.38" wide at top of belt groove	1	8BA 6312-C
49/53	A	8	239	Bolt (crankshaft pulley retaining)-5/8"-18 x 1"	1	*20639-S
49/53	A	8	239	Washer (crankshaft pulley retaining)- 1 5/8" O. D. -11/16" I. D.	1	B5T 4637-A
49/53	A	8	239	Key (crankshaft pulley)-1/4" x 1"	1	74153-S(L14)
53	A (with Power Steering)	8	239	Triple sheave-3 47/64" long-.38" wide at top of belt groove-use with 8BA 6362 extension	1	EAC 6312-A
54	A	8	239	Single sheave-2.84" long-.38" wide at top of belt groove	1	EBU 6312-A
54	A (with Power Steering)	8	239	Inner pulley-single sheave-4 27/64" long	1	EBY 6312-B
54	A (with 60 amp. generator)	8	239		1	
54	A	8	239	Bolt (crankshaft pulley retaining)- 9/16" - 18 x 11/2" hex. head	1	C1TE 6A340-B
				Lockwasher		34810-S7-8(X69)
54	A	8	239	Key (crankshaft pulley)-1/4" x 7/8"	1	74151-S(L13)
57	A (without S/C)-272, 292, 312	8		Single sheave-6 3/8" O. D. -4 1/2" long	1	C3TZ 6312-E
58/59	A	8	292	(2) 3/8" - 16 holes-15 timing marks	1	
55/57	S (w/o S/C)	8	292,312	Double sheave-7.55" long-5 timing marks	1	B5SZ 6312-A
57	A (S/C)	8	312	Single sheave-7 1/4" diam. damper-5 timing marks-4.84" long	1	+B7AZ 6312-B
57	A, S (S/C)	8	312	Supercharger drive-3 tapered spoke design - 2 sheave-6.60" sheave O. D. -3.69" overall length (1) 19/32" & (2) 13/32" holes	1	B7A 6312-B
57	A (S/C with F/M)	8	312	Supercharger drive-2 sheave-7.30" front sheave O. D. -3.69" overall length	1	B7A 6312-C
57	A, S (S/C)	8	312	Bolt (pulley & damper to crankshaft)-9/16"-18 x 2"		21063-S8(B215)
				Lockwasher-9/16"		*34850-S
57	A, S	8	312	Bolt (pulley to damper)-3/8"-16 x 1 1/8"	2	20408-S7(B81)
				Lockwasher-3/8"		34807-S7(X66)
57	S (S/C with S/T & O/D)	8	312	3 sheaves-6.62" front sheave diam. -7 1/4" diam. damper-15 timing marks-8.22" long	1	B7SZ 6312-A
57	S (S/C with F/M)	8	312	3 sheaves-7.30" front sheave diam. -7 1/4" diam. damper-15 timing marks-8.22" long	1	+B7SZ 6312-B
58/59	A, S	8	332,352	Single sheave-6.575"/6.625" sheave diam. - 8.02" diam. damper-16 timing marks-approx. 1 21/32" long	1	+B8AZ 6312-A
52/ 55/	A A, S (272, 292, 312)	6 8	215,223	Bolt (damper to crankshaft)-9/16"-18 x 1 1/2"- hex. head	1 1	C1TE 6A340-B
58/	A, S	8	332,352	Bolt (damper to crankshaft)-5/8"-18 x 1 1/2" hex. head	1	355721-S(BB270)
55/	A, S (272, 292, 312, 332, 352, 430)	8		Lockwasher-9/16"	1	*34850-S
52/	A	6	215,223	Key (crankshaft damper)-1/4" x 7/8"	1	74151-S(L13)
55/	A, S (272, 292, 312)	8			1	
59/	S	8	430		1	
58/	A, S	8	332,352	Key (crankshaft damper)-1/4" x 3/4"	1	358963-S(LL2)
59/	S	8	430	Double sheave-6.60"/6.85" sheave diameter 8 1/4" diameter damper-(3) 3/8"-16 holes- 11 timing marks-approx. 2 29/64" long -use with B8S 6023-A Pointer	1	+B9SZ 6312-A
59/	S	8	430	Bolt (damper to crankshaft)-5/8"-18 x 1 7/8"	1	359915-S(BB272)
<b>6A312 PULLEY ASSY. - CRANKSHAFT - OUTER - Also Refer to Group 6312</b>						
54/	A (with Power Steering, Air Conditioning)	6	223	6.60" diameter-3 spoke design		B4AZ 6A312-A

† Includes damper

YEAR 19	MODEL	NO. CYL.	CUBIC INCH DISP.	DESCRIPTION	QTY. PER VEHICLE	PART NUMBER
<b>6A312 PULLEY ASSY. - CRANKSHAFT - OUTER - continued - Also Refer to Group 6312</b>						
57/	A (30, 50 & 100 amp. alt. ) except P/S)	6	223		1	C1AE 6A312-C
54/	A	6	223	Bolt (outer pulley to vibration damper)- 3/8"-16 x 1 1/8"-hex. head	2	20408-S7(B81)
				Lockwasher-3/8"		34807-S7(X66)
54/	A (with Power Steering)	6	223	Bolt (outer pulley to vibration damper)- 9/16"-18 x 1 3/8"-hex. head	1	46172-S8(B281)
58/	A	6	223	Bolt (outer pulley to crankshaft)- 9/16"-18 x 1 5/8"-hex. head self locking	1	*46174-S8
55/57	A (P/S)-272, 292, 312	8		Single sheave-6.60" O. D. -13/32" diam. bolt holes	1	B5AZ 6A312-A
54/57	A (P/S)-239, 272, 292, 312)	8		Bolt (att. 6A312 to 6312) 3/8"-16 x 1 1/8"-hex. head	2	20408-S7(B81)
				Lockwasher-3/8"		34807-S7(X66)
54/57	A (P/S)-239, 272, 292, 312	8		Bolt (6312 & 6A312 to crankshaft 9/16"-18 x 2"-hex. head	1	21063-S8(B215)
54	A (P/S)	8	239,256	Lockwasher-9/16"	1	34810-S7(X69)
55/57	A (with Power Steering)	8	272,292	Lockwasher-9/16"	1	*34850-S
54	A (with Power Steering-except 60 amp. generator)	8	239	Outer pulley-double sheave-5.45" outer sheave diameter-6.70" inner sheave diameter-2.68" overall thickness	1	B4AZ 6A312-B
58/	A (with Power Steering)	8	292	Outer-single sheave-6.60" O. D. -(2) 13/32" diam. bolt holes-2.155"/2.165" long	1	B8AZ 6A312-A
58/59	A (A/C & P/S)	8	292	Outer-double sheave-6.60" O.D.-2.785"/2.795" overall thickness	1	B8AZ 6A312-D
59/	A (with 60 amp. gen. also 50, 100 amp. H/D alternator w/o P/S, Air Conditioner or Air Suspension) "From 1/15/59"	8	292		1	
59/	A (with 60 amp. gen. also 50, 100 amp. H/D alternator w/o P/S, Air Conditioner or Air Suspension) "From 1/15/59"	8	292	Bolt (pulley to damper)-3/8"-16 x 1 1/8"	2	20408-S7(B81)
				Lockwasher-3/8"		34807-S7(X66)
59/	A (with 60 amp. gen. also 50, 100 amp. H/D alternator w/o P/S, Air Conditioner or Air Suspension)	8	292	Bolt (pulley and damper to crankshaft)- 9/16"-18 x 2"	1	21063-S8(B215)
				Lockwasher-9/16"		*34850-S
58/	A, S (with Power Steering)	8	332,352	Outer-single sheave-steel design 6.62" O. D. - cast iron design 6.60" O. D.	1	B8AZ 6A312-B
58/	A, S (Air Conditioning & Power Steering, 60 amp. gen. ; also 50 & 100 amp. H/D alternator)	8	332,352	Outer-double sheave-steel design-6.62" O. D. - cast iron design 6.60" O. D.	1	B8AZ 6A312-C
58/59	A, S (Air Conditioning & Power Steering)	8	352	Bolt (pulley to damper)-3/8"-16 x 5/8"-used with steel design pulley	3	20328-S8(B76)
58	A, S	8	332,352	Key-woodruff (pulley to crankshaft)-5/32" x 5/8"	1	74175-S
58/	A, S	8	332,352	Bolt (pulley to damper)-3/8"-16 x 5/8"-used with steel design pulley	3	20328-S8(B76)
				Lockwasher-3/8"		34807-S7(X66)
58/	A, S (air conditioner & Power Steering also 50 & 100 amp. H/D alternator)	8	352	Bolt (6A312 to 6312)-3/8"-16 x 1"-used with cast iron design pulley	3	20388-S8(B80)
59/	S (with Power Steering)	8	430	Outer-single sheave-6.60" O. D. -(3) 13/32" diameter bolt holes-cast iron	1	B9SZ 6A312-A
58/	A, S	8	332,352	Bolt (pulley to damper)-3/8"-16 x 1"-used with cast iron design pulley	3	20388-S8(B80)
59	S	8	430		3	
<b>6A321 KIT - CRANKSHAFT REAR MAIN BEARING SEAL</b>						
52/	A	6	223	Consists of the following 2-C1AE 6336-A Seal 2-C2OZ 6701-A Packing	1	C1AZ 6A321-A
54/	A, S (239, 272, 292)	8		Consists of the following	1	C1AZ 6A321-C
56/	A, S (312, 332, 352)	8		2-C1AE 6336-B Seal 2-C2OZ6701-A Packing	1	
59/	S	8	430	Consists of the following 2-C1ME 6336-A Seal 2-B8QH6701-B Packing	1	B9SZ 6A321-A



### 6331, 6333, 6337, 6A338, 6A339 and 6342 BEARING MAIN (ALL)

THE CYLINDER BLOCK MAIN BEARING CAPS AND CRANKSHAFT JOURNALS ARE COLORED EITHER RED OR BLUE.  
USE THESE COLORS TOGETHER WITH CHART BELOW AS A GUIDE IN SELECTING THE PROPER BEARING COMBINATION.

COLOR ON CYL. BLOCK	COLOR ON CORRESPONDING CRANKSHAFT JOURNAL	COLOR OF BEARINGS	COLOR ON CYL. BLOCK	COLOR ON CORRESPONDING CRANKSHAFT JOURNAL	COLOR OF BEARINGS
RED	RED	TWO (R) RED	BLUE	BLUE	TWO (B) BLUE
RED	BLUE	ONE (R) RED ONE (B) BLUE	BLUE	RED	ONE (B) BLUE ONE (R) RED

In the size column of the chart below (R) designates red size - (B) designates blue size.  
Red size and blue size are optional for selective fit.

#### 6 CYLINDER ENGINES

YEAR	MODEL AND REMARKS	ENGINE CUBIC INCH DISP.	SIZE	UPPER	LOWER	FRONT	FRONT INTERMEDIATE	CENTER	REAR INTERMEDIATE	REAR
52/	A	215,223	Std. (R)-.0960"	x	x	B9TE 6333-A	B9TE 6333-A		B9TE 6342-A	⬆EAG 6331-G
			Std. (B)-.0962"			B9TE6333-B	B9TE6333-B		B9TE6342-B	⬆EAG6331-H
			.010"			B9TE 6333-D	B9TE 6333-D		B9TE 6342-D	⬆EAG 6331-D
			.020"			B9TE 6333-E	B9TE 6333-E		B9TE 6342-E	⬆EAG 6331-E
			.030"			B9TE 6333-F	B9TE 6333-F		B9TE 6342-F	⬆EAG 6331-F
49/51	A	226	Std. (R)-.0960"	x	x	0HA 6333-D	0HA 6333-D		0HA 6333-D	0HA 6331-D
			Std. (B)-.0964"			0HA 6333-E	0HA 6333-E		0HA 6333-E	⊕0HA 6331-E
			.010"			7HA 6333-C	7HA 6333-C		7HA 6333-C	7HA 6331-H
			.020"			7HA 6333-D	7HA 6333-D		7HA 6333-D	7HA 6331-J
			.030"			7HA 6333-E	7HA 6333-E		7HA 6333-E	7HA 6331-K

#### 8 CYLINDER ENGINES

YEAR	MODEL AND REMARKS	ENGINE CUBIC INCH DISP.	SIZE	UPPER	LOWER	FRONT	FRONT INTERMEDIATE	CENTER	REAR INTERMEDIATE	REAR
49/53	A	239	Std. (R)-.0853"	x	x	1CM 6333-B		1CM 6333-M		1CM 6331-B
			Std. (B)-.0856"			1CM 6333-C		1CM 6333-C		1CM 6331-C
			.002"			81A 6333-L		81A 6333-L		1BA 6331-F
			.010"			81A 6333-C		81A 6333-C		1BA 6331-B
			.020"			81A 6333-F		81A 6333-F		1BA 6331-E
54 55/	A A, S	239 272,292	Std. (R)-.0957"	x	x	EBV 6333-D	EBV 6333-D	EBV 6337-D	EBV 6333-D	EBV 6333-D
			Std. (B)-.0961"			EBV 6333-E	EBV 6333-E	EBV 6337-E	EBV 6333-E	EBV 6333-E
			.002"			B4A 6333-AG	B4A 6333-AG	B4A 6337-AG	B4A 6333-AG	B4A 6333-AG
			.010"			EBV 6333-A	EBV 6333-A	EBV 6337-A	EBV 6333-A	EBV 6333-A
			.020"			EBV 6333-B	EBV 6333-B	EBV 6337-B	EBV 6333-B	EBV 6333-B
			.030"			EBV 6333-C	EBV 6333-C	EBV 6337-C	EBV 6333-C	EBV 6333-C
			.040"			B4AE 6333-A	B4AE 6333-A	B4AE 6337-A	B4AE 6333-A	B4AE 6333-A

⊕ No longer supplied      ⚙ Alternate with B9TE 6333-A, B, C, D, E and F

**6331, 6333, 6337, 6A338, 6A339 and 6342 BEARING MAIN (ALL) - continued**

**8 CYLINDER ENGINES**

YEAR	MODEL AND REMARKS	ENGINE CUBIC INCH DISP.	SIZE	UPPER	LOWER	FRONT	FRONT INTERMEDIATE	CENTER	REAR INTERMEDIATE	REAR
56/57	A, S	312	Std. (R)-.0940" Std. (B)-.0980" .002" .010" .020" .030" .040"	x	x	B6A 6333-A B6A 6333-B B6A 6333-AG B6A 6333-C B6A 6333-D B6A 6333-E B6A 6333-F	B6A 6333-A B6A 6333-B B6A 6333-AG B6A 6333-C B6A 6333-D B6A 6333-E B6A 6333-F	B6A 6337-A B6A 6337-B B6A 6337-AG B6A 6337-C B6A 6337-D B6A 6337-E B6A 6337-F	B6A 6333-A B6A 6333-B B6A 6333-AG B6A 6333-C B6A 6333-D B6A 6333-E B6A 6333-F	B6A 6333-A B6A 6333-B B6A 6333-AG B6A 6333-C B6A 6333-D B6A 6333-E B6A 6333-F
58/	A, S	332, 352	Std. (R)-.0954" Std. (B)-.0958" .002" .010" .020" .030" .040"	x	x	B8A 6333-AA B8A 6333-AB B8A 6333-AG B8A 6333-AC B8A 6333-AD B8A 6333-AE B8A 6333-AF	B8A 6333-AA B8A 6333-AB B8A 6333-AG B8A 6333-AC B8A 6333-AD B8A 6333-AE B8A 6333-AF	B8A 6337-AA B8A 6337-AB B8A 6337-AG B8A 6337-AC B8A 6337-AD B8A 6337-AE B8A 6337-AF	B8A 6333-AA B8A 6333-AB B8A 6333-AG B8A 6333-AC B8A 6333-AD B8A 6333-AE B8A 6333-AF	B8A 6333-AA B8A 6333-AB B8A 6333-AG B8A 6333-AC B8A 6333-AD B8A 6333-AE B8A 6333-AF
59/	S	430	Std. (R)-.0954" Std. (B)-.0958" .002" .010" .020" .030"	x	x	C1VE 6333-B C1VE 6333-D B8S 6333-AG B8S 6333-AC B8S 6333-AD B8S 6333-AE	C1VE 6333-B C1VE 6333-D B8S 6333-AG B8S 6333-AC B8S 6333-AD B8S 6333-AE	C1VE 6337-B C1VE 6337-D B8S 6337-AG B8S 6337-AC B8S 6337-AD B8S 6337-AE	C1VE 6333-B C1VE 6333-D B8S 6333-AG B8S 6333-AC B8S 6333-AD B8S 6333-AE	C1VE 6333-B C1VE 6333-D B8S 6333-AG B8S 6333-AC B8S 6333-AD B8S 6333-AE

YEAR	MODEL	NO. CYL.	CUBIC INCH DISP.	DESCRIPTION	QTY. PER VEHICLE	PART NUMBER
<b>6335 RETAINER - CRANKSHAFT REAR OIL PACKING</b>						
49/51	A	6	226	Bolt (crankshaft rear oil packing retainer)- 5/16"-18 x 7/8"	1	7HA 6335-A
49/51	A	6	226	Lockwasher-5/16"	3	34806-S7(X64)
49/53	A	8	239	Upper	1	8BA 6335
54	A	8	239	4.980"/4.988" x 2.657"/2.667"-3.754"/3.766"	1	B5A 6335-A
55/	A, S	8	272, 292	bolt hole centers-use with C1AE 6336-B seal	1	
56/57	A, S	8	312	4.980"/4.988" x 2.657"/2.667"-(2) 5/16"-18 & (2) 13/32" holes	1	B6A 6335-A
54/56	A, S (239, 256, 272, 292, 312)	8		Stud (retainer to oil pan)- 5/16"-18 & 5/16"-24 x 7/8"	2	88351-S8
57/	A	8	292	Nut (retainer stud to oil pan) 5/16"-24	2	33798-S8(M62)
54/56	A, S (239, 256, 272, 292, 312)	8	292	Lockwasher-5/16"	2	34806-S7(X64)
<b>6336 SEAL - CRANKSHAFT REAR MAIN BEARING</b>						
52/	A	6	215, 223	# Yellow-asbestos & rubber-wedge shaped- 2 19/64" long-(in rear main bearing cap)	2	C1AE 6336-A
54	A	8	239	Rubber-2 7/8" long-13/32" hole at top -"L" shaped (in 6335 retainer)	2	B4AZ 6336-A
55/	A, S (272, 292, 312)	8		# Yellow-asbestos & rubber-2 23/32" long - wedged shaped (in 6335 retainer)	2	C1AE 6336-B
58/	A, S	8	332, 352	(in rear main bearing cap)	2	
59/	S	8	430	# Yellow-asbestos & rubber - wedge shaped - (in Rear Main Bearing Cap)	2	C1ME 6336-A
<b>6337, 6A338, 6A339 and 6342 BEARINGS - MAIN - Refer to Main Bearing Chart under Group 6331</b>						
<b>6A340 BOLT - DAMPER TO CRANKSHAFT</b> See 6A312 for different pulley/bolt sizes						
52/	A	6	223	9/16"-18 x 1 3/4"	1	C1TE 6A340-B
52/	A, S	8	(272, 292, 312)		1	
<b>6344 GASKET - CRANKSHAFT REAR OIL PACKING RETAINER</b>						
49/51	A	6	226		1	7HA 6344
<b>6345 BOLT - CYLINDER HEAD</b> Refer to Group 6065						
<b>6345 BOLT - CRANKSHAFT MAIN BEARING CAP</b>						
52/	A	6	215, 223	1/2" - 13 x 2.72"	8	59A 6345-A
52/	A	6	215, 223	Lockwasher- 1/2"	8	34809-S8(X68)

# Identification marking

YEAR 19	MODEL	NO. CYL.	CUBIC INCH DISP.	DESCRIPTION	QTY. PER VEHICLE	PART NUMBER
<b>6345 BOLT - CRANKSHAFT MAIN BEARING CAP - continued</b>						
49/51	A	6	226	All-1/2"-13 x 2 7/8"	8	B4A 6345-A
49/53	A	8	239	Front, center and rear	2or4	
54/58	A, S	(239, 272, 292)	8	All except rear	*2or4	
54	A	8	239	Rear	2	
58/59	A	8	292	All	10	
54/58	A, S	(239, 272, 292)	8	Lockwasher (crankshaft main brg. cap bolt)-1/2"	8	34809-S8(X68)
56/57	A, S		8	312 All exc. rear-1/2"-13 x 3" hex. head-self locking	8	C1AE 6345-A
58	A, S		8	332,352 Rear-1/2"-13 x 3 1/4"-self locking-use with B8A 6010-B cylinder block	2	B8A 6345-A
58/	A, S		8	332,352 All-1/2"-13 x 3 1/2"	10	C1AE 6345-B
59/	S		8	430 1/2"-13 x 3.95"	10	374237-S(BB199C)
59/	S		8	430 1/2"-13 x 3.95"	10	C1VE 6345-A
54/58	A, S	(239, 272, 292)	8	All-1/2"-13 x 2 3/4"-self locking	†10	374683-S(BB196C)
56/57	A, S		8	312 Rear	2	
<b>6350 BOLT - CRANKSHAFT REAR SEAL RETAINER</b>						
54/	A, S	(239, 272, 292, 312)	8	3/8"-16 x 2.72"/2.78"-12 point head	2	B6A 6350-A
55/	A, S	(272, 292, 312)	8	Washer-flat-3/8"	2	354861-S(XX137)
<b>6359 EXTENSION OR SPACER - CRANKSHAFT PULLEY HUB</b>						
49/53	A	8	239	Extension-1.309"/1.311" I.D.-1.626"/1.628" O.D.-1.10" long-used with 8BA 6312-B & C	1	A9AZ 6359-A
54	A	8	239	Spacer-1.252"/1.253" I.D.-1.875"/1.877" O.D.-1.66" overall length	1	B4AZ 6359-A
58/	A, S		8	332,352 Steel design-1 7/8" O.D.-1 3/8" I.D.-3 11/32" long Cast iron design 1 7/8", 1 29/32" & O.D.-1 3/8"-I.D.-3 11/32" long	1	B8AZ 6359-A
59/	S		8	430 Cast iron design-2.04", 1.884"/1.894" & 1.877"/1.873" O.D.-1.376"/1.377" I.D.-2.58" long-use with B8S 6316-A Damper	1	B9SZ 6359-A
<b>6366 COVER ASSY. - FLYWHEEL HOUSING - Also Refer to Group 7007</b>						
52/	A (S/T & O/D)	6	215,273	(6) 11/32" diam. holes	1	C3AZ 6366-B
52/53	A	8	239		1	EAB 6366-A
52/53	A	8	239	Bolt (cover to flywheel hsg.)-5/16"-18 x 5/8"	4	20326-S7(B49)
				Nut-5/16"-18		33797-S7(M50)
52/53	A	8	239	Bolt (cover to flywheel housing)-5/16"-18 x 1 1/8"	1	352464-S8(BB139)
				Lockwasher-5/16"		34806-S7(X64)
54	A (with S/T & O/D)	8	239	(4) 11/32" diameter holes	1	B6A 6366-B
55/57	A, S (S/T & O/D)-272, 292, 312)	8			1	
58/	A (with S/T & O/D)	8	292		1	
58/	A	8	332,352		1	B8A 6366-A
58	A (with H/D clutch)	8	292		1	
58/	S (S/T & O/D)	8	352		1	
52/54	A (S/T & O/D) 215, 223, 239, 256	6&8		Bolt (bottom cover to 6392)-1/4"-20 x 1/2"	6	20308-S7(B40)
55/	A, S (S/T & O/D)	6&8	All		4	
55/	A, S (S/T & O/D)	6&8	All	Bolt (cover to cylinder block)-1/4"-20 x 1/2"	1or2	20308-S7(B40)
				Lockwasher - 1/4"		34805-S8(X62)
56/	A, S (S/T & O/D) - 223, 292, 312, 332, 352, 430	6&8		Bolt (cover to fly wheel hsg.)-5/16"-18 x 1/2"	4	20310-S8(B48)
				Lockwasher-5/16"		34806-S7(X64)
<b>6A366 PLATE - FLYWHEEL REINFORCING</b>						
57	A, S (with F/M)	8	All	Use with B7A 6375-A flywheel-4" O.D.-2.43" I.D.-.060" thick	3	B9AZ 6A366-A
54/59	A (with F/M)	6	223	Use with B8A 6375-C flywheel	3	
54	A (with F/M)	8	239	Use with B8A 6375-C flywheel	3	
59/	A (with F/M/2)	6&8	223,292		1	
58/	A, S (F/M, F/M/2, C/M)	8	332,352		1or3	B9AZ 6A366-B
59/	S (C/M)	8	430		3	
58/	A (with F/M & C/M)	8	292	4.16" O.D.-2.36" I.D.-.180" thick (6) 29/64" holes	1	B8AZ 6A366-A
<b>6375 FLYWHEEL and RING GEAR ASSY.</b>						
52/53	Police cars, Taxi cabs(S/T & O/D)	6	215	146 teeth-use with 10" clutch	1	EAG 6375-A
54/	A (with S/T & O/D)	6	223	Includes ring gear-(6) 5/16"-18 10 7/8" diameter pressure plate attaching holes	1	B4A 6375-D
59/	A (with F/M/2)	6	223	Includes ring gear-14.800"/14.814" O.D.-146 teeth-(15) .258"/.266" bolt holes-11.78" bolt hole center diameter	1	B9A 6375-A

\* Optional with 374683-S † Optional with B4A 6345-A & 34809-S

YEAR 19__	MODEL	NO. CYL.	CUBIC INCH DISP.	DESCRIPTION	QTY. PER VEHICLE	PART NUMBER
<b>6375 FLYWHEEL and RING GEAR ASSY. - continued</b>						
59/		6	223	Bolt (flywheel & reinforcing plate to crankshaft)-7/16"-20 x 5/8"-self locking	6	43062-S(B251)
54/	A (with F/M & C/M)	6	223	13.063" bolt hole center diameter-includes (3) B9AZ 6A366-A reinforcing plates	1	B8A 6375-C
54	A (with F/M)	8	239		1	
54	Police & Taxi	6	223	Includes 146 tooth ring gear-(6) 5/16"-18	1	B4A 6375-B
55/	A, Police, Taxi (H/D clutch & S/T & O/D)	6	223	pressure plate attaching holes on 12 3/8" diam. bolt circle	1	
54	Police	8	239		1	
55/	A, Police, Taxi-w/H/D clutch & S/T & O/D)	8	272,292		1	
55/57	S (S/T & O/D)	8	292,312		1	
57	A (S/C & S/T)	8	312		1	
49/53	A	6&8	226,239	Bolt (flywheel to crankshaft)-7/16"-20 x 7/8"	4	350816-S(BB431)
55/57	A, S (F/M)-272, 292, 312	8		Includes (3) B9AZ 6A366-A reinforcing plates	1	B7A 6375-A
49/53	A (with S/T & O/D)	8	239	112 teeth-use with 9 1/2" clutch and B 11350 or B 11354	1	8BA 6375-B
49/53	Police cars, Taxi cabs (with S/T & O/D)	8	239	112 teeth-use with 10" clutch and B 11350 or B 11354	1	8RC 6375
54	A (with S/T & O/D)	8	239	Includes ring gear-(6) 5/16"-18 x 11 3/8" diam. pressure plate attaching holes	1	B4A 6375-C
55/59	A (with S/T & O/D)	8	272,292		1	
58/	A (with F/M & C/M)	8	292	Includes ring gear-148 teeth-15.004"/15.011" O.D. -(6) .450"/.456", (2) 1" & (4) .433"/.448" diameter holes	1	B8A 6375-D
59/	A (with F/M/2)	8	292	Includes ring gear-15.000"/15.014" O.D. -148 teeth-(15) .258"/.266" bolt holes-11.78" bolt hole center diameter	1	B9A 6375-B
58/	A, S (with S/T & O/D)	8	332,352	Includes ring gear-153 teeth-(6) 5/16"-18 -12.373"/12.377" pressure plate attaching holes diameter	1	B8A 6375-A
58/	A, S (with F/M & C/M)	8	332,352	Includes ring gear-153 teeth-14.96" O.D. -	1	B8A 6375-B
59/	S (with C/M)	8	430	(16) 17/64" bolt holes	1	
59/	A, S (with F/M/2)	8	332,352	Includes ring gear-15.450"/15.464" O.D. -153 teeth-(15) .258"/.266" bolt holes-12.22" bolt hole center diameter	1	B9A 6375-C
<b>6378 WASHER - CRANKSHAFT PULLEY OR DAMPER RETAINING</b>						
58/	A, S	8	332,352	1.76" O.D. -66" I.D. -212" thick	1	B8A 6378-A
59/	S	8	430		1	
52/	A	6	215,223	Washer-flat-1.76" O.D. -.58" I.D. -.31"/.34" thick	1	372757-S(XX200)
54/	A, S (239, 272, 292, 312)	8			1	
<b>6379 BOLT - FLYWHEEL TO CRANKSHAFT</b>						
52/	A (S/T & O/D)	6	215,223	7/16" - 20 x 27/32" - hex. head- nylon pellet lock	6	C3AZ 6379-A
54/	A (S/T & O/D) (239, 272, 292, 312)	8			6	
58/	A, S (S/T & O/D)	8	332,352	7/16" - 20 x 1 1/16"	6	B8A 6379-A
54/	A, S (F/M, C/M) (239, 272, 292, 312, 332, 352)	8		7/16" - 20 x 11/16" - hex. head - self locking	6	B8A 6379-B
58/	A, S (F/M, F/M/2, C/M)	8	332,352		6	
59/	S (C/M)	8	430		6	
52/	A (S/T & O/D)	6	215,223	7/16" - 20 x 7/8" - special head	6	EAA 6379-A
54/	A, S (S/T & O/D) (239, 272, 292, 312)	8			6	
59/	A (F/M/2)	6&8	223,292	Bolt (flywheel to crankshaft)-7/16"-20 x 5/8" - self locking	6	43062-S(B251)
<b>6380 FLYWHEEL</b> Refer to Group 6375						
<b>6384 GEAR - FLYWHEEL RING</b>						
49/53	A (with S/T & O/D)	8	239	112 teeth	1	8BA 6384-A
49/51	A (with S/T & O/D)	6	226	114 teeth	1	8HA 6384
52/	A (with S/T & O/D)	6	215,223	146 teeth	1	EAA 6384-A
54	A (with S/T & O/D)	8	239		1	
55/	A, S (with S/T & O/D-272, 292, 312)	8			1	
58/	A, S (S/T & O/D)	8	332,352	153 teeth	1	B8A 6384-A
<b>6386 LOCKING PLATE - CRANKSHAFT TO CONVERTER DRIVE PLATE</b>						
51/53	A (with F/M)	8	239		1	1CM 6386
51/53	A (with F/M)	8	239	Bolt (locking plate to crankshaft)-7/16"-20 x 5/8"-hex. head	4	350684-S(BB228)
52/53	A (with F/M)	6	215		1	EAA 6386-A

# FORD CAR PARTS

## SECTION 63

YEAR 19	MODEL	NO. CYL.	CUBIC INCH DISP.	DESCRIPTION	QTY. PER VEHICLE	PART NUMBER
<b>6387 DOWEL</b>						
49/51	A	6	226	Flywheel to crankshaft-.4375" diam. -1/2" long	2	1CM 6387-A
49/53	A	8	239		2	
51/53	A (with F/M)	6&8	215,239	Crankshaft to converter drive plate-.4375"/.4390" diam. x 1/2" long	2	1CM 6387-A
53	A	6&8	215,239	Flywheel to crankshaft-.4375"/.4390" diameter x 1/2" long	2	1CM 6387-A
49/51	A	6	226	Flywheel to crankshaft-.002" O/S-	2	1CM 6387-B
49/53	A	8	239	(.4395"/.4415" diameter)-1/2" long	2	
51/53	A (with F/M)	6&8	215,239	Crankshaft to converter drive plate-.002" O/S- (.4395"/.4415" diameter)-1/2" long	2	
<b>6392 HOUSING ASSY. - FLYWHEEL and CLUTCH</b>						
54/	A (with S/T & O/D)	6	223		1	COAA 6392-A
52/	A	6	215,223	Dowel (flywheel housing to engine rear plate)-3/8" x 9/16"	2	73249-S(N88)
52/53	A (with S/T & O/D)	8	239		1	AC 6392-D
52/53	A	8	239	Bolt (flywheel housing to cylinder block)-7/16"-14 x 1 1/4"	6	20430-S8(B104)
				Lockwasher-7/16"		34808-S8(X67)
54/59	A, S (with S/T & O/D-239, 272, 292, 312)	8			1	B9AA 6392-C
59/	A (with S/T & O/D)	8	292		1	
58/	A, S (with S/T & O/D)	8	332,352		1	B9AA 6392-B
54/57	A, S (223, 239, 272, 292, 312)	6&8		Dowel (cylinder block to clutch housing)	2	73249-S(N88)
58/	A	8	292	3/8" x 9/16"	2	
52/	A, S (215, 223, 239, 256, 272, 292, -312, 332, 352, 430)	6&8		Bolt (fly wheel housing to cylinder block)	4or6	20246-S8(B113B)
				7/16"-14 x 2 1/2"		
				Lockwasher-7/16"		34808-S8(X67)
<b>6397 DOWEL</b>						
49/53	A	8	239	Cylinder block to flywheel housing-11/16"	2	18 6397
49/51	A	6	226	Cylinder block to front cover-11/16"	2	
49/51	A	6	226	Engine rear plate to cylinder block	2	
58/	A, S	8	332,352	Cylinder block to flywheel housing-1/2" x 1"	2	EAD 6397-A
59/	S	8	430		2	
<b>6406 PLATE - CONVERTER DRIVE</b>						
52/53	A (with F/M)	6	215		1	EAA 6406-A
52/53	A (with F/M)	6	215	Bolt (converter drive plate to crankshaft)-7/16"-20 x 5/8"-hex. head	6	350684-S(BB228)
51/53	A (with F/M)	8	239		1	1CM 6406
51/53	A (with F/M)	8	239	Bolt (converter drive plate to crankshaft)-7/16"-20 x 5/8"-hex. head	4	350684-S(BB228)
<b>6408 PLATE - CONVERTER PILOT MOUNTING</b>						
52/53	A (with F/M)	6	215		1	EAA 6408-A
52/53	A (with F/M)	6	215	Bolt (converter pilot mounting plate to crankshaft)-7/8"-20 x 5/8"-hex. head	6	350684-S(BB228)
<b>6409 COVER - FLYWHEEL HOUSING - BOTTOM</b>						
52/53	A (with S/T & O/D)	8	239		1	1CM 6409
52/53	A (with S/T & O/D)	8	239	Bolt (bottom cover to flywheel housing)-5/16"-18 x 1/2"	9	20310-S8(B48)
				Lockwasher-5/16"		34806-S7(X64)
<b>6411 DUST SEAL</b>						
49/53	A (with S/T & O/D)	8	239	Flywheel housing cover-rubber-16.30" overall length	1	8BA 6411-B
51/53	A (with F/M)	8	239	Converter housing upper cover-rubber-16.30" overall length	1	
59/	S (with C/M)	8	430	Converter housing front cover	1	B9S 6411-A
<b>6434 SPACER - FLYWHEEL TO CRANKSHAFT</b>						
54	A	6&8	223,239	2.44" I. D. -3.90" O. D. -.0199"/.0201" thick-(6) .444"/.446" holes-steel-to be used when replacing EBF 6303-A crankshaft with B6A 6303-E or EBU 6303-B with B4A 6303-B	1	B4A 6434-A
<b>6436 SEAL - STARTER TO FLYWHEEL HOUSING</b>						
54/	A, S (239, 256, 272, 292, 312, 332,352, 430)	8		4.11" I. D.	1	B4A 6436-A
<b>6499 TUBE - VALVE PUSH ROD COVER VENTILATION - UPPER</b>						
59/	S	8	430	3.64" long	1	B8E 6499-A

**FORD CAR PARTS**

**SECTION 63**

**6500 TAPPET ASSY. - VALVE**

YEAR	MODEL	NO. CYL.	CUBIC INCH DISP.	DESCRIPTION	QTY. PER VEHICLE	PART NUMBER
49/51	A	6	226		12	7HA 6500-A
52/	A	6	215,223	Head dia. -.990"/1.005"-2.38"o/all length-groove	12	EAA 6500-D
54/	A, S(W/OS/C)-239, 272, 292,312	8		dia. -.478"/.488"-groove width .140"-steel-alt. with B8C 6500-A	16	
49/53	A	8	239	.9990"/.9995" O. D. -includes adj. screw and wrench	16	B3AE 6500-A
57	A, S (S/C)	8	312	Head diameter -1.000"/1.020"-overall length 2.41"-hardenable iron	16	B8C 6500-A
52/	A	6	215,223	1.010" head dia. -.2.41" overall length	12	
54/	A (w/o S/C)-239, 272, 292, 312	8		Alternate with EAA 6500-D	16	
58	A	8	332,352	Alternate with EAA 6500-D	16	
58/	A, S	8	332,352	Mechanical-.8737"/.8742" O. D. -2.03"/2.09" long	16	B8A 6500-A
58/	A, S	8	332,352	Hydraulic-.8740"/.8745" O. D. 2"long	16	COAE 6500-A
59/	S	8	430	Hydraulic	16	C3SZ 6500-A

**6505-07 VALVE - INTAKE and EXHAUST**

**6 CYLINDER ENGINES**

YEAR	CUBIC INCH DISP.	MODEL & REMARKS	EXHAUST VALVE					INTAKE VALVE				
			LENGTH	HEAD DIA.	STEM SIZE	STEM DIA.	PART NUMBER	LENGTH	HEAD DIA.	STEM SIZE	STEM DIA.	PART NUMBER
52/53	215	A	5.02"	1.52"	Std.	.3402"	C3AZ 6505-N	5.02"	1.65"	Std.	.3420"	COME 6507-N
					.003"	.3432"	C3AZ 6505-P			.003"	.3450"	COME 6507-S
					.015"	.3552"	C3AZ 6505-R			.015"	.3570"	COME 6507-R
					.030"	.3702"	C3AZ 6505-S			.030"	.3720"	COME 6507-T
54/	223	A (Micro finish on exhaust valve)	5.02"	1.52"	Std.	.3402"	C3AZ 6505-N	5.02"	1.78"	Std.	.3420"	COAE 6507-J
					.003"	.3432"	C3AZ 6505-P			.003"	.3450"	COAE 6507-L
					.015"	.3552"	C3AZ 6505-R			.015"	.3570"	COAE 6507-K
					.030"	.3702"	C3AZ 6505-S			.030"	.3720"	COAE 6509-M
49/50	226	A	5.36"	1.51"			7HA 6505-A	5.36"	1.65"			7HA 6507
49/50	226	A (Rotomatic)	5.36"	1.51"			1HA 6505-A	5.36"	1.65"			1HA 6507-A

**8 CYLINDER ENGINES**

49/50	239	A #Pink	4.49"	1.51"	Std.	.015"	8BA 6505-A	4.49"	1.51"	Std.	.015"	8BA 6505-A
							B0A 6505-A					B0A 6505-A
49/50	239	A (Rotomatic)	4.54"	1.51"			1BA 6505-A	4.54"	1.51"			1BA 6505-A
51/53	239	A										
54	239	A	5.02"	1.52"	Std.	.3402"	C3AZ 6505-N	5.02"	1.65"	Std.	.3420"	COME 6507-N
					.003"	.3432"	C3AZ 6505-P			.003"	.3450"	COME 6507-S
					.015"	.3552"	C3AZ 6505-R			.015"	.3570"	COME 6507-R
					.030"	.3702"	C3AZ 6505-S			.030"	.3720"	COME 6507-T
55/56	272	A (micro finish on exhaust valve)	5.02"	Std.	.3402"	C3AZ 6505-N	5.02"	1.79"	Std.	.3420"	COAE 6507-J	
					.003"	.3432"			C3AZ 6505-P	.003"	.3450"	COAE 6507-L
					.015"	.3552"			C3AZ 6505-R	.015"	.3570"	COAE 6507-K
					.030"	.3702"			C3AZ 6505-S	.030"	.3720"	COAE 6507-M
57	272	A	5.02"	1.52"	Std.	.3402"	C3AZ 6505-N	5.02"	1.92"	Std.	.3420"	B7A 6507-AA
					.003"	.3432"	C3AZ 6505-P			.003"	.3450"	B7A 6507-AB
					.015"	.3552"	C3AZ 6505-R			.015"	.3570"	B7A 6507-AC
					.030"	.3702"	C3AZ 6505-S			.030"	.3720"	B7A 6507-AD
56	292, 312	A, S (micro finish on exhaust valve)	5.02"	1.52"	Std.	.3402"	C3AZ 6505-N	5.02"	1.79"	Std.	.3420"	COAE 6507-U
					.003"	.3432"	C3AZ 6505-P			.003"	.3450"	COAE 6507-L
					.015"	.3552"	C3AZ 6505-R			.015"	.3570"	COAE 6507-K
					.030"	.3702"	C3AZ 6505-S			.030"	.3720"	COAE 6507-M

**6505-07 VALVE - INTAKE and EXHAUST - continued**

**8 CYLINDER ENGINES**

YEAR	CUBIC INCH DISP.	MODEL & REMARKS	EXHAUST VALVE					INTAKE VALVE				
			LENGTH	HEAD DIA.	STEM SIZE	STEM DIA.	PART NUMBER	LENGTH	HEAD DIA.	STEM SIZE	STEM DIA.	PART NUMBER
57	292, 312	A, S	5.02"	1.52"	Std. .003" .015" .030"	.3402" .3432" .3552" .3702"	C3AZ 6505-N C3AZ 6505-P C3AZ 6505-R C3AZ 6505-S	5.02"	1.92"	Std. .003" .015" .030"	.3420" .3450" .3570" .3720"	B7A 6507-AA B7A 6507-AB B7A 6502-AC B7A 6507-AD
58/59	332	A, S	5.36"	1.56"	Std. .003" .015" .030"	.3697" .3727" .3847" .3997"	COAE 6505-N COAE 6505-S COAE 6505-R COAE 6505-T	5.36"	2.04"	Std. .003" .015" .030"	.3715" .3745" .3865" .4015"	COAE 6507-N COAE 6507-S COAE 6507-R COAE 6507-T
58/	352	A (except Special)	5.36"	1.56"	Std. .003" .015" .030"	.3697" .3727" .3847" .3997"	COAE 6505-N COAE 6505-S COAE 6505-R COAE 6505-T	5.36"	2.04"	Std. .003" .015" .030"	.3715" .3745" .3865" .4015"	COAE 6507-N COAE 6507-S COAE 6507-R COAE 6507-T
59/	430	S (use w/B9ME type cyl. head)	5.29"	1.77"	Std. .003" .015" .030"	.3697" .3727" .3847" .3997"	B8S 6505-AA B8S 6505-AB B8S 6505-AC B8S 6505-AD	5.29"	2.09"	Std. .003" .015" .030"	.3715" .3742" .3862" .4015"	B9ME 6507-L B9ME 6507-N B9ME 6507-R B9ME 6507-S
YEAR	MODEL	NO. CYL.	CUBIC INCH DISP.	DESCRIPTION	QTY. PER VEHICLE	PART NUMBER						
<b>6A506 KIT - ROCKER ARM COVER GASKET and SEAL - Also Refer to Group 6584</b>												
52/59	A	6	215,223	Consists of the following 1-B7A 6584-A Gasket 2-EAA 6570-C Seal	1	B2AZ 6A506-A						
54/59	A, S (8 cyl. 239, 272, 292, 312)			Consists of the following 2-B9AE 6584-B Gasket 4-B9A 6570-A Seal	1	B4AZ 6A506-A						
<b>6510 BUSHING - VALVE GUIDE</b>												
49/51	A	6	226		12	7HA 6510-A						
49/53	A	8	239	Intake & exhaust-has square cut groove without struts-use with 8BA 6571 on intake valve	16	8BA 6510-B						
<b>6A511 SPRING - VALVE - Refer to Group 6513</b>												
<b>6512 RETAINER - VALVE GUIDE BUSHING</b>												
49/53	A	8	239		16	40 6512						
<b>6513 SPRING - VALVE</b>												
49/51	A	6	226	2.56" long-9.38 coils	12	0HA 6513-A						
52/	A (without zero lash)	6	215,223	7 coils-2.09" free length	12	B6A 6513-A						
54/	A, S (239, 272, 292, 312)	8			16							
49/50	A	8	239	2.48" long-10.12 coils-use with 8BA 6505-A valve	16	0BA 6513-A						
51/53	A	8	239	2.20" long-9.12 coils-use with 1BA 6505-A valves	16	1BA 6513-A						
49/50	A (☆)	8	239		16							
57	A, S (dual 4/B carburetor)	8	312	Two piece design-consists of the following	16	B6A 6513-D						
57	A, S (S/C)	8	312	1-Valve spring 1-Damper spring	16							
58/	A, S	8	332,352	One piece design-2.26" long-6 1/2 coils-alternate with B8A 6513-B	16	B8A 6513-C						
58/	A, S	8	332,352	Two piece design-consists of the following	16	B8A 6513-B						
58/	P/I	8	352	1-Valve spring, 1-Damper spring - alternate with B8A 6513-C for A, S only								
59/	S	8	430	Two piece design-#Gray paint-consists of the following- 1-Valve spring, 1-Damper spring	16	B8S 6513-A						
<b>6514 RETAINER - VALVE SPRING - Also Refer to Group 6534</b>												
49/50	A	6	226	Use with 7HA 6505-A & 7HA 6507 valves	12	7HA 6514-A						
52/	A	6	215,223	Intake & exhaust-1.34" O.D. -.382" I.D. -.504" height	12	B9A 6514-A						
54/	A, S (239, 272, 292, 312)	8			16							
52/53	A	6	215	Exhaust-with single slot valves	6							
49/50	A	8	239	Use with 8BA 6505-A valve	16	8BA 6514						

# Identification marking

YEAR 19	MODEL	NO. CYL	CUBIC INCH DISP.	DESCRIPTION	QTY. PER VEHICLE	PART NUMBER
<b>6514 RETAINER - VALVE SPRING - continued</b> Also Refer to Group 6534						
57	A, S (dual 4/B carb., S/C)	8	312		16	B6A 6514-A
58/	A, S	8	332,352	1.40" O. D. -.410"/.420" hole I. D. -approx..394" height	16	B8A 6514-B
58/	P/I	8	352		16	C1AE 6514-A
59/	S	8	430	1.64" O. D. -.70" tapered I. D. -.33" height	16	B8S 6514-A
<b>6515 SPACER - VALVE SPRING</b>						
52/	A	6	215,223	1.36" O. D. -.995"/1.005" I. D. -.030" thick	AR	B3Q 6515-A
54/	A, S (239, 272, 292, 312)	8			AR	
58/	A, S	8	332,352	1.44" O. D. -1.052"/1.062" I. D. -.030" thick	AR	B8A 6515-A
58	Police Interceptor	8	352	1.44" O. D. -1.052"/1.062" I. D. -.090"/.100" thick	16	B8A 6515-B
59	S	8	430	1.68" O. D. -1.196"/1.201" I. D. -.030" thick	AR	B8S 6515-A
<b>6517 SLEEVE - VALVE SPRING RETAINER</b> -Also Refer to Group 6534						
49/51	A	6	226		12	1HA 6517-A
49/50	A (☆)	6	226		12	
52/	A	6	215,223	Intake & exhaust-.735" & .559" O. D. -.493"	12	B9A 6517-A
54/	A, S (239, 272, 292, 312)	8		conical I. D. -.401" height-use with B9A 6514-A	16	
52/53	A	6	215	Exhaust-with single slot valve	6	
53	A	8	239	Intake & exhaust	16	1BA 6517-C
58/	A, S	8	332,352	.764"/.774" flange O. D. -.594"/.604" conical O. D. -.36" height	16	B8A 6517-B
59/	S	8	430	.890"/.900" flange O. D. to .594"/.604" conical O. D. -.317"/.337" height	16	B8S 6517-A
<b>6518 LOCK OR KEY - VALVE SPRING RETAINER</b>						
49/	A, S (239, 272, 292, 312)	8			32	7HA 6518-A
49/51	A	6	226		24	
52/	A	6	215,223		24	
58/	A, S	8	332,352	.371"/.375" to .531"/.535" conical O. D. -	32	B8A 6518-A
59/	S	8	430	.370"/.390" height-#Red	32	
<b>6519 COVER - VALVE PUSH ROD</b> - Also Refer to Group 6763						
52/	A	6	215,223	4 5/16" wide - (4) 17/32" holes	1	C3AZ 6519-A
52/	A	6	215,223	Bolt (push rod cover to cylinder block)- 5/16"-18 x 1 3/4"-hex. head	4	*24504-S8
52/	A	6	215,223	Washer - flat - 5/16"	4	44722-S8(X19)
55	A	8	272	7.32" wide-9.06" filler tube overall length	1	B6A 6519-A
54	A	8	239		1	
55/57	A (w/o S/C, dual 4/B carb.)	8	All		1	
54/	A, S (239, 272, 292, 312)	8		Bolt (push rod cover to cylinder block)- 5/16"-18 x 4 1/2"-hex. head	2	45582-S8(B70)
54/	A, S (239, 272, 292, 312)	8	All	Washer-flat-5/16"	2	44722-S8(X19)
55/57	S (without dual 4/B carburetor)	8	292,312	7.32" wide-7.56" filler tube overall length	1	B7S 6519-A
57	A (S/C)	8	312	has opening at rear	1	
58/59	A	8	292		1	
57	A, S (dual 4/B carburetor)	8	312	7.32" wide-6.48" filler tube overall length- has 1 1/4" opening at rear	1	B7A 6519-B
59/	S	8	430		1	COME 6519-B
59/	S	8	430	Screw & washer (cover to cylinder head & block)-5/16"-18 x 5/8"	16	371065-S(BB549)
<b>6520 COVER - VALVE CHAMBER</b>						
49/51	A	6	226	Front & center	2	7HA 6520
49/51	A	6	226	Cover & baffle ass'y. (valve chamber)-rear-use with 8HA 6796 pipe	1	8HA 6756
49/51	A	6	226	Stud (valve chamber cover attaching)- 5/16"-18 & 5/16"-24 x 3 5/8"	3	89255-S(W4)
				Nut-5/16"-24		33798-S8(M62)
				Washer - flat - 5/16"		44722-S8(X19)

☆ Rotomatic

# Identification marking



# FORD CAR PARTS

## SECTION 65

133

YEAR	MODEL	NO. CYL.	CUBIC INCH DISP.	DESCRIPTION	QTY. PER VEHICLE	PART NUMBER
<b>6520 COVER - VALVE CHAMBER - continued</b>						
49/53	A	8	239	Cast iron	1	8RT 6520-A
49/53	A	8	239	Gasket (windshield wiper silencer to valve chamber cover)	1	91A 2149
49/53	A	8	239	Connector (windshield wiper tube to valve chamber cover)-7/16"-20x1.72" long-1/4" O.D. x 5/32" I.D. tube end	1	69A 17597
49/53	A	8	239	Plug (valve chamber cover)-3/8" pipe	1	358066-S8(PP36)
49/53	A	8	239	Plug (valve chamber cover windshield wiper take off hole)-7/16"-20	1	356611-S8(PP37)
49/53	A	8	239	Bolt (valve chamber cover to cylinder block)-3/8"-16 x 1 3/8"	12	20448-S8(B83)
51/53	A(with F/M)	8	239	Bolt (valve chamber cover to cylinder head)-3/8"-16 x 1 3/8"	2	20448-S8(B83)
				Lockwasher-3/8"		34847-S8(X74)
49/53	A	8	239	Stud (generator to valve chamber cover)-9/16"-12 & 9/16"-18 x 3"	1	357730-S7(WW58)
				Nut-9/16"-18		356075-S7(MM130)
				Lockwasher-9/16"		34810-S7-8(X69)
<b>6521 GASKET - VALVE CHAMBER COVER or PUSH ROD COVER</b>						
52/	A	6	215,223	Valve push rod cover-24.76" long-4.08" wide	1	C1AE 6521-C
49/51	A	6	226	Valve chamber cover	3	7HA 6521
49/53	A	8	239	Valve chamber cover	1	8BA 6521
54/	A, S (239, 272, 292, 312)	8		Valve push rod cover-17.10"x7.70"-1.125" thick	1	COAE 6521-A
59/	S	8	430	Valve push rod cover	1	COME 6521-A
<b>6524 BAFFLE- VALVE SPRING OIL</b>						
58/	A, S	8	352	Approx. 18 1/2" long	2	C1SE 6524-A
<b>6524 BAFFLE ASSY. - VALVE CHAMBER OIL</b>						
49/50	A	6	226	Front & rear	2	8MTH 6524-A
51	A	6	226	Front	1	
51	A	6	226	Front, rear & center	3	1HA 6524
49/50	A	6	226	Center	1	
<b>6524 DUCT - CRANKCASE VENTILATION - Refer to Group 6A630</b>						
<b>6A527 BOLT - VALVE ROCKER ARM SHAFT SUPPORT - Also Refer to Group 6531</b>						
58/	A, S	8	352	3/8"-16 x 3.29"	2	C1AE 6A527-A
58/59	A	8	332		2	
59/	S	8	430	3/8"-16 x 2 7/8"	8	C1VE 6A527-A
<b>6531-32 SUPPORT - VALVE ROCKER ARM SHAFT Also Refer to Group 6A527</b>						
52/59	A	6	215,223	Front, center intermediates and rear-2.56" high	4	EAA 6531-A
52/59	A	6	215,223	Front intermediate & rear intermediate-3.22" high-3/8"-16 tapped hole	2	EAA 6532-A
52/53	A	6	215	Bolt (rocker arm shaft support to shaft)-1/4"-28 x 1 1/2"	1	
52/	A	6	215,223	Bolt (rocker arm shaft support to cyl. head)-3/8"-16 x 3 1/4"	6	C1AE 6A527-A
				Lockwasher-7/16"		34808-S8(X67)
54/	A, S (239, 272, 292, 312)	8		1.610"/1.616" high	8	EBU 6531-A
54/	A, S (239, 272, 292, 312)	8		Bolt (rocker arm & shaft to cylinder head)-5/16"-18 x 2 1/4"-hex. head	12	C1AE 6A527-B
				Washer-flat-5/16"		44722-S8(X19)
				Lockwasher-5/16"		34806-S7(X64)
54/56	A (239, 272, 292, 312)	8		Stud (rocker arm & shaft to cylinder head)-5/16"-18 & 5/16"-24 x 3 3/4"	4	354527-S(WW15)
55/57	S	8	292,312	Stud (rocker arm & shaft to cylinder head)-5/16"-18 & 5/16"-24 x 4 1/8"	4	354576-S(WW19)
57	A, S (272, 292, 312)	8		Stud (rocker arm & shaft to cylinder head)	4	C1TE 6A527-C
58/	A	8	292	5/16"-18 & 5/16"-24 x 3.86"	4	
54/	A, S (239, 272, 292, 312)	8		Nut-5/16"-24	4	33798-S7-8(M62)
				Lockwasher-5/16"		34806-S7(X64)
58	A	8	332,352	2.19" height-R. H. rear intermediate-includes oil outlet tube-use with mechanical tappets	1	B8A 6532-A
58/	A, S	8	332,352		8	C2AZ 6531-A
58/	A, S	8	332,352	Bolt (support to cylinder head)-3/8"-16 x 3"	6	C1DE 6A527-A
58/59	A, S (use with B8A 6531-C only-)	8	332,352	Washer-flat-3/8"	8	370347-S(XX314)
59	S	8	430		8	

YEAR 19	MODEL	NO. CYL.	CUBIC INCH DISP.	DESCRIPTION	QTY. PER VEHICLE	PART NUMBER
<b>6531-32 SUPPORT - VALVE ROCKER ARM SHAFT - continued</b> - Also refer to Group 6A527						
59/	A, S (use with B9AE 6531-A- From 3/2/59)	8	332,352	Washer-flat-3/8" I. D. -1" O. D.	8	372702-S(XX144)
59/	S (use with 372701-S)	8	430		8	
59/	S	8	430	Lockwasher-3/8" 1.88" height	8	34807-S7-8(X66) B8E 6531-A
59	S	8	430	Bolt (support to cylinder head)-3/8"-16 x 2.91"	8	371037-S(BB166)
59/	S	8	430	Bolt (support to cyl. head)-3/8"-16 x 2 7/8" hex. head	8	CIVE 6A527-A
59	S	8	430	Lockwasher-internal tooth-3/8"	8	*34920-S7
<b>6534 RETAINER and SLEEVE SET - VALVE SPRING</b> - Also Refer to Group 6514						
49/53	A	8	239	Use with 1BA 6505-A valve - Consists of	16	B3A 6534-A
49/50	A (Rotomatic)	8	239	1-1BA 6514-C Retainer 1-1BA 6517-C Sleeve	16	
<b>6549 SCREW - TAPPET and ROCKER ARM ADJUSTING</b>						
49/51	A	6	226	Tappet adjusting	12	7HA 6549-A
52/56	A	6	215,223	Valve rocker arm adjusting-7/16"-20x1.54"	12	B6A 6549-A
54/55	A, S	8	239,272 292	overall length	16	
56	A, S (272, 292, 312)	8			16	
56/	A	6	223	7/16"-20 x 1.40" o/all length-use w/B6A 6564-G	12	B6A 6549-C
56/57	S	8	292,312		16	
56/	A (272, 292, 312, 332, 352)	8			16	
54/	A	6	223	.0023" O/S-7/16"-20 x 1.40"- optional with B6A 6549-C	AR	C2AZ 6549-A
56/	A, S (272, 292, 312, 332, 352)	8			AR	
<b>6552 LOCK NUT - VALVE ROCKER ARM ADJUSTING SCREW</b>						
52/56	A	6	215,223	7/16"-20	12	EAA 6552-A
54/56	A, S (239, 272, 292, 312)	8			12	
<b>6563 SHAFT - VALVE ROCKER ARM</b>						
52/	A	6	215,223	25.02" long-.136" end holes-includes (2) EAA 6572-A Plugs	1	B2AZ 6563-A
54/	A, S (239, 272, 292, 312)	8		16.78" long-includes (2) EAA 6572-A Plugs	2	B4AZ 6563-A
58	A, S (mechanical tappets)	8	332,352	18" long-(2) thru holes-(8) 5/32" holes	2	B8A 6563-A
58/	A, S (hydraulic tappets)	8	332,352	lower half-used with mechanical or hydraulic- tappets & adjustable rocker arm-includes - (2) EAA 6572-A plugs	2	
58/	A, S	8	332,352	17.99" long-(2).136" & (4) .4030"/.4112" diam. thru holes-(16) 5/32" holes-use with hydraulic tappets and non adjustable type rocker arm - includes (2) EAA 6572-A Plugs	2	B8E 6563-C
59/	S	8	430	18.66" long-(4) 13/32" thru holes-(8) 5/32" holes thru lower half of shaft-(2) .136" thru holes-.539"/.541" openings each end-includes (2) EAA 6572-A Plugs	2	B8S 6563-A
<b>6564 ARM - VALVE ROCKER</b>						
58/	A, S	8	332,352	Non adjustable type-used with Hydraulic tappets	16	B8A 6564-C
59/	S	8	430	and B8E 6563-C & B8S 6563-A shafts	16	
<b>6564 ARM and SCREW ASSY. - VALVE ROCKER</b>						
52/	A	6	215,223		12	B6A 6564-G
54/	A, S (239, 272, 292, 312)	8			16	C0AZ 6564-A
58	A	8	332,352		16	B8A 6564-B
<b>6565 ROD - VALVE PUSH</b>						
52/53	A	6	215	Approx. 9.828" overall length-(1)ball & (1) cup type end	12	B9AE 6565-G
52/56	A	6	215,223	9.61" long-hollow tube type-straight sides	12	B7Q 6565-A
52/	A	6	223	Approx. 9 43/64" long-(1) cup & (1) ball type ends	12	C0AE 6565-C
54/55	A, S	8	239,272 292	8 19/64" overall length	16	EBU 6565-B
56/	A, S	8	272,292	Approx. 8.188" overall length-(1) ball & (1) cup type ends	16	C0AE 6565-D
57	A, S (except dual 4/B carb. & S/C)	8	312	Approx. 8.158" overall length-(1) ball & (1) cup type ends	16	C0AE 6565-A
57	A, S (dual 4/B carburetor)	8	312		16	
57	A, S (S/C)	8	312		16	
58	A (with mechanical tappets)	8	332,352	10.695"/10.705" overall length-(1) oval & (1) cup type end	16	B8A 6565-A
58	A (with hydraulic tappets)	8	332,352	9.345"/9.355" overall length-(1) oval & (1) cup type end	16	B8A 6565-C

YEAR 19	MODEL	NO. CYL.	CUBIC INCH DISP.	DESCRIPTION	QTY. PER VEHICLE	PART NUMBER
<b>6565 ROD - VALVE PUSH - continued</b>						
58/	A	8	352,390	9.58"/9.60" overall length-ball type ends	16	C0AE 6565-J
58/	A, S (with hydraulic tappets)	8	332		16	
58/	A, S	8	332,352	.060" O/S-9.64"/9.66" overall length-oval type ends-#Black	16	C1AE 6565-B
58/	A, S	8	332,352	.060" O/S-9.52"/9.54" overall length-oval type ends-#green	16	C1AE 6565-C
59/	S (with hydraulic tappets)	8	430	Standard-9.77" long	16	C3SZ 6565-A
59/	S (with hydraulic tappets)	8	430	.060" U/S	16	C3SZ 6565-B
59/	S (with hydraulic tappets)	8	430	.060" O/S-9.82"/9.84" overall length-ball type ends-#Black	16	C0LE 6565-A
<b>6570 GROMMET - ROCKER ARM COVER STUD</b>						
52/59	A	6	215,223	Rubber-1.12" overall O. D. -.38" I. D. -.40" overall thickness	2	EAA 6570-C
54/	A, S (239, 272, 292, 312)	8		.32" I. D. -1" O. D. - 1/2" thick	4	B9A 6570-A
<b>6570 GROMMET - VALVE PUSH ROD COVER STUD</b>						
52/	A, Taxi, P/I	6	215,223	Rubber-.32" I. D. -1" O. D. -1/2" thick	4	B9A 6570-A
54/	A, S (239, 272, 292, 312)	8			2	
<b>6570 GROMMET - POWER STEERING OIL RESERVOIR COVER STUD</b>						
53/	A, S (with Power Steering)	6&8	All	Rubber-.32" I. D. -1" O. D. -1/2" thick	1	B9A 6570-A
<b>6571 SEAL - VALVE GUIDE and VALVE STEM</b>						
52/53	A	6	215	Intake & exhaust valve stem-"O" ring type-rubber-.410"/.430" O. D. -.290" I. D. -.075"/.085" thick	12	EAA 6571-A
52/	A	6	223	Umbrella type-5/16" hole diam. -29/32"	12	C1TE 6571-C
54/	A, S (239, 272, 292, 312)	8		O. D. -29/64" overall length	16	
49/53	A	8	239	Intake valve guide bushing-rubber-.68" I. D. -.19" thick-use with 8BA 6510-B bushing	8	8BA 6571
58/	A, S	8	332,352	Intake & exhaust-.90" O. D. -.341"/.345" I. D. -.82" overall length	16	C2AZ 6571-B
59/	S	8	430	Intake	8	B8S 6571-A
59/	S	8	430	Exhaust	8	B8S 6571-B
<b>6572 PLUG - VALVE ROCKER ARM SHAFT</b>						
52/	A	6	215,223		2	EAA 6572-A
54/	A, S (239, 256, 272, 292, 312, 332)	8			4	
58/	A, S P/I	8	352,430		4	
<b>6574 BRACKET - VALVE ROCKER ARM SHAFT INLET and OUTLET OIL TUBES</b>						
52/	A	6	215,223		2	EAA 6574-A
<b>6575 BRACKET - VALVE ROCKER ARM OIL OUTLET TUBE</b>						
54/	A, S (239, 272, 292, 312)	8		1 27/32" overall length	2	EBU 6575-A
<b>6580 TUBE - VALVE ROCKER ARM SHAFT OIL INLET</b>						
52/	A	6	215,223	1/4" O. D.	1	EAA 6580-B
<b>6582-83 COVER ASSY. - VALVE ROCKER ARM</b>						
52/59	A	6	215,223		1	B9AE 6583-D
52/59	A	6	215,223	Stud (rocker arm cover to cylinder head)-3/8"-24 & 3/8"-16 x 2 1/8"	2	88442-S(W17)
52/59	A	6	215,223	Nut-3/8"-24	2	34180-S8(M4)
54/	A, S (239, 272, 292, 312)	8		Nut (rocker arm cover to cyl.head)-5/16"-24	4	354526-S8(MM18)
54/	A	8	239	Washer-flat-5/16"	4	44722-S8(X19)
54/	A, S (239, 272, 292, 312)	8		Washer-flat-5/16" -use with B4A 6570-A seal	4	354054-S8(XX121)
54/	A (239, 272, 292, 312)	8			2	COKE 6583-C
55/57	S	8	292,312		2	B5S 6582-B
55/57	S	8	292,312	Nut(rocker arm cover to cyl.hd.)-acorn-5/16"-24	4	354577-S13(MM3)
55/57	S	8	292,312	Washer-flat-5/16"-use with B4A 6570-A seal	4	354054-S8(XX121)
58/	A, S	8	332,352	Bracket in center-Black	2	B8A 6582-A
58/	A, S	8	332,352	R. H. -# Gold-optional with C3AZ 6582-F	1	C3AZ 6582-A
				L. H. -# Gold-optional with C3AZ 6582-G	1	C3AZ 6582-B
58/	A, S	8	332,352	R. H. -Chrome-plain-optional with C3AZ 6582-A	1	C3AZ 6582-F
				L. H. -Chrome-plain-optional with C3AZ 6582-B	1	C3AZ 6582-G
59/	S	8	430		2	B9LE 6582-A
58/	A, S	8	332,352	Bolt (cover to cyl. head)-5/16"-18 x 5/8"-hex.	10	371065-S(BB549)
59/	S	8	430	washer head locking	12	

# Color Identification Marking

YEAR 19	MODEL	NO. CYL.	CUBIC INCH DISP.	DESCRIPTION	QTY. PER VEHICLE	PART NUMBER
<b>6584 GASKET - VALVE ROCKER ARM COVER - Also Refer to Group 6A506</b>						
58/59	A, S	8	332,352	Rubber bonded cork-(5) 23/64" diam. holes-.240" thick	2	B9AE 6584-A
59/	S	8	430	Rubber bonded cork-(6) tabs-(6) 11/32" bolt holes .240" thick	2	B9ME 6584-C
<b>6587 SPRING - VALVE ROCKER ARM TO SHAFT LOCATING</b>						
52/	A, Taxi, P/I	6	215,223	Approx. 3" free length-7 coils-.80" I. D.	5	B6A 6587-A
54/	A, S (239, 272, 292, 312)	8			6	
58/	A, S	8	332,352	Approx. 3.73" free length-8 coils-.859" I. D.	6	B8A 6587-B
59/	S	8	430		6	
<b>6588 TUBE - VALVE ROCKER ARM SHAFT OIL OUTLET</b>						
52/53	A	6	215	Bead end .52" long below bead-use with EAA 6563-A or B	1	EAA 6588-D
54/	A	6	223	Approx. 12 13/16" overall length	1	B5A 6588-B
54/	A, S (239, 272, 292, 312)	8		Approx. 2.865" overall length	2	B5A 6588-A
<b>6590 WASHER - VALVE ROCKER ARM SHAFT</b>						
52/	A	6	215,223	Steel-1.26" O. D. -.81" I. D.	2or4	EAA 6590-A
54/	A, S (239, 272, 292, 312)	8			8	
				Cotter pin-1/8" x 1"		72035-S7-8(N51)
58/	A, S	8	332,352	Steel-1.32" O. D. -.86" I. D. -.060" thick	4or8	B8A 6590-A
59/	S	8	430		8	
				Cotter pin-1/8" x 1 1/4"		72053-S(N52)
<b>6594 SEAL - VALVE ROCKER ARM SHAFT OIL INLET TUBE</b>						
52/	A	6	215,223	Rubber-.43" O. D. -.24" I. D. -.12" thick	1	EAA 6594-A
<b>6598 WASHER-SPRING - VALVE ROCKER ARM SHAFT</b>						
52/	A	6	215,223	1.12" O. D. -.80" I. D. -.010" thick	2	EAA 6598-A
54/	A, S (239, 272, 292, 312)	8			4	
58/	A, S	8	332,352	1.18" O. D. -.86" I. D. -.008" thick	4	B8A 6598-A
59/	S	8	430		4	
<b>6598 WASHER - TRANSMISSION GEAR SHIFT SELECTOR TUBE BUSHING</b>						
59/	A (F/M/2 & C/M)			1.18" O. D. -.86" I. D. -.008" thick	1	B8A 6598-A
<b>6600 KIT - OIL PUMP INSTALLATION</b>						
52/54	A	6	215,223	Consists of the following 1-B4AZ 6600-A Pump-rotor type-tang drive 1-B2AE 6622-A Tube 1-B7A 6659-A Gasket 1-C0AE 6626-A Gasket	1	B2AZ 6600-A
55/56	A	6	223	Consists of the following 1-C1AZ 6600-A Pump-rotor type-hex. drive 1-B2AE 6622-A Tube 1-B7A 6659-A Gasket 1-C0AE 6626-A Gasket	1	B5AZ 6600-A
57/	A	6	223	Consists of the following 1-C1AZ 6600-A Pump-rotor type-hex. drive 1-C1AE 6622-A Tube 1-B7A 6659-A Gasket 1-C0AE 6626-A Gasket	1	B7AZ 6600-A
<b>6600 PUMP ASSY. - ENGINE OIL - LESS SCREEN, TUBE and COVER</b>						
49/53	A	8	239	With helical gears	1	A9AZ 6600-A
49/53	A	8	239	Bolt (oil pump to cyl. block)-5/16"-18 x 3/4"	1	20346-S7(B50)
<b>6600 PUMP ASSY. - ENGINE OIL</b>						
52/54	A	6	215,223	Rotor type-tang drive-includes (1) each C0AE 6626-A, B7A 6659-A Gaskets	†1	B4AZ 6600-A
55/	A	6	215,223	Rotor type-hex. drive-includes (1) each C0AE 6626-A, B7A 6659-A gaskets	†1	C1AZ 6600-A
49/51	A	6	226		1	OHA 6600-A
49/51	A	6	226	Bolt (oil pump to cylinder block attaching)- 5/16"-18 x 2 1/2" Lockwasher-5/16"	3	C1TE 6A527-A 34806-S7(X64)
54	A	8	239	Rotor type-tang drive-includes (1) B6Q 6659-A Gasket, (1) B4A 6698-A Seal	1	B5AE 6600-A
55/	A, S (8 cyl. 272, 292, 312)	8		Rotor type-hex. drive-includes (1) B6Q 6659-A Gasket, (1) B4A 6698-A Seal	1	C0AE 6600-D
58/	A, S (except A Special)	8	332,352	Rotor type-includes (1) each B8A 6626-A, B8A 6659-A & B9ME 6659-A gaskets	1	COME 6600-B

† For engines previously having B2AZ 6600-A Kit installed

† For engines previously having B5AZ 6600-A, B7AZ 6600-A Kits installed

# FORD CAR PARTS

## SECTION 66

137

YEAR 19	MODEL	NO. CYL.	CUBIC INCH DISP.	DESCRIPTION	QTY. PER VEHICLE	PART NUMBER
<b>6600 PUMP ASSY. - ENGINE OIL - continued</b>						
59/	A	8	430	Rotor type-does not include vacuum pump- includes (1) each B9ME 6659-A & B8A 6626-A gaskets	1	<span style="border: 1px solid red; padding: 2px;">COME 6600-C</span> COME 6600-C
58/59	A, S	8	332,352	Plug-cup type expansion (oil pump body)	1	370724-S(PP71)
59/	S	8	430			
54/55	A, S (239, 272, 292)	8		Bolt (oil pump to cylinder block)-5/16"-18 x 1 1/2" -hex. head	3	20466-S8(B61)
				Lockwasher-5/16"		34806-S7(X64)
56/	A, S (272, 292, 312)	8		Screw & lockwasher (pump to cylinder block)- 5/16"-18 x 1 3/8"	3	354727-S8(BB562)
58/	A, S	8	332,352	Bolt (pump to cylinder block)-3/8"-16 x 1 1/8"	2	20408-S7(B81)
59/	S	8	430		2	
				Lockwasher-3/8"		34807-S8(X66)
<b>6603 BODY ASSY - OIL PUMP</b>						
49	A	8	239	Use with spur gear oil pump-serviced only in A9AZ 6600-A assy.	1	★ 8BA 6603-A
49/53	A	8	239	Use with helical gear oil pump-serviced only in A9AZ 6600-A assy.	1	★ 8BA 6603-B
<b>6608 SHAFT and GEAR ASSY. - OIL PUMP DRIVE</b>						
52/54	A	6	215,223	Includes snap ring	1	B4A 6608-C
55/	A	6	223	Sintered iron gear	1	B5A 6608-B
49	A	8	239	11 spur teeth-use with spur gear oil pump	1	8BA 6608-A
49/53	A	8	239	8 helical teeth-use with helical gear oil pump	1	8BA 6608-B
54	A	8	239	Use only with slotted type shaft	1	B4A 6608-D
55/56	A, S (272, 292, 312)	8		Sintered iron gear	1	B5Q 6608-A
<b>6608 ROTOR and SHAFT ASSY. - OIL PUMP DRIVE</b>						
52/54	A	6	215,223	Rotor type pump-3.969"/3.991" long-tang drive- used with B2AZ 6600-A pump	1	B2AE 6608-A
55/	A	6	223	Rotor type pump-3.619"/3.641" long-hex. drive- use with C1AZ 6600-A pump	1	C0AE 6608-A
55/	A	6	223	1/4" hex. drive-use with C1AZ 6600-B pump	1	C1AZ 6608-A
54		8	239	Rotor type pump-use only with slotted type shaft-3.61" long-tang drive	1	B4A 6608-E
55/	A, S (8 cyl. 272, 292, 312)	8		Rotor type pump-3.31" long-hex. drive-used with C0AE 6600-D Pump	1	C0AE 6608-B
56/	A, S (272, 292, 312)	8		Rotor type pump-3.37" long-hex. drive	1	B6Q 6608-A
58/	A, S	8	332,352		1	B8A 6608-A
<b>6610 GEAR - OIL PUMP</b>						
52/	A	6	215,223	Driven-7 spur teeth-1" long	1	B2TZ 6610-A
52/	A	6	215,223	Drive-7 spur teeth-1" long	1	
49/53	A	8	239	Driven-8 helical teeth-used with helical gear oil pump	1	8BA 6610
54	A	8	239	Driven-7 spur teeth-1 13/32" long	1	B4A 6610-A
55/56	A, S (272, 292, 312)	8		Driven-7 spur teeth-1 15/32" long-sintered iron	1	EAD 6610-A
<b>6612 BUSHING - OIL PUMP BODY</b>						
49/53	A	8	239		2	B 6612-A
<b>6616 PLATE - OIL PUMP BODY</b>						
52/	A	6	215,223	Gear cover-(4) 11/32" & (1) .630"/.635" holes- .18" thick	1	B8A 6616-B
52/58	A	6	215,223	Bolt (gear cover plate to body)-5/16"-18 x 1" Lockwasher-5/16"	2	20386-S8(B53) 34806-S7(X64)
58/	A	6	223	Screw (cover plate to body)-5/16"-18 x 7/8" Lockwasher-5/16"	2	357235-S(BB136) 34806-S7(X64)
49/51	A	6	226	Rotor cover	1	7HA 6616
49/51	A	6	226	Bolt (oil pump cover plate to body)-1/4"-20 x 5/8" Lockwasher-1/4"	2	20324-S8(B41) 34805-S8(X62)
49/51	A	6	226	Bolt (oil pump cover plate to body)- 5/16"-18 x 2 1/2" Lockwasher-5/16"	3	C1TE 6A527-A 34806-S7(X64)
54/56	A, S (239, 272, 292, 312)	8		Gear cover-(2) 1/4" & (4) 11/32" holes	1	EAD 6616-A
55/56	A, S (272, 292, 312)	8		Bolt (plate to body)-5/16"-18 x 7/8" hex. head Lockwasher-5/16"	4	357235-S(BB136) 34806-S7(X64)
				Dowel-1/4" x 5/8"		

YEAR 19	MODEL	NO. CYL.	CUBIC INCH DISP.	DESCRIPTION	QTY. PER VEHICLE	PART NUMBER
<b>6616 PLATE - OIL PUMP BODY - continued</b>						
56/	A, S (272, 292, 312)	8		Rotor type pump-(4) 9/32" holes	1	B9TE 6616-A
58/	A, S	8	332,352		1	B8A 6616-C
56/	A, S (272, 292, 312, 332, 352)	8		Bolt (plate to body)-1/4"-20 x 5/8"	4	20324-S8(B41)
				Lockwasher-1/4"	4	34805-S8(X62)
<b>6616 PLATE - VACUUM PUMP LOCK</b>						
59/	S	8	430		1	B8S 6616-A
59/	S	8	430	Flat type	1	B8S 6616-B
<b>6A618 SHAFT - OIL PUMP INTERMEDIATE</b>						
52/54	A	6	215,223	3.36" long	1	B2AZ 6A618-A
55/	A	6	223	3.88" long-.096" diameter hole	1	C2AZ 6A618-A
55/	A	6	223	Pin-roll-(shaft to distributor)	1	354494-S(NN88)
54	A	8	239	Slotted one end	1	B4AZ 6A618-A
55/	A, S (8 cyl. 272, 292, 312)			8 1/16" long-1/4" hex. shaft-includes retaining ring	1	B9A 6A618-A
58/	A, S	8	332,352		1	B8AZ 6A618-A
59/	S	8	430	Includes retainer rings	1	B9SZ 6A618-A
<b>6619 GASKET - OIL PUMP COVER PLATE</b>						
52/	A	6	215,223	4 bolt holes	1	EAA 6619-C
49/51	A	6	226		1	7HA 6619
49/53	A	8	239		1	8BA 6619
54/56	A, S (239, 272, 292, 312)	8		6 bolt holes	1	EAD 6619-A
56/	A, S (8 cyl. 239, 272, 292, 312)			(Rotor type pump)-2.93"/2.96" O. D. - .052"/.072" width-.065"/.085" thickness	1	B6Q 6619-A
<b>6622 SCREEN, TUBE and COVER ASSY. - OIL PUMP</b>						
52/56	A	6	215,223	Used with gear type pump	1	EBP 6622-A
52/56	A	6	215,223	Used with rotor type pump	1	B2AE 6622-A
57/58	A	6	223	Used with gear type pump	1	EBP 6622-B
58/		6	223	Use with gear type pump	1	B9AE 6622-L
57/	A	6	223	Used with C1AZ 6600-A rotor type pump	1	C1AE 6622-A
51	A	6	226		1	IHA 6622
49/51	A	6	226	Bolt (oil pump screen cover & inlet tube to cylinder block)-5/16"-18 x 1"	2	20386-S8(B53)
				Lockwasher-5/16"		34806-S7(X64)
49/51	A	6	226	Bolt (oil pump screen cover & inlet tube to main bearing cap)-5/16"-18 x 9/16"-drilled head	1	*355598-S
49/53	A	8	239		1	8BA 6622
54	A	8	239	"Before 8/1/54"	1	EBU 6622-A
54/56	A	8	All	"From 8/1/54"	1	EBU 6622-B
57/58	A (8 cyl. 272, 292, 312)				1	EDB 6622-A
59/	A	8	292		1	C0AE 6622-B
59/	A	8	292	Nut (screen, tube and cover to oil pan)- 7/8"-16 hex.	1	354361-S(MM45)
55/57	S	8	292,312		1	ECD 6622-C
58/59	A	8	332,352		1	B9AE 6622-M
59	S	8	430		1	
58/	S	8	352		1	C1SE 6622-B
58/59	A	8	332	Bolt (screen to oil pump)-5/16"-18 x 1/2"	2	20310-S8(B48)
<b>6623 SCREEN ASSY. - ENGINE OIL PUMP</b>						
49/59	A (215, 223, 226)	6			1	41A 6623-A
49/59	A, S (239, 272, 292, 312)	8			1	
<b>6625 GASKET - OIL PUMP SCREEN COVER and TUBE TO OIL PAN</b>						
54	A	8	239	(5) 11/32" holes-.018"/.023" thick	1	B4A 6625-A
<b>6626 GASKET - OIL PUMP SCREEN COVER and INLET TUBE</b>						
52/		6	215,223	(2) 11/32" & (1) 3/4" diam. holes-.020" thick	1	B9AE 6626-A
49/51	A	6	226		1	7HA 6626
49/53	A	8	239		1	
<b>6626 GASKET - OIL PUMP INLET TUBE FITTING</b>						
54/	A, S (239, 272, 292, 312)	8		1 3/16" O. D. -57/64" I. D.	1	B4A 6626-B
58/	A, S	8	332,352	(1) 5/8" & (2) 11/32" diam. holes-1.60" hole	1	B8A 6626-A
59/	S	8	430	centers-.028"/.032" thick	1	

# FORD CAR PARTS

## SECTION 66

YEAR 19	MODEL	NO. CYL.	CUBIC INCH DISP.	DESCRIPTION	QTY. PER VEHICLE	PART NUMBER
<b>6628 RETAINER - OIL PUMP SCREEN</b>						
49/53	A	6&8	All	Curved design-. 26" rise	1	8BA 6628-A
54/59	A	6	223	"Before 2/2/59" Used with 6615 cover & inlet tube	1	
54/59	A, S (239, 272, 292, 312)	8		Straight design-used with 6615 cover & inlet tube	1	EAD 6628-A
<b>6629 RING - OIL PUMP INTERMEDIATE SHAFT RETAINER</b>						
55/	A, S (272, 292, 312)	8		. 62" O. D. -. 42" I. D. -6 internal prongs	1	B5A 6629-A
58/	A, S	8	332,352		1	B8A 6629-A
59/	S	8	430		1	
<b>6A630 BAFFLE - PUSH ROD VALLEY CRANKCASE VENTILATION</b>						
59/	A, S	8	332,352	Upper-approx. 19.87" x 10.44"-refer to Product Service Letter P-415	1	B9AZ 6A630-C
<b>6A630 DUCT - CRANKCASE VENTILATION</b>						
58	A, S	8	332,352		1	B9AZ 6A630-A
58	A, S	8	332,352	Screw-drive (vent. duct to manifold)- No. 10-8 x 5/16" round head	3	*92050-S
59/	A, S (except 352 Special 4/B carb.)	8	332,352	Lower -refer to Product Service Letter P-415	1	B9AZ 6A630-B
59/	A, S	8	332,352	Screw-drive (lower vent duct to manifold) - No. 14-9 x 3/8"	3	*92060-S
59/	A, S	8	332,352	Baffle-push rod valley crankcase ventilation- upper-refer to Product Service Letter P-415	1	B9AZ 6A630-C
<b>6A631 SCREEN ASSY. - CRANKCASE VENTILATION</b>						
54	A	8	239	2.26"O.D. -1.52" I. D. -1.82" long-includes (1)	1	B2TZ 6A631-A
55/57	A	8	272,292	B7A 6870-A gasket	1	
56/57	A (with single 4/B carb.)	8	312		1	
<b>6634 TUBE - VACUUM PUMP TO CYLINDER BLOCK</b>						
59/	S	8	430		1	B9S 6634-A
59/	S	8	430	Fitting-90° elbow	1	*87384-S
<b>6636 SNAP RING - OIL PUMP DRIVE SHAFT</b>						
52/54	A	6	215,223	. 387"/. 393" I. D. -. 010" gap	1	EAA 6636-A
<b>6A636 GASKET - OIL FILTER ADAPTER TO CYLINDER BLOCK</b>						
58/	A, S	8	332,352	2 29/32" x 2 1/2" x .022" thick	1	COAE 6A636-A
59/	S	8	430	(2) 3/8" & (3) 11/32" holes-. 028"/. 032" thick	1	B9SZ 6A636-A
<b>6638 BOLT - OIL PUMP MOUNTING</b>						
52/	A	6	215,223	3/8"-24 x 1 1/4"-round socket head	2	EAA 6638-A
				Nut-3/8"-24		33800-S8(M63)
				Lockwasher-3/8"		34847-S8(X74)
<b>6639 TUBE ASSY. - OIL PUMP TO OIL PAN</b>						
54	A	8	239	14.32"o/length	1	EBU 6639-B
54	A	8	239	Bolt (tube to oil pan)-5/16"-24 x 3/4"-hex. head	3	20347-S8(B156)
				Lockwasher-5/16"		34906-S8(X98)
<b>6643 SEAL - OIL PUMP SCREEN COVER and INLET TUBE</b>						
54	A	8	239	Rubber-. 63" I. D. -. 91" O. D. -. 12" thick	1	B4A 6643-A
<b>6648 GASKET - OIL PUMP TO OIL PUMP TUBE</b>						
54	A	8	239		1	B4A 6648-A
<b>6650 ROTOR and SHAFT KIT - OIL PUMP</b>						
49/51	A	6	226	Consists of the inner & outer rotor & shaft	1	7HA 6650
<b>6652 GEAR - OIL PUMP DRIVEN</b>						
49/51	A	6	226	10 teeth	1	OHA 6652-A
49/53	A	8	239	Upper end of shaft	1	18 6652
<b>6652 GEAR - DISTRIBUTOR DRIVEN</b>						
49/51	A	6	226	10 teeth	1	OHA 6652-A
49/51	A	6	226	Pin (oil pump & distributor driven gear to shaft)-1/8" x 13/16"	1	*72432-S
<b>6655 GEAR ASSY. - OIL PUMP DRIVE IDLER</b>						
49/53	A	8	239	In cylinder block	1	18 6655-A
<b>6656 SHAFT - OIL PUMP DRIVE IDLER GEAR</b>						
49/53	A	8	239	1.32" flange O. D. -1.82" long	1	8BA 6656-B
<b>6657 BUSHING - OIL PUMP DRIVE IDLER GEAR</b>						
49/53	A	8	239		1	18 6657-A
<b>6658 COVER - OIL PUMP DRIVE GEAR</b>						
49/53	A	8	239	Cast iron	1	1CM 6658-B
49/53	A	8	239	Bolt (oil pump drive cover to cylinder block)- 5/16"-18 x 3/4"	5	20346-S7(B50)
				Lockwasher-5/16"		34806-S7(X64)

⌚ Before February 2, 1959

YEAR 19	MODEL	NO. CYL.	CUBIC INCH DISP.	DESCRIPTION	QTY. PER VEHICLE	PART NUMBER
<b>6659 GASKET - OIL PUMP TO BLOCK</b>						
52/	A	6	215,223		1	B7A 6659-A
49/51	A	6	226		1	7HA 6659-B
54/	A, S (239,256,272,292,312)	8			1	B6Q 6659-A
49/53	A	8	239	Drive gear cover to cylinder block	1	1CM 6659-A
58/	A, S	8	332,352	(1) elongated & (2) 13/32" holes-1.56" hole centers-.028"/.032" thick	1	B8A 6659-A
59/	S	8	430	(1).62" & (2) 13/32" diam.holes-.028"/.032" thick	1	B9ME 6659-A
<b>6A659 COVER - CYLINDER BLOCK OIL FILTER OPENING</b>						
52/	A	6	215,223	4.92" O.D. -.49/64" hole-1.20" height	1	B2AZ 6A659-A
54/57	A, S (239, 272, 292, 312)	8			1	
58	A	8	292		1	
<b>6A660 BOLT - CYLINDER BLOCK OIL FILTER OPENING COVER</b>						
52/	A	6	215,223	3/4"-16x1.76"-special-hex. washer head	1	B2AZ 6A660-A
54/57	A, S (239, 272, 292, 312)	8			1	
58	A	8	292		1	
<b>6661 PIN - OIL PUMP SHAFT UPPER GEAR</b>						
49/53	A	8	239		1	18 6661
<b>6663 PLUNGER - OIL RELIEF VALVE - Also Refer to Group 6674</b>						
49/51	A	6	226	In cylinder block	1	7HA 6663
49	A	8	239	In oil pump body-use with spur gear oil pump	1	7HA 6663
49/53	A	8	239	In oil pump body-use with helical gear oil pump	1	8BA 6663
<b>6666 PLUG - OIL RELIEF VALVE</b>						
49/51	A	6	226	In cylinder block	1	7HA 6666
52/	A	6	215,223	In oil pump body-5/8"-18 -use with gear type oil pump	1	EAA 6666-A
54/	A, S (239, 272, 292, 312)	8			1	
58/	A, S	8	332,352	In oil pump body-cup type-.557"/.560" & .565"/.568" O.D. -.356"/.366" height .104"/.124" orifice	1	COAZ 6666-A
59/	S	8	430		1	
<b>6669 GASKET - OIL RELIEF VALVE PLUG</b>						
52/53	A	6	215	In oil pump-.88" O.D. -.55" I.D. -.04" thick-4 internal prongs	1	8EL 6669
54/62	A, S (239, 272, 292, 312)	8			1	
49/51	A	6	226	In cylinder block	1	1GA 6669
49/53	A	8	239	In oil pump body-optional with B 12410	1	8BA 6669-A
49/53	A	8	239	In oil pump body-optional with 8BA 6669-A	1	B 12410
<b>6670 SPRING - OIL PUMP BODY RELIEF VALVE</b>						
52/	A	6	215,223	25 active coils-approx. 2.85" free length	1	B2AZ 6670-A
49/53	A	8	239	10 active coils-approx. 2" free length	1	A9AZ 6670-A
54/56	A, S	8	All	(Gear type pump)-20 active coils-2 3/16" free length-11/32" O.D.	1	EBU 6670-A
56/62	A, S (239, 272, 292, 312)	8		(Rotor type pump)-26.5 coils-approx. 2.52" free length-.344" O.D.	1	B6Q 6670-B
58/59	A, S	8	332,352	(Rotor type pump)-14 coils-approx. 1.89" free length-.468" O.D.	1	B8A 6670-A
59	S	8	430		1	
58/59	A, S	8	332,352	Plug-cup type expansion (oil pump body)	1	370724-S(PP71)
59/	S	8	430		1	
<b>6672 PLUG - OIL PUMP BODY RELIEF VALVE - Refer to Group 6666</b>						
<b>6673 NUT - OIL PUMP TO OIL PAN INLET TUBE</b>						
54/	A, S (239, 272, 292, 312)	8		1"-18-hex. - special	1	EAD 6673-A
<b>6674 PLUNGER - OIL PUMP BODY RELIEF VALVE - Also Refer to Group 6663</b>						
52/		6	215,223		1	B9AE 6674-D
54/56	A, S (239, 272, 292, 312)	8		(Gear type pump)-1.94" long-.496"/.497" O.D. for 1"	1	EAD 6674-B
56/59	A, S (272, 292, 312)	8		(Rotor type pump)-approx. 1.91" long-.4931"/.4935" O.D. -grooved	1	B6Q 6674-B
58/	A, S	8	332,352		1	B9AE 6674-A
59/	S	8	430		1	
<b>6675 PAN ASSY. - ENGINE OIL</b>						
52/56	A	6	215,223	Without cleanout plate-28.75" overall length-drain plug on left side	1	B5A 6675-B
57/	A	6	223		1	B8A 6675-B
52	A	6	215	Bolt (oil pan to cylinder block)-1/4"-20 x 1/2"	20	20308-S7(B40)
52	A	6	215	Bolt (oil pan to cylinder front cover)	2	
				Lockwasher-1/4"		34805-S8(X62)



YEAR 19	MODEL	NO. CYL.	CUBIC INCH DISP.	DESCRIPTION	QTY. PER VEHICLE	PART NUMBER
<b>6675 PAN ASSY. - ENGINE OIL - continued</b>						
52/	A	6	215,223	Bolt (oil pan to cylinder front cover)- 5/16"-18 x 5/8"-hex. head	2	20326-S7(B49)
52/	A	6	215,223	Bolt (oil pan to cylinder block)-5/16"-18 x 5/8"- hex. head	19 or 20	20326-S7(B49)
				Lockwasher-5/16"		34806-S7(X64)
54/57	A (239, 272, 292, 312)	8		When used on 1954-239 C.I.D. models also use	1	COAE 6775-D
58/	A	8	292	(1) COAE 6622-B Screen & tube & (1) 354361-S nut	1	
55/57	S	8	292,312	Without clean out plate-24.35" overall length - drain plug on angle at rear of sump	1	B5S 6675-D
58/59	A	8	332,352	Without cleanout plate-23 7/8" long-drain plug on angle at rear of sump	1	B8A 6675-A
58/	S	8	352		1	C1SE 6675-B
59/	S	8	430		1	COSE 6675-A
54/56	A (239, 272, 292, 312)	8		Bolt (oil pan to cylinder front cover)- 5/16"-18 x 5/8"-hex. head	4	20326-S7(B49)
57	A (272, 292, 312)	8			6	
58/	A	8	292		6	
55/57	S	8	292,312		6	
58/59	A	8	332,352	Bolt (oil pan to cylinder block)-5/16"-18 x 5/8"	20	371065-S(BB549)
54/	A, S (239, 272, 292, 312)	8		Bolt (oil pan to cylinder block)- 5/16"-18 x 5/8" hex. head	14	20326-S7(B49)
59	S	8	430		16	
				Lockwasher-5/16"		34806-S7(X64)
54/56	A, S (239, 272, 292, 312)	8		Stud (oil pan to crankshaft rear bearing oil seal retainer)-5/16"-18 & 5/16"-24 x 7/8"	2	*88351-S8
57/	A	8	292		2	
54/56	A, S (239, 272, 292, 312)	8		Nut (oil pan to crankshaft rear bearing oil seal retainer)-5/16"-24	2	33798-S8(M62)
57/	A	8	292		2	
				Lockwasher -5/16"		34806-S7(X64)
54/57	A (239, 272, 292, 312)	8		Nut (oil pan to cylinder front cover)-5/16"-18	2	33797-S7(M50)
				Lockwasher -5/16"		34806-S7(X64)
57	A, S (272, 292, 312)	8		Bolt (oil pan to crankshaft rear bearing oil seal retainer)-5/16"-18 x 5/8"-hex. washer hd.lock	2	371065-S(BB549)
58/	A	8	292		2	
<b>6677 COVER - STARTER PINION</b>						
52/53	A (with S/T & O/D)	6	215	2.62" ridge O.D. -1.90" overall length	1	AB 6677-A
52/53	A (with F/M)	6	215	2.62" ridge O.D. -1.30" overall length	1	AE 6677-A
54/	A (S/T & O/D)	6	223		1	
53/59	A, S (239, 272, 292, 312, 332, 352)	8			1	
<b>6698 GASKET - OIL PAN CLEANOUT PLATE</b>						
49/50	A	8	239		1	7HT 6698
49/51	A	6	226		1	
<b>6698 GASKET - OIL PAN CLEANOUT PLATE REINFORCEMENT</b>						
49/50	A	8	239		1	7HT 6698
49/51	A	6	226		1	
<b>6698 SEAL - OIL PAN TO OIL PUMP TUBE</b>						
54/	A, S (239, 272, 292, 312)	8			1	B4A 6698-A
<b>6700 PACKING</b>						
49/53	A	8	239	Engine oil pan-front-formed-.470"/.500" wide- .440"/.470" thick	1	B 6700-A
49/53	A	8	239	Cylinder front cover	1	B 6700-A
49/51	A	6	226	Cylinder front cover	1	1GA 6700-A
<b>6700 OIL SEAL - CYLINDER FRONT COVER</b>						
52/	A	6	215,223	2.565"/2.577" O.D. -1.805"/1.825" I.D. -	1	EAA 6700-B
54/	A, S (239, 272, 292, 312, 332, 352, 430)	8		.297"/.328" thick	1	
<b>6701 PACKING</b>						
49/51	A	6	226	Crankshaft-rear-formed-.430"/.440" wide- .337"/.347" thick-.200"/.220" longer each end than 7HA 6702-Green identification mark on one end	1	7HA 6701
49/51	A	6	226	Engine oil pan-rear-formed-.430"/.440" wide- .337"/.347" thick-.200"/.220" shorter each end than 7HA 6701-Red identification mark on one end	1	A7AZ 6701-A

YEAR 19	MODEL	NO. CYL.	CUBIC INCH DISP.	DESCRIPTION	QTY. PER VEHICLE	PART NUMBER
<b>6701 PACKING - continued</b>						
52/ 54/	A, Taxi, P/I A, S	6 8	215,223 239,272, 292	6 1/2" long-27/64" wide-13/64" thick-cut to length	2 2	C2OZ 6701-A
52/53	A	8	239	Crankshaft-rear-4.88"/5.00" long-.45"/.48" wide-.25"/.28" thick	1	1BA 6701-B
49/51	A	8	239	Crankshaft-rear-formed-.305"/.320" wide- .315"/.330" thick	1	A0AZ 6701-A
52/53	A	8	239	Engine oil pan-rear-4.88"/5.00" long-.45"/.48" wide-.25"/.28" thick	1	1BA 6701-B
49/51	A	8	239	Engine oil pan-rear-formed-.305"/.320" wide- .315"/.330" thick	1	A0AZ 6701-A
56/57 58/ 59/	A, S A, S S	8 8 8	312 332,352 430	6" long-27/64" wide-13/64" thick	2 2 2	B8QH 6701-B
<b>6707 PACKING - ENGINE OIL PAN - FRONT</b>						
49/51	A	6	226	Formed-.38"/.40" wide	1	1GA 6707-A
<b>6710 GASKET - ENGINE OIL PAN - <i>Also Refer to Group 6781</i></b>						
52/ 54/	A A, S (239, 272, 292, 312)	6 8	215,223	Cork&rubber-.085"thick-(22) 23/64"bolt holes	1 1	COAE 6710-A COAE 6710-B
58/ 59/	A, S S	8 8	332,352 430	Cork & rubber-.125" thick-(22) 23/64" bolt holes	1 1	COAE 6710-C CIVE 6710-A
<b>6713 PUMP ASSY. - VACUUM</b>						
59/ 59/	S S	8 8	430 430	Bolt (vacuum pump to oil pump)-1/4"-20 x 2 7/8"	1 4	B9ME 6713-B 372271-S8(BB130)
<b>6714 FILTER ASSY. - ENGINE OIL</b>						
49/51 50/53 50/53	A A A	6 8 8	226 239 239	Bronze color	1 1 3	OHA 6714-A 8RT 6714-A 20348-S7-8(B77)
				Lockwasher-3/8"		34847-S8(X74)
49/51	A	6	226	Bolt (oil filter to cylinder block)- 3/8"-16 x 1 1/4"	3	20428-S8(B82)
				Lockwasher-3/8"		34847-S8(X74)
				Plug (oil filter drain)-1/8"		353054-S(PP28)
<b>6716 PIPE ASSY. - ENGINE OIL FILTER INLET - CUT FROM 2269 TUBING</b>						
49/50 51/53	A A	8 8	239 239	Elbow (oil filter inlet line to cylinder block)- 90°-1/4"	1 1	357763-S(II-161) 358238-S(II-68)
<b>6718 PIPE ASSY. - ENGINE OIL FILTER OUTLET - CUT FROM 2269 TUBING</b>						
49/53 49/53	A A	8 8	239 239	Nut (oil filter inlet & outlet pipes)-7/16"-24 flared tube fitting	4 1	87943-S8(I-21) 87971-S(I-12)
<b>6730 PLUG - ENGINE OIL PAN DRAIN</b>						
49/56 49/56 57/ 57/ 57/ 57	A (215, 223, 226) A, S (239, 272, 292, 312) A A (272, 292, 312, 332, 352) S (292, 312, 352, 430) A,S(4/B carb& S/C)-(A,S-8/B carb.)	6 8 6 8 8 8		7/8"-16	1 1 1 1 1 1	8HA 6730 C3AZ 6730-A
<b>6731 ELEMENT ASSY. - ENGINE OIL FILTER - WITH GASKETS</b>						
49/53 49/51 52/58 54/57	A A A A, S (239, 272, 292, 312)	8 6 6 8	239 226 215,223	Not used with disposable ("Spin-On") one piece filter	1 1 1 1	7HA 6731-A C1TZ 6731-B

Consists of the following  
1-B9TE 6744-A Element  
1-EAA 6746-A Gasket

1-EAA 6749-A Gasket  
1-EAA 6838-A Gasket

ROTUNDA  
SALES NO.

# FORD CAR PARTS

## SECTION 66

143

YEAR 19	MODEL	NO. CYL.	CUBIC INCH DISP.	DESCRIPTION	QTY. PER VEHICLE	PART NUMBER
<b>6731 ELEMENT ASSY. - ENGINE OIL FILTER - WITH GASKETS - continued</b>						
52/	A	6	215,223	Disposable ("Spin On") one piece type-R1A-3/4"-16" internal threads-must be used with B7A 6882-A adapter kit on all engines not originally equipped with disposable one piece type oil filter	1	C1AZ 6731-A
54/	A, S (239, 256, 272, 292, 312, 332, 352, 430)	8			1	
<b>6734 GASKET - ENGINE OIL PAN DRAIN PLUG</b>						
49/56	A	6&8	All	7/8" diameter-use with 8HA 6730	1	86H 6734
55/57	S	8	All		1	
57/	A	6	223	1/2" I. D. - 13/16" O. D. - 5/64" thick	1	C2OZ 6734-A
57/	A, S (272, 292, 312, 332, 352)	8			1	
59/	S	8	430		1	
<b>6734 GASKET - CYLINDER BLOCK HOLE SEAL</b>						
58	A, S (when Air Suspension is not used)	8	332,352		1	C2OZ 6734-A
<b>6737 COVER - OIL FILTER</b>						
52/58	A	6	215,223	Not used with disposable one piece type oil filter	1	EAA 6737-B
54/57	A, S	8	All		1	
<b>6741 BOLT - OIL FILTER COVER</b>						
49/51	A	6	226		1	01A 6741-A
49/53	A	8	239		1	
<b>6741 BOLT and VALVE ASSY. - ENGINE OIL FILTER CENTER</b>						
52/58	A	6	215,223	Not used with disposable one piece type oil -filter	1	B2A 6741-A
54/57	A, S (239, 272, 292, 312)	8			1	
<b>6746 GASKET - ENGINE OIL FILTER TUBE</b>						
49/53	A	8	239		2	01A 6746
49/51	A	6	226		2	
<b>6746 GASKET - ENGINE OIL FILTER ELEMENT</b>						
52/58	A	6	215,223	1.24" O. D. -.72" I. D. -.12" thick-supplied in B2A 6731-A kit-not used with disposable one piece type oil filter	1	★ EAA 6746-A
54/57	A, S (239, 272, 292, 312)	8			1	
<b>6749 GASKET - OIL FILTER COVER BOLT</b>						
49/51	A	6	226	.87" O. D. -.448"/.453" I. D. -.06" thick-fibre - dealer improvise	1	★ 01A 6749
49/53	A	8	239		1	
<b>6749 GASKET - OIL FILTER CENTER BOLT TO COVER</b>						
52/58	A	6	215,223	1.18" O. D. -.77" I. D. -.06" thick-not used with disposable one piece type oil filter	1	EAA 6749-A
54/57	A, S (229, 272, 292, 312)	8			1	
<b>6750 INDICATOR ASSY. - OIL LEVEL</b>						
52/56	A	6	215,223	On cylinder block	1	EAA 6750-B
57	A	6	223	On cylinder block	1	B7A 6750-A
58/59	A	6	223		1	B8A 6750-C
49/53	A	8	239	On oil pan	1	EAB 6750-A
55	A (with air conditioner)	8	272	On cylinder block	1	EBU 6750-B
54/56	A (239, 272, 292, 312)	8		On cylinder block	1	B5A 6750-A
56	A (A/C)-272, 292, 312	8			1	B6A 6750-A
57	A (except A/C)-272, 292, 312	8		On cylinder block-approx. 24 3/4" overall length	1	B7A 6750-B
58	A	8	292		1	
59/	A	8	292	On cylinder block-approx. 26 9/64" o/all length	1	C2AZ 6750-C
57	A (A/C)-272, 292, 312	8		On cylinder block-approx. 27 1/8" overall length	1	B7A 6750-C
55/57	S	8	292,312	On cylinder block-approx. 28 1/16" overall length	1	B5S 6750-B
58/59	A	8	332,352	On cyl. block-approx. 22 7/32" overall length	1	B9A 6750-A
58/59	S	8	352	#Daub Yellow paint on handle	1	COSE 6750-A
59/	S	8	430	On cylinder block-approx. 24 29/32" long-Black	1	B8E 6750-C
<b>6751 BOSS - OIL LEVEL INDICATOR and OIL FILTER RETURN</b>						
49/53	A	8	239	On oil pan	1	8BA 6751-A
49/53	A	8	239	Rivet (oil level indicator & oil filter return boss)-3/16" x 1/2"	3	★63359-S7
<b>6751 DIAPHRAGM - OIL FILTER</b>						
54/57	A, S (239, 272, 292, 312)	8		4 11/16" O. D. -1" I. D. depressed center-2 oblong 1" x 1/4" holes at top-use with EAA 6890-C insert-not used with disposable one piece type oil filter	1	B4A 6751-B
52/58	A	6	223		1	

# Identification marking

6753 GASKET - DIP STICK - TUBE BOSS						
49/53	A		8	239		1 C2TZ 6753-A
6754 TUBE - OIL LEVEL INDICATOR						
49/51	A		6	226	On cylinder block	1 B8A 6754-B
52/59	A		6	215,223		1
55/56	A (A/C)-272, 292, 312		8		Includes bracket-15 29/32" long	1 EBU 6754-C
57	A (A/C)-272, 292, 312		8		Includes bracket-15 3/8" long	1 B7A 6754-A
49/53	A		8	239	On oil pan 8 21/64" long	1 48 6754-B
54/	A (239, 272, 292, 312)		8		Includes bracket-16.04" developed length	1 B5A 6754-A
54	A		8	239	Lockwasher - 5/16" - external tooth	*34941-S7
54/57	A (239, 272, 292, 312)		8		Bolt (tube to cylinder block)-5/16"-18 x 5/8"	1 20326-S7(B49)
58/	A		8	292	hex. head	1
55/	A		8	272,292	Lockwasher-5/16"	1 34806-S7(X64)
55/57	S		8	292,312	Includes bracket-approx. 18 43/64" developed length	1 B5S 6754-B
58/	A, S		8	332,352		1 B8A 6754-A
59/	S		8	430	Includes bracket-approx. 14 13/64" long	1 B9SE 6754-A
59/	S		8	430	Bolt (tube to block)-3/8"-16 x 1 1/8"	1 20408-S7(B81)
					Lockwasher-3/8"	1 34847-S8(X74)
6757 TUBE - CRANKCASE VENTILATION						
49/53	A		8	239	Lower-extension-approx. 7 13/64" long from lower bend	1 EAB 6757-A
52/53	A		6	215	Bolt (ventilation tube to cylinder block)-5/16"-18 x 3 3/4" hex. head	1 21579-S7(B305)
					Lockwasher - 5/16"	1 34806-S7(X64)
52/53	A		6	215	Clamp (ventilation tube)	1 B7AZ 8557-C
6758 TUBE ASSY. - CRANKCASE VENTILATION						
52/53	A		6	215	13.85" overall length	1 EAA 6758-A
54/	A		6	223	Includes bracket & 3 1/16" diam. top-approx. 15 1/16" overall length	1 COAE 6758-F
54/	A		6	223	Screw-wing-5/16"-28 x 4" (tube to block)	1 374097-S8 (B B 8330)
55/	A		6	223	Bolt (tube & oil pan to block)-5/16"-18 x 5/8"-hex. head	1 20326-S7(B49)
54/	A		6	223	Bolt (tube to cylinder block)-5/16"-18 x 3 3/4"-hex. head	1 21579-S7-8(B305)
54	A		8	239	Includes adapter	1 B5A 6758-A
55/57	A		8	272,292		1
56/57	A (single 4/B carb.)		8	312		1
54/57	A		8	239,272, 292	Bolt (tube to cylinder block)-5/16"-18 x 3/4"-hex. head	2 20346-S8(B50)
					Lockwasher-5/16"	1 34806-S7(X64)
57	A (with dual 4/B carb.)		8	312	Includes bracket-approx. 19 61/64" overall length	1 B7A 6758-B
57	A (S/C)		8	312		1
58	A		8	292		1
55/57	S		8	292,312		1
59/	A		8	292	Includes bracket-approx. 19 11/16" long	1 COAE 6758-A
58/59	A, S		8	332,352	1" diam. tubing-includes bracket and elbow-Refer to Product Service Letter P-415	1 B9AE 6758-A
59/	S		8	430		1 B9SZ 6758-A
55/57	S		8	292,312	Bolt (vent tube to cylinder block)-1/4"-20 x 3"-hex. head	1 45530-S7-8(B47)
57	A (with dual 4/B carb.)		8	312		1
55/	A, S		8	292,312	Screw & lockwasher (tube to push rod cover)-1/4"-20 x 2 1/2"	1 358511-S(BB555)
55/	A, S		8	292,312	Washer-flat-1/4"	1 44719-S8(X17)
57	A (with dual 4/B carb.)		8	312		1
6758 TUBE - VALVE CHAMBER REAR COVER VENTILATION EXTENSION						
49/51	A		6	226	16.30" long	1 A8AZ 6758-A
49/51	A		6	226	Clamp (ventilation extension tube)-use with A8AZ 6758-A	1 8EQ 8556
49/51	A		6	226	Bolt (ventilation extension tube to valve chamber cover)-No. 12-24 x 3 1/2"	1 26682-S8(U171)
49/51	A		6	226	Lockwasher (ventilation extension tube to valve chamber cover)-No. 12	1 34804-S8(X61)

YEAR 19__	MODEL	NO. CYL.	CUBIC INCH DISP.	DESCRIPTION	QTY. PER VEHICLE	PART NUMBER
<b>6759 TUBE - CRANKCASE VENTILATION - FRONT</b>						
49/53	A	8	239		1	8BA 6759
<b>6760 SLEEVE - CRANKCASE VENTILATION TUBE ADAPTER</b>						
58	A, S	8	332,352	1 1/2" flange O.D. -1" I.D. -1 1/2" long	1	B8AZ 6760-A
<b>6762 TUBE - CRANKCASE VENTILATION - UPPER</b>						
49/53	A	8	239		1	8BA 6762
<b>6763 PIPE and AIR SCOOP ASSY. - OIL FILLER - Also Refer to Group 6519</b>						
59/	A, S	8	352	Refer to Product Service Letter P-415	1	B9AZ 6763-A
<b>6763 PIPE - ENGINE OIL FILLER - Also Refer to Group 6519</b>						
49/53	A	8	239	11.76" long	1	0BA 6763
49/51	A	6	226		1	
49/50	A	6	226	Bolt (engine oil filler attaching)-5/16"-18 x 5/8"	1	20326-S7(B49)
				Lockwasher-5/16"		34806-S7(X64)
58/	A, S	8	332,352	4 61/64" long	1	COAE 6763-A
59/	S	8	430	Includes bracket & flange-approx. 8 35/64" long	1	B8S 6763-A
<b>6766 CAP ASSY. - OIL FILLER and BREATHER</b>						
49/53	A	8	239		1	8BA 6766
49/51	A	6	226		1	
52/	A	6	215,223		1	COAE 6766-D
54/59	A, S (239, 256, 272, 312, 332)	8		Optional with C2SZ 6766-A	1	COAE 6766-E
55/	A, S	8	292		1	
58/	A, S	8	352		1	
59/	S	8	430		1	
<b>6769 SEAL - VALVE PUSH ROD COVER VENTILATION TUBE</b>						
59/	S	8	430	Cork & rubber-1.98" O.D. -1.24" I.D. -.30" thick-3/4 circle type		B8S 6769-A
<b>6781 GASKET SET - ENGINE OIL PAN</b>						
49/51	A	6	226		1	7HA 6781
Consists of the following						
1-7HA 6702		Packing (oil pan)-rear		2-1HA 6710-A		Gasket (oil pan)-side
1-1GA 6707-A		Packing (oil pan)-front		1-86H 6734		Gasket (engine oil pan drain plug)
49/53	A	8	239		1	8BA 6781
Consists of the following						
1- B 6700-A		Packing (oil pan)-front		1-8BA 6710-B		Gasket (engine oil pan)-RH
1-1BA 6701-B		Packing (crankshaft rear)		1-8BA 6711-B		Gasket (engine oil pan)-LH
		1-86H 6734				Gasket (engine oil pan drain plug)
<b>6788 BRACKET - VALVE CHAMBER REAR COVER VENT. EXTENSION TUBE TO CYL. BLOCK</b>						
49/51	A	6	226	1 23/32" overall length-11/32" diam.bolt hole	1	EAA 6788-B
49/51	A	6	226	Bolt (ventilation extension tube to cylinder block bracket)-5/16"-18 x 3/4"	1	*22507-S
				Lockwasher-5/16"		34806-S7(X64)
<b>6788 BRACKET - CRANKCASE VENTILATION TUBE</b>						
52/53	A	6	215	1 23/32" overall length-11/32" diam.bolt hole	1	EAA 6788-B
<b>6789 GASKET - OIL FILLER and BREATHER CAP</b>						
52/	A	6	215,223	2" O.D. -1.40" I.D. -.06" thick	1	EAA 6789-A
<b>6838 GASKET - OIL FILTER MOUNTING</b>						
49/51	A	6	226		1	7HA 6838-A
52/	A	6	215,223	4.95"/4.96" O.D. -4.40" I.D. -.06" thick	1	EAA 6838-A
54/	A, S (239, 272, 292, 312, 430)	8		-not used with disposable one piece type oil filter	1	
<b>6869 COVER - CRANKCASE VENTILATION TUBE and ADAPTER</b>						
54	A	8	239	Approx. 3 3/4" long-2 7/8" O.D. -3 13/64"	1	B4A 6869-A
55/57	A	8	272,292	flange O.D.	1	
56/57	A (with single 4/B carb.)	8	312		1	
54	A	8	239	Bolt (cover to tube)-5/16"-18 x 3/4"-hex. head	1	20346-S8(B50)
55/57	A	8	272,292		1	
56/57	A (with single 4/B carb.)	8	312		1	
54	A	8	239	Washer-flat-5/16" x 1 1/2"	1	351353-S7(XX125)
55/57	A	8	272,292		1	
56/57	A (with single 4/B carb.)	8	312		1	

YEAR 19	MODEL	NO. CYL.	CUBIC INCH DISP.	DESCRIPTION	QTY. PER VEHICLE	PART NUMBER
<b>6869 COVER - CYLINDER BLOCK VENTILATION TUBE OPENING</b>						
55/57	S	8	292,312	Approx. 2 33/64" long-(2) .34" diameter holes-.180" thick	1	B5S 6869-A
57	A (with dual 4/B carb.)	8	312		1	
57	A (S/C)	8	312		1	
58/	A	8	292		1	
55/57	S	8	292,312	Bolt (cover to cylinder block)-5/16"-18 x 3/4"-hex. head	2	20346-S8(B50)
57	A (with dual 4/B carb.)	8	312		2	
58/	A	8	292		2	
57	A (S/C)	8	312		2	
59/	S	8	430	Lockwasher-5/16"		34806-S7(X64) B8S 6869-A
<b>6870 GASKET - CRANKCASE VENTILATION TUBE and ADAPTER COVER</b>						
54	A	8	239	3.20" O.D. -2.88" I.D. -.080"/.100" thick	1	B7A 6870-A
55/57	A	8	272,292		1	
<b>6870 GASKET - CRANKCASE VENTILATION TUBE</b>						
58/	A	8	292	1 3/4" O.D. -1 1/4" I.D. -1/16" thick	1	C1AE 6870-A
55/57	S	8	292,312		1	
57	A (8/B carb.)	8	312		1	
<b>6870 GASKET - CRANKCASE VENTILATION COVER</b>						
59/	S	8	430	Rubber & fibre-.028"/.032" thick	1	B8E 6870-A
<b>6872 GASKET - CRANKCASE VENTILATION ADAPTER</b>						
54	A	8	239	2.56" long-(2) .32" & (1) 1.26" diameter holes	1	B4A 6872-A
55/57	A	8	272,292		1	
56/57	A (with single 4/B carb.)	8	312		1	
<b>6872 GASKET - CYLINDER BLOCK VENTILATION TUBE OPENING COVER</b>						
55/57	S	8	292,312	2.56" long-(2) .32" & 1.26" diameter holes	1	B4A 6872-A
57	A (with dual 4/B carb.)	8	312		1	
57	A (S/C)	8	312		1	
58/	A	8	292		1	
<b>6874 TUBE ASSY. - CRANKCASE VENTILATION OIL RETURN</b>						
54	A	8	239		1	EAD 6874-A
<b>6881 ADAPTER and INSERT ASSY. - OIL FILTER</b>						
58/	A, S	8	332,352		1	C0AE 6881-A
59/	S	8	430		1	B8E 6881-A
58/	A, S	8	332,352	Bolt (adapter to block)-5/16"-18 x 1 1/8"	4	★20406-S8
59/	S	8	430		3	
<b>6882 KIT - DISPOSABLE OIL FILTER ADAPTER</b>						
52/58	A	6	215,223	Use when installing C1AZ 6731-A on engines not originally equipped with disposable ("Spin On") One Piece Type Oil Filter Consists of the following 1-EAA6838-A Gasket 1-B7A 6890-A Insert 1-Adaptor	1	B7A 6882-A
54/57	A, S (239, 272, 292, 312)	8			1	
<b>6885 GASKET - ENGINE OIL FILTER COVER</b>						
49/53	A	8	239		1	01A 6885
49/51	A	6	226		1	
<b>6889 SPRING - OIL FILTER ELEMENT RETAINING</b>						
52/58	A	6	215,223	Approx. -.94" free length-4 active coils-not used with one piece type disposable oil filter	1	B2A 6889-A
54/57	A, S (239, 272, 292, 312)	8			1	
<b>6890 INSERT - OIL FILTER MOUNTING BOLT</b>						
52/58	A	6	215,223	1 1/4" hex. -1 1/16"-12 external thread-3/4"-16 internal thread-5/8" overall length-steel-undercut bottom flange-not used with one piece type disposable oil filter	1	EAA 6890-C
54/57	A, S (239, 272, 292, 312)	8			1	
52/	A	6	215,223	1 1/4" hex. -3/4"-16 & 1 1/16"-12 external threads-1 3/8" overall length-use with disposable ("Spin On") one piece type filter	1	B7A 6890-A
54/	A, S (239, 272, 292, 312)	8			1	
58/	A, S	8	332,352	3/4"-16 external threads-1/2" I.D. -1.30" long	1	B8A 6890-A
59/	S	8	430		1	
<b>6898 RETAINER - OIL FILTER ELEMENT</b>						
52/58	A	6	215,223	1 1/4" O.D. -49/64" I.D. -not used with one piece type disposable oil filter	1	B2A 6898-A
54/57	A, S	8	All		1	

INDEX

SECTION 70 - ENGINE STEADY REST

PART NAME	GROUP NUMBER	PART NAME	GROUP NUMBER
Bracket (engine steady rest mounting)	6954-55	Retainer (engine steady rest insulator)	6953
Insulator (engine steady rest)	6952	Rod (engine steady rest)	6968
Insulator (engine steady rest)-upper	6966	Spacer (engine steady rest clamp)	6959
Kit (engine steady rest rod, bushing & washers)	6960		

SECTIONS 70, 71, 72, 73, 75 and 76 - TRANSMISSION and CLUTCH

OVERDRIVE

Adapter (overdrive housing to transmission case)	7660	Plate & lever (sliding pawl operating rod)	6910
Baffle (overdrive output shaft bearing oil)	7668	Plate and trough (overdrive balk ring and gear)	7665
Bearing (overdrive main shaft)	7025	Plate (countershaft & reverse idler shaft lock)	7155
Bracket (overdrive manual control)	7A215	Plate (synchronizer shifting)	7A044
Bracket (transmission extension mounting)	7085	Relay assy. (transmission overdrive)	7A651
Bracket (transmission overdrive control)	7A653	Retainer (overdrive free wheel unit)-front	7674
Bushing (overdrive housing)	7A034	Retainer (overdrive free wheel unit)-rear	7676
Cable assy. (overdrive manual control)	7A650	Ring and gear (overdrive balk)	7662
Clamp ass'y. (governor cover)	6942	Ring (governor driven gear retaining)	6929
Clip (cable)	7713	Rod (sliding pawl operating)	6928
Clip (overdrive manual control cable)	7713	Roller (overdrive free wheel unit)	7679
Cover (case)	7222	Seal (governor to housing)	6927
Cover (governor)	6941	Shaft and gear (overdrive main)	7749
Cover (sliding pawl operating rod & lever)	6940	Shaft & lever ass'y. (overdrive manual control)	7-7685
Fork and rail (overdrive shift)	7680	Snap ring (free wheel unit to main shaft)	7672
Gasket (adapter to trans. case)	7086	Snap ring (input shaft)	7059
Gasket (case cover)	7223	Snap ring (output shaft bearing rear)	7059
Gasket (governor switch)	6938	Snap ring (overdrive balk ring and gear to adapter)	7666
Gasket (overdrive housing to adapter)	7661	Snap ring (overdrive main shaft bearing)	7656
Gasket (overdrive to transmission case)	7086	Snap ring (overdrive main shaft bearing to shaft)	7064
Gear ass'y. (overdrive planetary)	7673	Snap ring (overdrive main shaft speedometer gear)	7667
Gear (governor driven)	6922	Snap ring (overdrive ring gear)	7654
Gear (overdrive ring)	7653	Snap ring (planetary gear to main shaft)	7672
Gear (overdrive sun)	7670	Solenoid ass'y. (gear shifter)	6916
Governor assy. (transmission overdrive)	6943	Spring (clutch pedal lever assist)	7A574
Governor ass'y. (transmission overdrive)-less gear	6919	Spring (overdrive shift fork and rail retractor)	7685
Guide (overdrive shift rail)	7730 7696	Switch ass'y. (governor)	6937
Handle & cable (overdrive manual control)	7A650	Switch ass'y. (rail locknut)	6917
Housing assy.	7A039	Switch assy. (transmission overdrive accelerator kick down)	7A652
Lever (overdrive manual control)	7689	Unit (overdrive free wheel)	7675
Oil seal (overdrive housing)	7052	Vent (overdrive housing)	7034
Oil seal (overdrive housing)-rear	7657	Wire (ignition circuit to overdrive relay)	7A199
Oil seal (overdrive manual control lever shaft)	7288	Wiring & switch assy. (overdrive solenoid to relay)	7A200
Oil seal (transmission overdrive)	7693	Wiring assy. (overdrive solenoid to relay)	7A200
Pawl (overdrive balk ring sliding)	7690		

## INDEX

## SECTIONS 70, 71, 72, 73, 75 and 76 - TRANSMISSION and CLUTCH - continued

PART NAME	GROUP NUMBER	PART NAME	GROUP NUMBER
<b>GEAR SHIFT</b>			
Baffle assy. (transmission gear shift indicator)	7B349	Lever (low and reverse shifter shaft shift)	7291
Ball or knob (gear shift lever)	7213-17	Oil seal (shifter fork cam & shaft shift lever)	7288
Boot (gear shift lever)	7277	Pin (gear shift lever & insulator to tube)	7221
Bracket (trans. shift tube & steering column)	7318	Pin (gear shift tube lever)	7337
Bushing (gear shift selector arm insulator)	7343	Pin (shifter fork lock plunger)	7235
Cam and shaft (high and intermediate shifter fork)	7280	Plunger (shifter fork cam & shaft lock)	7233
Cam and shaft (low and reverse shifter fork)	7282	Retainer (gear shift tube lever)	7347
Cap (gear shift tube & steering column bracket)	7319	Retainer (gearshift tube vibration damper)	7211
Clevis (trans. shift rod)	7354	Rod (gear shift high & intermediate)	7326
Cup (gear shift tube lever retainer felt washer)	7314	Rod (gear shift high & inter. connecting)-complete	7325
Damper (transmission shift tube vibration)	7-7205	Rod (clutch lever bracket)	7521
End (trans. gear shift rod)	7353	Rod (gear shift low & reverse connecting)	7328
Fork (intermediate and high shifter)	7230	Rod (low & reverse gear shift)	7327
Fork (low and reverse gear shifter)	7231	Shaft (gear shift lever support)	7241
Gasket (gear shift housing)	7223		7378
Gear shift tube (intermediate and high)	7285	Sleeve (gear shift lever impact)	7335
Gear shift tube (low & reverse)	7290	Sleeve (low & reverse lever to high & inter. lever)	7336
Housing (gear shift)	7222	Sleeve (shifter fork cam & shaft interlock)	7233
Insulator (gear shift lever)	7246	Sleeve (trans. gear shift rod adjustment)	7353
Insulator (gear shift selector arm)	7341	Socket ass'y. (trans. gear shift lever)	7228
Kit (gear shift selector arm bushing & insulator)	7343	Spacer (gear shift lever arm hub)	7336
Lever ass'y. (gear shift)	7302	Spring (gear shift tube retracting)	7227
Lever (bellcrank shift)	7329	Spring (shifter fork cam & shaft lock plunger)	7234
Lever (gear shift)-less ball	7210	Spring (trans. gear shift lever & insulator pin)	7208
Lever (gear shift tube low & reverse shift)	7303	Spring (transmission gear shift lever)	7227
Lever (high & inter. shifter fork cam & shaft shift)	7285	Spring (transmission gear shift lever support shaft)	7227
	7286	Support ass'y. (gear shift lever)	7398
	7302	Support (transmission gear shift lever)	7416
Lever (low & reverse shifter fork cam & shaft shift)	7303	Tube & socket (gear shift)	7209
Lever (low and reverse shifter fork shift)	7290	Washer - spring (lever socket to tube anti-vibrator)	7242

## CLUTCH

Bar (clutch release equalizer)	7528	Bushing (clutch pedal shaft hsg. and bracket)	7526
Bearing ass'y. (clutch pedal)	7551	Bushing (clutch release equalizer shaft)	7517
Bearing ass'y. (clutch release)	7580	Clip (clutch pedal retracting spring)	2442
Bearing (clutch pilot)	7600	Disc ass'y. (clutch)	7550
Bolt (clutch release equalizer anchor)	7507	Hub ass'y. (clutch release bearing)	7561
Bracket ass'y. (clutch release equalizer)	7509	Lever ass'y. (clutch release)	7515
Bracket (clutch pedal bumper)	7A530	Lever ass'y. (clutch release idler)	7537
Bracket (clutch release equalizer to frame)	7507	Link (clutch pedal assist spring)	7592
Bracket (clutch release lever)	7522	Pad assy. (clutch pedal)	2454
Bracket (clutch retracting spring)	7542	Pad (brake pedal)	7A624
Bumper ass'y. (clutch pedal)	7504	Pad (clutch pedal)	7A624
Bumper (clutch & brake pedal)	7583	Pad (clutch release lever dust shield plate)	7996
Bushing (brake pedal shaft)	7508	Pedal assy. (clutch)	7519
Bushing (clutch pedal shaft)	7508	Plate & cover ass'y. (clutch pressure)	7563



**INDEX**

**SECTIONS 70, 71, 72, 73, 75, and 76 - TRANSMISSION and CLUTCH - continued**

PART NAME	GROUP NUMBER	PART NAME	GROUP NUMBER
<b>CLUTCH - continued</b>			
Retainer (clutch pedal)	7648	Shaft (clutch release idler lever)	7524
Retainer (clutch pedal assist spring)	7540	Shield (clutch release lever dust)	7513
Retainer (clutch pedal rod seal)	7B507	Spring (clutch pedal lever assist)	7534
Rod (clutch pedal release)	7521	Spring (clutch release equalizer bar retaining)	7545
Rod (clutch pedal to idler lever)	7521 7525	Spring (clutch release lever anti-rattle)	7562
Seal (clutch pedal rod)	7527	Spring (clutch release lever dust plate pad)	7997
Shaft ass'y. (clutch & brake pedal)	7A533 7506	Spring (retracting)	7523
		Spring & silencer (clutch pedal lever assist)	7A574
		Washer (clutch release equalizer shaft)	7539

**STANDARD TRANSMISSION**

Baffle (input shaft bearing oil)	7040	Plate (countershaft gear thrust)-rear-inner	7129
Bearing (transmission countershaft gear pilot)	7118	Plate (countershaft gear thrust)-rear-outer	7128
Bearing (transmission countershaft gear)-rear	7121	Retainer (flywheel dowel)	7609
Bearing (transmission input shaft)	7025	Retainer (input shaft bearing)	7050
Bearing (transmission input shaft)	7065	Ring (output shaft bearing to adapter retaining)	7064
Bearing (transmission output shaft)	7025	Ring (synchronizer blocking)	7107
Bearing (transmission output shaft)	7065	Rod (gear shift high & intermediate connecting)-complete	7325
Bushing (extension housing)	7A034	Roller (countershaft gear pilot bearing)	7121
Case (transmission)	7006	Roller (input shaft pilot bearing)	7118 7120
Clip (cable)	7713	Shaft & bracket (engine mounted accelerator)	7A185 7237
Countershaft	7111	Shaft (output)	7061
Cover (transmission case access)	7222	Shaft (reverse idler gear)	7140
Dowel (gear shift housing to trans. case)	7033	Shaft (transmission input)	7017
Gasket (extension to trans. case)	7086	Sleeve (clutch release idler lever swivel)	7B515
Gasket (input shaft bearing retainer)	7051	Sleeve (intermediate and high clutch hub)	7106
Gasket set (transmission)	7153	Snap ring (first and second speed synchronizer hub)	7109
Gasket (transmission case access)	7223	Snap ring (input shaft bearing)	7026
Gasket (transmission case access cover)	7223	Snap ring (input shaft bearing to shaft)	7064
Gear and bushing (reverse idler)	7141	Snap ring (inter. and high clutch hub synchronizer)	7109
Gear (countershaft cluster)	7113	Snap ring (output shaft bearing)-front	7030
Gear (intermediate)	7102	Snap ring (output shaft bearing)-outer	7030
Gear (low and reverse sliding)	7100	Snap ring (output shaft bearing)-rear	7030
Housing (transmission extension)	7A039	Snap ring (output shaft bearing to shaft)	7064
Hub (intermediate and high clutch)	7105	Snap ring (output shaft bearing retainer)	7030
Insert (first and second speed synchronizer clutch hub)	7A044	Snap ring (output shaft speedometer drive gear)	7160
Insert (intermediate and high clutch hub)	7A044	Snap ring (output shaft synchronizer)	7059 7064
Insert (third and fourth speed synchronizer clutch hub)	7A044	Snap ring (speedometer drive gear to shaft)	7064
Insulator (clutch release idler lever adj. swivel)	7A641	Snap ring (speedometer driving gear)	7059
Kit (transmission small parts repair)	7B331	Spacer (countershaft gear bearing roller)	7125
Kit (transmission thrust washer)	7130	Spacer (countershaft gear pilot bearing)	7115
Kit (universal joint snap ring & seal)-front & rear	7037	Synchronizer assy.	7124
Lock (clutch release idler lever shaft)	7587	Transmission and extension assy.	7003
Oil seal (air suspension control valve cam)	7288	Vent (transmission case)	7034
Oil seal (extension housing)	7052	Washer (countershaft gear thrust)	7119 7029
Oil seal (transmission extension housing)-rear	7657	Washer (counter shaft thrust) -rear outer	7119
Oil seal (transmission input shaft)	7A283	Washer (counter shaft thrust) -rear inner	7119 7129
Oil Seal (transmission output shaft)	7A011		
Pin (countershaft & reverse idler shaft retaining)	7155		
Plate ass'y. (engine rear)	7007		

YEAR 19	MODEL	DESCRIPTION	QTY. PER VEHICLE	PART NUMBER
<b>6910 PLATE and LEVER ASSY. - TRANS. OVERDRIVE SLIDING PAWL OPERATING ROD</b>				
49/50	A (with O/D for "X" type frame)		1	8A 6910
		Bolt (sliding pawl operating rod plate & lever attaching)-5/16"-18 x 3/4"	2	20346-S8(B50)
		Lockwasher-5/16"		*34941-S7
<b>6916 SOLENOID ASSY. - TRANSMISSION OVERDRIVE GEAR SHIFTER</b>				
49/56	A, S (with O/D)	6 volt	1	FAA 6916-A
56/	A, S (with O/D)	12 Volt	1	B6A 6916-A
49/	A, S (with O/D)	Clip (solenoid wire to mounting bolt)	1	358350-S(GG172)
49/	A, S (with O/D)	Bolt (transmission overdrive solenoid attaching) 5/16"-18 x 3/4"	2	20346-S8(B50)
56/58	A, S (8 cyl. 332, 352-with O/D)	Bolt (transmission overdrive solenoid to adapter)-5/16"-18 x 5/8"	2	20326-S7(B49)
59	A, S (8 cyl. 352-with O/D)	Lockwasher-5/16"	2	*34941-S7
<b>6917 SWITCH ASSY. - TRANSMISSION OVERDRIVE GEAR SHIFTER RAIL LOCKNUT</b>				
49/50	A (with O/D)	Not coated	1	8M 6917-A
		Screw (transmission overdrive lockout switch attaching)-No. 10-24 x 1/2"-fillister hd.	2	356736-S7-8(BB11)
		Lockwasher-No. 10		34803-S7(X60)
<b>6919 GOVERNOR ASSY. - TRANSMISSION OVERDRIVE - LESS GEAR</b>				
49/56	A, S (with O/D)	Approx. 3 1/2" overall length	1	8M 6919-A
55/59	S (with O/D)		1	
57/	A (with O/D)		1	B8A 6919-A
<b>6922 GEAR - TRANSMISSION OVERDRIVE GOVERNOR DRIVEN</b>				
49/56	A, S (with O/D)	18 teeth	1	B6A 6922-B
55/57	S (with O/D)		1	
57/	A (with O/D)	18 teeth	1	B7A 6922-A
58/	S (with O/D)		1	
<b>6927 SEAL - TRANSMISSION OVERDRIVE GOVERNOR TO HOUSING</b>				
57/	A, S	"O" ring type-1.040"/1.052" I. D. - .135"/.143"	1	B7A 6927-A
<b>6928 ROD - TRANSMISSION OVERDRIVE SLIDING PAWL OPERATING</b>				
49/50	A (with O/D-for "X" type frame)	Supplied in 8A 6910	1	* 8A 6928
		Pin-clevis (transmission overdrive sliding pawl operating rod)-3/16" x 3/4"	1	*73869-S
		Washer-flat-No. 10		44716-S8(X15)
		Cotter pin-1/16" x 3/8"	1	72000-S7(N37)
<b>6929 RING - TRANSMISSION OVERDRIVE GOVERNOR DRIVEN GEAR RETAINING</b>				
49/	A, S(with O/D)		1	16H 6929
<b>6937 SWITCH ASSY. - TRANSMISSION OVERDRIVE GOVERNOR</b>				
49/54	A (with O/D)		1	8M 6937-A
<b>6938 GASKET - TRANSMISSION OVERDRIVE GOVERNOR SWITCH</b>				
49/54	A (with O/D)		1	8M 6938-A
<b>6941 COVER - TRANSMISSION OVERDRIVE GOVERNOR</b>				
49/57	A, S (with O/D)	Rubber	1	8M 6941
<b>6942 CLAMP ASSY. - TRANSMISSION OVERDRIVE GOVERNOR COVER</b>				
49/57	A, S (with O/D)		1	1M 6942-A
<b>6943 GOVERNOR ASSY. - TRANSMISSION OVERDRIVE</b>				
55/56	A (with O/D)	With gear	1	8M 6943
55/57	S (with O/D)		1	
<b>6952 INSULATOR - ENGINE STEADY REST</b>				
54/56	A	Rubber-.94"/1.06" wide-.72"/.80" thick-2.92"/3.08" long	2	AD 6952-A
		Bolt (insulator to bracket)-3/8"-16 x 2 47/64"-hex. shoulder	1	359496-S8(BB450)
		Lockwasher-3/8"-internal tooth		*34920-S7
<b>6953 RETAINER - ENGINE STEADY REST INSULATOR</b>				
54/56	A	Steel-3" x 1 7/32"-17/32" diameter hole	1	AD 6953-A

# FORD CAR PARTS

## SECTION 70

YEAR 19__	MODEL	DESCRIPTION	QTY. PER VEHICLE	PART NUMBER	
<b>6954-55 BRACKET ASSY. - ENGINE STEADY REST MOUNTING</b>					
54/56	A-6 cyl. 223	Front	1	AD 6954-A	
		Bolt (steady rest bracket to cylinder block)- 3/8"-16 x 1"-hex. head	3	20388-S8(B80)	
		Lockwasher-3/8"		34807-S7(X66)	
55/57	S	R. H. -to cylinder block	1	B5S 6954-A	
		L. H. -to cylinder block	1	B5S 6955-A	
		Bolt (steady rest brackets to cylinder block)- 7/16"-14 x 1" - hex head	4	20390-S8(B102)	
		Lockwasher-7/16"		357625-S7-8 (XX304)	
<b>6959 SPACER - ENGINE STEADY REST CLAMP</b>					
54/56	A	Cast iron-2.48" x 1" x 1"-3/8"-16 tapped hole	1	AD 6959-A	
<b>6960 KIT - ENGINE STEADY REST ROD, BUSHING and WASHERS</b>					
55/57	S	Consists of the following	2	B5S 6960-A	
	2-B5S 6966-A Insulator	1-AB 18031-A Washer	2-AB 18198-B Bushing		
	1-B5S 6968-A Rod	2-AB 18041-B Washer	3-34420-S8 Nut		
		2-353957-S2 Washer			
<b>6966 INSULATOR - ENGINE STEADY REST - UPPER</b>					
55/57	S	1.48"/1.52" O. D. -.38"/.42" I. D. -.85"/.91" thick-serviced in B5S 6960-A kit	4	★ B5S 6966-A	
<b>6968 ROD ASSY. - ENGINE STEADY REST</b>					
55/57	S	11.06" long-3/8" threads-both ends-serviced in B5S 6960-A kit	2	★ B5S 6968-A	
		Washer-cup (steady rest rod to top mounting brackets)-serviced in B5S 6960-A kit	4	★353957-S2	
		Nut (rod to frame bracket) -3/8"-24-light lock	2	34370-S8(M99)	
		Nut (rod to engine brackets) -3/8"-24-light lock	4	34370-S8(M99)	
YEAR 19__	MODEL	TYPE TRANS.	DESCRIPTION	QTY. PER VEHICLE	PART NUMBER
<b>7003 TRANSMISSION and EXTENSION ASSY.</b>					
49/50	A	S/T	3 speed-service details	1	★8A 7003-A
51	A	S/T		1	★1A 7003-C
52/54	A	S/T	Replaced by B6A 7003-H	1	★B4A 7003-A
55	A-6 cyl. 223	S/T	Replaced by B6A 7003-H	1	★B5A 7003-F
55/56	A-6 cyl. 223	S/T	Service details	1	★B6A 7003-H
57	A-6 cyl. 223	S/T	Replaced by B7A 7003-K	1	★B7A 7003-E
57	A-6 cyl. 223	S/T	Nylon speedometer gear -#WAAV-service details	1	★B7A 7003-K
57	Taxi Cabs-6 cyl. 223	S/T	Replaced by B8A 7003-C	1	★B7A 7003-J
58	A-6 cyl. 223 (except Taxi Cabs)	S/T	2.84 to 1 ratio-#WAPF-replaced by B8A 7003-G	1	★B8A 7003-B
58	A-6 cyl. 223 (except Taxi Cabs)	S/T	3.09 to 1 ratio-#WAPG	1	★B8A 7003-G
59	A-6 cyl. 223 (except Taxi Cabs)	S/T	#9A3A-replaced by C0AR 7003-N	1	★B9AR 7003-A
58	Taxi Cabs (6 cyl. 223)	S/T	#WAPF-service details	1	★B8A 7003-C
59	Taxi Cabs (6 cyl. 223)	S/T	#9A3C-replaced by C0AR 7003-M	1	★B9AR 7003-C
55	A (8 cyl. 272)	S/T	Replaced by B6A 7003-A	1	★B5A 7003-G
55/56	A-8 cyl. 272	S/T	Service details	1	★B6A 7003-A
57	A-8 cyl. 272	S/T	Replaced by B7A 7003-L	1	★B7A 7003-D
57	A-8 cyl. 272	S/T	Nylon speedometer gear -service details	1	★B7A 7003-L
56	A-8 cyl. 292	S/T	Service details	1	★B6A 7003-G
57	A-8 cyl. 292	S/T	#WABY-replaced by B7A 7003-M	1	★B7A 7003-F
57	A-8 cyl. 292-except 78	S/T	Nylon speedometer gear -service details	1	★B7A 7003-M
58	A (8 cyl. 292)	S/T	#WARG - service details	1	★B8A 7003-E
59	A (8 cyl. 292)	S/T	#9A3B - replaced by C1AR 7003-L	1	★B9AR 7003-B
57	A-8 cyl. 312-except 66, 78A (w/o S/C)	S/T	#WABAE-replaced by B7A 7003-N	1	★B7A 7003-H
57	A-8 cyl. 312-single 4/B carb.-except 66,78	S/T	#WABAT-service details	1	★B7A 7003-N
57	A (8 cyl. 312-S/C)	S/T	Service details	1	★B7A 7003-G
58	A-8 cyl. 352	S/T	#WARE - service details	1	★B8A 7003-D
58	A-8 cyl. 332-2/B & 4/B carb. (alternate with #WAR 7003-H for 2/B carb.)	S/T		1	
58	A (8 cyl. 332-2/B carb.)-alternate with B8A 7003-D	S/T	#WARH-complete assembly not available for service-replaced by B8A 7003-D-service components;	1	★WAR 7003-H
59	A (8 cyl. 332)	S/T	#9K3A -service details	1	★B9KR 7003-A
59	A (8 cyl. 352-4/B carb.)	S/T	#9A3D-replaced by C0AR 7003-E	1	★B9AR 7003-D
55	S	S/T	Replaced by B6S 7003-B	1	★B5S 7003-D
56	S (8 cyl. 292)	S/T		1	★B6S 7003-B
57	S-8 cyl. 292	S/T	#WACB-replaced by B7S 7003-D	1	★B7S 7003-B

# Production Identification Marking

YEAR 19__	MODEL	TYPE TRANS.	DESCRIPTION	QTY. PER VEHICLE	PART NUMBER
<b>7003 TRANSMISSION and EXTENSION ASSY. - continued</b>					
57	S-8 cyl. 292	S/T	#WACE	1	B7S 7003-D
57	S-8 cyl. 312	S/T	Service details	1	*B7S 7003-C
58/59	S-8 cyl. 352	S/T	#AN-A-replaced by B9SS 7003-A	1	*B8S 7003-A
59	S-8 cyl. 352	S/T		1	*B9SS 7003-A
<b>7005-6 CASE - TRANSMISSION</b>					
49/54	A	S/T		1	1A 7006-A
55/	A (6 cyl. 223)	S/T		1	C1AZ 7006-A
55/57	A (8 cyl. 272)	S/T		1	
58/	A (8 cyl. 292)	S/T		1	
56/57	A (8 cyl. 292)	S/T	Includes (2) 354881-S pins	1	B6A 7006-A
57	A (8 cyl. 312 w/o S/C)	S/T		1	
55/57	S (8 cyl. 292)	S/T		1	
58/59	A (8 cyl. 332 2/B carb.)	S/T	Used with transmissions #WARH, #9K3A	1	
57/	S (8 cyl. 312, 352)	S/T		1	B5A 7006-D
57	A (S/C)	S/T		1	
58/59	A (8 cyl. 332, 352)	S/T		1	C1AZ 7006-B
49/50	A		Plug (transmission filler)-3/4" pipe-square hd.	1	353051-S (PP32)
49/50	A		Plug (transmission drain)-3/4" pipe-square hd.	1	
49/	A, S	S/T	Plug (transmission filler)-3/4"-socket head	1	358048-S (PP43)
49/	A, S	S/T	Plug (transmission drain)-3/4"-socket head	1	
57	A(S/C)	S/T	Plug (transmission filler)-1/2" pipe-square hd.	1	358035-S(PP31)
57/	S	S/T		1	
57	A (S/C)	S/T	Plug (transmission drain)-1/2" pipe-square hd.	1	
58/	S	S/T	Plug (transmission drain)-1/2" pipe-square hd.	1	
49/50	A		Bolt (transmission case to flywheel housing)- 7/16"-20 x 1 1/8"	4	20411-S7(B184)
51	A	S/T	Bolt (transmission case to flywheel housing)- 7/16"-20 x 1 1/4"	4	20431-S8(B186)
52/54	A	S/T	Bolt (transmission case to flywheel housing)- 7/16"-14 x 1 1/4"	4	20430-S8(B104)
55/	A (6 & 8 cyl. 223, 272, 292), S	S/T		4	
51/53	A	S/T	Stud (transmission case to flywheel housing)- 7/16"-20 & 7/16"-14 x 1.69"	2	357249-S(WW140)
			Lockwasher-7/16"		34808-S8(X67)
49/54	A	O/D	Includes (2) 354881-S Pins	1	1A 7006-B
55/	A (6 & 8 cyl. 223, 272)	O/D	With 2" synchronizer	1	B5A 7006-E
56/	A (8 cyl. 292)	O/D	With 2 1/4" synchronizer	1	C2AZ 7006-B
57/	A (8 cyl. 312, 332, 352, 390, 406)	O/D		1	B7A 7006-A
58/	S (8 cyl. 352)	O/D		1	
55	S	O/D		1	B5S 7006-B
56/57	S	O/D		1	B5A 7006-C
51	A	O/D	Bolt(trans.case to flywheel hsg.)-7/16"-20 x 1 1/4"	4	20431-S8(B186)
52/54	A	O/D	Bolt (transmission case to flywheel housing)- 7/16"-14 x 1 1/4"	4	20430-S8(B104)
55	S	O/D		4	
51/54	A	O/D	Plug (transmission filler)-3/4" pipe-socket hd.	1	358048-S (PP43)
55	S	O/D	Plug (transmission filler)-3/4" pipe-socket hd.	1	
51/54	A	O/D	Plug (transmission drain)-3/4" pipe-socket hd.	1	
55	S	O/D	Plug (transmission drain)-3/4" pipe-socket hd.	1	
55/	A	O/D	Plug (transmission filler)-1/2" pipe-square hd.	1	358035-S(PP31)
56/	S	O/D		1	
55/	A	O/D	Plug (transmission drain)-1/2" pipe-square hd.	1	358035-S(PP31)
56/	S	O/D		1	
55/	A (6 & 8 cyl. 223, 272, 292, 260, 289)	O/D	Plug-expansion-13/16" diameter	1	*74114-S
51/54	A	O/D	Stud (transmission case to flywheel housing)- L. H. -7/16"-20 & 7/16"-14 x 2 1/2"	1	
51/54	A	O/D	Stud (transmission case to flywheel housing)- R. H. -7/16"-20 & 7/16"-14 x 3"	1	
55/	A	O/D	Stud-7/16"-14 & 7/16"-20 x 3 3/16"	1	*88528-S8
58/	S	O/D		1	
<b>7007 PLATE ASSY. - ENGINE REAR - Also Refer to Group 6392</b>					
52/53	A-6 cyl. 215	S/T&O/D		1	EAA 7007-A
54/	A-6 cyl. 223	S/T&O/D		1	EAG 7007-A
52/	A-6 cyl. 215, 223	S/T&O/D	Bolt (engine rear plate to flywheel housing)- 5/16"-18 x 5/8"-hex. head	2	20326-S7(B49)
			Lockwasher-5/16"		34806-S7(X64)

# FORD CAR PARTS

## SECTION 70

YEAR 19	MODEL	TYPE TRANS.	DESCRIPTION	QTY. PER VEHICLE	PART NUMBER
<b>7017 SHAFT - TRANSMISSION INPUT</b>					
49/50	A (use with 8A 7113)		LENGTH 8.26" HELICAL TEETH 16 CLUTCH TEETH 30 SPLINES 10	1	#8A 7017
51/54	A (use with 1A 7113-A)	S/T&O/D	8.26" 16 30 10	1	B7A 7017-J
55/56	A (6 cyl. 223)	S/T		1	
57	Taxi Cabs (6 cyl. 223)	S/T		1	
57	A (6 cyl. 223)	S/T	8.26" 19 30 10	1	B7A 7017-C
58	A (6 cyl. 223-except Taxi Cabs-used with transmission #WAPF)	S/T	8.26" 19 30 23	1	B8A 7017-B
58/	A (6 cyl. 223-except Taxi Cabs-used with transmissions #WAPG, #9A3A)	S/T	8.26" 18 30 23	1	B8A 7017-J
58/	Taxi Cabs (6 cyl. 223)-used with transmissions #WAPF, #9A3C)	S/T	8.26" 16 30 23	1	C2AZ 7017-B
55/56	A (8 cyl. 272)	S/T	8.26" 16 30 10	1	B6A 7017-A
57	A (8 cyl. 272)	S/T	8.26" 20 30 10	1	B7A 7017-A
56	A (8 cyl. 292)	S/T	8.26" 17 30 10	1	B7A 7017-H
57	A (8 cyl. 312 without S/C)	S/T		1	
55/56	S	S/T		1	
55	S	O/D		1	
57	A, S (8 cyl. 292)	S/T	8.26" 21 30 10	1	B7A 7017-B
58/59	A (8 cyl. 292)	S/T	8.26" 21 30 23	1	B8A 7017-D
57	S (8 cyl. 312)	S/T&O/D	8 39/64" 19 36 10	1	B7A 7017-G
57	A (8 cyl. 312)	O/D		1	
57	A (S/C)	S/T		1	
58/59	A (8 cyl. 332 2/B carb. -used with transmissions #WARH, #9K3A)	S/T	8.26" 17 30 23	1	B8A 7017-H
58/59	A (8 cyl. 332, 352 4/B carb.- used with transmissions #WARE, #9A3D)	S/T	8.26" 20 33 23	1	B8A 7017-C
55/56	A (6 cyl. 223)	O/D	8 1/8" 18 30 10	1	B5A 7017-B
57	A (6 cyl. 223)	O/D	8 1/8" 18 30 10	1	B7A 7017-F
58/	A (6 cyl. 223) -(with 2" synchronizer)	O/D	8 1/8" 18 30 23	1	B8A 7017-E
55/56	A (8 cyl. 272)	O/D	8 1/8" 19 30 10	1	B6A 7017-E
57	A (8 cyl. 272)	O/D	8 1/8" 19 30 10	1	B7A 7017-E
56	A (8 cyl. 292)	O/D	8 1/8" 20 30 10	1	B6A 7017-D
57	A (8 cyl. 292)	O/D	8 1/8" 20 30 10	1	B7A 7017-D
58/	A (8 cyl. 292)	O/D	8 1/8" 20 30 23	1	B8A 7017-F
56	S (8 cyl. 312)	O/D	8.61" 19 36	1	B5A 7017-A
58/	A, S (8 cyl. 332, 352)	O/D	8 45/64" 19 36 23	1	B8A 7017-G
58/	S (8 cyl. 352)	S/T		1	
<b>7025 BEARING - TRANSMISSION INPUT SHAFT</b>					
49/54	A	S/T&O/D	Input shaft-1.3755"/1.3780" I.D.-2.8341"/	1	C3AZ 7025-B
55/	A (6 & 8 cyl. 223, 272)	S/T&O/D	2.8346" O.D.-.6643"/.6693" overall thickness	1	
58/	A (8 cyl. 292)	S/T	slotted for snap ring	1	
56/	A, S (8 cyl. 312, 332, 352)	O/D	1.3775"/1.3780" I.D. -3.1490"/3.1496" O.D. -	1	8D 7065
57	A (8 cyl. 312, S/C)	S/T	.8218"/.8268" wide-grooved for snap ring	1	
57/	S (8 cyl. 312,352)	S/T		1	
56/	A, S (8 cyl. 312, 332, 352)	O/D	Washer (input shaft bearing spacer)	1	353800-S(XX286)
57	A (8 cyl. 312, S/C)	S/T		1	
57/	S (8 cyl. 312,352)	S/T		1	
56/57	A (8 cyl. 292)	S/T&O/D	Input shaft-1.5743"/1.5748" I.D. -3.1496" O.D.	1	B5S 7025-A
58/	A (8 cyl. 292)	O/D	.7037"/.7087" overall thickness-slotted for	1	
55/57	S (8 cyl. 292)	S/T	snap ring	1	
55	S (8 cyl. 292)	O/D		1	
57	A (8 cyl. 312)	S/T		1	
58/	A (8 cyl. 332, 352)	S/T		1	
<b>7025 BEARING - TRANSMISSION OUTPUT SHAFT</b>					
49/	A	S/T&O/D		1	C3AZ 7025-B
55/57	S (8 cyl. 292)	S/T		1	
55	S (8 cyl. 292)	O/D		1	
56/	A, S (8 cyl. 312, 332, 352)	O/D	1.3775"/1.3780" I.D. -3.1490"/3.1496" O.D. -	1	8D 7065
57	A (8 cyl. 312 S/C)	S/T	.8218"/.8268" wide-grooved for snap ring	1	
57/	S (8 cyl. 312,352)	S/T		1	

# 8A 7017, 8A 7061-A or B, 01A 7100-A, 51A 7102, 8A 7113 & 68 7141 for 1949-50 are optional with B7A 7017-J, 1A 7061-A or B5A 7061-D, 1A 7100-A, 1A 7102-A, B4A 7113-A & 1A 7141-A when used in sets. # Production identification marking

YEAR 19	MODEL	TYPE TRANS.	DESCRIPTION	QTY. PER VEHICLE	PART NUMBER
<b>7025 BEARING - OVERDRIVE MAIN SHAFT</b>					
49/54	A	O/D		1	C3AZ 7025-B
55/	A, S	O/D		1	
<b>7026 SNAP RING - INPUT SHAFT BEARING - Refer to Group 7064</b>					
<b>7030 SNAP RING - Refer to Group 7064</b>					
<b>7034 VENT ASSY.</b>					
49/	A	S/T	Transmission case	1	01A 7034
55/57	S (8 cyl. 292)	S/T		1	
57	S (8 cyl. 312)	S/T		1	
58/	S (8 cyl. 332)	S/T	Transmission extension	1	
49/54	A	O/D		1	
56/	A, S (8 cyl. 312, 332, 352)	O/D	Overdrive housing	1	
<b>7A034 BUSHING - EXTENSION HOUSING</b>					
49/	A	S/T	1 1/2" I. D. - 1 5/8" O. D. - 1 1/2" long-split	1	B3TZ 7A034-A
55/57	S (8 cyl. 292)	S/T		1	
58/	S (8 cyl. 352)	S/T	1.8175" O. D. - .0615"/.0625" wall thickness - 2.12" long-split	1	B5AZ 7A034-A
<b>7A034 BUSHING - OVERDRIVE HOUSING</b>					
49/54	A	O/D	1 1/2" I. D. - 1 5/8" O. D. - 1 1/2" long-split	1	B3TZ 7A034-A
55/	A (6 & 8 cyl. 223, 272, 292)	O/D		1	
55	S (8 cyl. 292)	O/D		1	
57	A (8 cyl. 312)	O/D	1.8175" O. D. - .0615"/.0625" wall thickness-	1	B5AZ 7A034-A
58/	A, S (8 cyl. 332, 352)	O/D	2.12" long-split	1	
56/57	S	O/D	1.7995" O. D. - 1.6875" I. D. - .870"/.885" long-split	2	B5AZ 7A034-B
<b>7037 KIT - UNIVERSAL JOINT SNAP RING and SEAL - FRONT and REAR</b>					
49/54	A	ALL	Use with 1M 7084-A spider	1	A9A 7037-A
Consists of the following					
2-AB 4693-A Plate		8-A9A	4706-A Packing	6-8M 7096	Snap ring
57	A (8 cyl. 312)			AR	B7AZ 7037-A
58/	A			AR	
57/	S			AR	
Consists of the following					
4-B9A 4706-A Seal		4-01Y	7096		Snap ring
<b>7A039 HOUSING ASSY.</b>					
52/56	A, S	S/T	Transmission ext.-cast iron-19 53/64" overall length-engine support bolt hole spacing 6 9/32"	1	B2AZ 7A039-A
57	A without S/C	S/T	Transmission extension- cast iron-19 53/64"	1	B7AZ 7A039-B
58/	A (6 & 8 cyl. 223, 292)	S/T	overall length-engine support bolt hole spacing 6 9/32"-tapped 1/2"-13	1	
58/59	A (8 cyl. 332-2/B carb. -used with transmissions #WARH, #9K3A)	S/T		1	
57	A (8 cyl. 312 S/C)	S/T	Transmission extension-25 27/32" overall length-engine support bolt hole spacing 6 9/32"-tapped 1/2"-13	1	B8AZ 7A039-B
58/	A (8 cyl. 332, 352-used with trans. #WARE, #9A3D)	S/T		1	B8AZ 7A039-E
57	S (8 cyl. 292)	S/T	Transmission ext.-cast iron-19 53/64" overall length-engine support bolt hole spacing 6 9/32"	1	B7SZ 7A039-A
57	S (8 cyl. 312)	S/T	Transmission extension-21 55/64" overall length-engine support bolt hole spacing 6 9/32"	1	B7SZ 7A039-D
58/	S (8 cvl. 352)	S/T	Transmission extension	1	B8AZ 7A039-D
49/	A	S/T	Bolt (housing to transmission)-7/16"-14 x 1 1/8"	4	20410-S8(B103)
55/57	S (8 cyl. 292)	S/T		4	
49/	A	S/T	Lockwasher-7/16"	3or4	34808-S8(X67)
55/56	S	S/T		4	
57	A-S/C	S/T	Bolt (housing to transmission)-1/2"-13 x 1 1/4"	4	20432-S8(B121)
57/	S (8 cyl. 312, 352)	S/T		4	
57	A-S/C	S/T	Lockwasher-1/2"	4	*34944-S2
57/	S (8 cyl. 312, 352)	S/T	Lockwasher-1/2"	4	34809-S8(X68)

# FORD CAR PARTS

## SECTION 70

YEAR 19	MODEL	TYPE TRANS.	DESCRIPTION	QTY. PER VEHICLE	PART NUMBER
<b>7A039 HOUSING ASSY. - continued</b>					
49/50	A	O/D	Transmission overdrive-14 1/2" overall length-engine support bolt hole spacing 5"	1	A9AZ 7A039-B
52/54	A	O/D	Transmission overdrive-cast iron-17 29/32" o/all length-eng. support bolt hole spacing 6 9/32"	1	B2AZ 7A039-B
57/	A (6 & 8 cyl. 223, 272, 292)	O/D	Transmission overdrive -17 29/32" overall length-engine support bolt hole spacing 6 9/32"	1	B7AZ 7A039-C
57	A (8 cyl. 312)	O/D	Transmission overdrive	1	B7AZ 7A039-D
58/59	A (8 cyl. 332)	O/D		1	B8AZ 7A039-C
58/	A, S (8 cyl. 352)	O/D		1	
57	S (8 cyl. 312)	O/D	Transmission overdrive-19 21/32" overall length-engine support bolt hole spacing 6 9/32"	1	B7SZ 7A039-C
49/50	A	O/D	Bolt (transmission overdrive housing attaching)-lower-R. H. -7/16"-14 x 2"	1	20524-S8(B111)
49/50	A	O/D	Washer-flat-7/16"	2	44730-S8(X26)
49/51	A	O/D	Bolt (transmission overdrive housing attaching)-upper-7/16"-14 x 2 1/2"	2	20246-S8(B113B)
49/50	A	O/D	Bolt (overdrive housing to transmission case)-7/16"-14 x 2 1/2"	1	350188-S7(BB181)
52/54	A	O/D		2	
55	S (8 cyl. 292)	O/D		2	
55/57	A	O/D	Bolt (overdrive housing to transmission case)-7/16"-14 x 3"	3	20554-S8(B115)
58/	A (6 & 8 cyl. 223, 292)	O/D		3	
55/	A (6 & 8 cyl. 223, 272, 292)	O/D	Lockwasher-7/16"	4	34808-S8(X67)
55	S (8 cyl. 292)	O/D		4	
57/58	A, S (8 cyl. 312, 332, 352)	O/D	Bolt (housing to transmission)-1/2"-13 x 5 1/4"	1	*45618-S8
59/	A, S (8 cyl. 352)	O/D		1	
56/57	A, S (8 cyl. 312)	O/D	Bolt (housing to trans.)-1/2"-13 x 2 3/4"-hex. head	4	*20552-S
58/	A, S (8 cyl. 332, 352)	O/D		3	
56/	A, S (8 cyl. 312, 332, 352)	O/D	Lockwasher-1/2"	4	*34944-S2
55	S (8 cyl. 292)	O/D	Bolt (transmission overdrive housing to adapter)-7/16"-14 x 1 1/2"	1	20470-S8(B107)
49/54	A	O/D		1	
49/51	A	O/D	Lockwasher-7/16"		34808-S8(X67)
51/54	A	O/D	Stud (overdrive housing to transmission case)-lower-R. H. -7/16"-20 & 7/16"-14 x 2 1/2"	1	*
55	S (8 cyl. 292)	O/D		1	
51/54	A	O/D	Stud (overdrive housing to transmission case)-lower-L. H. -7/16"-20 & 7/16"-14 x 3"	1	*
55	S (8 cyl. 292)	O/D		1	
51/	A (6 & 8 cyl. 215, 223, 239, 272, 292)	O/D	Nut-7/16"-20	2	34671-S8(M67)
55	S	O/D		2	
			Lockwasher-7/16"		34808-S8(X67)
49/	A	O/D	Plug (overdrive housing filler)-1/2"-14 pipe	1	353064-S(PP30)
55/	S	O/D		1	
49/	A (6 & 8 cyl. 215, 223, 239, 272, 292)	O/D	Plug (overdrive housing drain)-1/4"-18 x 27/64" pipe-steel	1	87837-S(P15)
55	S (8 cyl. 292)	O/D		1	
57	A (8 cyl. 312)	O/D	Plug (overdrive housing drain)-1/2"-14 pipe	1	353064-S(PP30)
56/	S	O/D		1	
49/	A, S	O/D	Plug(o/d hsg. shift rail hole)-3/8" drive in	1	353096-S(PP61)
55/	A	O/D	Plug-expansion-1 1/2"	1	74125-S(P11)
56/	S (8 cyl. 312, 352)	O/D		1	
<b>7040 BAFFLE - INPUT SHAFT BEARING OIL</b>					
49/54	A	S/T&O/D	2.69" O. D. -1.380"/1.389" I. D.	1	8A 7040
55/	A (6 & 8 cyl. 223, 272)	S/T		1	
58/	A (8 cyl. 292)	S/T		1	
55/	A (6 & 8 cyl. 223, 272)	O/D	2 3/4" O. D.	1	B5A 7040-A
56/	A, S (8 cyl. 312, 332, 352)	O/D	2 5/8" O. D. -1.388" I. D.	1	8L 7040
57	A (8 cyl. 312 S/C)	S/T		1	
57/	S (8 cyl. 312, 352)	S/T		1	
<b>7A044 INSERT - INTERMEDIATE and HIGH CLUTCH HUB</b>					
49/54	A	S/T&O/D		3	B1AZ 7A044-A
55/	A-without S/C	S/T		3	
55/57	S (8 cyl. 292)	S/T		3	
55	S (8 cyl. 292)	O/D		3	
56/	A, S (8 cyl. 312, 332, 352)	O/D	1.052" long	3	B5AZ 7A044-A
57	A (8 cyl. 312 S/C)	S/T		3	
57/	S (8 cyl. 312, 352)	S/T		3	

YEAR 19__	MODEL	TYPE TRANS.	DESCRIPTION	QTY. PER VEHICLE	PART NUMBER
<b>7A044 PLATE - SYNCHRONIZER SHIFTING</b>					
55/	A (6 & 8 cyl. -223, 272, 292)	O/D	.950" overall length	3	B5AZ 7A044-C
<b>7050 RETAINER - INPUT SHAFT BEARING</b>					
57/	A (6 & 8 cyl. 223, 272)	S/T	3.80" overall length-no grooves-	1	C0AR 7050-A
58/	A (8 cyl. 292)	S/T	4.6775"/4.6785" flange O. D. -3.150" flange I. D.-	1	
55/57	A (8 cyl. 292, 312)	S/T	3.80" overall length-no oil grooves-	1	C0AR 7050-B
55/57	S (8 cyl. 292)	S/T	4.6775"/4.6785" flange O. D. -3.44" flange I.D.-	1	
58/	A (8 cyl. 332, 352)	S/T	"V" type drain back recess	1	
55	S (8 cyl. 292)	O/D		1	
57/	S (8 cyl. 312, 352)	S/T&O/D		1	C1AA 7050-A
57	A (8 cyl. 312)	O/D		1	
57	A (8 cyl. 312 S/C)	S/T		1	
58/	A (8 cyl. 332, 352)	O/D		1	
55/56	A (6 & 8 cyl. 223, 272)	O/D	3 27/32" overall length-R. H. spiral oil grooves- 4.6775"/4.6785" flange O. D.	1	B5A 7050-B
57/	A (6 & 8 cyl. 223, 272)	O/D		1	C1AA 7050-C
56	A (8 cyl. 292)	O/D	3 17/32" overall length-R.H. -spiral oil grooves- 4.6770"/4.6785" flange O. D. -3 13/32" flange I. D. -(3) 21/64" holes	1	B6A 7050-A
57/	A (8 cyl. 292)	O/D	3 13/16" overall length-no oil grooves- 4.6770"/4.6785" flange O. D. -3 13/32" flange I. D. -(3) 21/64" holes	1	B7A 7050-E
56	S (8 cyl. 312)	O/D	3.80" overall length-R. H. spiral oil grooves- 4.6770"/4.6785" flange O. D. -3.44" flange I. D. -1.26" width drain back recess	1	B5A 7050-A
49/54	A	S/T&O/D	Bolt (trans. input shaft brg. retainer)-5/16"-18 x 1"	4	20386-S8(B53)
55/	A, S	S/T	Bolt (transmission input shaft bearing retainer)-	4	20366-S8(B52)
55/56	A	O/D		3	
57/	A	O/D		4	
55/	S	O/D		4	
49/	A	S/T	Lockwasher-5/16"	4	34806-S7(X64)
55/57	S (8 cyl. 292)	S/T		4	
49/54	A	O/D		4	
55	S	O/D		4	
55/	A	O/D	Lockwasher-5/16"-external tooth	3or4	*34941-S7
57/	S (8 cyl. 312, 352)	S/T		4	
56/	S	O/D		4	
<b>7051 GASKET - INPUT SHAFT BEARING RETAINER</b>					
49/54	A	S/T&O/D		1	C2AZ 7051-C
55/	A (6 & 8 cyl. 223, 272)	S/T		1	
58/	A (8 cyl. 292)	S/T		1	
55/	A (6 & 8 cyl. 223, 272)	O/D	3 15/32" I. D. -4 21/32" O. D. -.010" thick	AR	B8C 7051-A
55/57	A, S (8 cyl. 292)	S/T	.344" I. D. -4.68" O. D. -.018" thick	1	C2AZ 7051-B
57	A (8 cyl. 312 w/o S/C)	S/T		1	
58/	A (8 cyl. 332, 352)	S/T		1	
55	S (8 cyl. 292)	O/D		1	
56/	A (8 cyl. 292)	O/D	3 13/32" I. D. -4 1/4" O. D. -.010" thick	AR	B6A 7051-A
56/	A, S (8 cyl. 312, 332, 352)	O/D	3 29/64" I. D. -4 19/32" O. D. -.010" thick	AR	B6C 7051-A
57	A (8 cyl. 312 S/C)	S/T		AR	
57/	S (8 cyl. 312, 352)	S/T		AR	
<b>7052 OIL SEAL - TRANSMISSION EXTENSION HOUSING</b>					
49/	A	S/T	For 1.499"/1.501" diameter shaft-2.376"/2.380"	1	21C 7052-A
55/	S	S/T	O. D. -.735"/.765" width	1	
57/	S (8 cyl. 312, 352)	S/T	2.72"/2.78" flange O. D. -for 1.684"/1.685"	1	C1AP 7052-B
57	A (8 cyl. 312 S/C)	S/T	shaft-1.894"/1.954" width		
58/	A (6 & 8 cyl. 223, 292)	O/D	2.62" flange O. D. -for 1.4970"/1.4985" shaft- 1.62" width	1	C2AZ 7052-A
<b>7052 OIL SEAL - OVERDRIVE HOUSING</b>					
49/54	A	O/D		1	21C 7052-A
55/	A (6 & 8 cyl. 223, 272, 292)	O/D		1	
55	S	O/D		1	
56/	A, S (8 cyl. 312, 332, 352)	O/D	2.72"/2.78" flange O. D. -for 1.684"/1.685" shaft-1.894"/1.954" width	1	C1AP 7052-B



# FORD CAR PARTS

## SECTION 70

157

YEAR 19__	MODEL	TYPE TRANS.	DESCRIPTION	QTY. PER VEHICLE	PART NUMBER
<b>7064 SNAPRING - TRANSMISSION - continued</b>					
<b>OUTPUT SHAFT SYNCHRONIZER</b>					
			THICKNESS	INSIDE DIAMETER	OUTSIDE DIAMETER
55/	A (6 & 8 cyl. 223, 272)	O/D	.089"/.091" .092"/.094" .095"/.097" .100"/.102"		
					AR 8A 7667-A AR 8A 7667-B AR 8A 7667-C AR B5A 7667-A
55/	A (6 & 8 cyl. 223, 272)		.086"/.088"	1.214"/1.234"	1.474"
56/	A (8 cyl. 292)	O/D	.087" .090" .093" .097"	1 29/64" 1 29/64" 1 29/64" 1 29/64"	
					AR B7A 7059-A AR 8MTH 7064-A AR 8MTH 7064-B AR 8MTH 7064-C AR 8MTH 7064-D
56/	A, S (8 cyl. 312, 332, 352)	O/D	.086"/.088"	1.214"/1.234"	1.544"
57/	A (8 cyl. 312 S/C)	S/T			
57/	S (8 cyl. 312, 352)	S/T			
			.089"/.091" .092"/.094" .095"/.097"	1.214"/1.234" 1.214"/1.234" 1.214"/1.234"	1.544" 1.544" 1.544"
					AR 8L 7064-A AR AR AR %8L 7064-B AR %8L 7064-C AR %8L 7064-D
56/	A, S (8 cyl. 312, 332, 352)	O/D	.098"/1.00"	1.214"/1.234"	
57/	A (8 cyl. 312 S/C)	S/T			
57/	S (8 cyl. 312, 352)	S/T			
			.101"/.103"	1.214"/1.234"	
					AR B5A 7064-A AR AR AR B5A 7064-B
49/54	A	S/T&O/D	.086"/.088"	1.214"/1.234"	1.474"
55/	A (6 & 8 cyl. 223, 272, 292)	O/D			
55/	A	S/T			
55/57	S (8 cyl. 292)	S/T			
55/	S	O/D			
57/	S (8 cyl. 312, 352)	S/T			
					1 B7A 7059-A 1 1 1 1 1
<b>OUTPUT SHAFT BEARING TO SHAFT</b>					
56/	A, S (8 cyl. 312, 332, 352)	O/D	.086"/.088"	1.214"/1.234"	1.544"
57/	A, S	S/T			
			.089"/.091" .092"/.094" .095"/.097"	1.214"/1.234" 1.214"/1.234" 1.214"/1.234"	1.544" 1.544" 1.544"
					AR 8L 7064-A AR AR %8L 7064-B AR %8L 7064-C AR %8L 7064-D
<b>OUTPUT SHAFT BEARING - FRONT</b>					
55/	A (6 cyl. 223)	S/T	Thin-.086"/.088"-supplied in		
57/	A (8 cyl. 312)	S/T	B5AZ 7B331-A kit		
55/	A (8 cyl. 272, 292, 332, 352)	S/T			
55/57	S (8 cyl. 292)	S/T			
55/	A (6 & 8 cyl. 223, 272, 292)	O/D			
55/	S (8 cyl. 292)	O/D			
			Medium-.089"/.091"-supplied in		
			B5AZ 7B331-A kit		
					AR *8M 7030-B AR
55/	A (6 & 8 cyl. 223, 272, 292)	O/D	Thick-.092"/.094"-supplied in		
55/	S (8 cyl. 292)	O/D	B5AZ 7B331-A kit		
					AR *8M 7030-C AR
55/	A (6 & 8 cyl. 223, 272, 292)	O/D	Extra thick-.095"/.097"-supplied in		
55/	S (8 cyl. 292)	O/D	B5AZ 7B331-A kit		
					AR *8M 7030-D AR
56/	A, S (8 cyl. 312, 332, 352)	O/D	3.31"/3.34"O.D. -2.95"/2.98"I.D. -.087"/.089"		
57/	A (8 cyl. 312 S/C)	S/T	thick		
57/	S (8 cyl. 312, 352)	S/T			
					AR %*8L 7030-A AR AR
56/	A, S (8 cyl. 312, 332, 352)	O/D	3.31"/3.34"O.D. -2.95"/2.98"I.D. -.090"/.092"		
57/	A (8 cyl. 312 S/C)	S/T	thick		
57/	S (8 cyl. 312, 352)	S/T			
					AR %*8L 7030-B AR AR
56/	A, S (8 cyl. 312, 332, 352)	O/D	3.31"/3.34"O.D. -2.95"/2.98"I.D. -.093"/.095"		
57/	A (8 cyl. 312 S/C)	S/T	thick		
57/	S (8 cyl. 312, 352)	S/T			
					AR %*8L 7030-C AR AR
56/	A, S (8 cyl. 312, 332, 352)	O/D	3.31"/3.34"O.D. -2.95"/2.98"I.D. -.096"/.098"		
57/	A (8 cyl. 312 S/C)	S/T	thick		
57/	S (8 cyl. 312, 352)	S/T			
					AR %*8L 7030-D AR AR
56/	A, S (8 cyl. 312, 332, 352)	O/D	3.31"/3.34"O.D. -2.95"/2.98"I.D. -.099"/.101"		
57/	A (8 cyl. 312 S/C)	S/T	thick		
57/	S (8 cyl. 312, 352)	S/T			
					AR %*8L 7030-E AR AR

% Supplied only in 7B331 Kits

## SECTION 70

## FORD CAR PARTS

YEAR 19	MODEL	TYPE TRANS.	DESCRIPTION			QTY. PER VEHICLE	PART NUMBER
<b>7064 SNAP RING - TRANSMISSION - continued</b>							
OUTPUT SHAFT INNER							
THICKNESS      INSIDE DIAMETER      OUTSIDE DIAMETER							
49/54	A	O/D	.089"/.091" .092"/.094" .095"/.097"			AR AR AR	8A 7667-A 8A 7667-B 8A 7667-C
55/57	A (6 & 8 cyl. 223, 272)	O/D	.1000"/.102"	- rear		AR	B5A 7667-A
TRANSMISSION OUTPUT SHAFT BEARING - OUTER or REAR							
49/54	A	S/T&O/D	.086"/.088" .098"/.091" .092"/.094" .095"/.097"	- supplied in B5AZ 7B331-A Kit		1 1 1 1	★8M 7030-A ★8M 7030-B ★8M 7030-C ★8M 7030-D
57/57	S (8 cyl. 312,352) A (8 cyl. 312 S/C)	S/T S/T	.087"/.089"	2.95"/2.98"	3.31"/3.34"	1 1	8L 7030-A
55/55	A (6 & 8 cyl. 223,272,292) S	O/D O/D	.086"/.088"	1.214"/1.234"	1.474"	AR AR	B7A 7059-A
55/55	A (6 & 8 cyl. 223, 272, 292) S (8 cyl. 292)	O/D O/D	.089"/.091" .092"/.094" .095"/.097"			AR AR AR AR	8A 7667-A 8A 7667-B 8A 7667-C
SPEEDOMETER DRIVE GEAR TO SHAFT - Also Refer to Group 17285							
49/56	A, S	S/T	.090" .093" .096" .100"			AR AR AR AR	8M 7160-A ★8M 7160-B ★8M 7160-C 8M 7160-D
49/56	A	O/D	.087" .090" .093" .096" .102"	1 1/16" 1 1/16" 1 1/16" 1 1/16" 1 1/16"	1 5/16" 1 5/16" 1 5/16" 1 5/16" 1 5/16"	AR AR AR AR AR	16H 7667-A ★16H 7667-B ★16H 7667-C ★16H 7667-D ★16H 7667-E
56/57	S (8 cyl. 312,352) A (6 cyl. 223)	O/D O/D	.086"/.088"	1.214"/1.234"	1.544"	1 1	8L 7064-A
57/57	A (8 cyl.) A (8 cyl. 312 S/C) S (8 cyl. 312,352)	O/D S/T S/T				2 1 2	
57/57	A (6 & 8 cyl. 223, 272, 292, 332, 352) A (8 cyl. 312 w/o S/C), S (8 cyl. 292)	S/T S/T	.081"/.083"	1.214"/1.234"	1.474"	1 1	B7A 7059-A
OVERDRIVE BALK RING and GEAR TO ADAPTER							
49/	A, S	O/D	.062" .066" .070"	1 1/16" 1 1/16" 1 1/16"	1 5/16" 1 5/16" 1 5/16"	AR AR AR	16H 7666-A 16H 7666-C 16H 7666-B
OVERDRIVE MAIN SHAFT BEARING TO SHAFT							
THICKNESS      INSIDE DIAMETER							
56/57	S (8 cyl. 312, 352) A	O/D O/D	.086"/.088" .089"/.091" .092"/.094" .095"/.097"	1.214"/1.234" 1.214"/1.234" 1.214"/1.234" 1.214"/1.234"		AR AR AR AR	8L 7064-A 8L 7064-B 8L 7064-C 8L 7064-D
OVERDRIVE MAIN SHAFT BEARING							
49/55	A S	O/D O/D	2 11/16" I. D. -2 15/16" O. D. -.073" thick			1 1	8M 7656
OVERDRIVE FREE WHEEL UNIT TO MAIN SHAFT							
THICKNESS      INSIDE DIAMETER      GAP							
56/	A, S (8 cyl. 312, 332, 352, 390)	O/D	.0605"/.0645" .066"/.070" .072"/.076"	1.06"/1.09" 1.06"/1.09" 1.06"/1.09"	.19"/.25" .19"/.25" .19"/.25"	AR AR AR	8L 7672-A 8L 7672-B 8L 7672-C
OVERDRIVE PLANETARY GEAR TO MAIN SHAFT							
56/	A, S (8 cyl. 312, 332, 352)	O/D				1	8L 7672-A

# FORD CAR PARTS

## SECTION 70

YEAR	MODEL	TYPE TRANS.	DESCRIPTION	QTY. PER VEHICLE	PART NUMBER
<b>7039 SNAPRING - Refer to Group 7064</b>					
<b>7061 SHAFT - OUTPUT</b>					
52/56	A, S	S/T	27.45" long-16 L. H. helical splines-6 & 16 straight splines-. 8309"/. 8314" pilot bearing journal O. D. -has 2 snap ring grooves-used with 8A 7025 bearing, 8M 17285 gear, 8M 7160-A-B-C-D snap rings & 74142-S woodruff key	1	B5A 7061-C
57	A (8 cyl. 312 w/o S/C)	S/T	27.45" long-32 straight-32 helical-28 straight splines-. 8305"/. 8310" bearing journal O. D.	1	C1AR 7061-A
57/59	Taxi Cabs (6 cyl. 223)	S/T		1	
58/59	A (8 cyl. 352-2/B carb.-used with trans. #WARH, #9K3A)	S/T		1	
57	A (8 cyl. 312 S/C)	S/T	34.47"/34.50" long-6 straight-6 helical-16 straight splines-. 9995"/1.0100" bearing journal O. D.	1	B7A 7061-D
57	S (8 cyl. 312)	S/T	30.48"/30.51" long-6 straight-6 helical-16 straight splines-. 9995"/1.0100" bearing journal O. D.	1	B5A 7061-E
57/58	A (6 cyl. 223 except Taxi, 8 cyl. 272, 292)	S/T	27/45" long-32 straight-31 helical-28 straight splines-. 8305"/. 8310" bearing journal O. D.	1	B9AR 7061-A
57	S (8 cyl. 292)	S/T		1	
59/	A (6 cyl. 223 except Taxi Cabs; 8 cyl. 292-used with trans. #9A3A, #9A3B)	S/T	27.45" long-32 straight-31 helical-28 straight splines-. 8305"/. 8310" bearing journal O. D.	1	B9AR 7061-A
58/	A (8 cyl. 332, 352 used with trans. #WARE, #9A3D)	S/T	27.45" long-32 straight-32 helical-28 straight splines-. 8305"/. 8310" bearing journal O. D.	1	C1AR 7061-B
58/	S (8 cyl. 352)	S/T	27 17/64" long-6 straight-6 helical-31 straight splines-. 9995"/1" pilot bearing journal O. D.	1	B8A 7061-B
55	S	O/D	13.36" long-16 L. H. helical splines-6 & 10 straight splines-. 8309"/. 8314" pilot bearing journal O. D.	1	B5A 7061-D
55/	A (6 & 8 cyl. 223, 272, 292)	O/D	13 9/16" long-6 R. H. helical splines-6 & 10 straight splines-. 7627"/. 7632" pilot bearing journal O. D.	1	B5A 7061-G
56/	A, S (8 cyl. 312, 332, 352)	O/D	14.56"/14.59" long-6 helical splines-6 & 10 straight splines-. 9995"/1" pilot bearing journal O. D.	1	B5A 7061-F

### 7064 SNAP RING - TRANSMISSION

#### INPUT SHAFT BEARING

			INSIDE DIAMETER	OUTSIDE DIAMETER	GAP	THICKNESS		
49/54	A	S/T&O/D	2.69"	3.054"/3.080"		.072"/.0745"	1	8A 7026
55/	A (6 & 8 cyl. 223, 272)	S/T					1	
58/	A (8 cyl. 292)	S/T					1	
55/	A (6 & 8 cyl. 223, 272)	O/D	2 11/16"	3 1/16"	1/2"	.065"	1	B5A 7026-A
56/57	A (8 cyl. 292)	S/T	3 1/64"	3 25/64"	.80"	.072"/.0745"	1	51A 7026
57	A (8 cyl. 312 without S/C)	S/T					1	
58/	A (8 cyl. 332, 352)	S/T					1	
55/57	S (8 cyl. 292)	S/T					1	
55	S	O/D					1	
56/	A (8 cyl. 292)	O/D	3 1/32"	3 11/32"	1 1/4"	.0625"	1	8L 7026
56/	A, S (8 cyl. 312, 332, 352)	O/D					1	
57	A (8 cyl. 312 S/C)	S/T					1	
57/	S (8 cyl. 312, 352)	S/T					1	

#### INPUT SHAFT BEARING TO SHAFT

			THICKNESS	INSIDE DIAMETER	OUTSIDE DIAMETER		
49/54	A	S/T&O/D	.091"/.093"	1 7/32"	1.56"	1	8A 7064
55/	A (6 & 8 cyl. 223, 272)	S/T				1	
58/	A (8 cyl. 292)	S/T				1	
55/57	A, S (8 cyl. 292)	S/T		1.43"		1	B 7064
57	A (8 cyl. 312 w/o S/C)	S/T				1	
58/	A (8 cyl. 332, 352)	S/T				1	
55	S (8 cyl. 292)	O/D				1	

# Production Identification Marking

YEAR 19____	MODEL	TYPE TRANS.	DESCRIPTION			QTY. PER VEHICLE	PART NUMBER
<b>7065 BEARING - Refer to Group 7025</b>							
<b>7078 GREASE SEAL - UNIVERSAL JOINT SPIDER - Refer to Group 4706</b>							
<b>7085 BRACKET - TRANSMISSION EXTENSION MOUNTING</b>							
56/57	S-8 cyl. 312	O/D	7 9/32" x 7 9/32" x 4 1/2"			1	B6S 7085-A
<b>7086 GASKET - TRANSMISSION</b>							
49/57	A	S/T	Extension to transmission case			1	C2AZ 7086-D
55/57	S (8 cyl. 292)	S/T				1	
58/	A (6 & 8 cyl. 223, 292)	S/T				1	
58/59	A (8 cyl. 332-2/B carb. -used with trans. #WARH, #9K3A)	S/T				1	
57/	S (8 cyl. 312, 352)	S/T	Extension to transmission case			1	8L 7086-A
57	A (8 cyl. 312 S/C)	S/T				1	
58/	A (8 cyl. 332, 352-used with trans. #WARE, #9A3D)	S/T	Extension to transmission case			1	C2AZ 7086-C
52/54	A	O/D	Overdrive to transmission case			1	AB 7086-A
55	S (8 cyl. 292)	O/D				1	
55/	A (6 & 8 cyl. 223, 272, 292)	O/D	Overdrive to trans. case-(3) 15/32" diam. holes-.0095"/.0105" thick			1	B5A 7086-B
57	A (8 cyl. 312)	O/D	Adapter to transmission case			1	B7A 7086-A
58/	A, S (8 cyl. 332, 352)	O/D				1	
56/57	S (8 cyl. 312)	O/D	Adapter to transmission case			1	8L 7086-A
<b>7100 GEAR - LOW and REVERSE SLIDING</b>							
			HELICAL TEETH	HELICAL SPLINES	OVERALL THICKNESS		
49/50	A (use with 8A 7061-A or B)	S/T&O/D	29	16		1	•01A 7100-A
51/54	A (use with 1A 7061-A or B5A 7061-D)	S/T&O/D	28	16		1	•1A 7100-A
55/56	A, S	S/T	28	16	1.260"/1.265"	1	C0TR 7100-A
55	S (8 cyl. 292)	O/D				1	
57	A(6 & 8 cyl. 223, 272, 292-use with transmissions B7A 7003-K, B7A 7003-L & B7A 7003-M)	S/T	32	31	1.260"/1.265"	1	B9AR 7100-A
58/59	A (8 cyl. 292)	S/T				1	
57	S(8 cyl. 292)	S/T				1	
58/	A (6 cyl. 223-except Taxi Cabs)-used with trans. #WAPF, #WAPG, #9A3A)	S/T				1	
57	A (8 cyl. 312 without Supercharger)	S/T	28	32	1.260"/1.265"	1	C0AR 7100-B
57	Taxi Cabs (6 cyl. 223)	S/T				1	
58/	Taxi Cabs (6 cyl. 223-used with transmissions #WAPE, #9A3C)	S/T				1	
58/59	A (8 cyl. 332-2/B carburetor-used with transmissions #WARH, #9K3A)	S/T				1	
57	A (8 cyl. 312-use with transmission #WABAT)	S/T				1	
59	A (8 cyl. 352-4/B carb. -use with transmission #9A3D)	S/T	31	32	1.260"/1.265"	1	C0AR 7100-E
58	A (8 cyl. 332, 352)-use with transmission #WARE)	S/T				1	
55/	A (6 & 8 cyl. 223, 272, 292)	O/D	29	6	1.173"/1.133"	1	B6A 7100-A
56/	S (8 cyl. 312, 352)	O/D	31	6		1	B5A 7100-B
57/	A (8 cyl. 312, 332, 352)	O/D				1	
57	A (8 cyl. 312 S/C)	S/T				1	
57/	S (8 cyl. 312, 352)	S/T				1	

• 8A 7017, 8A 7061-A or B, 01A 7100-A, 51A 7102, 8A 7113 & 68 7141 for 1949-50 are optional with B7A 7017-J, 1A 7061-A or B5A 7061-D, 1A 7100-A, C1AZ 7102-A, B4A 7113-A & 1A 7141-A when used in sets.

# Production identification marking

# FORD CAR PARTS

## SECTION 71

YEAR 19__	MODEL	TYPE TRANS.	DESCRIPTION	QTY. PER VEHICLE	PART NUMBER		
<b>7102 GEAR ASSY. - INTERMEDIATE</b>							
49/50	A	S/T&O/D	22 helical teeth	1	81A 7102		
51/54	A	S/T&O/D	22 helical teeth-30 clutch teeth	1	C1AZ 7102-A		
55/58	A (6 cyl. 223-except trans. #WAPG, #9A3A)	S/T		1			
59	Taxi Cabs-(6 cyl. 223)	S/T		1			
55/59	A (8 cyl. 272, 292, 312 w/o S/C)	S/T	23 helical teeth-30 clutch teeth-	1	B7A 7102-A		
55/57	S (8 cyl. 292)	S/T&O/D		1			
58/59	A (8 cyl. 332-2/B carb. -used with transmissions #WARH, #9K3A)	S/T		1			
58/	A (6 cyl. 223-except Taxi Cabs-used with transmissions #WAPG, #9A3A)	S/T		1			
58/59	A (8 cyl. 332, 352)	S/T	27 helical teeth-33 clutch teeth-1.652"/1.653" overall thickness-used with trans. #WARE, #9A3D	1	B8A 7102-A		
55/	A (6 & 8 cyl. 223, 272, 292)	O/D	23 helical teeth-30 clutch teeth -with 2"	1	B6A 7102-A		
56/59	A, S (8 cyl. 312, 332, 352)	O/D	26 helical teeth-36 clutch teeth	1	B5A 7102-D		
57	A (8 cyl. 312 S/C)	S/T		1			
57/	S (8 cyl. 312, 352)	S/T		1			
<b>7105 HUB - INTERMEDIATE and HIGH CLUTCH</b>							
			TEETH    SPLINES    SLOTS				
49/54	A	S/T&O/D	30			1	*51A 7105
55/56	A, S	S/T				1	
55	S (8 cyl. 292)	O/D				1	
55/	A (6 & 8 cyl. 223, 272, 292)	O/D	30	6	3	1	*B5A 7105-A
56/59	A, S (8 cyl. 312, 332, 352)	O/D	36	6	3	1	8L 7105
57	A (8 cyl. 312 S/C)	S/T				1	
57/	S (8 cyl. 312, 352)	S/T				1	
57	A-without Supercharger	S/T				1	*WAA 7105-A
57	S (8 cyl. 292)	S/T				1	
58/	A (6 & 8 cyl. 223, 292)	S/T				1	
59	A (8 cyl. 332-2/B carb. -used with trans. #9K3A)	S/T				1	
58/59	A (8 cyl. 332, 352-used with trans. #WARE, #WARH, #9A3D)	S/T				1	*WAR 7105-A
<b>7106 SLEEVE - INTERMEDIATE and HIGH CLUTCH HUB</b>							
49/54	A	S/T&O/D	30			1	*01A 7106
55/56	A, S	S/T				1	
55	S (8 cyl. 292)	O/D				1	
57	A-without S/C	S/T				1	
57	S (8 cyl. 292)	S/T				1	
58/	A (6 & 8 cyl. 223, 292)	S/T				1	
59	A(8 cyl. 332-use with trans. #9K3A)	S/T				1	
55/	A (6 & 8 cyl. 223, 272, 292)	O/D	30	3.384"	1 1/4"	1	*B5A 7106-A
56/59	A, S (8 cyl. 312, 332, 352)	O/D	36	4 1/8"	1 19/64"	1	C1AA 7106-A
57/	S (8 cyl. 312, 352)	S/T				1	
57	A (8 cyl. 312 S/C)	S/T				1	
58/59	A (8 cyl. 332, 352-used with transmissions #WARE, #WARH, #9A3D)	S/T				1	*WAR 7106-A
<b>7107 RING - SYNCHRONIZER BLOCKING</b>							
49/54	A	S/T&O/D	Has two identification grooves-(was 81A 7107-B1)			2	81A 7107-C
55/	A-w/o S/C (6 & 8 cyl. 223, 272, 292, 312)	S/T				2	
59	A (8 cyl. 332-use with trans. #9K3A)	S/T				2	
55/57	S (8 cyl. 292)	S/T				2	
55	S (8 cyl. 292)	O/D				2	
55/	A(6 & 8 cyl. 223, 272, 292)	O/D	30 teeth-3 slots -2" synchronizer			2	B5A 7107-A
56/	A, S (8 cyl. 312, 332, 352, 390)	O/D	36 teeth-3 slots			2	8L 7107
57	A (8 cyl. 312 S/C)	S/T				2	
57/	S (8 cyl. 312, 352)	S/T				2	
58/59	A (8 cyl. 332, 352-used with trans. #WARE, #WARH, #9A3D)	S/T				2	B8A 7107-A

YEAR 19__	MODEL	TYPE TRANS.	DESCRIPTION	QTY. PER VEHICLE	PART NUMBER
<b>7109 SNAP RING - INTERMEDIATE and HIGH CLUTCH HUB SYNCHRONIZER</b>					
49/54	A	S/T&O/D		1or2	C2AZ 7109-A
55	S (8 cyl. 292)	O/D		1	
55/56	A, S	S/T		1	
55/59	A-w/o S/C (6 & 8 cyl. 223, 272, 292, 312)	S/T		2	
59	A (8 cyl. 332-use with trans. #9K3A)	S/T		2	
55/57	S (8 cyl. 292)	S/T		2	
55	S (8 cyl. 292)	O/D		2	
55/	A (6 & 8 cyl. 223, 272, 292)	O/D	2 5/16" O. D. -7/8" gap-.060" thickness diam.	2	B5A 7109-A
56/59	A, S (8 cyl. 312, 332, 352)	O/D	3 1/16" O. D. -15/16" gap-.0665"/.0695"	2	8D 7109
57	A (8 cyl. 312 S/C)	S/T	thickness diameter	2	
57/	S (8 cyl. 312, 352)	S/T		2	
58/59	A (8 cyl. 332, 352-used with trans. #WARE, #WARH, #9A3D)	S/T		2	B8A 7109-A
<b>7111 COUNTERSHAFT</b>					
49/54	A	S/T&O/D	8.22" long-.7510"/.7515" O. D.	1	8A 7111-B
55/	A-w/o S/C	S/T	8.22" long-.8680"/.8685" O. D.	1	COAR 7111-A
55/57	S (8 cyl. 292)	S/T		1	
55	S (8 cyl. 292)	O/D		1	
55/56	A	O/D	8.183" long	1	B7A 7111-A
57/	A (6 & 8 cyl. 223, 272, 292)	O/D		1	
56/	A, S (8 cyl. 312, 332, 352, 390)	O/D		1	8L 7111
57	A (8 cyl. 312 S/C)	S/T		1	
57/	S (8 cyl. 312, 352)	S/T		1	
56/	A, S (8 cyl. 312, 332, 352, 390)	O/D	Key-woodruff-No. 5	1	*74174-S
57	A (8 cyl. 312 S/C)	S/T		1	
57/	S (8 cyl. 312, 352)	S/T		1	
<b>7113 GEAR - COUNTERSHAFT CLUSTER</b>					
49/50	A	S/T&O/D	28-24-18-14 helical teeth-when used to replace 8A 7113 (1) each B 7118-A Bearing, B 7121-A Bearing and B 7115 Spacer are required	1	8M 7113
51/54	A	S/T&O/D	27-23-17-14 helical teeth-used w/B6A 7017-C, 1A 7061-A or B5A 7061-D, 1A 7100-A, 1A 7102-A, 51A 7105 & 01A 7106 or 8M 7124	1	B4A 7113-A
55/	A (6 cyl. 223)	O/D	33-25-19-14 helical teeth	1	C1AA 7113-B
57	A (6 cyl. 223 except Taxi Cabs)	S/T	32-23-19-16 helical teeth-includes (1) C1AR 7119-A Washer	1	B7A 7113-E
58/59	A (8 cyl. 332, 352-use with trans. #WARE, #9A3D)	S/T	29-26-19-16 helical teeth-includes (1) C1AR 7119-A Washer	1	C1AR 7113-C
57	A (6 cyl. 223)	S/T	32-23-19-16 helical teeth-includes (1) C1AR 7119-A Washer-use with B7A 7003-K transmission	1	B7A 7113-E
58	A (6 cyl. 223-except Taxi Cabs)	S/T	Used with transmission #WAPF	1	
58/	A (6 cyl. 223-except Taxi Cabs-use with trans. #WAPG, #9A3A)	S/T	33-22-19-16 helical teeth-includes (1) C1AR 7119-A Washer	1	B8A 7113-B
55/56	A (8 cyl. 272)	S/T	25-22-17-14 helical teeth	1	B7C 7113-C
57	A (8 cyl. 272)	S/T	31-22-19-16 helical teeth-includes (1) C1AR 7119-A Washer	1	B7A 7113-G
55/57	A (8 cyl. 272)	O/D	32-25-19-14 helical teeth	1	B6A 7113-B
57	A, S (8 cyl. 292)	S/T	30-22-19-16 helical teeth-includes (1) C1AR 7119-A Washer-used with #WABY, B7A 7003-M & B7S 7003-D transmission	1	B7A 7113-F
58/59	A (8 cyl. 292)	S/T		1	
55/56	A (6 cyl. 223)	S/T	27-23-17-14 helical teeth-includes (1) C1AR 7119-A washer	1	C2AZ 7113-A
57/	Taxi Cabs, Police Cars (6 cyl. 223)	S/T&O/D		1	
56/	A (8 cyl. 292)	O/D	31-25-19-14 helical teeth	1	B6A 7113-C
55/56	A, S (8 cyl. 292)	S/T	24-22-17-14 helical teeth-includes (1) C1AR 7119-A Washer	1	B7A 7113-H
55	S (8 cyl. 292)	O/D		1	
57	A (8 cyl. 312-w/o S/C-except 66, 78)	S/T	24-22-17-14 helical teeth-includes (1) C1AR 7119-A Washer-use with transmissions #WABAE, #WABAT	1	B7A 7113-H
58/59	A (8 cyl. 332-2/B carb. )	S/T	Used with transmissions #WARH, #9K3A	1	
56/59	A, S (8 cyl. 312, 332, 352)	O/D	29-25-19-15 helical teeth-includes (1) C1AR 7119-A Washer	1	B5A 7113-D
57	A (8 cyl. 312 S/C)	S/T		1	
57/	S (8 cyl. 312, 352)	S/T		1	

# FORD CAR PARTS

## SECTION 71

163

YEAR 19	MODEL	TYPE TRANS.	DESCRIPTION	QTY. PER VEHICLE	PART NUMBER
<b>7115 SPACER - COUNTERSHAFT GEAR PILOT BEARING</b>					
49/50	A	S/T&O/D	3.39" long-.75" I. D. -use with 8M 7113 gear-Dealer improvise by using 8A 7115 and cutting to 3.3800"/3.400"-remove sharp edges	1	*B 7115
49/54	A	S/T&O/D	4.60" long-.770"/.790" I. D.	1	8A 7115
55/	A-without S/C	S/T	4.72" long-.89"/.91" I. D.	1	B5A 7115-A
55/57	S (8 cyl. 292)	S/T		1	
55	S (8 cyl. 292)	O/D		1	
55/	A (6 & 8 cyl. 223, 272, 292)	O/D	4.98"/5.00" long-27/32" I. D.	1	B5A 7115-B
56/59	A, S (8 cyl. 312, 332, 352)	O/D	4.604" long-.883" I. D.	1	8L 7115
57	A (8 cyl. 312 S/C)	S/T		1	
57/	S (8 cyl. 312, 352)	S/T		1	
<b>7118 ROLLER - INPUT SHAFT PILOT BEARING</b>					
49/54	A	S/T&O/D	.2180"/.2182" O. D. -.524"/.538" long	15	8A 7118
55/	A-without S/C	S/T		15	
55/57	S (8 cyl. 292)	S/T		15	
55/	A (6 & 8 cyl. 223, 272, 292)	O/D		14	
55	S (8 cyl. 292)	O/D		15	
56/59	A, S (8 cyl. 312, 332, 352)	O/D	.667"/.687" long-.2810"/.2812" O. D.	14	MC 7120-B
57	A (8 cyl. 312 S/C)	S/T		14	
57/	S (8 cyl. 312, 352)	S/T		14	
56/59	A, S (8 cyl. 312, 332, 352)	O/D	Spacer (input shaft pilot bearing roller)	1	354639-S(XX261)
57	A (8 cyl. 312 S/C)	S/T		1	
57/	S (8 cyl. 312, 352)	S/T		1	
<b>7118 BEARING - TRANSMISSION COUNTERSHAFT GEAR PILOT</b>					
49/50	A	S/T&O/D	1 1/8" O. D. -3/4" I. D. -1.44" long-used with 8M 7113 Gear	1	B 7118-A
<b>7119 WASHER - COUNTERSHAFT GEAR THRUST</b>					
49/54	A	S/T&O/D	Front-2.06" O. D.	1	B 7119-A
49/54	A	S/T&O/D	Rear-inner-supplied in B5AZ 7B331-A & A0A 7130-A Kits	1	8M 7129-A
49/54	A	S/T&O/D	Rear-outer-supplied in B5AZ 7B331-A & A0A 7130-A Kits	1	8M 7128-A
55/	A (6 & 8 cyl. 223, 272, 292)	O/D	Front-49/64" I. D. -2 5/8" O. D. -.0615"/.0635" thick-1 scallop	1	B5A 7119-C
56/	A, S(8 cyl. 312, 332, 352)	O/D	Front-57/64" I. D. -2 5/8" O. D. -.0625" thick	1	8L 7119
57	A (8 cyl. 312 S/C)	S/T		1	
57/	S (8 cyl. 312, 352)	S/T		1	
55/	A (6 & 8 cyl. 223, 272, 292)	O/D	Rear-inner-1 15/16" O. D. -49/64" I. D. - (4) scallops	1	B5T2 7119-C
55/	A (6 & 8 cyl. 223, 272, 292)	O/D	Rear-outer-1 29/32" O. D. -49/64" I. D. - (2) scallops	1	B5AZ 7119-B
56/59	A, S (8 cyl. 312, 332, 352)	O/D	Rear-inner-2 1/8" O. D. -57/64" I. D. - (4) scallops	1	B5AZ 7119-C
57	A (8 cyl. 312 S/C)	S/T		1	
57/	S (8 cyl. 312, 352)	S/T		1	
56/59	A, S (8 cyl. 312, 332, 352)	O/D	Rear-outer-.89" I. D. (2) scallops-2.12" O. D.	1	B5AZ 7119-A
57	A (8 cyl. 312 S/C)	S/T		1	
57/	S (8 cyl. 312, 352)	S/T		1	
57	A (8 cyl. 312 without S/C)	S/T	Rear-.90" & 1.02" I. D. -1.5" O. D. -.061"/.063" thick-3 scallops-3 grooves each side	1	B7A 7119-A
58/59	A (8 cyl. 332-2/B carb.)	S/T	Used with transmission #WARH, #9K3A	1	
55/56	A, S (8 cyl. 292)	S/T	Used with B7A 7113-H	1	
55	S (8 cyl. 292)	O/D	Used with B7A 7113-H	1	
58/	A(8 cyl. 332, 352, 390)	S/T	Rear-.90" & 1.02" I. D. -1.7" O. D. -.061"/.063" thick-3 scallops-3 grooves each side-used w/trans. #WARE, #9A3D)	1	B8A 7119-A
55/59	A, S (6 & 8 cyl. 223, 272, 292)	S/T	Rear-.90 & 1.02" I. D. -.0615"/.0635" thick-3 scallops-3 grooves	1	C1AR 7119-A
55/	A-without S/C	S/T	Front	1	
55	S(8 cyl. 292)	O/D	Front & rear	2	
55/57	S(8 cyl. 292)	S/T	Front	1	

## SECTION 71

## FORD CAR PARTS

YEAR 19__	MODEL	TYPE TRANS.	DESCRIPTION	QTY. PER VEHICLE	PART NUMBER
<b>7120 ROLLER - INPUT SHAFT PILOT BEARING</b> Refer to Group 7118					
<b>7121 BEARING - TRANSMISSION COUNTERSHAFT GEAR - REAR</b>					
49/50	A	S/T&O/D	Use with 8M 7113 Gear	1	B 7121
<b>7121 ROLLER - TRANSMISSION COUNTERSHAFT GEAR PILOT BEARING</b>					
55/	A(6 & 8 cyl. 223, 272, 292)	O/D	.1248"/.1250" O.D. -.730"/.750" long	44	CODR 7121-A
49/54	A	S/T&O/D	.1242"/.1244" O.D. -.89" Long	44	8A 7121
55/	A-without S/C	S/T		50	
55/57	S (8 cyl. 292)	S/T		50	
55	S (8 cyl. 292)	O/D		50	
56/59	A, S (8 cyl. 312, 332, 352)	O/D	.158"/.1582" O.D. -.720"/.740" long	80	8L 7121
57	A (8 cyl. 312 S/C)	S/T		80	
57/	S (8 cyl. 312, 352)	S/T		80	
49/54	A	S/T&O/D	Washer (transmission countershaft gear pilot bearing roller)-3/4"	2	351529-S(XX240)
55/	A-without S/C, S	S/T	Washer (transmission countershaft gear pilot bearing roller)-1.102"/1.114" O.D.-.908"/.918"	4	354398-S(XX254)
55	S (8 cyl. 292)	O/D	I. D. -.048" thick	4	
55/57	S (8 cyl. 292)	S/T		4	
55/	A (6 & 8 cyl. 223, 272, 292)	O/D	Washer-flat (transmission countershaft bearing roller)-.765"/.770" I. D. -.952" O. D.	4	354655-S(XX231)
<b>7124 SYNCHRONIZER ASSY.</b>					
49/54	A	S/T&O/D	Consists of the following	1	C2TZ 7124-A
55/56	A, S	S/T	1-51A 7105 Hub 1-C2AR 7109-A Spring	1	
55	S (8 cyl. 292)	O/D	1-C1AR 7106-A Sleeve 3-B1AZ 7A044-A Insert	1	
			2-81A 7107-A Ring		
55/	A (6 & 8 cyl. 223, 272, 292)	O/D	Consists of the following	1	B5A 7124-B
			1-B5A 7105-A Hub 2-B5A 7109-A Spring		
			1-B5A 7106-A Sleeve 3-B5AZ 7A044-C Plate		
			2-B5A 7107-A Ring		
57	A-without S/C	S/T	Consists of the following	1	C2AZ 7124-A
57	S (8 cyl. 292)	S/T	1-WAA 7105-A Hub 1-C2AZ 7109-A S/ring	1	
58/59	A (6 & 8 cyl. 223, 292)	S/T	1-C1AR 7106-A Sleeve 3-B1AZ 7A044-A Insert	1	
			2-81A 7107-C Ring		
59	A (8 cyl. 332-use with trans. #9K3A)	S/T		1	
56/59	A, S (8 cyl. 312, 332, 352)	O/C	Consists of the following	1	8L 7124
57	A (8 cyl. 312 S/C)	S/T	1- 8L 7105 Hub 2-8D 7109 S/ring	1	
57/	S (8 cyl. 312, 352)	S/T	1- 8L 7106 Sleeve 3-B5AZ 7A044-A Insert	1	
			2- 8L 7107 Ring		
58/59	A (8 cyl. 332, 352-use with trans. #WARE, #WARH, #9A3D)	S/T	Consists of the following	1	B8A 7124-A
			1-WAR 7105-A Hub, 1-WAR 7106-A Sleeve,		
			2-B8A 7107-A Ring, 2-B8A 7109-A S/ring		
			3-B1AZ 7A044-A Insert		
<b>7125 SPACER - COUNTERSHAFT GEAR BEARING ROLLER</b>					
56/59	A, S (8 cyl. 312, 332, 352)	O/D	.885" I. D. -1.149" O. D. -.050" thick	4	8L 7125
57	A(8 cyl. 312 S/C)	S/T		4	
57/	S (8 cyl. 312, 352)	S/T		4	
<b>7128 - 29 - Refer to Group 7119</b>					
<b>7130 KIT - TRANSMISSION THRUST WASHER</b>					
49/54	A	S/T&O/D	Consists of the following	1	A0A 7130-A
			1-B 7119-A Washer 1-8M 7128-A Plate		
			1-8M 7129-A Plate		
<b>7140 SHAFT - REVERSE IDLER GEAR</b>					
49/54	A	S/T&O/D	2 11/16" long-.7490"/.7495" O. D.	1	B 7140-A
55/	A-without S/C	S/T		1	
55/57	S (8 cyl. 292)	S/T		1	
55	S (8 cyl. 292)	O/D		1	
55/	A (6 & 8 cyl. 223, 272, 292)	O/D	2 7/16" long-.7545" O. D.	1	B5A 7140-A
56/59	A, S (8 cyl. 312, 332, 352)	O/D	2 11/32" long-.875" O. D.	1	8L 7140
57	A (8 cyl. 312 S/C)	S/T		1	
57/	S (8 cyl. 312, 352)	S/T		1	
56/59	A, S (8 cyl. 312, 332, 352)	O/D	Key-woodruff-No. 5	1	★74174-S
57	A (8 cyl. 312 S/C)	S/T		1	
57/	S (8 cyl. 312, 352)	S/T		1	



# FORD CAR PARTS

## SECTION 71

YEAR 19	MODEL	TYPE TRANS.	DESCRIPTION	QTY. PER VEHICLE	PART NUMBER
<b>7141 GEAR and BUSHING ASSY. - REVERSE IDLER</b>					
49/50	A	S/T&O/D	18 helical teeth-2.46" O.D. -use with 8A 7113	1	68 7141-A
51/54	A	S/T&O/D	17 helical teeth-w/ 3/16" diam. oil hole-use with B4A 7113-A	1	1A 7141-A
55/57	A	O/D	16 helical teeth-2.217"/2.220" O.D. -	1	B6A 7141-A
58/	A (6 & 8 cyl. 223, 292)	O/D	1.087"/1.089" overall thickness	1	
56/59	A, S (8 cyl. 312, 332, 352)	O/D	18 helical teeth-2.617"/2.623" O.D. -	1	B5A 7141-C
57	A (8 cyl. 312 S/C)	S/T	1.088"/1.091" overall thickness	1	
57/	S (8 cyl. 312, 352)	S/T		1	
57	A (6 & 8 cyl. 223, 272, 292)	S/T	19 helical teeth-2.484"/2.488" O.D.-1.186"/1.188" overall thickness-.809"/.817" gear tooth width-use with B7A 7003-D, B7A 7003-E, B7A 7003-F, B7A 7003-K, B7A 7003-L & B7A 7003-M trans.	1	B9AR 7141-A
57	S (8 cyl. 292)	S/T	Use with #WACB, #WACE	1	
58/59	A (6 cyl. 223 except Taxi Cabs - 8 cyl. 292)	S/T	Use with B8A 7003-B, B8A 7003-E, B8A 7003-G, #9A3A & #9A3B trans.	1	
58	A (8 cyl. 332, 352-use with #WARE trans.)	S/T	19 helical teeth-2.741"/2.745" O.D.-1.186"/1.188" overall thickness-.809"/.817" tooth thickness	1	B9AR 7141-B
59	A (8 cyl. 352-4/B carburetor)	S/T		1	
55/56	A, S	S/T	17 helical teeth-2.521"/2.525" O.D.-1.186"/1.188" overall thickness-.809"/.817" tooth length	1	B9TR 7141-A
57	A (8 cyl. 312 without Supercharger)	S/T		1	
55	S (8 cyl. 292)	O/D		1	
57/59	Taxi Cabs (6 cyl. 223)	S/T		1	
58/59	A (8 cyl. 332-2/B carb. -used with trans. #WARH, #9K3A)	S/T		1	
<b>7153 GASKET SET - TRANSMISSION</b>					
49/51	A	O/D		1	A8AZ 7153-A
Consists of the following					
1- 56H 6392 Gasket (shift rall lockout switch)		1-C2AZ 7223-A Gasket (transmission gear shift housing)			
1-C2AZ 7051-C Gasket (input shaft bearing retainer)		1- 8A 7661 Gasket (overdrive housing to adapter)			
1- 8A 7086-B Gasket (overdrive to transmission)		1- 8M 7778 Gasket (overdrive housing cover)			
52/54	A	O/D		1	B2A 7153-A
Consists of the following					
1-C2AZ 7051-C Gasket (input shaft bearing retainer)		1-C2AZ 7223-A Gasket (gear shift housing)			
1- AB 7086-A Gasket (overdrive to transmission)		1- AB 7661-A Gasket (overdrive housing adapter)			
		1- 8M 7778 Gasket (output shaft snap ring cover)			
56/59	A, S (8 cyl. 312, 332, 352)	O/D		1	B6A 7153-D
57	A (8 cyl. 312 S/C)	S/T		1	
57/	S (8 cyl. 312, 352)	S/T		1	
Consists of the following					
3- B6C 7051-A Gasket (input shaft bearing retainer)		1- 8D 7086 Gasket (output shaft bearing retainer)			
1- 8D 7051 Gasket (input shaft bearing retainer)		1- 8L 7223-A Gasket (gear shift housing)			
1- B7A 7086-A Gasket (adapter to transmission)		1- 8D 7223 Gasket (gear shift housing)			
1- 8L 7086-A Gasket (adapter to transmission)		1- B7A 7661-A Gasket (overdrive housing to adapter)			
49/57		S/T		1	B8AZ 7153-A
58/	A (6 & 8 cyl. 223, 292)	S/T		1	
55	S	O/D		1	
55/56	S	S/T		1	
57	S (8 cyl. 292)	S/T		1	
58/59	A (8 cyl. 332)	S/T		1	
58/59	A (8 cyl. 352)	S/T		1	
Consists of the following					
1-C2AZ 7051-B Gasket (input shaft bearing retainer)		1-C2AZ 7086-D Gasket (extension to transmission case)			
1-C2AZ 7051-C Gasket (input shaft bearing retainer)		1-C2AZ 7086-C Gasket (extension to transmission case)			
1- AB 7086-A Gasket (overdrive housing to trans. case)		1- 8A 7223 Gasket (shift housing)			
55/59	A (6 & 8 cyl. 223, 272, 292)	O/D		1	B5A 7153-B
Consists of the following					
4- B6A 7051-A Gasket (input shaft bearing retainer)		1- B5A 7086-B Gasket (overdrive housing to trans. case)			
3- B8C 7051-A Gasket (input shaft bearing retainer)		1- B5A 7223-A Gasket (trans. case cover)			
		1- B5A 7661-B Gasket (overdrive housing to adapter)			

\* 8A 7017, 8A 7061-A or B, 01A 7100-A, 51A 7102, 8A 7113 & 68 7141 for 1949-50 are optional with B6A 7017-A, 1A 7061-A or B5A 7061-D, 1A 7100-A, C1AZ 7102-A, B4A 7113-A & 1A 7141-A when used in sets  
 # Production Identification Marking

YEAR 19__	MODEL	TYPE TRANS.	DESCRIPTION	QTY. PER VEHICLE	PART NUMBER
<b>7155 PIN - COUNTERSHAFT and REVERSE IDLER SHAFT RETAINING</b>					
49/54	A	S/T&O/D	4.80" long	1	8A 7155
55/59	A-without S/C	S/T		1	
55/57	S (8 cyl. 292)	S/T		1	
55	S (8 cyl. 292)	O/D		1	
<b>7155 PLATE - COUNTERSHAFT and REVERSE IDLER SHAFT LOCK</b>					
55/59	A(6 & 8 cyl. 223, 272, 292)	O/D	1.358" x 5/8" x .0625"	1	B5A 7155-A
<b>7160 SNAP RING - TRANSMISSION OUTPUT SHAFT SPEEDOMETER DRIVE GEAR - Refer to Group 7064</b>					
<b>7A185 SHAFT and BRACKET ASSY. - ENGINE MOUNTED ACCELERATOR</b>					
55/57	S	S/T&O/D		1	B5SZ 7A185-A
58/	S	S/T&O/D		1	B8SZ 7A185-A
<b>7A199 WIRE ASSY. - IGNITION CIRCUIT TO OVERDRIVE RELAY</b>					
56	A	O/D	47.15" long	1	*B6AZ 7A199-A
56/57	S	O/D		1	
56	A	O/D	47.50" long-cut from B3A 14296-A	1	*B6AZ 7A199-B
57	A	O/D	46.0" long	1	*B7AZ 7A199-A
58	A (6 cyl.)	O/D		1	
58	A (8 cyl.)	O/D	59.50" long	1	*B8AZ 7A199-A
58	S	O/D	38.0" long	1	*B8SZ 7A199-A
56	A (6 cyl.)	O/D	Screw (wiring to dash)-No. 14-10 x 5/8"	1	31498-S8(U253B)
59	A	O/D	57" long	1	*B9AF 7A199-A
59	S	O/D	38" long	1	*B9SF 7A199-A
<b>7A200 WIRING ASSY. - TRANSMISSION OVERDRIVE SOLENOID TO RELAY - Also Refer to Group 14382</b>					
53/55	A	O/D	51.50" long	1	B6TZ 7A200-A
57	S	O/D		1	
53/54	A		Clip (wire to switch to floor pan)	1	357839-S32(GG177)
55/56	A		Clip (overdrive wiring mounting screw)	1	353547-S2(GG173)
55/59	A		Clip (transmission overdrive solenoid to relay wiring & switch to dash)	1or2	
57	A (76)		Clip (wiring to gear shift housing)	1	
55/56	A		Clip (relay wiring & switch to dash panel)	AR	352977-S100 (GG156)
56	A (6 volt)	O/D		1	B6AZ 7A200-A
58	A (8 cyl.)	O/D	64" long	1	B8AZ 7A200-A
59	A		"Before 6/1/59"	1	
55/56	S	O/D	To relay & kickdown switch also kickdown switch to relay, ignition, coil and relay switch	1	B5SZ 7A200-A
59	A	O/D	Clip (wiring & switch to relay)	1	357839-S32(GG177)
59	A	O/D	Clip (transmission extension housing bolt-wiring)	1	353547-S2(GG173)
<b>7A200 WIRING and SWITCH ASSY. - OVERDRIVE SOLENOID TO RELAY - Also Refer to Group 14382</b>					
59	A	O/D	"From 6/1/59"	1	B9AZ 7A200-A
58/	S	O/D		1	B9SZ 7A200-A
<b>7-7205 DAMPER - TRANSMISSION SHIFT TUBE VIBRATION</b>					
56/	A	S/T&O/D	2.79" length	1	B6A 77205-A
<b>7208 SPRING - TRANSMISSION GEAR SHIFT LEVER and INSULATOR PIN</b>					
49/53	A	S/T&O/D	13 active coils-.74" free length-.160"/.175"-O.D.	1	01A 7208
<b>7209 TUBE and SOCKET ASSY. - TRANSMISSION GEAR SHIFT</b>					
49/50	A	S/T&O/D	Prime	1	0A 7209-AP
51	A	S/T&O/D	Prime	1	1A 7209-AP
52/54	A	S/T&O/D		1	AB 7209-FP
55	A	S/T&O/D	30 55/64" length-.193"/.196" diam. shift lever pin hole -repl. by B5A 7209-C	1	B5A 7209-B
55	A	S/T&O/D	30 55/64" length-.199"/.204" diam. shift lever pin hole	1	B5A 7209-C
56	A	S/T&O/D		1	B6A 7209-C
57	A	S/T&O/D	29 5/8" length	1	B7A 7209-A
58/59	A	S/T&O/D		1	B8A 7209-A
58	S	S/T&O/D		1	B8S 7209-B
59/	S	S/T&O/D		1	B9S 7209-A

\* Replaced by bulk stock B6A 14296-B and cut to required length

# FORD CAR PARTS

## SECTION 72

167

YEAR 19	MODEL	TYPE TRANS.	DESCRIPTION	QTY. PER VEHICLE	PART NUMBER
<b>7210 LEVER - TRANSMISSION GEAR SHIFT - LESS BALL</b>					
49/55	A	S/T&O/D	.188"Ø, 190"pin hole-approx. 11 1/2" long	1	B5A 7210-B
56/	A	S/T&O/D	Approx. 11 23/64" long-3 27/32" offset	1	C0AA 7210-AP
54/55	A		Pin (gear shift lever & insulator to tube)- 3/16" x 1"	1	357479-S15(NN108)
56/	A		Pin-(lever to tube & socket)-1/4" x 1"	1	305080-S(NN113)
55/57	S	S/T&O/D	Approx. 11 1/2" long-chrome-3/8"-24 threads upper end-includes (2), 316"/. 318" nylon anti- squeak	1	B7S 7210-A
58/	S	S/T&O/D		1	B8S 7210-D
58/	S	All	Pin (gear shift lever retaining)-3/16" x 1"	1	357479-S15(NN108)
<b>7211 RETAINER - TRANSMISSION GEAR SHIFT TUBE VIBRATION DAMPER</b>					
56/	A	S/T&O/D	1.24"x.60"- .060 thickness(1) 11/32" dia. hole	1	B6A 7211-A
<b>7213-7 BALL OR KNOB ASSY. - TRANSMISSION GEAR SHIFT LEVER - Also Refer to Group 7210</b>					
49/56	A	All	Knob	1	B9C 7213-A
57	A	All	Knob-2 1/2" overall length-grooved	1	B7A 7213-A
58/59	A	All	Knob-2 1/2" overall length-grooved	1	B8A 7213-A
55/57	S	S/T&O/D	Ball-2" diam. -3/8"-24 internal threads	1	BB 7213-A
58/	S	All		1	COSS 7213-A
49/50	A	O/D	On instrument panel	1	0A 4210-AE
51	S/W	O/D		1	
<b>7A215 BRACKET - TRANSMISSION OVERDRIVE MANUAL CONTROL HANDLE and CABLE</b>					
52/59	A	O/D	On instrument panel	1	B2AZ 7A215-A
55/57	S	O/D		1	
49/51	A	O/D	Bolt (brkt. to instrument panel)-1/4"-20 x 5/8"	1	23901-S8(B287)
58	S	O/D		1	B8SZ 7A215-A
52	A	O/D	Bolt (bracket to instrument panel)- 1/4"-28 x 5/8"	1	38229-S7-8(U145)
54/	A, S	O/D		1	
53	A	O/D	Bolt (bracket to instrument panel)-1/4"-20 x 1"	1	31128-S(U62)
			Nut-1/4"-20		33795-S7(M49)
			Nut-1/4"-28		33796-S7(M61)
			Lockwasher-1/4"		34805-S8(X62)
49/50	A	O/D	Grommet (transmission overdrive control instrument panel bracket)	1	B 14605-A
49/50	A	O/D	Bezel (transmission overdrive control instrument panel bracket)	1	8A 18598-G
<b>7221 PIN - GEAR SHIFT LEVER and INSULATOR TO TUBE</b>					
49/53	A	S/T&O/D	.185"Ø, 186"Ø, 2475"O.D.-.36" long, 177"/.181" hole	2	01A 7221
54/55	A	S/T&O/D	Pin(gear shift lever & insulator to tube)-3/16"x 1"	1	357479-S15(NN108)
58/	S	All	Pin (gear shift lever retaining)-3/16" x 1"	1	357479-S15(NN108)
59/	A	S/T&O/D	Pin-groove(lever & tube to socket)-1/4" x 1"	1	305080-S(NN113)
<b>7222 HOUSING ASSY. - GEAR SHIFT</b>					
52/54	A	S/T&O/D		1	TAAA 7222-A
55/59	A-w/o S/C	S/T		1	
55/57	S (8 cyl. 292)	S/T		1	
55	S (8 cyl. 292)	O/D		1	
56/	A, S (8 cyl. 312, 332, 352)	O/D		1	B6C 7222-A
57	A(8 cyl. 312 S/C)	S/T		1	
57/	S(8 cyl. 312, 352)	S/T		1	
49/54	A	S/T&O/D	Screw (trans. gear shift housing to trans. case) -5/16"-18 x .90"	9 8or9	354634-S(BB440)
55/	A-w/o S/C	S/T		9	
55/57	S (8 cyl. 292)	S/T		9	
55	S (8 cyl. 292)	O/D		9	
56/	A, S (8 cyl. 312, 332, 352)	O/D	Screw (hsg. to case)-5/16"-18 x 7/8" hex. head	9	20366-S8(B52)
57	A (8 cyl. 312 S/C)	S/T		9	
57/	S (8 cyl. 312, 352)	S/T		9	
			Lockwasher-5/16"	AR	34806-S7(X64)
<b>7222 COVER - TRANSMISSION CASE ACCESS</b>					
55/59	A (6 & 8 cyl. 223, 272, 292)	O/D	7 7/8" long-4" & 5 1/2" wide	1	B5A 7222-B
55/59	A (6 & 8 cyl. 223, 272, 292)	O/D	Bolt (cover to trans. case)-5/16"-18 x 5/8"	6	20326-S7(B49)
55/59	A (6 & 8 cyl. 223, 272, 292)	O/D	Lockwasher-5/16"	6	*34941-S7
<b>7223 GASKET - GEAR SHIFT HOUSING</b>					
49/54	A	S/T&O/D		1	C2AZ 7223-A
55/	A-w/o S/C	S/T		1	
55/57	S (8 cyl. 292)	S/T		1	
55	S (8 cyl. 292)	O/D		1	

## SECTION 72

## FORD CAR PARTS

YEAR 19__	MODEL	TYPE TRANS.	DESCRIPTION	QTY. PER VEHICLE	PART NUMBER
<b>7223 GASKET - GEAR SHIFT HOUSING - continued</b>					
56/59	A, S (8 cyl. 312, 332, 352)	O/D	7 5/8" x 5 23/32" x .010"-(9) 11/32" holes	1	8L 7223-A
57	A (8 cyl. 312 S/C)	S/T		1	
57/	S (8 cyl. 312, 352)	S/T		1	
<b>7223 GASKET - TRANSMISSION CASE ACCESS COVER</b>					
55/	A (6 & 8 cyl. 223, 260, 272, 289, 292)	O/D	(6) 11/32" & (3) 3/8" holes	1	B5A 7223-A
<b>7227 SPRING - TRANSMISSION GEAR SHIFT TUBE RETRACTING</b>					
49/	A	S/T&O/D	.49" O.D. -2 13/32" free length	1	01A 7227
<b>7227 SPRING - TRANSMISSION GEAR SHIFT LEVER</b>					
55/57	S	S/T&O/D	9/16" O.D. -approx. 2 1/8" free length-12 coils	1	B5S 7227-B
<b>7228 SOCKET ASSY. - TRANSMISSION GEAR SHIFT LEVER</b>					
58/	S	S/T&O/D		1	B8S 7228-A
<b>7230 FORK - INTERMEDIATE and HIGH SHIFTER</b>					
49/54	A	S/T&O/D	Use with 8A 7280-B or 1A 7280-A	1	COAR 7230-B
55/57	A without S/C	S/T		1	
58/59	A (6 & 8 cyl. 223, 292)	S/T		1	
58/59	A (8 cyl. 332-2/B carb. -used with trans. #WARH, #9K3A)	S/T		1	
55/57	S (8 cyl. 292)	S/T		1	
55	S (8 cyl. 292)	O/D		1	
58/59	A (8 cyl. 332, 352-used with trans. #WARE, #9A3D)	S/T		1	B8A 7230-A
55/	A (6 & 8 cyl. 223, 272)	O/D	.3735" shaft diam. -3 15/16" overall width -	1	B5A 7230-A
56/	A (8 cyl. 292)	O/D	used with 2" synchronizer	1	
56/58	A, S(8 cyl. 312, 332, 352)	O/D		1	C2AZ 7230-A
59/	A, S(8 cyl. 352)	O/D		1	
57	A(8 cyl. 312 S/C)	S/T		1	
57/	S(8 cyl. 312, 352)	S/T		1	
<b>7231 FORK - LOW and REVERSE GEAR SHIFTER</b>					
49/54	A	S/T&O/D	.3735" shaft diam. -2 13/64" overall width - 2 55/64" overall length	1	1A 7231-A
55/	A-w/o S/C	S/T		1	CIAR 7231-A
55/57	S (8 cyl. 292)	S/T		1	
55	S (8 cyl. 292)	O/D		1	
55/	A (6 & 8 cyl. 223, 272, 292)	O/D	.3735" shaft diam. -1 7/8" overall width	1	B5A 7231-B
56/59	A, S (8 cyl. 312, 332, 352)	O/D	.4975"/.4995" shaft diam. -1 7/8" overall width	1	8L 7231
57	A (8 cyl. 312 S/C)	S/T		1	
57/	S (8 cyl. 312, 352)	S/T		1	
<b>7233 SLEEVE - SHIFTER FORK CAM and SHAFT INTERLOCK</b>					
55/	A (6 & 8 cyl. 223, 272, 292)	O/D	.3145" I.D. -1.303" long-#D	AR	B5A 7233-E
56/	A, S (8 cyl. 312, 332, 352, 390)	O/D	.377"/.379" I.D. -1.008"/1.009" long-#B	AR	8L 7233-A
57	A (8 cyl. 312 S/C)	S/T		AR	
57/	S (8 cyl. 312, 352)	S/T		AR	
			.377"/.379" I.D. -1.013"/1.014" long-#A	AR	8L 7233-B
			.377"/.379" I.D. -1.018"/1.019" long-#None	AR	8L 7233-C
<b>7233 PLUNGER - SHIFTER FORK CAM and SHAFT LOCK</b>					
49/54	A	S/T&O/D	1/2" & 5/8" O.D. -3/8" I.D. -1 27/64" long	1	8A 7233
55/59	A-w/o S/C	S/T		1	
55/57	S (8 cyl. 292)	S/T		1	
55	S (8 cyl. 292)	O/D		1	
<b>7234 SPRING - SHIFTER FORK CAM and SHAFT LOCK PLUNGER</b>					
49/54	A	S/T&O/D	1 19/64" free length-10 1/2 active coils	1	01A 7234
55/59	A-w/o S/C	S/T		1	
55/57	S (8 cyl. 292)	S/T		1	
55	S (8 cyl. 292)	O/D		1	
55/	A (6 & 8 cyl. 223, 272, 292)	O/D	1 11/64" free length	1	B5A 7234-A
56/59	A, S (8 cyl. 312, 332, 352)	O/D	51/64" free length-8 1/2 coils	1	8L 7234
57	A (8 cyl. 312 S/C)	S/T		1	
57/	S (8 cyl. 312, 352)	S/T		1	

# FORD CAR PARTS

## SECTION 72

169

YEAR 19	MODEL	TYPE TRANS.	DESCRIPTION	QTY. PER VEHICLE	PART NUMBER
<b>7234 SPRING - SHIFTER FORK CAM and SHAFT LOCK PLUNGER - continued</b>					
49/54	A	S/T&O/D	Ball (transmission shifter fork cam & shaft	2	372720-S(AA11)
55/	A, S	S/T	lock plunger)-3/8"	2	
55/	S	O/D		2	
57/59	A (8 cyl. 312, 332, 352)	O/D		2	
55/59	A (6 & 8 cyl. 223, 272, 292)	O/D	Ball (transmission shifter fork cam & shaft	2	353081-S(AA10)
<b>7235 PIN - SHIFTER FORK CAM and SHAFT LOCK PLUNGER</b>					
49/54	A	S/T&O/D		1	01A 7235
55/59	A	S/T		1	
55/57	S (8 cyl. 292)	S/T		1	
55	S (8 cyl. 292)	O/D		1	
55/	A (6 & 8 cyl. 223, 272, 292)	O/D	.178"/.181" O.D. -.742"/.747" long	1	B5A 7235-A
56/59	A, S (8 cyl. 312, 332, 352)	O/D	.238"/.242" O.D. -.336"/.339" long	1	8L 7235
57	A (8 cyl. 312 S/C)	S/T		1	
57/	S (8 cyl. 312, 352)	S/T		1	
<b>7237 SHAFT and BRACKET ASSY. - ENGINE MOUNTED ACCELERATOR</b>					
54	A (8 cyl. 239)	S/T&O/D		1	B4A 7237-A
55	A	S/T&O/D		1	B5A 7237-A
<b>7242 WASHER-SPRING - TRANSMISSION GEAR SHIFT LEVER SOCKET TO TUBE ANTI-VIBRATOR</b>					
58/	S	S/T&O/D		1	B8S 7242-A
<b>7246 INSULATOR - TRANSMISSION GEAR SHIFT LEVER</b>					
49/	A	S/T&O/D	Rubber-2.04" long	1	01A 7246-B
58/	S			1	B8S 7246-A
<b>7277 BOOT - TRANSMISSION GEAR SHIFT LEVER</b>					
55/57	S	S/T&O/D	Rubber	1	B6S 7277-A
<b>7280 CAM and SHAFT ASSY. - HIGH and INTERMEDIATE SHIFTER FORK</b>					
49/50	A	S/T&O/D	Use with 0A 7230 Fork	1	8A 7280-B
51/54	A	S/T&O/D	Use with 0A 7230 Fork	1	1A 7280-A
58/59	A (6 & 8 cyl. 223, 292)	S/T		1	
55/57	A-w/o S/C	S/T		1	
55/57	S (8 cyl. 292)	S/T		1	
58/59	A (8 cyl. 332-2/B carb. )	S/T	Use with transmissions #WARH, #9K3A	1	
55	S (8 cyl. 292)	O/D		1	
55/	A (6 cyl. 223, 272)	O/D	Used with 2" synchronizer	1	B5A 7280-B
56/	A (8 cyl. 292)	O/D		1	
56/59	A, S (8 cyl. 312, 332, 352)	O/D		1	B5A 7280-A
57	A (8 cyl. 312 S/C)	S/T		1	
57/	S (8 cyl. 312, 352)	S/T		1	
58/59	A (8 cyl. 332, 352)	S/T	Use with transmissions #WARE, #9A3D	1	B8A 7280-A
49/54	A	S/T&O/D	Pin (cam & shaft to shift hsg.)-No.0 x 1 1/8"-taper	1	*73746-S
55/59	A	S/T		1	
55/57	S (8 cyl. 292)	S/T		1	
55	S (8 cyl. 292)	O/D		1	
55/	A (6 & 8 cyl. 223, 272, 292)	O/D	Pin-No. 0 x 1 1/4" long	1	73757-S (N95)
49/54	A	S/T&O/D	Nut (high and intermediate cam & shaft)-5/16"-24	1	33798-S8 (M62)
55/	A	S/T	Nut (shifter fork cam & shaft)-5/16"-24	1	33798-S7-8(M62)
55/57	S (8 cyl. 292)	S/T		1	
55	S (8 cyl. 292)	O/D		1	
55/	A	O/D	Nut (shifter fork cam & shaft)-5/16"-18	1	33797-S7(M50)
56/	S (8 cyl. 312, 352)	O/D		1	
57/	S (8 cyl. 312, 352)	S/T		1	
49/	A, S	S/T&O/D	Lockwasher-5/16"	1	34806-S7(X64)
49/	A, S	S/T&O/D	Washer-flat-5/16"	1	44722-S8(X19)
<b>7282 CAM and SHAFT ASSY. - LOW and REVERSE SHIFTER FORK</b>					
51/54	A	S/T&O/D	3 3/8" long shaft	1	1A 7282-A
55/56	A, S	S/T		1	B5A 7282-A
55	S (8 cyl. 292)	O/D		1	
55/	A (6 cyl. 223, 272)	O/D	Used with 2" synchronizer	1	B5A 7282-C
56/	A (8 cyl. 292)	O/D		1	
56/57	S	O/D		1	B5A 7282-B
57	S (8 cyl. 312)	S/T		1	
57	A-w/o S/C	S/T		1	B7A 7282-A
58/59	A (6 & 8 cyl. 223, 292)	S/T		1	
57	S (8 cyl. 292)	S/T		1	
58/59	A(8 cyl. 332-2/B carb. -used with #WARH, #9K3A transmissions)			1	

# Production identification marking

## SECTION 72

## FORD CAR PARTS

YEAR	MODEL	TYPE TRANS.	DESCRIPTION	QTY. PER VEHICLE	PART NUMBER
<b>7282 CAM and SHAFT ASSY. - LOW and REVERSE SHIFTER FORK - continued</b>					
57	A (8 cyl. 312)	O/D	Used with 2" synchronizer	1	B7A 7282-B
57	A (8 cyl. 312 S/C)	S/T		1	
58/	S	S/T		1	
58/59	A, S (8 cyl. 332, 352)	O/D		1	
58/59	A (8 cyl. 332, 352-used with #WARE, #9A3D transmissions)	S/T		1	B8A 7282-A
49/54	A	S/T&O/D	Pin (cam & shaft to shift hsg.)-No.0 x 1 1/8" taper	1	*73746-S
55/59	A	S/T		1	
55/57	S (8 cyl. 292)	S/T		1	
55	S (8 cyl. 292)	O/D		1	
55/	A (6 & 8 cyl. 223, 272, 292)	O/D	Pin-No. 0 x 1 1/4" long	1	73757-S (N95)
49/54	A	S/T&O/D	Nut (shifter fork cam & shaft)-5/16"-24	1	33798-S7-8(M62)
55/	A-w/o S/C	S/T		1	
55/57	S (8 cyl. 292)	S/T		1	
55	S (8 cyl. 292)	O/D		1	
55/	A	O/D	Nut (shifter fork cam & shaft)-5/16"-18	1	33797-S7(M50)
57/	S (8 cyl. 312, 352)	S/T		2	
57	A (8 cyl. 312 S/C)	S/T		2	
56/	S (8 cyl. 312, 352)	O/D		1	
49/	A, S	S/T&O/D	Lockwasher-5/16"	1	34806-S7(X64)
49/	A, S	S/T&O/D	Washer-flat-5/16"	1	44722-S8(X19)
<b>7A283 OIL SEAL - TRANSMISSION INPUT SHAFT</b>					
57/	A, S	S/T&O/D	1 1/8" shaft size-1.626"/1.630" O.D.	1	B7AZ 7A283-A
<b>7285 LEVER ASSY. - HIGH and INTERMEDIATE SHIFTER FORK CAM and SHAFT SHIFT</b>					
49/50	A	S/T&O/D		1	8A 7285-B
52/54	A	S/T&O/D	1"wide-3 11/32" o/a/all length-2 21/64" hole centers	1	AB 7285-B
55/56	A	S/T		1	
57	A-w/o S/C	S/T	1"wide-3 7/64"overall length-2 5/64"hole center	1	B7A 7285-A
55/57	A (6 & 8 cyl. 223, 272, 292)	O/D	1" wide-3 5/8"overall length-2 1/2"hole centers	1	B5A 7285-A
57	A (8 cyl. 312)	O/D		1	MC 7285-A
57	A (8 cyl. 312 S/C)	S/T		1	
56/57	S (8 cyl. 312)	O/D	2 43/64" overall length-1.86" hole centers	1	B6S 7285-A
57	S (8 cyl. 312)	S/T		1	
49/54	A	S/T&O/D	Washer-spring (cam & shaft shift lever)-5/16"	1	351341-S7(XX351)
49/54	A	S/T&O/D	Washer-flat (cam & shaft shift lever)-5/16"	1	44722-S8(X19)
49/53	A	S/T&O/D	Cotter pin (cam & shaft shift lever)-3/32"x 1"	1	72034-S(N45)
52/54	A	S/T&O/D	Pin-self locking	1	352358-S(NN127)
58	A	S/T		1	B8A 7285-A
59	A (6 & 8 cyl. 223, 292, 352)	S/T		1	B9AR 7285-A
59	A (8 cyl. 332-2/B carb.)	S/T		1	
58/59	A (6 & 8 cyl. 223, 292)	O/D		1	B8A 7285-B
58/59	A (8 cyl. 332, 352)	O/D		1	B8A 7285-C
59	S (8 cyl. 352)	O/D		1	
58/	S	S/T&O/D	On gear shift tube	1	B8S 7285-A
<b>7286 LEVER - HIGH and INTERMEDIATE SHIFTER FORK CAM and SHAFT SHIFT</b>					
55/57	S (8 cyl. 292)	S/T		1	B5S 7286-A
55	S (8 cyl. 292)	O/D		1	
58/59	S	S/T&O/D	"Before 3/1/59"	1	B8S 7302-A
59/	S	S/T&O/D	"From 3/1/59"	1	B8S 7303-A
<b>7288 OIL SEAL - AIR SUSPENSION CONTROL VALVE CAM</b>					
58	A (8 cyl. 332, 352 -with A/S)		Rubber-.419"/.429" I.D. -.100"/.106" diameter thickness	3	1A 7288-A
<b>7288 OIL SEAL - SHIFTER FORK CAM and SHAFT SHIFT LEVER</b>					
49/50	A	S/T&O/D	Steel & leather-1.001"/1.005" O.D. -.500"/.560" I.D. -.181" overall thickness	2	01A 7288
51/54	A	S/T&O/D	Rubber-.419"/.429" I.D. -.100"/.106" diam. thickness	2	1A 7288-A
55/	A, S	S/T		2	
55/	S	O/D		2	
57/59	A (8 cyl. 312, 332, 352)	O/D		2	
57/59	A (8 cyl. 312, 332, 352)	O/D		2	
55/	A (6 & 8 cyl. 223, 272, 292)	O/D	.941" O.D.-for .621" diam. shaft-3/16" thick	2	A9AZ 7288-A
<b>7288 OIL SEAL - OVERDRIVE MANUAL CONTROL LEVER SHAFT</b>					
49/	A, S	O/D	.941" O.D.-for .621" diameter shaft-3/16" thick	1	A9AZ 7288-A

# Production Identification Marking

# FORD CAR PARTS

## SECTION 73

171

YEAR 19	MODEL	TYPE TRANS.	DESCRIPTION	QTY. PER VEHICLE	PART NUMBER
<b>7290 LEVER ASSY. - LOW and REVERSE SHIFTER FORK CAM and SHAFT SHIFT</b>					
49/54	A	S/T&O/D		1	8A 7290-B
55/56	A	S/T		1	B5A 7290-A
57/58	A-w/o S/C	S/T	1" wide-3 31/64" long-2 15/32" bolt hole centers	1	B7A 7290-A
58/59	A (8 cyl. 332, 352)	O/D		1	
59	A (6 & 8 cyl. 223, 292, 352)	S/T		1	B9AR 7290-A
59	A (8 cyl. 332-2/B carb. )	S/T		1	
55/56	A	O/D	3 7/8" overall length-2 27/64" hole centers	1	B5A 7290-B
57/59	A (6 & 8 cyl. 223, 272, 292)	O/D		1	B7A 7290-B
57	A (8 cyl. 312)	O/D		1	MC 7290-A
57	A (8 cyl. 312 S/C)	S/T		1	
56/57	S (8 cyl. 312)	O/D	2 43/64" overall length-1.86" hole centers	1	B6S 7290-A
57	S (8 cyl. 312)	S/T		1	
58	S	S/T&O/D	On gear shift tube	1	B8S 7290-A
59/	S	S/T&O/D	On gear shift tube	1	B9S 7290-A
49/54	A	S/T&O/D	Washer-spring (cam & shaft shift lever)-5/16"	1	351341-S7(XX351)
49/54	A	S/T&O/D	Washer (cam & shaft shift lever)-5/16"	1	44722-S8(X19)
52/54	A	S/T&O/D	Pin-self locking	1	352358-S(NN127)
<b>7291 LEVER - LOW and REVERSE SHIFTER FORK CAM and SHAFT SHIFT</b>					
55/57	S(8 cyl. 292)	S/T		1	B5S 7291-A
55	S	O/D		1	
58/	S	S/T&O/D		1	B8S 7303-A
<b>7302 ARM/LEVER ASSY. - TRANSMISSION GEAR SHIFT</b>					
49/51	A	S/T&O/D	Gear shift tube intermediate and high	1	8A 7302
49/51	A	S/T&O/D	Fitting (gear shift tube shift lever lubricator)-1/4"-90°	1	87924-S8(I-9)
49/51	A	S/T&O/D	Washer-spring (shift lever)-5/16"	1	351341-S7(XX351)
49/51	A	S/T&O/D	Washer-flat-5/16"	1	44722-S8(X19)
49/51	A	S/T&O/D	Washer-spring (shift lever)-7/8"	1	351560-S7(X359)
52/55	A	S/T&O/D	Gear shift tube intermediate and high-4 3/8" long	1	AB 7302-B
52/55	A	S/T&O/D	Fitting (intermediate & high shift lever lubricator)-1/4"-28 straight	1	87907-S8(I-3)
52/55	A	S/T&O/D	Washer-spring (shift lever)-5/16"	1	351341-S7(XX351)
52/	A	S/T&O/D	Washer-spring (shift lever)-7/8"	1	351560-S7(XX359)
52/55	A	S/T&O/D	Pin (shift lever)-self locking	1	352358-S(NN127)
56	A	S/T&O/D	Gear shift tube intermediate & high-includes rubber insulator-3 27/32" long	1	B6A 7302-A
57	A	S/T&O/D	Gear shift tube intermediate & high-includes rubber insulator-3 31/32" long	1	B7A 7302-B
58	A	S/T&O/D	Intermediate & high	1	B8A 7302-C
59	A	S/T&O/D	Intermediate & high	1	B9A 7302-A
			Fitting-lubricator-1/4"-28 straight		87907-S8(I-3)
55/57	S	S/T&O/D	Intermediate & high-4.58" long	1	B6S 7302-A
55/57	S	S/T&O/D	Low & reverse	1	
58/59	S	S/T&O/D	Intermediate & high-on transmission	1	B8S 7302-A
58/	S	S/T&O/D	Gear shift tube-intermediate & high	1	B8S 7285-A
<b>7303 LEVER ASSY. - TRANSMISSION GEAR SHIFT TUBE LOW and REVERSE SHIFT</b>					
49/51	A	S/T&O/D		1	8A 7303
52/55	A	S/T&O/D	5.25" overall length	1	AB 7303-A
56	A	S/T&O/D	5.41" overall length	1	B6A 7303-B
57	A	S/T&O/D	5.54" overall length	1	B7A 7303-A
58	A	S/T&O/D		1	B8A 7303-B
59	A	S/T&O/D		1	B9A 7303-A
49/51	A	S/T&O/D	Washer-flat-5/16"	1	44722-S8(X19)
49/55	A	S/T&O/D	Washer-spring (gear shift tube shift lever)-5/16"	1	351341-S7(XX351)
49/	A	S/T&O/D	Washer-spring (gear shift tube shift lever)-7/8"	1	351560-S7(XX359)
49/51	A	S/T&O/D	Cotter pin-3/32" x 1"	1	72034-S(N45)
52/55	A	S/T&O/D	Pin (gear shift lever)-self locking	1	352358-S(NN127)
56/	A	S/T&O/D	Fitting (low & reverse shift lever lubricator)-1/4"-28 straight	1	87907-S8(I-3)
55/57	S	S/T&O/D		1	B6S 7302-A
58/	S	S/T&O/D	Low and reverse-on transmission	1	B8S 7303-A
59	S	S/T&O/D	Intermediate & high-on transmission	1	B8S 7303-A
58	S	S/T&O/D	Gear shift tube-low & reverse	1	B8S 7290-A
59/	S	S/T&O/D	Gear shift tube-low & reverse	1	B9S 7290-A

YEAR 19	MODEL	TYPE TRANS.	DESCRIPTION	QTY. PER VEHICLE	PART NUMBER
<b>7314 CUP - TRANSMISSION GEAR SHIFT TUBE LEVER RETAINER FELT WASHER</b>					
49/	A	S/T&O/D	Serviced in B9A 7347-A Retainer	1	*01A 7314
<b>7318 BRACKET - TRANSMISSION GEAR SHIFT TUBE and STEERING COLUMN</b>					
49/59	A	S/T&O/D	2.60" wide	1	01A 7318
<b>7319 CAP - TRANSMISSION GEAR SHIFT TUBE and STEERING COLUMN BRACKET</b>					
49/59	A	S/T&O/D	2.60" wide (2) 5/16"-18 holes	1	01A 7319
49/	A	S/T&O/D	Bolt (cap to brkt.)-5/16"-18 x 1 1/2"-hex. head	2	20466-S8(B61)
			Lockwasher-5/16"		34806-S7(X64)
<b>7325 ROD ASSY. - HIGH and INTERMEDIATE GEAR SHIFT CONNECTING - COMPLETE</b>					
56	S	O/D	Approx. 16 1/4" long	1	B6S 7327-B
55/57	S (8 cyl. 292)	S/T	Approx. 16 45/64" long	1	B7S 7325-A
57	S (8 cyl. 312-single 4/B carburetor)	S/T&O/D	Approx. 16 1/4" long	1	B7S 7325-B
<b>7326 ROD - TRANSMISSION GEAR SHIFT</b>					
50	A	S/T&O/D	High & intermediate connecting-15 3/8" long	1	8A 7326-B
51	A	S/T&O/D	High & intermediate connecting-14.26" long	1	1A 7326-B
			Nut-5/16"-24		33798-S8(M62)
			Washer-flat-5/16"		44722-S8(X19)
			Cotter pin-3/32" x 1"		72034-S(N45)
			Washer-spring-5/16"		351341-S7(XX351)
			Washer-flat-.32" I.D.-.88" O.D.-.03"	1	356316-S8(XX114)
52/53	A	S/T&O/D	High & intermediate connecting-15 3/8" long-2 7/8" bend lower end	1	AB 7326-D
54	A	S/T&O/D	High & intermediate connecting-approx. 15 23/32" long-5/16"-24 threads one end	1	AD 7326-B
55/56	A	S/T	High & intermediate connecting-approx. 15 59/64" long-5/16"-24 threads one end	1	B6A 7326-C
55/56	A	O/D	High & inter. connecting-15 11/16" long-5 9/32" rise-5/16"-24 thread one end	1	B6A 7326-B
57	A (w/o S/C ( dual 4/B carb. )	S/T&O/D	High & intermediate connecting-approx. 14 45/64" long-5/16"-24 threads one end-	1	B7A 7326-A
58/59	A(6 & 8 cyl. 223, 292, 332-with 2/B carb. )	O/D	center of cotter pin hole to washer .39"/.40"	1	
57	A (8 cyl. 312 S/C. dual 4/B carb. )	S/T&O/D	High & intermediate connecting-approx. 14 45/64" long-5/16"-24 threads one end-	1	B7A 7326-C
58/59	A (8 cyl. 332, 352-with 4/B carb. )	O/D	center of cotter pin hole to washer .62"/.64"	1	
58	A	S/T	High & intermediate connecting	1	B8A 7326-C
59	A	S/T	High & intermediate connecting	1	B9A 7326-D
58/	S	S/T&O/D	High & intermediate connecting	1	B8S 7326-B
58/	S	S/T&O/D	Nut - 5/16"-24	1	33923-S7(M32)
57	A	S/T&O/D	Washer-flat-21/64" I.D.-.930"/.937" O.D.-3/16" thick	2	358605-S(XX115)
		S/T&O/D	Washer-flat-5/16"		44722-S8(X19)
		S/T&O/D	Washer-spring-5/16"		351341-S7(XX351)
		S/T&O/D	Pin-self locking		352358-S(NN127)
		O/D	Cotter pin-3/32" x 1"		72034-S(N45)
58	S	S/T&O/D	Cotter pin - 1/16" x 3/4"	2	72015-S(N40)
		O/D	Washer-flat-21/64" I.D.-.930"/.937" O.D.-3/16" thick		358605-S(XX115)
58	S	S/T&O/D	High & intermediate-cotter pin hole each end-replaced by B5S 7326-D	1	B5S 7326-C
55/56	S	S/T&O/D	High & intermediate-use with B5S 7355-A Clevis-replaced by B7S 7325-A	1	*B5S 7326-D
56	S	S/T&O/D	High & intermediate-rear-7/16"-20 threads one end-3 1/2" long-2 59/64" rise - replaced by B6S 7327-B	1	*B6S 7326-A
			Nut-7/16"-20-hex. jam	1	34690-S8(M34)
55/56	S	S/T&O/D	Nut - 5/16"-24		33923-S7(M32)
55/56	S	S/T&O/D	Washer-flat-5/16"		44722-S8(X19)
55/56	S	S/T&O/D	Washer-spring-5/16"		351341-S7(XX351)
55/56	S	S/T&O/D	Cotter pin-3/32" x 1"		72034-S(N45)
<b>7327 ROD - TRANSMISSION GEAR SHIFT</b>					
55/57	S	S/T&O/D	Low & reverse connecting	1	B7S 7327-A
56	S	O/D	High & intermediate connecting-complete-approx. 16 1/4" long-cotter pin hole at each end -replaced by B7S 7325-B	1	*B6S 7327-B



# FORD CAR PARTS

## SECTION 73

YEAR	MODEL	TYPE TRANS.	DESCRIPTION	QTY. PER VEHICLE	PART NUMBER																																													
<b>7328 ROD - TRANSMISSION GEAR SHIFT LOW and REVERSE CONNECTING</b>																																																		
51	A	S/T&O/D	15 11/16" long	1	1A 7328																																													
52/54	A	S/T&O/D	17 31/32" long	1	AB 7328-B																																													
55/56	A	S/T&O/D	18 5/8" long	1	B5A 7328-G																																													
57	A (w/o S/C & dual 4/B carb.)	S/T&O/D	17 39/64" long-5/16"-24 threads one end-center	1	B7A 7328-A																																													
58	A(6 & 8 cyl. 223,292,332-w/2/B carb.)	S/T&O/D	of cotter pin hole to washer. 39"/.40"	1																																														
59	A (6 & 8 cyl. 223, 292)	O/D		1																																														
57	A (8 cyl. 312 S/C, dual 4/B carb.)	S/T&O/D	17 39/64" long-5/16"-24 threads one end-center	1	B7A 7328-B																																													
58	A (8 cyl. 332, 352-with 4/B carb.)	S/T&O/D	of cotter pin hole to washer . 62"/. 64"	1																																														
59	A (8 cyl. 332, 352)	O/D		1																																														
58	A	O/D		1	B8A 7328-B																																													
59	A	S/T	Non threaded end-approx. 17.80" long-6.30" rise	1	B9AA 7328-B																																													
55/56	A	O/D	18 1/2" long-5/16"-24 thread one end	1	B6A 7328-B																																													
49/51	A	S/T&O/D	Nut (cam & shaft lever connecting rod-5/16"-24		33798-S8(M62)																																													
49/51	A	S/T&O/D	Washer-flat- 32" I.D. -.88" O.D. -.03"	1	356316-S8(XX114)																																													
51/	A	S/T&O/D	Washer-flat-5/16"		44722-S8(X19)																																													
51/	A	S/T&O/D	Washer-spring-5/16"		351341-S7(XX351)																																													
52/57	A	S/T&O/D	Pin-self locking		352358-S(NN127)																																													
49/	A	S/T&O/D	Cotter pin-3/32" x 1"		72034-S(N45)																																													
55/57	A	S/T&O/D	Washer-flat-21/64" I.D. -.930"/.937" O.D. - 3/16" thick	2	358605-S(XX115)																																													
56	S	S/T&O/D	7/16"-20 thread one end-replaced by B7S 7327-A	1	★ B6S 7328-B																																													
58	S	S/T&O/D		1	B8S 7328-A																																													
59/	S	S/T&O/D			B9SS 7328-A																																													
			Nut-7/16"-20-hex. jam	1	34690-S8(M34)																																													
			Nut-5/16"-24	1	33923-S7(M32)																																													
58	S	S/T&O/D	Washer-flat-5/16"		44722-S8(X19)																																													
55/57	S	S/T&O/D	Washer-flat-21/64" I.D. -.930"/.937" O.D. - 3/16" thick	2	358605-S(XX115)																																													
55/57	S	S/T&O/D	Cotter pin-3/32" x 1"		72034-S(N45)																																													
58	S	S/T&O/D	Cotter pin-1/16" x 3/4"	2	72015-S(N40)																																													
55/	S	S/T&O/D	Washer-spring-5/16"		351341-S7(XX351)																																													
<b>7B331 KIT - TRANSMISSION SMALL PARTS REPAIR</b>																																																		
49/55	A	S/T	Consists of the following		B5AZ 7B331-A																																													
<table style="width: 100%; border-collapse: collapse;"> <thead> <tr> <th style="width: 25%;">SNAP RING</th> <th style="width: 25%;">WASHER</th> <th style="width: 25%;">PLATE</th> <th style="width: 25%;">BAFFLE</th> <th style="width: 25%;">PIN</th> </tr> </thead> <tbody> <tr> <td>1-51A 7026    3-8A 7064</td> <td>1-B 7119-A</td> <td>1-8M 7128-A</td> <td>1-8A 7040</td> <td>1-8A 7155</td> </tr> <tr> <td>1-8A 7026    1-51A 7070</td> <td>2-COAR 7119-A</td> <td>1-8M 7129-A</td> <td></td> <td></td> </tr> <tr> <td>1-8M 7030-A    1-8C 7160</td> <td>3-351529-S</td> <td></td> <td></td> <td></td> </tr> <tr> <td>1-8M 7030-B    1-8M 7160-A</td> <td>4-354398-S</td> <td></td> <td></td> <td></td> </tr> <tr> <td>1-8M 7030-C    1-8M 7160-B</td> <td></td> <td></td> <td style="text-align: center;">SPACER</td> <td></td> </tr> <tr> <td>1-8M 7030-D    1-8M 7160-C</td> <td></td> <td></td> <td>1-59C 7080</td> <td></td> </tr> <tr> <td>1-B7A 7059-A    1-8M 7160-D</td> <td></td> <td></td> <td></td> <td></td> </tr> <tr> <td>1-B 7064</td> <td></td> <td></td> <td></td> <td></td> </tr> </tbody> </table>						SNAP RING	WASHER	PLATE	BAFFLE	PIN	1-51A 7026    3-8A 7064	1-B 7119-A	1-8M 7128-A	1-8A 7040	1-8A 7155	1-8A 7026    1-51A 7070	2-COAR 7119-A	1-8M 7129-A			1-8M 7030-A    1-8C 7160	3-351529-S				1-8M 7030-B    1-8M 7160-A	4-354398-S				1-8M 7030-C    1-8M 7160-B			SPACER		1-8M 7030-D    1-8M 7160-C			1-59C 7080		1-B7A 7059-A    1-8M 7160-D					1-B 7064				
SNAP RING	WASHER	PLATE	BAFFLE	PIN																																														
1-51A 7026    3-8A 7064	1-B 7119-A	1-8M 7128-A	1-8A 7040	1-8A 7155																																														
1-8A 7026    1-51A 7070	2-COAR 7119-A	1-8M 7129-A																																																
1-8M 7030-A    1-8C 7160	3-351529-S																																																	
1-8M 7030-B    1-8M 7160-A	4-354398-S																																																	
1-8M 7030-C    1-8M 7160-B			SPACER																																															
1-8M 7030-D    1-8M 7160-C			1-59C 7080																																															
1-B7A 7059-A    1-8M 7160-D																																																		
1-B 7064																																																		
56/	A	S/T	Consists of the following	1	B6AZ 7B331-A																																													
56/57	S (8 cyl. 292)	S/T		1																																														
<table style="width: 100%; border-collapse: collapse;"> <thead> <tr> <th style="width: 25%;">SNAP RING</th> <th style="width: 25%;">WASHER</th> <th style="width: 25%;">BAFFLE</th> <th style="width: 25%;">PIN</th> </tr> </thead> <tbody> <tr> <td>1-51A 7026    1-B 7064</td> <td>2-COAR 7119-A</td> <td>1-8A 7040</td> <td>1-8A 7155</td> </tr> <tr> <td>1-8A 7026    3-8A 7064</td> <td>1-C1AR 7119-A</td> <td></td> <td></td> </tr> <tr> <td>1-8M 7030-A    1-8L 7064-A</td> <td>4-8L 7125</td> <td></td> <td></td> </tr> <tr> <td>1-8M 7030-B    1-8L 7064-B</td> <td>4-354398-S</td> <td></td> <td></td> </tr> <tr> <td>1-8M 7030-C    1-8L 7064-C</td> <td>4-354655-S</td> <td></td> <td></td> </tr> <tr> <td>1-8M 7030-D    1-8L 7064-D</td> <td></td> <td></td> <td></td> </tr> <tr> <td>3-B7A 7059-A    1-8C 7160</td> <td></td> <td></td> <td></td> </tr> </tbody> </table>						SNAP RING	WASHER	BAFFLE	PIN	1-51A 7026    1-B 7064	2-COAR 7119-A	1-8A 7040	1-8A 7155	1-8A 7026    3-8A 7064	1-C1AR 7119-A			1-8M 7030-A    1-8L 7064-A	4-8L 7125			1-8M 7030-B    1-8L 7064-B	4-354398-S			1-8M 7030-C    1-8L 7064-C	4-354655-S			1-8M 7030-D    1-8L 7064-D				3-B7A 7059-A    1-8C 7160																
SNAP RING	WASHER	BAFFLE	PIN																																															
1-51A 7026    1-B 7064	2-COAR 7119-A	1-8A 7040	1-8A 7155																																															
1-8A 7026    3-8A 7064	1-C1AR 7119-A																																																	
1-8M 7030-A    1-8L 7064-A	4-8L 7125																																																	
1-8M 7030-B    1-8L 7064-B	4-354398-S																																																	
1-8M 7030-C    1-8L 7064-C	4-354655-S																																																	
1-8M 7030-D    1-8L 7064-D																																																		
3-B7A 7059-A    1-8C 7160																																																		
57	S (8 cyl. 312)	S/T	Consists of the following	1	B7SZ 7B331-A																																													
58/	S	S/T		1																																														
<table style="width: 100%; border-collapse: collapse;"> <thead> <tr> <th style="width: 25%;">SNAP RING</th> <th style="width: 25%;">WASHER</th> <th style="width: 25%;">BAFFLE</th> </tr> </thead> <tbody> <tr> <td>1-8L 7026    1-B5A 7064-A</td> <td>1-B5AZ 7119-A</td> <td>1-8L 7040</td> </tr> <tr> <td>1-8L 7030-A    1-B5A 7064-B</td> <td>1-B5AZ 7119-C</td> <td></td> </tr> <tr> <td>1-8L 7030-B    1-8L 7064-A</td> <td>1-8L 7119</td> <td></td> </tr> <tr> <td>1-8L 7030-C    1-8L 7064-B</td> <td>1-COAR 7119-A</td> <td></td> </tr> <tr> <td>1-8L 7030-D    1-8L 7064-C</td> <td>4-8L 7125</td> <td></td> </tr> <tr> <td>1-8L 7030-E    1-8L 7064-D</td> <td></td> <td></td> </tr> </tbody> </table>						SNAP RING	WASHER	BAFFLE	1-8L 7026    1-B5A 7064-A	1-B5AZ 7119-A	1-8L 7040	1-8L 7030-A    1-B5A 7064-B	1-B5AZ 7119-C		1-8L 7030-B    1-8L 7064-A	1-8L 7119		1-8L 7030-C    1-8L 7064-B	1-COAR 7119-A		1-8L 7030-D    1-8L 7064-C	4-8L 7125		1-8L 7030-E    1-8L 7064-D																										
SNAP RING	WASHER	BAFFLE																																																
1-8L 7026    1-B5A 7064-A	1-B5AZ 7119-A	1-8L 7040																																																
1-8L 7030-A    1-B5A 7064-B	1-B5AZ 7119-C																																																	
1-8L 7030-B    1-8L 7064-A	1-8L 7119																																																	
1-8L 7030-C    1-8L 7064-B	1-COAR 7119-A																																																	
1-8L 7030-D    1-8L 7064-C	4-8L 7125																																																	
1-8L 7030-E    1-8L 7064-D																																																		

## SECTION 73

## FORD CAR PARTS

YEAR 19	MODEL	TYPE TRANS.	DESCRIPTION	QTY. PER VEHICLE	PART NUMBER																																																							
<b>7B331 KIT - TRANSMISSION SMALL PARTS REPAIR - continued</b>																																																												
49/54	A	O/D	Consists of the following	1	B4AZ 7B331-A																																																							
55	S	O/D		1																																																								
<table border="0" style="width:100%; border-collapse: collapse;"> <tr> <td style="text-align: center; width: 25%;">SNAP RING</td> <td style="text-align: center; width: 25%;">WASHER</td> <td style="text-align: center; width: 25%;">PLATE</td> <td style="text-align: center; width: 25%;">BAFFLE</td> <td style="text-align: center; width: 25%;">PIN</td> </tr> <tr> <td>1-8A 7026      1-16H 7666-B</td> <td>1-B 7119-A</td> <td>1-8M 7128</td> <td>1-8A 7040</td> <td>1-8A 7155</td> </tr> <tr> <td>1-8M 7030-A    1-16H 7666-C</td> <td>1-COAR 7119-A</td> <td></td> <td></td> <td></td> </tr> <tr> <td>1-8M 7030-B    1-8A 7667-A</td> <td>1-8M 7129</td> <td></td> <td></td> <td></td> </tr> <tr> <td>1-8M 7030-C    1-8A 7667-B</td> <td></td> <td></td> <td></td> <td></td> </tr> <tr> <td>1-8M 7030-D    1-8A 7667-C</td> <td></td> <td></td> <td></td> <td></td> </tr> <tr> <td>1-B7A 7059-A    1-16H 7667-A</td> <td></td> <td></td> <td></td> <td></td> </tr> <tr> <td>3-8A 7064       1-16H 7667-B</td> <td></td> <td></td> <td></td> <td></td> </tr> <tr> <td>1-16H 7654      1-16H 7667-C</td> <td></td> <td></td> <td></td> <td></td> </tr> <tr> <td>1-8M 7656       1-16H 7667-D</td> <td></td> <td></td> <td></td> <td></td> </tr> <tr> <td>1-16H 7666-A    1-16H 7667-E</td> <td></td> <td></td> <td></td> <td></td> </tr> </table>						SNAP RING	WASHER	PLATE	BAFFLE	PIN	1-8A 7026      1-16H 7666-B	1-B 7119-A	1-8M 7128	1-8A 7040	1-8A 7155	1-8M 7030-A    1-16H 7666-C	1-COAR 7119-A				1-8M 7030-B    1-8A 7667-A	1-8M 7129				1-8M 7030-C    1-8A 7667-B					1-8M 7030-D    1-8A 7667-C					1-B7A 7059-A    1-16H 7667-A					3-8A 7064       1-16H 7667-B					1-16H 7654      1-16H 7667-C					1-8M 7656       1-16H 7667-D					1-16H 7666-A    1-16H 7667-E				
SNAP RING	WASHER	PLATE	BAFFLE	PIN																																																								
1-8A 7026      1-16H 7666-B	1-B 7119-A	1-8M 7128	1-8A 7040	1-8A 7155																																																								
1-8M 7030-A    1-16H 7666-C	1-COAR 7119-A																																																											
1-8M 7030-B    1-8A 7667-A	1-8M 7129																																																											
1-8M 7030-C    1-8A 7667-B																																																												
1-8M 7030-D    1-8A 7667-C																																																												
1-B7A 7059-A    1-16H 7667-A																																																												
3-8A 7064       1-16H 7667-B																																																												
1-16H 7654      1-16H 7667-C																																																												
1-8M 7656       1-16H 7667-D																																																												
1-16H 7666-A    1-16H 7667-E																																																												
55/	A (6 & 8 cyl. 223, 272)	O/D	Consists of the following	1	B5AZ 7B331-B																																																							
<table border="0" style="width:100%; border-collapse: collapse;"> <tr> <td style="text-align: center; width: 25%;">SNAP RING</td> <td style="text-align: center; width: 25%;">WASHER</td> <td style="text-align: center; width: 25%;">BAFFLE</td> <td style="text-align: center; width: 25%;">PIN</td> </tr> <tr> <td>1-B5A 7026      1-16H 7666-A</td> <td>1-B5A 7119-C</td> <td>1-B5A 7040-A</td> <td>1-B5A 7155-A</td> </tr> <tr> <td>1-8M 7030-A    1-16H 7666-B</td> <td>1-B5AZ 7119-B</td> <td></td> <td></td> </tr> <tr> <td>1-8M 7030-B    1-16H 7666-C</td> <td>1-B5TZ 7119-C</td> <td></td> <td></td> </tr> <tr> <td>1-8M 7030-C    1-8A 7667-A</td> <td></td> <td></td> <td></td> </tr> <tr> <td>1-8M 7030-D    1-8A 7667-B</td> <td></td> <td></td> <td></td> </tr> <tr> <td>1-B7A 7059-A    1-8A 7667-C</td> <td></td> <td></td> <td></td> </tr> <tr> <td>2-8L 7064-A    1-B5A 7667-A</td> <td></td> <td></td> <td></td> </tr> <tr> <td>1-16H 7654-A</td> <td></td> <td></td> <td></td> </tr> </table>						SNAP RING	WASHER	BAFFLE	PIN	1-B5A 7026      1-16H 7666-A	1-B5A 7119-C	1-B5A 7040-A	1-B5A 7155-A	1-8M 7030-A    1-16H 7666-B	1-B5AZ 7119-B			1-8M 7030-B    1-16H 7666-C	1-B5TZ 7119-C			1-8M 7030-C    1-8A 7667-A				1-8M 7030-D    1-8A 7667-B				1-B7A 7059-A    1-8A 7667-C				2-8L 7064-A    1-B5A 7667-A				1-16H 7654-A																						
SNAP RING	WASHER	BAFFLE	PIN																																																									
1-B5A 7026      1-16H 7666-A	1-B5A 7119-C	1-B5A 7040-A	1-B5A 7155-A																																																									
1-8M 7030-A    1-16H 7666-B	1-B5AZ 7119-B																																																											
1-8M 7030-B    1-16H 7666-C	1-B5TZ 7119-C																																																											
1-8M 7030-C    1-8A 7667-A																																																												
1-8M 7030-D    1-8A 7667-B																																																												
1-B7A 7059-A    1-8A 7667-C																																																												
2-8L 7064-A    1-B5A 7667-A																																																												
1-16H 7654-A																																																												
56/	A (8 cyl. 292)	O/D	Consists of the following	1	B6AZ 7B331-B																																																							
<table border="0" style="width:100%; border-collapse: collapse;"> <tr> <td style="text-align: center; width: 40%;">SNAP RING</td> <td style="text-align: center; width: 40%;">WASHER</td> </tr> <tr> <td>1-51A 7026      1-8MTH 7064-A</td> <td>1-16H 7667-A</td> </tr> <tr> <td>1-8L 7026       1-8MTH 7064-B</td> <td>1-16H 7667-B</td> </tr> <tr> <td>1-8M 7030-A    1-8MTH 7064-C</td> <td>1-16H 7667-C</td> </tr> <tr> <td>1-8M 7030-B    1-8MTH 7064-D</td> <td>1-16H 7667-D</td> </tr> <tr> <td>1-8M 7030-C    1-16H 7654</td> <td>1-16H 7667-E</td> </tr> <tr> <td>1-8M 7030-D    1-16H 7666-A</td> <td>1-8A 7667-A</td> </tr> <tr> <td>1-B7A 7059-A    1-16H 7666-B</td> <td>1-8A 7667-B</td> </tr> <tr> <td>1-B 7064        1-16H 7666-C</td> <td>1-8A 7667-C</td> </tr> <tr> <td>2-8L 7064-A</td> <td></td> </tr> </table>						SNAP RING	WASHER	1-51A 7026      1-8MTH 7064-A	1-16H 7667-A	1-8L 7026       1-8MTH 7064-B	1-16H 7667-B	1-8M 7030-A    1-8MTH 7064-C	1-16H 7667-C	1-8M 7030-B    1-8MTH 7064-D	1-16H 7667-D	1-8M 7030-C    1-16H 7654	1-16H 7667-E	1-8M 7030-D    1-16H 7666-A	1-8A 7667-A	1-B7A 7059-A    1-16H 7666-B	1-8A 7667-B	1-B 7064        1-16H 7666-C	1-8A 7667-C	2-8L 7064-A																																				
SNAP RING	WASHER																																																											
1-51A 7026      1-8MTH 7064-A	1-16H 7667-A																																																											
1-8L 7026       1-8MTH 7064-B	1-16H 7667-B																																																											
1-8M 7030-A    1-8MTH 7064-C	1-16H 7667-C																																																											
1-8M 7030-B    1-8MTH 7064-D	1-16H 7667-D																																																											
1-8M 7030-C    1-16H 7654	1-16H 7667-E																																																											
1-8M 7030-D    1-16H 7666-A	1-8A 7667-A																																																											
1-B7A 7059-A    1-16H 7666-B	1-8A 7667-B																																																											
1-B 7064        1-16H 7666-C	1-8A 7667-C																																																											
2-8L 7064-A																																																												
56/59	A (8 cyl. 312, 332, 352)	O/D	Consists of the following	1	B6AZ 7B331-C																																																							
56/	S	O/D		1																																																								
<table border="0" style="width:100%; border-collapse: collapse;"> <tr> <td style="text-align: center; width: 30%;">SNAP RING</td> <td style="text-align: center; width: 30%;">WASHER</td> <td style="text-align: center; width: 30%;">BAFFLE</td> </tr> <tr> <td>1-8L 7026      1-8L 7064-B</td> <td>1-16H 7666-C</td> <td>1-8L 7040</td> </tr> <tr> <td>1-8L 7030-A    1-8L 7064-C</td> <td>1-16H 7667-A</td> <td></td> </tr> <tr> <td>1-8L 7030-B    1-8L 7064-D</td> <td>1-16H 7667-B</td> <td></td> </tr> <tr> <td>1-8L 7030-C    1-8L 7654-A</td> <td>1-16H 7667-C</td> <td></td> </tr> <tr> <td>1-8L 7030-D    1-8L 7654-B</td> <td>1-16H 7667-D</td> <td></td> </tr> <tr> <td>1-8L 7030-E    1-8L 7654-C</td> <td>1-16H 7667-E</td> <td></td> </tr> <tr> <td>1-B5A 7064-A    1-8M 7656</td> <td>1-8L 7672-A</td> <td></td> </tr> <tr> <td>1-B5A 7064-B    1-16H 7666-A</td> <td>1-8L 7672-B</td> <td></td> </tr> <tr> <td>1-8L 7064-A    1-16H 7666-B</td> <td>1-8L 7672-C</td> <td></td> </tr> </table>						SNAP RING	WASHER	BAFFLE	1-8L 7026      1-8L 7064-B	1-16H 7666-C	1-8L 7040	1-8L 7030-A    1-8L 7064-C	1-16H 7667-A		1-8L 7030-B    1-8L 7064-D	1-16H 7667-B		1-8L 7030-C    1-8L 7654-A	1-16H 7667-C		1-8L 7030-D    1-8L 7654-B	1-16H 7667-D		1-8L 7030-E    1-8L 7654-C	1-16H 7667-E		1-B5A 7064-A    1-8M 7656	1-8L 7672-A		1-B5A 7064-B    1-16H 7666-A	1-8L 7672-B		1-8L 7064-A    1-16H 7666-B	1-8L 7672-C																										
SNAP RING	WASHER	BAFFLE																																																										
1-8L 7026      1-8L 7064-B	1-16H 7666-C	1-8L 7040																																																										
1-8L 7030-A    1-8L 7064-C	1-16H 7667-A																																																											
1-8L 7030-B    1-8L 7064-D	1-16H 7667-B																																																											
1-8L 7030-C    1-8L 7654-A	1-16H 7667-C																																																											
1-8L 7030-D    1-8L 7654-B	1-16H 7667-D																																																											
1-8L 7030-E    1-8L 7654-C	1-16H 7667-E																																																											
1-B5A 7064-A    1-8M 7656	1-8L 7672-A																																																											
1-B5A 7064-B    1-16H 7666-A	1-8L 7672-B																																																											
1-8L 7064-A    1-16H 7666-B	1-8L 7672-C																																																											
<b>7335 SLEEVE - TRANSMISSION GEAR SHIFT LEVER IMPACT</b>																																																												
58/	S			1	B8S 7335-A																																																							
<b>7336 SLEEVE - LOW and REVERSE LEVER TO HIGH and INTERMEDIATE LEVER</b>																																																												
49/55	A	S/T&O/D	On gear shift tube-1.30"/1.32" flange O. D. - 1.185"/1.1865" I. D. -.92" long	1	01A 7336																																																							
56/	A	S/T&O/D	On gear shift tube-1.30"/1.32" flange O. D. - 1.185"/1.190" I. D. -.92" long	1	B6A 7336-A																																																							
<b>7336 SPACER - TRANSMISSION GEAR SHIFT LEVER ARM HUB</b>																																																												
58	S	S/T&O/D		1	B8E 7336-A																																																							
<b>7337 PIN - TRANSMISSION GEAR SHIFT TUBE LEVER</b>																																																												
49/59	A	S/T&O/D	.3030"/.3055" O. D. -1.160"/1.175" long	1	01A 7337																																																							
<b>7341 INSULATOR - GEAR SHIFT SELECTOR ARM</b>																																																												
49/56	A	S/T&O/D	Rubber-.437"/.442" I. D. -.80"/.81" O. D. - .495"/.505" long	2	AD 7341-A																																																							
59/	A	S/T&O/D	Washer-flat	4	372285-S(XX165)																																																							

# FORD CAR PARTS

## SECTION 75

YEAR	MODEL	TYPE TRANS.	DESCRIPTION	QTY. PER VEHICLE	PART NUMBER
<b>7343 BUSHING - GEAR SHIFT SELECTOR ARM INSULATOR</b>					
49/51	A		Nylon-.312"/.315" I.D. -.444"/.448" O.D. -.480"/.490" long	2	B4C 7343-A
<b>7343 KIT - GEAR SHIFT SELECTOR ARM BUSHING and INSULATOR</b>					
52/56	A	S/T&O/D	Consists of the following 2-AD 7341-A Insulator 2-AB 7343-A Bushing	1	B2AZ 7343-A
57/58	A	S/T&O/D	Consists of the following 2-B7A 7341-A Insulator 2-AB 7343-A Bushing	1	B7AZ 7343-A
59/	A	S/T&O/D	Consists of the following 4-B9A 7341-A Insulator 2-C0DF 7343-A Bushing	1	B9AZ 7343-A
<b>7347 RETAINER ASSY. - TRANSMISSION GEAR SHIFT TUBE LEVER</b>					
48/	A	S/T&O/D		1	B9A 7347-A
<b>7353 END - TRANSMISSION GEAR SHIFT ROD</b>					
49/54	A	S/T&O/D	Gear shift connecting rod-sleeve and pin type-5/16"-24 internal threads	2	AB 7353-A
		All	Washer-flat-5/16"		44722-S8(X19)
		All	Washer-spring-5/16"		351341-S7(XX351)
		S/T&O/D	Cotter pin-3/32" x 1"		72034-S(N45)
		All	Nut-5/16"-24		33798-S8(M62)
<b>7353 SLEEVE - TRANSMISSION GEAR SHIFT ROD ADJUSTMENT - Also Refer to Group 7233</b>					
55/59	A	S/T&O/D	5/16"-24 internal threads Nut-5/16"-24	2	B9AA 7353-C 33798-S7-8(M62)
59/	A	S/T&O/D	1 13/32" long-shoulder type-11/16"-24 threads on shoulder-.62" shoulder length-25/64" hole	2	C0AA 7353-A
59/	A	S/T	Lockwasher-external tooth-11/16"	2	372283-S(XX292)
59/	A	S/T	Nut-11/16"-24-hex. thin	2	372284-S(MM183)
55	S	S/T&O/D	Sleeve (high & inter. connecting rod adjustment)-.33"/.34 I.D. Cotter pin-3/32" x 1"	1	B5A 7353-A 72034-S(N45)
<b>7354 CLEVIS - TRANSMISSION SHIFT ROD</b>					
58/	S	S/T&O/D		2	B8S 7354-A
<b>7378 SHAFT ASSY. - TRANSMISSION GEAR SHIFT LEVER SUPPORT - Also Refer to Group 7241</b>					
55/57	S	S/T&O/D	Includes lubricator fitting-2.80" long	1	B5S 7378-C
55/57	S	S/T&O/D	Bolt (shaft ass'y. to support)-1/4"-28 x 1/2" hex. hd. Lockwasher-1/4" Washer-flat-1/4"	1	20309-S8(B150) 34805-S8(X62) 44720-S8(X18)
<b>7398 SUPPORT ASSY. - TRANSMISSION GEAR SHIFT LEVER</b>					
55/56	S	S/T&O/D		1	B5S 7398-C
56/57	S	S/T&O/D		1	B6S 7398-A
55/57	S	S/T&O/D	Screw (support to floor pan)-1/4"-20 x 1/2"-self tapping	6	
<b>7-7492 TUBE - POWER STEERING OIL RESERVOIR COVER</b>					
53	A-8 cyl. 239 (with Power Steering)	All		1	1P 77492-A
<b>7504 BUMPER ASSY. - CLUTCH PEDAL</b>					
58	S	S/T&O/D		1	B8S 7504-A
59/	S	S/T&O/D		1	B9S 7504-A
<b>7506 SHAFT ASSY. - CLUTCH and BRAKE PEDAL</b>					
52/55	A, S	S/T&O/D	Clutch & brake pedal-4 19/32" long	1	MA 7506-C
52/55	A, S	S/T&O/D	Washer-spring-7/8"		351560-S7(XX359)
56	A	S/T&O/D	Hex. head-.623"/.624" diameter-4 41/64" long-	1	B6A 7506-A
56/57	S	S/T&O/D	7/16"-20 thread one end	1	
<b>7507 BOLT - CLUTCH RELEASE EQUALIZER ANCHOR</b>					
49/51	A	S/T&O/D	7/16"-14-1 1/2" hex. shoulder	1	8A 7507
49/51	A	S/T&O/D	Washer (clutch release equalizer anchor bolt)-5/8" flat	2	44742-S8(X42)
49/51	A	S/T&O/D	Lockwasher (clutch release equalizer anchor bolt)-internal tooth-7/16"	1	*34908-S2
49/51	A	S/T&O/D	Washer (clutch release equalizer anchor bolt)-felt-5/8"	1	351517-S(XX206)

YEAR 19__	MODEL	TYPE TRANS.	DESCRIPTION	QTY. PER VEHICLE	PART NUMBER
<b>7507 BRACKET ASSY. - CLUTCH RELEASE EQUALIZER TO FRAME</b>					
52/53	A	S/T&O/D		1	AB 7507-B
54/56	A	S/T&O/D	"U" shape-(2) 13/32" diameter holes- 2.72" bolt hole center length	1	B5A 7507-A
57/59	A	S/T&O/D	Includes ball-4.20" overall length	1	B7A 7507-A
55/57	S	S/T&O/D		1	B5S 7507-A
58/	S	S/T&O/D		1	B8S 7507-A
55/	A	S/T&O/D	Bolt (bracket to frame)-3/8"-16 x 3/4"	2	20348-S8(B77)
52/54	A	S/T&O/D	Bolt (bracket to frame)-3/8"-16 x 1"	2	20388-S8(B80)
			Lockwasher-3/8"		34807-S8(X66)
55/57	S	S/T&O/D	Bolt (bracket to frame)-3/8"-16 x 1"	2	20388-S8(B80)
			Lockwasher-3/8"		357629-S7(XX3-3)
57/	A	S/T&O/D	Washer-felt-.72"/.74" I.D. -1.38" O.D. .27"/.29" thick	1	358979-S(XX224)
<b>7B507 RETAINER - CLUTCH PEDAL ROD SEAL</b>					
58/59	A			1	B8AZ 7B507-A
58/59	A		Screw-self tapping-No. 10 x 5/8" hex. head	2	42014-S8(U240)
<b>7508 BUSHING - CLUTCH PEDAL SHAFT</b> - Also Refer to Group 2471					
56/57	A	S/T&O/D	.88" shoulder O. D. -.625"/.629" I. D. -1 1/2"	1	B6A 7508-A
56/57	S	S/T&O/D	long-Nylon	1	
57/58	A	S/T&O/D	1" shoulder O. D. -.625"/.629" I. D. -3 7/16"	1	B7A 7508-A
58/	S	S/T&O/D	long-nylon	1	
57	A (with Power Brakes)	All	Washer-flat-(clutch pedal shaft bushing thrust)- 23/32" I. D. -1.24" O. D. -.020"/.025" thick-nylon	2	358983-S(XX222)
<b>7509 BRACKET ASSY. - CLUTCH RELEASE EQUALIZER</b>					
52/53	A-6 cyl. 215	S/T&O/D	On engine	1	B2A 7509-A
54/57	A-6 cyl. 223	S/T&O/D	On engine-(2) 21/64" diameter holes- 2.56" bolt hole center length	1	B4A 7509-A
57/	A-6 cyl. 223	S/T&O/D		1	B7A 7509-B
52/	A (6 cyl. 215, 223)	S/T&O/D	Bolt (clutch release equalizer engine bracket)- 5/16"-18 x 3/4"	2	20346-S8(B50)
			Lockwasher-5/16"		34806-S7(X64)
52/53	A-8 cyl. 239	S/T&O/D	On engine	1	B2A 7509-B
52/53	A (8 cyl. 239)	S/T&O/D	Bolt (clutch release equalizer engine bracket)- 7/16"-14 x 1/2"	2	20470-S8(B107)
			Lockwasher-7/16"		34808-S8(X67)
54/57	A (8 cyl.)	S/T&O/D	On engine-(2) 25/64" diameter holes-	1	B4A 7509-B
55/57	S	S/T&O/D	2.65" bolt hole center	1	
57/	A (8 cyl. 272, 292, 312, 332)	S/T&O/D		1	B7A 7509-A
58/	A (8 cyl. 352)	S/T&O/D		1	B8A 7509-A
58/	S	S/T&O/D		1	B8S 7509-A
59/	S	S/T&O/D		1	B9S 7509-A
57/	A	S/T&O/D	Washer-felt-.72"/.74" I. D. -1.38" O. D. - .27"/.29" thick	1	358979-S(XX224)
54/	A, S (8 cyl.)	S/T&O/D	Bolt (clutch release bracket to flywheel housing & cylinder block)-3/8"-16 x 3/4"-hex. head	2	20348-S8(B77)
54/	A (8 cyl.)	S/T&O/D	Lockwasher-3/8"		357629-S(XX33)
55/57	S	S/T&O/D	Lockwasher-3/8"		34807-S7(X66)
<b>7513 SHIELD - CLUTCH RELEASE LEVER DUST</b>					
52/59	A, S	S/T&O/D		1	AB 7513-B
			Washer-flat-(dust shield attaching)-No. 10	1	44716-S8(X15)
			Rivet-oval head tubular-(clutch release lever dust shield attaching)-3/16" x 11/32"	1	*63321-S
<b>7515 LEVER ASSY. - CLUTCH RELEASE</b>					
52/57	A, S	S/T&O/D		1	B7A 7515-A
58	A (6 & 8 cyl. 223, 292)	S/T&O/D		1	
58	A, S (8 cyl. 332, 352)	S/T&O/D		1	B8A 7515-A
58	A(6 & 8 cyl. 223, 292-except H/D clutch)	S/T&O/D		1	C2AZ 7515-A
59/	A (6 & 8 cyl. 223, 292)	S/T&O/D		1	
58/59	A (8 cyl. 332, 352)	S/T&O/D		1	C2AZ 7515-B
58	A (8 cyl. 292-with H/D clutch)	S/T&O/D		1	
58/	S (8 cyl. 352)	S/T&O/D		1	B9AA 7515-C
<b>7517 BUSHING - CLUTCH RELEASE EQUALIZER SHAFT</b>					
52/56	A	S/T&O/D	.995"/.997" O. D. -.58" width-split	2	C2TZ 7517-A
57/	A	S/T&O/D		4	
56/57	S	S/T&O/D		2	
58/	S	S/T&O/D		4	

# FORD CAR PARTS

## SECTION 75

177

YEAR 19	MODEL	TYPE TRANS.	DESCRIPTION	QTY. PER VEHICLE	PART NUMBER		
<b>7519 PEDAL ASSY. - CLUTCH</b>							
52/54	A	S/T&O/D		1	AB 7519-B		
55	A	S/T&O/D	Includes (2) B2A 7551-A Bearings	1	B5A 7519-A		
56	A	S/T&O/D		1	B6A 7519-A		
57/59	A	S/T&O/D		1	B8A 7519-A		
57/	A	S/T&O/D	Washer-spring-41/64" I. D. -1" O. D. -.015" thick-at body support end	1	358981-S(XX364)		
57/	A	S/T&O/D	Washer-flat-41/64" I.D.-1" O.D.-.020"/.025" thick-nylon-at body support end -dealer improvise	2	*358982-S		
59	S	S/T&O/D		2			
58/	A, S	S/T&O/D	Retainer-spring-9/16"	1	74279-S(R5)		
55	S	S/T&O/D	Includes (2) B2A 7551 Bearings	1	B5S 7519-B		
56/57	S	S/T&O/D		1	B6S 7519-A		
58	S	S/T&O/D		1	B8S 7519-A		
59/	S	S/T&O/D		1	B9S 7519-A		
52/55	A, S	S/T&O/D	Nut (pedal to support)-7/16"-20	1	34671-S8(M67)		
52/54	A	S/T&O/D	Lockwasher-7/16"		34808-S8(X67)		
55/57	A, S	S/T&O/D	Lockwasher-7/16"		357625-S7(XX304)		
<b>7521 ROD - CLUTCH PEDAL RELEASE</b>							
49/50	A	S/T&O/D	11 1/4" long	1	8A 7521-B		
50	A	S/T&O/D	12.80" long	1	*0A 7521		
51	A	S/T&O/D	12.52" long	1	1A 7521		
52/53	A	S/T&O/D	9 1/4" long	1	AB 7521-A		
54/55	A, S	S/T&O/D	8 1/2" long	1	AD 7521-A		
55/58	A	S/T&O/D	7 3/4" long-3/8"-24 thread one end	1	B6A 7521-A		
55/57	S	S/T&O/D		1			
58/	A	S/T&O/D	7 9/64" long - one end pointed	1	B8A 7521-A		
58	S	S/T&O/D	4 31/64" long-3/8"-24 thread one end	1	B8S 7521-A		
59/	S	S/T&O/D		1	B9S 7521-A		
49/	A, S	S/T&O/D	Nut (clutch pedal release rod)-3/8"-24	1	33800-S8(M63)		
49/	A, S	S/T&O/D	Nut (clutch pedal release rod adjusting)-3/8"-24	1	351062-S8(MM114)		
52/56	A	S/T&O/D	Bolt (pedal release rod to equalizer bar)-3/8"-24 x 1.08"-hex. shoulder	1	355702-S8(BB509)		
55/57	S	S/T&O/D		1			
			Nut-3/8"-24-light lock	1	34370-S8(M99)		
			Washer-spring-.45" I. D. -3/4" O. D.	2	356383-S7(XX362)		
57/	A	S/T&O/D	Pin (release rod to equalizer lever)-self locking	1	352358-S(NN127)		
<b>7521 ROD - CLUTCH PEDAL TO IDLER LEVER</b>							
57/58	A	S/T&O/D	Approx. 13 21/32" overall length	1	B7A 7521-A		
58/59	A	S/T&O/D	Approx. 14 27/64" overall length -7/16"-20 threads one end	1	B8A 7521-B		
58/	A	S/T&O/D	Nut - 7/16"-20	2	33881-S8(M66)		
57	A	S/T&O/D	Washer-spring- 15/32" I. D. -3/4" O. D.	4	356573-S2(XX357)		
57/58	A	S/T&O/D	Pin(idler lever rod to idler lever)-self locking	1	352358-S(NN127)		
57/	A	S/T&O/D	Pin (idler lever rod to clutch pedal)-self locking	1	352358-S(NN127)		
<b>7522 BRACKET - CLUTCH RELEASE LEVER</b>							
49/51	A	S/T&O/D	On flywheel housing	1	8A 7522		
49/51	A	S/T&O/D	Rivet (clutch release lever bracket to flywheel housing)-1/4"x .74"-special countersunk head	2			
52/58	A, S	S/T&O/D	On flywheel housing	1	AB 7522-D		
52/	A, S	S/T&O/D	On flywheel housing	1	B9AA 7522-A		
			Rivet-1/4" x 15/16"-flat countersunk head solid		*62316-S8		
<b>7523 SPRING - RETRACTING</b>							
			Length	Coils			
49/50	A	S/T&O/D	Clutch release	3.00"	1	8A 7523	
51	A	S/T&O/D	Clutch release	7.05"	60	1A 7523-B	
52/54	A (except with dual exhaust)	S/T&O/D	Clutch release	5.00"	20	1	MB 7523-A
55/57	S	S/T&O/D			1		
57	A	S/T&O/D	Clutch release	10.24"	29 1/2	1	B7A 7523-A
54	A-8 cyl. 239 with dual exhaust	S/T&O/D	Clutch release	3.22"	29	1	AE 7523-A
55/56	A	S/T&O/D			1		
56/57	S	S/T&O/D			1		
58/59	A	S/T&O/D	Clutch release	10.48"	34 3/4	1	B8S 7523-A
58/	S	S/T&O/D			1		
55/57	S	ALL	Parking brake equal. lever	5.00"	20	1	MB 7523-A

YEAR 19	MODEL	TYPE TRANS.	DESCRIPTION	QTY. PER VEHICLE	PART NUMBER	
<b>7524 SHAFT - CLUTCH RELEASE IDLER LEVER</b>						
52/56	A	S/T&O/D	3/8"-24 x 2.48" long-drilled for 1/4"-28	1	AB 7524-B	
55/57	S	S/T&O/D	lubricator fitting	1		
52/56	A	S/T&O/D	Fitting (clutch release idler lever lubricator)-	1	87907-S8(I-3)	
55/57	S	S/T&O/D	1/4"-28	1		
57	A	S/T&O/D	Fitting (idler lever lubricator)-1/4"-28 x 90°	1	87924-S8(I-9)	
<b>7525 ROD - CLUTCH PEDAL TO IDLER LEVER</b>						
Approx. Length						
52/53	A	S/T&O/D	17 19/64"	1	B2A 7525-A	
54/56	A	S/T&O/D	15 3/4"	1	B5A 7525-A	
55/57	S	S/T&O/D	15 13/32"	1	B5S 7525-A	
58/	S	S/T&O/D	14 1/2"	1	B8S 7525-A	
52/56	A	S/T&O/D	Bolt-shoulder-3/8"-24 x 1.08"	2	355702-S8(BB509)	
55/57	S	S/T&O/D		2		
55/56	A	S/T&O/D	Washer-spring-29/64" I. D. x 3/4" O. D.	4	356383-S7(XX362)	
55/57	S	S/T&O/D		4		
55/56	A	S/T&O/D	Nut-3/8"-24	2	34370-S8(M99)	
55/57	S	S/T&O/D		2		
52/54	A	S/T&O/D	Washer-flat-7/16"		44730-S8(X26)	
<b>7526 BUSHING</b>						
49/51	A	S/T&O/D	Clutch pedal shaft housing & bracket-.68" long	2	01A 7526-A	
<b>7527 SEAL - CLUTCH PEDAL ROD</b>						
52/56	A	S/T&O/D	Rubber-.40" & 1.10" I. D. -bellows type-	1	BA 7527-A	
55/57		S/T&O/D	4 63/64" long	1		
57/	A	S/T&O/D		1	C0AZ 7A533-A	
<b>7528 BAR - CLUTCH RELEASE EQUALIZER</b>						
51	A	S/T&O/D	Use with 1A 7521	1	1A 7528	
52/53	A	S/T&O/D		1	AB 7528-A	
54	A (except with dual exhaust)	S/T&O/D		1	AD 7528-A	
54	A-8 cyl. 239-(with dual exhaust)	S/T&O/D		1	B4A 7528-A	
55/56	A	S/T&O/D		1	B4A 7528-A	
55/57	S	S/T&O/D		1	B5S 7528-A	
57	A, Taxi cabs with 11" H/D clutch	S/T&O/D	Includes lubricator fitting-cotter pin hole of	1	B7A 7528-B	
58	A (6 & 8 cyl. 223, 292, 332 with 2/B carb.)	S/T&O/D	equalizer lever rivet is on engine side of lever	1		
58/59	A (8 cyl. 332, 352)	S/T&O/D	Includes lubricator fitting-cotter pin hole of	1	B8A 7528-D	
			equalizer lever rivet is on frame side of lever			
58/59	A, Taxi Cabs (6 & 8 cyl. 223, 292)	S/T&O/D	Includes lubricator fitting-cotter pin hole of	1	B8A 7528-E	
			equalizer lever rivet is on engine side of lever			
58/	S	S/T&O/D		1	B8S 7528-A	
52/53	A	S/T&O/D	Fitting (equalizer bar lub.)-1/4"-28-straight	1	87907-S8(I-3)	
57/	A	S/T&O/D		1		
52/56	A, S	S/T&O/D	Fitting (equalizer bar lub.)-1/4"-28 x 90°	1	87924-S8(I-9)	
<b>7A530 BRACKET and BUMPER - CLUTCH PEDAL - Also Refer to Group 7583</b>						
52/	S	S/T&O/D		1	C2OZ 7A530-A	
55/57	S	S/T&O/D		1		
52/	A	S/T&O/D	Bolt (bracket to support)-5/16"-24 x 3/4" -	1	355471-S8(BB651)	
55/57	S	S/T&O/D	round head carriage	1		
			Nut-5/16"-24		33798-S8(M62)	
			Lockwasher-5/16"		34806-S7(X64)	
<b>7A533 SEAL - CLUTCH PEDAL ROD - Refer to Group 7527</b>						
<b>7534 SPRING - CLUTCH PEDAL LEVER ASSIST</b>						
			FREE LENGTH	ACTIVE COILS		
52/54	A	S/T&O/D	5.70"	19 1/2	1	★B2A 7534-A
52/56	S	S/T&O/D	Replaced by B5AZ 7A574-A (6-63)		1	
52/56	A	S/T&O/D	5.62"	16 1/4	1	B5AZ 7A574-A
52/57	S	S/T&O/D			1	
57/	A	S/T&O/D	8.90"	16 1/4	1	C2AZ 7534-A
58/	S	S/T&O/D	6.20"	10 1/2	1	B8SZ 7A574-A
<b>7537 LEVER ASSY. - CLUTCH RELEASE IDLER</b>						
52/53	A	S/T&O/D	1.65" thru hub		1	B2A 7537-A
54/56	A	S/T&O/D			1	B4A 7537-C
55/57	S	S/T&O/D			1	B5S 7537-B
52/56	A, S	S/T&O/D	Washer-spring--90" O. D. -. 60" I. D.			★353494-S
<b>7539 WASHER - CLUTCH RELEASE EQUALIZER SHAFT</b>						
52/56	A	S/T&O/D	.58" I. D. -. 94" O. D. -. 18" thick-rubber	1	01A 7539-A	
55/57	S	S/T&O/D		1		

# FORD CAR PARTS

## SECTION 75

YEAR 19	MODEL	TYPE TRANS.	DESCRIPTION	QTY. PER VEHICLE	PART NUMBER
<b>7540 RETAINER - CLUTCH PEDAL ASSIST SPRING</b>					
52/56	A	S/T&O/D	3/8"-24 x 5 35/64" overall length	1	AB 7540-A
55/57	S	S/T&O/D		1	
57/59	A	S/T&O/D	3/8"-24 x 2 9/16" overall length	1	B7A 7540-A
58/	S	S/T&O/D		1	B8S 7540-A
57/	A	S/T&O/D	Nut-jam (pedal assist spring retainer to body bracket)-3/8"-24	2	33925-S7(M33)
57/	A	S/T&O/D	Washer-flat-3/8"	1	44727-S8(X24)
52/57	A	S/T&O/D	Nut (pedal assist spring retainer to link)-3/8"-24	1	34445-S7(M80)
55/	S	S/T&O/D		1	
<b>7542 BRACKET - CLUTCH RETRACTING SPRING</b>					
54	A-8 cyl. 239-(with dual exhaust)	S/T&O/D	Approx. 1 21/32"X 2 39/64"with 37/64"offset	1	B6A 7542-A
55/57	A	S/T&O/D		1	
52/54	A (except with dual exhaust)	S/T&O/D		1	MB 7542-A
55/57	S	S/T&O/D		1	B5S 7542-A
52/57	A	S/T&O/D	Nut-7/16"-14	1	34670-S8(M54)
			Lockwasher-7/16"		34808-S8(X67)
<b>7545 SPRING - CLUTCH RELEASE EQUALIZER BAR RETAINING</b>					
52/56	A	S/T&O/D	4 coils-.0625" diameter wire-1.98" overall	1	AB 7545-A
55/57	S	S/T&O/D	length	1	
<b>7550 DISC ASSY. - CLUTCH</b>					

### CLUTCH DISC CHART

YEAR 19	MODEL	TYPE TRANS.	DIAMETER	NO. SPLINES	SPRINGS		PAINTED IDENTIFICATION MARKING	QTY. PER VEHICLE	PART NUMBER	REPLACED BY
					NUMBER	COLOR				
49/53	A (8 cyl. 239)	S/T&O/D	9 1/2"	10		Orange		1	8BA 7550-A	• B7A 7550-D
49/53	A (8 cyl. 239)	S/T&O/D	9 1/2"	10	3	Pink		1	• B7A 7550-D	
49/57	A (6 cyl. 215, 223, 226)				3	Aluminum		1		
58/	A (6 cyl. 223-except H/D clutch)	S/T&O/D	9 1/2"	23	3	Pink		1	• B8A 7550-A	
					3	Aluminum				
58/59	A (8 cyl. 292-except H/D clutch)	O/D	10"	23	6 large 6 small	Orange Orange	Orange	1	• C2OZ 7550-C	
49/51	Police Cars, Taxi Cabs(6 cyl.226)	S/T	10"	10	6	Aluminum		1	8HAS 7550-A	• B5A 7550-B
49/51	Police Cars, Taxi Cabs(6 cyl. 226)	O/D	10"	10		Black		1	8HA 7550-C	• B5A 7550-B
52/53	Police Cars, Taxi Cabs(6 cyl. 215)	S/T&O/D						1		
49/53	Police Cars, Taxi Cabs(8 cyl.239)	S/T&O/D	10"	10		Orange		1	8BA 7550-B	• B5A 7550-B
54/56	A (8 cyl. 239, 272)	S/T&O/D	10"	10	8			1	• B5A 7550-B	
49/53	Police Cars, Taxi Cabs(8 cyl.239)							1		
49/53	Police Cars, Taxi Cabs (6 cyl. 215, 226)							1		
56	A (8 cyl. 292)	S/T&O/D	10"	10	4 4	Aluminum Unpainted		1	• B6A 7550-E	
57	A (8 cyl. 272, 292)	S/T&O/D	10"	10	6 large 6 small	Orange		1	• B7A 7550-A	
58/	A (8 cyl. 292-except H/D clutch)	O/D	10"	23	6 large 6 small	Orange	Blue	1	B8A 7550-D	• B9AA 7550-A
58/	A (8 cyl. 292-except H/D clutch)	O/D	10"	23	6 large 6 small		Orange	1	• B9AA 7550-A	C2OZ 7550-C
58/	A (8 cyl. 292-except H/D clutch)	S/T	10"	23	4 4	Aluminum Unpainted		1	• B8A 7550-C	
54	Police Cars, Taxi Cabs	S/T&O/D	11"	10	8	Aluminum		1	B6A 7550-A	• B6A 7550-D
54/56	A, Police Cars, Taxi Cabs (6 cyl. 223-with H/D clutch)							1		
57	A, Taxi Cabs (6 cyl. 223-with H/D clutch)	S/T&O/D	11"	10	4 4	Aluminum Pink		1	• B7A 7550-C	
58/	A, Taxi Cabs (6 cyl. 223-with H/D clutch)	S/T&O/D	11"	23	4 4	Aluminum Pink		1	• B8A 7550-B	
55	A, Taxi Cabs (8 cyl. 272-with H/D clutch)	S/T&O/D	11"	10	8			1	B5S 7550-A	• B6A 7550-D
55	Police Cars							1		
55/57	S							1		
56/57	A, Taxi Cabs (8 cyl. 272-with H/D clutch)	S/T&O/D	11"	10	8	Black		1	B6A 7550-B	• B6A 7550-D
56	Police Cars							1		

• Supplied only as a remanufactured item

7550 DISC ASSY. - CLUTCH - continued

CLUTCH DISC CHART

YEAR 19__	MODEL	TYPE TRANS.	DIAMETER	NO. SPLINES	SPRINGS		PAINTED IDENTIFICATION MARKINGS		QTY. PER VE- HICLE	PART NUMBER	REPLACED BY
					NUMBER	COLOR	COVER PLATE	PRESSURE PLATE			
54	Taxi Cabs (8 cyl. 239)	S/T&O/D	11"	10	4	Aluminum			1	B6A 7550-D	
54/56	A, Taxi Cabs (6 cyl. 223-with H/D clutch)				4	Unpainted			1		
55/57	A, Taxi Cabs (8 cyl. 272, 292- with H/D clutch)								1		
54/56	Police Cars								1		
55/57	S								1		
57	A, Taxi Cabs (8 cyl. 272, 292- with H/D clutch)	S/T&O/D	11"	10	6 large 6 small	Orange			1	B7A 7550-B	
57	Police Cars								1		
57	A (8 cyl. 312)								1		
57	A, S (8 cyl. 312 S/C)								1		
58/59	A (8 cyl. 332)	S/T&O/D	11"	23	6 large	Orange			1	B8A 7550-G	
58/59	A, Taxi Cabs (8 cyl. 292-with H/D clutch)								1		
58/	A, S (8 cyl. 352)	S/T&O/D	11"	23	6 large 6 small	Blue			1	B8A 7550-F	
<b>7551 BEARING ASSY. - CLUTCH PEDAL</b>											
52/55	A, S	S/T&O/D	3/4" I. D. -1" O. D. -1/2" wide							2	B2A 7551-A
<b>7561 HUB ASSY. - CLUTCH RELEASE BEARING</b>											
49/51	A	S/T&O/D								1	8A 7561
52/56	A, S	S/T&O/D								1	AB 7561-A
57/	A, S	S/T&O/D								1	B7A 7561-B
<b>7562 SPRING - CLUTCH RELEASE LEVER ANTI-RATTLE</b>											
49/51	A	S/T&O/D	.072" wire stock							1	8A 7562-B
52/	A, S	S/T&O/D	.067" wire stock							1	AB 7562-A
<b>7563 PLATE and COVER ASSY. - CLUTCH PRESSURE</b>											

CLUTCH PRESSURE PLATE CHART

YEAR 19__	MODEL	TYPE TRANS.	DIAMETER	FLYWHEEL ATTACHING BOLT HOLE DIAMETER	SPRINGS		PAINTED IDENTIFICATION MARKINGS		QTY. PER VE- HICLE	PART NUMBER	REPLACED BY
					NO.	COLOR	COVER PLATE	PRESSURE PLATE			
49/53	A	S/T&O/D	9 1/2"		6	Aluminum	Black	Yellow	1	1A 7563-A	C1AZ 7563-A
54/	A (6 cyl. 223)								1		
49/51	Police Cars, Taxi Cabs	S/T&O/D	10"			Blue	White	White	1	19A 7563-A	B6A 7563-B
49/53	Police Cars, Taxi Cabs	S/T&O/D	10"	11 3/8"		Buff	Green & White	White	1	AB 7563-C	B6A 7563-B
49/54	A (8 cyl. 239)	S/T&O/D	10"		9	Bronze	Green & L/Blue	White	1	AE 7563-A	B6A 7563-B
54	A (8 cyl. 239)	S/T&O/D	10"				Blue & Yellow	White	1	B4A 7563-B	B6A 7563-B
49/53	Police Cars, Taxi Cabs								1		
55	A (8 cyl. 272)	S/T&O/D	10"		9		Pink & White	White	1	B5A 7563-A	B6A 7563-B
49/53	Police Cars, Taxi Cabs	S/T&O/D	10"		9	Bronze	Yellow	Black	1	B6A 7563-B	
49/56	A (8 cyl. 239, 272, 292)								1		
57/	A (8 cyl. 272, 292)	S/T&O/D	10"	11 3/8"	9		Yellow & Brown	White	1	B7A 7563-A	C1AZ 7563-B
54	Police Cars, Taxi Cabs	S/T&O/D	11"		9		Black & Yellow	Green	1	B6A 7563-A	B8A 7563-B
55	A (6 cyl. 223-with H/D clutch-except Taxi Cabs)								1		
56/57	A, Taxi Cabs (6 & 8 cyl. -with H/D clutch)								1		
56	Police Cars								1		
56/57	S (8 cyl. 292)								1		
55/	A, Taxi Cabs (6 cyl. 223 -with H/D clutch)	S/T&O/D	11"	12 3/8"	9		Brown & Blue		1	B7A 7563-C	C1AA 7563-F
55/	A, Taxi Cabs (6 cyl. 223 -with H/D clutch)	S/T&O/D	11"	12 3/8"	9		Bronze ink	Bronze	1	C1AA 7563-F	

Supplied only as a remanufactured item



**7563 PLATE and COVER ASSY. - CLUTCH PRESSURE - continued**

### CLUTCH PRESSURE PLATE CHART

YEAR 19__	MODEL	TYPE TRANS.	DIAMETER	FLYWHEEL ATTACHING BOLT HOLE DIAMETER	SPRINGS		PAINTED IDENTIFICATION MARKINGS		QTY. PER VEH. MICLE	PART NUMBER	REPLACED BY
					NO.	COLOR	COVER PLATE	PRESSURE PLATE			
55	A (8 cyl. 272-with H/D clutch)	S/T&O/D	11"		9		Orange & White	Green	1	B5S 7563-A	•B8A 7563-B
55	Police Cars, Taxi Cabs (8 cyl.)								1		
55	S								1		
57	A, Taxi Cabs (8 cyl. 272, 292-with H/D clutch)	S/T&O/D	11"	12 3/8"	9		Green & L/Blue		1	B7A 7563-B	•B8A 7563-B
57	Police Cars								1		
57	A (8 cyl. 312)								1		
54	Police Cars, Taxi Cabs	S/T&O/D	11"	12 3/8"	9		Pink & Orange	Green	1	•B8A 7563-B	•C1AZ 7563-E
55	Police Cars, Taxi Cabs (8 cyl.)								1		
56/57	Police Cars								1		
55	A (6 cyl. 223-with H/D clutch-except Taxi Cabs)								1		
56/57	A, Taxi Cabs (6 & 8 cyl.-with H/D clutch)								1		
55	A (8 cyl. 272-with H/D clutch)								1		
58/	A, Taxi Cabs (8 cyl. 292 -with H/D clutch)								1		
57	A (8 cyl. 312)								1		
58/	A, S (8 cyl. 332, 352)								1		
55/57	S (8 cyl. 292)								1		
<b>49/57</b>	<b>A, S</b>	<b>S/T&amp;O/D</b>					<b>Bolt (pressure plate to flywheel)-</b> <b>5/16"-18 x 4 9/64"</b>		<b>6</b>	<b>350433-S(BB135)</b>	
<b>57/</b>	<b>A, S (6 &amp; 8 cyl.)</b>	<b>S/T&amp;O/D</b>					<b>Bolt (pressure plate to flywheel)-</b> <b>5/16"-18 x 13/16" special</b>		<b>6</b>	<b>350329-S2(BB140)</b>	
							<b>Lockwasher-5/16"</b>			<b>34806-S7(X64)</b>	
<b>7A574 SPRING and SILENCER - CLUTCH PEDAL LEVER ASSIST - Refer to Group 7534</b>											
<b>7580 BEARING ASSY. - CLUTCH RELEASE</b>											
<b>49/</b>	<b>A, S (except with H/D clutch)</b>	<b>S/T&amp;O/D</b>					<b>3.06"&amp;3.12"O. D. -1.635"/1.637" I. D. -.7445"-</b> <b>width</b>		<b>1</b>	<b>8A 7580-A</b>	
<b>55/56</b>	<b>A, Police Cars, Taxi Cabs-(6 &amp; 8 cyl.-with H/D clutch)</b>	<b>S/T&amp;O/D</b>					<b>3.1775"/3.1975" &amp; 3.240"/3.260" O. D. -</b> <b>1.625"/1.626" I. D. -.7445" width-with</b> <b>lubricator fitting</b>		<b>1</b>	<b>B6A 7580-A</b>	
<b>57/</b>	<b>A, Police Cars, Taxi Cabs (with H/D clutch)</b>	<b>S/T&amp;O/D</b>					<b>3.06"&amp;3.12"O. D. -1.625"/1.626" I. D. -.7445"</b> <b>width</b>		<b>1</b>	<b>B7A 7580-A</b>	
		<b>S/T&amp;O/D</b>					<b>Fitting (lubricator)-1/4" straight</b>		<b>1</b>	<b>87907-S8(I-3)</b>	
<b>57/</b>	<b>A</b>	<b>S/T&amp;O/D</b>					<b>Fitting (lubricator)-1/4"-28-90°</b>		<b>1</b>	<b>87924-S8(I-9)</b>	
<b>7583 BUMPER - CLUTCH and BRAKE PEDAL - Also Refer to Groups 7504 &amp; 7A530</b>											
<b>52/59</b>	<b>A</b>	<b>S/T&amp;O/D</b>					<b>Clutch pedal bumper-acorn shape-.98" long</b>		<b>1</b>	<b>MA 7583-A</b>	
<b>55/57</b>	<b>S</b>	<b>S/T&amp;O/D</b>							<b>1</b>		
<b>52/</b>	<b>A</b>						<b>Brake pedal bumper</b>		<b>1</b>		
<b>55/</b>	<b>S</b>	<b>S/T&amp;O/D</b>							<b>1</b>		
<b>7587 LOCK - CLUTCH RELEASE IDLER LEVER SHAFT</b>											
<b>52/56</b>	<b>A</b>	<b>S/T&amp;O/D</b>					<b>.58" diam. hole</b>		<b>1</b>	<b>AB 7587-A</b>	
<b>55/57</b>	<b>S</b>	<b>S/T&amp;O/D</b>							<b>1</b>		
<b>7592 LINK - CLUTCH PEDAL ASSIST SPRING</b>											
<b>52/56</b>	<b>A</b>	<b>S/T&amp;O/D</b>							<b>1</b>	<b>AB 7592-A</b>	
<b>55/57</b>	<b>S</b>	<b>S/T&amp;O/D</b>							<b>1</b>		
<b>58/</b>	<b>S</b>	<b>S/T&amp;O/D</b>							<b>1</b>	<b>B8S 7592-A</b>	

• Supplied only as a remanufactured item

YEAR 19	MODEL	TYPE TRANS.	DESCRIPTION	QTY. PER VEHICLE	PART NUMBER	
<b>7600 BEARING - CLUTCH PILOT</b>						
49/57	A, S	S/T&O/D	1.575"/1.576" O.D. -.6715"/.6725" I.D. -	1	70 7600-B	
58/	A (6 & 8 cyl. 223, 292)	S/T&O/D	.495"/.505" thick-optional with B 7600-A	1		
49/57	A, S	S/T&O/D	1.5743"/1.5748" O.D. -.6689"/.6693" I.D. -	1	B 7600-A	
58/	A (6 & 8 cyl. 223, 292)	S/T&O/D	.4674"/.4724" thick-optional with 70 7600-B	1		
58/	A, S (8 cyl. 332, 352)	S/T&O/D	1.8509"/1.8525" O.D. -.6715"/.6725" I.D. -.495"/.505" thickness	1	B8A 7600-A	
<b>7609 RETAINER - FLYWHEEL DOWEL</b>						
49/53	A	S/T&O/D	2.38" I.D. -4.12" O.D. -(4).47" diam. holes	1	7RA 7609	
<b>7648 RETAINER - CLUTCH PEDAL</b>						
57/58	A	S/T&O/D	.62"/.68" I.D. -at body support	1	B7A 7648-A	
58/	S	S/T&O/D		1		
<b>7A650 HANDLE and CABLE ASSY. - TRANSMISSION OVERDRIVE MANUAL CONTROL</b>						
49/51	A	O/D	Cable length approx. 80 1/4"	1	A9AZ 7A650-A	
52	A	O/D	Cable length approx. 47 1/4"	1	B2AZ 7A650-A	
53/56	A	O/D	Cable length approx. 60 1/2"	1	B5AZ 7A650-A	
57/58	A	O/D	Cable length approx. 43 1/8"	1	B7AZ 7A650-A	
59	A	O/D	Approx. 39 5/8" long	1	B9AZ 7A650-A	
53/57	S	O/D	Cable length approx. 32 7/8"	1	B5SZ 7A650-A	
58/	S	O/D	Cable length approx. -33 5/8"	1	B8SZ 7A650-A	
49/	A, S	O/D	Nut (handle & cable to bracket)-1/2"-20-thin Lockwasher-1/2"	1	351056-S8(MM26) 34809-S8(X68)	
49/51	A	O/D	Support (transmission overdrive control cable)- on flywheel housing	1	8A 4246	
52/53	A	O/D	Support (transmission overdrive control cable)- on flywheel housing	1	AB 4296-A	
54/56	A	O/D	Support (overdrive control cable)	1	AD 4296-A	
55/56	A (with dual exhaust)	O/D	Support (overdrive control cable)	1	B5A 4296-A	
49/51	A	O/D	Grommet (transmission overdrive control cable)- flywheel housing support	1	B 14605-A	
53	A	O/D	Grommet(handle & cable thru dash)-13/32" diam.	1	352962-S(KK23)	
51/54	A	O/D	Grommet (overdrive manual control cable dash panel)	1	1A 7001694	
49/	A, S	O/D	Clip (handle & cable to transmission case)	1	353350-S8(GG159)	
55/56	A, S	O/D	Clip (handle & cable to transmission)	1		
57	A	O/D	Clip (handle & cable to transmission)	1	358360-S32(GG143)	
51	A	O/D	Clip (handle & cable)	1	8C 14197	
51	A	O/D	Clip (handle & cable)	1	357332-S32(GG6)	
<b>7A651 RELAY ASSY. - TRANSMISSION OVERDRIVE</b>						
49/51	A	O/D	Ignition switch to accelerator kickdown switch & solenoid	1	A9AZ 7A651-A	
52/56	A, S	O/D	6 volt	1	B1AZ 7A651-A	
56/59	A	O/D	12 volt	1	B6AZ 7A651-A	
56/59	S	O/D		1		
59	A	O/D	12 volt-push on type terminals	1	B9AZ 7A651-A	
52/	A	O/D	Screw (relay to dash attaching)-No. 14 x 1/2"	1or2	*31519-S8	
55/57	A, S	O/D	Screw (relay & ground wire to dash)-No. 14 x 1/2"	1	*31519-S8	
<b>7A652 SWITCH ASSY. - TRANSMISSION OVERDRIVE ACCELERATOR KICKDOWN</b>						
49/59	A	O/D		1	A9AZ 7A652-A	
55/	S	O/D		1		
			Nut (transmission overdrive accelerator kickdown switch attaching)-9/16"-18	2	351075-S(MM27)	
			Lockwasher-9/16"		34810-S7-8(X69)	
<b>7653 GEAR - OVERDRIVE RING</b>						
49/	A (6 & 8 cyl. 215, 223, 239, 272, 292)	O/D	42 internal helical teeth-4 1/4" O.D.	1	16H 7653	
55	S (8 cyl. 292)	O/D		1		
56/59	A, S (8 cyl. 312, 332, 352)	O/D	52 internal helical teeth-5.153"/5.155" O.D.	1	8L 7653	
<b>7654 SNAP RING - OVERDRIVE RING GEAR</b>						
49/	A (6 & 8 cyl. 215, 223, 239, 272, 292)	O/D	INSIDE DIAMETER 3 19/32"	OUTSIDE DIAMETER 3 29/32"	THICKNESS .062"	GAP 1
55	S (8 cyl. 292)	O/D				1
56/59	A, S (8 cyl. 312, 332, 352)	O/D		4 3/4"	.054"/.056"	1"
56/59	A, S (8 cyl. 312, 332, 352)	O/D		4 3/4"	.056"/.058"	1"
56/59	A, S (8 cyl. 312, 332, 352)	O/D		4 3/4"	.058"/.060"	1"

# FORD CAR PARTS

## SECTION 76

183

YEAR 19	MODEL	TYPE TRANS.	DESCRIPTION	QTY. PER VEHICLE	PART NUMBER
<b>7656 SNAP RING - OVERDRIVE MAIN SHAFT BEARING - Refer to Group 7064</b>					
<b>7660 ADAPTER - TRANSMISSION OVERDRIVE HOUSING TO TRANSMISSION CASE</b>					
55/59	A (6 & 8 cyl. 223, 272, 292)	O/D		1	B5A 7660-B
57/59	A (8 cyl. 312, 332, 352)	O/D		1	B7A 7660-A
58/	S (8 cyl. 352)	O/D		1	
55	S (8 cyl. 292)	O/D		1	B5A 7660-A
56/57	S (8 cyl. 312)	O/D		1	8L 7660
<b>7661 GASKET - TRANSMISSION OVERDRIVE HOUSING TO ADAPTER</b>					
52/54	A	O/D	Use with AB 7660-A adapter	1	AB 7661-A
55/	A (6 & 8 cyl. 223, 272, 292)	O/D	(3) 15/32" holes-.013"/.020" thick	1	B5A 7661-B
57/59	A (8 cyl. 312, 332, 352)	O/D		1	B7A 7661-A
58/	S (8 cyl. 352)	O/D		1	
56/57	S (8 cyl. 312)	O/D	(4) 17/32" holes-.015"/.020" thick	1	8L 7661
<b>7662 RING and GEAR ASSY. - OVERDRIVE BALK</b>					
49/57	A (except 8 cyl. 312)	O/D		1	56H 7662
58/	A (6 & 8 cyl. 223, 292)	O/D		1	
55	S (8 cyl. 292)	O/D		1	
56/59	A, S (8 cyl. 312, 332, 352)	O/D		1	8L 7662
<b>7665 PLATE and TROUGH ASSY. - OVERDRIVE BALK RING and GEAR</b>					
52/57	A (except 8 cyl. 312)	O/D	Identified by Yellow paint	1	AB 7665-A
58/	A (6 & 8 cyl. 223, 292)	O/D		1	
55	S (8 cyl. 292)	O/D		1	
57	A (8 cyl. 312)	O/D		1	B7A 7665-A
58/59	A, S (8 cyl. 332, 352)	O/D		1	
56/57	S (8 cyl. 312)	O/D		1	56H 7665
<b>7666-7 SNAP RING - TRANSMISSION - Refer to Group 7064</b>					
<b>7668 BAFFLE - OVERDRIVE OUTPUT SHAFT BEARING OIL</b>					
49/57	A (except 8 cyl. 312)	O/D	2.82"/2.83" O. D.	1	8A 7668
58/	A (6 & 8 cyl. 223, 292)	O/D		1	
55	S (8 cyl. 292)	O/D		1	
56/59	A, S (8 cyl. 312, 332, 352)	O/D	3.139"/3.149" O. D.	1	8L 7668
<b>7670 GEAR ASSY. - OVERDRIVE SUN</b>					
49/57	A (except 8 cyl. 312)	O/D		1	56H 7670
58/	A (6 & 8 cyl. 223, 292)	O/D		1	
55	S (8 cyl. 292)	O/D		1	
56/59	A, S (8 cyl. 312, 332, 352)	O/D		1	8L 7670
<b>7672 SNAP RING - OVERDRIVE MAIN SHAFT - Refer to Group 7064</b>					
<b>7673 GEAR ASSY. - OVERDRIVE PLANETARY</b>					
49/57	A (except 8 cyl. 312)	O/D		1	56H 7673
58/	A (6 & 8 cyl. 223, 292)	O/D		1	
55	S (8 cyl. 292)	O/D		1	
56/59	A, S (8 cyl. 312, 332, 352)	O/D		1	8L 7673
<b>7674 RETAINER - OVERDRIVE FREE WHEEL UNIT - FRONT</b>					
49/57	A (except 8 cyl. 312)	O/D	2 1/32" overall length	1	16H 7674
58/	A (6 & 8 cyl. 223, 292)	O/D		1	
55	S (8 cyl. 292)	O/D		1	
<b>7675 UNIT ASSY. - OVERDRIVE FREE WHEEL</b>					
49/57	A (except 8 cyl. 312)	O/D	Includes rollers	1	16H 7675
58/	A (6 & 8 cyl. 223, 292)	O/D		1	
55	S (8 cyl. 292)	O/D		1	
56/	A, S (8 cyl. 312, 332, 352)	O/D	Includes rollers	1	8L 7675
<b>7676 RETAINER - OVERDRIVE FREE WHEEL UNIT - REAR</b>					
49/57	A (except 8 cyl. 312)	O/D	1 1/2" overall length	1	16H 7676
58/	A (6 & 8 cyl. 223, 292)	O/D		1	
55	S (8 cyl. 292)	O/D		1	
<b>7679 ROLLER - OVERDRIVE FREE WHEEL UNIT</b>					
49/57	A (except 8 cyl. 312)	O/D	5/16" O. D. -.619"/.623" long	12	16H 7679
58/	A (6 & 8 cyl. 223, 292)	O/D		12	
55	S (8 cyl. 292)	O/D		12	
<b>7680 FORK and RAIL ASSY. - OVERDRIVE SHIFT</b>					
55/59	A (6 & 8 cyl. 223, 272, 292)	O/D		1	B5A 7680-B
56	S (8 cyl. 312)	O/D		1	B5A 7680-A
57/59	A, S (8 cyl. 312, 332, 352)	O/D		1	B7A 7680-A
49/54	A	O/D	Ball (trans. overdrive shift rail lockout)-3/8"	2	372720-S(AA11)

## SECTION 76

## FORD CAR PARTS

YEAR 19	MODEL	TYPE TRANS.	DESCRIPTION	QTY. PER VEHICLE	PART NUMBER
<b>7685 SPRING - OVERDRIVE SHIFT FORK and RAIL RETRACTOR</b>					
49/	A, S	O/D	19 coils-approx. 2 3/4" free length	1	16H 7685
<b>7-7685 SHAFT and LEVER ASSY. - OVERDRIVE MANUAL CONTROL</b>					
55/	A (6 & 8 cyl. 223, 272, 292)	O/D		1	B5A 77685-A
56/57	S (8 cyl. 312)	O/D		1	
57	A (8 cyl. 312)	O/D		1	B7A 77685-A
58/59	A, S (8 cyl. 332, 352)	O/D		1	
55/	A	O/D	Pin (manual control shaft lever retaining)-	1	73757-S(N95)
56/	S (8 cyl. 312, 352)	O/D	No. 0 x 1 1/4" long	1	
55/	A, S	O/D	Bolt(control cable to lever)-5/16"-24 x 7/8"	1	355480-S8(BB525)
55/	A, S	O/D	Spacer (control cable to lever)-5/16"	1	356288-S8(VV4)
55/	A, S	O/D	Washer-flat-5/16"	1	44722-S8(X19)
55/	A, S	O/D	Lockwasher-5/16"	1	*34941-S7
55/	A, S	O/D	Nut-5/16"-24	1	33798-S8(M62)
<b>7689 LEVER - OVERDRIVE MANUAL CONTROL - (Also refer to Group 7-7685)</b>					
49/54	A	O/D		1	8A 7689
55	S (8 cyl. 292)	O/D		1	
49/56	A, S	O/D	Nut (lever to shaft)-5/16"-18	1	33797-S8(M50)
49/56	A, S	O/D	Washer-flat-5/16"	1	44722-S8(X19)
49/56	A, S	O/D	Lockwasher-5/16"	1	*34941-S7
49/55	A, S	O/D	Bolt (control cable to lever)-5/16"-24 x 7/8"	1	355480-S8(BB525)
49/55	A, S	O/D	Spacer (control cable to lever)-5/16"	1	356288-S8(VV4)
55	A, S	O/D	Washer-flat-5/16"	1	44722-S8(X19)
55	A, S	O/D	Lockwasher-5/16"	1	*34941-S7
49/55	A, S	O/D	Nut-5/16"-24	1	33798-S8(M62)
<b>7690 PAWL - OVERDRIVE BALK RING and GEAR SLIDING</b>					
52/57	A (except 8 cyl. 312)	O/D	. 620"/. 624" x . 678"/. 679" x 2. 11"	1	AB 7690-A
58/	A (6 & 8 cyl. 223, 292)	O/D		1	
55	S (8 cyl. 292)	O/D		1	
57	A (8 cyl. 312)	O/D	. 620"/. 624" x . 678"/. 679" x 2. 406"	1	B7A 7690-A
58/59	A, S (8 cyl. 332, 352)	O/D		1	
56/57	S	O/D	. 620"/. 624" x . 678"/. 679" x 1. 82"	1	8L 7690
<b>7693 OIL SEAL - TRANSMISSION OVERDRIVE</b>					
49/51	A (for box type frame)	O/D	Solenoid-at adapter-for. 3067"/. 309" rod-	1	26H 7693
52/	A	O/D	Solenoid-at adapter	1	
55/	S	O/D	Solenoid-at adapter	1	
49/51	A (for "X" type frame)	O/D	Sliding pawl operating rod	2	
<b>7696 GUIDE - TRANSMISSION OVERDRIVE SHIFT RAIL</b>					
49/54	A	O/D	In adapter-5/16"-diam.-2 1/16" long-grooved	1	8L 7696
58	A (8 cyl. 332, 352)	O/D		1	
59	A (8 cyl. 352)	O/D		1	
55/	S	O/D		1	
<b>7713 CLIP - CABLE</b>					
49/52	A	O/D	Overdrive manual control cable to strg. column	1	*8A 7713
53	A	S/T&O/D	Speedometer cable to steering gear housing	1	*AB 7713-A
53/54	A	O/D	Overdrive manual control cable to strg. column	1	
54/56	A (8 cyl. -with dual exhaust)	O/D	Overdrive manual control cable to strg. column	1	*B4A 7713-B
55/56	A (6 cyl. 223)	O/D	Overdrive manual control cable to steering	1	*B5A 7713-A
55/56	A (8 cyl. 272-except dual exhaust)	O/D	column		
<b>7730 GUIDE - OVERDRIVE SHIFT RAIL</b>					
55/	A (6 & 8 cyl. 223, 272, 292)	O/D	2 11/32" overall length-11/32" diameter-	1	B5A 7730-A
<b>7749 SHAFT and GEAR ASSY. - OVERDRIVE MAIN</b>					
			LENGTH	SPLINES	TEETH
49/51	A	O/D	12. 75"	16	42
49/51	A	O/D	Key (speedometer drive gear to transmission	1	*74142-S
			overdrive main shaft)-1/2" diam. x 1/8"		
52/56	A	O/D	16. 03"	16	42
55	S (8 cyl. 292)	O/D	use with 16H 7667-A-B-C-D-E snap ring,	1	AB 7749-A
			8M 17285 gear & 74142-S woodruff key	1	
57/	A (6 & 8 cyl. 223, 272, 292)	O/D	Replaced by C1AA 7749-B	(7-62)	*B7A 7749-A
57	A (8 cyl. 312)	O/D	22 3/16"	16	52
56/57	S (8 cyl. 312)	O/D	18. 17"	16	52
58/	A, S (8 cyl. 332, 352)	O/D			B5A 7749-A
					C1AA 7749-A

**INDEX**

**SECTIONS A70, A71, A72, A73, A75 and A76 - TRANSMISSION**

PART NAME	GROUP NUMBER	PART NAME	GROUP NUMBER
<b>FORDOMATIC, FORDOMATIC TWO-SPEED &amp; CRUISE-O-MATIC</b>			
Anchor (rear band)	7A175	Cover (converter housing)	7985 7986
Baffle (extension housing oil)	7-7654	Cover (converter housing front access)	7-7986
Band (front)	7A162	Cover (converter housing lower access)	7980
Band (rear)	7A176	Cover (front band servo)	7-7367
Bearing (front brake drum & secondary sun gear)	7-7507	Cover (governor inspection)	7-7138
Bearing (output shaft & gear assy. long planet gear needle)	7-7185	Cover (governor valve body)	7A301
Bearing (output shaft & gear assy. short planet gear needle)	7A240	Cover (oil pressure regulator body)	7A141
Bearing (rear servo lever-needle)	7-7406	Cover (rear band servo)	7B173
Bearing (rear sun gear thrust)-front	7-7503	Cover (rear oil pump)	7A152
Block Assy. (control selector neutral switch terminal)	7A217	Cylinder (front clutch)	7A360
Block assy. (trans. control neutral switch terminal)	7A247	Disc spring (front clutch piston)	7B070
Body (front band servo)	7A094	Distributor (clutch & governor oil)	7-7881
Body (rear band servo)	7B172	Drum and planetary gears assy. (rear brake)	7A398
Bolt (converter cover to impeller housing)	7964	Drum & secondary sun gear (front brake)	7A626
Bolt (planetary gears support to case locating)	7A291	Drum assy. (rear brake)	7-7165
Bolt (rear band servo to case)	7-7420	Duct (converter air)	7990
Bushing (converter stator support)	7B261	Fitting (transmission case oil filler)	7-7631
Bushing (extension housing)	7A034	Gasket (converter cover to impeller)	7963
Bushing (frt. brake drum & secondary sun gear)-front	7-7507	Gasket (converter impeller hub to impeller)	7916
Bushing (frt. brake drum & second. sun gear)-rear	7B262	Gasket (extension housing to rear oil pump)	7086
Bushing (front oil pump drive gear)	7B259	Gasket (extension housing to transmission case)	7086
Bushing (input shaft)	7120	Gasket (front oil pump to case)	7A136
Bushing (planetary gears support assy.)	7A132	Gasket (gov. inspection cover to extension hsg.)	7B391
Bushing (transmission case)	7025	Gasket (oil pan to case)	7A191
Bushing (transmission clutch cylinder)	7A620	Gasket (rear oil pump to case)	7A222
Bushing (transmission front oil pump)	7B258	Gasket (trans. governor inspection cover)	7B391
Bushing (transmission front pump drive gear)	7B259	Gear (clutch sun)	7-7561
Bushing (transmission output shaft)	7B256	Gear (output shaft and gear assy. planet)	7-7181
Bushing (transmission planet support)	7A132	Gear (output shaft ring)	7A153
Bushing (transmission rear brake drum support)	7B257	Gear (primary sun)	7A399
Bushing (transmission rear clutch sun gear)	7B262	Gear (rear sun input shaft)	7A348
Bushing (transmission rear oil pump body)	7A260	Governor assy.	7C053
Bushing (trans. rear oil pump body)-rear	7B260	Governor assy. (with counterweight)	7C053
Cap ass'y. (transmission filler)	7-7625	Governor (less counterweight)	7C063
Case (transmission)	7005	Guide (front band servo piston)	7A269
Clamp (oil filler tube)	7A229	Housing (converter)	7975
Clip (cable)	7713	Housing (extension)	7A039
Clip (oil pan screen retaining)	7A097 7-7482	Hub (clutch)	7B067
Clutch assy. (transmission planetary)	7A089	Hub (converter impeller)	7915
Clutch (converter stator)	7940	Hub (converter turbine)	7926
Control (main)	7A100	Hub (front clutch)	7B067
Converter ass'y.	7902	Impeller (converter)	7908
Cover and starter ring gear (converter)	7950	Indicator (trans. control selector)	7A110
Cover and tube ass'y. (oil pressure regulator body)	7-7451	Indicator (trans. oil level)	7A020
Cover ass'y. (converter housing)-lower	7991	Insert (transmission control selector position)	7A216
Cover ass'y. (converter housing lower access)	7-7979	Insulator (transmission control selector switch)	7A022

## INDEX

SECTIONS A70, A71, A72, A73, A75 and A76 - TRANSMISSION - continued

PART NAME	GROUP NUMBER	PART NAME	GROUP NUMBER
<b>FORDOMATIC, FORDOMATIC TWO-SPEED &amp; CRUISE-O-MATIC - continued</b>			
Kit (converter stator & impeller thrust washer)-rear	7937	Pan (oil)	7A194
Kit (front pump overhaul)	7C222	Pan (transmission converter)	7987
Kit (front servo accumulator oil seal)	7153	Pawl (parking)	7A441
Kit (gasket & oil seal)	7153	Pilot (converter cover)	7954
Kit (gear shift selector arm bushing & insulator)	7343		
Kit (main control regulator)-repair	7A135	Pin (front band anchor)	7-7377
Kit (main control regulator valve and spring)	7A135	Pin (front band servo piston guide)	7A163
Kit (oil pressure regulator valve spring & retainer)	7B025	Pin (parking pawl)	7-7312
Kit (regulator & compensator valve spring)	7B023	Pin (parking pawl toggle lever)	7A244 7A295
Kit (transmission front clutch sun gear seal)	7B510	Pin (parking pawl toggle link to pawl)	7-7318
Kit (trans. front pump ball check overhaul)	7C223	Pin (servo actuating lever shaft)	7-7356
Kit (transmission gasket & "O" ring-external)	7C288		
Kit (transmission parking lever & pawl)	7A474	Piston & pin assy. (front band servo)	7A164
Kit (trans. rear brake drum and planetary gear and bearing assembly)	7C224	Piston (clutch)	7A262
Kit (transmission servo piston seal-front & rear)	7C289	Piston (front band servo)	7A260
		Piston (front band servo release)	7366
Lever (front band servo actuating)	7330		
Lever (manual control)	7A256	Piston (front clutch)	7A262 7A361
Lever (manual control valve detent)	7A115	Piston (rear band servo)	7A266 7-7413
Lever (parking pawl toggle)	7A121	Piston (rear band servo accumulator)	7A266
Lever (parking pawl toggle operating)	7A117	Piston (rear clutch)	7-7514
Lever (parking pawl torsion spring)	7B470		
Lever (rear band servo actuating)	7A169	Plate assy. (engine rear)	7007
Lever (throttle control)-inner	7-7283	Plate (clutch)-external spline	7-7573
Lever (throttle control)-outer	7A259	Plate (clutch)-internal spline	7B164
Lever (transmission shift bellcrank)	7A025	Plate (front clutch drive)	7-7573
		Plate (front clutch pressure)	7B066
Link (parking pawl toggle to pawl)	7-7316	Plate (main control lower valve body cover side)	7729
Oil seal (clutch)	7C169	Plate (main control lower valve body end)	7-7014
Oil seal (clutch and governor oil distributor sleeve)	7-7883	Plate (main control lower valve body)-left front	7A393
Oil seal (clutch cylinder)	7C328	Plate (main control lower valve body)-right front	7A396
Oil seal (clutch piston)-outer	7A548	Plate (main control lower valve body)-right rear	7-7750
Oil seal (extension housing)	7052	Plate (main control separating)	7A008
Oil seal (front band servo piston)	7A294	Plate (main control upper valve body)-front	7A396
Oil seal (front band servo piston guide)	7C050	Plate (main control upper valve body)-rear	7A393
Oil seal (front band servo piston)-inner	7A294	Plate (oil pressure regulator body separating)	7A142
Oil seal (front band servo piston)-outer	7A294	Plate (rear clutch driven)	7B442
Oil seal (front band servo release piston)	7C098 7A294	Plate (rear clutch pressure)	7B437
Oil seal (front clutch cylinder)	7C099 7C328	Plate (transmission main control)-side	7-7739
Oil seal (front clutch piston)	7C099 7A548		
Oil seal (front oil pump)	7A248	Plug and gasket (trans. oil pan drain)	7-7483
Oil seal (front oil pump ball check valve spring)	77868		
Oil seal (manual control lever)	7B498	Plunger (manual valve detent)	7-7607
Oil seal (primary sun gear)-front	7-7542		
Oil seal (primary sun gear)-intermediate	7C169	Pump (oil)-front	7A103
		Pump (oil)-rear	7A149
Oil seal (primary sun gear)-rear	7-7543		
Oil seal (rear band servo piston)	7A294	Race (converter stator clutch)-inner	7946
Oil seal (rear clutch piston)-inner	7C099	Race (converter stator clutch)-outer	7947
Oil seal (rear clutch piston)-outer	7C051	Race (frt. clutch sun gear thrust bearing)	7-7549
Oil seal (rear oil pump inlet tube)	7C329	Race (rear sun gear front thrust bearing)	7-7504
Oil seal (rear oil pump outlet tube)	7-7868	Regulator (oil pressure)	7A139
Oil seal (throttle control outer lever)	7-7265		
Oil seal (transmission output shaft)	7A011	Reinforcement (main control lower valve body)-left frt.	7-7717
		Reinforcement (main control lower valve body)-left rear	7-7717

**INDEX**

**SECTIONS A70, A71, A72, A73, A75 and A76 - TRANSMISSION - continued**

PART NAME	GROUP NUMBER	PART NAME	GROUP NUMBER
<b>FORDOMATIC, FORDOMATIC TWO-SPEED &amp; CRUISE-O-MATIC - continued</b>			
Retainer (clutch piston spring)	7A527	Snap ring (clutch cylinder)	7-7567
Retainer (converter stator clutch)	7943	Snap ring (clutch plate retainer)	7-7523
Retainer (front oil pump ball pressure spring)	7A223	Snap ring (converter stator clutch retainer)	7945
Retainer (main control oil pressure regulator valve)	7A478	Snap ring (front band servo piston guide to servo)	7-7366
Retainer (output shaft & gear assy. planet gear shaft)	7-7183	Snap ring (front clutch pressure plate to cylinder)	7-7587
Retainer (parking pawl toggle lever pin)	7-7326	Snap ring (front oil pump ball check valve)	7-7822
Retainer (parking pawl toggle return spring)	7-7323	Snap ring (governor)	7-7136
Retainer (rear band servo accumulator spring)	7-7371	Snap ring (input shaft to front clutch cylinder)	7-7523
Retainer (rear band servo piston spring)	7B264		7-7567
Retainer (transmission third-second coasting orifice control valve spring)	7194	Snap ring (output shaft ring gear retainer)	7C122
Ring (front clutch piston disc spring pressure)	7-7563	Snap ring (planetary clutch)	7A577
Rod (control selector locking lever)	7489	Snap ring (rear band servo piston retaining)	7-7417
Rod (control shaft to trans.)	7A187	Snap ring (rear clutch piston spring retaining)	7-7517
Rod (engine mounted accelerator shaft to trans.)	7A187	Snap ring (rear clutch plate retainer)	7-7567
Rod (manual lever connecting)	7-7322	Snap ring (rear clutch pressure plate)	7-7567
Rod (parking pawl torsion lever)	7-7322	Snap ring (rear clutch pressure plate)	7-7523
Rod (rear band servo piston)	7-7409	Spacer (clutch and governor oil distributor center tube)	7-7885
Roller (rear clutch sun gear front bearing)	7C458	Spacer (low oil pressure regulator valve)	7470
	7-7507	Spacer (output shaft & gear assy. planet gear bearing)	7-7186
Roller (transmission converter stator clutch)	7A813	Spacer (output shaft & gear assy. short planet gear)	7-7182
Roller (trans.frt. brake drum & second. sun gear frt. brg.)	7-7507	Spring (clutch piston distributor)	7A272
Screen (converter housing to air duct)	7993	Spring (front band servo piston return)	7A003
Screen (oil pan)	7A098	Spring (front oil pump ball check valve)	7-7824
Screw (rear band adjusting)	7A178	Spring (front oil pump ball pressure)	7A006
	7-7426	Spring (front oil pump slipper)	7A498
Seal (front servo cover to case)	7-7357	Spring (main control pump check valve)	7A205
Seal (rear band servo cover to case)	7-7407		7-7455
Seal (rear pump pressure port)	7-7863	Spring (main control rear pump check valve)	7A128
Seat (main control oil pressure reg. valve spring)	7C062	Spring (main control throttle valve return)	7-7761
Seat (main control rear pump check valve)	7A129	Spring (main oil pressure regulator valve)	7A270
Seat (oil pressure regulator valve spring)	7C062	Spring (manual control valve detent lever)	7A261
Seat (rear band servo piston rod)	7-7418		7-7276
Seat (rear clutch piston spring)	7-7516	Spring (oil pressure regulator low control valve)	7-7465
Shaft & bracket (engine mounted accelerator)	7A185	Spring (oil pressure regulator compensator valve)	7-7465
Shaft & bushing (transmission output)	7060	Spring (oil pressure regulator front check valve)	7A205
Shaft & carrier assy. (output)	7A048	Spring (parking pawl toggle return)	7-7314
Shaft & gear assy. (output)	7-7059	Spring (parking pawl torsion)	7A180
Shaft assy. (input)	7015	Spring (rear band servo accumulator)	7-7369
Shaft (engine mounted accelerator)	7A297	Spring (rear band servo piston)	7-7415
Shaft (front band servo actuating lever)	7A165	Spring (rear clutch piston)	7A480
Shaft (output shaft and gear assy. planet gear)	7-7176	Spring (rear oil pump slipper)	7A499
Shaft (rear band servo actuating lever)	7A171	Spring (throttle control lever inner)	7B423
Shield (transmission control linkage splash)	7779	Spring (transmission converter stator clutch)	7A814
Sleeve & support (eng. mounted accelerator shaft)	7A249	Stator (converter)	7932
Sleeve (clutch and governor oil distributor)	7A168	Stop (front band adjusting)	7-7380
Sleeve (output shaft oil)	7-7063	Strut (front band actuating)	7A158
Sleeve (parking pawl torsion lever support)	7014	Strut (front band anchor)	7A175
Sleeve (transmission front clutch cylinder)	7-7036	Strut (rear band actuating)	7A172
Slipper (transmission rear oil pump)	7A442	Strut (rear band anchor)	7A175
		Stud (trans. shift bellcrank to converter housing)	7A026
		Support (converter stator)	7A108
		Support (planetary gears)	7A130
		Switch (transmission gear shift neutral)	7A247





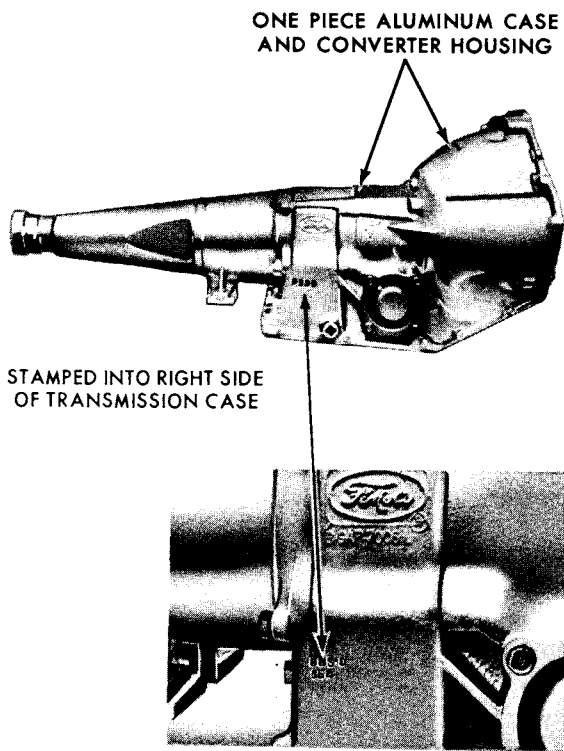
**AUTOMATIC TRANSMISSION IDENTIFICATION**

Three basic types of automatic transmissions were used as optional equipment for the 1951 thru 1959 Ford and Thunderbird passenger cars. These transmissions are cataloged as types F/M, F/M/2 and C/M. A separate service parts list for each basic transmission type is shown on the pages indicated below.

DESCRIPTION	YEARS	TYPE	PAGE NUMBERS
Fordomatic 3 speed single range	1951/59	F/M	193 thru 225
Fordomatic 2 speed single range	1959	F/M/2	226 thru 235
Cruise-O-Matic 3 speed dual range	1958/59	C/M	236 thru 258

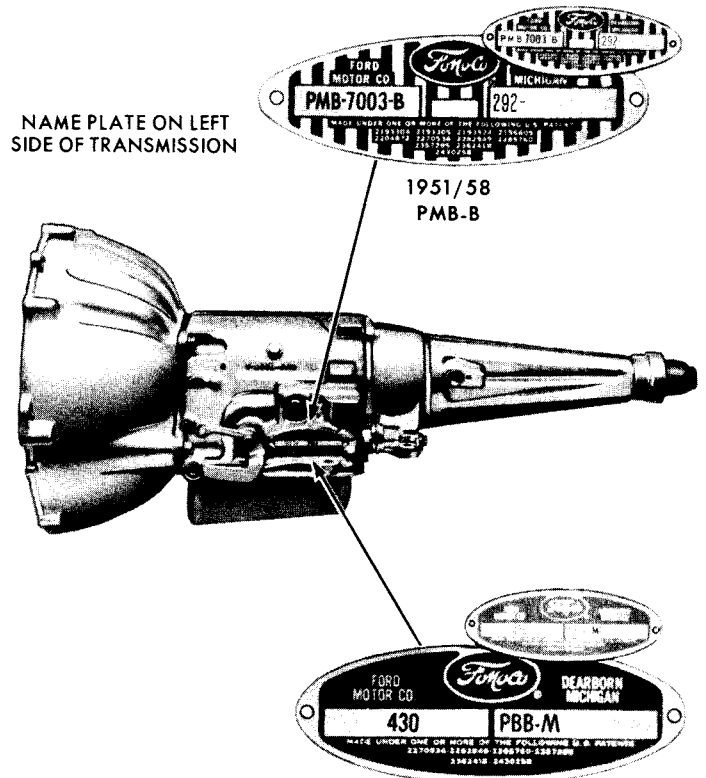
Each transmission is identified by a number stamped directly on the transmission case or appearing on a metal tag or plate riveted to the case. The three basic transmission types are identified by several numbers which reflect the different model years or significant changes made within the same model year. A chart listing the various service identification numbers for the years 1951 thru 1959 appears on pages 190, 191 and 192.

The locations of the Service Identification numbers are illustrated below:



**PBS-D**

**1959 TWO SPEED**



**1951/58  
PMB-B**

**1958/59  
PBB-M**

**1951/59 THREE SPEED**

In the Automatic Transmission Identification Chart on Pages 190, 191 and 192, the prefixes and suffixes only of basic number 7003 for the 1951 thru 1958 three speed transmissions are shown in the Service Identification Column.

A nomenclature index appears on Pages 185 thru 188 of this catalog.

Refer to the Index on page 224 of form FD-9463 for a listing of the various illustrations for automatic transmissions and related parts.



**AUTOMATIC TRANSMISSION IDENTIFICATION CHART**

YEAR 19_____	MODEL	ENGINE		TRANSMISSION			REMARKS
		NO. CYL.	CUBIC INCH DISPLACEMENT	SPEED	TYPE	Service Identification	
<b>1956</b>							
56	A	6	223	3	F/M	PAP-A	
56	A	8	272-2V	3	F/M	PAR-A	PAR-A also used on some 1955 models, aluminum impeller
56	A	8	272-2V	3	F/M	PAR-D	Steel impeller
56	A (Special)	8	272-4V	3	F/M	PAW-E	Steel impeller
56	A	8	292-2V	3	F/M		
56	A	8	292-4V	3	F/M	PAR-C	PAR-C also used for some 1955 models, aluminum impeller
56	A	8	292-4V	3	F/M	PAR-F	Steel impeller
56	A (except P/I & S/W)	8	312-4V	3	F/M	PAR-G	
56	P/I, S/W	8	312-4V	3	F/M	PAW-B	Aluminum impeller
56	P/I, S/W	8	312-4V	3	F/M	PAW-E	Steel impeller
56	S	8	312-4V	3	F/M	PAW-C	Aluminum impeller
56	S	8	312-4V	3	F/M	PAW-F	Steel impeller

**1957**

57	A	6	223	3	F/M	PAY-A	
57	A Taxicab	6	223	3	F/M	PAY-C	
57	A	8	292-2V	3	F/M	PAZ-A	
57	A	8	272-2V	3	F/M	PAZ-C	
57	A (except P/I & S/W)	8	312-4V	3	F/M	PAZ-D	
57	P/I, S/W	8	312-4V	3	F/M	PBA-B	
57	P/I, S/W	8	312-8V	3	F/M	PBA-F	
		8	312-S/C	3	F/M		
57	S	8	312-4V	3	F/M	PBA-C	
57	S	8	312-S/C	3	F/M	PBA-E	
57	S	8	312-8V	3	F/M		

## AUTOMATIC TRANSMISSION IDENTIFICATION CHART

YEAR 19__	MODEL	ENGINE		TRANSMISSION			REMARKS
		NO. CYL.	CUBIC INCH DISPLACEMENT	SPEED	TYPE	Service Identification	
<b>1958</b>							
58	A	6	223	3	F/M	PAY-E	Also used for 1959 models
58	A Taxicab	6	223	3	F/M	PAY-F	Also used for 1959 models
58	A	8	292-2V	3	F/M	PAZ-E	Also used for 1959 models
58	A, S/W	8	332-2V	3	F/M	PBM-A	
58	A	8	332-4V	3	F/M	PBM-B	
58	A, S/W, P/I	8	352-4V	3	F/M	PBL-C	
58	A	8	332-4V	3	C/M	PBM-D	
58	A, S/W, P/I	8	352-4V	3	C/M	PBL-E	
58	S	8	352-4V	3	C/M	PBL-F	
58	S	8	430-4V	3	C/M	PBB-M	Also used for 1959 & 1960 models
58	A	8	352-4V	3	C/M	PBL-U	"Spline Clunk" fix-also used for 1959 models
58	A	8	352-4V	3	C/M	PBL-V	"Spline Clunk" fix-also used for 1959 models

## 1959

59	A	6	223	3	F/M	PAY-E	"Before 12/1/58"-17 spline input shaft
59	A	6	223	3	F/M	PAY-J	"From 12/1/58"-29 spline input shaft
59	A Taxicab	6	223	3	F/M	PAY-F	17 spline input shaft-also used for 1958 models
59	A	8	292-2V	3	F/M	PAZ-E	"Before 12/1/58"-17 spline input shaft
59	A	8	292-2V	3	F/M	PAZ-S	"From 12/1/58"-29 spline input shaft
59	A	8	332-2V	3	F/M	PBM-A	
59	A	8	292-2V	3	C/M	PAZ-L	"Before 12/1/58"-17 spline input shaft
59	A	8	292-2V	3	C/M	PAZ-T	"From 12/1/58"-29 spline input shaft
59	A	8	332-2V	3	C/M	PBM-J	
59	A	8	332-2V	3	C/M	PBM-N	"Spline Clunk" fix
59	A	8	352-2V	3	C/M	PBL-U	
59	A, S/W, P/I	8	352-4V	3	C/M		
59	S	8	352-4V	3	C/M	PBL-V	
59	S	8	430-4V	3	C/M	PBB-M	
59	A	6	223	2	F/M/2	PBP-A	
59	A	8	292-2V	2	F/M/2	PBR-A	
59	A	8	332-2V	2	F/M/2	PBS-A	
59	A, S/W, P/I	8	352-4V	2	F/M/2	PBS-B	

YEAR	MODEL	PART NUMBER	QUANTITY PER TRANS- MISSION	PART NAME AND DESCRIPTION
51/ 55/	A S	B5AZ 7A003-A	1 1	SPRING - FRONT BAND SERVO PISTON RETRACTING OR RETURN - 1.97" long- 9 1/2 coils
51/54 58/	A A(6 & 8 cyl. 223, 292, 332)	C1TZ 7005-B	1 1	CASE ASSY. - TRANSMISSION
55/57	A(except 8 cyl. 312 S/W, S/C & dual 4/B carb.)	B5AP 7005-D	1	
56/57 57	S/W(8 cyl. 312) A(8 cyl. 312 S/C- dual 4/B carb.)	B8SP 7005-C	1 1	
55/57	S		1	
58/	A(8 cyl. 352)	C0AP 7005-V	1	
51/	A, S(without S/C)	★357221-S	2	Plug (trans. case)-5/16" diameter
58	A(8 cyl. 352)	353055-S7(PP29)	2	Plug-pipe (trans. case)-1/4"-18 extended head
51/56 55	A S	357916-S(PP35)	2or3 3	Plug (trans. case)-1/8"-27 hex. head pipe-dry seal
56/57	A(exc. 8 cyl. 312 S/W & S/C)		3	
56/57	S/W(8 cyl. 312)		1	
57	A(S/C)		2	
58/	A(6 & 8 cyl. 223, 292, 332)		3or4	
58	A(8 cyl. 352)		1	
59	A(8 cyl. 352)		2	
51/54 55/57	A A(exc. 8 cyl. 312 S/W & S/C)	★357220-S	2 1	Pin-dowel (trans. case locating)-3/8" x 5/8"
58/	A(6 & 8 cyl. 223, 292, 332, 352 2/B carb.)		1or2	
51	A(8 cyl. 239)		4	Bolt (trans. to cyl. block)-7/16"-14 x 2 1/4"
51	A(8 cyl. 239)		2	Bolt (trans. to cyl. block)-7/16"-14 x 3"
52/53	A(8 cyl. 239)	★24536-S8	6	Bolt (trans. to cyl. block)-7/16"-14 x 2 1/8"
52/53	A(6 cyl. 215)	20426-S8(B113B)	4	Bolt (trans. to cyl. block)-7/16"-14 x 2 1/2"
51/53	A	20470-S8(BI07)	4	Bolt (trans. to case to converter hsg.)-7/16"-14 x 1 1/2"
		34808-S8(X67)		Lockwasher-7/16"
56/	A, S	87944-S8(I-22)	1	Fitting-5/16" tube nut-1/2"-20 external threads
54/	A(6 cyl. 223)	EBP 7007-A	1	PLATE ASSY. _ ENGINE REAR
54/	A(6 cyl. 223)	★34941-S7		Lockwasher-5/16"-external tooth
55/	A(6 cyl. 223)	34806-S7(X64)		Lockwasher-5/16"
54/	A(6 cyl. 223)	20310-S8(B48)	7	Bolt (engine rear plate to trans.)-5/16"-18 x 1/2"-hex.
55/	A, S	B8AZ 7A008-B	1	PLATE - MAIN CONTROL SEPARATING
51/57	A, S	358509-S(BB9)	2	Screw (plate to lower body)-No. 10-24 x 7/16"-fillister head
58/	A, P/I		1	
58/	A	358509-S(BB9)	1	Screw (plate to upper body)-No. 10-24 x 7/16"-fillister head
55/	A, S	357846-S(BB85)	1	Screw (plate to upper valve body)-No. 10-24 x 3/8"-flat head
51/	A, S, P/I	34803-S7(X60)	AR	Lockwasher-No. 10
59/	A(6 & 8 cyl. 223, 292, 332)	B9AP 7A011-A	1	OIL SEAL - TRANSMISSION OUTPUT SHAFT Rubber 1" I. D. -.84" long-(4) ribs on O. D. - cast iron or sintered metal
59/	A(6 & 8 cyl. 223, 292, 332, 352-2/B carb.)	372401-S(QQ68)	1	Snap ring (oil seal retaining)-1 1/16"-1.007" free I. D. - .036" thickness
58/	A(8 cyl. 352-4/B carb.)	B8AZ 7A011-A	1	Rubber-1.185" I. D. -1 1/4" long-(5) ribs on O. D.
58/	A, P/I(8 cyl. 352 4/B carb. 390)	372292-S(QQ69)	1	Ring (oil seal retaining)-1 1/4"
51/54	A	1P 7015-B	1	SHAFT ASSY. - TRANSMISSION INPUT - 7 3/4" long-54 teeth-17 splines
55/57	A(exc. 8 cyl. 312 S/W, S/C & dual 4/B carb.)	B9T 7015-A	1	7 21/32" long-54 teeth-17 splines
58/59	A(6 & 8 cyl. 223, 292) "Before 12/1/58"		1	
56/57 55/57	S/W(8 cyl. 312) S	C0AP 7015-B	1 1	7 3/4" long-54 teeth-29 splines
57	A(8 cyl. 312 S/C, dual 4/B carb.)		1	
58/	A(8 cyl. 352-4/B carb.)		1	
58/	A(8 cyl. 332)	C0AP 7015-A	1	7 21/32" long-54 teeth-29 splines
59/	A(6 & 8 cyl. 223, 292) "From 12/1/58"		1	

YEAR	MODEL	PART NUMBER	QUANTITY PER TRANS- MISSION	PART NAME AND DESCRIPTION
51/54	A	1P 7019-A	1	WASHER - INPUT SHAFT THRUST - 2 3/16" O. D. -25/64" I. D. -8 oil grooves-bronze
55/57	A(exc. 8 cyl. 312 S/W, S/C & dual 4/B carb.)	B5A 7019-A	1	2.38" O. D. -1.39" I. D. -4 oil grooves on each side
58/	A(6 & 8 cyl. 223, 292) "Before 6/1/59"		1	
56/57	S/W(8 cyl. 312)	B5S 7019-A	1	2 25/32" O. D. -1 25/64" I. D. -4 oil grooves on each side
55/57	S		1	
57	A(8 cyl. 312 S/C, dual 4/B carb.)		1	
58/	A(8 cyl. 332, 352)		1	
59/	A(6 & 8 cyl. 223, 292) "From 6/1/59"		1	
53/54	A	B3AZ 7A020-A	1	INDICATOR - TRANSMISSION OIL LEVEL - 27 9/32" overall length
55/58	A	B5AZ 7A020-A	1	27 5/8" overall length
55/57	S		1	
51/54	A	B1A 7025-A	1	BUSHING - TRANSMISSION CASE - Front - 1.5040"/1.5055" O. D. -.070" wall thickness-.75" long- split-used for reconditioners only
56/57	A(8 cyl. exc. 312 S/W, S/C & dual 4/B carb.)		±1	
58/	A(6 & 8 cyl. 223, 292, 332)		1	
51/55	A, S	B1A 7025-B	1	Front-1.5040"/1.5055" O. D. -.0618" wall thickness- .75" long-split-±bushing is restricted for use on trans. after serial No. 4-79870 & 1-70914-for dealer installation
56/57	A(8 cyl. except 312 S/W)		1	
58/	A(6 & 8 cyl. 223, 292, 332)		1	
57	A(8 cyl. 312 S/C)	B5A 7025-A	1	
58/	A(8 cyl. 352-4/B carb.)		1	
55/57	S		1	
56/57	S/W(8 cyl. 312)		1	
55/	A, S	C0AZ 7B025-B	1	KIT - OIL PRESSURE REGULATOR VALVE SPRING and RETAINER
	Consists of the following			
	1-B9AP 7A270-C Spring-#Red no stripes			1-B5A 77462-A Retainer-#none
56	A(8 cyl. 312)	*B6AZ 7A030-A	1	TUBE ASSY. - TRANSMISSION OIL COOLER - OIL INLET- Approx. 58.88" developed length
56	A(8 cyl. 272, 292)	*B6AZ 7A030-B	1	Approx. 52.88" developed length
56	A(exc. S/W-8 cyl. 292, 312- with A/C)	*B6AZ 7A030-D	1	Approx. 56 1/2" developed length
56	S/W(8 cyl. 312-with A/C)	*B6AZ 7A030-C	1	Approx. 61 1/2" developed length
56/57	S	*B6AZ 7A030-E	1	Approx. 51" developed length
57	A(6 cyl. 223)	*B7AZ 7A030-A	1	Approx. 58 1/4" developed length
57/58	A(8 cyl. 272, 292, 312)	*B7AZ 7A030-B	1	Approx. 55 1/2" developed length
57	A(8 cyl.)	*B7AZ 7A030-C	1	Approx. 59" developed length
58	A(8 cyl. 332)	*B8AZ 7A030-A	1	Approx. 56.88" developed length
58	A(8 cyl. 352)	*B8AZ 7A030-D	1	Approx. 59 1/2" developed length
59	A(8 cyl. 292, 332)	*4146164	1	Approx. 56 1/2" developed length
59	A(8 cyl. 292, 332)	*B9AZ 7A030-B	1	Approx. 63" developed length
59	A(8 cyl. 352)	*4146165	1	Approx. 59 1/8" developed length
59	A(8 cyl. 352)	*B9AZ 7A030-C	1	Approx. 65 5/8" developed length
59/	A	370717-S100(GG86)	1	Clip (oil cooler tubes to engine)
56/58	A, S(8 cyl.)	359280-S100(GG176)	1	Clip (inlet & outlet tubes to oil pan)
56/	A, S(8 cyl.)	20314-S8(B98)	1	Bolt (clip to oil pan)-7/16"-14 x 1/2"-hex. head
56/	A, S(8 cyl.)	34808-S8(X87)	1	Lockwasher-7/16"
59	A, S(8 cyl. 332, 352)	*20352-S8	1	Bolt (clip to engine)-1/2"-13 x 3/4"
		34809-S(X68)	1	Lockwasher-1/2"
56/	A(8 cyl. 272, 292, 332)	359058-S(II-77)	1	Connector (inlet tube to transmission)
56/58	A, S(8 cyl. 312, 332, 352)	359324-S8(II-79)	1	Connector (inlet to transmission)
56	A, S	87213-S(I-47)	AR	Fitting (inlet & outlet tubes union)-1/2"-20 x 25/32"-hex. brass
56/	A, S	87944-S8(I-22)	1	Fitting-5/16" tube nut-1/2"-20 external threads-
56/	A, S	359281-S8(MMI12)	1	Fitting (oil cooler oil inlet tube)

\* Replaced by 8C 2269-A bulk tubing & (1) each 87944-S8 & 359281-S8 fittings

# Production Identification Marking

± Used with Steel Converter Impeller

YEAR	MODEL	PART NUMBER	QUANTITY PER TRANS- MISSION	PART NAME AND DESCRIPTION
56	A	*B6AZ 7A031-A	1	TUBE ASSY. - TRANSMISSION OIL COOLER - OIL OUTLET - Approx. 54 1/4" developed length
56	A	*B6AZ 7A031-B	1	Approx. 53 11/16" developed length
56	A(with A/C)	*B6AZ 7A031-C	1	Approx. 54 23/32" developed length
56/57	S	*B6AZ 7A031-D	1	Approx. 59" developed length
57	A(6 cyl. 223)	*B7AZ 7A031-A	1	Approx. 52" developed length
57/58	A(8 cyl. 272, 292, 312)	*B7AZ 7A031-B	1	Approx. 50" developed length
58	A(8 cyl. 332, 352)	*B8AZ 7A031-A	1	Approx. 51 1/4" developed length
59	A(8 cyl. 292, 332, 352)	*B9AZ 7A031-A	1	Approx. 51.82" developed length
59	A(8 cyl.)	*4146160	1	Approx. 50.88" developed length
59	A	370717-S100(GG86)	1	Clip (oil cooler tubes to engine)
56/	A, S	87944-S8(I-22)	1	Fitting-5/16" tube nut-1/2"-20 external threads-
59	A	359281-S8(MM112)	1	Fitting (oil cooler oil outlet tube)
56/	A, S(8 cyl.)	359279-S(II-32)	1	Connector (outlet tube to radiator)
56/	A(8 cyl. 272, 292, 332)	359058-S(II-77)	1	Connector (outlet tube to transmission)
56/	A(8 cyl. 312, 332, 352)	359324-S8(II-79)	1	Connector (outlet tube to transmission)
51/57	A(exc. 8 cyl. 312 S/W, S/C & dual 4/B carb. )	B3TZ 7A034-A	1	BUSHING - EXTENSION - HOUSING - 1 1/2" I. D. - 1 5/8" O. D. - 1 1/2" long-split
55/57	S		1	
58/	A(6 & 8 cyl. 223, 292, 332)		1	
56/57	S/W(8 cyl. 312)	B5AZ 7A034-A	1	1.82" O. D. -.062" wall thickness-2.12" split
57	A(8 cyl. 312 S/C, dual 4/B carb. )		1	
52/56	A(exc. 8 cyl. 312 S/W), S	B2AZ 7A039-C	1	HOUSING - TRANSMISSION EXTENSION - Aluminum- 16 35/64" overall length
56	S/W(8 cyl. 312)	B5AZ 7A039-B	1	Aluminum-19 19/64" overall length
57	S/W(8 cy. 312)	B7AZ 7A039-A	1	19 25/64" overall length
57	A(8 cyl. 312 S/C, dual 4/B carb. )		1	
57	A(exc. 8 cyl. 312 S/W, S/C & dual 4/B carb. ), S	C2AZ 7A039-B	1	
58/	A(6 & 8 cyl. 223, 292, 332)		1	
58/	A(8 cyl. 352-4/B carb. )	C1AP 7A039-B	1	
51/56	A, S	356684-S8(BB169)	1	Bolt (housing to trans. case)-3/8"-16 x 3 3/4"-hex. head
58/	A(8 cyl. 352-4/B carb. )		1	
57	A, S	356682-S8(BB170)	1	Bolt (housing to trans. case)-3/8"-16 x 4 1/4"-hex. head
57/	A(6 & 8 cyl. 223, 292, 332)		1	
51/56	A, S	44727-S8(X24)	1	Washer-flat-3/8"
58/	A(8 cyl. 352)		1	
51/	A, S, P/I	359266-S8(BB157)	4	Bolt (housing to trans. case)-3/8"-16 x 1 1/4"
51/	A, S, P/I	351487-S(XX291)	5or6	Lockwasher-external tooth-3/8"
		34847-S8(X74)		Lockwasher-3/8"
51/57	A(6 & 8 cyl. 215, 223, 239, 272-except "Special")	B1AZ 7C050-A	1	OIL SEAL - FRONT BAND SERVO PISTON GUIDE - Rubber-2 13/32" O. D. - 1 29/32" x 1 1/16" thick
57	A(8 cyl. 312-except S/W, S/C & dual 4/B carb. )		1	
58/	A(6 & 8 cyl. 223, 332)		1	
55/56	A(8 cyl. 272 "Special")	B5AZ 7C050-B	1	Rubber-2.30" O. D. - 1.80" I. D. -.065" thick
56/	A(8 cyl. 292)		1	
56	A(8 cyl. 312-except S/W)		1	
55	S	B5AZ 7C050-A	1	Rubber-2 17/64" O. D. - 1 49/64" x 1/16" thick
56/57	S/W(8 cyl. 312), S	C1AP 7C050-A	1	Rubber-2.53" O. D. - 2.03" I. D. -.065" thick
57	A(8 cyl. 312 S/C, dual 4/B carb. )		1	
58/	A(8 cyl. 352-4/B carb. )		1	
51/	A, S	C1AP 7C051-A	1	OIL SEAL - REAR CLUTCH PISTON - OUTER - Rubber-5.28" O. D. - 4.7" I. D. -.12" thick

\* Replaced by 8C 2269-A bulk tubing & (1) each 87944-S8, 359281-S8 fittings

YEAR	MODEL	PART NUMBER	QUANTITY PER TRANS- MISSION	PART NAME AND DESCRIPTION
56/57 57 58/	S/W(8 cyl. 312) A(8 cyl. 312 S/C, dual 4/B carb.) A(8 cyl. 352)	C1AP 7052-B	1 1 1	OIL SEAL - TRANSMISSION EXTENSION HOUSING - 2.75" flange O. D. -for 1.68" shaft-1.93" width
51/57 58/	A(exc. 8 cyl. 312 S/W, S/C & dual 4/B carb. ), S A(6 & 8 cyl. 223, 292, 332, 352)	C2AZ 7052-A	1 1	2.64" flange O. D. -for 1.49" shaft-1.62" width
51/57 58/	A, S A	B1AZ 7C053-A B8AZ 7C053-A	1 1	GOVERNOR ASSY. - WITH COUNTERWEIGHT
52/54 56/57 57	A S/W(8 cyl. 312) A(8 cyl. 312 S/C, dual 4/B carb.)	B2A 7060-A B5A 7060-A	1 1 1	SHAFT and BUSHING ASSY. - TRANSMISSION OUTPUT -
55/56 57 58/	A(exc. 8 cyl. 312 S/W) A(except 8 cyl. 312 S/W, S/C & dual 4/B carb.) A(6 & 8 cyl. 223, 292, 332)	B5A 7060-B C1AP 7060-A	1 1 1	
58/	A(8 cyl. 352-4/B carb.)	B8A 7060-A	1	18.46" long-72 teeth-31 splines
55/56 57	S S	B5S 7060-A B7S 7060-A	1 1	18.74" long-72 teeth-28 splines-2.88" diameter - .015" depressed front thrust surface
55/	A, S	C1VP 7C062-A	1	SEAT - OIL PRESSURE REGULATOR VALVE SPRING
51/57 58	A, S A	B1AZ 7C063-A B8AZ 7C063-A	1 1	GOVERNOR ASSY. - LESS COUNTERWEIGHT
51/57 58/	A, S A, S, P/I	31128-S(U62) ★31160-S	2 2	Bolt (gov. to counterweight)-1/4"-20 x 1" fillister head Bolt (gov. to counterweight)-1/4"-20 x 1/2" fillister head
51/	A, P/I	34805-S8(X62)	2	Lockwasher-1/4"
51/	A, S, P/I	353351-S(AA9)	1	Ball (governor to output shaft)-1/4" diameter
51/54 55/57 56/57 57 58/	A S S/W(8 cyl. 312) A(8 cyl. 312 S/C, dual 4/B carb.) A(8 cyl. 352-4/B carb.)	B1AZ 7B066-A	1 1 1 1 1	PLATE - FRONT CLUTCH PRESSURE - 54 teeth-.355" overall thickness
55/57 58/	A(except 8 cyl. 312 S/W, S/C & dual 4/B carb.) A(6 & 8 cyl. 223, 292, 332)	B5AZ 7B066-A	1 1	54 teeth-.326" overall thickness-cast iron
51/57 58/	A(except 8 cyl. 312 S/W, S/C & dual 4/B carb.) A(6 & 8 cyl. 223, 292, 332)	B1AZ 7B067-A	1 1	HUB - TRANSMISSION FRONT CLUTCH - 45 external teeth-20 internal teeth-2 slots
55/57 56/57 57 58/	S S/W(8 cyl. 312) A(8 cyl. 312 S/C, dual 4/B carb.) A(8 cyl. 332-4/B carb.)	C1AP 7B067-A	1 1 1 1	45 external teeth-22 internal teeth
51/	A, S	C0AP 7B070-A	1	DISC SPRING - FRONT CLUTCH PISTON - 5.31" O. D. -2 7/8" & 3 15/16" I. D. -7 levers-.073" thick
51/	A, S	1P 7086-A	1	GASKET - TRANSMISSION EXTENSION HOUSING - Extension housing to rear oil pump-.015" thick



YEAR	MODEL	PART NUMBER	QUANTITY PER TRAN- MISSION	PART NAME AND DESCRIPTION
55/56	A(8 cyl. 272 "Special")	B9AP 7A094-B	1	BODY - FRONT BAND SERVO - 2.273" I. D.
56/59	A(8 cyl. 292)		1	
56	A(8 cyl. 312-except S/W)		1	
55	S	B5AZ 7A094-A	1	Without snap ring grooves
51/	A(6 & 8 cyl. 215, 223, 239, 272-except "Special")	B9AZ 7A094-A	1	Includes (1) 353603-S plug, (1) B9TP 77379-A tube and (1) I. S. No. 935
57	A(8 cyl. 312-except S/W, S/C & dual 4/B carb.)		1	
58/	A(8 cyl. 332)		1	
56/57	S/W, S(8 cyl. 312)	C2AZ 7A094-C	1	Includes (1) 353603-S plug
57	A(8 cyl. 312 S/C, dual 4/B carb.)		1	
58/	A(8 cyl. 352)		1	
51/57	A(except 8 cyl. 312 S/W, S/C & dual 4/B carb.)	359266-S8(BB157)	1	Bolt (front band servo to case)-3/8"-16 x 1 1/4"-hex. head
58/	A(6 & 8 cyl. 223, 292, 332)		1	
57	A(8 cyl. 312 S/C, dual 4/B carb.)		2	
58/	A, P/I(8 cyl. 352)		2	
56/57	S/W(8 cyl. 312)		2	
55/	S		2	
55/57	A(except 8 cyl. 312 S/W, S/C & dual 4/B carb.)	34807-S7(X66)	1	Lockwasher-3/8"
58/	A(6 & 8 cyl. 223, 292, 332)		1	
57	A(8 cyl. 312 S/C, dual 4/B carb.)		2	
58	A, P/I(8 cyl. 352)		2	
56/57	S/W(8 cyl. 312)		2	
55/	S		2	
51/54	A	B4AZ 7C096-A		WASHER -- PRIMARY SUN GEAR TO REAR BRAKE DRUM THRUST - REAR -Bronze-1.84" O. D. -1.012" I. D. - .063" thick-4 oil grooves on each side
55/56	S	B6AZ 7C096-B	1	2.253" O. D. -1.12" I. D. -.063" thick-3 flat sides-
56/57	S/W(8 cyl. 312), S		1	3 scallops-3 oil grooves on each side
57	A(8 cyl. -S/C, dual 4/B carb.)		1	
58	A(8 cyl. 352)		1	
55/56	A(6 & 8 cyl. 223, 272)	B6AZ 7C096-A	1	2.14" O. D. -1.012" I. D. -.063" thick-3 scallops-
56	A(8 cyl. 292, 312-exc. S/W)		1	3 oil grooves each side
57	A(except 8 cyl. 312 S/W, S/C & dual 4/B carb.)		1	
58/	A(6 cyl. 223)		1	
58/	A(8 cyl. 292)		1	
58	"Before 12/1/58" A(8 cyl. 332)		1	
59/	A(8 cyl. 332, 352)	B8TZ 7C096-A	1	1.927" O. D. -1.26" I. D. (38 rollers)
59/	A(8 cyl. 292)		1	
58	"From 12/1/58" A(8 cyl. 332)		1	
57	A(8 cyl. 312 S/C, dual 4/B carb.)	B9MP 7A098-B	1	SCREEN ASSY. - OIL PAN
55/57	S(8 cyl. 292, 312)		1	
56/57	S/W(8 cyl. 312)		1	
58/	A(8 cyl. 352-4/B carb.)		1	
51/	A(6 & 8 cyl. 223, 272, 292, 332)	B9AP 7A098-B	1	
57	A, S(8 cyl. 312 S/C, dual 4/B carb.)	B7AZ 7C098-A	1	OIL SEAL - FRONT BAND SERVO RELEASE PISTON - Also Refer to Group 7A294- Rubber-1.146" I. D. -.143" diameter thickness-"O" ring type
58	A(8 cyl. 332-4/B carb.)		1	
58/	A(8 cyl. 352-4/B carb.)	B8SZ 7C098-A	1	Rubber-1.451" I. D. -.143" diam. thickness-"O" ring type

YEAR	MODEL	PART NUMBER	QUANTITY PER TRANS- MISSION	PART NAME AND DESCRIPTION
51/57	A(except 8 cyl. 312 S/W, S/C & dual 4/B carb.)	C1AZ 7C099-A	1	OIL SEAL - REAR CLUTCH PISTON - INNER - Rubber - 1.427" I. D. -.143" diameter thickness-"O" ring type
58/	A(6 & 8 cyl. 223,292,332)		1	
55/57	S	C1AZ 7C099-B	1	Rubber-1.619" I. D. -.143" diam. thickness-"O" ring type
56/57	S/W(8 cyl. 312)		1	
57	A(8 cyl. 312 S/C, dual 4/B carb.)		1	
58/	A(8 cyl. 352-4/B carb.)		1	
55/57	S	C1AZ 7C099-A	1	OIL SEAL - FRONT CLUTCH PISTON - Rubber- 1.427" I. D. -.143" diameter thickness-"O" ring type
56/57	S/W(8 cyl. 312)		1	
57	A(8 cyl. 312 S/C, dual 4/B carb.)		1	
58/	A(8 cyl. 352-4/B carb.)		1	
		7C099-A		OIL SEAL - FRONT CLUTCH CYLINDER- Refer to Group 7C328
51/54	A	B1AZ 7A100-A	1	CONTROL ASSY. - TRANSMISSION MAIN
55	A, S	B5AZ 7A100-A	1	
56/57	A, S(8 cyl. 312)	B7AZ 7A100-B	1	
56/57	A(6 & 8 cyl. 223, 272, 292)	B7AZ 7A100-A	1	
58/	A(6 & 8 cyl. 223, 292, 332)	B8AZ 7A100-A	1	
58/	A(8 cyl. 352)	B8AZ 7A100-D	1	
51/54	A	87708-S(P14)	1	Plug (main control)-1/8"-27 - pipe-headless socket
51/54	A	87837-S(P15)	1	Plug (main control)-1/4"-18 x 27/64"-pipe-headless socket
51/	A, S, P/I	357913-S(BB127)	3	Bolt (control to trans. case)-1/4"-20 x 1 5/8"
58/	A, S, P/I	45518-S7-8(B44)	4	Bolt (upper body to lower body)-1/4"-20 x 1 1/2"
51/57	A, S	358511-S(BB555)	4	Screw & lockwasher (control lower cover)-1/4" -20x2 1/2"
51/54	A, S	356746-S(BB13)	3	Screw (control lower cover)-No. 10-24 x 3/4"
55/	A, S		2	
56/	‡A, †S(8 cyl.)	357910-S(BB614)	1	Screw (control lower cover)-No. 10-24x5/8"-pan head
56/	A(6 cyl. 223)		1	
58/	A, S, P/I	357918-S(BB624)	1	Screw & lockwasher assy. (lower cover to body)- No. 10-24 x 5/8"-pan head
55/57	A, S	358509-S(BB9)	4	Screw (side plate to body)-No. 10-24x7/16"-fillister head
58/	A, S	357918-S(BB624)	1	Screw & lockwasher assy. (end plate to lower body)- No. 10-24 x 5/8"-pan head
51/	A, S	34803-S7(X60)	7	Lockwasher-No. 10
55/57	S	C3AZ 7A103-C	1	PUMP ASSY. - TRANSMISSION OIL - FRONT
56/57	S/W(8 cyl. 312)		1	
57/	A-S/C, dual 4/B carb., S (8 cyl. 312)		1	
58/	A(8 cyl. 332, 352)		1	
59/	A(6 & 8 cyl. 223, 292)		1	
51/57	A(6 & 8 cyl. -except 312 S/W, S/C & dual 4/B carb.)	B1AZ 7A103-A	1	
58/	A(6 & 8 cyl. 223, 292)		1	
51/57	A(except 8 cyl. 312 S/W, S/C & dual 4/B carb.)	B1AZ 7A108-B	1	SUPPORT ASSY. - CONVERTER STATOR
58/59	A(6 & 8 cyl. 223, 292) "Before 12/1/58"		1	
55/57	S	B5AZ 7A108-A	1	Bushing I. D. -.9385
56/57	S/W(8 cyl. 312)		1	
57	A(8 cyl. 312 S/C, dual 4/B carb.)		1	
59	A(6 & 8 cyl. 223, 292) "From 12/1/58"		1	
58/	A(8 cyl. 332, 352)		1	
51/	A, S	356745-S(BB86)	2	Screw (support to front oil pump)-No. 10-24 x 3/4" -flat head
51/58	A, S	34803-S7(X60)	2	Lockwasher-No. 10

‡ Used with steel converter impeller

YEAR	MODEL	PART NUMBER	QUANTITY PER TRANS- MISSION	PART NAME AND DESCRIPTION
52/53	A	B3AZ 7A110-A	1	INDICATOR - TRANSMISSION CONTROL SELECTOR - .94" O. D. -.759" I. D. -1.76" length
54	A	B4AZ 7A110-A	1	.759" I. D. -1.81" length-chrome tip
52/53	A	352490-S2(XX372)	1	Washer-spring (trans. control selector indicator spacer)
54	A	353573-S7(XX356)	1	Washer-spring (trans. control selector indicator to column)
56	A(except Sunliner & Victoria)	B6AZ 7A110-A	1	Fire Orange-2.86" length
55	A	B5AZ 7A110-A	1	Fire Orange-approx. 2 1/4" length
56	Sunliner & Victoria	★ B6AZ 7A110-B	1	Fire Orange-3.24" length
57	A	B7AZ 7A110-A	1	Fire Orange-2.49" length
58/	A	B8AZ 7A110-A	1	Fire Orange-2.19/32" length
55/	A	354167-S2(XX330)	1	Washer-concave (indicator to steering column)-.22" I. D.
55/57	A	26457-S7(U167)	1	Screw (indicator to tube)-No. 8-32 x 1/4"-round head
55/	A	★41580-S8	1	Screw (indicator to tube)-No. 10-32 x 5/8"-pan head self tapping
55/57	S	B5SZ 7A110-A	1	Chrome-approx. 1 13/32" length
			1	Screw-(selector lever)-No. 10-40 x 3/16" pan head
51/58	A, S	B8AZ 7A115-B	1	LEVER ASSY. - MANUAL CONTROL VALVE DETENT -
59	A(6 & 8 cyl. 223, 292, 332, 352)		1	#116 stamped on lever
55/59	A, S	B1AZ 7A117-A	1	LEVER ASSY. - PARKING PAWL TOGGLE OPERATING
51/54	A	B1A 7120-A	1	BUSHING - TRANSMISSION INPUT SHAFT-
56	‡A(8 cyl. -except 312 S/W)		1	Split-1.0045" O. D. -.75" long-.0625" wall thickness
57	A(except 8 cyl. 312 S/W, S/C & dual 4/B carb.)		1	
56/	A(6 cyl. 223)		1	
59	A(8 cyl. 292, 332)		1	
57	A(8 cyl. 312, S/C)	B5A 7120-B	1	
58/	A, S(8 cyl. 352-4/B carb.)		1	
55/57	S		1	
56/57	S/W(8 cyl. 312)		1	
51/	A, S,	B1AZ 7A121-A	1	LEVER - PARKING PAWL TOGGLE
51/	A, S	B1AZ 7C122-A	AR	SNAP RING - OUTPUT SHAFT RING GEAR RETAINER - .054"/.056" thickness-5 13/32" O. D. -1" gap
51/	A, S	B1AZ 7C122-B	AR	.056"/.058" thickness-5 13/32" O. D. -1" gap
51/	A, S	B1AZ 7C122-C	AR	.058"/.060" thickness-5 13/32" O. D. -1" gap
51/	A, S	B1AZ 7C122-D	AR	.063"/.065" thickness-5 13/32" O. D. -1" gap
51/	A, S	B1AZ 7C122-E	AR	.068"/.070" thickness-5 13/32" O. D. -1" gap
55/	A, S	B5AZ 7A127-A	1	VALVE - MAIN CONTROL REAR PUMP CHECK - .557" & .344" O. D. -20" overall thickness
51/	A, S	B1AZ 7A128-A	1	SPRING - MAIN CONTROL REAR PUMP CHECK VALVE - 1/2" maximum O. D. -1" overall length-5 1/2 coils- conical shaped
55/	A, S	B5AZ 7A129-A	1	SEAT - MAIN CONTROL REAR PUMP CHECK VALVE - .572" O. D. -.44" I. D. -9/32" long
51/57	A(exc. 8 cyl. 312 S/W, S/C & dual 4/B carb.)	B1AZ 7A130-A	1	SUPPORT ASSY. - PLANETARY GEARS - Bushing width 5/8"
55/57	S		1	
56/57	S/W(8 cyl. 312)		1	
57	A(8 cyl. 312 S/C, dual 4/B carburetor)		1	
58/	A		1	
51/57	A	B1AZ 7A132-A	1	BUSHING - PLANETARY GEARS SUPPORT ASSY. - 3.1815" I. D. -3.374" O. D. -.625 width
55/57	S		1	
56/57	S/W(8 cyl. 312)		1	
57	A(8 cyl. 312 S/C, dual 4/B carburetor)		1	
58/	A		1	

‡ Used with Steel Converter Impeller

YEAR	MODEL	PART NUMBER	QUANTITY PER TRANS- MISSION	PART NAME AND DESCRIPTION
55/57	S	B5SZ 7A133-A	1	BUSHING - TRANSMISSION REAR SHIFT LEVER - 1.48" long-split
51/	A, S	B1AZ 7A136-A	1	GASKET - FRONT OIL PUMP TO CASE - 5 29/32" O. D. - 5 17/32" I. D. - 1/8" thick-cork & rubber combination
55	A(6 cyl. 223)	B5AZ 7A139-A	1	REGULATOR - OIL PRESSURE
55	A(8 cyl. 272), S	COAP 7A139-D	1	Includes (1) 353603-S cup
56/	A(6 cyl. 223)		1	
56	ΔA(8 cyl. 272, 292)	B6AZ 7A139-A	1	
56	A(8 cyl. 272, 292, 332)	B9TP 7A139-B	1	
56/57	A(8 cyl. 312), S	★COMP 7A139-B	1	Replaced by C2AZ 7A139-A(10-63)
56/57	A(8 cyl. 312), S	C2AZ 7A139-A	1	Includes (1) 353603-S cup
58/	A(8 cyl. 352)		1	
56	ΔS	B6AZ 7A139-B	1	
51/	A, S, P/I	357235-S(BB136)	2	Bolt (regulator to case)-5/16"-18x7/8"
51/	A, S, P/I	34806-S7(X64)	2	Lockwasher-5/16"
55/56	ΔA(8 cyl. 272, 292), ΔS	B5AZ 7A141-A	1	COVER - OIL PRESSURE REGULATOR BODY
57/	A(6 cyl. 223)		1	
56/	A, S(8 cyl.)	B9AP 7A141-A	1	
55/	A, S, P/I	356746-S(BB13)	8	Screw (cover to body) No. 10-24 x 3/4"-fillister head
55/	A, S, P/I	34803-S7(X60)	8	Lockwasher-No. 10
51/54	A	B1AZ 7A142-A	1	PLATE ASSY. -OIL PRESSURE REGULATOR BODY SEPARATING
55/	A, S	B9AP 7A142-A	1	
51	A, S	C2AZ 7A149-A	1	PUMP ASSY. - TRANSMISSION OIL - REAR Includes (1) each C2AZ 7B368-A Washer, C2AZ 7B387-A Race
51/	A, S, P/I	74144-S(L4)	1	Key-woodruff (rear oil pump to output shaft)-5/8" x 1/8"
51/	A, S	B1AZ 7A152-A	1	COVER - REAR OIL PUMP
51/	A, S, P/I	★ 38228-S2	5	Bolt(cover to body)-1/4"-20x5/8"-pan head
51/	A, S, P/I	34905-S7(X97)	5	Lockwasher-1/4"
51/	A, S, P/I	357910-S(BB614)	1	Screw(cover to body)-No. 10-24 x 5/8"
51/	A, S, P/I	34803-S7(X60)	1	Lockwasher-No. 10
51/57	A(6 & 8 cyl. 223, 239, 272- except "Special")	B1AZ 7153-A	1	KIT - TRANSMISSION GASKET & OIL SEAL

Consists of the following

## OIL SEALS

1-B1AZ 7C050-A	1-B1AZ 7C328-A	1-1P 77513-A
2-C20Z 7C169-A	1-B1AZ 7A548-A	2-1P 77542-A
1-B5AZ 7A248-A	1-B6AZ 7A548-A	2-1P 77543-B
1-B1AZ 7A294-A	2-1P 77265-B	1-1P 77868-A
1-B1AZ 7A294-B	1-B5A 77288-A	1-1P 77873-A
1-B9AZ 7A294-D	1-1P 77512-A	4-1P 77883-A

## GASKETS

1-1P 7086-A
1-B1AZ 7A136-A
1-B5AZ 7A191-A
1-B1AZ 7A222-A
1-B1AZ 7B391-A
1-C1VP 7B391-B

58	A(6 & 8 Cyl. 223, 292, 332)	B8AZ 7153-C	1	
----	-----------------------------	-------------	---	--

Consists of the following

## OIL SEALS

1-B1AZ 7C050-A	1-B5AZ 7A294-B	1-B6AZ 7A548-A
1-B5AZ 7C050-B	1-B5AZ 7A294-C	1-B9A 77357-A
1-C1AP 7C051-A	1-B6AZ 7A294-A	1-B9A 77357-B
1-B7AZ 7C098-A	1-B8AZ 7A294-A	1-B9A 77357-C
1-B8SZ 7C098-A	1-B8AZ 7A294-B	2-1P 77542-A
1-C1AZ 7C099-A	1-B9AZ 7A294-D	2-1P 77543-B
2-C0AZ 7C169-A	1-B1AZ 7C328-A	1-1P 77868-A
1-C3AZ 7A248-A	1-B1AZ 7C329-A	4-1P 77883-A
1-B1AZ 7A294-A	1-B5A 77288-A	1-372984-S
1-B1AZ 7A294-B		

## GASKETS

1-1P 7086-A
1-B1AZ 7A136-A
1-B5AZ 7A191-A
1-B1AZ 7A222-A
1-C1VP 7B391-B
1-1P 77265-B

YEAR	MODEL	PART NUMBER	QUANTITY PER TRANS- MISSION	PART NAME AND DESCRIPTION
56/57	A(8 cyl. 292)	B6AZ 7153-A	1	KIT - TRANSMISSION GASKET & OIL SEAL - continued
56/57	A(8 cyl. 312-4/B carb. - except S/W)		1	

Consists of the following

OIL SEALS				GASKETS	
1-B5AZ 7050-B	1-B5AZ 7A294-B	1-B1AZ 7A548-A	1-1P	7086	
1-C1AZ 7C099-A	1-B5AZ 7A294-C	1-B6AZ 7A548-A	1-B1AZ	7A136-A	
1-C1AP 7C051-A	1-B6AZ 7A294-A	1-1P 77265-B	1-B5AZ	7A191-A	
2-B5SZ 7C169-A	1-B9AZ 7A294-D	2-1P 77542-A	1-B1AZ	7A222-A	
2-C0AZ 7C169-A	1-B1AZ 7C328-A	2-1P 77543-B	1-C1VP	7B391-B	
1-B5AZ 7A248-A	1-B1AZ 7C329-A	1-1P 77868-A			
1-B1AZ 7A294-A	1-B5A 77288-A	4-1P 77883-A			

55	S	B5SZ 7153-A	1	
----	---	-------------	---	--

Consists of the following

OIL SEALS				GASKETS	
1-B5AZ 7C050-A	1-B1AZ 7A294-A	1-B1AZ 7A548-A	1-1P	7086-A	
1-C1AP 7C051-A	1-B5AZ 7A294-A	1-1P 77265-B	1-B1AZ	7A136-A	
1-C1AZ 7C099-B	1-B5AZ 7A294-D	2-B5S 77542-A	1-B5SZ	7A191-A	
2-B5SZ 7C169-A	1-B1AZ 7C329-A	1-1P 77868-A	1-B1AZ	7A222-A	
1-B5AZ 7A248-A	2-C1VP 7B498-A	4-1P 77883-A	1-C1VP	7B391-B	

56	S	B7AZ 7153-B	1	
56/57	S/W, S(8 cyl. 312-4/B carb.)		1	

Consists of the following

OIL SEALS				GASKETS	
1-C1AP 7C050-A	1-B1AZ 7A294-A	1-B1AZ 7A548-A	1-1P	7086-A	
1-C1AP 7C051-A	1-B6SZ 7A294-A	1-1P 77265-B	1-B1AZ	7A136-A	
1-C1AZ 7C099-A	1-B6SZ 7A294-B	2-B5S 77542-A	1-B5SZ	7A191-A	
1-C1AZ 7C099-B	1-B1AZ 7C329-A	2-1P 77543-B	1-C1VP	7B391-B	
2-B5SZ 7C169-A	1-C1VP 7B498-A or	1-1P 77868-A	1-B1AZ	7A222-A	
1-B5AZ 7A248-A	1-B5A 77288-A	4-1P 77883-A			

58/	S/W(8 cyl. 292, 352)	B8AZ 7153-B	1	
56	S/W(8 cyl. 312 4/B carb.)		1	

Consists of the following

OIL SEALS				GASKETS	
1-B8SZ 7C098-A	1-1P 77265-B	1-1P 77512-A	1-1P	7086-A	
2-B5SZ 7C169-A	1-B5A 77288-A	1-B5A 77512-A	1-B1AZ	7A136-A	
1-C3AZ 7A248-A	1-B9A 77357-B	1-1P 77513-A	1-B5SZ	7A191-A	
1-B1AZ 7A294-A	1-B9A 77357-C	2-B5S 77542-A	1-B1AZ	7A222-A	
1-B6SZ 7A294-A	1-B7A 77361-A	2-1P 77543-B	1-C1VP	7B391-B	
1-B6SZ 7A294-B	1-B6S 77365-A	1-1P 77868-A			
1-B1AZ 7A548-A	1-B8S 77414-A	1-1P 77873-A			
1-B6AZ 7A548-A	1-B8A 77497-A	4-1P 77883-A			

55/	A, S	C1SP 7A153-A	1	GEAR - TRANSMISSION OUTPUT SHAFT RING - 72 internal teeth-39 external teeth-6" O. D. -1 39/64" long
51/	A, S	B1AZ 7A158-A	1	STRUT - FRONT BAND ACTUATING
51/	A, S	B1AZ 7A160-A	1	TUBE - REAR OIL PUMP INLET- 5 1/16" long-9/16" O. D.

YEAR	MODEL	PART NUMBER	QUANTITY PER TRANS- MISSION	PART NAME AND DESCRIPTION
51/54	A	B1AZ 7A162-A	1	BAND ASSY. - FRONT- 1 1/4" wide
55/57	A(6 & 8 cyl. 223, 272, 292)	C2AZ 7A162-A	1	
55/	S		1	
56/57	S/W(8 cyl. 312)		1	
57	A(8 cyl. 312 S/C, dual 4/B carb. )		1	
58/	A(8 cyl. 352-4/B carb.)		1	
56/57	A(8 cyl. 312 exc. S/W, S/C & dual 4/B carburetor)	C2AZ 7A162-D	1	
58/	A(8 cyl. 332)		1	
56/57	S/W(8 cyl. 312). S	B6SZ 7A163-A	1	PIN - FRONT BAND SERVO PISTON GUIDE
57	A(8 cyl. S/C, dual 4/B carb. )		1	
58/	A(8 cyl. 332, 352)		1	
51/57	A(6 & 8 cyl. 215, 223, 239, 272 except "Special")	B1AZ 7A164-A	1	PISTON & PIN ASSY. - FRONT BAND SERVO
58/	A(6 cyl. 223)		1	
55/56	A(8 cyl. 272 "Special")	B5AZ 7A164-B	1	
56	A(8 cyl. 292- with 2/B carb.)		1	
57/	A(8 cyl. 292)		1	
56	A(8 cyl. 292- exc. 2/B carb.)	B6AZ 7A164-A	1	
56	A(8 cyl. 312- except S/W)		1	
57	A(8 cyl. 312- exc. S/W, S/C & dual 4/B carburetor)	B7AZ 7A164-A	1	
55	S	B5AZ 7A164-A	1	
51/54	A	B5AZ 7B164-A	3	PLATE ASSY. - TRANSMISSION CLUTCH - Front clutch
55/	A, S(6 & 8 cyl. 223, 272, 292, 312, 332, 352)		4	driven-internal spline-45 teeth-two teeth partially removed for identification on plates with spiral groove facings-full teeth on plates with radial groove facings
56/57	A(8 cyl. 312- exc. S/W, S/C & dual 4/B carb. )	B6AZ 7B164-A	4	Rear clutch drive-internal spline-45 teeth
58/	A(8 cyl. 352)		6	
51/57	A(except 8 cyl. 312)		4	
55	S		4	
58/	A(6 & 8 cyl. 223, 292)		4	
56/57	S/W(8 cyl. 312), S		5	
57	A(8 cyl. 312 S/C, dual 4/B carb. )		5	
58/	A(8 cyl. 332)		5	
51/	A, S	B7AZ 7A165-A	1	SHAFT - FRONT BAND SERVO ACTUATING LEVER - 1.68" long-.431" & .433" O.D. -3 grooves one end
51/57	A(exc. 8 cyl. 312 S/W, S/C & dual 4/B carb. )	B1AZ 7A166-A	1	WASHER - SECONDARY SUN GEAR THRUST - OUTER - 2 5/16" O.D. -1 33/64" I.D. -1/16" thick-4 oil grooves each side-bronze
58/	A(6 & 8 cyl. 223, 292, 332)		1	
55/57	S	B5SZ 7A166-A	1	2 35/64" O.D. -1 45/64" I.D. - 1/16" thick-4 oil grooves each side-bronze
56/57	S/W(8 cyl. 312)		1	
57	A(8 cyl. 312 S/C, dual 4/B carb. )		1	
58/	A(8 cyl. 352-4/B carb. )		1	
51/	A	B8AZ 7A168-B	1	SLEEVE - TRANSMISSION CLUTCH and GOVERNOR OIL DISTRIBUTOR
55/57	S		1	
51/54	A	B1AZ 7A169-A	1	LEVER - REAR BAND SERVO ACTUATING
55/57	A(exc. 8 cyl. 312 S/W, S/C & dual 4/B carburetor)	B5AZ 7A169-B	1	
58/	A(6 & 8 cyl. 223, 292, 332)		1	
55/57	S	B5AZ 7A169-A	1	
56/57	S/W(8 cyl. 312)		1	
57	A(8 cyl. 312 S/C, dual 4/B carb. )		1	
58/	A(8 cyl. 352-4/B carb. )		1	

YEAR	MODEL	PART NUMBER	QUANTITY PER TRANS- MISSION	PART NAME AND DESCRIPTION
51/57	A(exc. 8 cyl. 312 S/W, S/C & dual 4/B carb.)	C0AZ 7C169-A	2	OIL SEAL - CLUTCH -Cast iron 1 1/8" O. D. - 3/32" thick
58/	A(6 & 8 cyl. 223, 292, 332)		2	
55/57	S	B5SZ 7C169-A	2	Cast iron-1 1/4" O. D. - 3/32" thick
56/57	S/W(8 cyl. 312)		1	
57	A(8 cyl. 312 S/C, dual 4/B carb.)		2	
58/	A, S(8 cyl. 352-4/B carb.)		2	
51/	A, S	B8AZ 7A170-A	1	TUBE - TRANSMISSION CLUTCH and GOVERNOR OIL - INTERMEDIATE
51/54	A	B1AZ 7A171-A	1	SHAFT - REAR BAND SERVO ACTUATING LEVER 1 15/16" long - .493" O. D.
55/59	A, S	B8AZ 7A171-A	1	
51/	A, S	C1AZ 7A172-A	1	STRUT - REAR BAND ACTUATING - 29/32" wide-1 7/64" long x 11/64" thick
51/54	A	B4AZ 7B172-A	1	BODY - REAR BAND SERVO - Aluminum
55/57	A(exc. 8 cyl. 312 S/W, S/C & dual 4/B carburetor)	B5AZ 7B172-B	1	
55/57	S-single 4/B carburetor	B5AZ 7B172-A	1	
56/57	S/W(8 cyl. 312-single 4/B carb.)		1	
57	A, S(8 cyl. 312 S/C, dual 4/B carb.)	B7AZ 7B172-A	1	
58/	A(6 & 8 cyl. 223, 292, 332)	C3AZ 7B172-A	1	
58/	A(8 cyl. 352-4/B carb.)	C1AP 7B172-A	1	
51/	A, S	B7A 77420-A	1	Bolt (rear band servo to case)-7/16" - 14 x 2 15/32" special- with pilot end-approximately 1 1/4" thread length
51	A, S, P/I	357915-S(BB178)	1	Bolt (rear band servo to case)-7/16" - 14 x 1 7/8"
51	A, S, P/I	34808-S8(X67)	2	Lockwasher-7/16"
51/54	A		1	Plug (rear band servo body)- 5/16" diameter
51/54	A	87837-S(P15)	1	Plug-pipe-(rear band servo body)-1/4" - 18 x 27/64"
51/	A, S	B8AZ 7A173-A	1	TUBE - CLUTCH AND GOVERNOR OIL - FRONT - .3145" O. D. - .028" wall thickness
51/	A, S	B8AZ 7A174-A	1	TUBE - TRANSMISSION CLUTCH AND GOVERNOR OIL - REAR
51/	A, S	B6AZ 7A175-A	1	STRUT - REAR BAND ANCHOR - .56" x 1 1/4" wide-1.22" long-tapered
51/54	A	B1AZ 7A176-A	1	BAND ASSY. - REAR - 1 5/8" wide
55/	A, S	B5SZ 7A176-A	1	1 5/8" wide
		7A178		SCREW-REAR BAND ADJUSTING- <i>Refer to Group 77426</i>
51/	A, S	C0AZ 7A180-A	1	SPRING - PARKING PAWL TORSION - .115" spring wire diameter
54	A(8 cyl. 239)	B4AZ 7A185-A	1	SHAFT and BRACKET ASSY. - ENGINE MOUNTED ACCELERATOR
57/58	A(6 cyl. 223)	B7AZ 7A185-B	1	
59	A(6 cyl. 223)	B9AZ 7A185-C	1	
55/57	A(8 cyl. 272-exc. "Special")	B5AZ 7A185-A	1	
55	A(8 cyl. 272-"182" H. P. Special")	B5AZ 7A185-B	1	
57/58	A(8 cyl. 272, 292)	B7AZ 7A185-E	1	
57	A(8 cyl. 312 single 4/B carb. -except S/W, S/D & 66)		1	
56	A(8 cyl. 292)	B6AZ 7A185-A	1	
59	A(8 cyl. 292)	B9AZ 7A185-G	1	

YEAR	MODEL	PART NUMBER	QUANTITY PER TRANS- MISSION	PART NAME AND DESCRIPTION
56	S/W(8 cyl. 312)	B6AZ 7A185-B	1	SHAFT and BRACKET ASSY. - ENGINE MOUNTED ACCELERATOR - continued
57	S/W(8 cyl. 312-single 4/B carb. )	B7AZ 7A185-A	1	
57	A(8 cyl. 312-dual 4/B carb. )	B7AZ 7A185-C	1	
57	A(8 cyl. 312 S/C)	B7AZ 7A185-D	1	
58	A(8 cyl. 332, 352)	B8AZ 7A185-A	1	
59	A(8 cyl. 332, 352)	B9AZ 7A185-A	1	
55	S	B5SZ 7A185-B	1	
56	S	B6ST 7A185-A	1	
57	S(without dual 4/B carb. )	B7SZ 7A185-A	1	
57	S(8 cyl. 312 dual 4/B carb. )	B7SZ 7A185-B	1	
54/57	A, S(8 cyl. )	20346-S8(B50)	2	Bolt (bracket to intake manifold)- 5/16" - 18 x 3/4" hex. head
58/	A(8 cyl. )	20310-S8(B48)	2	Bolt (bracket to intake manifold)- 5/16" - 18 x 1/2"
57/	A(6 cyl. 223)	20427-S7(B158)	1	Bolt (bracket to intake manifold)-5/16" - 24 x 1/4" hex. head
57/	A(6 cyl. 223)	33798-S7-8(M62)	1	Nut - 5/16" - 24
		34806-S7(X64)		Lockwasher-5/16"
57/58	A(6 cyl. 223)	20473-S8(B201)	1	Bolt (shaft & bracket to intake manifold)- 1/2"-20 x 1 1/2" hex, head
59	A(6 cyl. 223)	20453-S7-8(B200)	1	Bolt (bracket to intake manifold) - 1/2" - 20 x 1 3/8"
57/	A(6 cyl. 223)	33846-S8(M69)	1	Nut - 1/2" - 20
		34809-S8(X68)		Lockwasher-1/2"
55/57	A(6 cyl. 223)	B5AZ 7A187-A	1	ROD - ENGINE MOUNTED ACCELERATOR SHAFT TO TRANSMISSION THROTTLE CONTROL OUTER LEVER- Approx. 19 15/16" long-1/4"-32 threads one end
52/57	A(6 cyl. 215, 223)	351632-S8(FF1)		Clevis-adjustable-1/4" - 32
52/57	A(6 cyl. 215, 223)	351631-S8(MM39)		Nut - 1/4" - 32
52/57	A(6 cyl. 215, 223)	72034-S(N45)		Cotter pin - 3/32" x 1"
52/57	A(6 cyl. 215, 223)	73879-S7(N4)		Pin-clevis-1/4" x 13/16"
52/57	A(6 cyl. 215, 223)	72015-S(N40)		Cotter pin - 1/16" x 3/4"
52/57	A(6 cyl. 215, 223)	44719-S8(X17)		Washer-flat-1/4"
52/53	A(8 cyl. 239)	★B2AZ 7A187-B	1	18 1/4" long-1 3/4" rise
51/53	A(8 cyl. 239)	97011-S7(F1)		Clevis (engine mounted accelerator in trans. throttle control outer lever rod)-1/4" - 28 x 2"
51/53	A(8 cyl. 239)	33796-S7(M61)		Nut-1/4" - 28
51/53	A(8 cyl. 239)	73879-S7(N4)		Pin-clevis-1/4" x 13/16"
51/53	A(8 cyl. 239)	72015-S(N40)		Cotter pin- 1/16" x 3/4"
52/53	A(8 cyl. 239)	44719-S8(X17)		Washer-flat-1/4"
52/53	A(8 cyl. 239)	72034-S(N45)		Cotter pin- 3/32" x 1"
54	A(8 cyl. 239)	B4AZ 7A187-A	1	
54	A(8 cyl. 239)	AE 7354-A	1	Clevis(engine mounted accelerator to trans. throttle control outer lever rod)
54	A(8 cyl. 239)	★33907-S8		Nut-1/4" - 28
54	A(8 cyl. 239)	72000-S7(N37)		Cotter pin - 1/16" x 3/8"
54	A(8 cyl. 239)	351341-S7(XX351)		Washer-spring
54	A(8 cyl. 239)	44716-S8(X15)		Washer-flat-No. 10
54	A(8 cyl. 239)	73879-S7(N4)		Pin-clevis-1/4" x 13/16"
55/57	A(8 cyl. 272, 292-2/B carb. - except "Special")	B5AZ 7A187-B	1	Approx. 19 7/32" long-1/4"-28 threads one end
55	A(8 cyl. 272 - "182"H. P. Special")	B5AZ 7A187-C	1	Approx. 18 7/32" long- 1/4" - 28 threads one end
56	A(8 cyl. 292, 312-4/B carb. )	B6AZ 7A187-A	1	Approx. 19 3/64" long-1/4"-28 threads one end
56	S/W (8 cyl. 312)	B6AZ 7A187-B	1	Approx. 19 5/8" long-1/4" - 28 threads one end
58	A(8 cyl. 332, 352)	B8AZ 7A187-A	1	
		44719-S8(X17)		Washer-flat-1/4"
		72034-S(N45)		Cotter pin-3/32" x 1"
55/57	A(8 cyl. 272, 292)	72000-S7(N37)		Cotter pin-1/16" x 3/8"
		351341-S7(XX351)		Washer-spring
		44716-S8(X15)		Washer-flat-No. 10
56/57	A(8 cyl. 272, 292)	44722-S8(X19)	1	Washer-flat-5/16"
56	A(8 cyl. 272, 292)	72015-S(N40)	1	Cotter pin - 1/16" x 3/4"



YEAR	MODEL	PART NUMBER	QUANTITY PER TRANSMISSION	PART NAME AND DESCRIPTION
57/	A(6 cyl. 223)	B7AZ 7A187-B	1	ROD - ENGINE MOUNTED ACCELERATOR SHAFT TO TRANSMISSION THROTTLE CONTROL OUTER LEVER - continued
57	A(8 cyl. -except S/W & dual 4/B carb.)	B7AZ 7A187-A	1	Approx. 20 5/32" long-1/4" -28 threads one end-
58	A(8 cyl. 292)		1	(1) 2.54" and (1) 1" rise
57	A(8 cyl. 312-dual 4/B carb.)	B7AZ 7A187-D	1	
57	S/W(8 cyl. 312)	B7AZ 7A187-C	1	Approx. 20 5/32" long-1/4" -28 threads one end-
				(1) 2.54" and (1) 1.74" rise
57/58	A	73887-S8(N5)		Pin-clevis-1/4" x 7/8"
57/	A	97011-S7(F1)	1	Clevis-adjustable-1/4" -28
		★33907-S8		Nut (hex. jam)-1/4" -28
57/	A	353862-S8(XX10)	1	"C" washer - .527" O. D. - .025 thick
57/	A	370579-S(NN50)	1	Pin - grooved-1/4" x 3/4"
55	S	B5SZ 7A187-A	1	ROD - TRANSMISSION CONTROL SHAFT TO TRANSMISSION
				Approx. 18 17/32" long-1/4" - 28 threads one end
56/57	S(without dual 4/B carb.)	B6SZ 7A187-A	1	Approx. 18 27/32" long-1/4" - 28 threads one end
57	S(8 cyl. 312-dual 4/B carb.)	B7SZ 7A187-A	1	Approx. 15 3/4" long-1/4" - 28 threads one end
59	A(8 cyl. 292)	B9AZ 7A187-A	1	
56/57	S	97011-S7(F1)	1	Clevis-adjustable-1/4" -28
59	A(8 cyl. 292)		1	
		★33907-S8		Nut (hex. jam)-1/4" -28
		33796-S7(M61)		Nut-1/4" -28
		351341-S7(XX351)		Washer-spring
		44719-S8(X17)		Washer-flat-1/4"
57	S(single 4/B carburetor)	73887-S8(N5)	1	Pin-clevis-1/4" x 7/8"
57	S(dual 4/B carburetor)	73879-S7(N4)	1	Pin-clevis-1/4" x 13/16"
57	S	★1A 77245-A	1	Washer - spring (accelerator shaft and bracket end)
57	S	356249-S7-8(XX349)	1	Washer-spring-17/64" I. D. -1/2" O. D.
57	S	353862-S8(XX10)	1	"C" washer - .527" O. D. - .025" thick
59	A		2	
57	S	370579-S(NN50)	1	Pin-grooved-1/4" x 3/4"
59	A		1	
51/57	A(exc. 8 cyl. 312 S/W, S/C & dual 4/B carburetor)	B5AZ 7A191-A	1	GASKET - OIL PAN TO CASE - Approx. 9 25/32" x 12 7/16"
58/	A(6 & 8 cyl. 223, 292, 332)			
55/57	S	B5SZ 7A191-A	1	Approx. 10 13/32" x 12 13/16"
58/	A(8 cyl. 352-4/B carb.)		1	
56/57	S/W(8 cyl. 312)		1	
57	A(8 cyl. 312 S/C, dual 4/B carb.)		1	
58/	A(8 cyl. 352-4/B carb.)		1	
51/57	A(exc. 8 cyl. 312 S/W, S/C & dual 4/B carburetor)	B5AZ 7A194-A	1	PAN ASSY. - TRANSMISSION OIL - 13 1/8" x 10 1/8"
58/	A(6 & 8 cyl. 223, 292, 332)		1	
55/57	S	B5SZ 7A194-A	1	13 1/8" x 10 15/32"
56/57	S/W(8 cyl. 312)		1	
57	A(8 cyl. 312 S/C, dual 4/B carb.)		1	
58/	A(8 cyl. 352-4/B carb.)		1	
51/	A, S, P/I	20326-S7(B49)	14	Bolt (oil pan to trans. case) - 5/16" - 18 x 5/8"
51/	A, S, P/I	34806-S7(X64)	14	Lockwasher-5/16"
51/	A, S	B5AZ 7A202-A	1	VALVE - OIL PRESSURE REGULATOR - .618" & 11/32" O. D. -5/16" I. D. -3/16" o/all thickness-steel
51/	A, S	B1AZ 7A204-A	1	TUBE - REAR OIL PUMP OUTLET - 2 27/32" long-9/16" O. D.

YEAR	MODEL	PART NUMBER	QUANTITY PER TRANS- MISSION	PART NAME AND DESCRIPTION
51/	A, S	B1AZ 7A205-A	1	SPRING - OIL PRESSURE REGULATOR FRONT CHECK VALVE - 5 coils-approx. 5/8" free length-13/32" O. D.
55/57	A	B5AZ 7A206-A	1	TUBE - COMPENSATOR PRESSURE OIL 1/4" O. D. - 4 3/4" long
58/59	A(6 & 8 cyl. 223, 292, 332)		1	
55/57	S	B5SZ 7A206-A	1	1/4" O. D. -4 3/4" long-39/64" rise
58/59	A(8 cyl. 352-4/B carb.)		1	
51/57	A(exc. 8 cyl. 312 S/W, S/C & dual 4/B carburetor)	B4AZ 7A208-A	1	TUBE - OIL PRESSURE REGULATOR LUBRICATION - .302" O. D. -6.88" x 8.44" x 2.31"
58/	A(6 & 8 cyl. 223, 292, 332)		1	
55/57	S	B5AZ 7A208-A	1	.31" O. D. -6.88" x 8.78" x 2.31"
56/57	S/W(8 cyl. 312)		1	
57	A(8 cyl. 312 S/C, dual 4/B carb.)		1	
58/	A(8 cyl. 352-4/B carb.)	B8AZ 7A208-A	1	.3021" O. D. -7.18" x 9.08" x 7.17"
55	A	*B5A 7209-A	1	TUBE AND SOCKET ASSY. - TRANSMISSION GEAR SHIFT - 28 45/64" length
56	A	B6A 7209-D	1	26 29/64" length
57/58	A	B7A 7209-B	1	27 15/32" length
52/53	A	AB 7210-AP	1	LEVER-TRANSMISSION GEAR SHIFT-LESS BALL-PRIME
54	A	B4A 7210-A	1	Chrome plated
55	A	B5A 7210-A	1	Chrome-approx. 10 7/16" long
56/	A	B6A 7210-D	1	Approx. 12 11/16" long-1/4" diameter hole
52/55	A	357479-S15(NN108)	1	Pin (gear shift lever and insulator to tube)-3/16" x 1"
56/	A	305080-S(NN113)	1	Pin-groove (lever to tube & socket) -1/4" x 1"
55/57	S	B5S 7210-H	1	Includes locking lever rod and pins
58/	S	357479-S15(NN108)	1	Pin (gear shift lever retaining)-3/16" x 1"
51	A	1M 7212-B	1	TUBE ASSY. - TRANSMISSION GEAR SHIFT - 29.06" long
51/56	A	B9C 7213-A	1	BALL - TRANSMISSION GEAR SHIFT LEVER - Knob
57	A	B7A 7213-A	1	Knob-2 1/2" o/all length-grooved
58/59	A	B8A 7213-A	1	Knob-2 1/2" o/all length-grooved
55/57	S	B5S 7213-B	1	Ball-1.80" diam. -1/2"-20 external threads
51/	A, S	B1AZ 7A222-A	1	GASKET - REAR OIL PUMP TO CASE - Rubber-7" O. D. -6 13/32" I. D. -5 bolt holes
51/57	A(exc. 8 cvl. 312 S/W, S/C & dual 4/B carb.)	B9AZ 7C222-A	1	KIT - TRANSMISSION FRONT PUMP OVERHAUL
58/	A(6 & 8 cyl. 223, 292) "Before 12/1/58"		1	
	Consists of the following			
	1-B1AZ 7A136-A Gasket	1-C1AZ 7B258-A	Bushing	1-B1AZ 7B261-A Bushing
	1-C3AZ 7A248-A Seal	1-C1AZ 7B259-A	Bushing	4-371454-S Bolt
55/57	S	C3AZ 7C222-A	1	
56/57	S/W(8 cyl. 312)		1	
57	A(8 cyl. 312 S/C, dual 4/B carb.)		1	
57/	A(6 & 8 cyl. 223, 292) "From 12/1/58"		1	
58/	A(8 cyl. 332, 352)		1	
	Consists of the following			
	1-B1AZ 7A136-A Gasket	1-C1AZ 7B258-A	Bushing	1-B5AZ 7B261-A Bushing
	1-C3AZ 7A248-A Seal	1-C1AZ 7B259-A	Bushing	4-371454-S Bolt

YEAR	MODEL	PART NUMBER	QUANTITY PER TRANS- MISSION	PART NAME AND DESCRIPTION
54	A(modified 1P-T trans. )	C1AZ 7C224-A	1	KIT - TRANSMISSION REAR BRAKE DRUM and PLANETARY GEAR and BEARING ASSY.
55/57	A(exc. P/I, 8 cyl. 312 S/W, S/C and dual 4/B carb. )		1	
58/	A(6 & 8 cyl. 223, 292, 332) Consists of the following		1	
	1-C1AP 7A398-D Drum & planetary gear assy.	1-C1AP		7C096-A Washer 1-B8A 77549-A Race
52/	A	AB 7227-A	1	SPRING - TRANSMISSION GEAR SHIFT TUBE RETRACTING - 1/2" O.D. -1" free length
54	A	B3AZ 7A228-B	1	TUBE ASSY. - OIL FILLER - 3/4" diameter pipe-approx. 23 11/16" o/all length-7 5/64" rise
55/57	A, S	B6AZ 7A228-A	1	
58	A(6 & 8 cyl. 223, 292)		1	
58	A(8 cyl. 332, 352)	B8AZ 7A228-A	1	3/4" diam. pipe-approx. 23 9/16" o/all length-8 1/4" rise
59	A	B9AZ 7A228-A	1	
59	A(6 cyl. 223)	B9AZ 7A229-C	1	CLAMP - OIL FILLER TUBE
55/58	A(8 cyl. 272, 292, 312)	B6AZ 7A229-A	1	Approximately 5 1/8" overall length
55/57	S		1	
59	A(8 cyl. 292)	B9AZ 7A229-B	1	
59	A(8 cyl. 332, 352)	B9AZ 7A229-D	1	
52/	A	C1AZ 7C230-A	2	RETAINER - GEAR SHIFT SELECTOR TUBE RETRACTING SPRING - .590" O.D. - .58" deep-cup type
51/	A, S	B9AP 7A244-A	1	PIN - PARKING PAWL TOGGLE LEVER - 1 39/64" overall length-(1) round and (1) grooved end
51/	A, S	74274-S(R3)	1	Retainer (parking pawl toggle)-1/4" groove
51/	A, S "Before 4/28/59"	★▲B9AP 7A245-A	1	TUBE ASSY. - TRANSMISSION BREATHER
59/	A	★87382-S	1	Fitting-90° elbow (breather tube to trans. case)-5/16" - 20 internal -1/8" dryseal external threads
59/	A	★373111-S	1	Clip (breather tube to oil pan bolt) repl. by C1AA 7A229-A, B, C or D
51/	A	1M 7246-A	1	INSULATOR - TRANSMISSION GEAR SHIFT LEVER - Rubber-1.10" long
59/	A "From 4/28/59"	★B9AP 7A246-A	1	TUBE - TRANSMISSION BREATHER - Use on transmission cases with 1/2" -20 thread breather opening-cut from 8C 2269-A bulk tubing
51	A	B1AZ 7A247-A	1	SWITCH ASSY. - TRANSMISSION GEAR SHIFT NEUTRAL
52/54	A	B2AZ 7A247-A	1	
51	A	★32917-S7	1	Screw (switch to steering column tube)-No. 10-32 x 3/8"
52/53	A	26457-S7(U167)	2	Screw (switch terminal)-No. 8-32 x 1/4"
52/54	A	26457-S7(U167)	2	Screw (switch to gear shift tube bracket)-No. 8-32 x 1/4"
		34802-S7(X59)	2	Lockwasher - No. 8
53	A	353547-S2(GG173)	1	Clip (wiring)
55/57	A	B7AZ 7A247-A	1	
58	A	B8AZ 7A247-A	1	
59	A	★31068-S8	2	Screw (switch to steering gear and trans. control selector)- No. 8-32 x 3/8"
		34938-S8(X85)	2	Lockwasher - No. 8
58	A	★42720-S7	2	Screw & washer (switch to selector tube bracket)- No. 8-32 x 1/4"

▲Replaced by 8C 2269-A bulk tubing and (1) each 87944-S fitting (1) 87382-S adapter on units manufactured before Aug. 1, 1959; replaced by 8C 2269-A bulk tubing and (1) 87944-S fitting on units manufactured from Aug. 1, 1959

YEAR	MODEL	PART NUMBER	QUANTITY PER TRANS. MISSION	PART NAME AND DESCRIPTION
		7A247		SWITCH ASSY. - TRANSMISSION GEAR SHIFT NEUTRAL-continued
55/57	A	26457-S7(U167)	1	Screw (switch to gear shift tube bracket)-No. 8-32 x 1/4"
		34802-S7(X59)	1	Lockwasher-No. 8
55/57	S	B6SZ 7A247-A	1	
55/57	S	40515-S8(U356)	2	Screw (switch to bracket)-No. 10-24 x 3/8"
55/57	S	44719-S8(X17)	1	Washer-flat (switch to trans.)-1/4"
55/57	S	★73858-S8	1	Pin-clevis (switch to lever)-3/16" x 19/32"
55/57	S	72000-S7(N37)	1	Cotter pin (switch to lever)-1/16" x 3/8"
55/57	S	352962-S(KK23)	1	Grommet (switch through gear shift lever support)
51/	A, S	B5AZ 7A248-A	1	OIL SEAL - FRONT OIL PUMP -2 11/16" O. D. -1 15/16" I. D.
52/57	A(6 cyl. 215, 223)	B2AZ 7A249-A	1	SLEEVE and SUPPORT ASSY. - ENGINE MOUNTED ACCELERATOR SHAFT
52/57	A(6 cyl. 215, 223)	20427-S7(B158)	1	Bolt (sleeve & support attaching)-5/16"-24 x 1 1/4"
		33798-S7-8(M62)		Nut-5/16"-24
		34806-S7(X64)		Lockwasher-5/16"
51/56	A(exc. 8 cyl. 312 S/W)	B1AZ 7A256-A	1	LEVER ASSY. - MANUAL CONTROL
56	S/W (8 cyl. 312)	★B5AZ 7A256-A	1	
57/	A	B7AZ 7A256-A	1	
55/57	S	B5SZ 7A256-A	1	
51/56	A, S	356071-S(MM174)	1	Locknut (manual control lever)-9/16"-24
51/54	A	B1AZ 7B256-A	1	BUSHING - TRANSMISSION OUTPUT SHAFT - Front-split-1.631" O. D. -.75" long-.0625" wall thickness
55/	A, S	B5AZ 7B256-A	1	Front
51/57	A(exc. 8 cyl. 312 S/W, S/C & dual 4/B carburetor)	B1AZ 7B257-B	1	BUSHING - TRANSMISSION REAR BRAKE DRUM SUPPORT
58/	A(6 & 8 cyl. 223, 292, 332)		1	
57	A, S(8 cyl. 312, S/C & dual 4/B carb.)	B5AZ 7B257-A	1	
58/	A(8 cyl. 352-4/B carb.)		1	
51/	A, S	C1AZ 7B258-A	1	BUSHING - TRANSMISSION FRONT OIL PUMP - SPLIT - 2.068" O. D. -.58" Long-.061" wall thickness
51/54	A	B1AZ 7A259-A	1	LEVER ASSY. - THROTTLE CONTROL - OUTER
55/56	A(exc. 8 cyl. 312 S/W,	B5AZ 7A259-A	1	
55/56	S	B5SZ 7A259-A	1	
56	S/W (8 cyl. 312)		1	
57/	A, S	B7AZ 7A259-A	1	
51/55	A, S	34443-S7-8(M79)	1	Locknut (throttle control outer lever)-5/16"-24
56	±A(8 cyl. ), ±S	33798-S7-8(M62)	1	Nut-5/16"-24
57	A, S		1	
56	A(8 cyl. 272 "Special", 292 with 2/B carb.)	34806-S7(X64)	1	Lockwasher-5/16"
56	±A(8 cyl. 272, 292, 312, ±S		1	
57	A, S		1	
51/	A, S	C1AZ 7B259-A	1	BUSHING-TRANSMISSION FRONT OIL PUMP DRIVE GEAR
56/57	S/W(8 cyl. 312), S(w/o S/C & dual 4/B carb.)	B6AZ 7A260-A	1	PISTON - FRONT BAND SERVO - 2.494" Flange O. D. - 1.437" neck O. D. - 1.305" overall height
57	A, S(8 cyl. 312 S/C, dual 4/B carb.)	B7AZ 7A260-A	1	2.494" flange O. D.
58/	A(8 cyl. 352-4/B carb.)		1	1.282" neck O. D. - 1.305" overall height
58/	A(8 cyl. 332-2/B carb.)	B8AZ 7A260-A	1	2.369" flange O. D. -1.24" neck O. D. -1.305" o/all height
58	A(8 cyl. 332-4/B carb.)	B8AZ 7A260-B	1	2.369" flange O. D. -1.19" neck O. D. -1.305" o/all height
51/52	A	B1AZ 7B260-A	1	BUSHING - TRANSMISSION REAR OIL PUMP BODY - Rear-split-2.1935" O. D. -.75" long-.06275" wall thickness
51/	A, S	B5AZ 7B260-A	1	Rear-2.1935" O. D. -.071" wall thickness-.75" long-split

± Used with Steel Converter Impeller

YEAR	MODEL	PART NUMBER	QUANTITY PER TRANS- MISSION	PART NAME AND DESCRIPTION
55/57	S	B5AZ 7B261-A	1	BUSHING - CONVERTER STATOR SUPPORT -
56/57	S/W (8 cyl. 312)		1	1.0032" O. D. -.939" I. D. -.56" long-split
57	A(8 cyl. 312 S/C, dual 4/B carb.)		1	
59/	A(6 & 8 cyl. 223, 292)		1	
58/	"From 12/1/58" A(8 cyl. 332, 352)		1	
51/57	A(exc. 8 cyl. 312 S/W, S/C & dual 4/B carb.)	B1AZ 7B261-A	1	1.0345" O. D. -.907" I. D. -.75" long-split
58/	A(6 & 8 cyl. 223, 292) "Before 12/1/58"		1	
56/57	A(exc. 8 cyl. 312 S/W, S/C & dual 4/B carb.)	C1AP 7A262-A	1	PISTON - TRANSMISSION FRONT CLUTCH
58/	A(6 & 8 cyl. 223, 292, 332)		1	
55/57	S	C1SZ 7A262-A	1	
56/57	S/W (8 cy. 312)		1	
58/	A(8 cyl. 352-4/B carb.)		1	
51/57	A(exc. 8 cyl. 312 S/W, S/C & dual 4/B carb.)	B1AZ 7B262-A	1	BUSHING - FRONT BRAKE and SECONDARY SUN GEAR - REAR - 1.38" O. D. -.0625" wall thickness-.88" long-split
55/57	S	B5AZ 7B262-A	1	1.4425" O. D. -.0625" wall thickness-1.06" long-split
56/57	S/W (8 cyl. 312)		1	
57	A(8 cyl. 312 S/C, dual 4/B carb.)		1	
58/	A(8 cyl. 352)		1	
57	A, S(8 cyl. 312 S/C, dual 4/B carb.)	C1VP 7B264-A	1	RETAINER - REAR BAND SERVO PISTON SPRING 3.364" O. D.
58/	A(6 & 8 cyl. 223, 292, 332)	B8AZ 7B264-A	1	
58/	A(8 cyl. 352-4/B carb.)	B8SZ 7B264-A	1	
55/57	A, S(without S/C & dual 4/B carb.)	B5AZ 7A266-A	1	PISTON - REAR BAND SERVO - 2.982" O. D.
57	A, S(8 cyl. 312 S/C, dual 4/B carb.)	B7AZ 7A266-A	1	3.3015" O. D.
58/	A(6 & 8 cyl. 223, 292)	B8AZ 7A266-C	1	2.982" O. D.
58/	A(8 cyl. 332)	B8AZ 7A266-B	1	3.17" O. D.
58/	A(8 cyl. 352-4/B carb.)	B8SZ 7A266-B	1	3.426" O. D.
58/	A	B8AZ 7A266-A	1	PISTON - REAR BAND SERVO ACCUMULATOR
55/57	S	B5S 7269-C	1	LEVER - TRANSMISSION GEAR SHIFT SELECTOR LOCKING - .92" width x 1 41/64" o/all length
55/57	S	353647-S8(NN114)	1	Pin (locking lever attaching)-1/4" x 1 1/4"
55/57	S		1	Pin (locking lever stop)-3/16" x 3/4"
51/57	A(6 & 8 cyl. 215, 223, 239, 272-except "Special")	B1AZ 7A269-A	1	GUIDE - FRONT BAND SERVO PISTON - 1.439" I. D. -3 bosses
58/	A(6 cyl. 223)		1	
55/56	A(8 cyl. 272 "Special")	B5AZ 7A269-B	1	1.254" I. D. -3 bosses
56	A(8 cyl. 292-with 2/B carb.)		1	
57/	A(8 cyl. 292)		1	
57	A(8 cyl. 312-exc. S/W, S/C & dual 4/B carburetor)	B7AZ 7A269-A	1	
56/57	S/W (8 cyl. 312), S (w/o S/C & dual 4/B carb.)	B6AZ 7A269-B	1	1.695" I. D. -3 bosses
55	S	B5AZ 7A269-A	1	1.136" I. D. -3 bosses
57	A, S(8 cyl. 312 S/C, dual 4/B carb.)	B7AZ 7A269-B	1	
56	A(8 cyl. 292-exc. 2/B carb.)	B6AZ 7A269-A	1	1.218" I. D. -3 bosses
56	A(8 cyl. 312-exc. S/W)		1	
58/	A(8 cyl. 332-2/B carb.)	B8AZ 7A269-A	1	
58	A(8 cyl. 332-4/B carb.)	B8AZ 7A269-B	1	
58/	A(8 cyl. 352-4/B carb.)	B8AZ 7A269-C	1	

YEAR	MODEL	PART NUMBER	QUANTITY PER TRANS- MISSION	PART NAME AND DESCRIPTION
51/54	A	B1AZ 7A270-A	1	SPRING - MAIN OIL PRESSURE REGULATOR VALVE - 4.08" long-13 coils-1.13" O. D.
56/55	A(6 cyl. 223) A(8 cyl. 272), S	B5AZ 7A270-B	1	4 5/64" long-16 coils
56/57	A(8 cyl. 312), S	B6SZ 7A270-A	1	4 21/64" long-16 coils
58/	A, S(8 cyl. 352)		1	
51/54	A	B1AZ 7C288-A	1	KIT - TRANSMISSION GASKET and "O" RING - EXTERNAL
57/58	A		1	
	Consists of the following			
	1-1P 7086-A Gasket	1-B5AZ 7A191-A		Gasket 1-1P 77265-B "O" ring
	1-B1AZ 7A136-A Gasket	1-B1AZ 7A222-A		Gasket 1-B5A 77288-A Seal assy.
		1-C1VP 7B391-B		Gasket
55/57	A, S(8 cyl.)	B5AZ 7C288-A	1	
58/	A(8 cyl. 352 w/4/B carb.)		1	
	Consists of the following			
	1-B9A 7086-A Gasket	1-1P 77265-B		"O" ring 1-B9A 77357-B Seal
	1-C0DP 7A136-A Gasket	1-B9A 77288-A		Seal 1-B9A 77357-C Seal
	1-B9AZ 7A191-A Gasket	1-B9A 77357-A		Seal 1-B9A 77407-A Seal
51/55	A	B1AZ 7C289-A	1	KIT - TRANSMISSION SERVO PISTON SEAL -
56/57	A(6 & 8 cyl. 223, 272)		1	FRONT and REAR
58	A(6 cyl.)		1	
	Consists of the following			
	1-B1AZ 7C050-A Seal	1-B1AZ 7A294-B		"O" ring
	1-B1AZ 7A294-A "O" ring	1-B9AZ 7A294-D		"O" ring
55	A(8 cyl. 312 with S/C)	B5AZ 7C289-A	1	
56/58	A(8 cyl. 292 with 4/B carb.)		1	
	Consists of the following			
	1-B5AZ 7C050-B Seal	1-B5AZ 7A294-B		"O" ring 1-B6AZ 7A294-A "O" ring
	1-B1AZ 7A294-A "O" ring	1-B5AZ 7A294-C		"O" ring
58	A(8 cyl. 332)	B8AZ 7C289-B	1	
	Consists of the following			
	1-B1AZ 7C050-A Seal	1-B1AZ 7A294-B		"O" ring 1-B8AZ 7A294-B "O" ring
	1-B7AZ 7C098-A "O" ring	1-B8AZ 7A294-A		"O" ring 1-B9AZ 7A294-D "O" ring
58	A, S/W, P/I, S(8 cyl. 352 w/4/B carb.)	B8AZ 7C289-A	1	
	Consists of the following			
	1-C1AP 7C050-A Seal	1-B8SZ 7C098-A		"O" ring 1-B8AZ 7A294-C "O" ring
	1-C1AZ 7C097-A "O" ring	1-B6SZ 7A294-A		"O" ring
51/	A, S	B1AZ 7A291-A	2	BOLT - PLANETARY GEARS SUPPORT TO TRANSMISSION CASE LOCATING - 3/8"-16 x 29/32"
51/	A, S, P/I	351487-S(XX291)	2	Lockwasher - external tooth-3/8"
58/	A(8 cyl. 332-2/B carb.)	B8AZ 7A294-B	1	OIL SEAL - FRONT BAND SERVO RELEASE PISTON - Rubber-1.214" I. D. -, .143" diameter thickness

YEAR	MODEL	PART NUMBER	QUANTITY PER TRANS- MISSION	PART NAME AND DESCRIPTION
51/57	A(6 & 8 cyl. 215, 223, 239, 272-exc. "Special")	B9AZ 7A294-D	1	OIL SEAL - FRONT BAND SERVO PISTON - INNER - Rubber-2 7/64" I. D. -2 25/64"O. D. x 9/64" thick
57	A(8 cyl. 312-exc. S/W, S/C & dual 4/B carb. )		1	
58/	A(6 cyl. 223)		1	
58/	A (8 cyl. 332)		1	
55/56	A(8 cyl. 272"Special")	B5AZ 7A294-B	1	Rubber-2. 016" I. D. -. 145" diameter thickness
56/	A(8 cyl. 292, 312)		1	
55	S	B5AZ 7A294-A	1	Rubber-1. 979" I. D. -. 143" diameter thickness
56/57	S/W (8 cyl. 312), S	C1AZ 7A294-B	1	Rubber-2. 244" I. D. -. 143" diameter thickness - "O" ring type
57	A(8 cyl. 312 S/C, dual 4/B carb. )		1	
58/	A(8 cyl. 352-4/B carb. )		1	
55	S	B5AZ 7A294-D	1	OIL SEAL - FRONT BAND SERVO PISTON - OUTER - Rubber-. 865" I. D. -. 143" diameter thickness
56/57	S/W (8 cyl. 312), S(w/o S/C & dual 4/B carb. )	B6SZ 7A294-B	1	Rubber-1. 358" I. D. -. 143" diameter thickness
51/57	A(6 & 8 cyl. 215, 223, 239, 272-exc. "Special")	B1AZ 7A294-B	1	Rubber-1 11/64" I. D. -1 29/64" O. D. x 9/64" thick
58/	A(6 cyl. 223)		1	
58/	A(8 cyl. 332)		1	
55/56	A(8 cyl. 272 "Special")	B5AZ 7A294-C	1	Rubber-. 991" I. D. -. 143" diameter thickness
56	A(8 cyl. 292-with 2/B carb. )		1	
57/	A(8 cyl. 292)		1	
56	A(8 cyl. 292-exc. 2/B carb. )	B6AZ 7A294-A	1	Rubber-. 955" I. D. -. 143" diameter thickness
56	A(8 cyl. 312-exc. S/W, S/C & dual 4/B carb. )		1	
57	A, S(8 cyl. 312 S/C, dual 4/B carb. )	B8AZ 7A294-C	1	Rubber-1. 277 I. D. -. 143" diameter thickness
58/	A(8 cyl. 352-4/B carb. )		1	
51/57	A, S(w/o S/C & dual 4/B carb. )	B1AZ 7A294-A	1	OIL SEAL - REAR BAND SERVO PISTON - Rubber-2. 75" I. D. -. 143" thick
58/	A(6 & 8 cyl. 223, 292)		1	
57	A, S(8 cyl. 312 S/C, dual 4/B carb. )	B7AZ 7A294-A	1	Rubber-3. 06" I. D. -. 143" thick
58/	A(8 cyl. 332)	B8AZ 7A294-A	1	Rubber-2. 94"-I. D. -. 143" thick
58/	A(8 cyl. 352-4/B carb. )	C1AZ 7A294-C	1	Rubber-3. 187" I. D. -. 143" thick
51/	A, S	B1AZ 7A295-A	1	PIN - PARKING PAWL TOGGLE LEVER - . 374" diam. -1 3/4" overall length-special head
52/53	A(6 cyl. 215)	B2AZ 7A297-A	1	SHAFT - ENGINE MOUNTED ACCELERATOR -
54	A(6 cyl. 223)		1	"L" shaped-3 59/64" x 3 31/64"
55/57	A(6 cyl. 223)	B5AZ 7A297-A	1	. 375" O. D. -3. 5" long
		354861-S(XX137)		Washer-flat
		72035-S7-8(N51)		Cotter pin-1/8" x 1"
		356482-S2(XX370)		Washer-spring-3/8"
51/57	A, S	B1AZ 7A301-A	1	COVER - GOVERNOR VALVE BODY - 1 5/16" x 1" x . 140" -(2) 13/64" holes
51/	A, S, P/I	357846-S(BB85)	2	Screw(cover to body)-No. 10-24 x 3/8" flat head
52/53	A	★AB 7302-D	1	ARM/LEVER ASSY. - TRANSMISSION GEAR SHIFT - Gear shift selector-on gear shift tube-approx. 4" long-use with Nylon bushing
54	A	AD 7302-B	1	Gear shift selector-on gear shift tube
54	A(8 cyl. 239-with dual- exhaust)	AE 7302-A	1	Gear shift selector-on gear shift tube
55/56	A		1	
57	A	B7A 7302-A	1	Gear shift selector-on gear shift tube
58	A	B8A 7302-B	1	Gear shift selector-on gear shift tube

YEAR	MODEL	PART NUMBER	QUANTITY PER TRANS- MISSION	PART NAME AND DESCRIPTION
51	A	★8M 7308-B	1	RETAINER - TRANSMISSION GEAR SHIFT SELECTOR - LEVER SPRING - 1.20" I. D. - 1.54" O. D. - .44" length
58/	A	B8S 7308-A	1	
51	A, S	354861-S(XX137)	1	Washer-flat-9/16" O. D. - 13/32" I. D. - 39/64" thick
51/	A, S	★74275-S	1	Retainer-5/16" groove
51/	A, S	B8S 77308-A	1	PIN - PARKING PAWL TORSION SPRING LEVER - .5643" & .310" O. D. - 2.76" long
52/53	A	★AB 7317-B	1	BRACKET ASSY. - TRANSMISSION GEAR SHIFT TUBE Has 2 locating tabs
54	A	AD 7317-A	1	Has 1 locating tab
54	A(8 cyl. 239-with dual-exhaust)	B9TT 7317-A	1	Has 1 locating tab-2.43" x 2.20" x .86" - (2) 9/32" & (2) No. 8-32 holes
54/58	A	353574-S7(XX355)	1	Washer-spring
52/58	A	33795-S7(M49)	2	Nut-1/4" - 20
		34805-S8(X62)		Lockwasher-1/4"
57	S	B7S 7325-C	1	ROD ASSY. - MANUAL SHIFT - Manual shift-approx. 15" developed length-3/8" - 24 thread one end
54/56	A(exc. 8 cvl. 312. S/W)	B5A 7326-G	1	ROD - MANUAL SHIFT - Control lever to gear shift selector lever-approx. 17 19/32" long-5/16"-24 threads one end
57	A	B7A 7326-B	1	Control lever to gear shift selector lever-approx. 17 25/32" long-5/16" - 24 threads one end
58	A	B8A 7326-B	1	
59	A	B9A 7326-C	1	
51/	A	44722-S8(X19)		Washer-flat-5/16"
		44727-S8(X24)		Washer-flat-3/8"
51/	A	351341-S7(XX351)		Washer-spring-5/16"
55/	A	72034-S(N45)		Cotter pin-3/32" x 1"
51	A	72016-S8(N44)		Cotter pin-3/32" x 3/4"
52/54	A	73931-S7(N9)		Pin-clevis-5/16" x 31/32"
52/54	A	352358-S(NN127)		Pin-self locking
51/53	A	33798-S8(M62)		Nut-5/16" - 24
55/57	S	B5S 7326-B	1	
55/57	S	33925-S7(M33)	2	Nut-3/8" - 24-hex. light jam
55/57	S	44722-S8(X19)		Washer-flat-5/16"
55/57	S	351341-S7(XX351)		Washer-spring-5/16"
55/57	S	72034-S(N45)		Cotter pin - 3/32" x 1"
		72015-S(N40)		Cotter pin-1/16" x 3/4"
		33923-S7(M32)		Nut-5/16" - 24
51/57	A(exc. 8 cyl. 312 S/W)	B1AZ 7C328-A	1	OIL SEAL - FRONT CLUTCH CYLINDER - Rubber-1.30" I. D.
58/	A(6 & 8 cyl. 223, 292, 332)		1	
55/57	S	C1AZ 7C099-A	1	Rubber-1.27/64" I. D. -.135"/.143" diam. thickness-"O" ring ring type
56/57	S/W(8 cyl. 312)		1	
57	A(8 cyl. 312 S/C, dual 4/B carb.)		1	
58/	A(8 cyl. 352-4/B carb.)		1	
51/	A, S	B1AZ 7C329-A	1	OIL SEAL - REAR OIL PUMP INLET TUBE - .557" I. D. - .073" diam. thickness-"O" ring type
51/	A, S	B4AZ 7330-A	1	LEVER - FRONT BAND SERVO ACTUATING
51/	A, S, P/I	350696-S(UU18)	1	Set screw(front band servo actuating lever)- 3/8" - 16 x 1 3/8" headless
59	A, S	372555-S(UU19)	1	Set screw(front band servo actuating lever) - 3/8" - 16 x 1.59"
51/	A, S, P/I	33799-S7(M52)	1	Locknut-3/8" - 16 hex.
54/58	A	AD 7335-A	1	BUSHING-TRANSMISSION GEAR SHIFT SELECTOR TUBE-.94" flange O. D. - .761" O. D. - .703" I. D.
52/54	A	AB 7339-A	1	CLEVIS ASSY. - TRANSMISSION MANUAL SHIFT ROD Weld nut-"U" type design
55/58	A	B5A 7339-B	1	Riveted pin-clip type design-5/16" internal thread
52/58	A	33798-S7-8(M62)		Nut-5/16" - 24
55/57	S	B5S 7339-A	1	Clip & pin design
		44722-S8(X19)		Washer-flat-5/16"
		72034-S(N45)		Cotter pin-3/32" x 1"
		351341-S7(XX351)		Washer-spring-5/16"



YEAR	MODEL	PART NUMBER	QUANTITY PER TRANS- MISSION	PART NAME AND DESCRIPTION
53/56	A	AD 7341-A	1	INSULATOR - GEAR SHIFT SELECTOR ARM - Rubber-.442" I. D. -. 81" O. D. -. 505" long
57/58	A	B7A 7341-A	1	.442" I. D. -. 90" flange O. D. -. 1/2" long
51	A	B4C 7343-A	1	BUSHING - GEAR SHIFT SELECTOR ARM INSULATOR - Nylon-. 315" I. D. -. 448" O. D. -. 490" long
53/56	A	B2AZ 7343-A	1	KIT - GEAR SHIFT SELECTOR ARM BUSHING and INSULATOR - Consists of the following - 2-AD 7341-A Insulator 2-AB 7343-A Bushing
57/58	A	B7AZ 7343-A	1	Consists of the following - 2-B7A 7341-A Insulator 2-AB 7343-A Bushing
51	A	AB 7353-A	1	END - TRANSMISSION GEAR SHIFT ROD - Sleeve & pin type-5/16" - 24 internal threads
		44722-S8(X19)		Washer-flat 5/16"
		351341-S7(XX351)		Washer-spring-5/16"
		72016-S8(N44)		Cotter-pin-3/32" x 3/4"
		33798-S8(M62)		Nut-5/16" -24
54/57	A, S(8 cyl. )	AE 7354-A	1	CLEVIS - TRANSMISSION THROTTLE CONTROL SHIFT ROD - Single arm type-one hole tapped 1/4" - 28
		33798-S8(M62)		Nut-5/16" -24
		★33907-S8		Nut-1/4" -28
51	A	B1AZ 7A360-A	1	CYLINDER - FRONT CLUTCH - 54 internal & 45 external teeth-5/32" constant oil hole
52/54	A	B2AZ 7A360-B	1	Cast iron-54 int. teeth 29/64" undercut length-45 external teeth-5/32" restricted to 5/64" oil hole
55	A	B5AZ 7A360-A	1	54 internal teeth 23/64" undercut length & 45 external teeth-3. 16" overall length
56/57	A(exc. 8 cyl. 312S/W, S/C & dual 4/B carb. )	C2AZ 7A360-A	1	54 internal teeth & 45 external teeth-3. 16" overall length - (2) 3/16" holes 180° apart
58/	A(6 & 8 cyl. 223, 292, 332)		1	
55/57	S/W(8 cyl. 312), S	B9AP 7A360-B	1	54 internal teeth-45 external teeth-3 1/2" overall length-
57	A(8 cyl. 312-S/C, dual 4/B carb. )		1	(2) 3/32" holes 180° apart
58/	A(8 cyl. 352-4/B carb. )		1	
51/54	A	B1AZ 7A361-A	1	PISTON - FRONT CLUTCH - 4. 36" O. D - aluminum
55	A	B5AZ 7A361-B	1	4. 362" O. D. -. 1. 565" I. D. - aluminum
56/57	S/W(8 cyl. 312), S(without S/C & dual 4/B carburetor)	B6S 7366-A	1	PISTON - FRONT BAND SERVO RELEASE - 1. 606" O. D. -. 313" I. D. -. 38" overall thickness
57	A, S(8 cyl. 312 S/C, dual 4/B carb. )	B7A 7366-A	1	1. 4115" O. D. -. 313" I. D. -. 38" overall thickness
58/59	A(8 cyl. 332-2/B carb. )	B8A 7366-B	1	1. 473" O. D. -. 36" overall thickness
58	A(8 cyl. 332-4/B carb. )	B8A 7366-C	1	1. 424" O. D. -. 36" overall thickness
58	A(8 cyl. 352-4/B carb. )	C1AP 7366-A	1	
56/57	S/W(8 cyl. 312), S	44716-S8(X15)	1	Washer (piston to servo retaining)-No. 10
57	A(8 cyl. 312 S/C, dual 4/B carb. )		1	
58/	A, S, P/I(8 cyl. 332, 352)		1	
56/57	S/W(8 cyl. 312), S	42802-S8(U33)	1	Screw & washer assy. (piston to servo retaining) -
57	A(8 cyl. 312 S/C, dual 4/B carb. )		1	No. 10-32 x 3/8" pan head
58/	A, S, P/I(8 cyl. 332, 352)		1	

YEAR	MODEL	PART NUMBER	QUANTITY PER TRANS- MISSION	PART NAME AND DESCRIPTION
51/54	A	B1AZ 7B368-A	1	WASHER - OUTPUT SHAFT THRUST - REAR - 3" O. D. -4 oil grooves-4 notched projections
51/55	A	B1AZ 7B368-B	1	3" O. D. -4 oil grooves-2 projections
56/	A	C1SZ 7B368-A	1	3.5" O. D. -2.22" I. D. - .063" thick-2 tabs-6 oil grooves- bronze and steel
55/57	S		1	
51	A	B1AZ 7B391-A	1	GASKET - GOVERNOR INSPECTION COVER TO EXTENSION HOUSING - 3 5/8" x 2" x 1/16"-use with aluminum housing
51/	A, S	C1VP 7B391-B	1	
51/54	A	B1AZ 7A393-A	1	PLATE - MAIN CONTROL UPPER VALVE BODY - REAR
55/	A, S	B5AZ 7A393-A	1	
51/	A, S, P/I	358509-S(BB9)	3	screw(rear plate)-No. 10-24 x 7/16"-fillister head.
51/	A, S, P/I	34803-S7(X60)	3	Lockwasher-No. 10
51/53	A	358500-S(BB62)	2	Screw & washer (trans. main control rear plate attaching)- No. 10-24 x 3/8" - fillister head
51/	A, S	B1AZ 7A396-A	1	PLATE - MAIN CONTROL UPPER VALVE BODY - FRONT- Plate .150"/.160" thick
51/	A, S, P/I	358509-S(BB9)	2	Screw (front plate to upper valve body)-No. 10 x 24 x 7/16" - fillister head
51/	A, S, P/I	34803-S7(X60)	2	Lockwasher-No. 10
51/53	A	358500-S(BB62)	2	Screw & washer (transmission main control front plate - attaching)-No. 10-24 x 3/8" - fillister head
51/54	A	B1AZ 7A398-A	1	DRUM and PLANETARY GEARS ASSY. - REAR BRAKE
55/57	A(exc. 8 cyl. 312 S/W, S/C & dual 4/B carburetor)	*B5AZ 7A398-A	1	Replaced by C1AZ 7C224-A (8-63)
58/59	A(6 cyl. 223)-(8 cyl. 292- "Before 12/1/58")		1	
58	A(8 cyl. 332)		1	
58/	A(8 cyl. 332)	*B8TZ 7A398-A	1	Replaced by C1AZ 7C224-A
59	A(8 cyl. 292- "From 12/1/58")		1	
55/57	S	CIAP 7A398-C	1	
56/57	S/W(8 cyl. 312)		1	
57	A(8 cyl. 312 S/C, dual 4/B carb. )		1	
58/	A(8 cyl. 352)		1	
51/54	A	B1AZ 7A399-A	1	GEAR ASSY. - PRIMARY SUN - 27 teeth-10 21/64" long
55/57	A(exc. 8 cyl. 312 S/W, S/C & dual 4/B carb. )	B5AZ 7A399-A	1	30 teeth-10 21/64" long
58/59	A(6 cyl. 223)-(8 cyl. 292- "Before 12/1/58")		1	
58	A(8 cyl. 332)		1	
58/	A(8 cyl. 292) "From 12/1/58", 332)	C3AZ 7A399-B	1	30 teeth-20 splines-10 21/64"
55/57	S	CIAP 7A399-D	1	30 teeth-22 splines-10 11/16" long
56/57	S/W(8 cyl. 312)		1	
57	A(8 cyl. 312 S/C, dual 4/B carb. )		1	
58/	A(8 cyl. 352-4/B carb. )		1	
56/57	S	B6S 7416-A	1	SUPPORT - TRANSMISSION GEAR SHIFT LEVER
		*40921-S8	6	Screw (support to floor pan)-1/4" - 20 x 1/2"
51/57	A, S	C2AZ 7B437-A	1	PLATE - REAR CLUTCH PRESSURE-54 teeth-3.88" I. D.
58/	A(6 & 8 cyl. 223, 292, 332)		1	
58/	A(8 cyl. 352-4/B carb. )	B8SZ 7B437-A	1	54 teeth-3.88" I. D.
51/	A, S	B4AZ 7A441-A	1	PAWL - PARKING

YEAR	MODEL	PART NUMBER	QUANTITY PER TRANS- MISSION	PART NAME AND DESCRIPTION
51/57	A(exc. 8 cyl. 312 S/W)	B1AZ 7B442-A	4	PLATE - REAR CLUTCH DRIVEN - External spline-54 teeth-3 57/64" I. D. - steel
55	S		4	
56/57	S/W (8 cyl. 312), S		5	
57	A(8 cyl. 312 S/C, dual 4/B carb. )		5	
58/	A(6 & 8 cyl. 223, 292)		4	
58/	A(8 cyl. 332)		5	
58/	A(8 cyl. 352-4/B carb. )		6	
55/	A, S	B5A 7470-A	1	SPACER - LOW OIL PRESSURE REGULATOR VALVE - .550" O. D. -.80" long
51/	A, S	C0MP 7B470-A	1	LEVER - PARKING PAWL TORSION SPRING
51/	A, S	B1AZ 7A480-A	1	SPRING - REAR CLUTCH PISTON - 3 1/2 L. H. coils-2.575" I. D. -2 11/32" free length
55/57	S	B5S 7489-C	1	ROD - TRANSMISSION CONTROL SELECTOR LOCKING LEVER - No. 10-32 threads one end-approx. 7 21/32" long
		72000-S7(N37)		Cotter pin-1/16" x 3/8"
51/	A, S	C1VP 7B498-A	1	OIL SEAL - MANUAL CONTROL LEVER
57/59	A "Before 10/15/58"	B7A 7508-A	1	BUSHING - BRAKE PEDAL SHAFT
51/54	A	B1AZ 7B510-A	1 1	KIT - TRANSMISSION FRONT CLUTCH SUN GEAR SEAL Consists of (2) each 1P 77542-A, 1P 77543-B & 1P 77547-A Seals
55	P/I, S	B5AZ 7B510-A	1	Consists of (2) each B5S 77542-A, 1P 77543-B & B5S 77547-A Seals
56/57	A, S(8 cyl. 312)		1	
58/	A(8 cyl. 352)		1	
51/55	A	C1AZ 7A548-B	1	OIL SEAL - FRONT CLUTCH PISTON - Rubber-3.906" I. D. -4.408" O. D. -.125" thick
56/57	S/W (8cyl. 312)		1	
55/57	S		1	
57	A(8 cyl. 312 S/C, dual 4/B carb. )		1	
58/	A(8 cyl. 352-4/B carb. )		1	
56/57	A(except 8cyl. 312 S/W, S/C & dual 4/B carb. )	B6AZ 7A548-A	1	Rubber -4.120" I. D.
58/59	A(6&8cyl. 223, 292, 332)		1	
51/54	A	B1AZ 7A626-A	1	DRUM and SECONDARY SUN GEAR - FRONT BRAKE - 54 drum teeth-33 sun gear teeth-needle type bearing 4.330" overall length
55/57	S	B5AZ 7A626-A	1	54 drum teeth-36 sun gear teeth-needle type brg. -4.578" overall length
56/57	S/W(8cyl. 312)		1	
57	A(8cyl.312 S/C,dual 4/Bcarb.)		1	
56/57	A(8cyl.312-except S/W, S/C & dual 4/B carb. )	B6AZ 7A626-B	1	54 drum teeth-36 sun gear teeth-needle type brg. -4.503" overall length
59/	A(6&8 cyl. 223, 292)		1	
58/59	A(8cyl. 332)	B8AZ 7A626-A	1	54 drum teeth-36 sun gear teeth-needle type brg. -4.503" overall length
58/	A, S(8 cyl. 352-4/B carb. )	C0AP 7A626-A	1	54 drum teeth-36 sun gear teeth-needle type bearing- 4.573" overall length
52/53	A	8A 7713	1	CLIP - SPEEDOMETER CABLE TO STEERING GEAR HOUSING

YEAR	MODEL	PART NUMBER	QUANTITY PER TRANS- MISSION	PART NAME AND DESCRIPTION
51	A-Convertible Coupe	★1A 7779-B	1	SHIELD - TRANSMISSION CONTROL LINKAGE SPLASH - On speedometer cable-12.12"o/all height-6.24"o/all width- Dealer improvise
51	A	★31519-S8	3	Screw(trans. control linkage splash shield to cross member) -No. 14 x 1/2" self tapping
52/53 54	A-6cyl. 215 A-6cyl. 223	AB 7779-A	1 1	
55/57	A-6cyl. 223	★B5A 7779-A	1	Includes bracket
55/56	A-8cyl. (with single exhaust)	★B5A 7779-B	1	
55/56	A-8cyl. (with dual exhaust- exc. 1955 Sedan Delivery)	B4A 7779-A	1	
56/57 55/57	A(8cyl.) S	B7A 7779-A	1 1	Use with steel converter impeller housing
56/57	A, S	20246-S8(B113B)	1	Bolt(shield to transmission)-7/16"-14 x 2 1/2"
57	A, S	34808-S8(X67)	1	Lockwasher-7/16"
54 55/57	A(8cyl. 239) A, S	20328-S8(B76)	1 1	Bolt(shield to transmission)-3/8"-16x5/8"-hex. head
55/56	S	34807-S8(X66) ★40921-S8	1	Lockwasher-3/8" Screw (splash shield to converter air duct)- 1/4" -20 x 1/2" - self tapping
56/57 57	†A(8 cyl.), †S A(6 cyl. 223)	B6AZ 7A812-A	1 1	WASHER - CONVERTER IMPELLER THRUST - 1.750" I. D. -3.00" O. D. -.093" thick-2 tabs
51/	A, S	B9AZ 7A813-A	7or8	ROLLER - TRANSMISSION CONVERTER STATOR CLUTCH
51/	A, S, X	B9AZ 7A814-A	AR	SPRING - TRANSMISSION CONVERTER STATOR CLUTCH
56/57	S/W(8 cyl. 312), S	B6A 7880-A	1	TUBE - TRANSMISSION OIL COOLER DISCHARGE TO SUMP -5/16" O. D. -2.58" long
56/57 58/ 59	†A(8 cyl. exc. 312 S/W, S/C & dual 4/B carb.) A(8 cyl. 292, 332, 352- 2/B carb.) A(6 cyl. 223)	B8A 7880-A	1 1 1	
58/59	A(8 cyl. 292) "Before 12/1/58"	B8A 7902-B	1	CONVERTER ASSY. - TRANSMISSION - Welded design
58/59	A(8 cyl. 292-with †PAZ-E transmission)	C2AZ 7902-B	1	#6
59/	A(8 cyl. 292-use with #PAZ- S transmission)	C2AZ 7902-A	1	
58/59	A(8 cyl. 332, 352)	C2AZ 7902-D	1	
52/54 55/	A A(6 cyl. 223)	B7A 7908-A	1 1	IMPELLER - TRANSMISSION CONVERTER- Aluminum
55/56 55/56	S A(8 cyl. 272, 292)	B5A 7908-A	1 1	Aluminum
56/57	†A(8 cyl.), †S	B6A 7908-A	1	Steel
51/56 52/ 58/	A(8 cyl.), S A(6 cyl.) A	C2AZ 7915-A PAR 7915-B	1 1 1	HUB - TRANSMISSION CONVERTER IMPELLER
51/56 52/	▲A(8 cyl.), ▲S A(6 cyl.)	1P 7916-A	1 1	GASKET - CONVERTER IMPELLER HUB TO IMPELLER - Rubber-4 1/4" O. D.

† Used with steel converter impeller

▲ Not used with steel converter impeller

# Production Identification Marking

YEAR	MODEL	PART NUMBER	QUANTITY PER TRANS- MISSION	PART NAME AND DESCRIPTION
51/54	A	C2AZ 7920-D	1	TURBINE ASSY. - TRANSMISSION CONVERTER
55/59	A(6 cyl. 223)		1	
55/57	A(8 cyl. -exc. 312 S/W, S/C & dual 4/B carb.)	B7A 7920-A	1	12.19" O. D. -17 splines
56/57	‡S/W(8 cyl. 312)	B7A 7920-B	1	12.19" O. D. -29 splines
57	A(8 cyl. 312 S/C, dual 4/B carb.)		1	
55/57	S		1	
59/	A(6 cyl. 223-use w/#PAY-J, #PAY-R transmissions)	C2AZ 7920-A	1	
58/	A, S	★1P 7927-A	AR	WEIGHT - TRANSMISSION CONVERTER TURBINE BALANCE - .040" thick
		★1P 7927-C	AR	.030" thick
		★1P 7927-D	AR	.066" thick
55/57	A(8 cyl. ), S	B5S 7932-A	1	STATOR ASSY. - TRANSMISSION CONVERTER-7.136" O. D.
57	A(6 cyl. 223)		1	
51/54	A	1P 7932-A	1	6.992"/7" O. D.
55/	A(6 cyl. 223)		1	
51/57	A, S	B8A 7937-A	1or2	KIT - CONVERTER STATOR and IMPELLER THRUST WASHER-REAR - Consists of - (1) each C2AZ 7937-D, PAN 7937-D washers
58/	A(6 cyl. 223)		1or2	
51/57	A, S	B9AP 7940-A	1	CLUTCH ASSY. - TRANSMISSION CONVERTER STATOR - 14 sprags-with .060" x .100" notches
58/	A(6 cyl. 223)		1	
55/56	A, S	B5A 7943-A	2	RETAINER - CONVERTER STATOR CLUTCH - 2.1573"/2.1581" I. D. -3.6025"/3.6040" & 2.8107"/2.8115" O. D. -.359"/.366" overall width
51/57	A, S	1P 7945-A	2	SNAP RING - CONVERTER STATOR CLUTCH RETAINER- 3.794"/3.825" I. D. -.718"/.937" gap
58/	A(6 cyl. 223)		2	
51/57	A, S	1P 7946-A	1	RACE - CONVERTER STATOR CLUTCH - INNER - 19 teeth
58/	A(6 cyl. 223)		1	
51/	A, S	C2AZ 7946-A	1	
51/57	A, S	1P 7947-B	1	RACE - CONVERTER STATOR CLUTCH - OUTER- 3 external slots
58/	A(6 cyl. 223)		1	
52/53	A(6 cyl. 215)	1P 7950-D	1	COVER and STARTER RING GEAR ASSY. -TRANSMISSION CONVERTER - 146 teeth-1 piece cover-18 bolt holes
52/53	A(8 cyl. 239)	1P 7950-C	1	146 teeth-2 piece welded cover-18 bolt holes
55/57	A(8 cyl. ), S	B5A 7950-A	1	148 teeth-approx. 15.05" O. D.
54	A	1P 7950-E	1	146 teeth-approx. 14.85" O. D.
55/	A(6 cyl. 223)		1	
51/	A, S	357916-S(PP35)	2	Plug (converter cover drain)-1/8" -27-pipe-dryseal
58/	A, S(8 cyl. 332, 352)	★PBL 7954-B	1	PILOT - TRANSMISSION CONVERTER COVER
58/	A(8 cyl. 292)	PAZ 7954-A	1	
51/57	A, S	1P 7962-A	1	WASHER - TURBINE TO CONVERTER COVER FORWARD THRUST - 2 7/16" O. D. -1.26" I. D. -8 oil grooves
58/	A(6 cyl. 223)		1	
51/52	A	1P 7963-C	1	GASKET - TRANSMISSION CONVERTER COVER TO IMPELLER - Fibre & synthetic rubber-12.12" I. D. - 13.84" O. D. -.011" thick-34 holes
56/57	‡A(8 cyl. ), ‡S	B6A 7963-A	1	"O" ring type-11.860"/12.071" I. D. -.119"/.123" x .126"/.136" thickness
52/56	A, S	B3A 7963-A	1	"O" ring type-11.650" I. D. -12.096" O. D. -.136"/.144" diameter thickness; square type-11.72"/11.83" I. D. - 12.30"/12.32" O. D. -.112"/.128" x .115"/.125"
55/56	▲A(8 cyl. ), ▲S		1	
55/	A(6 cyl. 223)		1	

▲ Not used with Steel Converter Impeller # Production Identification Marking ‡ Used with Steel Converter Impeller

YEAR	MODEL	PART NUMBER	QUANTITY PER TRANSMISSION	PART NAME AND DESCRIPTION	
52/53	A(6 cyl. 215)	1P 7964-E	18 OR 34	BOLT - CONVERTER COVER TO IMPELLER HOUSING - 5/16" - 24 x 1 1/8" - special head-coned surface underneath side of head	
56/57	‡A(8 cyl.), ‡S	B6A 7964-B	18	5/16" - 24 x .82" / .85" - special head	
51/53	A(8 cyl. 239)	1P 7964-D	18 OR 34	5/16" - 24 x 1" - special head-coned surface underneath side of head	
54/56	A, S		18		
55/	A(6 cyl. 223)		18		
55/56	▲A(8 cyl.), ▲S		18		
51/57	A, S	34393-S7(M98)	18		Locknut (converter cover to impeller)-5/16"-24 hex.
58/	A(6 cyl. 223)				
58/	A	PBL 7964-D	4		
54/	A(6 cyl. 223)	1P 7975-E	1	HOUSING ASSY. - TRANSMISSION CONVERTER	
54	A(8 cyl. 239)	1P 7975-F	1		
55/56	▲A(exc. 8 cyl. 312), ▲S	B5S 7975-A	1		
56/57	A(8 cyl.), S	C1AP 7976-A	1		
58/	A(8 cyl. 292)		1		
58/59	A(8 cyl. 332, 352)	C1SP 7976-A	1		
51/53	A	★20530-S	6		Bolt (converter housing to cylinder block)-7/16"-14 x 2 1/8" hex. head
51/	A, S, P/I	20450-S(B106)	4		Bolt (converter hsg. to trans. case)-7/16"-14 x 1 3/8"-hex. hd.
54/	A, S	20246-S8(B113B)	2to6		Bolt (converter hsg. to cyl. block)-7/16"-14 x 2 1/2"
51/	A, S	34808-S8(X67)	4to6		Lockwasher-7/16"
54/55	A(8 cyl.), S	B2A 7980-A	1		COVER - CONVERTER HOUSING LOWER ACCESS
52/	A(6 cyl.)		1		
52/53	A(6 cyl. 215)	20326-S7(B49)	2		Bolt (cover to housing)-5/16"-18 x 5/8" - hex. head
54/55	A(8 cyl.), S	20310-S8(B48)	2	Bolt (cover to housing)-5/16"-18 x 1/2" hex. head	
54/	A(6 cyl. 223)		2		
54/55	A(8 cyl.), S	34806-S7(X64)	2	Lockwasher-5/16"	
52/	A(6 cyl.)		2		
56/57	‡A(8 cyl.), ‡S	B6A 7980-A	1	Includes screw and clip	
58/	A(8 cyl. 292)		1		
56/57	‡A(8 cyl.), ‡S	★32917-S7	1	Screw (clip to cover)-No. 10-12 x 3/8" self tapping	
57	A(8 cyl. 292)	357456-S13(UU43)	1	Screw (clip to cover)-No. 10-32 x 1/2" self tapping	
54/	A(8 cyl. 239, 272, 292, 312)	COMM 7985-A	1	COVER ASSY. - CONVERTER HOUSING	
55/57	S		1		
58/	A(8 cyl. 332, 352)	B8A 7985-A	1		
54/	A(8 cyl. 239, 272, 292, 312)	20310-S8(B48)	3	Bolt (cover to housing)-5/16"-18 x 1/2"-hex. head	
55/57	S		3		
58/	A(8 cyl. 332, 352)		3or4		
54/59	A(8 cyl. 239, 272, 292, 312)	20521-S7(B162)	1	Bolt (cover to housing)-5/16"-24 x 2"-hex. head	
55/57	S		1		
54/	A(8 cyl.), S	34806-S7(X64)	4	Lockwasher-5/16"	
52/54	A	AB 7990-A	1	DUCT ASSY. - CONVERTER AIR	
55/	A	B7A 7990-B	1		
51/55	A(8 cyl.), S	20326-S7(B49)	4	Bolt (air duct to converter housing)-5/16"-18 x 5/8" - hex. head	
52/	A(6 cyl.)		4		
51/55	A(8 cyl.), S	34806-S7(X64)	4	Lockwasher-5/16"	
52/59	A(6 cyl.)		4		
51/53	A(8 cyl. 239)	★1M 7991-B	1	COVER ASSY. - CONVERTER HOUSING - LOWER - Use with cast iron housing	
51/53	A(8 cyl. 239)	20466-S8(B61)	1	Bolt (lower cover to converter housing)-5/16"-18 x 1 1/2"	
51/53	A(8 cyl. 239)	20326-S7(B49)	1	Bolt (lower cover to converter housing)-5/16"-18 x 5/8"	
		34806-S7(X64)		Lockwasher-5/16"	
51/55	A, S(8 cyl.)	1M 7993-B	1	SCREEN ASSY. - CONVERTER HOUSING TO AIR DUCT	
52/59	A(6 cyl.)		1		

▲ Not used with Steel Converter Impeller

‡ Used with Steel Converter Impeller

YEAR	MODEL	PART NUMBER	QUANTITY PER TRANS- MISSION	PART NAME AND DESCRIPTION
51/52	A(except serial prefix "5" transmission)	B1A 77036-A	1	SLEEVE - TRANSMISSION FRONT CLUTCH CYLINDER - Split-1.19" O. D. -.969" long-.062" wall thickness
55/56	S	B6S 77059-A	1	SHAFT and GEAR ASSY. - OUTPUT - 72 internal teeth - 50 external teeth-16 splines-19 31/32" long-2.88" diam. -.015" depressed front thrust surface
		74144-S(L4)		Key-woodruff-5/8" x 1/8"
51/	A, S	B1A 77063-A	1	SLEEVE - TRANSMISSION OUTPUT SHAFT OIL - Standard-.753"& 1.251" O. D. -3.9" long
		B1A 77063-D	1	.010" O/S
51/54	A	*1P 77067-A	1	WASHER - OUTPUT SHAFT THRUST - FRONT - .061"/.063" - 2 3/8" O. D. -1.33/64" I. D. -4 oil grooves each side
		1P 77067-B	1	.067"/.069"
		1P 77067-C	1	.074"/.076"
		1P 77067-D	1	.081"/.083"
55/56	A(except 8 cyl. 312 S/W, S/C & dual 4/B carb.), S	B5A 77067-E	AR	.061"/.063" - 2.57" O. D. -1.653"/1.663" I. D. -4 oil grooves each side
57/	A(6 & 8 cyl. 223, 292)	B5A 77067-F	AR	.067"/.069"
		B5A 77067-G	AR	.074"/.076"
		B5A 77067-H	AR	.081"/.083"
56/57	S/W(8 cyl. 312)	B5A 77067-J	AR	.061"/.063" - 2.868"/2.878" O. D. -1.658"/1.668" I. D. -4 oil grooves each side
57	A(8 cyl. 312 S/C, dual 4/B carb.)		AR	
58/	A(8 cyl. 332, 352)	B5A 77067-K	AR	.067"/.069"
		B5A 77067-L	AR	.074"/.076"
		B5A 77067-M	AR	.081"/.083"
51/	A, S	1P 77136-A	1	SNAP RING - GOVERNOR - 1.68"O. D. -1.62" I. D.
51/	A, S	1P 77138-B	1	COVER - GOVERNOR INSPECTION -On extension housing-oval-2 projections
51/	A, S, P/I	* 42817-S8	2	Screw & washer (cover to housing)-1/4"-20 x 1/2"-pan head
51/	A, S, P/I	357914-S(XX59)	2	Washer (cover bolt to housing)-rubber-.25"/.26" I. D.
52/58	A	AB 77205-A	1	DAMPER - TRANSMISSION SHIFT TUBE VIBRATION - 2 5/32" length
55/57	A(6 cyl. 223)	*1A 77245-A	2	WASHER-SPRING - TRANSMISSION THROTTLE CONTROL OUTER LEVER ROD TO LEVER - Control rod to accelerator lever-.62"O. D. -.27" I. D.
51/57	A	*1A 77245-A	1	.62" O. D. -27" I. D.
51/	A, S	1P 77265-B	1	OIL SEAL - THROTTLE CONTROL OUTER LEVER - .473" O. D. -.367" I. D. -.106" thick
51/	A, S	1P 77276-A	1	SPRING - MANUAL CONTROL VALVE DETENT LEVER - 2 9/32" free length-21 active coils
51/	A, S	372720-S(AA11)	1	Ball (manual control valve detent lever spring) - 3/8" diam.
51/	A, S	B5A 77283-A	1	LEVER - TRANSMISSION THROTTLE CONTROL - INNER
51/56	∅A, ∅S	34443-S7-8(M79)	1	Locknut (throttle control inner lever)-5/16"-24
56/	A, S, P/I	33798-S7-8(M62)	1	Nut-5/16"-24
56/	A, S, P/I	34806-S7(X64)	1	Lockwasher-5/16"

∅ Not used with Steel Converter Impeller

YEAR	MODEL	PART NUMBER	QUANTITY PER TRANS- MISSION	PART NAME AND DESCRIPTION
51/	A, S	1P 77312-A	1	PIN - PARKING PAWL - .46" diameter-2 1/32" long
51/	A, S	1P 77314-A	1	SPRING - PARKING PAWL TOGGLE RETURN - Approx. 3 coils-hooked type ends
51/	A, S	1P 77316-A	1	LINK - PARKING PAWL TOGGLE TO PAWL
51/	A, S	1P 77318-A	1	PIN - PARKING PAWL TOGGLE LINK TO PAWL - .3100"/.3115" diameter x 7/8" long-grooved end
51/59	A, S, P/I	356414-S(XX110)	1	Washer-flat (link to pawl)-21/64" diameter
51/	A, S	1P 77322-A	1	ROD - MANUAL LEVER CONNECTING - Control valve - detent lever to parking pawl-1/4" diameter x 2 15/16" overall length-cotter pin hole at each end
51/	A, S, P/I	72000-S7(N37)	2	Cotter pin-1/16" x 3/8"
51/	A, S	B8A 77323-A	1	RETAINER - PARKING PAWL TOGGLE RETURN SPRING - .319" I. D. -9/16" & 27/64" O. D. x 5/16"-groove around small diameter
55/	A, S	1P 77326-A	1	RETAINER - PARKING PAWL TOGGLE LEVER PIN - .572" O. D.
52/58	A	AB 77330-A	1	"U" BOLT - GEAR SHIFT SELECTOR TUBE BRACKET
52/58	A	33795-S7(M49)	2	Nut-1/4" -20-hex.
		34805-S8(X62)		Lockwasher-1/4"
52	A	AB 77344-A	1	RETAINER - TRANSMISSION GEAR SHIFT SELECTOR - DIAL - 2 1/8" single slot
		★26466-S6	4	Screw (retainer to steering column tube)-No. 6-32 x 3/8" round head
		34801-S7(X58)		Lockwasher-No. 6
52/53	A	AB 77344-DW	1	Double slot-zinc die cast
52/53	A	26457-S7(U167)	4	Screw (retainer to steering column tube)- No. 8-32 x 1/4" - round head
		34802-S7(X59)	2	Lockwasher-No. 8
51/57	A, S	1P 77356-A	1	PIN - SERVO ACTUATING LEVER SHAFT - Front band - .166" diam. x 1 1/4" long
51/	A, S	1P 77356-A	1	Rear band -.166" diam. x 1 1/4" long
51/57	A(6 & 8 cyl. 215, 223, 239, 272-exc. "Special")	1P 77366-A	1	SNAP RING - FRONT BAND SERVO PISTON GUIDE TO - SERVO - 2.59" O. D
57	A(8 cyl. 312-exc. S/W, S/C & dual 4/B carburetor)		1	
58/	A(6 cyl. 223)		1	
58/	A(8 cyl. 332)		1	
55/56	A(8 cyl. 272 "Special")	B5A 77366-C	1	2.488" O. D. -.044" thick
56/	A(8 cyl. 292)		1	
56/57	A(8 cyl. 312-exc. S/W, S/C & dual 4/B carburetor)		1	
56/57	S/W(8 cyl. 312), S	B6S 77366-A	1	2.696" O. D. -.044" thick
57	A(8 cyl. 312 S/C, dual 4/B carb. )		1	
58/	A(8 cyl. 352-4/B carb. )		1	
55/57	A, S	B5A 77369-A	1	SPRING - REAR BAND SERVO ACCUMULATOR - Free length approx. -782" - 4 3/4 coils
58/	A	B8A 77369-A	1	



YEAR	MODEL	PART NUMBER	QUANTITY PER TRANS- MISSION	PART NAME AND DESCRIPTION
55/57	A, S	B5A 77371-B	1	RETAINER-REAR BAND SERVO ACCUMULATOR SPRING- 1.058" O. D. -.860" I. D. -1.43" overall length
55/57	A, S	353865-S(QQ19)	1	Snap ring (rear band servo accumulator spring retainer)- internal 1.145" O. D. -.077" wide-.052" thick-.280" gap - (1) square & (1) tapered end
51/	A, S(without S/C)	1P 77377-A	1	PIN - FRONT BAND ANCHOR - 5/8" diameter head-1 3/16" overall length
51/54	A	1P 77379-A	2	TUBE - FRONT BAND SERVO OIL - 4 7/16" long-.308" O. D.
55/	A, S	B5A 77379-A	2	3 11/16" long-5/16" O. D.
55/	A, S	B5A 77406-A	29	BEARING - REAR SERVO LEVER - NEEDLE - .0625" O. D. -.93" long-steel
55/	A, S, P/I	353592-S(XX198)	2	Washer-flat (needle bearing retainer)-.525" I. D. -1" O. D. - .016" thick
51/54	A	1P 77415-A	1	SPRING - REAR BAND SERVO PISTON - 2.6" long-5 active coils
55/57	A, S	B5A 77415-A	1	Approx. 2.60" free length-4 coils -conical
58/	A	B8A 77415-A	1	
51/57	A, S(without S/C & dual 4/B carb. )	1P 77417-A	1	SNAP RING - REAR BAND SERVO PISTON RETAINING - 3.27" O. D.
57	A. S(8 cyl. 312 S/C, dual 4/B carb. )	B7A 77417-A	1	3.49" O. D. -.064" thick
58/	A(6 & 8 cyl. 223, 292, 332)	B8A 77417-A	1	
58/	A(8 cyl. 352-4/B carb. )	B8S 77417-A	1	3.71" O. D. -.064" thick
51/	A, S	B7A 77420-A	1	BOLT - REAR BAND SERVO TO CASE - 7/16" - 14 x 2 15/32"- special-with pilot end-approx. - 1 1/4" thread length
51/	A, S, P/I	34808-S8(X67)	1	Lockwasher-7/16"
51/54	A	B8A 77426-A	1	SCREW - REAR BAND ADJUSTING - 1/2" - 20 x 2.44" overall length
55/57	A(6 cyl. 223)	B5AP 7A178-A	1	1/2" - 16 x 2.44" overall length
56/57	A(8 cyl. 312)		1	
55/57	A(8 cyl. 272, 292), S		1	
58/	A	C0AP 7A178-B	1	1/2" - 20 x 2.44" overall length
51/54	A	33943-S8(M36)	1	Nut (rear band adjusting screws)-1/2" - 20 jam
58/	A, S, P/I		1	
55/57	A, S	371569-S(MM53)	1	Nut (rear band adjusting screw)-1/2" - 16 jam
51/54	A	★1P 77451-C	1	COVER and TUBE ASSY. - OIL PRESSURE REGULATOR BODY
51/54	A	356746-S(BB13)	8	Screw (trans. oil pressure regulator cover attaching) - No. 10-24 x 3/4"
		34803-S7(X60)		Lockwasher-No. 10
51/54	A	★1P 77465-A	1	SPRING - OIL PRESSURE REGULATOR COMPENSATOR VALVE-21 coils-4 3/64" free length-.687" diameter
55/	A, S	B5A 77465-B	1	SPRING - OIL PRESSURE REGULATOR LOW CONTROL VALVE - 3 29/32" long-20 1/2 coils

YEAR	MODEL	PART NUMBER	QUANTITY PER TRANS- MISSION	PART NAME AND DESCRIPTION
55/57	A(exc. 8 cyl. 312 S/W, S/C & dual 4/B carburetor)	B5A 77469-A	1	TUBE - OIL PRESSURE REGULATOR MAIN CONTROL VALVE -1/2" O. D. -5 9/16" long
58/	A(6 & 8 cyl. 223, 292, 332)		1	
55/	S	B5S 77469-A	1	1/2" O. D. -6 3/32" long
56/57	S/W(8 cyl. 312)		1	
57	A(8 cyl. 312 S/C, dual 4/B carb.)		1	
58/	A(8 cyl. 352-4/B carb.)		1	
55/	A, S	B5A 77482-A	1	CLIP - OIL PAN SCREEN RETAINING - Approx. 6 1/64" overall length
53/54	A	1P 77483-A	1	PLUG and GASKET ASSY. - TRANSMISSION OIL PAN DRAIN - 1 1/16"-16 hex. -3/4" overall length
51/56	▲A(6 & 8 cyl. 215, 223, 272, 292)	1P 77492-A		TUBE - TRANSMISSION CASE OIL FILLER -1 5/32" O. D. - 1 9/16" long-this tube must be plugged with 1P 77630-B cap assy. when used w/C1TZ 7005-B or B5AP 7005-D case
51/52	A	B1A 77507-A	1	BUSHING - TRANSMISSION FRONT BRAKE DRUM & SECONDARY SUN GEAR - FRONT - Split-1.925" O. D. - 1.12" long-.0625" wall thickness
51/57	A	B1A 77507-D	1	BEARING - TRANSMISSION FRONT BRAKE DRUM & SECONDARY SUN GEAR - FRONT - For 1.0605" diam. shaft-1.313" O. D. -.500" long-needle type
58/	A(6&8cyl. 223, 292, 332)		1	
55/57	S	B5A 77507-A	1	For 1.1875" diam. shaft-1.5005" O. D. -.625" long-needle type
56/57	S/W(8 cyl. 312)		1	
57	A(8cyl. 312 S/C, dual 4/B carb.)		1	
58/	A(8cyl. 352)		1	
51/57	A(except 8cyl.312 S/W,S/C &dual 4/Bcarb.)	B1A 77507-E	39	ROLLER - TRANSMISSION FRONT BRAKE DRUM & SECONDARY SUN GEAR FRONT BEARING - .0925" O. D. - .416" long
58/	A(6&8cyl.223,292,332)		39	
56/57	S/W(8cyl.312)	B5A 77507-B	34	.1205" O. D. -.535" long
57	A(8cyl. 312 S/C, dual 4/B carb.)		34	
58/	A(8cyl. 352-4/B carb.)		34	
55/57	S		34	
55	S	B5A 77514-B	1	PISTON - REAR CLUTCH - 5 15/64" O. D. -. 1876"/1.878" I. D. -.867"/.872" o/all thickness-4.873"/4.877" groove diam. -with 1/8" metering ball staked in place-(1) .039"/.043" thru hole-aluminum
51/57	A(except 8cyl.312S/W,S/C & dual 4/B carb.)	B7A 77514-C	1	5 15/64" O. D. -1.688"/1.690" I. D. -.684"/.689" o/all thickness-aluminum
58/	A(6&8cyl. 223, 292)		1	
57	A(8cyl. 312 S/C, dual 4/B carb.)	B7A 77514-D	1	5 15/64" O. D. -1.876"/1.878" I. D. -.692"/.697" o/all thickness-.4873"/.4877" groove diam. -with 1/8" metering ball staked in place-(1).039"/.043" thru hole-aluminum
56/57	S/W(8cyl. 312), S		1	
58/	A(8cyl. 332)	B8A 77514-C	1	
58/	A(8 cyl. 352-4/B carb.)	B8S 77514-C	1	5 15/64" O. D. -1.876"/1.878" x .447" I. D. -.6625"/.6675" o/all thickness-4.877"/4.878" grooved diam. -with 1/8" metering ball staked in place-(1).039"/.043" thru hole-aluminum

▲ Not used with converter Impeller

YEAR	MODEL	PART NUMBER	QUANTITY PER TRANS. MISSION	PART NAME AND DESCRIPTION
51/57	A(exc. 8cyl. 312 S/W, S/C & dual 4/B carb.)	1P 77516-B	1	SEAT - REAR CLUTCH PISTON SPRING - 2 7/8" O. D. - 1.684" I. D. - 5/16" o/all thickness
58/	A(6&8cyl. 223,292,332)		1	
55/57	S	B5A 77516-B	1	2 7/8" O. D. - 1.867" I. D. - 21/64" o/all thickness
56/57	S/W(8cyl. 312)		1	
57	A(8cyl. 312 S/C, dual 4/B carb.)		1	
58/	A(8 cyl. 352)		1	
51/57	A(exc. 8cyl. 312 S/W, S/C & dual 4/B carb.)	1P 77517-A	1	SNAP RING - REAR CLUTCH PISTON SPRING RETAINING- 1.51" I. D.
58/	A(6&8cyl. 223,292,332)		1	
55/57	S	B5A 77517-A	1	1.716" I. D.
56/57	S/W(8cyl. 312)		1	
57	A(8cyl. 312 S/C, dual 4/B carb.)		1	
58/	A(8 cyl. 352 4/B carb.)		1	
51/	A, S	1P 77523-A	1	SNAP RING - REAR CLUTCH PRESSURE PLATE - 5 9/16" O. D. - .076" thick - .688"/.938" gap
		77523		SNAP RING - INPUT SHAFT TO FRONT CLUTCH CYLINDER - Refer to Group 77567
51/57	A(exc. 8cyl. 312 S/W, S/C & dual 4/B carb.)	1P 77524-A	1	WASHER - SECONDARY SUN GEAR THRUST - INNER - 2 3/8" O. D. - 1 45/64" I. D. - 1/8" thick-steel
58/	A(6&8cyl. 223,292,332)		1	
55/57	S	B5S 77524-A	1	2.56"/2.59" O. D. - 1.865"/1.893" I. D. - .120"/.122" thick-steel
56/57	S/W(8cyl. 312)		1	
57	A(8cyl. 312 S/C, dual 4/B carb.)		1	
58/	A(8 cyl. 352-4/B carb.)		1	
51/57	A(except 8 cyl. 312 S/W, S/C & dual 4/B carb.)	1P 77542-A	2	OIL SEAL - PRIMARY SUN GEAR - FRONT - Cast iron - 1 1/16" O. D. - 3/32" thick
58/	A(6&8cyl. 223,292,332)		2	
55/57	S	B5S 77542-A	2	Cast iron-1 3/16" O. D. - 3/32" thick
56/57	S/W(8cyl. 312)		2	
57	A(8cyl. 312 S/C, dual 4/B carb.)		2	
58/	A(8 cyl. 352-4/B carb.)		2	
51/	A, S	1P 77543-B	2	OIL SEAL - PRIMARY SUN GEAR - REAR - Cast iron - .938" O. D. - .093" thick interlocking slot
51/57	A(except 8 cyl. 312 S/W, S/C & dual 4/B carb.)	1P 77545-A	1	WASHER - PRIMARY TO SECONDARY SUN GEAR THRUST - FRONT - 1 27/32" O. D. - 1 17/64" I. D. - 4 notches-4 oil grooves-bronze
58/	A(6&8cyl. 223,292,332)		1	
55/57	S	B5S 77545-A	1	2 13/64" O. D. - 1 5/16" I. D. - 1/16" thick-4 oil grooves-each side
56/57	S/W(8cyl. 312)		1	
57	A(8cyl. 312 S/C, dual 4/B carb.)		1	
58/	A(8 cyl. 352-4/B carb.)		1	
59/	A(8cyl. 292) "From 12/1/58"	B8A 77549-A	1	RACE - FRONT CLUTCH SUN GEAR THRUST BEARING - 2.009" O. D. - 1.26" I. D. - 3 slots
59	A(8cyl. 332)		1	
58/59	A(8 cyl. 352-4/B carb.)		1	

YEAR	MODEL	PART NUMBER	QUANTITY PER TRANS- MISSION	PART NAME AND DESCRIPTION
51/54 55/57 56/57 57 58/	A S S/W(8cyl. 312) A(8cyl. 312 S/C, dual 4/B carb.) A(8 cyl. 352-4/B carb.)	1P 77563-A	1 1 1 1 1	RING - FRONT CLUTCH PISTON DISC SPRING PRESSURE- 3.125"O. D
55/57 58/	A(except 8cyl. 312 S/W, S/C & dual 4/B carb.) A(6&8cyl. 223,292,332)	B5A 77563-A	1 1	3.332"O. D.
51/	A. S	1P 77567-A	1	SNAP RING - FRONT CLUTCH PRESSURE PLATE TO CYLINDER - 5 9/16"O. D. -3/32"thick
51/54 55/57 56/57 57 58/	A S S/W(8cyl. 312) A(8cyl. 312 S/C, dual 4/B carb.) A(8 cyl. 352-4/B carb.)	1P 77567-A	1 1 1 1 1	SNAP RING - INPUT SHAFT TO FRONT CLUTCH CYLINDER - 5 9/16"O. D. -3/32"thick
55/57 58/59	A(except 8cyl. 312 S/W, S/C & dual 4/B carb.) A(6&8cyl. 223,292,332)	1P 77523-A	1 1	5 9/16"O. D. -.076"thick
51/54 55/	A A. S(6&8cyl. 223,272,292,312, 332, 352)	1P 77573-A	2 3	PLATE - FRONT CLUTCH DRIVE - External spline-54 teeth-steel
51/	A, S	B5S 77577-B	1	WASHER - TRANSMISSION FRONT CLUTCH HUB TO INPUT SHAFT THRUST - 1 23/32"O. D. -57/64"I. D. -1/16" thick
55/57	S	B5S 77619-A	1	BUTTON ASSY. - TRANSMISSION GEAR SHIFT LEVER RELEASE - Includes spring, washer & snap ring
		★89447-S	1	Screw-headless set (button to lever)-1/4"-28 x 1/2"
55/57	S	B5S 77622-A	2	SEAL - TRANSMISSION GEAR SHIFT LEVER SHAFT - Felt-.88"O. D. -.50"I. D. -.078" thick
55/57	S	B5S 77623-A	1	DUST SEAL - TRANSMISSION GEAR SHIFT LEVER SHAFT Felt-2 7/8"x2 1/8"-1/4" thick
55/57	S	B5S 77624-A	1	RETAINER - TRANSMISSION GEAR SHIFT LEVER SHAFT- 2 7/8"x 2 1/8"-(4) 11/32"diam. holes
		20347-S8(B156)	4	Bolt (retainer to support)-5/16"-24 x 3/4"
		33798-S8(M62)	4	Nut-5/16"-24
		34806-S7(X64)		Lockwasher-5/16"
51/52	A	1P 77625-A	1	CAP ASSY. - TRANSMISSION FILLER - With oil level indicator dip stick-use with under floor filler type trans.
55/57	S	B5S 77635-A	1	SPRING - TRANSMISSION GEAR SHIFT LEVER BUTTON RETURN - 5 coils-1"O. D. -approx. 1 1/4"free length
55/56 52/56 56	S A(exc. 8cyl. 312 S/W) S/W(8cyl. 312)	★B5A 77654-C ★B5A 77654-A	1 1 1	BAFFLE - TRANSMISSION EXTENSION HOUSING OIL - 4.43"O. D. -2.24"I. D. 5"/5.05"O. D. -1.84"I. D.
58/	A. S	B8A 77658-A	1	VALVE - TRANSMISSION REAR BAND SERVO CHECK
51/54 55/	A A, S	★1P 77761-A B5A 77761-A	1 1	SPRING - MAIN CONTROL THROTTLE VALVE RETURN

YEAR	MODEL	PART NUMBER	QUANTITY PER TRANS- MISSION	PART NAME AND DESCRIPTION
51/54	A	1P 77764-A	1	VALVE - MAIN CONTROL MANUAL - 3.505" long
55/	A,S	B7A 77764-A	1	4.070" long
51/	A,S	1P 77868-A	1	OIL SEAL - REAL OIL PUMP OUTLET TUBE - Rubber-.494" I.D. -"O" ring type
51/57	A,S	1P 77881-A	1	DISTRIBUTOR - TRANSMISSION CLUTCH and GOVERNOR OIL
51/57	A,S	20344-S8(B42)	2	Bolt (oil distributor to sleeve)-1/4"-20 x 3/4"
51/57	A,S	34805-S8(X62)	2	Lockwasher-1/4"
51/	A,S	1P 77883-A	4	OIL SEAL - TRANSMISSION CLUTCH and GOVERNOR OIL DISTRIBUTOR SLEEVE - Cast iron-snap ring type - 1 1/2" O.D.
51/56	A,S	1P 77884-A	3	TUBE - TRANSMISSION CLUTCH and GOVERNOR OIL
57	A(8 cyl. 312 S/C, dual 4/B carb.), S		1	DISTRIBUTOR - 2 1/2" long-5/16" O.D.
57	S/W(8 cyl. 312)		1	
58/	A(8 cyl. 352-4/B carb.)		1	
51/58	A,S(215, 223, 239, 272, 292, 312, 352)	1P 77885-A	1	SPACER - TRANSMISSION CLUTCH and GOVERNOR OIL DISTRIBUTOR CENTER TUBE - Steel-"U" shaped - 1 7/16" long
51	A	1M 77979-A	1	COVER ASSY. - CONVERTER HOUSING LOWER ACCESS
52/53	A(8 cyl. 239)	1M 77979-B	1	
52/	A(6 cyl.)	EAA 77986-A	1	COVER - CONVERTER HOUSING FRONT ACCESS
52/	A(6 cyl.)	20309-S8(B150)	2	Bolt (front access cover)-1/4"-28 x 1/2"-hex. head
52/	A(6 cyl.)	34805-S8(X62)	1	Lockwasher-1/4"

YEAR	MODEL	PART NUMBER	QUANTITY PER TRANSMISSION	PART NAME AND DESCRIPTION
59/	A(6 cyl. 223)	B9AZ 7A003-D	1	SPRING - FRONT BAND SERVO PISTON RETRACTING OR RETURN - 4 1/64"long-12 coils-now 3 1/4" long- 8 1/2 coils - .192" wire diameter
59	A(8 cyl. 292)	C2OZ 7A003-B	1	3.11" long-10 3/4 coils-Light Blue stripe-1/4" wide
59	A(8 cyl. 332)	B9AZ 7A003-B	1	3 3/16" long-8 coils-.263" wire diameter- (2) 1/4" Green stripes full length of spring
59	A(8 cyl. 352)	B9AZ 7A003-C	1	3 19/64" long-8 3/4 coils-.225" wire diameter- 1/4" Yellow stripe full length of spring
59/	A(6 cyl. 223)	C1AP 7005-N	1	CASE ASSY. - TRANSMISSION - Use (1) B7A 6730-A to plug vacuum throttle valve hole
59/	A (6 cyl. 223-w/o Vac. T. V.)	C1AZ 7005-A	1	
59/	A(8 cyl. 292-w/o Vac. T. V.)	C1AZ 7005-B	1	
59/	A(8 cyl. 292)	C1AZ 7005-E	1	Includes (1) C3AZ 7D273-A oil tube connector
59/	A(8 cyl. 332, 352)	C1AP 7005-M	1	Use (1) B7A 6730-A to plug vacuum throttle valve hole
59/	A(8 cyl. 332, 352)	C3AZ 7005-H	1	Includes (1) each C3AZ 7007-B engine rear cover plate & C3AZ 7D273-A oil tube connector
59/	A	87708-S(P14)	1	Plug (front servo pressure to case)-1/8"-27 -headless socket
59/	A	357916-S(PP35)	3	Plug (pump pressure gauge-oil cooler inlet & outlet holes)- 1/8" -27-dryseal
59/	A	C2DZ 6666-A	1	Plug-cup shaped expansion-.572" diameter
59	A	20246-S8(B113B)	4	Bolt (case to cylinder block)-7/16"-14 x 2 1/2"
		34808-S8(X67)		Lockwasher-7/16"
59/	A	87944-S8(I-22)	1	Fitting-5/16" tube nut-1/2"-20 external threads
59/	A	B9AZ 7A006-A	1	SPRING - FRONT OIL PUMP BALL PRESSURE
59/	A	353081-S(AA10)	1	Ball-steel-5/16" diameter
59/	A(6 cyl. 223)	B9A 7007-A	1	PLATE ASSY. - ENGINE REAR
59/	A "Before 4/1/60"	B9AZ 7A008-B	1	PLATE - MAIN CONTROL SEPARATING
59/	A, P/I	358509-S(BB9)	1	Screw (separating plate to lower body) - No. 10-24 x 7/16"-fillister head
59/	A	B9AZ 7A011-A	2	OIL SEAL - TRANSMISSION OUT PUT SHAFT - 1.6875" O. D. -1.5415" I. D. -.0935" thick-.001"/.006" gap
59	A	B8AZ 7A011-A	1	Rubber-1.195" I. D. -1 1/4" long-(5) ribs on O. D.
59	A	372292-S(QQ69)	1	Ring (oil seal retaining) - 1 1/4"
59	A	B9AZ 7A020-A	1	INDICATOR - TRANSMISSION OIL LEVEL
59/	A Consists of the following 1-*C0AP 7A270-A Spring-#Yellow 1-*C0AP 7A270-B Spring-#White 1-*C0AP 7A270-C Spring-#Blue	C0AZ 7B023-A	1	KIT - REGULATOR and COMPENSATOR VALVE SPRING  1-*C0AP 7A496-A Spring-#Yellow 1-*C0AP 7A496-B Spring-#White 1-*C0AP 7A496-C Spring-#Blue
59/	A	C1AA 7A024-A	1	ROD - TRANSMISSION TO BELLCRANK LEVER - 6.44" from center to center of ends
59/	A	B9AA 7A025-A	1	LEVER - TRANSMISSION SHIFT BELLCRANK
59/	A	B9AA 7A026-A	1	STUD - TRANSMISSION SHIFT BELLCRANK TO - CONVERTER HOUSING - 3/8"-16 thread one end- 1.94" overall length
59	A	354861-S(XX137)	1	Washer
59/	A	351467-S(XX352)	1	Washer-spring
59	A	34807-S7(X66)	1	Lockwasher-3/8"
		72034-S(N45)		Cotter pin -3/32" x 1

#Identification Marking

\* Springs are optional in pairs of like color only. Do not use a different color combination in any one kit.

YEAR	MODEL	PART NUMBER	QUANTITY PER TRANS- MISSION	PART NAME AND DESCRIPTION
59	A(8 cyl.)	*B9AZ 7A030-A	1	TUBE ASSY. - TRANSMISSION OIL COOLER - OIL INLET - Approx. 55.06" developed length
59	A(6 cyl. 223)	*4146166	1	Approx. 56, 20" developed length
59/	A	359279-S(II-32)	1	Connector (inlet tube to radiator)
59/	A	370717-S100(GG86)	1	Clip (oil cooler tubes to engine)
59/	A(8 cyl. 292)	20314-S8(B98)	1	Bolt (clip to oil pan)-7/16" - 14 x 1/2" - hex. head
59/	A(8 cyl. 292)	34808-S8(X67)	1	Lockwasher-7/16"
59/	A(8 cyl. 332, 352)	*20352-S8	1	Bolt (clip to eng.)-1/2"-13 x 3/4"
		34809-S8(X68)	1	Lockwasher-1/2"
59/	A	359058-S(II-77)	1	Connector(inlet tube to trans)
59/	A	87944-S8(I-22)	1	Fitting-5/16"tube nut-1/2"-20 ext. threads-(oil cooler oil inlet tube)
59/	A	359281-S8(MM112)	1	Fitting (oil cooler oil inlet tube)
59	A(6 cyl. 223)	*B9AZ 7A031-C	1	TUBE ASSY. -TRANSMISSION OIL COOLER - OIL OUTLET - Approx. 50" developed length
59	A(8 cyl.)	*B9AZ 7A031-B	1	Approx. 50 1/2" developed length
59/	A	370717-S100(GG86)	1	Clip (oil cooler tubes to engine)
59/	A	87944-S8(I-22)	1	Fitting-5/16"tube nut-1/2"- 20 ext. threads-(oil cooler oil outlet tube)
59/	A	359281-S8(MM112)	1	Fitting (oil cooler oil outlet tube)
59/	A	359279-S(II-32)	1	Connector (outlet tube to radiator)
59/	A	359058-S(II-77)	1	Connector (outlet tube to trans.)
59	A	B9A 7034-A	1	VENT ASSY.
59	A	B5AZ 7A034-A	1	BUSHING - EXTENSION HOUSING - 1.8175" O. D. -.0615"/.0625" wall thickness-2.12" split
59	A	B9AZ 7A039-B	1	HOUSING - TRANSMISSION EXTENSION - 18 1/32" long
59/	A	20408-S7(B81)	5	Bolt(housing to trans.case)-3/8"-16 x 1 1/8"
59/	A	351487-S(XX291)	4or5	Lockwasher-external tooth-3/8"
		34847-S8(X74)		Lockwasher-3/8"
59	A	B9AP 7A048-A	1	SHAFT and CARRIER ASSY. - OUTPUT - 26 external teeth-31 splines-24 5/8" long
59	A	C1AP 7052-B	1	OIL SEAL - TRANSMISSION EXTENSION HOUSING - 2.78"flange O. D. -for 1.685"shaft - 1.954"width
59/	A	B9AZ 7C053-A	1	GOVERNOR ASSY.
59/	A	353351-S(AA9)	1	Ball (gov. to output shaft)-1/4" diam.
59/	A	B9AZ 7C062-A	1	SEAT - MAIN CONTROL OIL PRESSURE REGULATOR - VALVE SPRING
59/	A	C3AZ 7B067-A	1	HUB - CLUTCH
59/	A	B2AZ 7B071-A	1	SPRING-TRANSMISSION GEAR SHIFT SELECTOR LEVER- 7/16" O. D. -261/64" free length-20 coils
59/	A	B9A 7086-A	1	GASKET - TRANSMISSION EXTENSION HOUSING - Extension housing to transmission case-.0135"/.0165"thick
59/	A	B9AZ 7C096-A	1	WASHER - REAR BRAKE DRUM THRUST
59	A	B9AZ 7A097-A	1	CLIP - OIL PAN SCREEN RETAINING
59	A	B9AZ 7A098-A	1	SCREEN ASSY. - OIL PAN
59/	A	371144-S(KK10)	1	Grommet-1" & 1.12"O. S. -.69" & .72"i. D. -.19"thick

\* Replaced by 8C 2269-A Bulk tubing & (1) each 87944-S8(I-22), 359281-S8(MM112) fittings

YEAR	MODEL	PART NUMBER	QUANTITY PER TRANS- MISSION	PART NAME AND DESCRIPTION
59/	A(6 cyl. 223)	C0AP 7A100-S	1	CONTROL ASSY. - TRANSMISSION MAIN - #55
59/	A(8 cyl. 292)	C0AP 7A100-Z	1	#65
59/	A(8 cyl. 332, 352)	C0AP 7A100-AA	1	#66
59/	A	357913-S(BB127)	6	Bolt (control to trans. case)-1/4"-20 x 1 5/8"
59/	A	20384-S8(B43)	2	Bolt (upper valve body to lower valve body)-1/4"-20 x 1"
59/	A	370386-S7-8(BB126)	2	Bolt (upper body to lower body)-1/4"-20 x 1 1/4"
59/	A	★21467-S7	1	Bolt (upper to lower body)-1/4"-20 x 1 3/8"
59/	A	34805-S8(X62)	5	Lockwasher-1/4"
59/	A	356746-S(BB13)	1	Screw (upper body to lower body)-No. 10-24 x 3/4"- fillister head
59/	A	371351-S(BB63)	2	Screw & washer assy. (upper body to lower body)- No. 10-24 x 1 1/8"-fillister head
59/	A	357172-S8(BB574)	1	Screw & washer assy. (throttle valve stop to body)- No. 10-24 x 1/2"-hex. head
59/	A	358509-S(BB9)	2	Screw (throttle valve plate to upper body)-No. 10-24 x 7/16"- fillister head
59/	A	34803-S7(X60)	3	Lockwasher-No. 10
59/	A	C2AZ 7A103-A	1	PUMP ASSY. - TRANSMISSION OIL - FRONT
59/	A	★20406-S8	4	Bolt (pump to case)-5/16"-18 x 1 1/8"
59/	A	34806-S7(X64)	4	Lockwasher-5/16"
59/	A	372590-S(BB581)	7	Bolt (pump to case)-5/16"-18 x 1 1/8"-hex. head with seal & washer
59/	A	B8AZ 7A110-A	1	INDICATOR - TRANSMISSION CONTROL SELECTOR - Fire Orange - 2 19/32" length
59/	A	351467-S2(XX330)	1	Washer-concave (indicator to steering column)-. 22" I. D.
59/	A	★41580-S8	1	Screw (indicator to tube)-No. 10-32 x 5/8"-pan head self tapping
59/	A	B9AZ 7A115-A	1	LEVER ASSY. - MANUAL CONTROL VALVE DETENT
59/	A	33798-S8(M62)	1	Nut (lever to shaft)-5/16"-24
59/	A	34806-S7(X64)	1	Lockwasher-5/16"
59/	A	B9AZ 7A117-A	1	LEVER ASSY. - PARKING PAWL TOGGLE OPERATING
59/	A	B9AZ 7A127-A	1	VALVE - MAIN CONTROL REAR PUMP CHECK - Consists of 1-B9AP 7A127-B Valve 1-B9AP 7A435-A Clip 1-373216-S Ball
59/	A	376861-S(AA16)	1	Ball-17/32"diameter-steel
59/	A	B9AP 7A135-B	1	VALVE ASSY. - MAIN CONTROL REGULATOR - 3.974"/3.984"long
59/	A	B9AZ 7A135-A	1	KIT - MAIN CONTROL REGULATOR VALVE and SPRING - Consists of 1-B9AP 7A135-B Valve 1-B9AP 7A270-A Spring
59/	A	C0DP 7A136-A	1	GASKET - FRONT OIL PUMP TO CASE - .015"thick
59/	A	C2AZ 7A149-B	1	PUMP ASSY. - TRANSMISSION OIL - REAR
59/	A	373564-S(BB562D)	4	Screw & washer assy. (pump to case)-5/16"-18 x 1 7/8"
59/	A	34806-S7(X64)	4	Lockwasher-5/16"
59/	A	B9AZ 7A152-A	1	COVER - REAR OIL PUMP
59/	A	20344-S8(B42)	2	Bolt (cover to body)-1/4"-20 x 3/4"-hex. head
59/	A	34805-S8(X62)	2	Lockwasher-1/4"



YEAR	MODEL	PART NUMBER	QUANTITY PER TRANS- MISSION	PART NAME AND DESCRIPTION
59	A	B9A 7153-A	1	KIT - TRANSMISSION GASKET and OIL SEAL - Consists of the following
		OIL SEALS		GASKETS
		1-B9A 77288-A	1-B9A 77362-B	1-B9A 77558-A
		1-B9A 77362-A	1-B9A 77407-A	1-B9A 77486-A
				1-B9A 77836-A
59/	A	C0AZ 7153-G	1	Consists of the following
		OIL SEALS		GASKETS
		2-B9AZ 7A011-A	1-B9AZ 7B498-A	1-B9A 7086-A
		1-C0DP 7A136-A	1-C0DP 7A548-A	1-B9AZ 7A191-A
		1-C0AZ 7C169-A	1-1P 77265-B	
		1-C0DP 7A248-A	1-B9A 77357-A	
		1-B9AZ 7A294-A	1-B9A 77357-B	
		2-B9AZ 7A294-B	1-B9A 77357-C	
		1-B9AZ 7A294-C	1-B9A 77407-A	
		2-B9AZ 7C328-A	2-87012-S94	
		1-C1VP 7B391-B	1-373351-S	
59/	A	B9AZ 7A162-A	1	BAND ASSY. - FRONT - 2"wide
59/	A(6 cyl. 223)	B9AZ 7A164-B	1	PISTON & PIN ASSY. - FRONT BAND SERVO - 3.99" shaft length
59/	A(8 cyl. 292)	B9AZ 7A164-C	1	3.648"O.D. -3.99" shaft length
59/	A(8 cyl. 332, 352)	B9AZ 7A164-A	1	4.363"O.D. -3.99" shaft length
59/	A(6 cyl. 223)	B9AZ 7B164-A	3	PLATE ASSY. - TRANSMISSION CLUTCH - Internal spline-51 teeth
59/	A(8 cyl. 292)		4	
59/	A(8 cyl. 332, 352)		5	
59/	A	B9AZ 7A169-A	1	LEVER - REAR BAND SERVO ACTUATING
59/	A	C0AZ 7C169-A	1	OIL SEAL - PRIMARY SUN GEAR - INTERMEDIATE - Cast iron-1 1/8"O.D. -3/32"thick
59/	A	B9AZ 7A171-A	1	SHAFT - REAR BAND SERVO ACTUATING LEVER
59/	A	B9AZ 7A172-A	1	STRUT - REAR BAND ACTUATING
59/	A	B9AZ 7B173-A	1	COVER - REAR BAND SERVO
59/	A	20326-S7(B49)	4	Bolt (cover to case)-5/16"-18 x 5/8"
		34806-S7(X64)		Lockwasher-5/16"
59/	A	B6AZ 7A175-A	2	STRUT - FRONT BAND ANCHOR - .56" x 1 1/4" wide x 1.22" long - tapered
59/	A	B9AZ 7A175-A	1	ANCHOR - REAR BAND -Approx. 3 29/32" overall length - 3 3/8"wide-(2).516" holes-#6150754
59/	A	B9AZ 7A176-A	1	BAND ASSY. - REAR - 1 3/4" wide
59/	A	B9AZ 7A180-A	1	SPRING - PARKING PAWL TORSION
59	A(6 cyl. 223)	B9AZ 7A185-B	1	SHAFT and BRACKET ASSY. - ENGINE MOUNTED ACCELERATOR
59	A(8 cyl. 292)	B9AZ 7A185-F	1	
59	A(8 cyl. 332, 352)	B9AZ 7A185-E	1	
59/	A(6 cyl. 223)	20427-S7(B158)	1	Bolt (bracket to intake manifold)-5/16"-24 x 1 1/4" hex. head
59/	A(6 cyl. 223)	33798-S7-8(M62)	1	Nut-5/16"-24
		34806-S7(X64)		Lockwasher-5/16"
59	A(6 cyl. 223)	20453-S7-8(B200)	1	Bolt (bracket to intake manifold)-1/2"-20 x 1 3/8"
59/	A(6 cyl. 223)	33846-S8(M69)	1	Nut-1/2"-20
		34809-S8(X68)		Lockwasher-1/2"

YEAR	MODEL	PART NUMBER	QUANTITY PER TRANS- MISSION	PART NAME AND DESCRIPTION
59/	A(8 cyl. 292, 332, 352)	C0AA 7A187-D	1	ROD - TRANSMISSION CONTROL SHAFT TO TRANSMISSION
59	A(6 cyl. 223)	B9AZ 7A187-D	1	
59/	A(8 cyl. 292)	97011-S7(F1)	1	Clevis-adjustable-1/4"-28
		*33907-S8		Nut(hex. jam)-1/4"-28
		33796-S7(M61)		Nut-1/4"-28
		351341-S7(XX351)		Washer-spring
		44719-S8(X17)		Washer-flat-1/4"
59/	A	353862-S8(XX10)	2	"C" washer-.527"O. D. -.025"thick
59/	A	370579-S(NN50)	1	Pin-grooved-1/4" x 3/4"
59/	A	B9AZ 7A191-A	1	GASKET - OIL PAN TO CASE - Approx. 10.94" x 11.42" - .076" thick
59	A	B9AZ 7A194-A	1	PAN ASSY. - TRANSMISSION OIL - Approx. 10.94" x 11.42"
59/	A	87708-S(P14)	1	Plug-pipe-1/8"-27 headless socket
59/	A, P/I	20326-S7(B49)	14	Bolt (oil pan to trans. case)-5/16"-18 x 5/8"
59/	A, P/I	34806-S7(X64)	14	Lockwasher-5/16"
59/	A	B9AP 7A202-A	1	VALVE - MAIN CONTROL FRONT PUMP CHECK - .359" diam. spring guide-.743" O. D. -.120" o/all thickness
59/	A	B9AP 7A205-A	1	SPRING-MAIN CONTROL PUMP CHECK VALVE - Also Refer to Group 77455- Approx. .717" free length-5 1/4 coils-.4472" & .740" O. D. -tapered
59	A	B9A 7209-A	1	TUBE and SOCKET ASSY. - TRANSMISSION GEAR SHIFT
59/	A	B6A 7210-D	1	LEVER - TRANSMISSION GEAR SHIFT - LESS BALL - Approx. 12 11/16" long-1/4" diameter hole
59/	A	305080-S(NN113)	1	Pin-groove (lever to tube & socket)-1/4" x 1"
59/	A	C1AZ 7C222-B	1	KIT - TRANSMISSION FRONT PUMP OVERHAUL
	Consists of the following			
	1-C0DP 7A136-A Gasket	1-C0AP 7B261-A		Bushing 1-1P 77868-A Seal
	1-C2AZ 7A248-A Seal	1-B9AZ 7C328-A		Seal 7-372590-S Screw & washer
	1-C0AP 7B258-A Bushing			
59/	A	B9AZ 7A223-A	2	RETAINER - FRONT OIL PUMP BALL PRESSURE SPRING
59/	A	C1AZ 7C223-A	1	KIT - TRANSMISSION FRONT PUMP BALL CHECK - OVERHAUL
	Consists of the following			
	1-B9AZ 7A006-A Spring	2-B9A 77822-A		Snap ring 2-353081-S Ball
	2-B9AZ 7A223-A Retainer	1-B9A 77824-A		Spring
59/	A	AB 7227-A	1	SPRING - TRANSMISSION GEAR SHIFT TUBE - RETRACTING-1/2" O. D. -1" free length
59	A	B9AZ 7A229-E	1	CLAMP - OIL FILLER TUBE
59/	A	C1AZ 7C230-A	2	RETAINER - GEAR SHIFT SELECTOR TUBE RETRACTING SPRING-.590" O. D. -.58" deep-cup type
59/	A	B9AZ 7A240-A	174	BEARING - OUTPUT SHAFT and GEAR ASSY. - SHORT PLANET GEAR NEEDLE
59/	A	B9AZ 7A242-A	6	WASHER - OUTPUT SHAFT and GEAR ASSY. - PLANET GEAR THRUST -Long gear
59/	A	B9AZ 7A242-B	6	Short gear
59/	A	1M 7246-A	1	INSULATOR - TRANSMISSION GEAR SHIFT LEVER Rubber - 1.10" long
59/	A "From 10/1/59"	B9AP 7A246-C	1	TUBE - TRANSMISSION BREATHER - .3145" O. D. -.028" wall thickness-approx. 13 1/2" long-not supplied for service-Dealer improvise

YEAR	MODEL	PART NUMBER	QUANTITY PER TRANS- MISSION	PART NAME AND DESCRIPTION
59	A	B9AZ 7A247-A	1	SWITCH ASSY. - TRANSMISSION GEAR SHIFT NEUTRAL
59/	A	C0DP 7A248-A	1	OIL SEAL - FRONT OIL PUMP- 2 3/4" O. D. - 2" I. D. - 3/8" thick #Green
59/	A	B9AZ 7A256-A	1	LEVER ASSY. - MANUAL CONTROL
59/	A	C0AP 7B258-A	1	BUSHING - TRANSMISSION FRONT OIL PUMP - Split-2.1350" O. D. - 2.000" I. D. - .52" long
59/	A	B9AZ 7A259-A	1	LEVER ASSY. - THROTTLE CONTROL - OUTER
59/	A	33798-S7-8(M62)	1	Nut-5/16"-24
59/	A	34806-S7(X64)	1	Lockwasher-5/16"
59/	A	B9AP 7A261-A	1	SPRING - MANUAL CONTROL VALVE DETENT LEVER - 1.01" free length - 15 1/4 active coils
59/	A	C0AP 7B261-A	1	BUSHING - CONVERTER STATOR SUPPORT - Split-1.1795" O. D. - 1.0415" I. D. - 1" long
59	A(6 cyl. 223) "Before 7/1/59"	B9AZ 7A262-C	1	PISTON - CLUTCH
59/	A(6 cyl. 223) "From 7/1/59"	C0AP 7A262-A	1	5.88" & 4.858" O. D. - 2.883" I. D. - approx. 1 21/64" - overall thickness - aluminum
59/	A(8 cyl. 292)	C0AP 7A262-B	1	5.58" & 4.858" O. D. - 2.883" I. D. - approx. 1 9/64" - overall thickness - aluminum
59/	A(8 cyl. 332, 352)	C0AP 7A262-C	1	5.58" & 4.858" O. D. - 2.883" I. D. - approx. 63/64" - overall thickness - aluminum
59/	A	373351-S(KK47)	1	Seal (clutch piston)-2.619" I. D. - .143" diam. thickness- 'O' ring type
59/	A	B9AZ 7A266-A	1	PISTON - REAR BAND SERVO - 3.863" O. D.
59/	A	C0AP 7A272-A	1	SPRING - CLUTCH PISTON DISTRIBUTOR - Approximately 2 1/2" free length - 3 1/8" I. D. - 3 1/2 to 3 3/4 coils
59/	A(8 cyl.) Consists of the following 1-1P 7086-A Gasket 1-B1AZ 7A136-A Gasket	B1AZ 7C288-A 1-B5AZ 7A191-A 1-C1VP 7B391-B 1-B1AZ 7A222-A	1	KIT - TRANSMISSION GASKET and "O" RING-EXTERNAL Gasket 1-1P 77265-B "O" ring Gasket Gasket 1-B5A 77288-A Seal assy.
59/	A	B9AZ 7C289-C	1	KIT - TRANSMISSION SERVO PISTON SEAL - FRONT and REAR - Consists of-(1) each B9AZ 7A294-B and B9A 77407-A Seals
59/	A(8 cyl. 332, 352)	B9AZ 7C289-D	1	Consists of (1) each B9AZ 7A294-A & B9A 77357-C Seals
59/	A(8 cyl. 292)	B9AZ 7C289-E	1	Consists of (1) each B9AZ 7A294-B & B9A 77357-B Seals
59/	A(6 cyl.)	B9AZ 7C289-F	1	Consists of (1) each B9AZ 7A294-C & B9A 77357-A Seals
59/	A(6 cyl. 223)	B9AZ 7A294-C	1	OIL SEAL - FRONT BAND SERVO PISTON - 3.108" O. D. - 2.684" I. D. - .086" thick
59/	A(8 cyl. 292)	B9AZ 7A294-B	1	3.689" O. D. - 3.286" I. D. - .086" thick
59/	A(8 cyl. 332, 352)	B9AZ 7A294-A	1	4.404" O. D. - 3.971" I. D. - .086" thick
59/	A	B9AZ 7A294-B	1	OIL SEAL - REAR BAND SERVO PISTON - 3.286" I. D. - .086" thick-3.689" O. D.
59/	A	B9AZ 7A301-A	1	COVER - GOVERNOR VALVE BODY
59/	A	356745-S(BB86)	2	Screw (cover to body)-No. 10-24 x 3/4"
59	A	B9AA 7326-B	1	ROD - MANUAL SHIF T - Approx. 12" long-2 3/4" rise-cotter pin hole one end
59	A	44722-S8(X19)		Washer-flat-5/16"
59	A	351341-S7 (XX351)		Washer-Spring 5/16"
59	A	72034-S (N45)		Cotter Pin 3/32" x 1"

YEAR	MODEL	PART NUMBER	QUANTITY PER TRANS- MISSION	PART NAME AND DESCRIPTION					
59	A	B9AZ 7C328-A	2	OIL SEAL - CLUTCH CYLINDER - 2 3/8" O. D. - .0935" thickness-.009" interlocking gap					
59	A	B9A 7335-A	1	BUSHING - TRANSMISSION GEAR SHIFT SELECTOR TUBE					
59	A	357479-S (NN108)	1	Pin-grooved-3/16" x 1"					
59/	A	B9AA 7343-B	1	BUSHING - GEAR SHIFT SELECTOR ARM INSULATOR Nylon - .302" I. D. - .368" O. D. - .355" long					
59/	A	44720-S8 (X18)	2	Washer-flat 1/4"					
59/	A	★371966-S	2	Washer-flat .37" I. D. - .75" O. D. -.08" thick-rubber - Dealer improvise					
59/	A	B9AP 7A348-A	1	GEAR - REAR SUN INPUT SHAFT - 12.57" long-31-35 splines-36 teeth					
59/	A	B9AA 7353-B	1	SLEEVE-TRANSMISSION GEAR SHIFT ROD ADJUSTMENT- 1/2"-20 external threads-5/16" hole-1 11/16" o/all length					
59/	A	33846-S (M69)	1	Nut - 1/2" -20					
		34809-S8(X68)	1	Lockwasher-1/2"					
		72034-S(N45)	1	Cotter pin -3/32" x 1"					
59/	A	B9AZ 7A360-A	1	CYLINDER - CLUTCH					
59/	A	B9AZ 7B368-A	1	WASHER - OUTPUT SHAFT THRUST - REAR - 3.08" O. D. 1.880" I. D. -.063" thick-6 scallops-3 oil grooves each side					
59/	A	B9AZ 7A393-B	1	PLATE-MAIN CONTROL LOWER VALVE BODY-Left front					
59/	A	358509-S (BB9)	2	Screw (plate to body)- No. 10-24 x 7/16"-fillister head					
		34803-S7(X60)		Lockwasher-No. 10					
59/	A	B9AZ 7A393-A	1	Left rear					
59/	A	358509-S (BB9)	2	Screw (plate to body)- No. 10-24 x 7/16"-fillister head					
		34803-S7(X60)		Lockwasher-No. 10					
59/	A	B9AZ 7A396-A	1	PLATE - MAIN CONTROL LOWER VALVE BODY-RIGHT FRONT					
59/	A	358509-S (BB9)	3	Screw (plate to body)-No. 10-24 x 7/16"-fillister head					
		34803-S7(X60)		Lockwasher-No. 10					
59/	A	B9AZ 7B423-A	1	SPRING - THROTTLE CONTROL LEVER INNER - Approx. .40" free length-conical-.054" wire diameter					
59/	A	B9AZ 7A441-A	1	PAWL - PARKING					
59/	A	B9AZ 7A442-A	5	SLIPPER - TRANSMISSION REAR OIL PUMP					
59/	A	B9AZ 7A478-A	1	RETAINER - MAIN CONTROL OIL PRESSURE REGULATOR VALVE -1.05" flange O. D. -1 21/32" long					
59/	A	"Before 10/1/59"	B9AZ 7A498-A	7	SPRING - FRONT OIL PUMP SLIPPER -.78" long-5/16" O. D. -9 coils-use for transmission with slipper spring pocket in pump rotors				
59/	A	"From 10/1/59"	COAP 7A498-A	7	.63" free length-.321" O. D. -9 coils-use for transmission with pump rotors without slipper sping pockets				
59/	A	"Before 10/1/59"	B9AZ 7A499-A	7	SPRING - REAR OIL PUMP SLIPPER - 7/16" long - 1/4" O. D. -12 coils-use for transmission with slipper spring pocket in pump rotors				
59/	A	"From 10/1/59"	COAP 7A499-A	7	.57" free length-.260" O. D. -9 1/2 coils				
59/	A (8 cyl.)	B1AZ 7B510-A	1	KIT - TRANSMISSION FRONT CLUTCH SUN GEAR SEAL					
	Consists of the following								
	2-1P	77542-A	Seal	2-1P	77543-B	Seal	2-1P	77547-A	Seal

YEAR	MODEL	PART NUMBER	QUANTITY PER TRANS. MISSION	PART NAME AND DESCRIPTION
59/	A	B9AZ 7A527-A	1	RETAINER - CLUTCH PISTON SPRING
59/	A	B9AZ 7A533-A	AR	WASHER - CLUTCH CYLINDER THRUST - 3.38" O. D. -.067"/.069" thick
59/	A	B9AZ 7A533-B	AR	3.38" O. D. -.074"/.076" thick
59/	A	B9AZ 7A533-C	AR	3.38" O. D. .083"/.085" thick
59/	A	B9AZ 7A533-D	AR	3.38" O. D. .092"/.094" thick
59/	A	C0DP 7A548-A	1	OIL SEAL - CLUTCH PISTON - OUTER - 4.911" O. D. -4.41" I. D. -.086" thick-rubber
59/	A	C0AP 7A620-A	1	BUSHING - TRANSMISSION CLUTCH CYLINDER
59/	A	B9AZ 7A813-A	8	ROLLER - TRANSMISSION CONVERTER STATOR CLUTCH
59/	A	B9AZ 7A814-A	AR	SPRING - TRANSMISSION CONVERTER STATOR CLUTCH
59/	A(6 & 8 cyl. 223, 292)	C1AP 7902-A	1	CONVERTER ASSY. - TRANSMISSION - #C
59/	A(6 & 8 cyl. 223, 292)	B9AZ 7902-A	1	12", #A includes (1) each C3AZ 7A146-B, B9AZ 7A146-A rotor, (7) C0AP 7A498-A springs & (1) I. S. #1010
59/	A(8 cyl. 332, 352)	C1AP 7902-C	1	#E
59/	A, P/I(8 cyl. )	357916-S(PP35)	2	Plug-pipe (converter)-1/8" -27 dryseal
59/	A(8 cyl. )	356403-S8(XX126)	4	Washer-plain (converter to flywheel)-3/8"
59/	A(8 cyl. )	34370-S8(M99)	4	Nut-lock (converter to flywheel)-3/8"-24
59/	A	B 11382	3	Bolt (converter tabs to flywheel)-3/8"-24 x .688"
59/	A	34370-S8(M99)	3	Nut (converter tab to flywheel bolt)-3/8"-24-hex. light lock
59/	A	370444-S7(XX135)	3	Washer-flat (converter tab to flywheel bolt)- 3/8"-.70"/.80" O. D. -.06" thick
59/	A	B9AZ 7915-A	1	HUB - TRANSMISSION CONVERTER IMPELLER
59/	A	C1AP 7926-A	1	HUB - CONVERTER TURBINE
59/	A	★1P 7927-A	AR	WEIGHT - TRANSMISSION CONVERTER TURBINE BALANCE - .040" thick
		★1P 7927-C	AR	.030" thick
		★1P 7927-D	AR	.066" thick
59/	A	B9AZ 7937-C	1	WASHER - CONVERTER STATOR REAR and INTERMEDIATE THRUST - 2 25/32" O. D. -1 5/16" I. D. - 8 oil grooves
59/	A	★C3AZ 7937-B	2	3 25/32" O. D. -1 31/32" I. D. -4 slots
59/	A	B9AZ 7937-B	2	2 61/64" O. D. -2 5/32" I. D. -4 grooves
59/	A	B9AZ 7946-A	1	RACE - CONVERTER STATOR CLUTCH - INNER
59/	A	B9AZ 7947-A	1	RACE - CONVERTER STATOR CLUTCH - OUTER
59/	A	★B9AZ 7955-A	AR	WEIGHT - TRANSMISSION CONVERTER COVER BALANCE 5/16 oz.
		★B9AZ 7955-E	AR	1 1/4 oz.
59/	A(6 cyl. 223)	B9A 7987-A	1	PAN - TRANSMISSION CONVERTER
59/	A(8 cyl. 292)	B9A 7987-B	1	
59/	A(8 cyl. 332, 352)	B9A 7987-C	1	
59/	A	B9AP 77067-A	1	WASHER - OUTPUT SHAFT THRUST - FRONT - 1.88" O. D. - 1.010" I. D. - .063" thick-4 scallops- 4 oil - grooves each side
59/	A	B9A 77136-A	1	SNAP RING - GOVERNOR - 1.556" O. D. -1.400" I. D. - .064" thick

# Production identification marking

YEAR	MODEL	PART NUMBER	QUANTITY PER TRANS- MISSION	PART NAME AND DESCRIPTION
59/	A	B9A 77165-A	1	DRUM ASSY. - REAR BRAKE - 90 internal teeth
59/	A	B9A 77176-A	3	SHAFT - OUTPUT SHAFT and GEAR ASSY. PLANET GEAR Long gear 3.323" long-.4962"O.D.
59/	A	B9A 77176-B	3	Short gear 3.323" long-.6450"O.D.
59/	A	B9A 77181-A	3	GEAR - OUTPUT SHAFT and GEAR ASSY. PLANET - Long gear 2.502" long-1.412"O.D. -19 teeth
59/	A	B9A 77181-B	3	Short gear 1.201" long-2.148"O.D. -31 teeth
59/	A	B9A 77182-A	3	SPACER - OUTPUT SHAFT and GEAR ASSY. - SHORT PLANET GEAR - 1.14"O.D. -.658" I.D. -1.302" long
59/	A	B9A 77183-A	1	RETAINER - OUTPUT SHAFT and GEAR ASSY. - PLANET GEAR SHAFT
59/	A	27081-S8(U175)	3	Screw (retainer to case)-No.10-32 x 1/2"round head
		34803-S7(X60)		Lockwasher-No.10
59/	A	B9A 77185-A	138	BEARING - OUTPUT SHAFT and GEAR ASSY. -LONG PLANET GEAR NEEDLE
59/	A	B9A 77186-A	3	SPACER - OUTPUT SHAFT and GEAR ASSY. - PLANET GEAR BEARING - Long gear-.97"long
59/	A	B9A 77186-B	3	Short gear-.195" long
59/	A	1P 77265-B	1	OIL SEAL - THROTTLE CONTROL OUTER LEVER - .473" O.D. -.367" I.D. -.106" thick
59/	A	B9A 77283-A	1	LEVER - TRANSMISSION THROTTLE CONTROL-INNER
59/	A, P/I	33798-S7-8(M62)	1	Nut-5/16" -24
59/	A, P/I	34806-S7(X64)	1	Lockwasher-5/16"
59/	A	B9A 77312-A	1	PIN - PARKING PAWL
59/	A	B9A 77314-A	1	SPRING - PARKING PAWL TOGGLE RETURN
59/	A(6 cyl. 223)	B9A 77357-A	1	SEAL - FRONT SERVO COVER TO CASE - 3.10" I.D. -.109" thick
59/	A(8 cyl. 292)	B9A 77357-B	1	3.72" I.D. -.109" thick
59/	A(8 cyl. 332, 352)	B9A 77357-C	1	4.42" I.D. -.109" thick
59/	A(6 cyl. 223)	B9A 77367-C	1	COVER - FRONT BAND SERVO
59/	A (8 cyl. 292)	B9A 77367-B	1	
59/	A (8 cyl. 332, 352)	B9A 77367-A	1	
59/	A(6 cyl. 223)	20326-S7(B49)	4	Bolt (cover to case)-5/16" -18 x 5/8"
59/	A (8 cyl. 292, 332, 352)	34806-S7(X64)	6	Lockwasher-5/16"
59/	A	B9A 77380-A	1	STOP - FRONT BAND ADJUSTING - 3 1/4" overall length-1/2"-16 threads-square head
59/	A	371569-S (MM53)	1	Nut (stop to case) 1/2"-16
59/	A	B9A 77407-A	1	SEAL - REAR BAND SERVO COVER TO CASE - 3.938" O.D. -3.85" I.D. -.116" thick
59/	A	B9A 77408-A	1	TUBE - REAR BAND SERVO PISTON GUIDE
59/	A	B9A 77409-A	1	ROD - REAR BAND SERVO PISTON - 10" overall length-3/8"-24 threads one end
59/	A	B9A 77415-A	1	SPRING - REAR BAND SERVO PISTON - Return spring - approx. 3.55" free length 2.13"/2.19" O.D. -6 coils

YEAR	MODEL	PART NUMBER	QUANTITY PER TRANS- MISSION	PART NAME AND DESCRIPTION
59/	A	B9A 77417-A	1	SNAP RING - REAR BAND SERVO PISTON RETAINING - .74" O. D. -. 557" I. D. -. 037" thick
59/	A	B9A 77418-A	1	SEAT - REAR BAND SERVO PISTON ROD - .749" spherical O. D. -. 405" I. D. -. 38" thick
59/	A	33925-S7(M33)	2	Nut (seat to rod)-3/8"-24-light jam
59	A	B9A 77455-A	1	SPRING - MAIN CONTROL PUMP CHECK VALVE - - Also Refer to Group 7A205 Approx. .84" free length-3 3/4 coils-. 023" wire diameter
59/	A	B9A 77503-A	1	BEARING ASSY. - REAR SUN GEAR THRUST - FRONT - 1.810" O. D. -1.119" I. D. -34 rollers-. 0781" O. D.
59/	A	B9A 77504-A	1	RACE - REAR SUN GEAR FRONT THRUST BEARING - 1 3/4" flange O. D. -1.127" I. D. -. 15" height
59/	A	B9A 77523-A	1	SNAP RING - CLUTCH PLATE RETAINER - 6.075" O. D. -. 078" thick
59/	A	B9A 77561-A	1	GEAR - CLUTCH SUN - 5.895" O. D. -12 splines-27 external teeth-2.227" long
59/	A	B9A 77567-A	1	SNAP RING - CLUTCH CYLINDER
59/	A (6 cyl. 223)	B9A 77573-A	3	PLATE - CLUTCH - EXTERNAL SPLINE - 12 external splines-. 710" thick
59/	A (8 cyl. 292)		4	
59/	A (8 cyl. 332, 352)		5	
59/	A	B9A 77607-A	1	PLUNGER - TRANSMISSION MANUAL VALVE DETENT - .312" O. D. -1.010" long - 3 indented tabs
59/	A	B9A 77631-A	1	FITTING - TRANSMISSION CASE OIL FILLER - 1/2"-14 external-1 1/16"-16 internal threads hex. -1.38" over- all length
59/	A	B9A 77717-A	1	REINFORCEMENT - MAIN CONTROL LOWER VALVE BODY -Left front
59/	A	B9A 77717-B	1	Left rear
59/	A	356746-S(BB13)	2	Screw (reinforcements to body)-No. 10-24 x 3/4"- fillister head
		34803-S7(X60)		Lockwasher-No. 10
59/	A	B9A 77750-A	1	PLATE - MAIN CONTROL LOWER VALVE BODY - RIGHT REAR
59/	A	358509-S(BB9)	2	Screw (plate to body)-No. 10-24 x 7/16"-fillister head
		34803-S7(X60)		Lockwasher-No. 10
59/	A	B9A 77764-A	1	VALVE - MAIN CONTROL MANUAL
59/	A	B9A 77822-A	2	SNAP RING - FRONT OIL PUMP BALL CHECK VALVE - .694" O. D. -. 037" thick-(2) .062" diameter holes
59/	A	B9A 77824-A	1	SPRING - FRONT OIL PUMP BALL CHECK VALVE - Approx. 2.18" free length-15/18 1/2 coils
59/	A	353081-S(AA10)	1	Ball-steel-5/16" diameter
59/	A	1P 77868-A	1	OIL SEAL - FRONT OIL PUMP BALL CHECK VALVE SPRING - Rubber-. 494" I. D. -"O" ring type
59/	A	1P 77868-A	1	OIL SEAL - FRONT OIL PUMP BALL PRESSURE SPRING- Rubber-. 494" I. D. -"O" ring type

YEAR	MODEL	PART NUMBER	QUANTITY PER TRANS- MISSION	PART NAME AND DESCRIPTION
58/ 58/	A(8 cyl. ) S	B5AZ 7A003-A	1 1	SPRING - FRONT BAND SERVO PISTON RETRACTING OR RETURN - 1.97" long - 9 1/2 coils
58/	A(8 cyl. 292, 332-except #PBL-U Transmission)	C3AZ 7005-E	1	CASE ASSY. - TRANSMISSION - Use (1) B7A 6730-A to plug vacuum throttle valve hole)
59/	S(8 cyl. 430)	C0MP 7005-R	1	
58 59	A(8 cyl. 332) A(8 cyl. 292, 332)	B8AZ 7005-A	1 1	Includes (1) 1P 77308-A, (1) C1VP 7A119-A, (1) I. S. #971 & (1) I. S. #1035
58/ 59	A, S(8 cyl. 352-4/B carb. ) A(8 cyl. 332-with #PBL-U trans. )	B8AZ 7005-B	1 1	Includes (1) each 1P 77308-A, C1VP 7A119-A, 353777-S, 372226-S, I. S. 971 & I. S. 1035
58/	A, S(8 cyl. 292, 332, 352)	★357221-S	2	Plug (trans. case) - 5/16" diameter
59/	S(8 cyl. 430)	★358530-S	2	Plug (trans. case) - 11/32" diam. x 5/16"
58/	A, S(8 cyl. 352-4/B carb. , 430)	353055-S7(PP29)	2	Plug-pipe (trans. case) - 1/4" - 18 extended head
58/ 58 59/ 59/ 58/	A(8 cyl. 292, 332) A, S(8 cyl. 352) A, S(8 cyl. 352) S(8 cyl. 430) A(8 cyl. 292, 332, 352 2/B carb. )	357916-S(PP35)	3or4 1 2or4 2	
58/	A, S	★ 357220-S	1or2	Pin-dowel (transmission case locating)-3/8" x 5/8"
58/	A, S	87944-S8(I-22)	1	Fitting-5/16" tube nut-1/2" -20 external threads
58/59 59/ 59/ 59/ 58/	A, S A(8 cyl. 292, 332, 352) S A, S A, S, P/I	B8AZ 7A008-A B9AP 7A008-A C0AP 7A008-A 358509-S(BB9)	1 1 1 2	PLATE - MAIN CONTROL SEPARATING .128" thick-use with B9AZ 7A100-E #40 Use with B8AZ 7A100-C #41 Screw (separating plate to upper body) - No. 10 - 24 x 7/16" - fillister head
58/	A, S, P/I	34803-S7(X60)	AR	Lockwasher - No. 10
59/	A(8 cyl. 292, 332)	B9AP 7A011-A	1	OIL SEAL - TRANSMISSION OUTPUT SHAFT - Rubber-1.015" I. D. - .86" long-(4) ribs on O. D. -cast iron or sintered metal
59/	A(8 cyl. 292, 332)	372401-S(QQ68)	1	Snap ring (oil seal retaining)-1 7/32" O. D. -1 1/16" I. D. - 3/64" thick
58/ 59	A, S(8 cyl. 352-4/B carb. ) A(8 cyl. 332-with #PBL-U trans. )	B8AZ 7A011-A	1 1	Rubber - 1.195" I. D. - 1 1/4" long - (5) ribs on O. D.
59/	S(8 cyl. 430)		1	
58/ 59	A, S, P/I (8 cyl. 352-4/B carb. ) A(8 cyl. 332-with #PBL-U trans. )	372292-S(QQ69)	1 1	Ring (oil seal retaining) - 1 1/4"
59/	S(8 cyl. 430)		1	
59/ 58/59	S(8 cyl. 430) A, S(exc. 8 cyl. 430)	B8E 7014-A	1	SLEEVE - PARKING PAWL TORSION LEVER SUPPORT - .372" O. D. - .314" I. D. - 1.11" long
59	A(8 cyl. 292) "Before 12/1/58"	B9T 7015-A	1	SHAFT ASSY. - TRANSMISSION INPUT -7 21/32" long- 54 teeth-17 splines
58/ 59	A, S(8 cyl. 352-4/B carb. ) A(8 cyl. 332-with #PBL-U trans. )	C0AP 7015-B	1 1	7 3/4" long-54 teeth-29 splines
58/59 59/	A(8 cyl. 332) A(8 cyl. 292) "From 12/1/58"	C0AP 7015-A	1 1	7 21/32" long-54 teeth-29 splines
59/	S(8 cyl. 430)	B8E 7015-A	1	7 3/4" long-60 teeth-31 splines



YEAR	MODEL	PART NUMBER	QUANTITY PER TRANS- MISSION	PART NAME AND DESCRIPTION
58/59	A(8 cyl. 292) "Before 6/1/59"	B5A 7019-A	1	WASHER - INPUT SHAFT THRUST -2.38" O. D. - 1.39" I. D. -4 oil grooves on each side
58/ 59/	A, S(8 cyl. 332, 352) A(8 cyl. 292) "From 6/1/59"	B5S 7019-A	1 1	2 25/32" O. D. -1 25/64 I. D. -4 oil grooves on each side
59/	S(8 cyl. 430)	B8E 7019-A	1	3 1/2" O. D. -1 1/2" I. D. -(4) scallops-(4) oil grooves on each side
58/59	S(8 cyl. 352) "Before 6/15/59"	B5AZ 7A020-A	1	INDICATOR - TRANSMISSION OIL LEVEL -27 5/8" overall length
59	A	B9AZ 7A020-A	1	
59/	S(8 cyl. 352) "From 6/15/59"	B9SS 7A020-A	1	
59	S(8 cyl. 430) "Before 6/1/59"	B9SZ 7A020-A	1	
59/	S(8 cyl. 430) "From 6/1/59"	COLL 7A020-B	1	
58/	S(8 cyl. 352, 430)	B9SF 7A022-A	1	INSULATOR - TRANSMISSION CONTROL SELECTOR SWITCH
58/	A(8 cyl. 292, 332-exc. #PBL-U trans.)	B1A 7025-A	1	BUSHING - TRANSMISSION CASE - Front-1.5055" O. D. - .071" wall thickness-.75" long-split-used for reconditioners only
58/	A(8 cyl. 292, 332-except #PBL-U Transmission)	B1A 7025-B	1	Front 1.5055" O. D. -.0625" wall thickness-.75" long- split-#bushing is restricted for use on transmission after serial No. 4-79870 & 1-70914-for dealer installation
59	A(8 cyl. 332-with #PBL-U trans.)	B5A 7025-A	1	
58/ 59/	A, S(8 cyl. 352-4/B carb.) S(8 cyl. 430)	COMP 7025-A	1 1	1.6290" O. D. -1.501" I. D. -.87" long-split
58/	A, S	C0AZ 7B025-B	1	KIT - OIL PRESSURE REGULATOR VALVE SPRING and RETAINER - Consists of the following - 1-B9AP 7A270-C Spring-#Red no stripes 1-B5A 77462-A Retainer-#none
59/	A	B9AA 7A026-A	1	STUD - TRANSMISSION SHIFT BELLCRANK TO CONVERTER HOUSING - 3/8"-16 thread one end-1.94" overall length
58	A(8 cyl. 332)	* B8AZ 7A030-A	1	TUBE ASSY. - TRANSMISSION OIL COOLER-OIL INLET -
58	70B, 73B(8cyl. 352)		1	Approx. 56.88" developed length
58	A(exc. 70B, 73B-8 cyl. 352)	* B8AZ 7A030-D	1	Approx. 59 1/2" developed length
58/	S(exc. 8 cyl. 430)	* B8AZ 7A030-B	1	Approx. 75" developed length
59	A(8 cyl. 292, 332)	* B9AZ 7A030-B	1	Approx. 63" developed length
59	A(8 cyl. 352)	* B9AZ 7A030-C	1	Approx. 65 5/8" developed length
59/	S(8 cyl. 430)	* B8AZ 7A030-C	1	Approx. 52.30" developed length
58/	A, S(8 cyl.)	359279-S(II-32)	1	Connector (inlet tube to radiator)
58	S	371612-S8(II-36)	1	Connector (tube to radiator)-1/4" -18 & 1/2" -20
59/	A, S	370717-S100(GG86)	1	Clip(oil cooler tubes to engine)
59/	A(8 cyl. 292)	20314-S8(B98)	1	Bolt (clip to oil pan)-7/16"-14 x 1/2"-hex. head
58/	A, S	34808-S8(X67)	1	Lockwasher-7/16"
59/	A, S(8 cyl. 332, 352)	*20352-S8	1	Bolt (clip to eng.)-1/2" -13 x 3/4"
		34809-S8(X68)	1	Lockwasher-1/2"
59/	A(8 cyl. 292, 332)	359058-S(II-77)	1	Connector (inlet tube to trans.)
58	A, S(8 cyl. 332, 352)	359324-S8(II-79)	1	Connector (inlet to trans.)
59/	A(8 cyl. 352)		1	
58/	A, S,	87944-S8(I-22)	1	Fitting-5/16"tube nut-1/2"-20 ext.threads-(oil cooler oil inlet tube)
58/	A, S	359281-S8(MM112)	1	Fitting (oil cooler oil inlet tube)

\* Replaced by 8C2269-A Bulk tubing & (1) each 87944-S8(I-22), 359281-S8(MM112) fittings

# Identification marking - see page 189

‡ Used with Steel Converter Impeller

YEAR	MODEL	PART NUMBER	QUANTITY PER TRANS- MISSION	PART NAME AND DESCRIPTION
58	A	*B8AZ 7A031-A	1	TUBE ASSY. - TRANSMISSION OIL COOLER-OIL OUTLET - Approx. 51 1/4" developed length
59	A	*B9AZ 7A031-A	1	Approx. 51.82" developed length
59/	A, S	370717-S100(GG86)	1	Clip (oil cooler tubes to engine)
58/	A, S	87944-S8(I-22)	1	Fitting-5/16" tube nut-1/2"-20 ext. threads-(oil cooler oil outlet tube)
59/	A, S	359281-S8(MM112)	1	Fitting (oil cooler oil outlet tube)
58/	A, S	359279-S(II-32)	1	Connector (outlet tube to radiator)
58/	S	371612-S8(II-36)	1	Connector (tube to radiator)-1/4"-18 & 1/2" -20
59/	A(8 cyl. 292, 332)	359058-S(II-77)	1	Connector (outlet tube to trans.)
58/	A(8 cyl. 332, 352)	359324-S8(II-79)	1	Connector (outlet tube to trans.)
58/	A(8 cyl. 292, 332)	B3TZ 7A034-A	1	BUSHING - EXTENSION HOUSING -1 1/2" I. D. -1 5/8" O. D. -1 1/2" long-split
59/	A(8 cyl. 332-with #PBL-U trans.)	B5AZ 7A034-A	1	1.8175" O. D. -.0625" wall thickness-2.12" long-split
58/	A, S(8 cyl. 352-4/B carb., 430)		1	
58/	A(8 cyl. 292, 332- exc. #PBL-U trans.)	C2AZ 7A039-B	1	HOUSING - TRANSMISSION EXTENSION
58/	A, S(8 cyl. 352-4/B carb.)	CIAP 7A039-B	1	
59	A(8 cyl. 332-with #PBL-U trans.)		1	
59/	S(8 cyl. 430)	B9AZ 7A039-A	1	
58/	A, S(8 cyl. 352-4/B Carb.)	356684-S8(BB169)	1	Bolt (housing to trans. case)-3/8"-16 x 3 3/4"-hex. head
59	A(8 cyl. 332-with #PBL-U trans.)		1	
59/	S(8 cyl. 430)		6	
58/	A(8 cyl. 292, 332)	356682-S8(BB170)	1	Bolt (housing to trans. case)-3/8"-16 x 4 1/4"-hex. head
58/59	A, S(8 cyl. 352, 430)	44727-S8(X24)	1	Washer-flat-3/8"
59	A(8 cyl. 332-with #PBL-U trans.)		1	
58/	A, S, P/I-exc. 8 cyl. 430)	359266-S8(BB157)	4	Bolt (housing to trans. case)-3/8"-16 x 1 1/4"
58/	A, S, P/I	351487-S(XX291)	5or6	Lockwasher-external tooth-3/8"
		34847-S8(X74)		Lockwasher - 3/8"
58/59	A(8 cyl. 332-exc. #PBL-U trans.)	B1AZ 7C050-A	1	OIL SEAL - FRONT BAND SERVO PISTON GUIDE - Rubber-2 13/32" O. D. -1 29/32" x 1 1/16" thick
59/	A(8 cyl. 292)	B5AZ 7C050-B	1	Rubber-2.305" O. D. -1.807" I. D. -.073" thick
58/	A, S(8 cyl. 352-4/B carb.)	CIAP 7C050-A	1	Rubber-2.533" O. D. -2.035" I. D. -.073" thick
59	A(8 cyl. 332-with #PBL-U trans.)		1	
59/	S(8 cyl. 430)		1	
58/	A, S(exc. 8 cyl. 430)	CIAP 7C051-A	1	OIL SEAL - REAR CLUTCH PISTON - OUTER - Rubber - 5.282" O. D. -4.763" I. D. -.125" thick
59/	S(8 cyl. 430)	B8SZ 7C051-A	1	Rubber-5.715" O. D. -5.171" I. D. -.125" thick
58/	A, S(8 cyl. 352)	CIAP 7052-B	1	OIL SEAL - TRANSMISSION EXTENSION HOUSING - 2.78" flange O. D. -for 1.685" shaft-1.954" width
59	A(8 cyl. 332-with #PBL-U trans.)		1	
59/	S(8 cyl. 430)		1	
58/	A(8 cyl. 292, 332, 352-2/B carb. -exc. #PBL- U trans.)	C2AZ 7052-A	2.64	" flange O. D. -for 1.4985" shaft-1.62" width
58/	A, S	B8AZ 7C053-A	1	GOVERNOR ASSY. - WITH COUNTERWEIGHT
58/	A, S	B7A 7059-A	1	SNAP RING - SPEEDOMETER DRIVING GEAR - .083" thickness-1.234" I. D. -1.474" O. D.

\* Replaced by 8C2269-A Bulk tubing & (1) each 87944-S8 (I-22), 359281-S8(MM112) fittings

# Identification marking - see page 189

YEAR	MODEL	PART NUMBER	QUANTITY PER TRANS- MISSION	PART NAME AND DESCRIPTION
58/	A(8 cyl. 292, 332- exc. #PBL-U trans.)	C1AP 7060-A	1	SHAFT and BUSHING ASSY. - TRANSMISSION OUTPUT
58/	A, S(8 cyl. 352-4/B carb.)	B8A 7060-A	1	18.46" long-72 teeth-31 splines
59	A(8 cyl. 332-with #PBL- U trans.)		1	
59/	S(8 cyl. 430)	B8S 7060-A	1	
58/	A, S	C1VP 7C062-A	1	SEAT - OIL PRESSURE REGULATOR VALVE SPRING
58/	A, S	B8AZ 7C063-A	1	GOVERNOR ASSY. - LESS COUNTERWEIGHT
58/	A, S, P/I	★31160-S	2	Bolt (gov. to counterweight)-1/4"-20 x 1/2"-fillister head
58/	A, S, P/I	34805-S8(X62)	2	Lockwasher - 1/4"
58/	A, S, P/I	353351-S(AA9)	1	Ball (gov. to output shaft)-1/4" diam.
58/	A, S(8 cyl. 352-4/B carb.)	B1AZ 7B066-A	1	PLATE - FRONT CLUTCH PRESSURE - 54 teeth- .3585" overall thickness
59	A(8 cyl. 332-with #PBL-U trans.)		1	
58/	A(8 cyl. 292, 332- except #PBL-U Transmission)	B5AZ 7B066-A	1	54 teeth-.328" overall thickness-cast iron
59/	S(8 cyl. 430)	B8SZ 7B066-A	1	60 teeth-.358" overall thickness-(1) inner lug
58/	A(8 cyl. 292, 332- exc. #PBL-U trans.)	B1AZ 7B067-A	1	HUB - TRANSMISSION FRONT CLUTCH - 45 external teeth-20 internal teeth-2 slots
58/	A, S(8 cyl. 352-4/B carb.)	C1AP 7B067-A	1	45 external teeth-22 internal teeth
59	A(8 cyl. 332-with #PBL-U trans.)		1	
59/	S(8 cyl. 430)	C3VY 7B067-A	1	52 external teeth-25 internal teeth
58/	A, S(exc. 8 cyl. 430)	C0AP 7B070-A	1	DISC SPRING - FRONT CLUTCH PISTON - 5.313"O.D. -2 7/8" & 3 15/16" I.D. -7 levers-.073"thick
59/	S(8 cyl. 430)	C0MP 7B070-A	1	5.915"O.D. -3 1/2" & 4.532" I.D. -7 levers-.073"thick
58/	A	B2AZ 7B071-A	1	SPRING - TRANSMISSION GEAR SHIFT SELECTOR LEVER- 7/16"O.D. -2 61/64"free length-20 coils
58/	A, S(exc. 8 cyl. 430)	1P 7086-A	1	GASKET - TRANSMISSION EXTENSION HOUSING - Extension housing to rear oil pump-.0165"thick
59/	S(8 cyl. 430)	B8S 7086-A	1	Extension housing to rear oil pump-.0165" thick - (6) 13/32" holes
58/	A, S(8 cyl. 292, 332, 352)	B9AZ 7A089-A	1	CLUTCH ASSY. - TRANSMISSION PLANETARY - Includes (4) drag spg. -24 sprags
59/	S(8 cyl. 430)	B9AZ 7A089-B	1	Includes (5) drag spg. -30 sprags
58/59	A(8 cyl. 292)	B9AP 7A094-B	1	BODY - FRONT BAND SERVO -2.273" I.D.
58/59	A(8 cyl. 332-exc. #PBL-U trans.)	B9AZ 7A094-A	1	Includes (1) 353603-S Plug & (1) B9TP 77379-A Tube & (1) I. S. #935
58/	A, S(8 cyl. 352-4/B carb.)	C2AZ 7A094-C	1	Includes (1) 353603-S Plug
59	A(8 cyl. 332 with #PBL-U trans.)		1	
58/	A(8 cyl. 292, 332)	359266-S8(BB157)	1	Bolt (front band servo to case)-3/8"-16 x 1 1/4" -hex. head
58/	A, S, P/I(8 cyl. 352, 430)		2	
58/	A(8 cyl. 292, 332)	34807-S7(X66)	1	Lockwasher-3/8"
58/	A, S, P/I(8 cyl. 352, 430)		2	
58	A, S(8 cyl. 352)	B6AZ 7C096-B	1	WASHER - PRIMARY SUN GEAR TO REAR BRAKE DRUM THRUST - REAR - 2.253"O.D. -1.12" I.D. -.063"thick- 3 flat sides-3 scallops-3 oil grooves on each side
58	A(8 cyl. 332)	B6AZ 7C096-A	1	2.14"O.D. -1.012" I.D. -.063"thick-3 scallops-3 oil grooves each side
59/	A, S(8 cyl. 332, 352)	B8TZ 7C096-A	1	1.927"O.D. -1.26" I.D. -(38 rollers)
59/	A(8 cyl. 292)		1	
58	A(8 cyl. 332)		1	
59/	S(8 cyl. 430)	B8SZ 7C096-A	1	2.177"O.D. -1 1/2" I.D. -.0781"thick-(46)rollers

# Identification marking - see page 189

YEAR	MODEL	PART NUMBER	QUANTITY PER TRANS- MISSION	PART NAME AND DESCRIPTION
59	A(8 cyl. 332-with #PBL-U trans.)	B9MP 7A098-B	1	SCREEN ASSY. - OIL PAN
58/	A, S(8 cyl. 352-4/B carb.)		1	
58/	A(8 cyl. 292, 332-exc. #PBL-U trans.)	B9AP 7A098-B	1	
59/	S(8 cyl. 430)	B9SZ 7A098-A	1	Approx. 7" overall length
58	A(8 cyl. 332-4/B carb.)	B7AZ 7C098-A	1	OIL SEAL - FRONT BAND SERVO RELEASE PISTON - Rubber-1, 146" I. D. -. 143" diam. thickness-"O" ring type - Also Refer to Group 7A294 -
58/	A, S(8 cyl. 352-4/B carb.)	B8SZ 7C098-A	1	Rubber-1, 451" I. D. -. 143" diam. thickness-"O" ring type
59	A(8 cyl. 332-2/B carb. with #PBL-U trans.)		1	
59/	S(8 cyl. 430)	C1AZ 7C098-A	1	Rubber-1, 245" I. D. -. 143" diam. thickness-"O" ring type
58/	A, S(8 cyl. 352-4/B carb.)	C1AZ 7C099-A	1	OIL SEAL - FRONT CLUTCH CYLINDER - Rubber-1 27/64" I. D. -. 143" diam. thickness-"O" ring type - Also Refer to Group 7C328 -
59	A(8 cyl. 332-with #PBL-U trans.)		1	
58/	A(8 cyl. 292, 332-exc. #PBL-U trans.)	C1AZ 7C099-A	1	OIL SEAL - REAR CLUTCH PISTON - INNER - RUBBER - 1, 427" I. D. -. 143" diam. thickness-"O" ring type
59	A(8 cyl. 332-with #PBL-U trans.)	C1AZ 7C099-B	1	Rubber-1, 619" I. D. -. 143" diam. thickness-"O" ring type
58/	A, S(8 cyl. 352-4/B carb.)		1	
59/	S(8 cyl. 430)	C1AZ 7C099-C	1	Rubber-1, 869" I. D. -. 143" diam. thickness-"O" ring type
58/	A, S(8 cyl. 352-4/B carb.)	C1AZ 7C099-A	1	OIL SEAL - FRONT CLUTCH PISTON - Rubber- 1, 427" I. D. -. 143" diam. thickness-"O" ring type
59	A(8 cyl. 332-with #PBL-U trans.)		1	
58/	A(8 cyl. 292, 332)	B9AP 7A100-C	1	CONTROL ASSY. - TRANSMISSION MAIN - #47
58/	A(8 cyl. 352-2/B carb. - exc. #PBL-U trans.)		1	
58/	A, S(8 cyl. 352-4/B carb.)	B9AP 7A100-D	1	#48
59	A(8 cyl. 332-with #PBL-U trans.)		1	
59/	S(8 cyl. 430)		1	
59/	S(8 cyl. 430)	C0AP 7A100-U	1	#57
58/	A, S, P/I	357913-S(BB127)	3	Bolt (control to trans. case)-1/4"-20 x 1 5/8"
58/	A, S, P/I	45518-S7-8(B44)	4	Bolt (upper body to lower body)-1/4"-20 x 2 1/2"
58/	A, S, P/I	34805-S8(X62)	3or4	Lockwasher-1/4"
59/	A, S, P/I	371351-S(BB63)	1	Screw & washer assy. (upper body to lower body)-No. 10-24 x 1 1/8"-fillister head
58/	A, S, P/I	356746-S(BB13)	3	Screw (control lower cover)-No. 10-24 x 3/4"
58/	A, S, P/I	357918-S(BB624)	1	Screw & Lockwasher assy. (lower cover to body)-No. 10-24 x 5/8"-pan. head
58/	A, S(8 cyl. 332, 352)	C3AZ 7A103-C	1	PUMP ASSY. - TRANSMISSION OIL - FRONT
59/	A(8 cyl. 292)		1	
58/59	A(8 cyl. 292)	B1AZ 7A103-A	1	
59/	S(8 cyl. 430)	COMP 7A103-A	1	
58/	A, S	371454-S(BB145)	4	Bolt (pump to transmission case)-5/16"-18 x 2"-hex. head
58/59	A(8 cyl. 292)	B1AZ 7A108-B	1	SUPPORT ASSY. - CONVERTER STATOR - Bushing I. D. -. 907"
59/	A(8 cyl. 292)	B5AZ 7A108-A	1	Bushing I. D. -. 9385"
58/	"Before 12/1/58"			
59/	A(8 cyl. 292)			
58/	"From 12/1/58"			
58/	A, S(8 cyl. 332, 352)	B8AZ 7A108-A	1	
59/	S(8 cyl. 430)	B8AZ 7A108-A	1	
58/	A, S, P/I	356745-S(BB86)	2	Screw (support to front oil pump)-No. 10-24 x 3/4"-flat head
58/		34806-S7(X64)	5	Lockwasher-5/16"
58/	A	B8AZ 7A110-A	1	INDICATOR - TRANSMISSION CONTROL SELECTOR - Fire Orange-2 19/32" length
58/	A	354167-S2(XX330)	1	Washer-concave (indicator to steering column)-. 22" I. D.
58/	A	★41580-S8	1	Screw (indicator to tube)-No. 10-32 x 5/8"-pan hd. self tapping

YEAR	MODEL	PART NUMBER	QUANTITY PER TRANS- MISSION	PART NAME AND DESCRIPTION
58/	A, S	B8AZ 7A115-C	1	LEVER ASSY. - MANUAL CONTROL VALVE DETENT - #B9MP stamped on lever
58/	A, S, P/I	356071-S(MM174)	1	Locknut (manual control valve detent lever)-9/16"-24
58/	A, S	B1AZ 7A117-A	1	LEVER ASSY. - PARKING PAWL TOGGLE OPERATING
59/	A(8 cyl. 292, 332)	B1A 7120-A	1	BUSHING - TRANSMISSION INPUT SHAFT - Split-1.0045"O. D. -. 75"long-. 0625"wall thickness
58/	A, S(8 cyl. 352-4/B carb.)	B5A 7120-B	1	
59	A(8 cyl. 332-with #PBL-U trans.)		1	
59/	S(8 cyl. 430)	C0MP 7120-A	1	Split-1.305 O. D. -1.0025" I. D. -. 84"long
58/	A, S(exc. 8 cyl. 430)	B1AZ 7A121-A	1	LEVER - PARKING PAWL TOGGLE
58/	A, S(exc. 8 cyl. 430)	B1AZ 7C122-A	AR	SNAP RING - OUTPUT SHAFT RING GEAR RETAINER - .056" thick-5 13/32" O. D. -1" gap
58/	A, S(exc. 8 cyl. 430)	B1AZ 7C122-B	AR	.058" thick-5 13/32" O. D. -1" gap
58/	A, S(exc. 8 cyl. 430)	B1AZ 7C122-C	AR	.060" thick-5 13/32" O. D. -1" gap
58/	A, S(exc. 8 cyl. 430)	B1AZ 7C122-D	AR	.065" thick-5 13/32" O. D. -1" gap
58/	A, S(exc. 8 cyl. 430)	B1AZ 7C122-E	AR	.070" thick-5 13/32" O. D. -1" gap
59/	S(8 cyl. 430)	B8SZ 7C122-A	1	.056" thick-6.30" O. D. -1.440" gap
59/	S(8 cyl. 430)	B8SZ 7C122-B	1	.058" thick-6.30" O. D. -1.440" gap
59/	S(8 cyl. 430)	B8SZ 7C122-C	1	.060" thick-6.30" O. D. -1.440" gap
59/	S(8 cyl. 430)	B8SZ 7C122-D	1	.065" thick-6.30" O. D. -1.440" gap
59/	S(8 cyl. 430)	B8SZ 7C122-E	1	.070" thick-6.30" O. D. -1.440" gap
58/	A, S	B5AZ 7A127-A	1	VALVE - MAIN CONTROL REAR PUMP CHECK - .557" & .344" O. D. -. 20" overall thickness
58/	A, S	B1AZ 7A128-A	1	SPRING - MAIN CONTROL REAR PUMP CHECK VALVE - 1/2" maximum O. D. -1" overall length-5 1/2 coils conical shaped
58/	A, S	B5AZ 7A129-A	1	SEAT - MAIN CONTROL REAR PUMP CHECK VALVE - .572"O. D. -. 44"L. D. -9/32" long
58/	A, S(8 cyl. 292, 332, 352)	C3AZ 7A130-A	1	SUPPORT ASSY. - PLANETARY GEARS - Used with sprag or roller type planetary clutch
59	A(8 cyl. 332-with #PBL-U trans.)		1	
59/	S(8 cyl. 430)	B9MP 7A130-A	1	6.763"O. D. -3.699" I. D. -1.442"overall width-(4) 3/32" holes-. 72" bushing width
59	A(8 cyl. 292-used with #PAZ-L trans.) "Before 12/1/58"	B1AZ 7A132-A	1	BUSHING - PLANETARY GEARS SUPPORT ASSY. - 3.1815" I. D. -3.374"O. D. -. 625"width
58/	A, S(exc. 8 cyl. 430)	B9AP 7A132-A	1	BUSHING - TRANSMISSION PLANET SUPPORT - Split-3.319"O. D. -. 0783"wall thickness-must be bored to size at assembly
59/	S(8 cyl. 430)	B9MP 7A132-A	1	Split-3.8565"O. D. -. 087" wall thickness-must be bored to size at assembly
58/	A, S(8 cyl. 332, 352)	C2AZ 7A135-A	1	KIT - MAIN CONTROL REGULATOR - REPAIR - Consists of (2) 353603-S cup
59/	S(8 cyl. 430)		1	
58/	A, S	B1AZ 7A136-A	1	GASKET - FRONT OIL PUMP TO CASE - 5 29/32"O. D. - 5 17/32" I. D. -1/8"thick-cork & rubber combination

YEAR	MODEL	PART NUMBER	QUANTITY PER TRANS- MISSION	PART NAME AND DESCRIPTION
59/ 58/	A(8 cyl. 292) A, S(8 cyl. 332, 352, 430)	C2AZ 7A139-A	1 1	REGULATOR - OIL PRESSURE-Includes (1) 353603-S cup
58/	A, S, P/I	357235-S(BB136)	2	Bolt (regulator to case)-5/16"-18 x 7/8"
58/	A, S, P/I	34806-S7(X64)	2	Lockwasher-5/16"
58/	A, S(8 cyl.)	B9AP 7A141-A	1	COVER - OIL PRESSURE REGULATOR BODY
58/	A, S, P/I	356746-S(BB13)	8	Screw (cover to body)-No. 10-24 x 3/4"-fillister head
58/	A, S, P/I	34803-S7(X60)	8	Lockwasher-No. 10
58/	A, S	B9AP 7A142-A	1	PLATE ASSY. - OIL PRESSURE REGULATOR BODY SEPARATING
58/	A, S(exc. 8 cyl. 430)	C2AZ 7A149-A	1	PUMP ASSY. - TRANSMISSION OIL - REAR - Includes (1) each-C2AZ 7B368-A Washer, C2AZ 7A387-A Race
59/	S(8 cyl. 430)	B9LP 7A149-A	1	#B9LP 7A152-A cast in cover
58/	A, S, P/I(exc. 8 cyl. 430)	74144-S(L4)	1	Key-woodruff (rear oil pump to output shaft)-5/8" x 1/8"
59/	S(8 cyl. 430)	372187-S(LL18)	1	Key-woodruff (rear oil pump to output shaft)-5/8"
58/	A, S(exc. 8 cyl. 430)	B1AZ 7A152-A	1	COVER - REAR OIL PUMP
59/	S(8 cyl. 430)	B9LP 7A152-A	1	#B9LP 7A152-A
58/	A, S, P/I	*38228-S2	5	Bolt (cover to body)-1/4"-20 x 5/8"-pan head
58/	A, S, P/I	34905-S7(X97)	5	Lockwasher-1/4"
58/	A, S, P/I	357910-S(BB614)	1	Screw (cover to body)-No. 10-24 x 5/8"
58/	A, S, P/I	34803-S7(X60)	1	Lockwasher-No. 10
58/59	A(8 cyl. 332-exc. #PBL-U trans.)	B8AZ 7153-C	1	KIT - TRANSMISSION GASKET and OIL SEAL -

Consists of the following

## OIL SEALS

1-B1AZ 7C050-A	1-B5AZ 7A294-B	1-B6AZ 7A548-A
1-B5AZ 7C050-B	1-B5AZ 7A294-C	1-B9A 77357-A
1-C1AP 7C051-A	1-B6AZ 7A294-A	1-B9A 77357-B
1-B7AZ 7C098-A	1-B8AZ 7A294-A	1-B9A 77357-C
1-B8SZ 7C098-A	1-B8AZ 7A294-B	2-1P 77542-A
1-C1AZ 7C099-A	1-B9AZ 7A294-D	2-1P 77543-B
2-C0AZ 7C169-A	1-B1AZ 7C328-A	1-1P 77868-A
1-C3AZ 7A248-A	1-B1AZ 7C329-A	4-1P 77883-A
1-B1AZ 7A294-A	1-B5A 77288-A	1-372984-S
1-B1AZ 7A294-B		

## GASKETS

1-1P 7086-A
1-B1AZ 7A136-A
1-B5AZ 7A191-A
1-B1AZ 7A222-A
1-C1VP 7B391-B
1-1P 77265-B

58/59	S/W, S(8 cyl. 292, 352)	B8AZ 7153-B	1	
59	A(8 cyl. 332-with #PBL-U trans.)		*1	
58/	A, S(8 cyl. 352-4/B carb.)		*1	

Consists of the following

## OIL SEALS

1-B8SZ 7C098-A	1-1P 77265-B	1-1P 77512-A
2-B5SZ 7C169-A	1-B5A 77288-A	1-B5A 77512-A
1-C3AZ 7A248-A	1-B9A 77357-B	1-1P 77513-A
1-B1AZ 7A294-A	1-B9A 77357-C	2-B5S 77542-A
1-B6SZ 7A294-A	1-B7A 77361-A	2-1P 77543-B
1-B6SZ 7A294-B	1-B6S 77365-A	1-1P 77868-A
1-B1AZ 7A548-A	1-B8S 77414-A	1-1P 77873-A
1-B6AZ 7A548-A	1-B8A 77497-A	4-1P 77883-A

## GASKETS

1-1P 7086-A
1-B1AZ 7A136-A
1-B5SZ 7A191-A
1-B1AZ 7A222-A
1-C1VP 7B391-B

59/	S(8 cyl. 430)	B9SZ 7153-B	*1	
-----	---------------	-------------	----	--

Consists of the following

## OIL SEALS

1-C1AZ 7C098-A	1-1P 77265-B	1-1P 77543-B
1-B5AZ 7A248-A	1-B7AZ 7A294-A	1-B8AZ 7C328-A
1-C1VP 7B498-A	1-B8SZ 7C051-A	1-B8E 77863-A
1-C1AZ 7A548-A	2-B8E 77542-A	1-1P 77883-A

## GASKETS

1-B8S 7086-A
1-B8SZ 7A191-A
1-B8SZ 7A222-A
1-C1VP 7B391-B

YEAR	MODEL	PART NUMBER	QUANTITY PER TRANSMISSION	PART NAME AND DESCRIPTION
58/	A, S, S/W	B8A 7153-C	1	KIT - TRANSMISSION FRONT SERVO ACCUMULATOR OIL SEAL - Consists of the following - 1-B8A 7375-A Seal, -1-B8A 7381-A Seal ring, 1-B8A 7382-A Seal ring
58/	A, S(exc. 8 cyl. 430)	C1SP 7A153-A	1	GEAR - TRANSMISSION OUTPUT SHAFT RING - 72 Internal teeth-59 External teeth-6.000"O. D. - 1 39/64" Length
59/	S(8 cyl. 430)	B9SZ 7A153-A	1	83 Internal teeth-44 External teeth-6.805"O. D.-1.74"Length
		378874-S(QQ94)	2	Retainer-4 1/2" snap (1) reqd. attach ring gear to output shaft hub (1) reqd. to attach ring gear to forward clutch hub
58/	A, S(exc. 8 cyl. 430)	B1AZ 7A158-A	1	STRUT - FRONT BAND ACTUATING
59/	S(8 cyl. 430)	B8AZ 7A158-A	1	2.237" long
58/	A, S(exc. 8 cyl. 430)	B1AZ 7A160-A	1	TUBE - REAR OIL PUMP INLET - 5 1/16" long-9/16"O. D.
59/	S(8 cyl. 430)	B8AZ 7A160-A	1	2.32" long-.685"&.566"O. D.
58/	A(8 cyl. 292)	C2AZ 7A162-A	1	BAND ASSY. - FRONT
58/	S(exc. 8 cyl. 430)		1	
58/	A(8 cyl. 352-4/B carb.)		1	
59	A(8 cyl. 332-with #PBL-U trans.)		1	
58/59	A(8 cyl. 332-exc. #PBL-U trans.)	C2AZ 7A162-D	1	
59/	S(8 cyl. 430)	B8AZ 7A162-A	1	2.18" wide
58/	A, S(8 cyl. 332, 352)	B6SZ 7A163-A	1	PIN - FRONT BAND SERVO PISTON GUIDE
59/	S(8 cyl. 430)		1	
58/	A, S(8 cyl. 292, 332, 352)	B5AZ 7B164-A	4	PLATE ASSY. - TRANSMISSION CLUTCH - Front clutch driven-internal spline-45 teeth-two teeth partially removed for identification on plates with spiral groove facings-full teeth on plates with radial groove facings
58/	A(8 cyl. 292)	B6AZ 7B164-A	4	Rear clutch drive-internal spline-45 teeth
58/59	A(8 cyl. 332-exc. #PBL-U trans.)		5	
59	A(8 cyl. 332-with #PBL-U trans.)		6	
58/	A, S(8 cyl. 352-4/B carb.)		6	
59/	S(8 cyl. 430)	B8SZ 7B164-A	5	Rear clutch drive-internal spline-52 teeth
59/	S(8 cyl. 430)	B8SZ 7B164-B	4	Front clutch driven-internal spline-two teeth partially removed for identification on plates with spiral grooves-full teeth on plates with radial grooves
58/	A, S	B7AZ 7A165-A	1	SHAFT - FRONT BAND SERVO ACTUATING LEVER - 1.68"long-.431" & .433"O. D. -3 grooves one end
59/	S(8 cyl. 430)	B9MP 7A166-A	1	WASHER - REAR CLUTCH SUN GEAR THRUST - 3 1/2"O. D. -1.890"I. D. -.062"thick-4 scallops-4 oil grooves each side
58/	A(8 cyl. 292, 332-exc. #PBL-U trans.)	B1AZ 7A166-A	1	WASHER - SECONDARY SUN GEAR THRUST - OUTER - 2 5/16"O. D. -1 33/64" I. D. -1/16"thick-4 oil grooves each side-bronze
58/	A, S(8 cyl. 352-4/B carb.)	B5SZ 7A166-A	1	2 35/64"O. D. -1 45/64" I. D. -1/16"thick-4 oil grooves each side-bronze
59	A(8 cyl. 332-with #PBL-U trans.)		1	
58/	S(exc. 8 cyl. 430)	B8AZ 7A168-B	1	SLEEVE - TRANSMISSION CLUTCH and GOVERNOR OIL DISTRIBUTOR
58/	A			
59/	S(8 cyl. 430)	B8AZ 7A168-A	1	
59/	S(8 cyl. 430)	★370217-S	1	Washer (sleeve to shaft)-2"O. D. -1.647" I. D. -.080"thick

# Identification marking - see page 189

YEAR	MODEL	PART NUMBER	QUANTITY PER TRANS- MISSION	PART NAME AND DESCRIPTION
58/	A(8 cyl. 292, 332- exc. #PBL-U Trans. )	B5AZ 7A169-B	1	LEVER - REAR BAND SERVO ACTUATING
59/	A(8 cyl. 332-with #PBL-U trans. )	B5AZ 7A169-A	1	
58/	A, S(8 cyl. 352-4/B carb., 430)		1	
58/	A(8 cyl. 292, 332- exc. #PBL-U trans. )	C0AZ 7C169-A	2	OIL SEAL - CLUTCH - Also Refer to Group 77883 - Cast iron - 1 1/8" O.D. -3/32" thick
58/	A, S(8 cyl. 352-4/B carb. )	B5SZ 7C169-A	2	Cast iron-1 1/4"O. D. -3/32"thick
59	A(8 cyl. 332-with #PBL-U trans. )		2	
58/	A, S(exc. 8 cyl. 430)	B8AZ 7A170-A	1	TUBE - TRANSMISSION CLUTCH and GOVERNOR OIL - INTERMEDIATE
59/	S(8 cyl. 430)	B8SZ 7A170-A	1	.3145"O. D. -.028"wall thickness
58/	A, S	B8AZ 7A171-A	1	SHAFT - REAR BAND SERVO ACTUATING LEVER
58/	A, S	C1AZ 7A172-A	1	STRUT - REAR BAND ACTUATING - 29/32"wide-1 7/64" long x 11/64" thick
59	A(8 cyl. 292)	C3AZ 7B172-A	1	BODY - REAR BAND SERVO
58/59	A(8 cyl. 332-exc. #PBL-U trans. )	C3AZ 7B172-B	1	
58/	A, S(8 cyl. 352-4/B carb.	C1AP 7B172-A	1	
59	A(8 cyl. 332-with #PBL-U trans. )		1	
59/	S(8 cyl. 430)	B8SZ 7B172-A	1	
58/	A, S	B7A 77420-A	1	Bolt (rear band servo to case)-7/16"-14 x 2 15/32" special-with pilot end-approximately 1 1/4" thread length
58/	A, S, P/I	357915-S(BB178)	1	Bolt(rear band servo to case)-7/16"-14 x 1 7/8"
58/	A, S, P/I	34808-S8(X67)	2	Lockwasher-7/16"
58/	A, S(exc. 8 cyl. 430)	B8AZ 7A173-A	1	TUBE - TRANSMISSION CLUTCH and GOVERNOR OIL - FRONT - .3145"O. D. -.028"wall thickness
59/	S(8 cyl. 430)	B8SZ 7A173-A	1	.3145"O. D. -.028"wall thickness
58/	A, S(exc. 8 cyl. 430)	B8AZ 7A174-A	1	TUBE - TRANSMISSION CLUTCH and GOVERNOR OIL - REAR
59/	S(8 cyl. 430)	B8SZ 7A174-A	1	.3145"O. D. -.028"wall thickness
58/	A, S(exc. 8 cyl. 430)	B6AZ 7A175-A	1	STRUT - REAR BAND ANCHOR - .56" x 1 1/4"wide x 1.22"long-tapered
59/	S(8 cyl. 430)	B8SZ 7A175-A	1	1.38" long-tapered
58/	A, S(exc. 8 cyl. 430)	B5SZ 7A176-A	1	BAND ASSY. - REAR - 1 5/8" wide
59/	S(8 cyl. 430)	B8SZ 7A176-A	1	1.94" wide
58/	A, S(except 8 cyl. 430)	C0AP 7A178-B	1	SCREW - REAR BAND ADJUSTING -1/2"-20 x 2.44" overall length
59/	S(8cyl. 430)	COMP 7A178-B	1	1/2"-20 x 2.82" overall length
58/	A, S, P/I	33943-S8(M36)	1	Nut(rear band adjusting screws)-1/2"-20 jam
58/	A, S	B8AZ 7A180-A	1	SPRING - PARKING PAWL TORSION - 3 1/2 coils- .115" spring wire diameter
58	A	B8AZ 7A185-A	1	SHAFT and BRACKET ASSY. - ENGINE MOUNTED ACCELERATOR
59	A	B9AZ 7A185-A	1	
58/	S(exc. 8 cyl. 430)	COSS 7A185-B	1	
59/	S(8 cyl. 430)	COSS 7A185-C	1	
58/	A	20310-S8(B48)	2	Bolt (bracket to intake manifold)-5/16"-18 x 1/2"
		34806-S7(X64)		Lockwasher-5/16"



YEAR	MODEL	PART NUMBER	QUANTITY PER TRANS- MISSION	PART NAME AND DESCRIPTION
58	A	B8AZ 7A187-A	1	ROD - ENGINE MOUNTED ACCELERATOR SHAFT TO TRANSMISSION THROTTLE CONTROL OUTER LEVER
		44719-S8(X17)		Washer-flat-1/4"
		72034-S(N45)		Cotter pin-3/32" x 1"
58/59	A	97011-S7(FI)	1	Clevis-adjustable-1/4"-28
		★33907-S8		Nut (hex. jam)-1/4"-28
58/59	A	353862-S8(XX10)	1	"C" washer-. 527"O. D. -. 025 thick
58/59	A	370579-S(NN50)	1	Pin-grooved-1/4" x 3/4"
58/	S	B8SZ 7A187-A	1	ROD - TRANSMISSION CONTROL SHAFT TO TRANSMISSION
59	A(8 cyl. 292)	B9AZ 7A187-A	1	
59	A(8 cyl. 332, 352)	B9AZ 7A187-B	1	
58/	S	97011-S7(FI)	1	Clevis-adjustable-1/4"-28
59/	A(8 cyl. 292)		1	
		★33907-S8		Nut (hex. jam)-1/4"-28
		33796-S7(M61)		Nut-1/4"-28
		351341-S7(XX351)		Washer-spring
		44719-S8(X17)		Washer-flat-1/4"
58/	S	353862-S8(XX10)	1	"C" washer-. 527"O. D. -. 025" thick
59/	A		2	
58/	S	370579-S(NN50)	1	Pin-grooved-1/4" x 3/4"
59/	A		1	
58/	A(8 cyl. 292, 332- exc. #PBL-U trans.)	B5AZ 7A191-A	1	GASKET - OIL PAN TO CASE - Approx. 9 25/32" x 12 7/16"
58/	A, S(8 cyl. 352-4/B carb.)	B5SZ 7A191-A	1	Approx. 10 13/32" x 12 13/16"
59	A(8 cyl. 332-with #PBL-U trans.)		1	
59/	S(8 cyl. 430)	B8SZ 7A191-A	1	Approx. 11.07" x 13.65"- .076"thick
58/	A, S	C1AZ 7194-A	1	RETAINER - TRANSMISSION THIRD - SECOND COASTING ORIFICE CONTROL VALVE SPRING
58/	A(8 cyl. 292, 332- exc. #PBL-U trans.)	B5AZ 7A194-A	1	PAN ASSY. - TRANSMISSION OIL -13 1/8" x 10 1/8"
58/	S(exc. 8 cyl. 430)	B5SZ 7A194-A	1	13 1/8" x 10 15/32"
58/	A(8 cyl. 352-4/B carb.)		1	
59	A(8 cyl. 332-with #PBL-U trans.)		1	
59/	S(8 cyl. 430)	B9SZ 7A194-A	1	Approx. 13 29/32" x 11 5/32"
58/	A, S	B5AZ 7A202-A	1	VALVE - OIL PRESSURE REGULATOR - .618" x 11/32"O. D. -5/16" I. D. -3/16"o/all thickness-steel
58/	A, S(exc. 8 cyl. 430)	B1AZ 7A204-A	1	TUBE - REAR OIL PUMP OUTLET - 2 27/32" long - 9/16"O. D.
58/	A, S	B1AZ 7A205-A	1	SPRING - OIL PRESSURE REGULATOR FRONT CHECK VALVE - 5 coils-approx. 5/8"free length-13/32"O. D.
58/	A(8 cyl. 292, 332- exc. #PBL-U trans.)	B5AZ 7A206-A	1	TUBE - COMPENSATOR PRESSURE OIL - 1/4"O. D. - 4 3/4" long
58/	S	B5SZ 7A206-A	1	1/4"O. D. -4 3/4"long-39/64"rise
58/	A(8 cyl. 352-4/B carb.)		1	
59	A(8 cyl. 332-with #PBL-U trans.)		1	
58/	A(8 cyl. 292, 332-exc. #PBL- U trans.)	B4AZ 7A208-A	1	TUBE - OIL PRESSURE REGULATOR LUBRICATION - .302"O. D. -6.88" x 8.44" x 2.31"
58/	A, S(8 cyl. 352-4/B carb.)	B8AZ 7A208-A	1	.3021"O. D. -7.18" x 9.08" x 7.17"
59	A(8 cyl. 332-with #PBL-U trans.)		1	
59/	S(8 cyl. 430)	B9MP 7A208-A	1	

# Identification marking - see page 189

YEAR	MODEL	PART NUMBER	QUANTITY PER TRANS- MISSION	PART NAME AND DESCRIPTION
58	A	B7A 7209-B	1	TUBE and SOCKET ASSY. - TRANSMISSION GEAR SHIFT- 27 15/32" length
59/	A	B9A 7209-B	1	
58/	S	B9S 7209-B	1	
58/	A	B6A 7210-D	1	LEVER - TRANSMISSION GEAR SHIFT - LESS BALL - Approximately 12 11/16"long-1/4" diameter hole
58/	A	305080-S(NN113)	1	Pin-groove (lever to tube & socket)-1/4" x 1"
58/	S	B8S 7210-E	1	
58/	S	357479-S15(NN108)	1	Pin (gear shift lever retaining)-3/16" x 1"
58/59	A	B8A 7213-A	1	BALL - TRANSMISSION GEAR SHIFT LEVER - Knob-2 1/2" o/all length-grooved
58/	S	C0SS 7213-A	1	
59/	S	B9SZ 7A216-A	1	INSERT - TRANSMISSION CONTROL SELECTOR POSITION - Steel-.084"/.096"thick
59/	S	★41580-S8	2	Screw (insert to steering tube flange)-No. 8-32 x 5/8"- pan head
58/	S	C0SF 7A217-A	1	BLOCK ASSY. - TRANSMISSION CONTROL SELECTOR NEUTRAL SWITCH TERMINAL - (4)terminals-less wires
58/	A, S(exc. 8 cyl. 430)	B1AZ 7A222-A	1	GASKET - REAR OIL PUMP TO CASE - Rubber-7"O. D. -6 13/32"I. D. -5 bolt holes
59/	S(8 cyl. 430)	B8SZ 7A222-A	1	Approx. 7.90"O. D. -6.97"I. D. -.0165"thick-(6) 13/32"- (1) 17/32" x (1) 9/32" holes
59	A(8 cyl. 292) "Before 12/1/58"	B9AZ 7C222-A	1	KIT - TRANSMISSION FRONT PUMP OVERHAUL
	Consists of the following 1-B1AZ 7A136-A Gasket 1-C3AZ 7A248-A Seal	1-C1AZ 7B258-A 1-C1AZ 7B259-A	Bushing Bushing	1-B1AZ 7B261-A Bushing 4-371454-S Bolt
59/	A(8 cyl. 292) "From 12/1/58"	C3AZ 7C222-A	1	
58/	A, S(8 cyl. 332, 352)		1	
	Consists of the following 1-B1AZ 7A136-A Gasket 1-C3AZ 7A248-A Seal	1-C1AZ 7B258-A 1-C1AZ 7B259-A	Bushing Bushing	1-B5AZ 7B261-A Bushing 4-371454-S Bolt
59/	S(8 cyl. 430)	C0SZ 7C222-A	1	
	Consists of the following 1-B1AZ 7A136-A Gasket 1-C3AZ 7A248-A Seal	1-C1AZ 7B258-A 1-C0MP 7B259-A	Bushing Bushing	1-C0MP 7B261-A Bushing 4-371454-S Bolt
58	A(8 cyl. 332- except #PBL-U Trans.	C1AZ 7C224-B	1	KIT - TRANSMISSION REAR BRAKE DRUM and PLANETARY GEAR and BEARING ASSY.
59	A(8 cyl. 292)		1	
59/	A(exc. 8 cyl. 352)		1	
	Consists of the following 1-C1AP 7A398-F Drum & planetary gear assy.	1-C1AP 7C096-A	Washer	1-B8A 77549-A Race
58/	A	AB 7227-A	1	SPRING - TRANSMISSION GEAR SHIFT TUBE RETRACTING - 1/2"O. D. -1"free length
58/	S	B8S 7228-B	1	SOCKET ASSY. - TRANSMISSION GEAR SHIFT LEVER

YEAR	MODEL	PART NUMBER	QUANTITY PER TRANS- MISSION	PART NAME AND DESCRIPTION
59/	S(8 cyl. 352) "From 6/15/59"	B9SZ 7A228-B	1	TUBE ASSY. - OIL FILLER
58/59	S(8 cyl. 352) "Before 6/15/59"	B8AZ 7A228-A	1	3/4"diam. pipe-approx. 23 9/16"o/all length-8 1/4"rise
59	S(8 cyl. 430) "Before 6/1/59"	B8SZ 7A228-A	1	
59/	S(8 cyl. 430) "From 6/1/59"	B9SZ 7A228-A	1	
59	A	B9AZ 7A228-A	1	
59	A(8 cyl. 292)	B9AZ 7A229-B	1	CLAMP - OIL FILLER TUBE
59	A(8 cyl. 332, 352)	B9AZ 7A229-D	1	
59/	S(8 cyl. 352)	B9SZ 7A229-B	1	
59/	S(8 cyl. 430)	B9SZ 7A229-A	1	
58/	A	C1AZ 7C230-A	2	RETAINER - GEAR SHIFT SELECTOR TUBE RETRACTING SPRING - .590"O. D. -.58"deep-cup type
58/	A, S(exc. 8 cyl. 430)	B9AP 7A244-A	1	PIN - PARKING PAWL TOGGLE LEVER - 1 39/64"overall length-(1) round and (1) grooved end
59/	S(8 cyl. 430)	B8SZ 7A244-A	1	Approximately 1 19/32"overall length (1) round end & 1 grooved end
58/	A, S, P/I	74274-S(R3)	1	Retainer (parking pawl toggle)-1/4"groove
58/59	A, S(exc. 8 cyl. 430) "Before 4/28/59"	▲B9AP 7A245-A	1	TUBE ASSY. - TRANSMISSION BREATHER
59/	S(8 cyl. 430) "Before 4/28/59"	▲B9MP 7A245-A	1	
59/	A, S	★87382-S	1	Fitting-90° elbow (breather tube to trans. case)-5/16"-20 internal-1/8" dryseal external threads
58/	A	1M 7246-A	1	INSULATOR - TRANSMISSION GEAR SHIFT LEVER - Rubber-1.10"long
58/	S	B8S 7246-A	1	
59/	A, S(exc. 8 cyl. 430) "From 4/28/59"	★B9AP 7A246-A	1	TUBE - TRANSMISSION BREATHER - Used on transmission cases with 1/2"-20 thread breather opening- cut from 8C 2269-A bulk tubing
59/	S(8 cyl. 430) "From 4/28/59"	★B9LP 7A246-B	1	Used on transMission cases with 1/2"-20 thread breather opening-cut from 8C 2269-A bulk tubing
58	S	B8SZ 7A247-A	1	BLOCK ASSY. - TRANSMISSION CONTROL NEUTRAL SWITCH TERMINAL
58	A	B8AZ 7A247-B	1	SWITCH ASSY. - TRANSMISSION GEAR SHIFT NEUTRAL
59	A	B9AZ 7A247-B	1	
58/	A, S	B5AZ 7A248-A	1	OIL SEAL - FRONT OIL PUMP - 2 11/16"O. D. - 1 15/16" I. D.
58/	S	B8SZ 7A256-A	1	LEVER ASSY. - MANUAL CONTROL
58/	A	B8AZ 7A256-A	1	
59/	S(8 cyl. 430)	C0MP 7B256-A	1	BUSHING - TRANSMISSION OUTPUT SHAFT - 1.775" & 1.747"O. D. -1.619" I. D. -1.05"long
58/	A, S(exc. 8 cyl. 430)	B5AZ 7B256-A	1	Front
59	A(8 cyl. 332-with #PBL-U trans.)		1	

▲ Replaced by 8C2269-A bulk tubing and (1) each 87944-S fitting (1) 87382-S adapter on units manufactured before

Aug. 1, 1959; replaced by 8C 2269-A bulk tubing and (1) 87944-S fitting on units manufactured from Aug. 1, 1959

# Identification marking - see page 189

YEAR	MODEL	PART NUMBER	QUANTITY PER TRANS- MISSION	PART NAME AND DESCRIPTION
58/	A(8 cyl. 292, 332- exc. #PBL-U trans.)	B1AZ 7B257-B	1	BUSHING - TRANSMISSION REAR BRAKE DRUM SUPPORT
58/	A, S(8 cyl. 352-4/B carb.)	B5AZ 7B257-A	1	
59	A(8 cyl. 332-with #PBL-U trans.)		1	
59/	S(8 cyl. 430)	COMP 7B257-A	1	Split-1.2545"O. D. -1.128" I. D. -.94" long
58/	A, S	C1AZ 7B258-A	1	BUSHING - TRANSMISSION FRONT OIL PUMP - Split-2.069"O. D. -.58" long-.061" wall thickness
58/	A, S(exc. 8 cyl. 430)	C1AZ 7B259-A	1	BUSHING - TRANSMISSION FRONT OIL PUMP DRIVE GEAR
59/	S(8 cyl. 430)	COMP 7B259-A	1	Split-1.9455"O. D. -1.813" I. D. -.437" long
58/	A, S(8 cyl. 352-4/B carb., 430)	B7AZ 7A260-A	1	PISTON - FRONT BAND SERVO -2.494" flange O. D. - 1.282" neck O. D. -1.305" overall height
59	A(8 cyl. 332-with #PBL-U trans.)		1	
58/59	A(8 cyl. 332-2/B carb. - exc. #PBL-U trans.)	B8AZ 7A260-A	1	2.369" flange O. D. -1.24" neck O. D. -1.305" o/all height
58	A(8 cyl. 332-4/B carb.)	B8AZ 7A260-B	1	2.369" flange O. D. -1.19" neck O. D. -1.305" o/all height
59/	S(8 cyl. 430)	C3SZ 7B260-A	1	BUSHING - TRANSMISSION REAR OIL PUMP BODY
58/	A, S(exc. 8 cyl. 430)	B5AZ 7B260-A	1	Rear-2.1935"O. D. -.071" wall thickness-.75" long - split
58/	A	B8AZ 7A261-A	1	SPRING - MANUAL CONTROL VALVE DETENT LEVER - 1.71" free length-23 active coils
58/	S		1	
59/	A(8 cyl. 292) "From 12/1/58"	B5AZ 7B261-A	1	BUSHING - CONVERTER STATOR SUPPORT - 1.0032"O. D. -.939" I. D. -.56" long-split
58/	A, S(8 cyl. 332, 352)		1	
59	A(8 cyl. 292) "Before 12/1/58"	B1AZ 7B261-A	1	1.0345"O. D. -.907" I. D. -.75" long-split
59/	S(8 cyl. 430)	COMP 7B261-A	1	Split-1.0667"O. D. -1.0013" I. D. -.56" long
58/	A(8 cyl. 292, 332- exc. #PBL-U trans.)	C1AP 7A262-A	1	PISTON - TRANSMISSION FRONT CLUTCH
58/	A, S(8 cyl. 352-4/B carb.)	C1SZ 7A262-A	1	
59	A(8 cyl. 332-with #PBL-U trans.)		1	
58/	S(8 cyl. 430)	C1SZ 7A262-B	1	
58/	A, S(8 cyl. 352)	B5AZ 7B262-A	1	BUSHING - FRONT BRAKE and SECONDARY SUN GEAR - REAR - 1.4425"O. D. -.0625" wall thickness-1.06" long-split
59	A(8 cyl. 332-with #PBL-U trans.)		1	
59/	S(8 cyl. 430)	COMP 7B262-A	1	BUSHING - TRANSMISSION REAR CLUTCH SUN GEAR - Split-1.692"O. D. -1.563" I. D. -1.13" long
59/	S(8 cyl. 430)	C1VP 7B264-A	1	RETAINER - REAR BAND SERVO PISTON SPRING - 3.364" O. D.
58/	A(8 cyl. 292, 332- exc. #PBL-U trans.)	B8AZ 7B264-A	1	
58/	A, S(8 cyl. 352-4/B carb.)	B8SZ 7B264-A	1	
59	A(8 cyl. 332-with #PBL-U trans.)		1	
59/	A(8 cyl. 292)	B8AZ 7A266-C	1	PISTON - REAR BAND SERVO - Also Refer Group 77413- 2.982" O. D.
58/59	A(8 cyl. 332-exc. #PBL-U trans.)	B8AZ 7A266-B	1	3.170"O. D.
58/	A, S(8 cyl. 352-4/B carb.)	B8SZ 7A266-B	1	3.426"O. D.
59	A(8 cyl. 332-with #PBL-U trans.)		1	

YEAR	MODEL	PART NUMBER	QUANTITY PER TRANS- MISSION	PART NAME AND DESCRIPTION
58/	A, S	B8AZ 7A266-A	1	PISTON - REAR BAND SERVO ACCUMULATOR
58/59	A(8 cyl. 332-2/B carb. - exc. #PBL-U trans.)	B8AZ 7A269-A	1	GUIDE - FRONT BAND SERVO PISTON
58	A(8 cyl. 332-4/B carb.)	B8AZ 7A269-B	1	
58/	A, S(8 cyl. 352-4/B carb.)	B8AZ 7A269-C	1	
59	A(8 cyl. 332-with #PBL-U trans.)		1	
59/	S(8 cyl. 430)	B8SZ 7A269-A	1	2. 552"O. D. -1. 597" I. D. -3 bosses
58/59	A(8 cyl. 332)	B6SZ 7A270-A	1	SPRING - MAIN OIL PRESSURE REGULATOR VALVE -
59/	A(8 cyl. 292)		1	4 21/64" long-16 coils
58/	A, S(8 cyl. 352)		1	
59/	S(8 cyl. 430)		1	
58	A	B1AZ 7C288-A	1	KIT - TRANSMISSION GASKET and "O" RING - EXTERNAL
	Consists of the following			
	1-1P 7086-A Gasket	1-B5AZ 7A191-A		Gasket 1-1P 77265-B "O" ring
	1-B1AZ 7A136-A Gasket	1-B1AZ 7A222-A		Gasket 1-B5A 77288-A Seal assy.
				1-C1VP 7B391-B Gasket
58/	A, S(8 cyl. 352 w/4/B carb.)	B5AZ 7C288-A	1	
	Consists of the following			
	1-B9A 7086-A Gasket	1-1P 77265-B		"O" ring 1-B9A 77357-B Seal
	1-C0DP 7A136-A Gasket	1-B9A 77288-A		Seal 1-B9A 77357-C Seal
	1-B9AZ 7A191-A Gasket	1-B9A 77357-A		Seal 1-B9A 77407-A Seal
59/	S(8 cyl. 430)	B8SZ 7C288-A	1	
	Consists of the following			
	1-B8S 7086-A Gasket	1-B8SZ 7A191-A		Gasket 1-1P 77265-B "O" ring
	1-B1AZ 7A136-A Gasket	1-B8SZ 7A222-A		Gasket 1-B5A 77288-A Seal assy.
				1-C1VP 7B391-B Gasket
59/	A(8 cyl. 292) "From 12/1/58"	B9AZ 7C289-B	1	KIT - TRANSMISSION SERVO PISTON SEAL - FRONT and REAR
	Consists of the following			
	1-B6A 77361-A "O" ring	1-1P 77414-A		"O" ring
	1-B5A 77365-C Seal	1- 372894-S94		"O" ring
59/	A(8 cyl. 332, 352 w/2/B carb.)	B9AZ 7C289-A	1	
	Consists of the following			
	1-B1AZ 7C050-A Seal	1-C1AZ 7C098-A		"O" ring 1-B9AZ 7A294-D "O" ring
	1-B7AZ 7C098-A "O" ring	1-B8AZ 7A294-A		"O" ring
58/	S	B8SZ 7C289-A	1	
	Consists of the following			
	1-B6SZ 7A294-A "O" ring	1-B8AZ 7A294-C		"O" ring
	1-B7AZ 7A294-A "O" ring	1-PBB 77497-A		"O" ring
59	A(8 cyl. 292) "Before 12/1/58"	B5AZ 7C289-A	1	
	Consists of the following			
	1-B5AZ 7C050-B Seal	1-B5AZ 7A294-B		"O" ring 1-B6AZ 7A294-A "O" ring
	1-B1AZ 7A294-A "O" ring	1-B5AZ 7A294-C		"O" ring
58	A(8 cyl. 332)	B8AZ 7C289-B	1	
59	A(8 cyl. 332, 352 w/2/B carb.)			
	Consists of the following			
	1-B1AZ 7C050-A Seal	1-B1AZ 7A294-B		"O" ring 1-B8AZ 7A294-B "O" ring
	1-B7AZ 7C098-A "O" ring	1-B8AZ 7A294-A		"O" ring 1-B9AZ 7A294-D "O" ring

YEAR	MODEL	PART NUMBER	QUANTITY PER TRANS- MISSION	PART NAME AND DESCRIPTION
59/	A, S(8 cyl. 352 w/4/B carb.)	B8AZ 7C289-A	1	KIT - TRANSMISSION SERVO PISTON SEAL - FRONT and REAR - continued
	Consists of the following 1-C1AP 7C050-A Seal 1-C1AZ 7C097-A "O" ring	1-B8SZ 7C098-A 1-B6SZ 7A294-A		"O" ring 1-B8AZ 7A294-C "O" ring "O" ring
58/	A, S(exc. 8 cyl. 430)	B1AZ 7A291-A	2	BOLT - PLANETARY GEARS SUPPORT TO TRANSMISSION CASE LOCATING - 3/8"-16 x 29/32"
59/	S(8 cyl. 430)	B8SZ 7A291-A	2	3/8"-16 x 1.02" pointed
58/	A, S, P/I	351487-S(XX291)	2	Lockwasher-external tooth-3/8"
58/59	A(8 cyl. 332-2/B carb.)	B8AZ 7A294-B	1	OIL SEAL - FRONT BAND SERVO RELEASE PISTON - <i>Also Refer to Group 7C098-Rubber-1.214" I.D. -.143" diameter thickness</i>
58/59	A(8 cyl. 332-exc. #PBL-U trans.)	B9AZ 7A294-D	1	OIL SEAL - FRONT BAND SERVO PISTON - INNER Rubber-2 7/64" I.D. -.25/64" O.D. x 9/64" thick
58/59	A(8 cyl. 292)	B5AZ 7A294-B	1	Rubber-2.016" I.D. -.145" diameter thickness
58/	A, S(8 cyl. 352-4/B carb., 430)	C1AZ 7A294-B	1	Rubber-2.244" I.D. -.143" diam. thickness - "O" ring type
59	A(8 cyl. 332-with #PBL-U trans.)		1	
58/59	A(8 cyl. 332-exc. #PBL-U trans.)	B1AZ 7A294-B	1	OIL SEAL - FRONT BAND SERVO PISTON - OUTER - Rubber-1 11/64" I.D. -.129/64" O.D. x 9/64" thick
58/	A(8 cyl. 292)	B5AZ 7A294-C	1	Rubber-.991" I.D. -.143" diameter thickness
58/	A, S(8 cyl. 352-4/B carb.)	B8AZ 7A294-C	1	Rubber-1.277" I.D. -.143" diameter thickness
59/	A(8 cyl. 332-with #PBL-U trans.)		1	
59/	S(8 cyl. 430)		1	
59/	A(8 cyl. 292)	B1AZ 7A294-A	1	OIL SEAL - REAR BAND SERVO PISTON - Rubber-2.75" I.D. -.143" thick
59/	S(8 cyl. 430)	B7AZ 7A294-A	1	Rubber-3.06" I.D. -.143" thick
58/59	A(8 cyl. 332-exc. #PBL-U trans.)	B8AZ 7A294-A	1	Rubber-2.94" I.D. -.143" thick
58/	A, S(8 cyl. 352-4/B carb.)	C1AZ 7A294-C	1	Rubber-3.187" I.D. -.143" thick
59	A(8 cyl. 332-with #PBL-U trans.)		1	
58/	A, S(exc. 8 cyl. 430)	B1AZ 7A295-A	1	PIN - PARKING PAWL TOGGLE LEVER - .374" diam. -1 3/4" o/all length-special head
58	A(8 cyl. 332, 352)	B8A 7302-D	1	ARM/LEVER ASSY. - TRANSMISSION GEAR SHIFT
58/	S	B8S 7302-C	1	Gear shift selector-on gear shift tube
		357479-S15(NN108)		Pin-3/16" x 1"
58/	A	B8S 7308-A	1	RETAINER - TRANSMISSION GEAR SHIFT SELECTOR LEVER SPRING
59/	A	B9A 7323-A	1	SPACER - GEAR SHIFT CONNECTING ROD ADJUSTMENT
59	S(8cyl. 430)	B8S 7325-A	1	ROD ASSY. -MANUAL SHIFT
58	A	B8A 7326-B	1	ROD - MANUAL SHIFT
59	A	B9A 7326-C	1	
58/		44722-S8(X19)		Washer-flat-5/16"
58/		351341-S7(XX351)		Washer-spring-5/16"
58/		72034-S(N45)		Cotter pin-3/32"x1"
58/	S	B8S 7326-C	1	Control lever to gear shift selector lever-approx. 13 1/4" long-3 1/4"rise-5/16"-24 threads one end
58/	S	358605-S(XX115)	2	Washer-flat-21/64" I.D. -.937" O.D. -3/16" thick
		72015-S(N40)		Cotter pin-1/16" x 3/4"
		33923-S7(M32)		Nut-5/16"-24

YEAR	MODEL	PART NUMBER	QUANTITY PER TRANS- MISSION	PART NAME AND DESCRIPTION
58/	A(8 cyl. 292, 332-exc. #PBL-U trans.)	B1AZ 7C328-A	1	OIL SEAL - FRONT CLUTCH CYLINDER - <i>Also Refer to Group 7C099-Rubber-1, 30" I.D.</i>
59/	S(8cyl. 430)	B8AZ 7C328-A	1	Rubber-1, 681" I.D. -, 143" diam, thickness-"O" ring type
58/	A, S	B1AZ 7C329-A	1	OIL SEAL - REAR OIL PUMP INLET TUBE - .557" I.D. - .073" diam, thickness-"O" ring type
58/	A, S(except 8cyl. 430)	B4AZ 7330-A	1	LEVER - FRONT BAND SERVO ACTUATING
59/	S(8cyl. 430)	B9LP 7330-A	1	
58/	A, S, P/I	350696-S(UU18)	1	Set screw (front band servo actuating lever)-3/8" - 16 x 1 3/8" headless
59/	A, S	372555-S(UU19)	1	Set screw (front band servo actuating lever)-3/8" - 16 x 1.59"
58/	A, S, P/I	33799-S7(M52)	1	Locknut-3/8"-16 hex.
59/	A	B9AA 7353-B	1	SLEEVE - TRANSMISSION GEAR SHIFT ROD ADJUSTMENT 1/2"-20 external threads-5/16" hole-1 11/16" o/all length
59/	A	33846-S8(M69)	1	Nut-1/2"-20
		34809-S8(X68)		Lockwasher-1/2"
		72034-S(N45)		Cotter pin-3/32" x 1"
58/	S	B8S 7354-B	2	CLEVIS - TRANSMISSION SHIFT ROD
58/	A(8 cyl. 292, 332 except #PBL-U trans.)	C2AZ 7A360-A	1	CYLINDER - FRONT CLUTCH -54 internal teeth & 45 external teeth-3.16" o/all length-(2) 3/16" holes 180° apart
58/	A, S(8cyl. 352-4/B carb.)	B9AP 7A360-B	1	54 internal teeth-45 external teeth-3 1/2" o/all length-
59/	A(8cyl. 332-with #PBL-U trans.)		1	(2) 3/32" holes 180° apart
59/	S(8cyl. 430)	B9MP 7A360-A	1	60 internal teeth-52 external teeth-3 5/8" overall length
58/59	A(8cyl. 332-2/B carb.)	B8A 7366-B	1	PISTON - FRONT BAND SERVO RELEASE - 1.473" O. D. - .36" overall thickness
58	A(8 cyl. 332-4/B carb.)	B8A 7366-C	1	1.424" O. D. -, .36" overall thickness
58/	A, S(8cyl. 352-4/B carb.)	C1AP 7366-A	1	
59/	A(8cyl. 332-with #PBL-U trans.)		1	
59/	S(8cyl. 430)	B8S 7366-A	1	1.589" O. D. -, .38" overall thickness
58/	A, S, P/I	44716-S8(X15)	1	Washer (piston to servo retaining)-No. 10
58/	A, S, P/I	42802-S8(U33)	1	Screw & washer assy. (piston to servo retaining)-No. 10 - 32 x 3/8" pan head
58/	A, S(except 8 cyl. 430)	C1SZ 7B368-A	1	WASHER - OUTPUT SHAFT THRUST - REAR -3.5" O. D. - 2.22" I. D. -, .063" thick-2 tabs-6 oil grooves-bronze and steel
59/	S(8cyl. 430)	C1VP 7B368-B	1	3.76" O. D. -, 2.34" I. D. -, .063" thick-2 tabs-6 oil grooves- (2) thru holes-bronze and steel
58/	A, S	C1VP 7B391-B	1	GASKET-TRANSMISSION GOVERNOR INSPECTION-COVER
58/	A, S	B5AZ 7A393-A	1	PLATE - MAIN CONTROL UPPER VALVE BODY - REAR
58/	A, S, P/I	358509-S(BB9)	3	Screw (rear plate)-No. 10-24 x 7/16" - fillister head
58/		34803-S7(X60)	3	Lockwasher-No. 10
58/	A, S	B1AZ 7A396-A	1	PLATE - MAIN CONTROL UPPER VALVE BODY - FRONT Plate .150"/.160" thick
58/	A, S, P/I	358509-S(BB9)	2	Screw (front plate to upper valve body)-No. 10-24 x 7/16" - fillister head
58/	A, S, P/I	34803-S7(X60)	2	Lockwasher-No. 10
58/	A, S(8cyl. 352-4/B carb.)	C1AP 7A398-B	1	DRUM and PLANETARY GEARS ASSY. -REAR BRAKE
59/	A(8 cyl. 332-with #PBL-U transmission)		1	
59/	S(8 cyl. 430)	COMP 7A398-D	1	

# Identification marking - see page 189

YEAR	MODEL	PART NUMBER	QUANTITY PER TRANS- MISSION	PART NAME AND DESCRIPTION
58/	A(8 cyl. 292, 332- exc. #PBL-U trans.)	C3AZ 7A399-B	1	GEAR ASSY. - PRIMARY SUN - 30 teeth-20 splines- 10 21/64" long
58/	A, S(8cyl.352-4/B carb.)	C1AP 7A399-D	1	30 teeth-22 splines-10 11/16" long
59	A(8cyl.332-with #PBL-U transmission)		1	
59/	S(8cyl. 430)	C1MP 7A399-A	1	35 teeth-11 3/4" long
58/	A(8 cyl. 292, 332 except #PBL-U transmission)	C2AZ 7B437-A	1	PLATE - REAR CLUTCH PRESSURE -54 teeth-3.88" I. D.
58/	A, S(8cyl.352-4/B carb.)	B8SZ 7B437-A	1	54 teeth-3.88" I. D.
59	A(8cyl.332-with #PBL-U transmission)		1	
59/	S(8cyl. 430)	B8AZ 7B437-A	1	60 teeth-4.47" I. D. -(1) lug
58/	A, S(except 8 cyl. 430)	B4AZ 7A441-A	1	PAWL - PARKING
59/	A(8 cyl. 292)	B1AZ 7B442-A	4	PLATE - REAR CLUTCH DRIVEN -External spline-54 teeth - 3 57/64" I. D. - steel
58/59	A(8cyl.332-except #PBL-U transmission)		5	
58/	A, S(8cyl.352-4/B carb.)		6	
59	A(8cyl.332-with #PBL-U transmission)		6	
59/	S(8cyl. 430)	B8AZ 7B442-A	5	External spline-60 teeth-4.47" I. D. -.0710" thick
58/	S(8cyl. 430)	C2AZ 7C458-C	39	ROLLER - REAR CLUTCH SUN GEAR FRONT BEARING - Used with Torrington roller cage only -.521" long-.1201" dia.
58/	A, S	B5A 7470-A	1	SPACER - LOW OIL PRESSURE REGULATOR VALVE - .550" O. D. -.80" long
58/	A, S	C0AP 7B470-A	1	LEVER - PARKING PAWL TORSION SPRING
59/	S(8cyl. 430)	B9SZ 7A474-A	1	KIT - TRANSMISSION PARKING LEVER and PAWL - Consists of the following 1-Lever 1-Pawl 1-Pin
58/	A, S(exc. 8cyl. 430)	B1AZ 7A480-A	1	SPRING - REAR CLUTCH PISTON - 3 1/2 L. H. coils- 2.575" I. D. -2 11/32" free length
59/	S(8cyl. 430)	B8SZ 7A480-A	1	3 1/2 L. H. coils-3.055" I. D. -2 1/16" free length
59/	S(8 cyl. 430)	B8AZ 7A097-A	1	CLIP-OIL PANSCREEN RETAINING- Refer to Group 77482- Approx. 6 11/16" long
58/	A, S	C1VP 7B498-A	1	OIL SEAL - MANUAL CONTROL LEVER
58	A	B1AZ 7B510-A	1	KIT - TRANSMISSION FRONT CLUTCH SUN GEAR SEAL Consists of following - 2-1P 77542-A Seal, 2-1P 77543-B Seal, 2-1P 77547-A Seal
58/	A, S(8cyl. 352)	B5AZ 7B510-A	1	Consists of following-2-B5S 77542-A Seal, 2-1P 77543-B Seal, 2-B5S 77547-A Seal
59/	S(8cyl. 430)	B8SZ 7B510-A	1	Consists of following - 2-B8E 77542-A Seal, 2-1P 77543-B Seal, 2-1P 77883-A Seal
58/	A, S(8 cyl. 352-4/B carb.)	C1AZ 7A548-B	1	OIL SEAL - FRONT CLUTCH PISTON - Rubber-3.906" I. D. -4.408" O. D. -.110"/.125" thick
59	A(8 cyl. 332-with #PBL-U trans. )		1	
58/	A(8 cyl. 292, 332 - exc. #PBL-U trans. )	B6AZ 7A548-A	1	Rubber-4.120" I. D.
59/	S(8 cyl. 430)	C1AZ 7A548-A	1	Rubber-4.546" I. D. -5.058" O. D. -.125" thick



YEAR	MODEL	PART NUMBER	QUANTITY PER TRANSMISSION	PART NAME AND DESCRIPTION
58/	A, S(8 cyl. 292, 332, 352)	C0AP 7A577-A	1	SNAP RING - TRANSMISSION PLANETARY CLUTCH - 4.854" O. D. -.750"/1" gap-45° angle ends-.065" thickness-used with sprag type planetary clutch
59/	S(8 cyl. 430)	B8SZ 7A577-A	1	5.420" O. D. -.750"/1" gap-.065" thickness
59/	A(8 cyl. 292)	B6AZ 7A626-B	1	DRUM and SECONDARY SUN GEAR - FRONT BRAKE - 54 drum teeth-36 sun gear teeth-needle type brg. - 4.503" o/all length
58/	A(8 cyl. 332-exc. #PBL-U trans.)	B8AZ 7A626-A	1	54 drum teeth-36 sun gear teeth-needle type brg. - 4.503" overall length
59/	S(8 cyl. 430)	C3SZ 7A626-A	1	60 drum teeth-45 sun gear teeth-needle type brg. - 5.544" overall length
58/	A, S	B8A 7729-A	1	PLATE - MAIN CONTROL LOWER VALVE BODY COVER SIDE
58/	A, S, P/I	355128-S7(BB636) 34803-S7(X60)	2	Screw (plate to cover)-No. 10-24 x.44"-pan slotted head Lockwasher-No. 10
58/	S	B8S 7779-B	1	SHIELD - TRANSMISSION CONTROL LINKAGE SPLASH
58/	A, S	B9AZ 7A813-A	7or8	ROLLER - TRANSMISSION CONVERTER STATOR CLUTCH
58/	A, S	B9AZ 7A814-A	AR	SPRING - TRANSMISSION CONVERTER STATOR CLUTCH
58/	A(8 cyl. 292, 332, 352-2/B carb.)	B8A 7880-A	1	TUBE - TRANSMISSION OIL COOLER DISCHARGE TO SUMP
59/	S(8 cyl. 430)	B8E 7880-A	1	.367" O. D. - 2.64" long
58/	S	★AN 7897-A	1	TUBE - TRANSMISSION OIL COOLER - OUTLET - REAR - 5/16" steel tube-replaced by approx. 75" of 8C 2269-A bulk tubing-(1) 87944-S8 fitting & (1) 359281-S8 nut
58/	S(except 8 cyl. 430)	★AN 7897-B	1	5/16" steel tube-approx. 16.08" developed length-replaced by 8C 2269-A bulk tubing and (2) 87944-S8 fitting
59/	S(8 cyl. 430)	★AN 7897-C	1	5/16" steel tube-approx. 51.26" developed length-replaced by 8C 2269-A bulk tubing and (1) each 87944-S8 & 359281-S8 fittings
59	A(8 cyl. 292-w/#PAZ-L trans.)	C2AZ 7902-B	1	CONVERTER ASSY. - TRANSMISSION - #6
59	A(8 cyl. 292-w/#PAZ-T trans.)	C2AZ 7902-A	1	
58/	A, S(8 cyl. 332, 352)	C2AZ 7902-D	1	
59	S(8 cyl. 430) "Before 6/1/59"	B9S 7902-A	1	Welded design-# "D" on front boss 90° from drain plug
59/	S(8 cyl. 430) "From 6/1/59"	B8SZ 7902-A	1	Welded design # "5"
59/	A, S, P/I	357916-S(PP35)	2	Plug-pipe (converter-1/8"-27 dryseal
58/	A, S	356403-S8(XX126)	4	Washer-plain (converter to flywheel)-3/8"
58/	A, S	34370-S8(M99)	4	Nut-lock (converter to flywheel)-3/8"-24
58/	A, S	PAR 7915-B	1	HUB - TRANSMISSION CONVERTER IMPELLER
58/	S(8 cyl. 430)	B8SZ 7926-A	1	HUB - CONVERTER TURBINE
58/	A, S	★1P 7927-A	AR	WEIGHT - TRANSMISSION CONVERTER TURBINE BALANCE - .040" thick
58/	A, S	★1P 7927-C	AR	.030" thick
58/	A, S	★1P 7927-D	AR	.066" thick
58/	S(8 cyl. 430)	★B8SZ 7932-A	1	STATOR ASSY. - TRANSMISSION CONVERTER

YEAR	MODEL	PART NUMBER	QUANTITY PER TRANS- MISSION	PART NAME AND DESCRIPTION
59/	A	C2AZ 7937-D	2	WASHER - CONVERTER STATOR REAR and INTERMEDIATE THRUST
59/	A, S	PAN 7937-D	2	
58/	S(8 cyl. 430)	★C3AZ 7937-B	2	3 25/32" O. D. -1 31/32" I. D. -4 slots
59/	S(8 cyl. 430)	B9MP 7940-A	1	CLUTCH ASSY. - TRANSMISSION CONVERTER STATOR
58/	A, S	C2AZ 7946-A	1	RACE - CONVERTER STATOR CLUTCH - INNER
58/	A, S(8 cyl. 332, 352)	★PBL 7954-B	1	PILOT - TRANSMISSION CONVERTER COVER
59/	S(8 cyl. 430)		1	
59/	A(8 cyl. 292)	PAZ 7954-A	1	
58/	A, S	PBL 7964-D	4	BOLT - CONVERTER COVER TO IMPELLER HOUSING
59/	A(8 cyl. 292)	C1AP 7976-A	1	HOUSING ASSY. - TRANSMISSION CONVERTER
58/	A, S(8 cyl. 332, 352)	C1SP 7976-A	1	
59/	S(8 cyl. 430)	C0MP 7976-B	1	When installing on units with A/C grind off (2) upper middle ribs & R. H. upper rib
58/	A, S, P/I	20450-S(B106)	4	Bolt (converter housing to trans. case)-7/16"-14 x 1 3/8"-hex. hd.
59/	S(8 cyl. 430)	★20490-S	2	Bolt (converter housing to trans. case)-7/16"-14 x 1 5/8"
58/	A, S	20246-S8(B113B)	2to6	Bolt (converter housing to cyl. block)-7/16"-14 x 2 1/2"
58/	A, S	34808-S8(X67)	4to6	Lockwasher-7/16"
59/	A(8 cyl. 292)	C0MM 7985-A	1	COVER ASSY. - CONVERTER HOUSING
58/	A, S(8 cyl. 332, 352)	B8A 7985-A	1	
58/	A, S(8 cyl. 332, 352)	20310-S8(B48)	3or4	Bolt (cover to housing)-5/16"-18 x 1/2"-hex. head
58/	A, S	34806-S7(X64)	4	Lockwasher-5/16"
59/	S(8 cyl. 430)	B9S 7986-A	1	COVER - CONVERTER HOUSING
58/	A, S(8 cyl. 292, 332, 352)	B8A 77014-A	1	PLATE - MAIN CONTROL LOWER VALVE BODY END
59/	S(8 cyl. 430)		1	
58/	A, S, P/I	358509-S(BB9)	4	Screw (plate to lower body) - No. 10-24 x 7/16" - fillister head
58/	A, S, P/I	34803-S7(X60)	4	Lockwasher - No. 10
58/	A, S(exc. 8 cyl. 430)	B1A 77063-A	1	SLEEVE - TRANSMISSION OUTPUT SHAFT OIL - Standard-. 753" & 1. 251"O. D. -3. 93" long
58/	A, S(exc. 8 cyl. 430)	B1A 77063-D	1	. 010" O/S
59/	S(8 cyl. 430)	PBB 77063-A	1	Standard-. 753" & 1. 251" O. D. -4. 27" long
59/	S(8 cyl. 430)	PBB 77063-B	1	. 005" O/S
59/	S(8 cyl. 430)	PBB 77063-D	1	. 015" O/S
58/	A, S(8 cyl. 332, 352)	B5A 77067-J	AR	WASHER - OUTPUT SHAFT THRUST - FRONT - .061"/.063" thick-2.878" O. D. -1.668" I. D. -4 oil grooves each side
58/	A, S(8 cyl. 332, 352)	B5A 77067-K	AR	.067"/.069"
58/	A, S(8 cyl. 332, 352)	B5A 77067-L	AR	.074"/.076"
58/	A, S(8 cyl. 332, 352)	B5A 77067-M	AR	.081"/.083"
59/	S(8 cyl. 430)	B8E 77067-A	1	.061"/.063" thick-3.315" O. D. -1.793" I. D. -4 oil grooves each side
59/	S(8 cyl. 430)	B8E 77067-B	1	.067"/.069"
59/	S(8 cyl. 430)	B8E 77067-C	1	.074"/.076"
59/	S(8 cyl. 430)	B8E 77067-D	1	.081"/.083"
58/	A, S	1P 77136-A	1	SNAP RING - GOVERNOR - 1.68"O. D. -1.61" I. D.

YEAR	MODEL	PART NUMBER	QUANTITY PER TRANS- MISSION	PART NAME AND DESCRIPTION
58/	A, S	1P 77138-B	1	COVER - GOVERNOR INSPECTION - On extension housing-oval-2 projections
58/	A, S, P/I	★42817-S8	2	Screw & washer (cover to housing)-1/4"-20 x 1/2"-pan head
58/	A, S, P/I	357914-S(XX59)	2	Washer (cover bolt to housing)-rubber-.25"/.26" I. D.
58/	A, S	1P 77265-B	1	OIL SEAL - THROTTLE CONTROL OUTER LEVER - .473"O. D. -.367" I. D. -.106"thick
58/	A, S	B5A 77283-A	1	LEVER - TRANSMISSION THROTTLE CONTROL - INNER
58/	A, S, P/I	33798-S7-8(M62)	1	Nut-5/16"-24
58/	A, S, P/I	34806-S7(X64)	1	Lockwasher-5/16"
58/	A, S	B8S 77308-A	1	PIN - PARKING PAWL TORSION SPRING LEVER -.5645"&.311" O. D. -2.76" long
58/	A, S, P/I(exc. 8cyl. 430)	★74275-S	1	Retainer(parking pawl torsion lever pin)-5/16"groove
59/	S(8cyl. 430)	74274-S(R3)	1	Retainer(parking pawl torsion lever pin)-1/4" groove
58/	A, S	354861-S(XX137)	1	Washer-flat(parking pawl torsion lever pin)-13/32" I. D. - 9/16"O. D. -.39/64" thick
58/	A, S(except 8cyl. 430)	1P 77312-A	1	PIN - PARKING PAWL - .46"diameter-2 1/32"long
59/	S(8cyl. 430)	B8E 77312-A	1	.46"diameter-2 1/2" long
58/	A, S(except 8cyl. 430)	1P 77314-A	1	SPRING - PARKING PAWL TOGGLE RETURN - Approx 3 coils-hooked type ends
59/	S(8cyl. 430)	B8S 77314-A	1	Approx. 4 coils-(1)hooked type & (1) plain ends
58/	A, S(except 8cyl. 430)	1P 77316-A	1	LINK - PARKING PAWL TOGGLE TO PAWL
59/	S(8cyl. 430)	B8S 77316-A	1	Approximately 1.723"long-1.003" hole centers
58/	A, S(except 8cyl. 430)	1P 77318-A	1	PIN - PARKING PAWL TOGGLE LINK TO PAWL -.3115" diameter x 7/8" long-grooved end
59/	S(8cyl. 430)	B8S 77318-A	1	5/16"diameter x 1.02"long-grooved end
58/	A, S, P/I	356414-S(XX110)	1	Washer-flat(link to pawl)-21/64"diameter
58/	A, S(8cyl.292,332,352)	B8A 77322-A	1	ROD - MANUAL LEVER CONNECTING - 1/4"diameter x 3 3/8" overall length-cotter pin hole each end
58/	A, S, P/I	72000-S7(N37)	2	Cotter pin-1/16" x 3/8"
59/	S(8cyl. 430)	B8E 77322-C	1	ROD - PARKING PAWL TORSION LEVER - 1/4"diameter-approx. 3 5/8" long-cotter pin hole at each end
59/	S(8cyl. 430)	72000-S7(N37)	2	Cotter pin-1/16" x 3/8"
58/	A, S	B8A 77323-A	1	RETAINER - PARKING PAWL TOGGLE RETURN SPRING-.319" I. D. -9/16"&27/64"O. D. x5/16"-groove around small diameter
58/	A, S(except 8cyl. 430)	1P 77326-A	1	RETAINER - PARKING PAWL TOGGLE LEVER PIN - .572" O. D.
59/	S(8cyl. 430)	B8S 77326-A	1	.697"O. D. -cup type
58/	A, S	1P 77356-A	1	PIN - SERVO ACTUATING LEVER SHAFT - Rear band-.166"diam. x 1 1/4" long
58/59	A(8cyl. 332-exc. #PBL-U transmission)	1P 77366-A	1	SNAP RING - FRONT BAND SERVO PISTON GUIDE TO SERVO - 2.59"O. D.
59/	A(8 cyl. 292)	B5A 77366-C	1	2.488"O. D. -.044" thick
58/	A, S(8cyl.352-4/B carb.)	B6S 77366-A	1	2.665"/2.696" O. D. -.040"/.044" thick
59	A(8 cyl. 332-with #PBL-U transmission)		1	
59/	S(8cyl. 430)		1	

YEAR	MODEL	PART NUMBER	QUANTITY PER TRANS- MISSION	PART NAME AND DESCRIPTION
58/	A, S	B8A 77369-A	1	SPRING - REAR BAND SERVO ACCUMULATOR
58/	A, S	1P 77377-A	1	PIN - FRONT BAND ANCHOR - 5/8" diameter head-1 3/16" overall length
58/	A, S(exc. 8cyl. 430 & 1959 8 cyl. 292)	B5A 77379-A	2	TUBE - FRONT BAND SERVO OIL - 3 11/16" long-5/16" O. D.
59/	A(8 cyl. 292)		1	
59/	A(8cyl. 292)	B9TP 77379-A	1	3 29/32" long
59/	S(8cyl. 430)	B8E 77379-A	2	4.48" long-5/16" O. D.
58/	A, S	B5A 77406-A	29	BEARING - REAR SERVO LEVER - NEEDLE - .0625"O. D.-.93" long-steel
58/	A, S, P/I	353592-S(XX198)	2	Washer-flat(needle bearing retainer)-.525" I. D. -1" O. D. - .016" thick
59/	S(8 cyl. 430)	B8S 77413-A	1	PISTON - REAR BANDS SERVO- Also Refer to Group 7A266 - 3.301" O. D.
58/	A, S	B8A 77415-A	1	SPRING - REAR BAND SERVO PISTON
59/	S(8cyl. 430)	B7A 77417-A	1	SNAP RING - REAR BAND SERVO PISTON RETAINING - 3.49"O. D. - .064" thick
58/	A(8 cyl. 292, 332 except #PBL-U transmission)	B8A 77417-A	1	
58/	A, S(8cyl. 352-4/B carb.)	B8S 77417-A	1	3.71"O. D. -.064" thick
59	A(8cyl. 332-with #PBL-U transmission)		1	
58/	A, S	B7A 77420-A	1	BOLT - REAR BAND SERVO TO CASE -7/16"-14 x 2 15/32"-special-with pilot end-approx. 1 1/4" thread length
58/	A, S, P/I	34808-S8(X67)	1	Lockwasher-7/16"
58/	A, S	B5A 77465-B	1	SPRING - OIL PRESSURE REGULATOR LOW CONTROL VALVE - 3 29/32" long-20 1/2 coils
58/	A(8 cyl. 292, 332 except #PBL-U transmission)	B5A 77469-A	1	TUBE - OIL PRESSURE REGULATOR MAIN CONTROL VALVE - 1/2" O. D. - 5 9/16" long
58/	S(except 8cyl. 430)	B5S 77469-A	1	1/2" O. D. - 6 3/32" long
59	A(8cyl. 332-with #PBL-U transmission)		1	
58/	A(8cyl. 352-4/B carb.)		1	
58/	A, S(exc. 8 cyl. 430)	B5A 77482-A	1	CLIP-OIL PANSCREEN RETAINING- Also Refer to Group 7A097- Approx. 6 1/64" overall length
58/	A(8 cyl. 292, 332 except #PBL-U transmission)	B1A 77507-D	1	BEARING - TRANSMISSION FRONT BRAKE DRUM and SECONDARY SUN GEAR - FRONT - For 1.0605" diam, shaft-1.313" O. D. -.500" long-needle type
58/	S(except 430)	B5A 77507-A	1	For 1.1875" diam. shaft-1.5005" O. D. -.625" long-needle type
58/	A(8cyl. 352)		1	
59	A(8cyl. 332-with #PBL-U transmission)		1	
59/	S(8 cyl. 430)	B8E 77507-A	1	For 1.3750" diam. shaft-1.688" O. D. -.625" long-needle type
58/	A(8 cyl. 292, 332 except #PBL-U transmission)	B1A 77507-E	39	ROLLER - TRANSMISSION FRONT BRAKE DRUM and SECONDARY SUN GEAR FRONT BEARING - .0925"O. D. - .416" long
59	A(8cyl. 332-with #PBL-U transmission)	B5A 77507-B	34	.1205"O. D. -.535" long
58/	A(8cyl. 352-4/B carb.)		34	
58/	S		34	

YEAR	MODEL	PART NUMBER	QUANTITY PER TRANSMISSION	PART NAME AND DESCRIPTION
59/	S(8 cyl. 430)	B8S 77507-A	38	ROLLER-REAR CLUTCH SUN GEAR FRONT BEARING - .1236" O. D. - .535" long
58/	A(8 cyl. 292)	B7A 77514-C	1	PISTON - REAR CLUTCH-5 15/64" O. D. -1.690" I. D. - .689" overall thickness-aluminum
58/59	A(8 cyl. 332-except #PBL-U transmission)	B8A 77514-C	1	
58/	A, S(8cyl. 352-4/B carb.)	B8S 77514-C	1	5 15/64"O.D. -1.878"x.447" I. D. -.6675"o/all thickness -
59	A(8cyl. 332-with #PBL-U transmission)		1	4.878" grooved diam. -with 1/8" metering ball staked in place-(1).039"/.043" thru hole-aluminum
59/	S(8cyl. 430)	B8S 77514-D	1	5 27/32"O.D. -2.128" I. D. -.897"o/all thickness-5.330" groove diam. -with metering ball staked in place
58/	A(8 cyl. 292, 332 except #PBL-U transmission)	1P 77516-B	1	SEAT - REAR CLUTCH PISTON SPRING-2 7/8" O. D. - 1.684" I. D. -5/16" o/all thickness
58/	A, S(8cyl. 352)	B5A 77516-B	1	2 7/8"O. D. -1.867" I. D. -21/64" o/all thickness
59	A(8cyl. 332-with#PBL-U transmission)		1	
59/	S(8cyl. 430)	B8E 77516-A	1	3 1/2"O. D. -2.117" I. D. -21/64" o/all thickness
58/	A(8 cyl. 292, 332 except #PBL-U transmission)	1P 77517-A	1	SNAP RING - REAR CLUTCH PISTON SPRING RETAINING-1.51" I. D.
58/	A, S(8cyl. 352, 4/B carb.)	B5A 77517-A	1	1.726" I. D.
59	A(8cyl. 332-with #PBL-U transmission)		1	
59/	S(8cyl. 430)	B8E 77517-A	1	1.976" I. D. -2.276" O. D. -.064" thick-.26" gap
58/	A(8 cyl. 292, 332)	1P 77523-A	1	SNAP RING - INPUT SHAFT TO FRONT CLUTCH CYLINDER - Also Refer to Group 77567- 5 9/16" O. D. -.076" thick
58/	A, S(exc. 8 cyl. 430)	1P 77523-A	1	SNAPRING-REAR CLUTCH PRESSURE PLATE- Also Refer to Group 77567- 5 9/16"O. D. -.076" thick-.688"/.938" gap
58/	A(8 cyl. 292, 332 except #PBL-U transmission)	1P 77524-A	1	WASHER - SECONDARY SUN GEAR THRUST - INNER - 2 3/8"O. D. -1 45/64" I. D. -1/8" thick-steel
58/	A, S(8cyl. 352-4/B carb.)	B5S 77524-A	1	2.59"O. D. -1.893" I. D. -.122" thick-steel
59	A(8cyl. 332-with #PBL-U transmission)		1	
59/	S(8cyl. 430)	B8E 77524-A	1	WASHER - REAR CLUTCH SUN GEAR COUNTER THRUST-3.59"O. D. -2.143"&2.024" I. D. -.153" thick
58/	A(8 cyl. 292, 332 except #PBL-U transmission)	1P 77542-A	2	OIL SEAL - PRIMARY SUN GEAR - FRONT - Cast iron - 1 1/16"O. D. -3/32" thick
58/	A, S(8cyl. 352-4/B carb.)	B5S 77542-A	2	Cast iron-1 3/16"O. D. -3/32" thick
59	A(8cyl. 332-with #PBL-U transmission)		2	
59/	S(8cyl. 430)	B8E 77542-A	2	1 5/16"O. D. x.056" x .0935"-.001"/.006" gap
58/	A, S	1P 77543-B	2	OIL SEAL - PRIMARY SUN GEAR - REAR - Cast iron - .938" O. D. -.093" thick interlocking slot
58/	A(8 cyl. 292, 332 exc. #PBL-U trans.)	1P 77545-A	1	WASHER - PRIMARY TO SECONDARY SUN GEAR THRUST - FRONT - 1 27/32"O. D. -1 17/64" I. D. - 4 notches-4 oil grooves-bronze
58/	A, S(8 cyl. 352-4/B carb.)	B5S 77545-A	1	2 13/64"O. D. -1 5/16" I. D. -1/16" thick-4 oil grooves -
59	A(8 cyl. 332-with #PBL-U trans.)		1	each side
59/	S(8 cyl. 430)	B8E 77545-A	1	2 1/4" O. D. -1.574" I. D. -.063" thick - 4 scallops-4 oil grooves each side

YEAR	MODEL	PART NUMBER	QUANTITY PER TRANS- MISSION	PART NAME AND DESCRIPTION
59/	A(8 cyl. 292) "From 12/1/58"	B8A 77549-A	1	RACE - FRONT CLUTCH SUN GEAR THRUST BEARING - 2.009" O. D. - 1.26" I. D. - 3 slots
59	A(8 cyl. 332)		1	
58/	A, S(8 cyl. 352-4/B carb.)		1	
59/	S(8 cyl. 430)	B8S 77549-A	1	2.259" O. D. -1.522" I. D.
58/	A, S(8 cyl. 352-4/B carb.)	1P 77563-A	1	RING - FRONT CLUTCH PISTON DISC SPRING PRESSURE
59	A(8 cyl. 332-with #PBL-U trans.)		1	3.125" O. D.
58/	A(8 cyl. 292, 332 - Exc. #PBL-U trans.)	B5A 77563-A	1	3.332" O. D.
59/	S(8 cyl. 430)	B8E 77563-A	1	3.45" I. D. -.125" diam. thickness-.120" gap
58/	A, S(exc. 8 cyl. 430)	1P 77567-A	1	SNAP RING - FRONT CLUTCH PRESSURE PLATE TO CYLINDER - 5 9/16" O. D. - 3/32" thick
59/	S(8 cyl. 430)	B8E 77567-A	1	6.256" O. D. -.093" thick-.938" gap
58/	A, S(8 cyl. 352-4/B carb.)	1P 77567-A	1	SNAP RING - INPUT SHAFT TO FRONT CLUTCH CYLINDER - Also Refer to Group 77523 - 5 9/16" O. D. - 3/32" thick
59/	S(8 cyl. 430)	B8E 77567-A	1	6.256" O. D. -.093" thick-.938" gap
59/	S(8 cyl. 430)	B8E 77567-A	1	SNAP RING-REAR CLUTCH PRESSURE PLATE- Also Refer to Group 77523- 6.256" O. D. -.093" thick-.688"/.938" gap
59/	S(8 cyl. 430)	B8E 77567-A	1	SNAP RING - REAR CLUTCH PLATE RETAINER - 6.256" O. D. -.093" thick-.938" gap
58/	A, S(8 cyl. 292, 332, 352)	1P 77573-A	3	PLATE - FRONT CLUTCH DRIVE - External spline - 54 teeth-steel
59/	S(8 cyl. 430)	B8E 77573-A	3	External spline-60 teeth-.0710" thick
58/	A, S(exc. 8 cyl. 430)	B5S 77577-B	1	WASHER - TRANSMISSION FRONT CLUTCH HUB TO INPUT SHAFT THRUST - 1 23/32" O. D. -57/64" I. D. - 1/16" thick
59/	S(8 cyl. 430)	B8E 77577-A	1	2.26" O. D. -1.02" I. D. - 1 1/16" thick
58/	A, S	B8A 77607-A	1	PLUNGER - TRANSMISSION MANUAL VALVE DETENT - .3130" O. D. -.68" long-one end flat
58/	A, S	B8A 77658-A	1	VALVE - TRANSMISSION REAR BAND SERVO CHECK
58/	A, S	B8S 77739-A	1	PLATE - TRANSMISSION MAIN CONTROL - SIDE
58/	A, S, P/I	358509-S(BB9)	4	Screw (transmission main control side plate attaching)- No. 10-24 x 7/16"-fillister head
		34803-S7(X60)		Lockwasher-No. 10
58/	A, S	B5A 77761-A	1	SPRING - MAIN CONTROL THROTTLE VALVE RETURN
		77764	1	VALVE - MAIN CONTROL MANUAL -Refer to Group 7C389
59/	S(8 cyl. 430)	B8E 77863-A	1	SEAL - REAR PUMP PRESSURE PORT - .730" I. D. - .073" diameter thickness-"O" ring type
58/	A, S(exc. 8 cyl. 430)	1P 77868-A	1	OIL SEAL - REAR OIL PUMP OUTLET TUBE - Rubber-.494" I. D. -"O" ring type
59/	S(8 cyl. 430)	1P 77883-A	2	OIL SEAL - CLUTCH - Also Refer to Group 7C169 - Cast iron - snap type ring- 1 1/2" O. D.
58/	A, S(exc. 8 cyl. 430)	1P 77883-A	4	OIL SEAL - TRANSMISSION CLUTCH and GOVERNOR OIL DISTRIBUTOR SLEEVE -Cast iron-snap ring type- 1 1/2" O. D.
59/	S(8 cyl. 430)	B8E 77883-A	4	Cast iron-snap ring type-1 5/8" O. D. x .070" x .0935" - .006" gap
58/	A, S(8 cyl. 352-4/B carb.)	1P 77884-A	1	TUBE - TRANSMISSION CLUTCH and GOVERNOR
59	A(8 cyl. 332-with #PBL-U trans.)		1	OIL DISTRIBUTOR - 2 1/2" long-5/16" O. D.

# Identification marking - see page 189

**INDEX**

**SECTION 80 - RADIATOR and GRILLE**

PART NAME	GROUP NUMBER	PART NAME	GROUP NUMBER
Bar assy. (radiator grille)	8150-51 8153-54	Moulding assy. (radiator grille opening)	8242-43
Bar (radiator grille)	8390	Moulding (radiator grille)	8156 8419
Bar (radiator grille upper)	8380-81	Moulding (radiator grille extension)	8196-97
Bracket assy. (radiator grille bar)	8186-87		
Bracket (fan shroud to support)	8149	Ornament (radiator grille)	8213
Bracket (radiator grille intermediate)	8180-81	Ornament (radiator grille ring)	8216
Bracket (radiator grille support)	8232	Ornament (radiator grille upper panel)	8259
Bumper (license plate to luggage compartment door)	8167		
		Pad (radiator support)	8124-25
Cap (radiator)	8100	Panel assy. (radiator grille extension)	8224-25
Clamp (radiator hose)	8287	Panel assy. (radiator grille opening)	8190-91
Clip kit (grille moulding)-upper	102	Panel (fan shroud)	8147-48
Clip kit (moulding to panel)	101	Panel (radiator grille upper)	8214
Clip kit (moulding to radiator grille)	100		
Cock (drain)	8115	Radiator assy.	8005
Cover (radiator grille opening panel joint)	8221	Reinforcement (upper radiator grille panel)	8223
		Retainer assy. (radiator grille center joint cover)	8470-71
Deflector assy. (radiator air)	8310-11	Retainer (radiator grille opening panel moulding)	8244
Deflector assy. (radiator side air)	8104-05	Retainer (radiator support)	8131
Deflector (radiator center air)	8327	Ring or name plate (radiator grille ornament)	8218
		Ring (radiator grille ornament)	8217
Extension (radiator grille panel)	8192		
		Seal (radiator air deflector)	8344 8349
Gasket (water outlet connection to cylinder head)	8255	Shim (radiator bottom support)	8126
Grille (radiator)	8200	Spacer (hood ornament)	8219
		Spring (radiator mounting)	8130
Hose (radiator-bulk)	8333		
Hose (radiator)	8286	Support (radiator grille)	8182-83
Hose (radiator overflow)	8A213	Support (radiator grille bar center)	8231
Hose (radiator)	8260	Support (radiator upper)	8233
Kit (engine coolant heater)	8B152	Tank assy. (radiator supply)	8A080
Kit (radiator repair)	8A468		

**SECTION 85 - WATER PUMP and FAN**

Bearing assy. (supercharger belt idler pulley)	8685	Lock ring (water pump bearing)	8576 8630
Bearing (water pump)	8530	Lock ring (water pump shaft)	8531
Belt (water pump, fan & generator)	8620		
Bracket & shaft assy. (fan belt idler)	8680	Plate (water pump backing)	8508
Bushing (water pump)	8520	Plug (fan blade)	8649
		Pulley assy. (fan belt idler)	8678
Clamp assy. (heater air duct retainer)	8725	Pulley (water pump)	8509
Clamp (water by pass)	8556	Pump assy. (water)	8501-02
Connection assy. (cylinder head water outlet)	8592-94		
		Repair kit (water pump)	8591
Diverter (water inlet)	8526-27		
Extension (water pump)	8A510	Seal (water pump)	8564
		Shaft & bearing (water pump)	8530
Fan assy.	8600	Shaft (supercharger belt idler pulley bracket)	8686
Fan, hub & bracket assy.	8602	Shaft (water pump)	8511
Gasket (water by pass tube)	8563	Slinger (water pump shaft)	8550
Gasket (water pump backing plate)	8513	Spacer (pulley to fan)	8546
Gasket (water pump housing)	8507	Spring (supercharger belt idler pulley bracket shaft tension)	8689
		Support assy. (supercharger idler pulley bracket)	8681
Hose (water by-pass)	8597		
Hub (water pump pulley)	8553	Thermostat (water)	8575
		Tube (water by pass)	8555
Impeller (water pump)	8512	Tube (water by pass)-front	8548
Kit (fan belt idler pulley)	8679		

## SECTION 80

## FORD CAR PARTS

## IMPORTANT

Always furnish appropriate Patent Plate information and DSO number  
if applicable when ordering parts not listed in the Catalog.

YEAR 19	MODEL	NO. CYL.	CUBIC INCH DISP.	DESCRIPTION	QTY. PER VEHICLE	PART NUMBER
<b>8005 RADIATOR ASSY.</b>						
- A -						
49/53	A	8	239	Use with 0L 8100-A cap	1	AC 8005-G
		8	239	Extra cooling	1	AC 8005-H
52/53	A	6	215		1	B2A 8005-A
54	A	6	223	Extra cooling	1	*AD 8005-H
54	A	8	239		1	B4A 8005-A
		8	239	Extra cooling	1	B4A 8005-B
54	A	6	223	Use with 0L 8100-A pressure cap only	1	B6A 8005-D
55/56	A	6	223	Use with B8A 8100-A pressure cap only	1	
54	A	6	223	Use with 0L 8100-A pressure cap only	1	B6A 8005-B
55/56	A	6	223	Extra cooling	1	
55/56	A	8	272	Standard cooling	1	*B6A 8005-F
55/56	A	8	272,292	Extra cooling-also used with "182 H.P. Special"	1	*B6A 8005-H
56	A	8	312		1	
56	A	8	292	Standard cooling	1	*B6A 8005-G
57/59	A(272, 292, 312, 332, 352)	8		Standard cooling -1 1/4" core	1	*B9AA 8005-S
				Extra cooling -1 7/8" core	1	* B9AA 8005-M
57/59	A	6	223	Standard cooling	1	* B9AA 8005-Z
				Extra cooling	1	* B9AA 8005-AA
- S -						
55/57	S	8	All		1	*B6S 8005-B
58/	S (except 1959 with A/C)	8	All		1	*C0SS 8005-A
59/	S (with A/C)	8	All		1	*C0SS 8005-B
<b>8A080 TANK ASSY. - RADIATOR SUPPLY</b>						
58/	S	8	352		1	B8SZ 8A080-A
59/	S	8	430		1	B8SZ 8A080-B
58/	S	8	352	Bolt (tank to intake manifold)-5/16"-18 x 1"	2	20386-S8(B53)
58/	S	8	352	Lockwasher-5/16"	2	34806-S8(X64)
59/	S	8	430	Bolt (tank to intake manifold)-3/8"-16 x 5/8"	2	20328-S8(B76)
59/	S	8	430	Lockwasher-3/8"	2	34807-S7(X66)
<b>8100 CAP - RADIATOR</b>						
49/54	A	8	239	7 lb. pressure-1.00" overall depth	(R6-B)	1 0L 8100-A
49/51	A	6	226		1	
52/54	A	6	215,223		1	
51/53	A	8	239	7 lb. pressure-1.25" overall depth		1 1M 8100-A
49/51	A	6	226		1	
55/	A, S (223, 272, 292, 312, 332, 352, 430)	6&8		12-15 lb. pressure-Zinc plate finish	(R6-A)	1 B8A 8100-A
55/	A, S (223, 272, 292, 312, 332, 352, 430) NOTE 1	6&8		12-15 lb. pressure-lever type safety	(R6-E)	1 C1UU 8100-A
55/	A, S (223,272,292,312,332,352,430)	6&8		12-15 lb. pressure-Chrome finish- same as B8A 8100-A except finish		1 C2SZ 8100-A
<b>8104-5 DEFLECTOR ASSY. - RADIATOR SIDE AIR</b> -Also Refer to Group 8310-11						
54	A	6&8	All	R. H.	1	BM 8104-A
				L. H.	1	BM 8105-A
55	A	6&8	All	R. H. -Less weatherstrip	1	B5A 8104-D
				L. H. -Less weatherstrip	1	B5A 8105-D
56	A	6&8	All	R. H.	1	B6A 8104-B
				L. H.	1	B6A 8105-B
57	A	6&8	All	R. H.	1	B7A 8104-A
				L. H.	1	B7A 8105-A
58	A	6&8	All	R. H.	1	B8A 8104-A
				L. H.	1	B8A 8105-A
59	A	6&8	All	R. H.	1	B9A 8104-A
				L. H.	1	B9A 8105-A
55/56	S	8	All	R. H.	1	B5S 8104-A
57	S	8	All	R. H. -less weatherstrip	1	B7S 8104-A
55/57	S	8	All	L. H. -less weatherstrip	1	B7S 8105-A

\* Includes oil cooler unit (when used for S/T or O/D, do not remove oil cooler unit plugs)

NOTE 1 - Customer option on these models



YEAR 19	MODEL	NO. CYL.	CUBIC INCH DISP.	DESCRIPTION	QTY. PER VEHICLE	PART NUMBER
<b>8104-5 DEFLECTOR ASSY. - RADIATOR SIDE AIR - continued</b>						
58/	S	8	All	R. H. -less weatherstrip	1	B9S 8104-A
				L. H. -less weatherstrip	1	B9S 8105-A
49/53	A	6&8	All	Bolt (air defl. to stone deflector)-1/4"-20 x 3/4"	4	20344-S8(B42)
52/53	A	6&8	All	Bolt (radiator side air deflector to support)	4	
55/56	A, S	6&8	All	Bolt (radiator side air deflector to support)	AR	
52/54	A	6&8	All	Bolt (support to apron)	AR	
49/53	A	6&8	All	Bolt (rad. side air defl. to fender)-5/16"-24 x 3/4"	4	20347-S8(B156)
55/57	A, S	8	All	Bolt (deflector to rad. support)	AR	
58	A	6&8	All	Screw (deflector thru apron to support)	2	
58	A	6&8	All	Screw (deflector to apron)	2	
49/59	A	8	All	Bolt (radiator to support)	4	
55/57	S	8	All		4	
59	A	6&8	All	Screw (deflector thru apron to radiator support)-5/16"-24 x 1 1/8"	2	353483-S2(BB588)
59	A	6&8	All	Screw (deflector to apron)	2	
49/55	A, S	8	All	Nut-5/16"-24	4	33798-S7-8(M62)
56/59	A	6&8	All	Nut-5/16"-24	AR	
59	A	6&8	All	Nut-5/16"-24-hex. lock	4	354299-S2(MM156)
56/59	A	8	All	Lockwasher-5/16"	4	*34941-S7
55/	S	8	All		4	
55	S	8	All	Bolt (radiator to support)-5/16"-24 x 3/4"	4	*20327-S8
55	A	8	272	Bolt (rad. to fdr. apron support)-5/16"-24 x 1"	4	20387-S8(B157)
49/55	A, S	8	All	Lockwasher-5/16"	4	34806-S7(X64)
55/56	A, S	6&8	All	Lockwasher 5/16"	AR	
57/59	A	6&8	All	Nut & retainer (rad. to support)-5/16"-24	4	359952-S2(MM198)
58/	S (with F/M or C/M)	8	All	Connector (oil cooler tubes to radiator)	2	371612-S8 (II-36)
59	A	6&8	All	Nut-retainer-1/4"-20	2	354394-S2(MM187)
59	A	6&8	All	Screw (deflector to fender)-1/4"-20 x 5/8"	2	354476-S2(BB570)
58/	S	8	All	Bolt (deflector to grille)-1/4"-20 x 1/2"	2	20308-S7(B40)
49/58	A	6&8	All	Nut-1/4"-20	AR	33795-S7(M49)
55/	S	8	All		AR	
49/58	A	6&8	All	Lockwasher-1/4"	AR	34805-S8(X62)
55/	S	8	All		AR	
49/57	A, S	6&8	All	Flatwasher-1/4"	AR	44719-S8(X17)
49/53	A	6&8	All	Locknut-5/16"-24	4	34393-S7(M98)
57/58	A	6&8	All	Lockwasher-5/16"	AR	*34941-S7
49/58	A	8	All	Flat washer-5/16"	AR	44722-S8(X19)
55/	S	8	All		AR	
<b>8115 COCK - DRAIN</b>						
49/	A, S	6&8	All	1/4" pipe thread	1 or 2	8A 8115
<b>8124-25 PAD - RADIATOR SUPPORT - Also Refer to Group 8126</b>						
49/53	A	6&8	All	Rubber-3/4" thick x 2 1/2" long	1	8A 8125
54/56	A	6&8	All	Rubber-.62" thick x 2.80" long	1	AD 8125-B
55/57	S	8	All		1	
55/57	S	8	All	Cut to fit	AR	8C 8124
57/58	A (except 51A)	6&8	All	Rubber-1.5" O.D. -.290" thick-above c/member	1	B7A 8125-A
57/58	A(51A)	6&8	All	Rubber-.96" O.D. -.15" thick-above c/member	1	B7A 8125-B
57/58	A (except 51A)	6&8	All	Rubber-1.10" O.D. -.50" thick-below c/member	1	B7A 8124-A
59	A	6&8	All	Rubber-5.0" long-2.24" wide-.40" thick	1	B8E 8124-A
<b>8126 SHIM - RADIATOR BOTTOM SUPPORT</b>						
57/58	A (except 51A)	6&8	All	Steel-.12" thick-2 1/4" x 2 1/4" square-with 2 notched corners	3	B7A 8126-A
57/58	A(51A)	6&8	All	Steel-.12" thick-2 1/4" x 1 53/64" oblong-	3	B7A 8126-B
59	A	6&8	All	with 1/4" hole	3	
59/	A	6&8	All	Steel-5.0" long-2.24" wide-with slotted center	3	B8E 8126-A
<b>8130 SPRING - RADIATOR MOUNTING</b>						
49/53	A	6&8	All	1 1/2" long	1	AB 8130-A
54/57	A	6&8	All	1.52" long	2	B 8130
57/58	A(51A)	6&8	All	1 1/4" long-5 coil-inner	1	B7A 8130-A
57/58	A(51A)	6&8	All	1 3/4" long-4 coil-outer	1	B7A 8130-B

YEAR 19	MODEL	NO. CYL.	CUBIC INCH DISP.	DESCRIPTION	QTY. PER VEHICLE	PART NUMBER
<b>8131 RETAINER - RADIATOR SUPPORT</b>						
57/58	A(51A)	6&8	All	Inner spring	1	B7A 8131-A
59	A	6&8	All	Steel-5.24" long-2.38" wide-4 notched corners	1	B8E 8131-A
<b>8147-8 PANEL - FAN SHROUD</b>						
55/57	S	8	All	Upper	1	B5S 8147-C
				Lower	1	B5S 8148-C
55/57	S	8	All	Bolt (panel to radiator)-5/16"-24 x 3/4"	4	20347-S8(B156)
55/57	S	8	All	Bolt (panel to upper panel)	4	
55/57	S	8	All	Nut 5/16"-24	4or8	33798-S7-8(M62)
55/57	S	8	All	Lockwasher-5/16"	4or8	★34941-S7
55/57	S	8	All	Flatwasher-5/16"	4	44722-S8(X19)
<b>8149 BRACKET - FAN SHROUD TO SUPPORT</b>						
55/57	S	8	All	3 1/2" long	1	B5S 8149-C
55/57	S	8	All	Bolt (support to panel)-5/16"-24 x 3/4"	1	20347-S8(B156)
		8	All	Flat washer 5/16"	1	44722-S8(X19)
		8	All	Lockwasher-5/16"	1	34806-S7(X64)
		8	All	Nut-5/16"-24	1	33798-S7-8(M62)
		8	All	Bolt (bracket to radiator)-5/16"-24 x 3/4"	1	20347-S8(B156)
		8	All	Lockwasher-5/16"	1	★34941-S7
<b>8150-1 BAR ASSY. - RADIATOR GRILLE - Refer to Group 8200</b>						
<b>8B152 KIT - ENGINE COOLANT HEATER</b>						
49/	All water cooled vehicles	6&8	All	550 watt-consists of	1	C3RZ 8B152-A
	1-C2RA 8B156-A			Heater 1-52728-S	No. 12 screw 1-378408-S32	3 way tee
	1-C2RA 8B157-A			Bracket 6-97243-S	Hose clamp 1-378410-S8	1/4"nipple(2"long)
	2-FAA 18954-A			Hose clamp 1-352473-S	1/8" nipple 1-378588-S	90° elbow
	1-33795-S			1/4" Nut 1-358270-S	1/4"nipple(1"long)	1-Instructions-IS 992
	1-34825-S			1/4" 1/washer 1-371132-S8	1/4" bolt	
49/	All water cooled vehicles	6&8	All	1000 watt-consists of	1	C3RZ 8B152-B
	1-C2RA 8B156-B			Heater 1-52728-S	No. 12 screw 1-378408-S39	3 way tee
	1-C2RA 8B157-A			Bracket 6-97243-S	Hose clamp 1-378410-S8	1/4"nipple(2"long)
	2-FAA 18954-A			Hose clamp 1-352473-S	1/8" nipple 1-378588-S	90° elbow
	1-33795-S			1/4" nut 1-358270-S	1/4"nipple(1"long)	1-Instructions-IS 992
	1-34825-S			1/4" 1/washer 1-371132-S8	1/4" bolt	
<b>8153-4 BAR ASSY. - RADIATOR GRILLE</b>						
54	A	6&8	All	R. H. -upper	1	BM 8153-A
		6&8	All	L. H. -upper	1	BM 8154-A
54	A	6&8	All	Bolt (bar to parking lamp)-1/4"-20 x 1/2"	4	20308-S7(B40)
54	A	6&8	All	Nut-1/4"-20		33795-S7(M49)
54	A	6&8	All	Lockwasher-1/4"		34805-S8(X62)
<b>8156 MOULDING - RADIATOR GRILLE</b>						
55/56	S	8	All	Lower	1	B5S 8156-A
55/56	S			Clip kit (moulding to radiator grille)	1	★B5S 100-A
59	S	8	All	Includes attaching parts	1	B9SZ 8156-A
				Screw (moulding to rad. grille)-No. 10-32 x 5/8"	8	★42804-S8
				Flat washer-No. 10-9/16" x 3/64"	8	44716-S8(X15)
<b>8167 BUMPER - LICENSE PLATE TO LUGGAGE COMPARTMENT DOOR</b>						
49/51	A (except S/W)	6&8	All	Anti-rattle-rubber	1	91A 8167-A
<b>8180-1 BRACKET - RADIATOR GRILLE INTERMEDIATE</b>						
59	A	6&8	All	R. H.	1	B9A 8180-A
		6&8	All	L. H.	1	B9A 8181-A
58	S	8	All	R. H.	1	B8S 8180-A
		8	All	L. H.	1	B8S 8181-A
59	S	8	All	R. H. & L. H.	2	B9S 8180-A
				Flatwasher-1/4"	4	44719-S8(X17)
				Bolt (bracket to grille)-1/4"-20 x 1/2"	2or4	20308-S7(B40)
				Screw (bracket to front bumper impact bar)-1/4"-20 x 1/2" pan head	2or4	★50517-S13
				Nut-1/4"-20	4or8	33795-S7(M49)
				Lockwasher-1/4"	4or8	34805-S8(X62)

# FORD CAR PARTS

## SECTION 80

YEAR 19__	MODEL	NO. CYL.	CUBIC INCH DISP.	DESCRIPTION	QTY. PER VEHICLE	PART NUMBER
<b>8182-3 SUPPORT - RADIATOR GRILLE - Also Refer to Group 8231</b>						
<b>- A -</b>						
54	A	6&8	All	R. H.	1	BM 8182-A
		6&8	All	L. H.	1	BM 8183-A
55	A	6&8	All	R. H.	1	B5A 8182-B
		6&8	All	L. H.	1	B5A 8183-B
56	A	6&8	All		2	B6A 8182-A
57	A	6&8	All	Outer	2	B7A 8182-B
59	A	6&8	All	R. H.	1	B9A 8182-A
		6&8	All	L. H.	1	B9A 8183-A
<b>- S -</b>						
58	S	8	All	Outer	2	B8S 8182-A
59	S	8	All	R. H. -outer	1	B9S 8182-A
		8	All	L. H. -outer	1	B9S 8183-A
55/56	A	6&8	All	Bolt (support to grille bar over to rad. grille at bottom)-1/4"-20 x 3/4"	2	20324-S8(B41)
55/56	A	6&8	All	Bolt (support to grille bar thru deflector to apron front fender)	AR	
54	A	6&8	All	Bolt (support to grille panel to deflector)-1/4"-20 x 3/4"	2	20344-S8(B42)
51	A	6&8	All	Screw (support to stone deflector)	2	
52	A	6&8	All	Bolt (radiator grille support & bracket to ornament center ring)	2	
52/58	A	6&8	All	Nut-1/4"-20	AR	33795-S7(M49)
58/	S	8	All	Nut	2or4	
54/56	A	6&8	All	Flatwasher-1/4"	AR	44719-S8(X17)
52/58	A	6&8	All	Lockwasher-1/4"	AR	34805-S8(X62)
58/	S	8	All	Lockwasher	2or4	
51/	A	6&8	All	Nut (grille support to ornament ring)-No. 10	4	357033-S32 (MM250)
54	A	6&8	All	Nut (support to center bracket)-1/4"-20 retainer	2	357227-S(MM206)
54	A	6&8	All	Retainer nut (outer to upper bar to brkt.)	2	
57	A	6&8	All	Bolt ( support to grille radiator)-1/4"-20 x .63"	2	350325-S100 (BB647)
57	A	6&8	All	Nut (support to deflector, front bumper stone)-5/16"-24	2	33798-S7-8(M62)
57	A	6&8	All	Lockwasher-5/16"	2	*34941-S7
59	A	6&8	All	Screw (support to grille or stone deflector)-1/4"-20 x 5/8"	8	354476-S2(BB570)
59	A	6&8	All	Nut-retainer-1/4"-20	8	354394-S2(MM187)
<b>8186-7 BRACKET ASSY. - RADIATOR GRILLE BAR - No Longer Supplied - Also Refer to Group 8182-3</b>						
<b>8190-1 PANEL ASSY. - RADIATOR GRILLE OPENING</b>						
51	A	6&8	All	R. H. -copper chrome	1	B1A 8190-A
		6&8	All	L. H. -copper chrome	1	B1A 8191-A
52	A	6&8	All	R. H.	1	BA 8190-A
		6&8	All	L. H.	1	BA 8191-A
53	A	6&8	All	56. 72" long	1	BF 8190-A
54	A	6&8	All	66. 72" long	1	BM 8190-B
57	A	6&8	All		1	B7A 8190-B
58	A	6&8	All		1	B8A 8190-A
59	A	6&8	All	Upper	1	B9AB 8190-A
51/52	A	6&8	All	Bolt (grille opening panel to locking panel) - 1/4"-20 x 3/4"	6	20344-S8(B42)
51/54	A	6&8	All	Bolt (grille support thru locking plate to opening panel)	2	
53/54	A			Bolt (grille opening panel to brace)	2	
				Washer 1/4"	2	34940-S7-8(X88)
				Nut-1/4"-20		33795-S7 (M49)
				Lockwasher-1/4"		34805-S8 (X62)
				Flat washer 1/4"		44719-S8 (X17)
59	A	6&8	All	Bolt (panel to fender or apron)-5/16"-24 x 1 1/8"	2or4	353483-S2(BB588)
59	A	6&8	All	Nut-5/16"-24-Lock	2or4	354299-S2 (MM156)
<b>8192 EXTENSION - RADIATOR GRILLE PANEL</b>						
54	A	6&8	All	3. 66" long	2	B4A 8192-A

## SECTION 80

## FORD CAR PARTS

YEAR 19	MODEL	NO. CYL.	CUBIC INCH DISP.	DESCRIPTION	QTY. PER VEHICLE	PART NUMBER
<b>8196-7 MOULDING - RADIATOR GRILLE EXTENSION</b>						
54	A	6&8	All	R. H. -3.04" long L. H. -3.04" long	1 1	BM 8196-A BM 8197-A
<b>8200 GRILLE - RADIATOR - A -</b>						
50	A	6&8	All	Center bar-R. H.	1	0A 8150-B
51	A	6&8	All	Lower bar-R. H. Lower bar-L. H.	1 1	1A 8150-A *1A 8151-A
52	A	6&8	All	R. H. bar L. H. bar	1 1	BA 8150-C BA 8151-C
53	A	6&8	All	R. H. bar L. H. bar	1 1	BF 8150-A BF 8151-A
55	A	6&8	All	R. H. L. H.	1 1	B5A 8150-B B5A 8151-A
56	A	6&8	All	R. H. L. H.	1 1	B6A 8150-C B6A 8151-C
57	A	6&8	All	R. H. L. H.	1 1	B7A 8150-C B7A 8151-C
58	A	6&8	All	Outer	1	B8A 8200-A
59	A	6&8	All		1	B9A 8200-A
<b>- S -</b>						
55/56	S	8	All		1	B5S 8200-A
57	S	8	All		1	B7S 8200-A
58	S	8	All		1	B8S 8200-A
59	S	8	All		1	B9S 8200-A
49	A	6&8	All	Screw (radiator grille bar to frame)-No. 14 x 3/4"	4	42143-S8 (U255)
49	A	6&8	All	Screw (radiator grille bar to grille ornament ring)-No. 8 x 1/2"	8	*42006-S8
49	A	6&8	All	Speed nut (rad. grille bar to grille ornament ring)	8	351661-S32 (MM249)
49	A	6&8	All	Clip nut-No. 14	AR	356131-S32
52/53	A	6&8	All		AR	(MM255)
50	A	6&8	All	Clip nut(rad.grille bar to grille ornament ring)	6	355768-AS2 (MM277)
50	A	6&8	All	Screw (radiator grille bar to grille ornament ring)-No. 10 x 4 5/8"	6	42014-S8(U240)
52	A	6&8	All	Bolt (radiator grille bar to support & bracket)- 1/4"-20 x 3/4"	6 3	20344-S8(B42)
53	A	6&8	All	Bolt (radiator grille bar to fender)	4	
52/53	A	6&8	All	Locknut-1/4"-20	AR	357227-S (MM206)
52/53	A	6&8	All	Lockwasher-1/4"	AR	34805-S8(X62)
58/59	S	8	All	Lockwasher	2	
55/57	A	6&8	All		AR	
55	A	6&8	All	Bolt (bar to bracket)-1/4"-20 x .63"	2	350325-S100 (B9647)
55/	A	6&8	All	Bolt (radiator grille bar to parking lamp housing)-1/4"-20 x 5/8"	6	20324-S8(B41)
56	A	6&8	All	Bolt (grille to bracket to support)	7	
56	A	6&8	All	Bolt (grille to hood lock support)	8	
55/56	A, S	6&8	All	Flatwasher-1/4"	AR	44719-S8(X17)
52/53	A	6&8	All	Flatwasher	AR	
58/	S	8	All	Flatwasher	AR	
55/56	A	6&8	All	Nut-1/4"-20	AR	33795-S7(M49)
58/59	S	8	All	Nut	2	
55/56	A	6&8	All	Lockwasher-1/4"	8	34940-S7-8(X88)
55/56	S	8	All	Screw (grille to lower mldg.)-No. 10-32 x 1/2"	8	27081-S8(U175)
55/56	S	8	All	Flat washer No. 10	8	44713-S8(X13)
55/56	S	8	All	Lockwasher-1/4"	6	34905-S7(X97)
57	A	6&8	All	Screw & washer (grille thru fender to deflector) 1/4"-20 x 5/8"	6	354476-S2(BB570)
59	A	6&8	All	Screw (grille to panel or deflector)	2or3	
57	A	6&8	All	Nut retainer (grille to radiator grille opening panel)-1/4"-20	6	354394-S2(MM187)
59	A	6&8	All	Nut-retainer	2or3	
58	A	6&8	All	Bolt (grille to front bumper stone deflector)- 5/16"-24 x 3/4"	5	20347-S8(B156)
58	A			Lockwasher-5/16"-external tooth	5	*34941-S8
58	A	6&8	All	Nut-5/16"-24	5	354299-S2(MM156)
58/59	S	8	All	Bolt (grille to deflector)-1/4"-20 x 1/2"	2	20308-S7(B40)
55/59	S	8	All	Screw (grille to reinforcement)-1/4"-20 x 1/2"	6	*39050-S8

# FORD CAR PARTS

## SECTION 80

265

YEAR 19	MODEL	NO. CYL.	CUBIC INCH DISP.	DESCRIPTION	QTY. PER VEHICLE	PART NUMBER
<b>8213 ORNAMENT - RADIATOR GRILLE</b>						
54	A	6&8	All	Center-9 1/4" diameter	1	BM 8213-A
54	A	6&8	All	Bolt (ornament to bracket)-1/4"-20 x 1"	2	31128-S(U62)
54	A			Lockwasher 1/4"		34805-S8(X62)
54	A			Retainer nut -1/4"-20		357227-S(MM206)
<b>8A213 HOSE - RADIATOR OVERFLOW</b>						
57/59	A	6&8	All	.29" I.D. x .44" O.D. x 50" long - cut to 24" for use on 57-59 passenger car radiators	1	C3OZ 8A213-A
<b>8214 PANEL - RADIATOR GRILLE UPPER</b>						
55/57	S	8	All	42.22" long	1	*B7S 8214-A
58/	S	8	All	Less holes for ornament	1	B8S 8214-A
<b>8216 ORNAMENT - RADIATOR GRILLE RING</b>						
51	A	6&8	All	Center-copper chrome	2	B1A 8216-A
53	A	6&8	All	Center-copper chrome	1	BF 8216-A
49	A	6&8	All	Screw(ctr. ornament to ornament ring)-No.8 x 1/2"	4	*42006-S8
49	A	6&8	All	Speed nut (grille center ornament to ring)	4	*351661-S32
50/51	A	6&8	All	Screw (grille ctr. ornament to ring)- No. 10 x 12 x 5/8"	4	42014-S8(U240)
50/51	A	6&8	All	Clip nut (radiator grille center ornament to ring)	4	355768-AS2 (MM277)
51	A	6&8	All	Screw (ornament to ring)-No.10-12 x 5/8"	8	42014-S8 (U240)
51	A	6&8	All	Nut-No.10		357033-S32(MM250)
53	A	6&8	All	Bolt (ornament ring to bracket)-1/4"-20 x 3/4"	2	20344-S8(B42)
				Lockwasher-1/4"	2	34805-S8(X62)
				Flat washer 1/4"	2	44719-S8(X17)
				Nut 1/4"-20 retainer	2	357227-S(MM206)
<b>8217 RING-RADIATOR GRILLE ORNAMENT</b>						
52	A	6&8	All	Ornament & ring ass'y.	1	B2A 8217-B
52	A	6&8	All	Bolt (ornament & ring to radiator grille support & bracket)-1/4"-20 x 3/4"	2	20344-S8(B42)
				Lockwasher-1/4"		34805-S8(X62)
				Washer-1/4"		44719-S8(X17)
				Nut-1/4"-20		357227-S(MM206)
52	A	6&8	All	Screw (grille ornament ring to lower bar)- No. 10 x 5/8"	4	42014-S8(U240)
52	A	6&8	All	Bolt (ornament & ring to radiator grille support & bracket)-1/4"-20 x 3/4"	2	20344-S8(B42)
				Lockwasher-1/4"		34805-S8(X62)
				Washer-1/4"		44719-S8(X17)
<b>8218 RING OR NAME PLATE - RADIATOR GRILLE ORNAMENT</b>						
56/57	S	8	All	Upper panel name plate	1	B6S 8218-A
<b>8219 SPACER - HOOD ORNAMENT</b>						
56/57	A	6&8	All	Radiator grille center	AR	B6A 8219-A
57	A	6&8	All	Grille joint cover retainer	2	B7A 8219-A
<b>8221 COVER - RADIATOR GRILLE OPENING PANEL JOINT</b>						
53	A	6&8	All		1	B3A 8221-A
54	A	6&8	All	Painted	1	BM 8221-A
55	A	6&8	All		1	B5A 8221-B
56	A	6&8	All		1	B6A 8221-A
57	A	6&8	All		1	B7A 8221-B
51/52	A	6&8	All	Bolt (grille opening panel joint cover to bracket)-1/4"-20 x 3/4"	2	20344-S8(B42)
54	A	6&8	All	Bolt (cover to bracket)-1/4"-20 x 7/8"	2	20384-S8(B43)
55	A	6&8	All	Clip (cover to bar)	2	358566-S100(RR44)
51/52	A	6&8	All	Lockwasher-1/4"		34805-S8(X62)
51/52	A	6&8	All	Washer-1/4"		44719-S8(X17)
51/52	A	6&8	All	Nut-1/4"-20		33795-S7(M49)
51/55	A	6&8	All	Nut (cover to grille panel)-No. 10-24	1	34053-S8(M156)
51/55	A	6&8	All	Lockwasher-No. 10	1	34903-S8(X96)
51/55	A	6&8	All	Flat washer-No. 10	1	44713-S8(X13)
56	A	6&8	All	Lockwasher-No. 12	AR	34804-S8(X61)
56	A	6&8	All	Flat washer-No. 12	AR	44716-S8(X15)
56/57	A	6&8	All	Nut (cover to grille)-No. 12-24	AR	34054-S8(M157)
56	A	6&8	All	Nut (cover thru grille to plate)	1	
<b>8223 REINFORCEMENT - UPPER RADIATOR GRILLE PANEL</b>						
55/57	S	8	All		1	B7S 8223-A
58/	S	8	All		1	B8S 8223-A

\* Drill holes as required

YEAR 19	MODEL	NO. CYL.	CUBIC INCH DISP.	DESCRIPTION	QTY. PER VEHICLE	PART NUMBER
<b>8224-5 PANEL ASSY. - RADIATOR GRILLE EXTENSION</b>						
51	A	6&8	All	R. H. -parking lamp mounting L. H.	1 1	1A 8224-A 1A 8225-A
54	A	6&8	All	R. H. -without parking lamp mounting hole L. H.	1 1	BM 8224-B BM 8225-B
56	A	6&8	All	R. H. L. H.	1 1	B6A 8224-A B6A 8225-A
58	A	6&8	All	R. H. L. H.	1 1	B8A 8224-A B8A 8225-A
50/51	A	6&8	All	Screw (radiator grille panel extension to center grille bar, to fender and stone deflector)- No. 14 x 1/2"	12	*31527-S7
51/54	A	6&8	All	Speed nut		357046-S32(MM256)
54	A	6&8	All	Bolt (panel to fender to parking lamp)- 1/4"-20 x 1/2"	AR	20308-S7(B40)
54	A	6&8	All	Nut-1/4"-20		33795-S7(M49)
58	A	6&8	All	Nut (extension to fender)	4	
54	A	6&8	All	Lockwasher-1/4"		34805-S8(X62)
54	A	6&8	All	Nut (extension to parking lamp)	4	357033-S32(MM250)
56	A	6&8	All	Screw (extension to housing)-No. 10 x 24 x 3/4"	4	351194-S8(UU51)
				Nut (extension to fender)-No. 10-24	6	34053-S8(M156)
				Lockwasher - No. 10	6	34803-S7(X60)
58	A	6&8	All	Bolt (extension thru fender to radiator air side deflector)-5/16"-24 x 3/4"	4	20347-S8(B156)
58	A	6&8	All	Lockwasher-1/4"-external	4or8	*34941-S7
58	A	6&8	All	Bolt & retainer(extension to fender)-1/4"-20 x .62	4	370633-S2(RR39)
<b>8231 SUPPORT - RADIATOR GRILLE BAR CENTER - Also Refer to Groups 8182-3</b>						
54	A	6&8	All		1	B4A 8231-A
55	A	6&8	All		1	B5A 8231-B
57/58	A	6&8	All		1	B7A 8231-A
55	A	6&8	All	Bolt (support to bracket to bar)-1/4"-20 x 3/4"	AR	20344-S8(B42)
55	A	6&8	All	Nut 1/4"-20	AR	33795-S7(M49)
55	A	6&8	All	Lockwasher 1/4"	AR	34940-S7-8(X88)
55	A	6&8	All	Flat washer 1/4"	AR	44719-S8(X17)
57/58	A	6&8	All	Bolt (support to radiator grille opening panel)- 5/16"-24 x 3/4"	2	20347-S8(B156)
57/58	A	6&8	All	Nut-5/16" x 24	2	33798-S8(M62)
57/58	A	6&8	All	Lockwasher-5/16"	2	*34941-S7
<b>8232 BRACKET - RADIATOR GRILLE SUPPORT</b>						
49	A	6&8	All	Center-1 1/4" offset at top	1	8A 8232-A
53	A	6&8	All	Center-17 1/4" long	1	BF 8232-B
54	A	6&8	All	Center-18 3/4" long	1	BM 8232-A
55	A	6&8	All	Center	1	B5A 8232-A
56	A	6&8	All	Center	1	B6A 8232-C
57	A	6&8	All	Center	1	B7A 8232-A
59	A	6&8	All	Center	1	B9A 8232-A
58	S	8	All	Center	1	B8S 8232-A
59	S	8	All	Center	1	B9S 8232-A
49/50	A	6&8	All	Bolt (radiator grille support bracket hood locking panel)-1/4"-20 x 5/8"	1	20324-S8(B41)
49/50	A	6&8	All	Bolt (bracket to stone deflector)	1	
55/56	A	6&8	All	Bolt (bracket thru stone deflector to frt. brace)	2	
49/50	A	6&8	All	Screw (brkt. to ornament ring)-No. 10-12 x 5/8"	2	42014-S8(U240)
49/50	A	6&8	All	Clip nut		355768-AS2(MM277)
51/53	A	6&8	All	Bolt (radiator grille support bracket to stone deflector)-1/4"-20 x 3/4"	1	20344-S8(B42)
51/52	A	6&8	All	Bolt (bracket to opening panel)	1	
53/54	A	6&8	All	Bolt (bracket to grill bar support)	AR	
53/54	A	6&8	All	Bolt (bracket to hood lock support)	AR	
57	A	6&8	All	Screw & washer (bracket to grille bar)- 1/4"-20 x 5/8"	2	354476-S2(BB570)
59	A	6&8	All	Screw (bracket to panel)-1/4"-20 x 5/8"	3	
51/52	A	6&8	All	Nut-1/4"-20	1	33795-S7(M49)
55/59	A	6&8	All	Nut-1/4"-20	AR	
58/	S			Nut-1/4"-20	1or2	

# FORD CAR PARTS

## SECTION 80

YEAR	MODEL	NO. CYL.	CUBIC INCH DISP.	DESCRIPTION	QTY. PER VEHICLE	PART NUMBER
<b>8232 BRACKET - RADIATOR GRILLE SUPPORT - continued</b>						
51/53	A	6&8	All	Locknut-1/4"-20	1	34390-S7 (M92)
51/53	A	6&8	All	Washer-1/4"	1	44720-S8(X18)
51/57	A	6&8	All	Lockwasher-1/4"	AR	34805-S8 (X62)
58/	S			Lockwasher-1/4"	1or2	
53/54	A	6&8	All	Nut 1/4"-20-retainer	AR	357227-S(MM206)
53/57	A	6&8	All	Flatwasher-1/4"	2	44719-S8(X17)
58/	S			Flatwasher-1/4"	1	
57/59	A	6&8	All	Lockwasher-1/4"	AR	34940-S7-8(X88)
57	A	6&8	All	Nut retainer (bracket to grille)-1/4"-20	2	354394-S2(MM187)
59	A	6&8	All		3	
58/	S	8	All	Bolt (bracket to grille)-1/4"-20 x 1/2"	1	20308-S7(B40)
58/	S	8	All	Screw (bracket to front bumper)-1/4"-20 x 1/2"	1	*50517-S13
<b>8233 SUPPORT - RADIATOR UPPER</b>						
58/	S	8	All		1	B8S 8233-A
58/	S	8	All	Screw (support to radiator)-1/4"-20 x 5/8"	3	*39894-S
58/	S	8	All	Bolt (support to fender apron)-5/16"-24 x 1"	2	20387-S8(B157)
				Lockwasher-5/16"	2	*34941-S7
<b>8242-3 MOULDING ASSY. - RADIATOR GRILLE OPENING</b>						
53	A	6&8	All	R. H.	1	B3A 8242-A
53	A	6&8	All	L. H.	1	B3A 8243-A
54	A	6&8	All	Rustless steel	1	B4A 8242-B
55/56	S	8	All	R. H.	1	B5S 8242-B
		8	All	L. H.	1	B5S 8243-B
57	S	8	All	R. H.	1	B7S 8242-A
		8	All	L. H.	1	B7S 8243-A
58	A	6&8	All		1	B8A 8242-A
53	A	6&8	All	Clip kit (moulding to panel)	2	B3A 101-A
53	A	6&8	All	Bolt (mldg. to fender)-No. 10-24 x 3/4"	2	357211-S8(BB645)
				Nut No. 10-24	2	34053-S8(M156)
				Lockwasher-No. 10	3	34903-S8(X96)
54	A	6&8	All	Clip kit (moulding to panel)	1	B4A 101-A
54/55	A	6&8	All	Clip (moulding to panel)	2	352356-S32(GG99)
				Nut (moulding to grille panel)-No. 10-24	6	34053-S8(M156)
53/54	A	6&8	All	Flat washer-No. 10	AR	44716-S8(X15)
58	A	6&8	All	Nut (moulding thru panel to grille)-5/16"-24	3	33798-S8(M62)
58	A	6&8	All	Nut (moulding thru grille to front air side deflector)	2	
58	A	6&8	All	Lockwasher-5/16"	3or5	*34941-S7
55/56	S	8	All	Clip kit (moulding to grille)	2	B5S 101-A
55/57	S	8	All	Screw (moulding to grille)-No. 8-18 x 3/4"	6	52360-S13(U294)
55/57	S	8	All	Nut (moulding to grille)-No. 8	6	354515-S2(MM274)
57	S	8	All	Screw (moulding to grille)-No. 8-15 x 1/2"	4	52344-S13(U292)
57	S			Flat washer (moulding to grille)-7/32"	2	359446-S8B(XX328)
<b>8244 RETAINER - RADIATOR GRILLE OPENING PANEL MOULDING</b>						
54/55	A	6&8	All		10	B4A 8244-A
<b>8255 GASKET - WATER OUTLET CONNECTION TO CYLINDER HEAD</b>						
49/51	A	6	226	3 outer holes-2.10" center hole-outer holes all same size	1	7HA 8255
54/57	A, S	8	239,272, 292,312	Also used with Air Conditioner-3 outer holes-2.22" center hole	1	B5A 8255-A
58/	A	8	292		1	
52/		6	215,223	5 outer holes-2.12" center hole	1	EAG 8255-B
58/	A, S	8	332,352	2 outer holes-2.22" center hole-3.56" ctr. - to-ctr. of outer holes	1	B8A 8255-A
49/53	A	8	239	2 outer holes 1.80" center hole -2.92"ctr. to ctr. of outer holes - when 8BA 8575-C, D or 8RT 8575-A thermostats are used W/1BA 8592-A connection 2 gskts. are used in each connection-fiber & cork	2	CODE 8255-A
59/	S	8	430	2 outer holes-2.24" center hole-3.24" ctr. - to-ctr. of outer holes	1	C1VE 8255-A

## SECTION 80

## FORD CAR PARTS

YEAR 19	MODEL	NO. CYL.	CUBIC INCH DISP.	DESCRIPTION	QTY. PER VEHICLE	PART NUMBER
<b>8259 ORNAMENT - RADIATOR GRILLE UPPER PANEL</b>						
56/57	S	8	All		1	B6S 8259-B
58/59	S	8	All	Also used on sport spare wheel carrier	1or2	B8S 8259-A
56/57	S			Nut (ornament to panel)-1/4"-28	2	33796-S7(M61)
56/57	S			Lockwasher-1/4"	2	34940-S7-8(X88)
58/59		8	All	Nut (ornament to panel)-No. 10-32	3	34079-S7(M163)
58/59		8	All	Lockwasher-No. 10	3	34903-S7(X96)

**8260 HOSE - RADIATOR**

YEAR	MODEL	ENGINE		HOSE TYPE ☆	UPPER				LOWER				
		No. CYL.	CUBIC INCH DISP.		INSIDE DIAM. (INCHES)	LENGTH (INCHES) ⊕	ROTUNDA SALES No.	P & A PART NO.	INSIDE DIAM. (INCHES)	LENGTH (INCHES) ⊕	ROTUNDA SALES No.	P & A PART NO.	
- A -													
49/51	A	6	226	M	1 1/2				1HA 8260	1 3/4	16 1/2		AB 8286-A
				F	1 1/2	12 1/4	R2-A	B7AA 8260-A	1 3/4	18 3/4	R2-G	B2AA 8286-A	
49/53	A	8	239	M	1 1/4	16		*IBA 8260	1 3/4	6		*8BA 8286-B	
				F	1 1/4	14 3/4	R2-F	*B1AA 8260-A	1 3/4	6 1/8	R2-E	*A8AA 8286-A	
52/53	A	6	215	M	1 1/2	9 1/2		AB 8260-A	1 3/4	16 1/2		AB 8286-A	
				F	1 1/2	10 3/4	R2-J	B1AA 8260-B	1 3/4	18 3/4	R2-G	B2AA 8286-A	
54	A	8	239,256	M	1 1/2	12 1/2		AE 8260-A	1 3/4	11		AE 8286-A	
				F	1 1/2	12 1/4	R2-A	B7AA 8260-A	1 3/4	11 1/4	R2-H	B4AA 8286-A	
54/56	A	6	223	M	1 1/2	9 1/2		AB 8260-A	1 3/4	18		B5A 8286-C	
				F	1 1/2	10 3/4	R2-J	B1AA 8260-B	1 3/4	18 3/4	R2-G	B2AA 8286-A	
55/56	A(except A/C)	8	272,292,312	M	1 1/2	13		B5A 8260-B	2	11		B6A 8286-B	
				F	1 1/2	12 1/4	R2-A	B7AA 8260-A	2	12 1/4	R2-C	B5AA 8286-A	
56	A(with A/C)	8	272,292,312	M	1 1/2	14		B6A 8260-A	2	11		B6A 8286-B	
				F	1 1/2	12 1/4	R2-A	B7AA 8260-A	2	12 1/4	R2-C	B5AA 8286-A	
57/59	A(with A/C)	8	272,292,312	M	1 1/2	15 1/4		B9AA 8260-C	2	11		B6A 8286-B	
				F	1 1/2	15 3/4	R2-B	B4AA 8260-A	2	14	R2-D	B7AA 8286-A	
57/59	A(except A/C)	8	272,292,312	M	1 1/2	15 1/4		B9AA 8260-C	2	14 1/4		B9A 8286-B	
				F	1 1/2	15 3/4	R2-B	B4AA 8260-A	2	14	R2-D	B7AA 8286-A	
57/59	A	6	223	M	1 1/2	12		B9A 8260-A	1 3/4	16		B9A 8286-A	
				F	1 1/2	12 1/4	R2-A	B7AA 8260-A	1 3/4	23 1/2	R2-K	A2AA 8260-A	
58	A	8	332,352	M	1 1/2	11 1/4		B9A 8260-C	2	11 3/4		B9A 8286-C	
				F	1 1/2	12 1/4	R2-A	B7AA 8260-A	2	12 1/4	R2-C	B5AA 8286-A	
59	A	8	332,352	M	1 1/2	11 1/4		B9A 8260-D	2	11 3/4		B9A 8286-C	
				F	1 1/2	12 1/4	R2-A	B7AA 8260-A	2	12 1/4	R2-C	B5AA 8286-A	
- S -													
55/57	S	8	292,312	M	1 3/4	20 1/2		B5S 8260-B	2	13 1/2		B6S 8286-A	
				F	1 3/4	23 1/2	R2-K	A2AA 8260-A	2	12 1/4	R2-C	B5AA 8286-A	
58/	S	8	352	M	2	9		B8S 8260-A	2	14 3/4		C0AZ 8286-G	
59/	S	8	430	M	2	7 7/8		B8S 8260-B	2	14 1/2		C0AZ 8286-H	

**8286 HOSE - RADIATOR - Refer to Group 8260**

\* 2 Required

⊕ Length on curved moulded hoses is approximate developed (curved) length

☆ M-Moulded, F-Flexible



# FORD CAR PARTS

## SECTION 80

YEAR	MODEL	NO. CYL.	CUBIC INCH DISP.	DESCRIPTION	QTY. PER VEHICLE	PART NUMBER
<b>8287 CLAMP - RADIATOR HOSE</b>						
49/	A, S	6&8	All	Universal type-adjustable range 5/8" to 1 1/4"- worm type	R17-B	AR B7A 8287-A
49/	A, S	6&8	All	Universal type-adjustable range 13/16" to 1 3/4"-worm type	R17-D	AR B7AZ 8287-C
49/	A, S	6&8	All	Universal type-adjustable range range 1 1/2" to 2 1/2"-worm type	R17-A	AR B7A 8287-B
49/	A, S	6&8	All	Universal type-adjustable range, 1 1/2" to 2 3/4"-slot type	R17-C	AR 8A 8287
49/	A, S	6&8	All	Universal type-adjustable range 2 1/8" to 3 3/8"-worm type		AR C0TT 8287-A
57/	A, S	6&8	All	Universal type-adjustable range 2 1/2" to 4"-worm type		AR B7AZ 8287-D
49/	A	8	All	Lower-2. 12" diameter		AR B 8287-A
49/52	A	6	215,226			2
55/57	S	8	All	Hose to radiator & water outlet connection		2
55/	A	6	223	Hose to radiator & engine		2
49/	A, S	6&8	All	Screw (radiator hose clamps)-No. 10-32 x 1 1/2"		1 27177-S7(U177)
49/	A, S	6&8	All	Nut-No. 10-32		1 34079-S7(M163)
<b>8310-1 DEFLECTOR ASSY. - RADIATOR AIR</b> - Also Refer to Groups 8104-5						
55/56	S	8	All	Lower		1 B5S 8310-B
57	S	8	All	Lower		1 B7S 8310-B
55/56	S	8	All	Bolt (deflector to bar to fender)-5/16"-24 x 1"		2 20387-S8(B157)
55/56	S	8	All	Lockwasher 5/16"		2 34806-S7(X64)
55/56	S	8	All	Flat washer 5/16"		2 44722-S8(X19)
57	S			Screw (defl. to stone end to ext. )-1/4"-20 x 1"		2 31128-S(U62)
57	S			Lockwasher-1/4"		2 34805-S8(X62)
57	S			Flat washer-1/4"		2 44719-S8(X17)
				Screw (deflector to support)-No. 14-10 x 3/4"		4 42143-S8(U255)
				Nut Retainer 5/16 x 24"		4 359952-S2(MM198)
<b>8327 DEFLECTOR - RADIATOR CENTER AIR</b>						
51	A	8	239			1 1BA 8327
52/53	A	6	215			1 BA 8327-B
55/57	A	6&8	All	Upper		1 B5A 8327-A
55/57	S	8	All	Upper		1 B5S 8327-B
57	S			Bolt (deflector to bar to support)-5/16"-24 x 1"		2 20387-S8(B157)
49/53	A	8	239	Bolt (radiator center support panel to fender	2or5	20344-S8(B42)
49/53	A	6	226,215	apron support)-1/4"-20 x 3/4"	4or5	
				Locknut-1/4"-20		34390-S7(M92)
				Flatwasher-1/4"		44720-S8(X18)
				Nut-1/4"-20		33795-S7(M49)
				Lockwasher-1/4"		34805-S8(X62)
57	S			Lockwasher-5/16"		2 34806-S7(X64)
57	S			Flat washer-5/16"		2 44722-S8(X19)
<b>8333 HOSE - RADIATOR BULK</b>						
49/	Cut to required length			1 1/4" I. D. x 36" long	AR	51A 8333-D
49/	Cut to required length			1 1/2" I. D. x 36" long	AR	51A 8333-A
49/	Cut to required length.			1 3/4" I. D. x 36" long	AR	51A 8333-B
49/	Cut to required length			2" I. D. x 36" long	AR	51A 8333-C
<b>8344 SEAL - RADIATOR AIR DEFLECTOR</b>						
55/57	A	6&8	All	22. 25" long-use 4 pcs. BA 16254-C-cut to size	2	*BN 8344-A
<b>8349 SEAL - RADIATOR AIR DEFLECTOR</b>						
55	A	6&8	All	19. 97" long-use 2 pcs. BA 16254-C-cut to size	2	*BN 8349-A
56	A	8	All		1	
56	A	6	223	R. H. -11. 30" long-cut to size from B5A 17740-A	1	*BJ 8349-A
		6	223	L. H. -4. 12" long-cut to size from BA 16254-C	1	*BJ 83350-A
<b>8380-1 BAR - RADIATOR GRILLE UPPER</b>						
51	A	6&8	All	R. H. -7. 84" long-3. 89" wide	1	1A 8380
				L. H. -7. 84" long-3. 89" wide	1	1A 8381
51	A	6&8	All	Screw (grille upper bar to ornament ring)	4	42014-S8(U240)
51	A	6&8	All	Screw (grille upper bar to lower bar)-No. 10-12 x 5/8"	4	
				Nut-No. 10		357033-S32 (MM250)

## SECTION 80

## FORD CAR PARTS

YEAR 19	MODEL	NO. CYL.	CUBIC INCH DISP.	DESCRIPTION	QTY. PER VEHICLE	PART NUMBER
<b>8390 BAR - RADIATOR GRILLE</b>						
54	A	6&8	All	Lower	1	BM 8390-A
<b>8419 MOULDING - RADIATOR GRILLE</b>						
55/56	S	8	All	Upper	1	B5S 8419-A
57	S	8	All	Upper	1	B7S 8419-A
55/56	S			Clip kit	1	B5S 102-A
55/56	S	8	All	Clip (moulding to panel)	6	358566-S100(RR44)
55/57	S	8	All	Nut (moulding to panel)-No. 10-24	6	34053-S8(M156)
				Lockwasher-No. 10	6	34903-S8(X96)
<b>8A468 KIT - RADIATOR REPAIR</b>						
57/59	A	6	223		1	B7AA 8A468-C
Consists of the following						
	2-B7AA 8B008-A	Repair reinforcement		1-B9AZ 8A330-A	Upper tank baffle	
	1-B7AA 8061-A	Upper tank		1-B7AA 8A395-A	Core support rod	
	1-B7AA 8070-A	Filler neck		1-B7AA 8A492-A	L. H. support	
	1-B7AA 8075-A	Overflow tube		2-373804-S8	Hex. nut	
	1-B7AA 8A297-A	R. H. support		2-374696-S2	Clip (overflow tube to L. H. support)	
57/59	A	8	All	1.62" core	1	B7AA 8A468-D
Consists of the following						
	2-B7AA 8B008-A	Repair reinforcement		1-B9AZ 8A330-A	Upper tank baffle	
	1-B7AA 8061-A	Upper tank		1-B7AA 8A395-B	Core support rod	
	1-B7AA 8070-A	Filler neck		1-B7AA 8A492-B	L. H. support	
	1-B7AA 8075-A	Overflow tube		2-373804-S8	Hex. nut	
	1-B7AA 8A297-B	R. H. support		2-374696-S2	Clip (overflow tube to L. H. support)	
57/59	A	8	All	2.00" core-extra cooling	1	B7AA 8A468-E
Consists of the following						
	2-B7AA 8B008-A	Repair reinforcement		1-B9AZ 8A330-A	Upper tank baffle	
	1-B7AA 8061-A	Upper tank		1-B7AA 8A395-B	Core support rod	
	1-B7AA 8070-A	Filler neck		1-B7AA 8A492-C	L. H. support	
	1-B7AA 8075-A	Overflow tube		2-373804-S8	Hex. nut	
	1-B7AA 8A297-C	R. H. support		2-374696-S2	Clip (overflow tube to L. H. support)	
<b>8470-1 RETAINER ASSY. - RADIATOR GRILLE CENTER JOINT COVER</b>						
56	A	6&8	All	Upper	1	*B6A 8470-A
		6&8	All	Lower	3	B6A 8471-A
<b>8501-2 PUMP ASSY. - WATER</b>						
- A -						
49	A	8	239	R. H. -includes (1) 8BA 8507 Gasket	1	8BA 8501-G
				L. H. -includes (1) 8BA 8507 Gasket	1	8BA 8502-G
49/51	A	6	226	Includes (1) 7HA 8507 Gasket	1	0HA 8501-B
50/53	A	8	239	R. H. -includes (1) 8BA 8507 Gasket	1	EAB 8501-A
				L. H. -includes (1) 8BA 8507 Gasket	1	EAB 8502-A
52/53	A	6	215	Includes (1) EAA 8507-A Gasket	1	B2A 8501-A
54	A	8	239	Includes (1) EAN 8507-B Gasket	1	B4A 8501-D
54/56	A	6	223	Includes (1) EAA 8507-A Gasket	1	B6C 8501-C
55/57	A	8	272,292 312	Less pulley-includes (1) B5A 8507-A Gasket	1	B6A 8501-B
58/	A	8	292		1	
58/59	A	8	332,352	Less pulley-Includes (2) B8A 8507-A Gasket-(1) B7TZ 8597-C water by-pass hose	1	B9AZ 8501-A
57/	A	6	223	Includes (1) B7A 8507-A Gasket	1	B7A 8501-A
- S -						
55/57	S	8	272,292 312	Less pulley-includes (1) B5A 8507-A Gasket	1	B6A 8501-B
58/	S	8	332,352	Less pulley-Includes (2) B8A 8507-A Gasket-(1) B7TZ 8597-C water by-pass hose	1	B9AZ 8501-A
59/	S	8	430	Includes (1) B8E 8507-A Gasket	1	B9SZ 8501-A
56/	A, S	8	All	Clamp (water by-pass hose)-Kit	AR	BPA 18572-A
49/51	A	6	226	Bolt (water pump to cylinder block)- 3/8"-16 x 2 3/4"	2	*45528-S8
49/53	A	8	239	Bolt (water pump to cylinder block)- 3/8"-16 x 1 1/4"	6	20428-S8(B82)
52/53	A	6	215	Bolt (water pump to cylinder block)	6	
49/	A	6&8	All	Lockwasher-3/8" (heavy)	AR	34847-S8(X74)

# FORD CAR PARTS

## SECTION 85

271

YEAR 19__	MODEL	NO. CYL.	CUBIC INCH DISP.	DESCRIPTION	QTY. PER VEHICLE	PART NUMBER
<b>8501-2 PUMP ASSY. - WATER - continued</b>						
49/55/59	A, S	6	223	Lockwasher-3/8" (medium)	AR	34807-S8(X66)
58/59	A, S	8	332,352	Bolt (water pump to cylinder block)	2	
59/	S	8	430	Bolt (water pump to cylinder block)	AR	
				Bolt (attaches windshield washer support bracket to dip stick tube bracket and water pump to block)	1	
49/52/59	A, S	8	All	Plug (water pump) 3/8"-used when heater is not installed	AR	358066-S8(PP36)
54/57/58/55	A, S	8	All	Bolt (water pump to cyl. cover to block)-5/16"-18 x 4"	2	45562-S8(B69)
		8	292		2	
		8	272	Bolt (water pump to cylinder front cover) - 5/16"-18 x 1 1/8"	2	20426-S8(E55)
55/56	S	8	All	Bolt (water pump to extension)-5/16"-18 x 1"	4	
55/57	S	8	All	Bolt (water pump to extension to cover)-5/16"-18 x 2 1/2"	2	C1TE 6A527-A
55/57	S	8	All	Bolt(water pump to extension to block)-5/16"-18 x 5 1/2"	2	355432-S(BB149)
55/57	A	8	All	Lockwasher-5/16"	AR	34806-S7(X64)
57/	A	6	223	Bolt (pump to cyl. block)-3/8"-16 x 1 1/2"	1or2	20468-S8(B85)
57/	A	6	223	Bolt (water pump to cyl. block)-3/8"-16 x 2"	1	20522-S8(B89)
58/	A	6	223	Bolt (water pump to cyl. block)-3/8"-16 x 1 3/8"	1	20448-S8(B83)
58/	A, S	8	332,352	Bolt (water pump to cyl. block)-3/8"-16 x 1.12"	1	42999-S(B253)
59/	S	8	430	Bolt (water pump to cyl. block)-3/8"-16x1 1/8"	4	20408-S8(B81)
<b>8507 GASKET - WATER PUMP HOUSING</b>						
49/51	A	6	226		1	7HA 8507
49/53	A	8	239		1	8BA 8507
52/56	A	6	223		1	EAA 8507-A
54	A	8	239		1	EAN 8507-B
55/57	A, S	8	(272, 292, 312)		1or2	B5A 8507-A
58/	A	8	292		1or2	
57/	A	6	223		1	B7A 8507-A
58/	A, S	8	(332, 352)		2	B8A 8507-A
59/	S	8	430		2	B8E 8507-A
<b>8508 PLATE - WATER PUMP BACKING</b>						
57/	A	6	223		1	B7A 8508-A
59/	S	8	430		1	B8S 8508-A
58/	A, S	8	332,352	Includes (1) C2AZ 8513-A gasket	1	C2AZ 8508-A
57/	A	6	223	Bolt (plate & generator belt adjusting arm to housing)-5/16"-18 x 1"	1	20386-S8(B53)
57/	A	6	223	Lockwasher-5/16"	2	34806-S7(X64)
57/	A	6	223	Bolt (plate to pump housing)-5/16"-18 x 3/4"	1	20346-S8(B50)
59/	S	8	430	Bolt (plate to water pump housing)-5/16"-18 x .50"	6	372139-S(BB540)
58/	A, S	8	332,352	Bolt (plate to water pump housing)-5/16"-18 x .44"	6	359061-S8(BB531)
<b>8509 PULLEY - WATER PUMP</b>						
<b>SINGLE SHEAVE PULLEYS</b>						
- A -						
49	A	8	239	4.36" O. D. -1.98" depth-.6245" I. D. -.50" sheave width	1	8RT 8509-A
49	A	8	239	4.36" O. D. -1.4" depth-.5.89" I. D. -.50" sheave width	1	7RA 8509-D
50/53	A	8	239	4.10" O. D. -1.22" depth-.6245" I. D. -.38" sheave width	1	8BA 8509-B
50/53	A	8	239	4.75" O. D. -1.96" depth-.6245" I. D. -.38" sheave length	1	B0AZ 8509-A
54	A	8	239	5.90" O. D. -2.20" depth-.628" I. D. -.38" sheave width-extra cooling	1	B5C 8509-A
54	A	8	239	6.38" O. D. -2.20" depth-.628" I. D. -.38" sheave width	1	EBU 8509-C
54/56	A	6	223	5.86" O. D. -2.01" depth-.628" I. D. -.38" sheave width	1	EBP 8509-A
54/56	A	6	223	5.32" O. D. -2.01" depth-.628" I. D. -.38" sheave width-extra cooling	1	EBP 8509-B

## SECTION 85

## FORD CAR PARTS

YEAR 19	MODEL	NO. CYL.	CUBIC INCH DISP.	DESCRIPTION	QTY. PER VEHICLE	PART NUMBER
<b>8509 PULLEY - WATER PUMP - continued</b>						
<b>SINGLE SHEAVE PULLEYS</b>						
<b>- A -</b>						
55/56	A	8	272,292 312	6.80"/6.88" O.D. -2.46" depth-.628" I.D. - .50" sheave width-extra cooling	1	B5A 8509-D
57/58	A (272, 292, 312, 332, 352)	8		Used with extra cooling & 60 amp. gen. or 30, 50 or 100 amp. alternator system	1	
58	A-With A/C	8	292	Also used with 100 amp. alternator system	1	
59	A "Before 3/16/59"	8	292	Used with extra cooling & 60 amp. generator or 50, 60 or 100 amp. alternator system	1	
55/56	A	8	272,292 312	6.30"/6.38" O.D. -2.46" depth-.628" I.D. -.50" sheave width-use with extra cooling & 60 amp. generator	1	B5A 8509-E
55 57	A A (272, 292, 312)	8 8	272	6.30" O.D. -2.40" depth-.628" I.D. -.50" sheave width-used with air conditioning	1	B5A 8509-F
56	A	8	272,292 312	7.44" O.D. -2.51" depth-.628" I.D. -.50" sheave width	1	B6A 8509-A
57	A	8	272,292 312	Used with 60 amp. gen. or 30, 50 or 100 amp. alternator system	1	
58	A-with A/C	8	292	Also used with 100 amp. H/D alternator system	1	
57/59	A "Before 3/16/59"	8	272,292 312,332 352	5.78"/5.86" O.D. -2.15"/2.18" depth-.628" I.D. - .38" sheave width-used with 30, 40, 50 or 60 amp. generator	1	B7A 8509-A
57 58/	A A (272, 292, 312)	8 8	292	7.315" O.D. -2.36" depth-.628" I.D. -.38" sheave width-used with 30, 40, 50 or 60 amp. generator	1 1	B7A 8509-B
57 58/	A A (272, 292, 312)	8 8	292	6.795" O.D. -2.36" depth-.628" I.D. -.38" sheave width-extra cooling-used with 30, 40, 50 or 60 amp. gen. or 50, 60 or 100 amp. alternator system	1 1	B7A 8509-C
57/59	A "From 3/16/59"	6	223	5.24" O.D. -2.09" depth-.628" I.D. -.38" sheave width-standard or extra cooling-used with 30, 40, 50 or 60 amp. gen.	1	B7A 8509-D
58/	A	8	332,352	7.32"/7.44" O.D. -3.50"/3.58" depth- .628" I.D. -.38" sheave width	1	B8A 8509-A
58/	A (except A/S & A/C)	8	292,332 352	6.86" O.D. -3.50"/3.61" depth-.628" I.D. - .38" sheave width-extra cooling-also used with 30, 40, 50 or 60 amp. generator	1	B8A 8509-B
<b>- S -</b>						
55/56	S	8	292,312	6.94" O.D. -1.75" depth-.628" I.D. -.50" sheave width-use with 3 blade fan	1	B5S 8509-B
56/57	S	8	292,312	7.44" O.D. -1.71" depth-.628" I.D. - .50" sheave width	1	B7S 8509-A
58/	S	8	352	7.32"/7.44" O.D. -3.50"/3.58" depth- .628" I.D. -.38" sheave width	1	B8A 8509-A
58/	S	8	352	Bolt (pulley to hub)-5/16"-24 x 5/8"	4	* 20327-S8
58/	S	8	352	Lockwasher-5/16"	4	34806-S7 (X64)
<b>DOUBLE SHEAVE PULLEYS</b>						
<b>- A -</b>						
57/59	A	6	223	5.24" O.D. -1.97"/2.15" depth-double sheave- .628" I.D. -.38" sheave widths-used for extra cooling with 100 amp. H/D alternator system	1	B9T 8509-A
58/59	A	6	223	Used with 30 or 50 amp. alternator system	1	
58	A with A/S	8	332,352	6.80" O.D. front pulley-7.315" O.D. -rear pulley-3.49" double sheave depth-.628" I.D. - .38" sheave width-standard cooling-used with 30 amp. generator	1	B8E 8509-C
58/59	A with A/C	8	292	6.35" O.D. -2.80" double sheave depth-.628" I.D. -.38" sheave width -extra cooling	1	B8A 8509-E
58	A (except A/S)	8	332,352	6.30" O.D. -double sheave-3.49" sheave depth- .628" I.D. -.38" sheave width-used with alternator system & dual idler pulley	1	B8A 8509-F

# FORD CAR PARTS

## SECTION 85

273

YEAR 19	MODEL	NO. CYL.	CUBIC INCH DISP.	DESCRIPTION	QTY. PER VEHICLE	PART NUMBER
<b>8509 PULLEY - WATER PUMP - continued</b>						
<b>DOUBLE SHEAVE PULLEYS -continued</b>						
<b>- S -</b>						
58/59	S with A/C	8	352	6.30" O.D. -double sheave-3.49" sheave depth-.628" I.D. -.38" sheave width-used with alternator system & dual idler pulley	1	B8A 8509-F
59/	S	8	430	7.10" O.D. -double sheave-2.37" depth-1.00" I.D. -.38" sheave width-standard cooling	1	B8S 8509-A
<b>TRIPLE SHEAVE PULLEYS</b>						
<b>- A -</b>						
56/57	A	8	272,292 312	6.82" O.D.-2.40" triple sheave depth-.628" I.D.-50" sheave width-used with extra cooling	1	B6A 8509-B
56/57	A	(272, 292, 312)	8	Used with air conditioner	1	
58	A with A/C or with A/C & A/S	8	332,352	6.35" O.D. -3.44" triple sheave depth-.628" I.D. -.38" sheave width	1	B8A 8509-C
59	A with A/C	8	332,352		1	
59	A	8	332,352	6.82"/6.92" O.D. -3.54" triple sheave depth .63" I.D. -.38" sheave width-used with 60 amp. generator or 30, 50 or 100 amp. alternator system-standard or extra cooling	1	B9A 8509-G
<b>- S -</b>						
58	S with A/S & A/C	8	352	6.30" O.D. -3.53" triple sheave depth-.628" I.D. -.38" sheave width	1	B8A 8509-D
<b>8A510 EXTENSION - WATER PUMP</b>						
55/57	S	8	All	1.094" thick	1	B5SZ 8A510-A
<b>8511 SHAFT - WATER PUMP</b>						
49	A	8	239	4.48" long	1	†7RA 8511-B
<b>8512 IMPELLER - WATER PUMP</b>						
49	A	8	239	2.790" O.D. -.68" I.D. at shaft end-1.32" depth	2	†7RA 8512-C
49/53	A	8	239	2.79" O.D. -.68" I.D. at shaft end-1.32" depth	2	†EAB 8512-A
49/53	A	8	239	2.790" O.D. -.68" I.D. at shaft end-1.32" depth	2	†8BA 8512
54	A	8	239	4.00" O.D. -.68" I.D. at shaft end-1.43" depth	1	B4AZ 8512-A
52/56	A	6	215,223	3.50" O.D. -.68" I.D. at shaft end-1.20" depth	1	†EAA 8512-A
55/57	A, S	8	272,292 312	4.75" O.D. -.68" I.D. at shaft end-1.41" depth	1	†B5A 8512-B
58/	A	8	292		1	
57/	A	6	223	3.50" O.D. -.68" I.D. at shaft end-.889" depth	1	C3AZ 8512-A
58/	A, S	8	332,352	4.60" O.D. -.625" at shaft end-1.07" depth	1	C3AZ 8512-B
59/	S with A/C	8	430	5.00" O.D. -.625" I.D. at shaft end-.90" depth	1	†B9S 8512-B
59/	S -except A/C	8	430	5.00" O.D. -.625" I.D. at shaft end-1.00" depth	1	B9SZ 8512-C
<b>8513 GASKET - WATER PUMP BACKING PLATE</b>						
57/	A	6	223		1	B7A 8513-A
58/	A, S	8	332,352	When replacing fibre & rubber gasket-2 req'd.	1 or 2	B8A 8513-A
59/	S	8	430	.080" to .090" thick	1	B8S 8513-A
<b>8520 BUSHING - WATER PUMP</b>						
49	A	8	239	Rear-located in housing-.88" long-.783" O.D.	1	7RA 8520-B
<b>8526-7 DIVERTER - WATER INLET</b>						
59/	S	8	430	R. H.	1	B8E 8526-A
				L. H.	1	B8E 8527-A
<b>8530 BEARING - WATER PUMP</b>						
49	A	8	239	Front-.433" long-1.378" O.D.	1	7RA 8530-B

† Also serviced in 8591 kit

YEAR 19	MODEL	NO. CYL.	CUBIC INCH DISP.	DESCRIPTION	QTY. PER VEHICLE	PART NUMBER
<b>8530 SHAFT and BEARING - WATER PUMP</b>						
49/53	A	8	239	5.03" long-less slinger	1	8BA 8530
52/53	A	6	215	4.76" long-less slinger	1	†2GA 8530-A
54		8	239		1	
54/56	A	6	223	4.86" long-less slinger	1	†EBP 8530-A
55/57	A, S	8	All	5.62" long-less slinger	1	†B5A 8530-A
58/62	A	8	292		1	
57/	A	6	223	4.46" long-less slinger	1	†B7A 8530-A
58/	A, S	8	332,352	6.29" long-less slinger	1	†B8A 8530-A
59/	S	8	430	4.89" long-includes slinger	1	†B9SZ 8530-A
<b>8531 LOCK RING - WATER PUMP SHAFT</b> - <i>Furnished only with 8BA 8591-B Kit</i>						
<b>8546 SPACER - PULLEY TO FAN</b>						
- A -						
55	A with A/C	8	272	.86" thick including pilot	1	ECE 8546-B
56/57	A-with A/C	8	All	1.82" thick including pilot	1	B6A 8546-A
55/57	A (except A/C)	8	All	1.18" thick including pilot	1or2	B5A 8546-A
58/59	A (except A/C)	8	292		1or2	
58/59	A-with A/C	8	292	2.30" thick including pilot	1	B8A 8546-A
- S -						
55/57	S (except S/C)	8	All	1.28" thick including pilot	1	B5S 8546-A
57	S with Supercharger	8	312	1.18" thick including pilot	1	B5A 8546-A
58/59	S	8	352	1.62" thick including pilot	1	B8S 8546-A
59/	S-with or without A/C	8	430	2.28" thick including pilot	1	B9ME 8546-C
<b>8548 TUBE - WATER BY PASS - FRONT</b> - <i>Also Refer to Groups 8555 &amp; 8597</i>						
54	A	8	239		1	EAN 8548-B
55/57	A, S	(272, 292, 312)	8	Steel	1	C2TZ 8548-A
58/	A	8	292		1	
		8	All	Bolt (tube to water pump)-5/16"-18 x 3/4"	2	20346-S8 (B50)
		8	All	Lockwasher-5/16"	2	34806-S7(X64)
<b>8550 SLINGER - WATER PUMP SHAFT</b> - <i>Refer to Group 8530</i>						
49	A	8	239		1	7RA 8550-B
49	A, S (except 1949-8 cyl. 239)	6&8	All		1	B7C 8550-A
<b>8553 HUB - WATER PUMP PULLEY</b>						
52/53	A	6	215	2.50" O. D. -.56"/.66" depth	1	B4A 8553-A
57/	A	6	223		1	
54/56	A	6	223	2.54" O. D. -.74" depth	1	B9AE 8553-A
56/	A, S,	(272, 292, 312)	8		1	
58/	A, S	8	332,352		1	
59/	S	8	430	2.56" O. D. -.74" depth	1	B9ME 8553-A
<b>8555 TUBE - WATER BY-PASS</b> - <i>Also Refer to Groups 8548 &amp; 8597</i>						
58/59	A, S	8	332,352	Steel-5/8" O.D. (small end)-7/8" O.D. (large end)- x 1.26" long	1	B8A 8555-A
59/	S	8	430	Steel-7/8" O. D. x 1.82" long	2	B8E 8555-A
58/	A, S	8	332,352	Steel-5/8" O. D. x 1.88" long-used in B9AZ 8501-A	1	C2AZ 8555-A
<b>8556 CLAMP - WATER BY PASS</b> - <i>Also Refer to Groups 8287 &amp; 18572</i>						
59/	S	8	430	Use BPA 18572-A	2	*EBU 8556-A
58/	A	8	292		2	
55/57	A, S	8	All	Use BPA 18572-A	1	*ECG 8556-A
<b>8563 GASKET - WATER BY PASS TUBE</b>						
54/57	A, S	8	All	Also used with air conditioner	1	EAN 8563-B
58/	A	8	292		1	
<b>8564 SEAL - WATER PUMP</b>						
49/	A, (S except 430 engine)	6&8		1.62" O. D.	1	B2AZ 8564-A
59/	S	8	430	1.72" O. D.	1	B6C 8564-A

† Also serviced in 8591 kit

### 8575 THERMOSTAT - WATER

Year	Model	Engine		QTY. PER VEHICLE	† Standard Temperature		† High Temperature			
		No. Cyl.	Cubic inch Displacement		o TEMP.	Rotunda Sales No.	P & A Part Number	o TEMP.	Rotunda Sales No.	P & A Part Number
<b>- A -</b>										
49/51	A	6	226	1	160		8HT 8575-B	178		1HA 8575-A
49/53	A	8	239	2	160	R11-C	1BA 8575-A	178	R11-D	1BA 8575-B
52/	A	6	215, 223	1	160	R11-AE	C2AZ 8575-B	178	R11-AA	C2AZ 8575-A
54/	A	8	239, 272, 292, 312	1	160	R11-AE	C2AZ 8575-B	178	R11-AA	C2AZ 8575-A
<b>- S -</b>										
55/	S	8	292, 312, 252	1	160	R11-AE	C2AZ 8575-B	178	R11-AA	C2AZ 8575-A
59/	S	8	430	1	160	R11-AE	C2AZ 8575-B	178	R11-J	C2VY 8575-A
59/	S	8	430	2	140	R11-K	ΔB9S 8575-B	140	R11-K	ΔB9S 8575-B

YEAR	MODEL	NO. CYL.	CUBIC INCH DISP.	DESCRIPTION	QTY. PER VEHICLE	PART NUMBER
<b>8576 LOCK RING - WATER PUMP BEARING</b>						
49	A	8	239		1	◇7RA 8576-B
49/51	A	6	226		1	◇7HA 8576
49/50	A	8	239	Front	1	◇0BA 8576-A
51/57	A, S	8	All	Front	1or2	
52/		6	215, 223	Front	1	
58/	A	8	292	Front	1	
49/57	A, S	8	All	Rear	AR	◇8BA 8630-A
58/	A	8	292	Rear	1	
52/	A	6	All	Rear	1	
<b>8591 REPAIR KIT - WATER PUMP</b>						
49	A	8	239	Used with 8BA-8501-2 B, C water pumps	2	8BA 8591-B
Consists of the following						
	1-8BA 8507	Gasket	1-7RA 8520-B	Bushing	1-7RA 8550-B	Slinger
	1-7RA 8511-B	Shaft	1-7RA 8530-B	Bearing	1-7RA 8564-B	Seal
	1-7RA 8512-C	Impeller	1-7RA 8531	Snap Ring	1-7RA 8576-B	Retainer
52/53	A	6	215	Use with B2A-8501-A water pump	1	B2A 8591-A
Consists of the following						
	1-EAA 8507-A	Gasket	1-2GA 8530-A	Bearing	1-0BA 8576-A	Lock ring
	1-EAA 8512-A	Impeller	1-7HA 8550	Slinger	1-8BA 8630-A	Snap ring
					1-7RA 8564-B	Seal
49/53	A	8	239	Use with 8BA 8501 & 2-G & EAB 8501 & 2-A water pump	AR	A8C 8591-A
Consists of the following						
	1-8BA 8507	Gasket	1-8BA 8530	Bearing	1-7RA 8564-B	Seal
	1-EAB 8512-A	Impeller	1-7HA 8550	Slinger	1-0BA 8576-A	Lockring
					1-8BA 8630-A	Snap ring
54	A	8	239	Use with B4A 8501-D water pump	1	B4A 8591-A
Consists of the following						
	1-EAN 8507-B	Gasket	1-2GA 8530-A	Bearing assy.	1-7HA 8550	Slinger
	1-EBU 8512-A	Impeller	1-8BA 8630-A	Lock ring	1-7RA 8564-B	Seal
					1-0BA 8576-A	Lock ring
54/56	A	6	223	Use with B6C 8501-C water pump	1	B4A 8591-B
Consists of the following						
	1-EAA 8507-A	Gasket	1-EBP 8530-A	Bearing	1-7RA 8564-B	Seal
	1-EAA 8512-A	Impeller	1-7HA 8550	Slinger	1-0BA 8576-A	Lock ring
					1-8BA 8630	Snap ring

◇ Also Supplied in 8591 Kit † Standard temperature-use with any type anti-freeze. High temperature .do not use with alcohol anti freeze Δ To control water flow in block

## SECTION 85

## FORD CAR PARTS

YEAR 19	MODEL	NO. CYL.	CUBIC INCH DISP.	DESCRIPTION	QTY. PER VEHICLE	PART NUMBER
<b>8591 REPAIR KIT - WATER PUMP - continued</b>						
55/57	A, S	8	272,292	Use with B6A 8501-B water pump	1	B5A 8591-C
58/	A	8	312 292		1	
Consists of the following						
	1-B5A 8507-A Gasket		1-7HA 8550 Slinger		1-0BA 8576-A Lock ring	
	1-B5A 8512-B Impeller		1-7RA 8564-B Seal		1-8BA 8630-A Lock ring	
	1-B5A 8530-A Bearing					
57/	A	6	223	Use with B7A 8501-A water pump	1	B7A 8591-A
Consists of the following						
	1-B7A 8507-A Gasket		1-B7A 8530-A Bearing		1-0BA 8576-A Lock ring	
	1-B7A 8512-A Impeller		1-B7C 8550-A Slinger		1-8BA 8630-A Lock ring	
	1-B7A 8513-A Gasket		1-7RA 8564-B Seal			
58/	A, S	8	332,352	Use with B9AZ 8501-A water pump	1	B8A 8591-A
Consists of the following						
	2- B8A 8507-A Gasket		1-B8A 8513-A Gasket			
	1- B8A 8512-A Impeller (plastic)		1-B8A 8530-A Bearing & shaft assy.			
	or 1-C1AE 8512-A Impeller (iron)		1-B7C 8550-A Slinger			
	or 1-C3AZ 8512-B Impeller (iron)		1-7RA 8564-B Seal			
59/	S (except A/C)	8	430	Use with water pump assy. showing housing casting number 5751568	1	B8S 8591-A
Consists of the following						
	2-B8E 8507-A Gasket		1-B8S 8513-A Gasket		1-B9SZ 8530-A Bearing assy.	
	1-COME 8512-A Impeller		1-7RA 8564-B Seal			
59/	S with A/C	8	430	Use with B9SZ 8501-A water pump or housing casting number 5751540	1	B9S 8591-A
Consists of the following						
	2-B8E 8507-A Gasket		1-B8S 8513-A Gasket		1-B6C 8564-A Seal	
	1-B9S 8512-A Impeller		1-COSZ 8530-A Bearing & shaft assy.			
<b>8592-4 CONNECTION ASSY. - CYLINDER HEAD WATER OUTLET</b>						
51/53	A	8	239	Stamped 1BA 8592-A	2	1BA 8592-A
49/50	A	8	239	When used with 8BA-8575-D or 8RT-8575-A thermostats, use two 8BA 8255-B gaskets in each connection	2	
52/56	A	6	215,223		1	EAA 8592-B
54/57	A	8	All		1	B5A 8592-A
58/59	A	8	292		1	
55/57	S	8	All		1	B5S 8592-A
57/59	A	6	223		1	B7A 8592-A
58/59	A	8	332,352		1	B8A 8592-A
49/51	A	6	226	Stud(water outlet to cyl.hd.)-5/16"-18-24-1 19/64"	3	357428-S7-8(WW14)
49/51	A	6	226	Nut-5/16"-24		33798-S8(M62)
				Lockwasher-5/16"		34806-S7(X64)
49/56	A, S	8	All	Bolt (water outlet to cyl. head)-5/16"-18 x 1"	2or4	20386-S8(B53)
49/59	A, S	8	All	Lockwasher-5/16"	2or4	34806-S7(X64)
52/59	A	6	223	Bolt (water outlet to cyl. head)-3/8"-16 x 1"	2	20388-S8(B80)
52/59	A	6	223	Lockwasher-3/8"	2	34807-S8(X66)
52/	A	6	223	Plug-3/8"-18-used when heater is not installed	1	358066-S8(PP36)
54	A	6	223	Bolt (connection to cyl. head)-3/8"-16 x 1 1/4"	2	20428-S8(B82)
57/59	A, S	8	All	Bolt(connection to intake man.)-5/16"-18 x 7/8"	2	20366-S8(B52)
				Lockwasher-3/8"	AR	34847-S7(X74)



# FORD CAR PARTS

## SECTION 85

YEAR 19	MODEL	NO. CYL.	CUBIC INCH DISP.	DESCRIPTION	QTY. PER VEHICLE	PART NUMBER
<b>8597 HOSE - WATER BY-PASS</b> -Also Refer to Groups 8548,8555						
<b>- A -</b>						
54	A	8	239	.50" I.D. x 1.70" long	1	B4AZ 8597-A
55/57	(272, 292, 312)	8		Rubber-.625" I.D. -1" O.D. x 3.18" long-cut from FDA 18472-A	1	*B6AZ 8597-A
58/59	A	8	292		1	
58/59	A	8	352	Rubber-.88" I.D. at large end-.62" O.D. at small end x 2.36" long (customer option)	1	B7TZ 8597-C
58/59	A	8	332,352	Rubber-.895" I.D. -1.23" O.D. x 1.28" long	1	B8AZ 8597-A
<b>- S -</b>						
55/57	S	8	All	4.25" long-cut from FDA 18472-A	1	*B5AZ 8597-A
58/59	S	8	352	Rubber-.88" I.D. at large end-.62" O.D. at small end x 2.36" long (customer option)	1	B7TZ 8597-C
58/59	S	8	332,352	Rubber-.895" I.D. -1.23" O.D. x 1.28" long	1	B8AZ 8597-A
59/	S	8	430	Rubber-.875" I.D. -1.25" O.D. x 17.86" long-cut to required size.	1	B8TZ 8597-B
59/	S	8	430	Rubber-.875" I.D. -1.25" O.D. x 2.88" long-cut from B8TZ 8597-B	1	*B9SZ 8597-A
<b>8600 FAN ASSY.</b> -Also Refer to Group 8602						
<b>4 BLADE FANS</b>						
54/57	A	8	All	4 blades-18.5" diameter-1.94" side view width	1	B9MM 8600-E
58	A	8	292	-.628" center hole-rounded blade tips	1	
59/	A, S (except A/C)	8	All		1	
52/	A	6	215,223	4 blades-17.0" diameter-1.38" side view width-.628" center hole	1	C0AA 8600-D
55/56	S	8	All		1	
56/	S	8	All	4 blades-18.0" diameter-.628" center hole	1	B9T 8600-D
58	A	8	332,352	4 blades-17.5" diameter-1.94" side view width - .628" center hole	1	B8A 8600-C
<b>5 BLADE FANS</b>						
49/50	A	6	226	5 blades-17 1/2" diameter-extra cooling-use with 8HA-8005-B radiator	1	8HA 8600-C
55/59	A	8	272,292,312	5 blades-18.0" diameter-used with extra cooling-also used with air conditioning	1	B7Y 8600-A
58/59	S	8	352		1	
58/59	A-with A/C "Before 6/26/59"	8	332,352	5 blades-18.0" diameter-blunt tips	1	B8A 8600-B
59	A-with A/C "From 6/26/59"	8	332,352	5 blades-18.0" diameter-curved tips	1	C0AA 8600-A
59/	A-with A/C	6	223	5 blades-18.0" diam.-1.68" side view width-.628" center hole	1	C1AA 8600-D
49/	A	6	All	Bolt (fan to water pump)-5/16"-24 x 5/8"	4	*20327-S8
49/	A	6&8	All	Lockwasher 5/16"	AR	34806-S7(X64)
54/58	A, S	8	All	Bolt (fan to spacer to water pump)-5/16"-24 x 2"	4	20521-S8(B162)
55/56	A	8	All	Bolt (fan thru spacer & pulley to pump)-5/16"-24 x 3"-also used with air conditioner	4	45533-S8 (B166)
58/	A	8	All	Used with A/C or extra cooling fan	4	
55/56	S	8	All	Bolt (fan to water pump)-5/16"-24 x 1 1/2"	4	20467-S7(B160)
55/57	S	8	All	Stud (blade, spacer & pulley to water pump)-5/16"-24-24 x 2.212"	4	354664-S(WW25)
55/58	A, S	6&8	All	Nut-5/16"-24	4	33798-S8(M62)
57	A	8	All	Bolt (fan thru spacer to water pump pulley)-5/16"-24 x 2 3/4"	4	*45527-S8
57	S-with Supercharger	8	312		4	
58/	A (except A/C)	8	All	Not used with extra cooling	4	
58/	S	8	352	Bolt (fan to water pump)-5/16"-24 x 2 1/8"	4	*45509-S7
58/	A	8	292	Bolt (fan to pulley to water pump)-	4	20347-S8(B156)
58/	A	8	332,352	Bolt (fan to pulley to water pump)-	4	355480-S8(BB525)
59/	A-with A/C	6	223	5/16"-24 x 7/8"-also used with air conditioner	4	
59/	A-with A/C	6&8	All	Bolt (fan to pulley to pump)-5/16"-24 x 1"	4	20387-S8(B157)
<b>8602 FAN, HUB and BRACKET ASSY.</b> - Also Refer to Group 8600						
50/53	A	8	239	5 blades-extra cooling-use with 8HA 8620-A	1	0BA 8602-B
50/53	A with S/T or O/D	8	239	3 blades-use with 8HA 8620-A	1	EAB 8602-A
50/53	A (with F/M)	8	239	3 blades-use with 8HA 8620-A	1	EAB 8602-B
49/53	A	8	239	Bolt (fan brkt. to gen. brkt.)-7/16"-20 x 1 5/8"	2	*20491-S7
				Lockwasher-7/16"		34808-S8 (X67)
				Washer-7/16"		359820-S8 (XX203)

## BELT IDENTIFICATION MARKING TO SERVICE PART NUMBER GUIDE

The purpose of this guide is to facilitate the identification of fan, generator and water pump belts. Belts are identified with a marking on the outer (wide) surface of the belt. Although the identification marking and service part number may be the same in some instances, this is not generally true. Always order under the "Service Part Number".

Following the guide chart, belt part numbers are listed by model year and within each model year by engine and application. This provides for the identification of belt service part numbers when the belt identification marking is not known. The following abbreviations and codes are used in this area of the catalog:

Code	Designation	Code	Designation
A/C	Air Conditioner	P/S	Power Steering
A/S	Air Suspension	X/C	Extra Cooling
F/M	Fordomatic		

The names Ford, Autolite, Bosch and Delco identify the type of generator with which a particular belt is used.

BELT IDENTIFICATION MARKING	SERVICE PART NUMBER	BELT IDENTIFICATION MARKING	SERVICE PART NUMBER	BELT IDENTIFICATION MARKING	SERVICE PART NUMBER
EBU 2890-A	B8QH 8620-E	B9AE 8620-A	C3DZ 8620-B	C1SE 8620-B	B6S 8620-A
ECB 2890-A	B7A 8620-H	B9AE 8620-B	B9A 8620-F	C1SE 8620-C	C1SE 8620-C
ECZ 2890-A	B6A 8620-B	B9AE 8620-D	B9AE 8620-D	C1TE 8620-A	C2TZ 8620-D
		B9AE 8620-E	B9AE 8620-E	C1TE 8620-AG	C2TZ 8620-N
EDB 2890-C	B8A 8620-K			C1TE 8620-AH	C2OZ 8620-B
EDB 2890-D	B8A 8620-E	B9LE 8620-G	C2TZ 8620-V	C1TE 8620-H	C2AZ 8620-C
				C1TE 8620-L	C2AZ 8620-A
EDC 2890-C	B8S 8620-A	B9ME 8620-B	B9MZ 8620-B	C1TE 8620-M	C2TZ 8620-K
		B9ME 8620-D	B8LY 8620-A	C1TE 8620-R	C2TZ 8620-L
		B9ME 8620-E	C2AZ 8620-F		
EDD 2890-B	B9A 8620-H			C1TT 8620-F	C1TT 8620-F
EDD 2890-D	C0AZ 8620-C	C0AE 8620-A	C0AE 8620-A	C2AE 8620-AA	C2AZ 8620-B
EDG 2890-A	EAA 8620-B	C0AE 8620-B	C0AE 8620-B	C2AE 8620-AB	C0AZ 8620-Y
		C0AE 8620-C	C2TZ 8620-N	C2AE 8620-AC	B7A 8620-L
EDJ 2890-A	C2AZ 8620-C	C0AE 8620-D	C0AZ 8620-E	C2AE 8620-AD	C2AZ 8620-B
EDJ 2890-B	B8A 8620-C			C2AE 8620-AE	B7A 8620-A
EDL 2890-A	B8QH 8620-E	C0AE 8620-E	C0AE 8620-E	C2AE 8620-AF	B8LY 8620-B
		C0AE 8620-G	C0AZ 8620-D	C2AE 8620-AG	B9S 8620-A
ECJ 6556-A	B7S 8620-A	C0AE 8620-H	B9A 8620-D	C2AE 8620-AH	C3AZ 8620-A
ECJ 6556-B	B7S 8620-A	C0AE 8620-J	C2AZ 8620-F	C2AE 8620-AJ	C2AZ 8620-G
ECJ 6556-C	B7A 8620-N			C2AE 8620-AK	B9MZ 8620-B
		C0AE 8620-S	C0AZ 8620-S	C2AE 8620-B	C0AZ 8620-S
EAB 8577-A	8HA 8620-A	C0AE 8620-T	C0AZ 8620-T	C2AE 8620-C	C0AZ 8620-E
EAG 8577-A	B9A 8620-C	C0AE 8620-Y	C0AZ 8620-Y	C2AE 8620-D	EDC 8620-A
				C2AE 8620-E	C0AZ 8620-D
EBP 8577-A	B7A 8620-A	CODE 8620-A	C3DZ 8620-B	C2AE 8620-F	C2AZ 8620-F
EBU 8577-A	B4AZ 8620-B	CODE 8620-B	C3DZ 8620-B	C2AE 8620-G	B8A 8620-F
		CODE 8620-C	C0DZ 8620-A	C2AE 8620-H	C2AZ 8620-A
EBU 8577-B	B4AZ 8620-A	CODE 8620-E	B5A 8620-C	C2AE 8620-J	C2AZ 8620-A
EBY 8577-A	B7A 8620-P	CODE 8620-F	C1UZ 8620-A	C2AE 8620-K	B9MZ 8620-B
ECE 8577-A	C0AZ 8620-E	C1AE 8620-A	C1AZ 8620-A	C2AE 8620-L	B6S 8620-A
ECE 8577-B	B5AZ 8620-A	C1AE 8620-B	C2OZ 8620-J	C2AE 8620-M	B9A 8620-B
ECG 8577-A	C0AZ 8620-E	C1AE 8620-C	C0AZ 8620-T	C2AE 8620-N	C2AZ 8620-C
		C1AE 8620-D	B9MZ 8620-B	C2AE 8620-R	C0DZ 8620-A
ECJ 8577-A	B6S 8620-A	C1AE 8620-E	B9A 8620-C	C2AE 8620-S	B9A 8620-D
ECK 8577-A	B6AZ 8620-A	C1AE 8620-F	C2AZ 8620-A	C2AE 8620-T	C1AZ 8620-A
		C1AE 8620-G	B9MZ 8620-B		
21A 8577-A	A8AZ 8620-A	C1AE 8620-H	EDC 8620-A	C2AE 8620-U	C2AZ 8620-F
8BA 8577-A	8HA 8620-A	C1AE 8620-J	C2AZ 8620-F	C2AE 8620-V	B8LY 8620-A
		C1AE 8620-K	B8A 8620-F	C2AE 8620-Z	C0AZ 8620-T
B6AE 8620-A	C1TZ 8620-C				
B8ME 8620-A	B8ME 8620-A	C1DE 8620-B	C2OZ 8620-F	C2DE 8620-A	C3DZ 8620-B

BELT IDENTIFICATION MARKING	SERVICE PART NUMBER
C2OE 8620-A	C2OZ 8620-E
C2OE 8620-AA	C2OZ 8620-B
C2OE 8620-AB	C2TZ 8620-L
C2OE 8620-AC	C3OZ 8620-E
C2OE 8620-AD	C2OZ 8620-K
C2OE 8620-B	B8A 8620-C
C2OE 8620-C	C2OZ 8620-E
C2OE 8620-E	C2OZ 8620-G
C2OE 8620-F	C2OZ 8620-E
C2OE 8620-G	B8A 8620-C
C2OE 8620-J	C2TZ 8620-V
C2OE 8620-K	C2OZ 8620-J
C2OE 8620-L	C2OE 8620-L
C2OE 8620-N	C0AZ 8620-Y
C2OE 8620-S	C2OZ 8620-E
C2OE 8620-T	C2OZ 8620-E
C2OE 8620-U	C2TZ 8620-M
C2OE 8620-V	C2OZ 8620-H
C2OE 8620-Y	C2OZ 8620-E
C2OE 8620-Z	C2OZ 8620-F
C2SE 8620-A	C1SZ 8620-C
C2TE 8620-AD	B9A 8620-B
C2TE 8620-AH	C2TZ 8620-N
C2TE 8620-D	C0AZ 8620-Y
C2TE 8620-F	C2TZ 8620-K
C2TE 8620-G	C2TZ 8620-L
C2TE 8620-L	C2TZ 8620-M
C2TE 8620-M	C2TZ 8620-V
C2TE 8620-S	B8QH 8620-E
C2TE 8620-T	B9A 8620-C
C2TE 8620-U	B7A 8620-H
C3AE 8620-A	C3AZ 8620-D
C3AE 8620-B	B9A 8620-B
C3AE 8620-C	C3OZ 8620-A
C3DE 8620-A	C3DZ 8620-A
C3DE 8620-B	C3DZ 8620-B
C3ME 8620-A	C3MY 8620-A
C3OE 8620-B	C3OZ 8620-A
C3OE 8620-C	C3OZ 8620-C
C3OE 8620-E	C3AZ 8620-C
C3OE 8620-F	C3OZ 8620-B
C3OE 8620-H	C3AZ 8620-C
C3OE 8620-J	C3OZ 8620-D
C3OE 8620-L	C3AZ 8620-C
C3OE 8620-M	C3UZ 8620-A
C3OE 8620-N	C2OZ 8620-F
C3SE 8620-A	C3SZ 8620-A
C3UE 8620-C	C3UZ 8620-A
C3VE 8620-A	C3VY 8620-A
C4AE 8620-A	C4AZ 8620-B
C4AE 8620-B	C4AZ 8620-C
C4AE 8620-C	C3DZ 8620-C
C4AE 8620-F	C4AZ 8620-D
C4SE 8620-A	C4SZ 8620-A
C4SE 8620-B	C4SZ 8620-B
C4SE 8620-C	C4SZ 8620-C
C4TE 8620-M	C4AZ 8620-A

BELT IDENTIFICATION MARKING	SERVICE PART NUMBER
EAA 8620-A	C0AZ 8620-Y
EAA 8620-B	EAA 8620-B
EAA 8620-C	EAA 8620-C
EAA 8620-D	B9A 8620-B
EAB 8620-A	EAB 8620-A
EAM 8620-C	C2TZ 8620-D
EBP 8620-D	EAA 8620-B
EBP 8620-E	C0DZ 8620-A
EBP 8620-F	B7A 8620-L
EBP 8620-G	B9A 8620-D
EBP 8620-H	B7A 8620-P
EBP 8620-J	B7A 8620-A
EBP 8620-L	B9A 8620-D
EBR 8620-F	B9A 8620-B
EBU 8620-A	B8ME 8620-A
EBU 8620-B	B8ME 8620-A
EBU 8620-E	C1TT 8620-F
ECD 8620-A	C2TZ 8620-L
ECE 8620-A	B5A 8620-C
ECG 8620-A	C2TZ 8620-N
ECG 8620-B	C2TZ 8620-N
ECG 8620-C	B6A 8620-A
ECG 8620-H	C2AZ 8620-C
ECG 8620-J	C2TZ 8620-D
ECG 8620-K	C2AZ 8620-F
ECG 8620-L	B8ME 8620-A
ECR 8620-E	C2TZ 8620-D
ECU 8620-B	C1TZ 8620-C
ECZ 8620-A	B6A 8620-A
ECZ 8620-B	B7A 8620-D
EDC 8620-A	EDC 8620-A
EDC 8620-B	B9S 8620-A
EDC 8620-E	C0AZ 8620-B
EDC 8620-F	C2AZ 8620-C
EDC 8620-G	C2AZ 8620-C
EDG 8620-A	B9S 8620-A
EDG 8620-D	B8LY 8620-B
EDG 8620-E	C0AZ 8620-D
EDJ 8620-A	C0AZ 8620-D
0BA 8620-A	EAB 8620-A
0BA 8620-B	EAB 8620-A
0HA 8620-A	0HA 8620-A
0HA 8620-B	C0AZ 8620-D
0HA 8620-C	C2AZ 8620-F
67 8620-A	67 8620-A
7RA 8620-C	7RA 8620-C
8BA 8620-A	67 8620-A
8BA 8620-B	8BA 8620-B
8HA 8620-A	8HA 8620-A
EDG 22906-A	B8A 8620-F
EAC 33558-A	B5AZ 8620-C
EBJ 33558-B	C1TZ 8620-C

BELT IDENTIFICATION MARKING	SERVICE PART NUMBER
EBP 33558-A	C2OZ 8620-H
EBP 33558-B	B7A 8620-P
EBP 33558-C	C0AE 8620-B
EBU 33558-A	C2OZ 8620-H
EBY 33558-B	B4AZ 8620-D
ECB 33558-A	C1TZ 8620-C
ECD 33558-A	B6S 8620-A
ECE 33558-A	C2TZ 8620-V
ECG 33558-A	C0AZ 8620-T
ECG 33558-B	C2TZ 8620-V
ECG 33558-C	C0AZ 8620-T
ECG 33558-E	C2TZ 8620-K
ECG 33558-F	C2OZ 8620-J
ECG 33558-G	C2TZ 8620-K
ECJ 33558-A	B6S 8620-A
ECK 33558-A	B6AZ 8620-C
ECZ 33558-B	C2TZ 8620-K
EDB 33558-B	C0AZ 8620-A
EDC 33558-A	C0AE 8620-A
EDD 33558-A	C0AE 8620-A
EDJ 33558-A	B8LY 8620-A
ECG 86204-A	C2TZ 8620-N
EBP 88620-A	C0AZ 8620-Y
EBP 88620-B	B7A 8620-L
ECG 88620-A	C1TT 8620-F
B9AE 88621-A	C2TZ 8620-D
5750904	C2AZ 8620-F
5751168	C0AZ 8620-D
5751169	C0AZ 8620-D
5751170	B8A 8620-H
5751181	B8A 8620-H
5751182	B8A 8620-H (Kit of 2 belts: 5751170 and 5751181)
5751396	B9S 8620-A
5751413	C0AZ 8620-A
5751460	B8A 8620-H
5751461	B9A 8620-C
5751463	B8A 8620-H (Kit of 2 belts: 5751170 and 5751460)
5751467	C2AZ 8620-B
5751952	C0AE 8620-B
5751991	C0AE 8620-A
5752164	B8LY 8620-B



### 8620 BELT - WATER PUMP, FAN and GENERATOR - continued

YEAR	MODEL	ROTUNDA SALES NUMBER	BELT IDENTIFICATION MARKING	NOMINAL LENGTH	BELT WIDTH	ELECTRICAL		NO. BELTS REQUIRED	APPLICATION						PART NUMBER
						VOLT	AMPERAGE		FAN	GENERATOR	WATER PUMP	ALTER. MOTOR	DRIVE SHAFT	CLAYTON PRESSOR	
54	Ford(239)-Standard	R3-R	B8ME 8620-A	43.44"	3/8"	6	35	1		X	X				B8ME 8620-A
	P/S	R3-CH	EBY 33558-B	38.40"	3/8"			1				X			B4AZ 8620-D
	Optional		EBU 8577-A	34.75"	3/8"	6	60	1		X					B4AZ 8620-B
	Optional		EBU 8577-B	35.40"	3/8"	6	60	1		X					B4AZ 8620-A
	Optional		C1TT 8620-F	33.00"	1/2"	6	60	1		X					C1TT 8620-F
	Alternator		EBU 8577-A	34.75"	3/8"	6	50,60,95	1		X					B4AZ 8620-B
	Alternator	R3-AW	C1TT 8620-F	33.00"	1/2"	6	50,60,95	1			X				C1TT 8620-F
55	Ford (223)-Std.(exc.P/S)	R3-F	EAA 8620-B	37.02"	3/8"	6	35	1	X	X					EAA 8620-B
	With P/S		C2AE 8620-AB	36.50"	3/8"	6	35	1	X	X					C0AZ 8620-Y
	P/S	R3-CP	C2OE 8620-V	33.25"	3/8"			1				X			C2OZ 8620-H
	Optional	R3-AD	C2TE 8620-T	38.04"	3/8"	6	55	1	X	X					B9A 8620-C
	Optional X/C		C2TE 8620-AD	38.58"	3/8"	6	60	1	X	X					B9A 8620-B
	Optional X/C		EAA 8620-C	39.60"	3/8"	6	60	1	X	X					EAA 8620-C
	Alternator		EAA 8620-C	39.60"	3/8"	6	50,60,95	1		X	X				EAA 8620-C
	Alternator		C2TE 8620-AD	38.58"	3/8"	6	50,60,95	1	X	X					B9A 8620-B
	Ford (272)-Standard		B6AE 8620-A	44.76"	1/2"	6	35	1	X	X					C1TZ 8620-C
	Std. X/C	R3-T	B6AE 8620-A	44.76"	1/2"	6	35	1	X	X					♣C1TZ 8620-C
	Std. X/C	R3-U	C2TE 8620-AH	44.00"	1/2"	6	35	1	X	X					⊕C2TZ 8620-N
	P/Sec. A/C	R3-AF	C2AE 8620-Z	38.50"	1/2"			1				X			C0AZ 8620-T
	A/C		ECE 8620-A	49.38"	1/2"	6	35	2	X	X			X		B5A 8620-C
	P/S with A/C	R3-CT	C2TE 8620-M	44.24"	1/2"			1				X			C2TZ 8620-V
(Ford) Optional X/C	R3-U	C2TE 8620-H	44.00"	1/2"	6	40	1	X	X					⊕C2TZ 8620-N	
(Ford) Optional X/C	R3-T	B6AE 8620-A	44.76"	1/2"	6	40	1	X	X					♣C1TZ 8620-C	
(Ford) Optional X/C	R3-U	C2TE 8620-H	44.00"	1/2"	6	50	1	X	X					⊕C2TZ 8620-N	
(Ford) Optional X/C	R3-T	B6AE 8620-A	44.76"	1/2"	6	50	1	X	X					♣C1TZ 8620-C	
(Autolite) Optional X/C	R3-U	C2TE 8620-H	44.00"	1/2"	6	55	1	X	X					♣C2TZ 8620-N	
(Autolite) Optional X/C	R3-BF	C2TE 8620-S	43.00"	1/2"	6	55	1	X	X					⊕B8QH 8620-E	
(Ford) Optional X/C		ECE 8577-B	36.30"	1/2"	6	60	1		X					⊕B5AZ 8620-A	
(Ford) Optional X/C	R3-AH	C2AE 8620-C	37.00"	1/2"	6	60	1		X					♣C0AZ 8620-E	
(Ford) Optional	R3-AW	C1TT 8620-F	33.00"	1/2"	6	60	1	X						C1TT 8620-F	
ALTERNATOR X/C		ECE 8577-B	36.30"	1/2"	6	50,60,95	1		X					⊕B5AZ 8620-A	
ALTERNATOR X/C	R3-AH	C2AE 8620-C	37.00"	1/2"	6	50,60,95	1		X					♣C0AZ 8620-E	
Alternator	R3-AW	C1TT 8620-F	33.00"	1/2"	6	50,60,95	1			X				C1TT 8620-F	
T/Bird(292)-Standard		R3-CM	C2TE 8620-G	41.00"	1/2"	6	35	1	X	X					C2TZ 8620-L
	P/S	R3-BB	C2AE 8620-L	41.50"	1/2"			1				X			B6S 8620-A
56	Ford (223)-Std.(exc.P/S)	R3-F	EAA 8620-B	37.02"	3/8"	12	30	1	X	X					EAA 8620-B
	With P/S		C2AE 8620-AB	36.50"	3/8"	12	30	1	X	X					C0AZ 8620-Y
	P/S	R3-CP	C2OE 8620-V	33.25"	3/8"			1				X			C2OZ 8620-H
	(Bosch) Optional X/C	R3-AV	EBP 8620-H	36.88"	3/8"	12	30,50,60	1	X	X					B7A 8620-P
	(Ford) Optional X/C		C2TE 8620-D	36.54"	3/8"	12	35	1	X	X					C2TZ 8620-J
	(Autolite) Optional		C2TE 8620-T	38.04"	3/8"	12	40	1	X	X					B9A 8620-C
	(Autolite) Optional X/C		C2AE 8620-AB	36.50"	3/8"	12	40	1	X	X					C0AZ 8620-Y
	(Ford) Optional	R3-AD	C2TE 8620-T	38.04"	3/8"	6	55	1	X	X					B9A 8620-C
	(Ford) Optional		EAA 8620-C	39.60"	3/8"	60R12	60	1	X	X					EAA 8620-C
	(Ford) Optional X/C		C2TE 8620-AD	38.58"	3/8"	60R12	60	1	X	X					B9A 8620-B
	Alternator		EAA 8620-C	39.60"	3/8"	12	30,50	1		X	X				EAA 8620-C
	ALTERNATOR X/C		C2TE 8620-AD	38.58"	3/8"	12	30,50	1		X	X				B9A 8620-B

♣ Used with B5A 8509-D Hi speed (97:1 Ratio) water pump pulley and 4 blade fan.

⊕ Used with B5A 8509-E Hi speed (1.05:1 Ratio) water pump pulley and 5 blade fan.



### 8620 BELT - WATER PUMP, FAN and GENERATOR - continued

YEAR	MODEL	ROTUNDA SALES NUMBER	BELT IDENTIFICATION MARKING	NOMINAL LENGTH	BELT WIDTH	ELECTRICAL		NO. BELTS REQUIRED	APPLICATION						PART NUMBER		
						VOLT	AMPERAGE		FAN	GENERATOR	WATER PUMP	ALTER. DRIVER BELT	GEN. PRESSOR				
57	Ford(272,292,312)-Std.	R3-CN	C2AE 8620-N	45.00"	3/8"	12	30	1		x	x					C2AZ 8620-C	
	Std. X/C	R3-N	ECZ 8620-B	44.18"	3/8"	12	30	1		x	x					B7A 8620-D	
	P/S(exc.A/C)	R3-Z	C2OE 8620-K	40.75"	1/2"			1								C2OZ 8620-J	
	A/C		C2TE 8620-U	49.76"	1/2"	12	30	2		x	x				x	B7A 8620-H	
	P/S with A/C		C2TE 8620-F	46.75"	1/2"			1							x	C2TZ 8620-K	
	(Bosch) Optional	R3-CN	C2AE 8620-N	45.00"	3/8"	12	30.50,60	1		x	x					C2AZ 8620-C	
	(Bosch) Optional X/C	R3-CN	C2AE 8620-N	45.00"	3/8"	12	30.50,60	1		x	x					C2AZ 8620-C	
	(Autolite) Optional Low cut in	R3-BM	C2AE 8620-F	44.00"	3/8"	12	40	1		x	x					C2AZ 8620-F	
	(Autolite) Optional X/C Low cut in	R3-R	B8ME 8620-A	43.44"	3/8"	12	40	1		x	x					B8ME 8620-A	
	(Autolite) Optional Except low cut in	R3-CN	C2AE 8620-N	45.00"	3/8"	12	40	1		x	x					C2AZ 8620-C	
	(Autolite) Optional X/C Except low cut in	R3-N	ECZ 8620-B	44.18"	3/8"	12	40	1		x	x					B7A 8620-D	
	(Ford) Optional		ECK 8577-A	37.58"	1/2"	12	60	1			x					B6AZ 8620-A	
	(Ford) Optional X/C	R3-AH	C2AE 8620-C	37.00"	1/2"	12	60	1			x					C0AZ 8620-E	
	(Ford) Optional Alternator	R3-AW	C1TT 8620-F	33.00"	1/2"	12	60	1			x					C1TT 8620-F	
	Alternator	R3-AW	ECK 8577-A	37.58"	1/2"	12	30.50,100	1			x					B6AZ 8620-A	
	Alternator	R3-AW	C1TT 8620-F	33.00"	1/2"	12	30, 50	1				x				C1TT 8620-F	
	Alternator	R3-AW	C1TT 8620-F	33.00"	1/2"	12	100	2				x				C1TT 8620-F	
	ALTERNATOR X/C	R3-AH	C2AE 8620-C	37.00"	1/2"	12	30.50,100	1			x					C0AZ 8620-E	
	ALTERNATOR X/C		ECE 8577-B	36.30"	1/2"	12	30.50,100	1			x					B5AZ 8620-A	
	SUPERCHARGER		ECJ 6556-C	51.96"	1/2"				Δ							B7A 8620-N	
	T/Bird (312)-Standard	R3-BB	C2AE 8620-L	41.50"	1/2"	12	30	1		x	x					B6S 8620-A	
	P/S	R3-BB	C2AE 8620-L	41.50"	1/2"			1					x			B6S 8620-A	
SUPERCHARGER		ECJ 6556-B	50.12"	1/2"			1								B7S 8620-A		
58	Ford (223)-Standard	R3-B	C2AE 8620-AE	36.00"	3/8"	12	30	1		x	x					B7A 8620-A	
	With P/S		C2AE 8620-AB	36.50"	3/8"	12	30	1		x	x					C0AZ 8620-Y	
	Std. X/C	R3-CL	C2AE 8620-R	35.58"	3/8"	12	30	1		x	x					C0DZ 8620-A	
	ROTOR TYPE P/S	R3-CP	C2OE 8620-V	33.25"	3/8"			1							x	C2OZ 8620-H	
	Roll Type P/S	R3-AP	C0AE 8620-B	33.50"	3/8"			1							x	C0AE 8620-B	
	(Bosch) Optional	R3-F	EAA 8620-B	37.02"	3/8"	12	30.50,60	1		x	x					EAA 8620-B	
	(Bosch) Optional X/C	R3-AV	EBP 8620-H	36.38"	3/8"	12	30.50,60	1		x	x					B7A 8620-P	
	(Autolite) Optional X/C	R3-AV	EBP 8620-H	36.38"	3/8"	12	40	1		x	x					B7A 8620-P	
	(Autolite) Optional	R3-F	EAA 8620-B	37.02"	3/8"	12	40	1		x	x					EAA 8620-B	
	(Ford) Optional	R3-AD	C2TE 8620-T	38.04"	3/8"	12	60	1		x	x					B9A 8620-C	
	(Ford) Optional X/C		C2AE 8620-S	37.78"	3/8"	12	60	1		x	x					B9A 8620-D	
	Alternator		C2AE 8620-AC	37.45"	3/8"	12	30.50,100	2				x	x			B7A 8620-L	
	Ford (292)-Standard	R3-CN	C2AE 8620-N	45.00"	3/8"	12	30	1		x	x					C2AZ 8620-C	
	Std. X/C	R3-N	ECZ 8620-B	44.18"	3/8"	12	30	1		x	x					B7A 8620-D	
	P/S(exc.A/C)	R3-Y	5751413	40.62"	3/8"			1							x	C0AZ 8620-A	
	A/C	R3-P	C2AE 8620-AG	43.75"	3/8"	12	35	1		x	x					B9S 8620-A	
	A/C		EDB 2890-D	52.40"	3/8"			1								x	*B8A 8620-E
	A/C		EDB 2890-C	51.30"	3/8"			1								x	‡B8A 8620-K
	P/S with A/C		C2TE 8620-F	46.75"	1/2"			1							x	C2TZ 8620-K	
	(Bosch) Optional	R3-CN	C2AE 8620-N	45.00"	3/8"	12	30.50,60	1		x	x					C2AZ 8620-C	
	(Autolite) Optional	R3-BM	C2AE 8620-F	44.00"	3/8"	12	40	1		x	x					†C2AZ 8620-F	
	(AutoLite) Optional X/C Low cut in	R3-R	B8ME 8620-A	43.44"	3/8"	12	40	1		x	x					B8ME 8620-A	
	(Autolite) Optional X/C (Except low cut in)	R3-N	ECZ 8620-B	44.18"	3/8"	12	40	1		x	x					B7A 8620-D	
	(Ford) Optional		ECK 8577-A	37.58"	1/2"	12	60	1			x					B6AZ 8620-A	
	(Ford) Optional X/C		ECE 8577-B	36.30"	1/2"	12	60	1			x					B5AZ 8620-A	
	(Ford) Optional X/C	R3-AH	C2AE 8620-C	37.00"	1/2"	12	60	1			x					C0AZ 8620-E	
	A/S	R3-AP	C0AE 8620-B	33.50"	3/8"			1							x	C0AE 8620-B	

‡ Side mounted hoses on Compressor

\* Top mounted hoses on Compressor

† Also used for Extra Cooling

Δ (1) used with F/M, (2) used with S/T or O/D





### 8620 BELT - WATER PUMP, FAN and GENERATOR - continued

YEAR	MODEL	ROTUNDA SALES NUMBER	BELT IDENTIFICATION MARKING	NOMINAL LENGTH	BELT WIDTH	ELECTRICAL		NO. BELTS REQUIRED	APPLICATION						PART NUMBER	
						VOLT	AMPERAGE		FAN	GENERATOR	WATER PUMP	ALTERNATOR	POWER STEERING	COOLANT PUMP		
59	Ford (332, 352)-Standard	R3-E	EDC 8620-A	44.41"	3/8"	12	30	1		X	X					EDC 8620-A
	Std. X/C		EDG 8620-A	43.75"	3/8"	12	30	1		X	X					B9S 8620-A
	A/C		EDJ 8620-A	42.52"	3/8"	12	30	2		X	X					C0AZ 8620-D
	A/C		EDJ 2890-B	44.40"	3/8"			1						X		* B8A 8620-C
	A/C		C2AE 8620-G	43.25"	3/8"			1						X		‡B8A 8620-F
	P/S	R3-C	C0AE 8620-A	38.50"	3/8"			1					X			C0AE 8620-A
	(Bosch) OPTIONAL X/C	R3-P	C2AE 8620-AG	43.75"	3/8"	12	30, 50, 60	1		X	X					B9S 8620-A
	(Autolite) OPTIONAL X/C	R3-P	C2AE 8620-AG	43.75"	3/8"	12	40	1		X	X					B9S 8620-A
	(Ford) OPTIONAL X/C	R3-CN	C2AE 8620-N	45.00"	3/8"	12	60	1		X	X					C2AZ 8620-C
	ALTERNATOR X/C		EDD 2890-B	55.90"	3/8"	12	60	2			X	X				B9A 8620-H
	ALTERNATOR X/C	R3-CN	C2AE 8620-N	45.00"	3/8"	12	30, 50, 60, 100	2			X	X				C2AZ 8620-C
	T/Bird (352)-Standard	R3-E	EDC 8620-A	44.41"	3/8"	12	30	1			X	X				EDC 8620-A
	(430)-Standard	R3-P	C2AE 8620-AG	43.75"	3/8"	12	30	2			X	X				B9S 8620-A
	(352)-A/C		EDC 8620-E	43.19"	3/8"	12	30	1			X	X				C0AZ 8620-B
	(352)-A/C		EDC 2890-C	53.90"	3/8"			1						X		B8S 8620-A
	(352, 430)-P/S	R3-C	C0AE 8620-A	38.50"	3/8"			1					X			C0AE 8620-A

### 8630 LOCK RING - WATER PUMP BEARING - Refer to Group 8576

--	--	--	--	--	--	--	--	--	--	--	--	--	--	--	--	--

### 8649 PLUG - FAN BLADE

50/53	A		8	239												8BA 8649
-------	---	--	---	-----	--	--	--	--	--	--	--	--	--	--	--	----------

### 8678 PULLEY ASSY. - FAN BELT IDLER - Also Refer to Group 8679

57	A, S-with supercharger		8	312	Double sheave											1	B7A 8678-A	
57	A, S-with supercharger		8	312	Single sheave												1	B7A 8678-B
59	A-with A/C		6	223													1	B9AE 8678-J
57	A, S with supercharger		8	312	Snap ring-retains bearing & idler pulley on shaft												1	352110-S7(QQ8)
59	A-with A/C		6	223	Flat washer-used as spacer between idler pulley and bracket-7/16"												1	44730-S8(X26)
59	A-with A/C		6	223	Snap ring-retains bearing to idler pulley shaft												2	352109-S7(QQ12)
59	A-with A/C		6	223	Snap ring-retains bearing to idler pulley shaft												1	352110-S7(QQ8)
59	A-with A/C		8	All	Bolt (pulley assy. to generator front bracket)-3/8"-16 x 1 1/4"												1or2	20428-S8(B82)
59/	A		6&8	All	Lockwasher-3/8"												AR	34807-S8(X66)
					Flat washer-3/8"												AR	44727-S8(X24)

### 8679 KIT - FAN BELT IDLER PULLEY - Also Refer to Group 8678

54	A		8	239	Use with 60 amp. generator											1	B8A 8679-A	
58/	A		8	332,352	Used with 60 amp. gen. or 30, 50, 60 or 100 amp. alternator system												1or2	
59/	A		8	292	Used with 60 amp. generator or 30,50,60 or 100 amp. alternator system												1	

Consists of the following

- 1-B9AE 8679-C or D Pulley
- 1-EAD 8687-A Dust cap
- 2-352109-S7 Snap ring
- 1-352110-S7 Snap ring
- 1-EDC 8682-A Dual pulley spacer

55/57	A		8	All	Use with 60 amp. gen. or 30, 50, 60, 95, 100 altnr.											1	B5A 8679-A	
58/59	A		8	292	Used with 60 amp. gen. or 30, 50 or 100 amp. altnr.												1	

Consists of the following

- 1-B9AE 8679-E Pulley
- 1-EAD 8687-A Dust cap
- 2-352109-S7 Snap ring
- 1-352110-S7 Snap ring

‡ Side mounted hoses on compressor

\* Top mounted hoses on compressor

YEAR 19	MODEL	NO. CYL.	CUBIC INCH DISP.	DESCRIPTION	QTY. PER VEHICLE	PART NUMBER
<b>8680 BRACKET and SHAFT ASSY. - FAN BELT IDLER</b>						
55/57	A	8	All	Use with 60 amp. gen. or 30, 50, 60, 95, 100 amp. alternator system	1	B5A 8680-A
58/	A	8	292	Used with 60 amp. gen. or 30, 50 or 100 amp. alternator system	1	
57	A (with supercharger)	8	312		1	B7A 8680-B
57	S (with supercharger)	8	312		1	B7S 8680-B
58/	A	8	332,352	Used with 60 amp. generator	1	B8A 8680-A
58/	A	8	332,352	Used with 30, 50 or 100 amp. alternator system	1	B8A 8680-B
59/	A	8	332,352	Used with B8A 8679-A fan belt idler pulley kit	1	B9AZ 8680-A
54	A	8	239	Bolt(brkt. to generator bracket)-3/8"-16 x 1 1/4"	2	20428-S8(B82)
				Lockwasher-3/8"	2	34807-S8(X66)
57	A, S with supercharger	8	312	Snapring-retains idler to supercharger bracket	1	370479-S(QQ76)
55/	A	8	All	Bolt (brkt. to gen. front brkt.)-3/8"-16 x 1 1/4"	1 or 2	20428-S8(B82)
				Lockwasher-3/8"	AR	34807-S8(X66)
				Flat washer-3/8"	AR	44727-S8(X24)
<b>8681 SUPPORT ASSY. - SUPERCHARGER IDLER PULLEY BRACKET</b>						
57	S	8	312		1	B7S 8681-B
				Nut (pulley & bracket to supercharger)-5/16"-24	2	33798-S8(M62)
				Lockwasher-5/16"	2	34806-S7(X64)
<b>8685 BEARING ASSY - SUPERCHARGER BELT IDLER PULLEY</b>						
57	A, S	8	312		1	B7A 8685-A
57	A, S	8	312	Ring-1 11/16" snap-retains bearing in pulley	2	370480-S(QQ75)
				Ring-5/8"-snap-used to retain bearing & idler pulley to shaft	1	352110-S7(QQ8)
<b>8686 SHAFT - SUPERCHARGER BELT IDLER PULLEY BRACKET</b>						
57	A	8	312	4.32" long	1	B7A 8686-A
<b>8689 SPRING - SUPERCHARGER BELT IDLER PULLEY BRACKET SHAFT TENSION</b>						
57	A	8	312	.207" wire diameter-with 7 1/2 coils	1	B7A 8689-B
57	S	8	312	.141" wire diameter-with 9 coils	1	B7S 8689-B
<b>8725 CLAMP ASSY. - HEATER AIR DUCT RETAINER</b>						
56	A (8 cyl.)	8	All	Used with air conditioner	1	A8A 8725-A
52/56	A	6&8	All	Also used with air conditioner	1 or 2	FAA 8725-A
55/	S	8	All		1 or 2	



## INDEX

## SECTIONS 93 and 94 - FUEL PUMP and MANIFOLD - continued

PART NAME	GROUP NUMBER	PART NAME	GROUP NUMBER
Manifold & thermostat assy. (exhaust)	9426	Seat (vacuum pump diaphragm spring)	9302
Manifold (exhaust)	9428	Shaft & counterweight assy. (exhaust thermostat control valve)	9A430
	9430-31	Sleeve (intake manifold to cylinder block)	9471
Manifold (intake)	9424-25	Spacer (link & spring retainer)	9382
Oil seal (fuel pump)	9469	Spring assy. (exhaust thermostat control valve)	9449
Pin (exhaust thermostat control valve coil spring)	9463	Spring (exhaust thermostat control valve coil)	9467
Pin (fuel pump rocker arm)	9378	Spring (fuel pump diaphragm)	9396
Plate (fuel pump valve retainer)	9361	Spring (fuel pump filter retaining)	9342
Plug (intake manifold vacuum restriction)	9427	Spring (rocker arm return)	9380
Plug (rocker arm pin)	9379	Spring (vacuum pump diaphragm)	9315
Pump assv. (fuel)	9350	Strainer assy. (fuel pump filter)	9365
Repair kit (fuel pump)	9349	Tee (fuel pump pressure balance metering)	9246
Retainer (diaphragm spring)	9371	Tube assy. (fuel pump to carburetor)	9369
Retainer (fuel pump body curled hair)	9434	Tube assy. (vacuum pump)	9413
Retainer (fuel pump oil seal)	9468	Valve assy.	9352
Rod assy. (fuel pump push)	9400	Valve assy. (exhaust thermostat control)	9A427
Screen (fuel pump filter bowl)	9368		9460
Screen (vacuum pump)	9365	Valve assy. (vacuum pump check)	9328
Seal (fuel pump oil)	9A393	Washer (fuel pump oil seal)	9411
Seal (intake manifold to cylinder block)	9A424-25	Washer (rocker arm pin)	9418
Seal (fuel pump diaphragm spring)	9317		

## SECTIONS 95, 95A, 95B, 96, &amp; 97 CARBURETOR &amp; ACCELERATOR LINKAGE

Accelerator assy.	9725	Bracket ass'y. (carburetor choke control)	9791
Adaptor (carburetor float hinge)	9A500	Bracket (accelerator bellcrank to intake manifold)	9A726
Adapter (carburetor fuel inlet)	9A520	Bracket (accelerator bellcrank to manifold)	9745
Arm (throttle shaft)-inner	9A535	Bracket (accelerator to retracting spring)	9741
Arm (throttle shaft)-outer	9A537	Bracket (choke control)	9595
Baffle (carburetor equalizer passage)	9A517		9796
Baffle plate (float body)	9553		9791
Ball (accelerator pump check)	9576	Bracket (dashpot mounting)	9B550
Ball (accelerator shaft)	9731	Bracket (supercharger control)	9764
Ball (rod to transmission control shaft lever)	9681		9796
Ball (throttle lever)	9681	Bumper (supercharger race carrier)	9-9633
Bar ass'y. (nozzle)	9920-21	Bushing (carburetor secondary throttle shaft)	9B508
Bearing (choke shaft)	9992	Bushing (fast idle cam)	9B508
Bellcrank (accelerator)	9724	Bushing (accelerator shaft bellcrank retainer screw)	9766
	9732	Cage (pump intake check ball)	9A541
Bellcrank (fast idle)	9A535	Cam ass'y. (fast idle)	9597
Body & plugs assy. (carburetor main metering)	9A511	Cam (accelerator pump diaphragm operating)	9526
Body & plugs (carb. main metering secondary)	9A513	Cap (supercharger control)	9-9651
Body & shaft ass'y. (throttle)	9518	Carburetor ass'y.	9509-10
Body ass'y. (main)	9512	Carrier ass'y. (supercharger race)	9-9598
Bowl & plugs assy. (carburetor float)	9A507	Chamber assy. (thermostatic choke heat)	9890
	9A508	Clamp assy. (supercharger hose)	8287
Bowl (float)	9559		
Bowl & plug assy. (carburetor float)	9559		
Brace (oil bath air cleaner)	9663		



## INDEX

## SECTIONS 95, 95A, 95B, 96 &amp; 97 CARBURETOR &amp; ACCELERATOR LINKAGE - continued

PART NAME	GROUP NUMBER	PART NAME	GROUP NUMBER
Lever (accelerator pump operating)	9A506	Plug (float needle seat)	9944
Lever (accelerator pump operator)	9583	Plug (fuel inlet strainer)	9522
Lever (accelerator rod to transmission control shaft)	9732		
		Plug (main body)-lead	9523
Lever (carburetor accelerator pump over travel)	9919	Plug (main jet)	9562
Lever (carburetor accelerator pump piston)	9583		
Lever (carburetor rod to transmission control shaft)	9A718	Plunger (carburetor dashpot)	9800
		Plunger (choke lever)	9537
Lever (carburetor secondary)	9584		
Lever (carburetor secondary throttle operating)	9C505	Repair kit (carburetor)	9590
Lever (carburetor thermostatic choke lever bushing)	9A756	Retainer (accelerator pump check ball)	9575
Lever (carburetor ventilator)	9D585	Retainer (fast idle rod seal)	9575
		Retainer (float bowl)	9808
Lever (choke counter shaft operating)	9A514	Retainer (float lever shaft)	9599
Lever (choke housing)	9D541	Retainer (pump link)	9599
Lever (choke plate operating)	9548	Retainer (pump operating lever)	9568
Lever (dashpot operating)	9802	Retainer (pump operating rod)	9565
		Retainer (supercharger control lever spring)	9-9645
Lever (dashpot operating)-inner	9835	Retainer (vacuum dist. ball check valve spring)	9575
Lever (dashpot operating)-outer	9836		
Lever (supercharger control)	9-9650	Ring (supercharger retaining)	9-9654
Lever (throttle shaft)-auxiliary	9583	Ring (supercharger seal)	9-9636
	9A537	Rivet (carburetor throttle & choke plate)	9586
Link assy. (choke plate)	9B547	Rod ass'y. (accelerator)	9747
Liner (carburetor thermostatic choke lever bushing)	9A756	Rod ass'y. (accelerator to trans. control shaft)	9784
Link & lever assy. (carburetor choke bracket)	9B547	Rod assy. (bellcrank to carburetor)	9772
Link (carburetor accelerator pump)	9529	Rod ass'y. (thermostatic choke lever)	9A599
		Rod (accelerator pump piston operating)	9531
Multiplier lever ass'y. (supercharger)	9-9624	Rod (accelerator shaft to bellcrank)	9A702
		Rod (accelerator to pedal)	9727
Needle (idle adjusting)	9541	Rod (bellcrank to trans. control shaft drive lever)	9785
Needle (supercharger bearing)	9-9639		
Needle (supercharger roller bearing)	9-9638	Rod (carb. accelerator pump link to throttle lever)	9B542
		Rod (carburetor air vent push)	9A515
Nozzle ass'y. (pump discharge)	9577	Rod (carburetor fast idle)	9598
Nut (accelerator to carburetor rod adjusting)	9756		
Nut (thermostatic choke control heat tube retaining)	9864	Rod (carburetor fast idle cam)	9D530
"O" ring (secondary venturi tube)	9609	Rod (carburetor pump operating)	9531
Pedal ass'y. (accelerator)	9735	Rod (carburetor secondary throttle control)	9C504
Pin (choke plate distributor)	9551	Rod (dashpot connecting)	9A527
Pin (fast idle adjusting lever)	9579	Rod (metering)	9A526
Pin (float hinge)	9558	Rod (secondary diaphragm control)	9596
Piston assy. (carburetor automatic choke)	9840	Screen assy. (filter)	9938
Piston assy. (carburetor vacuum)	9B513	Screen (carburetor nozzle bar)	9942
Piston (automatic choke)	9840	Screw (accelerator shaft bellcrank retainer)	9767
Piston (carburetor accelerator pump)	9B544	Screw (carburetor air cleaner anchor)	9A659
Piston (supercharger)	9-9623	Screw (carburetor dashpot & throttle lever adjusting)	9B502
Plate ass'y. (accelerator shaft bracket to dash)	9743	Screw (carburetor discharge nozzle)	9574
Plate ass'y. (choke)	9549	Screw (carburetor pump discharge nozzle)	9577
Plate (carburetor float bowl baffle)-secondary	9A517	Screw (choke plate)	9586
Plate (carburetor main metering)	9514		
		Screw (fuel level inspection)	9974
Plate (carburetor secondary throttle lock-out)	9C506	Screw (supercharger seal)	9-9659
Plate (choke)-R. H.	9545	Screw (throttle plate)	9586
Plate (thermostatic choke housing)	9844		
Plate (throttle)	9585	Scroll ass'y. (supercharger)	9-9594

**INDEX**

**SECTIONS 95, 95A, 95B, 96 & 97 CARBURETOR & ACCELERATOR LINKAGE - continued**

PART NAME	GROUP NUMBER	PART NAME	GROUP NUMBER
Seal (carburetor air horn)	9998	Spring (choke shaft)	9539
Seal (carburetor choke air inlet tube)	9655	Spring (dashpot plunger return)	9589
Seal (carburetor fast idle rod)	9B501	Spring (filter screen retainer)	9937
		Spring (fuel valve seat)	9959
Seal (carburetor throttle shaft)	9535		
Seal (idle adjusting needle)	9634	Spring (idle adjusting)	9578
Seal (pedal rod)	9793	Spring (idle cam lever)	9B569
Seal (supercharger drive shaft oil)	9-9662	Spring (pump lever adjusting screw)	9571
		Spring (pump piston operating rod) upper	9636
Seat (pump intake check ball)	9567		
Selector (float bowl vent)	9557	Spring (secondary throttle diaphragm return)	9B504
Servo assy. (speed control)	9C735	Spring (secondary throttle return)	9A538
		Spring (supercharger control)	9624
Shaft & lever ass'y. (choke)	9546	Spring (supercharger control lever)	9-9647
Shaft & lever (carburetor choke housing)	9A753	Spring (supercharger control valve)	9-9641
Shaft & lever (secondary throttle)	9581		
		Spring (supercharger regulator)	9-9660
Shaft ass'y. (supercharger output)	9-9655	Spring (throttle adjusting)	9578
Shaft (choke)	9547	Spring (pump operating lever)	9624
Shaft (supercharger control)	9-9653	Spring (throttle shaft return)	9A538
Shaft valve & weight assy. (carb. auxiliary throttle)	9A534	Spring (throttle tension)	9A538
Shield (choke thermostat)	9861	Stud (accelerator pump piston rod link)	9988
		Support assy. (carburetor booster venturi)	9A523
Shim (supercharger impeller)	9-9661	Swivel (supercharger)	9805
Sleeve (pump push rod)	9934	Thermostat assy. (carburetor air cleaner)	9B650
Sleeve (supercharger)	9620	Trunnion (throttle)	9773
Spacer (carburetor thermostatic choke shaft)	9812	Tube ass'y. (main well)	9991
Spacer (carburetor to intake manifold)	9A589	Tube ass'y. (thermostatic choke control)-heat	9890
Spacer (fast idle lever)	9812	Tube (carburetor balance)	9A501
Spacer (main body to throttle body)	9515	Tube (carburetor secondary venturi metering)	9A528
Spacer (secondary throttle plate control lever)	9812	Tube (float bowl connection)	9534
Spacer (supercharger)	9-9637	Tube (secondary throttle control vacuum)	9997
		Tube (secondary venturi fuel supply)	9616
Spring (accelerator lever)	9624		
Spring (accelerator bellcrank to carb. lever tension)	9736	Tube (thermostatic choke control)	9822-23
Spring (accelerator pump diaphragm return)	9636	Tube (thermostatic choke control)-inlet	9820
Spring (accelerator pump diaphragm return)	9936	Tube (thermostatic choke control)-outlet	9819
Spring (accel. pump lever return)	9636	Valve & seat (fuel inlet)	9564
Spring (accelerator pump overtravel)	9A538	Valve ass'y. (air cleaner by-pass)	9678
Spring (accelerator pump piston return)	9636	Valve assv. (carburetor spark control)	9B572
		Valve ass'y. (exhaust thermostat control)	9685
Spring (accelerator pump rod plunger)	9935		
Spring (accelerator pump rod retaining)	9560	Valve ass'y. (supercharger oil control)	9-9657
Spring (accelerator pump rod seal)	9976	Valve (carb. accelerator pump discharge needle)	9A516
	9986	Valve (supercharger regulator)	9-9658
		Valve (vacuum distributor ball check)	9576
Spring (accelerator retracting)	9737		
Spring (carburetor dashpot operating lever)	9803	Venturi assy. (carburetor secondary)	9A523
Spring (carburetor filter)	9938		
		Washer (accelerator pump piston rod)-felt	9535
Spring (carburetor float)	9A519	Washer (air bleed screw)	9811
Spring (carburetor pump)	9636		
Spring (carburetor secondary throttle override)	9B561	Washer (carburetor fast idle rod seal)	9647
		Washer (throttle shaft seal retainer)	9566
Spring (carburetor secondary vacuum control valve)	9578		
Spring (carburetor thermostatic choke)	9A590	Weight (carburetor pump discharge ball)	9B511
Spring (choke lever plunger)	9587		

## SECTION 90

## FORD CAR PARTS

YEAR 19	MODEL	DESCRIPTION	QTY. PER VEHICLE	PART NUMBER
<b>9002 TANK ASSY. - FUEL</b>				
52/54	A (except S/D, S/W)	16.6 gal. capacity, with "U" vent tube-used with AB 9030-C	1	AB 9002-G
52/56	S/D, S/W	19.5 gallon capacity	1	B5A 9002-H
55	A (except S/D, S/W)	17.5 gallon capacity	1	B5A 9002-G
55	S	17.5 gallon capacity	1	B5S 9002-D
56	A (except S/D, S/W)	17.5 gallon capacity	1	B6A 9002-A
56	S	17.5 gallon capacity	1	B6S 9002-A
57	S	20 gallon capacity	1	B7S 9002-A
57/58	A (except S/D, S/W, 51A, 66)	20 gallon capacity	1	B7A 9002-B
58/59	S/D, S/W, 66	20 gallon capacity	1	B8A 9002-A
57	S/D, S/W, 66	Use with (2) B8A 9092-A & (2) B8AZ 9A010-A and extend fuel line by using 8C 2269-A tubing 11.00" long for 8 cyl. and 26.00" long for 6 cyl. with 1-87213-S connector & 2-87944-S8 fittings	1	
58/59	51A	17.5 gallon capacity	1	B8A 9002-B
57	51A	Use with (2) B8A 9092-B & B8AZ 9A010-A	1	
58/	S	20 gallon capacity	1	B9S 9002-A
59	A (except S/W, 51A, 66C)	20 gallon capacity	1	B9A 9002-A
52/56	A (except S/D, S/W), S	Plug (tank drain)-1/4"-18 x 3/4"-extended head	1	353055-S7(PP29)
49/51	S/W		1	
57/	A(except 51A), S		1	
57/59	51A		2	
<b>9A010 BOLT - FUEL TANK STRAP</b>				
55/56	S	3/8"-16 x 8.23" long including loop	2	B5SZ 9A010-A
55/58	A (except S/D, S/W)	3/8"-16 x 6.82" long including loop on one end	2	B5AZ 9A010-A
57	S/D, S/W, 66	3/8"-16 x 6.50" long including loop-L. H.	1	B7AZ 9A010-B
57	S	3/8"-16 x 5.91" long including loop	2	B7SZ 9A010-A
57/58	S/D, S/W, 66	Use with B8A 9002-A	2	B8AZ 9A010-A
57/58	51A	Use with B8A 9002-B	2	
58/59	S/D, S/W, 66	Use as L. H. bolt	1	
58/	A (except S/D, S/W, 66)		2	
57/59	S/D, S/W, 66	3/8"-16 x 5.60" long carriage bolt-R. H.	1	B7AZ 9A010-A
58/59	S	3/8"-16 x 4.37" long including loop	2	B8SZ 9A010-A
55/	A(except S/D, S/W), S	Nut-3/8"-16	2	*34444-S8
		Washer-3/8"-flat	2	44727-S8(X24)
<b>9030 CAP ASSY. - FUEL TANK FILLER</b>				
49	A (except S/W)		1	8A 9030-B
49/51	S/W		1	
49/54	A	Vented-locking type	1	B6AZ 9030-A
55/56	S/D, S/W		1	
53/59	A (except S/D, S/W, 51A, 66)	Non-vented-deep cam	1	B9A 9030-A
59	S/W, 51A, 66	Vented	1	B9A 9030-C
57/58	S/D, S/W, 51A, 66		1	
50/53	A(except S/D, S/W)		1	
52/56	S/D, S/W, S		1	
57/	S		1	
59	A(S/W), 51A, 66	Vented	1	C3AZ 9030-A
55/59	S/D, S/W, 51A, 66, S	Vented-locking type	1	C0AA 9030-A
49/	A	Vented-locking type-Rotunda No. R-32-C	1	C4RZ 9030-C
55/	S		1	
<b>9034 PIPE ASSY. - FUEL TANK FILLER</b>				
52/54	S/D, S/W		1	BA 9034-A
55/56	S/D, S/W		1	B5A 9034-A
57	51A		1	B7A 9034-A
57	S		1	B7S 9034-A
57/58	S/D, S/W		1	B7A 9034-B
58	51A		1	B8A 9034-A
59	51A		1	B9A 9034-A
59	S/W, 66C		1	B9A 9034-B
52/54	S/D, S/W	Bolt (filler pipe to pipe support)-1/4"x 20 x 5/8"	1	20324-S8(B41)
		Nut-1/4"-20	1	33795-S7(M49)
		Washer-1/4" flat	1	44720-S8(X18)
		Lockwasher-1/4"	1	34805-S8(X62)



# FORD CAR PARTS

## SECTION 90

293

YEAR 19__	MODEL	DESCRIPTION	QTY. PER VEHICLE	PART NUMBER
<b>9034 PIPE ASSY. - FUEL TANK FILLER - continued</b>				
57	S/D, S/W	Screw (filler pipe to collar-quarter-panel filler opening)-1/4"-20 x 3/4"	1	20344-S8(B42)
57		Nut-1/4"-20	1	33795-S8(M49)
		Lockwasher-1/4"		34805-S8(X62)
57	S/D, S/W, 66	Nut retainer assy. (fuel tank filler pipe to quarter panel fuel filler opening collar)1/4"-20	1	354394-S2(MM187)
57/	S/D, S/W, 51A, S	"O" ring (fuel filler neck)-1.80" I. D. -2.24" O. D. -rubber)	1	370322-S92(KK52)
<b>9044 'O' RING - FUEL TANK VENTILATOR TUBE</b>				
57	51A	.487" I. D.	1	B7A 9044-A
<b>9046 BRACKET - FUEL TANK REAR SUPPORT</b>				
52/54	S/D, S/W		1	AB 9046-A
55/56	S/D, S/W		1	B5A 9046-A
52/53	S/D, S/W	Bolt (fuel tank rear support bracket to fuel tank)-3/8"-24 x 3/4"-hex. drilled head	1	350508-S7(BB356)
54/56	S/D, S/W	Bolt (bracket to fuel tank)-3/8"-24 x 1"	1	20389-S8(B171)
54/56	S/D, S/W	Nut-3/8"-24	1	33800-S8(M63)
52/56	S/D, S/W	Bolt (bracket to frame)-3/8"-16 x 3/4"	2	20348-S8(B77)
		Lockwasher-3/8"-spring		357629-S7(XX3-3)
<b>9047 HOSE - FUEL TANK TO FILLER PIPE</b>				
49/51	A	2.18" I. D. -4.75" long	1	C3OZ 9047-A
52/56	S/D, S/W		1	
49/51	A	Clamp ass'y. (fuel tank filler hose)-2.6" diam.	2	8A 8287
49/51		Screw (fuel tank filler hose clamp) - No. 10-32 x 1 1/2"-round head	2	27177-S7(U177)
		Nut-No. 10-32		34079-S7(M163)
<b>9048-49 TUBE ASSY. - FUEL TANK VENT - UPPER</b>				
57/58	A (except S/D, S/W, 51A)		1	B7A 9048-A
59	A (except S/W, 51A, 66)		1	B9A 9048-A
55/59	A (except S/D, S/W)	Nut (tube to rear floor pan extension to quarter panel)-5/16"-18	2	33797-S7(M50)
		Lockwasher-5/16"	2	34806-S7(X64)
<b>9050 SEAL - FUEL TANK VENT UPPER TUBE</b>				
55/	A (except S/D, S/W, 51A)	2"long-1"wide-1/4"thick-w/three 9/32" dia. holes	1	B5A 9050-A
<b>9068 BRACKET - FUEL TANK FRONT SUPPORT</b>				
52/56	S/D, S/W	7.95" long-2.50" wide	2	B5A 9068-A
52/53	S/D, S/W	Bolt (fuel tank front support bracket to fuel tank)-3/8"-24 x 3/4"-hex. drilled head	4	350508-S7(BB356)
52/54	S/D, S/W	Bolt (fuel tank front support bracket to frame)-3/8"-16 x 3/4"	4	20348-S8(B77)
54	S/D, S/W	Bolt (bracket to fuel tank)-3/8"-24 x 1"	4	20389-S8(B171)
		Nut-3/8"-24	4	33800-S8(M63)
		Lockwasher-3/8"		34847-S8(X74)
55/56	S/D, S/W	Bolt (bracket to fuel tank & frame)-3/8"-24 x 1"	8	20389-S8(B171)
		Nut-3/8"-24	8	33800-S8(M63)
		Lockwasher-3/8"-spring		357629-S7(XX3-3)
<b>9A068 BLANKET - FUEL TANK</b>				
57	A (except S/D, S/W, 51A, 66)	19.75" x 30"	1	B7AZ 9A068-A
58/	S	Pad (fuel tank insulator)-2.50" x 12.50"-cut to suit	1	
<b>9069 GROMMET - FUEL TANK VENT PIPE</b>				
55/59	A (except S/D, S/W, 51A, 66)	.28" I. D. -.88" O. D. -.40" thick	1	B5A 9069-A
<b>9077 PLUG - FUEL TANK DRAIN</b>				
51	A (except S/W)	7/8"-20	1	*0A 9077
52	A		1	
53/56	S/D, S/W		1	
51/52	A	Gasket (drain plug)-.10" thick	1	0A 9388
53/	S/D, A (S/W)	-.88" I. D. -1.25" O. D.	1	
52/53	A (except S/D, S/W)	Plug (tank drain)-1/4"-18 x 3/4"-extended head	1	353055-S7(PP29)
<b>9080 GROMMET - FUEL TANK FILLER TO QUARTER PANEL - ROUND</b>				
50/56	A (except S/D, S/W, 51A, 66)	2.25" I. D. -3.65" O. D.	1	B7A 9080-A
55/	S		1	
57/58	51A	2.60" I. D. -5.20" O. D.	1	B7A 9080-B
59	51A		1	B9A 9080-A

YEAR 19	MODEL	DESCRIPTION	QTY. PER VEHICLE	PART NUMBER
<b>9092 STRAP ASSY. - FUEL TANK SUPPORT</b>				
52/54	A (except S/D, S/W)	1.26" wide angle reinforcement one end and	2	B7A 9092-C
57	S/D, S/W, 66	.38" x 2.25" elongated hole in straight end	2	
55/56	A (except S/D, S/W)	1.26" wide-angle reinforcement on one end and	2	B6A 9092-A
		.38" x 2.25" elongated hole in straight end		
55/56	S	1.25" wide-90° angle reinforcement on one end	2	B6S 9092-A
		and hook shaped indented reinforcement on		
		opposite end		
57	51A	1.26" wide-90° angle reinforcement on one end	2	B7A 9092-A
		and .38" x 2.25" elongated hole in straight end		
57	S	1.70" wide angle reinforcement on one end	2	B7A 9092-B
		and .32" x 1.00" slot in straight end		
57/59	A (except S/D, S/W, 51A)	1.26" wide-hook shaped reinforcement at one end	2	B7A 9092-D
		and a 90° reinforcement with a 9/16" diameter		
		hole at opposite end		
57/59	S/D, S/W, 66	Use with B8A 9002-A	2	B8A 9092-A
57/59	51A	Use with B8A 9002-B	2	B8A 9092-B
58/	S		2	B8S 9092-A
54	A (except S/D, S/W)	Stud (strap to rear floor pan)-3/8"-16 &	2	88442-S(W17)
		24 x 2 1/8"		
		Nut-3/8"-24	2	34445-S7-8(M80)
		Washer-3/8" flat	2	44727-S8(X24)
<b>9100 SUPERCHARGER ASSY.</b>				
57	A, S		1	*†B7A 9100-B
57	A	1/4" O. D. -27.73" long-make from 91A 2269	1	*†EDB 66558-A
		tubing & (2) 87943-S8 fittings		
57	S	1/4" O. D. -40.75" long-make from 91A 2269	1	*†ECJ 66558-A
		tubing & (2) 87943-S8 fittings		
57	A, S	Connector (tube to cyl. block) 1/4" tube to 1/4"	1	†358238-S(II-68)
		pipe		
57	S	Clip (pressure line to fuel line)	1	†371035-S8(GG85)
<b>9102 SUPPORT ASSY. - SUPERCHARGER MOUNTING</b>				
57	A		1	†B7A 9102-A
57	S		1	†B7S 9102-A
<b>9103 BRACKET - SUPERCHARGER</b>				
57	A	Upper	1	*†B7A 9103-A
57	A	Lower	1	*†B7A 9103-B
57	S	To water pump	1	†B7A 9103-A
57	S	To exhaust manifold	1	†B7S 9103-B
<b>9104 TUBE ASSY. - SUPERCHARGER TO CRANKCASE - OIL DRAIN</b>				
57	A		1	†B7A 9104-B
57	S		1	†B7S 9104-B
57	A, S	Elbow (drain tube to supercharger blower)-	1	*†87499-S
		45°-7/16"-1/4" x 11/16"-18		
<b>9106 PULLEY - SUPERCHARGER</b>				
57	A, S		1	†B7A 9106-B
<b>9107 SHIELD - SUPERCHARGER AIR INLET HOSE - HEAT</b>				
57	S		1	*†B7S 9107-B
<b>9108 WIRE ASSY. - SUPERCHARGER CONTROL</b>				
57	A	16.06" to ball	1	*†B7A 9108-A
57	A	Rod ass'y. (supercharger to carb.)-formed	1	†B7A 9108-B
		11.26" between rod end connection centers		
57	A	Clip (supercharger control wire)	1	354342-S8(GG82)
57	S	32.00" long	1	†B7S 9108-A
57	S	Wire ass'y. (supercharger control)-28.25"	1	†B7S 9108-C
		to center of ball stud		
<b>9109 STOP - SUPERCHARGER CONTROL WIRE ASSY.</b>				
57	S		1	*†B7S 9109-A
<b>9155 FILTER ASSY. - FUEL</b>				
57	A	With supercharger	1	B7T 9155-A
57	S	With supercharger	1	B7S 9155-B
55/59	S (292, 312, 352)		1	B7S 9155-A
57	A	With dual 4/B carburetor	1	
59/	S (430)		1	C0DZ 9155-A

† Used with Supercharger

GROUP NO.	MODEL	DESCRIPTION	QTY. PER VEHICLE	PART NUMBER	
<b>9156 FUEL FILTER LINE CHART</b>					
<b>MAKE FROM 8C 2269-A TUBING (5/16" DIAMETER)</b>					
YEAR 19__	MODELS	ENGINE		DEVELOPED LENGTH	DESCRIPTION, ETC.
		NO. CYL.	CUBIC INCH DISPLACEMENT		
<b>FUEL FILTER TO CARBURETOR - CUT TO SIZE &amp; USE (2) FITTINGS 87944-58</b>					
55/56	S	8	292, 312	21.63"	
57	S (except w/fuel & vacuum pump)	8	292, 312	9.28"	
57	S (with fuel & vacuum pump)	8	292, 312	10.00"	
57	A	8	312	25.50"	Use with supercharger
59/	S	8	430	19.36"	
<b>FUEL FILTER TO FUEL PUMP - CUT TO SIZE &amp; USE (2) FITTINGS 87944-58</b>					
55/56	S	8	292, 312	19.47"	
57	S	8	292, 312	21.00"	
57	A	8	312	24.62"	Use with supercharger
57	A	8	312	18.54"	Use with dual 4/B carburetor
<b>FUEL FILTER TO TEE - CUT TO SIZE &amp; USE (2) FITTINGS 87944-58</b>					
57	A	8	312	16.78"	Use with dual 4/B carburetor
57	S	8	312	6.90"	Use with dual 4/B carburetor
YEAR 19__	MODEL	DESCRIPTION		QTY. PER VEHICLE	PART NUMBER
55/56	S	Nut - 5/16" flared tube-1/2"-20		4	87944-S8(I-22)
55/56	S	Connector - 5/16" flared tube-1/8" x 1/2"-20		2	87972-S(I-13)
57	A, S	Tee-three way (carburetor front & rear tube assy & fuel filter to carburetor)-5/16" tube		1	*#87479-S
<b>9170 HOSE - FUEL TANK VENT PIPE - RUBBER - Also Refer to Group 9324</b>					
55	A(except S/D, S/W)	.28" I.D. -.56" O.D. -.27" long-cut from C2AZ 9324-A		1	*B5A 9170-C
56	A(except S/D, S/W)	.28" I.D. -.56" O.D. -.14" long-cut from C2AZ 9324-A		1	*AF 9170-C
57/58	A (except S/D, S/W)			1	
57	S	.22" I. D. -.50" O. D. x 6.00" long		1	B7S 9170-A
59	A (except S/W, 51A)	.28" I. D. -. 56" O. D. -.15.00" long-cut from C2AZ 9324-A		1	
<b>9171 CLAMP - FUEL TANK VENT HOSE</b>					
55/58	A (except S/D, S/W, 51A)	.50" diameter-self tightening type		2	8M 9171-B
59	A(except S/W, 51A), S			2	
55/	S/D, S/W	Clamp (fuel tank vent pipe hose)		2	59T 2342-A
57/58	S	.465" I. D.		2	B7S 9171-A
<b>9180 BRACKET - FUEL FILTER</b>					
55/59	S			1	B5S 9180-A
57	A	Used with supercharger, also used with dual 4/B carburetor		1	B7A 9180-A
57	A, S	Bracket (vacuum pump to windshield wiper hose tube) bend into position		1	*†B6Q 9180-A
55/59	S	Bolt (bracket & intake manifold to cylinder head -3/8"-16 x 1 3/8"		1	20448-S8(B83)
		Lockwasher-3/8"			34807-S8(X66)
<b>9202 FLOAT - FUEL GAUGE - TANK UNIT</b>					
49/56	A			1	01A 9202
<b>9212 TERMINAL - FUEL GAUGE</b>					
54	A	1.38" long		1	FAA 9212-A
54	A	Screw (terminal to gauge)-No. 8-32 x 1/2"-fillister head		1	31061-S8(U50)
		Lockwasher-No. 8			34938-S8(X85)
<b>9229 GASKET - CARBURETOR FUEL INLET ADAPTOR - Also Refer to 9510 Carburetor Parts List - Section 95A</b>					
55	S			1	EAD 9229-A
55	A (8 cyl. 272 "182 H. P. Special" with F/M)			1	

# Used with dual 4 barrel carb. † Used with Supercharger

YEAR 19__	MODEL	DESCRIPTION	QTY. PER VEHICLE	PART NUMBER
<b>9229 GASKET - CARBURETOR FUEL INLET ADAPTER - continued - Also Refer to 9510 Carburetor Parts List - Section 954</b>				
55/56	S	Used with B2TZ 9A520-A	1	C2AZ 9229-A
55	A ("182 H.P. Special" with F/M)		1	
56	F/L, S/W, A (Special)-8 cylinder		1	
57	A, S	Use with B7A 9510-AA, AB, F, G, H, K, R, S, T, U- B8A 9510-G-B7AE 9510-A, B	1	
57	A	Use with B7AZ 9A520-A	1	
57	A, S	Use with dual 4 barrel carburetor	2	
57	A, S	Used with supercharger carb. -B7A 9510-V & AC	1	
57/	A, S	Used with carb. B8A 9510-A, C, D, E, H, K, L, N, P, R, S, T, V-B9A 9510-A, B, C, D, E-B9AE 9510-B, AS B9AZ 9510-A, B	1	
55/56	S	"O" ring (carburetor inlet tube seal)-. 38" O. D. - . 24" I. D. -. 07" thick	2	B5A 9229-A
55	A ("182 H.P. Special" with F/M)		2	
56	F/L, S/W, A (Special)-8 cylinder		2	
57	A	"O" ring (float bowl baffle plate retainer)-used with carb. B7A 9510-F, G & K	1	
57	A, S	"O" ring (baffle plate retainer)-used with B7A 9510-H	2	
57	A, S	Use with dual 4 barrel carb. -B7A 9510-P	4	
57	A, S	Use with supercharger carb.- B7A 9510-V or AC	2	
57/	A, S	"O" Ring (carburetor inlet connecting tube)- used with carburetor B8A 9510-C, T, B7AE 9510-A, B9AZ 9510-A	2	
57/	A, S		1	B7A 9229-A
<b>9242 FERRULE - FUEL LINE</b>				
49/51	A	1/4" I. D. -1/4" long	2	B 9242-A
52/54	A (8 cyl. 239)		2	
56	S, F/L, S/W, A (Special)-8 cylinder	Choke control outlet tube to carburetor	1	
57	A, S-8 cylinder		1	
58	A (66, 70, 73, 78 only) 8 cyl. (with governor)	Thermostatic choke control outlet tube to	1	
59	A (8 cyl. )	carburetor	1	
58/	A, S(8 cyl. 292, 332, 352)	Thermostatic choke tube to carburetor	1	
<b>9243 NUT - FUEL LINE</b>				
49/51	A	1/4"	2	B 9243-A
52/54	A (8 cyl. 239)		2	
<b>9246 TEE - FUEL PUMP PRESSURE BALANCE METERING</b>				
57	A, S	(Adaptor to supercharger)	1	†B7A 9246-A
<b>9268 ELBOW - CARBURETOR PRESSURE BALANCE METERING</b>				
57	A, S	(Adaptor to carburetor)	1	†B7A 9268-A
<b>9273 GAUGE ASSY. - OIL PRESSURE - INSTRUMENT PANEL UNIT</b>				
49/50	A	Red indicator hand	1	★ 8A 9273-B
51	S/W		1	
51	A (except S/W)	White indicator hand	1	★ 1A 9273-B
52/53	A	Red indicator hand	1	FAB 9273-B
49/53	A	Screw (oil pressure gauge attaching)- No. 8-32 x 1/4"-fillister head	2	★37611-S7
49/53	A	Nut (oil pressure gauge terminal)-No. 10-32	2	34079-S7(M163)
		Lockwasher-No. 10		34803-S7(X60)
<b>9275 GAUGE ASSY. - FUEL - TANK UNIT</b>				
52/53	A (except S/D, S/W)		1	FAA 9275-A
54/56	A (except S/D, S/W), S	6 volt	1	B5A 9275-A
56	A (except S/D, S/W), S	12 volt	1	B6A 9275-A
57	S/D, S/W	12 volt	1	B7A 9275-C
57/58	A (except S/D, S/W, 51A)	12 volt	1	B7A 9275-F
57	S		1	
57/59	S/D, S/W, 66	12 volt	1	B7A 9275-G
57/59	51A	12 volt	1	B7A 9275-B
58/	S	12 volt	1	B8S 9275-A
59	A (except S/W, 51A)		1	B9A 9275-A
52/53	A	Screw (tank unit fuel gauge to tank)- No. 10-32 x 5/8"-fillister head	6	31628-S7(U58)
		Lockwasher-No. 10		34803-S7(X60)
49/	A, S	Screw (gauge to fuel tank)-No.10-32 x 1/2" round hd.	6	27081-S8(U175)
		Flat washer-. 19" I. D. -. 35" O. D.		351270-BS(XX72)

† Used with Supercharger.

# FORD CAR PARTS

## SECTION 90

297

YEAR	MODEL	DESCRIPTION	QTY. PER VEHICLE	PART NUMBER		
<b>9275 KIT - GAUGE ASSY. - FUEL TANK UNIT</b>						
52/55	S/D, S/W	6 volt-less float rod and float	1	B5AF 9275-A		
49/51	A		1			
Consists of the following						
	1-B5AF 9A054-A	Gauge assy.	1-B6A 9276-A	Gasket	1-42795-S8	Screw & L/washer
	1-FAA 9212-A	Terminal	1-B5AF 9B279-A	Sleeve	1-373475-S8	Screw (set)
56	S/D, S/W	12 volt-less float rod and float	1	B6AF 9275-A		
Consists of the following						
	1-B6AF 9A054-A	Gauge assy.	1-B6A 9276-A	Gasket	1-42795-S8	Screw & L/washer
	1-FAA 9212-A	Terminal	1-B5AF 9B279-A	Sleeve	1-373475-S8	Screw (set)
<b>9276 GASKET - FUEL GAUGE - TANK UNIT</b>						
49/56	A, S	2" I. D. - 3.16" O. D. - .12" thick - six 5/32" dia. holes	1	C1TF 9276-A		
57/59	A, S	Buna rubber - 2.12" I. D. - 2.29" O. D. - .16" thick	1	B9AF 9276-A		
<b>9277 RING - FUEL TANK SENDER RETAINER LOCKING</b>						
57/59	A, S		1	B7A 9277-A		
<b>9278 GAUGE ASSY. - OIL PRESSURE - ENGINE UNIT</b>						
49/53	A	No. 80 stamped on surface above threads	1	41A 9278		
54/	A, S	No. 7 stamped on hex. surface	1	B6A 9278-B		
49/53	A	Screw (oil pressure gauge engine unit) - No. 8-32 x 1/4" - round head	1	26457-S7(U167)		
		Lockwasher - No. 8		34802-S7(X59)		
<b>9280 GAUGE ASSY. - FUEL - INSTRUMENT PANEL UNIT</b>						
49/50	A	Red indicator hand	1	8A 9280-B		
51	S/W		1			
51	A (except S/W)	Red indicator hand	1	1A 9280-A		
52/53	A	Red indicator hand	1	FAB 9280-B		
54	A		1	FAG 9280-A		
55	A, S	6 volt	1	B5A 9280-A		
56	A	6 volt	1	B6A 9280-E		
56	S	12 volt	1	B6S 9280-A		
56	A	12 volt	1	B6A 9280-D		
57	A	12 volt	1	B7A 9280-A		
57	S	12 volt	1	B7S 9280-A		
58	A		1	B8A 9280-A		
58	S	Fuel & temperature	1	B8S 9280-B		
59	A		1	B9A 9280-A		
59	S	Fuel & temperature	1	B9S 9280-A		
49/59	A	Screw (gauge attaching) - No. 8-32 x 1/4" - fillister head - pointed	AR	*37611-S7		
57	S		AR			
49/53	A	Nut (fuel gauge terminal) - No. 10-32	2	34079-S7(M163)		
		Lockwasher - No. 10		34803-S7(X60)		
52/54	A	Nut (front line to tank and flexible line) - 5/16" flared tube - 1/2" - 20	2	87944-S8(I-22)		
55	A, S	Screw (gauge to speedometer rear. lower and upper housings) - No. 8-32 x 1/4" - round head	2	26457-S7(U167)		
56	S		2			
		Lockwasher - No. 8		34802-S7(X59)		
<b>9281 MASK - FUEL and TEMPERATURE GAUGE</b>						
58/	S		1	B9S 9281-A		
<b>9B281 CLIP - FUEL FILTER BRACKET</b>						
55/59	S		1	B5TZ 9B281-A		
57	A		#1	B7TZ 9B281-A		
55/59	S	Screw (clip to brkt.) - No. 10-32 x 1/2" - round head	1	27081-S8(U175)		
		Lockwasher - No. 10		34803-S7(X60)		
<b>9282 FUEL LINE CHART</b>						
YEAR	LOCATION	MODEL	CUT TO SIZE			
<b>MAKE FROM 8C 2269-A TUBING (5/16" DIAMETER) CUT TO SIZE &amp; USE (2) FITTINGS 87944-S8</b>						
49/50	Front	A (8 cylinder)	34.75"			
49/50	Rear	A (except S/W & convertible coupe)	96.04"			
49/51	Front	A (6 cylinder)	50.70"			
49/50	Rear	Convertible	96.04"			
49/51	Rear	S/W	106.90"			
51	Front	A (8 cylinder)	35.00"			
51	Rear	A (except S/W)	107.00"			

# Use with dual 4 barrel carburetor

9282 FUEL LINE CHART - continued				
YEAR	LOCATION	MODEL	CUT TO FIT	
<b>MAKE FROM 8C 2269-A TUBING (5/16" DIAMETER) CUT TO SIZE &amp; USE (2) FITTINGS 87944-S8</b>				
52	Front	A (6 cylinder)	41.38"	
52	Rear	A (6 cylinder except S/D & S/W)	133.19"	
52	Rear	S/D & S/W (6 cylinder)	131.63"	
52/53	Front	A (8 cylinder)	25.00"	
52/53	Rear	A (8 cylinder except S/D & S/W)	114.38"	
52/53	Rear	S/D & S/W (8 cylinder)	121.45"	
52/53	One piece	A (6 cylinder except S/D & S/W)	172.00"	
52/53	One piece	S/D & S/W (6 cylinder)	175.00"	
54	One piece	A (6 cylinder except S/D & S/W)	165.50"	
54	One piece	S/D & S/W (6 cylinder)	164.75"	
54	One piece	A (8 cylinder except S/D & S/W)	149.50"	
54	One piece	S/D & S/W (8 cylinder)	157.20"	
54	One piece	S/D & S/W (8 cylinder) - with dual exhaust	153.62"	
55/56	Tank to fuel pump	A-6 cyl. 223 (except S/D, S/W)	165.00"	
55/56	Tank to fuel pump	S/D, S/W - 6 cyl. 223	163.75"	
55/56	Tank to fuel pump	A-8 cyl. 272 (except S/D & S/W)	162.68"	
55/56	Tank to fuel pump	S/D, S/W - 8 cyl. 272	164.00"	
55/56	Tank to pump-rear	S	60.50"	
55/57	Tank to pump-front	S	65.00"	
57	Tank to pump-rear	S	64.00"	
57	Tank to fuel pump	A (6 cyl. 51A)	146.00"	
57	Tank to fuel pump	A (6 cyl., 59A, 59B, 66A, 78A, 79C, 79D, 79E)	176.25"	
57	Tank to fuel pump	A (6 cyl., 57A, 57B, 58A, 58B, 63A, 63B, 64A, 64B, 76B)	176.13"	
57	Tank to fuel pump	A (6 cyl., 70A, 70B, 70D, 73A, 73B)	171.13"	
57	Tank to fuel pump	A (8 cyl. 51A)	131.00"	
57	Tank to fuel pump	A (8 cyl., 57A, 57B, 58A, 63A, 63B, 64A, 64B, 76B)	173.55"	
57	Tank to fuel pump	A (8 cyl., 59A, 59B, 66A, 78A, 79C, 79D, 79E)	169.00"	
57	Tank to fuel pump	A (8 cyl., 70A, 70B, 70D, 73A, 73B)	169.75"	
57	Front	A (used with dual 4/B carb.)	3.92"	
57	Tee to carb. rear	A (used with dual 4/B carb.)	13.69"	
57/	Fuel line extension	A (with S/T & O/D)(6 cylinder)-use with governor		
58	Tank to fuel pump	A (6 cyl. 51A)	146.00"	
58	Tank to fuel pump	A (6 cyl. 57, 58)	176.00"	
58	Tank to fuel pump	A (6 cyl. 59, 66, 78, 79)	201.45"	
58	Tank to fuel pump	A (6 cyl. 63, 64, 76)	177.00"	
58	Tank to fuel pump	A (6 cyl. 70, 73)	173.00"	
58	Tank to fuel pump	A (8 cyl. 51A)	125.37"	
58	Tank to fuel pump	A (8 cyl. 57, 58)	170.87"	
58	Tank to fuel pump	A (8 cyl. 59, 66, 78, 79)	179.00"	
58	Tank to fuel pump	A (8 cyl. 63, 64, 76)	172.12"	
58	Tank to fuel pump	A (8 cyl. 70, 73)	167.12"	
58	Tank to fuel pump	S	188.00"	
59	Tank to union	S (8 cyl-430)	3.52"	
<b>MAKE FROM 8C 2269-A TUBING (5/16" DIAMETER) CUT TO SIZE &amp; USE (1) 87944-S8 FITTING</b>				
59	Tank to fuel pump	A (6 cyl. 57, 58, 63, 64, 76)	190.00"	
59	Tank to fuel pump	A (6 cyl. 59, 66, 71)	203.00"	
59	Tank to fuel pump	A (8 cyl. 57, 58, 63, 64, 76)	171.00"	
59	Tank to fuel pump	A (8 cyl. 51A)	131.00"	
59	Tank to fuel pump	A (8 cyl. 59, 66, 71)	179.00"	
59/	Tank to fuel pump	S (except with air conditioning)	188.00"	
59/	Fuel pump to hose	S (430) (except with air conditioning)	20.30"	
YEAR	MODEL	DESCRIPTION	QTY. PER VEHICLE	PART NUMBER
55/	A	Nut (fuel line to tank and flexible line)-5/16"	2	87944-S8(I-22)
55/	S	flared tube-1/2"-20	4	
49/54	A	Union (rear fuel line to front fuel line)-5/16"	1	87213-S(I-47)
55/	S	Union (fuel line)-5/16"	1	
57	A, S	Tee-three way (carb. front and rear tube assv. & fuel filter to carb.)-5/16" tube	1	#+87479-S
59	S (8 cyl. 430)	Union (fuel pump tube to fuel tank tube)-reduction-5/8"-1/2"	1	372060-S(II-62)
59	S (8 cyl. 430)	Connector-3/8" flared tube-5/8"-18 female thread-1/4"-20 male thread	AR	87945-S8(I-23)
59/	S	Clip (tube-fuel tank to pump to under body)	1	352977-S100(GG156)

# Used with dual 4 barrel carburetor

† Used with Supercharger

# FORD CAR PARTS

## SECTION 93

YEAR 19__	MODEL			DESCRIPTION	QTY. PER VEHICLE	PART NUMBER	
<b>9288 LINE ASSY. - FUEL PUMP TO FUEL TANK LINE - FLEXIBLE - Also Refer to Group 9324</b>							
49/50	A			1/2"-20 male connector -9.00" long	1	7HC 9288-A	
51/58	A, S			1/8"-27 male connector-9.00" long	1	1A 9288-A	
59	A, S (except 430)			1/8"-27 thread one end-15.20" long-cut to 9.22" long	1	C1UU 9288-A	
59	S (8 cyl. 430)			9" long	1	B7TZ 9288-A	
54	A (8 cyl. 239)			Adapter (fuel line to fuel pump)-1/8"x 90° elbow	1	357466-S(II-153)	
55/	S				1		
YEAR 19__	MODEL	NO. CYL.	CUBIC INCH DISP.	DESCRIPTION	*FUEL PUMP CATALOG SYMBOL	QTY. PER VEHICLE	PART NUMBER
<b>9302 SEAT - VACUUM PUMP DIAPHRAGM SPRING</b>							
49/	A, S	6&8	All		4, 5, 11, 12, 13, 16,17,18,19,21, 22,23,24,25,28, 31,32,33,34,36, 38,40,44,45,47, 49, 51, 53, 54	1	A8T 9302-A
<b>9310-11 LINK - VACUUM PUMP ROCKER ARM</b>							
49/50	A	6&8	All	R. H.-serviced in kit 9349 L. H.-serviced in kit 9349	4,5 4,5	1 1	A8T 9310-A *A8T 9311-A
49/54	A	6&8	All	R. H.-serviced in kit 9349	11,12,13,16,17, 18,19,21,22,23, 24,25,28,31,32, 33,34	1	B1A 9310-A
49/54	A	6&8	All	L. H.-serviced in kit 9349	11,12,13,16,17, 18,19,21,22,23, 24,25,28,31,32, 33,34	1	B1A 9311-A
55/	A, S	6&8	All	Serviced in kit 9349	36,38,40,41,44, 45,47,49,51,54	1	B5A 9310-A
<b>9314 DIAPHRAGM ASSY. - VACUUM PUMP</b>							
49/50	A	6&8	All		4,5	1	*A8T 9314-A
49/54	A	6&8	All		11,12,13,16,17, 18,19,21,22,23, 24,25,28,31,32, 33,34	1	B1A 9314-A
55/	A	6	All		36, 44, 51, 54	1	B5A 9314-A
55/	A, S	8	All		38,40,41,45,47, 49, 53	1	B5A 9314-B
<b>9315 SPRING - VACUUM PUMP DIAPHRAGM</b>							
49/54	A	6&8	All	11 coils-35/64" I. D. -2 3/8" long -serviced in kit 9349	4,5,11,12,13, 16,17,18,19,21, 22,23,24,25,28, 31,32,33,34	1	*A8T 9315-A
55/	A, S	6&8	All	9 coils-35/64" I. D. -1 7/8" long- serviced in kit 9349	36,38,40,41,44, 45,47,49,51,53, 54	1	B5A 9315-A
<b>9317 SEAT - FUEL PUMP DIAPHRAGM SPRING</b>							
49/54	A	6	All	1 5/8" O. D.	1,8,9,10,20,26, 27	1	*A8T 9317-A
54	A	8	239		29,30	1	
<b>9A317 CLIP - FUEL LINE</b>							
52/58	A	6	215,223	Clip (fuel & vacuum lines)		2	B2AZ 9A317-A
49/54	A	6&8	All	Clip (fuel line to frame)		AR	7RA 14197-A
55/56	A, S	6&8	All	Clip (fuel line to frame)		AR	B 14577-A
49/51	A			Clip (rear fuel line to frame)- 5/16" x 3/16"		1	356626-S32(GG22)
49/55	A, S			Screw (fuel line attaching)- No. 14-10 x 5/8" hex. washer head		AR	31498-S8(U253B)
57	S			Clip (fuel line to frame)-3/16" tube		4	357331-S32(GG5)
51	A			Clip (fuel line to frame)- .406" diameter tube		AR	357332-S32(GG6)
55/56	S/D, S/W			Bolt (fuel line attaching)- 5/16"-18 x 3/4" hex. washer head		AR	39909-S7(U269D)
57	A, S			Fastener-5/16" type B		4or5	*95806-S32

Refer to Group 9350 for complete Fuel Pump Identification

YEAR 19	MODEL	NO. CYL.	CUBIC INCH DISP.	DESCRIPTION	*FUEL PUMP CATALOG SYMBOL	QTY. PER VEHICLE	PART NUMBER
<b>9324 HOSE - FUEL TUBE CONNECTOR - Also Refer to Groups 9170, 9288</b>							
55/58	S/D, S/W	6&8	All	.47" I.D. -.76" O.D. -3.50" long		1	B8AZ 9324-A
58/59	51A	6&8	All			1	
57	51A	6&8	All	Kit (fuel vent connection)-consists of (2) pieces of rubber fuel resistant hose-(1) piece 1/2" I.D.-1/8" wall x 1.00" long & (1) piece 3/4" I.D.-1/8" wall x 3.00" long		1	B7AZ 9324-A
57	S	8	All	.22" I.D. -.41" O.D. -13.00" long -cut to 6.00" long		1	C1SZ 9324-B
55	A(except S/D, S/W)	6&8	All	.288" I.D. -.547" O.D. -49.00" long -use with 375416-S35 clamp-fuel tank vent pipe-cut to 27.00" long		1	C2AZ 9324-A
56	A(except S/D, S/W)	6&8	All	Fuel tank vent pipe-cut to 14.00" long		AR	
57/58	A(except S/D, S/W)	6&8	All	Fuel tank vent pipe-cut to 14.00" long		1	
59	A(except S/W, 51A)	6&8	All	Fuel tank vent pipe-cut to 15.00" long		1	
<b>9328 VALVE ASSY. - VACUUM PUMP CHECK</b>							
57	A, S	8	312			1	†B7A 9328-A
59/	S	8	430			1	B9S 9328-A
<b>9342 SPRING - FUEL PUMP FILTER RETAINING</b>							
55/59	A	6	223		T37	1	PB8M 9342-A
<b>9343 BODY and PLUGS ASSY. - FUEL PUMP - UPPER</b>							
55/59	A	6	223		T37	1	C2AZ 9343-B
55/59	A	6	223	Screw & washer assy. (cover to body)-1/4"-28 x .875" fill. head	T37	2	359462-SI00(BB79)
55/59	A	6	223	Screw & washer assy. (body & plugs assy. to fuel pump body)-No. 10-32 x .625" pan head	T37	6	359617-SI00 (BB626)
<b>9349 REPAIR KIT - FUEL PUMP</b>							
49/51	A	6	226		1,8,9,10	1	A7A 9349-C
Consists of the following							
2-B6Q	9352-A	Valve	1-7HA	9376	Arm	1-EAA	9396-B Spring
1-59A	9364	Gasket	1-1GA	9378	Pin	1-7HA	9398-B Diaphragm
1-11A	9367-A	Gasket	1-40	9380	Spring	1-C1SZ	9417-A Gasket
1-59A	9368	Screen	1-1GA	9381	Link		
49/51	A	6	226		11,12,21	1	B1A 9349-B
49/53	A	8	239		13,16,17,18,19	1	
Consists of the following							
1-B1A	9310-A	Link	1-11A	9367-A	Gasket	2-B1AZ	9A393-A Seal
1-B1A	9311-A	Link	1-59A	9368	Screen	1-EAA	9396-C Spring
1-B1A	9314-A	Diaphragm	1-7RA	9378	Pin	1-B1AZ	9398-A Diaphragm
1-A8T	9315-A	Spring	1-1BA	9380-B	Spring	1-EBU	9417-A Gasket
6-B6Q	9352-A	Valve	1-7RA	9381	Link	1-49B	9418 Washer
1-59A	9364	Gasket	1-7RA	9382	Spacer	2-B7A	9468-A Retainer
3-B1AZ	9367-A	Gasket	1-7RA	9389	Bushing	2-352896-S	Washer
49/53	A	8	239		2,6,14,15	1	A9A 9349-B
Consists of the following							
2-B6Q	9352-A	Valve	1-1GA	9378	Pin	1-40	9389 Bushing
1-59A	9364	Gasket	1-40	9380	Spring	1-7RA	9396-A Spring
2-49B	9367	Gasket	1-1GA	9381	Link	1-A8TZ	9398-A Diaphragm
1-59A	9368	Screen	1-40	9381-A	Link	1-C1SZ	9417-A Gasket

\* Refer to Group 9350 for complete Fuel Pump identification

† Used with Supercharger



# FORD CAR PARTS

## SECTION 93

YEAR 19	MODEL	NO. CYL.	CUBIC INCH DISP.	DESCRIPTION	*FUEL PUMP CATALOG SYMBOL	QTY. PER VEHICLE	PART NUMBER
<b>9349 REPAIR KIT - FUEL PUMP - continued</b>							
52/54	A	6	215,223		23,24,28,31	1	B2A 9349-D
54	A	8	239		33,34	1	
Consists of the following							
	3-B1A 9308-A		2-49B 9367	Gasket	1-EAA 9396-C		Spring
	1-B1A 9310-A		1-7RA 9378	Link	1-B1AZ 9398-A		Diaphragm
	1-B1A 9311-A		1-1BA 9380-B	Spring	1-EBU 9417-A		Gasket
	1-B1A 9314-A		1-7RA 9381	Link	1-49B 9418		Washer
	1-A8T 9315-A		1-7RA 9382	Spring	2-B7A 9468-A		Retainer
	6-B6Q 9352-A		1-7RA 9389	Valve	2-352896-S		Washer
	1-EAA 9364-A		2-B1AZ 9A393-A	Gasket			Seal
52/54	A	6	215,223		26,27	1	B2A 9349-E
54	A	8	239		29,30	1	
Consists of the following							
	2-B6Q 9352-A		1-1BA 9380-B	Valve	1-C1SZ 9417-A		Gasket
	1-EAA 9364-A		1-EAA 9381-A	Gasket	1-49B 9418		Washer
	2-49B 9367		1-EAA 9396-B	Gasket	2-1GA 9469		Seal
	1-1GA 9378		1-EAA 9398-A	Pin			Diaphragm
57	A, S	8	312		41	1	†B7A 9349-E
Consists of the following							
	1-B5A 9310-A		1-7RA 9378	Link	1-B8A 9396-A		Spring
	1-B5A 9314-B		1-1BA 9380-B	Diaphragm	1-C1AZ 9398-A		Diaphragm
	1-B5A 9315-A		1-7RA 9381	Spring	2-49B 9408		Gasket
	4-B6Q 9352-A		1-7RA 9382	Valve	1-C1SZ 9417-A		Gasket
	2-B7A 9352-A		1-7RA 9389	Valve	1-49B 9418-A		Washer
	1-C1SZ 9A358-A		1-B1AZ 9A393-A	Diaphragm	1-B7A 9468-A		Retainer
	3-B1AZ 9367-A		1-B7A 9396-A	Gasket	1-B7A 9469-A		Oil seal
					2-352896-S		Washer
55/58	A, S	8	All	When used with B5S 9350-A,	37,39,43,46,48	1	B8A 9349-C
59	A	8	All	gasket 59A 9364-A is not required & diaphragm B5S 9370-A is to be ordered separately & used in place of B5A 9370-A	55	1	
Consists of the following							
	2-B7A 9352-A		2-B5A 9379-A	Valve	2-49B 9408		Gasket (oil seal)
	1-B5AZ 9A358-A		1-B8S 9380-A	Diaphragm	1-C1SZ 9417-A		ΔGasket (mounting)
	1-B7A 9364-A		1-B5A 9381-A	⊛ Gasket (bowl)	1-B8A 9417-A		⊕Gasket
	1-59A 9364		1-B1AZ 9A393-A	⊙ Gasket (bowl)	1-B7A 9468-A		Retainer
	1-B7A 9366-A		1-B8A 9396-A	⊚ Gasket (filter)			Spring
	1-B5A 9378-A		1-B5A 9398-C	Pin			Diaphragm
55/	A, S	8	All		38,40,45,47, 49,53	1	B8A 9349-D
Consists of the following							
	1-B5A 9310-A		1-B7A 9366-A	Link	1-B8A 9396-A		Spring
	1-B5A 9314-B		3-B1AZ 9367-A	Diaphragm	1-B5A 9398-C		Diaphragm
	1-B5A 9315-A		1-7RA 9378	Spring	2-49B 9408		Gasket (oil seal)
	4-B6Q 9352-A		1-1BA 9380-B	Valve (vacuum)	1-B8A 9417-A		⊕Gasket (mounting)
	2-B7A 9352-A		1-7RA 9381	Valve (fuel)	1-C1SZ 9417-A		ΔGasket (mounting)
	1-B5AZ 9A358-A		1-7RA 9382	Diaphragm	1-49B 9418		Washer
	1-B7A 9364-A		1-7RA 9389	⊚ Gasket (bowl)	2-B7A 9468-A		Retainer
	1-59A 9364		2-B1AZ 9A393-A	⊙ Gasket (bowl)	2-352896-S		Washer
55/		6	223		35,42,50	1	C0DZ 9349-A
Consists of the following							
	2-B7A 9352-A		1-B5A 9378-A	Valve (fuel)	1-EAA 9396-A		Spring
	1-B5AZ 9A358-A		2-B5A 9379-A	Diaphragm	1-B5AZ 9398-B		Diaphragm
	1-B7A 9364-A		1-40 9380	⊚ Gasket	2-49B 9408		Gasket
	1-59A 9364		1-EAA 9381-A	⊙ Gasket	1-C0DE 9417-A		*Gasket
	1-B7A 9366-A		1-B1AZ 9A393-A	⊚ Gasket	1-C1SZ 9417-A		**Gasket
					1-B7A 9468-A		Retainer

\* All passenger and 1955/ truck      \*\* 1962/ truck

● Refer to Group 9350 for complete Fuel Pump Identification

† Used with Supercharger

⊙ With B6T 9365-B (1957 model) & B7A 9365-A Strainers only

Δ For all except 1958-60 332,352 Engines with Steel Stamped Front Covers B8A 6019-B or C0AE 6019-A

⊕ For 1958-60 332,352 Engines with Steel Stamped Engine Covers B8A 6019-B or C0AE 6019-A

‡ With B7A 9365-A Strainer only

⊙ With B6T 9365-B (except 1957 model) & B5A 9365-A Strainers only

YEAR 19	MODEL	NO. CYL.	CUBIC INCH DISP.	DESCRIPTION	*FUEL PUMP CATALOG SYMBOL	QTY. PER VEHICLE	PART NUMBER
<b>9349 REPAIR KIT - FUEL PUMP - continued</b>							
55/59	A	6	223		T37	1	C3UZ 9349-A
Consists of the following							
1-C2AZ 9A358-B		Diaphragm	1-C2AZ 9398-A	Diaphragm	1-370013-S		Plug
			1-C3AZ 9417-A	Gasket			
55/	A	6	223		36, 44, 51, 54	1	C0DZ 9349-B
Consists of the following							
1-B5A 9310-A		Link	1-B7A 9366-A	‡Gasket	1-EAA 9396-A		Spring
1-B5A 9314-A		Diaphragm	3-B1AZ 9367-A	Gasket	1-B5A 9398-A		Diaphragm
1-B5A 9315-A		Spring	1-7RA 9378	Pin	2-49B 9408		Gasket
4-B6Q 9352-A		Valve	1-1BA 9380-B	Spring	1-CODE 9417-A		Gasket
2-B7A 9352-A		Valve	1-7RA 9381	Link	1-49B 9418		Washer
1-B5AZ 9A358-A		Diaphragm	1-7RA 9382	Spacer	2-B7A 9468-A		Retainer
1-B7A 9364-A		‡Gasket	1-7RA 9389	Bushing	2-352896-S		Washer
1-59A 9364		◇Gasket	2-B1AZ 9A393-A	Seal (oil)			
59/	S	8	430		52	1	B9S 9349-A
Consists of the following							
2-B7A 9352-A		Valve	1-B8S 9389-A	Bushing	2-49B 9408-		Gasket (oil seal)
1-C1SZ 9A358-A		Diaphragm	1-B1AZ 9A393-A	Seal (oil)	1-C1SZ 9417-A		Gasket (mounting)
1-B8S 9378-A		Pin	1-B8S 9396-A	Spring	1-49B 9418		Washer
1-B8S 9380-A		Spring	1-B8S 9398-A	Diaphragm	1-B7A 9468-A		Retainer
1-B8S 9381-A		Link					
<b>9350 PUMP ASSY. - FUEL</b>							
<b>6 Cylinder</b>							
49/50	A	6	226	Replaced by B1A 9350-B & (2) 353099-S fittings	1	1	*7HA 9350-B
49/50	A	6	226	Fuel & vacuum-repl. by 1HA 9350-H & (2) 353099-S fittings	5	1	*8HA 9350
49/51	A	6	226	Fuel & vacuum-1/8"-27 threads on inlet & outlet-includes filter strainer 1BA 9365-A-replaced by 1HA 9350-J	11	1	*1HA 9350-H
49/51	A	6	226	Fuel & vacuum-1/8"-27 threads on inlet & outlet-service pkg. includes 1BA 9365-A filter strainer & EBU 9417-A gasket - not replaced	12	1	*1HA 9350-J
49/51	A	6	226	Replaced by B1A 9350-B	8	1	*1HA 9350-A
49/51	A	6	226	Replaced by B1A 9350-B	9	1	*1HA 9350-G
49/51	A	6	226	1/8"-27 threads on inlet & outlet-service pkg. includes 1BA 9365-A filter strainer & C1SZ 9417-A gasket	10	1	B1A 9350-B
51	A	6	226	Replaced by B1A 9350-B	20	1	*1HA 9350-B
51	A	6	226	Fuel & vac. -repl. by 1HA 9350-H	21	1	*1HA 9350-E
51	A	6	226	Fuel & vac. -repl. by 1HA 9350-J	22	1	*1HA 9350-F
49/51	A	6	226	Stud (fuel pump to cylinder block)-5/16"-18 & 24 x 1.30"	1,8,9,10,20,21	2	357428-S7-8 (WW14)
				Nut-5/16"-24			33798-S8(M62)
				Lockwasher-5/16"			34806-S7(X64)
				Nut-5/16"-24			33798-S8(M62)
				Lockwasher-5/16"			34806-S7(X64)
49/51	A	6	226	Connector (fuel pump to fuel lines)-1/8"x 1/2"-20	1,8,9,10,20,21	2	353099-S (II-78)
49/51	A	6	226	Connector (fuel & vacuum pump)-1/8" x 7/16"-24	5,11,12,21,22	1	87971-S (I-12)
49/51	A	6	226	Elbow (vacuum pump to windshield wiper tube)-90°-1/4" tube fitting	5,11,12,21,22	1	87381-S (I-35)
49/51	A	6	226	Stud (fuel & vacuum pump to cylinder block)-5/16"-18 & 5/16"-24 x 1 3/4"	5,11,12,21,21	2	88411-S7(W9)

\* Refer to Group 9350 for complete Fuel Pump identification ◇ With B6T 9365-B (except 1957 model) & B5A 9365-A Strainers only

‡ With B7A 9365-A Strainer only

# FORD CAR PARTS

## SECTION 93

303

YEAR 19	MODEL	NO. CYL.	CUBIC INCH DISP.	DESCRIPTION	*FUEL PUMP CATALOG SYMBOL	QTY. PER VEHICLE	PART NUMBER
<b>9350 PUMP ASSY. - FUEL - continued</b>							
<b>6 Cylinder - continued</b>							
52	A	6	215	Fuel & vac. -repl. by B4A 9350-C	23	1	*EAA 9350-D
52/53	A	6	215	Fuel & vac. -repl. by B4A 9350-C	24	1	*EAA 9350-F
52/53	A	6	215	Fuel & vac. -repl. by B4A 9350-C	25	1	*B2A 9350-A
52/54	A	6	215,223	Fuel & vacuum-service pkg. includes EBU 9417-A gasket	28	1	B4A 9350-C
52/54	A	6	215,223	Replaced by B4A 9350-B	26	1	*EAA 9350-E
52/54		6	215,223	Service pkg. includes C1SZ 9417-A mounting gasket	27	1	B4A 9350-B
54	A	6	223	Fuel & vac. -repl. by B4A 9350-C	31	1	*EBP 9350-A
54	A	6	223	Fuel & vac. -repl. by B4A 9350-C	32	1	*B4A 9350-A
55/57	A	6	223	Replaced by B7A 9350-B	35	1	*B5A 9350-A
55/57	A	6	223	Fuel & vac. -repl. by B7A 9350-C	36	1	*B5A 9350-B
55/57	A	6	223	Replaced by B8A 9350-E	42	1	*B7A 9350-B
55/57	A	6	223	Fuel & vacuum - Replaced by B9A 9350-B	44	1	*B7A 9350-C
55/59	A (except 51A)	6	223	Service pkg. includes (1) CODE 9417- A gasket for pass. & 1955/61 truck & (1) C1SZ 9417- A gasket for 1962/ truck -repl. by C3TZ 9350-C	50	1	*B8A 9350-E
55/59	A(except 51A)	6	223	Carter-service pkg. includes C3UZ 9417-A gasket	T37	1	C3TZ 9350-C
55/59	A	6	223	Fuel & vacuum-service pkg. includes CODE 9417-A gasket	54	1	B9A 9350-B
58	A (except 51A)	6	223	Fuel & vacuum - replaced by B9A 9350-B	51	1	*B8A 9350-F
52/57	A	6	215,223	Bolt (fuel pump to cylinder block) -5/16"-18 x 7/8"	26,27, 35	2	20366-S8(B52)
52/57	A	6	215,223	Bolt (fuel & vacuum pump to cylinder block)-5/16"-18x1 1/2"	23,24,25,28,31, 32, 36	2	20466-S8(B61)

### 8 Cylinder

49/50	A	8	239	Replaced by B1A 9350-A & (2) 353099-S fittings	2	1	*7RA 9350-C
49/50	A	8	239	Replaced by B1A 9350-A & (2) 353099-S connectors	3	1	*7RA 9350-D
49/50	A	8	239	Fuel & vacuum -repl. by B2A 9350-B and (2) 353099-S fittings	4	1	*7RA 9350-E
49/51	A	8	239	Replaced by B1A 9350-A	6	1	*1BA 9350-A
49/51	A	8	239	Replaced by B1A 9350-A	7	1	*1BA 9350-B
49/52	A	8	239	Fuel & vac. -repl. by B2A 9350-B	13	1	*1BA 9350-H
49/53	A	8	239	Replaced by B1A 9350-A	14	1	*1BA 9350-G
49/53	A	8	239	1/8"-27 threads on inlet & outlet- service pkg. includes 1BA 9365-A filter strainer & COSE 9417-A gasket	15	1	B1A 9350-A
49/53	A	8	239	Fuel & vac. -repl. by B2A 9350-B	16	1	*EAB 9350-A
49/53	A	8	239	Fuel & vacuum-1/8"-27 threads on inlet & outlet-vacuum tube bent at 90° angle-service pkg. includes EBU 9417-A gasket	17	1	B2A 9350-B
51	A	8	239	Fuel & vac. -repl. by B2A 9350-B	18	1	*1BA 9350-E
51	A	8	239	Fuel & vac. -repl. by B2A 9350-B	19	1	*1BA 9350-F
54	A	8	239	Replaced by B4A 9350-D	29	1	*EAN 9350-B
54	A	8	239	Service pkg. Includes C1SZ 9417-A gasket	30	1	B4A 9350-D
54	A	8	239	Fuel & vac. -repl. by B4A 9350-E	33	1	*EBY 9350-A
54	A	8	239	Fuel & vacuum -service pkg. includes EBU 9417-A gasket	34	1	B4A 9350-E
55/57	A	8	All	Replaced by B7A 9350-D	37	1	*B5A 9350-C
55/57	A	8	All	Fuel & vac. -repl. by B7A 9350-E	38	1	*B5A 9350-D

• Refer to Group 9350 for complete Fuel Pump identification

YEAR 19	MODEL	NO. CYL.	CUBIC INCH DISP.	DESCRIPTION	*FUEL PUMP CATALOG SYMBOL	QTY. PER VEHICLE	PART NUMBER
<b>9350 PUMP ASSY. FUEL - continued</b>							
<b>8 Cylinder - continued</b>							
55/57	S	8	292	Service pkg. includes C1SZ 9417-A gasket	39	1	B5S 9350-A
55/57	S	8	All	Fuel & vacuum-service pkg. includes C1SZ 9417-A gasket	40	1	B5S 9350-B
55/57	A	8	All	Service pkg. includes C1SZ 9417-A gasket	43	1	B7A 9350-D
55/57	A	8	All	Fuel & vacuum-service pkg. includes C1SZ 9417-A gasket	45	1	B7A 9350-E
57	A (with dual 4/B carb.)	8	312	When used with dual 4 barrel carb. replace B7A 9365-A and B7A 9366-A with B6T 9365-B.		1	
57	A, S	8	312	Fuel & vacuum-service pkg. includes C1SZ 9417-A gasket	41	1	†B7A 9350-A
58	A, S	8	All	Replaced by B8A 9350-C	46	1	*B8A 9350-A
58	A, S	8	All	Fuel & vac. -repl. by B8A 9350-D	47	1	*B8A 9350-B
58	A, S	8	All		48	1	•B8A 9350-C
58	A, S	8	All	Fuel & vacuum	49	1	•B8A 9350-D
59	A, S (except 430 eng.)	8	All	Fuel & vacuum	53	1	•B9AE 9350-A
59	A.	8	All		55	1	•B9AE 9350-C
59/	S	8	430	Service pkg. includes C1SZ 9417-A gasket	52	1	B8S 9350-A
49/53	A	8	239	Bolt (fuel pump to adapter)-5/16"-18 x 7/8"	2,3,6,7,14,15,	2	354634-S(BB440)
49/53	A	8	239	Bolt (fuel & vacuum pump to mtg. adapter)-5/16"-18 x 1 1/2"	4,13,16,17,18,19	2	20466-S8(B61)
54	A	8	239	Fuel & vacuum to cyl. front cover	33,34	2	
				Washer-flat-5/16"			44722-S8(X19)
				Lockwasher-5/16"			34806-S7(X64)
49/53	A	8	239	Connector (fuel pump to fuel pipes)-1/8" x 1/2"-20	2,3,4,6,7,13 thru 19	2	353099-S(II-78)
54	A	8	239		29,30,33,34	1	
54	A	8	239	Bolt (fuel pump to cylinder front cover)-5/16"-18 x 7/8"	29,30	2	20366-S8(B52)
55/57	A, S	8	All	Bolt (fuel pump to cylinder front cover)-3/8"-16 x 1"	37,39,43	2	20388-S8(B80)
55/57	A, S	8	All	Bolt (fuel & vacuum pump to cyl. front cover)-3/8"-16 x 1 1/2"	38, 40, 45	2	20468-S8(B85)
55/57	A, S	8	All	Washer (pump to cylinder front cover)-3/8" flat	37,38,39,40, 43, 45	2	356214-S8(XX162)
59/	S	8	430	Nipple (fuel filter to fuel pump) - 1/8" -27 pipe thread	52	1	354338-S(II-37)
<b>9352 VALVE ASSY.</b>							
49/54	A	6&8	All	Fuel pump-serviced in kit 9349	1 thru 34	2	B6Q 9352-A
49/50	A	6&8	All	Vacuum pump	4,5	2	
49/	A, S	6&8	All	Vacuum pump	11,12,13,16,17,18,19,21,22,23,24,25,28,31,32,33,34,36,38,40,41,44,45,47,49,51,53,54	4	
55/	A, S	6&8	All		35 thru 55	2	B7A 9352-A
<b>9355 BOWL - FUEL PUMP FILTER</b>							
49/51	A	6	226	2 3/32" O.D. -2 3/8" overall length -glass	1,5,8,9,10,11,12,20,21,22	1	59A 9355-B
49/53	A	8	239		2,3,4,6,7,13,14,15,16,17,18,19	1	
56/57	A	6&8	All		35,36,37,38,43,45	1	
56/57	S	8	All	Used in B6S 9155-A filter assy.		1	
52/54	A	6	All	Glass	23,24,25,26,27,28,31,32	1	EAA 9355-A
54	A	8	239		29,30,33,34	1	

• Service pkg. includes (1) C1SZ 9417-A Gasket for 292 Engine & 332,352 Engines with CIAZ 6019-A Cast Aluminum Cover & (1) B8A 9417-A Gasket for 332,352 Engines with B8A 6019-B Stamped Steel Cover

† Used with Supercharger

• Refer to Group 9350 for complete Fuel Pump identification

# FORD CAR PARTS

## SECTION 93

305

YEAR 19	MODEL	NO. CYL.	CUBIC INCH DISP.	DESCRIPTION	*FUEL PUMP CATALOG SYMBOL	QTY. PER VEHICLE	PART NUMBER
<b>9355 BOWL - FUEL PUMP FILTER - continued</b>							
55	A	6&8	All	2 3/32" O. D. -1 43/64" overall height-glass	35,36,37,38 42 thru 51, 53, 54, 55	1	B5A 9355-A
55	S	8	All	Used in 9155 filter assy.		1	
57	S	8	312	Used with B7S 9155-A, B		1	
59	S	8	430	Used in 9155 filter assy.		1	
55/59	A	6	223		T37	1	PB8M 9355-A
57	A	6&8	All	Used with B7T 9155-A		+1	B7TZ 9355-A
<b>9357 GASKET - COVER PLATE SCREW</b>							
49/50	A	6&8	All	Vacuum pump-fibre -serviced in kit 9349	4,5	1	40 9357
<b>9A358 DIAPHRAGM - FUEL PUMP PULSATOR</b>							
55/57	S	8	All	Rubber-3" O. D. -3/64" thick-center hole .265" diameter	39,40	1	B5SZ 9A358-A
55/	A	6&8	All	Rubber-2 11/32" O. D. -3/64" thick	35 thru 38, 41 thru 51, 53, 54 55	1	B5AZ 9A358-A
59/	S	8	430		52	1	C1SZ 9A358-A
57	A, S	8	312		41	1	
55/59	A	6	223		T37	1	C2AZ 9A358-B
<b>9A359 COVER - FUEL PUMP DIAPHRAGM PULSATOR</b>							
55/57	S	8	All	Plate (pulsator cover)	39, 40	1	B5SZ 9A359-A
57	A, S	8	312	Cover (fuel pump pulsator	41	1	B7AZ 9A359-A
59/	S	8	430	diaphragm)	52	1	
55/57	S	8	All	Lockwasher-1/4"-external tooth	39, 40	1	34940-S7-8(X88)
59/	S	8	430	Screw (cover to upper body)- No. 10 -32 x 3/4" fill. hd.	52	2	*31644-S7
55/57	S	8	All	Screw (pulsator cover assy. to fuel pump body & plugs assy. - upper) - 1/4"-28 x 5/8"pan head	39, 40	1	38229-S7-8(U145)
55/57	S	8	All	Screw (cover to upper body)	39,40	1	
				Lockwasher-No. 10			34803-S7(X60)
<b>9360 MAGNET ASSY. - FUEL PUMP FILTER</b>							
58/	A, S	6&8	All		48,49,50,51,53, 54, 55	1	B8A 9360-A
59	S	8	430	Used in 9155 filter assy.		1	
<b>9361 PLATE - FUEL PUMP VALVE RETAINER</b>							
49/54	A	6&8	All	Serviced in kit 9349	1 thru 34	1	11A 9361-A
49/50	A	6&8	All		4,5	1	A8TZ 9361-A
49/50	A	6&8	All	Screw (retainer plate)- No. 10-32 x 1/2"-round head	4, 5	1	27081-S8(U175)
49/54	A	6&8	All	Screw (retainer plate)- No. 6-32 x 3/8"-round head	1 thru 34	2	*26466-S6
<b>9364 GASKET - FUEL PUMP FILTER BOWL</b>							
49/51	A	6	226	1.62" I. D. -2.12" O. D. - .13" thick	1,5,8,9,10,11, 12,20,21,22	1	59A 9364
49/53	A	8	239		2,3,4,6,7,13, 14,15,16,17,18, 19	1	
55/57	A	6&8	All		35,36,37,38	1	
52/54	A	6	All	1 55/64" I. D. -2 19/64" O. D. - 1/8" thick	23,24,25,26,27, 28,31,32	1	EAA 9364-A
54	A	8	239		29,30,33,34	1	
55/56	A	8	272	Gasket (air cleaner to carb.)- used in B6A 9600-B cleaner		1	
55/56	A	8	272	Gasket (carb. air cleaner oil seal) -used in B5A 9600-K and B6A 9600-B cleaners - not replaced (8-61)		1	*49B 9364
55/57	S	8	All	Used in 9155 filter		1	B5S 9364-A
55/59	S	8	All	Gasket (fuel filter bowl)-used on B7S 9155-A, B & B8S 9155-A		1	B7S 9364-A
59	S	8	430			1	
55/59	A	6	223		T37	1	ECU 9364-A

\* Refer to Group 9350 for complete Fuel Pump identification

† Used with Supercharger

## SECTION 93

## FORD CAR PARTS

YEAR 19	MODEL	NO. CYL.	CUBIC INCH DISP.	DESCRIPTION	*FUEL PUMP CATALOG SYMBOL	QTY. PER VEHICLE	PART NUMBER
<b>9364 GASKET - FUEL PUMP FILTER BOWL - continued</b>							
55/	A	6&8	All	Gasket (fuel pump fuel bowl)-use with B7A 9365-A	35 thru 39, 42 thru 51, 53, 54, 55	1	B7A 9364-A
57	A	8	312	Gasket (fuel filter cover)-used with B6T 9155-B		1	†B6T 9364-A
57	A	8	312	Gasket (fuel filter sediment bowl)-use with B7T 9155-A		+1	B7T 9364-A
<b>9365 SCREEN - VACUUM PUMP</b>							
49/50	A	6&8	All	Screen-serviced in kit 9349	4, 5	1	A8TZ 9365-A
<b>9365 STRAINER ASSY. - FUEL PUMP FILTER</b>							
52/54		6	All	Service pkg. includes 1-EAA 9364-A gasket	23, 24, 25, 26, 27, 28, 31, 32	1	B2A 9365-A
54		8	239		29, 30, 33, 34	1	
55/59	S	8	All	Strainer assy. (fuel filter)-service pkg. includes 1-B7S 9364-A and 1-B7S 9366-A gasket-used with 9155 filters			B7S 9365-B
49/51	A	6	226	Use with 59A 9355-B	8,9,10,11,12	1	
49/53	A	8	239		6,13 thru 18	1	
55/59	A			Element assy. -service pkg. includes (1) ECU 9364-A gasket	T37	1	C3TZ 9365-A
55/	A,S	6&8	All	Service pkg. consists of (1) B7A 9364-A, (1) B7A 9365-A and (1) B7A 9366-A	35,36,37,38,42 thru 51,53,54, 55	1	B7A 9365-B
57	A	8	312	Element assy. (fuel filter)-used with 9155 filters		†1	B6T 9365-C
57	A (with O/D or F/M)	8	All	Used with dual 4 barrel carb.	45	1	B6T 9365-B
<b>9366 GASKET - FILTER BOWL STRAINER</b>							
55	S	8	All	Used in 9155 filter		1	B5S 9366-A
55/59	S	8	All	Gasket (fuel filter bowl strainer)-used on 9155 filter		1	*B7S 9366-A
59	S	8	430			1	
55/	A	6&8	All	Gasket (fuel pump strainer assy.)-use with B7A 9365-A	35 thru 39, 42 thru 51,53, 54, 55	1	B7A 9366-A
<b>9367 GASKET - VACUUM PUMP COVER PLATE</b>							
49/50	A	6&8	All	Vacuum pump cover plate-serviced in kit 9349	4, 5	1	A8TZ 9367-A
49/	A, S	6&8	All	Valve to body-39/64" I. D. 47/64" O. D. -serviced in kit 9349	11,12,13,16,17, 18,19,21,22,23, 24,25,28,31,32, 33,34,36,38,40, 41,44,45,47,49, 51, 53, 54	3	B1AZ 9367-A
<b>9367 GASKET - VALVE TO BODY</b>							
49/50	A	6&8	All	Vacuum pump-39/64" I. D. - 47/64" O. D. -.012" thick - serviced in kit 9349	4, 5	2	49B 9367
49/54	A	6&8	All	Fuel pump valve to upper body - serviced in kit 9349	1,2,3,4,5,6,7,8, 9,10,11,12,13, 14,15,16,17,18, 19,20,21,22,23, 24,25,26,27,28, 29,30,31,32,33, 34	1	11A 9367-A
<b>9368 SCREEN - FUEL PUMP FILTER BOWL</b>							
49/51	A	6	226	Serviced in kit 9349	1,5,8,20,21,22	1	59A 9368
49/53	A	8	239		2,3,4,6,7,18,19	1	

\* Refer to Group 9350 for complete Fuel Pump identification.

† Used with Supercharger

# FORD CAR PARTS

## SECTION 93

YEAR 19__	MODEL	NO. CYL.	CUBIC INCH DISP.	DESCRIPTION	*FUEL PUMP CATALOG SYMBOL	QTY. PER VEHICLE	PART NUMBER
<b>9369 TUBE ASSY. - FUEL PUMP TO CARBURETOR</b>							
49/50	A	8	239	1/4" dia. -13.64" developed length -not replaced (8-61)	2, 3, 4	1	*8BA 9369
49/51	A	6	226	1/4" dia. -22.10" developed length	8, 9, 10, 11, 12, 20,21,22	1	*1HA 9369-A
49/53	A	8	239	1/4" dia. -13.11" developed length	6, 7, 13, 14, 15, 16,17,18,19	1	1BA 9369-A
52/53	A	6	All	5/16" dia. -29 13/16" developed length	23, 24, 25, 26, 27, 28	1	*EAA 9369-D
54	A	6	223	5/16" dia. -39 1/2" developed length make from 8C 2269-A bulk tubing & (2) 87944-S8 fittings	26, 27, 28, 31, 32	1	*EBF 9369-A
54	A	8	239	1/4" dia. -24" developed length not used with governor	29, 30, 33, 34	1	*EBU 9369-C
54	A	8	239	Used with governor-1/4" dia. 33 1/8" developed length make from 91A 2269 bulk tubing and 2 each B 9242-A and B 9243-A fittings	29, 30, 33, 34	1	*EBV 9369-A
55/57	A	8	All	5/16" diameter-27.66" developed length-not used with governor or "182 HP Special"-engine	37, 38	1	B5A 9369-A
55/57	A	8	All	Used with governor-5/16" dia. - 28.28" developed length	37,38	1	*CECG 9369-B
55/59	A	6	223	5/16" diameter-49.33" developed length	35,36,42,44, 50, 51	1	*CEBP 9369-A
56	FL, S/W, A (Special)	8	All		38	1	B6A 9369-C
57	A	8	All	5/16" diameter-27.50" developed length-(use with Holley 2/B carb.)	37,38	1	*CECG 9369-D
57	A	8	272,292	5/16"diam. -28.80" developed length-(used with Ford 2/B carb.)	37,38	1	*CECG 9369-E
57	A	8	312	5/16"diam. -26.43" developed length-(use with Holley 4/B carb.)	37,38	1	*CECZ 9369-C
57	A	8	312	5/16"diam. -33.95" developed length-(use with Carter 4/B carb.)	37,38,43,45	1	*CECZ 9369-D
57	A (with O/D & F/M)	8	312	5/16" dia. -27.90" developed length-(use with Ford 4/B carb.)	37,38,43,45	1	*CEDB 9369-C
58	A	8	292	5/16"diam. -26.75" developed length-(use with Holley 2/B carb.)	46,47,48,49	1	*CEDB 9369-E
58	A	8	352	5/16"diam. -30.84" developed length-(use with Carter carb.)	46,47,48,49	1	*EDT 9369-A
58	A	8	332,352	5/16"diam. -27.45" developed length-(use with Holley carb.)	46,47,48,49	1	*EDC 9369-C
59	A	8	332		53, 55	1	
58/59	A	8	292	5/16" diam. -28.52" developed length-(use with Ford 2/B carb.)	46,47,48,49,53, 55	1	*CB9AE 9369-A
58/59	A, S	8	332,352	5/16" diameter-29.67" developed length-(use with Ford carb.)	46,47,48,49,53, 55	1	*EDC 9369-D
52/54	A	6	All	Connector (fuel pump tube to fuel pump)-5/16" flared tube-	23,24,25,26,27, 28,31,32	1	87972-S(I-13)
55/59	A, S	6&8	All	1/8" x 1/2"-20	35,36,37,38,42, 43,44,45,46,47, 48,49,50,51,55	1	
52/54	A	6	All	Connector (fuel pump tube to carb.) 5/16" flared tube-.72" hex.	23,24,25,26,27, 28,31,32	1	358286-S(II-74)
52/54	A	6	All	Fitting (fuel pump tube to fuel pump & carburetor connectors)-	23,24,25,26,27, 28,31,32	2	87944-S8(I-22)
55/59	A	6&8	All	1/2"-20	35,36,37,38,42, 43,44,45,46,47, 48,49,50,51,54, 55	2	
57	A (with S/T)	6	223	Elbow (fuel pump to carb. tube to fuel line extension)-5/16" inverted tube	35, 36		351652-S(II-169)

• Refer to Group 9350 for complete Fuel Pump identification

◊ Not serviced as assembly - make from 8C 2269-A bulk tubing & (2) 87944-S8 fittings

## SECTION 93

## FORD CAR PARTS

YEAR 19	MODEL	NO. CYL.	CUBIC INCH DISP.	DESCRIPTION	*FUEL PUMP CATALOG SYMBOL	QTY. PER VEHICLE	PART NUMBER
<b>9371 RETAINER - DIAPHRAGM SPRING</b>							
49/	A, S	6&8	All	Center hole-. 531" diameter	4, 5, 11, 12, 13, 16, 17, 18, 19, 21, 22, 23, 24, 25, 28, 31 thru 40, 42 thru 51, 53, 54, 55	1	7RA 9371
<b>9372 BODY - PULSATOR</b>							
55/	A, S	6&8	All		35, 36, 37, 38, 42 thru 51, 53, 54, 55	1	B5A 9372-A
55/	A, S	6&8	All	Screw & washer assy. (body to upper body)-1/4"-28 x 1/2"- clutch recess	35, 36, 37, 38, 42 thru 51, 53, 54, 55	1	354659-S100(BB1)
<b>9374 GASKET - FUEL PUMP MOUNTING ADAPTER</b>							
49/53	A	8	239	To valve chamber cover	2, 3, 4, 6, 7, 13, 14, 15, 16, 17, 18, 19	1	48 9374
<b>9376 ARM ASSY. - FUEL PUMP ROCKER</b>							
49/50	A	8	239		2, 3	1	7RA 9376-B
49/51	A	6	226		1, 8, 9, 10, 20	1	7HA 9376
49/53	A	8	239		4, 13, 16, 17, 18, 19	1	7RA 9376-C
49/53	A	8	239		6, 7, 14, 15	1	1BA 9376-A
52/54	A	6	All		26, 27	1	EAA 9376-A
52/54	A	6	All		23, 24, 25, 28, 31, 32	1	B4A 9376-A
54	A	8	239		29, 30	1	EAN 9376-A
54	A	8	239		33, 34	1	EBU 9376-A
55/	A, S	8	All		37, 39, 43, 46, 48, 55	1	B5A 9376-D
55/	A	6	223		36, 44, 51, 54	1	B5A 9376-A
55/	A	6	223		35, 42, 50	1	B5A 9376-B
55/	A, S	8	All		38, 40, 45, 47, 49, 53	1	B5A 9376-C
59/	S	8	430		52	1	B8S 9376-A
55/59	A	6	223		T37	1	C2AZ 9376-A
<b>9378 PIN - FUEL PUMP ROCKER ARM</b>							
49/54	A	6&8	All		1, 2, 3, 6, 7, 8, 9, 10, 14, 15, 20, 26, 27, 29, 30	1	A9A 9378-A
49/	A, S	6&8	All	Fuel & vacuum pump-2. 54" long -serviced in kit 9349	4, 5, 11, 12, 13, 16, 17, 18, 19, 21, 22, 23, 24, 25, 28, 31, 32, 33, 34, 36, 38, 40, 41, 44, 45, 49, 51, 54	1	7RA 9378
55/	A, S	6&8	All	.253" diameter-. 625" long	35, 37, 39, 42, 43, 46, 48, 50, 55	1	B5A 9378-A
59/	S	8	430		52	1	B8S 9378-A
55/59	A	6	223	Cam lever	T37	1	ECU 9378-A
<b>9379 PLUG - ROCKER ARM PIN</b>							
55/	A, S	6&8	All	Cup shaped-brass-. 25" O. D.	35, 37, 39, 42, 43, 46, 48, 50, 55	2	B5A 9379-A
55/59	A	6	223	Plug (cam lever shaft seal)- . 254"/. 258" x 5/32"	T37	1	370013-S(PP19)
<b>9380 SPRING - ROCKER ARM RETURN</b>							
49/54	A	6&8	All	16 3/4 coils-. 23" I. D. -1 1/4" long -serviced in kit 9349	1, 2, 3, 6, 7, 8, 9, 10, 14, 15, 20, 26, 27, 29, 30	1	*40 9380
55/	A	6	223		35, 42, 50		

\* Refer to Group 9350 for complete Fuel Pump identification



# FORD CAR PARTS

## SECTION 93

YEAR 19__	MODEL	NO. CYL.	CUBIC INCH DISP.	DESCRIPTION	FUEL PUMP CATALOG SYMBOL	QTY. PER VEHICLE	PART NUMBER
<b>9380 SPRING - ROCKER ARM RETURN - continued</b>							
49/	A, S	6&8	All	12 1/2 coils-1/4" I.D. -1 1/4" long-5/8" O.D.-serviced in kit 9349	4, 5, 11, 12, 13, 16, 17, 18, 19, 21, 22, 23, 24, 25, 28, 31, 32, 33, 34, 36, 38, 40, 41, 44, 45, 47, 49, 51, 53, 54	1	1BA 9380-B
55/	A, S	8	All	10 coils-1/4" I.D. -1.03" long	37, 39, 43, 46, 48, 52, 55	1	B8S 9380-A
<b>9381 LINK - FUEL PUMP ROCKER ARM</b>							
49/50	A	8	239	Serviced in kit 9349	2, 3	1	40 9381-A
49/53	A	8	239		6, 7, 14, 15	1	1BA 9381-A
49/	A, S	6&8	All	Serviced in kit 9349	4, 5, 11, 12, 13, 16, 17, 18, 19, 21, 22, 23, 24, 25, 28, 31, 32, 33, 34, 36, 38, 40, 41, 44, 45, 47, 49, 51, 53, 54	1	7RA 9381
49/	A	6	All	Serviced in kit 9349	1, 8, 9, 10, 20, 26, 27, 35, 42, 50	1	EAA 9381-A
54	A	8	All		29, 30	1	
55/	A, S	8	All	Serviced in kit 9349	37, 39, 43, 46, 48, 55	1	B5A 9381-A
59/	S	8	430		52	1	B8S 9381-A
<b>9382 SPACER - LINK and SPRING RETAINER</b>							
49/	A, S	6&8	All		4, 5, 11, 12, 13, 16, 17, 18, 19, 21, 22, 23, 24, 25, 28, 31, 32, 33, 34, 36, 38, 40, 41, 44, 45, 47, 49, 51, 53, 54	1	7RA 9382
49/57	A, S	6&8	All	Washer (fuel & vacuum pump rocker arm link spacer)-11/16" O.D. x 3/8" I.D. x .093"	11, 12, 13, 16, 17, 18, 19, 21, 22, 23, 24, 25, 28, 31, 32, 38, 40, 45	2	*352897-S
49/57	A, S	6&8	All	Washer (fuel & vacuum pump rocker arm link spacer)-5/8" O.D. x 3/8" I.D. x .010"	11, 12, 13, 16, 17, 18, 19, 21, 22, 23, 24, 25, 28, 31, 32, 33, 34, 36, 38, 40, 45	2	352896-S(XX150)
54	A	8	All	Washer (fuel & vacuum pump rocker arm link spacer)-11/16" O.D. x 3/8" I.D. x .125"	33, 34	2	356951-S(XX134)
55/57	A, S	6&8	All		36, 38, 40, 45	2	
<b>9387 BAIL ASSY. - FUEL PUMP FILTER BOWL</b>							
49/51	A	6	226		1, 5, 8, 9, 10, 11, 12, 20, 21, 22	1	OBA 9387
49/53	A	8	239		2, 3, 4, 6, 7, 13 thru 19	1	
56/57	A	6&8	All	Use with 59A 9355-B bowl	35, 36, 37, 38, 43, 45	1	
55/57	S	8	All	Used in B6S 9155-A filter assy.		1	
52/54	A	6	All		23, 24, 25, 26, 27, 28, 31, 32	1	EAA 9387-A
54	A	8	239		29, 30, 33, 34	1	
55/	A, S	6&8	All	Use with B5A 9355-A bowl	35, 36, 37, 38, 42 thru 55	1	
55/59	S	8	All	Used in B5S 9155-A & B7S 9155-A55 and B filter assy.		1	
59	S	8	430	Used in B8S 9155-A filter assy.		1	
55/59	A	6	223	Retainer & screw assy. (filter bowl)	T37	1	ECU 9387-A

• Refer to Group 9350 for complete Fuel Pump identification.

YEAR 19	MODEL	NO. CYL.	CUBIC INCH DISP.	DESCRIPTION	*CARBURETOR CATALOG SYMBOL	QTY. PER VEHICLE	PART NUMBER
<b>9389 BUSHING - FUEL PUMP ROCKER ARM</b>							
49/50	A	8	239	Serviced in kit 9349	2,3	1	40 9389
49/	A,S	6&8	All	Fuel & vacuum pump-. 247" I. D. - . 349" O. D. - .750" long - serviced in kit 9349	4, 5, 11, 12, 13, 16, 17, 18, 19, 21, 22, 23, 24, 25, 28, 31, 32, 33, 34, 36, 38, 40, 41, 44, 45, 47, 49, 51, 53, 54	1	7RA 9389
59/	S	8	430		52	1	B8S 9389-A
<b>9A389 BEZEL - MULTIPLE LUBRICATOR CONTROL</b>							
58	S	8	352			1	B6TZ 9A389-A
<b>9A393 SEAL - FUEL PUMP OIL - Also Refer to Group 9469</b>							
49/	A,S	6&8	All	Fuel pump diaphragm pull rod- serviced in kit 9349	4, 5, 11, 12, 13, 16, 17, 18, 19, 21 thru 25, 28, 31 thru 40, 42, 45, 46, 48, 50, 52, 55	1	BIAZ 9A393-A
49/57	A,S	6&8	All	Vacuum pump	11, 12, 13, 16, 17, 18, 19, 21 thru 25, 28, 31 thru 34, 36, 38, 40, 41	1	
57/	A,S	6&8	All	Vacuum pump	44, 45, 47, 49, 51, 53, 54	2	
<b>9396 SPRING - FUEL PUMP DIAPHRAGM</b>							
49/50	A	8	239	15/16" O. D. -2" long-6 1/2 to 7 1/2 coils -serviced in kit 9349	4	1	7RA 9396-B
49/51	A	6	226	Painted Yellow-replaced by EAA 9396-B	1, 8, 9, 10, 20	1	*7HA 9396
49/51	A	6	226	6 coils-painted Green -serviced in kit 9349	11, 12, 20, 21, 22	1	EAA 9396-C
49/54	A	8	All		7, 13, 16, 17, 18, 29, 30	1	
49/53	A	8	239	Painted Blue-serviced in kit 9349	2, 3, 6, 7, 14, 15	1	7RA 9396-A
49/54	A	6	All	4 3/4 to 5 3/4 coils-painted Brown-serviced in kit 9349	1, 8, 9, 10, 20, 26, 27	1	EAA 9396-B
54	A	8	239		29, 30	1	
55/	A	6	All	15/16" O. D. -2" long-6 coils painted Brown-serviced in kit 9349	35, 36, 42, 44, 50, 51, 54	1	EAA 9396-A
56/	A,S	8	All		37, 38, 39, 40, 41, 43, 45, 46, 47, 48, 49, 53, 55	1	B8A 9396-A
59	A	8	All			1	
57	A,S	8	312	Upper	41	1	†B7A 9396-A
59/	S	8	430	1. 25" I. D. -1. 88" long	52	1	B8S 9396-A
<b>9397 GASKET - FUEL PUMP DIAPHRAGM</b>							
49/51	A	6	226		8, 9, 10, 11, 12, 21	1	68F 9397
49/53	A	8	239		6, 13, 14, 15, 16, 17, 18	1	
<b>9398 DIAPHRAGM ASSY. - FUEL PUMP</b>							
49/50	A	8	239		3	1	68F 9398
49/50	A	8	239	Not replaced (8-61)	4	1	*7RA 9398-C
49/51	A	6	226		1, 5, 8, 9, 10	1	7HA 9398-B
49/53	A	8	239		2, 6, 7, 14, 15	1	A8TZ 9398-A
49/54	A	6&8	All		11, 12, 13, 16, 17, 18, 21, 23, 24, 25, 28, 31, 32, 33, 34	1	B1AZ 9398-A
51	A	6	226		20	1	7HAF 9398
51	A	6&8	All		19, 22	1	1BA 9398-E
52/57	A	6	All		26, 27, 35	1	EAA 9398-A
54	A	8	All		29, 30	1	

● Refer to Group 9350 for complete Fuel Pump identification

† Used with Supercharger

# FORD CAR PARTS

## SECTION 94

YEAR 19	MODEL	NO. CYL.	CUBIC INCH DISP.	DESCRIPTION	FUEL PUMP CATALOG SYMBOL	QTY. PER VEHICLE	PART NUMBER
<b>9398 DIAPHRAGM ASSY. - FUEL PUMP - continued</b>							
55/	A, S	8	All		37,38,39,40,43, 45,46,47,48,49, 53,55	1	B5A 9398-C
55/	A	6	223		36,44,51,54	1	B5A 9398-A
55/	A	6	223		35,42,50	1	B5A 9398-B
55/	A	6	223		35,42,50	1	B5AZ 9398-B
59/	S	8	430		52	1	B8S 9398-A
57	A, S	8	312		41	1	C1AZ 9398-A
55/59	A	6	223		T37	1	C2AZ 9398-A
<b>9400 ROD ASSY. - FUEL PUMP PUSH</b>							
49/53	A	8	239	10.064"/10.079" long-identified by Black die on tube	2,3,4,6,7,13,14, 15,16,17,18,19	1	EAB 9400-A
49/50	A	8	239	Bushing (fuel pump push rod)		1	8BA 6025
59/	S	8	430	Identified by 2 grooves at opposite end from bronze tip-used with B9LE 6009-A only		1	C1VE 9400-A
59/	S	8	430	Used with B9SZ 6009-A only		1	C3VY 9400-B
<b>9408 GASKET - DIAPHRAGM PULL ROD OIL SEAL</b>							
49/50	A	6&8	All	1" O. D. - 1 3/16" I. D. - serviced	4, 5	1	*49B 9408
55/	A, S	6&8	All	in kit 9348	35,36,37,38,39, 40,41,42 thru 54	2	
<b>9411 WASHER - FUEL PUMP OIL SEAL</b>							
49/54	A	6	All	1.06" O. D.	1,8,9,10,20,26, 27	1	1GA 9411-A
54	A	8	239		29,30	1	
<b>9413 TUBE ASSY. - VACUUM PUMP</b>							
49/51	A	6	226	Vacuum pump to valve chamber cover)-make from 91A 2269 bulk tubing & (2) 87943-S8 nuts	5,11,12,21,22	1	*8HA 9413
49/51	A	6	226	Fitting (vacuum pump tube to intake manifold)	5,11,12,21,22	1	*91D 2131
55	S	8	All	1/4" diameter-20.34" developed length-make from 91A 2269 bulk tubing & (1) 87943-S8 nut	40	1	*ECJ 9413-A
55/58	A	6	223	1/4" diameter-45.03" developed length-make from 91A 2269 bulk tubing & (1) 87943-S8 fitting	36,44,51	1	*EBP 9413-B
56/57	A	6	223	1/4" diameter-make from 91A 2269 bulk tubing & (1) 87943-S8 fitting	36	1	*ECJ 9413-B
57	A	8	All	1/4" dia. -22.38" developed length -make from 91A 2269 bulk tubing & (1) 87943-S8 fitting (with 2/B carburetor)	38	1	*ECG 9413-B
57	A	8	All	1/4" diameter-21.09" developed length-make from 91A 2269 tubing and (1) 87943-S8 fitting	45	1	*#ECG 9413-D
57	A	8	All	1/4" diameter-30.74" developed length-make from 91A 2269 bulk tubing & (1) 87943-S8 fitting (with 4/B carburetor)	38	1	*EDB 9413-B
57	S	8	All	1/4" diameter-18.06" developed length-make from 91A 2269 bulk tubing & (1) 87943-S8 fitting (with 2/B carburetor)	40	1	*ECJ 9413-F
57	S	8	All	1/4" diameter-29.76" developed length-make from 91A 2269 bulk tubing & (1) 87943-S8 fitting (with 4/B carburetor)	40	1	*ECJ 9413-E

• Refer to Group 9350 for complete Fuel Pump identification

# Used with dual 4 barrel Carburetor

YEAR 19	MODEL	NO. CYL.	CUBIC INCH DISP.	DESCRIPTION	FUEL PUMP CATALOG SYMBOL	QTY. PER VEHICLE	PART NUMBER
<b>9413 TUBE ASSY. - VACUUM PUMP - continued</b>							
57	S	8	All	1/4" diameter-16.70" developed length-make from 91A 2269 tubing and (1) 87943-S8 fitting	41	1	*#ECJ 9413-G
57	S	8	All	Hose pressure balance-3/16" I.D. -36.50" developed length-make from A9A 17543-B hose-used with supercharger-	41	1	*1HA 9413-A
59	A	8	All	36.50" long-used with air conditioner		1	
58	A	8	292	1/4" diameter-19.96" developed length-make from 91A 2269 bulk tubing and (1) 87943-S8 fitting	47, 49	1	*EDB 9413-C
58	A, S	8	332,352	Vacuum pump to intake manifold-1/4" diameter x 13.53" long-make from 91A 2269 bulk tubing & (1) 87943-S8 fitting	47, 49	1	*EDC 9413-A
59	A	6	223	Vacuum pump to intake manifold-5/16" O.D. -39.60" developed length-make from 8C 2269-A tubing & (1) 87944-S8 fitting	54	1	
59	A, S	8	332,352	Vacuum pump to intake manifold-5/16" O.D. -13.46" developed length-make from 8C 2269-A tubing & (1) 87944-S8 fitting	53	1	
59	A	8	292	Vacuum pump to intake manifold-5/16" O.D. -13.08" developed length-make from 8C 2269-A tubing & (1) 87944-S8 fitting	53	1	
49/50	A	6	226	Nut (vacuum pump tube)-7/16"-24	45	1	87943-S8(I-21)
52/57	A	6	All		23,24,25,28,31,32,36	1	
54/57	A, S	8	All		33,34,38,40	1	
52/57	A	6	All	Elbow (vac. pump tube to intake man.)-1/4" tube fitting-90°	23,24,25,28,31,32,36	1	87381-S(I-35)
54/59	A, S	8	All	Elbow (tube to intake manifold)-brass-3/8" outer & 7/16"-24 inner threads	33,34,38,40,41,45,47,49,53	1	353281-S(II-154)
59/	A	8	332,352	Connector (vacuum pump to intake manifold tube to intake manifold) 5/16" tube-(not used with elect. w/s wipers)		1	372226-S(II-72B)
<b>9416 ADAPTER - FUEL PUMP MOUNTING</b>							
49/53	A	8	239		2,3,4,6,7,13,14,15,16,17,18,19	1	8BA 9416-A
49/53	A	8	239	Stud (fuel pump mounting adapter to valve chamber cover)-5/16"-18 & 5/16"-24 x 1 1/16"	2,3,4,6,7,13,14,15,16,17,18,19	2	*89059-S
49/53	A	8	239	Stud (fuel pump mounting adapter to valve chamber cover)-5/16"-18 & 5/16"-24 x 1.30"	2,3,4,6,7,13,14,15,16,17,18,19	2	357428-S7-8 (WW14)
49/53	A	8	239	Washer-flat-5/16"	2,3,4,6,7,13,14,15,16,17,18,19	2	44722-S8(X19)
49/53	A	8	239	Nut-5/16"-24	2,3,4,6,7,13,14,15,16,17,18,19	2	33798-S8(M62)
49/53	A	8	239	Lockwasher-5/16"	2,3,4,6,7,13,14,15,16,17,18,19	2	34806-S7(X64)

● Refer to Group 9350 for complete Fuel Pump Identification

# Used with dual 4 barrel carburetor

# FORD CAR PARTS

YEAR 19	MODEL	NO. CYL.	CUBIC INCH DISP.	DESCRIPTION	*FUEL PUMP CATALOG SYMBOL	QTY. PER VEHICLE	PART NUMBER
<b>9417 GASKET - FUEL PUMP MOUNTING</b>							
49/54	A	6	All	Paper	5,11,12,17,21, 22,23,24,25,28, 31,32,33,34	1	EBU 9417-A
54	A	8	239			1	
49/57	A,S	6&8	All	Fibre	1,2,3,6,7,8,9, 10,14,15,20,26, 27,29,30,37,38, 39,40,41,43,45	1	C1SZ 9417-A
58/	A,S	8	All			1	
59/	S	8	430			1	
58/	A,S	8	332,352	Used with B8A 6019-B & C0AE 6019-A steel stamped covers only		1	B8A 9417-A
<b>9418 WASHER - ROCKER ARM PIN</b>							
49/	A,S	6&8	All	Fuel & vacuum pump-. 189" I. D. - 3/8" O. D. -flat across one end- serviced in kit 9349	4, 5, 11, 12, 13, 16,17,18,19,21, 22,23,24,25,28, 31,32,33,34,36, 38,40,41,44,45, 47,49,51,52,53, 54	1	49B 9418
<b>9424-5 MANIFOLD - INTAKE</b>							
52/53		6	215			1	EAG 9424-B
52/58	A	6	All	Connector (w/s wiper tube to intake manifold)		1	B8A 17595-A
56/57	A	6	223	Use with B8A 9725-A & (2) 88620-S stud		1	B9A 9424-A
54/55	A	6	223	Use with (4) B6J 9461-A & (4) B6J 9471-A		1	
58/59	A	6	223			1	
54	A	8	239			1	B5C 9425-A
55	A	8	272	Use with 2 barrel carburetor		1	B6C 9425-B
56	S, F/L, S/W, A (Special)	8	All	Use with 4 barrel carburetor		1	B6A 9424-B
56	A	8	272	Use with 2 barrel carburetor		1	B6A 9424-F
57	A,S	8	312	Use with 4 barrel carburetor		1	B7A 9424-B
57	A,S	8	312			1	†B7A 9424-C
57	A,S	8	312			1	†B7A 9424-D
57/59	A	8	272,292	Use with 2 barrel carburetor		1	B9A 9424-B
57	S	8	292	Use with 2 barrel carburetor		1	
58/59	A	8	332	Used with 2 barrel carburetor-service pkg. includes (1) B7TZ 8597-C by-pass hose & (1) 358066-S8 or 372175-S8 pipe plug-3/8"-for emission reduction hole		1	C1AE 9424-A
58/	A	8	332,352	Used with 4 barrel carburetor-service pkg. includes (1) B7TZ 8597-C by-pass hose & (1) 358066-S8 or 372175-S8 pipe plug-3/8"-for emission reduction hole		1	C1AE 9424-B
59/	S	8	430			1	C1JE 9424-A
52/	A	6	All	Stud (intake manifold to exhaust manifold and thermostat ass'y.)-3/8"-16 & 3/8"-24 x 4 7/8"		2	88624-S(W25)
				Nut-3/8"-24			33828-S(M64)
				Lockwasher-3/8"			33847-S7(M58)
				Plug (intake manifold vacuum outlet)-3/8" pipe			358066-S8(PP36)
54	A	8	239	Bolt(intake manifold to cyl. hd.)-3/8"-16 x 2 1/4"		4	20534-S8(B90)
54	A	8	239	Bolt (intake manifold to cyl. head)- 3/8"-16 x 2 3/4"		2	★45528-S8
54	A	8	239	Connector-used in intake manifold when fuel & vacuum pump & power brakes are installed		1	353809-S(II-60)
54/57	A	8	239,272	Elbow (intake manifold to W/S hose)-3/8"-not used with fuel & vacuum pump or power brakes		1	353768-S8(II-19)
55	S	8	292			1	
54/57	A	8	239,272	Bolt (intake man. to cyl. head)-3/8"-16 x 1 1/8"		4	20408-S7(B81)
55/57	S, A (Special)	8	All			2	
56	F/L, S/W	8	292			2	
59/	S	8	430			3	
59/	A	8	292			2	
54/57	A,S	8	All	Washer (intake manifold to cyl. head)-3/8" flat		6	351385-S7(XX158)

● Refer to Group 9350 for complete Fuel Pump Identification

# Used with dual 4 barrel Carburetor

† Used with Supercharger

YEAR 19__	MODEL	NO. CYL.	CUBIC INCH DISP.	DESCRIPTION	QTY. PER VEHICLE	PART NUMBER
<b>9424-5 MANIFOLD - INTAKE - continued</b>						
54/	A, S	8	All	Stud (intake manifold to cylinder head)- 3/8"-16-24 x 2 3/4"	4	88492-S (W18)
54/	A, S	8	All	Nut-3/8"-24	4	33800-S8 (M63)
54/	A, S	8	All	Plug-3/8"-18 hex. head-used when hot water heater is not used	1	87710-S (P16)
55	A, S	8	All	Connector-45° elbow-used in intake manifold	1	354316-S (II-132)
57	A	8	All	for power brakes	1	
55/57	S, A (Special)	8	All	Bolt (intake man. to cyl. head)-3/8"-16 x 1 3/4"	2	★20506-S7
56	F/L, S/W	8	292		2	
57	A, S	8	All		2	
59/	S	8	430		6	
59/	A	8	292		2	
55/57	A, S	8	All	Bolt (intake manifold to cyl. head)-3/8"-16 x 3"	2	45534-S8 (B95)
58	A, S	8	332,352	Bolt (intake manifold to cyl. head)- 3/8"-16 x 2 5/8" hex.	8	43011-S (B263)
58/	A, S	8	332,352	Bolt (intake manifold to cylinder head)- 3/8"-16 x 2.62"	8	370478-S (BB161)
58/	A, S	8	332,352	Bolt (intake manifold to cylinder head)- 3/8" -16 x 1 1/2" hex. head	2	20468-S8 (B85)
59/	S	8	430		1	
59	A	8	292	Connector (used in intake manifold when power brakes are used)-5/16" tube	1	372094-S (II-139)
59	S	8	430	Lockwasher-3/8"	3	34807-S8 (X66)
<b>9A424-25 SEAL - INTAKE MANIFOLD TO CYLINDER BLOCK</b>						
58/59	A, S	8	332,352	Rear	1	C3AZ 9A424-A
58/59	A, S	8	332,352	Front	1	C3AZ 9A425-A
<b>9426 MANIFOLD and THERMOSTAT ASSY. - EXHAUST - Refer to Group 9430-31</b>						
<b>9427 PLUG - INTAKE MANIFOLD VACUUM RESTRICTION</b>						
54	A	8	239		1	B4A 9427-A
55	A, S	6&8	All	Not used with power brakes	1	
56	A	8	272	Not used with power brakes & fuel & vacuum pump	1	
<b>9A427 VALVE ASSY. - EXHAUST THERMOSTAT CONTROL - Also Refer to Group 9685</b>						
55/56	A	8	272	Used with single exhaust	1	COTE 9A427-A
58/	A	8	292		1	COAE 9A427-C
57	A, S	8	All		1	
58/	A, S	8	332,352		1	B9AE 9A427-A
<b>9428 MANIFOLD ASSY. - EXHAUST - Refer to Group 9430-1</b>						
<b>9430-1 MANIFOLD - EXHAUST</b>						
<b>6 CYLINDER</b>						
49/51	A	6	226	Has 88556-S studs 3 5/8" long	1	★1HA 9426-A
49/51	A	6	226	Gasket (windshield wiper silencer to intake manifold)	1	91A 2149
49/51	A	6	226	Connector (w/s wiper tube to intake manifold)	1	7RA 17595
				Connector (w/s wiper tube to intake manifold)	1	B8A 17595-A
52/53	A	6	215		1	EAA 9426-A
54/	A	6	223	Manifold & thermostat assy. -service pkg. includes (2) 375678-S2 studs (2) 375636-S100 nuts	1	C3AZ 9426-A
49/51	A	6	226	Stud (man. to cyl. block)-3/8"-16 & 24 x 2 1/8"	11	88442-S (W17)
49/51	A	6	226	Stud (intake to exhaust manifold)-3/8"-16 & 3/8"-24 x 3"	4	88512-S7 (W19)
49/51	A	6	226	Nut (manifold to cyl. block)-3/8"-24	11	33828-S (M64)
49/57	A	6	All	Stud (muffler pipe to man.)-7/16"-14 & 20 x 1 1/2"	2	88393-S (W27)
				Nut (muffler pipe to manifold)-7/16"-20	2	34673-S (M65)
51	A	6	226	Stud (intake to exhaust manifold)-use with 1HA 9426-A-3/8"-16 & 3/8"-24 x 3 5/8"	2	★88556-S
52/	A	6	215,223	Bolt (exhaust manifold & thermostat assy. to intake manifold)-3/8"-16 x 1"	1	20388-S8 (B80)
				Lockwasher-3/8"		34847-S8 (X74)
				Cotter pin-1/16" x 3/4"		72015-S (N40)
52/	A	6	215,223	Bolt (manifolds to cyl. head)-3/8"-16 x 1 3/8"	10	20448-S8 (B83)
52/	A	6	215,223	Bolt (manifolds to cyl. head)-3/8"-16 x 1 1/8"	2	20408-S7 (B81)
				Lockwasher-3/8"		34847-S8 (X74)
52/53	A	8	239	Used with dual exhaust	1	EAB 9431-A
54	A	8	239	L. H.	1	B4A 9431-A

YEAR	MODEL	NO. CYL.	CUBIC INCH DISP.	DESCRIPTION	QTY. PER VEHICLE	PART NUMBER
<b>9430-31 MANIFOLD - EXHAUST - continued</b>						
<b>8 CYLINDER</b>						
54	A	8	239	Used with dual exhaust	1	EBU 9431-D
54	A	8	239	R. H.	1	C2TZ 9430-D
55/56	A (except S/W & Fairlane)	8	272	R. H. -used with single exhaust	1	
55/56	A (except S/W & F/L)	8	272	L. H. -used with single exhaust	1	B5A 9431-B
55/56	A (std. for S/W & F/L)	8	All	L. H. -used with dual exhaust-(B7A 9431-A can be used as alternate for this application on S/T & O/D only)	1	B6A 9431-A
57	S	8	All	L. H.	1	B7S 9431-A
55/56	A	8	292,312	L. H. -use with dual exhaust	1	
58/59	A, S	8	332,352	L. H.	1	B8S 9431-A
59/	S	8	430	R. H. -service pkg. includes (1) C1VE 9A705-A cover, (1) C1VE 9903-A gasket, (1) 20436-S bolt	1	C0SZ 9430-A
59/	S	8	430	L. H. -service pkg. includes (2) 375919-S100 studs and (2) 375918-S7 nuts	1	C1VZ 9431-B
58/	A	8	292	R. H. -service pkg. includes (2) 375679-S2 studs	1	C2AZ 9430-A
55/57	A, S	8	All	& (2) 375636-S100 nuts to attach muffler inlet pipe	1	
58/	A	8	292	L. H. -service pkg. includes (2) 375678-S2 studs	1	C2AZ 9431-A
57	A	8	All	& (2) 375636-S100 nuts to attach muffler inlet pipe	1	
55/56	S/W & F/L (with S/T & O/D only)	8	All	Used with dual exhaust	1	
49/50	A	8	239	Stud (butterfly type heat control valve & exhaust crossover pipe to R. H. exhaust manifold)-7/16"-14-20 x 2 1/2"	2	353409-S(WW47)
49/53	A	8	239	Bolt(exhaust man. to cyl. block)-3/8"-16 x 1 1/4"	8	20428-S8(B82)
				Lockwasher-3/8"		33847-S8(M58)
49/53	A	8	239	Stud (exhaust manifold to muffler inlet pipe)-7/16"-14 & 7/16"-20 x 1 1/2"	2	88393-S(W27)
49/53	A	8	239	Stud (L. H. exhaust manifold to cross over pipe)	2	
50/53	A	8	239	Stud (duckbill type heat control valve and exhaust crossover pipe to R. H. exhaust manifold)	2	
49/53	A	8	239	Bolt(exhaust man. to cyl. block)-7/16"-14 x 1 1/4"	4	24430-S8(B235)
54	A	8	239	Bolt (exhaust manifold to cylinder head)-3/8"-16 x 1 1/8" hex. head	14	20408-S7(B81)
59/	A, S	8	332,352		16	
59/	A	8	292		14	
54	A	8	239	Stud (man. to muffler pipe)-7/16"-14 & 20 x 1 3/4"	2	88413-S(W28)
54	A	8	239	Stud (L. H. exhaust manifold to crossover pipe)	2	
55/57	A, S	8	All	Stud (exhaust manifold to muffler inlet pipe)	2	
55/57	A (except S/W & F/L)	8	272	Stud (exhaust manifold to crossover pipe)	2	
54/	A	8	All	Washer (exhaust manifold to cyl. head)-3/8" flat	14	351385-S7(XX158)
54	A	8	239	Stud (heat control valve & R.H. exhaust manifold to crossover pipe)-7/16"-14 & 7/16"-20 x 2 1/2"	2	353409-S(WW47)
				Lockwasher-7/16"		34808-S8(X67)
				Lockwasher-7/16"		357625-S7-8 (X X 304)
				Nut-brass-7/16"-20		34673-S(M65)
55/57	A, S	8	All	Stud (intake man. & exh. thermostat control valve to inlet pipe)-7/16"-14-20 x 2 1/2"	2	353409-S(WW47)
55/57	A, S	8	All	Bolt (exhaust man. to cyl. head)-3/8"-16 x 1"	14	20388-S8(B80)
58	A, S	8	332,352	Bolt (exhaust manifold R. H. & L. H. to cyl. head)-3/8"-16 x 1 1/8" hex. head	16	42999-S(B253)
58/	A, S	8	All	Washer(exhaust manifold R. H. & L. H. to cyl. head)-3/8" lock tab	15	370383-S(XX345)
58/	A, S	8	332,352	Stud (exhaust thermostat control valve & muffler inlet tube to exhaust manifold-R. H. )-7/16"-14-14 x 3.00"	2	376183-S7-8 (WW50B)
58/	A, S (except 430 eng.)	8	332,352	Stud (muffler inlet pipe to exhaust manifold-L. H. )-7/16"-14-14 x 1.62"	2	376181-S7-8 (WW35A)
59	S	8	430	Stud (exhaust manifold to cylinder head)-3/8"-16-16 x 1.68" long	8	372404-S7(WW12)
59	S	8	430	Nut (exhaust manifold R. H. & L. H. to cyl. head)-3/8"-16 hex.	8	33799-S7(M52)
59/	S	8	430	Stud (exhaust manifold to cylinder head)-3/8"-16-16 x 1.62"	8	376283-S2(WW13)
59/	S	8	430	Bolt (exhaust manifold to cyl. hd. )-3/8"-16-1 1/4"	8	20428-S8(B82)
59/	S	8	430	Stud (muffler inlet pipe to exhaust manifold)-7/16"-14-14 x 1 13/16"	4	372542-S(WW81)

YEAR 19	MODEL	NO. CYL.	CUBIC INCH DISP.	DESCRIPTION	QTY. PER VEHICLE	PART NUMBER
<b>9A430 SHAFT &amp; COUNTERWEIGHT ASSY. - EXHAUST THERMOSTAT CONTROL VALVE</b>						
52/	A	6	215,223		1	B9AE 9A430-A
<b>9433 GASKET SET - MANIFOLD</b>						
<b>6 CYLINDER</b>						
49/51		6	226	Intake & exhaust	1	1GA 9433
Consists of the following						
	1-1GA 9441		Gasket (rear)	1-1GA 9442		Gasket (front)
				1-1GA 9448		Gasket (center)
<b>8 CYLINDER</b>						
49/53		8	239	Exhaust-consists of (9) 18-9448-A gaskets	1	18 9433
54	A	8	239	Intake-consists of (1) EAN 9439-A gasket and (1) EAN 9441-A gasket	1	B4AZ 9433-A
55/	A, S	8	272,292, 312	Gasket set (intake manifold)	1	B7AZ 9433-A
Consists of the following						
	1-B7A 9439-B		Gasket (intake manifold to cyl. head)-R. H.	1-B7A 9441-B		Gasket (intake manifold to cyl. head)-L. H.
58/59	A, S	8	332,352	Gasket and seal set (intake manifold)	1	C3AZ 9433-A
Consists of the following						
	1-C3AZ 9A424-A		Seal	1-C3AZ 9A425-A		Seal
				2-C2AZ 9441-A		Gasket
<b>9434 RETAINER - FUEL PUMP BODY CURLED HAIR</b>						
49/50		6&8	226,239	Used with 7RA 9350-E and 8HA 9350	1	7RA 9434
<b>9435 GASKET - INTAKE TO EXHAUST MANIFOLD</b>						
49/51		6	226		1	1GA 9435-C
<b>9439-41 GASKET - INTAKE MANIFOLD TO CYLINDER HEAD</b>						
54	A	8	239	R. H.	1	EAN 9439-A
				L. H.	1	EAN 9441-A
55/57	A, S	8	All	R. H.	1	B7A 9439-B
58/	A	8	292		1	
				L. H.	1	B7A 9441-B
58/59	A, S	8	332,352	Also serviced in C3AZ 9433-A kit	2	C2AZ 9441-A
59/	S	8	430		2	C1VE 9441-D
<b>9443 CLAMP - INTAKE and EXHAUST MANIFOLD TO CYLINDER BLOCK</b>						
49/51	A	6	226		11	1GA 9443
52/	A	6	215,223		10	EAA 9443-A
<b>9446 CLAMP - INTAKE MANIFOLD TO CYLINDER HEAD</b>						
54/55	A	8	239,272	2.21" long	4	EAD 9446-A
56	A (except F/L & S/W)	8	272		4	
57	A, S	8	All		4	
58	A	8	292		4	
55/56	S	8	All	1.83" long	4	B5A 9446-A
55	A (182" H. P. Special" with F/M)	8	272		4	
56	F/L, S/W, A (Special)	8	All		4	
59/	A	8	292		4	
59/	S	8	430	2.84" long	6	B8E 9446-A
<b>9447 GASKET - CARBURETOR</b>						
49/53	A	8	239	Carburetor to valve chamber cover	1	B4C 9447-A
54	A	8	239	Carburetor to intake manifold	6	
55	A	8	272	Carburetor flange-use with 2 barrel carburetor	1	
56	A	8	272	Carburetor to governor	3	
54/57	A	6	223	Carburetor to governor	1	B2TZ 9447-B
58	A	6	223	Carburetor to gas shield	1	
55	S	8	292	Carburetor to intake manifold-5 layers-4 center holes 1.38" diam. -4 bolt holes .34" diam.	1	B5S 9447-A
55	A ("182 HP Special" with F/M)	8	272	Carburetor to intake manifold-use with 4/B carb.	2	EBJ 9447-A
57	A, S	8	312	Carb. to intake manifold-use with dual 4/B carb.	4	
55/56	A	8	272	Carburetor to governor	1	A8TZ 9447-C



# FORD CAR PARTS

## SECTION 94

317

YEAR 19	MODEL	NO. CYL.	CUBIC INCH DISP.	DESCRIPTION	QTY. PER VEHICLE	PART NUMBER
<b>9447 GASKET - CARBURETOR - continued</b>						
56	S, F/L, S/W, A (Special)	8	All	Carburetor to intake manifold-use with 4/B carb.	1	B6A 9447-A
56	A	8	272	Carburetor to intake manifold-use with 2/B carb.	1	B6A 9447-C
56/	A	6	223	Carburetor to intake manifold-1.65" I. D.	1	B6A 9447-B
56/	A	6	223	Use with governor	3	
49/55	A	6	All		6	
57	A, S	8	312	Spacer (carburetor to intake manifold)-used with supercharger	1	B7A 9447-C
58/59	A	8	292	Carburetor to governor	2	B8AZ 9447-A
59/	S	8	430	Carburetor to intake manifold	2	B9SE 9447-A
59/	A	6	223	Carburetor to governor	1	B9AZ 9447-A
57/59	A(with 2/B carb.)	8	272,292,332	Carburetor to intake manifold	2	C2AZ 9447-D
57/58	A, S(with 4/B carb.)	8	All	Carburetor to intake manifold	2	C2AZ 9447-E
59/	A, S (with 4/B carb.)	8	352	Carburetor to intake manifold	2	
<b>9448 GASKET - EXHAUST MANIFOLD</b>						
59/	S	8	430	R. H.	1	C0SZ 9448-A
				L. H.	1	C0SZ 9448-B
<b>9449 SPRING ASSY. - EXHAUST THERMOSTAT CONTROL VALVE - Also Refer to Group 9467</b>						
49/51	A	6	226		1	1GA 9449
53/	A	6	215,223		1	EAA 9449-A
55	A, S	8	All	.250" O. D. x .722" long-11 1/2 coils-used in	1	B5A 9449-A
57/	A, S	8	All	9685 and 9A427 valves	1	
<b>9450 GASKET - EXHAUST MANIFOLD TO MUFFLER INLET PIPE</b>						
49/56	A	6&8	All	Exhaust manifold to muffler inlet pipe	1	C1SZ 9450-A
55/56	A (standard for S/W & F/L), S	8	All	Exhaust manifold to inlet pipe-used w/dual exhaust	3	
55/56	A	8	272	Exhaust manifold crossover pipe opening cover plate - used with dual exhaust	1	
57/	A	6	223	Exhaust manifold to muffler inlet pipe	1	
57/	A	8	All		3	
57	A	8	All	Exhaust control valve to muffler inlet pipe	1	
57/	S	8	All	Muffler inlet pipe to engine ass'y.	3	
54	A	8	239	Exhaust manifold to crossover pipe	3	EBU 9450-B
55/56	A	8	272	Exhaust manifold to crossover pipe	3	B5A 9450-A
59/	S	8	430	Exhaust manifold to resonator inlet pipe	2	B8S 9450-A
<b>9458 COUNTERWEIGHT - EXHAUST THERMOSTAT CONTROL VALVE</b>						
49/51	A	6	226		1	1GA 9458-B
49/51	A	6	226	Screw (exhaust control valve counterweight)-No. 12-24 x 5/8"-round head	1	*26498-S7
52/53	A	6	215		1	EAA 9458-B
<b>9460 VALVE - EXHAUST THERMOSTAT CONTROL</b>						
52/53	A	6	215		1	EAA 9460-B
54/55	A	6	223		1	EBF 9460-A
56/	A	6	223		1	B6A 9460-A
<b>9461 GASKET - INTAKE MANIFOLD TO CYLINDER BLOCK</b>						
52/53	A	6	215	1.42" I. D. -2.00" O. D.	4	EAA 9461-A
54/55	A	6	223	1.52" I. D. -2.12" O. D.	4	B6J 9461-A
56/	A	6	223	1.64" I. D. -2.12" O. D.	4	B6A 9461-A
<b>9462 BUSHING - EXHAUST THERMOSTAT CONTROL VALVE</b>						
49/	A	6	223	.36" long-.397" O. D.	2	1GA 9462
<b>9463 PIN - EXHAUST THERMOSTAT CONTROL VALVE COIL SPRING</b>						
49/51	A	6	226	1.56" long	1	1GA 9463-B
<b>9465 LOCK - EXHAUST THERMOSTAT CONTROL VALVE COUNTERWEIGHT</b>						
49/51	A	6	226		1	1GA 9465-B

YEAR 19__	MODEL	NO. CYL.	CUBIC INCH DISP.	DESCRIPTION	QTY. PER VEHICLE	PART NUMBER
<b>9467 SPRING - EXHAUST THERMOSTAT CONTROL VALVE COIL - Also Refer to Group 9449</b>						
49/	A	6	223		1	B4A 9467-A
55/56	A, S	8	All	Used with dual exhaust in valve B4A 9685-B	1	B5A 9467-B
56	A	8	272	Used with single exhaust	1	B6A 9467-A
55	A (except S/W & F/L)	8	272	Used with single exhaust in valve B5A 9685-D	1	
57/	A, S	8	All	Spring (exhaust control valve)	1	C1AZ 9467-A
<b>9468 RETAINER - FUEL PUMP OIL SEAL</b>						
49/	A, S	6&8	All	Fuel pump-1" O. D.	1	B7A 9468-A
						11,12,13,16,17, 18,19,21 thru 25, 28, 31 thru 40, 42,45,46,48,50, 52, 55
49/57	A, S	6&8	All	Vacuum pump	1	
						11,12,13,16,17, 18,19,21,22,23, 24,25,28,31,32, 33,34,36,38,40, 41,45
49/50	A	6&8	226,239	Fuel pump diaphragm pull rod	1	
57/	A, S	6&8	All	Vacuum pump	2	
						4,5 44,47,49,51,53, 54
49/54	A	6	All	1 15/32" O. D. -9/32" high	1	1GA 9468-A
54	A	8	239			1,8,9,10,20,26, 27,29,30
<b>9469 OIL SEAL - FUEL PUMP - Also Refer to Group 9A393</b>						
49/	A, S	6&8	All	Fuel pump diaphragm pull rod- serviced in kit 9349	1	1BA 9469-A
						11,12,13,16,17, 18,19,21 thru 25, 28, 31 thru 40, 42,45,46,48,50, 52, 55
49/57	A, S	6&8	All	Vacuum pump	1	
						11,12,13,16,17, 18,19,21,22,23, 24,25,28,31,32, 33,34,36,38,40, 41
57/	A, S	6&8	All	Vacuum pump	2	
						44,45,47,49,51, 53, 54
49/50	A	6&8	226,239	Fuel pump diaphragm pull rod	1	
						4, 5
49/54	A	6	All	Fuel pump-leather	2	1GA 9469
54	A	8	239		2	1,8,9,10,20,26, 27 29,30
49/50		6&8	226,239	Vacuum pump diaphragm pull rod-serviced in kit 9349	1	49B 9469
						4,5
57	A, S	8	312		1	†B7A 9469-A
						41
<b>9471 SLEEVE - INTAKE MANIFOLD TO CYLINDER BLOCK</b>						
52/53	A	6	215	Split-1.38" O. D. -, 28" thick	4	EAA 9471-A
54/55	A	6	223	Split-1.50" O. D. -. 28" long	4	EBP 9471-A
54/55	A	6	223	Split-1.62" O. D. -including level - .30" long-(use with B6A 9424-A or B8A 9424-C & B6J 9461-A)	4	B6J 9471-A
56/	A	6	223	Split-1.62" O. D. -. 30" long	4	B6A 9471-A
<b>9492 DEFLECTOR ASSY. - THERMOSTATIC CHOKE CONTROL AIR INTAKE</b>						
57	A, S	8	All		1	B7A 9492-A
58/59	A	8	292		1	

• Refer to Group 9350 for complete Fuel Pump identification.

† Used with Supercharger.

## **HOW TO IDENTIFY CARBURETORS and RELATED PARTS**

To facilitate the identification of service kits and parts for a specific carburetor, parts lists or bills of material are provided in Section 95A of this catalog for each carburetor assembly. It is necessary first to identify the carburetor assembly per the instructions that follow.

Carburetors can be identified by the stamping number shown on the carburetor or on a metal tag attached to the carburetor. The location of this stamping number differs for the various carburetors - see the Carburetor Identification Chart beginning on page 322.

Effective with the 1959 models and also on some service carburetors for earlier models an identification tag was provided with each carburetor. An illustration and explanation of the carburetor identification tag are shown on page 320.

If the tag identification number is known, the related carburetor and carburetor parts list numbers can be determined from the Guide on page 320.

When the stamping number is known, the related carburetor and carburetor parts list numbers can be determined from the Guide on page 321.

Carburetors and their parts lists can also be identified by Model year, engine, etc. in the Carburetor Identification Chart on pages 322 thru 327. Also shown in the Carburetor Identification Chart is the page number for a typical parts illustration for each carburetor assembly.

Carburetor illustrations are shown in Illustration Section 95 of Form FD 9463.

Parts Lists are arranged in Parts List Number Sequence in Section 95A on pages 329 thru 473.

For ready reference, kit part numbers are shown at the beginning of each parts list in Section 95A. A listing of components for each kit is shown in Section 95B. Refer to the Index on page 475 at the beginning of Section 95B for page number of known kit.

Carburetor attaching parts are shown at the beginning of their respective parts lists following the part numbers for the kits.

To identify the parts or kits for a specific carburetor it is only necessary to refer to the related parts list and parts illustration.

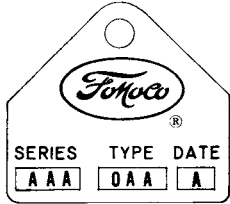
An Alphabetical Index by part name is shown at the beginning of the Fuel System in Section 90 on pages 288, 289 and 290.

---

**IMPORTANT**

Always furnish appropriate Patent Plate information and DSO number if applicable when ordering parts not listed in the Catalog.

**TYPICAL CARBURETOR IDENTIFICATION TAG CODING**



P-3221

SERIES									
1			2				3		
SUPPLIER and VENTURI			ENGINE DISPLACEMENT				VEHICLE IDENTIFICATION		
Holley	1V	A	223	A	477	L	Ford Pass	A	
Holley	2V	B	292	B	534	M	Truck	T	
Holley	4V	C	302	C	272	N	Edsel	K	
Ford	2V	D	312	D	144	O	Mercury	M	
Ford	4V	E	332	E			Thunderbird	S	
Carter	4V	F	352	F			Lincoln	L	
Carter	2V	G	361	G			Falcon	D	
			383	H					
			401	J					
			430	K					

TYPE					DATE		
4	5				6	7	
RELEASE YEAR	CARBURETOR MODEL				DESIGN CHANGE	SEMI - MONTHLY BUILD DATE	
0	Std. Trans.	A	Government R. P. O.	L	A	January	A, B
1	Auto. Trans.	B	Air Cond. R. P. O.	M	B	February	C, D
2	Taxi Std.	C	Hi-Performance	N	C	March	E, F
3	Taxi Auto.	D			D	April	G, H
4	Service	E			E	May	J, K
5	Taxi Service	F			F	June	L, M
6	Hand Throttle	G			etc.	July	N, O
7	Parcel Delivery	H			thru	August	P, Q
8	6V Primary	J			Z	September	R, S
9	6V Secondary	K				October	T, U
						November	V, W
						December	X, Y

**CARBURETOR 'TAG' IDENTIFICATION TO SERVICE PART NUMBER GUIDE**

TAG IDENTIFICATION NUMBER	CARBURETOR SERVICE PART NUMBER	CARB. PARTS LIST NO.	TAG IDENTIFICATION NUMBER	CARBURETOR SERVICE PART NUMBER	CARB. PARTS LIST NO.	TAG IDENTIFICATION NUMBER	CARBURETOR SERVICE PART NUMBER	CARB. PARTS LIST NO.
AAA7EA	B2AE 9510-A	110	CDA7EA	B7AE 9510-A	111	DBA9AB	B9A 9510-A	89
AAA9AA	B9A 9510-F	95	CGK9BA	B9AZ 9510-A	124	DBA9AC	B9A 9510-A	89
AAA9BA	B9A 9510-F	95	CGK9BB	B9AZ 9510-A	124	DBA9BC	B9A 9510-B	90
AAA9BC	B9A 9510-F	95	C2AE-C	C2AZ 9510-H	160	DBA9CB	B9A 9510-B	90
AAA9CA	B9AE 9510-A	96	C2AE-D	C2AZ 9510-H	160	DEA9BB	B9A 9510-C	91
AAA9DA	B9AE 9510-A	96	C2AE-AS	C2AZ 9510-H	160	DEA9BC	B9A 9510-C	91
AAA9EA	B9A 9510-F	95	C2AE-BB	C2AZ 9510-H	160	EFA9AA	B9A 9510-E	93
AAA9EB	B8AE 9510-A	120	C2AE-BC	C2AZ 9510-H	160	EFA9AB	B9A 9510-E	93
AAA9FA	B9AE 9510-A	96	DBA0AA	C0AE 9510-M	100	EFA9AC	B9A 9510-E	93
AAA0AA	C0AE 9510-U	102	DBA0AB	C0AE 9510-M	100	EFA9BB	B9A 9510-E	93
AAA0AB	C0AE 9510-U	102	DBA0AC	C0AE 9510-M	100	EFA9BC	B9A 9510-E	93
AAA0AC	C0AE 9510-U	102	DBA0AD	C0AE 9510-AF	117	EFA0AA	C0AE 9510-J	99
AAA0CA	C0AE 9510-Y	103	DBA0AD	C0AZ 9510-A	136	EFA0AA	C0AZ 9510-C	125
AAA0DA	C0AE 9510-Y	103	DBA0AE	C0AZ 9510-A	136	EFA0AB	C0AE 9510-J	99
AAA0EA	C0AE 9510-U	102	DBA0AE	C0AE 9510-AF	117	EFA0AB	C0AZ 9510-C	125
AAA0EB	C0AE 9510-U	102	DBA0AF	C0AE 9510-AF	117	EFA0AC	C0AE 9510-J	99
AAA0FA	C0AE 9510-Y	103	DBA0AF	C0AZ 9510-A	136	EFA0AC	C0AZ 9510-C	125
BBA9EA	B9AE 9510-AS	113	DBA0BA	C0AE 9510-H	107	EFA0BA	C0AE 9510-K	106
BBA9LA	B9AE 9510-B	98	DBA0BB	C0AE 9510-H	107	EFA0BB	C0AE 9510-K	106
BEA9BA	B9A 9510-D	92	DBA0BC	C0AE 9510-H	107	EFA0BC	C0AE 9510-K	106
BEA9BA	B9AZ 9510-B	112	DBA0BD	C0AE 9510-AG	118	FKL9BA	B9S 9510-A	94
BEA9BB	B9A 9510-D	92	DBA0BE	C0AE 9510-AG	118	FKL9BB	B9S 9510-A	94
BEA9BB	B9AZ 9510-B	112	DBA0BF	C0AE 9510-AG	118	FKL0BA	C0LE 9510-A	105
BNA7EA	B7AE 9510-B	119	DBA9AA	B9A 9510-A	89	HAA1FA	C1AE 9510-AR	150

**CARBURETOR 'STAMPING' IDENTIFICATION TO SERVICE PART NUMBER GUIDE - continued**

STAMPING IDENTIFICATION NUMBER	CARBURETOR SERVICE PART NUMBER	CARB. PARTS LIST NO.	STAMPING IDENTIFICATION NUMBER	CARBURETOR SERVICE PART NUMBER	CARB. PARTS LIST NO.	STAMPING IDENTIFICATION NUMBER	CARBURETOR SERVICE PART NUMBER	CARB. PARTS LIST NO.
8HA	8HA 9509-A	1	COAE 9510-H	COAE 9510-H	107	ECK 9510-D	B5A 9510-H	21
8HA	8HA 9510-A	2	COAE 9510-J	COAE 9510-J	99	ECK 9510-G	B5A 9510-M	24
EBU	EBU 9510-E	14	COAE 9510-J	COAZ 9510-C	125	ECK 9510-H	B5A 9510-N	25
EBU	B4A 9510-A	15	COAE 9510-K	COAE 9510-K	106	ECK 9510-S	B5A 9510-Q	27
ECG-6	B6A 9510-J	33	COAE 9510-M	COAE 9510-M	100	ECK 9510-T	B5A 9510-R	28
ECG-6	B6A 9510-K	34	COAE 9510-U	COAE 9510-U	102	ECZ 9510-A	B6A 9510-L	35
ECG-61	B6A 9510-R	40	COAE 9510-V	COAE 9510-Y	103	ECZ 9510-B	B6A 9510-M	36
ECG-AS	B7A 9510-F	46	COAE 9510-Y	COAE 9510-Y	103	ECZ 9510-G	B6A 9510-N	37
ECG-AT	B7A 9510-F	46	COAE 9510-AF	COAE 9510-AF	117	ECZ 9510-H	B6A 9510-N	37
ECG-AY	B7A 9510-Q	55	COAE 9510-AF	COAZ 9510-A	136	ECZ 9510-L	B6A 9510-Q	39
ECG-AZ	B7A 9510-Q	55	COAE 9510-AG	COAE 9510-AG	118	ECZ 9510-L*	B6A 9510-N	37
ECG-BA	B7A 9510-E	45	COLE 9510-A	COLE 9510-A	105	ECZ 9510-L**	B6A 9510-N	37
ECG-BE	B7A 9510-R	56	C1AE 9510-AR	C1AE 9510-AR	150	ECZ 9510-M	B6A 9510-Q	39
ECG-BF	B7A 9510-R	56	EAA 9510-D	EAA 9510-D	7	ECZ 9510-M*	B6A 9510-N	37
ECG-BG	B7A 9510-AA	65	EAA 9510-E	EAA 9510-E	8	ECZ 9510-M**	B6A 9510-N	37
ECG-BH	B7A 9510-AA	65	EAA 9510-G	EAA 9510-G	9	ECZ 9510-AA	B7A 9510-J	49
ECG-BJ	B7A 9510-Z	64	EAA 9510-H	EAA 9510-H	10	EDB 9510-K	B7A 9510-L	51
ECG-BK	B7A 9510-Z	64	EAA 9510-L	EAA 9510-L	11	EDB 9510-AA	B7A 9510-V	60
ECJ-AC	B7A 9510-G	47	EAA 9510-M	EAA 9510-M	12	EDB 9510-AB	B7A 9510-AC	67
ECJ-AD	B7A 9510-T	58	EAA 9510-N	B2A 9510-A	77	EDB 9510-AD	B8A 9510-G	73
ECZ-U	B7A 9510-B	42	EBP 9510-A	EBP 9510-A	17	EDC 9510-E	B8A 9510-D	70
			EBP 9510-B	EBP 9510-B	18	EDC 9510-F	B8A 9510-C	69
ECZ-V	B7A 9510-H	48	EBP 9510-G	B5A 9510-S	29	EDC 9510-G	B8A 9510-C	69
ECZ-Y	B7A 9510-H	48	EBP 9510-H	B6A 9510-G	31	EDC 9510-H	B8A 9510-D	70
ECZ-Z	B7A 9510-X	62	EBP 9510-J	B6A 9510-H	32	EDT 9510-D	B8A 9510-F	72
ECZ-AC	B7A 9510-U	59	EBP 9510-K	B5A 9510-V	30	5750068	B8A 9510-F	72
ECZ-AD	B7A 9510-U	59	EBP 9510-L	B6A 9510-P	38	5750069	B8A 9510-H	74
EDB-J	B7A 9510-L	51	EBP 9510-M	B5A 9510-V	30	5750070	B8A 9510-H	74
EDB-L	B7A 9510-G	47	EBP 9510-N	B4A 9510-B	19	5750122	B8A 9510-M	79
EDB-M	B7A 9510-K	50	EBP 9510-T	B7A 9510-C	43	5750123	B8A 9510-M	79
EDB-N	B7A 9510-W	61	EBP 9510-U	B7A 9510-D	44	5750274	B8A 9510-J	78
EDB-U	B8A 9510-K	75	EBP 9510-V	B7A 9510-M	52	5750276	B8A 9510-J	78
EDB-V	B8A 9510-K	75	EBP 9510-Y	B7A 9510-M	52	5750493	B8A 9510-J	78
EDB-Y	B7A 9510-S	57	EBP 9510-Z	B7A 9510-M	52	5750557	B8A 9510-M	79
EDB-Z	B7A 9510-T	58	EBP 9510-AA	B7A 9510-N	53	5750892	B8A 9510-T	85
EDB-AC	B7A 9510-AB	66	EBP 9510-AB	B7A 9510-Y	63	5750893	B8A 9510-T	85
EDB-AF	B8A 9510-P	81	EBP 9510-AC	B7A 9510-Y	63	5751294	B8A 9510-Q	82
EDB-AG	B8A 9510-N	80	EBP 9510-AD	B7A 9510-Y	63	5751355	B8A 9510-R	83
EDB-AG	B8A 9510-N	80	ECG 9510-M	B5A 9510-P	26	5751356	B8A 9510-S	84
EDC-A	B8A 9510-L	76	ECG 9510-N	B5A 9510-P	26			
EDC-B	B8A 9510-L	76						
EDC-C	B8A 9510-A	68						
EDC-D	B8A 9510-A	68	ECG 9510-AU	B7A 9510-A	41	5751357	B8A 9510-R	83
EDT-B	B8A 9510-E	71	ECG 9510-AV	B7A 9510-A	41	5751358	B8A 9510-S	84
EDT-C	B8A 9510-E	71	ECJ 9510-C	B5A 9510-G	20	5751679	B8A 9510-W	97
B2AE 9510-A	B2AE 9510-A	110	ECJ 9510-D	B5A 9510-H	21	5751680	B8A 9510-V	88
B7AE 9510-A	B7AE 9510-A	111	ECJ 9510-G	B5A 9510-M	24	5751681	B8A 9510-V	88
B7AE 9510-B	B7AE 9510-B	119	ECJ 9510-H	B5A 9510-N	25	5751843	B8A 9510-U	86
B8AE 9510-A	B8AE 9510-A	120	ECJ 9510-L	B5A 9510-Q	27	5751845	B8A 9510-U	86
B9AE 9510-A	B9AE 9510-A	96	ECJ 9510-M	B5A 9510-R	28	5751846	B8A 9510-U	86
B9AE 9510-AS	B9AE 9510-AS	113	ECJ 9510-N	B6A 9510-M	36	5752040	B9S 9510-A	94
B9AE 9510-B	B9AE 9510-B	98	ECJ 9510-R	B6A 9510-L	35	5752297	B9A 9510-D	92
B9EA 9510-A	B9A 9510-F	95	ECJ 9510-U	B6A 9510-N	37	5752297	B9AZ 9510-B	112
B9EA 9510-B	B9A 9510-F	95	ECJ 9510-V	B6A 9510-N	37	5752303	B9AZ 9510-A	124
B9EA 9510-C	B9A 9510-F	95	ECJ 9510-Y	B6A 9510-Q	39	5752305	B9A 9510-C	91
B9EA 9510-D	B9AE 9510-A	96	ECJ 9510-Z	B6A 9510-Q	39	5752306	B9A 9510-A	89
B9EA 9510-E	B9AE 9510-A	96	ECJ 9510-AA	B7A 9510-P	54	5752307	B9A 9510-B	90
COAE 9510-E	COAE 9510-U	102	ECJ 9510-AB	B7A 9510-P	54	5752308	B9A 9510-E	93
COAE 9510-F	COAE 9510-Y	103	ECK 9510-C	B5A 9510-G	20	5752309	B9A 9510-E	93

YEAR 19__	MODEL	NO. CYL.	CUBIC INCH DISP.	DESCRIPTION	*CARBURETOR CATALOG SYMBOL	QTY. PER VEHICLE	PART NUMBER
<b>9A500 - 9B508</b> Refer to Carburetor Parts Lists Section 95A							

**9509-10 CARBURETOR ASSY.**

See Carburetor Identification Chart which follows. Carburetor attaching parts are shown at the beginning of their respective parts lists following the part numbers for kits.

**CARBURETOR IDENTIFICATION CHART**

YEAR 19__	MODEL	ENGINE		TYPE	STAMPING OR (TAG) IDENTIFICATION	*TYPICAL ILLUS. PAGE NO.	NOTES	CARBURETOR PART NUMBER	REPLACED BY	CARB PARTS LIST NO.
		NO. CYL.	CUBIC INCH DISP.							
<b>6 CYLINDER ENGINES</b>										
49/51	A	6	226	H-1	8HA	304	1A	8HA 9509-A		1
49/51	A	6	226	H-1	8HA	304	1A	8HA 9510-A	8HA 9509-A	2
52	A (with S/T & O/D)	6	215	H-1	EAA 9510-D	305	1B	EAA 9510-D	B2A 9510-A	7
52	A (with F/M)	6	215	H-1	EAA 9510-E	305	1B	EAA 9510-E	EAA 9510-M	8
52/53	A (with S/T & O/D)	6	215	H-1	EAA 9510-G	305	1B	EAA 9510-G	B2A 9510-A	9
52/53	A (with F/M)	6	215	H-1	EAA 9510-H	305	1B	EAA 9510-H	EAA 9510-M	10
52/53	A (with S/T & O/D)	6	215	H-1	EAA 9510-L	305	1B	EAA 9510-L	B2A 9510-A	11
52/53	A (with F/M)	6	215	H-1	EAA 9510-M	305	1B	EAA 9510-M	B2A 9510-A	12
52/53	A (with S/T & O/D)	6	215	H-1	EAA 9510-N	305	1B, 4	B2A 9510-A	B2AE 9510-A	77
52/57	A	6	215, 223	H-1	B2AE 9510-A, (AAA7EA)	305	1A, 5	B2AE 9510-A		110
54/55	A (with S/T & O/D)	6	223	H-1	EBP 9510-A	305	1B	EBP 9510-A	B4A 9510-B	17
54/55	A (with F/M)	6	223	H-1	EBP 9510-B	305	1B	EBP 9510-B	B4A 9510-B	18
54/55	A	6	223	H-1	EBP 9510-N	305	1B, 7	B4A 9510-B	B2AE 9510-A	19
55/56	Taxicab (with S/T & O/D)	6	223	H-1, S/E	EBP 9510-G	305	1B	B5A 9510-S	B5A 9510-V	29
52/56	Taxicab	6	215, 223	H-1, S/E	EBP 9510-K or M	305	1B, 4	B5A 9510-V	B7A 9510-M	30
56	A (with F/M)	6	223	H-1	EBP 9510-H	305	1B	B6A 9510-G	B6A 9510-P	31
56	A (with S/T & O/D)	6	223	H-1	EBP 9510-J	305	1B	B6A 9510-H	B6A 9510-P	32
56	A	6	223	H-1	EBP 9510-L	305	1B, 4	B6A 9510-P	B2AE 9510-A	38
57	A (with S/T & O/D)	6	223	H-1	EBP 9510-T	305	1B	B7A 9510-C	B7A 9510-N	43
57	A (with F/M)	6	223	H-1	EBP 9510-U	305	1B	B7A 9510-D	B7A 9510-N	44
52/57	A	6	215, 223	H-1, S/E	EBP 9510-V, Y, or Z	305	1B, 4	B7A 9510-M	B8A 9510-M	52
57	A	6	223	H-1	EBP 9510-AA	305	1B	B7A 9510-N	B7A 9510-Y	53
57	A	6	223	H-1	EBP 9510-AB, AC or AD	305	1B	B7A 9510-Y	B2AE 9510-A	63
58	A	6	223	H-1	5750493, 5750274, or 5750276	317	1A, 4, 25	B8A 9510-J	B8AE 9510-A	78
52/58	A	6	215, 223	H-1, S/E	5750122, 5750123, or 5750557	305	1A, 4	B8A 9510-M	B9AE 9510-A	79
58	A	6	223	H-1	5751843, 5751845 or 5751846	317	1A, 4, 26	B8A 9510-U	B9A 9510-F	86

- NOTE 1A** Stamping identification is located on main body
  - NOTE 1B** Stamping identification is located on fuel inlet boss
  - NOTE 4** When used with automatic transmission add dashpot and attaching parts
  - NOTE 5** Service package includes (1) B6A 9447-B gasket, (1) 1CM 9681-A ball, (1) 34079-S nut and (1) 34843-S2 lockwasher
  - NOTE 7** When used with Fordomatic (1 each) C1AZ 9B549-A dashpot, B6A 9802-A lever and B2AZ 9B502-A screw required
  - NOTE 25** Used with B8A 12127-J distributor only. Service package includes (1 each) B6A 9447-B gasket, 1CM 9681-A ball, 34079-S7 nut and 34843-S2 lockwasher
  - NOTE 26** Not used with B8A 12127-J distributor
- \* Refer to page indicated in Illustration Section 95, form FD-9463

**9509-10 CARBURETOR ASSY. - continued**

### CARBURETOR IDENTIFICATION CHART

YEAR 19__	MODEL	ENGINE		TYPE	STAMPING OR (TAG) IDENTIFICATION	* TYPICAL ILLUS. PAGE NO.	NOTES	CARBURETOR PART NUMBER	REPLACED BY	CARB. PARTS LIST NO.
		NO. CYL.	CUBIC INCH DISP.							
<b>6 CYLINDER ENGINES</b>										
58/59	A (with S/T & O/D)	6	223	H-1	B9EA 9510-A,B or C, (AAA9AA), (AAA9BA), (AAA9EA), (AAA9BC)	317	1A, 4, 29	B9A 9510-F	B8AE 9510-A or C0AE 9510-U	95
58/59	A	6	223	H-1	B8AE 9510-A, (AAA9EB)	317	1A, 30	B8AE 9510-A		120
52/59	A	6	215, 223	H-1,S/E	B9AE 9510-A,B9EA 9510-D or E (AAA9FA), (AAA9DA), (AAA9CA)	305	1A, 4, 30	B9AE 9510-A	C0AE 9510-Y	96
58/	A (with S/T & O/D)	6	223	H-1	C0AE 9510-E or U, (AAA0EA), (AAA0EB), (AAA0AA), (AAA0AB), (AAA0AC)	317	1B, 4, 29, 31	C0AE 9510-U		102
52/	Taxicab	6	215, 223	H-1,S/E	C0AE 9510-F,V, or Y, (AAA0CA), (AAA0DA), (AAA0FA)	305	1B, 30	C0AE 9510-Y	C1AE 9510-AR	103
52/	Taxicab	6	215,223	H-1,S/E	C1AE 9510-AR,(HAA1FA)	305	1B, 4, 30, 32	C1AE 9510-ARC	C2AZ 9510-H	150
52/	Taxicab (except non-zero lash)	6	215, 223	H-1,S/E	C2AE-AS, C, D, BB, BC	317	1A,13,20, 32	C2AZ 9510-H		160

- NOTE 1A** Stamping identification is located on main body
- NOTE 1B** Stamping identification is located on fuel inlet boss
- NOTE 4** When used with automatic transmission add dashpot and attaching parts
- NOTE 13** Service package includes mounting gasket
- NOTE 20** For use on Standard and Overdrive transmissions remove dashpot and attaching parts
- NOTE 29** Not used with B8A 12127-J distributor. Service package includes (1 each) 1CM 9681-A ball, 34079-S nut and 34803-S7 washer
- NOTE 30** Service package includes (1 each) B6A 9447-B gasket, 1CM 9681-A ball, 34079-S nut, 34843-S2 washer and pin
- NOTE 31** Not used with Emission Reduction
- NOTE 32** Used with Emission Reduction
- \* Refer to page indicated in Illustration Section 95, form FD-9463

**SEE NEXT PAGE FOR 8 CYLINDER ENGINE CARBURETORS**

## 9509-10 CARBURETOR ASSY. - continued

## CARBURETOR IDENTIFICATION CHART

YEAR 19__	MODEL	ENGINE		TYPE	STAMPING OR (TAG) IDENTIFICATION	* TYPICAL ILLUS. PAGE NO.	NOTES	CARBURETOR PART NUMBER	REPLACED BY	CARB PARTS LIST NO.
		NO. CYL.	CUBIC INCH DISP.							
<b>8 CYLINDER ENGINES</b>										
49/51	A (with S/T & O/D)	8	239	H-2	See illustration P1161	306		8BA 9510-A	EAB 9510-F	3
49/53	A (with S/T & O/D)	8	239	H-2	See illustration P1161	306	2	EAB 9510-C	EAB 9510-F	4
49/53	A	8	239	H-2	See illustration P1161	306	2, 3	EAB 9510-F		5
51	A (with F/M)	8	239	H-2	See illustration P1161	306		1BA 9510-A	EAB 9510-F	6
52/53	A (with F/M)	8	239	H-2	See illustration P1161	306	2	EAB 9510-D	EAB 9510-F	13
54	A	8	239	H-2	EBU	307	1A	EBU 9510-E	B4A 9510-A	14
54	A	8	239	H-2	EBU	307	1A, 6	B4A 9510-A		15
55	S (with S/T & O/D)	8	292	H-4	ECJ or ECK 9510-C	308	1C, 8, 9	B5A 9510-G	B5A 9510-Q	20
55	A(182 H.P.Special with F/M)	8	272	H-4	ECJ or ECK 9510-D	308	1C, 8, 9A	B5A 9510-H	B5A 9510-N	21
55	S (with F/M)	8	292							
55	A (with S/T or O/D)	8	272	H-2	See illustration P1666	307		B5A 9510-J	B5A 9510-P	22
55	A (with F/M)	8	272	H-2	See illustration P1666	307		B5A 9510-K	B5A 9510-P	23
55	S (with S/T & O/D)	8	292	H-4	ECJ or ECK 9510-G	308	1C, 10	B5A 9510-M	B5A 9510-Q	24
55	A(182 H.P.Special with F/M)	8	272	H-4	ECJ or ECK 9510-H	308	1C, 11, 37	B5A 9510-N	B5A 9510-R	25
55	S (with F/M)	8	292							
55	A	8	272	H-2	See illustration P1666	307	12, 36	B5A 9510-P		26
55	S (with S/T & O/D)	8	292	H-4	ECJ 9510-L, ECK 9510-S	308	1C, 13, 14	B5A 9510-Q	B5A 9510-R	27
55	A(182 H.P.Special with F/M)	8	272	H-4	ECJ 9510-M,	308	1C, 13, 15,	B5A 9510-R		28
55	S	8	292		ECK 9510-T		37			
56	A (with S/T & O/D)	8	272	H-2	ECG-6	309	1A, 13	B6A 9510-J	B6A 9510-R	33
56	A (with F/M)	8	272	H-2	ECG-6	309	1A	B6A 9510-K	B6A 9510-R	34
56	S, F/L, S/W (with S/T & O/D)	8	292, 312	H-4	ECJ 9510-R, ECZ 9510-A	311	1C	B6A 9510-L	B6A 9510-Q	35
56	S, F/L, S/W, A(Special)- with F/M	8	292, 312	H-4	ECJ 9510-N, ECZ 9510-B	311	1C, 16	B6A 9510-M	B6A 9510-Q	36
56	S, F/L, S/W, A(Special)	8	292, 312	H-4	ECJ 9510-U or V, ECZ 9510-G or H, ECZ 9510 L* or M*, ECZ 9510 L** or M**	311	1C, 17, 18	B6A 9510-N	B6A 9510-Q	37

**NOTE 1A**

Stamping identification is located on main body

**NOTE 1C**

Stamping identification is located on throttle body flange

**NOTE 2**

High lift nozzle bar type

**NOTE 3**

Service package includes (1) B4C 9447-A gasket, (1) 78 9537-A plunger and (1) 78 9587 spring

**NOTE 6**

Instructions for using on Standard or Fordomatic transmission included in carburetor container

**NOTE 8**

On units manufactured before December 27, 1954, use with B5SZ 9A659-A air cleaner screws for Thunderbird

**NOTE 9**

Main body cover stamped 28

**NOTE 9A** Main body cover stamped 25**NOTE 10**

Main body cover stamped 33 on units manufactured from Dec. 27, 1954 to Apr. 21, 1955, use w/B5SZ 9A659-A air cleaner screw

**NOTE 11**

Main body cover stamped 30 on units manufactured from December 27, 1954 to April 12, 1955

**NOTE 12**

Replacement for factory installed carburetors ECG 9510-M and ECG 9510-N from approximately January 22, 1955

**NOTE 13**

Service package includes mounting gasket

**NOTE 14**

Main body cover stamped 33A on units manufactured after April 12, 1955, use with B5SZ 9A659-A air cleaner screw

**NOTE 15**

Main body cover stamped 30A on units manufactured after April 12, 1955

**NOTE 16**

When replaced by B6A 9510-Q, (1 each) C1AZ 9B549-A, B1AZ 9B502-A, B5AZ 9B550-A required

**NOTE 17**

When used with Fordomatic, (1 each) C1AZ 9B549-A, B1AZ 9B502-A, B5AZ 9B550-A required

**NOTE 18**

When used with Thunderbird remove B6A 9861-A shield, also replace B6AZ 9A659-A screw with B6SZ 9A659-A

**NOTE 36**

Service pkg. includes mounting gasket and also (1) B4TZ 9529-A pump link identified "Use for S/T &amp; O/D transmissions.

Remove link stamped "C" from carburetor and install link stamped "D" in number 3 position."

**NOTE 37**

When used on Thunderbird replace B2TZ 9A659-A with B5SZ 9A659-A air cleaner screw.

\* Refer to page indicated in Illustration Section 95, form FD-9463



**9509-10 CARBURETOR ASSY. - continued**

## CARBURETOR IDENTIFICATION CHART

YEAR 19__	MODEL	ENGINE		TYPE	STAMPING OR (TAG) IDENTIFICATION	* TYPICAL ILLUS. PAGE NO.	NOTES	CARBURETOR PART NUMBER	REPLACED BY	CARB. PARTS LIST NO.
		NO. CYL.	CUBIC INCH DISP.							
<b>8 CYLINDER ENGINES</b>										
56	S, F/L, S/W, A(Special)	8	292, 312	H-4	ECJ 9510-Y or Z, ECZ 9510-L or M	311	1C, 4, 13, 18	B6A 9510-Q		39
56	A	8	272	H-2	ECG-61	309	1D, 4, 19	B6A 9510-R		40
57	A (with S/T or O/D)	8	272	F-2	ECG 9510-AU or AV	312	1E, 4	B7A 9510-A	B7A 9510-Z	41
57	A (with F/M)	8	312	F-4	ECZ-U	314	1F	B7A 9510-B	B7A 9510-X	42
57	A (with S/T & O/D)	8	292	F-2	ECG-BA	312	1F	B7A 9510-E	Not replaced	45
57	A (with S/T & O/D)	8	272	H-2	ECG-AS or ECG-AT	313	1G, 4	B7A 9510-F	B7A 9510-R	46
57	A, S (with S/T & O/D)	8	292	H-2	ECJ-AC or EDB-L	313	1G	B7A 9510-G	B7A 9510-S or T	47
57	A, S (with F/M)	8	312	H-4	ECZ-V or Y	315	1G, 20	B7A 9510-H	B7A 9510-U	48
57	A (with F/M)	8	312	C-4	ECZ 9510-AA	316	1H, 13	B7A 9510-J	B7AE 9510-A	49
57	A (with F/M)	8	292	H-2	EDB-M	313	1G	B7A 9510-K	B8A 9510-H	50
57	A (with F/M)	8	292	F-2	EDB 9510-K, EDB-J	312	1E, 1F	B7A 9510-L	B7A 9510-W	51
57	A, S	8	312	H-D-4	ECJ 9510-AA, ECJ 9510-AB	311	1K, 13, 21	B7A 9510-P		54
57	A (with S/T & O/D)	8	272	F-2	ECG-AY or AZ	312	1F, 4	B7A 9510-Q	B7A 9510-Z	55
57	A (with S/T & O/D)	8	272	H-2	ECG-BE, ECG-BF	313	1G, 4	B7A 9510-R	B7A 9510-AA	56
57	A (with S/T & O/D)	8	292	H-2	EDB-Y	313	1G	B7A 9510-S	B8A 9510-H	57
57	S (with S/T)	8	292	H-2	ECJ-AD, EDB-Z	313	1G	B7A 9510-T	B7AE 9510-B	58
57	A, S (with F/M)	8	312	H-4	ECZ-AC or ECZ-AD	318	1G, 13, 20	B7A 9510-U	B7AE 9510-A	59
57	S (with supercharger)	8	312	H-4	EDB 9510-AA	311	1K	B7A 9510-V	B7A 9510-AC	60
57	A (with F/M)	8	292	F-2	EDB-N	312	1F	B7A 9510-W	B9AE 9510-AS	61
57	A (with F/M)	8	312	F-4	ECZ-Z	314	1F	B7A 9510-X	B7AE 9510-A	62
57	A, S	8	312	H-4	B7AE 9510-A (CDA7EA)	315	1G, 22	B7AE 9510-A		111
57	A (with S/T or O/D)	8	272	F-2	ECG-BJ or ECG-BK	312	1F, 4	B7A 9510-Z	B7AE 9510-B	64
57	A (with S/T or O/D)	8	272	H-2	ECG-BG or ECG-BH	313	1G, 4	B7A 9510-AA	B7AE 9510-B	65
57	A	8	272	H-2	B7AE 9510-B, (BNA7EA)	313	1G, 23	B7AE 9510-B		119
57	S	8	292							
57	A (with S/T or O/D)	8	292	H-2	EDB-AC	313	1G	B7A 9510-AB	B8A 9510-H	66
57	A, S (with supercharger)	8	312	H-4	EDB 9510-AB	311	1K, 24	B7A 9510-AC		67

- |  |   |
|--|---|
| <p><b>NOTE 1C</b> Stamping identification is located on throttle body flange</p> <p><b>NOTE 1D</b> Stamping identification is located on upper body</p> <p><b>NOTE 1E</b> Stamping identification is located on main body cover</p> <p><b>NOTE 1F</b> Stamping identification is located on fuel bowl</p> <p><b>NOTE 4</b> When used with automatic transmission add dashpot and attaching parts</p> <p><b>NOTE 13</b> Service package includes mounting gasket</p> <p><b>NOTE 18</b> When used with Thunderbird remove B6A 9861-A shield, also replace B6AZ 9A659-A screw with B6SZ 9A659-A</p> <p><b>NOTE 19</b> Service package includes (1) B6A 9447-C gasket, also (1) B6AZ 9529-A pump link assy. stamped No. 36A, which replaces B6AZ 9529-B stamped No. 34A, when used for Standard or Overdrive transmissions.</p> <p><b>NOTE 20</b> For use on Standard and Overdrive transmissions remove dashpot and attaching parts</p> <p><b>NOTE 21</b> On front carburetor use C1AZ 9B549-A dashpot, B1AZ 9B502-A screw, B5AZ 9B550-A bracket, and attaching parts</p> <p><b>NOTE 22</b> Service package includes (1 each) B 9242-A ferrule, B8A 9447-B gasket, B7A 9819-A tube, B7A 9826-A clip and 371002-S8 stud</p> <p><b>NOTE 23</b> Service package includes (1 each) B 9242-A ferrule, B7A 9447-A gasket, B7A 9819-D tube and 371002-S8 stud</p> <p><b>NOTE 24</b> When used to replace B7A 9510-V for Thunderbird remove (1) B7A 9564-A and add (1 each) B7S 9764-A, 8BA 9792, B7S 9805-A, 31061-S and 34126-S</p> | <p><b>NOTE 1G</b> Stamping identification is located on choke plate flange</p> <p><b>NOTE 1H</b> Stamping id. is located on front edge of air horn cover</p> <p><b>NOTE 1K</b> Stamping id. is located on edge of carb. mounting flange</p> |
|--|---|
- \* Refer to page indicated in Illustration Section 95, form FD-9463

9509-10 CARBURETOR ASSY. - continued

## CARBURETOR IDENTIFICATION CHART

YEAR 19__	MODEL	ENGINE		TYPE	STAMPING OR (TAG) IDENTIFICATION	TYPICAL ILLUS. PAGE NO.	NOTES	CARBURETOR PART NUMBER	REPLACED BY	CARB PARTS LIST NO.
		NO. CYL.	CUBIC INCH DISP.							
<b>8 CYLINDER ENGINES</b>										
58	A (with S/T & O/D)	8	332	F-4	EDC-C or EDC-D	320	1F, 4	B8A 9510-A	B9A 9510-E	68
58	A (with S/T & O/D)	8	332	H-4	EDC 9510-G or EDC 9510-F	315	1G, 4, 13	B8A 9510-C	B9AZ 9510-A	69
58	A (with S/T & O/D)	8	332	H-2	EDC 9510-E or EDC 9510-H	313	1G, 4	B8A 9510-D	B9A 9510-D	70
58	A, S (with F/M)	8	352	F-4	EDT-B or EDT-C	320	1F, 20	B8A 9510-E	B9A 9510-E	71
58	A	8	352	C-4	5750068 or EDT 9510-D	316	1L	B8A 9510-F	B8A 9510-Q	72
57	A (with F/M)	8	292	H-2	EDB 9510-AD	313	1G	B8A 9510-G	B8A 9510-R	73
57/58	A (with S/T & O/D)	8	292	H-2	5750069 or 5750070	313	1G, 4	B8A 9510-H	B8A 9510-R	74
58	A (with S/T & O/D)	8	292	F-2	EDB-U or EDB-V	318	1F, 4	B8A 9510-K	B8A 9510-N or P	75
58	A (with S/T & O/D)	8	332	F-2	EDC-A or EDC-B	318	1F, 4	B8A 9510-L	B9A 9510-C	76
58	A (with S/T & O/D)	8	292	F-2	EDB-AG	318	1F	B8A 9510-N	B9A 9510-A	80
58	A (with F/M)	8	292	F-2	EDB-AF	318	1F	B8A 9510-P	B9A 9510-B	81
58	A	8	352	C-4	5751294	316	1L, 13, 34	B8A 9510-Q	B9AZ 9510-A	82
57/58	A (with S/T & O/D)	8	292	H-2	5751355 or 5751357	313	1G, 4	B8A 9510-R	B9AE 9510-AS	83
58	A (with S/T & O/D)	8	332	H-2	5751356 or 5751358	313	1G, 4	B8A 9510-S	B9A 9510-D	84
58	A (with S/T & O/D)	8	332	H-4	5750892 or 5750893	321, 322	1G, 4	B8A 9510-T	B8A 9510-C	85
58	A, S (with F/M)	8	352	F-4	5751680 or 5751681	320	1F, 20	B8A 9510-V	B9A 9510-E	88
58	A	8	332	F-4	5751679	320	1F, 20	B8A 9510-W	B9A 9510-E	97
58/59	A (with S/T & O/D)	8	292	F-2	5752306, (DBA9AA), (DBA9AB), (DBA9AC)	318	1F, 4, 33	B9A 9510-A	COAE 9510-M	89
57/59	A	8	292	H-2	B9AE 9510-AS (BBA9EA)	319	1G, 27	B9AE 9510-AS		113
58/59	A (with F/M)	8	292	F-2	5752307, (DBA9BB), (DBA9BC)	323	1F, 33	B9A 9510-B	COAE 9510-H	90
58/59	A (with F/M)	8	332	F-2	5752305, (DEA9BB), (DEA9BC)	323	1F, 20	B9A 9510-C	B9AZ 9510-B	91
58/59	A (with F/M)	8	332	H-2	5752297, (BEA9BA), (BEA9BB)	319	1G, 20	B9A 9510-D	B9AZ 9510-B	92
58/59	A	8	332	H-2	5752297, (BEA9BA), (BEA9BB)	319	1G, 28	B9AZ 9510-B		112
58	A (with S/T & O/D)	8	332	F-4	5752308 or 5752309, (EFA9AA), (EFA9BB), (EFA9AB), (EFA9AC), (EFA9BC)	320	1F, 4, 34	B9A 9510-E	COAE 9510-J FOR S/T & O/D COAE 9510-K FOR F/M	93
58/59	A, S	8	352							
58	A	8	332	H-4	5752303, (CGK9BA), (CGK9BB)	322	1G, 28	B9AZ 9510-A		124
58/59	A, S	8	352							
59	S	8	430	C-4	5752040, (FKL9BA), (FKL9BB)	325	1L, 13	B9S 9510-A	COLE 9510-A	94
59	A (with governor)	8	292	H-2	B9AE 9510-B, (BBA9LA)	319	1G, 13	B9AE 9510-B		98
59/	S (with F/M)	8	430	C-4	COLE 9510-A, (FKL0BA)	325	1L, 13	COLE 9510-A		105

- NOTE 1F** Stamping identification is located on fuel bowl
- NOTE 1G** Stamping identification is located on choke plate flange
- NOTE 1L** Stamping identification is located on front of air cleaner mounting flange
- NOTE 4** When used with automatic transmission add dashpot and attaching parts
- NOTE 13** Service package includes mounting gasket
- NOTE 20** For use on Standard and Overdrive transmissions remove dashpot and attaching parts
- NOTE 27** Service package includes (1 each) B 9242-A ferrule, B9AE 9447-A gasket, B7A 9819-D tube and 371002-S8 stud
- NOTE 28** Service package includes mounting gasket and stud
- NOTE 33** B9AE 9510-AS H-2 can be used as an optional replacing carburetor for B9A 9510-A or B
- NOTE 34** B9AZ 9510-A H-4 can be used as an optional replacing carburetor for B9A 9510-E or B8A 9510-Q
- \* Refer to page indicated in Illustration Section 95, form FD-9463

### 9509-10 CARBURETOR ASSY. - continued

### CARBURETOR IDENTIFICATION CHART

YEAR 19__	MODEL	ENGINE		TYPE	STAMPING OR (TAG) IDENTIFICATION	* TYPICAL ILLU. PAGE NO.	NOTES	CARBURETOR PART NUMBER	REPLACED BY	CARB. PARTS LIST NO.
		NO. CYL.	CUBIC INCH DISP.							
<b>8 CYLINDER ENGINES</b>										
58/	A, S (with F/M/2, C/M)	8	332, 352	F-4	COAE 9510-K, (EFA0BA), (EFA0BB), (EFA0BC)	320	1F, 13	COAE 9510-K	COAZ 9510-C	106
58/	A (with F/M/2, C/M)	8	292	F-2	COAE 9510-H, (DBA0BA), (DBA0BB), (DBA0BC)	318	1F, 13	COAE 9510-H	COAE 9510-AG	107
58/	A, S (with S/T & O/D)	8	332, 352	F-4	COAE 9510-J, (EFA0AA), (EFA0AB), (EFA0AC)	320	1F, 13	COAE 9510-J	COAZ 9510-C	99
58/	A, S	8	332, 352	F-4	COAE 9510-J, (EFA0AA), (EFA0AB), (EFA0AC)	320	1F, 20, 35	COAZ 9510-C		125
58/	A (with S/T & O/D)	8	292	F-2	COAE 9510-M, (DBA0AA), (DBA0AB), (DBA0AC)	318	1F, 13	COAE 9510-M	COAE 9510-AF	100
58/	A (with S/T & O/D)	8	292	F-2	COAE 9510-AF, (DBA0AD), (DBA0AE), (DBA0AF)	323	1F, 13	COAE 9510-AF	COAZ 9510-A	117
58/	A	8	292	F-2	COAE 9510-AF, (DBA0AD), (DBA0AE), (DBA0AF)	323	1F, 35	COAZ 9510-A		136
58/	A (with F/M/2, C/M)	8	292	F-2	COAE 9510-AG, (DBA0BD), (DBA0BE), (DBA0BF)	323	1F, 13	COAE 9510-AG	COAZ 9510-A	118

**NOTE 1F** Stamping identification is located on fuel bowl

**NOTE 13** Service package includes mounting gasket

**NOTE 20** For use on Standard and Overdrive transmissions remove dashpot and attaching parts

**NOTE 35** Service package includes mounting gasket and also (1) each C1AZ 9B549-A dashpot, B8AZ 9B550-A bracket, 33923-S8 nut and 43252-S8 screw & washer for use with automatic transmission

YEAR 19__	MODEL	NO. CYL.	CUBIC INCH DISP.	DESCRIPTION	QTY. PER VEHICLE	PART NUMBER
<b>9A511 - 9A519</b> - Refer to Carburetor Parts Lists Section 95A						
<b>9A520 ADAPTOR - CARBURETOR FUEL INLET</b> - Also Refer to Carburetor Parts Lists Section 95A						
55/56	S			27/32" overall length - has compression type seal	1	B2TZ 9A520-A
55	A ("182 H. P. Special" with F/M)				1	
56	F/L, S/W, A (Special)-8 cylinder				1	
57	A, S			Use with dual 4 barrel carb.	2	
57	A, S				†1	
55/56	S			.435" diameter-1.4" long	1	B5AZ 9A520-B
55	A ("182 H. P. Special" with F/M)			Use with 4 barrel carb. only	1	
56	F/L, S/W, A (Special)-8 cylinder				1	
57	A, S			Use with dual 4 barrel carb.	2	
57	A, S			Adaptor (fuel pump pressure balance hose)-1/8"-27 thread-1.14" long	1	†B7AZ 9A520-C
57	A, S				1	†B7AZ 9A520-D
<b>9522 - 9A537</b> - Refer to Carburetor Parts Lists Section 95A						
<b>9538 LEVER ASSY. - CARBURETOR FAST IDLE ADJUSTING</b> - Also Refer to Carburetor Parts Lists Section 95A						
57	A	8	312	Idler arm assy. (supercharger control)	1	★B7A 9538-C
<b>9A538 - 9589</b> - Refer to Carburetor Parts Lists Section 95A						
<b>9A589 SPACER - CARBURETOR TO INTAKE MANIFOLD</b>						
55	A (with F/M)	8	272	4.60" long-4.47" wide-.50" thick use with 4/B carburetor	1	B4AZ 9A589-A
57	A	8	312	Use with dual 4/B carburetor	2	
57/58	A, S	8	272, 292	Use with Holley 2/B carburetor	1	B7AZ 9A589-A
57	A, S	8	312	Use with Holley 4/B carburetor	1	B7AZ 9A589-B
57	A	8	272, 292	Use with Ford 2/B carburetor	1	B7AZ 9A589-C
57	A	8	312	Use with Ford & Carter 4/B carburetor	1	B7AZ 9A589-D
57/	A (with S/T & O/D)	6	223	With governor	1	B7AZ 9A589-E
57	S	8	312		2	B7AZ 9A589-F
58	A	8	332, 352	Use with Ford 4/B carburetor	1	B8AZ 9A589-A
58	A	8	332, 352	Use with Holley & Carter 4/B carburetor	1	B8AZ 9A589-B
58	A	8	332	Use with Ford 2/B carburetor	1	B8AZ 9A589-C
58	A	8	292	Use with Ford 2/B carburetor	1	B8AZ 9A589-D
58	A	8	332	Use with Holley 2/B carburetor	1	B8AZ 9A589-E

† Used with Supercharger

YEAR 19	MODEL	NO. CYL.	CUBIC INCH DISP.	DESCRIPTION	QTY. PER VEHICLE	PART NUMBER
<b>9A589 SPACER - CARBURETOR TO INTAKE MANIFOLD - continued</b>						
58/	S	8	352		1	B8SZ 9A589-A
59/	A	8	352	Use with Ford 4/B carburetor	1	B9AZ 9A589-A
59	A	8	292,332	.20" thick-use w/Ford 2/B carburetor	1	B9AZ 9A589-B
59/	S	8	430	.12" thick-use w/Carter 4/B carburetor	1	B9SZ 9A589-A
59	A	8	332	Use with Holley 2/B carburetor	1	B9AZ 9A589-C
<b>9A590 - 9594 - Refer to Carburetor Parts Lists Section 95A</b>						
<b>9-9594 SCROLL ASSY. - SUPERCHARGER</b>						
57	A, S	8	312		1	†B7A 99594-A
<b>9595 - Refer to Carburetor Parts Lists Section 95A</b>						
<b>9-9595 COVER - SUPERCHARGER SCROLL</b>						
57	A, S	8	312		1	†B7A 99595-A
57	S	8	312		7	
57	A	8	312	Screw (cover to scroll ass'y.)-	9	370949-S(BB50)
57	S	8	312	No. 10-24 x .50"-fillister head	7	
<b>9596 - Refer to Carburetor Parts Lists Section 95A</b>						
<b>9-9596 IMPELLER - SUPERCHARGER</b>						
57	A, S	8	312		1	†B7A 99596-A
57	A, S	8	312	Bolt (impeller to output shaft) 5/16"-24 x 1 1/4" hex.	1	★304721-S8
57	A, S	8	312	Lockwasher-5/16"	1	34806-S7(X64)
57	A, S	8	312	Washer-.328" I.D. x .62" O.D. flat	1	356184-S(XX113)
<b>9597 - Refer to Carburetor Parts Lists Section 95A</b>						
<b>9-9597 HOUSING ASSY. - SUPERCHARGER BEARING</b>						
57	A, S	8	312		1	†B7A 99597-A
57	S	8	312	Bolt (bracket to housing)- 5/16"-18 x 2 3/4" hex. head	2	★45526-S8
57	A	8	312	Bolt (spacer to housing)- 5/16"-18 x 1 1/2" hex. head	3	★304758-S7
57	A	8	312	Bolt (housing to scroll)-	5	★304720-S8
57	S	8	312	5/16"-18 x 1 1/4" hex. head	6	
57	A, S	8	312	Lockwasher-5/16"	AR	34806-S7(X64)
57	A	8	312	Washer-.328" I.D. x .62" O.D.	5	356184-S(XX113)
57	S	8	312	flat	6	
<b>9598 - Refer to Carburetor Parts Lists Section 95A</b>						
<b>9-9598 CARRIER ASSY. - SUPERCHARGER RACE</b>						
57	A, S	8	312		1	†B7A 99598-A
57	A, S	8	312	Ring (spacer race carrier to multiplier lever)	1	370958-S(QQ59)
<b>9599 - Refer to Carburetor Parts Lists Section 95A</b>						
<b>9A599 ROD ASSY. - THERMOSTATIC CHOKE LEVER - Also Refer to Carburetor Parts Lists Section 95A</b>						
55	A ("182 H. P. Special")-with F/M	8	272		1	B5AZ 9A599-A
55	S	8	292		1	B5SZ 9A599-A
55				Retainer (rod to carburetor)-spring-.44" long	1	353610-S8(NN126)

† Used with Supercharger

**CARBURETOR PARTS LIST INFORMATION**

Instructions for identifying carburetor assemblies and their related Parts List Numbers are shown at the beginning of Section 95.

Parts Lists are arranged in Parts List Number sequence in Section 95A on the pages that follow.

For ready reference, kit part numbers are shown at the beginning of each parts list in Section 95A. A listing of components for each kit is shown in Section 95B.

---

## CARBURETOR PART No. 8HA 9509-A

QTY. PER CARBU-RETOR	PART NUMBER	DESCRIPTION
1	A7A 9502-A	Gasket set
2	357692-S(WW31)	Stud-3/8"-16 & 3/8"-24 x 1 1/2"
2	33925-S7(M33)	Nut-3/8"-24
2	34807-S8(X66)	Lockwasher-3/8"
1	A9AZ 9A514-B	Lever & swivel (choke)
1	★37611-S7	Screw (choke control to lever swivel)-No. 8-32 x 1/4"
1	★31596-S7	Screw (choke lever & swivel attaching)-No. 10-32 x 3/8"
1	44716-S8(X15)	Washer (choke lever screw)-No. 10
1	1HA 9516-A	Gasket (throttle body to main body)
1	A0AZ 9A516-A	Valve (accel. pump discharge needle)
1	★7HA 9518	Body and shaft (throttle)
2	34805-S8(X62)	Lockwasher-1/4"
1	★1GA 9519-B	Gasket (air horn to main body)
6	78 9523	Plug (main body)-lead-.15" diameter
2	350276-S7(BB19)	Screw (throttle body to main body)-1/4"-28 x 1 3/16" fillister head
1	★5GA 9524	Horn (air)
5	34803-S7(X60)	Lockwasher-No. 10
5	31628-S7(U58)	Screw (air horn to main body)-No. 10-32 x 5/8"
1	A8AZ 9529-A	Link (accelerator pump)
1	1GA 9531	Rod (accel. pump piston operating)
1	1GA 9533-A	Jet (main metering) No. 64 - 0 to 5,000 ft. altitude
1	1GA 9533-B	No. 62 - 5,000 to 10,000 ft. altitude
1	1GA 9533-C	No. 60 - 10,000 to 15,000 ft. altitude
1	78 9537-A	Plunger (choke lever)-.41" long
1	78 9541-A	Needle (idle adjusting)
1	★1GA 9542-B	Jet (idling)
1	B5AZ 9B544-A	Piston (accelerator pump)
1	B6A 9550-A	Float
1	78 9558	Pin (float hinge)-.093" diameter-1.18" long-serviced in kit 9590
1	7HA 9564	Valve & seat (fuel inlet)
2	★1GA 9565	Clip (fast idle rod)
1	★A1AZ 9A565-A	Economizer
1	78 9569	Gasket (float valve seat)-serviced in kit 9502

## CARBURETOR PART No. 8HA 9510-A

1	A7A 9502-A	Gasket set
2	357692-S(WW31)	Stud-3/8"-16 & 3/8"-24 x 1 1/2"
2	34807-S8(X66)	Lockwasher-3/8"
2	33925-S7(M33)	Nut-3/8"-24
1	A9AZ 9A514-B	Lever & swivel (choke)
1	★37611-S7	Screw (choke control to lever swivel)-No. 8-32 x 1/4"
1	★31596-S7	Screw (choke lever & swivel attaching)-No. 10-32 x 3/8"
1	44716-S8(X15)	Washer (choke lever screw)-No. 10
1	1HA 9516-A	Gasket (throttle body to main body)
1	A0AZ 9A516-A	Valve (accel. pump discharge needle)
1	★7HA 9518	Body and shaft (throttle)
2	34805-S8(X62)	Lockwasher-1/4"
1	★1GA 9519-B	Gasket (air horn to main body)
6	78 9523	Plug (main body)-lead-.15" diameter
2	350276-S7(BB19)	Screw (throttle body to main body)-1/4"-28 x 1 3/16" fillister head

## CARBURETOR SERVICE PARTS LIST No. 1

QTY. PER CARBU-RETOR	PART NUMBER	DESCRIPTION
1	B5A 9572-A	Cup (pump piston)
1	★A0AZ 9575-A	Retainer (accelerator pump piston)
1	78 9575	Retainer (accel. pump check ball)-3/4" diameter
1	78 9576	Ball (accelerator pump check) 1/8" diameter
1	B8A 9578-B	Spring (throttle adjusting screw)-4 1/2 coils-.20" I. D. -.58" long
1	40 9578	Spring (idle adjusting needle)
1	★1GA 9583	Lever (accelerator pump operator)
1	355829-S7(MM15)	Nut (accel. pump operator lever)-No. 8-36 hex.
1	34802-S7(X59)	Lockwasher-No. 8
1	1GA 9584	Lever (idler)
1	72015-S(N40)	Cotter pin(idler lever)-1/16" x 3/4"
1	★7HA 9585	Plate (throttle)
2	B9A 9586-A	Screw (throttle plate)-No. 6-32 oval hd.
2	B9A 9586-A	Screw (choke plate)-No. 6-32 oval hd.
1	78 9587	Spring (choke lever plunger)-.59" long-8 coils-.15" O. D.
1	★A8AZ 9A588-A	Gasket (power jet)-serviced in kit 9502
1	7HA 9594	Jet (power)-No. 62
1	1GA 9598-B	Rod (fast idle)
1	A1A 9599-A	Retainer (pump link)-11/32" long
1	★78 9636	Spring (accelerator pump piston return)
1	1GC 9791	Bracket (choke control)
1	91A 9792-B	Clamp (choke control bracket)
1	31061-S8(U50)	Screw (choke control bracket clamp)-No. 8-32 x 1/2"
1	34052-S7(M155)	Nut-No. 8-32
1	78 9925-A	Gasket (nozzle bar air bleed)-.326" O. D. -.241" I. D. -.031" thick-serviced in kit 9502
2	78 9926	Gasket (nozzle bar)-.23" I. D. -.374" O. D. -.015" thick-serviced in kit 9502
2	31061-S8(U50)	Screw (nozzle bar clamp)-No. 8-32 x 1/2" fillister head
4	34802-S7(X59)	Lockwasher-No. 8
1	★7HA 9942	Screen (nozzle bar)

## CARBURETOR SERVICE PARTS LIST No. 2

1	★5GA 9524	Horn (air)
5	34803-S7(X60)	Lockwasher-No. 10
5	31628-S7(U58)	Screw (air horn to main body)-No. 10-32 x 5/8"
1	A8AZ 9529-A	Link (accelerator pump)
1	1GA 9531	Rod (accel. pump piston operating)
1	1GA 9533-A	Jet (main metering) No. 64-0 to 5,000 ft. altitude
1	1GA 9533-B	No. 62 - 5,000 to 10,000 ft. altitude
1	1GA 9533-C	No. 60 - 10,000 to 15,000 ft. altitude
1	78 9537-A	Plunger (choke lever)-.41" long
1	78 9541-A	Needle (idle adjusting)
1	★1GA 9542-B	Jet (idling)
1	B5AZ 9B544-A	Piston (accelerator pump)
1	B6A 9550-A	Float
1	78 9558	Pin (float hinge)-.093" diameter-1.18" long
1	7HA 9564	Valve & seat (fuel inlet)
2	★1GA 9565	Clip (fast idle rod)

continued on next page

### CARBURETOR PART No. 8HA 9510-A

QTY. PER CARBU-RETOR	PART NUMBER	DESCRIPTION
1	*A1AZ 9A565-A	Economizer
1	78 9569	Gasket (float valve seat)-serviced in kit 9502
1	*A0AZ 9575-A	Retainer (accelerator pump piston)
1	78 9575	Retainer (accel. pump check ball)-3/4" diameter
1	78 9576	Ball (accelerator pump check) 1/8" diameter
1	B8A 9578-B	Spring (throttle adjusting screw)-4 1/2 coils-.20" I.D.-.58" long
1	40 9578	Spring (idle adjusting needle)
1	*8HW 9581-A	Lever and shaft assy. (primary throttle)
1	*1GA 9583	Lever (accelerator pump operator)
1	355829-S7 (MM15)	Nut (accel. pump operator lever)-No. 8-36 hex.
1	34802-S7(X59)	Lockwasher-No. 8
1	72015-S(N40)	Cotter pin(idler lever)-1/16" x 3/4"
1	1GA 9584	Lever (idler)
1	*7HA 9585	Plate (throttle)
2	B9A 9586-A	Screw (throttle plate)-No. 6-32 oval hd.
2	B9A 9586-A	Screw (choke plate)-No. 6-32 oval hd.
1	78 9587	Spring (choke lever plunger)-.59" long-8 coils-.15" O.D.

### CARBURETOR PART No. 8BA 9510-A

1	B5A 9502-C	Gasket set
1	A0AZ 9A586-B	Kit (tune up) 0 to 5,000 ft. altitude only
1	A0AZ 9A586-A	5,000 to 15,000 ft. altitude
1	A8A 9590-A	Repair kit 0 to 5,000 ft. altitude
1	A8A 9590-B	5,000 to 20,000 ft. altitude
1	7RA 9512	Body (main)
1	A9AZ 9A514-A	Lever & swivel (choke)-includes rubber grommet
1	*37611-S7	Screw (choke control to lever swivel)-No. 8-32 x 1/4"
1	*31596-S7	Screw (choke lever & swivel attaching)-No. 10-32 x 3/8"
1	44716-S8(X15)	Washer (choke lever screw)-No. 10
1	7RA 9516	Gasket (throttle body to main body)
1	A0AZ 9A516-A	Valve (accel. pump discharge needle)
1	EAB 9518-E	Body and shaft (throttle)
2	31079-S7	Screw (main body to throttle body)-No. 12-24 x 5/8" oval head
2	*31646-S7	Screw (throttle body to main body)-1/4"-28 x 3/4" fillister head
1	78 9519	Gasket (air horn to main body)
3	78 9523	Plug (main body)-lead-.15" diameter
2	34804-S8(X61)	Lockwasher-No. 12
1	19B 9524	Horn (air)
5	34803-S7(X60)	Lockwasher-No. 10
5	31628-S7(U58)	Screw (air horn to main body)-No. 10-32 x 5/8"
1	A9AZ 9529-A	Link (accelerator pump)-stamped "C"
1	78 9531-A	Rod (accel. pump piston operating)
2	59A 9533-A	Jet (main metering) No. 51 - 0 to 5,000 ft. altitude
2	59A 9533-B	No. 49 - 5,000 to 10,000 ft. altitude
2	59A 9533-C	No. 47 - 10,000 to 15,000 ft. altitude

### CARBURETOR SERVICE PARTS LIST No. 2 - continued

QTY. PER CARBU-RETOR	PART NUMBER	DESCRIPTION
1	*A8AZ 9A588-A	Gasket (power jet)-serviced in kit 9502
1	7HA 9594	Jet (power)-No. 62
1	1GA 9598-B	Rod (fast idle)
1	A1A 9599-A	Retainer (pump link)-11/32" long
1	*78 9636	Spring (accelerator pump piston return)
1	1GC 9791	Bracket (choke control)
1	91A 9792-B	Clamp (choke control bracket)
1	31061-S8(U50)	Screw (choke control bracket clamp)-No. 8-32 x 1/2"
1	34052-S7(M155)	Nut-No. 8-32
1	78 9925-A	Gasket (nozzle bar air bleed)-.326" O.D.-.241" I.D.-.031" thick-serviced in kit 9502
2	78 9926	Gasket (nozzle bar)-.23" I.D.-.374" O.D.-.015" thick-serviced in kit 9502
2	31061-S8(U50)	Screw (nozzle bar clamp)-No. 8-32 x 1/2" fillister head
4	34802-S7(X59)	Lockwasher-No. 8
1	*7HA 9942	Screen (nozzle bar)

### CARBURETOR SERVICE PARTS LIST No. 3

2	59A 9533-D	No. 45 - 15,000 ft. altitude and higher
1	78 9535	Washer (accel. pump piston rod-felt)-serviced in kit 9502
1	351336-S8	Washer (accel. pump piston operating rod felt washer retaining)-flat-.26" I.D. x .36" O.D.
1	78 9537-A	Plunger (choke lever)-.41" long
1	*78 9539	Spring (choke shaft)-.34" O.D.-5 3/4 coils
2	78 9541-A	Needle (idle adjusting)
2	*78 9542	Jet (idling)-serviced in kit 9590
1	B5AZ 9B544-A	Piston (accelerator pump)
1	8BA 9546-B	Shaft and lever (choke)
1	*EAB 9549-B	Plate (choke)
1	B6A 9550-A	Float
1	78 9558	Pin (float hinge)-.093" diameter-1.18" long
2	78 9562-A	Plug (main jet)-3/8"-32-.40" overall length
2	A0A 9563-A	Gasket (main jet plug)-.39" I.D.-.50" O.D.-.04" thick
1	7HA 9564	Valve & seat (fuel inlet)
1	A0AZ 9A565-A	Economizer 0 to 5,000 ft. altitude
1	A8TZ 9A565-A	5,000 ft. altitude or higher-stamped "AM"
1	78 9569	Gasket (float valve seat)-serviced in kit 9502
1	B5A 9572-A	Cup (pump piston)
1	*A0AZ 9575-A	Retainer (accelerator pump piston)
1	78 9575	Retainer (accel. pump check ball)-3/4" diameter-serviced in kit 9590
1	78 9576	Ball (accelerator pump check)-1/8" diameter
1	78 9577	Nozzle (pump discharge)
2	40 9578	Spring (idle adjusting needle)
1	78 9580	Gasket (pump discharge nozzle)-.26" I.D. x .41" O.D.-serviced in kit 9502

continued on next page

## CARBURETOR PART No. 8BA 9510-A

QTY. PER CARBU-RETOR	PART NUMBER	DESCRIPTION
1	*8BA 9581-A	Shaft & lever (throttle)-used with B9A 9586-A screw
2	78 9585	Plate (throttle)-1 1/4" diameter
4	B9A 9586-A	Screw (throttle plate)-No. 6-32 oval hd.
2	B9A 9586-A	Screw (choke plate)-No. 6-32 oval hd.
4	*8BA 9586-A	Rivet (throttle plate)-.096" x .32" oval head-tubular
2	*8BA 9586-A	Rivet (choke plate)-used with 8BA 9546-B
1	78 9587	Spring (choke lever plunger)-.59" long-8 coils-.15" O.D.
1	C0AE 9A588-A	Gasket (economizer)-.57" I. D. -.75" O. D. -.015" thick
1	B4AZ 9595-A	Bracket (choke control)
1	*78 9636	Spring (accelerator pump piston return)-serviced in kit 9590

## CARBURETOR PART No. EAB 9510-C

1	B5A 9502-C	Gasket set
1	A0AZ 9A586-B	Kit (tune up) 0 to 5,000 ft. altitude only
1	A0AZ 9A586-A	5,000 to 15,000 ft. altitude
1	B2AZ 9590-C	Repair kit
3	357428-S7-8 (WW14)	Stud (valve cover)-5/16"-18 & 5/16"-24 x 1 19/64"
3	351089-S8(MM20)	Nut-5/16"-24
3	34806-S7(X64)	Lockwasher-5/16"
1	*352568-S	Plug-3/8"-24-for distributor passage
1	358245-S(II-174)	Elbow (carb. to governor tube assy. to carb. & governor)-3/16" O. D. male tube
1	EAB 9512-A	Body (main)
1	A9AZ 9A514-A	Lever & swivel (choke)-included rubber grommet
1	*31596-S7	Screw (choke lever & swivel attaching)-No.10-32 x 3/8"
1	*37611-S7	Screw (choke control to lever swivel)-No. 8-32 x 1/4"
1	44716-S8(X15)	Washer (choke lever screw)-No.10
1	7RA 9516	Gasket (throttle body to main body)
1	A0AZ 9A516-A	Valve (accel. pump discharge needle)
1	EAB 9518-E	Body and shaft (throttle)
2	31079-S7	Screw (main body to throttle body)-No. 12-24 x 5/8" oval head
2	*31646-S7	Screw (throttle body to main body)-1/4"-28 x 3/4" fillister head
1	78 9519	Gasket (air horn to main body)
3	78 9523	Plug (main body)-lead-.15" diameter
2	34804-S8(X61)	Lockwasher-No.12
1	EAB 9524-A	Horn (air)
5	34803-S7(X60)	Lockwasher-No. 10
5	31628-S7(U58)	Screw (air horn to main body)-No. 10-32 x 5/8"
1	A9AZ 9529-A	Link (accelerator pump)-stamped "C"
1	78 9531-A	Rod (accel. pump piston operating)
2	59A 9533-A	Jet (main metering) No. 51 - 0 to 5,000 ft. altitude
2	59A 9533-B	No. 49 - 5,000 to 10,000 ft. altitude
2	59A 9533-C	No. 47 - 10,000 to 15,000 ft. altitude
2	59A 9533-D	No. 45 - 15,000 ft. altitude and higher

## CARBURETOR SERVICE PARTS LIST No. 3 - continued

QTY. PER CARBU-RETOR	PART NUMBER	DESCRIPTION
1	8BA 9792	Clamp (choke control bracket)
1	31061-S8(U50)	Screw (choke control bracket clamp)-No.8-32 x 1/2"
1	34052-S7(M155)	Nut-No.8-32
2	78 9925-A	Gasket (nozzle bar air bleed)-.326" O. D. -.241" I. D. -.031" thick-serviced in kit 9502
4	78 9926	Gasket (nozzle bar)-.23" I. D. -.374" O. D. -.015" thick-serviced in kit 9502
2	78 9928-B	Clamp (nozzle bar)-1 7/16" long
2	31061-S8(U50)	Screw (nozzle bar clamp)-No.8-32 x 1/2" fillister head
4	34802-S7(X59)	Lockwasher-No.8
2	355079-AS7 (BB73)	Screw (nozzle bar clamp)-No. 8-32 x 7/8"
4	34802-S7(X59)	Lockwasher-No.8

## CARBURETOR SERVICE PARTS LIST No. 4

1	78 9535	Washer (accel. pump piston rod-felt)-serviced in kit 9502
1	351336-S8	Washer (accel. pump piston operating rod felt washer retaining)-flat-.26" I. D. x .36" O. D.
1	78 9537-A	Plunger (choke lever)-.41" long
1	*78 9539	Spring (choke shaft)-.34" O. D. - 5 3/4 coils
2	78 9541-A	Needle (idle adjusting)
1	B5AZ 9B544-A	Piston (accelerator pump)
1	8BA 9546-B	Shaft and lever (choke)
1	*EAB 9549-B	Plate (choke)
1	B6A 9550-A	Floater
1	78 9558	Pin (float hinge)-.093" diameter-1.18" long-serviced in kit 9590
2	78 9562-A	Plug (main jet)-3/8"-32-.40" overall length
2	A0A 9563-A	Gasket (float adjustment plug)-.39" I. D. -.50" O. D. -.04" thick
1	7HA 9564	Valve & seat (fuel inlet)
1	A0AZ 9A565-A	Economizer 0 to 5,000 ft. altitude
1	A8TZ 9A565-A	5,000 ft. altitude or higher-stamped "AM"
1	78 9569	Gasket (float valve seat)-serviced in kit 9502
1	B5A 9572-A	Cup (pump piston)
1	*A0AZ 9575-A	Retainer (accelerator pump piston)
1	78 9575	Retainer (accel. pump check ball)-3/4" diameter-serviced in kit 9502
1	78 9576	Ball (accel. pump check)-1/8" dia.
1	EAB 9577-A	Nozzle (pump discharge)
2	40 9578	Spring (idle adjusting needle)
1	78 9580	Gasket (pump discharge nozzle)-.26" I. D. x .41" O. D. -serviced in kit 9502
1	*8BA 9581-A	Shaft & lever (throttle)-used with 40 9586 screw
2	78 9585	Plate (throttle)-1 1/4" diameter
4	B9A 9586-A	Screw (throttle plate)-No.6-32 oval hd.
2	B9A 9586-A	Screw (choke plate)-No. 6-32 oval hd.
4	*8BA 9586-A	Rivet (throttle plate)-.096" x .32" oval head-tubular
2	*8BA 9586-A	Rivet (choke plate)-used with 8BA 9546-B

continued on next page



**CARBURETOR PART No. EAB 9510-C**

QTY. PER CARBU-RETOR	PART NUMBER	DESCRIPTION
1	78 9587	Spring (choke lever plunger)-.59" long-8 coils-.15" O.D.
1	COAE 9A588-A	Gasket (economizer)-.57" I.D.-.75" O.D.-.015" thick
1	@B4AZ 9595-A	Bracket (choke control)
1	*78 9636	Spring (accelerator pump piston return)
1	@8BA 9792	Clamp (choke control bracket)
1	@31061-S8(U50)	Screw (choke control bracket clamp)-No.8-32 x 1/2"
1	@34052-S7(M155)	Nut-No.8-32
1	*EAB 9920-B	Bar (nozzle)-R. H. -high lift type-air bleed hole in idle tube

**CARBURETOR PART No. EAB 9510-F**

1	B5A 9502-C	Gasket set
1	A0AZ 9A586-B	Kit (tune up) 0 to 5,000 ft. altitude only
1	A0AZ 9A586-A	5,000 to 15,000 ft. altitude
1	B2AZ 9590-C	Repair kit
3	357428-S7-8 (WW14)	Stud (valve cover)-5/16"-18 & 5/16"-24 x 1 19/64"
3	351089-S8(MM20)	Nut-5/16"-24
3	34806-S7(X64)	Lockwasher-5/16"
1	*352568-S	Plug-3/8"-24-for distributor passage
1	358245-S(II-174)	Elbow (carb. to governor tube assv. to carb. & governor)-3/16" O.D. male tube
1	@BIAZ 9B502-A	Screw (dashpot & throttle lever adjusting)
1	34079-S7(M163)	Nut-No. 10-32
1	34803-S7(X60)	Lockwasher-No.
1	EAB 9512-A	Body (main)
1	A9AZ 9A514-A	Lever & swivel (choke)-included rubber grommet
1	*37611-S7	Screw (choke control to lever swivel)-No. 8-32 x 1/4"
1	*31596-S7	Screw (choke lever & swivel attaching)-No.10-32 x 3/8"
1	44716-S8(X15)	Washer (choke lever screw)-No.10
1	7RA 9516	Gasket (throttle body to main body)
1	A0AZ 9A516-A	Valve (accel.pump discharge needle)
1	EAB 9518-E	Body and shaft (throttle)
2	31079-S7	Screw (main body to throttle body)-No. 12-24 x 5/8" oval head
1	*31646-S7	Screw (throttle body to main body)-1/4"-28 x 3/4" fillister head
1	78 9519	Gasket (air horn to main body)
3	78 9523	Plug (main body)-lead-.15" diameter
2	34804-S8(X61)	Lockwasher-No.12
1	EAB 9524-A	Horn (air)
5	34803-S7(X60)	Lockwasher-No.10
5	31628-S7(U58)	Screw (air horn to main body)-No. 10-32 x 5/8"
1	A9AZ 9529-A	Link (accelerator pump)-stamped "C"

@ Not supplied with service carburetor. Order separately if required.

**CARBURETOR SERVICE PARTS LIST No. 4 - continued**

QTY. PER CARBU-RETOR	PART NUMBER	DESCRIPTION
1	*EAB 9921-B	Bar (nozzle)-L. H. -high lift type-air bleed hole in idle tube
4	78 9926	Gasket (nozzle bar)-.23" I.D.-.374" O.D.-.015" thick-serviced in kit 9502
1	EAB 9928-A	Clamp (nozzle bar)-1" long
1	78 9928-B	Clamp (nozzle bar)-1 7/16" long
2	31061-S8(U50)	Screw (nozzle bar clamp)-No.8-32 x 1/2" fillister head
4	34802-S7(X59)	Lockwasher-No.8
2	355079-AS7 (BB73)	Screw (nozzle bar clamp)-No.8-32 x 7/8"
4	34802-S7(X59)	Lockwasher-No.8

**CARBURETOR SERVICE PARTS LIST No. 5**

1	78 9531-A	Rod (accel. pump piston operating)
2	59A 9533-A	Jet (main metering) No. 51 - 0 to 5,000 ft. altitude
2	59A 9533-B	No. 49 - 5,000 to 10,000 ft. altitude
2	59A 9533-C	No. 47 - 10,000 to 15,000 ft. altitude
2	59A 9533-D	No. 45 - 15,000 ft. altitude and higher
1	78 9535	Washer (accel.pump piston rod-felt)-serviced in kit 9502
1	351336-S8	Washer (accel.pump piston operating rod felt washer retaining)-flat-.26" I.D. x .36" O.D.
1	78 9537-A	Plunger (choke lever)-.41" long
1	*78 9539	Spring (choke shaft)-.34" O.D. - 5 3/4 coils
2	78 9541-A	Needle (idle adjusting)
1	B5AZ 9B544-A	Piston (accelerator pump)
1	78 9546	Shaft and lever (choke)
1	*EAB 9549-B	Plate (choke)
1	@C1AZ 9B549-A	Dashpot
1	@33923-S7(M32)	Nut-5/16"-24
2	@34806-S7(X64)	Lockwasher-5/16"
1	B6A 9550-A	Float
1	@BIAZ 9B550-A	Bracket (dashpot mounting)
1	78 9558	Pin (float hinge)-.093" diameter-1.18" long-serviced in kit 9590
2	78 9562-A	Plug (main jet)-3/8"-32-.40" overall length
2	A0A 9563-A	Gasket (float adjustment plug)-.39" I.D.-.50" O.D.-.04" thick
1	7HA 9564	Valve & seat (fuel inlet)
1	A0AZ 9A565-A	Economizer 0 to 5,000 ft. altitude
1	A8TZ 9A565-A	5,000 ft. altitude or higher-stamped "AM"
1	78 9569	Gasket (float valve seat)-serviced in kit 9502
1	B5A 9572-A	Cup (pump piston)
1	*A0AZ 9575-A	Retainer (accelerator pump piston)
1	78 9575	Retainer (accel. pump check ball)-3/4" diameter-serviced in kit 9590
1	78 9576	Ball (accelerator pump check)-1/8" diameter
1	EAB 9577-A	Nozzle (pump discharge)
2	40 9578	Spring (idle adjusting needle)

continued on next page

## CARBURETOR PART No. EAB 9510-F

QTY. PER CARBU-RETOR	PART NUMBER	DESCRIPTION
1	78 9580	Gasket (pump discharge nozzle)-.26" I.D. x .41" O.D.-serviced in kit 9502
1	1BA 9581-A	Shaft & lever (throttle)
2	78 9585	Plate (throttle)-1 1/4" diameter
2	B9A 9586-A	Screw (choke plate)-No. 6-32 oval hd.
4	B9A 9586-A	Screw (throttle plate)-No. 6-32 oval hd.
1	78 9587	Spring (choke lever plunger)-.59" long-8 coils-.15" O.D.-
1	COAE 9A588-A	Gasket (economizer)-.57" I.D.-.75" O.D.-.015" thick
1	@B4AZ 9595-A	Bracket (choke control)
1	★78 9636	Spring (accelerator pump piston return)
1	ICM 9681-A	Ball (throttle lever)
1	34079-S7(M163)	Nut (throttle lever ball)-No. 10-32 hex.
1	34803-S7(X60)	Lockwasher-No. 10

## CARBURETOR PART No. 1BA 9510-A

1	B5A 9502-C	Gasket set
1	A0AZ 9A586-B	Kit (tune up) 0 to 5,000 ft. altitude only
1	A0AZ 9A586-A	5,000 to 15,000 ft. altitude
1	A8A 9590-A	Repair kit 0 to 5,000 ft. altitude
1	A8A 9590-B	5,000 to 20,000 ft. altitude
3	§ 357428-S7-8	Stud (valve cover)- 5/16"-18 & 5/16"-24 x 1 19/64"
3	351089-S8(MM20)	Nut-5/16"-24
3	34806-S7(X64)	Lockwasher-5/16"
1	★352568-S	Plug-3/8"-24-for distributor passage
1	B1AZ 9B502-A	Screw (dashpot & throttle lever adjusting)
1	34079-S7(M163)	Nut-No. 10-32
1	34803-S7(X60)	Lockwasher-No. 10
1	7RA 9512	Body (main)
1	A9AZ 9A514-A	Lever & swivel (choke)-included rubber grommet
1	★37611-S7	Screw (choke control to lever swivel)-No. 8-32 x 1/4"
1	★31596-S7	Screw (choke lever & swivel attaching)-No. 10-32 x 3/8"
1	44716-S8(X15)	Washer (choke lever screw)-No. 10
1	7RA 9516	Gasket (throttle body to main body)
1	A0AZ 9A516-A	Valve (accel. pump discharge needle)
1	EAB 9518-A	Body and shaft (throttle)
2	31079-S7	Screw (main body to throttle body)-No. 12-24 x 5/8" oval head
1	★31646-S7	Screw (throttle body to main body)-1/4"-28 x 3/4" fillister head
1	78 9519	Gasket (air horn to main body)
3	78 9523	Plug (main body)-lead-.15" diameter
2	34804-S8(X61)	Lockwasher-No. 12
1	19B 9524	Horn (air)
5	34803-S7(X60)	Lockwasher-No. 10
5	31628-S7(U58)	Screw (air horn to main body)-No. 10-32 x 5/8"
1	A9AZ 9529-A	Link (accelerator pump)-stamped "C"

© Not supplied with service carburetor. Order separately if required.

## CARBURETOR SERVICE PARTS LIST No. 5 - continued

QTY. PER CARBU-RETOR	PART NUMBER	DESCRIPTION
1	@8BA 9792	Clamp (choke control bracket)
1	@31061-S8(U50)	Screw (choke control bracket clamp)-No. 8-32 x 1/2"
1	@34052-S7(M155)	Nut-No. 8-32
1	★EAB 9920-B	Bar (nozzle)-R.H.-high lift type-air bleed hole in idle tube
1	★EAB 9921-B	Bar (nozzle)-L.H.-high lift type-air bleed hole in idle tube
4	78 9926	Gasket (nozzle bar)-.23" I.D.-.374" O.D.-.015" thick-serviced in kit 9502
1	EAB 9928-A	Clamp (nozzle bar)-1" long
1	78 9928-B	Clamp (nozzle bar)-1 7/16" long
2	31061-S8(U50)	Screw (nozzle bar clamp) <sup>2</sup> No. 8-32 x 1/2" fillister head
4	34802-S7(X59)	Lockwasher-No. 8
2	355079-AS7 (BB73)	Screw (nozzle bar clamp)-No. 8-32 x 7/8"
4	34802-S7(X59)	Lockwasher-No. 8

## CARBURETOR SERVICE PARTS LIST No. 6

1	78 9531-A	Rod (accel. pump piston operating)
2	59A 9533-A	Jet (main metering) No. 51 - 0 to 5,000 ft. altitude
2	59A 9533-B	No. 49 - 5,000 to 10,000 ft. altitude
2	59A 9533-C	No. 47 - 10,000 to 15,000 ft. altitude
2	59A 9533-D	No. 45 - 15,000 ft. altitude and higher
1	78 9535	Washer (accel. pump piston rod-felt)-serviced in kit 9502
1	351336-S8	Washer (accel. pump piston operating rod felt washer retaining)-flat-.26" I.D. x .36" O.D.
1	78 9537-A	Plunger (choke lever)-.41" long
1	★78 9539	Spring (choke shaft)-.34" O.D.-5 3/4 coils
2	78 9541-A	Needle (idle adjusting)
2	★78 9542	Jet (idling)-serviced in kit 9590
1	B5AZ 9B544-A	Piston (accelerator pump)
1	8BA 9546-B	Shaft and lever (choke)
1	★EAB 9549-B	Plate (choke)
1	C1AZ 9B549-A	Dashpot
1	33923-S7(M32)	Nut-5/16"-24
2	34806-S7(X64)	Lockwasher-5/16"
1	B6A 9550-A	Float
1	B1AZ 9B550-A	Bracket (dashpot mounting)
1	78 9558	Pin (float hinge)-.093" diameter-1.18" long
2	78 9562-A	Plug (main jet)-3/8"-32-.40" overall length
2	A0A 9563-A	Gasket (float adjustment plug)-.39" I.D.-.50" O.D.-.04" thick
1	7HA 9564	Valve & seat (fuel inlet)
1	A0AZ 9A565-A	Economizer 0 to 5,000 ft. altitude
1	A8TZ 9A565-A	5,000 ft. altitude or higher-stamped "AM"
1	78 9569	Gasket (float valve seat)-serviced in kit 9502
1	B5A 9572-A	Cup (pump piston)-used in B5A 9631-A piston

continued on next page

### CARBURETOR PART No. 1BA 9510-A

QTY. PER CARBU-RETOR	PART NUMBER	DESCRIPTION
1	★A0AZ 9575-A	Retainer (accelerator pump piston)
1	78 9575	Retainer (accel. pump check ball)-3/4" diameter
1	78 9576	Ball (accelerator pump check)-1/8" diameter
1	78 9577	Nozzle (pump discharge)
2	40 9578	Spring (idle adjusting needle)
1	78 9580	Gasket (pump discharge nozzle)-.26" I. D. x .41" O. D. -serviced in kit 9502
1	1BA 9581-A	Shaft & lever (throttle)-used with B9A 9586-A screw
2	78 9585	Plate (throttle)-1 1/4" diameter
4	B9A 9586-A	Screw (throttle plate)-No.6-32 oval hd.
2	B9A 9586-A	Screw (choke plate)-No. 6-32 oval hd.
4	★8BA 9586-A	Rivet (throttle plate)-.096" x .32" oval head-tubular
2	★8BA 9586-A	Rivet (choke plate)-used with 8BA 9546-B
1	78 9587	Spring (choke lever plunger)-.59" long-8 coils-.15" O. D.

### CARBURETOR PART No. EAA 9510-D

1	C0AZ 9502-C	Gasket set
1	B2AZ 9A586-A	Kit (tune up)
1	B2AZ 9590-B	Repair kit
2	88407-S(W15)	Stud-3/8"-16 & 3/8"-24 x 1 11/16"
2	33925-S7(M33)	Nut-3/8"-24
2	34807-S8(X66)	Lockwasher-3/8"
2	374166-S(PP23A)	Plug-1/4"-32-for distributor passage when tube 12226 is not used
1	C0AZ 9A507-A	Bowl & plugs (float)-metal
4	★31644-S7	Screw (bowl to main body)-No. 10-32 x 3/4" fill. hd.
4	34803-S7(X60)	Lockwasher-No. 10
1	B9AE 9B511-A	Weight (pump discharge ball)
1	EAA 9512-B	Body (main)
1	B8A 9516-C	Gasket (throttle body to main body)
1	B2A 9518-A	Body and shaft (throttle)
2	353620-S100 (BB18)	Screw (throttle body to main body)-1/4"-20 x 1 1/2" fillister head
2	34805-S8(X62)	Lockwasher-1/4"
1	EAA 9529-A	Link (accelerator pump)
1	IGA 9533-A	Jet (main metering) No. 64 - 0 to 5,000 ft. altitude
1	IGA 9533-B	No. 62 - 5,000 to 10,000 ft. altitude
1	IGA 9533-C	No. 60 - 10,000 to 15,000 ft. altitude
1	78 9541-B	Needle (idle adjusting)-1 3/16" long
1	C0AE 9B544-A	Piston (accel. pump)-includes gasket
1	EAA 9546-C	Shaft and lever (choke)
1	★37611-S7	Screw (choke shaft & lever)-No. 8-32 x 1/4"
1	353553-S8(NN77)	Pin (shaft & lever to main body)-3/32" x 1/2" grooved
1	★EAA 9549-A	Plate (choke)
1	EAA 9550-A	Float-repl. by C2AZ 9550-A (1-63)
1	C2AZ 9550-A	Float assy.
1	★B2A 9551-A	Pin (choke plate distributor)-3/32" x 1.12"-split
1	C1AE 9558-A	Pin (float hinge)
1	B2AZ 9561-A	Gasket (float bowl)-3.81" long-2.19" wide - use with glass bowl only

### CARBURETOR SERVICE PARTS LIST No. 6 - continued

QTY. PER CARBU-RETOR	PART NUMBER	DESCRIPTION
1	C0AE 9A588-A	Gasket (economizer)-.57" I. D. -.75" O. D. -.015" thick
1	B4AZ 9595-A	Bracket (choke control)
1	★78 9636	Spring (accelerator pump piston return)-serviced in kit 9590
1	8BA 9792	Clamp (choke control bracket)
1	31061-S8(U50)	Screw (choke control bracket clamp)-No.8-32 x 1/2"
1	34052-S7(M155)	Nut-No. 8-32
2	78 9925-A	Gasket (nozzle bar air bleed)-.326" O. D. -.241" I. D. -.031" thick-serviced in kit 9502
4	78 9926	Gasket (nozzle bar)-.23" I. D. -.374" O. D. -.015" thick-serviced in kit 9502
2	78 9928-B	Clamp (nozzle bar)-1 7/16" long
2	31061-S8(U50)	Screw (nozzle bar clamp)-No. 8-32 x 1/2" fillister head
4	34802-S7(X59)	Lockwasher-No. 8
2	355079-AS7 (BB73)	Screw (nozzle bar clamp)-No. 8-32 x 7/8"
4	34802-S7(X59)	Lockwasher-No. 8

### CARBURETOR SERVICE PARTS LIST No. 7

1	C2AZ 9561-C	Gasket (float bowl)
1	C0DE 9564-B	Valve & seat (fuel inlet)-replaced by C2AZ 9564-C (6-62)
1	C2AZ 9564-C	Valve & seat assy. (fuel inlet)
1	B2AZ 9A565-A	Economizer
1	B2A 9568-B	Retainer (pump operating lever)-split-serviced in kit 9590
1	EAA 9569-A	Gasket (float valve seat)-.32" I. D. -.52" O. D. -.031" thick-serviced in kit 9502
1	78 9569	Gasket (float valve seat)
1	B2A 9574-B	Screw (discharge nozzle)-No. 10-32 x .64" fillister head
1	B2AZ 9575-A	Retainer (vacuum dist. ball check valve spring)-serviced in kit 9590
1	B2AZ 9576-A	Valve (vacuum dist. ball check)-serviced in kit 9590
2	78 9576	Ball (accelerator pump check)-1/8" diameter
1	EAA 9576-A	Ball (accelerator pump check)
1	EAA 9577-B	Nozzle (pump discharge)
1	B8A 9578-B	Spring (throttle adjusting screw)-4 1/2 coils-.20" I. D. -.58" long
1	40 9578	Spring (idle adjusting needle)
1	★31644-S7	Screw (throttle adjusting)-No. 10-32 x 3/4" fillister head
2	EAA 9580-A	Gasket (pump discharge nozzle)-.20" I. D. x .32" O. D. -.03" thick-serviced in kit 9502
1	★EAA 9583-A	Lever (accelerator pump operator)
2	B2A 9586-A	Screw (choke plate)
1	B2AZ 9A588-A	Gasket (economizer)-serviced in kit 9502
1	B2AE 9594-A	Jet & main well (power)-stamped 3354-A
2	★37643-S7	Screw (jet & main well to main body)-No. 6-32 x .44"
2	353799-S8	Screw (jet & main well to main body)-No. 6-32 x .75"
2	34801-S7(X58)	Lockwasher-No. 6

continued on next page

## CARBURETOR PART No. EAA 9510-D

QTY. PER CARBU-RETOR	PART NUMBER	DESCRIPTION
1	A1A 9599-A	Retainer (float hinge pin)-11/32" long
1	8BA 9792	Clamp (choke control bracket)
1	31061-S8(U50)	Screw (choke control bracket clamp)-No.8-32 x 1/2"
1	34052-S7(M155)	Nut-No.8-32
1	EAA 9796-A	Bracket (choke control)
1	B2A 9808-A	Retainer (float)-use with glass bowl only
4	B2A 9809-A	Clamp (float bowl retainer)-use with glass bowl only
4	★31644-S7	Screw (clamp)-No.10-32 x 3/4" fillister head

## CARBURETOR PART No. EAA 9510-E

1	C0AZ 9502-C	Gasket set
1	B2AZ 9A586-A	Kit (tune up)
1	B2AZ 9590-B	Repair kit
2	88407-S(W15)	Stud-3/8"-16 & 3/8"-24 x 1 11/16"
2	33925-S7(M33)	Nut-3/8"-24
2	34807-S8(X66)	Lockwasher-3/8"
1	354582-S(II-73)	Connector (carb. to tube assy.)-5/16" flared tube
2	374166-S(PP23A)	Plug-1/4"-32-for distributor passage when tube 12226 is not used
1	B2AZ 9B502-A	Screw (dashpot operating lever)-No. 8-32 x .59" long-slotted binding head
1	C0AZ 9A507-A	Bowl & plugs (float)-metal
4	★31644-S7	Screw (bowl to main body)-No. 10-32 x 3/4" fill. hd.
4	34803-S7(X60)	Lockwasher-No.10
1	B9AE 9B511-A	Weight (pump discharge ball)
1	EAA 9512-B	Body (main)
1	B8A 9516-C	Gasket (throttle body to main body)
1	B2A 9518-A	Body and shaft (throttle)
2	353620-S100 (BB18)	Screw (throttle body to main body)-1/4"-20 x 1 1/2" fillister head
2	34805-S8(X62)	Lockwasher-1/4"
1	EAA 9529-A	Link (accelerator pump)
1	IGA 9533-A	Jet (main metering) No.64 - 0 to 5,000 ft. altitude
1	IGA 9533-B	No.62 - 5,000 to 10,000 ft. altitude
1	IGA 9533-C	No.60 - 10,000 to 15,000 ft. altitude
1	78 9541-B	Needle (idle adjusting)-1 3/16" long
1	C0AE 9B544-A	Piston (accel.pump)-includes gasket
1	EAA 9546-C	Shaft and lever (choke)
1	★37611-S7	Screw (choke shaft & lever)-No.8-32 x 1/4"
1	353553-S8(NN77)	Pin (shaft & lever to main body)-3/32" x 1/2" grooved
1	★EAA 9549-A	Plate (choke)
1	C1AZ 9B549-A	Dashpot
1	33923-S7(M32)	Nut-5/16"-24
2	34806-S7(X64)	Lockwasher-5/16"
1	EAA 9550-A	Float-repl. by C2AZ 9550-A (1-63)
1	C2AZ 9550-A	Float assy.
1	★B2A 9551-A	Pin (choke plate distributor)-
1	C1AE 9558-A	Pin (float hinge)
1	B2AZ 9561-A	Gasket (float bowl)-3.81" long-2.19" wide - use with glass bowl only
Δ Serviced in 9502 kit only		

## CARBURETOR SERVICE PARTS LIST No. 7 - continued

QTY. PER CARBU-RETOR	PART NUMBER	DESCRIPTION
4	34803-S7(X60)	Lockwasher-No.10
1	B2A 9827-A	Gasket (fuel inlet fitting)
1	★B2A 9930-B	Cover (economizer valve)
1	★B2A 9934-A	Sleeve (pump push rod)-.31" O. D. -1, 20" long
1	EAA 9935-B	Spring (accel.pump rod plunger)-.27" O. D. -13 coils-1.34" long
1	EAA 9936-A	Spring (accelerator pump diaphragm return)-cone shaped-8 coils
Δ1	B2AZ 9945-A	Gasket (fuel inlet seat screw)-.32" I. D. -.428" O. D. -.031" thick

## CARBURETOR SERVICE PARTS LIST No. 8

1	C2AZ 9561-C	Gasket (float bowl)
1	C0DE 9564-B	Valve & seat (fuel inlet)-replaced by C2AZ 9564-C (6-62)
1	C2AZ 9564-C	Valve & seat assy. (fuel inlet)
1	B2AZ 9A565-A	Economizer
1	B2A 9568-B	Retainer (pump operating lever)-split-serviced in kit 9590
1	EAA 9569-A	Gasket (float valve seat)-.32" I. D. -.52" O. D. -.031" thick-serviced in kit 9502
1	78 9569	Gasket (float valve seat)
1	B2A 9574-B	Screw (discharge nozzle)-No.10-32 x .64" fillister head
1	B2AZ 9575-A	Retainer (vacuum dist.ball check valve spring)-serviced in kit 9590
1	B2AZ 9576-A	Valve (vacuum dist.ball check)
1	EAA 9576-A	Ball (accelerator pump check)
2	78 9576	Ball (accelerator pump check)-1/8" diameter
1	EAA 9577-B	Nozzle (pump discharge)
1	B8A 9578-B	Spring (throttle adjusting screw)-4 1/2 coils-.20" I. D. -.58" long
1	40 9578	Spring (idle adjusting needle)
1	★31644-S7	Screw (throttle adjusting)-No.10-32 x 3/4" fillister head
2	EAA 9580-A	Gasket (pump discharge nozzle)-.20" I. D. x .32" O. D. -.03" thick-serviced in kit 9502
1	★8HW 9581-A	Lever and shaft assy. (primary throttle)
1	★EAA 9583-A	Lever (accelerator pump operator)
2	B2A 9586-A	Screw (choke plate)
1	B2AZ 9A588-A	Gasket (economizer)-serviced in kit 9502
1	B2AE 9594-A	Jet & main well (power)-stamped 3354-A
2	★37643-S7	Screw (jet & main well to main body)-No.6-32 x .44"
2	353799-S8	Screw (jet & main well to main body)-No.6-32 x .57"
2	34801-S7(X58)	Lockwasher-No.6
1	A1A 9599-A	Retainer (float hinge pin)-11/32" long
1	8BA 9792	Clamp (choke control bracket)
1	31061-S8(U50)	Screw (choke control bracket clamp)-No.8-32 x 1/2"
1	34052-S7(M155)	Nut-No.8-32
1	EAA 9796-A	Bracket (choke control)
1	B6A 9802-A	Lever (dashpot operating)

continued on next page

**CARBURETOR PART No. EAA 9510-E**

QTY. PER CARBU-RETOR	PART NUMBER	DESCRIPTION
1	B2A 9803-A	Spring (dashpot operating lever)-.42" diameter-3 coils
1	B2A 9808-A	Retainer (float)-use with glass bowl only
4	B2A 9809-A	Clamp (float bowl retainer)-use with glass bowl only
4	★31644-S7	Screw (clamp)-No.10-32 x 3/4" fillister head
4	34803-S7(X60)	Lockwasher-No.10

**CARBURETOR PART No. EAA 9510-G**

1	C0AZ 9502-C	Gasket set
1	B2AZ 9A586-A	Kit (tune up)
1	B2AZ 9590-B	Repair kit
2	88407-S(W15)	Stud-3/8"-16 & 3/8"-24 x 1 11/16"
2	33925-S7(M33)	Nut-3/8"-24
2	34807-S8(X66)	Lockwasher-3/8"
1	354582-S(II-73)	Connector (carb. to tube assy.)-5/16" flared tube
2	374166-S(PP23A)	Plug-1/4"-32-for distributor passage when tube 12226 is not used
1	B2AZ 9B502-A	Screw (dashpot operating lever)-No. 8-32 x .59" long-slotted binding head
1	C0AZ 9A507-A	Bowl & plugs (float)-metal
4	★31644-S7	Screw (bowl to main body)-No. 10-32 x 3/4" fill. hd.
4	34803-S7(X60)	Lockwasher-No.10
1	B9AE 9B511-A	Weight (pump discharge ball)
1	EAA 9512-B	Body (main)
1	B8A 9516-C	Gasket (throttle body to main body)
1	B2A 9518-A	Body and shaft (throttle)
2	353620-S100 (BB18)	Screw (throttle body to main body)-1/4"-20 x 1 1/2" fillister head
2	34805-S8(X62)	Lockwasher-1/4"
1	EAA 9529-A	Link (accelerator pump)
1	IGA 9533-A	Jet (main metering) No.64 - 0 to 5,000 ft. altitude
1	IGA 9533-B	No.62 - 5,000 to 10,000 ft. altitude
1	IGA 9533-C	No.60 - 10,000 to 15,000 ft. altitude
1	78 9541-B	Needle (idle adjusting)-1 3/16" long
1	C0AE 9B544-A	Piston (accel.pump)-includes gasket
1	EAA 9546-C	Shaft and lever (choke)
1	★37611-S7	Screw (choke shaft & lever)-No.8-32 x 1/4"
1	353553-S8(NN77)	Pin (shaft & lever to main body)-3/32" x 1/2" grooved
1	★EAA 9549-A	Plate (choke)
1	EAA 9550-A	Float-repl. by C2AZ 9550-A (1-63)
1	C2AZ 9550-A	Float assy.
1	★B2A 9551-A	Pin (choke plate distributor)-3/32" x 1.12"-split
1	C1AE 9558-A	Pin (float hinge)
1	B2AZ 9561-A	Gasket (float bowl)-3.81" long-2.19" wide - use with glass bowl only
1	C2AZ 9561-C	Gasket (float bowl)

▲ Serviced in 9502 kit only

**CARBURETOR SERVICE PARTS LIST No. 8 - continued**

QTY. PER CARBU-RETOR	PART NUMBER	DESCRIPTION
1	B2A 9827-A	Gasket (fuel inlet fitting)
1	★B2A 9930-B	Cover (economizer valve)
1	★B2A 9934-A	Sleeve (pump push rod)-.31" O.D.-1.20" long
1	EAA 9935-B	Spring (accel.pump rod plunger)-.27" O.D.-13 coils-1.34" long
1	EAA 9936-A	Spring (accelerator pump diaphragm return)-cone shaped-8 coils
▲1	B2AZ 9945-A	Gasket (fuel inlet seat screw)-.32" I.D.-.428" O.D.-.031" thick

**CARBURETOR SERVICE PARTS LIST No. 9**

1	C0DE 9564-B	Valve & seat (fuel inlet)-replaced by C2AZ 9564-C (6-62)
1	C2AZ 9564-C	Valve & seat assy. (fuel inlet)
1	B2AZ 9A565-A	Economizer
1	B2A 9568-B	Retainer (pump operating lever)-split-serviced in kit 9590
1	EAA 9569-A	Gasket (float valve seat)-.32" I.D.-.52" O.D.-.031" thick-serviced in kit 9502
1	78 9569	Gasket (float valve seat)
1	B2A 9574-B	Screw (discharge nozzle)-No.10-32 x .64" fillister head
1	B2AZ 9575-A	Retainer (vacuum dist.ball check valve spring)-serviced in kit 9590
1	B2AZ 9576-A	Valve (vacuum dist.ball check)
1	EAA 9576-A	Ball (accelerator pump check)
2	78 9576	Ball (accelerator pump check)-1/8" diameter
1	EAA 9577-B	Nozzle (pump discharge)
1	B8A 9578-B	Spring (throttle adjusting screw)-4 1/2 coils-.20" I.D.-.58" long
1	40 9578	Spring (idle adjusting needle)
1	★31644-S7	Screw (throttle adjusting)-No.10-32 x 3/4" fillister head
2	EAA 9580-A	Gasket (pump discharge nozzle)-.20" I.D. x .32" O.D.-.03" thick-serviced in kit 9502
1	★EAA 9583-A	Lever (accelerator pump operator)
2	B2A 9586-A	Screw (choke plate)
1	B2AZ 9A588-A	Gasket (economizer)-serviced in kit 9502
1	B2AE 9594-A	Jet & main well (power)-stamped 3354-A
2	★37643-S7	Screw (jet & main well to main body)-No.6-32 x .44"
2	353799-S8	Screw (jet & main well to main body)-No.6-32 x .75"
2	34801-S7(X58)	Lockwasher-No.6
1	A1A 9599-A	Retainer (float hinge pin)-11/32" long
1	8BA 9792	Clamp (choke control bracket)
1	31061-S8(U50)	Screw (choke control bracket clamp)-No.8-32 x 1/2"
1	34052-S7(M155)	Nut-No.8-32
1	EAA 9796-A	Bracket (choke control)
1	B2A 9808-A	Retainer (float)-use with glass bowl only

continued on next page

## CARBURETOR PART No. EAA 9510-G

QTY. PER CARBU-RETOR	PART NUMBER	DESCRIPTION
4	B2A 9809-A	Clamp (float bowl retainer)-use with glass bowl only
4	★31644-S7	Screw (clamp)-No. 10-32 x 3/4" fillister head
4	34803-S7(X60)	Lockwasher-No. 10
1	B2A 9827-A	Gasket (fuel inlet fitting)
1	★B2A 9930-B	Cover (economizer valve)

## CARBURETOR PART No. EAA 9510-H

1	C0AZ 9502-C	Gasket set
1	B2AZ 9A586-A	Kit (tune up)
1	B2AZ 9590-B	Repair kit
1	354582-S(II-73)	Connector (carb. to tube assy.)-5/16" flared tube
1	B2AZ 9B502-A	Screw (dashpot operating lever)-No. 8-32 x .59" slotted binding head
1	C0AZ 9A507-A	Bowl & plugs assy. (float)-metal bowl
4	★31644-S7	Screw (bowl to main body)-No. 10-32 x 3/4" fillister head
4	34803-S7(X60)	Lockwasher-No. 10
1	B9AE 9B511-A	Weight (pump discharge ball)
1	EAA 9512-B	Body assy. (main)
1	B8A 9516-C	Gasket (throttle body to main body)
1	B2A 9518-A	Body & shaft ass'y. (throttle)
2	353620-S100	Screw (throttle body to main body)-1/4"-28 x 1 1/2" fillister head
2	34805-S8(X62)	Lockwasher-1/4"
1	EAA 9529-A	Link (accelerator pump)
2	353610-S8(NN126)	Retainer (spring type)-.44" long
1	1GA 9533-A	Jet (main metering)-No. 64-0 to 5,000 ft. alt.
1	1GA 9533-B	No. 62-5 to 10,000 ft. alt.
1	1GA 9533-C	No. 60-10 to 15,000 ft. alt.
1	78 9541-B	Needle (idle adjusting)-1 3/16" long
1	C0AE 9B544-A	Piston assy. (accelerator pump)-includes gasket
1	EAA 9546-C	Shaft & lever assy. (choke)
1	353553-S8(NN77)	Pin (shaft & lever to main body)-3/32" x 1/2" grooved
1	★37611-S7	Screw (choke lever to shaft)-No. 8-32 x 1/4" fillister head
1	★EAA 9549-A	Plate assy. (choke)
1	C1AZ 9B549-A	Dashpot assy.
1	34806-S7(X64)	Lockwasher-5/16"
1	33923-S7(M32)	Nut-5/16"-24
1	EAA 9550-A	Float assy.-repl. by C2AZ 9550-A(1-63)
1	C2AZ 9550-A	Float assy.
1	★B2A 9551-A	Pin (choke plate distributor)-3/32" x 1.12" split
1	C1AE 9558-A	Pin (float hinge)
1	B2AZ 9561-A	Gasket (float bowl retainer)-3.81" long -2.19" wide-use with glass bowl only
1	C2AZ 9561-C	Gasket (float bowl)
1	C2AZ 9564-C	Valve & seat assy. (fuel inlet)
1	B2AZ 9A565-A	Economizer assy.
1	B2A 9568-B	Retainer (pump operating lever)
1	EAA 9569-A	Gasket (float needle seat)
1	B2A 9574-B	Screw (discharge nozzle)-No. 10-32 x .64" o/all length-fillister hd.

△ Serviced in 9502 kit only

## CARBURETOR SERVICE PARTS LIST No. 9 - continued

QTY. PER CARBU-RETOR	PART NUMBER	DESCRIPTION
1	★B2A 9934-A	Sleeve (pump push rod)-.31" O.D. -1.20" long
1	EAA 9935-B	Spring (accel. pump rod plunger)-.27" O.D. -13 coils-1.34" long
1	EAA 9936-A	Spring (accelerator pump diaphragm return)-cone shaped-8 coils
△1	B2AZ 9945-A	Gasket (fuel inlet seat screw)-.32" I.D. -.428" O.D. -.031" thick

## CARBURETOR SERVICE PARTS LIST No. 10

1	B2AZ 9575-A	Retainer (vacuum distributor ball check valve spring)-.24" O.D.
1	B2AZ 9576-A	Valve (vacuum distributor ball check)-.156" diameter
1	EAA 9576-A	Ball (accelerator pump check)-.156" diameter
2	78 9576	Ball (accelerator pump check)-1/8" diameter
1	EAA 9577-B	Nozzle assy. (pump discharge)
1	B8A 9578-B	Spring (throttle adjusting screw)-4 1/2 coils-.20" I.D. -.58" long
1	40 9578	Spring (idle adjusting needle)
1	★31644-S7	Screw (throttle adjusting)-No. 10-32 x 3/4" fillister head
2	EAA 9580-A	Gasket (discharge pump nozzle)-.20" I.D. x .32" O.D. -.03" thick
1	★EAA 9583-A	Lever (accelerator pump operator)
2	B2A 9586-A	Screw (choke plate)
1	B2AZ 9A588-A	Gasket (economizer valve)
1	B2AE 9594-A	Jet & main well assy. (power)-stamped 3354-A
3	★37643-S7	Screw (jet & main well to main body)-No. 6-32 x 7/16" fillister head
2	353799-S8	Screw (jet & main well to main body)-No. 6-32 x .75" fillister head
	34801-S7(X58)	Lockwasher-No. 6
1	A1A 9599-A	Retainer (accelerator pump link)-11/32" long
1		Retainer (float hinge pin)
1	8BA 9792	Clamp (choke control bracket)
2	31061-S8(U50)	Screw (choke control bracket clamp)-No. 8-32 x 1/2" fillister head
2	34052-S7(M155)	Nut-No. 8-32
1	EAA 9796-A	Bracket (choke control)
1	B6A 9802-A	Lever (dashpot operating)
1	B2A 9808-A	Retainer (float bowl)-use with glass bowl only
4	B2A 9809-A	Clamp (float bowl retainer)-use with glass bowl only
4	★31644-S7	Screw (clamp)-No. 10-32 x 3/4" fill. hd.
4	34803-S7(X60)	Lockwasher-No. 10
1	B2A 9827-A	Gasket (fuel inlet fitting)
1	★B2A 9930-B	Cover (economizer valve)
3	31061-S8(U50)	Screw (cover to main body)-No. 8-32 x 1/2" fillister head
3	34802-S7(X59)	Lockwasher-No. 8
1	★B2A 9934-A	Sleeve (pump push rod)-.31" O.D. -1.20" long
1	EAA 9935-B	Spring (accelerator pump rod plunger)-.27" O.D. -1.34" long-13 coils
1	EAA 9936-A	Spring (accelerator pump diaphragm return)-cone shaped-8 coils
△1	B2AZ 9945-A	Gasket (fuel inlet seat screw)-.32" I.D. -.428" O.D. -.031" thick

**CARBURETOR PART No. EAA 9510-L**

**CARBURETOR SERVICE PARTS LIST No. 11**

QTY. PER CARBU-RETOR	PART NUMBER	DESCRIPTION
1	C0AZ 9502-C	Gasket set
1	B2AZ 9A586-A	Kit (tune up)
1	B2AZ 9590-B	Repair kit
2	88407-S(W15)	Stud-3/8"-16 & 3/8"-24 x 1 11/16"
2	33925-S7(M33)	Nut-3/8"-24
2	34807-S8(X66)	Lockwasher-3/8"
1	354582-S(II-73)	Connector (carb. to tube assy.)-5/16" flared tube
2	374166-S(PP23A)	Plug-1/4"-32-for distributor passage when tube 12226 is not used
1	C0AZ 9A507-A	Bowl & plugs (float)-metal
4	★31644-S7	Screw (bowl to main body)-No. 10-32 x 3/4" fill. hd.
4	34803-S7(X60)	Lockwasher-No. 10
1	B9AE 9B511-A	Weight (pump discharge ball)
1	EAA 9512-B	Body (main)
1	B8A 9516-C	Gasket (throttle body to main body)
1	B2A 9518-A	Body and shaft (throttle)
2	353620-S100 (BB18)	Screw (throttle body to main body)-1/4"-20 x 1 1/2" fillister head
2	34805-S8(X62)	Lockwasher-1/4"
1	EAA 9529-A	Link (accelerator pump)
1	IGA 9533-A	Jet (main metering) No. 64 - 0 to 5,000 ft. altitude
1	IGA 9533-B	No. 62 - 5,000 to 10,000 ft. altitude
1	IGA 9533-C	No. 60 - 10,000 to 15,000 ft. altitude
1	78 9541-B	Needle (idle adjusting)-1 3/16" long
1	C0AE 9B544-A	Piston (accel. pump)-includes gasket
1	EAA 9546-C	Shaft and lever (choke)
1	★37611-S7	Screw (choke shaft & lever)-No. 8-32 x 1/4"
1	353553-S8(NN77)	Pin (shaft & lever to main body)-3/32" x 1/2" grooved
1	★EAA 9549-A	Plate (choke)
1	EAA 9550-A	Float-repl. by C2AZ 9550-A (1-63)
1	C2AZ 9550-A	Float assy.
1	★B2A 9551-A	Pin (choke plate distributor)-3/32" x 1.12"-split
1	C1AE 9558-A	Pin (float hinge)
1	B2AZ 9561-A	Gasket (float bowl)-3.81" long-2.19" wide - use with glass bowl only
1	C2AZ 9561-C	Gasket (float bowl)
1	C0DE 9564-B	Valve & seat (fuel inlet)-replaced by C2AZ 9564-C (6-62)
1	C2AZ 9564-C	Valve & seat assy. (fuel inlet)
1	B2AZ 9A565-A	Economizer
1	B2A 9568-B	Retainer (pump operating lever)-split-serviced in kit 9590
1	EAA 9569-A	Gasket (float valve seat)-.32" I.D. -.52" O.D. -.031" thick-serviced in kit 9502
Δ Serviced in 9502 kit only		

QTY. PER CARBU-RETOR	PART NUMBER	DESCRIPTION
1	78 9569	Gasket (float valve seat)
1	B2A 9574-B	Screw (discharge nozzle)-No.10-32 x .64" fillister head
1	B2AZ 9575-A	Retainer (vacuum dist. ball check valve spring)-serviced in kit 9590
1	B2AZ 9576-A	Valve (vacuum dist. ball check)
1	EAA 9576-A	Ball (accelerator pump check)
2	78 9576	Ball (accelerator pump check)-1/8" diameter
1	EAA 9577-B	Nozzle (pump discharge)
1	B8A 9578-B	Spring (throttle adjusting screw)-4 1/2 coils-.20" I.D. -.58" long
1	40 9578	Spring (idle adjusting needle)
1	★31644-S7	Screw (throttle adjusting)-No.10-32 x 3/4" fillister head
1	EAA 9580-A	Gasket (pump discharge nozzle)-.20" I.D. x .32" O.D. -.03" thick-serviced in kit 9502
1	★EAA 9583-A	Lever (accelerator pump operator)
2	B2A 9586-A	Screw (choke plate)
1	B2AZ 9A588-A	Gasket (economizer)-serviced in kit 9502
1	B2AE 9594-A	Jet & main well (power)-stamped 3354-A
2	★37643-S7	Screw (jet & main well to main body)-No.6-32 x .44"
2	353799-S8	Screw (jet & main well to main body)-No.6-32 x .75"
2	34801-S7(X58)	Lockwasher-No.6
1	A1A 9599-A	Retainer (float hinge pin)-11/32" long
1	8BA 9792	Clamp (choke control bracket)
1	31061-S8(U50)	Screw (choke control bracket clamp)-No.8-32 x 1/2"
1	34052-S7(M155)	Nut-No. 8-32
1	EAA 9796-A	Bracket (choke control)
1	B2A 9808-A	Retainer (float)-use with glass bowl only
4	B2A 9809-A	Clamp (float bowl retainer)-use with glass bowl only
4	★31644-S7	Screw (clamp)-No.10-32 x 3/4" fillister head
4	34803-S7(X60)	Lockwasher-No. 10
1	B2A 9827-A	Gasket (fuel inlet fitting)
1	★B2A 9930-B	Cover (economizer valve)
1	★B2A 9934-A	Sleeve (pump push rod)-.31" O.D. -1.20" long
1	EAA 9935-B	Spring (accel.pump rod plunger)-.27" O.D. -13 coils-1.34" long
1	EAA 9936-A	Spring (accelerator pump diaphragm return)-cone shaped-8 coils
Δ1	B2AZ 9945-A	Gasket (fuel inlet seat screw)-.32" I.D. -.428" O.D. -.031" thick-

## CARBURETOR PART No. EAA 9510-M

QTY. PER CARBU-RETOR	PART NUMBER	DESCRIPTION
1	C0AZ 9502-C	Gasket set
1	B2AZ 9A586-A	Kit (tune up)
1	B2AZ 9590-B	Repair kit
1	354582-S(II-73)	Connector (carb. to tube assy.)-5/16" flared tube
1	B2AZ 9B502-A	Screw (dashpot operating lever)-No. 8-32 x .59" slotted binding head
1	C0AZ 9A507-A	Bowl & plugs assy. (float)-metal bowl
4	*31644-S7	Screw (bowl to main body)-No. 10-32 x 3/4" fillister head
4	34803-S7(X60)	Lockwasher-No. 10
1	B9AE 9B511-A	Weight (pump discharge ball)
1	EAA 9512-B	Body assy. (main)
1	B8A 9516-C	Gasket (throttle body to main body)
1	B2A 9518-A	Body & shaft assy. (throttle)
2	353620-S100 (BB18)	Screw (throttle body to main body)-1/4"-28 x 1 1/2" fillister head
2	34805-S8(X62)	Lockwasher-1/4"
1	EAA 9529-A	Link (accelerator pump)
2	353610-S8(NN126)	Retainer (spring type)-.44" long
1	1GA 9533-A	Jet (main metering)-No. 64-0 to 5,000 ft. alt.
1	1GA 9533-B	No. 62-5 to 10,000 ft. alt.
1	1GA 9533-C	No. 60-10 to 15,000 ft. alt.
1	78 9541-B	Needle (idle adjusting)-1 3/16" long
1	C0AE 9B544-A	Piston assy. (accelerator pump)-includes gasket
1	EAA 9546-C	Shaft & lever assy. (choke)
1	353553-S8(NN77)	Pin (shaft & lever to main body)-3/32" x 1 1/2" grooved
1	*37611-S7	Screw (choke lever to shaft)-No. 8-32 x 1/4" fillister head
1	*EAA 9549-A	Plate assy. (choke)
1	C1AZ 9B549-A	Dashpot assy.
1	34806-S7(X64)	Lockwasher-5/16"
1	33923-S7(M32)	Nut-5/16"-24
1	EAA 9550-A	Float assy.-repl. by C2AZ 9550-A(1-63)
1	C2AZ 9550-A	Float assy.
1	*B2A 9551-A	Pin (choke plate distributor)-3/32" x 1.12" split
1	C1AE 9558-A	Pin (float hinge)
1	B2AZ 9561-A	Gasket (float bowl retainer)-3.81" long 2.19" wide-use with glass bowl only
1	C2AZ 9561-C	Gasket (float bowl)
1	C2AZ 9564-C	Valve & seat assy. (fuel inlet)
1	B2AZ 9A565-A	Economizer assy.
1	B2A 9568-B	Retainer (pump operating lever)
1	EAA 9569-A	Gasket (float needle seat)
1	B2A 9574-B	Screw (discharge nozzle)-No. 10-32 x .64"o/all length fillister hd.
Δ Serviced in 9502 kit only		

## CARBURETOR SERVICE PARTS LIST No. 12

QTY. PER CARBU-RETOR	PART NUMBER	DESCRIPTION
1	B2AZ 9575-A	Retainer (vacuum distributor ball check valve spring)-.24" O. D.
1	B2AZ 9576-A	Valve (vacuum distributor ball check)-.156" diameter
1	EAA 9576-A	Ball (accelerator pump check)-.156" diameter
2	78 9576	Ball (accelerator pump check)-1/8" diameter
1	EAA 9577-B	Nozzle assy. (pump discharge)
1	B8A 9578-B	Spring (throttle adjusting screw)-4 1/2 coils-.20" I. D. -.58" long
1	40 9578	Spring (idle adjusting needle)
1	*31644-S7	Screw (throttle adjusting)-No. 10-32 x 3/4" fillister head
1	EAA 9580-A	Gasket (discharge pump nozzle)-.20" I. D. x .32" O. D. -.03" thick
1	*EAA 9583-A	Lever (accelerator pump operator)
2	B2A 9586-A	Screw (choke plate)
1	B2AZ 9A588-A	Gasket (economizer valve)
1	B2AE 9594-A	Jet & main well assy. (power)-stamped 3354-A
3	*37643-S7	Screw (jet & main well to main body)-No. 6-32 x 7/16" fillister head
2	353799-S8	Screw (jet & main well to main body)-No. 6-32 x .75" fillister head
	34801-S7(X58)	Lockwasher-No. 6
1	A1A 9599-A	Retainer (float hinge pin)
1	8BA 9792	Clamp (choke control bracket)
2	31061-S8(U50)	Screw (choke control bracket clamp)-No. 8-32 x 1/2" fillister head
2	34052-S7(M155)	Nut-No. 8-32
1	EAA 9796-A	Bracket (choke control)
1	B6A 9802-A	Lever (dashpot operating)
1	B2A 9808-A	Retainer (float bowl)-use with glass bowl only
4	B2A 9809-A	Clamp (float bowl retainer)-use with glass bowl only
4	*31644-S7	Screw (clamp)-No. 10-32 x 3/4" fillister head
4	34803-S7(X60)	Lockwasher-No. 10
1	B2A 9827-A	Gasket (fuel inlet fitting)
1	*B2A 9930-B	Cover (economizer valve)
3	31061-S8(U50)	Screw (cover to main body)-No. 8-32 x 1/2" fillister head
3	34802-S7(X59)	Lockwasher-No. 8
1	*B2A 9934-A	Sleeve (pump push rod)-.31" O. D. -1.20" long
1	EAA 9935-B	Spring (accelerator pump rod plunger)-.27" O. D. -1.34" long-13 coils
1	EAA 9936-A	Spring (accelerator pump diaphragm return)-cone shaped-8 coils
Δ 1	B2AZ 9945-A	Gasket (fuel inlet seat screw)-.32" I. D. -.428" O. D. -.031" thick



### CARBURETOR PART No. EAB 9510-D

### CARBURETOR SERVICE PARTS LIST No. 13

QTY. PER CARBU-RETOR	PART NUMBER	DESCRIPTION
1	B5A 9502-C	Gasket set
1	A0AZ 9A586-B	Kit (tune up) 0 to 5,000 ft. altitude only
1	A0AZ 9A586-A	5,000 to 15,000 ft. altitude
1	B2AZ 9590-C	Repair kit
3	357428-S7-8 (II-43)	Stud (valve cover)- 5/16"-18 & 5/16"-24 x 1 19/64"
3	351089-S8(MM20)	Nut-5/16"-24
3	34806-S7(X64)	Lockwasher-5/16"
1	★352568-S	Plug-3/8"-24-for distributor passage
1	358245-S(II-174)	Elbow (carb. to governor tube assy. to carb. & governor)-3/16" O.D. male tube
1	B1AZ 9B502-A	Screw (dashpot & throttle lever adjusting)
1	34079-S7(M163)	Nut-No. 10-32
1	34803-S7(X60)	Lockwasher-No. 10
1	EAB 9512-A	Body (main)
1	A9AZ 9A514-A	Lever & swivel (choke)-included rubber grommet
1	★37611-S7	Screw (choke control to lever swivel)-No. 8-32 x 1/4"
1	★31596-S7	Screw (choke lever & swivel attaching)-No. 10-32 x 3/8"
1	44716-S8(X15)	Washer (choke lever screw)-No. 10
1	7RA 9516	Gasket (throttle body to main body)
1	A0AZ 9A516-A	Valve (accel. pump discharge needle)
1	EAB 9518-A	Body and shaft (throttle)
2	31079-S7	Screw (main body to throttle body)-No. 12-24 x 5/8" oval head
2	34804-S8(X61)	Lockwasher-No. 12
1	★31646-S7	Screw (throttle body to main body)-1/4"-28 x 3/4" fillister head
1	78 9519	Gasket (air horn to main body)
3	78 9523	Plug (main body)-lead-.15" diameter
1	EAB 9524-A	Horn (air)
5	31628-S7(U58)	Screw (air horn to main body)-No. 10-32 x 5/8"
5	34803-S7(X60)	Lockwasher-No. 10
1	A9AZ 9529-A	Link (accelerator pump)-stamped "C"
1	78 9531-A	Rod (accel. pump piston operating)
2	59A 9533-A	Jet (main metering) No. 51 - 0 to 5,000 ft. altitude
2	59A 9533-B	No. 49 - 5,000 to 10,000 ft. altitude
2	59A 9533-C	No. 47 - 10,000 to 15,000 ft. altitude
2	59A 9533-D	No. 45 - 15,000 ft. altitude and higher
1	78 9535	Washer (accel. pump piston rod-felt)-serviced in kit 9502
1	351336-S8	Washer (accel. pump piston operating rod felt washer retaining)-flat-.26" I.D. x .36" O.D.
1	78 9537-A	Plunger (choke lever)-.41" long
1	★78 9539	Spring (choke shaft)-.34" O.D. - 5 3/4 coils
2	78 9541-A	Needle (idle adjusting)
1	B5AZ 9B544-A	Piston (accelerator pump)
1	8BA 9546-B	Shaft and lever (choke)
1	★EAB 9549-B	Plate (choke)

QTY. PER CARBU-RETOR	PART NUMBER	DESCRIPTION
1	C1AZ 9B549-A	Dashpot
1	33923-S7(M32)	Nut-5/16"-24
2	34806-S7(X64)	Lockwasher-5/16"
1	B6A 9550-A	Float
1	B1AZ 9B550-A	Bracket (dashpot mounting)
1	78 9558	Pin (float hinge)-.093" diameter-1.18" long-serviced in kit 9590
2	78 9562-A	Plug (main jet)-3/8"-32-.40" overall length
2	A0A 9563-A	Gasket (float adjustment plug)-.39" I.D. -.50" O.D. -.04" thick
1	7HA 9564	Valve & seat (fuel inlet)
1	A0AZ 9A565-A	Economizer 0 to 5,000 ft. altitude
1	A8TZ 9A565-A	5,000 ft. altitude or higher-stamped "AM"
1	78 9569	Gasket (float valve seat)-serviced in kit 9502
1	B5A 9572-A	Cup (pump piston)
1	★A0AZ 9575-A	Retainer (accelerator pump piston)
1	78 9575	Retainer (accel. pump check ball)-3/4" diameter-serviced in kit 9590
1	78 9576	Ball (accelerator pump check) 1/8" diameter
1	EAB 9577-A	Nozzle (pump discharge)
2	40 9578	Spring (idle adjusting needle)
1	78 9580	Gasket (pump discharge nozzle)-.26" I.D. x .41" O.D. -serviced in kit 9502
1	1BA 9581-A	Shaft & lever (throttle)-used with B9A 9586-A screw
2	78 9585	Plate (throttle)-1 1/4" diameter
4	B9A 9586-A	Screw (throttle plate)-No. 6-32 oval hd.
2	B9A 9586-A	Screw (choke plate)-No. 6-32 oval hd.
1	78 9587	Spring (choke lever plunger)-.59" long-8 coils-.15" O.D.
1	C0AE 9A588-A	Gasket (economizer)-.57" I.D. -.75" O.D. -.015" thick
1	B4AZ 9595-A	Bracket (choke control)
1	★78 9636	Spring (accelerator pump piston return)
1	1CM 9681-A	Ball (throttle lever)
1	34079-S7(M163)	Nut (throttle lever ball)-No. 10-32 hex.
1	34803-S7(X60)	Lockwasher-No. 10
1	8BA 9792	Clamp (choke control bracket)
1	31061-S8(U50)	Screw (choke control bracket clamp)-No. 8-32 x 1/2"
1	34052-S7(M155)	Nut-No. 8-32
1	★EAB 9920-B	Bar (nozzle)-R.H. -high lift type-air bleed hole in idle tube
1	★EAB 9921-B	Bar (nozzle)-L.H. -high lift type-air bleed hole in idle tube
4	78 9926	Gasket (nozzle bar)-.23" I.D. -.374" O.D. -.015" thick-serviced in kit 9502
1	EAB 9928-A	Clamp (nozzle bar)-1" long
1	78 9928-B	Clamp (nozzle bar)-1 7/16" long
2	31061-S8(U50)	Screw (nozzle bar clamp)-No. 8-32 x 1/2" fillister head
4	34802-S7(X59)	Lockwasher-No. 8
2	355079-AS7 (BB73)	Screw (nozzle bar clamp)-No. 8-32 x 7/8"
4	34802-S7(X59)	Lockwasher-No. 8

## CARBURETOR PART No. EBU 9510-E

QTY. PER CARBU-RETOR	PART NUMBER	DESCRIPTION
1	B5A 9502-C	Gasket set
1	A0AZ 9A586-B	Kit (tune up) 0 to 5,000 ft. altitude only
1	A0AZ 9A586-A	5,000 to 15,000 ft. altitude
1	B4AZ 9590-A	Repair kit
3	88411-S7(W9)	Stud-5/16"-18 & 5/16"-24 x 1 3/4"
3	351089-S8(MM20)	Nut-5/16"-24
3	34806-S7(X64)	Lockwasher-5/16"
1 @	B1AZ 9B502-A	Screw (dashpot & throttle lever adjusting)
1	34079-S7(M163)	Nut-No. 10-32
1	34803-S7(X60)	Lockwasher-No. 10
1	EBU 9512-A	Body (main)
1	A9AZ 9A514-A	Lever & swivel (choke)-included rubber grommet
1	*37611-S7	Screw (choke control to lever swivel)-No. 8-32 x 1/4"
1	*31596-S7	Screw (choke lever & swivel attaching)-No.10-32 x 3/8"
1	356234-S8(XX73)	Washer (choke lever screw)-No. 10
1	7RA 9516	Gasket (throttle body to main body)
1	A0AZ 9A516-A	Valve (accel.pump discharge needle)
1	B4C 9518-A	Body and shaft (throttle)
2	43365-S8	Screw & lockwasher (main body to throttle body)-No. 12-24 x 3/4" fill. hd.
1	*31646-S7	Screw (throttle body to main body)-1/4"-28 x 3/4" fillister head
1	78 9519	Gasket (air horn to main body)
3	78 9523	Plug (main body)-lead-.15" diameter
1	EAB 9524-A	Horn (air)
5	31628-S7(U58)	Screw (air horn to main body)-No. 10-32 x 5/8"
5	34803-S7(X60)	Lockwasher-No. 10
1	A9AZ 9529-A	Link (accelerator pump)-stamped "C"
1	78 9531-A	Rod (accel. pump piston operating)
2	06H 9533	Jet (main metering) No. 54 - 0 to 5,000 ft. altitude
2	B4T 9533-B	No. 53 - 5,000 to 10,000 ft. altitude
2	86H 9533	No. 52 - 10,000 to 15,000 ft. altitude
1	78 9535	Washer (accel.pump piston rod-felt)-serviced in kit 9502
1	351336-S8	Washer (accel.pump piston operating rod felt washer retaining)-flat-.26" I.D. x .36" O.D.
1	78 9537-A	Plunger (choke lever)-.41" long
1	*78 9539	Spring (choke shaft)-.34" O.D. - 5 3/4 coils
2	78 9541-A	Needle (idle adjusting)
2	EBU 9542-B	Jet (idling)-1.98" long-slotted head-serviced in kit 9590
1	B5AZ 9B544-A	Piston (accelerator pump)
1	8BA 9546-B	Shaft and lever (choke)
1	*37611-S7	Screw (choke shaft & lever)-No. 8-32 x 1/4"
1	*EAB 9549-B	Plate (choke)
1 @	C1AZ 9B549-A	Dashpot
1	@ 33923-S7(M32)	Nut-5/16"-24
2	@ 34806-S7(X64)	Lockwasher-5/16"
1	B6A 9550-A	Float

@ Not supplied with service carburetor. Order separately if required.

## CARBURETOR SERVICE PARTS LIST No.14

QTY. PER CARBU-RETOR	PART NUMBER	DESCRIPTION
1 @	B1AZ 9B550-A	Bracket (dashpot mounting)
1	78 9558	Pin (float hinge)-.093" diameter-1.18" long-serviced in kit 9590
2	78 9562-A	Plug (main jet)-3/8"-32-.40" overall length
2	A0A 9563-A	Gasket (float adjustment plug)-.39" I.D. -.50" O.D. -.04" thick
1	7HA 9564	Valve & seat (fuel inlet)
1	A0AZ 9A565-A	Economizer 0 to 5,000 ft. altitude
1	A8TZ 9A565-A	5,000 ft. altitude or higher-stamped "AM"
1	78 9569	Gasket (float valve seat)-serviced in kit 9502
1	B5A 9572-A	Cup (pump piston)-used in B5A 9631-A piston
1	B5AZ 9B572-A	Valve (spark control)
1	*A0AZ 9575-A	Retainer (accelerator pump piston)
1	78 9575	Retainer (accel.pump check ball)-3/4" diameter-serviced in kit 9590
1	78 9576	Ball (accelerator pump check)-1/8" diameter
1	EBU 9577-A	Nozzle (pump discharge)
2	40 9578	Spring (idle adjusting needle)
1	78 9580	Gasket (pump discharge nozzle)-.26" I.D. x .41" O.D.-serviced in kit 9502
1	B4A 9581-C	Shaft & lever (throttle)
2	78 9585	Plate (throttle)-1 1/4" diameter
4	B9A 9586-A	Screw (throttle plate)-No.6-32 oval hd.
2	B9A 9586-A	Screw (choke plate)-No.6-32 oval hd.
4	8BA 9586-A	Rivet (throttle plate)-.096" x .32" oval head-tubular
2	8BA 9586-A	Rivet (choke plate)-used with 8BA 9546-B
1	78 9587	Spring (choke lever plunger)-.59" long-8 coils-.15" O.D.
1	COAE 9A588-A	Gasket (economizer)-.57" I.D. -.75" O.D. -.015" thick
1	COAE 9A588-A	Gasket (spark control valve)-.57" I.D. -.75" O.D. -.015" thick
1	*78 9636	Spring (accelerator pump piston return)
1	8BA 9792	Clamp (choke control bracket)
1	31061-S8(U50)	Screw (choke control bracket clamp)-No.8-32 x 1/2"
1	34052-S7(M155)	Nut-No.8-32
1	*B4A 9920-A	Bar (nozzle)-R. H. -less idle tube
1	*B4A 9921-A	Bar (nozzle)-L. H. -less idle tube
4	78 9926	Gasket (nozzle bar)-.23" I.D. -.374" O.D. -.015" thick-serviced in kit 9502
1	EAB 9928-A	Clamp (nozzle bar)-1" long
1	78 9928-B	Clamp (nozzle bar)-1 7/16" long
2	355079-AS7 (BB73)	Screw (nozzle bar clamp)-No.8-32 x 7/8"
4	34802-S7(X59)	Lockwasher-No. 8
2	*31077-S8	Screw (nozzle bar clamp)-No.8-32 x 5/8"
4	34802-S7(X59)	Lockwasher-No.8

### CARBURETOR PART No. B4A 9510-A

### CARBURETOR SERVICE PARTS LIST No.15

QTY. PER CARBU-RETOR	PART NUMBER	DESCRIPTION
1	B5A 9502-C	Gasket set
1	A0AZ 9A586-B	Kit (tune up) 0 to 5,000 ft. altitude only
1	A0AZ 9A586-A	5,000 to 15,000 ft. altitude
1	B4AZ 9590-A	Repair kit
3	88411-S7(W9)	Stud-5/16"-18 & 5/16"-24 x 1 3/4"
3	351089-S8(MM20)	Nut-5/16"-24
3	34806-S7(X64)	Lockwasher-5/16"
1	B1AZ 9B502-A	Screw (dashpot & throttle lever adjusting)
1	34079-S7(M163)	Nut-No. 10-32
1	34803-S7(X60)	Lockwasher-No. 10
1	EBU 9512-A	Body (main)
1	A9AZ 9A514-A	Lever & swivel (choke)-included rubber grommet
1	*37611-S7	Screw (choke control to lever swivel)-No. 8-32 x 1/4"
1	*31596-S7	Screw (choke lever & swivel attaching)-No.10-32 x 3/8"
1	356234-S8(XX73)	Washer (choke lever screw)-No.10
1	7RA 9516	Gasket (throttle body to main body)
1	A0AZ 9A516-A	Valve (accel. pump discharge needle)
1	B4A 9518-A	Body and shaft (throttle)
2	43365-S8	Screw & lockwasher (main body to throttle body)-No.12-24 x 3/4" fill. hd.
1	*31646-S7	Screw (throttle body to main body)-1/4"-28 x 3/4" fillister head
1	78 9519	Gasket (air horn to main body)
3	78 9523	Plug (main body)-lead-.15" diameter
1	EAB 9524-A	Horn (air)
5	31628-S7(U58)	Screw (air horn to main body)-No. 10-32 x 5/8"
5	34803-S7(X60)	Lockwasher-No.10
1	A9AZ 9529-A	Link (accelerator pump)-stamped "C"
1	78 9531-A	Rod (accel. pump piston operating)
2	06H 9533	Jet (main metering) No. 54 - 0 to 5,000 ft. altitude
2	B4T 9533-B	No. 53 - 5,000 to 10,000 ft. altitude
2	59A 9533-A	No. 51 - 10,000 to 15,000 ft. altitude
1	78 9535	Washer (accel. pump piston rod-felt)-serviced in kit 9502
1	351336-S8	Washer (accel. pump piston operating rod felt washer retaining)-flat-.26" I.D. x .36" O.D.
1	78 9537-A	Plunger (choke lever)-.41" long
1	*78 9539	Spring (choke shaft)-.34" O.D. - 5 3/4 coils
2	78 9541-A	Needle (idle adjusting)
1	B5AZ 9B544-A	Piston (accelerator pump)
1	8BA 9546-B	Shaft and lever (choke)
1	*37611-S7	Screw (choke shaft & lever)-No. 8-32 x 1/4"
1	*EAB 9549-B	Plate (choke)
1	C1AZ 9B549-A	Dashpot
1	33923-S7(M32)	Nut-5/16"-24
2	34806-S7(X64)	Lockwasher-5/16"
1	B6A 9550-A	Float
1	B1AZ 9B550-A	Bracket (dashpot mounting)
1	78 9558	Pin (float hinge)-.093" diameter-1.18" long-serviced in kit 9590

QTY. PER CARBU-RETOR	PART NUMBER	DESCRIPTION
2	78 9562-A	Plug (main jet)-3/8"-32-.40" overall length
2	A0A 9563-A	Gasket (float adjustment plug)-.39" I.D. -.50" O.D. -.04" thick
1	7HA 9564	Valve & seat (fuel inlet)
1	A0AZ 9A565-A	Economizer 0 to 5,000 ft. altitude
1	A8TZ 9A565-A	5,000 ft. altitude or higher-stamped "AM"
1	78 9569	Gasket (float valve seat)-serviced in kit 9502
1	B5A 9572-A	Cup (pump piston)-used in B5A 9631-A piston
1	B5AZ 9B572-A	Valve (spark control)
1	*A0AZ 9575-A	Retainer (accelerator pump piston)
1	78 9575	Retainer (accel. pump check ball)-3/4" diameter-serviced in kit 9590
1	78 9576	Ball (accelerator pump check)-1/8" diameter
1	EBU 9577-A	Nozzle (pump discharge)
2	40 9578	Spring (idle adjusting needle)
1	78 9580	Gasket (pump discharge nozzle)-.26" I.D. x .41" O.D. -serviced in kit 9502
1	B4A 9581-C	Shaft & lever (throttle)
2	78 9585	Plate (throttle)-1 1/4" diameter
4	B9A 9586-A	Screw (throttle plate)-No.6-32 oval hd.
2	B9A 9586-A	Screw (choke plate)-No.6-32 oval hd.
4	8BA 9586-A	Rivet (throttle plate)-.096" x .32" oval head-tubular
2	8BA 9586-A	Rivet (choke plate)-used with 8BA 9546-B
1	78 9587	Spring (choke lever plunger)-.59" long-8 coils-.15" O.D.
1	C0AE 9A588-A	Gasket (economizer)-.57" I.D. -.75" O.D. -.015" thick
1	C0AE 9A588-A	Gasket (spark control valve)-.57" I.D. -.75" O.D. -.015" thick
1	B4AZ 9595-A	Bracket (choke control)
1	31061-S8(U50)	Screw (choke control bracket clamp)-No.8-32 x 1/2"
1	34052-S7(M155)	Nut-No.8-32
1	*78 9636	Spring (accelerator pump piston return)
1	*B4A 9920-B	Bar (nozzle)-R. H.
1	*B4A 9920-C	Bar (nozzle)-R. H. -less idle tube
1	*B4A 9921-C	Bar (nozzle)-L. H. -less idle tube
4	78 9926	Gasket (nozzle bar)-.23" I.D. -.374" O.D. -.015" thick-serviced in kit 9502
1	EAB 9928-A	Clamp (nozzle bar)-1" long
1	78 9928-B	Clamp (nozzle bar)-1 7/16" long
2	355079-AS7 (BB73)	Screw (nozzle bar clamp)-No.8-32 x 7/8"
4	34802-S7(X59)	Lockwasher-No.8
2	*31077-S8	Screw (nozzle bar clamp)-No.8-32 x 5/8"
4	34802-S7(X59)	Lockwasher-No.8

## CARBURETOR PART No. EBP 9510-A

QTY. PER CARBU-RETOR	PART NUMBER	DESCRIPTION
1	C0AZ 9502-C	Gasket set
1	B2AZ 9A586-A	Kit (tune up)
1	B2AZ 9590-B	Repair kit
2	88407-S(W15)	Stud-3/8" & 3/8"-24 x 1 11/16"
2	357695-S(WW85)	Stud-3/8"-16 & 24 x 3 3/8"-use with governor
2	33925-S7(M33)	Nut-3/8"-24
2	34807-S8(X66)	Lockwasher-3/8"
1	358705-S(II-127)	Connector (carb. to tubes to fuel pump & distributor vacuum diaphragm)-used with power brakes-brass-90° elbow
1	354582-S(II-73)	Connector (carb. to tube assy.)-5/16" flared tube
1	374166-S(PP23A)	Plug-1/4"-32-for distributor passage when tube 12226 is not used
1	C0AZ 9A507-A	Bowl & plugs (float)-metal
4	*31644-S7	Screw (bowl to main body)-No. 10-32 x 3/4" fill. hd.
4	34803-S7(X60)	Lockwasher-No. 10
1	B9AE 9B511-A	Weight (pump discharge ball)
1	EBP 9512-A	Body (main)
1	B8A 9516-C	Gasket (throttle body to main body)
1	B5A 9518-S	Body and shaft (throttle)
2	353620-S100 (BB18)	Screw (throttle body to main body)-1/4"-20 x 1 1/2" fillister head
2	34805-S100(X62)	Lockwasher-1/4"
1	@EBP 9529-A	Link (accelerator pump)
2	353610-S8(NN126)	Retainer (accel. pump link)-.44" long
1	8MB 9533-B	Jet (main metering) No. 66 - 0 to 5,000 ft. altitude
1	1GA 9533-A	No. 64 - 5,000 to 10,000 ft. altitude
1	1GA 9533-B	No. 62 - 10,000 to 15,000 ft. altitude
1	78 9541-B	Needle (idle adjusting)-1 3/16" long
1	C0AE 9B544-A	Piston (accel. pump)-includes gasket
1	*37611-S7	Screw (choke shaft & lever)-No. 8-32 x 1/4"
1	EAA 9550-A	Float-repl. by C2AZ 9550-A (1-63)
1	C2AZ 9550-A	Float assy.
1	C1AE 9558-A	Pin (float hinge)
1	B2AZ 9561-A	Gasket (float bowl)-3.81" long-2.19" wide - use with glass bowl only
1	CODE 9564-B	Valve & seat (fuel inlet)-replaced by C2AZ 9564-C (6-62)
1	C2AZ 9564-C	Valve & seat assy. (fuel inlet)
1	B2AZ 9A565-A	Economizer
1	B2A 9568-B	Retainer (pump operating lever)-split-serviced in kit 9590
1	EAA 9569-A	Gasket (float valve seat)-.32" I.D. -.52" O.D. -.031" thick-serviced in kit 9502

△ Serviced in 9502 kit only

@ Serviced in 9590 kit only

## CARBURETOR SERVICE PARTS LIST No. 17

QTY. PER CARBU-RETOR	PART NUMBER	DESCRIPTION
1	B2A 9574-B	Screw (discharge nozzle)-No. 10-32 x .64" fillister head
1	B2AZ 9575-A	Retainer (vacuum dist. ball check valve spring)-serviced in kit 9590
1	B2AZ 9576-A	Valve (vacuum dist. ball check)
1	EAA 9577-B	Nozzle (pump discharge)
1	B8A 9578-B	Spring (throttle adjusting screw)-4 1/2 coils-.20" I.D. -.58" long
1	40 9578	Spring (idle adjusting needle)
1	EAA 9580-A	Gasket (pump discharge nozzle)-.20" I.D x .32" O.D. -.03" thick-serviced in kit 9502
1	B4A 9581-A	Shaft & lever (throttle)
1	*EAA 9583-A	Lever (accelerator pump operator)
1	*B4A 9585-A	Plate (throttle)
2	B9A 9586-A	Screw (throttle plate)-No. 6-32 oval hd.
2	B9A 9586-A	Screw (choke plate)-No. 6-32 oval hd.
1	B2AZ 9A588-A	Gasket (economizer)-serviced in kit 9502
1	EBP 9594-A	Jet & main well (power)
2	*37643-S7	Screw (jet & main well to main body)-No. 6-32 x .44"
2	353799-S8	Screw (jet & main well to main body)-No. 6-32 x .75"
2	34801-S7(X58)	Lockwasher-No. 6
1	A1A 9599-A	Retainer (float hinge pin)-11/32" long
1	1CM 9681-A	Ball (throttle lever)
1	34079-S7(M163)	Nut (throttle lever ball)-No. 10-32 hex.
1	34803-S7(X60)	Lockwasher-No. 10
1	8BA 9792	Clamp (choke control bracket)
1	31061-S8(U50)	Screw (choke control bracket clamp)-No. 8-32 x 1/2"
1	34052-S7(M155)	Nut-No. 8-32
1	EAA 9796-A	Bracket (choke control)
1	42802-S8(U33)	Screw & lockwasher (choke bracket)-No. 8-32 x 3/8"
1	B2A 9827-A	Gasket (fuel inlet fitting)
1	*B2A 9930-B	Cover (economizer valve)
3	31061-S8(U50)	Screw (economizer valve cover to main body)-No. 8-32 x 1/2" fill. hd.
3	34802-S7(X59)	Lockwasher-No. 8
1	*B2A 9934-A	Sleeve (pump push rod)-.31" O.D. -1.20" long
1	EAA 9935-B	Spring (accel. pump rod plunger)-.27" O.D. -13 coils-1.34" long
1	EAA 9936-A	Spring (accelerator pump diaphragm return)-cone shaped-8 coils
△1	B2AZ 9945-A	Gasket (fuel inlet seat screw)-.32" I.D. -.428" O.D. -.031" thick

**CARBURETOR PART No. EBP 9510-B**

**CARBURETOR SERVICE PARTS LIST No. 18**

QTY. PER CARBU-RETOR	PART NUMBER	DESCRIPTION
1	C0AZ 9502-C	Gasket set
1	B2AZ 9A586-A	Kit (tune up)
1	B2AZ 9590-B	Repair kit
1	354582-S(II-73)	Connector (carb. to tube assy.)-5/16" flared tube
2	374166-S(PP23A)	Plug-1/4"-32-for distributor passage when tube 12226 is not used
2	88407-S(W15)	Stud (carb. to intake manifold)-3/8"-16 -24 x 1 11/16"
2	357695-S(WW85)	Stud (carb. to intake manifold)-3/8"-16 & 3/8"-24 x 3 3/8"- use with governor
2	34807-S8(X66)	Lockwasher-3/8"
2	33925-S7(M33)	Nut-3/8"-24
1	B1AZ 9B502-A	Screw (dashpot & throttle lever adj.)
1	B2AZ 9B502-A	Screw (dashpot operating lever)-No. 8-32 x .59" slotted binding head
1	34803-S7(X60)	Lockwasher-No. 10
1	34079-S7(M163)	Nut-No. 10-32
1	C0AZ 9A507-A	Bowl & plugs assy. (float)-metal bowl
4	*31644-S7	Screw (bowl to main body)-No. 10-32 x 3/4" fillister head
4	34803-S7(X60)	Lockwasher-No. 10
1	B9AE 9B511-A	Weight (pump discharge ball)
1	EBP 9512-A	Body assy. (main)
1	B8A 9516-C	Gasket (throttle body to main body)
1	B5A 9518-S	Body & shaft assy. (throttle)
2	353620-S100 (BB18)	Screw (throttle body to main body)-1/4"-28 x 1 1/2" fillister head
2	34805-S8(X62)	Lockwasher-1/4"
1	@EBP 9529-A	Link (accelerator pump)
2	353610-S8(NN126)	Retainer (spring type)-.44" long
1	8MB 9533-B	Jet (main metering)-No. 66-0 to 5,000 ft. alt.
1	1GA 9533-A	No. 64-5 to 10,000 ft. alt.
1	1GA 9533-B	No. 62-10 to 15,000 ft. alt.
1	78 9541-B	Needle (idle adjusting)-1 3/16" long
1	C0AE 9B544-A	Piston assy. (accelerator pump)-includes gasket
1	C1AZ 9B549-A	Dashpot assy.
1	34806-S7(X64)	Lockwasher-5/16"
1	33923-S7(M32)	Nut-5/16"-24
1	EAA 9550-A	Float assy.-repl. by C2AZ 9550-A(1-63)
1	C2AZ 9550-A	Float assy.
1	C1AE 9559-A	Pin (float hinge)
1	B2AZ 9561-A	Gasket (float bowl retainer)-3.81" long -2.19" wide-use with glass bowl only
1	C2AZ 9561-C	Gasket (float bowl)
1	C2AZ 9564-C	Valve & seat assy. (fuel inlet)
1	B2AZ 9A565-A	Economizer assy.
1	B2A 9568-B	Retainer (pump operating lever)
1	EAA 9569-A	Gasket (float needle seat)
1	B2A 9574-B	Screw (discharge nozzle)-No. 10-32 x .64" o/all length fillister hd.
Δ Serviced in 9502 kit only		
@ Serviced in 9590 kit only		

QTY. PER CARBU-RETOR	PART NUMBER	DESCRIPTION
1	B2AZ 9575-A	Retainer (vacuum distributor ball check valve spring)-.24" O. D.
1	B2AZ 9576-A	Valve (vacuum distributor ball check)-.156" diameter
1	EAA 9576-A	Ball (accelerator pump check)-.156" diameter
2	78 9576	Ball (accelerator pump check)-1/8" diameter
1	EAA 9577-B	Nozzle assy. (pump discharge)
1	B8A 9578-B	Spring (throttle adjusting screw)-4 1/2 coils-.20" I. D. -.58" long
1	40 9578	Spring (idle adjusting needle)
1	EAA 9580-A	Gasket (discharge pump nozzle)-.20" I. D. x .32" O. D. -.03" thick
1	B4A 9581-A	Lever & shaft assy. (primary throttle)
1	*EAA 9583-A	Lever (accelerator pump operator)
1	*B4A 9585-A	Plate (throttle)
2	B9A 9586-A	Screw (throttle plate)-No. 6-32 x .31" oval head
2		Screw (choke plate)-No. 6-32 x .31" oval head
1	B2AZ 9A588-A	Gasket (economizer valve)
1	EBP 9594-A	Jet & main well assy. (power)
3	*37643-S7	Screw (jet & main well to main body)-No. 6-32 x 7/16" fillister head
2	353799-S8	Screw (jet & main well to main body)-No. 6-32 x .75" fillister head
	34801-S7(X58)	Lockwasher-No. 6
1	A1A 9599-A	Retainer (accelerator pump link)-11/32" long
1	8BA 9792	Clamp (choke control bracket)
2	31061-S8(U50)	Screw (choke control bracket clamp)-No. 8-32 x 1/2" fillister head
2	34052-S7(M155)	Nut-No. 8-32
1	EAA 9796-A	Bracket (choke control)
1	42802-S8(U33)	Screw & lockwasher-No. 8-32 x 3/8" pan head
1	B6A 9802-A	Lever (dashpot operating)
1	B2A 9808-A	Retainer (float bowl)-use with glass bowl only
4	B2A 9809-A	Clamp (float bowl retainer)-use with glass bowl only
4	*31644-S7	Screw (clamp)-No. 10-32 x 3/4" fillister head
4	34803-S7(X60)	Lockwasher-No. 10
1	B2A 9827-A	Gasket (fuel inlet fitting)
1	*B2A 9930-B	Cover (economizer valve)
3	31061-S8(U50)	Screw (cover to main body)-No. 8-32 x 1/2" fillister head
3	34802-S7(X59)	Lockwasher-No. 8
1	*B2A 9934-A	Sleeve (pump push rod)-.31" O. D. -1.20" long
1	EAA 9935-B	Spring (accelerator pump rod plunger)-.27" O. D. -1.34" long-13 coils
1	EAA 9936-A	Spring (accelerator pump diaphragm return)-cone shaped-8 coils
Δ 1	B2AZ 9945-A	Gasket (fuel inlet seat screw)-.32" I. D. -.428" O. D. -.031" thick

## CARBURETOR PART No. B4A 9510-B

QTY. PER CARBU-RETOR	PART NUMBER	DESCRIPTION
1	C0AZ 9502-C	Gasket set
1	B2AZ 9A586-A	Kit (tune up)
1	B2AZ 9590-B	Repair kit
1	354582-S(II-73)	Connector (carb. to tube assy.)-5/16" flared tube
2	374166-S(PP23A)	Plug-1/4"-32-for distributor passage when tube 12226 is not used
2	88407-S(W15)	Stud (carb. to intake manifold)-3/8"-16-24 x 1 11/16"
2	357695-S(WW85)	Stud (carb. to intake manifold)-3/8"-16 & 3/8"-24 x 3 3/8"-use with governor
2	34807-S8(X66)	Lockwasher-3/8"
2	33925-S7(M33)	Nut-3/8"-24
1	B1AZ 9B502-A	Screw (dashpot & throttle lever adj.)-not supplied with carb., order separately
1	B2AZ 9B502-A	Screw (dashpot operating lever)-No. 8-32 x .59" slotted binding head-not supplied with carb., order separately
1	34803-S7(X60)	Lockwasher-No. 10-not supplied with carburetor-order separately
1	34079-S7(M163)	Nut-No. 10-32-not supplied with carburetor-order separately
1	C0AZ 9A507-A	Bowl & plugs assy. (float)-metal bowl
4	*31644-S7	Screw (bowl to main body)-No. 10-32 x 3/4" fillister head
4	34803-S7(X60)	Lockwasher-No. 10
1	B9AE 9B511-A	Weight (pump discharge ball)
1	EBP 9512-A	Body assy. (main)
1	B8A 9516-C	Gasket (throttle body to main body)
1	B5A 9518-S	Body & shaft assy. (throttle)
2	353620-S100 (BB18)	Screw (throttle body to main body) 1/4"-28 x 1 1/2" fillister head
2	34805-S8(X62)	Lockwasher-1/4"
1 @	EBP 9529-A	Link (accelerator pump)
2	353610-S8(NN126)	Retainer (spring type)-.44" long
1	8MB 9533-B	Jet (main metering)-No. 66-0 to 5,000 ft. alt.
1	1GA 9533-A	No. 64-5 to 10,000 ft. alt.
1	1GA 9533-B	No. 62-10 to 15,000 ft. alt.
1	78 9541-B	Needle (idle adjusting)-1 3/16" long
1	C0AE 9B544-A	Piston assy. (accelerator pump)-includes gasket
1 @	C1AZ 9B549-A	Dashpot assy. -not supplied with service carburetors-order separately
1	34806-S7(X64)	Lockwasher-5/16"-not supplied with service carburetors-order separately
1	33923-S7(M32)	Nut-5/16"-24-not supplied with service carburetors-order separately
1	EAA 9550-A	Float assy.-repl. by C2AZ 9550-A(1-63)
1	C2AZ 9550-A	Float assy.
1	C1AE 9558-A	Pin (float hinge)
1	B2AZ 9561-A	Gasket (float bowl retainer)-3.81" long -2.19" wide-use with glass bowl only
1	C2AZ 9561-C	Gasket (float bowl)
1	C2AZ 9564-C	Valve & seat assy. (fuel inlet)
1	B2AZ 9A565-A	Economizer assy.
1	B2A 9568-B	Retainer (pump operating lever)
1	EAA 9569-A	Gasket (float needle seat)
1	B2A 9574-B	Screw (discharge nozzle)-No. 10-32 x .64" o/all length fillister hd.

⊙ Not supplied with service carburetor. Order separately if required.

## CARBURETOR SERVICE PARTS LIST No. 19

QTY. PER CARBU-RETOR	PART NUMBER	DESCRIPTION
1	B2AZ 9575-A	Retainer (vacuum distributor ball check valve spring)-.24" O. D.
1	B2AZ 9576-A	Valve (vacuum distributor ball check)-.156" diameter
1	EAA 9576-A	Ball (accelerator pump check)-.156" diameter
2	78 9576	Ball (accelerator pump check)-1/8" diameter
1	EAA 9577-B	Nozzle assy. (pump discharge)
1	B8A 9578-B	Spring (throttle adjusting screw)-4 1/2 coils-.20" I. D. -.58" long
1	40 9578	Spring (idle adjusting needle)
1	EAA 9580-A	Gasket (discharge pump nozzle)-.20" I. D. x.32" O. D. -.03" thick
1	B4A 9581-A	Lever & shaft assy. (primary throttle)
1	*EAA 9583-A	Lever (accelerator pump operator)
1	*B4A 9585-A	Plate (throttle)
2	B9A 9586-A	Screw (throttle plate)-No. 6-32 x .31" oval head
2		Screw (choke plate)-No. 6-32 x .31" oval head
1	B2AZ 9A588-A	Gasket (economizer valve)
1	EBP 9594-A	Jet & main well assy. (power)
3	*37643-S7	Screw (jet & main well to main body)-No. 6-32 x 7/16" fillister head
2	353799-S8	Screw (jet & main well to main body)-No. 6-32 x .75" fillister head
	34801-S7(X58)	Lockwasher-No. 6
1	1CM 9681-A	Ball (rod to transmission control shaft lever)-used with AB 9747-B rod
1	34079-S7(M163)	Nut (throttle lever ball)-No. 10-32 hex.
1	34803-S7(X60)	Lockwasher-No. 10
1	8BA 9792	Clamp (choke control bracket)
2	31061-S8(U50)	Screw (choke control bracket clamp)-No. 8-32 x 1/2" fillister head
2	34052-S7(M155)	Nut-No. 8-32
1	EAA 9796-A	Bracket (choke control)
1	42802-S8(U33)	Screw & lockwasher-No. 8-32 x 3/8" pan head
1	⊙ B6A 9802-A	Lever (dashpot operating)-not supplied with carburetor-order separately
1	B2A 9808-A	Retainer (float bowl)-use with glass bowl only
4	B2A 9809-A	Clamp (float bowl retainer)-use with glass bowl only
4	*31644-S7	Screw (clamp)-No. 10-32 x 3/4" fillister head
4	34803-S7(X60)	Lockwasher-No. 10
1	B2A 9827-A	Gasket (fuel inlet fitting)
1	*B2A 9930-B	Cover (economizer valve)
3	31061-S8(U50)	Screw (cover to main body)-No. 8-32 x 1/2" fillister head
3	34802-S7(X59)	Lockwasher-No. 8
1	*B2A 9934-A	Sleeve (pump push rod)-.31" O. D. -1.20" long
1	EAA 9935-B	Spring (accelerator pump rod plunger)-.27" O. D. -1.34" long-13 coils
1	EAA 9936-A	Spring (accelerator pump diaphragm return)-cone shaped-8 coils
Δ 1	B2AZ 9945-A	Gasket (fuel inlet seat screw)-.32" I. D. -.428" O. D. -.031" thick

Δ Serviced in 9502 kit only

@ Serviced in 9590 kit only

**CARBURETOR PART No. B5A 9510-G**

**CARBURETOR SERVICE PARTS LIST No. 20**

QTY. PER CARBU-RETOR	PART NUMBER	DESCRIPTION
1	B5A 9502-B	Gasket set
1	B5AZ 9A586-C	Kit (tune up)
1	B5A 9590-B	Repair kit
4	88411-S7(W9)	Stud-5/16"-18 & 5/16"-24 x 1 3/4"
4	33798-S8(M62)	Nut-5/16"-24
4	34806-S7(X64)	Lockwasher-5/16"
1	374166-S(PP23A)	Plug-1/4"-32-for distributor passage when tube 12226 is not used
1	B5A 9501-A	Housing & plug (secondary throttle)
3	353852-S (BB623)	Screw & washer (housing to throttle body)-No. 8-32 x 7/16"
1	EBY 9503-A	Diaphragm (secondary throttle)
1	351825-S(XX9)	Washer (diaphragm link to lever)-"C" retainer
1	B5AZ 9B504-A	Spring (secondary throttle diaphragm return)
1	B5A 9C504-A	Rod (secondary throttle control)
2	353610-S8(NN126)	Retainer (rod to shaft)-spring-.44" long
1	353854-S8(XX64)	Washer-.129/.134 flat
1	B5A 9507-A	Cover (secondary throttle diaphragm)
4	31061-S8(U50)	Screw (cover to diaphragm housing)-No. 8-32 x 1/2"
4	34802-S7(X59)	Lockwasher-No. 8
1	B5A 9508-A	Cover (secondary throttle diaphragm housing)
1	*31036-S8	Screw (cover to housing)-No. 6-32 x 5/16" fillister head
1	34937-S7(X84)	Lockwasher-No. 6-external tooth
1	*B5A 9512-E	Body (main)-use with B5A 9224-A adaptor & (2) B5A 9229-A "O" rings
1	351821-S(BB20)	Screw (main body to throttle body)-5/16"-24 x 3 1/4"
1	34806-S7(X64)	Lockwasher-5/16"
1	8CM 9516	Gasket (throttle body to main body)
1	A8TZ 9A516-A	Valve (accel. pump discharge needle)
1	*B5A 9518-J	Body and shaft (throttle)
1	B6AZ 9A519-A	Spring (float)
1	B5AZ 9A523-A	Venturi (secondary)
2	354826-S7(BB74)	Screw & lockwasher (secondary venturi)-No. 10-32 x .44" fillister hd.
1	B5A 9524-A	Horn (air)
1	*B5AZ 9524-B	Cover & plugs (main body)-stamped No. 28
1	31628-S7(U58)	Screw (air horn to throttle body)-No. 10-32 x 5/8"
1	34803-S7(X60)	Lockwasher-No. 10
4	31079-S7	Screw (cover & plugs to main body)-No. 12-24 x 5/8"-fillister head
2	B5AZ 9A528-A	Tube (secondary venturi metering) No. 78 - 0 to 5,000 ft. altitude
2	B5AZ 9A528-B	No. 70 - 5,000 to 10,000 ft. altitude
2	B5AZ 9A528-C	No. 63 - 10,000 to 15,000 ft. altitude
4	354829-S(XX65)	Washer (secondary jet tube seal)-5/32" flat
1	B5AZ 9529-A	Link (accelerator pump)
1	354614-S(BB681)	Stud (link to rod)-No. 8-32
1	354615-S(QQ33)	Snap ring(link retainer)-1/8" I. D. -.27" O. D.
1	B5A 9531-A	Rod (accel. pump piston operating)
2	B4T 9533-B	Jet (main metering)-primary No. 53 - 0 to 5,000 ft. altitude
2	78 9533-B	No. 48 - 5,000 to 10,000 ft. altitude
2	59A 9533-D	No. 45 - 10,000 to 15,000 ft. altitude

QTY. PER CARBU-RETOR	PART NUMBER	DESCRIPTION
1	B0TZ 9535-A	Seal (throttle shaft)-1/4" I. D. - 1/2" O. D. -.06" thick-serviced in kit 9502
1	EAD 9535-A	Washer (accel. pump piston rod-felt)-.38" O. D. -.25" L. D. -.12" thick
1	351336-S8	Washer (accel. pump piston operating rod felt washer retaining)-flat-.26" I. D. x .36" O. D.
1	B5A 9538-A	Lever (fast idle adjusting)
1	355829-S7(MM15)	Nut (lever to shaft)-No. 8-36
1	34802-S7(X59)	Lockwasher-No. 8
2	78 9541-B	Needle (idle adjusting)-1 3/16" long
2	8CM 9542	Jet (idling)-2" long-slotted head
1	B5AZ 9B544-B	Piston (accelerator pump)
1	B5A 9545-A	Plate (choke)-R. H.
2	351820-S(BB625)	Screw & lockwasher (choke plate to shaft)-No. 4-48 x 1/4"-pan head
1	B5A 9547-A	Shaft (choke)
1	354827-S(XX95)	Washer (choke shaft thrust)-9/32" flat
1	B5AZ 9B547-A	Link (choke plate)
1	355829-S7(MM15)	Nut (lever to shaft)-No. 8-36
1	34802-S7(X59)	Lockwasher-No. 8
2	351820-S(BB625)	Screw & lockwasher (choke plate to shaft)-No. 4-48" x 1 1/4"-pan head
1	*B5A 9549-A	Plate (choke)
1	B6A 9550-B	Float
1	B5A 9557-A	Selector (float bowl vent)
1	8CM 9558	Pin (float hinge)
1	B5AZ 9561-A	Gasket (main body cover plate)
1	B6A 9564-A	Valve & seat (fuel inlet)
1	B5AZ 9A565-A	Economizer
1	355067-S7(BB53)	Screw & washer (valve to main body cover & plugs)-No. 8-32 x 5/16" fillister head
2	B2Q 9566-A	Washer (throttle shaft seal retainer)-.02" thick-.255" I. D. -.53" O. D.
1	B5A 9569-A	Gasket (float valve seat)
1	B5A 9572-A	Cup (pump piston)
1	B5AZ 9B572-B	Valve (spark control)
1	*A0AZ 9575-A	Retainer (accelerator pump piston)
1	B2AZ 9575-A	Retainer (vacuum dist. ball check valve spring)-serviced in kit 9590
2	B5AZ 9575-A	Retainer (vacuum dist. ball check valve spring)
1	EAD 9575-A	Retainer (accel. pump check ball)-No. 10-32 threads-.96" long
1	78 9575	Retainer (accel. pump check ball)-3/4" diameter-serviced in kit 9590
1	B2AZ 9576-A	Valve (vacuum dist. ball check)
1	B5A 9576-A	Ball (secondary throttle check)
3	78 9576	Ball (accelerator pump check)-1/8" diameter
1	B8A 9578-B	Spring (throttle adjusting screw)-4 1/2 coils-.20" I. D. -.58" long
1	40 9578	Spring (idle adjusting needle)
1	354825-S(BB409)	Screw (throttle adjusting)-No. 10-32 x .67" long
1	B5A 9581-A	Shaft & lever (throttle)-primary
1	B5A 9583-A	Lever (secondary throttle diaphragm)
1	353851-S(BB620)	Screw & washer (lever to diaphragm housing)-No. 6-32 x 5/16" pan head
2	*B5A 9585-A	Plate (throttle)-primary
2	B6A 9585-A	Plate (throttle)-secondary
8	B9A 9586-A	Screw (throttle plate)-No. 6-32 oval hd

continued on next page

## CARBURETOR PART No. B5A 9510-G

QTY. PER CARBU-RETOR	PART NUMBER	DESCRIPTION
1	COAE 9A588-A	Gasket (economizer)-.57" I.D. -.75" O.D. -.015" thick
1	A8TZ 9A588-A	Gasket (power jet)-.56" O.D. -.03" thick-serviced in kit 9502
1	B6AZ 9A592-A	Lever & shaft (second, throttle plate)
1	B5A 9594-A	Jet (power)-stamped 21
1	B5A 9597-A	Cam (fast idle)
1	352895-S8(NN79)	Pin (fast idle cam to throttle body)-1/16" x 3/4" groove
1	★37777-S18	Screw (fast idle cam stop)-No. 10-32 x 1 3/8"
1	A1A 9599-A	Retainer (pump link)-11/32" long
4	B5A 9609-A	"O" ring (secondary venturi tube)-serviced in kit 9502
1	354828-S(XX104)	Washer (air tube seat)-5/16" flat
1	★B5A 9616-A	Tube (secondary venturi fuel supply)-R. H.
1	★B5A 9617-A	Tube (secondary venturi fuel supply)-L. H.
1	B5A 9633-B	Clamp (second, venturi extension tube)
1	★37611-S7	Screw (clamp to main body)-No. 8-32 x 1/4" pan head
1	34938-S8(X85)	Lockwasher-No. 8 external tooth
1	8CM 9636-B	Spring (pump piston operating rod)-upper-.270" I.D. -.314" O.D. -3.19" long-22 coils
1	★78 9636	Spring (accel. pump piston return)

## CARBURETOR PART No. B5A 9510-H

1	B5A 9502-B	Gasket set
1	B5AZ 9A586-C	Kit (tune up)
1	B5A 9590-B	Repair kit
4	88411-S7(W9)	Stud-5/16"-18 & 5/16"-24 x 1 3/4"
4	33798-S8(M62)	Nut-5/16"-24
4	34806-S7(X64)	Lockwasher-5/16"
1	B5A 9501-A	Housing & plug (secondary throttle)
3	353852-S(BB623)	Screw & washer (housing to throttle body)-No. 8-32 x 7/16"
1	B1AZ 9B502-A	Screw (dashpot & throttle lever adjusting)
1	34079-S7(M163)	Nut-No. 10-32
1	34803-S7(X60)	Lockwasher-No. 10
1	EBY 9503-A	Diaphragm (secondary throttle)
1	351825-S(XX9)	Washer (diaphragm link to lever)-"C" retainer
1	B5AZ 9B504-A	Spring (secondary throttle diaphragm return)
1	B5A 9C504-A	Rod (secondary throttle control)
2	353610-S8 (NN126)	Retainer (rod to shaft)-spring-.44" long
1	353854-S8(XX64)	Washer-.129/.134 flat
1	B5A 9507-A	Cover (secondary throttle diaphragm)
4	31061-S8(U50)	Screw (cover to diaphragm housing)-No. 8-32 x 1/2"
4	34802-S7(X59)	Lockwasher-No. 8
1	B5A 9508-A	Cover (secondary throttle diaphragm housing)
1	★31036-S8	Screw (cover to housing)-No. 6-32 x 5/16" fillister head
1	34937-S7(X84)	Lockwasher-No. 6-external tooth

## CARBURETOR SERVICE PARTS LIST No. 20 - continued

QTY. PER CARBU-RETOR	PART NUMBER	DESCRIPTION
1	B5A 9655-A	Seal (choke air inlet tube)
1	B2TZ 9A659-A	Screw (air cleaner anchor)-not used on model S-2, 43" long
1	B5SZ 9A659-A	Screw (air cleaner anchor)-not supplied with carb.-order separately for model S-2, 59" long-hex, section .89" & 1.58" from ends
1	34805-S8(X62)	Lockwasher-1/4"
1	B5A 9805-A	Lever (choke shaft)
1	B5A 9811-A	Washer (air bleed screw)-1.62" O.D. -.035" thick
1	34805-S8(X62)	Lockwasher(screen to main body)-1/4"
1	B5AZ 9812-A	Spacer (secondary throttle plate control lever)
1	B5AZ 9853-A	Gasket (secondary throttle diaphragm housing)
1	A8Q 9937-A	Spring (filter screen retainer)-.396" O.D. -.80" long-6 1/2 coils
1	A8Q 9938-A	Screen (filter)-with retainer
1	8CM 9944	Plug (float needle seat)
1	8CM 9945	Gasket (float needle seat plug)
1	8MB 9973-A	Jet (spark valve restriction)-No. 25
1	8CM 9986	Spring (accelerator pump rod seal)-.26" I.D. -.32" O.D. -.82" long-9 coils
2	★B5A 9991-A	Tube (main well)
1	B5AZ 9998-A	Seal (air horn)-serviced in kit 9502

## CARBURETOR SERVICE PARTS LIST No. 21

1	★B5A 9512-E	Body (main)-use with B5A 9224-A adaptor & (2) B5A 9229-A "O" rings
1	351821-S(BB20)	Screw (main body to throttle body)-5/16"-24 x 3 1/4"
1	34806-S7(X64)	Lockwasher-5/16"
1	8CM 9516	Gasket (throttle body to main body)
1	A8TZ 9A516-A	Valve (accel. pump discharge needle)
1	★B5A 9518-K	Body and shaft (throttle)
1	B6AZ 9A519-A	Spring (float)
1	B5AZ 9A523-A	Venturi (secondary)
2	354826-S7(BB74)	Screw & lockwasher (secondary venturi)-No. 10-32 x .44" fillister hd.
1	B5A 9524-A	Horn (air)
1	★B5AZ 9524-A	Cover & plugs (main body)-stamped-No. 25
1	31628-S7(U58)	Screw (air horn to throttle body)-No. 10-32 x 5/8"
1	34803-S7(X60)	Lockwasher-No. 10
4	31079-S7	Screw (cover & plugs to main body)-No. 12-24 x 5/8"-fillister head
2	B5AZ 9A528-A	Tube (secondary venturi metering) No. 78 - 0 to 5,000 ft. altitude
2	B5AZ 9A528-B	No. 70 - 5,000 to 10,000 ft. altitude
2	B5AZ 9A528-C	No. 63 - 10,000 to 15,000 ft. altitude
4	354829-S(XX65)	Washer (secondary jet tube seal)-5/32" flat
1	B5AZ 9529-A	Link (accelerator pump)
1	354614-S(BB681)	Stud (link to rod)-No. 8-32
1	354615-S(QQ33)	Snap ring(link retainer)-1/8" I.D. -.27" O.D.
1	B5A 9531-A	Rod (accel. pump piston operating)
2	86H 9533	Jet (main metering)-primary No. 52 - 0 to 5,000 ft. altitude

continued on next page



**CARBURETOR PART No. B5A 9510-H**

**CARBURETOR SERVICE PARTS LIST No. 21 - continued**

QTY. PER CARBU-RETOR	PART NUMBER	DESCRIPTION
2	78 9533-B	No. 48 - 5,000 to 10,000 ft. altitude
2	59A 9533-D	No. 45 - 10,000 to 15,000 ft. altitude
1	B0TZ 9535-A	Seal (throttle shaft)-1/4" I.D. - 1/2" O.D. -.06" thick-serviced in kit 9502
1	EAD 9535-A	Washer (accel.pump piston rod-felt)-.38" O.D. -.25" I.D. -.12" thick
1	351336-S8	Washer (accel.pump piston operating rod felt washer retaining)-flat-.26" I.D. x .36" O.D.
1	B5A 9538-A	Lever (fast idle adjusting)
1	355829-S7(MM15)	Nut (lever to shaft)-No. 8-36
1	34802-S7(X59)	Lockwasher-No. 8
2	78 9541-B	Needle (idle adjusting)-1 3/16" long
2	8CM 9542	Jet (idling)-2" long-slotted head
1	B5AZ 9B544-B	Piston (accelerator pump)
1	B5A 9545-A	Plate (choke)-R. H.
2	351820-S(BB625)	Screw & lockwasher (choke plate to shaft)-No. 4-48 x 1/4"-pan head
1	B5A 9547-A	Shaft (choke)
1	354827-S(XX95)	Washer (choke shaft thrust)-9/32" flat
1	B5AZ 9B547-A	Link (choke plate)
1	355829-S7(MM15)	Nut (lever to shaft)-No. 8-36
1	34802-S7(X59)	Lockwasher-No. 8
2	351820-S(BB625)	Screw & lockwasher (choke plate to shaft)-No. 4-48" x 1 1/4"-pan head
1	*B5A 9549-A	Plate (choke)
1	C1AZ 9B549-A	Dashpot
1	33923-S7(M32)	Nut -5/16"-24
2	34806-S7(X64)	Lockwasher-5/16"
1	B6A 9550-B	Float
1	B5AZ 9B550-A	Bracket (dashpot mounting)
2	34803-S7(X60)	Lockwasher-No. 10
1	B5A 9557-A	Selector (float bowl vent)
1	8MC 9558	Pin (float hinge)
1	B5AZ 9561-A	Gasket (main body cover plate)
1	B6A 9564-A	Valve & seat (fuel inlet)
1	B5AZ 9A565-A	Economizer
1	355067-S7(BB53)	Screw & washer (valve to main body cover & plugs)-No. 8-32 x 5/16" fillister head
2	B2Q 9566-A	Washer (throttle shaft seal retainer)-.02" thick-.255" I.D. -.54" O.D.
1	B5A 9569-A	Gasket (float valve seat)
1	B5A 9572-A	Cup (pump piston)
1	B5AZ 9B572-B	Valve (spark control)
1	*A0AZ 9575-A	Retainer (accelerator pump piston)
1	B2AZ 9575-A	Retainer (vacuum dist. ball check valve spring)-serviced in kit 9590
2	B5AZ 9575-A	Retainer (vacuum dist. ball check valve spring)
1	EAD 9575-A	Retainer (accel.pump check ball)-No. 10-32 threads-.96" long
1	78 9575	Retainer (accel.pump check ball)-3/4" diameter-serviced in kit 9590
1	B2AZ 9576-A	Valve (vacuum dist. ball check)
1	B5A 9576-A	Ball (secondary throttle check)
3	78 9576	Ball (accelerator pump check)-1/8" diameter
1	B8A 9578-B	Spring (throttle adjusting screw)-4 1/2 coils-.20" I.D. -.58" long
1	40 9578	Spring (idle adjusting needle)
1	354825-S(BB409)	Screw (throttle adjusting)-No. 10-32 x .67" long

QTY. PER CARBU-RETOR	PART NUMBER	DESCRIPTION
1	B5A 9581-A	Shaft & lever (throttle)-primary
1	B5A 9583-A	Lever (secondary throttle diaphragm)
1	353851-S(BB620)	Screw & washer (lever to diaphragm housing)-No. 6-32 x 5/16" pan head
2	*B5A 9585-A	Plate (throttle)-primary
2	B6A 9585-A	Plate (throttle)-secondary
8	B9A 9586-A	Screw(throttle plate)-No. 6-32 oval hd.
1	C0AE 9A588-A	Gasket (economizer)-.57" I.D. -.75" O.D. -.015" thick
1	A8TZ 9A588-A	Gasket (power jet)-.56" O.D. -.03" thick-serviced in kit 9502
1	B6AZ 9A592-A	Lever & shaft (second. throttle plate)
1	B5A 9594-A	Jet (power)-stamped 21
1	B5A 9597-A	Cam (fast idle)
1	352895-S8(NN79)	Pin (fast idle cam to throttle body)-1/16" x 3/4" groove
1	*37777-S18	Screw (fast idle cam stop)-No. 10-32 x 1 3/8"
1	A1A 9599-A	Retainer (pump link)-11/32" long
4	B5A 9609-A	"O" ring (secondary venturi tube)-serviced in kit 9502
1	354828-S(XX104)	Washer (air tube seat)-5/16" flat
1	*B5A 9616-A	Tube (secondary venturi fuel supply)-R. H.
1	*B5A 9617-A	Tube (secondary venturi fuel supply)-L. H.
1	B5A 9633-B	Clamp (second. venturi extension tube)
1	*37611-S7	Screw (clamp to main body)-No. 8-32 x 1/4" pan head
1	34938-S8(X85)	Lockwasher-No. 8 external tooth
1	8CM 9636-B	Spring (pump piston operating rod)-upper-.270" I.D. -.314" O.D. - 3.19" long-22 coils
1	*78 9636	Spring (accelerator pump piston return)
1	B5A 9655-A	Seal (choke air inlet tube)
1	B2TZ 9A659-A	Screw (air cleaner anchor)-not used on model S-2. 43" long
1	B5SZ 9A659-A	Screw (air cleaner anchor)-not supplied with carb. -order separately for model S-2. 59" long-hex. section .89" & 1.58" from ends
1	34805-S8(X62)	Lockwasher-1/4"
1	B5A 9805-A	Lever (choke shaft)
1	B5A 9811-A	Washer (air bleed screw)-1.62" O.D. -.035" thick
1	34805-S8(X62)	Lockwasher(screen to main body)-1/4"
1	B5AZ 9812-A	Spacer (secondary throttle plate control lever)
1	B5AZ 9853-A	Gasket (secondary throttle diaphragm housing)
1	A8Q 9937-A	Spring (filter screen retainer)-.396" O.D. -.80" long-6 1/2 coils
1	A8Q 9938-A	Screen (filter)-with retainer
1	8CM 9944	Plug (float needle seat)
1	8CM 9945	Gasket (float needle seat plug)
1	8EQ 9973-B	Jet (spark valve restriction)-No. 28
1	8MC 9986	Spring (accelerator pump rod seal)-.26" I.D. -.32" O.D. -.82" long-9 coils
2	*B5A 9991-A	Tube (main well)
1	B5AZ 9998-A	Seal (air horn)-serviced in kit 9502

## CARBURETOR PART No. B5A 9510-J

QTY. PER CARBU-RETOR	PART NUMBER	DESCRIPTION
1	B5A 9502-C	Gasket set
1	B5AZ 9A586-B	Kit (tune up) 0 to 5,000 ft. altitude only
1	B5AZ 9A586-A	5,000 to 15,000 ft. altitude
1	B5AZ 9590-A	Repair kit
3	357428-S7-8	Stud-5/16"-18-24 x 1.30"-not used (WW14)
3	33798-S8(M62)	Nut-5/16"-24
3	34806-S7(X64)	Lockwasher-5/16"
1	357887-S(II-29)	Connector (carb. to gov. tube assy.)- 1/8" x 3/8"-24
1	358705-S(II-127)	Connector (carb. to tubes to fuel pump & distributor vacuum diaphragm)- used with power brakes-brass- 90° elbow
1	354582-S(II-73)	Connector (carb. to tube assy.)- 5/16" flared tube
2	358245-S(II-174)	Elbow (carb. to governor tube assy. to carb. & governor)-3/16" O. D. male tube
1	B5A 9512-H	Body (main)
1	A9AZ 9A514-A	Lever & swivel (choke)-included rubber grommet
1	*31596-S7	Screw (choke lever & swivel attaching)-No.10-32 x 3/8"
1	356234-S8(XX73)	Washer (choke lever screw)-No.10
1	*37611-S7	Screw (choke control to lever swivel)- No. 8-32 x 1/4"
1	7RA 9516	Gasket (throttle body to main body)
1	A0AZ 9A516-A	Valve (accel. pump discharge needle)
1	B5A 9518-F	Body and shaft (throttle)
2	43365-S8	Screw & lockwasher (main body to throttle body)-No.12-24 x 3/4" fill.hd.
1	*31646-S7	Screw (throttle body to main body)- 1/4"-28 x 3/4" fillister head
1	78 9519	Gasket (air horn to main body)
3	78 9523	Plug (main body)-lead-.15" diameter
1	EAB 9524-A	Horn (air)
5	31628-S7(U58)	Screw (air horn to main body)- No. 10-32 x 5/8"
5	34803-S7(X60)	Lockwasher-No.10
1	B4TZ 9529-A	Link (accelerator pump)-stamped "D"
1	78 9531-A	Rod (accel. pump piston operating)
2	B4Q 9533-B	Jet (main metering) No. 59 - 0 to 5,000 ft. altitude
2	26H 9533	No. 57 - 5,000 to 10,000 ft. altitude
2	B4T 9533-A	No. 55 - 10,000 to 15,000 ft. altitude
1	78 9535	Washer (accel. pump piston rod)- serviced in kit 9502
1	351336-S8	Washer (accel. pump piston operating rod felt washer retaining)-flat- .26" I.D. x .36" O.D.
1	78 9537-A	Plunger (choke lever)-.41" long
1	*78 9539	Spring (choke shaft)-.34" O. D. - 5 3/4 coils
2	78 9541-A	Needle (idle adjusting)
2	B5A 9542-B	Jet (idling)-1.97" long-serviced in kit 9590
1	B5AZ 9B544-A	Piston (accelerator pump)

## CARBURETOR SERVICE PARTS LIST No. 22

QTY. PER CARBU-RETOR	PART NUMBER	DESCRIPTION
1	8BA 9546-B	Shaft and lever (choke)
1	*37611-S7	Screw (choke shaft & lever)- No.8-32 x 1/4"
1	*EAB 9549-B	Plate (choke)
1	B6A 9550-A	Float
1	78 9558	Pin (float hinge)-.093" diameter- 1.18" long-serviced in kit 9590
2	78 9562-A	Plug (main jet)-3/8"-32-.40" overall length
2	A0A 9563-A	Gasket (float adjustment plug)- .39" I.D. -.50" O.D. -.04" thick
1	B5A 9564-A	Valve & seat (fuel inlet)
1	A0AZ 9A565-A	Economizer 0 to 5,000 ft. altitude
1	A8TZ 9A565-A	5,000 ft. altitude or higher- stamped "AM"
1	78 9569	Gasket (float valve seat)-serviced in kit 9502
1	B5A 9572-A	Cup (pump piston)
1	B5AZ 9B572-A	Valve (spark control)
1	*A0AZ 9575-A	Retainer (accelerator pump piston)
1	78 9575	Retainer (accel. pump check ball)- 3/4" diameter-serviced in kit 9590
1	78 9576	Ball (accelerator pump check)- 1/8" diameter
1	EBU 9577-A	Nozzle (pump discharge)
1	40 9578	Spring (idle adjusting needle)
1	78 9580	Gasket (pump discharge nozzle)- .26" I.D. x .41" O.D. -serviced in kit 9502
1	B5A 9581-B	Shaft & lever (throttle)
2	*B5A 9585-B	Plate (throttle)
4	B9A 9586-A	Screw (throttle plate)-No.6-32 oval hd.
2	B9A 9586-A	Screw (choke plate)-No.6-32 oval hd.
1	78 9587	Spring (choke lever plunger)- .59" long-8 coils-.15" O.D.
1	C0AE 9A588-A	Gasket (economizer)- .57" I.D. -.75" O.D. -.015" thick
1	C0AE 9A588-A	Gasket (spark control valve)- .57" I.D. -.75" O.D. -.015" thick
1	*78 9636	Spring (accelerator pump piston return)
1	8BA 9792	Clamp (choke control bracket)
1	31061-S8(U50)	Screw (choke control bracket clamp)- No.8-32 x 1/2"
1	34052-S7(M155)	Nut-No.8-32
1	B2A 9827-A	Gasket (fuel inlet fitting)
1	*B5A 9920-B	Bar (nozzle)-R. H. -less idle tube
1	*B5A 9921-B	Bar (nozzle)-L. H. -less idle tube
4	78 9926	Gasket (nozzle bar)-.23" I.D. - .374" O.D. -.015" thick-serviced in kit 9502
1	EAB 9928-A	Clamp (nozzle bar)-1" long
1	78 9928-B	Clamp (nozzle bar)-1 7/16" long
2	355079-AS7 (BB73)	Screw (nozzle bar clamp)- No.8-32 x 7/8"
4	34802-S7(X59)	Lockwasher-No.8
2	*31077-S8	Screw (nozzle bar clamp)- No.8-32 x 5/8"
4	34802-S7(X59)	Lockwasher-No.8

**CARBURETOR PART No. B5A 9510-K**

**CARBURETOR SERVICE PARTS LIST No. 23**

QTY. PER CARBU-RETOR	PART NUMBER	DESCRIPTION
1	B5A 9502-C	Gasket set
1	B5AZ 9A586-B	Kit (tune up) 0 to 5,000 ft. altitude only
1	B5AZ 9A586-A	5,000 to 15,000 ft. altitude
1	B5AZ 9590-A	Repair kit
3	357428-S7-8	Stud-5/16"-18-24 x 1.30"-not used with governor (WW14)
3	33798-S8(M62)	Nut-5/16"-24
3	34806-S7(X64)	Lockwasher-5/16"
1	357887-S(II-29)	Connector (carb. to gov. tube assy.)-1/8" x 3/8"-24
1	358705-S(II-127)	Connector (carb. to tubes to fuel pump & distributor vacuum diaphragm)-used with power brakes-brass-90° elbow
1	354582-S(II-73)	Connector (carb. to tube assy.)-5/16" flared tube
2	358245-S(II-174)	Elbow (carb. to governor tube assy. to carb. & governor)-3/16" O.D. male tube
1	B1AZ 9B502-A	Screw (dashpot & throttle lever adjusting)
1	34079-S7(MI63)	Nut-No. 10-32
1	34803-S7(X60)	Lockwasher-No. 10
1	B5A 9512-H	Body (main)
1	A9AZ 9A514-A	Lever & swivel (choke)-included rubber grommet
1	*31596-S7	Screw (choke lever & swivel attaching)-No.10-32 x 3/8"
1	356234-S8(X73)	Washer (choke lever screw)-No.10
1	7RA 9516	Gasket (throttle body to main body)
1	*37611-S7	Screw (choke control to lever swivel)-No. 8-32 x 1/4"
1	A0AZ 9A516-A	Valve (accel.pump discharge needle)
1	B5A 9518-F	Body and shaft (throttle)
2	43365-S8	Screw & lockwasher (main body to throttle body)-No.12-24 x 3/4" fill.hd.
1	*31646-S7	Screw (throttle body to main body)-1/4"-28 x 3/4" fillister head
1	78 9519	Gasket (air horn to main body)
3	78 9523	Plug (main body)-lead-.15" diameter
1	EAB 9524-A	Horn (air)
5	31628-S7(U58)	Screw (air horn to main body)-No. 10-32 x 5/8"
5	34803-S7(X60)	Lockwasher-No.10
1	A9AZ 9529-A	Link (accelerator pump)-stamped "C"
1	78 9531-A	Rod (accel. pump piston operating)
2	B4Q 9533-B	Jet (main metering) No. 59 - 0 to 5,000 ft. altitude
2	26H 9533	No. 57 - 5,000 to 10,000 ft. altitude
2	B4T 9533-A	No. 55 - 10,000 to 15,000 ft. altitude
1	78 9535	Washer (accel.pump piston rod-felt)-serviced in kit 9502
1	351336-S8	Washer (accel.pump piston operating rod felt washer retaining)-flat-.26" I.D. x .36" O.D.
1	78 9537-A	Plunger (choke lever)-.41" long
1	*78 9539	Spring (choke shaft)-.34" O.D. - 5 3/4 coils
2	78 9541-A	Needle (idle adjusting)
2	B5A 9542-B	Jet (idling)-1.97" long-serviced in kit 9590
1	B5AZ 9B544-A	Piston (accelerator pump)

QTY. PER CARBU-RETOR	PART NUMBER	DESCRIPTION
1	8BA 9546-B	Shaft and lever (choke)
1	*37611-S7	Screw (choke shaft & lever)-No.8-32 x 1/4"
1	*EAB 9549-B	Plate (choke)
1	C1AZ 9B549-A	Dashpot
1	33923-S7(M32)	Nut-5/16"-24
2	34806-S7(X64)	Lockwasher-5/16"
1	B6A 9550-A	Float
1	B1AZ 9B550-A	Bracket (dashpot mounting)
1	78 9558	Pin (float hinge)-.093" diameter-1.18" long-serviced in kit 9590
2	78 9562-A	Plug (main jet)-3/8"-32-.40" overall length
2	A0A 9563-A	Gasket (float adjustment plug)-.39" I.D.-.50" O.D.-.04" thick
1	B5A 9564-A	Valve & seat (fuel inlet)
1	A0AZ 9A565-A	Economizer 0 to 5,000 ft. altitude
1	A8TZ 9A565-A	5,000 ft. altitude or higher-stamped "AM"
1	78 9569	Gasket (float valve seat)-serviced in kit 9502
1	B5A 9572-A	Cup (pump piston)
1	B5AZ 9B572-A	Valve (spark control)
1	*A0AZ 9575-A	Retainer (accelerator pump piston)
1	78 9575	Retainer (accel.pump check ball)-3/4" diameter-serviced in kit 9590
1	78 9576	Ball (accelerator pump check)-1/8" diameter
1	EBU 9577-A	Nozzle (pump discharge)
1	40 9578	Spring (idle adjusting needle)
1	78 9580	Gasket (pump discharge nozzle)-.26" I.D. x .41" O.D. -serviced in kit 9502
1	B5A 9581-B	Shaft & lever (throttle)
2	*B5A 9585-B	Plate (throttle)
4	B9A 9586-A	Screw (throttle plate)-No.6-32 oval hd.
2	B9A 9586-A	Screw (choke plate)-No.6-32 oval hd.
1	78 9587	Spring (choke lever plunger)-.59" long-8 coils-.15" O.D.
1	C0AE 9A588-A	Gasket (economizer)-.57" I.D.-.75" O.D.-.015" thick
1	C0AE 9A588-A	Gasket (spark control valve)-.57" I.D.-.75" O.D.-.015" thick
1	*78 9636	Spring (accelerator pump piston return)
1	8BA 9792	Clamp (choke control bracket)
1	31061-S8(U50)	Screw (choke control bracket clamp)-No.8-32 x 1/2"
1	34052-S7(M155)	Nut-No.8-32
1	B2A 9827-A	Gasket (fuel inlet fitting)
1	*B5A 9920-B	Bar (nozzle)-R.H.-less idle tube
1	*B5A 9921-B	Bar (nozzle)-L.H.-less idle tube
4	78 9926	Gasket (nozzle bar)-.23" I.D.-.374" O.D.-.015" thick-serviced in kit 9502
1	78 9928-B	Clamp (nozzle bar)-1 7/16" long
1	EAB 9928-A	Clamp (nozzle bar)-1" long
2	355079-AS7 (BB73)	Screw (nozzle bar clamp)-No.8-32 x 7/8"
4	34802-S7(X59)	Lockwasher-No.8
2	*31077-S8	Screw (nozzle bar clamp)-No.8-32 x 5/8"
4	34802-S7(X59)	Lockwasher-No.8

## CARBURETOR PART No. B5A 9510-M

QTY. PER CARBU-RETOR	PART NUMBER	DESCRIPTION
1	B5A 9502-B	Gasket set
1	B5AZ 9A586-C	Kit (tune up)
1	B5A 9590-E	Repair kit
4	88411-S7(W9)	Stud-5/16"-18 & 5/16"-24 x 1 3/4"
4	33798-S8(M62)	Nut-5/16"-24
4	34806-S7(X64)	Lockwasher-5/16"
1	B5A 9501-A	Housing & plug (secondary throttle)
3	353852-S(BB623)	Screw & washer (housing to throttle body)-No. 8-32 x 7/16"
1	EBY 9503-A	Diaphragm (secondary throttle)
1	351825-S(XX9)	Washer (diaphragm link to lever)-"C" retainer
1	B5AZ 9B504-A	Spring (secondary throttle diaphragm return)
1	B5A 9C504-A	Rod (secondary throttle control)
2	353610-S8(NN126)	Retainer (rod to shaft)-spring-.44" long
1	353854-S8(XX64)	Washer-.129/.134 flat
1	B5A 9507-A	Cover (secondary throttle diaphragm)
4	31061-S8(U50)	Screw (cover to diaphragm housing)-No. 8-32 x 1/2"
4	34802-S7(X59)	Lockwasher-No.8
1	B5A 9508-A	Cover (secondary throttle diaphragm housing)
1	*31036-S8	Screw (cover to housing)-No. 6-32 x 5/16" fillister head
1	34937-S7(X84)	Lockwasher-No.6-external tooth
1	*B5A 9512-F	Body (main)
1	351821-S(BB20)	Screw (main body to throttle body)-5/16"-24 x 3 1/4"
1	34806-S7(X64)	Lockwasher-5/16"
1	8CM 9516	Gasket (throttle body to main body)
1	A8TZ 9A516-A	Valve (accel.pump discharge needle)
1	*B5A 9518-N	Body and shaft (throttle)
1	B6AZ 9A519-A	Spring (float)
1	B5AZ 9A523-A	Venturi (secondary)
2	354826-S7(BB74)	Screw & lockwasher (secondary venturi)-No.10-32 x .44" fillister hd.
1	*B5AZ 9524-D	Cover & plugs (main body)-stamped-No. 33A-used with B5A 9577-D nozzle
1	B5A 9524-A	Horn (air)
1	31628-S7(U58)	Screw (air horn to throttle body)-No. 10-32 x 5/8"
1	34803-S7(X60)	Lockwasher-No.10
4	31079-S7	Screw (cover & plugs to main body)-No.12-24 x 5/8"-fillister head
2	B5AZ 9A528-D	Tube (secondary venturi metering) No. 86 - 0 to 5,000 ft. altitude
2	*B5AZ 9A528-E	No. 81 - 5,000 to 10,000 ft. altitude
2	B5AZ 9A528-F	No. 73 - 10,000 to 15,000 ft. altitude
4	354829-S(XX65)	Washer (secondary jet tube seal)-5/32" flat
1	B5AZ 9529-A	Link (accelerator pump)
1	354614-S(BB681)	Stud (link to rod)-No. 8-32
1	354615-S(QQ33)	Snap ring(link retainer)-1/8" I. D. -.27" O. D.
1	B5A 9531-A	Rod (accel. pump piston operating)
2	59A 9533-A	Jet (main metering)-primary 0 to 5,000 ft. altitude
2	59A 9533-B	No. 49 - 5,000 to 10,000 ft. altitude
2	59A 9533-C	No. 47 - 10,000 to 15,000 ft. altitude

## CARBURETOR SERVICE PARTS LIST No. 24

QTY. PER CARBU-RETOR	PART NUMBER	DESCRIPTION
1	B0TZ 9535-A	Seal (throttle shaft)-1/4" I.D. - 1/2" O.D. - .06" thick-serviced in kit 9502
1	EAD 9535-A	Washer (accel.pump piston rod-felt)-.38" O.D. -.25" I.D. -.12" thick
1	351336-S8	Washer (accel.pump piston operating rod felt washer retaining)-flat-.26" I.D. x .36" O.D.
1	B5A 9538-A	Lever (fast idle adjusting)
1	355829-S7(MM15)	Nut (lever to shaft)-No.8-36
1	34802-S7(X59)	Lockwasher-No.8
2	78 9541-A	Needle (idle adjusting)
1	B5AZ 9B544-B	Piston (accelerator pump)
1	B5A 9545-A	Plate (choke)-R. H.
2	351820-S(BB625)	Screw & lockwasher (choke plate to shaft)-No.4-48 x 1/4"-pan head
1	B5A 9547-A	Shaft (choke)
1	354827-S(XX95)	Washer (choke shaft thrust)-9/32" flat
1	B5AZ 9B547-A	Link (choke plate)
1	355829-S7(MM15)	Nut (lever to shaft)-No.8-36
1	34802-S7(X59)	Lockwasher-No.8
1	*B5A 9549-A	Plate (choke)
2	351820-S(BB625)	Screw & lockwasher (choke plate to shaft)-No.4-48" x 1 1/4"-pan head
1	B6A 9550-B	Float
1	B5A 9557-A	Selector (float bowl vent)
1	8MC 9558	Pin (float hinge)
1	B5AZ 9561-A	Gasket (main body cover plate)
1	B6A 9564-A	Valve & seat (fuel inlet)
1	B5AZ 9A565-A	Economizer
1	355067-S7(BB53)	Screw & washer (valve to main body cover & plugs)-No.8-32 x 5/16" fillister head
2	B2Q 9566-A	Washer (throttle shaft seal retainer)-.02" thick-.255" I.D. -.54" O.D.
1	B5A 9569-A	Gasket (float valve seat)
1	B5A 9572-A	Cup (pump piston)
1	B5AZ 9B572-A	Valve (spark control)
1	78 9575	Retainer (accel.pump check ball)-3/4" diameter
1	*A0AZ 9575-A	Retainer (accelerator pump piston)
1	B2AZ 9575-A	Retainer (vacuum dist.ball check valve spring)
2	B5AZ 9575-A	Retainer (vacuum dist.ball check valve spring)
1	EAD 9575-A	Retainer (accel.pump check ball)-No.10-32 threads-.96" long
3	78 9576	Ball (accelerator pump check)-1/8" diameter
1	B5A 9576-A	Ball (secondary throttle check)
2	B5A 9577-B	Nozzle (pump discharge)
1	B8A 9578-B	Spring (throttle adjusting screw)-4 1/2 coils-.20" I.D. -.58" long
1	40 9578	Spring (idle adjusting needle)
1	354825-S(BB409)	Screw (throttle adjusting)-No.10-32 x .67" long
1	B5A 9581-A	Shaft & lever (throttle)-primary
1	B5A 9583-A	Lever (secondary throttle diaphragm)
1	353851-S(BB620)	Screw & washer (lever to diaphragm housing)-No.6-32 x 5/16" pan head
2	*B5A 9585-A	Plate (throttle)-primary
2	B6A 9585-A	Plate (throttle)-secondary
8	B9A 9586-A	Screw(throttle plate)-No.6-32 oval hd.
1	C0AE 9A588-A	Gasket (economizer)-.57" I.D. -.75" O.D. -.015" thick

continued on next page

### CARBURETOR PART No. B5A 9510-M

QTY. PER CARBU-RETOR	PART NUMBER	DESCRIPTION
1	A8TZ 9A588-A	Gasket (power jet)-.56" O.D. - .03" thick-serviced in kit 9502
1	B6AZ 9A592-A	Lever & shaft (second. throttle plate)
1	B5A 9594-B	Jet (power)-stamped 40
1	B5A 9597-A	Cam (fast idle)
1	352895-S8(NN79)	Pin (fast idle cam to throttle body)-1/16" x 3/4" groove
1	*37777-S18	Screw (fast idle cam stop)-No.10-32 x 1 3/8"
1	A1A 9599-A	Retainer (pump link)-11/32" long
4	B5A 9609-A	"O" ring (secondary venturi tube)
1	*B5A 9616-A	Tube (secondary venturi fuel supply)-R. H.
1	*B5A 9617-A	Tube (secondary venturi fuel supply)-L. H.
1	B5A 9633-B	Clamp (second. venturi extension tube)
1	*37611-S7	Screw (clamp to main body)-No. 8-32 x 1/4" pan head
1	34938-S8(X85)	Lockwasher-No. 8 external tooth
1	8CM 9636-B	Spring (pump piston operating rod)-upper-.270" I. D. -.314" O. D. - 3.19" long-22 coils

### CARBURETOR PART No. B5A 9510-N

1	B5A 9502-B	Gasket set
1	B5AZ 9A586-C	Kit (tune up)
1	B5A 9590-E	Repair kit
4	88411-S7(W9)	Stud-5/16"-18 & 5/16"-24 x 1 3/4"
4	33798-S8(M62)	Nut-5/16"-24
4	34806-S7(X64)	Lockwasher-5/16"
1	B5A 9501-A	Housing & plug (secondary throttle)
3	353852-S(BB623)	Screw & washer (housing to throttle body)-No. 8-32 x 7/16"
1	B1AZ 9B502-A	Screw (dashpot & throttle lever adjusting)
1	34079-S7(M163)	Nut-No. 10-32
1	34803-S7(X60)	Lockwasher-No. 10
1	EBY 9503-A	Diaphragm (secondary throttle)
1	351825-S(XX9)	Washer (diaphragm link to lever)-"C" retainer
1	B5AZ 9B504-A	Spring (secondary throttle diaphragm return)
1	B5A 9C504-A	Rod (secondary throttle control)
2	353610-S8 (NN126)	Retainer (rod to shaft)-spring-.44" long
1	353854-S8(XX64)	Washer-.129/.134 flat
1	B5A 9507-A	Cover (secondary throttle diaphragm)
4	31061-S8(U50)	Screw (cover to diaphragm housing)-No. 8-32 x 1/2"
4	34802-S7(X59)	Lockwasher-No. 8
1	B5A 9508-A	Cover (secondary throttle diaphragm housing)
1	*31036-S8	Screw (cover to housing)-No. 6-32 x 5/16" fillister head
1	34937-S7(X84)	Lockwasher-No. 6-external tooth

### CARBURETOR SERVICE PARTS LIST No. 24 - continued

QTY. PER CARBU-RETOR	PART NUMBER	DESCRIPTION
1	*78 9636	Spring (accelerator pump piston return)
1	B5A 9655-A	Seal (choke air inlet tube)
1	B2TZ 9A659-A	Screw (air cleaner anchor)-not used on model S-2. 43" long
1	34805-S8(X62)	Lockwasher-1/4"
1	B5A 9805-A	Lever (choke shaft)
1	B5A 9811-A	Washer (air bleed screw)-1.62" O. D. -.035" thick
1	34805-S8(X62)	Lockwasher(screen to main body)-1/4"
1	B5AZ 9812-A	Spacer (secondary throttle plate control lever)
1	B5AZ 9853-A	Gasket (secondary throttle diaphragm housing)
1	A8Q 9937-A	Spring (filter screen retainer)-.396" O. D. -.80" long-6 1/2 coils
1	A8Q 9938-A	Screen (filter)-with retainer
1	8CM 9944	Plug (float needle seat)
1	8CM 9945	Gasket (float needle seat plug)
1	*B5A 9973-B	Jet (spark valve restriction)-No. 35
1	8MC 9986	Spring (accelerator pump rod seal)-.26" I. D. -.32" O. D. -.82" long-9 coils
1	B5AZ 9998-A	Seal (air horn)-serviced in kit 9502

### CARBURETOR SERVICE PARTS LIST No. 25

1	*B5A 9512-G	Body (main)
1	351821-S(BB20)	Screw (main body to throttle body)-5/16"-24 x 3 1/4"
1	34806-S7(X64)	Lockwasher-5/16"
1	8CM 9516	Gasket (throttle body to main body)
1	A8TZ 9A516-A	Valve (accel. pump discharge needle)
1	*B5A 9518-N	Body and shaft (throttle)
1	B6AZ 9A519-A	Spring (float)
1	B5AZ 9A523-A	Venturi (secondary)
2	354826-S7(BB74)	Screw & lockwasher (secondary venturi)-No. 10-32 x .44" fillister hd.
1	B5A 9524-A	Horn (air)
1	31628-S7(U58)	Screw (air horn to throttle body)-No. 10-32 x 5/8"
1	34803-S7(X60)	Lockwasher-No. 10
4	31079-S7	Screw (cover & plugs to main body)-No. 12-24 x 5/8"-fillister head
1	*B5AZ 9524-C	Cover & plugs (main body)-stamped-No. 30A-used with B5A 9577-D nozzle
2	B5AZ 9A528-D	Tube (secondary venturi metering) No. 86 - 0 to 5,000 ft. altitude
2	*B5AZ 9A528-E	No. 81 - 5,000 to 10,000 ft. altitude
2	B5AZ 9A528-F	No. 73 - 10,000 to 15,000 ft. altitude
4	354829-S(XX65)	Washer (secondary jet tube seal)-5/32" flat
1	B5AZ 9529-A	Link (accelerator pump)
1	354614-S(BB681)	Stud (link to rod)-No. 8-32
1	354615-S(QQ33)	Snap ring (link retainer)-1/8" I. D. -.27" O. D.
1	B5A 9531-A	Rod (accel. pump piston operating)

continued on next page

## CARBURETOR PART No. B5A 9510-N

QTY. PER CARBU-RETOR	PART NUMBER	DESCRIPTION
2	78 9533-A	Jet (main metering)-primary No. 50 - 0 to 5,000 ft. altitude
2	78 9533-B	No. 48 - 5,000 to 10,000 ft. altitude
2	78 9533-C	No. 46 - 10,000 to 15,000 ft. altitude
1	B0TZ 9535-A	Seal (throttle shaft)-1/4" I.D. - 1/2" O.D. -.06" thick-serviced in kit 9502
1	EAD 9535-A	Washer (accel.pump piston rod-felt) - .38" O.D. -.25" I.D. -.12" thick
1	351336-S8	Washer (accel.pump piston operating rod felt washer retaining)-flat-.26" I.D. x .36" O.D.
1	B5A 9538-A	Lever (fast idle adjusting)
1	355829-S7(MM15)	Nut (lever to shaft)-No. 8-36
1	34802-S7(X59)	Lockwasher-No. 8
2	78 9541-A	Needle (idle adjusting)
1	B5AZ 9B544-B	Piston (accelerator pump)
1	B5A 9545-A	Plate (choke)-R. H.
2	351820-S(BB625)	Screw & lockwasher (choke plate to shaft)-No. 4-48 x 1/4"-pan head
1	B5A 9547-A	Shaft (choke)
1	354827-S(XX95)	Washer (choke shaft thrust)-9/32" flat
1	B5AZ 9B547-A	Link (choke plate)
1	355829-S7(MM15)	Nut (lever to shaft)-No. 8-36
1	34802-S7(X59)	Lockwasher-No. 8
1	*B5A 9549-A	Plate (choke)
2	351820-S(BB625)	Screw & lockwasher (choke plate to shaft)-No. 4-48 x 1 1/4"-pan head
1	C1AZ 9B549-A	Dashpot
1	33923-S7(M32)	Nut-5/16"-24
2	34806-S7(X64)	Lockwasher-5/16"
1	B6A 9550-B	Float
1	B5AZ 9B550-A	Bracket (dashpot mounting)
2	34803-S7(X60)	Lockwasher-No. 10
1	B5A 9557-A	Selector (float bowl vent)
1	8MC 9558	Pin (float hinge)
1	B5AZ 9561-A	Gasket (main body cover plate)
1	B6A 9564-A	Valve & seat (fuel inlet)
1	B5AZ 9A565-A	Economizer
1	355067-S7(BB53)	Screw & washer (valve to main body cover & plugs)-No. 8-32 x 5/16" fillister head
2	B2Q 9566-A	Washer (throttle shaft seal retainer)-.02" thick-.255" I.D. -.54" O.D.
1	B5A 9569-A	Gasket (float valve seat)
1	B5A 9572-A	Cup (pump piston)
1	B5AZ 9B572-A	Valve (spark control)
1	*A0AZ 9575-A	Retainer (accelerator pump piston)
1	B2AZ 9575-A	Retainer (vacuum dist. ball check valve spring)-serviced in kit 9590
2	B5AZ 9575-A	Retainer (vacuum dist. ball check valve spring)
1	EAD 9575-A	Retainer (accel.pump check ball)-No. 10-32 threads-.96" long
1	78 9575	Retainer (accel.pump check ball)-3/4" diameter-serviced in kit 9590
1	B5A 9576-A	Ball (secondary throttle check)
3	78 9576	Ball (accelerator pump check)-1/8" diameter
2	B5A 9577-B	Nozzle (pump discharge)
1	B8A 9578-B	Spring (throttle adjusting screw)-4 1/2 coils-.20" I.D. -.58" long

## CARBURETOR SERVICE PARTS LIST No. 25 - continued

QTY. PER CARBU-RETOR	PART NUMBER	DESCRIPTION
1	40 9578	Spring (idle adjusting needle)
1	354825-S(BB409)	Screw (throttle adjusting)-No. 10-32 x .67" long
1	B5A 9581-A	Shaft & lever (throttle)-primary
1	B5A 9583-A	Lever (secondary throttle diaphragm)
1	353851-S(BB620)	Screw & washer (lever to diaphragm housing)-No. 6-32 x 5/16" pan head
2	*B5A 9585-A	Plate (throttle)-primary
2	B6A 9585-A	Plate (throttle)-secondary
8	B9A 9586-A	Screw(throttle plate)-No. 6-32 oval hd.
1	A8TZ 9A588-A	Gasket (power jet)-.56" O.D. -.03" thick-serviced in kit 9502
1	C0AE 9A588-A	Gasket (economizer)-.57" I.D. -.75" O.D. -.015" thick
1	B6AZ 9A592-A	Lever & shaft (second. throttle plate)
1	B5A 9594-C	Jet (power)-stamped 43
1	B5A 9597-A	Cam (fast idle)
1	352895-S8(NN79)	Pin (fast idle cam to throttle body)-1/16" x 3/4" groove
1	*37777-S18	Screw (fast idle cam stop)-No. 10-32 x 1 3/8"
1	A1A 9599-A	Retainer (pump link)-11/32" long
4	B5A 9609-A	"O" ring (secondary venturi tube)-serviced in kit 9502
1	*B5A 9616-A	Tube (secondary venturi fuel supply)-R. H.
1	*B5A 9617-A	Tube (secondary venturi fuel supply)-L. H.
1	B5A 9633-B	Clamp (second. venturi extension tube)
1	*37611-S7	Screw (clamp to main body)-No. 8-32 x 1/4" pan head
1	34938-S8(X85)	Lockwasher-No. 8 external tooth
1	8CM 9636-B	Spring (pump piston operating rod)-upper-.270" I.D. -.314" O.D. - 3.19" long-22 coils
1	*78 9636	Spring (accelerator pump piston return)
1	B5A 9655-A	Seal (choke air inlet tube)
1	B2TZ 9A659-A	Screw (air cleaner anchor)-not used on model S-2.43" long
1	34805-S8(X62)	Lockwasher-1/4"
1	B5A 9805-A	Lever (choke shaft)
1	B5A 9811-A	Washer (air bleed screw)-1.62" O.D. -.035" thick
1	34805-S8(X62)	Lockwasher(screen to main body)-1/4"
1	B5AZ 9812-A	Spacer (secondary throttle plate control lever)
1	B5AZ 9853-A	Gasket (secondary throttle diaphragm housing)
1	A8Q 9937-A	Spring (filter screen retainer)-.396" O.D. -.80" long-6 1/2 coils
1	A8Q 9938-A	Screen (filter)-with retainer
1	8CM 9944	Plug (float needle seat)
1	8CM 9945	Gasket (float needle seat plug)
1	*B5A 9973-B	Jet (spark valve restriction)-No. 35
1	8MC 9986	Spring (accelerator pump rod seal)-.26" I.D. -.32" O.D. -.82" long-9 coils
1	B5AZ 9998-A	Seal (air horn)-serviced in kit 9502

### CARBURETOR PART No. B5A 9510-P

QTY. PER CARBU-RETOR	PART NUMBER	DESCRIPTION
1	B5A 9502-C	Gasket set
1	B5AZ 9A586-B	Kit (tune up) 0 to 5,000 ft. altitude only
1	B5AZ 9A586-A	5,000 to 15,000 ft. altitude
1	B5AZ 9590-A	Repair kit
3	357428-S7-8 (WW14)	Stud-5/16"-18-24 x 1.30"-not used with governor
3	34806-S7(X64)	Lockwasher-5/16"
3	33798-S8(M62)	Nut-5/16"-24
1	357887-S(II-29)	Connector (carb. to gov. tube assy.)-1/8 x 3/8"-24
1	358705-S(II-127)	Connector (carb. to tubes to fuel pump & distributor vacuum diaphragm)-used with power brakes-brass-90° elbow
1	354582-S(II-73)	Connector (carb. to tube assy.)-5/16" flared tube
2	358245-S(II-174)	Elbow (carb. to governor tube assv. to carb. & governor)-3/16" O.D. male tube
1 @B1AZ	9B502-A	Screw (dashpot & throttle lever adjusting)
1	34079-S7(M163)	Nut-No. 10-32
1	34803-S7(X60)	Lockwasher-No. 10
1	B5A 9512-H	Body (main)
1 @A9AZ	9A514-A	Lever & swivel (choke)-included rubber grommet
1	*37611-S7	Screw (choke control to lever swivel)-No. 8-32 x 1/4"
1	*31596-S7	Screw (choke lever & swivel attaching)-No.10-32 x 3/8"
1	356234-S8(XX73)	Washer (choke lever screw)-No.10
1	7RA 9516	Gasket (throttle body to main body)
1	A0AZ 9A516-A	Valve (accel.pump discharge needle)
1	B5A 9518-F	Body and shaft (throttle)
2	43365-S8	Screw & lockwasher (main body to throttle body)-No.12-24 x 3/4" fill.hd.
1	*31646-S7	Screw (throttle body to main body)-1/4"-28 x 3/4" fillister head
1	78 9519	Gasket (air horn to main body)
3	78 9523	Plug (main body)-lead-.15" diameter
1	EAB 9524-A	Horn (air)
5	31628-S7(U58)	Screw (air horn to main body)-No. 10-32 x 5/8"
5	34803-S7(X60)	Lockwasher-No.10
1	A9AZ 9529-A	Link (accelerator pump)-stamped "C"
1	B4TZ 9529-A	Link (accelerator pump)-stamped "D"
1	78 9531-A	Rod (accel. pump piston operating)
2	26H 9533	Jet (main metering) No. 57 - 0 to 5,000 ft. altitude
2	B4T 9533-A	No. 55 - 5,000 to 10,000 ft. altitude
2	B4T 9533-B	No. 53 - 10,000 to 15,000 ft. altitude
1	78 9535	Washer (accel.pump piston rod-felt)-serviced in kit 9502
1	351336-S8	Washer (accel.pump piston operating rod felt washer retaining)-flat-.26" I.D. x .36" O.D.
1	78 9537-A	Plunger (choke lever)-.41" long
1	*78 9539	Spring (choke shaft)-.34" O.D. - 5 3/4 coils
2	78 9541-A	Needle (idle adjusting)
2	B5A 9542-C	Jet (idling)-stamped No. 84
1	B5AZ 9B544-A	Piston (accelerator pump)

### CARBURETOR SERVICE PARTS LIST No. 26

QTY. PER CARBU-RETOR	PART NUMBER	DESCRIPTION
1	8BA 9546-B	Shaft and lever (choke)
1	*37611-S7	Screw (choke shaft & lever)-No. 8-32 x 1/4"
1	*EAB 9549-B	Plate (choke)
1	@C1AZ 9B549-A	Dashpot
1	@33923-S7(M32)	Nut-5/16"-24
2	@34806-S7(X64)	Lockwasher-5/16"
1	B6A 9550-A	Float
1 @B1AZ	9B550-A	Bracket (dashpot mounting)
1	78 9558	Pin (float hinge)-.093" diameter-1.18" long-serviced in kit 9590
2	78 9562-A	Plug (main jet)-3/8"-32-.40" overall length
2	A0A 9563-A	Gasket (float adjustment plug)-.39" I.D. -.50" O.D. -.04" thick
1	B5A 9564-A	Valve & seat (fuel inlet)
1	A0AZ 9A565-A	Economizer 0 to 5,000 ft. altitude
1	A8TZ 9A565-A	5,000 ft. altitude or higher-stamped "AM"
1	78 9569	Gasket (float valve seat)-serviced in kit 9502
1	B5A 9572-A	Cup (pump piston)
1	B5AZ 9B572-A	Valve (spark control)
1	78 9575	Retainer (accel.pump check ball)-3/4" diameter-serviced in kit 9590
1	*A0AZ 9575-A	Retainer (accelerator pump piston)
1	78 9576	Ball (accelerator pump check)-1/8" diameter
1	EBU 9577-A	Nozzle (pump discharge)
1	40 9578	Spring (idle adjusting needle)
1	78 9580	Gasket (pump discharge nozzle)-.26" I.D. x .41" O.D.-serviced in kit 9502
1	B5A 9581-B	Shaft & lever (throttle)
2	78 9585	Plate (throttle)-1 1/4" diameter
2	B9A 9586-A	Screw (choke plate)-No. 6-32 oval hd.
1	78 9587	Spring (choke lever plunger)-.59" long-8 coils-.15" O.D.
1	COAE 9A588-A	Gasket (economizer)-.57" I.D. -.75" O.D. -.015" thick
1	COAE 9A588-A	Gasket (spark control valve)-.57" I.D. -.75" O.D. -.015" thick
1	*78 9636	Spring (accelerator pump piston return)
1	8BA 9792	Clamp (choke control bracket)
1	31061-S8(U50)	Screw (choke control bracket clamp)-No.8-32 x 1/2"
1	34052-S7(M155)	Nut-No.8-32
1	B2A 9827-A	Gasket (fuel inlet fitting)
4	78 9926	Gasket (nozzle bar)-.23" I.D. -.374" O.D. -.015" thick-serviced in kit 9502
1	EAB 9928-A	Clamp (nozzle bar)-1" long
1	78 9928-B	Clamp (nozzle bar)-1 7/16" long
2	355079-AS7 (BB73)	Screw (nozzle bar clamp)-No.8-32 x 7/8"
4	34802-S7(X59)	Lockwasher-No.8
2	*31077-S8	Screw (nozzle bar clamp)-No.8-32 x 5/8"
4	34802-S7(X59)	Lockwasher-No.8

@ Not supplied with service carburetor. Order separately if required.

## CARBURETOR PART No. B5A 9510-Q

QTY. PER CARBU-RETOR	PART NUMBER	DESCRIPTION
1	B5A 9502-B	Gasket set
1	B5AZ 9A586-C	Kit (tune up)
1	B5A 9590-E	Repair kit
4	88411-S7(W9)	Stud-5/16"-18 & 5/16"-24 x 1 3/4"
4	33798-S8(M62)	Nut-5/16"-24
4	34806-S7(X64)	Lockwasher-5/16"
1	B5A 9501-A	Housing & plug (secondary throttle)
3	353852-S(BB623)	Screw & washer (housing to throttle body)-No. 8-32 x 7/16"
1	EBY 9503-A	Diaphragm (secondary throttle)
1	351825-S(XX9)	Washer (diaphragm link to lever)-"C" retainer
1	B5AZ 9B504-A	Spring (secondary throttle diaphragm return)
1	B5A 9C504-A	Rod (secondary throttle control)
2	353610-S8 (NN126)	Retainer (rod to shaft)-spring-.44" long
1	353854-S8(XX64)	Washer-.129/.134 flat
1	B5A 9507-A	Cover (secondary throttle diaphragm)
4	31061-S8(U50)	Screw (cover to diaphragm housing)-No. 8-32 x 1/2"
4	34802-S7(X59)	Lockwasher-No.8
1	B5A 9508-A	Cover (secondary throttle diaphragm housing)
1	★31036-S8	Screw (cover to housing)-No. 6-32 x 5/16" fillister head
1	34397-S7(M102)	Lockwasher-No.6-external tooth
1	★B5A 9512-F	Body (main)
1	351821-S(BB20)	Screw (main body to throttle body)-5/16"-24 x 3 1/4"
1	34806-S7(X64)	Lockwasher-5/16"
1	8CM 9516	Gasket (throttle body to main body)
1	A8TZ 9A516-A	Valve (accel.pump discharge needle)
1	★B5A 9518-N	Body and shaft (throttle)
1	B6AZ 9A519-A	Spring (float)
1	B5AZ 9A523-A	Venturi (secondary)
2	354826-S7(BB74)	Screw & lockwasher (secondary venturi)-No.10-32 x .44" fillister hd.
1	B5A 9524-A	Horn (air)
1	31628-S7(U58)	Screw (air horn to throttle body)-No. 10-32 x 5/8"
1	34803-S7(X60)	Lockwasher-No.10
4	31079-S7	Screw (cover & plugs to main body)-No.12-24 x 5/8"-fillister head
1	★B5AZ 9524-D	Cover & plugs (main body)-stamped -No. 33A-used with B5A 9577-D nozzle
2	B5AZ 9A528-D	Tube (secondary venturi metering) No.86 - 0 to 5,000 ft. altitude
2	★B5AZ 9A528-E	No.81 - 5,000 to 10,000 ft. altitude
2	B5AZ 9A528-F	No.73 - 10,000 to 15,000 ft. altitude
4	354829-S(XX65)	Washer (secondary jet tube seal)-5/32" flat
1	B5AZ 9529-A	Link (accelerator pump)
1	354614-S(BB681)	Stud (link to rod)-No.8-32
1	354615-S(QQ33)	Snap ring (link retainer)-1/8" I.D. - .27" O.D.
1	B5A 9531-A	Rod (accel. pump piston operating)
2	59A 9533-A	Jet (main metering)-primary 0 to 5,000 ft. altitude
2	59A 9533-B	No.49 - 5,000 to 10,000 ft. altitude
2	59A 9533-C	No.47 - 10,000 to 15,000 ft. altitude
1	B0TZ 9535-A	Seal (throttle shaft)-1/4" I.D. - 1/2" O.D.-.06" thick-serviced in kit 9502

## CARBURETOR SERVICE PARTS LIST No. 27

QTY. PER CARBU-RETOR	PART NUMBER	DESCRIPTION
1	EAD 9535-A	Washer (accel.pump piston rod-felt)-.38" O.D.-.25" I.D.-.12" thick
1	351336-S8	Washer (accel.pump piston operating rod felt washer retaining)-flat-.26" I.D. x .36" O.D.
1	B5A 9538-A	Lever (fast idle adjusting)
1	355829-S7(MM15)	Nut (lever to shaft)-No.8-36
1	34802-S7(X59)	Lockwasher-No.8
2	78 9541-A	Needle (idle adjusting)
1	B5AZ 9B544-B	Piston (accelerator pump)
1	B5A 9545-A	Plate (choke)-R.H.
2	351820-S(BB625)	Screw & lockwasher (choke plate to shaft)-No.4-48 x 1/4"-pan head
1	B5A 9547-A	Shaft (choke)
1	354827-S(XX95)	Washer (choke shaft thrust)-9/32" flat
1	B5AZ 9B547-A	Link (choke plate)
1	355829-S7(MM15)	Nut (lever to shaft)-No.8-36
1	34802-S7(X59)	Lockwasher-No.8
1	★B5A 9549-A	Plate (choke)
2	351820-S(BB625)	Screw & lockwasher (choke plate to shaft)-No.4-48 x 1 1/4"-pan head
1	B6A 9550-B	Float
1	B5A 9557-A	Selector (float bowl vent)
1	8MC 9558	Pin (float hinge)
1	B5AZ 9561-A	Gasket (main body cover plate)
1	B6A 9564-A	Valve & seat (fuel inlet)
1	B5AZ 9A565-A	Economizer
1	355067-S7(BB53)	Screw & washer (valve to main body cover & plugs)-No.8-32 x 5/16" fillister head
2	B2Q 9566-A	Washer (throttle shaft seal retainer)-.02" thick-.255" I.D.-.54" O.D.
1	B5A 9569-A	Gasket (float valve seat)
1	B5A 9572-A	Cup (pump piston)
1	B5AZ 9B572-A	Valve (spark control)
1	★A0AZ 9575-A	Retainer (accelerator pump piston)
1	B2AZ 9575-A	Retainer (vacuum dist.ball check valve spring)-serviced in kit 9590
2	B5AZ 9575-A	Retainer (vacuum dist.ball check valve spring)
1	EAD 9575-A	Retainer (accel.pump check ball)-No.10-32 threads-.96" long
1	78 9575	Retainer (accel.pump check ball)-3/4" diameter-serviced in kit 9590
3	78 9576	Ball (accelerator pump check)-1/8" diameter
1	B5A 9576-A	Ball (secondary throttle check)
2	B5A 9577-D	Nozzle (pump discharge)
1	B8A 9578-B	Spring (throttle adjusting screw)-4 1/2 coils-.20" I.D.-.58" long
1	40 9578	Spring (idle adjusting needle)
1	354825-S(BB409)	Screw (throttle adjusting)-No.10-32 x .67" long
1	B5A 9581-A	Shaft & lever (throttle)-primary
1	B5A 9583-A	Lever (secondary throttle diaphragm)
1	353851-S(BB620)	Screw & washer (lever to diaphragm housing)-No.6-32 x 5/16" pan head
2	★B5A 9585-A	Plate (throttle)-primary
2	B6A 9585-A	Plate (throttle)-secondary
8	B9A 9586-A	Screw(throttle plate)-No.6-32 oval hd.
1	A8TZ 9A588-A	Gasket (power jet)-.56" O.D.-.03" thick-serviced in kit 9502

continued on next page



**CARBURETOR PART No. B5A 9510-Q**

QTY. PER CARBU-RETOR	PART NUMBER	DESCRIPTION
1	COAE 9A588-A	Gasket (economizer)-.57" I.D.-.75" O.D.-.015" thick
1	B6AZ 9A592-A	Lever & shaft (second. throttle plate)
1	B5A 9594-B	Jet (power)-stamped 40
1	B5A 9597-A	Cam (fast idle)
1	352895-S8(NN79)	Pin (fast idle cam to throttle body)-1/16" x 3/4" groove
1	*37777-S18	Screw (fast idle cam stop)-No.10-32 x 1 3/8"
1	A1A 9599-A	Retainer (pump link)-11/32" long
4	B5A 9609-A	"O" ring (secondary venturi tube)
1*	B5A 9616-A	Tube (secondary venturi fuel supply)-R. H.
1*	B5A 9617-A	Tube (secondary venturi fuel supply)-L. H.
1	B5A 9633-B	Clamp (second. venturi extension tube)
1	*37611-S7	Screw (clamp to main body)-No. 8-32 x 1/4" pan head
1	34938-S8(X85)	Lockwasher-No. 8 external tooth
1	8CM 9636-B	Spring (pump piston operating rod)-upper-.270" I.D.-.314" O.D.-3.19" long-22 coils

**CARBURETOR PART No. B5A 9510-R**

1	B5A 9502-B	Gasket set
1	B5AZ 9A586-C	Kit (tune up)
1	B5A 9590-E	Repair kit
4	88411-S7(W9)	Stud-5/16"-18 & 5/16"-24 x 1 3/4"
4	33798-S8(M62)	Nut-5/16"-24
4	34806-S7(X64)	Lockwasher-5/16"
1	B5A 9501-A	Housing & plug (secondary throttle)
3	353852-S(BB623)	Screw & washer (housing to throttle body)-No. 8-32 x 7/16"
1	B1AZ 9B502-A	Screw (dashpot & throttle lever adjusting)
1	EBY 9503-A	Diaphragm (secondary throttle)
1	351825-S(XX9)	Washer (diaphragm link to lever)-"C" retainer
1	B5AZ 9B504-A	Spring (secondary throttle diaphragm return)
1	B5A 9C504-A	Rod (secondary throttle control)
2	353610-S8(NN126)	Retainer (rod to shaft)-spring-.44" long
1	353854-S8(XX64)	Washer-.129/.134 flat
1	B5A 9507-A	Cover (secondary throttle diaphragm)
4	31061-S8(U50)	Screw (cover to diaphragm housing)-No. 8-32 x 1/2"
4	34802-S7(X59)	Lockwasher-No. 8
1	B5A 9508-A	Cover (secondary throttle diaphragm housing)
1	*31036-S8	Screw (cover to housing)-No. 6-32 x 5/16" fillister head
1	34397-S7(M102)	Lockwasher-No. 6-external tooth
1*	B5A 9512-G	Body (main)
1	351821-S(BB20)	Screw (main body to throttle body)-5/16"-24 x 3 1/4"
1	34806-S7(X64)	Lockwasher-5/16"
1	8CM 9516	Gasket (throttle body to main body)

**CARBURETOR SERVICE PARTS LIST No. 27 - continued**

QTY. PER CARBU-RETOR	PART NUMBER	DESCRIPTION
1*	78 9636	Spring (accelerator pump piston return)
1	B5A 9655-A	Seal (choke air inlet tube)
1	B2TZ 9A659-A	Screw (air cleaner anchor)-not used on model S-2. 43" long
1	34805-S8(X62)	Lockwasher-1/4"
1	B5A 9805-A	Lever (choke shaft)
1	B5A 9811-A	Washer (air bleed screw) 1.62" O.D.-.035" thick
1	34805-S8(X62)	Lockwasher(screen to main body)-1/4"
1	B5AZ 9812-A	Spacer (secondary throttle plate control lever)
1	B5AZ 9853-A	Gasket (secondary throttle diaphragm housing)
1	A8Q 9937-A	Spring (filter screen retainer)-.396" O.D.-.80" long-6 1/2 coils
1	A8Q 9938-A	Screen (filter)-with retainer
1	8CM 9944	Plug (float needle seat)
1	8CM 9945	Gasket (float needle seat plug)
1*	B5A 9973-B	Jet (spark valve restriction)-No. 35
1	8MC 9986	Spring (accelerator pump rod seal)-.26" I.D.-.32" O.D.-.82" long-9 coils
1	B5AZ 9998-A	Seal (air horn)-serviced in kit 9502

**CARBURETOR SERVICE PARTS LIST No. 28**

1	A8TZ 9A516-A	Valve (accel.pump discharge needle)
1*	B5A 9518-N	Body and shaft (throttle)
1	B6AZ 9A519-A	Spring (float)
1	B5AZ 9A523-A	Venturi (secondary)
2	354826-S7(BB74)	Screw & lockwasher (secondary venturi)-No.10-32 x .44" fillister hd.
1	B5A 9524-A	Horn (air)
1	31628-S7(U58)	Screw (air horn to throttle body)-No. 10-32 x 5/8"
1	34803-S7(X60)	Lockwasher-No. 10
4	31079-S7	Screw (cover & plugs to main body)-No. 12-24 x 5/8"-fillister head
1*	B5AZ 9524-C	Cover & plugs (main body)-stamped-No. 30A-used with B5A 9577-D nozzle
2	B5AZ 9A528-D	Tube (secondary venturi metering) No.86 - 0 to 5,000 ft. altitude
2*	B5AZ 9A528-E	No.81 - 5,000 to 10,000 ft. altitude
2	B5AZ 9A528-F	No. 73 - 10,000 to 15,000 ft. altitude
4	354829-S(XX65)	Washer (secondary jet tube seal)-5/32" flat
1	B5AZ 9529-A	Link (accelerator pump)
1	354614-S(BB681)	Stud (link to rod)-No. 8-32
1	354615-S(QQ33)	Snap ring (link retainer)-1/8" I.D.-.27" O.D.
1	B5A 9531-A	Rod (accel. pump piston operating)
2	78 9533-A	Jet (main metering)-primary No. 50 - 0 to 5,000 ft. altitude
2	78 9533-B	No. 48 - 5,000 to 10,000 ft. altitude
2	78 9533-C	No. 46 - 10,000 to 15,000 ft. altitude
1	B0TZ 9535-A	Seal (throttle shaft)-1/4" I.D.-1/2" O.D.-.06" thick-serviced in kit 9502
1	EAD 9535-A	Washer (accel.pump piston rod-felt)-.38" O.D.-.25" I.D.-.12" thick
1	351336-S8	Washer (accel.pump piston operating rod felt washer retaining)-flat-.26" I.D. x .36" O.D.

continued on next page

## CARBURETOR PART No. B5A 9510-R

QTY. PER CARBU-RETOR	PART NUMBER	DESCRIPTION
1	B5A 9538-A	Lever (fast idle adjusting)
1	355829-S7(MM15)	Nut (lever to shaft)-No. 8-36
1	34802-S7(X59)	Lockwasher-No. 8
2	78 9541-A	Needle (idle adjusting)
1	B5AZ 9B544-B	Piston (accelerator pump)
1	B5A 9545-A	Plate (choke)-R. H.
2	351820-S(BB625)	Screw & lockwasher (choke plate to shaft)-No. 4-48 x 1/4"-pan head
1	B5A 9547-A	Shaft (choke)
1	354827-S(XX95)	Washer (choke shaft thrust)-9/32" flat
1	B5AZ 9B547-A	Link (choke plate)
1	355829-S7(MM15)	Nut (lever to shaft)-No. 8-36
1	34802-S7(X59)	Lockwasher-No. 8
1 *	B5A 9549-A	Plate (choke)
2	351820-S(BB625)	Screw & lockwasher (choke plate to shaft)-No. 4-48 x 1 1/4"-pan head
1	C1AZ 9B549-A	Dashpot
1	33923-S7(M32)	Nut -5/16"-24
2	34806-S7(X64)	Lockwasher -5/16"
1	B6A 9550-B	Float
1	B5AZ 9B550-A	Bracket (dashpot mounting)
2	34803-S7(X60)	Lockwasher-No. 10
1	B5A 9557-A	Selector (float bowl vent)
1	8MC 9558	Pin (float hinge)
1	B5AZ 9561-A	Gasket (main body cover plate)
1	B6A 9564-A	Valve & seat (fuel inlet)
1	B5AZ 9A565-A	Economizer
1	355067-S7(BB53)	Screw & washer (valve to main body cover & plugs)-No. 8-32 x 5/16" fillister head
2	B2Q 9566-A	Washer (throttle shaft seal retainer)-.02" thick-.255" I. D. -.54" O. D.
1	B5A 9569-A	Gasket (float valve seat)
1	B5A 9572-A	Cup (pump piston)
1	B5AZ 9B572-A	Valve (spark control)
1 *	A0AZ 9575-A	Retainer (accelerator pump piston)
1	B2AZ 9575-A	Retainer (vacuum dist. ball check valve spring)-serviced in kit 9590
2	B5AZ 9575-A	Retainer (vacuum dist. ball check valve spring)
1	EAD 9575-A	Retainer (accel. pump check ball)-No. 10-32 threads-.96" long
1	78 9575	Retainer (accel. pump check ball)-3/4" diameter-serviced in kit 9590
3	78 9576	Ball (accelerator pump check)-1/8" diameter
1	B5A 9576-A	Ball (secondary throttle check)
2	B5A 9577-D	Nozzle (pump discharge)
1	B8A 9578-B	Spring (throttle adjusting screw)-4 1/2 coils-.20" I. D. -.58" long
1	40 9578	Spring (idle adjusting needle)
1	354825-S(BB409)	Screw (throttle adjusting)-No. 10-32 x .67" long

## CARBURETOR SERVICE PARTS LIST No. 28 - continued

QTY. PER CARBU-RETOR	PART NUMBER	DESCRIPTION
1	B5A 9581-A	Shaft & lever (throttle)-primary
1	B5A 9583-A	Lever (secondary throttle diaphragm)
1	353851-S(BB620)	Screw & washer (lever to diaphragm housing)-No. 6-32 x 5/16" pan head
2 *	B5A 9585-A	Plate (throttle)-primary
2	B6A 9585-A	Plate (throttle)-secondary
8	B9A 9586-A	Screw(throttle plate)-No. 6-32 oval hd.
1	A8TZ 9A588-A	Gasket (power jet)-.56" O. D. -.03" thick-serviced in kit 9502
1	C0AE 9A588-A	Gasket (economizer)-.57" I. D. -.75" O. D. -.015" thick
1	B6AZ 9A592-A	Lever & shaft (second. throttle plate)
1	B5A 9594-C	Jet (power)-stamped 43
1	B5A 9597-A	Cam (fast idle)
1	352895-S8(NN79)	Pin (fast idle cam to throttle body)-1/16" x 3/4" groove
1	*37777-S18	Screw (fast idle cam stop)-No. 10-32 x 1 3/8"
1	A1A 9599-A	Retainer (pump link)-11/32" long
4	B5A 9609-A	"O" ring (secondary venturi tube)-serviced in kit 9502
1 *	B5A 9616-A	Tube (secondary venturi fuel supply)-R. H.
1 *	B5A 9617-A	Tube (secondary venturi fuel supply)-L. H.
1	B5A 9633-B	Clamp (second. venturi extension tube)
1	*37611-S7	Screw (clamp to main body)-No. 8-32 x 1/4" pan head
1	34938-S8(X85)	Lockwasher-No. 8 external tooth
1	8CM 9636-B	Spring (pump piston operating rod)-upper-.270" I. D. -.314" O. D. -3.19" long-22 coils
1 *	78 9636	Spring (accelerator pump piston return)
1	B5A 9655-A	Seal (choke air inlet tube)
1	B2TZ 9A659-A	Screw (air cleaner anchor)-not used on model S-2.43" long
1	34805-S8(X62)	Lockwasher-1/4"
1	B5A 9805-A	Lever (choke shaft)
1	B5A 9811-A	Washer (air bleed screw) 1.62" O. D. -.035" thick
1	34805-S8(X62)	Lockwasher(screen to main body)-1/4"
1	B5AZ 9812-A	Spacer (secondary throttle plate control lever)
1	B5AZ 9853-A	Gasket (secondary throttle diaphragm housing)
1	A8Q 9937-A	Spring (filter screen retainer)-.396" O. D. -.80" long-6 1/2 coils
1	A8Q 9938-A	Screen (filter)-with retainer
1	8CM 9944	Plug (float needle seat)
1	8CM 9945	Gasket (float needle seat plug)
1 *	B5A 9973-B	Jet (spark valve restriction)-No. 35
1	8MC 9986	Spring (accelerator pump rod seal)-.26" I. D. -.32" O. D. -.82" long-9 coils
1	B5AZ 9998-A	Seal (air horn)-serviced in kit 9502

**CARBURETOR PART No. B5A 9510-S**

QTY. PER CARBU-RETOR	PART NUMBER	DESCRIPTION
1	C0AZ 9502-C	Gasket set
1	B2A 9590-F	Repair kit
2	357695-S(WW85)	Stud-3/8"-16 & 24 x 3 3/8"-use with governor
2	33925-S7(M33)	Nut-3/8"-24
2	34807-S8(X66)	Lockwasher-3/8"
1	358705-S(II-127)	Connector (carb. to tubes to fuel pump & distributor vacuum diaphragm)-used with power brakes-brass-90° elbow
1	354582-S(II-73)	Connector (carb. to tube assy.)-5/16" flared tube
1	C0AZ 9A507-A	Bowl & plugs (float)-metal
4	★31644-S7	Screw (bowl to main body)-No. 10-32 x 3/4" fill. hd.
4	34803-S7(X60)	Lockwasher-No. 10
1	B9AE 9B511-A	Weight (pump discharge ball)
1	B5A 9512-J	Body (main)
1	B8A 9516-C	Gasket (throttle body to main body)
1	B5A 9518-S	Body and shaft (throttle economy)
2	353620-S100 (BB18)	Screw (throttle body to main body)-1/4"-20 x 1 1/2" fillister head
2	34805-S8(X62)	Lockwasher-1/4"
1	B5A 9529-A	Link (accelerator pump)
2	353610-S8(NN126)	Retainer (accel. pump link)-.44" long
1	59A 9533-C	Jet (main metering) No. 47 - 0 to 5,000 ft. altitude
1	78 9541-B	Needle (idle adjusting)-1 3/16" long
1	C0AE 9B544-A	Piston (accel. pump)-includes gasket
1	B5A 9546-A	Shaft and lever (choke)
1	★37611-S7	Screw (choke shaft & lever)-No. 8-32 x 1/4"
1	B5A 9549-C	Plate (choke)
1	EAA 9550-A	Float-repl. by C2AZ 9550-A (1-63)
1	C2AZ 9550-A	Float assy.
1	B5A 9551-A	Pin (choke plate distributor)
1	C1AE 9558-A	Pin (float hinge)
1	B2AZ 9561-A	Gasket (float bowl)-3.81" long-2.19" wide - use with glass bowl only
1	C2AZ 9561-C	Gasket (float bowl)
1	CODE 9564-B	Valve & seat (fuel inlet)-replaced by C2AZ 9564-C (6-62)
1	C2AZ 9564-C	Valve & seat assy. (fuel inlet)
1	B2A 9568-B	Retainer (pump operating lever)-split-serviced in kit 9590
1	B2A 9574-B	Screw (discharge nozzle)-No. 10-32 x .64" fillister head
1	EAA 9576-A	Ball (accelerator pump check)
2	78 9576	Ball (accelerator pump check)-1/8" diameter
Δ Serviced in 9502 kit only		

**CARBURETOR SERVICE PARTS LIST No. 29**

QTY. PER CARBU-RETOR	PART NUMBER	DESCRIPTION
1	EAA 9577-B	Nozzle (pump discharge)
1	B8A 9578-B	Spring (throttle adjusting screw)-4 1/2 coils-.20" I.D. -.58" long
1	40 9578	Spring (idle adjusting needle)
1	EAA 9580-A	Gasket (pump discharge nozzle)-.20" I.D. x .32" O.D. -.03" thick-serviced in kit 9502
1	B4A 9581-A	Shaft & lever (throttle)
1	★EAA 9583-A	Lever (accelerator pump operator)
1	★B4A 9585-A	Plate (throttle)
2	B9A 9586-A	Screw (choke plate)-No. 6-32 oval hd.
2	B9A 9586-A	Screw(throttle plate)-No. 6-32 oval hd.
1	B2AZ 9A588-A	Gasket (economizer)-serviced in kit 9502
1	B5A 9594-D	Jet & main well (power)-stamped 3325-A
3	★37643-S7	Screw (jet & main well to main body)-No. 6-32 x .44"
2	353799-S8	Screw (jet & main well to main body)-No. 6-32 x .75"
2	34801-S7(X58)	Lockwasher-No. 6
1	1CM 9681-A	Ball (throttle lever)
1	34079-S7(M163)	Nut (throttle lever ball)-No. 10-32 hex.
1	34803-S7(X60)	Lockwasher-No. 10
1	8BA 9792	Clamp (choke control bracket)
1	31061-S8(U50)	Screw (choke control bracket clamp)-No. 8-32 x 1/2"
1	34052-S7(M155)	Nut-No. 8-32
1	EAA 9796-A	Bracket (choke control)
1	42802-S8(U33)	Screw & lockwasher (choke bracket)-No. 8-32 x 3/8"
1	B2A 9808-A	Retainer (float)-use with glass bowl only
4	B2A 9809-A	Clamp (float bowl retainer)-use with glass bowl only
4	★31644-S7	Screw (clamp)-No. 10-32 x 3/4" fillister head
4	34803-S7(X60)	Lockwasher-No. 10
1	B2A 9827-A	Gasket (fuel inlet fitting)
1	★B2A 9930-B	Cover (economizer valve)
3	31061-S8(U50)	Screw (economizer valve cover to main body)-No. 8-32 x 1/2" fill. hd.
3	34802-S7(X59)	Lockwasher-No. 8
1	★B2A 9934-A	Sleeve (pump push rod)-.31" O.D. -1.20" long
1	EAA 9935-B	Spring (accel. pump rod plunger)-.27" O.D. -13 coils-1.34" long
1	EAA 9936-A	Spring (accelerator pump diaphragm return)-cone shaped-8 coils
Δ1	B2AZ 9945-A	Gasket (fuel inlet seat screw)-.32" I.D. -.428" O.D. -.031" thick

## CARBURETOR PART No. B5A 9510-V

QTY. PER CARBU-RETOR	PART NUMBER	DESCRIPTION
1	C0AZ 9502-C	Gasket set
1	B2A 9590-F	Repair kit
1	354582-S(II-73)	Connector (carb. to tube ass'y.)-5/16" flared tube
1	B1AZ 9B502-A	Screw (dashpot & throttle lever adj.)-not supplied with carb.,order separately
1	B2AZ 9B502-A	Screw (dashpot operating lever)-No. 8-32 x .59" slotted binding head-not supplied with carb.,order separately
1	34803-S7(X60)	Lockwasher-No. 10-not supplied with carb., order separately
1	34079-S7(M163)	Nut-No. 10-32-not supplied with carb., order separately
1	C0AZ 9A507-A	Bowl & plugs assy.(float)-metal bowl
4	*31644-S7	Screw (bowl to main body)-No. 10-32 x 3/4" fillister head
4	34803-S7(X60)	Lockwasher-No. 10
1*	B5A 9512-K	Body ass'y. (main)
1	B8A 9516-C	Gasket (throttle body to main body)
1	B5A 9518-S	Body & shaft ass'y. (throttle)
2	353620-S100 (BB18)	Screw (throttle body to main body)-1/4"-28 x 1 1/2" fillister head
2	34805-S8(X62)	Lockwasher-1/4"
1	B5A 9529-A	Link (accelerator pump)
2	353610-S8(NN126)	Retainer (spring type)-.44" long
1	59A 9533-C	Jet (main metering)-No. 47-0 to 5,000 ft. alt.
1	59A 9533-D	No.45-5,000 to 10,000 ft. alt.
1	78 9541-B	Needle (idle adjusting)-1 3/16" long
1	C0AE 9B544-A	Piston assy. (accelerator pump)-includes gasket
1	B5A 9546-A	Shaft & lever assy. (choke)
1	B5A 9549-C	Plate assy. (choke)
1	C1AZ 9B549-A	Dashpot assy. -not supplied with service carburetors. Order separately
1	34806-S7(X64)	Lockwasher-5/16"-not supplied with service carburetors. Order separately
1	33923-S7(M32)	Nut-5/16"-24-not supplied with service carburetors. Order separately
1	EAA 9550-A	Float assy.-repl.by C2AZ 9550-A(1-63)
1	C2AZ 9550-A	Float assy.
1	B5A 9551-A	Pin (choke plate distributor)
1	C1AE 9558-A	Pin (float hinge)
1	B2AZ 9561-A	Gasket(float bowl retainer)-3.81"long-2.19" wide-use with glass bowl only
1	C2AZ 9561-C	Gasket (float bowl)
1	C0DE 9564-B	Valve & seat assy. (fuel inlet)
Δ Serviced in 9502 kit only		

## CARBURETOR SERVICE PARTS LIST No. 30

QTY. PER CARBU-RETOR	PART NUMBER	DESCRIPTION
1	B2A 9568-B	Retainer (pump operating lever)
1	EAA 9569-A	Gasket (float needle seat)
1	B2A 9574-B	Screw (discharge nozzle)-No. 10-32 x .64" overall length fillister head
1	EAA 9576-A	Ball (accelerator pump check)-.156" diameter
2	78 9576	Ball (accelerator pump check)-1/8" diameter
1	EAA 9577-B	Nozzle assy. (pump discharge)
1	B8A 9578-B	Spring (throttle adjusting screw)-4 1/2 coils-.20" I. D. -.58" long
1	40 9578	Spring (idle adjusting needle)
1	EAA 9580-A	Gasket (discharge pump nozzle)-.20" I. D. x .32" O. D. -.03" thick
1	B4A 9581-A	Lever and shaft assy. (primary throttle)
1*	EAA 9583-A	Lever (accelerator pump operator)
1*	B4A 9585-A	Plate (throttle)
2	B9A 9586-A	Screw (throttle plate)-No. 6-32 x .31" oval head
1	B2AZ 9A588-A	Gasket (economizer valve)
1	B5A 9594-D	Jet & main well assy. (power)
3	*37643-S7	Screw (jet & main well to main body)-No. 6-32 x 7/16" fillister head
2	353799-S8	Screw (jet & main well to main body)-No. 6-32 x .75" fillister head
	34801-S7(X58)	Lockwasher-No. 6
1	1CM 9681-A	Ball (throttle lever)
1	34079-S7(M163)	Nut (throttle lever ball)-No. 10-32 hex.
1	34803-S7(X60)	Lockwasher-No. 10
1	B6A 9802-A	Lever (dashpot operating)-not supplied with carb., order separately
1	B2A 9808-A	Retainer (float bowl)-use with glass bowl only
4	B2A 9809-A	Clamp (float bowl retainer)-use with glass bowl only
4	*31644-S7	Screw (clamp)-No. 10-32 x 3/4"-fillister head
4	34803-S7(X60)	Lockwasher-No. 10
1	B2A 9827-A	Gasket (fuel inlet fitting)
1*	B2A 9930-B	Cover (economizer valve)
1*	B2A 9934-A	Sleeve (pump push rod)-.31" O. D. -1.20" long
1	EAA 9935-B	Spring (accel. pump rod plunger)-.27" O. D. -1.34" long-13 coils
1	EAA 9936-A	Spring (accel. pump diaphragm return)-cone shaped-8 coils
Δ1	B2AZ 9945-A	Gasket (fuel inlet seat screw)-.32" I. D. -.428" O. D. -.031" thick

**CARBURETOR PART No. B6A 9510-G**

**CARBURETOR SERVICE PARTS LIST No. 31**

QTY. PER CARBU-RETOR	PART NUMBER	DESCRIPTION
1	B7A 9502-A	Gasket set
1	B6AZ 9A586-B	Kit (tune up)
1	B6A 9590-A	Repair kit
1	354582-S(II-73)	Connector (carb. to tube ass'y.)-5/16" flared tube
2	357695-S(WW85)	Stud (carb. to intake manifold)-3/8"-16 & 3/8"-24 x 3 3/8"-use with governor
2	88407-S(W15)	Stud (carb. to intake & exhaust manifold)-3/8"-16 & 3/8"-24 x 1 11/16"
2	374166-S(PP23A)	Plug-1/4"-32 for dist. passage when tube 12226 is not used
2	34847-S8(X74)	Lockwasher-3/8"
2	33925-S7(M33)	Nut-3/8"-24
1	B1AZ 9B502-A	Screw (dashpot & throttle lever adj.)
1	B2AZ 9B502-A	Screw (dashpot operating lever)-No. 8-32 x .59" slotted binding head
1	34803-S7(X60)	Lockwasher-No. 10
1	34079-S7(M163)	Nut-No. 10-32
1	C0AZ 9A507-A	Bowl & plugs assy. (float)-metal bowl
4	*31644-S7	Screw (bowl to main body)-No. 10-32 x 3/4" fillister head
4	34803-S7(X60)	Lockwasher - No. 10
1	B9AE 9B511-A	Weight (pump discharge ball)
1	*B6A 9512-B	Body ass'y. (main)
1	B6A 9516-B	Gasket (throttle body to main body)
1	B6A 9518-J	Body & shaft ass'y. (throttle)
2	353620-S100 (BB18)	Screw (throttle body to main body)-1/4"-28 x 1 1/2" fill. hd.
2	34805-S8(X62)	Lockwasher-1/4"
@1	EBP 9529-A	Link (accelerator pump)
2	353610-S8(NN126)	Retainer (spring type)-.44" long
1	8MB 9533-B	Jet (main metering)-No. 66-0 to 5,000 ft. alt.
1	1GA 9533-A	No. 64-5,000 to 10,000 ft. altitude
1	1GA 9533-B	No. 62-10,000 to 15,000 ft. altitude
1	78 9541-B	Needle (idle adjusting)-1 3/16" long
1	C0AE 9B544-C	Piston assy. (accelerator pump)-includes gasket
1	B6A 9546-C	Shaft & lever assy. (choke)
1	B6AZ 9546-A	Kit (choke shaft & related parts)
1	*37611-S7	Screw (choke lever to shaft)-No. 8-32 x 1/4"-fillister head
1	*B6C 9549-B	Plate assy. (choke)
1	C1AZ 9B549-A	Dashpot assy.
1	34806-S7(X64)	Lockwasher-5/16"
1	33923-S7(M32)	Nut-5/16"-24
1	C2AZ 9550-A	Float assy.
1	C1AE 9558-A	Pin (float hinge)
1	B2AZ 9561-A	Gasket(float bowl retainer)-3.81"long-2.19" wide-use with glass bowl only
1	C2AZ 9561-C	Gasket (float bowl)
1	C2AZ 9564-C	Valve & seat assy. (fuel inlet)
1	B2AZ 9A565-A	Economizer assy.
1	B2A 9568-B	Retainer (pump operating lever)
1	EAA 9569-A	Gasket (float needle seat)

△ Serviced in 9502 kit only

QTY. PER CARBU-RETOR	PART NUMBER	DESCRIPTION
1	B2AZ 9575-A	Retainer (vacuum distributor ball check valve spring)-.24" O. D.
1	B2AZ 9576-A	Valve (vacuum distributor ball check)-.156" diameter
1	EAA 9576-A	Ball (accelerator pump check)-.156" diameter
1	B8A 9578-B	Spring (throttle adjusting screw)-4 1/2 coils-.20" I. D. -.58" long
1	40 9578	Spring (idle adjusting needle)
1	B6A 9581-B	Lever and shaft assy. (primary throttle)
1	*EAA 9583-A	Lever (accelerator pump operator)
1	*B4A 9585-A	Plate (throttle)
2	*31036-S8	Screw (carb. throttle plate)-No. 6-32 x 5/16" fillister head
2	34937-S7(X84)	Lockwasher-No. 6-external tooth
1	B7A 9586-D	Screw (choke shaft locating)-No. 6-32 x .25"
2	B9A 9586-A	Screw (choke plate)-No. 6-32 x .31" oval head
1	B2AZ 9A588-A	Gasket (economizer valve)
1	*B6AZ 9A588-A	Gasket (power jet & main well spacer)
1	B6A 9594-A	Jet & main well assy. (power)-stamped 3356-A
3	*37643-S7	Screw (jet & main well to main body)-No. 6-32 x 7/16" fill. head
2	353799-S8	Screw (jet & main well to main body)-No. 6-32 x .75" fill. head
	34801-S7(X58)	Lockwasher - No. 6
1	8BA 9792	Clamp (choke control bracket)
1	31061-S8(U50)	Screw (bracket clamp)-No. 8-32 x 1/2" fillister head
1	34052-S7(M155)	Nut-No. 8-32
1	EAA 9796-A	Bracket (choke control)
1	*31596-S7	Screw & lockwasher (choke bracket)-No. 10-32 x 3/8"
1	B6A 9802-A	Lever (dashpot operating)
1	B2A 9808-A	Retainer (float bowl)-use with glass bowl only
4	B2A 9809-A	Clamp (float bowl retainer)-use with glass bowl only
4	*31644-S7	Screw (clamp)-No. 10-32 x 3/4" fill. hd.
4	34803-S7(X60)	Lockwasher-No. 10
1	B2A 9827-A	Gasket (fuel inlet fitting)
1	B6A 9920-B	Nozzle (main well)
1	B6A 9926-A	Gasket (main well nozzle)
1	*B2A 9930-B	Cover (economizer valve)
3	31061-S8(U50)	Screw (cover to main body)-No. 8-32 x 1/2"-fillister head
3	34802-S7(X59)	Lockwasher-No. 8
1	*B2A 9934-A	Sleeve (pump push rod) -.31" O. D. -1.20" long
1	EAA 9935-B	Spring (accel. pump rod plunger)-.27" O. D. -1.34" long -13 coils
1	EAA 9936-A	Spring (accel. pump diaphragm return)-cone shaped-8 coils
△1	B2AZ 9945-A	Gasket (fuel inlet seat screw)-.32" I. D. -.428" O. D. -.031" thick

@ Serviced in 9590 kit only

## CARBURETOR PART No. B6A 9510-H

QTY. PER CARBU-RETOR	PART NUMBER	DESCRIPTION
1	B7A 9502-A	Gasket set
1	B6AZ 9A586-B	Kit (tune up)
1	B6A 9590-A	Repair kit
2	357692-S(WW31)	Stud-3/8"-16 & 3/8"-24 x 1 1/2"
2	34807-S8(X66)	Lockwasher-3/8"
2	33925-S7(M33)	Nut-3/8"-24
2	357695-S(WW85)	Stud-3/8"-16 & 24 x 3 3/8"-use with governor
2	33925-S7(M33)	Nut-3/8"-24
2	34807-S8(X66)	Lockwasher-3/8"
1	358705-S(II-127)	Connector (carb. to tubes to fuel pump & distributor vacuum diaphragm)-used with power brakes-brass-90° elbow
1	354582-S(II-73)	Connector (carb. to tube assy.)-5/16" flared tube
1	374166-S(PP23A)	Plug-1/4"-32-for distributor passage when tube 12226 is not used
1	C0AZ 9A507-A	Bowl & plugs (float)-metal
4	★31644-S7	Screw (bowl to main body)-No. 10-32 x 3/4" fill. hd.
4	34803-S7(X60)	Lockwasher-No. 10
1	B9AE 9B511-A	Weight (pump discharge ball)
1	B6A 9512-B	Body (main)
1	B6A 9516-B	Gasket (throttle body to main body)
1	B6A 9518-J	Body and shaft (throttle)
2	353620-S100 (BB18)	Screw (throttle body to main body)-1 1/4"-20 x 1 1/2" fillister head
2	34805-S8(X62)	Lockwasher-1 1/4"
@1	EBP 9529-A	Link (accelerator pump)
2	353610-S8(NN126)	Retainer (accel. pump link)-.44" long
1	8MB 9533-B	Jet (main metering) No. 66 - 0 to 5,000 ft. altitude
1	1GA 9533-A	No. 64 - 5,000 to 10,000 ft. altitude
1	1GA 9533-B	No. 62 - 10,000 to 15,000 ft. altitude
1	78 9541-B	Needle (idle adjusting)-1 3/16" long
1	C0AE 9B544-C	Piston (accel. pump)-includes gasket
1	B6A 9546-C	Shaft and lever (choke)
1	B6AZ 9546-A	Kit (choke shaft & related parts)
1	★37611-S7	Screw (choke shaft & lever)-No. 8-32 x 1/4"
1	★B6C 9549-B	Plate (choke)
1	C2AZ 9550-A	Float assy.
1	C1AE 9558-A	Pin (float hinge)
1	B2AZ 9561-A	Gasket (float bowl)-3.81" long-2.19" wide - use with glass bowl only
1	C2AZ 9561-C	Gasket (float bowl)
1	C2AZ 9564-C	Valve & seat assy. (fuel inlet)
1	B2AZ 9A565-A	Economizer
3	31061-S8(U50)	Screw (valve to main body)-No. 8-32 x 1/2"
3	34802-S7(X59)	Lockwasher-No. 8
1	B2A 9568-B	Retainer (pump operating lever)-split-serviced in kit 9590
Δ		Serviced in 9502 kit only

## CARBURETOR SERVICE PARTS LIST No. 32

QTY. PER CARBU-RETOR	PART NUMBER	DESCRIPTION
1	EAA 9569-A	Gasket (float valve seat)-.32" I. D. -.52" O. D. -.031" thick-serviced in kit 9502
1	B2AZ 9576-A	Valve (vacuum dist. ball check)
1	EAA 9576-A	Ball (accelerator pump check)
1	B8A 9578-B	Spring (throttle adjusting screw)-4 1/2 coils-.20" I. D. -.58" long
1	40 9578	Spring (idle adjusting needle)
1	B6A 9581-B	Shaft & lever (throttle)
1	★EAA 9583-A	Lever (accelerator pump operator)
1	★B4A 9585-A	Plate (throttle)
2	★31036-S8	Screw (throttle plate)-No. 6-32 x 5/16" fillister head
2	34937-S7(X84)	Lockwasher-No. 6-external tooth
2	B9A 9586-A	Screw (choke plate)-No. 6-32 oval hd.
1	B7A 9586-D	Screw (choke shaft locating)-No. 6-32 x .25"
1	B2AZ 9A588-A	Gasket (economizer)-serviced in kit 9502
1	★B6AZ 9A588-A	Gasket (power jet & main well spacer)
1	B6A 9594-A	Jet & main well (power)-stamped 3356-A
3	★37643-S7	Screw (jet & main well to main body)-No. 6-32 x .44"
1	1CM 9681-A	Ball (throttle lever)
1	34079-S7(MI63)	Nut (throttle lever ball)-No. 10-32 hex.
1	34803-S7(X60)	Lockwasher-No. 10
1	8BA 9792	Clamp (choke control bracket)
1	31061-S8(U50)	Screw (choke control bracket clamp)-No. 8-32 x 1/2"
1	34052-S7(M155)	Nut-No. 8-32
1	EAA 9796-A	Bracket (choke control)
1	★31596-S7	Screw & lockwasher (choke bracket)-No. 10-32 x 3/8"
1	B2A 9808-A	Retainer (float)-use with glass bowl only
4	B2A 9809-A	Clamp (float bowl retainer)-use with glass bowl only
4	★31644-S7	Screw (clamp)-No. 10-32 x 3/4" fillister head
4	34803-S7(X60)	Lockwasher-No. 10
1	B2A 9827-A	Gasket (fuel inlet fitting)
2	B6A 9920-B	Nozzle (main well)
1	B6A 9926-A	Gasket (main well nozzle)
1	★B2A 9930-B	Cover (economizer valve)
3	31061-S8(U50)	Screw (economizer valve cover to main body)-No. 8-32 x 1/2" fill. hd.
3	34802-S7(X59)	Lockwasher-No. 8
1	★B2A 9934-A	Sleeve (pump push rod)-.31" O. D. -1.20" long
1	EAA 9935-B	Spring (accel. pump rod plunger)-.27" O. D. -13 coils-1.34" long
1	EAA 9936-A	Spring (accelerator pump diaphragm return)-cone shaped-8 coils
Δ1	B2AZ 9945-A	Gasket (fuel inlet seat screw)-.32" I. D. -.428" O. D. -.031" thick
@		Serviced in 9590 kit only

**CARBURETOR PART No. B6A 9510-J**

**CARBURETOR SERVICE PARTS LIST No. 33**

QTY. PER CARBU-RETOR	PART NUMBER	DESCRIPTION
1	B6A 9502-B	Gasket set
1	B6AZ 9A586-C	Kit (tune up) 0 to 5,000 ft. altitude only
1	B6AZ 9A586-A	5,000 to 15,000 ft. altitude
1	B6AZ 9590-A	Repair kit
3	357428-S7-8	Stud-5/16"-18-24 x 1.30"-not used with governor (WW14)
3	34806-S7(X64)	Lockwasher-5/16"
3	33798-S8(M62)	Nut-5/16"-24
1	358286-S(II-74)	Connector (carb. to tube assy.)-5/16" flared-.72" hex.
1	358705-S(II-127)	Connector (carb. to tubes to fuel pump & distributor vacuum diaphragm)-used with power brakes-brass-90° elbow
1	354582-S(II-73)	Connector (carb. to tube assy.)-5/16" flared tube
1	B6A 9512-G	Body (main)
1	B6A 9516-A	Gasket (throttle body to main body)
1	A0AZ 9A516-A	Valve (accel.pump discharge needle)
1	B6A 9518-H	Body and shaft (throttle)
1	*31646-S7	Screw (throttle body to main body)-1/4"-28 x 3/4" fillister head
1	B6A 9519-A	Gasket (air horn to main body)
5	78 9523	Plug (main body)-lead-.15" diameter
1	*B6A 9524-A	Horn (air)
5	31628-S7(U58)	Screw (air horn to main body)-No. 10-32 x 5/8"
5	34803-S7(X60)	Lockwasher-No.10
1	B6AZ 9529-A	Link (accelerator pump)
1	353610-S8 (NN126)	Retainer (link to accelerator pump)-spring-.44" long
1	B6A 9531-A	Rod (accel. pump piston operating)
2	86H 9533	Jet (main metering) No. 52 - 0 to 5,000 ft. altitude
2	78 9533-A	No. 50 - 5,000 to 10,000 ft. altitude
2	78 9533-B	No. 48 - 10,000 to 15,000 ft. altitude
1	EAD 9535-A	Washer (accel.pump piston rod-felt)-.38" O.D.-.25" I.D.-.12" thick
1	351336-S8	Washer (accel.pump piston operating rod felt washer retaining)-flat-.26" I.D. x .36" O.D.
1	78 9535	Washer (accel.pump piston rod-felt)-serviced in kit 9502
2	78 9541-A	Needle (idle adjusting)
2	B6A 9542-A	Jet (idling)
1	B6AZ 9B544-B	Piston (accelerator pump)
1	B6A 9546-B	Shaft and lever (choke)
1	*37611-S7	Screw (choke shaft & lever)-No. 8-32 x 1/4"
1	B6A 9550-A	Float
1	78 9558	Pin (float hinge)-.093" diameter-1.18" long-serviced in kit 9590

QTY. PER CARBU-RETOR	PART NUMBER	DESCRIPTION
2	78 9562-A	Plug (main jet)-3/8"-32-.40" overall length
2	A0A 9563-A	Gasket (float adjustment plug)-.39" I.D.-.50" O.D.-.04" thick
1	B5A 9564-A	Valve & seat (fuel inlet)
1	A0AZ 9A565-A	Economizer 0 to 5,000 ft. altitude
1	A8TZ 9A565-A	5,000 ft. altitude or higher-stamped "AM"
1	78 9569	Gasket (float valve seat)-serviced in kit 9502
1	B5A 9572-A	Cup (pump piston)
1	B5AZ 9B572-A	Valve (spark control)
1	*A0AZ 9575-A	Retainer (accelerator pump piston)
1	78 9575	Retainer (accel.pump check ball)-3/4" diameter-serviced in kit 9590
1	78 9576	Ball (accelerator pump check)-1/8" diameter
1	B5A 9577-A	Nozzle (pump discharge)
1	B8A 9578-B	Spring (throttle adjusting screw)-4 1/2 coils-.20" I.D.-.58" long
1	40 9578	Spring (idle adjusting needle)
1	78 9580	Gasket (pump discharge nozzle)-.26" I.D. x .41" O.D.-serviced in kit 9502
1	B6A 9581-C	Shaft & lever (throttle)
2	*B6A 9585-B	Plate (throttle)
4	B9A 9586-A	Screw (throttle plate)-No.6-32 oval hd.
2	B9A 9586-A	Screw (choke plate)-No.6-32 oval hd.
1	C0AE 9A588-A	Gasket (economizer)-.57" I.D.-.75" O.D.-.015" thick
1	C0AE 9A588-A	Gasket (spark control valve)-.57" I.D.-.75" O.D.-.015" thick
1	B4AZ 9595-A	Bracket (choke control)
1	B6A 9597-A	Cam (fast idle)
1	*31588-S8	Screw (throttle kicker fulcrum to main body)-No.10-32 x 5/16" fillister head
1	356234-S8(XX73)	Washer-No.10-flat
1	354569-S(RR1)	Retainer (cam to main body)-spring type-.62" long
1	359539-S8B (BB40)	Screw (throttle adjusting)-No.10-32 x 1.25"
1	B6A 9598-A	Rod (fast idle)-3.90" long
1	44705-S8(X6)	Washer-No.4-flat
2	353610-S8 (NN126)	Retainer (rod to choke shaft lever)-spring type-.44" long
1	A1A 9599-A	Retainer (pump link)-11/32" long
1	B6A 9636-C	Spring (pump piston operating rod)-upper
1	*78 9636	Spring (accelerator pump piston return)
1	B5AZ 9812-A	Spacer (secondary throttle plate control lever)
1	B2A 9827-A	Gasket (fuel inlet fitting)

continued on next page

## CARBURETOR PART No. B6A 9510-J

QTY. PER CARBU-RETOR	PART NUMBER	DESCRIPTION
1 ★	B6A 9840-A	Piston (automatic choke)
1	355829-S7(MM15)	Nut (piston to choke housing)-No. 8-36
1	34802-S7(X59)	Lockwasher-No. 8
1	B6A 9842-A	Clamp (thermostatic choke housing)
3	31061-S8(U50)	Screw (clamp housing)-No. 8-32 x 1/2"
3	34802-S7(X59)	Lockwasher-No. 8
1	8CM 9844	Plate (thermostatic choke housing)
2	43248-S8(U72)	Screw & lockwasher (plate to choke housing)-No. 8-32 x 3/8" fillister head
1	B6A 9848-D	Housing (choke thermostat)
3	31061-S8(U50)	Screw (thermostat housing to choke housing)-No. 8-32 x 1/2" fillister head
1	34802-S7(X59)	Lockwasher-No. 8
1	B6A 9849-A	Housing & plugs (choke)
2	★41580-S8	Screw (housing to air horn)-No. 8-32 x 5/8"
2	359113-S(XX46)	Washer-No. 8-flat
2	34802-S7(X59)	Lockwasher-No. 8

## CARBURETOR PART No. B6A 9510-K

1	B6A 9502-B	Gasket set
1	B6AZ 9A586-C	Kit (tune up) 0 to 5,000 ft. altitude only
1	B6AZ 9A586-A	5,000 to 15,000 ft. altitude
1	B6AZ 9590-A	Repair kit
3	357428-S7-8	Stud-5/16"-18-24 x 1.30"-not used with governor (WW14)
3	34806-S7(X64)	Lockwasher-5/16"
3	33798-S8(M62)	Nut-5/16"-24
1	358286-S(II-74)	Connector (carb. to tube assy.)-5/16" flared-.72" hex.
1	358705-S(II-127)	Connector (carb. to tubes to fuel pump & distributor vacuum diaphragm)-used with power brakes-brass-90° elbow
1	354582-S(II-73)	Connector (carb. to tube assy.)-5/16" flared tube
1	B1AZ 9B502-A	Screw (dashpot & throttle lever adjusting)
1	34079-S7(M163)	Nut-No. 10-32
1	34803-S7(X60)	Lockwasher-No. 10
1	B6A 9512-G	Body (main)
1	B6A 9516-A	Gasket (throttle body to main body)-
1	A0AZ 9A516-A	Valve (accel. pump discharge needle)
1	B6A 9518-H	Body and shaft (throttle)
1	★31646-S7	Screw (throttle body to main body)-1/4"-28 x 3/4" fillister head

## CARBURETOR SERVICE PARTS LIST No. 33 - continued

QTY. PER CARBU-RETOR	PART NUMBER	DESCRIPTION
1	B6A 9853-B	Gasket (thermostatic choke housing)
1	EAD 9871-A	Gasket (automatic choke piston hsg.)-2.18" O. D. -use with EAD 9844-A plate
1	B6A 9920-C	Bar (nozzle)-R. H. -less idle tube
1	B6A 9921-B	Bar (nozzle)-L. H. -less idle tube
4	78 9926	Gasket (nozzle bar)-.23" I. D. - .374" O. D. -.015" thick-serviced in kit 9502
2	EAB 9928-A	Clamp (nozzle bar)-1" long
2	355079-AS7 (BB73)	Screw (nozzle bar clamp)-No. 8-32 x 7/8"
4	34802-S7(X59)	Lockwasher-No. 8
2	★31077-S8	Screw (nozzle bar clamp)-No. 8-32 x 5/8"
4	34802-S7(X59)	Lockwasher-No. 8
1	B6A 9988-A	Stud (accelerator pump piston rod operating rod link)

## CARBURETOR SERVICE PARTS LIST No. 34

1	B6A 9519-A	Gasket (air horn to main body)
5	78 9523	Plug (main body)-lead-.15" diameter
1 ★	B6A 9524-A	Horn (air)
5	31628-S7(U58)	Screw (air horn to main body)-No. 10-32 x 5/8"
5	34803-S7(X60)	Lockwasher-No. 10
1	B6AZ 9529-B	Link (accelerator pump)
1	353610-S8 (NN126)	Retainer (link to accelerator pump)-spring-.44" long
1	B6A 9531-A	Rod (accel. pump piston operating)
2	86H 9533	Jet (main metering) No. 52 - 0 to 5,000 ft. altitude
2	78 9533-A	No. 50 - 5,000 to 10,000 ft. altitude
2	78 9533-B	No. 48 - 10,000 to 15,000 ft. altitude
1	78 9535	Washer (accel. pump piston rod-felt)-serviced in kit 9502
1	EAD 9535-A	Washer (accel. pump piston rod-felt)-.38" O. D. -.25" I. D. -.12" thick
1	351336-S8	Washer (accel. pump piston operating rod felt washer retaining)-flat-.26" I. D. x .36" O. D.
2	78 9541-A	Needle (idle adjusting)
2	B6A 9542-A	Jet (idling)
1	B6AZ 9B544-B	Piston (accelerator pump)
1	B6A 9546-B	Shaft and lever (choke)
1	★37611-S7	Screw (choke shaft & lever)-No. 8-32 x 1/4"

continued on next page



### CARBURETOR PART No. B6A 9510-K

QTY. PER CARBU-RETOR	PART NUMBER	DESCRIPTION
1	C1AZ 9B549-A	Dashpot
1	33923-S7(M32)	Nut -5/16"-24
2	34806-S7(X64)	Lockwasher -5/16"
1	B6A 9550-A	Float
1	B1AZ 9B550-A	Bracket (dashpot mounting)
1	78 9558	Pin (float hinge)-.093" diameter-1.18" long-serviced in kit 9590
2	78 9562-A	Plug (main jet)-3/8"-32-.40" overall length
2	A0A 9563-A	Gasket (float adjustment plug)-.39" I.D.-.50" O.D.-.04" thick
1	B5A 9564-A	Valve & seat (fuel inlet)
1	A0AZ 9A565-A	Economizer 0 to 5,000 ft. altitude
1	A8TZ 9A565-A	5,000 ft. altitude or higher-stamped "AM"
1	78 9569	Gasket (float valve seat)-serviced in kit 9502
1	B5A 9572-A	Cup (pump piston)
1	B5AZ 9B572-A	Valve (spark control)
1	★ A0AZ 9575-A	Retainer (accelerator pump piston)
1	78 9575	Retainer (accel. pump check ball)-3/4" diameter-serviced in kit 9590
1	78 9576	Ball (accelerator pump check)-1/8" diameter
1	B5A 9577-A	Nozzle (pump discharge)
1	B8A 9578-B	Spring (throttle adjusting screw)-4 1/2 coils-.20" I.D.-.58" long
1	40 9578	Spring (idle adjusting needle)
1	78 9580	Gasket (pump discharge nozzle)-.26" I.D. x .41" O.D.-serviced in kit 9502
1	B6A 9581-C	Shaft & lever (throttle)
2	★ B6A 9585-B	Plate (throttle)
4	B9A 9586-A	Screw (throttle plate)-No.6-32 oval hd.
2	B9A 9586-A	Screw (choke plate)-No.6-32 oval hd.
1	C0AE 9A588-A	Gasket (economizer)-.57" I.D.-.75" O.D.-.015" thick
1	C0AE 9A588-A	Gasket (spark control valve)-.57" I.D.-.75" O.D.-.015" thick
1	B4AZ 9595-A	Bracket (choke control)
1	B6A 9597-A	Cam (fast idle)
1	★ 31588-S8	Screw (throttle kicker fulcrum to main body)-No.10-32 x 5/16" fillister head
1	356234-S8(XX73)	Washer-No.10-flat
1	354569-S(RR1)	Retainer (cam to main body)-spring type-.62" long
1	359539-S8B (BB40)	Screw (throttle adjusting)-No.10-32 x 1.25"

### CARBURETOR SERVICE PARTS LIST No. 34 - continued

QTY. PER CARBU-RETOR	PART NUMBER	DESCRIPTION
1	B6A 9598-A	Rod (fast idle)-3.90" long
1	44705-S8(X6)	Washer-No.4-flat
2	353610-S8 (NN126)	Retainer (rod to choke shaft lever)-spring type-.44" long
1	A1A 9599-A	Retainer (pump link)-11/32" long
1	B6A 9636-C	Spring (pump piston operating rod)-upper
1	★ 78 9636	Spring (accelerator pump piston return)
1	B5AZ 9812-A	Spacer (secondary throttle plate control lever)
1	B2A 9827-A	Gasket (fuel inlet fitting)
1	★ B6A 9840-A	Piston (automatic choke)
1	355829-S7(MM15)	Nut (piston to choke housing)-No.8-36
1	34802-S7(X59)	Lockwasher-No.8
1	B6A 9842-A	Clamp (thermostatic choke housing)
3	31061-S8(U50)	Screw (clamp housing)-No.8-32 x 1/2"
3	34802-S7(X59)	Lockwasher-No.8
1	8CM 9844	Plate (thermostatic choke housing)
2	43248-S8(U72)	Screw & lockwasher (plate to choke housing)-No.8-32 x 3/8" fillister head
1	B6A 9848-D	Housing (choke thermostat)
3	31061-S8(U50)	Screw (thermostat housing to choke housing)-No.8-32 x 1/2" fillister head
1	34802-S7(X59)	Lockwasher-No.8
1	B6A 9849-A	Housing & plugs (choke)
2	★ 41580-S8	Screw (housing to air horn)-No.8-32 x 5/8"
2	359113-S(XX46)	Washer-No.8-flat
2	34802-S7(X59)	Lockwasher-No.8
1	B6A 9853-B	Gasket (thermostatic choke housing)
1	EAD 9871-A	Gasket (automatic choke piston hsg.)-2.18" O.D.-use with EAD 9844-A plate
1	B6A 9920-C	Bar (nozzle)-R.H.-less idle tube
1	B6A 9921-B	Bar (nozzle)-L.H.-less idle tube
4	78 9926	Gasket (nozzle bar)-.23" I.D.-.374" O.D.-.015" thick-serviced in kit 9502
2	EAB 9928-A	Clamp (nozzle bar)-1" long
2	355079-AS7 (BB73)	Screw (nozzle bar clamp)-No.8-32 x 7/8"
4	34802-S7(X59)	Lockwasher-No.8
2	★ 31077-S8	Screw (nozzle bar clamp)-No.8-32 x 5/8"
4	34802-S7(X59)	Lockwasher-No.8
1	B6A 9988-A	Stud (accelerator pump piston rod operating rod link)

## CARBURETOR PART No. B6A 9510-L

QTY. PER CARBU-RETOR	PART NUMBER	DESCRIPTION
1	B6A 9502-D	Gasket set
1	B6AZ 9A586-D	Kit (tune up)
1	B6A 9590-D	Repair kit
4	357428-S7-8(WW14)	Stud-5/16"-18 & 5/16"-24 x 1.30"
4	33798-S8(M62)	Nut-5/16"-24
4	34806-S7(X64)	Lockwasher-5/16"
1	354964-S(II-167)	Connector (carb. to tubes to fuel pump & distributor vacuum diaphragm)-not used with power brakes-brass-90° elbow
1	B5A 9501-A	Housing & plug (secondary throttle)
3	353852-S(BB623)	Screw & washer (housing to throttle body)-No. 8-32 x 7/16"
1	EBY 9503-A	Diaphragm (secondary throttle)
1	351825-S(XX9)	Washer (diaphragm link to lever)-"C" retainer
1	B5AZ 9B504-A	Spring (secondary throttle diaphragm return)
1	B5A 9C504-A	Rod (secondary throttle control)
2	353610-S8 (NN126)	Retainer (rod to shaft)-spring-.44" long
1	353854-S8(XX64)	Washer-.129/.134 flat
1	B5A 9507-A	Cover (secondary throttle diaphragm)
4	31061-S8(U50)	Screw (cover to diaphragm housing)-No. 8-32 x 1/2"
4	34802-S7(X59)	Lockwasher-No.8
1	B5A 9508-A	Cover (secondary throttle diaphragm housing)
1	*31036-S8	Screw (cover to housing)-No. 6-32 x 5/16" fillister head
1	34397-S7(M102)	Lockwasher-No.6-external tooth
1	B6AZ 9B508-A	Bushing (fast idle cam)-used with B6A 9597-C cam
1	B6A 9512-F	Body (main)-must be used with B6A 9564-B, B6A 9944-A, B6A 9945-A, B6A 9959-A
1	351821-S(BB20)	Screw (main body to throttle body)-5/16"-24 x 3 1/4"
1	34806-S7(X64)	Lockwasher-5/16"
1	B6AZ 9A514-A	Lever (choke shaft)
1	8CM 9516	Gasket (throttle body to main body)
1	A8TZ 9A516-A	Valve (accel.pump discharge needle)
1	B6A 9518-G	Body and shaft (throttle)
1	B6AZ 9A519-A	Spring (float)
1	B5AZ 9A523-A	Venturi (secondary)
2	354826-S7(BB74)	Screw & lockwasher (secondary venturi)-No.10-32 x .44" fillister hd.
1	B5A 9524-A	Horn (air)
1	B6AZ 9524-A	Cover & plugs (main body)-stamped-No. 58
1	31628-S7(U58)	Screw (air horn to throttle body)-No. 10-32 x 5/8"
1	34803-S7(X60)	Lockwasher-No.10
4	31079-S7	Screw (cover & plugs to main body)-No.12-24 x 5/8"-fillister head
2	B5AZ 9A528-F	Tube (secondary venturi metering) No. 73 - 0 to 5,000 ft. altitude
2	B5AZ 9A528-C	No. 63 - 5,000 to 10,000 ft. altitude
2	B6AZ 9A528-A	No. 55 - 10,000 to 15,000 ft. altitude

## CARBURETOR SERVICE PARTS LIST No. 35

QTY. PER CARBU-RETOR	PART NUMBER	DESCRIPTION
1	B5AZ 9529-A	Link (accelerator pump)
1	354614-S(BB681)	Stud (link to rod)-No. 8-32
1	354615-S(QQ33)	Snap ring (link retainer)-1/8" I. D. - .27" O. D.
1	B6A 9531-B	Rod (accel. pump piston operating)
2	78 9533-A	Jet (main metering)-primary No. 50 - 0 to 5,000 ft. altitude
2	59A 9533-B	No. 49 - 5,000 to 10,000 ft. altitude
2	78 9533-B	No. 48 - 10,000 to 15,000 ft. altitude
1	B0TZ 9535-A	Seal (throttle shaft)-1/4" I. D. - 1/2" O. D. - .06" thick-serviced in kit 9502
1	EAD 9535-A	Washer (accel.pump piston rod-felt)-.38" O. D. - .25" I. D. - .12" thick
1	351336-S8	Washer (accel.pump piston operating rod felt washer retaining)-flat-.26" I. D. x .36" O. D.
1	B5A 9538-A	Lever (fast idle adjusting)-use with 354825-S screw
1	355829-S7(MM15)	Nut (lever to shaft)-No.8-36
1	34802-S7(X59)	Lockwasher-No.8
2	78 9541-A	Needle (idle adjusting)
1	B6AZ 9B544-A	Piston (accelerator pump)
1	351825-S(XX9)	Retainer (accelerator pump piston)-"C" washer
1	B5A 9545-A	Plate (choke)-R. H.
2	351820-S(BB625)	Screw & lockwasher (choke plate to shaft)-No.4-48 x 1/4"-pan head
1	B5A 9547-A	Shaft (choke)
1	354827-S(XX95)	Washer (choke shaft thrust)-9/32" flat
1	B5AZ 9B547-B	Link (choke plate)
1	359014-S2(NN86)	Pin (link to choke shaft lever)-.078" O. D. - .56" long-split
1	B6A 9549-C	Plate (choke)
2	351820-S(BB625)	Screw & lockwasher (choke plate to shaft)-No.4-48" x 1 1/4"-pan head
1	B6A 9550-B	Float
1	B5A 9557-A	Selector (float bowl vent)
1	8MC 9558	Pin (float hinge)
1	B5AZ 9561-A	Gasket (main body cover plate)
1	B6A 9564-A	Valve & seat (fuel inlet)
1	B5AZ 9A565-A	Economizer
1	355067-S7(BB53)	Screw & washer (valve to main body cover & plugs)-No.8-32 x 5/16" fillister head
2	B2Q 9566-A	Washer (throttle shaft seal retainer)-.02" thick-.255" I. D. - .54" O. D.
1	B5A 9569-A	Gasket (float valve seat)
1	B5A 9572-A	Cup (pump piston)
1	B5AZ 9B572-A	Valve (spark control)
1	B2AZ 9575-A	Retainer (vacuum dist.ball check valve spring)-serviced in kit 9590
2	B5AZ 9575-A	Retainer (vacuum dist.ball check valve spring)
1	EAD 9575-A	Retainer (accel.pump check ball)-No.10-32 threads-.96" long

continued on next page

**CARBURETOR PART No. B6A 9510-L**

**CARBURETOR SERVICE PARTS LIST No. 35 - continued**

QTY. PER CARBU-RETOR	PART NUMBER	DESCRIPTION
1	78 9575	Retainer (accel. pump check ball)-3/4" diameter-serviced in kit 9590
1	B5A 9576-A	Ball (secondary throttle check)
3	78 9576	Ball (accelerator pump check)-1/8" diameter
2	B6A 9577-A	Nozzle (pump discharge)
1	B8A 9578-B	Spring (throttle adjusting screw)-4 1/2 coils-.20" I.D.-.58" long
1	40 9578	Spring (idle adjusting needle)
1	354825-S(BB409)	Screw (throttle adjusting)-No.10-32 x .67" long
1	B5A 9581-A	Shaft & lever (throttle)-primary
1	B5A 9583-A	Lever (secondary throttle diaphragm)
1	353851-S(BB620)	Screw & washer (lever to diaphragm housing)-No.6-32 x 5/16" pan head
2 *	B5A 9585-A	Plate (throttle)-primary
2	B6A 9585-A	Plate (throttle)-secondary
8	B9A 9586-A	Screw(throttle plate)-No.6-32 oval hd.
1	A8TZ 9A588-A	Gasket (power jet)-.56" O.D.-.03" thick-serviced in kit 9502
1	COAE 9A588-A	Gasket (economizer)-.57" I.D.-.75" O.D.-.015" thick
1	B6AZ 9A592-A	Lever & shaft (second. throttle plate)
1	B4T 9594-A	Jet (power)-stamped 28
1	B6A 9597-B	Cam (fast idle)-except with B6AZ 9B508-A, B6A 9849-C, B6AZ 9A753-A & 359113-S
1	B6A 9597-C	Cam (fast idle)-necessary to use with B6AZ 9B508-A, B6A 9849-C, B6AZ 9A753-A & 359113-S
1	*37777-S18	Screw (fast idle cam stop)-No.10-32 x 1 3/8"
1	A1A 9599-A	Retainer (pump link)-11/32" long
4	B6A 9609-A	"O" ring (secondary venturi tube)-serviced in kit 9502
4	351256-S7(XX54)	Washer ("O" ring retaining)
2	B6A 9616-A	Tube (secondary venturi fuel supply)
1	B6A 9633-A	Clamp (second. venturi extension tube)
1	*37611-S7	Screw (clamp to main body)-No.8-32 x 1/4" pan head
1	34938-S8(X85)	Lockwasher-No.8 external tooth
1 *	B6A 9636-B	Spring (accelerator pump piston return)-.33" I.D.-.40" O.D.-2.70" long-22 coils
1	8CM 9636-B	Spring (pump piston operating rod)-upper-.270" I.D.-.314" O.D.-3.19" long-22 coils
1	B5A 9655-A	Seal (choke air inlet tube)
1	B6AZ 9A659-A	Screw (air cleaner anchor)-not used on model S-2" long
1	B6SZ 9A659-A	Screw (air cleaner anchor)-not supplied with service carb.-order separately for model S-2.60" long-hex. section 1.39" & 1.21" from ends
1	34805-S8(X62)	Lockwasher-1/4"

QTY. PER CARBU-RETOR	PART NUMBER	DESCRIPTION
1	B6AZ 9A753-A	Shaft & lever (choke housing)-use with B6A 9597-C, B6AZ 9B508-A, B6A 9849-C & 359113-S
1	355829-S7(MM15)	Nut (shaft & lever to housing)-No.8-36 hex.
1	34802-S7(X59)	Lockwasher-No.8
1	B5AZ 9812-A	Spacer (secondary throttle plate control lever)
1	B6A 9840-C	Piston (automatic choke)
1	355829-S7(MM15)	Nut (piston to choke housing)-No.8-36
1	34802-S7(X59)	Lockwasher-No.8
1	359013-S8 (BB683)	Screw (lever to housing)-No.6-32 flat head shoulder
1	B6A 9842-A	Clamp (thermostatic choke housing)
3	31061-S8(U50)	Screw (clamp housing)-No.8-32 x 1/2"
3	34802-S7(X59)	Lockwasher-No.8
1	B6A 9844-A	Plate (thermostatic choke housing)
1	B6A 9848-C	Housing (choke thermostat)
1	B6A 9849-C	Housing & plugs (choke)-use with 1 each B6A 9597-C, B6AZ 9B508-A, B6AZ 9A753-A & 359113-S
1	B6A 9849-D	Kit (choke modification)-consists of (1) B6A 9549-C Plate (1) B6A 9597-C Cam (1) B6AZ 9B508-A Bearing (1) B6A 9853-C Gasket (1) B6A 9871-A Gasket (1) Spacer (1) Housing
2	359012-S(BB57)	Screw & washer (housing to throttle body)-No.8-32 x 15/16" fillister head
1	*31077-S8	Screw (housing to throttle body)-No.8-32 x 5/8"
2	359369-S8(BB58)	Screw & washer (housing to throttle body)-No.8-32 x 1.12" fillister head
1	B6A 9850-A	Control (thermostatic choke)-use with (1) B6A 9549-C, (1) B6A 9597-C and (1) B6AZ 9B508-A
1	359113-S(XX46)	Washer-No.8-flat
1	34802-S7(X59)	Lockwasher-No.8
1	B5AZ 9853-A	Gasket (secondary throttle diaphragm housing)
1	B6A 9853-C	Gasket (thermostatic choke housing)
1	B6A 9861-A	Shield (choke thermostat)
1	B6A 9871-A	Gasket (choke thermostatic housing to choke housing & plugs)
1	A8Q 9937-A	Spring (filter screen retainer)-.396" O.D.-.80" long-6 1/2 coils
1	A8Q 9938-A	Screen (filter)-with retainer
1	8CM 9944	Plug (float needle seat)
1	8CM 9945	Gasket (float needle seat plug)
1 *	B6A 9973-A	Jet (spark valve restriction)-No.38
1	B2Q 9976-A	Spring (accelerator pump rod seal)-.317" O.D.-.80" long-7 1/2 coils
1	B5AZ 9998-A	Seal (air horn)-serviced in kit 9502

## CARBURETOR PART No. B6A 9510-M

QTY. PER CARBU-RETOR	PART NUMBER	DESCRIPTION
1	B6A 9502-D	Gasket set
1	B6AZ 9A586-D	Kit (tune up)
1	B6A 9590-D	Repair kit
4	357428-S7-8(WW14)	Stud-5/16"-18 & 5/16"-24 x 1.30"
4	33798-S8(M62)	Nut-5/16"-24
4	34806-S7(X64)	Lockwasher-5/16"
1	354964-S(II-167)	Connector (carb. to tubes to fuel pump & distributor vacuum diaphragm)-not used with power brakes-brass-90° elbow
1	B5A 9501-A	Housing & plug (secondary throttle)
3	353852-S(BB623)	Screw & washer (housing to throttle body)-No. 8-32 x 7/16"
1	B1AZ 9B502-A	Screw (dashpot & throttle lever adjusting)
1	34079-S7(M163)	Nut-No. 10-32
1	34803-S7(X60)	Lockwasher-No. 10
1	EBY 9503-A	Diaphragm (secondary throttle)
1	351825-S(XX9)	Washer (diaphragm link to lever)-"C" retainer
1	B5AZ 9B504-A	Spring (secondary throttle diaphragm return)
1	B5A 9C504-A	Rod (secondary throttle control)
2	353610-S8 (NN126)	Retainer (rod to shaft)-spring-.44" long
1	353854-S8(XX64)	Washer-.129/.134 flat
1	B5A 9507-A	Cover (secondary throttle diaphragm)
4	31061-S8(U50)	Screw (cover to diaphragm housing)-No. 8-32 x 1/2"
4	34802-S7(X59)	Lockwasher-No.8
1	B5A 9508-A	Cover (secondary throttle diaphragm housing)
1	*31036-S8	Screw (cover to housing)-No. 6-32 x 5/16" fillister head
1	34397-S7(M102)	Lockwasher-No.6-external tooth
1	B6AZ 9B508-A	Bushing (fast idle cam)-used with B6A 9597-C cam
1	B6A 9512-F	Body (main)-must be used with B6A 9564-B, B6A 9944-A, B6A 9945-A, B6A 9959-A)
1	351821-S(BB20)	Screw (main body to throttle body)-5/16"-24 x 3 1/4"
1	34806-S7(X64)	Lockwasher-5/16"
1	B6AZ 9A514-A	Lever (choke shaft)
1	8CM 9516	Gasket (throttle body to main body)
1	A8TZ 9A516-A	Valve (accel.pump discharge needle)
1	B6A 9518-G	Body and shaft (throttle)
1	B6AZ 9A519-A	Spring (float)
1	B5AZ 9A523-A	Venturi (secondary)
2	354826-S7(BB74)	Screw & lockwasher (secondary venturi)-No.10-32 x .44" fillister hd.
1	B5A 9524-A	Horn (air)
1	B6AZ 9524-A	Cover & plugs (main body)-stamped No. 58
1	31628-S7(U58)	Screw (air horn to throttle body)-No. 10-32 x 5/8"
1	34803-S7(X60)	Lockwasher-No.10
4	31079-S7	Screw (cover & plugs to main body)-No.12-24 x 5/8"-fillister head
2	B5AZ 9A528-F	Tube (secondary venturi metering) No.73 - 0 to 5,000 ft. altitude
2	B5AZ 9A528-C	No.63 - 5,000 to 10,000 ft. altitude

## CARBURETOR SERVICE PARTS LIST No. 36

QTY. PER CARBU-RETOR	PART NUMBER	DESCRIPTION
2	B6AZ 9A528-A	No.55 - 10,000 to 15,000 ft. altitude
1	B5AZ 9529-A	Link (accelerator pump)
1	354614-S(BB681)	Stud (link to rod)-No.8-32
1	354615-S(QQ33)	Snap ring (link retainer)-1/8" I.D. -.27" O.D.
1	B6A 9531-B	Rod (accel. pump piston operating)
2	78 9533-A	Jet (main metering)-primary No.50 - 0 to 5,000 ft. altitude
2	59A 9533-B	No.49 - 5,000 to 10,000 ft. altitude
2	78 9533-B	No.48 - 10,000 to 15,000 ft. altitude
1	B0TZ 9535-A	Seal (throttle shaft)-1/4" I.D. - 1/2" O.D. -.06" thick-serviced in kit 9502
1	EAD 9535-A	Washer (accel.pump piston rod-felt)-.38" O.D. -.25" I.D. -.12" thick
1	351336-S8	Washer (accel.pump piston operating rod felt washer retaining)-flat-.26" I.D. x .36" O.D.
1	B5A 9538-A	Lever (fast idle adjusting)-use with 354825-S screw
1	355829-S7(MM15)	Nut (lever to shaft)-No.8-36
1	34802-S7(X59)	Lockwasher-No.8
2	78 9541-A	Needle (idle adjusting)
1	B6AZ 9B544-A	Piston (accelerator pump)
1	351825-S(XX9)	Retainer (accelerator pump piston)-"C" washer
1	B5A 9545-A	Plate (choke)-R. H.
2	351820-S(BB625)	Screw & lockwasher (choke plate to shaft)-No.4-48 x 1/4"-pan head
1	B5A 9547-A	Shaft (choke)
1	354827-S(XX95)	Washer (choke shaft thrust)-9/32" flat
1	B5AZ 9B547-B	Link (choke plate)
1	359014-S2(NN86)	Pin (link to choke shaft lever)-.078" O.D. -.56" long-split
1	B6A 9549-C	Plate (choke)
1	C1AZ 9B549-A	Dashpot
2	351820-S(BB625)	Screw & lockwasher (choke plate to shaft)-No.4-48" x 1 1/4"-pan head
1	33923-S7(M32)	Nut-5/16"-24
2	34806-S7(X64)	Lockwasher-5/16"
1	B6A 9550-B	Float
1	B5AZ 9B550-A	Bracket (dashpot mounting)
2	34803-S7(X60)	Lockwasher-No.10
1	B5A 9557-A	Selector (float bowl vent)
1	8MC 9558	Pin (float hinge)
1	B5AZ 9561-A	Gasket (main body cover plate)
1	B6A 9564-A	Valve & seat (fuel inlet)
1	B5AZ 9A565-A	Economizer
1	355067-S7(BB53)	Screw & washer (valve to main body cover & plugs)-No.8-32 x 5/16" fillister head
2	B2Q 9566-A	Washer (throttle shaft seal retainer)-.02" thick-.255" I.D. -.54" O.D.
1	B5A 9569-A	Gasket (float valve seat)
1	B5A 9572-A	Cup (pump piston)
1	B5AZ 9B572-A	Valve (spark control)
1	B2AZ 9575-A	Retainer (vacuum dist.ball check valve spring)-serviced in kit 9590
2	B5AZ 9575-A	Retainer (vacuum dist.ball check valve spring)
1	EAD 9575-A	Retainer (accel.pump check ball)-No.10-32 threads-.96" long
1	78 9575	Retainer (accel.pump check ball)-3/4" diameter-serviced in kit 9590

continued on next page

### CARBURETOR PART No. B6A 9510-M

QTY. PER CARBU-RETOR	PART NUMBER	DESCRIPTION
3	78 9576	Ball (accelerator pump check)-1/8" diameter
1	B5A 9576-A	Ball (secondary throttle check)
2	B6A 9577-A	Nozzle (pump discharge)
1	B8A 9578-B	Spring (throttle adjusting screw)-4 1/2 coils-.20" I.D.-.58" long
1	40 9578	Spring (idle adjusting needle)
1	354825-S(BB409)	Screw (throttle adjusting)-No.10-32 x .67" long
1	B5A 9581-A	Shaft & lever (throttle)-primary
1	B5A 9583-A	Lever (secondary throttle diaphragm)
1	353851-S(BB620)	Screw & washer (lever to diaphragm housing)-No.6-32 x 5/16" pan head
2	★ B5A 9585-A	Plate (throttle)-primary
2	B6A 9585-A	Plate (throttle)-secondary
8	B9A 9586-A	Screw(throttle plate)-No.6-32 oval hd.
1	C0AE 9A588-A	Gasket (economizer)-.57" I.D.-.75" O.D.-.015" thick
1	A8TZ 9A588-A	Gasket (power jet)-.56" O.D.-.03" thick-serviced in kit 9502
1	B6AZ 9A592-A	Lever & shaft (second. throttle plate)
1	B4T 9594-A	Jet (power)-stamped 28
1	B6A 9597-B	Cam (fast idle)-except with B6AZ 9B508-A, B6A 9849-C, B6AZ 9A753-A & 359113-S
1	B6A 9597-C	Cam (fast idle)-necessary to use with B6AZ 9B508-A, B6A 9849-C, B6AZ 9A753-A & 359113-S
1	★37777-S18	Screw (fast idle cam stop)-No.10-32 x 1 3/8"
1	A1A 9599-A	Retainer (pump link)-11/32" long
4	B6A 9609-A	"O" ring (secondary venturi tube)-serviced in kit 9502
4	351256-S7(XX54)	Washer ("O" ring retaining)
2	B6A 9616-A	Tube (secondary venturi fuel supply)
1	B6A 9633-A	Clamp (second.venturi extension tube)
1	★37611-S7	Screw (clamp to main body)-No.8-32 x 1/4" pan head
1	34938-S8(X85)	Lockwasher-No.8 external tooth
1	★ B6A 9636-B	Spring (accelerator pump piston return)-.33" I.D.-.40" O.D.-2.70" long-22 coils
1	8CM 9636-B	Spring (pump piston operating rod)-upper-.270" I.D.-.314" O.D.-3.19" long-22 coils
1	B5A 9655-A	Seal (choke air inlet tube)
1	B6AZ 9A659-A	Screw (air cleaner anchor)-not used on model S-2" long
1	B6SZ 9A659-A	Screw (air cleaner anchor)-not supplied with service carb.-order separately for model S-2.60" long-hex. section 1.39" & 1.21" from ends
1	34805-S8(X62)	Lockwasher-1/4"

### CARBURETOR SERVICE PARTS LIST No. 36 - continued

QTY. PER CARBU-RETOR	PART NUMBER	DESCRIPTION
1	B6AZ 9A753-A	Shaft & lever (choke housing)-use with B6A 9597-C, B6AZ 9B508-A, B6A 9849-C & 359113-S
1	355829-S7(MM15)	Nut (shaft & lever to housing)-No.8-36 hex.
1	34802-S7(X59)	Lockwasher-No.8
1	B5AZ 9812-A	Spacer (secondary throttle plate control lever)
1	B6A 9840-C	Piston (automatic choke)
1	355829-S7(MM15)	Nut (piston to choke housing)-No.8-36
1	34802-S7(X59)	Lockwasher-No.8
1	359013-S8 (BB683)	Screw (lever to housing)-No.6-32 flat head shoulder
1	B6A 9842-A	Clamp (thermostatic choke housing)
3	31061-S8(U50)	Screw (clamp housing)-No.8-32 x 1/2"
3	34802-S7(X59)	Lockwasher-No.8
1	B6A 9844-A	Plate (thermostatic choke housing)
1	B6A 9848-C	Housing (choke thermostat)
1	B6A 9849-C	Housing & plugs (choke)-use with 1 each B6A 9597-C, B6AZ 9B508-A, B6AZ 9A753-A & 359113-S
1	B6A 9849-D	Kif (choke modification)-consists of (1) B6A 9549-C Plate (1) B6A 9597-C Cam (1) B6AZ 9B508-A Bearing (1) B6A 9853-C Gasket (1) B6A 9871-A Gasket (1) Spacer (1) Housing
2	359012-S(BB57)	Screw & washer (housing to throttle body)-No.8-32 x 15/16" fillister head
1	★31077-S8	Screw (housing to throttle body)-No.8-32 x 5/8"
2	359369-S8(BB58)	Screw & washer (housing to throttle body)-No.8-32 x 1.12" fillister head
1	B6A 9850-A	Control (thermostatic choke)-use with (1) B6A 9549-C, (1) B6A 9597-C and (1) B6AZ 9B508-A
1	359113-S(XX46)	Washer-No.8-flat
1	34802-S7(X59)	Lockwasher-No.8
1	B5AZ 9853-A	Gasket (secondary throttle diaphragm housing)
1	B6A 9853-C	Gasket (thermostatic choke housing)
1	B6A 9861-A	Shield (choke thermostat)
1	B6A 9871-A	Gasket (choke thermostatic housing to choke housing & plugs)
1	A8Q 9937-A	Spring (filter screen retainer)-.396" O.D.-.80" long-6 1/2 coils
1	A8Q 9938-A	Screen (filter)-with retainer
1	8CM 9944	Plug (float needle seat)
1	8CM 9945	Gasket (float needle seat plug)
1	★ B6A 9973-A	Jet (spark valve restriction)-No.38
1	B2Q 9976-A	Spring (accelerator pump rod seal)-.317" O.D.-.80" long-7 1/2 coils
1	B5AZ 9998-A	Seal (air horn)-serviced in kit 9502

## CARBURETOR PART No. B6A 9510-N

QTY. PER CARBU-RETOR	PART NUMBER	DESCRIPTION
1	B6A 9502-D	Gasket set
1	B6AZ 9A586-D	Kit (tune up)
1	B6A 9590-D	Repair kit
1	B5A 9501-A	Housing & plug (secondary throttle)
3	353852-S(BB623)	Screw & washer (housing to throttle body)-No. 8-32 x 7/16"
1	ΔB1AZ 9B502-A	Screw (dashpot & throttle lever adjusting)
1	34079-S7(M163)	Nut-No. 10-32
1	34803-S7(X60)	Lockwasher-No. 10
1	EBY 9503-A	Diaphragm (secondary throttle)
1	351825-S(XX9)	Washer (diaphragm link to lever)-"C" retainer
1	B5AZ 9B504-A	Spring (secondary throttle diaphragm return)
1	B5A 9C504-A	Rod (secondary throttle control)
2	353610-S8 (NN126)	Retainer (rod to shaft)-spring-.44" long
1	353854-S8(XX64)	Washer-.129/.134 flat
1	B5A 9507-A	Cover (secondary throttle diaphragm)
4	31061-S8(U50)	Screw (cover to diaphragm housing)-No. 8-32 x 1/2"
4	34802-S7(X59)	Lockwasher-No. 8
1	B5A 9508-A	Cover (secondary throttle diaphragm housing)
1	★31036-S8	Screw (cover to housing)-No. 6-32 x 5/16" fillister head
1	34397-S7(M102)	Lockwasher-No. 6-external tooth
1	B6AZ 9B508-A	Bushing (fast idle cam)-used with B6A 9597-C cam
1	354964-S(II-167)	Connector (carb. to tubes to fuel pump & distributor vacuum diaphragm)-not used with power brakes-brass-90° elbow
1	B6A 9512-F	Body (main)-must be used with B6A 9564-B, B6A 9944-A, B6A 9945-A, B6A 9959-A)
1	B6AZ 9A514-A	Lever (choke shaft)
1	8CM 9516	Gasket (throttle body to main body)
1	A8TZ 9A516-A	Valve (accel.pump discharge needle)
1	B6A 9518-G	Body and shaft (throttle)
1	B6AZ 9A519-A	Spring (float)
1	B5AZ 9A523-A	Venturi (secondary)
2	354826-S7(BB74)	Screw & lockwasher (secondary venturi)-No. 10-32 x .44" fillister hd.
1	B5A 9524-A	Horn (air)
1	B6AZ 9524-A	Cover & plugs (main body)-stamped No. 58
1	31628-S7(U58)	Screw (air horn to throttle body)-No. 10-32 x 5/8"
1	34803-S7(X60)	Lockwasher-No. 10
4	31079-S7	Screw (cover & plugs to main body)-No. 12-24 x 5/8"-fillister head

@ Not supplied with service carburetor. Order separately if required.

## CARBURETOR SERVICE PARTS LIST No. 37

QTY. PER CARBU-RETOR	PART NUMBER	DESCRIPTION
2	B5AZ 9A528-F	Tube (secondary venturi metering) No. 73 - 0 to 5,000 ft. altitude
2	B5AZ 9A528-C	No. 63 - 5,000 to 10,000 ft. altitude
2	B6AZ 9A528-A	No. 55 - 10,000 to 15,000 ft. altitude
1	B5AZ 9529-A	Link (accelerator pump)
1	354614-S(BB881)	Stud (link to rod)-No. 8-32
1	354615-S(QQ33)	Snap ring (link retainer)-1/8" I. D. - .27" O. D.
1	B6A 9531-B	Rod (accel. pump piston operating)
2	78 9533-A	Jet (main metering) No. 50 - 0 to 5,000 ft. altitude
2	59A 9533-B	No. 49 - 5,000 to 10,000 ft. altitude
2	78 9533-B	No. 48 - 10,000 to 15,000 ft. altitude
1	B0TZ 9535-A	Seal (throttle shaft)-1/4" I. D. - 1/2" O. D. - .06" thick-serviced in kit 9502
1	EAD 9535-A	Washer (accel.pump piston rod-felt)-.38" O. D. - .25" I. D. - .12" thick
1	351336-S8	Washer (accel.pump piston operating rod felt washer retaining)-flat-.26" I. D. x .36" O. D.
1	B5A 9538-A	Lever (fast idle adjusting)-use with 354825-S screw
1	355829-S7(MM15)	Nut (lever to shaft)-No. 8-36
1	34802-S7(X59)	Lockwasher-No. 8
2	78 9541-A	Needle (idle adjusting)
1	B6AZ 9B544-A	Piston (accelerator pump)
1	351825-S(XX9)	Retainer (accelerator pump piston)-"C" washer
1	B5A 9545-A	Plate (choke)-R. H.
2	351820-S(BB625)	Screw & lockwasher (choke plate to shaft)-No. 4-48 x 1/4"-pan head
1	B5A 9547-A	Shaft (choke)
1	354827-S(XX95)	Washer (choke shaft thrust)-9/32" flat
1	B5AZ 9B547-B	Link (choke plate)
1	359014-S2 (NN86)	Pin (link to choke shaft lever)-.078" O. D. - .56" long-split
1	B6A 9549-C	Plate (choke)
2	351820-S(BB625)	Screw & lockwasher (choke to plate shaft)-No. 4-48 x 1 1/4"-pan head
1 @	C1AZ 9B549-A	Dashpot
1	@ 33923-S7(M32)	Nut-5/16"-24
2	@ 34806-S7(X64)	Lockwasher-5/16"
1	B6A 9550-B	Float
1 @	B5AZ 9B550-A	Bracket (dashpot mounting)
2	★31596-S7	Screw (bracket to throttle body)-No. 10-32 x 3/8"
2	34803-S7(X60)	Lockwasher-No. 10
1	B5A 9557-A	Selector (float bowl vent)
1	8MC 9558	Pin (float hinge)
1	B5AZ 9561-A	Gasket (main body cover plate)
1	B6A 9564-A	Valve & seat (fuel inlet)

continued on next page

### CARBURETOR PART No. B6A 9510-N

### CARBURETOR SERVICE PARTS LIST No. 37 - continued

QTY. PER CARBU-RETOR	PART NUMBER	DESCRIPTION
1	B5AZ 9A565-A	Economizer
1	355067-S7(BB53)	Screw & washer (valve to main body cover & plugs)-No. 8-32 x 5/16" fillister head
2	B2Q 9566-A	Washer (throttle shaft seal retainer)-.02" thick-.255" I.D. -.54" O.D.
1	B5A 9569-A	Gasket (float valve seat)
1	B5A 9572-A	Cup (pump piston)
1	B5AZ 9B572-A	Valve (spark control)
2	B5AZ 9575-A	Retainer (vacuum dist. ball check valve spring)
1	EAD 9575-A	Retainer (accel. pump check ball)-No. 10-32 threads-.96" long
1	78 9575	Retainer (accel. pump check ball)-3/4" diameter-serviced in kit 9590
3	78 9576	Ball (accelerator pump check)-1/8" diameter
1	B5A 9576-A	Ball (secondary throttle check)
2	B6A 9577-A	Nozzle (pump discharge)
1	B8A 9578-B	Spring (throttle adjusting screw)-4 1/2 coils-.20" I.D. -.58" long
1	40 9578	Spring (idle adjusting needle)
1	354825-S(BB409)	Screw (throttle adjusting)-No. 10-32 x .67" long
1	B5A 9583-A	Lever (secondary throttle diaphragm)
1	353851-S(BB620)	Screw & washer (lever to diaphragm housing)-No. 6-32 x 5/16" pan head
2	B6A 9585-A	Plate (throttle)-secondary
1	A8TZ 9A588-A	Gasket (power jet)-.56" O.D. -.03" thick-serviced in kit 9502
1	COAE 9A588-A	Gasket (economizer)-.57" I.D. -.75" O.D. -.015" thick
1	B4T 9594-A	Jet (power)-stamped 28
1	B6A 9597-B	Cam (fast idle)-except with B6AZ 9B508-A, B6A 9849-C, B6AZ 9A753-A & 359113-S
1	B6A 9597-C	Cam (fast idle)-necessary to use with B6AZ 9B508-A, B6A 9849-C, B6AZ 9A753-A & 359113-S
1	*37777-S18	Screw (fast idle cam stop)-No. 10-32 x 1 3/8"
1	A1A 9599-A	Retainer (pump link)-11/32" long
4	B6A 9609-A	"O" ring (secondary venturi tube)-serviced in kit 9502
4	351256-S7(XX54)	Washer ("O" ring retaining)
2	B6A 9616-A	Tube (secondary venturi fuel supply)
1	B6A 9633-A	Clamp (second. venturi extension tube)
1	*37611-S7	Screw (clamp to main body)-No. 8-32 x 1/4" pan head
1	34938-S8(X85)	Lockwasher-No. 8 external tooth
1 *	B6A 9636-B	Spring (accelerator pump piston return)-.33" I.D. -.40" O.D. -2.70" long-22 coils
1	8CM 9636-B	Spring (pump piston operating rod)-upper-.270" I.D. -.314" O.D. -3.19" long-22 coils

QTY. PER CARBU-RETOR	PART NUMBER	DESCRIPTION
1	B5A 9655-A	Seal (choke air inlet tube)
1	B6AZ 9A659-A	Screw (air cleaner anchor)-not used on model S-2" long
1	B6SZ 9A659-A	Screw (air cleaner anchor)-not supplied with service carb.-order separately for model S-2.60" long-hex. section 1.39" & 1.21" from ends
1	34805-S8(X62)	Lockwasher-1/4"
1	B6AZ 9A753-A	Shaft & lever (choke housing)-use with B6A 9597-C, B6AZ 9B508-A, B6A 9849-C & 359113-S
1	355829-S7(MM15)	Nut (shaft & lever to housing)-No. 8-36 hex.
1	34802-S7(X59)	Lockwasher-No. 8
1	B5AZ 9812-A	Spacer (secondary throttle plate control lever)
1	B6A 9840-C	Piston (automatic choke)
1	355829-S7(MM15)	Nut (piston to choke housing)-No. 8-36
1	34802-S7(X59)	Lockwasher-No. 8
1	359013-S8 (BB683)	Screw (lever to housing)-No. 6-32 flat head shoulder
1	B6A 9842-A	Clamp (thermostatic choke housing)
3	31061-S8(U50)	Screw (clamp housing)-No. 8-32 x 1/2"
3	34802-S7(X59)	Lockwasher-No. 8
1	B6A 9844-A	Plate (thermostatic choke housing)
1	B6A 9848-C	Housing (choke thermostat)
1	B6A 9849-C	Housing & plugs (choke)-use with 1 each B6A 9597-C, B6AZ 9B508-A, B6AZ 9A753-A & 359113-S
2	359012-S(BB57)	Screw & washer (housing to throttle body)-No. 8-32 x 15/16" fillister head
1	*31077-S8	Screw (housing to throttle body)-No. 8-32 x 5/8"
2	359369-S8(BB58)	Screw & washer (housing to throttle body)-No. 8-32 x 1.12" fillister head
1	359113-S(XX46)	Washer-No. 8-flat
1	34802-S7(X59)	Lockwasher-No. 8
1	B6A 9850-A	Control (thermostatic choke)
1	B5AZ 9853-A	Gasket (secondary throttle diaphragm housing)
1	B6A 9853-C	Gasket (thermostatic choke housing)
1	B6A 9861-A	Shield (choke thermostat)
1	B6A 9871-A	Gasket (choke thermostatic housing to choke housing & plugs)
1	A8Q 9937-A	Spring (filter screen retainer)-.396" O.D. -.80" long-6 1/2 coils
1	A8Q 9938-A	Screen (filter)-with retainer
1	8CM 9944	Plug (float needle seat)
1	8CM 9945	Gasket (float needle seat plug)
1 *	B6A 9973-A	Jet (spark valve restriction)-No. 38
1	B2Q 9976-A	Spring (accelerator pump rod seal)-.317" O.D. -.80" long-7 1/2 coils
1	B5AZ 9998-A	Seal (air horn)-serviced in kit 9502

## CARBURETOR PART No. B6A 9510-P

QTY. PER CARBU-RETOR	PART NUMBER	DESCRIPTION
1	B7A 9502-A	Gasket set
1	B6AZ 9A586-B	Kit (tune up)
1	B6A 9590-A	Repair kit
1	354582-S(II-73)	Connector (carb. to tube ass'y.)-5/16" flared tube
2	357695-S(WW85)	Stud (carb. to intake manifold)-3/8"-16 & 3/8"-24 x 3 3/8"-use with governor
2	88407-S(W15)	Stud (carb. to intake & exhaust manifold)-3/8"-16 & 3/8"-24 x 1 11/16"
2	34847-S8(X74)	Lockwasher-3/8"
2	33925-S7(M33)	Nut-3/8"-24
2	374166-S(PP23A)	Plug-1/4"-32 for dist. passage when tube 12226 is not used
1	B1AZ 9B502-A	Screw (dashpot & throttle lever adj.)-not supplied with carb., order separately
1	B2AZ 9B502-A	Screw (dashpot operating lever)-No. 8-32 x .59" slotted binding head-not supplied with carb., order separately
1	34803-S7(X60)	Lockwasher-No.10-not supplied with carb., order separately
1	34079-S7(M163)	Nut-No. 10-32-not supplied with carb., order separately
1	C0AZ 9A507-A	Bowl & plugs assy. (float)-metal bowl
4	*31644-S7	Screw (bowl to main body)-No. 10-32 x 3/4" fillister head
4	34803-S7(X60)	Lockwasher-No. 10
1	B9AE 9B511-A	Weight (pump discharge ball)
1	*B6A 9512-B	Body ass'y. (main)
1	B6A 9516-B	Gasket (throttle body to main body)
1	B6A 9518-J	Body & shaft ass'y. (throttle)
2	353620-S100 (BB18)	Screw (throttle body to main body)-1/4"-28 x 1 1/2" fill. hd.
2	34805-S8(X62)	Lockwasher-1/4"
@1	EBP 9529-A	Link (accelerator pump)
2	353610-S8(NN126)	Retainer (spring type)-.44" long
1	8MB 9533-B	Jet (main metering)-No.66-0 to 5,000 ft. altitude
1	1GA 9533-A	No.64-5,000 to 10,000 ft. altitude
1	1GA 9533-B	No.62-10,000 to 15,000 ft. altitude
1	78 9541-B	Needle (idle adjusting)-1 3/16" long
1	COAE 9B544-C	Piston assy. (accelerator pump)-includes gasket
1	B6A 9546-C	Shaft & lever assy. (choke)
1	B6AZ 9546-A	Kit (choke shaft & related parts)
1	*37611-S7	Screw (choke lever to shaft)-No. 8-32 x 1/4"-fillister head
1	*B6C 9549-B	Plate assy. (choke)
1	C1AZ 9B549-A	Dashpot assy. -not supplied with service carburetors. Order separately
1	34806-S7(X64)	Lockwasher-5/16"-not supplied with service carburetors. Order separately
1	33923-S7(M32)	Nut-5/16"-24-not supplied with service carburetors. Order separately
1	C2AZ 9550-A	Float assy.
1	C1AE 9558-A	Pin (float hinge)
1	B2AZ 9561-A	Gasket(float bowl retainer)-3.81"long-2.19" wide-use with glass bowl only
1	C2AZ 9561-C	Gasket (float bowl)
Δ	Serviced in 9502 kit only	

## CARBURETOR SERVICE PARTS LIST No. 38

QTY. PER CARBU-RETOR	PART NUMBER	DESCRIPTION
1	C2AZ 9564-C	Valve & seat assy. (fuel inlet)
1	B2AZ 9A565-A	Economizer assy.
1	B2A 9568-B	Retainer (pump operating lever)
1	EAA 9569-A	Gasket (float needle seat)
1	B2AZ 9575-A	Retainer (vacuum distributor ball check valve spring)-.24" O. D.
1	EAA 9576-A	Ball (accelerator pump check)-.156" diameter
1	B8A 9578-B	Spring (throttle adjusting screw)-4 1/2 coils-.20" I. D. -.58" long
1	40 9578	Spring (idle adjusting needle)
1	B6A 9581-B	Lever and shaft assy. (primary throttle)
1	*EAA 9583-A	Lever (accelerator pump operator)
1	*B4A 9585-A	Plate (throttle)
1	B7A 9586-D	Screw (choke shaft locating)-No. 6-32 x .25"
2	B9A 9586-A	Screw (throttle plate)-No. 6-32 x .31" oval head
1	B2AZ 9A588-A	Gasket (economizer valve)
1	*B6AZ 9A588-A	Gasket (power jet & main well spacer)
1	B6A 9594-A	Jet & main well assy. (power)-stamped 3356-A
3	*37643-S7	Screw (jet & main well to main body)-No. 6-32 x 7/16" fillister head
2	353799-S8	Screw (jet & main well to main body)-No. 6-32 x .75" fillister head
	34801-S7(X58)	Lockwasher-No. 6
1	1CM 9681-A	Ball (rod to trans. control shaft lever)
1	34079-S7(M163)	Nut (throttle lever ball)-No. 10-32 hex
1	34803-S7(X60)	Lockwasher-No. 10
1	8BA 9792	Clamp (choke control bracket)
1	31061-S8(U50)	Screw (bracket clamp)-No. 8-32 x 1/2" fillister head
1	34052-S7(M155)	Nut-No. 8-32
1	EAA 9796-A	Bracket (choke control)
1	*31596-S7	Screw & lockwasher (choke bracket)-No. 10-32 x 3/8"
1	B6A 9802-A	Lever (dashpot operating)-not supplied with carb., order separately
1	B2A 9808-A	Retainer (float bowl)-use with glass bowl only
4	B2A 9809-A	Clamp (float bowl retainer)-use with glass bowl only
4	*31644-S7	Screw (clamp)-No. 10-32 x 3/4" fillister head
4	34803-S7(X60)	Lockwasher-No. 10
1	B2A 9827-A	Gasket (fuel inlet fitting)
1	B6A 9920-B	Nozzle (main well)
1	B6A 9926-A	Gasket (main well nozzle)
1	*B2A 9930-B	Cover (economizer valve)
3	31061-S8(U50)	Screw (cover to main body)-No. 8-32 x 1/2"-fillister head
3	34802-S7(X59)	Lockwasher-No. 8
1	*B2A 9934-A	Sleeve (pump push rod)-.31" O. D. -1.20" long
1	EAA 9935-B	Spring (accel. pump rod plunger)-.27" O. D. -1.34" long-13 coils
1	EAA 9936-A	Spring (accel. pump diaphragm return)-cone shaped-8 coils
Δ 1	B2AZ 9945-A	Gasket (fuel inlet seat screw)-.32" I. D. -.428" O. D. -.031" thick
@	Serviced in 9590 kit only	



**CARBURETOR PART No. B6A 9510-Q**

**CARBURETOR SERVICE PARTS LIST No. 39**

QTY. PER CARBU-RETOR	PART NUMBER	DESCRIPTION
1	B6A 9502-D	Gasket set
1	B6AZ 9A586-D	Kit (tune up)
1	B6A 9590-D	Repair kit
4	357428-S7-8(WW14)	Stud-5/16"-18 & 5/16"-24 x 1.30"
4	33798-S8(M62)	Nut-5/16"-24
4	34806-S7(X64)	Lockwasher-5/16"
1	354964-S(II-167)	Connector (carb. to tubes to fuel pump & distributor vacuum diaphragm)-not used with power brakes-brass-90° elbow
1	B5A 9501-A	Housing & plug (secondary throttle)
3	353852-S(BB623)	Screw & washer (housing to throttle body)-No. 8-32 x 7/16"
1 @	B1AZ 9B502-A	Screw (dashpot & throttle lever adjusting)
1	@34079-S7(MI63)	Nut-No. 10-32
1	@34803-S7(X60)	Lockwasher-No. 10
1	EBY 9503-A	Diaphragm (secondary throttle)
1	351825-S(XX9)	Washer (diaphragm link to lever)-"C" retainer
1	B5AZ 9B504-A	Spring (secondary throttle diaphragm return)
1	B5A 9C504-A	Rod (secondary throttle control)
2	353610-S8 (NN126)	Retainer (rod to shaft)-spring-.44" long
1	353854-S8(XX64)	Washer-.129/.134 flat
1	★31036-S8	Screw (cover to housing)-No. 6-32 x 5/16" fillister head
1	34397-S7(M102)	Lockwasher-No. 6-external tooth
1	B5A 9507-A	Cover (secondary throttle diaphragm)
4	31061-S8(U50)	Screw (cover to diaphragm housing)-No. 8-32 x 1/2"
4	34802-S7(X59)	Lockwasher-No. 8
1	B5A 9508-A	Cover (secondary throttle diaphragm housing)
1	B6AZ 9B508-A	Bushing (fast idle cam)-used with B6A 9597-C cam
1	B6A 9512-F	Body (main)-must be used with B6A 9564-B, B6A 9944-A, B6A 9945-A, B6A 9959-A)
1	B6AZ 9A514-A	Lever (choke shaft)
1	8CM 9516	Gasket (throttle body to main body)
1	A8TZ 9A516-A	Valve (accel. pump discharge needle)
1	B6A 9518-G	Body and shaft (throttle)
1	B6AZ 9A519-A	Spring (float)
1	B5AZ 9A523-A	Venturi (secondary)
2	354826-S7(BB74)	Screw & lockwasher (secondary venturi)-No. 10-32 x .44" fillister hd.
1	B5A 9524-A	Horn (air)
1	31628-S7(U58)	Screw (air horn to throttle body)-No. 10-32 x 5/8"
1	34803-S7(X60)	Lockwasher-No. 10
1	B6AZ 9524-A	Cover & plugs (main body)-stamped-No. 58
4	31079-S7	Screw (cover & plugs to main body)-No. 12-24 x 5/8"-fillister head
2	B5AZ 9A528-F	Tube (secondary venturi metering) No. 73 - 0 to 5,000 ft. altitude
2	B5AZ 9A528-C	No. 63 - 5,000 to 10,000 ft. altitude
2	B6AZ 9A528-A	No. 55 - 10,000 to 15,000 ft. altitude

QTY. PER CARBU-RETOR	PART NUMBER	DESCRIPTION
1	B5AZ 9529-A	Link (accelerator pump)
1	354614-S(BB681)	Stud (link to rod)-No. 8-32
1	354615-S(QQ33)	Snap ring (link retainer)-1/8" I.D. -.27" O.D.
1	B6A 9531-C	Rod (accel. pump piston operating)
2	78 9533-A	Jet (main metering)-primary No. 50 - 0 to 5,000 ft. altitude
2	59A 9533-B	No. 49 - 5,000 to 10,000 ft. altitude
2	78 9533-B	No. 48 - 10,000 to 15,000 ft. altitude
1	B0TZ 9535-A	Seal (throttle shaft)-1/4" I.D. - 1/2" O.D. -.06" thick-serviced in kit 9502
1	EAD 9535-A	Washer (accel. pump piston rod-felt)-.38" O.D. -.25" I.D. -.12" thick
1	351336-S8	Washer (accel. pump piston operating rod felt washer retaining)-flat-.26" I.D. x .36" O.D.
1	B5A 9538-A	Lever (fast idle adjusting)-use with 354825-S screw
1	355829-S7(MM15)	Nut (lever to shaft)-No. 8-36
1	34802-S7(X59)	Lockwasher-No. 8
2	78 9541-A	Needle (idle adjusting)
1	B6AZ 9B544-A	Piston (accelerator pump)
1	351825-S(XX9)	Retainer (accelerator pump piston)-"C" washer
1	B5A 9545-A	Plate (choke)-R. H.
2	351820-S(BB625)	Screw & lockwasher (choke plate to shaft)-No. 4-48 x 1/4"-pan head
1	B5A 9547-A	Shaft (choke)
1	354827-S(XX95)	Washer (choke shaft thrust)-9/32" flat
1	B5AZ 9B547-B	Link (choke plate)
1	359014-S2(NN86)	Pin (link to choke shaft lever)-.078" O.D. -.56" long-split
1	B6A 9549-C	Plate (choke)
2	351820-S(BB625)	Screw & lockwasher (choke plate to shaft)-No. 4-48" x 1 1/4"-pan head
1 @	C1AZ 9B549-A	Dashpot
2	@34806-S7(X64)	Lockwasher-5/16"
1	@33923-S7(M32)	Nut-5/16"-24
1	B6A 9550-B	Float
1	B5AZ 9B550-A	Bracket (dashpot mounting)
2	★31596-S7	Screw (bracket to throttle body)-No. 10-32 x 3/8"
2	34803-S7(X60)	Lockwasher-No. 10
1	B5A 9557-A	Selector (float bowl vent)
1	8MC 9558	Pin (float hinge)
1	B5AZ 9561-A	Gasket (main body cover plate)
1	B6A 9564-B	Valve & seat (fuel inlet)
1	B5AZ 9A565-A	Economizer
1	355067-S7(BB53)	Screw & washer (valve to main body cover & plugs)-No. 8-32 x 5/16" fillister head
2	B2Q 9566-A	Washer (throttle shaft seal retainer)-.02" thick-.255" I.D. -.54" O.D.
1	B5A 9569-A	Gasket (float valve seat)
1	B6A 9569-A	"O" ring (fuel inlet valve seal)

@ Not supplied with service carburetor. Order separately if required.

continued on next page

## CARBURETOR PART No. B6A 9510-Q

QTY. PER CARBU-RETOR	PART NUMBER	DESCRIPTION
1	B5A 9572-A	Cup (pump piston)
1	B5AZ 9B572-A	Valve (spark control)
2	B5AZ 9575-A	Retainer (vacuum dist. ball check valve spring)
1	EAD 9575-A	Retainer (accel. pump check ball)-No. 10-32 threads-.96" long
1	78 9575	Retainer (accel. pump check ball)-3/4" diameter-serviced in kit 9590
3	78 9576	Ball (accelerator pump check)-1/8" diameter
1	B5A 9576-A	Ball (secondary throttle check)
2	B6A 9577-A	Nozzle (pump discharge)
1	B8A 9578-B	Spring (throttle adjusting screw)-4 1/2 coils-.20" I.D.-.58" long
1	40 9578	Spring (idle adjusting needle)
1	354825-S(BB409)	Screw (throttle adjusting)-No. 10-32 x .67" long
1	B5A 9581-A	Shaft & lever (throttle)-primary
1	B5A 9583-A	Lever (secondary throttle diaphragm)
1	353851-S(BB620)	Screw & washer (lever to diaphragm housing)-No. 6-32 x 5/16" pan head
2	★ B5A 9585-A	Plate (throttle)-primary
2	B6A 9585-A	Plate (throttle)-secondary
8	B9A 9586-A	Screw(throttle plate)-No. 6-32 oval hd.
1	A8TZ 9A588-A	Gasket (power jet)-.56" O.D.-.03" thick-serviced in kit 9502
1	COAE 9A588-A	Gasket (economizer)-.57" I.D.-.75" O.D.-.015" thick
1	B6AZ 9A592-A	Lever & shaft (second. throttle plate)
1	B4T 9594-A	Jet (power)-stamped 28
1	B6A 9597-B	Cam (fast idle)-except with B6AZ 9B508-A, B6A 9849-C, B6AZ 9A753-A & 359113-S
1	B6A 9597-C	Cam (fast idle)-necessary to use with B6AZ 9B508-A, B6A 9849-C, B6AZ 9A753-A & 359113-S
1	★37777-S18	Screw (fast idle cam stop)-No. 10-32 x 1 3/8"
1	A1A 9599-A	Retainer (pump link)-11/32" long
4	B6A 9609-A	"O" ring (secondary venturi tube)
4	351256-S7(XX54)	Washer ("O" ring retaining)
2	B6A 9616-A	Tube (secondary venturi fuel supply)
1	B6A 9633-A	Clamp (second. venturi extension tube)
1	★37611-S7	Screw (clamp to main body)-No. 8-32 x 1/4" pan head
1	34938-S8(X85)	Lockwasher-No. 8 external tooth
1	★ B6A 9636-B	Spring (accelerator pump piston return)-.33" I.D.-.40" O.D.-2.70" long-22 coils
1	8CM 9636-B	Spring (pump piston operating rod)-upper-.270" I.D.-.314" O.D.-3.19" long-22 coils
1	B5A 9655-A	Seal (choke air inlet tube)

## CARBURETOR SERVICE PARTS LIST No. 39 - continued

QTY. PER CARBU-RETOR	PART NUMBER	DESCRIPTION
1	B6AZ 9A659-A	Screw (air cleaner anchor)-not used on model S-2" long
1	B6SZ 9A659-A	Screw (air cleaner anchor)-not supplied with service carb.-order separately for model S-2.60" long-hex. section 1.39" & 1.21" from ends
1	34805-S8(X62)	Lockwasher-1/4"
1	B6AZ 9A753-A	Shaft & lever (choke housing)-use with B6A 9597-C, B6AZ 9B508-A B6A 9849-C & 359113-S
1	355829-S7(MM15)	Nut (shaft & lever to housing)-No. 8-36 hex.
1	34802-S7(X59)	Lockwasher-No. 8
1	B5AZ 9812-A	Spacer (secondary throttle plate control lever)
1	B6A 9840-C	Piston (automatic choke)
1	355829-S7(MM15)	Nut (piston to choke housing)-No. 8-36
1	34802-S7(X59)	Lockwasher-No. 8
1	359013-S8 (BB683)	Screw (lever to housing)-No. 6-32 flat head shoulder
1	B6A 9842-A	Clamp (thermostatic choke housing)
3	31061-S8(U50)	Screw (clamp housing)-No. 8-32 x 1/2"
3	34802-S7(X59)	Lockwasher-No. 8
1	B6A 9844-A	Plate (thermostatic choke housing)
1	B6A 9848-C	Housing (choke thermostat)
1	B6A 9849-C	Housing & plugs (choke)-use with 1 each B6A 9597-C, B6AZ 9B508-A B6AZ 9A753-A & 359113-S
2	359012-S(BB57)	Screw & washer (housing to throttle body)-No. 8-32 x 15/16" fillister head
1	★31077-S8	Screw (housing to throttle body)-No. 8-32 x 5/8"
2	359369-S8(BB58)	Screw & washer (housing to throttle body)-No. 8-32 x 1.12" fillister head
1	359113-S(XX46)	Washer-No. 8-flat
1	34802-S7(X59)	Lockwasher-No. 8
1	B6A 9850-A	Control (thermostatic choke)
1	B5AZ 9853-A	Gasket (secondary throttle diaphragm housing)
1	B6A 9853-C	Gasket (thermostatic choke housing)
1	B6A 9861-A	Shield (choke thermostat)
1	B6A 9871-A	Gasket (choke thermostatic housing to choke housing & plugs)
1	A8Q 9937-A	Spring (filter screen retainer)-.396" O.D.-.80" long-6 1/2 coils
1	A8Q 9938-A	Screen (filter)-with retainer
1	B6A 9944-A	Plug (float needle seat)
1	B6A 9945-A	Gasket (float needle seat plug)
1	B6A 9959-A	Spring (fuel valve seat)
1	★ B6A 9973-A	Jet (spark valve restriction)-No. 38
1	B2Q 9976-A	Spring (accelerator pump rod seal)-.317" O.D.-.80" long-7 1/2 coils
1	B5AZ 9998-A	Seal (air horn)-serviced in kit 9502

### CARBURETOR PART No. B6A 9510-R

### CARBURETOR SERVICE PARTS LIST No. 40

QTY. PER CARBU-RETOR	PART NUMBER	DESCRIPTION
1	B6A 9502-B	Gasket set
1	B6AZ 9A586-C	Kit (tune up) 0 to 5,000 ft. altitude only
1	B6AZ 9A586-A	5,000 to 15,000 ft. altitude
1	B6AZ 9590-A	Repair kit
3	357428-S7-8	Stud-5/16"-18-24 x 1.30"-not used with governor
3	34806-S7(X64)	Lockwasher-5/16"
3	33798-S8(M62)	Nut-5/16"-24
1	358286-S(II-74)	Connector (carb. to tube assy.)-5/16" flared-.72" hex.
1	358705-S(II-127)	Connector (carb. to tubes to fuel pump & distributor vacuum diaphragm)-used with power brakes-brass-90° elbow
1	354582-S(II-73)	Connector (carb. to tube assy.)-5/16" flared tube
1 @	B1AZ 9B502-A	Screw (dashpot & throttle lever adjusting)
1	@34079-S7(M163)	Nut-No. 10-32
1	@34803-S7(X60)	Lockwasher-No. 10
1	B6A 9512-G	Body (main)
1	B6A 9516-A	Gasket (throttle body to main body)
1	A0AZ 9A516-A	Valve (accel. pump discharge needle)
1	B6A 9518-H	Body and shaft (throttle)
1	B6A 9519-A	Gasket (air horn to main body)
5	78 9523	Plug (main body)-lead-.15" diameter
1	*31646-S7	Screw (throttle body to main body)-1/4"-28 x 3/4" fillister head
5	31628-S7(U58)	Screw (air horn to main body)-No. 10-32 x 5/8"
1 *	B6A 9524-A	Horn (air)
5	34803-S7(X60)	Lockwasher-No. 10
1	B6AZ 9529-A	Link (accelerator pump)
1	353610-S8 (NN126)	Retainer (link to accelerator pump)-spring-.44" long
1	B6A 9531-A	Rod (accel. pump piston operating)
2	86H 9533	Jet (main metering) No. 52 - 0 to 5,000 ft. altitude
2	78 9533-A	No. 50 - 5,000 to 10,000 ft. altitude
2	78 9533-B	No. 48 - 10,000 to 15,000 ft. altitude
1	EAD 9535-A	Washer (accel. pump piston rod-felt)-.38" O.D. -.25" I.D. -.12" thick
1	351336-S8	Washer (accel. pump piston operating rod felt washer retaining)-flat-.26" I.D. x .36" O.D.
1	78 9535	Washer (accel. pump piston rod-felt)-serviced in kit 9502
2	78 9541-A	Needle (idle adjusting)
2	B6A 9542-A	Jet (idling)
1	B6AZ 9B544-B	Piston (accelerator pump)
1	B6A 9546-B	Shaft and lever (choke)
1	*37611-S7	Screw (choke shaft & lever)-No. 8-32 x 1/4"
1 @	C1AZ 9B549-A	Dashpot
2	@34806-S7(X64)	Lockwasher -5/16"
1	@33923-S7(M32)	Nut-5/16"-24
1	B6A 9550-A	Float
1 @	B1AZ 9B550-A	Bracket (dashpot mounting)
1	78 9558	Pin (float hinge)-.093" diameter-1.18" long-serviced in kit 9590

QTY. PER CARBU-RETOR	PART NUMBER	DESCRIPTION
2	78 9562-A	Plug (main jet)-3/8"-32-.40" overall length
2	A0A 9563-A	Gasket (float adjustment plug)-.39" I.D. -.50" O.D. -.04" thick
1	B5A 9564-A	Valve & seat (fuel inlet)
1 *	A0AZ 9A565-A	Economizer 0 to 5,000 ft. altitude
1	A8TZ 9A565-A	5,000 ft. altitude or higher-stamped "AM"
1	78 9569	Gasket (float valve seat)-serviced in kit 9502
1	B5A 9572-A	Cup (pump piston)
1	B5AZ 9B572-A	Valve (spark control)
1	A0AZ 9575-A	Retainer (accelerator pump piston)
1	78 9575	Retainer (accel. pump check ball)-3/4" diameter-serviced in kit 9590
1	78 9576	Ball (accelerator pump check)-1/8" diameter
1	B5A 9577-A	Nozzle (pump discharge)
1	B8A 9578-B	Spring (throttle adjusting screw)-4 1/2 coils-.20" I.D. -.58" long
1	40 9578	Spring (idle adjusting needle)
1	78 9580	Gasket (pump discharge nozzle)-.26" I.D. x .41" O.D.-serviced in kit 9502
1	B6A 9581-C	Shaft & lever (throttle)
2 *	B6A 9585-B	Plate (throttle)
4	B9A 9586-A	Screw (throttle plate)-No.6-32 oval hd.
2	B9A 9586-A	Screw (choke plate)-No.6-32 oval hd.
1	C0AE 9A588-A	Gasket (economizer)-.57" I.D. -.75" O.D. -.015" thick
1	C0AE 9A588-A	Gasket (spark control valve)-.57" I.D. -.75" O.D. -.015" thick
1	B4AZ 9595-A	Bracket (choke control)
1	B6A 9597-A	Cam (fast idle)
1	*31588-S8	Screw (throttle kicker fulcrum to main body)-No.10-32 x 5/16" fillister head
1	356234-S8(XX73)	Washer-No.10-flat
1	354569-S(RR1)	Retainer (cam to main body)-spring type-.62" long
1	359539-S8B (BB40)	Screw (throttle adjusting)-No.10-32 x 1.25"
1	B6A 9598-A	Rod (fast idle)-3.90" long
1	44705-S8(X6)	Washer-No.4-flat
2	353610-S8 (NN126)	Retainer (rod to choke shaft lever)-spring type-.44" long
1	A1A 9599-A	Retainer (pump link)-11/32" long
1	B6A 9636-C	Spring (pump piston operating rod)-upper
1 *	78 9636	Spring (accelerator pump piston return)
1	B5AZ 9812-A	Spacer (secondary throttle plate control lever)
1	B2A 9827-A	Gasket (fuel inlet fitting)
1 *	B6A 9840-A	Piston (automatic choke)
1	355829-S7(MM15)	Nut (piston to choke housing)-No. 8-36
1	34802-S7(X59)	Lockwasher-No. 8
1	B6A 9842-A	Clamp (thermostatic choke housing)
3	31061-S8(U50)	Screw (clamp housing)-No.8-32 x 1/2"
3	34802-S7(X59)	Lockwasher-No. 8
1	8CM 9844	Plate (thermostatic choke housing)
2	43248-S8(U72)	Screw & lockwasher (plate to choke housing)-No. 8-32 x 3/8" fillister head

@ Not supplied with service carburetor. Order separately if required.

continued on next page

## CARBURETOR PART No. B6A 9510-R

QTY. PER CARBU-RETOR	PART NUMBER	DESCRIPTION
1	B6A 9848-D	Housing (choke thermostat)
3	31061-S8(U50)	Screw (thermostat housing to choke housing)-No.8-32 x 1/2" fillister head
1	34802-S7(X59)	Lockwasher-No.8
1	B6A 9849-A	Housing & plugs (choke)
2	*41580-S8	Screw (housing to air horn)-No.8-32 x 5/8"
2	359113-S(XX46)	Washer-No.8-flat
2	34802-S7(X59)	Lockwasher-No.8
1	B6A 9853-B	Gasket (thermostatic choke housing)
1	EAD 9871-A	Gasket (automatic choke piston hsg.)-2.18" O.D. -use with EAD 9844-A plate

## CARBURETOR PART No. B7A 9510-A

1	B7AZ 9502-A	Gasket set
1	B7AZ 9A586-A	Kit (tune up)
1	B7AZ 9590-G	Repair kit
4	359697-S8(WW76)	Stud-5/16"-18-24 x 1.87"
4	351089-S8(MM20)	Nut-5/16"-24
4	34806-S7(X64)	Lockwasher-5/16"
1	358705-S(II-127)	Connector (carb. to tubes to fuel pump & distributor vacuum diaphragm)-used with power brakes-brass-90° elbow
1	359795-S(II-88)	Connector (vacuum tube to carb.)-3/16" tube threaded sleeve
1	B7AZ 9B501-A	Seal (fast idle rod)
1	34079-S7(MI63)	Nut-No. 10-32
1	34803-S7(X60)	Lockwasher-No. 10
1	B7AZ 9B508-B	Hub (fast idle cam)
1	B7A 9512-H	Body (main)
2	359409-S(PP59)	Plug (to plug drill passages in main body)-5/16"
1	371350-S(AA4)	Ball (accelerator pump inlet passage)-3/16" steel
1	359353-S(PP58)	Plug (to plug hole from bowl to accelerator pump)-1/8" cup
1	B7AZ 9A515-A	Rod (accel. pump link to vent lever)
1	74271-S7(R1)	Retainer (accel. pump link to vent lever rod to cover spring)-3/32"
1	B7AZ 9A520-A	Adaptor (fuel inlet)-1/2"-20 internal-9/16"-24 external threads-.80" long
1	B7AZ 9A523-F	Support (booster venturi)
1	371350-S(AA4)	Ball (accelerator pump discharge valve)-3/16" steel
1	B7AZ 9524-B	Horn & plugs (air)
5	43256-S8	Screw & washer (horn & plugs to main body)-No. 10-32 x 5/8"
1	B7A 9528-B	Cover (accelerator pump)-less link
4	43255-S8(U74)	Screw & washer (cover to carb.)-No. 8-32 x 5/8"
1	B7A 9529-A	Link (accelerator pump)
1	353847-S8 (NN109)	Pin (accelerator pump link to cover)-.187" x .50" diameter roll

@ Not supplied with service carburetor. Order separately if required.

## CARBURETOR SERVICE PARTS LIST No. 40 - continued

QTY. PER CARBU-RETOR	PART NUMBER	DESCRIPTION
1	B6A 9920-C	Bar (nozzle)-R.H. -less idle tube
1	B6A 9921-B	Bar (nozzle)-L.H. -less idle tube
4	78 9926	Gasket (nozzle bar)-.23" I.D. - .374" O.D. -.015" thick-serviced in kit 9502
2	EAB 9928-A	Clamp (nozzle bar)-1" long
2	355079-AS7 (BB73)	Screw (nozzle bar clamp)-No.8-32 x 7/8"
4	34802-S7(X59)	Lockwasher-No.8
2	*31077-S8	Screw (nozzle bar clamp)-No.8-32 x 5/8"
4	34802-S7(X59)	Lockwasher-No.8
1	B6A 9988-A	Stud (accelerator pump piston rod operating rod link)

## CARBURETOR SERVICE PARTS LIST No. 41

2	59A 9533-A	Jet (main metering) No. 51 - 0 to 5,000 ft. altitude
2	59A 9533-B	No. 49 - 5,000 to 10,000 ft. altitude
2	59A 9533-C	No. 47 - 10,000 to 15,000 ft. altitude
1	B7AZ 9A535-A	Bellcrank (fast idle)
1	B7A 9538-B	Lever & pin (fast idle adjusting)
1	359539-S8B (BB40)	Screw (fast idle adjusting)-No.10-32 x 1.25" fillister head
1	B7AZ 9A536-A	Gasket (booster venturi support)
2	C1AE 9541-C	Needle (idle adjusting)
1	B7AZ 9B542-A	Rod (accel. pump link to throttle lever)-5.77" between rod end centers-color daub identity "Blue"
1	74271-S7(R1)	Retainer (pump link to throttle lever rod to carb. throttle lever)-3/32" spring
1	B7A 9545-A	Plate (choke)-R. H.
1	B7A 9546-A	Shaft and lever (choke)
1	@C1AZ 9B549-A	Dashpot
2	@34806-S7(X64)	Lockwasher-5/16"
1	@33923-S7(M32)	Nut-5/16"-24
1	B7A 9550-D	Float
1	@B7AZ 9B550-A	Bracket (dashpot mounting)
2	43252-S8(U77)	Screw & washer (dashpot mounting bracket to carb.)-No.10-32 x 1/2"
1	B7A 9558-A	Pin (float hinge)
1	B7AZ 9B559-A	Diaphragm (accelerator pump)
1	B7A 9561-A	Gasket (float bowl)
1	B7A 9563-A	Gasket (economizer cover)
1	C2AZ 9564-B	Valve & seat (fuel inlet)-includes (1) B7A 9569-A gasket & (1) C1AZ 9599-A retainer
1	C0AZ 9A565-A	Economizer
1	B7A 9569-A	Gasket (float valve seat)
1	B7A 9575-A	Retainer (accel. pump check ball)
1	B7AZ 9575-A	Retainer (fast idle rod seal)
1	43245-S8(U71)	Screw & washer (retainer to horn)-No. 8-32 x 1/4"
1	78 9576	Ball (accelerator pump check)-1/8" diameter
1	B7A 9577-A	Screw (pump discharge nozzle)
1	374370-S(XX94A)	Washer-1/4" flat (buna coated alum.)
2	B8A 9578-B	Spring (throttle adjusting screw)-4 1/2 coils-.20" I.D. -.58" long
2	40 9578	Spring (idle adjusting needle)
1	355107-S7 (BB536)	Screw (normal idle adjusting)-No.10-32 x 1" special hex. head slotted

continued on next page

**CARBURETOR PART No. B7A 9510-A**

QTY. PER CARBU-RETOR	PART NUMBER	DESCRIPTION
1	B7A 9581-D	Shaft & lever (throttle)
1	B7A 9934-A	Cap (accelerator pump plunger)
1	B7A 9935-A	Spring (accelerator pump rod plunger)
1	B7A 9938-A	Screen (filter)
1	B7A 9974-B	Screw (fuel level inspection)
1	B7A 9988-A	Retainer (idle bellcrank)
2	B7AZ 9992-A	Bearing (choke shaft)
1	B7AZ 9D585-A	Lever (ventilator)
1	359941-S7(NN94)	Pin (lever to body)-1/8" x 1/2"-spring
4	B7A 9586-A	Screw (throttle plate)
2	B9A 9586-A	Screw (choke plate)-No. 6-32 oval hd.
1	C0AE 9A588-A	Gasket (spark control valve)-.57" I.D. -.75" O.D. -.015" thick
1	C2AZ 9A588-B	Gasket (economizer)
1	B7A 9597-A	Cam (fast idle)
1	74271-S7(R1)	Retainer spring-3/32" (fast idle cam to bellcrank)
1	359566-S8B (XX43)	Washer (fast idle cam to bellcrank)-No. 4-flat
1	B7A 9598-A	Rod (fast idle)
1	74271-S7(R1)	Retainer spring (fast idle rod to bellcrank)-3/32"
2	359555-S(XX50)	Washer (fast idle rod seal)-No. 8-flat
1	B7AZ 9599-A	Retainer (float lever shaft)-.37" I.D.
1	B7AZ 9A599-A	Rod (thermostatic choke lever)
1	74271-S7(R1)	Retainer (rod to choke housing shaft & lever)-spring-3/32"
1	B7A 9636-A	Spring (accel. pump piston return)
1	B7AZ 9A753-A	Shaft & lever (choke housing)

**CARBURETOR PART No. B7A 9510-B**

1	B7AZ 9502-B	Gasket set
1	B7AZ 9A586-B	Kit (tune up)
1	B7AZ 9590-C	Repair kit
4	359697-S8(WW76)	Stud-5/16"-18-24 x 1.87"
4	351089-S8(MM20)	Nut-5/16"-24
4	34806-S7(X64)	Lockwasher-5/16"
1	358705-S(II-127)	Connector (carb. to tubes to fuel pump & distributor vacuum diaphragm)-used with power brakes-brass-90° elbow
1	359795-S(II-88)	Connector (vacuum tube to carb.)-3/16" tube threaded sleeve
1	B7AZ 9B501-A	Seal (fast idle rod)
1	34079-S7(M163)	Nut-No. 10-32
1	34803-S7(X60)	Lockwasher-No. 10
1	B7A 9503-A	Diaphragm (secondary throttle)
1	B7AZ 9B504-A	Spring (secondary throttle diaphragm return)
1	B7A 9507-A	Cover (secondary throttle diaphragm)
4	*41593-S8	Screw (diaphragm cover to carb.)-No. 8-32 x 3/4"
4	34802-S7(X59)	Lockwasher-No. 8
1	B7AZ 9B508-B	Hub (fast idle cam)
1	B7A 9512-K	Body (main)
2	359409-S(PP59)	Plug (to plug drill passages in main body)-5/16"

**CARBURETOR SERVICE PARTS LIST No. 41 - continued**

QTY. PER CARBU-RETOR	PART NUMBER	DESCRIPTION
1	B7AZ 9812-A	Spacer (thermo, choke shaft)
1	B7A 9840-A	Piston (choke thermostat)
1	355829-S7(MM15)	Nut (piston to choke housing)-No. 8-36
1	34802-S7(X59)	Lockwasher-No. 8
1	B6A 9842-A	Clamp (thermostatic choke housing)
3	31061-S8(U50)	Screw (clamp housing)-No. 8-32 x 1/2"
3	34802-S7(X59)	Lockwasher-No. 8
1	B7A 9844-A	Plate (thermostatic choke housing)
1	B7A 9848-A	Housing (choke thermostat)
3	31061-S8(U50)	Screw (thermostat housing to choke housing)-No. 8-32 x 1/2" fillister head
1	34802-S7(X59)	Lockwasher-No. 8
1	B7A 9849-A	Housing & plugs (choke)
1	*37787-S8	Screw (housing to main body)-No. 8-32 x 1 1/2" fillister head
2	43407-S8(U76)	Screw & washer (housing to carb.)-No. 8-32 x 1"
1	359113-S(XX46)	Washer-No. 8-flat
1	34802-S7(X59)	Lockwasher-No. 8
1	B7A 9850-C	Control (thermostatic choke)
1	B7A 9853-A	Gasket (choke thermostatic control)
1	B7A 9861-A	Shield (choke thermostat)
2	43245-S8(U71)	Screw & washer (shield to housing)-No. 8-32 x 1/4"
1	B7A 9871-A	Gasket (automatic choke piston hsg.)
1	B7A 9930-A	Cover (economizer valve)
4	31061-S8(U50)	Screw (economizer valve cover to main body)-No. 8-32 x 1/2" fill. hd.
4	34802-S7(X59)	Lockwasher-No. 8

**CARBURETOR SERVICE PARTS LIST No. 42**

1	371350-S(AA4)	Ball (accelerator pump inlet passage)-3/16" steel
1	359353-S(PP58)	Plug (to plug hole from bowl to accelerator pump)-1/8" cup
1	B7AZ 9A515-A	Rod (accel. pump link to vent lever)
1	74271-S7(R1)	Retainer (accel. pump link to vent lever rod to cover spring)-3/32"
1	B7AZ 9A520-A	Adaptor (fuel inlet)-1/2"-20 internal-9/16"-24 external threads-.80" long
4*	B7A 9522-A	Plug (fuel inlet strainer)-shoulder diameter .2225"
1	B7AZ 9A523-A	Support (booster venturi)-secondary
1	38294-S8(U141)	Screw (venturi secondary support to carb.)-1/4"-20 x 1" pan head
1	371350-S(AA4)	Ball (accelerator pump discharge valve)-3/16" steel
1	B7AZ 9A523-G	Support (booster venturi)-primary
1	B7AZ 9524-C	Horn & plugs (air)
5	43256-S8	Screw & washer (horn & plugs to main body)-No. 10-32 x 5/8"
1	359826-S(XX52)	Washer (air horn to main body)-No. 8 flat
1	34804-S8(X61)	Lockwasher-No. 8
1	B7A 9528-B	Cover (accelerator pump)-less link
4	43255-S8(U74)	Screw & washer (cover to carb.)-No. 8-32 x 5/8"
1	B7A 9529-A	Link (accelerator pump)
1	353847-S8 (NN109)	Pin (accelerator pump link to cover)-.187" x .50" diameter roll

continued on next page

## CARBURETOR PART No. B7A 9510-B

QTY. PER CARBU-RETOR	PART NUMBER	DESCRIPTION
2	06H 9533	Jet (main metering)-primary No. 54 - 0 to 5,000 ft. altitude
2	86H 9533	No. 52 - 5,000 to 10,000 ft. altitude
2	78 9533-A	No. 50 - 10,000 to 15,000 ft. altitude
2	B4Q 9533-B	Jet (main metering)-secondary No. 59 - 0 to 5,000 ft. altitude
2	26H 9533	No. 57 - 5,000 to 10,000 ft. altitude
2	B4T 9533-A	No. 55 - 10,000 to 15,000 ft. altitude
1	B7AZ 9A535-A	Bellcrank (fast idle)
2	B7AZ 9A536-A	Gasket (booster venturi support)
1	B7A 9538-B	Lever & pin (fast idle adjusting)
1	359539-S8B (BB40)	Screw (fast idle adjusting)-No. 10-32 x 1.25" fillister head
2	C1AE 9541-C	Needle (idle adjusting)
1	B7AZ 9B542-A	Rod (accel. pump link to throttle lever)-5.77" between rod end centers-color daub identity "Blue"
1	74271-S7(R1)	Retainer (pump link to throttle lever rod to carb. throttle lever)-3/32" spring
1	B7A 9545-A	Plate (choke)-R. H.
1	B7A 9546-A	Shaft and lever (choke)
1	C1AZ 9B549-A	Dashpot
2	34806-S7(X64)	Lockwasher-5/16"
1	33923-S7(M32)	Nut-5/16"-24
2	B7A 9550-D	Float
1	B7AZ 9B550-A	Bracket (dashpot mounting)
2	43252-S8(U77)	Screw & washer (dashpot mounting bracket to carb.)-No. 10-32 x 1/2"
2	B7A 9558-A	Pin (float hinge)
1	B7AZ 9B559-A	Diaphragm (accelerator pump)
1	B7A 9561-B	Gasket (float bowl)
1	B7A 9563-A	Gasket (economizer cover)
2	C2AZ 9564-B	Valve & seat (fuel inlet)-includes (1) B7A 9569-A gasket & (1) C1AZ 9599-A retainer
1	C0AZ 9A565-A	Economizer
2	B7A 9569-A	Gasket (float valve seat)
1	B7A 9575-A	Retainer (accel. pump check ball)
1	B7AZ 9575-A	Retainer (fast idle rod seal)
1	43245-S8(U71)	Screw & washer (retainer to horn)-No. 8-32 x 1/4"
2	78 9576	Ball (accelerator pump check)-1/8" diameter-serviced in kit 9590
1	B7A 9577-A	Screw (pump discharge nozzle)
1	374370-S(XX94A)	Washer-1/4" flat (buna coated alum.)
2	B8A 9578-B	Spring (throttle adjusting screw)-4 1/2 coils-.20" I. D.-.58" long
2	40 9578	Spring (idle adjusting needle)
1	355107-S7 (BB536)	Screw (normal idle adjusting)-No. 10-32 x 1" special hex. head slotted
1	B7A 9583-A	Lever (throttle closing)
1	353848-S8(NN71)	Pin (spring-3/16" x 11/16" throttle diaphragm lever to carburetor)
1	B7A 9584-A	Lever (secondary)
2	*B7A 9585-G	Plate (throttle)-secondary
2	B8A 9585-E	Plate (throttle)-primary
1	B7AZ 9D585-A	Lever (ventilator)
1	359941-S7(NN94)	Pin (lever to body)-1/8" x 1/2"-spring
8	B7A 9586-A	Screw (throttle plate)
2	B9A 9586-A	Screw(choke plate)-No. 6-32 oval hd.
2	C0AE 9A588-A	Gasket (spark control valve)-.57" I. D.-.75" O. D.-.015" thick
1	C2AZ 9A588-B	Gasket (economizer)
1	*B7AZ 9A592-E	Lever & shaft (second. throttle plate)

## CARBURETOR SERVICE PARTS LIST No. 42 - continued

QTY. PER CARBU-RETOR	PART NUMBER	DESCRIPTION
1	B7A 9596-A	Rod (secondary diaphragm control)
1	74271-S7(R1)	Retainer-spring-3/32" (secondary diaphragm control rod to throttle secondary lever)
1	74271-S7(R1)	Retainer-spring-3/32" (secondary diaphragm control rod to secondary throttle diaphragm lever)
1	351764-S7(XX67)	Washer (diaphragm control rod-to diaphragm lever)-flat .140/.145" x .25" O. D.
1	B7A 9597-A	Cam (fast idle)
1	74271-S7(R1)	Retainer spring-3/32" (fast idle cam to bellcrank)
1	359566-S8B (XX43)	Washer (fast idle cam to bellcrank)-No. 4-flat
1	B7A 9598-A	Rod (fast idle)
2	359555-S(XX50)	Washer (fast idle rod seal)-No. 8-flat
1	74271-S7(R1)	Retainer spring (fast idle rod to bellcrank)-3/32"
2	B7AZ 9599-A	Retainer (float lever shaft)-.37" I. D.
1	B7AZ 9A599-A	Rod (thermostatic choke lever)
1	74271-S7(R1)	Retainer (rod to choke housing shaft & lever)-spring-3/32"
1	B7A 9636-A	Spring (accel. pump piston return)
1	B7AZ 9A753-A	Shaft & lever (choke housing)
1	B7A 9812-A	Spacer (fast idle lever)-3/8" O. D. x .525" long
1	B7AZ 9812-A	Spacer (thermo. choke lever)
1	B7A 9840-A	Piston (choke thermostat)
1	355829-S7(MM15)	Nut (piston to choke housing)-No. 8-36
1	34802-S7(X59)	Lockwasher-No. 8
1	B6A 9842-A	Clamp (thermostatic choke housing)
3	31061-S8(U50)	Screw (clamp housing)-No. 8-32 x 1/2"
3	34802-S7(X59)	Lockwasher-No. 8
1	B7A 9844-A	Plate (thermostatic choke housing)
1	B7A 9848-A	Housing (choke thermostat)
3	31061-S8(U50)	Screw (thermostat housing to choke housing)-No. 8-32 x 1/2" fillister head
1	34802-S7(X59)	Lockwasher-No. 8
1	B7A 9849-A	Housing & plugs (choke)
1	*37787-S8	Screw (housing to main body)-No. 8-32 x 1 1/2" fillister head
2	43407-S8(U76)	Screw & washer (housing to carb.)-No. 8-32 x 1"
1	359113-S(XX46)	Washer-No. 8-Flat
1	34802-S7(X59)	Lockwasher-No. 8
1	B7A 9850-C	Control (thermostatic choke)
1	B7A 9853-A	Gasket (choke thermostatic control)
1	B7A 9861-A	Shield (choke thermostat)
2	43245-S8(U71)	Screw & washer (shield to housing)-No. 8-32 x 1/4"
1	B7A 9871-A	Gasket (automatic choke piston hsg.)
1	B7A 9930-A	Cover (economizer valve)
4	31061-S8(U50)	Screw (economizer valve cover to main body)-No. 8-32 x 1/2" fill. hd.
4	34802-S7(X59)	Lockwasher-No. 8
1	B7A 9934-A	Cap (accelerator pump plunger)
1	B7A 9935-A	Spring (accelerator pump rod plunger)
1	B7A 9938-A	Screen (filter)
2	B7A 9974-B	Screw (fuel level inspection)
1	B7A 9988-A	Retainer (idle bellcrank)
2	B7AZ 9992-A	Bearing (choke shaft)
1	B7A 9997-A	Tube (second. throttle control vacuum)

**CARBURETOR PART No. B7A 9510-C**

**CARBURETOR SERVICE PARTS LIST No. 43**

QTY. PER CARBU-RETOR	PART NUMBER	DESCRIPTION
1	B7A 9502-A	Gasket set
1	B6AZ 9A586-B	Kit (tune up)
1	B7A 9590-M	Repair kit
2	357692-S(WW31)	Stud-3/8"-16 & 3/8"-24 x 1 1/2"
2	359524-S(WW28)	Stud (carb. to intake & exhaust manifold)-3/8"-16-24 x 1.30"
2	34807-S8(X66)	Lockwasher-3/8"
2	33925-S7(M33)	Nut-3/8"-24
1	358705-S(II-127)	Connector (carb. to tubes to fuel pump & distributor vacuum diaphragm)-used with power brakes-brass-90° elbow
1	C0AZ 9A507-A	Bowl & plugs (float)-metal
4	*31644-S7	Screw (bowl to main body)-No. 10-32 x 3/4" fill. hd.
4	34803-S7(X60)	Lockwasher-No. 10
1	B9AE 9B511-A	Weight (pump discharge ball)
1	B7A 9512-L	Body (main)
1	B6A 9516-B	Gasket (throttle body to main body)
1	B7A 9518-E	Body and shaft (throttle)
@1	EBP 9529-A	Link (accelerator pump)
2	353610-S8(NN126)	Retainer (accel. pump link)-.44" long
1	B7T 9533-A	Jet (main metering) No. 69 - 0 to 5,000 ft. altitude
1	B4C 9533-A	No. 67 - 5,000 to 10,000 ft. altitude
1	5GA 9533-A	No. 65 - 10,000 to 15,000 ft. altitude
1	B7A 9541-D	Needle (idle adjusting)
1	C0AE 9B544-C	Piston (accel. pump)-includes gasket
1	B6A 9546-C	Shaft and lever (choke)
1	B6AZ 9546-A	Kit (choke shaft & related parts)
1	*37611-S7	Screw (choke shaft & lever)-No. 8-32 x 1/4"
1	B7A 9549-A	Plate (choke)
1	C2AZ 9550-A	Float assy.
1	C1AE 9558-A	Pin (float hinge)
1	B2AZ 9561-A	Gasket (float bowl)-3.81" long-2.19" wide - use with glass bowl only
1	C2AZ 9561-C	Gasket (float bowl)
1	C0DE 9564-B	Valve & seat (fuel inlet)-replaced by C2AZ 9564-C (6-62)
1	C2AZ 9564-C	Valve & seat assy. (fuel inlet)
1	B2AZ 9A565-A	Economizer
3	31061-S8(U50)	Screw (valve to main body)-No. 8-32 x 1/2"
3	34802-S7(X59)	Lockwasher-No. 8
1	B2A 9568-B	Retainer (pump operating lever)-split-serviced in kit 9590
1	EAA 9569-A	Gasket (float valve seat)-.32" I.D. -.52" O.D. -.031" thick-serviced in kit 9502
1	B2AZ 9575-A	Retainer (vacuum dist. ball check valve spring)-serviced in kit 9590
1	EAA 9576-A	Ball (accelerator pump check)
2	78 9576	Ball (accelerator pump check)-1/8" diameter
@	Serviced in 9590 kit only	

QTY. PER CARBU-RETOR	PART NUMBER	DESCRIPTION
1	B8A 9578-B	Spring (throttle adjusting screw)-4 1/2 coils-.20" I.D. -.58" long
1	40 9578	Spring (idle adjusting needle)
1	B6A 9581-B	Shaft & lever (throttle)
1	*EAA 9583-A	Lever (accelerator pump operator)
1	*B4A 9585-A	Plate (throttle)
2	*31036-S8	Screw (throttle plate)-No. 6-32 x 5/16" fillister head
2	34937-S7(X84)	Lockwasher-No. 6-external tooth
2	B2A 9586-A	Screw (choke plate)
1	B7A 9586-D	Screw (choke shaft locating)-No. 6-32 x .25"
1	B2AZ 9A588-A	Gasket (economizer)-serviced in kit 9502
1	*B6AZ 9A588-A	Gasket (power jet & main well spacer)
1	B7A 9594-A	Jet & main well (power)-stamped 3348-A
3	*37643-S7	Screw (jet & main well to main body)-No. 6-32 x .44"
2	353799-S8	Screw (jet & main well to main body)-No. 6-32 x .75"
2	34801-S7(X58)	Lockwasher-No. 6
1	1CM 9681-A	Ball (throttle lever)
1	34079-S7(M163)	Nut (throttle lever ball)-No. 10-32 hex.
1	34803-S7(X60)	Lockwasher-No. 10
1	8BA 9792	Clamp (choke control bracket)
1	31061-S8(U50)	Screw (choke control bracket clamp)-No. 8-32 x 1/2"
1	34052-S7(M155)	Nut-No. 8-32
1	EAA 9796-A	Bracket (choke control)
1	*31596-S7	Screw & lockwasher (choke bracket)-No. 10-32 x 3/8"
1	B2A 9808-A	Retainer (float)-use with glass bowl only
4	B2A 9809-A	Clamp (float bowl retainer)-use with glass bowl only
4	*31644-S7	Screw (clamp)-No. 10-32 x 3/4" fillister head
4	34803-S7(X60)	Lockwasher-No. 10
1	B2A 9827-A	Gasket (fuel inlet fitting)
1	B7A 9920-A	Nozzle (main well)
1	B7A 9926-A	Seal (main well nozzle)
1	*B2A 9930-B	Cover (economizer valve)
3	31061-S8(U50)	Screw (economizer valve cover to main body)-No. 8-32 x 1/2" fill. hd.
3	34802-S7(X59)	Lockwasher-No. 8
1	*B2A 9934-A	Sleeve (pump push rod)-.31" O.D. -1.20" long
1	EAA 9935-B	Spring (accel. pump rod plunger)-.27" O.D. -.13 coils-1.34" long
1	EAA 9936-A	Spring (accelerator pump diaphragm return)-cone shaped-8 coils
Δ1	B2AZ 9945-A	Gasket (fuel inlet seat screw)-.32" I.D. -.428" O.D. -.031" thick
Δ	Serviced in 9502 kit only	

## CARBURETOR PART No. B7A 9510-D

QTY. PER CARBU-RETOR	PART NUMBER	DESCRIPTION
1	B7A 9502-A	Gasket set
1	B6AZ 9A586-B	Kit (tune up)
1	B7A 9590-M	Repair kit
1	354582-S(II-73)	Connector (carb. to tube ass'y.)-5/16" flared tube
2	88407-S(W15)	Stud(carb. to intake & exhaust manifold)-3/8"-16 & 3/8"-24 x 1 11/16"
2	34847-S8(X74)	Lockwasher-3/8"
2	33925-S7(M33)	Nut-3/8"-24
1	B1AZ 9B502-A	Screw (dashpot & throttle lever adj.)
1	B2AZ 9B502-A	Screw (dashpot operating lever)-No. 8-32 x .59" slotted binding head
1	34803-S7(X60)	Lockwasher-No. 10
1	34079-S7(M163)	Nut-No. 10-32
1	COAZ 9A507-A	Bowl & plugs assy.(float)-metal bowl
4	*31644-S7	Screw (bowl to main body)-No. 10-32 x 3/4" fillister head
4	34803-S7(X60)	Lockwasher-No. 10
1	B9AE 9B511-A	Weight (pump discharge ball)
1	B7A 9512-L	Body & plugs ass'y. (main)
1	B6A 9516-B	Gasket (throttle body to main body)
1	B7A 9518-E	Body & shaft ass'y. (throttle)
@1	EBP 9529-A	Link (accelerator pump)
2	353610-S8(NN126)	Retainer (spring type)-.44" long
1	B7T 9533-A	Jet (main metering)-No. 69-0 to 5,000 ft. alt.
1	B4C 9533-A	No. 67-5,000 to 10,000 ft. alt.
1	5GA 9533-A	No. 65-10,000 to 15,000 ft. alt.
1	B7A 9541-D	Needle (idle adjusting)
1	C0AE 9B544-C	Piston assy. (accelerator pump)-includes gasket
1	B6A 9546-C	Shaft & lever assy. (choke)
1	B6AZ 9546-A	Kit (choke shaft & related parts)
1	B7A 9549-B	Plate assy. (choke)
1	C1AZ 9B549-A	Dashpot assy.
1	34806-S7(X64)	Lockwasher-5/16"
1	33923-S7(M32)	Nut-5/16"-24
1	C2AZ 9550-A	Float assy.
1	C1AE 9558-A	Pin (float hinge)
1	B2AZ 9561-A	Gasket(float bowl retainer)-3.81"long-2.19" wide-use with glass bowl only
1	C2AZ 9561-C	Gasket (float bowl)
1	C2AZ 9564-C	Valve & seat assy. (fuel inlet)
1	B2AZ 9A565-A	Economizer assy.
1	B2A 9568-B	Retainer (pump operating lever)
1	EAA 9569-A	Gasket (float needle seat)
1	B2AZ 9575-A	Retainer (vacuum distributor ball check valve spring)-.24" O. D.
1	B2AZ 9576-A	Valve (vacuum distributor ball check)-.156" diameter
1	EAA 9576-A	Ball (accelerator pump check)-.156" diameter
@	Serviced in 9590 kit only	

## CARBURETOR SERVICE PARTS LIST No. 44

QTY. PER CARBU-RETOR	PART NUMBER	DESCRIPTION
1	B8A 9578-B	Spring (throttle adjusting screw)-4 1/2 coils-.20" I. D. -.58" long
1	40 9578	Spring (idle adjusting needle)
1	B6A 9581-B	Lever and shaft assy. (primary throttle)
1	*EAA 9583-A	Lever (accelerator pump operator)
1	*B4A 9585-A	Plate (throttle)
2	*31036-S8	Screw (carb. throttle plate)-No. 6-32 x 5/16" fillister head
2	34937-S7(X84)	Lockwasher-No. 6-external tooth
2	B2A 9586-A	Screw (choke plate)
1	B7A 9586-D	Screw (choke shaft locating)-No. 6-32 x .25"
1	B2AZ 9A588-A	Gasket (economizer valve)
1	*B6AZ 9A588-A	Gasket (power jet & main well spacer)
1	B7A 9594-A	Jet & main well assy. (power)-stamped 3348-A
3	*37643-S7	Screw (jet & main well to main body)-No. 6-32 x 7/16" fillister head
2	353799-S8	Screw (jet & main well to main body)-No. 6-32 x .75" fillister head
	34801-S7(X58)	Lockwasher-No. 6
1	8BA 9792	Clamp (choke control bracket)
1	31061-S8(U50)	Screw (bracket clamp)-No. 8-32 x 1/2" fillister head
1	34052-S7(M155)	Nut-No. 8-32
1	EAA 9796-A	Bracket (choke control)
1	*31596-S7	Screw & lockwasher (choke bracket)-No. 10-32 x 3/8"
1	B6A 9802-A	Lever (dashpot operating)
1	B2A 9808-A	Retainer (float bowl)-use with glass bowl only
4	B2A 9809-A	Clamp (float bowl retainer)-use with glass bowl only
4	*31644-S7	Screw (clamp)-No. 10-32 x 3/4"-fillister head
4	34803-S7(X60)	Lockwasher-No. 10
1	B2A 9827-A	Gasket (fuel inlet fitting)
1	B7A 9920-A	Nozzle (main well)
1	B7A 9926-A	Gasket (main well nozzle)
1	*B2A 9930-B	Cover (economizer valve)
3	31061-S8(U50)	Screw (cover to main body)-No. 8-32 x 1/2"-fillister head
3	34802-S7(X59)	Lockwasher-No. 8
1	*B2A 9934-A	Sleeve (pump push rod)-.31" O. D. -1.20" long
1	EAA 9935-B	Spring (accel. pump rod plunger)-.27" O. D. -1.34" long-13 coils
1	EAA 9936-A	Spring (accel. pump diaphragm return)-cone shaped-8 coils
Δ1	B2AZ 9945-A	Gasket (fuel inlet seat screw)-.32" I. D. -.428" O. D. -.031" thick
Δ	Serviced in 9502 kit only	



**CARBURETOR PART No. B7A 9510-E**

**CARBURETOR SERVICE PARTS LIST No. 45**

QTY. PER CARBU-RETOR	PART NUMBER	DESCRIPTION
1	B7AZ 9502-A	Gasket set
4	359697-S8(WW76)	Stud-5/16"-18-24 x 1.87"
4	351089-S8(MM20)	Nut-5/16"-24
4	34806-S7(X64)	Lockwasher-5/16"
1	358705-S(II-127)	Connector (carb. to tubes to fuel pump & distributor vacuum diaphragm)-used with power brakes-brass-90° elbow
1	359795-S(II-88)	Connector (vacuum tube to carb.)-3/16" tube threaded sleeve
1	B7AZ 9B501-A	Seal (fast idle rod)
1	B7AZ 9B508-B	Hub (fast idle cam)
1	B7A 9512-H	Body (main)
2	359409-S(PP59)	Plug (to plug drill passages in main body)-5/16"
1	371350-S(AA4)	Ball (accelerator pump inlet passage)-3/16" steel
1	359353-S(PP58)	Plug (to plug hole from bowl to accelerator pump)-1/8" cup
1	B7AZ 9A515-A	Rod (accel.pump link to vent lever)
1	74271-S7(R1)	Retainer (accel.pump link to vent lever rod to cover spring)-3/32"
1	B7AZ 9A520-A	Adaptor (fuel inlet)-1/2"-20 internal-9/16"-24 external threads-.80" long
1	B7AZ 9A523-F	Support (booster venturi)
1	371350-S(AA4)	Ball (accelerator pump discharge valve)-3/16" steel
1	B7AZ 9524-B	Horn & plugs (air)
5	43256-S8	Screw & washer (horn & plugs to main body)-No.10-32 x 5/8"
1	B7A 9528-B	Cover (accelerator pump)-less link
4	43255-S8(U74)	Screw & washer (cover to carb.)-No. 8-32 x 5/8"
1	B7A 9529-A	Link (accelerator pump)
1	353847-S8 (NN109)	Pin (accelerator pump link to cover)-.187" x .50" diameter roll
1	B7AZ 9A535-A	Bellcrank (fast idle)
1	B7AZ 9A536-A	Gasket (booster venturi support)
1	B7A 9538-B	Lever & pin (fast idle adjusting)
1	359539-S8B (BB40)	Screw (fast idle adjusting)-No.10-32 x 1.25" fillister head
2	C1AE 9541-C	Needle (idle adjusting)
1	B7AZ 9B542-A	Rod (accel.pump link to throttle lever)-5.77" between rod end centers-color daub identity "Blue"
1	74271-S7(R1)	Retainer (pump link to throttle lever rod to carb.throttle lever)-3/32" spring
1	B7A 9545-A	Plate (choke)-R. H.
1	B7A 9546-A	Shaft and lever (choke)
1	B7A 9550-D	Float
1	B7A 9558-A	Pin (float hinge)
1	B7AZ 9B559-A	Diaphragm (accelerator pump)
1	B7A 9561-A	Gasket (float bowl)
1	B7A 9563-A	Gasket (economizer cover)
1	C2AZ 9564-B	Valve & seat (fuel inlet)-includes (1) B7A 9569-A gasket & (1) C1AZ 9599-A retainer
1	C0AZ 9A565-A	Economizer
1	B7A 9569-A	Gasket (float valve seat)
1	B7A 9575-A	Retainer (accel.pump check ball)
1	B7AZ 9575-A	Retainer (fast idle rod seal)
1	43245-S8(U71)	Screw & washer (retainer to horn)-No.8-32 x 1/4"

QTY. PER CARBU-RETOR	PART NUMBER	DESCRIPTION
1	78 9576	Ball (accelerator pump check)-1/8" diameter
1	B7A 9577-A	Screw (pump discharge nozzle)
1	374370-S(XX94A)	Washer-1/4" flat (buna coated alum.)
2	B8A 9578-B	Spring (throttle adjusting screw)-4 1/2 coils-.20" I.D. -.58" long
2	40 9578	Spring (idle adjusting needle)
1	355107-S7 (BB536)	Screw (normal idle adjusting)-No.10-32 x 1" special hex.head slotted
1	B7AZ 9D585-A	Lever (ventilator)
1	359941-S7(NN94)	Pin (lever to body)-1/8" x 1/2"-spring
4	B7A 9586-A	Screw (throttle plate)
2	B9A 9586-A	Screw (choke plate)-No.6-32 oval hd.
1	C0AE 9A588-A	Gasket (spark control valve)-.57" I.D. -.75" O.D. -.015" thick
1	C2AZ 9A588-B	Gasket (economizer)
1	B7A 9597-A	Cam (fast idle)
1	74271-S7(R1)	Retainer spring-3/32" (fast idle cam to bellcrank)
1	359566-S8B (XX43)	Washer (fast idle cam to bellcrank)-No.4-flat
1	B7A 9598-A	Rod (fast idle)
1	74271-S7(R1)	Retainer spring (fast idle rod to bellcrank)-3/32"
2	359555-S(XX50)	Washer (fast idle rod seal)-No.8-flat
1	B7AZ 9599-A	Retainer (float lever shaft)-.37" I.D.
1	B7AZ 9A599-A	Rod (thermostatic choke lever)
1	74271-S7(R1)	Retainer (rod to choke housing shaft & lever)-spring-3/32"
1	B7A 9636-A	Spring (accel.pump piston return)
1	B7AZ 9A753-A	Shaft & lever (choke housing)
1	B7AZ 9812-A	Spacer (thermo.choke lever)
1	B7A 9840-A	Piston (choke thermostat)
1	355829-S7(MM15)	Nut (piston to choke housing)-No.8-36
1	34802-S7(X59)	Lockwasher-No.8
1	B6A 9842-A	Clamp (thermostatic choke housing)
3	31061-S8(U50)	Screw (clamp housing)-No.8-32 x 1/2"
3	34802-S7(X59)	Lockwasher-No.8
1	B7A 9844-A	Plate (thermostatic choke housing)
1	B7A 9848-A	Housing (choke thermostat)
3	31061-S8(U50)	Screw (thermostat housing to choke housing)-No.8-32 x 1/2" fillister head
1	34802-S7(X59)	Lockwasher-No.8
1	B7A 9849-A	Housing & plugs (choke)
1	*37787-S8	Screw (housing to main body)-No.8-32 x 1 1/2" fillister head
2	43407-S8(U76)	Screw & washer (housing to carb.)-No.8-32 x 1"
1	359113-S(XX46)	Washer-No.8-flat
1	34802-S7(X59)	Lockwasher-No.8
1	B7A 9850-C	Control (thermostatic choke)
1	B7A 9853-A	Gasket (choke thermostatic control)
1	B7A 9861-A	Shield (choke thermostat)
2	43245-S8(U71)	Screw & washer (shield to housing)-No.8-32 x 1/4"
1	B7A 9871-A	Gasket (automatic choke piston hsg.)
1	B7A 9930-A	Cover (economizer valve)
4	31061-S8(U50)	Screw (economizer valve cover to main body)-No.8-32 x 1/2" fill.hd.
4	34802-S7(X59)	Lockwasher-No.8
1	B7A 9934-A	Cap (accelerator pump plunger)
1	B7A 9935-A	Spring (accelerator pump rod plunger)
1	B7A 9938-A	Screen (filter)
1	B7A 9974-B	Screw (fuel level inspection)
1	B7A 9988-A	Retainer (idle bellcrank)
2	B7AZ 9992-A	Bearing (choke shaft)

## CARBURETOR PART No. B7A 9510-F

QTY. PER CARBU-RETOR	PART NUMBER	DESCRIPTION
1	B8A 9502-F	Gasket set
1	B7AZ 9A586-D	Kit (tune up)
1	B7AZ 9590-E	Repair kit
1	34079-S7(M163)	Nut-No. 10-32
1	34803-S7(X60)	Lockwasher-No. 10
1	B7AZ 9B501-B	Seal (fast idle rod)
1	B7AZ 9A506-A	Lever (accelerator pump operating)-identified by stamped No. 36A
1	370050-S2 (BB537)	Screw (accelerator pump lever adjusting)-No. 10-32 x .50" hex. head slotted
1	370052-S2 (MM219)	Sleeve-nut (accelerator pump lever adjusting)-No. 10-32 x .26"
1	B8AZ 9A507-C	Bowl & plugs (float primary)-use with B8A 9528-B
1	B7AZ 9A511-B	Body & plugs (main metering)
1	B7AZ 9B511-A	Weight (pump discharge ball)
1	B7A 9512-Q	Body (main)
1	370053-S(PP24)	Plug (fuel level check)-5/16"-24 x 1/8"
1	B7AZ 9A515-B	Rod (accel. pump link to vent lever)
1	B7A 9516-A	Gasket (throttle body to main body)
1	B7AZ 9A517-A	Baffle (float bowl)-primary
1	B8A 9518-B	Body and shaft (throttle)
AR	359736-S2(BB67)	Screw & washer (throttle body to main body)-No. 12-24 x .81" fillister head
1	B9TZ 9A518-A	Gasket (main metering body)-primary
1	B7AZ 9A519-A	Spring (float)
1	B2TZ 9A520-A	Adaptor (fuel inlet)-27/32" overall length-has compression type seal
1	B7AZ 9526-A	Cam (accelerator pump diaphragm operating)
1	*31036-S8	Screw (pump cam)-No. 6-32 x 5/16" fillister head
1	34937-S7(X84)	Lockwasher-No. 6-external tooth
1	B8A 9528-B	Kit (accelerator pump cover)-consists of the following - 1-B8A 9528-B Cover, 4-43250-S Screw & washer & 4-359757-S2 Screw & washer
4	43250-S(U70)	Screw & lockwasher (accel. pump)-No. 6-32 x .50"
4	43255-S8(U74)	Screw & washer (accel. pump cover) - No. 8-32 x 5/8" fillister hd. - used to attach B8A 9528-B cover to B8A 9559-D, E float bowl
2	86H 9533	Jet (main metering)-when used with B7A 9512-E No. 52 - 0 to 5,000 ft. altitude

@ Not supplied with service carburetor. Order separately if required.

## CARBURETOR SERVICE PARTS LIST No. 46

QTY. PER CARBU-RETOR	PART NUMBER	DESCRIPTION
2	78 9533-A	No. 50 - 5,000 to 10,000 ft. altitude
2	78 9533-B	No. 48 - 10,000 to 15,000 ft. altitude
2	78 9533-B	Jet (main metering)-when used with B7A 9512-Q No. 48 - 0 to 5,000 ft. altitude
2	59A 9533-C	No. 47 - 5,000 to 10,000 ft. altitude
2	78 9533-C	No. 46 - 10,000 to 15,000 ft. altitude
1	B7AZ 9A535-C	Lever (fast idle pick up)
1	B7A 9538-A	Lever (fast idle adjusting)
1	42802-S8(U33)	Screw & lockwasher (lever to main body)-No. 10-32 x 3/8"
1	B7AZ 9A538-B	Spring (throttle shaft return)
2	B7A 9541-A	Needle (idle adjusting)
1	B7A 9545-B	Plate (choke)-R. H.
1	B7A 9546-B	Shaft and lever (choke)
1	@C1AZ 9B549-A	Dashpot
1	@33923-S7(M32)	Nut-5/16"-24
2	@34806-S7(X64)	Lockwasher-5/16"
1	B7A 9550-B	Float
1	351826-S(XX2)	Retainer (float bowl)
1	@B7AZ 9B550-B	Bracket (dashpot mounting)
1	34803-S7(X60)	Lockwasher-No. 10
1	356736-S7-8 (BB11)	Screw (bracket to throttle body)-No. 10-24 x 1/2" fillister head
1	B7A 9557-B	Valve (float bowl vent)
1	B7A 9559-A	Bowl & plugs (fuel)-replaced by B7A 9559-D & B7T 9528-A
1	B7A 9559-D	Bowl & plugs (float)-use with B7T 9528-A - repl. by B8AZ 9A507-C
4	359747-S2 (BB809)	Screw (fuel bowl & plugs to carb. main body)-No. 12-24 x 2.56"
4	359697-S8(WW76)	Stud-5/16"-18-24 x 1.87"
4	351089-S8(MM20)	Nut-5/16"-24
4	34806-S7(X64)	Lockwasher-5/16"
1	358705-S(II-127)	Connector (carb. to tubes to fuel pump & distributor vacuum diaphragm)-used with power brakes-brass-90° elbow
1	358165-S(II-65)	Connector (distributor vacuum tube to carb.)-1/8" pipe thread
1	B7AZ 9B559-B	Diaphragm (accelerator pump)
1	B7A 9560-B	Spring (pump chamber vent operating rod)
1	351826-S(XX2)	Retainer (operating rod spring)
1	B8A 9561-C	Gasket (float bowl)-primary
1	B8C 9564-A	Valve & seat (fuel inlet)
1	B7AZ 9A565-A	Economizer-stamped No. 85
1	B2A 9568-B	Retainer (pump operating lever)-split
1	359528-S7(XX7)	Retainer (air vent valve)

continued on next page

**CARBURETOR PART No. B7A 9510-F**

QTY. PER CARBU-RETOR	PART NUMBER	DESCRIPTION
1	B7AZ 9B569-A	Spring (fast idle cam lever)
1	B7A 9571-A	Spring (pump lever adjusting screw)
1	78 9576	Ball (accelerator pump check)-1/8" diameter
1	B8A 9577-B	Nozzle (pump discharge)
1	★50420-S7	Screw (pump discharge nozzle)-No. 12-24 x 3/4" oval head
2	B7AE 9580-A	Gasket(pump discharge nozzle & pump discharge screw)
1	B8A 9581-E	Shaft & lever (throttle)
1	370049-S(BB33)	Screw (fast idle adjusting)-No. 8-32 x .50" fillister head
2	B7A 9585-C	Plate (throttle)
2	B9A 9586-A	Screw (choke plate)-No. 6-32 oval hd.
1	★A8AZ 9A588-A	Gasket (fuel level check plug) - serviced in kit 9502
1	B7AZ 9A588-A	Gasket (economizer)
4	B7A 9592-A	Gasket (float bowl screw)
1	B8A 9597-B	Cam (fast idle)
1	352895-S8(NN79)	Pin (fast idle cam to throttle body & shaft)-1/16" x 3/4" groove

**CARBURETOR PART No. B7A 9510-G**

1	B8A 9502-F	Gasket set
1	B7AZ 9A586-D	Kit (tune up)
1	B7AZ 9590-E	Repair kit
1	B7AZ 9B501-B	Seal (fast idle rod)
1	B7AZ 9A506-A	Lever (accelerator pump operating)-identified by stamped No. 36A
1	370050-S2 (BB537)	Screw (accelerator pump lever adjusting)-No. 10-32 x .50" hex. head slotted
1	370052-S2 (MM219)	Sleeve-nut (accelerator pump lever) adjusting)-No. 10-32 x .26"
1	B8AZ 9A507-C	Bowl & plugs (float primary)-use with B8A 9528-B
1	B7AZ 9B511-A	Weight (pump discharge ball)
1	B7AZ 9A511-C	Body & plugs (main metering)
1	B7A 9512-R	Body (main)
1	370053-S(PP24)	Plug (fuel level check)-5/16"-24 x 1/8"
1	B7AZ 9A515-B	Rod (accel. pump link to vent lever)
1	B7A 9516-A	Gasket (throttle body to main body)
1	B7AZ 9A517-A	Baffle (float bowl)-primary
1	B8A 9518-B	Body and shaft (throttle)
AR	359736-S2 (BB67)	Screw & washer (throttle body to main body)-No. 12-24 x .81" fillister head
1	B9TZ 9A518-A	Gasket (main metering body)-primary
1	B7AZ 9A519-A	Spring (float)
Δ Serviced in 9502 kit only		

**CARBURETOR SERVICE PARTS LIST No. 46 - continued**

QTY. PER CARBU-RETOR	PART NUMBER	DESCRIPTION
1	B7AZ 9A599-B	Rod (choke control)
1	353610-S8(NN126)	Retainer (rod to carburetor)
2	B7A 9634-A	Seal (idle adjusting needle)
1	B7A 9636-B	Spring (accel. pump diaphragm return)
2	B7A 9647-A	Washer (fast idle rod seal)
1	B7AZ 9A753-B	Shaft & lever (choke housing)
1	B7A 9840-B	Piston (automatic choke)
1	355829-S7(MM15)	Nut (piston to choke housing)-No. 8-36
1	34802-S7(X59)	Lockwasher-No. 8
1	B6A 9842-A	Clamp (thermostatic choke housing)
3	31061-S8(U50)	Screw (clamp housing)-No. 8-32 x 1/2"
3	34802-S7(X59)	Lockwasher-No. 8
1	B8A 9848-E	Housing (choke thermostat)
1	B7A 9849-B	Housing & plugs (choke)
3	359737-S(BB59)	Screw & washer (choke housing to main body)-No. 8-32 x 1.25"
1	B7A 9850-A	Control (thermostatic choke)
2	B7A 9853-B	Gasket (choke thermostatic control)
1	B7A 9871-B	Gasket (thermostatic choke housing)
1	B7A 9938-B	Screen (filter)-with retainer
Δ 1	B2AZ 9945-A	Gasket (fuel inlet seat screw) - .32" I. D. - .428" O. D. - .031" thick

**CARBURETOR SERVICE PARTS LIST No. 47**

1	B2TZ 9A520-A	Adaptor (fuel inlet)-27/32" overall length-has compression type seal
1	B7AZ 9526-A	Cam (accelerator pump diaphragm operating)
1	★31036-S8	Screw (pump cam)-No. 6-32 x 5/16" fillister head
1	34937-S7(X84)	Lockwasher-No. 6-external tooth
1	B8A 9528-B	Kit (accelerator pump cover)-consists of the following- 1-B8A 9528-B Cover, 4-43250-S Screw & washer & 4-359757-S2 Screw & washer
4	43250-S(U70)	Screw & lockwasher (accel. pump)-No. 6-32 x .50"
4	43255-S8(U74)	Screw & washer (accel. pump cover) - No. 8-32 x 5/8" fillister hd. - used to attach B8A 9528-B cover to B8A 9559-D, E float bowl
2	B4T 9533-B	Jet (main metering)-when used with B7A 9512-E No. 53 - 0 to 5,000 ft. altitude
2	59A 9533-A	No. 51 - 5,000 to 10,000 ft. altitude
2	59A 9533-B	No. 49 - 10,000 to 15,000 ft. altitude
2	59A 9533-B	Jet (main metering)-when used with B7A 9512-R No. 49 - 0 to 5,000 ft. altitude
2	78 9533-B	No. 48 - 5,000 to 10,000 ft. altitude
2	59A 9533-C	No. 47 - 10,000 to 15,000 ft. altitude
1	B7AZ 9A535-C	Lever (fast idle pick up)
1	B7A 9538-A	Lever (fast idle adjusting)
1	42802-S8(U33)	Screw & lockwasher (lever to main body)-No. 10-32 x 3/8"
1	B7AZ 9A538-B	Spring (throttle shaft return)

continued on next page

## CARBURETOR PART No. B7A 9510-G

QTY. PER CARBU-RETOR	PART NUMBER	DESCRIPTION
2	B7A 9541-A	Needle (idle adjusting)
1	B7A 9545-B	Plate (choke)-R. H.
1	B7A 9546-B	Shaft and lever (choke)
1	B7A 9550-B	Float
1	351826-S(XX2)	Retainer (float bowl)
1	B7A 9557-B	Valve (float bowl vent)
1	B7A 9559-A	Bowl & plugs (fuel)-replaced by B7A 9559-D & B7T 9528-A
1	B7A 9559-D	Bowl & plugs (float)-use with B7T 9528-A - repl. by B8AZ 9A507-C
4	359747-S2 (BB809)	Screw (fuel bowl & plugs to carb. main body)-No. 12-24 x 2.56"
4	359697-S8(WW76)	Stud-5/16"-18-24 x 1.87"
4	351089-S8(MM20)	Nut-5/16"-24
4	34806-S7(X64)	Lockwasher-5/16"
1	358705-S(II-127)	Connector (carb. to tubes to fuel pump & distributor vacuum diaphragm)-used with power brakes-brass-90° elbow
1	358165-S(II-65)	Connector (distributor vacuum tube to carb.)-1/8" pipe thread
1	B7AZ 9B559-B	Diaphragm (accelerator pump)
1	B7A 9560-B	Spring (pump chamber vent operating rod)
1	351826-S(XX2)	Retainer (operating rod spring)
1	B8A 9561-C	Gasket (float bowl)-primary
1	B8C 9564-A	Valve & seat (fuel inlet)
1	B7AZ 9A565-A	Economizer-stamped No.85
1	B2A 9568-B	Retainer (pump operating lever)-split
1	359528-S7(XX7)	Retainer (air vent valve)
1	B7AZ 9B569-A	Spring (fast idle cam lever)
1	B7A 9571-A	Spring (pump lever adjusting screw)
1	78 9576	Ball (accelerator pump check)-1/8" diameter
1	B8A 9577-B	Nozzle (pump discharge)
1	*50420-S7	Screw (pump discharge nozzle)-No.12-24 x 3/4" oval head

## CARBURETOR PART No. B7A 9510-H

1	B7AZ 9502-C	Gasket set
1	B7AZ 9A586-F	Kit (tune up)
1	B7A 9590-D	Repair kit
4	359697-S8(WW76)	Stud-5/16"-18-24 x 1.87"
4	351089-S8(MM20)	Nut-5/16"-24
4	34806-S7(X64)	Lockwasher-5/16"
1	358705-S(II-127)	Connector (carb. to tubes to fuel pump & distributor vacuum diaphragm)-used with power brakes-brass-90° elbow
1	358165-S(II-65)	Connector (distributor vacuum tube to carb.)-1/8" pipe thread
1	358705-S(II-127)	Fitting (used as vacuum connector when power brakes are used)
1	B7A 9501-A	Housing & plug (secondary throttle)
3	43407-S8(U76)	Screw & washer (housing to throttle body)-No. 8-32 x 1"
1	B7AZ 9B501-B	Seal (fast idle rod)
1	34079-S7(MI63)	Nut-No. 10-32
1	34803-S7(X60)	Lockwasher-No. 10
1	351825-S(XX9)	Washer (diaphragm link to lever)-"C" retainer
1	B7A 9503-B	Diaphragm (secondary throttle)
Δ Serviced in 9502 kit only		

## CARBURETOR SERVICE PARTS LIST No. 47 - continued

QTY. PER CARBU-RETOR	PART NUMBER	DESCRIPTION
2	B7AE 9580-A	Gasket(pump discharge nozzle & pump discharge screw)
1	B8A 9581-E	Shaft & lever (throttle)
1	370049-S(BB33)	Screw (fast idle adjusting)-No.8-32 x .50" fillister head
2	B7A 9585-C	Plate (throttle)
2	B9A 9586-A	Screw (choke plate)-No.6-32 oval hd.
1	*A8AZ 9A588-A	Gasket (fuel level check plug) - serviced in kit 9502
1	B7AZ 9A588-A	Gasket (economizer)
4	B7A 9592-A	Gasket (float bowl screw)
1	B8A 9597-B	Cam (fast idle)
1	352895-S8(NN79)	Pin (fast idle cam to throttle body & shaft)-1/16" x 3/4" groove
1	B7AZ 9A599-B	Rod (choke control)
1	353610-S8(NN126)	Retainer (rod to carburetor)
2	B7A 9634-A	Seal (idle adjusting needle)
1	B7A 9636-B	Spring (accel. pump diaphragm return)
2	B7A 9647-A	Washer (fast idle rod seal)
1	B7AZ 9A753-B	Shaft & lever (choke housing)
1	B7A 9840-B	Piston (automatic choke)
1	355829-S7(MM15)	Nut (piston to choke housing)-No. 8-36
1	34802-S7(X59)	Lockwasher-No. 8
1	B6A 9842-A	Clamp (thermostatic choke housing)
3	31061-S8(U50)	Screw (clamp housing)-No. 8-32 x 1/2"
3	34802-S7(X59)	Lockwasher-No. 8
1	B8A 9848-E	Housing (choke thermostat)
1	B7A 9849-B	Housing & plugs (choke)
3	359737-S(BB59)	Screw & washer (choke housing to main body)-No.8-32 x 1.25"
1	B7A 9850-A	Control (thermostatic choke)
2	B7A 9853-B	Gasket (choke thermostatic control)
1	B7A 9871-B	Gasket (thermostatic choke housing)
1	B7A 9938-B	Screen (filter)-with retainer
Δ 1	B2AZ 9945-A	Gasket (fuel inlet seat screw)-.32" I. D. - .428" O. D. - .031" thick

## CARBURETOR SERVICE PARTS LIST No. 48

1	B5AZ 9B504-A	Spring (secondary throttle diaphragm return)
1	B7AZ 9C504-A	Rod (secondary throttle control)
2	353610-S8 (NN126)	Retainer (rod to shaft)-spring-.44" long
1	353854-S8(XX64)	Washer-.129/.134 flat
1	B7AZ 9A506-A	Lever (accelerator pump operating)-identified by stamped No. 36A
1	370050-S2 (BB537)	Screw (accelerator pump lever adjusting)-No.10-32 x .50" hex. head slotted
1	370052-S2 (MM219)	Sleeve-nut (accelerator pump lever adjusting)-No.10-32 x .26"
1	B7A 9507-B	Cover (secondary throttle diaphragm)
4	*31077-S8	Screw (cover to housing)-No. 8-32 x 5/8"
4	34802-S7(X59)	Lockwasher-No.8
1	B7AZ 9A507-A	Bowl & plugs (fuel secondary)
1	B8AZ 9A507-D	Bowl & plugs (float-primary)-use with B8A 9528-B & (4) 371850-S7 screws
8	359747-S2 (BB809)	Screw (fuel bowl & plugs to carb. main body)-No. 12-24 x 2.56"
3	B7AZ 9B508-A	Bushing (secondary throttle shaft)

continued on next page

CARBURETOR PART No. B7A 9510-H

CARBURETOR SERVICE PARTS LIST No. 48 - continued

QTY. PER CARBU-RETOR	PART NUMBER	DESCRIPTION
1	B7AZ 9A511-A	Body & plugs (main metering)-primary
1	B7AZ 9B511-A	Weight (pump discharge ball)
1	B7A 9512-D	Body (main)
2	370053-S(PP24)	Plug (fuel level check)-5/16"-24 x 1/8"
1	B7AZ 9A513-A	Body & plugs (main metering second.)
1	B7AZ 9A515-B	Rod (accel.pump link to vent lever)
1	B7A 9516-B	Gasket (throttle body to main body)
1	B7AZ 9A517-A	Baffle (float bowl)-primary
1	B7AZ 9A517-C	Baffle (float bowl)-secondary
1	B7A 9518-B	Body and shaft (throttle)
AR	359736-S2 (BB67)	Screw & washer (throttle body to main body)-No.12-24 x .81" fillister head
2	B9TZ 9A518-A	Gasket (main metering body)
2	B6AZ 9A519-A	Spring (float)
1	B2TZ 9A520-A	Adaptor (fuel inlet)-27/32" overall length-has compression type seal
1	B7AZ 9526-A	Cam (accelerator pump diaphragm operating)
1	★31036-S8	Screw (pump cam)-No.6-32 x 5/16" fillister head
1	34937-S7(X84)	Lockwasher-No.6-external tooth
1	B8A 9528-B	Kit (accelerator pump cover)-consists of the following-1-B8A 9528-B Cover, 4-43250-S Screw & washer & 4-359757-S2 Screw & washer
4	43250-S(U70)	Screw & lockwasher (accel.pump)-No.6-32 x .50"
4	43255-S8(U74)	Screw & washer (accel.pump cover) - No.8-32 x 5/8" fillister hd. - used to attach B8A 9528-B cover to B8A 9559-D, E float bowl
2	B4T 9533-A	Jet (main metering)-primary No.55 - 0 to 5,000 ft. altitude
2	B4T 9533-B	No.53 - 5,000 to 10,000 ft. altitude
2	86H 9533	No.52 - 10,000 to 15,000 ft. altitude
2	78 9533-B	Jet (main metering)-secondary No.48 - 0 to 5,000 ft. altitude
2	78 9533-B	No.48 - 5,000 to 10,000 ft. altitude
2	78 9533-B	No.48 - 10,000 to 15,000 ft. altitude
1	B7A 9534-A	Tube (float bowl connection)
1	B7AZ 9A535-C	Lever (fast idle pick up)
1	B7A 9538-A	Lever (fast idle adjusting)
1	42802-S8(U33)	Screw & lockwasher (lever to main body)-No.10-32 x 3/8"
1	B7AZ 9A538-B	Spring (throttle shaft return)
2	B7A 9541-A	Needle (idle adiustine)
1	B7A 9545-B	Plate (choke)-R. H.
1	B7A 9546-B	Shaft and lever (choke)
1	C1AZ 9B549-A	Dashpot
2	34806-S7(X64)	Lockwasher-5/16"
1	33923-S7(M32)	Nut-5/16"-24
2	B7A 9550-B	Float
2	351826-S(XX2)	Retainer (float bowl)
1	B7AZ 9B550-B	Bracket (dashpot mounting)
1	34803-S7(X60)	Lockwasher-No.10
1	356736-S7-8 (BB11)	Screw (bracket to throttle body)-No.10-24 x 1/2" fillister head
1	B7A 9557-A	Valve (float bowl vent)-secondary
1	B7A 9557-B	Valve (float bowl vent)
1	B7A 9559-B	Bowl & plugs (fuel primary)- repl. by B7A 9559-E & B7T 9528-A

QTY. PER CARBU-RETOR	PART NUMBER	DESCRIPTION
1	B7A 9559-E	Bowl & plugs (float primary)-use with B7T 9528-A - repl. by B8AZ 9A507-D
1	B7AZ 9B559-B	Diaphragm (accelerator pump)
1	B7A 9560-B	Spring (pump chamber vent operating rod)
1	351826-S(XX2)	Retainer (operating rod spring)
2	B8A 9561-C	Gasket (float bowl)-primary
2	B8T 9564-A	Valve & seat (fuel inlet)
1	B7AZ 9A565-A	Economizer-stamped No.85
1	B7AZ 9A565-B	Economizer-stamped No.105 (secondary)
1	B2A 9568-B	Retainer (pump operating lever)-split
1	359528-S7(XX7)	Retainer (air vent valve)
1	B7AZ 9B569-A	Spring (fast idle cam lever)
1	B7A 9571-A	Spring (pump lever adjusting screw)
1	78 9576	Ball (accelerator pump check)-1/8" diameter
1	B8A 9577-A	Nozzle (pump discharge)
1	★50420-S7	Screw (pump discharge nozzle)-No.12-24 x 3/4" oval head
1	40 9578	Spring (fast idle adjusting lever)
2	B7AE 9580-A	Gasket(pump discharge nozzle & pump discharge screw)
1	B8A 9581-E	Shaft & lever (throttle)
1	370049-S(BB33)	Screw (fast idle adjusting)-No.8-32 x .50" fillister head
1	B7A 9583-B	Lever (secondary throttle diaphragm)
1	42802-S8(U33)	Screw & lockwasher (secondary throttle diaphragm lever)-No.10-32 x 3/8"
4	B7A 9585-C	Plate (throttle)
2	B9A 9586-A	Screw (choke plate)-No.6-32 oval hd.
2	★A8AZ 9A588-A	Gasket (fuel level check plug) - serviced in kit 9502
8	B7A 9592-A	Gasket (float bowl screw)
1	B7AZ 9A592-C	Lever & shaft (second.throttle plate)
1	359749-S(UU17)	Screw (secondary throttle stop)-spread lock set-No.8-32 x .38"
1	B8A 9597-B	Cam (fast idle)
1	352895-S8(NN79)	Pin (fast idle cam to throttle body & shaft)-1/16" x 3/4" groove
1	B7AZ 9A599-B	Rod (choke control)
2	353610-S8(NN126)	Retainer (rod to carburetor)
2	B7A 9634-A	Seal (idle adjusting needle)
1	B7A 9636-B	Spring (accel.pump diaphragm return)
2	B7A 9647-A	Washer (fast idle rod seal)
1	B7AZ 9A753-B	Shaft & lever (choke housing)
1	B7A 9840-B	Piston (automatic choke)
1	355829-S7(NM15)	Nut (piston to choke housing)-No.8-36
1	34802-S7(X59)	Lockwasher-No.8
1	B6A 9842-A	Clamp (thermostatic choke housing)
3	31061-S8(U50)	Screw (clamp housing)-No.8-32 x 1/2"
3	34802-S7(X59)	Lockwasher-No.8
1	B8A 9848-E	Housing (choke thermostat)
1	B7A 9849-B	Housing & plugs (choke)
3	359737-S(BB59)	Screw & washer (choke housing to main body)-No.8-32 x 1.25"
1	B7A 9850-A	Control (thermostatic choke)
1	B7A 9853-B	Gasket (secondary diaphragm)
2	B7A 9853-B	Gasket (choke thermostatic control)
1	B7A 9871-B	Gasket (thermostatic choke housing)
1	B7A 9938-B	Screen (filter)-with retainer
Δ1	B2AZ 9945-A	Gasket (fuel inlet seat screw)-.32" I. D. -.428" O. D. -.031" thick

Δ Serviced in 9502 kit only

## CARBURETOR PART No. B7A 9510-J

QTY. PER CARBU-RETOR	PART NUMBER	DESCRIPTION
1	B8A 9502-E	Gasket set
1	B8AZ 9A586-A	Kit (tune up)
1	B8A 9590-K	Repair kit
4	359697-S8(WW76)	Stud-5/16"-18-24 x 1.87"
4	351089-S8(MM20)	Nut-5/16"-24
4	34806-S7(X64)	Lockwasher-5/16"
1	358705-S(II-127)	Connector (carb. to tubes to fuel pump & distributor vacuum diaphragm)-used with power brakes-brass-90° elbow
2	370013-S(PP19)	Plug (fuel inlet passage)-.254"/.259" x 5/32"
5	359700-S(PP18)	Plug (primary fuel passage plugs in main body)-.192"/.196" x 13/64"-round head
2	359701-S(PP17)	Plug (suction passage plugs in main body)-.164"/.168" x 13/64"-round head
2	370000-S(PP16)	Plug (idle port passage plug in main body)-.272"/.276" x 13/64"-flat head
1	370001-S(PP20)	Plug (secondary throttle plug in main body)-.324"/.329" x 7/64"-flat head
2	359731-S(PP22)	Plug (fuel level sight)
1	B7A 9501-B	Housing & plug (secondary throttle)
3	★25247-S	Screw (housing to throttle body & shaft)-No. 10-32 x 5/8"
1	B7A 9503-C	Diaphragm (secondary throttle)
1	B7AZ 9B504-B	Spring (secondary throttle diaphragm return)
1	B7AZ 9C504-B	Rod (secondary throttle control)
1	359734-S(RR2)	Retainer (throttle operating rod)-spring-1/8"
4	354829-S(XX65)	Washer (secondary throttle control rod)
1	B7A 9507-C	Cover (secondary throttle diaphragm)
6	359722-S8(BB34)	Screw & washer assy. (cover to diaphragm hsg.)-No. 8-32 x 1/2"
2	COLE 9B513-C	Piston (vacuum)
1	B7AZ 9A514-A	Lever (choke shaft)
1	359719-S7(BB71)	Screw (choke lever to shaft & lever assy.)-No. 8-32 x 3/4" fillister washer head
1	34126-S8B (M146)	Nut-(choke shaft lever to lever assy.)-No. 8-32
1	B8AZ 9A514-A	Lever (choke counter shaft operating)
1	B7AZ 9A516-A	Valve (accel. pump discharge needle)
2	B7AZ 9A517-B	Baffle (float bowl)
1	B7AZ 9A520-B	Adaptor (fuel inlet)
1	B7AZ 9A523-B	Venturi (booster primary choke side)-R. H.

## CARBURETOR SERVICE PARTS LIST No. 49

QTY. PER CARBU-RETOR	PART NUMBER	DESCRIPTION
1	B7AZ 9A523-C	Venturi (booster primary pump side)-L. H.
1	B7AZ 9A523-D	Venturi (booster secondary choke side)
1	B7AZ 9A523-E	Venturi (booster secondary pump side)
1	B7AZ 9524-A	Horn & plugs (air)
5	359702-S(PP15)	Plug (accelerator pump passage in horn)-.134"/.138" x 5/32" round hd.
8	370003-S8(BB75)	Screw & washer (air horn & plugs to main body)-No. 10-32 x 11/16"-fillister head
2	359711-S8(BB81)	Screw & washer (air horn & plugs to main body)-No. 10-32 x 15/16"- (split ring)-(sheared end)
2	B7AZ 9A526-C	Rod (metering)-0 to 5,000 ft. altitude
2	B7AZ 9A526-A	5,000 to 10,000 ft. altitude
2	B7AZ 9A526-B	10,000 to 15,000 ft. altitude
1	B7AZ 9A527-A	Rod (dashpot connecting)
1	359734-S(RR2)	Retainer (dashpot conn.)-spring-1/8"
2	B7AZ 9A528-A	Jet (main metering)-secondary 0 to 10,000 ft. altitude
2	B7AZ 9A528-B	10,000 to 15,000 ft. altitude
1	B7A 9529-C	Arm (pump piston)
1	B7AZ 9529-A	Link (accelerator pump)-identified by stamped No. 34A
1	370007-S7(UU4)	Screw (pump piston arm to horn & plugs)-No. 8-32 x 45/64"
1	B7A 9531-D	Rod (pump operating)-use with B7A 9565-A retainer
1	359734-S(RR2)	Retainer (throttle connecting rod)-spring-1/8"
2	B7A 9533-A	Jet (main metering)-primary 0 to 5,000 ft. altitude
2	B7A 9533-A	5,000 to 10,000 ft. altitude
2	B7A 9533-A	10,000 to 15,000 ft. altitude
1	B7AZ 9A535-B	Bellcrank (fast idle)
4	B7AZ 9A536-B	Gasket (booster venturi support)
1	B7AZ 9A537-A	Lever (throttle shaft auxiliary)
2	359709-S7 (BB823)	Screw (throttle shaft & lever to lever assy.)-No. 10-32 x 5/16" truss head
1	B7AZ 9A538-A	Spring (throttle tension)
2	B7A 9541-B	Needle (idle adjusting)
1	B7AZ 9B544-A	Piston (accelerator pump)
1	B7A 9545-C	Plate (choke)-R. H.
1	B7A 9546-C	Shaft and lever (choke)
1	B7A 9547-A	Shaft (choke)
1	B7AZ 9B547-A	Link (choke plate)
1	B7A 9548-A	Lever (choke plate operating)

continued on next page

**CARBURETOR PART No. B7A 9510-J**

**CARBURETOR SERVICE PARTS LIST No. 49 - continued**

QTY. PER CARBU-RETOR	PART NUMBER	DESCRIPTION
2	B7A 9550-C	Float
2	B7A 9558-C	Pin (float hinge)
1	B7A 9560-A	Spring (accel. pump rod retaining)
1	B7A 9561-D	Gasket (main body cover plate)
2	B8A 9564-B	Valve & seat (fuel inlet)
4	B7A 9565-A	Retainer (secondary throttle control rod & shaft & lever to plate lever & shaft)
1	B7A 9565-A	Retainer (accel. pump rod spring)
1	B7A 9565-A	Retainer (pump operating rod)-used with B7A 9531-D rod or COLE 9B512-A rod only
1	B7A 9567-A	Seat (pump intake check ball)
2	B7A 9569-B	Gasket (float valve seat)
1	B7A 9576-B	Valve (pump check)
1	★B7A 9577-C	Nozzle (pump discharge)
2	B7A 9578-A	Spring (idle adjusting needle)
1	B7A 9578-B	Spring (throttle lever adjusting screw)
1	370004-S7 (BB410)	Screw (throttle lever adjusting) No. 10-32 x 59/64" hex. head
1	370011-S7 (XX82)	Washer (throttle lever adjusting screw)-13/64" I. D. x 5/16" O. D.
1	B7A 9580-B	Gasket (pump discharge jet)
1	B7A 9581-A	Shaft & lever (throttle)-primary
1	370002-S7 (BB35)	Screw (fast idle adjustment)-No. 8-32 x 15/16" fillister head
1	359727-S7 (XX342)	Washer (shaft & lever to main body & plugs)-.377"/.379" x .278"/.280" I. D. x 5/8" x 15/32" rectangular
1	370010-S (XX331)	Washer (secondary throttle shaft lever to secondary throttle shaft)-.3155" I. D. x 1/2" O. D. -flat
1	B7A 9583-C	Lever (secondary throttle diaphragm)
2	359709-S7 (BB823)	Screw (lever to lever & shaft)-No. 10-32 x 5/16" truss head
2	B7A 9585-A	Plate (throttle)-primary
2	B7A 9585-B	Plate (throttle)-secondary
4	370005-S (BB6)	Screw (secondary throttle plates to secondary throttle shaft)-No. 6-32 x 5/16"
4	370006-S (BB7)	Screw (primary throttle plates to primary throttle shaft & lever)-No. 6-32 x 3/8"
2	B7A 9586-B	Screw (choke plate)
1	B7A 9586-C	Screw (throttle plate used as choke plate operating lever set screw)
2	B7A 9587-A	Spring (metering rod tension)
1	B7A 9589-A	Spring (dashpot plunger return)
1	B7AZ 9A592-B	Lever & shaft (second. throttle plate)
1	B7A 9597-C	Cam (fast idle)

QTY. PER CARBU-RETOR	PART NUMBER	DESCRIPTION
1	370008-S7 (BB671)	Screw (fast idle cam to main body & plugs)-1/4"-28 x 11/32"-flat head
1	B7A 9598-B	Rod (fast idle)
2	359734-S (RR2)	Retainer (dashpot arm)-inner-spring-1/8"
2	359734-S (RR2)	Retainer (dashpot arm)-outer-spring-1/8"
1	B7A 9598-C	Rod (choke shaft)
1	B7A 9636-C	Spring (pump)
1	B7AZ 9A753-C	Shaft & lever (choke housing)
1	355027-S (BB668)	Screw (choke piston lever & pin to choke lever & shaft)-No. 6-32 x 1/4" flat head slotted
1	B7AZ 9A796-A	Kit (choke piston, levers & pin)-consists of (1) ECG 9838-B lever & link, (1) ECG 9840-A piston, and (1) ECG 99854-A pin
1	B7A 9800-B	Plunger (dashpot)
1	B8A 9835-A	Lever (dashpot operating)-inner
1	B8A 9836-A	Lever (dashpot operating)-outer
1	353161-S (RR3)	Retainer (inner & outer dashpot operating lever to air horn & plugs)-spring-.025"
1	370012-S7 (XX84)	Washer (inner & outer dashpot operating lever to air horn & plugs)-.234" I. D. x .400" O. D. flat
3	B7A 9842-B	Clamp (thermostatic choke housing)
3	★37611-S7	Screw (choke thermostat housing to choke housing & plugs)-No. 8-32 x 1/4" fillister head
1	B7A 9848-C	Housing (choke thermostat)
1	B7A 9849-C	Housing & plugs (choke)-identified by cast No. 170434
3	352526-S8 (BB8)	Screw (choke housing to air horn)-No. 8-32 x 1/2" fillister head
3	359113-S (XX46)	Washer-No. 8-flat
3	34802-S7 (X59)	Lockwasher-No. 8
1	B7A 9850-B	Kit (thermostatic choke control)
1	B7AZ 9853-A	Gasket (secondary throttle diaphragm housing)
1	B7A 9853-C	Gasket (choke housing to air horn)
1	B8A 9871-B	Gasket (choke coil housing)
2	B7A 9928-A	Cover (vacuum piston)
2	370016-S8 (BB70)	Screw & washer (vacuum piston cover to air horn)-No. 6-32 x 5/16" fill. hd.
1	B7A 9938-C	Screen (filter)
2	B8A 9976-A	Spring (vacuum piston)
1	B7A 9982-A	Gasket (secondary diaphragm)

## CARBURETOR PART No. B7A 9510-K

QTY. PER CARBU-RETOR	PART NUMBER	DESCRIPTION
1	B8A 9502-F	Gasket set
1	B7AZ 9A586-D	Kit (tune up)
1	B7AZ 9590-E	Repair kit
4	359697-S8(WW76)	Stud-5/16"-18-24 x 1.87"
4	351089-S8(MM20)	Nut-5/16"-24
4	34806-S7(X64)	Lockwasher-5/16"
1	358705-S(II-127)	Connector (carb. to tubes to fuel pump & distributor vacuum diaphragm)-used with power brakes-brass-90° elbow
1	358165-S(II-65)	Connector (distributor vacuum tube to carb.)-1/8" pipe thread
1	B7AZ 9B501-B	Seal (fast idle rod)
1	B7AZ 9A506-A	Lever (accelerator pump operating)-identified by stamped No. 36A
1	370050-S2 (BB537)	Screw (accelerator pump lever adjusting)-No.10-32 x .50" hex. head slotted
1	370052-S2 (MM219)	Sleeve-nut (accelerator pump lever adjusting)-No.10-32 x .26"
1	B8AZ 9A507-C	Bowl & plugs (float primary)-use with B8A 9528-B
4	359747-S2 (BB809)	Screw (fuel bowl & plugs to carb. main body)-No.12-24 x 2.56"
1	B7AZ 9A511-D	Body & plugs (main metering)
1	B7AZ 9B511-A	Weight (pump discharge ball)
1	B7A 9512-C	Body (main)
1	370053-S(PP24)	Plug (fuel level check)-5/16"-24 x 1/8"
1	B7AZ 9A515-B	Rod (accel. pump link to vent lever)
1	B7A 9516-A	Gasket (throttle body to main body)
1	B7AZ 9A517-A	Baffle (float bowl)-primary
1	B8A 9518-B	Body and shaft (throttle)
AR	359736-S2(BB67)	Screw & washer (throttle body to main body)-No.12-24 x .81" fillister head
1	B9TZ 9A518-A	Gasket (main metering body)-primary
1	B7AZ 9A519-A	Spring (float)
1	B2TZ 9A520-A	Adaptor (fuel inlet)-27/32" overall length-has compression type seal
1	B7AZ 9526-A	Cam (accelerator pump diaphragm operating)
1	★31036-S8	Screw (pump cam)-No.6-32 x 5/16" fillister head
1	34937-S7(X84)	Lockwasher-No.6-external tooth
1	B8A 9528-B	Kit (accelerator pump cover)-consists of the following-1-B8A 9528-B Cover, 4-43250-S Screw & washer & 4-359757-S2 Screw & washer
4	43250-S(U70)	Screw & lockwasher (accel.pump)-No.6-32 x .50"
4	43255-S8(U74)	Screw & washer (accel.pump cover)-No.8-32 x 5/8" fillister hd. - used to attach B8A 9528-B cover to B8A 9559-D, E float bowl

## CARBURETOR SERVICE PARTS LIST No. 50

QTY. PER CARBU-RETOR	PART NUMBER	DESCRIPTION
2	26H 9533	Jet (main metering) No. 57 - 0 to 5,000 ft. altitude
2	B4T 9533-A	No. 55 - 5,000 to 10,000 ft. altitude
2	B4T 9533-B	No. 53 - 10,000 to 15,000 ft. altitude
1	B7AZ 9A535-C	Lever (fast idle pick up)
1	B7A 9538-A	Lever (fast idle adjusting)
1	42802-S8(U33)	Screw & lockwasher (lever to main body)-No.10-32 x 3/8"
1	B7AZ 9A538-B	Spring (throttle shaft return)
2	B7A 9541-A	Needle (idle adjusting)
1	B7A 9545-B	Plate (choke)-R.H.
1	B7A 9546-B	Shaft and lever (choke)
1	C1AZ 9B549-A	Dashpot
1	33923-S7(M32)	Nut-5/16"-24
2	34806-S7(X64)	Lockwasher-5/16"
1	B7A 9550-B	Float
1	351826-S(XX2)	Retainer (float bowl)
1	B7AZ 9B550-B	Bracket (dashpot mounting)
1	34803-S7(X60)	Lockwasher-No.10
1	356736-S7-8 (BB11)	Screw (bracket to throttle body)-No.10-24 x 1/2" fillister head
1	B7A 9557-B	Valve (float bowl vent)
1	B7A 9559-A	Bowl & plugs (fuel)-replaced by B7A 9559-D & B7T 9528-A
1	B7A 9559-D	Bowl & plugs (float)-use with B7T 9528-D - repl. by B8AZ 9A507-C
1	B7AZ 9B559-B	Diaphragm (accelerator pump)
1	B7A 9560-B	Spring (pump chamber vent operating rod)
1	351826-S(XX2)	Retainer (operating rod spring)
1	B8A 9561-C	Gasket (float bowl)-primary
1	B8C 9564-A	Valve & seat (fuel inlet)
1	B7AZ 9A565-A	Economizer-stamped No.85
1	B2A 9568-B	Retainer (pump operating lever)-split
1	359528-S7(XX7)	Retainer (air vent valve)
1	B7AZ 9B569-A	Spring (fast idle cam lever)
1	B7A 9571-A	Spring (pump lever adjusting screw)
1	78 9576	Ball (accelerator pump check)-1/8" diameter
1	B8A 9577-B	Nozzle (pump discharge)
1	★50420-S7	Screw (pump discharge nozzle)-No.12-24 x 3/4" oval head
2	B7AE 9580-A	Gasket(pump discharge nozzle & pump discharge screw)
1	B8A 9581-E	Shaft & lever (throttle)
1	370049-S(BB33)	Screw (fast idle adjusting)-No.8-32 x .50" fillister head
2	B7A 9585-C	Plate (throttle)
2	B9A 9586-A	Screw (choke plate)-No.6-32 oval hd.
1	B7AZ 9A588-A	Gasket (economizer)
1	★A8AZ 9A588-A	Gasket (fuel level check plug)

continued on next page



**CARBURETOR PART No. B7A 9510-K**

QTY. PER CARBU-RETOR	PART NUMBER	DESCRIPTION
4	B7A 9592-A	Gasket (float bowl screw)
1	B8A 9597-B	Cam (fast idle)
1	352895-S8(NN79)	Pin (fast idle cam to throttle body & shaft)-1/16" x 3/4" groove
1	B7AZ 9A599-B	Rod (choke control)
1	353610-S8(NN126)	Retainer (rod to carburetor)
2	B7A 9634-A	Seal (idle adjusting needle)
1	B7A 9636-B	Spring (accel. pump diaphragm return)
2	B7A 9647-A	Washer (fast idle rod seal)
1	B7AZ 9A753-B	Shaft & lever (choke housing)
1	B7A 9840-B	Piston (automatic choke)
1	355829-S7(MM15)	Nut (piston to choke housing)-No. 8-36
1	34802-S7(X59)	Lockwasher-No. 8

**CARBURETOR PART No. B7A 9510-L**

1	B7AZ 9502-A	Gasket set
1	B7AZ 9A586-A	Kit (tune up)
1	B7AZ 9590-G	Repair kit
4	359697-S8(WW76)	Stud-5/16"-18-24 x 1.87"
4	351089-S8(MM20)	Nut-5/16"-24
4	34806-S7(X64)	Lockwasher-5/16"
1	358705-S(II-127)	Connector (carb. to tubes to fuel pump & distributor vacuum diaphragm)-used with power brakes-brass-90° elbow
1	359795-S(II-88)	Connector (vacuum tube to carb.)-3/16" tube threaded sleeve
1	B7AZ 9B501-A	Seal (fast idle rod)
1	34079-S7(M163)	Nut-No. 10-32
1	34803-S7(X60)	Lockwasher-No. 10
1	B7AZ 9B508-B	Hub (fast idle cam)
1	B7A 9512-J	Body (main)-not repl. -service in assy.
2	359409-S(PP59)	Plug (to plug drill passages in main body)-5/16"
1	371350-S(AA4)	Ball (accelerator pump inlet passage)-3/16" steel
1	359353-S(PP58)	Plug (to plug hole from bowl to accelerator pump)-1/8" cup
1	B7AZ 9A515-A	Rod (accel. pump link to vent lever)
1	74271-S7(R1)	Retainer (accel. pump link to vent lever rod to cover spring)-3/32"
1	B7AZ 9A520-A	Adaptor (fuel inlet)-1/2"-20 internal-9/16"-24 external threads-.80" long
1	B7AZ 9A523-F	Support (booster venturi)
1	371350-S(AA4)	Ball (accelerator pump discharge valve)-3/16" steel
1	B7AZ 9524-B	Horn & plugs (air)
5	43256-S8	Screw & washer (horn & plugs to main body)-No. 10-32 x 5/8"
1	B7A 9528-B	Cover (accelerator pump)-less link
4	43255-S8(U74)	Screw & washer (cover to carb.)-No. 8-32 x 5/8"
Δ	Serviced in 9502 kit only	

**CARBURETOR SERVICE PARTS LIST No. 50 - continued**

QTY. PER CARBU-RETOR	PART NUMBER	DESCRIPTION
1	B6A 9842-A	Clamp (thermostatic choke housing)
3	31061-S8(U50)	Screw (clamp housing)-No. 8-32 x 1/2"
3	34802-S7(X59)	Lockwasher-No. 8
1	B8A 9848-E	Housing (choke thermostat)
1	B7A 9849-B	Housing & plugs (choke)
3	359737-S(BB59)	Screw & washer (choke housing to main body)-No. 8-32 x 1.25"
1	B7A 9850-A	Control (thermostatic choke)
2	B7A 9853-B	Gasket (choke thermostatic control)
1	B7A 9871-B	Gasket (thermostatic choke housing)
1	B7A 9938-B	Screen (filter)-with retainer
Δ1	B2AZ 9945-A	Gasket (fuel inlet seat screw) - .32" I. D. - .428" O. D. - .031" thick

**CARBURETOR SERVICE PARTS LIST No. 51**

1	B7A 9529-A	Link (accelerator pump)
1	353847-S8(NN109)	Pin (accelerator pump link to cover)-.187" x .50" diameter roll
2	B4Q 9533-A	Jet (main metering) No. 61 - 0 to 5,000 ft. altitude
2	B4Q 9533-B	No. 59 - 5,000 to 10,000 ft. altitude
2	26H 9533	No. 57 - 10,000 to 15,000 ft. altitude
1	B7AZ 9A535-A	Bellcrank (fast idle)
1	B7AZ 9A536-A	Gasket (booster venturi support)
1	B7A 9538-B	Lever & pin (fast idle adjusting)
1	359539-S8B(BB40)	Screw (fast idle adjusting)-No. 10-32 x 1.25" fillister head
2	C1AE 9541-C	Needle (idle adjusting)
1	B7AZ 9B542-A	Rod (accel. pump link to throttle lever)-5.77" between rod end centers-color daub identity "Blue"
1	74271-S7(R1)	Retainer (pump link to throttle lever rod to carb. throttle lever)-3/32" spring
1	B7A 9545-A	Plate (choke)-R. H.
1	B7A 9546-A	Shaft and lever (choke)
1	C1AZ 9B549-A	Dashpot
1	33923-S7(M32)	Nut-5/16"-24
2	34806-S7(X64)	Lockwasher-5/16"
1	B7A 9550-D	Float
1	B7AZ 9B550-A	Bracket (dashpot mounting)
2	43252-S8(U77)	Screw & washer (dashpot mounting bracket to carb.)-No. 10-32 x 1/2"
1	B7A 9558-A	Pin (float hinge)
1	B7AZ 9B559-A	Diaphragm (accelerator pump)
1	B7A 9561-A	Gasket (float bowl)
1	B7A 9563-A	Gasket (economizer cover)
1	C2AZ 9564-B	Valve & seat (fuel inlet)-includes (1) B7A 9569-A gasket & (1) C1AZ 9599-A retainer
1	C0AZ 9A565-A	Economizer
1	B7A 9569-A	Gasket (float valve seat)
1	B7A 9575-A	Retainer (accel. pump check ball)

continued on next page

## CARBURETOR PART No. B7A 9510-L

QTY. PER CARBU-RETOR	PART NUMBER	DESCRIPTION
1	B7AZ 9575-A	Retainer (fast idle rod seal)
1	43245-S8(U71)	Screw & washer (retainer to horn)-No. 8-32 x 1/4"
1	78 9576	Ball (accelerator pump check)-1/8" diameter
1	B7A 9577-A	Screw (pump discharge nozzle)
1	374370-S(XX94A)	Washer-1/4" flat (buna coated alum.)
2	B8A 9578-B	Spring (throttle adjusting screw)-4 1/2 coils-.20" I.D. -.58" long
2	40 9578	Spring (idle adjusting needle)
1	355107-S7 (BB536)	Screw (normal idle adjusting)-No. 10-32 x 1" special hex. head slotted
1	B7AZ 9D585-A	Lever (ventilator)
1	359941-S7(NN94)	Pin (lever to body)-1/8" x 1/2"-spring
4	B7A 9586-A	Screw (throttle plate)
2	B9A 9586-A	Screw (choke plate)-No. 6-32 oval hd.
1	C2AZ 9A588-A	Gasket (economizer) - repl. by C2AZ - 9A588-B (5-63)
1	C2AZ 9A588-B	Gasket (economizer)
1	B7A 9597-A	Cam (fast idle)
1	74271-S7(R1)	Retainer spring-3/32" (fast idle cam to bellcrank)
1	359566-S8B (XX43)	Washer (fast idle cam to bellcrank)-No. 4-flat
1	B7A 9598-A	Rod (fast idle)
1	74271-S7(R1)	Retainer spring (fast idle rod to bellcrank)-3/32"
2	359555-S(XX50)	Washer (fast idle rod seal)-No. 8-flat
1	B7AZ 9599-A	Retainer (float lever shaft)-.37" I.D.
1	B7AZ 9A599-A	Rod (thermostatic choke lever)
1	74271-S7(R1)	Retainer (rod to choke housing shaft & lever)-spring-3/32"
1	B7A 9636-A	Spring (accel. pump piston return)

## CARBURETOR PART No. B7A 9510-M

1	C0AZ 9502-C	Gasket set
1	B2A 9590-F	Repair kit
1	354582-S(II-73)	Connector (carb. to tube ass'y.)-5/16" flared tube
1	B1AZ 9B502-A	Screw (dashpot & throttle lever adj.)-not supplied with carb., order separately
1	B2AZ 9B502-A	Screw (dashpot operating lever)-No. 8-32 x .59" slotted binding head-not supplied with carb., order separately
1	34803-S7(X60)	Lockwasher-No. 10-not supplied with carb., order separately
1	34079-S7(M163)	Nut-No. 10-32-not supplied with carb., order separately
1	C0AZ 9A507-A	Bowl & plugs assy. (float)-metal bowl
4	*31644-S7	Screw (bowl to main body)-No. 10-32 x 3/4" fillister head
4	34803-S7(X60)	Lockwasher-No. 10
1	*B5A 9512-K	Body ass'y. (main)
1	B8A 9516-C	Gasket (throttle body to main body)

## CARBURETOR SERVICE PARTS LIST No. 51 - continued

QTY. PER CARBU-RETOR	PART NUMBER	DESCRIPTION
1	B7AZ 9A753-A	Shaft & lever (choke housing)
1	B7AZ 9812-A	Spacer (thermo. choke shaft)
1	B7A 9840-A	Piston (choke thermostat)
1	355829-S7(MM15)	Nut (piston to choke housing)-No. 8-36
1	34802-S7(X59)	Lockwasher-No. 8
1	B6A 9842-A	Clamp (thermostatic choke housing)
3	31061-S8(U50)	Screw (clamp housing)-No. 8-32 x 1/2"
3	34802-S7(X59)	Lockwasher-No. 8
1	B7A 9844-A	Plate (thermostatic choke housing)
1	B7A 9848-A	Housing (choke thermostat)
3	31061-S8(U50)	Screw (thermostat housing to choke housing)-No. 8-32 x 1/2" fillister head
1	34802-S7(X59)	Lockwasher-No. 8
1	B7A 9849-A	Housing & plugs (choke)
1	*37787-S8	Screw (housing to main body)-No. 8-32 x 1 1/2" fillister head
2	43407-S8(U76)	Screw & washer (housing to carb.)-No. 8-32 x 1"
1	359113-S(XX46)	Washer-No. 8-flat
1	34802-S7(X59)	Lockwasher-No. 8
1	B7A 9850-C	Control (thermostatic choke)
1	B7A 9853-A	Gasket (choke thermostatic control)
1	B7A 9861-A	Shield (choke thermostat)
2	43245-S8(U71)	Screw & washer (shield to housing)-No. 8-32 x 1/4"
1	B7A 9871-A	Gasket (automatic choke piston hsg.)
1	B7A 9930-A	Cover (economizer valve)
4	31061-S8(U50)	Screw (economizer valve cover to main body)-No. 8-32 x 1/2" fill. hd.
4	34802-S7(X59)	Lockwasher-No. 8
1	B7A 9934-A	Cap (accelerator pump plunger)
1	B7A 9935-A	Spring (accelerator pump rod plunger)
1	B7A 9938-A	Screen (filter)
1	B7A 9974-B	Screw (fuel level inspection)
1	B7A 9988-A	Retainer (idle bellcrank)
2	B7AZ 9992-A	Bearing (choke shaft)

## CARBURETOR SERVICE PARTS LIST No. 52

1	B5A 9518-S	Body & shaft ass'y. (throttle)
2	353620-S100 (BB18)	Screw (throttle body to main body)-1/4"-28 x 1 1/2" fillister head
2	34805-S8(X62)	Lockwasher-1/4"
1	B5A 9529-A	Link (accelerator pump)
2	353610-S8(NN126)	Retainer (spring type)-.44" long
1	59A 9533-C	Jet (main metering)-No. 47-0 to 5,000 ft. alt.
1	78 9541-B	Needle (idle adjusting)-1 3/16" long
1	C0AE 9B544-A	Piston assy. (accelerator pump)-includes gasket
1	B5A 9546-A	Shaft & lever assy. (choke)
1	B5A 9549-C	Plate assy. (choke)
1	C1AZ 9B549-A	Dashpot assy. - not supplied with service carburetors. Order separately
1	34806-S7(X64)	Lockwasher-5/16"-not supplied with service carburetors. Order separately
1	33923-S7(M32)	Nut-5/16"-24-not supplied with service carburetors. Order separately
1	*EAA 9550-A	Float assy. -repl. by C2AZ-9550-A - (1-63)
1	C2AZ 9550-A	Float assy.

continued on next page

**CARBURETOR PART No. B7A 9510-M**

QTY. PER CARBU-RETOR	PART NUMBER	DESCRIPTION
1	B5A 9551-A	Pin (choke plate distributor)
1	C1AE 9558-A	Pin (float hinge)
1	B2AZ 9561-A	Gasket (float bowl retainer)-3.81"long-2.19" wide-use with glass bowl only
1	C2AZ 9561-C	Gasket (float bowl)
1	C2AZ 9564-C	Valve & seat assy. (fuel inlet)
1	B2A 9568-B	Retainer (pump operating lever)
1	EAA 9569-A	Gasket (float needle seat)
1	B2A 9574-B	Screw (discharge nozzle)-No. 10-32 x .64" overall length-fillister head
1	EAA 9576-A	Ball (accelerator pump check)-.156" diameter
2	78 9576	Ball (accelerator pump check)-1/8" diameter
1	EAA 9577-B	Nozzle assy. (pump discharge)
1	B8A 9578-B	Spring (throttle adjusting screw)-4 1/2 coils-.20" I. D. -.58" long
1	40 9578	Spring (idle adjusting needle)
1	EAA 9580-A	Gasket (discharge pump nozzle)-.20" I. D. x .32" O. D. -.03" thick
1	B4A 9581-A	Lever and shaft assy. (primary throttle)
1	★EAA 9583-A	Lever (accelerator pump operator)
1	★B4A 9585-A	Plate (throttle)
2	B9A 9586-A	Screw (throttle plate)-No. 6-32 x .31" oval head
1	B2AZ 9A588-A	Gasket (economizer valve)
1	B5A 9594-D	Jet & main well assy. (power)
3	★37643-S7	Screw (jet & main well to main body)-No. 6-32 x 7/16" fillister head
2	353799-S8	Screw (jet & main well to main body)-No. 6-32 x .75" fillister head
	34801-S7(X58)	Lockwasher-No. 6

**CARBURETOR PART No. B7A 9510-N**

1	B7A 9502-A	Gasket set
1	B6AZ 9A586-B	Kit (tune up)
1	B7A 9590-M	Repair kit
1	354582-S(II-73)	Connector (carb. to tube ass'y.)-5/16" flared tube
1	B1AZ 9B502-A	Screw (dashpot & throttle lever adj.)-not supplied with carb., order separately
1	B2AZ 9B502-A	Screw (dashpot operating lever)-No. 8-32 x .59" slotted binding head-Not supplied with carb., order separately
1	34803-S7(X60)	Lockwasher-No. 10-not supplied with carb., order separately
1	34079-S7(M163)	Nut-No. 10-32-not supplied with carb., order separately
1	C0AZ 9A507-A	Bowl & plugs assy. (float)-metal bowl
4	★31644-S7	Screw (bowl to main body)-No. 10-32 x 3/4" fillister head
4	34803-S7(X60)	Lockwasher-No. 10
1	B9AE 9B511-A	Weight (pump discharge ball)
@ Serviced in 9590 kit only		

**CARBURETOR SERVICE PARTS LIST No. 52 - continued**

QTY. PER CARBU-RETOR	PART NUMBER	DESCRIPTION
1	ICM 9681-A	Ball (rod to trans. control shaft lever)
1	34079-S7(M163)	Nut (throttle lever ball)-No. 10-32 hex.
1	34803-S7(X60)	Lockwasher-No. 10
1	8BA 9792	Clamp (choke control bracket)
1	31061-S8(U50)	Screw (bracket clamp)-No. 8-32 x 1/2" fillister head
1	34052-S7(M155)	Nut-No. 8-32
1	EAA 9796-A	Bracket (choke control)
1	★31596-S7	Screw & lockwasher (choke bracket)-No. 10-32 x 3/8"
1	B6A 9802-A	Lever (dashpot operating)-not supplied with carb., order separately
1	B2A 9808-A	Retainer (float bowl)-use with glass bowl only
4	B2A 9809-A	Clamp (float bowl retainer)-use with glass bowl only
4	★31644-S7	Screw (clamp)-No. 10-32 x 3/4"-fillister head
4	34803-S7(X60)	Lockwasher-No. 10
1	B2A 9827-A	Gasket (fuel inlet fitting)
1	★B2A 9930-B	Cover (economizer valve)
3	31061-S8(U50)	Screw (cover to main body)-No. 8-32 x 1/2"-fillister head
3	34802-S7(X59)	Lockwasher-No. 8
1	★B2A 9934-A	Sleeve (pump push rod)-.31" O. D. -1.20" long
1	EAA 9935-B	Spring (accel. pump rod plunger)-.27" O. D. -1.34" long-13 coils
1	EAA 9936-A	Spring (accel. pump diaphragm return)-cone shaped-8 coils
Δ 1	B2AZ 9945-A	Gasket (fuel inlet seat screw) -.32" I. D. -.428" O. D. -.031" thick

**CARBURETOR SERVICE PARTS LIST No. 53**

1	B7A 9512-L	Body & plugs ass'y. (main)
1	B6A 9516-B	Gasket (throttle body to main body)
1	B7A 9518-E	Body & shaft ass'y. (throttle)
@ 1	EBP 9529-A	Link (accelerator pump)
2	353610-S8(NN126)	Retainer (spring type)-.44" long
1	B7T 9533-A	Jet (main metering)-No. 69-0 to 5,000 ft. alt.
1	B4C 9533-A	No. 67-5 to 10,000 ft. alt.
1	5GA 9533-A	No. 65-10 to 15,000 ft. alt.
1	B7A 9541-D	Needle (idle adjusting)
1	C0AE 9B544-C	Piston assy. (accelerator pump)-includes gasket
1	B6A 9546-C	Shaft & lever assy. (choke)
1	B6AZ 9546-A	Kit (choke shaft & related parts)
1	B7A 9549-B	Plate assy. (choke)
1	C1AZ 9B549-A	Dashpot assy. -not supplied with service carburetors. Order separately
1	34806-S7(X64)	Lockwasher-5/16"-not supplied with service carburetors. Order separately
1	33923-S7(M32)	Nut-5/16"-24-not supplied with service carburetors. Order separately
Δ Serviced in 9502 kit only		

## CARBURETOR PART No. B7A 9510-N

QTY. PER CARBU-RETOR	PART NUMBER	DESCRIPTION
1	C2AZ 9550-A	Float assy.
1	C1AE 9558-A	Pin (float hinge)
1	B2AZ 9561-A	Gasket (float bowl retainer)-3.81" long-2.19" wide-use with glass bowl only
1	C2AZ 9561-C	Gasket (float bowl)
1	C2AZ 9564-C	Valve & seat assy. (fuel inlet)
1	B2AZ 9A565-A	Economizer assy.
1	B2A 9568-B	Retainer (pump operating lever)
1	EAA 9569-A	Gasket (float needle seat)
1	B2AZ 9575-A	Retainer (vacuum distributor ball check valve spring)-.24" O. D.
1	B2AZ 9576-A	Valve (vacuum distributor ball check)-.156" diameter
1	EAA 9576-A	Ball (accelerator pump check)-.156" diameter
2	78 9576	Ball (accelerator pump check)-1/8" diameter
1	B8A 9578-B	Spring (throttle adjusting screw)-4 1/2 coils-.20" I. D. -.58" long
1	40 9578	Spring (idle adjusting needle)
1	B6A 9581-B	Lever and shaft assy. (primary throttle)
1	★EAA 9583-A	Lever (accelerator pump operator)
1	★B4A 9585-A	Plate (throttle)
2	★31036-S8	Screw (carb. throttle plate)-No. 6-32 x 5/16" fillister head
2	34937-S7(X84)	Lockwasher-No. 6-external tooth
2	B2A 9586-A	Screw (choke plate)
1	B7A 9586-D	Screw (choke shaft locating)-No. 6-32 x .25"
1	B2AZ 9A588-A	Gasket (economizer valve)
1	★B6AZ 9A588-A	Gasket (power jet & main well spacer)
1	B7A 9594-A	Jet (body & main well power)-stamped 3348-A
3	★37643-S7	Screw (jet & main well to main body)-No. 6-32 x 7/16" fillister head
2	353799-S8	Screw (jet & main well to main body)-No. 6-32 x .75" fillister head

## CARBURETOR PART No. B7A 9510-P

1	B7A 9502-G	Gasket set - use with EBJ 9447-A
1	B7A 9590-L	Repair kit
4	★88401-S	Stud-5/16"-18-24 x 1 5/8"
4	33798-S8(M62)	Nut-5/16"-24
4	34806-S7(X64)	Lockwasher-5/16"
1	358705-S(H-127)	Connector (carb. to tubes to fuel pump & distributor vacuum diaphragm)-used with power brakes-brass-90° elbow
1	B5A 9501-A	Housing & plug (secondary throttle)
3	353852-S(BB623)	Screw & washer (housing to throttle body)-No. 8-32 x 7/16"
1	@B1AZ 9B502-A	Screw (dashpot & throttle lever) adjusting)
1	@34079-S7(M163)	Nut-No. 10-32
1	@34803-S7(X60)	Lockwasher-No. 10
1	EBY 9503-A	Diaphragm (secondary throttle)

@ Not supplied with service carburetor. Order separately if required.

## CARBURETOR SERVICE PARTS LIST No. 53 - continued

QTY. PER CARBU-RETOR	PART NUMBER	DESCRIPTION
	34801-S7(X58)	Lockwasher-No. 6
1	1CM 9681-A	Ball (rod to trans. control shaft lever)
1	34079-S7(M163)	Nut (throttle lever ball)-No. 10-32 hex.
1	34803-S7(X60)	Lockwasher-No. 10
1	8BA 9792	Clamp (choke control bracket)
1	31061-S8(U50)	Screw (bracket clamp)-No. 8-32 x 1/2" fillister head
1	34052-S7(M155)	Nut-No. 8-32
1	EAA 9796-A	Bracket (choke control)
1	★31596-S7	Screw & lockwasher (choke bracket)-No. 10-32 x 3/8"
1	B6A 9802-A	Lever (dashpot operating)-not supplied with carb., order separately
1	B2A 9808-A	Retainer (float bowl)-use with glass bowl only
4	B2A 9809-A	Clamp (float bowl retainer)-use with glass bowl only
4	★31644-S7	Screw (clamp)-No. 10-32 x 3/4" fillister head
4	34803-S7(X60)	Lockwasher-No. 10
1	B2A 9827-A	Gasket (fuel inlet fitting)
1	B7A 9920-A	Nozzle (main well)
1	B7A 9926-A	Gasket (main well nozzle)
1	★B2A 9930-B	Cover (economizer valve)
3	31061-S8(U50)	Screw (cover to main body)-No. 8-32 x 1/2"-fillister head
3	34802-S7(X59)	Lockwasher-No. 8
1	★B2A 9934-A	Sleeve (pump push rod)-.31" O. D. -1.20" long
1	EAA 9935-B	Spring (accel. pump rod plunger)-.27" O. D. -1.34" long-13 coils
1	EAA 9936-A	Spring (accel. pump diaphragm return)-cone shaped-8 coils
Δ1	B2AZ 9945-A	Gasket (fuel inlet seat screw) -.32" I. D. -.428" O. D. -.031" thick

## CARBURETOR SERVICE PARTS LIST No. 54

1	B5A 9C504-A	Rod (secondary throttle control)
2	353610-S8 (NN126)	Retainer (rod to shaft)-spring-.44" long
1	B7AZ 9B504-C	Spring (secondary throttle diaphragm return)-color identification Yellow
1	353854-S8(XX64)	Washer-.129/.134 flat
1	B5A 9507-A	Cover (secondary throttle diaphragm)
4	31061-S8(U50)	Screw (cover to diaphragm housing)-No. 8-32 x 1/2"
4	34802-S7(X59)	Lockwasher-No. 8
1	B5A 9508-A	Cover (secondary throttle diaphragm housing)
1	★31036-S8	Screw (cover to housing)-No. 6-32 x 5/16" fillister head
1	34937-S7(X84)	Lockwasher-No. 6-external tooth
1	B6AZ 9B508-A	Bushing (fast idle cam)
Δ	Serviced in 9502 kit only	

continued on next page

**CARBURETOR PART No. B7A 9510-P**

**CARBURETOR SERVICE PARTS LIST No. 54 - continued**

QTY. PER CARBU-RETOR	PART NUMBER	DESCRIPTION
1	B7A 9512-P	Body (main)
2	351821-S(BB20)	Screw (main body to throttle body)-5/16"-24 x 3 1/4"
2	34806-S7(X64)	Lockwasher-5/16"
1	B6AZ 9A514-A	Lever (choke shaft)
1	8CM 9516	Gasket (throttle body to main body)
1	A8TZ 9A516-A	Valve (accel. pump discharge needle)
1	B7A 9518-F	Body and shaft (throttle)
1	B6AZ 9A519-A	Spring (float)
2	B7AZ 9A523-H	Venturi (secondary)
2	354826-S7 (BB74)	Screw & lockwasher (secondary venturi)-No. 10-32 x .44" fillister hd.
1	B6AZ 9524-A	Cover & plugs (main body)-stamped-No. 58
1	31628-S7(U58)	Screw (air horn to throttle body)-No. 10-32 x 5/8"
1	34803-S7(X60)	Lockwasher-No. 10
1	B5A 9524-A	Horn (air)
4	31079-S7	Screw (cover & plugs to main body)-No. 12-24 x 5/8"-fillister head
2	B6AZ 9A528-A	Tube (secondary venturi metering) No. 55 - 0 to 15,000 ft. altitude
1	B5AZ 9529-A	Link (accelerator pump)
1	354614-S(BB681)	Stud (link to rod)-No. 8-32
1	354615-S(QQ33)	Snap ring (link retainer)-1/8" I. D. - .27" O. D.
1	B6A 9531-C	Rod (accel. pump piston operating)
2	59A 9533-D	Jet (main metering)-primary No. 45 - 0 to 15,000 ft. altitude
1	B0TZ 9535-A	Seal (throttle shaft)-1/4" I. D. - 1/2" O. D. -.06" thick-serviced in kit 9502
1	EAD 9535-A	Washer (accel. pump piston rod-felt)-.38" O. D. -.25" I. D. -.12" thick
1	351336-S8	Washer (accel. pump piston operating rod felt washer retaining)-flat-.26" I. D. x .36" O. D.
1	B5A 9538-A	Lever (fast idle adjusting)-use with 354825-S screw
1	355829-S7(MM15)	Nut (lever to shaft)-No. 8-36
1	34802-S7(X59)	Lockwasher-No. 8
2	78 9541-A	Needle (idle adjusting)
1	B7AZ 9B544-B	Piston (accelerator pump)
1	B5A 9545-A	Plate (choke)-R. H.
2	351820-S(BB625)	Screw & lockwasher (choke plate to shaft)-No. 4-48 x 1/4"-pan head
1	B5A 9547-A	Shaft (choke)
1	354827-S(XX95)	Washer (choke shaft thrust)-9/32" flat
1	B5AZ 9B547-B	Link (choke plate)
1	359014-S2(NN86)	Pin (link to choke shaft lever)-.078" O. D. -.56" long-splitt
1	B6A 9549-C	Plate (choke)
2	351820-S(BB625)	Screw & lockwasher (choke plate to shaft)-No. 4-48" x 1 1/4"-pan head

QTY. PER CARBU-RETOR	PART NUMBER	DESCRIPTION
1	@C1AZ 9B549-A	Dashpot
1	@33923-S7(M32)	Nut-5/16"-24
1	@34806-S7(X64)	Lockwasher-5/16"
1	B6A 9550-B	Float
1	@B5AZ 9B550-A	Bracket (dashpot mounting)
1	*31596-S7	Screw (bracket to throttle body)-No. 10-32 x 3/8"
1	34803-S7(X60)	Lockwasher-No. 10
1	B5A 9557-A	Selector (float bowl vent)
1	8CM 9558	Pin (float hinge)
1	B5AZ 9561-A	Gasket (main body cover plate)
1	B6A 9564-B	Valve & seat (fuel inlet)
1	B5AZ 9A565-A	Economizer
1	355067-S7(BB53)	Screw & washer (valve to main body cover & plugs)-No. 8-32 x 5/16" fillister head
2	B2Q 9566-A	Washer (throttle shaft seal retainer)-.02" thick-.255" I. D. -.53" O. D.
1	B6A 9569-A	"O" ring (fuel inlet valve seal)
1	B5A 9572-A	Cup (pump piston)
1	B2AZ 9575-A	Retainer (vacuum dist. ball check valve spring)-serviced in kit 9590
2	B5AZ 9575-A	Retainer (vacuum dist. ball check valve spring)
1	EAD 9575-A	Retainer (accel. pump check ball)-No. 10-32 threads-.96" long
1	78 9575	Retainer (check valve)
1	B5A 9576-A	Ball (secondary throttle check)
3	78 9576	Ball (accelerator pump check)-1/8" diameter
2	B6A 9577-A	Nozzle (pump discharge)
1	B7A 9577-E	Nozzle (main well)
1	B8A 9578-B	Spring (throttle adjusting screw)-4 1/2 coils-.20" I. D. -.58" long
1	B8A 9578-B	Spring (throttle stop screw)-4 1/2 coils-.20" I. D. -.58" long
2	40 9578	Spring (idle adjusting needle)
1	354825-S(BB409)	Screw (throttle adjusting)-No. 10-32 x .67" long
1	B5A 9581-A	Shaft & lever (throttle)-primary
1	B5A 9583-A	Lever (secondary throttle diaphragm)
1	353851-S (BB620)	Screw & washer (lever to diaphragm housing)-No. 6-32 x 5/16" pan head
2	*B5A 9585-A	Plate (throttle)-primary
2	B6A 9585-A	Plate (throttle)-secondary
8	B9A 9586-A	Screw (throttle plate)-No. 6-32 oval hd.
1	A8TZ 9A588-A	Gasket (power jet)-.56" O. D. -.03" thick-serviced in kit 9502
1	B6AZ 9A592-A	Lever & shaft (second. throttle plate)
1	B6T 9594-A	Jet (power)-stamped No. 32
1	*B7A 9597-D	Cam (fast idle)
1	*37777-S18	Screw (fast idle cam stop)-No. 10-32 x 1 3/8"
1	359539-S8B (BB40)	Screw (throttle adjusting)-No. 10-32 x 1.25"
1	A1A 9599-A	Retainer (pump link)-11/32" long
4	B6A 9609-A	"O" ring (secondary venturi tube)

@ Not supplied with service carburetor. Order separately if required.

continued on next page

## CARBURETOR PART No. B7A 9510-P

QTY. PER CARBU-RETOR	PART NUMBER	DESCRIPTION
2	B6A 9616-A	Tube (secondary venturi fuel supply)
1	8CM 9636-B	Spring (pump piston operating rod)-upper-.270" I. D. -.314" O. D. -3.19" long-22 coils
1	★B6A 9636-B	Spring (accelerator pump piston return)-.33" I. D. -.40" O. D. -2.70" long-22 coils
1	B5A 9655-A	Seal (choke air inlet tube)
1	B6SZ 9A659-A	Screw (air cleaner anchor)-not supplied with service carb.-order separately for model S-2.60" long-hex. section 1.39" & 1.21" from ends
1	34805-S8(X62)	Lockwasher-1/4"
1	B6AZ 9A753-A	Shaft & lever (choke housing)-use with B6A 9597-C, B6AZ 9B508-A B6A 9849-C & 359113-S
1	34802-S7(X59)	Lockwasher-No.8
1	355829-S7(MM15)	Nut (shaft & lever to housing)-No.8-36 hex.
1	B5AZ 9812-A	Spacer (secondary throttle plate control lever)
1	B6A 9840-C	Piston (automatic choke)
1	359013-S8 (BB683)	Screw (lever to housing)-No.6-32 flat head shoulder
1	B6A 9842-A	Clamp (thermostatic choke housing)
3	31061-S8(U50)	Screw (clamp housing)-No.8-32 x 1/2"
3	34802-S7(X59)	Lockwasher-No.8

## CARBURETOR PART No. B7A 9510-Q

1	B7AZ 9502-A	Gasket set
1	B7AZ 9A586-A	Kit (tune up)
1	B7AZ 9590-G	Repair kit
4	359697-S8(WW76)	Stud-5/16"-18-24 x 1.87"
4	351089-S8(MM20)	Nut-5/16"-24
4	34806-S7(X64)	Lockwasher-5/16"
1	358705-S(II-127)	Connector (carb. to tubes to fuel pump & distributor vacuum diaphragm)-used with power brakes-brass-90° elbow
1	359795-S(II-88)	Connector (vacuum tube to carb.)-3/16" tube threaded sleeve
1	B7AZ 9B501-A	Seal (fast idle rod)
1	B7AZ 9B508-B	Hub (fast idle cam)
1	B7A 9512-H	Body (main)
2	359409-S(PP59)	Plug (to plug drill passages in main body)-5/16"
1	371350-S(AA4)	Ball (accelerator pump inlet passage)-3/16" steel
1	359353-S(PP58)	Plug (to plug hole from bowl to accelerator pump)-1/8" cup

## CARBURETOR SERVICE PARTS LIST No. 54 - continued

QTY. PER CARBU-RETOR	PART NUMBER	DESCRIPTION
1	B6A 9844-A	Plate (thermostatic choke housing)
1	B6A 9848-C	Housing (choke thermostat)
1	B6A 9849-C	Housing & plugs (choke)-use with 1 each B6A 9597-C, B6AZ 9B508-A, B6AZ 9A753-A & 359113-S
1	★31077-S8	Screw (housing to throttle body)-No.8-32 x 5/8"
2	359369-S8(BB58)	Screw & washer (housing to throttle body)-No.8-32 x 1.12" fillister head
2	359113-S(XX46)	Washer-No.8-flat
2	34802-S7(X59)	Lockwasher-No.8
1	B5AZ 9853-A	Gasket (secondary throttle diaphragm housing)
1	B6A 9853-C	Gasket (thermostatic choke housing)
1	B6A 9871-A	Gasket (choke thermostatic housing to choke housing & plugs)
1	A8Q 9937-A	Spring (filter screen retainer)-.396" O. D. -.80" long-6 1/2 coils
1	A8Q 9938-A	Screen (filter)-with retainer
1	B6A 9944-A	Plug (float needle seat)
1	B6A 9945-A	Gasket (float needle seat plug)
1	B6A 9959-A	Spring (fuel valve seat)
1	B2Q 9976-A	Spring (accelerator pump rod seal)-.317" O. D. -.80" long-7 1/2 coils
1	B5AZ 9998-A	Seal (air horn)-serviced in kit 9502

## CARBURETOR SERVICE PARTS LIST No. 55

1	B7AZ 9A515-A	Rod (accel.pump link to vent lever)
1	74271-S7(R1)	Retainer (accel.pump link to vent lever rod to cover spring)-3/32"
1	B7AZ 9A520-A	Adaptor (fuel inlet)-1/2"-20 internal-9/16"-24 external threads-.80" long
1	B7AZ 9A523-F	Support (booster venturi)
1	371350-S(AA4)	Ball (accelerator pump discharge valve)-3/16" steel
1	B7AZ 9524-B	Horn & plugs (air)
5	43256-S8	Screw & washer (horn & plugs to main body)-No.10-32 x 5/8"
1	B7A 9528-B	Cover (accelerator pump)-less link
4	43255-S8(U74)	Screw & washer (cover to carb.)-No.8-32 x 5/8"
1	B7A 9529-A	Link (accelerator pump)
1	353847-S8 (NN109)	Pin (accelerator pump link to cover)-.187" x .50" diameter roll
2	59A 9533-A	Jet (main metering) No.51 - 0 to 5,000 ft. altitude
2	59A 9533-B	No.49 - 5,000 to 10,000 ft. altitude
2	59A 9533-C	No.47 - 10,000 to 15,000 ft. altitude

continued on next page

**CARBURETOR PART No. B7A 9510-Q**

**CARBURETOR SERVICE PARTS LIST No. 55 - continued**

QTY. PER CARBU-RETOR	PART NUMBER	DESCRIPTION
1	B7AZ 9A535-A	Bellcrank (fast idle)
1	B7AZ 9A536-A	Gasket (booster venturi support)
1	B7A 9538-B	Lever & pin (fast idle adjusting)
1	359539-S8B (BB40)	Screw (fast idle adjusting)-No.10-32 x 1.25" fillister head
2	C1AE 9541-C	Needle (idle adjusting)
1	B7AZ 9B542-A	Rod (accel.pump link to throttle lever)-5.77" between rod end centers-color daub identity "Blue"
1	74271-S7(R1)	Retainer (pump link to throttle lever rod to carb.throttle lever)-3/32" spring
1	B7A 9545-A	Plate (choke)-R. H.
1	B7A 9546-A	Shaft and lever (choke)
1	@C1AZ 9B549-A	Dashpot
1	@33923-S7(M32)	Nut-5/16"-24
2	@34806-S7(X64)	Lockwasher-5/16"
1	B7A 9550-D	Float
1	@B7AZ 9B550-A	Bracket (dashpot mounting)
2	@43252-S8(U77)	Screw & washer (dashpot mounting bracket to carb.)-No.10-32 x 1/2"
1	B7A 9558-A	Pin (float hinge)
1	B7AZ 9B559-A	Diaphragm (accelerator pump)
1	B7A 9561-A	Gasket (float bowl)
1	B7A 9563-A	Gasket (economizer cover)
1	C2AZ 9564-B	Valve & seat (fuel inlet)-includes (1) B7A 9569-A gasket & (1) C1AZ 9599-A retainer
1	C0AZ 9A565-A	Economizer
1	B7A 9569-A	Gasket (float valve seat)
1	B7A 9575-A	Retainer (accel.pump check ball)
1	B7AZ 9575-A	Retainer (fast idle rod seal)
1	43245-S8(U71)	Screw & washer (retainer to horn)-No.8-32 x 1/4"
1	78 9576	Ball (accelerator pump check)-1/8" diameter
1	B7A 9577-A	Screw (pump discharge nozzle)
1	374370-S(XX94A)	Washer-1/4" flat (buna coated alum.)
2	B8A 9578-B	Spring (throttle adjusting screw)-4 1/2 coils-.20" I.D.-.58" long
2	40 9578	Spring (idle adjusting needle)
1	355107-S7 (BB536)	Screw (normal idle adjusting)-No.10-32 x 1" special hex. head slotted
1	B7A 9581-D	Shaft & lever (throttle)
2	B8A 9585-E	Plate (throttle)-primary
1	B7AZ 9D585-A	Lever (ventilator)
1	359941-S7(NN94)	Pin (lever to body)-1/8" x 1/2"-spring
4	B7A 9586-A	Screw (throttle plate)
4	B7A 9586-E	Screw (throttle plate)-No. 8-32 x .42" oval head-tubular
2	B9A 9586-A	Screw (choke plate)-No. 6-32 oval hd.

QTY. PER CARBU-RETOR	PART NUMBER	DESCRIPTION
1	C2AZ 9A588-B	Gasket (economizer)
1	B7A 9597-A	Cam (fast idle)
1	74271-S7(R1)	Retainer spring-3/32" (fast idle cam to bellcrank)
1	359566-S8B (XX43)	Washer (fast idle cam to bellcrank)-No.4-flat
1	B7A 9598-A	Rod (fast idle)
1	74271-S7(R1)	Retainer spring (fast idle rod to bellcrank)-3/32"
2	359555-S(XX50)	Washer (fast idle rod seal)-No.8-flat
1	B7AZ 9599-A	Retainer (float lever shaft)-.37" I.D.
1	B7AZ 9A599-A	Rod (thermostatic choke lever)
1	74271-S7(R1)	Retainer (rod to choke housing shaft & lever)-spring-3/32"
1	B7A 9636-A	Spring (accel.pump piston return)
1	B7AZ 9A753-A	Shaft & lever (choke housing)
1	B7AZ 9812-A	Spacer (thermo.choke shaft)
1	B7A 9840-A	Piston (choke thermostat)
1	355829-S7(MM15)	Nut (piston to choke housing)-No. 8-36
1	34802-S7(X59)	Lockwasher-No. 8
1	B6A 9842-A	Clamp (thermostatic choke housing)
3	31061-S8(U50)	Screw (clamp housing)-No. 8-32 x 1/2"
3	34802-S7(X59)	Lockwasher-No. 8
1	B7A 9844-A	Plate (thermostatic choke housing)
1	B7A 9848-A	Housing (choke thermostat)
3	31061-S8(U50)	Screw (thermostat housing to choke housing)-No.8-32 x 1/2" fillister head
1	34802-S7(X59)	Lockwasher-No.8
1	B7A 9849-A	Housing & plugs (choke)
1	*37787-S8	Screw (housing to main body)-No.8-32 x 1 1/2" fillister head
2	43407-S8(U76)	Screw & washer (housing to carb.)-No.8-32 x 1"
1	359113-S(XX46)	Washer-No.8-flat
1	34802-S7(X59)	Lockwasher-No.8
1	B7A 9850-C	Control (thermostatic choke)
1	B7A 9853-A	Gasket (choke thermostatic control)
1	B7A 9861-A	Shield (choke thermostat)
2	43245-S8(U71)	Screw & washer (shield to housing)-No. 8-32 x 1/4"
1	B7A 9871-A	Gasket (automatic choke piston hsg.)
1	B7A 9930-A	Cover (economizer valve)
4	31061-S8(U50)	Screw (economizer valve cover to main body)-No.8-32 x 1/2" fill.hd.
4	34802-S7(X59)	Lockwasher-No.8
1	B7A 9934-A	Cap (accelerator pump plunger)
1	B7A 9935-A	Spring (accelerator pump rod plunger)
1	B7A 9938-A	Screen (filter)
1	B7A 9974-B	Screw (fuel level inspection)
1	B7A 9988-A	Retainer (idle bellcrank)
2	B7AZ 9992-A	Bearing (choke shaft)

@ Not supplied with service carburetor. Order separately if required.

## CARBURETOR PART No. B7A 9510-R

QTY. PER CARBU-RETOR	PART NUMBER	DESCRIPTION
1	B8A 9502-F	Gasket set
1	B7AZ 9A586-D	Kit (tune up)
1	B7AZ 9590-E	Repair kit
4	359747-S2	Screw (fuel bowl & plugs to carb. main body)-No. 12-24 x 2.56"
4	359697-S8(WW76)	Stud-5/16"-18-24 x 1.87"
4	351089-S8(MM20)	Nut-5/16"-24
4	34806-S7(X64)	Lockwasher-5/16"
1	358705-S(II-127)	Connector (carb. to tubes to fuel pump & distributor vacuum diaphragm)-used with power brakes-brass-90° elbow
1	358165-S(II-65)	Connector (distributor vacuum tube to carb.)-1/8" pipe thread
1	B7AZ 9B501-B	Seal (fast idle rod)
1	B7AZ 9A506-A	Lever (accelerator pump operating)-identified by stamped No. 36-A
1	370050-S2 (BB537)	Screw (accelerator pump lever adjusting)-No. 10-32 x .50" hex. head slotted
1	370052-S2 (MM219)	Sleeve-nut (accelerator pump lever adjusting)-No. 10-32 x .26"
1	B8AZ 9A507-C	Bowl & plugs (float primary)-use with B8A 9528-B
1	B7AZ 9A511-B	Body & plugs (main metering)
1	B7A 9512-Q	Body (main)
1	370053-S(PP24)	Plug (fuel level check)-5/16"-24 x 1/8"
1	B7AZ 9A515-B	Rod (accel. pump link to vent lever)
1	B7A 9516-A	Gasket (throttle body to main body)
1	B7AZ 9A517-A	Baffle (float bowl)-primary
1	B8A 9518-B	Body and shaft (throttle)
AR	359736-S2(BB67)	Screw & washer (throttle body to main body)-No. 12-24 x .81" fillister head
1	B9TZ 9A518-A	Gasket (main metering body)-primary
1	B2TZ 9A520-A	Adaptor (fuel inlet)-27/32" overall length-has compression type seal
1	B7AZ 9A520-A	Adaptor (fuel inlet)-1/2"-20 internal-9/16"-24 external threads-.80" long
1	B7AZ 9526-A	Cam (accelerator pump diaphragm operating)
1	★31036-S8	Screw (pump cam)-No. 6-32 x 5/16" fillister head
1	34937-S7(X84)	Lockwasher-No. 6-external tooth
1	B8A 9528-B	Kit (accelerator pump cover)-consists of the following- 1-B8A 9528-B Cover, 4-43250-S Screw & washer & 4-359757-S2 Screw & washer
4	43250-S (U70)	Screw & lockwasher (accel. pump)-No. 6-32 x .50" - use with B7A 9528-A or B7T 9528-A
4	359757-S2(BB52)	Screw & washer (accel. pump cover)-No. 6-32 x .59" fillister head - used to attach B8A 9528-B cover to B7A 9559-D, E and B8A 9559-A, C float bowl

## CARBURETOR SERVICE PARTS LIST No. 56

QTY. PER CARBU-RETOR	PART NUMBER	DESCRIPTION
4	43255-58(U74)	Screw & washer (accel. pump cover) - No. 8-32 x 5/8" fillister hd. - used to attach B8A 9528-B cover to B8A 9559-D, E float bowl
2	86H 9533	Jet (main metering)-when used with B7A 9512-E No. 52 - 0 to 5,000 ft. altitude
2	78 9533-A	No. 50 - 5,000 to 10,000 ft. altitude
2	78 9533-B	No. 48 - 10,000 to 15,000 ft. altitude
2	78 9533-B	Jet (main metering)-when used with B7A 9512-Q No. 48 - 0 to 5,000 ft. altitude
2	59A 9533-C	No. 47 - 5,000 to 10,000 ft. altitude
2	78 9533-C	No. 46 - 10,000 to 15,000 ft. altitude
1	B7AZ 9A535-C	Lever (fast idle pick up)
1	B7A 9538-A	Lever (fast idle adjusting)
1	42802-S8(U33)	Screw & lockwasher (lever to main body)-No. 10-32 x 3/8"
1	B7AZ 9A538-B	Spring (throttle shaft return)
2	B7A 9541-A	Needle (idle adjusting)
1	B7A 9545-B	Plate (choke)-R. H.
1	B7A 9546-B	Shaft and lever (choke)
1	@CIAZ 9B549-A	Dashpot
1	@33923-S7(M32)	Nut-5/16"-24
2	@34806-S7(X64)	Lockwasher-5/16"
1	B7A 9550-B	Float
1	351826-S(XX2)	Retainer (float bowl)
1	@B7AZ 9B550-B	Bracket (dashpot mounting)
1	@34803-S7(X60)	Lockwasher-No. 10
1	@356736-S7-8 (BB11)	Screw (bracket to throttle body) - No. 10-24 x 1/2" fillister head
1	B7A 9557-B	Valve (float bowl vent)
1	B7A 9559-D	Bowl & plugs (float)-use with B7T 9528-D - repl. by B8AZ 9A507-C
1	B7AZ 9B559-B	Diaphragm (accelerator pump)
1	B7A 9560-B	Spring (pump chamber vent operating rod)
1	351826-S(XX2)	Retainer (operating rod spring)
1	B8A 9561-C	Gasket (float bowl)-primary
1	B8C 9564-A	Valve & seat (fuel inlet)
1	B7AZ 9A565-A	Economizer-stamped No. 85
1	B2A 9568-B	Retainer (pump operating lever)-split
1	359528-S7(XX7)	Retainer (air vent valve)
1	B7AZ 9B569-A	Spring (fast idle cam lever)
1	B7A 9571-A	Spring (pump lever adjusting screw)
1	78 9576	Ball (accelerator pump check)-1/8" diameter
1	B8A 9577-B	Nozzle (pump discharge)
1	★50420-S7	Screw (pump discharge nozzle)-No. 12-24 x 3/4" oval head
2	B7AE 9580-A	Gasket (pump discharge nozzle & pump discharge screw)
1	B8A 9581-E	Shaft & lever (throttle)
1	370049-S(BB33)	Screw (fast idle adjusting)-No. 8-32 x .50" fillister head
2	B7A 9585-C	Plate (throttle)

@ Not supplied with serviced carburetor. Order separately if required.

continued on next page



**CARBURETOR PART No. B7A 9510-R**

QTY. PER CARBU-RETOR	PART NUMBER	DESCRIPTION
4	B8A 9586-A	Screw (throttle plate)
2	B9A 9586-A	Screw (choke plate)-No. 6-32 oval hd.
1	B7AZ 9A588-A	Gasket (economizer)
1	★A8AZ 9A588-A	Gasket (fuel level check plug)-serviced in kit 9502
4	B7A 9592-A	Gasket (float bowl screw)
1	B8A 9597-B	Cam (fast idle)
1	352895-S8(NN79)	Pin (fast idle cam to throttle body & shaft)-1/16" x 3/4" groove
1	B7AZ 9A599-B	Rod (choke control)
1	353610-S8(NN126)	Retainer (rod to carburetor)
2	B7A 9634-A	Seal (idle adjusting needle)
1	B7A 9636-B	Spring (accel. pump diaphragm return)
2	B7A 9647-A	Washer (fast idle rod seal)

**CARBURETOR PART No. B7A 9510-S**

1	B8A 9502-F	Gasket set
1	B7AZ 9A586-D	Kit (tune up)
1	B7AZ 9590-E	Repair kit
4	359697-S8(WW76)	Stud-5/16"-18-24 x 1.87"
4	351089-S8(MM20)	Nut-5/16"-24
4	34806-S7(X64)	Lockwasher-5/16"
1	358705-S(II-127)	Connector (carb. to tubes to fuel pump & distributor vacuum diaphragm)-used with power brakes-brass-90° elbow
1	358165-S(II-65)	Connector (distributor vacuum tube to carb.)-1/8" pipe thread
1	B7AZ 9B501-B	Seal (fast idle rod)
1	B7AZ 9A506-A	Lever (accelerator pump operating)-identified by stamped No. 36A
1	370050-S2 (BB537)	Screw (accelerator pump lever adjusting)-No. 10-32 x .50" hex. head slotted
1	370052-S2 (MM219)	Sleeve-nut (accelerator pump lever adjusting)-No. 10-32 x .26"
1	B8AZ 9A507-C	Bowl & plugs (float primary)-use with B8A 9528-B
4	359747-S2 (BB809)	Screw (fuel bowl & plugs to carb. main body)-No. 12-24 x 2.56"
1	B7AZ 9A511-C	Body & plugs (main metering)
1	B7A 9512-R	Body (main)
1	370053-S(PP24)	Plug (fuel level check)-5/16"-24 x 1/8"
1	B7AZ 9A515-B	Rod (accel. pump link to vent lever)
1	B7A 9516-A	Gasket (throttle body to main body)
1	B7AZ 9A517-A	Baffle (float bowl)-primary
1	B8A 9518-B	Body and shaft (throttle)
AR	359736-S2(BB67)	Screw & washer (throttle body to main body)-No. 12-24 x .81" fillister head
1	B9TZ 9A518-A	Gasket (main metering body)-primary

△ Serviced in 9502 kit only

**CARBURETOR SERVICE PARTS LIST No. 56 - continued**

QTY. PER CARBU-RETOR	PART NUMBER	DESCRIPTION
1	B7AZ 9A753-B	Shaft & lever (choke housing)
1	B7A 9840-B	Piston (automatic choke)
1	355829-S7(MM15)	Nut (piston to choke housing)-No. 8-36
1	34802-S7(X59)	Lockwasher-No. 8
3	31061-S8(U50)	Screw (clamp housing)-No. 8-32 x 1/2"
3	34802-S7(X59)	Lockwasher-No. 8
1	B8A 9848-E	Housing (choke thermostat)
1	B7A 9849-B	Housing & plugs (choke)
3	359737-S(BB59)	Screw & washer (choke housing to main body)-No. 8-32 x 1.25"
1	B7A 9850-A	Control (thermostatic choke)
2	B7A 9853-B	Gasket (choke thermostatic control)
1	B7A 9871-B	Gasket (thermostatic choke housing)
1	B7A 9938-B	Screen (filter)-with retainer
△ 1	B2AZ 9945-A	Gasket (fuel inlet seat screw)-.32" I. D. -.428" O. D. -.031" thick

**CARBURETOR SERVICE PARTS LIST No. 57**

1	B2TZ 9A520-A	Adaptor (fuel inlet)-27/32" overall length-has compression type seal
1	B7AZ 9526-A	Cam (accelerator pump diaphragm operating)
1	★31036-S8	Screw (pump cam)-No. 6-32 x 5/16" fillister head
1	34937-S7(X84)	Lockwasher-No. 6-external tooth
1	B8A 9528-B	Kit (accelerator pump cover)-consists of the following- 1-B8A 9528-B Cover, 4-43250-S Screw & washer & 4-359757-S2 Screw & washer
4	43250-S(U70)	Screw & lockwasher (accel. pump)-No. 6-32 x .50" - use with B7A 9528-A or B7T 9528-A
4	359757-S2(BB52)	Screw & washer (accel. pump cover)-No. 6-32 x .59" fillister head - used to attach B8A 9528-B cover to B7A 9559-D, E and B8A 9559-A, C float bowl
4	43255-S8(U74)	Screw & washer (accel. pump cover) - No. 8-32 x 5/8" fillister hd. - used to attach B8A 9528-B cover to B8A 9559-D, E float bowl
2	B4T 9533-B	Jet (main metering)-when used with B7A 9512-E No. 53 - 0 to 5,000 ft. altitude
2	59A 9533-A	No. 51 - 5,000 to 10,000 ft. altitude
2	59A 9533-B	No. 49 - 10,000 to 15,000 ft. altitude
2	59A 9533-B	Jet (main metering)-when used with B7A 9512-R No. 49 - 0 to 5,000 ft. altitude
2	78 9533-B	No. 48 - 5,000 to 10,000 ft. altitude
2	59A 9533-C	No. 47 - 10,000 to 15,000 ft. altitude
1	B7AZ 9A535-C	Lever (fast idle pick up)
1	B7A 9538-A	Lever (fast idle adjusting)
1	42802-S8(U33)	Screw & lockwasher (lever to main body)-No. 10-32 x 3/8"

## CARBURETOR PART No. B7A 9510-S

QTY. PER CARBU-RETOR	PART NUMBER	DESCRIPTION
1	B7AZ 9A538-B	Spring (throttle shaft return)
2	B7A 9541-A	Needle (idle adjusting)
1	B7A 9545-B	Plate (choke)-R. H.
1	B7A 9546-B	Shaft and lever (choke)
1	C1AZ 9B549-A	Dashpot
1	33923-S7(M32)	Nut-5/16"-24
2	34806-S7(X64)	Lockwasher-5/16"
1	B7A 9550-B	Float
1	351826-S(XX2)	Retainer (float bowl)
1	B7A 9557-B	Valve (float bowl vent)
1	B7A 9559-D	Bowl & plugs (float)-use with B7T 9528-D - repl. by B8AZ 9A507-C
1	B7AZ 9B559-B	Diaphragm (accelerator pump)
1	B7A 9560-B	Spring (pump chamber vent operating rod)
1	351826-S(XX2)	Retainer (operating rod spring)
1	B8A 9561-C	Gasket (float bowl)-primary
1	B8C 9564-A	Valve & seat (fuel inlet)
1	B7AZ 9A565-A	Economizer-stamped No.85
1	B2A 9568-B	Retainer (pump operating lever)-split
1	359528-S7(XX7)	Retainer (air vent valve)
1	B7AZ 9B569-A	Spring (fast idle cam lever)
1	B7A 9571-A	Spring (pump lever adjusting screw)
1	78 9576	Ball (accelerator pump check)-1/8" diameter
1	B8A 9577-B	Nozzle (pump discharge)
1	*50420-S7	Screw (pump discharge nozzle)-No.12-24 x 3/4" oval head
2	B7AE 9580-A	Gasket(pump discharge nozzle & pump discharge screw)
1	B8A 9581-E	Shaft & lever (throttle)
1	370049-S(BB33)	Screw (fast idle adjusting)-No.8-32 x .50" fillister head

## CARBURETOR PART No. B7A 9510-T

1	B8A 9502-F	Gasket set
1	B7AZ 9A586-D	Kit (tune up)
1	B7AZ 9590-E	Repair kit
4	359697-S8(WW76)	Stud-5/16"-18-24 x 1.87"
4	351089-S8(MM20)	Nut-5/16"-24
4	34806-S7(X64)	Lockwasher-5/16"
1	358705-S(II-127)	Connector (carb. to tubes to fuel pump & distributor vacuum diaphragm)-used with power brakes-brass-90° elbow
1	358165-S(II-65)	Connector (distributor vacuum tube to carb.)-1/8" pipe thread
1	B7AZ 9B501-B	Seal (fast idle rod)
1	B7AZ 9A506-A	Lever (accelerator pump operating)-identified by stamped No. 36A
1	370050-S2 (BB537)	Screw (accelerator pump lever adjusting)-No.10-32 x .50" hex. head slotted
1	370052-S2 (MM219)	Sleeve-nut (accelerator pump lever adjusting)-No.10-32 x .26"

Δ Serviced in 9502 kit only

## CARBURETOR SERVICE PARTS LIST No. 57 - continued

QTY. PER CARBU-RETOR	PART NUMBER	DESCRIPTION
2	B7A 9585-C	Plate (throttle)
2	B9A 9586-A	Screw (choke plate)-No.6-32 oval hd.
4	B8A 9586-A	Screw (throttle plate)
1	*A8AZ 9A588-A	Gasket (fuel level check plug)-serviced in kit 9502
1	B7AZ 9A588-A	Gasket (economizer)
4	B7A 9592-A	Gasket (float bowl screw)
1	B8A 9597-B	Cam (fast idle)
1	352895-S8(NN79)	Pin (fast idle cam to throttle body & shaft)-1/16" x 3/4" groove
1	B7AZ 9A599-B	Rod (choke control)
1	353610-S8(NN126)	Retainer (rod to carburetor)
2	B7A 9634-A	Seal (idle adjusting needle)
1	B7A 9636-B	Spring (accel. pump diaphragm return)
2	B7A 9647-A	Washer (fast idle rod seal)
1	B7AZ 9A573-B	Shaft & lever (choke housing)
1	B7A 9840-B	Piston (automatic choke)
1	355829-S7(MM15)	Nut (piston to choke housing)-No.8-36
1	34802-S7(X59)	Lockwasher-No.8
3	31061-S8(U50)	Screw (clamp housing)-No.8-32 x 1/2"
3	34802-S7(X59)	Lockwasher-No.8
1	B8A 9848-E	Housing (choke thermostat)
1	B7A 9849-B	Housing & plugs (choke)
3	359737-S(BB59)	Screw & washer (choke housing to main body)-No.8-32 x 1.25" Control (thermostatic choke)
1	B7A 9850-A	Control (thermostatic choke)
2	B7A 9853-B	Gasket (choke thermostatic control)
1	B7A 9871-B	Gasket (thermostatic choke housing)
1	B7A 9938-B	Screen (filter)-with retainer
1	ΔB2AZ 9945-A	Gasket (fuel inlet seat screw)-.32" I. D. -.428" O. D. -.031" thick

## CARBURETOR SERVICE PARTS LIST No. 58

1	B8AZ 9A507-C	Bowl & plugs (float primary)-use with B8A 9528-B
4	359747-S2 (BB809)	Screw (fuel bowl & plugs to carb. main body)-No.12-24 x 2.56"
1	B7AZ 9A511-D	Body & plugs (main metering)
1	B7A 9512-C	Body (main)
2	370053-S(PP24)	Plug (fuel level check)-5/16"-24 x 1/8"
1	B7AZ 9A515-B	Rod (accel. pump link to vent lever)
1	B7A 9516-A	Gasket (throttle body to main body)
1	B7AZ 9A517-A	Baffle (float bowl)-primary
1	B8A 9518-B	Body and shaft (throttle)
AR	359736-S2(BB67)	Screw & washer (throttle body to main body)-No.12-24 x .81" fillister head
φ1	B9TZ 9A518-A	Gasket (main metering body)-primary
1	B2TZ 9A520-A	Adaptor (fuel inlet)-27/32" overall length-has compression type seal
1	B7AZ 9526-A	Cam (accelerator pump diaphragm operating)
1	*31036-S8	Screw (pump cam)-No.6-32 x 5/16" fillister head
1	34937-S7(X84)	Lockwasher-No.6-external tooth

continued on next page

**CARBURETOR PART No. B7A 9510-T**

QTY. PER CARBU-RETOR	PART NUMBER	DESCRIPTION
1	B8A 9528-B	Kit (accelerator pump cover)-consists of the following - 1-B8A 9528-B Cover, 4-43250-S Screw & washer & 4-359757-S2 Screw & washer
4	43250-S(U70)	Screw & lockwasher (accel. pump)-No. 6-32 x .50" - use with B7A 9528-A or B7T 9528-A
4	359757-S2(BB52)	Screw & washer (accel. pump cover)-No. 6-32 x .59" fillister head - used to attach B8A 9528-B cover to B7A 9559-D, E and B8A 9559-A, C float bowl
4	43255-S8(U74)	Screw & washer (accel. pump cover) -No. 8-32 x 5/8" fillister hd. - used to attach B8A 9528-B cover to B8A 9559-D, E float bowl
2	26H 9533	Jet (main metering) No. 57 - 0 to 5,000 ft. altitude
2	B4T 9533-A	No. 55 - 5,000 to 10,000 ft. altitude
2	B4T 9533-B	No. 53 - 10,000 to 15,000 ft. altitude
1	B7AZ 9A535-C	Lever (fast idle pick up)
1	B7A 9538-A	Lever (fast idle adjusting)
1	42802-S8(U33)	Screw & lockwasher (lever to main body)-No. 10-32 x 3/8"
1	B7AZ 9A538-B	Spring (throttle shaft return)
2	B7A 9541-A	Needle (idle adjusting)
1	B7A 9545-B	Plate (choke)-R. H.
1	B7A 9546-B	Shaft and lever (choke)
1	B7A 9550-B	Float
1	351826-S(XX2)	Retainer (float bowl)
1	B7A 9557-B	Valve (float bowl vent)
1	B7A 9559-D	Bowl & plugs (float)-use with B7T 9528-A - repl. by B8AZ 9A507-C
1	B7AZ 9B559-B	Diaphragm (accelerator pump)
1	B7A 9560-B	Spring (pump chamber vent operating rod)
1	351826-S(XX2)	Retainer (operating rod spring)
1	B8A 9561-C	Gasket (float bowl)-primary
1	B8C 9564-A	Valve & seat (fuel inlet)
1	B7AZ 9A565-A	Economizer-stamped No. 85
1	B2A 9568-B	Retainer (pump operating lever)-split
1	359528-S7(XX7)	Retainer (air vent valve)
1	B7AZ 9B569-A	Spring (fast idle cam lever)

**CARBURETOR PART No. B7A 9510-U**

1	B7AZ 9502-C	Gasket set
1	B7AZ 9A586-F	Kit (tune up)
1	B7A 9590-D	Repair kit
4	359697-S8(WW76)	Stud-5/16"-18-24 x 1.87"
4	351089-S8(MM20)	Nut-5/16"-24
4	34806-S7(X64)	Lockwasher-5/16"
1	358705-S(II-127)	Connector (carb. to tubes to fuel pump & distributor vacuum diaphragm)-used with power brakes-brass-90° elbow

△ Serviced in 9502 kit only

**CARBURETOR SERVICE PARTS LIST No. 58 - continued**

QTY. PER CARBU-RETOR	PART NUMBER	DESCRIPTION
1	B7A 9571-A	Spring (pump lever adjusting screw)
1	78 9576	Ball (accelerator pump check)-1/8" diameter
1	B8A 9577-B	Nozzle (pump discharge)
1	*50420-S7	Screw (pump discharge nozzle)-No. 12-24 x 3/4" oval head
2	B7AE 9580-A	Gasket (pump discharge nozzle & pump discharge screw)
1	B8A 9581-E	Shaft & lever (throttle)
1	370049-S(BB33)	Screw (fast idle adjusting)-No. 8-32 x .50" fillister head
2	B7A 9585-C	Plate (throttle)
4	B8A 9586-A	Screw (throttle plate)
2	B9A 9586-A	Screw (choke plate)-No. 6-32 oval hd.
1	B7AZ 9A588-A	Gasket (economizer)
1	*A8AZ 9A588-A	Gasket (fuel level check plug)-serviced in kit 9502
4	B7A 9592-A	Gasket (float bowl screw)
1	B8A 9597-B	Cam (fast idle)
1	352895-S8(NN79)	Pin (fast idle cam to throttle body & shaft)-1/16" x 3/4" groove
1	B7AZ 9A599-B	Rod (choke control)
1	353610-S8(NN126)	Retainer (rod to carburetor)
2	B7A 9634-A	Seal (idle adjusting needle)
1	B7A 9636-B	Spring (accel. pump diaphragm return)
2	B7A 9647-A	Washer (fast idle rod seal)
1	B7AZ 9A753-B	Shaft & lever (choke housing)
1	B7A 9840-B	Piston (automatic choke)
1	355829-S7(MM15)	Nut (piston to choke housing)-No. 8-36
1	34802-S7(X59)	Lockwasher-No. 8
3	31061-S8(U50)	Screw (clamp housing)-No. 8-32 x 1/2"
3	34802-S7(X59)	Lockwasher-No. 8
1	B8A 9848-E	Housing (choke thermostat)
1	B7A 9849-B	Housing & plugs (choke)
3	359737-S(BB59)	Screw & washer (choke housing to main body)-No. 8-32 x 1.25"
1	B7A 9850-A	Control (thermostatic choke)
2	B7A 9853-B	Gasket (choke thermostatic control)
1	B7A 9871-B	Gasket (thermostatic choke housing)
1	B7A 9938-B	Screen (filter)-with retainer
1	△B2AZ 9945-A	Gasket (fuel inlet seat screw)-.32" I. D. -.428" O. D. -.031" thick

**CARBURETOR SERVICE PARTS LIST No. 59**

1	358165-S(II-65)	Connector (distributor vacuum tube to carb.)-1/8" pipe thread
1	B7A 9501-A	Housing & plug (secondary throttle)
3	43407-S8(U76)	Screw & washer (housing to throttle body)-No. 8-32 x 1"
1	B7AZ 9B501-B	Seal (fast idle rod)

continued on next page

## CARBURETOR PART No. B7A 9510-U

QTY. PER CARBU-RETOR	PART NUMBER	DESCRIPTION
1	B7A 9503-B	Diaphragm (secondary throttle)
1	351825-S(XX9)	Washer (diaphragm link to lever)-"C" retainer
1	B5AZ 9B504-A	Spring (secondary throttle diaphragm return)
1	B7AZ 9C504-A	Rod (secondary throttle control)
2	353610-S8 (NN126)	Retainer (rod to shaft)-spring-.44" long
1	353854-S8(XX64)	Washer-.129/.134 flat
1	B7AZ 9A506-A	Lever (accelerator pump operating)-identified by stamped No. 36A
1	370050-S2 (BB537)	Screw (accelerator pump lever adjusting)-No.10-32 x .50" hex. head slotted
1	370052-S2 (MM219)	Sleeve-nut (accelerator pump lever adjusting)-No.10-32 x .26"
1	B7A 9507-B	Cover (secondary throttle diaphragm)
4	*31077-S8	Screw (cover to housing)-No. 8-32 x 5/8"
4	34802-S7(X59)	Lockwasher-No.8
1	B7AZ 9A507-A	Bowl & plugs (fuel secondary)
1	B8AZ 9A507-D	Bowl & plugs (float-primary)-use with B8A 9528-B & (4) 371850-S7 screws
8	359747-S2 (BB809)	Screw (fuel bowl & plugs to carb. main body)-No.12-24 x 2.56"
3	B7AZ 9B508-A	Bushing (secondary throttle shaft)
1	B7AZ 9A511-A	Body & plugs (main metering)-primary
1	B7A 9512-D	Body (main)
2	370053-S(PP24)	Plug (fuel level check)-5/16"-24 x 1/8"
1	B7AZ 9A513-A	Body & plugs (main metering second.)
1	B7AZ 9A515-B	Rod (accel.pump link to vent lever)
1	B7A 9516-B	Gasket (throttle body to main body)
1	B7AZ 9A517-A	Baffle (float bowl)-primary
1	B7A 9518-B	Body and shaft (throttle)
2	B9TZ 9A518-A	Gasket (main metering body)
AR	359736-S2(BB67)	Screw & washer (throttle body to main body)-No.12-24 x .81" fillister head
1	B2TZ 9A520-A	Adaptor (fuel inlet)-27/32" overall length-has compression type seal
1	B7AZ 9526-A	Cam (accelerator pump diaphragm operating)
1	*31036-S8	Screw (pump cam)-No.6-32 x 5/16" fillister head
1	34937-S7(X84)	Lockwasher-No.6-external tooth
1	B8A 9528-B	Kit (accelerator pump cover)-consists of the following - 1-B8A 9528-B Cover, 4-43250-S Screw & washer & 4-359757-S2 Screw & washer
4	43250-S(U70)	Screw & lockwasher (accel.pump)-No.6-32 x .50" - use with B7A 9528-A or B7T 9528-A
4	359757-S2(BB52)	Screw & washer (accel.pump cover)-No.6-32 x .59" fillister head - used to attach B8A 9528-B cover to B7A 9559-D, E and B8A 9559-A, C float bowl
4	43255-S8(U74)	Screw & washer (accel.pump cover) - No.8-32 x 5/8" fillister hd. - used to attach B8A 9528-B cover to B8A 9559-D, E float bowl

## CARBURETOR SERVICE PARTS LIST No. 59 - continued

QTY. PER CARBU-RETOR	PART NUMBER	DESCRIPTION
2	B4T 9533-A	Jet (main metering)-primary No. 55 - 0 to 5,000 ft. altitude
2	B4T 9533-B	No. 53 - 5,000 to 10,000 ft. altitude
2	86H 9533	No. 52 - 10,000 to 15,000 ft. altitude
2	78 9533-B	Jet (main metering)-secondary No. 48 - 0 to 5,000 ft. altitude
2	78 9533-B	No. 48 - 5,000 to 10,000 ft. altitude
2	78 9533-B	No. 48 - 10,000 to 15,000 ft. altitude
1	B7A 9534-A	Tube (float bowl connection)
1	B7AZ 9A535-C	Lever (fast idle pick up)
1	B7A 9538-A	Lever (fast idle adjusting)
1	42802-S8(U33)	Screw & lockwasher (lever to main body)-No.10-32 x 3/8"
1	B7AZ 9A538-B	Spring (throttle shaft return)
2	B7A 9541-A	Needle (idle adjusting)
1	B7A 9545-B	Plate (choke)-R. H.
1	B7A 9546-B	Shaft and lever (choke)
1	33923-S7(M32)	Nut-5/16"-24
2	34806-S7(X64)	Lockwasher-5/16"
2	B7A 9550-B	Float
2	351826-S(XX2)	Retainer (float bowl)
1	B7AZ 9B550-B	Bracket (dashpot mounting)
1	34803-S7(X60)	Lockwasher-No.10
1	356736-S7-8 (BB11)	Screw (bracket to throttle body)-No.10-24 x 1/2" fillister head
1	B7A 9557-A	Valve (float bowl vent)-secondary
1	B7A 9557-B	Valve (float bowl vent)
1	B7A 9559-E	Bowl & plugs (float primary)-use with B7T 9528-A - repl. by B8AZ 9A507-D
1	B7AZ 9B559-B	Diaphragm (accelerator pump)
1	B7A 9560-B	Spring (pump chamber vent operating rod)
1	351826-S(XX2)	Retainer (operating rod spring)
2	B8A 9561-C	Gasket (float bowl)-primary
2	B8T 9564-A	Valve & seat (fuel inlet)
1	B7AZ 9A565-A	Economizer-stamped No.85
1	B7AZ 9A565-B	Economizer-stamped No.105 (secondary)
1	359528-S7(XX7)	Retainer (air vent valve)
1	B7AZ 9B569-A	Spring (fast idle cam lever)
1	B7A 9571-A	Spring (pump lever adjusting screw)
1	B8A 9577-A	Nozzle (pump discharge)
1	*50420-S7	Screw (pump discharge nozzle)-No.12-24 x 3/4" oval head
1	40 9578	Spring (fast idle adjusting lever)
2	B7AE 9580-A	Gasket(pump discharge nozzle & pump discharge screw)
1	B8A 9581-E	Shaft & lever (throttle)
1	370049-S(BB33)	Screw (fast idle adjusting)-No.8-32 x .50" fillister head
1	42802-S8(U33)	Screw & washer (secondary throttle diaphragm lever)-No.10-32 x 3/8"
1	B7A 9583-B	Lever (secondary throttle diaphragm)
4	B7A 9585-C	Plate (throttle)
8	B8A 9586-A	Screw (throttle plate)
2	B9A 9586-A	Screw (choke plate)-No.6-32 oval hd.
2	*A8AZ 9A588-A	Gasket (fuel level check plug)
8	B7A 9592-A	Gasket (float bowl screw)

continued on next page

### CARBURETOR PART No. B7A 9510-U

QTY. PER CARBU-RETOR	PART NUMBER	DESCRIPTION
1	B7AZ 9A592-C	Lever & shaft (second. throttle plate)
1	359749-S(UU17)	Screw (secondary throttle stop)-spread lock set-No. 8-32 x .38"
1	B8A 9597-B	Cam (fast idle)
1	352895-S8(NN79)	Pin (fast idle cam to throttle body & shaft)-1/16" x 3/4" groove
1	B7AZ 9A599-B	Rod (choke control)
2	353610-S8(NN126)	Retainer (rod to carburetor)
2	B7A 9634-A	Seal (idle adjusting needle)
1	B7A 9636-B	Spring (accel. pump diaphragm return)
2	B7A 9647-A	Washer (fast idle rod seal)
1	B7AZ 9A753-B	Shaft & lever (choke housing)

### CARBURETOR PART No. B7A 9510-V

1	B7A 9502-G	Gasket set - use with B7A 9447-C
1	B7A 9590-N	Repair kit
4or8	★88401-S	Stud-5/16"-18-24 x 2 5/8"
4or8	33798-S8(M62)	Nut-5/16"-24
4or8	34806-S7(X64)	Lockwasher-5/16"
1	358705-S(II-127)	Connector (carb. to tubes to fuel pump & distributor vacuum diaphragm)-used with power brakes-brass-90° elbow
1	358165-S(II-65)	Connector (distributor vacuum tube to carb.)-1/8" pipe thread
1	B7A 9501-C	Housing & plug (secondary throttle)
3	353852-S(BB623)	Screw & washer (housing to throttle body)-No. 8-32 x 7/16"
1	B1AZ 9B502-A	Screw (dashpot & throttle lever adjusting)
1	34079-S7(M163)	Nut-No. 10-32
1	34803-S7(X60)	Lockwasher-No. 10
1	EBY 9503-A	Diaphragm (secondary throttle)
1	351825-S(XX9)	Washer (diaphragm link to lever)-"C" retainer
1	B5AZ 9B504-A	Spring (secondary throttle diaphragm return)
2	B7AZ 9B504-C	Spring (secondary throttle diaphragm return)-color identification Yellow
1	B5A 9C504-A	Rod (secondary throttle control)
2	353610-S8(NN126)	Retainer (rod to shaft)-spring-.44" long
1	353854-S8(XX64)	Washer-.129/.134 flat
1	B5A 9507-A	Cover (secondary throttle diaphragm)
4	31061-S8(U50)	Screw (cover to diaphragm housing)-No. 8-32 x 1/2"
4	34802-S7(X59)	Lockwasher-No. 8
1	B7A 9508-A	Cover (secondary throttle diaphragm housing)
1	★31036-S8	Screw (cover to housing)-No. 6-32 x 5/16" fillister head
1	34397-S7(M102)	Lockwasher-No. 6-external tooth
1	B6AZ 9B508-A	Bushing (fast idle cam)-used with B6A 9597-C cam
1	★B7A 9512-M	Body (main)
Δ Serviced in 9502 kit only		

### CARBURETOR SERVICE PARTS LIST No. 59 - continued

QTY. PER CARBU-RETOR	PART NUMBER	DESCRIPTION
1	B7A 9840-B	Piston (automatic choke)
1	355829-S7(MM15)	Nut (piston to choke housing)-No. 8-36
1	34802-S7(X59)	Lockwasher-No. 8
3	31061-S8(U50)	Screw (clamp housing)-No. 8-32 x 1/2"
3	34802-S7(X59)	Lockwasher-No. 8
1	B8A 9848-E	Housing (choke thermostat)
1	B7A 9849-B	Housing & plugs (choke)
3	359737-S(BB59)	Screw & washer (choke housing to main body)-No. 8-32 x 1.25"
1	B7A 9850-A	Control (thermostatic choke)
1	B7A 9853-B	Gasket (secondary diaphragm)
2	B7A 9853-B	Gasket (choke thermostatic control)
1	B7A 9871-B	Gasket (thermostatic choke housing)
1	B7A 9938-B	Screen (filter)-with retainer
Δ 1	B2AZ 9945-A	Gasket (fuel inlet seat screw)-.32" I. D. -.428" O. D. -.031" thick

### CARBURETOR SERVICE PARTS LIST No. 60

1	B7AZ 9A514-B	Lever (choke shaft)
1	B6T 9515-A	Spacer (main body to throttle body)
2	8CM 9516	Gasket (throttle body to main body)
1	A8TZ 9A516-A	Valve (accel. pump discharge needle)
1	★B7A 9518-G	Body and shaft (throttle)-for T/B remove (1) B7A 9764-A & add 1 each B7S 9764-A, 8BA 9792, B7S 9805-A, 31061-S & 34126-S
1	B6AZ 9A519-A	Spring (float)
1	B5AZ 9A523-A	Venturi (secondary)
2	354826-S7(BB74)	Screw & lockwasher (secondary venturi)-No. 10-32 x .44" fillister hd.
1	34803-S7(X60)	Lockwasher-No. 10
1	B6T 9524-A	Horn (air)
1	B7AZ 9524-D	Cover & plugs (main body)
1	31628-S7(U58)	Screw (air horn to throttle body)-No. 10-32 x 5/8"
2	31079-S7	Screw (cover & plugs to main body)-No. 12-24 x 5/8"-fillister head
2	43365-S8	Screw & lockwasher-(main body cover attaching)-No. 12-24 x 3/4" fillister head
2	B7AZ 9A528-C	Tube (secondary venturi metering)-stamped No. 104
1	B5AZ 9529-A	Link (accelerator pump)
1	354614-S(BB681)	Stud (link to rod)-No. 8-32
1	354615-S(QQ33)	Snap ring (link retainer)-1/8" I. D. -.27" O. D.
1	B6T 9531-B	Rod (accel. pump piston operating)
2	5GA 9533-A	Jet (main metering)-primary No. 65 - 0 to 5,000 ft. altitude
1	EAD 9535-A	Washer (accel. pump piston rod-felt)-.38" O. D. -.25" I. D. -.12" thick
1	351336-S8	Washer (accel. pump piston operating rod felt washer retaining)-flat-.26" I. D. x .36" O. D.
1	B0TZ 9535-A	Seal (throttle shaft)-1/4" I. D. - 1/2" O. D. -.06" thick-serviced in kit 9502
1	355829-S7(MM15)	Nut (lever to shaft)-No. 8-36
1	34802-S7(X59)	Lockwasher-No. 8

continued on next page

## CARBURETOR PART No. B7A 9510-V

QTY. PER CARBU-RETOR	PART NUMBER	DESCRIPTION
2	78 9541-A	Needle (idle adjusting)
1	B6AZ 9B544-A	Piston (accelerator pump)
1	B7A 9545-D	Plate (choke)-R. H.
2	351820-S(BB625)	Screw & lockwasher (choke plate to shaft)-No. 4-48 x 1/4"-pan head
1	B5A 9547-A	Shaft (choke)
1	B7AZ 9B547-B	Link (choke plate)
1	359014-S2(NN86)	Pin (link to choke shaft lever) - .078" O. D. - .56" long-split
1	★B7A 9548-B	Lever (choke plate operating)
1	B7A 9549-B	Plate (choke)-L. H.
2	351820-S(BB625)	Screw & lockwasher (choke to plate shaft)-No. 8-48" x 1 1/4"-pan head
1	C1AZ 9B549-A	Dashpot
1	33923-S7(M32)	Nut-5/16"-24
2	34806-S7(X64)	Lockwasher-5/16"
1	354827-S(XX95)	Washer (choke shaft thrust)-9/32" flat
1	B6A 9550-B	Float
1	B5AZ 9B550-A	Bracket (dashpot mounting)
2	★31596-S7	Screw (bracket to throttle body)-No. 10-32 x 3/8"
2	34803-S7(X60)	Lockwasher-No. 10
1	8MC 9558	Pin (float hinge)
1	B5AZ 9561-A	Gasket (main body cover plate)
1	B7A 9564-H	Valve & seat (fuel inlet)
1	B5AZ 9A565-A	Economizer
1	355067-S7(BB53)	Screw & washer (valve to main body cover & plugs)-No. 8-32 x 5/16" fillister head
2	B2Q 9566-A	Washer (throttle shaft seal retainer)-.02" thick-.255" I. D. -.54" O. D.
1	B6A 9569-A	"O" ring (fuel inlet valve seal)
1	B5A 9572-A	Cup (pump piston)
1	B2AZ 9575-A	Retainer (vacuum dist. ball check valve spring)-serviced in kit 9590
2	B5AZ 9575-A	Retainer (vacuum dist. ball check valve spring)
1	78 9575	Retainer (accel. pump check ball)-3/4" diameter-serviced in kit 9590
1	B5A 9576-A	Ball (secondary throttle check)
3	78 9576	Ball (accelerator pump check)-1/8" diameter
2	B6A 9577-A	Nozzle (pump discharge)
1	B8A 9578-B	Spring (throttle adjusting screw)-4 1/2 coils-.20" I. D. -.58" long
1	B8A 9578-B	Spring (throttle stop screw)-4 1/2 coils-.20" I. D. -.58" long
2	40 9578	Spring (idle adjusting needle)
1	40 9578	Spring (fast idle adjusting lever)
1	B7A 9581-C	Shaft & lever (throttle)
1	★B7A 9583-D	Lever (secondary throttle diaphragm)
1	353851-S(BB620)	Screw & washer (lever to diaphragm housing)-No. 6-32 x 5/16" pan head
2	★B7A 9585-D	Plate (throttle)-primary
2	B7A 9585-E	Plate (throttle)-secondary
8	B9A 9586-A	Screw (throttle plate)-No. 6-32 oval hd.
1	A8TZ 9A588-A	Gasket (power jet)-.56" O. D. -.03" thick-serviced in kit 9502
1	B7AZ 9A592-D	Lever & shaft (second. throttle plate)
1	B6Q 9594-A	Jet (power)-stamped No. 35
1	B6A 9597-C	Cam (fast idle)-necessary to use with B6AZ 9B508-A, B6A 9849-C, B6AZ 9A753-A & 359113-S
1	★37777-S18	Screw (fast idle cam stop)-No. 10-32 x 1 3/8"
1	359539-S8B (BB40)	Screw (throttle adjusting)-No. 10-32 x 1.25"

## CARBURETOR SERVICE PARTS LIST No. 60 - continued

QTY. PER CARBU-RETOR	PART NUMBER	DESCRIPTION
1	A1A 9599-A	Retainer (pump link)-11/32" long
4	B6A 9609-A	"O" ring (secondary venturi tube)
2	B6T 9616-A	Tube (secondary venturi fuel supply)
1	8CM 9636-B	Spring (pump piston operating rod)-upper-.270" I. D. -.314" O. D. - 3.19" long-22 coils
1	★B6A 9636-B	Spring (accelerator pump piston return)-.33" I. D. -.40" O. D. - 2.70" long-22 coils
1	B5A 9655-A	Seal (choke air inlet tube)
1	B7AZ 9A659-A	Screw (air cleaner anchor)
1	34805-S8(X62)	Lockwasher-1/4"
1	B6AZ 9A753-A	Shaft & lever (choke housing)-use with B6A 9597-C, B6AZ 9B508-A, B6A 9849-C & 359113-S
1	355829-S7(MM15)	Nut (shaft & lever to housing)-No. 8-36 hex.
1	34802-S7(X59)	Lockwasher-No. 8
1	8BA 9792	Clamp (choke control bracket)
1	31061-S8(U50)	Screw (choke control bracket clamp)-No. 8-32 x 1/2"
1	34052-S7(M155)	Nut-No. 8-32
1	B7S 9805-A	Swivel (supercharger)
1	B7A 9811-A	Plate (air baffle)
1	B5AZ 9812-A	Spacer (secondary throttle plate control lever)
1	B7A 9840-E	Piston (automatic choke)
1	359013-S8 (BB683)	Screw (lever to housing)-No. 6-32 flat head shoulder
1	B6A 9842-A	Clamp (thermostatic choke housing)
3	31061-S8(U50)	Screw (clamp housing)-No. 8-32 x 1/2"
3	34802-S7(X59)	Lockwasher-No. 8
1	B6A 9844-A	Plate (thermostatic choke housing)
1	B6A 9848-C	Housing (choke thermostat)
1	B6A 9849-C	Housing & plugs (choke)-use with 1 each B6A 9597-C, B6AZ 9B508-A, B6AZ 9A753-A & 359113-S
1	★31077-S8	Screw (housing to throttle body)-No. 8-32 x 5/8"
2	359369-S8(BB58)	Screw & washer (housing to throttle body)-No. 8-32 x 1.12" fillister head
1	359113-S(XX46)	Washer-No. 8-flat
1	34802-S7(X59)	Lockwasher-No. 8
1	B6A 9853-C	Gasket (thermostatic choke housing)
1	B7AZ 9853-B	Gasket (secondary throttle diaphragm housing)
1	B6A 9861-A	Shield (choke thermostat)
2	355067-S7(BB53)	Screw & washer (shield to housing & plugs)-No. 8-32 x 5/16" fillister head
1	B6A 9871-A	Gasket (choke thermostatic housing to choke housing & plugs)
1	A8Q 9937-A	Spring (filter screen retainer)-.396" O. D. -.80" long-6 1/2 coils
1	★B7A 9937-A	Spring (fuel inlet connection)
1	A8Q 9938-A	Screen (filter)-with retainer
1	B6A 9944-A	Plug (float needle seat)
1	B6A 9945-A	Gasket (float needle seat plug)
1	B6A 9959-A	Spring (fuel valve seat)
1	★B7A 9982-B	Gasket (secondary housing diaphragm cover)
1	8MC 9986	Spring (accelerator pump rod seal)-.26" I. D. -.32" O. D. -.82" long-9 coils
1	B5AZ 9998-A	Seal (air horn)-serviced in kit 9502

**CARBURETOR PART No. B7A 9510-W**

QTY. PER CARBU-RETOR	PART NUMBER	DESCRIPTION
1	B7AZ 9502-A	Gasket set
1	B7AZ 9A586-A	Kit (tune up)
1	B7AZ 9590-G	Repair kit
4	359697-S8(WW76)	Stud-5/16"-18-24 x 1.87"
4	351089-S8(MM20)	Nut-5/16"-24
4	34806-S7(X64)	Lockwasher-5/16"
1	358705-S(II-127)	Connector (carb. to tubes to fuel pump & distributor vacuum diaphragm)-used with power brakes-brass-90° elbow
1	359795-S(II-88)	Connector (vacuum tube to carb.)-3/16" tube threaded sleeve
1	B7AZ 9B501-A	Seal (fast idle rod)
1	34079-S7(M163)	Nut-No. 10-32
1	34803-S7(X60)	Lockwasher-No. 10
1	B7AZ 9B508-B	Hub (fast idle cam)
1	B7A 9512-J	Body (main)-not repl. -service in assy
2	359409-S(PP59)	Plug (to plug drill passages in main body)-5/16"
1	371350-S(AA4)	Ball (accelerator pump inlet passage)-3/16" steel
1	359353-S(PP58)	Plug (to plug hole from bowl to accelerator pump)-1/8" cup
1	B7AZ 9A515-A	Rod (accel.pump link to vent lever)
1	74271-S7(R1)	Retainer (accel.pump link to vent lever rod to cover spring)-3/32"
1	B7AZ 9A520-A	Adaptor (fuel inlet)-1/2"-20 internal-9/16"-24 external threads-.80" long
1	B7AZ 9A523-F	Support (booster venturi)
1	371350-S(AA4)	Ball (accelerator pump discharge valve)-3/16" steel
1	34803-S7(X60)	Lockwasher-No.10
1	B7AZ 9524-B	Horn & plugs (air)
1	31628-S7(U58)	Screw (air horn to throttle body)-No. 10-32 x 5/8"
5	43256-S8	Screw & washer (horn & plugs to main body)-No.10-32 x 5/8"
1	B7A 9528-B	Cover (accelerator pump)-less link
4	43255-S8(U74)	Screw & washer (cover to carb.)-No. 8-32 x 5/8"
1	B7A 9529-A	Link (accelerator pump)
1	353847-S8 (NN109)	Pin (accelerator pump link to cover)-.187" x .50" diameter roll
2	B4Q 9533-A	Jet (main metering) No. 61 - 0 to 5,000 ft. altitude
2	B4Q 9533-B	No. 59 - 5,000 to 10,000 ft. altitude
2	26H 9533	No. 57 - 10,000 to 15,000 ft. altitude
1	B7AZ 9A535-A	Bellcrank (fast idle)
1	B7AZ 9A536-A	Gasket (booster venturi support)
1	B7A 9538-B	Lever & pin (fast idle adjusting)
1	359539-S8B (BB40)	Screw (fast idle adjusting)-No.10-32 x 1.25" fillister head
2	C1AE 9541-C	Needle (idle adjusting)
1	B7AZ 9B542-A	Rod (accel.pump link to throttle lever)-5.77" between rod end centers-color daub identity "Blue"
1	74271-S7(R1)	Retainer (pump link to throttle lever rod to carb.throttle lever)-3/32" spring

**CARBURETOR SERVICE PARTS LIST No. 61**

QTY. PER CARBU-RETOR	PART NUMBER	DESCRIPTION
1	B7A 9545-A	Plate (choke)-R. H.
1	B7A 9546-A	Shaft and lever (choke)
1	C1AZ 9B549-A	Dashpot
1	33923-S7(M32)	Nut-5/16"-24
2	34806-S7(X64)	Lockwasher-5/16"
1	B7A 9550-D	Float
1	B7AZ 9B550-A	Bracket (dashpot mounting)
2	43252-S8(U77)	Screw & washer (dashpot mounting bracket to carb.)-No.10-32 x 1/2"
1	B7A 9558-A	Pin (float hinge)
1	B7AZ 9B559-A	Diaphragm (accelerator pump)
1	B7A 9561-A	Gasket (float bowl)
1	B7A 9563-A	Gasket (economizer cover)
1	C2AZ 9564-B	Valve & seat (fuel inlet)-includes (1) B7A 9569-A gasket & (1) C1AZ 9599-A retainer
1	C0AZ 9A565-A	Economizer
1	B7A 9569-A	Gasket (float valve seat)
1	B7A 9575-A	Retainer (accel.pump check ball)
1	B7AZ 9575-A	Retainer (fast idle rod seal)
1	43245-S8(U71)	Screw & washer (retainer to horn)-No.8-32 x 1/4"
1	78 9576	Ball (accelerator pump check)-1/8" diameter
1	B7A 9577-A	Screw (pump discharge nozzle)
1	374370-S(XX94A)	Washer-1/4" flat (buna coated alum.)
2	B8A 9578-B	Spring (throttle adjusting screw)-4 1/2 coils-.20" I.D. -.58" long
2	40 9578	Spring (idle adjusting needle)
1	355107-S7 (BB536)	Screw (normal idle adjusting)-No.10-32 x 1" special hex. head slotted
1	B7A 9581-D	Shaft & lever (throttle)
2	B8A 9585-E	Plate (throttle)-primary
1	B7AZ 9D585-A	Lever (ventilator)
1	359941-S7(NN94)	Pin (lever to body)-1/8" x 1/2"-spring
4	B7A 9586-E	Screw (throttle plate)-No.8-32 x .42" oval head-tubular
2	B9A 9586-A	Screw (choke plate)-No.6-32 oval hd.
1	C2AZ 9A588-A	Gasket (economizer)-repl. by C2AZ 9A588-B (5-63)
1	C2AZ 9A588-B	Gasket (economizer)
1	B7A 9597-A	Cam (fast idle)
1	74271-S7(R1)	Retainer spring-3/32" (fast idle cam to bellcrank)
1	359566-S8B (XX43)	Washer (fast idle cam to bellcrank No.4-flat)
1	B7A 9598-A	Rod (fast idle)
1	74271-S7(R1)	Retainer spring (fast idle rod to bellcrank)-3/32"
2	359555-S(XX50)	Washer (fast idle rod seal)-No.8-flat
1	B7AZ 9599-A	Retainer (float lever shaft)-.37" I.D.
1	B7AZ 9A599-A	Rod (thermostatic choke lever)
1	74271-S7(R1)	Retainer (rod to choke housing shaft & lever)-spring-3/32"
1	B7A 9636-A	Spring (accel.pump piston return)
1	B7AZ 9A753-A	Shaft & lever (choke housing)
1	B7A 9840-A	Piston (choke thermostat)
1	355829-S7(MM15)	Nut (piston to choke housing)-No. 8-36
1	34802-S7(X59)	Lockwasher-No. 8

continued on next page

## CARBURETOR PART No. B7A 9510-W

QTY. PER CARBU-RETOR	PART NUMBER	DESCRIPTION
1	B6A 9842-A	Clamp (thermostatic choke housing)
3	31061-S8(U50)	Screw (clamp housing)-No. 8-32 x 1 1/2"
3	34802-S7(X59)	Lockwasher-No. 8
1	B7A 9844-A	Plate (thermostatic choke housing)
1	B7A 9848-A	Housing (choke thermostat)
3	31061-S8(U50)	Screw (thermostat housing to choke housing)-No. 8-32 x 1 1/2" fillister head
1	34802-S7(X59)	Lockwasher-No. 8
1	B7A 9849-A	Housing & plugs (choke)
1	*37787-S8	Screw (housing to main body)-No. 8-32 x 1 1/2" fillister head
2	43407-S8(U76)	Screw & washer (housing to carb.)-No. 8-32 x 1"
1	359113-S(XX46)	Washer-No. 8-flat
1	34802-S7(X59)	Lockwasher-No. 8
1	B7A 9850-C	Control (thermostatic choke)

## CARBURETOR PART No. B7A 9510-X

1	B7AZ 9502-B	Gasket set
1	B7AZ 9A586-B	Kit (tune up)
1	B7AZ 9590-C	Repair kit
4	359697-S8(WW76)	Stud-5/16"-18-24 x 1.87"
4	351089-S8(MM20)	Nut-5/16"-24
4	34806-S7(X64)	Lockwasher-5/16"
1	358705-S(II-127)	Connector (carb. to tubes to fuel pump & distributor vacuum diaphragm)-used with power brakes-brass-90° elbow
1	359795-S(II-88)	Connector (vacuum tube to carb.)-3/16" tube threaded sleeve
1	B7AZ 9B501-A	Seal (fast idle rod)
1	34079-S7(M163)	Nut-No. 10-32
1	34803-S7(X60)	Lockwasher-No. 10
1	B7A 9503-A	Diaphragm (secondary throttle)
1	B7AZ 9B504-A	Spring (secondary throttle diaphragm return)
1	B7A 9507-A	Cover (secondary throttle diaphragm)
4	*41593-S8	Screw (diaphragm cover to carb.)-No. 8-32 x 3/4"
4	34802-S7(X59)	Lockwasher-No. 8
1	B7AZ 9B508-B	Hub (fast idle cam)
1	B7A 9512-K	Body (main)
2	359409-S(PP59)	Plug (to plug drill passages in main body)-5/16"
1	371350-S(AA4)	Ball (accelerator pump inlet passage)-3/16" steel
1	359353-S(PP58)	Plug (to plug hole from bowl to accelerator pump)-1/8" cup
1	B7AZ 9A515-A	Rod (accel. pump link to vent lever)
1	74271-S7(R1)	Retainer (accel. pump link to vent lever rod to cover spring)-3/32"
1	B7AZ 9A520-A	Adaptor (fuel inlet)-1/2-20 internal-9/16"-24 external threads-.80" long

## CARBURETOR SERVICE PARTS LIST No. 61 - continued

QTY. PER CARBU-RETOR	PART NUMBER	DESCRIPTION
1	B7A 9853-A	Gasket (choke thermostatic control)
1	B7A 9861-A	Shield (choke thermostat)
2	43245-S8(U71)	Screw & washer (shield to housing)-No. 8-32 x 1/4"
1	B7A 9871-A	Gasket (automatic choke piston hsg.)
1	B7A 9930-A	Cover (economizer valve)
4	31061-S8(U50)	Screw (economizer valve cover to main body)-No. 8-32 x 1 1/2" fill. hd.
4	34802-S7(X59)	Lockwasher-No. 8
1	B7A 9934-A	Cap (accelerator pump plunger)
1	EAA 9935-B	Spring (accel. pump rod plunger)-.27" O.D. -13 coils-1.34" long
1	B7A 9938-A	Screen (filter)
1	B7A 9974-B	Screw (fuel level inspection)
1	B7A 9988-A	Retainer (idle bellcrank)
2	B7AZ 9992-A	Bearing (choke shaft)

## CARBURETOR SERVICE PARTS LIST No. 62

1	B7AZ 9A523-A	Support (booster venturi)-secondary
1	B7AZ 9A523-G	Support (booster venturi)-primary
1	38294-S8(U141)	Screw (venturi secondary support to carb.)-1/4"-20 x 1" pan head
1	371350-S(AA4)	Ball (accelerator pump discharge valve)-3/16" steel
1	B7AZ 9524-C	Horn & plugs (air)
1	359826-S(XX52)	Washer (air horn to main body)-No. 8 flat
1	34804-S8(X61)	Lockwasher-No. 8
1	B7A 9528-B	Cover (accelerator pump)-less link
4	43255-S8(U74)	Screw & washer (cover to carb.)-No. 8-32 x 5/8"
1	B7A 9529-A	Link (accelerator pump)
1	353847-S8(NN109)	Pin (accelerator pump link to cover)-.187" x .50" diameter roll
2	06H 9533	Jet (main metering)-primary No. 54 - 0 to 5,000 ft. altitude
2	86H 9533	No. 52 - 5,000 to 10,000 ft. altitude
2	78 9533-A	No. 50 - 10,000 to 15,000 ft. altitude
2	B4Q 9533-B	Jet (main metering)-secondary No. 59 - 0 to 5,000 ft. altitude
2	26H 9533	No. 57 - 5,000 to 10,000 ft. altitude
2	B4T 9533-A	No. 55 - 10,000 to 15,000 ft. altitude
1	B7AZ 9A535-A	Bellcrank (fast idle)
2	B7AZ 9A536-A	Gasket (booster venturi support)
1	B7A 9538-B	Lever & pin (fast idle adjusting)
1	359539-S8B(BB40)	Screw (fast idle adjusting)-No. 10-32 x 1.25" fillister head
2	C1AE 9541-C	Needle (idle adjusting)
1	B7AZ 9B542-A	Rod (accel. pump link to throttle lever)-5.77" between rod end centers-color daub identity "Blue"
1	74271-S7(R1)	Retainer (pump link to throttle-lever rod to carb. throttle lever)-3/32" spring

continued on next page



### CARBURETOR PART No. B7A 9510-X

QTY. PER CARBU-RETOR	PART NUMBER	DESCRIPTION
1	B7A 9545-A	Plate (choke)-R. H.
1	B7A 9546-A	Shaft and lever (choke)
1	C1AZ 9B549-A	Dashpot
1	33923-S7(M32)	Nut-5/16"-24
2	34806-S7(X64)	Lockwasher-5/16"
2	B7A 9550-D	Float
1	B7AZ 9B550-A	Bracket (dashpot mounting)
2	43252-S8(U77)	Screw & washer (dashpot mounting bracket to carb.)-No.10-32 x 1/2"
2	B7A 9558-A	Pin (float hinge)
1	B7AZ 9B559-A	Diaphragm (accelerator pump)
1	B7A 9561-B	Gasket (float bowl)
1	B7A 9563-A	Gasket (economizer cover)
2	C2AZ 9564-B	Valve & seat (fuel inlet)-includes (1) B7A 9569-A gasket & (1) C1AZ 9599-A retainer
1	C0AZ 9A565-A	Economizer
2	B7A 9569-A	Gasket (float valve seat)
1	B7A 9575-A	Retainer (accel. pump check ball)
1	B7AZ 9575-A	Retainer (fast idle rod seal)
1	43245-S8(U71)	Screw & washer (retainer to horn)-No.8-32 x 1/4"
2	78 9576	Ball (accelerator pump check)-1/8" diameter
1	B7A 9577-A	Screw (pump discharge nozzle)
1	374370-S(X94A)	Washer-1/4"flat (buna coated alum.)
2	B8A 9578-B	Spring (throttle adjusting screw)-4 1/2 coils-.20" I. D. -.58" long
2	40 9578	Spring (idle adjusting needle)
1	355107-S7 (BB536)	Screw (normal idle adjusting)-No.10-32 x 1" special hex. head slotted
1	B7A 9583-A	Lever (throttle closing)
1	353848-S8(NN71)	Pin (spring-3/16" x 11/16" throttle diaphragm lever to carburetor)
2*	B7A 9585-G	Plate (throttle)-secondary
2	B8A 9585-E	Plate (throttle)-primary
1	B7AZ 9D585-A	Lever (ventilator)
1	359941-S7(NN94)	Pin (lever to body)-1/8" x 1/2"-spring
8	B9A 9586-A	Screw(throttle plate)-No.6-32 oval hd.
2	B9A 9586-A	Screw (choke plate)-No.6-32 oval hd.
8	B7A 9586-E	Screw (throttle plate)-No.8-32 x .42" oval head-tubular
1	C2AZ 9A588-B	Gasket (economizer)
1*	B7AZ 9A592-E	Lever & shaft (second,throttle plate)
1	B7A 9596-A	Rod (secondary diaphragm control)
1	74271-S7(R1)	Retainer-spring-3/32" (secondary diaphragm control rod to throttle secondary lever)
1	74271-S7(R1)	Retainer-spring-3/32" (secondary diaphragm control rod to secondary throttle diaphragm lever)
1	351764-S7(KX67)	Washer (diaphragm control rod-to diaphragm lever)-flat .140/.145" x .25" O.D.

### CARBURETOR SERVICE PARTS LIST No. 62 - continued

QTY. PER CARBU-RETOR	PART NUMBER	DESCRIPTION
1	B7A 9597-A	Cam (fast idle)
1	74271-S7(R1)	Retainer spring-3/32" (fast idle cam to bellcrank)
1	359566-S8B (XX43)	Washer (fast idle cam to bellcrank)-No.4-flat
1	B7A 9598-A	Rod (fast idle)
1	74271-S7(R1)	Retainer spring (fast idle rod to bellcrank)-3/32"
2	359555-S(XX50)	Washer (fast idle rod seal)-No.8-flat
2	B7AZ 9599-A	Retainer (float lever shaft)-.37" I. D.
1	B7AZ 9A599-A	Rod (thermostatic choke lever)
1	74271-S7(R1)	Retainer (rod to choke housing shaft & lever)-spring-3/32"
1	B7A 9636-A	Spring (accel. pump piston return)
1	B7AZ 9A753-A	Shaft & lever (choke housing)
1	B7A 9840-A	Piston (choke thermostat)
1	355829-S7(MM15)	Nut (piston to choke housing)-No.8-36
1	34802-S7(X59)	Lockwasher-No.8
1	B6A 9842-A	Clamp (thermostatic choke housing)
3	31061-S8(U50)	Screw (clamp housing)-No.8-32 x 1/2"
3	34802-S7(X59)	Lockwasher-No.8
1	B7A 9844-A	Plate (thermostatic choke housing)
1	B7A 9848-A	Housing (choke thermostat)
3	31061-S8(U50)	Screw (thermostat housing to choke housing)-No.8-32 x 1/2" fillister head
1	34802-S7(X59)	Lockwasher-No.8
1	B7A 9849-A	Housing & plugs (choke)
1	*37787-S8	Screw (housing to main body)-No.8-32 x 1 1/2" fillister head
2	43407-S8(U76)	Screw & washer (housing to carb.)-No.8-32 x 1"
1	359113-S(XX46)	Washer-No.8-flat
1	34802-S7(X59)	Lockwasher-No.8
1	B7A 9850-C	Control (thermostatic choke)
1	B7A 9853-A	Gasket (choke thermostatic control)
1	B7A 9861-A	Shield (choke thermostat)
2	43245-S8(U71)	Screw & washer (shield to housing)-No.8-32 x 1/4"
1	B7A 9871-A	Gasket (automatic choke piston hsg.)
1	B7A 9930-A	Cover (economizer valve)
4	31061-S8(U50)	Screw (economizer valve cover to main body)-No.8-32 x 1/2" fill. hd.
4	34802-S7(X59)	Lockwasher-No.8
1	B7A 9934-A	Cap (accelerator pump plunger)
1	EAA 9935-B	Spring (accel. pump rod plunger)-.27" O. D. -13 coils-1.34" long
1	B7A 9938-A	Screen (filter)
2	B7A 9974-B	Screw (fuel level inspection)
1	B7A 9988-A	Retainer (idle bellcrank)
2	B7AZ 9992-A	Bearing (choke shaft)
1	B7A 9997-A	Tube (second,throttle control vacuum)

## CARBURETOR PART No. B7A 9510-Y

QTY. PER CARBU-RETOR	PART NUMBER	DESCRIPTION
1	B7A 9502-A	Gasket set
1	B6AZ 9A586-B	Kit (tune up)
1	B7A 9590-M	Repair kit
1	354582-S(II-73)	Connector (carb. to tube ass'y.)-5/16" flared tube
1	B1AZ 9B502-A	Screw (dashpot & throttle lever adj.)-not supplied with carb.,order separately
1	B2AZ 9B502-A	Screw (dashpot operating lever)-No. 8-32 x .59" slotted binding head-not supplied with carb.,order separately
1	34803-S7(X60)	Lockwasher-No. 10-not supplied with carb., order separately
1	34079-S7(MI63)	Nut-No. 10-32-not supplied with carb., order separately
1	C0AZ 9A507-A	Bowl & plugs assy. (float)-metal bowl
4	*31644-S7	Screw (bowl to main body)-No. 10-32 x 3/4" fillister head
4	34803-S7(X60)	Lockwasher-No. 10
1	B9AE 9B511-A	Weight (pump discharge ball)
1	B7A 9512-L	Body & plugs ass'y. (main)
1	B6A 9516-B	Gasket (throttle body to main body)
1	B7A 9518-E	Body & shaft ass'y. (throttle)
@1	EBP 9529-A	Link (accelerator pump)
2	353610-S8(NN126)	Retainer (spring type)-.44" long
1	B7T 9533-A	Jet (main metering)-No. 69-0 to 5,000 ft. alt.
1	B4C 9533-A	No. 67-5,000 to 10,000 ft. alt.
1	5GA 9533-A	No. 65-10,000 to 15,000 ft. alt.
1	B7A 9541-D	Needle (idle adjusting)
1	C0AE 9B544-C	Piston assy. (accelerator pump)-includes gasket
1	B6A 9546-C	Shaft & lever assy. (choke)
1	B6AZ 9546-A	Kit (choke shaft & related parts)
1	B7A 9549-B	Plate assy. (choke)
1	C1AZ 9B549-A	Dashpot assy. -not supplied with service carburetors. Order separately
1	34806-S7(X64)	Lockwasher-5/16"-not supplied with service carburetors. Order separately
1	33923-S7(M32)	Nut-5/16"-24-not supplied with service carburetors. Order separately
1	C2AZ 9550-A	Float assy.
1	C1AE 9558-A	Pin (float hinge)
1	B2AZ 9561-A	Gasket (float bowl retainer)-3.81" long-2.19" wide-use with glass bowl only
1	C2AZ 9561-C	Gasket (float bowl)
1	C2AZ 9564-C	Valve & seat assy. (fuel inlet)
1	B2AZ 9A565-A	Economizer assy.
1	B2A 9568-B	Retainer (pump operating lever)
1	EAA 9569-A	Gasket (float needle seat)
1	B2AZ 9575-A	Retainer (vacuum distributor ball check valve spring)-.24" O. D.
1	B2AZ 9576-A	Valve (vacuum distributor ball check)-.156" diameter
1	EAA 9576-A	Ball (accelerator pump check)-.156" diameter
Δ	Serviced in 9502 kit only	
@	Serviced in 9590 kit only	

## CARBURETOR SERVICE PARTS LIST No. 63

QTY. PER CARBU-RETOR	PART NUMBER	DESCRIPTION
2	78 9576	Ball (accelerator pump check)-1/8" diameter
1	B8A 9578-B	Spring (throttle adjusting screw)-4 1/2 coils-.20" I. D. -.58" long
1	40 9578	Spring (idle adjusting needle)
1	B6A 9581-B	Lever and shaft assy. (primary throttle)
1★	EAA 9583-A	Lever (accelerator pump operator)
1★	B4A 9585-A	Plate (throttle)
2	*31036-S8	Screw (carb. throttle plate)-No. 6-32 x 5/16" fillister head
2	34937-S7(X84)	Lockwasher-No. 6-external tooth
2	B2A 9586-A	Screw (choke plate)
1	B7A 9586-D	Screw (choke shaft locating)-No. 6-32 x .25"
1	B2AZ 9A588-A	Gasket (economizer valve)
1★	B6AZ 9A588-A	Gasket (power jet & main well spacer)
1	B7A 9594-A	Jet (body & main well power)-stamped 3348-A
3	*37643-S7	Screw (jet & main well to main body)-No. 6-32 x 7/16" fillister head
2	353799-S8	Screw (jet & main well to main body)-No. 6-32 x .75" fillister head
	34801-S7(X58)	Lockwasher-No. 6
1	1CM 9681-A	Ball (rod to trans. control shaft lever)
1	34079-S7(MI63)	Nut (throttle lever ball)-No. 10-32 hex.
1	34803-S7(X60)	Lockwasher-No. 10
1	8BA 9792	Clamp (choke control bracket)
1	31061-S8(U50)	Screw (bracket clamp)-No. 8-32 x 1/2" fillister head
1	34052-S7(MI55)	Nut-No. 8-32
1	EAA 9796-A	Bracket (choke control)
1	*31596-S7	Screw & lockwasher (choke bracket)-No. 10-32 x 3/8"
1	B6A 9802-A	Lever (dashpot operating)-not supplied with carb., order separately
1	B2A 9808-A	Retainer (float bowl)-use with glass bowl only
4	B2A 9809-A	Clamp (float bowl retainer)-use with glass bowl only
4	*31644-S7	Screw (clamp)-No. 10-32 x 3/4"-fillister head
4	34803-S7(X60)	Lockwasher-No. 10
1	B2A 9827-A	Gasket (fuel inlet fitting)
1	B7A 9920-A	Nozzle (main well)
1	B7A 9926-A	Gasket (main well nozzle)
1★	B2A 9930-B	Cover (economizer valve)
3	31061-S8(U50)	Screw (cover to main body)-No. 8-32 x 1/2"-fillister head
3	34802-S7(X59)	Lockwasher-No. 8
1★	B2A 9934-A	Sleeve (pump push rod)-.31" O. D. 1.20" long
1	EAA 9935-B	Spring (accel. pump rod plunger)-.27" O. D. -1.34" long-13 coils
1	EAA 9936-A	Spring (accel. pump diaphragm return)-cone shaped-8 coils
Δ1	B2AZ 9945-A	Gasket (fuel inlet seat screw)-.32" I. D. -.428" O. D. -.031" thick

**CARBURETOR PART No. B7A 9510-Z**

**CARBURETOR SERVICE PARTS LIST No. 64**

QTY. PER CARBU-RETOR	PART NUMBER	DESCRIPTION
1	B7AZ 9502-A	Gasket set
1	B7AZ 9A586-A	Kit (tune up)
1	B7AZ 9590-G	Repair kit
4	359697-S8(WW76)	Stud-5/16"-18-24 x 1.87"
4	351089-S8(MM20)	Nut-5/16"-24
4	34806-S7(X64)	Lockwasher-5/16"
1	358705-S(II-127)	Connector (carb. to tubes to fuel pump & distributor vacuum diaphragm)-used with power brakes-brass-90° elbow
1	359795-S(II-88)	Connector (vacuum tube to carb.)-3/16" tube threaded sleeve
1	B7AZ 9B501-A	Seal (fast idle rod)
1	B7AZ 9B508-B	Hub (fast idle cam)
1	B7A 9512-N	Body (main)
2	359409-S(PP59)	Plug (to plug drill passages in main body)-5/16"
1	371350-S(AA4)	Ball (accelerator pump inlet passage)-3/16" steel
1	359353-S(PP58)	Plug (to plug hole from bowl to accelerator pump)-1/8" cup
1	B7AZ 9A515-A	Rod (accel. pump link to vent lever)
1	74271-S7(R1)	Retainer (accel. pump link to vent lever rod to cover spring)-3/32"
1	B7AZ 9A520-A	Adaptor (fuel inlet)-1/2"-20 internal-9/16"-24 external threads-.80" long
1	B7AZ 9A523-F	Support (booster venturi)
1	371350-S(AA4)	Ball (accelerator pump discharge valve)-3/16" steel
1	B7AZ 9524-B	Horn & plugs (air)
5	43256-S8	Screw & washer (horn & plugs to main body)-No. 10-32 x 5/8"
1	B7A 9528-B	Cover (accelerator pump)-less link
4	43255-S8(U74)	Screw & washer (cover to carb.)-No. 8-32 x 5/8"
1	B7A 9529-A	Link (accelerator pump)
1	353847-S8(NN109)	Pin (accelerator pump link to cover)-.187" x .50" diameter roll
2	78 9533-B	Jet (main metering) No. 48 - 0 to 5,000 ft. altitude
2	78 9533-C	No. 46 - 5,000 to 10,000 ft. altitude
2	B7A 9533-B	No. 44 - 10,000 to 15,000 ft. altitude
1	B7AZ 9A535-A	Bellcrank (fast idle)
1	B7AZ 9A536-A	Gasket (booster venturi support)
1	B7A 9538-B	Lever & pin (fast idle adjusting)
1	359539-S8B(BB40)	Screw (fast idle adjusting)-No. 10-32 x 1.25" fillister head
2	C1AE 9541-C	Needle (idle adjusting)
1	B7AZ 9B542-A	Rod (accel. pump link to throttle lever)-5.77" between rod end centers-color daub identity "Blue"
1	74271-S7(R1)	Retainer (pump link to throttle lever rod to carb. throttle lever)-3/32" spring
1	B7A 9545-A	Plate (choke)-R. H.
1	B7A 9546-A	Shaft and lever (choke)
1	ΔC1AZ 9B549-A	Dashpot
1	Δ33923-S7(M32)	Nut-5/16"-24
2	Δ34806-S7(X64)	Lockwasher-5/16"
1	B7A 9550-B	Float
1	B7A 9550-D	Float
1	ΔB7AZ 9B550-A	Bracket (dashpot mounting)
2	Δ43252-S8(U77)	Screw & washer (dashpot mounting bracket to carb.)-No. 10-32 x 1/2"

QTY. PER CARBU-RETOR	PART NUMBER	DESCRIPTION
1	B7A 9558-A	Pin (float hinge)
1	B7AZ 9B559-A	Diaphragm (accelerator pump)
1	B7A 9561-A	Gasket (float bowl)
1	B7A 9563-A	Gasket (economizer cover)
1	C2AZ 9564-B	Valve & seat (fuel inlet)-includes (1) B7A 9569-A gasket & (1) C1AZ 9599-A retainer
1	C0AZ 9A565-A	Economizer
1	B7A 9569-A	Gasket (float valve seat)
1	B7A 9575-A	Retainer (accel. pump check ball)
1	B7AZ 9575-A	Retainer (fast idle rod seal)
1	43245-S8(U71)	Screw & washer (retainer to horn)-No. 8-32 x 1/4"
1	78 9576	Ball (accelerator pump check)-1/8" diameter
1	B7A 9577-A	Screw (pump discharge nozzle)
1	374370-SXX94A	Washer-1/4" flat (buna coated alum.)
2	40 9578	Spring (idle adjusting needle)
1	355107-S7(BB536)	Screw (normal idle adjusting)-No. 10-32 x 1" special hex. head slotted
1	B7A 9581-D	Shaft & lever (throttle)
2	B8A 9585-E	Plate (throttle)-primary
1	B7AZ 9D585-A	Lever (ventilator)
1	359941-S7(NN94)	Pin (lever to body)-1/8" x 1/2"-spring
4	B7A 9586-A	Screw (throttle plate)
4	B7A 9586-E	Screw (throttle plate)-No. 8-32 x .42" oval head-tubular
2	B9A 9586-A	Screw (choke plate)-No. 6-32 oval hd.
1	C2AZ 9A588-B	Gasket (economizer)
1	B7A 9597-A	Cam (fast idle)
1	74271-S7(R1)	Retainer spring-3/32" (fast idle cam to bellcrank)
1	359566-S8B(XX43)	Washer (fast idle cam to bellcrank)-No. 4-flat
1	B7A 9598-A	Rod (fast idle)
1	74271-S7(R1)	Retainer spring (fast idle rod to bellcrank)-3/32"
2	359555-S(XX50)	Washer (fast idle rod seal)-No. 8-flat
1	B7AZ 9599-A	Retainer (float lever shaft)-.37" I. D.
1	B7AZ 9A599-A	Rod (thermostatic choke lever)
1	74271-S7(R1)	Retainer (rod to choke housing shaft & lever)-spring-3/32"
1	B7A 9636-A	Spring (accel. pump piston return)
1	B7AZ 9A753-A	Shaft & lever (choke housing)
1	B7AZ 9812-A	Spacer (thermo. choke shaft)
1	B7A 9840-A	Piston (choke thermostat)
1	355829-S7(MM15)	Nut (piston to choke housing)-No. 8-36
1	34802-S7(X59)	Lockwasher-No. 8
1	B6A 9842-A	Clamp (thermostatic choke housing)
3	31061-S8(U50)	Screw (clamp housing)-No. 8-32 x 1/2"
3	34802-S7(X59)	Lockwasher-No. 8
1	B7A 9844-A	Plate (thermostatic choke housing)
1	B7A 9848-A	Housing (choke thermostat)
3	31061-S8(U50)	Screw (thermostat housing to choke housing)-No. 8-32 x 1/2" fillister head
1	34802-S7(X59)	Lockwasher-No. 8
1	B7A 9849-A	Housing & plugs (choke)
1	*37787-S8	Screw (housing to main body)-No. 8-32 x 1 1/2" fillister head
2	43407-S8(U76)	Screw & washer (housing to carb.)-No. 8-32 x 1"
1	359113-S(XX46)	Washer-No. 8-flat
1	34802-S7(X59)	Lockwasher-No. 8

Δ Not supplied with service carburetor. Order separately if required.

## CARBURETOR PART No. B7A 9510-Z

QTY. PER CARBU-RETOR	PART NUMBER	DESCRIPTION
1	B7A 9850-C	Control (thermostatic choke)
1	B7A 9853-A	Gasket (choke thermostatic control)
1	B7A 9861-A	Shield (choke thermostat)
2	43245-S8(U71)	Screw & washer (shield to housing)-No. 8-32 x 1/4"
1	B7A 9871-A	Gasket (automatic choke piston hsg.)
1	B7A 9930-A	Cover (economizer valve)
4	31061-S8(U50)	Screw (economizer valve cover to main body)-No. 8-32 x 1/2" fill. hd.
4	34802-S7(X59)	Lockwasher-No. 8

## CARBURETOR PART No. B7A 9510-AA

1	B8A 9502-F	Gasket set
1	B7AZ 9A586-E	Kit (tune up)
1	B7AZ 9590-F	Repair kit
4	351089-S8(MM20)	Nut-5/16"-24
4	34806-S7(X64)	Lockwasher-5/16"
1	358705-S(II-127)	Connector (carb. to tubes to fuel pump & distributor vacuum diaphragm)-used with power brakes-brass-90° elbow
1	358165-S(II-65)	Connector (distributor vacuum tube to carb.)-1/8" pipe thread
1	B7AZ 9B501-B	Seal (fast idle rod)
1	B7AZ 9A506-A	Lever (accelerator pump operating)-identified by stamped No. 36A
1	370050-S2 (BB537)	Screw (accelerator pump lever adjusting)-No. 10-32 x .50" hex. head slotted
1	370052-S2 (MM219)	Sleeve-nut (accelerator pump lever adjusting)-No. 10-32 x .26"
1	B8AZ 9A507-C	Bowl & plugs (float primary)-use with B8A 9528-B
4	359747-S2 (BB809)	Screw (fuel bowl & plugs to carb. main body)-No. 12-24 x 2.56"
1	B8AZ 9A511-C	Body & plugs (main metering)
1	B7A 9512-Q	Body (main)
2	370053-S(PP24)	Plug (fuel level check)-5/16"-24 x 1/8"
1	B7AZ 9A515-B	Rod (accel. pump link to vent lever)
1	B7A 9516-A	Gasket (throttle body to main body)
1	B7AZ 9A517-A	Baffle (float bowl)-primary
1	B8A 9518-B	Body and shaft (throttle)
AR	359736-S2(BB67)	Screw & washer (throttle body to main body)-No. 12-24 x .81" fillister head
1	B9TZ 9A518-A	Gasket (main metering body)-primary
1	B2TZ 9A520-A	Adaptor (fuel inlet)-27/32" overall length-has compression type seal
1	B7AZ 9526-A	Cam (accelerator pump diaphragm operating)
1	*31036-S8	Screw (pump cam)-No. 6-32 x 5/16" fillister head
1	34937-S7(X84)	Lockwasher-No. 6-external tooth

@ Not supplied with service carburetor. Order separately if required.

## CARBURETOR SERVICE PARTS LIST No. 64 - continued

QTY. PER CARBU-RETOR	PART NUMBER	DESCRIPTION
1	B7A 9934-A	Cap (accelerator pump plunger)
1	EAA 9935-B	Spring (accel. pump rod plunger) - .27" O.D. - 13 coils - 1.34" long
1	B7A 9938-A	Screen (filter)
1	B7A 9974-B	Screw (fuel level inspection)
1	B7A 9988-A	Retainer (idle bellcrank)
2	B7AZ 9992-A	Bearing (choke shaft)

## CARBURETOR SERVICE PARTS LIST No. 65

1	B8A 9528-B	Kit (accelerator pump cover)-consists of the following - 1-B8A 9528-B Cover, 4-43250-S Screw & washer & 4-359757-S2 Screw & washer
4	43250-S(U70)	Screw & lockwasher (accel. pump)-No. 6-32 x .50" - use with B7A 9528-A or B7T 9528-A
4	359757-S2(BB52)	Screw & washer (accel. pump cover)-No. 6-32 x .59" fillister head - used to attach B8A 9528-B cover to B7A 9559-D, E and B8A 9559-A, C float bowl
4	43255-S8(U74)	Screw & washer (accel. pump cover)-No. 8-32 x 5/8" fillister hd. - used to attach B8A 9528-B cover to B8A 9559-D, E float bowl
2	78 9533-B	Jet (main metering) No. 48 - 0 to 5,000 ft. altitude
2	59A 9533-C	No. 47 - 5,000 to 10,000 ft. altitude
2	78 9533-C	No. 46 - 10,000 to 15,000 ft. altitude
1	B7AZ 9A535-C	Lever (fast idle pick up)
1	B7A 9538-A	Lever (fast idle adjusting)
1	42802-S8(U33)	Screw & lockwasher (lever to main body)-No. 10-32 x 3/8"
1	B7AZ 9A538-B	Spring (throttle shaft return)
2	B7A 9541-A	Needle (idle adjusting)
1	B7A 9545-B	Plate (choke)-R. H.
1	B7A 9546-B	Shaft and lever (choke)
1	@C1AZ 9B549-A	Dashpot
1	@33923-S7(M32)	Nut-5/16"-24
2	@34806-S7(X64)	Lockwasher-5/16"
1	B7A 9550-B	Float
1	351826-S(XX2)	Retainer (float bowl)
1	@B7AZ 9B550-B	Bracket (dashpot mounting)
1	@356736-S7-8 (BB11)	Screw (bracket to throttle body)-No. 10-24 x 1/2" fillister head
1	@34803-S7(X60)	Lockwasher-No. 10
1	B7A 9557-B	Valve (float bowl vent)
1	B7A 9559-D	Bowl & plugs (float)-use with B7T 9528-A - repl. by B8AZ 9A507-C

continued on next page

**CARBURETOR PART No. B7A 9510-AA**

QTY. PER CARBU-RETOR	PART NUMBER	DESCRIPTION
1	C0AE 9B559-D	Diaphragm (accelerator pump)
1	B7A 9560-B	Spring (pump chamber vent operating rod)
1	351826-S(XX2)	Retainer (operating rod spring)
1	B8A 9561-C	Gasket (float bowl)-primary
1	B8C 9564-A	Valve & seat (fuel inlet)
1	B7TZ 9A565-A	Economizer-stamped No. 65
1	359528-S7(XX7)	Retainer (air vent valve)
1	B7AZ 9B569-A	Spring (fast idle cam lever)
1	B7A 9571-A	Spring (pump lever adjusting screw)
1	B8A 9577-B	Nozzle (pump discharge)
1	*50420-S7	Screw (pump discharge nozzle)-No.12-24 x 3/4" oval head
2	B7AE 9580-A	Gasket(pump discharge nozzle & pump discharge screw)
1	B8A 9581-E	Shaft & lever (throttle)
1	370049-S(BB33)	Screw (fast idle adjusting)-No.8-32 x .50" fillister head
2	B7A 9585-C	Plate (throttle)
4	B8A 9586-A	Screw (throttle plate)
2	B9A 9586-A	Screw (choke plate)-No.6-32 oval hd.
1	B7AZ 9A588-A	Gasket (economizer)
1	*A8AZ 9A588-A	Gasket (fuel level check plug)-serviced in kit 9502

**CARBURETOR PART No. B7A 9510-AB**

1	B8A 9502-F	Gasket set
1	B7AZ 9A586-E	Kit (tune up)
1	B7AZ 9590-F	Repair kit
4	351089-S8(MM20)	Nut-5/16"-24
4	34806-S7(X64)	Lockwasher-5/16"
1	358705-S(II-127)	Connector (carb. to tubes to fuel pump & distributor vacuum diaphragm)-used with power brakes-brass-90° elbow
1	358165-S(II-65)	Connector (distributor vacuum tube to carb.)-1/8" pipe thread
1	B7AZ 9B501-B	Seal (fast idle rod)
1	B7AZ 9A506-A	Lever (accelerator pump operating)-identified by stamped No. 36A
1	370050-S2 (BB537)	Screw (accelerator pump lever adjusting)-No.10-32 x .50" hex. head slotted
1	370052-S2 (MM219)	Sleeve-nut (accelerator pump lever adjusting)-No.10-32 x .26"
1	B8AZ 9A507-C	Bowl & plugs (float primary)-use with B8A 9528-B
4	359747-S2 (BB809)	Screw (fuel bowl & plugs to carb. main body)-No.12-24 x 2.56"
1	B8AZ 9A511-C	Body & plugs (main metering)
1	B7AZ 9B511-A	Weight (pump discharge ball)
1	B7A 9512-R	Body (main)
2	370053-S(PP24)	Plug (fuel level check)-5/16"-24 x 1/8"
1	B7AZ 9A515-B	Rod (accel. pump link to vent lever)
1	B7A 9516-A	Gasket (throttle body to main body)
1	B7AZ 9A517-A	Baffle (float bowl)-primary
1	B8A 9518-B	Body and shaft (throttle)
AR	359736-S2 (BB67)	Screw & washer (throttle body to main body)-No.12-24 x .81" fillister head
1	B9TZ 9A518-A	Gasket (main metering body)-primary

Δ Serviced in 9502 kit only

**CARBURETOR SERVICE PARTS LIST No. 65 - continued**

QTY. PER CARBU-RETOR	PART NUMBER	DESCRIPTION
4	B7A 9592-A	Gasket (float bowl screw)
1	B8A 9597-B	Cam (fast idle)
1	352895-S8(NN79)	Pin (fast idle cam to throttle body & shaft)-1/16" x 3/4" groove
1	B7AZ 9A599-B	Rod (choke control)
1	353610-S8(NN126)	Retainer (rod to carburetor)
2	B7A 9634-A	Seal (idle adjusting needle)
1	B7A 9636-B	Spring (accel. pump diaphragm return)
1	B7AZ 9A753-B	Shaft & lever (choke housing)
1	B7A 9840-B	Piston (automatic choke)
1	355829-S7(MM15)	Nut (piston to choke housing)-No.8-36
1	34802-S7(X59)	Lockwasher-No.8
3	31061-S8(U50)	Screw (clamp housing)-No.8-32 x 1/2"
3	34802-S7(X59)	Lockwasher-No.8
1	B8A 9848-E	Housing (choke thermostat)
1	B7A 9849-B	Housing & plugs (choke)
3	359737-S(BB59)	Screw & washer (choke housing to main body)-No.8-32 x 1.25"
1	B7A 9850-A	Control (thermostatic choke)
2	B7A 9853-B	Gasket (choke thermostatic control)
1	B7A 9871-B	Gasket (thermostatic choke housing)
1	B7A 9938-B	Screen (filter)-with retainer
Δ1	B2AZ 9945-A	Gasket (fuel inlet seat screw)-.32" I.D. -.428" O.D. -.031" thick

**CARBURETOR SERVICE PARTS LIST No. 66**

1	B2TZ 9A520-A	Adaptor (fuel inlet)-27/32" overall length-has compression type seal
1	B7AZ 9526-A	Cam (accelerator pump diaphragm operating)
1	*31036-S8	Screw (pump cam)-No.6-32 x 5/16" fillister head
1	34937-S7(X84)	Lockwasher-No.6-external tooth
1	B8A 9528-B	Kit (accelerator pump cover)-consists of the following-1-B8A 9528-B Cover, 4-43250-S Screw & washer & 4-359757-S2 Screw & washer
4	43250-S(U70)	Screw & lockwasher (accel.pump)-No.6-32 x .50" - use with B7A 9528-A or B7T 9528-A
4	359757-S2(BB52)	Screw & washer (accel.pump cover)-No.6-32 x .59" fillister head - used to attach B8A 9528-B cover to B7A 9559-D, E and B8A 9559-A, C float bowl
4	43255-S8(U74)	Screw & washer (accel. pump cover)-No.8-32 x 5/8" fillister hd. - used to attach B8A 9528-B cover to B8A 9559-D, E float bowl
2	59A 9533-B	Jet (main metering) No.49 - 0 to 5,000 ft. altitude
2	78 9533-B	No.48 - 5,000 to 10,000 ft. altitude
2	59A 9533-C	No.47 - 10,000 to 15,000 ft. altitude
1	B7AZ 9A535-C	Lever (fast idle pick up)
1	B7A 9538-A	Lever (fast idle adjusting)
1	42802-S8(U33)	Screw & lockwasher (lever to main body)-No.10-32 x 3/8"
1	B7AZ 9A538-B	Spring (throttle shaft return)
2	B7A 9541-A	Needle (idle adjusting)
1	B7A 9545-B	Plate (choke)-R. H.
1	B7A 9546-B	Shaft and lever (choke)

continued on next page

## CARBURETOR PART No. B7A 9510-AB

QTY. PER CARBU-RETOR	PART NUMBER	DESCRIPTION
1	B7A 9550-B	Float
1	351826-S(XX2)	Retainer (float bowl)
1	B7A 9557-B	Valve (float bowl vent)
1	B7A 9559-D	Bowl & plugs (float)-use with B7T 9528-A - repl. by B8AZ 9A507-C
1	C0AE 9B559-D	Diaphragm (accelerator pump)
1	B7A 9560-B	Spring (pump chamber vent operating rod)
1	351826-S(XX2)	Retainer (operating rod spring)
1	B8A 9561-C	Gasket (float bowl)-primary
1	B8C 9564-A	Valve & seat (fuel inlet)
1	B7TZ 9A565-A	Economizer-stamped No.65
1	359528-S7(XX7)	Retainer (air vent valve)
1	B7AZ 9B569-A	Spring (fast idle cam lever)
1	B7A 9571-A	Spring (pump lever adjusting screw)
1	B8A 9577-B	Nozzle (pump discharge)
1	*50420-S7	Screw (pump discharge nozzle)-No.12-24 x 3/4" oval head
2	B7AE 9580-A	Gasket(pump discharge nozzle & pump discharge screw)
1	B8A 9581-E	Shaft & lever (throttle)
1	370049-S(BB33)	Screw (fast idle adjusting)-No.8-32 x .50" fillister head
2	B7A 9585-C	Plate (throttle)
4	B8A 9586-A	Screw (throttle plate)
2	B9A 9586-A	Screw (choke plate)-No.6-32 oval hd.
1	B7AZ 9A588-A	Gasket (economizer)

## CARBURETOR SERVICE PARTS LIST No.66 - continued

QTY. PER CARBU-RETOR	PART NUMBER	DESCRIPTION
1 ★	A8AZ 9A588-A	Gasket (fuel level check plug)-serviced in kit 9502
4	B7A 9592-A	Gasket (float bowl screw)
1	B8A 9597-B	Cam (fast idle)
1	352895-S8(NN79)	Pin (fast idle cam to throttle body & shaft)-1/16" x 3/4" groove
1	B7AZ 9A599-B	Rod (choke control)
1	353610-S8(NN126)	Retainer (rod to carburetor)
2	B7A 9634-A	Seal (idle adjusting needle)
1	B7A 9636-B	Spring (accel.pump diaphragm return)
1	B7AZ 9A753-B	Shaft & lever (choke housing)
1	B7A 9840-B	Piston (automatic choke)
1	355829-S7(MM15)	Nut (piston to choke housing)-No.8-36
1	34802-S7(X59)	Lockwasher-No.8
1	B6A 9842-A	Clamp (thermostatic choke housing)
3	31061-S8(U50)	Screw (clamp housing)-No.8-32 x 1/2"
3	34802-S7(X59)	Lockwasher-No.8
1	B8A 9848-E	Housing (choke thermostat)
1	B7A 9849-B	Housing & plugs (choke)
3	359737-S(BB59)	Screw & washer (choke housing to main body)-No.8-32 x 1.25"
1	B7A 9850-A	Control (thermostatic choke)
2	B7A 9853-B	Gasket (choke thermostatic control)
1	B7A 9871-B	Gasket (thermostatic choke housing)
1	B7A 9938-B	Screen (filter)-with retainer
Δ1	B2AZ 9945-A	Gasket (fuel inlet seat screw)-.32" I. D. -.428" O. D. -.031" thick

## CARBURETOR PART No. B7A 9510-AC

1	B7A 9502-G	Gasket set - use with B7A 9447-C
1	B7A 9590-N	Repair kit
1	358705-S(II-127)	Connector (carb. to tubes to fuel pump & distributor vacuum diaphragm)-used with power brakes-brass-90° elbow
1	B7A 9501-C	Housing & plug (secondary throttle)
3	353852-S(BB623)	Screw & washer (housing to throttle body)-No.8-32 x 7/16"
1	B1AZ 9B502-A	Screw (dashpot & throttle lever adjusting)
1	34079-S7(M163)	Nut-No. 10-32
1	34803-S7(X60)	Lockwasher-No. 10
1	EBY 9503-A	Diaphragm (secondary throttle)
1	351825-S(XX9)	Washer (diaphragm link to lever)-"C" retainer
1	B5AZ 9B504-A	Spring (secondary throttle diaphragm return)
2	B7AZ 9B504-C	Spring (secondary throttle diaphragm return)-color identification Yellow
1	B5A 9C504-A	Rod (secondary throttle control)
2	353610-S8(NN126)	Retainer(rod to shaft)-spring-.44" long
1	353854-S8(XX64)	Washer-.129/.134 flat
1	B5A 9507-A	Cover (secondary throttle diaphragm)
4	31061-S8(U50)	Screw (cover to diaphragm housing)-No.8-32 x 1/2"
4	34802-S7(X59)	Lockwasher-No.8
1	B7A 9508-A	Cover (secondary throttle diaphragm housing)
1	*31036-S8	Screw (cover to housing)-No.6-32 x 5/16" fillister head
1	34397-S7(M102)	Lockwasher-No.6-external tooth
Δ	Serviced in 9502 kit only	

## CARBURETOR SERVICE PARTS LIST No. 67

1	B6AZ 9B508-A	Bushing (fast idle cam)-used with B6A 9597-C cam
1 ★	B7A 9512-M	Body (main)
1	B7AZ 9A514-B	Lever (choke shaft)
1	B6T 9515-A	Spacer (main body to throttle body)
2	8CM 9516	Gasket (throttle body to main body)
1	A8TZ 9A516-A	Valve (accel.pump discharge needle)
1 ★	B7A 9518-G	Body and shaft (throttle)-for T/B remove (1) B7A 9764-A & add 1 each B7S 9764-A, 8BA 9792, B7S 9805-A, 31061-S & 34126-S
1	B6AZ 9A519-A	Spring (float)
1	B5AZ 9A523-A	Venturi (secondary)
2	354826-S7(BB74)	Screw & lockwasher (secondary venturi)-No.10-32 x .44" fillister hd.
1	B6T 9524-A	Horn (air)
2	31079-S7	Screw (cover & plugs to main body)-No.12-24 x 5/8"-fillister head
2	43365-S8(U16)	Screw & lockwasher-(main body cover attaching)-No.12-24 x 3/4" fillister head
1	B7AZ 9524-D	Cover & plugs (main body)
2	B7AZ 9A528-C	Tube (secondary venturi metering)-stamped No.104
1	B5AZ 9529-A	Link (accelerator pump)
1	354614-S(BB681)	Stud (link to rod)-No.8-32
1	354615-S(QQ33)	Snap ring (link retainer)-1/8" I. D. -.27" O. D.
1	B6T 9531-B	Rod (accel. pump piston operating)
2	5GA 9533-A	Jet (main metering)-primary No.65 - 0 to 5,000 ft. altitude
1	B0TZ 9535-A	Seal (throttle shaft)-1/4" I. D. - 1/2" O. D. -.06" thick-serviced in kit 9502

continued on next page

**CARBURETOR PART No. B7A 9510-AC**

**CARBURETOR SERVICE PARTS LIST No. 67 - continued**

QTY. PER CARBU-RETOR	PART NUMBER	DESCRIPTION
1	EAD 9535-A	Washer (accel.pump piston rod-felt)-.38" O.D. -.25" I.D. -.12" thick
1	351336-S8	Washer (accel.pump piston operating rod felt washer retaining)-flat-.26" I.D. x .36" O.D.
1	355829-S7(MM15)	Nut (lever to shaft)-No. 8-36
1	34802-S7(X59)	Lockwasher-No. 8
2	78 9541-A	Needle (idle adjusting)
1	B6AZ 9B544-A	Piston (accelerator pump)
1	B7A 9545-D	Plate (choke)-R. H.
2	351820-S(BB625)	Screw & lockwasher (choke plate to shaft)-No. 4-48 x 1/4"-pan head
1	B5A 9547-A	Shaft (choke)
1	354827-S(XX95)	Washer (choke shaft thrust)-9/32" flat
1	B7AZ 9B547-B	Link (choke plate)
1	359014-S2(NN86)	Pin (link to choke shaft lever)-.078" O.D. -.56" long-split
1	*B7A 9548-B	Lever (choke plate operating)
1	B7A 9549-B	Plate (choke)-L.H.
2	351820-S(BB625)	Screw & lockwasher (choke plate to shaft)-No. 8-48" x 1 1/4"-pan head
1	C1AZ 9B549-A	Dashpot
1	33923-S7(M32)	Nut-5/16"-24
2	34806-S7(X64)	Lockwasher-5/16"
1	B6A 9550-B	Float
1	B5AZ 9B550-A	Bracket (dashpot mounting)
2	*31596-S7	Screw (bracket to throttle body)-No. 10-32 x 3/8"
2	34803-S7(X60)	Lockwasher-No. 10
1	8MC 9558	Pin (float hinge)
1	B5AZ 9561-A	Gasket (main body cover plate)
1	B7A 9564-H	Valve & seat (fuel inlet)
1	B5AZ 9A565-A	Economizer
1	355067-S7(BB53)	Screw & washer (valve to main body cover & plugs)-No. 8-32 x 5/16" fillister head
2	B2Q 9566-A	Washer (throttle shaft seal retainer)-.02" thick-.255" I.D. -.54" O.D.
1	B6A 9569-A	"O" ring (fuel inlet valve seal)
1	B5A 9572-A	Cup (pump piston)
1	B2AZ 9575-A	Retainer (vacuum dist. ball check valve spring)-serviced in kit 9590
2	B5AZ 9575-A	Retainer (vacuum dist. ball check valve spring)
1	78 9575	Retainer (accel.pump check ball)-3/4" diameter-serviced in kit 9590
1	B5A 9576-A	Ball (secondary throttle check)
3	78 9576	Ball (accelerator pump check)-1/8" diameter
2	B6A 9577-A	Nozzle (pump discharge)
1	B8A 9578-B	Spring (throttle adjusting screw)-4 1/2 coils-.20" I.D. -.58" long
1	B8A 9578-B	Spring (throttle stop screw)-4 1/2 coils-.20" I.D. -.58" long
2	40 9578	Spring (idle adjusting needle)
1	B7A 9581-C	Shaft & lever (throttle)
1	*B7A 9583-D	Lever (secondary throttle diaphragm)
1	353851-S(BB620)	Screw & washer (lever to diaphragm housing)-No. 6-32 x 5/16" pan head
2	*B7A 9585-D	Plate (throttle)-primary
2	B7A 9585-E	Plate (throttle)-secondary
8	B9A 9586-A	Screw (throttle plate)-No. 6-32 oval hd.
1	A8TZ 9A588-A	Gasket (power jet)-.56" O.D. -.03" thick-serviced in kit 9502
1	B7AZ 9A592-D	Lever & shaft (second. throttle plate)
1	B6Q 9594-A	Jet (power)-stamped No. 35

QTY. PER CARBU-RETOR	PART NUMBER	DESCRIPTION
1	B6A 9597-C	Cam (fast idle)-necessary to use with B6AZ 9B508-A, B6A 9849-C, B6AZ 9B753-A & 359113-S
1	*37777-S18	Screw (fast idle cam stop)-No. 10-32 x 1 3/8"
1	359539-S8B (BB40)	Screw (throttle adjusting)-No. 10-32 x 1.25"
1	A1A 9599-A	Retainer (pump link)-11/32" long
4	B6A 9609-A	"O" ring (secondary venturi tube)-serviced in kit 9502
2	B6T 9616-A	Tube (secondary venturi fuel supply)
1	*B6A 9636-B	Spring (accelerator pump piston return)-.33" I.D. -.40" O.D. -2.70" long-22 coils
1	8CM 9636-B	Spring (pump piston operating rod)-upper-.270" I.D. -.314" O.D. -3.19" long-22 coils
1	B5A 9655-A	Seal (choke air inlet tube)
1	B7AZ 9A659-A	Screw (air cleaner anchor)
1	34805-S8(X62)	Lockwasher-1/4"
1	B6AZ 9A753-A	Shaft & lever (choke housing)-use B6A 9597-C, B6AZ 9B508-A, B6A 9849-C & 359113-S
1	355829-S7(MM15)	Nut (shaft & lever to housing)-No. 8-36 hex.
1	34802-S7(X59)	Lockwasher-No. 8
1	B7S 9805-A	Swivel (supercharger)
1	B7A 9811-A	Plate (air baffle)
1	B5AZ 9812-A	Spacer (secondary throttle plate control lever)
1	B7A 9840-E	Piston (automatic choke)
1	359013-S8 (BB683)	Screw (lever to housing)-No. 6-32 flat head shoulder
1	B6A 9842-A	Clamp (thermostatic choke housing)
3	31061-S8(U50)	Screw (clamp housing)-No. 8-32 x 1/2"
3	34802-S7(X59)	Lockwasher-No. 8
1	B6A 9844-A	Plate (thermostatic choke housing)
1	B6A 9848-C	Housing (choke thermostat)
1	B6A 9849-C	Housing & plugs (choke)-use with 1 each B6A 9597-C, B6AZ 9B508-A, B6AZ 9B753-A & 359113-S
1	*31077-S8	Screw (housing to throttle body)-No. 8-32 x 5/8"
2	359369-S8(BB58)	Screw & washer (housing to throttle body)-No. 8-32 x 1.12" fillister head
1	359113-S(XX46)	Washer-No. 8 flat
1	34802-S7(X59)	Lockwasher-No. 8
1	B6A 9853-C	Gasket (thermostatic choke housing)
1	B7AZ 9853-B	Gasket (secondary throttle diaphragm housing)
1	B6A 9861-A	Shield (choke thermostat)
2	355067-S7(BB53)	Screw & washer (shield to housing & plugs)-No. 8-32 x 5/16" fillister head
1	B6A 9871-A	Gasket (choke thermostatic housing to choke housing & plugs)
1	A8Q 9937-A	Spring (filter screen retainer)-.396" O.D. -.80" long-6 1/2 coils
1	*B7A 9937-A	Spring (fuel inlet connection)
1	A8Q 9938-A	Screen (filter)-with retainer
1	B6A 9944-A	Plug (float needle seat)
1	B6A 9945-A	Gasket (float needle seat plug)
1	B6A 9959-A	Spring (fuel valve seat)
1	*B7A 9982-B	Gasket (secondary housing diaphragm cover)
1	8MC 9986	Spring (accelerator pump rod seal)-.26" I.D. -.32" O.D. -.82" long-9 coils
1	B5AZ 9998-A	Seal (air horn)-serviced in kit 9502

## CARBURETOR PART No. B8A 9510-A

QTY. PER CARBU-RETOR	PART NUMBER	DESCRIPTION
1	C2SZ 9502-A	Gasket set
1	C2SZ 9A586-A	Kit (tune up)
1	B8AZ 9590-G	Repair kit
1	358165-S(II-65)	Connector (distributor vacuum tube to carb.)-1/8" pipe thread
1	B7AZ 9B501-A	Seal (fast idle rod)
1	B7A 9503-A	Diaphragm (secondary throttle)
1	B8AZ 9B504-D	Spring (secondary throttle diaphragm return)-6 coils-1.05" O. D. -.31" I. D.
1	B7A 9507-A	Cover (secondary throttle diaphragm)
4	★41593-S8	Screw (diaphragm cover to carb.) No. 8-32 x 3/4
4	34802-S7(X59)	Lockwasher-No.8
1	C1AZ 9512-C	Body (main)
2	359409-S(PP59)	Plug (to plug drill passages in main body)-5/16"
1	371350-S(AA4)	Ball (accelerator pump inlet passage)-3/16" steel
1	359353-S(PP58)	Plug (to plug hole from bowl to accelerator pump)-1/8" cup
1	B7AZ 9A520-A	Adaptor (fuel inlet)-1/2"-20 internal-9/16"-24 external threads-.80" long
1	B8AZ 9A523-F	Support (booster venturi)-secondary
1	B8AZ 9A523-H	Support (booster venturi)-primary
1	38294-S8(U141)	Screw (venturi secondary support to carb.)-1/4"-20 x 1" pan head
1	371350-S(AA4)	Ball (accelerator pump discharge valve)-3/16" steel
1	B9AZ 9524-B	Horn (air)-less shaft
8	43256-S8	Screw & washer (horn & plugs to main body)-No. 10-32 x 5/8"
1	B8A 9528-A	Cover (accelerator pump)-less link
4	43255-S8(U74)	Screw & washer (cover to carb.)-No. 8-32 x 5/8"
1	C0AE 9529-A	Link (accelerator pump)
1	353847-S8(NN109)	Pin (accelerator pump link to cover)-.187" x .50" diameter roll
1	C1AE 9D530-A	Rod (fast idle cam)
2	351825-S(XX9)	Retainer (fast idle cam rod)-"C" washer
2	59A 9533-B	Jet (main metering)-primary No. 49 - 0 to 5,000 ft. altitude
2	78 9533-C	No. 46 - 5,000 to 10,000 ft. altitude
2	B7A 9533-B	No. 44 - 10,000 to 15,000 ft. altitude
2	8MB 9533-B	Jet (main metering)-secondary No. 49 - 0 to 5,000 ft. altitude
2	5GA 9533-B	No. 63 - 5,000 to 10,000 ft. altitude
2	B4Q 9533-A	No. 61 - 10,000 to 15,000 ft. altitude
1	B8AZ 9A535-A	Bellcrank (fast idle)
1	★31077-S8	Screw (bellcrank choke adjusting lever to shaft)-No. 8-32 x 5/8" fillister head
1	34052-S7(M155)	Nut - No. 8-32 hex.
1	44710-S8(X10)	Washer - No. 8 flat
2	B8AZ 9A536-A	Gasket (booster venturi support)
1	B9A 9538-A	Lever (fast idle adjusting)
1	359539-S8B (BB40)	Screw (fast idle adjusting)-No. 10-32 x 1.25" fillister head
1	34079-S7(M163)	Nut (lever to throttle shaft)-No. 10-32 hex.
1	34903-S8(X96)	Lockwasher-No. 10

⚡ Not supplied with service carburetor. Order separately if required.

## CARBURETOR SERVICE PARTS LIST No. 68

QTY. PER CARBU-RETOR	PART NUMBER	DESCRIPTION
1	B8AZ 9A538-A	Spring (accel. pump over travel)
2	C1AE 9541-C	Needle (idle adjusting)
1	B8AZ 9D541-A	Lever (choke housing)
1	C0AZ 9B542-A	Rod (accel. pump link to throttle lever)-service pkg. includes (5) pieces 375894-S7 clip
1	353610-S8 (NN126)	Retainer (accel. pump link to lever)-spring-.44" long
1	B7A 9546-A	Shaft and lever (choke)
1	B8A 9549-A	Plate (choke)
1	♣ C1AZ 9B549-A	Dashpot
1	♣ 33923-S7(M32)	Nut -5/16"-24
2	♣ 34806-S7(X64)	Lockwasher-5/16"
1	C0AE 9550-A	Float
1	♣ B8AZ 9B550-A	Bracket (dashpot mounting)
1	♣ 43252-S8(U77)	Screw & washer (dashpot mounting bracket to carb.)-No. 10-32 x 1/2"
2	B8A 9558-A	Pin (float hinge)
1	C2AZ 9B559-A	Diaphragm (accelerator pump)
1	B8A 9560-A	Spring (choke plate valve)
1	★ C2AZ 9561-A	Gasket (float bowl) - repl. by C2SZ 9561-A (10-63)
1	C2SZ 9561-A	Gasket (float bowl)
1	B7A 9563-A	Gasket (economizer cover)
2	C2AZ 9564-B	Valve & seat (fuel inlet)-includes (1) B7A 9569-A gasket & (1) C1AZ 9599-A retainer
1	C0AZ 9A565-A	Economizer 0 to 5,000 ft. altitude
1	C3AZ 9A565-D	Economizer-identified by yellow dye on body 5,000 to 10,000 ft. altitude
1	C0AE 9A565-C	Economizer-identified by No. 55 on O. D. 10,000 to 15,000 ft. altitude
2	B7A 9569-A	Gasket (float valve seat)
1	B8A 9575-A	Retainer (accel. pump check valve)-1/4"-28 thread
1	B8AZ 9575-C	Retainer (power jet needle valve)
1	43245-S8(U71)	Screw & washer (retainer to horn)-No. 8-32 x 1/4"
1	370458-S(XX88)	Washer (accel. pump valve retainer gasket)-1/4" flat
1	78 9576	Ball (secondary vacuum check valve)-1/8" diameter
1	C0AZ 9577-A	Screw (pump discharge nozzle)
1	374370-S(XX94A)	Washer-1/4" flat (buna coated alum.)
1	B8A 9578-B	Spring (fast idle adjusting lever)-4 1/2 coils-.20" I. D. -.58" long
2	40 9578	Spring (idle adjusting needle)
1	355107-S7 (BB536)	Screw (normal idle adjusting)-No. 10-32 x 1" special hex. head slotted
1	B9A 9579-B	Pin (fast idle adjusting lever)
1	B8A 9581-C	Shaft & lever (throttle)
1	B8A 9583-A	Lever (secondary throttle diaphragm)
1	353848-S8(NN71)	Pin (spring-3/16" x 11/16" throttle diaphragm lever to carburetor)
2	B8A 9585-F	Plate (throttle)-primary
2	B8A 9585-G	Plate (throttle)-secondary
8	B7A 9586-E	Screw (throttle plate)-No. 8-32 x .42" oval head-tubular

continued on next page



**CARBURETOR PART No. B8A 9510-A**

QTY. PER CARBU-RETOR	PART NUMBER	DESCRIPTION
2	B9A 9586-A	Screw (choke plate)-No. 6-32 oval hd.
1	C2AZ 9A588-A	Gasket (economizer)-repl. by C2AZ 9A588-B (5-63)
1	C2AZ 9A588-B	Gasket (economizer)
1	B8AZ 9A592-B	Lever & shaft (second, throttle plate)
1	B8A 9596-A	Rod (secondary diaphragm control)
1	COME 9597-A	Cam (fast idle)
1	351825-S(XX9)	Retainer (fast idle cam)-"C" washer
1	B8A 9598-A	Rod (choke shaft)
1	353610-S8 (NN126)	Retainer (rod to choke shaft lever)-spring type-.44" long
2	359555-S(XX50)	Washer (fast idle rod seal)-No. 8-flat
2	B7AZ 9599-A	Retainer (float lever shaft)-.37" I.D.
1	B8A 9636-A	Spring (pump lever return)
1	B8AZ 9A753-A	Shaft & lever (choke housing)
1	B7AZ 9812-A	Spacer (thermo. choke shaft)
1	B8A 9844-A	Plate (thermostatic choke housing)
1	B9AE 9848-B	Housing (choke thermostat)-identified by "TD" on cover
1	B8A 9849-B	Housing & plugs (choke)
3	*31165-S8	Screw (choke control housing to body)-No. 8-32 x 1 5/8" fillister head
3	359113-S(XX46)	Washer-No. 8-flat
3	34802-S7(X59)	Lockwasher-No. 8
1	B9AE 9850-B	Control (thermostatic choke)-identified by "TD" on cover

**CARBURETOR PART No. B8A 9510-C**

1	B8A 9502-A	Gasket set
1	B8AZ 9A586-B	Kit (tune up)
1	B8A 9590-A	Repair kit
1	358165-S(II-65)	Connector (distributor vacuum tube to carb.)-1/8" pipe thread
AR	*92032-S2	Screw-No. 4 x 3/16"-drive (used to plug vent holes in assy.)
1	B7A 9501-A	Housing & plug (secondary throttle)
3	43407-S8(U76)	Screw & washer (housing to throttle body)-No. 8-32 x 1"
1	B7AZ 9B501-B	Seal (fast idle rod)
1	B8A 9503-A	Diaphragm (secondary throttle)
1	351825-S(XX9)	Washer (diaphragm link to lever)-"C" retainer
1	B8AZ 9B504-C	Spring (secondary throttle diaphragm return)
1	B7AZ 9C504-A	Rod (secondary throttle control)
2	353610-S8 (NN126)	Retainer (rod to shaft)-spring-.44" long
1	353854-S8(XX64)	Washer-.129/.134 flat
1	B8AZ 9A506-A	Lever (accelerator pump operating)
1	370050-S2 (BB537)	Screw (accelerator pump lever adjusting)-No. 10-32 x .50" hex. head slotted
1	370052-S2	Sleeve-nut (accelerator pump lever adjusting)-No. 10-32 x .26"

**CARBURETOR SERVICE PARTS LIST No. 68 - continued**

QTY. PER CARBU-RETOR	PART NUMBER	DESCRIPTION
3	*31165-S8	Screw (choke control to body)-No. 8-32 x 1 5/8" fillister head
3	34805-S8(X62)	Lockwasher-1/4"
1	B8A 9853-A	Gasket (thermostatic choke housing)
1	B8A 9861-A	Shield (choke thermostat)
1	43248-S8(U72)	Screw & washer (shield to housing)-No. 8-32 x 3/8" fillister head
1	C1AE 9871-A	Gasket (thermostatic choke housing)
1	B8AZ 9919-A	Lever (accel. pump overtravel)-service pkg. includes (1) C3AZ 9F569-A bushing
1	374035-S(XX13C)	Retainer (pump overtravel lever to throttle shaft)-"C" washer
1	B7A 9930-A	Cover (economizer valve)
4	31061-S8(U50)	Screw (economizer valve cover to main body)-No. 8-32 x 1/2" fill. hd.
4	34802-S7(X59)	Lockwasher-No. 8
1	B7A 9938-A	Screen (filter)
2	B7A 9974-B	Screw (fuel level inspection)
1	B7AZ 9992-A	Bearing (choke shaft)
1	B8A 9997-A	Tube (secondary throttle control vacuum)-standard size-use with new 9984 horn only
1	B8A 9997-B	Tube (secondary throttle control vacuum)-.002" O. S. -use as service replacement for B8A 9997-A tube only

**CARBURETOR SERVICE PARTS LIST No. 69**

1	B7A 9507-B	Cover (secondary throttle diaphragm)
4	*31077-S8	Screw (cover to housing)-No. 8-32 x 5/8"
4	34802-S7(X59)	Lockwasher-No. 8
1	B8AZ 9A507-B	Bowl & plugs (float-secondary)-use with B8A 9528-B
1	B8AZ 9A507-D	Bowl & plugs (float-primary)-use with B8A 9528-B & (4) 371850-S7 screws
8	359747-S2 (BB809)	Screw (fuel bowl & plugs to carb. main body)-No. 12-24 x 2.56"
3	B7AZ 9B508-A	Bushing (secondary throttle shaft)
1	B8AZ 9B508-A	Bushing (secondary throttle shaft)-center
1	B8AZ 9A511-A	Body & plugs (main metering)-primary
1	B7AZ 9B511-A	Weight (pump discharge ball)
1	B8A 9512-A	Body (main)
1	B8AZ 9A513-B	Body & plugs (main metering second.)
1	B7AZ 9A515-B	Rod (accel. pump link to vent lever)
1	B8S 9516-A	Gasket (throttle body to main body)
1	B7AZ 9A517-A	Baffle (float bowl)-primary
1	B7AZ 9A517-C	Baffle (float bowl)-secondary
AR	359736-S2(BB67)	Screw & washer (throttle body to main body)-No. 12-24 x .81" fillister head
1	B8A 9518-A	Body and shaft (throttle)
2	B9TZ 9A518-A	Gasket (main metering body)
2	B6AZ 9A519-A	Spring (float)
1	B2TZ 9A520-A	Adaptor (fuel inlet)-27/32" overall length-has compression type seal

continued on next page

## CARBURETOR PART No. B8A 9510-C

QTY. PER CARBU-RETOR	PART NUMBER	DESCRIPTION
1	B7AZ 9526-B	Cam (accel. pump diaphragm operating)
1	★33174-S	Screw (cam to throttle shaft & lever)-No. 6-20 x 3/8" pan head slotted-tapping
1	B8A 9528-B	Kit (accelerator pump cover)-consists of the following-1-B8A 9528-B Cover, 4-43250-S Screw & washer & 4-359757-S2 Screw & washer
4	43250-S(U70)	Screw & lockwasher (accel. pump)-No. 6-32 x .50" - use with B7A 9528-A or B7T 9528-A
4	359757-S2(BB52)	Screw & washer (accel. pump cover)-No. 6-32 x .59" fillister head - used to attach B8A 9528-B cover to B7A 9559-D, E and B8A 9559-A, C float bowl
4	43255-S8(U74)	Screw & washer (accel. pump cover)-No. 8-32 x 5/8" fillister head - used to attach B8A 9528-B cover to B8A 9559-D, E float bowl
2	78 9533-E	Jet (main metering)-primary No. 56 - 0 to 5,000 ft. altitude
2	B4T 9533-A	No. 55 - 5,000 to 10,000 ft. altitude
2	B4T 9533-B	No. 53 - 10,000 to 15,000 ft. altitude
2	1GA 9533-B	Jet (main metering)-secondary No. 62 - 0 to 15,000 ft. alt.
1	B7A 9534-A	Tube (float bowl connection)
1	B7AZ 9A535-C	Lever (fast idle pick up)
1	B7A 9538-A	Lever (fast idle adjusting)
1	42802-S8(U33)	Screw & lockwasher (lever to main body)-No. 10-32 x 3/8"
2	B7A 9541-A	Needle (idle adjusting)
1	B7A 9545-B	Plate (choke)-R. H.
1	B7A 9546-B	Shaft and lever (choke)
1	C1AZ 9B549-A	Dashpot
1	33923-S7(M32)	Nut-5/16"-24
2	34806-S7(X64)	Lockwasher-5/16"
2	B7A 9550-B	Float
1	B7AZ 9B560-B	Bracket (dashpot mounting)
1	356736-S7-8 (BB11)	Screw (bracket to throttle body)-No. 10-24 x 1/2" fillister head
1	34803-S7(X60)	Lockwasher-No. 10
1	B7A 9557-A	Valve (float bowl vent)-secondary
1	B7A 9557-B	Valve (float bowl vent)
1	C0AE 9B559-D	Diaphragm (accelerator pump)
1	B7A 9560-B	Spring (pump chamber vent operating rod)
2	B7T 9562-A	Plug (float housing fuel level check)-5/16"-24 x 1/4" slotted
2	B8A 9561-C	Gasket (float bowl)-primary
2	B8A 9564-C	Valve & seat (fuel inlet)
1	B8AZ 9A565-B	Economizer-stamped No. 70
1	B2A 9568-B	Retainer (pump operating lever)-split-serviced in kit 9590

Δ Serviced in 9502 kit only

## CARBURETOR SERVICE PARTS LIST No. 69 - continued

QTY. PER CARBU-RETOR	PART NUMBER	DESCRIPTION
1	B7AZ 9B569-A	Spring (fast idle cam lever)
1	B7A 9571-A	Spring (pump lever adjusting screw)
1	B8AZ 9575-A	Retainer (pump check ball)
1	B5A 9576-A	Ball (secondary throttle check)
1	B8A 9576-A	Ball (inlet)
1	78 9576	Ball (secondary vacuum check valve)-1/8" diameter
1	B8A 9577-A	Nozzle (pump discharge)
1	374370-S(XX94A)	Washer-1/4" flat (buna coated alum.)
1	B8A 9578-B	Spring (throttle stop screw)-4 1/2 coils-.20" I. D. -.58" long
1	40 9578	Spring (fast idle adjusting lever)
2	B7AE 9580-A	Gasket (pump discharge nozzle & pump discharge screw)
1	B8A 9581-F	Shaft & lever (throttle)-primary
1	B8A 9583-C	Lever (secondary throttle diaphragm)
1	42802-S8(U33)	Screw & washer (secondary throttle diaphragm lever)-No. 10-32 x 3/8"
2	B8A 9585-A	Plate (throttle)-primary
2	B8A 9585-B	Plate (throttle)-secondary
2	B9A 9586-A	Screw (choke plate)-No. 6-32 oval hd.
8	B8A 9586-A	Screw (throttle plate)
2	★A8AZ 9A588-A	Gasket (fuel level check plug)-serviced in kit 9502
1	B7AZ 9A588-A	Gasket (economizer)
8	B7A 9592-A	Gasket (float bowl screw)
1	B8AZ 9A592-A	Lever & shaft (second, throttle plate)
1	359749-S(UU17)	Screw (secondary throttle stop)-spread lock set-No. 8-32 x .38"
1	B8A 9597-B	Cam (fast idle)
2	B8AZ 9599-A	Retainer (float lever shaft)
1	B7AZ 9A599-B	Rod (choke control)
2	353610-S8(NN126)	Retainer (rod to carburetor)
2	B7A 9634-A	Seal (idle adjusting needle)
1	B7A 9636-B	Spring (accel. pump diaphragm return)
2	B7A 9647-A	Washer (fast idle rod seal)
1	B5AZ 9812-A	Spacer (secondary throttle plate control lever)
1	B7AZ 9A753-B	Shaft & lever (choke housing)
1	B8E 9840-A	Piston (automatic choke)
1	355829-S7(MM15)	Nut (piston to choke housing)-No. 8-36
1	34802-S7(X59)	Lockwasher-No. 8
1	B6A 9842-A	Clamp (thermostatic choke housing)
1	B8A 9848-A	Housing (choke thermostat)
1	B8A 9849-C	Housing & plugs (choke)
1	B8AE 9850-A	Control (thermostatic choke)
2	B7A 9853-B	Gasket (choke thermostatic control)
1	B7A 9853-B	Gasket (secondary diaphragm)
1	B7A 9871-B	Gasket (thermostatic choke housing)
1	B7A 9938-B	Screen (filter)-with retainer
Δ 2	B2AZ 9945-A	Gasket (fuel inlet seat screw)-.32" I. D. -.428" O. D. -.031" thick

**CARBURETOR PART No. B8A 9510-D**

**CARBURETOR SERVICE PARTS LIST No. 70**

QTY. PER CARBU-RETOR	PART NUMBER	DESCRIPTION
1	B8A 9502-F	Gasket set
1	B8AZ 9A586-C	Kit (tune up)
1	B8AZ 9590-F	Repair kit
1	370050-S2 (BB537)	Screw (accelerator pump lever adjusting)-No.10-32 x .50" hex. head slotted
1	B7AZ 9B501-B	Seal (fast idle rod)
1	B8AZ 9A506-A	Lever (accelerator pump operating)
1	B8AZ 9A507-C	Bowl & plugs (float primary)-use with B8A 9528-B
AR	★92032-S2	Screw-No. 4 x 3/16"-drive (used to plug vent holes in assy.)
1	B8AZ 9A511-B	Body & plugs (main metering)
1	B7AZ 9B511-A	Weight (pump discharge ball)
1	B8A 9512-B	Body (main)
1	B7AZ 9A515-B	Rod (accel.pump link to vent lever)
1	B7A 9516-A	Gasket (throttle body to main body)
1	B7AZ 9A517-A	Baffle (float bowl)-primary
1	B8A 9518-B	Body and shaft (throttle)
AR	359736-S2(BB67)	Screw & washer (throttle body to main body)-No.12-24 x .81" fillister head
1	B9TZ 9A518-A	Gasket (main metering body)-primary
AR	359736-S2 (BB67)	Screw & washer (throttle body to main body)-No.12-24 x .81" fillister head
1	B7AZ 9A519-A	Spring (float)
1	B2TZ 9A520-A	Adaptor (fuel inlet)-27/32" overall length-has compression type seal
1	B7AZ 9526-B	Cam (accelerator pump diaphragm operating)
1	★33174-S	Screw (cam to throttle shaft & lever)-No. 6-20 x 3/8" pan head slotted-tapping
1	B8A 9528-B	Kit (accelerator pump cover)-consists of the following - 1-B8A 9528-B Cover, 4-43250-S Screw & washer & 4-359757-S2 Screw & washer
4	43250-S(U70)	Screw & lockwasher (accel.pump)-No.6-32 x .50" - use with B7A 9528-A or B7T 9528-A
4	359757-S2(BB52)	Screw & washer (accel.pump cover)-No.6-32 x .59" fillister head - used to attach B8A 9528-B cover to B7A 9559-D, E and B8A 9559-A, C float bowl
4	43255-S8(U74)	Screw & washer (accel.pump cover)-No.8-32 x 5/8" fillister hd. - used to attach B8A 9528-B cover to B8A 9559-D, E float bowl
2	78 9533-E	Jet (main metering) No. 56 - 0 to 5,000 ft. altitude
2	B4T 9533-A	No. 55 - 5,000 to 10,000 ft. altitude
2	B4T 9533-B	No. 53 - 10,000 to 15,000 ft. altitude
1	B7AZ 9A535-C	Lever (fast idle pick up)
1	B7A 9538-A	Lever (fast idle adjusting)
1	42802-S8(U33)	Screw & lockwasher (lever to main body)-No.10-32 x 3/8"
2	B7A 9541-A	Needle (idle adjusting)
1	B7A 9545-B	Plate (choke)-R. H.
1	B7A 9546-B	Shaft and lever (choke)

△ Serviced in 9502 kit only

QTY. PER CARBU-RETOR	PART NUMBER	DESCRIPTION
1	@C1AZ 9B549-A	Dashpot
1	@33923-S7(M32)	Nut-5/16"-24
2	@34806-S7(X64)	Lockwasher-5/16"
1	B7A 9550-B	Float
1	@B7AZ 9B550-B	Bracket (dashpot mounting)
1	@43252-S8(U77)	Screw & washer (dashpot mounting bracket to carb.)-No.10-32 x 1/2"
1	@356736-S7-8 (BB11)	Screw (bracket to throttle body)-No.10-24 x 1/2" fillister head
1	@34803-S7(X60)	Lockwasher-No.10
1	B7A 9557-B	Valve (float bowl vent)
1	COAE 9B559-D	Diaphragm (accelerator pump)
1	B7A 9560-B	Spring (pump chamber vent operating rod)
1	B8A 9561-C	Gasket (float bowl)-primary
1	B7T 9562-A	Plug (float housing fuel level check)-5/16"-24 x 1/4" slotted
1	B8A 9564-C	Valve & seat (fuel inlet)
1	B7TZ 9A565-A	Economizer - stamped No. 65
1	B2A 9568-B	Retainer (pump operating lever)-split
1	B7AZ 9B569-A	Spring (fast idle cam lever)
1	B7A 9571-A	Spring (pump lever adjusting screw)
1	B8AZ 9575-A	Retainer (pump check ball)
1	B8A 9576-A	Ball (inlet)
1	78 9576	Ball (accelerator pump check)-1/8" diameter
1	B8A 9577-A	Nozzle (pump discharge)
1	374370-S(XX94A)	Washer-1/4" flat (buna coated alum.)
1	B8A 9578-B	Spring (throttle stop screw)-4 1/2 coils-.20" I.D.-.58" long
1	40 9578	Spring (fast idle adjusting lever)
2	B7AE 9580-A	Gasket(pump discharge nozzle & pump discharge screw)
1	B8A 9581-E	Shaft & lever (throttle)
2	B7A 9585-C	Plate (throttle)
4	B8A 9586-A	Screw (throttle plate)
2	B9A 9586-A	Screw (choke plate)-No.6-32 oval hd.
1	B7AZ 9A588-A	Gasket (economizer)
1	★A8AZ 9A588-A	Gasket (fuel level check plug)-serviced in kit 9502
4	B7A 9592-A	Gasket (float bowl screw)
1	B8A 9597-B	Cam (fast idle)
1	B8AZ 9599-A	Retainer (float lever shaft)
1	B7AZ 9A599-B	Rod (choke control)
2	353610-S8(NN120)	Retainer (rod to carburetor)
2	B7A 9634-A	Seal (idle adjusting needle)
1	B7A 9636-B	Spring (accel.pump diaphragm return)
2	B7A 9647-A	Washer (fast idle rod seal)
1	B7AZ 9A753-B	Shaft & lever (choke housing)
1	B5AZ 9812-A	Spacer (secondary throttle plate control lever)
1	B8E 9840-A	Piston (automatic choke)
1	355829-S7(MM13)	Nut (piston to choke housing)-No. 8-36
1	34802-S7(X59)	Lockwasher-No. 8
1	B6A 9842-A	Clamp (thermostatic choke housing)
1	B8A 9848-A	Housing (choke thermostat)
1	B8A 9849-C	Housing & plugs (choke)
1	B8AE 9850-A	Control (thermostatic choke)
2	B7A 9853-B	Gasket (choke thermostatic control)
1	B7A 9871-B	Gasket (thermostatic choke housing)
1	B7A 9938-B	Screen (filter)-with retainer
1	ΔB2AZ 9945-A	Gasket (fuel inlet seat screw)-.32" I.D.-.428" O.D.-.031" thick-serviced in kit 9502

@ Not supplied with service carburetor. Order separately if required.

## CARBURETOR PART No. B8A 9510-E

QTY. PER CARBU-RETOR	PART NUMBER	DESCRIPTION
1	C2SZ 9502-A	Gasket set
1	C2SZ 9A586-A	Kit (tune up)
1	B8AZ 9590-G	Repair kit
1	358165-S(II-65)	Connector (distributor vacuum tube to carb.)-1/8" pipe thread
2	*88421-S8	Stud-5/16"-18-24 x 1 7/8"
2	33798-S8(M62)	Nut-5/16"-24
2	34806-S7(X64)	Lockwasher-5/16"
1	B7AZ 9B501-A	Seal (fast idle rod)
1	B7A 9503-A	Diaphragm (secondary throttle)
1	B8AZ 9B504-D	Spring (secondary throttle diaphragm return)-6 coils-1.05" O.D.-.31" I.D.
1	B7A 9507-A	Cover (secondary throttle diaphragm)
4	*41593-S8	Screw (diaphragm cover to carb.) No. 8-32 x 3/4"
4	34802-S7(X59)	Lockwasher-No.8
1	B8A 9512-M	Body (main)
2	359409-S(PP59)	Plug (to plug drill passages in main body)-5/16"
1	371350-S(AA4)	Ball (accelerator pump inlet passage)-3/16" steel
1	359353-S(PP58)	Plug (to plug hole from bowl to accelerator pump)-1/8" cup
1	B7AZ 9A520-A	Adaptor (fuel inlet)-1/2"-20 internal-9/16"-24 external threads-.80" long
1	B8AZ 9A523-E	Support (booster venturi)-primary
1	B8AZ 9A523-F	Support (booster venturi)-secondary
1	38294-S8(U141)	Screw (venturi secondary support to carb.)-1/4"-20 x 1" pan head
1	371350-S(AA4)	Ball (accelerator pump discharge valve)-3/16" steel
1	B9AZ 9524-B	Horn (air)-less shaft
8	43256-S8	Screw & washer (horn & plugs to main body)-No.10-32 x 5/8"
1	B8A 9528-A	Cover (accelerator pump)-less link
4	43255-S8(U74)	Screw & washer (cover to carb.)-No. 8-32 x 5/8"
1	C0AE 9529-A	Link (accelerator pump)
1	353847-S8 (NN109)	Pin (accelerator pump link to cover)-.187" x .50" diameter roll
1	C1AE 9D530-A	Rod (fast idle cam)
2	351825-S(XX9)	Retainer (fast idle cam rod)-"C" washer
2	06H 9533	Jet (main metering)-primary No.54 - 0 to 5,000 ft. altitude
2	59A 9533-A	No.51-5,000 to 10,000 ft. altitude
2	59A 9533-B	No.49 - 10,000 to 15,000 ft. altitude
2	5GA 9533-A	Jet (main metering)-secondary No.65 - 0 to 5,000 ft. altitude
2	1GA 9533-B	No.62 - 5,000 to 10,000 ft. altitude
2	1GA 9533-C	No.60 - 10,000 to 15,000 ft. altitude
1	B8AZ 9A535-A	Bellcrank (fast idle)
1	*31077-S8	Screw (bellcrank choke adjusting lever to shaft)-No.8-32 x 5/8" fillister head
1	44710-S8(X10)	Washer - No.8 flat
1	34052-S7(M155)	Nut - No.8-32 hex.
2	B8AZ 9A536-A	Gasket (booster venturi support)
1	B9A 9538-A	Lever (fast idle adjusting)
1	359539-S8B (BB40)	Screw (fast idle adjusting)-No.10-32 x 1.25" fillister head
1	34079-S7(M163)	Nut (lever to throttle shaft)-No.10-32 hex.
1	34903-S8(X96)	Lockwasher-No.10
1	B8AZ 9A538-A	Spring (accel.pump over travel)
2	C1AE 9541-C	Needle (idle adjusting)

## CARBURETOR SERVICE PARTS LIST No. 71

QTY. PER CARBU-RETOR	PART NUMBER	DESCRIPTION
1	B8AZ 9D541-A	Lever (choke housing)
1	C0AZ 9B542-A	Rod (accel.pump link to throttle lever)-service pkg. includes (5) pieces 375894-S7 clip
1	353610-S8(NN126)	Retainer (accel. pump link to lever)-spring-.44" long
1	B7A 9546-A	Shaft and lever (choke)
1	B8A 9549-A	Plate (choke)
1	C1AZ 9B549-A	Dashpot
1	33923-S7(M32)	Nut-5/16"-24
2	34806-S7(X64)	Lockwasher-5/16"
1	C0AE 9550-A	Float
1	B8AZ 9B550-A	Bracket (dashpot mounting)
1	43252-S8(U77)	Screw & washer (dashpot mounting bracket to carb.)-No.10-32 x 1/2"
2	B8A 9558-A	Pin (float hinge)
1	C2AZ 9B559-A	Diaphragm (accelerator pump)
1	B8A 9560-A	Spring (choke plate valve)
1	*C2AZ 9561-A	Gasket (float bowl)-repl. by C2SZ 9561-A (10-63)
1	C2SZ 9561-A	Gasket (float bowl)
1	B7A 9563-A	Gasket (economizer cover)
2	C2AZ 9564-B	Valve & seat (fuel inlet)-includes (1) B7A 9569-A gasket & (1) C1AZ 9599-A retainer 0 to 5,000 ft. altitude
1	C0AZ 9A565-A	Economizer
1	C3AZ 9A565-D	Economizer-identified by yellow dye on body 5,000 to 10,000 ft. altitude
1	C0AE 9A565-C	Economizer-identified by No.55 on O.D. 10,000 to 15,000 ft. altitude
2	B7A 9569-A	Gasket (float valve seat)
1	B8A 9575-A	Retainer (accel.pump check valve)-1/4"-28 thread
1	B8AZ 9575-C	Retainer (power jet needle valve)
1	43245-S8(U71)	Screw & washer (retainer to horn)-No.8-32 x 1/4"
1	370458-S(XX88)	Washer (accel.pump valve retainer gasket)-1/4" flat
1	78 9576	Ball (secondary vacuum check valve)-1/8" diameter
1	C0AZ 9577-A	Screw (pump discharge nozzle)
1	374370-S(XX94A)	Washer-1/4" flat (buna coated alum.)
1	B8A 9578-B	Spring (fast idle adjusting lever)-4 1/2 coils-.20" I.D.-.58" long
2	40 9578	Spring (idle adjusting needle)
1	355107-S7 (BB536)	Screw (normal idle adjusting)-No.10-32 x 1" special hex. head slotted
1	B9A 9579-B	Pin (fast idle adjusting lever)
1	B8A 9581-C	Shaft & lever (throttle)
1	B8A 9583-A	Lever (secondary throttle diaphragm)
1	353848-S8(NN71)	Pin (spring-3/16" x 11/16" throttle diaphragm lever to carburetor)
2	B8A 9585-F	Plate (throttle)-primary
2	B8A 9585-G	Plate (throttle)-secondary
8	B7A 9586-E	Screw (throttle plate)-No.8-32 x .42" oval head-tubular
2	B9A 9586-A	Screw (choke plate)-No.6-32 oval hd.
1	*C2AZ 9A588-A	Gasket (economizer)-repl. by C2AZ 9A588-B (5-63)
1	C2AZ 9A588-B	Gasket (economizer)

continued on next page

### CARBURETOR PART No. B8A 9510-E

QTY. PER CARBU-RETOR	PART NUMBER	DESCRIPTION
1	B8AZ 9A592-B	Lever & shaft (second. throttle plate)
1	B8A 9596-A	Rod (secondary diaphragm control)
1	COME 9597-A	Cam (fast idle)
1	351825-S(XX9)	Retainer (fast idle cam)-"C" washer
1	B8A 9598-A	Rod (choke shaft)
1	353610-S8(NN120)	Retainer (rod to choke shaft lever)-spring type-.44" long
2	359555-S(XX50)	Washer (fast idle rod seal)-No.8-flat
2	B7AZ 9599-A	Retainer (float lever shaft)-.37" I.D.
1	B8A 9636-A	Spring (pump lever return)
1	B8AZ 9A753-A	Shaft & lever (choke housing)
1	B7AZ 9812-A	Spacer (thermo.choke shaft)
1	B6A 9842-A	Clamp (thermostatic choke housing)
1	B8A 9844-A	Plate (thermostatic choke housing)
1	B9AE 9848-B	Housing (choke thermostat)-identified by "TD" on cover
1	B8A 9849-B	Housing & plugs (choke)
3	★31165-S8	Screw (choke control housing to body)-No.8-32 x 1 5/8" fillister head
3	359113-S(XX46)	Washer-No.8-flat
3	34802-S7(X59)	Lockwasher-No.8
1	B9AE 9850-B	Control (thermostatic choke)-identified by "TD" on cover
3	★31165-S8	Screw (choke control to body)-No.8-32 x 1 5/8" fillister head
3	34805-S8(X62)	Lockwasher-1/4"

### CARBURETOR PART No. B8A 9510-F

1	B8A 9502-E	Gasket set
1	B8AZ 9A586-A	Kit (tune up)
1	B8A 9590-K	Repair kit
2	370013-S(PP19)	Plug (fuel inlet passage)-.254"/.259" x 5/32"
5	359700-S(PP18)	Plug (primary fuel passage plugs in main body)-.192" x 13/64"-round head
2	370000-S(PP16)	Plug (idle port passage plug in main body)-.272"/.276" x 13/64"-flat head
2	359731-S(PP22)	Plug (fuel level sight)
1	B7A 9501-B	Housing & plug (secondary throttle)
3	★25247-S	Screw (housing to throttle body & shaft)-No. 10-32 x 5/8"
1	B7A 9503-C	Diaphragm (secondary throttle)
1	B8AZ 9B504-A	Spring (secondary throttle diaphragm return)
1	359734-S(RR2)	Retainer (throttle operating rod)-spring-1/8"
1	B8AZ 9C504-B	Rod (secondary throttle control)
1	B7A 9507-C	Cover (secondary throttle diaphragm)
6	359722-S8(BB34)	Screw & washer assy. (cover to diaphragm hsg.)-No.8-32 x 1/2"
2	COLE 9B513-C	Piston (vacuum)
1	B7AZ 9A514-A	Lever (choke shaft)
1	34126-S8B (M146)	Nut-(choke shaft lever to lever assy.)-No.8-32
1	359719-S7(BB71)	Screw (choke lever to shaft & lever assy.)-No.8-32 x 3/4" fillister washer head
1	B8AZ 9A514-A	Lever (choke counter shaft operating)

### CARBURETOR SERVICE PARTS LIST No. 71 - continued

QTY. PER CARBU-RETOR	PART NUMBER	DESCRIPTION
1	B8A 9853-A	Gasket (thermostatic choke housing)
1	B8A 9861-A	Shield (choke thermostat)
1	43248-S8(U72)	Screw & washer (shield to housing)-No.8-32 x 3/8" fillister head
1	C1AE 9871-A	Gasket (thermostatic choke housing)
1	B8AZ 9919-A	Lever (accel.pump overtravel) - service pkg. includes (1) C3AZ 9F569-A bushing
1	374035-S(XX13C)	Retainer (pump overtravel lever to throttle shaft)-"C" washer
1	B7A 9930-A	Cover (economizer valve)
4	31061-S8(U50)	Screw (economizer valve cover to main body)-No.8-32 x 1/2" fill.hd.
4	34802-S7(X59)	Lockwasher-No.8
1	B7A 9938-A	Screen (filter)
2	B7A 9974-B	Screw (fuel level inspection)
1	B7AZ 9992-A	Bearing (choke shaft)
1	B8A 9997-A	Tube (secondary throttle control vacuum)-standard size-use with new 9984 horn only
1	B8A 9997-B	Tube (secondary throttle control vacuum)-.002" O.S.-use as service replacement for B8A 9997-A tube only

### CARBURETOR SERVICE PARTS LIST No. 72

1	B7AZ 9A516-A	Valve (accel.pump discharge needle)
2	B7AZ 9A517-B	Baffle (float bowl)
1	B7AZ 9A520-B	Adaptor (fuel inlet)
1	B8AZ 9A523-A	Venturi (primary)-R. H.
1	B8AZ 9A523-B	Venturi (primary)-L. H.
1	B8AZ 9A523-C	Venturi (secondary)-R. H.
1	B8AZ 9A523-D	Venturi (secondary)-L. H.
1	B7AZ 9524-A	Horn & plugs (air)
5	359702-S(PP15)	Plug (accelerator pump passage in horn)-.134"/.138" x 5/32" round hd.
8	370003-S8(BB75)	Screw & washer (air horn & plugs to main body)-No.10-32 x 11/16"-fillister head
2	359711-S8(BB81)	Screw & washer (air horn & plugs to main body)-No.10-32 x 15/16"-(split ring)-(sheared end)
2	B7AZ 9A526-C	Rod (metering)-0 to 5,000 ft. altitude
2	B7AZ 9A526-A	5,000 to 10,000 ft. altitude
2	B7AZ 9A526-B	10,000 to 15,000 ft. altitude
1	B7AZ 9A527-A	Rod (dashpot connecting)
1	359734-S(RR2)	Retainer (dashpot conn.)-spring-1/8"
2	B8AZ 9A528-A	Jet (main secondary)-0 to 15,000 ft. altitude
1	B7A 9529-C	Arm (pump piston)
1	B7AZ 9529-A	Link (accelerator pump)-identified by stamped No.34A
1	370007-S7(UU4)	Screw (pump piston arm to horn & plugs)-No.8-32 x 45/64"
1	B7A 9531-D	Rod (pump operating)-use with B7A 9565-A retainer
1	359734-S(RR2)	Retainer (throttle connecting rod)-spring-1/8"

continued on next page

## CARBURETOR PART No. B8A 9510-F

QTY. PER CARBU-RETOR	PART NUMBER	DESCRIPTION
2	B7A 9533-A%	Jet (main metering)-primary 0 to 5,000 ft. altitude
2	B7A 9533-A#	5,000 to 10,000 ft. altitude
2	B7A 9533-A¢	10,000 to 15,000 ft. altitude
1	B7AZ 9A535-B	Bellcrank (fast idle)
4	B7AZ 9A536-B	Gasket (booster venturi support)
1	B7AZ 9A537-A	Lever (throttle shaft auxiliary)
2	359709-S7 (BB823)	Screw (throttle shaft & lever to lever assy.)-No. 10-32 x 5/16" truss head
1	B7AZ 9A538-A	Spring (throttle tension)
2	B7A 9541-B	Needle (idle adjusting)
1	B7AZ 9B544-A	Piston (accelerator pump)
1	B7A 9545-C	Plate (choke)-R. H.
1	B7A 9546-C	Shaft and lever (choke)
1	B7A 9547-A	Shaft (choke)
1	B7AZ 9B547-A	Link (choke plate)
1	B7A 9548-A	Lever (choke plate operating)
2	B7A 9550-C	Float
2	B7A 9558-C	Pin (float hinge)
1	B7A 9561-D	Gasket (main body cover plate)
2	B8A 9564-B	Gasket & seat (fuel inlet)
1	B7A 9565-A	Retainer (pump operating rod)-used with B7A 9531-D rod or COLE 9B512-A rod only
1	B7A 9567-A	Seat (pump intake check ball)
2	B7A 9569-B	Gasket (float valve seat)
1	B8A 9576-B	Valve (pump check)
1	B8A 9577-C	Nozzle (pump discharge)
2	B7A 9578-A	Spring (idle adjusting needle)
1	B7A 9578-B	Spring (throttle lever adjusting screw)
1	370004-S7 (BB410)	Screw (throttle lever adjusting) No. 10-32 x 59/64" hex. head
1	370011-S7(XX82)	Washer (throttle lever adjusting screw)-13/64" I. D. x 5/16" O. D.
1	B7A 9580-B	Gasket (pump discharge jet)
1	B7A 9581-A	Shaft & lever (throttle)-primary
1	370002-S7(BB35)	Screw (fast idle adjustment)-No. 8-32 x 15/16" fillister head
1	359727-S7 (XX342)	Washer (shaft & lever to main body & plugs)-.377" / .379" x .278" / .280" I. D. x 5/8" x 15/32" rectangular
1	370010-S(XX331)	Washer (secondary throttle shaft lever to secondary throttle shaft)-.3155" I. D. x 1/2" O. D. -flat
1	B7A 9583-C	Lever (secondary throttle diaphragm)
2	B8A 9585-C	Plate (throttle)-primary
2	★B8A 9585-D	Plate (throttle)-secondary
4	370005-S(BB6)	Screw (secondary throttle plates to secondary throttle shaft)-No. 6-32 x 5/16"
4	370006-S(BB7)	Screw (primary throttle plates to primary throttle shaft & lever)-No. 6-32 x 3/8"
2	B7A 9586-B	Screw (choke plate)
1	B7A 9586-C	Screw (throttle plate used as choke plate operating lever set screw)
2	B7A 9587-A	Spring (metering rod tension)
1	B7A 9589-A	Spring (dashpot plunger return)
1	B7AZ 9A592-B	Lever & shaft (second. throttle plate)

% Use with B7AZ 9A526-C, B9ME 9A526-A or COME 9A526-A 0 to 5,000 feet altitude

# Use with B7AZ 9A526-A, B9ME 9A526-B or COLE 9A526-D 5,000 to 10,000 feet altitude

## CARBURETOR SERVICE PARTS LIST No. 72 - continued

QTY. PER CARBU-RETOR	PART NUMBER	DESCRIPTION
1	B7A 9597-C	Cam (fast idle)
1	370008-S7 (BB671)	Screw (fast idle cam to main body & plugs)-1/4"-28 x 11/32"-flat head
1	B7A 9598-B	Rod (fast idle)
1	B8A 9598-B	Rod (choke shaft)
2	359734-S(RR2)	Retainer (dashpot arm)-inner-spring 1/8"
2	359734-S(RR2)	Retainer (dashpot arm)-outer-spring 1/8"
1	B7A 9636-C	Spring (pump)
1	B7AZ 9A753-C	Shaft & lever (choke housing)
1	B8AZ 9A753-B	Shaft & lever (choke housing)-use with B8A 9849-A housing only
1	355027-S(BB668)	Screw (choke piston lever & pin to choke lever & shaft)-No. 6-32 x 1/4" flat head slotted
1	B8AZ 9A796-A	Kit (choke piston lever & pin)-use with B7A 9849-C housing only
1	B7A 9800-B	Plunger (dashpot)
1	B8A 9835-A	Lever (dashpot operating)-inner
1	B8A 9836-A	Lever (dashpot operating)-outer
1	353161-S(RR3)	Retainer (inner & outer dashpot operating lever to air horn & plugs)-spring-.025"
3	B7A 9842-B	Clamp (thermostatic choke housing)
3	★37611-S7	Screw (choke thermostat housing to choke housing & plugs)-No. 8-32 x 1/4" fillister head
1	B7A 9844-B	Plate (thermostatic choke housing)
1	B8A 9848-D	Housing (choke thermostat)
1	B7A 9849-C	Housing & plugs (choke)-identified by cast No. 170434
1	B8A 9849-A	Housing & plugs (choke)-identified by cast No. 170560
3	352526-S8(BB8)	Screw (choke housing to air horn)-No. 8-32 x 1/2" fillister head
3	359113-S(XX46)	Washer-No. 8 flat
3	34802-S7(X59)	Lockwasher-No. 8
1	B8A 9850-B	Kit (thermostatic choke control)-consists of (3) B7A 9842-B Clamp (1) B7A 9844-B Plate (baffle) (1) B8A 9848-D Coil & housing (1) B8A 9849-A Piston housing (1) B7A 9853-C Gasket (1) B8A 9857-B Shaft & lever (1) B8A 9871-B Gasket (3) 31032-S7 Screw (1) 355027-S Screw (1) Lever & link (1) Piston (1) Pin
1	B7AZ 9853-A	Gasket (secondary throttle diaphragm housing)
1	B7A 9853-C	Gasket (choke housing to air horn)
1	B8A 9871-B	Gasket (choke coil housing)
2	B7A 9928-A	Cover (vacuum piston)
1	B7A 9982-A	Gasket (secondary diaphragm)
2	370016-S8(BB70)	Screw & washer (vacuum piston cover to air horn)-No. 6-32 x 5/16" fill. hd.
1	B7A 9938-C	Screen (filter)
2	B8A 9976-A	Spring (vacuum piston)

¢ Use with B7AZ 9A526-B, B9ME 9A526-C or COLE 9A526-E 10,000 to 15,000 feet altitude

### CARBURETOR PART No. B8A 9510-G

QTY. PER CARBU-RETOR	PART NUMBER	DESCRIPTION
1	B8A 9502-F	Gasket set
1	B7AZ 9A586-E	Kit (tune up)
1	B7AZ 9590-F	Repair kit
1	B7AZ 9B501-B	Seal (fast idle rod)
1	B8AZ 9A506-A	Lever (accelerator pump operating)
1	370050-S2 (BB537)	Screw (accelerator pump lever adjusting)-No.10-32 x .50" hex.
1	370052-S2 (MM219)	Sleeve-nut (accelerator pump lever adjusting)-No.10-32 x .26"
1	B8AZ 9A507-C	Bowl & plugs (float primary)-use with B8A 9528-B
4	359747-S2 (BB809)	Screw (fuel bowl & plugs to carb. main body)-No.12-24 x 2.56"
AR	*92032-S2	Screw-No.4 x 3/16"-drive (used to plug vent holes in assy.)
1	B8AZ 9A511-C	Body & plugs (main metering)
1	B7AZ 9B511-A	Weight (pump discharge ball)
1	B7A 9512-R	Body (main)
1	B7AZ 9A515-B	Rod (accel.pump link to vent lever)
1	B7A 9516-A	Gasket (throttle body to main body)
1	B7AZ 9A517-A	Baffle (float bowl)-primary
1	B8A 9518-B	Body and shaft (throttle)
AR	359736-S2(BB67)	Screw & washer (throttle body to main body)-No.12-24 x .81" fillister head
1	B9TZ 9A518-A	Gasket (main metering body)-primary
1	B2TZ 9A520-A	Adaptor (fuel inlet)-.27/32" overall length-has compression type seal
1	B7AZ 9526-A	Cam (accelerator pump diaphragm operating)
1	*31036-S8	Screw (pump cam)-No.6-32 x 5/16" fillister head
1	34937-S7(X84)	Lockwasher-No.6-external tooth
1	B8A 9528-B	Kit (accelerator pump cover)-consists of the following- 1-B8A 9528-B Cover, 4-43250-S Screw & washer & 4-359757-S2 Screw & washer
4	43250-S(U70)	Screw & lockwasher (accel.pump)-No.6-32 x .50" - use with B7A 9528-A or B7T 9528-A
4	359757-S2(BB52)	Screw & washer (accel. pump cover)-No.6-32 x .59" fillister head - used to attach B8A 9528-B cover to B7A 9559-D, E and B8A 9559-A, C float bowl
4	43255-S8(U74)	Screw & washer (accel.pump cover)-No.8-32 x 5/8" fillister hd. - used to attach B8A 9528-B cover to B8A 9559-D, E float bowl
2	59A 9533-B	Jet (main metering) No.49 - 0 to 5,000 ft. altitude
2	78 9533-B	No.48 - 5,000 to 10,000 ft. altitude
2	59A 9533-C	No.47 - 10,000 to 15,000 ft. altitude
1	B7AZ 9A535-C	Lever (fast idle pick up)
1	B7A 9538-A	Lever (fast idle adjusting)
1	42802-S8(U33)	Screw & lockwasher (lever to main body)-No.10-32 x 3/8"
1	B7AZ 9A538-B	Spring (throttle shaft return)
2	B7A 9541-A	Needle (idle adjusting)
1	B7A 9545-B	Plate (choke)-R. H.
1	B7A 9546-B	Shaft and lever (choke)

### CARBURETOR SERVICE PARTS LIST No. 73

QTY. PER CARBU-RETOR	PART NUMBER	DESCRIPTION
1	C1AZ 9B549-A	Dashpot
1	33923-S7(M32)	Nut -5/16"-24
2	34806-S7(X64)	Lockwasher -5/16"
1	B7A 9550-B	Float
1	351826-S(XX2)	Retainer (float bowl)
1	B7AZ 9B550-B	Bracket (dashpot mounting)
1	356736-S7-8 (BB11)	Screw (bracket to throttle body)-No.10-24 x 1/2" fillister head
1	34803-S7(X60)	Lockwasher-No.10
1	B7A 9557-B	Valve (float bowl vent)
1	B7A 9559-D	Bowl & plugs (float)-use with B7T 9528-A - repl. by B8AZ 9A507-C
1	C0AE 9B559-D	Diaphragm (accelerator pump)
1	B7A 9560-B	Spring (pump chamber vent operating rod)
1	351826-S(XX2)	Retainer (operating rod spring)
1	B8A 9561-C	Gasket (float bowl)-primary
1	B8C 9564-A	Valve & seat (fuel inlet)
1	B7TZ 9A565-A	Economizer-stamped No.65
1	359528-S7(XX7)	Retainer (air vent valve)
1	B7AZ 9B569-A	Spring (fast idle cam lever)
1	B7A 9571-A	Spring (pump lever adjusting screw)
1	B8A 9577-B	Nozzle (pump discharge)
1	*50420-S7	Screw (pump discharge nozzle)-No.12-24 x 3/4" oval head
2	B7AE 9580-A	Gasket(pump discharge nozzle & pump discharge screw)
1	B8A 9581-E	Shaft & lever (throttle)
1	370049-S(BB33)	Screw (fast idle adjusting)-No.8-32 x .50" fillister head
2	B7A 9585-C	Plate (throttle)
2	B9A 9586-A	Screw (choke plate)-No.6-32 oval hd.
1	*A8AZ 9A588-A	Gasket (fuel level check plug)-serviced in kit 9502
1	B7AZ 9A588-A	Gasket (economizer)
4	B7A 9592-A	Gasket (float bowl screw)
1	B8A 9597-B	Cam (fast idle)
1	352895-S8(NN79)	Pin (fast idle cam to throttle body & shaft)-1/16" x 3/4" groove
1	B7AZ 9A599-B	Rod (choke control)
1	353610-S8(NN126)	Retainer (rod to carburetor)
2	B7A 9634-A	Seal (idle adjusting needle)
1	B7A 9636-B	Spring (accel.pump diaphragm return)
1	B7AZ 9A753-B	Shaft & lever (choke housing)
1	B7A 9840-B	Piston (automatic choke)
1	355829-S7(MM15)	Nut (piston to choke housing)-No.8-36
1	34802-S7(X59)	Lockwasher-No.8
1	B6A 9842-A	Clamp (thermostatic choke housing)
3	31061-S8(U50)	Screw (clamp housing)-No.8-32 x 1/2"
3	34802-S7(X59)	Lockwasher-No.8
1	B8A 9848-E	Housing (choke thermost)
1	B7A 9849-B	Housing & plugs (choke)
3	359737-S(BB59)	Screw & washer (choke housing to main body)-No.8-32 x 1.25"
1	B7A 9850-A	Control (thermostatic choke)
2	B7A 9853-B	Gasket (choke thermostatic control)
1	B7A 9871-B	Gasket (thermostatic choke housing)
1	B7A 9938-B	Screen (filter)-with retainer
Δ 1	B2AZ 9945-A	Gasket (fuel inlet seat screw)-.32" I. D. -.428" O. D. -.031" thick

Δ Serviced in 9502 kit only

## CARBURETOR PART No. B8A 9510-H

QTY. PER CARBU-RETOR	PART NUMBER	DESCRIPTION
1	B8A 9502-F	Gasket set
1	B8AZ 9A586-C	Kit (tune up)
1	B8AZ 9590-F	Repair kit
1	B7AZ 9B501-B	Seal (fast idle rod)
1	B8AZ 9A506-A	Lever (accelerator pump operating)
1	370050-S2 (BB537)	Screw (accelerator pump lever adjusting)-No.10-32 x .50" hex. head slotted
1	370052-S2 (MM219)	Sleeve-nut (accelerator pump lever adjusting)-No.10-32 x .26"
1	B8AZ 9A507-C	Bowl & plugs (float primary)-use with B8A 9528-B
4	359747-S2 (BB809)	Screw (fuel bowl & plugs to carb. main body)-No.12-24 x 2.56"
AR	*92032-S2	Screw-No.4 x 3/16"-drive (used to plug vent holes in assy.)
1	B8AZ 9A511-C	Body & plugs (main metering)
1	B7AZ 9B511-A	Weight (pump discharge ball)
1	B7A 9512-R	Body (main)
1	B7AZ 9A515-B	Rod (accel.pump link to vent lever)
1	B7A 9516-A	Gasket (throttle body to main body)
1	B7AZ 9A517-A	Baffle (float bowl)-primary
1	B8A 9518-B	Body and shaft (throttle)
AR	359736-S2(BB67)	Screw & washer (throttle body to main body)-No.12-24 x .81" fillister head
1	B9TZ 9A518-A	Gasket (main metering body)-primary
1	B7AZ 9A519-A	Spring (float)
1	B2TZ 9A520-A	Adaptor (fuel inlet)-27/32" overall length-has compression type seal
1	B7AZ 9526-B	Cam (accel. pump diaphragm operating)
1	*33174-S	Screw (cam to throttle shaft & lever)-No.6-20 x 3/8" pan head slotted-tapping
1	B8A 9528-B	Kit (accelerator pump cover)-consists of the following- 1-B8A 9528-B Cover, 4-43250-S Screw & washer & 4-359757-S2 Screw & washer
4	43250-S(U70)	Screw & lockwasher (accel.pump)-No.6-32 x .50" - use with B7A 9528-A or B7T 9528-A
4	359757-S2(BB52)	Screw & washer (accel. pump cover)-No.6-32 x .59" fillister head - used to attach B8A 9528-B cover to B7A 9559-D, E and B8A 9559-A, C float bowl
4	43255-S8(U74)	Screw & washer (accel.pump cover)-No.8-32 x 5/8" fillister hd. - used to attach B8A 9528-B cover to B8A 9559-D, E float bowl
2	59A 9533-B	Jet (main metering) No.49 - 0 to 5,000 ft. altitude
2	78 9533-B	No.48 - 5,000 to 10,000 ft. altitude
2	59A 9533-C	No.47 - 10,000 to 15,000 ft. altitude
1	B7AZ 9A535-C	Lever (fast idle pick up)
1	B7A 9538-A	Lever (fast idle adjusting)
1	42802-S8(U33)	Screw & lockwasher (lever to main body)-No.10-32 x 3/8"
2	B7A 9541-A	Needle (idle adjusting)
1	B7A 9545-B	Plate (choke)-R. H.
1	B7A 9546-B	Shaft and lever (choke)
1	C1AZ 9B549-A	Dashpot
1	33923-S7(M32)	Nut -5/16"-24
2	34806-S7(X64)	Lockwasher-5/16"

△ Serviced in 9502 kit only

## CARBURETOR SERVICE PARTS LIST No. 74

QTY. PER CARBU-RETOR	PART NUMBER	DESCRIPTION
1	B7A 9550-B	Float
1	B7AZ 9B550-B	Bracket (dashpot mounting) bracket to carb.)-No.10-32 x 1/2"
1	43252-S8(U77)	Screw & washer (dashpot mounting)
1	356736-S7-8 (BB11)	Screw (bracket to throttle body)-No.10-24 x 1/2" fillister head
1	34803-S7(X60)	Lockwasher-No.10
1	B7A 9557-B	Valve (float bowl vent)
1	B7A 9559-D	Bowl & plugs (float)-use with B7T 9528-A - repl. by B8AZ 9A507-C
1	C0AE 9B559-D	Diaphragm (accelerator pump)
1	B7A 9560-B	Spring(pump chamber vent operating rod)
1	351826-S(XX2)	Retainer (operating rod spring)
1	B8A 9561-C	Gasket (float bowl)-primary
1	B7T 9562-A	Plug (float housing fuel level check)-5/16"-24 x 1/4" slotted
1	B8A 9564-C	Valve & seat (fuel inlet)
1	B7TZ 9A565-A	Economizer-stamped No.65
1	B2A 9568-B	Retainer (pump operating lever)-split
1	B7AZ 9B569-A	Spring (fast idle cam lever)
1	B7A 9571-A	Spring (pump lever adjusting screw)
1	B8A 9576-A	Ball (inlet)
1	78 9576	Ball(accelerator pump check)-1/8"diam
1	B8A 9577-B	Nozzle (pump discharge)
1	374370-S(XX94A)	Washer-1/4" flat (buna coated alum.)
1	*50420-S7	Screw (pump discharge nozzle)-No.12-24 x 3/4" oval head
1	B8A 9578-B	Spring (throttle stop screw)-4 1/2 coils-.20" I.D.-.58" long
1	40 9578	Spring (fast idle adjusting lever)
2	B7AE 9580-A	Gasket(pump discharge nozzle & pump discharge screw)
1	B8A 9581-E	Shaft & lever (throttle)
2	B7A 9585-C	Plate (throttle)
4	B8A 9586-A	Screw (throttle plate)
2	B9A 9586-A	Screw (choke plate)-No.6-32 oval hd.
1	*A8AZ 9A588-A	Gasket (fuel level check plug)-serviced in kit 9502
1	B7AZ 9A588-A	Gasket (economizer)
4	B7A 9592-A	Gasket (float bowl screw)
1	B8A 9597-B	Cam (fast idle)
1	B8AZ 9599-A	Retainer (float lever shaft)
1	B7AZ 9A599-B	Rod (choke control)
2	353610-S8(NN126)	Retainer (rod to carburetor)
2	B7A 9634-A	Seal (idle adjusting needle)
1	B7A 9636-B	Spring (accel. pump diaphragm return)
2	B7A 9647-A	Washer (fast idle rod seal)
1	B7AZ 9A753-B	Shaft & lever (choke housing)
1	B5AZ 9812-A	Spacer (secondary throttle plate control lever)
1	B7A 9840-B	Piston (automatic choke)
1	355829-S7(MM15)	Nut (piston to choke housing)-No.8-36
1	34802-S7(X59)	Lockwasher-No.8
1	B6A 9842-A	Clamp (thermostatic choke housing)
3	31061-S8(U50)	Screw (clamp housing)-No.8-32 x 1/2"
3	34802-S7(X59)	Lockwasher-No.8
1	B8A 9848-E	Housing (choke thermost)
1	B7A 9849-B	Housing & plugs (choke)
3	359737-S(BB59)	Screw & washer (choke housing to main body)-No.8-32 x 1.25"
1	B7A 9850-A	Control (thermostatic choke)
2	B7A 9853-B	Gasket (choke thermostatic control)
1	B7A 9871-B	Gasket (thermostatic choke housing)
1	B7A 9938-B	Screen (filter)-with retainer
1	B2AZ 9945-A	Gasket (fuel inlet seat screw)-.32" I.D.-.428" O.D.-.031" thick

⚡ Not supplied with service carburetor. Order separately if required.



**CARBURETOR PART No. B8A 9510-K**

**CARBURETOR SERVICE PARTS LIST No. 75**

QTY. PER CARBU-RETOR	PART NUMBER	DESCRIPTION
1	C2OZ 9502-B	Gasket set
1	C0AZ 9A586-A	Kit (tune up)
1	B9AZ 9590-C	Repair kit
1	358165-S(11-65)	Connector (distributor vacuum tube to carb.)-1/8" pipe thread
1	B7AZ 9B501-A	Seal (fast idle rod)
1	B8A 9512-C	Body (main)
2	359409-S(PP59)	Plug (to plug drill passages in main body)-5/16"
1	371350-S(AA4)	Ball (accelerator pump inlet passage)-3/16" steel
1	359353-S(PP58)	Plug (to plug hole from bowl to accelerator pump)-1/8" cup
1	B7AZ 9A520-A	Adaptor (fuel inlet)-1/2"-20 internal-9/16"-24 external threads-.80" long
1	B8AZ 9A523-K	Support (booster venturi)
1	371350-S(AA4)	Ball (accelerator pump discharge valve)-3/16" steel
1	B9AZ 9524-C	Horn (air)-less shaft
4	43256-S8	Screw & washer (horn & plugs to main body)-No. 10-32 x 5/8"
1	B8A 9528-A	Cover (accelerator pump)-less link
4	43255-S8(U74)	Screw & washer (cover to carb.)-No. 8-32 x 5/8"
1	C0AE 9529-A	Link (accelerator pump)
1	353847-S8(NN109)	Pin (accelerator pump link to cover)-.187" x .50" diameter roll
1	C1AE 9D530-A	Rod (fast idle cam)
2	351825-S(XX-9)	Retainer (fast idle cam rod)-"C" washer
2	78 9533-B	Jet (main metering) No. 48 - 0 to 5,000 ft. altitude
2	59A 9533-D	No. 45 - 5,000 to 10,000 ft. altitude
2	922A 9533-A	No. 43 - 10,000 to 15,000 ft. altitude
1	B8AZ 9A535-A	Bellcrank (fast idle)
1	*31077-S8	Screw (bellcrank choke adjusting lever to shaft)-No.8-32 x 5/8" fillister head
1	44710-S8(X10)	Washer - No.8 flat
1	34052-S7(M155)	Nut - No.8-32 hex.
1	B8AZ 9A536-A	Gasket (booster venturi support)
1	B9A 9538-A	Lever (fast idle adjusting)
1	359539-S8B(BB40)	Screw (fast idle adjusting)-No.10-32 x 1.25" fillister head
1	34079-S7(M163)	Nut (lever to throttle shaft)-No.10-32 hex.
1	34903-S8(X96)	Lockwasher-No.10
1	B8AZ 9A538-A	Spring (accel. pump over travel)
2	C1AE 9541-C	Needle (idle adjusting)
1	B8AZ 9D541-A	Lever (choke housing)
1	C0AZ 9B542-A	Rod (accel. pump link to throttle lever)-service pkg. includes (5) pieces 375894-S7 clip
1	353610-S8(NN126)	Retainer (accel. pump link to lever)-spring-.55" long
1	B7A 9546-A	Shaft and lever (choke)
1	B8A 9549-A	Plate (choke)
1	C1AZ 9B549-A	Dashpot
1	33923-S7(M32)	Nut-5/16"-24
2	34806-S7(X64)	Lockwasher-5/16"
1	C0AE 9550-A	Float
1	B8AZ 9B550-A	Bracket (dashpot mounting)
1	43252-S8(U77)	Screw & washer (dashpot mounting bracket to carb.)-No.10-32 x 1/2"

⚡ Not supplied with service carburetor. Order separately if required.

QTY. PER CARBU-RETOR	PART NUMBER	DESCRIPTION
1	B8A 9558-A	Pin (float hinge)
1	C2AZ 9B559-A	Diaphragm (accelerator pump)
1	B8AZ 9560-A	Spring (choke plate valve)
1	*C2AZ 9561-B	Gasket (float bowl)- repl. by C2OZ-9561-A (10-63)
1	C2OZ 9561-A	Gasket (float bowl)
1	B7A 9563-A	Gasket (economizer cover)
1	C2AZ 9564-B	Valve & seat (fuel inlet)-includes (1) B7A 9569-A gasket & (1) C1AZ 9599-A retainer
1	C0AZ 9A565-A	Economizer 0 to 5,000 ft. altitude
1	C3AZ 9A565-D	Economizer-identified by yellow dye on body 5,000 to 10,000 ft. altitude
1	C0AE 9A565-C	Economizer-identified by No.55 on O.D. 10,000 to 15,000 ft. altitude
1	B7A 9569-A	Gasket (float valve seat)
1	B8A 9575-A	Retainer (accel. pump check valve)-1/4"-28 thread
1	B8AZ 9575-C	Retainer (power jet needle valve)
1	370458-S(XX88)	Washer (accel. pump valve retainer gasket)-1/4" flat
1	C0AZ 9577-A	Screw (pump discharge nozzle)
1	374370-S(XX94A)	Washer-1/4" flat (buna coated alum.)
1	B8A 9578-B	Spring (fast idle adjusting lever)-4 1/2 coils-.20" I.D.-.58" long
2	40 9578	Spring (idle adjusting needle)
1	355107-S7(BB536)	Screw (normal idle adjusting)-No.10-32 x 1" special hex. head slotted
1	B8A 9581-B	Shaft & lever (throttle)
2	B8A 9585-E	Plate (throttle)-primary
4	B7A 9586-E	Screw (throttle plate)-No.8-32 x .42" oval head-tubular
2	B9A 9586-A	Screw (choke plate)-No.6-32 oval hd.
1	*C2AZ 9A588-A	Gasket (economizer)-repl. by C2AZ 9A588-B (5-63)
1	C2AZ 9A588-B	Gasket (economizer)
1	C0ME 9597-A	Cam (fast idle)
1	351825-S(XX9)	Retainer (fast idle cam)-"C" washer
1	B8A 9598-A	Rod (choke shaft)
1	353610-S8(NN126)	Retainer (rod to choke shaft lever)-spring type-.44" long
2	359555-S(XX50)	Washer (fast idle rod seal)-No.8-flat
1	B7AZ 9599-A	Retainer (float lever shaft)-.37" I.D.
1	B8A 9636-A	Spring (pump lever return)
1	B8AZ 9A753-A	Shaft & lever (choke housing)
1	B7AZ 9812-A	Spacer (thermo. choke shaft)
1	B6A 9842-A	Clamp (thermostatic choke housing)
1	B8A 9844-A	Plate (thermostatic choke housing)
1	B9AE 9848-B	Housing (choke thermostat)-identified by "TD" on cover
1	B8A 9849-B	Housing & plugs (choke)
3	*31165-S8	Screw (choke control housing to body)-No.8-32 x 1 5/8" fillister head
3	359113-S(XX46)	Washer-No.8-flat
3	34802-S7(X59)	Lockwasher-No.8
1	B9AE 9850-B	Control (thermostatic choke)-identified by "TD" on cover
3	*31165-S8	Screw (choke control to body)-No.8-32 x 1 5/8" fillister head
3	34805-S8(X62)	Lockwasher-1/4"
1	B8A 9853-A	Gasket (thermostatic choke housing)
1	B8A 9861-A	Shield (choke thermostat)
1	43248-S8(U72)	Screw & washer (shield to housing)-No.8-32 x 3/8" fillister head
1	C1AE 9871-A	Gasket (thermostatic choke housing)

continued on next page

## CARBURETOR PART No. B8A 9510-K

QTY. PER CARBU-RETOR	PART NUMBER	DESCRIPTION
1	B8AZ 9919-A	Lever (accel. pump overtravel) - service pkg. includes (1) C3AZ 9F569-A bushing
1	374035-S(XX13C)	Retainer (pump overtravel lever to throttle shaft) - "C" washer
1	B7A 9930-A	Cover (economizer valve)

## CARBURETOR PART No. B8A 9510-L

1	C2OZ 9502-B	Gasket set
1	C0AZ 9A586-A	Kit (tune up)
1	B9AZ 9590-C	Repair kit
1	358165-S(II-65)	Connector (distributor vacuum tube to carb.) - 1/8" pipe thread
1	B7AZ 9B501-A	Seal (fast idle rod)
1	B8A 9512-D	Body (main)
2	359409-S(PP59)	Plug (to plug drill passages in main body) - 5/16"
1	371350-S(AA4)	Ball (accelerator pump inlet passage) - 3/16" steel
1	359353-S(PP58)	Plug (to plug hole from bowl to accelerator pump) - 1/8" cup
1	B7AZ 9A520-A	Adaptor (fuel inlet) - 1/2" - 20 internal - 9/16" - 24 external threads - .80" long
1	B8AZ 9A523-G	Support (booster venturi)
1	371350-S(AA4)	Ball (accelerator pump discharge valve) - 3/16" steel
1	B9AZ 9524-C	Horn (air) - less shaft
4	43256-S8	Screw & washer (horn & plugs to main body) - No. 10-32 x 5/8"
1	B8A 9528-A	Cover (accelerator pump) - less link
4	43255-S8(U74)	Screw & washer (cover to carb.) - No. 8-32 x 5/8"
1	C0AE 9529-A	Link (accelerator pump)
1	353847-S8	Pin (accelerator pump link to cover) - .187" x .50" diameter roll (NN109)
1	C1AE 9D530-A	Rod (fast idle cam)
2	351825-S(XX9)	Retainer (fast idle cam rod) - "C" washer
2	26H 9533	Jet (main metering) No. 57 - 0 to 5,000 ft. altitude
2	06H 9533	No. 54 - 5,000 to 10,000 ft. altitude
2	86H 9533	No. 52 - 10,000 to 15,000 ft. altitude
1	B8AZ 9A535-A	Bellcrank (fast idle)
1	*31077-S8	Screw (bellcrank choke adjusting lever to shaft) - No. 8-32 x 5/8" fillister head
1	44710-S8(X10)	Washer - No. 8 flat
1	34052-S7(M155)	Nut - No. 8-32 hex.
1	B8AZ 9A536-A	Gasket (booster venturi support)
1	B9A 9538-A	Lever (fast idle adjusting)
1	359539-S8B (BB40)	Screw (fast idle adjusting) - No. 10-32 x 1.25" fillister head
1	34079-S7(M163)	Nut (lever to throttle shaft) - No. 10-32 hex.
1	34903-S8(X96)	Lockwasher - No. 10
1	B8AZ 9A538-A	Spring (accel. pump over travel)
2	C1AE 9541-C	Needle (idle adjusting)

@ Not supplied with service carburetor. Order separately if required.

## CARBURETOR SERVICE PARTS LIST No. 75 - continued

QTY. PER CARBU-RETOR	PART NUMBER	DESCRIPTION
4	31061-S8(U50)	Screw (economizer valve cover to main body) - No. 8-32 x 1/2" fill. hd.
4	34802-S7(X59)	Lockwasher - No. 8
1	B7A 9938-A	Screen (filter)
1	B7A 9974-B	Screw (fuel level inspection)
1	B7AZ 9992-A	Bearing (choke shaft)

## CARBURETOR SERVICE PARTS LIST No. 76

1	B8AZ 9D541-A	Lever (choke housing)
1	C0AZ 9B542-A	Rod (accel. pump link to throttle lever) - service pkg. includes (5) pieces 375894-S7 clip
1	353610-S8 (NN126)	Retainer (accel. pump link to lever) - spring - .55" long
1	B7A 9546-A	Shaft and lever (choke)
1	B8A 9549-A	Plate (choke)
1	@ C1AZ 9B549-A	Dashpot
1	@ 33923-S7(M32)	Nut - 5/16" - 24
2	@ 34806-S7(X64)	Lockwasher - 5/16"
1	C0AE 9550-A	Float
1	@ B8AZ 9B550-A	Bracket (dashpot mounting)
1	@ 43252-S8(U77)	Screw & washer (dashpot mounting bracket to carb.) - No. 10-32 x 1/2"
1	B8A 9558-A	Pin (float hinge)
1	C2AZ 9B559-A	Diaphragm (accelerator pump)
1	B8A 9560-A	Spring (choke plate valve)
1	*C2AZ 9561-B	Gasket (float bowl) - repl. by C2OZ - 9561-A (10-63)
1	C2OZ 9561-A	Gasket (float bowl)
1	B7A 9563-A	Gasket (economizer cover)
1	C2AZ 9564-B	Valve & seat (fuel inlet) - includes (1) B7A 9569-A gasket & (1) C1AZ 9599-A retainer
1	C0AZ 9A565-A	Economizer 0 to 5,000 ft. altitude
1	C3AZ 9A565-D	Economizer - identified by yellow dye on body 5,000 to 10,000 ft. altitude
1	C0AE 9A565-C	Economizer - identified by No. 55 on O. D. 10,000 to 15,000 ft. altitude
1	B7A 9569-A	Gasket (float valve seat)
1	B8A 9575-A	Retainer (accel. pump check valve) - 1/4" - 28 thread
1	B8AZ 9575-C	Retainer (power jet needle valve)
1	43245-S8(U71)	Screw & washer (retainer to horn) - No. 8-32 x 1/4"
1	370458-S(XX88)	Washer (accel. pump valve retainer gasket) - 1/4" flat
1	C0AZ 9577-A	Screw (pump discharge nozzle)
1	374370-S(XX94A)	Washer - 1/4" flat (buna coated alum.)
1	B8A 9578-B	Spring (fast idle adjusting lever) - 4 1/2 coils - .20" I.D. - .58" long
2	40 9578	Spring (idle adjusting needle)
1	355107-S7 (BB536)	Screw (normal idle adjusting) - No. 10-32 x 1" special hex. head slotted
1	B8A 9581-B	Shaft & lever (throttle)
2	B8A 9585-F	Plate (throttle) - primary
4	B7A 9586-E	Screw (throttle plate) - No. 8-32 x .42" oval head - tubular
2	B9A 9586-A	Screw (choke plate) - No. 6-32 oval hd.
1	*C2AZ 9A588-A	Gasket (economizer) - repl. by C2AZ 9A588-B (5-63)
1	C2AZ 9A588-B	Gasket (economizer)

continued on next page

### CARBURETOR PART No. B3A 9510-L

QTY. PER CARBU-RETOR	PART NUMBER	DESCRIPTION
1	COME 9597-A	Cam (fast idle)
1	351825-S(XX9)	Retainer (fast idle cam)-"C" washer
1	B8A 9598-A	Rod (choke shaft)
1	353610-S8 (NN126)	Retainer (rod to choke shaft lever)-spring type-.44" long
2	359555-S(XX50)	Washer (fast idle rod seal)-No.8-flat
1	B7AZ 9599-A	Retainer (float lever shaft)-.37" I.D.
1	B8A 9636-A	Spring (pump lever return)
1	B8AZ 9A753-A	Shaft & lever (choke housing)
1	B7AZ 9812-A	Spacer (thermostatic choke shaft)
1	B6A 9842-A	Clamp (thermostatic choke housing)
1	B8A 9844-A	Plate (thermostatic choke housing)
1	B9AE 9848-B	Housing (choke thermostat)-identified by "TD" on cover
1	B8A 9849-B	Housing & plugs (choke)
3	*31165-S8	Screw (choke control housing to body)-No.8-32 x 1 5/8" fillister head
3	359113-S(XX46)	Washer-No.8-flat
3	34802-S7(XX59)	Lockwasher-No.8
1	B9AE 9850-B	Control (thermostatic choke)-identified by "TD" on cover
3	*31165-S8	Screw (choke control to body)-No.8-32 x 1 5/8" fillister head
3	34805-S8(X62)	Lockwasher-1/4"

### CARBURETOR PART No. B2A 9510-A

1	C0AZ 9502-C	Gasket set
1	B2AZ 9A586-A	Kit (tune up)
1	B2AZ 9590-B	Repair kit
1	354582-S(II-73)	Connector (carb. to tube ass'y.)-5/16" flared tube
1	B2AZ 9B502-A	Screw (dashpot operating lever)-No. 8-32 x .59" slotted binding head-not supplied with carb.,order separately
1	C0AZ 9A507-A	Bowl & plugs assy. (float)-metal bowl
4	*31644-S7	Screw (bowl to main body)-No. 10-32 x 3/4" fillister head
4	34803-S7(X60)	Lockwasher-No. 10
1	B9AE 9B511-A	Weight (pump discharge ball)
1	EAA 9512-B	Body ass'y. (main)
1	B8A 9516-C	Gasket (throttle body to main body)
1	B2A 9518-A	Body & shaft ass'y. (throttle)
1	EAA 9529-A	Link (accelerator pump)
1	1GA 9533-A	Jet (main metering)-No. 64-0 to 5,000 ft. alt.
1	1GA 9533-B	No. 62-5,000 to 10,000 ft. alt.
1	1GA 9533-C	No. 60-10,000 to 15,000 ft. alt.
1	78 9541-B	Needle (idle adjusting)-1 3/16" long
1	C0AE 9B544-A	Piston assy. (accelerator pump)-includes gasket
1	EAA 9546-C	Shaft & lever assy. (choke)
1	*37611-S7	Screw (choke lever to shaft)-No. 8-32 x 1/4"-fillister head
1	*EAA 9549-A	Plate assy. (choke)
1	C1AZ 9B549-A	Dashpot assy. -not supplied with service carburetors. Order separately
1	34806-S7(X64)	Lockwasher-5/16"-not supplied with service carburetors. Order separately
1	33923-S7(M32)	Nut-5/16"-24-not supplied with service carburetors. Order separately
1	C2AZ 9550-A	Float assy.

### CARBURETOR SERVICE PARTS LIST No. 76 - continued

QTY. PER CARBU-RETOR	PART NUMBER	DESCRIPTION
1	B8A 9853-A	Gasket (thermostatic choke housing)
1	B8A 9861-A	Shield (choke thermostat)
1	43248-S8(U72)	Screw & washer (shield to housing)-No. 8-32 x 3/8" fillister head
1	C1AE 9871-A	Gasket (thermostatic choke housing)
1	374035-S(XX13C)	Retainer (pump overtravel lever to throttle shaft)-"C" washer
1	B8AZ 9919-A	Lever (accelerator pump overtravel)-service pkg. includes (1) C3AZ-9F569-A bushing
1	B7A 9930-A	Cover (economizer valve)
4	31061-S8 (U50)	Screw (economizer valve cover to main body)-No.8-32 x 1/2" fill.hd.
4	34802-S7(X59)	Lockwasher-No.8
1	B7A 9938-A	Screen (filter)
1	B7A 9974-B	Screw (fuel level inspection)
1	B7AZ 9992-A	Bearing (choke shaft)

### CARBURETOR SERVICE PARTS LIST No. 77

1	*B2A 9551-A	Pin (choke plate distributor)-3/32" x 1.12" split
1	C1AE 9558-A	Pin (float hinge)
1	B2AZ 9561-A	Gasket (float bowl retainer)-3.81" long-2.19" wide-use with glass bowl only
1	C2AZ 9561-C	Gasket (float bowl)
1	C2AZ 9564-C	Valve & seat assy. (fuel inlet)
1	B2AZ 9A565-A	Economizer assy.
1	B2A 9568-B	Retainer (pump operating lever)
1	EAA 9569-A	Gasket (float needle seat)
1	B2A 9574-B	Screw (discharge nozzle)-No. 10-32 x .64" overall length fillister head
1	B2AZ 9575-A	Retainer (vacuum distributor ball check valve spring)-.24" O.D.
1	B2AZ 9576-A	Valve (vacuum distributor ball check)-.156" diameter
1	EAA 9576-A	Ball (accelerator pump check)-.156" diameter
2	78 9576	Ball (accelerator pump check)-1/8" diameter
1	EAA 9577-B	Nozzle assy. (pump discharge)
1	B8A 9578-B	Spring (throttle adjusting screw)-4 1/2 coils-.20" I.D. -.58" long
1	40 9578	Spring (idle adjusting needle)
1	*31644-S7	Screw (throttle adjusting)-No. 10-32 x 3/4" fillister head
1	*EAA 9580-A	Gasket (discharge pump nozzle)-.20" I.D. x .32" O.D. -.03" thick
1	EAA 9583-A	Lever (accelerator pump operator)
2	B2A 9586-A	Screw (choke plate)
1	B2AZ 9A588-A	Gasket (economizer valve)
1	B2AE 9594-A	Jet & main well assy. (power)-stamped 3354-A
3	*37643-S7	Screw (jet & main well to main body)-No. 6-32 x 7/16" fillister head
2	353799-S8	Screw (jet & main well to main body)
	34801-S7(X58)	Lockwasher-No. 6
		No. 6-32 x .75" fillister head

continued on next page

## CARBURETOR PART No. B2A 9510-A

QTY. PER CARBU-RETOR	PART NUMBER	DESCRIPTION
1	A1A 9599-A	Retainer (float hinge pin)
1	1CM 9681-A	Ball (rod to trans. control shaft lever)
1	34079-S7(M163)	Nut (throttle lever ball)-No. 10-32 hex.
1	34803-S7(X60)	Lockwasher-No. 10
1	8BA 9792	Clamp (choke control bracket)
2	31061-S8(U50)	Screw (choke control bracket clamp)-No. 8-32 x 1/2" fillister head
2	34052-S7(M155)	Nut-No. 8-32
1	EAA 9796-A	Bracket (choke control)
1	B6A 9802-A	Lever (dashpot operating)-not supplied with carb., order separately
1	B2A 9808-A	Retainer (float bowl)-use with glass bowl only
4	B2A 9809-A	Clamp (float bowl retainer)-use with glass bowl only
4	*31644-S7	Screw (clamp)-No. 10-32 x 3/4"-fillister head
4	34803-S7(X60)	Lockwasher-No. 10

## CARBURETOR PART No. B8A 9510-J

1	B8A 9502-C	Gasket set
1	C2AZ 9A586-B	Kit (tune up)
1	C1AZ 9590-A	Repair kit
1	354582-S(II-73)	Connector (carb. to tube ass'y.)-5/16" flared tube
2	374166-S(PP23A)	Plug-1/4"-for dist. passage when tube 12226 is not used
1	B1AZ 9B502-A	Screw (dashpot & throttle lever adj.)-not supplied with carb., order separately
1	B2AZ 9B502-A	Screw (dashpot operating lever)-No. 8-32 x .59" slotted binding head-not supplied with carb., order separately
1	34803-S7(X60)	Lockwasher -No. 10-not supplied with carb., order separately
1	34079-S7(M163)	Nut-No. 10-32-not supplied with carb., order separately
1	COAZ 9A507-A	Bowl & plugs assy.(float)-metal bowl
4	*31644-S7	Screw (bowl to main body)-No. 10-32 x 3/4" fillister head
4	34803-S7(X60)	Lockwasher-No. 10
1	B9AE 9B511-A	Weight (pump discharge ball)
1	B8A 9512-G	Body ass'y. (main)
1	B8A 9516-C	Gasket (throttle body to main body)
1	B8A 9518-C	Body & shaft ass'y. (throttle)
1	B8A 9529-B	Link (accelerator pump)
2	353610-S8(NN126)	Retainer (spring type)-.44" long
1	1GA 9533-B	Jet (main metering)-No. 62-0 to 5,000 ft. alt.
1	1GA 9533-C	No. 60-5,000 to 10,000 ft. alt.
1	78 9533-F	No. 58-10,000 to 15,000 ft. alt.
1	B7A 9541-D	Needle (idle adjusting)
1	COAE 9B544-B	Piston assy. (accelerator pump)-includes gasket
1	EAA 9546-C	Shaft & lever assy. (choke)
1	*37611-S7	Screw (choke lever to shaft)-No. 8-32 x 1/4"-fillister head
1	*EAA 9549-A	Plate assy. (choke)
1	C1AZ 9B549-A	Dashpot assy. -not supplied with service carburetors. Order separately
1	34806-S7(X64)	Lockwasher-5/16"-not supplied with service carburetors. Order separately
1	33923-S7(M32)	Nut-5/16"-24-not supplied with service carburetors. Order separately

Δ Serviced in 9502 kit only

## CARBURETOR SERVICE PARTS LIST No. 77 - continued

QTY. PER CARBU-RETOR	PART NUMBER	DESCRIPTION
1	B2A 9827-A	Gasket (fuel inlet fitting)
1	*B2A 9930-B	Cover (economizer valve)
3	31061-S8(U50)	Screw (cover to main body)-No. 8-32 x 1/2"-fillister head
3	34802-S7(X59)	Lockwasher-No. 8
1	*B2A 9934-A	Sleeve (pump push rod)-.31" O. D. - 1.20" long
1	EAA 9935-B	Spring (accel. pump rod plunger)-.27" O. D. -1.34" long-13 coils
1	EAA 9936-A	Spring (accel. pump diaphragm return)-cone shaped-8 coils
1	ΔB2AZ 9945-A	Gasket (fuel inlet seat screw)-.32" I. D. -.428" O. D. -.031" thick

## CARBURETOR SERVICE PARTS LIST No. 78

1	C2AZ 9550-A	Float assy.
1	*B2A 9551-A	Pin (choke plate distributor)-3/32" x 1.12" split
1	C1AE 9558-A	Pin (float hinge)
1	B2AZ 9561-A	Gasket (float bowl retainer)-3.81" long-2.19" wide-use with glass bowl only
1	C2AZ 9561-C	Gasket (float bowl)
1	C2AZ 9564-C	Valve & seat assy. (fuel inlet)
1	B2AZ 9A565-A	Economizer assy.
1	B2A 9568-B	Retainer (pump operating lever)
1	EAA 9569-A	Gasket (float needle seat)
1	B8AZ 9B572-A	Valve assy. (spark)-stamped No. 55
1	B2A 9574-B	Screw (discharge nozzle)-No. 10-32 x .64" overall length fillister head
1	EAA 9576-A	Ball (accelerator pump check)-.156" diameter
2	78 9576	Ball (accelerator pump check)-1/8" diameter
1	EAA 9577-B	Nozzle assy. (pump discharge)
1	B8A 9578-B	Spring (throttle adjusting screw)-4 1/2 coils-.20" I. D. -.58" long
1	40 9578	Spring (idle adjusting needle)
1	*31644-S7	Screw (throttle adjusting)-No. 10-32 x 3/4" fillister head
1	EAA 9580-A	Gasket (discharge pump nozzle)-.20" I. D. x .32" O. D. -.03" thick
1	B6A 9581-B	Lever and shaft assy. (primary throttle)
1	B8A 9583-B	Lever assy. (pump operating)-steel
1	*B4A 9585-A	Plate (throttle)
2	*31036-S8	Screw (carb. throttle plate)-No. 6-32 x 5/16" fillister head
2	34937-S7(X84)	Lockwasher-No. 6-external tooth
2	B2A 9586-A	Screw (choke plate)
1	B2AZ 9A588-A	Gasket (economizer valve)
1	COAE 9A588-A	Gasket (spark valve)-.57" I. D. -.75" O. D. -.015" thick
1	B8A 9594-A	Jet & main well assy. (power)-stamped 3318-A
3	*37643-S7	Screw (jet & main well to main body)-No. 6-32 x 7/16" fillister head
2	353799-S8	Screw (jet & main well to main body)-No. 6-32 x .75" fillister head
	34801-S7(X58)	Lockwasher-No. 6

continued on next page

**CARBURETOR PART No. B8A 9510-J**

QTY. PER CARBU-RETOR	PART NUMBER	DESCRIPTION
1	B8A 9624-B	Spring (pump operating lever)
1	1CM 9681-A	Ball (rod to trans. control shaft lever)
1	34079-S7(M163)	Nut (throttle lever ball)-No. 10-32 hex.
1	34803-S7(X60)	Lockwasher-No. 10
1	8BA 9792	Clamp (choke control bracket)
1	31061-S8(U50)	Screw (bracket clamp)-No. 8-32 x 1/2" fillister head
1	34052-S7(M155)	Nut-No. 8-32
1	EAA 9796-A	Bracket (choke control)
1	*31596-S7	Screw & lockwasher (choke bracket)-No. 10-32 x 3/8"
1	B6A 9802-A	Lever (dashpot operating)-not supplied with carb., order separately
1	B2A 9808-A	Retainer (float bowl)-use with glass bowl only

**CARBURETOR PART No. B8A 9510-M**

1	C0AZ 9502-C	Gasket set
1	C2AZ 9590-B	Repair kit
1	354582-S(II-73)	Connector (carb. to tube assy.)-5/16" flared tube
2	374166-S (PP23A)	Plug-1/4"-.32-for dist. passage when tube 12226 is not used
1	B1AZ 9B502-A	Screw (dashpot & throttle lever adj.)-not supplied with carb., order separately
1	B2AZ 9B502-A	Screw (dashpot operating lever)-No. 8-32 x .59" slotted binding head - not supplied with carb., order separately
1	34803-S7(X60)	Lockwasher-No. 10-not supplied with carb., order separately
1	34079-S7(M163)	Nut-No. 10-32-not supplied with carb., order separately
1	C0AZ 9A507-A	Bowl & plugs assy. (float)-metal bowl
4	*31644-S7	Screw (bowl to main body)-No. 10-32 x 3/4" fillister head
4	34803-S7(X60)	Lockwasher - No. 10
1	B9AE 9B511-A	Weight (pump discharge ball)
1	B9AE 9512-G	Body assy. (main)
1	B8A 9516-C	Gasket (throttle body to main body)
1	B5A 9518-S	Body & shaft assy. (throttle)
1	B8A 9529-C	Link (accelerator pump)
1	59A 9533-C	Jet (main metering)-No. 47-0 to 5,000 ft. alt.
1	78 9541-B	Needle (idle adjusting)-1 3/16" long
1	C0AE 9B544-B	Piston assy. (accelerator pump) includes gasket
1	B5A 9546-A	Shaft & lever assy. (choke)
1	*37611-S7	Screw (choke lever to shaft)-No. 8-32 x 1/4" fillister head
1	B5A 9549-C	Plate assy. (choke)
1	C1AZ 9B549-A	Dashpot assy. - not supplied with service carburetors. Order separately
1	34806-S7(X64)	Lockwasher-5/16"-not supplied with service carburetors. Order separately
1	33923-S7(M32)	Nut-5/16"-24 - not supplied with service carburetors. Order separately
1	C2AZ 9550-A	Float assy.
1	B5A 9551-A	Pin (choke plate distributor)
1	C1AE 9558-A	Pin (float hinge)

Δ Serviced in 9502 kit only

**CARBURETOR SERVICE PARTS LIST No. 78 - continued**

QTY. PER CARBU-RETOR	PART NUMBER	DESCRIPTION
4	B2A 9809-A	Clamp (float bowl retainer)-use with glass bowl only
4	*31644-S7	Screw (clamp)-No. 10-32 x 3/4"-fillister head
4	34803-S7(X60)	Lockwasher-No. 10
1	B2A 9827-A	Gasket (fuel inlet fitting)
1	*B2A 9930-B	Cover (economizer valve)
3	31061-S8(U50)	Screw (cover to main body)-No. 8-32 x 1/2"-fillister head
3	34802-S7(X59)	Lockwasher-No. 8
1	B8A 9934-A	Sleeve (pump push rod)
1	EAA 9935-B	Spring (accel. pump rod plunger)-.27" O.D. -.1.34" long-13 coils
1	EAA 9936-A	Spring (accel. pump diaphragm return)-cone shaped-8 coils .32" I.D. -.428" O.D. -.031" thick
1	ΔB2AZ 9945-A	Gasket (fuel inlet seat screw)-

**CARBURETOR SERVICE PARTS LIST No. 79**

1	B2AZ 9561-A	Gasket (float bowl retainer)-3.81" long 2.19" wide-use with glass bowl only
1	C2AZ 9561-C	Gasket (float bowl)
1	B2A 9568-B	Retainer (pump operating lever)
1	C2AZ 9564-C	Valve & seat assy. (fuel inlet)
1	EAA 9569-A	Gasket (float needle seat)
1	B2A 9574-B	Screw (discharge nozzle)-No. 10-32 x .64" overall length fillister head
1	EAA 9576-A	Ball (pump inlet) - .156" diameter
2	78 9576	Ball (pump discharge & push rod sleeve) - 1/8" diameter
1	EAA 9577-B	Nozzle assy. (pump discharge)
1	B8A 9578-B	Spring (throttle adjusting screw)-4 1/2 coils-.20" I.D. -.58" long
1	40 9578	Spring (idle adjusting needle)
1	EAA 9580-A	Gasket (discharge pump nozzle)-.20" I.D. x .32" O.D. -.03" thick
1	B4A 9581-A	Lever & shaft assy. (primary throttle)
1	B8A 9583-B	Lever assy. (pump operating)-steel
1	*B4A 9585-A	Plate (throttle)
2	B9A 9586-A	Screw (throttle plate)-No. 6-32 x .31" oval head
2		Screw (choke plate)-No. 6-32 x .31" oval head
1	B2AZ 9A588-A	Gasket (economizer valve)
1	B5A 9594-D	Jet & main well assy. (power)
1	B8A 9624-B	Spring (pump operating lever)
1	1CM 9681-A	Ball (rod to trans. control shaft lever)
1	34079-S7(M163)	Nut (throttle lever ball)-No. 10-32 hex.
1	34803-S7(X60)	Lockwasher-No. 10
1	8BA 9792	Clamp (choke control bracket)
1	31061-S8(U50)	Screw (bracket clamp)-No. 8-32 x 1/2" fillister head
1	34052-S7(M155)	Nut - No. 8-32
1	EAA 9796-A	Bracket (choke control)
1	*31596-S7	Screw & lockwasher (choke bracket)-No. 10-32 x 3/8"
1	B6A 9802-A	Lever (dashpot operating)-not supplied with carb., order separately
1	B2A 9808-A	Retainer (float bowl)-use with glass bowl only
4	B2A 9809-A	Clamp (float bowl retainer)-use with glass bowl only
4	*31644-S7	Screw (clamp)-No. 10-32 x 3/4" fill. hd.
4	34803-S7(X60)	Lockwasher - No. 10

continued on next page

## CARBURETOR PART No. B8A 9510-M

QTY. PER CARBU-RETOR	PART NUMBER	DESCRIPTION
1	B2A 9827-A	Gasket (fuel inlet fitting)
1	★B2A 9930-B	Cover (economizer valve)
3	31061-S8(U50)	Screw (cover to main body) - No. 8-32 x 1/2" - fillister head
3	34802-S7(X59)	Lockwasher - No. 8
1	B8A 9934-A	Sleeve (pump push rod)

## CARBURETOR PART No. B8A 9510-N

1	C2OZ 9502-B	Gasket set
1	C0AZ 9A586-A	Kit (tune up)
1	B9AZ 9590-C	Repair kit
1	358165-S(II-65)	Connector (distributor vacuum tube to carb.)-1/8" pipe thread
1	B7AZ 9B501-A	Seal (fast idle rod)
1	B8A 9512-K	Body (main)
2	359409-S(PP59)	Plug (to plug drill passages in main body)-5/16"
1	371350-S(AA4)	Ball (accelerator pump inlet passage)-3/16" steel
1	359353-S(PP58)	Plug (to plug hole from bowl to accelerator pump)-1/8" cup
1	B7AZ 9A520-A	Adaptor (fuel inlet)-1/2"-20 internal-9/16"-24 external threads-.80" long
1	B8AZ 9A523-J	Support (booster venturi)
1	371350-S(AA4)	Ball (accelerator pump discharge valve)-3/16" steel
1	B8A 9528-A	Cover (accelerator pump)-less link
4	43255-S8(U74)	Screw & washer (cover to carb.)-No. 8-32 x 5/8"
1	C0AE 9529-A	Link (accelerator pump)
1	353847-S8(NN109)	Pin (accelerator pump link to cover)-.187" x .50" diameter roll
1	C1AE 9D530-A	Rod (fast idle cam)
2	351825-S(XX9)	Retainer (fast idle cam rod)-"C" washer
2	78 9533-B	Jet (main metering) No. 48 - 0 to 5,000 ft. altitude
2	59A 9533-D	No. 45 - 5,000 to 10,000 ft. altitude
2	922A 9533-A	No. 43 - 10,000 to 15,000 ft. altitude
1	B8AZ 9A535-A	Bellcrank (fast idle)
1	★31077-S8	Screw (bellcrank choke adjusting lever to shaft)-No.8-32 x 5/8" fillister head
1	44710-S8(X10)	Washer - No.8 flat
1	34052-S7(M155)	Nut - No.8-32 hex.
1	B8AZ 9A536-A	Gasket (booster venturi support)
1	B9A 9538-A	Lever (fast idle adjusting)
1	359539-S8B(BB40)	Screw (fast idle adjusting)-No.10-32 x 1.25" fillister head
1	34079-S7(M163)	Nut (lever to throttle shaft)-No.10-32 hex.
1	34903-S8(X96)	Lockwasher-No.10
1	B8AZ 9A538-A	Spring (accel. pump over travel)
2	C1AE 9541-C	Needle (idle adjusting)
1	B8AZ 9D541-A	Lever (choke housing)
1	C0AZ 9B542-A	Rod (accel. pump link to throttle lever)-service pkg. includes (5) pieces 375894-S7 clip
1	353610-S8(NN126)	Retainer (accel. pump link to lever)-spring-.55" long
1	B7A 9546-A	Shaft and lever (choke)
1	B8A 9549-A	Plate (choke)
1	33923-S7(M32)	Nut-5/16"-24
2	34806-S7(X64)	Lockwasher-5/16"

△ Serviced in 9502 kit only

## CARBURETOR SERVICE PARTS LIST No. 79 - continued

QTY. PER CARBU-RETOR	PART NUMBER	DESCRIPTION
1	EAA 9935-B	Spring (accel. pump rod plunger)-.27" O.D. - 1.34" long - 13 coils
1	EAA 9936-A	Spring (accel. pump diaphragm return)-cone shaped-8 coils
1	△B2AZ 9945-A	Gasket (fuel inlet seat screw)-.32" I.D.-.428" O.D.-.031" thick

## CARBURETOR SERVICE PARTS LIST No. 80

1	C0AE 9550-A	Float
1	B8AZ 9B550-A	Bracket (dashpot mounting)
1	B8A 9558-A	Pin (float hinge)
1	C2AZ 9B559-A	Diaphragm (accelerator pump)
1	B8A 9560-A	Spring (choke plate valve)
1	★C2AZ 9561-B	Gasket (float bowl)-repl. by C2OZ-9561-A (10-63)
1	C2OZ 9561-A	Gasket (float bowl)
1	B7A 9563-A	Gasket (economizer cover)
1	C2AZ 9564-B	Valve & seat (fuel inlet)-includes (1) B7A 9569-A gasket & (1) C1AZ 9599-A retainer
1	C0AZ 9A565-A	Economizer 0 to 5,000 ft. altitude
1	C3AZ 9A565-D	Economizer-identified by yellow dye on body 5,000 to 10,000 ft. altitude
1	C0AE 9A565-C	Economizer-identified by No.55 on O.D. 10,000 to 15,000 ft. altitude
1	B7A 9569-A	Gasket (float valve seat)
1	B8A 9575-A	Retainer (accel. pump check valve)-1/4"-28 thread
1	B8AZ 9575-C	Retainer (power jet needle valve)
1	43245-S8(U71)	Screw & washer (retainer to horn)-No.8-32 x 1/4"
1	370458-S(XX88)	Washer (accel. pump valve retainer gasket)-1/4" flat
1	C0AZ 9577-A	Screw (pump discharge nozzle)
1	374370-S(XX94A)	Washer-1/4" flat (buna coated alum.)
1	B8A 9578-B	Spring (throttle adjusting screw)-4 1/2 coils-.20" I.D.-.58" long
2	40 9578	Spring (idle adjusting needle)
1	355107-S7(BB536)	Screw (normal idle adjusting)-No.10-32 x 1" special hex. head slotted
1	B8A 9581-B	Shaft & lever (throttle)
2	B8A 9585-E	Plate (throttle)-primary
4	B7A 9586-E	Screw (throttle plate)-No.8-32 x .42" oval head-tubular
1	C2AZ 9A588-A	Gasket (economizer)-Repl. by C2AZ 9A588-B (5-63)
1	C2AZ 9A588-B	Gasket (economizer)
1	COME 9597-A	Cam (fast idle)
1	351825-S(XX9)	Retainer (fast idle cam)-"C" washer
2	359555-S(XX50)	Washer (fast idle rod seal)-No.8-flat
1	B7AZ 9599-A	Retainer (float lever shaft)-.37" I.D.
1	B8A 9636-A	Spring (pump lever return)
1	B8AZ 9A753-A	Shaft & lever (choke housing)
1	B7AZ 9812-A	Spacer (thermo. choke shaft)
1	B6A 9842-A	Clamp (thermostatic choke housing)
1	B8A 9844-A	Plate (thermostatic choke housing)
1	B9AE 9848-B	Housing (choke thermostat)-identified by "TD" on cover
1	B8A 9849-B	Housing & plugs (choke)
3	★31165-S8	Screw (choke control housing to body)-No.8-32 x 1 5/8" fillister head
3	359113-S(XX46)	Washer-No.8-flat
3	34802-S7(X59)	Lockwasher-No.8

continued on next page

### CARBURETOR PART No. B8A 9510-N

QTY. PER CARBU-RETOR	PART NUMBER	DESCRIPTION
1	B9AE 9850-B	Control (thermostatic choke)-identified by "TD" on cover
1	B8A 9853-A	Gasket (thermostatic choke housing)
1	B8A 9861-A	Shield (choke thermostat)
1	43248-S8(U72)	Screw & washer (shield to housing)-No. 8-32 x 3/8" fillister head
1	C1AE 9871-A	Gasket (thermostatic choke housing)
1	B8AZ 9919-A	Lever (accel. pump overtravel)-service pkg. includes (1) C3AZ 9F569-A bushing

### CARBURETOR PART No. B8A 9510-P

1	C2OZ 9502-B	Gasket set
1	C0AZ 9A586-A	Kit (tune up)
1	B9AZ 9590-C	Repair kit
1	358165-S(II-65)	Connector (distributor vacuum tube to carb.)-1/8" pipe thread
1	B7AZ 9B501-A	Seal (fast idle rod)
1	B8A 9512-J	Body (main)
2	359409-S(PP59)	Plug (to plug drill passages in main body)-5/16"
1	371350-S(AA4)	Ball (accelerator pump inlet passage)-3/16" steel
1	359353-S(PP58)	Plug (to plug hole from bowl to accelerator pump)-1/8" cup
1	B7AZ 9A520-A	Adaptor (fuel inlet)-1/2"-20 internal-9/16"-24 external threads-.80" long
1	B8AZ 9A523-E	Support (booster venturi)-primary
1	371350-S(AA4)	Ball (accelerator pump discharge valve)-3/16" steel
1	B8A 9528-A	Cover (accelerator pump)-less link
4	43255-S8(U74)	Screw & washer (cover to carb.)-No. 8-32 x 5/8"
1	C0AE 9529-A	Link (accelerator pump)
1	353847-S8(NN109)	Pin (accelerator pump link to cover)-.187" x .50" diameter roll
1	C1AE 9D530-A	Rod (fast idle cam)
2	351825-S(XX9)	Retainer (fast idle cam rod)-"C" washer
2	78 9533-B	Jet (main metering) No. 48 - 0 to 5,000 ft. altitude
2	59A 9533-D	No. 45 - 5,000 to 10,000 ft. altitude
2	922A 9533-A	No. 43 - 10,000 to 15,000 ft. altitude
1	B8AZ 9A535-A	Bellcrank (fast idle)
1	*31077-S8	Screw (bellcrank choke adjusting lever to shaft)-No. 8-32 x 5/8" fillister head
1	44710-S8(X10)	Washer - No. 8 flat
1	34052-S7(M155)	Nut - No. 8-32 hex.
1	B8AZ 9A536-A	Gasket (booster venturi support)
1	B9A 9538-A	Lever (fast idle adjusting)
1	359539-S8B (BB40)	Screw (fast idle adjusting)-No. 10-32 x 1.25" fillister head
1	34079-S7(M163)	Nut (lever to throttle shaft)-No. 10-32 hex.
1	34903-S8(X96)	Lockwasher-No. 10
1	B8AZ 9A538-A	Spring (accel. pump over travel)
2	C1AE 9541-C	Needle (idle adjusting)
1	B8AZ 9D541-A	Lever (choke housing)
1	C0AZ 9B542-A	Rod (accel. pump link to throttle lever)-service pkg. includes (5) pieces 375894-S7 clip

### CARBURETOR SERVICE PARTS LIST No. 80 - continued

QTY. PER CARBU-RETOR	PART NUMBER	DESCRIPTION
1	374035-S(XX13C)	Retainer (pump overtravel lever to throttle shaft)-"C" washer
1	B7A 9930-A	Cover (economizer valve)
4	31061-S8(U50)	Screw (economizer valve cover to main body)-No. 8-32 x 1/2" fill. hd.
4	34802-S7(X59)	Lockwasher-No. 8
1	B7A 9938-A	Screen (filter)
1	B7A 9974-B	Screw (fuel level inspection)
1	B7AZ 9992-A	Bearing (choke shaft)

### CARBURETOR SERVICE PARTS LIST No. 81

1	353610-S8 (NN126)	Retainer (accel. pump link to lever)-spring-.55" long
1	B7A 9546-A	Shaft and lever (choke)
1	B8A 9549-A	Plate (choke)
1	C1AZ 9B549-A	Dashpot
1	33923-S7(M32)	Nut-5/16"-24
2	34806-S7(X64)	Lockwasher-5/16"
1	C0AE 9550-A	Float
1	43252-S8(U77)	Screw & washer (dashpot mounting bracket to carb.)-No. 10-32 x 1/2"
1	B8A 9558-A	Pin (float hinge)
1	C2AZ 9B559-A	Diaphragm (accelerator pump)
1	B8A 9560-A	Spring (choke plate valve)
1	*C2AZ 9561-B	Gasket (float bowl)-repl. by C2OZ 9561-A (10-63)
1	C2OZ 9561-A	Gasket (float bowl)
1	B7A 9563-A	Gasket (economizer cover)
1	C2AZ 9564-B	Valve & seat (fuel inlet)-includes (1) B7A 9569-A gasket & (1) C1AZ 9599-A retainer
1	C0AZ 9A565-A	Economizer 0 to 5,000 ft. altitude
1	C3AZ 9A565-D	Economizer-identified by yellow dye on body 5,000 to 10,000 ft. altitude 10,000 to 15,000 ft. altitude
1	B7A 9569-A	Gasket (float valve seat)
1	B8A 9575-A	Retainer (accel. pump check valve)-1/4"-28 thread
1	B8AZ 9575-C	Retainer (power jet needle valve)
1	43245-S8(U71)	Screw & washer (retainer to horn)-No. 8-32 x 1/4"
1	370458-S(XX88)	Washer (accel. pump valve retainer gasket)-1/4" flat
1	C0AZ 9577-A	Screw (pump discharge nozzle)
1	374370-S(XX94A)	Washer-1/4" flat (buna coated alum.)
1	B8A 9578-B	Spring (fast idle adjusting lever)-4 1/2 coils-.20" I.D. -.58" long
2	40 9578	Spring (idle adjusting needle)
1	355107-S7 (BB536)	Screw (normal idle adjusting)-No. 10-32 x 1" special hex. head slotted
1	B8A 9581-B	Shaft & lever (throttle)
2	B8A 9585-E	Plate (throttle)-primary
4	B7A 9586-E	Screw (throttle plate)-No. 8-32 x .42" oval head-tubular
1	C0AE 9A565-C	Economizer-identified by No. 55 on O.D.
1	C2AZ 9A588-B	Gasket (economizer)
1	COME 9597-A	Cam (fast idle)
1	351825-S(XX9)	Retainer (fast idle cam)-"C" washer
2	359555-S(XX50)	Washer (fast idle rod seal)-No. 8-flat
1	B7AZ 9599-A	Retainer (float lever shaft)-.37" I.D.

continued on next page

## CARBURETOR PART No. B8A 9510-P

QTY. PER CARBU-RETOR	PART NUMBER	DESCRIPTION
1	B8A 9636-A	Spring (pump lever return)
1	B8AZ 9A753-A	Shaft & lever (choke housing)
1	B7AZ 9812-A	Spacer (thermo. choke shaft)
1	B6A 9842-A	Clamp (thermostatic choke housing)
1	B8A 9844-A	Plate (thermostatic choke housing)
1	B9AE 9848-B	Housing (choke thermostat)-identified by "TD" on cover
1	B8A 9849-B	Housing & plugs (choke)
3	*31165-S8	Screw (choke control housing to body)-No. 8-32 x 1 5/8" fillister head
3	359113-S(XX46)	Washer-No.8-flat
3	34802-S7(X59)	Lockwasher-No.8
1	B9AE 9850-B	Control (thermostatic choke)-identified by "TD" on cover
1	B8A 9853-A	Gasket (thermostatic choke housing)

## CARBURETOR PART No. B8A 9510-Q

1	B8A 9502-E	Gasket set
1	B8AZ 9A586-A	Kit (tune up)
1	B8A 9590-K	Repair kit
2	370013-S(PP19)	Plug (fuel inlet passage)-.254"/.259" x 5/32"
5	359700-S(PP18)	Plug (primary fuel passage plugs in main body)-.192" x 13/64"-round head
2	370000-S(PP16)	Plug (idle port passage plug in main body)-.272"/.276" x 13/64"-flat head
2	359731-S(PP22)	Plug (fuel level sight)
1	B7A 9501-B	Housing & plug (secondary throttle)
3	*25247-S	Screw (housing to throttle body & shaft)-No. 10-32 x 5/8"
1	B7A 9503-C	Diaphragm (secondary throttle)
1	B8AZ 9B504-A	Spring (secondary throttle diaphragm return)
1	359734-S(RR2)	Retainer (throttle operating rod)-spring-1/8"
1	B8AZ 9C504-B	Rod (secondary throttle control)
1	B7A 9507-C	Cover (secondary throttle diaphragm)
6	359722-S8(BB34)	Screw & washer assy. (cover to diaphragm hsg.)-No.8-32 x 1/2"
2	COLE 9B513-C	Piston (vacuum)
1	B7AZ 9A514-A	Lever (choke shaft)
1	34126-S8B(M146)	Nut-(choke shaft lever to lever assy.)-No.8-32
1	359719-S7(BB71)	Screw (choke lever to shaft & lever assy.)-No.8-32 x 3/4" fillister washer head
1	B8AZ 9A514-A	Lever (choke counter shaft operating)
1	B7AZ 9A516-A	Valve (accel.pump discharge needle)
2	B7AZ 9A517-B	Baffle (float bowl)
1	B8AZ 9A523-A	Venturi (primary)-R. H.
1	B8AZ 9A523-B	Venturi (primary)-L. H.
1	B8AZ 9A523-C	Venturi (secondary)-R. H.
1	B8AZ 9A523-D	Venturi (secondary)-L. H.
1	B7AZ 9524-A	Horn & plugs (air)
5	359702-S(PP15)	Plug (accelerator pump passage in horn)-.134"/.138" x 5/32" round hd.
8	370003-S8(BB75)	Screw & washer (air horn & plugs to main body)-No.10-32 x 11/16"-fillister head
2	359711-S8(BB81)	Screw & washer (air horn & plugs to main body)-No.10-32 x 15/16"-(split ring)-(sheared end)

## CARBURETOR SERVICE PARTS LIST No. 81 - continued

QTY. PER CARBU-RETOR	PART NUMBER	DESCRIPTION
1	B8A 9861-A	Shield (choke thermostat)
1	43248-S8(U72)	Screw & washer (shield to housing)-No. 8-32 x 3/8" fillister head
1	C1AE 9871-A	Gasket (thermostatic choke housing)
1	B8AZ 9919-A	Lever (accel.pump overtravel)-service pkg. includes (1) C3AZ 9F569-A bushing
1	374035-S(XX13C)	Retainer (pump overtravel lever to throttle shaft)-"C" washer
1	B7A 9930-A	Cover (economizer valve)
4	31061-S8(U50)	Screw (economizer valve cover to main body)-No.8-32 x 1/2" fill.hd.
4	34802-S7(X59)	Lockwasher-No.8
1	B7A 9938-A	Screen (filter)
1	B7A 9974-B	Screw (fuel level inspection)
1	B7AZ 9992-A	Bearing (choke shaft)

## CARBURETOR SERVICE PARTS LIST No. 82

2	B7AZ 9A526-C	Rod (metering)-0 to 5,000 ft. altitude
2	B7AZ 9A526-A	5,000 to 10,000 ft. altitude
2	B7AZ 9A526-B	10,000 to 15,000 ft. altitude
1	B7AZ 9A527-A	Rod (dashpot connecting)
1	359734-S(RR2)	Retainer (dashpot conn.)-spring-1/8"
2	B8AZ 9A528-A	Jet (main secondary)-0 to 15,000 ft. altitude
1	B7A 9529-C	Arm (pump piston)
1	B7AZ 9529-A	Link (accelerator pump)-identified by stamped No.34A
1	370007-S7(UU4)	Screw (pump piston arm to horn & plugs)-No.8-32 x 45/64"
1	359734-S(RR2)	Retainer (throttle connecting rod)-spring-1/8"
1	B7A 9531-D	Rod (pump operating)-use with B7A 9565-A retainer
2	B7A 9533-A	Jet (main metering)-primary 0 to 5,000 ft. altitude
2	B7A 9533-A	5,000 to 10,000 ft. altitude
2	B7A 9533-A	10,000 to 15,000 ft. altitude
1	B7AZ 9A535-B	Bellcrank (fast idle)
4	B7AZ 9A536-B	Gasket (booster venturi support)
1	B7AZ 9A537-A	Lever (throttle shaft auxiliary)
2	359709-S7(BB823)	Screw (throttle shaft & lever to lever assy.)-No.10-32 x 5/16" truss head
1	B7AZ 9A538-A	Spring (throttle tension)
2	B7A 9541-B	Needle (idle adjusting)
1	B7AZ 9B544-A	Piston (accelerator pump)
1	B7A 9545-C	Plate (choke)-R. H.
1	B7A 9546-C	Shaft and lever (choke)
1	B7A 9547-A	Shaft (choke)
1	B7AZ 9B547-A	Link (choke plate)
1	B7A 9548-A	Lever (choke plate operating)
2	B7A 9550-C	Float
2	B7A 9558-C	Pin (float hinge)
1	B7A 9561-D	Gasket (main body cover plate)
2	B8A 9564-B	Valve & seat (fuel inlet)
1	B7A 9565-A	Retainer (pump operating rod)-used with B7A 9531-D rod or COLE 9B512-A rod only
1	B7A 9567-A	Seat (pump intake check ball)
2	B7A 9569-B	Gasket (float valve seat)
1	B8A 9576-B	Valve (pump check)
1	B8A 9577-C	Nozzle (pump discharge)
2	B7A 9578-A	Spring (idle adjusting needle)

continued on next page



### CARBURETOR PART No. B8A 9510-Q

QTY. PER CARBU-RETOR	PART NUMBER	DESCRIPTION
1	B7A 9578-B	Spring (throttle lever adjusting screw)
1	370004-S7 (BB 410)	Screw (throttle lever adjusting)-No.10-32 x 59/64" hex. head
1	370011-S7 (XX82)	Washer (throttle lever adjusting screw)-13/64" I. D. x 5/16" O. D.
1	B7A 9580-B	Gasket (pump discharge jet)
1	B7A 9581-A	Shaft & lever (throttle)-primary
1	370002-S7 (BB35)	Screw (fast idle adjustment)-No.8-32 x 15/16" fillister head
1	359727-S7 (XX342)	Washer (shaft & lever to main body & plugs)-.377" / .379" x .278" / .280" I. D. x 5/8" x 15/32" rectangular
1	370010-S (XX331)	Washer (secondary throttle shaft lever to secondary throttle shaft)-.3155" I. D. x 1/2" O. D. -flat
1	B7A 9583-C	Lever (secondary throttle diaphragm)
2	B8A 9585-C	Plate (throttle)-primary
2	★B8A 9585-D	Plate (throttle)-secondary
4	370005-S (BB6)	Screw (secondary throttle plates to secondary throttle shaft)-No.6-32 x 5/16"
4	370006-S (BB7)	Screw (primary throttle plates to primary throttle shaft & lever)-
2	B7A 9586-B	Screw (choke plate)
1	B7A 9586-C	Screw (throttle plate used as choke plate operating lever set screw) No.6-32 x 3/8"
2	B7A 9587-A	Spring (metering rod tension)
1	B7A 9589-A	Spring (dashpot plunger return)
1	B7AZ 9A592-B	Lever & shaft (second. throttle plate)
1	B7A 9597-C	Cam (fast idle)
1	370008-S7 (BB671)	Screw (fast idle cam to main body & plugs)-1/4"-28 x 11/32"-flat head
1	B7A 9598-B	Rod (fast idle)
1	B8A 9598-B	Rod (choke shaft)
2	359734-S (RR2)	Retainer (dashpot arm)-inner-spring 1/8"
2	359734-S (RR2)	Retainer (dashpot arm)-outer-spring 1/8"
1	B7A 9636-C	Spring (pump)
1	B7AZ 9A753-C	Shaft & lever (choke housing)
1	B8AZ 9A753-B	Shaft & lever (choke housing)-use with B8A 9849-A housing only
1	B8AZ 9A796-A	Kit (choke piston lever & pin)-use with B7A 9849-C housing only

### CARBURETOR PART No. B8A 9510-R

1	B8A 9502-F	Gasket set
1	B8AZ 9A586-C	Kit (tune up)-when used with adjustable needle & seat replace part B8A 9564-C with C2TZ 9564-B
1	B8AZ 9590-F	Repair kit-when used with adjustable needle & seat replace part B8A 9564-C with C2TZ 9564-B
1	C1AE 9B501-A	Seal (choke rod)

### CARBURETOR SERVICE PARTS LIST No. 82 - continued

QTY. PER CARBU-RETOR	PART NUMBER	DESCRIPTION
1	B8AZ 9A796-B	Kit (choke piston lever & pin)-use with B8A 9849-A housing only-consists of (1) EDT 9838-A lever, (1) EDT 9840-A piston, and (1) ECG 99854-A pin
1	355027-S (BB668)	Screw (choke piston lever & pin to choke lever & shaft)-No.6-32 x 1/4" flat head slotted
1	B7A 9800-B	Plunger (dashpot)
1	B8A 9835-A	Lever (dashpot operating)-inner
1	B8A 9836-A	Lever (dashpot operating)-outer
1	353161-S (RR3)	Retainer (inner & outer dashpot operating lever to air horn & plugs)-spring-.025"
3	B7A 9842-B	Clamp (thermostatic choke housing)
3	★37611-S7	Screw (choke thermostat housing to choke housing & plugs)-No.8-32 x 1/4" fillister head
1	B7A 9844-B	Plate (thermostatic choke housing)
1	B8A 9848-D	Housing (choke thermostat)
1	B7A 9849-C	Housing & plugs (choke)-identified by cast No.170434
1	B8A 9849-A	Housing & plugs (choke)-identified by cast No.170560
3	352526-S8 (BB8)	Screw (choke housing to air horn)-No.8-32 x 1/2" fillister head
3	359113-S (XX46)	Washer-No.8-flat
3	34802-S7 (X59)	Lockwasher-No.8
1	B8A 9850-B	Kit (thermostatic choke control)-consists of (3) B7A 9842-B Clamp (1) B7A 9844-B Plate (baffle) (1) B8A 9848-D Coil & housing (1) B8A 9849-A Piston housing (1) B7A 9853-C Gasket (1) B8A 9857-B Shaft & lever (1) B8A 9871-B Gasket (3) 31032-S7 Screw (1) 355027-S Screw (1) Lever & link (1) Piston (1) Pin
1	B7A 9853-C	Gasket (choke housing to air horn)
1	B7AZ 9853-A	Gasket (secondary throttle diaphragm housing)
1	B8A 9871-B	Gasket (choke coil housing)
2	B7A 9928-A	Cover (vacuum piston) to air horn)-No.6-32 x 5/16" fill. hd.
2	370016-S8 (BB70)	Screw & washer-(vacuum piston cover)
1	B7A 9938-C	Screen (filter)
1	B7A 9982-A	Gasket (secondary diaphragm)

### CARBURETOR SERVICE PARTS LIST No. 83

1	B8AZ 9A506-A	Lever (accelerator pump operating)
1	370050-S2 (BB537)	Screw (accelerator pump lever adjusting)-No.10-32 x .50" hex. head slotted
1	370052-S2 (MM219)	Sleeve-nut (accelerator pump lever adjusting)-No.10-32 x .26"
1	B8AZ 9A507-F	Bowl & float assy. (complete)-adjustable needle & seat design

continued next page

## CARBURETOR PART No. B8A 9510-R

QTY. PER CARBU-RETOR	PART NUMBER	DESCRIPTION
1	B9AE 9A507-A	Bowl & plugs (float)-use with adjustable needle & seat only
4	359747-S2 (BB809)	Screw (fuel bowl & plugs to carb. main body)-No.12-24 x 2.56"
AR	★92032-S2	Screw-No. 4 x 3/16"-drive (used to plug vent holes in assy.)
1	B8AZ 9A511-C	Body & plugs (main metering)
1	B7AZ 9B511-A	Weight (pump discharge ball)
1	B8A 9512-N	Body (main)
1	B8AZ 9A515-A	Rod (accel. pump link to vent lever)
1	B7A 9516-A	Gasket (throttle body to main body)
1	B7AZ 9A517-A	Baffle (float bowl)-primary
1	B8AZ 9A517-A	Baffle (float bowl)-primary
1	B8A 9518-E	Body and shaft (throttle)
AR	359736-S2(BB67)	Screw & washer (throttle body to main body)-No.12-24 x .81" fillister head
1	B9TZ 9A518-A	Gasket (main metering body)-primary
1	B8AZ 9A520-A	Adaptor (fuel inlet)-1/2"-20 internal-9/16" external threads
1	B7AZ 9526-B	Cam (accelerator pump diaphragm operating)
1	★33174-S	Screw (cam to throttle shaft & lever)-No. 6-20 x 3/8" pan head slotted-tapping
1	B8A 9528-B	Kit (accelerator pump cover)-consists of the following- 1-B8A 9528-B Cover, 4-43250-S Screw & washer & 4-359757-S2 Screw & washer
4	43255-S8(U74)	Screw & washer (accel. pump cover)-No. 8-32 x 5/8" fillister hd. - used to attach B8A 9528-B cover to B8A 9559-D, E float bowl
2	59A 9533-B	Jet (main metering) No. 49 - 0 to 5,000 ft. altitude
2	78 9533-B	No. 48 - 5,000 to 10,000 ft. altitude
2	59A 9533-C	No. 47 - 10,000 to 15,000 ft. altitude
1	B7AZ 9A535-C	Lever (fast idle pick up)
1	B7A 9538-A	Lever (fast idle adjusting)
1	42802-S8(U33)	Screw & lockwasher (lever to main body)-No. 10-32 x 3/8"
2	B7A 9541-A	Needle (idle adjusting)
1	B7A 9545-B	Plate (choke)-R. H.
1	B7A 9546-B	Shaft and lever (choke)
1	@C1AZ 9B549-A	Dashpot
1	@33923-S7(M32)	Nut -5/16"-24
2	@34806-S7(X64)	Lockwasher -5/16"
1	B8A 9550-B	Float & lever-use with internal needle & seat only
1	B9TE 9550-A	Float assy. -use with adjustable needle & seat only
1	@B7AZ 9B550-B	Bracket (dashpot mounting)
1	B8A 9553-C	Baffle (metering body vent)
1	B7A 9557-B	Valve (float bowl vent)
1	C0AE 9B559-D	Diaphragm (accelerator pump)
1	B8A 9560-B	Spring (pump chamber vent operating rod)
1	B8A 9561-C	Gasket (float bowl)-primary
1	B7T 9562-A	Plug (float housing fuel level check)-5/16"-24 x 1/4" slotted
1	78 9562-A	Plug (float adjustment)-3/8"-32-.40" overall length

△ Serviced in 9502 kit only

## CARBURETOR SERVICE PARTS LIST No. 83-continued

QTY. PER CARBU-RETOR	PART NUMBER	DESCRIPTION
1	A0A 9563-A	Gasket (float adjustment plug)-.39" I. D. -.50" O. D. -.04" thick
1	B8A 9564-C	Valve & seat (fuel inlet)-use with internal needle & seat only
1	C2TZ 9564-B	Valve & seat (fuel inlet)-use with adjustable needle & seat only
1	B8A 9565-A	Clamp (air vent push rod)
1	B7TZ 9A565-A	Economizer-stamped No. 65
1	B2A 9568-B	Retainer (pump operating lever)-split-serviced in kit 9590
1	359528-S7(XX7)	Retainer (air vent valve)
1	B7AZ 9B569-A	Spring (fast idle cam lever)
1	B7A 9571-A	Spring (pump lever adjusting screw)
1	B8AZ 9575-A	Retainer (pump check ball)
1	B8A 9576-A	Ball (inlet)
1	78 9576	Ball (accel. pump check discharge)-1/8" diameter
1	B8A 9577-B	Nozzle (pump discharge)
1	★50420-S7	Screw (pump discharge nozzle)-No.12-24 x 3/4" oval head
1	B8A 9578-B	Spring (throttle stop screw)-4 1/2 coils-.20" I. D. -.58" long
1	40 9578	Spring (fast idle adjusting lever)
2	B7AE 9580-A	Gasket (pump discharge nozzle & pump discharge screw)
1	B8A 9581-E	Shaft & lever (throttle)
2	B7A 9585-C	Plate (throttle)
4	B8A 9586-A	Screw (throttle plate)
2	B9A 9586-A	Screw (choke plate)-No. 6-32 oval hd.
1	★A8AZ 9A588-A	Gasket (fuel level check plug)-serviced in kit 9502
1	B7AZ 9A588-A	Gasket (economizer)
4	B7A 9592-A	Gasket (float bowl screw)
1	B8A 9597-B	Cam (fast idle)
1	B8AZ 9599-A	Retainer (float lever shaft)
1	B7AZ 9A599-B	Rod (choke control)
2	353610-S8(NN126)	Retainer (rod to carburetor)
2	B7A 9634-A	Seal (idle adjusting needle)
1	B7A 9636-B	Spring (accel. pump diaphragm return)
1	B7AZ 9A753-B	Shaft & lever (choke housing)
1	B5AZ 9812-A	Spacer (secondary throttle plate control lever)
1	B7A 9840-B	Piston (automatic choke)
1	355829-S7(MM15)	Nut (piston to choke housing)-No. 8-36
1	34802-S7(X59)	Lockwasher-No. 8
1	B6A 9842-A	Clamp (thermostatic choke housing)
3	31061-S8(U50)	Screw (clamp housing)-No. 8-32 x 1/2"
3	34802-S7(X59)	Lockwasher-No. 8
1	B8A 9848-E	Housing (choke thermostatic)
1	B7A 9849-B	Housing & plugs (choke)
3	359737-S(BB59)	Screw & washer (choke housing to main body)-No. 8-32 x 1.25"
1	B7A 9850-A	Control (thermostatic choke)
2	B7A 9853-B	Gasket (choke thermostatic control)
1	B7A 9871-B	Gasket (thermostatic choke housing)
1	B8A 9938-A	Screen (filter)
1	ΔB2AZ 9945-A	Gasket (fuel inlet seat screw)-.32" I. D. -.428" O. D. -.031" thick

@ Not supplied with service carburetor. Order separately if required.

### CARBURETOR PART No. B8A 9510-S

### CARBURETOR SERVICE PARTS LIST No. 84

QTY. PER CARBU-RETOR	PART NUMBER	DESCRIPTION
1	B8A 9502-F	Gasket set
1	B8AZ 9A586-C	Kit (tune up)-when used with adjustable needle & seat replace part B8A 9564-C with C2TZ 9564-B
1	B8AZ 9590-F	Repair kit -when used with adjustable needle & seat replace part B8A 9564-C with C2TZ 9564-B
1	C1AE 9B501-A	Seal (choke rod)
1	B8AZ 9A506-A	Lever (accelerator pump operating)
1	370050-S2 (BB537)	Screw (accelerator pump lever adjusting)-No.10-32 x .50" hex. head slotted
1	370052-S2 (MM219)	Sleeve-nut (accelerator pump lever adjusting)-No.10-32 x .26"
1	B8AZ 9A507-F	Bowl & float assy.(complete)-adjustable needle & seat design
1	B9AE 9A507-A	Bowl & plugs (float)-use with adjustable needle & seat only
4	359747-S2 (BB809)	Screw (fuel bowl & plugs to carb. main body)-No.12-24 x 2.56"
AR	★92032-S2	Screw-No.4 x 3/16"-drive (used to plug vent holes in assy.)
1	B9AE 9A511-B	Body & plugs (main metering)-stamped 2633
1	B7AZ 9B511-A	Weight (pump discharge ball)
1	B9AE 9512-B	Body (main)
1	B8AZ 9A515-A	Rod (accel.pump link to vent lever)
1	B7A 9516-A	Gasket (throttle body to main body)
1	B7AZ 9A517-A	Baffle (float bowl)-primary
1	B8AZ 9A517-A	Baffle (float bowl)-primary
1	B8A 9518-E	Body and shaft (throttle)
AR	359736-S2(BB67)	Screw & washer (throttle body to main body)-No.12-24 x .81" fillister head
1	B9TZ 9A518-A	Gasket (main metering body)-primary
1	B8AZ 9A520-A	Adaptor (fuel inlet)-1/2"-20 internal-9/16" external threads
1	B7AZ 9526-B	Cam (accelerator pump diaphragm operating)
1	★33174-S	Screw (cam to throttle shaft & lever)-No.6-20 x 3/8" pan head slotted-tapping
1	B8A 9528-B	Kit (accelerator pump cover)-consists of the following - 1-B8A 9528-B Cover, 4-43250-S Screw & washer & 4-359757-S2 Screw & washer
4	43255-S8(U74)	Screw & washer (accel. pump cover)-No.8-32 x 5/8" fillister hd. - used to attach B8A 9528-B cover to B8A 9559-D, E float bowl
2	78 9533-E	Jet (main metering) No. 56 - 0 to 5,000 ft. altitude
2	B4T 9533-A	No. 55 - 5,000 to 10,000 ft. altitude
2	B4T 9533-B	No. 53 - 10,000 to 15,000 ft. altitude
1	B7AZ 9A535-C	Lever (fast idle pick up)
1	B7A 9538-A	Lever (fast idle adjusting)
1	42802-S8(U33)	Screw & lockwasher (lever to main body)-No.10-32 x 3/8"
2	B7A 9541-A	Needle (idle adjusting)
1	B7A 9545-B	Plate (choke)-R. H.
1	B7A 9546-B	Shaft and lever (choke)

QTY. PER CARBU-RETOR	PART NUMBER	DESCRIPTION
1	@C1AZ 9B549-A	Dashpot
1	@33923-S7(M32)	Nut-5/16"-24
2	@34806-S7(X64)	Lockwasher-5/16"
1	B8A 9550-B	Float & lever-use with internal needle & seat only
1	B9TE 9550-A	Float assy. -use with adjustable needle & seat only
1	@B7AZ 9B550-B	Bracket (dashpot mounting)
1	B8A 9553-C	Baffle (metering body vent)
1	B7A 9557-B	Valve (float bowl vent)
1	C0AE 9B559-D	Diaphragm (accelerator pump)
1	B8A 9560-B	Spring (pump chamber vent operating rod)
1	B8A 9561-C	Gasket (float bowl)-primary
1	78 9562-A	Plug (main jet)-3/8"-32-.40" overall length
1	B7T 9562-A	Plug (float housing fuel level check)-5/16"-24 x 1/4" slotted
1	A0A 9563-A	Gasket (float adjustment plug)-.39" I.D.-.50" O.D.-.04" thick
1	B8A 9564-C	Valve & seat (fuel inlet)-use with internal needle & seat only
1	C2TZ 9564-B	Valve & seat (fuel inlet)-use with adjustable needle & seat only
1	B8A 9565-A	Clamp (air vent push rod)
1	B7TZ 9A565-A	Economizer-stamped No.65
1	B2A 9568-B	Retainer (pump operating lever)-split
1	359528-S7(XX7)	Retainer (air vent valve)
1	B7AZ 9B569-A	Spring (fast idle cam lever)
1	B7A 9571-A	Spring (pump lever adjusting screw)
1	B8AZ 9575-A	Retainer (pump check ball)
1	B8A 9576-A	Ball (inlet)
1	78 9576	Ball (accel.pump check discharge)-1/8" diameter
1	B8A 9577-A	Nozzle (pump discharge)
1	★50420-S7	Screw (pump discharge nozzle)-No.12-24 x 3/4" oval head
1	B8A 9578-B	Spring (throttle stop screw)-4 1/2 coils-.20" I.D.-.58" long
1	40 9578	Spring (fast idle adjusting lever)
2	B7AE 9580-A	Gasket(pump discharge nozzle & pump discharge screw)
1	B8A 9581-E	Shaft & lever (throttle)
2	B7A 9585-C	Plate (throttle)
4	B8A 9586-A	Screw (throttle plate)
2	B9A 9586-A	Screw (choke plate)-No.6-32 oval hd.
1	★A8AZ 9A588-A	Gasket (fuel level check plug)-served in kit 9502
1	B7AZ 9A588-A	Gasket (economizer)
4	B7A 9592-A	Gasket (float bowl screw)
1	B8A 9597-B	Cam (fast idle)
1	B8AZ 9599-A	Retainer (float lever shaft)
1	B7AZ 9A599-B	Rod (choke control)
2	353610-S8(NN126)	Retainer (rod to carburetor)
2	B7A 9634-A	Seal (idle adjusting needle)
1	B7A 9636-B	Spring (accel.pump diaphragm return)
1	B7AZ 9A753-B	Shaft & lever (choke housing)
1	B5AZ 9812-A	Spacer (secondary throttle plate control lever)
1	B8E 9840-A	Piston (automatic choke)
1	355829-S7(MM15)	Nut (piston to choke housing)-No.8-36
1	34802-S7(X59)	Lockwasher-No.8

@ Not supplied with service carburetor. Order separately if required.

continued next page

## CARBURETOR PART No. B8A 9510-S

QTY. PER CARBU-RETOR	PART NUMBER	DESCRIPTION
1	B6A 9842-A	Clamp (thermostatic choke housing)
3	31061-S8(U50)	Screw (clamp housing)-No. 8-32 x 1/2"
3	34802-S7(X59)	Lockwasher-No. 8
1	B8A 9848-A	Housing (choke thermostat)
1	B8A 9849-C	Housing & plugs (choke)
3	359737-S(BB59)	Screw & washer (choke housing to main body)-No. 8-32 x 1.25"

## CARBURETOR PART No. B8A 9510-T

1	B8A 9502-G	Gasket set (except with fuel inlet adjustable needle & seat assy.)
1	CIAZ 9502-B	Gasket set (use with fuel inlet adjustable needle & seat only)
1	B8AZ 9A586-D	Kit (tune up)-when used with adjustable needle & seat replace part B8A 9564-C with C2TZ 9564-B
1	B8A 9590-P	Repair kit-when used with adjustable needle & seat replace part B8AZ 9599-A with 351826-S & replace B8A 9564-C with C2TZ 9564-B
1	B7A 9501-A	Housing & plug (secondary throttle)
3	43407-S8(U76)	Screw & washer (housing to throttle body)-No. 8-32 x 1"
1	EDC 9A501-A	Tube (balance)-.156" O. D. -7.56" long
2	372239-S(XX44)	Washer (balance tube)-No. 6-flat-.307" O. D. -.165" I. D. x .015" thick
1	C1AE 9B501-A	Seal (choke rod)
1	B8A 9503-A	Diaphragm (secondary throttle)
1	351825-S(XX9)	Washer (diaphragm link to lever)-"C" retainer
1	B8AZ 9B504-C	Spring (secondary throttle diaphragm return)
2	353610-S8 (NN126)	Retainer (rod to shaft)-spring-.44" long
1	353854-S8(XX64)	Washer-.129/.134 flat
1	370050-S2 (BB537)	Screw (accelerator pump lever adjusting)-No. 10-32 x .50" hex. head slotted
1	B7AZ 9C504-A	Rod (secondary throttle control)
1	B8AZ 9A506-A	Lever (accelerator pump operating)
1	370052-S2 (MM219)	Sleeve-nut (accelerator pump lever adjusting)-No. 10-32 x .26"
1	B7A 9507-B	Cover (secondary throttle diaphragm)
4	*31077-S8	Screw (cover to housing)-No. 8-32 x 5/8"
1	B8AZ 9A507-A	Bowl & float (primary)-adjustable needle & seat design-complete assy. (use to replace internal needle & seat float bowl only)
4	34802-S7(X59)	Lockwasher-No. 8
1	B9AZ 9A507-A	Bowl & plugs (float)-primary-use with fuel inlet adjustable needle & seat only
4	359747-S2 (BB809)	Screw (fuel bowl & plugs to carb. main body)-No. 12-24 x 2.56"
1	B8AZ 9A508-A	Bowl & float (secondary)-adjustable needle & seat design-complete assy. - (use to replace internal needle & seat float bowl only)
Δ	Serviced in 9502 kit only	

## CARBURETOR SERVICE PARTS LIST No. 84-continued

QTY. PER CARBU-RETOR	PART NUMBER	DESCRIPTION
1	B8AE 9850-A	Control (thermostatic choke)
2	B7A 9853-B	Gasket (choke thermostatic control)
1	B7A 9871-B	Gasket (thermostatic choke housing)
1	B8A 9938-A	Screen (filter)
Δ1	B2AZ 9945-A	Gasket (fuel inlet seat screw)-.32" I. D. -.428" O. D. -.031" thick

## CARBURETOR SERVICE PARTS LIST No. 85

1	B9AZ 9A508-A	Bowl & float (secondary)-use with fuel inlet adjustable needle & seat only
4	372238-S7-8 (BB811)	Screw (secondary bowl & plugs to carb. main body)-No. 12-24 x 1.88" special head
3	B7AZ 9B508-A	Bushing (secondary throttle shaft)
1	B8AZ 9B508-A	Bushing (secondary throttle shaft)-center
AR	*92032-S2	Screw-No. 4 x 3/16"-drive (used to plug vent holes in assy.)
1	B8AZ 9A511-D	Body & plugs (main metering)-primary
1	B7AZ 9B511-A	Weight (pump discharge ball)
1	B8A 9512-Q	Body (main)
1	B8AZ 9A513-A	Body & plugs (main metering second.)-stamped 2007-4
6	372243-S7-8 (BB110)	Screw (secondary metering body to carb. main body)-No. 8-32 x .56" flat head-cross recess
1	B8A 9514-A	Plate (main metering)
1	B8AZ 9A515-A	Rod (accel. pump link to vent lever)
1	B8S 9516-A	Gasket (throttle body to main body)
1	B7AZ 9A517-A	Baffle (float bowl)-primary
1	B8AZ 9A517-A	Baffle (float bowl)-primary
1	B8AZ 9A517-B	Baffle (float bowl)-secondary-except with adjustable needle & seat assy.
1	B9TE 9A517-B	Baffle (float bowl)-secondary-use with fuel inlet adjustable needle & seat assy. only
1	B8A 9518-F	Body and shaft (throttle)
AR	359736-S2(BB67)	Screw & washer (throttle body to main body)-No. 12-24 x .81" fillister head
1	B9TZ 9A518-A	Gasket (main metering body)-primary
1	B8AZ 9A518-A	Gasket (main metering body)-second.
2	B9TE 9A519-B	Spring (float)-use with fuel inlet adjustable needle & seat only
1	B8AZ 9A520-A	Adaptor (fuel inlet)-1/2"-20 internal-9/16" external threads
1	B7AZ 9526-B	Cam (accel. pump diaphragm operating)
1	*33174-S	Screw (cam to throttle shaft & lever)-No. 6-20 x 3/8" pan head slotted-tapping
1	B8A 9528-B	Kit (accelerator pump cover)-consists of the following-1-B8A 9528-B Cover, 4-43250-S Screw & washer & 4-359757-S2 Screw & washer
4	43255-S8(U74)	Screw & washer (accel. pump cover)-No. 8-32 x 5/8" fillister hd. - used to attach B8A 9528-B cover to B8A 9559-D, E float bowl
2	78 9533-E	Jet (main metering) No. 56 - 0 to 5,000 ft. altitude
2	B4T 9533-A	No. 55 - 5,000 to 10,000 ft. altitude
2	B4T 9533-B	No. 53 - 10,000 to 15,000 ft. altitude
1	B8A 9534-A	Tube (float bowl connection)-.250" O. D. -6.00" long

continued on next page

### CARBURETOR PART No. B8A 9510-T

### CARBURETOR SERVICE PARTS LIST No. 35 - continued

QTY. PER CARBU-RETOR	PART NUMBER	DESCRIPTION
1	B8A 9538-B	Lever (fast idle adjusting)
1	372242-S7-8 (BB411)	Screw (fast idle adjusting)-No. 8-32 x .63" hex. slotted head-pilot point
1	42802-S8(U33)	Screw & lockwasher (lever to main body)-No. 10-32 x 3/8"
2	B7A 9541-A	Needle (idle adjusting)
1	B7A 9545-B	Plate (choke)-R. H.
1	B7A 9546-B	Shaft and lever (choke)
1	@C1AZ 9B549-A	Dashpot
1	@ 33923-S7(M32)	Nut-5/16"-24
2	@ 34806-S7(X64)	Lockwasher-5/16"
2	B8A 9550-B	Float & lever-except with adjustable needle and seat
2	B9TE 9550-A	Float-used with adjustable needle and seat only
2	351826-S(XX2)	Retainer (float bowl)-used with adjustable needle and seat only
1	@B7AZ 9B550-B	Bracket (dashpot mounting)
1	B8A 9553-C	Baffle (metering body vent)
1	B7A 9557-B	Valve (float bowl vent)
1	C0AE 9B559-D	Diaphragm (accelerator pump)
1	B8A 9560-B	Spring (pump chamber vent operating rod)
1	B8A 9561-C	Gasket (float bowl)-primary
1	B8A 9561-D	Gasket (float bowl)-secondary
2	B7T 9562-A	Plug (float housing fuel level check)-5/16"-24 x 1/4" slotted
2	78 9562-A	Plug (float adjustment)-3/8"-32-.40" overall length
2	A0A 9563-A	Gasket (float adjustment plug)-.39" I. D. -.50" O. D. -.04" thick
2	B8A 9564-C	Valve & seat (fuel inlet)-except with adjustable needle & seat
2	C2TZ 9564-B	Valve & seat (fuel inlet)-use with adjustable needle & seat only
1	B8A 9565-A	Clamp (air vent push rod)
1	B8AZ 9A565-A	Economizer-stamped No. 65
1	B2A 9568-B	Retainer (pump operating lever)-split
1	359528-S7(XX7)	Retainer (air vent valve)
1	B7A 9571-A	Spring (pump lever adjusting screw)
1	B8AZ 9575-A	Retainer (pump check ball)
1	B8A 9576-A	Ball (inlet)
1	B5A 9576-A	Ball (secondary throttle check)
1	78 9576	Ball (accel.pump check discharge)-1/8" diameter
1	B8A 9577-A	Nozzle (pump discharge)
1	*50420-S7	Screw (pump discharge nozzle)-No.12-24 x 3/4" oval head
Δ Serviced in 9502 kit only		

QTY. PER CARBU-RETOR	PART NUMBER	DESCRIPTION
1	B8A 9578-B	Spring (throttle stop screw)-4 1/2 coils-.20" I. D. -.58" long
1	359539-S8B (BB40)	Screw (fast idle adjusting) No. 10-32 x 1.25" fillister head
2	B7AE 9580-A	Gasket(pump discharge nozzle & pump discharge screw)
1	B8A 9581-F	Shaft & lever (throttle)-primary
1	B8A 9583-C	Lever (secondary throttle diaphragm)
1	42802-S8(U33)	Screw & washer (secondary throttle diaphragm lever)-No.10-32 x 3/8"
2	B8A 9585-A	Plate (throttle)-primary
2	B8A 9585-H	Plate (throttle)-secondary-stamped 116
2	B9A 9586-A	Screw (choke plate)-No. 6-32 oval hd.
4	B8A 9586-A	Screw (throttle plate)
2	*A8AZ 9A588-A	Gasket (fuel level check plug)-serviced in kit 9502
1	B7AZ 9A588-A	Gasket (economizer)
8	B7A 9592-A	Gasket (float bowl screw)
1	B8AZ 9A592-C	Lever & shaft (second. throttle plate)
1	359749-S(UU17)	Screw (secondary throttle stop)-spread lock set-No. 8-32 x .38"
1	B8A 9597-B	Cam (fast idle)
2	B8AZ 9599-A	Retainer (float lever shaft)-except with adjustable needle & seat
1	B7AZ 9A599-B	Rod (choke control)
2	353610-S8(NN126)	Retainer (rod to carburetor)
2	B5A 9609-A	"O" ring (balance tube)-serviced in kit 9502
2	B7A 9634-A	Seal (idle adjusting needle)
1	B7A 9636-B	Spring (accel.pump diaphragm return)
1	B7AZ 9A753-B	Shaft & lever (choke housing)
1	B5AZ 9812-A	Spacer (secondary throttle plate control lever)
1	B8E 9840-A	Piston (automatic choke)
1	355829-S7(MM15)	Nut (piston to choke housing)-No. 8-36
1	34802-S7(X59)	Lockwasher-No. 8
1	B6A 9842-A	Clamp (thermostatic choke housing)
3	31061-S8(U50)	Screw (clamp housing)-No. 8-32 x 1/2"
3	34802-S7(X59)	Lockwasher-No. 8
1	B8A 9848-A	Housing (choke thermostat)
1	B8A 9849-C	Housing & plugs (choke)
3	359737-S(BB59)	Screw & washer (choke housing to main body)-No. 8-32 x 1.25"
1	B8AE 9850-A	Control (thermostatic choke)
2	B7A 9853-B	Gasket (choke thermostatic control)
1	B7A 9853-B	Gasket (secondary diaphragm)
1	B7A 9871-B	Gasket (thermostatic choke housing)
1	B8A 9938-A	Screen (filter)
Δ 2	B2AZ 9945-A	Gasket (fuel inlet seat screw)-.32" I. D. -.428" O. D. -.031" thick
@ Not supplied with service carburetor. Order separately if required.		

## CARBURETOR PART No. B8A 9510-U

QTY. PER CARBU-RETOR	PART NUMBER	DESCRIPTION
1	B8A 9502-C	Gasket set
1	C2AZ 9A586-B	Kit (tune up)
1	C1AZ 9590-A	Repair kit
1	354582-S(II-73)	Connector (carb. to tube assy.)-5/16" flared tube
2	374166-S (PP23A)	Plug-1/4"-32-for dist. passage when tube 12226 is not used
1	B1AZ 9B502-A	Screw (dashpot & throttle lever adj.)-not supplied with carb., order separately
1	B2AZ 9B502-A	Screw (dashpot operating lever)-No. 8-32 x .59" slotted binding head-not supplied with carb., order separately
1	34803-S7(X60)	Lockwasher-No. 10-not supplied with carb., order separately
1	34079-S7(MI63)	Nut-No. 10-32-not supplied with carb., order separately
1	COAZ 9A507-A	Bowl & plugs assy.(float)- metal bowl
4	★31644-S7	Screw (bowl to main body)-No. 10-32 x 3/4" fillister head
4	34803-S7(X60)	Lockwasher - No. 10
1	B9AE 9B511-A	Weight (pump discharge ball)
1	B8A 9512-L	Body assy. (main)
1	B8A 9516-C	Gasket (throttle body to main body)
1	B9TZ 9518-D	Kit (throttle body assy.)
1	B8A 9529-B	Link (accelerator pump)
2	353610-S8(N126)	Retainer (spring type)-.44" long
1	1GA 9533-B	Jet (main metering)-No. 62-0 to 5,000 ft. alt.
1	1GA 9533-C	No. 60-5,000 to 10,000 ft. alt.
1	78 9533-F	No. 58-10,000 to 15,000 ft. alt.
1	B7A 9541-D	Needle (idle adjusting)
1	COAE 9B544-B	Piston assy. (accelerator pump) includes gasket
1	EAA 9546-C	Shaft & lever assy. (choke)
1	★37611-S7	Screw (choke lever to shaft)-No. 8-32 x 1/4" fillister head
1	★EAA 9549-A	Plate assy. (choke)
1	C1AZ 9B549-A	Dashpot assy. - not supplied with service carburetors. Order separately
1	34806-S7(X64)	Lockwasher-5/16"-not supplied with service carburetors. Order separately
1	33923-S7(M32)	Nut-5/16" - 24 - not supplied with service carburetors. Order separately
1	EAA 9550-A	Float assy. - repl. by C2AZ 9550-A(1-63)
1	C2AZ 9550-A	Float assy.
1	★B2A 9551-A	Pin (choke plate distributor)-3/32" x 1.12" split
1	C1AE 9558-A	Pin (float hinge)
1	B2AZ 9561-A	Gasket (float bowl retainer)-3.81" long-2.19" wide-use with glass bowl only
1	C2AZ 9561-C	Gasket (float bowl)
1	C2AZ 9564-C	Valve & seat assy. (fuel inlet)
1	B2AZ 9A565-A	Economizer Assy.
1	B2A 9568-B	Retainer (pump operating lever)
1	EAA 9569-A	Gasket (float needle seat)
1	B8AZ 9B572-A	Valve assy. (spark)-stamped No. 55
1	B2A 9574-B	Screw (discharge nozzle)-No. 10-32 x .64" overall length fillister head

△ Serviced in 9502 kit only

## CARBURETOR SERVICE PARTS LIST No. 86

QTY. PER CARBU-RETOR	PART NUMBER	DESCRIPTION
1	EAA 9576-A	Ball (accelerator pump check)-.156" diameter
2	78 9576	Ball (accelerator pump check)-1/8" diameter
1	EAA 9577-B	Nozzle assy. (pump discharge)
1	B8A 9578-B	Spring (throttle adjusting screw)-4 1/2 coils-.20" I. D. - .58" long
1	40 9578	Spring (idle adjusting needle)
1	★31644-S7	Screw (throttle adjusting)-No. 10-32 x 3/4" fillister head
1	EAA 9580-A	Gasket (discharge pump nozzle)-.20" I. D. x .32" O. D. - .03" thick
1	B6A 9581-B	Lever and shaft assy. (primary throttle)
1	B8A 9583-B	Lever assy. (pump operating)-steel
1	★B4A 9585-A	Plate (throttle)
2	★31036-S8	Screw (carb. throttle plate)-No. 6-32 x 5/16" fillister head
2	34937-S7(X84)	Lockwasher-No. 6-external tooth
2	B2A 9586-A	Screw (choke plate)
1	B2AZ 9A588-A	Gasket (economizer valve)
1	COAE 9A588-A	Gasket (spark valve)-.57" I. D. .75" O. D. - .015" thick
1	B8A 9594-B	Jet & main well assy. (power)-stamped 3315-A
3	★37643-S7	Screw (jet & main well to main body)-No. 6-32 x 7/16" fill. head
2	353799-S8	Screw (jet & main well to main body)-No. 6-32 x .75" fill. head
	34801-S7(X58)	Lockwasher - No. 6
1	B8A 9624-B	Spring (pump operating lever)
1	ICM 9681-A	Ball (rod to trans. control shaft lever)
1	34079-S7(MI63)	Nut (throttle lever ball)-No. 10-32 hex.
1	34803-S7(X60)	Lockwasher - No. 10
1	8BA 9792	Clamp (choke control bracket)
1	31061-S8(U50)	Screw (bracket clamp)-No. 8-32 x 1/2" fillister head
1	34052-S7(M155)	Nut - No. 8-32
1	EAA 9796-A	Bracket (choke control)
1	★31596-S7	Screw & lockwasher (choke bracket)-No. 10-32 x 3/8"
1	B6A 9802-A	Lever (dashpot operating)-not supplied with carb., order separately
1	B2A 9808-A	Retainer (float bowl)-use with glass bowl only
4	B2A 9809-A	Clamp (float bowl retainer)-use with glass bowl only
4	★31644-S7	Screw (clamp)-No. 10-32 x 3/4" fill. hd.
4	34803-S7(X60)	Lockwasher - No. 10
1	B2A 9827-A	Gasket (fuel inlet fitting)
1	★B2A 9930-B	Cover (economizer valve)
3	31061-S8(U50)	Screw (cover to main body)-No. 8-32 x 1/2" fillister head
3	34802-S7(X59)	Lockwasher-No. 8
1	B8A 9934-A	Sleeve (pump push rod)
1	EAA 9935-B	Spring (accel. pump rod plunger)-.27" O. D. - 1.34" long - 13 coils
1	EAA 9936-A	Spring (accel. pump diaphragm return)-cone shaped - 8 coils
△ 1	B2AZ 9945-A	Gasket (fuel inlet seat screw)-.32" I. D. - .428" O. D. - .031" thick

### CARBURETOR PART No. B8A 9510-V

QTY. PER CARBU-RETOR	PART NUMBER	DESCRIPTION
1	C2SZ 9502-A	Gasket set
1	C2SZ 9A586-A	Kit (tune up)
1	C2SZ 9590-A	Repair kit
1	358165-S(II-65)	Connector (distributor vacuum tube to carb.)-1/8" pipe thread
2	★88421-S8	Stud-5/16"-18-24 x 1 7/8"
2	33925-S7(M33)	Nut-3/8"-24
2	34806-S7(X64)	Lockwasher-5/16"
1	B7AZ 9B501-A	Seal (fast idle rod)
1	B8A 9503-B	Diaphragm (secondary throttle)
1	B8AZ 9B504-D	Spring (secondary throttle diaphragm return)-6 coils-1.05" O.D. -.31" I.D.
1	B8A 9507-A	Cover (secondary throttle diaphragm)
4	★41593-S8	Screw (diaphragm cover to carb.) No. 8-32 x 3/4"
4	34802-S7(X59)	Lockwasher-No.8
1	B8A 9512-M	Body (main)
2	359409-S(PP59)	Plug (to plug drill passages in main body)-5/16"
1	371350-S(AA4)	Ball (accelerator pump inlet passage)-3/16" steel
1	359353-S(PP58)	Plug (to plug hole from bowl to accelerator pump)-1/8" cup
1	B7AZ 9A520-A	Adaptor (fuel inlet)-1/2"-20 internal-9/16"-24 external threads-.80" long
1	B8AZ 9A523-E	Support (booster venturi)-primary
1	B8AZ 9A523-F	Support (booster venturi)-secondary
1	38294-S8(U141)	Screw (venturi secondary support to carb.)-1/4"-20 x 1" pan head
1	371350-S(AA4)	Ball (accelerator pump discharge valve)-3/16" steel
1	B9AZ 9524-B	Horn (air)-less shaft
8	43256-S8	Screw & washer (horn & plugs to main body)-No.10-32 x 5/8"
1	B8A 9528-A	Cover (accelerator pump)-less link
4	43255-S8(U74)	Screw & washer (cover to carb.)-No. 8-32 x 5/8"
1	COAE 9529-A	Link (accelerator pump)
1	353847-S8 (NN109)	Pin (accelerator pump link to cover)-.187" x .50" diameter roll
1	C1AE 9D530-A	Rod (fast idle cam)
2	351825-S(XX9)	Retainer (fast idle cam rod)-"C" washer
2	06H 9533	Jet (main metering)-primary No. 54 - 0 to 5,000 ft. altitude
2	59A 9533-A	No. 51 - 5,000 to 10,000 ft. altitude
2	59A 9533-B	No. 49 - 10,000 to 15,000 ft. altitude
2	5GA 9533-A	Jet (main metering)-secondary No. 65 - 0 to 5,000 ft. altitude
2	1GA 9533-B	No. 62 - 5,000 to 10,000 ft. altitude
2	1GA 9533-C	No. 60 - 10,000 to 15,000 ft. altitude
1	B8AZ 9A535-A	Bellcrank (fast idle)
1	★31077-S8	Screw (bellcrank choke adjusting lever to shaft)-No.8-32 x 5/8" fillister head
1	44710-S8(X10)	Washer - No.8 flat
1	34052-S7(M155)	Nut - No.8-32 hex.
2	B8AZ 9A536-A	Gasket (booster venturi support)

### CARBURETOR SERVICE PARTS LIST No. 88

QTY. PER CARBU-RETOR	PART NUMBER	DESCRIPTION
1	B9A 9538-A	Lever (fast idle adjusting)
1	34079-S7(M163)	Nut (lever to throttle shaft)-No.10-32 hex.
1	34903-S8(X96)	Lockwasher-No.10
1	B8AZ 9A538-A	Spring (accel.pump over travel)
2	C1AE 9541-C	Needle (idle adjusting)
1	B8AZ 9D541-A	Lever (choke housing)
1	COAZ 9B542-A	Rod (accel.pump link to throttle lever)-service pkg. includes (5) pieces 375894-S7 clip
1	353610-S8 (NN126)	Retainer (accel.pump link to lever)-spring-.55" long
1	B7A 9546-A	Shaft and lever (choke)
1	B8A 9549-A	Plate (choke)
1	C1AZ 9B549-A	Dashpot
1	33923-S7(M32)	Nut-5/16"-24
2	34806-S7(X64)	Lockwasher-5/16"
1	COAE 9550-A	Float
1	B8AZ 9B550-A	Bracket (dashpot mounting)
1	43252-S8(U77)	Screw & washer (dashpot mounting bracket to carb.)-No.10-32 x 1/2"
2	B8A 9558-A	Pin (float hinge)
1	C2AZ 9B559-A	Diaphragm (accelerator pump)
1	B8A 9560-A	Spring (choke plate valve)
1	★C2AZ 9561-A	Gasket (float bowl)-repl. by C2SZ 9561-A (10-63)
1	C2SZ 9561-A	Gasket (float bowl)
1	B7A 9563-A	Gasket (economizer cover)
2	C2AZ 9564-B	Valve & seat (fuel inlet)-includes (1) B7A 9569-A gasket & (1) C1AZ 9599-A retainer
1	COAZ 9A565-A	Economizer 0 to 5,000 ft. altitude
1	C3AZ 9A565-D	Economizer-identified by yellow dye on body 5,000 to 10,000 ft. altitude
1	COAE 9A565-C	Economizer-identified by No. 55 on O.D. 10,000 to 15,000 ft. altitude
2	B7A 9569-A	Gasket (float valve seat)
1	B8A 9575-A	Retainer (accel.pump check valve)-1/4"-28 thread
1	B8AZ 9575-B	Retainer (secondary vacuum control valve spring)-.133" O.D. x .06" thick
1	B8AZ 9575-C	Retainer (power jet needle valve)
1	43245-S8(U71)	Screw & washer (retainer to horn)-No.8-32 x 1/4"
1	370458-S(XX88)	Washer (accel.pump valve retainer gasket)-1/4" flat
1	78 9576	Ball (secondary vacuum check valve)-1/8" diameter
1	COAZ 9577-A	Screw (pump discharge nozzle)
1	374370-S(XX94A)	Washer-1/4"flat (buna coated alum.)
1	B8A 9578-A	Spring (secondary vacuum control valve)-16 coils-.11" O.D. -.375" long
1	355107-S7 (BB536)	Screw (normal idle adjusting)-No.10-32 x 1" special hex.head slotted
1	B8A 9578-B	Spring (fast idle adjusting lever)-4 1/2 coils-.20" I.D. -.58" long
2	40 9578	Spring (idle adjusting needle)

continued on next page

## CARBURETOR PART No. B8A 9510-V

QTY. PER CARBU-RETOR	PART NUMBER	DESCRIPTION
1	B9A 9579-B	Pin (fast idle adjusting lever)
1	B8A 9581-C	Shaft & lever (throttle)
1	B8A 9583-A	Lever (secondary throttle diaphragm)
1	353848-S8(NN71)	Pin-spring-3/16" x 11/16" (throttle diaphragm lever to carburetor)
2	B8A 9585-F	Plate (throttle)-primary
2	B8A 9585-G	Plate (throttle)-secondary
8	B7A 9586-E	Screw (throttle plate)-No. 8-32 x .42" oval head-tubular
2	B9A 9586-A	Screw (choke plate)-No. 6-32 oval hd.
1	C2AZ 9A588-B	Gasket (economizer)
1	B8AZ 9A592-B	Lever & shaft (second. throttle plate)
1	B8A 9596-A	Rod (secondary diaphragm control)
1	COME 9597-A	Cam (fast idle)
1	351825-S(XX9)	Retainer (fast idle cam)-"C" washer
1	B8A 9598-A	Rod (choke shaft)
1	353610-S8 (NN126)	Retainer (rod to choke shaft lever)-spring type -.44" long
2	359555-S(XX50)	Washer (fast idle rod seal)-No. 8-flat
2	B7AZ 9599-A	Retainer (float lever shaft)-.37" I.D.
1	B8A 9636-A	Spring (pump lever return)
1	B8AZ 9A753-A	Shaft & lever (choke housing)
1	B7AZ 9812-A	Spacer (thermostatic choke shaft)
1	B6A 9842-A	Clamp (thermostatic choke housing)
1	B8A 9844-A	Plate (thermostatic choke housing)
1	B9AE 9848-B	Housing (choke thermostat)-identified by "TD" on cover
1	B8A 9849-B	Housing & plugs (choke)
3	*31165-S8	Screw (choke control housing to body)-No. 8-32 x 1 5/8" fillister head

## CARBURETOR PART No. B9A 9510-A

1	C2OZ 9502-B	Gasket set
1	C0AZ 9A586-A	Kit (tune up)
1	B9AZ 9590-C	Repair kit
1	358165-S(II-65)	Connector (distributor vacuum tube to carb.)-1/8" pipe thread
4	*88391-S8	Stud-5/16"-18-24 x 1.50"
4	34806-S7(X64)	Lockwasher-5/16"
4	351089-S8(MM20)	Nut-5/16"-24
1	B7AZ 9B501-A	Seal (fast idle rod)
1	C0AE 9512-B	Body (main)
2	359409-S(PP59)	Plug (to plug drill passages in main body)-5/16"
1	371350-S(AA4)	Ball (accelerator pump inlet passage)-3/16" steel
1	359353-S(PP58)	Plug (to plug hole from bowl to accelerator pump)-1/8" cup
1	B7AZ 9A520-A	Adaptor (fuel inlet)-1/2"-20 internal-9/16"-24 external threads-.80" long
1	B8AZ 9A520-A	Adaptor (fuel inlet)-1/2"-20 internal-9/16" external threads
1	B9AE 9A523-A	Support (booster venturi)-identified by dab-Olive Drab
1	B9AZ 9524-C	Horn (air)-less shaft
4	43256-S8	Screw & washer (horn & plugs to main body)-No. 10-32 x 5/8"
1	B8A 9528-A	Cover (accelerator pump)-less link
4	43255-S8(U74)	Screw & washer (cover to carb.)-No. 8-32 x 5/8"

@ Not supplied with service carburetor. Order separately if required.

## CARBURETOR SERVICE PARTS LIST No. 88 - continued

QTY. PER CARBU-RETOR	PART NUMBER	DESCRIPTION
3	359113-S(XX46)	Washer-No. 8-flat
3	34802-S7(X59)	Lockwasher-No. 8
1	B9AE 9850-B	Control (thermostatic choke)-identified by "TD" on cover
3	*31165-S8	Screw (choke control to body)-No. 8-32 x 1 5/8" fillister head
3	34805-S8(X62)	Lockwasher-1/4"
1	B8A 9853-A	Gasket (thermostatic choke housing)
1	B8A 9861-A	Shield (choke thermostat)
1	43248-S8(U72)	Screw & washer (shield to housing)-No. 8-32 x 3/8" fillister head
1	C1AE 9871-A	Gasket (thermostatic choke housing)
1	B8AZ 9919-A	Lever (accel. pump overtravel) - service pkg. includes (1) C3AZ 9F569-A bushing
1	374035-S(XX13C)	Retainer (pump overtravel lever to throttle shaft)-"C" washer
1	B7A 9930-A	Cover (economizer valve)
4	31061-S8(U50)	Screw (economizer valve cover to main body)-No. 8-32 x 1/2" fill. hd.
4	34802-S7(X59)	Lockwasher-No. 8
2	B7A 9974-B	Screw (fuel level inspection)
1	B7AZ 9992-A	Bearing (choke shaft)
1	B8A 9997-A	Tube (secondary throttle control vacuum)-standard size-use with new air horn only
1	B8A 9997-B	Tube (secondary throttle control vacuum)-.002" O.S.-use as service replacement for B8A 9997-A tube only

## CARBURETOR SERVICE PARTS LIST No. 89

1	C0AE 9529-A	Link (accelerator pump)
1	353847-S8 (NN109)	Pin (accelerator pump link to cover)-.187" x .50" diameter roll
1	C1AE 9D530-A	Rod (fast idle cam)
2	351825-S(XX9)	Retainer (fast idle cam rod)-"C" washer
2	78 9533-B	Jet (main metering) No. 48 - 0 to 5,000 ft. altitude
2	59A 9533-D	No. 45 - 5,000 to 10,000 ft. altitude
2	922A 9533-A	No. 43 - 10,000 to 15,000 ft. altitude
1	B8AZ 9A535-A	Bellcrank (fast idle)
1	B8AZ 9A536-A	Gasket (booster venturi support)
1	B9A 9538-A	Lever (fast idle adjusting)
1	372216-S8B (BB37)	Screw (fast idle adjusting)-No. 10-32 x .94" fillister head
1	34079-S7(M163)	Nut (lever to throttle shaft)-No. 10-32 hex.
1	34903-S8(X96)	Lockwasher-No. 10
1	B8AZ 9A538-A	Spring (accel. pump over travel)
2	C1AE 9541-C	Needle (idle adjusting)
1	B8AZ 9D541-A	Lever (choke housing)
1	C0AZ 9B542-A	Rod (accel. pump link to throttle lever)-service pkg. includes (5) pieces 375894-S7 clip
1	353610-S8 (NN126)	Retainer (accel. pump link to lever)-spring-.55" long
1	B7A 9546-A	Shaft and lever (choke)
1	B8A 9549-A	Plate (choke)
1	@C1AZ 9B549-A	Dashpot
1	C0AE 9550-A	Float
1	B8A 9558-A	Pin (float hinge)
1	C2AZ 9B559-A	Diaphragm (accelerator pump)

continued on next page



**CARBURETOR PART No. B9A 9510-A**

QTY. PER CARBU-RETOR	PART NUMBER	DESCRIPTION
1	B8A 9560-A	Spring (choke plate valve)
1	★C2AZ 9561-B	Gasket (float bowl)-repl. by C2OZ 9561-A (10-63)
1	C2OZ 9561-A	Gasket (float bowl)
1	B7A 9563-A	Gasket (economizer cover)
1	C2AZ 9564-B	Valve & seat (fuel inlet)-includes (1) B7A 9569-A gasket and (1) C1AZ 9599-A retainer
1	C0AZ 9A565-A	Economizer 0 to 5,000 ft. altitude
1	C3AZ 9A565-D	Economizer-identified by yellow dye on body 5,000 to 10,000 ft. altitude
1	C0AE 9A565-C	Economizer-identified by No. 55 on O.D. 10,000 to 15,000 ft. altitude
1	B7A 9569-A	Gasket (float valve seat)
1	B8A 9575-A	Retainer (accel. pump check valve)-1/4"-28 thread
1	B8AZ 9575-C	Retainer (power jet needle valve)
1	43245-S8(U71)	Screw & washer (retainer to horn)-No.8-32 x 1/4"
1	370458-S(XX88)	Washer (accel.pump valve retainer gasket)-1/4" flat
1	C0AZ 9577-A	Screw (pump discharge nozzle)
1	374370-S(XX94A)	Washer-1/4" flat (buna coated alum.)
1	B8A 9578-B	Spring (fast idle adjusting lever)-4 1/2 coils-.20" I.D. -.58" long
2	40 9578	Spring (idle adjusting needle)
1	355107-S7 (BB536)	Screw (normal idle adjusting)-No.10-32 x 1" special hex. head slotted
1	B9A 9579-A	Pin (fast idle adjusting lever)
1	B8A 9581-B	Shaft & lever (throttle)
2	B8A 9585-E	Plate (throttle)-primary
4	B7A 9586-E	Screw (throttle plate)-No.8-32 x .42" oval head-tubular
2	B9A 9586-A	Screw (choke plate)-No.6-32 oval hd.

**CARBURETOR PART No. B9A 9510-B**

1	C2OZ 9502-B	Gasket set
1	C0AZ 9A586-A	Kit (tune up)
1	B9AZ 9590-C	Repair kit
1	358165-S(II-65)	Connector (distributor vacuum tube to carb.)-1/8" pipe thread
4	★88391-S8	Stud-5/16"-18-24 x 1.50"
4	351089-S8(MM20)	Nut-5/16"-24
4	34806-S7(X64)	Lockwasher-5/16"
1	B7AZ 9B501-A	Seal (fast idle rod)
1	C0AE 9512-B	Body (main)
2	359409-S(PP59)	Plug (to plug drill passages in main body)-5/16"
1	371350-S(AA4)	Ball (accelerator pump inlet passage)-3/16" steel
1	359353-S(PP58)	Plug (to plug hole from bowl to accelerator pump)-1/8" cup
1	B7AZ 9A520-A	Adaptor (fuel inlet)-1/2"-20 internal-9/16"-24 external threads-.80" long

**CARBURETOR SERVICE PARTS LIST No. 89 - continued**

QTY. PER CARBU-RETOR	PART NUMBER	DESCRIPTION
1	C2AZ 9A588-B	Gasket (economizer)
1	C0ME 9597-A	Cam (fast idle)
1	351825-S(XX9)	Retainer (fast idle cam)-"C" washer
1	B8A 9598-A	Rod (choke shaft)
1	353610-S8 (NN126)	Retainer (rod to choke shaft lever)-spring type-.44" long
2	359555-S(XX50)	Washer (fast idle rod seal)-No.8-flat
1	B7AZ 9599-A	Retainer (float lever shaft)-.37" I.D.
1	B8AZ 9A753-A	Shaft & lever (choke housing)
1	B7AZ 9812-A	Spacer (thermostatic choke shaft)
1	B6A 9842-A	Clamp (thermostatic choke housing)
1	B8A 9844-A	Plate (thermostatic choke housing)
1	B9AE 9848-B	Housing (choke thermostat)-identified by "TD" on cover
1	B8A 9849-B	Housing & plugs (choke)
3	★31165-S8	Screw (choke control housing to body)-No.8-32 x 1 5/8" fillister head
3	359113-S(XX46)	Washer-No.8-flat
3	34802-S7(X59)	Lockwasher-No.8
1	B9AE 9850-B	Control (thermostatic choke)-identified by "TD" on cover
1	B8A 9853-A	Gasket (thermostatic choke housing)
1	B8A 9861-A	Shield (choke thermostat)
1	43248-S8(U72)	Screw & washer (shield to housing)-No.8-32 x 3/8" fillister head
1	C1AE 9871-A	Gasket (thermostatic choke housing)
1	B8AZ 9919-A	Lever (accel.pump overtravel) - service pkg. includes (1) C3AZ 9F569-A bushing
1	374035-S(XX13C)	Retainer (pump overtravel lever to throttle shaft)-"C" washer
4	31061-S8(U50)	Screw (economizer valve cover to main body)-No.8-32 x 1/2" fill.hd.
4	34802-S7(X59)	Lockwasher-No.8
1	B7A 9938-A	Screen (filter)
1	B7AZ 9992-A	Bearing (choke shaft)

**CARBURETOR SERVICE PARTS LIST No. 90**

1	B9AZ 9A523-A	Support (booster venturi)-primary-identified by dab No. 1 dichromate
1	371350-S(AA4)	Ball (accelerator pump discharge valve)-3/16" steel
1	B9AZ 9524-C	Horn (air)-less shaft
4	43256-S8	Screw & washer (horn & plugs to main body)-No.10-32 x 5/8"
1	B8A 9528-A	Cover (accelerator pump)-less link
4	43255-S8(U74)	Screw & washer (cover to carb.)-No.8-32 x 5/8"
1	C0AE 9529-A	Link (accelerator pump)
1	353847-S8 (NN109)	Pin (accelerator pump link to cover)-.187" x .50" diameter roll
1	C1AE 9D530-A	Rod (fast idle cam)
2	351825-S(XX9)	Retainer (fast idle cam rod)-"C" washer
2	78 9533-B	Jet (main metering) No.48 - 0 to 5,000 ft. altitude
2	59A 9533-D	No.45 - 5,000 to 10,000 ft. altitude
2	922A 9533-A	No.43 - 10,000 to 15,000 ft. altitude
1	B8AZ 9A535-A	Bellcrank (fast idle)
1	B8AZ 9A536-A	Gasket (booster venturi support)

continued on next page

## CARBURETOR PART No. B9A 9510-B

QTY. PER CARBU-RETOR	PART NUMBER	DESCRIPTION
1	B9A 9538-A	Lever (fast idle adjusting)
1	372216-S8B (BB37)	Screw (fast idle adjusting)-No.10-32 x .94" fillister head
1	34079-S7(M163)	Nut (lever to throttle shaft)-No.10-32 hex.
1	34903-S8(X96)	Lockwasher-No.10
1	B8AZ 9A538-A	Spring (accel.pump over travel)
2	C1AE 9541-C	Needle (idle adjusting)
1	B8AZ 9D541-A	Lever (choke housing)
1	C0AZ 9B542-A	Rod (accel.pump link to throttle lever)-service pkg. includes (5) pieces 375894-S7 clip
1	353610-S8 (NN126)	Retainer (accel.pump link to lever)-spring-.55" long
1	B7A 9546-A	Shaft and lever (choke)
1	B8A 9549-A	Plate (choke)
1	C1AZ 9B549-A	Dashpot
1	33923-S7(M32)	Nut -5/16"-24
2	34806-S7(X64)	Lockwasher-5/16"
1	C0AE 9550-A	Float
1	B8AZ 9B550-A	Bracket (dashpot mounting)
1	43252-S8(U77)	Screw & washer (dashpot mounting bracket to carb.)-No.10-32 x 1/2"
1	B8A 9558-A	Pin (float hinge)
1	C2AZ 9B559-A	Diaphragm (accelerator pump)
1	B8A 9560-A	Spring (choke plate valve)
1	★C2AZ 9561-B	Gasket (float bowl)-repl. by C2OZ 9561-A (10-63)
1	C2OZ 9561-A	Gasket (float bowl)
1	B7A 9563-A	Gasket (economizer cover)
1	C2AZ 9564-B	Valve & seat assy. (fuel inlet)includes-(1) B7A 9569-A gasket and (1) C1AZ 9599-A retainer
1	C0AZ 9A565-A	Economizer 0 to 5,000 ft. altitude
1	C3AZ 9A565-D	Economizer-identified by yellow dye on body 5,000 to 10,000 ft. altitude
1	C0AE 9A565-C	Economizer-identified by No.55 on O.D. 10,000 to 15,000 ft. altitude
1	B7A 9569-A	Gasket (float valve seat)
1	B8A 9575-A	Retainer (accel.pump check valve)-1/4"-28 thread
1	43245-S8(U71)	Screw & washer (retainer to horn)-No.8-32 x 1/4"
1	370458-S(XX88)	Washer (accel.pump valve retainer gasket)-1/4" flat
1	B8AZ 9575-C	Retainer (power jet needle valve)
1	C0AZ 9577-A	Screw (pump discharge nozzle)
1	374370-S(XX94)	Washer-1/4" flat (buna coated alum.)

## CARBURETOR PART No. B9A 9510-C

1	C2OZ 9502-B	Gasket set
1	C0AZ 9A586-A	Kit (tune up)
1	B9AZ 9590-C	Repair kit
1	358165-S(II-65)	Connector (distributor vacuum tube to carb.)-1/8" pipe thread
4	★88391-S8	Stud-5/16"-18-24 x 1.50"
4	351089-S8(MM20)	Nut-5/16"-24
4	34806-S7(X64)	Lockwasher-5/16"
1	B7AZ 9B501-A	Seal (fast idle rod)

## CARBURETOR SERVICE PARTS LIST No. 90 - continued

QTY. PER CARBU-RETOR	PART NUMBER	DESCRIPTION
1	B8A 9578-B	Spring (fast idle adjusting lever)-4 1/2 coils-.20" I.D.-.58" long
2	40 9578	Spring (idle adjusting needle)
1	355107-S7 (BB536)	Screw (normal idle adjusting)-No.10-32 x 1" special hex.head slotted
1	B9A 9579-A	Pin (fast idle adjusting lever)
1	B8A 9581-B	Shaft & lever (throttle)
2	B8A 9585-E	Plate (throttle)-primary
4	B7A 9586-E	Screw (throttle plate)-No.8-32 x .42" oval head-tubular
2	B9A 9586-A	Screw (choke plate)-No.6-32 oval hd.
1	C2AZ 9A588-B	Gasket (economizer)
1	C0ME 9597-A	Cam (fast idle)
1	351825-S(XX9)	Retainer (fast idle cam)-"C" washer
1	B8A 9598-A	Rod (choke shaft)
1	353610-S8 (NN126)	Retainer (rod to choke shaft lever)-spring type-.44" long
2	359555-S(XX50)	Washer (fast idle rod seal)-No.8-flat
1	B7AZ 9599-A	Retainer (float lever shaft)-.37" I.D.
1	B8A 9636-A	Spring (pump lever return)
1	B8AZ 9A753-A	Shaft & lever (choke housing)
1	B7AZ 9812-A	Spacer (thermostatic choke shaft)
1	B6A 9842-A	Clamp (thermostatic choke housing)
1	B8A 9844-A	Plate (thermostatic choke housing)
1	B9AE 9848-B	Housing (choke thermostat)-identified by "TD" on cover
1	B8A 9849-B	Housing & plugs (choke)
3	★31165-S8	Screw (choke control housing to body)-No.8-32 x 1 5/8" fillister head
3	359113-S(XX46)	Washer-No.8-flat
3	34802-S7(X59)	Lockwasher-No.8
1	B9AE 9850-B	Control (thermostatic choke)-identified by "TD" on cover
1	B8A 9853-A	Gasket (thermostatic choke housing)
1	B8A 9861-A	Shield (choke thermostat)
1	43248-S8(U72)	Screw & washer (shield to housing)-No.8-32 x 3/8" fillister head
1	C1AE 9871-A	Gasket (thermostatic choke housing)
1	B8AZ 9919-A	Lever (accel.pump overtravel) -service pkg. includes (1) C3AZ 9F569-A bushing
1	374035-S(XX13C)	Retainer (pump overtravel lever to throttle shaft)-"C" washer
1	B7A 9930-A	Cover (economizer valve)
4	31061-S8(U50)	Screw (economizer valve cover to main body)-No.8-32 x 1/2" fill.hd.
4	34802-S7(X59)	Lockwasher-No.8
1	B7A 9938-A	Screen (filter)
1	B7AZ 9992-A	Bearing (choke shaft)

## CARBURETOR SERVICE PARTS LIST No. 91

1	C0AE 9512-B	Body (main)
2	359409-S(PP59)	Plug (to plug drill passages in main body)-5/16"
1	371350-S(AA4)	Ball (accelerator pump inlet passage)-3/16" steel
1	359353-S(PP58)	Plug (to plug hole from bowl to accelerator pump)-1/8" cup
1	B7AZ 9A520-A	Adaptor (fuel inlet)-1/2"-20 internal-9/16"-24 external threads-.80" long
1	B9AE 9A523-B	Support (booster venturi)-identified by dab-Orange

continued on next page

CARBURETOR PART No. B9A 9510-C

CARBURETOR SERVICE PARTS LIST No. 91 - continued

QTY. PER CARBU-RETOR	PART NUMBER	DESCRIPTION
1	B9AZ 9524-C	Horn (air)-less shaft
4	43256-S8	Screw & washer (horn & plugs to main body)-No.10-32 x 5/8"
1	B8A 9528-A	Cover (accelerator pump)-less link
4	43255-S8(U74)	Screw & washer (cover to carb.)-No. 8-32 x 5/8"
1	C0AE 9529-A	Link (accelerator pump)
1	353847-S8 (NN109)	Pin (accelerator pump link to cover)-.187" x .50" diameter roll
1	C1AE 9D530-A	Rod (fast idle cam)
2	351825-S(XX9)	Retainer (fast idle cam rod) -"C" - washer
2	59A 9533-B	Jet (main metering) No. 49 - 0 to 5,000 ft. altitude
2	78 9533-C	No. 46 - 5,000 to 10,000 ft. altitude
2	B7A 9533-B	No. 44 - 10,000 to 15,000 ft. altitude
1	B8AZ 9A535-A	Bellcrank (fast idle)
1	B8AZ 9A536-A	Gasket (booster venturi support)
1	B9A 9538-A	Lever (fast idle adjusting)
1	372216-S8B (BB37)	Screw (fast idle adjusting)-No.10-32 x .94" fillister head
1	34079-S7(M163)	Nut (lever to throttle shaft)-No.10-32 hex.
1	34903-S8(X96)	Lockwasher-No.10
1	B8AZ 9A538-A	Spring (accel. pump over travel)
2	C1AE 9541-C	Needle (idle adjusting)
1	B8AZ 9D541-A	Lever (choke housing)
1	C0AZ 9B542-A	Rod (accel. pump link to throttle lever)-service pkg. includes (5) pieces 375894-S7 clip
1	353610-S8 (NN126)	Retainer (accel. pump link to lever)-spring-.55" long
1	B7A 9546-A	Shaft and lever (choke)
1	B8A 9549-A	Plate (choke)
1	C1AZ 9B549-A	Dashpot
1	33923-S7(M32)	Nut -5/16" -24
2	34806-S7(X64)	Lockwasher-5/16"
1	C0AE 9550-A	Float
1	B8AZ 9B550-A	Bracket (dashpot mounting)
1	43252-S8(U77)	Screw & washer (dashpot mounting bracket to carb.)-No.10-32 x 1/2"
1	B8A 9558-A	Pin (float hinge)
1	C2AZ 9B559-A	Diaphragm (accelerator pump)
1	B9A 9560-A	Spring (choke plate)-black
1	*C2AZ 9561-B	Gasket (float bowl)-repl. by C2OZ - 9561-A(10-63)
1	C2OZ 9561-A	Gasket (float bowl)
1	B7A 9563-A	Gasket (economizer cover)
1	C2AZ 9564-B	Valve & seat assy (fuel inlet)includes- (1) B7A 9569-A gasket and (1) C1AZ 9599-A retainer
1	C0AZ 9A565-A	Economizer 0 to 5,000 ft. altitude
1	C3AZ 9A565-D	Economizer-identified by yellow dye - on body 5,000 to 10,000 ft. altitude
1	C0AE 9A565-C	Economizer-identified by No. 55 on O. D. 10,000 to 15,000 ft. altitude
1	B7A 9569-A	Gasket (float valve seat)

QTY. PER CARBU-RETOR	PART NUMBER	DESCRIPTION
1	B8A 9575-A	Retainer (accel. pump check valve)-1/4"-28 thread
1	B8AZ 9575-C	Retainer (power jet needle valve)
1	43245-S8(U71)	Screw & washer (retainer to horn)-No.8-32 x 1/4"
1	370458-S(XX88)	Washer (accel.pump valve retainer gasket)-1/4" flat
1	C0AZ 9577-A	Screw (pump discharge nozzle)
1	374370-S(XX94A)	Washer-1/4" flat (buna coated alum.)
1	B8A 9578-B	Spring (fast idle adjusting lever)-4 1/2 coils-.20" I. D. -.58" long
2	40 9578	Spring (idle adjusting needle)
1	355107-S7 (BB536)	Screw (normal idle adjusting)-No.10-32 x 1" special hex. head slotted
1	B9A 9579-A	Pin (fast idle adjusting lever)
1	B8A 9581-B	Shaft & lever (throttle)
2	B8A 9585-E	Plate (throttle)-primary
4	B7A 9586-E	Screw (throttle plate)-No.8-32 x .42" oval head-tubular
2	B9A 9586-A	Screw (choke plate)-No.6-32 oval hd.
1	C2AZ 9A588-A	Gasket (economizer)-repl. by C2AZ - 9A588-B (5-63)
1	C2AZ 9A588-B	Gasket (economizer)
1	C0ME 9597-A	Cam (fast idle)
1	351825-S(XX9)	Retainer (fast idle cam) -"C" washer
1	B8A 9598-A	Rod (choke shaft)
1	353610-S8 (NN126)	Retainer (rod to choke shaft lever)-spring type -.44" long
2	359555-S(XX50)	Washer (fast idle rod seal)-No.8-flat
1	B7AZ 9599-A	Retainer (float lever shaft) -.37" I. D.
1	B8A 9636-A	Spring (pump lever return)
1	B8AZ 9A753-A	Shaft & lever (choke housing)
1	B7AZ 9812-A	Spacer (thermostatic choke shaft)
1	B6A 9842-A	Clamp (thermostatic choke housing)
1	B8A 9844-A	Plate (thermostatic choke housing)
1	B9AE 9848-A	Housing (choke thermostat)
1	B9AE 9849-A	Housing & plugs (choke)
3	*31165-S8	Screw (choke control housing to body)-No.8-32 x 1 5/8" fillister head
3	359113-S(XX46)	Washer-No.8-Flat
3	34802-S7(X59)	Lockwasher-No.8
1	B9AE 9850-C	Control (thermostatic choke)
1	B8A 9853-A	Gasket (thermostatic choke housing)
1	B8A 9861-A	Shield (choke thermostat)
1	43248-S8(U72)	Screw & washer (shield to housing)-No.8-32 x 3/8" fillister head
1	C1AE 9871-A	Gasket (thermostatic choke housing)
1	B8AZ 9919-A	Lever (accel. pump overtravel) - service pkg. includes (1) C3AZ - 9F569-A bushing
1	374035-S(XX13C)	Retainer (pump overtravel lever to throttle shaft) -"C"
1	B7A 9930-A	Cover (economizer valve)
4	31061-S8(U50)	Screw (economizer valve cover to main body)-No.8-32 x 1/2" fill.hd.
4	34802-S7(X59)	Lockwasher-No.8
1	B7A 9938-A	Screen (filter)
1	B7AZ 9992-A	Bearing (choke shaft)

## CARBURETOR PART No. B9A 9510-D

QTY. PER CARBU- RETOR	PART NUMBER	DESCRIPTION
1	B9A 9502-A	Gasket set
1	C2TZ 9A586-D	Kit (tune up)-Viton needle
1	B9A 9590-C	Repair kit
1	358165-S(II-65)	Connector (distributor vacuum tube to carb.)-1/8" pipe thread
1	CIAE 9B501-A	Seal (choke rod)
1	B8AZ 9A506-A	Lever (accelerator pump operating)
1	370050-S2 (BB537)	Screw (accelerator pump lever adjusting)-No.10-32 x .50" hex. head slotted
1	370052-S2 (MM219)	Sleeve-nut (accelerator pump lever adjusting)-No.10-32 x .26"
1	B9AE 9A507-A	Bowl & plugs (float)
4	359747-S2 (BB809)	Screw (fuel bowl & plugs to carb. main body)-No.12-24 x 2.56"
1	B9AE 9A511-B	Body & plugs (main metering)-stamped 2633
1	B9AE 9512-B	Body (main)
1	B9AE 9A515-A	Rod (air vent push)
1	B7A 9516-A	Gasket (throttle body to main body)
1	B9TE 9A516-A	Valve (accel. pump discharge needle)
1	B8AZ 9A517-A	Baffle (float bowl)-primary
1	B9AE 9518-A	Body and shaft (throttle)
AR	359736-S2(BB67)	Screw & washer (throttle body to main body)-No.12-24 x .81" fillister head
1	B9TZ 9A518-A	Gasket (main metering body)-primary
1	B9TE 9A519-B	Spring (float)
1	B8AZ 9A520-A	Adaptor (fuel inlet)-1/2"-20 internal-9/16" external threads
1	B9TE 9A522-A	Gasket (valve seat lock screw)
1	B9TE 9A522-B	Gasket (valve seat adjusting nut)
1	B7AZ 9526-B	Cam (accelerator pump diaphragm operating)
1	★33174-S	Screw (cam to throttle shaft & lever)-No.6-20 x 3/8" pan head slotted-tapping
1	B8A 9528-B	Kit (accelerator pump cover)-consists of the following- 1-B8A 9528-B Cover, 4-43250-S Screw & washer & 4-359757-S2 Screw & washer
4	43255-S8(U74)	Screw & washer (accel. pump cover) - No.8-32 x 5/8" fillister hd. - used to attach B8A 9528-B cover to B8A 9559-D, E float bowl
2	86H 9533	Jet (main metering) No. 52 - 0 to 5,000 ft. altitude
2	78 9533-A	No. 50 - 5,000 to 10,000 ft. altitude
2	78 9533-B	No. 48 - 10,000 to 15,000 ft. altitude
1	B7AZ 9A535-C	Lever (fast idle pick up)
1	B7A 9538-A	Lever (fast idle adjusting)
1	42802-S8(U33)	Screw & lockwasher (lever to main body)-No.10-32 x 3/8"
2	B7A 9541-A	Needle (idle adjusting)
1	B7A 9545-B	Plate (choke)-R. H.
1	B7A 9546-B	Shaft and lever (choke)
1	C1AZ 9B549-A	Dashpot
1	33923-S7(M32)	Nut-5/16"-24
2	34806-S7(X64)	Lockwasher-5/16"
1	B9TE 9550-A	Float
1	351826-S(XX2)	Retainer (float bowl)

## CARBURETOR SERVICE PARTS LIST No. 92

QTY. PER CARBU- RETOR	PART NUMBER	DESCRIPTION
1	B7AZ 9B550-B	Bracket (dashpot mounting)
1	356736-S7-8 (BB11)	Screw (bracket to throttle body)-No.10-24 x 1/2" fillister head
1	34803-S7(X60)	Lockwasher-No.10
1	B8A 9553-C	Baffle (metering body vent)
1	B7A 9557-B	Valve (float bowl vent)
1	C0AE 9B559-D	Diaphragm (accelerator pump)
1	B8A 9560-B	Spring (pump chamber vent operating rod)
1	B8A 9561-C	Gasket (float bowl)-primary
1	B7T 9562-A	Plug (float housing fuel level check)-5/16"-24 x 1/4" slotted
1	C2TZ 9564-B	Valve & seat (fuel inlet)
1	373246-S(BB660)	Screw (fuel valve adjusting nut lock)-1/4"-32 x .33"
1	372426-S8B(MM168)	Nut (fuel valve adjusting)-5/16" x 3/8"
1	B8A 9565-A	Clamp (air vent push rod)
1	B7TZ 9A565-A	Economizer-stamped No. 65 0 to 10,000 ft. altitude
1	B8TZ 9A565-A	10,000 to 15,000 ft. altitude
1	B2A 9568-B	Retainer (pump operating lever)-split
1	359528-S7(XX7)	Retainer (air vent valve)
1	B7AZ 9B569-A	Spring (fast idle cam lever)
1	B7A 9571-A	Spring (pump lever adjusting screw)
1	B8A 9577-B	Nozzle (pump discharge)
1	★50420-S7	Screw (pump discharge nozzle)-No.12-24 x 3/4" oval head
1	B8A 9578-B	Spring (throttle stop screw)-4 1/2 coils-.20" I.D. -.58" long
1	40 9578	Spring (fast idle adjusting lever)
2	B7AE 9580-A	Gasket(pump discharge nozzle & pump discharge screw)
1	B9AE 9581-A	Shaft & lever (throttle)
1	370049-S(BB33)	Screw (fast idle adjusting)-No.8-32 x .50" fillister head
2	B7A 9585-C	Plate (throttle)
4	B8A 9586-A	Screw (throttle plate)
2	B9A 9586-A	Screw (choke plate)-No.6-32 oval hd.
1	★A8AZ 9A588-A	Gasket (fuel level check plug) serviced in kit 9502
1	B7AZ 9A588-A	Gasket (economizer)
4	B7A 9592-A	Gasket (float bowl screw)
1	B8A 9597-B	Cam (fast idle)
1	B7AZ 9A599-B	Rod (choke control)
2	353610-S8(NN126)	Retainer (rod to carburetor)
1	B6A 9609-A	"O" ring (fuel valve seat)-serviced in kit 9502
2	B7A 9634-A	Seal (idle adjusting needle)
1	B7A 9636-B	Spring (accel. pump diaphragm return)
1	B7AZ 9A753-B	Shaft & lever (choke housing)
1	B5AZ 9812-A	Spacer (secondary throttle plate control lever)
1	B7A 9840-B	Piston (automatic choke)
1	355829-S7(MM15)	Nut (piston to choke housing)-No.8-36
1	34802-S7(X59)	Lockwasher-No.8
1	B6A 9842-A	Clamp (thermostatic choke housing)
3	31061-S8(U50)	Screw (clamp housing)-No.8-32 x 1/2"
3	34802-S7(X59)	Lockwasher-No.8
1	B8A 9848-A	Housing (choke thermostat)
1	B7A 9849-B	Housing & plugs (choke)
3	359737-S(BB59)	Screw & washer (choke housing to main body)-No.8-32 x 1.25"
1	B7A 9850-A	Control (thermostatic choke)-replace B8A 9848-E in kit with B8A 9848-A housing
2	B7A 9853-B	Gasket (choke thermostatic control)
1	B7A 9871-B	Gasket (thermostatic choke housing)
1	B8A 9938-A	Screen (filter)

**CARBURETOR PART No. B9A 9510-E**

**CARBURETOR SERVICE PARTS LIST No. 93**

QTY. PER CARBU-RETOR	PART NUMBER	DESCRIPTION
1	C2SZ 9502-A	Gasket set
1	C2SZ 9A586-A	Kit (tune up)
1	C2SZ 9590-A	Repair kit
1	358165-S(II-65)	Connector (distributor vacuum tube to carb.)-1/8" pipe thread
4	★88391-S8	Stud-5/16"-18-24 x 1.50"
4	351089-S8(MM20)	Nut-5/16"-24
4	34806-S7(X64)	Lockwasher-5/16"
1	370875-S8B (UU23)	Screw (to set secondary idle air flow)-No. 10-32 set
1	B7AZ 9B501-A	Seal (fast idle rod)
1	B8A 9503-B	Diaphragm (secondary throttle)
1	B8AZ 9B504-D	Spring (secondary throttle diaphragm return)-6 coils-1.05" O.D.-.31" I.D.
1	B8A 9507-A	Cover (secondary throttle diaphragm)
4	★41593-S8	Screw (diaphragm cover to carb.) No. 8-32 x 3/4"
4	34802-S7(X59)	Lockwasher-No.8
1	C1AZ 9512-C	Body (main)
2	359409-S(PP59)	Plug (to plug drill passages in main body)-5/16"
1	B7AZ 9A520-A	Adaptor (fuel inlet)-1/2"-20 internal-9/16"-24 external threads-.80" long
1	B8AZ 9A523-F	Support (booster venturi)-secondary
1	B9AZ 9A523-A	Support (booster venturi)-primary-identified by dab No.1 dichromate
1	371350-S(AA4)	Ball (accelerator pump discharge valve)-3/16" steel
1	B9AZ 9524-B	Horn (air)-less shaft
8	43256-S8	Screw & washer (horn & plugs to main body)-No.10-32 x 5/8"
1	B8A 9528-A	Cover (accelerator pump)-less link
4	43255-S8(U74)	Screw & washer (cover to carb.)-No. 8-32 x 5/8"
1	C0AE 9529-A	Link (accelerator pump)
1	353847-S8 (NN109)	Pin (accelerator pump link to cover)-.187" x .50" diameter roll
1	C1AE 9D530-A	Rod (fast idle cam)
2	351825-S(XX9)	Retainer (fast idle cam rod)-"C" washer
2	B4T 9533-B	Jet (main metering)-primary No. 53 - 0 to 5,000 ft. altitude
2	78 9533-A	No. 50 - 5,000 to 10,000 ft. altitude
2	78 9533-B	No. 48 - 10,000 to 15,000 ft. altitude
2	5GA 9533-A	Jet (main metering)-secondary No. 65 - 0 to 5,000 ft. altitude
2	IGA 9533-B	No. 62 - 5,000 to 10,000 ft. altitude
2	IGA 9533-C	No. 60 - 10,000 to 15,000 ft. altitude
2	B8AZ 9A536-A	Gasket (booster venturi support)
1	B9A 9538-A	Lever (fast idle adjusting)
1	372216-S8B (BB37)	Screw (fast idle adjusting)-No.10-32 x .94" fillister head
1	34079-S7(M163)	Nut (lever to throttle shaft)-No.10-32 hex.
1	34903-S8(X96)	Lockwasher-No.10
1	B8AZ 9A538-A	Spring (accel.pump over travel)
2	C1AE 9541-C	Needle (idle adjusting)
1	B8AZ 9D541-A	Lever (choke housing)
1	C0AZ 9B542-A	Rod (accel.pump link to throttle lever)-service pkg. includes (5) pieces 375894-S7 clip
1	353610-S8 (NN126)	Retainer (accel.pump link to lever)-spring-.55" long

★ Not supplied with service carburetor. Order separately if required.

QTY. PER CARBU-RETOR	PART NUMBER	DESCRIPTION
1	B7A 9546-A	Shaft and lever (choke)
1	B8A 9549-A	Plate (choke).
1	♣C1AZ 9B549-A	Dashpot
1	♣33923-S7(M32)	Nut-5/16"-24
2	♣34806-S7(X64)	Lockwasher-5/16"
1	C0AE 9550-A	Float
1	♣B8AZ 9B550-A	Bracket (dashpot mounting)
1	♣43252-S8(U77)	Screw & washer (dashpot mounting bracket to carb.)-No.10-32 x 1/2"
2	B8A 9558-A	Pin (float hinge)
1	C2AZ 9B559-A	Diaphragm (accelerator pump)
1	B8A 9560-A	Spring (choke plate valve)
1	★C2AZ 9561-A	Gasket (float bowl)-repl. by C2SZ -9561-A (10-63)
1	C2SZ 9561-A	Gasket (float bowl)
1	B7A 9563-A	Gasket (economizer cover)
2	♣C2AZ 9564-B	Valve & seat (fuel inlet)-includes (1) B7A 9569-A gasket & (1) C1AZ 9599-A retainer
1	C0AZ 9A565-A	Economizer 0 to 5,000 ft. altitude
1	C3AZ 9A565-D	Economizer-identified by yellow dye -on body 5,000 to 10,000 ft. altitude
1	C0AE 9A565-C	Economizer-identified by No. 55 on O.D. 10,000 to 15,000 ft. altitude
2	B7A 9569-A	Gasket (float valve seat)
1	B8A 9575-A	Retainer (accel.pump check valve)-1/4"-28 thread
1	B8AZ 9575-C	Retainer (power jet needle valve)
1	43245-S8(U71)	Screw & washer (retainer to horn)-No.8-32 x 1/4"
1	370458-S(XX88)	Washer (accel.pump valve retainer gasket)-1/4" flat
1	78 9576	Ball (secondary vacuum check valve)-1/8" diameter
1	C0AZ 9577-A	Screw (pump discharge nozzle)
1	374370-S(XX94A)	Washer-1/4" flat (buna coated alum.)
1	B8A 9578-B	Spring (fast idle adjusting lever)-4 1/2 coils-.20" I.D.-.58" long
2	40 9578	Spring (idle adjusting needle)
1	B8A 9578-A	Spring (secondary vacuum control valve)-16 coils-.11" O.D.-.375" long
1	355107-S7 (BB536)	Screw (normal idle adjusting)-No.10-32 x 1" special hex. head slotted
1	B9A 9579-B	Pin (fast idle adjusting lever)
1	B8A 9581-C	Shaft & lever (throttle)
1	B8A 9583-A	Lever (secondary throttle diaphragm)
1	353848-S8(NN71)	Pin (spring-3/16" x 11/16" throttle diaphragm lever to carburetor)
2	B8A 9585-F	Plate (throttle)-primary
2	B8A 9585-G	Plate (throttle)-secondary
8	B7A 9586-E	Screw (throttle plate)-No.8-32 x .42" oval head-tubular
2	B9A 9586-A	Screw (choke plate)-No.6-32 oval hd.
1	C2AZ 9A588-A	Gasket (economizer)-repl. by C2AZ 9A588-B (5-63)
1	C2AZ 9A588-B	Gasket (economizer)
1	B8AZ 9A592-B	Lever & shaft (second.throttle plate)
1	B8A 9596-A	Rod (secondary diaphragm control)
1	C0ME 9597-A	Cam (fast idle)
1	B8A 9598-A	Rod (choke shaft)
1	353610-S8 (NN126)	Retainer (rod to choke shaft lever)-spring type-.44" long
2	359555-S(XX50)	Washer (fast idle rod seal)-No.8-flat

continued on next page

## CARBURETOR PART No. B9A 9510-E

QTY. PER CARBU-RETOR	PART NUMBER	DESCRIPTION
2	B7AZ 9599-A	Retainer (float lever shaft)-.37" I.D.
1	B8A 9636-A	Spring (pump lever return)
1	B8AZ 9A753-A	Shaft & lever (choke housing)
1	B7AZ 9812-A	Spacer (thermostatic choke shaft)
1	B6A 9842-A	Clamp (thermostatic choke housing)
1	B8A 9844-A	Plate (thermostatic choke housing)
1	B9AE 9848-B	Housing (choke thermostat)-identified by "TD" on cover
1	B9AE 9849-A	Housing & plugs (choke)
3	*31165-S8	Screw (choke control housing to body)-No.8-32 x 1 5/8" fillister head
3	359113-S(XX46)	Washer-No.8-flat
3	34802-S7(X59)	Lockwasher-No.8
1	B9AE 9850-C	Control (thermostatic choke)-replace B9AE 9848-A in kit with B9AE 9848-B housing
1	B8A 9853-A	Gasket (thermostatic choke housing)

## CARBURETOR PART No. B9S 9510-A

1	C0SZ 9502-A	Gasket set
1	B9SZ 9A586-A	Kit (tune up)
1	B9S 9590-A	Repair kit
1	358165-S(II-65)	Connector (distributor vacuum tube to carb.)-1/8" pipe thread
2	370013-S(PP19)	Plug (fuel inlet passage)-.254"/.259" x 5/32"
5	359700-S(PP18)	Plug (primary fuel passage plugs in main body)-.192" x 13/64"-round head
2	370000-S(PP16)	Plug (idle port passage plug in main body)-.272"/.276" x 13/64"-flat head
4	*88391-S8	Stud-5/16"-18-24 x 1.50"
4	351089-S8(MM20)	Nut-5/16"-24
4	34806-S7(X64)	Lockwasher-5/16"
2	*88421-S8	Stud-5/16"-18-24 x 1 7/8"
2	33925-S7(M33)	Nut-3/8"-24
1	B8AZ 9C504-B	Rod (secondary throttle control)
1	359734-S(RR2)	Retainer (throttle operating rod)-spring-1/8"
2	C0LE 9B513-C	Piston (vacuum)
1	B7AZ 9A514-A	Lever (choke shaft)
1	B8AZ 9A514-A	Lever (choke counter shaft operating)
1	34126-S8B (M146)	Nut-(choke shaft lever to lever assy.)-No.8-32
1	359719-S7(BB71)	Screw (choke lever to shaft & lever assy.)-No.8-32 x 3/4" fillister washer head
1	B7AZ 9A516-A	Valve (accel.pump discharge needle)
2	B7AZ 9A517-B	Baffle (float bowl)
1	B7AZ 9A520-B	Adaptor (fuel inlet)
1	B9SZ 9A523-A	Support (venturi)-secondary-R. H.
8	*43408-S7-8	Screw & washer (venturi to main body)-No. 10-32 x 1" fillister head

## CARBURETOR SERVICE PARTS LIST No. 93 - continued

QTY. PER CARBU-RETOR	PART NUMBER	DESCRIPTION
1	B8A 9861-A	Shield (choke thermostat)
1	43248-S8(U72)	Screw & washer (shield to housing)-No.8-32 x 3/8" fillister head
1	C1AE 9871-A	Gasket (thermostatic choke housing)
1	B8AZ 9919-A	Lever (accel.pump overtravel) -service pkg. includes (1) C3AZ -9F569-A bushing
1	374035-S(XX13C)	Retainer (pump overtravel lever to throttle shaft)-"C" washer
1	B7A 9930-A	Cover (economizer valve)
4	31061-S8(U50)	Screw (economizer valve cover to main body)-No.8-32 x 1/2" fill. hd.
4	34802-S7(X59)	Lockwasher-No.8
1	B7A 9938-A	Screen (filter)
1	B7AZ 9992-A	Bearing (choke shaft)
1	B8A 9997-A	Tube (secondary throttle control vacuum)-standard size-use with new 9984 horn only
1	B8A 9997-B	Tube (secondary throttle control vacuum)-.002" O.S. -use as service replacement for B8A 9997-A tube only

## CARBURETOR SERVICE PARTS LIST No. 94

1	B9SZ 9A523-B	Support (venturi)-primary-L. H.
1	B9SZ 9A523-C	Support (venturi)-secondary-L. H.
1	B9SZ 9A523-D	Support (venturi)-primary-R. H.
1	B9ME 9524-A	Horn (air)
5	359702-S(PP15)	Plug (accelerator pump passage plugs in horn & plugs)-.134"/.138" x 5/32" round head
8	370003-S8(BB75)	Screw & washer (air horn & plugs to main body)-No.10-32 x 11/16" fillister head
2	359711-S8(BB81)	Screw & washer (air horn & plugs to main body)-No.10-32 x 15/16"-(split ring)-(sheared end)
2	B9LE 9A526-A	Rod (metering)-0 to 5,000 ft. altitude
2	B9ME 9A526-B	5,000 to 10,000 ft. altitude
2	B9ME 9A526-C	10,000 to 15,000 ft. altitude
1	B9SZ 9B526-A	Kit (plug & gasket)-main well-consists of (2) 370017-S7 plug and (2) B9LE 9B522-A gasket
1	B9ME 9A527-A	Rod (dashpot connecting)
2	B9LE 9A528-A	Jet (main)-secondary 0 to 15,000 ft. altitude
1	B7A 9529-C	Arm (pump piston)
1	B7AZ 9529-A	Link (accelerator pump)-identified by stamped No.34A
1	370007-S7(UU4)	Screw (pump piston arm to horn & plugs)-No.8-32 x 45/64"
1	B7A 9531-D	Rod (pump operating)-use with B7A 9565-A retainer
1	359734-S(RR2)	Retainer (throttle connecting rod)-spring-1/8"

continued on next page

### CARBURETOR PART No. B9S 9510-A

QTY. PER CARBU-RETOR	PART NUMBER	DESCRIPTION
2	B7A 9533-A	Jet (main metering)-primary 0 to 5,000 ft. altitude
2	B7A 9533-A	5,000 to 10,000 ft. altitude
2	B7A 9533-A	10,000 to 15,000 ft. altitude
1	B9ME 9A534-A	Shaft, valve and weight (auxiliary throttle)
1	B9ME 9A535-A	Arm (throttle shaft)-inner
2	B7AZ 9A536-B	Gasket (booster venturi support)
2	B9ME 9A536-A	Gasket (venturi)-secondary
1	B9ME 9A537-A	Arm (throttle shaft)-outer
1	359709-S7 (BB823)	Screw (throttle shaft & lever to lever assy.)-No. 10-32 x 5/16" truss head
1	B9ME 9A538-A	Spring (secondary throttle return)
2	B9LE 9541-A	Needle (idle adjusting)
1	B9ME 9A541-A	Cage (pump intake check ball)
1	B7AZ 9B544-A	Piston (accelerator pump)
1	B7A 9545-C	Plate (choke)-R. H.
1	B9S 9546-A	Lever (choke counter shaft)
1	B7A 9547-A	Shaft (choke)
1	B7AZ 9B547-A	Link (choke plate)
1	B7A 9548-A	Lever (choke plate operating)
2	B9LE 9550-A	Float
2	B7A 9558-C	Pin (float hinge)
1	B2AZ 9561-A	Gasket (float bowl)-3.81" long - 2.19" wide - use with glass bowl only
1	B9AZ 9561-A	Gasket (main body cover plate)
1	C2AZ 9561-C	Gasket (float bowl)
2	B9ME 9564-A	Valve & seat (fuel inlet)
1	B7A 9565-A	Retainer (pump operating rod)-used with B7A 9531-D rod or COLE 9B512-A rod only
2	B7A 9569-B	Gasket (float valve seat)
1	B9ME 9577-A	Nozzle (pump discharge)
2	B7A 9578-A	Spring (idle adjusting needle)
1	B7A 9578-B	Spring (throttle lever adjusting screw)
1	370004-S7 (BB410)	Screw (throttle lever adjusting) No. 10-32 x 59/64" hex. head
1	370011-S7 (XX82)	Washer (throttle lever adjusting screw)-13/64" I. D. x 5/16" O. D.
1	B9ME 9580-A	Gasket (pump discharge jet)
1	B9ME 9581-A	Shaft & lever (throttle)-primary
1	370002-S7 (BB35)	Screw (fast idle adjustment)-No. 8-32 x 15/16" fillister head
1	359727-S7 (XX342)	Washer (shaft & lever to main body & plugs)-.377"/.379" x .278"/.280" I. D. x 5/8" x 15/32" rectangular
1	B9AZ 9583-A	Lever (throttle shaft)-auxiliary
1	370010-S (XX33)	Washer (secondary throttle shaft lever to secondary throttle shaft)-.3155" I. D. x 1/2" O. D. flat
1	359709-S7 (BB823)	Screw (secondary throttle operating lever to secondary throttle shaft)-No. 10-32 x 5/16" truss head
2	B9ME 9585-A	Plate (throttle)-primary

### CARBURETOR SERVICE PARTS LIST No. 94 - continued

QTY. PER CARBU-RETOR	PART NUMBER	DESCRIPTION
2	B9S 9585-B	Plate (throttle)-secondary
4	370005-S (BB6)	Screw (secondary throttle plates to secondary throttle shaft)-No. 6-32 x 5/16"
4	370006-S (BB7)	Screw (primary throttle plates to primary throttle shaft & lever)-No. 6-32 x 3/8"
2	B7A 9586-B	Screw (choke plate)
1	B7A 9586-C	Screw (throttle plate-used as choke plate operating lever set screw)
2	B7A 9587-A	Spring (metering rod tension)
1	B7A 9589-A	Spring (dashpot plunger return)
1	B9AZ 9A592-A	Lever & shaft (second throttle plate)
1	B9ME 9597-A	Cam (fast idle)
1	370008-S7 (BB671)	Screw (fast idle cam to main body & plugs)-1/4"-28 x 11/32"-flat head
1	B7A 9598-B	Rod (fast idle)
1	B8A 9598-B	Rod (choke shaft)
2	359734-S (RR2)	Retainer (dashpot arm)-inner-spring 1/8"
2	359734-S (RR2)	Retainer (dashpot arm)-outer-spring 1/8"
1	B7A 9636-C	Spring (pump)
1	B8AZ 9A753-B	Shaft & lever (choke housing)-use with B8A 9849-A housing only
1	B9SZ 9A796-A	Kit (choke piston lever & pin)-consists of (1) B9ME 9838-A lever, (1) B9ME 9840-B piston, and (1) ECG 99854-A pin
1	355027-S (BB668)	Screw (choke piston lever & pin to choke lever & shaft)-No. 6-32 x 1/4" flat head slotted
1	B7A 9800-B	Plunger (dashpot)
1	B8A 9835-A	Lever (dashpot operating)-inner
1	B8A 9836-A	Lever (dashpot operating)-outer
1	353161-S (RR3)	Retainer (inner & outer dashpot operating lever to air horn & plugs)-spring-.025"
3	B7A 9842-B	Clamp (thermostatic choke housing)
3	★37611-S7	Screw (choke thermostat housing to choke housing & plugs)-No. 8-32 x 1/4" fillister head
1	B9S 9844-A	Plate (choke baffle)
1	★37611-S7	Screw (thermostatic choke housing attaching)-No. 8-32 x 1/4" fillister hd.
1	B9ME 9848-B	Housing (choke thermostat)
1	B8A 9849-A	Housing & plugs (choke)-identified by cast No. 170560
3	352526-S8 (BB8)	Screw (choke housing to air horn)-No. 8-32 x 1/2" fillister head
3	359113-S (XX46)	Washer-No. 8-flat
3	34802-S7 (X59)	Lockwasher-No. 8
1	B9LE 9850-A	Control (thermostatic choke)
1	B7A 9853-C	Gasket (choke housing to air horn)
1	B8A 9871-B	Gasket (choke coil housing)
2	B7A 9928-A	Cover (vacuum piston)
2	370016-S8 (BB70)	Screw & washer (vacuum piston cover to air horn)-No. 6-32 x 5/16" fill. hd.
1	B9S 9938-A	Screen (filter)
2	B9S 9976-A	Spring (vacuum piston)

## CARBURETOR PART No. B9A 9510-F

QTY. PER CARBU-RETOR	PART NUMBER	DESCRIPTION
1	B8A 9502-C	Gasket set
1	C2AZ 9A586-B	Kit (tune up)
1	C1AZ 9590-A	Repair kit
2	359524-S(WW28)	Stud (carb. to intake & exhaust manifold)-3/8"-16-24 x 1.30"
2	33925-S7(M33)	Nut-3/8"-24
2	34807-S8(X66)	Lockwasher-3/8"
2	374166-S(PP23A)	Plug (pump valve retainer)-1/4"-32
1	34079-S7(M163)	Nut-No. 10-32
1	34803-S7(X60)	Lockwasher-No. 10
1	ΔB1AZ 9B502-A	Screw (dashpot & throttle lever adjusting)
1	ΔB2AZ 9B502-A	Screw (dashpot operating lever)-No. 8-32 x 59" long-slotted binding head
1	C0AZ 9A507-A	Bowl & plugs (float)-metal
4	★31644-S7	Screw (bowl to main body)-No. 10-32 x 3/4" fill. hd.
4	34803-S7(X60)	Lockwasher-No. 10
1	B9AE 9B511-A	Weight (pump discharge ball)
1	B8A 9512-L	Body (main)
1	B8A 9516-C	Gasket (throttle body to main body)
1	B9TZ 9518-D	Kit (throttle body assy.)
1	B8A 9529-B	Link (accelerator pump)
2	353610-S8(NN126)	Retainer (accel. pump link)-.44" long
1	IGA 9533-B	Jet (main metering)-with S/T & O/D No. 62 - 0 to 5,000 ft. altitude
1	IGA 9533-C	No. 60 - 5,000 to 10,000 ft. altitude
1	78 9533-F	No. 58 - 10,000 to 15,000 ft. altitude
1	IGA 9533-C	Jet (main metering)-with F/M/2 No. 60 - 0 to 5,000 ft. altitude
1	78 9533-F	No. 58 - 5,000 to 10,000 ft. altitude
1	78 9533-E	No. 56 - 10,000 to 15,000 ft. altitude
1	B7A 9541-D	Needle (idle adjusting)
1	C0AE 9B544-B	Piston (accel. pump)-includes gasket
1	EAA 9546-C	Shaft and lever (choke)
1	★37611-S7	Screw (choke shaft & lever)-No. 8-32 x 1/4"
1	★EAA 9549-A	Plate (choke)
1	@C1AZ 9B549-A	Dashpot
1	@33923-S7(M32)	Nut-5/16"-24
2	@34806-S7(X64)	Lockwasher-5/16"
1	EAA 9550-A	Float-repl. by C2AZ 9550-A (1-63)
1	C2AZ 9550-A	Float assy.
1	C1AE 9558-A	Pin (float hinge)
1	C2AZ 9564-C	Valve & seat assy. (fuel inlet)
1	B2AZ 9A565-A	Economizer
3	31061-S8(U50)	Screw (valve to main body)-No. 8-32 x 1/2"
3	34802-S7(X59)	Lockwasher-No. 8
1	B2A 9568-B	Retainer (pump operating lever)-split
1	EAA 9569-A	Gasket (float valve seat)-.32" I.D. -.52" O.D. -.031" thick-serviced in kit 9502
1	B8AZ 9B572-A	Valve (spark control)-stamped No. 55
1	B2A 9574-B	Screw (discharge nozzle)-No. 10-32 x .64" fillister head
1	EAA 9576-A	Ball (accelerator pump check)
Δ	Serviced in 9502 kit only	

## CARBURETOR SERVICE PARTS LIST No. 95

QTY. PER CARBU-RETOR	PART NUMBER	DESCRIPTION
2	78 9576	Ball (accelerator pump check)-1/8" diameter
1	EAA 9577-B	Nozzle (pump discharge)
1	B8A 9578-B	Spring (throttle adjusting screw)-4 1/2 coils-.20" I.D. -.58" long
1	40 9578	Spring (idle adjusting needle)
1	★31644-S7	Screw (throttle adjusting)-No. 10-32 x 3/4" fillister head
1	EAA 9580-A	Gasket (pump discharge nozzle)-.20" I.D. x .32" O.D. -.03" thick-serviced in kit 9502
1	B8A 9583-B	Lever (accel. pump operator)-steel
1	★B4A 9585-A	Plate (throttle)
2	★31036-S8	Screw (throttle plate) -No. 6-32 x 5/16" fillister head
2	34937-S7(X84)	Lockwasher-No. 6-external tooth
2	B2A 9586-A	Screw (choke plate)
1	B2AZ 9A588-A	Gasket (economizer)-serviced in kit 9502
1	C0AE 9A588-A	Gasket (spark valve)-.57" I.D. -.75" O.D. -.015" thick
1	B8A 9594-B	Jet & main well (power)-stamped 3315-A
3	★37643-S7	Screw (jet & main well to main body)-No. 6-32 x .44"
2	353799-S8	Screw (jet & main well to main body)-No. 6-32 x .75"
2	34801-S7(X58)	Lockwasher-No. 6
1	B8A 9624-B	Spring (pump operating lever)
1	ICM 9681-A	Ball (throttle lever)
1	34079-S7(M163)	Nut (throttle lever ball)-No. 10-32 hex.
1	34803-S7(X60)	Lockwasher-No. 10
1	@8BA 9792	Clamp (choke control bracket)
1	@31061-S8(U50)	Screw (choke control bracket clamp)-No. 8-32 x 1/2"
1	@34052-S7(M155)	Nut-No. 8-32
1	EAA 9796-A	Bracket (choke control)
1	★31596-S7	Screw & lockwasher (choke bracket)-No. 10-32 x 3/8"
1	ΔB6A 9802-A	Lever (dashpot operating)
1	B2A 9808-A	Retainer (float)-use with glass bowl only
4	B2A 9809-A	Clamp (float bowl retainer)-use with glass bowl only
4	★31644-S7	Screw (clamp)-No. 10-32 x 3/4" fillister head
4	34803-S7(X60)	Lockwasher-No. 10
1	B2A 9827-A	Gasket (fuel inlet fitting)
1	★B2A 9930-B	Cover (economizer valve)
3	31061-S8(U50)	Screw (economizer valve cover to main body)-No. 8-32 x 1/2" fill. hd.
3	34802-S7(X59)	Lockwasher-No. 8
1	B8A 9934-A	Sleeve (pump push rod)
1	EAA 9935-B	Spring (accel. pump rod plunger)-.27" O.D. -13 coils-1.34" long
1	EAA 9936-A	Spring (accelerator pump diaphragm return)-cone shaped-8 coils
Δ1	B2AZ 9945-A	Gasket (fuel inlet seat screw)-.32" I.D. -.428" O.D. -.031" thick
@ Not supplied with service carburetor. Order separately if required.		



**CARBURETOR PART No. B9AE 9510-A**

QTY. PER CARBU-RETOR	PART NUMBER	DESCRIPTION
1	C0AZ 9502-C	Gasket set
1	C2AZ 9590-B	Repair kit
1	354582-S(II-73)	Connector (carb. to tube ass'y.)-5/16" flared tube
1	B1AZ 9B502-A	Screw (dashpot & throttle lever adj.)-not supplied with carb., order separately
1	B2AZ 9B502-A	Screw (dashpot operating lever)-No. 8-32 x .59" slotted binding head-not supplied with carb., order separately
1	34803-S7(X60)	Lockwasher-No. 10-not supplied with carb., order separately
1	34079-S7(M163)	Nut-No. 10-32-not supplied with carb., order separately
1	C0AZ 9A507-A	Bowl & plugs assy. (float)-metal bowl
4	*31644-S7	Screw (bowl to main body)-No. 10-32 x 3/4" fillister head
4	34803-S7(X60)	Lockwasher-No. 10
1	B9AE 9B511-A	Weight (pump discharge ball)
1	B9AE 9512-G	Body ass'y. (main)
1	B8A 9516-C	Gasket (throttle body to main body)
1	B5A 9518-S	Body & shaft ass'y. (throttle)
1	B8A 9529-C	Link (accelerator pump)
1	59A 9533-C	Jet (main metering)-No. 47-0 to 5,000 ft. alt.
1	78 9541-B	Needle (idle adjusting)-1 3/16" long
1	C0AE 9B544-B	Piston assy. (accelerator pump)-includes gasket
1	B5A 9546-A	Shaft & lever assy. (choke)
1	*37611-S7	Screw (choke lever to shaft)-No. 8-32 x 1/4"-fillister head
1	B5A 9549-C	Plate assy. (choke)
2	372428-S(BB599)	Screw (choke plate to choke shaft & lever assy.)-No. 6-32 x 1/4" oval head
1	C1AZ 9B549-A	Dashpot assy. -not supplied with service carburetors. Order separately
1	34806-S7(X64)	Lockwasher-5/16"-not supplied with service carburetors. Order separately
1	33923-S7(M32)	Nut-5/16"-24-not supplied with service carburetors. Order separately
1	EAA 9550-A	Float assy. -repl. by C2AZ 9550-A - (1-63)
1	C2AZ 9950-A	Float assy.
1	B5A 9551-A	Pin (choke plate distributor)
1	C1AE 9558-A	Pin (float hinge)
1	B2AZ 9561-A	Gasket(float bowl retainer)-3.81"long-2.19" wide-use with glass bowl only
1	C2AZ 9561-C	Gasket (float bowl)
1	C2AZ 9564-C	Valve & seat assy. (fuel inlet)
1	B2A 9568-B	Retainer (pump operating lever)
1	EAA 9569-A	Gasket (float needle seat)
1	B2A 9574-B	Screw (discharge nozzle)-No. 10-32 x .64" overall length fillister head
1	EAA 9576-A	Ball (pump inlet)-.156" diameter
2	78 9576	Ball (pump discharge & push rod sleeve)- 1/8" diameter
Δ Serviced in 9502 Kit only		

**CARBURETOR SERVICE PARTS LIST No. 96**

QTY. PER CARBU-RETOR	PART NUMBER	DESCRIPTION
1	B8A 9578-B	Spring (throttle adjusting screw)-4 1/2 coils-.20" I.D. -.58" long
1	40 9578	Spring (idle adjusting needle)
1	*31644-S7	Screw (throttle adjusting)-No. 10-32 x 3/4" fillister head
1	EAA 9580-A	Gasket (discharge pump nozzle)-.20" I.D. x .32" O.D. -.03" thick
1	B4A 9581-A	Lever and shaft assy. (primary throttle)
1	B8A 9583-B	Lever assy. (pump operating)-steel
1	*B4A 9585-A	Plate (throttle)
2	B9A 9586-A	Screw (throttle plate)-No. 6-32 x .31" oval head
1	B2AZ 9A588-A	Gasket (economizer valve)
1	B5A 9594-D	Jet & main well assy. (power)
3	*37643-S7	Screw (jet & main well to main body)-No. 6-32 x 7/16" fillister head
2	353799-S8	Screw (jet & main well to main body)-No. 6-32 x .75" fillister head
	34801-S7(X58)	Lockwasher-No. 6
1	B8A 9624-B	Spring (pump operating lever)
1	1CM 9681-A	Ball (rod to trans. control shaft lever)
1	34079-S7(M163)	Nut (throttle lever ball)-No. 10-32 hex.
1	34803-S7(X60)	Lockwasher-No. 10
1	8BA 9792	Clamp (choke control bracket)
1	31061-S8(U50)	Screw (bracket clamp)-No. 8-32 x 1/2" fillister head
1	34052-S7(M155)	Nut-No. 8-32
1	EAA 9796-A	Bracket (choke control)
1	*31596-S7	Screw & lockwasher (choke bracket)-No. 10-32 x 3/8"
1	B6A 9802-A	Lever (dashpot operating)-not supplied with carb., order separately
1	B2A 9808-A	Retainer (float bowl)-use with glass bowl only
4	B2A 9809-A	Clamp (float bowl retainer)-use with glass bowl only
4	*31644-S7	Screw (clamp)-No. 10-32 x 3/4"-fillister head
4	34803-S7(X60)	Lockwasher-No. 10
1	B2A 9827-A	Gasket (fuel inlet fitting)
1	*B2A 9930-B	Cover (economizer valve)
3	31061-S8(U50)	Screw (cover to main body)-No. 8-32 x 1/2"-fillister head
3	34802-S7(X59)	Lockwasher-No. 8
1	B8A 9934-A	Sleeve (pump push rod)
1	EAA 9935-B	Spring (accel. pump rod plunger)-.27" O.D. -.1.34" long-13 coils
1	EAA 9936-A	Spring (accel. pump diaphragm return)-cone shaped-8 coils
Δ 1	B2AZ 9945-A	Gasket (fuel inlet seat screw)-.32" I.D. -.428" O.D. -.031" thick

## CARBURETOR PART No. B8A 9510-W

QTY. PER CARBU-RETOR	PART NUMBER	DESCRIPTION
1	C2SZ 9502-A	Gasket set
1	C2SZ 9A586-A	Kit (tune up)
1	C2SZ 9590-A	Repair kit
1	358165-S(II-65)	Connector (distributor vacuum tube to carb.)-1/8" pipe thread
1	B7AZ 9B501-A	Seal (fast idle rod)
1	B8A 9503-B	Diaphragm (secondary throttle)
1	B8AZ 9B504-D	Spring (secondary throttle diaphragm return)-6 coils-1.05" O.D. -.31" I.D.
1	B8A 9507-A	Cover (secondary throttle diaphragm)
4	*41593-S8	Screw (diaphragm cover to carb.) No. 8-32 x 3/4"
4	34802-S7(X59)	Lockwasher-No.8
1	C1AZ 9512-C	Body (main)
2	359409-S(PP59)	Plug (to plug drill passages in main body)-5/16"
1	371350-S(AA4)	Ball (accelerator pump inlet passage)-3/16" steel
1	359353-S(PP58)	Plug (to plug hole from bowl to accelerator pump)-1/8" cup
1	B8AZ 9A523-F	Support (booster venturi)-secondary
1	38294-S8(U141)	Screw (venturi secondary support to carb.)-1/4"-20 x 1" pan head
1	371350-S(AA4)	Ball (accelerator pump discharge valve)-3/16" steel
1	B9AZ 9524-B	Horn (air)-less shaft
8	43256-S8	Screw & washer (horn & plugs to main body)-No.10-32 x 5/8"
1	B8A 9528-A	Cover (accelerator pump)-less link
4	43255-S8(U74)	Screw & washer (cover to carb.)-No. 8-32 x 5/8"
1	C0AE 9529-A	Link (accelerator pump)
1	353847-S8	Pin (accelerator pump link to cover)-(NN109)
1	C1AE 9D530-A	Rod (fast idle cam)
2	351825-S(XX9)	Retainer (fast idle cam rod)-"C" washer
2	59A 9533-B	Jet (main metering)-primary No. 49 - 0 to 5,000 ft. altitude
2	78 9533-C	No. 46 - 5,000 to 10,000 ft. altitude
2	B7A 9533-B	No. 44 - 10,000 to 15,000 ft. altitude
2	8MB 9533-B	Jet (main metering)-secondary No. 66 - 0 to 5,000 ft. altitude
2	5GA 9533-B	No. 63 - 5,000 to 10,000 ft. altitude
2	B4Q 9533-A	No. 61 - 10,000 to 15,000 ft. altitude
1	B8AZ 9A535-A	Bellcrank (fast idle)
1	*31077-S8	Screw (bellcrank choke adjusting lever to shaft)-No.8-32 x 5/8" fillister head
1	44710-S8(X10)	Washer - No.8 flat
1	34052-S7(M155)	Nut - No.8-32 hex.
2	B8AZ 9A536-A	Gasket (booster venturi support)
1	B9A 9538-A	Lever (fast idle adjusting)
1	359539-S8B	Screw (fast idle adjusting)-(BB40)
1	34079-S7(M163)	Nut (lever to throttle shaft)-No.10-32 hex.
1	34903-S8(X96)	Lockwasher-No.10

## CARBURETOR SERVICE PARTS LIST No. 97

QTY. PER CARBU-RETOR	PART NUMBER	DESCRIPTION
1	B8AZ 9A538-A	Spring (accel.pump over travel)
2	C1AE 9541-C	Needle (idle adjusting)
1	B8AZ 9D541-A	Lever (choke housing)
1	C0AZ 9B542-A	Rod (accel.pump link to throttle lever)-service pkg. includes (5) pieces 375894-S7 clip
1	353610-S8	Retainer (accel.pump link to lever)-spring-.55" long
1	B7A 9546-A	Shaft and lever (choke)
1	B8A 9549-A	Plate (choke)
1	C1AZ 9B549-A	Dashpot
1	33923-S7(M32)	Nut-5/16"-24
2	34806-S7(X64)	Lockwasher-5/16"
1	C0AE 9550-A	Float
1	B8AZ 9B550-A	Bracket (dashpot mounting)
1	43252-S8(U77)	Screw & washer (dashpot mounting bracket to carb.)-No.10-32 x 1/2"
2	B8A 9558-A	Pin (float hinge)
1	C2AZ 9B559-A	Diaphragm (accelerator pump)
1	B8A 9560-A	Spring (choke plate valve)
1	*C2AZ 9561-A	Gasket (float bowl)-repl. by C2SZ 9561-A (10-63)
1	C2SZ 9561-A	Gasket (float bowl)
1	B7A 9563-A	Gasket (economizer cover)
2	C2AZ 9564-B	Valve & seat (fuel inlet)-includes (1) B7A 9569-A gasket & (1) C1AZ 9599-A retainer
1	C0AZ 9A565-A	Economizer 0 to 5,000 ft. altitude
1	C3AZ 9A565-D	Economizer-Identified by yellow dye - on body 5,000 to 10,000 ft. altitude
1	C0AE 9A565-C	Economizer-identified by No. 55 on O.D. 10,000 to 15,000 ft. altitude
2	B7A 9569-A	Gasket (float valve seat)
1	B8A 9575-A	Retainer (accel.pump check valve)-1/4"-28 thread
1	B8AZ 9575-B	Retainer (secondary vacuum control valve spring)-.133" O.D. x .06" thick
1	B8AZ 9575-C	Retainer (power jet needle valve)
1	43245-S8(U71)	Screw & washer (retainer to horn)-No.8-32 x 1/4"
1	370458-S(XX88)	Washer (accel.pump valve retainer gasket)-1/4" flat
1	78 9576	Ball (secondary vacuum check valve)-1/8" diameter
1	C0AZ 9577-A	Screw (pump discharge nozzle)
1	374370-S(XX94)	Washer-1/4" flat (buna coated alum.)
1	B8A 9578-A	Spring (secondary vacuum control valve)-16 coils-.11" O.D. -.375" long
1	B8A 9578-B	Spring (fast idle adjusting lever)-4 1/2 coils-.20" I.D. -.58" long
2	40 9578	Spring (idle adjusting needle)
1	B9A 9579-B	Pin (fast idle adjusting lever)
1	355107-S7	Screw (normal idle adjusting)-No.10-32 x 1" special hex.head slotted (BB536)
1	B8A 9581-C	Shaft & lever (throttle)
1	B8A 9583-A	Lever (secondary throttle diaphragm)
1	353848-S8(NN71)	Pin (spring-3/16" x 11/16" throttle diaphragm lever to carburetor)

continued on next page

**CARBURETOR PART No. B8A 9510-W**

QTY. PER CARBU-RETOR	PART NUMBER	DESCRIPTION
2	B8A 9585-F	Plate (throttle)-primary
2	B8A 9585-G	Plate (throttle)-secondary
8	B7A 9586-E	Screw (throttle plate)-No. 8-32 x .42" oval head-tubular
2	B9A 9586-A	Screw (choke plate)-No. 6-32 oval hd.
1	B8AZ 9A592-B	Lever & shaft (second. throttle plate)
1	B8A 9596-A	Rod (secondary diaphragm control)
1	C0ME 9597-A	Cam (fast idle)
1	B8A 9598-A	Rod (choke shaft)
1	353610-S8 (NN126)	Retainer (rod to choke shaft lever)-spring type-.44" long
2	359555-S(XX50)	Washer (fast idle rod seal)-No. 8-flat
2	B7AZ 9599-A	Retainer (float lever shaft)-.37" I.D.
1	B8A 9636-A	Spring (pump lever return)
1	B8AZ 9A753-A	Shaft & lever (choke housing)
1	B7AZ 9812-A	Spacer (thermo. choke shaft)
1	B6A 9842-A	Clamp (thermostatic choke housing)
1	B8A 9844-A	Plate (thermostatic choke housing)
1	B9AE 9848-B	Housing (choke thermostat)-identified by "TD" on cover
1	B8A 9849-B	Housing & plugs (choke)
3	*31165-S8	Screw (choke control housing to body)-No. 8-32 x 1 5/8" fillister head
3	359113-S(XX46)	Washer-No. 8-flat
3	34802-S7(X59)	Lockwasher-No. 8

**CARBURETOR PART No. B9AE 9510-B**

1	B8A 9502-F	Gasket set
1	B8AZ 9A586-C	Kit (tune up)
1	B8AZ 9590-F	Repair kit
1	358165-S(II-65)	Connector (distributor vacuum tube to carb.)-1/8" pipe thread
1	C1AE 9B501-A	Seal (choke rod)
1	B8AZ 9A506-A	Lever (accelerator pump operating)
1	370050-S2 (BB537)	Screw (accelerator pump lever adjusting)-No. 10-32 x .50" hex. head slotted
1	370052-S2 (MM219)	Sleeve-nut (accelerator pump lever adjusting)-No. 10-32 x .26"
1	B8AZ 9A507-C	Bowl & plugs (float primary)-use with B8A 9528-B
4	359747-S2 (BB809)	Screw (fuel bowl & plugs to carb. main body)-No. 12-24 x 2.56"
1	B9AE 9A511-D	Body & plugs (main metering)
1	B7AZ 9B511-A	Weight (pump discharge ball)
1	B9AE 9512-F	Body (main)
1	B7AZ 9A515-B	Rod (accel. pump link to vent lever)
1	B7A 9516-A	Gasket (throttle body to main body)
1	B9TE 9A516-A	Valve (accel. pump discharge needle)
1	B9AE 9518-A	Body and shaft (throttle)
AR	359736-S2(BB67)	Screw & washer (throttle body to main body)-No. 12-24 x .81" fillister head
1	B9TZ 9A518-A	Gasket (main metering body)-primary
1	B7AZ 9A519-A	Spring (float)

**CARBURETOR SERVICE PARTS LIST No. 97 - continued**

QTY. PER CARBU-RETOR	PART NUMBER	DESCRIPTION
1	B9AE 9850-B	Control (thermostatic choke)-identified by "TD" on cover
3	*31165-S8	Screw (choke control to body)-No. 8-32 x 1 5/8" fillister head
3	34805-S8(X62)	Lockwasher-1/4"
1	B8A 9853-A	Gasket (thermostatic choke housing)
1	B8A 9861-A	Shield (choke thermostat)
1	43248-S8(U72)	Screw & washer (shield to housing)-No. 8-32 x 3/8" fillister head
1	C1AE 9871-A	Gasket (thermostatic choke housing)
1	B8AZ 9919-A	Lever (accel. pump overtravel) - service pkg. includes (1) C3AZ - 9F569-A bushing
1	374035-S(XX13C)	Retainer (pump overtravel lever to throttle shaft)-"C" washer
1	B7A 9930-A	Cover (economizer valve)
4	34802-S7(X59)	Lockwasher-No. 8
4	31061-S8(U50)	Screw (economizer valve cover to main body)-No. 8-32 x 1/2" fill. hd.
1	B7A 9938-A	Screen (filter)
2	B7A 9974-B	Screw (fuel level inspection)
1	B7AZ 9992-A	Bearing (choke shaft)
1	B8A 9997-A	Tube (secondary throttle control vacuum)-standard size-use with new 9984 horn only
1	B8A 9997-B	Tube (secondary throttle control vacuum)-.002" O.S. -use as service replacement for B8A 9997-A tube only

**CARBURETOR SERVICE PARTS LIST No. 98**

1	B2TZ 9A520-A	Adaptor (fuel inlet)-27/32" overall length-has compression type seal
1	B7AZ 9526-B	Cam (accelerator pump diaphragm operating)
1	*33174-S	Screw (cam to throttle shaft & lever)-No. 6-20 x 3/8" pan head slotted-tapping
1	B8A 9528-B	Kit (accelerator pump cover)-consists of the following - 1-B8A 9528-B Cover, 4-43250-S Screw & washer & 4-359757-S2 Screw & washer
4	43255-S8(U74)	Screw & washer (accel. pump cover) - No. 8-32 x 5/8" fillister hd. - used to attach B8A 9528-B cover to B8A 9559-D, E float bowl
2	86H 9533	Jet (main metering) No. 52 - 0 to 5,000 ft. altitude
1	B7AZ 9A535-C	Lever (fast idle pick up)
1	B7A 9538-A	Lever (fast idle adjusting)
2	B7A 9541-A	Needle (idle adjusting)
1	B7A 9545-B	Plate (choke)-R. H.
1	B7A 9546-B	Shaft and lever (choke)
1	B7A 9557-B	Valve (float bowl vent)
1	C0AE 9B559-D	Diaphragm (accelerator pump)
1	B7A 9560-B	Spring (pump chamber vent operating rod)
1	351826-S(XX2)	Retainer (operating rod spring)

continued on next page

## CARBURETOR PART No. B9AE 9510-B

QTY. PER CARBU-RETOR	PART NUMBER	DESCRIPTION
1	B8A 9561-C	Gasket (float bowl)-primary
1	B7T 9562-A	Plug (float housing fuel level check)-5/16"-24 x 1/4" slotted
1	B8A 9564-C	Valve & seat (fuel inlet)
1	B7TZ 9A565-A	Economizer-stamped No.65
1	B2A 9568-B	Retainer (pump operating lever)-split
1	359528-S7(XX7)	Retainer (air vent valve)
1	B7AZ 9B569-A	Spring (fast idle cam lever)
1	B7A 9571-A	Spring (pump lever adjusting screw)
1	B8A 9576-A	Ball (inlet)
1	B8A 9577-B	Nozzle (pump discharge)
1	*50420-S7	Screw (pump discharge nozzle)-No.12-24 x 3/4" oval head
1	B8A 9578-B	Spring (throttle stop screw)-4 1/2 coils-.20" I.D. -.58" long
1	40 9578	Spring (fast idle adjusting lever)
2	B7AE 9580-A	Gasket(pump discharge nozzle & pump discharge screw)
1	B9AE 9581-A	Shaft & lever (throttle)
1	370049-S(BB33)	Screw (fast idle adjusting)-No.8-32 x .50" fillister head
2	B7A 9585-C	Plate (throttle)
4	B8A 9586-A	Screw (throttle plate)
2	B9A 9586-A	Screw (choke plate)-No.6-32 oval hd.
1	B7AZ 9A588-A	Gasket (economizer)
1	*A8AZ 9A588-A	Gasket (fuel level check plug) - serviced in kit 9502

## CARBURETOR PART No. COAE 9510-J

1	C2SZ 9502-A	Gasket set
1	C2SZ 9A586-A	Kit (tune up)
1	C2SZ 9590-A	Repair kit
1	358165-S(II-65)	Connector (distributor vacuum tube to carb.)-1/8" pipe thread
1	370875-S8B(UU23)	Screw (to set secondary idle air flow)-No. 10-32 set
4	*88391-S8	Stud-5/16"-18-24 x 1.50"
4	351089-S8(MM20)	Nut-5/16"-24
4	34806-S7(X64)	Lockwasher-5/16"
1	B7AZ 9B501-A	Seal (fast idle rod)
1	B8A 9503-B	Diaphragm (secondary throttle)
1	B8AZ 9B504-D	Spring (secondary throttle diaphragm return)-6 coils-1.05" O.D. -.31" I.D.
1	B8A 9507-A	Cover (secondary throttle diaphragm)
4	43395-S8(U75)	Screw & washer assy. (diaphragm cover to carb.)-No. 8-32 x 3/4"
1	COAE 9B511-A	Weight (pump discharge ball)-.125" O.D. -.88" long
1	C3AZ 9B511-A	Weight (pump discharge ball) -.202" O.D. -.56" long
1	C1AZ 9512-C	Body (main)
4	359409-S(PP59)	Plug (to plug drill passages in main body)-5/16"
1	371350-S(AA4)	Ball (accelerator pump inlet passage)-3/16" steel
1	359353-S(PP58)	Plug (to plug hole from bowl to accelerator pump)-1/8" cup
1	371350-S(AA4)	Ball (accel. pump discharge valve)-3/16" steel
1	B8AZ 9A523-F	Support (booster venturi)-secondary
1	38294-S8(U141)	Screw (venturi secondary support to carb.)-1/4"-20 x 1" pan head

Δ Serviced in 9502 kit only

## CARBURETOR SERVICE PARTS LIST No. 98 - continued

QTY. PER CARBU-RETOR	PART NUMBER	DESCRIPTION
4	B7A 9592-A	Gasket (float bowl screw)
1	B8A 9597-B	Cam (fast idle)
1	B8AZ 9599-A	Retainer (float lever shaft)
1	B7AZ 9A599-B	Rod (choke control)
2	353610-S8(NN126)	Retainer (rod to carburetor)
2	B7A 9634-A	Seal (idle adjusting needle)
1	B7A 9636-B	Spring (accel. pump diaphragm return)
1	B7AZ 9A753-B	Shaft & lever (choke housing)
1	B5AZ 9812-A	Spacer (secondary throttle plate control lever)
1	B7A 9840-B	Piston (automatic choke)
1	355829-S7(MM15)	Nut (piston to choke housing)-No.8-36
1	34802-S7(X59)	Lockwasher-No.8
1	B6A 9842-A	Clamp (thermostatic choke housing)
3	31061-S8(U50)	Screw (clamp housing)-No.8-32 x 1/2"
3	34802-S7(X59)	Lockwasher-No.8
1	B8A 9848-E	Housing (choke thermostat)
1	B7A 9849-B	Housing & plugs (choke)
3	359737-S(BB59)	Screw & washer (choke housing to main body)-No.8-32 x 1.25"
2	B7A 9853-B	Gasket (choke thermostatic control)
1	B7A 9871-B	Gasket (thermostatic choke housing)
1	B7A 9938-B	Screen (filter)-with retainer
Δ 1	B2AZ 9945-A	Gasket (fuel inlet seat screw) -.32" I.D. -.428" O.D. -.031" thick

## CARBURETOR SERVICE PARTS LIST No. 99

1	COKE 9A523-C	Support (booster venturi)-primary-identified by letter "A"
1	COAZ 9524-A	Horn (air)-less shaft -use with C2AZ 9545-A plate only
8	43256-S8	Screw & washer (horn & plugs to main body)-No.10-32 x 5/8"
1	B8A 9528-A	Cover (accelerator pump)-less link
4	43255-S8(U74)	Screw & washer (cover to carb.)-No. 8-32 x 5/8"
1	COAE 9529-A	Link (accelerator pump)
1	353847-S8(NN109)	Pin (accelerator pump link to cover)-.187" x .50" diameter roll
1	C1AE 9D530-A	Rod (fast idle cam)
2	351825-S	Retainer (fast idle cam rod) - "C" - washer
2	06H 9533	Jet (main metering)-primary No. 54 - 0 to 5,000 ft. altitude
2	86H 9533	No. 52 - 5,000 to 10,000 ft. altitude
2	78 9533-A	No. 50 - 10,000 to 15,000 ft. altitude
2	5GA 9533-B	Jet (main metering)-secondary No. 63 - 0 to 5,000 ft. altitude
2	B4Q 9533-A	No. 61 - 5,000 to 10,000 ft. altitude
2	B4Q 9533-B	No. 59 - 10,000 to 15,000 ft. altitude
1	B8AZ 9A535-A	Bellcrank (fast idle)
1	*31077-S8	Screw (bellcrank choke adjusting lever to shaft)-No.8-32 x 5/8" fillister head
1	44710-S8(X10)	Washer - No.8 flat
1	34052-S7(M155)	Nut - No.8-32 hex.
2	B8AZ 9A536-A	Gasket (booster venturi support)

continued on next page

**CARBURETOR PART No. COAE 9510-J**

QTY. PER CARBU-RETOR	PART NUMBER	DESCRIPTION
1	B9A 9538-A	Lever (fast idle adjusting)
1	372216-S8B (BB37)	Screw (fast idle adjusting)-No.10-32 x .94" fillister head
1	34079-S7(M163)	Nut (lever to throttle shaft)-No.10-32 hex.
1	34903-S8(X96)	Lockwasher-No. 10
1	B8AZ 9A538-A	Spring (accel. pump over travel)
2	C1AE 9541-C	Needle (idle adjusting)
1	B8AZ 9D541-A	Lever (choke housing)
1	C0AZ 9B542-A	Rod (accel. pump link to throttle lever)-service pkg. includes (5) pieces 375894-S7 clip
1	353610-S8 (NN126)	Retainer (accel. pump link to lever)-spring-.55" long
1	C2AZ 9545-A	Plate (choke) - use with COAZ 9524-A horn only
1	B7A 9546-A	Shaft and lever (choke)
1	C0ME 9549-A	Plate (choke)
2	C0AE 9550-A	Float
2	B8A 9558-A	Pin (float hinge)
1	C2AZ 9B559-A	Diaphragm (accelerator pump)
1	C2AZ 9561-A	Gasket (float bowl)-replaced by C2SZ 9561-A (10-63)
1	C2SZ 9561-A	Gasket (float bowl)
1	B7A 9563-A	Gasket (economizer cover)
2	C2AZ 9564-B	Valve & seat (fuel inlet)-includes (1) B7A 9569-A gasket & (1) C1AZ 9599-A retainer
1	C0AZ 9A565-A	Economizer 0 to 5,000 ft. altitude
1	C3AZ 9A565-D	Economizer-Identified by yellow dye on body 5,000 to 10,000 ft. altitude
1	C0AE 9A565-C	Economizer-identified by No. 55 on O. D. 10,000 to 15,000 ft. altitude
2	B7A 9569-A	Gasket (float valve seat)
1	B8A 9575-A	Retainer (accel. pump check valve)-1/4"-28 thread
1	B8AZ 9575-B	Retainer (secondary vacuum control valve spring)-.133" O. D. x .06" thick
1	373025-S(XX97)	Washer (accel. pump valve return gasket)-1/4" flat
1	374818-S(XX97A)	Washer (accel. pump valve return gasket)-1/4" flat
1	78 9576	Ball (secondary vacuum check valve)-1/8" diameter
1	C0AZ 9577-A	Screw (pump discharge nozzle)
1	374370-S(XX94A)	Washer-1/4" flat (buna coated alum.)
1	B8A 9578-A	Spring (secondary vacuum control valve)-16 coils-.11" O. D.-.375" long
1	355107-S7 (BB536)	Screw (normal idle adjusting)-No.10-32 x 1" special hex. head slotted
1	B8A 9578-B	Spring (fast idle adjusting lever)-4 1/2 coils-.20" I. D.-.58" long
2	40 9578	Spring (idle adjusting needle)
1	B9A 9579-B	Pin (fast idle adjusting lever)
1	B8A 9581-C	Shaft & lever (throttle)
1	B8A 9583-A	Lever (secondary throttle diaphragm)
1	353848-S8(NN71)	Pin-spring-3/16" x 11/16" (throttle diaphragm lever to carburetor)
2	B8A 9585-F	Plate (throttle)-primary
2	B8A 9585-G	Plate (throttle)-secondary

**CARBURETOR SERVICE PARTS LIST No. 99 - continued**

QTY. PER CARBU-RETOR	PART NUMBER	DESCRIPTION
8	B7A 9586-E	Screw (throttle plate)-No.8-32 x .42" oval head-tubular
2	B9A 9586-A	Screw (choke plate)-No.6-32 oval hd.
1	C2AZ 9A588-B	Gasket (economizer)
1	C0ME 9A590-B	Spring (thermostatic choke)
1	B8AZ 9A592-B	Lever & shaft (second. throttle plate)
1	B8A 9596-A	Rod (secondary diaphragm control)
1	C0ME 9597-A	Cam (fast idle)
1	B8A 9598-A	Rod (choke shaft)
1	353610-S8 (NN126)	Retainer (rod to choke shaft lever)-spring type-.44" long
2	359555-S(XX50)	Washer (fast idle rod seal)-No.8-flat
2	B7AZ 9599-A	Retainer (float lever shaft)-.37" I. D.
1	B8A 9636-A	Spring (pump lever return)
1	C2AZ 9A753-A	Shaft & lever (choke housing)
1	353862-S8(XX10)	Retainer (shaft & lever to choke housing)-"C" washer
1	355829-S7(MM15)	Nut (shaft & lever to housing)-No.8-36 hex.
1	34802-S7(X59)	Lockwasher-No.8
1	C2AZ 9A756-A	Liner (thermostatic choke lever bushing)
1	C0ME 9A757-A	Lever & bushing (thermostatic choke)
1	358662-S(XX87)	Washer (choke housing bushing thrust)-1/4"
1	B7AZ 9812-A	Spacer (thermostatic choke shaft)
1	B6A 9842-A	Clamp (thermostatic choke housing)
3	31061-S8(U50)	Screw (clamp housing)-No.8-32 x 1/2"
3	34802-S7(X59)	Lockwasher-No.8
1	C0AE 9848-B	Housing (choke thermostat)-service pkg. includes (1) C1AE 9871-A gasket
1	C0AE 9849-B	Housing & plugs (choke)
3	*31165-S8	Screw (choke control housing to body)-No.8-32 x 1 5/8" fillister head
3	359113-S(XX46)	Washer-No.8-flat
3	34802-S7(X59)	Lockwasher-No.8
1	C0AE 9850-E	Control (thermostatic choke)-identified by "TK" on cover-service pkg. includes (1) B8A 9853-A gasket
1	B8A 9853-A	Gasket (thermostatic choke housing)
1	B8A 9861-A	Shield (choke thermostat)
1	43248-S8(U72)	Screw & washer (shield to housing)-No.8-32 x 3/8" fillister head
1	C1AE 9871-A	Gasket (thermostatic choke housing)
1	B8AZ 9919-A	Lever (accel. pump overtravel) - service pkg. includes (1) C3AZ - 9F569-A bushing
1	374035-S(XX13C)	Retainer (pump overtravel lever to throttle shaft)-"C" washer
1	B7A 9930-A	Cover (economizer valve)
4	34802-S7(X59)	Lockwasher-No.8
4	31061-S8(U50)	Screw (economizer valve cover to main body)-No.8-32 x 1/2" fill. hd.
1	B7AZ 9992-A	Bearing (choke shaft)
1	B8A 9997-A	Tube (secondary throttle control vacuum)-standard size-use with new air horn only
1	B8A 9997-B	Tube (secondary throttle control vacuum)-.002" O. S. -use as service replacement for B8A 9997-A tube only

## CARBURETOR PART No. COAE 9510-M

QTY. PER CARBU-RETOR	PART NUMBER	DESCRIPTION
1	C2OZ 9502-B	Gasket set
1	C2OZ 9A586-B	Kit (tune up)
1	C2OZ 9590-C	Repair kit
1	358165-S(II-65)	Connector (distributor vacuum tube to carb.)-1/8" pipe thread
4	★88391-S8	Stud-5/16"-18-24 x 1.50"
4	351089-S8(MM20)	Nut-5/16"-24
4	34806-S7(X64)	Lockwasher-5/16"
1	B7AZ 9B501-A	Seal (fast idle rod)
1	C3AZ 9B511-A	Weight (pump discharge ball) - .202" O. D. - .56" long
1	COAE 9512-B	Body (main)-use with tag code DBA0AA & DBA0BA
1	COAE 9512-K	Body (main)-except with tag codes DBA0AA & DBA0BA
2	359409-S(PP59)	Plug (to plug drill passages in main body)-5/16"
1	371350-S(AA4)	Ball (accelerator pump inlet passage)-3/16" steel
1	359353-S(PP58)	Plug (to plug hole from bowl to accelerator pump)-1/8" cup
1	COKE 9A523-A	Support (booster venturi)-identified by letter "D"-use with tag codes DBA0AA, DBA0BA
1	CIAZ 9A523-A	Support (booster venturi)-except with tag codes DBA0AA & DBA0BA
1	371350-S(AA4)	Ball (accel.pump discharge valve)-3/16" steel
1	COAZ 9524-B	Horn (air)-less shaft-use with C2AZ 9545-A plate only
4	43256-S8	Screw & washer (horn & plugs to main body)-No.10-32 x 5/8"
1	B8A 9528-A	Cover (accelerator pump)-less link
4	43255-S8(U74)	Screw & washer (cover to carb.)-No. 8-32 x 5/8"
1	COAE 9529-A	Link (accelerator pump)
1	353847-S8 (NN109)	Pin (accelerator pump link to cover)-.187" x .50" diameter roll
1	C1AE 9D530-A	Rod (fast idle cam)
2	351825-S(XX9)	Retainer (fast idle cam rod)-"C" washer
2	78 9533-B	Jet (main metering)-tag code DBA0AA No. 48 - 0 to 5,000 ft. altitude
2	78 9533-C	No. 46 - 5,000 to 10,000 ft. altitude
2	922A 9533-A	No. 43 - 10,000 to 15,000 ft. altitude
2	59A 9533-C	Jet (main metering)-tag code DBA0AB and DBA0AC No. 47 - 0 to 5,000 ft. altitude
2	59A 9533-D	No. 45 - 5,000 to 10,000 ft. altitude
2	B7A 9533-B	No. 44 - 10,000 to 15,000 ft. altitude
1	B8AZ 9A535-A	Bellcrank (fast idle)
1	★31077-S8	Screw (bellcrank choke adjusting lever to shaft)-No.8-32 x 5/8" fillister head
1	44710-S8(X10)	Washer - No.8 flat
1	34052-S7(M155)	Nut-No. 8-32 hex.

## CARBURETOR SERVICE PARTS LIST No. 100

QTY. PER CARBU-RETOR	PART NUMBER	DESCRIPTION
1	B8AZ 9A536-A	Gasket (booster venturi support)
1	B9A 9538-A	Lever (fast idle adjusting)
1	372216-S8B (BB37)	Screw (fast idle adjusting)-No.10-32 x .94" fillister head
1	34079-S7(M163)	Nut (lever to throttle shaft)-No.10-32 hex.
1	34903-S8(X96)	Lockwasher-No.10
1	B8AZ 9A538-A	Spring (accel.pump over travel)
2	C1AE 9541-C	Needle (idle adjusting)
1	B8AZ 9D541-A	Lever (choke housing)
1	COAZ 9B542-A	Rod (accel.pump link to throttle lever)-service pkg. includes (5) pieces 375894-S7 clip
1	353610-S8 (NN126)	Retainer (accel.pump link to lever)-spring-.55" long
1	C2AZ 9545-A	Plate (choke)-use with COAZ 9524-B horn only
1	B7A 9546-A	Shaft and lever (choke)
1	COME 9549-A	Plate (choke)
1	COAE 9550-A	Float
1	B8A 9558-A	Pin (float hinge)
1	C2AZ 9B559-A	Diaphragm (accelerator pump)
1	★C2AZ 9561-B	Gasket (float bowl)-repl. by C2OZ - 9561-A (10-63)
1	C2OZ 9561-A	Gasket (float bowl)
1	B7A 9563-A	Gasket (economizer cover)
1	C2AZ 9564-B	Valve & seat assy. (fuel inlet)-includes (1) B7A 9569-A gasket and (1) C1AZ 9599-A retainer
1	COAZ 9A565-B	Economizer-identified by green dye on body 0 to 5,000 ft. altitude
1	C3AZ 9A565-D	Economizer-identified by yellow dye on body 5,000 to 10,000 ft. altitude
1	COAE 9A565-C	Economizer-identified by No. 55 on O. D. 10,000 to 15,000 ft. altitude
1	B7A 9569-A	Gasket (float valve seat)
1	B8A 9575-A	Retainer (accel.pump check valve)-1/4"-28 thread
1	373025-S(XX97)	Washer (accel.pump valve return gasket)-1/4" flat
1	374818-S(XX97A)	Washer (accel.pump valve return gasket)-1/4" flat
1	COAZ 9577-A	Screw (pump discharge nozzle)
1	374370-S(XX94A)	Washer-1/4" flat (buna coated alum.)
1	B8A 9578-B	Spring (fast idle adjusting lever)-4 1/2 coils-.20" I.D.-.58" long
2	40 9578	Spring (idle adjusting needle)
1	355107-S7 (BB536)	Screw (normal idle adjusting)-No.10-32 x 1" special hex. head slotted
1	B9A 9579-A	Pin (fast idle adjusting lever)
1	B8A 9581-B	Shaft & lever (throttle)
2	B8A 9585-E	Plate (throttle)-primary
4	B7A 9586-E	Screw (throttle plate)-No. 8-32 x .42" oval head-tubular
2	B9A 9586-A	Screw (choke plate)-No. 6-32 oval hd.

continued on next page

**CARBURETOR PART No. COAE 9510-M**

QTY. PER CARBU-RETOR	PART NUMBER	DESCRIPTION
1	C2AZ 9A588-B	Gasket (economizer)
1	COME 9A590-B	Spring (thermostatic choke)
1	COME 9597-A	Cam (fast idle)
1	351825-S(XX9)	Retainer (fast idle cam)-"C" washer
1	B8A 9598-A	Rod (choke shaft)
1	353610-S8 (NN126)	Retainer (rod to choke shaft lever)-spring type-.44" long
2	359555-S(XX50)	Washer (fast idle rod seal)-No.8-flat
1	B7AZ 9599-A	Retainer (float lever shaft)-.37" I.D.
1	B8A 9636-A	Spring (pump lever return)
1	C2AZ 9A753-A	Shaft & lever (choke housing)
1	353862-S8(XX10)	Retainer (shaft & lever to choke housing)-"C" washer
1	355829-S7(MM15)	Nut (shaft & lever to housing)-No.8-36 hex.
1	34802-S7(X59)	Lockwasher-No.8
1	C2AZ 9A756-A	Liner (thermostatic choke lever bushing)
1	COME 9A757-A	Lever & bushing (thermostatic choke)
1	358662-S(XX87)	Washer (choke housing bushing thrust)-1/4"
1	B7AZ 9812-A	Spacer (thermostatic choke shaft)
1	B6A 9842-A	Clamp (thermostatic choke housing)
1	COAE 9848-B	Housing (choke thermostat)-service pkg. includes (1) C1AE 9871-A gasket

**CARBURETOR PART No. COAE 9510-U**

1	B8A 9502-C	Gasket set
1	C2AZ 9A586-B	Kit (tune up)
1	C1AZ 9590-A	Repair kit
1	354582-S(II-73)	Connector (carb. to tube assy.)-5/16" flared tube
2	374166-S(PP23A)	Plug (pump valve retainer)-1/4"-32"
2	359524-S(WW28)	Stud (carb. to intake & exhaust manifold)-3/8"-16-24 x 1.30"
2	33925-S7(M33)	Nut-3/8"-24
2	34807-S8(X66)	Lockwasher-3/8"
1	COAZ 9A507-A	Bowl & plugs (float)-metal
4	★31644-S7	Screw (bowl to main body)-No. 10-32 x 3/4" fill. hd.
4	34803-S7(X60)	Lockwasher-No. 10
1	B9AE 9B511-A	Weight (pump discharge ball)
1	B8A 9512-L	Body (main)
1	B8A 9516-C	Gasket (throttle body to main body)
1	B9TZ 9518-D	Kit (throttle body assy.)
@1	COAE 9529-C	Link (accelerator pump)
2	353610-S8(NN126)	Retainer (accel. pump link)-.44" long
1	IGA 9533-B	Jet (main metering)-with S/T & O/D No. 62 - 0 to 5,000 ft. altitude
1	IGA 9533-C	No. 60 - 5,000 to 10,000 ft. altitude
1	78 9533-E	No. 56 - 10,000 to 15,000 ft. altitude
1	IGA 9533-C	Jet (main metering)-with F/M No. 60 - 0 to 5,000 ft. altitude
1	78 9533-F	No. 58 - 5,000 to 10,000 ft. altitude
1	78 9533-F	No. 58 - 10,000 to 15,000 ft. altitude

@ Serviced in 9590 kit only

**CARBURETOR SERVICE PARTS LIST No. 100 - continued**

QTY. PER CARBU-RETOR	PART NUMBER	DESCRIPTION
1	COAE 9849-A	Housing & plugs (choke)
3	★31165-S8	Screw (choke control housing to body)-No.8-32 x 1 5/8" fillister head
3	359113-S(XX46)	Washer-No.8-flat
3	34802-S7(X59)	Lockwasher-No. 8
1	COAE 9850-C	Control (thermostatic choke)-identified by "TK" on cover-service pkg. includes (1) B8A 9853-A gasket
1	B8A 9853-A	Gasket (thermostatic choke housing)
1	B8A 9861-A	Shield (choke thermostat)
1	43248-S8(U72)	Screw & washer (shield to housing)-No.8-32 x 3/8" fillister head
1	C1AE 9871-A	Gasket (thermostatic choke housing)
1	B8AZ 9919-A	Lever (accel. pump overtravel) - service pkg. includes (1) C3AZ - 9F569-A bushing
1	374035-S(XX13C)	Retainer (pump overtravel lever to throttle shaft)-"C" washer
1	B7A 9930-A	Cover (economizer valve)
4	31061-S8(U50)	Screw (economizer valve cover to main body)-No.8-32 x 1/2" fill. hd.
4	34802-S7(X59)	Lockwasher-No.8
1	B7AZ 9992-A	Bearing (choke shaft)

**CARBURETOR SERVICE PARTS LIST No. 102**

1	B7A 9541-D	Needle (idle adjusting)
1	COAE 9B544-B	Piston (accel. pump)-includes gasket
1	EAA 9546-C	Shaft and lever (choke)
1	★37611-S7	Screw (choke shaft & lever)-No. 8-32 x 1/4"
1	★EAA 9549-A	Plate (choke)
1	C2AZ 9550-A	Float assy.
1	★B2A 9551-A	Pin (choke plate distributor)-3/32" x 1.12"-split
1	C1AE 9558-A	Pin (float hinge)
1	B2AZ 9561-A	Gasket (float bowl)-3.81" long - 2.19" wide - use with glass bowl only
1	C2AZ 9561-C	Gasket (float bowl)
1	CODE 9564-B	Valve & seat (fuel inlet)-replaced by C2AZ 9564-C (6-62)
1	C2AZ 9564-C	Valve & seat (fuel inlet)
1	B2AZ 9A565-A	Economizer
3	31061-S8(U50)	Screw (valve to main body)-No. 8-32 x 1/2"
3	34802-S7(X59)	Lockwasher-No. 8
1	B2A 9568-B	Retainer (pump operating lever)-split
1	EAA 9569-A	Gasket (float valve seat)-.32" I.D. -.52" O.D. -.031" thick
1	B8AZ 9B572-A	Valve (spark control)-stamped No. 55
1	B2A 9574-B	Screw (discharge nozzle)-No. 10-32 x .64" fillister head
1	EAA 9576-A	Ball (accelerator pump check)
2	78 9576	Ball (accelerator pump check)-1/8" diameter

continued on next page

## CARBURETOR PART No. COAE 9510-U

QTY. PER CARBU-RETOR	PART NUMBER	DESCRIPTION
1	EAA 9577-B	Nozzle (pump discharge)
1	B8A 9578-B	Spring (throttle adjusting screw)- 4 1/2 coils-.20" I.D. -.58" long
1	40 9578	Spring (idle adjusting needle)
1	★31644-S7	Screw (throttle adjusting) No. 10-32 x 3/4" fillister head
1	EAA 9580-A	Gasket (pump discharge nozzle)- .20" I.D. x .32" O.D. -.03" thick- serviced in kit 9502
1	B6A 9581-B	Shaft & lever (throttle)
1	COAZ 9583-A	Lever (accel. pump piston)-nylon
1	★B4A 9585-A	Plate (throttle)
2	★31036-S8	Screw (throttle plate)- No. 6-32 x 5/16" fillister head
2	34937-S7(X84)	Lockwasher-No. 6-external tooth
2	B2A 9586-A	Screw (choke plate)
1	B2AZ 9A588-A	Gasket (economizer)-serviced in kit 9502
1	COAE 9A588-A	Gasket (spark valve)- .57" I.D. -.75" O.D. -.015" thick
1	B8A 9594-B	Jet & main well (power)- stamped 3315-A
3	★37643-S7	Screw (jet & main well to main body)- No. 6-32 x .44"
2	353799-S8	Screw (jet & main well to main body)- No. 6-32 x .75"
2	34801-S7(X58)	Lockwasher-No. 6

## CARBURETOR PART No. COAE 9510-Y

QTY. PER CARBU-RETOR	PART NUMBER	DESCRIPTION
1	COAZ 9502-C	Gasket set
1	C2AZ 9590-B	Repair kit
1	354582-S(II-73)	Connector (carb. to tube ass'y.)- 5/16" flared tube
2	374166-S(PP23A)	Plug-1/4"-32-for dist. passage when tube 12226 is not used
1	B1AZ 9B502-A	Screw (dashpot & throttle lever adj.)- not supplied with carb., order separately
1	B2AZ 9B502-A	Screw (dashpot operating lever)- No. 8-32 x .59" slotted binding head- not supplied with carb., order separately
1	34803-S7(X60)	Lockwasher-No. 10-not supplied with carb., order separately
1	34079-S7(M163)	Nut-No. 10-32-not supplied with carb., order separately
1	COAZ 9A507-A	Bowl & plugs assy. (float)-metal bowl
4	★31644-S7	Screw (bowl to main body)-No. 10-32 x 3/4" fillister head
4	34803-S7(X60)	Lockwasher-No. 10
1	B9AE 9B511-A	Weight ( pump discharge ball)
1	B9AE 9512-G	Body ass'y. (main)
1	B8A 9516-C	Gasket (throttle body to main body)
Δ	Serviced in 9502 kit only	

## CARBURETOR SERVICE PARTS LIST No. 102 - continued

QTY. PER CARBU-RETOR	PART NUMBER	DESCRIPTION
1	1CM 9681-A	Ball (throttle lever)
1	34079-S7(M163)	Nut (throttle lever ball)-No. 10-32 hex.
1	34803-S7(X60)	Lockwasher-No. 10
1	8BA 9792	Clamp (choke control bracket)
1	31061-S8(U50)	Screw (choke control bracket clamp)- No. 8-32 x 1/2"
1	34052-S7(M155)	Nut-No. 8-32
1	EAA 9796-A	Bracket (choke control)
1	★31596-S7	Screw & lockwasher (choke bracket)- No. 10-32 x 3/8"
1	B2A 9808-A	Retainer (float)-use with glass bowl only
4	B2A 9809-A	Clamp (float bowl retainer)-use with glass bowl only
4	★31644-S7	Screw (clamp)-No. 10-32 x 3/4" fillister head
4	34803-S7(X60)	Lockwasher-No. 10
1	B2A 9827-A	Gasket (fuel inlet fitting)
1	★B2A 9930-B	Cover (economizer valve)
1	B8A 9934-A	Sleeve (pump push rod)
1	EAA 9935-B	Spring (accel. pump rod plunger)- .27" O.D. -13 coils-1.34" long
1	EAA 9936-A	Spring (accelerator pump diaphragm return)-cone shaped-8 coils
Δ1	B2AZ 9945-A	Gasket (fuel inlet seat screw) - .32" I.D. - .428" O.D. -.031" thick

## CARBURETOR SERVICE PARTS LIST No. 103

QTY. PER CARBU-RETOR	PART NUMBER	DESCRIPTION
1	COAE 9518-F	Body & shaft ass'y. (throttle)
2	350276-S7(BB19)	Screw (throttle body to main body)- 1/4"-28 x 1 3/16" fillister head
2	34805-S8(X62)	Lockwasher-1/4"
1	COAE 9529-B	Link (accelerator pump)
2	353610-S8(NN126)	Retainer (spring type)-.44" long
1	59A 9533-C	Jet (main metering)- No. 47-0 to 5,000 ft. alt.
1	78 9541-B	Needle (idle adjusting)-1 3/16" long
1	COAE 9B544-B	Piston assy. (accelerator pump)- includes gasket
1	B5A 9546-A	Shaft & lever assy. (choke)
1	★37611-S7	Screw (choke lever to shaft)- No. 8-32 x 1/4"-fillister head
1	B5A 9549-C	Plate assy. (choke)
2	372428-S (BB599)	Screw (choke plate to choke shaft & lever assy.)-No. 6-32 x 1/4" oval head
1	C1AZ 9B549-A	Dashpot assy. - not supplied with service carburetors. Order separately
1	34806-S7(X64)	Lockwasher-5/16"-not supplied with service carburetors. Order separately
1	33923-S7(M32)	Nut-5/16"-24-not supplied with service carburetors. Order separately

continued on next page



**CARBURETOR PART No. COAE 9510-Y**

QTY. PER CARBU-RETOR	PART NUMBER	DESCRIPTION
1	C2AZ 9550-A	Float assy.
1	B5A 9551-A	Pin (choke plate distributor)
1	C1AE 9558-A	Pin (float hinge)
1	B2AZ 9561-A	Gasket (float bowl retainer)-3.81" long-2.19" wide-use with glass bowl only
1	C2AZ 9561-C	Gasket (float bowl)
1	C2AZ 9564-C	Valve & seat assy. (fuel inlet)
1	B2A 9568-B	Retainer (pump operating lever)
1	EAA 9569-A	Gasket (float needle seat)
1	B2A 9574-B	Screw (discharge nozzle)-No. 10-32 x .64" overall length fillister head
1	EAA 9576-A	Ball (pump inlet)-.156" diameter
2	78 9576	Ball (pump discharge & push rod sleeve)-1/8" diameter
1	EAA 9577-B	Nozzle assy. (pump discharge)
1	B8A 9578-B	Spring (throttle adjusting screw)-4 1/2 coils-.20" I. D. -.58" long
1	40 9578	Spring (idle adjusting needle)
1	*31644-S7	Screw (throttle adjusting)-No. 10-32 x 3/4" fillister head
1	EAA 9580-A	Gasket (discharge pump nozzle)-.20" I. D. x .32" O. D. -.03" thick
1	C0DE 9581-A	Lever and shaft assy. (primary throttle)
1	C0AZ 9583-A	Lever (accel. pump piston)-nylon
1	*B4A 9585-A	Plate (throttle)
2	B9A 9586-A	Screw (throttle plate)-No. 6-32 x .31" oval head
1	B2AZ 9A588-A	Gasket (economizer valve)
1	B5A 9594-D	Jet & main well assy. ( power)
3	*37643-S7	Screw (jet & main well to main body)-No. 6-32 x 7/16" fillister head
2	353799-S8	Screw (jet & main well to main body)-No. 6-32 x .75" fillister head
	34801-S7(X58)	Lockwasher-No. 6

**CARBURETOR PART No. COLE 9510-A**

1	C0SZ 9502-A	Gasket set
1	C0SZ 9A586-A	Kit (tune up)
1	C0SZ 9590-A	Repair kit
4	*88391-S8	Stud-5/16"-18-24 x 1.50"
4	351089-S8(MM20)	Nut-5/16"-24
4	34806-S7(X64)	Lockwasher-5/16"
1	358165-S(H-65)	Connector (distributor vacuum tube to carb.)-1/8" pipe thread
2	370013-S(PP19)	Plug (fuel inlet passage)-.254"/.259" x 5/32"
2	359702-S(PP15)	Plug (choke passage plug in main body)-.134"/.138" x 5/32"-round head
1	C0ME 9C504-A	Rod (secondary throttle control)
1	359734-S(RR2)	Retainer (throttle operating rod)-spring-1/8"
1	C0ME 9C505-A	Lever (secondary throttle operating)
1	C0ME 9C506-A	Plate (secondary throttle lock-out)
2	C0LE 9B513-C	Piston (vacuum)
Δ Serviced in 9502 kit only		

**CARBURETOR SERVICE PARTS LIST No. 103 - continued**

QTY. PER CARBU-RETOR	PART NUMBER	DESCRIPTION
1	1CM 9681-A	Ball (rod to trans. control shaft lever)
1	34079-S7(M163)	Nut (throttle lever ball)-No. 10-32 hex.
1	34803-S7(X60)	Lockwasher -No. 10
1	8BA 9792	Clamp (choke control bracket)
1	31061-S8(U50)	Screw (bracket clamp)-No. 8-32 x 1/2" fillister head
1	34052-S7(M155)	Nut-No. 8-32
1	EAA 9796-A	Bracket (choke control)
1	*31596-S7	Screw & lockwasher (choke bracket)-No. 10-32 x 3/8"
1	B6A 9802-A	Lever (dashpot operating)-not supplied with carb., order separately
1	B2A 9808-A	Retainer (float bowl)-use with glass bowl only
4	B2A 9809-A	Clamp (float bowl retainer)-use with glass bowl only
4	*31644-S7	Screw (clamp)-No. 10-32 x 3/4"-fillister head
4	34803-S7(X60)	Lockwasher-No. 10
1	B2A 9827-A	Gasket (fuel inlet fitting)
1	*B2A 9930-B	Cover (economizer valve)
3	31061-S8(U50)	Screw (cover to main body)-No. 8-32 x 1/2"-fillister head
3	34802-S7(X59)	Lockwasher-No. 8
1	B8A 9934-A	Sleeve (pump push rod)
1	EAA 9935-B	Spring (accel. pump rod plunger)-.27" O. D. -1.34" long-13 coils
1	EAA 9936-A	Spring (accel. pump diaphragm return)-cone shaped-8 coils
Δ1	B2AZ 9945-A	Gasket (fuel inlet seat screw)-.32" I. D. -.428" O. D. -.031" thick

**CARBURETOR SERVICE PARTS LIST No. 105**

1	B7AZ 9A514-A	Lever (choke shaft)
1	B8AZ 9A514-A	Lever (choke counter shaft operating)
1	34126-S8B (M146)	Nut-(choke shaft lever to lever assy.)-No.8-32
1	359719-S7(BB71)	Screw (choke lever to shaft & lever assy.)-No.8-32 x 3/4" fillister washer head
1	B7AZ 9A516-A	Valve (accel.pump discharge needle)
2	B7AZ 9A517-B	Baffle (float bowl)
1	B7AZ 9A520-B	Adaptor (fuel inlet)
1	B9SZ 9A523-A	Support (venturi)-secondary-R.H.
1	B9SZ 9A523-C	Support (venturi)-secondary-L.H.
1	C0SZ 9A523-A	Support (venturi)-primary-L.H.
1	C0SZ 9A523-B	Support (venturi)-primary-R.H.
8	*43408-S7-8	Screw & washer (venturi to main body)-No.10-32 x 1" fillister head
1	COLE 9524-B	Horn & plugs (air)
8	370003-S8(BB75)	Screw & washer (air horn & plugs to main body)-No.10-32 x 11/16" fillister head
2	359711-S8(BB81)	Screw & washer (air horn & plugs to main body)-No.10-32 x 15/16"- (split ring)-(sheared end)

continued on next page

## CARBURETOR PART No. COLE 9510-A

QTY. PER CARBU-RETOR	PART NUMBER	DESCRIPTION
2	COME 9A526-A	Rod (metering)-0 to 5,000 ft. altitude
2	COLE 9A526-D	5,000 to 10,000 ft. altitude
2	COLE 9A526-E	10,000 to 15,000 ft. altitude
1	B9ME 9A527-A	Rod (dashpot connecting)
2	COLE 9A528-A	Jet (main)-secondary 0 to 10,000 ft. altitude
2	COLE 9A528-B	10,000 to 15,000 ft. altitude
1	B7AZ 9529-A	Link (accelerator pump)-identified by stamped No. 34A
1	B7A 9529-C	Arm (pump piston)
1	370007-S7(UU4)	Screw (pump piston arm to horn & plugs)-No. 8-32 x 45/64"
1	74271-S7(R1)	Retainer (accelerator pump piston arm to pump piston link)-spring-3/32"
1	COSZ 9531-A	Rod (pump operating)
1	359734-S(RR2)	Retainer (pump operating rod)-spring-1/8"
1	COLE 9B532-B	Compensator (hot idle)
2	COME 9533-A	Jet (main metering)-primary 0 to 5,000 ft. altitude
2	COME 9533-A	5,000 to 10,000 ft. altitude
2	COME 9533-A	10,000 to 15,000 ft. altitude
1	B9ME 9A534-A	Shaft, valve and weight (auxiliary throttle)
1	B9ME 9A535-A	Arm (throttle shaft)-inner
2	B7AZ 9A536-B	Gasket (booster venturi support)
2	B9ME 9A536-A	Gasket (venturi)-secondary
1	COLE 9A537-A	Arm (throttle control lever)
1	359709-S7 (BB823)	Screw (throttle shaft & lever to lever assy.)-No. 10-32 x 5/16" truss head
1	COLE 9A538-A	Spring (secondary throttle return)
2	B9LE 9541-A	Needle (idle adjusting)
1	B9ME 9A541-A	Cage (pump intake check ball)
1	B7AZ 9B544-A	Piston (accelerator pump)
1	B7A 9545-C	Plate (choke)-R. H.
1	B9S 9546-A	Lever (choke counter shaft)
1	B7A 9547-A	Shaft (choke)
1	B7AZ 9B547-A	Link (choke plate)
1	B7A 9548-A	Lever (choke plate operating)
2	B9LE 9550-A	Float
2	B7A 9558-C	Pin (float hinge)
1	B9AZ 9561-A	Gasket (main body cover plate)
1	COLE 9B561-A	Spring (secondary throttle override)
2	B9ME 9564-A	Valve & seat (fuel inlet)
1	B7A 9565-A	Retainer (pump operating rod)-used with B7A 9531-D rod or COLE 9B512-A rod only
1	COLE 9B567-A	Gasket (hot idle compensator)
2	B7A 9569-B	Gasket (float valve seat)
1	B9ME 9577-A	Nozzle (pump discharge)
2	B7A 9578-A	Spring (idle adjusting needle)
1	B7A 9578-B	Spring (throttle lever adjusting screw)
1	370004-S7(BB410)	Screw (throttle lever adjusting) No. 10-32 x 59/64" hex. head
1	370011-S7(XX82)	Washer (throttle lever adjusting screw)-13/64" I.D. x 5/16" O.D.
1	B9ME 9580-A	Gasket (pump discharge jet)
1	COLE 9581-A	Shaft & lever (throttle)
1	370002-S7(BB35)	Screw (fast idle adjustment)-No. 8-32 x 15/16" fillister head
1	B9AZ 9583-A	Lever (throttle shaft)-auxiliary
1	370010-S(XX331)	Washer (secondary throttle shaft lever to secondary throttle shaft)-.3155" I.D. x 1/2" O.D. flat

## CARBURETOR SERVICE PARTS LIST No. 105 - continued

QTY. PER CARBU-RETOR	PART NUMBER	DESCRIPTION
1	359709-S7 (BB823)	Screw (secondary throttle operating lever to secondary throttle shaft)-No. 10-32 x 5/16" truss head
2	B9ME 9585-A	Plate (throttle)-primary
2	B9S 9585-B	Plate (throttle)-secondary
4	370005-S(BB6)	Screw (secondary throttle plates to secondary throttle shaft)-No. 6-32 x 5/16"
4	370006-S(BB7)	Screw (primary throttle plates to primary throttle shaft & lever)-No. 6-32 x 3/8"
2	B7A 9586-B	Screw (choke plate)
1	B7A 9586-C	Screw (throttle plate used as choke plate operating lever set screw)
2	B7A 9587-A	Spring (metering rod tension)
1	B7A 9589-A	Spring (dashpot plunger return)
1	COLE 9A592-A	Lever & shaft (second. throttle plate)
1	COSZ 9597-A	Cam (fast idle)
1	370008-S7 (BB671)	Screw (fast idle cam to main body & plugs)-1/4"-28 x 11/32"-flat head
1	B8A 9598-B	Rod (choke shaft)("Before 9/1/63")
1	C3VY 9598-A	Rod (choke shaft)-service pkg. - includes (1) 359734-S retainer
1	COLE 9598-A	Rod (fast idle)
2	359734-S(RR2)	Retainer (dashpot arm)-inner-spring 1/8"
2	359734-S(RR2)	Retainer (dashpot arm)-outer-spring 1/8"
1	B7A 9636-C	Spring (pump)
1	B8AZ 9A753-B	Shaft & lever (choke housing)-use with B8A 9849-A housing only
1	COSZ 9A796-A	Kit (piston & lever thermostatic choke)-consists of (1) B9ME 9838-A lever & link, (1) ECG 9840-A piston, and (1) ECG 99854-A pin
1	355027-S(BB668)	Screw (choke piston lever & pin to choke lever & shaft)-No. 6-32 x 1/4" flat head slotted
1	B7A 9800-B	Plunger (dashpot)
1	B8A 9835-A	Lever (dashpot operating)-inner
1	B8A 9836-A	Lever (dashpot operating)-outer
1	353161-S(RR3)	Retainer (inner & outer dashpot operating lever to air horn & plugs)-spring-.025"
3	B7A 9842-B	Clamp (thermostatic choke housing)
3	★37611-S7	Screw (choke thermostat housing to choke housing & plugs)-No. 8-32 x 1/4" fillister head
1	B9S 9844-A	Plate (choke baffle)
1	COLE 9848-B	Housing (choke thermostat)-service pkg. includes (1) B8A 9871-B gasket
1	359700-S(PP18)	Plug (vacuum passage plug in choke hsg.)-.192"/.196" x 13/64" round hd.
1	34802-S7(X59)	Lockwasher-No. 8
1	B8A 9849-A	Housing & plugs (choke)-identified by cast No. 170560
3	352526-S8(BB8)	Screw (choke housing to air horn)-No. 8-32 x 1/2"
3	359113-S(XX46)	Washer-No. 8 flat
3	34802-S7(X59)	Lockwasher-No. 8
1	B7A 9853-C	Gasket (choke housing to air horn)
1	B8A 9871-B	Gasket (choke coil housing)
2	B7A 9928-A	Cover (vacuum piston)
2	370016-S8(BB70)	Screw & washer (vacuum piston cover to air horn)-No. 6-32 x 5/16" fill. hd.
2	B9S 9976-A	Spring (vacuum piston)

**CARBURETOR PART No. COAE 9510-K**

**CARBURETOR SERVICE PARTS LIST No. 106**

QTY. PER CARBU-RETOR	PART NUMBER	DESCRIPTION
1	C2SZ 9502-A	Gasket set
1	C2SZ 9A586-A	Kit (tune up)
1	C2SZ 9590-A	Repair kit
1	358165-S(II-65)	Connector (distributor vacuum tube to carb.)-1/8" pipe thread
1	370875-S8B (UU23)	Screw (to set secondary idle air flow)-No. 10-32 set
1	B7AZ 9B501-A	Seal (fast idle rod)
1	B8A 9503-B	Diaphragm (secondary throttle)
1	B8AZ 9B504-D	Spring (secondary throttle diaphragm return)-6 coils-1.05" O.D.-.31" I.D.
1	B8A 9507-A	Cover (secondary throttle diaphragm)
4	43395-S8(U75)	Screw & washer assy. (diaphragm cover to carb.)-No.8-32 x 3/4"
1	C3AZ 9B511-A	Weight (pump discharge ball) - .202" O.D. - .56" long
1	C1AZ 9512-C	Body (main)
4	359409-S(PP59)	Plug (to plug drill passages in main body)-5/16"
1	371350-S(AA4)	Ball (accelerator pump inlet passage)-3/16" steel
1	359353-S(PP58)	Plug (to plug hole from bowl to accelerator pump)-1/8" cup
1	B8AZ 9A523-F	Support (booster venturi)-secondary
1	38294-S8(U141)	Screw (venturi secondary support to carb.)-1/4"-20 x 1" pan head
1	COKE 9A523-C	Support (booster venturi)-primary-identified by letter "A"
1	371350-S(AA4)	Ball (accel.pump discharge valve)-3/16" steel
1	COAZ 9524-A	Horn (air)-less shaft-use with C2AZ 9545-A plate only
8	43256-S8	Screw & washer (horn & plugs to main body)-No.10-32 x 5/8"
1	B8A 9528-A	Cover (accelerator pump)-less link
4	43255-S8(U74)	Screw & washer (cover to carb.)-No. 8-32 x 5/8"
1	COAE 9529-A	Link (accelerator pump)
1	353847-S8 (NN109)	Pin (accelerator pump link to cover)-.187" x .50" diameter roll
1	C1AE 9D530-A	Rod (fast idle cam)
2	351825-S(XX9)	Retainer (fast idle cam rod)-"C" washer
2	B4T 9533-B	Jet (main metering)-primary No. 53 - 0 to 5,000 ft. altitude
2	59A 9533-A	No. 51 - 5,000 to 10,000 ft. altitude
2	59A 9533-B	No. 49 - 10,000 to 15,000 ft. altitude
2	5GA 9533-B	Jet (main metering)-secondary No. 63 - 0 to 5,000 ft. altitude
2	B4Q 9533-A	No. 61 - 5,000 to 10,000 ft. altitude
2	B4Q 9533-B	No. 59 - 10,000 to 15,000 ft. altitude
1	B8AZ 9A535-A	Bellcrank (fast idle)
1	*31077-S8	Screw (bellcrank choke adjusting lever to shaft)-No.8-32 x 5/8" fillister head
1	44710-S8(X10)	Washer - No.8 flat
1	34052-S7(M155)	Nut - No.8-32 hex.

QTY. PER CARBU-RETOR	PART NUMBER	DESCRIPTION
2	B8AZ 9A536-A	Gasket (booster venturi support)
1	B9A 9538-A	Lever (fast idle adjusting)
1	372216-S8B (BB37)	Screw (fast idle adjusting) - No. 10-32 x 94" fillister head"
1	34079-S7(M163)	Nut (lever to throttle shaft)-No.10-32 hex.
1	34903-S8(X96)	Lockwasher-No.10
1	B8AZ 9A538-A	Spring (accel.pump over travel)
2	C1AE 9541-C	Needle (idle adjusting)
1	B8AZ 9D541-A	Lever (choke housing)
1	COAZ 9B542-A	Rod (accel.pump link to throttle lever)-service pkg. includes (5) pieces 375894-S7 clip
1	353610-S8 (NN126)	Retainer (accel.pump link to lever)-spring-.55" long
1	C2AZ 9545-A	Plate (choke)
1	B7A 9546-A	Shaft and lever (choke)
1	COAE 9549-A	Plate (choke)
1	C1AZ 9B549-A	Dashpot
1	33923-S7(M32)	Nut-5/16"-24
2	34806-S7(X64)	Lockwasher-5/16"
2	COAE 9550-A	Float
1	B8AZ 9B550-A	Bracket (dashpot mounting)
1	43252-S8(U77)	Screw & washer (dashpot mounting bracket to carb.)-No.10-32 x 1/2"
2	B8A 9558-A	Pin (float hinge)
1	C2AZ 9B559-A	Diaphragm (accelerator pump)
1	*C2AZ 9561-A	Gasket (float bowl)-repl. by C2SZ 9561-A (10-63)
1	C2SZ 9561-A	Gasket (float bowl)
1	B7A 9563-A	Gasket (economizer cover)
2	C2AZ 9564-B	Valve & seat (fuel inlet)-includes (1) B7A 9569-A gasket & (1) C1AZ 9599-A retainer
1	COAZ 9A565-A	Economizer 0 to 5,000 ft. altitude
1	C3AZ 9A565-D	Economizer-identified by yellow dye on body 5,000 to 10,000 ft. altitude
1	COAE 9A565-C	Economizer-identified by No. 55 on O.D. 10,000 to 15,000 ft. altitude
2	B7A 9569-A	Gasket (float valve seat)
1	B8A 9575-A	Retainer (accel.pump check valve)-1/4"-28 thread
1	B8AZ 9575-B	Retainer (secondary vacuum control valve spring)-.133" O.D. x .06" thick
1	373025-S(XX97)	Washer (accel.pump valve return gasket)-1/4" flat
1	374818-S(XX97A)	Washer (accel.pump valve return gasket)-1/4" flat
1	78 9576	Ball (secondary vacuum check valve)-1/8" diameter
1	COAZ 9577-A	Screw (pump discharge nozzle)
1	374370-S(XX94A)	Washer-1/4" flat (buna coated alum.)
1	B8A 9578-A	Spring (secondary vacuum control valve)-16 coils-.11" O.D.-.375" long
1	355107-S7 (BB536)	Screw (normal idle adjusting)-No.10-32 x 1" special hex. head slotted

continued on next page

## CARBURETOR PART No. COAE 9510-K

QTY. PER CARBU-RETOR	PART NUMBER	DESCRIPTION
1	B8A 9578-B	Spring (fast idle adjusting lever)-4 1/2 coils-.20" I.D.-.58" long
2	40 9578	Spring (idle adjusting needle)
1	B9A 9579-B	Pin (fast idle adjusting lever)
1	B8A 9581-C	Shaft & lever (throttle)
1	B8A 9583-A	Lever (secondary throttle diaphragm)
1	353848-S8(NN71)	Pin (spring-3/16" x 11/16" throttle diaphragm lever to carburetor)
2	B8A 9585-F	Plate (throttle)-primary
2	B8A 9585-G	Plate (throttle)-secondary
8	B7A 9586-E	Screw (throttle plate)-No. 8-32 x .42" oval head-tubular
2	B9A 9586-A	Screw (choke plate)-No. 6-32 oval hd.
1	C2AZ 9A588-B	Gasket (economizer)
1	COME 9A590-B	Spring (thermostatic choke)
1	B8AZ 9A592-B	Lever & shaft (second. throttle plate)
1	B8A 9596-A	Rod (secondary diaphragm control)
1	COME 9597-A	Cam (fast idle)
1	351825-S(XX9)	Retainer (fast idle cam)-"C" washer
1	B8A 9598-A	Rod (choke shaft)
1	353610-S8(NN126)	Retainer (rod to choke shaft lever)-spring type-.44" long
2	359555-S(XX50)	Washer (fast idle rod seal)-No.8-flat
2	B7AZ 9599-A	Retainer (float lever shaft)-.37" I.D.
1	B8A 9636-A	Spring (pump lever return)
1	C2AZ 9A753-A	Shaft & lever (choke housing)
1	353862-S8(XX10)	Retainer (shaft & lever to choke housing)-"C" washer
1	355829-S7(MM15)	Nut (shaft & lever to housing)-No.8-36 hex.
1	34802-S7(X59)	Lockwasher-No.8
1	C2AZ 9A756-A	Liner (thermostatic choke lever bushing)
1	COME 9A757-A	Lever & bushing (thermostatic choke)
1	358662-S(XX87)	Washer (choke housing bushing thrust)-1/4"

## CARBURETOR PART No. COAE 9510-H

1	C2OZ 9502-B	Gasket set
1	C2OZ 9A586-B	Kit (tune up)
1	C2OZ 9590-C	Repair kit
1	358165-S(II-65)	Connector (distributor vacuum tube to carb.)-1/8" pipe thread
4	★88391-S8	Stud-5/16"-18-24 x 1.50"
4	351089-S8(MM20)	Nut-5/16"-24
4	34806-S7(X64)	Lockwasher-5/16"
1	B7AZ 9B501-A	Seal (fast idle rod)
1	C3AZ 9B511-A	Weight (pump discharge ball) -.202" O. D. - .56" long
1	COAE 9512-B	Body (main)-use with tag code DBA0AA & DBA0BA
1	COAE 9512-K	Body (main)-except with tag codes DBA0AA & DBA0BA
2	359409-S(PP59)	Plug (to plug drill passages in main body)-5/16"
1	371350-S(AA4)	Ball (accelerator pump inlet passage)-3/16" steel
1	359353-S(PP58)	Plug (to plug hole from bowl to accelerator pump)-1/8" cup

## CARBURETOR SERVICE PARTS LIST No. 106 - continued

QTY. PER CARBU-RETOR	PART NUMBER	DESCRIPTION
1	B7AZ 9812-A	Spacer (thermostatic choke shaft)
1	B6A 9842-A	Clamp (thermostatic choke housing)
3	31061-S8(U50)	Screw (clamp housing)-No.8-32 x 1/2"
3	34802-S7(X59)	Lockwasher-No.8
1	COAE 9848-B	Housing (choke thermostat)-service pkg. includes (1) C1AE 9871-A gasket
1	COAE 9849-B	Housing & plugs (choke)
3	★31165-S8	Screw (choke control housing to body)-No.8-32 x 1 5/8" fillister head
3	359113-S(XX46)	Washer-No.8-flat
3	34802-S7(X59)	Lockwasher-No.8
1	COAE 9850-E	Control (thermostatic choke)-identified by "TK" on cover-service pkg. includes (1) B8A 9853-A gasket
1	B8A 9853-A	Gasket (thermostatic choke housing)
1	B8A 9861-A	Shield (choke thermostat)
1	43248-S8(U72)	Screw & washer (shield to housing)-No.8-32 x 3/8" fillister head
1	C1AE 9871-A	Gasket (thermostatic choke housing)
1	B8AZ 9919-A	Lever (accel.pump overtravel) - service pkg. includes (1) C3AZ 9F569-A bushing
1	374035-S(XX13C)	Retainer (pump overtravel lever to throttle shaft)-"C" washer
1	B7A 9930-A	Cover (economizer valve)
4	34802-S7(X59)	Lockwasher-No.8
4	31061-S8(U50)	Screw (economizer valve cover to main body)-No.8-32 x 1/2" fill.hd.
1	B7AZ 9992-A	Bearing (choke shaft)
1	B8A 9997-A	Tube (secondary throttle control vacuum)-standard size-use with new air horn only
1	B8A 9997-B	Tube (secondary throttle control vacuum)-.002" O.S.-use as service replacement for B8A 9997-A tube only

## CARBURETOR SERVICE PARTS LIST No. 107

1	COKE 9A523-A	Support (booster venturi)-identified by letter "D"-use with tag codes DBA0AA, DBA0BA
1	C1AZ 9A523-A	Support (booster venturi)-except with tag codes DBA0AA & DBA0BA
1	371350-S(AA4)	Ball (accel.pump discharge valve)-3/16" steel
1	COAZ 9524-B	Horn (air)-less shaft-use with C2AZ 9545-A plate only
4	43256-S8	Screw & washer (horn & plugs to main body)-No.10-32 x 5/8"
1	B8A 9528-A	Cover (accelerator pump)-less link
4	43255-S8(U74)	Screw & washer (cover to carb.)-No. 8-32 x 5/8"
1	COAE 9529-A	Link (accelerator pump)
1	353847-S8(NN109)	Pin (accelerator pump link to cover)-.187" x .50" diameter roll
1	C1AE 9D530-A	Seal (fast idle rod)
2	351825-S(XX9)	Retainer (fast idle cam rod)-"C" washer

continued on next page

**CARBURETOR PART No. COAE 9510-H**

QTY. PER CARBU-RETOR	PART NUMBER	DESCRIPTION
2	59A 9533-C	Jet (main metering)-tag code DBAOBA No. 47 - 0 to 5,000 ft. altitude
2	59A 9533-D	No. 45 - 5,000 to 10,000 ft. altitude
2	922A 9533-A	No. 43 - 10,000 to 15,000 ft. altitude
2	78 9533-C	Jet (main metering)-tag code DBAOBB and DBAOBC No. 46 - 0 to 5,000 ft. altitude
2	B7A 9533-B	No. 44 - 5,000 to 10,000 ft. altitude
2	922A 9533-A	No. 43 - 10,000 to 15,000 ft. altitude
1	B8AZ 9A535-A	Bellcrank (fast idle)
1	*31077-S8	Screw (bellcrank choke adjusting lever to shaft)-No. 8-32 x 5/8" fillister head
1	44710-S8(X10)	Washer - No. 8 flat
1	34052-S7(M155)	Nut - No. 8-32 hex.
1	B8AZ 9A536-A	Gasket (booster venturi support)
1	B9A 9538-A	Lever (fast idle adjusting)
1	372216-S8B (BB37)	Screw (fast idle adjusting)-No. 10-32 x .94" fillister head
1	34079-S7(M163)	Nut (lever to throttle shaft)-No. 10-32 hex.
1	34903-S8(X96)	Lockwasher-No. 10
1	B8AZ 9A538-A	Spring (accel. pump over travel)
2	C1AE 9541-C	Needle (idle adjusting)
1	C0AZ 9B542-A	Rod (accel. pump link to throttle lever)-service pkg. includes (5) pieces 375894-S7 clip
1	B8AZ 9D541-A	Lever (choke housing)
1	353610-S8 (NN126)	Retainer (accel. pump link to lever)-spring-.55" long
1	C2AZ 9545-A	Plate (choke)-use with C0AZ 9524-B horn only
1	B7A 9546-A	Shaft and lever (choke)
1	COME 9549-A	Plate (choke)
1	C1AZ 9B549-A	Dashpot
1	33923-S7(M32)	Nut-5/16"-24
2	34806-S7(X64)	Lockwasher-5/16"
1	C0AE 9550-A	Float
1	B8AZ 9B550-A	Bracket (dashpot mounting)
1	43252-S8(U77)	Screw & washer (dashpot mounting bracket to carb.)-No. 10-32 x 1/2"
1	B8A 9558-A	Pin (float hinge)
1	C2AZ 9B559-A	Diaphragm (accelerator pump)
1	*C2AZ 9561-B	Gasket (float bowl) - repl. by C2OZ 9561-A (10-63)
1	C2OZ 9561-A	Gasket (float bowl)
1	B7A 9563-A	Gasket (economizer cover)
1	C2AZ 9564-B	Valve & seat (fuel inlet)-includes (1) B7A 9569-A gasket & (1) C1AZ 9599-A retainer
1	C0AZ 9A565-B	Economizer-identified by green dye on body 0 to 5,000 ft. altitude
1	C3AZ 9A565-D	Economizer-identified by yellow dye on body 5,000 to 10,000 ft. altitude
1	C0AE 9A565-C	Economizer-identified by No. 55 on O. D. 10,000 to 15,000 ft. altitude
1	B7A 9569-A	Gasket (float valve seat)
1	B8A 9575-A	Retainer (accel. pump check valve)-1/4"-28 thread
1	373025-S(XX97)	Washer (accel. pump valve return gasket)-1/4" flat
1	374818-S(XX97A)	Washer (accel. pump valve return gasket)-1/4" flat

**CARBURETOR SERVICE PARTS LIST No. 107 - continued**

QTY. PER CARBU-RETOR	PART NUMBER	DESCRIPTION
1	C0AZ 9577-A	Screw (pump discharge nozzle)
1	374370-S(XX94A)	Washer-1/4" flat (buna coated alum.)
1	B8A 9578-B	Spring (fast idle adjusting lever)-4 1/2 coils-.20" I.D. -.58" long
2	40 9578	Spring (idle adjusting needle)
1	355107-S7 (BB536)	Screw (normal idle adjusting)-No. 10-32 x 1" special hex. head slotted
1	B9A 9579-A	Pin (fast idle adjusting lever)
1	B8A 9581-B	Shaft & lever (throttle)
2	B8A 9585-E	Plate (throttle)-primary
4	B7A 9586-E	Screw (throttle plate)-No. 8-32 x .42" oval head-tubular
2	B9A 9586-A	Screw (choke plate)-No. 6-32 oval hd.
1	C2AZ 9A588-B	Gasket (economizer)
1	COME 9A590-B	Spring (thermostatic choke)
1	COME 9597-A	Cam (fast idle)
1	351825-S(XX9)	Retainer (fast idle cam)-"C" washer
1	B8A 9598-A	Rod (choke shaft)
1	353610-S8 (NN126)	Retainer (rod to choke shaft lever)-spring type-.44" long
2	359555-S(XX50)	Washer (fast idle rod seal)-No. 8-flat
1	B7AZ 9599-A	Retainer (float lever shaft)-.37" I.D.
1	B8A 9636-A	Spring (pump lever return)
1	C2AZ 9A753-A	Shaft & lever (choke housing)
1	353862-S8(XX10)	Retainer (shaft & lever to choke housing)-"C" washer
1	355829-S7(MM15)	Nut (shaft & lever to housing)-No. 8-36 hex.
1	34802-S7(X59)	Lockwasher-No. 8
1	C2AZ 9A756-A	Liner (thermostatic choke lever bushing)
1	COME 9A757-A	Lever & bushing (thermostatic choke)
1	358662-S(XX87)	Washer (choke housing bushing thrust)-1/4"
1	B7AZ 9812-A	Spacer (thermostatic choke shaft)
1	B6A 9842-A	Clamp (thermostatic choke housing)
3	31061-S8(U50)	Screw (clamp housing)-No. 8-32 x 1/2"
3	34802-S7(X59)	Lockwasher-No. 8
1	C0AE 9848-B	Housing (choke thermostat)-service pkg. includes (1) C1AE 9871-A gasket
1	C0AE 9849-A	Housing & plugs (choke)
3	*31165-S8	Screw (choke control housing to body)-No. 8-32 x 1 5/8" fillister head
3	359113-S(XX46)	Washer-No. 8-flat
3	34802-S7(X59)	Lockwasher-No. 8
1	C0AE 9850-C	Control (thermostatic choke)-identified by "TK" on cover-service pkg. includes (1) B8A 9853-A gasket
1	B8A 9853-A	Gasket (thermostatic choke housing)
1	B8A 9861-A	Shield (choke thermostat)
1	43248-S8(U72)	Screw & washer (shield to housing)-No. 8-32 x 3/8" fillister head
1	C1AE 9871-A	Gasket (thermostatic choke housing)
1	B8AZ 9919-A	Lever (accel. pump overtravel) service pkg. includes (1) C3AZ - 9F569-A bushing
1	374035-S(XX13C)	Retainer (pump overtravel lever to throttle shaft)-"C" washer
1	B7A 9930-A	Cover (economizer valve)
4	34802-S7(X59)	Lockwasher-No. 8
4	31061-S8(U50)	Screw (economizer valve cover to main body)-No. 8-32 x 1/2" fill. hd.
1	B7AZ 9992-A	Bearing (choke shaft)

## CARBURETOR PART No. B2AE 9510-A

QTY. PER CARBU-RETOR	PART NUMBER	DESCRIPTION
1	B8A 9502-C	Gasket set
1	C2AZ 9A586-B	Kit (tune up)
1	B2AZ 9590-A	Repair kit
1	354582-S(II-73)	Connector (carb. to tube ass'y.)-5/16" flared tube
2	374166-S(PP23A)	Plug-1/4"-32-for dist. passage when tube 12226 is not used
1	B1AZ 9B502-A	Screw (dashpot & throttle lever adj.)
1	B2AZ 9B502-A	Screw (dashpot operating lever)-No. 8-32 x .59" slotted binding head
1	34803-S7(X60)	Lockwasher-No. 10
1	34079-S7(M163)	Nut-No. 10-32
1	C0AZ 9A507-A	Bowl & plugs assy. (float)-metal bowl
4	*31644-S7	Screw (bowl to main body)-No. 10-32 x 3/4" fillister head
4	34803-S7(X60)	Lockwasher-No. 10
1	B9AE 9B511-A	Weight (pump discharge ball)
1	B9AE 9512-J	Body ass'y. (main)
1	B8A 9516-C	Gasket (throttle body to main body)
1	B2AE 9518-A	Body & shaft ass'y. (throttle)
1	B2AZ 9518-A	Kit (throttle body assy.)
2	353620-S100 (BB18)	Screw (throttle body to main body)-1/4"-28 x 1 1/2" fillister head
2	34805-S8(X62)	Lockwasher-1/4"
@1	C0AE 9529-C	Link (accelerator pump)
2	353610-S8(NI26)	Retainer (spring type)-.44" long
1	1GA 9533-B	Jet (main metering)-No. 62-0 to 5,000 ft. alt.
1	B7A 9541-D	Needle (idle adjusting)
1	C0AE 9B544-B	Piston assy. (accelerator pump)-includes gasket
1	EAA 9546-C	Shaft & lever assy. (choke)
1	*37611-S7	Screw (choke lever to shaft)-No. 8-32 x 1/4" fillister head
1	*EAA 9549-A	Plate assy. (choke)
1	C1AZ 9B549-A	Dashpot assy.
1	34806-S7(X64)	Lockwasher-5/16"
1	33923-S7(M32)	Nut-5/16"-24
1	EAA 9550-A	Float assy.-repl.by C2AZ 9550-A(1-63)
1	C2AZ 9550-A	Float assy.
1	*B2A 9551-A	Pin (choke plate distributor)-3/32" x 1.12" split
1	C1AE 9558-A	Pin (float hinge)
1	B2AZ 9561-A	Gasket (float bowl retainer)-3.81" long-2.19" wide-use with glass bowl only
1	C2AZ 9561-C	Gasket (float bowl)
1	C2AZ 9564-C	Valve & seat assy. (fuel inlet)
1	B2AZ 9A565-A	Economizer assy.
1	B2A 9568-B	Retainer (pump operating lever)
1	EAA 9569-A	Gasket (float needle seat)
1	B2A 9574-B	Screw (discharge nozzle)-No. 10-32 x .64" overall length fillister head
1	EAA 9576-A	Ball (accelerator pump check)-.156" diameter
2	78 9576	Ball (accelerator pump check)-1/8" diameter
1	374166-S(PP23A)	Retainer (pump discharge valve)
@	Serviced in 9590 kit only	

## CARBURETOR SERVICE PARTS LIST No. 110

QTY. PER CARBU-RETOR	PART NUMBER	DESCRIPTION
1	EAA 9577-B	Nozzle assy. (pump discharge)
1	B8A 9578-B	Spring (throttle adjusting screw)-4 1/2 coils-.20" I. D. -.58" long
1	40 9578	Spring (idle adjusting needle)
1	*31644-S7	Screw (throttle adjusting)-No. 10-32 x 3/4" fillister head
1	EAA 9580-A	Gasket (discharge pump nozzle)-.20" I. D. x .32" O. D. -.03" thick
1	C0AZ 9583-A	Lever (accel. pump piston)-nylon
1	CODE 9585-A	Plate (throttle)
2	*31036-S8	Screw (carb. throttle plate)-No. 6-32 x 5/16" fillister head
2	34937-S7(X84)	Lockwasher-No. 6-external tooth
2	B2A 9586-A	Screw (choke plate)
1	B2AZ 9A588-A	Gasket (economizer valve)
1	B9AE 9594-B	Jet & main well assy. (power)-stamped 3344-A
3	*37643-S7	Screw (jet & main well to main body)-No. 6-32 x 7/16" fillister head
2	353799-S8	Screw (jet & main well to main body)-No. 6-32 x .75" fillister head
	34801-S7(X58)	Lockwasher-No. 6
1	1CM 9681-A	Ball (rod to trans. control shaft lever)
1	34079-S7(M163)	Nut (throttle lever ball)-No. 10-32 hex.
1	34803-S7(X60)	Lockwasher-No. 10
1	8BA 9792	Clamp (choke control bracket)
1	31061-S8(U50)	Screw (bracket clamp)-No. 8-32 x 1/2" fillister head
1	34052-S7(M155)	Nut-No. 8-32
1	EAA 9796-A	Bracket (choke control)
1	*31596-S7	Screw & lockwasher (choke bracket)-No. 10-32 x 3/8"
1	B6A 9802-A	Lever (dashpot operating)
1	B2A 9808-A	Retainer (float bowl)-use with glass bowl only
4	B2A 9809-A	Clamp (float bowl retainer)-use with glass bowl only
4	*31644-S7	Screw (clamp)-No. 10-32 x 3/4"-fillister head
4	34803-S7(X60)	Lockwasher-No. 10
1	B2A 9827-A	Gasket (fuel inlet fitting)
1	*B2A 9930-B	Cover (economizer valve)
3	31061-S8(U50)	Screw (cover to main body)-No. 8-32 x 1/2" fillister head
3	34802-S7(X59)	Lockwasher-No. 8
1	B8A 9934-A	Sleeve (pump push rod)
1	EAA 9935-B	Spring (accel. pump rod plunger)-.27" O. D. -1.34" long-13 coils
1	EAA 9936-A	Spring (accel. pump diaphragm return)-cone shaped-8 coils
Δ1	B2AZ 9945-A	Gasket (fuel inlet seat screw)-.32" I. D. -.428" O. D. -.031" thick
Δ	Serviced in 9502 kit only	

### CARBURETOR PART No. B7AE 9510-A

### CARBURETOR SERVICE PARTS LIST No. 111

QTY. PER CARBU-RETOR	PART NUMBER	DESCRIPTION
1	B7AZ 9502-C	Gasket set
1	B7AZ 9A586-C	Kit (tune up)
1	B7AZ 9590-D	Repair kit
1	358165-S(II-65)	Connector (distributor vacuum tube to carb.)-1/8" pipe thread
2	EDC 9A500-A	Adaptor (float hinge)
1	B7A 9501-A	Housing & plug (secondary throttle)
3	43407-S8(U76)	Screw & washer (housing to throttle body)-No. 8-32 x 1"
1	CIAE 9B501-A	Seal (choke rod)
1	B7A 9503-B	Diaphragm (secondary throttle)
1	351825-S(XX9)	Washer (diaphragm link to lever)-"C" retainer
1	B5AZ 9B504-A	Spring (secondary throttle diaphragm return)
1	B7AZ 9C504-A	Rod (secondary throttle control)
2	353610-S8 (NN126)	Retainer (rod to shaft)-spring-.44" long
1	353854-S8(XX64)	Washer-.129/.134 flat
1	B8AZ 9A506-A	Lever (accelerator pump operating)
1	370050-S2 (BB537)	Screw (accelerator pump lever adjusting)-No.10-32 x .50" hex. head slotted
1	370052-S2 (MM219)	Sleeve-nut (accelerator pump lever adjusting)-No. 10-32 x .26"
1	B7A 9507-B	Cover (secondary throttle diaphragm)
4	*31077-S8	Screw (cover to housing)-No. 8-32 x 5/8"
4	34802-S7(X59)	Lockwasher-No.8
1	B7AZ 9A507-A	Bowl & plugs (fuel secondary)
1	B8AZ 9A507-D	Bowl & plugs (float-primary)-use with B8A 9528-B & (4) 371850-S7 screws
8	359747-S2 (BB809)	Screw (fuel bowl & plugs to carb. main body)-No.12-24 x 2.56"
3	B7AZ 9B508-A	Bushing (secondary throttle shaft)
1	B7AZ 9A511-A	Body & plugs (main metering)-primary
1	B7AZ 9B511-A	Weight (pump discharge ball)
1	B7A 9512-D	Body (main)
1	B7AZ 9A513-A	Body & plugs (main metering second.)
1	B7AZ 9A515-B	Rod (accel. pump link to vent lever)
1	B7A 9516-B	Gasket (throttle body to main body)
1	B7AZ 9A517-A	Baffle (float bowl)-primary
1	B7AZ 9A517-C	Baffle (float bowl)-secondary
1	B7AE 9518-A	Body and shaft (throttle)
AR	359736-S2(BB67)	Screw & washer (throttle body to main body)-No.12-24 x .81" fillister head
2	B9TZ 9A518-A	Gasket (main metering body)
2	B6AZ 9A519-A	Spring (float)
1	B2TZ 9A520-A	Adaptor (fuel inlet)-27/32" overall length-has compression type seal
1	B7AZ 9526-B	Cam (accelerator pump diaphragm operating)
1	*33174-S	Screw (cam to throttle shaft & lever)-No. 6-20 x 3/8" pan head slotted-tapping

QTY. PER CARBU-RETOR	PART NUMBER	DESCRIPTION
1	B8A 9528-B	Kit (accelerator pump cover)-consists of the following- 1-B8A 9528-B Cover, 4-43250-S Screw & washer & 4-359757-S2 Screw & washer
4	43255-S8(U74)	Screw & washer (accel. pump cover) - No. 8-32 x 5/8" fillister hd. - used to attach B8A 9528-B cover to B8A 9559-D, E float bowl
2	B4T 9533-A	Jet (main metering)-primary No. 55 - 0 to 5,000 ft. altitude
2	78 9533-B	Jet (main metering)-secondary No. 48 - 0 to 5,000 ft. altitude
1	B7A 9534-A	Tube (float bowl connection)
1	B7AZ 9A535-C	Lever (fast idle pick up)
1	B7A 9538-A	Lever (fast idle adjusting)
1	42802-S8(U33)	Screw & lockwasher (lever to main body)-No.10-32 x 3/8"
2	B7A 9541-A	Needle (idle adjusting)
1	B7A 9545-B	Plate (choke)-R. H.
1	B7A 9546-B	Shaft and lever (choke)
1	33923-S7(M32)	Nut-5/16"-24
2	34806-S7(X64)	Lockwasher-5/16"
2	EDC 9550-B	Float
1	B7AZ 9B550-B	Bracket (dashpot mounting)
1	356736-S7-8 (BB11)	Screw (bracket to throttle body)-No.10-24 x 1/2" fillister head
1	34803-S7(X60)	Lockwasher-No.10
1	B7A 9557-A	Valve (float bowl vent)-secondary
1	B7A 9557-B	Valve (float bowl vent)
2	EDC 9558-B	Pin (float hinge)
1	C0AE 9B559-D	Diaphragm (accelerator pump)
1	B7A 9560-B	Spring (pump chamber vent operating rod)
1	351826-S(XX2)	Retainer (operating rod spring)
2	B8A 9561-C	Gasket (float bowl)-primary
2	B7T 9562-A	Plug (float housing fuel level check)-5/16"-24 x 1/4" slotted
2	B7AE 9564-A	Valve & seat (fuel inlet)
1	B7AZ 9A565-A	Economizer-stamped No.85
1	B7AZ 9A565-B	Economizer-stamped No.105 (secondary)
1	B2A 9568-B	Retainer (pump operating lever)-split
1	359528-S7(XX7)	Retainer (air vent valve)
1	B7AZ 9B569-A	Spring (fast idle cam lever)
1	B7A 9571-A	Spring (pump lever adjusting screw)
1	B5A 9576-A	Ball (secondary throttle check)
1	78 9576	Ball (accelerator pump check)-1/8" diameter
1	B8A 9577-A	Nozzle (pump discharge)
1	*50420-S7	Screw (pump discharge nozzle)-No.12-24 x 3/4" oval head
1	B8A 9578-B	Spring (throttle stop screw)-4 1/2 coils-.20" I.D. - .58" long
1	40 9578	Spring (fast idle adjusting lever)
2	B7AE 9580-A	Gasket(pump discharge nozzle & pump discharge screw)

continued on next page

## CARBURETOR PART No. B7AE 9510-A

QTY. PER CARBU-RETOR	PART NUMBER	DESCRIPTION
1	B8A 9581-E	Shaft & lever (throttle)
1	370049-S(BB33)	Screw (fast idle adjusting)-No.8-32 x .50" fillister head
1	B7A 9583-B	Lever (secondary throttle diaphragm)
1	42802-S8(U33)	Screw & washer (secondary throttle diaphragm lever)-No.10-32 x 3/8"
2	B7A 9585-C	Plate (throttle)
2	B8QH 9585-A	Plate (throttle)-secondary
8	B8A 9586-A	Screw (throttle plate)
2	B9A 9586-A	Screw (choke plate)-No.6-32 oval hd.
2	★A8AZ 9A588-A	Gasket (fuel level check plug)-serviced in kit 9502
8	B7A 9592-A	Gasket (float bowl screw)
1	B7AZ 9A592-A	Lever & shaft (second, throttle plate)
1	359749-S(UU17)	Screw (secondary throttle stop)-spread lock set-No.8-32 x .38"
1	B8A 9597-B	Cam (fast idle)
1	359539-S8B (BB40)	Screw (throttle adjusting)-No.10-32 x 1.25"
2	B8AZ 9599-A	Retainer (float lever shaft)
1	B7AZ 9A599-B	Rod (choke control)
2	353610-S8(NN126)	Retainer (rod to carburetor)

## CARBURETOR PART No. B9AZ 9510-B

1	B9A 9502-A	Gasket set
1	C2TZ 9A586-D	Kit (tune up) - Viton Needle
1	B9A 9590-C	Repair kit
1	358165-S(II-65)	Connector (distributor vacuum tube to carb.)-1/8" pipe thread
1	C1AE 9B501-A	Seal (choke rod)
1	B8AZ 9A506-A	Lever (accelerator pump operating)
1	370050-S2 (BB537)	Screw (accelerator pump lever adjusting)-No.10-32 x .50" hex. head slotted
1	370052-S2 (MM219)	Sleeve-nut (accelerator pump lever adjusting)-No. 10-32 x .26"
1	B9AE 9A507-A	Bowl & plugs (float)
4	359747-S2 (BB809)	Screw (fuel bowl & plugs to carb. main body)-No.12-24 x 2.56"
1	B9AE 9A511-B	Body & plugs (main metering)-stamped 2633
1	B9AE 9512-B	Body (main)
1	B9AE 9A515-A	Rod (air vent push)
1	B7A 9516-A	Gasket (throttle body to main body)
1	B9TE 9A516-A	Valve (accel.pump discharge needle)
1	B8AZ 9A517-A	Baffle (float bowl)-primary
1	B9AE 9518-A	Body and shaft (throttle)
1	B9TZ 9A518-A	Gasket (main metering body)-primary
1	B9TE 9A519-B	Spring (float)
1	B8AZ 9A520-A	Adaptor (fuel inlet)-1/2"-20 internal-9/16" external threads
1	B9TE 9A522-A	Gasket (valve seat lock screw)
1	B9TE 9A522-B	Gasket (valve seat adjusting nut)
Δ	Serviced in 9502 kit only	

## CARBURETOR SERVICE PARTS LIST No.111 - continued

QTY. PER CARBU-RETOR	PART NUMBER	DESCRIPTION
2	B7A 9634-A	Seal (idle adjusting needle)
1	B7A 9636-B	Spring (accel.pump diaphragm return)
1	B7AZ 9A753-B	Shaft & lever (choke housing)
1	B5AZ 9812-A	Spacer (secondary throttle plate control lever)
1	B7A 9840-B	Piston (automatic choke)
1	355829-S7(MM15)	Nut (piston to choke housing)-No.8-36
1	34802-S7(X59)	Lockwasher-No.8
1	B6A 9842-A	Clamp (thermostatic choke housing)
3	31061-S8(U50)	Screw (clamp housing)-No.8-32 x 1/2"
3	34802-S7(X59)	Lockwasher-No.8
1	B8A 9848-E	Housing (choke thermostat)
1	B7A 9849-B	Housing & plugs (choke)
3	359737-S(BB59)	Screw & washer (choke housing to main body)-No.8-32 x 1.25"
1	B7A 9850-A	Control (thermostatic choke)
2	B7A 9853-B	Gasket (choke thermostatic control)
1	B7A 9853-B	Gasket (secondary diaphragm)
1	B7A 9871-B	Gasket (thermostatic choke housing)
1	B7A 9938-B	Screen (filter)-with retainer
Δ2	B2AZ 9945-A	Gasket (fuel inlet seat screw)-.32" I.D. -.428" O.D. -.031" thick

## CARBURETOR SERVICE PARTS LIST No.112

1	B7AZ 9526-B	Cam (accelerator pump diaphragm operating)
1	★33174-S	Screw (cam to throttle shaft & lever)-No.6-20 x 3/8" pan head slotted-tapping
1	B8A 9528-B	Kit (accelerator pump cover)-consists of the following - 1-B8A 9528-B Cover, 4-43250-S Screw & washer & 4-359757-S2 Screw & washer
4	43255-S8(U74)	Screw & washer (accel.pump cover) - No.8-32 x 5/8" fillister hd. - used to attach B8A 9528-B cover to B8A 9559-D, E float bowl
2	86H 9533	Jet (main metering) No.52 - 0 to 5,000 ft. altitude
2	78 9533-A	No.50 - 5,000 to 10,000 ft. altitude
2	78 9533-B	No.48 - 10,000 to 15,000 ft. altitude
1	B7AZ 9A535-C	Lever (fast idle pick up)
1	B7A 9538-A	Lever (fast idle adjusting)
1	42802-S8(U33)	Screw & lockwasher (lever to main body)-No.10-32 x 3/8"
2	B7A 9541-A	Needle (idle adjusting)
1	B7A 9545-B	Plate (choke)-R. H.
1	B7A 9546-B	Shaft and lever (choke)
1	C1AZ 9B549-A	Dashpot
1	33923-S7(M32)	Nut -5/16"-24
2	34806-S7(X64)	Lockwasher -5/16"

continued on next page



**CARBURETOR PART No. B9AZ 9510-B**

QTY. PER CARBU-RETOR	PART NUMBER	DESCRIPTION
1	B9TE 9550-A	Float
1	B7AZ 9B550-B	Bracket (dashpot mounting)
1	356736-S7-8 (BB11)	Screw (bracket to throttle body)-No.10-24 x 1/2" fillister head
1	34803-S7(X60)	Lockwasher-No.10
1	B8A 9553-C	Baffle (metering body vent)
1	B7A 9557-B	Valve (float bowl vent)
1	C0AE 9B559-D	Diaphragm (accelerator pump)
1	B8A 9560-B	Spring (pump chamber vent operating rod)
1	B8A 9561-C	Gasket (float bowl)-primary
1	B7T 9562-A	Plug (float housing fuel level check)-5/16"-24 x 1/4" slotted
1	C2TZ 9564-B	Valve & seat (fuel inlet)
1	373246-S(BB660)	Screw (fuel valve adjusting nut lock)-1/4"-32 x .33"
1	372426-S8B(MM168)	Nut (fuel valve adjusting)-5/16" x 3/8"
1	B8A 9565-A	Clamp (air vent push rod)
1	B7TZ 9A565-A	Economizer-stamped No.65 0 to 10,000 ft. altitude
1	B8TZ 9A565-A	10,000 to 15,000 ft. altitude
1	B2A 9568-B	Retainer (pump operating lever)-split
1	359528-S7(XX7)	Retainer (air vent valve)
1	B7AZ 9B569-A	Spring (fast idle cam lever)
1	B7A 9571-A	Spring (pump lever adjusting screw)
1	B8A 9577-B	Nozzle (pump discharge)
1	*50420-S7	Screw (pump discharge nozzle)-No.12-24 x 3/4" oval head
1	B8A 9578-B	Spring (throttle stop screw)-4 1/2 coils-.20" I.D.-.58" long
1	40 9578	Spring (fast idle adjusting lever)
2	B7AE 9580-A	Gasket(pump discharge nozzle & pump discharge screw)
1	B9AE 9581-A	Shaft & lever (throttle)
1	370049-S(BB33)	Screw (fast idle adjusting)-No.8-32 x .50" fillister head

**CARBURETOR PART No. B9AE 9510-AS**

1	B9A 9502-A	Gasket set
1	C2TZ 9A586-D	Kit (tune up)-Viton needle
1	B9A 9590-C	Repair kit
1	358165-S(II-65)	Connector (distributor vacuum tube to carb.)-1/8" pipe thread
1	C1AE 9B501-A	Seal (choke rod)
1	B8AZ 9A506-A	Lever (accelerator pump operating)
1	370050-S2 (BB537)	Screw (accelerator pump lever adjusting)-No.10-32 x .50" hex. head slotted
1	370052-S2 (MM219)	Sleeve-nut (accelerator pump lever adjusting)-No.10-32 x .26"
1	B9AE 9A507-A	Bowl & plugs (float)
4	359747-S2 (BB809)	Screw (fuel bowl & plugs to carb. main body)-No.12-24 x 2.56"
1	B9AE 9A511-B	Body & plugs (main metering)-stamped 2633
1	B9AE 9512-B	Body (main)

**CARBURETOR SERVICE PARTS LIST No. 112 - continued**

QTY. PER CARBU-RETOR	PART NUMBER	DESCRIPTION
2	B7A 9585-C	Plate (throttle)
4	B8A 9586-A	Screw (throttle plate)
2	B9A 9586-A	Screw (choke plate)-No.6-32 oval hd.
1	B7AZ 9A588-A	Gasket (economizer)
1	*A8AZ 9A588-A	Gasket (fuel level check plug)-serviced in kit 9502
4	B7A 9592-A	Gasket (float bowl screw)
1	B8A 9597-B	Cam (fast idle)
1	B7AZ 9A599-B	Rod (choke control)
2	353610-S8(NN126)	Retainer (rod to carburetor)
1	B6A 9609-A	"O" ring (fuel valve seat)-serviced in kit 9502
2	B7A 9634-A	Seal (idle adjusting needle)
1	B7A 9636-B	Spring (accel. pump diaphragm return)
1	B7AZ 9A753-B	Shaft & lever (choke housing)
1	B5AZ 9812-A	Spacer (secondary throttle plate control lever)
1	B7A 9840-B	Piston (automatic choke)
1	355829-S7(MM15)	Nut (piston to choke housing)-No.8-36
1	34802-S7(X59)	Lockwasher-No.8
1	B6A 9842-A	Clamp (thermostatic choke housing)
3	31061-S8(U50)	Screw (clamp housing)-No.8-32 x 1/2"
3	34802-S7(X59)	Lockwasher-No.8
1	B8A 9848-A	Housing (choke thermostat)
1	B7A 9849-B	Housing & plugs (choke)
3	359737-S(BB59)	Screw & washer (choke housing to main body)-No.8-32 x 1.25"
1	B7A 9850-A	Control (thermostatic choke)-replace B8A 9848-E in kit with B8A 9848-A housing
2	B7A 9853-B	Gasket (choke thermostatic control)
1	B7A 9871-B	Gasket (thermostatic choke housing)
1	B8A 9938-A	Screen (filter)

**CARBURETOR SERVICE PARTS LIST No. 113**

1	B9AE 9A515-A	Rod (air vent push)
1	B7A 9516-A	Gasket (throttle body to main body)
1	B9TE 9A516-A	Valve (accel.pump discharge needle)
1	B8AZ 9A517-A	Baffle (float bowl)-primary
1	B9AE 9518-A	Body and shaft (throttle)
1	B9TZ 9A518-A	Gasket (main metering body)-primary
1	B9TE 9A519-B	Spring (float)
1	B8AZ 9A520-A	Adaptor (fuel inlet)-1/2"-20 internal-9/16" external threads
1	B9TE 9A522-A	Gasket (valve seat lock screw)
1	B9TE 9A522-B	Gasket (valve seat adjusting nut)
1	B7AZ 9526-B	Cam (accelerator pump diaphragm operating)
1	*33174-S	Screw (cam to throttle shaft & lever)-No.6-20 x 3/8" pan head slotted-tapping

continued on next page

## CARBURETOR PART No. B9AE 9510-A5

QTY. PER CARBU-RETOR	PART NUMBER	DESCRIPTION
1	B8A 9528-B	Kit (accelerator pump cover)-consists of the following- 1-B8A 9528-B Cover, 4-43250-S Screw & washer & 4-359757-S2 Screw & washer
4	43255-S8(U74)	Screw & washer (accel.pump cover) - No. 8-32 x 5/8" fillister hd. - used to attach B8A 9528-B cover to B8A 9559-D, E float bowl
2	86H 9533	Jet (main metering) No.52 - 0 to 5,000 ft. altitude
2	78 9533-A	No.50 - 5,000 to 10,000 ft. altitude
2	78 9533-B	No.48 - 10,000 to 15,000 ft. altitude
1	B7AZ 9A535-C	Lever (fast idle pick up)
1	B7A 9538-A	Lever (fast idle adjusting)
1	42802-S8(U33)	Screw & lockwasher (lever to main body)-No.10-32 x 3/8"
2	B7A 9541-A	Needle (idle adjusting)
1	B7A 9545-B	Plate (choke)-R. H.
1	B7A 9546-B	Shaft and lever (choke)
1	C1AZ 9B549-A	Dashpot
1	33923-S7(M32)	Nut-5/16"-24
2	34806-S7(X64)	Lockwasher-5/16"
1	B9TE 9550-A	Float
1	B7AZ 9B550-B	Bracket (dashpot mounting)
1	356736-S7-8 (BB11)	Screw (bracket to throttle body)-No.10-24 x 1/2" fillister head
1	34803-S7(X60)	Lockwasher-No.10
1	B8A 9553-C	Baffle (metering body vent)
1	B7A 9557-B	Valve (float bowl vent)
1	C0AE 9B559-D	Diaphragm (accelerator pump)
1	B8A 9560-B	Spring (pump chamber vent operating rod)
1	B8A 9561-C	Gasket (float bowl)-primary
1	B7T 9562-A	Plug (float housing fuel level check)-5/16"-24 x 1/4" slotted
1	C2TZ 9564-B	Valve & seat (fuel inlet)
1	373246-S(BB660)	Screw (fuel valve adjusting nut lock)-1/4"-32 x .33"
1	372426-S8B(MM168)	Nut (fuel valve adjusting)-5/16" x 3/8"
1	B8A 9565-A	Clamp (air vent push rod)
1	B7TZ 9A565-A	Economizer-stamped No.65 0 to 10,000 ft. altitude
1	B8TZ 9A565-A	10,000 to 15,000 ft. altitude

## CARBURETOR PART No. COAE 9510-AF

1	C2OZ 9502-B	Gasket set
1	C2OZ 9A586-B	Kit (tune up)
1	C2OZ 9590-C	Repair kit
1	358165-S(II-65)	Connector (distributor vacuum tube to carb.)-1/8" pipe thread
4	★88391-S8	Stud-5/16"-18-24 x 1.50"
4	351089-S8(MM20)	Nut-5/16"-24
4	34806-S7(X64)	Lockwasher-5/16"
1	B7AZ 9B501-A	Seal (fast idle rod)
4	34806-S7(X64)	Lockwasher-5/16"
1	C3AZ 9B511-A	Weight (pump discharge ball)-.202" O.D. -.56" long

## CARBURETOR SERVICE PARTS LIST No. 113 - continued

QTY. PER CARBU-RETOR	PART NUMBER	DESCRIPTION
1	B2A 9568-B	Retainer (pump operating lever)-split
1	359528-S7(XX7)	Retainer (air vent valve)
1	B7AZ 9B569-A	Spring (fast idle cam lever)
1	B7A 9571-A	Spring (pump lever adjusting screw)
1	B8A 9577-B	Nozzle (pump discharge)
1	★50420-S7	Screw (pump discharge nozzle)-No.12-24 x 3/4" oval head
1	B8A 9578-B	Spring (throttle stop screw)-4 1/2 coils-.20" I.D. -.58" long
1	40 9578	Spring (fast idle adjusting lever)
2	B7AE 9580-A	Gasket(pump discharge nozzle & pump discharge screw)
1	B9AE 9581-A	Shaft & lever (throttle)
1	370049-S(BB33)	Screw (fast idle adjusting)-No.8-32 x .50" fillister head
2	B7A 9585-C	Plate (throttle)
4	B8A 9586-A	Screw (throttle plate)
2	B9A 9586-A	Screw (choke plate)-No.6-32 oval hd.
1	B7AZ 9A588-A	Gasket (economizer)
1	★A8AZ 9A588-A	Gasket (fuel level check plug)-serviced in kit 9502
4	B7A 9592-A	Gasket (float bowl screw)
1	B8A 9597-B	Cam (fast idle)
1	B7AZ 9A599-B	Rod (choke control)
2	353610-S8(NN126)	Retainer (rod to carburetor)
1	B6A 9609-A	"O" ring (fuel valve seat)-serviced in kit 9502
2	B7A 9634-A	Seal (idle adjusting needle)
1	B7A 9636-B	Spring (accel.pump diaphragm return)
1	B7AZ 9A753-B	Shaft & lever (choke housing)
1	B5AZ 9812-A	Spacer (secondary throttle plate control lever)
1	B7A 9840-B	Piston (automatic choke)
1	355829-S7(MM15)	Nut (piston to choke housing)-No.8-36
1	34802-S7(X59)	Lockwasher-No.8
1	B6A 9842-A	Clamp (thermostatic choke housing)
3	31061-S8(U50)	Screw (clamp housing)-No.8-32 x 1/2"
3	34802-S7(X59)	Lockwasher-No.8
1	B8A 9848-E	Housing (choke thermostat)
1	B7A 9849-B	Housing & plugs (choke)
3	359737-S(BB59)	Screw & washer (choke housing to main body)-No.8-32 x 1.25"
1	B7A 9850-A	Control (thermostatic choke)
2	B7A 9853-B	Gasket (choke thermostatic control)
1	B7A 9871-B	Gasket (thermostatic choke housing)

## CARBURETOR SERVICE PARTS LIST No. 117

1	C0AE 9512-K	Body (main)-except with tag codes DBA0AA & DBA0BA
2	359409-S(PP59)	Plug (to plug drill passages in main body)-5/16"
1	371350-S(AA4)	Ball (accelerator pump inlet passage)-3/16" steel
1	359353-S(PP58)	Plug (to plug hole from bowl to accelerator pump)-1/8" cup
1	C1AZ 9A523-A	Support (booster venturi)-except with tag codes DBA0AA & DBA0BA
1	371350-S(AA4)	Ball (accel.pump discharge valve)-3/16" steel

continued on next page

CARBURETOR PART No. COAE 9510-AF

QTY. PER CARBU-RETOR	PART NUMBER	DESCRIPTION
1	C0AZ 9524-B	Horn (air)-less shaft
4	43256-S8	Screw & washer (horn & plugs to main body)-No.10-32 x 5/8"
1	B8A 9528-A	Cover (accelerator pump)-less link
4	43255-S8(U74)	Screw & washer (cover to carb.)-No. 8-32 x 5/8"
1	C0AE 9529-A	Link (accelerator pump)
1	353847-S8 (NN109)	Pin (accelerator pump link to cover)-.187" x .50" diameter roll
1	C1AE 9D530-A	Rod (fast idle cam)
2	351825-S(XX9)	Retainer (fast idle cam rod)-"C" washer
2	59A 9533-C	Jet (main metering) No. 47 - 0 to 5,000 ft. altitude
2	59A 9533-D	No. 45 - 5,000 to 10,000 ft. altitude
2	922A 9533-A	No. 43 - 10,000 to 15,000 ft. altitude
1	B8AZ 9A535-A	Bellcrank (fast idle)
1	*31077-S8	Screw (bellcrank choke adjusting lever to shaft)-No.8-32 x 5/8" fillister head
1	44710-S8(X10)	Washer - No.8 flat
1	34052-S7(M155)	Nut - No.8-32 hex.
1	B8AZ 9A536-A	Gasket (booster venturi support)
1	B9A 9538-A	Lever (fast idle adjusting)
1	372216-S8B (BB37)	Screw (fast idle adjusting)-No.10-32 x .94" fillister head
1	34079-S7(M163)	Nut (lever to throttle shaft)-No.10-32 hex.
1	34903-S8(X96)	Lockwasher-No.10
1	B8AZ 9A538-A	Spring (accel. pump over travel)
2	C1AE 9541-C	Needle (idle adjusting)
1	B8AZ 9D541-A	Lever (choke housing)
1	C0AZ 9B542-A	Rod (accel. pump link to throttle lever)-service pkg. includes (5) pieces 375894-S7 clip
1	353610-S8 (NN126)	Retainer (accel. pump link to lever)-spring-.55" long
1	C2AZ 9545-A	Plate (choke)
1	B7A 9546-A	Shaft and lever (choke)
1	C0AE 9550-A	Float
1	B8A 9558-A	Pin (float hinge)
1	C2AZ 9B559-A	Diaphragm (accelerator pump)
1	*C2AZ 9561-B	Gasket (float bowl) -repl. by C2OZ 9561-A (10-63)
1	C2OZ 9561-A	Gasket (float bowl)
1	B7A 9563-A	Gasket (economizer cover)
1	C2AZ 9564-B	Valve & seat (fuel inlet)-includes (1) B7A 9569-A gasket & (1) C1AZ 9599-A retainer
1	C0AZ 9A565-B	Economizer-identified by green dye on body 0 to 5,000 ft. altitude
1	C3AZ 9A565-D	Economizer-identified by yellow dye on body 5,000 to 10,000 ft. altitude
1	C0AE 9A565-C	Economizer-identified by No. 55 on O.D. 10,000 to 15,000 ft. altitude
1	B7A 9569-A	Gasket (float valve seat)
1	B8A 9575-A	Retainer (accel. pump check valve)-1/4"-28 thread
1	373025-S(XX97)	Washer (accel. pump valve return gasket)-1/4" flat
1	374818-S(XX97A)	Washer (accel. pump valve return gasket)-1/4" flat

CARBURETOR SERVICE PARTS LIST No. 117 - continued

QTY. PER CARBU-RETOR	PART NUMBER	DESCRIPTION
1	C0AZ 9577-A	Screw (pump discharge nozzle)
1	374370-S(XX94A)	Washer-1/4" flat (buna coated alum.)
1	B8A 9578-B	Spring (fast idle adjusting lever)-4 1/2 coils-.20" I.D.-.58" long
2	40 9578	Spring (idle adjusting needle)
1	355107-S7 (BB536)	Screw (normal idle adjusting)-No.10-32 x 1" special hex. head slotted
1	B9A 9579-A	Pin (fast idle adjusting lever)
1	B8A 9581-B	Shaft & lever (throttle)
2	B8A 9585-E	Plate (throttle)-primary
4	B7A 9586-E	Screw (throttle plate)-No.8-32 x .42" oval head-tubular
2	B9A 9586-A	Screw (choke plate)-No.6-32 oval hd.
1	C2AZ 9A588-B	Gasket (economizer)
1	C0ME 9A590-B	Spring (thermostatic choke)
1	C0ME 9597-A	Cam (fast idle)
1	351825-S(XX9)	Retainer (fast idle cam)-"C" washer
1	B8A 9598-A	Rod (choke shaft)
1	353610-S8 (NN126)	Retainer (rod to choke shaft lever)-spring type-.44" long
2	359555-S(XX50)	Washer (fast idle rod seal)-No.8-flat
1	B7AZ 9599-A	Retainer (float lever shaft)-.37" I.D.
1	B8A 9636-A	Spring (pump lever return)
1	C2AZ 9A753-A	Shaft & lever (choke housing)
1	353862-S8(XX10)	Retainer (shaft & lever to choke housing)-"C" washer
1	355829-S7(MM15)	Nut (shaft & lever to housing)-No.8-36 hex.
1	34802-S7(X59)	Lockwasher-No.8
1	C2AZ 9A756-A	Liner (thermostatic choke lever bushing)
1	C0ME 9A757-A	Lever & bushing (thermostatic choke)
1	358662-S (XX87)	Washer (choke housing bushing thrust)-1/4"
1	B7AZ 9812-A	Spacer (thermostatic choke shaft)
1	B6A 9842-A	Clamp (thermostatic choke housing)
3	31061-S8(U50)	Screw (clamp housing)-No.8-32 x 1/2"
3	34802-S7(X59)	Lockwasher-No.8
1	C0AE 9848-B	Housing (choke thermostat)-service pkg. includes (1) C1AE 9871-A gasket
1	C0AE 9849-A	Housing & plugs (choke)
3	*31165-S8	Screw (choke control housing to body)-No.8-32 x 1 5/8" fillister head
3	359113-S(XX46)	Washer-No.8-flat
3	34802-S7(X59)	Lockwasher-No.8
1	C0AE 9850-C	Control (thermostatic choke)-identified by "TK" on cover-service pkg. includes (1) B8A 9853-A gasket
1	B8A 9853-A	Gasket (thermostatic choke housing)
1	B8A 9861-A	Shield (choke thermostat)
1	43248-S8(U72)	Screw & washer (shield to housing)-No.8-32 x 3/8" fillister head
1	C1AE 9871-A	Gasket (thermostatic choke housing)
1	B8AZ 9919-A	Lever (accelerator pump overtravel)-service pkg. includes (1) C3AZ 9F569-A bushing
1	374035-S(XX13C)	Retainer (pump overtravel lever to throttle shaft)-"C" washer
1	B7A 9930-A	Cover (economizer valve)
4	31061-S8(U50)	Screw (economizer valve cover to main body)-No.8-32 x 1/2" fill. hd.
4	34802-S7(X59)	Lockwasher-No.8

## CARBURETOR PART No. COAE 9510-AG

QTY. PER CARBU-RETOR	PART NUMBER	DESCRIPTION
1	C2OZ 9502-B	Gasket set
1	C2OZ 9A586-B	Kit (tune up)
1	C2OZ 9590-C	Repair kit
1	358165-S(II-65)	Connector (distributor vacuum tube to carb.)-1/8" pipe thread
4	★88391-S8	Stud-5/16"-18-24 x 1.50"
4	351089-S8(MM20)	Nut-5/16"-24
4	34806-S7(X64)	Lockwasher-5/16"
1	B7AZ 9B501-A	Seal (fast idle rod)
1	C3AZ 9B511-A	Weight (pump discharge ball)-.202" O.D. -.56" long
1	COAE 9512-K	Body (main)-except with tag codes DBA0AA & DBA0BA
2	359409-S(PP59)	Plug (to plug drill passages in main body)-5/16"
1	371350-S(AA4)	Ball (accelerator pump inlet passage)-3/16" steel
1	359353-S(PP58)	Plug (to plug hole from bowl to accelerator pump)-1/8" cup
1	C1AZ 9A523-A	Support (booster venturi)-except with tag codes DBA0AA & DBA0BA
1	371350-S(AA4)	Ball (accel.pump discharge valve)-3/16" steel
1	COAZ 9524-B	Horn (air)-less shaft
4	43256-S8	Screw & washer (horn & plugs to main body)-No.10-32 x 5/8"
1	B8A 9528-A	Cover (accelerator pump)-less link
4	43255-S8(U74)	Screw & washer (cover to carb.)-No. 8-32 x 5/8"
1	COAE 9529-A	Link (accelerator pump)
1	353847-S8 (NN109)	Pin (accelerator pump link to cover)-.187" x .50" diameter roll
1	C1AE 9D530-A	Rod (fast idle cam)
2	351825-S(XX9)	Retainer (fast idle cam rod)-"C" washer
2	78 9533-C	Jet (main metering) No. 78 - 0 to 5,000 ft. altitude
2	B7A 9533-B	No. 44 - 5,000 to 10,000 ft. altitude
2	922A 9533-A	No. 43 - 10,000 to 15,000 ft. altitude
1	B8AZ 9A535-A	Bellcrank (fast idle)
1	★31077-S8	Screw (bellcrank choke adjusting lever to shaft)-No. 8-32 x 5/8" fill. head
1	44710-S8(X10)	Washer - No.8 flat
1	34052-S7(M155)	Nut - No.8-32 hex.
1	B8AZ 9A536-A	Gasket (booster venturi support)
1	B9A 9538-A	Lever (fast idle adjusting)
1	372216-S8B (BB37)	Screw (fast idle adjusting)-No.10-32 x .94" fillister head
1	34079-S7(M163)	Nut (lever to throttle shaft)-No.10-32 hex.
1	34903-S8(X96)	Lockwasher-No.10
1	B8AZ 9A538-A	Spring (accel.pump over travel)
2	C1AE 9541-C	Needle (idle adjusting)
1	B8AZ 9D541-A	Lever (choke housing)

## CARBURETOR SERVICE PARTS LIST No.118

QTY. PER CARBU-RETOR	PART NUMBER	DESCRIPTION
1	COAZ 9B542-A	Rod (accel.pump link to throttle lever)-service pkg. includes (5) pieces 375894-S7 clip
1	353610-S8 (NN126)	Retainer (accel.pump link to lever)-spring-.55" long
1	C2AZ 9545-A	Plate (choke)
1	B7A 9546-A	Shaft and lever (choke)
1	C1AZ 9B549-A	Dashpot
1	33923-S7(M32)	Nut-5/16"-24
2	34806-S7(X64)	Lockwasher-5/16"
1	43252-S8(U77)	Screw & washer (dashpot mounting bracket to carb.)-No.10-32 x 1/2"
1	COAE 9550-A	Float
1	B8AZ 9B550-A	Bracket (dashpot mounting)
1	B8A 9558-A	Pin (float hinge)
1	C2AZ 9B559-A	Diaphragm (accelerator pump)
1	★C2AZ 9561-B	Gasket (float bowl)-repl. by C2OZ 9561-A (10-63)
1	C2AZ 9A588-B	Gasket (economizer)
1	B7A 9563-A	Gasket (economizer cover)
1	C2AZ 9564-B	Valve & seat (fuel inlet)-includes (1) B7A 9569-A gasket & (1) C1AZ 9599-A retainer
1	COAZ 9A565-B	Economizer-identified by green dye on body 0 to 5,000 ft. altitude
1	C3AZ 9A565-D	Economizer-identified by yellow dye on body 5,000 to 10,000 ft. altitude
1	COAE 9A565-C	Economizer-identified by No. 55 on O.D. 10,000 to 15,000 ft. altitude
1	B7A 9569-A	Gasket (float valve seat)
1	B8A 9575-A	Retainer (accel.pump check valve)-1/4"-28 thread
1	373025-S(XX97)	Washer (accel.pump valve return gasket)-1/4" flat
1	374818-S(XX97A)	Washer (accel.pump valve return gasket)-1/4" flat
1	COAZ 9577-A	Screw (pump discharge nozzle)
1	374370-S(XX94A)	Washer-1/4" flat (buna coated alum.)
1	B8A 9578-B	Spring (fast idle adjusting lever)-4 1/2 coils-.20" I.D. -.58" long
2	40 9578	Spring (idle adjusting needle)
1	355107-S7 (BB536)	Screw (normal idle adjusting)-No.10-32 x 1" special hex.head slotted
1	B9A 9579-A	Pin (fast idle adjusting lever)
1	B8A 9581-B	Shaft & lever (throttle)
2	B8A 9585-E	Plate (throttle)-primary
4	B7A 9586-E	Screw (throttle plate)-No.8-32 x .42" oval head-tubular
2	B9A 9586-A	Screw (choke plate)-No.6-32 oval hd.
1	C2OZ 9561-A	Gasket (float bowl)
1	COME 9A590-B	Spring (thermostatic choke)
1	COME 9597-A	Cam (fast idle)
1	351825-S(XX9)	Retainer (fast idle cam)-"C" washer
1	B8A 9598-A	Rod (choke shaft)
1	353610-S8 (NN126)	Retainer (rod to choke shaft lever)-spring type-.44" long
2	359555-S(XX50)	Washer (fast idle rod seal)-No.8-flat

continued on next page

**CARBURETOR PART No. COAE 9510-AG**

QTY. PER CARBU-RETOR	PART NUMBER	DESCRIPTION
1	B7AZ 9599-A	Retainer (float lever shaft) - .37" I. D.
1	B8A 9636-A	Spring (pump lever return)
1	C2AZ 9A753-A	Shaft & lever (choke housing)
1	353862-S8(XX10)	Retainer (shaft & lever to choke housing) - "C" washer
1	355829-S7(MM15)	Nut (shaft & lever to housing) - No. 8-36 hex.
1	34802-S7(X59)	Lockwasher - No. 8
1	C2AZ 9A756-A	Liner (thermostatic choke lever bushing)
1	COME 9A757-A	Lever & bushing (thermostatic choke)
1	358662-S(XX87)	Washer (choke housing bushing thrust) - 1/4"
1	B7AZ 9812-A	Spacer (thermostatic choke shaft)
1	B6A 9842-A	Clamp (thermostatic choke housing)
3	31061-S8(U50)	Screw (clamp housing) - No. 8-32 x 1/2"
3	34802-S7(X59)	Lockwasher - No. 8
1	COAE 9848-B	Housing (choke thermostat) - service pkg. includes (1) C1AE 9871-A gasket

**CARBURETOR PART No. B7AE 9510-B**

1	B8A 9502-F	Gasket set
1	B8AZ 9A586-C	Kit (tune up)
1	B8AZ 9590-F	Repair kit
1	358165-S(II-65)	Connector (distributor vacuum tube to carb.) - 1/8" pipe thread
1	EDC 9A500-A	Adaptor (float hinge)
1	C1AE 9B501-A	Seal (choke rod)
2	353610-S8 (NN126)	Retainer (rod to shaft) - spring - .44" long
1	353854-S8(XX64)	Washer - .129 / .134 flat
1	B8AZ 9A506-A	Lever (accelerator pump operating)
1	370050-S2 (BB537)	Screw (accelerator pump lever adjusting) - No. 10-32 x .50" hex. head slotted
1	370052-S2 (MM219)	Sleeve - nut (accelerator pump lever adjusting) - No. 10-32 x .26"
1	B8AZ 9A507-C	Bowl & plugs (float primary) - use with B8A 9528-B
4	359747-S2 (BB809)	Screw (fuel bowl & plugs to carb. main body) - No. 12-24 x 2.56"
1	B9AE 9A511-B	Body & plugs (main metering) - stamped 2633
1	B9AE 9512-B	Body (main)
1	B7AZ 9A515-B	Rod (accel. pump link to vent lever)
1	B7A 9516-A	Gasket (throttle body to main body)
1	B9TE 9A516-A	Valve (accel. pump discharge needle)
1	B7AZ 9A517-A	Baffle (float bowl) - primary
1	B9AE 9518-A	Body and shaft (throttle)
AR	359736-S2(BB67)	Screw & washer (throttle body to main body) - No. 12-24 x .81" fillister head
1	B9TZ 9A518-A	Gasket (main metering body) - primary
1	B7AZ 9A519-A	Spring (float)
1	B2TZ 9A520-A	Adaptor (fuel inlet) - 27/32" overall length - has compression type seal
1	B7AZ 9526-B	Cam (accelerator pump diaphragm operating)
1	★33174-S	Screw (cam to throttle shaft & lever) - No. 6-20 x 3/8" pan head slotted - tapping

**CARBURETOR SERVICE PARTS LIST No. 118 - continued**

QTY. PER CARBU-RETOR	PART NUMBER	DESCRIPTION
1	COAE 9849-A	Housing & plugs (choke)
3	★31165-S8	Screw (choke control housing to body) - No. 8-32 x 1 5/8" fillister head
3	359113-S(XX46)	Washer - No. 8 - flat
3	34802-S7(X59)	Lockwasher - No. 8
1	COAE 9850-C	Control (thermostatic choke) - identified by "TK" on cover - service pkg. includes (1) B8A 9853-A gasket
1	B8A 9853-A	Gasket (thermostatic choke housing)
1	B8A 9861-A	Shield (choke thermostat)
1	43248-S8(U72)	Screw & washer (shield to housing) - No. 8-32 x 3/8" fillister head
1	C1AE 9871-A	Gasket (thermostatic choke housing)
1	B8AZ 9919-A	Lever (accelerator pump overtravel) - service pkg. includes (1) C3AZ 9F569-A bushing
1	374035-S(XX13C)	Retainer (pump overtravel lever to throttle shaft) - "C" washer
1	B7A 9930-A	Cover (economizer valve)
4	31061-S8(U50)	Screw (economizer valve cover to main body) - No. 8-32 x 1/2" fill. hd.
4	34802-S7(X59)	Lockwasher - No. 8

**CARBURETOR SERVICE PARTS LIST No. 119**

1	B8A 9528-B	Kit (accelerator pump cover) - consists of the following - 1-B8A 9528-B Cover, 4-43250-S Screw & washer & 4-359757-S2 Screw & washer
4	43255-S8(U74)	Screw & washer (accel. pump cover) - No. 8-32 x 5/8" fillister hd. - used to attach B8A 9528-B cover to B8A 9559-D, E float bowl
2	86H 9533	Jef (main metering) No. 52 - 0 to 5,000 ft. altitude
1	B7AZ 9A535-C	Lever (fast idle pick up)
1	B7A 9538-A	Lever (fast idle adjusting)
1	42802-S8(U33)	Screw & lockwasher (lever to main body) - No. 10-32 x 3/8"
2	B7A 9541-A	Needle (idle adjusting)
1	B7A 9545-B	Plate (choke) - R. H.
1	B7A 9546-B	Shaft and lever (choke)
1	C1AZ 9B549-A	Dashpot
1	33923-S7(M32)	Nut - 5/16" - 24
2	34806-S7(X64)	Lockwasher - 5/16"
1	EDC 9550-B	Float
1	B7AZ 9B550-B	Bracket (dashpot mounting)
1	356736-S7-8 (BB11)	Screw (bracket to throttle body) - No. 10-24 x 1/2" fillister head
1	34803-S7(X60)	Lockwasher - No. 10
1	B7A 9557-B	Valve (float bowl vent)
1	EDC 9558-B	Pin (float hinge)
1	COAE 9B559-D	Diaphragm (accelerator pump)
1	B7A 9560-B	Spring (pump chamber vent operating rod)
1	351826-S(XX2)	Retainer (operating rod spring)
1	B8A 9561-C	Gasket (float bowl) - primary
1	B7T 9562-A	Plug (float housing fuel level check) - 5/16" - 24 x 1/4" slotted
1	B8A 9564-C	Valve & seat (fuel inlet)
1	B7TZ 9A565-A	Economizer - stamped No. 65

continued on next page

## CARBURETOR PART No. B7AE 9510-B

QTY. PER CARBU-RETOR	PART NUMBER	DESCRIPTION
1	B2A 9568-B	Retainer (pump operating lever)-split
1	B7AZ 9B569-A	Spring (fast idle cam lever)
1	B7A 9571-A	Spring (pump lever adjusting screw)
1	B8AZ 9575-A	Retainer (pump check ball)
1	B8A 9576-A	Ball (inlet)
1	B8A 9577-B	Nozzle (pump discharge)
1	*50420-S7	Screw (pump discharge nozzle)-No.12-24 x 3/4" oval head
1	B8A 9578-B	Spring (throttle stop screw)-4 1/2 coils-.20" I.D.-.58" long
1	40 9578	Spring (fast idle adjusting lever)
2	B7AE 9580-A	Gasket(pump discharge nozzle & pump discharge screw)
1	B9AE 9581-A	Shaft & lever (throttle)
1	370049-S(BB33)	Screw (fast idle adjusting)-No.8-32 x .50" fillister head
2	B7A 9585-C	Plate (throttle)
4	B8A 9586-A	Screw (throttle plate)
2	B9A 9586-A	Screw (choke plate)-No.6-32 oval hd.
1	B7AZ 9A588-A	Gasket (economizer)
1	A8AZ 9A588-A	Gasket (fuel level check plug)-serviced in kit 9502
4	B7A 9592-A	Gasket (float bowl screw)

## CARBURETOR PART No. B8AE 9510-A

1	B8A 9502-C	Gasket set
1	C2AZ 9A586-B	Kit (tune up)
1	C1AZ 9590-A	Repair kit
1	354582-S(II-73)	Connector (carb. to tube ass'y.)-5/16" flared tube
2	374166-S(PP23A)	Plug-1/4"-32-for dist. passage when tube 12226 is not used
1	B1AZ 9B502-A	Screw (dashpot & throttle lever adj.)
1	B2AZ 9B502-A	Screw (dashpot operating lever)-No. 8-32 x .59" slotted binding head
1	34803-S7(X60)	Lockwasher-No. 10
1	34079-S7(M163)	Nut-No. 10-32
1	C0AZ 9A507-A	Bowl & plugs assy.(float)-metal bowl
4	*31644-S7	Screw (bowl to main body)-No. 10-32 x 3/4" fillister head
4	34803-S7(X60)	Lockwasher-No. 10
1	B9AE 9B511-A	Weight (pump discharge ball)
1	B9AE 9512-H	Body ass'y. (main)
1	B8A 9516-C	Gasket (throttle body to main body)
1	B9TZ 9518-D	Kit (throttle body assy.)
@	C0AE 9529-C	Link (accelerator pump)
1	1GA 9533-B	Jet ( main metering)-No. 62-0 to 5,000 ft. alt.
1	B7A 9541-D	Needle (idle adjusting)
1	C0AE 9B544-B	Piston assy. (accelerator pump)-includes gasket
1	EAA 9546-C	Shaft & lever assy. (choke)
1	*37611-S7	Screw (choke lever to shaft)-No. 8-32 x 1/4" fillister head

@ Serviced in 9590 kit only

## CARBURETOR SERVICE PARTS LIST No. 119 - continued

QTY. PER CARBU-RETOR	PART NUMBER	DESCRIPTION
1	B8A 9597-B	Cam (fast idle)
1	359539-S8B (BB40)	Screw (throttle adjusting)-No.10-32 x 1.25"
1	B8AZ 9599-A	Retainer (float lever shaft)
1	B7AZ 9A599-B	Rod (choke control)
2	B7A 9634-A	Seal (idle adjusting needle)
1	B7A 9636-B	Spring (accel. pump diaphragm return)
1	B7AZ 9A753-B	Shaft & lever (choke housing)
1	B5AZ 9812-A	Spacer (secondary throttle plate control lever)
1	B7A 9840-B	Piston (automatic choke)
1	355829-S7(MM15)	Nut (piston to choke housing)-No. 8-36
1	34802-S7(X59)	Lockwasher-No. 8
1	B6A 9842-A	Clamp (thermostatic choke housing)
3	31061-S8(U50)	Screw (clamp housing)-No. 8-32 x 1/2"
3	34802-S7(X59)	Lockwasher-No. 8
1	B8A 9848-E	Housing (choke thermostat)
1	B7A 9849-B	Housing & plugs (choke)
3	359737-S(BB59)	Screw & washer (choke housing to main body)-No.8-32 x 1.25"
1	B7A 9850-A	Control (thermostatic choke)
2	B7A 9853-B	Gasket (choke thermostatic control)
1	B7A 9871-B	Gasket (thermostatic choke housing)
1	B7A 9938-B	Screen (filter)-with retainer
Δ	B2AZ 9945-A	Gasket (fuel inlet seat screw)-.32" I. D. -.428" O. D. -.031" thick

## CARBURETOR SERVICE PARTS LIST No. 120

1	*EAA 9549-A	Plate assy. (choke)
1	C1AZ 9B549-A	Dashpot assy. -not supplied with service carburetors. Order separately
1	34806-S7(X64)	Lockwasher-5/16"-not supplied with service carburetors. Order separately
1	33923-S7(M32)	Nut-5/16"-24-not supplied with service carburetors. Order separately
1	EAA 9550-A	Float assy. -repl.by C2AZ 9550-A(1-63)
1	C2AZ 9550-A	Float assy.
1	*B2A 9551-A	Pin (choke plate distributor)-3/32" x 1.12" split
1	C1AE 9558-A	Pin (float hinge)
1	B2AZ 9561-A	Gasket (float bowl retainer)-3.81"long-2.19" wide-use with glass bowl only
1	C2AZ 9561-C	Gasket (float bowl)
1	C2AZ 9564-C	Valve & seat assy. (fuel inlet)
1	B2AZ 9A565-A	Economizer assy.
1	B2A 9568-B	Retainer (pump operating lever)
1	EAA 9569-A	Gasket (float needle seat)
1	B8AZ 9B572-A	Valve assy. (spark)-stamped No. 55
1	B2A 9574-B	Screw (discharge nozzle)-No. 10-32 x .64" overall length fillister head
1	EAA 9576-A	Ball (accelerator pump check)-.156" diameter
2	78 9576	Ball (accelerator pump check)-1/8" diameter
1	EAA 9577-B	Nozzle assy. (pump discharge)

Δ Serviced in 9502 kit only

continued on next page

**CARBURETOR PART No. B8AE 9510-A**

QTY. PER CARBU-RETOR	PART NUMBER	DESCRIPTION
1	B8A 9578-B	Spring (throttle adjusting screw)- 4 1/2 coils-. 20" I. D. -. 58" long
1	40 9578	Spring (idle adjusting needle)
1	★31644-S7	Screw (throttle adjusting)- No. 10-32 x 3/4" fillister head
1	EAA 9580-A	Gasket (discharge pump nozzle)-. 20" I. D. x .32" O. D. -. 03" thick
1	B9AE 9581-D	Lever & shaft assy. (throttle)
1	C0AZ 9583-A	Lever (accel. pump piston)-nylon
1	★B4A 9585-A	Plate (throttle)
2	★31036-S8	Screw (carb. throttle plate)- No. 6-32 x 5/16" fillister head
2	34937-S7(X84)	Lockwasher-No. 6-external tooth
2	B2A 9586-A	Screw (choke plate)
1	B2AZ 9A588-A	Gasket (economizer valve)
1	C0AE 9A588-A	Gasket (spark valve)-. 57" I. D. -. 75" O. D. -. 015" thick
1	B8A 9594-B	Jet & main well assy. (power)- stamped 3315-A
1	1CM 9681-A	Ball (rod to trans. control shaft lever)
1	34079-S7(M163)	Nut (throttle lever ball)-No. 10-32 hex.
1	34803-S7(X60)	Lockwasher-No. 10
1	8BA 9792	Clamp (choke control bracket)
1	31061-S8(U50)	Screw (bracket clamp)- No. 8-32 x 1/2" fillister head
1	34052-S7(M155)	Nut-No. 8-32

**CARBURETOR PART No. B9AZ 9510-A**

1	C1AZ 9502-B	Gasket set
1	B9AZ 9A586-A	Kit (tune up)
1	B9AZ 9590-B	Repair kit
1	358165-S(I-65)	Connector (distributor vacuum tube to carb.)-1/8" pipe thread
1	B7A 9501-A	Housing & plug (secondary throttle)
3	43407-S8(U76)	Screw & washer (housing to throttle body)-No. 8-32 x 1"
1	EDC 9A501-A	Tube (balance)-. 156" O. D. -. 7.56" long
2	372239-S(XX44)	Washer (balance tube)-No. 6-flat-. 307" O. D. -. 165" I. D. x .015" thick
1	C1AE 9B501-A	Seal (choke rod)
1	B7A 9503-B	Diaphragm (secondary throttle)
1	351825-S(XX9)	Washer (diaphragm link to lever)- "C" retainer
1	B5AZ 9B504-A	Spring (secondary throttle diaphragm return)
1	B5A 9C504-A	Rod (secondary throttle control)
2	353610-S8(NN126)	Retainer (rod to shaft)-spring-. 44" long
1	353854-S8(XX64)	Washer-. 129/.134 flat
1	B8AZ 9A506-A	Lever (accelerator pump operating)
1	370050-S2 (BB537)	Screw (accelerator pump lever adjusting)-No.10-32 x .50" hex. head slotted
1	370052-S2 (MM219)	Sleeve-nut (accelerator pump lever adjusting)-No.10-32 x .26"

▲ Serviced in 9502 kit only

**CARBURETOR SERVICE PARTS LIST No.120 - continued**

QTY. PER CARBU-RETOR	PART NUMBER	DESCRIPTION
1	EAA 9796-A	Bracket (choke control)
1	★31596-S7	Screw & lockwasher (choke bracket)- No. 10-32 x 3/8"
1	B2A 9808-A	Retainer (float bowl)-use with glass bowl only
4	B2A 9809-A	Clamp (float bowl retainer)-use with glass bowl only
4	★31644-S7	Screw (clamp)-No. 10-32 x 3/4"- fillister head
4	34803-S7(X60)	Lockwasher-No. 10
1	B2A 9827-A	Gasket (fuel inlet fitting)
1	★B2A 9930-B	Cover (economizer valve)
3	31061-S8(U50)	Screw (cover to main body)- No. 8-32 x 1/2"-fillister head
3	34802-S7(X59)	Lockwasher-No. 8
1	B8A 9934-A	Sleeve (pump push rod)
1	EAA 9935-B	Spring (accel. pump rod plunger)- .27" O. D. -. 1.34" long-13 coils
1	EAA 9936-A	Spring (accel. pump diaphragm return)-cone shaped-8 coils
▲1	B2AZ 9945-A	Gasket (fuel inlet seat screw)- .32" I. D. -. 428" O. D. -. 031" thick

**CARBURETOR SERVICE PARTS LIST No. 124**

1	B7A 9507-B	Cover (secondary throttle diaphragm)
4	43255-S8(U74)	Screw & washer assy. (diaphragm cover to carb.)-No.8-32 x 5/8"
1	B9AZ 9A507-A	Bowl & plugs (float)-primary-use with fuel inlet adjustable needle & seat only
4	359747-S2 (BB809)	Screw (fuel bowl & plugs to carb. main body)-No.12-24 x 2.56"
1	B9AZ 9A508-A	Bowl & float (secondary)-use with fuel inlet adjustable needle & seat only
4	372238-S7-8 (BB811)	Screw (secondary bowl & plugs to carb. main body)-No.12-24 x 1.88" special head
3	B7AZ 9B508-A	Bushing (secondary throttle shaft)
1	B8AZ 9B508-A	Bushing (secondary throttle shaft)- center
1	B9AE 9A511-C	Body & plugs (main metering)-primary
1	B9AE 9512-D	Body (main)
1	B8AZ 9A513-A	Body & plugs (main metering second.) stamped 2007-4
6	372243-S7-8 (BB110)	Screw (secondary metering body to carb. main body)-No.8-32 x .56" flat head-cross recess
1	B8A 9514-A	Plate (main metering)
1	B9AE 9A515-A	Rod (air vent push)
1	B8S 9516-A	Gasket (throttle body to main body)
1	B9TE 9A516-A	Valve (accel pump discharge needle)
1	B8AZ 9A517-A	Baffle (float bowl)-primary
1	B9TE 9A517-B	Baffle (float bowl)-secondary

continued on next page

## CARBURETOR PART No. B9AZ 9510-A

QTY. PER CARBU-RETOR	PART NUMBER	DESCRIPTION
1	B9AE 9518-C	Body and shaft (throttle)
AR	359736-S2(BB67)	Screw & washer (throttle body to main body)-No.12-24 x .81" fillister head
1	B8AZ 9A518-A	Gasket (main metering body)-second.
1	B9TZ 9A518-A	Gasket (main metering body)-primary
2	B9TE 9A519-B	Spring (float)
1	B8AZ 9A520-A	Adaptor (fuel inlet)-1/2"-20 internal-9/16" external threads
2	B9TE 9A522-A	Gasket (valve seat lock screw)
2	B9TE 9A522-B	Gasket (valve seat adjusting nut)
1	B7AZ 9526-B	Cam (accelerator pump diaphragm operating)
1	★33174-S	Screw (cam to throttle shaft & lever)-No. 6-20 x 3/8" pan head slotted-tapping
1	B8A 9528-B	Kit (accelerator pump cover)-consists of the following- 1-B8A 9528-B Cover, 4-43250-S Screw & washer & 4-359757-S2 Screw & washer
4	43255-S8(U74)	Screw & washer (accel. pump cover)-No. 8-32 x 5/8" fillister head - used to attach B8A 9528-B cover to B8A 9559-D, E float bowl
2	26H 9533	Jet (main metering) No. 57 - 0 to 5,000 ft. altitude
1	B8A 9534-A	Tube (float bowl connection)-.250" O.D. -6.00" long
1	B8A 9538-B	Lever (fast idle adjusting)
1	372242-S7-8 (BB411)	Screw (fast idle adjusting)-No. 8-32 x .63" hex. slotted head-pilot point
1	42802-S8(U33)	Screw & lockwasher (lever to main body)-No. 10-32 x 3/8"
2	B7A 9541-A	Needle (idle adjusting)
1	PB8E 9546-A	Shaft and lever (choke)
1	PB8E 9549-A	Plate (choke)
1	C1AZ 9B549-A	Dashpot
2	34806-S7(X64)	Lockwasher-5/16"
1	33923-S7(M32)	Nut-5/16"-24
2	★31036-S8	Screw (choke plate to choke shaft)-No. 6-32 x 5/16" fillister head
2	34937-S7(X84)	Lockwasher-No. 6 external tooth
2	B9TE 9550-A	Float
2	351826-S(XX2)	Retainer (float bowl)
1	B7AZ 9B550-B	Bracket (dashpot mounting)
1	356736-S7-8 (BB11)	Screw (bracket to throttle body)-No. 10-24 x 1/2" fillister head
1	34803-S7(X60)	Lockwasher-No. 10
1	B8A 9553-C	Baffle (metering body vent)
1	B7A 9557-B	Valve (float bowl vent)
1	C0AE 9B559-D	Diaphragm (accelerator pump)
1	B8A 9560-B	Spring (pump chamber vent operating rod)
1	B8A 9561-C	Gasket (float bowl)-primary
1	B8A 9561-D	Gasket (float bowl)-secondary
2	B7T 9562-A	Plug (float housing fuel level check)-5/16"-24 x 1/4" slotted

## CARBURETOR SERVICE PARTS LIST No. 124 - continued

QTY. PER CARBU-RETOR	PART NUMBER	DESCRIPTION
2	C2TZ 9564-B	Valve & seat (fuel inlet)
2	373246-S(BB660)	Screw (fuel valve adjusting nut lock)-1/4"-32 x .33"
2	372426-S8B(MM168)	Nut (fuel valve adjusting) -5/16" x 3/8"
1	B8A 9565-A	Clamp (air vent push rod)
1	B7AZ 9A565-A	Economizer-stamped No. 85
1	B2A 9568-B	Retainer (pump operating lever)-split
1	B7A 9571-A	Spring (pump lever adjusting screw)
1	B5A 9576-A	Ball (secondary throttle check)
1	B8A 9577-A	Nozzle (pump discharge)
1	★50420-S7	Screw (pump discharge nozzle)-No. 12-24 x 3/4" oval head
1	B8A 9578-B	Spring (throttle stop screw)-4 1/2 coils-.20" I.D. -.58" long
1	359539-S8B (BB40)	Screw (fast idle adjusting)-No. 10-32 x 1.25" fillister head
2	B7AE 9580-A	Gasket(pump discharge nozzle & pump discharge screw)
1	B9AE 9581-B	Shaft & lever (throttle)-primary
1	B7A 9583-B	Lever (secondary throttle diaphragm)
2	B8A 9585-A	Plate (throttle)-primary
2	B8A 9585-H	Plate (throttle)-secondary-stamped 116
8	B8A 9586-A	Screw (throttle plate)
1	B7AZ 9A588-A	Gasket (economizer)
2	★A8AZ 9A588-A	Gasket (fuel level check plug)-serviced in kit 9502
8	B7A 9592-A	Gasket (float bowl screw)
1	B8AZ 9A592-C	Lever & shaft (second throttle plate)
1	359749-S(UU17)	Screw (secondary throttle stop)-spread lock set-No. 8-32 x .38"
1	B8S 9597-A	Cam (fast idle)
1	B7AZ 9A599-B	Rod (choke control)
2	353610-S8(NN126)	Retainer (rod to carburetor)
2	B5A 9609-A	"O" ring (balance tube)
2	B6A 9609-A	"O" ring (fuel valve seat)-serviced in kit 9502
2	B7A 9634-A	Seal (idle adjusting needle)
1	B7A 9636-B	Spring (accel. pump diaphragm return)
1	B7AZ 9A753-B	Shaft & lever (choke housing)
1	B5AZ 9812-A	Spacer (secondary throttle plate control lever)
1	B7A 9840-B	Piston (automatic choke)
1	355829-S7(MM15)	Nut (piston to choke housing)-No. 8-36
1	34802-S7(X59)	Lockwasher-No. 8
1	B6A 9842-A	Clamp (thermostatic choke housing)
3	31061-S8(U50)	Screw (clamp housing)-No. 8-32 x 1/2"
3	34802-S7(X59)	Lockwasher-No. 8
1	B8A 9848-A	Housing (choke thermostat)
1	B7A 9849-B	Housing & plugs (choke)
3	359737-S(BB59)	Screw & washer (choke housing to main body)-No. 8-32 x 1.25"
1	B9AE 9850-F	Control (thermostatic choke)
2	B7A 9853-B	Gasket (choke thermostatic control)
1	B7A 9853-B	Gasket (secondary diaphragm)
1	B7A 9871-B	Gasket (thermostatic choke housing)
1	B8A 9938-A	Screen (filter)



**CARBURETOR PART No. COAZ 9510-C**

**CARBURETOR SERVICE PARTS LIST No. 125**

QTY. PER CARBU-RETOR	PART NUMBER	DESCRIPTION
1	C2SZ 9502-A	Gasket set
1	C2SZ 9A586-A	Kit (tune up)
1	C2SZ 9590-A	Repair kit
1	358165-S(II-65)	Connector (distributor vacuum tube to carb.)-1/8" pipe thread
1	370875-S8B (UU23)	Screw (to set secondary idle air flow)-No. 10-32 set
1	B7AZ 9B501-A	Seal (fast idle rod)
1	B8A 9503-B	Diaphragm (secondary throttle)
1	B8AZ 9B504-D	Spring (secondary throttle diaphragm return)-6 coils-1.05" O.D. -.31" I.D.
1	B8A 9507-A	Cover (secondary throttle diaphragm)
4	43395-S8(U75)	Screw & washer assy. (diaphragm cover to carb.)-No.8-32 x 3/4"
1	C3AZ 9B511-A	Weight (pump discharge ball)-.202" O.D. -.56" long
1	C1AZ 9512-C	Body (main)
4	359409-S(P59)	Plug (to plug drill passages in main body)-5/16"
1	371350-S(AA4)	Ball (accelerator pump inlet passage)-3/16" steel
1	359353-S(P58)	Plug (to plug hole from bowl to accelerator pump)-1/8" cup
1	B8AZ 9A523-F	Support (booster venturi)-secondary
1	38294-S8(U141)	Screw (venturi secondary support to carb.)-1/4"-20 x 1" pan head
1	C0KE 9A523-C	Support (booster venturi)-primary-identified by letter "A"
1	371350-S(AA4)	Ball (accel.pump discharge valve)-3/16" steel
1	C0AZ 9524-A	Horn (air)-less shaft-use with C2AZ 9545-A plate only
8	43256-S8	Screw & washer (horn & plugs to main body)-No.10-32 x 5/8"
1	B8A 9528-A	Cover (accelerator pump)-less link
4	43255-S8(U74)	Screw & washer (cover to carb.)-No. 8-32 x 5/8"
1	C0AE 9529-A	Link (accelerator pump)
1	353847-S8(NN109)	Pin (accelerator pump link to cover)-.187" x .50" diameter roll
1	C1AE 9D530-A	Rod (fast idle cam)
2	351825-S(XX9)	Retainer (fast idle cam rod)-"C" washer
2	06H 9533	Jet (main metering)-primary No. 54 - 0 to 5,000 ft. altitude
2	86H 9533	No. 52 - 5,000 to 10,000 ft. altitude
2	78 9533-A	No. 50 - 10,000 to 15,000 ft. altitude
2	5GA 9533-B	Jet (main metering)-secondary No. 63 - 0 to 5,000 ft. altitude
2	B4Q 9533-A	No. 61 - 5,000 to 10,000 ft. altitude
2	B4Q 9533-B	No. 59 - 10,000 to 15,000 ft. altitude
1	B8AZ 9A535-A	Bellcrank (fast idle)
1	*31077-S8	Screw (bellcrank choke adjusting lever to shaft)-No.8-32 x 5/8" fillister head
1	44710-S8(X10)	Washer - No.8 flat
1	34052-S7(M155)	Nut - No.8-32 hex.
2	B8AZ 9A536-A	Gasket (booster venturi support)
1	B9A 9538-A	Lever (fast idle adjusting)
1	372216-S8B (BB37)	Screw (fast idle adjusting)-No.10-32 x .94" fillister head
1	34079-S7(M163)	Nut (lever to throttle shaft) - No.10-32 hex.
1	34903-S8(X96)	Lockwasher-No.10

QTY. PER CARBU-RETOR	PART NUMBER	DESCRIPTION
1	B8AZ 9A538-A	Spring (accel.pump over travel)
2	C1AE 9541-C	Needle (idle adjusting)
1	B8AZ 9D541-A	Lever (choke housing)
1	C0AZ 9B542-A	Rod (accel.pump link to throttle lever)-service pkg. includes (5) pieces 375894-S7 clip
1	353610-S8 (NN126)	Retainer (accel.pump link to lever)-spring-.55" long
1	C2AZ 9545-A	Plate (choke)-use with C0AZ 9524-A horn only
1	B7A 9546-A	Shaft and lever (choke)
1	C0ME 9549-A	Plate (choke)
1	C1AZ 9B549-A	Dashpot
2	34806-S7(X64)	Lockwasher -5/16"
1	33923-S7(M32)	Nut-5/16"-24
2	C0AE 9550-A	Float
1	B8AZ 9B550-A	Bracket (dashpot mounting)
1	43252-S8(U77)	Screw & washer (dashpot mounting bracket to carb.)-No.10-32 x 1/2"
2	B8A 9558-A	Pin (float hinge)
1	C2AZ 9B559-A	Diaphragm (accelerator pump)
1	*C2AZ 9561-A	Gasket (float bowl)-replaced by C2SZ 9561-A (10-63)
1	C2SZ 9561-A	Gasket (float bowl)
1	B7A 9563-A	Gasket (economizer cover)
2	C2AZ 9564-B	Valve & seat (fuel inlet)-includes (1) B7A 9569-A gasket & (1) C1AZ 9599-A retainer
1	C0AZ 9A565-A	Economizer 0 to 5,000 ft. altitude
1	C3AZ 9A565-D	Economizer-identified by yellow dye on body 5,000 to 10,000 ft. altitude
1	C0AE 9A565-C	Economizer-identified by No. 55 on O.D. 10,000 to 15,000 ft. altitude
2	B7A 9569-A	Gasket (float valve seat)
1	B8A 9575-A	Retainer (accel.pump check valve)-1/4"-28 thread
1	B8AZ 9575-B	Retainer (secondary vacuum control valve spring)-.133" O.D. x .06" thick
1	373025-S(XX97)	Washer (accel.pump valve return gasket)-1/4" flat
1	374818-S(XX97A)	Washer (accel.pump vlave return gasket)-1/4" flat
1	78 9576	Ball (secondary vacuum check valve)-1/8" diameter
1	C0AZ 9577-A	Screw (pump discharge nozzle)
1	374370-S(XX94A)	Washer-1/4" flat (buna coated alum.)
1	B8A 9578-A	Spring (secondary vacuum control valve)-16 coils-.11" O.D. -.375" long
1	355107-S7 (BB536)	Screw (normal idle adjusting)-No.10-32 x 1" special hex. head slotted
1	B8A 9578-B	Spring (fast idle adjusting lever)-4 1/2 coils-.20" I.D. -.58" long
2	40 9578	Spring (idle adjusting needle)
1	B9A 9579-B	Pin (fast idle adjusting lever)
1	B8A 9581-C	Shaft & lever (throttle)
1	B8A 9583-A	Lever (secondary throttle diaphragm)
1	353848-S8(NN71)	Pin (spring-3/16" x 11/16" throttle diaphragm lever to carburetor)

continued on next page

## CARBURETOR PART No. COAZ 9510-C

QTY. PER CARBU-RETOR	PART NUMBER	DESCRIPTION
2	B8A 9585-F	Plate (throttle)-primary
2	B8A 9585-G	Plate (throttle)-secondary
8	B7A 9586-E	Screw (throttle plate)-No. 8-32 x .42" oval head-tubular
2	B9A 9586-A	Screw (choke plate)-No. 6-32 oval hd.
1	C2AZ 9A588-A	Gasket (economizer)
1	COME 9A590-B	Spring (thermostatic choke)
1	B8AZ 9A592-B	Lever & shaft (second. throttle plate)
1	B8A 9596-A	Rod (secondary diaphragm control)
1	COME 9597-A	Cam (fast idle)
1	351825-S(XX9)	Retainer (fast idle cam)-"C" washer
1	B8A 9598-A	Rod (choke shaft)
1	353610-S8 (NN126)	Retainer (rod to choke shaft lever) - spring type - .44" long
2	359555-S(XX50)	Washer (fast idle rod seal)-No. 8-flat
2	B7AZ 9599-A	Retainer (float lever shaft)-.37" I.D.
1	B8A 9636-A	Spring (pump lever return)
1	C2AZ 9A753-A	Shaft & lever (choke housing)
1	353862-S8(XX10)	Retainer (shaft & lever to choke housing)-"C" washer
1	355829-S7(MM15)	Nut (shaft & lever to housing)-No. 8-36 hex.
1	34802-S7(X59)	Lockwasher-No. 8
1	C2AZ 9A756-A	Liner (thermostatic choke lever bushing)
1	COME 9A757-A	Lever & bushing (thermostatic choke)
1	358662-S(XX87)	Washer (choke housing bushing thrust)-1/4"
1	B7AZ 9812-A	Spacer (thermostatic choke shaft)

## CARBURETOR PART No. COAZ 9510-A

1	C2OZ 9502-B	Gasket set
1	C2OZ 9A586-B	Kit (tune up)
1	C2OZ 9590-C	Repair kit
1	358165-S(II-65)	Connector (distributor vacuum tube to carb.)-1/8" pipe thread
4	*88391-S8	Stud-5/16"-18-24 x 1.50"
4	351089-S8(MM20)	Nut-5/16"-24
4	34806-S7(X64)	Lockwasher-5/16"
1	B7AZ 9B501-A	Seal (fast idle rod)
1	C3AZ 9B511-A	Weight (pump discharge ball)-.202" O.D. -.56" long
1	COAE 9512-K	Body (main)-except with tag codes DBA0AA & DBA0BA
2	359409-S(PP59)	Plug (to plug drill passages in main body)-5/16"
1	371350-S(AA4)	Ball (accelerator pump inlet passage)-3/16" steel
1	359353-S(PP58)	Plug (to plug hole from bowl to accelerator pump)-1/8" cup
1	C1AZ 9A523-A	Support (booster venturi)-except with tag codes DBA0AA & DBA0BA
1	371350-S(AA4)	Ball (accel. pump discharge valve)-3/16" steel

## CARBURETOR SERVICE PARTS LIST No. 125 - continued

QTY. PER CARBU-RETOR	PART NUMBER	DESCRIPTION
1	B6A 9842-A	Clamp (thermostatic choke housing)
3	31061-S8(U50)	Screw (clamp housing)-No. 8-32 x 1/2"
3	34802-S7(X59)	Lockwasher-No. 8
1	COAE 9848-B	Housing (choke thermostat)-service pkg. includes (1) C1AE 9871-A gasket
1	COAE 9849-B	Housing & plugs (choke)
3	*31165-S8	Screw (choke control housing to body)-No. 8-32 x 1 5/8" fillister head
3	359113-S(XX46)	Washer-No. 8-flat
3	34802-S7(X59)	Lockwasher-No. 8
1	COAE 9850-E	Control (thermostatic choke)-identified by "TK" on cover-service pkg. includes (1) B8A 9853-A gasket
1	B8A 9853-A	Gasket (thermostatic choke housing)
1	B8A 9861-A	Shield (choke thermostat)
1	43248-S8(U72)	Screw & washer (shield to housing)-No. 8-32 x 3/8" fillister head
1	C1AE 9871-A	Gasket (thermostatic choke housing)
1	B8AZ 9919-A	Lever (accel. pump overtravel) - service pkg. includes (1) C3AZ 9F569-A bushing
1	374035-S(XX13C)	Retainer (pump overtravel lever to throttle shaft)-"C" washer
1	B7A 9930-A	Cover (economizer valve)
4	31061-S8(U50)	Screw (economizer valve cover to main body)-No. 8-32 x 1/2" fill. hd.
4	34802-S7(X59)	Lockwasher-No. 8
1	B7AZ 9992-A	Bearing (choke shaft)
1	B8A 9997-A	Tube (secondary throttle control vacuum)-standard size-use with new 9984 horn only
1	B8A 9997-B	Tube (secondary throttle control vacuum)-.002" O.S.-use as service replacement for B8A 9997-A tube only

## CARBURETOR SERVICE PARTS LIST No. 136

1	COAZ 9524-B	Horn (air)-less shaft
4	43256-S8	Screw & washer (horn & plugs to main body)-No. 10-32 x 5/8"
1	B8A 9528-A	Cover (accelerator pump)-less link
4	43255-S8(U74)	Screw & washer (cover to carb.)-No. 8-32 x 5/8"
1	COAE 9529-A	Link (accelerator pump)
1	353847-S8 (NN109)	Pin (accelerator pump link to cover)-.187" x .50" diameter roll
1	C1AE 9D530-A	Rod (fast idle cam)
2	351825-S(XX9)	Retainer (fast idle cam rod)-"C" washer
2	59A 9533-C	Jet (main metering) No. 47 - 0 to 5,000 ft. altitude
2	59A 9533-D	No. 45 - 5,000 to 10,000 ft. altitude
2	922A 9533-A	No. 43 - 10,000 to 15,000 ft. altitude
1	B8AZ 9A535-A	Bellcrank (fast idle)
1	*31077-S8	Screw (bellcrank choke adjusting lever to shaft)-No. 8-32 x 5/8" fillister head
1	44710-S8(X10)	Washer - No. 8 flat
1	34052-S7(M155)	Nut - No. 8-32 hex.

**CARBURETOR PART No. COAZ 9510-A**

**CARBURETOR SERVICE PARTS LIST No. 136 - continued**

QTY. PER CARBU-RETOR	PART NUMBER	DESCRIPTION
1	B8AZ 9A536-A	Gasket (booster venturi support)
1	B9A 9538-A	Lever (fast idle adjusting)
1	372216-S8B (BB37)	Screw (fast idle adjusting)-No.10-32 x .94" fillister head
1	34079-S7(M163)	Nut (lever to throttle shaft)-No.10-32 hex.
1	34903-S8(X96)	Lockwasher-No.10
1	B8AZ 9A538-A	Spring (accel.pump over travel)
2	C1AE 9541-C	Needle (idle adjusting)
1	B8AZ 9D541-A	Lever (choke housing)
1	C2AZ 9545-A	Plate (choke)
1	B7A 9546-A	Shaft and lever (choke)
1	C1AZ 9B549-A	Dashpot
1	33923-S7(M32)	Nut -5/16"-24
2	34806-S7(X64)	Lockwasher-5/16"
1	COAE 9550-A	Float
1	B8AZ 9B550-A	Bracket (dashpot mounting)
1	43252-S8(U77)	Screw & washer (dashpot mounting bracket to carb.)-No.10-32 x 1/2"
1	B8A 9558-A	Pin (float hinge)
1	C2AZ 9B559-A	Diaphragm (accelerator pump)
1	*C2AZ 9561-B	Gasket (float bowl)-repl. by C2OZ 9561-A (10-63)
1	C2OZ 9561-A	Gasket (float bowl)
1	B7A 9563-A	Gasket (economizer cover)
1	C2AZ 9564-B	Valve & seat (fuel inlet)-includes (1) B7A 9569-A gasket & (1) C1AZ 9599-A retainer
1	COAZ 9A565-B	Economizer-identified by green dye on body 0 to 5,000 ft. altitude
1	C3AZ 9A565-D	Economizer-identified by yellow dye on body 5,000 to 10,000 ft. altitude
1	COAE 9A565-C	Economizer-identified by No. 55 on O. D. 10,000 to 15,000 ft. altitude
1	B7A 9569-A	Gasket (float valve seat)
1	B8A 9575-A	Retainer (accel.pump check valve)-1/4"-28 thread
1	373025-S(XX97)	Washer (accel.pump valve return gasket)-1/4" flat
1	374818-S(XX97A)	Washer (accel.pump valve return gasket)-1/4" flat
1	COAZ 9577-A	Screw (pump discharge nozzle)
1	374370-S(XX94A)	Washer-1/4" flat (buna coated alum.)
1	B8A 9578-B	Spring (fast idle adjusting lever)-4 1/2 coils-.20" I.D.-.58" long
2	40 9578	Spring (idle adjusting needle)
1	355107-S7 (BB536)	Screw (normal idle adjusting)-No.10-32 x 1" special hex. head slotted
1	B9A 9579-A	Pin (fast idle adjusting lever)
1	B8A 9581-B	Shaft & lever (throttle)
2	B8A 9585-E	Plate (throttle)-primary

QTY. PER CARBU-RETOR	PART NUMBER	DESCRIPTION
4	B7A 9586-E	Screw (throttle plate)-No.8-32 x .42" oval head-tubular
2	B9A 9586-A	Screw (choke plate)-No.6-32 oval hd.
1	C2AZ 9A588-B	Gasket (economizer)
1	COME 9597-A	Cam (fast idle)
1	351825-S(XX9)	Retainer (fast idle cam)-"C" washer
1	B8A 9598-A	Rod (choke shaft)
1	353610-S8 (NN126)	Retainer (rod to choke shaft lever)-spring type-.44" long
2	359555-S(XX50)	Washer (fast idle rod seal)-No.8-flat
1	B7AZ 9599-A	Retainer (float lever shaft)-.37" I.D.
1	B8A 9636-A	Spring (pump lever return)
1	C2AZ 9A753-A	Shaft & lever (choke housing)
1	353862-S8(XX10)	Retainer (shaft & lever to choke housing)-"C" washer
1	355829-S7(MM15)	Nut (shaft & lever to housing)-No.8-36 hex.
1	34802-S7(X59)	Lockwasher-No.8
1	C2AZ 9A756-A	Liner (thermostatic choke lever bushing)
1	COME 9A757-A	Lever & bushing (thermostatic choke)
1	358662-S(XX87)	Washer (choke housing bushing thrust)-1/4"
1	B7AZ 9812-A	Spacer (thermostatic choke shaft)
1	B6A 9842-A	Clamp (thermostatic choke housing)
3	31061-S8(U50)	Screw (clamp housing)-No.8-32 x 1/2"
3	34802-S7(X59)	Lockwasher-No.8
1	COAE 9848-B	Housing (choke thermostat)-service pkg. includes (1) C1AE 9871-A gasket
1	COAE 9849-A	Housing & plugs (choke)
3	*31165-S8	Screw (choke control housing to body)-No.8-32 x 1 5/8" fillister head
3	359113-S(XX46)	Washer-No.8-flat
3	34802-S7(X59)	Lockwasher-No.8
1	COAE 9850-C	Control (thermostatic choke)-identified by "TK" on cover-service pkg. includes (1) B8A 9853-A gasket
1	B8A 9853-A	Gasket (thermostatic choke housing)
1	B8A 9861-A	Shield (choke thermostat)
1	43248-S8(U72)	Screw & washer (shield to housing)-No.8-32 x 3/8" fillister head
1	C1AE 9871-A	Gasket (thermostatic choke housing)
1	B8AZ 9919-A	Lever (accel.pump overtravel)-service pkg. includes (1) C3AZ 9F569-A bushing
1	374035-S(XX13C)	Retainer (pump overtravel lever to throttle shaft)-"C" washer
1	B7A 9930-A	Cover (economizer valve)
4	31061-S8(U50)	Screw (economizer valve cover to main body)-No.8-32 x 1/2" fill. hd.
4	34802-S7(X59)	Lockwasher-No.8
1	EAA 9936-A	Spring (accelerator pump diaphragm return)-cone shaped-8 coils

## CARBURETOR PART No. CIAE 9510-AR

## CARBURETOR SERVICE PARTS LIST No. 150

QTY. PER CARBU-RETOR	PART NUMBER	DESCRIPTION
1	C0AZ 9502-C	Gasket set
1	C2AZ 9590-B	Repair kit
1	354582-S(II-73)	Connector (carb. to tube assy.) - 5/16" flared tube
2	374166-S(PP23A)	Plug - 1/4" - 32 for dist. passage when tube 12226 is not used
1	B1AZ 9B502-A	Screw (dashpot & throttle lever adj.) - No. 10-32 x .69" - not supplied with carburetor - order separately
1	B2AZ 9B502-A	Screw (dashpot operating lever) - No. 8-32 x .59" slotted binding head - not supplied with carb., order separately
1	34803-S7(X60)	Lockwasher - No. 10 - not supplied with carburetor - order separately
1	34079-S7(M163)	Nut - No. 10-32 - not supplied with carb. - order separately
1	C0AZ 9A507-A	Bowl & plugs assy. (float) - metal bowl
4	*31644-S7	Screw (bowl to main body) - No. 10-32 x 3/4" fillister head
4	34803-S7(X60)	Lockwasher - No. 10
1	B9AE 9B511-A	Weight (pump discharge ball)
1	B9AE 9512-G	Body assy. (main)
1	B8A 9516-C	Gasket (throttle body to main body)
1	C0AE 9518-F	Body & shaft assy. (throttle)
2	350276-S7(BB19)	Screw (throttle body to main body) - 1/4" - 28 x 1 3/16" fillister head
2	34805-S8(X62)	Lockwasher - 1/4"
1	C0AE 9529-B	Link (accelerator pump)
2	353610-S8(NN126)	Retainer (spring type) - .44" long
1	78 9533-B	Jet (main metering) - No. 48-0 to 5,000 ft. alt.
1	78 9541-B	Needle (idle adjusting) - 1 3/16" long
1	C0AE 9B544-B	Piston assy. (accelerator pump) - includes gasket
1	B5A 9546-A	Shaft & lever assy. (choke)
1	*37611-S7	Screw (choke lever to shaft) - No. 8-32 x 1/4" fillister head
1	B5A 9549-C	Plate assy. (choke)
2	372428-S(BB599)	Screw (choke plate to choke shaft & lever assy.) - No. 6-32 x 1/4" oval head
1	C1AZ 9B549-A	Dashpot assy. - not supplied with service carburetors - order separately
1	34806-S7(X64)	Lockwasher - 5/16" - not supplied with service carburetors - order separately
1	33923-S7(M32)	Nut - 5/16" - 24 - not supplied with service carburetors - order separately
1	C2AZ 9550-A	Float assy.
1	B5A 9551-A	Pin (choke plate distributor)
1	C1AE 9558-A	Pin (float hinge)
1	C2AZ 9561-C	Gasket (float bowl)

Δ Serviced in 9502 kit only

QTY. PER CARBU-RETOR	PART NUMBER	DESCRIPTION
1	C2AZ 9564-C	Valve & seat assy. (fuel inlet)
1	B2A 9568-B	Retainer (pump operating lever)
1	EAA 9569-A	Gasket (float needle seat)
1	B2A 9574-B	Screw (discharge nozzle) - No. 10-32 x .64" overall length fillister head
1	EAA 9576-A	Ball (pump inlet) - 1.56" diameter
2	78 9576	Ball (pump discharge & push rod sleeve) - 1/8" diameter
1	EAA 9577-B	Nozzle assy. (pump discharge)
1	B8A 9578-B	Spring (throttle adjusting screw) - 4 1/2 coils - .20" I. D. - .58" long
1	40 9578	Spring (idle adjusting needle)
1	*31644-S7	Screw (throttle adjusting) - No. 10-32 x 3/4" fillister head
1	EAA 9580-A	Gasket (discharge pump nozzle) - .20" I. D. x .32" O. D. - .03" thick
1	CODE 9581-A	Lever & shaft assy. (primary throttle)
1	C0AZ 9583-A	Lever (accelerator pump piston) - nylon
1	*B4A 9585-A	Plate (throttle)
2	B9A 9586-A	Screw (throttle plate) - No. 6-32 x .31" oval head
1	B2AZ 9A588-A	Gasket (economizer valve)
1	B5AE 9594-A	Jet & main well assy. (power)
3	*37643-S7	Screw (jet & main well to main body) - No. 6-32 x 7/16" fillister head
2	353799-S8	Screw (jet & main well to main body) - No. 6-32 x .75" fillister head
	34801-S7(X58)	Lockwasher - No. 6
1	1CM 9681-A	Ball (rod to trans. control shaft lever)
1	34079-S7(M163)	Nut (throttle lever ball) - No. 10-32 hex.
1	34803-S7(X60)	Lockwasher - No. 10
1	8BA 9792	Clamp (choke control bracket)
1	31061-S8(U50)	Screw (bracket clamp) - No. 8-32 x 1/2" fillister head
1	34052-S7(M155)	Nut - No. 8-32
1	EAA 9796-A	Bracket (choke control)
1	*31596-S7	Screw & lockwasher (choke bracket) - No. 10-32 x 3/8"
1	B6A 9802-A	Lever (dashpot operating) - not supplied with carb., order separately
1	B2A 9827-A	Gasket (fuel inlet fitting) - .32" I. D. - .428" O. D. - .031" thick
1	*B2A 9930-B	Cover (economizer valve)
3	31061-S8(U50)	Screw (cover to main body) - No. 8-32 x 1/2" fillister head
3	34802-S7(X59)	Lockwasher - No. 8
1	B6A 9934-A	Sleeve (pump push rod)
1	EAA 9935-B	Spring (accelerator pump rod plunger) - .27" O. D. - 1.34" long - 13 coils
1	EAA 9936-A	Spring (accelerator pump diaphragm return) - cone shaped - 8 coils
Δ 1	B2AZ 9945-A	Gasket (fuel inlet seat screw) - .32" I. D. - .428" O. D. - .31" thick

### CARBURETOR PART No. C2AZ 9510-H

### CARBURETOR SERVICE PARTS LIST No.160

QTY. PER CARBU-RETOR	PART NUMBER	DESCRIPTION
1	C0AZ 9502-C	Gasket set
1	C2AZ 9590-B	Repair kit
2	359524-S(WW28)	Stud (carb. to intake & exhaust manifold) -3/8"-16-24 x 1.30"
2	33925-S7(M33)	Nut-3/8"-24
2	34807-S8(X66)	Lockwasher-3/8"
1	354582-S(II-73)	Connector (carb. to tube assy.)-5/16" flared tube
1	374166-S(PP23A)	Plug (pump inlet ball retainer)-1/4"-32
1 @	B1AZ 9B502-A	Screw (dashpot & throttle lever adjusting)
1 @	B2AZ 9B502-A	Screw (dashpot operating lever)-No. 8-32 x .59" long-slotted binding head
1	34079-S7(M163)	Nut-No. 10-32
1	34803-S7(X60)	Lockwasher-No. 10
1	C0AZ 9A507-A	Bowl & plugs (float)-metal
4	*31644-S7	Screw (bowl to main body)-No. 10-32 x 3/4" fill. hd.
4	34803-S7(X60)	Lockwasher-No. 10
1	B9AE 9B511-A	Weight (pump discharge ball)
1	B9AE 9512-G	Body (main)
1	B8A 9516-C	Gasket (throttle body to main body)
1	C2AZ 9518-C	Body and shaft (throttle)
2	350276-S7(BB19)	Screw (throttle body to main body)-1/4"-28 x 1 3/16" fillister head
2	34805-S8(X62)	Lockwasher-1/4"
1	C0AE 9529-B	Link (accelerator pump)
1	353610-S8(NN126)	Retainer (accel. pump link)-.44" long
1	78 9533-B	Jet (main metering) No. 48 - 0 to 5,000 ft. altitude
1	78 9541-B	Needle (idle adjusting)-1 3/16" long
1	C0AE 9B544-B	Piston (accel. pump)-includes gasket
1	B5A 9546-A	Shaft and lever (choke)
1	B5A 9549-C	Plate (choke)
2	372428-S(BB599)	Screw (choke plate to choke shaft & lever)-No. 6-32 x 1/4" oval head
1 @	C1AZ 9B549-A	Dashpot
1	@33923-S7(M32)	Nut-5/16"-24
2	@34806-S7(X64)	Lockwasher-5/16"
1	C2AZ 9550-A	Float
1	B5A 9551-A	Pin (choke plate distributor)
1	C1AE 9558-A	Pin (float hinge)
1	C2AZ 9561-C	Gasket (float bowl)
1	C2AZ 9564-C	Valve & seat (fuel inlet)
1	B2A 9568-B	Retainer (pump operating lever)-split

Δ Serviced in 9502 kit only

QTY. PER CARBU-RETOR	PART NUMBER	DESCRIPTION
1	EAA 9569-A	Gasket (float valve seat)-.32" I.D. -.52" O.D. -.031" thick-serviced in kit 9502
1	B2A 9574-B	Screw (discharge nozzle)-No. 10-32 x .64" fillister head
1	78 9576	Ball (push rod sleeve)-1/8" diameter
1	EAA 9577-B	Nozzle (pump discharge)
1	B8A 9578-B	Spring (throttle adjusting screw)-4 1/2 coils-.20" I.D. -.58" long
1	*31644-S7	Screw (throttle adjusting) No. 10-32 x 3/4" fillister head
1	40 9578	Spring (idle adjusting needle)
1	EAA 9580-A	Gasket (pump discharge nozzle)-.20" I.D. x .32" O.D. -.03" thick-serviced in kit 9502
1	C2AZ 9581-C	Shaft & lever (throttle)
1	C0AZ 9583-A	Lever (accel. pump piston)-nylon
1 *	B4A 9585-A	Plate (throttle)
2	B9A 9586-A	Screw(throttle plate)-No. 6-32 oval hd.
1	B2AZ 9A588-A	Gasket (economizer)-serviced in kit 9502
1	B5AE 9594-A	Jet & main well (power)-stamped 3323-A
3	*37643-S7	Screw (jet & main well to main body)-No. 6-32 x .44"
2	353799-S8	Screw (jet & main well to main body)-No. 6-32 x .75"
2	34801-S7(X58)	Lockwasher-No. 6
1 @	B6A 9802-A	Lever (dashpot operating)
1	B2A 9827-A	Gasket (fuel inlet fitting)
1 @	8BA 9792	Clamp (choke control bracket)
1	@31061-S8(U50)	Screw (choke control bracket clamp)-No. 8-32 x 1/2"
1	@34052-S7(M155)	Nut-No. 8-32
1	EAA 9796-A	Bracket (choke control)
1	*31596-S7	Screw & lockwasher (choke bracket)-No. 10-32 x 3/8"
1 *	B2A 9930-B	Cover (economizer valve)
3	31061-S8(U50)	Screw (economizer valve cover to main body)-No. 8-32 x 1/2" fill. hd.
3	34802-S7(X59)	Lockwasher-No. 8
1	B8A 9934-A	Sleeve (pump push rod)
1	EAA 9935-B	Spring (accel. pump rod plunger)-.27" O.D. -13 coils-1.34" long
1	EAA 9936-A	Spring (accelerator pump diaphragm return)-cone shaped-8 coils
Δ 1	B2AZ 9945-A	Gasket (fuel inlet seat screw)-.32" I.D. -.428" O.D. -.031" thick

@ Not supplied with service carburetor. Order separately if required

**CARBURETOR KIT PARTS LISTS**

Instructions for identifying Carburetor Assemblies and their related Parts List Numbers are shown at the beginning of Section 95 on page 319.

For ready reference, kit part numbers are shown at the beginning of each parts list in Section 95A.

Included in Section 95B is a listing of components for each kit.

Refer to the Index on the next page for the page numbers on which the kit components are shown.

---

**INDEX**

**GASKET SETS GROUP NO. 9502**

SET NUMBER	PAGE NUMBER	SET NUMBER	PAGE NUMBER	SET NUMBER	PAGE NUMBER	SET NUMBER	PAGE NUMBER
A7A 9502-A	476	B6A 9502-D	476	B7AZ 9502-C	477	B9A 9502-A	478
B5A 9502-B	476	B7A 9502-A	476	B8A 9502-A	477	C0AZ 9502-C	478
B5A 9502-C	476	B7A 9502-G	476	B8A 9502-C	477	C0SZ 9502-A	478
B6A 9502-B	476	B7AZ 9502-A	477	B8A 9502-E	477	C1AZ 9502-B	478
B6A 9502-D	476	B7AZ 9502-B	477	B8A 9502-F	477	C2OZ 9502-B	478
				B8A 9502-G	478	C2SZ 9502-A	479

**THROTTLE BODY ASSY. KIT GROUP NO. 9518**

KIT NUMBER	PAGE NUMBER	KIT NUMBER	PAGE NUMBER	KIT NUMBER	PAGE NUMBER	KIT NUMBER	PAGE NUMBER
B2AZ 9518-A	479	B9TZ 9518-D	479				

**CHOKE SHAFT & RELATED PARTS KIT GROUP NO. 9546**

KIT NUMBER	PAGE NUMBER	KIT NUMBER	PAGE NUMBER	KIT NUMBER	PAGE NUMBER	KIT NUMBER	PAGE NUMBER
B6AZ 9546-A	479						

**TUNE UP KITS GROUP NO. 9A586**

KIT NUMBER	PAGE NUMBER	KIT NUMBER	PAGE NUMBER	KIT NUMBER	PAGE NUMBER	KIT NUMBER	PAGE NUMBER
A0AZ 9A586-A	479	B6AZ 9A586-B	479	B7AZ 9A586-E	480	B9SZ 9A586-A	480
A0AZ 9A586-B	479	B6AZ 9A586-C	479	B7AZ 9A586-F	480	C0AZ 9A586-A	480
B2AZ 9A586-A	479	B6AZ 9A586-D	479	B8AZ 9A586-A	480	C0SZ 9A586-A	480
B5AZ 9A586-A	479	B7AZ 9A586-A	480	B8AZ 9A586-B	480	C2AZ 9A586-B	480
B5AZ 9A586-B	479	B7AZ 9A586-B	480	B8AZ 9A586-C	480	C2OZ 9A586-B	480
B5AZ 9A586-C	479	B7AZ 9A586-C	480	B8AZ 9A586-D	480	C2SZ 9A586-A	481
B6AZ 9A586-A	479	B7AZ 9A586-D	480	B9AZ 9A586-A	480	C2TZ 9A586-D	481

**REPAIR KITS GROUP NO. 9590**

KIT NUMBER	PAGE NUMBER	KIT NUMBER	PAGE NUMBER	KIT NUMBER	PAGE NUMBER	KIT NUMBER	PAGE NUMBER
A8A 9590-A	481	B5AZ 9590-A	482	B7AZ 9590-D	484	B9A 9590-C	485
A8A 9590-B	481	B6A 9590-A	482	B7AZ 9590-E	484	B9AZ 9590-B	485
B2A 9590-F	481	B6A 9590-D	482	B7AZ 9590-F	484	B9AZ 9590-C	485
B2AZ 9590-A	481	B6AZ 9590-A	483	B7AZ 9590-G	484	B9S 9590-A	485
B2AZ 9590-B	481	B7A 9590-D	483	B8A 9590-A	484	C0SZ 9590-A	486
B2AZ 9590-C	481	B7A 9590-L	483	B8A 9590-K	484	C1AZ 9590-A	486
B4AZ 9590-A	481	B7A 9590-M	483	B8A 9590-P	485	C2AZ 9590-B	486
B5A 9590-B	482	B7A 9590-N	483	B8AZ 9590-F	485	C2OZ 9590-C	486
B5A 9590-E	482	B7AZ 9590-C	483	B8AZ 9590-G	485	C2SZ 9590-A	486

## CARBURETOR KIT PARTS LISTS

A7A	9502-A	Consists of the following		B6A	9502-D	Consists of the following	
1-1HA	9516-A	Gasket	(throttle body)	1-B5A	9229-A	"O" ring	(inlet tube seal)
1-1GA	9519-B	Gasket	(main body)	1-8CM	9229	Gasket	(inlet adaptor)
1-78	9569	Gasket	(needle seat)	1-B6A	9447-A	Gasket	(flange)
1-A8AZ	9A588-A	Gasket	(power valve)	1-8CM	9516	Gasket	(throttle body)
1-78	9925-A	Gasket	(air bleed)	1-B0TZ	9535-A	Seal	(throttle shaft)
2-78	9926	Gasket	(nozzle bar)	1-EAD	9535-A	Packing	(pump rod)
				1-A8TZ	9A588-A	Gasket	(power jet)
				1-B5AZ	9A588-A	Gasket	(spark valve)
				1-B5AZ	9561-A	Gasket	(cover plate)
				1-B5A	9569-A	Gasket	(valve seat)-threaded valve
				1-B6A	9569-A	"O" ring	(inlet valve)-plain valve
				4-B6A	9609-A	"O" ring	(secondary venturi)
				1-B5A	9655-A	Seal	(inlet tube)
				1-B5AZ	9853-A	Gasket	(diaphragm housing)
				1-B6A	9853-C	Gasket	(choke housing)
				1-B6A	9871-A	Gasket	(choke thermostat)
				1-B6A	9945-A	Gasket	(valve plug)-plain plug
				1-8CM	9945	Gasket	(valve plug)-threaded valve
				1-B5AZ	9998-A	Seal	(air horn)
				1-ECK	99640-A	Lock wire	(venturi safety)
				4-359009-S8		Washer	(secondary jet seal)
B5A	9502-B	Consists of the following		B7A	9502-A	Consists of the following	
2-B5A	9229-A	Seal	(inlet fitting)	1-B6A	9447-B	Gasket	(flange) pass. only
1-EAD	9229-A	Gasket	(inlet fitting)	1-B6A	9516-B	Gasket	(throttle body)
1-8CM	9229	Gasket	(inlet fitting)	1-EAN	9561-A	Gasket	(float bowl)
1-EBJ	9447-A	Gasket	(flange)	1-B2AZ	9561-A	Gasket	(float bowl retainer)
1-8CM	9516	Gasket	(throttle body)	1-EAA	9569-A	Gasket	(inlet seal)
1-EAD	9535-A	Packing	(pump rod)	1-B2AZ	9A588-A	Gasket	(economizer)
1-B0TZ	9535-A	Seal	(pump rod)	1-B2A	9827-A	Gasket	(inlet fitting)
1-B5AZ	9561-A	Gasket	(cover)-carb. w/out idle tubes	1-B6A	9926-A	Gasket	(main well nozzle) (1957 only)
1-B5A	9569-A	Gasket	(valve seat)	1-B7A	9926-A	Seal	(main well nozzle)(1957 only)
1-A8TZ	9A588-A	Gasket	(power jet)	1-B2AZ	9945-A	Gasket	(inlet screw)
1-B5AZ	9A588-A	Gasket	(spark valve)				
4-B5A	9609-A	Seal	(secondary jet)				
1-B5A	9655-A	Washer	(air tube seal)				
1-B5AZ	9853-A	Gasket	(diaphragm housing)				
1-EAD	9853-B	Gasket	(thermo choke housing)				
1-EAD	9871-A	Gasket	(choke thermostat)				
1-8CM	9945	Gasket	(valve plug)				
1-B5AZ	9998-A	Seal	(air horn)				
1-ECK	99640	Wire	(venturi safety)				
4-354829-S		Washer	(secondary jet tube seal)				
B5A	9502-C	Consists of the following		B7A	9502-G	Consists of the following	
1-B4C	9447-A	Gasket	(flange)(48-53 & 55 only)	2-B5A	9229-A	"O" Ring	(inlet tube seat)
2-78	9563	Gasket	(main jet plug)	1-8CM	9229	Gasket	(inlet fitting)
1-7RA	9516	Gasket	(throttle body)	1-8CM	9516	Gasket	(throttle body)
1-78	9519	Gasket	(main body)	1-B0TZ	9535-A	Seal	(throttle shaft)
1-78	9535	Felt washer	(pump shaft)	1-EAD	9535-A	Packing	(pump rod)
1-78	9569	Gasket	(inlet needle seat)	1-B6A	9569-A	"O" Ring	(inlet valve)
1-78	9580	Gasket	(pump discharge jet)	1-A8TZ	9A588-A	Gasket	(power jet)
2-B5AZ	9A588-A	Gasket	(economizer valve)(48-55) & spark valve (54-55)	4-B6A	9609-A	"O" Ring	(secondary venturi)
1-B2A	9827-A	Gasket	(inlet fitting)	1-B5A	9655-A	Seal	(choke air inlet tube)
2-78	9925-A	Gasket	(air bleed)(48-51 only)	1-B5AZ	9853-A	Gasket	(diaphragm housing) (with dual 4/B carb. only)
4-78	9926	Gasket	(nozzle bar)	1-B6A	9853-C	Gasket	(choke housing)
1-351336-S8		Washer	(pump operating shaft)	1-B7AZ	9853-A	Gasket	(diaphragm hsg.) (with supercharger only)
B6A	9502-B	Consists of the following		1-B6A	9871-A	Gasket	(choke thermostat)
1-B6A	9447-C	Gasket	(flange)	1-B6A	9945-A	Gasket	(valve plug)
1-B6A	9516-A	Gasket	(throttle body)	1-B7A	9982-B	Gasket	(diaphragm housing) cover)-Supercharger only
1-B6A	9519-A	Gasket	(air horn)	1-B5A	9985-A	Gasket	(cover plate)
1-78	9535	Washer	(pump shaft)	1-B5AZ	9998-A	Seal	(air horn)
1-EAD	9535-A	Packing	(pump rod)	1-ECK	99640-A	Lockwire	(venturi safety)
2-78	9563	Gasket	(main jet)	4-359009-D8		Washer	(secondary jet seal)
1-78	9569	Gasket	(needle seat)				
1-78	9580	Gasket	(discharge jet)				
2-B5AZ	9A588-A	Gasket	(valve)				
1-B2A	9827-A	Gasket	(inlet fitting)				
1-B6A	9853-B	Gasket	(thermostat control)				
1-EAD	9871-A	Gasket	(choke housing)				
4-78	9926	Gasket	(nozzle bar)				
1-351336-S		Washer	(felt retainer)				



**CARBURETOR KIT PARTS LISTS - continued**

<b>B7AZ 9502-A</b>	Consists of the following	
1-C2AZ	9229-A	Gasket (fuel inlet)
1-C2AZ	9447-D	Gasket (flange)
1-B7AZ	9B501-A	Seal (fast idle rod)
1-B7AZ	9A536-A	Gasket (venturi)
1-B7A	9561-A	Gasket (float bowl)
1-B7A	9563-A	Gasket (economizer cover)
1-B7A	9569-A	Gasket (inlet valve)
1-C0AE	9A588-A	Gasket (economizer) (use with B7A 9904-A only)
1-C2AZ	9A588-A	Gasket (economizer) (except with B7A 9904-A)
1-B7A	9853-A	Gasket (thermostat control)
1-B7A	9871-A	Gasket (thermostat housing)
5-74271-S7		Retainer (connecting rod)
1-374370-S		Washer (discharge nozzle)

<b>B7AZ 9502-B</b>	Consists of the following	
1-C2AZ	9229-A	Gasket (fuel inlet)
1-C2AZ	9447-E	Gasket (flange)
1-B7AZ	9B501-A	Seal (fast idle rod)
2-B7AZ	9A536-A	Gasket (venturi)
1-B7A	9561-B	Gasket (float bowl)
1-B7A	9563-A	Gasket (economizer cover)
2-B7A	9569-A	Gasket (inlet valve)
1-C0AE	9A588-A	Gasket (economizer) (use with B7A 9904-A only)
1-C2AZ	9A588-A	Gasket (economizer) (except with B7A 9904-A)
1-B7A	9853-A	Gasket (thermostat control)
1-B7A	9871-A	Gasket (thermostat housing)
6-74271-S7		Retainer (connecting rod)
1-374370-S		Washer (discharge nozzle)

<b>B7AZ 9502-C</b>	Consists of the following	
*4-B5A	9229-A	Seal (fuel connector tube) & retainer (float baffle)
1-8CM	9229	Gasket (inlet fitting)
1-C2AZ	9447-E	Gasket (flange)
#1-B7AZ	9B501-B	Seal (choke rod)
1-B7A	9516-B	Gasket (throttle body)
2-B9TZ	9A518-A	Gasket (metering body)
2-B8A	9561-C	Gasket (fuel bowl)
2-B7AE	9580-A	Gasket (pump discharge)
2-A8AZ	9A588-A	Gasket (fuel level check plug)
2-B7AZ	9A588-A	Gasket (economizer)
8-B7A	9592-A	Gasket (float bowl screw)
2-B7A	9634-A	Seal (idle adj. needle)
3-B7A	9853-B	Gasket (thermostat control & secondary diaphragm housing)
1-B7A	9871-B	Gasket (thermostat housing)
2-B2AZ	9945-A	Gasket (inlet valve)

\* Only (2) required for carburetor B7AE 9510-A  
# Not required for carburetor B7AE 9510-A

<b>B8A 9502-A</b>	Consists of the following	
2-B5A	9229-A	Seal (inlet tube)
1-8CM	9229	Gasket (fuel inlet)
1-C2AZ	9447-E	Gasket (mounting)
1-B7AZ	9B501-B	Seal (choke rod)
1-B8S	9516-A	Gasket (throttle body)
2-B9TZ	9A518-A	Gasket (metering body)
2-B8A	9561-C	Gasket (fuel bowl)
2-B7AE	9580-A	Gasket (pump discharge)
2-A8AZ	9A588-A	Gasket (fuel check plug)
1-B7AZ	9A588-A	Gasket (economizer valve)
8-B7A	9592-A	Gasket (fuel bowl screw)
2-B7A	9634-A	Seal (idle needle)
3-B7A	9853-B	Gasket (choke & secondary diaphragm housing)
1-B7A	9871-B	Gasket (choke cover)
2-B2AZ	9945-A	Gasket (inlet valve)

<b>B8A 9502-C</b>	Consists of the following	
1-B6A	9447-B	Gasket (flange)
1-B8A	9516-C	Gasket (throttle body)
1-B2AZ	9561-A	Gasket (float bowl retainer)
1-C2AZ	9561-C	Gasket (float bowl)
1-EAA	9569-A	Gasket (fuel inlet seat)
1-EAA	9580-A	Gasket (pump discharge nozzle)
1-B2AZ	9A588-A	Gasket (economizer)
1-C0AE	9A588-A	Gasket (spark valve)
1-B2A	9827-A	Gasket (inlet fitting)
1-B2AZ	9945-A	Gasket (inlet screw)

<b>B8A 9502-E</b>	Consists of the following	
1-B7A	9229-A	Gasket (fuel inlet)
1-C2AZ	9447-E	Gasket (flange)
4-B7AZ	9A536-B	Gasket (venturi)
1-B7A	9561-D	Gasket (body cover)
2-B7A	9569-B	Gasket (needle valve)
1-B7A	9580-B	Gasket (discharge jet)
1-B7A	9853-C	Gasket (thermostat control)
1-B7AZ	9853-B	Gasket (secondary housing)
1-B8A	9871-B	Gasket (thermostat housing)
1-B7A	9982-A	Gasket (secondary diaphragm)

<b>B8A 9502-F</b>	Consists of the following	
1-8CM	9229	Gasket (inlet fitting)
1-Δ*B5A	9229-A	Retainer (float baffle)
1-ΔB9AE	9447-A	Gasket (flange)
1-Δ*B7AZ	9B501-B	Seal (choke rod) (except 292 cu. in. Truck)
1-B7A	9516-A	Gasket (throttle body)
1-B9TZ	9A518-A	Gasket (metering body)
1-B8A	9561-C	Gasket (fuel bowl)
1-Δ**A0A	9563-A	Gasket (float adj. plug)
2-B7AE	9580-A	Gasket (pump discharge)
1-B7AZ	9A588-A	Gasket (economizer)
1-A8AZ	9A588-A	Gasket (fuel level check plug)
4-B7A	9592-A	Gasket (float bowl screw)
2-B7A	9634-A	Seal (idle adjust. needle)
2-B7A	9853-B	Gasket (thermostat control) (car only)
1-B7A	9871-B	Gasket (thermostat housing) (car only)
1-B2AZ	9945-A	Gasket (inlet valve)

\* Except Carburetors B8A 9510-R, S, B7AE 9510-B, C1TE 9510-AB

\*\* Carburetors B8A 9510-R, S and B8C 9510-D only

Δ Discard when used for B9AE 9510-B

## CARBURETOR KIT PARTS LISTS - continued

B8A 9502-G		Consists of the following		C0SZ 9502-A		Consists of the following	
2-B5A	9229-A	Seal (inlet tube)		1-B7A	9229-A	Gasket (inlet fitting)	
1-8CM	9229	Gasket (fuel inlet)		1-B9SE	9447-A	Gasket (flange)	
1-C2AZ	9447-E	Gasket (mounting)		2-B7A	9517-B	Gasket (venturi primary)	
1-B8S	9516-A	Gasket (throttle body)		1-B9ME	9A529-A	Gasket (body cover)	
1-B8AZ	9A518-A	Gasket (secondary metering plate)		2-B9ME	9A536-A	Gasket (venturi secondary)	
1-B9TZ	9A518-A	Gasket (metering body)		1-C0LE	9B567-A	Gasket (hot idle compensator) (1960 only)	
1-B8A	9561-C	Gasket (fuel bowl)		2-B7A	9569-B	Gasket (needle valve)	
1-B8A	9561-D	Gasket (secondary metering body)		1-B9ME	9580-A	Gasket (discharge jet)	
2-A0A	9563-A	Gasket (float adjust. plug)		1-B7A	9853-C	Gasket (thermostat control)	
2-B7AE	9580-A	Gasket (pump discharge)		1-B8A	9871-B	Gasket (thermostat housing)	
2-A8AZ	9A588-A	Gasket (fuel check plug)					
1-B7AZ	9A588-A	Gasket (economizer valve)					
8-B7A	9592-A	Gasket (fuel bowl screw)					
2-B5A	9609-A	Seal (balance tube)					
2-B7A	9634-A	Seal (idle needle)					
3-B7A	9853-B	Gasket (choke & secondary diaphragm hsg.)					
1-B7A	9871-B	Gasket (choke cover)					
2-B2AZ	9945-A	Gasket (inlet valve)					
B9A 9502-A		Consists of the following		C1AZ 9502-B		Consists of the following	
1-8CM	9229	Gasket (fuel inlet)		1-8CM	9229	Gasket (inlet fitting)	
1-C2AZ	9447-D	Gasket (flange)		2-B5A	9229-A	Seal (fuel tube)	
1-B7A	9516-A	Gasket (throttle body)		1-C2AZ	9447-E	Gasket (flange)	
1-B9TZ	9A518-A	Gasket (metering body)		1-B8S	9516-A	Gasket (throttle body)	
1-B9TE	9A522-A	Gasket (valve seat screw)		1-B9TZ	9A518-A	Gasket (metering body)	
1-B9TE	9A522-B	Gasket (valve seat adj. nut)		1-B8AZ	9A518-A	Gasket (metering plate)	
1-B8A	9561-C	Gasket (fuel bowl)		2-B9TE	9A522-A	Gasket (valve screw)	
2-B7AE	9580-A	Gasket (pump discharge)		2-B9TE	9A522-B	Gasket (valve nut)	
1-A8AZ	9A588-A	Gasket (fuel level check plug)		1-B8A	9561-C	Gasket (fuel bowl)	
1-B7AZ	9A588-A	Gasket (economizer)		1-B8A	9561-D	Gasket (metering body)	
4-B7A	9592-A	Gasket (float bowl screw)		2-B7AE	9580-A	Gasket (pump discharge)	
1-B6A	9609-A	Gasket (fuel valve seat)		1-B7AZ	9A588-A	Gasket (economizer)	
2-B7A	9634-A	Seal (idle adjusting needle)		2-A8AZ	9A588-A	Gasket (check plug)	
2-B7A	9853-A	Gasket (thermostat control) (car only)		8-B7A	9592-A	Gasket (float bowl screw)	
1-B7A	9871-B	Gasket (thermostat housing) (car only)		2-B5A	9609-A	Seal (balance tube)	
				2-B6A	9609-A	Seal (fuel valve seat)	
				2-B7A	9634-A	Seal (idle needle)	
				3-B7A	9853-B	Gasket (thermostat control & secondary housing)	
				1-B7A	9871-B	Gasket (thermostat housing)	
C0AZ 9502-C		Consists of the following		C2OZ 9502-B		Consists of the following	
1-B6A	9447-B	Gasket (mounting) (56-62 Pass. only)		1-C2AZ	9229-A	Gasket (fuel inlet)	
1-B8A	9516-C	Gasket (throttle body)		**1-C2AZ	9447-D	Gasket (flange)(except 221, 260 cu. in. engine)	
1-B2AZ	9561-A	Gasket (float bowl retainer)		1-C2OZ	9447-C	Gasket (flange)(221, 260 cu. in. engine only)	
1-C2AZ	9561-C	Gasket (float bowl)		1-B7AZ	9B501-A	Seal (fast idle rod)	
1-EAA	9569-A	Gasket (fuel inlet seat)		1-B8AZ	9A536-A	Gasket (venturi)	
2-EAA	9580-A	Gasket (pump discharge nozzle)		1-C2OZ	9561-A	Gasket (float bowl)	
1-B2AZ	9A588-A	Gasket (economizer)		1-B7A	9563-A	Gasket (economizer cover)	
1-B2A	9827-A	Gasket (inlet fitting)		1-B7A	9569-A	Gasket (inlet valve)	
1-B2AZ	9945-A	Gasket (inlet screw)		1-C2AZ	9A588-B	Gasket (economizer)	
				1-B8A	9853-A	Gasket (thermostat control)	
				1-C1AE	9871-A	Gasket (thermostat housing)	
				2-374370-S		Gasket (support screw)	
				1-374818-S		Gasket (accel. valve retainer)	

\*\* Not used with 1961 spacer C1AE 9A589-A

**CARBURETOR KIT PARTS LISTS - continued**

C2SZ 9502-A	Consists of the following	
1-C2AZ	9229-A	Gasket (fuel inlet)
1-C2AZ	9447-E	Gasket (mounting)
1-B7AZ	9B501-A	Seal (fast idle rod)
2-B8AZ	9A536-A	Gasket (venturi)
1-C2SZ	9561-A	Gasket (float bowl)
1-B7A	9563-A	Gasket (economizer cover)
1-COLE	9B567-A	Gasket (hot idle compensator) (T/Bird only)
2-B7A	9569-A	Gasket (inlet valve)
1-C2AZ	9A588-B	Gasket (economizer)
1-B8A	9853-A	Gasket (choke control)
1-C1AE	9871-A	Gasket (choke cover)
1-374370-S		Gasket (support screw)
1-374818-S		Gasket (accel. valve retainer)
B2AZ 9518-A	Consists of the following	
1-B6A	9447-B	Gasket
1-B8A	9516-C	Gasket
1-B2AE	9518-A	Body & shaft assy.
1-78	9541-B	Needle (idle adjust.)
1-40	9578	Spring
1-1CM	9681-A	Ball
1-34079-S7		Nut
1-34803-S7		Washer
2-371280-S7-8		Screw
B9TZ 9518-D	Consists of the following	
1-B6A	9447-B	Gasket
1-B8A	9516-C	Gasket
1-B9T	9518-D	Body & shaft assy.
1-B7A	9541-D	Needle (idle adjust.)
1-40	9578	Spring
1-1CM	9681-A	Ball
1-34079-S7		Nut
1-34803-S7		Washer
2-371280-S7-8		Screw
B6AZ 9546-A	Consists of the following	
1-B6A	9546-C	Shaft & lever assy.
1-B6C	9549-B	Plate (choke)
1-B2A	9586-A	Screw
1-EAA	9791-A	Bracket
1-31032-S8		Screw
1-43249-S8		Screw assy.
A0AZ 9A586-A	Consists of the following	
1-B5A	9502-C	Gasket set
1-B5AZ	9B544-A	Piston (pump)
1-7HA	9564	Needle & seat assy.
1-A8TZ	9A565-A	Valve (economizer)
A0AZ 9A586-B	Consists of the following	
1-B5A	9502-C	Gasket set
1-B5AZ	9B544-A	Piston (pump)
1-7HA	9564	Needle & seat assy.
1-A0AZ	9A565-A	Valve (economizer)
B2AZ 9A586-A	Consists of the following	
1-C0AZ	9502-C	Gasket set
1-C0AE	9B544-A	Piston assy. (accel. pump)
1-B9TE	9564-C	Needle & seat assy.
1-B2AZ	9A565-A	Valve (economizer)
B5AZ 9A586-A	Consists of the following	
1-B5A	9502-C	Gasket set
1-B5A	9564-A	Needle & seat assy.
1-A8TZ	9A565-A	Valve (economizer)
1-B5A	9572-A	Cup (piston)
B5AZ 9A586-B	Consists of the following	
1-B5A	9502-A	Gasket set
1-B5A	9564-A	Needle & seat assy.
1-A0AZ	9A565-A	Valve (economizer)
1-B5A	9572-A	Cup (piston)
B5AZ 9A586-C	Consists of the following	
1-B5A	9502-B	Gasket set
1-B6A	9564-A	Needle & seat assy.
1-B5AZ	9A565-A	Valve (economizer)
1-B5A	9572-A	Cup (piston)
B6AZ 9A586-A	Consists of the following	
1-B6A	9502-B	Gasket set
1-B5A	9564-A	Needle & seat assy.
1-A8TZ	9A565-A	Valve (economizer)
1-B5A	9572-A	Cup (piston)
B6AZ 9A586-B	Consists of the following	
1-B7A	9502-A	Gasket set
1-C0AE	9B544-C	Piston assy. (accel. pump)
1-B9TE	9564-C	Needle & seat assy.
1-B2AZ	9A565-A	Valve (economizer)
B6AZ 9A586-C	Consists of the following	
1-B6A	9502-B	Gasket set
1-B5A	9564-A	Needle & seat assy.
1-A0AZ	9A565-A	Valve (economizer)
1-B5A	9572-A	Cup (piston)
B6AZ 9A586-D	Consists of the following	
1-B6A	9502-D	Gasket set
1-B6A	9564-A	Needle & seat (threaded)
1-B6A	9564-B	Needle & seat (plain)
1-B5AZ	9A565-A	Valve (economizer)
1-B5A	9572-A	Cup (piston)

## CARBURETOR KIT PARTS LISTS - continued

B7AZ	9A586-A	Consists of the following	
1-B7AZ	9502-A	Gasket set (less B5A 9909-A Gasket)	
1-B7AZ	9B559-A	Diaphragm assy. (pump)	
1-C2AZ	9564-B	Needle & seat assy.	
1-C0AE	9A565-A	Economizer assy.	
1-C1AZ	9599-A	Retainer	
B7AZ	9A586-B	Consists of the following	
1-B7AZ	9502-B	Gasket set (less B5A 9909-A Gasket)	
1-B7AZ	9B559-A	Diaphragm assy. (pump)	
2-C2AZ	9564-B	Needle & seat assy.	
1-C0AE	9A565-A	Economizer assy.	
1-C1AZ	9599-A	Retainer	
B7AZ	9A586-C	Consists of the following	
1-B7AZ	9502-C	Gasket set	
1-C0AE	9B559-D	Diaphragm assy.	
2-B7AE	9564-A	Needle & seat assy.	
1-B7AZ	9A565-A	Valve (econ. -primary)-No. 85	
1-B7AZ	9A565-B	Valve (econ. -secondary)-No. 105	
B7AZ	9A586-D	Consists of the following	
1-B8A	9502-F	Gasket set	
1-B7AZ	9B559-B	Diaphragm assy.	
1-B8C	9564-A	Needle & seat assy.	
1-B7AZ	9A565-A	Valve (economizer)	
B7AZ	9A586-E	Consists of the following	
1-B8A	9502-F	Gasket set	
1-C0AE	9B559-D	Diaphragm assy.	
1-B8C	9564-A	Needle & seat assy.	
1-B7T	9904-A	Valve (economizer)	
B7AZ	9A586-F	Consists of the following	
1-B7AZ	9502-C	Gasket set	
1-B7AZ	9B559-B	Diaphragm assy.	
2-B8T	9564-A	Needle & seat assy.	
1-B7AZ	9A565-A	Valve (economizer)-primary	
1-B7AZ	9A565-B	Valve (economizer)-secondary	
B8AZ	9A586-A	Consists of the following	
1-B8A	9502-E	Gasket set	
1-B7AZ	9B544-A	Pump plunger assy.	
2-B8A	9564-B	Needle & seat assy.	

B8AZ	9A586-B	Consists of the following	
1-B8A	9502-A	Gasket set	
1-C0AE	9B559-D	Diaphragm assy.	
2-B8A	9564-C	Needle & seat assy.	
1-B8AZ	9A565-B	Valve (economizer)	

B8AZ	9A586-C	Consists of the following	
1-*B8A	9502-F	Gasket set	
1-C0AE	9B559-D	Diaphragm assy.	
1-B8A	9564-C	Needle & seat assy.	
1-B7TZ	9A565-A	Valve (economizer)	

\* When used on B9AE 9510-B discard B5A 9229-A, B9AE 9447-A, B7AZ 9B501-B and A0A 9563-A

B8AZ	9A586-D	Consists of the following	
1-B8A	9502-G	Gasket set	
1-C0AE	9B559-D	Diaphragm assy.	
2-B8A	9564-C	Needle & seat assy.	
1-B8AZ	9A565-A	Valve (economizer)	

B9AZ	9A586-A	Consists of the following	
1-B9AZ	9502-A	Gasket set	
1-C0AE	9B559-D	Diaphragm assy.	
2-B9TE	9564-D	Valve & seat assy. (inlet)	
1-B7AZ	9A565-A	Economizer assy.	

B9SZ	9A586-A	Consists of the following	
1-B9S	9502-A	Gasket set	
2-B9ME	9564-A	Needle & seat assy.	
1-B7A	9631-C	Plunger (pump)	

C0AZ	9A586-A	Consists of the following	
1-C2OZ	9502-B	Gasket	
1-C2AZ	9B559-A	Diaphragm (pump)	
1-C2AZ	9564-B	Needle & seat assy.	
1-C0AE	9A565-A	Economizer assy.	
1-C1AZ	9599-A	Retainer	

C0SZ	9A586-A	Consists of the following	
1-C0SZ	9502-A	Gasket set	
1-B7AZ	9B544-A	Plunger (pump)	
2-B9ME	9564-A	Needle & seat assy.	

C2AZ	9A586-B	Consists of the following	
1-B8A	9502-C	Gasket set	
1-C0AE	9B544-B	Piston assy. (accel. pump)	
1-C2AZ	9564-C	Valve & seat assy.	
1-B2AZ	9A565-A	Valve (economizer)	

**CARBURETOR KIT PARTS LISTS - continued**

C2OZ	9A586-B	Consists of the following	
1-C2OZ	9502-B	Gasket set	
1-C2AZ	9B559-A	Diaphragm assy.	
1-C2AZ	9564-B	Needle & seat assy.	
1-C0AE	9A565-D	Economizer assy.	
1-C1AZ	9599-A	Retainer (float)	
C2SZ	9A586-A	Consists of the following	
1-C2SZ	9502-A	Gasket set	
1-C2AZ	9B559-A	Diaphragm assy.	
2-C2AZ	9564-B	Needle & seat assy.	
1-C0AZ	9A565-A	Economizer assy.	
2-C1AZ	9599-A	Retainer-(float lever)	
C2TZ	9A586-D	Consists of the following	
1-B9A	9502-A	Gasket set	
1-C0AE	9B559-D	Diaphragm assy.	
1-C2TZ	9564-B	Valve & seat assy.	
1-B7TZ	9A565-A	Valve (economizer)	
A8A	9590-A	Consists of the following	
1-B5A	9502-C	Gasket set	
2-78	9541-A	Needle	
2-78	9542	Idle tube	
1-B5AZ	9B544-A	Piston	
1-7HA	9564	Idle valve	
1-A0AZ	9A565-A	Valve (economizer)	
1-78	9636	Spring	
A8A	9590-B	Consists of the following	
1-B5A	9502-C	Gasket set	
2-78	9541-A	Needle	
2-78	9542	Idle tube	
1-B5AZ	9B544-A	Piston	
1-7HA	9564	Idle valve	
1-A8TZ	9A565-A	Valve (economizer)	
1-78	9636	Spring	
B2A	9590-F	Consists of the following	
1-C0AZ	9502-C	Gasket set	
1-B5A	9529-A	Link	
1-78	9541-B	Needle	
1-C0AE	9B544-A	Piston	
1-C0DE	9564-B	Valve	
1-B2A	9568-B	Retainer	
1-EAA	9576-A	Ball	
2-78	9576	Ball	
4-40	9586	Screw	
2-352200-S		Retainer	
B2AZ	9590-A	Consists of the following	
1-B8A	9502-C	Gasket set	
1-C0AE	9529-C	Link (pump)	
1-B7A	9541-D	Needle (idle adjusting)	
1-C0DE	9564-B	Valve assy.	
1-C0AE	9B564-B	Piston assy.	
1-B2AZ	9A565-A	Valve (economizer)	
1-EAA	9576-A	Ball (pump inlet)	
2-78	9576	Ball (check)	
2-B2A	9586-A	Screw (choke plate)	
2-42790-S7		Screw (throttle plate)	
1-352200-S		Retainer (pump link)	
B2AZ	9590-B	Consists of the following	
1-C0AZ	9502-C	Gasket set	
1-EAA	9529-A	Link (pump) (1952-53 only)	
1-EBP	9529-A	Link (pump) (1954-55 only)	
1-78	9541-B	Needle (idle adjusting)	
1-C0AE	9B544-A	Piston assy. (accel.pump)	
1-B9TE	9564-C	Needle & seat assy.	
1-B2AZ	9A565-A	Valve (economizer)	
1-B2A	9568-B	Retainer	
1-B2AZ	9575-A	Retainer (check ball spring)	
1-B2AZ	9576-A	Ball (spark check)	
1-EAA	9576-A	Ball (pump inlet)	
2-78	9576	Ball (check)	
2-40	9586	Screw (choke plate) (1954-55 only)	
2-B2A	9586-A	Screw (choke plate) (1952-53 only)	
2-352200-S		Retainer (pump link)	
1-353553-S8		Pin (choke shaft)	
B2AZ	9590-C	Consists of the following	
1-B5A	9502-C	Gasket set	
1-A0AZ	9A516-A	Valve (discharge)	
1-A9AZ	9529-A	Link (pump)	
2-78	9541-A	Needle (idle adjusting)	
2-EAB	9542-A	Jet (idling) (car only)	
2-1BA	9542-A	Jet (idling) (truck only)	
1-B5AZ	9B544-A	Piston assy. (accel.pump)	
1-78	9558	Shaft (float)	
1-7HA	9564	Valve & seat assy.	
1-A0AZ	9A565-A	Valve (economizer)	
1-78	9575	Retainer (check valve)	
1-78	9576	Ball (check)	
B4AZ	9590-A	Consists of the following	
1-B5A	9502-C	Gasket set	
1-A0AZ	9A516-A	Valve (discharge)	
1-A9AZ	9529-A	Link (pump) (car only)	
1-B4TZ	9529-A	Link (pump) (truck only)	
2-78	9541-A	Needle (idle adjusting)	
2-B4A	9542-A	Tube (idle) (for B4A 9920-21-C nozzle bars)	
2-EBU	9542-B	Tube (idle) (for B4A 9920-21-A nozzle bars)	
1-B5AZ	9B544-A	Piston assy. (accel.pump)	
1-78	9558	Shaft (float)	
1-7HA	9564	Needle & seat assy.	
1-A0AZ	9A565-A	Valve (economizer)	
1-B5AZ	9B572-A	Valve (spark)	
1-78	9575	Retainer (check ball)	
1-78	9576	Ball (check)	
2-40	9586	Screw (choke plate)	

## CARBURETOR KIT PARTS LISTS - continued

B5A	9590-B	Consists of the following	
1-B5A	9502-B	Gasket set	
1-EBY	9503-A	Diaphragm assy.	
1-A8TZ	9A516-A	Valve (discharge)	
1-B6AZ	9A519-A	Spring	
2-B5AZ	9A528-A	Jet assy.	
1-B5AZ	9529-A	Link	
2-78	9541-B	Needle	
2-8CM	9542	Jet	
1-8CM	9558	Pin	
1-B6A	9564-A	Valve assy.	
1-B5AZ	9A565-A	Economizer	
1-B5A	9572-A	Cup	
1-B5AZ	9B572-B	Valve (spark)	
1-B2AZ	9575-A	Retainer	
1-78	9575	Retainer	
1-B2AZ	9576-A	Valve	
1-B5A	9576-A	Ball	
3-78	9576	Ball	
1-B5A	9594-A	Jet	
1-A1A	9599-A	Retainer	
1-A8Q	9938-A	Screen	
2-B5A	9991-A	Tube	
1-351825-S		Washer	
2-352200-S		Retainer	

B5A	9590-E	Consists of the following	
1-B5A	9502-B	Gasket set	
1-EBY	9503-A	Diaphragm assy.	
1-A8TZ	9A516-A	Valve (discharge)	
1-B6AZ	9A519-A	Spring	
2-B5AZ	9A528-D	Jet assy.	
1-B5AZ	9529-A	Link	
2-78	9541-A	Needle	
1-8CM	9558	Pin	
1-B6A	9564-A	Valve assy.	
1-B5AZ	9A565-A	Economizer	
1-B5A	9572-A	Cup	
1-B5AZ	9B572-A	Valve (spark)	
1-B2AZ	9575-A	Retainer	
1-78	9575	Retainer	
1-B5A	9576-A	Ball	
3-78	9576	Ball	
2-B5A	9577-B	Nozzle (for B5A 9510-M & N)	
1-B5A	9577-D	Nozzle (for B5A 9510-Q & R)	
1-B5A	9594-B	Jet (w/S/T & O/D)	
1-B5A	9594-C	Jet (with F/M)	
1-A1A	9599-A	Retainer	
1-A8Q	9938-A	Screen	
1-351825-S		Washer	
2-352200-S		Retainer	

B5AZ	9590-A	Consists of the following	
1-B5A	9502-C	Gasket set	
1-A0AZ	9A516-A	Valve (discharge)	
1-A9AZ	9529-A	Link (pump (with F/M))	
1-B4TZ	9529-A	Link (pump) (with S/T)	
2-78	9541-A	Needle (idle adjusting)	
2-B5A	9542-B	Tube (idle)(B5A 9510-J & K only)	
2-B5A	9542-C	Tube (idle)(B5A 9510-P only)	
1-78	9558	Shaft (float)	
1-B5A	9564-A	Valve & seat assy.	
1-A0AZ	9A565-A	Valve (economizer)	
1-B5A	9572-A	Cup (piston)	
1-B5AZ	9B572-A	Valve (spark)	
1-78	9575	Retainer (check ball)	
1-78	9576	Ball (check)	
2-40	9586	Screw (choke plate)	

B6A	9590-A	Consists of the following	
1-B7A	9502-A	Gasket set	
1-EBP	9529-A	Link (pump)	
1-78	9541-B	Needle (idle adjusting)	
1-C0AE	9B544-C	Piston assy. (accel. pump)	
1-C0DE	9564-B	Valve	
1-B2AZ	9A565-A	Economizer	
1-B2A	9568-B	Retainer (lever)	
1-B2AZ	9575-A	Retainer (check ball)	
1-B2AZ	9576-A	Ball (vacuum distributor check)	
1-EAA	9576-A	Ball (pump check)	
2-78	9576	Ball (pump check)	
2-352200-S		Retainer (pump link)	

B6A	9590-D	Consists of the following	
1-B6A	9502-D	Gasket set	
2-EBY	9503-A	Diaphragm assy.	
1-A8TZ	9A516-A	Valve (discharge)	
1-B6AZ	9A519-A	Spring (float)	
2-B5AZ	9A528-F	Jet (secondary metering)	
1-B5AZ	9529-A	Link (pump)	
2-78	9541-A	Needle (idle adjusting)	
1-8CM	9558	Pin (float)	
1-B6A	9564-A	Valve assy. (threaded)	
1-B6A	9564-B	Valve assy. (plain)	
1-B5AZ	9A565-A	Economizer	
1-B5A	9572-A	Cup (piston)	
1-B5AZ	9B572-A	Valve (spark)	
1-B2AZ	9575-A	Retainer (check ball)	
1-78	9575	Retainer (check valve)	
1-B5A	9576-A	Ball (secondary throttle check)	
3-78	9576	Retainer (pump & check valve)	
2-B6A	9577-A	Nozzle (discharge)	
1-B4T	9594-A	Jet (power)	
1-A1A	9599-A	Retainer (pump link)	
1-A8Q	9938-A	Screen assy.	
2-351825-S		Retainer (link)	
2-352200-S		Retainer (rod)	

**CARBURETOR KIT PARTS LISTS - continued**

<p><b>B6AZ 9590-A Consists of the following</b></p>			<p><b>B7A 9590-M Consists of the following</b></p>		
1-B6A	9502-B	Gasket set	1-B7A	9502-A	Gasket set
1-A0AZ	9A516-A	Valve (pump discharge)	1-EBP	9529-A	Link (pump)
1-B6AZ	9529-A	Link (pump) (with S/T)	1-B7A	9541-D	Needle (idle adjusting)
1-B6AZ	9529-B	Link (pump) (with F/M)	1-C0AE	9B544-C	Piston assy. (accel. pump)
2-78	9541-A	Needle (idle adjusting)	1-C0DE	9564-B	Valve assy. (inlet)
2-B6A	9542-A	Tube (idle)	1-B2AZ	9A565-A	Economizer valve
1-78	9558	Shaft (float)	1-B2A	9568-B	Retainer (pump lever)
1-B5A	9564-A	Valve (fuel inlet)	1-B2AZ	9575-A	Retainer (spark ball)
1-A0AZ	9A565-A	Valve (economizer)	1-B2AZ	9576-A	Ball (vacuum dist. check)
1-B5A	9572-A	Cup (piston)	1-EAA	9576-A	Ball (pump check)
1-B5AZ	9B572-A	Valve (spark)	2-78	9576	Ball (pump check)
1-78	9575	Retainer (check ball)	2-B2A	9586-A	Screw (choke plate)
1-78	9576	Ball (check)	2-42790-S8		Screw (throttle plate)
6-40	9586	Screw (choke & throttle plate)	2-352200-S		Retainer (pump link)
1-A1A	9599-A	Retainer (pump link pin)			
1-353610-S8		Retainer (pump link)			
<p><b>B7A 9590-D Consists of the following</b></p>			<p><b>B7A 9590-N Consists of the following</b></p>		
1-B7AZ	9502-C	Gasket set	1-B7A	9502-G	Gasket set
1-B7A	9503-B	Diaphragm (secondary)	1-EBY	9503-A	Diaphragm assy.
2-B7A	9541-A	Needle (idle adjusting)	1-A8TZ	9A516-A	Valve (discharge)
1-B7AZ	9B559-B	Diaphragm assy.	1-B6AZ	9A519-A	Spring (float)
2-B8T	9564-A	Valve (inlet)	2-B7AZ	9A528-C	Jet (secondary metering)
1-B7AZ	9A565-A	Valve (primary economizer)-No. 85	1-B5AZ	9529-A	Link (pump)
1-B7AZ	9A565-B	Valve (secondary economizer)-No. 105	2-78	9541-A	Needle (idle adjusting)
1-B5A	9576-A	Ball (check secondary)	1-8CM	9558	Pin (float)
1-78	9576	Ball (pump discharge)	1-B7A	9564-H	Valve assy.
1-B8A	9577-A	Nozzle (pump discharge)	1-B5AZ	9A565-A	Economizer valve
8-B8A	9586-A	Screw (throttle plate)	1-B5A	9572-A	Cup (piston)
2-40	9586	Screw (choke plate)	1-B2AZ	9575-A	Retainer (check ball)
1-B7A	9938-B	Screen (filter)	1-78	9575	Retainer (check valve)
1-351825-S		Retainer	1-B5A	9576-A	Ball (secondary throttle check)
3-351826-S		Retainer	3-78	9576	Ball (pump & check valve ret.)
1-352200-S		Retainer	2-B6A	9577-A	Nozzle (discharge)
1-353610-S		Retainer	1-B6Q	9594-A	Valve (power)
1-359528-S7		Retainer (vent valve)	1-A1A	9599-A	Retainer (pump link)
			1-A8Q	9938-A	Screw assy.
			2-351825-S		Retainer (diaphragm lever & pump rod)
			2-352200-S		Retainer (secondary rod)
<p><b>B7A 9590-L Consists of the following</b></p>			<p><b>B7AZ 9590-C Consists of the following</b></p>		
1-B7A	9502-G	Gasket set	1-B7AZ	9502-B	Gasket set(less B5A 9909-A Gasket)
1-EBY	9503-A	Diaphragm assy.	1-B7A	9503-A	Diaphragm (secondary)
1-A8TZ	9A516-A	Valve (discharge)	1-B7AZ	9B504-A	Spring (secondary diaphragm)
1-B6AZ	9A519-A	Spring (float)	2-C1AE	9541-C	Needle (idle adjusting)
2-B6AZ	9A528-A	Jet (secondary metering)	1-B7AZ	9B559-A	Diaphragm (pump)
1-B5AZ	9529-A	Link (pump)	2-C2AZ	9564-B	Valve assy. (inlet)
2-78	9541-A	Needle (idle adjusting)	1-C0AE	9A565-A	Economizer assy.
1-8CM	9558	Pin (float)	1-B7A	9575-A	Retainer (pump check)
1-B6A	9564-B	Valve assy.	2-C1AZ	9599-A	Retainer (float shaft)
1-B5AZ	9A565-A	Economizer	1-B7A	9636-A	Spring (pump lever return)
1-B5A	9572-A	Cup (piston)	1-B7A	9935-A	Spring (pump rod plunger)
1-B2AZ	9575-A	Retainer (check ball)			(B7A 9510-B only)
1-78	9575	Retainer (check valve)	1-EAA	9935-B	Spring (pump rod plunger)
1-B5A	9576-A	Ball (secondary throttle check)			(B7A 9510-X only)
3-78	9576	Ball (pump & check valve)	1-B7A	9938-A	Screen (filter)
2-B7A	9577-E	Nozzle (discharge)	1-371350-S		Ball (pump check)
1-B6T	9594-A	Valve (power)			
1-A1A	9599-A	Retainer (pump link)			
1-A8Q	9938-A	Screen assy.			
2-351825-S		Retainer(diaphragm lever & pump rod)			
2-352200-S		Retainer (secondary rod)			

## CARBURETOR KIT PARTS LISTS - continued

B7AZ	9590-D	Consists of the following	
1-B7AZ	9502-C	Gasket set	
1-B7A	9503-B	Diaphragm (secondary)	
2-B7A	9541-A	Needle (idle adjusting)	
1-C0AE	9B559-D	Diaphragm assy.	
2-B7AE	9564-A	Valve (inlet)	
1-B7AZ	9A565-A	Valve(primary economizer)-No.85	
1-B7AZ	9A565-B	Valve (secondary economizer)-No. 105	
1-B5A	9576-A	Ball (secondary check)	
1-78	9576	Ball (pump discharge)	
1-B8A	9577-A	Nozzle (pump discharge)	
8-B8A	9586-A	Screw (throttle plate)	
2-40	9586	Screw (choke plate)	
2-B8AZ	9599-A	Retainer (float)	
1-B7A	9938-B	Screen (filter)	
1-351825-S		Retainer (secondary link)	
1-351826-S		Retainer (vent rod)	
2-352200-S		Retainer (throttle rod)	
2-353610-S		Retainer (choke rod)	
1-359528-S7		Retainer (vent valve)	

B7AZ	9590-E	Consists of the following	
1-B8A	9502-F	Gasket set	
2-B7A	9541-A	Needle (idle adjusting)	
1-B7AZ	9B559-B	Diaphragm (pump)	
1-B8C	9564-A	Valve (inlet)	
1-B7AZ	9A565-A	Economizer assy.	
1-78	9576	Ball (pump discharge)	
1-B8A	9577-B	Nozzle (pump discharge)	
4-B8A	9586-A	Screw (throttle plate)	
2-40	9586	Screw (choke plate)	
1-B8AZ	9599-A	Retainer (float)	
1-B7A	9938-B	Screen (filter)	
1-351826-S		Retainer (vent rod)	
1-352200-S		Retainer (choke rod)	
2-353610-S		Retainer (choke rod)	
1-359528-S7		Retainer (vent valve)	

B7AZ	9590-F	Consists of the following	
1-B8A	9502-F	Gasket set	
2-B7A	9541-A	Needle (idle adjusting)	
1-C0AE	9B559-D	Pump (diaphragm)	
1-B8C	9564-A	Valve (inlet)	
1-B7TZ	9A565-A	Valve (economizer)-No. 65	
1-B8AZ	9575-A	Retainer (pump check ball)	
1-B8A	9576-A	Ball (pump check)	
1-78	9576	Ball (pump discharge)	
1-B8A	9577-B	Nozzle (pump discharge)-No. 28	
4-B8A	9586-A	Screw (throttle plate)	
2-40	9586	Screw (choke plate)	
1-B8AZ	9599-A	Retainer (float)	
1-B7A	9938-B	Screen (filter)	
1-351826-S		Retainer (vent rod)	
2-353610-S		Retainer (choke rod)	
1-359528-S7		Retainer (vent valve)	

B7AZ	9590-G	Consists of the following	
*1-B7AZ	9502-A	Gasket set	
2-C1AE	9541-C	Needle (idle adjusting)	
1-B7AZ	9B559-A	Diaphragm assy. (pump)	
1-C2AZ	9564-B	Valve assy. (inlet)	
1-C0AE	9A565-A	Valve (economizer)	
1-B7A	9575-A	Retainer (pump check)	
1-C1AZ	9599-A	Retainer (float shaft)	
1-B7A	9636-A	Spring (pump lever return)	
1-B7A	9935-A	Spring (pump plunger) (except B7A 9510-W, Z)	
1-EAA	9935-B	Spring (pump plunger) (B7A 9510-W, Z only)	
1-B7A	9938-A	Screen (filter)	
1-371350-S		Ball (pump check)	

\* Delete (1) B5A 9909-A Gasket from B7AZ 9502-A Gasket set

B8A	9590-A	Consists of the following	
1-B8A	9502-A	Gasket set	
1-B8A	9503-A	Diaphragm (secondary)	
2-B7A	9541-A	Needle (idle adjusting)	
1-C0AE	9B559-D	Diaphragm assy.	
2-B8A	9564-C	Valve (inlet)	
1-B8AZ	9A565-B	Economizer valve	
1-B2A	9568-B	Retainer (pump rod)	
1-B8AZ	9575-A	Retainer (pump check ball)	
1-B5A	9576-A	Ball (check-secondary)	
1-B8A	9576-A	Ball (pump check)	
1-78	9576	Ball (pump discharge)	
1-B8A	9577-A	Nozzle (pump discharge)	
8-B8A	9586-A	Screw (throttle plate)	
2-40	9586	Screw (choke plate)	
2-B8AZ	9599-A	Retainer (float)	
1-B7A	9938-B	Filter (fuel)	
1-351825-S		Retainer(secondary diaph.link)	
1-351826-S		Retainer (air vent spring)	
2-352200-S		Retainer (throttle rod)	
2-353610-S		Retainer (choke rod)	
1-359528-S7		Retainer (vent valve)	

B8A	9590-K	Consists of the following	
1-C2AZ	9447-A	Gasket (flange)	
4-B7A	9517-B	Gasket (venturi cluster)	
2-B7A	9533-A	Jet (primary metering)	
1-B7AZ	9B544-A	Pump plunger rod & spring assy.	
1-B7A	9561-D	Gasket (air horn)	
2-B8A	9564-B	Needle & seat assy.	
1-B7A	9580-B	Gasket (pump jet housing)	
1-B7A	9800-B	Dashpot plunger & check assy.	
2-B7A	9834-D	Rod (step-up)	
1-B8A	9871-B	Gasket (coil housing)	
2-B8A	9976-A	Spring (vacuum piston)	



**CARBURETOR KIT PARTS LISTS - continued**

B8A	9590-P	Consists of the following	
1-B8A	9502-G	Gasket set	
1-B8A	9503-A	Diaphragm (secondary)	
2-B7A	9541-A	Needle (idle adjusting)	
1-C0AE	9B559-D	Diaphragm assy.	
2-B8A	9564-C	Valve (inlet)	
1-B8AZ	9A565-A	Economizer valve	
1-B8AZ	9575-A	Retainer (pump check ball)	
1-B5A	9576-A	Ball (secondary check)	
1-B8A	9576-A	Ball (pump check)	
1-78	9576	Ball (pump discharge)	
1-B8A	9577-A	Nozzle (pump discharge)	
8-B8A	9586-A	Screw (throttle plate)	
2-40	9586	Screw (choke plate)	
2-B8AZ	9599-A	Retainer (float)	
1-351825-S		Retainer (sec. diaphragm link)	
2-352200-S		Retainer (throttle rod)	
2-353610-S8		Retainer (choke rod)	
1-359528-S7		Retainer (vent valve)	

B8AZ	9590-F	Consists of the following	
1-**B8A	9502-F	Gasket set	
2-B7A	9541-A	Needle (idle adjusting)	
1-C0AE	9B559-D	Diaphragm assy.	
1-B8A	9564-C	Valve (inlet)	
1-B7TZ	9A565-A	Economizer valve	
1-*B8A	9576-A	Ball (pump inlet)	
1-*B8AZ	9575-A	Retainer (pump check ball)	
1-*Δ78	9576	Ball (pump discharge)	
1-B8A	9577-A	Nozzle (pump discharge) (272, 292 cu. in. engine)	
1-B8A	9577-B	Nozzle (pump discharge) (332 cu. in. engine)	
4-B8A	9586-A	Screw (throttle plate)	
2-40	9586	Screw (choke plate)	
1-B8AZ	9599-A	Retainer (float)	
2-353610-S8		Retainer (choke rod)	
1-359528-S7		Retainer (vent valve)	

\* When used on B9AE 9510-B discard 78 9576, B8A 9576-A and B8AZ 9575-A

\*\* When used on B9AE 9510-B add B8AZ 9447-A and discard B5A 9229-A, B9AE 9447-A, B7AZ 9B501-B and A0A 9563-A

Δ When used on B7AE 9510-A discard 78 9576

B8AZ	9590-G	Consists of the following	
1-C2SZ	9502-A	Gasket set	
1-B7A	9503-A	Diaphragm (secondary)	
1-B8AZ	9B504-D	Spring (secondary diaphragm)	
2-C1AE	9541-C	Needle (idle adjusting)	
1-C2AZ	9B559-A	Diaphragm (pump)	
2-C2AZ	9564-B	Valve (inlet)	
1-C0AE	9A565-A	Valve (economizer)	
8-B7A	9586-E	Screw (throttle plate)	
2-B9A	9586-A	Screw (choke plate)	
2-C1AZ	9599-A	Retainer (float)	
1-B8A	9636-A	Spring (pump lever return)	
1-B7A	9938-A	Screen (filter)	
1-371350-S		Ball (pump check)	

B9A	9590-C	Consists of the following	
1-B9A	9502-A	Gasket set	
2-B7A	9541-A	Needle (idle adjusting)	
1-C0AE	9B559-D	Diaphragm assy.	
1-B9TE	9564-D	Valve & seat assy. (inlet)	
1-B7TZ	9A565-A	Valve (economizer)-No. 65	
1-B8A	9577-B	Nozzle (pump discharge)	
4-B8A	9586-A	Screw (throttle plate)	
2-40	9586	Screw (choke plate)	
1-351826-S		Retainer (float)	
2-353610-S8		Retainer (choke rod)	
1-359528-S7		Retainer (vent valve)	

B9AZ	9590-B	Consists of the following	
1-C1AZ	9502-B	Gasket set	
1-B7A	9503-B	Diaphragm (secondary)	
2-B7A	9541-A	Needle (idle adjusting)	
1-C0AE	9B559-D	Diaphragm assy.	
2-B9TE	9564-D	Valve (inlet)	
1-B7AZ	9A565-A	Valve (economizer)	
1-B5A	9576-A	Ball (secondary check)	
1-B8A	9577-A	Nozzle (pump discharge)	
8-B8A	9586-A	Screw (throttle plate)	
2-42790-S7-8		Screw (choke plate)	
1-351825-S		Retainer (secondary diaph. link)	
2-351826-S		Retainer (float)	
2-352200-S		Retainer (throttle rod)	
2-353610-S8		Retainer (choke rod)	
1-359528-S7		Retainer (vent valve)	

B9AZ	9590-C	Consists of the following	
1-C2OZ	9502-A	Gasket set	
2-C1AE	9541-C	Needle (idle adjusting)	
1-C2AZ	9B559-A	Diaphragm (pump)	
1-C2AZ	9564-B	Valve (inlet)	
1-C0AE	9A565-A	Valve (economizer)	
4-B7A	9586-E	Screw (throttle plate)	
2-B9A	9586-A	Screw (choke plate)	
1-C1AZ	9599-A	Retainer (float shaft)	
1-B8A	9636-A	Spring (pump lever return)	
1-B7A	9938-A	Screen (filter)	
1-371350-S		Ball (pump check)	

B9S	9590-A	Consists of the following	
1-B9SE	9447-A	Gasket (flange)	
2-B7A	9517-B	Gasket (primary venturi)	
2-B9LE	9A526-A	Rod (carburetor metering)	
1-B9ME	9A529-A	Gasket (air horn)	
2-B7A	9533-A	Jet (primary metering)	
2-B9ME	9A536-A	Gasket (secondary venturi)	
1-B7AZ	9B544-A	Plunger assy. (pump)	
2-B9ME	9564-A	Needle & seat assy.	
1-B9ME	9580-A	Gasket (pump jet housing)	
1-B7A	9800-B	Plunger assy. (dashpot)	
1-B8A	9871-B	Gasket (coil housing)	
2-B9S	9976-A	Spring (vacuum piston)	

## CARBURETOR KIT PARTS LISTS - continued

C0SZ 9590-A		Consists of the following		C2OZ 9590-C		Consists of the following	
1-B9SE	9447-A	Gasket (flange)		1-C2OZ	9502-B	Gasket set	
2-B7A	9517-B	Gasket (primary venturi)		2-C1AE	9541-B	Needle (idle adjusting) (260, 292 cu. in. w/emission reduction only)	
2-COME	9A526-A	Rod-(step up)		2-C1AE	9541-C	Needle (idle adjusting) (all except 260, 292 cu. in. with emission reduction )	
1-B9ME	9A529-A	Gasket (air horn)		1-C2AZ	9B559-A	Diaphragm assy.	
2-COME	9533-A	Jet (primary metering)		1-C2AZ	9564-B	Valve (inlet)	
2-B9ME	9A536-A	Gasket (secondary venturi)		1-C0AE	9A565-D	Economizer assy.	
1-B7AZ	9B544-A	Plunger assy. (pump)		4-B7A	9586-E	Screw (throttle plate)	
2-B9ME	9564-A	Needle & seat assy.		2-B9A	9586-A	Screw (choke plate)	
1-B9ME	9580-A	Gasket (pump jet housing)		1-C1AZ	9599-A	Retainer (float)	
1-C0LE	9A684-A	Gasket (compensator)		1-B8A	9636-A	Spring (pump lever return)	
1-B7A	9800-B	Plunger assy. (dashpot)		1-371350-S		Ball (pump check)	
1-B8A	9871-B	Gasket (coil housing)					
2-B9S	9976-A	Spring (vacuum piston)					
<hr/>				<hr/>			
C1AZ 9590-A		Consists of the following		C2SZ 9590-A		Consists of the following	
1-B8A	9502-C	Gasket set		1-C2SZ	9502-A	Gasket set	
1-B8A	9529-B	Link (pump operating) (with steel lever only)		1-B8A	9503-B	Diaphragm (secondary)	
1-C0AE	9529-C	Link (pump operating) (with nylon lever only)		1-B8AZ	9B504-D	Spring (secondary diaphragm)	
1-B7A	9541-D	Needle (idle adjusting)		2-C1AE	9541-C	Needle (idle adjusting)	
1-C0AE	9B544-B	Piston assy.		1-C2AZ	9B559-A	Diaphragm (pump)	
1-C0DE	9564-B	Valve (inlet)		2-C2AZ	9564-B	Valve (inlet)	
1-B2AZ	9A565-A	Valve (economizer)		1-C0AZ	9A565-A	Economizer valve	
1-B8AZ	9B572-A	Spark valve assy.		8-B7A	9586-E	Screw (throttle plate)	
1-EAA	9576-A	Ball (pump inlet)		2-B9A	9586-A	Screw (choke plate)	
2-78	9576	Ball (pump discharge & push rod sleeve)		2-C1AZ	9599-A	Retainer (float)	
2-B2A	9586-A	Screw (choke plate)		1-B8A	9636-A	Spring (pump lever return)	
2-42790-S7		Screw (throttle plate)		1-371350-S		Ball (pump check)	
2-352200-S		Retainer (pump link)		2-378360-S2		Screw (choke plate)-use with steel shafts	
<hr/>				<hr/>			
C2AZ 9590-B		Consists of the following		8-378361-S2		Screw (throttle plate)-use with steel shafts	
1-C0AZ	9502-C	Gasket set					
1-B8A	9529-C	Link (pump operating) (with steel lever only)					
1-C0AE	9529-B	Link (pump operating) (with nylon lever only)					
1-78	9541-B	Needle (idle adjusting)					
1-C0AE	9B544-B	Piston assy. (accel. pump)					
1-C2AZ	9564-C	Valve & seat assy. (fuel inlet)					
1-*EAA	9576-A	Ball (pump inlet)					
2-*78	9576	Ball (pump discharge & push rod sleeve)					
2-40	9586	Screw (throttle plate)					
2-352200-S		Retainer (pump link)					
2-372428-S		Screw (choke plate)					

\* Use for carburetors with threaded retainers only

# FORD CAR PARTS

## SECTION 96

YEAR 19	MODEL	NO. CYL.	CUBIC INCH DISP.	DESCRIPTION	QTY. PER VEHICLE	PART NUMBER
<b>9600 CLEANER ASSY. - CARBURETOR AIR</b>						
49/51	A	6	226	Dry type	1	*1HA 9600-A
49/51	A	6	226	Oil bath-1 pint capacity-use with governor	1	* 1HA 9600-C
49/56	A	8	239,272	Oil bath-use without governor	1	B6A 9600-B
54/56	A	8	272	Gasket (air cleaner oil seal)-used in B6A 9600-B cleaner	1	49B 9364
52/53	Police Cars	8	239	Oil bath-carb. mounting opening 5.12" I. D.	1	*B2AZ 9600-A
52/53	A	8	239	Oil bath-1 pint capacity-use with governor-use with EAB 9663-A	1	*EAB 9600-E
49/53	A	8	239	Oil bath-9.00" O. D. -3.75" high-2.63" carb. mounting opening	1	B6A 9600-F
54/55	A	8	272	Use with governor	1	
52/56	A	6	215,223	Oil bath-9.06" O. D. -3.75" high-2 13/16" nominal diam. carb. mtg. flange-used without brace & without governor	1	C1TZ 9600-B
52/56	A	6	215,223	Oil bath-use with governor	1	B6A 9600-E
55/56	S	8	292	Dry type	1	B6S 9600-A
52/	A	6	215,223	Oil wetted type (customer option)-7.00" O. D. -3.25" high	1	B6T 9600-A
57	A	6	223		1	B7A 9600-A
57	A	8	All		1	B7A 9600-C
58	A	8	292		1	
55/56	A (with 4/B carb.)	8	All	Use with B6S 9813-A screw 358462-S100 nut	1	
57	A	6	223	With governor	1	B7A 9600-E
57	A, S	8	312		1	†B7A 9600-J
57	A	8	312		1	#B7A 9600-K
57	S	8	292,312	Chrome cover	1	B7S 9600-A
57	S	8	312		1	#B7S 9600-C
59	A	8	All	Dry type	1	B9AE 9600-C
58	A	8	332,352		1	
58/59	A	8	292	With governor	1	B9AE 9600-D
57	A	8	272	With governor-use 371005-S stud with Ford carb.	1	
58/59	A	6	223	Replaced by C2AZ 9600-A (8-62)-use with C2AZ 9663-A bracket	1	*B9AE 9600-E
58/59	A	6	223	Service pkg. includes (1) C2AZ 9663-A brace	1	C2AZ 9600-A
58/59	A	6	223	With governor	1	B9AE 9600-F
59	S	8	430		1	C0SE 9600-A
58/59	S	8	352		1	
55	A (with 4/B carb.)	8	All	Screw (air cleaner to carb.)-1/4"-20 x 1.69" wing	1	359299-S(BB828)
56	A (with 4/B carb.)	8	All	Screw (air cleaner to carb.)-1/4"-20 x 1.88" wing	1	359478-S8(BB829)
57/58	A	8	312,352	Stud (air cleaner to carb.)-1/4"-20 x 5.44" (use with carb. catalog symbol 49, 72, 82)	1	359596-S8B (WW103)
57	A	8	All	Stud (air cleaner to carburetor)-1/4"-20 & 5/16"-18 x 4.75" (used with carb. catalog symbols 41,42,45,51,55,61,62,64)	1	359597-S8(WW102)
57/59	A	8	All	Stud (air cleaner to carburetor)-1/4"-20 & 5/16"-18 x 4.76" (use with carb. catalog symbols 68, 71, 75, 76, 80, 81, 88, 89, 90, 91, 93, 97)	1	371005-S7-8 (WW101)
58	S	8	352	Stud (air cleaner to carb.)-1/4"-20 & 5/16"-18 x 3.80"	1	370971-S8(WW100)
55/	A, S	6&8	All	Nut-1/4"-20 wing	1 or 2	358462-S7(MM297)
57/59	A, S	8	All	Stud (carb. air cleaner retaining)-1/4"-20 x 8.50"-thread full length-cut to 3.60" long-(use with Holley carburetor)	1	371773-S8(WW4)
57	S	8	292,312	Cut to 2.75" long	1	
59	S	8	430	Cut to 2.75" long	1	
59	A	8	292	With governor-cut to 2.00" long	1	

# Used with dual 4 barrel carburetor

† Used with Supercharger

# FORD CAR PARTS

## SECTION 96

YEAR 19	MODEL	NO. CYL.	CUBIC INCH DISP.	DESCRIPTION	QTY. PER VEHICLE	PART NUMBER
<b>9601 ELEMENT ASSY. - CARBURETOR AIR CLEANER</b>						
57	A	6	223	10.83" I. D. -12.81" O. D. -2.12" high	1	B7A 9601-A
57	A	6	223	Heavy duty-9.75" I. D. -12.81" O. D. -2.12" high	1	B7A 9601-B
57	A	8	All	7.18" I. D. -9.43" O. D. -3.47" high	1	B7A 9601-C
58	A	8	292		1	
57	A	8	All	Heavy duty-6.68" I. D. -9.43" O. D. -3.47" high	1	B7A 9601-D
58	A	8	292	Heavy duty	1	
57	A, S	8	312	6 5/8" diameter-7 7/8" high	1	†B7A 9601-E
57	A, S	8	312	5 9/16" I. D. -7 1/16" O. D. -2 1/8" high	2	#B7A 9601-F
57	A	8	312	14.79" I. D. -17.34" O. D. -2.88" high	1	#B7A 9601-G
57	S	8	292,312	10.81" I. D. -13.69" O. D. -2.12" high	1	B7S 9601-A
57/59	A	8	272,292	With governor	1	
55/56	S	8	292	Use with B6S 9600-A dry type cleaner	1	
57	S	8	312	14.79" I. D. -17.34" O. D. -2.12" high	1	#B7S 9601-B
58	A, S	8	332,352	7.28" I. D. -9.78" O. D. bottom-10.39" O. D. top-	1	C3VY 9601-A
59	A, S	8	All	2.14" high	1	
58/	A	6	223		1	
<b>9609 - 9617 - Refer to Carburetor Parts Lists Section 95A</b>						
<b>9620 SLEEVE - SUPERCHARGER</b>						
57	A	8	312	Air inlet-3.00" O. D. x 2.00" long	1	†B7A 9620-A
57	S	8	312	Air inlet-3.50" O. D. x 2.00" long	1	★†B7S 9620-A
<b>9-9622 GASKET - SUPERCHARGER BEARING HOUSING</b>						
57	A, S	8	312		1	†B7A 99622-A
<b>9-9623 PISTON - SUPERCHARGER</b>						
57	A, S	8	312		1	★†B7A 99623-A
57	A, S	8	312	"O" ring	1	★87069-S91
57	A, S	8	312	"O" ring-5.75" I. D. x .125"-(piston to housing)	1	87099-S91(T9)
57	A, S	8	312	Shim (spacer piston to multiplier lever-ring)- .081"/.079"	AR	370950-S(QQ50)
57	A, S	8	312	Shim (spacer piston to multiplier lever-ring)- .086"/.084"	AR	370951-S(QQ51)
57	A, S	8	312	Shim (spacer piston to multiplier lever-ring)- .091"/.089"	AR	370952-S(QQ52)
57	A, S	8	312	Shim (spacer piston to multiplier lever-ring)- .096"/.094"	AR	370953-S(QQ53)
57	A, S	8	312	Shim (spacer piston to multiplier lever-ring)- .101"/.099"	AR	370954-S(QQ55)
57	A, S	8	312	Shim (spacer piston to multiplier lever-ring)- .107"/.105"	AR	370955-S(QQ56)
57	A, S	8	312	Shim (spacer piston to multiplier lever-ring)- .113"/.111"	AR	370956-S(QQ57)
57	A, S	8	312	Shim (spacer piston to multiplier lever-ring)- .119"/.117"	AR	370957-S(QQ58)
<b>9624 SPRING - ACCELERATOR LEVER - Also Refer to Carburetor Parts List Section 95A</b>						
49/50	A	6	226		1	78 9624
51	A	6	226		1	OHA 9624
<b>9624 SPRING - SUPERCHARGER CONTROL - Also Refer to Carburetor Parts Lists Section 95A</b>						
57	A, S	8	312	1.24" free length-10 coils	1	†B7A 9624-C
<b>9-9624 MULTIPLIER LEVER ASSY. - SUPERCHARGER</b>						
57	A, S	8	312		1	★†B7A 99624-A
<b>9A626 DUCT and VALVE ASSY. - CARBURETOR AIR CLEANER</b>						
59/	S	8	430		1	B8SZ 9A626-A
<b>9628 CLAMP ASSY. - AIR CLEANER TO CARBURETOR</b>						
49/51	A	6	226	Oil bath air cleaner-2.38" diameter-clamp with 1/4"-20 x 7.50" screw	1	OHA 9628-B
49/51	A	6	226	When used with dry type air cleaner replace long screw with shorter screw	1	
49/56	A	8	239,272	Not used with governor-used with 353620-S100 screw	1	B5A 9628-B

† Used with Supercharger

# Used with dual 4 barrel carburetor

YEAR 19__	MODEL	NO. CYL.	CUBIC INCH DISP.	DESCRIPTION	QTY. PER VEHICLE	PART NUMBER
<b>9628 CLAMP ASSY. - AIR CLEANER TO CARBURETOR - continued</b>						
52/56	A	6	223	For oil bath air cleaner-not used with governor with 1/4"-20 x 8.50" screw	1	CODE 9628-A
56	A	6	223	For dry type air cleaner	1	
58/	A	6	223		1	B8A 9628-A
55/56		8	272	Screw (clamp attaching)- 1/4"-20 x 1 1/2" fillister head	1	353620-S100(BB10)
<b>9630 ELBOW - SUPERCHARGER</b>						
57	A	8	312	Air inlet-(rubber)-3.00" I.D. one end-3.50" I.D. opposite end	1	†B7A 9630-A
57	S	8	312	Air cleaner air outlet-(rubber)-3.50" I.D.	1	†B7S 9630-B
<b>9632 ELBOW ASSY. - SUPERCHARGER TO CARBURETOR</b>						
57	A,S	8	312	With valve	1	†B7A 9632-B
57	A,S	8	312	Washer (elbow to carb.)-1/4" flat	1	†370494-S(XX86)
<b>9633 - Refer to Carburetor Parts Lists Section 95A</b>						
<b>9-9633 BUMPER - SUPERCHARGER RACE CARRIER</b>						
57	A,S	8	312		1	†B7A 99633-A
<b>9634 - Refer to Carburetor Parts Lists Section 95A</b>						
<b>9-9635 DRIVER ASSY. - SUPERCHARGER BALL</b>						
57	A,S	8	312		1	†B7A 99635-A
57	A,S	8	312	Pin-(pulley to driver ass'y.)-roll	1	359118-S(NN95)
<b>9636 - Refer to Carburetor Parts Lists Section 95A</b>						
<b>9-9636 RING - SUPERCHARGER SEAL</b>						
57	A,S	8	312		1	†B7A 99636-A
<b>9-9637 SPACER - SUPERCHARGER</b>						
57	S	8	312	.25" I.D. x .50" long	2	★†B7S 99637-A
57	S	8	312	Screw (spacer to scroll)-No. 10-24 x 1 1/2" fillister head	2	†371009-S8(BB15)
57	S	8	312	Nut-No. 10-24	2	†34053-S8(M156)
57	S	8	312	Lockwasher-No. 10	2	†34803-S7(X60)
<b>9-9638 NEEDLE - SUPERCHARGER ROLLER BEARING</b>						
57	A,S	8	312	.0937" diameter x .370" long	2	†B7A 99638-A
<b>9-9639 NEEDLE - SUPERCHARGER BEARING</b>						
57	A,S	8	312	.125" diameter x .605" long	2	†B7A 99639-A
<b>9-9641 SPRING - SUPERCHARGER CONTROL VALVE</b>						
57	A,S	8	312	.28" O.D. x .978" long-9 coils	1	†B7A 99641-A
57	A,S	8	312	Shim-control spring to control shaft	1	370945-S(XX56)
<b>9-9645 RETAINER - SUPERCHARGER CONTROL LEVER SPRING</b>						
57	A,S	8	312		1	★†B7A 99645-A
<b>9647 - Refer to Carburetor Parts Lists Section 95A</b>						
<b>9-9647 SPRING - SUPERCHARGER CONTROL LEVER</b>						
57	A,S	8	312	1.10" O.D. x 2.75" long-7 1/2 coils	1	★†B7A 99647-A
<b>9B650 THERMOSTAT ASSY. - CARBURETOR AIR CLEANER</b>						
59/	S	8	430		1	B8SZ 9B650-A
59/	S	8	430	Nut (thermostat assy. to duct & valve assy.)- 5/16"-24 hex.	1	33798-S8(M62)
<b>9-9650 LEVER - SUPERCHARGER CONTROL</b>						
57	A,S	8	312		1	★†B7A 99650-A
57	A,S	8	312	Screw (control lever to control shaft)- No. 10-24 x 3/8" round head	1	370943-S8(BB657)
57	A,S	8	312	Washer-No. 8-flat	1	44710-S8(X10)

† Used with Supercharger

## SECTION 96

## FORD CAR PARTS

YEAR 19	MODEL	NO. CYL.	CUBIC INCH DISP.	DESCRIPTION	QTY. PER VEHICLE	PART NUMBER
<b>9-9651 CAP - SUPERCHARGER CONTROL</b>						
57	A, S	8	312		1	†B7A 99651-A
57	A, S	8	312	Screw (control cap to hsg.)-No. 10-24 x .50"	2	370946-S8(BB12)
<b>9652 HOSE - SUPERCHARGER</b>						
57	A	8	312	Outlet-formed rubber 2.75" I.D.	1	†B7A 9652-C
57	S	8	312	Outlet-flex. rubber & fabric-steel reinforced- 2.75" I.D. x 14.00" long	1	†B7S 9652-A
57	A	8	312	Cut to 6.00" long	1	
57	S	8	312	Outlet-formed rubber 2.75" I.D.	1	†B7S 9652-E
<b>9-9652 GUIDE - SUPERCHARGER CONTROL SPRING</b>						
57	A, S	8	312		1	†B7A 99652-A
<b>9-9653 SHAFT - SUPERCHARGER CONTROL</b>						
57	A, S	8	312		1	†B7A 99653-A
<b>9654 GASKET - AIR CLEANER TO CARBURETOR - Also Refer to Group 9673</b>						
52/56	A	6	223	Air cleaner oil reservoir-1 7/8" I.D. -2 3/8" O.D. -1/16" thick-used with B6A 9600-J	2	B6A 9654-B
54/	A	6	All	2.78" O.D. -2.39" I.D.	1	7HT 9654
55/56	A	8	272	.125" square-8' long-used in B5A 9600-K & B6A 9600-B air cleaners	1	B5A 9654-B
55	A ("182 H. P. Special") with F/M	8	272	Gasket (air cleaner bottom) - 5.55" O.D. -5.21" I.D. -.18" thick	1	B7A 9654-A
56	F/L, S/W, A (Special)	8	All		1	
57	A	8	All		1	
58	A	8	292		1	
56	A	8	272	Used with governor-used in B6A 9600-F air cleaner	1	B6A 9654-A
55/56	A	8	272	Used without governor-1 55/64" I.D. -2 19/64" O.D. -1/8" thick-used in B6A 9600-B air cleaner	1	EAA 9364-A
58	A, S	8	332,352	Gasket (air cleaner bottom)-5.21" I.D. - 5.51" O.D. -.24" thick	1	C0AZ 9654-A
59	A, B	8	All		1	
55/56	S	8	292	Used with B6S 9600-A dry type cleaner	1	
<b>9-9654 RING - SUPERCHARGER RETAINING</b>						
57	A, S	8	312	5.8365" free diameter	1	†B7A 99654-A
<b>9655 - Refer to Carburetor Parts Lists Section 95A</b>						
<b>9-9655 SHAFT ASSY. - SUPERCHARGER OUTPUT</b>						
57	A, S	8	312		1	†B7A 99655-A
<b>9-9656 KIT - SUPERCHARGER DRIVE BALL</b>						
57	A, S	8	312	Set of five	1 set	†B7A 99656-A
<b>9-9657 VALVE ASSY. - SUPERCHARGER OIL CONTROL</b>						
57	A, S	8	312		1	†B7A 99657-A
57	A, S	8	312	Washer (spacer-oil control valve to hsg.)-wave	1	370948-S(XX365)
<b>9-9658 VALVE - SUPERCHARGER REGULATOR</b>						
57	A, S	8	312		1	†B7A 99658-A
<b>9A659 - Also Refer to Carburetor Parts Lists Section 95A</b>						
56		8	All	Not supplied with service carburetors-order separately for model S-2.60" long-hex. section 1.39" & 1.21" from ends	1	B6SZ 9A659-A
55	A (182 H. P. Special)	8	292		1	
<b>9-9659 SCREW - SUPERCHARGER SEAL</b>						
57	A, S	8	312	3/8"-16 x .25" thread length	1	★†B7A 99659-A
<b>9-9660 SPRING - SUPERCHARGER REGULATOR</b>						
57	A, S	8	312	.28" O.D. x 1.735" long-14 coils	1	†B7A 99660-A
<b>9661 COVER - CARBURETOR AIR CLEANER</b>						
58/	A	6	223		1	PB8M 9661-A

† Used with Supercharger

YEAR 19	MODEL	NO. CYL.	CUBIC INCH DISP.	DESCRIPTION	QTY. PER VEHICLE	PART NUMBER
<b>9-9661 SHIM - SUPERCHARGER IMPELLER</b>						
57	A, S	8	312	.019"/.021" thick (yellow)	AR	†B7A 99661-A
57	A, S	8	312	.006"/.007" thick (brown)	AR	†B7A 99661-B
57	A, S	8	312	.026"/.028" thick (dulite black)	AR	†B7A 99661-C
57	A, S	8	312	.030"/.032" thick (cadmium)	AR	†B7A 99661-D
57	A, S	8	312	.034"/.036" thick (blue)	AR	†B7A 99661-E
57	A, S	8	312	.038"/.040" thick (red)	AR	†B7A 99661-F
57	A, S	8	312	.042"/.044" thick (green)	AR	†B7A 99661-G
<b>9-9662 SEAL - SUPERCHARGER DRIVE SHAFT OIL</b>						
57	A, S	8	312		1	†B7A 99662-A
<b>9663 BRACE - OIL BATH AIR CLEANER</b>						
52/53		8	239	Used with EAB 9600-E	1	★ EAB 9663-A
52/56	A	6	215,223	Steel-.090" thick	1	B6A 9663-A
57	A	6	223		1	B7A 9663-A
57	A	8	312	Bracket (air cleaner support) inner	1	★ †B7A 9663-B
57	A	8	312	Bracket (air cleaner support) outer	1	★ †B7A 9663-C
57	S	8	312	Bracket (air cleaner support) front	1	★ †B7S 9663-A
57	S	8	312	Bracket (air cleaner support) rear	1	★ †B7S 9663-B
58/59	A	6	223	Brace (air cleaner)-used w/B9AE 9600-E cleaner	1	B8A 9663-A
58/59	A	6	223	Used with C2AZ 9600-A air cleaner	1	C2AZ 9663-A
55/	A	6	223	Bolt (air cleaner brace to air cleaner)- 5/16"-18 x 5/8"	1	20326-S7(B49)
				Lockwasher-5/16"		34806-S7(X64)
				Washer-flat-5/16"		44722-S8(X19)
<b>9673 GASKET - AIR CLEANER - Also Refer to Group 9654</b>						
55	A ("182 H. P. Special") with F/M	8	272	Element-(upper)-.19" square-37.31" long	1	B5AZ 9673-A
56	F/L, S/W, A (Special)	8	All		1	
55	A ("182 H. P. Special") with F/M	8	272	Element-(lower)-5.4" I.D. -5.9" O.D. - .13" thick	1	★ B5AZ 9673-B
56	F/L, S/W, A (Special)	8	All		1	
55	A ("182 H. P. Special) with F/M	8	272	Lower flange-7.58" I.D. 17.95" O.D. -.19" thick-used in B6A 9600-M cleaner	1	B5AZ 9673-C
56	F/L, S/W, A (Special)	8	All	Element (upper)-1/4" square stock-38 5/32" long-used in B6A 9600-D cleaner	1	★ B6AZ 9673-A
56	F/L, S/W, A (Special)	8	All	Element-(lower)-6 3/32" I.D. -6 19/32" O.D. - 3/32" thick-used in B6A 9600-D cleaner	1	B6AZ 9673-B
55/56	A	6	223	Element-(lower)-oil bath cleaner-not used with governor-2.14" I.D. -2.65" O.D. - 1/8" thick	1	★ B6AZ 9673-C
56	F/L, S/W, A (Special)	8	All	Lower flange-7 1/8" I.D. -7 9/16" O.D. - 1/8" thick-used in B6A 9600-D cleaner	1	B6AZ 9673-D
56	A	6&8	223,272	Lower flange-used with governor-used in B6A 9600-E & F cleaners	1	★ B6AZ 9673-E
<b>9678 VALVE ASSY. - CARBURETOR AIR CLEANER BY-PASS</b>						
57	A, S	8	312		1	★ †B7A 9678-B
57	A, S	8	312	Rivet (valve assy. to air inlet elbow)-1/8" x .44"	2	†370586-S(SS7)
<b>9681 - 9A684 - Refer to Carburetor Parts Lists Section 95A</b>						
<b>9685 VALVE ASSY. - EXHAUST THERMOSTAT CONTROL - Also Refer to Group 9A427</b>						
49/53	A	8	239	Duck bill type-located in cross-over pipe-used with OBA 5267	1	OBA 9685-A
54	A	8	239		1	B4A 9685-A
55/56	A, S	8	All	Used with dual exhaust	1	B5A 9685-E
49/50		8	239	Stud (exhaust control valve to R.H. exhaust manifold)-7/16"-14 & 7/16"-20 x 2 1/2"	2	353409-S(WW47)
54		8	239	Stud (valve to R.H. exhaust manifold)	2	
55/56	A, S	8	All	Stud (valve & inlet pipe to L.H. exhaust manifold)	2	
				Nut-7/16"-20-brass	2	34673-S(M65)
				Lockwasher-7/16"	2	357625-S7-8 (XX304)
50/53		8	239	Stud (duck bill type valve to R.H. exhaust manifold)-7/16"-14 & 7/16"-20 x 1 1/2"	2	88393-S(W27)

† Used with Supercharger

# FORD CAR PARTS

## SECTION 96

YEAR 19__	MODEL	NO. CYL.	CUBIC INCH DISP.	DESCRIPTION	QTY. PER VEHICLE	PART NUMBER
<b>9700 CONTROL ASSY. - CARBURETOR CHOKE</b>						
50	A (Deluxe)	8	239	Ivory plastic knob-35.5" long	1	OBA 9700-A
50	A	8	239	35.50" long-cut from B6T 9775-A	1	*OBA 9700-C
51	A (Station Wagon)	8	239			
50	A (Crestliner)	8	239	35.50" long-cut from B6T 9775-A	1	*OBA 9700-D
50/51				59.25" long-excluding knob but including 1/2"-20 threaded section		B6T 9775-A
50	A (Deluxe & Custom Deluxe)	6	226	39" long-cut from B6T 9775-A	1	*OHA 9700-B
51	A (Station Wagon)	6	226	39" long-cut from B6T 9775-A	1	
50	A (Deluxe & Custom Deluxe)	8	239	35.5" long-cut from B6T 9775-A	1	
51	A (except Station Wagon)	6	226	Black plastic knob-42.12" long-3.10"-non- shielded end-cut from B9TF 9775-C	1	*1HA 9700-A
51	A (except Station Wagon)	8	239	Cut length to 38.72"-2.70" nonshielded end	1	
51				125.00" long from shoulder of knob to cable end		B9TF 9775-C
51	A (Station Wagon)	6	226	Black knob-39.00" long-3.10" nonshielded end	1	1HA 9700-B
49/50	A	6&8	226,239	Bezel (carburetor choke control)	1	*8A 18598-H
51	A (Station Wagon)	6&8	226,239		1	
52/53	A	6	215	35 1/2" long-cut from B9TF 9775-C	1	*FAA 9700-C
52/53	A	8	239	33 1/2" long	1	
54	A	6	223	38.5" long-cut from B9TF 9775-C	1	*FDA 9700-A
54	A	8	239	35.5" long	1	
55	A	6	223	Black knob-40.08" overall length	1	B5A 9700-A
55	A (except "182 H. P. Special")	8	272	35.2" overall length-cut to suit	1	
56	A	6	223	Black knob-40.25" long from shoulder of knob to cable end -cut from B9TF 9775-C	1	*B6A 9700-C
56	A	6	223	125.00" long from shoulder of knob to cable end -cut to 40.25"	1	B9TF 9775-C
57/58	A	6	223	40.00" long	1	B8A 9700-A
59	A	6	223	39.69" long (from base of knob)(detented)	1	B9AF 9700-C
49/50	A	6&8	226,239	Nut (carburetor choke control to instrument panel)-1/2"-20	1	33943-S8(M36)
51	A (except Station Wagon)	6&8	226,239	Lockwasher-1/2"	1	34809-S8(X68)
51	A (Station Wagon)	6	226	Nut (carb. choke control to instr. panel)-1/4"-20	1	33795-S7(M49)
				Lockwasher-1/4"		34805-S8(X62)
49/54				Grommet (choke control to dash)-rubber	1	352963-S(KK17)
56	A	6	223	Grommet (choke control to dash)	1	
				Nut(carb. choke control to instr. panel)-7/16"-20	1	45219-S(M173)
				Washer-7/16"-flat	1	44730-S8(X26)
57/	A	6	223	Grommet (choke control thru dash)-rubber	1	354972-S(KK18)
<b>9A702 ROD ASSY. - ACCELERATOR SHAFT TO BELLCRANK</b> - Refer to Group 9747						
57	S (with F/M)	8	312	Carburetor to transmission control shaft-7.75" from center of right angle end-2.50" thread length	1	#COTT 9A702-A
<b>9A705 COVER - THERMOSTATIC CHOKE HEAT SUPPLY</b> - Also Refer to Groups 9A456, 9891						
59/	S	8	430	Use with B9S 9510-A, COLE 9510-A carb. , B9ME 9430-A manifold and COME 9903-A gasket only	1	COME 9A705-A
58	A, S	8	332,352	Used with B8A 9430-A & B8S 9430-A manifolds only	1	B8AZ 9A705-A
58/	A, S(except Police Interceptor)	8	332,352	Used except with B8A 9430-A and B8S 9430-A manifolds	1	B8AZ 9A705-B
58/	A, S	8	332,352	Screw (cover to manifold)-5/16"-18 x 5/16" fillister head	1	*31041-S
<b>9A718 LEVER - CARBURETOR ROD TO TRANSMISSION CONTROL SHAFT</b>						
55/56	A (with F/M)	6	223	4.84" long	1	B5AZ 9A718-A
<b>9724 BELLCRANK - ACCELERATOR</b> - Also Refer to Group 9732						
52/54	A (with F/M)	6	215,223		1	AB 9724-D
52/55	A (with S/T & O/D)	6	223		1	AB 9724-C
56	A (with S/T & O/D)	6	223		1	B6A 9724-A
55/56	A (with F/M)	6	223	Lever assy. (accel. rod to trans. control shaft)	1	B7C 9724-A
57	S	8	312		1	*B6A 9724-C
57/58	A (with S/T & O/D)	6	All		1	B7A 9724-A

# Used with dual 4 barrel carb.



# FORD CAR PARTS

## SECTION 97

YEAR 19	MODEL	NO. CYL.	CUBIC INCH DISP.	DESCRIPTION	QTY. PER VEHICLE	PART NUMBER
<b>9724 BELLCRANK - ACCELERATOR - continued - Also Refer to Group 9732</b>						
59	A (with S/T & O/D)	6	223		1	B9AZ 9724-A
49/51	A	6	226	Washer (bellcrank to trunnion)-.38" I.D. -.75" O.D.	1	351385-S7 (XX158)
49/51	A	6	226	Cotter pin (bellcrank to trunnion)-1/8" x 1"	1	72035-S7-8(N51)
52/54	A (with F/M)	6	215,223	Nut (accelerator bellcrank to shaft)-5/16"-24	1	33798-S8(M62)
				Lockwasher-5/16"	1	34806-S7 (X64)
52/59	A	6	215,223	Cotter pin (bellcrank to bellcrank bracket)-3/32" x 1"	1	72034-S(N45)
52/56	A	6	215,223	Washer (bellcrank to bracket)-3/8"-flat	1	44727-S8(X24)
52/59	A	6	215,223	Washer (accelerator bellcrank)-3/8"-spring	AR	356482-S2 (XX370)
52/54	A	6	215,223	Washer (bellcrank anti-rattle)-3/8"-spring	1	
55/59	A (with F/M)	6	223	Washer-3/8" flat	2	354861-S (XX137)
<b>9725 ACCELERATOR ASSY.</b>						
51	A (with F/M)	8	239	Mounted on dash	1	1BA 9725-C
51	A (with F/M)	8	239	Bolt (accelerator to dash & engine bracket)-1/4"-28 x 5/8"	2	*20325-S8
				Lockwasher-1/4"		34805-S8(X62)
				Nut-1/4"-28		33796-S7(M61)
51	A	6	226	Spring (accelerator lever)	1	OHA 9624
52/53	A	6	215			AB 9725-C
49/54		6&8	All	Screw (accelerator to dash)-No. 14 x 5/8"-hex. washer head	AR	31498-S8(U253B)
52/53	A (with F/M)	8	239		1	AC 9725-B
52/53	A (with S/T & O/D)	8	239		1	AC 9725-C
54	A	6	223		1	AD 9725-A
54	A	8	239		1	B4A 9725-A
51/53	A (with F/M)	8	239	Bolt (accelerator to engine bracket)-5/16"-24 x 3/4"	1	20347-S8(B156)
				Nut-5/16"-24		33923-S7(M32)
				Washer-5/16"-flat		44722-S8 (X19)
				Lockwasher-5/16"		34806-S7 (X64)
55	A (with S/T & O/D)	8	272		1	B5A 9725-D
55/56	A (with F/M)	8	272		1	B5A 9725-E
56	A (with S/T & O/D)	8	272		1	B6A 9725-F
55/56	A	6	223		1	B5A 9725-H
56	A	6	223	Lockwasher-1/4" external tooth	1	34940-S7-8(X88)
55	A ("182 H. P. Special") with F/M	8	272		1	B5A 9725-J
55	S	8	292		1	B7S 9725-A
56	S (with S/T & O/D)	8	292,312		1	
57	S (with S/T & O/D)	8	All		1	
56	F/L, S/W, A (Special)-with F/M	8	All		1	B6A 9725-C
56	F/L, S/W (with S/T & O/D)	8	292		1	B6A 9725-E
56	S (with F/M)	8	312		1	B7S 9725-B
57	S (with F/M)	8	All		1	
57	A (with F/M)	8	All		1	B7A 9725-F
57	A (with F/M)	8	312	Use with B7A-9727-B	1	#B7A 9725-G
57	S (with F/M)	8	312		1	#B7S 9725-C
57	S (with S/T & O/D)	8	312		1	#B6S 9725-D
58	A (with F/M)(except models 66 & 78)	8	332		1	B8A 9725-B
58	A (with F/M)	8	352		1	
58	A (with F/M)(models 66, 70, 73 & 78 only)	8	292		1	B8A 9725-C
58	A (with S/T) (Models 57B, 58A, 63B, 64A only)	8	292		1	
57/58	A	6	223		1	B8A 9725-D
57/58	A (with S/T & O/D)	8	All		1	
58/	S	8	352,430		1	B8S 9725-B
59	A	6	223		1	B9A 9725-A
59	A (with S/T & O/D)	8	All		1	
59	A (with F/M/2, F/M & C/M)	8	All		1	B9A 9725-B
56/	S (with F/M)	8	All	Bolt (accelerator to engine block)-5/16"-18 x 3/4"	1	20346-S8(B50)
				Lockwasher-5/16"		34806-S7(X64)
55/	A, S	6&8	All	Screw (accelerator to dash panel)-No. 14-10 x 5/8" self tapping-hex. washer head	AR	31498-S8(U253B)

# Used with dual 4 barrel carb.

YEAR 19	MODEL	NO. CYL.	CUBIC INCH DISP.	DESCRIPTION	QTY. PER VEHICLE	PART NUMBER
<b>9A726 BRACKET ASSY. - ACCELERATOR BELLCRANK TO INTAKE MANIFOLD</b>						
56/57	A	6	223	Use with B6A 9424-A	1	B6AZ 9A726-A
58	A (with S/T & O/D)	6	223		1	B8AZ 9A726-A
56/57	A	6	223	Use with B8A 9424-C	1	
59	A (with S/T & O/D)	6	223	3.00" x 1.26"-2 holes	1	B9AZ 9A726-A
56/59	A	6	223	Nut (bracket to manifold)-3/8"-24 Lockwasher-3/8"	2	33828-S(M64) 34847-S8 (X74)
<b>9727 ROD - ACCELERATOR TO PEDAL</b>						
51	A	6&8	226,239		1	B5A 9727-A
55/56	A	6&8	All		1	
52/53	A	8	239	Curved-4 1/2" long	1	AB 9727-A
52/53	A (with S/T & O/D)	6	215		1	
52/53	A (with F/M)	6	215	Curved-4 3/4" long	1	AB 9727-B
54	A	6&8	223,239		1	AD 9727-A
55/57	S	8	292,312		1	B5S 9727-A
57/	A	6&8	All		1	B7A 9727-B
58/	S	8	352,430		1	B8S 9727-A
<b>9730 LEVER - CARBURETOR ROD TO TRANSMISSION CONTROL SHAFT</b>						
52/53	A (with F/M)	6	215		1	B2A 9730-A
54	A (with F/M)	6	223	4.78" long	1	B4A 9730-A
<b>9731 BALL - ACCELERATOR SHAFT</b>						
51/53	A (with F/M)	8	239		1	1BA 9731-B
51/53	A (with F/M)	8	239	Nut-1/4"-28	1	*33907-S8
<b>9732 LEVER - ACCELERATOR ROD TO TRANSMISSION CONTROL SHAFT - Also Refer to Group 9724</b>						
52/54	A (with F/M)	6	215,223		1	AB 9732-B
<b>9735 PEDAL ASSY. - ACCELERATOR</b>						
49/50	A	6&8	226,239		1	8A 9735-C
51	A	6&8	226,239		1	1A 9735-A
52/54	A	6&8	All		1	B4A 9735-A
55/56	A, S	6&8	All		1	MG 9735-A
57/	S	8	All		1	
<b>9736 SPRING - ACCELERATOR BELLCRANK TO CARBURETOR LEVER TENSION</b>						
57/	A	6&8	All	Use with B7A 9727-B moulded rubber design	1	C1MM 9735-A
49/50	A	6&8	226,239	Screw (pedal to floor)-No. 14-10 x 7/8"-pan head	2	32946-S7(U352)
51/	A, S	6&8	All	Screw (pedal to floor)-No. 14-10 x 3/8"-hex. washer head-tapping	2	42143-S8(U255)
55/	A (with F/M)	6	223	18 coils-. 60" O. D.	1	B2A 9736-A
52/54	A (with F/M)	6	215,223		1	
55	A ("182 H. P. Special")-with F/M	8	272	Spring (accelerator lever to carburetor lever tension)-. 81" O. D. -4. 64" long-20 coils	1	B5A 9736-B
55/56	A (with F/M)	8	272	Spring (accelerator kick down retracting)- 2. 68" long-. 50" O. D. -27 coils	1	B5A 9736-C
57/	A (with F/M, C/M)	6	223	Spring (trans. control to accelerator bellcrank to lever)-. 50" O. D. -2. 80" long-27 coils	1	B7A 9736-A
57	S (with F/M)(with dual 4/B carb.)	8	312		1	
57	A (with F/M-except 59 & 79)	8	292,312	Spring (trans. control to accelerator bellcrank to lever)-. 49" O. D. -2. 98" long-24 coils	1	B7A 9736-B
58	A	8	292		1	
57	A (with F/M)(with dual 4/B carb.)	8	312	Spring (accelerator shaft retracting)	1	
57	A (with F/M)	8	272	Spring (trans. control to accelerator bellcrank to lever)-. 47" O. D. -3. 34" long-16 coils	1	B7A 9736-C
57	S/W(with F/M-except 66A)	8	312		1	
57	S (with F/M)(with 4/B carb.)	8	312	Spring (trans. control to accelerator bellcrank to lever)-. 50" O. D. -3. 32" long-26 coils	1	B7S 9736-B
56	A (with F/M & dual exhaust)	8	All		1	
58/59	A (with F/M or C/M)	8	All	Spring (transmission control to accelerator bellcrank to lever)	1	B8A 9736-A
58/	S (with F/M or C/M)	8	352	Spring (trans. control to accelerator bellcrank to lever)-. 56" O. D. -2. 64" long-24 coils	1	B8S 9736-A
59/	S	8	430	Spring (trans. -control to accelerator bellcrank to lever)-. 56" O. D. -2. 44" long-18 1/2 coils	1	C0SZ 9736-A
57	A (with F/M) (with dual 4/B carb.)	8	312		1	

YEAR 19	MODEL	NO. CYL.	CUBIC INCH DISP.	DESCRIPTION	QTY. PER VEHICLE	PART NUMBER
<b>9737 SPRING - ACCELERATOR RETRACTING</b>						
51/53	A (with F/M)	6&8	All	5 3/4" long-50 coils	1	1A 9737-B
54	A (with F/M)	6	223		1	
54	A	8	239	2.92" long-.812" O.D. -17 coils	1	B4A 9737-C
55	A	8	272	4.40" long-.62" O.D. -33 coils	1	B5A 9737-D
55	A (with S/T & O/D)	8	272	Accelerator lever to carburetor lever tension	1	
55/56	A	6	223	6" long-.54" O.D. -28 3/4 coils	1	B5A 9737-F
55	S	8	292	.86" O.D. -3.12" long-22 coils	1	B9A 9737-C
56	S (with S/T & O/D)	8	292,312		1	
59	A (with S/T & O/D)	8	All		1	
56	F/L, S/W (with S/T & O/D)	8	292	.75" O.D. -4.88" long-36 coils	1	B6A 9737-C
56	A (with S/T & O/D)	8	272	.48" O.D. -5.46" long-40 coils	1	B6A 9737-D
56	A (with F/M)	8	272	.46" O.D. -4.76" long-36 coils	1	B6A 9737-H
56	F/L, S/W, A (Special)-with F/M	8	All		1	B6A 9737-F
57	A (with S/T & O/D)	8	312		1	
56	S (with F/M)	8	312	.80" O.D. -2.50" long-20 coils	1	B6S 9737-B
57/58	A (with F/M)	6	223	.66" O.D. -13.09" long-52 coils	1	B7A 9737-A
57/58	A (with S/T & O/D)	6	223	4.53" long	1	B7A 9737-B
57	A (with S/T & O/D)	8	272,292	.41" O.D. -5.50" long-56 coils	1	B7A 9737-D
57	A (except F/L, S/W, 66)-with F/M	8	292,312	.68" O.D. -3.60" long-32 coils	1	B7A 9737-E
57	S/W (59, 79) with F/M	8	312		1	
57	A	8	312	With supercharger	1	
57	A (with F/M) except S/W	8	272		1	B7A 9737-H
57	F/L (with F/M)	8	292,312		1	
57	S/W (59, 79) with F/M	8	292		1	
58	A (with F/M) models 57B, 58A, 63B, 64A, 66, 70, 73, 78	8	292		1	
57	A (with S/T & O/D)	8	312	(use with B7A 9741-D)	1	#B7A 9737-K
57	S (with S/T & O/D)	8	All	.60" O.D. -4.56" long-21 coils	1	B7S 9737-A
57	S (with F/M)	8	All	.56" O.D. -6.50" long-29 coils	1	B7S 9737-B
58	A (with S/T & O/D)	8	332,352		1	B8A 9737-A
58/59	A (with F/M & C/M)	8	332,352		1	B8A 9737-B
58	A (models 66, 70, 73, 78 with S/T & O/D)	8	292		1	B8A 9737-D
58	A (with S/T) models 57B, 58A, 63B, 64A only	8	292		1	
58/	S	8	352,430		1	B8S 9737-A
59	A (with F/M & C/M)	8	292	.785" O.D. -4.325" long-24 3/4 coils	1	B9AA 9737-A
59	A	6	223	.763" O.D. -7.45" long-26 coils	1	B9AA 9737-B
59	A (with F/M/2)	8	All	.78" O.D. -3.39" long-25 coils	1	B9AA 9737-C
<b>9741 BRACKET - ACCELERATOR RETRACTING SPRING</b>						
51/53	A (with F/M)	6&8	215,239	Mounted on carburetor-has 3 adjusting holes	1	1BA 9741-A
54/55	A (with F/M)	6	223		1	
57	A (with F/M)	8	312		1	#B7A 9741-C
57	A (with S/T & O/D)	8	312	(use with B7A 9737-K)	1	#B7A 9741-D
58	A (with S/T & O/D)	8	332,352		1	B8A 9741-A
58/	A (with F/M, F/M/2, C/M)	8	332,352		1	B8A 9741-B
59	A (with F/M/2)	6	223	2.00" x .76"	1	B9A 9741-A
59/	A (with S/T & O/D)	6	223	1.80" x 1.00"-2 holes	1	B9AZ 9741-B
59	A (with S/T & O/D)	8	332,352	3.00" x 1.26"-2 holes	1	B9AZ 9741-C
59	A (with S/T & O/D)	8	292	2.00" x 2.66"-3 holes	1	B9AZ 9741-D
59/	S	8	352,430		1	B9SZ 9741-A
56	A (with S/T & O/D)	8	272	Bolt (brkt. to cyl. block)-5/16"-18 x 5/8"	1or2	20326-S7(B49)
				Lockwasher-5/16"		34806-S7(X64)
<b>9743 PLATE ASSY. - ACCELERATOR SHAFT BRACKET TO DASH</b>						
52/53	A (with F/M)	6	215		1	*B2A 9743-A
52/53	A (with F/M)	6	215	Nut (accelerator shaft bracket to dash attaching) -1/4"-28	3	33796-S7(M61)
				Lockwasher-1/4"	3	34805-S8(X62)
<b>9745 BRACKET - ACCELERATOR BELLCRANK TO MANIFOLD</b>						
52/55	A	6	215,223		1	B2A 9745-A
52/55	A	6	215,223	Nut (bracket to manifold)-3/8"-24	2	33828-S(M64)
				Lockwasher-3/8"		34847-S8(X74)

# Used with dual 4 barrel carburetor

## SECTION 97

## FORD CAR PARTS

YEAR 19	MODEL	NO. CYL.	CUBIC INCH DISP.	DESCRIPTION	QTY. PER VEHICLE	PART NUMBER
<b>9747 ROD ASSY. - ACCELERATOR</b>						
<i>Refer to Group 9A702, 9772, 9784</i>						
50	A	8	239	Accelerator to carburetor-8.24" long	1	8BA 9747-C
50	A	6	226	Accelerator to bellcrank-9.68" long	1	8HA 9747-B
51	A (with S/T & O/D)	8	239	Accelerator to carburetor-7.94" long	1	1BA 9747-A
51/53	A (with F/M)	8	239	Accelerator to carburetor-8.78" long	1	1BA 9747-B
51/53	A (with F/M)	8	239	Accelerator to trans. -includes brkt. -mounted on engine-has enclosed nut for attaching to dash	1	B1A 9747-A
52/53	A (with S/T & O/D)	8	239	Accelerator to carburetor-8.26" long	1	AC 9747-A
52/53	A	6	215	Accelerator to bellcrank-11.83" long	1	B2A 9747-A
54	A	6	223	Accelerator to carburetor-adjust to 11.30" long	1	
55	A	6	223	Accelerator to bellcrank-adjust to 10.29" long	1	
51	A (with S/T & O/D)	8	239	Accelerator to carburetor-adjust to 7.94" long	1	
54	A	6	223	Accelerator to carburetor-11.30" long	1	AD 9747-A
54	A (with O/D)	8	239	Accelerator to carburetor-4.78" long	1	AE 9747-A
54	A (with F/M)	8	239	Accelerator to carburetor-5.90" long	1	AE 9747-C
54	A (with F/M)	8	239	Accelerator to carburetor-6.26" long	1	B4A 9747-B
56	A (with S/T & O/D)	8	272	Accelerator bellcrank to carburetor-6.97" long	1	B4T 9747-A
55	A	6	223	Accelerator to bellcrank-10.29" long	1	B5A 9747-A
58/	S (with S/T)	8	352	Accelerator bellcrank to carburetor	1	
55	A (with O/D)	8	272	Accelerator to carburetor-5.49" long	1	B5A 9747-C
56	F/L, S/W (with S/T & O/D)	8	292	Accelerator to carburetor-10.7" long	1	B5A 9747-E
56	S, F/L, S/W, A (Special-with F/M)	8	All	Carburetor to transmission control shaft-7.15" overall length	1	B6A 9747-B
56	A	6	223	Accelerator to bellcrank-10.7" overall length	1	B6A 9747-A
57	A (with S/T)	8	312	Accelerator to carburetor	1	#B7A 9747-E
57	A (with O/D)	8	312	Accelerator to carburetor	1	#B7A 9747-F
57	A	8	312	Carburetor throttle synchronizer	1	#B7A 9747-G
57/58	A (with O/D)	6	223	Accelerator shaft to bellcrank	1	B7A 9747-H
57	S (with O/D)	8	312	Rod ass'y. (carburetor to transmission control shaft)-with supercharger	1	
57/58	A (with S/T)	6	223	Accelerator shaft to carburetor 12.40" from	1	B7S 9747-A
57	S (with S/T-except W/312 4B carb.)	8	292	rod end to ball joint center	1	
57	S (with F/M)	8	All	Carburetor to transmission control shaft	1	B7S 9747-B
57	S (with F/M)	8	312	Carburetor to transmission control shaft	1	#B7S 9747-D
57	S	8	312	Carburetor throttle synchronizer	1	#B6A 9747-D
57	S	8	312	Carburetor to transmission control shaft-formed 7.18" long	1	*†B7S 9747-E
57/58	A (with S/T & O/D)	8	All	Accelerator to carburetor-8.32" long	1	B8A 9747-A
57	S (with S/T & O/D)	8	312	Accelerator shaft to bellcrank	# 1	
58/	S (with O/D)	8	352	Accelerator shaft to carburetor-8.04" long-(adjustable)	1	B8S 9747-A
59	A (with F/M/2)	6	223	Accelerator shaft to bellcrank-8.46" long	1	B9A 9747-B
59	A (with S/T)	8	All	Accelerator shaft to bellcrank-11.88" long	1	B9A 9747-C
59	A (with S/T & O/D)	6	223	Accelerator shaft to bellcrank-13.38" long from center to center of ends-adjustable from 12.68" to 14.08"	1	B9A 9747-D
59	A (with O/D)	8	All	Accelerator shaft to bellcrank-9.96" long from center to center of ends	1	B9A 9747-E
51/53	A (with F/M)	8	239	Bolt (accelerator to transmission rod & bracket ass'y. to valve chamber cover)-3/8"-16 x 1/2"	2	20468-S8(B85)
				Lockwasher-3/8"		34847-S8 (X74)
51/53	A (with F/M)	8	239	Bolt (rod & bracket throttle stop)-5/16"-24 x 3/4"	1	20347-S8(B156)
				Nut-5/16"-24		33923-S7(M32)
				Nut (rod to accelerator)-1/4"-28	1	33796-S7(M61)
				Nut (accelerator rod)-No. 12-24	AR	34054-S8(M157)
				Nut (accelerator rod)-No. 10-32	AR	34079-S7(M163)
				Lockwasher-No. 10		34903-S8(X96)
				Cotter pin-1/16" x 3/4"	2	72015-S(N40)
56/57	A	6	223	Nut (rod to accelerator)-1/4"-28	1	354410-S8(MM129)
56	F/L S/W (with S/T)	8	292		1	
57/	A, S (with S/T & O/D)	8	All		1	
58	A	6	223	Nut (rod to accelerator)-1/4"-28	1	33921-S13(M31)

# Used with dual 4 barrel carburetor

† Used with Supercharger

YEAR 19	MODEL	NO. CYL.	CUBIC INCH DISP.	DESCRIPTION	QTY. PER VEHICLE	PART NUMBER
<b>9A753</b> - Refer to Carburetor Parts Lists Section 95A						
<b>9756 NUT - ACCELERATOR TO CARBURETOR ROD ADJUSTING</b>						
49/51	A	6&8	226,239	Serviced in ass'y. only	1	*06H 9756
<b>9A756</b> - Refer to Carburetor Parts Lists Section 95A						
<b>9A757</b> - Refer to Carburetor Parts Lists Section 95A						
<b>9A761 KIT - THERMO STATIC HEAT CHAMBER</b>						
56/59	A	8	292		1	B9AZ 9A761-A
56/57	A, S	8	312		1	
Consists of the following						
1-*B 9242-A Ferrule		1-B8AE 9A745-A Shield		1-B6AE 9890-A Chamber		
1-B8AE 9A742-A Plug (inlet)		1-B6AE 9820-A Tube (16. 20"long)		1-357980-S Nut (compression)		
1-B8AE 9A743-A Plug (outlet)		1-B9ME 9865-A Insulator (14. 30"long)		1-*357940-S Ferrule		
* Alternate						
<b>9764 BRACKET - CARBURETOR SUPERCHARGER CONTROL</b>						
57	A	8	312	Use with B7A 9510-AC	1	† B7A 9764-A
57	S	8	312	Use with B7A 9510-V or B7A 9510-AC	1	*† B7S 9764-A
<b>9766 BUSHING - ACCELERATOR SHAFT BELLCRANK RETAINER SCREW</b>						
55/56	A (with F/M)	8	272	.254" I. D. -. 373" O. D. -. 12" thick	1	B5A 9766-A
<b>9767 SCREW - ACCELERATOR SHAFT BELLCRANK RETAINER</b>						
55/56	A (with F/M)	8	272	No. 10-32 x .60" overall length-slotted head .62" diameter	2	B5A 9767-A
<b>9772 ROD ASSY. - ACCELERATOR BELLCRANK TO CARBURETOR</b> - Also Refer to Groups 9747, 9784						
49/50	A	6	226	5.26" long between centers of ball sockets	1	1GA 9772
52/53	A (with F/M)	6	215	Carburetor to carburetor control shaft lever- 2.50" long-use with 72015-S pin Cotter pin-1/16" x 3/4"	1	AB 9772-B 72015-S(N40)
52/53	A (with S/T & O/D)	6	215,223	2.10" long from center of rod end to ball socket center	1	TRAA 9772-A
54/55	A (with F/M)	6	223	Carburetor to carburetor control shaft lever- includes stud-2.03" between ball joint centers	1	B9C 9772-A
54	A (with S/T)	8	239	5.65" long	1	B4A 9772-A
55/56	A (with F/M)	8	272		1	
55	A (with S/T & O/D)	8	272	6.37" long	1	B5A 9772-A
55	A ("182 H. P. Special" with F/M)	8	272	6.18" long	1	B5A 9772-C
55/56	S	8	292,312	5.86" between ball joint centers	1	B5S 9772-A
56	A (with F/M)	6	223	1.82" between ball joint centers	1	B6A 9772-A
56/59	A (with S/T & O/D)	6	223	1.93" from ball socket center to rod end	1	B6A 9772-B
57/58	A (with F/M)	6	223	Carburetor to carburetor control shaft lever- 1.86" between ball joint centers	1	B7A 9772-A
57/58	A (with 2/B carburetor & F/M)	8	272,292	6.33" long	1	B7A 9772-B
57	A (with 4/B carburetor & F/M)	8	312	7.49" long-use with Ford & Holley carburetors	1	B7A 9772-C
57	A (with 4/B carburetor & F/M)	8	All	7.51" long-use with Carter carburetor	1	B7A 9772-D
57/59	A (with S/T & O/D)	6	223	2.82" from ball joint center to rod end-used with governor	1	B7A 9772-E
57	A (with F/M)	8	312	Accelerator bellcrank to synchronizer rod	1	#B7A 9772-G
57	A (with F/M)	8	312	Formed 7.50" long	1	†B7A 9772-H
58/	A (with F/M)	8	332,352	6.96" long-adjust to 6.46"-formed	1	B8A 9772-A
59	A (with F/M & C/M)	8	332,352		1	
58/	S (with F/M/2, F/M & C/M)	8	352		1	B8S 9772-C
59/	S	8	430	9.16" long-adjust to 8.63"	1	B9SS 9772-A
59	A (with F/M/2)	6	223	Carburetor control shaft lever-1.76" long center to center of ends	1	B9A 9772-A
59/	A (with F/M/2)	8	332,352	8.10" long-adjust to 6.44" long	1	B9A 9772-C
59	A (with F/M)	6	223	Carburetor to carburetor control shaft lever- 1.86" long from center to center of ends	1	B9A 9772-D
59	A (with F/M & C/M)	8	292	Formed-6.68" long from center to center of ends	1	B9AA 9772-A
59	A (with F/M/2)	8	292	6.34" long center to center of ends	1	B9AA 9772-B
54/	A, S	6&8	All	Nut (rod to bellcrank or lever & carburetor)- No. 10-32	AR	34079-S7(M163)

† Used with Supercharger

# Used with dual 4 barrel carb.

## SECTION 97

## FORD CAR PARTS

YEAR 19	MODEL	NO. CYL.	CUBIC INCH DISP.	DESCRIPTION	QTY. PER VEHICLE	PART NUMBER
<b>9773 TRUNNION - THROTTLE</b>						
49/51	A	6	226	Pressed into intake manifold	1	1GA 9773
<b>9784 ROD ASSY. - ACCELERATOR TO TRANSMISSION CONTROL SHAFT</b> - Also Refer to Group 9747, 9772						
51/53	A (with F/M)	8	239	2.28" between ball sockets-slotted ends	1	AC 9784-B
				Cotter pin-1/16" x 3/4"		72015-S(N40)
54		8	239	Adjust to 2.96" between ball joint centers	1	B5A 9784-D
55/56	A (with F/M)	8	272	3.26" between ball joint centers	1	
55	A (with S/T & O/D)	8	272	2.88" between ball joint centers	1	B5A 9784-C
55	S (with F/M)	8	292	5" overall length	1	B5A 9784-F
57/58	A (with F/M)	6	223	Accelerator to bellcrank	1	B7A 9784-B
55/56	S (with S/T & O/D)	8	All	Accelerator to transmission control shaft	1	
55	A ("182 H.P. Special" with F/M)	8	272	Accelerator to transmission control shaft	1	
57	S (with F/M)	8	All		1	
57	A	6	223	Nut (rod to transmission control shaft)-1/4"-28	1	354410-S8(MM129)
57	S (with F/M)	8	312		1	#B7S 9784-B
56	F/L, S/W, A (Special), S (with F/M)	8	All	5.14" between ball joint centers	1	B8A 9784-A
57/58	A (with F/M)	8	All		1	
59	A (with F/M, F/M/2 & C/M)	8	332,352		1	
59	A (with F/M/2)	8	292		1	
58/	S	8	352	8.68" between ball joint centers	1	B8S 9784-A
59/	S	8	430	9.75" between stud centers-adjustable	1	B8S 9784-B
59	A (with F/M & C/M)	8	292		1	B9A 9784-B
59	A (with F/M)	6	223	5.86" between ball joint centers	1	B9AA 9784-A
54/56	A	8	All	Nut (rod to accelerator)-1/4"-28	1	33796-S7(M61)
57	S (with F/M)	8	All	Nut (rod to transmission control shaft)	1	
59	A (with F/M)	6	223	Nut (rod to accelerator)	1	
				Lockwasher-1/4"		34805-S8(X62)
54/56	A, S	6&8	All	Nut (rod to transmission control shaft)-No.10-32	1or2	34079-S7(M163)
57/	A (with F/M/2, C/M), S	6&8	All		AR	
				Lockwasher-No. 10	AR	34803-S7(X60)
<b>9785 ROD - ACCELERATOR BELLCRANK TO TRANSMISSION CONTROL SHAFT DRIVE LEVER</b>						
52/55	A (with F/M)	6	215,223	7 1/4" long	1	AB 9785-A
56	A (with F/M)	6	223	7.25" long	1	B6A 9785-A
52/56	A (with F/M)	6	223	Washer (rod to lever & bellcrank)-No. 10	2	44716-S8(X15)
				Cotter pin-1/16" x 1/2"	2	72003-S7(N38)
<b>9791 - 9792</b> - Refer to Carburetor Parts Lists Section 95A						
<b>9793 SEAL - ACCELERATOR PEDAL ROD</b>						
57/	A	6&8	All		1	B7A 9793-A
<b>9796 BRACKET - SUPERCHARGER CONTROL</b> - Also Refer to Carburetor Parts Lists Section 95A						
57	S	8	312		1	*B7S 9796-A
<b>9A796</b> - Refer to Carburetor Parts Lists Section 95A						
<b>9800 - 9812</b> - Refer to Carburetor Parts Lists Section 95A						
<b>9819 TUBE - THERMOSTATIC CHOKE CONTROL - OUTLET</b>						
56	S, F/L, S/W, A (Special)	8	All	1/4" O.D. -2.48" finished length	1	B6A 9819-A
56	A	8	272		1	B6A 9819-B
57	A, S	8	312	1/4" O.D. steel tubing-5.08" long-used with Holley 4/B carburetor	1	B7A 9819-A
57	A	8	312	1/4" O.D. steel tubing-7.25" long-used with Carter 4/B carburetor	1	B7A 9819-B
57	A	8	312	1/4" O.D. steel tubing-6.63" long-used with Ford 4/B carburetor	1	B7A 9819-C
57	A, S	8	272,292	1/4" O.D. steel tubing-5.62" long-used with Holley 2/B carburetor	1	B7A 9819-D
57	A	8	272,292	1/4" O.D. steel tubing-used w/Ford 2/B carb.	1	B7A 9819-E
57/59	A (with S/T & O/D)	8	272,292	1/4" O.D. steel tubing-used with Holley 2/B carburetor & governor	1	B7A 9819-F
57	A	8	312	Used with Holley 4/B carburetor	1	#B7A 9819-G
57	A, S	8	312	1/4" O.D. steel tubing-used w/Holley 4/B carb.	1	+B7A 9819-H
58	A	8	292	1/4" O.D. steel tubing-6.62" long-used with Ford 2/B carburetor	1	B8A 9819-F

# Used with dual 4 barrel carburetor

† Used with Supercharger

YEAR 19	MODEL	NO. CYL.	CUBIC INCH DISP.	DESCRIPTION	QTY. PER VEHICLE	PART NUMBER
<b>9819 TUBE - THERMOSTATIC CHOKE CONTROL - OUTLET - continued</b>						
57	S	8	312	Front-1/4" O.D. steel tubing-used with Holley 4/B carburetor	1	#B7S 9819-A
58/59	A	8	332	3/16" O.D. steel tubing-16.40" long-used with Holley 2/B carb. & B8A 9430-B manifold	1	B8A 9819-G
57/59	A, S	8	332,352	3/16" O.D. steel tubing-18.10" long-used with Ford 4/B carb. & B8A 9430-B manifold	1	B8A 9819-H
58	A	8	332	3/16" O.D. steel tubing-16.82" long-used with Holley 4/B carb. & B8A 9430-B manifold	1	B8A 9819-J
58	A	8	352	3/16" O.D. steel tubing-18.80" long-used with Carter 4/B carb. & B8A 9430-B manifold	1	B8A 9819-K
58/59	A	8	332	3/16" O.D. steel tubing-17.30" long-used with Ford 2/B carb. & B8A 9430-B manifold	1	B8A 9819-L
59	A	8	292	1/4" O.D. steel tubing-6.01" long-used with Ford 2/B carburetor	1	B9A 9819-A
57/58	A	8	292	Ford 2/B carburetor	1	
59/	S	8	430	1/4" O.D. steel tubing-14.34" long-used with Carter 4/B carb. & B9ME 9430-A manifold	1	B9ME 9819-A
56/	A, S	8	All	Nut (tube to carb.)-7/16"-24 hex. -brass	1	357980-S(MM111)
<b>9820 TUBE - THERMOSTATIC CHOKE CONTROL - INLET</b>						
55	A ("182 H. P. Special")-with F/M	8	272		1	B5A 9820-B
56	S, F/L, S/W, A (Special)	8	All	5/16" O.D.	1	B6A 9820-A
57	A	8	312	Front	1	#B7A 9820-A
57	A, S	8	312	5/16" O.D. steel tubing	1	†B7A 9820-B
57	S	8	312	Front	1	#B7S 9820-A
58/59	A, S	8	332,352	1/4" O.D. steel tubing-used with B8A 9430-B	1	B8A 9820-B
58/	A, S	8	332,352	Washer (tube & exhaust manifold to cyl. head)-3/8" lock	1	371665-S(XX324)
<b>9822-23 TUBE - THERMOSTATIC CHOKE CONTROL</b>						
57	A	8	312	Outlet-rear	1	#B7A 9822-A
57	S	8	312	Outlet-rear	1	#B7S 9822-A
57	A	8	312	Inlet-rear	1	#B7A 9823-A
57	S	8	312	Inlet-rear	1	#B7S 9823-A
<b>9825-6 CLIP - ROD END</b>						
57/	A, S	6&8	All	R. H. L. H.	AR AR	B7A 9825-B B7A 9826-A
<b>9827 - Refer to Carburetor Parts Lists Section 95A</b>						
<b>9830 HANGER ASSY. - ENGINE TO ACCELERATOR SHAFT</b>						
54		8	239		1	B4A 9830-A
55	A	8	272		1	B5A 9830-B
56	A (with F/M)	8	272		1	
55	A ("182 H. P. Special")-with F/M	8	272		1	B5A 9830-C
56	A (with S/T & O/D)	8	All		1	
56	F/L, S/W, A (Special)	8	272		1	B6A 9830-A
55/57	S	8	292,312		1	B5S 9830-A
54/57	A, S	8	All	Bolt (hanger to engine block)-5/16"-18 x 3/4" Lockwasher-5/16"	2	20346-S8(B50) 34806-S7(X64)
<b>9835 - 9840 - Refer to Carburetor Parts Lists Section 95A</b>						
<b>9842 CLAMP - CARBURETOR THERMOSTATIC CHOKE HOUSING - Also Refer to Carburetor Parts Lists Section 95A</b>						
55	A ("182 H. P. Special")-with F/M, S	8	272,292		1	B6A 9842-A
<b>9844 PLATE - THERMOSTATIC CHOKE HOUSING - Also Refer to Carburetor Parts Lists Section 95A</b>						
<b>9848 HOUSING ASSY. - CHOKE THERMOSTAT - Also Refer to Carburetor Parts Lists Section 95A</b>						
55	A ("182 H. P. Special")-with F/M, S	8	272,292		1	B5A 9848-A
<b>9849 HOUSING and PLUGS ASSY. - CARBURETOR CHOKE - Refer to Carburetor Parts Lists Section 95A</b>						
<b>9850 CONTROL ASSY. - THERMOSTATIC CHOKE - Also Refer to Carburetor Parts Lists Section 95A</b>						
55	A ("182 H. P. Special")-with F/M, S	8	272,292		1	B5A 9850-A
<b>9853 GASKET - THERMOSTATIC CHOKE HOUSING - Also Refer to Carburetor Parts Lists Section 95A</b>						
55	A ("182 H. P. Special")-with F/M, S	8	272,292		1	EAD 9853-B

# Used with dual 4 barrel carb.

† Used with Supercharger

## SECTION 97

## FORD CAR PARTS

YEAR TO	MODEL	NO. CYL.	CUBIC INCH DISP.	DESCRIPTION	QTY. PER VEHICLE	PART NUMBER
<b>9861</b> - Refer to Carburetor Parts Lists Section 95A						
<b>9864 NUT - THERMOSTATIC CHOKE CONTROL HEAT TUBE RETAINING</b>						
55	A("182 H. P. Special")-with F/M, S	8	272,292		1	B4A 9864-A
<b>9865 INSULATOR - THERMOSTATIC CHOKE CONTROL OUTLET TUBE</b>						
56	S, F/L, S/W, A (Special)	8	All	Glass fibre-1/4" I.D. -2.13" long	1	B6A 9865-A
56	A	8	272		1	B6A 9865-B
57	A, S	8	312	4.025" long-used with Holley 4/B carburetor	1	B7A 9865-A
57	A	8	312	6.125" long-used with Carter 4/B carburetor	1	B7A 9865-B
57	A	8	312	Front-.31" I.D. x 3.00" long	1	#B7A 9865-C
57	A	8	312	Rear-.31" I.D. x 4.375" long	1	#B7A 9865-D
57	S	8	312		2	
57	A, S	8	272,292	3.525" long-cut from B7A 9865-A-used with Holley 2/B carburetor	1	*ECG 9865-C
57	A	8	312	5.425" long-cut from B7A 9865-B-used with Ford 4/B carburetor	1	*ECG 9865-B
57	A	8	272	5.375" long-cut from B7A 9865-B-used with Ford 2/B carburetor	1	*ECG 9865-D
58	A	8	292	Use with Ford & Holley 2/B carburetor	1	
57	A (with S/T & O/D)	8	272	4.60" long-cut from B7A 9865-B-used with Holley 2/B carburetor	1	*ECG 9865-E
59	A	8	292	Used with Holley 2/B carburetor with governor	1	
58/59	A	8	332	.26" I.D. -16.34" long-used with Holley 2/B & 4/B carburetors	1	B8A 9865-A
58	A, S	8	332,352	.26" I.D. -17.84" long-used with Ford &	1	B8A 9865-B
59	A, S(with 4/B carb. )(except P/I)	8	352	Carter 4/B carburetor	1	
59	A	8	292	.26" I.D. -5.75" long-cut from B7A 9865-B -used with Ford 2/B carburetor	1	*5752564
59/	S	8	430	.26" I.D. -14.30" long-used with Carter 4/B carburetor	1	B9ME 9865-A
59	A	8	292	Used with B9AZ 9A761-A heat chamber kit	1	
<b>9871 GASKET - AUTOMATIC CHOKE PISTON HOUSING</b> -Also Refer to Carburetor Parts Lists Section 95A						
55	A("182 H. P. Special")-with F/M, S	8	272,292	2.18" O.D. -used with EAD 9844-A	1	EAD 9871-A
<b>9877 ELBOW - THERMOSTATIC CHOKE CONTROL TUBE - INLET</b>						
56	S, F/L, S/W, A (Special)	8	All		1	ECU 9877-A
57	A, S	8	272,292	(with 2/B carburetor)	1	
57	A, S	8	312	Used with dual 4-barrel carburetor	2	
<b>9884 ELBOW - THERMOSTATIC CHOKE CONTROL TUBE - OUTLET</b>						
56	S, F/L, S/W, A (Special)	8	All		1	ECU 9884-A
57	A, S	8	All		1	
57	A, S	8	312	Used with dual 4/B carburetor	2	
58/59	A	8	292		1	
<b>9890 TUBE ASSY. - THERMOSTATIC CHOKE CONTROL - HEAT</b>						
55	A("182 H. P. Special")-with F/M, S	8	272,292		1	B4A 9890-A
56	S, F/L, S/W, A (Special)	8	All	7.62" long	1	B6A 9890-A
57	A, S	8	All		1	
58/59	A	8	292		1	
56	A	8	272	3/8" O.D. -3.55" long	1	B6A 9890-B
57	A, S	8	312	6.62" long-used with dual 4/B carburetor	2	B7A 9890-A
55				Washer (tube to intake man. seal)- .66" I.D. x .76" O.D. -flat	1	353999-S(XX212)
<b>9903 GASKET - THERMOSTATIC CHOKE HEAT SUPPLY COVER</b>						
58	A, S	8	332,352	Used with B8A 9430-A and B8S 9430-A manifolds only	1	B8A 9903-A
58/	A, S(except P/I)	8	332,352	Used except with B8A 9430-A and B8S 9430-A manifolds	1	B8A 9903-B
59/	S	8	430	Used with B9ME 9430-A manifold and B9S 9891-A cover only	1	B8S 9903-A
<b>9919 - 9998</b> - Refer to Carburetor Parts Lists Section 95A						

# Used with dual 4 barrel carb.



**INDEX**

**SECTIONS 100 THRU 106 - ALTERNATOR, GENERATOR and VOLTAGE REGULATOR**

PART NAME	GROUP NUMBER	PART NAME	GROUP NUMBER
Alternator (less pulley)	10346	Housing assy. (alternator)-brush end	10334
Arm (alternator belt adjustment)	10145	Housing assy. (alternator)-drive end	10333
Arm (generator belt adjustment)	10145	Hub (alternator pulley)	10A352
Arm (generator brush)	10040		
		Insulator (alternator terminal)	10329
Armature assy.(regulator current & voltage limiter)	10584	Insulator (generator brush holder rivet)	10048
Armature assy. (regulator cutout unit)	10540		
Armature assy. (generator)	10005	Jumper assy. (alternator stator terminal)	10326
Armature assy. (regulator)	10551	Oil cup (generator rear end plate)	10141
	10584		
		Plate & brushes assy. (generator rear end)	10050
Band (generator cover)	10142	Plate & insert assy. (alternator rear)-brush end	10362
Base assy. (generator regulator)	10545	Plate assy. (generator front end)	10138-9
Bearing assy. (alternator or generator)	10095	Plate (generator armature terminal screw insulating)	10098
Bearing (alternator front)-drive end	10A303	Plate (regulator unit armature to post reinforcement)	10568
Bearing (generator end plate)	10094		
Bearing (generator rear)	10095	Plug (generator bearing well)	10253
Bolt (generator frame thru)	10120	Plug (generator rear end plate oil wick)	10146
Bracket (alternator adjusting)	10159	Point & post assy. -regulator	10565
Bracket (alternator)-bottom	10342	Point & screw assy. (regulator cutout unit auxiliary contact)	10616
Bracket (alternator mounting)	10A313	Point & screw assy. (regulator cutout unit main contact)	10609
	10039	Point (regulator unit fixed contact)	10576
Bracket (alternator mounting)-front	10156	Pulley (alternator)	10344
Bracket (alternator rectifier mounting)	10309	Pulley (generator)	10130
Bracket (alternator support)-top	10153		
Bracket (alternator to cylinder block mounting)	10151	Rectifier assy. (alternator)	10304
Bracket (generator adjusting)	10159	Regulator assy. (alternator)	10316
Bracket (generator mounting)	10039		10505
Bracket (generator mounting)-front	10156	Regulator assy. (generator)	10505
Bracket (generator regulator mounting)	10504	Resistor (regulator unit field)	10570
Bracket (generator to cylinder block mounting)	10151	Resistor (voltage regulator)	10594
		Retainer (alternator bearing)	10323
Brush & spring assy. (alternator)	10347	Retainer (alternator rotor slip ring)	10A372
Brush assy. (generator)	10069	Retainer (generator drive end packing)	10200
Brush holder & bracket assy. (alternator)	10347	Retainer (generator bearing gasket)	10213
Bushing (alternator insulator)	10321	Retainer (generator rear end plate bearing)	10124
Bushing (generator armature terminal screw insulating)	10104	Ring assy. (alternator rotor)-slip	10328
Bushing (generator frame field terminal screw insulating)	10206	Ring (generator front end plate bearing stop)	10163
Bushing (generator rear end plate)	10128	Rivet (generator brush holder)	11069
Bushing (generator terminal screw insulating)	10202	Rotor assy. (alternator)	10335
Cable assy. (gen. armature terminal to brush holder)	10215	Screw (alternator terminal)	10211
Cap (alternator dust)	10325	Screw (generator terminal)	10211
Cap (generator rear end plate)	10118	Screw (pole piece)	10044
Clip (alternator rotor)	10319	Screw (voltage regulator)	10523
		Shaft (alternator)	10330
Coil assy. (alternator rotor)	10327	Shield kit (alternator splash)	10317
Coil assy. (generator field)	10175	Slinger (generator armature rear bearing oil)	10085
Commutator assy. (generator)	10025	Spacer & brush kit (alternator)	10347
Connector (alternator rectifier)	10315	Spacer (alternator rotor)	10A344
Contact repair kit (alternator regulator current limiter)	10A542	Spacer (generator front end plate to fan mounting bracket)	10148
Contact repair kit (alternator regulator load relay)	10A540	Spacer (generator armature)	10265
Contact repair kit (alternator regulator voltage limiter relay)	10A541	Spring (generator bearing)	10087
		Spring (generator brush)	10057
Dowel (generator end plate locating)	10088	Stator assy. (alternator)	10336
Fan assy. (alternator)	10A310	Support & band assy. (generator mounting)	10151
		Support (alternator rectifier mounting bracket)	10339
Gasket (generator bearing)	10201	Support (gen. mounting bracket to water pump housing)	10153
Gasket (regulator cover to base)	10623	Support (generator mounting)-top	10153
Generator assy.	10000		
		Washer (generator field terminal screw)-inner	10209
Holder & stud assy. (alternator brush)	10320	Washer (generator terminal screw insulating)-inner	10208
		Wire assy. (brush connector)	10037
		Wire assy. (gen. regulator charge indicator lamp)	10246



**INDEX**

**STARTER**

PART NAME	GROUP NUMBER	PART NAME	GROUP NUMBER
Armature assy. (starter motor)	11005	Pin (starter motor drive pinion)	11365
Band (starter motor cover)	11125	Plate & bushing assy. (starter motor front end)	11049-50
	11126	Plate (starter motor drive spring anchor)	11372
Bolt (starter motor frame thru)	10120	Ring (starter motor drive shaft & pinion sleeve take-up)	11371
	11091	Ring (starter motor drive spring lock)	11373
Bracket (starter motor to oil pan attaching)	11140	Rivet (starter motor brush holder)	11069
Brush assy. (starter motor)	11055-6		
Brush set (starter motor)	11057	Screw (starter motor drive spring)	11377
Bushing (starter motor field terminal insulator)	11107	Screw (starter pole piece)	10044
Bushing (starter motor rear end plate)	11135	Screw (starter motor spring to shaft & pinion)	11382
Bushing (starter front end plate)	11052	Shaft & pinion assy. (starter motor drive)	11354
		Sleeve (starter motor drive shaft & pinion)	11357
Coil (starter motor field)	11083-5	Spring (starter motor brush)	11059
Coil (starter field)	11083-5	Spring (starter motor drive)	11375
Dowel (starter motor front end plate locating)	10088	Starter assy.	11001-2
Dowel (starter motor rear end plate)	10088	Switch assy. (starter motor push button)	11500
Drive assy. (starter motor)	11350	Switch (starter motor relay)-solenoid	11450
Head (starter motor drive)	11381	Terminal (starter motor field)	11102
Housing assy. (starter motor rear end)	11130	Washer (starter motor armature thrust)	11036
Housing kit (starter motor rear end)	11130	Washer (starter motor field terminal)	11093
Insulator (starter motor brush holder rivet)	10048	Washer (starter motor field terminal insulating)	11094
Lever repair kit (starter motor actuating)	11198	Washer (starter motor field terminal screw)	11095
Lockwasher (starter motor drive spring screw)	11379		

**SECTION 120 - DISTRIBUTOR and IGNITION SYSTEM**

PART NAME	GROUP NUMBER	PART NAME	GROUP NUMBER
Bracket (glove compt. lamp mtg.)	12639	Pin (distributor breaker plate)	12418
Bracket (ignition cable mounting)	12111-12	Plate ass'y. (distributor breaker)	12151-52
Breaker & bracket ass'y. (light wiring circuit)	12258	Plate & flange assy (distributor)	12303
Breaker ass'y. (wiring circuit)	12250	Point set ass'y. (distributor breaker & contact)	12171
Bushing (distributor housing)	12132		
Bushing (distributor housing)-upper	12120	Repair kit (distributor)	12000
Bushing (dist. primary term. screw insulating)-outer	12233	Resistor (ignition coil)	12250
Button (distributor breaker plate support)-lower	12072	Retainer (distributor cam)	12177
		Retainer (distributor rotor)	12213
Cam ass'y. (distributor)	12210	Retainer (ignition wires)	12271
Clamp (distributor terminal housing hold down)	12144	Rivet (distributor terminal housing hold down clamp)	12145
Clamp (distributor to cylinder head)	12270	Rotor ass'y. (distributor)	12200
Clamp (distributor to spark plug wiring mtg. brkt. )	12361		
Coil ass'y. (ignition)-less mounting strap	12029	Screw (distributor bracket lock)	12230
Collar (distributor shaft)	12195	Seal (wire terminal weather)	12113
Condenser ass'y. (distributor)	12300	Shaft & cam ass'y. (distributor)	12175
Conduit (ignition cable)	12110	Shield (spark plug ignition wire heat)	12299
Diaphragm ass'y. (distributor vacuum control)	12370	Snap ring (distributor breaker plate)	12146
Distributor ass'y. - less terminal housing & rotor	12127	Spark plug ass'y.	12405
		Spring (distributor weight)	12191-92
Gasket (oil relief valve nut)	12410	Stop (distributor vacuum advance)	12202
Gasket (distributor base)	12143	Strap (ignition coil mounting)	12043-44
Gasket (distributor diaphragm vacuum connector)	12320		
Gasket (spark plug)	12410	Tube (distributor vacuum)	12226
Gear (distributor drive)	6255	Tube (distributor vacuum to intake manifold)	12364
	6652	Tube (governor to carburetor by-pass)	12481
Gear (distributor driven)	12390	Washer (distributor driven gear thrust)	12179
Grommet (ignition cable)	12297	Washer (dist. primary term. screw insulating)-inner	12234
		Weight ass'y. (distributor)	12188
Housing ass'y. (distributor terminal)	12106	Wire ass'y. (distributor breaker ground)	12264
Insulator (spark plug wire)	12113	Wire ass'y. (distributor primary terminal)	12216
Kit (engine governor)	12480	Wire assy. (distributor to spark plug)-radio resistance	12286
Oil cup (distributor)	10141	Wire set (spark plug)	12259
Oil seal (distributor shaft)	12476	Wiring & bracket assy. (distributor to spark plug)	12280-81
Oiler (distributor housing)	12135	Wiring (ignition coil to distributor high tension)	12298

GENERATOR IDENTIFICATION CHART

The following chart will provide quick identification of the service part number for the generator, pulley and fan, when the identification marking located on the generator housing, is known.

Internal components of service generators may be found in the text of the catalog according to catalog symbol.

GENERATOR IDENTIFICATION	CATALOG SYMBOL	SERVICE GENERATOR	PULLEY Δ	FAN	GENERATOR IDENTIFICATION	CATALOG SYMBOL	SERVICE GENERATOR	PULLEY Δ	FAN
GRC 1250-B402	18	B6A 10002-D			C0MF 10000-A	48	C0MF 10002-A	B8S 10130-A	
GRC 1260-B402	19	B6A 10002-G			C0SF 10000-A	29	C0AF 10002-A	B7A 10130-A	
GGA 6001-Y	21	B6A 10002-F	B5A 10130-E						
GGA 6001-Z	21	B6A 10002-F	B5A 10130-E		C0TF 10000-C	T9	B8QH 10002-A	C1TZ 10130-S	
GGA 6001-AB	21	B6A 10002-F	B8A 10130-E		C0TF 10000-E	20	B6A 10002-E	C1TF 10130-D	*
					C0TF 10000-J	27	B9A 10002-A	FAB 10130-A	
GGA 6001-AH	21	B6A 10002-F	B9T 10130-C	*					
GGA 6001-AJ	21	B6A 10002-F	B9T 10130-D	*	C1AF 10000-A	29	C0AF 10002-A	C0AF 10130-A	
GGA 6001-AL	21	B6A 10002-F	C1TF 10130-E	*	C1AF 10000-B	40	C1TZ 10002-A	B7A 10130-A	
					C1AF 10000-C	40	C1TZ 10002-A	FAA 10130-A	
GGA 6001-AM	21	B6A 10002-F	C1TF 10130-F	*					
GGA 6001-AP	21	B6A 10002-F	C2TZ 10130-A		C1AF 10000-D	39	C0AZ 10002-C	C0AF 10130-A	
GGA 6001-SN	21	B6A 10002-F			C1AF 10000-E	40	C1TZ 10002-A	C0AF 10130-A	
GGA 6006-A	20	B6A 10002-E	B5A 10130-D		C1AF 10000-G	31	C0AF 10002-B	C0AF 10130-B	⬇
GGA 6006-B	20	B6A 10002-E	B5A 10130-D						
GGA 6006-C	20	B6A 10002-E	B6Q 10130-D		C1AF 10000-J	31	C0AF 10002-B	*C1AZ 10130-A	⬇
GGA 6006-D	20	B6A 10002-E	B6Q 10130-C		C1AF 10000-L	20	B6A 10002-E	C2AZ 10130-A	*
GGA 6006-F	20	B6A 10002-E	B6Q 10130-C		C1DF 10000-A	36	C1DF 10002-A	FAA 10130-A	
GGA 6006-G	20	B6A 10002-E	B8A 10130-D		C1DF 10000-B	36	C1DF 10002-A	FAA 10130-A	
GGA 6006-H	20	B6A 10002-E	B9T 10130-A	*	C1DF 10000-C	44	C1DZ 10002-A	FAA 10130-A	
					C1DF 10000-D	44	C1DZ 10002-A	FAA 10130-A	
GGA 6006-J	20	B6A 10002-E	B9T 10130-B	*					
GGA 6006-L	20	B6A 10002-E	C1TF 10130-D	*	C1SF 10000-A	39	C0AZ 10002-C	B7A 10130-A	
GGA 6006-N	20	B6A 10002-E	C1TF 10130-G	*	C1SF 10000-B	T17	C0TF 10002-B	C0AF 10130-A	
GGA 6006-P	20	B6A 10002-E	C2AZ 10130-A	*	C1TF 10000-A	27	B9A 10002-A	FAD 10130-A	
GGA 6006-R	20	B6A 10002-E	C4AZ 10130-A	*	C1TF 10000-B	27	B9A 10002-A	C1TZ 10130-N	
GGA 6006-S	20	B6A 10002-E			C1TF 10000-C	T9	B8QH 10002-A	C1TF 10130-A	
B9FM 10000-A	33	B9FM 10002-A	B8S 10130-A						
					C1TF 10000-D	T9	B8QH 10002-A	C1TZ 10130-N	
B9FT 10000-A	20	B6A 10002-E	B9T 10130-A	*	C1TF 10000-E	21	B6A 10002-F	C1TF 10130-E	*
B9FT 10000-B	20	B6A 10002-E	B9T 10130-B	*	C1TF 10000-F	21	B6A 10002-F	C1TF 10130-F	*
B9FT 10000-C	21	B6A 10002-F	B9T 10130-C	*					
B9FT 10000-D	21	B6A 10002-F	B9T 10130-D	*	C1TF 10000-G	T18	C1TF 10002-A	FAB 10130-A	
B9TF 10000-A	20	B6A 10002-E			C1TF 10000-H	35	C0TF 10002-C	FAD 10130-A	
					C1TF 10000-J	T17	C0TF 10002-B	FAP 10130-A	
C0AF 10000-A	29	C0AF 10002-A	B8A 10130-C						
C0AF 10000-B	27	B9A 10002-A	FAA 10130-A		C1TF 10000-K	35	C0TF 10002-C	C1TF 10130-A	
C0AF 10000-C	31	C0AF 10002-B	C0AF 10130-B	⬇	C1TF 10000-L	35	C0TF 10002-C	FAB 10130-A	
					C1TF 10000-M	35	C0TF 10002-C	B7T 10130-A	
C0AF 10000-D	25	B8A 10002-A	C0AF 10130-A						
C0AF 10000-E	T9	B8QH 10002-A	C0AF 10130-A		C1TF 10000-N	35	C0TF 10002-C	C1TZ 10130-R	
C0AF 10000-F	27	B9A 10002-A	C0AF 10130-A		C1TF 10000-R	T17	C0TF 10002-B	FAD 10130-A	
					C1TF 10000-S	T17	C0TF 10002-B	FAB 10130-A	
C0AF 10000-G	27	B9A 10002-A	FAP 10130-A		C1TF 10000-T	T17	C0TF 10002-B	FAA 10130-A	
C0AF 10000-K	25	B8A 10002-A	FAP 10130-A						
					C1TF 10000-U	T17	C0TF 10002-B	FAB 10130-A	
C0DF 10000-C	30	C0DF 10002-C	FAA 10130-A		C1TF 10000-V	T17	C0TF 10002-B	B7T 10130-A	
C0DF 10000-D	30	C0DF 10002-C	FAA 10130-A		C1TF 10000-Y	T17	C0TF 10002-B	C1TZ 10130-R	
C0DF 10000-G	38	C1DF 10002-B	C0AF 10130-B	⬇	C1TF 10000-Z	T17	C0TF 10002-B	C1TZ 10130-S	

\* Use B9TF 10131-A fan

⬇ Use B9LF 10131-A fan

Δ Pulley includes fan except where indicated

GENERATOR IDENTIFICATION CHART - continued

GENERATOR IDENTIFICATION	CATALOG SYMBOL	SERVICE GENERATOR	PULLEY Δ	FAN	GENERATOR IDENTIFICATION	CATALOG SYMBOL	SERVICE GENERATOR	PULLEY Δ	FAN
C1TF 10000-AA	35	C0TF 10002-C	CITZ 10130-N		C2SF 10000-B	39	C0AZ 10002-C	B7T 10130-A	
C1TF 10000-AB	T17	C0TF 10002-B	CITF 10130-A						
C1TF 10000-AC	T17	C0TF 10002-B	CITZ 10130-N		C2TF 10000-B	41	C2SZ 10002-A	B6C 10130-A	
C1TF 10000-AD	35	C0TF 10002-C	FAA 10130-A		C2TF 10000-H	40	C1TZ 10002-A	FAB 10130-A	
C1TF 10000-AE	27	B9A 10002-A	CITZ 10130-M		C2TF 10000-J	40	C1TZ 10002-A	FAD 10130-A	
C1TF 10000-AF	T9	B8QH 10002-A	CITZ 10130-M						
C1TF 10000-AG	20	B6A 10002-E	CITF 10130-G *		C2TF 10000-K	40	C1TZ 10002-A	FAB 10130-A	
C1TF 10000-AH	35	C0TF 10002-C	CITZ 10130-M		C2TF 10000-L	40	C1TZ 10002-A	FAA 10130-A	
C1TF 10000-AJ	T17	C0TF 10002-B	CITZ 10130-M		C2TF 10000-M	40	C1TZ 10002-A	B6C 10130-A	
C1TF 10000-AK	35	C0TF 10002-C	FAP 10130-A						
C1TF 10000-BJ	40	C1TZ 10002-A	FAB 10130-A		C2TF 10000-N	41	C2SZ 10002-A	B6C 10130-A	
C1TF 10000-BK	40	C1TZ 10002-A	FAD 10130-A		C2TF 10000-R	41	C2SZ 10002-A	FAD 10130-A	
C1TF 10000-BL	40	C1TZ 10002-A	CITF 10130-A		C2TF 10000-S	40	C1TZ 10002-A	CITF 10130-A	
C1TF 10000-BM	40	C1TZ 10002-A	FAB 10130-A						
C1TF 10000-BN	40	C1TZ 10002-A	B7T 10130-A		C2TF 10000-T	40	C1TZ 10002-A	B7T 10130-A	
C1TF 10000-BR	40	C1TZ 10002-A	CITZ 10130-R		C2TF 10000-U	40	C1TZ 10002-A	CITZ 10130-R	
C1TF 10000-BS	40	C1TZ 10002-A	CITZ 10130-N		C2TF 10000-V	40	C1TZ 10002-A	CITZ 10130-N	
C1TF 10000-BT	40	C1TZ 10002-A	FAA 10130-A						
C1TF 10000-BU	40	C1TZ 10002-A	CITZ 10130-M		C2TF 10000-Y	40	C1TZ 10002-A	CITZ 10130-M	
C1TF 10000-BV	40	C1TZ 10002-A	FAP 10130-A		C2TF 10000-Z	41	C2SZ 10002-A	CITZ 10130-S	
C1TF 10000-BY	40	C1TZ 10002-A	FAP 10130-A		C3AF 10000-B	20	B6A 10002-E	C4AZ 10130-A *	
C1TF 10000-BZ	21	B6A 10002-F	C2TZ 10130-A						
C1TF 10000-CS	41	C2SZ 10002-A	CITZ 10130-R		C3DF 10000-A	44	C1DZ 10002-A	C2OZ 10130-C	
C1TF 10000-CT	41	C2SZ 10002-A	CITZ 10130-S		C3DF 10000-B	40	CITZ 10002-A	C2OF 10130-A	
C1TF 10000-CU	41	C2SZ 10002-A	CITZ 10130-N		C3DF 10000-C	40	CITZ 10002-A	C2OZ 10130-B	
C1TF 10000-CV	41	C2SZ 10002-A	CITZ 10130-M		C3DF 10000-D	44	C1DZ 10002-A	C3DZ 10130-A	
C1TF 10000-CY	40	C1TZ 10002-A	CITZ 10130-R						
C1TF 10000-CZ	40	C1TZ 10002-A	CITZ 10130-N		C3OF 10000-B	40	CITZ 10002-A	C3OZ 10130-B	
C1TF 10000-DA	40	C1TZ 10002-A	CITZ 10130-M						
C2AF 10000-C	40	CITZ 10002-A	B7A 10130-A		C3TF 10000-A	41	C2SZ 10002-A	CITZ 10130-R	
C2AF 10000-D	40	CITZ 10002-A	FAA 10130-A		C3TF 10000-B	41	C2SZ 10002-A	B7T 10130-A	
C2AF 10000-E	40	CITZ 10002-A	FAP 10130-A		C3TF 10000-C	41	C2SZ 10002-A	CITZ 10130-M	
C2AF 10000-F	40	CITZ 10002-A	C0AF 10130-A						
C2DF 10000-B	44	C1DZ 10002-A	FAA 10130-A		C3TF 10000-D	40	CITZ 10002-A	B5AZ 10130-A	
C2DF 10000-C	44	C1DZ 10002-A	FAA 10130-A		C3TF 10000-E	40	CITZ 10002-A	B2TZ 10130-A	
C2OF 10000-A	40	CITZ 10002-A	C2OZ 10130-B		C3TF 10000-F	40	CITZ 10002-A	A9AZ 10130-A	
C2OF 10000-B	35	C0TF 10002-C	C2OF 10130-A						
C2OF 10000-C	35	C0TF 10002-C	C2OF 10130-A		C3TF 10000-G	40	CITZ 10002-A	B4TZ 10130-A	
C2OF 10000-E	21	B6A 10002-F	C3TZ 10130-A *		C3TF 10000-H	40	CITZ 10002-A	CITZ 10130-U	
C2OF 10000-F	44	C1DZ 10002-A	C2OZ 10130-C		C3TF 10000-J	40	CITZ 10002-A	CITZ 10130-T	
C2OF 10000-G	40	C1TZ 10002-A	C2OF 10130-A						
C2OF 10000-H	40	C1TZ 10002-A	C2OZ 10130-B		C3TF 10000-K	40	CITZ 10002-A	B7TZ 10130-A	
C2OF 10000-J	44	C1DZ 10002-A	C2OZ 10130-C		C3TF 10000-L	40	CITZ 10002-A	CITZ 10130-P	
C2SF 10000-A	41	C2SZ 10002-A	C0AF 10130-A "Before 7/2/62" C2SZ 10130-A "From 7/2/62"						
					C4TF 10000-A	40	CITZ 10002-A	B5A 10130-C	
					C4TF 10000-B	T25	C4TZ 10002-A	C4TZ 10130-A	
					C4TF 10000-C	T25	C4TZ 10002-A	B5A 10130-C	
					C4TF 10000-D	T26	C4TZ 10002-B	C4TZ 10130-A	
					C4TF 10000-E	41	C2SZ 10002-A	B5A 10130-A	
					C4TF 10000-F	41	C2SZ 10002-A	CITZ 10130-U	
					C4TF 10000-G	40	CITZ 10002-A	B5AZ 10130-C	
					C4TF 10000-H	T25	C4TZ 10002-A	C4TZ 10130-A	
					C4TF 10000-J	T25	C4TZ 10002-A	B5AZ 10130-C	
					C4TF 10000-K	T26	C4TZ 10002-B	C4TZ 10130-A	
					C4TF 10000-L	41	C2SZ 10002-A	B5AZ 10130-A	
					C4TF 10000-M	T26	C4TZ 10002-B	C4TZ 10130-C	
					C4TF 10000-N	T25	C4TZ 10002-A	B5AZ 10130-A	

\* Use B9TF 10131-A fan

Δ Pulley includes fan except where indicated

## GENERATOR IDENTIFICATION CHART - continued

GENERATOR IDENTIFICATION	CATALOG SYMBOL	SERVICE GENERATOR	PULLEY $\Delta$	FAN	GENERATOR IDENTIFICATION	CATALOG SYMBOL	SERVICE GENERATOR	PULLEY $\Delta$	FAN
FAA 10000-A	28	B1A 10002-A	FAA 10130-A		FCA 10000-B	19	B6A 10002-G	B6A 10130-A	
FAA 10000-B	28	B1A 10002-A	FAB 10130-A		FCB 10000-A	17	B6A 10002-C	B6C 10130-B	
FAA 10000-E	28	B1A 10002-A	8HT 10130-A		FCC 10000-A	18	B6A 10002-D	B6C 10130-B	
FAK 10000-A	12	FBB 10002-A	B5A 10130-C		FCD 10000-A	20	B6A 10002-E	B5A 10130-D	
FAP 10000-A	12	FBB 10002-A	FAP 10130-B		FCE 10000-A	21	B6A 10002-F	B5A 10130-E	
FAR 10000-B	15	B6A 10002-A	FAA 10130-A		FCG 10000-A	18	B6A 10002-D	Not available	
FAS 10000-B	15	B6A 10002-A	B5A 10130-C		FCH 10000-A	17	B6A 10002-C	B6Q 10130-A	
FAS 10000-C	15	B6A 10002-A	B5A 10130-C		FCJ 10000-A	17	B6A 10002-C	B6C 10130-C	
FAS 10000-E	22	B6A 10002-H	B7A 10130-A		FCJ 10000-B	17	B6A 10002-C	B9TF 10130-A	
FAS 10000-F	13	B5C 10002-A	★FBB 10130-D		FCK 10000-A	18	B6A 10002-D	B6C 10130-C	
FAS 10000-G	22	B6A 10002-H	B7T 10130-A		FCK 10000-B	18	B6A 10002-D	B9TF 10130-A	
FAT 10000-A	10	FBC 10002-A	B5A 10130-C		FCL 10000-A	19	B6A 10002-G	B6C 10130-C	
FAU 10000-A	20	B6A 10002-E	B6Q 10130-D		FCL 10000-B	19	B6A 10002-G	B9TF 10130-A	
FAV 10000-A	20	B6A 10002-E	B5A 10130-D		FCM 10000-A	19	B6A 10002-G	B6Q 10130-B	
FAV 10000-B	20	B6A 10002-E	B6Q 10130-C		FCN 10000-A	18	B6A 10002-D	B6Q 10130-B	
FAW 10000-A	21	B6A 10002-F	B5A 10130-E		FCP 10000-A	17	B6A 10002-C	B6Q 10130-B	
FAY 10000-B	19	B6A 10002-G	B6C 10130-B		FCR 10000-A	18	B6A 10002-D	B6Q 10130-A	
FBA 10000-A	13	B5C 10002-A	FAB 10130-A		FCS 10000-A	19	B6A 10002-G	B6Q 10130-A	
FBA 10000-C	14	B5S 10002-A	B5S 10130-A		FCT 10000-A	20	B6A 10002-E	B6Q 10130-C	
FBA 10000-D	13	B5C 10002-A	FAA 10130-A		FGM 10000-B	20	B6A 10002-E	B8A 10130-D	
FBA 10000-E	13	B5C 10002-A	B5A 10130-C		FGN 10000-A	21	B6A 10002-F	B8A 10130-E	
FBB 10000-A	12	FBB 10002-A	FAB 10130-A		FGP 10000-A	T9	B8QH 10002-A	★FBB 10130-D	
FBB 10000-B	12	FBB 10002-A	FAP 10130-A		FGP 10000-B	T9	B8QH 10002-A	★FBB 10130-D	
FBB 10000-C	12	FBB 10002-A	FAA 10130-A		FGS 10000-A	T9	B8QH 10002-A	FAP 10130-B	
FBB 10000-D	12	FBB 10002-A	FAB 10130-A		FGS 10000-B	T9	B8QH 10002-A	B7A 10130-A	
FBB 10000-F	12	FBB 10002-A	★FBB 10130-D		FGZ 10000-A	26	B8S 10002-A	B8S 10130-A	
FBB 10000-H	12	FBB 10002-A	★FBB 10130-D		FHA 10000-A	27	B9A 10002-A	FAA 10130-A	
FBC 10000-A	10	FBC 10002-A	FAB 10130-A		1105132	31	C0AF 10002-B	C0AF 10130-B	⚡
FBC 10000-E	10	FBC 10002-A	FAB 10130-A		1105138	38	C1DF 10002-B	C0AF 10130-B	⚡
FBJ 10000-A	12	FBB 10002-A	★FBJ 10130-A		1105149	31	C0AF 10002-B	★C1AZ 10130-A	⚡
FBK 10000-A	12	FBB 10002-A	★FBK 10130-A		2700004	22	B6A 10002-H	C1TZ 10130-R	
FBL 10000-A	13	B5C 10002-A	★FBJ 10130-A		2702152	18	B6A 10002-D	B8MF 10130-A	
FBM 10000-A	9	FAA 10002-B	★FBJ 10130-A		2900231	25	B8A 10002-A	FAA 10130-A	
FBS 10000-C	18	B6A 10002-D	B6T 10130-A		2900232	25	B8A 10002-A	B7A 10130-A	
FBT 10000-B	15	B6A 10002-A	B6C 10130-A		2900425	T9	B8QH 10002-A	B8QH 10130-A	
FBT 10000-C	15	B6A 10002-A	B6C 10130-A		2900430	25	B8A 10002-A	★FBB 10130-D	
FBT 10000-D	22	B6A 10002-H	FAD 10130-A		2900456	T9	B8QH 10002-A	FAP 10130-A	
FBU 10000-B	15	B6A 10002-A	FAP 10130-A		2900457	T9	B8QH 10002-A	FAD 10130-A	
FBU 10000-C	22	B6A 10002-H	FAP 10130-A		2900458	T9	B8QH 10002-A	FAB 10130-A	
FBV 10000-B	15	B6A 10002-A	FAB 10130-A		2900459	T9	B8QH 10002-A	FAA 10130-A	
FBW 10000-B	15	B6A 10002-A	FAB 10130-A		2900460	T9	B8QH 10002-A	FAB 10130-A	
FBW 10000-C	22	B6A 10002-H	FAB 10130-A		2900461	T9	B8QH 10002-A	B7T 10130-A	
FBY 10000-B	23	B6S 10002-A	B5S 10130-A		2900462	T9	B8QH 10002-A	C1TZ 10130-R	
FBY 10000-C	24	B7S 10002-A	B5S 10130-A		2900639	27	B9A 10002-A	FAA 10130-A	
FBZ 10000-B	17	B6A 10002-C	B6T 10130-A		2900640	27	B9A 10002-A	FAB 10130-A	
					2900641	32	PB8M 10002-B	B8S 10130-A	
					2900642	27	B9A 10002-A	FAB 10130-A	
					2900643	27	B9A 10002-A	B7A 10130-A	
					2900644	27	B9A 10002-A	B7T 10130-A	
					2900645	27	B9A 10002-A	C1TZ 10130-R	
					2900646	27	B9A 10002-A	FAD 10130-A	
					2900662	T9	B8QH 10002-A	B8A 10130-C	
					2900693	25	B8A 10002-A	B8A 10130-C	
					2900694	27	B9A 10002-A	B8A 10130-C	

Use B9LF 10131-A fan

 $\Delta$  Pulley includes fan except where indicated

**10000 GENERATOR ASSY.**  
**IMPORTANT** Always furnish appropriate Patent Plate information and DSU number  
if applicable when ordering parts not listed in the Catalog.

### GENERATOR CHART

YEAR 19__	MODEL	ENGINE		ELECT. OUTPUT		CATA- LOG SYM- BOL	TYPE	VOLTAGE REGULATOR	IDENTIFICATION	GENERATOR	
		NO. CYL.	CUBIC INCH DISP.	AMP	VOLT					PART NUMBER	REPLACED BY
51	A	6	226	25	6	1	Ford	B5AZ 10505-A		0HA 10000-A	FBC 10002-A
51	A	6	226	40	6	2	Ford	B5A 10505-C		0HA 10000-B	8EL 10002-B
49/51	A	6&8	All	40	6	3	Ford	B5A 10505-C		8BA 10002-B	8EL 10002-B
49/51	A	6&8	All	60	6	4	Ford	B5A 10505-A		8BA 10002-C	FAD 10002-A
49/51	A	6&8	All	35	6	5	Ford	B5AZ 10505-A		8BA 10002-D	FAA 10002-A
49/51	A	6	226	40	6	6	Ford	B5A 10505-C		8EL 10002-B	
49/53	A	8	239	40	6	6	Ford	B5A 10505-C			
52/53	A	6&8	All	45	6	6	Ford	B3TZ 10505-A			
49/53	A	6&8	226,239	35	6	7	Ford	B5AZ 10505-A		FAA 10002-A	
49/56	A	6&8	All	60	6	8	Ford	B5A 10505-A		FAD 10002-A	
51	A	6	226	35	6	9	Ford	B5AZ 10505-A	NOTE 1	FAA 10002-B	FBC 10002-A
52/55	A	6	215,223	35	6	9	Ford	B5AZ 10505-A	NOTE 1		
51/53	A	6	All	35	6	10	Ford	B5AZ 10505-A	NOTE 3	FBC 10002-A	B1A 10002-A
54/56	A	6&8	All	35	6	10	Ford	B5AZ 10505-A	NOTE 3		
52/53	A	6	215	40	6	11	Ford	B5A 10505-C		*FAB 10002-C	
54/56	A	6&8	All	50	6	12	Ford	B5TZ 10505-A	NOTE 2	FBB 10002-A	
54/56	A	6&8	All	35	6	28	Ford	B5AZ 10505-A	FGB 10002-A	B1A 10002-A	
51/53	A	6	All	35	6	28	Ford	B5AZ 10505-A			
55/56	A	6&8	All	40	6	13	Ford	B5A 10505-C	NOTE 4	B5C 10002-A	B4C 10002-A
55/56	A	6&8	All	40	6	34	Ford	B5A 10505-C	FBA 10002-D	B4C 10002-A	
55	S	8	292	40	6	14	Ford	B5A 10505-C	FBA 10000-C	B5S 10002-A	
56/57	A	6&8	All	30	15	15	Ford	C3TZ 10505-B	NOTE 5	B6A 10002-A	B6A 10002-H
56/59	A	6&8	All	60	15	16	Ford	B5C 10505-A		B6A 10002-B	
56/59	A	6&8	All	30	15	17	Bosch	B6C 10505-B	NOTE 6	†B6A 10002-C	
56/	A	6&8	All	50	15	18	Bosch	B6A 10505-C	NOTE 7	B6A 10002-D	
56/59	A	6&8	All	60	15	19	Bosch	B6C 10505-A	NOTE 8	B6A 10002-G	
56/59	A	8	All	40	15	20	Autolite	C1TF 10505-D	NOTE 9	B6A 10002-E	
56/	A	6	223	40	15	21	Autolite	C1TF 10505-D	NOTE 10	†B6A 10002-F	
56/59	A	6&8	All	30	15	22	Ford	C3TZ 10505-B	NOTE 11	B6A 10002-H	C0TF 10002-C
58/59	S	8	352	30	15	22	Ford	C3TZ 10505-B			
56	S	8	All	30	15	23	Ford	C3TZ 10505-B	FBY 10000-B	B6S 10002-A	B7S 10002-A
57	S	8	All	30	15	24	Ford	C3TZ 10505-B	FBY 10000-C	B7S 10002-A	
58/	A (with A/C)	8	All	35	15	25	Ford	COMF 10505-A	NOTE 13	B8A 10002-A	C0AF 10002-A
59/	S (with A/C)	8	352	35	15	25	Ford	COMF 10505-A			
59	S (w/o A/C)	8	430	30	15	26	Ford	C3TZ 10505-B	FGZ 10000-A	B8S 10002-A	PB8M 10002-B
59/	A (exc A30)	6&8	All	30	15	27	Ford	C3TZ 10505-B	NOTE 12	B9A 10002-A	C0TF 10002-C
58/	A (with A/C)	8	All	35	15	29	Ford	COMF 10505-A	NOTE 14	C0AF 10002-A	C0AZ 10002-C
59/	S (with A/C)	8	352	35	15	29	Ford	COMF 10505-A			
58/	A (with A/C)	8	All	35	15	39	Ford	COMF 10505-A, C2AZ 10505-B	C1AF 10000-D	C0AZ 10002-C	
59/	S (with A/C)	8	352	35	15	39	Ford	COMF 10505-A	C1SF 10000-A		
59/	S (w/o A/C)	8	430	30	15	32	Ford	C3TZ 10505-B	2900641	PB8M 10002-B	

Note 1 - FAA 10000-A, B or E, FBM 10000-A

Note 2 - FAK 10000-A, FAP 10000-A, FBB 10000-A, B, C, D, F or H, FBJ 10000-A, FBK 10000-A

Note 3 - FAT 10000-A, FBC 10000 A or E

Note 4 - FAS 10000-F, FBA 10000-A, D or E, FBL 10000-A

Note 5 - FAR 10000-B, FAS 10000-B or C, FBT 10000-B or C, FBU 10000 -B, FBV 10000-B, FBW 10000-B

Note 6 - FBZ 10000-B, FCB 10000-A, FCH 100 00-A, FCJ 10000-A or B, FCP 10000-A

Note 7 - FBS 10000-C, FCC 10000-A, FCG 10000-A, FCK 10000-A or B, FCN 10000-A, FCR 10000-A

Note 8 - FAY 10000-B, FCA 10000-B, FCL 10000-A or B, FCM 10000-A, FCS 10000-A

Note 9 - FAU 10000-A, FAV 10000-A or B, FCD 10000-A, FCT 10000-A, FGM 10000-B, C1AF 10000-L

Note 10 - FAW 10000-A, FCE 10000-A, FGN 10000-A, B9FT 10000-D

Note 11 - FAS 10000-E, C, FBT 10000-D, FBU 10000-C, FBW 10000-C, 2700004

Note 12 - FHA 10000-A, 2900639, 40, 42, 44, 45, 46, 94, C0AF 10000-B, E, F, G

Note 13 - 2900231, 2900232, 2900430, 2900693, C0AF 10000-D, K

Note 14 - C0AF 10000-A, C0SF 10000-A, C1AF 10000-A

† Low Cut-in

## 10000 GENERATOR ASSY. - continued

## GENERATOR CHART

YEAR 19__	MODEL	ENGINE		ELECT. OUTPUT		CATALOG SYM- BOL	TYPE	VOLTAGE REGULATOR	IDENTIFICATION	GENERATOR	
		NO. CYL.	CUBIC INCH DISP.	AMP	VOLT					PART NUMBER	REPLACED BY
59/	S(with A/C)	8	430	35	15	33	Ford	COMF 10505-A	B9FM10000-A	B9FM10002-A	COMF 10002-A
59/	S(with A/C)	8	430	35	15	48	Ford	COMF 10505-A	COMF 10000-A	COMF 10002-A	
59/	A,S(exc.430)	6&8	All	30	15	35	Ford	C3TZ 10505-B	NOTE 18	C0TF10002-C	C1TZ 10002-A
56/59	A	6&8	All	30	15	35	Ford	C3TZ 10505-B			
58/59	S	8	352	30	15	35	Ford	C3TZ 10505-B			
59/	A,S(exc.430)	6&8	All	30	15	T18	Ford	C3TZ 10505-B	C1TF 10000-G	C1TF 10002-A	C1TZ 10002-A
56/	A	6&8	All	30	15	40	Ford	C3TZ 10505-B	NOTE 15	C1TZ 10002-A	
58/	S(except 430)	8	352,390	30	15	40	Ford	C3TZ 10505-B			

Note 15 - C1AF 10000-B,C,E,C1TF 10000-BV,C2AF 10000-C,D,E,F,C2OF 10000-A,G,H,C3OF 10000-B

Note 18 - C1TF 10000-A,K,L,M,N,AA,AD,AH,AK

YEAR 19__	MODEL	NO. CYL.	CUBIC INCH DISP.	DESCRIPTION	*GENERATOR CATALOG SYMBOL	QTY. PER VEHICLE	PART NUMBER
49/51	A	6	226	Bolt-hex. head-1/2"-20 x 1"	1,6	2	20393-S(B197)
				Nut-hex-1/2"-20		2	33846-S8(M69)
				Lockwasher-spring-1/2"		2	34809-S8(X68)
49/53	A	8	239	Stud -9/16"-12 & 9/16"-18 x 3"	3,5,6	1	357730-S7(WW58)
				Nut-hex. special-9/16"-18		1	356075-S7(MM130)
				Washer-flat-9/16"		1	44739-S8 (X39)
				Lockwasher-spring-9/16"		1	34810-S7-8 (X69)
				Bolt-hex. head-3/8"-24 x 1"	4,8	4	20389-S8 (B171)
49/53	A	6	All	Bolt-hex. head-3/8"-24 x 3/4"	4,8	4	20349-S7-8 (B170)
51	A	6	226	Bolt-hex. head-7/16"-20 x 1 1/4"	1,2,6	2	20431-S7 (B186)
				Nut-hex. -7/16"-20		2	34671-S8(M67)
				Lockwasher-spring-7/16"		2	34808-S8(X67)
52/54	A	6	215,223	Bolt-hex. head-7/16"-14 x 1 1/4"	9,10,28	2	20430-S8(B104)
54	A	6	223	Bolt-hex. head-7/16"-14 x 2 1/2"	12	1	★24536-S8
				Lockwasher-spring-7/16"		3	34808-S8(X67)
54	A	6	223	Bolt-hex. head-3/8"-24 x 3/4"	8	4	20349-S7-8(B170)
				Lockwasher-spring-3/8"		4	34847-S8(X74)
54/55	A	6	223	Bolt-hex. head-7/16"-14 x 1 1/2"	9,10,28	2	20470-S8(B107)
54/56	A	6	223	Bolt-hex. head-7/16"-14 x 1 1/2"	12	1	20470-S8(B107)
54/57	A, S	6&8	All	Bolt-hex. head-7/16"-14 x 1 1/2"	9 thru 24,28,34	1or2	20470-S8(B107)
				Nut-7/16"-14		1or2	34670-S7-8(M54)
				Lockwasher-spring-7/16"		1or2	34808-S8(X67)
56	A	6&8	All	Bolt-hex. head-7/16"-14 x 2"	20, 21	1	20524-S7-8(B111)
58/	A(P/S)	6	223	Bolt-hex. head-7/16"-14 x 2 1/2"	17, 18, 19, 21	1	20246-S8(B113B)
58/	A(P/S)	6	223	Bolt-hex. head-7/16"-14 x 3"	17, 18, 19, 21	1	20554-S8(B115)

## 10005 ARMATURE ASSY. - GENERATOR

49/53	A	6&8	All		2, 3, 6, 11	1	B5A 10005-C
49/55	A	6&8	All		1, 5, 7, 9	1	B5A 10005-A
49/59	A	6&8	All		4, 8, 16	1	FAA 10005-A
51/56	A, S	6&8	All		10,13,14,28,34	1	B5A 10005-D
54/56	A	6&8	All		12	1	B5A 10005-B
56/57	A	6	All	Use with 78 10128 bushing only	15	1	B6A 10005-A
56/	A, S	6&8	All	Use with FAA 10095-A or B6A 10095-B bearing	15,22,23,24,26, 27,30,32,35,36, 40, T18	1	C1TZ 10005-A
56/59	A	6&8	All		17	1	B6C 10005-B
56/59	A	6&8	All		19	1	B6C 10005-D
56/	A	6&8	All		18	1	B6C 10005-A
56/	A	6&8	All		20, 21	1	B6C 10005-C
				Spacer-3/4" I. D. x 1" O. D. x 11/32" thick	20, 21	1	354984-S
58/	A, S	8	All		25,29,33,39,48	1	C2SZ 10005-A

## 10025 COMMUTATOR ASSY. - GENERATOR

58/	A, S	6&8	All		25,32,39,40	1	★C1AZ 10025-A
-----	------	-----	-----	--	-------------	---	---------------

## 10037 WIRE ASSY. - BRUSH CONNECTOR

49/59	A	6&8	All		4,8,16	1	8BA 10037-C
-------	---	-----	-----	--	--------	---	-------------

## 10039 BRACKET - ALTERNATOR MOUNTING - Also Refer to Groups 10151 &amp; 10A313

57/	A	6	223		T11,T13,T14,T16	1	B9AE 10039-A
-----	---	---	-----	--	-----------------	---	--------------

● Refer to Groups 10000 and 10346 for complete Generator or Alternator Identification



# FORD CAR PARTS

## SECTION 100

509

YEAR	MODEL	NO. CYL.	CUBIC INCH DISP.	DESCRIPTION	*GENERATOR CATALOG SYMBOL	QTY. PER VEHICLE	PART NUMBER
<b>10039 BRACKET - GENERATOR MOUNTING</b> - Also Refer to Groups 6129, 10151							
54/	A(except P/S)	6	223		8,9,10,12,13, 15,16,17,18,19, 22,27,34,35,40, T18	1	C0AE 10039-R
<b>10040 ARM - GENERATOR BRUSH</b>							
56/	A	6&8	All	7/8" wide	20, 21	2	B6A 10040-A
58/	A, S	6&8	All		35, 36, 39, 40, T18	2	C1DZ 10040-A
<b>10044 SCREW - GENERATOR POLE PIECE</b> - Also Refer to Group 11001							
49/	A, S	6&8	All	7/16"-14 x 21/32"	1,2,3,5,6,7,9 thru 15,22,23, 24,25,27,28,29, 32,33,34,35,39, 40, T18	2	68 10044-A
49/59	A	6&8	All	7/16"-14 x 1.10"	4,8,16	8	99B 10044
<b>10048 INSULATOR - GENERATOR BRUSH HOLDER RIVET</b> - Also Refer to Group 11057							
49/	A, S	6&8	All		1,2,3,5,6,7,9 thru 15,22,23, 24,25,27,28,29, 32,33,34,35,39, 40, T18	2	8BA 10048-B
49/59	A	6&8	All		4,8,16	2	
<b>10050 PLATE and BRUSHES ASSY. - REAR END</b>							
49/53	A	6&8	All	Includes B4AZ 10069-A brushes	3,5,6,7	1	01A 10050
49/59	A	6&8	All	Includes C0AZ 10069-A brushes	4,8,16	1	FAB 10050-A
49/58	A, S	6&8	All	Rivet (generator brush holder)	1,2,3,5,6,7,9 thru 15,22,23, 24,28,34	2	18 11069
51/53	A	6	All	Includes B4AZ 10069-A brushes	10,28	1	B5A 10050-A
54/57	A	6&8	All		10,12,13,28,34	1	
56/57	A	6&8	All		15	1	
56/59	A	6&8	All		22	1	
55/57	S	8	All	Includes C0AZ 10069-A brushes	14,23,24	1	B7S 10050-A
56/59	A	8	All	Includes B6AZ 10069-A brushes	20	1	B6A 10050-A
51/55	A	6	All	Includes C0AZ 10069-A brushes	1,2,9,10,11,28	1	B9A 10050-A
54/56	A	6&8	All		10,12,13,28	1	
56/59	A	6&8	All		15,22	1	
56/	A	6&8	All	Includes B6AZ 10069-B brushes & 78 10128 bushing	17,18,19	1	B6C 10050-A
56/	A	6	223	Includes B6AZ 10069-A brushes	21	1	B6A 10050-B
59/	S	8	430	Includes C0AZ 10069-A brushes	33	1	B8C 10050-A
58/	A, S	6&8	All	Includes CIVF 10069-A brushes	15,22,25,26,27, 29,32,35,39,40, 48, T18	1	C3AZ 10050-A
49/56	A	6&8	All	Screw(gen. rear end plate)-No. 12 -24 x 5/8"-oval head.	4,8	4	31079-S7
49/56	A	6&8	All	Lockwasher (generator rear end plate)-No. 12	4,8	4	34804-S8(X61)
49/53	A	6&8	All	Plug (end plate)-7/8" expansion	1,2,3,5,6,7,9,11	1	74115-S(P4)
54/55	A	6	All		9	1	
<b>10057 SPRING - GENERATOR BRUSH</b>							
49/	A, S	6&8	All		1, 2, 3, 5, 6, 7, 9 thru 15,22,23, 24, 25, 27, 28, 29,32,33,34,48	2	91A 10057
49/59	A	6&8	All		4, 8, 16	4	
56/	A	6&8	All		17,18,19	4	B6C 10057-A
56/	A	6&8	All	3/4"-total 12 coils with 5/32" in center of coils	20, 21	2	B6A 10057-A
59/	A, S	6&8	All		35,36,39,40, T18	2	C1VF 10057-A

• Refer to Groups 10000 and 10346 for complete Generator or Alternator identification

YEAR 19---	MODEL	NO. CYL.	CUBIC INCH DISP.	DESCRIPTION	*GENERATOR CATALOG SYMBOL	QTY. PER VEHICLE	PART NUMBER
<b>10069 BRUSH ASSY. - GENERATOR</b>							
49/	A, S	6&8	All	9/32" x 29/32" x 15/16"-use with C3AZ 10050-A plate assy.	15,22,26,27,32, 35,40,T18	2	C1AF 10069-A
58/	A, S	8	All		39	2	CIAZ 10069-B
49/56	A, S	6&8	All	.86" high-1" wide-.29" thick	1,2,3,5,6,7,9 thru 14,28,34	2	B4AZ 10069-A
49/55	A	6&8	All		4,8	4	
56/57	A	6&8	All	Use with B5A 10050-A plate assy.	15	2	
56/59	A	6&8	All	Use with B5A 10050-A plate assy.	22	2	
49/	A, S	6&8	All	Lockwasher-1/4"-also serviced in B4AZ 10069-A brush set	1,2,3,5,6,7,9 thru 15,22,23, 24, 28, 34	2	34805-S8(X62)
56/	A	6&8	All		17, 18, 19	4	B6AZ 10069-B
56/	A	6&8	All	To correct noisy generator only	18	4	B9TZ 10069-A
56/	A, S	6&8	All	19/64" x 55/64" x 1"-use with B6A 10050-C, B7S 10050-A, B8C 10050-A or FAB 10050-A plate assy.	15,22 thru 27, 32, 33	2	C0AZ 10069-A
56/59	A	6&8	All		8, 16	4	
56/59	A	6&8	All	Use with B9A 10050-A plate assy.	15, 22	2	
56/	A	6&8	All		20, 21	2	B6AZ 10069-A
58/	A, S	8	All		25, 29, 33, 48	2	B8AZ 10069-A
<b>10085 SLINGER - GENERATOR ARMATURE REAR BEARING OIL</b>							
56/	A	6&8	All	Used in B6A 10002-C, D & G generators		1	B6AZ 10085-A
<b>10087 SPRING - GENERATOR BEARING</b>							
49/59	A	6&8	All		8,16	1	FAA 10087-A
51/53	A	6	All		10,28	1	FAB 10087-A
54/59	A, S	6&8	All		10,12,13,14,15, 22,23,24,28,34	1	
<b>10088 DOWEL - GENERATOR END PLATE LOCATING - Also Refer to Group 11130</b>							
49/	A, S	6&8	All	Front or rear	1 thru 16,22,23, 24, 25, 26, 27, 28,29,32,33,35, 39, 40, T18	1	18 10088
<b>10094 BEARING - GENERATOR END PLATE - Refer to Group 10A303</b>							
49/59	A	6&8	All	Refer to Group 10A303	4, 8, 16		
49/	A, S	6&8	All	21/32" I.D. x 1 37/64" O.D. x 15/32" wide	1,2,3,5,6,7,9 thru 15,22 thru 36,39,40,41, 48, T18	1	A8AZ 10094-A
49/59	A	6&8	All	Rear	4,8,16	1	
56/	A	6&8	All	Alternator-rear brush end	T10,T11,T14, T15,T16	1	
53/56	A	6&8	All	Bearing (power steering pump rotor shaft)		1	
55/57	S	8	All			1	
54/	A	8	All	Bearing (fan belt idler)-60 amp. generator or 30, 50, 60, 95 or 100 amp. alternator system		2	

● Refer to Groups 10000 and 10346 for complete Generator or Alternator Identification

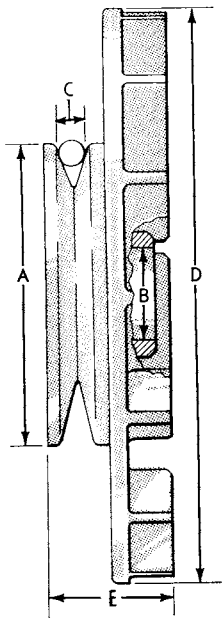
# FORD CAR PARTS

## SECTION 100

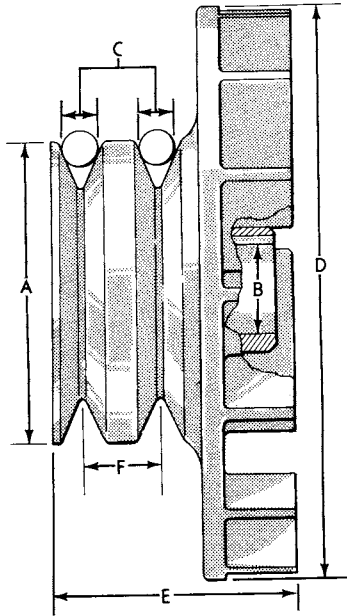
511

YEAR 19	MODEL	NO. CYL.	CUBIC INCH DISP.	DESCRIPTION	*GENERATOR CATALOG SYMBOL	QTY. PER VEHICLE	PART NUMBER
<b>10095 BEARING ASSY. - ALTERNATOR OR GENERATOR</b>							
56/	A (except 51A, 76B)	6&8	All	Alternator (armature)-25/32" I.D. x 1 27/32" O.D. x 9/16" wide	T12, T13	2	B8C 10095-A
56/	A	6&8	All	Generator (front & rear)	17,18,19	2	
56/	A	6&8	All	Generator (front)	20, 21	1	
<b>10095 BEARING - GENERATOR REAR - Also Refer to Group 10128</b>							
51/53	A	6	All	3/8" I.D. x 1 3/16" O.D. x 11/32" wide	10, 28	1	B6A 10095-B
54/59	A, S	6&8	All		10,12,13,14, 15,22 thru 29, 32,33,34,35, 39, 40, 48 T18		
59/	A, S	6&8	All	Rear		1	
56/	A	6&8	All	21/32" I.D. x 1 27/32" O.D. x 9/16" wide	20, 21	1	B6A 10095-A
<b>10098 PLATE - GENERATOR ARMATURE TERMINAL SCREW INSULATING</b>							
56/	A	6&8	All		17,18,19	1	B6C 10098-A
<b>10104 BUSHING - GENERATOR ARMATURE TERMINAL SCREW INSULATING</b>							
56/	A	6&8	All		17,18,19	1	B6C 10104-A
<b>10118 CAP - GENERATOR REAR END PLATE</b>							
49/59	A	6&8	All		4,8,16	1	FAA 10118-A
				Screw (generator rear end plate cap)-No.10-32 x 1/2"-rd. head	4,8,16	3	27081-S8(U175)
				Lockwasher-external tooth-No.10	4,8,16	3	34393-S7(M98)
<b>10120 BOLT - GENERATOR FRAME THROUGH - Also Refer to Group 11002</b>							
49/55	A	6&8	All	1/4"-20 x 7.36"	2,3,6,11,12	2	8EL 10120
59/	S	8	430		33,48	2	
58/	A	8	All		25,29,39,T18	2	
49/	A, S	6&8	All	Bolt-hex. head-1/4"-20 x 1" 6 9/16" overall length	1,5,7,9,10,13, 14,15,22,23,24, 26,27,28,32, 34, 35, 40	2	C3AZ 10120-A
56/	A, S	6&8	All	Bolt (starter frame thru)-use with starter B6A 11002-A		2	
56/	A	6&8	All	3/8"-16 x 8 9/16"	20, 21	2	B6A 10120-A
49/	A, S	6&8	All	Lockwasher (generator frame thru bolt)-1/4"	1,2,3,5,6, 7, 9 thru 15,22,23, 24, 26, 27, 28, 34, 35	2	34805-S8(X62)
56/	A	6&8	All	Lockwasher-3/8"	20, 21	2	34807-S8(X66)
<b>10124 RETAINER - GENERATOR REAR END PLATE BEARING</b>							
49/51	A	6&8	All		4	1	59B 10124
				Screw-1/4"-28 x 5/8"	4	1	*31646-S7
				Lockwasher-1/4"	4	1	34805-S8(X62)
<b>10128 BUSHING - GENERATOR REAR END PLATE - Also Refer to Group 10095</b>							
49/53	A	6&8	All		1,2,3,5,6,7,9, 11	1	78 10128
54/57	A	6	All		9,11,15	1	

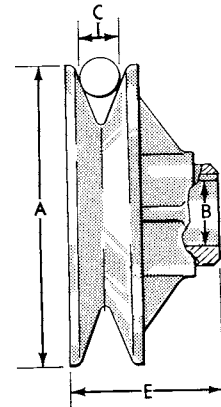
\* Refer to Groups 10000 and 10346 for complete Generator or Alternator identification



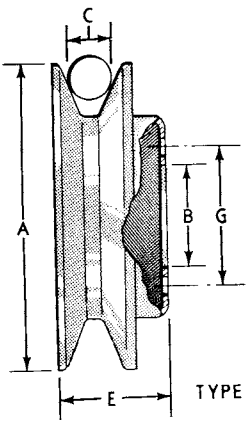
TYPE 1



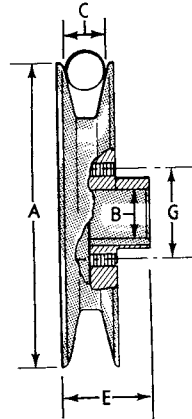
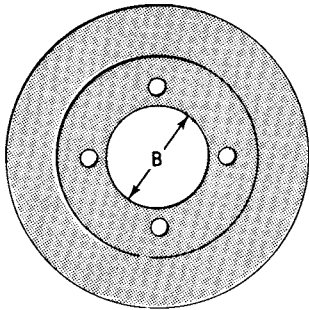
TYPE 2



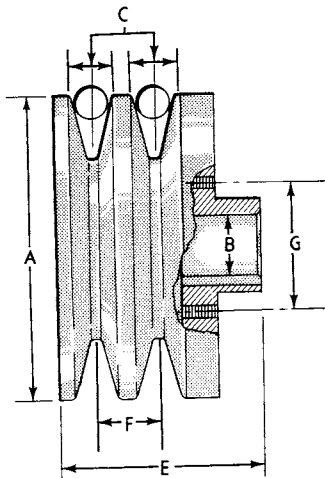
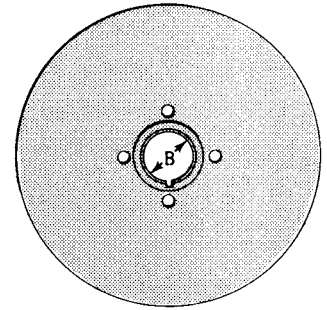
TYPE 3



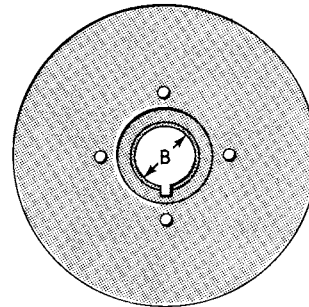
TYPE 4



TYPE 5



TYPE 6



I-64

P-2915

# FORD CAR PARTS

## SECTION 100

513

YEAR 19__	MODEL	NO. CYL.	CUBIC INCH DISP.	TYPE	A	B	C	D	E	F	G	*GENERATOR CATALOG SYMBOL	QTY. PER VEHICLE	PART NUMBER
<b>10130 PULLEY - GENERATOR</b>														
49	A (for high output at low speeds)	8	239	1	2.72	.669	.62	5.58	1.50			3, 5, 6, 7	1	8BA 10130-C
49/51	A-ident. 8BA-A	8	239	1	3.12	.669	.62	5.58	1.45			3, 5, 6, 7	1	8BA 10130-A
49/51	A	8	239	1	3.16	.788	.62	6.87	1.71			4	1	*FAL 10130-A
49/51	A	6	226	1	3.08	.788	.38	6.75	1.58			4	1	*8HA 10130-D
49/	A-ident. FAA 10130-A	6	All	1	2.79	.669	.38	5.58	1.58			1, 2, 3, 5, 6, 9 thru 13, 15, 22, 23, 24, 25, 27, 28, 34, 35, 40, T18	1	FAA 10130-A
50/51	A (for high output at low speeds)	8	239	1	2.84	.669	.38	5.58	1.25			3, 5, 6	1	*8BA 10130-F
50/53	A-ident. 8BA-K	8	239	1	3.10	.669	.38	5.58	1.25			3, 5, 6, 7	1	8BA 10130-K
52/53	A	8	239	1	3.16	.788	.38	6.87	1.45			8	1	*FAK 10130-A
50/51	A	8	239									4	1	
52/59	A-ident. FAG 10130-A	6	All	1	2.86	.788	.38	6.87	1.35			8, 16	1	FAG 10130-A
54	A-ident. FAD 10130-C	8	239	1	3.41	.788	.50	6.87	1.45			8	1	B4A 10130-A
54	A-ident. FAB-A	8	239	1	3.12	.669	.38	5.58	1.65			10, 12, 28	1	FAB 10130-A
49/51	A	6	226									1, 2, 3, 5, 6, 7, 9	1	
55/57	A	8	All	1	3.40	.750	.50	6.47	1.59			20	1	B5A 10130-D
55/57	S-ident. FBA-A	8	All	1	3.35	.669	.50	5.58	1.31			14, 23, 24	1	B5S 10130-A
55/57	A-ident. FAR 10130-A	8	All	1	3.41	.788	.50	6.87	1.71			8, 12, 16	1	B5A 10130-B
58	A	8	292									16	1	
55/	A, S-ident. FBA -B	8	All	1	3.44	.669	.50	5.58	1.70			10, 13, 15, 22, 27, 28, 35	1	B5A 10130-C
55/	A, S-ident. C4TF 10130-B	8	All	1	3.37	.670	.43	5.57	1.58			10, 13, 15, 22, 27, 28, 35	1	B5AZ 10130-C
55/	A	6	All	1	2.78	.750	.38	6.47	1.35			21	1	B5A 10130-E
56/58	A-ident. FGT-A	6&8	All	1	3.02	.669	.38	5.58	1.65			15, 22	1	B7A 10130-A
59/	S	8	352									25, 27, 29, 35, 40 T18	1	
56/58	A-ident. 60199	8	All	1	3.33	.669	.50	5.88	1.72			17, 18, 19	1	B6T 10130-A
56/	A-ident. 60205	6	223	1	3.08	.669	.38	5.88	1.69			17, 18, 19	1	B6C 10130-B
57/59	A	8	All	1	3.33	.750	.38	6.47	1.59			20	1	B6Q 10130-C
57/	A	8	All	1	3.33	.669	.38	5.88	1.66			17, 18, 19	1	B6Q 10130-A
58/59	A (Taxi)	8	All	1	2.78	.750	.38	6.47	1.53			20	1	B8A 10130-D
58/	A (Taxi)	6	223	1	2.33	.750	.38	6.47	1.35			21	1	B8A 10130-E
55/57	A (with A/C) -ident. FAP-B	8	All	2	3.48	.669	.50	5.58	2.32	.63			1	FAP 10130-B
58/59	A (exc. A/C) -ident. FEU 10130-A	8	332, 352	3	3.38	.788	.38	6.87	3.01	1.31		16	1	B9A 10130-A
58/	A, S (with A/C) -ident. 2900663	8	332, 352	2	3.00	.669	.38	5.58	2.36	.73		25, 27, 29, T18	1	B8A 10130-C
59/	S-ident. FGV 10130-A	8	430	2	3.02	.669	.38	5.58	2.22	.69		26, 32, 33	1	B8S 10130-A
59	A-ident. B9AF 10130-A	8	292	2	3.38	.788	.38	6.87	2.25	.64		16	1	B9AF 10130-A

YEAR 19__	MODEL	NO. CYL.	CUBIC INCH DISP.	DESCRIPTION	*GENERATOR CATALOG SYMBOL	QTY. PER VEHICLE	PART NUMBER
49/56	A	6&8	All	Nut (generator pulley)-3/4"-16	4, 8	1	351126-S(MM145)
49/56	A	6&8	All	Washer-flat-3/4"	4, 8	1	351561-S(XX243)
49/56	A	6&8	All	Lockwasher-3/4"	4, 8	1	34853-S7(X77)
49/	A, S	6&8	All	Nut (generator pulley)-21/32"-20	1, 2, 3, 5, 6, 7, 9 thru 15, 20, 21, 22, 23, 24, 25, 27, 28, 29, 32, 33, 34, 35, 40, T18	1	351124-S(MM42)
49/	A, S	6&8	All	Lockwasher (generator pulley)-21/32"	1, 2, 3, 5, 6, 7, 9 thru 15, 20, 21, 22, 23, 24, 25, 27, 28, 29, 32, 33, 34, 35, 40, T18	1	351496-S(XX306)
49/	A, S	6&8	All	Key (generator pulley)-5/8" x 5/32"	1 thru 16, 22, 23, 24, 25, 26, 27, 28, 29, 32, 33, 34, 35, 40, T18	1	74175-S(L7)

• Refer to Groups 10000 and 10346 for complete Generator or Alternator Identification

YEAR TO	MODEL	NO. CYL.	CUBIC INCH DISP.	DESCRIPTION	*GENERATOR CATALOG SYMBOL	QTY. PER VEHICLE	PART NUMBER
<b>10130 PULLEY - GENERATOR - continued</b>							
56/	A	6&8	All	Key (generator pulley) - 1/8" x 5/8" diameter	17,18,19	1	74144-S(L4)
56/	A	6&8	All	Nut (generator pulley to armature shaft)-1/2"-20 hex.	17, 18, 19	1	351056-S8(MM26)
56/	A	6&8	All	Lockwasher-1/2"	17,18,19	1	34809-S8(X68)
56/	A	6&8	All	Key (generator pulley to armature shaft)-5/32" x 3/4"	20, 21	1	74147-S(L8)
<b>10138-39 PLATE ASSY. - GENERATOR FRONT END</b>							
49/53	A	6&8	All	5.60" O.D.	3,5,6,7	1	7RA 10139-C
49/59	A	6&8	All		4,8,16	1	8BA 10139
51/53	A	6	All		1,2,9,10,11	1	OHA 10139-A
54/56	A	6&8	All		9 thru 13	1	
55	S	8	292		14	1	
51/	A, S	6&8	All		15,22,23,24 25, 27, 28, 29, 34,35,39,40, T18	1	B6A 10139-B
56/	A	8	All		20	1	B6A 10138-B
56/	A	6&8	All		17,18,19	1	B6C 10139-A
56/	A	6	All		21	1	B6A 10138-A
59/	S	8	430		26, 32, 33, 48	1	B8S 10139-A
<b>10141 OIL CUP - GENERATOR REAR END PLATE</b>							
49/53	A	6&8	All		3,5,6,7	1	B6A 10141-A
56/	A	6&8	All	Front & rear	20, 21	2	
56/	A, S	6&8	All	Distributor base		1	
51/59	A	6	All		1,2,9,11,15,22	1	OHA 10141-A
<b>10142 BAND - GENERATOR COVER</b>							
49/51	A	6	226	Band (starter cover)		1	18 10142
49/53	A (except F/M)	8	239			1	
49/59	A	6&8	All		4,8,16	1	8BA 10142
				Screw (generator cover band)- No. 10-32 x 1 1/2"-round head	4,8,16	1	27177-S7(U177)
				Nut (generator cover band screw)- No. 10-32	4, 8, 16	1	34079-S7(M163)
56/	A	6&8	All	5 9/16" diam. x 1 1/2" wide	20, 21	1	B6A 10142-A
56/	A	6&8	All		17,18,19	1	B6C 10142-A
<b>10145 ARM - ALTERNATOR BELT ADJUSTMENT</b>							
56/57	A	8	All		T10,T12,T15, T16	1	B6A 10145-D
58/	A	8	292		T10,T12,T15, T16	1	
57/58	A	6	223		T11,T13,T14, T16	1	B7A 10145-E
58/	A	8	332,352		T10,T12,T15	1	B8A 10145-B
59/	A	6	223		T11,T13,T16	1	B9AE 10145-A
59/	A	8	292		T12, T15	1	B9AE 10145-C
59	A	8	292	Washer (align adjusting arm with alternator)-.41" I.D.-.88" O.D. - .34" thick		1	359537-S(XX312)
<b>10145 ARM - GENERATOR BELT ADJUSTMENT</b>							
52/53	A	6	All		8,9	1	EAA 10145-B
54	A	8	All		10,12,28,34	1	EAN 10145-A
54	A	8	239		8	1	EBU 10145-A
54/56	A	6	223		9,10,12,13,15, 22,28,34	1	EBP 10145-A
54/56	A (except P/S)	6	223	8.5" long-.88" wide	8, 16	1	B4A 10145-A
55	S	8	292		14	1	B5S 10145-A
55	A	8	All		8, 16	1	B5A 10145-C
56	A	8	All		17,18,19	1	
57	A(except P/S)	8	All		17,18,19	1	
58/	A (except A/C)	8	292		16 thru 19	1	

● Refer to Groups 10000 and 10346 for complete Generator or Alternator Identification

YEAR 19____	MODEL	NO. CYL.	CUBIC INCH DISP.	DESCRIPTION	GENERATOR CATALOG SYMBOL	QTY. PER VEHICLE	PART NUMBER
<b>10145 ARM - GENERATOR BELT ADJUSTMENT - continued</b>							
55/56	A	8	All	7.40" long-.94" wide	10,12,13,28,34	1	B5A 10145-B
56/57	A	6	223		21	1	B6A 10145-E
56/57	A, S (with A/C)	8	All	7.40" long-1" wide-has offset gen.	15,16,22,23,24	1	B6A 10145-A
56/57	S (except A/C)	8	All		23,24	1	B6S 10145-A
56/59	A	8	All		15,22	1	B6A 10145-B
59/	A	8	292	Except with inclined brush generator	27,29,35,T18	1	
56/57	A	8	All	8.50" long-.94" wide-has offset generator	20	1	B6A 10145-C
58/59	A	8	292		20	1	
56	A	8	All		12	1	
57	A (with A/C)	8	All		17,18,19	1	B7A 10145-F
58/	A (with A/C)	8	292		17,18,19	1	
57/59	A	6	223		16	1	B7A 10145-D
57/	A	6	223		21	1	B7A 10145-C
57/	A	6	223		17,18,19,22,27,31,35,40,T18	1	C2AZ 10145-D
58	A (with A/S)	8	332,352		22	1	B8A 10145-D
58/59	A	8	332,352		16	1	B8A 10145-C
58/	A	8	332,352		17,18,19,20	1	B8A 10145-A
58/	A (except A/S)	8	332,352		22,25,27,35	1	B8E 10145-A
59	A	8	292		16	1	B9AE 10145-B
59/	S (except A/C)	8	430		26,32	1	B9S 10145-A
49/54	A	6	All	Bolt (arm to generator)-3/8"-24 x 1"	8	1	20389-S8(B171)
49/54	A	6	All	Nut-3/8"-24	8	1	33800-S8(M63)
49/54	A	8	All	Nut-3/8"-16	8	1	33799-S7(M52)
49/57	A	8	All	Bolt (arm to adjusting bracket)-3/8"-16 x 1"	8,16	1	20388-S8(B80)
58	A	8	292		16	1	
49/59	A	6&8	All	Bolt (arm to generator frt.brkt.to cyl.frt.cover)-3/8"-16 x 1 5/8"	8,16	1	20488-S8(B86)
49/	A	6&8	All	Bolt (generator adjusting arm attaching)-3/8"-16 x 1"	1,2,8,9,10,12,13,15,16,22,28,34	1	20388-S8(B80)
51	A	6	226	Bolt(generator adjustment arm to cyl.block)-3/8"-16 x 2 7/8"	1,2	1	350549-S8(BB164)
51/	A	6&8	All	Bolt(gen.adjustment arm to water pump to cyl.blk.)-3/8"-16 x 1 1/2"	9,10,12,13,15,16,22,27,28,34,35,T18	1	20468-S8(B85)
55/57	S	8	All	Bolt (arm to engine front support bracket & cylinder front cover to cylinder block)-3/8"-16 x 4"	14,23,24	1	45564-S8(B97)
				Lockwasher-3/8"			34847-S8(X74)
57		8	All	Bolt (arm to bracket) 3/8"-16 x 1 1/8" hex head		1	20408-S7(B81)
				Lockwasher 3/8"		1	34807-S8(X66)
				Washer-3/8" flat		1	44727-S8(X24)
<b>10146 PLUG - GENERATOR REAR END PLATE OIL WICK</b>							
51/59	A	6	All	1/2" O.D.	1,2,9,11,15,22	1	OHA 10146-B
<b>10148 SPACER - GENERATOR FRONT END PLATE TO FAN MOUNTING BRACKET</b>							
49/53	A	6&8	All	1" x 1" x 9/16"	1,2,3,5,6,7	1	21A 10148
51/56	A	6&8	All	.88" O.D. -.45" I.D. -.317"/.322" thick	28,34	1	B4A 10148-A
56/	A (with P/S)	6	All		21	1	B5A 10148-A
56/57	A	8	All	88" O.D. -.39" I.D. -.393" thick-	16	1	B7A 10148-A
58/59	A	8	292	used with 60 amp.generator	16	1	
57	A (except 76B)	8	All	Used with 30, 50 & 100 amp. alternator		1	
58/	A	8	292			1	
59/	A, S (except 430)	8	All	Generator mounting bracket	25	1	B8A 10148-A
<b>10151 BRACKET - ALTERNATOR TO CYLINDER BLOCK MOUNTING</b>							
56	A	8	All		T12	1	EBU 10151-B
57	A (except P/S)	6	223		T11	1	B7AZ 10151-C
	A	8	All		T10, T12	1	EBU 10151-B
58/	A	8	332,352		T12	1	B8AZ 10151-C

● Refer to Groups 10000 and 10346 for complete Generator or Alternator Identification

YEAR 19	MODEL	NO. CYL.	CUBIC INCH DISP.	DESCRIPTION	*GENERATOR CATALOG SYMBOL	QTY. PER VEHICLE	PART NUMBER
<b>10151 BRACKET - GENERATOR TO CYLINDER BLOCK MOUNTING</b>							
52/53	A	6	215	6" overall length-2.85" bolt hole centers	8,9,10,11	1	B2AZ 10151-A
54	A (with P/S)	6	223	(2) 7/16"-14, (2) 3/8"-16, (1) 13/32"	9, 10, 28	1	B4AZ 10151-B
55/56	A (with P/S)	6	223	& (2) 29/64" diameter bolt holes	12,13,18,21	1	B4AZ 10151-A
54/56	A	6	223	5 63/64" overall length-(4) 29/64" bolt holes	8, 16, 19	1	B4AZ 10151-A
56	A	6	223	7 1/8" overall length-(4) 29/64" bolt holes-2.85" bolt hole centers-1 21/32" x 2 5/8" from ends	17, 18, 19	1	B6AZ 10151-A
55/57	S (except S/C)	8	292,312	6" overall length-(1) 5/16"-18, (2) 15/32" & (2) 11/32" bolt holes	14,23,24	1	B5SZ 10151-A
56	A	6	223		20	1	CITZ 10151-A
57	A (with P/S)	6	223		20	1	
57	S (with S/C)	8	312	6" overall length-(3) 3/8"-16, (2) 15/32" & (2) 11/32" & (1) 5/16"-18 bolt holes	24	1	B7SZ 10151-A
57/59	A (except P/S)	6	223	5.993"/5.998" o/all length - (4) 29/64" bolt holes	16	1	B7AZ 10151-B
57/	A (with P/S)	6	223	7 1/32" overall length-(2) 7/16"-14, (2) 3/8"-16, (1) 13/32" & (2) 29/64" diameter bolt holes	17,18,19	1	B7AZ 10151-A
57/	A (except A/C, A/S & P/S)	6	223	7.80" overall length-(2) 29/64" bolt holes-1 27/32" & 3 7/64" from end-(2)29/64" bolt holes in ends- approx. 2 27/64" height	21	1	B7AZ 10151-C
58	A (with A/S)	8	332,352	Approx. 7 39/64" long-(3) 25/64", (2) 7/16" & (1) 3/8"-16 holes	22	1	B8AZ 10151-D
58/59	A (with P/S) "Before 1/15/59"	6	223	(2) 29/64"-(2) 7/16"-14, (2) 3/8"-16 & (1) 13/32" holes	17,18,19,21	1	B8AZ 10151-B
58/	A	8	332,352	Approx. 4 45/64" long-(1) 13/32" & (2) 29/64" holes	16,17,18,19,20,22,27,35,40,T18	1	B8AZ 10151-C
58/	A,S	8	332,352	(2) 7/16"-(2) 25/64"-(1) 11/32" hole-(1) .382" x .390" x .74" -	22,25,27,29,35,39,40,T18	1	B8AZ 10151-A
52/	A	6	215,223	Bolt (bracket to block)-		2	20390-S8(B102)
49/50	A	6	226	7/16"-14 x 1"		2	
53/54	A	6	215,223	Bolt (generator mounting bracket to block)-7/16"-14 x 1 1/8"		2	20410-S8(B103)
55/	A (with P/S)	6	223			2	
56/	A	6	223			2	
				Lockwasher-7/16"			34808-S8(X67)
54/56	A (with P/S)	6	223	Bolt (bracket to block)-3/8"-16 x 1 1/8" hex. head		1	20408-S7(B81)
55/56	A (with P/S)	6	223	Washer-flat (generator bracket to engine steady rest bracket spacer) - .875" O.D.-.41" I.D.-.19" thick		1	351415-S(XX128)
59	A,S	8	332,352	Bolt (bracket to cylinder block)-3/8"-16 x 1"		1	20388-S8(B80)
				Lockwasher-3/8"			34807-S8(X66)
<b>10151 SUPPORT and BAND ASSY. - GENERATOR MOUNTING - Also Refer to Groups 6129 &amp; 10039</b>							
49/51	A	6	226	Support only	4	1	8HA 10151-B
49/53	A	8	239	Support only	3,5,6,7	1	8BA 10151-C
49/53	A	8	239	Bolt (generator mounting support & band clamping)-3/8"-16 x 1"	3,5,6	1	20388-S8(B80)
49/53	A	6&8	All	Bolt (generator mounting support & band clamping)-3/8"-16 x 1 1/4"	7	1	20428-S7-8(B82)
				Washer-3/8"-flat		1	44727-S8(X24)
				Lockwasher-3/8"		1	34847-S8(X74)
54	A	8	239	Rear-5.84" long-1" wide	10,28	1	EBY 10151-A
54/57	A	8	All	Bracket (top bracket to cyl. block)	8,16	1	EBU 10151-B
58/59	A	8	292	rear	16	1	

● Refer to Groups 10000 and 10346 for complete Generator or Alternator Identification



# FORD CAR PARTS

## SECTION 100

517

YEAR 19	MODEL	NO. CYL.	CUBIC INCH DISP.	DESCRIPTION	*GENERATOR CATALOG SYMBOL	QTY. PER VEHICLE	PART NUMBER
<b>10151 SUPPORT and BAND ASSY. - GENERATOR MOUNTING - continued - Also Refer to Groups 6129 &amp; 10039</b>							
54/59	A	6	223	Bottom	8,16	1	8MB 10151
55	A	8	All	Rear-6.64" long-1" wide	12	1	B5A 10151-A
56/57	A	8	All		20	1	B5A 10151-C
58/59	A	8	292		20	1	B5A 10151-C
55/57	A	8	All	Rear-5.84" long-1" wide	10, 13, 15, 22, 28, 34	1	B5A 10151-B
58/	A	8	292		22,27,29,35,40, T18	1	
56/57	A	8	All		17,18,19	1	B6C 10151-B
56/57	A	6&8	All	Rear	17,18,19	1	B7A 10151-A
58/	A	8	292		17,18,19	1	
57/	A (except P/S)	6	223		17,18,19	1	B9AE 10151-A
58/59	A (except A/C)	8	332,352	Rear-15/32"diam. mounting hole	17, 18, 20	1	B8A 10151-B
58/59	A (except A/C)	8	332,352	Bottom	16	1	B8A 10151-C
59/	A	8	352	Rear-.385"/.406" diam. mounting hole	17, 18, 20	1	B9AE 10151-B
54/59	A	6	223	Bolt(bracket to gen.)-3/8"-24 x 1/2"	8, 16	2	*20313-S
				Lockwasher-3/8"		2	34847-S8(X74)
54/	A	8	All	Bolt (bracket to cylinder head)- 7/16"-14 x 1"	8,10,12,13,15, 22,27,28,29,34, 35, T18	1	20390-S8(B102)
				Lockwasher-7/16"		1	34808-S8(X67)
<b>10153 BRACKET - ALTERNATOR SUPPORT - TOP</b>							
56/	A (except 76B)	6&8	All		T12, T13	1	B8Q 10153-A
				Bolt (bracket to housing)- 3/8"-16 x 5/8" hex. hd.	T12, T13	4	20328-S8(B76)
				Lockwasher-3/8"	T12, T13	4	34807-S8(X66)
<b>10153 SUPPORT - GENERATOR MOUNTING BRACKET TO WATER PUMP HOUSING</b>							
55/57	S	8	292,312	4.56" long-(2) 11/32" holes - 1.07" offset		1	B5SZ 10153-A
				Bolt-hex. head-5/16"-18 x 3/4"		1	20346-S8(B50)
				Bolt (bracket to pump housing to cylinder block)-5/16"-18 x 5 1/2"		1	355432-S(BB149)
<b>10153 SUPPORT - GENERATOR MOUNTING - TOP</b>							
54/57	A	8	All		8,16	1	EBU 10153-B
58/59	A	8	292		16	1	
58/59	A(except A/C)	8	332,352		16	1	B9A 10153-A
54/59	A	6	223		8,16	1	B4A 10153-A
54/59	A	6	223	Bolt (support to generator)-3/8"- 24 x 3/4"-used with B4A 10153-A	8,16	4	20349-S8(B170)
54/59	A	8	All	Bolt (bracket to gen.)-3/8"-24 x 1"	8,16	3	20389-S8(B171)
54/59	A	8	All	Washer-3/8" flat	8,16	3	44727-S8(X24)
				Lockwasher-3/8"	8,16	3	34847-S8(X74)
54/59	A	8	All	Bolt (top bracket to generator rear bracket)-7/16"-14 x 1 1/8"	8,16	1	20410-S8(B103)
				Bolt (top bracket and rear brkt. to front brkt.)-7/16"-14 x 1 1/2"	8,16	1	20470-S8(B107)
				Lockwasher-7/16"	8, 16		34808-S8(X67)
				Nut-7/16"-14	8,16		34670-S8(M54)
<b>10156 BRACKET - ALTERNATOR MOUNTING FRONT</b>							
56/57	A	8	All		T15, T16	1	B5A 10156-B
				Bolt-hex. head-5/16"-18 x 3 1/4"	T15, T16	1	*45538-S8
57	A	8	All		T10, T12, T15, T16	1	B5A 10156-C
				Bolt-hex. head-5/16"-18 x 3 1/2"	T10, T12, T15, T16	1	*45546-S8
58/	A	8	292		T10, T12, T15	1	B5A 10156-B
		8	332,352		T10, T12, T15	1	B8A 10156-A
				Bolt-hex. head-3/8"-16 x 7/8"	T10, T12, T15	1	374409-S (BB416B)

\* Refer to Groups 10000 and 10346 for complete Generator or Alternator Identification



YEAR 19	MODEL	NO. CYL.	CURIC INCH DISP.	DESCRIPTION	*GENERATOR CATALOG SYMBOL	QTY. PER VEHICLE	PART NUMBER
<b>10156 BRACKET - GENERATOR MOUNTING FRONT - Also Refer to Groups 10039 &amp; 10151</b>							
55/57	A	8	All		10,12,13,15,22, 28,34	1	B5A 10156-A
58/	A	8	292		22,27,35,40, T9 T17, T18	1	
55/57	A	8	All		8,16	1	B5A 10156-B
58/59	A	8	292		16	1	
56/57	A	8	All		20	1	B5A 10156-C
58/59	A	8	292		20	1	
58/59	A	8	332,352		16	1	B8A 10156-A
58/	A (except A/C)	8	332,352		17, 18, 20	1	B8E 10156-B
59/	S	8	430		26,32	1	B8S 10156-B
54/	A	8	All	Bolt (bracket to cyl. front cover to cyl. block) -5/16"-18 x 2 3/4"	10,12,13,15,22, 27,28,34,35	2	*45526-S8
54/	A	8	All	Washer-flat-3/8"		2	44727-S8(X24)
				Lockwasher-3/8"		2	34847-S8(X74)
55/59	A	8	All	Bolt (front bracket to cyl. front cover to cyl. block)-5/18"-18 x 3 1/4"	8,16	1	*45538-S8
56/59	A	8	All	Bolt (front bracket to cyl. front cover to cylinder block)-5/16"- 18 x 3 1/2"	20	1	*45546-S8
58	A, S	8	332,352	Pin (front bracket to water pump aligning)-3/8" x 3/4" dowel		1	*73279-S
59/	A, S	6&8	All	Bolt (generator front bracket to water pump)-3/8"-16 x 7/8"- hex. hd. -lock		1	374409-S(BB416B)
<b>10159 BRACKET - ALTERNATOR ADJUSTING</b>							
57	A	8	All		T10,T12,T15	1	B7A 10159-A
<b>10159 BRACKET - GENERATOR ADJUSTING</b>							
54/57	A	8	All		8,16	1	EBU 10159-A
58/59	A	8	292		16	1	
				Bolt (adjusting bracket to gen.)- 3/8"-24 x 1/2"	8,16	2	*20313-S7
				Lockwasher-3/8"		2	34807-S8(X66)
<b>10163 RING - GENERATOR FRONT END PLATE BEARING STOP</b>							
49/59	A	6&8	All		4,8,16	1	99B 10163
49/	A, S	6&8	All		1,2,3,5,6,7,9 thru 15,22,23 thru 29,32 thru 35,39,40,48, T18	2	01A 10163
56/	A	6&8	All	Snap ring (generator bearing)	17,18,19	1	B6C 10163-A
<b>10175 COIL ASSY. - GENERATOR FIELD</b>							
49/53	A	6&8	All	For 6 volt, 40 amp. generator	2,3,6,11	1	7RA 10175-A
49/55	A	6&8	All	For 6 volt, 35 amp. generator	1,5,7,9,10,28	1	B4A 10175-A
49/56	A	6&8	All	For 6 volt, 60 amp. generator	4,8	1	8BA 10175
54/55	A	6&8	All	For 6 volt, 50 amp. generator	12	1	FBB 10175-A
55/56	A	6&8	All	For 6 volt, 40 amp. generator	13,34	1	B5S 10175-A
55	S	8	292		14	1	
56/59	A, S	6&8	All	For 15 volt, 30 amp. generator	15,22,23,24	1	B6A 10175-B
56/59	A	6&8	All	For 15 volt, 60 amp. generator	16	1	B6A 10175-C
56/	A	6&8	All		17,18,19	4	B6C 10175-A
56/	A	6&8	All	For 15 volt, 40 amp. generator	20, 21	1	B6C 10175-B
56/	A, S	6&8	All		15,22,23,24,26, 27,32,35,40, T18	1	B6A 10175-D
58/	A, S	8	All		25	1	B8A 10175-A
59	S	8	430	For 15 volt 30 amp. generator	26	1	B8S 10175-A
59/	S (with A/C)	8	430		48	1	COMF 10175-A
59/	S	8	430		33	1	B9FM 10175-A
59/	A	6&8	All		27,35,40,T18	1	B9A 10175-A
<b>10200 RETAINER - GENERATOR DRIVE END PACKING</b>							
56/	A	6&8	All		20, 21	1	B6A 10200-A
				Screw-round head, slotted- No. 10-32 x 1/2"	20, 21	3	27081-S8(U175)

● Refer to Groups 10000 and 10346 for complete Generator or Alternator Identification

# FORD CAR PARTS

519

## SECTION 100

YEAR 19	MODEL	NO. CYL.	CUBIC INCH DISP.	DESCRIPTION	*GENERATOR CATALOG SYMBOL	QTY. PER VEHICLE	PART NUMBER
<b>10201 GASKET - GENERATOR BEARING</b>							
56/	A	6&8	All	1 1/2" I. D.	20,21	1	B6A 10201-A
<b>10202 BUSHING - GENERATOR TERMINAL SCREW INSULATING</b>							
49/59	A	6&8	All	Rear end plate-. 35" long	1,2,3,5,6,7, 9 thru 13,15,22, 28, 34	1	01A 10202
55	S	8	All		14	2	
56	S	8	All		23,24	1	
49/59	A	6&8	All	Frame-outer	4,8,16	1	19B 10202
49/59	A	6&8	All	Rear end plate-. 43" long	4,8,16	2	8BA 10202
56/	A, S	6&8	All		15,22,25,27, 29, 35, 40, T18 26, 32, 33, 48	AR	B6A 10202-A
59/	S	8	430			1	
58/	A, S	8	All		39,41	1	C2SZ 10202-A
<b>10206 BUSHING - GENERATOR FRAME FIELD TERMINAL SCREW INSULATING</b>							
49/	A, S	6&8	All	Outer	1,2,3,4,5,6,7,9 thru 15,22 thru 29, 32 thru 35, 39, 40, 48, T18	1	81A 10206
56/	A	6&8	All		17,18,19	1	B6C 10206-A
<b>10208 WASHER - GENERATOR TERMINAL SCREW INSULATING - INNER</b>							
49/	A, S	6&8	All	Frame	1 thru 16, 22 thru 29, 32, 33, 34,35,39,40,48 T 18	1	81A 10208
49/53	A	6&8	226,239	Rear end plate	3,5,6	1	
49/51	A	6&8	All		4	2	
<b>10209 WASHER - GENERATOR FRAME FIELD TERMINAL SCREW - INNER</b>							
49/59	A	6&8	All	Steel	4,8,16	1	8BA 10209
<b>10211 SCREW - ALTERNATOR TERMINAL</b>							
56/	A (except 51A, 76B)	6&8	All		37,T10,T11 T14, T15, T16	3	B8C 10211-A
				Nut (terminal screw)-1/4"-20 hex	37,T10,T11, T14,T15,T16	3	33795-S7(M49)
				Lockwasher-1/4" internal tooth		3	34905-S7(X97)
<b>10211 SCREW - GENERATOR TERMINAL</b>							
49/59	A, S	6&8	All	Frame-No. 10-32 x 1"	1 thru 16, 22, 23,24,28,34	2	B4A 10211-A
49/	A, S	6&8	All	Rear end plate-1/4"-28 x 1"	1 thru 15,22 thru 29,32 thru 35,39,40,48,T18	1	01A 10211
56/	A	6&8	All	No. 10-32 x 1 11/64"	20, 21	1	B6A 10211-A
56/59	A	6&8	All		15,22	AR	B6A 10211-B
49/59	A, S	6&8	All	Nut (terminal screw)-No. 10-32	1 thru 16, 22, 23,24,28, 34	AR	34079-S7(M163)
49/59	A, S	6&8	All	Washer (terminal screw)-flat- No. 10	1 thru 16,22, 23,24,28,34	AR	44716-S8(X15)
49/59	A, S	6&8	All	Lockwasher (terminal screw)- No. 10	1 thru 16,22, 23,24,28, 34	AR	34803-S7(X60)
49/59	A, S	6&8	All	Nut (terminal screw)-1/4"-28	1 thru 16,22, 23,24,28,34	AR	33796-S7(M61)
49/59	A, S	6&8	All	Washer (terminal screw)-flat-1/4"	1 thru 16, 22, 23,24,28,34	AR	44719-S8(X17)
49/59	A, S	6&8	All	Lockwasher (terminal screw)-1/4"	1 thru 16, 22, 23,24,28, 34	AR	34805-S8(X62)
55	S	8	All	Washer (screw & bus bar to rear plate)-3/8" flat	14	1	356214-S8(XX162)
55	S	8	All	Washer (end plate terminal screw) .26" I. D. x .88" O. D. -.05" thick-flat	14	1	354442-S(XX80)
55	S	8	All	Washer (end plate terminal screw) .26" I. D. x .88" O. D. -.075" thick-flat	14	1	354443-S8(XX81)

\* Refer to Groups 10000 and 10346 for complete Generator or Alternator identification

YEAR 19__	MODEL	NO. CYL.	CUBIC INCH DISP.	DESCRIPTION	*GENERATOR CATALOG SYMBOL	QTY. PER VEHICLE	PART NUMBER
<b>10213 RETAINER - GENERATOR BEARING GASKET</b>							
56/	A	6&8	All		20, 21	1	B6A 10213-A
<b>10215 CABLE ASSY. - GENERATOR ARMATURE TERMINAL TO BRUSH HOLDER</b>							
56/	A	6&8	All		17, 18, 19	1	B6C 10215-A
<b>10246 WIRE ASSY. - GENERATOR REGULATOR CHARGE INDICATOR LAMP</b>							
58	A	6&8	All	Cut 39" from bulk wire (B6A 14296-C) & add terminals		1	
<b>10265 SPACER - GENERATOR ARMATURE</b>							
56/	A	6&8	All	25/32" I. D. x 1 3/32" O. D. x 29/64" thick	17, 18, 19	1	C0TZ 10265-A

### ALTERNATOR IDENTIFICATION CHART

The following chart will provide quick identification of the service part number for the alternator, pulley, fan and spacer, when the identification marking located on the alternator housing, is known.

Internal components of service alternators may be found in the text of the catalog according to catalog symbol.

ALTERNATOR IDENTIFICATION	CATALOG SYMBOL	SERVICE ALTERNATOR	PULLEY	FAN	SPACER
B9AF 10300-A	T11	B8C 10002-B	B8TZ 10344-B	B7AZ 10A310-A	B6AZ 10A344-B
B9AF 10300-B	T15	B8TZ 10346-F	B8TZ 10344-D	B7AZ 10A310-A	B6AZ 10A344-B
B9FA 10300-B	T13	B8TZ 10346-D	B8TZ 10344-D	B7AZ 10A310-A	B6AZ 10A344-A
B9FA 10300-G	T12	B8TZ 10346-C	B8TZ 10344-D	B7AZ 10A310-A	B6AZ 10A344-A
B9MF 10300-A	T15	B8TZ 10346-F	B9AF 10344-A	B7AZ 10A310-A	B6AZ 10A344-B
B9MF 10300-B	T15	B8TZ 10346-F	★B9MF 10344-A	B7AZ 10A310-A	B6AZ 10A344-B
B9MF 10300-C	T12	B8TZ 10346-C	B9AF 10344-A	B7AZ 10A310-A	B6AZ 10A344-A
B9MF 10300-E	T15	B8TZ 10346-F	★C0MF 10344-A	B7AZ 10A310-A	B6AZ 10A344-B
B9TF 10300-D	T15	B8TZ 10346-F	B8TZ 10344-B	B7AZ 10A310-A	B6AZ 10A344-B
B9TF 10300-E	T15	B8TZ 10346-F	B8TZ 10344-E	B7AZ 10A310-A	B6AZ 10A344-B
B9TF 10300-F	T15	B8TZ 10346-F	B8TZ 10344-E	B7AZ 10A310-A	B6AZ 10A344-B
B9TF 10300-G	T16	B8TZ 10346-G	B8TZ 10344-F	B7AZ 10A310-A	B8TZ 10A344-A
B9TF 10300-H	T16	B8TZ 10346-G	B8TZ 10344-C	B7AZ 10A310-A	B8TZ 10A344-A
C0TF 10300-E	T20	C1TF 10346-C	B8TZ 10344-B	B7AZ 10A310-A	B6AZ 10A344-B
C0TF 10300-K	T19	C1TF 10346-B	C2TZ 10344-A	B7AZ 10A310-A	B8TZ 10A344-A
C1AF 10300-C	37	C1AF 10346-A	C1AF 10344-A	B7AZ 10A310-A	C1AF 10A344-A
C1AF 10300-D	37	C1AF 10346-A	C1AF 10344-C	B7AZ 10A310-A	C1AF 10A344-A
C1MF 10300-A	42	C2TZ 10346-A	C2AZ 10344-A	B7AZ 10A310-A	
C1TF 10300-C	T20	C1TF 10346-C	C1TF 10344-C	B7AZ 10A310-A	B6AZ 10A344-B
C1TF 10300-D	T19	C1TF 10346-B	B8TZ 10344-C	B7AZ 10A310-A	B8TZ 10A344-A
C1TF 10300-E	T19	C1TF 10346-B	B8TZ 10344-F	B7AZ 10A310-A	B8TZ 10A344-A
C1TF 10300-F	T21	C1TF 10346-D	C1TF 10344-E	B7AZ 10A310-A	B6AZ 10A344-B
C1TF 10300-G	T19	C1TF 10346-B	C1TF 10344-H	B7AZ 10A310-A	B8TZ 10A344-A
C1TF 10300-H	T19	C1TF 10346-B	C1TF 10344-F	B7AZ 10A310-A	B8TZ 10A344-A
C1TF 10300-J	T21	C1TF 10346-D	C1TF 10344-D	B7AZ 10A310-A	B6AZ 10A344-B
C1TF 10300-K	T20	C1TF 10346-C	C1AF 10344-B	B7AZ 10A310-A	B6AZ 10A344-B
C1TF 10300-M	T21	C1TF 10346-D	C1TZ 10344-A	B7AZ 10A310-A	B6AZ 10A344-B

• Refer to Groups 10000 and 10346 for complete Generator or Alternator Identification

**ALTERNATOR IDENTIFICATION CHART - continued**

ALTERNATOR IDENTIFICATION	CATALOG SYMBOL	SERVICE ALTERNATOR	PULLEY	FAN	SPACER
C2AF 10300-A	42	C2TZ 10346-A	C2AZ 10344-B	B7AZ 10A310-A	
C2AF 10300-B	43	C2AZ 10346-A	C2AZ 10344-D	C2AZ 10A310-A	C2AZ 10A344-A
C2AF 10300-C	43	C2AZ 10346-A	C2AZ 10344-C	C2AZ 10A310-A	C2AZ 10A344-A
C2OF 10300-B	43	C2AZ 10346-A	C2OZ 10344-C	C2AZ 10A310-A	C2AZ 10A344-A
C2OF 10300-C	43	C2AZ 10346-A	C2OZ 10344-B	C2AZ 10A310-A	C2AZ 10A344-A
C2OF 10300-D	42	C2TZ 10346-A	C2OZ 10344-A	B7AZ 10A310-A	
C2TF 10300-A	T21	C1TF 10346-D	C1AF 10344-B	B7AZ 10A310-A	B6AZ 10A344-A
C3AF 10300-B	50	C4AZ 10346-B	C4AZ 10344-A		
C3MF 10300-A	49	C3MY 10346-A	C3MY 10344-A		
C3OF 10300-E	51	C4AZ 10346-C	C4OZ 10344-A		
C3SF 10300-A	45	C3SZ 10346-A	C3SZ 10344-B		
C3SF 10300-B	46	C3SZ 10346-B	C3SZ 10344-A		
C3SF 10300-C	47	C3SZ 10346-C	C3SZ 10344-B		
C3TF 10300-A	T22	C3TZ 10346-A	C3TZ 10344-A		
C3TF 10300-B	T23	C3TZ 10346-B	C3TZ 10344-B		
C3TF 10300-C	T24	C3TZ 10346-C	C3TZ 10344-C		
C3TF 10300-D	T19	C1TF 10346-B	C1TF 10344-C	B7AZ 10A310-A	B8TZ 10A344-A
C3TF 10300-E	T22	C3TZ 10346-A	C3TZ 10344-A		
C3TF 10300-F	T23	C3TZ 10346-B	C3TZ 10344-B		
C3TF 10300-G	T24	C3TZ 10346-C	C3TZ 10344-C		
C3TF 10300-Y	T22	C3TZ 10346-A	C3SZ 10344-A		
C3TF 10300-Z	T23	C3TZ 10346-B	C3SZ 10344-B		
C3TF 10300-AA	T24	C3TZ 10346-C	C3SZ 10344-C		
C3TF 10300-AF	T30	C4TZ 10346-D	C4TZ 10344-D		
C4AF 10300-A	50	C4AZ 10346-B	C4AZ 10344-A		
C4AF 10300-B	52	C2TZ 10346-B	C2AZ 10344-B	B7AZ 10A310-A	
C4MF 10300-A	52	C2TZ 10346-B	C2AZ 10344-A	B7AZ 10A310-A	
C4OF 10300-A	52	C2TZ 10346-B	C2OZ 10344-A	B7AZ 10A310-A	
C4SF 10300-A	53	C4SZ 10346-A	C4SZ 10344-A		
C4SF 10300-B	54	C4SZ 10346-B	C4SZ 10344-A		
C4TF 10300-A	T27	C4TZ 10346-A	C4TZ 10344-A		
C4TF 10300-B	T28	C4TZ 10346-B	C4TZ 10344-B		
C4TF 10300-C	T29	C4TZ 10346-C	C4TZ 10344-C		
C4TF 10300-D	T35	C4TZ 10346-U	C4TZ 10344-K	B7AZ 10A310-A	
C4TF 10300-E	T35	C4TZ 10346-U	C4TZ 10344-H	B7AZ 10A310-A	
C4TF 10300-F	T35	C4TZ 10346-U	C4TZ 10344-J	B7AZ 10A310-A	
C4TF 10300-G	T35	C4TZ 10346-U	C4TZ 10344-M	B7AZ 10A310-A	
C4TF 10300-H	T35	C4TZ 10346-U	C4TZ 10344-U	B7AZ 10A310-A	
C4TF 10300-J	T35	C4TZ 10346-U	C4TZ 10344-T	B7AZ 10A310-A	
C4TF 10300-K	T35	C4TZ 10346-U			
C4TF 10300-L	T37	C4TZ 10346-L	C4TZ 10344-B		
C4TF 10300-M	T31	C4TZ 10346-M	C4TZ 10344-C		
C4TF 10300-N	T32	C4TZ 10346-N	C3TZ 10344-A		
C4TF 10300-R	T33	C4TZ 10346-R	C3TZ 10344-B		

## ALTERNATOR IDENTIFICATION CHART - continued

ALTERNATOR IDENTIFICATION	CATALOG SYMBOL	SERVICE ALTERNATOR	PULLEY	FAN	SPACER
C4TF 10300-S	T34	C4TZ 10346-S	C3TZ 10344-C		
C4TF 10300-T	T35	C4TZ 10346-U	C4TZ 10344-E	B7AZ 10A310-A	
C4TF 10300-U	T38	C4TZ 10346-W	C4AZ 10344-A		
C4TF 10300-AA	T35	C4TZ 10346-U	C4TZ 10344-F	B7AZ 10A310-A	
C4TF 10300-AC	T36	C4TZ 10346-AC	C4TZ 10344-A		
A00 12072-AA	T20	C1TF 10346-C			
A00 12074-AB	42	C2TZ 10346-A			
A00 12088-AA	T19	C1TF 10346-B			
A00 12106-AA	T21	C1TF 10346-D			
A00 12178-AA	52	C2TZ 10346-B			
A00 12182-AA	T35	C4TZ 10346-U			
A00 15370-GB	T11	B8C 10002-B		B7AZ 10A310-A	B6AZ 10A344-B
A00 15392-GB	T14	B8TZ 10346-E		B7AZ 10A310-A	
A00 15412-GA	T13	B8TZ 10346-D		B7AZ 10A310-A	B6AZ 10A344-A
A00 15428-GA	T15	B8TZ 10346-F		B7AZ 10A310-A	B6AZ 10A344-B
A00 15432-GA	T10	B8TZ 10346-A		B7AZ 10A310-A	
A00 15440-GA	T12	B8TZ 10346-C		B7AZ 10A310-A	B6AZ 10A344-A
A00 15468-GA	T16	B8TZ 10346-G		B7AZ 10A310-A	B8TZ 10A344-A
A00 15494-AA	37	C1AF 10346-A		B7AZ 10A310-A	C1AF 10A344-A
A00 16000-AC	43	C2AZ 10346-A			
90017	T16	B8TZ 10346-G	B8TZ 10344-C	B7AZ 10A310-A	B8TZ 10A344-A
90018	T16	B8TZ 10346-G	B8TZ 10344-F	B7AZ 10A310-A	B8TZ 10A344-A
90022	T11	B8C 10002-B	B8TZ 10344-B	B7AZ 10A310-A	B6AZ 10A344-B
90023	T13	B8TZ 10346-D	B8TZ 10344-B	B7AZ 10A310-A	B6AZ 10A344-A
90027	T15	B8TZ 10346-F	B8TZ 10344-D	B7AZ 10A310-A	B6AZ 10A344-B
90028	T12	B8TZ 10346-C	B8TZ 10344-D	B7AZ 10A310-A	B6AZ 10A344-A
90029	T15	B8TZ 10346-F	B8TZ 10344-B	B7AZ 10A310-A	B6AZ 10A344-B
90030	T15	B8TZ 10346-F	B8TZ 10344-E	B7AZ 10A310-A	B6AZ 10A344-B
90031	T15	B8TZ 10346-F	B8TZ 10344-E	B7AZ 10A310-A	B6AZ 10A344-B
90032	T15	B8TZ 10346-F	★B9MF 10344-A	B7AZ 10A310-A	B6AZ 10A344-B
90034	T12	B8TZ 10346-C	B9AF 10344-A	B7AZ 10A310-A	B6AZ 10A344-A
90035	T15	B8TZ 10346-F	B9AF 10344-A	B7AZ 10A310-A	B6AZ 10A344-B
90049	T15	B8TZ 10346-F	★C0MF 10344-A	B7AZ 10A310-A	B6AZ 10A344-B
90051	T20	C1TF 10346-C	C1TF 10344-C	B7AZ 10A310-A	B6AZ 10A344-B

**ALTERNATOR IDENTIFICATION CHART - continued**

ALTERNATOR IDENTIFICATION	CATALOG SYMBOL	SERVICE ALTERNATOR	PULLEY	FAN	SPACER
90057	37	C1AF 10346-A	C1AF 10344-A	B7AZ 10A310-A	C1AF 10A344-A
90075	T20	C1TF 10346-C	B8TZ 10344-B	B7AZ 10A310-A	B6AZ 10A344-B
90076	T19	C1TF 10346-B	B8TZ 10344-C	B7AZ 10A310-A	B8TZ 10A344-A
90077	T19	C1TF 10346-B	B8TZ 10344-F	B7AZ 10A310-A	B8TZ 10A344-A
90086	T21	C1TF 10346-D	C1TF 10344-E	B7AZ 10A310-A	B6AZ 10A344-B
90089	T21	C1TF 10346-D	C1TF 10344-D	B7AZ 10A310-A	B6AZ 10A344-B
90090	T19	C1TF 10346-B	C1TF 10344-H	B7AZ 10A310-A	B8TZ 10A344-A
90091	T19	C1TF 10346-B	C1TF 10344-F	B7AZ 10A310-A	B8TZ 10A344-A
90093	T20	C1TF 10346-C	C1AF 10344-B	B7AZ 10A310-A	B6AZ 10A344-B
90097	37	C1AF 10346-A	C1AF 10344-C	B7AZ 10A310-A	C1AF 10A344-A
90100	T21	C1TF 10346-D	C1TZ 10344-A	B7AZ 10A310-A	B6AZ 10A344-B
90107	T19	C1TF 10346-B	C2TZ 10344-A	B7AZ 10A310-A	B8TZ 10A344-A
90158	T21	C1TF 10346-D	C1AF 10344-B	B7AZ 10A310-A	B6AZ 10A344-B
90179	T19	C1TF 10346-B	C1TF 10344-C	B7AZ 10A310-A	B8TZ 10A344-A
90225	T35	C4TZ 10346-U	C4TZ 10344-K	B7AZ 10A310-A	
90226	T35	C4TZ 10346-U	C4TZ 10344-H	B7AZ 10A310-A	
90227	T35	C4TZ 10346-U	C4TZ 10344-J	B7AZ 10A310-A	
90228	T35	C4TZ 10346-U	C4TZ 10344-M	B7AZ 10A310-A	
90229	T35	C4TZ 10346-U	C4TZ 10344-U	B7AZ 10A310-A	
90230	T35	C4TZ 10346-U	C4TZ 10344-T	B7AZ 10A310-A	
90232	T35	C4TZ 10346-U	C4TZ 10344-E	B7AZ 10A310-A	
90237	52	C2TZ 10346-B	C2AZ 10344-B	B7AZ 10A310-A	
90238	52	C2TZ 10346-B	C2AZ 10344-A	B7AZ 10A310-A	
90239	52	C2TZ 10346-B	C2OZ 10344-A	B7AZ 10A310-A	
90241	T35	C4TZ 10346-U	C4TZ 10344-F	B7AZ 10A310-A	
A00 1090109	42	C2TZ 10346-A	C2AZ 10344-A	B7AZ 10A310-A	
A00 1090156	42	C2TZ 10346-A	C2AZ 10344-B	B7AZ 10A310-A	
A00 1090157	42	C2TZ 10346-A	C2OZ 10344-A	B7AZ 10A310-A	
A00 1090164	43	C2AZ 10346-A	C2AZ 10344-D	C2AZ 10A310-A	C2AZ 10A344-A
A00 1090165	43	C2AZ 10346-A	C2AZ 10344-C	C2AZ 10A310-A	C2AZ 10A344-A
A00 1090166	43	C2AZ 10346-A	C2OZ 10344-C	C2AZ 10A310-A	C2AZ 10A344-A
A00 1090167	43	C2AZ 10346-A	C2OZ 10344-B	C2AZ 10A310-A	C2AZ 10A344-A

YEAR 19__	MODEL	NO. CYL.	CUBIC INCH DISP.	DESCRIPTION	*ALTERNATOR CATALOG SYMBOL	QTY. PER VEHICLE	PART NUMBER
<b>10A303 BEARING - ALTERNATOR FRONT - DRIVE END - Also Refer to Group 10094</b>							
49/59	A	6&8	All		4,8,16	1	B9AF 10A303-A
56/	A	6&8	All		T10,T11,T14, T15,T16	1	
<b>10304 RECTIFIER ASSY. - ALTERNATOR</b>							
56/59	A (except 51A, 76B)	6&8	All		T12, T13	1	B8AZ 10304-A
56/59	A (except 51A, 76B)	6&8	All		T10, T11, T14, T15, T16	1	B8CZ 10304-A
<b>10309 BRACKET - ALTERNATOR RECTIFIER MOUNTING</b>							
59	A (except 76B)	8	All		T12, T15	1	B9A 10309-A
59	A (except 51A, 76B)	6	223		T13	1	*B9A 10309-B
59	A (except 51A, 76B)	6	223		T11, T16	1	B9A 10309-C
<b>10A310 FAN ASSY. - ALTERNATOR</b>							
56/	A (except 51A, 76B)	6&8	All		T10 thru T16	1	B7AZ 10A310-A
				Screw-fillister head-No. 10- 32 x 5/8"	T10 thru T16	4	31628-S7(U58)
				Lockwasher-spring-No. 10	T10 thru T16	4	34803-S7(X60)
<b>10A313 BRACKET - ALTERNATOR MOUNTING - Also Refer to Group 10039</b>							
56/57	A	8	All		T10,T12,T15, T16	1	B6AZ 10A313-A
58/	A	8	292		T10,T12,T15	1	B8AZ 10A313-A
<b>10315 CONNECTOR - ALTERNATOR RECTIFIER</b>							
56/	A (except 51A, 76B)	6&8	All		T10 thru T16	2	B8Q 10315-A
<b>10316 REGULATOR ASSY. - ALTERNATOR - For Generator Regulator see Group 10505</b>							
56/58	A (except 51A, 76B)	6&8	All	14 volt, 30 amp., 4 terminals- ident. R001 3464-RA & 2701937- use with alternator B8TZ 10346-A, E	T1 (Leece Neville)	1	B8TZ 10316-A
56/59	A (except 51A, 76B)	6&8	All	14 volt, 100 amp., 4 terminals- ident. R001 3439-RA & 2701938- use with alternator B8TZ 10346-C, D	T2 (Leece Neville)	1	B8TZ 10316-B
56/59	A (except 76B)	6&8	All	14 volt, 50 amp., 4 terminals- ident. R001 3456-RA & 2700295- use with alternator B8C 10002-B, B8TZ 10346-F, G	T3 (Leece Neville)	1	B8TZ 10316-C
56/59	A (except 76B)	6&8	All	14 volt, 60 amp., 4 terminals- ident. R001 3489-RA, 2702393, C2TF 10316-B-use with alternator B8C 10002-B, B8TZ 10346-F, G	T6 (Leece Neville)	1	PB8M 10316-A
<b>10317 SHIELD KIT - ALTERNATOR SPLASH</b>							
56/	A (except 51A, 76B)	6&8	All	Alternator	T10 thru T16	1	B8TZ 10317-A
<b>10319 CLIP - ALTERNATOR ROTOR</b>							
56/	A (except 51A, 76B)	6&8	All		T12, T13	1	B8TZ 10319-A
				Screw (clip to rotor)-No. 8 x 3/8"- drive-round head	T12, T13	1	*92057-S7
<b>10320 HOLDER and STUD ASSY. - ALTERNATOR BRUSH</b>							
56/	A (except 51A, 76B)	6&8	All		T12, T13	2	B6AZ 10320-A
				Screw (field terminal)- No. 8-32 x 3/4" fillister head	T12, T13	2	353609-S13(BB25)
				Nut (terminal)-No. 8-32 hex.	T12, T13	4	34052-S7(M155)
				Lockwasher - No. 8	T12, T13	4	34802-S7(X59)
				Washer - No. 8 flat	T12, T13	2	44710-S8(X10)
<b>10321 BUSHING - ALTERNATOR INSULATOR</b>							
56/	A (except 51A, 76B)	6&8	All		T10,T11,T14, T15,T16	2	B8AZ 10321-A
56/	A (except 51A, 76B)	6&8	All		T12,T13	3	B8AZ 10321-B
<b>10323 RETAINER - ALTERNATOR BEARING</b>							
56/	A (except 51A, 76B)	6&8	All		T10, T11, T14, T15, T16	1	B8TZ 10323-A
56/	A (except 51A, 76B)	6&8	All		T12, T13	1	B8TZ 10323-B
56/	A (except 51A, 76B)	6&8	All	Screw-fillister hd.-No.8-32 x 1/2"	37,T10 thru T16	3	31061-S8(U50)
				Lockwasher-No. 8			34802-S7(X59)

• Refer to Groups 10000 and 10346 for complete Generator or Alternator identification



# FORD CAR PARTS

## SECTION 10 3

YEAR 19	MODEL	NO. CYL.	CUBIC INCH DISP.	DESCRIPTION	*ALTERNATOR CATALOG SYMBOL	QTY. PER VEHICLE	PART NUMBER							
<b>10325 CAP - ALTERNATOR DUST</b>														
56/	A (except 51A, 76B)	6&8	All		T10 thru T16	1	B8TZ 10325-A							
<b>10326 JUMPER ASSY. - ALTERNATOR STATOR TERMINAL</b>														
56/	A (except 51A, 76B)	6&8	All	R. H.	T12, T13	1	B8TZ 10326-C							
				L. H.	T12, T13	1	B8TZ 10326-A							
				Center	T12, T13	1	B8TZ 10326-B							
				Nut-hex. -1/4"-20	T12, T13	6	33795-S7(M49)							
				Lockwasher-1/4"	T12, T13	6	34805-S8(X62)							
				Washer-flat-1/4"	T12, T13	3	44719-S8(X17)							
<b>10327 COIL ASSY. - ALTERNATOR ROTOR</b>														
56/	A (except 51A, 76B)	6&8	All		T12, T13	1	B8AZ 10327-A							
<b>10328 RING ASSY. - ALTERNATOR ROTOR - SLIP</b>														
56/	A (except 51A, 76B)	6&8	All		T10, T11, T14, T15, T16	1	B8AZ 10328-A							
56/	A (except 51A, 76B)	6&8	All		T12, T13	1	B8AZ 10328-B							
<b>10329 INSULATOR - ALTERNATOR TERMINAL</b>														
56/	A (except 51A, 76B)	6&8	All	Inner	T10, T11, T14, T15, T16	1	C1TF 10329-A							
				Outer	T10, T11, T14, T15, T16	1	C1TF 10329-B							
56/	A (except 51A, 76B)	6&8	All		T12, T13	2	B8TZ 10329-A							
<b>10330 SHAFT - ALTERNATOR</b>														
56/	A (except 51A, 76B)	6&8	All		T12, T13	1	B8AZ 10330-A							
<b>10333 HOUSING ASSY. - ALTERNATOR - DRIVE END</b>														
56/59	A (except 51A, 76B)	6	223		T11, T14	1	B8TZ 10333-A							
56/	A (except 51A, 76B)	6&8	All		T12, T13	1	B8TZ 10333-B							
56/	A (except 76B)	8	All		T10, T15, T16	1	B8TZ 10333-C							
<b>10334 HOUSING ASSY. - ALTERNATOR - BRUSH END -Also Refer to Group 10362</b>														
56/	A (except 76B)	8	All		T10, T15, T16	1	B8TZ 10334-B							
				Bolt (housing assy. alternator brush end to housing assy. drive end)-No. 10-32 x 2.56" hex. head	T10, T15, T16	3	371889-S(UU39)							
56/	A (except 51A, 76B)	6&8	All	Bolt (housing alternator brush end to drive end)-No. 10-32 x 3.00" hex head	T12, T13	1	B8TZ 10334-A							
					T12, T13	4	371790-S2(BB205)							
				Lockwasher - No. 10	T12, T13	4	34803-S7(X60)							
				Pin (locating-alternator housing-brush end and drive end)-1/8" x 1/2" straight	T12, T13	2	*72807-S							
<b>10335 ROTOR ASSY. - ALTERNATOR - Refer to Alternator Chart Group 10346</b>														
<b>10336 STATOR ASSY. - ALTERNATOR -Also Refer to Group 10A347</b>														
56/58	A (except 51A, 76B)	6&8	All		T10, T14	1	B8TZ 10336-C							
56/	A (except 51A, 76B)	6&8	All		T12, T13	1	B8TZ 10336-A							
56/	A (except 76B)	6&8	All		T11, T15, T16	1	B8TZ 10336-B							
<b>10339 SUPPORT - ALTERNATOR RECTIFIER MOUNTING BRACKET</b>														
59	A (except 51A, 76B)	6	223		T11, T13, T16	1	B9A 10339-A							
<b>10342 BRACKET - ALTERNATOR - BOTTOM</b>														
56/	A (except 76B)	6&8	All		T12, T13	1or2	B6AZ 10342-A							
				Bolt-hex. head-3/8"-16 x 5/8"	T12, T13	1or2	20328-S8(B76)							
				Lockwasher-3/8"	T12, T13	1or2	34807-S8(X66)							
<b>10344 PULLEY - ALTERNATOR -Refer To Pulley Illustration in Group 10130</b>														
YEAR 19	MODEL	NO. CYL.	CUBIC INCH DISP.	A	B	C	D	E	F	G	*ALTERNATOR CATALOG SYMBOL	QTY. PER VEHICLE	PART NUMBER	
56/57	A (except 51A, 76B)-ident. 39381	6	223	4	3.00	1.000	.38		.75	1.34	T11, T14, T16	1	B8TZ 10344-E	
56/58	A (except 76B)-ident. 39384	8	All	4	3.00	1.000	.50		1.05	1.34	T10, T15	1	B8AZ 10344-A	
											T15	1		
57	A (except 51A, 76B)-ident. 54986	6	223	6	3.00	.670	.38		2.00	.56	1.34	T13	1	B8TZ 10344-B
58/	A (except 51A, 76B)	6	223									T11, T13, T14, T16	1	
57/58	A (except 76B)-ident. 54820	8	All	6	3.00	.670	.50		2.16	.64	1.34	T12	1	B8TZ 10344-A
57/58	A (except 76B)-ident. 55886	8	All	6	3.00	.670	.38		2.75	1.31	1.34	T10, T15	1	B8TZ 10344-D
												T12	1	
59/	A	8	332.352									T12, T15	1	
59/	A	8	332.352										1	
59/	A-ident. 57174	8	292	6	3.00	.670	.38		2.09	.64	1.34	T12, T15	1	B9AF 10344-A

\* Refer to Groups 10000 and 10346 for complete Generator or Alternator identification

YEAR 19	MODEL	NO. CYL.	CUBIC INCH DISP.	DESCRIPTION	*ALTERNATOR CATALOG SYMBOL	QTY. PER VEHICLE	PART NUMBER
<b>10344 PULLEY - ALTERNATOR - continued - Refer to Pulley Illustration in Group 10130</b>							
56/	A (except 51A, 76B)	6&8	All	Nut (alternator pulley to rotor shaft)-hex. -1/2"-20	T10 thru T16	1	33943-S8(M36)
56/				Lockwasher-1/2"		1	34809-S8(X68)
56/	A (except 51A, 76B)	6&8	All	Key (alternator pulley)-5/32" x 5/8"	T10 thru T16	1	74175-S(L7)
<b>10A344 SPACER - ALTERNATOR ROTOR</b>							
56/	A (except 51A, 76B)	6&8	All	11/16" I.D. x 1 1/16" O.D. x 15/32" long	T12, T13	1	B6AZ 10A344-A
56/	A (except 51A, 76B)	6&8	All	11/16" I.D. x 1 1/16" O.D. x 3/8" long	T10, T11, T14 T15, T16	1	B6AZ 10A344-B

**10346 ALTERNATOR - LESS PULLEY****ALTERNATOR CHART**

YEAR 19	MODEL	ENGINE		ELECT. OUTPUT		CATA- LOG SYM- BOL	ROTOR	VOLTAGE REGULATOR	IDENTIFICATION	ALTERNATOR	
		NO. CYL.	CUBIC INCH DISP.	AMP	VOLT					PART NUMBER	REPLACED BY
56/58	A (exc. 51A, 76B)	6	223	30	15	T14	B6AZ 10335-A	B8TZ 10316-A	5392-GB6	B8TZ 10346-E	
56/58	A (exc. 76B)	8	All	30	15	T10	B6AZ 10335-A	B8TZ 10316-A	5432-G6	B8TZ 10346-A	
56/59	A (exc. 76B)	6	223	50	15	T11	B6AZ 10335-A	B8TZ 10316-C	B9AF 10300-A, 90022, 5468-GA	B8C 10002-B	B8TZ 10346-G
56/59	A (exc. 76B)	8	All	100	15	T12	B6AZ 10335-B	B8TZ 10316-B	B9FA 10300-G, B9MF 10300-C, 90028 90034, 5440-G6	B8TZ 10346-C	B8TZ 10346-D
56/59	A (exc. 51A, 76B)	6	223	100	15	T13	B6AZ 10335-B	B8TZ 10316-B	B9FA 10300-B, 90023, 5412-GA6	B8TZ 10346-D	
56/	A (exc. 76B)	8	All	50	15	T15	B6AZ 10335-A	B8TZ 10316-C	B9AF 10300-B, B9MF 10300-A, B, E, B9TF 10300-D, E, F, 90027, 90029, 90030, 90031, 90032, 90035, 90049, 5428-G6	B8TZ 10346-F	B8TZ 10346-G
56/	A (exc. 76B)	6&8	All	50	15	T16	B6AZ 10335-A	B8TZ 10316-C	B9TF 10300-G, H, 90017, 90018, 5468-GA	B8TZ 10346-G	

YEAR 19	MODEL	NO. CYL.	CUBIC INCH DISP.	DESCRIPTION	*ALTERNATOR CATALOG SYMBOL	QTY. PER VEHICLE	PART NUMBER
56/	A	6&8	All	Ring (alternator rotor) 13/16" Snap	T12, T13	1	371788-S(QQ65)
56/	A	6&8	All	Ring (alternator rotor) 11/16" Snap	T12, T13	1	371789-S(QQ63)
56/	A	6&8	All	Key (rotor to shaft)-5/32" square x 3/4" long	T12, T13	2	371791-S(LL1)
56/	A	6&8	All	Nut (alternator rotor)-7/8"-20 hex.	T12, T13	1	356153-S(MM46)
56/	A	6&8	All	Washer (alternator rotor)-insulation - 3/4" flat	T12, T13	1	371819-S(XX228)

**10347 BRUSH HOLDER and BRACKET ASSY. - ALTERNATOR**

56/	A (except 51A, 76B)	6&8	All		T10, T11, T14, T15, T16	2	B8TZ 10347-B
				Screw (brush holder & bracket to hsg. alternator brush end)-No. 10-32 x 1 1/2"-square neck	T10, T11, T14, T15, T16	2	372714-S7(BB648)
				Nut-hex. -No. 10-24	T10, T11, T14, T15, T16	2	34053-S8(M156)
				Lockwasher-No. 10	T10, T11, T14, T15, T16	2	34803-S7(X60)
				Washer (brush holder & brkt. assy. & bushing insulator to housing alternator-brush end)-No. 10 flat	T10, T11, T14, T15, T16	3	351253-S8(XX76)
				Washer (brush holder & bracket assy. & bushing insulator to hsg. alternator-brush end) 1/4" flat	T10, T11, T14, T15, T16	4	44719-S8(X17)

• Refer to Groups 10000 and 10346 for complete Generator or Alternator identification

# FORD CAR PARTS

YEAR 19__	MODEL	NO. CYL.	CUBIC INCH DISP.	DESCRIPTION	*ALTERNATOR CATALOG SYMBOL	QTY. PER VEHICLE	PART NUMBER
<b>10347 BRUSH HOLDER and BRACKET ASSY. - ALTERNATOR - continued</b>							
56/	A (except 51A, 76B)	6&8	All	Washer (brush holder & bracket assy. & bushing insulator to hsg. alternator-brush end)-No. 8 flat	T10, T11, T14 T15, T16	1	371818-S(XX47)
				Washer (brush holder & bracket assy. & bushing insulator to hsg. alternator-brush end)-No. 8 flat	T10, T11, T14, T15, T16	1	371820-S(XX48)
<b>10347 BRUSH and SPRING ASSY. - ALTERNATOR</b>							
56/	A (except 51A, 76B)	6&8	All		37, T12, T13	2	B8TZ 10347-A
<b>10A352 HUB - ALTERNATOR PULLEY</b>							
56/57	A (except 51A, 76B)	6&8	All	Used with single sheave pulley	T10 thru T16	1	B6AZ 10A352-A
<b>10362 PLATE and INSERT ASSY. - ALTERNATOR REAR - BRUSH END - Also Refer to Group 10334</b>							
56/58	A (except 51A, 76B)	6	223		T11, T14	1	B9AF 10362-A
<b>10A372 RETAINER - ALTERNATOR ROTOR SLIP RING</b>							
56/	A (except 51A, 76B)	6&8	All		T12, T13	1	B8AZ 10A372-A
<b>10504 BRACKET - GENERATOR REGULATOR MOUNTING</b>							
57/58	A	6&8	All	With 50 or 60 amp. generator-used with B6A 10505-C & B6C 10505-A regulators		1	B7AZ 10504-A
57/59	A	6&8	All	With 40 amp. generator-used with B7A 10505-A regulator		1	B7AZ 10504-B
59	A (except 76B)	6&8	All	Use with regulators B5C 10505-A, B6A 10505-C, B6C 10505-A & B, B8C 10505-B & B8Q 10505-A		1	B9AZ 10504-A
<b>10505 REGULATOR ASSY. - GENERATOR - For Alternator Regulator see Group 10316</b>							
49	A	6&8	All	7 volt, 30/33 amp. -3 terminals- ident. 51A 10505-A-use with generator 8BA 10002-D, FAA 10002-A-repl. by FAC 10505-A	1 (Ford)	1	*51A 10505-A
49	A	6&8	All	7 volt, 40/42 amp. -3 terminals- use with generator 8BA 10002-B, 8EL 10002-B-repl. by B5A 10505-C	3 (Ford)	1	*5EH 10505-C
49/50	A	6&8	All	7 volt, 34/38 amp. -3 terminals- ident. 51A 10505-H-use with generator 8BA 10002-D, FAA 10002-A-repl. by FAC 10505-A	2 (Ford)	1	*51A 10505-H
49/51	A	6&8	All	7 volt, 40/42 amp. -3 terminals- ident. 8L 10505-use with generator OHA 10000-B, 8BA 10002-B, 8EL 10002-B-repl. by B5A 10505-C	6 (Ford)	1	*8L 10505
49/51	A	6&8	All	7 volt, 36 amp. -3 terminals-ident. 8M 10505-A-use with generator 8BA 10002-D, FAA 10002-A, B, FBC 10002-A, B1A 10002-A-repl. by FAC 10505-A	7 (Ford)	1	*8M 10505-A
49/54	A	6&8	All	7 volt, 60 amp. -4 terminals-ident. 8BA-use with generator 8BA 10002-C, FAD 10002-A- repl. by B5A 10505-A	4 (Ford)	1	*8BA 10505-A
49/54	A	6&8	All	7 volt, 40 amp. -3 terminals-ident. FAD 10505-A-use with generator OHA 10000-B, 8BA 10002-B, 8EL 10002-B, B4C 10002-A, B5C 10002-A, B5S 10002-A, FAB 10002-C-repl. by B5A 10505-C	9 (Ford)	1	*FAD 10505-A

\* Refer to Groups 10000 and 10346 for complete Generator or Alternator identification

YEAR 19	MODEL	NO. CYL.	CUBIC INCH DISP.	DESCRIPTION	*REGULATOR CATALOG SYMBOL	QTY. PER VEHICLE	PART NUMBER
<b>10505 REGULATOR ASSY. - GENERATOR - continued - For Alternator Regulator see Group 10316</b>							
49/56	A	6&8	All	7 volt,60 amp. -3 terminals-ident. FAL 10505-A,B5AF 10505-C-use with generator 8BA 10002-C, FAD 10002-A	5 (Ford)	1	B5A 10505-A
49/56	A	6&8	All	7 volt,35 amp. -3 terminals-ident. FAC 10505-A-use with generator OHA 10000-A, 8BA 10002-D, FAA 10002-A, B, FBC 10002-A,B, B1A 10002-A-repl.by B5AZ 10505-A	8 (Ford)	1	★FAC 10505-A
49/56	A	6&8	All	7 volt,35 amp. -3 terminals-ident. B5AF 10505-A-use with generator OHA 10000-A, 8BA 10002-D, FAA 10002-A, B, FBC 10002-A, B1A 10002-A	37 (Ford)	1	B5AZ 10505-A
49/56 55	A New York Taxi	6&8 6	All 223	7 volt,40 amp. -3 terminals-ident. B5AF 10505-B, FAD 10505-A- use with generator OHA 10000-B, 8BA 10002-B, 8EL 10002-B, B4C 10002-A, B5C 10002-A, B5S 10002-A, FAB 10002-C	10 (Ford)	1 1	B5A 10505-C
52/53	A	6&8	All	7 volt,45 amp. -3 terminals-ident. FAE 10505-A-use with generator 8EL 10002-B-repl.by B3TZ 10505-A	11 (Ford)	1	★FAE 10505-A
52/53	A	6&8	All	7 volt,45 amp. -3 terminals-ident. FAJ 10505-A-use with generator 8EL 10002-B	36 (Ford)	1	B3TZ 10505-A
54/56	A	6&8	All	7 volt,50 amp. -3 terminals-ident. FAJ 10505-A-use with generator FBB 10002-A-repl.by B5TZ 10505-A	12 (Ford)	1	★FAJ 10505-A
54/56	A	6&8	All	7 volt,50 amp. -3 terminals-ident. B5TF 10505-A-use with generator FBB 10002-A	38 (Ford)	1	B5TZ 10505-A
55	New York Taxi	6	223	7 volt,40 amp. -3 terminals-ident. FBC 10505-SA-use with generator OHA 10000-B, 8BA 10002-B, 8EL 10002-B, B4C 10002-A, B5C 10002-A, B5S 10002-A, FAB 10002-C-repl. by B5A 10505-C	13 (Ford)	1	★B5A 10505-B
55/59	A	6&8	All	15 volt,60 amp. -3 terminals-ident. B9AF 10505-A, FAM 10505-A-use generator B6A 10002-B	14 (Ford)	1	B5C 10505-A
56/57	A, S	6&8	All	15 volt,30 amp. -3 terminals-ident. FAP 10505-B,C-use with generator B6A 10002-A, H-repl. by B7A 10505-B	15 (Ford)	1	★B6A 10505-A
56/57	A	6&8	All	15 volt,40 amp. -3 terminals- ident. FBB 10505-A-use with generator B6A 10002-E, F-repl. by B7A 10505-A	16 (Auto-Lite)	1	★B6A 10505-B
56/59	A	6&8	All	15 volt,60 amp. -3 terminals-ident. B9TF 10505-B, FAW 10505-B-use with generator B6A 10002-G	18 (Bosch)	1	B6C 10505-A
56/59	A	6&8	All	15 volt,30 amp. -3 terminals- use with generator B6A 10002-C	19 (Bosch)	1	B6C 10505-B
56/	A	6&8	All	15 volt,50 amp. -3 terminals-ident C0AF 10505-F, FAY 10505-B-use with generator B6A 10002-D	17 (Bosch)	1	B6A 10505-C
56/	A	6&8	All	15 volt,40 amp. -3 terminals-ident. 2700005-use with generator B6A 10002-E, F-repl. by C1TF 10505-D	20 (Autolite)	1	★B7A 10505-A

● Refer to Group 10505 for complete Regulator identification

# FORD CAR PARTS

YEAR 19...	MODEL	NO. CYL.	CUBIC INCH DISP.	DESCRIPTION	*REGULATOR CATALOG SYMBOL	QTY. PER VEHICLE	PART NUMBER
<b>10505 REGULATOR ASSY. - GENERATOR - continued</b> -For Alternator Regulator see Group 10316							
56/	A	6&8	All	15 volt, 30 amp.-3 terminals-ident.	21 (Ford)	1	*B7A 10505-B
56/	S	8	All	2700015,2900424-use with gen. B6A 10002-A,H, B9A 10002-A, COTF 10002-C, C1TF 10002-A, C1TZ 10002-A-repl. by C1TZ 10505-A		1	
59/	S	8	430	Use with generator B8S 10002-A, PB8M 10002-B		1	
56/	A	6&8	All	15 volt, 30 amp.-3 terminals-ident.	T7 (Ford)	1	*C1TZ 10505-A
56/	S			C1TF 10505-A, B-use with gen. B6A 10002-A, B9A 10002-A, COTF 10002-C, C1TF 10002-A, C1TZ 10002-A-replaced by C3TZ 10505-B	(Bosch)		
59/	S	8	430	Use with generator B8S 10002-A, PB8M 10002-B		1	
58/	A (with A/C)	8	All	15 volt,35 amp.-3 terminals-ident.	23 (Ford)	1	*B8E 10505-B
59/	S	8	All	2900305-use with generator B8A 10002-A-repl. by COMF 10505-A		1	
58/	A (except 51A, 76B)	8	All	15 volt, 35 amp.-3 terminals-ident.	25 (Ford)	1	COMF 10505-A
59/	S	8	All	COMF 10505-A-use with generator B8A 10002-A, B9FM 10002-A, COAF 10002-A, COAZ 10002-C, COMF 10002-A		1	
56/	A	6&8	All	15 volt,40 amp.-3 terminals-ident.	28 (Autolite)	1	C1TF 10505-D
				C1TF 10505-D,GR27-use with generator B6A 10002-E, F			
				Screw-hex. , washer head- No. 14-10 x 1/2"		2	31497-S8(U254)
49/53	A	6&8	All	Screw (regulator terminal)-No.10 -32 x 3/8"-pan head	1,2,3,6,7,8,9, 10,11	3	42802-S8(U33)
49/53	A	6&8	All	Screw (generator regulator wire terminal)	1,2,3,6,7,8,9, 10,11	1	
49/53	A	6&8	All	Screw (generator regulator to fender apron mounting)-No.14- 10 x 7/8"-pan hd.-self tapping	1,2,3,6,7,8,9, 10,11	3	32946-S7(U352)
49/54	A	6&8	All	Screw (F terminal)-No. 10-32 x 3/8"-pan head	4,5	1	42802-S8(U33)
52/54	A	6&8	All	Bolt (60 amp.generator regulator to L.H.fender apron)-5/16"-18 x 1 1/4"	4,5	4	20326-S8(B49)
52/54	A	6&8	All	Nut-5/16"-18	4,5	4	33797-S7(M50)
52/54	A	6&8	All	Washer-5/16" flat	4,5	4	44722-S8(X19)
				Lockwasher-5/16"			34806-S7(X64)
54	A	6&8	All	Screw (regulator to L.H.radiator air side deflector)-No.14-10 x 3/4" hex. washer head	8,9,10,12	3	42143-S8(U255)
55/56	A	6&8	All	Screw (regulator terminal)-No.10 -32 x 3/8"-pan head	5,14	3	42802-S8(U33)
55/57	A	6&8	All	Screw (regulator attaching)-No.14	10,15	4	42143-S8(U255)
57	S	8	All	-10 x 3/4"-hex. washer head	15	2	
<b>10505 REGULATOR ASSY. - ALTERNATOR</b> - Refer to Group 10316							
<b>10540 ARMATURE ASSY. - REGULATOR CUTOUT UNIT</b>							
49/54	A	6&8	All		4	1	19B 10540-C
49/56	A,S	6&8	All		2,6,7,8,9,10,11	1	B6A 10540-C
49/56	A,S	6&8	All	Rivet (cutout unit armature to frame)-1/8" x 3/16"	2,6,7,8,9,10,11	2	*63527-S

\* Refer to Group 10505 for complete Regulator identification

YEAR 19	MODEL	NO. CYL.	CUBIC INCH DISP.	DESCRIPTION	*REGULATOR CATALOG SYMBOL	QTY. PER VEHICLE	PART NUMBER
<b>10A540 CONTACT REPAIR KIT - ALTERNATOR REGULATOR LOAD RELAY</b>							
56/	A	6&8	All		T3, T6	1	C2TZ 10A540-A
Consists of							
1-★C1AF 10A517-A Armature assy.				1-★C1AF 10A523-A Post assy.			
<b>10A541 CONTACT REPAIR KIT - ALTERNATOR REGULATOR VOLTAGE LIMITER RELAY</b>							
56/	A	6&8	All	Kit	T3, T6	1	C2TZ 10A541-A
Consists of							
1-★C1TF 10551-A Armature assy.				1-★C1TF 10565-A Carrier assy. -upper			
1-★C1TF 10608-A Carrier assy. -lower							
<b>10A542 CONTACT REPAIR KIT - ALTERNATOR REGULATOR CURRENT LIMITER</b>							
56/	A	6&8	All	Kit	T3, T6	1	C2TZ 10A542-A
Consists of							
1-★C1TF 10A543-A Armature assy.				1-★C1TF 10565-A Carrier assy. -upper			
<b>10545 BASE ASSY. - GENERATOR REGULATOR</b>							
49/54	A	6&8	All		4	1	19B 10545-B
<b>10551 ARMATURE ASSY. - REGULATOR</b>							
49	A	6&8	All	Regulator unit-has spring hinge .008" thick	1	1	★51A 10551
49	A	6&8	All	Current limiter	1,3	1	★01A 10551-A
49	A	6&8	All	Regulator unit	1,3	1	★01A 10551-B
49	A	6&8	All	Regulator unit-has spring hinge .0131"/.0137" thick	1,3	1	★01A 10551-B
49/54	A	6&8	All	Regulator unit	4	1	19B 10551-B
49/56	A, S	6&8	All	Regulator unit	2,6,7,8,9,10,11	1	8A 10551
49/56	A	6&8	All		5	1	★B5A 10551-A
56/	A, S	6&8	All		15,21,23,25	1	B6A 10551-B
56/	A	6&8	All		17,18,19	1	★B6C 10551-A
49	A	6&8	All	Screw (armature to coil & yoke)- No.8-32 x 5/16"-fillister head	1,3	4	31037-S7(U48)
49/54	A	6&8	All	Screw-round head, slotted- No. 6-32 x 1/2"	4	4	26479-S7-8(U166)
49/	A, S	6&8	All	Rivet (regulator unit to frame)- 1/8" x 3/16"-oval head-tubular	2,6,7,8,9,10,11, 12,15,21	AR	★63527-S
<b>10565 POINT and POST ASSY. - REGULATOR</b>							
49/54	A	6&8	All		4	2	19B 10565-D
<b>10568 PLATE - REGULATOR UNIT ARMATURE TO POST REINFORCEMENT</b>							
49	A	6&8	All		1,3	4	★01A 10568-A
<b>10570 RESISTOR - REGULATOR UNIT FIELD</b>							
49/56	A, S	6&8	All	21 ohms-1.65" long	2,6,7,8,9,10,11, 12	1	8A 10570
55/56	A	6&8	All		14	1	B6A 10570-A
56/	A, S	6&8	All		15, 21, 23	1	
58/	A, S	6&8	All	Regulator ballast-20 ohms-1.67" long-figure 20 stamped on terminal	25	1	B9FL 10570-B
58/	A, S	6&8	All	70 ohms-1.66" long-figure 70 stamped on terminal	25	1	COMF 10570-A
<b>10576 POINT - REGULATOR UNIT FIXED CONTACT</b>							
49	A	6&8	All	Point surface .0075" thick	1,3	1	B1AZ 10576-B
				Nut (regulator unit fixed contact point)-No. 10-32	1,3	2	34079-S7(M163)
49/56	A	6&8	All	Point surface .054" thick	2,5,6,7,8,9,10, 11,12	1	8A 10576
49/56	A	6&8	All	Point surface .052" to shoulder	2,5,6,7,8,9,10, 11,12	1	A8AZ 10576-A
49/56	A	6&8	All	Point surface .107" to shoulder	5	2	B6AZ 10576-A
56/	A, S	6&8	All		15, 21	2	

• Refer to Group 10505 for complete Regulator Identification

# FORD CAR PARTS

## SECTION 106

YEAR 19__	MODEL	NO. CYL.	CUBIC INCH DISP.	DESCRIPTION	*REGULATOR CATALOG SYMBOL	QTY. PER VEHICLE	PART NUMBER			
<b>10584 ARMATURE ASSY. - REGULATOR</b>										
49/56	A, S	6&8	All	Current limiter	5 thru 12	1	*8A 10584			
				Rivet-oval head-1/8" x 3/16"-	5 thru 12	2	*63527-S			
56/	A	6&8	All	Voltage	17, 18, 19	1	B6C 10584-A			
<b>10594 RESISTOR - VOLTAGE REGULATOR</b>										
49/56	A	6&8	All	Regulator unit absorbing-14 ohms-2.21" long	2, 5, 6, 7, 8, 9, 10, 11, 12	1	8A 10594			
55/56	A	6&8	All		14	1	B6A 10594-A			
56/	A, S	6&8	All		15, 21, 23	1				
58/	A, S	6&8	All	Regulator unit absorbing-40 ohms-2.22" long-figure 40 stamped on terminal	25	1	B9FL 10594-A			
<b>10609 POINT and SCREW ASSY. - REGULATOR CUTOUT UNIT MAIN CONTACT</b>										
49/54	A	6&8	All	1/4"-28-.62" overall length	4	1	19B 10609			
				Locknut (cutout unit main contact point & screw)-1/4"-28	4	1	33796-S7(M61)			
<b>10616 POINT and SCREW ASSY. - REGULATOR CUTOUT UNIT AUXILIARY CONTACT</b>										
49/54	A	6&8	All	No. 10-32-.72" overall length	4	1	19B 10616-B			
				Nut (cutout unit fixed contact point & screw)-No. 10-32	4	1	34079-S7(M163)			
<b>10623 GASKET - REGULATOR COVER TO BASE</b>										
49/54	A	6&8	All		4	1	19B 10623			
49/	A, S	6&8	All		1 thru 12, 14, 15, 21, 23	1	51A 10623			
49/56	A	6&8	All	Rivet (regulator cover to base)-1/8" x 3/16"-oval hd. -tubular	2, 6, 7, 8, 9, 10, 11, 12	2	*63527-S			
49/56	A	6&8	All	Screw & lockwasher ass'y. (regulator cover to base)-No. 8-32 x 3/4" pan	2, 6, 7, 8, 9, 10, 11, 12	2	*32916-S8			
56/	A	6&8	All	No. 8-32 x 3/8" pan head	17, 18, 19	1	B6C 10623-A			
<b>10653 BATTERY ASSY. - DRY CHARGE - LESS ELECTROLYTE</b>										
YEAR 19__	MODEL	S. A. E. GROUP NO.	VOLT	NO. PLATES	AMPERE HOURS	CASE SIZE			IDENTIFICATION	PART NUMBER
						WIDTH	LENGTH AT TOP	HEIGHT		
49/53	A	2L	6	45	80	7"	10 1/4"	7 1/2"	"Autolite"	A0A 10653-K
49/56	A*	2N	6	51	90	5 1/2"	10"	8"	"Autolite"	B4AZ 10653-F
54/55	A	2N	6	57	100	5 1/2"	10"	8"	"Autolite"	B4AZ 10653-G
56	A	5NA	12	78	70	5 1/2"	14 1/4"	8"	"Autolite"	C3TZ 10653-B
56/	A, S	4NFA	12	66	55	5 1/2"	12 1/2"	8"	"Autolite"	C3AZ 10653-A
57/	A, S	3MFA	12	66	70	6 3/4"	12"	8"	"Autolite"	C3AZ 10653-E
58/	A, S	4NFB	12	78	65	5 1/2"	12 1/2"	8"	"Autolite"	C3AZ 10653-C
<b>10654 BATTERY ASSY. - DRY CHARGE - WITH ELECTROLYTE</b>										
49/53	A	2L	6	45	90	7 1/4"	10 1/2"	7"	"Ford Thunder Power"	A0A 10654-H
49/53	A	2L	6	45	80	7"	10 1/4"	7 1/2"	"Autolite"	A0A 10654-K
49/56	A*	2N	6	51	90	5 1/2"	10"	8"	"Ford Thunder Power"	B4A 10654-D
49/56	A*	2N	6	51	90	5 1/2"	10"	8"	"Autolite"	B4AZ 10654-F
54/55	A	3N	6	63	110	5 1/2"	11 1/4"	8"	"Ford Thunder Power"	B4A 10654-E
54/55	A	2N	6	57	100	5 1/2"	10"	8"	"Autolite"	B4AZ 10654-G
56	A	5NA	12	78	70	5 1/2"	14 1/4"	8"	"Ford Thunder Power"	B6A 10654-C
56	A	5NA	12	78	70	5 1/2"	12 1/2"	8"	"Autolite"	C3TZ 10654-B
58/	A, S	4NFB	12	78	65	5 1/2"	12 1/2"	8"	"Autolite"	C3AZ 10654-C
56/	A, S	4NFA	12	66	55	5 1/2"	12 1/2"	8"	"Autolite"	C3AZ 10654-A
57/	A, S	3MFA	12	66	70	6 3/4"	12"	8"	"Autolite"	C3AZ 10654-E
<b>10655 BATTERY ASSY. - WETTYPE</b>										
YEAR 19__	MODEL	INDUSTRY GROUP NO.	VOLT	NO. PLATES	AMPERE HOURS	CASE SIZE			IDENTIFICATION	PART NUMBER
						WIDTH	LENGTH AT TOP	HEIGHT		
52/	other than Ford	2SM	12	42	40	6 3/4"	10 1/4"	7 7/8"	"Econo Power"	000 10655-A
49/	other than Ford	1	6	27	53	7 1/8"	9 1/8"	8 3/8"	"Econo Power"	A0A 10655-A
49/	other than Ford	2L	6	27	53	7 1/4"	10 5/8"	7 1/8"	"Econo Power"	A0A 10655-B
54/55	A	2N	6	39	70	5 1/2"	10"	8"	"Econo Power"	B4A 10655-A
56/58	A	4N	12	54	45	5 1/2"	12 1/2"	8"	"Econo Power"	B6A 10655-F

• Refer to Group 10505 for complete Regulator identification

\* Use with A0A 10718-A adjustable clamp for 1949-53 models

YEAR 19	MODEL	DESCRIPTION	QTY. PER VEHICLE	PART NUMBER
<b>10656 ELECTROLYTE - BATTERY</b>				
49/	A, S	5 gallons in plastic lined container	1	C3AZ 10656-A
<b>10657 HOSE ASSY. - ELECTROLYTE FILLER</b>				
49/	A, S	Use with electrolyte C3AZ 10656-A	1	C3AZ 10657-A
<b>10716-18 CLAMP - BATTERY HOLD DOWN</b>				
49/56	A, S	Non-adjustable-10.63" long excluding loops-7.32" wide-used w/A0A 10654-F, A9A 10654-A, 01A 10655-M, FAC 10655-B, B4A 10654-D, B4AZ 10654-F & B4AZ 10653-F batteries	1	B4A 10718-A
49/	A, S	Adjustable-From 5 9/16" x 9 3/16" to 7 1/4" x 14 1/4"	1	AOA 10718-A
54/55	A, S	Adjustable	1	BM 10716-A
55	A, S	Clamp ass'y. (battery hold down)-not adj. -5.66" wide exclusive of center loops-10 3/16" long	1	B5A 10718-A
56	A	6.98" wide-15.02" long-3 bolt holes-used with B6A 10654-B, B6A 10655-E, B6A 10654-C, C3TZ 10653-B & C3TZ 10654-B batteries	1	B6A 10718-B
56	A, S	5.68" wide-13.92" long-2 bolt holes-used with B6A 10654-A, B6A 10655-C, B9A 10654-D, C3AZ 10653-A & C3AZ 10654-A batteries	1	B6A 10718-C
57	S		1	
57/58	A	5.68" wide-12.62" long at outside corners excluding 2 bolt hole loops-used w/B6A 10654-A, B6A 10655-C, B9A 10654-D, C3AZ 10653-A & C3AZ 10654-A batteries	1	B7A 10716-A
57/58	A	7.04" wide-12.60" long at outside corners excluding 2 bolt hole loops-used w/B7A 10654-A, B8A 10654-A, B7A 10655-A, B8A 10655-A, B9A 10654-E, F, C3AZ 10653-C, E and C3AZ 10654-C, E batteries	1	B7A 10716-B
56/	A, S	Used with B9A 10654-D, E, F, C3AZ 10653-A, C, E, B9A 10655-A, B, C, C3AZ 10654-A, C, E batteries	1	C2DZ 10718-B
49/	A, S	Washer (clamp to battery carrier)-flat .39"x.75"	2	351385-S7(XX158)
55/	A, S	Wing nut (clamp to battery carrier)-5/16"-18	AR	33896-S8(M182)
55/	A, S	Washer (clamp to battery carrier)-5/16" flat	AR	44725-S3(X22)
<b>10A717 WASHER - BATTERY TERMINAL CORROSION ARRESTOR</b>				
49/		11/16" I. D. -felt-oil impregnated	2	C1AZ 10A717-A
<b>10732 CARRIER ASSY. - BATTERY - Also Refer to Group 10764</b>				
49/53	A		1	BA 10732-B
54	A		1	BM 10732-A
55	A (8 cyl. with A/C)		1	B5A 10732-A
56	A	Used with B6A 10654-A, B, B6A 10655-C, E, B9A 10654-D, C3AZ 10653-A & C3AZ 10654-A batteries	1	B6A 10732-A
56/57	S		1	B6S 10732-B
57/58	A	Used with B6A 10654-A, B6A 10655-C, B9A 10654-D, C3AZ 10653-A & C3AZ 10654-A batteries	1	B7A 10732-A
57/58	A	Used with B7A 10654-A, B7A 10655-A, B8A 10654-A, B8A 10655-A, B9A 10654-E, F, C3AZ 10653-C, E & C3AZ 10654-C, E batteries	1	B7A 10732-B
58/	S		1	B8S 10732-A
59	A	Used w/B9A 10654-D, E, F, B9A 10655-A, B, C, C3AZ 10653-A, C, E & C3AZ 10654-A, C, E batteries	1	B9AB 10732-A
52/53	A	Bolt (Battery support to front fender apron) -1/4"-20 x 5/8"	2	20324-S8(B41)
		Washer - 1/4" flat		44719-S8(X17)
		Lockwasher - 1/4"		34805-S8(X62)
54	A	Bolt (carrier to fender apron & deflector ass'y.) - 5/16"-24 x 1"	5	20387-S8(B157)
55/	S		2	
55/	A, S	Bolt (carrier attaching)-5/16"-24 x 3/4"	AR	20347-S8(B156)



# FORD CAR PARTS

## SECTION 106

533

YEAR 19.....	MODEL	DESCRIPTION	QTY. PER VEHICLE	PART NUMBER
<b>10756 BOLT - BATTERY CLAMP</b>				
54	A	10.10" long-5/16"-18 threads	1	B5A 10756-B
55	A, S		2	
56	A		AR	
57	S		1	
49/54	A	4.13" long	1or2	BM 10756-B
49/54	A	3/8"-16 x 5 1/4"	2	A9AZ 10756-A
55	A	Use with heavy duty battery	2	
56	A(P/I)		2	
56/	S	8.70" long-5/16"-18 threads	AR	B6S 10756-A
57/58	A	5.72" long-5/16"-18 threads	2	B7A 10756-A
49/56	A, S	Wing nut (clamp to battery carrier)-3/8"-16	2	33897-S8(M183)
49/	A, S	Washer (battery clamp hold down)-rubber	AR	78 700045-A
54/58	A	Nut-5/16"-18 wing	AR	33896-S8(M182)
<b>10757 SHIELD - BATTERY</b>				
56/59	S	14.75" long-7.80" wide	1	B6S 10757-A
		Bolt-hex. head-1/4"-20 x 1/2"	AR	20308-S7(B40)
		Lockwasher-external tooth-1/4"	AR	34940-S7-8(X88)
<b>10764 TRAY - BATTERY - Also Refer to Group 10732</b>				
55	A	11.42" long-used w/B4A 10654-A, B, C, D, E, FDA 10655-A, D, G, B4AZ 10653-F, G & B4AZ 10654-F, G batteries	1	B5A 10764-A
		Bolt (tray to inner support brkt.)-5/16"-24x3/4"	2	20347-S8(B156)
		Bolt (tray to outer support brkt.)-5/16"-24x1"	2	20387-S8(B157)
		Nut-5/16"-24	2	33798-S8(M62)
		Washer-5/16" flat	2	44722-S8(X19)
		Lockwasher-5/16"	2	34806-S7(X64)
		Screw & washer-hex. head-5/16"-24 x 1 1/8"	2	353483-S2(BB588)
<b>10804 REGULATOR ASSY. - INSTRUMENT CLUSTER VOLTAGE</b>				
57	S		1	B7S 10804-A
57	A		1	B7A 10804-B
58/59	A, S		1	
		Nut & retainer- 5/16"-24	2	357552-S2(MM199)
57/59	A, S	Screw-No. 8-32 x 1/4" fillister head-pointed	4	*37611-S7
<b>10823 BEZEL - INSTRUMENT CLUSTER WARNING LAMP</b>				
58	A		2	B8A 10823-A
58/59	S	Inner	2	B9A 10823-A
<b>10826 COVER - FUEL AND TEMPERATURE INDICATOR</b>				
58/	S		1	B8S 10826-A
<b>10838 HOUSING ASSY. - INSTRUMENT CLUSTER - Also Refer to Group 10841</b>				
57	A		1	B7A 10838-AP
57	S		1	B7S 10838-AP
56	A	Stud(hsg.to instrument panel)-No.10-24 x .81"long	8	352419-S34(WW5)
57	A	No. 10-24 x .81" long	4	
57	S		8	
56	A	Nut (instrument cluster to panel) -No. 10-24	8	34053-S8(M156)
		Lockwasher-No. 10		34803-S7(X60)
58	A		1	B8A 10838-A
58/	S		1	B8S 10838-A
59	A		1	B9A 10838-A
<b>10840 BEZEL ASSY. - SPEEDOMETER - Also Refer to Group 17A260</b>				
56	A	4.84" O.D. -4.38" I.D. chrome plated	1	B6A 10840-B
<b>10844 BEZEL - INSTRUMENT CLUSTER</b>				
58/	S		2	B8S 10844-A
<b>10847 BRACKET ASSY. - ALTERNATOR AMMETER MOUNTING</b>				
59/	A, S	Includes 2 brass bushings	1	B9A 10847-A
<b>10848 PLATE - INSTRUMENT CLUSTER BACK</b>				
57	S		1	B7S 10848-A
57/58	A		1	B8A 10848-A
59	A		1	B9A 10848-A

## SECTION 106

## FORD CAR PARTS

YEAR 19	MODEL	DESCRIPTION	QTY. PER VEHICLE	PART NUMBER
<b>10850 AMMETER ASSY.</b>				
51	A (except S/W)	Red indicator hand	1	1A 10850-C
52/53	A	Red indicator hand	1	FAC 10850-B
49/53	A	Screw-fillister head-No. 8-32 x 1/4"	2	★37611-S7
59/	A	Alternator	1	B9A 10850-A
<b>10852 BEZEL - INSTRUMENT CLUSTER CONTROL - INNER</b>				
52/53	A	Air	2	★FAA 10852-E
		Blower	1	★FAA 10852-F
		Choke	1	FAA 10852-D
		Exterior lights	1	B9S 10852-B
		Interior lights	1	FAA 10852-C
		Wipers	1	★FAA 10852-A
54	A	Choke	1	★FDA 10852-P
		Left air	1	★B5A 10852-G
		Lights	1	★B5A 10852-N
		Right air	1	B5A 10852-L
		Wipers	1	★B5A 10852-M
55	A (except Mainline)	Choke	1	★B5A 10852-D
		Left air	1	★B5A 10852-G
		Lights	1	B5A 10852-C
		Top	1	★B5A 10852-J
		Wipers	1	★B5A 10852-B
55	A (Mainline)	Choke	1	★B5A 10852-P
		Left air	1	★B5A 10852-K
		Lights	1	★B5A 10852-N
		Right air	1	B5A 10852-L
		Wipers	1	★B5A 10852-M
55	S	Blower	1	B5S 10852-C
		Left air	1	B5S 10852-B
		Lights	1	B9S 10852-B
		Right air	1	B5S 10852-A
		Wipers	1	★FAA 10852-A
56	A	Choke	1	B6A 10852-F
		Left air	1	★B6A 10852-E
		Lights	1	B6A 10852-B
		Right air	1	★B6A 10852-D
		Top	1	★B6A 10852-C
		Wipers	1	★B6A 10852-A
56/57	S	Blower	1	B5S 10852-C
		Left air	1	B5S 10852-B
		Right air	1	B5S 10852-A
		Wipers	1	★FAA 10852-A
		Lights	1	B9S 10852-B
58	S	Lights	1	B5A 10852-C
		Wipers	1	★B5A 10852-B
59	S	Lights	1	B9S 10852-B
		Wipers	1	B9S 10852-A
<b>10853 BEZEL - INSTRUMENT CLUSTER CONTROL - OUTER</b>				
51	A (except S/W)	Choke	1	1A 10853-A
		Exterior lights	1	
		Ignition	1	
		Interior lights	1	
		Wiper	1	
52&54	A	Steel-1.54" O.D. -use with FAA 10868-B	2	FAA 10853-A
52	A	Air control	1	
52	A	Interior lights	1	
52	A	Wiper	1	
52	A	Choke	1	
52	A	Exterior lights	1	
52&54	A	Ignition	1	
55/57	S	Use with FAA 10868-B-wipers, air control, light or ignition	AR	
58/	S	Wipers, lights & ignition	AR	
55	A (except Mainline)	Wipers, air L. H., choke, light or ignition switch	AR	B5A 10853-A
56	A (6 cyl.)	Choke	1	B6A 10853-A

# FORD CAR PARTS

## SECTION 106

535

YEAR 19__	MODEL	DESCRIPTION	QTY. PER VEHICLE	PART NUMBER
<b>10868 SEAL - INSTRUMENT CLUSTER CONTROL OUTER BEZEL - RUBBER</b>				
52	A	1.50" O. D. -use with FAA 10853-A	7	FAA 10868-E
54	A	Ignition switch	1	
55/59	S		5	
55	A (except Mainline)	Use with B5A 10853-A	5	B5A 10868-A
56	A	1.06" I. D. -1.38" O. D. -.025" thick-used with bezels for wipers, lights and ignition switch	3	B6A 10868-A
<b>10876 BEZEL - INSTRUMENT CLUSTER - Also Refer to Group 15009</b>				
56	A	2.60" O.D. -2.21" I.D. -has 6 tabs equally spaced	3	B6A 10876-A
57	S		3	
58	S	Clock	1	B8S 10876-A
		Fuel gauge	1	
<b>10879 BRACKET ASSY. - ALTERNATOR AMMETER</b>				
56/	A		1	FDM 10879-AP
<b>10880 GLASS- INSTRUMENT CLUSTER</b>				
54	A	6.06" long-.92" wide-.103" thick-obtain locally	1	FAF 10880-A
<b>10883 GAUGE ASSY. - INSTRUMENT CLUSTER TEMPERATURE</b>				
51	A (except S/W)	White indicator hand	1	1A 10883-B
52/53	A	Red indicator hand	1	FAB 10883-C
54	A	Red indicator hand	1	FDA 10883-A
49/54	A	Screw (temperature gauge attaching)- No. 8-32 x 1/4"-fillister head	AR	31037-S7(U48)
		Nut (temperature gauge terminal)-No. 10-32	AR	34079-S7(M165)
		Lockwasher No. 10		34803-S7(X60)
55	A, S	6 volt	1	B5A 10883-A
56	A	12 volt	1	B6A 10883-D
56	A	6 volt	1	B6A 10883-E
56	S	12 volt	1	B6S 10883-A
57	A	12 volt	1	B7A 10883-A
57	S	12 volt	1	B7S 10883-A
58	A		1	B8A 10883-A
59	A		1	B9A 10883-A
56/	A	Screw (gauge to cluster back plate) -No. 8-32 x 1/4" fillister head	2	31037-S7(U48)
57	S		2	
55	A, S	Screw (temperature gauge attaching)	2	26457-S7(U167)
56	S	-No. 8-32 x 1/4"-round head	2	
<b>10884 SENDER - WATER TEMPERATURE INDICATOR - ENGINE UNIT</b>				
49/56	A, S	Stamped 224-used with 26H 8100-B 4 lb. pressure cap-used with FAA 13785-A terminal on 1954-56 models-6 volt	1	8A 10884
56	A, S	12 volt	1	B6C 10884-A
57/	A, S	12 volt-1/4"-18 pipe thread (except with B9AZ 6049-F head)	1	B7A 10884-A
57	A (6 cyl.)	12 volt-3/8"-18 pipe thread (use with B9AZ 6049-F head only)	1	B7A 10884-B
49/54	A	Screw-round head-No. 8-32 x 1/4"	1	26457-S7(U167)
		Lockwasher-No. 8		34802-S7(X59)
<b>10887 DIAL - INSTRUMENT CLUSTER MAIN</b>				
57	A		1	B7A 10887-E
59	A		1	B9A 10887-A
<b>10890 MASK ASSY. - INSTRUMENT CLUSTER</b>				
56	A	2.42" O. D. -2.09" I. D. -.23" deep	3	B6A 10890-A
57	S		3	
57	A		1	B7A 10890-B
58	A		1	B8A 10890-A
59	A		1	B9A 10890-A
<b>10896 BEZEL - INSTRUMENT CLUSTER ODOMETER</b>				
57	A		1	B7A 10896-B
<b>10911 ADAPTER - WATER TEMPERATURE INDICATOR SENDER</b>				
54/56	A(8 cyl.), S		1	B4A 10911-A
57	A (8 cyl.), S	Press in type-29/32" O. D. x 1/2" long with 1/4"-18 pipe thread-use with senders (10884)	1	B7A 10911-A
58/	A (8 cyl. 292)	having 1/4"-18 male ends	1	
58/59	A, S (8 cyl. 332, 352)		1	B9AE 10911-A

YEAR 19	MODEL	DESCRIPTION	QTY. PER VEHICLE	PART NUMBER
<b>10917 SEAL - CIGAR LIGHTER OUTER BEZEL</b>				
57/	S		1	B7S 10917-A
<b>10920 CLIP - INSTRUMENT CLUSTER BEZEL</b>				
57	A		13	B8A 10920-A
58	A		10	
<b>10A936 LENS - OIL PRESSURE INDICATOR WARNING LAMP</b>				
56	A	Glass-2 7/16" diameter	3	B6AZ 10A936-A
57	S		3	
56	A	Gasket-cut 14 1/2" from B6A 17248-C	AR	
57	S		AR	
57	A	Cellulose acetate-1" diameter	1	B7AZ 10A936-A
57	S		1	B7SZ 10A936-A
58	A		1	B8AZ 10A936-A
59	A		1	B9AZ 10A936-A
58/59	S		1	B9SZ 10A936-A
<b>10A937 LENS - GENERATOR INDICATOR WARNING LAMP</b>				
57	A		1	B7AZ 10A937-A
57	S		1	B7SZ 10A937-A
58	A		1	B8AZ 10A937-A
59	A		1	B9AZ 10A937-A
58/59	S		1	B9SZ 10A937-A
<b>10978 MASK - INSTRUMENT CLUSTER ODOMETER</b>				
57	A		1	B7A 10978-B
58	A		1	B8A 10978-A
<b>10990 SENDER - WATER TEMPERATURE INDICATOR - ENGINE UNIT</b>				
49/53	A (8 cyl. 239)	Stamped 217-used with 26H 8100-B 4 lb. pressure cap	1	8A 10990
		Screw-round head, slotted-No. 8-32 x 1/4"	2	26457-S7(U167)
		Lockwasher-spring-No. 8	2	34802-S7(X59)
<b>11001-2 STARTER ASSY.</b>				
49/53	A (with S/T & O/D)	8 239	6 volt-includes (Ford)	1 FAD 11002-A
49/51	A	6 226	mounting bracket 1A 11140-A-less drive assy. use B 11350 if ident, FAF 11001-A or 8HA 11350 if ident, FAH 11001-A	1
49/51	A	6 226	Band (starter cover)	1 18 10142
49/53	A (with S/T & O/D)	8 239		1
51	A (with F/M)	8 239	6 volt-less drive assy. -use (Ford) 1CM 11350-C-repl. by FAJ 11002-A	1 *1CM 11002-A
52/53	A	6 215	6 volt-less drive assy. use (Ford)	1 *FAE 11002-A
52/53	A (with F/M)	6&8 215,239	1CM 11350-C-ident, FAG 11001-B-replaced by FAJ 11002-A	1
52/53	A	6 215	6 volt-less drive assy. use (Ford)	1 FAJ 11002-A
51/53	A (with F/M)	6&8 215,239	1CM 11350-C-ident, FAG 11001-D	1
52/54	A	6 215,223	Band (starter cover)	1 1CM 11125-A
51/54	A (with F/M)	6&8 All		1
54/56	A, S	6&8 All	6 volt-less drive assy. use (Ford) 1CM 11350-C-ident, FAC 11001-P	1 B5C 11002-A
56/	A, S (except 430 engine)	6&8 All	12 volt-less drive assy. use (Ford) 1CM 11350-C-ident, FAR 11001-A	1 B6A 11002-A
59/	S	8 430	12 volt-less drive assy. use (Ford) 1CM 11350-C-ident, 2900550-replaced by FAY 11002-A	1 *B9S 11002-A
59/	S	8 430	12 volt-less drive assy. use (Ford) 1CM 11350-C-ident, FAY 11001-A	1 FAY 11002-A
49/54	A	6&8 All	Screw (starter brush cover band)-No. 10-32 x 1 1/2" round head	1 27177-S7(U177)
			Nut-No. 10-32	34079-S7(M163)
49/	A, S	6&8 All	Screw (starter pole piece)-7/16"-14 x .656"	3or4 68 10044

# FORD CAR PARTS

## SECTION 110

537

YEAR 19	MODEL	NO. CYL.	CUBIC INCH DISP.	DESCRIPTION	QTY. PER VEHICLE	PART NUMBER
<b>11001-2 STARTER ASSY. - continued</b>						
51/53	A (with F/M)	6&8	215,239	Bolt (starter to converter housing)- 5/16"-18 x 1.36"	1	*352154-S8
52/53	A (with S/T & O/D)	6	215	Bolt (starter to flywheel housing)	1	
54	A (with F/M)	6&8	223,239	Bolt(starter to converter housing)-5/16"-18 x 5/8"	1	20326-S7(B49)
				Lockwasher-5/16"	1	34806-S7(X64)
54/58	A, S	6&8	All	Bolt (starter to flywheel housing)- 5/16"-18 x 1 1/8"	3	352464-S8(BB139)
				Lockwasher-5/16"	3	34806-S7(X64)
56/	A, S	6&8	All	Bolt (starter frame thru)	2	C3AZ 10120-A
59/	A, S	6&8	All	Bolt (starter to fly wheel housing)- 5/16"-18 x 1 1/8"	3	352464-S8(BB139)
				Lockwasher-5/16"	1	34806-S7(X64)
<b>11005 ARMATURE ASSY. - STARTER MOTOR</b>						
49/51	A	6	226	Shaft 12.45" long	1	18 11005
49/53	A (with S/T or O/D)	8	239		1	
51/53	A (with F/M)	6&8	215,239	Shaft 13.40" long-use with 1CM 11002-A,	1	FAC 11005-A
52/53	A	6	215	FAE 11002-A & FAJ 11002-A starters	1	
54/	A, S	6&8	All		1	B6A 11005-B
<b>11036 WASHER - STARTER MOTOR ARMATURE THRUST</b>						
49/	A, S	6&8	All	Fibre-use with starter FAD 11002-A, 1CM 11002-A, FAE 11002-A, FAJ 11002-A B5C 11002-A, B6A 11002-A, B9S 11002-A, FAY 11002-A	2	18 11036
<b>11049-50 PLATE and BUSHING ASSY - STARTER MOTOR FRONT END</b>						
49/	A, S	6&8	All		1	C3AZ 11049-A
				Dowel (starter front end plate locating)	1	18 10088
<b>11052 BUSHING - STARTER MOTOR FRONT END PLATE</b>						
49/	A, S	6&8	All	5/8" I. D. x 3/4" O. D. x 9/16" long-use with starter FAD 11002-A, 1CM 11002-A FAE 11002-A, FAJ 11002-A, B5C 11002-A, B6A 11002-A, B9S 11002-A, FAY 11002-A	1	18 11052
<b>11055-56 BRUSH ASSY. - STARTER MOTOR</b>						
49/	A, S	6&8	All	Insulated-serviced in brush set 11057-use with starter FAD 11002-A, 1CM 11002-A, FAE 11002-A, FAJ 11002-A, B5C 11002, B6A 11002-A, B9S 11002-A, FAY 11002-A	2	18 11055
49/	A, S	6&8	All	Non-insulated-serviced in brush set 11057-use with starter FAD 11002-A, 1CM 11002-A FAE 11002-A, FAJ 11002-A, B5C 11002-A, B6A 11002-A, B9S 11002-A, FAY 11002-A	2	18 11056
<b>11057 BRUSH SET - STARTER MOTOR</b>						
49/	A, S	6&8	All	Consists of 2 each insulated and non- insulated brushes-use with starter FAD 11002-A, 1CM 11002-A, FAE 11002-A, FAJ 11002-A, B5C 11002-A, B6A 11002-A, B9S 11002-A, FAY 11002-A	1	18 11057
49/	A, S	6&8	All	Insulator (starter brush holder rivet)	4	8BA 10048-B
49/	A, S	6&8	All	Screw-oval head, cross recess-No. 10-32 x 1"	2	*373946-S100
				Lockwasher-No. 10	2	34803-S7(X60)
<b>11059 SPRING - STARTER MOTOR BRUSH</b>						
49/	A, S	6&8	All	Use with starter FAD 11002-A, 1CM 11002-A, FAE 11002-A, FAJ 11002-A, B5C 11002-A, B6A 11002-A, B9S 11002-A, FAY 11002-A	4	B 11059
<b>11069 RIVET - STARTER MOTOR BRUSH HOLDER</b>						
49/	A, S	6&8	All		8	18 11069
<b>11083-85 COIL - STARTER MOTOR FIELD</b>						
49/56	A, S	6&8	All	R. H. -6 volt-use with starter FAD 11002-A, 1CM 11002-A, FAE 11002-A, FAJ 11002-A, B5C 11002-A	1	18 11085
				L. H. -6 volt-use with starter FAD 11002-A, 1CM 11002-A, FAE 11002-A, FAJ 11002-A, B5C 11002-A	1	FAC 11083-A

# FORD CAR PARTS

## SECTION 110

YEAR 19	MODEL	NO. CYL.	CUBIC INCH DISP.	DESCRIPTION	QTY. PER VEHICLE	PART NUMBER
<b>11083-85 COIL - STARTER MOTOR FIELD - continued</b>						
56/	A, S	6&8	All	R. H. -includes insulated brush-12 volt-use with starter B6A 11002-A, B9S 11002-A, FAY 11002-A	1	70 11085
				L. H. -upper-12 volt-use with starter B6A 11002-A, B9S 11002-A, FAY 11002-A	1	B6TZ 11083-B
				L. H. -lower-includes insulated brush-12 volt - B6A 11002-A, B9S 11002-A, FAY 11002-A	1	70 11083
<b>11091 BOLT - STARTER MOTOR FRAME THRU</b>						
49/51	A	6	226	5/16"-18 x 7.15"	2	18 11091
49/53	A (with S/T & O/D)	8	239		2	
51/53	A (with F/M)	6&8	215,239	5/16"-18 x 7.65"	2	1CM 11091
52/53	A	6	215		2	
54/56	A, S	6&8	All	5/16"-18 x 6.80"-use with 6 volt starter	2	FAA 11091-A
49/56	A, S	6&8	All	Lockwasher(starter frame through bolt)-5/16"	2	34906-S8(X98)
56/	A, S	6&8	All	Bolt (starter frame thru)-use with starter B6A 11002-A, B9S 11002-A, FAY 11002-A	2	C3AZ 10120-A
				Lockwasher-1/4"	2	34905-S7(X97)
<b>11093 WASHER - STARTER MOTOR FIELD TERMINAL</b>						
49/	A, S	6&8	All	3/8" I. D. (oblong) x 11/16" thick use with starter FAD 11002-A, 1CM 11002-A, FAE 11002-A, FAJ 11002-A, B5C 11002-A, B6A 11002-A, B9S 11002-A, FAY 11002-A	1	B5A 11093-A
<b>11094 WASHER - STARTER MOTOR FIELD TERMINAL INSULATING</b>						
49/	A, S	6&8	All	11/32" I. D. x 25/32" O. D. x 1/8" thick-use with starter FAD 11002-A, 1CM 11002-A, B6A 11002-A, B9S 11002-A, FAY 11002-A	1	18 11094-B
<b>11095 WASHER - STARTER MOTOR FIELD TERMINAL SCREW</b>						
49/	A, S	6&8	All	11/32" I. D. x 11/16" O. D. x 1/16" thick-use with starter FAD 11002-A, 1CM 11002-A, FAE 11002-A, FAJ 11002-A, B5C 11002-A, B6A 11002-A, B9S 11002-A, FAY 11002-A	1	B5A 11095-A
<b>11102 TERMINAL - STARTER MOTOR FIELD</b>						
49/	A, S	6&8	All	1 11/16" long-5/16"-24 threads-slot .16" wide-use with B5C 11002-A & B6A 11002-A starters	1	18 11102-B
49/	A, S	6&8	All	Kit	1	A9A 11102-A
Consists of						
	1-B5A	11093-A	Washer	1- 18	11102-B	Terminal
	1- 18	11094-B	Washer	1- 18	11107-B	Bushing
	1-B5A	11095-A	Washer	2-33923-S7		Nut
			1-34806-S7	Lockwasher		
49/	A, S	6&8	All	Nut-hex. 5/16"-24	2	33923-S7(M32)
				Lockwasher-spring-5/16"	2	34806-S7(X64)
<b>11107 BUSHING - STARTER MOTOR FIELD TERMINAL INSULATOR</b>						
49/	A, S	6&8	All	13/32" long including shoulder-has oblong center hole-use with starter FAD 11002-A, 1CM 11002-A, FAE 11002-A, FAJ 11002-A, B5C 11002-A, B6A 11002-A, B9S 11002-A, FAY 11002-A	1	18 11107-B
<b>11126 BAND - STARTER MOTOR COVER</b>						
51/54	A (with F/M)	6&8	All	Use with starter FAD 11002-A, 1CM 11002-A, FAE 11002-A, FAJ 11002-A, B5C 11002-A, B6A 11002-A, B9S 11002-A, FAY 11002-A	1	B1TZ 11126-A
52/54	A	6	215,223		1	
55/	A, S	6&8	All		1	
55/	A, S	6&8	All	Screw-round head, slotted-No. 10-32 x 1 1/2"	1	27177-S7(U177)
				Nut-hex. -No. 10-32	1	34079-S7(M163)
<b>11130 HOUSING ASSY. - STARTER MOTOR REAR END</b>						
49/51	A	6	226		1	7RA 11130
49/53	A (with S/T & O/D)	8	239		1	
51/53	A (with F/M)	6&8	215,239		1	1CM 11130-A
52/53	A	6	215		1	

# FORD CAR PARTS

539

## SECTION 110

YEAR 19__	MODEL	NO. CYS.	CUBIC INCH DISP.	DESCRIPTION	QTY. PER VEHICLE	PART NUMBER
<b>11130 HOUSING ASSY. - STARTER MOTOR REAR END - continued</b>						
54/	A, S (except 430 engine)	6&8	All	Use with (2) C3AZ 10120-A bolts-use with starter B5C 11002-A, B6A 11002-A, B9S 11002-A, FAY 11002-A	1	C2AZ 11130-A
59/	S	8	430	Use with starter B9S 11002-A, FAY 11002-A	1	C2SZ 11130-A
49/	A, S	6&8	All	Dowel (starter rear end plate)	1	18 10088
<b>11130 HOUSING KIT - STARTER MOTOR REAR END</b>						
51/53	A	6	All	Kit-use with starter FAJ 11002-A	1	C2AZ 11130-C
51/53	A (with F/M)	8	All		1	
Consists of						
1-18	10088	Rivet	1-★C2JF	11130-B Plate assy.	1-★375605-S	Screw
<b>11135 BUSHING or BEARING - STARTER MOTOR REAR END PLATE</b>						
49/51	A	6	226	5/8" I. D. x 3/4" O. D. x 1 5/32" long	1	B 11135
49/53	A (with S/T & O/D)	8	239		1	
51/54	A (with F/M)	6&8	All	5/8" I. D. x 13/16" O. D. x 1 15/32" long	1	ICM 11135-A
52/54	A	6	215,223		1	
55/	A, S	6&8	All	Except with C2AZ 11130-A & C2SZ 11130-A	1	
54/	A, S	6&8	All	Bearing-5/8" I. D. x 13/16" O. D. x 23/32" long-use with C2AZ 11130-A & C2SZ 11130-A	1	B9AF 11135-A
<b>11140 BRACKET - STARTER MOTOR TO OIL PAN ATTACHING</b>						
49/51	A	6	226		1	1A 11140-A
49/53	A (with S/T & O/D)	8	239		1	
<b>11350 DRIVE ASSY. - STARTER MOTOR</b>						
49/51	A	6	226	10 tooth pinion-use with starter FAD 11002-A	1	B1A 11350-A
49/53	A (with S/T & O/D)	8	239	ident. FAF 11001-A, FAH 11001-A	1	
49/51	A	6	226	Key (starter drive)-5/8" x 5/32"	1	74175-S(L7)
49/53	A (with S/T & O/D)	8	239		1	
52/53	A	6	215	4.77" long-use with starter B5C 11002-A,	1	ICM 11350-C
51/54	A	6&8	All	FAE 11002-A, FAJ 11002-A, B6A 11002-A	1	
54/	A, S	6&8	All	& B9S 11102-A starters	1	
<b>11354 SHAFT and PINION ASSY. - STARTER MOTOR DRIVE</b>						
49/51	A	6	226	9 tooth-use with B1A 11350-A	1	8HA 11354
49/53	A	8	239	10 tooth-use with B1A 11350-A	1	B 11354
<b>11357 SLEEVE - STARTER MOTOR DRIVE SHAFT and PINION</b>						
49/51	A	6	226		1	B 11357-A
49/53	A (with S/T & O/D)	8	239		1	
<b>11365 PIN - STARTER MOTOR DRIVE PINION</b>						
51/54	A (with F/M)	6&8	All	1.10" overall length	1	52 11365-P
52/53	A	6	215		1	
54/	A, S	6&8	All		1	
<b>11371 RING - STARTER MOTOR DRIVE SHAFT and PINION SLEEVE TAKE-UP</b>						
49/51	A	6	226	1.20" O. D.	1	B 11371
49/53	A (with S/T & O/D)	8	239		1	
<b>11372 PLATE - STARTER MOTOR DRIVE SPRING ANCHOR</b>						
51	A (with F/M)	8	239		1	52 11372-B
<b>11373 RING - STARTER MOTOR DRIVE SPRING LOCK</b>						
51	A (with F/M)	8	239	1.03" I. D.	1	52 11373
<b>11375 SPRING - STARTER MOTOR DRIVE</b>						
49/51	A	6	226	7 coils	1	B 11375
49/53	A (with S/T & O/D)	8	239		1	
51	A (with F/M)	8	239	6 1/2 coils	1	29B 11375
<b>11377 SCREW - STARTER MOTOR DRIVE SPRING</b>						
49/51	A	6	226	3/8"-24 x .863"	1	B 11377
49/53	A (with S/T & O/D)	8	239		1	
<b>11379 LOCKWASHER - STARTER MOTOR DRIVE SPRING SCREW</b>						
49/51	A	6	226		2	B 11379
49/53	A (with S/T & O/D)	8	239		2	
<b>11381 HEAD - STARTER MOTOR DRIVE</b>						
49/51	A	6	226		1	B 11381-B
49/53	A (with S/T & O/D)	8	239		1	

## SECTION 110

## FORD CAR PARTS

YEAR 19	MODEL	NO. Cyl.	CUBIC INCH DISP.	DESCRIPTION	QTY. PER VEHICLE	PART NUMBER
<b>11382 SCREW - STARTER MOTOR SPRING TO SHAFT and PINION</b>						
49/51	A	6	226	3/8"-24 x .688"	1	B 11382
49/53	A (with S/T & O/D)	8	239		1	
59/	A (with F/M/2)	6&8	All	Trans. converter tabs to fly wheel	3	
<b>11450 SWITCH - STARTER MOTOR RELAY - SOLENOID</b>						
49/50	A	6&8	All		1	21A 11450
51	S/W	6&8	All		1	
51/56	A,S	6&8	All	6 volt	1	B5A 11450-A
54	A	6&8	All	Use as electric window regulator safety relay	1	
56/	A,S	6&8	All	12 volt	1	B6A 11450-A
49/	A,S	6&8	All	Bolt-pan head, slotted-1/4"-28 x 5/8"	1	38229-S7-8(U145)
				Nut-hex. -5/16"-24	2	33923-S7(M32)
				Washer-flat-5/16"	2	44722-S8(X19)
				Lockwasher-external tooth-5/16"	2	★34941-S7
				Lockwasher-spring-5/16"	2	34806-S7(X64)
				Screw-hex, head-No. 14-10 x 1/2"	2	★31519-S8
				Nut-hex. -No. 10-32	2	34079-S7(M163)
				Washer-flat-No. 10	2	351526-S7(XX54)
				Lockwasher-spring-No. 10	2	34803-S7(X60)
<b>11500 SWITCH ASSY. - STARTER MOTOR PUSH BUTTON</b>						
49/50	A	6&8	All		1	6A 11500
51	S/W	6&8	All		1	
<b>11572 SWITCH ASSY. - IGNITION</b>						
49/50	A	6&8	All		1	6A 11572-B
51	S/W	6&8	All		1	
51	A (except S/W)	6&8	All		1	1A 11572-B
52/59	A,S	6&8	All		1	B5A 11572-A
49/	A,S	6&8	All	Nut-hex. -No. 10-32	3	34079-S7(M163)
				Lockwasher-No. 10	3	34803-S7(X60)
<b>11573 PLATE - INSTRUMENT CLUSTER CONTROLS MOUNTING - Also Refer to Group 11575</b>						
58	A	6&8	All	R. H.	1	B8A 11573-A
58/	S	8	352	R. H.	1	B8S 11573-A
59	A	6&8	All		1	B9A 11573-B
<b>11574 NUT - IGNITION SWITCH BEZEL</b>						
51	A (except S/W)	6&8	All	9/16"-24 external thread	1	1A 11574-B
<b>11575 PLATE - INSTRUMENT CLUSTER CONTROLS MOUNTING - Also Refer to Group 11573</b>						
55	A	6&8	All	L. H.	1	B5A 11575-A
57	A	6&8	All	L. H.	1	B7A 11575-A
58	A	6&8	All	L. H.	1	B8A 11575-A
58/	S	8	All	L. H.	1	B8S 11575-A
59	A	6&8	All	L. H.	1	B9A 11575-A
<b>11580 BEZEL - IGNITION SWITCH</b>						
49/50	A	6&8	All	Assembly	1	0A 11580
51	A (except S/W)	6&8	All	Inner	1	B9S 11580-A
52/53	A	6&8	All		1	
54	A	6&8	All		1	
55	A	6&8	223,272		1	
55/59	S	8	All		1	
56	A	6&8	All		1	B6A 11580-A
<b>11581 SPRING - IGNITION SWITCH RETAINING</b>						
49/51	A	6&8	All	Use with 6A 11572-B, 1A 11572-B, B5A 11572-A	1	1A 11581-B
52/	A,S	6&8	All		1	
<b>11582 CYLINDER and KEYS ASSY. - IGNITION SWITCH LOCK</b>						
49/51	A	6&8	All		1	1A 11582-A
52/59	A,S	6&8	All		1	B9A 11582-A
<b>11584 BEZEL - IGNITION SWITCH</b>						
57	A	6&8	All		1	B7A 11584-B
58/59	A	6&8	All		1	B8A 11584-A
<b>11585 RETAINER - IGNITION SWITCH BEZEL</b>						
52/56	A,S	6&8	All	.70" O. D.	1	B6A 11585-A
57/	S	6&8	All		1	



# FORD CAR PARTS

## SECTION 110

541

YEAR 12	MODEL	NO. CYL.	CUBIC INCH DISP.	DESCRIPTION	QTY. PER VEHICLE	PART NUMBER
<b>11620-1 HOUSING - INSTRUMENT PANEL CONTROL</b>						
57	A (except Custom)	6&8	All	R. H.	1	B7A 11620-AP
		6&8	All	L. H.	1	B7A 11621-AP
57	A (Custom only)	6&8	All	R.H.	1	B7A 11620-BP
		6&8	All	L. H.	1	B7A 11621-BP
58	A (except Custom)	6&8	All	R. H.	1	B8A 11620-AP
		6&8	All	L. H.	1	B8A 11621-BP
58	A (Custom only)	6&8	All	R. H.	1	B8A 11620-BP
		6&8	All	L. H.	1	B8A 11621-BP
<b>11622-3 LENS - INSTRUMENT PANEL CONTROL IDENTIFICATION</b>						
58	A	6	223	R. H.	1	B8A 11622-A
		8	All	R. H.	1	B8A 11622-B
		6&8	All	L. H.	1	B8A 11623-A
<b>11627 ADAPTER - INSTRUMENT PANEL CONTROL MOUNTING</b>						
57	A	6	223	Choke control	1	B7A 11627-B
57	A (Custom only)	8	All	Instrument panel cigar lighter opening cover	1	
57	A (Custom only)	8	All	With manual choke	1	
58	A	6	223		1	B8A 11627-A
58	A (Custom only)	8	All		1	
58	A (Custom only)	8	All	Instrument panel cigar lighter opening cover	1	
<b>11628 GASKET - INSTRUMENT PANEL CONTROL HOUSING</b>						
57/58	A	6&8	All		2	B8A 11628-A
<b>11629 CLIP - INSTRUMENT PANEL CONTROL IDENTIFICATION LENS MOUNTING</b>						
58	A	6&8	All		2	B8A 11629-A
<b>11A645 ROTOR ASSY. - LIGHTING SWITCH - RHEOSTAT -Also Refer to Group 11691</b>						
56/58	A, S	6&8	All	12 volt-service pkg. includes (1) FEK 11692-A spring & (1) FEK 11693-A spring seat	1	B7AZ 11A645-A
59	A, S	6&8	All	12 Volt-includes 1 pc. B9AF 11A646-A spring	1	B9AF 11A645-A
<b>11650 NUT ASSY. - LIGHTING SWITCH</b>						
52/54	A	6&8	All	.68 diameter across top-1.12" long-3/8"-24 thread-includes anti-rattle spring	1	B2A 11650-A
55	A, S	6&8	All		1	B5A 11650-A
57/59	A	6&8	All		1	C1DF 11650-A
57/	S	8	All		1	B7S 11650-A
<b>11654 SWITCH ASSY. - LIGHT CONTROL - ON INSTRUMENT PANEL</b>						
49	A	6&8	All		1	7RA 11654
50/54	A	6&8	All		1	FAA 11654-A
49/53	A	6&8	All	Screw-round head, slotted-No. 8-32 x 1/4"	6	26457-S7(U167)
				Lockwasher-spring-No. 8	6	34802-S7(X59)
55/56	A, S	6&8	All	6 volt	1	B5T 11654-A
56/57	A, S	6&8	All	12 volt	1	B7A 11654-A
58/59	A, S	6&8	All	12 volt-upper fuse for dome lamp-lower fuse for turn signal	1	B9AF 11654-A
<b>11661 KNOB and SHAFT ASSY. - LIGHT CONTROL SWITCH</b>						
52/53	A	6&8	All		1	B3A 11661-A
54	A	6&8	All		1	FAG 11661-A
55	A	6&8	223,272		1	B5A 11661-A
55/56	S	8	292		1	
56	Mainline	6&8	All	Black knob	1	B6A 11661-A
56	A (except Mainline)	6&8	All	Black & Chrome knob	1	B6A 11661-B
57	Custom	6&8	All		1	B7A 11661-A
57	A (except Custom)	6&8	All		1	B7A 11661-B
57	S	6&8	All		1	B7S 11661-A
58	A (F/L "500" only)	6&8	All	Includes insert	1	B8A 11661-A
58	A (except F/L "500")	6&8	All	Includes insert	1	B8A 11661-B
58	S	8	All	Includes insert-(black)	1	B8S 11661-A
59	A (except Custom "300")	6&8	All	Includes insert	1	B9A 11661-A
59	A (Custom "300" only)	6&8	All	Includes insert	1	B9A 11661-B
59	S	8	All	Includes insert -(white)	1	B9SF 11661-A
<b>11662 NUT - SWITCH ATTACHING</b>						
51	A (except S/W)	6&8	All	Light control switch to instrument panel-3/8"-24 external thread	1	1A 11662-AZ6

YEAR 19	MODEL	NO. CYL.	CUBIC INCH DISP.	DESCRIPTION	QTY. PER VEHICLE	PART NUMBER
<b>11691 RESISTOR ASSY. - LIGHTING SWITCH RHEOSTAT</b> -Also Refer to Group 11A645						
55/56	A, S	6&8	All	6 volt-use with B5A 11692-A	1	B5A 11691-A
				6 volt-use with B5A 11692-B	1	B5A 11691-B
56	A, S	6&8	All	12 volt-use with B5A 11692-A	1	B6A 11691-A
<b>11823 COVER - INSTRUMENT CLUSTER TRIM - MILES</b>						
58	A	6&8	All		1	B8A 11823-A
<b>12000 REPAIR KIT - DISTRIBUTOR</b>						
49/53	A	6&8	All		1	A7A 12000-A
54/55	A	6	223		1	
Consists of the following						
1-7RA 12171 Point set		1-FAA 12200-B Rotor		1-7RA 12300-C		Consenser or
				1-FET 12300-A		Condenser
49/53	A	6&8	All	Heavy duty	1	A7A 12000-B
54/55	A	6	223		1	
56/	A	6	223		1	
Consists of the following						
1-FAA 12171-A Point set		1-FAA 12200-B Rotor		1-7RA 12300-C		Condenser or
				1-FET 12300-A		Condenser
54/55	A	8	239,272		1	B2Q 12000-A
Consists of the following						
1-FAB 12171-A Point set		1-FAA 12200-B Rotor		1-FAB 12300-A		Condenser or
				1-FDS 12300-B		Condenser
54/55	A	8	239,272	Heavy duty	1	B2Q 12000-B
56	A	8	All		1	
55/56	S	8	All		1	
Consists of the following						
1-FAB 12171-B Point set		1-FAA 12200-B Rotor		1-FAB 12300-A		Condenser or
				1-FDS 12300-B		Condenser
57/59	A, S	8	All	Except pivot plate type distributors	1	B8Q 12000-A
Consists of the following						
1-B8Q 12171-A Point set		1-B7A 12200-A Rotor		1-B7A 12300-C		Condenser
57/	A, S, P/I	8	All	Use with pivot plate type distributor	1	C0TZ 12000-A
Consists of the following						
1-B8Q 12171-A Point set		1-B7A 12200-A Rotor		1-B9AF 12300-A		Condenser or
				1-B9TF 12300-A		Condenser
<b>12029 COIL ASSY. - IGNITION - LESS MOUNTING STRAP</b>						
49/55	A, S	6&8	All		1	8BA 12029
56	A	6&8	All	6 volt	1	
49/55	A	6&8	All	Used with 12 volt system	1	B6T 12029-A
56/	A, S	6&8	All	12 volt	1	B6A 12029-B
49/	A, S	6&8	All	Nut (ignition coil terminal)-No. 10-32	2	34079-S7(M163)
				Lockwasher-No. 10		34803-S7(X60)
<b>12043-44 STRAP - IGNITION COIL MOUNTING</b>						
49/53	A	8	239		1	8BA 12043
52/53	A	6	215		1	B5A 12044-A
54/55	A, S	6&8	All		1	
56	A (with 2/B carburetor )	8	272		1	
56	A	6	223		1	
57	A, S	6&8	All		1	
58/	A	6	223		1	
58/	A	8	292		1	
58	S	8	352		1	
56	S, F/L, S/W, A (Special)	8	All	Strap assy.	1	B6A 12043-A
59/	S	8	430		1	B8S 12043-A
58/59	A, S	8	332,352		1	C0AF 12043-A
49/	A, S	6&8	All	Bolt (ignition coil mounting strap to cylinder head)-5/16"-18 x 5/8"	2	20326-S7(B49)
				Lockwasher-5/16"		34806-S7(X64)

# FORD CAR PARTS

## SECTION 120

543

YEAR 19	MODEL	NO. CYL.	CUBIC INCH DISP.	DESCRIPTION	QTY. PER VEHICLE	PART NUMBER
<b>12043-44 STRAP - IGNITION COIL MOUNTING - continued</b>						
49/51	A	6	226	Screw (ignition coil mounting strap clamping)-	1	27113-S7-8(U176)
49/53	A	8	239	No. 10-32 x 3/4"-round head	1	
58	A, S	8	332,352		1	
52/53	A	6	215	Screw (ignition coil mounting strap clamping)-	1	27177-S7(U177)
54/55	A, S	6&8	All	No. 10-32 x 1 1/2"-round head	1	
56	A (except F/L, S/W)	6&8	All		1	
57/	A, S	6&8	All		1	
59	S	8	430		1	
56	S, F/L, S/W	8	292,312	Screw (coil mtg. strap clamping)-No. 10-32 x 1"	1	50555-S8(U160)
				Nut-No. 10-32		34079-S7(M163)
				Lockwasher-No. 10		34803-S7(X60)
<b>12072 BUTTON - DISTRIBUTOR BREAKER PLATE SUPPORT - LOWER</b>						
57/	A, S	8	All	Distributor catalog symbols 42 thru 46	AR	B9AZ 12072-A
<b>12106 HOUSING ASSY. - DISTRIBUTOR TERMINAL</b>						
49/	A	6	All		1	7HA 12106
49/56	A, S	8	All		1	FAB 12106-A
57/	A, S	8	All		1	B7A 12106-A
<b>12110 CONDUIT - IGNITION CABLE</b>						
49/51	A	6	226	Use with oil bath air cleaner	1	B5A 12110-A
50	A	8	239		1	
55/57	S	8	292		AR	
<b>12111-12 BRACKET - IGNITION CABLE MOUNTING</b>						
51/53	A	8	239	Front-located on RH side of engine nearest to distributor-has 4 holes for the individual wires	1	0BA 12111
50/53	A	8	239	Rear-located on LH-side of engine farthest from dist.-has 4 holes for the individual wires	1	*0BA 12112
54/57	A, S	8	All	R. H. -use with FAA 12361-A clamp	1	FAC 12111-A
58/	A	8	292		1	
54/57	A, S	8	All	L. H. and R. H. sides-use with FAA 12297-A	2	FAA 12112-A
58/	A	8	292	grommet	2	
54/57	A, S	8	All	L. H. -use with FAA 12297-C grommet	1	FAC 12112-A
58/	A	8	292		1	
49/53		8	239	Bolt (ignition cable mounting bracket attaching)	2	20448-S8(B83)
				3/8"-16 x 1 3/8"		
54/	A, S	8	All	Bolt (bracket to cyl. block)-3/8"-16 x 5/8"	1	20328-S8(B76)
				Lockwasher-3/8"		34847-S8(X74)
54	A	8	239	Bolt (bracket to cylinder block)-5/16"-	3	20326-S7(B49)
55/	A, S	8	All	18 x 5/8"	2	
55/	A, S	8	All	Bolt (L. H. bracket to cylinder block)-	1	20346-S8(B50)
				5/16"-18 x 3/4"		
				Lockwasher-5/16"		34806-S7(X64)
<b>12113 SEAL - WIRE TERMINAL WEATHER</b>						
49/	A	6	All	Spark plug wire to distributor	6	A9AZ 12113-A
49/	A, S	8	All	Spark plug wire to distributor	8	
49/57	A, S	6&8	All	Ignition coil high tension wire to distributor	2	
58/	A	6	223	Ignition coil high tension wire to distributor	2	
58/	A	8	292	Ignition coil high tension wire to distributor	2	
58/	A, S	8	332,352	Ignition coil high tension wire to distributor	1	
58/	A, S	8	332,352	Ignition coil high tension wire to distributor	1	
58	A	8	All	Insulator (spark plug)-straight	AR	C1AZ 12113-A
<b>12120 BUSHING - DISTRIBUTOR HOUSING - UPPER</b>						
49/	A, S	6&8	All	.469" I. D. -.586" O. D. -1" long	1 thru 19, 21, 28, 35, 38, 57, 75, 85	A8A 12120-A
57/59	A, S	8	All	.469" I. D. -.688" O. D. -1.75" long	20, 22, 26, 27, 29, 32, 33, 34, 36, 37	B7A 12120-A
57/	A, S	8	All	Upper	24, 25, 30, 40, thru 46	B8QH 12120-A

• Refer to Group 12127 for complete Distributor identification

YEAR 19	MODEL	NO. CYL.	CUBIC INCH DISP.	DESCRIPTION	*DISTRIBUTOR CATALOG SYMBOL	QTY. PER VEHICLE	PART NUMBER
<b>12127 DISTRIBUTOR ASSY. - LESS TERMINAL HOUSING and ROTOR</b>							
<b>6 CYLINDER 215,223 ENGINES</b>							
52/53	A	6	215	Uses A7AZ 12192-A spring-replaced by FAA 12127-C	5	1	★FAA 12127-A
52/54	A	6	215,223	Uses B2AZ 12192-A spring	6	1	FAA 12127-C
55	A	6	223	‡FDH 12127-A	11	1	B5A 12127-C
56	A	6	223	‡FDR 12127-A	18	1	B6A 12127-E
57	A	6	223	‡FEG 12127-B-replaced by B8A 12127-J	21	1	★B7A 12127-C
57/58	A	6	223	‡FEG 12127-D-replaced by B8A 12127-J	28	1	★B7A 12127-H
57	A	6	223	‡FET 12127-B	35	1	B8A 12127-J
58	A	6	223	Use with B8A 9510-J carb. only		1	
58/59	A	6	223	‡FET 12127-C-Use except with B8A 9510-J carb. -replaced by C0AF 12127-G	38	1	★B8A 12127-M
58/59	A	6	223	‡C0AF 12127-G-Use except with B8A 9510-J carb. - replaced by C2AZ 12127-C	57	1	★C0AF 12127-G
58/59	A	6	223	‡C1AF 12127-F-replaced by C2AZ 12127-J	75	1	★C2AZ 12127-C
58/59	A	6	223	‡C2AF 12127-J-service pkg. includes C2AZ 6A618-B shaft	85	1	C2AZ 12127-J
52/54	A	6	215,223	Bolt(dist. to eng. )-5/16"-18 x 1"	5, 6	2	20386-S7(B53)
				Washer-5/16" flat			44722-S8(X19)
				Lockwasher-5/16"			34806-S7(X64)
55/	A	6	223	Bolt(dist. to eng. )-5/16"-18 x 1"	11, 18, 21, 28, 35, 38, 49, 57	1	20386-S8(B53)
				Washer-5/16" flat			44722-S8(X19)
				Lockwasher-5/16"			34806-S7(X64)
<b>6 CYLINDER 226 ENGINE</b>							
49/51	A	6	226		2	1	7HA 12127
49/51	A	6	226	Oil cup (distributor)	2	1	B6A 10141-A
49/51	A	6	226	Bolt (distributor to engine)-5/16"-18 x 5/8"	2	2	20326-S7(B49)
				Lockwasher-5/16"			★34941-S7
				Washer-flat-5/16"			44722-S8(X19)
<b>8 CYLINDER 239 ENGINE</b>							
49	A	8	239	Use with 8BA 6059-C cover	1	1	7RA 12127-C
49/52	A	8	239	Use with 0BA 6059-C cover	3	1	0BA 12127
50/53	A	8	239	Use with 8BA 6059-C cover-same as 7RA 12127-C except for spark curve which is affected by primary weight spring and diaphragm springs	4	1	8BA 12127
54	A	8	239	Used with FAC 12390-A (13) tooth gear	7	1	FAE 12127-A
54	A	8	239	‡FDB 12127-A Used with FAE 12390-A (14) tooth gear	8	1	B4A 12127-A
49/53	A	8	239	Bolt (distributor to front cover)-5/16"-18 x 7/8"	1, 3, 4	2	354634-S(BB440)
49/53	A	8	239	Bolt (distributor to engine)-5/16"-18 x 1"	3, 4	1	20386-S8(B53)
				Lockwasher-5/16"			34806-S7(X64)
49/54	A	8	239	Oil cup (distributor)	1, 3, 4, 7, 8	1	B6A 10141-A
<b>8 CYLINDER 272 ENGINE</b>							
55	A ("182 H. P. Special" with F/M) (with 4/B carburetor)	8	272	‡FEC 12127-A Uses 2-springs 7RA 12192-repl. by B5A 12127-F	9	1	★FEC 12127-A
55	A	8	272	‡FDJ 12127-C	10	1	B5A 12127-B
55	A ("182 H. P. Special" with F/M) (with 4/B carburetor)	8	272	‡FEC 12127-B Uses 1 each 7RA 12192 & A8TZ 12192-A sprgs.	12	1	B5A 12127-F
56	A (with 2/B carburetor)	8	272	‡FDS 12127-A	15	1	B6A 12127-A
57	A	8	272	‡FEH 12127-B Replaced by B7AF 12127-A	26	1	★B7A 12127-B
57	A	8	272	‡B7AF 12127-A pivot plate type	46	1	B7AF 12127-A

• Refer to Group 12127 for complete Distributor identification

‡ Identified by number stamped on Distributor housing

# FORD CAR PARTS

## SECTION 120

YEAR 19	MODEL	NO. CYL.	CUBIC INCH DISP.	DESCRIPTION	DISTRIBUTOR CATALOG SYMBOL	QTY. PER VEHICLE	PART NUMBER
<b>12127 DISTRIBUTOR ASSY. - LESS TERMINAL HOUSING and ROTOR - continued</b>							
<b>8 CYLINDER 292,312 ENGINES</b>							
55	S(with 4/B carburetor)	8	292	‡FEA 12127-E Replaced by B5S 12127-E	13	1	*B5S 12127-D
55	S (with 4/B carburetor)	8	292	‡FEA 12127-F	14	1	B5S 12127-E
56	F/L, S/W (with 4/B carburetor)	8	292	‡FDS 12127-B Replaced by B6A 12127-D	16	1	*B6A 12127-B
56	F/L, S/W, A (Special) (w/4/B carb.)	8	292,312	‡FDT 12127-B	17	1	B6A 12127-D
56	S (with 4/B carburetor)	8	292,312	‡FEF 12127-B Use w/Tachometer	19	1	B6S 12127-B
57	A	8	292	‡FEH 12127-A -replaced by B9AF 12127-B	20	1	*B7A 12127-A
57	A	8	312	‡FEK 12127-A -replaced by B9AF 12127-B	22	1	*B7A 12127-D
57	A	8	312	‡FEH 12127-E	27	1	†B7A 12127-G
57	A	8	312	‡FEH 12127-C w/dual 4/B carb.	23	1	B7A 12127-E
57	S	8	All	‡FEJ 12127-A	24	1	B7S 12127-A
57	S	8	312	‡FEJ 12127-B w/dual 4/B carb.	25	1	B7S 12127-B
57	S	8	312	‡FEJ 12127-D	29		†B7S 12127-C
57	S	8	312	‡FEK 12127-B	30	1	B7S 12127-D
58	A	8	292	‡FEU 12127-A Use on engine without a daub of orange paint on left front engine cover	32	1	B8A 12127-B
58	A	8	292	‡FEU 12127-M use on eng. w/daub of orange paint on frt. eng. cover	37	1	B8A 12127-L
59	A	8	292	‡B9FA 12127-A -replaced by B9AF 12127-B	41	1	*B9A 12127-B
59	A	8	292	‡B9AF 12127-B-pivot plate type	43	1	B9AF 12127-B
57	A	8	292,312			1	
<b>8 CYLINDER 332 ENGINE</b>							
58/59	A	8	332	‡FEU 12127-J - replaced by B9AF 12127-A	33	1	*B8A 12127-G
58/59	A	8	332	‡B9AF 12127-A-pivot plate type	42	1	B9AF 12127-A
<b>8 CYLINDER 352 ENGINE</b>							
58	A, S	8	352	‡FEU 12127-H Used with mechanical valve lifters	34	1	B8A 12127-F
58/59	A, S	8	352	‡FEU 12127-N-Use w/hyd. valve lifters-repl. by B9AF 12127-D	36	1	*B8A 12127-K
58/59	A, S	8	352	‡B9AF 12127-D-Use w/hyd. valve lifters-pivot plate type	44	1	B9AF 12127-D
<b>8 CYLINDER 430 ENGINE</b>							
59	S	8	430	Not replaced	39	1	*B8S 12127-A
59	S	8	430	‡FEW 12127-H -replaced by B9MF 12127-B	40	1	*B9S 12127-B
59/	S	8	430	‡B9MF 12127-B-pivot plate type	45	1	B9MF 12127-B
55/	A, S	6&8	All	Oil cup (distributor)	9,10,12 thru 17, 19,20,22 thru 27,29,30,32,33, 34,35,37 thru 46, 57	1	B6A 10141-A
<b>12132 BUSHING - DISTRIBUTOR HOUSING</b>							
49/53	A	6&8	All	Lower-. 470" I.D. -. 596" O.D. - . 88" long	1,2,3,4	1	7RA 12132-A
52/56	A	6	215,223	Lower-. 463" I.D. -. 596" O.D. - 1" long	5,6,11,18	1	FAA 12132-A
<b>12135 OILER - DISTRIBUTOR HOUSING</b>							
52/	A	6	215,223	Hinged cover type oil inlet	5,6,11,18,21,28, 35,38,57,75,85	1	FAA 12135-A
<b>12143 GASKET - DISTRIBUTOR BASE</b>							
52/	A	6	215,223		5,6,11,18,21,28, 35,38,39,57,75, 85	1	FAA 12143-A
58/	A, S	8	All	Seal (distributor base to cylinder block)	33,34,36,39 thru 45	1	B8A 12143-A

\* Refer to Group 12127 for complete Distributor identification

‡ Identified by number stamped on distributor housing

† Used with Supercharger

YEAR 19	MODEL	NO. CYL	CUBIC INCH DISP.	DESCRIPTION	*DISTRIBUTOR CATALOG SYMBOL	QTY. PER VEHICLE	PART NUMBER
<b>12144 CLAMP - DISTRIBUTOR TERMINAL HOUSING HOLD DOWN</b>							
49/56	A, S	6&8	All		1 thru 19	2	7RA 12144
57/	A	6	223		21, 28, 35, 38, 57, 75, 85	2	
57/	A, S	8	All		20, 22, 23, 24, 25, 26, 27, 29, 30, 32, 33, 34, 36, 37, 39 thru 46	2	B7A 12144-A
<b>12145 RIVET - TERMINAL HOUSING HOLD DOWN CLAMP</b>							
49/	A, S	6&8	All		1 thru 30, 32 thru 46, 57, 75, 85	2	B 12145
<b>12146 SNAP RING - DISTRIBUTOR BREAKER PLATE</b>							
49/	A, S	6&8	All		1 thru 19, 21, 28, 35, 38, 57, 75, 85	1	7RA 12146
57/59	A, S	8	All		20, 22 thru 27, 29, 30, 32, 33, 34, 36, 37, 39, 40, 41	2	B7A 12146-A
57	A, S	8	All	Screw (snap ring breaker plate to dist. hsg.)-No. 10-32 x 3/8"	20, 22, 23, 24, 25, 26, 27, 29	2	*32917-S7
<b>12151-52 PLATE ASSY. - DISTRIBUTOR BREAKER</b>							
49/53	A	8	239		1, 3, 4	1	OBA 12151
49/51	A	6	226		2	1	7HA 12151-B
54/56	A, S	8	All		7, 8, 9, 10, 12, 13, 14, 15, 16, 17, 19	1	B6A 12151-A
57/59	A, S	8	All		20, 22, 23, 24, 25, 26, 32, 33, 34, 36, 37, 39, 40, 41	1	B7A 12151-A
57	A, S	8	312		27, 29	1	†B7A 12151-B
58/	A	6	223		35, 38, 57, 75, 85	1	C3UZ 12151-A
57/	A, S	8	All	Lower	42 thru 46	1	B9AF 12151-A
57/	A, S	8	All	Upper	42 thru 46	1	B9AF 12151-B
52/58	A	6	215, 223		5, 6, 11, 18, 21, 28	1	C1DF 12151-A
58/59	A, S	8	All	Screw (breaker plate to hsg.)- No. 10-16 x 3/8" rd. hd. tapping	32, 33, 34, 36, 37, 39, 40, 41	2	*33112-S7
57/	A, S	8	All	Washer "C" type (upper & lower breaker plate retainer)	42 thru 46	1	351825-S(XX9)
57/	A, S	8	All	Washer (upper breaker plate load down)-3/16" spring	42 thru 46	1	372395-S(XX368)
57/	A, S	8	All	Washer (upper-breaker plate load down)-3/16" flat	42 thru 46	1	372396-S(XX78)
<b>12171 POINT SET ASSY. - DISTRIBUTOR BREAKER and CONTACT</b>							
49/55	A	6&8	All		1, 2, 3, 4, 5, 6, 11	1	7RA 12171
49/54	A	6&8	All	Heavy duty	1, 2, 3, 4, 5, 6	1	FAA 12171-A
56/	A	6	223		18, 21, 28, 35, 38, 57, 75, 85	1	
54/55	A	8	239, 272		7, 8, 10	1	FAB 12171-A
54/55	A	8	239, 272	Heavy duty	7, 8, 10	1	FAB 12171-B
55/56	A, S	8	All		9, 12, 13, 14, 15, 16, 17, 19	1	
57	A, S	8	312	Arm & bracket assy. (dist. breaker)- ventilated type - closed bracket	27, 29	1	†B7A 12171-B
57	A, S	8	312	Arm & bracket ass'y. (dist. breaker)-open bracket	27, 29	1	†B7A 12171-C
57/	A, S	8	All		20, 22 thru 26, 30, 32, 33, 34, 36, 37, 39 thru 46	1	B8Q 12171-A

• Refer to Group 12127 for complete Distributor identification.

† Used with Supercharger.

# FORD CAR PARTS

## SECTION 120

547

YEAR 19__	MODEL	NO. CYL.	CUBIC INCH DISP.	DESCRIPTION	*DISTRIBUTOR CATALOG SYMBOL	QTY. PER VEHICLE	PART NUMBER
<b>12171 POINT SET ASSY. - DISTRIBUTOR BREAKER and CONTACT - continued</b>							
49/	A, S	6&8	All	Nut (distributor condenser to breaker arm terminal stud)-No. 6-32	1 thru 29,32 thru 46, 57	1	34051-S7(M154)
49/				Lockwasher-No. 6		1	34801-S7(X58)
49/				Washer-flat-No. 6		1	372239-S(XX44)
49/56	A, S			Screw (point set to breaker plate)-No. 8-32 x 5/16"-fillister head	1 thru 19	2	31037-S7(U48)
57/	A, S	6&8	All		20 thru 30,35, 38 thru 46,57, 75,85	1	
49/				Lockwasher-No. 8			34802-S7(X59)
<b>12175 SHAFT and CAM ASSY. - DISTRIBUTOR</b>							
49/51	A	6	226	Milled flat for OBA 12214 rotor retainer	2	1	7HA 12175-B
49/52	A	8	239		3	1	OBA 12175
50/53	A	8	239	Use with OBA 12213	4	1	7RA 12175-D
52/54	A	6	215,223		5,6	1	FAA 12175-B
54	A	8	239		7,8	1	FAB 12175-B
55/56	A	8	All		9,10,12,15,16, 17	1	B5A 12175-A
55/56	S	8	All		13,14,19	1	B5S 12175-B
57/	A	8	All		20,22,23,26,27, 29,32,37,41,43, 46	1	B7A 12175-A
57	S	8	All		24,25,30	1	B7S 12175-A
58/	A, S	8	All	Shaft assy. (distributor)	33,34,36,39,40, 42, 44, 45	1	B8A 12175-A
55/	A	6	223		11,18,21,28,35, 38, 57, 75	1	C2AZ 12175-A
58/	A	6	223	Use with C2AZ 6A618-B shaft (oil pump intermediate)	85	1	C2AZ 12175-B
58/	A	6	223	Service pkg. includes C2AZ 6A618-B shaft (oil pump intermediate)	85	1	C2AZ 12175-C
55/56	S	8	All	Pin (tachometer driven gear to distributor shaft)-1/8" x .672"/.702"	13,14,19,24,29	1	354132-S(NN97)
<b>12177 RETAINER - DISTRIBUTOR CAM</b>							
57/	A, S	8	All	.25" I. D. -.31" O. D.	20,22,23,24,25, 26,27,29,30,32, 33,34,36,37,39 thru 46	1	B7A 12177-A
<b>12179 WASHER - DISTRIBUTOR DRIVEN GEAR THRUST</b>							
49/54	A	6&8	All	.473" I. D. -.88" O. D. -.031" thick	1, 3, 4, 5, 6	1	B4A 12179-A
55/56	A	6	223		11, 18	1	
57/	A	6	223	.472" I. D. -.88" O. D. -.031" thick	21,28,35,38,57, 75, 85	1	B8A 12179-A
57/	A, S	8	All	.371" I. D. -.68" O. D. -.020" thick	20,22,23,24,25, 26,27,29,30,32, 33,34,36,37,39 thru 46	1	B7A 12179-A
<b>12188 WEIGHT ASSY. - DISTRIBUTOR</b>							
57/	A, S	6&8	All		20, 21 thru 27, 29,30,32 thru 34,36,37,39 thru 46	2	B7A 12188-A
<b>12191-92 SPRING - DISTRIBUTOR WEIGHT</b>							
49/50	A	8	239	Distributor diaphragm-7 1/2 coils -1/4" O. D. x 21/32" long	1	1	A9AZ 12192-A
49/53	A	8	239	Primary-7 to 9 coils-	3,4	2	8EQ 12192
54/55	A	8	239,272	.235" O. D. -.651" long	7,8,10	1	
57	A	6	223		21	1	

● Refer to Group 12127 for complete Distributor identification

YEAR 19	MODEL	NO. CYL.	CUBIC INCH DISP.	DESCRIPTION	*DISTRIBUTOR CATALOG SYMBOL	QTY. PER VEHICLE	PART NUMBER
<b>12191-92 SPRING - DISTRIBUTOR WEIGHT - continued</b>							
49/51	A	6&8	All	Primary-6 to 7 coils-	1,2	1	7RA 12192
55/56	A, S	6&8	All	.228" O. D. -. 61" long	12,14,16,17,18, 19	1	
55	A, S	8	272,292		9,13	2	
57/	A	6	223		28,35,38,57,75, 85	1	
49/54	A	6	All	Distributor diaphragm-6 to 7 coils- .238" O. D. -. 670" long	2, 5, 6	1	A7AZ 12192-A
52/55	A	6	215,223	Distributor diaphragm-5 1/2 coils -. 29" O. D. -. 66" long	5, 6, 11	1	B2AZ 12192-A
58/	A	6	223	Distributor weight (secondary)	38,57,75,85	1	
52/57	A	6	215,223	Distributor diaphragm-9 coils- .22" O. D. -. 585" long	5, 6, 11, 15, 21	1	B2AZ 12192-B
54	A	8	239		7,8	1	
55/56	A, S	8	All	Distributor diaphragm-7 1/2 coils -. 23" O. D. -. 736" long	12,14,16,17,18, 19	1	A8TZ 12192-A
56	A	8	272	Distributor diaphragm-9 coils- .22" O. D. -. 70" long	15	1	B6AZ 12192-A
57	A, S	8	292,312	Secondary-9 coils-. 28" O. D. -1"	20,24	1	B7A 12191-A
59	A	8	292	long-painted silver	41,43	1	
57	A, S	8	312	Secondary-8 coils-.282" O. D. -.95" long-painted green	23,25	1	B7A 12191-B
57	A	8	272	Secondary-13 coils- .284" O. D. -1. 02" long-painted orange	26,46	1	B7A 12191-C
57	A, S	8	312	Secondary-7 coils-.266" O. D. -1"	27,29	1	+ B7A 12191-D
58	A, S	8	352	long	34	1	
57	A, S	8	312	Secondary-9 1/2 coils- .275" O. D. -1" long	22,30	1	B7A 12191-E
57	A, S	8	All	Primary-13 1/2 coils- .28" O. D. -. 85" long	20,22,23,24,25, 26,30	1	B7A 12192-A
58	A, S	8	352		34	1	
57	A, S	8	292,312	Distributor diaphragm-9 coils- .55" O. D. -1. 66" long	20,22,24,30	1	B7AZ 12192-A
57/	A, S	8	All	Distributor diaphragm-9 coils- .55" O. D. -1. 35" long	23,25,27,29, 32,33,34,36,37, 39 thru 45	1	B7AZ 12192-B
57	A	8	272	Distributor diaphragm-9 coils- .55" O. D. -1. 44" long	26,46	1	B7AZ 12192-C
57/58	A	6	223	Distributor diaphragm-5 1/2 coils .29" O. D. -. 75" long	28,35	1	B4TZ 12192-A
57/	A, S	8	All	Primary-11 1/2 coils- .28" O. D. -. 85" long (Green)	33,34,36,39,41	1	B8A 12192-A
58/59	A	8	All	Secondary-10 1/2 coils	33,36,39,42,44	1	B8A 12191-A
58	A	8	292	Primary-10 1/2 coils- .30" O. D. -. 77" long (Orange)	32,37	1	B8A 12192-B
59/	S	8	430	Secondary-11 1/2 coils-. 28" O. D. -. 89" long (Blue)	40, 45	1	B8QH 12192-B
59/	S	8	430	Primary-12 coils-. 28" O. D. - . 85" long (Yellow)	40, 45	1	B8QH 12192-C
<b>12195 COLLAR - DISTRIBUTOR SHAFT</b>							
49/52	A	6&8	All	.469" I. D. -. 38" long	2,3	1	7HA 12195
54/	A, S	8	All		7, 8, 10,12, 15, 16,17,20,22,23, 26,27,32,33,34, 37, 39, thru 46	1	
49/52	A	6&8	All	Pin (distributor shaft collar)- 1/8" x 13/16"	2,3	1	61489-S(S10)
54/	A, S				7,8,10,12,15, 16,17,20,22,23, 26,27,29,32, 33,34,37,39 thru 46	1	

• Refer to Group 12127 for complete Distributor Identification

+ Used with Supercharger



# FORD CAR PARTS

## SECTION 120

YEAR 19__	MODEL	NO. CYL.	CUBIC INCH DISP.	DESCRIPTION	*DISTRIBUTOR CATALOG SYMBOL	QTY. PER VEHICLE	PART NUMBER
<b>12200 ROTOR ASSY. - DISTRIBUTOR</b>							
49/56	A, S	6&8	All	Stamped "B"	1 thru 19	1	FAA 12200-B
57/	A	6	223		21, 28, 35, 38, 57, 75, 85	1	
57/	A, S	8	All		20, 22, 23, 24, 25, 26, 27, 29, 30, 32, 33, 34, 36, 37, 39, 40 thru 46	1	B7A 12200-A
<b>12202 STOP - DISTRIBUTOR VACUUM ADVANCE</b>							
57/	A, S	8	All	.25" I. D. -. 38" O. D. -. 95" long	20, 22, 24, 27, 29, 30, 36, 40 thru 45	1	B7A 12202-A
57	A, S	8	312	.25" I. D. -. 38" O. D. -. 1.00" long	23, 25, 30	1	B7A 12202-B
57	A	8	272	.25" I. D. -. 38" O. D. -. 75" long	26, 46	1	B7A 12202-C
58/	A, S	8	All	.25" I. D. -. 38" O. D. -. 97" long	32, 33, 34, 37	1	B8A 12202-A
<b>12210 CAM ASSY. - DISTRIBUTOR</b>							
57/59	A, S	8	All		20, 22, 23, 24, 25, 26, 30, 32, 33, 34, 36, 37, 39, 40, 41	1	B7A 12210-A
57	A, S	8	312		27, 29	1	B7A 12210-B
57/	A, S	8	All		42 thru 46	1	B9AF 12210-A
<b>12213 RETAINER - DISTRIBUTOR ROTOR</b>							
49/52	A	6&8	All	Flat crowned type	1, 2, 4	1	*7RA 12213-B
49/56	A, S	6&8	All	"C" clamp type	2 thru 19	1	0BA 12213
57/	A	6	223		21, 28, 35, 38, 57, 75, 85	1	
<b>12216 WIRE ASSY. - DISTRIBUTOR PRIMARY TERMINAL</b>							
49/51	A	6	226	5.38" long	2	1	7HA 12216-B
49/56	A	6&8	All		1, 3 thru 19	1	C0DF 12216-A
57/	A	6	223		21, 28, 35, 38, 57, 75, 85	1	
57/59	A, S	8	All	3.31" between terminal centers	20, 22 thru 27, 29, 30, 32, 33, 34, 36, 37, 39, 40, 41	1	B7A 12216-B
58/	A, S	8	All		42, 44, 45	1	C1VF 12216-A
57/	A	8	292, 312		43	1	C2OZ 12216-A
57	A	8	272		46	1	
49/	A, S	6&8	All	Screw (distributor primary terminal)-No. 10-32 x 27/32"	1 thru 30, 32 thru 41	1	350032-S(BB805)
49/	A, S	6&8	All	Washer (distributor primary terminal screw)-flat- No. 10	1 thru 30, 32 thru 41	1	351256-S7(XX54)
				Nut-No. 10-32		2	34079-S7(M163)
				Lockwasher-No. 10		1	34803-S7(X60)
55/	A, S	6&8	All	Nut (primary terminal to condenser to breaker arm)-No. 6-32	9 thru 30, 32 thru 46	1	34051-S7(M154)
				Lockwasher-No. 6		1	34801-S7(X58)
<b>12226 TUBE - DISTRIBUTOR VACUUM - <i>Not serviced - make from 8C 2269-B bulk tubing</i></b>							
49/51	A	6	226	3/16" diameter-44.31" developed length	2	1	*7HA 12226
49/51	A	6	226	Bolt (distributor vacuum tube to cyl. head clip)-1/4"-20 x 1/2"	2	1	20308-S7(B40)
				Lockwasher-1/4"		1	34805-S8(X62)
49/53	A	8	239	3/16" diameter-23.31" developed length	1, 3, 4	1	*8BA 12226
52/53	A	6	215	3/16" diameter-42.25" developed length	5, 6	1	*EAA 12226-D
54	A	6	223	3/16" diameter-47.56" developed length	6	1	*EBF 12226-A
54/55	A	8	239, 272	3/16" diameter-18.77" developed length	7, 8, 10	1	*EBU 12226-B

• Refer to Group 12127 for complete Distributor identification

† Used with Supercharger

YEAR 19...	MODEL	NO. CYL.	CUBIC INCH DISP.	DESCRIPTION	*DISTRIBUTOR CATALOG SYMBOL	QTY. PER VEHICLE	PART NUMBER
<b>12226 TUBE - DISTRIBUTOR VACUUM - continued - Not serviced - make from 8C 2269-B bulk tubing</b>							
55	A	8	272	3/16" diameter-21.81" developed length	9,12	1	*EBY 12226-C
55/56	A	6	223	3/16" diameter-42.59" developed length	11,18	1	*EBP 12226-A
55	S	8	292	3/16" diameter-23.5" developed length	13,14	1	*ECD 12226-A
56	A	8	272	3/16" diameter-23.61" developed length	15	1	*ECG 12226-A
56	A	8	All	3/16" diameter-20.34" developed length	16,17	1	*ECK 12226-A
56	S	8	All	3/16" diameter-21.67" developed length	19	1	*ECJ 12226-A
57/58	A	6	223	3/16" diameter-37.75" developed length-use with Holley carb.	21,28,35,38	1	*B7A 12226-B
57	A	8	312	3/16" diameter-24.00" developed length-use with Carter 4/B carb.	22,23	1	*B7A 12226-F
57	A	8	312	3/16" diameter-23.75" developed length-use with Holley 4/B carb.	22,23	1	*B7A 12226-G
57	A	8	312	3/16" diameter-40.79" developed length-use with Holley 4/B carb.	23	1	*#B7A 12226-H
57	A	8	272,292	3/16" diameter 30.50" developed length-use with Ford 2/B carb.	20,26	1	*B7A 12226-J
57/58	A	8	272,292	3/16" diameter-31.31" developed length-use with Holley 2/B carb.	20,26,32,46	1	*B7A 12226-K
57	A	8	312	3/16" diameter-use with Ford 4/B carb.	22	1	*B7A 12226-L
57	A	8	312	3/16" diameter-use with Holley 4/B carb.	27	1	*+B7A 12226-M
57	S	8	292	Use with Holley 2/B carb.	24	1	*B7S 12226-A
57	S	8	312	3/16" diameter-22.90" developed length-use with Holley 4/B carb.	24,25	1	*B7S 12226-B
57	S	8	312	3/16" diameter-29.12" developed length-use with Holley 4/B carb.	29	1	*+B7S 12226-C
58	A	8	292	3/16" diameter-31.69" developed length-use with Ford 2/B carb.	32,37	1	*EDB 12226-E
58	A (with 4/B carb.)	8	332	3/16" diameter-28.23" developed length-use with Holley 4/B carb.	33	1	*EDC 12226-A
58/59	A (with 2/B carb.)	8	332	3/16" diameter-30.04" developed length-use with Holley 2/B carb.	33,42	1	*EDC 12226-B
58	A (with 4/B carb.)	8	332,352	3/16" diameter-29.50" developed length-use with Ford 4/B carb.	33,34,36	1	*EDC 12226-C
59	A, S (with 4/B carb.)	8	352	3/16" diameter-30.88" developed length-use with Ford & Holley 2/B carb.	36,44	1	*EDC 12226-D
58/59	A (with 2/B carb.)	8	332,352	3/16" diameter-30.88" developed length-use with Ford & Holley 2/B carb.	33	1	*EDC 12226-D
58	A	8	352	3/16" diameter-24.16" developed length-use with Carter 4/B carb.	34,36	1	
59	A	6	223	3/16" diameter-40.92" developed length-use with Holley carb.	38	1	*B9AE 12226-A
59	A	8	292	3/16" diameter-31.81" developed length-use with Ford 2/B carb.	41,43	1	*B9AE 12226-B
59/	S	8	430	3/16" diameter-26.70" developed length-use with Carter 4/B carb.	40,45	1	*B9SE 12226-A
49/54	A	8	239	Elbow (tube to carburetor)- 3/16" O.D. tube	3,4,7,8	1	358245-S(II-174)
57/	A, S	6&8	All	Connector (tube to distributor)- 3/16" tube-threaded sleeve	20,22 thru 29, 32,33,34,36,37, 39 thru 46	1	359546-S8B(II-67)
49/	A, S	6&8	All	Nut (distributor vacuum tube)- 3/8"-24	1 thru 27, 29, 32,33,34,36,37, 39 thru 46	2 or 3	351112-S(MM109)
<b>12230 SCREW - DISTRIBUTOR BRACKET LOCK</b>							
57/	A, S	8	All	No. 8-32 x 1/4" pan head- diameter of head .33"	20, 22 thru 29, 32,33,34,36,37, 39 thru 45	AR	B7A 12230-A

\* Refer to Group 12127 for complete Distributor identification. † Used with Supercharger. # Used with dual 4 barrel carb.

# FORD CAR PARTS

## SECTION 120

551

YEAR	MODEL	NO. CYL.	CUBIC INCH DISP.	DESCRIPTION	*DISTRIBUTOR CATALOG SYMBOL	QTY. PER VEHICLE	PART NUMBER
<b>12233 BUSHING - PRIMARY TERMINAL SCREW INSULATING - OUTER</b>							
49/56	A, S	6&8	All	.193" I. D. - .40" long	1 thru 19,	1	7RA 12233
57/	A	6	223		21, 28, 35, 38	1	
57/	A, S	8	All		20, 22, 23, 24, 25,	1	B7A 12233-A
					26, 27, 29, 30, 32,		
					33, 34, 36, 37, 39,		
					40, 41		
<b>12234 WASHER - PRIMARY TERMINAL SCREW INSULATING - INNER</b>							
49/	A, S	6&8	All		1 thru 30, 32	1	B7A 12234-A
					thru 41		
<b>12250 BREAKER ASSY. - WIRING CIRCUIT</b> <small>- Also Refer to Group 14A065</small>							
56/57	A, S.	6&8	All	Resistor (ignition coil)-12 volt		1	B7A 12250-A
58/59	A, S	6&8	All	Resistor (ignition coil)-12 volt must be used with B6A-12029-B coil		1	B8A 12250-A
<b>12258 BREAKER and BRACKET ASSY. - LIGHT WIRING CIRCUIT</b>							
51/54	A	6&8	All	15 or 30 ampere		1	FDA 12258-A
54	A	6&8	223, 239	Used with electric window regulators		1	*FAA 12258-B
51	A	6&8	All	Screw (bracket to dash)- No. 8-15 x 3/8" -pan head		2	*32916-S8
52/53	A	6&8	All	Screw (bracket to dash)- No. 8-15 x 1/2" -pan head		2	52726-S13(U381)
54	A	6&8	All	Screw (bracket to cowl top panel)		2	
<b>12259 WIRE SET - SPARK PLUG</b> <small>- Also Refer to Group 12286</small>							
49/51	A	6	226			1	B1A 12259-A
Consists of the following							
1-1HA 12282-A	Wire assy. (dist. to spark plug)-No. 5	1-1HA 12286-A	Wire assy. (dist. to spark plug)-No. 1				
1-1HA 12283-A	Wire assy. (dist. to spark plug)-No. 2	1-1HA 12287-A	Wire assy. (dist. to spark plug)-No. 4				
1-1HA 12284-A	Wire assy. (dist. to spark plug)-No. 3	1-7HA 12298-B	Wire assy. (dist. to coil high tension)				
1-1HA 12285-A	Wire assy. (dist. to spark plug)-No. 6	6-2N 12113	Seal (dist. to spark plug wire weather)				
	2-2N 12113	Seal (dist. to coil high tension wire weather)					
49/53	A	8	239			1	A8T 12259-A
Consists of the following							
1-1BA 12282-A	Wire assy. (dist. to spark plug)-No. 5	1-1RC 12295-A	Wire assy. (dist. to spark plug)-No. 7				
1-1BA 12283-A	Wire assy. (dist. to spark plug)-No. 2	1-1RC 12296-A	Wire assy. (dist. to spark plug)-No. 8				
1-1BA 12284-A	Wire assy. (dist. to spark plug)-No. 3	1-7RA 12298-B	Wire assy. (dist. to coil high tension)				
1-1RC 12285-A	Wire assy. (dist. to spark plug)-No. 6	8-2N 12113	Seal (dist. to spark plug wire weather)				
1-1BA 12286-A	Wire assy. (dist. to spark plug)-No. 1	2-2N 12113	Seal (dist. to coil high tension wire weather)				
1-1BA 12287-A	Wire assy. (dist. to spark plug)-No. 4						
52/	A	6	223	Fibre glass core		1	C3AZ 12259-G
58/	A	8	292	Fibre glass core		1	C3AZ 12259-H
54/57	A, S	8	All			1	
58/	A, S	8	332, 352	Fibre glass core		1	C3AZ 12259-J
59/	S	8	430	Fibre glass core		1	C3SZ 12259-A
<b>12264 WIRE ASSY. - DISTRIBUTOR BREAKER GROUND</b>							
49/56	A, S	6&8	All	4.35" long	1 thru 19	1	7RA 12264
57/	A	6	223		21, 28, 35, 38, 57,	1	
					75, 85		
57/59	A, S	8	All	1.94" between terminal centers	20, 22, 23, 24, 25,	1	B7A 12264-A
					26, 27, 29, 30, 32,		
					33, 34, 36, 37, 39,		
					40, 41		
57/	A, S	8	All	2.00" between terminal centers	42 thru 46	1	B9AF 12264-A
49/56	A	6&8	All	Screw (breaker ground wire to housing)-No. 8-32 x 5/16" fill. hd.	1 thru 19	1	31037-S7(U48)
57/	A, S	6&8	All		20 thru 30, 35,	1	
					38 thru 46, 57,		
					75, 85		
55/56	A, S	6&8	All	Lockwasher-No. 8		1	34802-S7(X59)
				Screw & lockwasher (breaker ground wire to housing)-No. 8-32 x 5/16" fillister head	9, 10, 11, 12, 13,	1	355067-S7(BB53)
					14, 15, 16, 17, 18,		
					19		
57/	A	6	223		21, 28, 35, 38	1	

• Refer to Group 12127 for complete Distributor identification.

YEAR 19	MODEL	NO. CYL.	CUBIC INCH DISP.	DESCRIPTION	*DISTRIBUTOR CATALOG SYMBOL	QTY. PER VEHICLE	PART NUMBER
<b>12270 CLAMP - DISTRIBUTOR TO CYLINDER HEAD</b>							
49/53	A	8	239		1, 3, 4	1	8BA 12270
54/		8	All		7, 8, 9, 10, 12, 13, 14, 15, 16, 17, 19, 20, 22, 23, 24, 25, 26, 27, 29, 30, 32, 37, 41, 43, 46	1	FAA 12270-A
58/	A, S	8	332, 352		33, 34, 36, 42, 44	1	B8A 12270-A
59/	S	8	430		40, 45	1	B8S 12270-A
49/	A, S	8	All	Screw (distributor clamp to cylinder head)-5/16"-18 x 1"	1, 3, 4, 7, 8, 9, 10, 12, 13, 14, 15, 16, 17, 19, 20, 22, 23, 24, 25, 26, 27, 29, 30, 32, 36, 37, 41, 46	1	20386-S8(B53)
49/				Lockwasher-5/16"			34806-S7(X64)
59/	S	8	430	Stud (distributor clamp to cylinder head)-5/16"-24-18 x 3 3/16"	45	1	★88526-S
59/	S	8	430	Grommet (distributor clamp to cylinder head)-rubber	45	1	358998-S(KK5)
<b>12271 RETAINER - IGNITION WIRES</b>							
49/51	A	6	226	At terminal housing		1	7HA 12271-A
<b>12280-81 WIRING and BRACKET ASSY. - DISTRIBUTOR TO SPARK PLUG</b>							
57	A, S	8	All	RH (to correct radio interference)		1	B7A 12280-A
57	A, S	8	All	LH (to correct radio interference)		1	B7A 12281-A
<b>12286 WIRE ASSY. - DISTRIBUTOR TO SPARK PLUG - RADIO RESISTANCE - Also Refer to Group 12259</b>							
58/	A, S	8	332, 352	Fibre glass-90° moulded boot at distributor end-28.50" long- service pkg. includes 1-C1AZ 12113-A Boot 1-B8A 14453-B Terminal 1-B8AZ 14466-B Connector		AR	COAZ 12286-B
58/	A, S	8	332, 352	Fibre glass-60° moulded boot at distributor end-29.60" long- service pkg. includes 1-C1AZ 12113-A Boot 1-B8A 14453-B Terminal 1-B8AZ 14466-B Connector		AR	COAZ 12286-C
58/	A	8	292	Fibre glass-90° moulded boot at spark plug end-44.00" long- service pkg. includes 1-A9AZ 12113-A Boot 1-B8AZ 14466-A Terminal		AR	COAZ 12286-E
<b>12297 GROMMET - IGNITION CABLE</b>							
49/50	A	8	239	Through mounting bracket		2	★7RA 12297
49/51	A	6	226	Through ignition coil mtg. strap		2	★7HA 12297
54/57	A, S	8	All	Through mounting bracket-4		2	FAA 12297-A
58/	A	8	292	holes in square 1-1/4" long-use with FAA 12112-A		2	
54/57	A, S	8	All	Through mounting bracket-4		4	FAA 12297-C
58/	A	8	292	holes in straight line-use with FAC 12112-A & FAA 12361-A		2	
56/	A, S	8	All	Separator (ignition wire)-comb		2	B6A 12297-A
59/	S	8	430	shaped-8 prongs-.09" thick		2	B8S 12297-A
59/	S	8	430	Separator (ignition wire)-comb,		2	B8Q 12297-A
58/	A, S	8	332, 352	shaped-2.18" long			

• Refer to Group 12127 for complete Distributor identification.

# FORD CAR PARTS

## SECTION 120

553

YEAR 19.....	MODEL	NO. CYL.	CUBIC INCH DISP.	DESCRIPTION	*DISTRIBUTOR CATALOG SYMBOL	QTY. PER VEHICLE	PART NUMBER
<b>12298 WIRING ASSY. - IGNITION COIL TO DISTRIBUTOR HIGH TENSION</b>							
49/53	A	8	239	6.5" long		1	7RA 12298-B
49/54	A	6	All	14.3" long		1	8EQ 12298
54/57	A, S	6&8	All			1	
57	A, S	8	All	Resistor type		1	B7AZ 12298-A
57	A	6	223	Resistor type		1	B7AZ 12298-B
58/	A, S	6&8	All	Resistor type		1	B8AZ 12298-A
58	A, S	8	332,352	10.5" long		1	B8E 12298-A
<b>12299 SHIELD - SPARK PLUG IGNITION WIRE HEAT</b>							
55/57	A, S	8	All			4	B5A 12299-A
<b>12300 CONDENSER ASSY. - DISTRIBUTOR</b>							
49/53	A	6&8	All	Alternate with FET 12300-A	1,2,3,4	1	7RA 12300-C
54/		6	223		5,6,11,18,21,28, 35,38,57,75,85	1	
54/56	A, S	8	All	Alternate with FDS 12300-B	7,8,9,10,12,13, 14,15,16,17,19	1	FAB 12300-A
57/59	A, S	8	All	Identified by FoMoCo part number B9FA 12300-A-alternate with B7A 12300-A	20,22,23,24,25, 26,30,32,33,34, 36,37,39,40,41	1	B7A 12300-C
57	A, S	8	312		27,29	1	†B7A 12300-B
57/	A, S	8	All	Alternate with B9TF-12300-A	42 thru 46	1	B9AF 12300-A
49/				Lockwasher-No. 8		1	34802-S7(X59)
49/	A, S	6&8	All	Nut (condenser to point set terminal)-No. 6-32	1 thru 29,35, 38, 57	2	34051-S7(M154)
				Lockwasher-No. 6			34801-S7(X58)
55/	A, S	6&8	All	Screw & lockwasher (condenser to breaker plate)-No.8-32 x 5/16" fillister head	1 thru 19,21,28, 35,38,42 thru 46,57,75,85	1	355067-S7(BB53)
<b>12303 PLATE and FLANGE ASSY. - DISTRIBUTOR</b>							
57/	A, S	8	All		20,22 thru 27, 29,32,33,34,36, 37,39 thru 46	1	B9A 12303-A
57/	A, S	8	All	Pin (plate & flange to shaft)- 1/8" x .65" roll	20, 22 thru 27, 29,32,33,34,36, 37,39 thru 46	1	359118-S(NN95)
<b>12320 GASKET - DISTRIBUTOR DIAPHRAGM VACUUM CONNECTOR</b>							
57/	A, S	6&8	All	.625" I. D. -.75" O. D. -.03" thick	20,22 thru 27, 29,30,32,33,34, 36,37,39 thru 46	1	B7A 12320-A
<b>12361 CLAMP - DISTRIBUTOR TO SPARK PLUG WIRING MOUNTING BRACKET</b>							
54/57	A, S	8	All			1	FAA 12361-A
58/	A	8	292			1	
<b>12364 TUBE ASSY. - DISTRIBUTOR VACUUM TO INTAKE MANIFOLD</b>							
55	S	8	292,312	Used with tachometer-3/16" dia. 11.67"long-make from 8C 2269-B		1	*ECJ 12364-A
55	S	8	292,312	Not used w/tachometer-3/16"diam.		1	*ECK 12364-A
56	F/L, S/W, A(Special)	8	All	9.56"long-make from 8C 2269-B		1	
56	S	8	292,312	Nut (tube to elbow)-3/8"-24		1	351112-S(MM109)
56	F/L, S/W, A (Special)	8	All			1	
56	S, F/L, S/W, A (Special)	8	All	Connector (tube to carb.)-not used with power brakes		1	354964-S(II-167)
56	S, F/L, S/W, A (Special)	8	All	Nut (tube to dist.)-3/16" with power brakes-brass 90° elbow		1	358609-S8(MM103)
<b>12366 BUSHING - DISTRIBUTOR BREAKER PLATE PIVOT PIN</b>							
57/	A, S	8	All	Use with B9AF-12151-A plate assy	42 thru 46	1	B9AZ 12366-A
<b>12370 DIAPHRAGM ASSY. - DISTRIBUTOR VACUUM CONTROL</b>							
49/53	A	6&8	All		1,2,3,4	1	7RA 12370-B
54/	A	6	223		5,6,11,18,21,28, 35, 38, 57	1	
54/56	A	8	239,272		7,8,10,15	1	FAB 12370-A
55	A, S	8	All		9,12,13,14	1	B5S 12370-A
56	A, S	8	All		16,17,19	1	B6A 12370-F

\* Refer to Group 12127 for complete Distributor identification.

† Used with Supercharger.

YEAR 19	MODEL	NO. CYL.	CUBIC INCH DISP.	DESCRIPTION	*DISTRIBUTOR CATALOG SYMBOL	QTY. PER VEHICLE	PART NUMBER
<b>12370 DIAPHRAGM ASSY. - DISTRIBUTOR VACUUM CONTROL - continued</b>							
57/59	A, S	8	All		20, 22, 23, 24, 25, 26, 30, 32, 33, 34, 36, 37, 39, 40, 41	1	B7A 12370-A
57/	A, S	8	All		42 thru 46	1	B9AF 12370-A
57	A, S	8	312		27, 29	1	†B7A 12370-B
57/	A, S	8	All	Washer (vacuum calibration of diaphragm)-. 50" O. D. -. 127" I. D. -. 007" thick	20, 22, 23, 24, 25, 26, 27, 29, 30, 32, 33, 34, 36, 37, 39 thru 46	AR	359540-S8B(XX60)
57/	A, S	8	All	Washer (vacuum calibration of diaphragm)-. 50" O. D. -. 127" I. D. -. 021" thick	20, 22, 23, 24, 25, 26, 27, 29, 30, 32, 33, 34, 36, 37, 39 thru 46	AR	359541-S8B(XX61)
57/	A, S	8	All	Washer (vacuum calibration of diaphragm)-. 50" O. D. -. 127" I. D. -. 041" thick	20, 22, 23, 24, 25, 26, 27, 29, 30, 32, 33, 34, 36, 37, 39 thru 46	AR	*359542-S8B(XX62)
57/	A, S	8	All	Washer (vacuum calibration of diaphragm)- 1/4" flat-. 55" O. D. -. 009" thick	42 thru 46	AR	375482-S8B(XX85)
57/	A, S	8	All	Washer (vacuum calibration of diaphragm)-1/4" flat-. 55" O. D. -. 021" thick	42 thru 46	AR	375483-S8B(XX85A)
				Washer (vacuum calibration of diaphragm)- 1/4" flat-. 55" O. D. -. 041" thick	42 thru 46	AR	375484-S8B(XX85B)
49/	A, S	6&8	All	Screw & lockwasher (diaphragm to housing)-No. 8-32 x 3/4"- binding head	1 thru 30, 32 thru 35, 37 thru 46, 57, 75, 85	2	*43243-S8
49/	A, S	6&8	All	Retainer (dist. vacuum control diaphragm rod)-. 44" long	1 thru 19, 21, 24 thru 29, 35, 38, 57, 75, 85	1	353610-S8(NN126)
57/	A, S	8	All	Retainer (diaphragm rod)- "C" washer	20, 22, 23, 24, 25, 26, 27, 29, 30, 32, 33, 34, 36, 37, 39 thru 46	1	351826-S(XX2)
<b>12390 GEAR - DISTRIBUTOR DRIVEN</b>							
49/53	A	8	239	11 teeth	1, 3, 4	1	7RA 12390-C
52/54	A	6	215, 223	1. 60" deep-12 teeth	5, 6	1	FAA 12390-A
54	A	8	239	13 teeth	7	1	FAC 12390-A
54/	A, S	8	All	14 teeth	8, 9, 10, 12, 13, 14, 15, 16, 17, 19, 20, 22, 23, 24, 25, 26, 27, 29, 30, 32, 37, 41, 43, 46	1	FAE 12390-A
55/	A	6	223	1. 12" deep-12 teeth	11, 18, 21, 28, 35, 38, 57, 75, 85	1	B5A 12390-A
58/	A, S	8	All	15 teeth	33, 34, 36, 42, 44	1	FAB 12390-C
59/	S	8	430		39, 40, 45	1	B8E 12390-A
49/	A, S	6&8	All	Rivet (distributor driven gear to	1, 3, 4, 5 thru 30, 35, 38 thru 46, 57, 75, 85	1	61489-S(S10)
55	S	8	292	Pin (oil pump intermediate shaft to distributor)-3/32" x 7/16"	13, 14	1	354494-S(NN88)
49/51	A	6	226	Iron-10 teeth-on oil pump shaft	2	1	OHA 6652-A
49/51	A	6	226	Pin (distributor driven gear to shaft)-1/8" x 13/16" straight	2	1	*72432-S
49/53	A	8	239	Gear (distributor drive )-11 teeth on front end of camshaft	1, 3, 4	1	7RA 6255

\* Refer to Group 12127 for complete Distributor identification

+ Used with Supercharger

YEAR 19	MODEL	NO. CYL.	CUBIC INCH DISP.	DESCRIPTION	*DISTRIBUTOR CATALOG SYMBOL	QTY. PER VEHICLE	PART NUMBER
<b>12405 SPARK PLUG ASSY.</b>							
49/53		8	239	AL7-14mm-gap setting of .029"/.033"		8	7RA 12405
49/51	A	6	226	Gap setting of .029"/.033"		6	
52/54	A	6	215,223	Gap setting of .033"/.037"		6	
54	A	8	239	Gap setting of .033"/.037"		8	
49/54	Special Equipment	8	239	AL9-14mm. -gap setting of		8	1A 12405-A
49/54	Special Equipment	6	All	.029"/.033"-hot type for low speed operation		6	
54	A	6	223	AL11-14mm. -gap setting of		6	B4A 12405-A
54	A	8	239	.033"/.037"-hotter type for stop and go service only		8	
57	A, S (with dual 4/B carb.)	8	312	BTF6-18mm. -gap setting of		8	B7A 12405-A
55/59	A	6	223	.032"/.036"		6	
55/57	A, S (except with dual 4/B carb.)	8	All	BF82-18mm. gap setting of		8	B7A 12405-B
58/	A	8	292	.032"/.036"-for normal service		8	
55/	A	8	272,292 312	BF92-18mm-gap setting of .032"/.036"-for light service only		8	C20Z 12405-A
57	A, S	8	All	BRF6-18mm. -gap setting of .032"/.036" (to correct radio interference)		8	B7A 12405-C
58/	A, S	8	332,352	BF42-18mm-gap setting of .032"/.036"		8	B8A 12405-A
55/	A (for racing only)	6&8	All	BF601-18mm-gap setting-.023"/.027"		6or8	C2AZ 12405-A
55/	A (for racing only)	6&8	All	BTF1-18mm-gap setting-.023"/.027"		6or8	C2AZ 12405-B
55/	A (for racing only)	6&8	All	BF22-18mm-gap setting .028"/.032"		6or8	C3AZ 12405-A
55/	A (for racing only)	6&8	All	BF12-18mm-gap setting of .028"/.032"		6or8	C3AZ 12405-B
<b>12410 GASKET</b>							
49/53	A	8	239	Oil relief valve nut		1	B 12410
49/54	A	8	239	Spark plug		8	01A 12410-A
49/54	A	6	All			6	
58	A	8	332,352	Used as air spring compr.oil drain tube conn.gskt.(w/air susp. only)		1	
<b>12418 PIN - DISTRIBUTOR BREAKER PLATE</b>							
57/	A, S	8	All		20,22 thru 26, 32,33,34,36,37, 39 thru 46	1	B7A 12418-A
<b>12476 OIL SEAL - DISTRIBUTOR SHAFT</b>							
55/57	S	8	All	.105" thick	13,14,19,24,25, 29,30	1	FAA 12476-A
<b>12480 KIT - ENGINE GOVERNOR</b>							
54/55	A	6	223	1800-3000 R. P. M. -use with B6A 9600-E air cleaner		1	B8TZ 12480-A
Consists of the following							
1-EAG	9488-A	Gasket (carburetor to gas shield)	2-357695-S	Stud (3/8"-16-24 x 3, 38")			
1-EAG	9772-A	Rod assy. (accel. bellcrank to carb.)		(attach carburetor through governor to intake manifold)			
1-B5C	12481-A	Tube (governor by-pass)		Connector-1/8" pipe thread			
* 2-	B 17542-A	Nut (distributor vacuum tube connection)	1-358165-S	distributor vacuum tube to tee)			
1-8HC	18216-A	Tube (carburetor to governor)		Elbow (3/16" O. D. tube-male)			
1-8RT	18228	Tee (carb. to governor tube connector)	*358245-S	Governor assy. (engine)			
1-87230-S		Connector-3/16"-1/8"-3/8" tube fitting	1-5751053				
* 2-351112-S		Screw(compr.sleeve type)-3/16"O.D. tube distr.vacuum tube connection)					
57	A-with S/T or O/D & 2/B Holley carb.	8	272,292	2500-3900 R. P. M. -use with B9AE 9600-D air cleaner		1	B7AZ 12480-C
Consists of the following							
* 2-B8A	9488-B	Gasket (carb. to governor and governor to intake manifold)	* 4-ECY 99442-A	Stud (carb. to intake manifold)			
1-B7A	9819-F	Tube (thermostatic choke con. outlet)	* 3-351112-S	Screw (compression sleeve type)			
1-ECG	9865-E	Insulator (thermostatic choke con. outlet tube)	* 2-358165-S	(both ends of gov. to carb. vacuum tube end of dist. vacuum tube)			
1-ECY	12450-C	Governor assy. (engine)		Connector - 1/8" pipe thread			
* 3-B	17542-A	Nut (double compression type)		(governor to carb. vacuum tube and governor to dist. vacuum tube)			
1-ECY	18216-A	Tube (carb. to governor)					

• Refer to Group 12127 for complete Distributor identification

\* Alternate

12480 KIT - ENGINE GOVERNOR - continued							
YEAR 19	MODEL	NO. CYL.	CUBIC INCH DISP.	DESCRIPTION	*DISTRIBUTOR CATALOG SYMBOL	QTY. PER VEHICLE	PART NUMBER
57	A-with S/T or O/D	6	223	2150-3550 R. P. M. -use with B7A 9600-E air cleaner		1	B7AZ 12480-A
58/	A-with S/T or O/D	6	223	Use with B9AE 9600-F air cleaner		1	
Consists of the following							
	2-EAG 9488-A			Gasket (carb. to gas shield)	2-351112-S		Screw (compression sleeve type)
	1-B7A 9303-E			Spacer (carb. to governor)	1-351652-S		Union (elbow)
	1-B7A 9784-B			Rod assy. (accel. bellcrank to carb.)			(fuel line to fuel line extension tube)
	1-EBP 12450-A			Governor assy. (engine)	1-357887-S		Connector (1/8" taper pipe thread x 3/8-24 straight thread)
	1-B5C 12481-A			Tube (governor by-pass)			Connector - 1/8" pipe thread
	2-B 17542-A			Nut (vacuum tube connection)	1-358165-S		Elbow (male)
				(both ends of carb. to governor tube)	2-358245-S		(tee to carb. to governor tube & tee dist. vacuum line)
	1-EBP 18216-A			Tube (carb. to governor)			Stud (3/8"-16-24 x 2.32")
	1-8RT 18228			Tee (carb. to governor tube connection)			(attach carb. thru gov. to intake manifold)
	1-EBP 99265-A			Tube assy. (fuel line extension)	2-359848-S		
57	A-with S/T or O/D & 2/B Holley carb.	8	272,292	1800-3500 R. P. M. -use with B9AE 9600-D air cleaner		1	B7AZ 12480-B
Consists of the following							
	* 2-B8A 9488-B			Gasket (carb. to governor and governor to intake manifold)	* 4-ECY 99442-A		Stud (carb. to intake manifold)
					* 3-351112-S		Screw (compression sleeve type)
	1-B7A 9819-F			Tube (thermostatic choke con. outlet)			(both ends of gov. to carb. vacuum tube end of dist. vacuum tube)
	1-ECG 9865-E			Insulator (thermostatic choke con. outlet tube)	* 2-358165-S		Connector - 1/8" pipe thread
	1-ECY 12450-B			Governor assy. (engine)			(governor to carb. vacuum tube and governor to dist. vacuum tube)
	* 3-B 17542-A			Nut (double compression type)			
	1-ECY 18216-A			Tube (carb. to governor)			
58/59	A-with S/T or O/D & 2/B Holley carb.	8	292	1600-3100 R. P. M. -use with B9AE 9600-D air cleaner		1	B8AZ 12480-A
Consists of							
	* 1-B 9242-A			Ferrule - 1/4" tube	* 4-EDB 99442-A		Stud (carb. to intake manifold)
	* 2-B8A 9488-A			Gasket (carb. to governor and gov. to intake manifold)	* 3-351112-S		Screw (compression sleeve type)
							(both ends of gov. to carb. vacuum tube end of dist. vacuum tube)
	1-B7A 9819-F			Tube (thermostatic choke con. outlet)			Connector - 1/8" pipe thread
	1-ECG 9865-E			Insulator (thermostatic choke con. outlet tube)	* 2-358165-S		(gov. to carb. vacuum tube and gov. to dist. vacuum tube)
	1-EDB 12450-A			Governor assy. (engine)			Nut (compression)
	* 3-B 17542-A			Nut (double compression type)	* 1-357980-S		(tube thermo. choke con. outlet to carb.)
	1-ECY 18216-A			Tube (carb. to governor)			
58/59	A-with S/T or O/D & 2/B Holley carb.	8	292	2800-4000 R. P. M. -use with B9AE 9600-D air cleaner		1	B8AZ 12480-B
Consists of							
	* 1- B 9242-A			Ferrule - 1/4" tube	* 4-EDB 99442-A		Stud (carb. to intake manifold)
	* 2-B8A 9488-A			Gasket (carb. to governor and governor to intake manifold)	* 3-351112-S		Screw (compression sleeve type)
							both ends of governor to carb. vacuum tube end of distributor vacuum tube)
	1-B7A 9819-F			Tube(thermostatic choke control outlet)			Connector - 1/8" pipe thread
	1-ECG 9865-E			Insulator (thermostatic choke control outlet tube)	* 2-358165-S		(governor to carburetor vacuum tube and governor to distributor vacuum tube)
	1-EDB 12450-B			Governor assy. (engine)			Nut (compression)-tube thermostatic choke control outlet to carb.)
	* 3-B 17542-A			Nut (double compression type)	* 1-357980-S		
	1-ECY 18216-A			Tube (carburetor to governor)			
59	A	6	223	2150-3550 RPM		1	B9AE 12480-A
Consists of the following							
	1-B7A 9603-A			Spacer (carb. to governor)	2*-351112-S		Screw (compression sleeve type)
	1-B7A 9772-E			Rod assy. (accel. bellcrank to carb.)	2*-B 17542-A		Nut (vacuum tube connection)
	1-B9AE 12450-A			Governor assy. (engine)			(both ends of carb. to gov. tube)
	3-B9AE 12A450-A			Gasket (carb. to governor)	1-357944-A2S		Tee (carb. to gov. tube connection)
				(gov. to spacer & spacer to carb.)	1-358165-S		Connector 1/8" pipe thread (attach tube-carb. to gov. to governor)
	1-B5C 12481-A			Tube (governor by-pass)			Stud-3/8"-16-24 x 2.32" (carb. thru gov. to intake manifold)
	1-5751008			Tube (carb. to governor)	2-359848-S		
	1-87253-S			Connector-3/16" tube (carb. to tee)			
12481 TUBE - GOVERNOR TO CARBURETOR BY-PASS							
54/	A	6	223	.081" I.D., .141" O.D., .484" long brass		1	B5C 12481-A
12639 BRACKET - GLOVE COMPARTMENT LAMP MOUNTING							
58/	S	8	All			1	FEV 12639-A

\* Refer to Group 12127 for complete Distributor identification

\* Alternate



INDEX

SECTIONS 130, 134 and 137 - LAMPS and HORNS

PART NAME	GROUP NUMBER	PART NAME	GROUP NUMBER
Actuator (turn indicator)	13352	Nut (pillar lamp switch, top control, etc.)	13753
Arm (headlamp adjusting)	13136	Pad (parking lamp body to fender)	13217
Body ass'y. (parking lamp)	13206-7	Pad (rear lamp mounting)	13420
Body ass'y. (rear lamp)	13434-5	Pad (rear license plate lamp mounting)	13572
Body & socket ass'y. (courtesy lamp)	13705	Pawl (turn indicator switch plate)	13309
Body & socket ass'y. (rear license plate lamp)	13560	Pin (rear license plate support hinge)	13432
Body & switch assy. (interior lamp)	13786	Plate ass'y. (turn indicator switch)	13304
Body (dome lamp)	13787	Plate (headlamp dimmer switch mounting)	13535
Body (map lamp)	13765	Plate (horn button or ring index)	13A809
Body (rear license plate lamp)	13553	Plate (rear license plate lamp mounting)	13555
Boot (parking lamp socket)	13225	Plate (turn indicator control)	13345
Bracket ass'y. (headlamp adjusting nut)	13021	Plate (turn indicator lamp mounting)	13367
Bracket & socket ass'y. (map lamp)	13754	Plug (headlamp connector)	13086
Bracket & spring assy. (horn)	13830-1	Reflector (rear lamp)	13437
Bracket (courtesy lamp)	13763	Reinforcement (rear bumper license plate)	13418
Bracket (rear lamp lens support)	13451	Relay assy. (stop lamp)	13482
Bracket (rear license)	13406	Relay & bracket assy. (horn)	13853
Bracket (rear license plate)	13597	Retainer (instrument cluster signal lamp jewel)	13588
Bracket (rear license plate lamp)	13423	Retainer (parking lamp)	13220-1
Bracket (rear license plate side)	13596	Retainer (turn indicator control arm)	13347
Bracket (turn indicator flasher mounting)	13351	Ring (headlamp adjusting)	13118-9
Bulb (back up lamp)	13799	Ring (headlamp bulb retaining)	13015
Bulb (headlamp)	13007		
Bulb (instrument panel, rear lamp, turn signals etc.)	13465-6	Screw (headlamp adjusting)	13032
Bumper ass'y. (rear license plate support)	13398	Shield (rear lamp wire)	13467
Button assy. (horn)	13A805	Sleeve (rear lamp lens)	13489
		Socket ass'y. (back up lamp bulb)	13411
Cam (turn indicator turn off)	13318	Socket ass'y. (dome lamp)	13793
Clip (headlamp door retaining)	13067	Socket ass'y. (rear license lamp bulb)	13562
Clip (head lamp door retaining)	13098	Socket (luggage compartment lamp)	13548
Clip (turn indicator cover)	13377	Socket & wire (glove compartment lamp)	13712
Cover (turn indicator wire)	13376	Socket & wiring ass'y. (parking lamp)	13234-5
Door ass'y. (rear lamp)	13448-9	Socket & wiring (rear lamp)	13410
Door (headlamp)	13061	Spacer (headlamp door)	13058
	13064	Spacer (horn bracket spring)	13827
Door (license plate lamp)	13566	Spring (headlamp ball ring)	13031
Door (parking lamp)	13210	Spring (horn blowing)	13A807
	13212	Spring (rear license plate lamp tension)	13590
Door (pillar lamp)	13788	Spring (rear license plate support)	13455
Flasher ass'y. (turn indicator)	13350	Spring (turn indicator cam control)	13356
Gasket (headlamp mounting)	13044	Spring (turn indicator control arm tension)	13346
Gasket (interior lamp)	13790	Spring (turn indicator switch hub)	13355
Gasket (license lamp socket)	13668	Spring (turn indicator switch pawl)	13316
Gasket (license plate lamp lens)	13568	Spring (turn indicator switch plate retainer)	13343
Gasket (parking lamp lens)	13211	Support ass'y. (rear license plate)	13422
Gasket (rear lamp lens)	13461	Support (rear license plate)	13419
Gasket (rear lamp white lens)	13447	Switch ass'y. (courtesy & map lamp)	13713
Headlamp assy. (less bulb and wiring)	13008	Switch assy. (headlamp dimmer)	13A024
	13035	Switch ass'y. (instrument panel lamp)	13740
Hinge (rear license plate support)	13426	Switch & bracket (parking brake signal lamp)	13748
Horn ass'y. (less bracket)	13832-3	Switch & mounting plate ass'y. (turn indicator)	13341
Insulator (horn blowing ring pressure)	13A813	Switch (interior lamp)	13752
Kit (horn brush and insulator repair)	13A821	Switch (map lamp)	13764
Knob ass'y. (pillar lamp switch)	13755	Switch (stoplight)	13480
Lamp ass'y. (parking)	13200-1	Terminal (dome lamp switch)	13785
Lamp assy. (rear)	13404-5	Trim (headlamp door)	13063
Lamp ass'y. (rear license)	13550	Trim (rear lamp door)	13494-5
Lamp & bracket (rear license plate)	13543	Wire assv. (horn relay to horn)	13A804
Lamp (open door warning)	13751	Wire ass'y. (license plate lamp)	13701
Lens (courtesy & map lamp)	13547	Wire & socket (luggage compartment)	13A756
Lens (instrument panel turn indicator lamp)	13340	Wire (pillar lamp)	13796
Lens (map lamp)	13761	Wire (rear license lamp connection)	13A441
Lens (parking lamp)	13208-9	Wire (rear license plate lamp socket)	13412
Lens (rear lamp)	13450	Wiring assy. (courtesy or interior lamp switch)	13A709
Lens (rear license plate lamp)	13564	Wiring assy. (headlamp leads)	13076
Lever (turn indicator)	13305		13105
Moulding trim (headlamp door)	13011	Wiring (luggage compartment lamp)	13549

## INDEX

## SECTIONS 140,144 and 145 - WIRING

PART NAME	GROUP NUMBER	PART NAME	GROUP NUMBER
Adapter (luggage compt. door lock switch mtg.)	14149	Switch assy. (luggage compartment door lock)	14148
Bezel (seat regulator control)	14700	Switch assy. (seat regulator control)	14A701
Bezel (seat regulator control switch)	14A706	Switch ass'y. (window regulator)	14540
Block assy. (headlamp wiring)	14448	Switch ass'y. (window regulator control)	14529
Bracket (seat regulator motor relay mounting)	14478		
		Terminal (battery cable)	14452
Breaker assy. (electrical circuit)	14526	Terminal (electric wiring solderless crimp-on type)	14294
Breaker assy. (electrical circuit)-glass tube	14526	Terminal (high tension wire)	14466
Breaker assy. (wiring circuit)	14A065	Terminal (spark plug)	14453
Bus bar (window regulator switch)	14513	Terminal (wire)	14468
Cable (battery)	14300-1		
Cable (relay to starter)	14431	Wire assy. (air spring suspension front door)	14354
		Wire ass'y. (dash panel to headlamp junction)	14290
Clip (window regulator housing retainer)	14570	Wire ass'y. (dash to engine gauge feed)	14289
Clip (window regulator switch retaining)	14559	Wire assy. (electric seat regulator relay feed)	14643
Clip (wiring)	14197	Wire ass'y. (electric seat regulator switch)	14689
	14199		
	14577	Wire ass'y. (heater blower motor ground)	14320
	14586	Wire ass'y. (ignition coil to ignition resistor)	14495
Connector & sleeve assy. (wiring terminal)	14487	Wire assy. (ignition switch to heater switch)	14338
Connector (wire)	14488	Wire ass'y. (ign. to window reg. safety switch)	14785
		Wire ass'y. (interior lamp feed)	14334
		Wire ass'y. (license lamp ground)	14594
Cover (regulator control positioning switch)	14752		
Dial (seat regulator control)	14751	Wire ass'y. (motor relay to window regulator)	14679
Disc (seat regulator control pointer)	14758	Wire ass'y. (oil pressure gauge)	14322
Fuse (cigar lighter)	14429	Wire ass'y. (rear window defroster)	14340
		Wire ass'y. (safety relay to circuit breaker)	14678
Gasket (window regulator)	14554	Wire assy. (seat reg. control relay feed extension)	14618
Gear (seat regulator control positioning switch)	14753	Wire ass'y. (seat regulator motor jumper)	14593
Grommet (wiring thru dash)	14603		
	14605	Wire ass'y. (starter relay to regulator)	14311
Hose (air suspension compressor oil drain)	14850	Wire assy. (stop lamp switch to rear turn indicator-RH)	14684
Housing (seat regulator control)	14685	Wire ass'y. (top control relay to circuit breaker)	14362
Housing (window regulator switch)	14528	Wire ass'y. (top cycle actuation warning lamp)	14728
		Wire ass'y. (top power relay feed)	14729
Insulator (non metallic wiring conduit)	14A240	Wire ass'y. (turn indicator flasher)	14404
Junction block assy. (accessory terminal)	14A725		
Knob (seat regulator control)	14710	Wire (bulk)	14296
Lens & housing (actuation warning lamp)	14731	Wire (cigar lighter to circuit breaker)	14347
		Wire (convertible top circuit breaker to motor relay)	14351
Motor & wire ass'y. (window regulator)	14555	Wire harness (luggage compartment)	14276
Motor ass'y. (electric seat regulator)	14547	Wire (motor relay to seat reg. circuit breaker)	14682
Motor ass'y. kit (seat regulator)	14547	Wire (overdrive harness to ignition coil dist. side)	14381
Motor ass'y. (window regulator)	14549	Wire terminal (snap on type)	14474
	14553	Wire (top power cir. brkr. to starting motor relay)	14726
Nut (luggage compt. door lock switch mounting)	14927		
Nut (seat regulator control switch bezel)	14695	Wiring ass'y. (air suspension spring-rear door)	14383
		Wiring assy. (electric seat circuit breaker)	14800
Plate (window regulator switch)	14523	Wiring assy. (front turn indicator to splice)	14499
	14524	Wiring ass'y. (fuel gauge tank unit)	14406
Relay assy. (electric window regulator)-safety	14677	Wiring ass'y. (generator to voltage regulator)	14305
Relay ass'y. (seat regulator control)	14546	Wiring ass'y. (headlamp)	14445
	14A707	Wiring ass'y. (horn switch)	14308
Relay assy. (window & seat regulator control)	14512	Wiring ass'y. (instrument panel to dash panel)	14401
Retainer (cowl wiring grommet through dash)	14608	Wiring assy. (luggage compt. lock switch to solenoid)	14794
Sleeve (insulating)	14455	Wiring ass'y. (rear lamp)	14405
Socket & wiring (temperature & oil warning lamps)	14522	Wiring ass'y. (seat regulator control positioning transmitter jumper)	14774
Solenoid assy. (luggage compt. door lock)	14A720		
Solenoid & clamp assy. (seat regulator control)	14A719-20	Wiring assy. (seat regulator switch to relay)	14A697
Strap (engine to dash ground)	14303	Wiring ass'y. (starter switch to trans. lock switch)	14476
Switch & wire ass'y. (glove compartment lamp)	14413	Wiring ass'y. (trans. overdrive solenoid to relay)	14382
Switch & wiring ass'y. (seat positioning motor)	14771	Wiring ass'y. (window regulator rear switch feed)	14A027
Switch & wiring ass'y. (seat regulator control positioning transmitter)	14773	Wiring (front window regulator)	14630-1
Switch & wiring ass'y. (turn indicator)	14492	Wiring harness (retractable top control)	14298
Switch & wiring (turn indicator)	14486	Wiring (rear quarter window regulator)-R. H.	14644
Switch assy. (electric window regulator control)	14717	Wiring (rear window regulator)	14632-3

**INDEX**

**SECTION 150 - MISCELLANEOUS ACCESSORIES**

PART NAME	GROUP NUMBER	PART NAME	GROUP NUMBER
Actuator (back up lamp switch)	15540	Housing ass'y. (trans. gear shift indicator lamp)	15800
Actuator (luggage compt. door position "B" switch)	15881	Knob and element ass'y. (cigar lighter)	15052
Actuator (top latch control neutral switch)	15657	Knob ass'y. (top control)	15674
Adapter (cigar lighter socket)	15063	Lamp assy. (transmission control selector)	15A801
Back up lamp (kit)	15499	Lens (back up)	15514
Back up lamp switch (kit)	15A490	Lever (roof lock limit switch actuator)	15791
Baffle (trans. control selector dial indicator)	15813	Light lighter (cigar lighter)	15072
Bezel assy. (clock)	15009-10	Mask (Trans. control selector indicator dial)	15809
Bezel (cigar lighter-outer)	15059	Mirror and bracket ass'y. (spotlight)	15307
Bezel (map lamp switch control)	15189	Motor and bracket ass'y. (roof front lock)	15790
Body & socket assy. (back up lamp)	15511-2	Motor ass'y. (package tray actuating)	15610
Bracket ass'y. (top control motor mounting)	15669	Motor ass'y. (top control)	15667
Bracket (back up lamp switch mounting)	15517	Plate (top package tray retract switch mounting)	15776
Bracket (top control mounting)	15676	Relay ass'y. (control box power)	15692
Bracket (top latch control neutral switch)	15658	Relay ass'y. (top control or electric seat)	15672
Bracket (top package tray erect switch mounting)	15774	Retainer (trans. control selector indicator lamp hsg.)	15815
Bracket (top package tray retract switch actuator)	15775	Rod (luggage compartment door lock switch actuator)	15796
Bracket (trans. control selector neutral switch)	15839	Rod (roof erect switch actuator)	15722
Bracket (vacuum pump to w/shield wiper hose tube)	15660	Shield (trans. control selector dial)	15840
Bulb (road lamp)	15220	Socket & retainer ass'y. (cigar lighter)	15055
Bulb (spotlight)-sealed beam	15330	Spacer (luggage compartment door lock)	7653382
Channel (top automatic control box relay mtg. )	15694	Spacer (top latch motor mounting)	15688
Clamp (rear roof link cover)	15603	Switch ass'y. (roof)	15780
Cover (back up lamp opening)	15514	Switch ass'y. (roof erect)	15716
Cover (front roof link wire)	15724	Switch ass'y. (roof front lock limit)	15715
Cover (instrument panel cigar lighter opening)	15067	Switch ass'y. (top control)	15668
Cover (rear roof link wire)	15723	Switch ass'y. (top control front lock limit)	15717
Cover (top automatic control box)	15695	Switch ass'y. (top control rear lock limit)	15706
Cover (top control relay box)	15707	Switch ass'y. (top latch control neutral)	15656
Dial (transmission gear shift indicator)	15805	Switch ass'y. (top package tray)	15770
Door ass'y. (back-up lamp)	15513	Switch (back up lamp)	15520
Element ass'y. (cigar lighter)	15054	Switch (road lamp)	15224
Engine or trunk compartment lamp kit	15A700	Water shield (top control erect switch)	15782
Flasher ass'y. (hand brake signal lamp)	15858	Wire & socket assy. (clock)	15026
Gasket (back up lamp to body)	15533	Wire ass'y. (back up lamp socket)	15536
Gasket (back up lens)	15510	Wire ass'y. (top control cycle actuation switch)	15777
Grid ass'y. (rain guard)	15685	Wire ass'y. (top control roof lock motor)	15771
Housing ass'y. (roof retract switch)	15873	Wiring assy. (back up lamp switch to back up lamp)	15506
Housing ass'y. (trans. control selector dial)	15798	Wiring assy. (retractable roof top)	15A662

## SECTION 130

## FORD CAR PARTS

YEAR 19	MODEL	DESCRIPTION	QTY. PER VEHICLE	PART NUMBER
<b>13007 BULB - HEADLAMP</b>				
49/55	A, S	ROTUNDA SALES NO. (R12-A)		
56	A (6 volt)	Sealed beam-(6 volt)-Type No. 6006	2	B5AF 13007-A
56/57	A, S	(R12-D)	2	
58/	A, S	Sealed beam-(12 volt)-Type No. 6012	2	C0DF 13007-A
58/	A, S	Sealed beam-(12 volt)-Type No. 4002	2	B8AZ 13007-A
		Sealed beam-(12 volt)-Type No. 4001	2	B8AZ 13007-B
<b>13008 HEADLAMP ASSY. - LESS BULB and WIRING</b>				
49/50	A		2	1C 13008-A
52/53	A		2	FAA 13008-A
54	A		2	FDA 13008-A
55/56	A		2	B5A 13008-B
55/57	S		2	
57	A		2	
58	A	R. H.	2	B7A 13008-C
58	A	L. H.	1	B8A 13008-A
59	A	R. H.	1	B8AZ 13035-A
59	A	L. H.	1	B9AF 13008-A
58/	S	R. H.	1	B9AF 13035-A
58/	S	L. H.	1	C0SF 13008-A
49/56	A		1	C0SF 13035-A
55/57	S	Screw (headlamp to fender)-No. 10-12 x 3/4"	8	32938-S7(U345)
55/57	S	Lockwasher-3/8"	AR	
55/56	A		8	34903-S8(X96)
55/57	S	Speednut-No. 10	AR	
54/56	A			355768-AS2 (MM277)
57/59	A	Screw (headlamp to fender)-No. 8-15 x 5/8"-pan hd.	8	32930-S7(U340)
57/	A	Nut-No. 8-15	8	45174-S8 (M138)
55/56	A, S	Screw (headlamp to fenders)-No. 8-32 x 1/2"	2	*51564-S8
58/	S	Screw (headlamp to fenders)-No. 8-15 x 1/2"	12	52546-S23(U229)
58/	S	Nut-No. 8-15-spring	12	359487-S32(MM275)
58	A	Nut-No. 8-15-spring	12	45177-S32(M136)
59/	A	Screw (headlamp to radiator side support or fender extension)-No. 10-24 x .50"	AR	40918-S8(U260)
<b>13011 MOULDING TRIM - HEADLAMP DOOR</b>				
56	Fairlane & 59C		2	B6A 13011-A
		Clip (trim to door)-. 18" tubular	2	354933-S32(MM226)
		Screw (trim to headlamp door)-No. 8-32 x 5/8"	2	*41580-S8
<b>13015 RING- HEADLAMP BULB RETAINING</b>				
49/57	A, S		2	11A 13015-A
58/	A, S		4	B8A 13015-B
55/57	A, S	Screw (retaining ring to headlamp) - No. 8-32 x 5/16" fillister head	6	31037-S7(U48)
58/	A, S	Screw (ring to headlamp adjusting R. H. or L. H. ring)-No. 8-18 x .44"	AR	375452-S100 (BB630-D)
<b>13021 BRACKET ASSY. - HEADLAMP ADJUSTING NUT</b>				
57/58	A, S		4	B7A 13021-A
58	A		2	B8A 13021-A
58/	S		2	
59	A	Upper	4	B9A 13021-A
59	A	Center	2	C2SZ 13021-A
<b>13A024 SWITCH ASSY. - HEADLAMP DIMMER</b>				
49/56	A, S	Foot control-with oval mounting bracket & screw type terminal	1	A8AZ 13A024-A
49/54	A	Screw (dimmer switch term.)-No. 8-32 x 1/4"	3	26457-S7(U167)
49/56	A, S	Screw (dimmer switch to floor)-1/4"-20 x 1/2"	2	*42817-S8
49/56	A, S	Lockwasher-1/4"	2	34805-S8(X62)
57/58	A	Foot control	1	B7AZ 13A024-A
57/	S		1	
57/58	A	Screw & washer (switch to dimmer switch cover)-1/4"-20 x 1/2"	2	*42817-S8
58/	S		2	
59	A		1	C0TF 13A024-A
59	A	Screw (switch to floor pan)-No. 10-12 x 3/4"	1	42141-S(U250)
		Lockwasher-No. 10	1	34903-S8(X96)

# FORD CAR PARTS

## SECTION 130

561

YEAR 19	MODEL	DESCRIPTION	QTY. PER VEHICLE	PART NUMBER
<b>13031 SPRING - HEADLAMP BALL RING</b>				
57	A		2	B7A 13031-A
55/57	S		2	11A 13031
49/56	A		2or4	
58/	A, S		4	B8A 13031-A
<b>13032 SCREW - HEADLAMP ADJUSTING</b>				
49/58	A	1/4"-28 x 2.42" long	4	8A 13032
58/	S		4	
58	A	1/4"-28 x 1.72" long	4	B8A 13032-A
58/	S		4	
59	A	1/4"-28 x 1.850" long	8	B9A 13032-A
<b>13035 HEADLAMP ASSY. - LESS BULB and WIRING -Refer to Group 13008</b>				
<b>13044 GASKET - HEADLAMP MOUNTING</b>				
57	A		2	B7A 13044-A
55/57	S		2	11A 13044-A
49/56	A		2	
58	A		2	B8AZ 13044-A
58/	S		2	
58/	S	Black	2	B8S 13044-AA
<b>13058 SPACER - HEADLAMP DOOR</b>				
51/54	A		4	1A 13058-A
<b>13061 DOOR - HEADLAMP - Also Refer to Group 13064</b>				
52/53	A	Inner-1.44" wide	2	FAA 13061-B
54	A	Inner-1.08" wide	2	FAB 13061-B
<b>13062 RETAINER - HEADLAMP DOOR</b>				
57	A		4	B7A 13062-A
58/	S		2or4	B8S 13062-A
58/	S	Screw (retainer thru housing to headlamp opening reinforcement)-No. 8-15 x 5/8"	4or8	32930-S7(U340)
<b>13063 TRIM - HEADLAMP DOOR - Also Refer to Group 13064</b>				
55	A (Fairlane)	Outer	2	B5A 13063-E
<b>13064 DOOR - HEADLAMP - Also Refer to Groups 13061-63</b>				
49/50	A	Copper chrome	2	B5CZ 13064-A
49/50	A	Screw (headlamp door to lamp)-No. 8-15 x 7/8"	2	52368-S23(U295)
51	A		2	B1AZ 13064-A
52/53	A	Outer	2	B2AZ 13064-A
54	A	Outer-has overhang at top	2	B4AZ 13064-A
55	A (except Fairlane), S	Outer-has lip at top & bottom	2	B5AZ 13064-B
55	A (Fairlane)	Inner	2	B5AZ 13064-A
55	A (Fairlane)	Screw (inner ring to outer ring)-No. 8-32 x 3/8"	6	*51855-S8
56	A (except Fairlane)	Outer	2	B6AZ 13064-A
56/57	S		2	
55/57	S	Screw (door to headlamp)-No. 8-15 x 1"	2	*32948-S2
56	A (Fairlane & 59C)	Outer	2	B6AZ 13064-B
55/56	A		2	
57	A	Outer	2	B7AZ 13064-A
57	A	Screw (door to headlamp)-No. 8-15 x 1/2"	2	52344-S13(U292)
58	A	R. H.	1	B8AZ 13064-A
58	A	L. H.	1	B8AZ 13064-B
58	A	R. H. -Chrome	1	B8AZ 13064-C
58	A	L. H. -Chrome	1	B8AZ 13064-D
58	A	Screw (door to headlamp)-No. 10-12 x 7/8"	6	52369-S13(U304)
59	A	R. H.	1	B9AZ 13064-A
59	A	L. H.	1	B9AB 13064-B
59	A	Screw (door to fender)-No. 8-15 x .50"	2	372598-S(UU54)
59	A	Spring nut (door to headlamp or front fender)-"U" type	2or4	357033-S32 (MM250)
59	A	Nut (door to fender)-No. 8-15-spring"U"-shape	2	45174-S8(M138)
58/59	S	R. H. -primed	1	B8SZ 13064-A
58/59	S	L. H. -primed	1	B8SZ 13064-B
58/59	S	R. H. -chrome	1	B8SZ 13064-C
58/59	S	L. H. -chrome	1	B8SZ 13064-D
58/59	S	Screw (door to headlamp)-14"-20 x 1 3/8"	4	351697-S13(BB605)
58/	S	Nut-(door to headlamp)-1/4"-20	8	355920-S32 (MM 276B)

# FORD CAR PARTS

## SECTION 130

YEAR 19	MODEL	DESCRIPTION	QTY. PER VEHICLE	PART NUMBER
<b>13067 CLIP - HEADLAMP DOOR RETAINING</b>				
52/53	A	1.50" long	6	FAA 13067-A
54	A	1.34" long	6	FAD 13067-B
58/	S		AR	B8S 13067-A
58/	S	Screw (clip to door)-No. 6-32 x 1/4"	AR	★42790-S8
<b>13076 WIRING ASSY. - HEADLAMP LEADS</b>				
52/54	A		2	B5T 13076-A
49/51	A	19.5"	2	B5A 13076-A
55/56	A, S		2	
57	A	59.0" long-R. H.	1	B7A 13076-A
57	A	1.20" long-L. H.	1	B7AZ 13105-A
58	A	92.5" long-R. H.	1	B8A 13076-A
58	A	38.5" long-L. H.	1	B8AZ 13105-A
58	A	Clip (wiring to L. H. front fender apron)	1or2	358313-S32(GG44)
58	A	Clip (wiring to grille opening panel bolt)	3	358350-S(GG172)
59	A	24.0" long	2	B9AF 13076-A
59/	S		2	
57	S	6.30" long-R. H.	1	B7S 13076-A
57	S	15.0" long-L. H.	1	B7SZ 13105-A
58	S		2	B8S 13076-A
<b>13086 PLUG - HEADLAMP CONNECTOR</b>				
58	A		AR	B8S 13086-A
58/	S		AR	
<b>13098 CLIP - HEADLAMP DOOR RETAINING</b>				
55/56	A		4	B5A 13098-A
55/57	S		4	
<b>13105 WIRING ASSY. - HEADLAMP LEAD</b> -Refer to Group 13076				
<b>13118-9 RING - HEADLAMP ADJUSTING</b>				
58	A	R. H. -high beam	1	B8A 13118-A
58/	S		1	
58	A	L. H. -high beam	1	B8A 13119-A
58/	S		1	
58	A	R. H. -low beam	1	B8AZ 13118-A
58/	S		1	
58	A	L. H. -low beam	1	B8AZ 13119-A
58/	S		1	
59	A	R. H. -high beam	1	B9A 13118-A
59	A	L. H. -high beam	1	B9A 13119-A
59	A	R. H. -low beam	1	B9AZ 13118-A
59	A	L. H. -low beam	1	B9AZ 13119-A
<b>13136 ARM - HEADLAMP ADJUSTING</b>				
58	A	Adjusting slot at side	4	B8A 13136-B
58/	S		4	
58	A	Pin (arm to adjusting bracket)-1/4" x 9/16"-	2	★73855-S8
58/	S	clevis	2	
		Flatwasher-1/4"	2	44719-S8(X17)
		Pin-1/16" x 3/8"-cotter	2	72000-S7(N37)
		Flatwasher- .281" I.D. x .625" O.D. - spring	2	356254-S2(XX350)
<b>13200-1 LAMP ASSY. - PARKING</b>				
55	A		2	B5A 13200-A
56	A	12 volt-less 13206-7 body & 8224-5 extension- for 6 volt system-use 11A 13465-A bulb	2	B6A 13200-A
57	A	R. H.	1	B7A 13200-A
		L. H.	1	B7A 13201-A
		Nut-1/4"-20	AR	33795-S7(M49)
		Lockwasher-1/4"	AR	34805-S8(X62)
58	A	R. H.	1	B8A 13200-A
		L. H.	1	B8A 13201-A
55/56	S		2	B6S 13200-B
57	S	R. H.	1	B7S 13200-A
		L. H.	1	B7S 13201-A
57	S	Bolt(R.H. & L.H.lamp to front bumper)-1/4"-20x1/2"	6	20308-S7(B40)

# FORD CAR PARTS

## SECTION 130

563

YEAR 19	MODEL	DESCRIPTION	QTY. PER VEHICLE	PART NUMBER
<b>13200-1 LAMP ASSY.- PARKING - continued</b>				
58/	S	R. H.	1	B8S 13200-A
		L. H.	1	B8S 13201-A
58/	S	Screw (lamp to bumper)-1/4"-20 x 1/2"	6	20309-S8(B150)
58/	S	Lockwasher-1/4"	6	34940-S7-8(X88)
<b>13206-7 BODY ASSY. - PARKING LAMP</b> <i>-Also Refer to Group 13210</i>				
50	A	R. H.	1	B0AZ 13206-A
		L. H.	1	B0AZ 13207-A
50	A	Screw (parking lamp body to radiator grille)- No. 10-32 x 1/2"-use with tapped hole in grille	4	27081-S8(U175)
50	A	Washer-No. 10		34903-S8(X96)
51	A		2	B1AZ 13206-A
51	A	Screw (parking lamp body to grille)- No. 10-12 x 3/8"	2	*32917-S7
		Lockwasher-No. 10		34903-S8(X96)
52	A		2	FAA 13206-B
52	A	Nut (parking lamp body to fender)-No. 12-24	6	34054-S8(M157)
		Lockwasher No. 12		34927-S7(X87)
53	A		2	B3AZ 13206-A
54	A	RH-Includes housing, socket & wiring	1	FAF 13206-B
		LH	1	FDA 13207-A
55	A		2	B5A 13206-A
55	A	Nut (housing to deflector)-1/4"-20	6	33795-S7 (M49)
55	A	Bolt 1/4"-20 x 3/4"	6	20344-S8(B42)
55	A	Lockwasher 1/4"	6	34940-S7-8(X88)
55	A	Flatwasher-1/4"	6	44719-S8(X17)
56	A	R. H. -less socket & wire	1	B6AZ 13206-A
		L. H.-	1	B6AZ 13207-A
56	A	Bolt (housing to deflector)-1/4"-20 x 1/2"	6	20308-S7(B40)
56	A	Stud-(housing to fender)-No. 10-24 x . 81"	6	352419-S34(WW5)
56	A	Screw (extension to housing)-No. 10-24 x 3/4"	4	351194-S8(UU51)
56	A	Nut (extension to fender)-No. 10-24	6	34053-S8(M156)
56	A	Lockwasher-No. 10	6	34803-S7(X60)
57	A	R. H.	1	B7A 13206-A
		L. H.	1	B7A 13207-A
58	A	R. H.	1	B8A 13206-A
		L. H.	1	B8A 13207-A
59	A		2	B9AF 13206-B
55/56	S		2	B6S 13206-A
55/56	S	Screw (parking lamp to fender)-No. 8-32 x . 75"	6	354746-S100(BB26)
57	S		2	B7S 13206-A
58/	S		2	B8S 13206-A
<b>13208-9 LENS - PARKING LAMP</b>				
50	A		2	0A 13208
51	A		2	1A 13208
52	A		2	FAA 13208-B
53	A		2	FAF 13208-A
54	A		2	FAG 13208-B
55/56	S		2	
55	A		2	B5A 13208-B
55	A	Screw (lens & gasket to housing)-No. 8-32	8	354319S13(BB678)
55	A	Nut-No. 8-32	8	*45124-S2
56	A		2	B6A 13208-A
56	A	Screw (lens & gasket to housing)-No.8-32 x . 66"	4	354899-S100(UU62)
57/	S	Screw (lens to body)	4	
57	A	R. H.	1	B7A 13208-A
		L. H.	1	B7A 13209-A
57	A	Screw (lens to parking lamp)-No. 8-32 x 1.34"	4	358833-S100(UU66)
58	A	Screw (lens to body)-No. 8-32 x 1 9/64"	4	370175-S100(UU72)
58	A	R. H.	1	B8A 13208-A
		L. H.	1	B8A 13209-A
59	A		2	B9AF 13208-A
59	A	Screw (lens to body)-No. 8-32 x . 62"	6	371809-S100(UU76)
57	S	R. H.	1	B7S 13208-A
		L. H.	1	B7S 13209-A
58/	S	R. H.	1	B8S 13208-A
		L. H.	1	B8S 13209-A

YEAR 19	MODEL	DESCRIPTION	QTY. PER VEHICLE	PART NUMBER
<b>13210 DOOR - PARKING LAMP</b> -Also Refer to Group 13206-7				
51	A		2	1A 13210
52	A	Inner	2	B2AZ 13210-A
		Screw (parking lamp door to body)-No.8- 32 x 3/8"		*40514-S13
53	A	RH-Steel	1	FAD 13210-A
53	A	LH-Steel	1	FAA 13212-A
54	A	R. H. & L. H. -3" O. D.	2	B4AZ 13210-A
55/56	S		2	
		Screw (retainer to lens to gasket to lamp body)- No. 8-32 x 1/2"	6	354746-S100(BB26)
55	A	R. H.	1	B5AZ 13210-A
55	A	L. H.	1	B5AZ 13212-A
59	A		2	B9AZ 13210-A
<b>13211 GASKET - PARKING LAMP LENS</b>				
50	A	Rubber	2	0A 13211
51	A	Rubber	2	1A 13211
53	A	Rubber	2	FAF 13211-A
54	A	Rubber	2	FAG 13211-A
55	A	Rubber	2	B5A 13211-A
56	A	Rubber	2	B6A 13211-A
57	A	Sponge-rubber	2	B7A 13211-A
58	A	Cork & neoprene	2	B8A 13211-A
55/56	S	Rubber	2	FAG 13211-A
57/	S	Sponge-rubber	2	B7S 13211-A
<b>13212 DOOR - PARKING LAMP</b> -Refer to Group 13210				
<b>13217 PAD - PARKING LAMP BODY TO FENDER</b>				
52	A	Rubber	2	FAA 13217-A
53	A	Rubber	2	FAC 13217-A
55/56	S	4. 32" O. D.	2	B5S 13217-B
57/	S	6. 54" long x 2. 38" width-. 09" thickness	2	B7S 13217-A
<b>13220-1 RETAINER - PARKING LAMP</b>				
55/56	S	4. 20" diameter	2	B5SZ 13220-A
<b>13225 BOOT - PARKING LAMP SOCKET</b>				
49/50	A		2	6A 13225
<b>13234-5 SOCKET and WIRING ASSY. - PARKING LAMP</b>				
50	A	Not used when turn indicator is installed	2	0A 13234-A
49/50	A	Used with turn indicator	2	0A 13234-B
57	A	R. H.	1	B7A 13234-A
57	A	L. H.	1	B7A 13235-A
57	A	Clip (wiring to radiator air side deflector)	2	353547-S2(GG173)
59	A		2	B9A 13234-A
59	A	Clip (socket & wire to deflector)	2	356628-S(GG175)
59	A	Clip (socket & wire to bumper arm)	2	356668-S32(GG27)
57	S		2	B7S 13234-A
<b>13304 PLATE ASSY. - TURN INDICATOR SWITCH</b>				
51	A-With F/M		1	1M 13304-A
55	S		1	B5S 13304-A
56/57	S		1	B6S 13304-A
58/	S		1	B8S 13304-A
<b>13305 LEVER - TURN INDICATOR</b>				
49/50	A	Ivory plastic	1	0A 13305-A
51/55	A	Black knob	1	FAD 13305-A
54/55	A	Bolt (handle to mounting plate)-5/16"-18 x 5/8"	1	20326-S7(B49)
54/55	A	Lockwasher 5/16"	1	*34941-S7
56/	A		1	C0KF 13305-AP
56/	A	Screw (lever to switch & mounting plate)- No. 10-32 x 5/8"	1	31628-S7(U58)
56/	A	Lockwasher -No. 10	1	34903-S7(X60)
56/57	S		1	B6S 13305-A
58/	S		1	C0SF 13305-A



# FORD CAR PARTS

## SECTION 130

565

YEAR 19	MODEL	DESCRIPTION	QTY. PER VEHICLE	PART NUMBER
<b>13309 PAWL - TURN INDICATOR SWITCH PLATE</b>				
55/	S		1	1M 13309-A
51	A-With F/M		1	
53/58	A		1	FAA 13309-A
<b>13316 SPRING - TURN INDICATOR SWITCH PAWL</b>				
55/58	A		1	1M 13316-A
55/	S		1	
51	A-With F/M		1	
54	A-With F/M		1	
<b>13318 CAM - TURN INDICATOR TURN OFF</b>				
53/54	A		1	FAA 13318-A
51/58	A		1	FAB 13318-A
55/	S		1	
59/	A		1	B9A 13318-A
59	A	Clip (wiring to brake pedal support)	1	372046-S100
<b>13340 LENS - INSTRUMENT PANEL TURN INDICATOR LAMP - GREEN</b>				
58/	S		2	B8S 13340-A
<b>13341 SWITCH and MOUNTING PLATE ASSY. - TURN INDICATOR - Also Refer to Group 14486</b>				
51/55	A		1	B5A 13341-A
51/55	A	35.25" long-less mounting plate	1	B5AZ 13341-A
56/58	A	35.25" long-less mounting plate	1	B6AZ 13341-A
56/58	A		1	B8A 13341-A
59/	A		1	B9A 13341-A
52/	A	Screw (switch&plate to steering column flange)- No. 8-32 x 3/8"	2	43248-98 (U72)
52/	A	Lockwasher-No. 8	2	34938-S8(X85)
55/58	A	Screw (switch to mounting plate)-No. 10-32 x 1/4"	2	27081-S8(U175)
56/57	S	26.50" long-less mounting plate	1	B6SZ 13341-A
55/57	S	Screw (switch & wiring to steering column)- No. 10-12 x 1/2"	2	32924-S7(U344)
57	S	Clip (switch & wiring to w/shield lower reinforcement)	1	356668-S32(GG27)
58/	S	Less mounting plate	1	B8SZ 13341-A
<b>13343 SPRING - TURN INDICATOR SWITCH PLATE RETAINER</b>				
51	A-with F/M		1	1M 13343-A
55/56	A		1	
55/	S		1	
<b>13345 PLATE - TURN INDICATOR CONTROL</b>				
54/55	A		1	FDA 13345-A
56/58	A		1	B6A 13345-A
<b>13346 SPRING - TURN INDICATOR CONTROL ARM TENSION</b>				
55/	A		1	FAA 13346-A
<b>13347 RETAINER - TURN INDICATOR CONTROL ARM</b>				
55/	A		1	1A 13347-A
<b>13350 FLASHER ASSY. - TURN INDICATOR</b>				
49/52	A	Plug in type (6 volt)	1	8L 13350-B
53/56	A, S	Plug in type (6 volt)	1	B3A 13350-A
56/	A, S		1	C2AZ 13350-A
<b>13351 BRACKET - TURN INDICATOR FLASHER MOUNTING</b>				
55/	S		1	FAB 13351-A
53/54	A		1	
53/	A	Saw or grind off button from bracket	1	B5A 13351-A
<b>13352 ACTUATOR - TURN INDICATOR</b>				
49/50	A		1	0A 13352-A
<b>13355 SPRING - TURN INDICATOR SWITCH HUB</b>				
56/58	A		1	B6A 13355-A
<b>13356 SPRING - TURN INDICATOR CAM CONTROL</b>				
49/50	A	"T" shape	1	0A 13356
<b>13367 PLATE - TURN INDICATOR LAMP MOUNTING</b>				
58/	S		2	B8S 13367-A

YEAR 19	MODEL	DESCRIPTION	QTY. PER VEHICLE	PART NUMBER
<b>13376 COVER - TURN INDICATOR WIRE</b>				
51/58	A	Upper	1	B2A 13376-A
59	A		1	B9A 13376-A
<b>13377 CLIP - TURN INDICATOR COVER</b>				
51/	A		1	C1TF 13377-AP
<b>13398 BUMPER ASSY. - REAR LICENSE PLATE SUPPORT</b>				
52/	A(except 51A, 66, S/D & S/W)		2	B7A 13398-A
55/	S	Also (2) required for front door	2or4	
		Nut-No. 8-32	AR	34052-S7(M155)
		Lockwasher-No. 8	AR	34938-S8(X85)
<b>13404-5 LAMP ASSY. - REAR</b>				
49/50	A (except S/W)	With bulb	2	8A 13404-A
49/50	A (except S/W)	Screw (rear lamp body to door)-No. 8-32 x 3/8"	6	355073-S7(BB621)
49/51	S/W		1	B7C 13405-C
49/51	S/W	Bolt (rear lamp to bracket)-1/4"-28 x 1/2"	2	38229-S7(U145)
51	S/W	Screw (rear lamp to bracket)-1/4"-28 x 5/8"	2	*27099-S7
		Lockwasher-1/4"	2	34805-S8(X62)
51	A (except S/W)	R. H. -with bulb	1	1A 13404-A
51	A (except S/W)	L. H. -with bulb	1	1A 13405-A
55	A, S	R. H. & L. H.	2	B5A 13404-A
56	A, S	For 6 volt system use B 13466 Bulb	2	B6A 13404-A
57	A, S	R. H. & L. H. -used with back up lamp	2	B7A 13404-H
57	A, S	R. H. & L. H. -not used with back up lamp	2	B7A 13404-J
58	Ranchero & S/D		2	
57/58	A, S	Nut (lamp to door)-1/4"-20	AR	33795-S7(M49)
		Lockwasher - 1/4"	AR	34940-S8(X88)
<b>13406 BRACKET - REAR LICENSE</b>				
57/58	Ranchero, S/D & S/W		1	B7A 13406-B
		Bolt (brkt. to rear bumper bar)-5/16"-24 x 3/4"	2	*50540-S8
		Nut-5/16"-24	2	33798-S8(M62)
		Lockwasher-5/16"	2	34806-S7(X64)
		Bolt (license plate to bracket)-1/4"-20 x 1/2"	2	20308-S7(B40)
		Nut-1/4"-20	2	33795-S7(M49)
		Lockwasher-1/4"	2	34805-S8(X62)
<b>13410 SOCKET and WIRING ASSY. - REAR LAMP</b>				
49/50	A (except S/W)	7" long-2 leads	2	C0SZ 13410-A
49/51	S/W (states of Washington & Minnesota)		2	
49/51	S/W	Clip (socket & wire to floor pan reinforcement)	1	356668-S32(GG27)
51	A (except S/W)	24" long	2	01C 13410
57	A, S	Used with back up lamp	2	B7A 13410-A
58	Ranchero & S/D		2	
<b>13411 SOCKET ASSY. - BACK UP LAMP BULB</b>				
55/56	A, S	With 6 prongs	2	B5A 13411-B
<b>13412 WIRE ASSY. - REAR LICENSE PLATE LAMP SOCKET</b>				
49/51	A(except S/W)	6" long	1	1A 13412-B
51	Victoria		1	B 13412
49	A (except Convertible & S/W)	Use for L. H. side pillar lamp	1	
52/53	A (except S/D)		1	
52/53	Customline (except Convertible & Victoria)		2	
54/55	A (except Convertible & Victoria)	Use for dome lamp	1	
55	A, S	Back up lamp	1	
57/58	S/D, S/W, Ranchero	Rear license lamp-wire approx. 22 1/4" long	2	B7A 13412-A
58/	S		2	
57	S	Rear license lamp	1	B7S 13412-A
57/58	S/D & S/W	Clip (wire to R.H. & L.H. rear bumper inner arms)	2	356668-S32(GG27)
57/58	S/D & S/W	Clip (wire to inner quarter panel extension)	2	356687-S32(GG28)
57/59	51A	Clip (wire & socket to lower back panel)	1	
<b>13418 REINFORCEMENT ASSY. - REAR BUMPER LICENSE PLATE</b>				
59	A		1	B9A 13418-A

# FORD CAR PARTS

## SECTION 134

567

YEAR 19	MODEL	DESCRIPTION	QTY. PER VEHICLE	PART NUMBER
<b>13419 SUPPORT ASSY. - REAR LICENSE PLATE</b>				
52/54	A (except S/D & S/W)		1	BA 13419-C
55/56	A (except S/D & S/W)		1	B5A 13419-B
57/58	51A		1	B7A 13419-B
57/58	A (except 51A, 66, S/D & S/W)	Not used with spare wheel carrier	1	B7A 13419-D
52/54	A (except S/D & S/W)	Bolt (license plate support to fuel tank filler neck)-1/4"-20 x 1/2"	2	20308-S7(B40)
52/58	A (except 66, S/D & S/W)	Bolt (support to plate)	2	
57	51A	Bolt(support to outer rear bumper stone deflector)	2	
55/58	A	Nut-1/4"-20	2	33795-S7(M49)
57/58	A (except 51A, 66, S/D & S/W)	Nut (support to panel lower back)-1/4"-20	2	
		Lockwasher-1/4"	AR	34805-S8(X62)
		Washer-1/4"	AR	44720-S8(X18)
58	A (except 51A, 66, S/D & S/W)	Rubber bumper-used between support & lower back panel	2	358713-S(CC16)
<b>13420 PAD - REAR LAMP MOUNTING</b>				
52/54	A	.26" thick-rubber	2	FAA 13420-B
55/56	A, S	.30" thick-rubber	2	B6A 13420-A
57	A (Custom, Custom "300")	Approx. 4 1/8" from I.D. to top of fin	2	B7A 13420-C
57	A(F/L, F/L"500"), S		2	B7A 13420-D
58	A (Ranchero, S/D)		2	
58	A (except 66, S/D & S/W)	Rubber-oval type-Also used with back up lamps	2or4	B8A 13420-A
58	A (S/W)	Rubber-oval type	4	B8A 13420-B
58	A (S/W)	Rubber-fin type-for outer lamp	2	B8A 13420-C
58	A (57, 58, 63, 64, 76)	Rubber-fin type-for outer lamp	2	B8A 13420-D
58	A (70, 73)	Rubber-fin type-for outer lamp	2	B8A 13420-E
58	A (51A)	Rubber or cork-fin type-for outer lamp	2	B8A 13420-F
59	A	Rubber-used with rear lamp	2	B9A 13420-A
59	A	Cork-used with back up lamp	2	B9A 13420-B
<b>13422 SUPPORT ASSY. - REAR LICENSE PLATE</b>				
58/	S	Welded	1	B8S 13422-A
58/	S	Screw & washer (support to hinge on bumper)-1/4"-20 x 5/8"	2	*50880-S8
		Washer-.26" x .50"-spring	2	356249-S7(XX349)
		Pin-1/16" x 1/2"-cotter	2	72003-S7(N38)
		Washer-1/4"-flat	2	44719-S8(X17)
<b>13423 BRACKET - REAR LICENSE PLATE LAMP</b>				
52/54	A (except S/D & S/W)	Steel	1	FAA 13423-A
52/54	A (except S/D & S/W)	Screw & washer (bracket to stone deflector) 1/4"-28 x 3/8"	2	38229-S7(U145)
55/56	A (except S/D & S/W)	Steel	1	B5A 13423-A
52/56	A (except S/D & S/W), S	Screw (bracket & lens to lamp body)-No. 8-32 x 1/2"	AR	31061-S8(U50)
52/56	A (except S/D & S/W), S	Washer No. 8	AR	34802-S7(X59)
57/58	A (except 51A, 66, S/D & S/W)	Steel	1	B8A 13423-A
57/58	A(except 51A, 66, S/D & S/W)	Screw (bracket, lens & gasket to body & socket) -No. 8-32 x 1/2"-pan head tapping	2	51764-S8(U366)
<b>13426 HINGE - REAR LICENSE PLATE SUPPORT</b>				
58/	S		1	B8S 13426-A
<b>13432 PIN - REAR LICENSE PLATE SUPPORT HINGE</b>				
52/54	A (except S/D & S/W)	5.85" long-slotted end	1	BA 13432-B
58/	S		1	B8S 13432-A
<b>13434-5 BODY ASSY. - REAR LAMP</b>				
49/51	S/W	L. H.	1	C1TB 13435-F
52	A	Contains 8M 13410-A	2	FAC 13434-B
53	A	R. H. & L. H.	2	B3AZ 13434-A
54	A	R. H. & L. H.	2	B4AZ 13434-A
55	A, S	R. H. & L. H.	2	B5AZ 13434-A
55/58	A, S	Nut-1/4"-20	6	33795-S7(M49)
55/58	A, S	Lockwasher-1/4"	6	34805-S8(X62)

YEAR 19	MODEL	DESCRIPTION	QTY. PER VEHICLE	PART NUMBER
<b>13434-5 BODY ASSY. - REAR LAMP - continued - Also Refer to Group 13440</b>				
56	A, S	R. H. & L. H.	2	B6AZ 13434-A
57	A, S	R. H. & L. H.	2	B7AZ 13434-A
58	A (Ranchero, S/D)		2	
57/58	A	Nut (door to quarter panel)-1/4"-20	8	33795-S7(M49)
57/58	A	Lockwasher-1/4"	8	34805-S8(X62)
58	A (except 66, S/D & S/W)	Outer-R. H.	1	B8AZ 13434-A
58	A (except 66, S/D & S/W)	Outer-L. H.	1	B8AZ 13435-A
58	A (except 66, S/D & S/W)	R. H. -inner-not used with back up lamp	1	B8AZ 13434-C
58	A (except 66, S/D & S/W)	L. H. -inner-not used with back up lamp	1	B8AZ 13435-C
58	A (except 66, S/D & S/W)	R. H. -with square hole for back up lamp	1	B8AZ 13434-E
58	A (except 66, S/D & S/W)	L. H. -with square hole for back up lamp	1	B8AZ 13435-E
58	A (S/W)	Outer-R. H.	1	B8AZ 13434-B
58	A (S/W)	Outer-L. H.	1	B8AZ 13435-B
58	A (S/W)	R. H. -inner-also used with back up lamps by drilling out hole to facilitate installation	1	B8AZ 13434-D
58	A (S/W)	L. H. -inner-also used with back up lamps by drilling out hole to facilitate installation	1	B8AZ 13435-D
59	A	R. H. & L. H.	2	B9AZ 13434-A
59	A	Nut-1/4"-20 (rear lamp to body)	6	371068-S2(MM171)
58	S		2	B8S 13434-A
59	S		2	B9S 13434-A
<b>13437 REFLECTOR - REAR LAMP</b>				
51	A (except S/W)		4	1A 13437
56	A, S		2	B6A 13437-A
<b>13441 WIRE ASSY. - REAR LICENSE LAMP CONNECTOR - Improve from B6A 14296-C Wire</b>				
55/56	S	Plug-Button (excess hole in luggage compt.door)- 3/4" diameter	1	352291-S(PP3)
56	S	Clip (wiring to rear bumper center upper bar)	1	356668-S32(GG27)
		Clip (wiring to rear bumper center lower bar)	1	
		Clip (wiring to L. H. rear bumper inner arm)	1	
56	S	Clip(wiring to L. H.rear bumper inner & outer arm)	1	354372-S32(GG33)
<b>13447 GASKET - REAR LAMP WHITE LENS</b>				
49/53	A (S/W)		1	FAA 13447-A
49/51	A (S/W)-states of Washington & Minnesota		2	
<b>13448-9 DOOR ASSY. - REAR LAMP</b>				
57	A (Custom, Custom "300")	R. H.	1	B7A 13448-C
58	A (Ranchero & S/D)		1	
57	A (Custom, Custom "300")	L. H.	1	B7A 13449-C
58	A (Ranchero & S/D)		1	
57	A (F/L, S)	R. H.	1	B7A 13448-F
57	A (F/L, S)	L. H.	1	B7A 13449-F
57	A (Fairlane "500")	R. H.	1	B7A 13448-G
57	A (Fairlane "500")	L. H.	1	B7A 13449-G
58	A (70, 73)	R. H.	1	B8AZ 13448-A
58	A (70, 73)	L. H.	1	B8AZ 13449-A
58	A (57, 58, 63, 64, 76)	R. H.	1	B8AZ 13448-B
58	A (57, 58, 63, 64, 76)	L. H.	1	B8AZ 13449-B
58	A (59, 79)	R. H.	1	B8AZ 13448-C
58	A (59, 79)	L. H.	1	B8AZ 13449-C
58	A (51A)	R. H.	1	B8AZ 13448-D
58	A (51A)	L. H.	1	B8AZ 13449-D
		Nut (base to quarter end panel)-1/4"-20	8	33795-S7(M49)
		Lockwasher - 1/4"	8	34940-S8(X88)
<b>13450 LENS - REAR LAMP</b>				
49/50	A (except S/W)	Red	2	8A 13450-A
51	A (except S/W)	Red	2	1A 13450
49/51	A (S/W)	Red	1	B9C 13450-A
49/51	A (S/W)-states of Washington & Minnesota		2	
49/51	A (S/W)	Red	1or2	B6C 13450-A

# FORD CAR PARTS

## SECTION 134

569

YEAR 19	MODEL	DESCRIPTION	QTY. PER VEHICLE	PART NUMBER				
<b>13450 LENS - REAR LAMP - continued</b>								
52	A	Red	2	FAA 13450-C				
53/54	A	Red	2	FDA 13450-A				
53	A	Screw (lamp lens to gasket to body & wire assy.) -No. 8-32 x 1/2"	6	31061-S8(U50)				
54	A	Screw (lamp lens to gasket to body & wiring assy.)-No. 8-32 x .75"	6	353609-S13(BB25)				
55	A, S	Red	2	B5A 13450-A				
55	A, S	Screw (lens & gasket to body)-No. 8-32 x .62"	6	353624-S13(BB675)				
56	A, S	Red	2	B6A 13450-A				
56	A, S	Screw (lens & gasket to body)-No. 8-32 x 1.10"	6	354798-S100(UU64)				
56	A, S	Clip (rear lamp wiring to front & rear floor pan to dash)	6	354180-S(GG12)				
57	A, S	Clear - used with back up lamp	2	B7A 13450-B				
58	A (Ranchero & S/D)		2					
57	A, S	Dark Red-not used with back up lamp	2	B7A 13450-C				
58	A (Ranchero & S/D)		2					
57	A, S	Screw (lens to door)-No. 8-32 x .72"	4 or 8	358898-S100(UU63)				
58	A (Ranchero & S/D)							
58	A (except 66, S/D & S/W)	R. H. & L. H. -outer-also used with back up lamp	2 or 4	B8A 13450-A				
58	A (except 66, S/D & S/W)	Used with sports spare wheel carrier	2	B8A 13450-D				
58	A (S/W)	R. H. & L. H. -outer	4	B8A 13450-B				
58	A (except 66, S/D)	Screw (lens & gasket to door)-No. 8-32 x .62"	4 or 8	375238-S100(UU70)				
59	A		2	B9A 13450-A				
59	A	Screw (lens & gasket to door)-No. 8-32 x .62"	6	371476-S100(UU69)				
58/59	S	Less B9SF 13489-A sleeve	4	B8S 13450-B				
58/	S	Screw (lens & gasket to body)-No. 8-32 x 2.33"	12	371191-S100(UU74)				
<b>13451 BRACKET - REAR LAMP LENS SUPPORT</b>								
58	A (except 66, S/D & S/W)		2	B8A 13451-A				
<b>13455 SPRING - REAR LICENSE PLATE SUPPORT</b>								
52/54	A (except S/D & S/W)	4.90" long-coil	1	BA 13455-A				
58/	S		1	B8S 13455-A				
<b>13461 GASKET - REAR LAMP LENS</b>								
49/51	S/W	Rubber	1	FAD 13461-A				
55	A, S	Rubber	2	B5A 13461-A				
56	A, S	Rubber	2	B6A 13461-A				
57	A, S	Rubber	2	B7A 13461-B				
58	A (Ranchero & S/D)		2 or 4					
58	A (except Ranchero & S/D)	Sponge rubber	2 or 4	B8A 13461-D				
59	A	Rubber	2	B9A 13461-A				
58/59	S	Sponge rubber	4	B8S 13461-A				
<b>13465-6 BULB</b>								
49/51	A	CANDLE POWER	VOLTAGE	CONTACT BASE	INDUSTRY NUMBER	ROTUNDA SALES NO.	QTY.	PART NUMBER
49/56	A, S	1	6	Single	51		1	A0AZ 13466-B
56/	A, S	2	6	Single	55	R12-L	AR	78 13466
56/	A, S	2	12	Single	57	R12-N	AR	B6A 13466-A
49/56	A	3	6	Single	63	R12-K	AR	B 13466
56/	A, S	4	12	Single	67	R12-M	AR	09B 13466-A
56/	A, S	6	12	Single	89		AR	B5AZ 13466-A
49/56	A, S	15	6	Single	209		AR	B4AZ 13466-A
56/	A, S	15	12	Single	1003	R12-S	AR	B6AZ 13466-A
56/	A, S	32-4	12	Double	1034	R12-H	AR	B6A 13465-A
56/	A, S	32	12	Single	1073	R12-J	AR	B6A 13465-B
49/51	A(except S/W)	21	6	Single	1129	R12-F	AR	B 13465
58/	A, S	21	12	Single	1141		AR	B8E 13465-A
49/56	A, S	21-3	6	Double	1154	R12-G	AR	11A 13465-A
56/	A, S	1	12	Single	1445	R12-R	AR	B6A 13466-B
58/	A, S	2 6	12	Single	1816		1	B8AZ 13466-A

## MINIATURE BULB APPLICATION CHART

FUNCTION	YEAR	INDUSTRY NUMBER	PART NUMBER	FUNCTION	YEAR	INDUSTRY NUMBER	PART NUMBER
<b>FORD PASSENGER</b>							
<b>13465-6 BULB - continued</b>							
A/C control panel-(Select-Aire)	55	55	78 13466	Ignition switch	*49/56	55	78 13466
(Polar Aire)	Δ56/	57	B6A 13466-A		Δ56/	57	B6A 13466-A
Backup lamp	59/	1445	B6A 13466-B	Instrument panel	*49/56	55	78 13466
	49/51	1129	B 13465		Δ56/	57	B6A 13466-A
	52/54	1133	★	Luggage compartment	*49/56	71	A0AZ 13466-A
	55	1129			Δ56	89	B5AZ 13466-A
	56	1073	B6A 13465-B	Map lamp	54/56	63	B 13466
	57/58	93	B7A 13799-A		Δ56/	67	09B 13466-A
	59	1141	B8E 13465-A	Parking brake warning	*53/56	55	78 13466
Cigar lighter	49/51	51	A0AZ 13466-B		Δ56/59	57	B6A 13466-A
	*55/56	55	78 13466	Parking lamp	*49/56	1154	11A 13465
	Δ56/	57	B6A 13466-A		Δ56/	1034	B6A 13465-A
Clock lamp	49/55	55	78 13466	Pillar lamp	49/50	81	A0AZ 13466-A
	Δ56/59	57	B6A 13466-A		51/53	63	B 13466
Courtesy lamp (Convertible & Victoria)	*50/56	63	B 13466	Radio dial (Bendix)	49/55	55	78 13466
	Δ56/	67	09B 13466-A	(Motorola)	56/59	57	B6A 13466-A
Dome lamp	49/53	63	B 13466		56/59	1815	★
	*54/56	209	B4AZ 13466-A	Rear lamp	*49/56	1154	11A 13465
	Δ56/	1003	B6AZ 13466-A		Δ56/	1034	B6A 13465-A
Door open warning lamp	Δ56/	57	B6A 13466-A	Rear license plate lamp	*49/56	63	B 13466
Engine compartment	*49/56	209	B4AZ 13466-A		Δ56/	67	09B 13466-A
	Δ56	93	B7A 13799-A	Speedometer dial	*49/56	55	78 13466
Generator & oil pressure warning lamp	*54/56	55	78 13466		*56/	57	B6A 13466-A
	Δ56/	57	B6A 13466-A	Spotlight warning lamp	57/59	57	B6A 13466-A
Glove compartment	*49/56	55	78 13466	Top cycle actuation warn- ing lamp (model 51A)	57/59	57	B6A 13466-A
	Δ56	57	B6A 13466-A	Transmission selector dial	*55/56	55	78 13466
Heater control panel	49/51	51	A0AZ 13466-B		Δ56	57	B6A 13466-A
	*52/56	55	78 13466	Turn signal indicator lamp	*49/56	51	A0AZ 13466-B
	Δ56/	57	B6A 13466-A		Δ56/	57	B6A 13466-A
High beam indicator	49/51	51	A0AZ 13466-B	Windshield wiper control	*49/56	55	78 13466
	*52/56	55	78 13466		Δ56/	57	B6A 13466-A
	Δ56/57	57	B6A 13466-A	Windshield wiper electric vacuum pump switch	52/55	51	A0AZ 13466-B
	58/	1445	B6A 13466-B				
<b>THUNDERBIRD</b>							
A/C control panel lamp	58/	57	B6A 13466-A	Parking brake warning lamp	55	55	78 13466
Ash receptacle lamp	58/	1445	B6A 13466-B		56/	57	B6A 13466-A
Back up lamp	55	1129	B 13465	Parking lamp	55	1154	11A 13465
	56	1073	B6A 13465-B		56/	1034	B6A 13465-A
	57	93	B7A 13799-A	Radio dial lamp	55	55	78 13466
	58	1141	B8E 13465-A		56/59	57	B6A 13466-A
	59	1003	B6AZ 13466-A	Rear lamp	55	1154	11A 13465
Cigar lighter lamp	56/57	57	B6A 13466-A		56/	1034	B6A 13465-A
Clock lamp	55	55	78 13466	Rear license plate lamp	55	63	B 13466
	56/58	57	B6A 13466-A		56/	67	09B 13466-A
	59	1816	B8AZ 13466-A	Speedometer dial lamp	55	55	78 13466
Dome lamp	58/	1003	B6AZ 13466-A		56/	57	B6A 13466-A
Fuel indicator lamp	56/	57	B6A 13466-A	Spotlight warning lamp	57/59	57	B6A 13466-A
Generator & oil pressure warning lamps or gauges	55	51	A0AZ 13466-B	Tachometer lamp	55	55	78 13466
	56/	57	B6A 13466-A		56/57	57	B6A 13466-A
Glove compartment lamp	58/	57	B6A 13466-A	Temperature indicator	56/	57	B6A 13466-A
Heater control panel lamp	55	55	78 13466	Transmission control selector dial lamp	55	51	A0AZ 13466-B
	56/	57	B6A 13466-A		56/	1445	B6A 13466-B
High beam indicator	55	55	78 13466	Turn signal indicator	55	51	A0AZ 13466-B
	56/	57	B6A 13466-A		56/	57	B6A 13466-A
Ignition switch lamp	55	57	78 13466	Windshield wiper control lamp	55	55	78 13466
	56/	57	B6A 13466-A		56/	57	B6A 13466-A
Instrument panel	55	55	78 13466	Windshield wiper electric vacuum pump switch	55	51	A0AZ 13466-B
	56/	57	B6A 13466-A				
Luggage compartment	56/	89	B5AZ 13466-A				
Map lamp	55	81	A0AZ 13466-A				
	56/57	67	09B 13466-A				
	58/	89	B5AZ 13466-A				

\* 6 Volt System

Δ 12 Volt System

# FORD CAR PARTS

## SECTION 134

571

YEAR 19	MODEL	DESCRIPTION	QTY. PER VEHICLE	PART NUMBER
<b>13467 SHIELD - REAR LAMP WIRE</b>				
49/51	A (S/W)		1	B 13467
49/51	A (S/W)-Washington & Minnesota		2	
<b>13480 SWITCH ASSY. - STOPLIGHT</b>				
49/	A		1	C1AZ 13480-A
55/	S		1	
<b>13482 RELAY ASSY. - STOP LAMP</b>				
58/59	S		1	B8S 13482-A
<b>13489 SLEEVE - REAR LAMP LENS</b>				
51	A (except S/W)		2	B1AZ 13489-A
51	A (except S/W)	Screw (rear lamp door to body)-No. 8-32 x 1/2"	8	31061-S8(U50)
52	A		2	B2AZ 13489-A
52	A	Screw (rear lamp door to body)-No. 8-32 x 5/8"	6	*31077-S8
		Lockwasher-No. 8		34802-S7(X59)
53/54	A	Use with FDA 13450-A lens	2	FAA 13489-A
54		Inner	2	B4AZ 13489-A
57	A, S	Not used with back up lamp	2	B7A 13489-A
58	A (Ranchero & S/D)		2	
57	A, S	Used with back up lamp	2	B7A 13489-B
58	A (Ranchero & S/D)		2	
58/59	S	Used with B8S 13450-B lens	4	B9SF 13489-A
<b>13494-5 TRIM - REAR LAMP DOOR</b>				
57	A (Fairlane "500")	R. H.	1	B7A 13494-C
57	A (Fairlane "500")	L. H.	1	B7A 13495-C
57	A (Fairlane "500")	Nut (trim to rear lamp door)-1/8" sleeve	4	355891-S2(MM221)
<b>13535 PLATE - HEADLAMP DIMMER SWITCH MOUNTING</b>				
49/54	A		1	8A 13535-B
57/58	A		1	B7A 13535-A
49/58	A	Screw (switch plate to floor)-No. 10 x 1/2"	3	32924-S7(U344)
55/58	A	Screw (cover to dash panel)-No. 10-12 x 5/8"	AR	42014-S8(U240)
55/58	A	Screw (cover, to front floor pan)	2	
55/57	S		1	B5S 13535-A
58/	S		1	B8S 13535-A
<b>13543 LAMP and BRACKET ASSY. - REAR LICENSE PLATE</b>				
58	A (except 66, S/D & S/W)	Used with sports spare wheel carrier	1	B8A 13543-A
58	A (except 66, S/D & S/W)	Nut (lamp & bracket to rear bumper stone outer deflector)-1/4"-20-hex.	2	34805-S8(X62)
		Lockwasher-1/4"	2	*33795-S7(M49)
<b>13547 LENS ASSY. - COURTESY and MAP LAMP</b>				
49/54	A		1	8M 13547
55/59	A (Convertible, 51A)		1	
<b>13548 SOCKET - LUGGAGE COMPARTMENT LAMP</b>				
57/	A, S	Also used with map lamp	AR	B7A 13548-A
<b>13549 WIRING ASSY. - LUGGAGE COMPARTMENT LAMP - <i>Improvise from B6A 14296-C Bulk Wire</i></b>				
58/	S(63A)	Clip (wiring to L. H. luggage compartment door hinge)	1or2	372046-S100 (GG186)
<b>13550 LAMP ASSY. - REAR LICENSE</b>				
51	A (except S/W)	With bulb and weather seal boot	1	1A 13550-B
49/51	A (except S/W)	Screw (rear license plate lamp to deck lock ornament)-No. 8-32 x 1/2"	2	31061-S8(U50)
57	A (S/D, S/W)		2	B7A 13550-B
57/58	A (51A)		2	B7A 13550-C
57/58	A (except 51A, 66, S/D & S/W)		1	B8A 13550-A
57	A, S	Screw (lamp to rear bumper)-No. 8-32 x 1/2"	2	51764-S8(U366)
		Lockwasher-No. 8	2	34802-S7(X59)
58	A (Ranchero, S/D & S/W)		2	B8A 13550-B
58	A (Ranchero, S/D & S/W)	Screw (lamp to bumper)-No. 6-32 x 5/8"	4	*52925-S13
58	A (except 51A, 66, S/D & S/W)	Screw (lamp to lower back panel)-1/4"-20 x 1/2"	2	40927-S8 (U-262)
57	S	Less bulb	1	B7S 13550-A
58/	S		2	B8S 13550-A
<b>13553 BODY ASSY. - REAR LICENSE PLATE LAMP</b>				
52/54	A (S/D, S/W)		1	FAA 13553-A
55	A (S/D, S/W)	Without hinge boss	1	B5A 13553-A
55/56	A (S/D, S/W)		1	B6A 13553-A
55/57	A (State of Vermont only), S/D, S/W		1	

# FORD CAR PARTS

## SECTION 134

YEAR 19	MODEL	DESCRIPTION	QTY. PER VEHICLE	PART NUMBER
<b>13555 PLATE ASSY. - REAR LICENSE PLATE LAMP MOUNTING</b>				
52/54	A (S/D, S/W)		1	FAA 13555-A
52/54	A (S/D, S/W)	Nut-1/4"-20	2	33795-S7(M49)
		Lockwasher-1/4"	2	34905-S7(X97)
		Washer-1/4"	2	44719-S8(X17)
55	A (S/D, S/W)		1	B5A 13555-A
55/56	A (S/D, S/W)	Use with B5A 13553-B	1	B5A 13555-B
56	A (S/D, S/W)	Use with B6A 13553-A	1	B6A 13555-A
<b>13560 BODY and SOCKET ASSY. - REAR LICENSE PLATE LAMP</b>				
52/54	A		1	FAB 13560-A
55/56	A (State of Vermont only)		1	
52/54	A (except S/D & S/W)	Screw (rear lamp body to rear stone deflector)- No. 8-32 x 1/2"	2	31061-S8(U50)
52/54	A (except S/D & S/W)	Lockwasher-No. 8		34802-S7(X59)
52/56	A (except S/D & S/W)	Oval shaped with wire	1	B6A 13560-A
55/56	A (except S/D & S/W)	Screw (lamp to luggage compartment)- No. 8-32 x 1/4"	2	50742-S8
55/56	A (S/D, S/W)		1	B5A 13560-A
56	A (except S/D & S/W)	Round shaped less wire	1	B6A 13560-B
57/58	A (except 51A, 66, S/D & S/W)		1	B7A 13560-A
59/	A		1	C2DZ 13560-A
55/56	S		1	B6S 13560-A
<b>13562 SOCKET ASSY. - REAR LICENSE LAMP BULB</b>				
57	S		1	FFC 13562-A
58	A		AR	
<b>13564 LENS - REAR LICENSE PLATE LAMP</b>				
49/51	A(S/W)	White	1	B9C 13564-A
49/51	A(S/W)-States of Washington & Minnesota		2	
49/51	A(S/W)		2	370141-S8(MM272)
49/51	A(S/W)-States of Washington & Minnesota		4	
49/51	A(S/W)	Screw (retainer to body)-No. 6-32 x 5/16"	2	350812-S13(BB601)
49/51	A (except S/W)		1	7RA 13564
52/56	A (S/D, S/W)		1	
55/56	A (State of Vermont only)		1	
52/54	A (except S/D & S/W)		1	C1TB 13564-A
55/56	A (except S/D & S/W)(except state of Vermont)		1	
57/58	A (except 51A, 66, S/D, S/W)		1	
57	A (S/D, S/W)		2	B7A 13564-A
57/58	A (51A)		1	B7A 13564-B
58	A (Ranchero, S/D & S/W)		2	B8A 13564-A
59/	A		1	C0AF 13564-C
59/	A	Screw (lens, door & gasket to lamp body)- No. 8-32 x 1/2"	1	51764-S(U366)
55/56	S		1	B6S 13564-A
57	S		1	B7S 13564-A
58/	S		2	B8S 13564-A
<b>13566 DOOR - LICENSE PLATE LAMP</b>				
49/51	A (except S/W)		1	7RA 13566
52/56	A (S/D, S/W)		1	
55/56	A (State of Vermont only)		1	
49/51	A(except S/W)	Screw (door to lamp body)-No. 8-32 x 1/2"	1	31061-S8(U50)
52/56	A(S/D, S/W)		1	
49/51	A(except S/W)	Screw (door to lamp)-No. 8-32 x 5/8"	2	31077-S8
		Lockwasher-No. 8	AR	34802-S7(X59)
58	A (Ranchero, S/D & S/W)		2	B8A 13566-A
59/	A		1	C1AF 13566-A
55/56	S		1	B5S 13566-A
57	S		1	B7S 13566-A
57	S	Screw (door to rear bumper)-No. 8-32 x 1/2"	2	51764-S8(U366)
<b>13568 GASKET - LICENSE PLATE LAMP LENS</b>				
49/51	A (except S/W)	Rubber	1	7RA 13568
52/56	A (S/D, S/W)		1	
55/56	A (State of Vermont only)		1	
56/58	A (except 51A, 66, S/D & S/W)	Rubber & cork-1.40" O. D. -. 70" I. D.	1	B6A 13568-A
56/58	A (except 51A, 66, S/D & S/W)	Rubber & cork-1.40" O. D. -. 1.20" I. D.	1	B6A 13568-B



# FORD CAR PARTS

573

## SECTION 137

YEAR 19	MODEL	DESCRIPTION	QTY. PER VEHICLE	PART NUMBER
<b>13568 GASKET - LICENSE PLATE LAMP LENS - continued</b>				
57	A (51A, S/D & S/W)	Rubber	2	B7A 13568-A
58	A (51A)		2	
58/	S		2	
58	A (Ranchero, S/D & S/W)		2	B8A 13568-A
59/	A		1	B9A 13568-A
55/56	S	Rubber & cork-4.36" O. D. -4.04" I. D.	1	B6S 13568-A
<b>13572 PAD - REAR LICENSE PLATE LAMP MOUNTING</b>				
55	A (S/D, S/W)		1	B5A 13572-B
<b>13588 RETAINER - INSTRUMENT CLUSTER SIGNAL LAMP JEWEL</b>				
58/	S		2	B8S 13588-A
<b>13590 SPRING - REAR LICENSE PLATE LAMP TENSION</b>				
55/56	A (S/D, S/W)		1	B6A 13590-A
<b>13596 BRACKET - REAR LICENSE PLATE SIDE</b>				
52/56	A (except S/D & S/W), S	With elongated hole	2	BA 13596-C
58	A (51A)		2	
		Bolt (plate to bracket)-1/4"-20 x 9/16"	2	*23356-S8
		Nut - 1/4"-20	2	33795-S7(M49)
		Lockwasher - 1/4"	2	34805-S8(X62)
<b>13597 BRACKET - REAR LICENSE PLATE</b>				
52/56	A (except S/D & S/W)	Top	1	BA 13597-C
57/58	A (except 66, S/D & S/W)	Bottom	1	B7A 13597-A
55/58	A	Bolt (plate to bracket)-1/4"-20 x 1/2"	2	20308-S7(B40)
55/58	A	Nut-1/4"-20	2	33795-S7(M49)
55/58	A (except 51A, 66, S/D & S/W)	Lockwasher - 1/4"	2	34805-S8(X62)
57/58	A (51A)	Bolt (bracket to rear license bracket)- 1/4"-20 x 9/16"	1	*23356-S8
57/58	A (except 51A, 66, S/D & S/W)	Bolt(bracket to rear license plate support)	1	
57/58	A (except 51A, 66, S/D & S/W)	Nut- 1/4" -20	AR	33795-S7(M49)
57/58	A (57B, 58A, 63B, 64A, 76B)	Screw (bracket to license plate)-No. 10-32 x 1/2"	2	27081-S8(U175)
57/58	A (57B, 58A, 63B, 64A, 76B)	Nut-No. 10-32	2	34079-S7(M163)
57/58	A (57B, 58A, 63B, 64A, 76B)	Lockwasher-No. 10	2	34808-S8(X67)
57/58	A (57B, 58A, 63B, 64A, 76B)	Flat washer	2	44713-S8(X13)
<b>13668 GASKET - LICENSE LAMP SOCKET</b>				
57	S	Rubber	1	B7S 13668-A
58	A(Ranchero, S/D & S/W)		2	
<b>13701 WIRE ASSY. - LICENSE PLATE LAMP</b>				
57/58	A (51A)		2	B7A 13701-B
57	S	35.50" long	1	B7S 13701-A
<b>13705 BODY and SOCKET ASSY. - COURTESY LAMP</b>				
55	A (64, 76)		2	B5A 13705-A
55	A (64, 76)	Screw (body to pillar extension)-No. 6-18 x 3/8"	4	*32914-S8
55	A (64, 76)	Lockwasher-No. 6	4	34801-S7(X58)
<b>13A709 WIRING ASSY. - COURTESY or INTERIOR LAMP SWITCH. <small>Unless listed - improvise from B6A 14296-C wire</small></b>				
50	A (Custom DeLuxe)-except S/W	Clip (courtesy lamp switch wire to instru. panel)	5	356668-S32(GG27)
50/51	A (Custom DeLuxe)-except Convertible, Victoria & S/W	6 leads-R. H. to L. H. pillar posts	1	B3AZ 13A709-B
52/53	A (Mainline, Customline)		1	
53	A (Convertible & Victoria)		1	
54	A (Convertible)		1	
54	A (Victoria)	Roof rail lamp	1	
54	A (Customline & Crestline)	Clip (switch & wiring to side panels)	2	352999-S32(GG17)
56	A	104.0" long	1	B8AZ 13A709-A
57/58	A (except 51A, 59A, 66A, 70A, 70D, 73A, 76B, 78A)	Used with dome lamp	1	
58	70A, 73A		1	
58	A (except 57, 58)-with A/S		1	
59	A (except 58E, 59C, 64F, G, 71H)		1	
55/56	A	Clip (wiring to cowl)	2	356668-S32(GG27)
56/58	A (8 cyl.)-with Air Conditioner	Clip (wiring to flange of instrument panel)	1	356687-S32(GG28)
57/58	A (51A, 76B)-except A/C	96.0" long	1	B7AZ 13A709-E
57	A (except 59A, 70A, 70D, 73A, 78A)	Clip (wiring to cowl side panel)	2	7RA 14197-B
57/59	A (51A)	Clip (wiring & elect. window regulator R. H. & L. H. front door wiring to R. H. & L. H. cowl side panel)	2	352999-S32(GG17)
58	A (73A)-Taxi	96.50" long-interior or courtesy lamp	1	B8AZ 13A709-B
58	A (51A, 76B)-with A/C	97.0" long	1	B8AZ 13A709-C

# FORD CAR PARTS

## SECTION 137

YEAR 19	MODEL	DESCRIPTION	QTY. PER VEHICLE	PART NUMBER
<b>13712 SOCKET and WIRE - GLOVE COMPARTMENT LAMP - Also Refer to Group 14413</b>				
58/	S		1	FEV 13712-A
<b>13713 SWITCH ASSY. - COURTESY and MAP LAMP</b>				
50/	A	For 7/8" mounting hole-on hinge pillar-also for	2or4	B9MF 13713-A
55/	S	rear door lamp, courtesy lamp or air suspension	2	
50/54	A (DeLuxe, Customline & Crestline)	Plug-used to cover courtesy lamp switch hole	2	352291-S (PP3)
58	57, 58-with A/S	Bumper assembly-required to actuate courtesy lamp switch	2	358915-S(CC15)
<b>13731 LENS ASSY. - COURTESY LAMP</b>				
52/54	A (Convertible, Victoria)		2	FAB 13731-A
<b>13740 SWITCH ASSY. - INSTRUMENT PANEL LAMP</b>				
49	A		1	21C 13740
54	A (Victoria & Convertible)	Map lamp	1	
55/59	A (51A, Convertible)	Map lamp or courtesy lamp	1	
51	A (except S/W)		1	FAA 13740-A
52/54	A		1	
49	A	Screw (switch to panel)-No. 8-32 x 1/2"	2	31061-S8(U50)
51/54	A	Screw (switch to lighting switch)-No. 8-32 x 1/4"	2	26457-S7(U167)
55/59	A (51A, Convertible)	Screw (switch to lamp bracket)	2	
49/59	A	Lockwasher-No. 8	2	34802-S7(X59)
<b>13748 SWITCH and BRACKET ASSY. - PARKING BRAKE SIGNAL</b>				
59	A		1	B9A 13748-A
<b>13751 LAMP ASSY. - OPEN DOOR WARNING</b>				
57/	A(taxi)	On instrument panel	1	C3OZ 13751-A
<b>13752 SWITCH ASSY. - INTERIOR LAMP</b>				
51/53	A	Located on instrument panel-when required for	1	1A 13752
54	A (Convertible, Victoria)	1953 models use with (2)FAA-13785-A terminals		
50/53	A (except Convertible, S/W)	Screw (cowl wiring to pillar lamp switch)- No. 8-32 x 1/4"	2	26457-S7(U167)
54	A (except Convertible & Victoria)		1	FDA 13752-A
55/56	A (except Convertible)		1	
57/58	A (except Convertible)		1	B7A 13752-B
57/58	A (except Convertible)	Screw (switch to lamp body)-No. 4-24 x .25"	2	370983-S8(BB297)
<b>13753 NUT</b>				
51	A (except Convertible, S/W)	Pillar lamp switch retaining	1	1A 13753-A
52/53			1	
51/54	A (except Convertible, S/W)	Windshield wiper control to instrument panel	1	
55/56	S		1	
55/56	A (Convertible)	Top control switch	1	
55	A	W/shield wiper control	1	
55/56	A	Heater operating control	1	
55/57	S		1	
<b>13754 BRACKET and SOCKET ASSY. - MAP LAMP</b>				
55/57	S		1	B6S 13754-A
58/	S (76A)		1	B8S 13754-A
<b>13755 KNOB ASSY.</b>				
52/53	A	Pillar lamp switch	1	FAA 13755-A
<b>13A756 WIRE and SOCKET ASSY. - LUGGAGE COMPARTMENT</b>				
58/	S (63A)	With mounting bracket	1	B7SZ 13A756-A
58/	S (76A)	With mounting bracket	1	B7SZ 13A756-B
58/	S (76A)	Screw (lamp to deck lid)-No. 10-12 x 3/8"	1	42127-S8(U248C)
58/	S (63A)	Screw (lamp to deck lid)-No. 8-15 x 3/8"	1	52720-S8(U380)
58/	S (63A)	Lockwasher-No. 8	1	34938-S8(X85)
58/	S (76A)	Nut-No. 10-12 spring	1	★45142-S8
58/	S (63A)	Retainer (lamp wire to deck lid)	1	7RA 14197-B
58/	S (63A)	Clip (wire to luggage compartment door)	5	356687-S32(GG28)
58/	S (76A)	Screw (lamp to luggage compartment door)- No. 10-12 x 7/8"	1	★52721-S8
<b>13761 LENS - MAP LAMP</b>				
55/57	S		1	B5S 13761-A
58/	S		1	B8S 13761-A
58/	S	Screw (lens to instrument panel)-No. 6-32 x 5/8"	2	★52925-S13

# FORD CAR PARTS

## SECTION 137

575

YEAR 19	MODEL	DESCRIPTION	QTY. PER VEHICLE	PART NUMBER
<b>13763 BRACKET - COURTESY LAMP</b>				
55/59	A (51A, 76B)		1	B5A 13763-C
55/	A(51A, 76)	Screw (bracket to instrument panel)- No. 10-32 x 1/2"	1	50810-S8(U158)
		Lockwasher-No. 10	1or2	34903-S7(X96)
		Nut - No. 10-32	1or2	34079-S7(M163)
		Flatwasher-No. 10	1or2	44716-S8(X15)
<b>13764 SWITCH - MAP LAMP</b>				
55/56	A		1	B5A 13764-A
55/59	S (76A)		1	B8S 13764-A
58/59	S (76A)	Screw (switch to instrument panel)-No.6-32 x 1/4"	2	★51754-S8
<b>13765 BODY - MAP LAMP</b>				
55/57	S		1	B5S 13765-A
<b>13783 LENS - PILLAR LAMP OR DOME LAMP</b>				
49/51	A (S/W)		1	8M 13783-A
54	A (except Convertible, Victoria)		1	FDA 13783-A
55/56	A (except Convertible)		1	
57/58	A (except 76B)	With 5 tabs	1	B8A 13783-A
57/59	A, S (except convertible)	Screw (lens to dome lamp body)-No. 4-40 x .25"	5	370983-S8(BB297)
58/	S (63A)		5	
58/	S (63A)	With 5 tabs	1	B8S 13783-B
59	A (except Convertible)		1	
		Screw (lens to dome lamp body)No.8-15 x 1.25"	2	351746-S13(UU89)
<b>13785 TERMINAL - DOME LAMP SWITCH</b>				
54	A	Male-use with 1A 13753-A switch	1	FAA 13785-A
54	A	Heat indicator bulb	1	
54	A	Oil pressure engine unit	1	
<b>13786 BODY and SOCKET ASSY. - INTERIOR LAMP</b>				
54	A (except Convertible, Victoria)	Includes FDA 13752-A switch	1	FDA 13786-A
55/56	A (except Convertible)		1	
		Screw (body to mounting bracket)-No. 6-18x3/8"	2	★32914-S8
<b>13787 BODY - DOME LAMP</b>				
57/58	A (except Convertible)		1	B7A 13787-B
58/	S (63A)		1	C0TF 13787-A
59	A (except Convertible)		1	
57/58	A (except Convertible)	Screw(lamp to mounting bracket)-No. 10-12 x .75"	2	370933-S100
58/	S (63A)	Screw (body & lens to mounting bracket)	2	(UU93)
59	A (except Convertible)	Screw (body to bracket)-No. 8-15 x 3/4"	2	350075-S13(UU88)
<b>13788-9 DOOR - PILLAR LAMP</b>				
51	A (Tudor-Custom DeLuxe)	With cutout for assist strap	2	1A 13788-B
<b>13790 GASKET - INTERIOR LAMP</b>				
59	A (S/W)-except 66C		1	B9A 13790-A
<b>13793 SOCKET ASSY. - DOME LAMP</b>				
57/59	A (except Convertible)		1	C1TB 13793-B
58/	S (63A)		1	
<b>13796 WIRE ASSY. - INTERIOR LAMP LIGHTING</b>				
49/53	A-Custom (exc. Convertible, Victoria & S/W)	5.00" long-pillar lamp	1or2	B7A 13796-A
52/56	A (Convertible, Victoria)	Courtesy lamp	2	
55/57	S	Map lamp	1	
55/56	A (except Convertible, Victoria)	Dome lamp	1	
57/	A (except Convertible)		1	
58/	S(63A)		1	
51	A (Victoria)	41.5" long	1	1A 13796
54	A (except Convertible, Victoria)		1	
58/	S	Map lamp	1	B8E 13796-A
<b>13799 BULB - BACK UP LAMP</b>				
57/58	A	Single Contact-15 c.p. (12 volt)-type No. 93	2	B7A 13799-A
57	S		2	
<b>13A804 WIRE ASSY. - HORN RELAY TO HORN - Unless listed - improvise from B6A 14296-C wire</b>				
57/58	A(except 66A, 70A, B, 73A, 78A)	80.0" long	1	B8AZ 13A804-A

YEAR 19__	MODEL	DESCRIPTION	QTY. PER VEHICLE	PART NUMBER
<b>13A805 BUTTON ASSY. - HORN</b>				
51	A (Custom DeLuxe)	With ring	1	B1AZ 13A805-A
52/53	A (Mainline, S/D)		1	B2AZ 13A805-A
52/53	A (Customline, Crestline)	With ring	1	B2AZ 13A805-B
54	A (Customline, Crestline)-except P/S	With ring	1	B4AZ 13A805-A
54	A -with P/S	With ring	1	B4AZ 13A805-B
52/54	A (Customline, Crestline)	Screw (index plate to ring)-No. 8-32 x 3/4"	3	★41593-S8
52/55	A (Mainline, S/D)	Screw (index plate to medallion)	3	
55	A (Customline, Fairlane)-except P/S	With ring	1	B5AZ 13A805-B
55	A, S (except P/S)	With ring	1	B5AZ 13A805-C
55	A- with Power Steering	With ring	1	B5AZ 13A805-D
55	A, S	Screw (ring to wheel)-No. 6-32 x 3/8"- use with B5AZ 13A805-C	2	★26466-S6
		Lockwasher-No. 6		34937-S7(X84)
56	A (Mainline, S/D)-except P/S		1	B6AZ 13A805-C
58	A(except 79A)-with Power Steering	With ring	1	B8AZ 13A805-A
57/59	A (except P/S)	With ring	1	B9AZ 13A805-A
59	A (58E, 59C, 64F, 64G, 71H)		1	B9AZ 13A805-C
58	A (59A, 66A, 70A, 70D, 73A, S/D)		1	
57	A (Custom)		1	
57	S (except Power Steering)		1	
56/59	A-with P/S	With ring	1	B9AZ 13A805-B
56/57	S-with P/S		1	
56	A (Customline, Fairlane), S (except P/S)	Also(1) B5A 3672-A required for this installation	1	
58/	S	With ring	1	B8SZ 13A805-A
<b>13A807 SPRING - HORN BLOWING</b>				
52/53	A (Customline, Crestline)	29/32" long-Cadmium plate	1	B2AZ 13A807-A
52/53	A(Mainline, S/D)	45/64" long-Black	1	B4AZ 13A807-A
54/	A		1	
57	S		1	
58/	S		1	B8SZ 13A807-A
<b>13A809 PLATE - HORN BUTTON OR RING INDEX</b>				
59	A (except 58E, 59C, 64F, G, 71H)	Ring -Nylon	1	B9AZ 13A809-A
<b>13A813 INSULATOR - HORN BLOWING RING PRESSURE - Also Refer to Group 3672</b>				
57	A		1	C0DZ 13A813-A
59	A	Used with horn button ring	1	C1AZ 13A813-A
59	A	Used with horn button	1	B9KY 13A813-A
<b>13A821 KIT - HORN BRUSH AND INSULATOR REPAIR</b>				
58/	A	Consists of 1-Brush, 1-Insulator	1	B8AZ 13A821-A
<b>13827 SPACER - HORN BRACKET SPRING</b>				
49/59	A	.216" thick-also used with air conditioner	2or4	B5A 13827-A
55/	S		2	
<b>13830-1 BRACKET and SPRING ASSY. - HORN</b>				
55/57	S	R. H. -use with B5A 13832-C	1	B5S 13830-B
		L. H. -use with B5A 13833-C	1	B5S 13831-B
56/ 57	A, S (West Coast only)	R. H.	1	B6A 13830-B
58	A	L. H.	1	B8A 13831-B
53/	A, S	Universal type-for R. H. & L. H. usage	AR	B9A 13830-A
49/50	A	Bolt (horn bracket & spring to support)-5/16"- 24 x 1/2"	4	20311-S8(B153)
49/	A	Screw (bracket to radiator support)-	2or4	352628-S2(BB586)
55/	S	5/16"-24 x 3/4"	2or4	
55/57	A, S	Bolt (horn bracket & spring to radiator support & air deflector)-5/16"-24 x 3/4"	2	353483-S2(BB588)
58	A	Lockwasher 5/16"	2	★34941-S7
55/	A, S			
55/	A (8 cyl.)	Nut-5/16"-24	2	33798-S8(M62)
55/	A (8 cyl.)	Flat washer	2	44722-S8(X19)
<b>13832-3 HORN ASSY. - LESS BRACKET</b>				
49/56	A	6 volt-high pitch	1	B5A 13832-C
55	S	Use with B5S 13830-B bracket	1	
49/56	A	6 volt-low pitch	1	B5A 13833-C
55	S	Use with B5S 13831-B bracket	1	
56/	A, S	12 volt-high pitch-sea shell type	1	B8A 13832-A
56/	A, S	12 volt-low pitch-sea shell type	1	B8A 13833-A
55/	A, S	Nut (horn to horn bracket & spring)-1/4"-28	2or4	33796-S7(M61)
55/	A, S	Lockwasher -1/4"	2or4	34805-S8(X62)

# FORD CAR PARTS

## SECTION 140

577

YEAR 19__	MODEL	DESCRIPTION	QTY. PER VEHICLE	PART NUMBER
<b>13853 RELAY and BRACKET ASSY. - HORN</b>				
49/55	A, S	Black plastic cover	1	FAA 13853-A
56	A (6 volt)		1	
56	A, S	Use with 12 volt system	1	2Q 13853-A
49/56	A, S	Screw (horn relay terminal)-No. 8-32 x 1/4"	3	26457-S7(U167)
49/56	A, S	Screw (horn relay to dash to deflector)-No. 14-14 x 1/2"	2	31497-S8(U254)
57/	A, S	Screw (horn relay to fender apron or radiator support)	2	
57/	A, S		1	B8C 13853-A
<b>14A027 WIRING ASSY. - WINDOW REGULATOR REAR SWITCH FEED</b>				
56/57	A (except 59A, B, 66A, 70D, S/D)	75.0" long	1	B7AZ 14A027-A
56	A	Clip (wiring & rear lamp wire to floor pan)	2or3	354180-S32(GG12)
57	A (76)	Clip (wiring & rear lamp wire to front floor pan or dash panel)	2or4	
56	A	Clip (wiring to floor pan or dash panel)	1or2	354188-S32(GG21)
57/59	A (except 51, 59, 66, 76, 78)	Clip(wiring & rear lamp wire to front floor pan or dash panel)	2or4	359776 -S100 (GG45)
58	A (except 59, 66, 70D, 78A)	77.0" long	1	B8AZ 14A027-A
58/59	A (51A, 76B)	Clip (wiring & rear lamp wire to front floor pan or dash panel)	1or4	357839-S32(GG177)
59	A (except 59C, 64G, 66C)	81" long	1	B9AZ 14A027-A
<b>14A065 BREAKER ASSY. - WIRING CIRCUIT - Also Refer to Group 14526</b>				
49/50	A (Convertible Coupe)	30 amp. -top operating mechanism	1	A6AZ 14A065-A
54/55	A (except S/D)	Electric seat regulator-30 amp.	1	
55/56	A	Used with air conditioning	1	
55/56	A	Screw (circuit breaker to brake pedal support)-No. 10-32 x 3/8" binding head)	2	*32917-S7
54/55	A, S	Screw(breaker to dash panel L. H. side)	2	
<b>14148 SWITCH ASSY. - LUGGAGE COMPARTMENT DOOR LOCK</b>				
58/59	S	With Key	1	B8S 14148-A
<b>14149 ADAPTOR - LUGGAGE COMPARTMENT DOOR LOCK SWITCH MOUNTING</b>				
58/59	S		1	B8S 14149-A
		Nut (door lock switch mounting)	1	B8E 14927-A
<b>14197 CLIP</b>				
49	A (S/W)	Rear lamp wire in body trim	1	7RA 14197-A
49/54	A	Rear fuel line to frame	AR	
52/54	A	Front fuel line to frame	1	
49		Trans. o/drive electrical wiring to cross member	2	
49	A	Cowl wiring to L. H. fender apron & air deflector	5	
49/51	A	Stoplight switch wiring to L.H.frame side member	3	7RA 14197-B
49/51	A	License plate lamp wire to rear deck lid	1	
49/50	A	Front brake master cylinder to frame	1	
49/50	A	Brake hose to frame	4	
49	A	Hood catch control cable to fender apron & hood locking plate	5	
50/51	A		2	
54	A	Fuel gauge wire to wheel house	1	
54	A (except S/D, S/W)	Rear lamp wiring to rear cross member	2	
57	A (except F/M)	Horn switch (wiring to L. H. front fender apron)	1	
57	A (except 51A, 59A, 70A, 70D, 73A, 76B, 78A)	Courtesy lamp switch (wiring to cowl side panel)	2	
58/	A(except 51A, 66, S/D & S/W)	Rear lamp wiring to inside panel of deck lid	1	
58/	S (63A)	Luggage compart.lamp wire to inside door panel	1	
49/50	A	Cowl wiring to horn relay screw	1	8C 14197
49/51	A	Speedometer cable to fender apron	1	
49/51	A	Overdrive control cable to fender apron	1	
49/51	A	Parking lamp wire to air deflector	2	
51	A With F/M	Speedometer cable to air duct	1	
55/56	S	Seat wiring to mounting stud	2	
55/56	S	Window regulator wiring to mounting stud	2	
55/56	S	Headlamp wiring to fan shroud to fender apron	AR	
55/56	A	Switch & wiring to dash panel	2	
55/56	A	Window regulator wiring & seat regulator wiring	AR	
56	S	Tachometer cable to dash panel	1	
57/	A	Instrument panel to dash panel wiring to mounting stud of radio grille	2	

YEAR 19	MODEL	DESCRIPTION	QTY. PER VEHICLE	PART NUMBER
<b>14197 CLIP - continued</b>				
57/58	A	Headlamp lead and parking lamp socket wiring to radiator grille	2	8C 14197
57/58	A	Heater blower motor wires to blower mtg. plate	1	
59	A	Front window regulator wiring to R. H. or L. H. door motors	2	
59	51A, 76B	Courtesy lamp wiring to mtg. stud of radio grille	1	
49/50	A	Generator to voltage regulator wiring to dash-use with 60 amp generator wiring	3	358313-S32 (GG44)
<b>14199 CLIP</b>				
49	A	Cowl wiring to left hand fender apron	2	51T 14199
49/50	A	Starter cable to center of front cross member	1	
49	A	Starter cable to left hand fender apron	1	
<b>14A240 INSULATOR - NON-METALLIC WIRING CONDUIT</b>				
49/	A, S	3/8" I. D. x 15 ft. roll	AR	C1AZ 14A240-A
49/	A, S	3/16" I. D. x 15 ft. roll	AR	C1AZ 14A240-B
<b>14276 WIRE HARNESS - LUGGAGE COMPARTMENT</b>				
57	A (51A)		1	B7A 14276-A
58	A (51A)		1	B8A 14276-A
<b>14289 WIRE ASSY. - DASH TO ENGINE GAUGE FEED</b>				
58	A (6 cyl.)	73.0" long	1	B8A 14289-A
58	A (57B, 58A, 63B, 64A, 66, 70, 73, 78)-8 cyl. 292	65.50" long	1	B8A 14289-B
58	A (6 cyl.)	67.5" long-used with 30, 50 or 100 amp. alt. system	1	B8A 14289-C
58	A (57B, 58A, 63B, 64A, 66, 70, 73, 78)-8 cyl.)	74.5" long-used with 30, 50 or 100 amp. alt. system	1	B8A 14289-D
58	A (except 76B)-8 cyl.	73.0" long-used with 30, 50 or 100 amp. alt. system	1	B8A 14289-E
58	A (8 cyl. -332, 352)	66.50" long -not used with Air Conditioner	1	B8A 14289-F
58	A (66, 70, 73, 78)-8 cyl. 332, 352 (w/4/B carb.)	or alternator system	1	
58	A, S	Clip (wiring to R. H. front fender apron)	1	352999-S32(GG17)
58	A	Clip (wiring to cowl vent)	1	
58/59	A	Clip (wiring to flange of dash panel)	AR	356668-S32(GG27)
58/	A (6 cyl.)	Clip (wiring to mounting bolt that attaches valve push rod chamber cover to engine)	2	353547-S2(GG173)
59/	S (8 cyl. 430)	Clip (wiring to bolt that attaches water pump to cylinder block)	1	
58/	A, S (8 cyl. 332, 352, 390)	Clip (wiring to bolt that attaches valve rocker arm to L. H. cylinder head)	3	
59	S (8 cyl. 430)	Clip (wiring to bolt that attaches water outlet connection to intake manifold)	1	
56/	A (6 cyl.)	Clip (wiring to mounting bolt that attaches valve push rod chamber cover to engine)	2	
58/	S	Clip (wiring to nut that attaches master brake cylinder to dash panel)	1	353547-S2 (GG173)
59	A (6 cyl. 223)		1	B9A 14289-B
59	A (8 cyl. 292) -except C/M		1	B9A 14289-C
59	A (8 cyl. 332, 352)		1	B9A 14289-A
59	A (8 cyl. 292)-with C/M		1	
59/	A	Clip (wiring to R. H. front fender apron)	1	356628-S(GG175)
59/	A, S	Adjustable strap (wire hold down)-Nylon	AR	372368-S(Y Y1)
58/59	S (except A/C)	90.5" long	1	B8S 14289-A
58/59	S (8 cyl. 352)-with A/C	126.0" long	1	B8S 14289-B
58/	S	Clip (wiring to dash panel)		372866-S100(GG89)
<b>14290 WIRE ASSY. - DASH PANEL TO HEADLAMP JUNCTION</b>				
59	A	Used with 30 or 60 amp. generator	1	B9AF 14290-B
59	A	Used with 30, 50 or 100 amp. alternator	1	B9AF 14290-C
58	S	135.50" long	1	B8S 14290-A
58/	S	Clip (wiring to R. H. & L. H. front inner side member or L. H. front fender apron)	2 or 8	352999-S32(GG17)
58/	S	Clip (wiring to No. 1 front cross member)	3	356628-S(GG175)
59	A	Clip (wiring to flange of grille opening panel)	4	
59	A	Clip (wiring to L. H. front fender apron)	3	
58/	S	Clip (wiring to starting motor relay to L. H. fender)	2	358313-S32(GG44)
59	S		1	B9SF 14290-A
59/	A, S	Adjustable strap (wire hold down)-Nylon	AR	372368-S(Y Y1)

# FORD CAR PARTS

579

## SECTION 140

YEAR 19	MODEL	DESCRIPTION	QTY. PER VEHICLE	PART NUMBER
<b>14294 TERMINAL - ELECTRIC WIRING - SOLDERLESS CRIMP - ON TYPE</b>				
	<small>FOR TUNDA SALES NO.</small>			
	R16-A	Eyelet-No.10 stud-for No.16,18,20 & 22 gauge wire	AR	B9A 14294-A
	R16-B	Eyelet-No.6 stud-for No.14 & 16 gauge wire	AR	B9A 14294-B
	R16-C	Eyelet-No.10 stud-for No.14 & 16 gauge wire	AR	B9A 14294-C
	R16-D	Eyelet-1/4" stud-for No.14 & 16 gauge wire	AR	B9A 14294-D
	R16-E	Open end-No.10 stud-for No.14 & 16 gauge wire	AR	B9A 14294-E
	R16-F	Eyelet-No.10 stud-for No.10 & 12 gauge wire	AR	B9A 14294-F
	R16-G	Eyelet-1/4" stud-for No.10 & 12 gauge wire	AR	B9A 14294-G
	R16-H	Eyelet-3/8" stud-for No.10 & 12 gauge wire	AR	B9A 14294-H
	R16-J	Faston tab-for No.14,16 & 18 gauge wire	AR	B9A 14294-J
	R16-K	Shur plug (uninsulated bullet)-for No.14,16 & 18 gauge wire	AR	B9A 14294-K
	R16-L	Faston receptacle-for No.14,16 & 18 gauge wire	AR	B9A 14294-L
	R16-M	Shur plug(insulated bullet)-for No.14&16 gauge wire	AR	B9A 14294-M
<b>14296 WIRE</b>				
		Primary-No.8 gauge-50 ft. spool	AR	B3A 14296-A
		Primary-No.12 gauge-100 ft. spool	AR	B6A 14296-A
		Primary-No.14 gauge-100 ft. spool	AR	B6A 14296-B
		Primary-No.16 gauge-100ft. spool	AR	B6A 14296-C
		High tension-No.16 gauge-100 ft. spool	AR	8A 14296-A
<b>14298 WIRING HARNESS ASSY. - RETRACTABLE TOP CONTROL</b>				
57	A (51A)		1	B7A 14298-A
58/59	A (51A)		1	B8A 14298-A
		Nut (harness & power relay feed wiring to control box power relay ass'y.)-5/16"-24	20	33923-S7(M32)
		Lockwasher-5/16"	20	* 34941-S7
		Nut (harness to circuit breaker)-No.10-24	2	34079-S7(M163)
		Nut (harness & wiring from top control motor & bracket to wiring junction block)	2	
		Lockwasher-No.10	AR	34903-S8(X96)
		Screw (harness to ctr. panel)-No.10-12 x 1/2"	1	32924-S7(U344)
		Screw (harness to lower back inside panel)	2	
		Screw(harness to lugg. compt. door inside panel)	3	
		Clip (harness to rear floor pan)	3	359776-S100
		Clip (harness to rear floor pan extention)	2	(GG45)
		Clip (harness to lower inside back panel)	1	356668-S32(GG27)
		Grommet (for routing of harness thru luggage compartment door inside panel)	4	359657-S100(KK29)
		Clip (harness to luggage compt. door inside panel)	1	352204-S100
		Clip (harness to lower back inside panel)	1	(GG148)
<b>14300-1 CABLE ASSY. - BATTERY</b>				
49/55	A	To starter relay-16.5" long-also used with A/C	1	B5A 14300-A
56	A-with 6 volt system	To starter relay	1	
49/51	A	To ground-24 1/2" long	1	B6J 14300-A
56	A (Customline, Mainline)-6 volt	To ground	1	
52/55	A (except 1954 8 cyl.)	To ground-19 1/2" long	1	B6A 14301-C
56/57	S	To starter relay	1	
55	A(except A/C)	To ground-21 1/2" long	1	FDA 14301-A
54	A (8 cyl.)	To ground	1	
56	A (6 volt)	To ground	1	
55	A (8 cyl.)-with Air Conditioner	To ground-36.5" long-less supports	1	B5A 14301-B
56	A (8 cyl.) -with A/C	To ground-53.5" long	1	B2Q 14300-A
56/57	A (8 cyl.)-with Air Conditioner	Bolt (cable to cylinder block)-7/16"-14 x 3/4"	1	*20350-S7
56/57	A (8 cyl.)-with Air Conditioner	Lockwasher-7/16"	1	34808-S8(X67)
56/	A -with 12 volt system	To starter relay-15.0" long	1	B6A 14300-A
56	A (except A/C),S	To ground-30.0" long-(12 volt system)	1	B6A 14300-B
57/59	A	To ground-23.0" long	1	FEL 14301-A
58/	S	To ground	1	
55	S	To ground-29.5" long	1	B9TF 14300-H
55	S	To starter relay-22.5" long	1	FDE 14300-A
57	S	To ground-8.25" long	1	FDA 14300-A
57	S	Nut (cable to dash & brace)-1/4"-20	1	33795-S7(M49)
57	S	Lockwasher-1/4"	1	34805-S8(X62)

# FORD CAR PARTS

## SECTION 140

YEAR TO	MODEL	DESCRIPTION	QTY. PER VEHICLE	PART NUMBER
<b>14300-1 CABLE ASSY. - BATTERY - continued</b>				
58/	S	To starter relay-12.0" long	1	FDE 14301-B
		Bolt (cable to battery terminal)-5/16"-18 x 1 1/4"	1 or 2	23017-S16(B296)
		Nut-5/16"-18	1 or 2	33797-S16(M51)
		Nut (cable to starter relay terminal)-5/16"-24	1	33798-S8(M62)
		Lockwasher-5/16"	1 or 2	34806-S7(X64)
<b>14303 STRAP ASSY. - ENGINE TO DASH GROUND</b>				
55/56	A, S	10" long-use FAB 14431-B	1	8M 14303
55/	A	Screw (ground strap to dash)-No. 14-14 x 1/2"	1	31497-S8(U254)
58/	S	Cable & support of relay to R. H. front fender apron	1	
55/	A, S	Lockwasher-1/4"	1	34940-S7(X88)
55/	A (8 cyl.)	Bolt (ground strap to cyl.head)-3/8"-16 x 5/8"	1	20328-S7(B76)
58/	S	Cable & support to R. H. cylinder head	1	
55/	A, S,	Lockwasher 3/8"	1	34807-S8(X66)
57/59	A	10" long-use FAB 14431-B	1	FDA 14303-A
59	A-with S/T or O/D	Bolt (strap to intake manifold)-5/16"-18 x 1/2"	1	20310-S8(B48)
59	A-with S/T or O/D	Lockwasher-5/16"	1	34806-S7(X64)
57	S	9.5" long-use FAB 14431-B	1	★FEJ 14303-A
58/59	S(8 cyl. 352)	12.0" long-cut from B3A 14296-A wire	1	★FEV 14303-A
58	S (352 Engine)	13.50" -cut from B3A 14296-A wire	1	★FEV 14303-B
59/	S (430 Engine)	15.50" long -cut from B3A 14296-A wire	1	★FEV 14303-C
<b>14305 WIRING ASSY. - GENERATOR TO VOLTAGE REGULATOR</b>				
52/53	A	Used with 35 amp. generator	1	B5AF 14305-A
54/57	A	Used with 60 amp. generator	1	
54/57	A(8 cyl.)	Used with 30, 40, 50 or 60 amp. generator	1	
54	A (6 cyl.)	58.25" long	1	☆B6A 14305-H
55/56	A (6 cyl.)	Used with 60 or 95 amp. alternator system	1	
56	A (6 cyl.)	Used with 30,50amp.alternator system	1	
54	A (except Convertible)	Clip (wire to rectifier bracket)	1	353547-S2(GG173)
56	A (6 volt)		1	
55	A (6 cyl.)	Used with 30, 50 or 60 amp. generator with or without P/S	1	B5AF 14305-B
55	A (8 cyl.)	Used with 55 amp. generator	1	
56	A(6 cyl.)	Used with 30, 50 or 60 amp. generator	1	
55	A (6 cyl.)	Used with 55 amp. generator	1	B5C 14305-C
57	A (8 cyl.)	Used with 100 amp. H/D alternator system	1	
57	S	Used with 30 amp. generator	1	
55/58	A	Clip (wire to apron or radiator support)	AR	352999-S32(GG17)
56	A (6 cyl.)	Used with 50 amp. alternator system	1	☆B6A 14305-K
56/58	A (8 cyl.)	Used with 30, 50 or 100 amp. heavy duty alternator system	1	B8A 14305-D
56	A (6 volt)	Grommet (wiring thru R. H. air side deflector)	1	1A 14603-B
56	A (6 volt)	Grommet (wiring thru L. H. air side deflector)	1	
56	A (8 cyl.)-except 76	Clip (wiring with screw that attaches support grille bar to front bumper stone deflector)	1	358350-S(GG172)
56	A (8 cyl.)-except 76	Clip (wiring thru L. H. rad. air side deflector)	1	354282-S(KK37)
57/59	A (8 cyl.)-with alternator system	Grommet (wiring thru fender and radiator support)	1	
57/58	A (6 cyl.)	Used with 30, 40, 50 or 60 amp. generator	1	B9TF 14305-Y
58	A (6 cyl.)	Used with 50 amp. alternator system	1	
57	A-with alternator system	Screw (wiring to rectifier brkt.)-No. 10-12 x 1/2"	1	32924-S7(U344)
57/58	A-with alternator system	Clip (wiring to R. H. front fender apron)	1	358313-S32(GG44)
57	A-with alternator system	Clip (wiring to rectifier mounting bracket)	1	357955-S(GG166)
59	A-(8 cyl.)-with alternator system	Clip (wiring to grille opening panel)	1	
57/	A-with alternator system	Nut-No. 10-32	AR	34079-S7(M163)
57/	A-with alternator system	Lockwasher-No. 10	AR	34803-S7(X60)
57	A	Screw (wiring to L.H. front fender apron)-No. 14-14 x 1/2"	1	31497-S8(U254)
		Lockwasher - No. 10	1	34903-S8(X96)
57/58	A	Clip (alt. wiring to front frame cross member)	3	356668-S32(GG27)
58/59	A (8 cyl.)	Clip (Gen. wiring to R. H. front fender apron)	2	
58	A(8 cyl.)-except A/C	Used with 30 or 60 amp. generator	1	B8AF 14305-A
58/	A (8 cyl.)	Clip (alternator wiring to grille panel opening)	1	358350-S(GG172)

☆ For 6 volt system only



# FORD CAR PARTS

## SECTION 140

581

YEAR 19	MODEL	DESCRIPTION	QTY. PER VEHICLE	PART NUMBER
<b>14305 WIRING ASSY. - GENERATOR TO VOLTAGE REGULATOR - continued</b>				
59	A (6 cyl.)	Used with 30, 40, 50 or 60 amp. generator	1	B9A 14305-A
59	A (8 cyl.)	Used with 30, 40, 50 or 60 amp. generator	1	B9A 14305-B
59	A (8 cyl.)	Used with 30, 50 or 100 amp. alternator system	1	B9AF 14305-A
59	A (6 cyl.)	Used with 50, 60 or 100 amp. alternator system	1	B9AF 14305-B
59	A-with alternator system	Screw (wiring to grille opening panel)- No. 10-32 x 3/8"	1	27081-S8(U175)
59/	A	Clip (alternator wiring to radiator support fender apron or front frame cross member)	AR	372049-S100
59	A	Clip (wire to radiator or battery support)	1or2	356628-S(GG175)
56	A (6 cyl.)	Clip (wiring to mounting shaft of rectifier)	1	
56	A (8 cyl.)	Clip (wiring with screw that attaches mounting bracket of alternator to cylinder block)	1	
57/58	A-with alternator system	Clip (wiring with bolt that attaches grille to radiator grille opening panel)	1	
<b>14308 WIRING ASSY. - HORN SWITCH - Also Refer to Group 13341</b>				
49/50	A	Has 1 bullet & eyelet type terminal	1	11A 14308
51/56	A	57 1/2" long-bullet terminal at one end & button terminal w/insulator, spring & ret. at other end	1	1A 14308-B
55/58	A (with F/M)	Clip (wiring & starter switch to trans.lock switch wiring to L. H. front apron)	1	352999-S32(GG17)
57	A	50.5" long	1	B7A 14308-A
57	A (except F/M)	Clip (wiring to L. H. front fender apron)	1	7RA 14197-B
58	A	Support & wiring	1	B8A 14308-A
55/57	S	71.5" long	1	B6S 14308-A
58/	S	26.00" long - cut from B6A 14296-C wire	1	*FDT 14308-A
<b>14311 WIRE ASSY. - STARTER RELAY TO REGULATOR</b>				
52/53	A	4 leads-135" long - use with 60 amp. generator	1	FAC 14311-A
58	A (6 cyl.)	65.0" long-cut from B3A 14296-A wire-used with 60 amp.generator	1	*FET 14311-B
		Clip (wiring to radiator support)	1	352999-S32(GG17)
		Clip (wiring to R. H. fender apron)	1	356668-S32(GG27)
		Clip (wiring to front frame cross member)	3	
<b>14320 WIRE ASSY. - HEATER BLOWER MOTOR GROUND</b>				
56	A	7.0" long-cut from B6A 14296-B	1	*FDA 14320-A
<b>14322 WIRE ASSY. - OIL PRESSURE GAUGE - Improve from B6A 14296-C Wire</b>				
55/57	S	Clip (wiring to L. H. cylinder head)	1	353547-S2(GG173)
58/	A (8 cyl.)		1	
<b>14334 WIRE ASSY. - INTERIOR LAMP FEED - Also Refer to Group 13A709 - Improve from B6A 14296-C Wire</b>				
57/58	57, 58, 63, 64, 66B, 70B, 73B	102.75" long	1	B7A 14334-B
57/58	59B, 79C, D, E	113.25" long-2 leads with junction block	1	B7A 14334-D
57/	A	Clip (wiring to mounting support and bracket)	AR	356687-S32(GG28)
58/	S (63A)		AR	
<b>14338 WIRE ASSY. - IGNITION SWITCH TO HEATER SWITCH</b>				
58/	S	10.0" long-with 14 amp. fuse	1	B8S 14338-A
<b>14340 WIRE ASSY. - REAR WINDOW DEFROSTER</b>				
55/56	A	198.5" long-cut from B6A 14296-B	1	*FDH 14340-A
<b>14347 WIRE - CIGAR LIGHTER TO CIRCUIT BREAKER - Not Supplied - Cut from 14296 Wire</b>				
<b>14351 WIRE ASSY. - TOP CONTROL CIRCUIT BREAKER TO STARTING MOTOR RELAY. Unless Listed - Cut from 14296 Wire</b>				
58/	S	103.0" long	1	B8S 14351-A
		Nut-(wiring to circuit breaker)-No. 10-32	1	34079-S7(M163)
		Lockwasher-No. 10	1	34803-S7(X60)
		Grommet-(wiring thru dash panel)	1	353626-S(KK1)
		Clip (wiring to w/s opening lower reinforcement)	1	352999-S32(GG17)
<b>14354 WIRE ASSY. - AIR SPRING SUSPENSION FRONT DOOR - Not Supplied - Cut from 14296 Wire</b>				

YEAR 19	MODEL	DESCRIPTION	QTY. PER VEHICLE	PART NUMBER
<b>14362 WIRE ASSY. - TOP CONTROL RELAY TO CIRCUIT BREAKER</b>				
58	A (76)		1	B8E 14362-A
59	A (76)		1	B9A 14362-A
55/56	A (76)	Nut (top control switch to circuit breaker & circuit breaker to solenoid wire)-No. 10-32	1	34079-S7(M163)
57/59	A (76)	Nut (wiring to circuit breaker)	1	
57/59	A (76)	Nut (wiring to motor leads of top control motor to junction block)	2	
55/	A (76)	Lockwasher-No. 10	AR	34803-S7(X60)
55/59	A (76, 51A)	Clip(relay to circuit breaker to w/shield opening)	AR	356668-S32(GG27)
57/59	A (76)	Clip (wiring to flange of L. H. windshield opening lower side reinforcement)	1	
57/59	A (76)	Clip (wiring to rear seat front riser)	2	
<b>14381 WIRE ASSY. - OVERDRIVE HARNESS TO IGNITION COIL - DISTRIBUTOR SIDE -Not supplied-cut from B6A 14296-C wire</b>				
<b>14382 WIRING ASSY. - TRANSMISSION OVERDRIVE SOLENOID TO RELAY -Also Refer to Group 7A200</b>				
49/50	A	To relay & kickdown switch also kickdown switch to relay, ignition coil and rail switch	1	8M 14382
49/50	A	Clip (trans. o/d elect. wiring to dash panel flange)	2	356668-S32(GG27)
50	A (76)	Clip (trans. overdrive electrical wiring to frame)	1	
49/50	A	Clip (overdrive wiring to dash)	2	*353262-AS8
49/50	A	Clip (overdrive wiring to relay mounting screw)	1	
49/50	A	Clip (overdrive wiring to floor pan)	1	
49/50	A	Retainer(trans. overdrive wiring clip to floor pan)	1	358122-S21(GG112)
50/51	A	Grommet(trans. overdrive wiring thru dash panel)	1	352961-S(KK16)
56/57	A	45.0" long	1	B6A 14382-A
58	A (6 cyl.)		1	
57/59	A	Clip(wiring & switch to dash panel)	1	352999-S32(GG17)
57/59	A	Clip (wiring & switch to flange of trans.)	1	356668-S32(GG27)
57/	S	Clip (solenoid to switch to dash)	1	359671-S32(GG81)
<b>14383 WIRING ASSY. - AIR SUSPENSION SPRING - REAR DOOR</b>				
58	A (79C, D, E)-8 cyl., 332, 352	147.0" long	1	B8A 14383-A
		Clip (wiring to front floor pan)	5or7	359776-S100 (GG45)
<b>14401 WIRING ASSY. - INSTRUMENT PANEL TO DASH PANEL</b>				
53	A	With or without turn indicator	1	FAG 14401-H
54	A-except Convertible (6 cyl.)	114 1/2" long-use with or without turn indicator	1	FDB 14401-H
54	A (8 cyl.)		1	
54	A	114" long-use with 60 amp generator with or without turn indicator	1	FDA 14401-F
55	A (6 cyl.)	132" long-use with or without turn indicator-also used with 50 or 60 amp. generator	1	B5A 14401-D
55	A (8 cyl.)	130.0" long-use with or without turn indicator-also use with 50 or 60 amp. generator-and alternator system	1	B5A 14401-H
55	A (8 cyl. except Convertible)	Use with 50, 60 or 95 amp. alternator system	1	B5AZ 14401-A
55	A (6 cyl.)	Use with 55 amp. generator & regulator	1	
55	A (6 cyl. except Convertible)	Use with 50, 60 & 95 amp. alternator system without P/S	1	
55	A (8 cyl.)	127.0" long-use with 55 amp. generator & reg.	1	B5A 14401-L
56	A (8 cyl.)	130.50" long-used with 30, 50 or 60 amp. gen.	1	B6A 14401-D
56	A (8 cyl.)	Used w/35, 40, 50 or 60 amp. gen.	1	*B6A 14401-U
56	A (6 & 8 cyl.)	Use with alternator system	1	B6AZ 14401-D
56	A (6 & 8 cyl.)	Use with 40 amp. gen.	1	
56	A (6 cyl.)	Use with 30, 50 or 60 amp. gen.	1	
56	A (6 cyl.)	Used w/40, 50, 60 amp. gen.	*1	
56	A (6 cyl.)	Used with 35, 40, 50, 55 or 60 amp. generator	*1	
56	A (8 cyl.)	Used with 55 amp. gen.	*1	
57	A (6 cyl.)	129.00"-used with 30 or 50 amp. alternator	1	◇B7A 14401-E
57	A (6 cyl.)	127.00" long-used with 30, 50 or 60 amp. generator	1	B7A 14401-C
57	A (6 cyl.)	129.0" long-used with 50 amp. heavy duty alternator system	1	B7A 14401-G

\* 6 Volt System

◇ Use with or without turn indicators or back up lamps

YEAR 19	MODEL	DESCRIPTION	QTY. PER VEHICLE	PART NUMBER
<b>14401 WIRING ASSY. - INSTRUMENT PANEL TO DASH PANEL - continued</b>				
57	A (8 cyl.)-with dual 4/Barrel carb.	129.0" long-used with 30, 40, 50 or 60 amp.gen. & warning lamp type ammeter, change bullet type terminal to open eyelet on Orange wire with Yellow band as required	1	B7A 14401-H
57	A (8 cyl.)	Used with 50 or 60 amp. generator	1	
57	A (8 cyl.)	Used with 30 or 40 amp. generator	◇1	
57	A (8 cyl.)	118.50" long-used with 100 amp. heavy duty alternator system	1	B7A 14401-L
57	A (except 66A, 76B, 78A)-with 312 engine & dual 4/B carb.)	Used with 30 or 50 amp. alternator & auxiliary type ammeter	1	
57	A (8 cyl.)	Used with 30 or 50 amp. alternator	1	
57	A (70, 73)-8 cyl. -with dual 4/B carb.	Used with generator auxiliary ammeter	1	
58	A	76.0" long-used with 30, 50 or 60 amp. generator	1	B8A 14401-A
58	A	101.0" long-used with 30, 50 or 100 amp. alternator system	1	B7AZ 14401-B
58	A	Screw (wiring to L. H. cowl side panel)- No. 10-12 x 1/2"	1	42127-S8(U248C)
58/	A, S	Lockwasher - No. 10	AR	34903-S8 (X96)
59	A	Used with 30 or 60 amp. generator	1	B9A 14401-A
59	A	Used with 30, 50 or 100 amp. alternator system	1	B9A 14401-B
59/	A(with alternator system)	Clip (wiring to instrument cluster or panel)	1or2	357955-S (GG166)
58/	A-with A/C	Clip (wiring and A/C blower switch feed wiring to nut that attaches instrument cluster to instrument cluster or panel)	1or2	
55/56	S		1	B6S 14401-A
55/56	S	Clip (wiring to front fender)	4	352999-S32(GG17)
55/56	S	Clip (wiring to mounting stud)	1	353118-S2(GG165)
58	A	Clip (wiring to instrument cluster)	1	
58	A	Clip (wiring & front left door electric window regulator wiring to cowl side panel)	1	
55/	S	Clip (wiring to circuit breaker mounting stud)	AR	356628-S(GG175)
59/	A (except alternator system)	Clip (wiring to instrument cluster or panel)	1or2	
55/56	S	Clip (wiring to dash panel)	AR	353547-S2(GG173)
57	S-with dual 4/Barrel carb.		1	B7S 14401-B
58	S	103.00" long-with stop lamp relay	1	B8S 14401-B
58	S	106.50" long-without stop lamp relay	1	B8S 14401-C
59	S		1	△B9SF 14401-B
59	S	Not supplied-use B9SF 14401-B and (1) B8A 14526-A Circuit Breaker Assy. -connect Red and Red with Black band wires to circuit breaker to complete low beam circuit line-identification marking B9SF 14444-D, E or F	1	*B9SF 14401-C
59	S	106.50" long-with stop lamp relay	1	△B9SZ 14401-A
<b>14404 WIRE ASSY. - TURN INDICATOR FLASHER</b>				
57	A	56.5" long-with fuse & holder	1	B7A 14404-A
57	A	Fuse-7.5 amps	1	B6AZ 14526-A
<b>14405 WIRING ASSY. - REAR LAMP</b>				
55/56	S/D & S/W	284.5" long-also used with back up lamps	1	B6A 14405-B
55/57	A (except S/D & S/W)	287.5" long-also used with back up lamps	1	B6A 14405-D
55/56	A, S	Clip (wiring to dash panel to front & rear floor pan)	AR	354180-S32(GG12)
55/56	A	Clip (rear lamp wiring to side panel)	1	352999-S32(GG17)
55/56	A	Grommet (wiring through windshield opening)	1	353626-S(KK1)
55/56	A, S	Grommet (wiring thru windshield opening lower reinforcement)	1	
57	S		1	
55/56	A	Screw (wiring to w/s opening to reinforcement)- No. 14-14 x 1/2"	1	31497-S8(U254)
55/56	A, S	Clip (wiring to dash panel to front & rear floor pan)	AR	354188-S32(GG21)
57	S/D & S/W	Clip (wiring to rear floor pan)	1	
55/56	A	Clip (wiring to left hand rear wheel house panel)	1	356668-S32(GG27)
55/56	S	Clip (wiring to dash panel)	2	
55/56	A	Clip (wiring to flange of L.H.lugg. compt.door hinge)	1	
55/56	A	Clip (rear lamp wiring to rear seat flange)	4	
57	S	Clip (wiring to luggage compt.hinge support)	1	

△ Used on model 63A Before 12/15/58 and model 76A Before 2/24/59

◇ Used with or without turn indicators as back up lamps

⌘ Used on model 63A from 12/15/58 and on model 76A from 2/24/59

YEAR 19	MODEL	DESCRIPTION	QTY. PER VEHICLE	PART NUMBER
<b>14405 WIRING ASSY. - REAR LAMP - continued</b>				
57	S	Clip (wiring to L. H. rear wheel hsg. flange)	1	356668-S32(GG27)
57	A	Clip (wiring to lower back inside panel)	1	
57/59	51A	Wiring to front floor pan	2	
58/	S (76A)	Clip (wiring to L. H. folding top main pivot bracket to wheelhouse support)	1	
58/	S	Clip (wiring to L. H. rear seat back to wheel house brace)	1	
58	57,58	Clip (wiring to R. H. quarter wheel housing or package tray)	1or2	
57	S		5	
58/	S (63A)	Clip (wiring to L. H. rear quarter inside panel)	1	
58/	S (76A)	Clip (wiring to cowl top inner panel)	2	
59	S/W	Clip (wiring to rear floor pan)	2	
59	51A	Clip (wiring to rear seat front riser)	2	
59	A (except 51A, S/W)	Clip (wiring to L. H. rear quarter wheel-house or R. H. or L. H. lower back inside panel)	1or2	
58/	S (76A)	Clip (wiring to lower back panel)	AR	
55/56	A(76)	Clip (wiring to dash panel)	AR	354180-S32(GG12)
55/	S	Clip (wiring to floor pan to dash panel)	AR	
57	70A & B-with electric windows	Clip (wiring & window reg. rear qtr. R. H. & L. H. wiring to rear floor pan)	1	
57/	A	Clip (wiring & window reg. rear qtr. R. H. & L. H. wiring to front floor pan)	AR	
58/	S	Clip (wiring to floor upper cross member No. 3)	3	
58/	S	Clip (wiring to center floor pan)	1	
57	Ranchero, S/D & S/W	286.0" long	1	◇ B7A 14405-A
58	S/D		1	
57	A (except 51A, S/D & S/W)	271.5" long	1	◇ B7A 14405-B
57	51A	314.0" long	1	◇ B7A 14405-F
57/	A	Clip (wiring to front floor pan or dash panel)	AR	359776-S100(GG45)
57/	A (except 51A, S/D & S/W), S	Clip (wiring to rear floor pan)	AR	
57	A (70A, B)-with electric windows		1	
57	A (70A, B)-with electric windows	Clip (wiring & window reg. rear qtr. L. H. wiring to front & rear floor pan)	2	
57	S	Clip (wiring to front floor pan or dash panel)	AR	
57	51A, 76B (with electric seats)		AR	
57	63, 64, 76B (with electric windows)		2	
57	57, 58, 73, 79C, D, E (with electric windows)		4	
58/	S	Clip(wiring to floor cross member No. 3)	3	
58/	S	Clip(wiring to L. H. side front center floor pan)	1	
57/59	S/D & S/W	Grommet (wiring thru rear corner pillar assy.)	1or2	352808-S(KK62)
58	64A, B	R. H. or L. H.	2	
57/59	Ranchero, S/D & S/W	Grommet (wiring thru tail gate inside panel or rear floor rear sill)	1or2	
58	51A	325.0" long-with back up lamp lead	1	B8A 14405-B
58	A(except 51A, 59, 66, 79)	291.0" long-with courtesy & back up lamps leads	1	B8A 14405-D
58	S/W	Used with or without back up lamps	1	FET 14405-L
55/56	A	Clip (wiring to w/s opening to reinforcement)	1	356628-S(GG175)
58/	S (76A)	Clip (wiring to L. H. roof hinge bolt)	1	
58/	S (76A)	Clip (wiring with nut that attaches L. H. rear lamp to lower back panel or to windshield wiper motor mounting bracket)	2	
58/	S (76A)	Clip (wiring to bolt that attaches L. H. luggage compart. hinge to luggage compart. door hinge on body reinforcement)	1	
59	51A	316" long-used with or without back up lamps	1	B9A 14405-A
59	A (except 51A, 66C, 71)	307" long-used with or without back up lamps	1	B9A 14405-B
59	S/W	294.0" long-used with or without back up lamps	1	B9A 14405-D
59	66C	261" long-used with or without back up lamps	1	B9A 14405-C
57	S	235.75" long	1	◇ B7S 14405-A
58/	S (63A)		1	COSF 14405-D

◇ Used with or without turn indicators or back up lamps

# FORD CAR PARTS

YEAR 19	MODEL	DESCRIPTION	QTY. PER VEHICLE	PART NUMBER
<b>14405 WIRING ASSY. - REAR LAMP - continued</b>				
58/59	S (76A)		1	B9SF 14405-B
59/	S(76A)		1	B9SF 14405-C
55/56	S	Grommet (rear lamp wiring thru gear shift lever support)	1	352962-S(KK23)
58/59	S (76A)	Screw (wiring to luggage compartment door open limit switch)-No. 8-32 1/4"	2	26457-S8(U167)
58/	S (76A)	Clip (wiring to center floor pan)	2	352999-S32(GG17)
58/	S	Clip (wiring with nut that attaches rear lamps to lower or bottom back panel)	1or2	353547-S2(GG173)
58/	S (76A)	Clip (wiring to L.H. rear lamp to lower back panel or to nut which attaches windshield wiper motor mounting bracket)	1or2	358350-S(GG172)
<b>14406 WIRING ASSY. - FUEL GAUGE TANK UNIT - <i>Improvise from B6A 14296-C Wire</i></b>				
49/53	A	Grommet (wiring thru rear floor pan)	1	352963-S(KK17)
54	A	Clip (wire to floor pan)	1	356687-S32(GG28)
<b>14413 SWITCH and WIRE ASSY. - GLOVE COMPARTMENT LAMP - <i>Also Refer to Group 13712</i></b>				
58/	S		1	FDR 14413-A
<b>14429 FUSE ASSY. - CIGAR LIGHTER</b>				
52/	A, S		1	FEW 14429-A
<b>14431 CABLE ASSY. - RELAY TO STARTER</b>				
49/51	A	48.50" long	1	8A 14431
58/	S		1	
49/51	A	Clip (starter cable to front cross member)	1	358350-S(GG172)
49/53	A	Clip (starter cable to brake tube to L.H. side of front cross member)	1	356626-S32(GG22)
49/54	A	Bolt (starter cable clip to front cross member)-5/16"-18 x 3/4"	1	20346-S8(B50)
49/54	A	Nut-5/16"-18	1	33797-S7(M50)
		Lockwasher-5/16"	1	34806-S7(X64)
		Nut (cable to relay)-5/16"-24	1	33798-S8(M62)
52/53	A (6 cyl. -215)	15.00" long-also used with 60 amp.generator	1	FAB 14431-B
54	A	Dash to engine ground-also used for electric window regulator	1	
55/59	A, S	Use as engine to ground strap	1	
55/57	S		1	
52/53	A	23.50" long	1	B9TF 14431-A
56/59	A		1	
54/55	A	38.50" long	1	51 14431
55/57	S		1	
54	A	Screw (relay cable to apron)-No. 14-14 x 1/2"	1	31497-S7(U254)
57	A	Screw (cable to dash) No. 14-10 x 5/8"	1	31498-S8(U253B)
57	S	Screw (cable to dash panel & brace)	1	
57	A	Lockwasher-1/4"	1	34940-S7-8(X88)
57	A, S	Bolt (cable to L. H. cyl. head)-3/8"-16 x 5/8"	1	20328-S8(B76)
57	A, S	Lockwasher-3/8"	1	34807-S8(X66)
57	S	Nut (cable to dash panel & brace) 1/4"-20	1	33795-S7(M49)
57	S	Lockwasher-1/4"	1	34805-S8(X62)
<b>14445 WIRING ASSY. - HEADLAMP</b>				
50	A	L. H. to R. H. lamp	1	FAA 14445-B
52	A	L. H. to R. H. lamp-43" long with 10 leads	1	
50/53	A	Clip (wiring to hood locking plate)	4	356668-S32(GG27)
53/54	A	L. H. to R. H. lamp-57 1/2" long with 13 leads	1	FDA 14445-B
54/58	A, S	Clip (wiring to hood locking plate)	4	358381-S32(GG66)
57	S	Clip (wiring to radiator air deflector)	2	
55	A	57.25" long	1	B5A 14445-B
56	A	57.50" long	1	B6A 14445-A
55/56	S	63.1" long	1	B5S 14445-D
57	S	48.25" long	1	B7S 14445-B
57	S	Clip (wiring to upper air deflector)	2	352999-S32(GG17)

YEAR 19	MODEL	DESCRIPTION	QTY. PER VEHICLE	PART NUMBER
<b>14448 BLOCK ASSY. - ELECTRICAL WIRING JUNCTION</b>				
51	Convertible		1	8W 14448
56	A		1	
51/56	A	Turn indicator wiring-4 single and 2 double connectors	1	B9AF 14448-A
59	A			
55/57	S		1or2	
56/57	A, S	Screw-(block to L. H. front fender apron) - No. 8-15 x 1 1/2"	1	52388-S13(U298)
56	Convertible	Nut-(block to folding top junction block bracket-assy.) -No. 10-24	2	34053-S8(M156)
56	Convertible	Lockwasher-No. 10	2	34803-S7(X60)
56	Convertible	Flatwasher-No. 10	2	44713-S8(X13)
56/59	A	Used with elect. windows or seats	1or2	B6A 14448-D
57/59	51A	Not used with electric windows or seats	1	
58/	S	Used with electric seats	1	
57/59	51A, 76B	Used with roof actuation motor wire connection	1or2	B7A 14448-A
58	A	Used with 4 way electric seats	1	
58/59	S (76A)	Used with top control actuation motor	1	
57/59	Convertible	Screw (block to riser)-No. 10-32 x 5/8"	2	31628-S7(U58)
57/59	Convertible	Nut-No. 10-32	2	34079-S7(M163)
57/59	Convertible	Lockwasher-No. 10	2	34903-S8(X96)
<b>14452 TERMINAL - BATTERY CABLE</b>				
49/53	A	Relay to starter	2	11A 14452
49/53	A	Battery to starter relay	1	
49/53	A	Battery to ground	1	
<b>14453 TERMINAL - SPARK PLUG</b>				
49/50	A	Snap on-straight type	AR	78 14453
49/53	A	Snap on-elbow type	AR	7HA 14453
58/	A, S	Wrap around type-used with radio resistor type wiring	AR	B8A 14453-A
58/	A, S	Slip on type-used with radio resistor type wiring-at spark plug end	AR	B8A 14453-B
<b>14455 SLEEVE - WIRE INSULATING</b>				
49/	A, S	No. 14-16 gauge	AR	8A 14455-A
49/	A, S	No. 10-12 gauge	AR	8A 14455-A
<b>14466 TERMINAL - HIGH TENSION WIRE</b>				
49/	A, S	Clamp on type-with 3 non-slip tabs	AR	18 14466-A
55/	A, S	"J" shaped-used with radio resistor type wiring at distributor end	1	B8A 14466-A
55/	A, S	"U" shaped-used with radio resistor type wiring -inserts at spark plug end	1	B8A 14466-B
<b>14468 TERMINAL - WIRE</b>				
56/	A		AR	B6A 14468-A
<b>14474 TERMINAL - WIRE</b>				
59/	A, S	Snap on-internal type	AR	B8E 14474-A
<b>14476 WIRING ASSY. - STARTER SWITCH TO TRANSMISSION LOCK SWITCH</b>				
55/57	S-with F/M	68.75" long-also used with Supercharger	1	B6S 14476-A
<b>14478 BRACKET - SEAT REGULATOR MOTOR RELAY MOUNTING</b>				
55/56	A		2	B6A 14478-A
58/	S		2 or 4	
57	S	Used with Dial-O-Matic seat	2	B7S 14478-A
<b>14486 SWITCH &amp; WIRING ASSY. - TURN INDICATOR - Also Refer to Group 13341</b>				
55	S	29" long	1	B5S 14486-B

# FORD CAR PARTS

## SECTION 145

587

YEAR 19	MODEL	DESCRIPTION	QTY. PER VEHICLE	PART NUMBER
<b>14487 CONNECTOR and SLEEVE ASSY. - WIRING TERMINAL</b>				
		<small>NOT FORD SALES No.</small>		
		R16-R 2 way plug in-for No. 14, 16 & 18 gauge wire	AR	B7A 14487-A
		R16-S 2 way crimp-on - for No. 16, 18, 20 & 22 gauge wire	AR	B9A 14487-A
		R16-T 2 way crimp-on - for No. 14 & 16 gauge wire	AR	B9A 14487-B
		R16-N 4 way plug in-for No. 14, 16 & 18 gauge wire	AR	B6A 14487-A
		1 way crimp-on-for No. 16 & 18 gauge wire	AR	C3TZ 14487-A
<b>14488 CONNECTOR - WIRE</b>				
57/	A, S	Terminal connector	AR	B7A 14488-B
57/	A, S	Wire end connector	AR	B7A 14488-C
<b>14492 SWITCH and WIRING ASSY. - TURN INDICATOR</b>				
49/50	A	Less flasher, bulb & clamp	1	0A 14492
<b>14495 WIRE ASSY. - IGNITION COIL TO IGNITION RESISTOR -</b>				
<b>14499 WIRING ASSY. - FRONT TURN INDICATOR TO SPLICE -</b> <i>Improvise from B6A 14296-C bulk wire</i>				
<b>14512 RELAY ASSY. - WINDOW and SEAT REGULATOR -</b> <i>Also Refer to Group 14A707</i>				
54	A (except S/D & S/W)	7 terminals	4	FAA 14512-A
55	S		1	
54	Convertible	Bolt (relay to water shield)-1/4"-20 x 1"	4	20384-S8(B43)
54	Convertible, Victoria & Tudor	Bolt (relay to regulator bracket)-1/4"-20 x 1"	AR	20384-S8(B43)
		Nut-1/4"-20		33795-S7(M49)
		Lockwasher-1/4"		34805-S8(X62)
54	A (except S/D & S/W)	Screw(relay to regulator panel)-No. 14-10 x 3/4"	4	42143-S8 (U255)
		Flatwasher-1/4"		44719-S8(X17)
55	A, S	6 volt-water proofed -4 terminals	2or4	B5A 14512-B
55	A (Tudor)	Screw (relay to panel)-No.10-32 x 5/8"	2	★42804-S8
55		Nut-No.10-32	2	34079-S7 (M163)
56/57	A, S	12 volt-4 terminals	2or4	B6A 14512-B
58/	S		2	
57	S	Screw (relay to windshield opening lower reinforcement) - No. 14-10 x 5/8"	3	31498-S8(U253B)
57	S	Screw (relay & circuit breaker to rear floor pan)-No. 10-12 x 1/2"	1	42014-S8(U240)
58/	S	Screw (relay to seat regulator motor relay mounting bracket)	4or8	
<b>14513 BUS BAR - WINDOW REGULATOR SWITCH</b>				
54/57	A (except S/D & S/W), S		1	FAA 14513-A
58/	A, S		1or2	B8E 14513-A
<b>14522 SOCKET and WIRING - TEMPERATURE and OIL WARNING LAMPS</b>				
54/56	A, S		1or2	B4A 14522-B
<b>14523 PLATE - WINDOW REGULATOR SWITCH</b>				
54/56	A, S	Single type-rear R.H. or L.H.	AR	B6A 14523-A
57/	A	Single type-front-R.H. & rear R.H. & L.H.	AR	B7A 14523-A
57	S		1	
<b>14524 PLATE - WINDOW REGULATOR SWITCH</b>				
57/59	A-with electric front windows only	Multiple type	1	B5A 14524-D
55/57	S	Multiple type	1	B7S 14524-A

## 14526 BREAKER ASSY. - ELECTRICAL CIRCUIT - GLASS TUBE

	AMPERAGE	LENGTH	INDUSTRY NUMBER	ROTUNDA SALES NO.		
	1	.62"	AGA-1	R15-A	AR	⊕B6AZ 14526-D
	2	.62"	AGA-2		AR	51A 14526-A
	3	.62"	AGA-3	R15-B	AR	⊕A6AZ 14526-A
	5	.62"	AGA-5	R15-D	AR	⊕B6AZ 14526-B
	7.5	.88"	SFE-7 1/2	R15-E	AR	⊕B6AZ 14526-A
	9	.88"	SFE-9	R15-F	AR	⊕A6AZ 14526-B
	14	1.06"	SFE-14	R15-G	AR	⊕A0AZ 14526-A
	15	1.25"	AGC-15	R15-H	AR	⊕A2AZ 14526-A
	20	1.25"	SFE-20	R15-J	AR	⊕A0AZ 14526-B
	30	1.25"	AGC-30	R15-K	AR	⊕A9AZ 14526-A

## FUSE APPLICATION CHART

FUNCTION	FORD AND GALAXIE	THUNDER-BIRD				INDUSTRY NUMBER	PART NUMBER
Air Conditioner (Polar Aire or Hang-on Type)	57/					AGC-15	A2AZ 14526-A
Back up lamp	52/54					SFE-14	A0AZ 14526-A
Brake release lamp (*same as dome lamp) (#same as back up lamp)	*	#					
Clock	49/55 56/58 59	59				AGA-3 AGA-1 AGA-2	A6AZ 14526-A B6AZ 14526-D 51A 14526-A
Dome lamp	49/53 54/55 56/59	58/				SFE-14 SFE-9 SFE-7 1/2	A0AZ 14526-A A6AZ 14526-B B6AZ 14526-A
Defroster (same as heater)							
Directional signals	52/53 54/55 56/58 59	58/59				SFE-14 SFE-9 SFE-7 1/2 AGA-5	A0AZ 14526-A A6AZ 14526-B B6AZ 14526-A B6AZ 14526-B
Courtesy lamp (same as dome lamp)							
Glove compartment lamp	52/53 54/55 56					SFE-14 SFE-9 SFE-7 1/2	A0AZ 14526-A A6AZ 14526-B B6AZ 14526-A
Heater	49/55 56/	55 56/				SFE-20 SFE-14	A0AZ 14526-B A0AZ 14526-A
Instrument panel (cluster)	49/53 54/55 56/58 59/	56/				SFE-14 SFE-9 SFE-7 1/2 AGC-15	A0AZ 14526-A A6AZ 14526-B B6AZ 14526-A A2AZ 14526-A
License plate lamp (same as dome lamp)							
Map lamp (same as dome lamp)							
Overdrive	49/55 56/	55 56/				AGC-30 AGC-15	A9AZ 14526-A A2AZ 14526-A
Parking lamp (same as dome lamp)							
Pillar lamp (same as dome lamp)							
Radio lamp (6 tube)	49/55					SFE-9	A6AZ 14526-B
(8 tube)	49/55	55				SFE-14	A0AZ 14526-A
(6 tube)	56/					AGA-5	B6AZ 14526-B
(8 tube)	56/59	56				SFE-7 1/2	B6AZ 14526-A
(9 tube)		57 58/59				SFE-7 1/2 AGA-5	B6AZ 14526-A B6AZ 14526-B
Spot lamp	52/55 56/	55 56/				SFE-20 SFE-7 1/2	A0AZ 14526-B B6AZ 14526-A
Stop lamp (same as dome lamp)							
Tail lamp (same as dome lamp)							
Luggage compartment lamp (*same as dome lamp)	*52	*59					
Windshield wiper control	52					SFE-20	A0AZ 14526-B



# FORD CAR PARTS

## SECTION 145

589

**14526 BREAKER ASSY. - ELECTRICAL CIRCUIT- Also Refer to Group 14A065**

		AMP.	VOLT	LENGTH	WIDTH	IDENTIFICATION MARKING COLOR	MOUNTING BRACKET				
							HOLE	DIAMETER			
57/59	51A (roof actuator)	10	12	1.25"	.78"	White	2	9/32"	1	B7A 14526-A	
57	S (Dial-O-Matic seat)								1		
58/	S (4 way seat)								1		
58/	A (2 speed w/s wiper)	12	12	1.25"	.78"	Violet	1	No. 10-32	1	B9AF 14526-A	
58/59	S (instrument panel wiring)								1		
50/53	Convertible (top control)	15	6	1.25"	.78"				1	7RA 14526	
53/54	A (lighting circuit)								1		
55	Convertible, S (4 way seat)	15	6	1.25"	.78"	Green	2	3/16"	1	B5T 14526-A	
56/59	A, S (4 way seat or window regulator)	15	12	1.25"	.78"	Green	1	9/32"	2or4	B6A 14526-C	
57/59	51A (package tray actuation)								1		
57/59	51A (roof actuation)								3		
57/59	51A (luggage compartment door actuation)								1		
57/59	51A (luggage compartment door lock)								1		
57	S (Dial-O-Matic seat)								1		
56/57	A, S (4 way seat)	15	12	1.07"	.40"	Green	2	9/32"	1or2	C2VY 14526-A	
55	A (except S/D)-seat or window regulator	20	6	1.25"	.78"		1	7/32"	AR	B5A 14526-B	
55	S (4 way seat)	20	6	1.25"	.78"		2	9/32"	1	B5S 14526-A	
56/	A (8 cyl.), S (air conditioner)	20	12	1.25"	.78"	Red	2	9/32"	1	B6A 14526-G	
55	A (except S/D)-seat or window regulator	30	6	1.25"	.78"		2	9/32"	1	B5A 14526-A	
56/	A (top control)	30	12	1.25"	.78"	Orange	2	9/32"	1	B6A 14526-A	
57/59	A (seat or window regulator)								1		
56	S (4 way seat)								1		
57	S (Dial-O-Matic seat)								1or2		
58/	S (window regulator)	30	12	1.25"	.78"				1	B8S 14526-A	
51/55	A (top control)	40	6	1.25"	.78"		2	9/32"	1	1A 14526	
51/55	S (4 way seat)								1		
57/59	51A (top control)	45	12	1.26"	.80"	Green, Yellow	2	9/32"	1	B7A 14526-C	
55/56	A	Screw (breaker to R.H. & L.H. cowl side panel) - No. 10-12 x 1/2"							2		42014-S8(U240)
57/59	51A	Screw (breaker to luggage compartment door panel or quarter side roof lock support)							1 or 2		
58/	S-with electric seats	Screw (breaker to R.H. or L.H. front floor pan or cowl side panel)							2or4		
58	A - with electric windows	Screw (breaker to windshield opening lower side reinforcement)							2		
58/59	A (Tudor)-with electric windows	Screw (breaker to front floor pan)							2		
58/59	S - with electric windows	Screw (breaker to R.H. & L.H. center floor side front extension)							2		
59	51A	Screw (breaker to roof lift motor mounting bracket)							1		
56	Convertible	Clip(top control wire to breaker attaches with with screw to windshield opening lower reinforcement)							1		356628-S(GG175)
56/	A, S	Screw(breaker to w/shield opening to lwr. reinf.)- No. 14-10 x 5/8"-also use with Air Conditioner							AR		31498-S8(U253B)
57	A (with 4 way electric seats)	Screw (breaker to R.H. & L.H. cowl side panel)							6		
51/56	A(76)	Screw (circuit breaker to fender apron)- No. 14-14 x 1/2"							2		31497-S8(U254)
58	A (Tudor)	Screw (breaker to R.H. or L.H. quarter window regulator panel) - No. 10-32 x 5/8"							1or2		31628-S7(U58)

YEAR 19	MODEL	DESCRIPTION	QTY. PER VEHICLE	PART NUMBER
<b>14528 HOUSING - WINDOW REGULATOR SWITCH</b>				
55/	A	Single type-front & rear or front & quarter	AR	B5A 14528-B
55/57	S	windows	1	
55/56	A (except 59, 70D & 78A), S	Multiple type	1	B5A 14528-C
57/	A		1	
55/57	S	Double type	1	B5S 14528-A
55/	A		1	
58/	S	Multiple type	1	B8S 14528-A
<b>14529 SWITCH ASSY. - WINDOW REGULATOR CONTROL - Also Refer to Groups 14540 &amp; 14632-3</b>				
54	A	Single	AR	FAA 14529-A
55	S	Single-also used with 4 way electric seat	AR	
55/57	A (except 59A, B, 70D & 78A), S	Single type-with 3 female type terminals	AR	B6A 14529-A
56	A (except S/D, S/W), S	Single type	1	B6A 14529-D
57/58	51A, 63, 64, 76	Single type-R. H. rear quarter	1	B7A 14529-A
57	A (except 59A, B, 66A, 70D, 78A), S	Single type-front or rear	1or4	B7A 14529-B
57/58	57, 58	Single type-R. H. -rear door	1	B7A 14529-C
58	A	Single type-front & rear doors or rear quarter	AR	B8A 14529-A
59	A	Single type	1	B9A 14529-A
58	S	Single type-L. H. -front & R. H. -rear-black button	1or2	B8S 14529-A
58	S	Single type-R. H. -front & L. H. -rear-black button	1or2	B8S 14529-B
59	S	Single type-L. H. -front-R. H. -rear-white button	1or2	B9S 14529-A
59	S	Single type-R. H. -front-L. H. -rear-white button	1or2	B9S 14529-B
<b>14540 SWITCH ASSY. - WINDOW REGULATOR - Also Refer to Groups 14529 &amp; 14632-3</b>				
54	A (except S/D & S/W)	Multiple type	4	FAA 14540-A
55/56	A (except 59, 70D & 78A)	Single or multiple type	AR	B5A 14540-A
<b>14546 RELAY ASSY. - SEAT REGULATOR CONTROL Refer to Groups 14512, 14A707</b>				
<b>14547 MOTOR ASSY. KIT - SEAT REGULATOR</b>				
54	A		2	HEK 14547-A
<b>14547 MOTOR ASSY. - ELECTRIC SEAT REGULATOR</b>				
55	A (except S/D), S		2	B5S 14547-A
56	A (except S/D)	Use for horizontal or vertical controls	2	B6A 14547-B
56/	S		2or4	
57/58	A (except S/D)		1	B7A 14547-B
59	A (except 66C)		1	B9A 14547-A
57	S	Use for horizontal or vertical controls with Dial-O-Matic seats	2	B7S 14547-A
<b>14549 MOTOR ASSY. - WINDOW REGULATOR</b>				
54	A (except S/D & S/W)	R. H. -use with FAA 14553-B-L. H. motor	1	FAA 14549-A
<b>14553 MOTOR ASSY. WINDOW REGULATOR</b>				
54	A (except S/D & S/W)		4	FAA 14553-A
54	A (except S/D & S/W)	L. H. -use with FAA 14549-A-R. H. motor	1	FAA 14553-B
55	A, S	6 volt	2or4	B5S 14553-A
56/	A, S	12 volt-2.0" dia. -identification marking C1AB 14553-A-replaces FDT 14553-A & FEG 14553-B motors	2or4	C1AZ 14553-A
		Nut-No. 10-32	AR	34079-S7(M163)
		Lockwasher-No. 10	AR	34803-S7(X60)
56/	A, S	Eyelet (motor window regulators)	AR	354340-S8(HH12)
<b>14554 GASKET - WINDOW REGULATOR</b>				
54	A (except S/D & S/W)		3	FAA 14554-A
55/56	A, S		1or3	
<b>14555 MOTOR and WIRE ASSY. - WINDOW REGULATOR - Refer to Group 14553</b>				
<b>14559 CLIP - WINDOW REGULATOR SWITCH RETAINING</b>				
54/	A, S	Also used with 4 way electric seat	AR	FAA 14559-A
<b>14570 CLIP - WINDOW REGULATOR HOUSING RETAINER</b>				
54/	A, S	Also used with 4 way seat regulator	AR	FAA 14570-A

# FORD CAR PARTS

## SECTION 145

591

YEAR 19	MODEL	DESCRIPTION	QTY. PER VEHICLE	PART NUMBER	
<b>14577 CLIP</b>					
49/50	A	Front cable hand brake to front fender apron	1	B 14577-A	
49/50	A	Starter relay switch wire to fender	1		
49/53	A	Right front brake pipe to front cross member	2		
57/59	51A	Top control relay box	1or3		
<b>14586 CLIP</b>					
49		Headlamp wire to hood lock plate	4	7RA 14586	
49/53	A (except S/W)	Body wiring to left rear flange	2		
49/53	Convertible	Body wiring to left rear brace	1		
49/50	Convertible	Body wiring to floor pan flange	1		
49/50		Heater switch wire to cowl	2		
<b>14593 WIRE ASSY. - SEAT REGULATOR MOTOR JUMPER</b>					
55/57	S	37.75" long-horizontal	1	B6S 14593-A	
55	A (except S/D)		1		
55/57	S	Clip (wiring to front floor pan)	1	359776-S100(GG45)	
<b>14594 WIRE ASSY. - LICENSE LAMP GROUND</b>					
56	S/D & S/W (except 59C & 79C)	5.5" long-cut from B6A 14296-C	1	FDR 14594-A	
<b>14603 GROMMET</b>					
49/54	A	Cowl wiring-through dash panel- 1.96" O.D. - .38" I.D. - .50" thick	1	1A 14603-B	
56	A (6 volt)	Alternator wiring thru R. H. or L. H. air side deflector	1or2		
57/59	A (8 cyl.)	Alternator wiring thru front fender apron & radiator support	1		
<b>14605 GROMMET</b>					
49	A	Air vent control in dash	2	B 14605-A	
49	A	Choke control in dash	1		
49/50	A	Trans. overdrive control instrument panel brkt.	1		
51/53	A	Overdrive control cable to f/wheel hsg. support	1		
<b>14608 RETAINER ASSY. - COWL WIRING GROMMET THROUGH DASH</b>					
49/54	A (except Convertible)		1	8A 14608	
49/54	A	Hydraulic lift grommet thru dash	1		
49/54	A	Generator to generator regulator wire grommet thru dash -used with 60 amp generator wiring	1		
54	A	Rear lamp wiring thru pillar	1		
54	A	Wire and switch thru dash panel	1		
54	A	Electric window wiring thru pillar	1		
55/	A, S	Instrument panel thru dash panel-alternator	1		
55/	A (8 cyl.)	system wiring thru R.H. & L.H. air side deflector	1		
54	Convertible	Rear lamp wiring thru pillar	1		
54	Convertible	Top control relay to circuit breaker wire	1		
54	A	Electric window regulator wiring	AR		
49/54	A	Screw (grommet retainer to dash) No. 14-14 x 1/2"	2		
55/56	A	Screw (wiring thru R. H. & L. H. air side deflector)	4		
57/	A (8 cyl.)-with alternator system	Screw (ret. thru dash to frt. fdr. apron & support)	1		
58/	S	Screw (retainer to dash panel)	2		
<b>14618 WIRE ASSY. - SEAT REGULATOR CONTROL RELAY FEED EXTENSION</b> - <i>Improvise from 14296 Wire</i>					
58/	S	Clip (wiring to floor cross member No.2)	1or2		352999-S32(GG17)
		Nut (wiring to circuit breaker) - No. 10-32	1or2	34079-S7(M163)	
		Lockwasher - No. 10	1or3	34803-S7(X60)	
<b>14630-1 WIRING - FRONT WINDOW REGULATOR</b>					
56	A	R. H. -103.25" long	1	B6A 14630-C	
55	A, S	Clip (wiring to w/shield opening lower reinf.)	1		
56	A (except 70D & S/D)	Clip (wiring to window reg. relay to w/shield opening lower reinforcement)	2	352999-S32(GG17)	
57	S	Clip (R. H. wiring to w/shield opening lower reinf.)	3		
55	A	Clip (wiring to door hinge reinforcement)	1	358313-S32(GG44)	
56	Convertible	Clip (wiring to window reg. relay to w/shield opening lower reinforcement)	2		
57	S	Clip (L. H. wiring & dial-o-matic seat regulator control positioning transmitter jumper wire to w/shield opening lower reinforcement)	1		

YEAR 19	MODEL	DESCRIPTION	QTY. PER VEHICLE	PART NUMBER
<b>14630-1 WIRING - FRONT WINDOW REGULATOR - continued</b>				
56	S	Clip(wiring to flange of w/shield opening lwr. reinf.)	3	356668-S32(GG27)
57	A	Clip(wiring to R. H. or L. H. frt. door inside panel)	1	
57/	A	Clip (R. H. wiring to flange of R. H. w/shield opening lower side reinforcement)	1	
58/	S	Clip (R. H. & L. H. wiring top cowl inner panel)	2or3	
58/	S	Clip (R. H. & L. H. wiring to door window lower stop assembly)	2	
58	A	Clip (wiring to R. H. or L. H. window regulator)	1or2	
59	A	Clip (wiring to R. H. cowl side panel)	1	
59	A	Clip (wiring to mounting bracket of instrument panel)	1	
59	A	Clip (wiring to window regulator)	2	
57	A	R. H. -42.75" long	1	B7A 14630-A
57	A (except 59A, 66A, 70D, 78A)	L. H. -43.50" long - use with 4-way switch	1	B7A 14631-A
57	A (with electric windows front only)	L. H. -43.50" long	1	B7A 14631-B
57/58	A	Clip (wiring to cowl top inner panel)	2	359776-S100(GG45)
58	A	R. H. -123.0" long	1	B8E 14630-A
58	A	L. H. -55.0" long -4 leads	1	B8E 14631-B
58	A (except 59, 66, 70D, 78)	L. H. -55.0" long -10 leads	1	B8E 14631-A
59	A	R. H. -112.0" long	1	B9A 14630-A
59	A	L. H. -101.0" long	1	B9A 14631-A
59	A	Clip (L. H. wiring to cowl side panel)	1	356628-S(GG175)
59/	A	Nut (wiring to motor) - No. 10-32	AR	34079-S7(M163)
59/	A	Lockwasher - No. 10	AR	34803-S7(X60)
57	S-with manual seats	L. H. -75.0" long	1	B7S 14631-A
58/	S	R. H. -99.0" long	1	B8S 14630-A
58/59	S	L. H. -147.0" long	1	B8S 14631-B
58/	S	Clip (R. H. wiring to mounting nut that attaches w/shield wiper motor to mounting bracket)	1	358350-S(GG172)
<b>14632-3 WIRING - REAR WINDOW REGULATOR -Also Refer to Group 14529</b>				
56/58	57A, 58A, B	R. H. & L. H.	2	B6A 14632-C
56/57	73A, B, 79C, D, E	R. H. & L. H.	2	B7A 14632-A
56	Fordor & S/W	Clip (wiring to R. H. & L. H. rear door panel)	2	356668-S32(GG27)
56	Fordor & S/W	Clip(wiring to rear door window reg. mtg. brkts. )	2	
57/58	A	Clip(wiring to rear doors inside panel-R.H.&L.H.)	2	
57/	A	Clip (wiring to front floor pan-R.H. & L.H. doors)	AR	359776-S100(GG45)
59	A (Fordor)	R. H. -5.0" long	1	B9A 14632-A
		L. H.	1	B9A 14633-A
59	A (Tudor)	R. H. -28.0" long	1	B9A 14632-B
		L. H.	1	B9A 14633-B
<b>14643 WIRE ASSY. ELECTRIC SEAT REGULATOR RELAY FEED - Unless Listed - Improve from 14296 wire</b>				
56/57	A (except S/D)-with manual or elect. frt. windows	77.0" long	1	B7A 14643-A
55/56	A	Clip (wire to floor pan to dash panel)	2	354180-S32(GG12)
55/56	A	Clip (wire to floor pan to door panel)	1	354188-S32(GG21)
57/59	51A, 76B	Clip (wiring & rear lamp wiring & top control relay to breaker wiring to dash panel)	2	354180-S32(GG12)
57/59	51A, 76B	Wiring & rear lamp wiring & top control relay wiring to front floor pan	2or3	
57	S	Wiring & rear lamp wiring to dash panel	2	
		Nut (wiring to junction block) - No. 10-32	1	34079-S7(M163)
		Lockwasher - No. 10	1	34803-S7(X60)
57	S	100.75" long	1	B7S 14643-A
57	S	Grommet (wiring thru w/shield opening lower reinforcement)	1	352873-S100(KK28)
<b>14644 WIRING - REAR QUARTER WINDOW REGULATOR</b>				
56/57	Fordor	119.50" long - R. H.	1	*B7A 14644-A
56/57	Tudor	68.75" long - R. H.	1	B7A 14644-B
56/58	51A, 63A, B, 64A, 76B	58.75" long - L. H.	1	B7AZ 14644-A
58	Fordor		1	B8A 14644-A
59	Fordor	89.0" long - R. H.	1	B9A 14644-A
59/	A	Frt. & rear doors or R.H. or L.H. quarter -76.0" long	1or2	B9AZ 14644-A
58/	S	66.00" long-R. H. or L. H.	1or2	B8SZ 14644-A

# FORD CAR PARTS

## SECTION 145

593

YEAR 19	MODEL	DESCRIPTION	QTY. PER VEHICLE	PART NUMBER
<b>14644 WIRING - REAR QUARTER WINDOW REGULATOR - continued</b>				
55	A	Clip (wiring to floor pan)	3	354188-S32(GG21)
55/56	A	Clip (wiring to rear qtr. panel & frt. floor pan)	AR	354180-S32(GG12)
58/	S	Clip (wiring to floor No. 3 upper cross member)	3	
55/56	Tudor	Clip (wiring to R. H. quarter panel)	1	356628-S(GG175)
55	A	Clip (wiring to rear door to rocker panel)	2	*353262-AS8
55/59	51A, 63, 64, 76B	Clip (wiring to rear seat front risers)	AR	356668-S32(GG27)
57/59	Convertible	Clip (wiring to qtr. lock pillar to floor brace)	2	
56/58	70A, B	Clip (wiring to quarter window regulator panel)	2	
59	59, 64F		1	
57/58	70A, B	Clip (wiring to R. H. quarter panel)	2	
58/	S	Clip (wiring to front floor pan)	1	
58/	S	Clip (wiring to center floor pan side front extension)	1	
57/58	70A, B	Clip (wiring to rear floor pan)	1	359776-S100(GG45)
57/58	70A, B	Clip (wiring to front floor pan)	1	
59	59, 64F	Clip (wiring to front floor pan)	3	
<b>14677 RELAY ASSY. - ELECTRIC WINDOW REGULATOR-SAFETY</b>				
56/57	A, S		1	B7A 14677-A
58/59	A		1	
58/	S		1	
		Screw (relay to cowl panel) or dash panel)- No. 14-14 x 1/2"	2	31497-S8(U254)
<b>14678 WIRE ASSY. - WINDOW REGULATOR SAFETY RELAY TO CIRCUIT BREAKER</b>				
57/58	A	38. 0" long	1	B7A 14678-A
59	A (except 51A)	42. 50" long	1	B9A 14678-A
59	51A	39. 50" long	1	B9A 14678-B
59/	A, S	Grommet (wiring thru dash panel)	1	353626-S(KK1)
<b>14679 WIRE ASSY. - MOTOR RELAY TO WINDOW REGULATOR</b>				
57/58	A	62. 50" long-cut from B6A 14296-C	1	*FEG 14679-A
57	S	75. 0" long	1	B7S 14679-A
58/	S	55. 0" long-cut from B6A 14296-C	1	*FEY 14679-A
<b>14682 WIRE ASSY. - STARTING MOTOR RELAY TO SEAT REGULATOR CIRCUIT BREAKER -</b>				
<i>Improvise from 11296 wire</i>				
55/56	S	Clip (wiring to flange of windshield opening lower reinforcement)	2	356668-S32(GG27)
57	S	Clip (wiring & seat reg. switch wiring to windshield opening lower reinforcement)	1	352999-S32(GG17)
		Nut (wiring to circuit breaker assy)-No. 10-32	1	34079-S7(M163)
		Lockwasher-No. 10	1	34803-S7(X60)
<b>14684 WIRE ASSY. - STOP LAMP SWITCH TO REAR TURN INDICATOR R. H.</b>				
56	A	52. 25" long-cut from B6A 14296-C	1	*FDR 14684-B
<b>14685 HOUSING - SEAT REGULATOR CONTROL</b>				
54	A (except Convertible)		1	B4A 14685-A
55/57	S	Mounts on door	1	
<b>14689 WIRE ASSY. - ELECTRIC SEAT REGULATOR SWITCH - <i>Improvise from 14296 Wire</i></b>				
57	S	Clip (wiring to w/shield lower opening reinf. )	1	352999-S32(GG17)
55/57	S	Clip (wiring to flange of w/shield opening lower reinforcement)	1	356668-S32(GG27)
<b>14695 NUT - SEAT REGULATOR CONTROL SWITCH BEZEL</b>				
55/	A(except 66, S/D)	9/16"-24	1	B5A 14695-B
58/	S		1or2	B8S 14695-A
<b>14A697 WIRING ASSY. - SEAT REGULATOR SWITCH TO RELAY</b>				
57/58	A (except S/D)	45. 50" long	1	B7AZ 14A697-A
55/57	A (except S/D)	Screw (regulator and relay to front seat cross member)-1/4"-20 x 1/2"	1	*39050-S8
		Nut-1/4"	1	33795-S7(M49)
		Lockwasher-1/4"	1	34805-S8(X62)
		Clip (wiring to front seat track)	2	359580-S32(GG80)
		Clip (wiring to frt. seat cushion frame frt. cross member )	AR	356668-S32(GG27)
		Clip	1	356628-S(GG175)
		Clip (wiring to front floor pan)	AR	354188-S32(GG21)
		Clip (wiring to front seat adjusting regulator)	1	*354473-S2
59	A (except 66C)	44. 0" long	1	B9AZ 14A697-A
58/	S	25. 00" long	1	C0SZ 14A697-A

YEAR 19	MODEL	DESCRIPTION	QTY. PER VEHICLE	PART NUMBER
<b>14700 BEZEL-SEAT REGULATOR CONTROL</b>				
57	S	Used with Dial-O-Matic seat	1	B7S 14700-A
<b>14A701 SWITCH ASSY. - SEAT REGULATOR CONTROL</b>				
54	A (except S/D & S/W)	Mounts on door with or without electric window regulator	2	B5AZ 14A701-A
54	S/D	Without electric window regulators	2	
55	A (except 76B)		1	
55/57	S		2	
55/56	A (Except S/D)		1	B5AZ 14A701-B
57/58	A (except S/D)		1	B7AZ 14A701-A
59	A (except 66C)		1	B9AZ 14A701-A
58/	S		1or2	B9SZ 14A701-A
58/	S	Screw (switch to seat track to floor support)- No. 10-32 x 1/2"	2	*25231-S7
58/	S	Nut-No. 10-32	2	34053-S8(M156)
		Lockwasher-No. 10	2	34903-S8(X96)
<b>14A706 BEZEL - SEAT REGULATOR CONTROL SWITCH</b>				
57/58	A (except S/D)		1	B7AZ 14A706-A
59	A (except 66C)		1	
<b>14A707 RELAY ASSY. - SEAT REGULATOR CONTROL - Also Refer to Group 14512</b>				
57	S	Used for horizontal and vertical controls with Dial-O-Matic seats	2	B7SZ 14A707-A
57	S	Used for easy entrance with Dial-O-Matic seats	1	B7SZ 14A707-B
57/59	A(except 66C, 78)	Includes (4) B9A 14294-L terminals	1	B9AZ 14A707-A
56/58	A	Screw (relay to front seat track)-No. 10-32x1/2"	1	*51766-S8
56/	A	Screw & washer (relay to seat track)-No. 10- 32 x 3/8"	2	42802-S8(U33)
		Nut (relay to motor) - No. 10-32	2	34079-S7(M163)
		Lockwasher-No.10	2	34803-S7(X60)
<b>14710 KNOB-SEAT REGULATOR CONTROL</b>				
57	S	Used with Dial-O-Matic seat	1	B7S 14710-A
57	S	Screw (knob to positioning transmitter switch)- No. 6-32 x 1/8" hex. socket head set	1	354293-S8(UU27)
58/59	S (76A)	Also used as top control knob	1	B9S 14710-A
<b>14717 SWITCH ASSY. - ELECTRIC WINDOW REGULATOR CONTROL</b>				
57/58	51A, 63A, B, 64A, B, 76B	Single-L. H. -rear quarter	1	B7A 14717-A
57/58	57A, B, 58A, B	Single-L. H. -rear door	1	B7A 14717-B
		Pin(actuates shaft for front seat adjuster regulator yoke & roller)-1/8" x 1/2" chamfered end-straight	1	*72807-S8
<b>14A719-20 SOLENOID and CLAMP ASSY. -</b>				
57/58	A (except S/D)	Seat regulator control	2	B7AZ 14A720-A
59	A (except Ranchero)		2	
57/59	A	Screw (solenoid to front seat adjusting regulator ball)-No. 8-32 x 1/4"	6	26457-S7(U167)
		Lockwasher-No. 10	6	34802-S7(X59)
58/59	S	Luggage compartment door lock	2	B8SZ 14A720-A
58/59	S	Screw & washer (solenoid to mounting bracket)- No. 12-24 x 3/8"	4	354666-S2(BB568)
<b>14A725 JUNCTION BLOCK ASSY. ACCESSORY TERMINAL - Also Refer to Group 14448</b>				
50/57	A, S	Headlamp wiring-4 single connectors on R. H. air deflector	1	C3SZ 14A725-A
52/57	A, S	3 double & 2 single connectors	1	C0AF 14A725-A
<b>14726 WIRING ASSY. - TOP POWER CIRCUIT BREAKER TO STARTING MOTOR RELAY</b>				
57/59	51A	73.50" long-cut from B6A 14296-C wire	1	*FEG 14726-A
		Nut(breaker to relay to circuit breaker)-No.10-32	1	34079-S7(M163)
		Lockwasher-No. 10	1	34803-S7(X60)
<b>14728 WIRE ASSY. - TOP CYCLE ACTUATION WARNING LAMP</b>				
57/58	51A	26.0" long	1	B8A 14728-A
59	51A		1	B9A 14728-A
		Nut (wiring to circuit breaker)-No. 10-32	2	34079-S7(M163)
		Lockwasher-No. 10	2	34803-S7(X60)

# FORD CAR PARTS

## SECTION 145

595

YEAR 19	MODEL	DESCRIPTION	QTY. PER VEHICLE	PART NUMBER
<b>14729 WIRE ASSY. - TOP POWER RELAY FEED</b>				
57/59	51A	45.0" Long	1	B7A 14729-A
<b>14730 LENS and HOUSING</b>				
57/58	51A	Actuation warning lamp	1	B8A 14730-A
59	51A	Actuation warning lamp	1	B9A 14730-A
59	A	Parking brake warning lamp	1	B9A 14730-B
<b>14731 SPRING - ACTUATION WARNING LAMP</b>				
57/59	51A	Top control. spotlight or parking brake	AR	B8A 14731-A
57/	A	Spotlight or parking brake	AR	
<b>14751 DIAL - SEAT REGULATOR CONTROL</b>				
57	S	Used with dial-o-matic seat	1	B7S 14751-A
<b>14752 COVER -REGULATOR CONTROL POSITIONING SWITCH</b>				
57	S	Used with Dial-O-Matic seat	2	B7S 14752-A
<b>14753 GEAR ASSY. - SEAT REGULATOR CONTROL POSITIONING SWITCH</b>				
57	S	Used for horizontal control with Dial-O-Matic seat	1	B7S 14753-A
57	S	Used for vertical control with Dial-O-Matic seat	1	B7S 14753-B
<b>14758 DISC - SEAT REGULATOR CONTROL POINTER</b>				
57	S	Plastic-used with Dial-O-Matic seat	1	B7S 14758-A
<b>14771 SWITCH and WIRING ASSY. - SEAT POSITIONING MOTOR</b>				
57	S	Used for vertical positioning with Dial-O-Matic seat	1	B7S 14771-A
57	S	Used for horizontal positioning with Dial-O-Matic seat	1	B7S 14771-B
		Clip (switch & wiring to front or rear floor pan)	1 or 2	359776-S100(GG45)
<b>14773 SWITCH and WIRING ASSY. - SEAT REGULATOR CONTROL POSITIONING TRANSMITTER</b>				
57	S	Used with Dial-O-Matic seat	1	B7S 14773-A
		Clip (switch & wiring to w/shield opening lower reinforcement)	1	356668-S32(GG27)
<b>14774 WIRING ASSY. - SEAT REGULATOR CONTROL POSITIONING TRANSMITTER JUMPER</b>				
57	S	75.0" long-used with Dial-O-Matic seat	1	B7S 14774-A
		Clip (wiring to windshield opening lower reinforcement)	1	352999-S32(GG17)
<b>14785 WIRE ASSY. - IGNITION SWITCH TO WINDOW REGULATOR SAFETY SWITCH</b> <i>Improvise from B6A 14296-C Wire</i>				
<b>14794 WIRING ASSY. - LUGGAGE COMPARTMENT LOCK SWITCH TO SOLENOID</b>				
58/59	S (76A)	R. H. -115.0" long-cut from B6A 14296-C wire	1	* FEV 14794-B
59	S (76A)	L. H. -75.0" long-cut from B6A 14296-C wire	1	* FEV 14794-C
58/59	S	Screw (wiring to lower L. H. back panel)- No. 14-14 x 1/2"	1	31497-S8(U254)
		Lockwasher-1/4"	1	34905-S7(X97)
		Nut (wiring to solenoid)-No. 10-32	2	34079-S7(M163)
		Lockwasher-No. 10	2	34803-S7(X60)
		Screw (wiring to luggage compartment door inside panel)-No. 10-12 x 5/8"	1	42014-S8(U240)
		Lockwasher-No. 10	1	34903-S8(X96)
		Clip (wiring with screw that attaches solenoid to mounting bracket)	2	353118-S2(GG165)
		Clip (wiring to luggage compartment door inside panel)	1	352204-S100 (GG148)
<b>14800 WIRING ASSY. - ELECTRIC SEAT CIRCUIT BREAKER</b>				
58/	S	8.0" long-cut from B6A 14296-A wire	1	* ED-FEV 14800-A
<b>14927 NUT - LUGGAGE COMPARTMENT DOOR LOCK SWITCH MOUNTING</b>				
58/59	S (76A)		1	B8E 14927-A

# FORD CAR PARTS

## SECTION 145

YEAR 19.....	MODEL	DESCRIPTION	QTY. PER VEHICLE	PART NUMBER
<b>15009-10 BEZEL ASSY. - CLOCK -</b> <i>Also Refer to Group 10876</i>				
56	A		1	B7S 15010-A
57	S		1	
57	A	Used with electric clock	1	B7A 15009-A
58	51A, 57A, 58B, 63A, 64B, 76B, 79C, E	Used with electric clock	1	B8A 15009-A
58	57B, 58A, 59, 63B, 64A, 66, 70, 73, 78, 79D	Used with electric clock	1	B8A 15009-B
59	A		1	B9A 15009-A
59/	S	Also used with fuel & temperature gauge	1or2	C0SF 15009-A
<b>15026 WIRE and SOCKET ASSY.</b>				
49/55	A	Stemwind clock	1	FDA 15026-C
56	A	Electric clock-8.5" long with 1 amp. fuse	1	B6A 15026-A
56/57	S		1	
57/59	A	Electric clock-26.0"long-with 1 amp. fuse	1	B7A 15026-B
55/	A	Clip (wire to instrument panel)	1	353547-S2(GG173)
58/	S	Ash receptacle lamp-8.0" long	1	B8S 15026-A
<b>15052 KNOB and ELEMENT ASSY. - CIGAR LIGHTER</b>				
52	A	6 volt	1	B5S 15052-A
55	A, S	6 volt	1	
56	A	12 volt	1	C2AZ 15052-B
57	A	With ash guard-12 volt	1	B7A 15052-A
58	51A, 57A, 58B, 63A, 64B, 76B, 79C, E (8 cyl. )	12 volt	1	B8A 15052-B
58/59	A	12 volt	1	B9A 15052-A
56/57	S		1	B7S 15052-A
58	S	12 volt	1	B8S 15052-A
59/	S	12 volt	1	C0SF 15052-B
<b>15054 ELEMENT ASSY. - CIGAR LIGHTER</b>				
56/59	A	With ash guard-12 volt	1	C0MZ 15054-A
56/	S		1	
<b>15055 SOCKET and RETAINER ASSY. - CIGAR LIGHTER</b>				
52/55	A, S	6 volt	1	FAA 15055-E
56	A (6 volt)		1	
56	A, S	12 volt		B6A 15055-A
57/	A	12 volt	1	C2AB 15055-A
57/	S		1	
<b>15059 BEZEL - CIGAR LIGHTER - OUTER</b>				
52	Customline & Crestline		1	FAB 15059-A
55/	S		1	
55	A		1	B5A 15059-A
<b>15063 ADAPTER - CIGAR LIGHTER SOCKET</b>				
56	A		1	B6A 15063-A
59	58E, 59C, 64F, 64G, 71H		1	B9A 15063-A
<b>15067 COVER - INSTRUMENT PANEL CIGAR LIGHTER OPENING</b>				
57	59A, 66A, 70A, D, 73A, 78A-(8 cyl. )		1	B7A 15067-A
58	59A, 66A, 70A, D, 73A, 78A		1	B8A 15067-A
59	58E, 59C, 64F, 64G, 71H		1	B9A 15067-A
		Nut (cover to instrument panel)-No. 10-32	1	34079-S7(M163)
		Lockwasher-No. 10	1	34903-S8(X96)
<b>15072 LIGHT LIGHTER - CIGAR LIGHTER</b>				
56/	A, S	12 volt-combination cigar lighter and map lamp	1	C2RZ 15072-A
<b>15189 BEZEL - MAP LAMP SWITCH CONTROL</b>				
55/56	A (except 76)	Map lamp, courtesy lamp or rear window defroster	1	B5A 15189-A
55/58	A (except 76)	Rear seat speaker	1	
57/58	51A	Top control switch	1	
58/	S	Top control switch	1	
<b>15220 BULB - ROAD LAMP</b>				
49/54	A	Clear lens-type No. 4015	2	11A 15220-B
55/56	S		2	
<b>15224 SWITCH - ROAD LAMP</b>				
56	A (8 cyl. )-with Power Steering	Use as cut out switch	1	1C 15224-A
<b>15307 MIRROR and BRACKET ASSY. - SPOTLIGHT</b>				
52/56	A		1	FAA 15307-A

ROTUNDA  
SALES NO.



# FORD CAR PARTS

## SECTION 150

597

YEAR 19	MODEL	DESCRIPTION	QTY. PER VEHICLE	PART NUMBER
<b>15330 BULB - SPOTLIGHT - SEALED BEAM</b>				
49/53	A	5.65" diameter -(6 volt)-type No. 4535	1	8C 15330
49/55	A, S	4.4" diameter-(6 volt)-type No. 4515	1	6A 15330
56/59	A	4.4" diameter-(12 volt)-for portable type light - type No. 4416	1	B6A 15330-A
56/	A, S	4.4" diameter-(12 volt)-type No. 4405	1or2	B6A 15330-B
<b>15A490 SWITCH KIT - BACK-UP LAMP</b>				
58/	S-with S/T or O/D		1	B8SZ 15A490-A
<b>15499 BACK-UP LAMP - KIT</b>				
55	A (except S/D & S/W)-with S/T or O/D)	Change 6 volt bulb to 12 volt	1	B5AZ 15499-A
56	Mainline & Customline-S/D & S/W except Fairlane			
58/59	S	When using with S/T or O/D-(1) B8SZ 15A490-A Switch Kit required	1	B8SZ 15499-A
<b>13506 WIRING ASSY. - BACK-UP LAMP SWITCH TO BACK-UP LAMP - Unless Listed - Improvise from B6A 14296-C Wire</b>				
57/	A (S/D & S/W)	Clip (wiring to L. H. mounting bracket reinforcement of dash panel)	1	356668-S32(GG27)
57	A (S/D & S/W)	Wiring to frame & reinforcement	2	
57/	A (S/D & S/W)	Wiring to flange of fuel tank	1	
<b>15510 GASKET - BACK-UP LAMP LENS</b>				
55	S	Rubber - used with backup lamp	2	B5A 15510-A
55/56	Mainline, Customline, 57		2	
55	A, S	Rubber-not used with backup lamp	2	B5A 15510-B
56	Mainline, Customline, 57, S		2	
56	Fairlane, S	Rubber - used with backup lamp	2	B6A 15510-B
55/56	A, S	Nut(gskt. lens body & pad to qtr. panel)-No. 10-32	6	34079-S7(M163)
		Lockwasher-No. 10	6	34903-S8(X96)
		Screw-No. 10-32 x .87 swage	4	354690-S13 (BB664)
		Screw-No. 6-32 x .46 pan head shoulder	4	354073-S(BB676)
58	A (except Rancho & S/D)	Round type	4	B8A 15510-A
58	A (except Rancho, S/D & S/W)	Square type	2	B8A 15510-B
59	A		2	B9A 15510-A
<b>15511-2 BODY and SOCKET ASSY. - BACK-UP LAMP</b>				
58	A (except Rancho & S/D)	Round type	2	B8A 15511-A
58	A (except Rancho, S/D & S/W)	Square type	2	B8A 15511-B
59	A		2	B9A 15511-A
59	A	Bolt (body to door)-No. 10-24 x .62 square neck	6	371100-S8(BB705)
59	A	Nut-No. 10-24	6	34053-S8(M156)
<b>15513 DOOR ASSY. - BACK-UP LAMP</b>				
52/54	A (except S/D & S/W)		1	FAA 15513-A
59	A (except 71G)		2	B9A 15513-A
59	71G		2	B9A 15513-B
<b>15514 LENS - BACK-UP LAMP - Also Refer to Group 13450</b>				
52/54	A (except S/W)		2	FAA 15514-A
55	S		2	B5A 15514-A
55/56	Mainline, Customline, 57		2	
56	Fairlane, S		2	B6A 15514-B
58	A (except Rancho & S/D)	Round type	2	B8A 15514-D
58	A (except Rancho, S/D & S/W)	Square type	2	B8A 15514-E
59	A		2	B9A 15514-A
59	A	Screw(lens & gasket to body)-No. 8-32 x .50" pan hd.	6	371211-S100
59	A	Screw (lens & gasket to door)-No. 8-32 x .75" pan head	6	371557-S100 (BB637)
56	Fairlane, S	Screw (lens to body)-No. 6-32 x .46	4	354973-S(BB676)
55	A, S	Screw (lens to rear panel)-No. 10-32 x .87	6	354690-S13(BB664)
55	A, S	Nut-No. 10-32	6	34079-S7(M163)
55	A, S	Lockwasher-No. 10	6	34903-S8(X96)
<b>15514 COVER - BACK-UP LAMP OPENING</b>				
55/56	A (59A, 70A, D, 73A, 78)	Painted steel	2	B5A 15514-D
55	Customline, Fairlane, S	Stainless steel	2	B5A 15514-E
56	Customline		2	
56	Fairlane, S	Stainless steel	2	B6A 15514-C
56	Fairlane, S	Painted glass	2	B6A 15514-D
<b>15515 BODY - BACK UP LAMP</b>				
56	A, S		2	B6A 15515-A

## SECTION 150

## FORD CAR PARTS

YEAR 19	MODEL	DESCRIPTION	QTY. PER VEHICLE	PART NUMBER
<b>15517 BRACKET - BACK UP LAMP SWITCH MOUNTING</b>				
49/54	A (except S/D & S/W)		1	51A 15517
54	A (except S/D & S/W)		1	FAB 15517-A
55	A		1	B5A 15517-B
55/57	S		1	B5S 15517-A
56	A-with S/T or O/D		1	B6A 15517-B
51/56	A	Bolt (switch to mounting bracket to body)- 5/16"-18 x 1 1/4"	1	20426-S8(B55)
51/56	A	Lockwasher-5/16"	1	34806-S7(X64)
57/58	A-with S/T or O/D		1	B7A 15517-A
58/	S		1	B8E 15517-A
		Screw (switch to steering gear tube)- No. 10-16 x 3/8"	2	42120-S8(U248)
59	A		1	B9A 15517-A
<b>15520 SWITCH - BACK UP LAMP</b>				
49/54	A (except S/W & S/D)-with S/T or O/D	With 7/16"-20 thread	1	51A 15520-A
55/58	A-with S/T or O/D	With 7/16"-20 thread	1	1H 15520-A
55/	S-with S/T or O/D		1	
59	A-with S/T or O/D	With 7/16"-20 thread	1	B9AF 15520-A
<b>15533 GASKET - BACK UP LAMP TO BODY</b>				
55	S		2	B5A 15533-A
55/56	Mainline, Customline, 57A		2	
56	A (Fairlane), S		2	B6A 15533-A
58	A (except Ranchero & S/D)	Round type	2	B8A 15533-A
58	A (except Ranchero, S/D & S/W)	Square type	2	B8A 15533-B
59	A		2	B9A 15533-A
<b>15536 WIRE ASSY. - BACK-UP LAMP SOCKET</b>				
56	A, S	13.0" long	2	B6A 15536-A
58/59	S		4	B8S 15536-A
<b>15540 ACTUATOR - BACK-UP LAMP SWITCH</b>				
55/57	S-with S/T or O/D		1	B5S 15540-A
<b>15603 CLAMP - REAR ROOF LINK COVER</b>				
57/59	51A		4	B7A 15603-AP
<b>15610 MOTOR ASSY. - PACKAGE TRAY ACTUATING</b>				
57/58	51A	Square shaft	1	B7A 15610-A
		Nut (motor to package tray lift assy.)-No.10-32	2	34079-S7(M163)
		Lockwasher	2	34803-S7(X60)
58/59	51A	Slotted shaft	1	B9A 15610-A
<b>15656 SWITCH ASSY. - TOP LATCH CONTROL NEUTRAL</b>				
57/59	51A		1	B7A 15656-A
<b>15657 ACTUATOR - TOP LATCH CONTROL NEUTRAL SWITCH</b>				
57/59	51A		1	B7A 15657-A
		Screw (actuator to steering gear trans. gear shift)-No. 8-32 x 9/16"	1	*31077-S8
		Nut-No. 8-32	1	34052-S7(M155)
		Lockwasher-No. 8	1	34802-S7(X59)
<b>15658 BRACKET - TOP LATCH CONTROL NEUTRAL SWITCH</b>				
57/59	51A		1	B7A 15658-A
<b>15A662 WIRING ASSY. - RETRACTABLE ROOF TOP</b>				
57	51A	182.50" long	1	B7AZ 15A662-A
59	51A		1	B9AF 15A662-A
		Screw (wiring to rear roof power link)- No. 8-32 x 1/4"	1	*32916-S8
		Screw (wiring to frt. roof power center link)- No. 8-15 x 1/2"	6	52726-S13(U381)
		Wiring to inner side rear roof rail	2	
		Nut (ground strap to circuit breaker)-No. 10-32	1	34079-S7(M163)
		Lockwasher-No. 10	1	34803-S7(X60)
		Clip(wiring to front roof power center link)	6	359547-S100(GG79)
		Clip (wiring to inner side rear roof rail)	2	359548-S100 (GG144)
		Clip (wiring to rear floor pan)	1	359776-S100(GG45)
		Clip (wiring to rear roof front bow)	2	356687-S32(GG28)

# FORD CAR PARTS

599

## SECTION 150

YEAR 19__	MODEL	DESCRIPTION	QTY. PER VEHICLE	PART NUMBER
<b>15667 MOTOR ASSY. - TOP CONTROL - LESS BRACKETS - Also Refer to Body Group 53357 &amp; 533A00</b>				
53/55	Convertible	Use with hydraulic lift-with square pump	1	FAA 15667-B
55	Convertible	Use with hydraulic lift-with round pump	1	B5A 15667-B
57/59	51A	Top control & luggage compartment door	2	B7A 15667-A
58/	S (76A)	Motor & plate assy.	1	C1SZ 15667-A
<b>15668 SWITCH ASSY. - TOP CONTROL</b>				
52	Convertible	3 terminals	1	FAA 15668-C
53/54	Convertible	2 terminals	1	FAA 15668-B
55	Convertible	6 volt	1	B5A 15668-C
56	Convertible	12 volt	1	B6A 15668-A
57/58	Convertible	12 volt	1	B7A 15668-B
59	51A		1	B9A 15668-A
59	Convertible	Used with B9AF 15674-A knob	1	B9A 15668-B
58/59	S (76A)	Used with B9S 14710-A knob	1	
59	51A, Convertible	Nut (switch to dash panel) 9/16"-24 hex.	1	371444-S7(MM38)
58/59	S (76A)	Switch to lower back panel	1	
57/58	A(51A)		1	C0SF 15668-A
<b>15669 BRACKET ASSY. - TOP CONTROL MOTOR MOUNTING</b>				
57/59	51A	Less grommet & spacer	2	B7A 15669-A
<b>15672 RELAY ASSY. - TOP CONTROL OR ELECTRIC SEAT</b>				
52/53	Convertible	Top control	1	FAA 15672-A
54/55	Convertible	Top control	1	FAB 15672-A
54	A	Electric seat	2	
52/55	Convertible	Nut (relay to relay mounting brkt.)-No.10-24	2	34053-S8(M156)
52/55	Convertible	Lockwasher-No. 10	2	34903-S8(X96)
52/55	Convertible	Flatwasher-No. 10	2	44713-S8(X13)
54	A	Screw (relay to seat bracket)-1/4"-20 x 1"	4	31128-S(U62)
<b>15674 KNOB ASSY. - TOP CONTROL</b>				
57/58	Convertible & 51A		1	B7A 15674-A
59	51A, 76B		1	B9AF 15674-A
<b>15676 BRACKET - TOP CONTROL SWITCH MOUNTING</b>				
58/59	S	Luggage compartment door lock switch mtg.	1	B8S 15676-B
<b>15685 GRID ASSY. - RAIN GUARD</b>				
55	Convertible	Top control	1	B4A 15685-A
<b>15692 RELAY ASSY.</b>				
57/59	51A	Control box power	10	B7A 15692-A
		Screw (relay to mtg. channel)-No. 10-16 x 1/2"	20	*52787-S15
		Lockwasher	20	34903-S8(X96)
58/59	S(76A)	Luggage compartment door lock control	1	B8S 15692-A
		Screw (relay to R. H. cowl side outer panel)- No. 14-10 x 5/8"	2	31498-S8(U253B)
<b>15694 CHANNEL ASSY. - TOP AUTOMATIC CONTROL BOX RELAY MOUNTING</b>				
57/59	51A		1	B7A 15694-A
		Nut retainer (channel to front lock motor and bracket)-1/4"-20	2	359359-S2(MM204)
<b>15695 COVER - TOP AUTOMATIC CONTROL BOX</b>				
57/59	51A		1	B7A 15695-A
		Screw (cover to mtg. channel)-No. 8-18 x 3/8"	4	52720-S8(U380)
<b>15A700 ENGINE OR TRUNK COMPARTMENT LAMP KIT</b>				
56/	A, S	12 volt	1or2	C2RZ 15A700-A
<b>15706 SWITCH ASSY. - TOP CONTROL REAR LOCK LIMIT</b>				
57/59	51A	R. H. -Used as roof erect switch	1	B8A 15706-A
		Screw (switch to erect switch mounting bracket)- No. 6-32 x 1/4"	2	*26456-S13
		Lockwasher-No. 6	2	34937-S7(X84)

## SECTION 150

## FORD CAR PARTS

YEAR 19__	MODEL	DESCRIPTION	QTY. PER VEHICLE	PART NUMBER
<b>15707 COVER - TOP CONTROL RELAY BOX</b>				
57/59	51A		1	B7A 15707-A
<b>15715 SWITCH ASSY. - ROOF FRONT LOCK LIMIT</b>				
57	51A	Use as luggage compt. door lock limit switch	1	B7A 15715-B
58	51A	Use as luggage compt. door lock limit switch	1	B8A 15715-A
57/58	51A	Screw (switch to actuator lever pivot bracket)- No. 6-32 x 1/4"	2	★26456-S13
		Lockwasher-No. 6	2	34937-S7 (X84)
<b>15716 SWITCH ASSY. - ROOF ERECT</b>				
57	51A	Roof position "A"	1	B7A 15716-A
57	51A	Roof retract	1	B7A 15716-B
		Luggage compartment door open limit	1	
58/59	51A	Roof retract or luggage compartment door	1or2	B8A 15716-A
58/59	51A	Roof position "A"	1	B8A 15716-B
57/59	51A	Screw (switch to hinge of luggage compartment door on body)-No. 6-32 x 1/4"	2	★26456-S13
57/59	51A	Screw (switch to rear roof panel ass'y.)	2	
57/59	51A	Screw (switch to retract switch housing)	2	
		Lockwasher-No. 6	2or4	34937-S7 (X84)
<b>15717 SWITCH ASSY. - TOP CONTROL FRONT LOCK LIMIT</b>				
57/59	51A		2	B8A 15717-A
		Screw (switch to actuator lever pivot bracket)- No. 6-32 x 1/4"	4	★26456-S13
		Lockwasher-No. 6	4	34937-S7 (X84)
		Clip (lead wires of switch to front lock limit switch bracket)	2	356687-S32 (GG28)
<b>15722 ROD - ROOF ERECT SWITCH ACTUATOR</b>				
57/59	51A	R. H. & L. H. -roof transmission	1or2	B7A 15722-B
<b>15723 COVER - REAR ROOF LINK WIRE</b>				
57/59	51A		1	B7A 15723-A
<b>15724 COVER - FRONT ROOF LINK WIRE</b>				
57/58	51A		2	B7A 15724-A
59	51A	L. H.	1	
59	51A	R. H.	1	B9AF 15724-A
		Screw (cover to R. H. & L. H. front roof hinge)- No. 8-32 x 1/4"	2or4	★51051-S8
		Screw (cover to R. H. front roof hinge)- No. 8-32 x 1/2"	1	★51058-S8
<b>15770 SWITCH ASSY. - TOP PACKAGE TRAY</b>				
57/59	51A	Erect & retract	2	B8A 15770-B
		Screw (switch to mtg. bracket)-No. 6-32 x 1/4"	2	★26456-S13
		Lockwasher-No. 6	2	34937-S7 (X84)
<b>15771 WIRE ASSY. - TOP CONTROL ROOF LOCK MOTOR</b>				
58	51A		1	B8A 15771-A
		Nut (ground strap of wiring to circuit breaker)- No. 10-32	2	34079-S7 (M163)
		Lockwasher-No. 10	2	34903-S8 (X96)
		Clip (wiring to qtr. side roof lock support)	2	356668-S32 (GG27)
		Clip (wiring to rear seat back front support)	1	
<b>15774 BRACKET - TOP PACKAGE TRAY ERECT SWITCH MOUNTING</b>				
57/59	51A		1	B7A 15774-A
<b>15775 BRACKET - TOP PACKAGE TRAY RETRACT SWITCH ACTUATOR</b>				
57/59	51A		1	B7A 15775-A
		Screw (bracket to package tray in lower body)- No. 8-32 x 3/8"	2	★40514-S13
		Lockwasher-No. 8	2	34938-S8 (X85)
<b>15776 PLATE - TOP PACKAGE TRAY RETRACT SWITCH MOUNTING</b>				
57/59	51A		1	B7A 15776-AP
		Screw (plate to switch)-No. 6-32 x 1/4"	2	★26456-S13
		Lockwasher-No. 6	2	34937-S7 (X84)

# FORD CAR PARTS

## SECTION 150

601

YEAR 19	MODEL	DESCRIPTION	QTY. PER VEHICLE	PART NUMBER
<b>15777 WIRE ASSY. - TOP CONTROL CYCLE ACTUATION SWITCH</b>				
57	51A	310.0" long	1	B7A 15777-A
58	51A		1	B8A 15777-A
		Nut (wiring to circuit breaker or junction block)- No. 10-32	1	34079-S7(M163)
		Lockwasher-No. 10	1	34903-S8 (X96)
		Clip (wiring to front floor pan)	2	359776-S100
		Wiring to rear seat riser	4	(GG45)
<b>15780 SWITCH ASSY. - ROOF</b>				
57/59	51A	Roof position "B"	1	B8A 15780-A
		Luggage compartment door position "B"	1	
		Screw (switch to roof erect switch mounting bracket)-No. 6-32 x 1/4"	2	*26456-S13
		Screw (switch to luggage compt. door lock nut mounting bracket)	2	
		Lockwasher-No. 6	2or4	34937-S7(X84)
<b>15782 WATER SHIELD-TOP CONTROL ERECT SWITCH</b>				
57/59	51A	Not supplied-used 10" square piece of Vinyl or Polyethylene material	2	*FEG 15782-A
<b>15790 MOTOR and BRACKET ASSY. - ROOF FRONT LOCK</b>				
57/59	51A	Front roof lock	1	B7A 15790-A
		Luggage compartment lock	1	
		Rear roof lock	2	
		Luggage compartment door actuation	1	
57/59	51A	Spacer (luggage compartment door lock)	2	BA 7653382-A
		Rear roof lock	4	
		Front roof lock	2	
		Top control & bracket ass'y.	4	
		Luggage compt. door actuation	2	
		Nut retainer ass'y. (motor & bracket to mtg. bracket upper & lower) 1/4"-20 (Motor & brkt. to lower inside back panel)	4	359359-S2 (MM204)
		Bolt(motor to brkt. to front roof mtg. brkt. )- 1/4"-20 x 3/4"	2	20344-S8 (B42)
		Motor & brkt. to rear roof lock motor mtg. bracket-upper & lower	4	
		Motor & brkt. to lower-inside panel	2	
		Nut (motor & brkt-to luggage compt. door inner panel)-1/4"-20	2	33795-S7(M49)
		Lockwasher-1/4"	10	34905-S7 (X97)
		Flatwasher-No. 10	10	44716-S8(X15)
		Flatwasher-1/4"	10	44719-S8(X17)
		Nut (ground wire from motor to circuit breaker)- No. 10-32	1	34079-S7(M163)
		Lockwasher-No. 10	2	34803-S7 (X60)
		Bolt (motor & brkt. to relay box)-1/4"-20 x 1 1/4"	2	20424-S7-8(B43E)
		Washer (motor & bracket to luggage compt. door inner panel)-1/4"-special flat	4	356208-S2(XX92)
		Washer (motor & bracket to rear roof lock upper & lower mounting bracket)	4	
		Washer (motor & bracket to front roof motor mounting bracket)	2	
		Washer (motor & bracket to lower inside back panel)	2	
		Bolt & retainer (motor & bracket to luggage compartment door inner panel)-1/4"-20	2	359160-S2 (RR21)
		Screw (motor leads & pkg. tray erect switch to luggage compartment door	2	52726-S13(U381)
		Clip	2	*371607-S100
<b>15791 LEVER - ROOF LOCK LIMIT SWITCH ACTUATOR</b>				
57/58	51A	Luggage compartment door	1	B7A 15791-A
		Pin (luggage compt. door)-1/8" x 3/4"	1	353925-S (NN98)
<b>15796 ROD - LUGGAGE COMPARTMENT DOOR LOCK SWITCH ACTUATOR</b>				
57/58	51A		1	B7A 15796-A

# FORD CAR PARTS

## SECTION 150

YEAR 19	MODEL	DESCRIPTION	QTY. PER VEHICLE	PART NUMBER
<b>15798 HOUSING ASSY. - TRANSMISSION CONTROL SELECTOR DIAL</b>				
55/57	S-with F/M		1	B5S 15798-C
		Screw (housing to trans. gear shift support)- 1/4"-20 x 1/2" lever	1	*40921-S8
<b>15800 HOUSING ASSY. - TRANSMISSION GEAR SHIFT INDICATOR LAMP</b>				
58	A-with F/M or C/M		1	B8A 15800-A
58/	S-with F/M or C/M		1	
<b>15A801 LAMP ASSY. - TRANSMISSION CONTROL SELECTOR</b>				
				ROTUNDA SALES NO.
56/57	S		1	B6SZ 15A801-A
58/	S		1	B9SZ 15A801-A
58/	S	Screw (lamp to selector lever socket)- No. 8-32 x 1/4"	1	26457-S7 (U167)
		Lockwasher-No. 8	1	34802-S7 (X59)
<b>15805 DIAL - TRANSMISSION GEAR SHIFT INDICATOR</b>				
51	A-with F/M		1	1A 15805-A
52/53	A-with F/M		1	AB 15805-C
54	A-with F/M		1	B9C 15805-B
55	A-with F/M		1	*B5A 15805-C
55/57	S-with F/M		1	*B5S 15805-A
56	A-with F/M-(except 64 & 76)		1	**B6A 15805-D
57/58	A-with F/M		1	B8A 15805-A
58	A-with C/M		1	B8A 15805-B
58	S-with F/M		1	B8S 15805-A
58	S-with S/T or O/D		1	B8S 15805-B
58	S-with C/M		1	B8S 15805-C
59	A-with C/M		1	B9A 15805-A
59	A-with F/M		1	B9A 15805-B
59	S-with S/T or O/D		1	B9S 15805-A
59	S-with C/M		1	B9S 15805-B
58/59	S	Screw (dial to steering column tube flange)-	2	50386-S13 (U119)
51/52	A	Screw (dial to flange and bearing)-No. 6-32 x 1/4"	2	*41800-S8
53/54	A	Screw (dial to flange)-No. 6-32 x 5/16"	1	350812-S13 (BB601)
55/57	A	(Dial to cover steering column bracket)	2	
56/57	A	Nut (dial to steering column bracket cover)- 3/32"-spring	2	*45031-S
58/59	S		2	
58	A	Nut (dial to steering column bracket cover)- 1/8" spring	2	45037-S32 (M117)
<b>15809 MASK - TRANSMISSION CONTROL SELECTOR INDICATOR DIAL</b>				
58/	S-with C/M		1	FDK 15809-A
<b>15813 BAFFLE - TRANSMISSION CONTROL SELECTOR DIAL INDICATOR</b>				
57/59	A-with F/M		1	B7A 15813-A
<b>15815 RETAINER - TRANSMISSION CONTROL SELECTOR INDICATOR LAMP HOUSING</b>				
58/	S		1	B8S 15815-A
58/	S	Screw (retainer to housing)-No. 6-32 x 1/4"	1	*51550-S8
<b>15839 BRACKET - TRANSMISSION CONTROL SELECTOR NEUTRAL SWITCH</b>				
55/57	S-with F/M		1	FEA 15839-B
<b>15840 SHIELD - TRANSMISSION CONTROL SELECTOR DIAL</b>				
55/57	S-with F/M		1	B5S 15840-A
55/57	S-with F/M	Screw (shield to housing)-No. 6 x 3/8"	2	*52718-S8
55/57	S-with F/M	Grommet (wiring thru support)	1	352962-S (KK23)
<b>15858 FLASHER ASSY. - HAND BRAKE SIGNAL LAMP</b>				
52/55	A, S		1	FAA 15858-A
56	A, S		1	B6A 15858-A
<b>15873 HOUSING ASSY. - ROOF RETRACT SWITCH</b>				
57/59	51A		1	B7A 15873-A
		Pin (actuating lever to housing)-3/16" x 1 5/8"	1	354880-S (NN78)
<b>15881 ACTUATOR - LUGGAGE COMPARTMENT DOOR POSITION "B" SWITCH</b>				
57/59	51A		1	B7A 15881-A

\* With back up lamp switch feed

INDEX

SECTION 160 - FENDERS and RELATED PARTS

PART NAME	GROUP NUMBER	PART NAME	GROUP NUMBER
Anti-squeak	16070	Plate (front fender name)	16098
Apron (front fender)	16054-5	Rail (front fender outside finish)	16250-1
Bar (apron support)	16156	Retainer (fender to body at cowl side)	7650816
Brace (fender to apron)	16222	Retainer (front fender apron and radiator support to radiator seal)	16135
Brace (front fender apron to dash)	16A052-3	Retainer (front fender-front upper moulding)	16086-7
Brace (radiator support)	16152-3	Retainer (front fender moulding)	16A076
Bracket (fender to grille)	16016-7	Retainer (front fender to radiator support seal)	16A584-5
Clip (front moulding)	16241	Retainer (front side moulding)	16249
Clip kit (moulding to fender)	110-111 112 115-119	Retainer (moulding to fender)	5728506 5829120 5929120 6421020 6421066 6421094 6429318 7021020 7021066 7021094 7029120
Deflector (mud and stone)	16D576	Seal (front apron shield)	16240
Emblem (front fender side)	16237	Seal (front fender apron & rad. support to rad.)	16137
Extension (frt. apron & rad. support reinforcement)	16151	Seal (front fender to bumper)	16304-5
Extension (front fender apron lower)	16350-1	Seal (outside finish rail)	7920726
Fastener (rail to fender)	7750108	Sealer	5397
Fender (front)	16005-6	Shield (clutch pedal)	16173
Filler (front fender apron and radiator support reinforcement to seal)	16136	Shield (front fender splash)	16102-3
Moulding (front fender)	16003-4 16188-9	Spring (fuel tank filler neck lid hinge)	16377
Moulding (front fender front)	16074-5 16160-1 16164-5	Spring (rad. & fdr. apron support to crossmember)	8130
Moulding (front fender side)	16326-7	Support (front fender to side air deflector)	16108-9
Moulding (front fender side finish panel)	16282-3	Support (radiator & front apron)	16138-9
Moulding (front fender side upper)	16036-7	Transfer (mahogany wood grain)	7920748
Ornament (frt. fender)	16178-9 16228-9	Weatherstrip (front fender apron)	16170-1
Ornament (front fender-kit)	16A164	Weatherstrip (front fender apron to frame-rear)	16254-5
Ornament (front fender less base)	16A012	Weatherstrip (front fender rear splash shield)	16110
Ornament (front fender)-lower	16174-5		
Panel (fender repair)	16018-9		
Panel (front fender side finish)	16410-1		

SECTION 166 - HOOD and RELATED PARTS

PART NAME	GROUP NUMBER	PART NAME	GROUP NUMBER
Bar (hood hinge torsion)	16790	Dowel (hood lock)	16929
Bracket (hood hinge support)	16798-99	Emblem (hood)-front	16607
Bracket (hood lock bellcrank mounting)	16704	Emblem (hood) see also Ornament	16637
Bracket (hood lock control cable)	16930	Grille (hood front ornament)	16608
Bumper assy. (hood)	16769	Guide (hood lock spring)	16927
Bumper (fender to hood)	16758	Hinge (hood)	16796-97
Bumper (hood lock cam)	16993	Hood	16612
Bumper (hood to cowl top)	16763	Hook (hood auxiliary catch)	16892
Cable assy. (hood catch control)	16916	Hook (hood lock) see Dowel (hood lock)	
Cable assy. (hood lock remote control)	16917	Insulator (hood)	16738
Cap (hood front ornament center)	16609	Letter (front)	16606
Clamp (hood catch control cable)	16877	Lock (hood)	16700-01
Clamp (hood lock cable)	16907	Moulding (hood front)-lower	16856-57
Cover (hood top opening)	16813	Pad (emblem)	16675
Crest (Ford) see Emblem (hood front)			

## INDEX

## SECTION 166 - HOOD and RELATED PARTS - continued

PART NAME	GROUP NUMBER	PART NAME	GROUP NUMBER
Pad (hood)	16740	Rod (hood support)	16826
Plate (hood auxiliary catch striker)	16918	Spacer (hood ornament stud)	16873
Plate (hood front name)	16604	Spring (hood auxiliary catch)	16897
Plate (hood hinge)	16795	Spring (hood hinge)	16812
		Spring (hood hold down)	16789
Reinforcement (hood rear)	16668		
Retainer (front fender side upper moulding)	16794	Spring (hood lock)	16925
Retainer (hood front emblem)	16644	Spring (hood lock cam)	16767
Retainer (hood hinge spring)	16781	Spring (hood lock trigger)	16921
Retainer (hood lock release cable)	16906	Spring (hood support rod)	16832
Retainer (hood pad)	16741	Support (hood lock)	16717
Rod (hood lock control)	16742	Support (hood lock dowel)	16716

## 16003-4 MOULDING - FRONT FENDER

52/53	A(Customline, Crestline)	R. H. & L. H.	2	BA 16003-B
54	A(Customline, Crestline)	R. H. -47 11/16" long	1	BM 16003-B
		L. H. -47 11/16" long	1	BM 16004-B
55	A(Customline)	R. H. & L. H.	2	B5A 16003-A
55	A(Fairlane, 79B)	R. H. (one piece design-replaces 2 piece design)	1	B5A 16326-A
		L. H. (one piece design-replaces 2 piece design)	1	B5A 16327-A
56	A(Customline)	R. H.	1	B6A 16003-A
		L. H.	1	B6A 16004-A
56	A(Fairlane)	R. H.	1	B6A 16003-B
		L. H.	1	B6A 16004-B
57	A(Custom "300", Fairlane "500", 66B)	R. H.	1	B7A 16003-B
		L. H.	1	B7A 16004-B
58	A(59, 66, 70, 73, 78, 79)	R. H.	1	B8A 16003-A
		L. H.	1	B8A 16004-A
58	A(51A, 57A, 58B, 63A, 64B, 76B)	R. H. - less attaching parts	1	B8A 16003-C
		L. H. -less attaching parts	1	B8A 16004-C
58	A(57B, 58A, 63B, 64A)	R. H.	Δ1	B8A 16003-D
		L. H.	Δ1	B8A 16004-D
59	A(58E, 59C, 64F, G, 66C, 71H)	R. H.	1	B9A 16003-A
		L. H.	1	B9A 16004-A
59	A(51A, 54A, 57A, 58A, B, 59D, 63A, 64A, H, 65A, 71E, F, 75A, 76B)	R. H. -lower	1	B9A 16003-B
		L. H. -lower	1	B9A 16004-B
52/53	A(Customline, Crestline)	Clip (front fender moulding to front fender)	6	358398-S8(GG53)
52/53	A(Customline, Crestline)	Clip ass'y. (front fender moulding to front fender)	2	357118-S8 (RR32)
52/53	A(Customline, Crestline)	Clip (moulding to fender)	2	358484-S8 (GG71)
52/53	A(Customline, Crestline)	Clip kit (moulding to fender)	2	B2A 207-A
52/54	A(Customline, Crestline)	Nut (front fender mldg. to front fender)-No. 10-24	1	34053-S8(M156)
54	A(Customline, Crestline)	Retainer (moulding to fender)	10	BM 7021020-B
54	A(Customline, Crestline)	Retainer (moulding to fender)	2	BM 7029120-A
54	A(Customline, Crestline)	Clip kit (moulding to fender)	2	B4A 110-A
55	A(Customline)	Clip kit (moulding to fender)	2	B5A 305-A
55	A(Fairlane, 79B)	Nut & washer (moulding to fender)-No. 10-24	20	354397-S100 <sup>(MM291)</sup>
55	A(Fairlane, 79B)	Clip (moulding to fender)	2	358566-S100(RR44)
55	A(Fairlane, 79B)	Sealer	AR	M 5397-B
55	A(Fairlane, 79B)	Retainer (moulding to fender)	10	B5A 7021094-A
55	A(Fairlane, 79B)	Clip kit (moulding to fender)	2	B5A 119-A
56	A(Customline)	Clip kit (moulding to fender)	2	B6A 110-A
56	A(Fairlane)	Clip kit (moulding to fender)	2	B6A 111-A
57	A(Custom "300", Fairlane "500", 66B)	Clip kit (moulding to fender)	2	B7A 110-A
58	A(59, 66, 70, 73, 78, 79)	Clip kit (moulding to fender)-used with B8A 16003-4-A moulding	2	B8A 110-A
58	A(51A, 57A, 58B, 63A, 64B, 76B)	Clip kit (moulding to fender)-used with B8A 16003-4-C moulding	2	B8A 112-A
58	A(Fairlane "500")	Retainer (moulding to fender)	2	B7A 5929120-A
58	A(Fairlane "500")	Retainer (moulding to fender)	2	B8A 16249-A
58	A(57B, 58A, 63B, 64A)	Retainer (moulding to fender)	2	B8A 7021094-A
58	A(57B, 58A, 63B, 64A)	Retainer (moulding to fender)	2	B8A 7028506-A
58	A(57B, 58A, 63B, 64A)	Nut & washer (moulding to fender)-No. 10-24	2	354397-S100 <sup>(MM291)</sup>

Δ Includes attaching parts



# FORD CAR PARTS

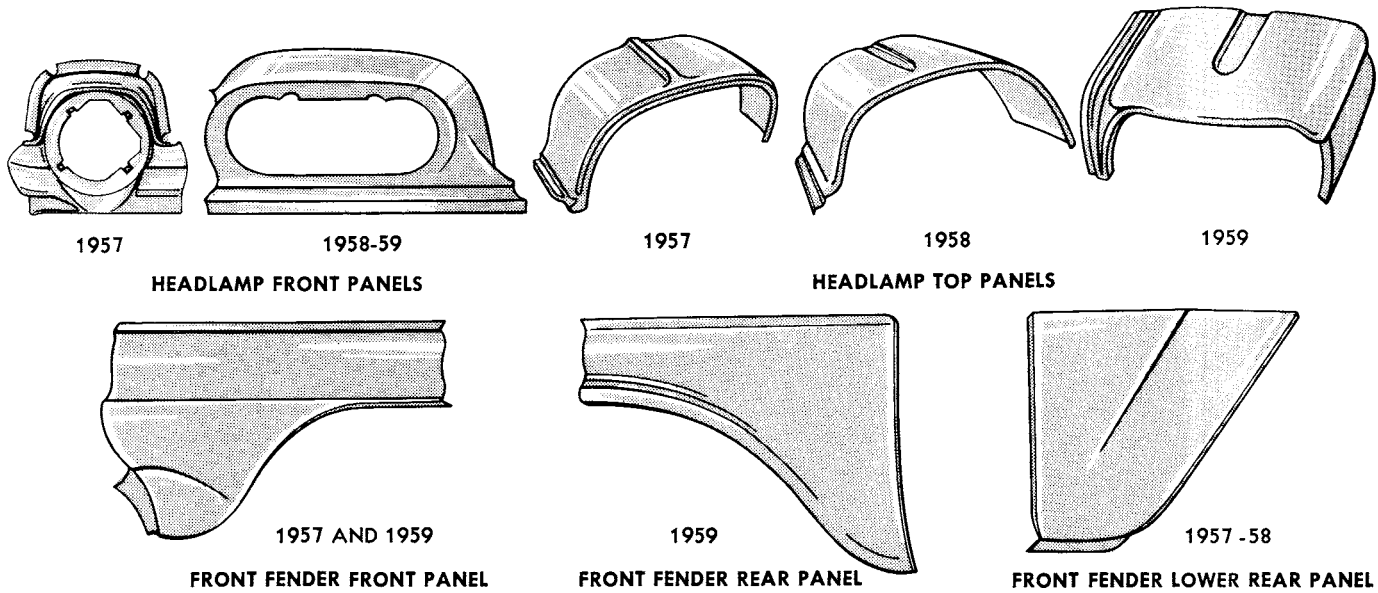
605

## SECTION 160

YEAR 19	MODEL	DESCRIPTION	QTY. PER VEHICLE	PART NUMBER
<b>16003-4 MOULDING - FRONT FENDER - continued</b>				
59	A(58E, 59C, 64F, G, 66C, 71H)	Clip kit (moulding to fender)	2	B9A 112-A
55/57	A	Nut (moulding to fender)-No. 10-24	AR	34053-S8(M156)
55/57	A	Lockwasher-No. 10	AR	34903-S8(X96)
55/56	A	Flat washer-No. 10	AR	44713-S8(X13)
55/56	A	Clip (moulding to fender)	AR	358566-S100(RR44)
55/56	A	Clip (moulding to fender)	10	358484-S8(GG71)
55/56	A	Clip ass'y.(front fender moulding to front fender)	2	357118-S8(RR32)
56	A(Customline)	Nut & washer (moulding to fender)-No. 10-24	4	354397-S100
57	A (except 51A, 57B, 58B, 59A, 63B, 64A, 66A, 70A, D, 73A, 78A)		2	(MM291)
58	A (except 57B, 58A, 63B, 64A)		4	
59	A		AR	
57	A(59B, 70B, 73B, 79C, D)	Clip (moulding to fender)	2	358560-S100
59	A (except 58E, 59C, 64F, 64G, 66C, 71G, 71H)		2	(RR45)
55/56	A (except Fairlane)	Retainer (moulding to fender)	10	*B5A 7021066-A
56	A	Retainer (moulding to fender)	12	B6A 7021066-C
57	A	Retainer (moulding to fender)	12	B7A 6421066-B
55/57	A(Fairlane, 79B)	Retainer (moulding to fender)	4or6	B5A 7021094-A
56	A(64D)	Retainer (moulding to fender)	4	B6A 7029120-B
58	A(Fairlane "500")	Retainer (moulding to fender)	2	
58	A (except Fairlane "500")	Retainer (moulding to fender)	10	B8A 7021094-A
58	A (except Fairlane "500")	Retainer (moulding to fender)	2or4	B8A 5728506-A
59	A (except 58E, 59C, 64F, 64G, 71G, 71H)		AR	
59	A (except 58E, 59C, 64F, G, 66C, 71G, H)	Clip kit (moulding to fender)	2	B9A 111-A
59	A	Retainer (moulding to fender)	2	B9A 5829120-B
59	A (except 58E, 59C, 64F, 64G, 66C, 71G, 71H)	Retainer (moulding to fender)	4	B9A 5829120-B
59	A(58E, 59C, 64F, 64G, 66C, 71H)	Retainer (moulding to fender)	2	B9A 6421020-A
59	A(58E, 59C, 64F, 64G, 66C, 71H)	Retainer (moulding to fender)	6	B9A 6421066-A
59	A(58E, 59C, 64F, 64G, 71H)	Retainer (moulding to fender)	4	B9A 5821066-A
59	A (except 58E, 59C, 64F, 64G, 71G, 71H)	Retainer (moulding to fender)	12	B9A 6421094-A
<b>16005-6 FENDER - FRONT - Drill holes as required</b>				
49/51	A	RH-less moulding & parking lamp holes	1	0A 16005-D
		LH-less moulding & parking lamp holes	1	0A 16006-D
53	A	RH-less moulding holes	1	BF 16005-C
		LH-less moulding holes	1	BF 16006-C
54	A	RH-less moulding holes	1	BM 16005-C
		LH-less moulding holes	1	BM 16006-C
55/56	A	R. H. -use with B6A 16016-A bracket (fender to grille)-for 1956 models only	1	B6A 16005-A
		L. H. -use with B6A 16017-A bracket (fender to grille)-for 1956 models only	1	B6A 16006-A
57	A	R. H.	1	B7A 16005-A
		L. H.	1	B7A 16006-A
58	A	R. H.	1	B8A 16005-A
		L. H.	1	B8A 16006-A
59	A	R. H.	1	B9AB 16005-F
		L. H.	1	B9AB 16006-F
55	S	R. H.	1	B5S 16005-A
		L. H.	1	B5S 16006-A
56	S	R. H.	1	B6S 16005-A
		L. H.	1	B6S 16006-A
57	S	R. H.	1	B7S 16005-A
		L. H.	1	B7S 16006-A
58/	S	R. H.	1	B8S 16005-A
		L. H.	1	B8S 16006-A
49/53	A	Bumper (fender to hood)	4	356821-S (CC8)
49/50	A	Bolt (fdr. thru grille to defl.)-5/16"-24 x 3/4"	8	20347-S8 (B156)
51/54	A	Bolt(frt.fender to splash shield)	4	
55/58	A	Bolt (front fender to deflector)	2or4	
57/58	A	Bolt (fender to panel-rad. grille opening)	2	
57/58	A	Bolt (fdr. to body at panel-cowl top)	2	
57/58	A	Bolt(fdr. to body at rocker panel)	2	
49/50	A	Locknut-5/16"-24		34393-S7 (M98)
49/51	A	Bolt (frt. fdr. extension to pillar)-5/16"-20 x 3/4"	6	351724-S2 (BB299)
49/51	A	Speednut-5/16"-10		353363-S32A (M M 257)

YEAR 19__	MODEL	DESCRIPTION	QTY. PER VEHICLE	PART NUMBER
<b>16005-6 FENDER - FRONT - continued</b> -Drill holes as required				
49/50	A	Flat washer-5/16"	14	44722-S8(X19)
51/54	A			
54	A		2	
55/56	A		AR	
49/50	A	Speednut-No.14		355880-S32(MM253)
56	A	Speednut (fender to grille)	6	
49/53	A	Screw (frt. fender to cowl)-5/16"-18 x 3/4"	4	39909-S7(U269D)
49/53	A	Screw (fender to apron & brace)-No. 14 x 3/4"	10	42143-S8(U255)
52/53	A	Bolt (fender to rad. grille bar)-1/4"-20 x 3/4"	4	20344-S8(B42)
54	A	Bolt (fender to deflector to cowl)	AR	
55/56	A	Bolt (fender to cowl)	4	
55/56	A	Bolt (fender to deflector)	10	
52/53	A	Flat washer-1/4"		44719-S8(X17)
55/56	A	Flat washer-1/4"	10	
52/54	A	Lockwasher-1/4"		34805-S8(X62)
52/53	A	Nut & retainer assy. -1/4"-20		357227-S(MM206)
54	A	Nut & retainer ass'y. (fender to apron)	8	
51/54	A	Nut (fender to cowl to pillar)-5/16"-10	AR	357480-S32(MM282)
54	A	Screw (fender to apron)-5/16"-24 x 7/8"	6	352628-S2(BB586)
54/56	A	Nut & retainer assy. (fender to apron)-5/16"-24	6	357552-S2(MM199)
54/56	A	Nut (fender to pillar)-5/16"-24	2	33798-S8(M62)
57/58	A	Nut (fender to deflector)	2or4	
57/58	A	Nut (fender to body at cowl side ass'y.)	2	
57/58	A	Nut (fender to panel-rad. grille opening)	2	
54	A	Lockwasher (fender to pillar)-5/16"	2	*34941-S7
57/58	A	Lockwasher (fender to deflector)	2or4	
57/58	A	Lockwasher (fender to body at cowl side ass'y.)	2	
57/58	A	Lockwasher (fender to panel-rad. grille opening)	2	
54	A	Bolt (fender to stone deflector)-1/4"-20 x 1"	4	20384-S8(B43)
54	A	Nut-1/4"-20	AR	33795-S7(M49)
54	A	Flatwasher 1/4"		44720-S8(X18)
56	A	Flatwasher (fender to grille)-1/4"	6	
54	A	Bolt (fdr. to rocker panel)-5/16"-24 x 1 1/8"	2	353483-S2(BB588)
55/57	A	Bolt (fender to apron & cowl)	AR	
59	A	Bolt (fender to body at rocker panel)-	2	
59	A	Bolt (fender to rear of cowl top panel)	2	
59	A	Bolt (fender to front fender cowl top mtg. brkt.)	2	
55	A	Bolt (fender to rocker panel)-5/16"-24 x 1 1/4"	4	20428-S8(B82)
55	A	Lockwasher 5/16"	4	34806-S7(X64)
55/56	A	Lockwasher (fender to pillar)-5/16"	2	357789-S7(XX343)
55/56	A	Lockwasher 5/16"	10	34940-S7-8(X88)
55/56	A	Nut 1/4"-20	10	34905-S7(X97)
55/56	A	Flatwasher (fender at pillar)-9/32"	2	353372-S(XX100)
57	A	Flatwasher (fdr. to body at cowl side assy.)	2	
57/58	A	Flatwasher (fender to body at panel-cowl top)	2	
59	A	Flatwasher (fender at front pillar)	2	
56	A	Bolt (fender to body at cowl panel)-5/16"-10	AR	357198-S8(BB300)
56	A	Bolt (fender to body at rocker panel)	AR	
56	A	Screw (fender to grille)-No. 14-10 x 5/8"	6	31498-S8(U253B)
57	A	Bolt (fdr. to body at panel-cowl top)-5/16"-24 x 1"	2	20387-S8(B157)
55/	A	Flat washer-5/16"	AR	44725-S8(X22)
56/57	S	Screw (rubber bumper to fender)-No. 8-32 x 5/8"	4	32930-S7(U340)
56/57	S	Rubber bumper (between frt. fenders & hood assy.)	4	358939-S(CC17)
57	A(51A)	Nut (bumper fender to hood frt. to panel rear roof)-3/8"-24	4	33925-S7(M33)
57/58	A	Nut-retainer (fdr. to body at panel-cowl top)-5/16"-24	2	358684-S2(MM209)
57/58	A	Screw & lockwasher (fender to body at panel-cowl top)-No. 20-9 x 1 1/2"	2	359050-S8(BB595)
57/	A	Nut-retainer (fdr. to body at rocker panel)-5/16"-24	2	359169-S2(MM200)
57/59	A	Retainer ass'y. (fender to body at cowl side)	2	B5A 7650816-A
57/	A	Retainer (fender to pillar)	2	
59/	A	Nut-retainer (fender to front fender to cowl top mounting bracket)-5/16"-24	2	359952-S2(MM198)
59/	A	Nut (fender to body) -5/16"-24	AR	354299-S2(MM156)
59	A	Nut-retainer (fender-rear to cowl-top)-5/16"-24	2	359218-S2(MM210)

YEAR 19	MODEL	DESCRIPTION	QTY. PER VEHICLE	PART NUMBER
<b>16A012 ORNAMENT - FRONT FENDER - LESS BASE</b>				
59	A(51A, 54A, 65A, 75A, 76B)		2	B9AB 16A012-A
58/59	S		2	
<b>16O16-7 BRACKET - FENDER TO GRILLE</b>				
56	A	R. H. -use with B6A 16005-A	1	B6A 16016-A
		L. H. -use with B6A 16006-A	1	B6A 16017-A
		Bolt (brkt. to fender)-1/4"-20 x 1/2"	2	20308-S7(B40)
		Nut-1/4"-20	2	33795-S7(M49)
		Lockwasher-1/4"	2	34805-S8(X62)



P.4414

<b>16O18-9 PANEL - FENDER REPAIR</b>				
57	A	R. H. -lower headlamp area	1	B7A 16O18-A
		L. H.	1	B7A 16O19-A
		R. H. - above headlamp area - 6 1/2" x 10"	1	B7AZ 16D060-A
		L. H.	1	B7AZ 16D061-A
		R. H. -fender side-front section-13" x 29 1/4"	1	B7AZ 16D056-A
		L. H.	1	B7AZ 16D057-A
		R. H. -fender side- rear section - 12" x 14"	1	B7AZ 16D058-A
		L. H.	1	B7AZ 16D059-A
58	A	R. H. - lower headlamp area	1	B8A 16O18-A
		L. H.	1	B8A 16O19-A
		R. H. - above headlamp area - 6 1/2" x 10 1/4"	1	B8AZ 16D060-A
		L. H.	1	B8AZ 16D061-A
		R. H. -fender side - rear section - 12" x14"	1	B7AZ 16D058-A
		L. H.	1	B7AZ 16D059-A
59	A	R. H. - inner headlamp area - 9 1/2" x 16 1/2"	1	B9AZ 16O18-A
		L. H.	1	B9AZ 16O19-A
		R. H. - above headlamp area - 8"	1	B9AZ 16D060-A
		L. H.	1	B9AZ 16D061-A
		R. H. -fender side - front section-21 1/4" x 30"	1	B9AZ 16D056-A
		L. H.	1	B9AZ 16D057-A
		R. H. - fender side - rear section-24" x 30"	1	B9AZ 16D058-A
		L. H.	1	B9AZ 16D059-A

## SECTION 160

## FORD CAR PARTS

YEAR 19	MODEL	DESCRIPTION	QTY. PER VEHICLE	PART NUMBER
<b>16036-7 MOULDING - FRONT FENDER SIDE UPPER</b> - Also Refer to Group 16003-4				
55	A(Fairlane, 79)	Refer to Group 16003-4		
57	A(59B, 66B, 70B, 73B, 79C, D)	R. H.	1	◇B7A 16036-A
		L. H.	1	◇B7A 16037-A
57	A(51A, 57A, 58B, 63A, 64B, 76B)	R. H.	1	◇B7A 16036-B
		L. H.	1	◇B7A 16037-B
58	A(57B, 58A, 63B, 64A)	R. H.	1	B8A 16036-A
		L. H.	1	B8A 16037-A
59	A (except 58E, 59C, 64F, G, 66C, 71G, H)	R. H.	1	B9A 16036-A
		L. H.	1	B9A 16037-A
57	A(59B, 66B, 70B, 73B, 79D)	Clip kit (moulding to fender)	1	B7A 115-A
57	A(51A, 57A, 58B, 63A, 64B, 76B, 79C, E)	Clip kit (moulding to fender)	1	B7A 116-A
59	A (except 58E, 59C, 64F, G, 66C, 71G, H)	Retainer (moulding to fender)	10	B9AB 6420262-A
		Clip kit (moulding to fender)	2	B9A 110-A
58	57B, 58A, 63B, 64A	Clip kit (moulding to fender)	2	B8A 110-A
57/	A	Nut & washer (moulding to fender)-No. 10-24	AR	354397-S100
57/59	A	Clip (moulding to fender)	2or4	358560-S100(RR45)
<b>16054-5 APRON - FRONT FENDER</b>				
- A -				
52/53	A	LH	1	BF 16055-A
55/56	A	R. H.	1	B6A 16054-B
		L. H.	1	B6A 16055-A
57/58	A	R. H.	1	B8A 16054-A
		L. H.	1	B8A 16055-A
59	A	R. H.	1	B9A 16054-A
		L. H.	1	B9A 16055-A
- S -				
55/57	S	R. H.	1	B6S 16054-A
		L. H.	1	B6S 16055-A
58/	S	R. H. -less weatherstrip	1	B8S 16054-B
		L. H. -less weatherstrip	1	C0SB 16055-A
49/54	A	Bolt (apron thru defl. to suppt.)-5/16"-24 x 3/4"	6	20347-S8(B156)
49/54	A	Nut-5/16"-24	6	33798-S8(M62)
49/54	A	Lockwasher-5/16"	6	34806-S7(X64)
54	A	Screw (apron to dash panel to fender shield to apron to rocker panel)-5/16"-24 x 1.12"	AR	353483-S2(BB588)
		Bolt (apron to fender at wheel opening)	4	
		Bolt (apron to body at dash to frame brace)	2	
		Bolt (apron to fender at hood opening)	8	
54	A	Flat washer 5/16"	AR	44722-S8(X19)
54	A	Bolt (apron to deflector)-5/16"-24 x 1"	2	20387-S8(B157)
54/56	A	Bolt(apron to air deflector to fender)-1/4"20x3/4"	AR	20344-S8(B42)
54/56	A	Nut-1/4"-20	AR	33795-S7(M49)
55/56	A	Lockwasher 1/4"	AR	34805-S8(X62)
55/56	A	Flat washer 1/4"	AR	44719-S8(X17)
54/56	A	Nut retainer (apron to dash to deflector)5/16"-24	AR	359952-S2(MM198)
59/	A	Nut retainer	AR	
		Nut-5/16"24	2	354299-S2(MM156)
		Flatwasher-5/16"	2	44725-S8(X22)
		Grommet (front wheel brake tube anti-rattle-located on apron)	2	353789-S(KK6)
<b>16070 ANTI-SQUEAK</b>				
49/51	A	Clutch shield to frame-36" long	AR	8M 16070-A
49	A	Front bumper stone deflector-36" long	AR	
49/51	A	Front fender apron splash panel-36" long	AR	
49/51	A	Cowl side panel to fender filler-36" long	AR	
<b>16D056-61 PANEL - FENDER REPAIR</b> -Refer to Group 16018-9				

◇ Used with unique two tone paint

# FORD CAR PARTS

## SECTION 160

609

YEAR 19	MODEL	DESCRIPTION	QTY. PER VEHICLE	PART NUMBER
<b>16074-5 MOULDING - FRONT FENDER FRONT</b>				
57	A	R. H.	1	B7A 16074-A
		L. H.	1	B7A 16075-A
		Clip kit-used with R. H. & L. H. moulding	2	B7A 117-B
59	A	R. H. -Includes 4 screws for attaching	1	B9A 16074-A
		L. H. -Includes 4 screws for attaching	1	B9A 16075-A
		Screw (moulding to fender)-No. 6-18 x 3/8"	8	376374-S101(BB99)
		Nut (moulding thru. fender to retainer)-1/4"-28	8	*33907-S8
		Seal (moulding to fender)	AR	M 5397-B
<b>16A076 RETAINER - FRONT FENDER MOULDING</b>				
55/57	A(Fairlane)	Used at rear of B5A 16326-7-A & B6A 16003-4-B	6	B5A 16249-A
58	A(Custom "300", Fairlane "500")	Used on B8A 16003-4-C mouldings	10or12	B8A 16249-A
<b>16086-7 RETAINER - FRONT FENDER - FRONT UPPER MOULDING</b>				
57	A	R. H. -used with B7A 16074-A moulding	1	B7A 16086-A
		L. H. -used with B7A 16075-A moulding	1	B7A 16087-A
<b>16098 PLATE - FRONT FENDER NAME - Also Refer to Group 50399</b>				
- A -				
52/53	A (except S/D & S/W)	"Mainline"	2	BA 16098-A
52	A (except Convertible, Victoria & S/W)	"Customline"	2	BA 16098-B
52/53	A (Mainline S/W)	"Ranch Wagon"	2	BA 16098-C
54	A (Mainline)	"Mainline"	2	BM 16098-D
55/56	A (Tudor & Fordor)	"Customline"	2	B5A 16098-B
54/58	A (S/D)	"Courier"- 1954/57-Fender, 1958-Quarter	2	B5A 16098-C
59	A (59C)	"Courier"	2	
54/56	A (Mainline S/W)	"Ranch Wagon"	2	B5A 16098-D
57	A (Custom S/W)		2	
55/56	A (Customline S/W)	"Country Sedan"	2	B5A 16098-E
55	A (Victoria-60B)	"Victoria"	2	B5A 16098-F
56	A (Victoria-64C, 57A)		2	
55/56	A (Convertible)	"Sunliner"	2	B5A 16098-G
57	A(66)	"Ranchero"	2	B7A 16098-A
57/58	A(57B, 58A, 63B, 64A)	"Fairlane" -fender (1957), rear quarter (1958)	2	B7A 16098-B
- S -				
57/58	S	"Thunderbird"-includes attaching parts-mounts on fender	2or3	C1SB 16098-A
57/59	S	Spare wheel carrier	2	
	S	Mounts on doors	2	
52	Customline, Crestline	Nut (front fender name plate to fender)-No. 12	10	350786-AS7-8
52/53	Mainline		8	(MM239)
54/56	A	Nut (name plate to panel)-No. 6-32	AR	34051-S7(M154)
54/56	A	Flat washer-No. 6	12	44707-S8(X8)
54	Ranch Wagon	Sealer (plate to fender)-seal	AR	M 5397-B
55/57	A	Nut (name plate to fender)-1/8"-spring	AR	359464-S7(MM271)
57/59	S		8	
55/56	Customline S/W	Nut (name plate to fender)-1/8"-sleeve type	AR	353577-S2(MM222)
57	Custom "300" S/W, Fairlane		AR	
58/59	S	Name plate to fender or door	8	
58	S/D	Name plate to quarter panel	10	
59	59C, 71E, 71F, 71G, 71H		12	
59	59C	Nut (name plate to quarter panel)-1/8" sleeve type	12	355891-S2(MM221)
<b>16102-3 SHIELD - FRONT FENDER SPLASH</b>				
- A -				
54	A	R. H.	1	BM 16102-A
52/54	A	L. H.	1	BM 16103-A
55/56	A	R. H.	1	B5A 16102-A
55/56	A	L. H.	1	B5A 16103-A
59	A	R. H. -less seal	1	B9A 16102-A
		L. H. -less seal	1	B9A 16103-A

## SECTION 160

## FORD CAR PARTS

YEAR 19	MODEL	DESCRIPTION	QTY. PER VEHICLE	PART NUMBER
<b>16102-3 SHIELD - FRONT FENDER SPLASH - continued</b>				
- S -				
55/57	S	Lower-R. H.-at bottom of firewall	1	B5AZ 16102-A
		Lower-L. H.	1	B5SZ 16103-A
56/57	S	R. H. & L. H. -rear upper- w/air duct hole	2	B6SZ 16102-A
56	S	R. H. -rear - below B6SZ 16102-A	1	B6S 16102-A
57	S	R. H. -trim edge & relocate hole	1	
56	S	L. H. -rear-below B6SZ 16102-A	1	B6S 16103-A
57	S	L. H. -trim edge & relocate hole	1	
58/	S	R. H. -less seal-front	1	B8SZ 16102-A
		L. H. -less seal-front	1	B8SZ 16103-A
58/	S	R. H. -less seal-rear	1	B8S 16102-A
		L. H. -less seal-rear	1	B8S 16103-A
54/56	A	Retainer nut (fender splash shield)-5/16"-24	AR	359952-S2(MM198)
55/57	S	Bolt (shield to apron)-1/4"-20 x 1/2"	6	20308-S7(B40)
55/57	S	Lockwasher-1/4"	6	34805-S8(X62)
55/57	S	Nut-retainer-1/4"-20	6	357227-S(MM206)
58/	S	Screw (shield to front fender)-1/4"-20 x 1/2"	4	51768-S8(U373)
58/	S	Screw (shield to outer floor side member)	2	
58/	S	Screw (shield to front fender apron)	2	
58/	S	Screw (shield to body)-No. 14-10 x 5/8"	4	31498-S8(U253B)
58/	S	Screw & washer (shield to fender)-1/4"-20 x 1/2"	4	*42817-S8
58/	S	Screw & washer (shield to apron)	6	
58/	S	Nut & retainer (fender to apron)-1/4"-20	6	357227-S(MM206)
<b>16108-9 SUPPORT - FRONT FENDER TO SIDE AIR DEFLECTOR</b>				
59	A	R. H.	1	B9A 16108-A
		L. H.	1	B9A 16109-A
		Screw (support to fender)-5/16"-24 x 1 1/8"	2	353483-S2(BB588)
		Nut-5/16"-24	2	354299-S2(MM156)
<b>16110 WEATHERSTRIP - FRONT FENDER REAR SPLASH SHIELD</b>				
52/56	A		2	BA 16110-A
55/56	S	Use BA 16254-C-Cut to fit	2	*BAA 16110-A
<b>16135 RETAINER - FRONT FENDER APRON and RADIATOR SUPPORT TO RADIATOR SEAL</b>				
58/	S		2	B8S 16135-A
		Screw (retainer thru seal and support)- No. 10-12 x 1/2"	3	32924-S7(U344)
		Screw (retainer thru seal to filler and support)	4	
		Screw (retainer thru seal to filler and support)- No. 10-26 x 1/2"	4	*52787-S15
		Screw (retainer thru seal to radiator support)	2	
		Screw (retainer thru seal to extension)	1	
		Screw (retainer thru seal and extension to radiator support)	1	
<b>16136 FILLER - FRONT FENDER APRON AND RADIATOR SUPPORT REINFORCEMENT TO SEAL</b>				
58/	S	Alter to fit as required	1	B8S 16136-A
		Screw (filler to apron & radiator support)- No. 10-12 x 3/8"	4	*32917-S8
<b>16137 SEAL - FRONT FENDER APRON and RADIATOR SUPPORT TO RADIATOR</b>				
58/	S		2	B8S 16137-A
		Screw (seal thru apron & radiator support seal to apron & radiator support reinforcement)- No. 10-12 x 3/8"	1	*32917-S8
<b>16138-9 SUPPORT - RADIATOR and FRONT FENDER APRON</b>				
- A -				
54	A		1	B4A 16138-A
55/56	A		1	B5A 16138-E
57/59	A		1	B7A 16138-A

# FORD CAR PARTS

## SECTION 160

611

YEAR 19	MODEL	DESCRIPTION	QTY. PER VEHICLE	PART NUMBER
<b>16138-9 SUPPORT - RADIATOR and FRONT FENDER APRON - continued</b>				
- S -				
55/57	S		1	B5S 16138-D
58/	S		1	C0SB 16138-A
49/53	A	Spring(rad. & fdr. apron support to crossmember)	1	AB 8130-A
49/53	A	Bolt (support to crossmember)-3/8"-24 x 3 1/4"	1	351695-S8(BB226)
49/53	A	Washer-flat-7/16"	1	359820-S8(XX203)
49/53	A	Bolt (radiator & fender apron support to radiator)-5/16"-24 x 3/4"	6	20347-S8(B156)
57/58	A	Bolt (support to grille panel brace)	2	
49/53	A	Nut-5/16"-24	6	33798-S8(M62)
57/58	A	Nut-5/16"-24	2	
49/53	A	Lockwasher-5/16"	6	34806-S7(X64)
49/53	A	Washer-5/16"	6	44722-S8(X19)
54	A	Bolt (apron & radiator to frame)-3/8"-24 x 2 1/2"	2	351816-S(BB224)
52/54	A	Bolt (apron & rad. to frame)-3/8"-24 x 1 1/4"	2	20429-S8(B172)
55/56	A, S	Stud (support to frame)-3/8"-24 x 2.32"	2	354242-S(WW95)
57	S	Stud (support to frame)	2	
49/	A, S	Nut-3/8"-24	AR	34445-S7-8(M80)
52/59	A	Flat washer-3/8"	1or2	44727-S8(X24)
55/57	A, S	Washer 3/8"	2	352981-S(XX143)
57/58	A (except 51A)	Bolt (support thru insulator, spring, shim & pad to frame)-3/8"-24 x 3 1/2"	1	359832-S8(BB703)
59	A		1	
57/58	A	Lockwasher-5/16"	2or4	*34941-S7
57/59	A	Nut (to hold 359832-S8 to support)-9/16"-push on	1	351092-S32 (MM262)
58/	S	Screw (support to apron & radiator)-No. 10-12 x 1/2"	4	32924-S7(U344)
<b>16151 EXTENSION - FRONT FENDER APRON AND RADIATOR SUPPORT REINFORCEMENT</b>				
58/	S		1	B8S 16151-A
		Screw (extension to support)-No.10-16 x 1/2"	4	*52787-S15
<b>16152-3 BRACE - RADIATOR SUPPORT</b>				
57/58	A	R. H.	1	B7A 16152-A
		L. H.	1	B7A 16153-A
59	A	R. H.	1	B9A 16152-A
		L. H.	1	B9A 16153-A
57/58	A	Screw & L/washer (brace to suppt. )-5/16"-24x3/4"	4	20347-S8(B156)
57/58	A	Brace to apron	4	
57/58	A	Nut-5/16"-24	8	33798-S8(M62)
57/58	A	Lockwasher-5/16"	8	*34941-S7
59	A	Screw(brace thru fdr. to apron)-5/16"-24 x 1 1/8"	4	353483-S2(BB588)
59	A	Screw (brace to support)	4	
59	A	Nut-retainer-5/16"-24	4	359952-S2(MM198)
59	A	Nut-5/16"-24	4	354299-S2(MM156)
		Nut (support to frt. fender apron)	AR	
<b>16156 BAR - APRON SUPPORT</b>				
54/56	A		1	B5A 16156-A
54/56	A	Bolt (brace to support)-5/16"-24 x 1"	2	20387-S8(B157)
54/56	A	Nut-5/16"-24	2	33798-S8(M62)
54/56	A	Lockwasher 5/16"	2	34806-S7(X64)
<b>16160-1 MOULDING - FRONT FENDER FRONT</b>				
59	A	R. H. -lower	1	B9AB 16160-C
		L. H. -lower	1	B9AB 16161-C
		Nut-(moulding to fender)-1/4"-20	10	33795-S7(M49)
		Lockwasher-1/4"	10	34940-S7(X88)
<b>16164-5 MOULDING - FRONT FENDER FRONT</b>				
55	A	R. H.	1	B5A 16164-A
		L. H.	1	B5A 16165-A
<b>16170-1 WEATHERSTRIP - FRONT FENDER APRON</b>				
52/59	A	39.5" long	2	B9A 16170-A

YEAR 19	MODEL	DESCRIPTION	QTY. PER VEHICLE	PART NUMBER
<b>16173 SHIELD - CLUTCH PEDAL</b>				
49/50	A		1	8A 16173-B
51	A		1	1A 16173
51	A	Screw (clutch pedal shield to cross member)- No. 14-10 x 3/4"	2	42143-S8(U255)
<b>16174-5 ORNAMENT - FRONT FENDER - LOWER</b>				
59	A(51A, 54A, 64A, 65A, 75A, 75B)	R. H. -includes (5) nuts & washers, retainers and installation sheet	1	B9A 16174-A
		L. H. -includes (5) nuts & washers, retainers and installation sheet	1	B9A 16175-A
		Nut & washer-No. 10-24	12	\$354397-S100 (MM291)
<b>16178-9 ORNAMENT - FRONT FENDER - Also Refer to Group 16228-9</b>				
- A -				
58	A		1	B8AZ 16178-A
59	A(51A, 54A, 64A, 65A, 75A, 76B)	Includes attaching parts	2	B9AB 16178-B
59	A(57A, 58A, 58B, 58E, 59C, 59D, 63A, 64A, 64B, 64F, 64G, 71E, 71F, 71G, 71H)	Includes 4 nuts & washers assy.	2	B9AZ 16178-A
- S -				
58	S		1	B8AZ 16178-A
59	S	Includes attaching parts	2	B9AB 16178-B
59/	A(51A, 54A, 64A)	Nut (ornament to fender)-No. 8-32	4	34052-S7(M155)
		Lockwasher	4	34938-S8(X85)
		Nut & washer-No. 10-24	AR	354397-S100 (MM291)
<b>16188-9 MOULDING - FRONT FENDER</b>				
49	A(S/W)	LH-"CUSTOM"	1	8A 16189-B
50	A(S/W)	RH-"CUSTOM"-with angle end	1	0A 16188-B
51	A(Custom DeLuxe-except Crestliner, S/W)	LH-"CUSTOM"	1	1A 16189-B
52	A(Customline & Crestline)	RH	1	BA 16188-A
		LH	1	BA 16189-A
53	A(Customline)	RH-"Customline"	1	BF 16188-A
		LH-"Customline"	1	BF 16189-A
53	A(Convertible, Victoria)	RH-"Crestline"	1	BF 16188-B
		LH-"Crestline"	1	BF 16189-B
49	A(Custom-except S/W)	Retainer (front fdr. mldg. to fdr.)-rear hole	2	357039-S7(RR12)
50	A	Retainer (front fender moulding)	4	
49	A(Custom-except S/W)	Retainer (front fdr. mldg. to fdr.)-front hole	2	358333-S8(RR8)
49/53	A	Nut-No. 10-24	AR	34053-S8(M156)
49/53	A	Lockwasher-No. 10	AR	34903-S8(X96)
51	A(Custom DeLuxe)	Retainer (front fender moulding attaching)- 2.52" long x 1" wide-has No. 10-24 stud	2	357128-S8(RR7)
51	A	Retainer (front fender moulding attaching)- 1 1/4" long x 7/8" wide-has No. 10-24 stud	2	357736-S8(RR20)
51	A(DeLuxe)	Clip assy. (front fender ornament attaching)	2	357352-S8(RR25)
52	A(Customline, Crestline)	Clip Kit (moulding to fender)	1	B2A 118-A
52	A(Customline & Crestline-except S/W)	Clip (moulding to fender)-No. 10-24	2	358548-S8(RR29)
53	A(Customline, Crestline)	Clip (ornament moulding to fender)	2	
52	A(Customline & Crestline-except S/W)	Clip (moulding to fender)	2	*358400-S8
53	A(Customline, Crestline)	Clip Kit (moulding to fender)	1	B3A 118-A
53	A(Customline, Crestline)	Clip (ornament moulding to fender)	2	358545-S8(RR27)
<b>16222 BRACE - FENDER TO APRON</b>				
55/57	S		2	B5S 16222-A
		Bolt (brace to bracket)-5/16"-24 x 3/4"	2	20347-S8(B156)
		Bolt (brace to apron assy.)	2	
		Nut-5/16"-24	2	33798-S7-8(M62)
		Lockwasher-5/16"	2	*34941-S7
		Washer-flat-5/16"	2	44722-S8(X19)
<b>16228-9 ORNAMENT - FRONT FENDER - Also Refer to Group 16178-9</b>				
56/57	A (except 70A, B, D, 78A)	R. H.	1	B6A 16228-A
		L. H.	1	B6A 16229-A
55/57	S	RH	1	B5A 16228-A
		LH	1	B5A 16229-A
56	A	Nut (ornament to fender)-1/8" spring	6	359464-S7(MM271)
55/57	S	Nut (ornament to fender)-1/4"-28	12	33796-S7(M61)
55/57	S	Lockwasher-1/4"	12	34805-S8(X62)
		Nut-1/8" sleeve type	6	353577-S2(MM222)



# FORD CAR PARTS

## SECTION 160

613

YEAR 19	MODEL	DESCRIPTION	QTY. PER VEHICLE	PART NUMBER
<b>16237 EMBLEM - FRONT FENDER SIDE</b>				
51/53	A (8 cyl.)	"V-8"-copper chrome	2	1BA 16237-A
54	A (8 cyl.)	"V-8"-chrome plated	2	BM 16237-A
55/56	A (except Fairlane, S/D & S/W)-8 cyl.		2	
55	S		2	
55	A	"I-6"	2	B5A 16237-A
51/56	A	Nut (emblem to fender)-1/4"-28-jam nut	4	34081-S7(M164)
51/56	A	Lockwasher-1/4"	4	34805-S8(X62)
<b>16240 SEAL - FRONT FENDER APRON SHIELD</b>				
54		15.86" long	2	BM 16240-A
55/57	S		2	
<b>16241 CLIP - FRONT FENDER MOULDING</b>				
55	A		10	B5A 16241-A
55/56	S		AR	
<b>16249 RETAINER - FRONT FENDER SIDE MOULDING</b> -Refer to Group 16A076				
<b>16250-1 RAIL - FRONT FENDER OUTSIDE FINISH</b>				
55	A(Country Squire)	R. H.	1	B5A 16250-B
		L. H.	1	B5A 16251-B
56	A(Country Squire)	R. H.	1	B6A 16250-A
		L. H.	1	B6A 16251-A
57	A(Country Squire)	R. H.	1	B7A 16250-A
		L. H.	1	B7A 16251-A
58	A(Country Squire)	R. H.	1	B8A 16250-A
		L. H.	1	B8A 16251-A
59	A(Country Squire)	R. H.	1	B9A 16250-A
		L. H.	1	B9A 16251-A
52/53	A(Country Squire)	Cap	8	358404-S(DD1)
55/	A(Country Squire)	Cap (rail to fender)	12	
52/53	A(Country Squire)	Bolt (rail to fender)-oval hd. -No. 14-10 x 1 3/4"	8	353421-S8(UU94)
55/57	A(Country Squire)	Bolt (rail to fender)	12	
52/53	A(Country Squire)	Retainer	8	358403-S2(GG54)
55/	A(Country Squire)	Retainer (rail to fender)	12	
52/53		Seal (outside finish rail)-1 1/2" x 1 1/2" x .19"	4	★BA 7920726-A
52/53		Seal(outside finish rail)- 13" I.D. x .3/4" O.D. x .19"	4	★BA 7920726-B
52/53	A(Country Squire)	Nut-No. 14	8	352517-S32(MM238)
58/	A(Country Squire)	Screw (rail to fender)-No. 10-32 x 1 1/4"	12	★50564-S8
58/59		Fastener-(rail to fender)	12	★B8A 7750108-A
58/59		Transfer (mahogany wood grain)-19.63" x 52.0"	AR	B8A 7920748-A
55/57	A(Country Squire)	Nut-No. 14	12	357215-S32(MM267)
55/57	A(Country Squire)	Screw (rail to fender)-No. 10-12 x 7/8"	4	32944-S7-8(U346)
<b>16254-5 WEATHERSTRIP - FRONT FENDER APRON TO FRAME - REAR</b>				
51/53	A	Rear RH-fender to frame-10 1/2" long-cut from B5A 17740-A	2	★BA 16254-B
52/54	A	Apron to frame	AR	BA 16254-C
55/	A, S	Apron to frame-front	AR	
57/58	A	R. H. -use B7A 16255-A - cut to fit	1	★BAC 16254-A
57/58	A	L. H.	1	B7A 16255-A
<b>16282-3 MOULDING - FRONT FENDER SIDE FINISH PANEL</b>				
58	57B, 58A, 63B, 64A	R. H.	1	B8A 16282-A
		L. H.	1	B8A 16283-A
		Nut & washer (moulding to fender)-No. 10-24	6	354397-S100 (MM291)
		Retainer (moulding to fender)	4	B8A 6429318-A
<b>16304-5 SEAL - FRONT FENDER TO BUMPER</b>				
58/	S	R. H.	1	B8SZ 16304-A
		L. H.	1	B8SZ 16305-A
		Screw(seal to fender)-No.10-12 x 1/2" pan head	18	42127-S7-8(U248C)
<b>16326-7 MOULDING - FRONT FENDERSIDE</b> -Refer to Group 16003-4				
<b>16350-1 EXTENSION - FRONT FENDER APRON LOWER</b>				
58/	S	R. H.	1	B9S 16350-A
		L. H.	1	B9S 16351-A

## SECTION 160

## FORD CAR PARTS

YEAR 19	MODEL	DESCRIPTION	QTY. PER VEHICLE	PART NUMBER
<b>16377 SPRING - FUEL TANK FILLER NECK LID HINGE</b>				
52/54	A (S/W, S/D)		1	BA 16377-A
55/56	A (S/D, S/W), S		2	B5S 16377-A
57/58	A (51A)		1	B7A 16377-A
57/58	A (Ranchero, S/D, S/W)		1	B7A 16377-B
59	A (51A)		1	
<b>16410-1 PANEL - FRONT FENDER SIDE FINISH</b>				
57	A (59B, 70B, 73B, 79C, D)	R. H.	1	◊B7A 16410-A
		L. H.	1	◊B7A 16411-A
57	A (51A, 57A, 58B, 63A, 64B, 76B)	R. H.	1	◊B7A 16410-B
		L. H.	1	◊B7A 16411-B
58	A (57B, 58A, 63B, 64A)	R. H.	1	B8A 16410-A
		L. H.	1	B8A 16411-A
59	A (except 58E, 59C, 64F, G, 66C, 71G, H)	R. H.	1	B9A 16410-A
		L. H.	1	B9A 16411-A
		Nut & washer (moulding to fender)-No. 10-24	6	354397-S100 (MM291)
		Retainer (moulding to fender)	4	B8A 6429318-A
<b>16D576 DEFLECTOR - MUD and STONE</b>				
49/	A (S/W)	Kit	1	C4RZ 16D576-A
			ROTUNDA SALES NO R54-B	
<b>16604 PLATE - HOOD FRONT NAME</b>				
55	A (Fairlane-except 79C)	"Fairlane"	1	B5A 16604-B
56	A (Fairlane)	"Fairlane"	1	
57	A (Fairlane, Fairlane "500")	"Fairlane"	1	B7A 16604-A
58	A (Fairlane, Fairlane "500")	"Fairlane"	1	B8A 16604-A
55/56	A (Fairlane)	Flatwasher-No. 6-3/8" x 3/64"	4	44707-S8(X8)
55/56	A (Fairlane)	Lockwasher-No. 6-5/16" x 1/64"	4	34937-S7(X84)
55/56	A (Fairlane)	Nut (plate to hood)-No. 6-32	4	34051-S7(M154)
57/58	A (Fairlane, Fairlane "500")	Nut (plate to panel)-1/8"	4or5	359464-S7(MM271)
<b>16606 LETTER - FRONT - Also Refer to Body Group 40282</b>				
49	A	"F"-"O"-"R"-"D"-No longer supplied		
57	A (Custom, Custom "300, S/D, S/W)	"F"	1	B7A 16606-A
		"O"	1	B7A 16606-B
		"R"	1	B7A 16606-C
		"D"	1	B7A 16606-D
57	A (Custom, Custom "300", S/D, S/W)	Nut (letter to panel)-1/8"	8	359464-S7(MM271)
<b>16607 EMBLEM - HOOD FRONT - Also Refer to Group 16637 &amp; Body Group 405A86</b>				
50	A	FORD Crest	1	0A 16607
59/	A (except Fairlane)	Repl. by CIAB 64405A86-A (2-61) on Pg. 807	1	★C0AB 16607-B
55/57	S		1	B5S 16607-A
55/57	S	Screw (ornament to hood)-No. 8-32 x 1/2"	4	★50514-S8
55/57	S	Nut-No. 8-32	1	34052-S7(M155)
58/59	S	Screw (ornament to hood)-No. 8-32 x 3/8"	6	31061-S8(U50)
		Lockwasher-No. 8	6	34938-S8(X85)
<b>16608 GRILLE - HOOD FRONT ORNAMENT</b>				
58	A		1	B8A 16608-A
58/	S		1	B8S 16608-A
58/	S	Nut & washer (grille to ornament)-1/8" self-threading	3	370713-S100 (MM292)
<b>16609 CAP - HOOD FRONT ORNAMENT CENTER</b>				
58/	S		1	B8S 16609-A
<b>16612 HOOD</b>				
52/54	A	Less rear reinforcement	1	BM 16612-A
55	A		1	B5A 16612-C
56	A		1	B6A 16612-A
57	A		1	B7A 16612-A
58	A		1	B8A 16612-A
59	A		1	B9A 16612-A
55/57	S		1	B5S 16612-A
58/	S		1	C0SB 16612-B
52/54	A	Bumper (hood front to grille bar)-rubber	4	11A 7023030-A
58/	S	Bumper assy. -used as bumper for hood to cowl top - rubber	2	358939-S(CC17)
56	S		2	

◊ Used with unique two tone paint

# FORD CAR PARTS

## SECTION 166

615

YEAR 19	MODEL	DESCRIPTION	QTY. PER VEHICLE	PART NUMBER
<b>16637 EMBLEM - HOOD FRONT</b> - Also Refer to Group 16607 & 405A86				
50/51	A	"FORD" Crest-plastic	1	0A 16637-B
52/54	A	"FORD" Crest-plastic	1	BA 16637-A
55/56	A (except Fairlane)		1	
55	A (Fairlane-except 79C)	Ford Crest	1	B5A 16637-B
56	A (Fairlane)		1	
58/	S	Includes attaching parts	1	C0SB 16637-A
<b>16644 RETAINER - HOOD FRONT EMBLEM</b>				
50/51	A	Use with 0A-16637-B emblem	1	0A 16644-B
52/54	A	Use with BA-16637-A emblem	1	BA 16644-A
55	A (Fairlane-except 79C)	Use with B5A 16637-B Emblem	1	B5A 16644-C
56	A (Fairlane 57A)		1	
55/56	A (except Fairlane)	Use with BA 16637-A Emblem	1	B5A 16644-D
59	A (except 58E, 59C, 64F, G, 66, 71H)	Use with CLAB 64405A86-A (Pg. 807)	1	B9A 16644-A
50/54	A	Nut (hood emblem retainer)-1/4"-28	2	34081-S7(M164)
50/56	A	Lockwasher-1/4"		34805-S8(X62)
50/56	A	Washer-No. 14		44719-S8(X17)
55/56	A (Fairlane)	Nut (hood emblem retainer)-No. 10-24	2	34053-S8(M156)
55/56	A	Nut (hood emblem retainer)-1/4"-28	2	33796-S7(M61)
		Nut (retainer to hood)-1/4"-28	2	
<b>16675 PAD - EMBLEM</b>				
50/56	A (except Fairlane)	Hood front-rubber	1	0A 16675
53/54	A (except S/D & S/W)	Luggage compartment door-rubber	1	
55/59	A	Used as seal-(frt. fender to frt. body pillar)	2	
58	A	Hood front top ornament	1	B8A 16675-A
<b>16700-1 LOCK - HOOD</b>				
52/54	A		1	BM 16700-A
55	A		1	B5A 16700-D
56	A		1	B6A 16700-E
57/59	A		1	B9AB 16700-A
55/57	S	R. H.	1	B5S 16700-A
		L. H.	1	B5S 16701-A
58/	S	Hood catch	2	B9AB 16700-A
58/59	S (76A)	Used on luggage compartment	2	
55/57	S	Bolt (lock to panel & brace)-1/4"-28 x 1/2"	AR	20309-S8(B150)
57/	A	Bolt (lock to panel-cowl top)-1/4"-28 x 1/2"	4	
58/	S	Bolt (lock to panel-cowl top)	7	
58/	S (76A)	Bolt (lock to body)	8	
55/57	S	Flat washer -7/16"	8	359820-S8(XX203)
55/	S	Lockwasher-1/4"	AR	34805-S8(X62)
57/	A	Lockwasher-1/4"	4	
55/	S	Nut-1/4"-28	AR	33796-S7(M61)
57/	A	Nut-1/4"-28	4	
56	A	Lockwasher-1/4"	4	34905-S7(X97)
56	A	Nut-1/4"-20	4	33795-S7(M49)
57	S		8	
<b>16704 BRACKET - HOOD LOCK BELLCRANK MOUNTING</b>				
58/	S		1	B8S 16704-A
		Screw (attaches clip 353261-S8 to bracket)	2	*26498-S7
		Lockwasher-No. 12	2	34804-S8(X61)
		Nut-No. 12-24	2	34054-S8(M157)
		Clip	2	353261-S8(GG162)
<b>16716 SUPPORT - HOOD LOCK DOWEL</b>				
56	A		1	B6A 16716-B
55/57	S		1	B5S 16716-A
56	A	Bolt (support to hood lock)-1/4"-20 x 3/4"	1	20344-S8(B42)
56	A	Bolt (support thru hood lock support to radiator grille center bracket)	1	
56	A	Nut retainer (suppt. thru fdr. to deflector)-5/16"-24	4	359952-S2(MM198)
56	A	Nut-(support to dowel) -1/4"-20	4	33795-S7(M49)
56	A	Lockwasher-1/4"	4	34905-S7(X97)
55/57	S	Bolt (support to hood)-5/16"-24 x 5/8"	4	*20327-S8
55/57	S	Lockwasher 5/16"	4	34806-S7(X64)
55/57	S	Flatwasher 5/16"	4	44722-S8(X19)

Refer Body Group 405A86 for Emblem

## SECTION 166

## FORD CAR PARTS

YEAR TO	MODEL	DESCRIPTION	QTY. PER VEHICLE	PART NUMBER
<b>16717 SUPPORT - HOOD LOCK</b>				
52/53	A		1	BA 16717-B
52/54	A		1	BM 16717-A
55	A		1	B5A 16717-C
56	A		1	B6A 16717-C
52/54	A	Bolt (support to radiator support to grille)- 1/4"-20 x 3/4"	AR	20344-S8(B42)
		Nut-1/4"-20		33795-S7(M49)
		Lockwasher-1/4"		34805-S8(X62)
54/56	A	Nut retainer (support to apron)-5/16"-24	AR	359952-S2(MM198)
52/56	A	Bolt(support thru fdr. to defl.)-5/16"-24 x 1"	AR	20387-S8(B157)
55/56	A	Screw (support to deflector) 5/16"-18 x 1.12"	AR	353483-S2(BB588)
56	A	Screw (suppt. to grille ctr. brkt.)-5/16"-24 x 5/8"	2	★20327-S7
		Lockwasher-5/16"	2	34806-S7(X64)
		Screw-(support to hood lock) 1/4"-20 x 5/8"	4	★38228-S2
<b>16738 INSULATOR - HOOD</b>				
52/54	A		1	BA 16738-A
55/56	A	Cut to fit	1	B5A 16738-C
<b>16740 PAD - HOOD</b>				
49/51	A	On cowl	1	8A 16740-B
55/56	A	Cut to fit	1	
57/58	A		1	B8S 16740-A
59	A	On cowl-41.10" long	1	B9A 16740-A
55/57	S		1	8A 16740-B
58/	S		1	B8S 16740-A
49/57	A, S	Drive nail (hood pad to cowl)-No. 6	AR	351629-S28(UU15)
<b>16741 RETAINER - HOOD PAD</b>				
59	A	On cowl	1	B9A 16741-A
<b>16742 ROD - HOOD LOCK CONTROL</b>				
55/57	S		1	B5S 16742-A
<b>16758 BUMPER - FENDER TO HOOD - Also Refer to Groups 16758 &amp; 16769</b>				
52/54	A	.55" high	4	BA 16758-C
55/56	A		6	B5A 16758-A
57/59	A		4	B7A 16758-A
57/	S		4	
<b>16763 BUMPER - HOOD TO COWL TOP - Also Refer to Groups 16758 &amp; 16769</b>				
52/57	A		2	BA 16763-A
52/57	A	Screw (bumper to fender)-No. 10-16 x 3/4"	2	★52246-S8
<b>16767 SPRING - HOOD LOCK CAM</b>				
58	A	Contains 4 coils-17 to 21 lbs. test	1	B7A 16767-A
58/	S		2or4	
<b>16769 BUMPER - HOOD - Also Refer to Groups 16758 &amp; 16763</b>				
52/54	A (except S/D & S/W)	Used as luggage compartment door bumper	2	B5A 16769-A
57/59	A (51A)	Used as roof assy. to quarter panel bumper	4	
55/56	A	Hood lock support to hood	2	
57/58	A	Hood to cowl top	2	
58/	S	Hood to cowl top	2	
59	A	To cowl top	2	B9A 16769-A
		Nut (bumper adjustment)-3/8"-24	AR	33925-S7(M33)
59	A	Nut (bumper to front fender to cowl top mounting bracket) -5/16"-24	2	33923-S7(M32)
			2	
<b>16781 RETAINER - HOOD HINGE SPRING</b>				
57/58	A		2	B7A 16781-A
58/	S		2	B8S 16781-A
58/	S	Clevis pin (retainer to bracket)-5/16" x 2 1/4"	2	★74048-S8
58/	S	Cotter pin	2	72035-S7-8(N51)

# FORD CAR PARTS

## SECTION 166

617

YEAR 19	MODEL	DESCRIPTION	QTY. PER VEHICLE	PART NUMBER
<b>16789 SPRING - HOOD HOLD DOWN</b>				
52/54	A		2	BA 16789-B
55/56	A		2	B5A 16789-A
57/58	A	Used for hood hold down	2	B7A 16789-A
55/57	S	Used with folding top-main pivot	2	99A 16789
58/	S		2	B8S 16789-A
55/58	A	Bolt (support to deflector)-5/16"-24 x 3/4"	AR	20347-S8(B156)
55/58	A	Lockwasher-5/16"	AR	34806-S7(X64)
57/58	A	Clevis pin (to retain spring in hinge)-5/16" x 2 5/8"	2	*74076-S8
57/58	A	Cotter pin-1/8" x 1/2"	2	72005-S8(N48)
<b>16790 BAR - HOOD HINGE TORSION</b>				
59	A		2	B9A 16790-A
<b>16794 RETAINER - FRONT FENDER SIDE UPPER MOULDING</b>				
57	Custom "300"	Used with B7A 16036-7-A moulding	7or14	B7A 16794-A
57	Fairlane "500"	Used with B7A 16036-7-B moulding	7or14	B7A 16794-B
<b>16795 PLATE - HOOD HINGE</b>				
59	A	On body anchor	2	B9A 16795-A
<b>16796-7 HINGE - HOOD</b>				
52/54	A	RH-less springs	1	BA 16796-A
		LH-less springs	1	BA 16797-A
55/56	A	R. H. - less spring	1	B5A 16796-B
		L. H. - less spring	1	B5A 16797-B
57/58	A	R. H. -less spring	1	B7A 16796-A
		L. H. -less spring	1	B7A 16797-A
59	A	R. H. -less bars	1	B9A 16796-A
		L. H. -less bars	1	B9A 16797-A
55/57	S	R. H.	1	B5SZ 16796-A
		L. H.	1	B5SZ 16797-A
58/	S	R. H. - less springs	1	C0SB 16796-A
		L. H. - less springs	1	C0SB 16797-A
49	A	Bolt (hinge to dash brace)-5/16"-24 x 3/4"	4	20347-S8(B156)
49	A	Bolt (hinge to dash panel)	4	
50/51	A	Bolt (hood hinge to dash)	2	
53/54	A	Bolt (hinge to dash)	8	
55/57	S	Bolt (hinge to bracket & hood)	AR	
49/51	A	Locknut-5/16"-24		34393-S7(M98)
49	A	Bolt (hood hinge to roof panel)-No.10-32 x 5/8"	4	*27097-S2
49	A	Nut-No. 10-32		34079-S7(M163)
49	A	Lockwasher-No.10		34803-S7(X60)
49	A	Bolt (hood hinge to hood)-5/16"-24 x .78"	4	*350313-S8
49	A	Washer-spring-7/16"		356383-S7(XX362)
50/51	A	Bolt(hood hinge to roof panel)-1/4"-20 x 5/8"	4	20324-S8(B41)
		Bolt (hood hinge to cowl side panel)-1/4"-20 x 5/8"	2	
50/51	A	Locknut-1/4"-20	6	34390-S7(M92)
50/51	A	Nut-1/4"-20		33795-S7(M49)
50/51	A	Bolt (hood hinge to hood)-5/16"-24 x 7/8"	4	355401-S8(BB484)
50/51	A	Washer-5/16"		351360-S(XX112)
52/54	A	Bolt (hinge to hood)-5/16"-24 x 15/16"	AR	353788-S8(BB487)
52/54	A	Washer-11/32"	2	353728-S8(XX308)
55/56	A	Bolt (hinge to body at cowl side)-5/16"-24 x .80"	4	351751-S8(BB698)
55/56	A	Bolt (hinge to hood)-5/16"-24 x 5/8"	6	*20327-S8
55/56	A	Lockwasher-5/16"	6	*34941-S7
55/56	A	Flat washer-5/16"	6	44722-S8(X19)
55/56	A	Bolt (hinge to bracket)-5/16"-24 x 15/16"	4	353788-S8(BB487)
55/56	A	Nut-5/16"-24	4	33798-S8(M62)
55/57	S	Nut-5/16"-24	AR	
55/56	A	Lockwasher-5/16"	4	34806-S7(X64)
55/57	S	Lockwasher-5/16"	AR	
55/57	S	Flatwasher-5/16"	AR	44719-S8(X17)
57/59	A	Bolt (hinge to hood)-5/16"-24 x 1 1/8"	AR	353483-S2(BB588)
57/59	A	Bolt (hinge to radiator apron support)	AR	

YEAR 19	MODEL	DESCRIPTION	QTY. PER VEHICLE	PART NUMBER
<b>16796-7 HINGE - HOOD - continued</b>				
57/59	A	Nut retainer -5/16"-24	AR	359952-S2(MM198)
57/59	A	Nut -5/16"-24	2	354299-S2(MM156)
58/	S	Screw (hinge to apron)-3/8"-16 x .75"	4	370608-S2(BB579)
58/	S	Screw (hinge to rad.& apron suppt.)-3/8"-16 x 2.31"	4	370609-S2(BB580)
58/	S	Pin - 5/16" x 4 1/4" clevis	2	*74048-S8
58/	S	Pin -1/8" x 3/4" cotter	2	72035-S7(N51)
58/	S	Bolt (hinge to hood 5/16"-18 x 3/4"	4	20346-S8(B50)
58/	S	Lockwasher -5/16"	4	*34941-S7
58/	S	Flatwasher - 5/16"	4	44725-S8(X22)
<b>16798-9 BRACKET - HOOD HINGE SUPPORT</b>				
55/57	S	R. H.	1	B5S 16798-A
55/57	S	L. H.	1	B5S 16799-A
<b>16812 SPRING - HOOD HINGE</b>				
52/54	A	Circular-clock spring type	2	BF 16812-A
55/57	S	Circular -clock spring type	2	B5S 16812-A
<b>16813 COVER - HOOD TOP OPENING</b>				
55/57	S		1	B5S 16813-A
<b>16826 ROD - HOOD SUPPORT</b>				
49/50	A	36 3/4" long	1	C0DB 16826-A
<b>16832 SPRING - HOOD SUPPORT ROD</b>				
49/51	A		1	8A 16832
		Cotter pin-1/16" x 3/4"	1	72015-S(N40)
		Flat washer -5/16"	2	44722-S8(X19)
<b>16850 ORNAMENT ASSY. - HOOD TOP</b>				
49/50	A		1	0A 16850-A
54	A		1	BM 16850-A
55	A		1	B5A 16850-A
56	A		1	B6A 16850-B
57	A		1	B7A 16850-A
58	A		1	B8A 16850-A
49/50	A	Screw (hood ornament to hood)-1/4"-28 x 5/8"	2	38229-S7-8(U145)
49/50	A	Lockwasher-1/4"	2	34940-S7(X88)
52/55	A	Nut (ornament to hood)-1/4"-28	2	34081-S7(M164)
52/55	A	Lockwasher-1/4"	2	34805-S8(X62)
52/55	A	Washer-flat-1/4"	2	44719-S8(X17)
56	A	Screw(ornament to hood)-No.12-24 x 3/8"	5	354666-S2(BB568)
56/57	A	Nut (ornament to hood)-No.10-24	AR	34053-S8(M156)
56/57	A	Lockwasher-No.10	AR	34803-S7(X60)
57	A	Nut (ornament to hood)-No.10-24-Stamped	3	*45254-S7
57	A	Washer-flat-No.10	1	44713-S8(X13)
58	A	Nut (ornament to hood)-No. 10-24 Stamped	3	45243-S8(M178)
		Nut & washer (ornament to hood) -No. 10-24	4	354397-S100 (MM 291)
<b>16856-7 MOULDING - HOOD FRONT LOWER</b>				
55	A		1	B5A 16856-A
<b>16873 SPACER - HOOD ORNAMENT STUD</b>				
55/57	S		4	B5S 16873-A
<b>16877 CLAMP - HOOD CATCH CONTROL CABLE</b>				
49/51	A	On end	1	16H 16877-B
55/	S		1or3	
57/59	A		1	
		Screw (hood catch control clamp to cable)- No. 12-28 x 1/4"	AR	89735-S18(U403)
<b>16892 HOOK - HOOD AUXILIARY CATCH</b>				
52/54	A	Has offset handle	1	B4A 16892-B
57/59	A		1	B7A 16892-A
58/	S		1	B7A 16892-A
58/59	S (76A)	Used for luggage compartment door	1	
51/52	A	Clevis pin (hook to bracket)-3/16" x 11/16"	1	*73864-S
51/54	A	Cotter pin (hook to bracket)-1/16" x 1/2"	1	72003-S7(N38)
53	A	Clevis pin (hook to bracket)-3/16" x 13/16"	1	73878-S8(N2A)
		Screw (hook to hood)-1/4"-20 x 5/8"-washer hd.	2	354476-S2(BB570)
		Nut-1/4"-20	2	33795-S7(M49)

# FORD CAR PARTS

## SECTION 166

619

YEAR 19	MODEL	DESCRIPTION	QTY. PER VEHICLE	PART NUMBER
<b>16897 SPRING - HOOD AUXILIARY CATCH</b>				
53/54	A		1	BF 16897-A
56	A		1	B6A 16897-A
49/50	A	Clevis pin (hood locking plate)-3/16" x 3/4"	1	*73869-S2
49/53	A	Cotter pin (hood locking plate)-1/16" x 1/2"	1	72003-S7(N38)
<b>16906 RETAINER - HOOD LOCK RELEASE CABLE</b>				
59	A		1	B9A 16906-A
<b>16907 CLAMP - HOOD LOCK CABLE</b>				
55/57	S		1	B5S 16907-A
55/57	S	Bolt (clamp to hold hood lock cable)-1/4"-28x1/2"	1	20309-S8(B150)
55/57	S	Nut-1/4"-28	1	33796-S7(M61)
55/57	S	Lockwasher-1/4"	1	34805-S8(X62)
<b>16916 CABLE ASSY. - HOOD CATCH CONTROL</b>				
49/51	A	75.75" core- 72.25" housing	1	C0KB 16916-A
57/59	A	41.62" core-38.62" housing	1	B7A 16916-B
55/	S	23.25" core-19.50" housing	1	BAK 16916-A
49/51	A	Nut (hood catch control cable to hood control bracket on instrument panel)-3/8"-24	1	33925-S7(M33)
49/51	A	Lockwasher-3/8"	1	*34920-S7
57/59	A			
55/	S		1	
49/51	A	Grommet (hood cable thru dash panel)-rubber	1	352963-S(KK17)
57/59	A	Grommet (cable to dash)	1	
49/51	A	Clip(hood control cable to front fender apron)-rear	1	357044-S8(GG154)
50/51	A	Screw (clip to fender apron)-No. 14-10 x 3/4"	1	42143-S8(U255)
57	A	Screw (clip to panel-cowl top)	1	
50/51	A	Speednut-No. 14	1	355880-S32 (MM253)
55/56	S	Grommet (cable to dash)	1	354125-S(KK30)
57	A	Clip (hood catch control cable)	1	352974-S100 (GG170)
57/58	A	Clip (cable to cowl top panel 3/16" tube	1	357331-S32(GG5)
57/59	A	Clip (cable to cowl top panel)	1	356668-S32(GG27)
57/59	A	Screw-No. 12-28 round head-pointed set-used	1	89735-S18(U403)
58/	S	in control cable to control bracket	2	
57/59	A	Screw (cable to lock)-No. 12-24 x 5/8"	1	*26498-S7
57/59	A	Nut-No. 12-24	1	34054-S8(M157)
57/59	A	Lockwasher No. 12	1	34804-S8(X61)
58	A	Clip (cable to hoodlock)	1	353261-S8(GG162)
58/	S	Clip (cable to bellcrank mounting bracket)	2	
58/59	A	Nut (cable to control bracket)-3/8"-24	1	351022-S2(MM138)
58/	S	Grommet (cable thru cowl side pillar)	1	353789-S(KK6)
<b>16917 CABLE ASSY. - HOOD LOCK REMOTE CONTROL</b>				
58/	S		1	B8S 16917-A
		Clip (hood catch control cable)	1	352974-S100 (GG170)
		Screw (cable to control)-No. 12-28-headless set	1	89735-S18(U403)
<b>16918 PLATE - HOOD AUXILIARY CATCH STRIKER</b>				
57/59	A		1	B7A 16918-A
58/	S		1	B8S 16918-A
57/58	A	Bolt (plate thru fender to apron)-5/16"-24 x .75"	2	20347-S8(B156)
57/58	A	Lockwasher-5/16"	2	*34941-S7
57/58	A	Nut & retainer-5/16"-24	2	357552-S2(MM199)
57/58	A	Clip (cable to cowl top panel)-3/16" tube	1	357331-S32(GG5)
57/59	A	Nut-retainer-5/16"-24	2	359952-S2(MM198)
59	A	Bolt (plate thru fender to apron)-5/16"-24 x 7/8"	2	352628-S2(BB586)
58/	S	Bolt (plate to fender)- 1/4"-20 x 1/2"	1	20308-S7(B40)
58/	S	Nut -1/4"-20	2	33795-S7(M49)
		Screw (plate to support & rad.)-5/16"-24 x 1 1/8"	2	353483-S2(BB588)

## SECTION 166

## FORD CAR PARTS

YEAR 19	MODEL	DESCRIPTION	QTY. PER VEHICLE	PART NUMBER
<b>16921 SPRING - HOOD LOCK TRIGGER</b>				
56/59	A	Coil type with curved ends	1	B6A 16921-A
59/	S		1	
57/58	A	Coil type with straight ends	1	B7A 16921-A
58/	S		2	
58/59	S		Used for luggage compartment	
59	A		1	B9A 16921-A
<b>16925 SPRING - HOOD LOCK</b>				
49/51	A		1	11A 16925
52/54	A		1	BA 16925-A
56	A		1	B6A 16925-A
55/57	S		2	B5S 16925-A
<b>16927 GUIDE - HOOD LOCK SPRING</b>				
49/51	A		1	11A 16927
52/54	A		1	16H 16927
56	A		1	B6A 16927-B
<b>16929 DOWEL - HOOD LOCK</b>				
52/54	A	Dowel type	1	BA 16929-A
55	A	Dowel type	1	B5A 16929-A
56	A	Dowel type	1	B6A 16929-B
57/58	A	Hook type	1	B7A 16929-A
59	A	Hook type	1	B9A 16929-A
55/57	S	Dowel type (1/2"-20)-1.45" threaded, 2.75" length	2	B5S 16929-A
58/	S	Hook type	1	B7A 16929-A
58/59	S (76A)	Used for luggage compartment	1	
49/51	A	Locknut (hood lock dowel)-7/16"-20	1	34397-S7(M102)
52/54	A	Nut (dowel to hood)-1/2"-20 jam	1	33943-S8(M36)
55/	A, S	Nut (dowel to support)	1or2	
55/	A, S	Lockwasher-1/2"	1or2	34809-S8(X68)
57/58	A	Washer-square (hook to panel-hood)-1/2"	1	358681-S8(XX329)
58/	S		2	
59	A	Washer (hook to hood)-11/16" serrated	1	371970-S8(XX346)
<b>16930 BRACKET - HOOD LOCK CONTROL CABLE</b>				
49/51	A (except S/W)	Instrument panel	1	1A 16930-A
57/58	A		1	B7A 16930-B
59	A		1	B9A 16930-A
55/57	S		1	B5S 16930-A
58/	S		1	B8S 16930-A
55/57	S	Screw & lockwasher (bracket to instrument panel)-1/4"-28 x 5/8"	2	*50706-S13
55/57	S	Nut-1/4"-28	2	33796-S7(M61)
55/57	S	Lockwasher-1/4"	2	34805-S8(X62)
55/57	S	Washer-flat-1/4"	2	44719-S8(X17)
57/59	A	Screw & lockwasher (bracket to instrument panel)-1/4"-28 x 5/8"	2	*50706-S13
57/59	A		1	
57/59	A	Nut-1/4"-28	2	33796-S7(M61)
57/59	A	Lockwasher-1/4"	1	34805-S8(X62)
58/	S	Screw & washer (bracket to instrument panel)-No. 12-24 x 5/8"	2	*42736-S8
58/	S	Nut No. 12-24	2	34054-S8(M157)
58/	S	Flatwasher -No. 12	2	44716-S8(X15)
<b>16993 BUMPER - HOOD LOCK CAM</b>				
57/58	A		1	B7A 16993-A
58/	S		2	
58/59	S (76A)	Used for luggage compartment	2	



**INDEX**

**SECTION 170 - TOOLS**

PART NAME	GROUP NUMBER	PART NAME	GROUP NUMBER
Base ass'y. (jack)	17088	Strap ass'y. (hold down)	17083
Clamp (wheel wrench & jack)	17091	Tool bag	17005
Column ass'y. (jack)	17084	Tool kit	17003
Gun (grease) - hydraulic	17125	Tool (electrical terminal crimping)	17018
Jack & base (bumper)	17080	Wrench - adjustable	17021
Lift ass'y. (bumper jack)	17115	Wrench (jack handle & wheel nut)	17032
Spring (jack hold down)	17119	Wrench - spark plug	17017

**SECTION 172 - SPEEDOMETER and TACHOMETER**

Bezel assy. (speedometer)	17A260-1	Gear ass'y. (driven)	17322
Cable ass'y. (tachometer)	17365	Gear assy. (speedometer driven)	17271
Cable (speedometer)-for assy. see group 17260, for core see groups 17260 & 17262	17260 & 62	Gear (driving)	17285
Case (speedometer)	17289	Gear (tachometer)	17374
Casing & core assv. (speedometer drive)	17260		17377
Clip (speedometer casing)	17278	Kit (speedometer cable tip replacement)	17A254
Connector & spring clip assy. (speedometer)	17306	Kit (tachometer mounting bracket)	17368
Core (speedometer drive)	17262	Lens (speedometer dial opening)	17259
Core (tachometer cable)	17366		
Dial (speedometer face)	17265	Mask (speedometer)	17318
Dome (speedometer)	17319	"O" Ring (driven gear oil seal)	17383
Drive ass'y. (angle)	17279	Oil seal (gear bearing)	17298
Gasket (speedometer cover)	17248	Retainer (driven gear)	17292
		Speedometer ass'y.	17255
		Tachometer ass'y.	17360
		Tachometer kit	17A326

**SECTIONS 175-176 - WINDSHIELD WIPER, WINDSHIELD WASHER and RELATED PARTS**

Actuator ass'y. (windshield washer)	17601	Guide (windshield washer control cable)	17647
Adaptor (electric w/s wiper control co-ordinator)	17A474	Hose (motor to manifold)	17543
Arm (windshield wiper mounting)	17540	Hose (windshield washer)	17543
Arm & driver kit (windshield wiper)	17464		17580
Arm & pivot shaft (mounting)	17566-7	Housing (pivot shaft)	17554-5
Arm ass'y.	17526-7	Idler ass'y. (windshield wiper cable)	17592
Arm ass'y. (electric w/s wiper output)	17A436	Jar (windshield washer)	17618
Baffle	7002308	Kit (cam replacement)-electric windshield wiper	17A500
Bezel (windshield wiper control)	18598	Kit (washer nozzle repair)	17A638
Blade (windshield wiper)	17528	Kit (windshield washer)	17A603
Body (auxiliary drive)	17579	Kit (windshield wiper kicker & shuttle repair)	17B483
Button (windshield washer pump)	17537	Knob ass'y. (control)	17513
Cable assy. (windshield washer control)	17A611	Motor assy. (windshield wiper)	17508
Clip (windshield wiper adapter and connecting arm)	17531	Nozzle ass'y. (windshield washer jet)	17666
Connection (rear window wiper hose)	17489	Nut (control)	17512
Connector (hose to manifold)	17597	Nut (control to instrument panel)	13753
Connector (vacuum pump to hose)	2269	Plate & spring ass'y. (retainer)	17450
Connector (vacuum pump to manifold tube)	17491	Reservoir (windshield washer)	17618
Connector (windshield washer hose)	17598	Screw ass'y. (electric w/s wiper motor shaft stop)	17510
Control ass'v.	17470	Shield (pivot shaft)	17493
Control ass'y. (windshield washer)	17664	Silencer ass'y.	17595
Co-ordinator (windshield washer control)	17606	Slide (windshield wiper motor control)	17593
Cover ass'y. (windshield washer jar)	17616	Spacer (windshield wiper mounting - outer)	17514-5
Cover (reservoir)	17632	Switch & cover assy. (electric windshield wiper motor)	17A511
Fuse (electric vacuum pump)	14526	Tee assy. (jar to hose)	17615
Gasket (electric w/s wiper motor switch cover)	14711	Tee ass'y. (windshield washer hose)	17587
Gasket (silencer to hose)	2149	Tee (windshield washer hose)	17A601
Gear ass'y. (electric w/s wiper motor)	17490	Tensioner ass'y. (windshield wiper)	17590-1
Grommet (connecting arm to operating lever)	17562	Tube (vacuum to motor hose)	17536
		Washer (arm to pivot shaft)	17541
		Windshield wiper motor kit (kicker and shuttle)	17B483

## INDEX

## SECTION 176 - BUMPERS and RELATED PARTS - MIRRORS and RELATED PARTS

PART NAME	GROUP NUMBER	PART NAME	GROUP NUMBER
Adapter (inside rear view mirror)	17691	Deflector (rear bumper stone end)	17836-7 17808 17814
Anti rattler (bumper arm)	17749	Deflector (rear bumper stone)-outer	17805-6
Arm (front bumper center)	17182	Extension (rear bumper arm)	17815 17833
Arm (front bumper-inner)	17766-7	Filler (rear bumper to lower back panel)	17888-9
Arm (front bumper-outer)	17754-5	Frame (license plate)	17A387
Arm (rear bumper)-center	17787	Guard assy. (bumper upright)	17938-9
Arm (rear bumper-inner)	17787-8	Guard (bumper)	17996-7
Arm (rear bumper outer)	17795-6	Guard (rear bumper)	17984-5
Bar assy. (front bumper grille)	17940	Head (rear view mirror)-outside	17723
Bar ass'y. (front bumper impact)	17802	Insignia (front bumper grille guard)	17941
Bar assy. (rear bumper impact outer)	17864-5	Kit (front bumper guard)	17998
Bar (rear impact center)-upper	17751	Kit (license plate frame)	17A387
Bolt assy. (bumper bar to arms)	17758	Kit (rear view mirror)-outside	17696
Brace (front bumper end)	17204-5	Mirror & bracket assy. (rear view)-inside	17700
Brace (front bumper stone deflector)	17899	Mirror ass'y. (rear view)-inside	17702
Brace (rear bumper end)	17789	Mirror assy. (vanity)	17A679
Brace (rear bumper to frame cross member)	17668-9	Pad assy. (bumper guard)	17988
Bracket (bar to stone deflector)	17886-7	Panel (front bumper bar to radiator grille finish)	17060
Bracket (front bumper end brace)	17214	Plate (front bumper jack)	17807 17840
Bracket (front license plate mounting)	17244 17736	Plate (rear bumper jack)	17918-9
Bracket (rear bumper inner arm mounting)	17190	Reinforcement (impact bar)	17912-3
Bracket (rear bumper outer arm anchor)	17852-3	Reinforcement (rear bumper arm)	17958-9
Bumper (front)	17756-7	Reinforcement (rear bumper outer arm)	17228-9
Bumper (rear)	17906	Retainer ass'y. (front bumper finish panel)	17763
Cap (guard)	17868-9	Seal (rear bumper stone deflector)	17832
Deflector ass'y. (front bumper stone)	17744 17748	Seal (stone deflector to radiator)	17740
Deflector assy. (rear bumper stone)	17845	Spacer (front license bracket)	17751
Deflector (front bumper stone)	17779	Spacer (rear bumper guard)	17986
Deflector (front bumper stone center)	17202	Support (rear bumper impact bar extension)	17A826-7 17863
Deflector (front bumper stone end)	17198-9		

## SECTION 180 - SHOCK ABSORBER

Bracket (front shock absorber mounting)	18035	Kit (front)	18124
Bracket (rear shock absorber)	18178-9	Kit (rear)	18125
Bracket (rear shock absorber to axle mounting)	18132-3	Plate (front mounting)	18072
Bushing (front shock absorber mounting)	18A007	Stud & washer (rear shock absorber)	18165
Bushing (rear shock absorber)	18016		
Bushing repair kit	18198		

**INDEX**

**SECTION 184 - HEATER**

PART NAME	GROUP NUMBER	PART NAME	GROUP NUMBER
Bezel (control)	18598	Gasket (heater to dash)	18570
Bezel (defroster control)	18557	Grommet ass'y. (blower mounting)	18526
Blower ( fresh air heater)-complete	18456	Handle (heater door)	19203
		Heater and defroster	18455
Bracket (controls mounting)	18597		
Bracket (heater operating control mounting)	19212	Hose (defroster)	18556
Bulb (heater control panel)	13466	Hose (heater temperature control vacuum)-inlet	18666
Bushing (blower wheel)	18A661	Hose (heater temperature control vacuum outlet)	18668
		Hose (heater water)	18472
Case ass'y. (heater core)	18508	Hose (water control valve to core)	18551
Chamber (air plenum)	18471		
Clamp (heater air duct)	8725	Kit (blower housing)	18568
Clamp (heater hose)	18572	Kit (heater & air conditioner reg. control knobs)	18519
Clip (door)	18726	Knob ass'y. (blower switch)	18513
		Knob (control)	18519
Connector (blower duct to air valve)	18584	Lens (instrument panel control identification)	18547
Connector (heater to blower air duct)	18489	Lever ass'y. (heater temperature regulator control)	18544
Control ass'y. (heater air)	18552	Lever (regulator control)	18574
Control ass'y. (temperature)	18518		
Control (defroster and air)	18548	Motor ass'y. (blower)	18527
Core ass'y.	18476	Nozzle (windshield defroster hose)	18490-1
Duct (heater inlet)	18457	Nut (heater & air conditioner)	18546
		Nut (blower switch)	18545
Elbow ass'y. (defroster hose to nozzle)	18558	Panel ass'y. (control)	18549
Elbow (heater hose)	18599	Plate (control identification)	18619
Fan ass'y. (heater blower)	18504	Seal (heater water control valve)	19460
		Seal (motor dash panel opening)	18522
Gasket (blower motor mounting)	18583	Switch ass'y. (heater)	18578
Gasket (core tube)	18596		
Gasket (defroster nozzle)	19350	Valve ass'y. (heater air)	18494
Gasket (heater case to heater blower duct)	18688	Valve ass'y. (heater water control)	18495
Gasket (heater control panel)	18503	Valve (temp. regulator)	18502
Gasket (heater core to heater case)	18658	Wiring (heater blower switch jumper feed)	18A627

**SECTION 184 - RADIO**

Antenna ass'y.	18813	Crystals (two-way radio)	18A986
Antenna mounting kit	18917	Grommet (antenna lead-in seal)	18912
Bezel (radio control)	18842		
Bracket ass'y. (rear seat speaker switch)	19310	Knob ass'y. (rear seat speaker fader control)	19312
		Radio assy.	18805
Cable (antenna lead-in)	18812		
Control ass'y. (rear seat speaker volume)	18972	Switch & wiring (radio receiver to rear seat speaker)	18A900

**SECTIONS 184 and 190 - ACCESSORIES - MISCELLANEOUS**

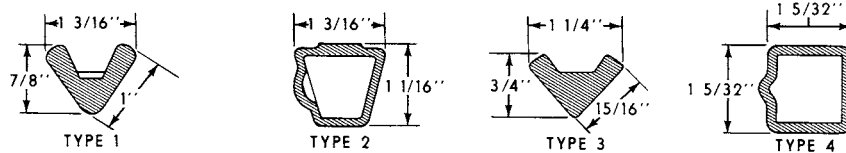
Bracket kit (safety seat belt)	18621	Lamp assy. (spotlight warning)	18150
Chemical (fire extinguisher recharge)	19B505	Marker (driveway reflector)	19C510
Cushion (seat)-air cooled	18627	Mirror (rear view - outside)	18153
Compass assy.	19A548	Moulding (spare wheel carrier)	18254
Deflector ass'y. (exhaust)	18259		
Fitting kit (quarter panel wheel opening)	18974	Ornament ass'y. (front fender)	18252
Guard (grille)	18412	Plate (compass mounting)	19D503
Kit (contour floor mats)	18323	Safety lock (rear door)	18333
Kit (cover)-roof luggage carrier	19B507	Seat cover (front cushion)	18614
Kit (fire extinguisher)	19B540	Seat cover (front)	19B501
Kit (sun visor fittings)	18235	Shield kit (quarter panel wheel opening)	18973
Kit (tissue dispenser)	19A549	Tube (carburetor to governor)	18216

## INDEX

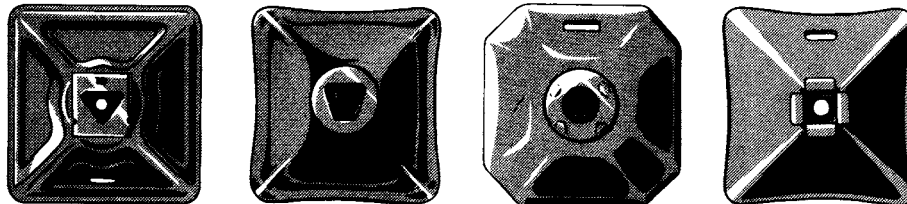
## SECTION 190 - AIRE CONDITIONER

PART NAME	GROUP NUMBER	PART NAME	GROUP NUMBER
Band (blower motor mounting)	19A991	Kit (compressor gasket)	19671
Bezel assy. (instrument panel register trim)	19649	Kit (compressor suction line fitting)	19B684
Bezel (register shutter control)	19115	Knob (heater control)	19676
			19A603
Blower & air duct ass'y.	19486	Lever (temperature control)	19989
Bracket (control mounting)	19A884		
Cap ass'y. (compressor valve seat)	19576	Motor (blower)	19805
Case (evaporator)	19492	Motor & bracket assy.	18A389
	19A626		
Clamp & lead assy. (blower to evaporator-air cond.)	19734	Panel (evaporator case)	19A612
Clamp ass'y. (air return duct) air conditioner	19306		19A629
		Plate assy. (control panel name)	19B568
Coil (condenser by-pass valve)	19783	Plenum chamber and defroster nozzle	19477
Compressor assy.	19703		
Condenser core & tube assy.	19A615	Rear cover plate (compressor-air conditioner)	19655
	19710-12		
Connector (heater & windshield defroster)	19463	Register & duct (instrument panel)	19636-7
Connector (heater plenum chamber to defroster nozzle)	19466	Register ass'y.	19234-5
Connector (instr. panel reg. to air duct-air conditioner)	19119	Register (evaporator)-outer	19A671
		Register (evaporator)-side	19A682
Control (air conditioner & heater air)	19A522	Register (instrument panel)	19893
Control (panel assy.)	19980		
Control (temperature)	19988	Resistor (blower motor)	19A706
		Retainer (evaporator)-side register	19A683
Core assy. (evaporator)	19860		
Core & tube assy. (evaporator)	19A684	Screen (suction strainer)	19672
		Seal (compressor shaft replacement)	19670
Cover (evaporator drain)	19828	Seal (evaporator drain hose to floor)	19A989
Cover (evaporator thermostat-air conditioner)	19736		
Cover (vent air outlet duct)	18329	Separator ass'y. (suction line oil)	19707
		Shield (blower motor)	19720
Crossover pipe kit (air conditioner)	19701		
Deflector (floor air)	19A771	Sight glass (evaporator liquid indicator)	19B673
Dehydrator & receiver tank ass'y.	19959		
Duct ass'y. (evaporator to instr. panel register)	19B680	Switch assy. (control cutout)	19757
		Switch (blower)	19986
Fan (evaporator)	19A643		
Filter assy. (evaporator-air conditioner)	19865	Thermostat (evaporator temperature control)	19618
Filter ass'y. (expansion valve kit)	19B698		19819
		Trap (evaporator drain)	19998
Gasket (air inlet duct to dash panel)	19478		
Gasket (compressor discharge & suction fitting)	19664	Tube ass'y. (condenser to low press. valve)	19973
Gasket (evaporator case to dash panel)	19269	Tube assy. (evaporator to compressor shut-off valve)	19867
Gasket (evaporator trim cover)	19470	Tube ass'y. (dehydrator to evaporator)	19835
Gasket (heater blower housing to air return duct)	19484		19837
Gasket (register to instrument panel)	19648	Tube assy. (receiver tank to condenser)	19948
		Tube assy. (suction line oil separator to compress)	19961
Hose assy. (compressor to condenser)	19972	Tube (blower housing to blower motor)	19770
Hose ass'y. (evaporator drain)-rubber	19728		
Hose ass'y. (low pressure valve to compressor)	19971	Valve & bracket (compressor-low pressure)	19750
Hose (blower to instrument panel)	19776	Valve (compressor-high pressure)	19A990
Hose (evaporator drain)	19A695	Valve (compressor low pressure)	19752
Hose (evaporator drain-air conditioner)	19858		
Hose (heater duct to air valve)	19344	Valve (condenser by-pass)	19782
		Valve (condenser check)	19781
Housing (compression crankshaft front bearing)	19697	Valve (condenser high pressure)	19715
Housing (evaporator core)	19552	Valve (evaporator expansion)	19849
	19A583	Valve plate (compressor)	19656
		Wiring (blower switch feed)	19945
		Wiring (thermostat to clutch)	19A885

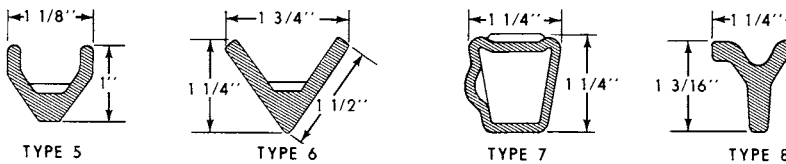
YEAR 19__	MODEL	DESCRIPTION	QTY. PER VEHICLE	PART NUMBER
<b>17003 TOOL KIT</b>				
57/	A, S		1	B7A 17003-A
Consists of the following				
1-Screw Driver-5/16" x 5 1/4" (natural finish handle)		1-Cross-pointed Screw Driver-1/4" x 4"(natural finish handle)		
1-Ball-Peen Hammer-10 oz. (waxed handle)		1-Combination Pliers (zinc plated)		
1-Double Open End Wrench-11/32" x 5/16"(zinc plated)		1-Double Open End Wrench-1/2" & 9/16" (zinc plated)		
1-Double Open End Wrench-3/8" & 7/16" (zinc plated)		1-Tool Pouch-5 5/8" x 13 1/2" (vinyl)		
<b>17005 TOOL BAG</b>				
49/53	A		1	51A 17005-B
<b>17017 WRENCH - SPARK PLUG</b>				
49/53	A	Socket-use with -2C-17094-A handle	1	2C 17017-A
<b>17018 TOOL - ELECTRICAL TERMINAL CRIMPING</b>				
49/	A, S		1	B9A 17018-A
<b>17021 WRENCH - ADJUSTABLE</b>				
49/53	A		1	01A 17021-A
<b>17032 WRENCH - JACK HANDLE and WHEEL NUT</b>				
49/	A, S		1	C2SZ 17032-A
<b>17060 PANEL - FRONT BUMPER IMPACT BAR TO RADIATOR GRILLE FINISH</b>				
58/	S	When using for 1959 models (1) B9SZ 8156-A mldg. reqd. -also drill necessary holes to accomodate installation	1	C0SB 17060-A
		Bolt (panel to grille)-1/4"-20 x 1/2"	2	20308-S7(B40)
		Bolt (panel & deflector to grille)	5	
		Washer-flat-1/4"	5	44719-S8(X17)
		Nut-No. 10-24	7	34053-S8(M156)
		Lockwasher-No. 10	7	34903-S8(X96)
		Nut-1/4"-20	7	33795-S7(M49)
		Lockwasher-1/4"	5	34805-S8(X62)



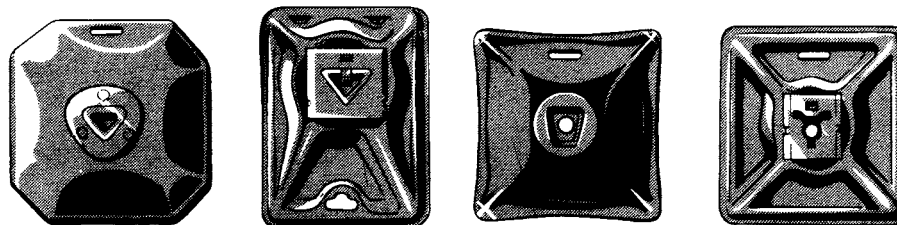
CROSS SECTION VIEW OF JACK COLUMNS



JACK BASE TYPES



CROSS SECTION VIEW OF JACK COLUMNS



JACK BASE TYPES

YEAR 19	MODEL	DESCRIPTION	QTY. PER VEHICLE	PART NUMBER
<b>17080 JACK and BASE ASSY. - BUMPER</b>				
52/59	A		1	B9A 17080-A
57/59	A(51A)	Nut (jack assy.to lugg.compt.floor)-3/8"-16 wing	1	33897-S8(M183)
57/59	A(51A)	Flatwasher-3/8"	1	353992-S(XX127)
<b>17083 STRAP ASSY. - JACK HOLD DOWN</b>				
55/57	A(S/D, S/W), S		1	B5A 17083-A
<b>17084 COLUMN ASSY. - JACK</b>				
57	S	Use with B7S 17088-A-base	1	B7S 17084-A
58/	S	Use with B7A 17088-A base	1	B9SS 17084-A
<b>17088 BASE ASSY. - JACK - See preceding page for types</b>				
- A -				
55/59	A	Type 4 - Stamped AB-K	1	B2A 17088-C
56/58	A	Type 7 - Stamped AB-M	1	B6A 17088-A
56/57	A	Type 5 - Stamped AB-N	1	B6A 17088-B
57/59	A	Type 8 - Stamped AJ-C	1	B7A 17088-A
58/59	A		1	B8A 17088-A
- S -				
55/59	S	Type 4 - Stamped AB-K	1	B2A 17088-C
56/58	S	Type 7 - Stamped AB-M	1	B6A 17088-A
56/57	S	Type 5 - Stamped AB-N	1	B6A 17088-B
57/59	S	Type 8 - Stamped AJ-C	1	B7A 17088-A
58/59	S		1	B8A 17088-A
<b>17091 CLAMP - WHEEL WRENCH and JACK - Also Refer to Group 1446</b>				
52/54	S/D & S/W		1	BA 17091-C
<b>17115 LIFT ASSY. - BUMPER JACK</b>				
57	S		1	B7S 17115-A
58/	S		1	B8S 17115-A
<b>17119 SPRING ASSY. - JACK HOLD DOWN</b>				
57/59	A(S/D, S/W)		1	BAE 17119-A
57/	S		1	
<b>17125 GUN - GREASE - HYDRAULIC</b>				
49/53	A		1	78 17125-A
<b>17174 TUBE - BLOWER HOUSING TO BLOWER MOTOR - AIR CONDITIONER</b>				
57/58	A (8 cyl.)		1	B7A 17174-A
<b>17182 ARM - FRONT BUMPER CENTER</b>				
58/	S		1	B8S 17182-A
		Bolt (arm to body)-1/2"-20 x 3 1/4"	2	*20559-S8
		Bolt (arm to body)-1/2-20 x 1 1/2"	2	20473-S8(B201)
		Lockwasher - 1/2"	4	34809-S8(X68)
		Flatwasher-1/2"	4	44735-S8(X32)
		Bolt (arm to bumper) 7/16-20 x 1 3/4"	3	B9A 17758-A
		Nut - 7/16" - 20	3	34671-S8(M67)
		Washer 7/16" spring lock	3	34808-S7(X67)
		Washer 7/16" flat	3	44730-S8(X26)
<b>17190 BRACKET - REAR BUMPER INNER ARM MOUNTING</b>				
58/	S		4	B8S 17190-A
<b>17198-9 DEFLECTOR ASSY. - FRONT BUMPER STONE END - Refer to Group 17779</b>				
<b>17202 DEFLECTOR ASSY. - FRONT BUMPER STONE CENTER - Refer to Group 17779</b>				
<b>17204-5 BRACE - FRONT BUMPER END</b>				
57	S	R. H.	1	B7S 17204-A
		L. H.	1	B7S 17205-A
		Bolt (brace to bracket-front bumper end)- 1/4"-20 x 1"	4	20384-S8(B43)
		Nut - 1/4"-20	4	33795-S7(M49)
		Lockwasher-1/4"	4	34805-S8(X62)
		Washer-flat-1/4"	4	44719-S8(X17)
		Nut (brace to bar-frt. bumper impact lower)- -7/16"-20	2	34671-S8(M67)
		Lockwasher-7/16"	2	34808-S8(X67)
		Washer-flat-7/16"	2	44730-S8(X26)

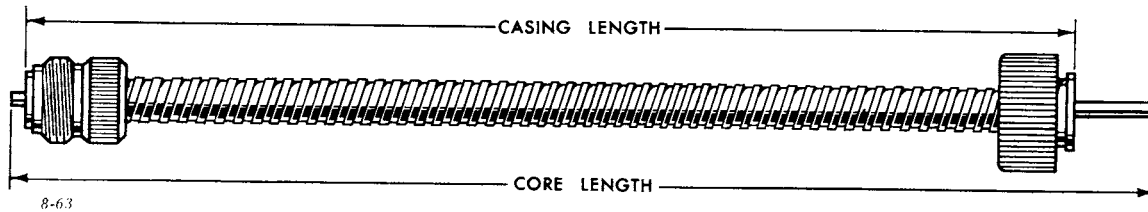
# FORD CAR PARTS

## SECTION 172

627

YEAR 19__	MODEL	DESCRIPTION	QTY. PER VEHICLE	PART NUMBER
<b>17228-9 REINFORCEMENT - REAR BUMPER OUTER ARM</b>				
57	A(51A)	R. H.	1	B7A 17228-A
57	S	R. H.	1	B7S 17228-A
		L. H.	1	B7S 17229-A
58	A(51A)	R. H.	1	B8A 17228-A
		L. H.	1	B8A 17229-A
59	A(51A)	R. H.	1	B9A 17228-A
		L. H.	1	B9A 17229-A
57/59	A(51A)	Bolt (reinf. to arm-rear bumper)-1/2"-20 x 1 3/8"	2	20453-S7-8(B200)
		Nut-1/2"-20	2	33846-S8(M69)
		Lockwasher-1/2"	2	34809-S8(X68)
57	S	Bolt (reinforcement to arm)-7/16"-20 x 1 1/4"	2	20431-S8(B186)
		Nut-7/16"-20	2	34671-S8(M67)
		Lockwasher-7/16"	2	34808-S8(X67)
		Flatwasher-7/16"	2	44730-S8(X26)
59	A(51A)	Bolt (reinforcement to arm) 7/16-14x1 3/8"	2	20450-S(B106)
59	A(51A)	Washer-7/16" flat	2	44730-S8(X26)
<b>17244 BRACKET ASSY. - FRONT LICENSE PLATE MOUNTING</b> <i>-Also Refer to Group 17736</i>				
57	A		1	B7A 17244-A
		Bolt (bracket to front bumper) 1/4"-20	2	350325-S100 <sup>(B6647)</sup>
		Nut -1/4"-20	2	33795-S7(M49)
		Lockwasher -1/4"	2	34805-S8(X62)
		Rubber bumper	3	354434-S(CC4)
		Bolt (license plate to bracket)-1/4"-20 x 1/2"	2	20308-S7(B40)
		Nut - 1/4 -20	2	*45252-S7
<b>17248 GASKET - SPEEDOMETER COVER</b>				
56	A	Rubber	1	B6A 17248-C
57	S		1	
<b>17A254 KIT - SPEEDOMETER CABLE TIP REPLACEMENT</b>				
49/	A, S	Used with universal speedometer cable core with .130" diameter-consists of (1) Swaging tool (1) Cable tip	1	B9AF 17A254-A
<b>17255 SPEEDOMETER ASSY.</b>				
- A -				
52/53	A		1	FAE 17255-C
54	A		1	FDA 17255-C
55	A		1	B5A 17255-E
56	A		1	B6A 17255-C
57	A	Less mounting plate	1	B7A 17255-A
58	A	Less mounting plate	1	B8A 17255-A
59	A	Less mounting plate	1	B9A 17255-A
- S -				
55/56	S		1	B5S 17255-E
57	S	Less mounting plate	1	B7S 17255-A
57	S	Speedometer to instrument cluster back plate	2	
58/59	S		1	B9S 17255-B
49/53	A	Screw (speedometer to instrument cluster case)-No. 8-32 x 1/4"	4	*37611-S7
56	A	Screw (speedometer to housing)	4	
55/56	A, S	Screw (speedometer to housing)-No. 6-32 x 1/4"	2	355032-S7(BB51)
55/56	A, S	Screw (speedometer to housing)-No. 6-32 x 3/8"	AR	*32916-S7-8
57	A	Screw (speedometer to instrument cluster back plate)-No. 10-24 x 1/2"	2	356736-S7-8(BB11)
57	S	Speedometer to speedometer case	2	
58/	S	Screw (speedometer to instrument cluster)-No. 4-24 x 3/8"	4	*52776-S13
<b>17259 LENS - SPEEDOMETER DIAL OPENING</b>				
58/	S	Clear plastic	1	B8S 17259-A

YEAR 19	MODEL	DESCRIPTION	QTY. PER VEHICLE	PART NUMBER
------------	-------	-------------	---------------------	-------------



P-868

**17260 CASING and CORE ASSY. - SPEEDOMETER DRIVE****- A -**

49/51	A-with S/T or O/D	Consists of 1-casing & core-70 3/4" long & 1-1A 17298 oil seal -for core replacement	1	A9A 17260-A
52/53	A-with O/D or F/M	see 8A 17262-A & B, FAC 17262-C	1	
55/56	A (8 cyl.) -except F/M		1	
56	A(Taxi)-with S/T		1	
51	A-with F/M	Consists of 1-casing and core-80 3/4" long & 1-1A 17298 oil seal -for core replacement use	1	B1A 17260-A
		8A 17262-B		
52/56	A	69.77" long- NOTE 1	1	C3TZ 17260-ED
56	A(Taxi)-with O/D or F/M		1	
54	A-with S/T	53.00" long- NOTE 1	1	AD 17260-D
57/59	A-with S/T	55.80" long-for core replacement use	1	C1SF 17260-A
57/59	A(Taxi)-with S/T	B7A 17262-D for B7A 17260-F, others use B9A 17262-C kit	1	
57/59	A-with O/D, F/M or C/M	62.12" long-for core replacement use	1	C2OZ 17260-G
57/59	A(Taxi)-with O/D or F/M	B7A 17262-C with B7A 17260-E, others use B9A 17262-C kit	1	

**- S -**

55/56	S	NOTE 1	1	C1VZ 17260-A
57	S(single or dual 4/B carb.)-with F/M	55.80"long-for core replacement use B7A 17262-D	1	C1SF 17260-A
57	S-with S/T	for B7A 17260-F, B7S 17262-C for B7S 17260-B,	1	
58/	S	others use B9A 17262-C	1	
57	S-with O/D	69.77" long- NOTE 1	1	C3TZ 17260-ED
57	S (312 engine with 4/B carb.)-with S/T or O/D		1	
57	S (dual 4/B carb.)-with S/T		1	
49/	A, S	Bolt (speedometer casing to transmission)- 1/4"-20 x 5/8"	1	20324-S8(B41)
51	A-with F/M	Lockwasher-1/4" Grommet (speedometer casing thru splash shield)-1.13" O.D. x .88" I.D. -with .40" diameter hole	1	34805-S8(X62) 352962-S(KK23)
49/50	A	Clip (speedometer casing to floor)	1	358341-S2(GG46)
51/53	A	Clip (speedometer casing to floor)	1	*95824-S32
52/54	A	Clip (speedometer casing to floor pan)	1	*95800-S32
55/56	A-with O/D or F/M	Clip (speedo. casing to floor pan cross member)	1	
49/53	A	Bolt (speedometer casing clip to floor)- 1/4"-28 x 5/8"	1	38229-S7-8(U145)
		Locknut-1/4"-28	1	*34441-S7
57/	A, S	Clip (casing & core to dash panel or floor pan)	1	359339-S32(GG75)
49/53	A	Grommet (speedometer casing thru dash panel)- rubber-1.13" O.D. x .88" I.D. -with .22" diameter hole	1	352961-S(KK16)
58/	S	Used to route casing thru front floor pan- or dash panel	1	

**17A260-1 BEZEL ASSY. - SPEEDOMETER - Also Refer to Group 10840**

58/59	S		1	B9SZ 17A260-A
-------	---	--	---	---------------

NOTE 1 - For core replacement use B9A 17262-C kit



# FORD CAR PARTS

## SECTION 172

629

YEAR 19	MODEL	DESCRIPTION	QTY. PER VEHICLE	PART NUMBER
<b>17262 CORE - SPEEDOMETER DRIVE</b> - Also Refer to Group 17260				
49/	A, S	Kit-.130" dia. x 81" long-universal type	R8-A 1	B9A 17262-C
Consists of				
(1) Cable core .130" dia. x 81.0" long		(1) Swaging tool	(1) Cable core tip	
49/	A, S	Kit-.130" dia. x 114" long-universal type	R8-B 1	B9A 17262-D
Consists of				
(1) Cable core .130" dia. x 114.0" long		(1) Swaging tool	(1) Cable core tip	
55	S	Kit-.150" dia. x 125" long-universal type	R8-C 1	B9T 17262-D
Consists of				
(1) Cable core .150" dia. x 125.0" long		(1) Swaging tool	(1) Cable core tip	
49	S/W	83.24" long -use B9A 17262-C kit	1	*FAC 17262-C
49	A-with O/D		1	
49/50	A (except O/D)	69.85" long -use B9A 17262-C kit	1	*8A 17262-A
51	A-with or without O/D		1	
52/53	A-with O/D or F/M		1	
49/50	S/W	79.39" long	1	8A 17262-B
49/50	A-with O/D		1	
51	A-with F/M		1	
55	A-with O/D or F/M	62.89"/62.96" long	1	AB 17262-A
55/56	A-with O/D or F/M	58.75"/59.10" long-use with B7S 17260-C	1	B7S 17262-E
57	S (312 engine with 4/B carb.)-with S/T or O/D		1	
57	S (312 engine with dual 4/B carb.)-with S/T or O/D		1	
57/59	A-with O/D, F/M or C/M	59.74" long, use with B7A 17260-E	1	B7A 17262-C
57/59	A(Taxi)-with O/D or F/M		1	
57	A, S-with S/T	52.38"/52.81" long-use with B7A 17260-F	1	B7A 17262-D
58/59	A-with S/T		1	
57/59	A(Taxi)-with S/T		1	
57	S (single or dual 4/B carb.)-with F/M		1	
57	S-with S/T	49.805" long-use with B7S 17260-B	1	B7S 17262-C
58/59	S-with S/T, O/D, F/M or C/M		1	
<b>17265 DIAL - SPEEDOMETER FACE</b>				
54	A		1	B4A 17265-C
55	A		1	B5A 17265-A
55/56	S		1	B5S 17265-A
<b>17271 GEAR ASSY. - SPEEDOMETER DRIVEN</b> - Refer to Group 17322				
<b>17278 CLIP</b>				
51	A-with O/D	Speedometer casing to steering column	1	1A 17278
51	A-with F/M	Speedometer cable to transmission	1	
<b>17279 DRIVE ASSY. - SPEEDOMETER ANGLE</b>				
55/56	S		1	B5S 17279-B
<b>17285 GEAR - SPEEDOMETER DRIVING</b> - Also Refer to Group 7A048 (Output Shaft & Carrier Assy.)				
- A -				
49/54	A (except F/M)	7 teeth	1	8M 17285
55/56	A-with S/T & O/D		1	
57	A-with F/M	8 teeth-steel-R. H. -helix angle-1.90" O. D. -	1	B7A 17285-B
58/	A (6 cyl.)-with F/M	1.37" I. D. -, 690" width	1	
58/	A (Taxi)-6 cyl. -with F/M		1	
58	A (8 cyl.)-with F/M & 2/B or 4/B carburetors		1	
58	A(P/I) (8 cyl. 352)-with F/M & 4/B carburetor		1	
58	A (8 cyl. 332)-with C/M & 4/B carburetor		1	
59	A (8 cyl. 292, 332)-with F/M & 2/B carburetor		1	
59	A (8 cyl. 352)-with F/M & 4/B carburetor		1	
59/	A (8 cyl. 292)-with C/M & 2/B carburetor		1	
57/	A-with S/T	7 teeth-steel-R. H. Helix -1.91" O. D. -1.37"	1	B7A 17285-C
57/	A (6 cyl.)-with O/D	7 teeth-steel	1	C2AZ 17285-B
57	A (8 cyl. 272)-with O/D		1	
58/	A (8 cyl. 292)-with O/D		1	
57	A (8 cyl. 312), with S/T or O/D & 4/B carburetor		1	
57	A(P/I) (8 cyl. 312)-with S/T & 4/B carb.		1	
58/	A(P/I) (8 cyl. 352)-with S/T or O/D & 4/B carb.		1	
58/59	A (8 cyl. 332)-with O/D & 2/B or 4/B carburetor		1	
58/	A (8 cyl. 352)-with O/D & 4/B carburetor		1	

YEAR 19	MODEL	DESCRIPTION	QTY. PER VEHICLE	PART NUMBER
<b>17285 GEAR - SPEEDOMETER DRIVING - continued</b> - Also Refer to Group 7A048 (Output Shaft and Carrier Assy.)				
52/56	A-with F/M	8 teeth-nylon-L. H. -helix	1	MC 17285-A
55/56	A(P/I)		1	
58/59	A-(8 cyl. 332)-with C/M & 2/B carburetor	9 teeth -steel -R. H.- Helix -1.91" O. D. -1.37"	1	B8A 17285-A
58/	A (8 cyl. 352)-with C/M & 4/B carburetor	I. D. x .691" width	1	
58/	A(P/I) (8 cyl.352)-with C/M & 4/B carburetor		1	
- S -				
55/56	S-with S/T		1	8M 17285
55	S (8 cyl. 292)-with O/D		1	
57	S-with F/M	8 teeth-steel-R. H. -helix angle -1.90" O. D. -	1	B7A 17285-B
58/	S-8 cyl. 352)-with F/M or C/M	1.37" I. D. -.690" width	1	
57	S (8 cyl. 292)-with S/T	7 teeth-steel-R. H.-helix-1.91" O. D. -1.37" I. D. -	1	B7A 17285-C
		69" width		
58/	S (8 cyl. 352)-with O/D & 4/B carburetor	7 teeth-steel	1	C2AZ 17285-B
56/57	S (8 cyl. 312)-with S/T or O/D	8 teeth -Nylon -L. H.- Helix	1	MC 17285-A
52/56	S-with F/M		1	
59/	S (8 cyl. 430)-with C/M & 4/B carburetor	9 teeth-steel-R. H. -helix-1.91" O. D. -1.37" I. D. -	1	B8A 17285-A
		x .691" width		
51/54	A-with F/M	Ball(speedometer driving gear to output shaft)-1/4"	1	353351-S(AA9)
55/	A, S		1	
49/54	A	Key (speedometer driving gear to transmission	1	*74142-S
55/56	A, S-with S/T	main shaft)-1/2" diameter x 1/8" thick	1	
55/56	A-with O/D		1	
55	S (8 cyl. 292)-with O/D		1	
<b>17289 CASE ASSY. - SPEEDOMETER</b> - Also Refer to Group 10848				
59	A		1	B9A 17289-A
<b>17292 RETAINER - SPEEDOMETER DRIVEN GEAR</b>				
49/54	A		1	8A 17292
57/59	A, S	Ring-used as retainer	1	B7AZ 17292-A
<b>17298 OIL SEAL - SPEEDOMETER GEAR BEARING</b>				
49/	A, S		1	1A 17298
<b>17306 CONNECTOR and SPRING CLIP ASSY. - SPEEDOMETER</b>				
55	A		1	B5A 17306-B
55/56	S		1	
<b>17318 MASK - SPEEDOMETER</b>				
56	A		1	B6A 17318-A
57	S		1	
58/	S		1	C0SF 17318-A
58/	S	Screw (mask & speedometer cover to bezel)-	3	*52776-S13
		No. 4-24 x 3/8"		
<b>17319 DOME - SPEEDOMETER</b>				
54	A	Plastic	1	FDA 17319-A
55	A		1	B5A 17319-C
55/56	S		1	
<b>17322 GEAR ASSY. - SPEEDOMETER DRIVEN</b>				

YEAR	MODEL	ENGINE		AXLE RATIO	TIRE SIZE	COLOR OF GEAR	MATERIAL TYPE	NO. OF TEETH	PART NUMBER
		CYL.	CU. IN. DISP.						
<b>3 &amp; 4 SPEED CONVENTIONAL or OVERDRIVE TRANSMISSION</b>									
3.22 Axle Ratio									
58/	A	6&8	All	3.22	6.70 x 15-7.10 x 15-7.50 x 14-8.00 x 14- 8.50 x 14	Brown	Nylon	17	B8A 17322-B
3.31 Axle Ratio									
54	A (except S/W)	6&8	All	3.31	6.70 x 15		Fibre	17	1M 17322-C

**17322 GEAR ASSY. SPEEDOMETER DRIVEN - continued**

YEAR	MODEL	ENGINE		AXLE RATIO	TIRE SIZE	COLOR OF GEAR	MATERIAL TYPE	NO. OF TEETH	PART NUMBER
		CYL.	CU. IN. DISP.						
<b>3 &amp; 4 SPEED CONVENTIONAL or OVERDRIVE TRANSMISSION - continued</b>									
3.56 Axle Ratio									
57	A(except Taxi)	8	All	3.56	6.70 x 15-7.10 x 15	Natural	Nylon	18	C0AA 17271-J
57	A(except Taxi)	8	All	3.56	7.50 x 14-8.00 x 14	Red	Nylon	19	C0AA 17271-K
58	A	6&8	All	3.56	6.70 x 15-7.50 x 14-8.00 x 14	Red	Nylon	19	C0AA 17271-K
58	A	6&8	All	3.56	7.10 x 15	Natural	Nylon	18	C0AA 17271-J
59/	A(except Taxi)	6&8	All	3.56	7.50 x 14	Natural	Nylon	18	C0AA 17271-J
57	A(Taxi)	8	All	3.56	6.70 x 15-7.10 x 15		Steel	18	C0AA 17271-L
57	A(Taxi)	8	All	3.56	7.50 x 14-8.00 x 14		Steel	19	C0AA 17271-N
59	A(Taxi)	8	All	3.56	6.70 x 15-7.50 x 14-8.00 x 14		Steel	19	C0AA 17271-N
57	S(Power Pak)	8	312	3.56	6.70 x 15-7.50 x 14	Black	Nylon	22	B5A 17322-D
57	S(exc. Power Pak)	8	All	3.56	6.70 x 15-7.50 x 14	Red	Nylon	19	C0AA 17271-K
3.70 Axle Ratio									
57	A(except Taxi)	8	All	3.70	7.50 x 14	Green	Nylon	21	C0AA 17271-H
57	A(except Taxi)	8	All	3.70	6.70 x 15-7.10 x 15-8.00 x 14	Red	Nylon	19	C0AA 17271-K
58	A(except Taxi)	6&8	All	3.70	6.70 x 15-7.10 x 15-8.00 x 14	Red	Nylon	19	C0AA 17271-K
58	A(except Taxi)	6&8	All	3.70	7.50 x 14	Orange	Nylon	20	C0AA 17271-G
59	A(except Taxi)	6&8	All	3.70	6.70 x 15-7.50 x 14-8.00 x 14	Red	Nylon	19	C0AA 17271-K
57/58	A(Taxi)	6&8	All	3.70	6.70 x 15-7.10 x 15-8.00 x 14		Steel	19	C0AA 17271-N
57/58	A(Taxi)	6&8	All	3.70	7.50 x 14		Steel	20	C0AA 17271-M
59	A(Taxi)	6&8	All	3.70	6.70 x 15-7.50 x 14-8.00 x 14		Steel	19	C0AA 17271-N
57	S	8	All	3.70	6.70 x 15	Yellow	Nylon	23	MC 17322-B
58/59	S	8	All	3.70	8.00 x 14	Red	Nylon	19	C0AA 17271-K
3.73 Axle Ratio									
49/50	A(except S/W)	6&8	All	3.73	6.00 x 16-6.70 x 15	Brown	Nylon	19	B5A 17322-C
51/53	A(except S/D,S/W)	6&8	All	3.73	6.70 x 15	Brown	Nylon	19	B5A 17322-C
55/56	A(P/I)	8	All	3.73	6.70 x 15	Black	Nylon	22	B5A 17322-D
55/56	S	8	All	3.73	6.70 x 15	Brown	Nylon	19	B5A 17322-C
3.78 Axle Ratio									
55/56	A	6&8	All	3.78	6.70 x 15	Brown	Nylon	19	B5A 17322-C
3.89 Axle Ratio									
49/50	A(except S/W)	6&8	All	3.89	6.00 x 16-6.70 x 15			20	8M 17322-D
51	A(S/W)	6&8	All	3.89	7.10 x 15	Blue	Nylon	20	B5A 17322-A
52/56	A(except S/D,S/W)	6&8	All	3.89	6.70 x 15	Blue	Nylon	20	B5A 17322-A
57	A(except Taxi)	6&8	All	3.89	6.70 x 15-7.10 x 15-8.00 x 14	Green	Nylon	21	C0AA 17271-H
57	A(except Taxi)	6&8	All	3.89	7.50 x 14	Orange	Nylon	20	C0AA 17271-G
58	A(except Taxi)	6&8	All	3.89	7.50 x 14	Green	Nylon	21	C0AA 17271-H
58	A(except Taxi)	6&8	All	3.89	6.70 x 15-7.10 x 15-8.00 x 14	Orange	Nylon	20	C0AA 17271-G
59	A	6&8	All	3.89	6.70 x 15-7.50 x 14-8.00 x 14	Orange	Nylon	20	C0AA 17271-G
3.91 Axle Ratio									
55	S	8	All	3.91	6.70 x 15	Blue	Nylon	20	B5A 17322-A
3.92 Axle Ratio									
49/50	A(S/W)	6&8	All	3.92	7.10 x 15			20	8M 17322-A
55/56	A(P/I)	8	All	3.92	6.70 x 15	Yellow	Nylon	23	MC 17322-B
56	S	8	All	3.92	6.70 x 15	Yellow	Nylon	23	MC 17322-B
4.09 Axle Ratio									
52/56	A(except S/D,S/W)	6&8	All	4.09	6.70 x 15	Green	Nylon	21	B5A 17322-B
4.10 Axle Ratio									
49/50	A(except S/W)	6&8	All	4.10	6.00 x 16-6.70 x 15	Green	Nylon	21	B5A 17322-B
51/52	A(except S/D,S/W)	6&8	All	4.10	6.70 x 15	Green	Nylon	21	B5A 17322-B
52/53	A(except S/W)	6&8	All	4.10	6.00 x 16-6.70 x 15	Black	Nylon	22	B5A 17322-D

## 17322 GEAR ASSY. - SPEEDOMETER DRIVEN - continued

YEAR	MODEL	ENGINE		AXLE RATIO	TIRE SIZE	COLOR OF GEAR	MATERIAL TYPE	NO. OF TEETH	PART NUMBER	
		CYL.	CU. IN. DISP.							
<b>3 &amp; 4 SPEED CONVENTIONAL or OVERDRIVE TRANSMISSION - continued</b>										
4.27 Axle Ratio										
49/50	A(S/W)	6&8	All	4.27	7.10 x 15	Black	Nylon	22	B5A 17322-D	
54	A(S/D, S/W)	6&8	All	4.27	6.70 x 15-7.10 x 15	Black	Nylon	22	B5A 17322-D	
55/56	A	6&8	All	4.27	6.70 x 15	Black	Nylon	22	B5A 17322-D	
4.30 Axle Ratio										
51	A(S/W)	6&8	All	4.30	7.10 x 15	Black	Nylon	22	B5A 17322-D	
52/53	A	6&8	All	4.30	6.70 x 15-6.70 x 15	Black	Nylon	22	B5A 17322-D	
<b>FORDOMATIC TRANSMISSION</b>										
2.91 Axle Ratio										
58	A	8	All	2.91	6.70 x 15-7.10 x 15	Brown	Nylon	17	B8A 17322-B	
58	A	8	All	2.91	7.50 x 14-8.00 x 14	Natural	Nylon	18	C0AA 17271-J	
59	A	8	All	2.91	6.70 x 15-7.50 x 14-8.00 x 14	Brown	Nylon	17	B8A 17322-B	
59/	A	6&8	All	2.91	6.70 x 15-7.10 x 15-7.50 x 14-8.00 x 14-8.50 x 14	Blue	Nylon	17	C0AA 17271-A	
59/	A(P/I)	6&8	All	2.91	6.70 x 15-7.50 x 14-8.00 x 14-8.50 x 14	Purple	Nylon	18	C0AA 17271-B	
3.10 Axle Ratio										
57	S	8	All	3.10	7.50 x 14	Red	Nylon	19	C0AA 17271-K	
57/58	A	6&8	All	3.10	7.50 x 14-8.00 x 14	Red	Nylon	19	C0AA 17271-K	
57/58	A	6&8	All	3.10	6.70 x 15-7.10 x 15	Natural	Nylon	18	C0AA 17271-J	
57/58	A(Taxi) NOTE 1	6&8	All	3.10	6.70 x 15-7.10 x 15		Steel	18	C0AA 17271-L	
57/58	A(Taxi) NOTE 2	6&8	All	3.10	7.50 x 14-8.00 x 14		Steel	19	C0AA 17271-N	
59	A	6&8	All	3.10	6.70 x 15-7.50 x 14-8.00 x 14	Natural	Nylon	18	C0AA 17271-J	
59	A(except Taxi)	8	All	3.10	7.50 x 14	Purple	Nylon	18	C0AA 17271-B	
59/	A	6&8	All	3.10	6.70 x 15-7.10 x 15-8.00 x 14-8.50 x 14	Purple	Nylon	18	C0AA 17271-B	
59	A(Taxi) NOTE 1	8	All	3.10	6.70 x 15-7.50 x 14-8.00 x 14		Steel	18	C0AA 17271-L	
59	A(Taxi) NOTE 1	8	All	3.10	6.70 x 15-7.50 x 14		Steel	18	C0AA 17271-F	
59	A(Taxi) NOTE 2	8	All	3.10	8.00 x 14		Steel	19	C0AA 17271-S	
58/	S	8	All	3.10	8.00 x 14	Natural	Nylon	18	C0AA 17271-J	
3.22 Axle Ratio										
55/56	A (except S/D, S/W)	6&8	All	3.22	6.70 x 15	Brown	Nylon	19	B5A 17322-C	
3.30 Axle Ratio										
55/56	A(except S/D, S/W)	6&8	All	3.30	6.70 x 15	Brown	Nylon	19	B5A 17322-C	
3.31 Axle Ratio										
51	A (except S/W)	6&8	All	3.31	6.70 x 15		Fibre	17	1M 17322-C	
53/54	A(except S/D, S/W)	6&8	All	3.31	6.70 x 15	Brown	Nylon	19	B5A 17322-C	
55/56	S	8	All	3.31	6.70 x 15	Brown	Nylon	19	B5A 17322-C	
3.54 Axle Ratio										
54	A	6&8	All	3.54	6.70 x 15		Fibre	18	1M 17322-B	
53/54	A(except S/D, S/W)	6&8	All	3.54	6.70 x 15	Green	Nylon	21	B5A 17322-B	
51/56	A(S/D, S/W, P/I)	6&8	All	3.54	7.10 x 15	Green	Nylon	21	B5A 17322-B	
3.55 Axle Ratio										
55/56	A	6&8	All	3.55	6.70 x 15-7.10 x 15	Green	Nylon	21	B5A 17322-B	

NOTE 1 - C0AA 17271-L has .85" O.D., C0AA 17271-F has .82" O.D.

NOTE 2 - C0AA 17271-N has .86" O.D., C0AA 17271-S has .82" O.D.

⚙ Except Police Interceptor and Taxi

### 17322 GEAR ASSY. - SPEEDOMETER DRIVEN - continued

YEAR	MODEL	ENGINE		AXLE RATIO	TIRE SIZE	COLOR OF GEAR	MATERIAL TYPE	NO. OF TEETH	PART NUMBER
		CYL.	CU. IN. DISP.						

#### FORDOMATIC TRANSMISSION - continued

##### 3.56 Axle Ratio

57	A(except Taxi)	6&8	All	3.56	6.70 x 15-7.10 x 15-8.00 x 14	Orange	Nylon	20	C0AA 17271-G
57/58	A(except Taxi)	6&8	All	3.56	7.50 x 14	Yellow	Nylon	22	B7A 17322-R
58/59	A	6&8	All	3.56	6.70 x 15-7.10 x 15-8.00 x 14	Green	Nylon	21	C0AA 17271-H
59	A	6	223	3.56	7.50 x 14	Yellow	Nylon	21	C0AA 17322-E
59	A	6&8	All	3.56	7.50 x 14	Green	Nylon	21	C0AA 17271-H
59/	A	6	223	3.56	6.70 x 15	Yellow	Nylon	21	C0AA 17271-E
59/	A	6	223	3.56	7.50 x 14	Yellow	Nylon	21	C0AA 17271-E
59/	A	6&8	All	3.56	7.10 x 15-8.50 x 14	Yellow	Nylon	21	C0AA 17271-E
59/	A	8	All	3.56	6.70 x 15	Yellow	Nylon	21	C0AA 17271-E
59/	A	8	All	3.56	7.50 x 14	Yellow	Nylon	21	C0AA 17271-E
59/	A	6&8	All	3.56	8.00 x 14	Yellow	Nylon	21	C0AA 17271-E
59/	A(P/I)	6&8	All	3.56	6.70 x 15-7.10 x 15-7.50 x 14-8.00 x 14-8.50 x 14	Yellow	Nylon	21	C0AA 17271-E
57/58	A(Taxi) NOTE 3	6&8	All	3.56	6.70 x 15-7.10 x 15-8.00 x 14		Steel	21	C0AA 17271-R
57/59	A(Taxi)	6&8	All	3.56	7.50 x 14		Steel	22	B7A 17322-W
59	A(Taxi) NOTE 3	6	223	3.56	6.70 x 15-7.50 x 14-8.00 x 14		Steel	21	C0AA 17271-R
59	A(Taxi) NOTE 3	6	All	3.56	6.70 x 15-7.50 x 14-8.00 x 14		Steel	21	C0AA 17271-T

##### 3.70 Axle Ratio

59	A	6&8	All	3.70	6.70 x 15-7.50 x 14-8.00 x 14	Green	Nylon	21	C0AA 17271-H
59	A	6&8	All	3.70	6.70 x 15-7.50 x 14-8.00 x 14	Yellow	Nylon	21	C0AA 17271-E
59	A(Taxi) NOTE 3	6&8	All	3.70	6.70 x 15-7.50 x 14-8.00 x 14		Steel	21	C0AA 17271-R

##### 4.11 Axle Ratio

55/56	A(except S/D,S/W)	6&8	All	4.11	6.70 x 15		Nylon	21	B5A 17322-B
57	A	6&8	All	4.11	6.70 x 15-7.10 x 15	Orange	Nylon	20	C0AA 17271-G
57/58	A	6&8	All	4.11	7.50 x 14-8.00 x 14	Yellow	Nylon	22	B7A 17322-R
58	A	6&8	All	4.11	6.70 x 15-7.10 x 15	Green	Nylon	21	C0AA 17271-H

#### CRUISE-O-MATIC TRANSMISSION

##### 2.69 Axle Ratio

58	A	8	All	2.69	6.70 x 15-7.10 x 15-7.50 x 14-8.00 x 14	Natural	Nylon	18	C0AA 17271-J
59	A	8	332,352	2.69	7.50 x 14-8.00 x 14	Natural	Nylon	18	C0AA 17271-J
59	A	8	All	2.69	6.70 x 15	Brown	Nylon	17	B8A 17322-B

##### 2.91 Axle Ratio

58	A	8	All	2.91	6.70 x 15-7.10 x 15	Red	Nylon	19	C0AA 17271-K
58	A	8	All	2.91	7.50 x 15-8.00 x 14	Orange	Nylon	20	C0AA 17271-G
59	A	8	All	2.91	6.70 x 15-7.50 x 14-8.00 x 14	Red	Nylon	19	C0AA 17271-K
59/	A	8	292	2.91	6.70 x 15-7.10 x 15-7.50 x 14-8.00 x 14-8.50 x 14	Brown	Nylon	17	B8A 17322-B
59/	A	8	352	2.91	6.70 x 15-7.10 x 15-7.50 x 14-8.00 x 14-8.50 x 14	Red	Nylon	19	C0AA 17271-K
58/	S	8	All	2.91	8.50 x 14	Red	Nylon	19	C0AA 17271-K

##### 3.10 Axle Ratio

59	A	8	All	3.10	6.70 x 15-7.50 x 14-8.00 x 14	Natural	Nylon	18	C0AA 17271-J
59/	A	8	332,352	3.10	6.70 x 15-7.50 x 14-8.00 x 14	Orange	Nylon	20	C0AA 17271-G
59/	A	8	352,390	3.10	6.70 x 15-7.10 x 15-8.50 x 14	Orange	Nylon	20	C0AA 17271-G
58/	S	8	All	3.10	8.00 x 14	Natural	Nylon	18	C0AA 17271-J

##### 3.56 Axle Ratio

59/	A	8	All	3.56	7.50 x 14-8.00 x 14	Green	Nylon	21	C0AA 17271-H
59/	A	8	All	3.56	6.70 x 15-7.10 x 15-8.50 x 14	Green	Nylon	21	C0AA 17271-H

##### 3.70 Axle Ratio

59	A	8	All	3.70	6.70 x 15-7.50 x 14-8.00 x 14	Green	Nylon	21	C0AA 17271-H
----	---	---	-----	------	-------------------------------	-------	-------	----	--------------

⚡ Except Police Interceptor and Taxi

△ Used with 3-speed Fordomatic

⚡ Used with 2-speed Fordomatic

NOTE 3 - C0AA 17271-R has .86" O.D., C0AA 17271-T has .82" O.D.

YEAR 19	MODEL	DESCRIPTION	QTY. PER VEHICLE	PART NUMBER
<b>17A326 KIT - TACHOMETER</b>				
49/	All (6 cyl.)	4" size-to 5,000 R. P. M. -for std. or transistorized ignitions-6 or 12 volts	ROTUNDA SALES NO. R28-B	1 C2RZ 17A326-C
49/	All (8 cyl.)	4" size-to 8,000 R. P. M. -for std. or transistorized ignitions-also for use on high performance units-(together w/C2RZ 17368-B)-6 or 12 volts	R28-A	1 C2RZ 17A326-B
55/	A, S (8 cyl.)	Sun type kit-dash or instrument mounting-use on 12 volt 8 cylinder models-to 8,500 R. P. M. - for steering column mount use with C2RZ 17368-A		1 C2RZ 17A326-A

Consists of

▲ 1-C2RA 17A314-A Sender      ▲ 1-C2RA 17A328-A Flange      ▲ 1-C2RA 17360-A Tachometer  
or  
▲ 1-C3RA 17A314-A Sender      ● 1-C3RA 17A328-A Flange      ● 1-C3RA 17360-A Tachometer  
1-IS 1129 Instructions

56/	A (6 cyl.)	3" size-to 6000 R. P. M.-for std. or transistorized ignitions	R28-D	1 C3RZ 17A326-A
56/	A, S (8 cyl.)		R28-E	1 C3RZ 17A326-B

Consists of

1-C2RA 17B261-A Mounting plate      1-C3RA 17368-A Mounting bracket  
1-C2RA 17B262-A Rear cover      2-32892-S 1 1/2" Round head screw  
1-C3RA 17311-A Housing      1-41827-S 1/2" Flat head screw  
1-C3RA 17360-B Tachometer (8 cyl.) or      2-52734-S8 5/8" Pan head screw  
1-C3RA 17360-D Tachometer (6 cyl.)      1-53264-S13 1/2" Oval head screw  
1-IS 1130 Instructions

<b>17360 TACHOMETER ASSY.</b>				
55/56	S	Cable-driven		1 B5S 17360-AP
57	S	Cable-driven		1 B7S 17360-A
55/56	S	Nut (tachometer & bracket to instrument panel)-No. 10-32		2 34079-S7(M163)
55/56	S	Lockwasher-No. 10		2 34903-S8(X96)
57	S	Screw (tachometer to instrument cluster back plate)-No. 8-32 x 14"		3 37611-S7

<b>17365 CABLE ASSY. - TACHOMETER</b>				
55/57	S	38.97" long		1 B7S 17365-A
55/57	S	Screw (cable to distributor)-1/4"-20 x 1/2"		1 20308-S7(B40)
55/57	S	Lockwasher-1/4"		1 34805-S8(X62)
55/56	S	Nut-No. 10-32"		1 34079-S7(M163)
55/56	S	Lockwasher-No. 10		1 34903-S8(X96)
55/56	S	Screw (cable to trans. to accelerator shaft)-No. 10-32 x 1/2"		1 27081-S8(U175)
55/56	S	Clip (cable to trans. to accelerator shaft)		1 357946-S8(GG152)
55/57	S	Grommet (cable thru windshield opening)		1 353248-AS
55/57	S	Grommet (cable thru dash panel)		1 352962-S(KK23)
55/57	S	Screw (cable to dash panel)-No. 14-14 x 1/2"		1 31497-S8(U254)

<b>17366 CORE - TACHOMETER CABLE</b>				
55	S	Use B9T 17262-D kit		1 *B5S 17366-B
56	S	Use B9A 17262-C kit		1 *B6S 17366-A
57	S	Use B9A 17262-C kit		1 *B7S 17366-A

<b>17368 KIT - TACHOMETER MOUNTING BRACKET</b>				
55/	A, S	For mounting C2RZ 17A326-A Tachometer kit on steering column		1 C2RZ 17368-A
49/	All	Use with C2RZ 17A326-B & C Tachometers Rotunda Sales No. R28-C		1 C2RZ 17368-B

<b>17374 GEAR - TACHOMETER</b>				
55/57	S	Driven		1 FAA 17374-A

▲ Before August 27, 1963

● From August 27, 1963

# FORD CAR PARTS

## SECTION 175

YEAR 19	MODEL	DESCRIPTION	QTY. PER VEHICLE	PART NUMBER
<b>17377 GEAR - TACHOMETER</b>				
55/57	S	Driving	1	FAA 17377-A
55/57	S	Pin (tachometer driving gear to shaft)- 1/8" x .685"	1	354132-S(NN97)
55/57	S	Washer(distributor thrust). 496" I. D. x .94" O. D.	1	352153-S(XX173)
<b>17383 "O" RING - TACHOMETER DRIVEN GEAR OIL SEAL</b>				
55/56	S		1	B3Q 17383-A
<b>17A387 KIT - LICENSE PLATE FRAME</b>				
58/	A, S	Front or rear	1or2	C2AZ 17A387-A
Consists of				
1-Frame assembly		6-Washer-5/16" spring lock		
3-Bolt-1/4"-20 x 7/8" round head square neck		2-Washer-1/4" flat		
2-Bolt-1/4"-20 x 3/8" pan head		6-Nut-1/4"-20 hex.		
1-Nut-1/4"-20 spring				
<b>17A436 ARM ASSY. - ELECTRIC WINDSHIELD WIPER OUTPUT</b>				
59	A		1	B9AZ 17A436-A
<b>17450 PLATE and SPRING ASSY. - WINDSHIELD WIPER RETAINER</b>				
50/51	A		1	11A 17450
49	A		1	8M 17450
52/56	A, S		1	BA 17450-A
<b>17464 ARM and DRIVER KIT - WINDSHIELD WIPER</b>				
49/51	A	Universal-consists of arm, hook & driver	AR	A0A 17464-A
<b>17470 CONTROL ASSY. - WINDSHIELD WIPER</b> <i>-Also Refer to Group 17A511</i>				
<b>- A -</b>				
51	A (except S/W)	Bowden wire 25 1/2" long	1	1A 17470-A
52/55	A	Electric	1	B6C 17470-C
52/53	A		1	FAA 17470-A
51	Station Wagon		1	
55	A	Length 27.74" overall	1	B5A 17470-A
56	A	Length 20.12" overall	1	B6A 17470-A
57	A	Length 41.5" overall	1	B7A 17470-B
57/58	A	Length-20.0" overall	1	B8A 17470-A
59	A		1	B9A 17470-A
<b>- S -</b>				
57	S	Length 21.12" overall	1	B7S 17470-A
58/	S		1	B8S 17470-A
52/55	A	Fuse(windshield wiper electric vacuum pump)- 20 amp. -1/4" diameter x 5/8" long	1	8HC 14526
52/55	A	Bulb (w/s wiper electric vacuum pump switch)- 1CP-6-8 volt	1	A0AZ 13466-B
49/53	A	Screw (control to motor)-No. 6-32 x 1/4"	1	★26456-S13
49/53	A	Washer-No. 6	1	★44707-S8
57	A	Grommet (control thru dash panel)	1	352963-S(KK17)
58/	S	Clip (control to dash panel)	1	356668-S32(GG27)
<b>17471 GASKET - ELECTRIC WINDSHIELD WIPER MOTOR SWITCH COVER</b>				
59	A	.015" thick	1	B9A 17471-A
<b>17A474 ADAPTOR - ELECTRIC WINDSHIELD WIPER CONTROL CO-ORDINATOR</b>				
59	A		1	B9AF 17A474-A
		Screw (adaptor to motor base)-No. 8-32 x 5/8"	1	★31077-S8
		Lockwasher-No. 8	1	34802-S7(X59)
		Screw & washer (cable to adaptor)-No. 6-32 x .75"	1	371425-S8(BB554)
<b>17489 CONNECTION - REAR WINDOW WIPER HOSE</b>				
49/50	Tudor, Fordor	"T" type-under dash	1	11C 17489
<b>17490 GEAR ASSY. - ELECTRIC WINDSHIELD WIPER MOTOR</b>				
59	A	Includes 3 "C" type washers-used with B9A 17508-B motor	1	B9A 17490-A
<b>17491 CONNECTOR - VACUUM PUMP TO INTAKE MANIFOLD TUBE</b> <i>-(Improvise from 17543 bulk hose)</i>				

# FORD CAR PARTS

## SECTION 175

YEAR	MODEL	DESCRIPTION	QTY. PER VEHICLE	PART NUMBER
<b>17493 SHIELD - WINDSHIELD WIPER PIVOT SHAFT</b>				
57	A	L. H.	1	B7A 17493-A
57	A	Baffle-R. H.	1	B8A 7002308-A
		Screw (shield to cowl top panel)-No. 8-15 x 3/8"	4	52720-S8(U380)
<b>17A500 KIT - CAM REPLACEMENT - ELECTRIC WINDSHIELD WIPER</b>				
59	A	Consists of the following	1	B9AZ 17A500-A
	(1) Spring	(2) Retainer	(1) Cam	
	(2) 358662-S Spacer	(2) 353862-S "C" Washer		
<b>17508 MOTOR ASSY. - WINDSHIELD WIPER</b>				
- A -				
49/50	A(except S/W)	Vacuum	1	8A 17508
51	A (except S/W)	Vacuum	1	1A 17508-A
52/54	A	Vacuum	1	B2A 17508-A
55/56	A	Vacuum-with coordinator slot	1	B5A 17508-C
57	A	Vacuum-less drive	1	B7A 17508-B
58	A	Vacuum	1	B8A 17508-A
59	A	Vacuum	1	B9A 17508-A
59	A	Electric	1	B9A 17508-B
- S -				
55/57	S	Vacuum-with coordinator slot	1	B5S 17508-C
58/	S	Vacuum-less drive-also use (1) B8S 17598-A for 1958 units	1	B9S 17508-A
55/56	A	Screw & washer(motor to bracket)-No.10-32 x 1/2"	2	*42804-S8
57	S		1	
55/57	A	Washer-rubber-. 56" O. D.-. 23" I. D.	2	352422-S(XX58)
55/57	A	Bushing (rubber)-. 56" O.D.-. 318" I.D.	2	352423-S(VV3)
55/57	A	Eyelet-No. 10-32	2	352425-S(HH14)
58/59	A	Bolt (motor to cowl)-1/4"-28 x 1/2"	1	20309-S8(B150)
58/59	A	Lockwasher-1/4"	1	34805-S8(X62)
58/59	A	Bolt (motor to cowl)-1/4"-28 x 1 1/2"	1	*24425-S7
59	A	Nut(electric motor output arm to shaft)-1/4"-28	1	33796-S7(M61)
<b>17510 SCREW ASSY. - ELECTRIC WINDSHIELD WIPER MOTOR SHAFT STOP</b>				
59	A		1	B9A 17510-A
<b>17A511 SWITCH &amp; COVER ASSY. - ELECTRIC WINDSHIELD WIPER MOTOR - Also Refer to Groups 17470</b>				
59	A	Electric motor switch & cover plate	1	B9AZ 17A511-A
59	A	Screw (cover plate to housing)-No. 8-32 x 3/8"	5	*41684-S
<b>17512 NUT - WINDSHIELD WIPER CONTROL</b>				
57/59	A		1	B7A 17512-B
58/	S		1	B8S 17512-A
<b>17513 KNOB ASSY. - Also Refer to Groups 15674, 18513 &amp; 18519</b>				
- A -				
50	A(DeLuxe, Station Wagon)	Windshield wiper control-ivory plastic	1	0A 17513-A
50	A(DeLuxe)	Pillar lamp-Ivory plastic	1	
50	A(DeLuxe)	Heater blower-Ivory plastic	1	
51	A(except S/W)	Windshield wiper control	1	B6A 17513-C
52/53	A	Windshield wiper control	1	FAB 17513-A
54	A(Customline & Crestline)	W/shield wiper control-black with chrome insert	1	EAG 17513-A
54	A(Mainline)	Windshield wiper control-black plastic	1	FAG 17513-B
55	A	Windshield wiper control	1	B5A 17513-A
56	A	Windshield wiper control	1	B6A 17513-C
57	A	Windshield wiper control	1	B7A 17513-A
58	A(51A, 57A, 58B, 63A, 64B, 76B, 79C, 79E)	Windshield wiper control	1	B8A 17513-A
59	A(except 58E, 59C, 64F, 64G, 71H)	Windshield wiper control	1	B9A 17513-A
58	A(57B, 58A, 59, 63B, 64A, 66, 70, 73, 78, 79D)	Windshield wiper control	1	B9A 17513-B
59	A(58E, 59C, 64F, 74G, 71H)		1	
- S -				
55/57	S	Windshield wiper control-Also used for radio tuning control	1or2	EAG 17513-A
58	S	Windshield wiper,heater or air conditioner control	1or3	B7A 17513-A
59	S	Windshield wiper control	1	B8A 17513-A
58/	S	Screw (knob to control)-No. 8-32 headless set	1	358812-S2(UU21)
57	A		1	



# FORD CAR PARTS

## SECTION 175

637

YEAR 19__	MODEL	DESCRIPTION	QTY. PER VEHICLE	PART NUMBER
<b>17514-5 SPACER - WINDSHIELD WIPER MOUNTING - OUTER</b>				
- A -				
55/56	A	R. H.	1	B5A 17514-A
57/58	A	R. H.	1	B7A 17514-A
		L. H.	1	B7A 17515-A
59	A	R. H.	1	B9A 17514-A
		L. H.	1	B9A 17515-A
- S -				
55/57	S	R. H.	1	B5A 17514-A
58/	S	R. H. & L. H.	2	B8S 17514-A
<b>17526-7 ARM ASSY. - WINDSHIELD WIPER</b>				
- A -				
49/51	A	R. H. -11" long	1	8A 17526-A
		L. H.	1	8A 17527-A
52/54	A (except 64, 76B)	R. H. -11.18" long	1	BD 17526-A
		L. H.	1	BD 17527-A
52/54	A(64, 76B)	R. H. -9.62" long	1	BD 17526-B
		L. H.	1	BD 17527-B
55	A (except 64 & 76B)	R. H. -14" long	1	B5A 17526-A
		L. H.	1	B5A 17527-A
55	A(64, 76B)	R. H. -12.58" long	1	B5A 17526-B
		L. H.	1	B5A 17527-B
55/56	A (except 64, 76B, 79C)	R. H. -11" long	1	B5A 17526-C
		L. H.	1	B5A 17527-C
55/56	A(64, 76B, 79C)	R. H. -9.56" long	1	B5A 17526-D
		L. H.	1	B5A 17527-D
57/58	A(Custom 66, Custom "300", 79E)	R. H. -11.79" long	1	B7A 17526-A
		L. H.	1	B7A 17527-A
57/58	A(Fairlane-except 79E), Fairlane "500"	R. H. -10.63" long	1	B7A 17526-B
		L. H.	1	B7A 17527-B
59	A	R. H. -13 1/4" overall length	1	B9A 17526-A
		L. H.	1	B9A 17527-A
- S -				
55	S	R. H. -14" long	1	B5A 17526-A
		L. H.	1	B5A 17527-A
55/57	S	R. H. -11" long	1	B5A 17526-C
		L. H.	1	B5A 17527-C
58/	S	R. H. -11.79" long	1	B7A 17526-A
		L. H.	1	B7A 17527-A
<b>17528 BLADE - WINDSHIELD WIPER</b>				
- A -				
49/51	A	11" long-consists of 2 0A 17528 blades	1	A9A 17528-B
49/51	A	11" long-universal type with adapter	2	A9A 17528-C
59	A		2	
52/58	A	12" long-universal type	2	B8AB 17528-A
59	A	13.00" long	2	B9AB 17528-A
- S -				
55/57	S	12" long-universal type	2	B8AB 17528-A
58/	S	13.00" long	2	B9AB 17528-A
<b>17531 CLIP - WINDSHIELD WIPER ADAPTER AND CONNECTING ARM</b>				
49/	A	"J" shape-overall height .38"	AR	A8A 17531-A
<b>17536 TUBE - VACUUM TO WINDSHIELD WIPER MOTOR HOSE</b>				
55/57	A, S (8 cyl.)	20.57" long-1/4" tubing-cut from 91A 2269	1	★ECG 17536-B
		Clip (hose to cylinder front cover)	1	356628-S(GG175)
57	A, S (8 cyl. 312)-with dual 4/B carbs.	12.02 long-cut from 91A 2269	1	★ ECG 17536-C
57	A, S-with supercharger	Clip (Tube to intake manifold)	1	370658-S8(GG82)
57	A, S-with supercharger	24.0"long-1/4" tubing-cut from 91A 2269	1	★EDB 17536-A
58/59	A (8 cyl. 332, 352)	12.59" long-1/4" tubing-cut from 91A 2269	1	★EDC 17536-A
58/59	A (8 cyl. 292)	20.10" long-1/4" tubing-cut from 91A-2269	1	★EDB 17536-C
59/	S (8 cyl. 430)	6.23" long-1/4" tubing-cut from 91A 2269	1	★EDG 17536-C
59/	S(430 engine)	Elbow (tube to intake manifold)-90° angle	1	353281-S(II-154)
59/	S (430 engine)	Nut-7/16"-24 (1/4" inverted flared)	1	87943-S8(I-21)

YEAR 19	MODEL	DESCRIPTION	QTY. PER VEHICLE	PART NUMBER
<b>17537 BUTTON - WINDSHIELD WASHER CONTROL</b>				
58/	S		1	B8S 17537-A
58/	S	Screw (button to instrument panel extension)- No. 6-32 x 1/4"	2	*51550-S13
<b>17541 WASHER - WINDSHIELD WIPER ARM TO PIVOT SHAFT</b>				
52/56	A	Outer-leather	2	B5A 17541-A
55/57	S		2	
59	A	Leather	2	B9A 17541-A
<b>17543 HOSE - WINDSHIELD WIPER MOTOR TO MANIFOLD</b>				
49/	A, S	1/8" I. D. x 50 ft. long	AR	A9A 17543-A
49/	A, S	3/16" I. D. x 50 ft. long	AR	A9A 17543-B
49/	A, S	1/4" I. D. x 50 ft. long	AR	A9A 17543-C
59	A, S	5/16" I. D. x 25 ft. long	AR	B9A 17543-A
49/53	A, S	Grommet (windshield wiper hose thru dash panel)- 1.13" O.D. x .88" I.D. with .40" diameter hole	1	352962-S(KK23)
58/	S	Grommet (w/ shield washer hose L.H. to dash panel)	2	353789-S(KK6)
<b>17554-5 HOUSING ASSY. - WINDSHIELD WIPER PIVOT SHAFT</b>				
57	A	R. H. -less spacer	1	B7A 17554-A
		L. H. -less spacer	1	B7A 17555-A
58/	S	R. H.-includes B8S 17514-A spacer	1	B8S 17554-A
		L. H. -includes B8S 17514-A spacer	1	B8S 17555-A
<b>17562 GROMMET - WINDSHIELD WIPER CONNECTING ARM TO OPERATING LEVER</b>				
49/56	A, S		1or2	51A 17562
<b>17566-7 ARM and PIVOT SHAFT ASSY. - WINDSHIELD WIPER MOUNTING</b>				
- A -				
49/50	A (except S/W)		1	8A 17566-A
52/54	A	R. H. -less spacers	1	BA 17566-A
		L. H. -less spacers	1	BM 17567-A
55/56	A	R. H. - less spacer - includes 51A 17562	1	B5A 17566-A
		L. H. - less spacer+includes 51A 17562	1	B5A 17567-A
58	A	R. H.	1	B8A 17566-A
		L. H.	1	B8A 17567-A
59	A	R. H.	1	B9A 17566-A
		L. H.	1	B9A 17567-A
- S -				
55/57	S	R. H. - less spacer	1	B5S 17566-A
		L. H. - less spacer	1	B5S 17567-A
49/54	A	Eyelet (windshield wiper mount, arm & shaft to motor)-No. 10-32	2	352425-S(HH14)
49/54	A	Bushing (windshield wiper mount, arm & shaft to motor)-rubber	2	352423-S(VV3)
55/	A	Flat washer (arm & pivot shaft to motor)-1/4"	1or2	44719-S8(X17)
55/57	S		2	
55/	A	Nut (arm & pivot shaft to cowl)-5/8"-24	2	356094-S13
55/57	S		2	(MM182)
58/	S	Nut (arm & pivot shaft to cowl top)-3/4"-20-round	2	370695-S37
				(MM213D)
<b>17579 BODY ASSY. - WINDSHIELD WIPER AUXILIARY DRIVE</b>				
57	A		1	B7A 17579-A
58/	S		1	B8S 17579-A
57	A	Bolt (body to brkt.) 1/4"-28 x 1/2"	1	20309-S8(B150)
57	A	Lockwasher-1/4"	1	34805-S8(X62)
57	A	Nut-1/4"-28	2	33796-S7(M61)
<b>17580 HOSE - WINDSHIELD WASHER - Cut as Required from 17543 Bulk Hose</b>				
55/	S	Grommet (attach to dash panel for windshield washer hose)	1or2	353789-S(KK6)
58/	S	Connector tee (control hose to vacuum source)	1	353376-A1S(II-103)
<b>17587 TEE ASSY. - WINDSHIELD WASHER HOSE - Also Refer to Group 17A601</b>				
55/56	A	Use with auto-wipe	1or2	B5A 17587-A
59/	S	2 holes at 1/8" diam. -1 hole at 3/16" diam.	1	B9S 17587-A

# FORD CAR PARTS

## SECTION 176

639

YEAR 19	MODEL	DESCRIPTION	QTY. PER VEHICLE	PART NUMBER		
<b>17590-1 TENSIONER ASSY. - WINDSHIELD WIPER</b>						
57	A	R. H.	1	B7A 17590-A		
57	A	L. H.	1	B7A 17591-A		
		Bolt (R. H. tensioner to panel-cowl top)- 1/4"-28 x 1/2"	3	20309-S8(B150)		
		Lockwasher-1/4"	6	34805-S8(X62)		
		Plug button (rubber) To plug access hole in cowl top, for removal of pin in tensioner	2	352811-S(KK59)		
<b>17592 IDLER ASSY. - WINDSHIELD WIPER CABLE</b>						
58/	S		1	B8S 17592-A		
		Nut (idler to cowl top inner panel)-1/4"-28	2	33795-S7(M49)		
		Lockwasher-1/4"	2	34805-S8(X62)		
<b>17593 SLIDE - WINDSHIELD WIPER MOTOR CONTROL</b>						
58/	S	Use with B8S 17508-A (2 speed)-Plastic	1	B8S 17593-A		
58/	S	Use with B8S 17508-B (1 speed)-Plastic	1	B8S 17593-B		
<b>17595 SILENCER ASSY. - WINDSHIELD WIPER</b>						
49/54	A		1	7RA 17595		
52/58	A (6 cyl.)		1	B8A 17595-A		
<b>17597 CONNECTOR - WINDSHIELD WIPER HOSE TO MANIFOLD</b>						
54	A (8 cyl.)	Use with power brakes	1	EBU 17597-A		
55/59	S	Use with power brakes & standard fuel pump	1			
55/59	A (8 cyl.)	Not used with fuel & vacuum pump installation	1			
		Nut (tube to manifold connector to elbow)- 7/16"-24	1	87943-S8(I-21)		
		Connector - 3/8 - 7/16" - 24	1	357854-S(II-69)		
49/54	A	Gasket (windshield wiper silencer to hose)	1	91A 2149		
55/59	A, S	Elbow (connector to intake manifold) 90°	1	353281-S(II-154)		
<b>17598 CONNECTOR - WINDSHIELD WASHER HOSE</b>						
58/	S	Nylon-1/4" x 5/16" ends-used with vacuum	1	B8S 17598-A		
58	A	windshield wiper motors	1			
<b>17601 ACTUATOR ASSY. - WINDSHIELD WASHER - VACUUM</b>						
55/56	A	Used when windshield washer is installed	1	B5A 17601-B		
55/56	A	Screw-No. 6-32 x 5/16"-(actuator to motor)	1	*31036-S8		
58/	S	Used when windshield washer is installed	1	B8S 17601-A		
<b>17A601 TEE - WINDSHIELD WASHER HOSE</b> - Also Refer to Group 17587						
55/59	A, S		ROTUNDA SALES NO. R26-E	1		
				C0AB 17A601-A		
<b>17A603 KIT - WINDSHIELD WASHER</b>						
59/	A	Foot-operated-Rotunda Sales No. R26-A	1	C1RZ 17A603-A		
Consists of						
	1-C0AB 17A601-A	Tee	1-C2RZ 17632-A	Cover	4-42127-S8	Screw
	1-C1RB 17A605-A	Hose	*1-C1RB 17A635-A	Pin	*2-376772-S	Flat washer
	1-C1RB 17A605-B	Hose	◇1-B9BA 17651-A	Bracket	*2-376773-S	Retainer washer
	2-C1RB 17A605-C	Hose	1-C1RZ 17664-A	Pump	1-Instruction Sketch-No. 744	
	1-C1RB 17610-A	Reservoir	*2-C1RB 17665-A	Nozzle	1-Instruction Procedure-No. 745 -A	
	1-C1RB 17A615-A	Screen				
59	S (430 engine)		Complete for installation	1	B9SZ 17A603-B	
58/	S (352 engine)		Hand operated-No longer supplied (12-62)	1	*C0SB 17A603-B	
Consists of						
	1-B8S 17537-A	Button	1-C0SB 17A605-C	Hose	1-31068-S8	Screw
	1-BAP 17580-D	Hose	1-C0SB 17A605-D	Hose	2-42007-S8	Screw
	1-BAP 17580-E	Hose	1-B8S 17606-A	Control	2-51750-S8	Screw
	1-BAP 17580-F	Hose	1-C0AB 17610-B	Reservoir	2-52720-S8	Screw
	1-C0AB 17A601-A	Tee	1-B8S 17647-A	Guide	1-353668-S32	Clip
	1-B9S 17587-A	Tee	1-BM 17651-A	Bracket	3-353789-S	Grommet
	2-B8S 17601-A	Actuator	1-C0AE 17664-A	Pump	1-Template	
	1-C0SB 17A605-A	Hose	2-B8S 17666-A	Jet & brkt.	1-Instruction Sheet-No. 410	
	1-C0SB 17A605-B	Hose	9-8M 18954	Clamp		
<b>17A605 HOSE - WINDSHIELD WASHER</b> - Cut as Required from 17543 bulk hose						
<b>17606 CO-ORDINATOR - WINDSHIELD WASHER CONTROL</b>						
58/	S		1	B8S 17606-A		

Consists of C0AB 17618-B Bag and B8S 17632-A Cover \* Also supplied in C1RZ 17A638-A repair kit ◇ Use C1AB 17651-A for service

YEAR 19	MODEL	DESCRIPTION	QTY. PER VEHICLE	PART NUMBER
<b>17A611 CABLE ASSY. - WINDSHIELD WASHER CONTROL</b>				
56/58	A	Approx. 29.0" long	1	B6AZ 17A611-A
59	A	21.0" long	1	B9AZ 17A611-A
56/57	S	Approx. 39.0" long	1	B6SZ 17A611-A
		Grommet (between dash panel & cable)	1	352963-S(KK17)
<b>17615 TEE ASSY. - WINDSHIELD WASHER OR RESERVOIR JAR TO HOSES</b>				
49/59	A	Used with BM 17632-A cover	1	BF 17615-A
55/57	S		1	
<b>17616 COVER ASSY. - WINDSHIELD WASHER JAR OR RESERVOIR</b>				
52/53	A		1	BA 17616-A
<b>17618 JAR OR RESERVOIR - WINDSHIELD WASHER</b>				
49/54	A		1	BA 17618-A
54/59	A		1	COAZ 17618-A
55/57	S		1	
58/	S	Water outlet at bottom of reservoir	1	B8S 17618-A
59	A	Used with C1RZ 17A603-A	1	C1RZ 17618-A
<b>17632 COVER - WINDSHIELD WASHER RESERVOIR</b>				
54/	A	Contains hole to insert hose into reservoir	1	BM 17632-A
55/57	S		1	
58/	S	Used with reservoirs that contain spout at bottom	1	B8S 17632-A
59	A	Used with C1RZ 17A603-A	1	C2RZ 17632-A
<b>17A638 KIT - WASHER NOZZLE REPAIR</b>				
59	A	Used with C1RZ 17A603-A	1	C1RZ 17A638-A
Consists of				
	2-C1RB 17A635-A	Pin	2-376772-S	Washer
	2-C1RB 17A665-A	Nozzle assy.	2-376773-S	Washer
<b>17647 GUIDE - WINDSHIELD WASHER CONTROL CABLE</b> (Also Refer to Group 17A544)				
56/59	A		1	B8A 17647-A
57	S		1	
58/	S		1	B8S 17647-A
<b>17651 BRACKET - WINDSHIELD WASHER RESERVOIR MOUNTING</b>				
58/	S	Improvise	1	* BM 17651-A
<b>17664 CONTROL ASSY. - WINDSHIELD WASHER</b>				
- A -				
49/53	A	Foot type	1	BA 17664-A
54	A	Foot type	1	BM 17664-A
55	A		1	B5A 17664-A
55/56	A	Pump (use with co-ordinator)	1	B5A 17664-C
56	A	Use with B6AZ 17A603-A-w/s washer kit	1	B6A 17664-A
57	A	Use with B7AZ 17A603-A-w/s washer kit	1	B9TT 17664-A
58	A		1	B8A 17664-A
59	A		1	B9A 17664-A
59/	A	Used w/C1RZ 17A603-A	1	C1RZ 17664-A
- S -				
55/57	S		1	B6S 17664-A
59/	S (430 engine)	Attached to generator	☆1	COAE 17664-A
58/	S (8 cyl. 352)		☆1	
55/	A	Lockwasher-5/8" (pump to dash)	2	34811-S2(X71)
55/	A	Nut (pump to dash panel)-5/8"-18 castle	1	359553-S8(MM71)
55/57	S	Nut-(pump to dash panel) 7/16"-20	1	34690-S8(M34)
55/57	S	Lockwasher-7/16"	1	*34921-S7
58/	S	Tee (windshield washer to attach hose)	1	354675-S(II-101)
58/	S (352 engine)	Bolt(pump & brkt. to water pump)-3/8"-16 x 1 3/8"	2	20448-S8(B83)
58/	S	Lockwasher-3/8"	AR	34807-S8(X66)
58/	S	Flatwasher-3/8"	AR	44727-S8(X24)
58/	S (352 engine)-exc. A/C & P/S	Washer-flat-3/8"-used as spacer between P/S mounting bracket and water pump	2	356214-S8(XX162)
59/	S (430 engine)	Bolt(pump & brkt. to gen. adj. arm)-3/8"-16 x 1"	1	20388-S8 (B80)
		Bolt (pump & bracket to support bracket)	1	
59/	S (430 engine)	Nut-3/8"-16	2	33799-S7(M52)

☆ When replacing 1958/59 control located at P/S mounting bracket - extra lengths of hoses are required to complete installation - Pump also supplied in (17A603) washer kit

♣ Also supplied in (17A603) washer kit

# FORD CAR PARTS

## SECTION 176

641

YEAR 19	MODEL	DESCRIPTION	QTY. PER VEHICLE	PART NUMBER
<b>17666 NOZZLE ASSY. - WINDSHIELD WASHER JET</b>				
55/57	S		2	B5S 17666-A
49/51	A		1	0A 17666
54	A		1	
52/56	A		1	BA 17666-A
57/58	A	Includes bracket	2	B7A 17666-B
58/	S	Includes bracket	2	B8S 17666-A
59	A	Includes bracket	2	B9A 17666-A
55/57	S	Nut (jet to cowl top panel) 5/16"-18	2	33797-S7(M50)
55/57	A	Jet to hood	1	
55/57	A, S	Lockwasher-No. 8	1	*34941-S7
58/	S	Screw (jet to cowl top vent grille)-No.8-18 x 3/8"	2	52720-S8(U380)
<b>17668-9 BRACE - REAR BUMPER TO FRAME CROSS MEMBER</b>				
56	S	R. H.	1	*B6S 17668-A
		L. H.	1	B6S 17669-A
		Bolt (brace to frame c/member to frame)- 7/16"-20 x 1 1/4"	2	20431-S8(B186)
		Nut-7/16"-20	2	34671-S8(M67)
		Washer-flat-7/16"	4	44730-S8(X26)
<b>17A679 MIRROR ASSY. - VANITY</b>				
59/	A		1	B9AB17A679-A
<b>17691 ADAPTER - INSIDE REAR VIEW MIRROR</b>				
57	A	Use with B5A 18400-A mirror to convert to single ball joint unit	1	B7A 17691-A
<b>17696 KIT - OUTSIDE REAR VIEW MIRROR</b>				
- A -				
49/	A	Universal type -round head	R-24A 1	C3RZ 17696-A
52/	A	Body mount-with replaceable head	1	B5AZ 17696-A
56/	A	Round head	1	C1AZ 17696-A
56/	A	Rectangular head	1	C1AZ 17696-B
- S -				
55/	S	Universal type -round head	R-24A 1	C3RZ 17696-A
55/	S	Body mount-with replaceable head	1	B5AZ 17696-A
<b>17700 MIRROR and BRACKET ASSY. - INSIDE REAR VIEW</b>				
- A -				
50/51	A(S/W)	Dark Brown	1	0A 17700-AG
50	A(Crestliner-with Brown Interior)		1	
52/53	A		1	BA 17702-CA
52/54	A (except Victoria, Convertible & S/D)		1	BF 17700-AP
55/56	A (except Fairlane)		1	B5A 17700-AP
55/56	A(Fairlane)	Chrome	1	C0AB 17700-E
57/58	A(51A, 76B)		1	
59	A(51A, 76B)		1	
55/57	A(Fairlane)		1	B6A 17700-B
57/58	A (except 51A, 76B, 78A)	Paint to match	1	B9A 17700-A
59	A (except 51A, 54, 65A, 75A, 76B)		1	
59	A(54A, 64H, 65A, 75A)	Chrome	1	B9A 17700-C
- S -				
55/57	S		1	B5S 17700-B
58/	S		1	B5A 17700-AP
58/59	S	Chrome	1	C0AB 17700-E
52/54	A	Screw(mirror & brkt. to panel),No.8-15x1"oval hd.	3	33013-S13(U331)
54	A (except S/D)	Screw (mirror to panel)-No. 8-15 x 1 1/4"	3	52382-S13(U297)
55/	A, S	Screw (mirror to windshield frame or header)	AR	
57/59	A(51A)	Screw (mirror to windshield header inner panel)-No. 8-15 x 1 1/2"	2	52388-S13(U298)
<b>17702 MIRROR ASSY. - REAR VIEW INSIDE</b> - Refer to Group 17700				
<b>17723 HEAD - REAR VIEW MIRROR - OUTSIDE</b>				
52/	A, S	Replacement head for B5AZ 17696-A mirror assy.	1	BF 17723-A

## SECTION 176

## FORD CAR PARTS

YEAR 19	MODEL	DESCRIPTION	QTY. PER VEHICLE	PART NUMBER
<b>17736 BRACKET - FRONT LICENSE PLATE MOUNTING</b> -Also Refer to Groups 17244				
55/56	S		1	B5S 17736-A
58/	S		1	B8S 17736-A
59	A		1	B9A 17736-A
		Bolt (bracket to bumper)-1/4"-20 x 1/2"	2	20308-S7(B40)
		Nut-1/4"-20	2	33795-S7(M49)
		Lockwasher-1/4"	2	34940-S8 (X88)
<b>17740 SEAL - STONE DEFLECTOR TO RADIATOR</b>				
55/56	A-except with air conditioner	19.75" long	1	B5A 17740-A
<b>17744 DEFLECTOR ASSY. - FRONT BUMPER STONE</b> - Refer to Group 17779				
<b>17748 DEFLECTOR ASSY. - FRONT BUMPER STONE</b> - Refer to Group 17779				
<b>17751 SPACER - FRONT LICENSE BRACKET</b>				
49	A		1	8A 17751
<b>17751 BAR ASSY. - REAR IMPACT CENTER-UPPER</b> - Refer to Group 17906				
<b>17754-5 ARM - FRONT BUMPER OUTER.</b>				
- A -				
49	A	R. H.	1	8A 17754-A
		L. H.	1	*8A 17755-A
52/53	A	R. H.	1	BA 17754-B
		L. H.	1	*BA 17755-B
54	A	R. H.	1	BM 17754-A
		L. H.	1	BM 17755-A
55/56	A	R. H.	1	B5A 17754-A
		L. H.	1	B5A 17755-A
57	A	R. H.	1	B7A 17754-A
		L. H.	1	B7A 17755-A
58	A	R. H.	1	B8A 17754-A
		L. H.	1	B8A 17755-A
59	A	R. H.	1	B9A 17754-A
		L. H.	1	B9A 17755-A
- S -				
55/56	S	R. H.	1	B5S 17754-A
		L. H.	1	B5S 17755-A
57	S	R. H.	1	B7S 17754-A
		L. H.	1	B7S 17755-A
58/	S	R. H.	1	B8S 17754-A
		L. H.	1	B8S 17755-A
49/53	A	Bolt (outer arm to inner arm)-3/8"-24 x 1 1/8"	2	23426-S8(B32)
		Locknut-3/8"-24		34370-S8(M99)
49/51	A	Bolt (front bumper outer arms to frame)- 1/2"-20 x 1 3/8"	4	20453-S7-8(B200)
49/51		Nut-1/2"-20	4	34399-S8(M104)
57	S	Nut (arm & front bumper to frame)	4	
49/56	A, S	Lockwasher-1/2"	4	34809-S8(X68)
52/53	A	Lockwasher-3/8"	2	34807-S8(X66)
52/53	A	Nut 3/8"-24	2	33800-S8(M63)
52/54	A	Bolt(outer & inner arms to frame)-1/2"-20 x 1 3/4"	4	20511-S8 (B202)
55/57	S	Bolt (outer & inner arms to frame)	4	
52/56	A, S	Nut-1/2"-20	4	33846-S8(M69)
52/56	A, S	Washer-1/2"	4	44735-S8(X32)
55/56	A	Bolt(outer& inner arms to frame)-1/2"-20 x 2"	2	20527-S7-8(B203)
57/	S	Washer-flat	4	
57	S	Bolt (arm to plate-front bumper-jack)- 7/16"-20 x 1 1/8"	2	20411-S7(B184)
57/	S	Lockwasher-7/16"	2	34808-S7(X67)
57/	S	Flatwasher-7/16"	2or4	44730-S8(X26)
57/	S	Nut (arm to plate front bumper-jack)-7/16"-20	2	34671-S8(M67)

# FORD CAR PARTS

## SECTION 176

643

YEAR 19	MODEL	DESCRIPTION	QTY. PER VEHICLE	PART NUMBER
<b>17756-7 BUMPER - FRONT</b>				
<b>- A -</b>				
52/53	A		1	BA 17757-A
54	A		1	BM 17757-A
55/56	A		1	B5A 17757-B
57	A		1	B7A 17757-A
58	A		1	B8A 17757-A
59	A		1	B9A 17757-A
<b>- S -</b>				
55/56	S		1	B5S 17757-B
57	S	R. H. -upper	1	B7S 17756-A
		L. H. -upper	1	B7S 17757-A
		Center-lower	1	B7S 17802-A
59	S		1	B9S 17757-A
58	S		1	C0SZ 17757-A
57	S	Bolt (bar to lower bar)-7/16"-20 x 1"	8	20391-S8(B183)
59	S	Bolt (bar to grille) 1/4"-20 x 1/2	5	20308-S7(B40)
59	S	Bolt (bar to deflector)	4	
59	S	Washer-flat-1/4"	AR	44719-S8(X17)
59	S	Nut-1/4"-20	AR	33795-S7(M49)
59/	A	Rubber bumper between impact bar and license plate	1	370677-S (CC22)
55/	A, S	Nut-7/16"-20	AR	34671-S8(M67)
55/	A, S	Lockwasher-7/16"	AR	34808-S8(X67)
55/	A, S	Washer-flat-7/16"	AR	44730-S8(X26)
		Bolt (license plate to bar) 1/4"-20 x 1/2"	2	20308-S7(B40)
		Nut - 1/4"-20	2	33795-S7(M49)
		Lockwasher-1/4" spring lock	2	34805-S8(X62)
		Lockwasher -1/4" external tooth	2	34940-S7(X88)
<b>17758 BOLT ASSY. - BUMPER TO ARMS</b>				
49/	A, S	7/16"-14 x 1 3/4"	AR	B9A 17758-A
49/	A, S	Washer-7/16"	AR	44730-S8(X26)
49/	A, S	Nut-7/16"-20	AR	34671-S8(M67)
49/	A, S	Lockwasher-7/16"	AR	34808-S8(X67)
<b>17763 RETAINER ASSY. - FRONT BUMPER FINISH PANEL</b>				
58/	S		7	B8S 17763-A
<b>17766-7 ARM - FRONT BUMPER INNER</b>				
<b>- A -</b>				
52/53	A	R. H.	1	BA 17766-B
		L. H.	1	*BA 17767-B
54	A	R. H.	1	BM 17766-A
		L. H.	1	BM 17767-A
55/56	A	R. H.	1	B5A 17766-A
		L. H.	1	B5A 17767-A
57	A	R. H.	1	B7A 17766-A
		L. H.	1	B7A 17767-A
58	A		1	B8A 17766-A
59	A	R. H.	1	B9A 17766-A
		L. H.	1	B9A 17767-A
<b>- S -</b>				
55/56	S	R. H.	1	B5S 17766-B
		L. H.	1	B5S 17767-B
57	S	R. H.	1	B7S 17766-A
		L. H.	1	B7S 17767-A
58/	S	R. H.	1	B8S 17766-A
		L. H.	1	B8S 17767-A
49/54	A	Bolt (front bumper inner arms thru bar to guard)-1/2"-20 x 2 1/4"	2	20539-S8(B204)
49/54	A	Nut-1/2"-20	2or4	34399-S8 (M104)
49/54	A	Lockwasher-1/2"	2or4	34809-S8(X68)
49/54	A	Washer-flat-1/2"	2or4	44735-S8(X32)
58/59	A	Washer-flat	2or4	
54	A	Bolt (arm to bar to guard)-1/2"-20 x 2 1/2"	2	20549-S8(B205)

YEAR 19	MODEL	DESCRIPTION	QTY. PER VEHICLE	PART NUMBER
<b>17766-7 ARM - FRONT BUMPER INNER - continued</b>				
58	A	Bolt (arm to frame)-1/2"-20 x 3/4"	4	20511-S8(B202)
58/59	A	Nut - 1/2"-20	2or4	34393-S7(M98)
59	A	Bolt (arm to frame)-1/2" 20 x 1 3/4"	2	*24510-S34
59	A	Bolt (arm to frame)-1/2-13 x 2 1/4"	2	355765-S(BB196)
59	A	Nut - 1/2"-13"	2	33845-S8(M57)
57	S	Nut-7/16"-20	2	34671-S8(M67)
57/	S	Bolt (arm to jack plate)-7/16"-20 x 1 1/8"	2	20411-S7(B184)
58/	S	Arm to bar	2	
57/	S	Lockwasher-7/16"	2	34808-S8(X67)
57/	S	Washer-flat-7/16"	2	44730-S8(X26)
58/	S	Bolt (arm to body)-1/2"-20 x 4 1/4"hex. head	4	*45579-S8
58/	S	Nut -1/2" x 20	4	33846-S8(M69)
58/	S	Lockwasher - 1/2"	4	34809-S8(X68)
58/	S	Washer-flat	4	44735-S8(X32)
<b>17779 DEFLECTOR - FRONT BUMPER STONE</b>				
- A -				
49/50	A (8 cyl.)		1	0BA 17744
	(6 cyl.)		1	0HA 17744
51	A (8 cyl.)		1	1BA 17744
52/53	A (8 cyl.)		1	BA 17748-C
54	A (6 cyl.)		1	BM 17748-B
	(8 cyl.)		1	BM 17748-A
55	A (6 cyl.)		1	B5A 17748-D
	(8 cyl.)		1	B5A 17748-C
56	A (6 cyl.)		1	B6A 17748-B
	(8 cyl.)		1	B6A 17748-A
57	A		1	B7A 17748-A
58	A		1	B8A 17748-A
59	A		1	B9A 17748-A
- S -				
55/56	S		1	B5S 17779-A
57	S	Center	1	B7S 17202-B
		R. H. -end	1	B7S 17198-A
		L. H. -end	1	B7S 17199-A
49/51	A	Bolt (front bumper stone deflector to radiator side air deflector)-1/4"-20 x 3/4"	4	20344-S8(B42)
		Bolt (front bumper stone deflector to fender)	6	
		Nut-1/4"-20	10	33795-S7(M49)
		Lockwasher-1/4"	10	34805-S8(X62)
		Locknut-1/4"-20	10	34390-S7(M92)
		Washer-1/4"	10	44720-S8(X18)
49/51	A	Bolt (front bumper stone deflector thru grille to fender)-5/16"-24 x 3/4"	2	20347-S8(B156)
		Locknut-5/16"-24	2	34393-S7(M98)
		Lockwasher-5/16"	2	34806-S7(X64)
		Washer-5/16"	2	44722-S8(X19)
52/56	A	Bolt (front bumper stone deflector to radiator grille support bracket)-1/4"-20 x 3/4"	AR	20344-S8(B42)
52/56	A	Bolt (front bumper stone deflector to apron)	AR	
52/56	A	Nut-1/4"-20		33795-S7(M49)
52/56	A	Lockwasher-1/4"		34805-S8(X62)
52/56	A	Washer-1/4"		44719-S8(X17)
57	A	Screw (deflector thru rad. air side deflector to front bumper bar to stone deflector bracket)-5/16"-24 x 3/4"	4	20347-S8(B156)
57/58	A	Deflector to front fender	4or6	
57/58	A	Deflector thru radiator air side deflector to front fender apron & radiator support	2	
57/58	A	Deflector to radiator air side deflector	2	
57/58	A	Nut-5/16"-24	AR	33798-S8(M62)
57/58	A	Lockwasher-5/16"	AR	*34941-S7
57/59	A	Screw (deflector to front for apron & radiator support) No. 14-10 x 5/8"	2	31498-S8(U253B)
57/	A	Nut retainer assy. -5/16"-24	AR	359952-S2(MM198)



# FORD CAR PARTS

## SECTION 176

YEAR 19	MODEL	DESCRIPTION	QTY. PER VEHICLE	PART NUMBER
<b>17779 DEFLECTOR - FRONT BUMPER STONE - continued</b>				
57	A	Bolt (deflector to radiator grille center bracket)-5/16"-24 x 3/4"	1	353483-S2 (BB588)
58	A	Bolt (deflector to radiator grille extension)	4	
59	A	Bolt (deflector to radiator side deflector)	2or4	
59/	A	Bolt (deflector to fender)	2or4	
59/	A	Bolt (deflector thru rad. suppt. to fender apron)	2or4	
58/	A	Nut-5/16"-24	AR	354299-S2 (MM156)
59	A	Nut retainer assy. -1/4"-20	2or5	354394-S2(MM187)
59	A	Bolt (deflector to grille or center grille bracket) -1/4"-20 x 5/8"	2or5	354476-S2(BB570)
55/56	S	Bolt (deflector to fender)-1/4"-20 x 1/2"	AR	20308-S7(B40)
57	S	Bolt (deflector to deflector-radiator air lower)-	7	20308-S7(B40)
55/56	S	Bolt (deflector to fender)-1/4"-20 x 3/4"	AR	20344-S8(B42)
55/57	S	Flat washer-1/4"	AR	44719-S8(X17)
55/57	S	Nut-1/4"-20	AR	33795-S7(M49)
55/57	S	Lockwasher-1/4"	AR	34805-S8(X62)
57	S	Screw(defl. to brace & frt. fender)-1/4"-20 x 1"	4	31128-S(U62)
		Screw (deflector to fender)	2	
57	S	Screw (deflector to deflector-stone end)- No. 10-32 x 1/2"	4	★42904-S8
		Screw (deflector to grille)	8	
57	S	Lockwasher-No. 10	12	34903-S8(X96)
57	S	Washer-flat-No. 10	12	44716-S8(X15)
<b>17787-8 ARM - REAR BUMPER INNER</b>				
- A -				
55/56	A	R. H.	1	B5A 17787-B
		L. H.	1	B5A 17788-B
57	A(Custom, Custom "300", 79E)		1	B7A 17787-A
58	A(Ranchero, S/D & S/W)		1	
57	A(F/L, Fairlane "500"except 51A, 79E)		1	B7A 17787-B
57	A(51A)		1	B7A 17787-C
58	A (except 51A, 66, S/D & S/W)	R. H.	1	B8A 17787-A
		L. H.	1	B8A 17788-A
58	A(51A)	R. H.	1	B8A 17787-B
58		L. H.	1	B8A 17788-B
59	A (except 51A, 59, 66, 71)	Center	1	B9A 17787-A
59	A(51A)	Center	1	B9A 17787-B
59	A(Ranchero, S/W)	Center	1	B9A 17787-C
- S -				
55	S	R. H.	1	B5S 17787-A
		L. H.	1	B5S 17788-A
56	S	R. H.	1	B6S 17787-A
		L. H.	1	B6S 17788-A
57	S	R. H.	1	B7S 17787-A
		L. H.	1	B7S 17788-A
58/	S		2	B8S 17787-A
52/54		Bolt (rear bumper inner arm thru bar to guard)-1/2"-20 x 2 1/2"	2	20549-S8(B205)
52/54		Lockwasher-1/2"		34809-S8(X68)
57	70, 73	Lockwasher	2	
52/54		Flatwasher-1/2"		44735-S8(X32)
57	70, 73	Flatwasher	2	
52/54		Nut 1/2"-20		34399-S8 (M104)
55/56	A	Screw (inner arm to outer arm)-5/16"-24 x 1 1/4"	2	354488-S8 (BB109)
55/56	A	Nut (lock)-5/16"-24	2	34443-S7-8(M79)
57	70, 73	Bolt (arm & guard to bar) 1/2"-20 x 2"	2	20527-S7(B203)
55/57	S	Bolt (arm to plate rear bumper jack)- 7/16"-20 x 1 1/8"	2	20411-S7 (B184)
55/57	S	Nut-7/16"-20	2	34671-S8 (M67)
55/57	S	Lockwasher-7/16"	2	34808-S8 (X67)
55/57	S	Washer-flat-7/16"	2	44730-S8(X26)

YEAR 19	MODEL	DESCRIPTION	QTY. PER VEHICLE	PART NUMBER
<b>17789 BRACE - REAR BUMPER END</b>				
56	S	R. H. & L. H.	2	B6S 17789-A
<b>17795-6 ARM - REAR BUMPER OUTER</b>				
- A -				
55/56	A (except Fairlane 8 cyl.)	R. H.	1	B6A 17795-A
		L. H.	1	B6A 17796-A
56	A(Fairlane 8 cyl.)	R. H.	1	B6A 17795-B
		L. H.	1	B6A 17796-B
57	A(Custom, Custom "300", 79E)	R. H.	1	B7A 17795-A
58	A(Ranchero, S/D & S/W)		1	
		L. H.	1	B7A 17796-A
			1	
57	A(F/L, F/L"500"-except 51A, 79E)	R. H.	1	B7A 17795-B
		L. H.	1	B7A 17796-B
57	A(51A)	R. H.	1	B7A 17795-C
		L. H.	1	B7A 17796-C
58	A (except 51A, 59, 66, 78, 79)	R. H.	1	B8A 17795-A
		L. H.	1	B8A 17796-A
58	A(51A)	R. H.	1	B8A 17795-B
		L. H.	1	B8A 17796-B
59	A (except 51A, 59, 66, 71)	R. H.	1	B9A 17795-A
		L. H.	1	B9A 17796-A
59	A(51A)	R. H.	1	B9A 17795-B
		L. H.	1	B9A 17796-B
59	A(Ranchero, S/W)	R. H.	1	B9A 17795-C
		L. H.	1	B9A 17796-C
- S -				
55	S	R. H.	1	B5S 17795-A
		L. H.	1	B5S 17796-A
56	S	R. H.	1	B6S 17795-A
		L. H.	1	B6S 17796-A
57	S	R. H.	1	B7S 17795-A
		L. H.	1	B7S 17796-A
58/	S	R. H.	1	B9S 17795-A
		L. H.	1	B9S 17796-A
49/50	S/W	Bolt (bumper arms to frame)-1/2"-20 x 2"	4	20527-S7-8(B203)
51	S/W		6	
56/57	S	Bolt (arm-inner & outer to frame) 1/2"-20 x 2"	4	
49/51	A (except S/W)	Bolt (outer arms to frame)-1/2"-20 x 1 3/8"	4	20453-S7-8(B200)
		Lockwasher-1/2"	4	34809-S8(X68)
55/59	A, S	Lockwasher	4	
		Washer 1/2"	4	44735-S8(X32)
55/59	A, S	Washer	4	
49/51	A (except S/W)	Bolt (rear bumper outer arm to inner arm )- 3/8"-24 x 1 1/8"	2	23426-S8(B32)
52/53	A		2	
49/51	S/W	Bolt (arms to reinforcement)-3/8"-24 x 1 1/2"	2	20469-S8 (B174)
51	S/W	Bolt (arms to reinforcement)-3/8"-24 x 1 3/4"	2	★20507-S8
55/56	S/W	Bolt (arms to reinforcement)	2	
		Nut-3/8"-24		34370-S8(M99)
52/54	A	Bolt(rear bumper arms to frame)-1/2"-20x13/4"	4	20511-S8(B202)
55/56	A, S	Bolt (rear bumper arms to frame)	4	
55/56	S	Bolt (guard to bar)-7/16"-20 x 2 1/4"	2	359096-S100(EB653)
55/56	A	Nut-1/2"-20	4	34399-S8(M104)
55	S	Nut-1/2"-20	4	33846-S8(M69)
57	A	Screw (arm to arm-rear bumper inner)- 5/16"-24 x 1 1/4"	2	354488-S8(EB109)
57	A	Nut-5/16"-24	2	34393-S7(M98)
57	S	Bolt (arm inner & outer to frame)-1/2"-20x2 1/4"	4	20539-S8 (B204)
58/	S	Flatwasher-5/8"-used as spacer between arm and 44736-S8 washer	2	44742-S8 (X42)
<b>17802 BAR ASSY. - FRONT BUMPER IMPACT</b> - Refer to Group 17756-7				

# FORD CAR PARTS

## SECTION 176

647

YEAR 19	MODEL	DESCRIPTION	QTY. PER VEHICLE	PART NUMBER
<b>17805-6 DEFLECTOR ASSY. - REAR BUMPER STONE-OUTER</b>				
57	A(51A)	R. H. -used with spare wheel carrier	1	B7A 17805-B
		L. H. -used with spare wheel carrier	1	B7A 17806-B
58/	S	R. H.	1	B8S 17805-A
		L. H.	1	B8S 17806-A
58	A(except 66. S/D, & S/W)	R. H. -used with spare wheel carrier	1	B8A 17805-B
		L. H. -used with spare wheel carrier	1	B8A 17806-B
59	A(except 66 & S/W)	R. H. -used with spare wheel carrier	1	B9AB 17805-B
		L. H. -used with spare wheel carrier	1	B9AB 17806-B
<b>17807 PLATE - FRONT BUMPER JACK</b>				
55/56	S	R. H.	1	B5S 17807-B
58/	S		2	B8S 17807-A
<b>17808 DEFLECTOR ASSY. - REAR BUMPER STONE - Also Refer to Groups 17814</b>				
- A -				
57/58	A(Fairlane, Fairlane "500"-except 79E)		1	B7A 17808-A
57/58	A(Custom, Custom "300", 79E)	Alter to fit	1	
59	A	70" long	1	B9AB 17808-E
59	A (except 51A, 66C, S/W)	R. H. -used with spare wheel carrier	1	B9AB 17808-B
- S -				
56	S	R. H.	1	B6S 17836-A
		L. H.	1	B6S 17837-A
57	S		1	B7S 17808-A
56	S	Bolt (deflector to panel back)-1/4"-20 x 1/2"	4	20308-S7(B40)
56	S	Nut 1/4"-20	4	33795-S7(M49)
56	S	Lockwasher	4	34805-S8(X62)
<b>17814 DEFLECTOR - REAR BUMPER STONE - Also Refer to Groups 17808,</b>				
59	A (except 51A, 66C, S/W)	L. H. -used with spare wheel carrier	1	B9AB 17814-A
59	A(51A)	L. H. -used with spare wheel carrier	1	B9AB 17814-B
<b>17815 EXTENSION - REAR BUMPER ARM</b>				
58	A (except 51A, 66, S/D & S/W)	R. H. & L. H. -used with spare wheel carrier	2	B8A 17815-A
58	A(51A)	R. H. -used with spare wheel carrier	1	B8A 17815-B
59	A(51A)	R. H. -used with spare wheel carrier	1	B9AB 17815-B
59	A (except 66 & S/W)	Used with spare wheel carrier	2	B9AB 17815-C
<b>17A826-7 SUPPORT - REAR BUMPER IMPACT BAR EXTENSION</b>				
59	A(51A)	R. H.	1	B9AB 17A826-A
		L. H.	1	B9AB 17A827-A
59	A(except 51A, 66, S/W)	R. H.	2	B9AB 17A826-B
<b>17832 SEAL - REAR BUMPER STONE DEFLECTOR</b>				
53/54	A	60" long-rubber	1	BA 17832-B
52/54	A	Clip (rear stone deflector seal to stone deflector)	6	357563-S2(GG32)
57	A(51A)		2	B7A 17832-B
58/	S		2	B8S 17832-A
<b>17833 EXTENSION - REAR BUMPER ARM</b>				
58	A(51A)	L. H. -used with spare wheel carrier	1	B8A 17833-A
59	A(51A)	L. H. -used with spare wheel carrier	1	B9AB 17833-A
<b>17836-7 DEFLECTOR - REAR BUMPER STONE-END - Refer to Group 17808</b>				
<b>17840 PLATE - FRONT BUMPER JACK</b>				
55/56	S	L. H.	1	B5S 17840-B
<b>17845 DEFLECTOR ASSY. - REAR BUMPER STONE</b>				
55	A		1	B5A 17845-B
55	S		1	B5S 17845-A
56	A		1	B6A 17845-A
<b>17852-3 BRACKET - REAR BUMPER OUTER ARM ANCHOR</b>				
58/	S	R. H.	1	B8S 17852-A
		L. H.	1	B8S 17853-A
		Nut(bracket to rear bumper)-7/16"-20	2or4	34671-S8(M67)
		Lockwasher -7/16"	2or4	34808-S8(X67)
		Flatwasher-1/2"	2or4	44735-S8(X32)

YEAR 19	MODEL	DESCRIPTION	QTY. PER VEHICLE	PART NUMBER
<b>17863 SUPPORT - REAR BUMPER IMPACT BAR EXTENSION</b>				
58	A (except S/D & S/W)	R. H. -used with spare wheel carrier L. H.	1 1	B3A 17863-A B8A 17863-B
<b>17864-5 BAR ASSY. - REAR BUMPER IMPACT - OUTER - Refer to Group 17906</b>				
<b>17868-9 CAP - FRONT BUMPER GUARD</b>				
54	A	R. H. -upright L. H.	1 1	BM 17868-A BM 17869-A
<b>17886-7 BRACKET - FRONT BUMPER BAR TO STONE DEFLECTOR</b>				
54	A	R. H. L. H.	1 1	BM 17886-A BM 17887-A
55/56	A (except S/D & S/W)	R. H. L. H.	1 1	B5A 17886-B B5A 17887-B
57	A	R. H. L. H.	1 1	B7A 17886-A B7A 17887-A
58	A	R. H. L. H.	1 1	B8A 17886-A B8A 17887-A
59	A	R. H. L. H.	1 1	B9A 17886-A B9A 17887-A
52/54	A	Bolt (front stone deflector to fender)-1/4"-20 x 1"	4	20384-S8(B43)
52/54	A	Lockwasher-1/4"		34805-S8(X62)
52/56	A	Nut-1/4"-20		33795-S7(M49)
52/56	A	Washer-1/4"		44719-S8 (X17)
55/56	A	Bolt (front stone deflector to fender)-1/4"-20 x 3/4"	4	20344-S8 (B42)
55/56	A	Lockwasher-1/4"	4	34940-S7(X88)
58	A	Bolt (bracket to air deflector)-5/16"-24 x 3/4"	4	20347-S8 (B156)
58	A		4	★ 34941-S8
<b>17888-9 FILLER - REAR BUMPER TO LOWER BACK PANEL</b>				
58/	S	R. H. L. H.	1 1	B8S 17888-A B8S 17889-A
<b>17899 BRACE - FRONT BUMPER STONE DEFLECTOR</b>				
55/56	A		1	B5A 17899-A
55/56	A	Bolt (deflector to cross member to grille) - 1/4"-20 x 3/4"	2	20344-S8(B42)
55/56	A	Lockwasher-1/4"	2	34940-S7-8(XX88)
55/56	A	Nut-1/4"-20	2	33795-S7(M49)
55/56	A	Bolt (brace to frame)-3/8"-16 x 1 1/4"	1	20428-S8 (B82)
55/56	A	Nut 3/8"-16	1	33799-S7(M52)
55/56	A	Lockwasher-3/8"	1	34807-S8(X66)
55/56	A	Washer (use as spacers)-3/8" (flat)	AR	44727-S8(X24)
<b>17906 BUMPER - REAR</b>				
- A -				
52/54	A		1	BA 17906-C
55	A		1	B5A 17906-A
56	A (except Fairlane-8 cyl.) (Fairlane-8 cyl. -except 79)		1	B6A 17906-A
		With Dual Exhaust	1	B6A 17906-B
57	A(Custom, Custom "300"-except 66, S/D, S/W) (Fairlane, Fairlane "500"-except 51A, S/W) (Ranchero, S/D, S/W) (51A)		1 1 1 1	B7A 17906-A B7A 17906-B B7A 17906-C B7A 17906-D
58	A(except 51A, 59, 66, 78, 79) (59, 66, 78, 79) (51A)		1 1 1	B8A 17906-A B8A 17906-B B8A 17906-C
58	A (except S/D & S/W)	R. H. -outer-used with spare wheel carrier L. H.	1 1	B8A 17864-A B8A 17865-A
59	A		1	B9AB 17906-A
59	A (except S/W & 66)	R. H. -outer-used with spare wheel carrier L. H.	1 1	B9A 17864-B B9A 17865-B

# FORD CAR PARTS

## SECTION 176

649

YEAR 19	MODEL	DESCRIPTION	QTY. PER VEHICLE	PART NUMBER
<b>17906 BUMPER - REAR - continued</b>				
<b>- S -</b>				
55/56	S		1	B5S 17906-A
56	S	R. H. -outer	1	B6S 17864-B
		L. H. -outer	1	B6S 17865-B
		Center-upper	1	B6S 17751-A
		Center-lower	1	B6SZ 17906-A
57	S	Upper	1	B7SZ 17906-A
		Lower	1	B7S 17906-A
58/	S	R. H. -upper	1	B8S 17864-A
		L. H. -upper	1	B8S 17865-A
		Center-lower-except with spare wheel carrier	1	B8S 17906-A
		Center-lower-use with spare wheel carrier	1	B8S 17906-B
56	S	Bolt (bar to bar-rear impact center lower)- 7/16"-20 x 1"	8	20391-S8(B183)
56	S	Nut-7/16"-20	8	34671-S8(M67)
56	S	Lockwasher-7/16"	8	34808-S8(X67)
56	S	Flatwasher-7/16"	8	44730-S8 (X26)
56	S	Bolt (bar to support to bar center lower)- 7/16"-20 x 1 1/4"	2	20431-S8(B186)
		Nut-7/16"-20	2	34671-S8 (M67)
		Lockwasher-7/16"	2	34808-S8 (X67)
		Flatwasher-7/16"	2	44730-S8 (X26)
56	S	Bolt (bar to inner arm to brace to frame c/member)-7/16"-20	2	359096-S100 (BB653)
		Nut-7/16"-20	2	34671-S8 (M67)
		Lockwasher-7/16"	2	34808-S8(X67)
		Washer-flat-7/16"	2	44730-S8(X26)
		Bolt ass'y. (bar to outer & inner arms)	AR	8A 17758-B
58/	S	Bolt (bar to lower impact bar)-3/8"-24 x 1"	8	20389-S8 (B171)
58/	S	Nut-3/8-24	8	33800-S8(M63)
58/	S	Lockwasher-3/8"	8	34807-S8(X66)
58/	S	Flatwasher-3/8"	8	44727-S8 (X24)
59	A	Bolt (license plate to bumper) 1/4"-20 x 1/2"	2	20308-S7(B40)
59	57, 58, 63, 64, 76B	Rubber bumper (impact bar)	2	371347-S(CC23)
55/	A, S	Nut-7/16"-20	AR	34671-S8(M67)
55/	A, S	Lockwasher-7/16"	AR	34808-S8(X67)
55/	A, S	Washer-flat-7/16"	AR	44730-S8(X26)
56	S	Bolt (rear bumper to frame cross member)- 7/16"-20 x 2"	2	359096-S100 (BB653)
<b>17912-3 REINFORCEMENT - REAR BUMPER IMPACT BAR</b>				
56	A	L. H.		B6A 17913-A
<b>17918-9 PLATE - REAR BUMPER JACK</b>				
55	S		2	B5S 17918-A
56	S		2	B6S 17918-A
57	S	R. H.	1	B7S 17918-A
		L. H.	1	B7S 17919-A
58/	S	R. H.	1	B8S 17918-A
		L. H.	1	B8S 17919-A
58/	S	Bolt (plate to body)-1/2"-20 x 3 3/4"	2	*20563-S7
56	S	Bolt (plate to arm rear bumper inner)- 7/16"-20 x 1 1/8"	2	20411-S7(B184)
57	S	Plate to brkt.-rear bumper jack plate	2	
56	S	Plate to arm-rear bumper outer	2	
		Bolt ass'y. (plate to bar)	AR	B9A 17758-A
		Nut-7/16"-20	AR	34671-S8 (M67)
		Lockwasher-7/16"	AR	34808-S8 (X67)
		Washer-flat-7/16"	AR	44730-S8 (X26)
<b>17938-9 GUARD ASSY. - BUMPER UPRIGHT</b>				
<i>-Also Refer to Groups 17984-5, 17996</i>				
55/56	A	L. H. -used with B5A 18412-A-grille guard	1	B5A 17939-A
<b>17940 BAR ASSY. - FRONT BUMPER GRILLE</b>				
58	A	R. H.	1	B8A 17940-A
		L. H.	1	B8A 17940-B
		Bolt (bar to center bar or R. H. & L. H. outer 3/8" 16 x 1 1/2"	2or4	20468-S8 (B85)
		Nut - 3/8"-16	2or4	33797-S7 (M50)
		Lockwasher - 3/8"	2or4	34807-S8 (X66)

# FORD CAR PARTS

## SECTION 176

YEAR 19	MODEL	DESCRIPTION	QTY. PER VEHICLE	PART NUMBER
<b>17941 INSIGNIA - FRONT BUMPER GRILLE GUARD</b>				
58	A	Included with B8AZ 17996-A	1	B8A 17941-A
<b>17958-9 REINFORCEMENT - REAR BUMPER ARM</b>				
56	Fairlane (8 cyl.)	R. H.	1	B6A 17958-A
		L. H.	1	B6A 17959-A
<b>17984-5 GUARD - REAR BUMPER -</b> <i>Also Refer to Groups 17938-9, 17996</i>				
- A -				
52/54	A(S/D & S/W)	R. H.	1	BA 17984-B
52/53	A (except S/D & S/W)	R. H.	1	BA 17984-D
		L. H.	1	BA 17985-D
54	A (except S/D & S/W)	R. H.	1	BM 17984-A
		L. H.	1	BM 17985-A
55/56	A(S/D & S/W)	R. H.	1	B5A 17984-A
		L. H.	1	B5A 17985-A
57	A(Custom, Custom "300"-except S/D, S/W)	R. H. & L. H.	2	B7A 17984-A
57	A(Ranchero, S/D, S/W)	R. H.	1	B7A 17984-B
		L. H.	1	B7A 17985-B
58	A(Ranchero, S/D, S/W)	R. H.	1	B8A 17984-A
		L. H.	1	B8A 17985-A
59	A (except S/W)	R. H. & L. H. -less pad	2	B9AZ 17984-A
- S -				
55	S	R. H. -use with B5S 5211-A sleeve	1	B5S 17984-B
		L. H. -use with B5S 5211-A sleeve	1	B5S 17985-B
55	S	R. H.	1	B5S 17984-C
55	S	L. H.	1	B5S 17985-C
58/	S	R. H.	1	B8SZ 17984-A
		L. H.	1	B8SZ 17985-A
55	S	Bolt (guard to bumper)-7/16"-20 x 2 1/4"	2	359096-S100 (B8653)
55	S	Nut-7/16"-20	2	34671-S8(M67)
55	S	Lockwasher-7/16"	2	34808-S8(X67)
55/56	Ranchero, S/D, S/W	Bolt (guard to bumper)-1/2"-20 x 3 1/4"	2	*20559-S2
55/	Ranchero, S/D, S/W	Lockwasher 1/2"	2	34809-S8(X68)
55/	S/D & S/W	Flatwasher 1/2"	2	44735-S8(X32)
57	S/D, S/W	Bolt (guard & brace to bar)-1/2"-20 x 2"	2	20527-S7(B203)
58	A(Ranchero, S/D, S/W)	Nut (guard to bumper)-1/2"-20	2	33846-S8(M69)
58/	S	Bolt (guard to upper bumper)-3/8"-24 x 1"	4	20389-S8(B171)
58/	S	Nut-3/8"-24	4	33800-S8(M63)
58/	S	Lockwasher-3/8"	4	34807-S8(X66)
58/	S	Flatwasher-3/8"	4	44727-S8(X24)
<b>17986 SPACER - REAR BUMPER GUARD</b>				
58	A(Ranchero, S/D & S/W)		2	B8A 17986-A
<b>17988 PAD ASSY. - BUMPER GUARD</b>				
59	A	Front & rear	2or4	B9A 17988-A
		Nut (pad to guard)-1/4"-20	AR	33795-S7(M49)
		Lockwasher-1/4"	AR	34805-S8(X62)
<b>17996-7 GUARD - BUMPER</b> <i>Also Refer to Groups 17938-9, 17984-5</i>				
- A -				
51	A	R. H. -front	1	*1A 17996
		L. H. -front	1	1A 17997
52/53	A	R. H. -front	1	BA 17996-B
		L. H. -front	1	BA 17997-B
54	A	R. H. -front	1	BM 17996-A
		L. H. -front	1	BM 17997-A
55/56	A	R. H. -front	1or2	B5A 17996-A
55/56	A (except S/D & S/W)	L. H. -rear	1	B5A 17997-A
55/56	A	L. H. -front	1or2	B5A 17997-A
55/56	A (except S/D & S/W)	R. H. -rear	1	B5A 17997-A
57	A	R. H. -front	1	B7A 17996-A
		L. H. -front	1	B7A 17997-A
58	A	Center-front-includes guard & insignia	1	B8AZ 17996-A

# FORD CAR PARTS

## SECTION 180

651

YEAR 19	MODEL	DESCRIPTION	QTY. PER VEHICLE	PART NUMBER
<b>17996-7 GUARD - BUMPER - continued</b> -Also Refer to Groups 17938-9, 17984-5				
59	A	Kit	1	B9A 17998-A
Consists of				
	1-B9A 17996-A	R. H. Guard with pad	4-34808-S7	Lockwasher
	1-B9A 17997-A	L. H. Guard with pad	4-44730-S8	Flat washer
	2-20411-S8	1 1/8" Bolt	1-Template	
	2-20451-S8	1 3/8" Bolt	1-Installation sketch	
59	A	R. H. front-includes pad	1	B9A 17996-A
		L. H. front-includes pad	1	B9A 17997-A
- S -				
55/56	S	R. H. -front	1	B5S 17996-C
		L. H. -front	1	B5S 17997-C
58/	S	R. H. -front	1	B8S 17996-A
		L. H. -front	1	B8S 17997-A
49/50	A	Bolt(front guard to impact bar)-1/2"-20 x 2 1/4"	2	20539-S8(B204)
49/50	A (except S/W)	Bolt (rear guard to impact bar)	2	
55/57	A	Bolt (guard to bumper)-1/2"-20 x 2.38"	2	20539-S8(B204)
49/50	S/W	Bolt (rear guard to impact bar)-	4	20527-S7-8(B203)
54	A	1/2"-20 x 2"		
51/54	A	Bolt(front guard to impact bar)-1/2"-20 x 2 1/2"	2	20549-S8(B205)
51/54	A (except S/W)	Bolt (rear guard to impact bar)	2	
51/54	A	Nut-1/2"		34399-S8(M104)
51/57	A	Lockwasher-1/2"	2	34809-S8(X68)
51/57	A	Washer-1/2"	2	44735-S8(X32)
55/56	S	Bolt (guard to bar)-3/8"-24 x 1"	AR	20389-S8(B171)
55/56	S	Lockwasher-3/8"	AR	34807-S8(X66)
58	A	Lockwasher	2	
55/56	S	Flatwasher-3/8"	AR	44727-S8(X24)
58	A	Flatwasher	2	
55/56	S	Nut-3/8"-24	AR	33800-S8(M63)
58	A	Bolt (guard to bars)-3/8"-16 x 1 1/2"	2	20468-S8(B85)
58	A	Nut-3/8"-16	2	33799-S7(M52)
58	A	Bolt (guard to impact bar)-7/16-14 x 1 1/8"	1	20410-S8(B103)
58/59	A	Lockwasher - 7/16"	1or2	34808-S8(X67)
58/	S	Lockwasher	2	
58/	S	Bolt (guard & arm to bumper)-7/16"-20 x 2"	2	20525-S(B191)
58/	S	Flatwasher-7/16"	2or4	44730-S8(X26)
59	A	Flatwasher - 7/16"	1or2	
59	A	Bolt (guard to bumper)-7/16"-20 x 1 1/2"	1or2	20471-S7(B188)
59	A	Nut - 7/16"20	1or2	34671-S8(M67)
<b>17998 KIT - FRONT BUMPER GUARD</b> -Refer to Group 17996-7				
<b>18A007 BUSHING - FRONT SHOCK ABSORBER MOUNTING - LOWER</b> - Also Refer to Group 18198				
57/	A	Front	2	C0AA 18A007-A
57/59	51A, 66, S/D, S/W	Rear	2	
58/59	S	Front & rear	2 or 4	
		Bolt (bushing to bracket)-5/16"-24 x 3/4"	2or4	20347-S8(B156)
		Nut-5/16"-24	2or4	33798-S8(M62)
		Lockwasher-5/16"	2or4	34806-S7(X64)
<b>18016 BUSHING ASSY. - REAR SHOCK ABSORBER</b>				
59	A		2	B9AA 18016-A
<b>18035 BRACKET - FRONT SHOCK ABSORBER MOUNTING</b> - Also Refer to Group 18183-4				
58	S	R. H.	1	B8S 18035-A
		L. H.	1	B8S 18035-B
		Bolt (bracket to floor)-3/8"-24 x 1"	4	20389-S8(B171)
		Lockwasher-3/8"	4	34807-S8(X66)
<b>18072 PLATE - FRONT SHOCK ABSORBER MOUNTING</b>				
49/50	A	Use with 8A 3078-B arm	2	8A 18072
50/53	A	Use with 8A 3078-C arm	2	1A 18072-A
49/56	A		2	AD 18072-A
55/57	S		2	
55/56	A	Bolt (plate to frt. suspension lower arm spring seat)-5/16"-24 x 3/4"	4	20347-S8(B156)
55/57	S	Nut-5/16"-24	4	
55/56	A		4	33798-S8(M62)
55/57	S		4	
55/56	A	Lockwasher-5/16"	4	34806-S7(X64)
55/57	S		4	

## 18124 KIT - FRONT SHOCK ABSORBER

## SHOCK ABSORBER IDENTIFICATION CHART

The production number is stamped on the barrel of each shock absorber as an identification marking. The following chart will provide quick identification of the service kit number when the identification marking is known. Also shock absorber kits may be selected by model, year and description under group numbers 18124 and 25 which follow the chart. Shock absorber kits include insulators, bolts, nuts and washers.

IDENTIFICATION MARKING		SERVICE KIT NUMBER		IDENTIFICATION MARKING		SERVICE KIT NUMBER	
AF	18045-E	B5A	18124-D	C2RA	18080-B	B7A	18125-H
AJ	18045-H	B8A	18124-A	C2RA	18080-M	B8A	18125-B
AJ	18045-M	B8A	18124-B	C2RA	18080-D	B8A	18125-A
AJ	18045-N	B8A	18124-B	TAAF	18080-A	B5C	18125-A
C2RA	18045-D	B8A	18124-A	AJ	18097-A	B7A	18125-J
C2RA	18045-G	B8A	18124-B	AJ	18097-B	B7A	18125-J
AJ	18080-D	B7A	18125-H	AJ	18097-C	B7A	18125-J
AJ	18080-E	B7A	18125-H	AK	18097-A	B8A	18125-C
AJ	18080-R	B8A	18125-B	AK	18097-B	B8A	18125-C
AJ	18080-S	B8A	18125-B	AN	18097-A	B8S	18125-A
AM	18080-E	B8A	18125-A	AN	18097-C	B8S	18125-A
B9S	18080-A	B9S	18125-A	C1AA	18097-K	C1AZ	18125-F
C2RA	18080-AB	B9S	18125-A	C2RA	18097-A	B8A	18125-C
C2RA	18080-AE	B1MY	18125-A	C2RA	18097-E	B7A	18125-J
C2RA	18080-AE	B1MY	18125-A	C2RA	18097-F	B8S	18125-A

YEAR	MODEL	DESCRIPTION	QTY. PER VEHICLE	PART NUMBER
<b>FORD</b>				
49/56	A		2	B5A 18124-D
49/56	A(S/D, S/W)		2	
52/56	A(Taxi)		2	
57/	A-except A/S		2	C0AZ 18124-B
57/	A(S/D & S/W)		2	
57/	A(Taxi)		2	
58	A(except S/D & S/W)-with A/S	Regular	2	B8A 18124-A
58	A(except S/D)-with A/S	Heavy Duty	2	B8A 18124-B
58	A(S/W)-with A/S		2	
<b>THUNDERBIRD</b>				
55/57	S		2	B5A 18124-D
58/	S		2	C0AZ 18124-B
57/	A	Nut-(absorber to front suspension lower arms)-	4	*34552-S
58	S	5/16"-24 tee-2 boss side	4	
49/53	A	Nut (front shock absorber mounting)-3/8"-24	1	33800-S8(M63)
49/59	A	Nut (front shock absorber mtg.)-3/8"-24 lock	4	45218-S8(M172)
57/	A	Bolt (absorber & bushing to front suspension lower arm plate)-5/16"-24 x 1	4	20387-S8(B157)
58/	S	Bolt (absorber to front suspension lower R. H. & L. H. arm bushing & joint assy.)	4	
57/59	A	Nut (absorber to frame or mtg. brkt.)-3/8"-24	2or4	359195-S(MM294)
58/	S	Nut (absorber to under body assembly)	4	
57/59	A	Lockwasher-5/16"	4	351487-S(XX291)
57/58	S	Locknut (absorber to frt. susp. lower bracket & upper arm)-3/8"-24	4	84370-S8(M99)
58/	S	Lockwasher-5/16"	4	*34941-S7
<b>18125 KIT - REAR SHOCK ABSORBER</b>				
<b>FORD</b>				
49/51	A (except S/W)		2	B5C 18125-A
49/51	A(S/W)		2	B1MY 18125-A
52/59	A(except 51A, 66, S/D & S/W)	Heavy Duty	2	B7A 18125-H
52/56	A(S/D, S/W)		2	
57/59	A(Taxi)		2	
57/58	A(S/D, S/W), A(51A)-except A/S	Heavy duty	2	B7A 18125-J

For 1958 models it is necessary to install shock absorber through center of coil spring and attach to "A" frame with 2 or 4 each of 20387-S8 Bolts, 34806-S7 Lockwashers and 34393-S7 Locknuts



YEAR 19	MODEL	DESCRIPTION	QTY. PER VEHICLE	PART NUMBER
<b>18125 KIT - REAR SHOCK ABSORBER - continued</b>				
<b>FORD</b>				
			ROTUNDA SALES NO.	
58	A (except 51A, S/D & S/W)-with A/S	Regular	2	B8A 18125-A
58	A (except 51A, S/D & S/W)-with A/S	Heavy Duty	2	B8A 18125-B
58	A(51A, S/W)-with A/S	Heavy Duty	2	B8A 18125-C
59/	A(51A, S/W)		R22-B	2 C0AZ 18125-B
59/	S/W	Load Leveler	1	C1AZ 18125-F
<b>THUNDERBIRD</b>				
55/57	S		2	B7A 18125-H
58	S		R22-M	2 B8S 18125-A
59/	S		R22-J	2 B9S 18125-A
49/51	A (except S/W)	Nut (rear shock absorber to upper stud)-1/2"-20	2	34449-S7-8(M85)
49/51	A (except S/W)	Washer (rear shock absorber upper stud to frame)-.818"/.808" I. D.	2	351561-S(XX243)
		Locknut-1/2"-20		34374-S7(M103)
57/58	51A, S/D, S/W	Bolt (absorber & bushing to frame)-5/16-24 x 1"	4	20387-S8 (B157)
57/58	51A, S/D, S/W	Nut-5/16"-24	4	33798-S8 (M62)
57/58	51A, S/D, S/W	Lockwasher-5/16"	4	34806-S7 (X64)
57/59	S/D, S/W	Nut (absorber to frame)-3/8"-24	2	359195-S(MM294)
57/59	A (except 51A, S/D, S/W)	Nut (absorber to spring plate & bracket)	4	
57/59	51A, S/D, S/W	Nut (absorber to spring plate)	2	
59	54A, 65A, 75A	Nut-(rear shock absorber to frame)1/2"-20		34424-S7(M84)
59	A (except 51A, 66C, S/W)	Washer (absorber & bushing to frame)-5/8" flat	2	371955-S(XX316)
59	51A, 66C, S/W	Bolt (absorber to frame) 1/2"-20 x 2.41"	2	371946-S(BB274)
57/59	S	Locknut (absorber to spring plate & bracket)-3/8"-24	4	34370-S8 (M99)
59	A	Bolt (absorber & bushing to frame)-5/8" 18 x 2.41" hex. head	2	371946-S(BB274)
<b>18132-3 BRACKET - REAR SHOCK ABSORBER TO AXLE MOUNTING</b>				
58	51A, S/W-with A/S	R. H.	1	B8A 18132-A
		L. H.	1	B8A 18133-A
58	A(except 51A, S/W)-with A/S	R. H.	1	B8A 18132-B
		L. H.	1	B8A 18133-B
<b>18150 LAMP ASSY. - SPOTLAMP WARNING</b>				
59	A		2	B9A 18150-A
<b>18153 MIRROR - REAR VIEW - OUTSIDE</b>				
57/	A, S	Glass replacement for spotlight rear view mirror	1	B7A 18153-A
<b>18165 STUD and WASHER ASSY. - REAR SHOCK ABSORBER</b>				
49/51	A	Lower	2	8M 18165-A
49/51	S/W	Upper	2	
<b>18178-9 BRACKET - REAR SHOCK ABSORBER STUD</b>				
52/54	S/D & S/W	R. H. & L. H.	2	AB 18178-B
55/56	S/D, S/W	R. H. & L. H.	2	B5A 18178-A
55/56	A (except S/D & S/W)	R. H. & L. H.	2	B5A 18178-C
55/56	A, S	Bolt (bracket to frame)-3/8"-16 x 3/4"	4	20348-S8 (B77)
55/56	A, S	Lockwasher-3/8"	4	357629-S7(XX3-3)
57/58	66, S/D, S/W	R. H. & L. H.	2	B7A 18178-B
57/58	51A (except A/S)	R. H. & L. H.	2	B7A 18178-E
57/58	A (except 51A, 66, S/D, S/W)	R. H.	1	B7A 18178-F
57/58	Taxi		1	
58	A (except 51A, 66, S/D & S/W)-less A/S	R. H.	1	
57/58	A (except 51A, 66, S/D, S/W)	L. H.	1	B7A 18179-B
57/58	Taxi		1	
58	A (except 51A, 66, S/D & S/W)-less A/S	L. H.	1	
58	A (except 51A, 66, S/D & S/W)-with A/S	R. H.	1	B8A 18178-A
		L. H.	1	B8A 18179-A
58	S/W-with A/S	R. H. & L. H.	2	B8A 18178-B
58	51A-with A/S	R. H. & L. H.	2	B8A 18178-C
59	Ranchero, S/W	R. H. & L. H.	2	B9A 18178-A
59	A (except 51A, 66, S/W)	R. H. & L. H.	2	B9A 18178-B
59	51A	R. H. & L. H.	2	B9A 18178-C

## SECTION 180

## FORD CAR PARTS

YEAR 19	MODEL	DESCRIPTION	QTY. PER VEHICLE	PART NUMBER
	<b>18198</b>	<b>BUSHING REPAIR KIT - SHOCK ABSORBER MOUNTING</b>		
49/53	A	Front	4	A9A 18198-A
52/53	A	Rear	4	
	Consists of			
	2-AB 18031-A	Seat 4-8M 18041 Washer	4-AB 18198-A	Bushing Nut
			2-34370-S8	
49/51	A	Rear	4	A9A 18198-B
	Consists of			
	2-51A 18040	Washer 4-7RC 18198	Bushing	2-34449-S Nut
52/57	A, S	Front & rear	4or8	B2A 18198-A
	Consists of			
	2-AB 18031-A	Seat 2-AB 18041-B	Washer (outer)	2-34370-S8 Nut
	2-AB 18039-A	Washer (inner)	4-AB 18198-A	Bushing
58/59	S	Front & rear	2or4	B8S 18198-A
	Consists of			
	4-Bushing	2-Washer (inner)	2-Washer (outer)	2-34370-S8 Nut
57/58	A	Front & rear-also used with A/S	2or4	B9A 18198-A
57/58	Taxi	Front & rear	2	
59	A	Front & rear	4or8	
	Consists of			
	4-4146435	Bushing	2-AB 18039-A	Washer (inner)
			2-AB 18041-A	Washer (outer)
			2-34370-S8	Nut

**18216 TUBE - CARBURETOR TO GOVERNOR** - *Cut Required Length From 8C 2269-B Tubing*

57/	A(6 & 8 cyl.)	Screw (tube to governor to carburetor)- 3/8"-24 x .55" compression sleeve type	2	351112-S(MM109)
-----	---------------	---	---	-----------------

## OUTSIDE VISOR

**18235 KIT - SUN VISOR FITTINGS**

55/56	A (except Convertible & Victoria)		1	B5A 18235-A
	Consists of the following			
	1-BN 7004206-A	Moulding	4-42758-S8	Bolt & washer-5/16"-18 x 5/8"
	1-BN 7004207-A	Moulding	2-52200-S8	Screw-No.10 x 1"
	1-BN 7004238-A	Bracket	6-52718-S17	Screw-No.6 x 3/8"
	1-BN 7004239-A	Pad	2-52755-S8	Screw-No.10 x 1"

## FRONT FENDER ORNAMENT

**18252 ORNAMENT ASSY. - FRONT FENDER** - *Also Refer to Groups 16228, 16229 & 16178*

58	A, S	Less base	2	B8A 18252-A
----	------	-----------	---	-------------

## SPORTS SPARE WHEEL CARRIER and CORONADO DECK CONVERSION KIT

**18254 MOULDING - SPARE WHEEL CARRIER**

57	A (except 66, S/D & S/W)	Kit	1	B7A 18254-A
	Consists of the following			
	2-Moulding-Cover Retainer	8-Clips	1-"V" Moulding	8-Screw & Washer ass'y. No. 8-32
58	A (except 66, S/D & S/W)		8	B8A 18254-A

## EXHAUST DEFLECTOR

**18259 DEFLECTOR ASSY. - EXHAUST**

52/55	A (except S/D & S/W)	1 3/4" dia. -use with Sports spare wheel or Coronado deck conversion kit	1or2	B5A 18259-A
56	Fairlane (except S/D & S/W)	11.75" long x 1 3/4" used w/Sports spare wheel	1or2	B6A 18259-A
57	57, 58, 63, 64, 76 (8 cyl.)	1 3/4" diameter-use with Sports spare wheel	2	B7A 18259-B
58/59	A (except 51A, 66, S/D & S/W)		1or2	

YEAR 19	MODEL	DESCRIPTION	QTY. PER VEHICLE	PART NUMBER
<b>FLOOR MAT</b>				
<b>18323 KIT - CONTOUR FLOOR MATS</b>				
58/	S	Red-front-R. H. & L. H. -(1 pair)	1	B9S 18323-AA
		Red-rear-(1 pair)	1	B9S 18323-BA
58/	S	Blue-front-R. H. & L. H. -(1 pair)	1	B9S 18323-AB
		Blue-rear-(1 pair)	1	B9S 18323-BB
58/	S	Black-front-R. H. & L. H. -(1 pair)	1	B9S 18323-AC
		Black-rear-(1 pair)	1	B9S 18323-BC
58/	S	Green-front-R. H. & L. H. -(1 pair)	1	B9S 18323-AD
		Green-rear-(1 pair)-not replaced (5-63)	1	★B9S 18323-BD
58/	S	White-front-R. H. & L. H. -(1 pair)	1	B9S 18323-AE
		White-rear -(1 pair)	1	B9S 18323-BE

### HEATER

<b>18329 COVER - VENT AIR OUTLET DUCT</b>				
59	A (8 cyl. ) -with A/C	R. H.	1	B9A 18329-A
59	A-with recirculating heater		1	

### REAR DOOR SAFETY LOCK

<b>18333 SAFETY LOCK - REAR DOOR</b>				
49/	A, B (Fordor)		1	B5A 18333-A

<b>18A389 MOTOR and BRACKET ASSY. - AIR CONDITIONER</b>				
59	A-with Select Aire Conditioner		1	B9AF 18A389-A

### GRILLE GUARD

<b>18412 GUARD - GRILLE</b>				
58	A	Complete kit for installation	1	B8A 18412-A
Consists of				
1-B8A	17938-A	Guard Assy. -Center	2-Bolt-3/8"-16 x 1 1/8"	Hex. head
1-B8A	17940-A	Bar Assy. -R. H.	1-Bolt-7/16"-13 x 1 1/8"	Hex. head
1-B8A	17940-B	Bar Assy. -L. H.	1-Bolt- 3/8"-16 x 3/4"	Hex. head
1-B8A	17941-A	Insignia Assy.	3-Nut-3/8"-16	
1-Bolt-3/8"-16 x 5"		Hex. head	7-Lockwasher-3/8"	
			1-Nut-1/8"	Spring

### HEATER

<b>18455 HEATER and DEFROSTER</b>				
59	A	Fresh air	1	†B9AF 18455-G

<b>18456 BLOWER ASSY. - FRESH AIR HEATER - COMPLETE</b>				
52/55	A		1	B5A 18456-B
55/56	A	Screw (blower to air valve)-No. 8-15 x 1/2"	2	52726-S13(U381)
57	S		2	
56	A	Use with fresh air heater	1	B6A 18456-B
58	A	Use with fresh air heater	1	B8A 18456-A
58	A	Nut (blower to heater case)-1/4"-20 stamped	4	45234-S7(M179)
59	A	Use with fresh air heater-(less motor)	1	B9A 18456-A
59	A	Screw (blower to plenum chamber)-No.6-18 x 3/8"	19	42117-S8(U244)
56/57	S	Use with fresh air heater	1	B6S 18456-A
56/57	S	Bolt (blower to R.H. fender apron)-5/16"-24 x 3/4"	3	20347-S8(B156)
56/57	S	Lockwasher-5/16"	3	34806-S7(X64)
58/	S	Use with fresh air heater	1	B8S 18456-A
58/	S	Screw (blower to dash panel)-No.12-11 x 1 1/2"	5	42162-S7(U253AB)
58/	S	Flatwasher-No. 12	5	44717-S8(X16)

<b>18457 DUCT ASSY. - HEATER INLET</b>				
52/56	A	Used with fresh air heater & air conditioner	1	B6A 18457-B
55/57	S		1	FAB 18457-B
52/56	A	Used with fresh air heater & air conditioner	1	
52/56	A, S	Clamp (heater air duct)	1or2	FAA 8725-A

† Complete kit for installation except FDA 18472-A hose. Order as required.

YEAR To	MODEL	DESCRIPTION	QTY. PER VEHICLE	PART NUMBER
<b>HEATER</b>				
<b>18471 CHAMBER ASSY. - HEATER AIR PLENUM</b>				
52/56	A	Use with fresh air heater	1	FDK 18471-BP
54/56	A	Use with recirculating heater	1	B6A 18471-B
57/58	A	Use with fresh air heater	1	B7A 18471-A
57/58	A	Use with recirculating heater	1	B7A 18471-B
59	A	Use with fresh air heater	1	B9A 18471-A
59	A	Plastic-use with recirculating heater	1	B9A 18471-B
55/57	S	Use with fresh air heater	1	B5S 18471-B
58/	S	Use with fresh air heater	1	B8S 18471-A
58/	S	Screw (chamber to heater)-No. 8-18 x 3/8"	4	42119-S8(U246)
59	A	Plug button	1	372179-S(PP13)
56	A (8 cyl.)	Screw (chamber to blower mounting plate)- No. 8-15 x 3/8"	1	*32916-S8
56	A	Screw (chamber to heater)-No. 10-12 x 3/8"	AR	*32917-S7
55/57	A (8 cyl.)-with air conditioner	Screw (heater core & valve to support bracket R. H. & L. H.)-No. 10-12 x 3/8"	2or4	
56/57	S	Chamber to regulator valve & defroster outlet	1	
56	A	Screw (chamber to temperature valve to defroster)-No. 10-12 x 1/2"	1	32924-S7(U344)
55/56	A	Chamber to defroster outlet ass'y.	1	
55/57	S	Screw (chamber to dash)-No. 10-12 x 1 1/4"	1	*52759-S8
56	A(8 cyl.)	Screw(chamber to dash panel)-No.14-10 1 1/4"	1	353557-S8(UU58)
59/	A	Screw (chamber to heater)-No. 10-12 x 5/8"	4	42014-S8(U240)
<b>18472 HOSE - HEATER WATER</b>				
49/		9/16" I. D. x 100 feet-white striped -heat & oil resistant type-also use with air conditioner	AR	FDA 18472-A
49/		9/16" I. D. x 100 feet	AR	APA 18472-A
<b>18476 CORE ASSY. - HEATER</b>				
49/51	A	Fresh air heater	1	1A 18476-A
52/53	A	Recirculating heater	1	2C 18476-B
52/56	A	Fresh air-also used with air conditioner	1	FAA 18476-A
55/57	S		1	
54/56	A	Recirculating	1	FDA 18476-A
57/58	A	Fresh air	1	B7A 18476-A
58/	S		1	
58/	S	Screw (core to case & bolt assy.)-No. 10-16 x 3/8"	3	42000-S8(U238)
57/58	A	Recirculating	1	B7A 18476-B
57/58	A (8 cyl.)	Use with air conditioner	1	B7A 18476-F
57	A	Screw (core to case & bolt assy.)-No. 10-12 x 3/8"	3	*32917-S7
58	A (8 cyl.)	Use with air conditioner	1	B8A 18476-A
59	A	Fresh air heater	1	B9A 18476-A
59	A	Recirculating heater	1	B9A 18476-B
59	A (8 cyl.)	Use with air conditioner	1	B9AF 18476-A
59	A(8 cyl.)-with A/C	Screw (core to blower housing)-No. 10-16 x 3/8"	4	42120-S8(U248)
<b>18489 CONNECTOR - HEATER TO BLOWER AIR DUCT</b>				
52/56	A	6.25" long	1or2	B6A 18489-A
55/57	S	4.25" long-cut from B6A 18489-A	1	*FEA 18489-A
59	A	Use with fresh air heater	1	B9A 18489-A
<b>18490-1 NOZZLE - WINDSHIELD DEFROSTER HOSE - Also Refer to Body Group 04754</b>				
54	A	Use with fresh air or recirculating heaters	2	FDA 18490-A
54	A	Screw (nozzle to lower reinforcement)-No.8- 15 x 3/8"	4	52720-S8(U380)
55	A	Inner	2	B5A 18490-A
55/56	A	L. H. -outer	1	B5A 18491-A
55/57	S	R. H.	1	B5S 18490-A
		L. H.	1	B5S 18491-A
57	A	Use with fresh air heater	1	B7A 18490-A
58	A	Use with fresh air heater	1	B8A 18490-A

YEAR 19	MODEL	DESCRIPTION	QTY. PER VEHICLE	PART NUMBER
<b>HEATER</b>				
<b>18490-1 NOZZLE - WINDSHIELD DEFROSTER HOSE continued - Also Refer to Body Group 01754</b>				
58	A (8 cyl.)	R. H. -used with air conditioner	1	B8A 18490-B
		L. H. -used with air conditioner	1	B8A 18491-A
59	A	Panel (instrument panel defroster)-used with Fresh Air Heater or Select Aire Conditioner	1	B9A 6404754-A
58	S	R. H. -used with heater or air conditioner	1	B8S 18490-A
		L. H. -used with heater or air conditioner	1	B8S 18491-A
59/	S	R. H.-used with heater or air conditioner	1	B9SF 18490-A
		L. H.-used with heater or air conditioner	1	B9SF 18491-A
58/	S(except A/C)	Screw (nozzle to cowl top)-No. 10-12 x 1/2"	4	42127-S8(U248C)
58/	S-with A/C	Screw (nozzle to cowl top)-No. 8-15 x 1/2"	4	*42066-S8
55/57	A, S	Nut-No. 10-24 (nozzle to windshield opening lower front reinforcement)	4	34053-S8(M156)
57/	A-with A/C	Nut (nozzle to instrument panel)	4	
		Lockwasher-No. 10	4	34903-S8 (X96)
<b>18494 VALVE ASSY. - HEATER AIR</b>				
58/	S		1	B8S 18494-A
58/	S-with aire conditioner		1	B8S 18494-B
<b>18495 VALVE ASSY. - HEATER WATER CONTROL</b>				
49/56	A	Mounts on cylinder head-recirculating heater shut off	1	FDA 18495-D
57/59	A	Remove extension	1	
52/56	A	High pressure valve-remove short pipe for 6 cyl.	1	B5A 18495-A
55/57	S		1	
57/58	A	Includes (1) B7A 19460-A seal - Also refer to B7A 18502-B valve	1	B7A 18495-A
58/	S		1	
57	A (8 cyl.)	Used with air conditioner	1	B7A 18495-C
58	A (8 cyl.)	Used with air conditioner	1	B8A 18495-B
59	A	Used with select air conditioner	1	B9A 18495-B
52/	A (8 cyl.)	Elbow (valve to cyl. hd.)-3/8"-18-45°	1	353476-S100
52/58	A (6 cyl.)	Elbow(valve to cyl. head water outlet connection)	1	(II-173)
<b>18502 VALVE - HEATER TEMPERATURE REGULATOR</b>				
49	A		1	8M 18502-B
49/56	A	Tee connector (temp. hose to w/shield wiper hose)	1	353376-A1-S(II-103)
50/51	A		1	1A 18502-A
52/56	A	Mounts on fire wall	1	B5A 18502-A
52/56	A	Mounts in heater base	1	B5A 18502-B
55/57	S		1	
55/56	A (8 cyl.)	Used with air conditioner	1	B5A 18502-C
57/58	A	Includes (1) B7A 19460-A seal	1	B7A 18502-A
58/	S		1	
57/58	A	With 30.5" coiled copper tubing	1	B7A 18502-B
58/	S		1	
57	A (8 cyl.) -with A/C		1	B7A 18502-D
58	A (8 cyl.) -with A/C		1	B8A 18502-A
<b>18503 GASKET - HEATER CONTROL PANEL</b>				
55	A	Used with fresh air heaters & defrosters	1	B5A 18503-A
56	A	Used with fresh air heaters & defrosters	1	B6A 18503-A
<b>18504 FAN ASSY. - HEATER BLOWER</b>				
52/56	A	Used with fresh air heater-bushing COMF 18A661-A also required	1	CODF 18504-B
55/57	S		1	FAA 18504-A
54	A	Used with recirculating heater	1	
56	A (6 volt)		1	
57/	A	Used with recirculating heater	1	
57	A	Used with fresh air heater-1/4" shaft hole	1	B7A 18504-A
57/58	A (8 cyl.)	Used with Select Aire Conditioner	1	B7A 18504-B
57/58	A	Used with fresh air heater-5/16" shaft hole	1	B7A 18504-C
58/	S	Used with heater or air conditioner	1	COAF 18504-C
59	A	Use with fresh air heater or select air conditoner	1	B9A 18504-A
		Screw (blower wheel to motor)-1/4"-28	1	355312-S34(UU36)

YEAR 19__	MODEL	DESCRIPTION	QTY. PER VEHICLE	PART NUMBER
<b>HEATER</b>				
<b>18508 CASE ASSY. - HEATER CORE</b>				
54/56	A	Also used with air conditioner	1	B5A 18508-A
55/57	S		1	
55/56	A,S	Screw & lockwasher(case to mounting spacer)- No.10-32 x 1 3/8"	1	★357460-S8
55/56	A	Screw (core to case)-No. 10-12 x 1 1/4"	4	★52759-S8
55/56	A	Lockwasher-1/4"	4	34805-S8 (X62)
<b>18513 KNOB ASSY. - HEATER BLOWER SWITCH - Also Refer to Groups 17513, 18519</b>				
55	A	Blower switch-fresh air-also air conditioner	1	B5A 18513-A
55	A	Heater switch & air control-recirculating	1	B5A 18513-B
56	A	Recirculating	1	B6A 18513-B
56	A	Fresh air-also used with air conditioner	1	B6A 18513-C
57/58	A	Heater or air conditioner	1	B7A 18513-B
57/58	A (8 cyl.)	Used with Polar Aire Conditioner	1	B7A 18513-C
55/57	S	With chrome insert	1	FDA 18513-A
54	A		1	
58	S	Heater or air conditioner-use B7A 17513-A knob	1	★FEG 18513-D
58/59	A	Fresh air or recirculating heaters	1	B9A 18513-A
58/59	A (8 cyl.)-with A/C		1	
59/	S	Fresh air heater and air conditioner	1	
58	A	Recirculating	1	B9A 18513-B
59	A,S		1	
58/	S	Clip (knob to switch)	1	359494-S(GG77)
<b>18518 CONTROL ASSY. - HEATER TEMPERATURE</b>				
51/54	A		1	FAC 18518-A
55/56	A	Defroster & temperature-26 1/2" long (valve on dash panel)-also use with air conditioner - cut from B7A 18518-A	1 or 2	★B5A 18518-C
55/57	S	18" long-temperature	1	B5S 18518-A
56	A (8 cyl.)-Replaced by PB9M 18518-A (9-63)	39.0" long-use with air conditioner	1	★B6A 18518-B
51	A	49.25" long	1	PB9M 18518-A
55/57	S	Use as control (defroster & air)	1	
57/58	A	37.0" long-use with fresh air heater	1	B7A 18518-A
58/	S	Heater air or air conditioner temperature or defroster control	1	
57	A (8 cyl.)	18.0" long-use with air conditioner	1	B7A 18518-B
55/57	S		1	
58	A (8 cyl.)-Replaced by B7A 18518-A (1-63)	22.5" long-air conditioner heater temperature	1	★B8A 18518-A
59	A-with A/C	46.87" long-used as air control for air conditioner and heater	1	B9A 18518-A
58/	S	27.12" long-use PB9M 18518-A	1	★FEV 18518-D
58/	S	28.87" long-use PB9M 18518-A	1	★FEV 18518-E
58/	S-with air conditioner	34.50" long-use B7A 18518-A	1	★FEV 18518-C
		Screw(control to defroster outlet)-No.10-32 x 3/8"	1	★32917-S7
58/	S-with A/C	Screw (control to control panel)-No. 10-12 x 1/2"	1	42127-S8 (U248C)
58/	S-with heater	Screw (control to heater case)	1	
58/	S-with heater	Nut (control to control panel)-. 18" spring	1	350841-S(MM263C)
55/57	A	Screw (clip & control to valve)-No. 6-32 x 3/8"	1	★32914-S8
55/	A	Screw (control to heater or air conditioner operating control panel)-No. 10-12 x 1/2"	1 or 2	42127-S8(U248C)
55/	A	Screw (clip & control to regulator valve & defroster outlet)	1	
55/57	S		1	
55/	S	Clip & control to heater control panel	1	
		Clip-attaches control to heater control panel, air conditioner control panel, temperature regulator valve or heater plenum chamber	AR	353261-S8(GG162)
55/56	A	Screw (control to panel)-No. 10-12 x 1 1/4"	1	★52759-S8
55/56	A	Screw (control to regulator temperature valve)- No.6-32 x 3/8"-also used with air conditioner	1	★40916-S8
		Connector (hose to windshield wiper hose)	1	353376A1S(II-103)
		Clip (hose thru dash panel)	1	356682-S8(BB170)

YEAR 19	MODEL	DESCRIPTION	QTY. PER VEHICLE	PART NUMBER			
<b>HEATER</b>							
<b>18519 KNOB - CONTROL</b> - Also Refer to Groups 17513, 18513							
51/53		Temperature-for fresh air heater	1	FAB 18519-B			
55	A	Heater & defroster -also used with air conditioning	2	B5A 18519-A			
52/53	A		1				
56	A	Heater controls-also used with air conditioner	2	B6A 18519-A			
54	A		2				
57	S		2				
57/58	A (8 cyl.)	Used with Polar Aire conditioner	1	B7A 18519-C			
57/	A	Clip (knob to temperature or air regulator lever)	1or2	359494-S(GG77)			
58/	S	Used with heater or air conditioner	1or2				
58/59	A	Fresh air heater or Select Aire conditioner	1or2	B9A 18519-B			
59/	S		2				
<b>18519 KIT - HEATER AND AIR CONDITIONER REGULATOR CONTROL KNOBS</b>							
57/58	A	Consists of 3 knobs	1	B7A 18519-B			
58	S		1				
<b>18522 SEAL - MOTOR DASH PANEL OPENING</b>							
59	A	Use with fresh air heater	1	B9A 18522-A			
<b>18526 GROMMET ASSY. - HEATER BLOWER MOUNTING</b>							
58/	S		AR	B8S 18526-A			
<b>18527 MOTOR ASSY. - HEATER BLOWER</b> - Also Refer to Group 19805							
		HEATER TYPE	DESCRIPTION				
			VOLTAGE	SHAFT DIAMETER	ROTATION		
49/50	A	Recirculating	6 volt	1/4"	C/CW	1	8A 18527-E
49/51	A	Recirculating	6 volt	1/4"	C/CW	1	0A 18527-C
49/51	A	Fresh air or recirculating	6 volt	5/16"	C/CW	1	1A 18527-A
52/53	A	Recirculating	6 volt	1/4"	C/CW	1	FAC 18527-B
56/	A	Recirculating	12 volt	1/4"	C/CW	1	B6A 18527-B
56/57	S	Fresh air				1	
56	A	Fresh air	12 volt	1/4"	CW	1	B6A 18527-D
57	A	Fresh air	12 volt	1/4"	C/CW	1	B7A 18527-A
57	A	Fresh air	12 volt	5/16"	C/CW	1	B7A 18527-B
52/55	A	Fresh air	6 volt	1/4"	CW	1	FAB 18527-A
54/55	A	Recirculating	6 volt	1/4"	C/CW	1	FDA 18527-A
55	S	Fresh air				1	
58	A	Fresh air	12 volt	5/16"	C/CW	1	B8E 18527-A
59	A	Fresh air	12 volt	5/16"	C/CW	1	B9A 18527-A
58/	S	Fresh air	12 volt	5/16"	CW	1	B8E 18527-B
57/58	A-with Recirculating Heater		Nut (motor to heater)-1/4"-20			4	33795-S7(M49)
57/58	A-with Recirculating Heater		Lockwasher-1/4"			4	34940-S7(X88)
49/51	A-with Fresh Air Heater		Nut (motor to blower)-No. 10-32			2	34079-S7(M163)
55/	A, S					2	
			Lockwasher-No. 10			2	34903-S8(X96)
			Flatwasher-No. 10			2	44713-S8(X13)
55/56	A, S		Washer-plain-13/64" I.D. -7/16" O.D. -1/32" thick			2	351256-S7(XX54)
58/	S		Screw (motor ground wire to dash panel)- No. 10-12 x 1/2"				42127-S8(U248C)
58/	S		Lockwasher-No. 10			2	34939-S8(X86)
<b>18544 LEVER ASSY. - HEATER TEMPERATURE REGULATOR CONTROL</b>							
56	A				1	B6A 18544-B	
<b>18545 NUT - HEATER BLOWER SWITCH</b>							
54	A				1	FDA 18545-A	
57/59	A	For recirculating heater			1	B7A 18545-B	
<b>18546 NUT - HEATER and AIR CONDITIONER AIR CONTROL</b>							
58/	S				2	B8S 18546-A	
<b>18547 LENS - INSTRUMENT PANEL CONTROL IDENTIFICATION</b>							
58	A (8 cyl.)-with Select Aire Conditioner		R. H.		1	B8A 18547-A	

YEAR 19	MODEL	DESCRIPTION	QTY. PER VEHICLE	PART NUMBER
<b>HEATER</b>				
<b>18548 CONTROL ASSY. - DEFROSTER and AIR</b>				
52/54	A	Defroster-31" long	1	FAA 18548-D
54	A	Defroster-20.44" long	1	FDA 18548-A
51/54	A	Screw(control clip to defroster outlet)-No.10 x 3/8"	1	*32917-S7
51/56	A	Air-64" long-also used with air conditioner	1	*B5A 18548-A
57/58	A (8 cyl.)	Air-44.0" long-use PB9M 18518-A	1	*B7A 18548-A
55/56	A	34.0"long-used as temperature control	1	B7A 18548-B
55/58	A-with A/C	Used as temperature control	1	
57/58	A	Used as defroster control	1	
58/	S	Used as temperature control	1	
59/	A	Used as air or defroster control	1	
57/58	A	Defroster-25.50"long-use B7A 18548-B	1	*FEG 18548-A
58/	S	Defroster-33.25"long-use B7A 18548-B	1	*FEV 18548-A
58/	S-with air conditioner	34.56" long-use B7A 18518-A	1	*FEV 18548-B
55/57	S	15.0" long-use B5S 18518-A	1	*FEA 18548-A
59	A	Defroster-11.75" long	1	B9A 18548-A
		Clip-attaches control to heater control panel, air conditioner control panel or heater plenum chamber	AR	353261-S8(GG162)
		Screw-No. 10-12 x 1/2"	AR	32924-S7(U344)
57/	A	Screw (control to plenum chamber or cowl panel) No. 10-12 x 1/2"	1 or 2	47127-S7 (U248C)
55/56	A	Screw (control to dash panel)-No. 10-12 x 1 1/4"	1	*52759-S8
58/	S	Screw (control to plenum chamber)- No. 10-16 x 3/8"	1 or 2	42120-S8(U248)
58/	S-with heater or A/C	Screw (control to heater mounting bracket)- No. 10-32 x 3/8"	1	*41036-S2
59	A	Screw (control to control panel)	1	
58/	S	Nut (control to heater or air conditioner control panel) -.18"	1 or 2	350841-S
59	A-with Select Aire		1	(MM263C)
<b>18549 PANEL ASSY. - HEATER CONTROL</b> · Also Refer to Group 19980				
52/53	A	Less controls	1	B3A 18549-A
54		Less controls	1	FDA 18549-F
54	A	Screw (hose to outlet)-No. 10-12 x 3/8"	2	*32917-S7
55	A (8 cyl.)	Used for air conditioner	1	B5A 18549-C
55	A	Less bowden wire	1	B5A 18549-E
56	A (8 cyl.)	Used with air conditioner	1	B6A 18549-E
56	A	Less bowden wire	1	B6A 18549-D
55/56	S	Includes bowden wire, knobs, switch, light bulb & mounting brackets-fresh air-(for 6 volt system use 78 13466 bulb)	1	B6S 18549-A
57	A	Less controls	1	B7A 18549-A
57	A	Less controls-for use with clock & signal seeking radio	1	B7A 18549-B
57	A	Less controls-for use with clock & push button radio	1	B7A 18549-C
55/57	S	Less controls-when using for 1955 models- replace bulb with 78 13466 bulb	1	B7S 18549-A
58	A	Less controls	1	B8A 18549-A
58	A (8 cyl.)	Duct & controls-used with air conditioner	1	B8A 18549-B
58	S	Less controls	1	B8S 18549-A
59	A	Less controls-also used with air conditioner	1	B9AF 18549-C
59/	S	Less controls	1	COSF 18549-D
		Clip (control wire to heater control)	AR	353261-S8(GG162)
56	A	Nut (control & mounting bracket to instrument panel)-1/4"-20	2	34055-S8 (M158)
58/	S		3	
55/56	A	Screw (control to panel)-No. 10-32 x 5/8"	2	31628-S7(U58)
55/57	S		2	
55/56	A	Nut-(control to dash)-1/4"-20	2	33795-S7(M49)
55/56	A	Nut (control panel to instrument panel)-No. 10-32	2	34079-S7(M163)
55/57	S		2	
		Lockwasher-No. 10	AR	34803-S7(X60)
		Lockwasher-1/4"	AR	34905-S7(X97)



YEAR 19	MODEL	DESCRIPTION	QTY. PER VEHICLE	PART NUMBER
<b>HEATER</b>				
<b>18551 HOSE - WATER CONTROL VALVE TO CORE</b>				
49	A		1	1A 18551-A
51	A		1	
52/53	A		1	FAB 18551-A
54/56	A	For cars equipped with Ranco type heater valve- Also used with air conditioner	1	FDA 18551-A
<b>18552 CONTROL ASSY. - HEATER AIR</b>				
58/	S	35.12" long-use B7A 18518-A	1	*FEV 18552-B
58/	S-with aire conditioner	36.30" long-L. H. control-when using for R. H. control cut to 30.25" long	2	B8S 18552-A
59	A	Use B7A 18548-B	1	*B9AF 18552-A
59	A-with Select Aire Conditioner	37.50" long-use PB9M 18518-A	1	*B9FA 18552-A
58/	S	Screw (control to control panel mounting brkt. )	1	*41036-S2
58/	S	Screw(control to heater air valve)-No.10-16 x 3/8"	1	*42060-S8
58/	S	Nut (control to control panel)-.18" spring	1	350841-S(MM263C)
59	A		1	
58/	A, S	Screw(attaches clip to control panel, heater, blower or plenum chamber)-No.10-12 x 1/2"	AR	42127-S8(U248C)
		Clip	AR	353261-S8(GG162)
<b>18556 HOSE - DEFROSTER</b>				
49/51	A	Driver side-1.75" I. D. x 37" long	1	8H 18556-B
51	A	Pass. side-1 3/4" I. D. x 34" long-cut to length	1	
50/54	A	Driver side-2" I. D. x 33 1/2" long	1	FAB 18556-D
54	A	Passenger side-2" I. D. x 9" long -cut to length	1	
55/56	A	1 1/2" I. D. x 19" long	1	B5A 18556-B
55/56	A	2 1/2" I. D. x 36" long-cut to length required	1	B5A 18556-C
55/57	S	for R. H. or L. H. usage	2	
58	A (8 cyl.)	24.5" long-used with air conditioner	1	B8A 18556-B
58	A (8 cyl.)	9.5" long-cut from B8A 18556-B	1	*FEU 18556-A
59	A	Used with Fresh Air or Recirculating Heater	1	B9A 18556-A
59	A (8 cyl.)-with Select Aire Conditioner		1	B9A 18556-B
<b>18557 BEZEL - DEFROSTER CONTROL</b>				
54	A		1	FDA 18557-A
<b>18558 ELBOW ASSY. - DEFROSTER HOSE TO NOZZLE</b>				
55/56	A		1	B5A 18558-A
<b>18568 KIT - BLOWER HOUSING</b>				
57	A	Less motor-1/4" shaft diameter	1	B7A 18568-A
		Consists of the following		
		(1) Housing ass'y. (blower)	(1) Wheel (blower)	(2) No. 10-32 Nut & washer ass'y.
		(1) Plate (motor mounting)	(1) Gasket (blower motor mounting)	(2) No. 10-Flatwasher
		(1) Gasket (blower housing to dash)	(4) No. 10-12 x 3/8" Tapping screw	
57/58	A	Less motor-5/16" shaft diameter	1	B7A 18568-B
		Consists of the following		
		(1) Housing ass'y. (blower)	(1) Gasket (blower motor mounting)	(1) Wheel (blower)
		(1) Plate (motor mounting)	(1) Gasket (blower housing to dash)	(4) No. 10-12 x 3/8" tapping screw
		(2) No. 10-32 Nut & washer ass'y.	(2) No. 10-Flatwasher	
<b>18570 GASKET - HEATER TO DASH</b>				
55/56	A (8 cyl.)	Use with air conditioner	2	B5A 18570-A
55/57	S		1	FAA 18570-A
54/55	A	Also used with air conditioning	1	
57/58	A	Use with fresh air heater	1	B7A 18570-A
<b>18572 CLAMP</b>				
49/	A, S	Heater water hose-also used with air conditioner	AR	BPA 18572-A
56	A, S	Water by pass hose	AR	
56/	A, S	Power brake booster to manifold hose	4	
58/59	51A	Fuel tank vent hose	2	
59	A		2	

YEAR 19	MODEL	DESCRIPTION	QTY. PER VEHICLE	PART NUMBER
<b>HEATER</b>				
<b>18574 LEVER ASSY. - HEATER REGULATOR CONTROL</b>				
53	A		1	B3A 18574-A
54/56	A		1	B6A 18574-B
55/57	S		1	
56	A (8 cyl.)	Used with air conditioner	1	B6A 18574-C
<b>18578 SWITCH ASSY. - HEATER</b>				
49/50	A	On RH air vent control-recirculating	1	1C 18578-A
49/50	A	With bulb-rheostat type-recirculating	1	8A 18578-C
49/53	A	With knob-has 2 terminals-recirculating	1	6A 18578-A
51	A	Has 3 terminals-fresh air	1	FDE 18578-A
52/53	A	Fresh air	1	FAA 18578-A
52/53		Used when defroster booster is used on recirculating heater	1	FAE 18578-A
54	A	Fresh air or recirculating	1	FDA 18578-C
55	A	Fresh air or recirculating	1	B5A 18578-C
55	A (8 cyl.)	Used with air conditioner	1	B5A 18578-D
56	A	Fresh air-also used with air conditioner	1	B6A 18578-B
56	A	Screw (switch to heater control)-No.10-32 x 1/2"	1	*51766-S8
55/59	A	Recirculating	1	B7A 18578-B
57/59	A	Fresh air heater and air conditioner	1	B9A 18578-A
59	A	Used with Polar Aire Conditioner push button	1	B9A 18578-C
59	A	Used with air conditioner vacuum control	1	B9A 18578-D
59/	A	Screw (switch to heater)-No. 10-12 x 1/2"	1	42127-S8(U248C)
59/	A	Clip	1	353261-S8(GG162)
55/57	S	Fresh air	1	B5S 18578-A
58/	S	Fresh air heater also used with air conditioner	1	B8S 18578-A
58/	S	Screw (switch to control mounting bracket)- No. 8-32 x 1/2"	1	39040-S8(U136)
59	A-with Polar Aire	Screw (switch to mounting brkt.)-No. 8-32 x 1/2"	4	
58/	S	Lockwasher-No. 8	1	34902-S7(X95)
59	A-with Polar Aire		4	
<b>18583 GASKET - HEATER BLOWER MOTOR MOUNTING</b>				
57/58	A-(8 cyl.)-with Select Aire Conditioner		1	B7A 18583-A
58/	S-with Aire Conditioner		1	
59	A	Used with fresh air heater and air conditioner	1	B9A 18583-A
<b>18584 CONNECTOR - BLOWER DUCT TO AIR VALVE</b>				
49/51	A	4.0" I. D. x 2 1/4" long	1	8A 18584-A
52/55	A	Round-5.0" long	1	B5A 18584-A
55/57	S		1	
55/56	A	Cut 3.5" long from B5A 18584-A - also used with air conditioner	1	*FDR 18584-A
<b>18598 BEZEL - CONTROL</b>				
58	A	Recirculating heater	1	B8A 18598-A
59	A	Recirculating heater	1	B9A 18598-A
<b>18599 ELBOW</b>				
49/51	A	Nipple (heater hose to water pump)-straight	1	8M 18599
49/57	A,S	Heater hose to water pump-3/8" pipe thread	1 or 2	8A 18599
58/59	A	Used with heater or air conditioner	1 or 2	
58/	S		1 or 2	
54/56	A	Elbow (hose to cylinder block)-3/8"-18 x 90°- also used with air conditioner	1	FDA 18599-A
55/56	A (8 cyl.)	Used with air conditioning-cut to fit	1	
57	A	Hot water heater connection	1	B7A 18599-A
58/	A	Used with recirculating heater	1	
57/	A	Hot water heater connection	1	B7A 18599-B
57/	A (8 cyl.)-with A/C		1	
58/	S	Fresh air heater or air conditioner connection	1	
52/	A	Elbow (hose to water pump)-3/8"-18-45°	1	353476-S100 (II-173)
55/	A (8 cyl.)-with power steering	Connector (elbow to water pump)-use with air conditioner only	1	353680-S8 (II-84)

YEAR 19	MODEL	DESCRIPTION	QTY. PER VEHICLE	PART NUMBER
<b>HEATER</b>				
<b>18614 SEAT COVER - FRONT - "CUSHION TOPPER"</b>				
57/59	A		1	★B7A 18614-B
<b>18619 PLATE - HEATER CONTROL IDENTIFICATION</b>				
57	A (8 cyl.)-with Polar Aire Conditioner		1	B7A 18619-B
59	A	Used with Polar Aire Conditioner push button type	1	B9A 18619-B
		Nut (plate to case) 1/8" sleeve type	2	353577-S2 (MM222)
<b>18621 BRACKET KIT - SAFETY SEAT BELT</b> - Also Refer to Body Group 61200 & 61156				
58/	S	Front & rear-when installing for rear seat (2) B8S 6360100-A reinforcements required	AR	B8S 18621-A
Consists of the following				
2-Reinforcement assy.		2-Bolt-anchor	2-Hook assy.	2-Screw-No. 10-12 x 3/4"
			2-Washer-countersunk-No.10	1-Installation sheet-No. IS209
<b>18627 SEAT CUSHION - "AIR COOLED"</b> - Refer to Group 19B501				
<b>18A627 WIRING ASSY. - HEATER BLOWER SWITCH JUMPER FEED</b>				
49/55	A, S	38.5" long (ignition switch to heater switch)- use with fresh air heater	1	B5AZ 18A627-A
56	A (6 volt)			
56/57	S	38.50" long-with 14 amp fuse (ignition switch to heater switch)	1	B6SZ 18A627-A
56/58	A			
55/57	S	45.0" long-cut from B6A 14296-C	1	★B5SZ 18A627-A
57/58	A	41.0" long-cut from B6A 14296-C	1	★B7AZ 18A627-A
59	A	Ignition switch to heater switch	1	B9AZ 18A627-A
59	A	Clip (wiring to windshield opening reinforcement)	1	356687-S32(GG28)
		Grommet (heater wiring & ign. wiring thru dash)	1	353789-S(KK6)
		Clip (wiring & ign. switch wiring to heater)	1	356628-S(GG175)
		Clip (wiring to recirculating heater switch)	1	358350-S(GG172)
<b>18658 GASKET - HEATER CORE TO HEATER CASE</b>				
52/56	A	Also used with air conditioner	1	B2A 18658-A
55/57	S		1	
57/58	A		1	B7A 18658-A
58/	S		1	
59	A	4.46" x .85" x .60 use with fresh air heater also with Select Air Conditioner	1	B9A 18658-A
<b>18A661 BUSHING - HEATER BLOWER WHEEL</b>				
52/56	A	Use with C0DF 18504-B blower wheel	1	C0MF 18A661-A
<b>18666 HOSE - HEATER TEMPERATURE CONTROL VACUUM - INLET OR PARKING BRAKE VACUUM SUPPLY</b> - <i>Cut From 17543 Bulk Hose</i>				
57/	A, S	Tee connector (hose to windshield wiper hose)	1	353376-A1-S(II-103)
57/58	A	Clip (hose thru dash panel)	1	356668-S32 (GG27)
59/	A, S-with A/C	Tee connector (hose to windshield wiper hose)	1	372371-S(II-104)
<b>18668 HOSE - HEATER TEMPERATURE CONTROL VACUUM OUTLET</b> - Unless Listed - Improve From 17543 Hose				
59	A-with Select Aire conditioner		1	B9A 18668-A
59	A	17.00" cut from B9FM 18668-B	1	★B9FM 18668-A
59	A-with Select Aire conditioner	24.00" long	1	B9FM 18668-B
59	A-with Select Aire Conditioner	Grommet (hose thru dash panel)	1	359771-S(KK11)
<b>18688 GASKET - HEATER CASE TO HEATER BLOWER DUCT</b>				
52/56	A	Also used with air conditioner	1	B2A 18688-A
55/57	S		1	
<b>18726 CLIP - HEATER DOOR</b>				
52/56	A	Also used with air conditioner	1	FAA 18726-A
55/57	S		1	
		Bumper-heater door	1	★352615-S

★ Rayon Slip-on type, Available in Red, Green, Blue or Charcoal

# FORD CAR PARTS

## SECTION 184

YEAR 19__	MODEL	DESCRIPTION	QTY. PER VEHICLE	PART NUMBER
<b>RADIO</b>				
<b>18805 RADIO KIT - LESS ANTENNA</b>				
56/	A, S	Citizens band transmitter-receiver-(2)required for initial installation	1 or 2	C2AZ 18805-B
<b>18812 CABLE ASSY. - RADIO ANTENNA LEAD-IN</b>				
52/56	A (except S/D & S/W)	Lead-214" long-use with B5A 18813-B-antenna	1	B5A 18812-B
53/54	A	Clip (cable to cowl)	1	356668-S32(GG27)
55/56	A, S	Clip (cable to wheel house left hand panel)	1	
<b>18813 ANTENNA KIT - RADIO</b>				
56/	A, S	18 ft. 2 in. -Base station	1	C2AZ 18813-B
56/	A, S	8 ft. 6 in. -Whip type-(rear deck or side mount)	1	C2AZ 18813-C
56/	A, S	8 ft. 6 in. -Whip type-(rear bumper mount)	1	C2AZ 18813-D
56/	A, S	3 ft. 8 in. -Roof top mount	1	C2AZ 18813-E
52/56	A	Mounts on fender	1	B5A 18813-C
55/57	S		1	
55/56	A (except S/D & S/W)	Mounts on rear quarter panel	1	B5A 18813-E
57	A	Standard-fender mount	1	B7A 18813-A
57/58	A (except 51A, 66, S/D & S/W)	Deluxe-luggage compartment door mount	1	B8A 18813-A
57	S		1	
58/59	A	Standard-fender mount	1	B9AF 18813-A
59/	A(except 51A, S/W)	Luggage compartment door mount	1	C1AZ 18813-A
58/	S (63A)	Deluxe-luggage compartment door mount	1	B9S 18813-A
58/	S	Standard-fender mount	1	B8S 18813-C
58	S	Grommet-to retain vacuum lines & radio antenna in dash panel	1	371296-S(KK27)
<b>18842 BEZEL - RADIO CONTROL</b>				
57	A	Used with console range radio	1	B7A 18842-A
57	A	Used with signal seek radio	1	B7A 18842-B
<b>18A900 SWITCH &amp; WIRING - RADIO RECEIVER TO REAR SEAT SPEAKER</b>				
55/58	A (except 51A, 66, 76B, S/D & S/W)		1	B7AZ 18A900-A
59	A (except 51A, 66, 76B, S/W)		1	B9AZ 18A900-A
<b>18912 GROMMET - ANTENNA LEAD-IN SEAL</b>				
55/59	A, S		1	B5A 18912-A
<b>18917 ANTENNA MOUNTING KIT</b>				
56/	A, S	50 ft. length-for base installation of C2AZ 18813-B antenna	1	C2AZ 18917-A
56/	A, S	100 ft. length-for base installation of C2AZ 18813-B antenna		C2AZ 18917-B
<b>18919 STANCHION ASSY. - RADIO ANTENNA</b>				
52/56	A	Plastic	1	C1TZ 18919-A
55/	S		1	
<b>18972 CONTROL ASSY. - REAR SEAT SPEAKER VOLUME</b>				
55/59	A (except S/D, S/W & 76B)		1	B5A 18972-A
55/58	A (except S/D, S/W & 76B)	Bracket ass'y. (rear seat speaker switch)	1	B6A 19310-A
55/58	A (except S/D, S/W & 76B)	Knob ass'y. (rear seat speaker fader control)	1	B5A 19312-B
<b>QUARTER PANEL WHEEL OPENING SHIELD</b>				
<b>18973 SHIELD KIT - QUARTER PANEL WHEEL OPENING - Refer to Body Groups 27964 &amp; 27974-5</b>				
<b>18974 FITTING KIT - QUARTER PANEL WHEEL OPENING</b>				
55/56	A		1	B5A 18974-C
55/57	S		1	B5S 18974-C
57/58	A		1	B7A 18974-A
58/	S		1	

# FORD CAR PARTS

665

## SECTION 190

YEAR 19	MODEL	DESCRIPTION	QTY. PER VEHICLE	PART NUMBER
<b>RADIO</b>				
<b>18A986 CRYSTALS - TWO-WAY RADIO - MATCHED SET</b>				
56/	A, S	Channel - No. 1	2	C2AZ 18A986-A
		No. 2	2	C2AZ 18A986-B
		No. 3	2	C2AZ 18A986-C
		No. 4	2	C2AZ 18A986-D
		No. 5	2	C2AZ 18A986-E
		No. 6	2	C2AZ 18A986-F
		No. 7	2	C2AZ 18A986-G
		No. 8	2	C2AZ 18A986-H
		No. 9	2	C2AZ 18A986-J
		No. 10	2	C2AZ 18A986-K
		No. 11	2	C2AZ 18A986-L
		No. 12	2	C2AZ 18A986-M
		No. 13	2	C2AZ 18A986-N
		No. 14	2	C2AZ 18A986-P
		No. 15	2	C2AZ 18A986-Q
		No. 16	2	C2AZ 18A986-R
		No. 17	2	C2AZ 18A986-S
		No. 18	2	C2AZ 18A986-T
		No. 19	2	C2AZ 18A986-U
		No. 20	2	C2AZ 18A986-V
		No. 21	2	C2AZ 18A986-W
		No. 22	2	C2AZ 18A986-X
		No. 23	2	C2AZ 18A986-Y
<b>19115 BEZEL - REGISTER SHUTTER CONTROL - AIR CONDITIONER</b>				
57	A (8 cyl.)-with Select Aire		2	B7A 19115-A
<b>19119 CONNECTOR - INSTRUMENT PANEL REGISTER TO AIR DUCT - AIR CONDITIONER</b>				
57/58	A (8 cyl.) -with Select Aire	Located in engine compartment	1	FEG 19119-B
58	A (8 cyl.)-with Select Aire	Located at register panel	1	B8A 19119-A
<b>19203 HANDLE - HEATER DOOR</b>				
52/58	A	Use with fresh air heater -also with air conditioner	1	FAB 19203-A
55/57	S		1	
<b>19212 BRACKET - HEATER OPERATING CONTROL MOUNTING</b>				
57/59	A	Used with fresh air heater or air conditioner	2	B7A 19212-A
57/59	A	Nut (bracket to instrument panel)-No. 10-24	2	34053-S8(M156)
		Lockwasher-No. 10	2	34903-S8(X96)
<b>19234-5 REGISTER ASSY. - AIR CONDITIONER - Also Refer to Group 19A671</b>				
57	A (8 cyl.)-with Select Aire		1	B7A 19234-A
58/	S		1	B8S 19234-A
57/58	A (8 cyl.)-with Polar Aire	Nut (register to evaporator case)-3/32"x 5/16"	6	359444-S8(BB612)
58	A (8 cyl.)-with Select Aire	Screw (register to instrument panel)- No. 8-32 x 2"-cross recessed oval head	5	*50475-S8
59	A (8 cyl.)-with Select Aire	Nut (register to instrument panel)-1/4"-20	2	33795-S7(M49)
59	A (8 cyl.)-with Select Aire	Lockwasher-1/4"	2	34905-S7(X97)
<b>19269 GASKET - EVAPORATOR CASE TO DASH PANEL - AIR CONDITIONER</b>				
58/	S		1	B8S 19269-A
<b>19306 CLAMP ASSY. - AIR RETURN DUCT - AIR CONDITIONER</b>				
57/58	A (8 cyl.)-with Select Aire		1	B7A 19306-A
<b>19310 BRACKET ASSY. - REAR SEAT SPEAKER SWITCH</b>				
55/58	A (except S/D, S/W & 76B)		1	B6A 19310-A

# FORD CAR PARTS

## SECTION 190

YEAR 19__	MODEL	DESCRIPTION	QTY. PER VEHICLE	PART NUMBER
<b>19312 KNOB ASSY. - REAR SEAT SPEAKER FADER CONTROL</b>				
55/58	A (except S/D, S/W & 76B)		1	B5A 19312-B
<b>19344 HOSE - HEATER DUCT TO AIR VALVE - AIR CONDITIONER</b>				
55/56	A (8 cyl.)	18.50" long	1	B5A 19344-A
58/	S		1	
<b>19350 GASKET - WINDSHIELD DEFROSTER NOZZLE</b>				
58	A	Use with B8A 18490-A	4	B8A 19350-A
58	S		2	B8S 19350-A
<b>19460 SEAL - HEATER WATER CONTROL VALVE</b>				
57/58	A	Used with fresh air heater	1	B7A 19460-A
58/	S		1	
<b>19463 CONNECTOR ASSY. - HEATER and WINDSHIELD DEFROSTER - AIR CONDITIONER</b>				
57	A(8 cyl.)-with Select Aire		1	B7A 19463-A
		Screw (connector to instr. panel)-No.10-32 x 1/2"	1	27081-S8(U175)
		Nut-No. 10-32	1	34079-S7(M163)
		Lockwasher-No. 10	1	34903-S8(X96)
<b>19466 CONNECTOR - HEATER PLENUM CHAMBER TO DEFROSTER NOZZLE</b>				
57	A	Use with fresh air or recirculating heater	1	B7A 19466-A
58	A		1	B8A 19466-A
58/	S	Use with fresh air heater	2	B8S 19466-B
<b>19470 GASKET - EVAPORATOR TRIM COVER - AIR CONDITIONER</b>				
57/58	A (8 cyl.)-with Select Aire		1	B7A 19470-A
<b>19477 PLENUM CHAMBER and DEFROSTER NOZZLE - AIR CONDITIONER</b>				
57	A (8 cyl.)-with Select Aire		1	B7A 19477-A
<b>19478 GASKET - AIR INLET DUCT TO DASH PANEL - AIR CONDITIONER</b>				
57	A (8 cyl.) -with Select Aire		1	B7A 19478-A
58	A (8 cyl.)-with Select Aire		1	B8A 19478-A
<b>19484 GASKET - HEATER BLOWER HOUSING TO AIR RETURN DUCT - AIR CONDITIONER</b>				
57/58	A (8 cyl.)-with Select Aire		1	B7A 19484-A
<b>19486 BLOWER and AIR DUCT ASSY. - AIR CONDITIONER</b>				
57/58	A (8 cyl.)-with Select Aire	Less motor	1	B8A 19486-A
58/	S	Less motor	1	B8S 19486-A
		Screw (blower & air duct to dash panel)- No. 14-10 x 1"	3	42154-S8(U256)
<b>19492 CASE - EVAPORATOR - AIR CONDITIONER</b>				
57/58	A (8 cyl.)-with Polar Aire		1	B7A 19492-A
<b>19B501 SEAT CUSHION - VENTILATED FIBRE</b>				
<b>FULL SEAT</b>				
58/	S	Charcoal-front-deluxe type	2	C0SB 19B501-B01
<b>INDIVIDUAL (DRIVER OR PASSENGER)</b>				
58/	S	Red	AR	C4SZ 19B501-A
		Green	AR	C4SZ 19B501-B
		Blue	AR	C4SZ 19B501-C
49/	A, S	Carton of 6 cushions-specify colors desired- single seat width (approx. 22.0" wide)	AR	††B6A 18627-J
49/	A, S	Kit-consists of 12-B6A 18627-J with display- rack	AR	††B7A 18627-J

†† Available in Red, Green, Blue or Charcoal

# FORD CAR PARTS

## SECTION 190

YEAR 19	MODEL	DESCRIPTION	QTY. PER VEHICLE	PART NUMBER
<b>19D503 PLATE - COMPASS MOUNTING</b>				
49/	A, S		1	C4RZ 19D503-A
<b>19B505 CHEMICAL - FIRE EXTINGUISHER RECHARGE</b>				
49/	All	2 3/4" dry-use w/C3RZ 19B540-A	1	C3RZ 19C505-A
49/	All	4 lb. dry-use with C3RZ 19B540-B kit	1	C3RZ 19C505-B
<b>19B507 KIT - COVER - ROOF LUGGAGE CARRIER</b>				
58/	A(S/W), X(S/W)		1	B9AZ 19B507-A
<b>19C510 MARKER - DRIVEWAY</b>				
49/		Flexible	AR	C2AZ 19C510-A
<b>19A522 CONTROL ASSY. - AIR CONDITIONER AND HEATER AIR</b>				
59	A-with Select Aire	46.75"-use B9A 18518-A control	1	B9FA 19A522-A
59	A-with Select Aire	Screw(att. clip 353261-S8 & control wire to control panel)-No. 10-32 x 3/8"	1	*41036-S2
59/	S	Use B8S 18552-A	1	B9SF 19A522-B
59/	S	Screw (att. clip 353261-S8 & control to evaporator)-No. 10-16 x 3/8"	1	*42060-S8
<b>19B540 KIT - FIRE EXTINGUISHER</b>				
49/	All	2 3/4 lb. dry chemical	1	C3RZ 19B540-A
Consists of				
	1-C2RA 19C504-A Extinguisher	1-C2RA 19C545-A Bracket	4-32938-S2 Screw	
	1-C2RA 19C506-A Plate (instruction)	1-Instruction Sheet-No. 884		
49/	All	4 lb. dry chemical	1	C3RZ 19B540-B
Consists of				
	1-C2RA 19C504-B Extinguisher	1-C2RA 19C545-B Bracket	4-32938-S2 Screw	
	1-C2RA 19C506-B Plate (instruction)	1-Instruction Sheet-No. 884		
<b>19A548 COMPASS ASSY.</b>				
49/	A, S		1	C4RZ 19A548-A
		Plate-compass mounting	1	C4RZ 19D503-A
<b>19A549 KIT - TISSUE DISPENSER</b>				
49/	A, S		1	C3RZ 19A549-A
<b>19552 HOUSING ASSY. - EVAPORATOR CORE - AIR CONDITIONER</b>				
59	A (8 cyl.)-with Select Aire	Front-less motor & bracket	1	B9A 19552-A
<b>19B568 PLATE ASSY. - CONTROL PANEL NAME - AIR CONDITIONER</b>				
57/59	A (8 cyl.)-with Select Aire		1	B7AZ 19B568-A
59	A (8 cyl.)-with Polar Aire	Push button type	1	B9AZ 19B568-A
		Nut-1/8" sleeve type	2	353577-S2(MM222)
<b>19576 CAP ASSY. - COMPRESSOR VALVE SEAT - AIR CONDITIONER</b>				
58	A (8 cyl.)		1	B8A 19576-A
<b>19A583 HOUSING ASSY. - EVAPORATED CORE - AIR CONDITIONER</b>				
59	A (8 cyl.)-with Select Aire	Rear	1	B9AF 19A583-C
<b>19A603 KNOB ASSY. - HEATER CONTROL - AIR CONDITIONER</b>				
59	S		2	B9SF 19A603-A
		Screw (knob to control)-No. 8-32 x 1/4"	2	358685-S8(UU28)
<b>19A612 PANEL - EVAPORATOR CASE - AIR CONDITIONER</b>				
58/	S	Rear	1	B9SF 19A612-A
<b>19A615 CONDENSER and TUBE ASSY. - AIR CONDITIONER - Also Refer to Group 19710</b>				
59	A (6 cyl.)		1	B9AF 19A615-G
		Bolt(condenser and tube to fender apron and radiator support)-5/16"-24 x 3/4"	4	353483-S2(BB588)
		Nut retainer assy. -5/16"-24	4	359952-S2(MM198)

YEAR 19	MODEL	DESCRIPTION	QTY. PER VEHICLE	PART NUMBER
<b>19618 THERMOSTAT ASSY. - EVAPORATOR TEMPERATURE CONTROL - AIR CONDITIONER</b>				
57/58	A (8 cyl.)-with Select Aire		1	B7A 19618-A
57/58	A (8 cyl.)-with Polar Aire		1	B7A 19618-B
		Screw (thermostat to control bracket)- No. 8-15 x 3/8"	1	*32916-S8
59	A (8 cyl.)-with Select Aire		1	B9A 19618-B
59	A(8 cyl.)-with Select Aire	Screw(thermostat to evaporator core mounting plate)-No. 8-32 x 1/4"	2	26457-S7(U167)
59	A(8 cyl.)-with Select Aire	Lockwasher-No. 8	2	34938-S8(X85)
59	A (8 cyl.)-with Polar Aire	Screw (thermostat to instrument register panel) No. 6-32 x 1/4"	2	*51550-S13
59	A (8 cyl.)-with Polar Aire	Push button type	1	B9AF 19618-A
59	A (8 cyl.)-with Select Aire	Screw (thermostat capillary tube to evaporator case)-No. 6-32 x 3/8"	1	370552-S8(BB530)
59	A (8 cyl.)-with Select Aire	Nut-No. 6-32		34051-S7(M154)
58/	S		1	B9SF 19618-A
58/59	S	Screw (thermostat to front panel of evaporator case)-No. 8-15 x 3/8"	2	*32916-S8
58/	S	Screw (thermostat to evaporator case)- No. 6-20 x 1/4"	2	52533-S (U226)
58/	S	Screw (thermostat to evaporator case)- No. 8-18 x 3/8"	2	52720-S8(U380)
<b>19A629 PANEL ASSY. - EVAPORATOR CASE - AIR CONDITIONER</b>				
59	A-with Polar Aire	Front-push button type	1	B9AF 19A629-A
58/	S	Front	1	B9SF 19A629-A
<b>19A643 FAN ASSY. - EVAPORATOR - AIR CONDITIONER</b>				
59	A (8 cyl.)-with Polar Aire	Push button type	1	B9AF 19A643-A
<b>19648 GASKET - REGISTER TO INSTRUMENT PANEL - AIR CONDITIONER</b>				
55/56	A (8 cyl.)		2	B5A 19648-A
<b>19649 BEZEL ASSY. - INSTRUMENT PANEL REGISTER TRIM - AIR CONDITIONER</b>				
58/	S		1	B8S 19649-A
<b>19655 REAR COVER PLATE - COMPRESSOR - AIR CONDITIONER</b>				
58	A (8 cyl.)	Use with Tecumseh compressor	1	B8A 19655-A
58/	A, S	Use with Lehigh or York compressor	1	B8S 19655-A
59	A, S	Screw (plate to compressor)-1/4"-20 x .62"	8	351744-S8
<b>19656 VALVE PLATE ASSY. - COMPRESSOR - AIR CONDITIONER</b>				
55/57	A (8 cyl.)	Kit	1	B5AZ 19656-A
	Consists of the following			
	(1)-Valve plate assy.	(1)-Gasket (valve plate)	(1)-Gasket (cylinder head)	
	(2)-Leaf (intake valve)			
58	A (8 cyl.)	Kit-use with Tecumseh compressor	2	B8AZ 19656-A
	Consists of the following			
	(2) Gaskets	(1) Valve plate assembly		
58/	A, S	Kit-use with York compressor	1	C2SZ 19656-A
<b>19664 GASKET - COMPRESSOR DISCHARGE AND SUCTION FITTING - AIR CONDITIONER</b>				
57	A (8 cyl.)		1	B7A 19664-A
58/	A, S		2	B8A 19664-A
<b>19670 SEAL - AIR CONDITIONER - COMPRESSOR SHAFT REPLACEMENT - Also Refer to Group 19655</b>				
55	A (8 cyl.)	Kit	1	B5A 19670-B
	Consists of the following			
	(1)-Seal ass'y.	(1)-Gasket	(1)-Snap ring	(1)-Housing, cover & bearing ass'y.
55/58	A (8 cyl.)	Kit-use with Tecumseh compressor	1	B5A 19670-C
	Consists of the following			
	(1)-Seal assy.	(1)-Gasket	(1)-Snap ring	
58/	A, S	Use with Lehigh or York compressor	1	B8S 19670-A



# FORD CAR PARTS

## SECTION 190

YEAR 19	MODEL	DESCRIPTION	QTY. PER VEHICLE	PART NUMBER
<b>19671 GASKET - AIR CONDITIONER - COMPRESSOR</b> - Also Refer to Group 19B684				
55/57	A (8 cyl.)	Kit	1	B5A 19671-A
Consists of the following				
(1)-Gasket (valve plate)		(1)-Gasket (suction fitting screen)	(1)-Gasket (oil level indicator)	
(1)-Gasket (cylinder head)		(2)-Gasket (suction discharge fitting)	(1)-"O" ring	
58	A (8 cyl.)	Kit-use with Tecumseh compressor	1	B8A 19671-A
Consists of the following				
(2) Gaskets (valve mounting)		(1) Gasket (rear housing)	(1) Gasket (cover plate)	
(2) Gaskets (valve plate)		(2) Gaskets (cylinder head)	(1) Gasket (base)	
<b>19A671 REGISTER - EVAPORATOR OUTER - AIR CONDITIONER</b>				
59	A-with Polar Aire	Push button type	3	B9AF 19A671-B
58/59	A-with Polar Aire		3	C2MY 19A671-A
<b>19672 SCREEN - AIR CONDITIONER - SUCTION STRAINER</b>				
55/57	A (8 cyl.)	Kit	1	B5A 19672-A
Consists of the following				
(1)-Screen assy. (suction fitting)		(1)-Gasket (suction fitting screen)	(1)-Gasket (suction & discharge fittings)	
58	A (8 cyl.)	Use with Tecumseh compressor	1	B8A 19672-A
58/	A, S	Use with Lehigh or York compressor	1	B8S 19672-A
<b>19B673 SIGHT GLASS INDICATOR ASSY. - EVAPORATOR LIQUID - AIR CONDITIONER</b>				
55/56	A (8 cyl.)		1	B6AZ 19B673-A
57	A (8 cyl.)		1	B7AZ 19A673-A
58/	A	Includes Instruction sheet-No. 1090	1	COMY 19B673-A
58/	S		1	B9SF 19B673-A
<b>19676 KIT - COMPRESSOR SUCTION LINE FITTING - AIR CONDITIONER</b>				
55/56	A (8 cyl.)		1	B5A 19676-A
Consists of the following				
(1)-Suction fitting		(1)-Gasket (suction & discharge fittings)		
<b>19B680 DUCT ASSY. - EVAPORATOR TO INSTRUMENT PANEL REGISTER - AIR CONDITIONER</b>				
59	A (8 cyl.)-with Select Aire		1	B9AZ 19B680-A
58/	S	Front	1	B9SZ 19B680-A
59/	S	Screw (duct to dash panel)-No. 14 x 5/8"	4	42014-S8(U240)
<b>19A682 REGISTER - EVAPORATOR SIDE - AIR CONDITIONER</b>				
59/	A-with Polar Aire	Push button type	2	B9AF 19A682-A
		Nut (register to retainer)-3/16" spring	2	45048-S8(M118)
<b>19A683 RETAINER - EVAPORATOR SIDE REGISTER - AIR CONDITIONER</b>				
59	A-with Polar Aire	Push button type	2	B9AF 19A683-A
<b>19A684 CORE and TUBE ASSY. - EVAPORATOR - AIR CONDITIONER</b> - Also Refer to Group 19860				
59	A-with Polar Aire	Push button type	1	B9AF 19A684-A
<b>19B684 KIT - COMPRESSOR GASKET</b>				
58/	A, S	Used with Lehigh or York compressor	1	C1AZ 19B684-A
Consists of				
1-C1AE 2945-A		Gasket (cylinder head)	1-B9AE 19657-A	Gasket (valve plate)
1-B9AE 19B651-A		Gasket (base plate)	1-B9AE 19698-A	Gasket (crankshaft bearing)
1-C0AE 19658-A		Gasket (cylinder head)	1-C2AA 2996-A	Gasket (base plate)
1-371013-S91		Seal "O" ring	1-373671-S91	Seal "O" ring
<b>19A695 HOSE - EVAPORATOR DRAIN - AIR CONDITIONER</b>				
59	A-with Polar Aire	L. H. -push button type	1	B9AF 19A695-A
<b>19697 HOUSING - COMPRESSION CRANKSHAFT FRONT BEARING - AIR CONDITIONER</b>				
56/57	A (8 cyl.)		1	B6A 19697-A
58/	A, S		1	B8A 19697-A
		Bolt (housing to compressor)-1/4"-20 x .62"	6	373108-S2(BB542)

# FORD CAR PARTS

## SECTION 190

YEAR 19__	MODEL	DESCRIPTION	QTY. PER VEHICLE	PART NUMBER
<b>19B698 FILTER ASSY. - EXPANSION VALVE KIT</b>				
58/59	A	Contains (1) filter assy. and (1) washer	1	COMF 19B698-A
58/	S		1	
<b>19701 CROSSOVER PIPE KIT - AIR CONDITIONER</b>				
55/56	A (8 cyl. without dual exhaust)		1	B5A 19701-A
<b>19703 COMPRESSOR ASSY. - AIR CONDITIONER</b>				
56	A (8 cyl.)		1	B6A 19703-A
56	A (8 cyl.)	Bolt (compressor to cyl.head)-7/16"-14 x 1 1/4"	1	354098-S(BB175)
56	A (8 cyl.)	Lockwasher-7/16"	1	34808-S8(X67)
57	A (8 cyl.)-with Select Aire or Polar Aire		1	B7AZ 19703-A
58/	A(8 cyl.), S	York	1	C2AZ 19703-A
58/	A (8 cyl.), S	Bolt(rear cover to compressor)-1/4"-20x9/16"	8	351744-S
59/	A(6 cyl.)	Tecumseh	1	C2AZ 19703-B
<b>19A706 RESISTER ASSY. - BLOWER MOTOR - AIR CONDITIONER</b>				
58/	S		1	B8SZ 19A706-A
<b>19707 SEPARATOR ASSY. - SUCTION LINE OIL - AIR CONDITIONER</b>				
56	A (8 cyl.)		1	B6A 19707-A
		Bolt (separator to front fender apron & radiator support)-5/16"-24 x 5/8"	2	*20327-S8
		Nut-5/16"-24	2	33798-S8(M62)
		Lockwasher-5/16"	2	34806-S7(X64)
		Flatwasher-5/16"	2	44730-S8(X26)
		Gasket-1/4"-flared	AR	354981-S(JJ4)
		Gasket-1/2"-flared	AR	354077-S(JJ2)
		Gasket-5/8"-flared	AR	354078-S(JJ3)
<b>19710-12 CONDENSER CORE ASSY. - AIR CONDITIONER - Also Refer to Group 19A615</b>				
55	A (8 cyl.)		1	B5A 19710-A
56	A (8 cyl.)		1	B6A 19710-A
55/56		Screw (condenser to deflector)-5/16"-24 x 3/4"	4	20347-S8(B156)
55/56		Lockwasher-5/16"	4	34806-S7(X64)
55/56		Flat washer-5/16"	4	44725-S8(X22)
57	A (8 cyl.)		1	B7A 19710-B
58	A (8 cyl.)-with Select Aire or Polar Aire		1	B8A 19710-A
59	A (8 cyl.)-with Select Aire or Polar Aire		1	B9AF 19710-A
58/	S		1	C0SF 19710-A
<b>19715 VALVE - CONDENSER HIGH PRESSURE - AIR CONDITIONER - Also Refer to Group 19750, 19752, 19A990</b>				
55	A (8 cyl.)		1	B7A 19715-A
57	A (8 cyl.)		1	
55		Nut (valve to bracket)-1/4"-28	2	33796-S7(M61)
		Lockwasher-1/4"	2	34805-S8(X62)
<b>19720 SHIELD ASSY. - BLOWER MOTOR - AIR CONDITIONER</b>				
55/56	A (8 cyl.)		1	B5A 19720-A
55/56	A	Screw (blower shield to evaporator)-No. 8 x 1/4"	AR	*32909-S8
<b>19728 HOSE ASSY. - EVAPORATOR DRAIN - AIR CONDITIONER - Also Refer to Group 19858</b>				
55/56	A (8 cvl.)	Rubber	1	B5A 19728-A
55/56	A (8 cyl.)	Grommet (hose thru dash panel)	1	354754-S(KK34)
<b>19734 CLAMP AND LEAD ASSY. - BLOWER TO EVAPORATOR - AIR CONDITIONER</b>				
58/	S		2	B8S 19734-A
		Screw(clamp & seal to blower)-No.10-32 x 1 1/2"	2	27177-S7(U177)
<b>19736 COVER - EVAPORATOR THERMOSTAT - AIR CONDITIONER</b>				
58/	S		1	B8S 19736-A

# FORD CAR PARTS

## SECTION 190

671

YEAR 19	MODEL	DESCRIPTION	QTY. PER VEHICLE		PART NUMBER		
<b>19750 VALVE and BRACKET - COMPRESSOR-LOW PRESSURE - AIR CONDITIONER - Also Refer to Group 19715, 19752, 19A990</b>							
56	A (8 cyl.)			1	B6A 19750-A		
57	A (8 cyl.)			1	B7A 19750-A		
55/56		Screw (valve to support)-1/4"-20 x 3/4"		1	20344-S8(B42)		
55/56		Nut-1/4"-20		1	33795-S7(M49)		
55/56		Lockwasher-1/4"		1	34805-S8 (X62)		
55/56		Flat washer-1/4"		1	44719-S8 (X17)		
55/56		Gasket (tube to low pressure valve)-1/2" flared		1	354077-S (JJ2)		
55/56		Gasket (valve to compressor)-5/8" flared		1	354078-S (JJ3)		
59/	A, S	Bolt (valve to cyl. head)-5/16"-18 x 1.88" socket head		4	373109-S (UU13)		
<b>19752 VALVE ASSY. - COMPRESSOR LOW PRESSURE - AIR CONDITIONER - Also Refer to Group 19715, 19750, 19A990</b>							
58/	A			1	COAF 19752-A		
58/	S			1			
<b>19757 SWITCH ASSY. - CONTROL CUTOUT - AIR CONDITIONER</b>							
56	A (8 cyl.)	12 volt		1	B6A 19757-A		
57/58	A (8 cyl.) -with Polar Aire			1	B7A 19757-A		
<b>19770 TUBE - BLOWER HOUSING TO BLOWER MOTOR - AIR CONDITIONER</b>							
59	A (8 cyl.)-with Select Aire			1	B9A 19770-A		
<b>19A771 DEFLECTOR - FLOOR - AIR CONDITIONER</b>							
58/	S			1	B9SF 19A771-A		
		Screw (deflector to vent air register panel)- No. 10-12 x 3/4"		4	52023-S8(U210)		
<b>19776 HOSE - BLOWER TO INSTRUMENT PANEL - AIR CONDITIONER</b>							
55	A (8 cyl.)	Rubber-elbow shaped		1	B5A 19776-A		
55	A (8 cyl.)	16. 0" long		1	B5A 19776-B		
56	A (8 cyl.)	Elbow shaped		1	B6A 19776-A		
56	A (8 cyl.)	16. 0" long		1	B6A 19776-B		
<b>19781 VALVE - CONDENSER CHECK - AIR CONDITIONER</b>							
55	A (8 cyl.)			1	B5A 19781-A		
<b>19782 VALVE - CONDENSER BY PASS - AIR CONDITIONER</b>							
55	A (8 cyl.)			1	B5A 19782-A		
56	A (8 cyl.)			1	B6A 19782-A		
55/56		Screw (valve to condenser)-No.10-32 x 1/2"		2	27081-S8(U175)		
55/56		Lockwasher-No.10		2	34903-S8 (X96)		
55/56		Gasket(valve to low press. valve)-3/8"flared tube		1	354076-S (JJ1)		
56	A (8 cyl.)	Bolt (valve to R. H. air deflector)-1/4"-20 x 5/8"		2	20324-S8(B41)		
		Nut-1/4"-20		2	33795-S7(M49)		
		Lockwasher-1/4"		2	34905-S7 (X97)		
<b>19783 COIL - CONDENSER BY PASS VALVE - AIR CONDITIONER</b>							
56	A (8 cyl.)	12 volt		1	B6A 19783-A		
<b>19805 MOTOR ASSY. - BLOWER - AIR CONDITIONER - Also Refer to Group 18527</b>							
			DESCRIPTION				
			VOLTAGE	SHAFT DIAMETER	ROTATION		
55	A (8 cyl.)-with Select Aire		6	5/16"	CW	1	FDJ 19805-A
56	A (8 cyl.)-with Select Aire		12	5/16"	C/CW	1	FDS 19805-A
57/58	A (8 cyl.)-with Select Aire		12	5/16"	CW	1	FEG 19805-B
57/58	A (8 cyl.)-with Polar Aire		12	5/16"	C/CW	1	FEH 19805-A
59	A-with Polar Aire		12	5/16"	C/CW	1	B9FA 19805-A
59	A (8 cyl.)-with Select Aire		12	5/16"	C/CW	1	B9A 19805-A
58/	S		12	5/16"	CW	1	C0SF 19805-A
<b>19819 THERMOSTAT - EVAPORATOR TEMPERATURE CONTROL - AIR CONDITIONER</b>							
55/56	A (8 cyl.)					1	B5A 19819-A

# FORD CAR PARTS

## SECTION 190

YEAR 19	MODEL	DESCRIPTION	QTY. PER VEHICLE	PART NUMBER
<b>19828 COVER - EVAPORATOR DRAIN - AIR CONDITIONER</b>				
56	A (8 cyl.)		1	B6A 19828-A
57	A (8 cyl.)-with Select Aire		1	B7A 19828-A
58	A (8 cyl.)-with Select Aire		1	B8A 19828-A
57	A (8 cyl.)	Screw (cover to evaporator to heater)- No. 8-15 x 3/8"	17	*32916-S8
<b>19835 TUBE ASSY. - DEHYDRATOR TO EVAPORATOR - AIR CONDITIONER</b>				
55/58	A (8 cyl.)-with Select Aire	Front	1	B7A 19835-B
57/58	A (8 cyl.)-with Polar Aire		1	B7A 19835-C
57	A (8 cyl.)	Screw (tube to compressor shut off valve to R. H. front fender apron)-5/16"-18 x 3/4"	3	39909-S7(U269D)
57	A (8 cyl.)	Screw (tube to front fender apron)	2	
57	A (8 cyl.)	Clip (tube & evaporator to compressor shut off valve to R. H. front fender apron)	1	*357618-S8
57	A (8 cyl.)	Clip (tube & evaporator to compressor shut off valve to R. H. front fender apron)	1	354725-S(GG38)
57/58	A (8 cyl.)	Grommet (tube thru evaporator & heater)	1	354713-S(KK35)
57	A (8 cyl.)	Clip (tube to front fender apron)	2	*357618-S8
		Grommet (tube thru R. H. air deflector)	1	*353248-AS
		Gasket (tube to tank)-3/8" flared	1	354076-S(JJ1)
58/	S	Front	1	B9SF 19835-A
58/	S	Screw (tube to L. H. fender apron)- 5/16"-18 x 7/8"	1	40182-S(U269)
58/	S	Clip	1	358350-S(GG172)
59	A (8 cyl.)-with Select or Polar Aire	Front	1	B9AF 19835-A
59	A (6 cyl.)-with Polar Aire	Front	1	B9AF 19835-C
<b>19837 TUBE ASSY. - DEHYDRATOR TO EVAPORATOR - AIR CONDITIONER</b>				
55/56	A (8 cyl.)	Rear-less sight glass	1	B5A 19837-A
57	A (8 cyl.)	Rear-less sight glass	1	B7A 19837-A
58	A (8 cyl.)-with Select Aire		1	
55/57	A (8 cyl.)	Grommet (dehydrator to evaporator & dehydrator to deflector)	1	354713-S(KK35)
55/57	A (8 cyl.)	Clip (dehydrator to evaporator tube to condenser valve & fender apron)	3	354725-S(GG38)
58	A (8 cyl.)-with Polar Aire	Rear-less sight glass	1	B8A 19837-A
58/	S	Rear-less sight glass, adapter & coupling	1	B9SF 19837-B
58/	S	Screw (tube to L. H. fender apron)- No. 10-12 x 1/2"	1	42127-S8(U248C)
58/	S	Clip	1	*371177-S7
58/	S	Clip (tube to R. H. fender apron)	1	358350-S(GG172)
59	A (8 cyl.)-with Select Aire	Rear-includes sight glass	1	B9A 19837-B
59/	A-with Polar Aire	Rear-less sight glass, adapter & coupling	1	C0AF 19837-E
<b>19849 VALVE ASSY. - EVAPORATOR EXPANSION - AIR CONDITIONER</b>				
55/56	A (8 cyl.)		1	B5A 19849-A
55/56	A (8 cyl.)	Gasket (valve to evaporator)-1/2" flared	1	354077-S(JJ2)
55/56	A (8 cyl.)	Gasket (valve to tube)-3/8" flared	1	354076-S(JJ1)
57/58	A (8 cyl.)-with Polar Aire		1	B7A 19849-B
57/58	A (8 cyl.)-with Select Aire		1	B7A 19849-C
58/	S		1	B8S 19849-A
59	A (8 cyl.)-with Select Aire		1	
59	A (8 cyl.)-with Polar Aire		1	B9A 19849-B
57	A (8 cyl.)	Clip (temp. bulb insulator to valve)	2	359216-S7(GG73)
58/	A, S	Bolt(valve to cyl.hd.)-5/16"-18 x 1.88" socket hd.	4	373109-S(UU13)
<b>19858 HOSE - EVAPORATOR DRAIN - AIR CONDITIONER - Also Refer to Group 19728</b>				
57/58	A (8 cyl.)-with Select Aire		1	B7A 19858-A
57/59	A (8 cyl.)-with Polar Aire	Cut from B4C 4090-A hose	2	*FEH 19858-A
59	A (8 cyl.)-with Select Aire	Not replaced	1	*B9A 19858-B
59	A-with Polar Aire	R. H. -push button type	1	B9AF 19858-A
<b>19860 CORE ASSY. - EVAPORATOR - AIR CONDITIONER - Also Refer to Group 194684</b>				
57/58	A (8 cyl.)-with Polar Aire		1	B7A 19860-B
57/58	A (8 cyl.)-with Select Aire		1	B8A 19860-A
58/	S-with Aire Conditioner		1	B9SF 19860-A
		Screw (core to evaporator case)-No. 10-12 x 3/8"	2	42120-S8(U248)
59	A (8 cyl.)-with Select Aire		1	B9AF 19860-B

# FORD CAR PARTS

## SECTION 190

673

YEAR 19	MODEL	DESCRIPTION	QTY. PER VEHICLE	PART NUMBER
<b>19865 FILTER ASSY. - EVAPORATOR - AIR CONDITIONER</b>				
58	A (8 cyl.)-with Select Aire Conditioner		1	B8A 19865-A
<b>19867 TUBE ASSY. - EVAPORATOR TO COMPRESSOR SHUT OFF VALVE - AIR CONDITIONER</b>				
55	A (8 cyl.)		1	B7A 19867-A
57	A (8 cyl.) -with Select Aire		1	
55	A (8 cyl.)	Gasket(tube to lower pressure valve)-5/8" flared	1	354078-S(JJ3)
55/57	A(8 cyl.)	Grommet(seal between air conditioner evaporator & shut off valve tube & evaporator assy.)	1	354714-S(KK36)
56	A (8 cyl.)	42.50" long	1	B6A 19867-A
58/	S		1	
57	A (8 cyl.)-with Polar Aire		1	B7A 19867-B
58	A (8 cyl.)-with Select Aire		1	B8A 19867-A
58	A (8 cyl.)-with Polar Aire		1	B8A 19867-E
59	A (8 cyl.)-with Select Aire		1	B9MF 19867-A
59	A-with Polar Aire		1	
59	A (8 cyl.)	Grommet(for routing evaporator compressor shut off valve,tube thru dash)	1	371113-S(KK63)
<b>19A884 BRACKET ASSY. - CONTROL MOUNTING - AIR CONDITIONER</b>				
59	A-with Polar Aire	Push button type	1	B9AZ 19A884-A
<b>19A885 WIRING ASSY. - THERMOSTAT TO CLUTCH - AIR CONDITIONER. Unless listed - improvise from B6.1 11296-C wire</b>				
57	A (8 cyl.) -with Polar Aire		1	B7AZ 19A885-A
59/	A-with Polar Aire		1	C0AF 19A885-B
<b>19893 REGISTER ASSY. - INSTRUMENT PANEL</b>				
59	A-with Select Aire		1	B9AF 19893-C
<b>19945 WIRING ASSY. - BLOWER SWITCH FEED - AIR CONDITIONER</b>				
56	A (8 cyl.)	170.00"long	1	B6A 19945-A
55/56	A (8 cyl.)	Clip (wiring to package tray)	4	356668-S32(GG27)
		Clip (wiring to by pass valve to air deflector)	1	353547-S2(GG173)
57	A (8 cyl.)-with Select Aire	136.50" long	1	B7A 19945-A
57	A (8 cyl.)	Clip (wiring & instrument panel wiring to mounting stud of radio grille to instrument panel)	2	356628-S(GG175)
57	A (8 cyl.)	Wiring & instrument panel wiring with screw that attaches blower motor & wheel assy. to air conditioner & heater blower housing	1	
57/59	A (8 cyl.)-with Polar Aire		1	B7A 19945-B
58	A (8 cyl.)-with Select Aire		1	B8A 19945-A
59	A (8 cyl.)-with Select Aire		1	B9A 19945-A
<b>19948 TUBE ASSY. - RECEIVER TANK TO CONDENSER - AIR CONDITIONER</b>				
55	A (8 cyl.)		1	*B5A 19948-A
56	A (8 cyl.)		1	*B6A 19948-A
		Gasket (tube to tank to valve)-3/8" flared	2	354076-S(JJ1)
<b>19959 DEHYDRATOR and RECEIVER TANK ASSY. - AIR CONDITIONER</b>				
55	A (8 cvl.)		1	B5A 19959-A
55/56	A (8 cyl.)		1	B6A 19959-A
57/58	A (8 cyl.)-with Select or Polar Aire		1	B7A 19959-A
58/	S		1	C0SF 19959-B
59	A (8 cyl.)		1	B9A 19959-A
59	A (6 cyl.)		1	B9AF 19959-A
55/56		Screw (tank to R. H. deflector)-5/16"-24 x 3/4"	2	20347-S8(B156)
55/56		Lockwasher-5/16"	2	34800-S7(X64)
55/56		Nut-5/16"-24	2	33798-S8(M62)
		Flatwasher-5/16"	4	44722-S8(X19)
55/56		Gasket(dehydrator to evaporator)-3/8" flared	1	354076-S(JJ1)
55/58	A (8 cyl.)	Plug-fusible metal(replacement plug for dehydrator and receiver tank)	1	354947-S(PP55)
58	S		1	
59/	A	Safety plug-1/8" fusable	1	373040-S(PP56)
59/	S		1	
59/	A, S	Refrigerant (air conditioner)	AR	B9LF 19B519-A

## SECTION 190

## FORD CAR PARTS

YEAR 19	MODEL	DESCRIPTION	QTY. PER VEHICLE	PART NUMBER
<b>19961 TUBE ASSY. - SUCTION LINE OIL SEPARATOR TO COMPRESSOR - AIR CONDITIONER</b>				
55	A (8 cyl.)		1	*B5A 19961-A
56	A (8 cyl.)		1	B6A 19961-A
		Gasket-1/4"-flared	AR	354981-S(JJ4)
		Gasket-1/2"-flared	AR	354077-S(JJ2)
		Gasket-5/8"-flared	AR	354078-S(JJ3)
<b>19971 HOSE ASSY. - LOW PRESSURE VALVE TO COMPRESSOR - AIR CONDITIONER</b>				
55	A (8 cyl.)	15" long	1	*B5A 19971-A
56	A (8 cyl.)	13.75" long	1	B6A 19971-A
		Gasket-1/4"-flared	AR	354981-S(JJ4)
		Gasket-1/2"-flared	AR	354077-S(JJ2)
		Gasket-5/8"-flared	AR	354078-S(JJ3)
<b>19972 HOSE ASSY. - COMPRESSOR TO CONDENSER INLET VALVE - AIR CONDITIONER</b>				
55	A (8 cyl.)	20" long	1	B5A 19972-A
55/58	A (8 cyl.)	Gasket-1/4"-flared	AR	354981-S(JJ4)
55/58	A (8 cyl.)-(1959 6 cyl.)	Gasket-1/2"-flared	AR	354077-S(JJ2)
55/58	A (8 cyl.)-(1959 6 cyl.)	Gasket-5/8"-flared	AR	354078-S(JJ3)
56	A (8 cyl.)	15" long	1	B6A 19972-A
57	A (8 cyl.)		1	B7A 19972-A
58	A (8 cyl.)		1	B8A 19972-A
59	A (6 cyl.)		1	
59	A (8 cyl.)-with Select Aire or Polar Aire		1	B9AF 19972-A
<b>19973 TUBE ASSY. - CONDENSER TO LOW PRESSURE VALVE - AIR CONDITIONER</b>				
55	A	16" long	1	*B5A 19973-A
<b>19980 CONTROL PANEL ASSY. - AIR CONDITIONER - Also Refer to Group 19A884</b>				
58	A (8 cyl.)-with Select Aire	Less controls	1	B8A 19980-A
58	S		1	B8S 19980-A
59	A (8 cyl.)-with Select Aire		1	B9AF 19980-A
59	S		1	B9SF 19980-B
58/	S	Nut (control assy. to console panel)-1/4"-20	3	33795-S7(M49)
58/	S	Lockwasher 1/4"	3	34805-S8(X62)
57/59	A (8 cyl.)	Nut (control to instrument panel)-No. 10-24	2	34053-S8(M156)
57/59	A (8 cyl.)	Lockwasher-No. 10	2	34903-S8(X96)
57/	A (8 cyl.), S	Screw (control to panel)-No. 10-32 x 3/8"	AR	*41036-S2
57/	A (8 cyl.), S	Clip	AR	353261-S8(GG162)
<b>19986 SWITCH ASSY. - BLOWER - AIR CONDITIONER</b>				
59	A (8 cyl.)-with Polar Aire	Push button type	1	B9AF 19986-A
<b>19988 CONTROL ASSY. - TEMPERATURE - AIR CONDITIONER</b>				
57/58	A (8 cyl.)-with Select Aire	24.0" long-use B7A 18548-B	1	*FEG 19988-A
59	A (8 cyl.)-with Select Aire		1	B9A 19988-A
<b>19989 LEVER - TEMPERATURE CONTROL - AIR CONDITIONER</b>				
59	A-with Select Aire		1	B9A 19989-A
<b>19A990 VALVE ASSY. - COMPRESSOR - HIGH PRESSURE - AIR CONDITIONER - Also Refer to Groups 19715, 19750, 19752</b>				
58/	A-with Select or Polar Aire		1	C0AF 19A990-A
58/	S		1	
<b>19998 TRAP - EVAPORATOR DRAIN - AIR CONDITIONER</b>				
58/	S		1	B8S 19998-A

**IMPORTANT**

Always furnish appropriate Patent Plate information and DSU number if applicable when ordering parts not listed in the Catalog.

**INDEX**

**BACK**

Group Name	Group Number	Group Name	Group Number
Anti-rattler assy. (tail gate support)-on pillar	44454	Dovetail (rear door)-female	43190
Anti-squeak (rear corner pillar)	41078	Drive assy. (tail gate power-lift window regulator)	23394-5
Arm ass'y. (back door check)	44100-1	Escutcheon (lift gate latch)	43212-3
Bar (lift gate counter balance torque)	42986-7	Extension (back window to quarter panel)	42256-7
Bar (lift gate hinge torsion)	44890-1	Extension (lift gate or back door lock cylinder)	43436
Bearing and strap assy. (tail gate counter balance)	43037	Extension (rear corner lower pillar)	41054-5
Brace (back panel strainer to back window frame)	40264-5	Fastener ass'y. (lower back panel or tail gate outside finish rail)	50108
Brace (lower back panel to floor)-outer	40274-5	Fastener assy. (lower back panel outside finish rail)	50067
Bracket assy. (lift gate hinge mounting)	42930	Frame assy. (back window)	42206
Bracket (back door prop mounting)	44175	Frame ass'y. (back window)-side	42248-9
Bracket (back door support prop shield mounting)	44723	Frame assy. (back window)-upper	42208
Bracket (lift gate counter balance torque bar retainer)	42990	Frame assy. (tail gate finish)	40902
Bracket (lift gate prop support Mounting)	43970	Frame (back window)-lower	42232
Bracket (lower back panel strainer fuel tank support strap)	40480	Frame (back window)-side	42222-3
Bumper ass'y. (lift gate rear corner pillar)	40434	Frame (back window)-upper	42220
Bumper ass'y. (lift gate to header)	40452	Frame (back window)-upper-outer	42214-5
Bumper ass'y. (tail gate to pillar)	40426	Gasket (tail gate handle housing)	43848
Bumper (back panel fuel filler opening lid)	28631	Gate ass'y. (lift)	40010
Bumper (fuel filler opening lid)	40639	Gate ass'y. (tail)	40702
Bumper (tail gate or back door)	23030		or 40709
Catch (spare tire well panel hold-down)	45844	Glass assy. (back window or door)	42004-6
Clip ass'y. (lower back panel moulding)	40363	Glass assy. (back window or door)-side	42024-7
Clip (lift gate header rail inner moulding joint)	43341	Grille assy. (back panel side air scoop opening)	40500-1
Clip (lift gate window outside side moulding retaining)	44631	Guide ass'y. (back door prop)	43402-3
Clip (tail gate lock control link retaining)	26458-9	Gusset (rear corner pillar to roof rail)	40364-5
Clip (tail gate lock remote control link)-inner & outer	43185	Handle and housing ass'y. (tail gate)	43800
Control assy. (tail gate lock remote)	43170	Handle ass'y. (rear door outside)	26600
Cover assy. (luggage compartment lock key hole)	43514	Handle ass'y. (tail gate)-1957/59	43836-7
Cover assy. (tail gate lock cylinder keyhole)	21942	Handle (lift gate and rear door)-outside	43400
Cover (back belt moulding joint)	40240	Handle (rear door outside)	43400
Cover (back window finish strip corner joint)	42458	Handle (tail gate latch)	44434
Cover (back window garnish moulding)-center joint	42490	Hinge assy. (rear door)	42900-1
Cover (back window outside moulding joint)	42432-3	Hinge assy. (tail gate)	43000-1
Cover (back window outside moulding joint)-upper	42450	Hinge assy. (upper back finish panel)	40582-3
Cover (back window outside moulding joint)-lower	42436	Hinge (lift gate)-59, 79	42900-1
Cover (lift gate or back dr. lock cyl. keyhole)	43446	Housing ass'y. (fuel tank filler pipe)	11310
Cover set (cargo floor complete)	60925	Kit (tail gate handle button or lock cylinder retaining)	43440
Cover (spare tire well panel)	45830	Kit (tail gate handle button or lock cylinder retaining)	43442
Cover (tail gate)	40726	Knob (lift gate lock release lever)	43145
	or 47022	Knob (lift gate prop support locking)	43954
Cover (tail gate or back door lock access)	43114	Latch assy. (tail gate)	43186-7
Cover (upper back panel garnish finish moulding center joint)	40447	Latch assy. (tail gate)	44435
Cover (upper back panel garnish moulding trim)	40450	Letter (luggage compartment door lower back panel on spare wheel carrier)	40282
Cylinder assy. (lift gate or back door lock)-with keys	43431	Lever (back door lock cylinder extension)	43438
Cylinder assy. (tail gate or back door lock)-with keys	43505		
Door assy. (lower back panel fuel filler opening)-with hinges	40628		

## INDEX

## BACK - continued

Group Name	Group Number	Group Name	Group Number
Lid assy. (lower back panel fuel filler opening)-with hinges	40628	Panel (back)-center lower	40262
		Panel (back)-side-lower	40266-7
		Panel (back)-side-upper	40252-3
Link (back door lock release to lock)	43272		
Link (tail gate lock remote control)	43172-3	Panel (back window header)	42034
Linoleum (tail gate inside finish panel)	40726	Panel (lower back)	40324
		Panel (lower back finish)	423A42-3
Lock assy. (lift gate or back door)	43102	Panel (lower back panel fuel filler lid finish)	40513
Lock assy. (tail gate)	43150-1		
Lock set (tail gate & glove compartment door)-with keys	43507	Panel (rear corner inner finish)-lower	40462-3
		Panel (tail gate inside belt finish)	40422
		Panel (tail gate inside panel)-linoleum	40726
Moulding assy. (back belt)-outside	40238-9		
Moulding assy. (back window garnish)-lower	42456	Pillar and extension assy. (rear corner)-lower	41024-5
Moulding assy. (back window outside)-side	42478-9	Pillar ass'y. (rear corner)	41032-3
Moulding assy. (back window outside upper)	423A00	Pillar ass'y. (rear corner)-lower	41022-3
Moulding assy. (lower back panel)	40358	Pin (back door prop mounting bracket)	44178
Moulding assy. (rear lamp opening)	279A64-5	Plate assy. (luggage compartment door lock)	43202
Moulding assy. (tail gate outside)	40719	Plate (lift gate latch striker)	43422
		Plate (lower back panel name)	40466
Moulding (back belt)-outside	40242-3	Plate (lower back panel name)-"Ford Air Suspension"	40466
Moulding (back belt side)	40228-9	Plate (rear door lock striker)	43118
Moulding (back door outside belt)	40242-3	Plate (tail gate name)	42528
Moulding (back window garnish)-side	42416-7	Prop ass'y. (lift gate or back door support)	43940-1
Moulding (back window opening)-inner	42410		
		Rail assy. (lift gate or back window header)	41302
Moulding (back window outside)-lower	42404-5	Rail assy. (rear door body header)	41302
Moulding (back window outside lower corner)	42406-7	Rail (lower back panel outside finish)	42562
Moulding (back window outside)-side	42492-3	Rail (lower back panel outside finish)	42564
Moulding (back window outside)-top	42430-1	Rail (tail gate outside finish)	40902
Moulding (lift gate header rail)-inner	41314-5	Reinforcement assy. (rear corner pillar)-upper	41020-1
Moulding (lower back finish panel)	45212-3	Reinforcement assy. (rear lamp opening)	27776-7
Moulding (lower back panel)	40372-3	Reinforcement (back window lower frame)	42242-3
Moulding (lower back panel side)-vertical	40986	Reinforcement (rear corner lower pillar)	41058-9
Moulding (tail gate opening)-side	40930-1	Reinforcement (rear corner pillar)	41056-7
Moulding (upper back panel garnish)	40406	Release ass'y. (back door lock)	43808
Moulding (upper back panel garnish finish)	40408-9	Release assy. (tail gate lock)	43814
Numeral (lower back panel)	42549	Retainer assy. (luggage compartment and tail gate moulding)	42527
		Retainer (back door check assist spring)-on body	40527
Ornament assy. (fuel filler opening lid)	405A86	Retainer (back window outside lower corner moulding)	42438
Ornament assy. (lower back panel)	40316	Retainer (back window outside upper moulding)	42413
Ornament ass'y. (tail gate lock cylinder hole)	43830	Retainer (lift gate hinge torsion bar to body)	43490
Ornament (spare wheel cover)-outside mount	42888	Retainer (rear door lock cylinder)	43452
		Retainer (tail gate lock cylinder hole ornament)	43833
Pad (lower back panel ornament)	40371	Retainer (tail gate lock link to lock)	43882
Pad (tail gate handle)-center	43539	Retainer (tail gate ornament)	42522
Pad (tail gate handle)-end	43537		
Pad (tail gate lock cylinder)	43849	Rod ass'y. (tail gate support)	44400-1
Pad (tail gate ornament)	42620	Rod (license lamp leveling)	40356
		Rod (tail gate lock cylinder to release)	43876
Panel and member ass'y. (lower back)	40306		
Panel ass'y. (back)	40300	Seal assy. (tail gate inner panel bottom drain)	20700
Panel assy. (back trim)-lower	40374-5	Shaft (tail gate lock cylinder)	43867
Panel ass'y. (body)-lower back	40320		
		Shield (back door support prop)	44717
Panel assy. (tail gate upper finish)	40688	Shield (tail gate trim water)	20318
Panel assy. (upper back)	40310	Shim (tail gate lock striker plate)	43152
Panel assy. (upper back finish)	40502	Skid strip (tail gate)	44432-3
Panel ass'y. (upper back inside)	40290		



**INDEX**

**BACK - continued**

Group Name	Group Number	Group Name	Group Number
Spacer (back window outside upper moulding)	42554	Support ass'y. (back door)	44185
Spacer (lift gate hinge)-on gate	43002	Support (back door check inner)	44190
Spacer (lift gate prop)	43958	Support (back door support prop shield)	44725
Spacer (lift gate torsion bar bracket to body)	43498		
		Tail gate ass'y.	40702
Spacer (tail gate lock cylinder)	43840		or 40709
Spacer (tail gate lock cylinder sleeve)	43869	Transfer (graining)-"Country Squire"	20748
Spacer (tail gate power-lift window regulator drive worm)	23590		
		Weatherstrip assy. (back door window side glass)	42052
Spring (back door check assist)	44189	Weatherstrip ass'y. (lift gate)	43706
Spring (license lamp leveling rod)	40362	Weatherstrip ass'y. (rear door).	43722-3
		Weatherstrip ass'y. (tail gate)	41608
Spring (lift gate hinge)	42936	Weatherstrip ass'y. (tail gate upper)	41614
Spring (lift or tail gate latch)	43196		
Spring (tail gate lock pawl)	21988	Weatherstrip (back door)	43722
		Weatherstrip (back door)-center	41654
Striker assy. (tail gate lock)	432A06	Weatherstrip (back window or door glass)	42084
		Weatherstrip (lower back panel to stone guard)	40322
Strip assy. (back belt rail tacking)-center	41745	Weatherstrip (tail gate)	43726
Strip (back window finish)-lower	42456-7	Weatherstrip (tail gate outer panel)-to belt	41610
Strip (tail gate skid)	44432-3	Welt (lift gate header and back door header trim)	42254
		Window assy. (back)	40010

**BODY ASSEMBLY**

Group Name	Group Number	Group Name	Group Number
Extension assy. (body rocker panel)-rear	101A92-3	Panel (body rocker)	10130-1
Insulator (body bolt)	00154	Retainer assy. (body bolt insulator)-lower	00151
Medallion (body side)	25662	Retainer assy. (body side medallion)	25666
Moulding (body rocker panel)	10174-7	Retainer (body bolt insulator)-upper	00163
		Retainer (body rocker panel moulding)	10182
Panel assy. (body rocker)	10128-9	Spacer (body to frame)	11520

**BODY SIDE**

Group Name	Group Number	Group Name	Group Number
Cover (body side extension rear lamp access opening)	27898-9	Ornament ass'y. (body side)	25612-3
		Ornament (body side)	25616-7
Extension (body side inner panel lower front)	00216-7		
Fastener ass'y. (body side finish rail)	50108	Panel ass'y. (body rocker)	10128-9
		Panel (body rear side upper)	403A24-5
Guard (body side stone)	25652-3	Panel (body side inner)	27864-5
		Panel (body side rear corner)	27852-3
Kit (Rotunda rocker panel dress-up and repair)	10128	Pillar assy. (center body)	24300-1
Medallion (body side)	25662	Plate (body side name)	25622
Moulding (body rocker panel)	10176-7		
Moulding (body rocker panel front extension)	10174-5	Retainer assy. (body side medallion)	25666
Moulding (body side)-inner panel to wheelhouse	27872-3	Retainer assy. (body rocker panel moulding)	10160
		Retainer (body rocker panel moulding)	10182

## INDEX

## CONSOLE PANEL

Group Name	Group Number	Group Name	Group Number
Box and snuffer assy. (console panel)	04821	Moulding (console panel lower edge)	04578-9
Bracket (console front panel heater control mounting)	04738	Moulding (console rear panel)	04730
Cover (door window regulator control opening)	23876	Retainer (console panel moulding)	04740
Grille ass'y. (console panel radio)	04405	Screen (console panel radio grille)	04406
Moulding (console front panel)	04728	Spring (console glove compartment door check arm)	06114

## FRONT DOOR

Group Name	Group Number	Group Name	Group Number
Arm and plate assy. (door window regulator)	23234-5	Cover assy. (door lock cylinder key hole)	21942
Arm (front door check)	23504	Cover (body side extension rear lamp access opening)	27898-9
Bar and weatherstrip assy. (door ventilating window division)	22296-7	Cover (door window garnish moulding trim)	21076-7
Bar assy. (door ventilating window division)	22296-7	Cylinder and key set (door and ignition lock)	22050
Brace (door window power lift regulator motor & inside panel)	23272-3	Deflector (door ventilating window air)	22288-9
Bracket & handle shaft assy. (frt. dr. ventilating wdo.)	22938-7	Door assy. (front)	20122-5
Bracket ass'y. (door lock arm actuating rod)	22376-7	Door glass (front)	21410
Bracket assy. (door pillar)-lower	20316-7	Door glass (vent.)	21412
Bracket assy. (door pillar)-upper	20320-1	Door handle (outside)	22400-1
Bracket assy. (door vent window division bar)-lower	22912	Drive ass'y. (power-lift window regulator)	23394-5
Bracket assy. (door window regulator equalizer arm)	23230	Escutcheon assy. (door inside & window reg. handle)	22618
Bracket (door glass run)-rear lower outer retainer	21564	Escutcheon (door lock cylinder)	21936
Bracket (door ventilating window lower pivot)	22954-5	Fastener ass'y. (front door outside finish rail)	50108 <sup>or</sup> 290B32
Bracket (door window stop)	21760-1	Frame and ventilation window ass'y. (front door glass)	22218-9
Bumper assy. (door at belt)	23036-7	Frame ass'y. (door ventilating window front)	22232-3
Bumper ass'y. (door ventilating window frame)	21774-5	Frame assy. (door window glass)	22220-1
Bumper (door)	20122-5	Frame assy. (front door ventilating window)-less handle and glass	21608-9
Bumper (door at lock)	23030	Frame (door glass)	22224-5
Bumper (door lower hinge)	23567	Frame (door glass)-less ventilating window	22374-5
Bumper (door window stop)	21762	Glass and frame assy. (front door ventilating window)	21406-7
Bushing (door hinge)	22841	Glass assy. (front door ventilating window)	21412
Bushing (door ventilating window pivot)	22960	Glass assy. (front door window)	21410
Button and guide ass'y. (door outside handle)-Kit	22454-5	Glass assy. (ventilating window)-complete with frame	21402-3
Button (door window frame bolt access plug)	22285-6	Grommet (door lock knob)	21999
Channel and retainer ass'y. (front door glass)	21458-9	Guide ass'y. (door check)	23552
Channel ass'y. (front door glass guide arm roller)	21512-3	Handle assy. (door inside)	22600
Clip (arm rest)	24146	Handle assy. (door outside)	22400-5
Clip (door lock control link retaining)	21954-5	Handle assy. (door window regulator)	23342
Clip (door lock release link retaining)	431C56	Handle (door ventilating window locking)	22916-7
Clip (door lock rod)	21952	Hinge assy. (door)	22800-1
Clip (door window regulator pivot)	23292	Hinge assy. (door)-lower	22810-1
Control and link ass'y. (door lock remote)	21818-9	Hinge assy. (door)-upper	22800-1
Coupling (power-lift window regulator drive)	23440	Hinge (door ventilating window upper pivot)	21466-7
		Hinge (door ventilating window upper pivot)	22976-9

INDEX

FRONT DOOR - continued

Group Name	Group Number	Group Name	Group Number
Insert (door lock striker plate)	22040	Plate & bellcrank assy. (door lock remote control)	22062-3
Insert (door outside upper finish rail)	208A16-7	Plate ass'y. (door lock striker)	22008-9
Key (door ventilating window locking handle)	22920	Plate assy. (trade mark)	017A06
Kit (door lock cylinder cover and spring)	21942-3	Plate (door arm rest finger tip)	24142-3
Kit (door outside handle button and lock cyl. retainer)	22442-3	Plate (door garnish lock side finish)	21134-5
Kit (outside door handle)	22400-1	Plate (door inside panel cover)	21122
Knob (door locking control rod)	21850	Plate (door lock striker auxiliary)	22014-5
Knob (door or ventilating window regulator handle)	23352	Plate (door lock striker tapping)	22024
Lever ass'y. (door lock operating)	21968	Plate (door outside handle finish)	20966-7
Lever (door lock operating)	21970-1	Plate (door outside name)-lower-"Squire"	21012
Link ass'y. (door lock remote control)	21928-9	Plate (door outside name)-upper-"Country"	20978
Link ass'y. (front door window regulator)	23218-9	Plate (door scuff)	13208-9
Link (door bellcrank to door lock control rod lever)	21932	Plate (door ventilating window access hole cover)	20348-9
Link (door bellcrank to door lock release lever)	21206-7	Plate (door window regulator and door handle)	23370
Lock and sleeve ass'y. (door pillar)-w/2 keys	21984-5	Plate (door window upper stop anchor)	21782
Lock ass'y. (door)	21812-3	Rail ass'y. (front door outside finish)-lower	20400-1
Moulding and retainer ass'y. (door trim)	20942-3	Rail ass'y. (front door outside finish)-upper	20424-5
Moulding and retainer assy. (door trim)-lower	20956-7	Rail (front door outside finish)-lower	20402-3
Moulding assy. (door belt)-outside	21010-1	Rail (front door outside finish)-upper	20960-1
Moulding assy. (door outside rear)	20938-9	Regulator assy. (door window)	23200-1
Moulding assy. (door outside upper)	20936-7	Regulator ass'y. (door window)-less arms	23202-3
Moulding assy. (door outside upper rear)	21002-3	Regulator ass'y. (door window)-less arms & link	23206-7
Moulding assy. (door trim center front)	20956-7	Regulator assy. (power-lift window)-less motor, etc.	23208-9
Moulding assy. (door trim)-upper	21110-1	Reinforcement (front door lock striker anchor plate)	22078-9
Moulding assy. (front door window garnish)	20904-5	Retainer ass'y. (door outside handle button)	22442-3
Moulding (door outside finish panel)	21188	Retainer assy. (door outside lower moulding)	290B82
Moulding (door outside finish panel)	21190	Retainer assy. (door outside moulding)	21094
Moulding (door)-outside-lower	20938-9	Retainer assy. (door outside upper moulding)	20262
Moulding (door outside)-lower front	20916-7	Retainer assy. (moulding)-includes clip-Universal	21094
Moulding (door outside panel)	20934-5	Retainer (door lock cylinder)	22023
Moulding (door outside rear)-upper	20982-3	Retainer (door lock cylinder)	22027
Moulding (door outside upper)	20932-3	Retainer (door lock striker anchor plate)	22021-2
Moulding (door outside upper rear corner)	21088-9	Retainer (door lower moulding)-outside	21020
Moulding (door trim)-rear or lower rear	20920-1	Retainer (door opening windlace)	02614
Moulding (door ventilating window frame outside front)	20822-5	Retainer (door outside handle button)	22459
Moulding (door window garnish)	20906-7	Retainer (door outside lower ornament)	21096
Moulding (front door garnish finish)	21172-3	Retainer (door outside moulding)	21060-6
Moulding (front door outside)-front	20442-3	Retainer (door outside upper moulding)	21082
Moulding (front door outside)-top	20492-3	Retainer (door outside upper moulding)	20232
Ornament (door)-outside	20980	Retainer (door rear weatherstrip at belt)	20572-3
Pad (door outside handle)-large	22428-9	Retainer (door trim panel)	21032
Pad (door outside handle)-small	22448-9	Retainer (door weatherstrip)-upper-rear	20716-7
Panel assy. (door outer)-repair	20200-5	Retainer (door window garnish moulding spacer)	20918
Panel (door outside finish)	20206-7	Retainer (roof headlining trim)	20918
Panel (door trim finish)	21166-7	Rivet (division bar weatherstrip)	21524
Panel (front door outer)-repair	20204-5	Rod (door lock actuating)	22152
Pillar (door)-upper	20314-5	Rod (door lock control to cylinder lock)	21974
Pin (door hinge)	22840	Roller assy. (door & quarter window regulator arm)	23240
Pin (door hinge)-upper	22840	Roller assy. (door window glass frame)	21525
Pin (door outside handle release)	22438	Roller (door window regulator arm)	23286
Pivot (door ventilating window)-upper	22952-3	Run & bracket assy. (vent window division bar glass)	21538-9
		Run assy. (front door glass)-lock side	21508-9

## INDEX

## FRONT DOOR - continued

Group Name	Group Number	Group Name	Group Number
Run ass'y. (front door glass)-look side	21550	Stop (door window)-upper	21770
Run (front door glass)-hinge side	21546-7	Stop (door window)-upper	21768
Run (front door glass top)	21596	Strip ass'y. (front door window finish)	20904-5
Screw (door ventilating window pivot)-upper	22964	Strip (door belt inner panel rear finish)	21108-9
Seal assy. (door front at belt)-inner	20568-9	Strip (door glass retaining)	21424
Seal (door outside finish rail)	20726	Strip (door glass retaining)	21478
Seal (door outside handle button and guide)	22478-9	Support ass'y. (door glass run)-lock side	21514
Shield ass'y. (door wiring)	20768-9	Support ass'y. (door window lower stop)	21572
Shield (door & quarter trim water)	20318	Support ass'y. (door window regulator)-upper	23224-5
Shield (door ventilating window rain)	22884-5	Support (door arm rest)	24160
Shield (door wiring)	20770	Support (door glass run)-lock side-lower	21518
Shield (front door ventilating window rain)	222A20-1	Transfer (graining)-"Country Squire"	20748
Shim (door lock striker plate)	22058	Washer (door ventilating window locking handle)	22982
Sleeve (door lock pawl stop)	21909	Washer (door ventilating window pivot friction)	22963
Spacer ass'y. (door trim moulding)-front	21134-5	Weatherstrip ass'y. (door opening)-outer	20530-1
Spacer (door window garnish moulding)	20922	Weatherstrip ass'y. (door opening rear at belt)	20702-3
Spacer (door window garnish moulding)-front	20972	Weatherstrip ass'y. (front door ventilating window)	21448-9
Spring (door inside and window regulator handle)	22624	Weatherstrip ass'y. (front door window glass)	21452-3
Spring (door lock cylinder keyhole cover)	22006-7	Weatherstrip (door at belt)-inner	20570-1
Spring (door lock main)	21858	Weatherstrip (door front at belt)-inner	20580-1
Spring (door lock operating lever retaining)	22075	Weatherstrip (door glass at belt)-inner	21456-7
Spring (door lock slide toggle)	21872-3	Weatherstrip (door pillar)	20330-1
Spring (door outside handle push button)	22462	Weatherstrip (door ventilating window division bar)	21450-1
Spring (door power-lift window regulator counter balance)	23318	Weatherstrip (front door glass channel)	21510
Spring (door remote control)	21910	Weatherstrip (front door glass)-outer or inner belt	21446
Spring (door ventilating window locking handle)	22986	Weatherstrip (front door)-outer	20530-1
Spring (door ventilating window pivot)	22926	Window ass'y. (door ventilating)-complete	21402-3
Spring (door window regulator roller)	23243	Window ass'y. (door ventilating)-front	21406-7
Spring (luggage compartment door lock key hole cover)	22006-7	Window ass'y. (front door ventilating)	21406-7
Stop (door window)-lower	21760		

## REAR DOOR

Group Name	Group Number	Group Name	Group Number
Arm ass'y. (rear door check)	44100-1	Bushing (door hinge)	22841
Arm assy. (rear door window stabilizer)	26256-7	Button & pin ass'y. (rear door outside handle)	26410-1
Arm (rear door check)	27204	Button assy. (rear door outside handle)-includes seal	22454
Arm (rear door window stabilizer)	26264	Button assy. (rear door window front guide)	25886
Bar assy. (rear door window division)	26900-1	Button assy. (rear door window rear guide)	25894-5
Bellcrank (rear door lock)	26448-9	Button (rear door glass channel lower rear guide)	25472
Bracket ass'y. (rear door lock control rear bellcrank pivot)	26484-5	Channel assy. (rear door glass)	26206-9
Bracket ass'y. (rear door lock remote control rear bellcrank pivot)	26494-5	Channel assy. (rear door glass)	26228-9
Bracket ass'y. (rear door window front guide)-lower	25470	Check assy. (rear door)	27200
Bracket ass'y. (rear door window rear guide lower)	25442	Clip (arm rest)	24146
Bracket ass'y. (rear door window regulator equalizer arm)	26296	Clip (rear door or tail gate lock control link retaining)	26458-9
Bumper (door)	24630-1	Control and link assy. (rear door lock remote)	26404-5
		Door assy. (back)-78	40010
		Door assy. (rear)	24630-1

INDEX

REAR DOOR - continued

Group Name	Group Number	Group Name	Group Number
Dovetail (rear door window)	24856-7	Moulding (rear door window garnish)	25514-5
Drive ass'y. (power-lift window regulator)	23394-5	Moulding (rear door window outside)-top	25542-3
Extension (rear door inside upper rear)	24742-5	Pad (rear door inside assist handle)	24650
Extension (rear door outside upper rear)	24740-1	Pad (rear door outside handle)-large	26640-1
Fastener ass'y. (rear door outside finish rail)	50108	Pad (rear door outside handle)-small	26638-9
Frame and stationery window assy.(rear door glass)	26812-3	Panel assy. (door outer)-repair	24700-5
Frame ass'y. (rear door glass)-upper	26220-1	Panel (rear door outside finish)	24730-1
Glass ass'y. (door ventilating window)-with frame	26866-7	Pin (rear door hinge)	26832
Glass ass'y. (rear door ventilating)	26870	Pin (rear door outside handle release)	26438
Glass channel ass'y.(rear door)	26228-9	Plate ass'y. (rear door arm rest anchor)	27574
Glass channel (rear door)	26228-9	Plate (rear door arm rest finger tip)	24142-3
Glass (rear door window)	25712	Plate (rear door scuff)	13228-9
Guide ass'y. (rear door window)-front	26216-7	Plate (rear door window regulator and door handle)	23370
Guide ass'y. (rear door window)-rear	26222-3	Rail assy. (rear door outside finish)-center	25352-3
Guide assy. (rear door window regulator equalizer arm)	26336-7	Rail assy. (rear door outside finish)-lower	25352-3
Handle ass'y. (rear door inside)	22600	Rail assy. (rear door outside finish)-upper	25302-3
Handle ass'y. (rear door inside assist)	24648	Rail (rear door outside finish)-lower	25300-1
Handle ass'y. (rear door outside)	26600-1	Rail (rear door outside finish)-upper	25320-1
Hinge and check assy. (rear door)-lower	26802-3	Regulator assy. (rear door window)	27000-1
Hinge assy. (rear door)-lower	26810-1	Regulator (power-lift window)-less motor, etc.	27008-9
Hinge ass'y. (rear door)-upper	26800-1	Reinforcement (rear door glass frame lower rear)	26286
Insert (door lock striker plate)	22040	Reinforcement (rear door lock striker anchor)	26482-3
Insert (door outside upper finish rail)	20966-7	Retainer assy. (door outside moulding)	20880-4
Insert (rear door glass front weatherstrip)	30148	Retainer assy.(rear door outside moulding)	21094
Knob (door window regulator handle)	23352	Retainer ass'y.(rear door outside moulding)	25562
Link ass'y. (rear door check)-on hinge	26804-5	Retainer assy. (rear door outside moulding)-front	29211
Link (rear door lock)	26420-1	Retainer assy. (rear door outside lower moulding)	290B82
Link (rear door lock remote control)	26442	Retainer assy. (rear door window lower moulding)	21096
Link (rear door lock remote control)-rear	26490-1	Retainer assy.(moulding)-includes clip-Universal	21094
Link (rear door lock remote control)-rear	26498	Retainer (rear door lower moulding)-outside	29144
Lock assy. (rear door)	26412-3	Retainer (rear door outside lower moulding)	25553
Moulding and retainer ass'y.(rear door trim)-lower	25578	Retainer (rear door outside moulding)	21060-6
Moulding and retainer ass'y.(rear door trim)-upper	25558	Retainer (rear door outside moulding)	29288
Moulding assy. (rear door outside center)	25416-7	Retainer (rear door stone guard)	25970
Moulding ass'y.(rear door outside lower)-rear	25334-5	Retainer (rear door trim panel)	21032
Moulding ass'y.(rear door outside upper)	25674-5	Retainer (rear door trim panel)	25576-7
Moulding ass'y. (rear door trim)-front	25504-5	Rod (rear door lock push button)	26460-1
Moulding (rear door arm rest)	24190-1	Roller ass'y.(rear door window front guide)-lower	25750
Moulding (rear door garnish finish)	25536-7	Roller assy. (rear door window rear guide)	27104
Moulding (rear door outside)-belt	25554-5	Roller (rear door glass channel upper front guide)	25776
Moulding (rear door outside finish panel)-lower	24712-3	Roller (rear door window regulator arm)	23286
Moulding (rear door outside finish panel)-upper	24722-3	Run assy. (rear door glass)	25760
Moulding (rear door outside)-front	25440-1	Run ass'y. (rear door glass)-hinge side	25728
Moulding (rear door outside)-lower	25556-7	Run ass'y. (rear door glass)-lock side	25760-1
Moulding (rear door outside)-lower rear	25532-3	Run assy. (rear door glass)-rear inner	25754-5
Moulding (rear door outside)-upper	25540-1	Run assy. (rear door glass)-rear outer	25742-3
Moulding (rear door outside)-upper front	25586-7	Run ass'y. (rear door glass)-top	25766-7
Moulding (rear door window frame outside)-front	20982-3	Run (rear door glass)	26884-5
		Shield assy. (rear door wiring)	24784-5
		Shield (door trim water)	20318
		Slide ass'y.(rear door window stabilizer arm)	25808

## INDEX

## REAR DOOR - continued

Group Name	Group Number	Group Name	Group Number
Spacer (rear door lock striker anchor reinforcement)	26488	Weatherstrip assy. (rear door glass at belt)-inside	25860-1
Spacer (rear door window garnish moulding)	25516	Weatherstrip ass'y. (rear door glass at belt)-outside	25596-7
Spring (rear door check arm)	27206	Weatherstrip ass'y. (rear door glass)-front	25824-5
Spring (rear door check assist)-on lower hinge	26808-9	Weatherstrip assy. (rear door glass run)-rear	25481
Spring (rear door check)-on lower hinge	26833		
Spring (rear door inside and window regulator handle)	22624	Weatherstrip ass'y.(rear door upper rear extension)-lower	25480
Stabilizer assy. (rear door window glass frame)-front	26300-1	Weatherstrip assy. (rear door upper rear extension)-upper	25478-9
Stop assy. (rear door window)-lower	21758		
Stop (rear door window)-upper	25780	Weatherstrip (rear door glass at belt)-inner	25604-5
Striker (rear door window dovetail)	24858-9	Weatherstrip (rear door glass channel)	26258
Strip assy. (rear door window finish)	25514-5	Weatherstrip (rear door upper rear extension)-outer	25474-5
Transfer (graining)-"Country Squire"	20748	Weatherstrip (rear door ventilating window)	26894-5
Weatherstrip assy. (rear door)	25324-5	Window regulator (rear door)	27000-1
Weatherstrip assy. (rear door front)-at belt	25324-5		

## FLOOR

Group Name	Group Number	Group Name	Group Number
Baffle (fuel filler pipe)	11104	Member ass'y. (floor side)-front	10110-1
Board assy. (auxiliary floor)-with cover	11578	Member ass'y. (floor side)-rear	10124-5
Board assy. (auxiliary floor)-without cover	11564	Member ass'y. (front floor cross No. 1)	10692-3
Bracket assy. (floor side member to rear floor)	10102-3	Member ass'y. (front floor cross No. 4)	10680
Bumper (space tire well cover panel)	47009		
Catch(auxiliary front floor board hold down)	45844	Member ass'y. (front side)-inner	10008-9
Cover assy.(transmission band adjusting access)	12128	Member ass'y. (front suspension No. 1 cross)	10014
Cover (auxiliary floor board)	11583	Member ass'y. (front suspension No. 2 cross)	10010
Cover set (cargo floor complete)	60925	Member (floor cross)-rear	10780
		Member (floor side)-outer	10120-1
		Member (front side outer)	10632-3
Escutcheon (rear seat back floor panel stop)	606A24		
Extension ass'y.(auxiliary floor pan)-side-front	11702-3	Pan assy. (front floor)	11135
Extension ass'y.(auxiliary floor pan)-side-rear	11706-7	Pan assy. (rear floor)	11215
Extension assy. (rear floor pan)-rear	11234	Panel assy. (auxiliary floor)-without cover	11564
Extension assy. (rear floor pan to quarter panel)	11238-9	Panel assy. (rear floor sill)-rear	11323
		Panel assy. (spare tire well)-less cover	47007
Extension (center floor pan side)-front	11162-3		
Extension (center floor pan side)-rear	11186-7	Plate (floor side member to floor)	104A36
Extension (rear side member to floor side member)-upper	104A34-5	Plate (front door scuff)	13208-9
		Plate (rear door scuff)	13228-9
Filler assy. (rear floor pan to quarter panel)	11220-1	Pocket (front spring)	10630
Filler (floor side inner member to front side)	10134-5	Pocket (rear spring)	10636-7
Filler (rear floor pan to quarter panel extension)	11316-7		
Filler (rear floor to quarter panel)	11228-9	Reinforcement assy. (floor side inner member to front side member filler)	10562-3
Floor assy. (auxiliary)	11116	Reinforcement assy. (floor side member to rear side member)	10200-1
Guard (front suspension No. 1 cross member)	10061	Reinforcement assy. (floor side rear member at rear spring)	10860-1
Gusset (floor side member to front side member)	10192-5		
Handle (spare tire well cover)	45849	Reinforcement (dash to frame brace to floor side member)	016A12-3
Hinge assy. (spare tire well panel)	47166	Reinforcement (floor side outer member)	10132
Housing assy. (fuel tank filler pipe)	11310	Reinforcement (floor side outer member inner)	10138-9
		Reinforcement (floor side rear member)	10250-1
Member ass'y. (floor cross No. 2)	10690-1		
Member ass'y. (floor cross No. 3)-lower	10698	Rod (auxiliary front floor board support)	11748
Member ass'y. (floor cross No. 3)-upper	10734		

**INDEX**

**FLOOR - continued**

Group Name	Group Number	Group Name	Group Number
Set (vinyl floor cover for complete unit)	60925	Strip (rear seat back floor skid)-center	60684
Shield (brake and fuel line)-front & rear	01478	Strip (rear seat back floor skid)-intermediate	60685
Sill ass'y. (front cross)-body type 66	10610	Strip (rear seat back floor skid)-outer	60678
Stop (auxiliary seat back floor panel)	606A22	Strip (spare tire well panel finish)-rear	47148
Strip (rear floor finish)-wheelhouse-rear	13234-5	Support (auxiliary floor at wheelhouse)-side	11738-9
Strip (rear floor finish)-wheelhouse-side	13210-1	Support (rear spring pocket)	10670-1

**FRONT**

Group Name	Group Number	Group Name	Group Number
Anti-squeak (cowl top ventilator grille)	02204	Medallion (hood)	25662
Anti-rattler (cowl ventilator screen)	02298	Moulding (ventilator air register finish)	01412-3
Baffle (cowl top panel water)	02308	Moulding (ventilator air register panel)	01453-63
Brace ass'y. (dash to frame)	01714-5	Moulding (ventilator air register panel)-L. H.	04240-1
Brace (cowl side)	01778	Moulding (ventilator air register panel)-R. H.	04190
Brace (dash to frame)	01726-7	Pad (radiator grille name plate)	43544
Bracket (air control wire)	01822	Panel ass'y. (cowl side)	02038-9
Clip (cowl side ventilator door control rod or hinge)	02164	Panel ass'y. (cowl side)-outer	02042-3
Clip (cowl side ventilator door control rod or lever)	02132	Panel ass'y. (cowl top)	02010
Connector (ventilator air duct)	01878	Panel ass'y. (cowl top)-inner	02018
Connector (ventilator air register damper motor hose)	019A86	Panel ass'y. (front pillar and cowl side)	02042-3
Control ass'y. (air)	01890-1	Panel (dash)	01605
Cover ass'y. (dash panel No. 1 body bolt access)	01616	Panel (ventilator air register)	02800-1
Cover (hand brake cable opening in dash)	01641	Pillar ass'y. (front body)	02500-1
Damper ass'y. (ventilator air valve)	01862	Pillar ass'y. (front body)-upper outer	02536-7
Deflector ass'y. (ventilator air duct and panel)	01990-1	Pillar (front body)-upper inner	02508-9
Deflector (cowl side ventilator air panel water)	02418-9	Pillar (front body)-upper outer	02516-7
Door ass'y. (cowl side ventilator outside)	02170	Plate ass'y. (steering column opening cover)	01683
Duct ass'y. (ventilator air)	01902-3	Plate (cowl top inner panel drain tube hole reinforcing)	02338
Duct ass'y. (ventilator air)-outlet	01934-5	Plate (front fender name)	50399
Extension ass'y. (cowl top ventilator grille)	02214-5	Plate (heater opening cover)	01846
Extension (body side inner panel lower front)	00216-7	Plate (steering column opening cover)	01698-9
Extension (cowl top panel to cowl inner panel brace)	02334-5	Register (ventilation)	01820-1
Extension (front body upper outer pillar)	02562-3	Reinforcement ass'y. (front body pillar)	02520-1
Frame ass'y. (cowl side ventilator)	02180-1	Retainer ass'y. (front door glass run)-lock side	222A00-1
Front ass'y. (body)	00120	Retainer ass'y. (hood medallion)	25666
Gasket (ventilator air valve)	01880	Retainer (cowl top inner panel drain tube)	02212
Grille (cowl side ventilator)	02216	Retainer (cowl trim cardboard)	02354-5
Grille (cowl top ventilator)	02228	Retainer (door opening windlace)	02614
Grommet (dash panel overdrive cable)	01694	Retainer (front body pillar upper weatherstrip)	02594-5
Gusset (dash panel to cowl top inner panel)	01768	Retainer (ventilator air register panel mounting)	02820
Hinge ass'y. (cowl side ventilator)	02176	Rod (cowl side ventilator door)	02128-9
Hose (ventilator air register damper motor)	019A88	Screen ass'y. (cowl side ventilator)	02280-1
Insignia (hood)	42550	Screen (cowl ventilator)	02285
Insulator ass'y. (dash)	01670-1	Screen (ventilating air duct)-front	01900
Insulator ass'y. (dash)-end	01709	Seal (cowl side ventilator door)	02158
Insulator ass'y. (dash panel steering column opening cover sound)	01708	Seal (cowl side ventilator inside frame)	02162
Knob (cowl side ventilator or air door control lever)	02145	Seal (cowl side ventilator panel)	02166
Letter (hood or grille)	40282	Seal (ventilator air damper to front fender apron at shaft)	01872
Lever (cowl side ventilator control)	02140-1	Seal (ventilator air duct)-outer	01970
		Seal (ventilator air duct to fender apron)	01973

## INDEX

## FRONT - continued

Group Name	Group Number	Group Name	Group Number
Seal (ventilator air duct to splash panel)	01873	Support (body front lower panel)	00214
Seal (ventilator air inlet duct)	01998	Tube (cowl side air duct panel drain)	02802
Seal (ventilator air outlet duct door to frame)	02274	Tube (cowl top inner panel drain)	02207
Spring (cowl side ventilator control lever)	02154	Valve assy. (ventilator air)	01850-1
Spring (cowl side ventilator control rod)	02152	Valve (ventilator air heater duct)-drain check	019A48
Stabilizer(front body pillar to dash)-instrument panel	02546	Ventilator ass'y. (cowl side)	02104-5
Support assy. (brake pedal)	01508	Weatherstrip (front body pillar)-upper	02626-7

## GLOVE COMPARTMENT

Group Name	Group Number	Group Name	Group Number
Bumper (glove compartment door)	06024	Lock assy. (glove compartment door)-with lock cylinder & 2 keys	06081
Bumper (glove compartment door)	06066	Lock set (glove & luggage compartment door)-with keys	43507
Bumper (glove compartment door arm)	06115	Panel (glove compartment door)	06044
Catch (glove compartment door lock striker plate)	06064	Panel (glove compartment door finish)	06036
Compartment assy. (glove)	06010	Plate (glove compartment door lock latch guide)	06151
Door assy. (glove compartment)	06024	Plate (glove compartment door lock striker)	06064
Emblem (glove compartment door push button shield)	04407	Retainer (glove compartment door push button shield emblem)	04417
Escutcheon (glove compartment door lock)	06095	Shield (glove compartment door lock push button)	06190
Glove compartment assy.	06010-5	Spring (glove compartment door)	06069
Grommet (glove compartment door check arm)	06122	Stop (glove compartment door)	06117-8
Hinge assy. (glove compartment)	06050		
Key (glove compartment and rear door cylinder lock)	43562		

## INSTRUMENT PANEL

Group Name	Group Number	Group Name	Group Number
Brace (brake pedal support to instrument panel)	015A08	Moulding assy. (instrument panel)	04332-3
Bracket (instrument panel heater control opening cover mounting)	04528	Moulding ass'y. (instrument panel end upper cover retaining)	04264-5
Bracket (instrument panel pad ass'y. to pillar)	04088-9	Moulding assy. (instrument panel to windshield)	04332
Bracket (instrument panel to pillar)	04366-7	Moulding (instrument panel)-center	04472
Clip (instrument panel safety pad retainer)	04278	Moulding (instrument panel upper cover retaining)	04296-7
Cover and cap ass'y. (instrument panel ventilator air control opening)	04513	Panel assy. (instrument)	04320
Cover assy. (instrument panel heater control opening)	04506	Panel assy. (instrument panel defroster)	04754
Cover (clock opening)	04428	Panel (instrument panel at cluster finish)-upper	04776
Cover (heater control opening)	04428	Panel (instrument panel cluster finish)	04438
Cover (instrument panel heater control opening)	04496	Panel (instrument panel end)	04334-5
Cover (instrument panel radio access)	04640	Panel (instrument panel extension finish)	044B06-7
Cover (instrument panel radio & cigar lighter holes)	04648	Panel (instrument panel finish)	04338
Cover (instrument panel radio opening access)-bottom	04360	Panel (instrument panel finish end)	04392-3
Emblem (instrument panel)	04407	Plate (instrument panel name)	04460
Grille assy. (instrument panel radio)	04405	Plate (instrument panel radio dial hole)	04371
Grille (instrument panel radio)-1954	04454	Plate (instrument panel upper extension end finish)	04358-9
Kit (cigar lighter element display)	04603	Receptacle assy. (instrument panel ash)	04810
Kit (instrument panel safety cover attaching)	04200	Retainer assy. (instrument panel ash receptacle)	04826
Medallion (clock opening)	04428		



**INDEX**

**INSTRUMENT PANEL - continued**

GROUP NAME	GROUP NUMBER	GROUP NAME	GROUP NUMBER
Retainer assy. (instrument panel pad)	04276-7	Retainer (instrument panel pad at glove compartment opening)-upper	04280
Retainer assy. (instrument panel radio grille)	04492	Shield (instrument panel transmission indicator)	04673
Retainer assy.(instrument panel radio grille mounting)	04397	Spacer (instrument panel to brake pedal support)	04450
Retainer (instrument panel moulding)	04439	Spring (instrument panel ash receptacle retainer cover)	04834-5
Retainer (instrument panel pad at glove compartment opening)-lower	04259	Stabilizer (instrument panel)-front body pillar to dash)	02546
		Support ass'y. (brake pedal)	01508

**LUGGAGE COMPARTMENT**

Group Name	Group Number	Group Name	Group Number
Arm assy. (luggage compartment door counter balance spring)	42850-1	Housing assy. (luggage compartment door counter balance spring)	41818
Bar (luggage compartment door hinge torsion)	44890-1	Insignia (fuel filler pipe door)	42550
Bracket ass'y. (luggage compartment door actuator)	40656	Key (luggage & glove compartment door cylinder lock)	43562
Bracket (luggage compartment door counter balance spring housing to floor)	41858	Letter (luggage compartment door)	40282
Bracket (luggage compartment door hinge counter balance spring)-arm to body	42854	Lift assy. (luggage compartment door)-less brackets	40654-5
Bracket (luggage compartment door hinge on door)	42786	Link (luggage compartment door lock actuating)	43226
Bracket (luggage compartment door hinge to wheelhouse)-lower	42744-5	Lock assy. (luggage compartment door)	43200
Bracket (luggage compartment door hinge to wheelhouse)-upper	42738-9	Lock set (luggage & glove compartment door)-with keys	43507
Bracket (luggage compartment door lock switch actuating lever pivot)	53948	Medallion (fuel filler pipe door)	25662
Bumper (luggage compartment door counter balance spring arm stop)	41868	Medallion (luggage compartment door handle)	42530
Bumper (luggage compartment door inside)	43634	Motor and bracket assy. (upper back panel lift)	46752
Bumper (luggage compartment fuel filler pipe door)	40639	Moulding assy. (luggage compartment door)-includes attaching parts	42509
Bushing (luggage compartment door lift mounting bolt)	53938	Moulding (luggage compartment door)	42512
Bushing (luggage compartment door lock mounting bolt)	53916	Numeral (luggage compartment door)	42549
Cable (luggage compartment door lift drive)	53910	Nut and housing assy. (luggage compartment door lock)	40610
Cable (luggage compartment door lock drive)	40692	Nut ass'y. (luggage compartment door lock)	53510
Casing and cable ass'y. (luggage compartment door lock drive)	40670	Ornament assy. (luggage compartment door)	43504
Catch (luggage compartment door auxiliary hook)	41848	Ornament (luggage compartment door)	42514
Container ass'y. (luggage)	44222	Pad (luggage compartment door handle base)	43531
Cover (luggage compartment lock keyhole)	43516	Pad(luggage compartment door lock cylinder sleeve)	43625
Cylinder assy. (luggage compartment lock)-see Group 3687 Chart	43505	Pad (luggage compartment door name plate)	43544
Door assy. (luggage compartment)	40110	Pad (luggage compartment door ornament)	16675
Door assy. (luggage compartment fuel filler pipe)	40628	Pin (luggage compartment door counter balance spring housing pivot)	41826
Guide assy. (luggage compartment door counter balance spring)	41828	Pin (luggage compartment door lock key hole cover)	43239
Handle assy. (luggage compartment door)	43500	Pin (luggage compartment door hinge spring guide)	427A06
Hinge assy. (luggage compartment door)	42700-3	Plate assy. (name)-luggage compartment	42514
Hinge assy. (luggage compartment fuel filler pipe door)	40635	Plate (luggage compartment door lock striker)	43252
		Plate (luggage compartment door name)	42528
		Reinforcement (luggage compartment door inside panel at lock)	40630
		Retainer assy. (fuel filler pipe door medallion)	25666
		Retainer (luggage compartment door handle medallion)	43564
		Retainer (luggage compartment door hinge seal)-on body	42706
		Retainer (luggage compartment door lock extension)	43847

## INDEX

## LUGGAGE COMPARTMENT - continued

Group Name	Group Number	Group Name	Group Number
Retainer (luggage compartment door moulding)	42516	Spacer (luggage compartment door ornament)	42541
Retainer (luggage compartment door ornament)	42522	Spring (luggage compartment door counter balance)	42858
Screw assy. (luggage compartment door lift drive)	53826	Spring (luggage compartment door hinge)	42760
Screw (luggage compartment door lock)	53536	Spring (luggage compartment door lock key hole cover)	22006-7
Seal (luggage compartment door hinge)-on body	43750	Spring (luggage compartment door lock key hole cover)	42567
Shield (luggage compartment door to filler)	403C50	Support (luggage compartment door hinge to body)	42792-3
Sleeve assy. (luggage compartment door lock cylinder)	43603	Transmission assy. (luggage compartment door lock)	40618-9
Sleeve (luggage compartment door lock mounting bolt bushing)	53917	Trough ass'y. (luggage compartment door opening)-side drain-LH	45101
Snap ring (luggage compartment door lift)	40600	Trough (luggage compartment door opening)-front corner drain	45120-1
Spacer (luggage compartment door handle)	43520	Trough (luggage compartment door opening)-lower	45108-9
Spacer (luggage compartment door lock cylinder sleeve)	43565	Trough (luggage compartment door opening)-side drain	45114-5
Spacer (luggage compartment door lock transmission mounting)	40674	Weatherstrip assy. (luggage compartment door)	43720 or 438A00

## PACKAGE TRAY

Group Name	Group Number	Group Name	Group Number
Arm ass'y. (package tray lift)	46619-20	Panel (package tray)	46510
Bracket (package tray strainer to wheelhouse)	46608-9	Panel assy. (package tray)-on body-51A	46522
Bracket (package tray to floor strainer)	46612-3	Panel assy. (package tray trim)-S(63A)	46668
Coupling (package tray lift assy. to motor)	46593	Reinforcement (package tray)-rear	46566
Lift ass'y. (package tray)-less motor & coupling	46548	Retainer (package tray balance link opening seal)	46420
Moulding ass'y. (package tray on body)-outer	46536-7	Retainer (package tray on body)-outer moulding	46552
Moulding assy. (package tray on body)-rear	46530-1	Seal (package tray balance link opening)	46418-9
Panel assy. (package tray)	46506	Seal (package tray to back window garnish moulding)	46738
		Strainer (package tray to floor)	46610-1

## CENTER PILLAR

Group Name	Group Number	Group Name	Group Number
Bumper (door)	20122-5 or 24630-1	Panel (center body pillar inside finish)-upper	24356-7
Cap (center body pillar)	24442-3	Panel (center body pillar inside garnish)-upper or lower	24346-7
Cap (center body pillar finish)	24452-3	Panel (center body pillar outside finish)	24416-7
Clip (center body pillar windlace)	24518	Pillar assy. (center body)	24300-1
Filler (center body pillar to weatherstrip)	24340-1	Plate (center body pillar upper hinge anchor)	24454
Moulding ass'y. (center body pillar outside)-lower-73B, 73C, 79B	24470-1	Rail assy. (center body pillar outside finish)-lower	24352-3
Moulding assy. (center body pillar outside)-lower-73C	24428-9	Rail (center body pillar outside finish)-upper	24330-1
Moulding (center body pillar outside)-belt	24448	Reinforcement assy. (center body pillar)-lower	24426-7
Moulding (center body pillar outside)-lower	24470-1	Reinforcement (center body pillar)-lower	24380-1
Moulding (center body pillar outside)-upper	24458-9	Reinforcement (center body pillar to floor pan)	24320
Panel and Moulding assy. (center body pillar outside finish)	24550	Reinforcement (center body pillar)-upper	24382-3
		Retainer ass'y. (center body pillar finish panel)	24286
		Retainer ass'y. (center body pillar windlace)	24512
		Spacer (center body pillar adjustable)	11434-6
		Trim assy. (center body pillar)	24446-7

INDEX

QUARTER

Group Name	Group Number	Group Name	Group Number
Anti-squeak (rear corner pillar)	41078	Extension (quarter wheelhouse)-front	27950-1
Baffle (quarter panel fuel filler pipe)	11104	Extension (quarter window garnish moulding)-rear	29242-3
Bar assy. (quarter window division)	30230	Extension (rear corner lower pillar)	41054-5
Box and snuffer assy. (quarter panel ash receptacle)	04821	Fastener assy. (quarter outside finish rail)	50108
Brace (quarter lock pillar)	28268-9	Filler assy. (qtr.window outside front mldg. )-lower	29888-9
Brace (quarter panel lock pillar to floor)	28260-1	Filler (quarter panel)-upper front	28060-1
Brace (quarter panel to wheelhouse)	27800-1	Filler (quarter window opening)-rear corner	29458-9
Brace (quarter window guide)	30374-5	Finish strip ass'y. (quarter window)	29002-3
Bracket and hinge assy. (quarter window)	29976-7	Finish strip ass'y. (quarter window)-upper	29006-7
Bracket ass'y. (quarter window rear guide)-lower	29762-3	Finish strip (quarter window)	29004-5
Bracket ass'y. (quarter window rear guide)-upper	29806-7	Frame and lock pillar assy. (quarter window)-upper	30540-1
Bracket ass'y. (quarter window regulator stabilizer arm)	30244	Frame ass'y. (quarter window glass)	30504-5
Bracket assy. (quarter window upper glass run support)	30169	Frame ass'y. (quarter window)-top and side	29962-3
Bracket (quarter panel fuel filler opening lid bumper)	28641	Frame (quarter window glass upper)-outer	30534-5
Bracket (quarter regulator panel to trim panel)	30308-9	Gear assy. (quarter window regulator)	303A68
Bracket (quarter window front guide)-lower	29778	Glass ass'y. (quarter window)-rear	29740-1
Bracket (quarter window front guide stabilizing)	29696-7	Glass (rear quarter window)	29710-1
Bracket (quarter window hinge)-on body	29932-3	Guard ass'y. (body side)	25648-9
Bracket (quarter window stop)-upper	29998-9	Guard assy. (quarter panel wheel opening cover panel stone)	25648-9
Bumper (door)	20122-5	Guard (quarter panel wheel opening cover panel stone)	29212-3
Bumper (quarter window stop)-inner	29994	Guide assy. (quarter window)	29764-5
Bumper (quarter window stop)-outer	29986	Guide assy. (quarter window)-front	29752-3
Button (quarter window hinge access hole plug)	30363	Handle ass'y. (quarter window)	30322
Channel ass'y. (quarter glass)	29900-1	Hinge ass'y. (quarter panel fuel filler opening lid)	28624
Channel ass'y. (quarter window front guide)	29820	Hook (quarter coat)	29024-5
Channel ass'y. (quarter window)-lower	29958-9	Housing assy. (fuel tank filler pipe)	27936
Channel ass'y. (quarter window)-top and side	29962-3	Housing ass'y. (quarter panel fuel tank filler pipe)	27936
Channel (quarter window sliding glass)	29902	Insert (quarter window front weatherstrip)	30148
Channel (quarter window)-upper	30514	Kit (quarter panel wheel opening cover)	27964
Clip (quarter arm rest)	31662	Knob (quarter window regulator handle)	23352
Clip (spare wheel well cover panel)-X(59, 71)	47154	Latch ass'y. (quarter window sliding glass)-front	29668-9
Collar (quarter panel fuel filler opening)	28635	Lid assy. (quarter panel fuel tank filler pipe)	28611
Coupling (quarter power-lift window regulator)	23279	Medallion (quarter panel)	25662
Coupling (quarter power-lift window regulator drive)	23440	Moulding and retainer assy. (quarter trim)-upper	31140-1
Coupling (quarter window power-lift regulator drive)	30390	Moulding ass'y. (quarter outside belt)	29022-3
Cover (quarter panel wheel opening)-kit	27964	Moulding ass'y. (quarter outside)-lower front	29076-7
Cover (quarter trim panel joint)	31050	Moulding assy. (quarter outside)-upper	29028-9
Cover (quarter wheelhouse)	45486-7	Moulding assy. (quarter panel extension)	29078-9
Cover (quarter window regulator panel access hole)	27930-1	Moulding assy. (quarter panel extension)	29520-1
Cover (quarter window weatherstrip upper retainer joint)	30276	Moulding assy. (quarter panel outside upper rear end)	29246-7
Deflector (quarter window channel water)	29500-1	Moulding assy. (qtr. stationary window outside)-front	29638-9
Drive ass'y. (quarter power-lift window regulator)	23394-5	Moulding assy. (quarter stationary window outside)-upper front corner	29636-7
Drive assy. (quarter window power - lift regulator)	30304-5	Moulding assy. (quarter stationary window rear garnish)-front and top	29416-7
Extension assy. (quarter lock pillar)-upper	28204-5	Moulding assy. (quarter stationary window rear garnish)-rear	29414-5
Extension ass'y. (quarter panel)-rear	28010-1	Moulding assy. (quarter trim)-lower	31214-5
Extension assy. (quarter window guide brace)	30416-7	Moulding ass'y. (quarter window garnish)	29002-3
Extension (quarter panel belt to floor strainer)	28264	Moulding ass'y. (quarter window garnish)-lower	29016-7
Extension (quarter panel)-front	28028-9	Moulding ass'y. (quarter window garnish)-upper	29006-7
Extension (quarter panel)-lower-rear	28058-9	Moulding assy. (rear wheel opening)	29222-3
Extension (quarter panel)-upper front	28056-7		
Extension (quarter panel)-upper rear	28072-3		

## INDEX

## QUARTER - continued

Group Name	Group Number	Group Name	Group Number
Moulding (quarter belt garnish)	29380-1	Panel (quarter trim)-lower front	31722-3
<b>Moulding (quarter lock pillar outside)-59C</b>	<b>29834-5</b>	Panel (quarter)-upper	27854-5
Moulding (quarter)-outside	29038-9	Panel (quarter)	27846-7
Moulding (quarter outside belt)-center	29256-7	Panel (quarter window regulator)	27876-7
Moulding (quarter outside belt)-inside	29250-1	Panel (side lining)-lower front	27948-9
Moulding (quarter outside belt)-rear	29138-9	Panel (side lining)-lower rear	27954-5
Moulding(quarter outside front belt moulding)-end	29193	Pillar ass'y. (rear corner)	41032-3
Moulding (quarter outside)-upper	29068-9	Pillar ass'y. (rear corner)-lower	41022-3
Moulding (quarter panel fuel tank filler pipe lid finish panel)	28698	Pillar assy. (rear corner)-outer & inner	412A04-7
Moulding (quarter panel)-outside	29034-5	Pillar ass'y. (rear quarter lock)	28160-1
Moulding (quarter panel outside finish panel)-lower	28044-5	Pillar (quarter lock front)	28178-9
Moulding (quarter panel outside finish panel)-rear	28016-7	Pillar (quarter lock upper)-outer	28324-5
Moulding (quarter panel outside finish panel)-upper rear	28685	Pillar(quarter wheelhouse to roof)-inner & outer	278A36-9
Moulding (quarter panel outside finish panel)-upper rear	28046-7	Pillar(quarter wheelhouse upper to roof)-inner	279B02-3
Moulding (quarter panel)-outside-lower rear	29098	Pin (quarter window frame hinge)	30556
Moulding (quarter panel outside)-upper	29140-1	Plate assy. (quarter window side support)	29876
Moulding (quarter panel outside upper rear corner)	28982-3	Plate (outside name) "Country"	20978
Moulding (quarter panel wheel opening cover panel)	29050-1	Plate (outside name) "Squire"	21012
Moulding (quarter stationary window outside)-upper front corner	29622-3	Plate (quarter window hinge retaining)	30344-5
Moulding (quarter stationary window outside)-upper rear corner	29624-5	Plate (quarter window regulator and door handle)	23370
Moulding (quarter wheel opening)	29164-5	Plate (quarter window sliding glass latch striker)	29664-5
Moulding (quarter window garnish)	29004-5	Rail assy. (quarter outside finish)	28712-3
Moulding (quarter window garnish)	28994-5	Rail assy. (quarter outside finish)-lower	28710-1
Moulding (quarter window garnish)-upper front	29014-5	Rail assy. (quarter panel fuel filler lid finish)	28600
Moulding (quarter window outside front)	29856-7	Rail (quarter belt)-inside	28714-5
Moulding (quarter window outside)-rear	29858-9	Rail (quarter belt side)	41736-7
Moulding (quarter window outside upper)	29796-7	Rail (quarter panel extension outside finish)	28530-1
Ornament (quarter panel)-lower back corner	27915-9	Receptacle assy. (quarter ash)-includes cover	30702-3
Panel assy. (rear quarter inside)	27924-5	Regulator assy. (power-lift window)-less motor, etc.	30380-1
Panel assy. (quarter)	27700-1	Regulator ass'y. (rear quarter window) -manual	30306-7
Panel assy. (quarter and side)	27840-1	Reinforcement assy. (quarter outer panel)-lock side	28200-1
Panel assy. (quarter panel inside to floor pan.)	27856-7	Reinforcement assy. (quarter panel lock side)-outer	28212-3
Panel assy. (quarter panel wheel opening cover)	27974-5	Reinforcement ass'y. (quarter window opening)-upper	29440-1
Panel assy. (quarter regulator)	27870-1	Reinforcement (back up lamp opening)-inner	28512-3
Panel assy. (quarter)-lower-59, 78, 79	27700-1	Reinforcement (back up lamp opening)-outer	28511
Panel assy. (quarter)-upper-59, 78, 79	27816-7	Reinforcement (quarter body lock pillar)-upper	28176-7
Panel assy. (quarter wheelhouse)	27882-3	Reinforcement (quarter outer panel)-lock side	28200-1
Panel ass'y. (rear quarter)-inside	27902-3	Reinforcement (quarter panel lock side)-lower	28216-7
Panel (fuel filler housing)-outer and inner	28666-7	Reinforcement (quarter panel lock side)-upper	28208-9
Panel (quarter inside lining)-upper	31070-1	Reinforcement (quarter panel tail lamp opening)	27970
Panel (quarter lock)-lower-repair	281A08-9	Reinforcement (quarter panel tail lamp opening)-upper	27966-7
Panel (quarter)-lower center-repair	280B70-1	Reinforcement (quarter panel upper rear)	28538-9
Panel (quarter)-lower front-repair	27846-7	Reinforcement (quarter window channel front upper corner)	26290
Panel (quarter)-rear lower rear-repair	27850-1	Retainer assy. (moulding)-includes clip-Universal	21094
Panel (quarter outside finish)	24730-1	Retainer ass'y. (quarter ash receptacle)	30714
Panel (quarter outside finish)	27866-9	Retainer ass'y. (quarter lower moulding)	21096
Panel (quarter panel fuel tank filler pipe lid finish)	28694	Retainer ass'y. (quarter moulding)-outside	29120
Panel (quarter panel upper front)	28516-7	Retainer assy. (quarter panel medallion)	25666
Panel (quarter pillar finish)-lower	31354-5	Retainer assy. (quarter outside moulding)-front or rear	29211

INDEX

QUARTER - continued

Group Name	Group Number	Group Name	Group Number
Retainer ass'y. (quarter outside rear moulding)	28820	Spring (quarter power-lift window regulator counterbalance)	30351
Retainer ass'y. (quarter window guide button)	30370	Spring (quarter panel fuel filler opening lid hinge)	28614
Retainer (quarter arm rest panel to brace)-lower	31404-5	Spring (quarter window regulator arm roller)	23243
Retainer (quarter arm rest panel to brace)-upper	31402-3	Spring (quarter window regulator guide roller)	30348
Retainer (quarter lower moulding)-outside	29144	Spring (quarter window regulator handle)	22624
Retainer (quarter lower moulding)-outside	21020	Star (quarter trim panel)	23932
Retainer (quarter moulding)	29288	Stop assy. (quarter window)	29968
Retainer (quarter outside front belt moulding)	29128	Stop assy. (quarter window regulator arm)	29822
Retainer (quarter outside front moulding)	29155	Strainer ass'y. (quarter panel belt to floor)	28230
Retainer (quarter outside rear belt moulding)	29176	Strainer (quarter belt rail to wheelhouse)-front	28782-3
Retainer (quarter panel outside finish panel moulding)	28506	Strap ass'y. (assist)	31406
Retainer (quarter panel outside moulding)	21060-6	Strip assy. (belt side front tacking)	41772-3
Retainer (quarter pillar windlace)-lower	31346-7	Strip assy. (belt side rear tacking)	41782-3
Retainer (quarter pillar windlace)-upper	31348	Strip (quarter window glass retaining)	29724
Retainer (quarter trim panel)	31066-7	Stud (quarter window guide roller)	29825
Retainer (quarter trim panel)-front	31067-8	Support ass'y. (quarter side roof lock)	28346-7
Retainer (quarter trim panel to wheelhouse)	28076-9	Support (quarter window to rear roof side rail reinforcement)	29456-7
Retainer (quarter wheelhouse trim)	31494-5	Support (quarter window weatherstrip to reg. panel)	29992
Retainer (quarter window front guide roller)	30492	Transfer (graining)-"Country Squires"	20748
Retainer (quarter window garnish moulding)-front	29320	Weatherstrip and retainer assy. (quarter window)-outer upper	29920-1
Roller assy. (quarter window front guide)-lower	29892	Weatherstrip assy. (quarter lock pillar)-upper front	28306-7
Roller ass'y. (quarter window regulator arm)	23240	Weatherstrip ass'y. (qtr. wind. ) front-lower corner	29748
Roller (quarter window front guide)-upper	29898	Weatherstrip assy. (quarter window)-front-outside	30124-5
Roller (quarter window guide)	29824	Weatherstrip assy. (quarter window glass)-center	29910-1
Roller (quarter window regulator arm)	23286	Weatherstrip assy. (quarter window glass)-inner & outer belt	29742-3
Run assy. (quarter window glass)-rear	30008-9	Weatherstrip assy. (quarter window)-outer	29732-3
Run assy. (quarter window glass)-upper	30010	Weatherstrip ass'y. (quarter window upper)	30100
Run ass'y. (quarter window glass)-upper front	30104-5	Weatherstrip (quarter panel to package tray trough)	28158-9
Run (quarter window glass)	30048	Weatherstrip (quarter window finish strip)	29744-5
Run (quarter window glass)-lower	30116	Weatherstrip (quarter window)-front	30146-7
Run (quarter window glass)-upper or front	30110-1	Weatherstrip (quarter window glass)-inner	29744-5
Seal (quarter panel to package tray panel)	27738	Weatherstrip (rear quarter window)	29904-5
Seal (quarter panel wheel opening cover)	27986-7	Wheelhouse assy. (quarter)	27882-3
Shield (quarter panel fuel opening splash)	28680		
Shield (quarter trim water)	31090-1		
	or		
Spacer (quarter power-lift window regulator drive worm)	20318		
Spacer (quarter window rear guide to outer rail extension bolt)	23590		
	29340		

ROOF

Group Name	Group Number	Group Name	Group Number
Absorber (roof panel sound)	54330	Bow (roof luggage carrier)	55118
Adaptor (roof lift)	53854	Bracket assy. (front roof power link bellcrank pivot)	53667
Arm assy. (rear roof lift to power link)	53600	Bracket ass'y. (rear roof power link pivot)-on body	53620
Arm (rear roof lift to body)	53650-1	Bracket ass'y. (roof hold down side clamp mounting)	50512
Bar assy. (rear roof lift to body arm tie)	53940	Bracket (rear roof control link pivot on roof)-outer	53760-1
Bellcrank assy. (front roof power link)	53672	Bracket (rear roof lock screw mounting)	53640
Bolt (rear roof lift arm to body pivot bracket)	53790	Bumper (front roof to rear roof)	53942
Bolt (rear roof lift to lift arm)	53792	Bushing (rear roof lock mounting bolt)	53916
Bolt (rear roof power link pivot bracket)-on body	53770	Bushing (roof & luggage compt. door lift mtg. bolt)	53938
		Cable (folding roof lift drive)	53910

## INDEX

## ROOF - continued

Group Name	Group Number	Group Name	Group Number
Cable (folding roof lock drive)	53926	Medallion (roof side)	25662
Cable (rear roof lock drive)	53922	Medallion (roof side)	50270-1
Canopy assy. (Ranchero)-Kit	50199	Moulding assy. (rear roof drip)-side	51692-3
Cap (roof headlining support)	52126-7	Moulding (front roof inner)-center	51785
Carrier (roof luggage)-kit	55100	Moulding (front roof inner)-end	51768-9
Casing and cable ass'y. (front roof lift drive)	53602	Moulding (front roof outside front)	51716
Casing and cable ass'y. (front roof lock drive)	53506	Moulding (front roof outside front corner)	51696-7
Casing and cable ass'y. (rear roof lock drive)	53862	Moulding (rear roof outside rear corner)	50008-9
Clamp assy. (roof hold down)-front	50508	Moulding (roof drip finish)-front	51718-9
Clamp assy. (roof hold down)-side	50500	Moulding (roof drip finish)-side	51726-7
Clamp (roof lift drive screw sleeve)	53834	Moulding (roof drip finish)-side-rear	51728-9
Container ass'y. (roof sunshade curtain)	50124	Moulding (roof drip)-front	51724
Cover assy. (front roof control)	53596-7	Moulding (roof drip)-rear	51704
Cover assy. (roof glass garnish moulding)-rear corner	50048-9	Moulding (roof drip)-side	51700-1
Cover ass'y. (roof lift drive gear housing)	53822	Moulding (roof drip side finish)-lower rear	51758-9
Cover (rear roof front link access hole)	53622-3	Moulding (roof drip side)-lower corner	51732-3
Cover (rear roof power link access hole)	53878-9	Moulding (roof glass)-outside-side	50062-3
Cover (roof drip finish moulding joint)-front	51792	Moulding (roof glass)-outside-side-rear-64	50070-1
Cover (roof drip moulding joint)-front	51762	Moulding (roof inside rear center)	51816
Cover (roof drip moulding joint)-rear corner	51798-9	Moulding (roof outside belt front)	51814-5
Cover (roof headlining binding end)	51928	Moulding (roof outside belt)-rear	50402-3
Cover (roof headlining binding joint)	51930	Moulding (roof outside)-center	50042
Cover (roof side inner moulding joint)	51744	Moulding (roof outside)-rear	50044
Cover (roof to upper back panel outer weatherstrip retainer joint)	50390	Moulding (roof) outside-side	50062-3
Dowel (roof hold down side clamp bracket)	50562	Moulding (roof side)-inner front	51752-3
Extension (roof headlining support)	52133	Moulding (roof side)-inner-rear	51754-5
Extension (roof side inner rear rail)	51220-1	Moulding (roof side)-rear	50294-5
Extension (roof side outer rear rail)	51206-7	Moulding (roof side trim)-rear	51776
Fastener assy. (roof hold down clamp)-rear	50590	Moulding (tonneau cover front moulding)	501A68
Filler (roof side panel)	50214-5	Nut and housing assy. (front roof lock)	53514
Gear (roof lock drive)	53523	Nut assy. (front roof lock)	53510
Glass (roof)	50054	Nut ass'y. (rear roof lock)	53648
Guide assy. (rear roof lock screw)	53710	Ornament assy. (roof side)-less medallion	50264-5
Guide (rear roof control link)	53682-3	Ornament assy. (roof side)-outside	50250-1
Hinge assy. (front roof)	53704-5	Ornament (roof side)-inner	50274-5
Housing & worm gear assy. (front roof lock trans.)	53502-3	Pad (roof side medallion)	04541
Housing assy. (roof lift drive gear)	53818-9	Panel assy. (roof)	50200-2
Insert (roof side ornament)	50842	Panel assy. (roof)-front	50209
Kit (hard top attaching)	50195	Panel assy. (roof side ornament)	50302-3
Latch (roof hold down side clamp)	50528	Panel (roof)	50202
Lever (roof hold down rear clamp)	50558-9	Panel (roof side)	50512-3
Lift assy. (roof)	53626-7	Panel (roof side)-inside rear	51982-3
Link ass'y (folding top power)-lower	50356-7	Panel (roof side ornament)	50254-5
Link assy. (front roof power)-front	53608	Pin (control link pivot on roof)	53860
Link assy. (front roof power)-rear	53706-7	Pin (front roof power center link)	53852
Link assy. (rear roof control)	53604-5	Pin (rear roof control link arm to assist spring)	53753
Link assy. (rear roof power)	53612-3		
Link (front roof power center)	53666		

INDEX

ROOF - continued

Group Name	Group Number	Group Name	Group Number
Plate assy. (rear roof lock screw mounting)	53880	Roof assy. (hard top)-trimmed-includes glass-less clamps	50196
Plate assy. (roof hold down rear clamp finish)	50552-3	Roof repair (hard top)-kit	50223
Plate assy. (roof hold down rear clamp retaining)	50608-9	Screw assy. (roof lift drive)	53816
Plate assy. (roof hold down side clamp latch)	50502-3	Screw (front roof lock)	53536
Plate assy. (roof sliding panel lock link)	502C00	Screw (rear roof lock)	53646
Plate (folding top hold down clamp latch)-front	50530	Seal (roof side mounting hold down clamp)	50569
Plate (roof hold down clamp latch)-front	50530	Seal (roof side ornament)	50268
Plate (roof side name)	50399	Seal (roof side rail weatherstrip)	51650-1
Plate (roof side ornament medallion mounting)	50284	Sleeve assy. (roof lift drive screw)	53820
Rail ass'y. (roof side front inner)	51180-1	Sleeve (rear roof back mounting bolt bushing)	53917
Rail ass'y. (roof side)-inner	51212-3	Sleeve (roof lift mounting bolt bushing)	53939
Rail (front side)	53104-5	Spacer (rear roof assist spring guide mounting)	53919
Rail (roof)-side	51184-5	Spacer (rear roof side inner front moulding)	51775
Rail (roof side inner center)	51226-7	Spacer (roof side rail weatherstrip)	51328
Rail (roof side inner)-rear	513A18-9	Spring assy. (rear roof control link assist)	53746
Rail (roof side inner rear)-upper	51618-9	Spring (roof hold down rear clamp)	50584-5
Rail (roof side)-outer-front	51186-7	Strap assy. (roof luggage carrier hold-down)-Kit	55196
Rail (roof side)-outer-rear	51216-7	Strip (roof headlining retaining)	50952-3
Rail (roof side)-rear	51214-5	Strip (roof headlining retaining)-center	50954-5
Reinforcement assy. (roof panel)-center	50244	Strip (roof headlining retaining)-lift gate opening	50974
Reinforcement assy. (roof panel)-front	50222	Strip (roof headlining retaining)-rear	50956-7
Reinforcement assy. (roof panel)-No. 4	50263	Strip (roof headlining side retaining)-front corner	50934-5
Reinforcement assy. (roof panel)-rear	50346	Strip (roof headlining side retaining)-rear lower	50900
Reinforcement assy. (roof panel)-rear	50217	Stud (roof hold down rear clamp)	50595
Reinforcement (roof side inner rear rail)	50291	Support assy. (rear roof control link guide)	53742-3
Retainer assy. (hard top medallion)	25666	Support (roof glass rear garnish moulding)	50120
Retainer assy. (rear roof headlining side rear tacking)-upper	53884-5	Support (roof headlining)	52101-10
Retainer assy. (rear roof outside rear corner moulding)	50043	Transmission assy. (front roof lock)	53540-1
Retainer assy. (roof headlining)-rear corner	52114-5	Transmission assy. (rear roof lock)-less cable	53872-3
Retainer (front roof front weatherstrip)	51378	Trough (roof rear corner drain)	50430-1
Retainer (rear roof side at belt weatherstrip)	51380-1	Weatherstrip assy. (front roof)-center	51306
Retainer (roof header weatherstrip)-end	51356-7	Weatherstrip assy. (front roof)-side	51308-9
Retainer (roof headlining)	52146-7	Weatherstrip assy. (roof side rail)-center	51678-9
Retainer (roof headlining)-rear	52148	Weatherstrip ass'y. (roof side rail)	51222-3
Retainer (roof headlining)-side or rear corner	52136-9	Weatherstrip assy. (roof side rail)-front corner	51676-7
Retainer (roof headlining support)	52182	Weatherstrip ass'v. (roof to upper back panel)-inner side	50220-1
Retainer (roof headlining support)-rear	52180	Weatherstrip assy. (roof to upper back panel)-outer	50336
Retainer (roof outside belt moulding)	51842	Weatherstrip (front roof)-front outer	51376
Retainer (roof outside cover)	53729	Weatherstrip (front roof)-rear	54732
Retainer (roof outside side front moulding)	50024-5	Weatherstrip (rear roof)-front	51322
Retainer (roof outside side rear moulding)	50038	Weatherstrip (rear roof)-rear	51322
Retainer (roof outside side rear moulding)-rear	50022	Weatherstrip (rear roof side)-at belt-rear	51348-9
Retainer (roof side at belt inner weatherstrip)	51372-3	Weatherstrip (roof to upper back panel)-inner	50298
Retainer (roof side medallion)	04540	Yoke assy. (roof lift drive screw)	53824
Retainer (roof side medallion)	50292		
Retainer (roof side ornament panel)	50272		
Retainer (roof to upper back panel inner weatherstrip)	50318		
Retainer (roof to upper back panel outer weatherstrip)	50396-7		
Retainer (roof trim panel)-front	50980		

## INDEX

## AUXILIARY SEAT

Group Name	Group Number	Group Name	Group Number
Bracket (auxiliary seat back hinge)	63018-9	Panel ass'y. (auxiliary seat back)-floor board-front	60940
Bracket (auxiliary seat back spring hanger)	62118	Panel ass'y. (auxiliary seat back)-floor board-rear	60942
Bumper (auxiliary seat back floor stop)	60922	Prop ass'y. (auxiliary seat back)	60930
		Prop ass'y. (auxiliary seat back)-inner	60998
Clip (auxiliary seat back spring retainer)	60958	Prop ass'y. (auxiliary seat back)-outer	60936
Hinge ass'y. (auxiliary seat back floor board panel)	60928	Prop (auxiliary seat back) -inner	60947

## FRONT SEAT

Group Name	Group Number	Group Name	Group Number
Arm (front seat track actuating)-rear	61716-7	Receptacle ass'y. (front seat back ash)	62876
Bar assy.(4-Way power seat track horizontal equalizing)	61842	Retainer assy. (front seat back ash receptacle)	62868
Bar ass'y. (4-Way power seat track vertical equalizing)	61832	Retainer (front seat track adjusting lever)	62060
Bar (front seat track tie)	61726-7	Retainer (power seat track regulator to horizontal equalizer bar)	62004
Bearing (power seat adjusting horizontal regulator screw)	60582	Rod assy. (front seat track vertical lift release control)	61422
Bearing (power seat adjusting vertical regulator screw)	60493	Rod assy. (seat track tie)	61802
Belt kit (front or rear seat safety)	61200	Screw ass'y. (power seat adjusting horizontal reg.)	60428
Bolt (front seat track tie rod eye)	61730	Screw assy. (power seat adjusting horizontal regulator)	617A02
Bracket (4-way power seat regulator)-rear	60455	Screw assy.(power seat adjusting vertical regulator)	60449
Bushing (power seat regulator to regulator support)	60864	Seat belt kit (safety)	617A06 61200
Cable ass'y. (passenger seat stop)	62543	Shaft assy. (4-way power seat regulator)-horizontal	60477
Clip (auxiliary seat back stop)	60955	Shaft assy. (4-way power seat regulator)-vertical	60480
Coupling (4-way seat adjuster motor to shaft)	60487	Shaft (power seat track pivot)-front	61857
Coupling (power seat adjusting screw)	60408	Shaft (power seat track pivot)-rear	61853
Cover assy. (4-way power seat regulator)	60481	Shield (front seat cushion side)	62186-7
Escutcheon (seat adjusting lever)	61789	Spacer (4-way power seat regulator motor to regulator housing)	61924
Extension (front seat cushion side shield)	62198-9	Spacer (seat track to cushion frame support)	61782
Gasket (4-Way power seat regulator cover)	60467	Spacer (front seat track adjusting lever retainer)	62088
Gear ass'y. (4-Way power seat regulator)	60471	Spring (front seat track assist.)	61828
Gear (4-Way power seat regulator)	60419	Spring (front seat track latch)	61883
Gear (power seat adjusting regulator)	617A15	Spring (front seat track vertical assist)	61444
Handle ass'y. (front seat track adjusting)	61753-4	Spring (front seat track vertical lift gear latch)-upper	61440
Handle assy. (seat track vertical adjusting)	61754	Spring (front seat track vertical lift latch)-lower	61452
Handle (front seat track adjusting)	61755	Spring (front seat track vertical lift latch release arm)	61446
Hook assy. (seat belt)	61280	Stop (front seat back)	61064
Housing assy.(4-Way power seat regulator)	60402-3	Support assy. (4-way seat regulator)	60440-1
Housing assy. (power seat adjusting regulator)	617A30	Support (front seat cushion side shield)-front	62168-9
Insert (front seat cushion side shield)	62188	Support (front seat cushion side shield rear)	62194-5
Key (4-Way power seat regulator gear)	60490	Support (front seat cushion side shield side)-inner	62318
Lever (front seat track adjusting)	61745	Support (front seat track adjusting lever front)	62056
Link assy. (power seat track vertical adjusting bar)	61926	Support (passenger's seat)-front	62554-5
Link ass'y. (4-way power seat regulator to frame)	61780	Support (passenger seat rear)	62541
Link (front seat track tie rod)	61744	Support (seat track)-rear	61796-7
Link (power seat track regulator to horizontal equalizer bar)	62003	Track assy. (front seat 4-way power)-less motor & regulator	61700
Nut assy. (power seat adjusting regulator)	619A66	Track assy. (seat)	61704-5
Panel (front seat back rear trim)	61632-3	Track kit (4-way manual tilt seat)	61700
Plate (front seat back frame scuff)-inner	61182	Washer (4-way power seat regulator shaft)	60437
Plate (front seat back scuff)	61642	Yoke and roller assy. (power seat adjusting regulator)	617A76
		Yoke assy. (power seat adjusting regulator clutch)	60510



**INDEX**

**REAR SEAT**

Group Name	Group Number	Group Name	Group Number
Bumper (rear seat back)	61333	Panel ass'y. (rear seat back)	60508-9
Bumper (rear seat cushion panel)	60578	Panel ass'y. (rear seat back spring support)	60700
Bumper (rear seat cushion to spacer)	60757	Panel ass'y. (rear seat cushion)	60512-3
Cover (rear seat back stop support)	62292-3	Panel ass'y. (rear seat foot rest)	63474-5
Cover (rear seat cushion panel)	60966-7	Panel ass'y. (rear seat support)	60724-5
Foot (rear seat cushion support)	60728	Pin (rear seat cushion pivot)	63036
Frame ass'y. (right rear seat cushion tubular)	63160	Plate assy. (rear seat back stop anchor)	61328-9
Frame (rear seat back panel)-upper	61022-3	Retainer assy. (rear seat back medallion)	25666
Handle (rear seat back stop loop)	61099	Retainer (rear seat back button & strap)	63520
Kit (rear seat belt mounting adapter)	61156	Retainer (rear seat cushion panel support)-to floor	60638
Loop (rear seat back stop)	61099	Seal (rear seat back finish panel to package tray)	60796
	or 61100	Stop assy. (rear seat back)	61062-3
Moulding (rear seat back center)-less medallion	61102		or 62426-7
Moulding (rear seat back top)	61022-3	Support ass'y. (rear seat back)	62332
Pad (rear seat back moulding)	04541	Support assy. (rear seat cushion)	60552-3
Panel assy. (left rear seat support)	60718-9	Support (rear seat back stop)	62286-7

**FOLDING TOP**

GROUP NAME	GROUP NUMBER	GROUP NAME	GROUP NUMBER
Bar assy. (folding top storage link tie)	51360	Escutcheon (top control)	50578
Base assy. (main pivot support)	50140-1	Extension (balance link to face)	50136
Bezel (top control knob)	15677	Extension (folding top main pivot bracket support)	531A16-7
Bezel (top control knob)-inner & outer	10852-3	Fastener ass'y. (folding top hold down clamp)-rear	50590
Binding (top and belt rail)	17108	Fastener (folding top rail deck)	53044-5
Bolt (folding top storage link eye)	51396	Handle (top locking)	03570
Bow assy. (rear)-No. 4	51278	Header ass'y. (folding top)	53038
Bow assy. (folding top)-No. 2	51274	Hose assy. (folding top hydraulic lift)-upper & lower	53390-2
Bow assy. (folding top)-No. 3	51269	Housing assy. (folding top hydraulic lift pump)	53395
Bow (folding top)-No. 2	51276	Iron (top bow slat)-rear	50340-1
Bracket assy. (balance link adjusting)	50444-5	Lift assy. (folding top)	50600-1
Bracket ass'y. (balance link lower pivot)	50450-1	Link assy. (balance to base)	50150-1
Bracket assy. (balance link to face pivot)	50128-9	Link ass'y. (control)	50316-7
Bracket ass'y. (folding top lift)	50668	Link assy. (folding top power)-lower	50356-7
Bracket (balance link adjusting)	50478-9	Link ass'y. (folding top No. 2 bow)	50320-1
Bracket (folding top)-No. 3 bow	53144-5	Link ass'y. (power)	50352-3
Bracket (folding top pivot link adjusting)	50429	Link (folding top balance)	50454-5
Bracket (main pivot body folding top)	53118-9	Link (folding top power)-upper	50370-1
Bracket (top lift to floor)	50804-5	Loop (footman)	54810
Bumper assy. (folding top hold down clamp lever)	50524	Motor and plate assy. (folding top hydraulic lift pump)-Kit	533A00
Bumper assy. (folding top side arm stop)	29986	Moulding (folding top header)-outside	51384-5
Bushing (balance link to base extension)	50614	Moulding (folding top No. 1 bow)-outside	51390-1
Bushing (folding top control link to side rail)	50474	Pin (folding top center side rail)-front	50492
Bushing (folding top main control)-rear	50487	Pin (folding top control link)	50345
Bushing (folding top power link to side rail)	50472	Pin (folding top upper power link to rear side rail)	50452
Bushing (folding top upper to lower power link pivot)	50507	Plate assy. (folding top hold down rear clamp finish)	50552-3
Bushing (lower power link)	50453	Plate assy. (folding top hold down side clamp latch)	50502-3 <sup>or</sup>
Bushing (main pivot bracket)-folding top	50473		50530-1
Clamp assy. (folding top hold down)-front	50508	Plate (folding top No. 1 bow scuff)	50153
Clamp assy. (folding top hold down)-side	50500	Pump assy. (folding top hydraulic lift)	53337
Connector (folding top inverted male)-hydraulic lift	50719	Rail assy. (folding top center side)	51154-5
Cover (folding top header moulding joint)	03097	Rail assy. (pillar)-folding top	53196-7
Cushion (folding top lift motor support)	53382	Rail assy. (rear side folding top)	51154-5
Dowel (folding top No. 1 bow)-end	03458-9	Rail (folding top front side)	53104-5
Elbow (folding top inverted flared tube)-hydraulic lift	50696		

## INDEX

## FOLDING TOP - continued

GROUP NAME	GROUP NUMBER	GROUP NAME	GROUP NUMBER
Rail (folding top rear side)	53138-9	Tip (folding top rear bow or belt rail binding)	514A00-1
Rail (folding top rear side intermediate)	514A02-3	Top assy. (stack)-folding-less trim	53000
Reservoir assy. (folding top hydraulic lift)	53376	Washer (spring)-three wave-folding top slat irons	53210-7
Retainer ass'y. (center side rail weatherstrip)	51560-1	Weatherstrip assy. (folding top at belt)	51452
Retainer assy. (folding top front side rail weatherstrip)	51542-3	Weatherstrip assy. (folding top at belt)-center	51442
Retainer assy. (folding top lift to floor bracket)	50816	Weatherstrip assy. (folding top at belt)-side	51444-5
Retainer assy. (folding top rear side rail weatherstrip)	51554-5	Weatherstrip assy. (folding top intermediate front rail)	53928-9
Retainer ass'y. (header outside moulding)	50363	Weatherstrip ass'y. (folding top No. 1 bow or hard top header)-inner	51330
Retainer (folding top bow listing)	50156	Weatherstrip ass'y. (folding top No. 1 bow or hard top header)-outer	51340
Retainer (folding top compartment trim)-front	54624-5	Weatherstrip assy. (folding top side)	53900-1
Retainer (folding top compartment trim)-rear	54674-5	Weatherstrip assy. (folding top side rail)-center	51564-5
Retainer (folding top header outside moulding)-end	50374-5	Weatherstrip assy. (folding top side rail)-front	51562-3
Retainer (folding top header outside moulding)-intermediate	50365	Weatherstrip assy. (folding top side rail)-rear	51566-7
Retainer (folding top header weatherstrip)-end	51356-7	Weatherstrip ass'y. (on roof header to side rail)	51204
Retainer (folding top rear side rail lower weatherstrip)	51584-5	Weatherstrip assy. (side intermediate rear rail)	51624-5
Retainer (top side rail bumper)	53066-7	Weatherstrip (folding top No. 1 bow)-front	51338
Screw (balance link adjusting)	50491	Weatherstrip (folding top No. 4 bow at belt)	51454
Shaft ass'y. (folding top lift drive)	50612-3	Weatherstrip (roof side rail)-upper	51324
Slat and link ass'y. (folding top No. 3 bow)	50323-7	Window (folding top)	50054
Spacer (folding top No. 1 bow rear weatherstrip)	50687	Window (folding top back curtain)	53200
Support ass'y. (top main pivot bracket)	53156-7		
Support ass'y. (top main pivot bracket to wheelhouse)	53086-7		
Support (folding top compartment side trim retainer)	54646-7		
Support (folding top main pivot bracket)	53158-9		

## WINDSHIELD

GROUP NAME	GROUP NUMBER	GROUP NAME	GROUP NUMBER
Arm and bracket assy. (visor)-less visor	04144-5	Moulding (windshield)-outside-belt	03148-9
Bracket assy. (windshield side wing lower hinge)	03232-3	Moulding (windshield)-outside-lower corner	03128-9
Bushing (windshield side wing hinge)	03234	Moulding (windshield)-outside-side	03136-7
Clip ass'y. (visor arm)	04131	Moulding (windshield outside side)-upper	03192-3
Clip (visor pin)	04132	Moulding (windshield)-outside-top	03144-5
Clip (windshield outside moulding retainer)	03180	Moulding (windshield outside top)-outer	03004-5
Cover (windshield garnish lower moulding joint)	03086	Moulding (windshield side frame rear finish)	03064-5
Cover (windshield garnish moulding joint)-center	03654	Panel assy. (windshield header)	03408
Cover (windshield garnish moulding joint)-upper corner	03658	Panel ass'y. (windshield header)-inner	03410
Cover (windshield outside moulding joint)	03094	Panel ass'y. (windshield header)-outer	03412
Dowel (windshield header)-side-76	03458-9	Pin (visor anchor)	04114
Extension (windshield side inner frame)	03060-1	Plate (windshield header dowel anchor)	03490-1
Frame assy. (windshield)	03014	Plate (windshield header dowel striker)	03474
Glass assy. (windshield)	03100	Reinforcement ass'y. (windshield opening)-lower	03560-1
Glass assy. (windshield side wing)	03238	Reinforcement (windshield opening)-lower side	03468-9
Kit (safety visor & arm & bracket)	04100	Retainer (windshield outside top and side moulding)	03178-9
Moulding ass'y. (windshield)-outside-lower corner	03122	Visor arm and bracket assy. (less visor)	04144
Moulding (windshield garnish)-lower	03626-7	Visor assy. (less arm and bracket)	04104
Moulding (windshield garnish)-lower corner	03662-3	Weatherstrip assy. (windshield)	03110
Moulding (windshield garnish)-side	03598-9	Weatherstrip (windshield upper garnish moulding)	03198-9
Moulding (windshield garnish)-upper	03606-7	Welt assy. (windshield finish strip)	03127
Moulding (windshield garnish)-upper corner	03492-3	Welt (windshield header)	03126
		Windshield glass assy.	03100
		Wing assy. (windshield side)	03228-9

# FORD CAR PARTS

**BODY  
SECTION 000**

695

GROUP NUMBER	YEAR 19	BODY TYPE	DESCRIPTION	PART NUMBER	QTY. PER VEHICLE
<b>00120</b>		<b>FRONT ASSY. - BODY</b>			
	55/56	76	Manual locking clamp-Replaced by 1 each B5A 7602010-A, B5A 7602516-A, B5A 7602517-A B6A 7602042-A, B6A 7602043-A	*B6A 7600120-A	1
<b>00151</b>		<b>RETAINER ASSY. - BODY BOLT INSULATOR - LOWER</b>			
	57/59	A(except 51A, 76B)	With 3/8"-16 Sleeve nut	B7A 7000151-B	8to14
<b>00154-5</b>		<b>INSULATOR - BODY BOLT</b>			
	57/58	57, 58, 63, 64, 70, 73	Rubber	B7A 7000154-A	2or4
	57/58	A(except 51A, 76B)	Upper-rubber	B8A 6400154-A	8to24
	58	A(except 51A, 76B)	Lower-rubber	B8A 6400155-A	8or12
	59	A(except 51A, 76B)	Upper-rubber	B8A 6400154-A	8to12
	59	A(except 51A, 76B)	Lower-rubber	B8A 6400155-A	8to12
<b>00163</b>		<b>RETAINER - BODY BOLT INSULATOR - UPPER</b>			
	57/59	A(except 51A, 76B)		B7A 7000163-A	8to14
<b>00216-7</b>		<b>EXTENSION - BODY SIDE INNER PANEL - LOWER FRONT</b>			
	59	66C	R. H. L. H.	B9A 6600216-A B9A 6600217-A	1 1
<b>01453-63</b>		<b>MOULDING - VENTILATOR AIR REGISTER PANEL - LOWER</b>			
	58/59	S	Refer to Groups 04190 & 04240-1		
<b>01478</b>		<b>SHIELD - BRAKE and FUEL LINE</b>			
	58/	S	Front Rear - cut as required No. 14 x 5/8" Hex. washer head screw	B8S 6301478-B  31498-S8(U253B)	1 1 7
<b>01508</b>		<b>SUPPORT ASSY. - BRAKE PEDAL</b>			
	57/58	A		B7A 7001508-B	1
	59	A		B9AB 6401508-A	1
	55/57	S		B5S 4001508-D	1
	58/	S		C0SB 6301508-A	1
			5/16"-24 x 1.12" Bolt and retainer assy.	371468-S2(RR26)	5
			5/16"-24 Hex. nut	33798-S8(M62)	5
	55/	A, S	5/16"-24 x 1" Hex. head bolt	20387-S7(B157)	1
			5/16" Lockwasher	34806-S7(X64)	3
			5/16"-24 x 3/4" Hex. head bolt	20347-S8(B156)	2
			5/16" Flat washer	44722-S8(X19)	4
			5/16"-24 Hex. nut	33798-S8(M62)	2
			No. 14 x 5/8" Hex. washer head screw	31498-S8(U253B)	2
<b>01605</b>		<b>PANEL ASSY. - DASH</b>			
	57/58	A		B7A 7001605-B	1
			1.87" Plug (button)	357216-S(PP7)	2
	59	A		B9A 6401605-A	1
	55/57	S		B6S 4001605-A	1
	58/	S		C0SB 6301605-A	1
			Grommet-for speedometer cable hole when standard transmission is used	352961-S(KK16)	1
<b>01616</b>		<b>COVER - DASH PANEL NO. 1 BODY BOLT ACCESS</b>			
	53/54	A		BA 7001616-A	1
			No. 10 x 5/8" Hex. head self-tapping screw	42014-S8(U240)	4
<b>01641</b>		<b>COVER - HAND BRAKE CABLE OPENING IN DASH</b>			
	53/58	A		B8A 7001641-A	1
	55/57	S			1
	53/57	A, S	Clamp	B2A 7001642-A	1
<b>01642</b>		<b>CLAMP - HAND BRAKE CABLE OPENING IN DASH COVER</b>			
	53/57	A		B2A 7001642-A	1
	55/57	S			1
<b>01670-1</b>		<b>INSULATOR ASSY. - DASH</b>			
	55/57	S		B5S 4001670-A	1
	58/	S		C0SB 6301670-A	1
	59	A		B9A 6401670-A	1
<b>01683</b>		<b>PLATE ASSY. - STEERING COLUMN OPENING COVER -</b> <i>Also Refer to Group 01698-9</i>			
	55/57	S	R. H. -Refer to Group 01698-9 L. H. -Use with Standard Transmission Cut to fit 3/4" Plug (button)-for speedometer cable hole when automatic transmission is used	B5A 7001683-A  352291-S (PP3)	1  1

GROUP NUMBER	YEAR 19	BODY TYPE	DESCRIPTION	PART NUMBER	QTY. PER VEHICLE
<b>01694</b>	<b>GROMMET - DASH PANEL OVERDRIVE CABLE</b>				
	53/	A		1A 7001694	1
	55/	S	With overdrive		1
	57/	S	Speedometer cable		1
	57/	S	With automatic transmission	B7S 4001694-A	1
<b>01698-9</b>	<b>PLATE - STEERING COLUMN OPENING COVER - Also Refer To Group 01683</b>				
	53	A	R. H. - All Transmissions	BA 7001698-C	1
	54	A	R. H. - All Transmissions	BM 7001698-A	1
	55/57	S	L. H. -Use with Automatic Transmission L. H. -Standard Trans. -refer to Group 01682-3	B5S 4001699-B	1
	57/58	A	R. H.	B7A 7001698-B	1
	59	A	R. H.	B9A 6401698-A	1
			L. H.	B9A 6401699-A	1
	58/	S	All transmissions	B8S 6301698-A	1
	55/	S	3/4" Plug(button)-for speedometer cable hole when automatic transmission is used	352291-S(PP3)	1
	55/	A, S, X	No. 10 x 5/8" Hex. head self-tapping screw	42014-S8 (U240)	9
<b>01708</b>	<b>INSULATOR ASSY. - DASH PANEL STEERING COLUMN OPENING COVER SOUND</b>				
	57/58	A		B7A 7001708-A	1
	59	A		B9A 6401708-A	1
	58/	S	Improvise from 1" fibre glass batt	★B8S 6301708-A	
<b>01709</b>	<b>INSULATOR ASSY. - DASH END</b>				
	58/	S	L. H.	B8S 6301709-A	1
<b>01714-5</b>	<b>BRACE ASSY. - DASH TO FRAME</b>				
	55/57	S	R. H.	B5S 4001714-A	1
			L. H.	B5S 4001715-A	1
	57/58	A	R. H.	B7A 7001714-A	1
			L. H.	B7A 7001715-A	1
	59	A	R. H.	B9A 6401714-A	1
			L. H.	B9A 6401715-A	1
<b>01768</b>	<b>GUSSET - DASH PANEL TO COWL TOP INNER PANEL</b>				
	58/	S		B8S 6301768-A	1
<b>01820-1</b>	<b>REGISTER - VENTILATION</b>				
	55/57	S	Drill as required	B6S 4001820-A	2
	59	A	R. H. -grille	B9A 6401820-A	1
			No. 10 x 3/8" Cross recess oval head screw	52353-S13(U303)	1
<b>01822</b>	<b>BRACKET - AIR CONTROL WIRE</b>				
	55/57	S		B5S 4001822-A	2
			No. 10 x 1/2" Binding head self-tapping screw	32924-S7(U344)	2
<b>01846</b>	<b>PLATE - HEATER OPENING COVER</b>				
	58/	S		B8S 6301846-A	1
	59	A		B9A 6401846-A	1
<b>01850-1</b>	<b>VALVE ASSY. - VENTILATOR AIR</b>				
	53/55	A	R. H. -Cut 2 1/4" off apron end for 53/54 units	B5A 7001850-B	1
			L. H.	B5A 7001851-B	1
	56	A	R. H.	B6A 7001850-A	1
			L. H.	B6A 7001851-A	1
	57/58	A		B8A 7001850-A	2
	59/	A	Refer to Group 01934-5		
<b>01862</b>	<b>DAMPER ASSY. - VENTILATOR AIR VALVE</b>				
	53/56	A		8A 7001862-B	2
	55/57	S			2
<b>01872</b>	<b>SEAL - VENTILATOR AIR DAMPER TO FRONT FENDER APRON AT SHAFT</b>				
	55/57	S	Sponge rubber	B5S 4001872-A	1
<b>01873</b>	<b>SEAL - VENTILATOR AIR DUCT TO SPLASH PANEL</b>				
	59	A		B9A 6401873-A	2
<b>01878</b>	<b>CONNECTOR - VENTILATOR AIR DUCT</b>				
	53/54	A	Rubber	BA 7001878-C	2
	55/56	A		B5A 7001878-C	2
			No. 10 x 2" Round head self-tapping screw	354563-S8 (UU92)	6
	59	A		B9A 6401878-A	2
<b>01880</b>	<b>GASKET - VENTILATOR AIR VALVE</b>				
	53/54	A	Rubber	BA 7001880-A	2
	55/56	A, S			4
	57	S			4

# FORD CAR PARTS

## BODY SECTION 000

697

GROUP NUMBER	YEAR 19__	BODY TYPE	DESCRIPTION	PART NUMBER	QTY. PER VEHICLE
<b>01890-1 CONTROL ASSY. -AIR</b>					
	53	A	L. H. -Black knob-not used when heater is installed No. 10-12 x 1/2" Round head self-tapping screw	FAA 7001891-A 32924-S7(U344)	1 2
	54	59, 70A, 72C, 73A, 78	L. H. -1 piece Black plastic knob-not used when heater is installed	FAD 7001891-B	1
	54	60, 70B, 72B, 73B, 73C, 76, 79	R. H. -2 pieces Black plastic knob & chrome cap-not used when heater is installed L. H.	FAD 7001890-A FAD 7001891-A	1 1
	55	A	R. H. - not used when fresh air heater is installed L. H.	B5A 7001890-A B5A 7001891-A	1 1
	56	57, 59, 64, 70, 73, 76, 79	R. H. -not used when fresh air heater is installed L. H.	B6A 7001890-A B6A 7001891-A	1 1
	55/57	S	R. H. or L. H. -Cut to length No. 10-12 x 1/2" Round head self-tapping screw Grommet	B5S 4001890-A 32924-S7(U344) 353626-S(KK1)	1 1 1
	57	51A, 57, 58, 59B, 63, 64, 70B, 73B, 76, 79	R. H. or L. H. -Cut to length	B7A 7001890-A	1
	57	59A, 66, 70A, 70D, 73A, 78	R. H. L. H.	B7A 7001890-B B7A 7001891-B	1 1
	58	51A, 57A, 58B, 63A, 64B, 76, 79C, 79E	R. H. -Not used with air conditioning L. H.	B8A 7001890-A B8A 7001891-A	1 1
	58	57B, 58A, 59, 63B, 64A, 66, 70, 73, 78, 79D	R. H. -Not used with air conditioning L. H.	B8A 7001890-B B8A 7001891-B	1 1
	56/58	A	Clip No. 10 x 1/2" Pan head self-tapping screw	353261-S8(GG162) 32924-S7(U344)	1 1
	59	51A, 54A, 57A, 58A, 58B, 59D, 63A, 64A, 64B, 64H, 65A, 66C, 71E, 71F, 71G, 75A, 76B	R. H. L. H.	B9A 6301890-A B9A 6301891-A	1 1
	59	58E, 59C, 64F, 64G, 71H	R. H. L. H.	B9A 6401890-A B9A 6401891-A	1 1
<b>01900 SCREEN - VENTILATING AIR DUCT - FRONT</b>					
	55/56	A		B5A 7001900-B	2
<b>01902-3 DUCT ASSY. - VENTILATOR AIR</b>					
	55/56	A	Inlet	B5A 7001902-A	2
	55/57	S	R. H. -Inlet L. H. 1/4"-20 x 1/2" Hex. head bolt 1/4"-20 Hex. nut No. 14 x 5/8" Hex. washer head screw	B5S 4001902-A B5S 4001903-A 20308-S8 (B40) 33795-S7 (M49) 31498-S8 (U253B)	1 1 8 8 4
	59	A		B9A 6401902-A	2
<b>01914-5 SCOOP ASSY. - VENTILATOR AIR DUCT INLET</b>					
	55/57	S	R. H. L. H.	B5S 4001914-B B5S 4001915-B	1 1
<b>01934-5 DUCT ASSY. - VENTILATOR AIR - OUTLET</b>					
	55/56	A		B5A 7001934-B	2
	55/57	S	R. H. L. H. 1/4"-20 x 1/2" Hex. head bolt 1/4" Internal tooth lockwasher	B5S 4001934-B B5S 4001935-B 20308-S7 (B40) 34905-S7 (X97)	1 1 8 8
	58/	S	R. H. - NOTE 3 L. H.	COSB 6301934-A COSB 6301935-A	1 1
	58/	S	No. 10 - 12 x 5/8" Hex. washer head screw	★42134-S8 (U249)	8 or 12
	59	A	R. H. L. H. No. 10 Flat washer No. 10-12 x 5/8" Cross recess pan head screw	B9A 6401934-A B9A 6401935-A 44716-S8(X15) ★52735-S8	1 1 8 8
<b>01970 SEAL - VENTILATOR AIR DUCT - OUTER</b>					
	59	A		B9A 6401970-A	2
	58/	S		B8S 6301970-A	2
<b>01973 SEAL - VENTILATOR AIR DUCT TO FENDER APRON</b>					
	55/57	S	Sponge rubber	B5S 4001973-A	1

NOTE 3 - When Knob is Required Refer to Group 02145

GROUP NUMBER	YEAR 19	BODY TYPE	DESCRIPTION	PART NUMBER	QTY. PER VEHICLE
<b>01990</b>	<b>DEFLECTOR ASSY. - VENTILATOR AIR DUCT and PANEL</b>				
	58	A	R. H.	B8A 7001990-A	1
			No. 10 Flat washer	44716-S8(X15)	6
			No. 10 x 1/2" Binding head self-tapping screw	32924-S7(U344)	6
<b>01998</b>	<b>SEAL - VENTILATOR AIR INLET DUCT</b>				
	57/58	A		B8A 7001998-A	2
<b>02010</b>	<b>PANEL ASSY. - COWL TOP</b>				
	53	59, 70, 72, 73, 78, 79		BF 7002010-B	1
	56	59, 70, 73, 78, 79		B6A 7002010-A	1
	55/57	S		B5S 4002010-A	1
	57	59, 66, 70, 73, 78, 79		B7A 7002010-C	1
	57/58	51A		B8A 5102010-A	1
	57/58	57, 58, 63, 64		B8A 6402010-A	1
	58	59, 66, 70, 73, 78, 79		B8A 7002010-A	1
	57/58	76		B8A 7602010-A	1
	59	A		B9A 5802010-A	1
	58/	S		B8S 6302010-A	1
<b>02018</b>	<b>PANEL ASSY. - COWL TOP - INNER</b>				
	58/	S		B8S 6302018-A	1
<b>02038-9</b>	<b>PANEL ASSY. - COWL SIDE</b>				
	58/	S	R. H.	B8S 6302038-A	1
			L. H.	B8S 6302039-A	1
<b>02042-3</b>	<b>PANEL ASSY. - FRONT PILLAR and COWL SIDE</b>				
	57/58	A	R. H.	B7A 7002042-A	1
			L. H.	B7A 7002043-A	1
			Plug - when courtesy lamp is not used	352291-S(PP3)	2
			Plug (wiring access)-R. H. door-1 1/2"diameter	352285-S(PP5)	1
	59	A	R. H.	B9A 5802042-A	1
			L. H.	B9A 5802043-A	1
	58/	S	R. H. -drill 3/4" hole for drain hose-Remove Reinforcement at Top of Pillar When Used on S(76A)	B8S 6303042-A	1
			L. H.	B8S 6302043-A	1
<b>02104-5</b>	<b>VENTILATOR ASSY. - COWL SIDE</b>				
	56/57	S	R. H.	B6S 4002104-B	1
			L. H.	B6S 4002105-B	1
			No. 8 x 1/2" Cross recess self-tapping screw		12
<b>02128-9</b>	<b>ROD - COWL SIDE VENTILATOR DOOR CONTROL</b>				
	56	S	R. H. -Replaced by 1-B7S 4002128-A, 2-B7S 4002132-A & 2-B7S 4002164-A	*B6S 4002128-A	1
			L. H. -Replaced by 1-B7S 4002129-A, 2-B7S 4002132-A & 2-B7S 4002164-A	*B6S 4002129-A	1
	57	S	R. H.	B7S 4002128-A	1
			L. H.	B7S 4002129-A	1
			No. 12 Flat washer		4
			Pin (self-locking)		4
<b>02132</b>	<b>CLIP - COWL SIDE VENTILATOR DOOR CONTROL ROD ON LEVER</b>				
	57	S		B7S 4002132-A	2
<b>02140-1</b>	<b>LEVER - COWL SIDE VENTILATOR DOOR CONTROL</b>				
	56/57	S	R. H.	B6S 4002140-B	1
			L. H.	B6S 4002141-B	1
			No. 12-24 x .44" Hex. head shoulder bolt	358390-S8(BB438)	2
			.33" I. D. x .56" O. D. spring washer	8M 7653217	2
			No. 12 Lockwasher	34904-S7-8(X96A)	2
			No. 12-24 Hex. nut	34054-S8(M157)	2
<b>02145</b>	<b>KNOB - COWL SIDE VENTILATOR OR AIR DOOR CONTROL LEVER</b>				
	56/57	S		B6S 4002145-A	2
	58/	S		B8S 6302145-A	2
<b>02152</b>	<b>SPRING - COWL SIDE VENTILATOR CONTROL ROD</b>				
	56/57	S		B6S 4002152-A	2
<b>02154</b>	<b>SPRING - COWL SIDE VENTILATOR CONTROL LEVER</b>				
	56/57	S		B6S 4002154-B	2
<b>02158</b>	<b>SEAL - COWL SIDE VENTILATOR DOOR</b>				
	56/57	S		B6S 4002158-C	2

# FORD CAR PARTS

**BODY  
SECTION 000**

699

GROUP NUMBER	YEAR	BODY TYPE	DESCRIPTION	PART NUMBER	QTY. PER VEHICLE
<b>02162</b>			<b>SEAL - COWL SIDE VENTILATOR INSIDE FRAME</b>		
	56/57	S		B6S 4002162-B	2
<b>02164</b>			<b>CLIP - COWL SIDE VENTILATOR DOOR CONTROL ROD ON HINGE</b>		
	57	S		B7S 4002164-A	2
<b>02166</b>			<b>SEAL - COWL SIDE VENTILATOR PANEL</b>		
	56/57	S		B6S 4002166-B	2
<b>02170</b>			<b>DOOR ASSY. - COWL SIDE VENTILATOR OUTSIDE</b>		
	56/57	S		B6S 4002170-A	2
			No. 10 Flat washer	44716-S8(X15)	4
			No. 10-24 Hex. nut	34053-S8(M156)	4
<b>02176</b>			<b>HINGE ASSY. - COWL SIDE VENTILATOR</b>		
	56/57	S		B6S 4002176-B	2
			No. 10 x 3/8" Binding head screw & washer ass'y.	42802-S8(U33)	4
			No. 10 Internal tooth lockwasher	34903-S8(X96)	4
<b>02180-1</b>			<b>FRAME ASSY. - COWL SIDE VENTILATOR</b>		
	56/57	S	R. H.	B6S 4002180-A	1
			L. H.	B6S 4002181-A	1
			No. 10 x 5/8" Round head self-tapping screw		4
			No. 10 Flat washer	44716-S8(X15)	4
<b>02204</b>			<b>ANTI-SQUEAK - COWL TOP VENTILATOR GRILLE</b>		
	57/58	A, S	Cut off 1 3/4"	B7C 8102204-A	AR
	59/	S			AR
<b>02207</b>			<b>TUBE - COWL TOP INNER PANEL DRAIN</b>		
	57	A		B7A 7002207-A	2
			Retainer	B7A 7002212-A	2
<b>02212</b>			<b>RETAINER - COWL TOP INNER PANEL DRAIN TUBE</b>		
	57/58	A		B7A 7002212-A	2
<b>02214-5</b>			<b>EXTENSION ASSY. - COWL TOP VENTILATOR GRILLE</b>		
	58/	S	R. H.	B8S 6302214-A	1
			L. H.	B8S 6302215-A	1
			No. 6 x 1/4" Cross recess pan head screw	*52713-S8	4
<b>02216</b>			<b>GRILLE - COWL SIDE VENTILATOR</b>		
	56/57	S		B6S 4002216-A	1
<b>02228</b>			<b>GRILLE - COWL TOP VENTILATOR</b>		
	57/58	A		B7A 7002228-A	1
	58/	S		B8S 6302228-A	1
			No. 10 x 3/8" Binding head sheet metal screw	*32917-S7	6or9
			Bumper assy.	358939-S(CC17)	2
			No. 10 Flat washer	44716-S8(X15)	2
			No. 8 x 5/8" Binding head sheet metal screw	32930-S8(U340)	2
<b>02274</b>			<b>SEAL - VENTILATOR AIR OUTLET DUCT DOOR TO FRAME</b>		
	58/	S		B8S 6302274-A	2
<b>02280-1</b>			<b>SCREEN ASSY. - COWL SIDE VENTILATOR</b>		
	56/57	S	R. H.	B6S 4002280-A	1
			L. H.	B6S 4002281-A	1
			No. 10 x 5/8" Round head self-tapping screw		8
			No. 10 Flat washer	44716-S8(X15)	8
<b>02285</b>			<b>SCREEN - COWL VENTILATOR</b>		
	57/58	A		B7A 7002285-A	1
			.16" diameter Speed nut	350881-S(MM233)	5
	58/	S		B8S 6302285-A	1
	58/	S	Anti-rattler (screen)-Cut from A9A 17543-A		AR
<b>02298</b>			<b>ANTI-RATTLER - COWL VENTILATOR SCREEN</b>		
	58/	S	Cut from A9A 17543-A		AR
<b>02308</b>			<b>BAFFLE - COWL TOP PANEL WATER</b>		
	57/58	A		B8A 7002308-A	1
			No. 8 x 3/8" Cross recess pan head screw	52720-S8(U380)	2
<b>02334-5</b>			<b>EXTENSION - COWL TOP PANEL TO COWL TOP INNER PANEL BRACE</b>		
	58/	S	R. H.	B8S 6302334-A	1
			L. H.	B8S 6302335-A	1
<b>02338</b>			<b>PLATE - COWL TOP INNER PANEL DRAIN TUBE HOLE REINFORCING</b>		
	58	A		B8A 7002338-A	2

**BODY  
SECTION 000**
**FORD CAR PARTS**

GROUP NUMBER	YEAR 19	BODY TYPE	DESCRIPTION	PART NUMBER	QTY. PER VEHICLE
<b>02354-5</b>	<b>RETAINER - COWL TRIM CARDBOARD - Paint To Match</b>				
	55/57	S	R. H.	B5S 4002354-BP	1
			L. H.	B5S 4002355-BP	1
	57/58	A	R. H. (7-63)	*B7A 7002354-AP	1
			L. H.	B7A 7002355-AP	1
			No. 10 x 1/2" Cross recess pan head screw	*52787-S15	4
	58/	S	R. H.	B8S 6302354-A	1
			L. H.	B8S 6302355-A	1
	59	A	R. H.	B9A 5702354-A	1
			L. H.	B9A 5702355-A	1
<b>02418-9</b>	<b>DEFLECTOR - COWL SIDE VENTILATOR AIR PANEL WATER</b>				
	58/	S	R. H.	B8S 6302418-A	1
			L. H.	B8S 6302419-A	1
<b>02500-1</b>	<b>PILLAR ASSY. FRONT BODY</b>				
	55/57	S	R. H.	B5S 4002500-A	1
			L. H.	B5S 4002501-A	1
<b>02508-9</b>	<b>PILLAR - FRONT BODY - UPPER INNER</b>				
	55	76	R. H.	B5A 7602508-A	1
			L. H.	B5A 7602509-A	1
	57/58	51A, 76	R. H.	B7A 7602508-A	1
			L. H.	B7A 7602509-A	1
	57/58	57, 63	R. H.	B7A 5702508-A	1
			L. H.	B7A 5702509-A	1
	57/58	58, 64	R. H.	B7A 6402508-A	1
			L. H.	B7A 6402509-A	1
	57/58	59, 66, 70, 73, 78, 79	R. H.	B7A 7002508-A	1
			L. H.	B7A 7002509-A	1
	58/	S	R. H. - Remove Reinforcement at Top of Pillar When Used - on S (76A)	B8S 6302508-A	1
			L. H.	B8S 6302509-A	1
<b>02516-7</b>	<b>PILLAR - FRONT BODY - UPPER OUTER - Also Refer To Group 02536-7</b>				
	53/54	59, 70, 72, 73, 78, 79	R. H.	BA 7002516-C	1
			L. H.	BA 7002517-C	1
	57/58	59, 66, 70, 73, 78, 79	R. H.	B7A 7002516-A	1
			L. H.	B7A 7002517-A	1
	57/58	57, 58, 63, 64	Refer to Group 02536-7		
	57/58	51A, 76	R. H.	B7A 7602516-A	1
			L. H.	B7A 7602517-A	1
	59	54A, 58, 59, 64, 66C, 71	R. H.	B9A 5802516-A	1
			L. H.	B9A 5802517-A	1
	59	57A, 63A, 65A, 75A	R. H.	B9A 6302516-A	1
			L. H.	B9A 6302517-A	1
	59	51A, 76B	R. H. - Cut as required	B9A 7602516-A	1
			L. H.	B9A 7602517-A	1
<b>02520-1</b>	<b>REINFORCEMENT ASSY. - FRONT BODY PILLAR</b>				
	55/57	S	R. H.	B6S 4002520-A	1
			L. H.	B6S 4002521-A	1
<b>02522-3</b>	<b>PILLAR ASSY. - FRONT BODY - UPPER INNER</b>				
	59	51A	R. H.	B9A 5102522-A	1
			L. H.	B9A 5102523-A	1
	59	54A	R. H. - Remove windlace retainer	B9A 5802522-A	1
			L. H.	B9A 5802523-A	1
	59	57A, 63A, 65A, 75A	R. H.	B9A 6302522-A	1
			L. H.	B9A 6302523-A	1
	59	58, 59, 64, 66C, 71	R. H.	B9A 5802522-A	1
			L. H.	B9A 5802523-A	1
	59	76B	R. H.	B9A 7602522-A	1
			L. H.	B9A 7602523-A	1
<b>02536-7</b>	<b>PILLAR ASSY. - FRONT BODY - UPPER OUTER - Also Refer To Group 02516-7</b>				
	57/58	57, 63	R. H.	B7A 5702536-A	1
			L. H.	B7A 5702537-A	1
	57/58	58, 64	R. H.	B7A 6402536-A	1
			L. H.	B7A 6402537-A	1



# FORD CAR PARTS

## BODY SECTION 030

701

GROUP NUMBER	YEAR	BODY TYPE	DESCRIPTION	PART NUMBER	QTY. PER VEHICLE
<b>O2542-3 REINFORCEMENT - FRONT BODY PILLAR - LOWER</b>					
	58/	S	R. H.	B8S 6302542-A	1
			L. H.	B8S 6302543-A	1
<b>O2546 STABILIZER - INSTRUMENT PANEL - FRONT BODY PILLAR TO DASH</b>					
	55/57	-S		B5S 4002546-A	2
			5/16" Flat washer	44722-S8(X19)	6
			5/16"-24 Locknut	34393-S7(M98)	6
<b>O2562-3 EXTENSION - FRONT BODY UPPER OUTER PILLAR</b>					
	59	51A	R. H.	B9A 5102562-A	1
			L. H.	B9A 5102563-A	1
<b>O2594-5 RETAINER - FRONT BODY PILLAR UPPER WEATHERSTRIP</b>					
	53/54	60		BA 6002594-A	2
			No. 6 x 3/4" Oval head sheet metal screw	33000-S13 (U330)	10
	55	76	11.38" long	B5A 7602594-A	2
<b>O2614 RETAINER - DOOR OPENING WINDLACE</b>					
	57/	A, S		B7A 7002614-A	AR
<b>O2626-7 WEATHERSTRIP - FRONT BODY PILLAR - UPPER - Also Refer To Group 03198-9</b>					
	53/54	76	R. H.	BA 7602626-B	1
			L. H.	BA 7602627-B	1
			No. 8 x 1/2" Cross recess pan head screw	52726-S13(U381)	2
	55/57	S	R. H.	B5S 4002626-A	1
			L. H.	B5S 4002627-A	1
			No. 4 - 24 x 1/4" Cross recess flat head screw	*52050-S13	8
	58/	S(63A)	R. H.	B8S 6302626-A	1
			L. H.	B8S 6302627-A	1
	58/	S(76A)	R. H.	B8S 7602626-A	1
			L. H.	B8S 7602627-A	1
<b>O2800-1 PANEL ASSY. - VENTILATOR AIR REGISTER - Paint To Match</b>					
	58/	S	R. H. -Drill holes as required	B8S 6302800-A	1
			L. H.	B8S 6302801-A	1
			No. 8 x 1/2" Cross recess oval head screw	52388-S13(U298)	2
<b>O2802 TUBE - COWL SIDE AIR DUCT PANEL DRAIN</b>					
	58/	S		B8S 6302802-A	2
<b>O2820 RETAINER - VENTILATOR AIR REGISTER PANEL MOULDING</b>					
	58/59	S		B8S 6302820-A	11
<b>O3004-5 MOULDING - WINDSHIELD - OUTSIDE - TOP OUTER</b>					
	58/	S(63A)	R. H.	C0SB 6303004-A	1
			L. H.	C0SB 6303005-A	1
	58/	S(76A)	R. H.	B8S 7603004-A	1
			L. H.	B8S 7603005-A	1
<b>O3014 FRAME ASSY. - WINDSHIELD</b>					
	55/57	S		B5S 4003014-A	1
<b>O3060-1 EXTENSION - WINDSHIELD SIDE INNER FRAME</b>					
	55/57	S	R. H.	B5S 4003060-A	1
			L. H.	B5S 4003061-A	1
<b>O3064-5 MOULDING - WINDSHIELD SIDE FRAME REAR FINISH</b>					
	55/56	S	R. H. -Rustless steel	B5S 4003064-A	1
			L. H.	B5S 4003065-A	1
<b>O3086 COVER - WINDSHIELD GARNISH LOWER MOULDING JOINT</b>					
	57/58	A		B7A 7003086-AP	1
	59	A	Paint as desired	B9A 6403086-A	1
	55/59	A	No. 8 x 1/2" Cross recess oval head self-tapping screw	52344-S13(U292)	1
<b>O3094 COVER - WINDSHIELD OUTSIDE BELT MOULDING JOINT</b>					
	55/57	S	Belt	B5S 4003094-B	3
<b>O3097 COVER - FOLDING TOP HEADER MOULDING JOINT</b>					
	55	40A	Used with 2 piece moulding	B2A 7303097-A	1

**BODY  
SECTION 030**
**FORD CAR PARTS**

GROUP NUMBER	YEAR 19	BODY TYPE	DESCRIPTION	PART NUMBER	QTY. PER VEHICLE
<b>03100</b>	<b>GLASS ASSY. - WINDSHIELD</b>				
	53/54	59, 70, 72, 73, 78, 79	Clear	BA 7003100-B	1
			Tinted	BC 7003100-A	1
	55/56	57, 59, 60, 70, 73, 78, 79	Clear	B5A 7003100-E	1
			Tinted	B5A 7003100-F	1
	55/56	64, 76	Clear	B5A 7603100-A	1
			Tinted	B5A 7603100-B	1
	55/57	S	Clear	B5S 4003100-A	1
			Tinted	B5S 4003100-B	1
	57/58	51A, 57, 58, 63, 64, 76	Clear	B7A 6403100-A	1
			Tinted	B7A 6403100-B	1
	57/58	59, 66, 70, 73, 78, 79	Clear	B7A 7003100-A	1
			Tinted	B7A 7003100-B	1
	58/	S	Clear	B8S 6303100-A	1
			Tinted - NOTE 1	B9SB 6303100-C	1
	59	A(except 51A, 76B)	Clear	B9AB 6403100-A	1
			Tinted - NOTE 1	B9AB 6403100-C	1
	59	51A, 76B	Clear	B9AB 7603100-A	1
			Tinted - NOTE 1	B9AB 7603100-B	1
<b>03110</b>	<b>WEATHERSTRIP ASSY. - WINDSHIELD</b>				
	53/54	59A, 70A, 72C, 73A, 78		BA 7003110-E	1
	53/54	60, 76		BA 7603110-D	1
	53/54	70B, 72B, 73B, 73C, 79		BA 7003110-F	1
	54	59B		BA 7003110-F	1
	55	59A, 64, 70A, 70D, 73A, 78	With belt moulding	B5A 7003110-G	1
	55/56	57, 59B, 60, 70B, 70C, 73B, 73C, 79	With belt moulding	B5A 7003110-H	1
	55/56	59A, 70A, 70D, 73A, 78	Without belt moulding	B5A 7003110-J	1
	55/56	76	With belt moulding	B5A 7603110-B	1
	56	59A, 70A, 70D, 73A, 78	With belt moulding -Used on Body Type 78-"From 6/1/56"	B5A 7003110-H	1
	56	64		B5A 7003110-G	1
	56	78	With belt moulding	B5A 7003110-G	1
	55/57	S		B5S 4003110-A	1
	57/58	51A, 57A, 58B, 63A, 64B, 76		B7A 6403110-A	1
	57/58	57B, 58A, 63B, 64A		B7A 6403110-B	1
	57/58	59, 66, 70, 73, 78, 79		B7A 7003110-C	1
	58/	S		B8S 6303110-A	1
	59	A(except 51A, 76B)		B9AB 6403110-A	1
	59	51A, 76B		B9AB 7603110-A	1
<b>03122</b>	<b>MOULDING ASSY. - WINDSHIELD - OUTSIDE - LOWER CORNER</b>				
	57/58	59, 66, 70, 73, 78, 79		B7A 7003122-A	2
<b>03126</b>	<b>WELT - WINDSHIELD HEADER</b>				
	58/	S(76A)		B8S 7603126-A	1
<b>03127</b>	<b>WELT ASSY. - WINDSHIELD FINISH STRIP</b>				
	53/54	A	60" long - rubber	BA 7003127-A	1
	55	A	Cut to 36"	BA 7003127-A	2
			Cut to 30"-rubber	B7A 7003127-B	2
	57/58	A	46" long-rubber-cut as required - with A/C	B7A 7003127-B	AR
	57/58	A		B7A 7003127-E	2
<b>03136-7</b>	<b>MOULDING - WINDSHIELD - OUTSIDE - SIDE</b>				
	53/54	60, 76	R. H. -Rustless Steel	BF 7603136-A	1
			L. H.	BF 7603137-A	1
			No. 4 x 3/8" Cross recess flat head screw	52003-S13(U194)	4
			No. 4 x 1/4" Cross recess flat head screw	*52050-S13	8
	54	73C	R. H. -Rustless Steel	BC 7303136-B	1
			L. H. -Rustless Steel	BC 7303137-B	1
			No. 4 x 3/8" Cross recess flat head screw	52003-S13(U194)	4
			No. 4 x 1/4" Cross recess flat head screw	*52050-S13	8
	55	60	R. H. -Rustless Steel	B5A 6003136-A	1
	55/56	64A, 64B, 64C	R. H.	B5A 6403136-A	1
			L. H.	B5A 6403137-A	1
	56	59A, 59B, 70, 73, 78	R. H. -Used on Body Type 78-"From 6/1/56"	B6A 7003136-A	1
			L. H.	B6A 7003137-A	1
	56	59C	R. H.	B5A 7003136-B	1
			L. H.	B5A 7003137-B	1
	55/56	64	Clip kit	B5A 130-A	2

NOTE 1 - Shaded Tinted

# FORD CAR PARTS

## BODY SECTION 030

703

GROUP NUMBER	YEAR	BODY TYPE	DESCRIPTION	PART NUMBER	QTY. PER VEHICLE
<b>03136-7 MOULDING - WINDSHIELD - OUTSIDE - SIDE - continued</b>					
	56	79	R. H. L. H.	B5A 7003136-A B5A 7003137-A	1 1
	55/56	57, 59B, 59C, 60, 64, 70B, 70C, 73B, 73C, 76, 79	No. 4 x 3/8" Cross recess flat head screw	52003-S13(U194)	2to6
	55/56	76	R. H. L. H.	B5A 7603136-A B5A 7603137-A	1 1
	55/57	S	R. H. -Rustless Steel L. H.	B5S 4003136-B B5S 4003137-B	1 1
	57/58	51A	R. H. L. H.	B7A 5103136-A B7A 5103137-A	1 1
			No. 6-18 x 3/8" Cross recess flat head screw	*52055-S13	4
	57/58	57A, 58B, 63A, 64B	R. H. L. H.	B7A 6403136-A B7A 6403137-A	1 1
	57/58	57B, 58A, 63B, 64A	R. H. L. H.	B7A 6403136-B B7A 6403137-B	1 1
	57/58	76	R. H. L. H.	B7A 7603136-A B7A 7603137-A	1 1
			No. 6-18 x 3/8" Cross recess flat head screw	*52055-S13	4
	58/	S	R. H. L. H.	B8S 6303136-A B8S 6303137-A	1 1
			No. 6 x 3/8" Binding head self-tapping screw	*32914-S8	10
	59	A(except 51A, 76B)	R. H. L. H.	B9A 6403136-A B9A 6403137-A	1 1
			No. 6 x 3/8" Cross recess flat head screw	*52055-S13	8
	59	51A, 76B	R. H. L. H.	B9A 7603136-A B9A 7603137-A	1 1
			No. 8 x 3/4" Cross recess oval head screw	52360-S13(U294)	2or3
<b>03144-5 MOULDING - WINDSHIELD - OUTSIDE - TOP</b>					
	53/54	60, 76	Rustless Steel	BA 7603144-B	1
	53/54	70B, 72B, 73B, 73C, 79	R. H. -Rustless Steel L. H.	BA 7003144-B BA 7003145-B	1 1
	54	59B	R. H. -Rustless Steel L. H.	BA 7003144-B BA 7003145-B	1 1
	55/56	59B, 60, 70B, 70C, 73B, 73C, 79	Rustless steel	B5A 7003144-D	1
	55/56	64	Rustless steel Clip Kit	B5A 6403144-A B5A 131-A	1 1
	56	57, 59A, 59B, 70, 73, 78, 79	Rustless steel-Used on Body Type 78 "From 6/1/56"	B5A 7003144-D	1
	55/57	S	Rustless steel Clip (retaining) Clip Kit	B5S 4003144-A B6S 4003180-A B5S 131-A	1 8 1
	57/58	51A	Clip Kit	B7A 5103144-A B7A 131-A	1 1
	57/58	57A, 58B, 63A, 64B	Retainer	B7A 6403144-A B7A 6403178-A	1 3
	57/58	57B, 58A, 63B, 64A		B7A 6403144-B	1
	57/58	59, 66, 70, 73, 78, 79	R. H. L. H.	B7A 7003144-A B7A 7003145-A	1 1
	57/58	76 "Before 12/1/57"		B7A 7603144-A	1
	58	76 "From 12/1/57"		B8A 7603144-A	1
	57/58	76	Clip Kit	B7A 131-A	1
	57/58	59, 63B, 64A, 66, 70, 73, 78, 79	No. 6 x 1/2" Cross recess flat head screw	52010-S8(U200)	2
	57/58	57A, 58B, 63A, 64B	No. 6 x 1/4" Cross recess pan head screw	*52713-S8	8
	57/58	51A, 76	No. 8 x 3/8" Cross recess pan head screw No. 8 x 3/4" Cross recess oval head screw	52720-S8(U380) 52360-S13(U294)	2 3
	58/	S(63A)	Rustless steel-Without sliding roof panel Retainer	B8S 6303144-A B8S 6303178-A	1 5
	58/	S(76A)	Rustless steel	B8S 7603144-A	1
	59	A(except 51A, 76B)	Retainer	B9A 6403144-A B9A 6403178-A	1 5
	59	51A		B9A 5103144-A	1
	59	76B		B9A 7603144-A	1

**BODY  
SECTION 030**
**FORD CAR PARTS**

GROUP NUMBER	YEAR 19	BODY TYPE	DESCRIPTION	PART NUMBER	QTY. PER VEHICLE
<b>03148-9 MOULDING - WINDSHIELD - OUTSIDE - BELT</b>					
	53/54	59, 60, 70, 72, 73, 76, 78, 79	R. H. -Rustless steel L. H.	BA 7003148-A BA 7003149-A	1 1
	53/54	59, 70, 72, 73, 76, 78, 79	No. 4 x 1/2" Cross recess flat head screw	355654-S13(UU45)	2
	53/54	60	No. 4 x 3/8" Cross recess flat head screw	52003-S13(U194)	2
	55	59B, 70B, 70C, 73B, 73C, 78, 79	R. H. -Rustless steel L. H.	B5A 7003148-A B5A 7003149-A	1 1
	55/56	60, 64, 76	R. H. -Rustless steel L. H.	B5A 6003148-A B5A 6003149-A	1 1
			No. 6 x 3/4" Oval head sheet metal screw	33000-S13 (U330)	2
	56	59C, 78, 79	R. H. -Used on Body Type 78-"Before 6/1/56" L. H.	B5A 7003148-A B5A 7003149-A	1 1
	56	59A, 59B, 70, 73, 78	R. H. -Used on Body Type 78-"From 6/1/56" L. H.	B6A 7003148-A B6A 7003149-A	1 1
	55/56	59, 70, 73, 78, 79	No. 4 x 3/8" Cross recess flat head screw	52003-S13 (U194)	2
	55/57	S	R. H. -Rustless Steel L. H.	B5S 4003148-A B5S 4003149-A	1 1
	57	51A, 57, 58, 63, 64, 76	R. H. L. H.	B7A 6403148-A B7A 6403149-A	1 1
	57	59, 66, 70, 73, 78, 79	R. H. -Replaced by 1 each of B7A 6403148-A & B7A 7003122-A L. H. -Replaced by 1 each of B7A 6403149-A & B7A 7003122-A	★B7A 7003148-A ★B7A 7003149-A	1 1
	58	A	R. H. L. H.	B7A 6403148-A B7A 6403149-A	1 1
	59	A		B9AB 6403148-A	1
	57/	A	No. 6 x 1/2" Cross recess flat head screw	52010-S8(U200)	2
<b>03178-9 RETAINER - WINDSHIELD OUTSIDE TOP MOULDING</b>					
	55/57	S	R. H. L. H.	B5S 4003178-A B5S 4003179-A	1 1
	57/58	57A, 58B, 63A, 64B		B7A 6403178-A	3
	58/	S(63A)		B8S 6303178-A	5
	59	A(except 51A, 76B)		B9AB 6403178-A	5
<b>03180 CLIP - WINDSHIELD OUTSIDE MOULDING RETAINER</b>					
	55/57	S		B6S 4003180-A	7or8
<b>03198-9 WEATHERSTRIP-WINDSHIELD UPPER GARNISH MOULDING OR FRONT BODY PILLAR- Also Refer to Group 02626-7</b>					
	55/56	76	R. H. -Cut as required L. H.	B6A 7603198-C B6A 7603199-C	1 1
	57/58	51A, 76B	R. H. -Front body pillar L. H.	B7A 7603198-A B7A 7603199-A	1 1
	59	51A	R. H. -Front body pillar L. H.	B9A 5103198-A B9A 5103199-A	1 1
	59	76B	R. H. -Front body pillar L. H.	B9A 7603198-A B9A 7603199-A	1 1
	59	51A, 76B	No. 8 x 1/2" Cross recess pan head screw	52726-S13 (U381)	2
	59	57A, 63A, 65A, 75A	Front body pillar - 14.42" long	B9A 5703198-A	2
<b>03228-9 WING ASSY. - WINDSHIELD SIDE</b>					
	56/57	S	R. H. -Laminated glass-Clear L. H.	B6S 4003228-A B6S 4003229-A	1 1
<b>03232-3 BRACKET ASSY. - WINDSHIELD SIDE WING LOWER HINGE</b>					
	56/57	S	R. H. L. H.	B6S 4003232-A B6S 4003233-A	1 1
			No. 6 x 1/4" Cross recess binding head screw	★52713-S8	4
			No. 6 Lockwasher	34801-S7 (X58)	4
<b>03234 BUSHING - WINDSHIELD SIDE WING HINGE</b>					
	56/57	S		B6S 4003234-A	4
<b>03238 GLASS ASSY. - WINDSHIELD SIDE WING</b>					
	56/57	S	Laminated glass-Clear -Tinted	B6S 4003238-A B6S 4003238-B	2 2
<b>03408 PANEL ASSY. - WINDSHIELD HEADER</b>					
	59	A(except 51A, 76B)		B9A 5803408-A	1
	59	51A		B9A 5103408-A	1
	59	76B		B9A 7603408-A	1

# FORD CAR PARTS

## BODY SECTION 030

705

GROUP NUMBER	YEAR	BODY TYPE	DESCRIPTION	PART NUMBER	QTY. PER VEHICLE
<b>03410</b>		<b>PANEL ASSY. - WINDSHIELD HEADER - INNER</b>			
	58/	S		B8S 7603410-A	1
<b>03412</b>		<b>PANEL ASSY. - WINDSHIELD HEADER - OUTER</b>			
	58/	S(63A)		B8S 6303412-A	1
	58/	S(76A)		B8S 7603412-A	1
<b>03458-9</b>		<b>DOWEL - WINDSHIELD HEADER - SIDE</b>			
	55/57	S	Rustless Steel	B5S 4003458-B	2
	59	76B		B9A 7603458-A	2
	58/	S(76A)		B8S 7603458-A	2
<b>03468-9</b>		<b>REINFORCEMENT - WINDSHIELD OPENING - LOWER SIDE</b>			
	55/57	S	R. H.	B5S 4003468-A	1
			L. H.	B5S 4003469-A	1
	57/58	A	R. H.	B7A 7003468-A	1
			L. H.	B8A 5803469-A	1
	59	A	R. H.	B9A 5803468-A	1
			L. H.	B9A 5803469-A	1
<b>03470-1</b>		<b>EXTENSION - WINDSHIELD OPENING LOWER SIDE REINFORCEMENT</b>			
	55/57	S	R. H.	B5S 4003470-A	1
			L. H.	B5S 4003471-A	1
<b>03474</b>		<b>PLATE - WINDSHIELD HEADER DOWEL STRIKER</b>			
	55/57	S	Bronze or Brass	B5S 4003474-B	2
	57/58	76	"Before 12/1/57"	B7A 7603474-A	2
	58	76B	"From 12/1/57"	B8A 7603474-A	2
			1/4"-28 x 5/8" Cross recess oval head screw & washer assy.	*50706-S7	4
	58/	S(76A)		B8S 7603474-A	2
			1/4"-20 x .63" Flat head screw & washer assy.	354831-S7(BB115)	4
	59	76B		B9A 7603474-A	2
<b>03490-1</b>		<b>PLATE - WINDSHIELD HEADER DOWEL ANCHOR</b>			
	55/57	40B	R. H.	B5S 4003490-A	1
			L. H.	B5S 4003491-A	1
<b>03560-1</b>		<b>REINFORCEMENT ASSY. - WINDSHIELD OPENING - LOWER</b>			
	58/59	S	R. H.	B9SB 6303560-A	1
			L. H.	B9SB 6303561-A	1
<b>03570</b>		<b>HANDLE - TOP LOCKING</b>			
	53/54	76		BA 7603570-A	1
			No. 10-32 Set screw	351745-S8(UU24)	4
<b>03598-9</b>		<b>MOULDING - WINDSHIELD GARNISH - SIDE</b>			
	55	S	R. H. -Chrome	B5S 4003598-A	1
			L. H.	B5S 4003599-A	1
	56/57	S	R. H.	B6S 4003598-A	1
			L. H.	B6S 4003599-A	1
			No. 8 x 1 1/2" Cross recess oval head screw	52388-S13(U298)	2
	57/58	51A	R. H. -Paint to match	B7A 5103598-AP	1
			L. H.	B7A 5103599-AP	1
	57/58	57, 58, 63, 64	R. H. -Paint to match	B7A 6403598-AP	1
			L. H.	B7A 6403599-AP	1
	57/58	59, 66, 70, 73, 78, 79	R. H. -Paint to match	B7A 7003598-AP	1
			L. H.	B7A 7003599-AP	1
	57/58	76	R. H. -Paint to match	B7A 7603598-AP	1
			L. H.	B7A 7603599-AP	1
	57/58	59, 66, 70, 73, 76, 79	No. 8 x 3/8" Cross recess pan head screw	52720-S8(U380)	2
	57, 58	51A, 76	No.8 x 1" Cross recess oval head self tapping screw	52376-S13(U296)	8
	57/58	A	No. 8 x 2" Cross recess oval head sheet metal screw	352954-S13(UU55)	2
	58	57, 58, 59, 63, 64, 66, 70, 73, 78, 79	No. 8 x 1" Cross recess oval head self tapping screw	52376-S13(U296)	4
	58/	S	R. H. - Chrome	B8S 6303598-A	1
			L. H.	B8S 6303599-A	1
			No. 8 x 5/8" Cross recess oval head screw	*52926-S13	4
	59	54A, 58, 59, 64, 66C, 71	R. H. -Paint to match	B9A 6403598-A	1
			L. H.	B9A 6403599-A	1
	59	51A, 76B	R. H. -Paint to match	B9AB 7603598-CP	1
			L. H.	B9AB 7603599-CP	1
	59	51A	No. 8 x 3/4" Cross recess oval head screw	52360-S13(U294)	2
	59	76B	No. 8 x 1/2" Cross recess pan head screw	52726-S13(U381)	4
	59	57A, 63A, 65A, 75A	R. H. -Paint to match	B9AB 5703598-AP	1
			L. H.	B9AB 5703599-AP	1
			No. 8 x 2 1/2" Cross recess oval head screw	371847-S13(UU56)	2

GROUP NUMBER	YEAR 16	BODY TYPE	DESCRIPTION	PART NUMBER	QTY. PER VEHICLE
<b>03606-7 MOULDING - WINDSHIELD GARNISH - UPPER</b>					
	55/57	S	Rustless Steel	B6S 4003606-C	1
	57/58	A(except 51A, 76, 78)	R. H. -Paint to match L. H.	B7A 7003606-AP B7A 7003607-AP	1 1
	57/58	51A	R. H. -Paint to match L. H.	B7A 5103606-AP B7A 5103607-AP	1 1
	57/58	76B	With manual header lock-Paint to match	B7A 7603606-AP	1
	57/58	78	Paint to match	B7A 7803606-AP	1
	58/	S(63A)	Chrome	B8S 6303606-A	1
	58/	S(76A)	Chrome	B8S 7603606-A	1
	55/	S	No. 8 x 3/4" Cross recess oval head screw	52360-S13(U294)	3or4
	59	A(except 51A, 76B)	R. H. -Paint to match L.H.	B9A 6403606-A B9A 6403607-A	1 1
	59	51A	Paint to match	B9AB 5103606-BP	1
	59	76B	Paint to match	B9AB 7603606-BP	1
<b>03626-7 MOULDING - WINDSHIELD GARNISH - LOWER</b>					
	55/57	S	R. H. L. H.	B5S 4003626-A B5S 4003627-A	1 1
	57/58	A	R. H. -Paint to match L. H.	B7A 7003626-AP B7A 7003627-AP	1 1
			No.8 x 1"Cross recess oval head self-tapping screw	52376-S13 (U296)	4
			No.8 x 2"Cross recess oval head sheet metal screw	352954-S13(UU55)	2
	58/	S	Paint to match-With defroster slots	B9SB 6303626-AP	1
	55/	S	No. 8 x 7/8" Cross recess oval head self tapping screw	52368-S23(U295)	2or5
	59	A	R. H. -Paint to match L. H.	B9A 6403626-A B9A 6403627-A	1 1
			No. 8-15 x 2 1/2" Cross recess oval head screw	371847-S13(UU56)	4
<b>03654 COVER - WINDSHIELD GARNISH MOULDING JOINT - CENTER</b>					
	55/57	S		B5S 4003654-A	1
<b>03658 COVER - WINDSHIELD GARNISH MOULDING JOINT - UPPER CORNER</b>					
	57/58	59A, 66, 70A, 70D, 73A, 78, 79A	Use on units with only one visor-Paint to match No. 8 x 1 1/2"Cross recess oval head self-tapping screw	B7A 7003658-AP 52388-S13(U298)	1 1
<b>03662-3 MOULDING - WINDSHIELD GARNISH - LOWER CORNER</b>					
	58/	S	R. H. L. H.	B8S 6303662-A B8S 6303663-A	1 1
			No. 8 x 7/8" Cross recess oval head self tapping screw	52368-S23 (U295)	4
<b>04088-9 BRACKET - INSTRUMENT PANEL PAD ASSY. TO PILLAR</b>					
	58/	S	R. H. L. H.	B8S 6304088-A B8S 6304089-A	1 1
<b>04114 PIN - VISOR ANCHOR</b>					
	58/	S		B8S 6304114-A	2
	58/	A		B8A 7004114-A	2
<b>04131 CLIP ASSY. - VISOR ARM</b>					
	56/57	S		B6S 4004131-A	2
	58/	S		B8S 7604131-A	2
<b>04132 CLIP - VISOR PIN</b>					
	58	A(except 51A, 76)		B8A 7004132-A	1
	59	A(except 51A, 76B)		B9A 5704132-A	1
	58/59	A(except 51A, 76)	No. 10-12 x 1/2" pan head screw No. 10 Internal tooth lockwasher	★52727-S8 34903-S8(X96)	1or2 1or2
	58/59	51A, 76B	Gray Plastic	B8A 7604132-A	2
<b>04144-5 ARM and BRACKET ASSY. - VISOR - LESS VISOR</b>					
	53/54	59, 70, 72, 73, 78, 79	Die Cast-Paint to match	BA 7004144-EP	1or2
	53/54	60B	R. H. -Paint to match L. H.	BA 6004144-BP BA 6004145-BP	1 1
	53/54	76	R. H. -Paint to match L. H.	BA 7604144-BP BA 7604145-BP	1 1
	54	60F	R. H. -Used without extension visor-paint to match	BM 6004144-AP	1
	55	76	R. H. -Chrome L. H.	B5A 7604144-A B5A 7604145-A	1 1
			No. 8 x 1" Oval head sheet metal screw	52376-S13 (U296)	6

# FORD CAR PARTS

**BODY  
SECTION 042**

707

GROUP NUMBER	YEAR	BODY TYPE	DESCRIPTION	PART NUMBER	QTY. PER VEHICLE
<b>04144-5 ARM and BRACKET ASSY. - VISOR - LESS VISOR - continued</b>					
	55/56	57,59A, 59B, 60, 70, 73, 78, 79	Paint to match-Rod 10 1/2" long-Cut as required	B6A 7004144-AP	2
	56	59C	Rod 10 1/2" long-Cut as required-Chrome	B6A 7304144-B	2
	55/56	64A	R. H. -Paint to match-Rod 10 1/2" long-Cut as required L. H.	B6A 6404144-DP B6A 6404145-DP	1 1
	56	64C	R. H. -Paint to match-Rod 10 1/2" long-Cut as required L. H.	B6A 6404144-BP B6A 6404145-BP	1 1
	55/56	76	R. H. -Paint to match-Rod 10 1/2" long L. H.	B6A 7604144-BP B6A 7604145-BP	1 1
	55/56	57, 59, 70, 73, 78, 79	No. 10 x 5/8" Cross recess oval head screw	52353-S13(U303)	3or6
	56/57	S	R. H. L. H.	B6S 4004144-A B6S 4004145-A	1 1
	57/58	51A	R. H. -Paint to match L. H.	B7A 5104144-AP B7A 5104145-AP	1 1
	57/58	57, 58, 63, 64	R. H. -Paint to match L. H.	B7A 6404144-AP B7A 6404145-AP	1 1
	57/58	59, 66, 70, 73, 78, 79	R. H. -Paint to match L. H.	B7A 7004144-AP B7A 7004145-AP	1 1
	57/58	76	R. H. -Paint to match L. H.	B7A 7604144-AP B7A 7604145-AP	1 1
	57/58	A	No. 8-15 x 1 1/2" Cross recess oval head screw	359572-S13(BB606)	AR
	58/	S	R. H. L. H.	B8S 6304144-A B8S 6304145-A	1 1
			No. 8 x 1 1/2" Cross recess oval head screw	52388-S13(U298)	8
	59	A(except 51A, 76B)	Paint to match	B9A 5704144-A	1or2
	59	51A	R. H. -Paint to match L. H.	B9AB 5104144-BP B9AB 5104145-BP	1 1
	59	76B	R. H. -Paint to match L. H.	B9AB 7604144-BP B9AB 7604145-BP	1 1
	59	A	No. 8-15 x 7/8" Cross recess oval head screw	52368-S23(U295)	AR
<b>04190 MOULDING - VENTILATOR - AIR REGISTER PANEL</b>					
	58/59	S	R. H. L. H. -Refer to Group 04240-1 Retainer (moulding)	B8S 6304190-A B8S 6302820-A	1 5
<b>04200 KIT - INSTRUMENT PANEL SAFETY COVER ATTACHING</b>					
	56	A		B6A 7004200-A	1
			Consists of		
		1-B6A 10987-A	Moulding - Cluster	1- B6A 7004472-A Moulding - Cluster	
		1-B6A 7003127-C	Welt - garnish moulding	1- B6A 7004810-BP Receptacle - ash	
		1-B6A 7004332-A	Moulding - RH	1- B6A 7004882-A Shield - ash receptacle	
		1-B6A 7004333-A	Moulding - LH	23- 52776-S13 Screw - cluster moulding retainer	
		8-B6A 7004439-A	Retainer - moulding	1- C2AZ 19C525-A Cement (pint)	
	57/58	A		B7A 7004200-A	1
			Consists of		
		2-B7A 7003127-E	Welt - garnish moulding	16-B6A7004439-A Retainer - moulding	
		1-B7A 7004264-B	Moulding-inst. panel end-RH	2-B7A 7004492-A Retainer - radio grille	
		1-B7A 7004265-B	Moulding-inst. panel end-LH	2-52360-S13 Screw - retainer	
		1-B7A 7004296-A	Moulding-inst. panel-RH	2-357293-S3 Clip - retainer	
		1-B7A 7004297-A	Moulding-inst. panel-LH	1-C2AZ 19C525-A Cement (pint)	
	59	A		B9A 6404200-A	1
			Consists of		
		1-B9A 6404264-A	Moulding-inst. panel end-RH	2-357849-S100 Clip	
		1-B9A 6404265-A	Moulding-inst. panel end-LH	2-52360-S13 Screw	
		1-B9A 6404296-A	Moulding-inst. panel-RH	2-44719-S8 Washer	
		1-B9A 6404297-A	Moulding-inst. panel-LH	2-34938-S8 Washer	
		11-B6A 7004439-A	Retainer-moulding	4-34052-S7 Nut	
		2-B7A 7004492-A	Retainer-radio grille	1- C2AZ 19C525-A Cement (pint)	
<b>04240-1 MOULDING - VENTILATOR AIR REGISTER PANEL</b>					
	58/59	S	R. H. -Refer to Group 04190		
	58/59	S	L. H. -Inner	B8S 6304240-A	1
	58/59	S	L. H. -Outer	B8S 6304241-A	1
			Retainer (moulding)	B8S 6302820-A	6

**BODY  
SECTION 042**
**FORD CAR PARTS**

GROUP NUMBER	YEAR 19	BODY TYPE	DESCRIPTION	PART NUMBER	QTY. PER VEHICLE
<b>04259</b>	<b>RETAINER - INSTRUMENT PANEL PAD AT GLOVE COMPARTMENT OPENING - LOWER</b>				
	59/	S		B9SB 6304259-A	1
<b>04264-5</b>	<b>MOULDING ASSY. - INSTRUMENT PANEL END UPPER COVER RETAINING</b>				
	57/58	A	R. H.	B7A 7004264-B	1
			L. H.	B7A 7004265-B	1
			Clip	357293-S3(GG113)	2
			No. 8 x 3/4" Cross recess oval head screw	52360-S13(U294)	2
	59	A	R. H.	B9A 6404264-A	1
			L. H.	B9A 6404265-A	1
<b>04276-7</b>	<b>RETAINER ASSY. - INSTRUMENT PANEL PAD</b>				
	59/	S	R. H.	C0SB 6304276-A	1
			L. H.	C0SB 6304277-A	1
<b>04280</b>	<b>RETAINER - INSTRUMENT PANEL PAD AT GLOVE COMPARTMENT OPENING - UPPER</b>				
	59/	S	R. H.	B9SB 6304280-A	1
			L. H. -Cut to fit		1
<b>04296-7</b>	<b>MOULDING - INSTRUMENT PANEL UPPER COVER RETAINING</b>				
	57/58	A	R. H.	B7A 7004296-A	1
			L. H.	B7A 7004297-A	1
	59	A	R. H.	B9A 6404296-A	1
	57/59	A	Retainer (moulding)	B6A 7004439-A	8
	59	A	L. H.	B9A 6404297-A	1
	57/59	A	Retainer (moulding)	B6A 7004439-A	2
<b>04320</b>	<b>PANEL ASSY. - INSTRUMENT</b>				
	53	A	Paint to match-Drill holes as required	BF 7004320-AP	1
	55,56	S	Less Vinyl cover	B6S 4004320-BP	1
	56	A	Paint to match	*B6A 7004320-AP	1
	57	S	Cover as desired	B7S 4004320-BP	1
	57	A	Cover as desired	B7A 7004320-A	1
	58	A	Cover as desired	B8A 7004320-A	1
	58/	S	Cover as desired	C0SB 6304320-B	1
	59	A	Cover as desired	B9A 6404320-A	1
	53/	A, S	5/16" - 24 x 1" Hex. head bolt	20387-S8(B157)	2
			5/16" Lockwasher	34806-S7(X64)	2
			5/16" Flat washer	44722-S8(X19)	2
			5/16"-24 Hex. nut	33798-S8(M62)	2
			No. 8 Flat washer	44710-S8(X10)	8
			No. 8 x 1/2" Hex. head screw	*42006-S8	8
<b>04334-5</b>	<b>PANEL - INSTRUMENT PANEL END</b>				
	56	76	R. H.	B6A 7604334-CP	1
			L. H.	B6A 7604335-CP	1
			No. 8 x 2"Cross recess oval head sheet metal screw	352954-S13(UU55)	2
	57/58	A	L. H.	B7A 7004335-A	1
	59	S	Refer to Soft Trim Section		
	59	A	R. H.	B9A 6404334-A	1
			L. H.	B9A 6404335-A	1
<b>04338</b>	<b>PANEL - INSTRUMENT PANEL FINISH</b>				
	54	A	Aluminum	BM 7004338-B	1
			No. 8 x 1/2" Fillister head screw	31061-S8(U50)	6
			No. 8 Flat washer	44710-S8(X10)	6
			No. 8-32 Hex. nut	34052-S7(M155)	6
			No. 8 Lockwasher	34802-S7(X59)	6
	55,56	S	Center-aluminum	B5S 4004338-B	1
	57	S	Center-aluminum	B7S 4004338-A	1
<b>04358-9</b>	<b>PLATE - INSTRUMENT PANEL UPPER EXTENSION END FINISH</b>				
	55/57	S	R. H.	B5S 4004358-A	1
			L. H.	B5S 4004359-A	1
			No. 10 x 5/8" Cross recess oval head screw	52353-S13(U303)	4
<b>04360</b>	<b>COVER - INSTRUMENT PANEL RADIO OPENING ACCESS - BOTTOM</b>				
	55/57	S	Plastic covered bolt	B5S 4004360-A	1
			No. 10 Lockwasher	B4A 7004648-A	2
			No. 10 - 32 Nut	34803-S7(X60)	2
				34079-S7(M163)	2



# FORD CAR PARTS

## BODY SECTION 042

709

GROUP NUMBER	YEAR 19__	BODY TYPE	DESCRIPTION	PART NUMBER	QTY. PER VEHICLE
<b>04366-7 BRACKET - INSTRUMENT PANEL TO PILLAR</b>					
	55/56	A, S		B5A 7004366-A	2
	57/58	A	L. H.	B7A 7004367-A	1
	55/58	A, S	5/16"-24 x 1 1/8" Hex. washer head bolt	353483-S2 (BB588)	2
			5/16"-24 x 1" Hex. head bolt	20387-S8(B157)	2
			5/16"-24 Hex. nut	33798-S8(M62)	2
	58/59	S	Refer to Group 04088-9		
	59	A	R. H.	B9A 6404366-A	1
			L. H.	B9A 6404367-A	1
	59/	A	5/16"-24 x 1 1/8" Hex. washer head bolt	353483-S2 (BB588)	4
			5/16"-24 Hex. nut	33798-S8(M62)	4
<b>04371 PLATE - INSTRUMENT PANEL RADIO DIAL HOLE</b>					
	54	A	When radio not used-paint to match	BM 7004371-A	1
			Bolt (plastic covered)	B4A 7004648-A	2
			No. 10 Lockwasher	34803-S7 (X60)	2
			No. 10 - 32 Nut	34079-S7(M163)	2
	55	A	When radio not used-paint to match	B5A 7004371-AP	1
			No. 10 x 7/8" Cross recess oval head screw	353998-S13(BB603)	2
	56	A	When radio not used-paint to match	B6A 7004371-AP	1
	57	A	When radio not used-paint to match	B7A 7004371-A	1
	58	A	When radio not used-paint to match	B8A 7004371-A	1
	59	A	When radio not used	B9A 6404371-A	1
<b>04392-3 PANEL - INSTRUMENT PANEL - FINISH END</b>					
	55/57	S	R. H.	B5S 4004392-A	1
	55/56	S	L. H.	B5S 4004393-B	1
	57	S	L. H.	B7S 4004393-A	1
	59	51A, 54A, 65A, 75A, 76B	R. H. -Chrome	B9A 6504392-A	1
			L. H.	B9A 6504393-A	1
<b>04397 RETAINER ASSY. - INSTRUMENT PANEL RADIO GRILLE MOUNTING</b>					
	57	S		B7S 4004397-A	4
<b>04405 GRILLE ASSY. - INSTRUMENT OR CONSOLE PANEL RADIO - Paint to Match</b>					
	58/	S		B8S 6304405-AP	1
<b>04406 SCREEN - CONSOLE PANEL RADIO GRILLE</b>					
	58/	S		B8S 6304406-A	1
<b>04407 EMBLEM - INSTRUMENT PANEL</b>					
	54	A	8 Cylinder	BM 7004407-B	1
	55/56	A, S	8 Cylinder	B6A 7004407-A	1
			Clip (tubular)	358668-S2(MM225)	1
	57	A	Glove door push button shield	B7A 7004407-A	1
			Retainer	B7A 7004417-A	1
	57	A	8 Cylinder	B7A 7004407-C	1
	58	A	"Interceptor Special"	B8A 7004407-A	1
	57/58	A	1/8" Sleeve nut	353577-S2(MM222)	1
	58	57B, 58A, 59, 63B, 64A, 66, 70, 73, 78, 79D	Glove door push button shield	B7A 7004407-A	1
	59	58A, 58E, 59, 64A, 64F, 64G, 66C, 71			
			Retainer	B7A 7004417-A	1
<b>04417 RETAINER - GLOVE COMPARTMENT DOOR PUSH BUTTON SHIELD EMBLEM</b>					
	57	A		B7A 7004417-A	1
	58	57B, 58A, 59, 63B, 64A, 66, 70, 73, 78, 79D			1
	59	58A, 58E, 57, 64A, 64F, 64G, 66C, 71			1
<b>04428 COVER - CLOCK OPENING</b>					
	55	A	Heater control opening-Paint to match	B5A 7004428-AP	1
	55	59A, 70A, 70D, 73A, 78			1
			No. 10 Lockwasher	34803-S7(X60)	2
			No. 10 - 32 Nut	34079-S7(M163)	2
	56	59A, 70A, 70D, 73A, 78	Gasket-cut 7.40" from B6A 17248		
	56	A	No. 8 x 3/8" Round head screw		3
	57	A		B7A 7004428-A	2

GROUP NUMBER	YEAR 19	BODY TYPE	DESCRIPTION	PART NUMBER	QTY. PER VEHICLE
<b>04428</b>	<b>COVER - CLOCK OPENING - continued</b>				
	58	57B, 58A, 59, 63B, 64A, 66, 70, 73, 78, 79D		B8A 7004428-A	1
	58	79C, 79E		B8A 5904428-A	1
	59	58A, 58E, 59, 64A, 64F, 64G, 66C, 71		B9A 7104428-A	1
<b>04438</b>	<b>PANEL - INSTRUMENT PANEL CLUSTER FINISH</b>				
	57	S		B7S 4004438-A	4
<b>04439</b>	<b>RETAINER - INSTRUMENT PANEL MOULDING</b>				
	56/59	A	Used with padded instrument panel	B6A 7004439-A	8to11
<b>04454</b>	<b>GRILLE - INSTRUMENT PANEL RADIO</b>				
	55/57	S	Paint to match	B5S 4004454-AP	1
	57	S	Retainer	B7S 4004397-A	4
	55/57	S	No. 8 Lockwasher (external tooth)	34938-S8(X85)	4
			No. 8-32 Hex. nut	34052-S7(M155)	4
	57/58	A	Paint to match	B7A 7004454-AP	1
	59	A	Paint to match	B9A 6404454-A	1
	57/59	A	Retainer-Used with padded instrument panel	B7A 7004492-A	2
	54/	A	Clip assy.	357849-S100(RR40)	2
			1/4" Flat washer	44719-S8(X17)	2
			No. 8 Lockwasher	34802-S7(X59)	2
			No. 8 - 32 Hex. nut	34052-S7(M155)	2
<b>04460</b>	<b>PLATE - INSTRUMENT PANEL NAME</b>				
	55	59B, 60, 64, 70B, 70C, 73B, 73C, 76, 79	"Ford"	B5A 7004460-A	1
	56	57, 59B, 59C, 64, 70B, 70C, 73B, 73C, 76, 79			1
	55/57	S	"Thunderbird"-Not used with safety pad	B5S 4004460-A	1
	58/	S	"Thunderbird"	B8S 6304460-A	1
	59	51A, 54A, 64H, 65A, 75A, 76B	"Galaxie"	B9AB 5404460-A	1
			1/8" Sleeve nut	353577-S2(MM222)	2
<b>04492</b>	<b>RETAINER ASSY. - INSTRUMENT PANEL RADIO GRILLE</b>				
	57/59	A	Used with padded instrument panel	B7A 7004492-A	2
<b>04496</b>	<b>COVER - INSTRUMENT PANEL HEATER CONTROL OPENING</b>				
	57	A		B7A 7004496-A	1
	58	A		B8A 7004496-A	1
	58/	S		B9S 6304496-A	1
	59	A		B9A 6404496-A	1
<b>04506</b>	<b>COVER ASSY. - INSTRUMENT PANEL HEATER CONTROL OPENING</b>				
	55/57	S	Not used when heater is installed	B5S 4004506-B	1
<b>04513</b>	<b>COVER AND CAP ASSY. - INSTRUMENT PANEL VENTILATOR AIR CONTROL OPENING</b>				
	58/	A	Use with 8 cyl. with air conditioner	B8A 7004513-A	2
<b>04528</b>	<b>BRACKET - INSTRUMENT PANEL HEATER CONTROL OPENING COVER MOUNTING</b>				
	57/	A		B7A 7004528-A	2
<b>04541</b>	<b>PAD - ROOF SIDE MEDALLION</b>				
	53/54	60	Roof side ornament	1A 7004541	2
	54	73C, 76	Body side ornament		2
	55	60, 64, 70C, 73C, 76	Luggage compartment door ornament		1
	55	64	Quarter lock pillar ornament		2
	55	64, 76	Rear seat back moulding		1
	55	79C	Tail gate ornament		1
	55/56	40B	Roof side ornament		2
	55/56	79C	Front fender ornament		2
	55/56	S	Fuel filler door		1
	55/56	S	Hood		1
	56	59C	Door ornament		2
	56	59C, 64A, 64B, 76	Rear seat back moulding		1
	57	51A, 57A, 58B, 63A, 64B, 76	Rear seat back moulding		1
	57/58	51A	Roof side ornament		2
	58	51A, 57A, 63A, 76	Rear seat back moulding		1
	59	51A, 76B	Rear seat back moulding		1

# FORD CAR PARTS

**BODY  
SECTION 042**

711

GROUP NUMBER	YEAR	BODY TYPE	DESCRIPTION	PART NUMBER	QTY. PER VEHICLE
<b>04578-9 MOULDING - CONSOLE PANEL LOWER EDGE</b>					
	58/	S	R. H.	B8S 6304578-A	1
			L. H.	B8S 6304579-A	1
	58/	S	No. 8 x 1/2" Cross recess pan head screw	52726-S13(U381)	6or12
			No. 8-15 Nut (speed)	353304-SA (MM247)	6or12
<b>04603 KIT - CIGAR LIGHTER ELEMENT DISPLAY</b>					
	53/55	All	Consists of 12 elements on display card for automatic type cigar lighter (6 volt)	8A 7004603-A	
<b>04610 ELEMENT and KNOB ASSY. - CIGAR LIGHTER - REFER TO CHASSIS GROUP 15052</b>					
<b>04616 ELEMENT ASSY. - CIGAR LIGHTER - REFER TO GROUP 04603</b>					
<b>04640 COVER - INSTRUMENT PANEL RADIO ACCESS</b>					
	58/	S(63A)		B8S 6304640-A	1
	58/	S(76A)		B8S 7604640-A	1
	58/	S	No. 8 x 3/8" Cross recess pan head screw	52338-S13(U300)	4
<b>04648 COVER - INSTRUMENT PANEL RADIO and CIGAR LIGHTER HOLES</b>					
	54	A	Use when radio or cigar lighter are not installed	B4A 7004648-A	2or3
	55/57	S	Not used when radio or cigar lighter is installed	B4A 7004648-A	3
			No. 10 Lockwasher	34803-S7(X60)	3
			No. 10-32 Nut	34079-S7(M163)	3
<b>04673 SHIELD - INSTRUMENT PANEL TRANSMISSION INDICATOR</b>					
	59	A	Use with Automatic Transmission	B9A 6404673-A	1
			No. 8 x 3/8" Cross recess pan head screw	52720-S8(U380)	2
<b>04706 PANEL ASSY. - CONSOLE - FRONT</b>					
	58/59	S	Refer to Soft Trim Section		
<b>04708 PANEL ASSY. - CONSOLE - REAR</b>					
	58/59	S	Refer to Soft Trim Section		
<b>04728 MOULDING - CONSOLE - FRONT PANEL</b>					
	58/	S		B8S 6304728-A	1
<b>04730 MOULDING - CONSOLE - REAR PANEL</b>					
	58/	S		B8S 6304730-A	1
<b>04738 BRACKET - CONSOLE FRONT PANEL HEATER CONTROL MOUNTING</b>					
	57/	S		C0SB 6304738-A	1
<b>04740 RETAINER - CONSOLE PANEL MOULDING</b>					
	58/	S		B8S 6304740-A	13
<b>04754 PANEL ASSY. - INSTRUMENT PANEL DEFROSTER</b>					
	59	A		B9A 6404754-A	1
<b>04776 PANEL - INSTRUMENT PANEL AT CLUSTER FINISH - UPPER</b>					
	59	57A, 58, 59, 63A, 64, 66C, 71		B9A 6304776-A	1
			3/16" Nut (self-threading)	370792-S7(MM285)	2
<b>04810 RECEPTACLE ASSY. - INSTRUMENT PANEL ASH - Paint to Match</b>					
	55	A		B5A 7004810-AP	1
	56	A	With non-padded instrument panel	B6A 7004810-AP	1
	55/57	S		B5S 4004810-BP	1
	57	A	With retainer-Replaced by (1 each) B7A 7004810-BP & B8A 7004826-A	★B7A 7004810-AP	1
			No. 8 x 3/8" Cross recess binding head screw	52720-S8(U380)	3
	57/59	A	Use with B8A 7004826-A retainer-Replaced by (1 each) B9AB 6404810-AP & B9AB 6404826-A	★B7A 7004810-BP	1
	59	A	"From 2/3/59" Use with B9AB 6404826-A retainer	B9AB 6404810-AP	1
	57/59	A	"Before 8/28/59" Bumper	374212-S(CC26)	2
<b>04821 BOX and SNUFFER ASSY. - CONSOLE OR QUARTER PANEL ASH RECEPTACLE</b>					
	53/54	60	Quarter	21A 7004821-A	2
	55/56	59C, 60, 64, 76	Quarter		2
	57/58	51A, 63A, 76	Quarter		2
	59	51A, 76B	Quarter		2
	58/	S	Console	B8S 6304821-A	2

GROUP NUMBER	YEAR	BODY TYPE	DESCRIPTION	PART NUMBER	QTY. PER VEHICLE
<b>04826 RETAINER ASSY. - INSTRUMENT PANEL ASH RECEPTACLE</b>					
	55	A, S		B5A 7004826-A	1
	55/57	S			1
	57/59	A	Replaced by C1AZ 6204826-A & B9AB 6404810-AP (8-63)	*B8A 7004826-A	1
	58/59	S	Console-Refer to Group in Soft Trim Sections		
	59/	A		C1AZ 6204826-A	1
<b>04834-5 SPRING - INSTRUMENT PANEL ASH RECEPTACLE RETAINER COVER</b>					
	57	A	R. H.	B7A 6404834-A	1
			L. H.	B7A 6404835-A	1
<b>06010 COMPARTMENT ASSY. - GLOVE</b>					
	55	A	Without A/C	B5A 7006010-A	1
	56	A	Without A/C	B6A 7006010-A	1
	55/57	S		B5S 4006010-B	1
	57/58	A	Without A/C	B7A 7006010-B	1
	57/58	A(8 cyl.)	With A/C	B7A 7006010-C	1
	58/	S		C0SB 6306010-A	1
	59	A		B9AB 6406010-A	1
	59/	A, S	No. 8 x 1" Cross recess oval head screw	52376-S13(U296)	3to7
<b>06024 DOOR ASSY. - GLOVE COMPARTMENT</b>					
	55	A	Includes hinge-drill holes as required-Paint to match	B5A 7006024-BP	1
	53/56	A	Bumper	357811-S(CC11)	2
	57/59	A		B7A 7006024-C	1
	58/	S	Includes hinge	C0SB 6306024-B	1
			Bumper-includes attaching parts	B9SB 6306066-A	2
<b>06036 PANEL - GLOVE COMPARTMENT DOOR FINISH</b>					
	55/57	S	Aluminum	B5S 4006036-A	1
	58	51A, 57A, 58B, 63A, 64B, 76, 79C, 79E		B8A 6406036-B	1
	59	51A, 54A, 57A, 58B, 63A, 64B, 64H, 65A, 75A, 76B		B9AB 6406036-A	1
<b>06044 PANEL - GLOVE COMPARTMENT DOOR</b>					
	55/57	S		B5S 4006044-A	1
<b>06050 HINGE ASSY. - GLOVE COMPARTMENT DOOR</b>					
	55/57	S		B5S 4006050-A	1
	58/	S		C0SB 6306050-A	1
<b>06064 CATCH - GLOVE COMPARTMENT DOOR LOCK STRIKER PLATE</b>					
	53/54	A		BA 7006064-B	1
			No. 8-14 x 1/2" Cross recess flat head screw	52726-S13(U381)	2
	55	A		B5A 7006064-B	1
	56	A		B6A 7006064-A	1
	55/57	S		B5A 7006064-B	1
	57/59	A		B7A 7006064-A	1
	58/	S			1
<b>06066 BUMPER - GLOVE COMPARTMENT DOOR</b>					
	55/57	S		B5S 4006066-A	2
<b>06069 SPRING - GLOVE COMPARTMENT DOOR</b>					
	55/57	S		B5S 4006069-A	1
	53/58	A		BA 7006069-A	1
<b>06081 LOCK ASSY. - GLOVE COMPARTMENT DOOR - WITH LOCK CYLINDER and 2 KEYS - Refer to Group 3687 Chart</b>					
	53/54	A		BA 7006081-C	1
			No. 8-32 x 3/8" Cross recess binding head screw	51855-S	2
	55/57	S		B5S 4006081-A	1
	55	A		B5A 7006081-A	1
	56	A		B6A 7006081-C	1
	58	S		B8S 6306081-A	1
	59/	S		C0SB 7606081-A	1
	55/	A, S	No. 8 x 3/8" Cross recess binding head screw	52720-S8(U380)	2
	57/	A		B9A 6406081-A	1
			Grommet	370647-S(KK22)	1

# FORD CAR PARTS

## BODY SECTION 100

713

GROUP NUMBER	YEAR 19	BODY TYPE	DESCRIPTION	PART NUMBER	QTY. PER VEHICLE
<b>06115 BUMPER - GLOVE COMPARTMENT DOOR ARM</b>					
	56/	A		B6A 7006115-A	1
	55/57	S			2
	58/	S		B8S 6306115-A	2
<b>06117-8 STOP - GLOVE COMPARTMENT DOOR</b>					
	54	A	L. H. -Paint to match	BM 7006118-AP	1
	55	A	L. H. -Paint to match	B5A 7006118-AP	1
	55/57	S	R. H. -Paint to match	B5S 4006117-AP	1
			L. H.	B5S 4006118-AP	1
	57/59	A	Paint to match	B7A 7006117-BP	1
	58/	S	R. H.	B8S 6306117-A	1
			L. H.	B8S 6306118-A	1
	54/	A, S	No.10-32 x 3/8" Cross recess binding head screw	42802-S8(U33)	2or4
			No. 10 Lockwasher	34903-S8(X96)	2or4
<b>06122 GROMMET - GLOVE COMPARTMENT DOOR CHECK ARM</b>					
	53/54	A		1A 7006122	1
	55	A, S			2
<b>06151 PLATE - GLOVE COMPARTMENT DOOR LOCK LATCH GUIDE</b>					
	56	A		B6A 7006151-A	1
			No. 10 x 1/2" Binding head self-tapping screw	32924-S7(U344)	2
	55/57	S		B5S 4006151-A	1
<b>06190 SHIELD - GLOVE COMPARTMENT DOOR LOCK PUSH BUTTON</b>					
	55/57	S	Brass	B5S 4006190-A	1
	57/59	A	Refer to Group 04407		
<b>10008-9 MEMBER ASSY. - FRONT SIDE - INNER</b>					
	58/	S	R. H.	B8S 7610008-A	1
			L. H.	B8S 7610009-A	1
<b>10010 MEMBER ASSY. - FRONT SUSPENSION NO.2 CROSS</b>					
	58/	S		B8S 6310010-A	1
<b>10014 MEMBER ASSY. - FRONT SUSPENSION NO.1 CROSS</b>					
	58/	S		B8S 6310014-B	1
<b>10061 GUARD - FRONT SUSPENSION NO.1 CROSS MEMBER</b>					
	58/	S		B8S 6310061-A	1
			5/16"-18 x 3/4" Hex. head bolt	20346-S8(B50)	3
			5/16" Lockwasher	34806-S7(X64)	3
			5/16"-18 Hex. nut	33797-S7(M50)	3
<b>10102-3 BRACKET ASSY. - FLOOR SIDE MEMBER TO REAR FLOOR</b>					
	58/	S	R. H.	B9SB 7610102-A	1
			L. H.	B9SB 7610103-A	1
<b>10110-1 MEMBER ASSY. - FLOOR SIDE - FRONT</b>					
	58/	S	R. H.	B8S 7610110-A	1
			L. H.	B8S 7610111-A	1
<b>10120-1 MEMBER - FLOOR SIDE - OUTER</b>					
	58/	S	R. H.	B8S 6310120-A	1
			L. H.	B8S 6310121-A	1
<b>10124-5 MEMBER ASSY. - FLOOR SIDE - REAR</b>					
	58	S	L. H.	B8S 7610125-A	1
	59/	S	R. H.	B9S 7610124-A	1
			L. H.	B9S 7610125-A	1
<b>10128-9 PANEL ASSY. - BODY ROCKER</b>					
	53/54	59, 70, 72, 78	R. H.	BA 7010128-A	1
			L. H.	BA 7010129-A	1
	53/54	73, 79	L. H. -Cut (1) 1" x 3/4" hole at center pillar location when required	BM 7310129-A	1
	55/57	S	R. H.	B5S 4010128-A	1
			L. H.	B5S 4010129-A	1

**BODY  
SECTION 100**
**FORD CAR PARTS**

GROUP NUMBER	YEAR 19	BODY TYPE	DESCRIPTION	PART NUMBER	QTY. PER VEHICLE
<b>10128-9 PANEL ASSY. - BODY ROCKER - continued</b>					
57/58	57, 58		R. H.	B7A 5810128-B	1
			L. H.	B7A 5810129-B	1
57/58	59, 66, 70, 78		R. H.	B7A 7010128-A	1
			L. H.	B7A 7010129-A	1
57/58	73, 79		R. H.	B7A 7310128-A	1
			L. H.	B7A 7310129-A	1
57/58	51A, 63, 64, 76B		R. H.	B7A 7610128-A	1
			L. H.	B7A 7610129-A	1
58/	S		R. H.	B8S 6310128-A	1
			L. H.	B8S 6310129-A	1
59	51A, 59, 63A, 64, 65A, 66C, 76B		R. H.	B9A 6310128-A	1
			L. H.	B9A 6310129-A	1
			No. 8 x 3/4" Cross recess oval head screw	52360-S13(U294)	10
59	54A, 57A, 58, 71, 75A		R. H.	B9A 5810128-A	1
			L. H.	B9A 5810129-A	1
<b>10128-9 PANEL ASSY. - BODY ROCKER - REPAIR</b>					
53/54	59, 60, 70, 72, 76, 78		R. H. -regular	B2A 7010128-A	1
			L. H.	B2A 7010129-A	1
53/54	59, 60, 70, 72, 76, 78		R. H. -extended	B2A 7010128-B	1
			L. H.	B2A 7010129-B	1
53/54	73, 79		R. H.	B2A 7310128-A	1
			L. H.	B2A 7310129-A	1
55/56	59, 60, 64, 70, 76, 78		R. H. - regular	B5A 7010128-B	1
			L. H.	B5A 7010129-B	1
55/56	59, 60, 64, 70, 76, 78		R. H. -extended	B5A 7010128-C	1
			L. H.	B5A 7010129-C	1
55/56	57, 73, 79		R. H.	B5A 7310128-B	1
			L. H.	B5A 7310129-B	1
57/58	51A, 59, 63, 64, 66, 70, 76B, 78		R. H.	B7A 7010128-B	1
			L. H.	B7A 7010129-B	1
57/58	57, 58		R. H.	B7A 5810128-C	1
			L. H.	B7A 5810129-C	1
57/58	73, 79		R. H.	B7A 7310128-B	1
			L. H.	B7A 7310129-B	1
59	51A, 59, 63A, 64, 65A, 66C, 76B		R. H.	B9A 6310128-B	1
			L. H.	B9A 6310129-B	1
59	54A, 57A, 58, 71, 75A		R. H.	B9A 5810128-B	1
			L. H.	B9A 5810129-B	1
<b>10128 KIT - ROTUNDA ROCKER PANEL DRESS UP and REPAIR</b>					
55/56		All Tudor Pass. & Station Wagons		B5AZ 7010128-A	1
55/56		All Fordor Pass. & Station Wagons		B5AZ 7310128-A	1
57/58		All Tudor Custom, Custom 300 & Station Wagons		B7AZ 7010128-A	1
57/58		All Fordor Custom, Custom 300 & Station Wagons		B7AZ 7310128-A	1
57/58		All Tudor Fairlane, Fairlane 500 & Edsel Ranger & Pacer		B7AZ 6410128-A	1
57/58		All Fordor Fairlane, Fairlane 500 & Edsel Ranger & Pacer		B7AZ 5810128-A	1
59		All Tudor & Edsel Ranger		B9AZ 6410128-A	1
59		All Fordors & Edsel Ranger		B9AZ 5810128-A	1
<b>10132-3 REINFORCEMENT - FLOOR SIDE OUTER MEMBER</b>					
58/	S			B8S 6310132-A	2
<b>10134-5 FILLER - FLOOR SIDE INNER MEMBER TO FRONT SIDE</b>					
58/	S		R. H.	B8S 6310134-A	1
			L. H.	B8S 6310135-A	1
<b>10138-9 REINFORCEMENT - FLOOR SIDE OUTER MEMBER INNER</b>					
58/	S(76A)		R. H.	B8S 7610138-A	1
			L. H.	B8S 7610139-A	1

# FORD CAR PARTS

## BODY SECTION 100

715

GROUP NUMBER	YEAR 19__	BODY TYPE	DESCRIPTION	PART NUMBER	QTY. PER VEHICLE
<b>10160</b>			<b>RETAINER ASSY. - BODY ROCKER PANEL MOULDING - ACCESSORY</b>		
	57/58	A		B7A 7010160-A	2
<b>10174-5</b>			<b>MOULDING - BODY ROCKER PANEL FRONT EXTENSION - ACCESSORY</b>		
	57/58	A	R. H.	B7A 7010174-A	1
			L. H.	B7A 7010175-A	1
			Retainer	B7A 7010160-A	2
<b>10176-7</b>			<b>MOULDING - BODY ROCKER PANEL - ACCESSORY</b>		
	55/56	A	R. H.	B5A 7010176-A	1
			L. H.	B5A 7010177-A	1
			Clip-moulding	352220-S8(GG9)	14
	57/58	A	R. H.	B7A 7010176-A	1
			L. H.	B7A 7010177-A	1
			Retainer	B7A 7010182-A	18
	59	A	R. H. -Includes attaching parts	B9AB 6410176-A	1
			L. H.	B9AB 6410177-A	1
<b>10182</b>			<b>RETAINER - BODY ROCKER PANEL MOULDING - ACCESSORY</b>		
	57/58	A		B7A 7010182-A	18
	59	A		B9A 6510182-A	10
<b>10192-5</b>			<b>GUSSET - FLOOR SIDE MEMBER TO FRONT SIDE MEMBER</b>		
	58/	S	R. H. -Lower	B8S 6310192-A	1
			L. H.	B8S 6310193-A	1
	58/	S	R. H. -Upper	B8S 6310194-A	1
			L. H.	B8S 6310195-A	1
<b>10200-1</b>			<b>REINFORCEMENT ASSY. - FLOOR SIDE MEMBER TO REAR SIDE MEMBER</b>		
	58/	S	R. H.	B8S 6310200-A	1
			L. H.	B8S 6310201-A	1
<b>10563</b>			<b>REINFORCEMENT ASSY. - FLOOR SIDE INNER MEMBER TO FRONT SIDE MEMBER FILLER</b>		
	58/	S	L. H.	B8S 7610563-A	1
<b>10630</b>			<b>POCKET - FRONT SPRING</b>		
	58/	S		B8S 6310630-A	2
<b>10632-3</b>			<b>MEMBER - FRONT SIDE OUTER</b>		
	58/	S	R. H.	B9S 6310632-A	1
			L. H.	B9S 6310633-A	1
<b>10636-7</b>			<b>POCKET - REAR SPRING</b>		
	58	S	R. H.	B8S 6310636-A	1
			L. H.	B8S 6310637-A	1
<b>10670-1</b>			<b>SUPPORT - REAR SPRING POCKET</b>		
	58	S	R. H.	B8S 6310670-A	1
			L. H.	B8S 6310671-A	1
<b>10680</b>			<b>MEMBER ASSY. - FRONT FLOOR CROSS NO.4</b>		
	58/	S		B9SB 6310680-A	1
<b>10690-1</b>			<b>MEMBER ASSY. - FLOOR CROSS NO.2</b>		
	58/	S		B8S 6310690-A	1
<b>10692-3</b>			<b>MEMBER ASSY. - FRONT FLOOR CROSS NO.1</b>		
	58/	S		C0SB 6310692-A	1
<b>10698</b>			<b>MEMBER ASSY. - FLOOR CROSS NO.3 - LOWER</b>		
	58	S		B8S 6310698-A	1
	59/	S		B9S 6310698-A	1
<b>10734</b>			<b>MEMBER - FLOOR CROSS NO. 3 - UPPER</b>		
	58/	S		B8S 6310734-A	1

**BODY  
SECTION 100**
**FORD CAR PARTS**

GROUP NUMBER	YEAR 19	BODY TYPE	DESCRIPTION	PART NUMBER	QTY. PER VEHICLE
<b>10780</b>	<b>MEMBER - FLOOR CROSS - REAR</b>				
	58/	S		B8S 6310780-A	1
<b>10860-1</b>	<b>REINFORCEMENT ASSY. - FLOOR SIDE REAR MEMBER AT REAR SPRING</b>				
	59/	S	R. H.	B9S 6310860-A	1
			L. H.	B9S 6310861-A	1
<b>11116</b>	<b>FLOOR ASSY. - AUXILIARY</b>				
	57/58	66		B7A 6611116-A	1
	59	66C		B9A 6611116-A	1
	57/59	66	5/16"-18 x .75" Hex. washer head screw	*354538-S2	10
			5/16"-18 x 1" Hex. washer head screw	*359441-S2	6
<b>11135</b>	<b>PAN ASSY. - FRONT FLOOR</b>				
	58/57	S		B6S 4011135-A	1
	53/56	A, S	1 1/2" Plug (button)-body bolt holes in front and rear floor pan	352285-S(PP5)	4to23
	57	A	1.87" Plug (button)	357216-S(PP7)	AR
	57/58	51A		B8A 5111135-A	1
	57/58	A(except 51A, 76)		B8A 5711135-A	1
	58/	S		B8S 6311135-A	1
			3/4" Plug (button)-drain	358599-S(PP11)	4
			3/4" Plug (button)-drain	352291-S(PP3)	AR
	59	A(except 51A, 76B)		B9A 5711135-A	1
	58/59	A(except 51A)	3/4" Plug (button)-body bolt hole	352291-S(PP3)	2
	57/	A	1.50" Plug (button)	352285-S(PP5)	4
<b>11162-3</b>	<b>EXTENSION - CENTER FLOOR PAN SIDE - FRONT</b>				
	58/	S	R. H. - NOTE 1	B8S 7611162-A	1
			L. H.	B8S 7611163-A	
			3/4" Plug (button)	352291-S(PP3)	2
<b>11186-7</b>	<b>EXTENSION - CENTER FLOOR PAN SIDE - REAR</b>				
	58/	S	R. H.	B9SB 7611186-A	1
			L. H.	B9SB 7611187-A	1
<b>11215</b>	<b>PAN ASSY. - FLOOR - REAR</b>				
	53/54	79		BA 7911215-A	1
	53/54	A	3/4" Plug (button)	352291-S(PP3)	6or7
	53/56	A	1 1/2" Plug (button)-body bolt holes	352285-S(PP5)	15to23
	53/54	59, 78, 79	1 1/4" Plug (button)-rear floor pan drain	352284-S(PP4)	1
	55/56	S		B6S 4011215-A	1
	55/56	57, 60, 64, 70, 73, 76	Relocate hole for sending unit 3.7" forward when used for 1955	B6A 7011215-B	1
	57	S		B7S 4011215-A	1
	57	57, 58, 63, 64, 76		B7A 6411215-A	1
	57/58	51A		B8A 5111215-A	1
	59	51A		B9A 5111215-A	1
	57/59	51A	1 1/2" Plug (button)	352285-S(PP5)	2
	58	59, 66, 78, 79		B8A 5911215-A	1
	58	57, 58, 63, 64, 76		B8A 6411215-A	1
	57/58	70, 73		B8A 7011215-A	1
	59	59, 66C, 71		B9A 5911215-A	1
	59	54A, 57A, 58, 63A, 64, 65A, 75A, 76B		B9A 6311215-A	1
	58/	S	NOTE 2	B9SB 7611215-A	1
<b>11220-1</b>	<b>FILLER ASSY. - FLOOR PAN TO QUARTER PANEL</b>				
	53/54	59, 78, 79	L. H.	B4A 5911221-A	1
<b>11228-9</b>	<b>FILLER - REAR FLOOR TO QUARTER PANEL</b>				
	57/58	57, 58, 63, 64, 76	R. H.	B7A 6411228-A	1
	57/58	70, 73	R. H. -Panel board	B7A 7011228-A	1
			L. H. -Cut to fit		1
	59	54A, 57A, 58, 63A, 64, 65A, 75A, 76B	R. H. -Pressed wood	B9A 5811228-A	1
			L. H. -Cut to fit		1
	57/59	54A, 57, 58, 63, 64, 65A, 70, 71, 73, 75A, 76B	No. 14 x 5/8" Hex. washer head self-tapping screw	31498-S8 (U253B)	AR

NOTE 1 - Seal 3 5/8" holes when used on S(63A)

NOTE 2 - Remove Top Lift Motor Bracket when used on S(63A)



# FORD CAR PARTS

## BODY SECTION 100

717

GROUP NUMBER	YEAR	BODY TYPE	DESCRIPTION	PART NUMBER	QTY. PER VEHICLE
<b>11234 EXTENSION ASSY. - FLOOR PAN - REAR</b>					
	55/56	S		B6S 4011234-B	1
<b>11238-9 EXTENSION ASSY. - REAR FLOOR PAN TO QUARTER PANEL</b>					
	55/56	57, 60, 64, 70, 73, 76	L. H.	B6A 7011239-A	1
	57/58	51A	R. H.	B7A 5111238-A	1
			L. H.	B7A 5111239-A	1
	57/58	57, 58, 63, 64, 76	L. H.	B7A 6411239-A	1
	57/58	70, 73	L. H.	B7A 7011239-A	1
	57/58	57, 58, 63, 64, 70, 73, 76, S	3/4" Plug (button)	352291-S(PP3)	1
			3/4" Plug (button)	358599-S(PP11)	1
	59	51A	L. H.	B9A 5111239-A	1
	59	54A, 57A, 58, 63A, 64, 65A, 75A 76B	L. H.	B9A 6411239-A	1
			3/4" Plug (button)	358599-S(PP11)	2
<b>11250-1 EXTENSION - REAR FLOOR PAN TO QUARTER PANEL</b>					
	53/54	60, 70, 72, 73, 76	R. H. (7-63)	★BA 7011250-A	1
			L. H.	BA 7011251-A	1
	55/56	57, 60, 64, 70, 73, 76	R. H.	B5A 7011250-A	1
			L. H. -Refer to Group 11238-9		
			Drain hole button plug-3/4" diameter	358599-S(PP11)	2
	56	57, 64, 70, 73, 76	Drain hole button plug for 3/4" dia. hole	352291-S(PP3)	1
	57/58	57, 58, 63, 64, 76	R. H.	B7A 6411250-A	1
	57/58	70, 73	R. H.	B7A 7011250-A	1
	57/58	57, 58, 63, 64, 70, 73, 76	Drain hole button plug-3/4" diameter	358599-S(PP11)	1
			Drain hole button plug for 3/4" diameter hole	352291-S(PP3)	1
	58/	S	R. H.	B8S 6311250-A	1
			L. H.	B8S 6311251-A	1
	59	51A	R. H.	B9A 5111250-A	1
	59	54A, 57A, 58, 63A, 64, 65A, 75A, 76B	R. H.	B9A 6411250-A	1
			Drain hole button plug for 3/4" diameter hole	352291-S(PP3)	2
<b>11290 COVER - REAR FLOOR PAN FUEL GAUGE</b>					
	53	A		8A 7011290	1
	55/	A, S		B5A 7011290-A	1
			No. 10 x 3/8" Binding head sheet metal screw	★32917-S7	1
<b>11310 HOUSING ASSY. - FUEL TANK FILLER PIPE</b>					
	55/56	57, 60, 64, 70, 73, 76		B5A 7011310-B	1
	57/58	57, 58, 63, 64, 70, 73, 76		B7A 7011310-A	1
	59	A(except 51A, 59, 66C, 71)	Use with B9AB 6443252-A	B9AB 6411310-A	1
<b>11316-7 FILLER - REAR FLOOR PAN TO QUARTER PANEL EXTENSION</b>					
	59	51A	R. H.	B9A 5111316-A	1
<b>11323 PANEL ASSY. - REAR FLOOR SILL - REAR</b>					
	53/54	A	When used on 78 remove reinforcements & bracket	BA 5911323-A	1
	57	59, 79		B7A 5911323-A	1
	58	59, 79		B8A 5911323-A	1
	57/58	66		B8A 6611323-A	1
	58	78		B8A 7811323-A	1
	59	59, 71		B9A 5911323-A	1
	59	66C	With brace	B9A 6611323-A	1
<b>11434-6 SPACER - CENTER BODY PILLAR ADJUSTABLE</b>					
	57/58	57	Female	B7A 5811434-A	4
	57/58	57	Male	B7A 5811436-A	4
<b>11520 SPACER - BODY TO FRAME</b>					
	53/56	A		8A 7011520	AR
	55/57	S			AR
	57/	A		B7A 7011520-A	AR
<b>11564 PANEL ASSY. - AUXILIARY FLOOR</b>					
	57/58	59, 79D	Paint to match & refer to Group 11148 in Soft Trim Sections for desired cover	B7A 5911564-AP	1
			No. 14 x 1 1/4" Cross recess round head screw	353557-S8(UU58)	6
	59	59, 71	Paint to match & refer to Group 11148 in Soft Trim Section for desired cover	B9A 5911564-A	1

**BODY  
SECTION 100**
**FORD CAR PARTS**

GROUP NUMBER	YEAR 19	BODY TYPE	DESCRIPTION	PART NUMBER	QTY. PER VEHICLE
<b>11578</b>	<b>BOARD ASSY. - AUXILIARY FLOOR</b>				
	53/54	59	Recover with desired linoleum-Refer Group 11583	BM 5911578-AT	1
			No. 14 x 1 3/4" Cross recess oval head screw	★52395-S13	4or6
			No. 14 Blind nut	352738-S8(MM6)	4or6
<b>11583</b>	<b>COVER - AUXILIARY FLOOR BOARD</b>				
	57/59	59, 79	Refer to Group 11148 in Soft Trim Sections		
<b>11702-3</b>	<b>EXTENSION ASSY. - AUXILIARY FLOOR PAN - SIDE-FRONT</b>				
	57/58	66	R. H.	B7A 6611702-A	1
	59	66C	R. H.	B9A 6611702-A	1
			L. H.	B9A 6611703-A	1
<b>11706-7</b>	<b>EXTENSION ASSY. - AUXILIARY FLOOR PAN - SIDE-REAR</b>				
	57/58	66	L. H.	B7A 6611707-A	1
	59	66C	L. H.	B9A 6611707-A	1
<b>11738-9</b>	<b>SUPPORT - AUXILIARY FLOOR AT WHEELHOUSE - SIDE</b>				
	57/58	59, 79	R. H.	B7A 5911738-A	1
	57/59	66	L. H.	B7A 6611739-A	1
	59	59C, 59D, 71	R. H.	B9A 5911738-A	1
			L. H.	B9A 5911739-A	1
<b>11748</b>	<b>ROD - AUXILIARY FRONT FLOOR BOARD SUPPORT</b>				
	55/58	78	12.02" long	B5A 7811748-A	1
	59	59E			2
<b>12128</b>	<b>COVER ASSY. - TRANSMISSION BAND ADJUSTING ACCESS</b>				
	57/	A, S	Plug (button)-2.41" diameter hole	374732-S(PP14)	1
<b>13208-9</b>	<b>PLATE - DOOR SCUFF</b>				
	53/54	59, 60, 70, 72, 76, 78	R. H.	BA 7013208-A	1
			L. H.	BA 7013209-A	1
	53/54	73, 79	R. H.	BA 7313208-A	1
			L. H.	BA 7313209-A	1
			No. 8 x 3/4" Cross recess oval head screw	52360-S13(U294)	16or20
	55/56	59, 60, 64, 70, 76, 78	R. H.	B5A 7013208-A	1
			L. H.	B5A 7013209-A	1
	55/56	73, 79	R. H.	B5A 7313208-A	1
			L. H.	B5A 7313209-A	1
	56	57	R. H.	B6A 5713208-A	1
			L. H.	B6A 5713209-A	1
	55/57	S	R. H.	B5S 4013208-A	1
			L. H.	B5S 4013209-A	1
	57/58	57, 58	R. H.	B7A 5813208-A	1
			L. H.	B7A 5813209-A	1
	57/58	51A, 59, 63, 64, 66, 70, 76, 78	R. H.	B7A 7013208-A	1
			L. H.	B7A 7013209-A	1
	57/58	73, 79	R. H.	B7A 7313208-A	1
			L. H.	B7A 7313209-A	1
	55/57	A, S	No. 6 x 1/2" Binding head sheet metal screw	32921-S8(U334)	16
	58	A	No. 8 x 3/4" Cross recess oval head screw	52360-S13(U294)	AR
	58/	S		B8S 6313208-A	2
	59	54A, 57A, 58, 71, 75A	Front	B9A 5813208-A	2
	59	51A, 59, 63A, 64, 65A, 66C, 76B		B9A 6413208-A	2
			No. 10 x 1/2" Cross recess pan head screw	52727-S8(U382)	AR
<b>13210-1</b>	<b>STRIP - REAR FLOOR FINISH - WHEELHOUSE - PAINT TO MATCH</b>				
	57/58	59, 79	R. H.	B7A 5913210-AP	1
			L. H.	B7A 5913211-AP	1
	59	59C, 59D, 71	R. H.	B7A 5913210-AP	1
			L. H.	B7A 5913211-AP	1
	53/59	59, 79	No. 6 x 1/2" Binding head sheet metal screw	32921-S8(U334)	10or12

# FORD CAR PARTS

## BODY SECTION 200

719

GROUP NUMBER	YEAR	BODY TYPE	DESCRIPTION	PART NUMBER	QTY. PER VEHICLE
<b>13228-9 PLATE - DOOR SCUFF - REAR</b>					
53/54	73, 79	R. H.		BA 7313228-A	1
		L. H.		BA 7313229-A	1
			No. 8 x 3/4" Cross recess oval head screw	52360-S13(U294)	12or16
55/56	73, 79	R. H.		B5A 7313228-A	1
		L. H.		B5A 7313229-A	1
56	57	R. H.		B6A 5713228-A	1
		L. H.		B6A 5713229-A	1
57/58	57, 58	R. H.		B7A 5813228-A	1
		L. H.		B7A 5813229-A	1
57/58	73	R. H.		B7A 7313228-A	1
		L. H.		B7A 7313229-A	1
57/58	79	R. H.		B7A 7913228-A	1
		L. H.		B7A 7913229-A	1
55/57	57, 58, 73, 79		No. 6 x 1/2" Binding head sheet metal screw	32921-S8(U334)	12
58	57, 58, 73, 79		No. 8 x 3/4" Cross recess oval head screw	52360-S13(U294)	12
59	54A, 57A, 58, 71, 75A			B9A 5813228-A	2
			No. 10 x 1/2" Cross recess pan head screw	52727-S8(U382)	6
<b>20122-5 DOOR ASSY. - Less Hinges, Paint, Trim, Window Regulator, Lock and Remote Control. Drill Holes As Required.</b>					
55/56	S	R. H.		B5S 4020124-D	1
		L. H.		B5S 4020125-D	1
55/56	60, 64, 76	R. H.		B6A 6020124-A	1
		L. H.		B6A 6020125-A	1
55/56	59, 70, 78	R. H.		B6A 7020124-A	1
		L. H.		B6A 7020125-A	1
55/56	73, 79	R. H.		B5A 7320124-D	1
		L. H.		B5A 7320125-D	1
55	A		Bumper at bottom of door	358939-S(CC17)	2
56	A		Bumper with steel insert: At bottom of door	358939-S(CC17)	2
55/56	59, 70, 73, 78, 79		Bumper at top of door	354434-S(CC4)	2
57	S	R. H.		B7S 4020124-A	1
		L. H.		B7S 4020125-A	1
57/58	57, 58	R. H.		B7A 5820124-A	1
		L. H.		B7A 5820125-A	1
57/58	51A, 63, 64, 76B	R. H.		B7A 6420124-A	1
		L. H.		B7A 6420125-A	1
57/58	59, 66, 70, 78	R. H.		B7A 7020124-A	1
		L. H.		B7A 7020125-A	1
57/58	73, 79	R. H.		B7A 7320124-A	1
		L. H.		B7A 7320125-A	1
57/58	59, 66, 70, 73, 78, 79		Bumper-Top	358713-S(CC16)	2
57/58	73		Bumper-Bottom	358712-S(CC13)	4
57/58	51A, 63, 64, 76B S		Bumper-Bottom	358939-S(CC17)	2
57/58	79		Bumper-Bottom	358713-S(CC16)	2
57/58	57, 58		Bumper-Center pillar at bottom	358953-S(CC18)	2
58	57, 58, 63, 64, 70, 73, 76B		Bumper	371496-S(CC2)	2
57/58	57, 58		No. 8 x 5/8" Binding head sheet metal screw	32930-S7(U340)	2
58/	S	R. H.		C0SB 6320124-D	1
		L. H.		C0SB 6320125-D	1
59	51A, 59, 63A, 64, 65A, 66C, 76B	R. H.		B9A 6420124-A	1
		L. H.		B9A 6420125-A	1
			Bumper	372486-S(CC24)	8
59	54A, 57A, 58, 71, 75A	R. H.		B9A 5820124-A	1
		L. H.		B9A 5820125-A	1
59	A		3/8"-24 x 1 1/8" Hex. washer head screw	376215-S2(BB573A)	16
<b>20200-5 PANEL ASSY. - FRONT DOOR OUTER - REPAIR - Drill Holes As Required</b>					
57/58	57, 58	R. H.		B7A 5820200-A	1
		L. H.		B7A 5820201-A	1
57/58	51A, 63, 64, 76B	R. H.		B7A 6420200-A	1
		L. H.		B7A 6420201-A	1
57/58	59, 66, 70, 78	R. H.		B7A 7020204-A	1
		L. H.		B7A 7020205-A	1
57/58	73, 79	R. H.		B7A 7920204-A	1
		L. H.		B7A 7920205-A	1
59	54A, 57A, 58, 71, 75A	R. H.		B9A 5820200-A	1
		L. H.		B9A 5820201-A	1
59	51A, 59, 63A, 64, 65A, 66C, 76B	R. H.		B9A 6420200-A	1
		L. H.		B9A 6420201-A	1

**BODY  
SECTION 200**
**FORD CAR PARTS**

GROUP NUMBER	YEAR 19	BODY TYPE	DESCRIPTION	PART NUMBER	QTY. PER VEHICLE
<b>20206-7 PANEL - DOOR OUTSIDE FINISH - Anodized Aluminum</b>					
	57	51A	R. H. L. H.	B7A 5120206-A B7A 5120207-A	1 1
	57	57A, 58B	R. H. L. H.	B7A 5820206-A B7A 5820207-A	1 1
	57	59B, 70B	R. H. L. H.	B7A 7020206-A B7A 7020207-A	1 1
	57	63A, 64B, 76B	R. H. L. H.	B7A 6420206-A B7A 6420207-A	1 1
	57	73B, 79C, 79D	R. H. L. H.	B7A 7320206-A B7A 7320207-A	1 1
	58	51A, 63A, 64B, 76B	R. H. or L. H.	B8A 6420206-A	2
	58	57A, 58B	R. H. L. H.	B8A 5720206-A B8A 5720207-A	1 1
	58	57B 58A "From 3/3/58"	R. H. L. H.	B8A 5720206-B B8A 5720207-B	1 1
	58	59B, 66B, 70		B8A 7020206-A	2
	58	63B, 64A "From 3/3/58"	R. H. L. H.	B8A 6420206-B B8A 6420207-B	1 1
	58	73, 79C 79D		B8A 7320206-A	2
	59	51A, 59D, 63A, 64A, 64B, 64H, 65A, 76B	R. H. L. H.	B9A 6420206-A B9A 6420207-A	1 1
	59	54A, 57A, 58A, 58B, 71E, 71F, 75A	R. H. L. H.	B9A 5720206-A B9A 5720207-A	1 1
<b>20232 RETAINER - FRONT DOOR OUTSIDE UPPER MOULDING - Also Refer to Group 20262</b>					
	57	51A, 57A, 58B, 63A, 64B, 76	Use with Unique Two-Tone Paint	B7A 5820232-A	8to12
	57	59B, 70B, 73B, 79C, 79D	Use with Unique Two-Tone Paint	B7A 7020232-A	10to12
	57	51A, 57A, 58B, 59B, 63A, 64B, 70B, 73B, 76, 79C, 79D	Retainer	B7A 7350992-A	8to12
<b>20262 RETAINER ASSY. - DOOR OUTSIDE UPPER MOULDING - Also Refer to Group 20232</b>					
	59	51A, 54A, 57A, 58A, 58B, 59D, 63A, 64A, 64B, 64H, 65A, 71E, 71F, 75A, 76B		B9AB 6420262-A	8
	59	51A, 54A, 57A, 58A, 58B, 59D, 63A, 64A, 64B, 64H, 65A, 71E, 71F, 75A, 76B	Front Fender		10
<b>20314-5 PILLAR - DOOR - UPPER</b>					
	55	S	R. H. L. H.	B5S 4020314-C B5S 4020315-C	1 1
	56/57	S	R. H. L. H.	B6S 4020314-A B6S 4020315-A	1 1
<b>20316-7 BRACKET ASSY. - DOOR PILLAR - LOWER</b>					
	55/57	S	R. H. L. H.	B6S 4020316-A B6S 4020317-A	1 1
			1/4" x 1/2" Hex. head bolt	20308-S8(B40)	6
			1/4" Internal & external tooth lockwasher	351274-S7(XX298)	6
	57	S	3/8" Washer (serrated)	354191-S8(XX309)	6
<b>20318 SHIELD - DOOR and QUARTER TRIM WATER</b>					
	55/	A, B, S, X	Cut as required	C0AB 6420318-C	AR
<b>20320-1 BRACKET ASSY. - DOOR PILLAR - UPPER</b>					
	55/57	S	R. H. L. H.	B5S 4020320-C B5S 4020321-C	1 1
			1/4" x 1/2" Hex. head bolt	20308-S8(B40)	4
			1/4" Internal & external tooth lockwasher	351274-S7(XX298)	4
	57	S	3/8" Washer (serrated)	354191-S8(XX309)	4
<b>20330-1 WEATHERSTRIP - DOOR PILLAR</b>					
	55/57	S		B7S 4020330-B	2
<b>20348-9 PLATE - DOOR VENTILATING WINDOW ACCESS HOLE COVER</b>					
	58/59	S	R. H. L. H.	B8S 6320348-A B8S 6320349-A	1 1
			No. 8 x 5/8" Cross recess oval head screw	*52926-S13	6

# FORD CAR PARTS

## BODY SECTION 200

721

GROUP NUMBER	YEAR	BODY TYPE	DESCRIPTION	PART NUMBER	QTY. PER VEHICLE
<b>20400-1 RAIL ASSY. - FRONT DOOR OUTSIDE FINISH - LOWER</b>					
	56	79C	R. H.	B6A 7920400-A	1
	57/58	79E	R. H.	B8A 7920400-A	1
			L. H.	B8A 7920401-A	1
			Fastener-Replaced by B9AB 7150108-D	*B8A 7750108-D	6
			Retainer (cap)	358403-S2(GG54)	6
			Cap	358404-S(DD1)	6
			No. 10-32 x 1" Cross recess binding head screw	50555-S8(U160)	6
<b>20402-3 RAIL - FRONT DOOR OUTSIDE FINISH - LOWER</b>					
	59	71G	R. H.	B9A 7120402-A	1
			L. H.	B9A 7120403-A	1
			Fastener	B9AB 7150108-D	6
			No. 10-32 x 1 1/2" Round head screw	27177-S7(U177)	6
<b>20424-5 RAIL ASSY. - FRONT DOOR OUTSIDE FINISH - UPPER</b>					
	56	79C	R. H.	B6A 7920424-A	1
			L. H.	B6A 7920425-A	1
	57	79E	R. H.	B7A 7920424-A	1
			L. H.	B7A 7920425-A	1
	54/57	79C, 79E	Retainer (cap)	358403-S2(GG54)	6
			Cap	358404-S(DD1)	6
	55/57	79C, 79E	No. 14-10 x 1 1/4" Cross recess oval head screw	353557-S8(UU58)	6
			No. 14A Spring nut	352517-S32(MM238)	6
	58	79E	R. H.	B8A 7920424-A	1
			L. H.	B8A 7920425-A	1
			Fastener	B8A 7750108-B	4
			Fastener	B8A 7750108-C	2
			Retainer (cap)	358403-S2(GG54)	6
			Cap	358404-S(DD1)	6
			No. 10-32 x 1" Cross recess binding head screw	50555-S8(U160)	6
	59/	A(71G)	Refer to Group 20960-1		
<b>20442-3 MOULDING - FRONT DOOR OUTSIDE - FRONT</b>					
	57/58	58, 64	R. H. -Vent.window front	B7A 6420442-A	1
			L. H.	B7A 6420443-A	1
	58	51A, 57A, 58B, 63A, 64B, 76B	Door panel	B8A 6420442-A	2
			Clip kit-Service Details- NOTE 1		
<b>20492-3 MOULDING - FRONT DOOR OUTSIDE - TOP</b>					
	57/58	58	R. H.	B7A 5820492-A	1
			L. H.	B7A 5820493-A	1
	57/58	64	R. H.	B7A 6420492-A	1
			L. H.	B7A 6420493-A	1
	59	54A, 58A, 58B	R. H.	B9A 5820492-A	1
			L. H.	B9A 5820493-A	1
	59	59C, 59D	R. H.	B9A 6620492-A	1
			L. H.	B9A 6620493-A	1
	59	64A, 64B, 64H	R. H.	B9A 6420492-A	1
			L. H.	B9A 6420493-A	1
	59	71E, 71F, 71G	R. H.	B9A 7120492-A	1
			L. H.	B9A 7120493-A	1
<b>20518-9 WEATHERSTRIP ASSY. - DOOR - UPPER</b>					
	55/56	40B "Before 3/1/56"	R. H.	B6S 4020518-A	1
			L. H.	B6S 4020519-A	1
			No. 10 x 1/2" Pan head self tapping screw	350754-S8(UU86)	AR
	56/57	40B	For units after 3/1/56 refer to Group 51222		
<b>20530-1 WEATHERSTRIP ASSY - DOOR OPENING - OUTER</b>					
	53/54	59, 70, 72, 73, 78, 79	R. H. -On door-164" long-Cut as required	BA 7020530-B	1
			L. H.	BA 7020531-B	1
	53/54	73, 79	Rear-on door-Refer to Group 25324-5		
	53/54	60, 76	R. H. -On door-121" long	BA 7620530-G	1
			L. H.	BA 7620531-G	1
	53/54	60, 76	R. H. -Retainer-use with BA 7620530-G only	BA 7621486-A	1
			L. H. -Retainer-use with BA 7620531-G only	BA 7621487-A	1
			No. 8 x 3/8" Cross recess binding head screw	52720-S8(U380)	2
			No. 6 x 3/8" Round head self-tapping screw		2
			No. 6 x 1/4" Pan head screw	38176-S7	4

NOTE 1 - Refer to Moulding Clip Kit Section for Details

**BODY  
SECTION 200**
**FORD CAR PARTS**

GROUP NUMBER	YEAR	BODY TYPE	DESCRIPTION	PART NUMBER	QTY. PER VEHICLE
<b>20530-1 WEATHERSTRIP ASSY. - DOOR OPENING - OUTER - continued</b>					
	55	60, 64, 76	R. H. - Cut as required L. H.	B5A 6020530-C B5A 6020531-C	1 1
	56	64	R. H. L. H.	B6A 6420530-A B6A 6420531-A	1 1
	55/56	59, 70, 73, 78, 79	R. H. -Cut as required L. H.	B6A 7020530-A B6A 7020531-A	1 1
	56	64, 76	R. H. L. H.	B6A 7620530-A B6A 7620531-A	1 1
	55/56	60, 64, 76	No. 6 x 3/4" Oval head sheet metal screw	33000-S13(U330)	
	55/57	S	R. H. L. H.	B5S 4020530-B B5S 4020531-B	1 1
	57/58	51A	R. H. L. H.	B7A 5120530-B B7A 5120531-B	1 1
	57/58	57	R. H. L. H.	B7A 5720530-B B7A 5720531-B	1 1
	57/58	58	R. H. L. H.	B7A 5820530-A B7A 5820531-A	1 1
	57/58	59, 66, 70, 78	R. H. L. H.	B7A 7020530-A B7A 7020531-A	1 1
	57/58	63, 76	R. H. L. H.	B7A 7620530-B B7A 7620531-B	1 1
	57/58	64	R. H. L. H.	B7A 6420530-A B7A 6420531-A	1 1
	57/58	73, 79	R. H. -Cut as required L. H.	B7A 7020530-A B7A 7020531-A	1 1
	57/58	51A, 57, 63, 76, S	No. 6 x 3/8" Binding head self-tapping screw	*32914-S8	6
	58/	S	R. H. L. H.	B8S 6320530-A B8S 6320531-A	1 1
			No. 6-32 x 5/8" Cross recess pan head screw	*50506-S8	2
	59	51A, 63A, 65A, 76B	R. H. -Cut as required L. H.	B9A 6320530-A B9A 6320531-A	1 1
	59	54A, 58, 59, 64, 66C, 71	R. H. -Cut as required L. H.	B9A 6420530-A B9A 6420531-A	1 1
	59	57A, 75A	R. H. L. H.	B9A 7520530-A B9A 7520531-A	1 1
	59	51A, 57A, 63A, 65A, 75A, 76B	No. 8 x 3/8" Binding head screw No. 8 x 1/4" Cross recess pan head screw	*32916-S8 *50502-S8	2 2
<b>20570-1 WEATHERSTRIP - DOOR AT BELT - INNER</b>					
	55/57	S	R. H. L. H.	B5A 7020570-A B5A 7020571-A	1 1
	55/56	A	R. H. L. H.	B5A 7020570-A B5A 7020571-A	1 1
<b>20572-3 RETAINER - DOOR REAR WEATHERSTRIP AT BELT</b>					
	55/56	60, 64, 76	R. H. L. H.	B5A 7620572-C B5A 7620573-C	1 1
<b>20580-1 WEATHERSTRIP - DOOR FRONT AT BELT - INNER</b>					
	57/58	A	R. H.	B7A 7020580-A	1
	58/	S	R. H. -Cut as required L. H.	B7A 7020581-A	1 1
	59	A	R. H. L. H.	B9A 6420580-A B9A 6420581-A	1 1
	57/	A, S	No. 6 x 3/8" Binding head self-tapping screw	*32914-S8	2or4
<b>20702-3 WEATHERSTRIP ASSY. - DOOR OPENING REAR AT BELT</b>					
	55/56	64A, 64B	R. H. L. H.	B5A 6420702-A B5A 6420703-A	1 1
			No. 10 x 5/8" Cross recess oval head screw	52353-S13(U303)	2
<b>20716-7 RETAINER - DOOR WEATHERSTRIP - UPPER-REAR</b>					
	55	40B "Before 3/15/55"	R. H. -on roof L. H.	B5S 4020716-A B5S 4020717-A	1 1
			No. 10-16 x 1/2" Pan head self-tapping screw	350754-S8(UU86)	14
<b>20726 SEAL - OUTSIDE FINISH RAIL SCREW</b>					
	53/54	79C	Improvise from M-5397-B		

# FORD CAR PARTS

## BODY SECTION 200

723

GROUP NUMBER	YEAR 19	BODY TYPE	DESCRIPTION	PART NUMBER	QTY. PER VEHICLE
<b>20748 TRANSFER - GRAINING</b>					
	53/54	79C	Maple grain-cut as required-Use on rail when replacing wood rails-Sheet 46 3/4" x 6"	B2A 7920748-A	AR
	53/54	79C	Mahogany grain-cut as required-Sheet 43 3/4" x 22 1/2"	BA 7920748-C	AR
	53/55	79C	Maple grain-cut as required-Sheet 46 3/4" x 33"	BA 7920748-B	AR
	55/56	79C	Tan Striped Mahogany grain-doors & quarters-Cut as required-Sheet 44.34" x 23.06"	B5A 7920748-A	AR
	55/56	79C	Tail gate-refer to Group 40722		
	56	79C	Maple grain-Upper body & rails-Sheet 48.88" x 34"	B6A 7920748-A	AR
	57/58	79E	Maple grain-cut as required-Sheet 34" x 53 1/2"	B7A 7920748-A	AR
	57/58	79E	Mahogany grain-Cut as required-Sheet 19.63" x 52"	B8A 7920748-A	AR
	59	71G	Mahogany grain-Cut as required-Sheet 20.90" x 57.15"	B9A 7120748-A	AR
	53/		Water soluble transfer solution	M 5412-A	AR
			Bonding coat	M 4584	AR
<b>20768-9 SHIELD ASSY. - DOOR WIRING</b>					
	55/	S	R. H.	B5S 4020768-A	1
			L. H.	B5S 4020769-A	1
<b>20770 SHIELD - DOOR WIRING</b>					
	57/	A		B7A 7020770-A	2
			No. 10 x 5/8" Hex. head self tapping screw	42014-S8(U240)	4
<b>20822-5 MOULDING - DOOR VENTILATING WINDOW FRAME OUTSIDE FRONT</b>					
	59	54A, 58A, 58B, 59D, 64A, 64B, 64H, 71E, 71F, 71G	R. H. -Upper	B9A 6420822-A	1
			L. H.	B9A 6420823-A	1
	59	54A, 58A, 58B, 59D, 64A, 64B, 64H, 71E, 71F, 71G	R. H. -Lower	B9A 6420824-A	1
			L. H.	B9A 6420825-A	1
<b>20904-5 MOULDING ASSY. - FRONT DOOR WINDOW GARNISH - Paint to Match. Drill Holes as Required</b>					
	55/56	59, 70, 78	L. H.	B5A 7020905-AP	1
	58	S	Refer to Group 20904-5 in 1958 Soft Trim Section		
	57/58	51A, 76	R. H.	B7A 7620904-AP	1
			L. H.	B7A 7620905-AP	1
	57/58	57	R. H.	B7A 5720904-AP	1
			L. H.	B7A 5720905-AP	1
	57/58	58	R. H.	B7A 5820904-AP	1
			L. H.	B7A 5820905-AP	1
	57/58	59, 66, 70, 78	R. H.	B7A 7020904-AP	1
			L. H.	B7A 7020905-AP	1
	57/58	63	R. H.	B7A 6320904-AP	1
			L. H.	B7A 6320905-AP	1
	57/58	64	R. H.	B7A 6420904-AP	1
			L. H.	B7A 6420905-AP	1
	57/58	73, 79	R. H.	B7A 7320904-AP	1
			L. H.	B7A 7320905-AP	1
	57	59, 66, 70, 73, 78, 79	No. 8-15 x 1" Cross recess oval head screw	52376-S13(U296)	4
	57	57A, 58			6
	57	51A, 57, 58, 63, 64	No. 8-15 x 3/4" Cross recess oval head screw	52360-S13(U294)	2
	58	A			AR
	59	S	Refer to Group 20904-5 in 1959 Soft Trim Section		
	59	57A, 75A	R. H.	B9A 5720904-A	1
			L. H.	B9A 5720905-A	1
	59	54A, 58, 71	R. H.	B9A 5820904-A	1
			L. H.	B9A 5820905-A	1
	59	51A, 63A, 65A, 76B	R. H.	B9A 6320904-A	1
			L. H.	B9A 6320905-A	1
	59	59, 64, 66C	R. H.	B9A 6420904-A	1
			L. H.	B9A 6420905-A	1
	59	51A, 57A, 58, 59, 63A, 64, 66C, 71, 76B	No. 8-15 x 3/4" Cross recess oval head screw	52360-S13(U294)	4
<b>20906-7 MOULDING - DOOR WINDOW GARNISH</b>					
	55/57	S	R. H.-less cover-Refer to Group 21076-7 -in Soft Trim Sections	B5S 4020906-B	1
			L. H.	B5S 4020907-B	1
			No. 6 x .38" Cross recess truss head screw	353803-S8(UU95)	2
			No. 8 x 1 1/2" Cross recess oval head screw	52388-S13(U298)	4

GROUP NUMBER	YEAR 19	BODY TYPE	DESCRIPTION	PART NUMBER	QTY. PER VEHICLE	
<b>20916-7 MOULDING - DOOR OUTSIDE - LOWER FRONT</b>						
20916-7	55	60B, 64, 70C, 73C, 76, 79B	R. H.	B5A 7020916-A	1	
			L. H.	B5A 7020917-A	1	
			Retainer assembly (moulding)	B5A 7021094-C	4	
			Retainer assembly (moulding)	B5A 7021094-B	2	
			Retainer assembly (moulding)	B5A 7021066-C	2	
			Retainer assembly (moulding)	B5A 7021066-D	2	
			No. 10 Flat washer	44716-S8(X15)	6	
			No. 10-Internal tooth lockwasher	34903-S8(X96)	6	
			No. 10-24 Hex. nut	34053-S8(M156)	6	
			No. 8-32 Truss head screw & washer ass'y.	354793-S7(BB819)	2	
Clip Kit	B5A 200-A	2				
57	51A	R. H.	B7A 5120916-A	1		
		L. H.	B7A 5120917-A	1		
		Retainer (moulding)	B6A 7021066-C	8		
		Retainer (moulding)	B7A 6421066-B	2		
		Clip Kit	B7A 200-A	2		
57	63A, 64B, 76	R. H.	B7A 6420916-A	1		
		L. H.	B7A 6420917-A	1		
		Retainer	B7A 7029120-A	4		
		Clip Kit	B7A 201-B	2		
57	59B, 66B, 70B	R. H.	B7A 7020916-A	1		
		L. H.	B7A 7020917-A	1		
		Retainer	B7A 7029120-A	2		
		Clip Kit	B7A 201-B	2		
57	73B, 79C, 79D	R. H.	B7A 7320916-A	1		
		L. H.	B7A 7320917-A	1		
		Clip Kit	B7A 202-A	2		
<b>20918 RETAINER - DOOR WINDOW GARNISH MOULDING SPACER</b>						
20918	55/56	40, 57, 59, 70, 73, 76, 78, 79	Front door	B5A 7020918-A	4or8	
		57, 73, 79	Rear door		8	
		76	Quarter window		12	
		A	Cowl trim panel		4	
		57, 59, 60, 64, 70, 73, 78, 79	Headlining trim		2to36	
		40, 59, 66, 70, 73, 78, 79	Front door		4or8	
		73, 79	Rear door		8	
<b>20920-1 MOULDING ASSY. - DOOR TRIM - REAR</b>						
20920-1	55/57	S	R. H.	B6S 4020920-A	1	
			L. H.	B6S 4020921-A	1	
<b>20922 SPACER - DOOR WINDOW GARNISH MOULDING</b>						
20922	55/56	60, 64, 76		B5A 7620922-B	4	
			51A, 57, 58, 63, 64, 76	B7A 6420922-A	2	
			51A, 57, 58, 63, 64, 76	B7A 6420922-B	2	
			59, 66, 70, 73, 78, 79	B7A 7020922-B	2to12	
			51A, 76B	B7A 6420922-B	2	
			A	Front door	B9AB 6420922-A	4
			54A, 57A, 58, 71, 75A	Rear door		4
			63A, 64, 65A	Quarter		4
			S	Front door	B9S 6320922-A	2
			No. 6 x 1/2" Binding head screw		32921-S8(U334)	2
<b>20932-3 MOULDING - FRONT DOOR OUTSIDE UPPER</b>						
20932-3	57	51A	R. H.- NOTE 1	B7A 5120932-A	1	
			L. H.	B7A 5120933-A	1	
			Clip (moulding)	358566-S100(RR44)	2	
			No. 8 x 1/4" Fillister head screw	*37611-S7	2	
			No. 10-24 Nut & washer ass'y.	354397-S100 (MM291)	2	
			Clip Kit	B7A 204-A	2	
			R. H. - NOTE 1	B7A 5820932-A	1	
			L. H.	B7A 5820933-A	1	
			Clip Kit	B7A 204-A	2	
			R. H. - NOTE 1	B7A 7020932-A	1	
L. H.	B7A 7020933-A	1				
Clip Kit	B7A 206-A	2				
57	63A, 64B, 76	R. H. - NOTE 1	B7A 6420932-A	1		
		L. H.	B7A 6420933-A	1		
		Clip Kit	B7A 204-A	2		
57	73B, 79C, 79D	R. H. - NOTE 1	B7A 7320932-A	1		
		L. H.	B7A 7320933-A	1		
		Clip Kit	B7A 206-A	2		

NOTE 1 - Used With Unique Two-Tone Paint or Anodize Panel



# FORD CAR PARTS

## BODY SECTION 200

725

GROUP NUMBER	YEAR 19.....	BODY TYPE	DESCRIPTION	PART NUMBER	QTY. PER VEHICLE
<b>20932-3 MOULDING - FRONT DOOR OUTSIDE UPPER - continued</b>					
	57	51A, 57A, 58B, 63A, 64B, 76	Retainer	B7A 5820232-A	8to12
	57	59B, 70B, 73B, 79C, 79D	Retainer	B7A 7020232-A	10
	57	51A, 63A, 64B, 76	Retainer	B7A 7021066-B	2
	58	57B, 58A	R. H.	B8A 5720932-A	1
			L. H.	B8A 5720933-A	1
			Clip Kit	B8A 204-A	2
	58	57A, 58B	R. H.	B8A 5720932-B	1
			L. H.	B8A 5720933-B	1
			Clip Kit	B8A 204-A	2
	58	63B, 64A	R. H.	B8A 6420932-A	1
			L. H.	B8A 6420933-A	1
			Clip Kit	B8A 204-A	2
	58	51A, 63A, 64B, 76	R. H.	B8A 6420932-B	1
			L. H.	B8A 6420933-B	1
			Clip Kit	B8A 204-A	2
	59	54A, 57A, 58A, 58B, 71E, 71F, 75A	R. H.	B9A 5820932-A	1
			L. H.	B9A 5820933-A	1
			Clip Kit	B9A 110-A	2
	59	51A, 59D, 63A, 64A, 64B, 64H, 65A, 76B	R. H.	B9A 6320932-A	1
			L. H.	B9A 6320933-A	1
			Clip Kit	B9A 110-A	2
<b>20934-5 MOULDING - DOOR OUTSIDE PANEL</b>					
	53/54	59, 70, 72, 78	R. H. -at belt	BA 7020934-A	1
	53/54	59, 70, 72, 73, 78, 79	Clip-(moulding)	357862-S2(GG36)	10or12
	55	59B, 70B, 70C	R. H. -Rustless steel-at belt	B6A 5920934-A	1
			L. H. (7-63)	*B6A 5920935-A	1
	55	57B, 70B, 70C	Clip Kit	B6A 206-A	2
	55	73B, 73C, 79	R. H. -Rustless steel-at belt	B6A 7920934-A	1
			L. H.	B6A 7920935-A	1
			Clip Kit	B6A 206-A	2
	55	59B, 70B, 70C, 73B, 73C, 78, 79	Retainer-(moulding)	B5A 7021060-A	4or6
			Retainer-(moulding)	B5A 7021062-A	2
	55	59B, 70B, 70C, 73B, 73C, 79	No. 8 x 5/16" Binding head screw	*39016-S7	2
	56	59C	R. H. -Rustless steel-at belt	B6A 5920934-A	1
			L. H. (7-63)	*B6A 5920935-A	1
	55/56	78	R. H. -Rustless steel-at belt -NOTE 1	B6A 5920934-A	1
			L. H. (7-63)	*B6A 5920935-A	1
	55/56	59C, 78	Clip Kit	B6A 206-A	2
	56	79	R. H. -Rustless steel-at belt	B6A 7920934-A	1
			L. H.	B6A 7920935-A	1
	56	79	Clip Kit	B6A 206-A	2
	56	59C, 78, 79	Retainer-(moulding)-at belt -NOTE 1	B5A 7021060-A	4to14
			Retainer-(moulding)-at belt	B5A 7021060-B	4or8
			Retainer-(moulding)-at end	B5A 7021062-A	2or24
	57/58	57	R. H. -at belt	B7A 5720934-A	1
			L. H.	B7A 5720935-A	1
	57/58	57	Retainer (moulding)	B7A 5721060-A	6
	57/58	79E	R. H. -at belt	B7A 7920934-A	1
			L. H.	B7A 7920935-A	1
			Retainer	B7A 7921060-A	8
			Clip	359379-S100(GG123)	4
			No. 8-32 x 1/4" Truss head screw	359476-S8(BB821)	4
<b>20938-9 MOULDING - DOOR - OUTSIDE</b>					
	53	60B, 70B, 72B, 73B, 76, 79B	Lower	BA 7020938-B	2
			Moulding clip	358398-S8(GG53)	8to14
			Moulding clip ass'y.	357118-S8(RR32)	2
			Moulding clip	358484-S8(GG71)	2
			No. 10-24 Hex. nut	34053-S8(M156)	4
	54	59B, 60B, 60F, 70B, 72B, 76	R. H. -Rustless steel - 46.34" long	BM 7020938-B	1
			L. H.	BM 7020939-B	1
	54	73B, 73C, 79B	R. H. -Rustless steel - 39.80" long	BM 7320938-B	1
			L. H.	BM 7320939-B	1
	54	60, 70B, 72B, 73B, 73C, 76, 79B	Retainer (moulding)	BM 7021020-B	10or12
	55	59B, 70B	46.42" long-Rustless Steel	B5A 7020938-A	2

NOTE 1 - Before 6/1/56, After Refer To Group 20938-9

GROUP NUMBER	YEAR 19	BODY TYPE	DESCRIPTION	PART NUMBER	QTY. PER VEHICLE
<b>20938-9 MOULDING - DOOR - OUTSIDE - continued</b>					
	55	60B, 64, 70C, 76	20.13"-Rustless Steel	B5A 7020938-C	2
	55	73B, 79B, 79D	39.54" long-Rustless Steel	B5A 7320938-A	2
	55	73C, 79B	13.21"-Rustless steel	B5A 7320938-C	2
	55	64, 70C, 73C, 76	Retainer (moulding)	B6A 7021094-D	10or12
	55	59B, 60B, 64, 70B, 70C, 73B, 73C, 79B	Clip (moulding)	358484-S8 (GG71)	10or12
	55	59, 70, 73, 79	Retainer -(moulding)	B5A 7021060-A	4or6
	55	59B, 60B, 70B, 73B, 79B	Retainer-(moulding)	B5A 7021066-A	10or12
	56	57	R. H.	B6A 5720938-A	1
			L. H.	B6A 5720939-A	1
			Clip Kit	B6A 207-A	2
	56	59A, 70A, 70D, 78	R. H. -10.42" long-NOTE 2	B6A 7020938-C	1
			L. H.	B6A 7020939-C	1
	56	59B, 64D, 70B	R. H. -46.15" long	B6A 7020938-A	1
			L. H.	B6A 7020939-A	1
			Clip Kit	B6A 208-A	2
	56	59C, 64A, 64B, 64C, 70C, 76	R. H.	B6A 7020938-B	1
			L. H.	B6A 7020939-B	1
			Clip Kit	B6A 207-A	2
	56	73B, 79D	R. H. -39.27" long	B6A 7320938-A	1
			L. H.	B6A 7320939-A	1
	56	73C, 79B	R. H.	B6A 7320938-B	1
			L. H.	B6A 7320939-B	1
			Clip Kit	B6A 207-A	2
	56	57, 59C, 64, 70C, 73C, 76	Retainer ass'y.	B6A 7021094-D	6or14
	56	59A, 59B, 64D, 70A, 70D	Retainer ass'y.	B6A 7021066-C	2or8
	56	59A, 59B, 64D, 70A, 70B	Retainer ass'y.	B6A 7021094-G	2
	56	59A, 59B, 70A, 70B	Retainer ass'y.	B6A 7029120-A	2
	56	59C, 78, 79	Retainer (moulding)	B5A 7021060-B	2or4
	56	59C, 79	Retainer (moulding)	B5A 7021062-A	2
	56	59A, 59B, 70A, 70B	No. 10 Internal tooth lockwasher	34903-S8(X96)	4
			No. 10 24 Hex.nut	34053-S8(M156)	4
			No. 10 Flat washer	44716-S8(X15)	4
	56	59A, 70A, 70B	No. 8 x .187" Cross recess truss head screw & washer ass'y.	359075-S7(BB818)	2
	57	51A	R. H. -Rear	B7A 5120938-A	1
			L. H.	B7A 5120939-A	1
			No. 8 x 1/4" Fillister head screw	*37611-S7	2
			Clip Kit	B7A 207-A	2
	57	57A, 58B	R. H.	B7A 5720938-A	1
			L. H.	B7A 5720939-A	1
			Retainer	B6A 7029120-A	2
			No. 10-24 Nut & washer ass'y	354397-S100(MM291)	2
			Clip Kit	B7A 201-B	2
	57	63A, 64B, 76	R. H. -With attaching parts	B7A 6420938-A	1
			L. H.	B7A 6420939-A	1
			Retainer	B6A 7029120-B	4
			No. 10-24 Nut & washer ass'y.	354397-S100(MM291)	4
			Clip Kit	B7A 207-A	2
	58	51A, 63A, 64B, 76	R. H. -Lower	B8A 6420938-B	1
			L. H.	B8A 6420939-B	1
			Clip Kit	B8A 204-A	2
	58	57B, 58A	R. H. -Lower	B8A 5720938-A	1
			L. H.	B8A 5720939-A	1
			Clip Kit	B8A 204-A	2
	58	57A, 58B	R. H. -Lower	B8A 5720938-B	1
			L. H.	B8A 5720939-B	1
			Clip Kit	B8A 204-A	2
	58	63B, 64A	R. H. -Lower	B8A 6420938-A	1
			L. H.	B8A 6420939-A	1
			Clip Kit	B8A 204-A	2
	58	59, 66, 70, 78	R. H.	B8A 7020938-A	1
			L. H.	B8A 7020939-A	1
			Clip Kit	B8A 204-A	2
	58	73, 79A, 79C, 79D	R. H.	B8A 7320938-A	1
			L. H.	B8A 7320939-A	1
			Clip Kit	B8A 204-A	2

NOTE 2 - Used on Body Type 78 From 6/1/56

# FORD CAR PARTS

## BODY SECTION 200

727

GROUP NUMBER	YEAR	BODY TYPE	DESCRIPTION	PART NUMBER	QTY. PER VEHICLE
<b>20938-9 MOULDING - DOOR - OUTSIDE-continued</b>					
59		51A, 59D, 63A, 64A, 64B, 64H, 65A, 76B	R. H. -Lower	B9A 6420938-B	1
			L. H.	B9A 6420939-B	1
			Clip Kit	B9A 111-A	2
59		54A, 57A, 58A, 58B, 71E, 71F, 75A	R. H. -Lower	B9A 5720938-B	1
			L. H.	B9A 5720939-B	1
			Clip Kit	B9A 111-A	2
59		58E, 71H	R. H.	B9A 5720938-A	1
			L. H.	B9A 5720939-A	1
			Clip Kit	B9A 204-A	2
59		59C, 64A, 64F, 64G, 66C	R. H.	B9A 6320938-A	1
			L. H.	B9A 6320939-A	1
			Clip Kit	B9A 204-A	2
<b>20942-3 MOULDING and RETAINER ASSY. - DOOR TRIM</b>					
56		59C, 64, 70C, 76	R. H. -Rustless steel-33.50" long	B6A 6420942-A	1
57		51A, 63A, 64B, 76	R. H. -Rustless steel-32.48" long	B7A 6420942-A	1
			L. H.	B7A 6420943-A	1
57		57A, 58B	R. H. -Rustless steel-25.43" long	B7A 5820942-A	1
58		57A, 58B	R. H. -Upper	B8A 5720942-A	1
			L. H.	B8A 5720943-A	1
58		51A, 63A, 64B, 76	R. H. -Upper	B8A 6420942-A	1
			L. H.	B8A 6420943-A	1
58		59B, 66B, 70B	43.14" long	B8A 7020942-A	2
58		73B, 79D	36.08" long	B8A 7320942-A	2
58		79C, 79E		B8A 7920942-A	2
59		51A, 54A, 64H, 65A, 75A, 76B	R. H. -Front door	B9A 7620942-A	1
			L. H.	B9A 7620943-A	1
59		57A, 58B	R. H.	B9A 5820942-A	1
			L. H.	B9A 5820943-A	1
59		58A	R. H.	B9A 5820942-B	1
			L. H.	B9A 5820943-B	1
			No 8 x 7/8" Cross recess oval head screw	52368-S23(U295)	2
59		59D, 66C	R. H.	B9A 5920942-A	1
			L. H.	B9A 5920943-A	1
59		63A, 64B	R. H.	B9A 6420942-A	1
			L. H.	B9A 6420943-A	1
59		64A	R. H.	B9A 6320942-A	1
			L. H.	B9A 6320943-A	1
59		71E, 71F, 71G	R. H.	B9A 7120942-A	1
			L. H.	B9A 7120943-A	1
<b>20956-7 MOULDING AND RETAINER ASSY. - FRONT DOOR TRIM - LOWER</b>					
58		51A, 63A, 64B, 76	36.28" long	B8A 6420956-A	2
58		57A, 58B	28.63" long	B8A 5720956-A	2
58/		S	R. H.	B8S 6320956-A	1
			L. H.	B8S 6320957-A	1
<b>20960-1 RAIL - FRONT DOOR OUTSIDE FINISH - UPPER</b>					
54/58		79C, 79E	Refer to Group 20424-5		
59		71G	R. H.	B9A 7120960-A	1
			L. H.	B9A 7120961-A	1
59		71G	Fastener	B9AB 7150108-C	6
			No. 10-32 x 1 1/2" Round head screw	27177-S7(U177)	6
<b>20972 SPACER - DOOR WINDOW GARNISH MOULDING - FRONT</b>					
57		59, 66, 70, 73, 78, 79		B7A 7020972-B	2
<b>20978 PLATE - DOOR or QUARTER OUTSIDE NAME - UPPER</b>					
53/56		79C	"Country"	1A 7920978-A	2
			No. 12 Nut (spring)	350786-A-S7(MM239)	8
57		79E	"Country Squire"	B7A 7920978-A	2
<b>20980-1 ORNAMENT - DOOR - OUTSIDE</b>					
58		S		B8S 6320980-A	10
			1/8" Self-threading nut & washer assy.	370713-S100(MM292)	20
59		S	R. H.	B9S 6320980-A	1
			L. H.	B9S 6320981-A	1
			1/4"-20 Nut (hex.)	33795-S7(M49)	14

**BODY  
SECTION 200**
**FORD CAR PARTS**

GROUP NUMBER	YEAR 19	BODY TYPE	DESCRIPTION	PART NUMBER	QTY. PER VEHICLE
<b>20982-3 MOULDING DOOR OUTSIDE REAR - UPPER</b>					
	57/58	58	Front & rear door vertical moulding	B7A 6420982-A	4
	57/58	64	Front door		2
	59	59D	R. H. -Front door vertical moulding	B9A 5920982-A	1
			L. H.	B9A 5920983-A	1
	59	64A, 64B, 64H	R. H. -Front door vertical moulding	B9A 6420982-A	1
			L. H. -Front door vertical moulding	B9A 6420983-A	1
	59	71E, 71F	R. H. Front & L. H. rear door - vertical - Refer to Group 25586-7		
			L. H. Front & L. H. rear door - vertical - Refer to Group 25586-7		
<b>21002-3 MOULDING ASSY. - DOOR OUTSIDE UPPER REAR</b>					
	57	57A, 58B	R. H. -Use with Unique Two-Tone Paint	B7A 5821002-A	1
			L. H.	B7A 5821003-A	1
<b>21010-1 MOULDING ASSY. - DOOR BELT - OUTSIDE</b>					
	53/54	76	L. H. -Includes weatherstrip-Chrome	BF 7621011-A	1
	53	60, 76	Clip-moulding-R. H. side-for slotted holes	358539-S8(GG59)	1
			Clip-moulding-L. H. side-for slotted holes	358540-S8(GG60)	1
			Clip-moulding-for slotted holes	358490-S8(GG58)	4
			No. 8 Flat washer - for slotted holes	44710-S8(X10)	2
	53/54	60, 76	Clip - moulding - for round holes	352213-S8(GG8)	8
<b>21012-3 PLATE - DOOR OR QUARTER OUTSIDE NAME - LOWER</b>					
	53/56	79C	'Squire'	1A 7921012-A	2
			No. 12 Nut (spring)	350786-A-S7(MM239)	8
<b>21020 RETAINER - DOOR LOWER MOULDING - OUTSIDE</b>					
	54	59B, 60B, 60F, 70B, 72B, 73B, 73C, 76, 79B		BM 7021020-B	22
	59	58E, 59C, 64F, 64G, 66C, 71H	Front fender	B9A 6421020-A	2
<b>21032-3 RETAINER - FRONT and REAR DOOR TRIM PANEL</b>					
	57	S	R. H.	B7S 4021032-AP	1
			L. H.	B7S 4021033-AP	1
	57/58	A	Cut as required-Paint to match	B7A 7021032-AP	2or4
	58/	S			2
	59	54A, 75A	Rear door-refer to Group 25576		
	59	A	38. 58" long-bright finish-Cut as required	B9AB 6521032-A	2
<b>21060-6 RETAINER - DOOR and QUARTER OUTSIDE MOULDING - Also Refer to Groups 21094 &amp; 29144</b>					
	55	59B, 70B, 70C, 73B, 73C, 78, 79	Belt moulding-front	B5A 7021060-B	2
	55/56	59, 70, 73, 78, 79	NOTE 1	B5A 7021062-A	6to26
	55/56	59, 70, 73, 79		B5A 7021060-A	10to22
	56	57C, 78, 79	Front door belt -NOTE 1	B5A 7021060-A	4or6
	56	59C	Quarter belt	B5A 7021060-A	10
	56	79	Rear door belt	B5A 7021060-A	6
	56	79	Quarter belt	B5A 7021060-A	4
	56	59C, 78, 79	Front door -NOTE 1	B5A 7021060-B	4or8
	56	59C, 78, 79	Front door belt-end -NOTE 1	B5A 7021062-A	2or24
	56	59B, 70B, 73B, 79D		B6A 7021066-C	14to16
	56	59A, 59B, 64D, 70A, 70B, 70D, 73A, 73B, 79D	Front door		6to16
	56	59A, 59B, 64D, 70A, 70B, 70D, 73A, 73B, 79D	Front fender		8to16
	56	59A, 64D, 70A, 70D, 73A, 78	Quarter -NOTE 2		8to16
	57	51A, 57A, 58A, 59B, 63A, 64B, 66B, 70B, 73B, 76, 79C, 79D	Front door		8to14
	57	79E	Lift gate	B7A 7921060-A	12
	57	51A, 63A, 64B, 76	Door	B7A 7021066-B	2
	57	51A, 57A, 58B, 59, 63A, 64B, 66B, 70B, 73B, 76, 79C, 79D	Front & rear door	B7A 6421066-B	2or4
	57/58	57	Front & rear door belt	B7A 5721060-A	12
	57/58	59B, 66B, 70, 73, 79C, 79D	Front & rear door	B7A 7021066-E	4or8
	57/58	79E	Front door belt	B7A 7921060-A	4
	57/58	79E	Rear door belt		4
	58	57B, 58A, 63B, 64A	NOTE 1	B7A 7021066-B	8
	59	58E, 59C, 64F, 64G, 71H	Front fender	B9A 6421066-A	6
	59	58E, 59C, 64F, 64G, 71H	Front door		8
	59	58E, 59C, 64F, 64G, 66C, 71H	Front fender	B9A 5821066-A	4
	59	58E, 71H	Rear door		2

NOTE 1 - Used on Body Type 78 Before 6/1/56

NOTE 2 - Used on Body Type 78 From 6/1/56

# FORD CAR PARTS

## BODY SECTION 210

729

GROUP NUMBER	YEAR 19	BODY TYPE	DESCRIPTION	PART NUMBER	QTY. PER VEHICLE
<b>21082 RETAINER - DOOR OUTSIDE UPPER MOULDING</b>					
	59	51A, 59D, 63A, 64A, 64B, 64H, 65A, 66C, 76B	Front door	B9A 6421082-A	4
			No. 8-32 x .21" Truss head screw	359167-S8(BB658)	4
<b>21088-9 MOULDING - DOOR OUTSIDE UPPER REAR CORNER</b>					
	55/56	64A, 64B	R. H.	B5A 6421088-A	1
			L. H.	B5A 6421089-A	1
<b>21094 RETAINER ASSY. - DOOR or QUARTER OUTSIDE MOULDING - Also Refer to Group 29120</b>					
	56	57, 59C, 64, 70C, 73C, 76, 79B	Door lower moulding	B6A 7021094-A	4
	56	57, 59C, 64, 70C, 73C, 76, 79B	Door lower moulding	B6A 7021094-D	6or14
	56	57, 59, 64, 70, 73, 76, 79	No. 10 Flat washer	44716-S8(X15)	AR
			No. 10 Internal tooth lockwasher	34903-S8(X96)	AR
			No. 10-24 Hex. nut	34053-S8(M156)	AR
	57	63A, 64B, 76	Quarter front moulding	B6A 7021094-A	2
	58	A	Front fender	B8A 7021094-A	AR
	58	A	Front and rear door		AR
	58	A	Quarter		AR
	59	51A, 54A, 57A, 58A, 58B, 59D, 63A, 64A, 64B, 64H, 65A, 71E, 71F, 75A, 76B	Front door	B9A 5821094-A	4
	59	51A, 54A, 57A, 58A, 58B, 59D, 63A, 64A, 64B, 64H, 65A, 71E, 71F, 75A, 76B	Front fender	B9A 6421094-A	12
	59	51A, 54A, 57A, 58A, 58B, 59D, 63A, 64A, 64B, 64H, 65A, 71E, 71F, 75A, 76B	Front door		6or8
	59	51A, 54A, 57A, 58A, 58B, 59D, 63A, 64A, 64B, 64H, 65A, 71E, 71F, 75A, 76B	No. 8-32 x .21" Truss head screw	359167-S8(BB658)	AR
<b>21094 RETAINER ASSY. - MOULDING - UNIVERSAL - INCLUDES CLIP</b>					
			Use with mouldings 1/2" thru 1" wide	C1AZ 6421094-C	AR
			Use with mouldings 1" thru 1 3/4" wide	C1AZ 6421094-B	AR
			Use with mouldings 1 3/4" thru 3" wide	C1AZ 6421094-A	AR
<b>21096 RETAINER ASSY. - DOOR and QUARTER LOWER MOULDING</b>					
	57/58	59B, 66B, 70B, 73B, 79C, 79D	Replaced by B6A 7029120-C	*B7A 7321096-A	2
<b>21108-9 STRIP - DOOR BELT INNER PANEL REAR FINISH</b>					
	57/58	57	R. H.	B7A 5721108-A	1
			No. 8 x 3/8" Cross recess pan head screw	52720-S8(U380)	2
			No. 6 x 3/8" Binding head self-tapping screw	*32914-S8	2
<b>21110-1 MOULDING ASSY. - DOOR TRIM - UPPER</b>					
	58/59	S	R. H.	B8S 6321110-A	1
			L. H.	B8S 6321111-A	1
<b>21122 PLATE - DOOR INSIDE PANEL COVER</b>					
	55/57	S		B5S 4021122-B	2
			No. 10 x 3/8" Binding head screw & washer assy.	42802-S8(U33)	12
<b>21134-5 SPACER ASSY. - DOOR TRIM MOULDING - FRONT</b>					
	55/57	S	R. H.	B5S 4021134-CP	1
			L. H.	B5S 4021135-CP	1
			No. 8-32 x 1/2" Cross recess oval head screw	*52915-S13	2
<b>21144-5 PLATE - DOOR GARNISH LOCK SIDE FINISH</b>					
	55/57	S	R. H.	B5S 4021144-B	1
			L. H.	B5S 4021145-B	1
			No. 10 x 5/8" Cross recess oval head screw	52353-S13(U303)	2
<b>21166-7 PANEL - DOOR TRIM FINISH</b>					
	55/57	S	R. H. -aluminum	B5S 4021166-A	1
	55/56	S	L. H. -aluminum-Cut hole when used with power window lifts	B6S 4021167-A	1
	56/57	S	L. H. -aluminum-without cut out	B6S 4021167-A	1
	55/57	S	No. 6 x 3/8" Cross recess oval head screw		4

GROUP NUMBER	YEAR 19	BODY TYPE	DESCRIPTION	PART NUMBER	QTY. PER VEHICLE
<b>21172-3 MOULDING - FRONT DOOR GARNISH FINISH</b>					
	55/57	S		B5S 4021172-A	2
			Clip ass'y. (moulding)	358566-S100(RR44)	6
			No. 10 Flat washer	44716-S8(X15)	6
			No. 10 Internal tooth lockwasher	34903-S8(X96)	6
			No. 10-24 Hex. nut	34053-S8(M156)	6
<b>21188 MOULDING - DOOR OUTSIDE FINISH PANEL</b>					
	58	59B, 66B, 70	Use with Anodized Panel	B8A 7021188-A	2
			Clip Kit	B8A 205-A	2
	58	73, 79C, 79D	Use with Anodized Panel	B8A 7321188-A	2
			Clip Kit	B8A 206-A	2
	58	57B, 58A "Before 3/3/58"	R. H. -Lower	B8A 5721188-A	1
			L. H. -Upper		1
			Retainer	B8A 6429318-A	7
			Retainer	B7A 7021066-B	4
			No. 8-32 x . 187" Cross recess truss head screw & washer assy.	359075-S7(BB818)	4
	58	63B, 64A "From 3/3/58"	R. H. -Lower	B8A 6421188-A	1
			L. H. -Upper		1
			Retainer	B8A 6429318-A	8
			Retainer	B7A 7021066-B	4
			No. 8-32 x . 187" Cross recess truss head screw & washer assy.	359075-S7(BB818)	4
<b>21190 MOULDING - DOOR OUTSIDE FINISH PANEL</b>					
	58	57B, 58A "From 3/3/58"	R. H. -Upper	B8A 5721190-A	1
			L. H. -Lower		1
			Retainer	B8A 6429318-A	7
			Retainer	B7A 7021066-B	4
			No. 8-32 x . 187" Cross recess truss head screw & washer assy.	359075-S7(BB818)	4
	58	63A, 64A "From 3/3/58"	R. H. -Upper	B8A 6421190-A	1
			L. H. -Lower		1
			Retainer	B8A 6429318-A	8
			Retainer	B7A 7021066-B	4
			No. 8-32 x . 187" Cross recess truss head screw & washer assy.	359075-S7(BB818)	4
<b>21206-7 LINK - DOOR BELLCRANK TO DOOR LOCK RELEASE LEVER</b>					
	59	54A, 57A, 58, 71, 75A	R. H. -Front door	B9AB 5821206-A	1
			L. H.	B9AB 5821207-A	1
	59	51A, 59, 63A, 64, 65A, 66C, 76B	R. H. -Approximately 7 1/2" long	B9AB 6421206-A	1
			L. H.	B9AB 6421207-A	1
	59	A	Clip-top	B9AB 6421952-A	2
			Clip-bottom	B9AB 6421954-A	2
<b>21402-3 WINDOW ASSY. - DOOR VENTILATING - COMPLETE - Clear Glass:</b>					
	53/54	59, 70, 72, 73, 78, 79	L. H.	BM 7021403-A	1
	55	59, 70, 73, 78, 79	R. H. -Add rain shield (22884) when desired	B6A 7021402-A	1
			L. H. -Add rain shield (22885) when desired	B6A 7021403-A	1
	55	60	R. H.	B5A 6021402-B	1
			L. H. (7-63)	*B5A 6021403-B	1
	56	59, 70, 73, 78, 79	R. H.	B6A 7021402-B	1
			L. H. (7-63)	*B6A 7021403-B	1
	56	64	R. H.	B6A 6421402-B	1
			L. H.	B6A 6421403-B	1
	56	76	R. H.	B6A 7621402-B	1
			L. H. (7-63)	*B6A 7621403-B	1
	55/56	59, 60, 70, 72, 73, 76, 78, 79	1/4"-20 x 2.12" Special head screw	357516-S8(WW83)	2
	53/56	59, 60, 70, 72, 73, 76, 78, 79	1/4" Special internal & external tooth lockwasher	351274-S7(XX298)	2
			1/4"-20 Hex. nut	33795-S7(M49)	2
			No. 12 x 3/8" Hex. washer head screw	354666-S2(BB568)	2
			Bracket ass'y.	BM 7022912-A	2
	53/56	57, 60, 64, 76	3/8"-24 x 1 1/4" Hex. head bolt	20429-S8(B172)	2
			3/8" Flat washer	44727-S8(X24)	2
			3/8"-24 Special set screw	355748-S8(UU103)	2
			3/8"-24 Hex. locknut	356129-S8(MM152)	2
			Plug (rubber) 1 1/2" diameter	352285-S(PP5)	2
	53/56	57, 60, 76	3/8" Lockwasher	34807-S8(X66)	2

# FORD CAR PARTS

## BODY SECTION 210

731

GROUP NUMBER	YEAR 19__	BODY TYPE	DESCRIPTION	PART NUMBER	QTY. PER VEHICLE
<b>21402-3 WINDOW ASSY. - DOOR VENTILATING-COMLETE- <i>Clear Glass -continued</i></b>					
	53/55	59, 60, 64, 70, 72, 73, 76, 78, 79	No. 14 x 5/8" Cross recess fillister head screw	★52557-S8	4
			No. 14 Nut (spring)	357799-S32A(MM280)	2
	57	58, 64	Refer to Group 22218-9		
	57	59, 66, 70, 73, 78, 79	R. H.	B7A 7021402-C	1
	57	63	R. H.	B7A 6321402-B	1
			L. H.	B7A 6321403-B	1
	57	A	5/16" External tooth lockwasher	★34941-S7	2
			3/8"-24 Hex. nut	33925-S8(M33)	2
			3/8"-24 x 1.44" Special set screw	355748-S8(UU103)	4
			Plug (rubber)-1 1/2" diameter	352285-S(PP5)	2
			5/16"-24 x 2 1/2" Hex. head bolt	370222-S8(BB407)	2
			3/8"-24 Set screw	370311-S7(UU111)	4
	58/	S	R. H.	B8S 6321402-A	1
			L. H.	B8S 6321403-A	1
			No. 8 x 3/8" Cross recess pan head screw	50507-S8(U151)	2
			5/16"-24 x 2" Hex. head bolt	20521-S8(B162)	2
			5/16" External tooth lockwasher	★34941-S7	4
	58	59, 66, 70, 73, 78, 79	R. H.	B8A 7021402-A	1
	57/58	59, 66, 70, 73, 78, 79	L. H.	B8A 7021403-A	1
	59	A	Service details- NOTE 3		
<b>21406-7 WINDOW ASSY. - FRONT DOOR VENTILATING - <i>Clear Glass</i></b>					
	53/54	59, 70, 72, 73, 78, 79	R. H. -includes glass, frame, upper & lower pivots & locking handle	BA 7021406-A	1
			L. H.	BA 7021407-A	1
	53/54	60, 76	R. H. -includes glass, frame, upper & lower pivots & locking handle	BA 7621406-A	1
			L. H.	BA 7021407-A	1
	55/56	59, 70, 73, 78, 79	R. H. -includes glass, frame, lower pivot & locking handle	B5A 7021406-A	1
			L. H.	B5A 7021407-A	1
	55/56	64, 76	R. H. -includes glass, frame, lower pivot, & locking handle	B5A 7621406-A	1
			L. H.	B5A 7621407-A	1
	55/56	59, 70, 73, 76, 78, 79	1/4"-28 x 1" Fillister head shoulder screw	356771-S8(BB41)	2
	53/56	59, 60, 70, 72, 73, 76, 78, 79	Stop	8A 7022992	2
			Stop	8A 7022993	2
			Spring	01A 7022926	2
			5/16"-24 Locknut	353618-S100(MM141)	2
	57/58	51A, 63, 76	R. H. -includes glass, frame, upper pivot & locking handle	B7A 7621406-B	1
			L. H.	B7A 7621407-B	1
	57/58	57	R. H. -includes glass, frame, upper pivot & locking handle	B7A 5721406-B	1
			L. H.	B7A 5721407-B	1
	57/58	58	R. H. -includes glass, frame, upper pivot & locking handle	B7A 5821406-B	1
			L. H.	B7A 5821407-B	1
	57/58	64	R. H. -includes glass, frame, upper pivot & locking handle	B7A 6421406-B	1
			L. H.	B7A 6421407-B	1
	57/58	51A, 57, 58, 63, 64, 76	No. 8-32 x .47" Socket head screw-tension adjustment	359153-S8(BB817)	2
	57/58	59, 66, 70, 73, 78, 79	R. H. -includes glass, frame, upper pivot, lower hinge & locking handle	B7A 7021406-C	1
			L. H.	B7A 7021407-C	1
	58/	S	R. H. -includes glass, frame, upper pivot & locking handle	B8S 6321406-A	1
			L. H.	B8S 6321407-A	1
			1/4"-20 x .88" lower pivot tension adjustment	370248-S8(UU20)	2
			No. 8-32 x .47" upper pivot tension adjustment	359153-S8(BB817)	2
	59	A	R. H. -Includes glass, frame, upper pivot, lower hinge & locking handle	B9A 6421406-A	1
			L. H.	B9A 6421407-A	1
			No. 8-32 x .47" Socket head screw-tension adjustment-upper pivot	359153-S8(BB817)	2

NOTE 3 - See Illustration Section 230

**BODY  
SECTION 210**
**FORD CAR PARTS**

GROUP NUMBER	YEAR 19	BODY TYPE	DESCRIPTION	PART NUMBER	QTY. PER VEHICLE
<b>21410-1 GLASS ASSY. - FRONT DOOR WINDOW</b>					
53/54	59, 70, 72, 78		Laminated glass-Clear	BA 7021410-A	2
			-Tinted	BC 7021410-B	2
53/54	73, 79		Laminated glass-Clear	BA 7321410-A	2
			-Tinted	BC 7321410-B	2
55	60		Laminated glass-Clear	B5A 6021410-E	2
56	57		Laminated glass-Clear	B6A 5721410-A	2
55/56	59, 70, 78		Laminated glass-Clear	B5A 7021410-E	2
			-Tinted	B5A 7021410-F	2
55/56	64A, 64B		Laminated glass-Clear	B5A 6421410-E	2
			-Tinted	B5A 6421410-F	2
55/56	64C, 64D, 76		Laminated glass-Clear	B5A 7621410-E	2
			-Tinted	B5A 7621410-F	2
55/56	73, 79		Laminated glass-Clear	B5A 7321410-E	2
			-Tinted	B5A 7321410-F	2
55/57	S		Laminated glass-Clear	B5S 4021410-C	2
			-Tinted	B5S 4021410-D	2
57/58	51A, 63, 76		Laminated glass-Clear	B7A 7621410-A	2
			-Tinted	B7A 7621410-B	2
57/58	57		Laminated glass-Clear	B7A 5721410-A	2
			-Tinted	B7A 5721410-B	2
57/58	58		Laminated glass-Clear	B7A 5821410-A	2
			-Tinted	B7A 5821410-B	2
57/58	59, 66, 70, 78		Laminated glass-Clear	B7A 7021410-A	2
			-Tinted	B7A 7021410-B	2
57/58	64		Laminated glass-Clear	B7A 6421410-A	2
			-Tinted	B7A 6421410-B	2
57/58	73, 79		Laminated glass-Clear	B7A 7321410-A	2
			-Tinted	B7A 7321410-B	2
58/	S		Laminated glass-Clear	B8S 6321410-A	2
			-Tinted	B8S 6321410-B	2
59	51A, 76B		Laminated glass-Clear	B9A 7621410-A	2
			-Tinted	B9A 7621410-B	2
59	54A, 58, 71		Laminated glass-Clear	B9A 7121410-A	2
			-Tinted	B9A 7121410-B	2
59	57A, 75A		Laminated glass-Clear	B9A 5721410-A	2
			-Tinted	B9A 5721410-B	2
59	59, 66C		Laminated glass-Clear	B9A 5921410-A	2
			-Tinted	B9A 5921410-B	2
59	63A, 65A		Laminated glass-Clear	B9A 6321410-A	2
			-Tinted	B9A 6321410-B	2
59	64		Laminated glass-Clear	B9A 6421410-A	2
			-Tinted	B9A 6421410-B	2
<b>21412-3 GLASS ASSY. - FRONT DOOR VENTILATING WINDOW</b>					
53/54	59, 70, 72, 73, 78, 79		Laminated glass-Clear	BA 7021412-A	2
			-Tinted	(7-63) ★BC 7021412-B	2
53/54	60, 76		Laminated glass-Tinted	BC 7621412-B	2
56	57		Laminated glass-Clear	B6A 5721412-A	2
55/56	59, 70, 73, 78, 79		Laminated glass-Clear	B5A 7021412-C	2
			-Tinted	B5A 7021412-D	2
57/58	51A, 63, 76		Laminated glass-Clear	B7A 7621412-A	2
			-Tinted	B7A 7621412-B	2
57/58	57		Laminated glass-Clear	B7A 5721412-A	2
			-Tinted	B7A 5721412-B	2
57/58	58		Laminated glass-Clear	B7A 5821412-A	2
			-Tinted	B7A 5821412-B	2
57/58	59, 66, 70, 73, 78, 79		Laminated glass-Clear	B7A 7021412-C	2
57/58	64		Laminated glass-Clear	B7A 6421412-A	2
			-Tinted	B7A 6421412-B	2
58/	S		Laminated glass-Clear	B8S 6321412-A	2
			-Tinted	B8S 6321412-B	2
59	A		Laminated glass-Clear	B9A 6421412-A	2
			-Tinted	B9A 6421412-B	2



# FORD CAR PARTS

## BODY SECTION 210

733

GROUP NUMBER	YEAR	BODY TYPE	DESCRIPTION	PART NUMBER	QTY. PER VEHICLE
<b>21446-7 WEATHERSTRIP - FRONT DOOR GLASS - OUTER or INNER BELT - Also Refer to Groups 21452-3 &amp; 21456-7</b>					
	53/54	59, 70, 72, 78	R. H. -at belt-inner L. H.	BA 7021446-B BA 7021447-B	1 1
	53/54	73, 79	R. H. -at belt-inner L. H.	BA 7321446-B BA 7321447-B	1 1
	55/56	59, 70, 78	R. H. -Use B5A 7021452-B & remove clips L. H. -Use B5A 7021453-B & remove clips		1 1
	55/56	60, 64, 76	Use B5A 6021452-B & remove clips		2
	55/56	73, 79	R. H. -Use B5A 7321452-B & remove clips L. H. -Use B5A 7321453-B & remove clips		1 1
	55/57	S	At belt-inner-Use B5S 4021452-A by removing 7 clips		2
	57/58	59, 66, 70, 78	R. H. -inner-less clips L. H.	B7A 7021446-A B7A 7021447-A	1 1
	57/58	73, 79	R. H. -inner-less clips L. H.	B7A 7321446-A B7A 7321447-A	1 1
<b>21448-9 WEATHERSTRIP ASSY. - FRONT DOOR VENTILATING WINDOW</b>					
	53/54	59, 70, 72, 73, 78, 79	L. H.	BA 7021449-A	1
	53/54	60, 76	L. H.	BA 7621449-B	1
	55	60	L. H.	B5A 6021449-B	1
	55/56	59, 70, 73, 78, 79	R. H. L. H.	B6A 7021448-A B6A 7021449-A	1 1
	55/56	64, 76	R. H. L. H.	B6A 7621448-B B6A 7621449-B	1 1
	55/56	57, 60, 64, 76	No. 6 x 3/8" Cross recess fillister head screw	*51554-S8	6or8
	57/58	51A, 57, 63, 76	R. H. L. H.	B8A 5721448-A B8A 5721449-A	1 1
	57/58	58, 64	R. H. -Cut to fit for Body Type 64 L. H.	B8A 5821448-A B8A 5821449-A	1 1
	57/58	59, 66, 70, 73, 78, 79	R. H. L. H.	B8A 7021448-A B8A 7021449-A	1 1
	57/58	57, 58, 63, 64, 76	No. 6-32 x 1/4" Cross recess fillister head screw No. 6-32 x 1/2" Cross recess pan head screw	*51550-S13 *51763-S8	8 2
	58/	S	R. H. L. H. No. 6-32 x 1/4" Cross recess fillister head screw No. 6-32 x 1/2" Cross recess pan head screw	B8S 6321448-A B8S 6321449-A *51550-S13 51763-S8(U362)	1 1 8 4
	59	A	R. H. L. H.	B9A 6421448-A B9A 6421449-A	1 1
<b>21450-1 WEATHERSTRIP - DOOR VENTILATING WINDOW DIVISION BAR</b>					
	53/54	60, 76	12.10" long	BA 7621450-A	2
	53/54	59, 70, 72, 73, 76, 78, 79	3/32" x 5/32" Rivet	0A 7021524	8or10
	55	60	R. H. -13.80" long L. H.	B5A 6021450-A B5A 6021451-A	1 1
	56	57	R. H. -Cut to fit L. H.	B5A 6021450-A B5A 6021451-A	1 1
	53/56	59, 70, 72, 73, 78, 79	Front-13.23" long-Cut as required	B5A 7021450-B	2
	55/56	64, 76	R. H. -12" long L. H.	B5A 7621450-A B5A 7621451-A	1 1
	55/56	57, 59, 70, 73, 78, 79	3/32" x 5/32" Rivet	0A 7021524	8
	55/56	60, 64, 76			8
	57	51A, 57, 63, 76		B7A 7621450-B	2
	58	51A, 57, 63, 76		B8A 7621450-A	2
	57/58	58, 64		B8A 6421450-A	2
	57/58	59, 66, 70, 73, 78, 79		B8A 7021450-A	2
	58/	S		B8S 6321450-A	2
	59	A		B9A 6421450-A	2
	57/59	A, S	3/16" x 5/32" Rivet	0A 7021524	8
<b>21452-3 WEATHERSTRIP ASSY. - FRONT DOOR WINDOW GLASS</b>					
	53/54	59, 70, 72, 78	R. H. -at belt-outside L. H.	BA 7021452-B BA 7021453-B	1 1
	53/54	73, 79	R. H. -at belt-outside L. H.	BA 7321452-B BA 7321453-B	1 1

**BODY  
SECTION 210**
**FORD CAR PARTS**

GROUP NUMBER	YEAR 19...	BODY TYPE	DESCRIPTION	PART NUMBER	QTY. PER VEHICLE
<b>21452-3</b>	<b>WEATHERSTRIP ASSY. - FRONT DOOR WINDOW GLASS - continued</b>				
	53/54	60, 76	Refer to Group 21446		
	55	60, 64, 76	R. H. - at belt-outside L. H.	B5A 6021452-D B5A 6021453-D	1 1
	56	57	At belt-outside	B6A 5721452-A	2
	56	64, 76	R. H. - at belt-outside L. H.	B5A 6021452-D B5A 6021453-D	1 1
	55/56	59, 70, 78	R. H. - at belt-outside L. H.	B5A 7021452-B B5A 7021453-B	1 1
	55/56	73, 79	R. H. - at belt-outside L. H.	B5A 7321452-B B5A 7321453-B	1 1
	55/57	S	At belt-outer At belt-inner-remove 7 clips	B5S 4021452-A B5S 4021452-A	2 2
	57/58	51A, 63, 76	R. H. - at belt-outside L. H.	B7A 7621452-A B7A 7621453-A	1 1
	57/58	57	R. H. - at belt-outside L. H.	B7A 5721452-A B7A 5721453-A	1 1
	57/58	51A, 57, 63, 76	No. 8-32 x 3/8" Pan. head screw	50507-S8(U151)	2
	57/58	58	R. H. - at belt-outside L. H.	B7A 5821452-A B7A 5821453-A	1 1
	57/58	59, 66, 70, 78	R. H. - at belt-outside L. H.	B7A 7021452-A B7A 7021453-A	1 1
	57/58	64	R. H. - at belt-outside L. H.	B7A 6421452-A B7A 6421453-A	1 1
	57/58	73, 79	R. H. - at belt-outside L. H.	B7A 7321452-A B7A 7321453-A	1 1
	58/	S	R. H. - At belt-outside-with clips L. H.	B9S 6321452-A B9S 6321453-A	1 1
	59	51A, 63A, 65A, 76B	At belt-outside-with clips	B9A 6321452-A	2
	59	54A, 58, 71	At belt-outside-with clips	B9A 5821452-A	2
	59	57A, 75A	R. H. - at belt-outside-with clips L. H.	B9A 5721452-A B9A 5721453-A	1 1
	59	59, 64, 66C	At belt-outside-with clips	B9A 6421452-A	2
	59	A	No. 4 x 3/8" Cross recess flat head screw	52003-S13(U194)	4
<b>21456-7</b>	<b>WEATHERSTRIP - DOOR GLASS AT BELT - INSIDE</b>				
	53/54	60, 76	24.65" long	BF 7621456-A	2
	55/56	60, 64, 76	24.12" long	B5A 7621456-A	2
	56	57		B6A 5721456-A	2
	57/58	57	Cut to 18.72" long	B7A 6421456-A	2
	57/58	58	24.78" long-Cut as required	B9A 6321456-A	2
	59	51A, 63A, 65A, 76B			2
	59	57A, 75A	Cut to 19.25" long		2
	57/58	51A, 63, 64, 76	24.78" long-Cut as required	B9A 6421456-A	2
	59	59, 64, 66C			2
	59	54A, 58, 71	Cut to 19.25" long		2
	58/	S	R. H. L. H.	B8S 6321456-A B8S 6321457-A	1 1
<b>21458-9</b>	<b>CHANNEL and RETAINER ASSY. - FRONT DOOR GLASS</b>				
	53/54	59, 70, 72, 78	R. H. L. H.	BA 7021458-A BA 7021459-A	1 1
	55	60, 64, 76	R. H. L. H.	B5A 6021458-B B5A 6021459-B	1 1
	55	73, 79	R. H. L. H.	B6A 7321458-A B6A 7321459-A	1 1
	56	57	L. H.	B6A 5721459-B	1
	55/56	59, 70, 78	R. H. L. H.	B6A 7021458-A B6A 7021459-A	1 1
	56	64, 76	R. H. - Use with B6A 7621508-A L. H. - Use with B6A 7621509-A	B6A 7621458-B B6A 7621459-B	1 1
	56	73, 79	R. H. L. H.	B6A 7321458-A B6A 7321459-A	1 1
	55/57	S	R. H. L. H.	B6S 4021458-A B6S 4021459-A	1 1
	57/58	57	R. H. - NOTE 1 L. H.	B7A 5721458-B B7A 5721459-B	1 1

NOTE 1 - On Units Built Prior to Approximately October 8, 1956 When Necessary Drill Hole 1.28" Above Upper Hole in Frame

# FORD CAR PARTS

## BODY SECTION 210

735

GROUP NUMBER	YEAR	BODY TYPE	DESCRIPTION	PART NUMBER	QTY. PER VEHICLE
<b>21458-9 CHANNEL and RETAINER ASSY. - FRONT DOOR GLASS - continued</b>					
	57/58	58	R. H. -With power windows L. H.	B7A 5821458-A B7A 5821459-A	1 1
	57/58	58	R. H. -With manual windows L. H.	B7A 5821458-B B7A 5821459-B	1 1
	57/58	64	R. H. L. H.	B7A 6421458-A B7A 6421459-A	1 1
	57/58	59, 66, 70, 78	R. H. L. H.	B7A 7021458-A B7A 7021459-A	1 1
	57/58	73, 79	R. H. -With power windows L. H.	B7A 7321458-A B7A 7321459-A	1 1
	57/58	73, 79	With manual windows	B7A 7321458-B	2
	57/58	51A, 63, 76	R. H. L. H.	B7A 7621458-A B7A 7621459-A	1 1
	58/	S	R. H. L. H.	B8S 6321458-A B8S 6321459-A	1 1
	59	57A, 75A	R. H. L. H.	B9A 5721458-A B9A 5721459-A	1 1
	59	54A, 58, 71	R. H. L. H.	B9A 5821458-A B9A 5821459-A	1 1
	59	51A, 63A, 65A, 76B	R. H. L. H.	B9A 6321458-A B9A 6321459-A	1 1
	59	59, 64, 66C	R. H. L. H.	B9A 6421458-A B9A 6421459-A	1 1
<b>21464-5 BRACKET - DOOR VENTILATING WINDOW - UPPER PIVOT</b>					
	57/58	59, 66, 70, 73, 78, 79		B7A 7021464-A	2
			No. 8-32 x 1/2" Fillister head screw	31061-S8(U50)	4
<b>21466-7 HINGE - DOOR VENTILATING WINDOW - UPPER PIVOT</b>					
	53/54	A	L. H. -On glass frame 9/64" Rivet (tubular)	BA 7021467-A 351933-S(SS32)	1 4
	57/58	51A, 57, 58, 63, 64, 76	R. H. -On glass frame-lower L. H.	B7A 6421466-A B7A 6421467-A	1 1
			No. 8-32 x .20" Special oval head screw	350085-S(BB598)	4
	58/	S	R. H. -On glass frame-lower L. H.	B8S 6321466-A B8S 6321467-A	1 1
			No. 8-32 x .20" Special oval head screw	350085-S(BB598)	4
<b>21478 STRIP - DOOR GLASS RETAINER</b>					
	53/54	60, 76	56" long-glass channel-cut to fit	BA 7621478-C	1
	55/56	S	Cut to 34.25" long	BA 7621478-C	2
	57/	All	Use bulk glass tape		
<b>21508-9 RUN ASSY. - FRONT DOOR GLASS - LOCK SIDE</b>					
	55/56	60, 64, 76	R. H. -Use with B6A 7621458-A L. H. -Use with B6A 7621459-A 1/4"-20 x 1.06" Stud 1/4" Flat washer 1/4"-20 Hex. nut	B6A 7621508-A B6A 7621509-A 359214-S8(UU106) 44719-S8(X17) 33795-S7(M49)	1 1 2 4 4
	55/57	S	R. H. L. H. 1/4"-20 x 5/8" Hex. head bolt 1/4" Flat washer No. 12 Lockwasher	B7S 4021508-A B7S 4021509-A 20324-S8(B41) 44719-S8(X17) 34904-S7-8(X96A)	1 1 8 8 8
	57/58	51A, 63, 76	R. H. L. H. 1/4"-28 x 1" Set screw 1/4"-28 Hex. nut	B7A 7621508-B B7A 7621509-B 358838-S8(UU105) 33796-S7(M61)	1 1 4 4
	57/58	57	R. H. L. H. 5/16"-24 x 1 1/4" Stud 5/16" Lockwasher (internal & external tooth) 5/16"-24 Hex. nut	B7A 5721508-B B7A 5721509-B *358869-S8 356309-S7(XX299) 33923-S7(M32)	1 1 4 4 4
	58/	S	R. H. L. H. 5/16"-24 x 1 1/4" Stud	B8S 6321508-A B8S 6321509-A *358869-S8	1 1 4

GROUP NUMBER	YEAR 19____	BODY TYPE	DESCRIPTION	PART NUMBER	QTY. PER VEHICLE
<b>21508-9 RUN ASSY. FRONT DOOR GLASS - LOCK SIDE - continued</b>					
59		51A, 63A, 65A, 76B	R. H. L. H.	B9A 6321508-A B9A 6321509-A	1 1
59		57A, 75A	R. H. L. H.	B9A 5721508-A B9A 5721509-A	1 1
59		51A, 57A, 63A, 65A, 75A, 76B	5/16"-24 x 3/8" Shoulder stud 5/16"-24 Hex. nut	371242-S8(UU115) 33923-S7(M32)	2 2
<b>21510 WEATHERSTRIP - FRONT DOOR GLASS CHANNEL</b>					
57/58	A		31.46" long-Cut as required	C1SB 6321510-A	2
58/	S				2
<b>21518 SUPPORT - DOOR GLASS RUN - LOCK SIDE - LOWER</b>					
55/57	S			B5S 4021518-A	1
			1/4" Flat washer	44719-S8(X17)	8
			No. 12 Lockwasher	34904-S7-8(X96A)	8
			1/4"-20 x 5/8" Hex. head bolt	20324-S8(B41)	8
<b>21524 RIVET - DIVISION BAR WEATHERSTRIP</b>					
53/	A		3/32" x 5/32" Special oval head tubular	0A 7021524	8to16
58/	S				8
<b>21525 ROLLER ASSY. - DOOR WINDOW GLASS FRAME</b>					
55/56		60, 64, 76		B5A 6021525-A	4
<b>21538-9 RUN and BRACKET ASSY. - DOOR VENTILATING WINDOW DIVISION BAR GLASS</b>					
57/58		58, 64	R. H. L. H.	B7A 6421538-A B7A 6421539-A	1 1
59	A			B9A 6421538-A	2
<b>21546-7 RUN - FRONT DOOR GLASS - HINGE SIDE</b>					
53/54		59, 70, 72, 73, 78, 79	On division bar-30.46" long	BM 7021546-A	2
55		60	32.18" long	B5A 6021546-A	2
56		57		B6A 5721546-A	2
55/56		59, 70, 73, 78, 79	32.25" long	B5A 7021546-C	2
55/50		64, 76	30.38" long	B5A 7621546-A	2
55/56		57, 60, 64, 76	9/64" x 7/16" Pan head semi-tubular rivet	353912-S8(SS33)	4
55/57	S		19 1/8" long	B6S 4021546-A	2
57/58		59, 66, 70, 73, 78, 79		B7A 7021546-B	2
57/58		51A, 57, 63, 76		B7A 7621546-A	2
58/	S		30.47" long	B8S 6321546-A	2
			9/64" x .20" Oval head tubular rivet	351909-S8(SS30)	4
<b>21550 RUN ASSY. - FRONT DOOR GLASS - LOCK SIDE - Also Refer to Group 25766</b>					
53/54		59, 70, 72, 78	55.85" long - with 6 fasteners	BM 7021550-A	2
53/54		73, 79	49.46" long-front door - with 6 fasteners	BM 7321550-A	2
53/54		59, 70, 72, 73, 78, 79	Fastener	358486-S32(HH43)	12
			No. 10 Flat washer	44716-S8(X15)	2
55/50		59, 70, 78		B5A 7021550-B	2
55/56		73, 79		B5A 7321550-B	2
55/56		59, 70, 73, 78, 79	No. 12 Lockwasher	34804-S8(X61)	2
57/58		58	Cut to 28.13" from C0AB 5825766-B		2
57/58		64	Cut to 31.79" from C0AB 5825766-B		2
57/58		59, 66, 70, 78		B7A 7021550-A	2
57/58		73, 79		B7A 7321550-B	2
59		57A, 58, 71	Cut to 31.10" from C0AB 5825766-B		2
59		59, 64, 66C	Cut to 30.17" from C0AB 5825766-B		2
<b>21564 BRACKET ASSY. - FRONT DOOR GLASS RUN - REAR LOWER OUTER RETAINER</b>					
57/58		58		B7A 5821564-A	2
			5/16"-24 x .88" Hex. washer head screw	352628-S2(BB586)	2
59	A			B9A 6421564-A	4
			5/16"-24 x .88" Hex. washer head screw	352628-S2(BB586)	4
<b>21596 RUN ASSY. - FRONT DOOR GLASS TOP</b>					
57/58		58	Cut 19.77" from B7A 6421550-A		2
57/58		64	Cut 25.20" from B7A 6421550-A		2
59		54A, 58, 71	Cut to 20" from B9A 7125766-A		2
59		59, 64, 66C	Cut to 25.49" from B9A 7125766-A		2

# FORD CAR PARTS

## BODY SECTION 210

737

GROUP NUMBER	YEAR 19	BODY TYPE	DESCRIPTION	PART NUMBER	QTY. PER VEHICLE
<b>21608-9</b>		<b>FRAME ASSY. - DOOR VENTILATING WINDOW - LESS HANDLE and GLASS</b>			
	55/59		Refer to Group 21406-7		
<b>21752</b>		<b>SUPPORT ASSY. - DOOR WINDOW LOWER STOP</b>			
	58/	S	No. 12-24 x 3/8" Hex. washer head screw	B8S 6321752-A 354666-S2(BB568)	2 6
<b>21760-1</b>		<b>BRACKET - DOOR WINDOW STOP</b>			
	55	60		B5A 6021760-A	2
	55/57	S	Lower	B5A 7021760-A	2
	55/58	A	Lower-front door	B5A 7021760-A	2or4
	55/58	73, 79	Lower-rear door	B5A 6021760-A	2
	58/	S	Lower	B8S 6321760-A	2
	59	A	Front door	B9A 6421760-A	2
	59	54A, 57A, 58, 71, 75A	Rear door		2
	55/58	A, S	No. 12-24 x 3/8" Hex. washer head screw	354666-S2(BB568)	4or6
	59/	S			4
	59	A	5/16"-24 x .88" Hex. washer head screw	352628-S2(BB586)	2or4
<b>21762</b>		<b>BUMPER - DOOR WINDOW STOP</b>			
	55/57	A, S	Rubber	B5A 7021762-A	2or4
	58	A			2or4
<b>21768</b>		<b>STOP - DOOR WINDOW - UPPER</b>			
	57/58	51A, 63, 76	Rear	B7A 6321768-A	2
	57/58	57	Rear	B7A 5721768-A	2
	58/	S	Front and rear	B7A 6321768-A	4
			No. 10-24 x 3/8" Hex. washer head screw	40905-S7 (U258)	4
			No. 12-24 x 3/8" Hex. washer head screw	354666-S2 (BB568)	8
	59	51A, 57A, 63A, 65A, 75A, 76B	Front door	B9A 5721768-A	4
			No. 10 Lockwasher	34803-S7(X60)	4
			No. 10-32 Hex. nut	34079-S7(M163)	4
<b>21770</b>		<b>STOP - DOOR WINDOW - UPPER</b>			
	55/56	57, 60, 64, 76		B5A 6021770-B	4
			No. 10 x 3/8" Pan head self-tapping screw	*32917-S7	4
			No. 12-24 x 3/8" Hex. washer head screw	354666-S2(BB568)	4or8
	55/57	S		B5S 4021770-A	4
			No. 12-24 x 3/8" Hex. washer head screw	354666-S2 (BB568)	4
	57/58	51A, 63, 76	Front	B7A 6321770-A	2
	57/58	57	Front	B7A 5721770-A	2
	57/58	51A, 57, 63, 76	No. 12-24 x 3/8" Hex. washer head screw	354666-S2(BB568)	4
<b>21774-5</b>		<b>BUMPER ASSY. - DOOR VENTILATING WINDOW FRAME</b>			
	55	60, 64, 76	R. H.	B5A 6021774-A	1
			L. H.	B5A 6021775-B	1
	56	57		B5A 6021774-A	2
	56	64		B6A 6421774-A	2
	56	76	R. H.	B5A 6021774-B	1
			L. H.	B5A 6021775-B	1
	58/	S	Upper	B7A 7621774-A	2
	57/58	51A, 57, 63, 76	Upper		2
	59	51A, 57A, 63A, 65A, 75A, 76B	Upper		2
<b>21782</b>		<b>PLATE - DOOR WINDOW UPPER STOP ANCHOR</b>			
	59	51A, 57A, 63A, 65A, 75A, 76B	Front door	B9A 5721782-A	4
			No. 10-12 x 1/2" Cross recess pan head screw	52727-S8(U382)	8
<b>21812-3</b>		<b>LOCK ASSY. - DOOR</b>			
	53/54	A	R. H. -Front	B3A 7021812-A	1
			L. H.	B3A 7021813-A	1
			No. 12-24 x 1/2" Flat head screw & lockwasher ass'y.	356782-S8(BB114)	6
			No. 12-24 x 3/8" Hex. washer head screw	354666-S2(BB568)	2
	55	A, S	R. H. -Front	B5A 7021812-B	1
			L. H.	B5A 7021813-B	1
	55	A	No. 12-24 x .44" Cross recess flat head screw & washer ass'y.	353908-S7 (BB113)	6
	55	A	No. 12-24 x 3/8" Hex. washer head screw	354666-S2(BB568)	2
	56	59, 64, 70, 74, 76, 78, 79, S	R. H.	B6A 7021812-B	1
			L. H.	B6A 7021813-B	1
	55/56	S	No. 12-24 x 3/8" Cross recess pan head screw washer ass'y.	*50805-S8	2
	55/56	S	No. 12-24 x 1/2" Flat head screw & lockwasher ass'y.	356782-S8(BB114)	6

GROUP NUMBER	YEAR 19	BODY TYPE	DESCRIPTION	PART NUMBER	QTY. PER VEHICLE
<b>21812-3</b>	<b>LOCK ASSY. - DOOR - continued</b>				
	56	57	R. H. L. H.	B6A 5721812-B B6A 5721813-B	1 1
	57	S	R. H. L. H.	B6A 7021812-B B6A 7021813-B	1 1
	57/58	A	R. H. L. H.	B7A 7021812-A B7A 7021813-A	1 1
	58/	S	R. H. L. H.	B8S 6321812-A B8S 6321813-A	1 1
	59	A	R. H. L. H.	C3SZ 6321812-A C3SZ 6321813-A	1 1
<b>21818-9</b>	<b>CONTROL and LINK ASSY. - DOOR LOCK REMOTE</b>				
	53/54	59, 60, 70, 72, 76, 78	R. H. L. H.	BA 7021818-A BA 7021819-A	1 1
	53/54	73, 79	R. H. -Front L. H.	BA 7321818-A BA 7321819-A	1 1
	55/56	59, 60, 64, 70, 76, 78	R. H. L. H.	B5A 7021818-B B5A 7021819-B	1 1
	55/56	73, 79	R. H. -Front door L. H.	B5A 7321818-B B5A 7321819-B	1 1
	55/57	S	R. H. L. H.	B5S 4021818-D B5S 4021819-D	1 1
	57	A	R. H. L. H. -Replaced by B8A 7021819-A	B7A 7021818-A *B7A 7021819-A	1 1
	58	A, S	R. H. L. H.	B8A 7021818-A B8A 7021819-A	1 1
	53/58	A, S	No. 12-24 x 3/8" Hex. washer head screw	354666-S2(BB568)	6
	59	S	R. H. L. H.	B8A 7021818-A B8A 7021819-A	1 1
	59	A	R. H. -Front door L. H.	B9A 6421818-A B9A 6421819-A	1 1
	59	54A, 57A, 58, 71, 75A	R. H. -Rear door L. H.	B9A 6421818-A B9A 6421819-A	1 1
	59	A, S	5/16"-24 x .88" Hex. washer head screw	352628-S2(BB586)	6or12
<b>21850</b>	<b>KNOB - DOOR LOCKING CONTROL ROD</b>				
	55/57	S	Chrome	OH 7321850-Z6	2
	53/	A	Black	B7A 7021850-A	2or4
	58/	S			2or4
<b>21852-3</b>	<b>ROD - DOOR LOCK PUSH BUTTON</b>				
	55/57	S	R. H. L. H.	B5S 4021852-A B5S 4021853-A	1 1
	57/58	51A, 63, 64, 76	R. H. L. H.	B7A 6421852-A B7A 6421853-A	1 1
	57/58	57, 58		B7A 5821852-A	2
	57/58	59, 66, 70, 73, 78, 79		B7A 7021852-A	2
	58/	S	R. H. L. H.	B8S 6321852-A B8S 6321853-A	1 1
			Clip	B9AB 6421952-A	2
	59	51A, 59, 63A, 64, 65A, 66C, 76B	R. H. L. H.	B9A 6421852-A B9A 6421853-A	1 1
	59	54A, 57A, 58, 71, 75A	R. H. L. H.	B9A 5821852-A B9A 5821853-A	1 1
	59	A	Clip	B9A 6421954-A	2
<b>21858</b>	<b>SPRING - DOOR LOCK MAIN</b>				
	53/54	59, 60, 70, 72, 73, 76, 78, 79		BA 7021858-A	2or4
	55/56	40, 57, 59, 60, 64, 70, 73, 76, 78, 79			2or4
	57	S			2
<b>21872-3</b>	<b>SPRING - DOOR LOCK SLIDE TOGGLE</b>				
	55/56	40, 57, 59, 60, 64, 70, 73, 76, 78, 79	R. H. L. H.	B6A 7021872-A B6A 7021873-A	1or2 1or2
	55/56	59, 79	Lift gate lock	B6A 7021873-A	1
	57	S	R. H. L. H.	B6A 7021872-A B6A 7021873-A	1 1

# FORD CAR PARTS

## BODY SECTION 210

739

GROUP NUMBER	YEAR	BODY TYPE	DESCRIPTION	PART NUMBER	QTY. PER VEHICLE
<b>21909 SLEEVE - DOOR LOCK PAWL STOP</b>					
	53/54	59, 60, 70, 72, 73, 76, 78, 79	Rubber	0A 7021909	2or4
	55/56	40,57,59,60,64,70,73,76,78,79			2or4
	57	S			2
<b>21910 SPRING - DOOR REMOTE CONTROL</b>					
	53/54	59, 60, 70, 72, 73, 76, 78, 79		8A 7021910-C	2or4
	55/56	40,57,59,60,64,70,73,76,78,79			2or4
	57/59	A, S			2or4
<b>21928-9 LINK ASSY. - FRONT DOOR LOCK REMOTE CONTROL</b>					
	57/58	51A, 63, 64, 76		B7A 6421928-A	4
	57/58	57, 58		B7A 5821928-A	4
	57/58	59, 66, 70, 78		B7A 7021928-A	4
	57/58	73, 79		B7A 7321928-A	4
	57/58	A	Clip-R. H. -Use B7A 9826-A		4
			Clip-L. H. -Use B7A 9825-B		4
	58/	S	25.50" long	B8S 6321928-A	2
			26.80" long	B7A 6421928-A	2
			Clip-R. H. -Use B7A 9826-A		4
			Clip-L. H. -Use B7A 9825-B		4
	59	51A, 59, 63A, 64, 65A, 66C, 76B	Approximately 25 3/4" long	B9A 6421928-A	2
			Clip	B9AB 6421952-A	4
	59	54A, 57A, 58, 71, 75A	R. H. -Approximately 18" long	B9A 5721928-A	1
			L. H.	B9A 5721929-A	1
			Clip-front	B9AB 6421952-A	2
			Clip-rear	B9AB 6421954-A	2
	59	A	Clip - anti-rattler	358393-S2(GG51)	2
<b>21932 LINK - DOOR BELLCRANK TO DOOR LOCK CONTROL ROD LEVER</b>					
	59	A	Approximately 4 1/4" long	B9A 6421932-A	2
			Clip-top	B9AB 6421952-A	2
			Clip-bottom	B9AB 6421954-A	2
<b>21942 COVER ASSY. - LOCK CYLINDER KEY HOLE</b>					
	59/	A	Front door	B9A 6421942-A	2
	59/	A(59, 71)	Tail gate		1
<b>21942-3 KIT - DOOR LOCK CYLINDER COVER and SPRING</b>					
	53/58	A - NOTE 2	R. H.	B2A 7021942-A	1
	55/	S			1
			L. H.	B2A 7021943-A	1
<b>21952 CLIP - DOOR LOCK ROD</b>					
	53/54	59, 60, 70, 72, 73, 76, 78, 79		B5A 7021952-A	2or4
	59	54A, 57A, 58, 71, 75A	Front door		10
	59	54A, 57A, 58, 71, 75A	Rear door		8
	56/57	40,57,59,60,64,70,73,76,78,79		B9AB 6421952-A	2or6
	57/58	A, S			2to18
	59/	S			2or8
	59	51A, 59, 63A, 64, 65A, 66C, 76B	Front door		8
<b>21954-5 CLIP - DOOR LOCK CONTROL LINK RETAINING - Also Refer to Chassis Group 9825-6</b>					
	59	51A, 59, 63A, 64, 65A, 66C, 76B	Front door	B9AB 6421954-A	8
	59	54A, 57A, 58, 71, 75A	Front door		10
	59	54A, 57A, 58, 71, 75A	Rear door		8
<b>21968 LEVER ASSY. - DOOR LOCK OPERATING</b>					
	53/54	59, 60, 70, 72, 73, 76, 78, 79B		B2A 7021968-A	2
	53/54	79C		BA 7921968-A	2
			Spring (retaining)	B5A 7022075-A	2

NOTE 2 - Not Used on 1957 Body Type 51A

GROUP NUMBER	YEAR 19	BODY TYPE	DESCRIPTION	PART NUMBER	QTY. PER VEHICLE
<b>21970-1 LEVER - DOOR LOCK OPERATING</b>					
	55/56	A		B5A 7021971-A	2
			Spring (retaining)	B5A 7022075-A	2
	55/57	S		B5S 4021971-A	2
	57/58	51A, 63, 64, 76	R. H.	B7A 6421970-A	1
			L. H.	B7A 6421971-A	1
	57/58	57, 58, 59, 66, 70, 73, 78, 79C, 79D	R. H.	B7A 7021970-A	1
			L. H.	B7A 7021971-A	1
	57/58	79E	R. H.	B7A 7921970-A	1
			L. H.	B7A 7921971-A	1
	57/58	A	Spring (retaining)	B7A 7022075-A	2
	55/57	S			2
	58/	S	R. H.	B8S 6321970-A	1
			L. H.	B8S 6321971-A	1
	59	A		B9A 6421970-A	2
<b>21974 ROD - DOOR LOCK CONTROL TO CYLINDER LOCK</b>					
	59	54A, 57A, 58, 71, 75A		B9A 5821974-A	2
	59	51A, 59, 63A, 64, 65A, 66C, 76B		B9A 6421974-A	2
	59	A	Clip-top	B9AB 6421954-A	2
			Clip-bottom	B5A 7021952-A	2
<b>21984-5 LOCK and SLEEVE ASSY. - DOOR PILLAR - WITH 2 KEYS -Refer to Group 3687 Chart</b>					
	53/54	59, 60, 70, 72, 73, 76, 78, 79B, 79C	R. H. -Replace by 1 each B7A 7021984-A; B2A 7021968-A; B7A 7022075-A	★BA 7021984-B	1
			L. H. -Replace by 1 each B7A 7021985-A; B2A 7021968-A; B7A 7022075-A	★BA 7021985-B	1
	55/56	57, 59, 60, 64, 70, 73, 76, 78, 79	R. H. -Replaced by 1 each B7A 7021984-A, B5A 7021971-A; B5A 7022075-A	★B5A 7021984-A	1
			L. H. -Replaced by 1 each B7A 7021985-A; B5A 7021971-A; B5A 7022075-A	★B5A 7021985-A	1
	55/57	S	R. H. -Replaced by 1 each B7A 7021984-A; B5S 4021971-A; B7A 7022075-A	★B5S 4021984-A	1
			L. H. -Replaced by 1 each B7A 7021985-A; B5S 4021971-A; B7A 7022075-A	★B5S 4021985-A	1
	57	51A	R. H.	B7A 5121984-A	1
			L. H.	B7A 5121985-A	1
	58	51A	R. H. -Use with B7A 6421970-A - NOTE 1	B7A 7021984-A	1
			L. H. -Use with B7A 6421971-A - NOTE 1	B7A 7021985-A	1
	57/58	63, 64, 76B	R. H. -Use with B7A 6421970-A - NOTE 1	B7A 7021984-A	1
			L. H. -Use with B7A 6421971-A - NOTE 1	B7A 7021985-A	1
	57/58	57, 58, 59, 66, 70, 73, 78, 79C, 79D	R. H. -Use with B7A 7021970-A - NOTE 1	B7A 7021984-A	1
			L. H. -Use with B7A 7021971-A - NOTE 1	B7A 7021985-A	1
	57	79E	R. H.	B7A 7921984-A	1
			L. H.	B7A 7921985-A	1
	58	79E	R. H. -Use with B7A 7021970-A - NOTE 1	B7A 7021984-A	1
			L. H. -Use with B7A 7021971-A - NOTE 1	B7A 7021985-A	1
	58/	S	R. H. - Replaced by 1 each B7A 7021984-A; B8S 6321970-A; B7A 7022075-A	★B8S 6321984-A	1
			L. H. - Replaced by 1 each B7A 7021985-A; B8S 6321971-A; B7A 7022075-A	★B8S 6321985-A	1
	59/	A	R. H. -With button	B9A 6421984-A	1
			L. H.		1
<b>21988 SPRING - TAIL GATE LOCK PAWL</b>					
	53/54	60, 70, 72, 73, 76	Luggage compartment door lock pawl - Refer to Group 43259		
	53/56	A(59, 79)		(8-63) ★ 0A 7021988	2
	57/58	A(59, 66, 79)			2
	59	A(59, 66C, 71)			2
<b>21999 GROMMET - DOOR LOCK KNOB</b>					
	53/54	59, 60, 70, 72, 73, 76, 78, 79		8M 7221999	2or4
	55/56	40, 57, 59, 60, 64, 70, 73, 76, 78, 79			2or4
	57	S			2

NOTE 1 - Less Lever and Spring



# FORD CAR PARTS

## BODY SECTION 220

741

GROUP NUMBER	YEAR 19	BODY TYPE	DESCRIPTION	PART NUMBER	QTY. PER VEHICLE
<b>22006-7 SPRING - DOOR LOCK CYLINDER KEY HOLE COVER</b>					
	53/54	60, 70, 72, 73, 76	Use to attach BF 7043516-A	BA 7022006-A	1
	53/54	78	Use in Back Door Handle Assy.	BA 7022006-A	1
	53/56	59, 79	Use with Lift Gate Handle Assy.	BA 7022006-A	1
	55/57	S	Use in L. H. Door Handle Assy.	BA 7022006-A	1
	55/57	S	Use in R. H. Door Handle Assy.	BA 7022007-A	1
	55/57	S	Use to attach B5A 7043516-A	BA 7022007-A	1
	53/58	A	Use in L. H. Door Handle Assy.	BA 7022006-A	1
	53/58	A	Use in R. H. Door Handle Assy.	BA 7022007-A	1
	55/58		Back door or tail gate refer to Group 43567		
	58	A(except 51A)	Use to attach B5A 7043516-A	BA 7022007-A	1
<b>22008-9 PLATE ASSY. - DOOR LOCK STRIKER</b>					
	53/54	59, 60, 70, 72, 73, 76, 78, 79	R. H.	BA 7022008-A	1or2
			L. H.	BA 7022009-A	1or2
			5/16"-24 x 1 1/4" Flat head screw & washer assy.	354488-S8(BB109)	4or8
	55	40, 59, 60, 64, 70, 73, 76, 78, 79	R. H.	B5A 7022008-C	1or2
			L. H.	B5A 7022009-C	1or2
			5/16"-24 x 1 1/4" Flat head screw & washer assy.	354488-S8 (BB109)	6or12
	56	A, S	R. H. -Kit	B6AZ 7022008-A	1or2
	57	S	Consists of 1 each B7S 4022008-A, B7S 4022040-A		1
			L. H. -Kit	B6AZ 7022009-A	1or2
			Consists of 1 each B7S 4022009-A, B7S 4022040-A		1
			5/16"-24 x 1.13" Flat head locking screw	354962-S8(BB103)	6or12
	57/58	A	R. H.	C1TB 9122008-A	1or2
			L. H.	C1TB 9122009-A	1or2
	57/58	51A, 59, 63, 64, 66, 70, 73, 78, 79	5/16"-24 x 1.38" Flat head locking screw	358996-S8 (BB105)	6or12
	57/58	57, 58	5/16"-24 x 1.56" Flat head locking screw	358754-S8(BB106)	6
	58/	S	R. H.	B9SB 6322008-A	1
			L. H.	B9SB 6322009-A	1
			5/16"-24 x 1.56" Flat head locking screw	358754-S8(BB106)	6
	59	A	R. H.	C0AZ 6222008-A	1or2
			L. H.	C0AZ 6222009-A	1or2
	59	A (except 59, 71)	5/16"-24 x 1.38" Flat head locking screw	358996-S8 (BB105)	6or12
	59	57A, 58, 71	5/16"-24 x 1.13" Flat head locking screw	354962-S8(BB103)	6
	59	59, 71	5/16"-24 x 1.30" Flat head locking screw	354963-S8(BB104)	6
<b>22014-5 PLATE - DOOR LOCK STRIKER AUXILIARY</b>					
	56/57	S	R. H.	B7S 4022014-A	1
			L. H.	B7S 4022015-A	1
	57/58	A	R. H.	B7A 7022014-A	1or2
			L. H.	B7A 7022015-A	1or2
	58/	S	R. H.	B8S 6322014-A	1
			L. H.	B8S 6322015-A	1
	59	A	R. H.	B9A 6422014-A	1or2
			L. H.	B9A 6422015-A	1or2
<b>22021-2 RETAINER - DOOR LOCK STRIKER ANCHOR PLATE</b>					
	57/58	A	Front door	B7A 7022021-A	2
	57/58	57, 58, 73, 79	Rear door		2
<b>22023 RETAINER - DOOR LOCK CYLINDER - Also Refer to Group 22027</b>					
	53/54	59, 60, 70, 72, 73, 76, 78, 79B		B5A 7022023-A	2
	55/56	59, 60, 64, 70, 73, 76, 78, 79		B5A 7022023-A	2
	55/57	S	R. H. -Form to fit	B5A 7022023-A	1
	55/57	S	L. H. -Refer to Group 22027		
	57/58	58		B7A 5822023-A	2
	57/58	79E		B7A 7922023-A	2
	58/	S	Refer to Group 22027		
<b>22024 PLATE - DOOR LOCK STRIKER TAPPING</b>					
	55	40, 59, 70, 73, 78, 79		B5A 7022024-A	2or4
	57/58	A		B7A 7022024-A	2or4
	58	57, 58 "From 4/15/58"	Front door	B8A 5822024-A	2
<b>22027 RETAINER - DOOR LOCK CYLINDER - Also Refer to Group 22023</b>					
	58/	S	R. H.	B8S 6322027-B	1
			L. H.	B8S 6322027-A	1

**BODY  
SECTION 220**
**FORD CAR PARTS**

GROUP NUMBER	YEAR 19	BODY TYPE	DESCRIPTION	PART NUMBER	QTY. PER VEHICLE
<b>22040</b>	<b>INSERT - DOOR LOCK STRIKER PLATE</b>				
	57	S		B7S 4022040-A	2
	56	A, 40	Used with B7S 4022008 or 9-A		2
	57/58	A		B7A 7022040-A	2or4
	58/	S		B8S 6322040-A	2
	59	A	Front door	C2AZ 6222040-A	2
	59	A(54A, 57A, 58, 71, 75A)	Rear door		2
<b>22050</b>	<b>CYLINDER and KEY SET - DOOR and IGNITION LOCK - (Refer to Group 3687 Chart)</b>				
	53/58	A(except 51A, 79E for 1957)	Consists of 1-ignition lock with 2 keys 1-door lock cylinder-R. H. -less lever & spring 1-door lock cylinder-L. H. -less lever & spring Refer to Group 21968 or 21970-1 for lever & 22075 for spring	B2A 7022050-B	1
	57	51A	In carton-contains 1 ignition, 2 door locks & 2 keys	B7A 5122050-A	1
	59	A	In carton-contains 1 ignition, 2 door locks & 2 keys	B9A 6422050-A	1
<b>22058</b>	<b>SHIM - DOOR LOCK STRIKER PLATE</b>				
	53/56	A, S	Cotton	B5A 7022058-A	AR
	55/56	A, S	Steel	B5A 7022058-B	2or4
	57	S	Cotton	B5A 7022058-A	AR
	57	S	Steel	B5A 7022058-B	2
	57/58	A	Steel and asbestos	B7A 7022058-A	AR
	58/	S		B8S 6322058-A	4
	59	A	Steel	C0AB 6422058-A	AR
<b>22062-3</b>	<b>PLATE and BELLCRANK ASSY. - DOOR LOCK REMOTE CONTROL</b>				
	59	51A, 59, 63A, 64, 65A, 66C, 76B	R. H.	B9AB 6422062-A	1
			L. H.	B9AB 6422063-A	1
	59	54A, 57A, 58, 71, 75A	R. H.	B9AB 5822062-A	1
			L. H.	B9AB 5822063-A	1
	59	A	No.12-24 x 1/2" Cross recess screw & washer assy.	356782-S7(BB114)	4
	59	54A, 57A, 58, 71, 75A	1/4"-20 x .44" Hex. shoulder bolt		2
			5/16" Special spring washer	356600-S(X361)	2
<b>22075</b>	<b>SPRING - DOOR LOCK OPERATING LEVER RETAINING</b>				
	53/56	A		B5A 7022075-A	2
	57/58	A		B7A 7022075-A	2
	55/	S			2
<b>2204-5</b>	<b>RETAINER and DIVISION BAR ASSY. - FRONT DOOR VENTILATING WINDOW</b>				
	59	A	R. H.	B9A 6422204-A	1
			L. H.	B9A 6422205-A	1
<b>22218-9</b>	<b>FRAME and VENTILATING WINDOW ASSY. - FRONT DOOR GLASS</b>				
	57	58	R. H. -Paint to match	B7A 5822218-BP	1
			L. H. -Paint to match-Service Details	*B7A 5822219-BP	1
	57	64	R. H. -Paint to match-Service Details	*B7A 6422218-BP	1
			L. H.	*B7A 6422219-BP	1
	57	58, 64	3/8"-24 Set screw	370311-S7(UU111)	4
			3/8" External & internal tooth lockwasher	356200-S7(XX301)	4
			3/8" - 24 Hex. nut	33800-S8(M63)	4
			5/16" - 24 x 2 1/2" Hex. head bolt	370222-S8(BB407)	4
<b>22220-1</b>	<b>FRAME ASSY. - DOOR WINDOW GLASS</b>				
	55	60	L. H.	B5A 6022221-D	1
	56	64C, 64D	R. H.	B6A 6422220-B	1
	55/56	76	L. H.	B5A 7622221-C	1
	57/58	51A, 63, 76	R. H.	B7A 7622220-A	1
			L. H.	B7A 7622221-A	1
	57/58	57	R. H. -NOTE 1	B7A 5722220-A	1
			L. H.	B7A 5722221-A	1
	59	51A, 76B	R. H.	B9A 7622220-A	1
			L. H.	B9A 7622221-A	1
	59	54A, 58	R. H. -Paint to match	B9A 5822220-A	1
			L. H.	B9A 5822221-A	1

NOTE 1 - On Units Built Prior to Approximately Oct. 8, 1956 When Necessary Drill One Countersunk Hole 1.28" below the lower hole in frame

# FORD CAR PARTS

## BODY SECTION 220

743

GROUP NUMBER	YEAR 19__	BODY TYPE	DESCRIPTION	PART NUMBER	QTY. PER VEHICLE
<b>22220-1 FRAME ASSY. - DOOR WINDOW GLASS - continued</b>					
59		57A, 75A	R. H.	B9A 5722220-A	1
			L. H.	B9A 5722221-A	1
59		59, 66C	R. H. -Paint to match	B9A 5922220-A	1
			L. H.	B9A 5922221-A	1
59		63A, 65A	R. H.	B9A 6322220-A	1
			L. H.	B9A 6322221-A	1
59		64	R. H. -Paint to match	B9A 6422220-A	1
			L. H.	B9A 6422221-A	1
58/		S	R. H.	B8S 6322220-A	1
			L. H.	B8S 6322221-A	1
59		71	R. H. -Paint to match	B9A 7122220-A	1
			L. H.	B9A 7122221-A	1
<b>22224-5 FRAME - DOOR GLASS</b>					
55/57		S	R. H.	B5S 4022224-B	1
			L. H.	B5S 4022225-B	1
			No. 8 x 3/8" Cross recess flat head screw	358477-S8(BB93)	6
<b>22232-3 FRAME ASSY. - DOOR VENTILATING WINDOW FRONT</b>					
57/58		51A	R. H.	B8A 5122232-A	1
			L. H.	B8A 5122233-A	1
57/58		57, 63	R. H.	B8A 5722232-A	1
			L. H.	B8A 5722233-A	1
57/58		76	R. H.	B8A 7622232-A	1
			L. H.	B8A 7622233-A	1
59		51A, 57A, 63A, 65A, 75A, 76B	R. H.	B9A 6322232-A	1
			L. H.	B9A 6322233-A	1
<b>22285-6 BUTTON - DOOR WINDOW FRAME BOLT ACCESS PLUG</b>					
57/58		51A	Lower	B7A 6422285-A	8
57/58		51A, 57, 58, 63, 64, 76	Upper	B7A 6422286-A	2
57/58		57, 58, 63, 64, 76	Lower	B7A 6422285-A	2
59		51A	Lower	B7A 6422285-A	4
58/		S	Upper	B7A 6422286-A	2
<b>22296-7 BAR and WEATHERSTRIP ASSY. - DOOR VENTILATING WINDOW DIVISION</b>					
57/58		51A, 57, 63, 76	R. H.	B8A 5722296-A	1
			L. H.	B8A 5722297-A	1
<b>22374-5 FRAME ASSY. - FRONT DOOR GLASS - LESS VENTILATING WINDOW</b>					
57/58		58	R. H.	B8A 5822374-A	1
			L. H.	B8A 5822375-A	1
57/58		64	R. H.	B8A 6422374-A	1
			L. H.	B8A 6422375-A	1
57/58		58, 64	3/8"-24 Set screw	370311-S7(UU111)	4
			3/8" External & internal tooth lockwasher	356200-S7(XX301)	4
			3/8"-24 Hex. nut	33800-S8(M63)	4
			5/16"-24 x 2 1/2" Hex. head bolt	370222-S8 (BB407)	4
			No. 8-32 x 3/8" Cross recess pan head screw	50507-S8(U151)	4
<b>22376-7 BRACKET ASSY. - DOOR LOCK ARM ACTUATING ROD</b>					
58/		S	R. H.	B8S 6322376-A	1
			L. H.	B8S 6322377-A	1
59		54A, 57A, 58, 71, 75A	R. H.	B9A 5822376-A	1
			L. H.	B9A 5822377-A	1
<b>22400-1 HANDLE ASSY. - DOOR OUTSIDE</b>					
55/56		S	R. H. -Replaced by B7S 4022400-A & release screw with BA 7326438-A release pin	★B5S 4022400-C	1
			L. H. -Replaced by B7S 4022401-A & release screw with BA 7326438-A release pin	★B5S 4022401-C	1
			No. 10 x 3/8" Binding head screw & washer assv.	42802-S8(U33)	4
			No. 10 Lockwasher (internal tooth)	34903-S8(X96)	4
53/56		A	R. H. -Kit-includes 1 handle ass'y. & 1 longer pin	B5A 7022400-B	1or2
			L. H.	B5A 7022401-B	1or2
			No. 10-32 x 1" Cross recess binding head screw	50555-S8(U160)	2or4
			No. 10 Internal tooth lockwasher	34903-S8(X96)	2or4

**BODY  
SECTION 220**
**FORD CAR PARTS**

GROUP NUMBER	YEAR 19...	BODY TYPE	DESCRIPTION	PART NUMBER	QTY. PER VEHICLE
<b>22400-1 HANDLE ASSY. - DOOR OUTSIDE - continued</b>					
57	S		R. H.	B7S 4022400-A	1
			L. H.	B7S 4022401-A	1
			Release pin (No. 10-32 x 1 1/2") - round head screw	27177-S7(U177)	2
58/	S		R. H.	B8S 6322400-B	1
			L. H.	B8S 6322401-B	1
			No. 10-32 x 7/8" Cross recess oval head screw & washer assy.	*50716-S8	2
			No. 10-32 x 3/8" Binding head screw & washer assy.	42802-S8(U33)	2
			No. 10 Lockwasher (external tooth)	34903-S8(X96)	2
<b>22404-5 HANDLE - DOOR OUTSIDE</b>					
57/58	A		R. H.	B7A 7022404-A	1
			L. H.	B7A 7022405-A	1
			No. 10-32 x 1 1/8" Cross recess pan head screw & washer ass'y.	*50857-S8	2
			No. 10-32 x 1/2" Cross recess pan head screw & washer ass'y.		2
59	A		R. H.	B9A 6422404-A	1
			L. H.	B9A 6422405-A	1
			No. 10 x 3/8" Binding head screw & washer assy.	42802-S8(U33)	2
59	51A, 59, 63A, 64, 65A, 66C, 76B		No. 10 x 1" Cross recess binding head screw	50555-S8 (U160)	2
			No. 10 Lockwasher	34903-S8(X96)	2
59	54A, 57A, 58, 71, 75A		No. 10 x 1 3/8" Cross recess pan head screw & washer assy.	*50858-S8	2
<b>22428-9 PAD - DOOR OUTSIDE HANDLE - LARGE</b>					
53/56	A		Rubber	BA 7022428-A	2or4
55/57	S		Rubber	B5S 4022428-A	2
57/58	A		Rubber	B7A 7022428-A	2or4
57/58	57, 58		Rear door refer to Group 26640		
59	A			B9A 6422428-A	2
59	54A, 57A, 58, 71, 75A		Rear door refer to Group 26640		
58/	S		R. H. -Rubber	B8S 6322428-A	1
			L. H.	B8S 6322429-A	1
<b>22438 PIN - DOOR OUTSIDE HANDLE RELEASE</b>					
53/54	73, 79		Rear door-Refer to Group 26438		
58/	S		Replaced by 23906-S8 bolt (step)		4
			No. 10-32 Hex. nut	34079-S7 (M163)	4
<b>22442-3 RETAINER ASSY. - DOOR OUTSIDE HANDLE BUTTON</b>					
55/56	A			B5A 7022442-A	2or4
57/58	A		R. H.	B7A 7022442-A	1or2
			L. H.	B7A 7022443-A	1or2
58/	S		R. H.	B8S 6322442-B	1
			L. H.	B8S 6322443-B	1
<b>22442-3 KIT - DOOR OUTSIDE HANDLE BUTTON and LOCK CYLINDER RETAINER</b>					
59/	A		R. H.	B9A 6422442-A	1
			L. H.	B9A 6422443-A	1
Consists of					
1 Spring		1 Seal		1 Retainer	
Refer to Group 21984-5 for button with lock cylinder and keys					
<b>22448-9 PAD - DOOR OUTSIDE HANDLE SMALL</b>					
53/54	A		Rubber	BA 7022448-A	2or4
55/56	A				2or4
55/57	S		Rubber	B5S 4022448-A	2
57/58	A		Rubber	B7A 7022448-A	2or4
57/58	57, 58		Rear door refer to Group 26638		
58/	S		R. H. -Rubber	B8S 6322448-A	1
			L. H.	B8S 6322449-A	1
59	A		Rubber	B9A 6422448-A	2
59	54A, 57A, 58, 71, 75A		Rear door refer to Group 26638		

# FORD CAR PARTS

## BODY SECTION 220

745

GROUP NUMBER	YEAR 19	BODY TYPE	DESCRIPTION	PART NUMBER	QTY. PER VEHICLE
<b>22454-5 BUTTON and GUIDE ASSY. - DOOR OUTSIDE HANDLE</b>					
	53/54	A	R. H.	BA 7022454-B	1or2
			L. H.	BA 7022455-B	1or2
	53/54	A	Pin (release)	0A 7622438	2
	53/54	73, 79	Pin (release) - rear door	BA 7326438-A	2
	53/54	A	No. 10 Lockwasher (internal tooth)	34903-S8 (X96)	2or4
			No. 10-32 Nut (hex.)	34079-S7(M163)	2or4
	55/56	A	R. H.	BA 7022454-B	1or2
			L. H.	BA 7022455-B	1or2
	55/56	57, 59, 70, 73, 78, 79	Pin (release)	0A 7622438	2
	55/56	60, 64, 76	Pin (release)	B5A 7622438-A	2
	55/56	57, 73, 79	Pin (release)-rear door	0A 7022438	2
	55/57	S	. 82" long pin	B5S 4022454-B	2
				BA 7326438-A	2
	55/57	A, S	No. 10 Lockwasher (internal tooth)	34903-S8(X96)	2or4
			No. 10-32 Nut (hex.)	34079-S7 (M163)	2or4
	58	57, 58	R. H. - Kit	B8A 5822454-A	1
			L. H.	B8A 5822455-A	1
Consists of					
1-Retainer		1-Button		1-Spring	
				1-Seal	
				2-Screw & washer assy.	
	57	51A, 57, 58, 63, 64, 76	R. H. - Kit	B8A 6422454-A	1
	58	51A, 63, 64, 76	L. H.	B8A 6422455-A	1
Consists of					
1-Retainer		1-Button		1-Spring	
				1-Seal	
				2-Screw & washer assy.	
	57/58	59, 66, 70, 73, 78, 79	R. H. - Front & rear - Kit	B8A 7022454-A	1or2
			L. H.	B8A 7022455-A	1or2
Consists of					
1-Retainer		1-Button		1-Spring	
				1-Seal	
				2-Screw & washer assy.	
	58/	S	R. H.	B8S 6322454-B	1
			L. H.	B8S 6322455-B	1
<b>22459 RETAINER - DOOR OUTSIDE HANDLE BUTTON</b>					
	53/54	A	Steel stamping	BA 7022459-B	2or4
			No. 6 x 3/8" binding head screw & lockwasher assy.		2or4
	55/57	S	Grind off short guide bushing	B5C 8122459-A	2
			No. 6 x 3/8" Binding head self-tapping screw	*32914-S8	4
	55/57	A	Refer to Group 22442		
<b>22462 SPRING - DOOR OUTSIDE HANDLE PUSH BUTTON</b>					
	53/54	A		BA 7022462-A	2or4
	55/56	A, S			2or4
	57	S			2
	57/58	A		B7A 7022462-B	2or4
	58/	S		B8S 6322462-A	2
<b>22478-9 SEAL - DOOR OUTSIDE HANDLE BUTTON and GUIDE</b>					
	53/54	A	Rubber	BA 7022478-A	2or4
	53/56	59, 78, 79	Tail gate or back door		1
	55/56	A			2or4
	53/57	S	Rubber	BAAA 8122478-A	2
	57/58	A	R. H.	B7A 7022478-B	1or2
			L. H.	B7A 7022479-B	1or2
	58/	S		B8S 6322478-A	2
	59/	A	Refer to Group 22442-3 Kit		
<b>22600-1 HANDLE ASSY. - DOOR INSIDE</b>					
	53/54	A		B5A 7022600-A	2or4
	55/56	A, S			2or4
	53/56	A, S	Retainer-spring	357550-S (QQ1)	2or4
	57	63A, 76		B7A 7622600-A	2
	57	51A "From 5/6/57"			2
	57	A(except 63A, 76), S		COAZ 6422600-A	2or4
	58/59	A, S			2or4
	55/	A	Retainer (spring)	357550-S(QQ1)	2 or 4
	55/	S			2

GROUP NUMBER	YEAR 19	BODY TYPE	DESCRIPTION	PART NUMBER	QTY. PER VEHICLE
<b>22618</b>	<b>ESCUTCHEON ASSY. - DOOR INSIDE and WINDOW REGULATOR HANDLE</b>				
	53/54	60, 76	Quarter	BAAA 8122618-C	2
	55/56	57, 59, 60, 64, 70, 73, 76, 79	Door except 78 & quarters except 64, 76- refer to Group 23370		
	55/56	64, 76	Quarter	BAAA 8122618-C	2
	55/58	78			4
	57/58	51A, 76	Quarter		2
	58/59	S	Quarter		2
	59	51A	Quarter		2
<b>22624</b>	<b>SPRING - DOOR INSIDE and WINDOW REGULATOR HANDLE</b>				
	58/	S	Door window regulator	B8S 6322624-B	2
	53/54	A(60, 76)	1 3/4" high	B7A 7022624-A	2or4
	55/56	A(57, 73, 79)	Rear door		2or4
	55/57	S			4
	55/57	A(51A, 63, 64, 70A, 70B, 70C)	Quarter		2
	58	A(51A, 63, 64, 70A, 70B)	Quarter		2
	59	A(59C, 59D, 63A, 64A, 64B, 64F, 64H, 76B)	Quarter		2
	53/	A			4to8
	58/	S	Door handle		2
<b>22800-1</b>	<b>HINGE ASSY. - DOOR</b>				
	53/54	A	R. H. -Upper and lower	BA 7022800-B	2
			L. H.	BA 7022801-B	2
			5/16" Flat washer	44722-58(X19)	12to16
			5/16"-24 x 1 1/8" Hex. washer head bolt	353483-S2(BB588)	12to16
	55/56	A	R. H. -Upper-Drill holes as required	B6A 7022800-A	1
			L. H.	B6A 7022801-A	1
	57/58	A	R. H. -Upper	B7A 7022800-A	1
			L. H.	B7A 7022801-A	1
	55/58	A	5/16"-24 x 1" Hex. head bolt-pointed	20387-S8(B157)	22
			5/16" External tooth lockwasher	*34941-S7	22
	53/58	A	Plug (hinge access)	352285-S(PP5)	2
	58/	S	R. H. -Upper	B8S 6322800-A	1
			L. H.	B8S 6322801-A	1
			3/8"-24 x 1, 12" Hex. head bolt & washer assy.	*370037-S7	14or16
			11/32" I.D. x 51/64" O.D. Flat washer	*353817-S	14or16
	59	A	R. H. -Upper	B9A 6322800-A	1
			L. H.	B9A 6322801-A	1
<b>22810-1</b>	<b>HINGE ASSY. - DOOR</b>				
	55/56	S	R. H. -Replaced by B6A 7022810-A & drill (1) 11/32" hole	*B5A 7022810-A	2
			L. H. -Replaced by B6A 7022811-A & drill (1) 11/32" hole	*B5A 7022811-A	2
	55/56	A	R. H. -Lower-Replaced by B6A 7022810-A & drill (1) 11/32" hole	*B5A 7022810-A	1
			L. H. -Lower-Replaced by B6A 7022811-A & drill (1) 11/32" hole	*B5A 7022811-A	1
	56	A	R. H. -Lower	B6A 7022810-A	1
			L. H.	B6A 7022811-A	1
	56/57	S	R. H.	B6A 7022810-A	2
			L. H.	B6A 7022811-A	2
	57/58	A	R. H. -Lower	B7A 7022810-A	1
			L. H.	B7A 7022811-A	1
	55/57	A, S	5/16"-24 x 1" Hex. head bolt-pointed	20387-S8(B157)	10
	58	A			10
	55/57	A, S	5/16" External tooth lockwasher	34941-S7	10
	58	A			10
	58/	S	R. H. -Lower	B8S 6322810-A	1
			L. H.	B8S 6322811-A	1
			3/8"-24 x 1 1/8" Hex. washer head screw	376215-S2(BB573-A)	14
			11/32" I.D. x 51/64" O.D. Flat washer	*353817-S	14
	59	A	R. H. -Lower	B9A 6322810-A	1
			L. H.	B9A 6322811-A	1
	59/	A	3/8"-24 x 1 1/8" Hex. washer head screw	376215-S2(BB573A)	14or16

# FORD CAR PARTS

## BODY SECTION 220

747

GROUP NUMBER	YEAR	BODY TYPE	DESCRIPTION	PART NUMBER	QTY. PER VEHICLE
<b>22840 PIN - DOOR HINGE - Refer to Group 43030</b>					
	53/54	A	3.25" long-Use B9A 5943030-A & cut to length		4
	55/56	A, S	2.44" long-Use B9A 5943030-A & cut to length		4
	57	S			4
	57/58	A	2.50" long-Use B9A 5943030-A & cut to length		4
	58/	S			4
<b>22841 BUSHING - DOOR HINGE</b>					
	57/58	A S	"Before 12/3/62" Bronze	B7A 7022841-B	4to16 4or8
<b>22884-5 SHIELD - DOOR VENTILATING WINDOW RAIN</b>					
	57	58, 64	R. H. L. H.	B7A 6422884-A B7A 6422885-A	1 1
	57	59, 66, 70, 73, 78, 79	R. H. L. H.	B7A 7022884-A B7A 7022885-A	1 1
			No. 6 x 1/4" Cross recess binding head screw	*52713-S18	6
	57	51A, 57, 63, 76	R. H. L. H.	B7A 7622884-A B7A 7622885-A	1 1
	58/	S	R. H. L. H.	B8S 6322884-A B8S 6322885-A	1 1
<b>22912 BRACKET ASSY. - DOOR VENT WINDOW DIVISION BAR - LOWER</b>					
	54/56	A	Front door	BM 7022912-A	2to6
	57/58	A(except 58, 64)	Front door	BM 7022912-A	2or4
	57/58	58, 64	Front door	B7A 6422912-A	2
	54/58	58, 73, 79	Rear door	BM 7022912-A	2
	54/58	A	No. 12 x 3/8" Hex. washer head screw	354666-S2(BB568)	2to18
	59	A	Refer to Group 21564		
<b>22916-7 HANDLE - DOOR VENTILATING WINDOW LOCKING</b>					
	53/54	59, 70, 72, 73, 78, 79	R. H. - Includes attaching parts -use on .38" diameter shaft L. H.	A9AZ 7022916-A A9AZ 7022917-A	1 1
	53/54	60, 76	R. H. -Use on .38" diameter shaft L. H.	BA 7622916-A BA 7622917-A	1 1
	53/54	A	3/32" x 1/2" Groove pin	352471-S8(NN70)	2
	55/56	A	R. H. - Includes attaching parts-Use on .38" diameter shaft L. H.	A9AZ 7022916-A A9AZ 7022917-A	1 1
	57/58	A	R. H. - Includes attaching parts -Use on .31" diameter shaft L. H.	B7AZ 7022916-A B7AZ 7022917-A	1 1
	58/	S			1
	59/	A	R. H. -Includes attaching parts-Use on .38" diameter shaft L. H.	B9AZ 6422916-A B9AZ 6422917-A	1 1
	55/58	A S	3/32" x 1/2" Groove pin	352471-S8(NN70)	2or4 2
<b>22920 KEY - DOOR VENTILATING WINDOW LOCKING HANDLE</b>					
	53/54	A		8A 7022920	2or4
	55/56	A		8A 7022920	2
	57/58	A	"Before 3/15/60"	B7A 7022920-A	2
	58/	S			2
<b>22926 SPRING - DOOR VENTILATING WINDOW PIVOT</b>					
	53/56	A		B5A 7022926-A	2
<b>22938-9 BRACKET and HANDLE SHAFT ASSY. - DOOR VENTILATING WINDOW</b>					
	53/54	A	R. H. -Front L. H. -Front 9/16" x .20" Special rivet	8A 7022938-B 8A 7022939-B 351909-S8(SS30)	1 1 6
	57/58	58, 64	R. H. L. H.	B7A 6422938-A B7A 6422939-A	1 1
	57/58	59, 66, 70, 73, 78, 79	R. H. L. H.	B7A 7022938-A B7A 7022939-A	1 1
	57/58	51A, 57, 63, 76	R. H. L. H.	B7A 7622938-A B7A 7622939-A	1 1
	57/58	A	9/64" x .32" Pan head semi tubular rivet	351933-S(SS32)	AR

**BODY  
SECTION 220**
**FORD CAR PARTS**

GROUP NUMBER	YEAR 19__	BODY TYPE	DESCRIPTION	PART NUMBER	QTY. PER VEHICLE
<b>22952-3</b>	<b>PIVOT - DOOR VENTILATING WINDOW UPPER</b>				
	57/58	58, 64	R. H. L. H.	B7A 6422952-A B7A 6422953-A	1 1
	57/58	59, 66, 70, 73, 78, 79	R. H. L. H.	B7A 7022952-A B7A 7022953-A	1 1
	57/58	51A, 57, 63, 76	R. H. L. H.	B7A 7622952-A B7A 7622953-A	1 1
	57/58	A	9/64" x .28" Special oval head rivet	351931-S (SS31)	4
	58/	S	R. H. L. H.	B8S 6322952-A B8S 6322953-A	1 1
<b>22954-5</b>	<b>BRACKET - FRONT DOOR VENTILATING WINDOW LOWER PIVOT</b>				
	57/58	51A, 57, 63, 76	R. H. L. H.	B7A 7622954-A B7A 7622955-A	1 1
	57/58	58, 64	R. H. L. H.	B7A 6422954-A B7A 6422955-A	1 1
	57/58	59, 66, 70, 73, 78, 79	R. H. L. H.	B7A 7022954-A B7A 7022955-A	1 1
			No. 7-16 x 3/8" Cross recess pan head screw	*52719-S8	4
	59	A	R. H. L. H.	B9A 6422954-A B9A 6422955-A	1 1
			No. 8-15 x 3/8" Cross recess pan head screw	52720-S8(U380)	4
<b>22960</b>	<b>BUSHING - FRONT DOOR VENTILATING WINDOW PIVOT</b>				
	56	57	Lower	B9A 6422960-A	2
	57/58	A	Upper		2
	58	S			2
	59	A, S	"Before 4/1/59"		2
	59	A, S	"From 4/1/59"	B9AB 6422960-A	2
<b>22963</b>	<b>WASHER - DOOR VENTILATING WINDOW PIVOT FRICTION</b>				
	53	73B	Rear door	8A 7022963	2
	53/56	A	Front door		2
<b>22982</b>	<b>WASHER - DOOR VENTILATING WINDOW HANDLE</b>				
	53/	A		B7A 7022982-A	2or4
	58/	S			2
<b>22986</b>	<b>SPRING - DOOR VENTILATING WINDOW HANDLE</b>				
	53/58	A		B9A 6422986-A	2or4
	58	S			2
	59/	A, S			2or4
<b>23030</b>	<b>BUMPER - DOOR, QUARTER PANEL TAIL GATE or BACK DOOR</b>				
	53/58	59, 78, 79	Bottom of tail gate or door	11A 7023030-B	2
	59	59, 71	Bottom of tail gate		1
	59/	59, 71	Lift gate		2
<b>23200-1</b>	<b>REGULATOR ASSY. - DOOR WINDOW</b>				
	57/58	58, 73, 79	R. H. L. H.	B7A 7323200-A B7A 7323201-A	1 1
	59	54A, 58, 71	R. H. L. H.	B9A 5823200-A B9A 5823201-A	1 1
<b>23202-3</b>	<b>REGULATOR ASSY. - DOOR WINDOW - LESS ARMS</b>				
	53/54	59, 70, 72, 78	R. H. -"A" 12.95"-See P-1576 -NOTE 1 L. H. -"A" 12.95"-Replaced by B4A 7023207-A & B4A 7023218-A-See P-1576 - NOTE 1	BA 7023202-A *BA 7023203-A	1 1
	53/54	60, 76	R. H. -"A" 12"-4 turns to operate-See P-1576-NOTE 1 L. H.	BF 7623202-A BF 7623203-A	1 1
	53/54	73, 79	R. H. -front -"A" 9.65" - Repl. by B4A 7023206-A & B4A 7323218-A-See P-1576 - NOTE 1 L. H.	*BA 7323202-A BA 7323203-A	1 1
	55/57	S	R. H. -Replaced by 1 each B7S 4023202-A, B7S 4023234-A; B7S 4023292-A L. H. -Replaced by 1 each B7S 4023203-A; B7S 4023235-A; B7S 4023292-A Retainer (stud)	*B6S 4023202-A *B6S 4023203-A 74274-S(R3)	1 1 2

NOTE 1- See Illustration Section 230 Page 21



# FORD CAR PARTS

## BODY SECTION 230

749

GROUP NUMBER	YEAR	BODY TYPE	DESCRIPTION	PART NUMBER	QTY. PER VEHICLE
<b>23202-3 REGULATOR ASSY. - DOOR WINDOW - LESS ARMS - continued</b>					
	57	S	R. H. -Manual	B7S 4023202-A	1
			L. H.	B7S 4023203-A	1
			Clip	B7S 4023292-A	2
			No. 12-24 x 3/8" Hex. washer head screw	354666-S2(BB568)	8
	57/58	51A, 57, 59, 63, 64, 66, 70, 76, 78	R. H. -Manual	B7A 7023202-A	1
			L. H.	B7A 7023203-A	1
	53/58	A	No. 12-24 x 3/8" Hex. washer head screw	354666-S2(BB568)	8
	58/59	S	R. H.	B8S 6323202-A	1
			L. H.	B8S 6323203-A	1
	59	51A, 57A, 59, 63A, 64, 65A, 66C, 75A, 76B	R. H.	B9A 6423202-A	1
			L. H.	B9A 6423203-A	1
			5/16"-24 x .88" Hex. washer head screw	352628-S2(BB586)	8
<b>23206-7 REGULATOR ASSY. - DOOR WINDOW - LESS ARMS and LINK - <i>See Illustration Section 230</i></b>					
	53/54	59, 70, 72, 73, 78, 79	R. H.	B4A 7023206-A	1
			L. H.	B4A 7023207-A	1
	55/56	A	R. H. -Manual	B5A 7023206-A	1
			L. H.	B5A 7023207-A	1
			No. 12-24 x 3/8" Hex. washer head screw	354666-S2(BB568)	8
<b>23208-9 REGULATOR ASSY. - FRONT DOOR POWER-LIFT WINDOW - LESS MOTOR and DRIVE</b>					
	54	60, 70, 73, 76	R. H.	BD 7323208-A	1
			L. H.	BD 7323209-A	1
	55/56	A	R. H.	B5A 7023208-A	1
	55/57	S	R. H.	B5S 4023208-A	1
			L. H.	B5S 4023209-A	1
	57/58	A	R. H. -Less coupling & spring	B7A 7023208-B	1
			L. H.	B7A 7023209-B	1
	54/58	A, S	No. 12-24 x 3/8" Hex. washer head screw	354666-S2(BB568)	8
	58/59	S "Before 4/13/58"	R. H. -Less coupling & spring	B8S 6323208-A	1
			L. H.	B8S 6323209-A	1
	59/	S "From 4/13/58"	R. H. -Less coupling & spring	B9SB 6323208-A	1
			L. H.	B9SB 6323209-A	1
	58/	S	No. 12-24 x 3/8" Hex. washer head screw	354666-S2(BB568)	8
	59	A	R. H. -Less coupling & spring	B9A 6423208-A	1
			L. H.	B9A 6423209-A	1
			5/16"-24 x .88" Hex. washer head screw	352628-S2(BB586)	8
<b>23218 LINK ASSY. - FRONT DOOR WINDOW REGULATOR - <i>See Illustration Section 230</i></b>					
	53/54	73, 79	"A" 9.65"	B4A 7323218-A	2
	55/56	59, 60, 64, 70, 78	"A" 13.72"-Rivet to top hole in B5A 7023206-A or B5A 7023207-A	B5A 7023218-B	2
	55/56	73, 79	"A" 9.88"-Rivet to top hole of B5A 7023206-A or B5A 7023207-A	B5A 7323218-A	2
	55/56	76	"A" 13.72"-Rivet to bottom hole of B5A 7023206-A or B5A 7023207-A	B5A 7023218-B	2
	53/56	A	.377"/.380" x .32" Special shoulder rivet	356991-S8(SS38)	2
			.40" I. D. x .79" O. D. Spring washer		2
			Retainer (stud)	74274-S(R3)	2
<b>23224-5 SUPPORT ASSY. - DOOR WINDOW REGULATOR - UPPER</b>					
	55/57	S	R. H. -Manual regulator	B5S 4023224-B	1
			L. H.	B5S 4023225-B	1
<b>23230-1 BRACKET ASSY. - FRONT DOOR WINDOW REGULATOR EQUALIZER ARM</b>					
	55/57	S		B5S 4023230-A	2
	57/58	57, 58	Rear door-Refer to Group 26296		
	58/	S	With or without power-lift windows	B7A 5823230-A	2
	57/58	51A, 63, 64, 76	Without power-lift windows		2
	57/58	57	With or without power-lift windows		2
	57/58	58	With power-lift windows		2
	57/58	79	Rear door-without power lift windows		2
	57/58	51A, 57, 58, 63, 64, 76, 79	1/4" External tooth lockwasher	34940-S7(X88)	4
	58/	S			4
			1/4"-20 Hex. nut	33795-S7(M49)	4

**BODY  
SECTION 230**
**FORD CAR PARTS**

GROUP NUMBER	YEAR	BODY TYPE	DESCRIPTION	PART NUMBER	QTY. PER VEHICLE
<b>23230-1</b>	<b>BRACKET ASSY. - FRONT DOOR WINDOW REGULATOR EQUALIZER ARM - continued</b>				
59		A(54A, 58, 71E, 71F, 71G)	Front door with power-lift windows	C1AB 6223230-A	2
59		A(except 54A, 58, 71)	Front door without power-lift windows		2
59		A(54A, 58, 71)	Rear door without power-lift windows		2
59		A(59C, 59D, 64A, 64B, 64F, 64H)	Quarter without power-lift windows		2
59/	A		5/16" Washer (special)	357789-S7(XX343)	4
59/	A		5/16"-24 Hex. nut	33923-S7(M32)	4
<b>23234-5</b>	<b>ARM and PLATE ASSY. - DOOR WINDOW REGULATOR - MANUAL</b>				
53/54	A		L. H.	BA 7023235-A	1
55/56	A		R. H.	B5A 7023234-A	1
			L. H.	B5A 7023235-A	1
55/57	S		R. H. -Replaced by 1 each B7S 4023234-A, B7S 4023202-A, B7S 4023292-A	*B5S 4023234-B	1
			L. H. -Replaced by 1 each B7S 4023235-A, B7S 4023203-A, B7S 4023292-A	*B5S 4023235-B	1
57	S		R. H.	B7S 4023234-A	1
			L. H.	B7S 4023235-A	1
57/58	51A, 57, 59, 63, 64, 66, 70, 76, 78		R. H.	B7A 7023234-A	1
			L. H.	B7A 7023235-A	1
53/58	A, S		No. 12-24 x 3/8" Hex. washer head screw	354666-S2(BB568)	6
58/	S		R. H.	B7A 7023234-A	1
			L. H.	B7A 7023235-A	1
			No. 12-24 x 3/8" Hex. washer head screw	354666-S2(BB568)	6
59	A(except 54A, 58, 71)		R. H.	B9A 6423234-A	1
			L. H.	B9A 6423235-A	1
			5/16"-24 x .88" Hex. washer head screw	352628-S2(BB586)	6
<b>23240</b>	<b>ROLLER ASSY. - DOOR and QUARTER WINDOW REGULATOR ARM</b>				
53/58	A, S			BA 7023240-A	6to12
59/	S				12
59	57A, 75A		Rear door-Also refer to Group 27106		
59/	A		9/16" overall width	C0AB 6423240-B	6to12
<b>23272-3</b>	<b>BRACE - DOOR WINDOW POWER- LIFT REGULATOR MOTOR TO INSIDE PANEL</b>				
57/58	A		R. H.	B7A 7023272-A	1or2
			L. H.	B7A 7023273-A	1or2
58/	S		R. H.	B8S 6323272-A	1
			L. H.	B8S 6323273-A	1
<b>23279</b>	<b>COUPLING - QUARTER WINDOW REGULATOR</b>				
54	60, 76		Power-Lift window	BC 7023279-A	1
55/	S		4-Way Power Seat Regulator		2
55/56	A		4-Way Power Seat Regulator		2
<b>23292</b>	<b>CLIP - DOOR WINDOW REGULATOR PIVOT</b>				
57	S			B7S 4023292-A	2
<b>23318</b>	<b>SPRING - FRONT and REAR DOOR POWER-LIFT WINDOW REGULATOR COUNTER BALANCE</b>				
55/58	A			B5A 7023318-A	2or4
58/	S				2
<b>23342</b>	<b>HANDLE ASSY. - WINDOW REGULATOR - DOOR and QUARTER INCLUDES ATTACHING PARTS</b>				
53/54	A			B5A 7023342-A	2or4
55/56	A, S		Door		2or4
55/56	60, 64, 70A, 70B, 70C, 76		Quarter		2
57	A, S		Door-Black knob	B7A 7023342-A	2or4
57	51A, 63, 64, 70A, 70B, 76		Quarter		2
57	51A	"From 5/6/57"	Door & quarter	B7A 7023342-B	4
57	63A, 76	"From 12/10/56"	Door & quarter		4
58	51A, 76B		Quarter	B8A 6323342-A	2
59	51A, 76B		Quarter		2
59	54A, 75A		Rear door		2
58/59	A		Front door-White knob	B8A 7023342-A	2
58	57, 58, 73, 79		Rear door		2
58	63B, 64, 70		Quarter		2
59	57A, 58, 71		Rear door		2
59	59C, 59D, 63A, 64A, 64B, 64F, 64H, 65A		Quarter		2
58/	S				4
59/	A(76)		Quarter-Refer to Group 30322		
53/	A, S		Retainer (spring)	357550-S(QQ1)	2or4

# FORD CAR PARTS

## BODY SECTION 230

751

GROUP NUMBER	YEAR	BODY TYPE	DESCRIPTION	PART NUMBER	QTY. PER VEHICLE
<b>23352</b>			<b>KNOB - DOOR, QUARTER OR VENTILATING WINDOW REGULATOR HANDLE -</b>		
<b>INCLUDES ATTACHING PARTS</b>					
				ROTUNDA SALES No.	
	53/56	A	Black	1A 7023352	4
	55/56	S			4
	57	A, S	Black	(R53-A) BAC 7023352-A	4
	58/59	A	White	(R53-B) B8AZ 6323352-A	4
	58/	S			4
<b>23370</b>			<b>PLATE - WINDOW REGULATOR and DOOR HANDLE</b>		
	53/54	59, 60, 70, 72, 73, 76, 79	Refer to Group 22618 for Quarter requirements on Models 60, 76	BA 7023370-A	4to8
	55/56	40, 57, 59, 60, 64, 70, 73, 76, 79	Refer to Group 22618 for Quarter requirements on Models 64, 76		4to8
	53/54	78	Refer to Group 22618		
	57/58	A, S		B7A 7023370-B	4to8
	57/58	A(63, 64, 70A, 70B)	Quarter		2
	58/59	A(51A, 76B)	Quarter		2
	59	A, S			4to8
	59	A(59C, 59D, 63A, 64A, 64B, 64F, 64H, 65A)	Quarter		2
<b>23394-5</b>			<b>DRIVE ASSY. - DOOR, QUARTER or TAIL GATE POWER-LIFT WINDOW REGULATOR</b>		
	54	60, 70, 73, 76	L. H. -Front door	BD 7323394-A	1
	54	73	R. H. -Rear door		1
	54	70	R. H. -Quarter		1
	54	60, 70, 73, 76	R. H. -Front door	BD 7323395-A	1
	54	73	L. H. -Rear door		1
	54	70	L. H. -Quarter		1
	55/56	60, 64, 76	R. H. -Quarter	B5A 7023394-A	1
	55/58	A, S	L. H. -Front door		1
	55/58	73, 79	R. H. -Rear door		1
	57, 58	76	R. H. -Quarter		1
	59	S "Before 3/13/59"	R. H. -Door		1
	55/56	60, 64, 76	L. H. -Quarter	B5A 7023395-A	1
	55/58	A, S	R. H. -Front door		1
	55/58	73, 79	L. H. -Rear door		1
	57/58	76	L. H. -Quarter		1
	59	S "Before 3/13/59"	L. H. -Door		1
	57/58	57, 58	R. H. -Rear door	B7A 6423394-A	1
			L. H.	B7A 6423395-A	1
	59/	S "From 3/13/59"	R. H. -Door	B9SB 6323394-A	1
			L. H.	B9SB 6323395-A	1
	59	A	Front door-Refer to Group 30304-5		
	59	51A, 76B	Quarter		
	59	A(54A, 57A, 58, 71, 75A)	Rear door	B9A 5723394-A	2
	59	A(59C, 59D, 63A, 64A, 64B, 64F, 64H, 65A)	Quarter window		2
	55/	A, S	No. 12-24 x 1/2" Hex. head screw & washer assy.	★42735-S7	6or12
<b>23440</b>			<b>COUPLING - DOOR and QUARTER POWER-LIFT WINDOW REGULATOR DRIVE</b>		
	54	60, 70, 73, 76	Front door - 1 1/4" long	B5A 7023440-A	2
	54	73	Rear door		2
	54	70	Quarter		2
	55/56	60, 64, 70A, 70B, 70C, 76	Quarter		2
	57	51A "Before 6/2/57"	Quarter-Refer to 30390		
	55/58	A, S	Front door-1 1/4" long	B5A 7023440-A	2
	55/58	A(57, 58, 73, 79)	Rear door		2
	57/58	A(51A) "From 6/2/57"	Quarter		2
	57/58	A(63, 64, 70A, 70B)	Quarter		2
	59	A(51A, 59C, 59D, 63A, 64A, 64B, 64F, 64H, 65A, 76B)	Quarter		2
	58/	S	Quarter		2
	59/	S	Front door		2
	59/	A(54A, 57A, 58, 71, 75A)	Rear door		2
	59/	A "Before 10/28/60"	Front door		2

**BODY  
SECTION 230**
**FORD CAR PARTS**

GROUP NUMBER	YEAR	BODY TYPE	DESCRIPTION	PART NUMBER	QTY. PER VEHICLE
<b>23504</b>	<b>ARM - FRONT DOOR CHECK</b>				
	53/54	A	Use with compression spring type check arm	BC 7023504-B	2
	55/56	A, S		B5A 7023504-A	2
	53/56	A, S	5/16" x 9/16" Pin (clevis)	★76001-S8	2
	57	S		B5A 7023504-A	2
			5/16" x 9/16" Pin (clevis)	★76001-S8	2
<b>23552</b>	<b>GUIDE ASSY. - DOOR CHECK</b>				
	53/56	A, S		BF 7023552-A	2
	57	S			2
	57/58	A	Door hinge check	C3AZ 6223552-A	2
	58/57	S			2
	57/58	A, S	1/4"-28 x 5/8" Pan head screw	38229-S7-8(U145)	4
			1/4" External tooth lockwasher	34940-S7-8 (X88)	4
<b>23567</b>	<b>BUMPER - FRONT DOOR LOWER HINGE</b>				
	57/58	A		B7A 7023567-A	2or4
	58/57	S	Upper & lower hinge		4
<b>24142-3</b>	<b>PLATE - DOOR ARM REST FINGER TIP</b>				
	59	51A, 54A, 64H, 65A, 75A, 76B	R. H. L. H.	B9AB 7624142-A B9AB 7624143-A	1or2 1or2
<b>24146</b>	<b>CLIP - ARM REST</b>				
	53/56	A		BA 7024146-A	2to8
	57/58	A			4to6
	57/58	A(57, 58, 73, 79)	Rear door	B7A 7024146-A	2
	59	A	Front door	BA 7024146-A	2
	59	A	Front door	B7A 7024146-A	2
	59	A(57A, 58, 71)	Rear door	BA 7024146-A	2
	59	A(57A, 58, 71)	Rear door	B7A 7024146-A	2
	59	A(59, 63A, 64A, 64B, 64F, 64H)	Quarter	BA 7024146-A	2
	59	A(59, 63A, 64A, 64B, 64F, 64H)	Quarter-also refer to Group 31662		
<b>24160</b>	<b>SUPPORT - FRONT DOOR ARM REST</b>				
	59	A(51A, 54A, 64H, 65A, 75A, 76B)		B9A 5124160-A	2
<b>24286</b>	<b>RETAINER ASSY. - CENTER PILLAR FINISH PANEL</b>				
	57	73, 79		B7A 7324286-A	2
<b>24300-1</b>	<b>PILLAR ASSY. - CENTER BODY</b>				
	56	73, 79	R. H. L. H.	B6A 7324300-A B6A 7324301-A	1 1
	54/56	73, 79	Bumper (door)	354434-S(CC4)	2
			Bumper (door)	372486-S(CC24)	2
	57/58	57	R. H. L. H.	B7A 5724300-B B7A 5724301-B	1 1
	57/58	58	R. H. L. H.	B7A 5824300-B B7A 5824301-B	1 1
	57/58	57, 58	5/16"-18 x 1" Hex. head bolt	20386-S8(B53)	8
			5/16" flat washer	44722-S8 (X19)	8
			5/16" External tooth lockwasher	★34941-S7	8
	57/58	73, 79	R. H. L. H.	B7A 7324300-A B7A 7324301-A	1 1
	59	54A, 58	R. H. L. H.	B9A 5824300-A B9A 5824301-A	1 1
	59	57A, 75A	R. H. L. H.	B9A 5724300-A B9A 5724301-A	1 1
	59	71	R. H. L. H.	B9A 7124300-A B9A 7124301-A	1 1
	59	54A, 57A, 58, 71, 75A	Bumper	372486-S(CC24)	4

# FORD CAR PARTS

## BODY SECTION 240

753

GROUP NUMBER	YEAR 19__	BODY TYPE	DESCRIPTION	PART NUMBER	QTY. PER VEHICLE
<b>24320 REINFORCEMENT - CENTER BODY PILLAR TO FLOOR PAN</b>					
	57/58	57, 58		B7A 5824320-A	2
			7/16"-14 x 5 1/2" Hex. head bolt	370100-S8(BB189)	6
			5/16"-18 x 1 1/4"-Hex. head bolt	20426-S8(B55)	4
			5/16" Flat washer	44722-S8(X19)	8
			5/16" External tooth lockwasher	*34941-S7	8
			7/16"-14 x 2 1/2"-Hex. head bolt	*370075-S8	4
			7/16" External tooth lockwasher	*34943-S7	8
			7/16" Flat washer	44730-S8(X26)	8
			7/16" - 14 Hex. nut	34670-S8(M54)	8
<b>24340-1 FILLER - CENTER BODY PILLAR TO WEATHERSTRIP</b>					
	57/58	58	R. H.	B7A 5824340-A	1
			L. H.	B7A 5824341-A	1
<b>24346-7 PANEL - CENTER BODY PILLAR INSIDE GARNISH -<i>Paint to Match</i></b>					
	55/56	73, 79		B5A 7324346-BP	2
	57/58	57	R. H. - Lower-Trim upper end	B7A 5824346-AP	1
			L. H.	B7A 5824347-AP	1
	57/58	58	R. H. - Lower	B7A 5824346-AP	1
			L. H.	B7A 5824347-AP	1
	57/58	73, 79	R. H.	B7A 7324346-AP	1
			L. H.	B7A 7324347-AP	1
	57	73, 79	Retainer ass'y.	B7A 7324286-A	4
	57/58	73, 79	No. 8 x 3/4" Cross recess oval head screw	52360-S13(U294)	8
	57/58	57, 58	No. 10 x 5/8" Cross recess oval head screw	*52928-S13	4
	59	54A, 58, 71	R. H.-Lower	B9A 5824346-A	1
			L. H.	B9A 5824347-A	1
	59	57A, 75A	R. H.	B9A 5724346-A	1
			L. H.	B9A 5724347-A	1
	59	54A, 57A, 58, 71, 75A	No. 8 x 7/8" Cross recess oval head screw	52368-S23(U295)	4
<b>24356-7 PANEL - CENTER BODY PILLAR INSIDE FINISH - UPPER -<i>Paint to Match</i></b>					
	57/58	58		B7A 5824356-AP	2
	59	54A, 58		B9A 5824356-A	2
	59	71		B9A 7124356-A	2
	59	58, 71	No. 8 x 7/8" Cross recess oval head screw	52368-S23(U295)	4
<b>24366-7 RAIL - CENTER BODY PILLAR OUTSIDE FINISH - UPPER</b>					
	55/56	79C	R. H.	B5A 7924366-C	1
			L. H.	B5A 7924367-C	1
	57	79E		B7A 7924366-A	2
	58	79E	R. H.	B8A 7924366-A	1
			L. H.	B8A 7924367-A	1
			No. 4 x 3/8" Cross recess flat head screw	52003-S13(U194)	4
<b>24368-9 RAIL ASSY. - CENTER BODY PILLAR OUTSIDE FINISH - LOWER</b>					
	55/56	79C	R. H.	B5A 7924368-B	1
			L. H.	B5A 7924369-B	1
	53/56	79C	Retainer	358403-S2(GG54)	2
			Cap	358404-S(DD1)	2
			No. 14-10x1 1/4" Cross recess round head screw	353557-S8(UU58)	2
	57/58	79E		B7A 7924368-A	2
			Retainer	358403-S2(GG54)	2
			Cap	358404-S(DD1)	2
			No. 14-10x1 1/4" Cross recess round head screw	353557-S8(UU58)	2
<b>24380-1 REINFORCEMENT - CENTER BODY PILLAR - LOWER</b>					
	59	57A, 75A	R. H.	B9A 5724380-A	1
			L. H.	B9A 5724381-A	1
<b>24382-3 REINFORCEMENT ASSY. - CENTER BODY PILLAR - UPPER</b>					
	57/58	57, 58		B7A 5824382-A	2
	59	57A, 75A	R. H.	B9A 5724382-A	1
			L. H.	B9A 5724383-A	1
<b>24416-7 PANEL - CENTER BODY PILLAR OUTSIDE FINISH</b>					
	57	57A, 58B	R. H. - Use with Unique Two-Tone Paint	B7A 5824416-A	1
			L. H.	B7A 5824417-A	1
	57	73B, 79C, 79D	R. H. - Use with Unique Two-Tone Paint	B7A 7324416-A	1
			L. H.	B7A 7324417-A	1
	58	57, 58, 73, 79C, 79D	Refer to Group 24470-1		

**BODY  
SECTION 240**
**FORD CAR PARTS**

GROUP NUMBER	YEAR	BODY TYPE	DESCRIPTION	PART NUMBER	QTY. PER VEHICLE
<b>24428-9</b>			<b>MOULDING ASSY. - CENTER BODY PILLAR OUTSIDE - TOP</b>		
	58	57B, 58A	R. H. L. H.	B8A 5724428-A B8A 5724429-A	1 1
<b>24442-3</b>			<b>CAP - CENTER BODY PILLAR</b>		
	57/58	57	R. H. - Paint to match L. H. No. 8x7/8" Cross recess oval hd self-tapping screw	B7A 5724442-BP B7A 5724443-BP 52368-S23(U295)	1 1 2
<b>24448</b>			<b>MOULDING ASSY. - CENTER BODY PILLAR OUTSIDE - BELT</b>		
	55	73B, 73C, 79		B5A 7324448-A	2
	56	79			2
	57	79E		B7A 7924448-A	2
	58	79			2
<b>24452-3</b>			<b>CAP - CENTER BODY PILLAR FINISH</b>		
	57/58	57	R. H. - Vinyl -NOTE 1 L. H.		
	59	57A, 75A	R. H. - Casting L. H.	B9A 5724452-A B9A 5724453-A	1 1
<b>24454</b>			<b>PLATE - CENTER BODY PILLAR UPPER HINGE ANCHOR</b>		
	57/58	57, 58		B7A 5824454-A	2
<b>24458-9</b>			<b>MOULDING - CENTER BODY PILLAR OUTSIDE - UPPER</b>		
	57	57A, 58B	R. H. - Use with Unique Two-Tone Paint L. H.	B7A 5824458-A B7A 5824459-A	1 1
	57	73B, 79C, 79D	R. H. - Use with Unique Two-Tone Paint L. H.	B7A 7324458-A B7A 7324459-A	1 1
<b>24470-1</b>			<b>MOULDING - CENTER BODY PILLAR OUTSIDE</b>		
	54	73B, 73C, 79B	R. H. L. H.	B4A 7324470-C B4A 7324471-C	1 1
	55	73B, 73C, 79B		B5A 7324470-C	2
	56	73B, 79D	R. H. L. H.	B6A 7324470-A B6A 7324471-A	1 1
	56	57, 73C, 79B		B6A 7324470-B	2
	57	57A, 58B	R. H. L. H.	B7A 5724470-A B7A 5724471-A	1 1
	57	73B, 79C, 79D	R. H. L. H.	B7A 7324470-A B7A 7324471-A	1 1
	58	57B, 58A	R. H. - Lower L. H. - Lower	B8A 5724470-A B8A 5724471-A	1 1
	58	57A, 58B		B8A 5724470-B	2
	58	73, 79A, 79C, 79D	R. H. L. H.	B8A 7324470-B B8A 7324471-B	1 1
<b>24512</b>			<b>RETAINER ASSY. - CENTER BODY PILLAR WINDLACE</b>		
	57/58	57		B7A 5724512-A	2
<b>24518</b>			<b>CLIP - CENTER BODY PILLAR WINDLACE RETAINER</b>		
	57/58	57, 58		B7A 5824518-A	2
<b>24550</b>			<b>MOULDING ASSY. - CENTER BODY PILLAR OUTSIDE FINISH PANEL - LOWER</b>		
	58	73, 79C, 79D	Lower	B8A 7324550-A	2
	58	57B, 58A "From 3/3/58"		B8A 5724550-A	2
			No. 6-32 x 3/8" Cross recess fillister head screw	*51554-S8	4
<b>24630-1</b>			<b>DOOR ASSY. - REAR - NOTE 2</b>		
	56	57	R. H. L. H.	B6A 5724630-B B6A 5724631-B	1 1
	55/56	73	R. H. L. H.	B6A 7324630-A B6A 7324631-A	1 1
	55/56	79	R. H. L. H.	B6A 7924630-A B6A 7924631-A	1 1
	55/56	73, 79	Bumper at bottom of door on body	354434-S(CC4)	2
	56	57	Bumper at bottom of door on body	354860-S(CC6)	2
	57/58	73	R. H. L. H.	B7A 7324630-A B7A 7324631-A	1 1
			Bumper at top of door on body	358953-S(CC18)	2

NOTE 1 - Refer to Group 24452-3 in 1957 or 1958 Soft Trim Section

NOTE 2 - Less Hinges, Paint, Trim, Window Regulator, Lock and Remote Control. Drill Holes As Required.

# FORD CAR PARTS

## BODY SECTION 240

755

GROUP NUMBER	YEAR	BODY TYPE	DESCRIPTION	PART NUMBER	QTY. PER VEHICLE
<b>24630-1</b>		<b>DOOR ASSY. - REAR - continued</b>	<i>NOTE 1</i>		
	57/58	79	R. H.	B7A 7924630-A	1
			L. H.	B7A 7924631-A	1
	57/58	79	Bumper at top of door on body	358712-S(CC13)	2
	57/58	73, 79	Bumper at bottom of door on body		2
	57/58	57A, 58, 73	No. 8 x 5/8" Binding head sheet metal screw	32930-S7(U340)	2
	59	54A, 57A, 58, 71, 75A	R. H.	B9A 5724630-A	1
			L. H.	B9A 5724631-A	1
			3/8"-24 x 1.29" Screw & washer assy.	372422-S2(BB593)	12
	59	54A, 57A, 58, 71, 75A	R. H. - Filler or top bumper	B9A 5829888-A	1
			L. H. - Filler or top bumper	B9A 5829889-A	1
			Bumper-bottom	372486-S(CC24)	2
<b>24648</b>		<b>HANDLE. ASSY. - REAR DOOR INSIDE ASSIST</b>			
	56/58	73	Chrome	B6A 7324648-A	1
			No. 12-24 x 5/8" Cross recess oval head screw	*50410-S13	4
	59	A(58E)-Taxi	Rustless Steel	B9A 5824648-A	1
<b>24650</b>		<b>PAD - REAR DOOR INSIDE ASSIST HANDLE</b>			
	56/58	A(73)-Taxi		B6A 7324650-A	2
	59	A(58E)-Taxi			2
<b>24700-5</b>		<b>PANEL ASSY. - REAR DOOR OUTER - REPAIR</b>	<i>Drill Holes As Required</i>		
	57/58	57, 58	R. H.	B7A 5724700-A	1
			L. H.	B7A 5724701-A	1
	57/58	73	R. H.	B7A 7324704-A	1
			L. H.	B7A 7324705-A	1
	57/58	79	R. H.	B7A 7924704-A	1
			L. H.	B7A 7924705-A	1
	59	54A, 57A, 58, 71, 75A	R. H.	B9A 5724700-A	1
			L. H.	B9A 5724701-A	1
<b>24712-3</b>		<b>MOULDING - REAR DOOR OUTSIDE FINISH PANEL</b>			
	58	57A, 58B	R. H. - Includes attaching parts	B8A 5724712-C	1
			L. H.	B8A 5724713-C	1
	58	57B, 58A "From 3/3/58"	R. H. - Lower	B8A 5724712-B	1
			L. H. - Upper		1
			Retainer	B8A 6429318-A	4
			Retainer assy.	B8A 5728506-A	1
			No. 10-24 Nut and washer assy.	354397-S100(MM291)	1
	58	73	R. H. - Lower - <i>NOTE 2</i>	B8A 7324712-A	1
			L. H.	B8A 7324713-A	1
			Clip Kit	B8A 209-A	2
	58	79C, 79D	R. H. - Lower - <i>NOTE 2</i>	B8A 7924712-A	1
			L. H.	B8A 7924713-A	1
			Clip Kit	B8A 209-A	2
<b>24722-3</b>		<b>MOULDING - REAR DOOR OUTSIDE FINISH PANEL</b>			
	58	57B, 58A "From 3/3/58"	R. H. - Upper	B8A 5724722-A	1
			L. H. - Lower		1
			Retainer	B8A 6429318-A	4
			Retainer assy.	B8A 5728506-A	1
			No. 10-24 Nut & washer assy.	354397-S100(MM291)	1
	58	73	R. H. - Upper - <i>NOTE 2</i>	B8A 7324722-A	1
			L. H. - Upper	B8A 7324723-A	1
			Clip Kit	B8A 209-A	2
	58	79C, 79D	R. H. - Upper - <i>NOTE 2</i>	B8A 7924722-A	1
			L. H. - Upper	B8A 7924723-A	1
			Clip Kit	B8A 209-A	2
<b>24730-1</b>		<b>PANEL - REAR DOOR or QUARTER OUTSIDE FINISH</b>			
	57	57A, 58B	R. H. - Rear door - <i>NOTE 2</i>	B7A 5824730-A	1
			L. H.	B7A 5824731-A	1
	57	73B, 79C, 79D	R. H. - Rear door - <i>NOTE 2</i>	B7A 7324730-A	1
			L. H.	B7A 7324731-A	1
	57	59B, 70B	R. H. - Quarter-Cut as required	B7A 7324730-A	1
			L. H.	B7A 7324731-A	1

*NOTE 1 - Less Hinges, Paint, Trim, Window Regulator, Lock and Remote Control. Drill Holes As Required. NOTE 2 - Used With Anodize Panel*

**BODY  
SECTION 240**
**FORD CAR PARTS**

GROUP NUMBER	YEAR 19	BODY TYPE	DESCRIPTION	PART NUMBER	QTY. PER VEHICLE
<b>24730-1 PANEL - REAR DOOR OR QUARTER OUTSIDE FINISH - continued</b>					
58	57A, 58B		R. H. -Rear door	B8A 5724730-A	1
			L. H.	B8A 5724731-A	1
58	57B, 58A	"From 3/3/58"	R. H. -Rear door	B8A 5724730-B	1
			L. H.	B8A 5724731-B	1
58	73		R. H. -Rear door - NOTE 1	B8A 7324730-A	1
			L. H.	B8A 7324731-A	1
58	79C, 79D		R. H. -Rear door - NOTE 1	B8A 7924730-A	1
			L. H.	B8A 7924731-A	1
59	54A, 57A, 58A, 58B, 71E, 71F, 75A		R. H. -Rear door	B9A 5724730-A	1
			L. H.	B9A 5724731-A	1
<b>24740-1 EXTENSION - REAR DOOR OUTSIDE UPPER REAR</b>					
57/58	57		R. H.	B8A 5724740-A	1
			L. H.	B8A 5724741-A	1
			No. 8 x 3/4" Cross recess oval head screw	52360-S13(U294)	2
			5/16" - 18 x 5/8" Hex. head bolt	20326-S8(B49)	8
59	57A		R. H.	B9A 5724740-A	1
			L. H.	B9A 5724741-A	1
59	75A		R. H.	B9A 7524740-A	1
			L. H.	B9A 7524741-A	1
<b>24742-5 EXTENSION - REAR DOOR INSIDE UPPER REAR</b>					
57	57		R. H. -Chrome	B8E 5724742-A	1
			L. H.	B8E 5724743-A	1
58	57		R. H. -Paint to match	B8A 5724742-A	1
			L. H.	B8A 5724743-A	1
59	57A		R. H.	B9A 5724742-A	1
			L. H.	B9A 5724743-A	1
59	75A		R. H.	B9A 7524742-A	1
			L. H.	B9A 7524743-A	1
59	57A, 75A		5/16"-24 x.88" Hex. washer head screw	352628-S2(BB586)	4
<b>24784-5 SHIELD ASSY. - REAR DOOR WIRING</b>					
56	57		R. H.	B6A 5724784-A	1
			L. H.	B6A 5724785-A	1
57/58	57, 58		R. H.	B7A 5824784-B	1
			L. H.	B7A 5824785-B	1
57/58	73, 79		R. H.	B7A 7324784-B	1
			L. H.	B7A 7324785-B	1
59	54A, 57A, 58, 71, 75A		R. H.	B9A 5824784-A	1
			L. H.	B9A 5824785-A	1
<b>24856-7 DOVETAIL - REAR DOOR WINDOW</b>					
57/58	57		R. H.	B7A 5724856-A	1
			L. H.	B7A 5724857-A	1
59	57A, 75A		R. H.	B9A 5724856-A	1
			L. H.	B9A 5724857-A	1
<b>24858-9 STRIKER - REAR DOOR WINDOW DOVETAIL</b>					
57/58	57		R. H.	B7A 5724858-A	1
			L. H.	B7A 5724859-A	1
			5/16"-24 x 3/4" Truss head screw	370365-S8(BB824)	4
59	57A, 75A		R. H.	B9A 5724858-A	1
			L. H.	B9A 5724859-A	1
<b>25300-1 RAIL - REAR DOOR OUTSIDE FINISH - LOWER</b>					
59	A (71G)		R. H.	B9A 7125300-A	1
			L. H.	B9A 7125301-A	1
			Fastener	B9AB 7150108-D	6
59/	A(71G)		No. 10-32 x 1 1/2" Round head screw	27177-S7(U177)	6
			Retainer (cap)	358403-S2(GG54)	6
			Cap	358404-S(DD1)	6

NOTE 1 - Used With Anodize Panel.



# FORD CAR PARTS

## BODY SECTION 240

757

GROUP NUMBER	YEAR	BODY TYPE	DESCRIPTION	PART NUMBER	QTY. PER VEHICLE
<b>25302-3 RAIL ASSY. - REAR DOOR OUTSIDE FINISH - UPPER</b>					
	56	79C	L. H.	B6A 7925303-A	1
	57	79E	R. H. L. H.	B7A 7925302-A B7A 7925303-A	1 1
	58	79E	R. H. L. H.	B8A 7925302-A B8A 7925303-A	1 1
			Fastener	B8A 7750108-A	6
			Fastener-Replaced by B9AB 7150108-D	*B8A 7750108-D	4
	55/57	79C, 79E	No. 14 x 1 1/4" Cross recess round head screw	353557-S8(UU58)	6or14
	54/58	79C, 79E	Retainer (cap)	358403-S2(GG54)	6or14
			Cap	358404-S(DD1)	6or14
	54/57	79C, 79E	No. 14A Nut (spring)	352517-S32(MM238)	6or14
	58	79E	No. 10 x 1" Cross recess binding head screw	50555-S8(U160)	10
	59	71G	R. H. L. H.	B9A 7125320-A B9A 7125321-A	1 1
			Fastener	B8A 7750108-C	8
	59/	A(71G)	No. 10-32 x 1 1/2" Round head screw	27177-S7(U177)	6or8
			Retainer (cap)	358403-S2(GG54)	6or8
			Cap	358404-S(DD1)	6or8
<b>25324-5 WEATHERSTRIP ASSY. - REAR DOOR</b>					
	53/54	73	R. H.	BA 7325324-B	1
	53/54	79	R. H.	BA 7925324-B	1
	53/54	73, 79	L. H. -Cut to fit	BA 7925325-B	1
	55/56	73	R. H. -Cut to fit at center of upper section	B6A 7925324-A	1
			L. H.	B6A 7925325-A	1
	56	57	R. H. L. H.	B6A 5725324-C B6A 5725325-C	1 1
	55/56	79	R. H. L. H.	B6A 7925324-A B6A 7925325-A	1 1
	57/58	57	R. H. L. H.	B7A 5725324-C B7A 5725325-C	1 1
	57/58	58	R. H. L. H.	B7A 5825324-B B7A 5825325-B	1 1
	57/58	73	R. H. L. H.	B7A 7325324-A B7A 7325325-A	1 1
	57/58	79	R. H. L. H.	B7A 7925324-A B7A 7925325-A	1 1
	59	54A, 58, 71	R. H. -Cut as required	B9A 5825324-A	1
			L. H.	B9A 5825325-A	1
	59	57A, 75A	R. H. L. H.	B9A 5725324-A B9A 5725325-A	1 1
<b>25334-5 MOULDING ASSY. - REAR DOOR OUTSIDE LOWER - REAR</b>					
	57	57A, 58B	R. H. L. H.	B7A 5725334-A B7A 5725335-A	1 1
			Clip Kit	B7A 211-A	2
<b>25352-3 RAIL ASSY. - REAR DOOR OUTSIDE FINISH - LOWER</b>					
	57/58	79E	R. H. L. H.	B8A 7925352-A B8A 7925353-A	1 1
	57/58	79E	No. 14 x 1 1/4" Cross recess head screw	353557-S8(UU58)	6or10
			No. 14A Nut (spring)	352517-S32(MM238)	6
			Retainer	358403-S2(GG54)	6to10
			Cap	358404-S(DD1)	6to10
	58	79E	Fastener	B9AB 7150108-D	10
<b>25416-7 MOULDING ASSY. - REAR DOOR OUTSIDE - CENTER</b>					
	59	54A, 57A, 58A, 58B, 71E, 71F, 75A	R. H. L. H.	B9A 5825416-A B9A 5825417-A	1 1
<b>25440-1 MOULDING ASSY. - REAR DOOR OUTSIDE - FRONT</b>					
	58	73A (Special), 79A	R. H. L. H.	B8A 7325440-A B8A 7325441-A	1 1
	59	58E, 71H	R. H. -Includes attaching parts L. H. -Includes attaching parts	B9A 5825440-B B9A 5825441-B	1 1

**BODY  
SECTION 240**
**FORD CAR PARTS**

GROUP NUMBER	YEAR 19	BODY TYPE	DESCRIPTION	PART NUMBER	QTY. PER VEHICLE
<b>25442</b>	<b>BRACKET ASSY. - REAR DOOR WINDOW REAR GUIDE - LOWER</b>				
	57/58	57		B7A 5725442-A	2
			No. 12-24 x 3/8" Hex. washer head screw	354666-S2(BB568)	2
<b>25470</b>	<b>BRACKET ASSY. - REAR DOOR WINDOW FRONT GUIDE - LOWER</b>				
	57/58	57	"Before 2/24/58" With 4 mounting holes	B7A 5725470-A	2
	58	57	"From 2/24/58" With 2 mounting holes	B8A 5725470-A	2
	57/58	57	No. 12-24 x 3/8" Hex. washer head screw	354666-S2(BB568)	2or4
<b>25472</b>	<b>BUTTON - REAR DOOR GLASS CHANNEL LOWER REAR GUIDE</b>				
	57	57		B7A 5725472-A	2
<b>25474-5</b>	<b>WEATHERSTRIP ASSY. - REAR DOOR UPPER REAR EXTENSION - OUTER</b>				
	59	75A	R. H.	B9A 7525474-A	1
			L. H.	B9A 7525475-A	1
<b>25478-9</b>	<b>WEATHERSTRIP ASSY. - REAR DOOR UPPER REAR EXTENSION - UPPER</b>				
	57/58	57	R. H. -inner	B7A 5725478-A	1
			L. H.	B7A 5725479-A	1
	57/58	57	R. H. -outer-cut to fit	B7A 5725478-A	1
			L. H.	B7A 5725479-A	1
	59	57A	R. H. -inner	B9A 5725478-A	1
			L. H.	B9A 5725479-A	1
	59	57A	R. H. -outer-cut to fit	B9A 5725478-A	1
			L. H.	B9A 5725479-A	1
	59	75A	R. H. -inner	B9A 7525478-A	1
			L. H.	B9A 7525479-A	1
<b>25480</b>	<b>WEATHERSTRIP ASSY. - REAR DOOR UPPER REAR EXTENSION - LOWER</b>				
	57/58	57		B7A 5725480-A	2or4
			No. 4 x 5/8" Cross recess flat head screw	52003-S13(U194)	18
<b>25481</b>	<b>WEATHERSTRIP ASSY. - REAR DOOR GLASS RUN - REAR</b>				
	59	57A, 75A		B9A 5725481-A	4
<b>25504-5</b>	<b>MOULDING ASSY. - REAR DOOR TRIM - FRONT</b>				
	57	57A, 58B	R. H.	B7A 5825504-A	1
			L. H.	B7A 5825505-A	1
<b>25514-5</b>	<b>MOULDING ASSY. - REAR DOOR WINDOW GARNISH - <i>Drill Holes As Required and Paint To Match</i></b>				
	57/58	57	R. H. -Center body pillar cap refer 1957 or 1958 Soft Trim Section, Group 24452-3	B7A 5725514-AP	1
			L. H.	B7A 5725515-AP	1
	57/58	58	R. H.	B7A 5825514-AP	1
			L. H.	B7A 5825515-AP	1
	57/58	73	R. H.	B7A 7325514-AP	1
			L. H.	B7A 7325515-AP	1
	57/58	79	R. H.	B7A 7925514-AP	1
			L. H.	B7A 7925515-AP	1
	57/58	73, 79	No. 8 x 1" Cross recess oval head screw	52376-S13(U296)	4
	57/58	57, 58	No. 8 x 3/8" Cross recess pan head screw	52720-S8(U380)	2
	58	73, 79	No. 8 x 3/4" Cross recess oval head screw	52360-S13(U294)	12
	59	54A, 58, 71	R. H.	B9A 7125514-A	1
			L. H.	B9A 7125515-A	1
	59	57A	R. H.	B9A 5725514-A	1
			L. H.	B9A 5725515-A	1
	59	75A	R. H.	B9A 7525514-A	1
			L. H.	B9A 7525515-A	1
<b>25516-7</b>	<b>SPACER - REAR DOOR WINDOW GARNISH MOULDING</b>				
	59	57A, 75A		B9A 5725516-A	2

# FORD CAR PARTS

## BODY SECTION 240

759

GROUP NUMBER	YEAR 19__	BODY TYPE	DESCRIPTION	PART NUMBER	QTY. PER VEHICLE
<b>25532-3 MOULDING - REAR DOOR OUTSIDE - LOWER REAR</b>					
53		73B, 79B	R. H.	BF 7325532-A	1
			L. H.	BF 7325533-A	1
			Clip ass'y. (moulding)	357118-S8(RR32)	2
			No. 10 Flat washer	44713-S8(X13)	2
			No. 10 Internal tooth lockwasher	34903-S8(X96)	2
			No. 10-24 Hex. nut	34053-S8(M156)	2
			Clip (moulding)	358484-S8(GG71)	2
	54	73B, 73C, 79	Clip Kit	B3A 212-A	2
			R. H.	BM 7325532-A	1
	56	73A	L. H.	BM 7325533-A	1
			Retainer ass'y. (moulding)	BM 7029144-B	6
			Retainer (moulding)	BM 7021020-B	2
	56	73A	R. H. -Upper-20.92" long	B6A 7325532-A	1
			L. H.	B6A 7325533-A	1
			Clip Kit	B6A 213-A	2
			Retainer ass'y. -lower moulding	B6A 7021094-H	2
			Retainer ass'y. -lower moulding	358566-S100(RR44)	2
			No. 10 Flat washer	44716-S8 (X15)	4
			No. 10 Internal tooth lockwasher	34903-S8 (X96)	4
	56	73A	No. 10-24 Hex. nut	34053-S8(M156)	4
			R. H. -Lower-9.31" long	B6A 7325532-C	1
	56	73A, 73B, 79D	L. H.	B6A 7325533-C	1
	56	57	Retainer (moulding)	B6A 7021066-C	4
	56	73B, 79D	37.73" long	B6A 5725532-A	2
			Clip Kit	B6A 212-A	2
	56	73B, 79D	R. H. -20.92" long	B6A 7325532-A	1
			L. H.	B6A 7325533-A	1
			Clip Kit	B6A 213-A	2
	56	73C, 79B	37.90" long	B6A 7325532-B	2
			Clip Kit	B6A 212-A	2
	56	73A, 73B, 79D	Retainer ass'y. -upper moulding	B6A 7021094-G	6or8
	57	57B, 58A	R. H. -Use with Unique Two-Tone Paint	B7A 5825532-A	1
			L. H.	B7A 5825533-A	1
			Retainer	B7A 5825553-B	2
	57	57B, 58B	No. 10-24 Nut	354397-S100(MM291)	2
			Clip Kit	B7A 212-A	2
	57	73A	R. H. -Lower	B7A 7325532-A	1
			L. H.	B7A 7325533-A	1
			Retainer	B7A 5929120-B	2
			Clip Kit	B7A 213-A	2
	57	73B	R. H. -Lower	B7A 7325532-B	1
			L. H.	B7A 7325533-B	1
	57	79C, 79D	R. H. -Lower	B7A 7925532-B	1
			L. H.	B7A 7925533-B	1
	57	73B, 79C, 79D	Clip Kit	B7A 214-A	2
			Retainer ass'y.	B7A 7321096-A	2
			Retainer	B7A 5929120-B	6
	57	73, 79C, 79D	Retainer assy.	B7A 7321096-A	2
			Retainer	B7A 7325553-A	2
			Retainer	B7A 7029120-A	2or4
	58	73A (Special), 79A	R. H. -Rear	B8A 7325532-A	1
			L. H.	B8A 7325533-A	1
			Clip Kit - NOTE 1	★B8A 210-A	2
	58	73	R. H. -Lower-use with Single Spear Type	B8A 7325532-B	1
			L. H.	B8A 7325533-B	1
			Clip Kit	B8A 211-A	2
	58	73, 79C, 79D	R. H. -Upper-Use with Anodize Panel	B8A 7325532-C	1
			L. H.	B8A 7325533-C	1
			Clip Kit	B8A 212-A	2
	58	79C, 79D	R. H. -Lower-Use with Single Spear Type	B8A 7925532-A	1
			L. H.	B8A 7925533-A	1
			Clip Kit	B8A 211-A	2
	58	73, 79C, 79D	Retainer-Use with Single Spear Type	B8A 7325562-A	2
	59	54A, 57A, 58, 71E, 71F, 71H, 75A	R. H. -Includes attaching parts	B9A 7125532-B	1
			L. H.	B9A 7125533-B	1
			Retainer	B9A 5825552-A	2
			No. 8-32 x .21" Truss head screw	359165-S8	2

NOTE 1 - Refer to Moulding Clip Kit Section for Service Details

**BODY  
SECTION 240**
**FORD CAR PARTS**

GROUP NUMBER	YEAR 19	BODY TYPE	DESCRIPTION	PART NUMBER	QTY. PER VEHICLE
<b>25536 MOULDING - REAR DOOR GARNISH FINISH</b>					
53	73B		33.96" long-pointed end	BA 7325536-A	2
			Clip (moulding)	358591-S2 (GG129)	14
54	73C		Rustless steel-30.70" long	BM 7325536-B	2
			Clip (moulding)	358571-S8 (GG128)	14
<b>25540-1 MOULDING - REAR DOOR OUTSIDE - UPPER</b>					
57	73B, 79C, 79D		R. H. -Use with Unique Two-Tone Paint	B7A 7325540-A	1
			L. H.	B7A 7325541-A	1
			Clip Kit	B7A 215-A	2
58	57A, 58B		R. H.	B8A 5725540-A	1
			L. H.	B8A 5725541-A	1
			Clip Kit	B8A 204-A	2
58	73, 79C, 79D		R. H.	B8A 7325540-A	1
			L. H.	B8A 7325541-A	1
			Clip Kit	B8A 214-A	2
<b>25542-3 MOULDING - REAR DOOR WINDOW OUTSIDE - TOP</b>					
57/58	58		R. H.	B7A 5825542-A	1
			L. H.	B7A 5825543-A	1
59	54A, 58A, 58B		R. H.	B9A 5825542-A	1
			L. H.	B9A 5825543-A	1
59	71E, 71F, 71G		R. H.	B9A 7125542-A	1
			L. H.	B9A 7125543-A	1
<b>25553 RETAINER - REAR DOOR OUTSIDE LOWER MOULDING</b>					
57	73, 79C, 79D			B7A 7325553-A	2
58	57A, 58B			B8A 5725553-A	4
58	73, 79C, 79D	NOTE 1		B8A 7325553-A	2
58	51A, 57A, 58B, 63A, 64B, 76B	Front door - NOTE 1			2
59	54A, 57A, 58, 71E, 71F, 71H, 75A	Rear door		B9A 5825553-A	2
59	54A, 57A, 58, 71E, 71F, 71H, 75A	No. 8-32 x .21" Truss head screw		359167-S8(BB658)	2
<b>25554-5 MOULDING - REAR DOOR OUTSIDE - BELT</b>					
55	73B		R. H.	B5A 7325554-A	1
			L. H.	B5A 7325555-A	1
			Clip Kit	B5A 215-A	2
55	73C		R. H. (7-63)	*B5A 7325554-C	1
			L. H.	B5A 7325555-C	1
			Retainer (moulding)	B5A 7325526-A	2
			No. 8 External tooth lockwasher	34938-S8(X85)	2
			No. 8 x 1/2" Fillister head screw	31061-S8(U50)	2
			Clip Kit	B5A 216-A	2
55/56	79		R. H.	B6A 7925554-A	1
			L. H.	B6A 7925555-A	1
55/56	73, 79		Retainer (moulding)	B5A 7021060-A	6
55/56	73, 79		Retainer (moulding)	B5A 7021062-A	4
57/58	57		R. H.	B7A 5725554-A	1
			L. H.	B7A 5725555-A	1
			Retainer (moulding)	B7A 5721060-A	6
			No. 4-24 x 3/8" Cross recess flat head screw	52003-S13(U194)	4
57/58	79E		R. H.	B7A 7925554-A	1
			L. H.	B7A 7925555-A	1
			Clip	359379-S100(GG123)	6
			No. 8-32 x 1/4" Truss head screw	359476-S8(BB821)	4
<b>25556-7 MOULDING - REAR DOOR OUTSIDE - LOWER</b>					
54	73B, 73C, 79B		R. H.	BM 7325556-B	1
			L. H.	BM 7325557-B	1
			Clip kit	B4A 217-A	2
			Clip (moulding)	BM 7029144-B	6
			Clip (moulding)	BM 7021020-B	2
			Retainer ass'y. (moulding)	BM 7029120-A	4
			Clip ass'y. (moulding)	358552-S100(RR41)	2
55	73B, 73C, 79B		38" long	B5A 7325556-A	2
			Retainer (moulding)	B5A 7021066-A	10
58	57B, 58A		R. H. -Front	B8A 5725556-A	1
			L. H.	B8A 5725557-A	1
			Clip Kit	B8A 216-A	2

NOTE 1 - From 1/23/58. For Those Before Refer to Group 25562.

# FORD CAR PARTS

## BODY SECTION 240

761

GROUP NUMBER	YEAR 19__	BODY TYPE	DESCRIPTION	PART NUMBER	QTY. PER VEHICLE
<b>25556-7 MOULDING - REAR DOOR OUTSIDE - LOWER - continued</b>					
	58	57A, 58B	R. H. -Lower	B8A 5725556-B	1
			L. H.	B8A 5725557-B	1
			Clip Kit	B8A 110-A	2
	59	54A, 57A, 58A, 58B, 71E, 71F, 75A	R. H. -Includes attaching parts	B9A 5825556-B	1
			L. H.	B9A 5825557-B	1
<b>25558-9 MOULDING and RETAINER ASSY. - REAR DOOR TRIM - UPPER</b>					
	58	57A, 58B	R. H.	B8A 5725558-A	1
			L. H.	B8A 5725559-A	1
	58	73B	R. H.	B8A 7325558-A	1
			L. H.	B8A 7325559-A	1
	58	79D	R. H.	B8A 7925558-A	1
	58	79C, 79E		B8A 7925558-B	2
	59	54A, 75A.	R. H.	B9AB 5425558-A	1
			L. H.	B9AB 5425559-A	1
	59	57A, 58B	R. H.	B9A 5725558-A	1
			L. H.	B9A 5725559-A	1
	59	58A	R. H.	B9A 5825558-A	1
			L. H.	B9A 5825559-A	1
	59	71E, 71F, 71G	R. H.	B9A 7125558-A	1
			L. H.	B9A 7125559-A	1
<b>25562 RETAINER ASSY. - REAR DOOR OUTSIDE MOULDING</b>					
	57	57A, 58B		B7A 5825562-B	2
	58	73, 79C, 79D	Replaced by B8A 7325553-A	★B8A 7325562-A	2
	58	51A, 57A, 58B, 63A, 64B, 76B	Front door		2
<b>25576-7 RETAINER - REAR DOOR TRIM PANEL</b>					
	59	54A, 75A	18.15" long-bright finish	B9AB 5425576-A	2
<b>25578-9 MOULDING and RETAINER ASSY. - REAR DOOR TRIM - LOWER</b>					
	58	57A, 58B		B8A 5725578-A	2
<b>25586-7 MOULDING - REAR DOOR OUTSIDE - UPPER FRONT</b>					
	58	57B, 58A	R. H.	B8A 5725586-A	1
			L. H.	B8A 5725587-A	1
			Clip Kit	B8A 216-A	2
	59	54A, 58A, 58B, 71E, 71F, 71G	R. H. -Front and L. H. rear door-vertical	B9A 7125586-A	2
			L. H. -Front and R. H. rear door-vertical	B9A 7125587-A	2
	59	54A, 57A, 58A, 58B, 71E, 71F, 75A	R. H. -Upper front panel-Includes attaching parts	B9A 5725586-B	1
			L. H.	B9A 5725587-B	1
<b>25596-7 WEATHERSTRIP ASSY. - REAR DOOR GLASS AT BELT - OUTSIDE</b>					
	53/54	73, 79	R. H.	BA 7325596-B	1
			L. H.	BA 7325597-B	1
	55/56	73, 79	R. H. -Inner-remove clips	B5A 7325596-A	1
			L. H.	B5A 7325597-A	1
	55/56	73, 79	R. H.	B5A 7325596-A	1
			L. H.	B5A 7325597-A	1
	57/58	57	R. H.	B7A 5725596-B	1
			L. H.	B7A 5725597-B	1
	57/58	58	R. H.	B7A 5825596-A	1
			L. H.	B7A 5825597-A	1
	57/58	57, 58	No. 4-24 x 3/8" Cross recess flat head screw	52003-S13(U194)	4
	57/58	73		B7A 7325596-A	2
	57/58	73	Inner-remove clips	B7A 7325596-A	2
	57/58	79	R. H.	B7A 7925596-A	1
			L. H.	B7A 7925597-A	1
	57/58	79	R. H. -Inner-remove clips	B7A 7925596-A	1
			L. H.	B7A 7925597-A	1
	59	57A, 75A	R. H. -With clips	B9A 5725596-A	1
			L. H.	B9A 5725597-A	1
	59	54A, 58, 71	R. H. -With clips	B9A 5825596-A	1
			L. H.	B9A 5825597-A	1
			No. 4-24 x 3/8" Cross recess flat head screw	52003-S13(U194)	4

**BODY  
SECTION 240**
**FORD CAR PARTS**

GROUP NUMBER	YEAR 19	BODY TYPE	DESCRIPTION	PART NUMBER	QTY. PER VEHICLE
<b>25604-5 WEATHERSTRIP ASSY. - REAR DOOR GLASS AT BELT - LESS CLIPS</b>					
	53/54	73, 79	R. H. -Inside	BA 7325604-B	1
	56	57	Inner-Refer to Group 25860-1		
	55/58	73, 79	Refer to Group 25596-7		
<b>25612-3 ORNAMENT ASSY. - BODY SIDE</b>					
	54	60B, 60F, 73C, 76	R. H.	BM 7325612-A	3
			L. H.	BM 7325613-A	3
			Clip ass'y. (moulding)	358560-S100(RR45)	12
			No. 10 Flat washer	44716-S8(X15)	12
			Seal	M-5397-B	AR
			No. 10 Internal tooth lockwasher	34903-S8(X96)	12
			No. 10-24 Hex. nut	34053-S8(M156)	12
<b>25616-7 ORNAMENT - BODY SIDE</b>					
	53/54	59, 70A, 72C, 73A, 78	Refer to Group 25652-3		
	53	60B, 70B, 72B, 73B, 76, 79B	R. H.	BA 7325616-E	1
			L. H.	BA 7325617-E	1
			Clip ass'y. (moulding)	358394-S8 (RR38)	16
			No. 10 Internal tooth lockwasher	34903-S8 (X96)	16
			No. 10 Flat washer	374576-S36(XX55A)	16
			Sealer	M-5397-B	AR
			No. 10-24 Nut	34053-S8(M156)	16
			Clip Kit	B2A 320-A	2
	56	59A, 70A, 70D, 78	R. H. -NOTE 1	B6A 7025616-B	1
			L. H.	B6A 7025617-B	1
	56	59B	R. H.	B6A 5925616-A	1
			L. H.	B6A 5925617-A	1
			Clip Kit	B6A 320-A	2
	56	64D, 70B	R. H.	B6A 7025616-A	1
			L. H.	B6A 7025617-A	1
			Clip Kit	B6A 320-A	2
	56	73A	R. H.	B6A 7325616-B	1
			L. H.	B6A 7325617-B	1
	56	73B	R. H.	B6A 7325616-A	1
			L. H.	B6A 7325617-A	1
			Clip Kit	B6A 320-A	2
	56	79D	R. H.	B6A 7925616-A	1
			L. H.	B6A 7925617-A	1
			Clip Kit	B6A 320-A	2
	56	59A, 59B, 64D, 70A, 70B, 70D, 73A, 73B, 78, 79D	Retainer-2.14" long -NOTE 1	B6A 7025686-A	2
	56	59A, 59B, 64D, 70A, 70B, 70D, 73A, 73B, 78, 79D	Retainer-4.06" long -NOTE 1	B6A 7025686-B	2
	56	59A, 59B, 70A, 70B, 70D, 73A, 73B, 78, 79D	No. 10-24 Hex. nut	34053-S8(M156)	4
	56	59A, 59B, 70A, 70B, 70D, 73A, 73B, 78, 79D	No. 10 Flat washer	44716-S8(X15)	4
	56	59A, 59B, 73A, 78, 73B, 79D	Clip (moulding)	358566-S100(RR44)	2
<b>25622-3 PLATE - BODY SIDE NAME - Also Refer to Chassis Group 16098</b>					
	54	60B, 60F, 73C, 76	"Crestline"	BM 7625622-B	2
			No. 5 Flat washer	44706-S(X7)	10to14
			No. 6 Lockwasher	34937-S7(X84)	10to14
			No. 6-32 Hex. nut	34051-S7(M154)	10to14
	55/56	40	"Thunderbird"	B5S 4025622-B	2
	55/56	40	Sealer	M 5397-B	AR
	55/56	64A, 64B	"Crown Victoria"	B5A 6425622-B	2
	55/56	70C	"Club Sedan"	B5A 7025622-A	2
	55/56	73C	"Town Sedan"	B5A 7325622-A	2
	56	59C	"Parklane"	B6A 5925622-A	2
	55/56	40, 59C, 64, 70C, 73C	1/8" Nut (sleeve type)	353577-S2(MM222)	8or10
	57/58	51A, 57A, 58B, 63A, 64B, 76	"Fairlane 500"	B7A 6425622-A	2
	57/58	59, 79A	"Ranch Wagon"	B7A 5925622-A	2
	57/58	66	"Ranchero"	B7A 6625622-A	2
	57/58	79C, 79D,	"Country Sedan"	B7A 7925622-A	2
	59	51A, 54A, 64H, 65A, 75A, 76B	"Galaxie"	B9AB 5425622-A	2
	59	57A, 58B, 63A, 64B	"Fairlane 500"	B9A 6425622-A	2
	59	58A, 64A	"Fairlane"	B9A 5825622-A	2

NOTE 1 - Used on Body Type 78 From 6/1/56

# FORD CAR PARTS

## BODY SECTION 240

GROUP NUMBER	YEAR 16	BODY TYPE	DESCRIPTION	PART NUMBER	QTY. PER VEHICLE
<b>25622-3 PLATE - BODY SIDE NAME - continued- Also Refer to Chassis Group 16098</b>					
	59	59C, 71H	"Ranch Wagon"	B9A 7125622-C	2
	59	59D, 71E, 71F	"Country Sedan"	B9A 7125622-A	2
	59	66C	"Ranchero"	B9AB 6625622-A	2
	59	71G	"Country"	B9AB 7125622-A	2
	59	71G	"Squire"	B9AB 7125622-B	2
	57/59	A	1/8" Nut (sleeve type)	353577-S2(MM222)	AR
<b>25648-9 GUARD ASSY. - QUARTER PANEL WHEEL OPENING COVER PANEL STONE</b>					
	55/57	S	R. H.	B5S 4025648-A	1
			L. H.	B5S 4025649-A	1
<b>25652-3 GUARD - BODY SIDE - STONE</b>					
	53	59, 70A, 72C, 73A, 78A	R. H. -Rustless Steel	BF 7325652-A	1
			Clip Ass'y. (moulding)	358394-S8 (RR38)	4or8
	53	73A	Clip (trim)	357274-S8 (GG100)	4
			No. 10 Flat washer	44716-S8 (X15)	6
			1/4" x 1 3/8" Flat washer	351210-S2 (XX94)	2
			Sealer	M-5397-B	AR
	54	A	R. H. -Rustless Steel	BM 7325652-B	1
			L. H.	BM 7325653-B	1
			Clip Ass'v. (moulding)	358552-S100(RR41)	4
			Sealer	M-5397-B	AR
			No. 10 Flat washer	44716-S8 (X15)	4
			No. 6 x 3/4" Oval head sheet metal screw	33000-S13(U330)	4
			No. 10 Lockwasher	34803-S7(X60)	4
			No. 10-24 Hex. nut	34053-S8 (M156)	4
	55/56	57, 59, 60, 64, 70, 73, 76, 78, 79B, 79D	R. H. -Kit consists of (1) Stone guard R.H. (1)Screw No. 10 x 1/2" (1) Screw No. 10 x 7/8"	B5A 7025652-A	1
			L. H. -Kit consists of (1) Stone guard L.H. (1)Screw No. 10 x 1/2" (1) Screw No. 10 x 7/8"	B5A 7025653-A	1
<b>25662 MEDALLION - BODY SIDE</b>					
	54	73C, 76		BM 7325662-B	2
	55	S	On fuel filler pipe door		1
	55	S	On hood		1
	55	60B, 64, 70C, 73C, 76, 79B	On front door		2
	55	64, 76	On rear seat back		1
	55/56	40B	On hard top		2
	55/56	79C	On front fender		2
	56	S	On front fender		2
	56	59C	On front door		2
	56	59C, 64A, 64B, 76	On rear seat back		1
	57	51A, 57A, 58B, 63A, 64B, 76B	On rear seat back		1
	57/58	51A	On roof side		2
	58	51A, 57A, 63A, 76B	On rear seat back		1
	59	51A, 76B	On rear seat back		1
<b>25666 RETAINER ASSY. - BODY SIDE MEDALLION</b>					
	55	S	On fuel filler pipe door	B5S 4025666-A	1
	54	73C, 76		B6A 7925666-C	2
	55/56	S	On hard top		2
	55	S	On hood		1
	55	60B, 64, 70C, 73C, 76, 79B	On front door		2
	55	64, 76	On rear seat back		1
	55	79C	On front fender		2
	56	59C	On front door		2
	56	59C, 64A, 64B, 76	On rear seat back		1
	56/57	S	On front fender		2
	57	51A, 57A, 58B, 63A, 64B, 76B	On rear seat back		1
	58	51A, 57A, 63A, 76B	On rear seat back		1
	59	51A, 76B	On rear seat back		1
	54	73C, 76	Sealer	M-3597-B	AR
	55/57	S			AR
	55/57	59C, 60B, 64, 70C, 73C, 76, S	1/8" Nut (spring)	359464-S7(MM271)	AR
	54/59	A, S	No. 5 Flat washer	44706-S(X7)	AR
			No. 6 External tooth lockwasher	34937-S7(X84)	AR
			No. 6-32 Hex. nut	34051-S7(M154)	AR
	57/58	51A	On roof side-Refer to Group 50292		

**BODY  
SECTION 240**
**FORD CAR PARTS**

GROUP NUMBER	YEAR 19	BODY TYPE	DESCRIPTION	PART NUMBER	QTY. PER VEHICLE
<b>25674-5 MOULDING ASSY. - REAR DOOR OUTSIDE - UPPER</b>					
57	57B	R. H.		B7A 5725674-A	1
		L. H.		B7A 5725675-A	1
57	58A	R. H.		B7A 5825674-A	1
		L. H.		B7A 5825675-A	1
57	57A, 58B	R. H.		B7A 5825674-B	1
		L. H.		B7A 5825675-B	1
<b>25712 GLASS - REAR DOOR WINDOW</b>					
53/54	79		Laminated glass-Tinted	BC 7925712-B	2
55/56	73		Laminated glass-Clear	B5A 7325712-A	2
55/56	79		Laminated glass-Clear	B5A 7925712-A	2
			-Tinted	B5A 7925712-B	2
57/58	57		Laminated glass-Clear	B7A 5725712-A	2
			-Tinted	B7A 5725712-B	2
57/58	58		Laminated glass-Clear	B7A 5825712-A	2
			-Tinted	B7A 5825712-B	2
57/58	73		Laminated glass-Clear	B7A 7325712-A	2
			-Tinted	B7A 7325712-B	2
57/58	79		Laminated glass-Clear	B7A 7925712-C	2
			-Tinted	B7A 7925712-D	2
59	54A, 58		Laminated glass-Clear	B9A 5825712-A	2
			-Tinted	B9A 5825712-B	2
59	57A, 75A		Laminated glass-Clear	B9A 5725712-A	2
			-Tinted	B9A 5725712-B	2
59	71		Laminated glass-Clear	B9A 7125712-A	2
			-Tinted	B9A 7125712-B	2
<b>25728 RUN ASSY. - REAR DOOR GLASS - HINGE SIDE</b>					
57/58	58		Cut 28.66" from B7A 6421550-A		2
57/58	73, 79			B7A 7325728-A	2
59	54A, 57A, 58, 71		Cut to 26.66" from B9A 7125766-A		2
<b>25742-3 RUN ASSY. - REAR DOOR GLASS - REAR OUTER</b>					
59	57A, 75A	R. H.		B9A 5725742-A	1
		L. H.		B9A 5725743-A	1
			1/4"-20 x 1/2" Hex. head bolt	20308-S7(B40)	2
			1/4"-20 Nut & washer assy.	*34659-S8	2
			5/16"-24 x 1 3/8" Stud (shoulder)	371242-S8(UU115)	2
			5/16" Lockwasher (internal & external tooth)	356309-S7(XX299)	2
		5/16"-24 Nut (hex.)	33923-S7(M32)	2	
<b>25750 ROLLER ASSY. - REAR DOOR WINDOW FRONT GUIDE - LOWER</b>					
57/58	57			B7A 5725750-A	2
<b>25754-5 RUN ASSY. - REAR DOOR GLASS - REAR INNER</b>					
59	57A, 75A	R. H.		B9A 5725754-A	1
		L. H.		B9A 5725755-A	1
			5/16"-24 x 1 3/8" Stud (shoulder)	371242-S8(UU115)	2
			5/16" Lockwasher (internal & external tooth)	356309-S7(XX299)	2
		5/16"-24 Nut (hex.)	33923-S7(M32)	2	
<b>25760-1 RUN ASSY. - REAR DOOR GLASS</b>					
53/54	73		52.58" long - with 6 fasteners	BM 7325760-A	2
53/54	79		52.26" long -with 6 fasteners-Rework as required		2
55/56	73		Cut 3/8" from end not having retainer bracket	B5A 7925760-B	2
					2
57/58	73		Lockside	B7A 7325760-B	2
57/58	79	R. H.		B8A 7925760-A	1
		L. H.		B8A 7925761-A	1
55/58	73, 79		No.12-24 x 3/8" Hex.washer head screw	354666-S2 (BB568)	4
59	54A, 58, 71			B9A 5825760-A	2
<b>25766-7 RUN ASSY. - REAR DOOR GLASS - TOP</b>					
57/58	58		Cut 24.97" from B7A 6421550-A		2
57/58	73			B7A 7325766-A	2
57/58	79	L. H.		B7A 7925767-C	1
59	71		Cut to 38.42" long	C0AB 5825766-B	2
59	54A, 58		Cut to 26.66" long		2
<b>25776 ROLLER - REAR DOOR GLASS CHANNEL UPPER FRONT GUIDE</b>					
57/58	57			B7A 5725776-A	4



# FORD CAR PARTS

## BODY SECTION 260

765

GROUP NUMBER	YEAR 19__	BODY TYPE	DESCRIPTION	PART NUMBER	QTY. PER VEHICLE
<b>25780 STOP - DOOR WINDOW - UPPER</b>					
	56	57	Front door	B6A 5725780-B	2
	58	57	Rear door-rear guide - <i>NOTE 3</i>	B8A 5725780-A	2
	59	A(57A, 75A)		B9A 5725780-A	2
	59	A(57A, 75A)	5/16"-24 x .62" Hex. head screw & washer assy.	359605-S8(BB590)	4
<b>25808 SLIDE ASSY. - REAR DOOR WINDOW STABILIZER ARM</b>					
	57	57		B7A 5725808-A	2
	58	57		B7A 5725808-B	2
<b>25824 -5 WEATHERSTRIP ASSY. - REAR DOOR GLASS - FRONT</b>					
	56	57	R. H.	B6A 5725824-B	1
			L. H.	B6A 5725825-B	1
	59	57A, 75A	R. H. -14.86" long	B9A 5725824-A	1
	57/58	57	Cut to 14.48"		1
			L. H.	B9A 5725825-A	1
<b>25860-1 WEATHERSTRIP ASSY. - REAR DOOR GLASS AT BELT - INSIDE - Also Refer to Group 25596-7</b>					
	56	57		B6A 5725860-A	2
	57/58	57	R. H.	B7A 5725860-A	1
	57/58	57, 58	R. H. -Cut as required	B7A 5825860-A	1
			L. H.	B7A 5825861-A	1
	59	75A	R. H. -25.74" long	B9A 5725860-A	1
	59	57A	R. H. -Cut to 24.20" long		1
			L. H.	B9A 5725861-A	1
	59	54A, 58, 71	R. H.	B9A 5825860-A	1
			L. H.	B9A 5825861-A	1
<b>25886 BUTTON ASSY. - REAR DOOR WINDOW FRONT GUIDE</b>					
	57/58	57		B7A 5725886-A	2
	58/	S	Quarter		2
			No.12-24 x 1/2" Cross recess flat head screw & washer assy.	356782-S8(BB114)	4
					4
<b>26216-7 GUIDE ASSY. - REAR DOOR WINDOW - FRONT</b>					
	57/58	57	R. H.	B7A 5726216-C	1
			L. H.	B7A 5726217-C	1
			5/16"-24 x .62" Screw & washer assy.	359605-S8(BB590)	4
			No.12-24 x 3/8" Hex. washer head screw	354666-S2(BB568)	2
			1/4"-20 x .86" Stud	370343-S8(UU108)	2
			1/4"-20 Tee nut	*34627-S8	2
	59	57A, 75A	R. H.	B9A 5726216-A	1
			L. H.	B9A 5726217-A	1
			5/16"-24 x 1 3/8" Stud (shoulder)	371242-S8(UU115)	2
			5/16" Lockwasher (internal & external tooth)	356309-S7 (XX299)	2
			5/16"-24 Nut (hex.)	33923-S7(M32)	2
<b>26220-1 FRAME ASSY. - REAR DOOR GLASS - UPPER</b>					
	57/58	57		B7A 5726220-A	2
			No. 8-32 Nut (sleeve)	358680-S8 (MM215)	2
	59	54A, 58	R. H. -Paint to match	B9A 5826220-A	1
			L. H.	B9A 5826221-A	1
	59	71	R. H. -Paint to match	B9A 7126220-A	1
			L. H.	B9A 7126221-A	1
	59	57A, 75A		B9A 5726220-A	2
			No. 8-32 x .40" Pan head screw	359444-S8 (BB612)	4
			No. 8-32 x 3/8" Flat head screw	*50006-S8	8
<b>26222-3 GUIDE ASSY. - REAR DOOR WINDOW - REAR</b>					
	57/58	57	R. H.	B7A 5726222 -B	1
			L. H.	B7A 5726223 -B	1
			No.12-24 x 3/8" Hex. washer head screw	354666-S2 (BB568)	4

*NOTE 3 - Used on Units Built With Round Window Stop on Bottom of Front Guide*

GROUP NUMBER	YEAR 19	BODY TYPE	DESCRIPTION	PART NUMBER	QTY. PER VEHICLE
<b>26228-9 CHANNEL ASSY. - REAR DOOR GLASS</b>					
	56	57	R. H. -Lower	B6A 5726228-C	1
	57/58	57	R. H. -Lower	B7A 5726228-B	1
			L. H.	B7A 5726229-B	1
	57/58	58	R. H.	B7A 5826228-A	1
			L. H.	B7A 5826229-A	1
	57/58	73	R. H.	B7A 7326228-A	1
			L. H.	B7A 7326229-A	1
	57/58	79	R. H.	B7A 7926228-A	1
			L. H.	B7A 7926229-A	1
	59	54A, 58, 71	R. H.	B9A 7126228-A	1
			L. H.	B9A 7126229-A	1
	59	57A, 75A	R. H.	B9A 5726228-A	1
			L. H.	B9A 5726229-A	1
<b>26256-7 ARM ASSY. - REAR DOOR WINDOW STABILIZER</b>					
	59	57A, 75A		B9A 5726256-A	2
<b>26258 WEATHERSTRIP - REAR DOOR GLASS CHANNEL</b>					
	57/58	58	Cut 24" from B7A 7621510-A		2
	59		Refer to Group 21510		
<b>26264 ARM - REAR DOOR WINDOW STABILIZER</b>					
	57/58	57		B7A 5726264-A	2
			5/16"-24 x .86" Square neck round head bolt	359437-S8(BB663)	2
			5/16" External tooth lockwasher	*34941-S7	2
			5/16" Flat washer	44725-S8(X22)	2
			5/16" -24 Hex.nut (check)	33923-S7(M32)	2
<b>26286 REINFORCEMENT - REAR DOOR GLASS FRAME LOWER REAR</b>					
	59	57A, 75A		B9A 5726286-A	2
<b>26296 BRACKET ASSY. - REAR DOOR WINDOW REGULATOR EQUALIZER ARM</b>					
	57/58	57, 58	Manual regulator	B7A 5826296-A	2
	57/58	57, 58	Power window regulator	B7A 5826296-B	2
	57/58	79	Refer to Group 23230		
<b>26336-7 GUIDE ASSY. - REAR DOOR WINDOW REGULATOR EQUALIZER ARM</b>					
	59	57A, 75A	R. H.	B9A 5726336-A	1
			L. H.	B9A 5726337-A	1
<b>26404-5 CONTROL and LINK ASSY. - REAR DOOR LOCK REMOTE</b>					
	53/54	73, 79	R. H.	BA 7326404-A	1
			L. H.	BA 7326405-A	1
	55/56	73, 79	R. H.	B5A 7326404-B	1
			L. H.	B5A 7326405-B	1
	53/56	57, 73, 79	No. 12-24 x 3/8" Hex. washer head screw	354666-S2 (BB568)	6
	57/58	57, 58, 73, 79	R. H. -less link	B7A 7326404-A	1
			L. H.	B7A 7326405-A	1
<b>26410-1 BUTTON and PIN ASSY. - REAR DOOR OUTSIDE HANDLE</b>					
	57	57, 58	R. H. -Kit	B7A 5826410-B	1
			Consists of		
			1-B7A 5826410-A Button	1-B7A 7022462-B Spring	
			1-B7A 7022442-A Retainer	1-B7A 7022478-B Seal	
			2-50802-S8 Screw & washer ass'y.		
	57	57, 58	L. H. -Kit	B7A 5826411-B	1
			Consists of		
			1-B7A 5826411-A Button	1-B7A 7022462-B Spring	
			1-B7A 7022443-A Retainer	1-B7A 7022479-B Seal	
			2-50802-S8 Screw & washer ass'y.		
	59	54A, 57A, 58, 71, 75A	Kit	B9A 5826410-A	2
			Consists of		
			1-Button	1-Retainer	1-Seal
					1-Spring

# FORD CAR PARTS

**BODY  
SECTION 260**

767

GROUP NUMBER	YEAR 19	BODY TYPE	DESCRIPTION	PART NUMBER	QTY. PER VEHICLE
<b>26412-3 LOCK ASSY. - REAR DOOR</b>					
	53/54	73, 79	R. H.	B3A 7326412-A	1
			L. H.	B3A 7326413-A	1
			No. 12-24 x 1/2" Flat head screw and lockwasher assy.	356782-S8(B114)	6
	55	73, 79	R. H.	B5A 7326412-B	1
			L. H.	B5A 7326413-B	1
	56	57, 73, 79	R. H.	B6A 7326412-B	1
			L. H.	B6A 7326413-B	1
	55/56	57, 73, 79	No. 12-24 x 3/8" Hex. washer head screw	354666-S2(BB568)	2
	57/58	57, 58, 73, 79	R. H.	B7A 7326412-A	1
			L. H.	B7A 7326413-A	1
			No. 12-24 x .44" Cross recess flat head screw & washer ass'y.	353908-S7(BB113)	6
	59	A(54A, 57A, 58, 71, 75A)	R. H.	C1AB 5426412-B	1
			L. H.	C1AB 5426413-B	1
	59/	A(54A, 57A, 58, 71, 75A)	No. 12-24 x .44" Cross recess flat head screw & washer assy.	353908-S7(BB113)	6
<b>26420-1 LINK - REAR DOOR LOCK</b>					
	57/58	57, 58		B7A 5826420-A	2
	57/58	73		B7A 7326420-A	2
	53/58	57, 58, 73	Clip	358393-S2(GG51)	2to6
	59	54A, 57A, 58, 71, 75A		B9A 5826420-A	2
			Clip	358393-S2(GG51)	2
<b>26438 PIN - DOOR OUTSIDE HANDLE RELEASE</b>					
	53/56	57, 73, 79	.82" long-rear door	BA 7326438-A	2
	55/56	40			2
	53/56	40, 57, 73, 79	No. 10 Lockwasher (internal tooth)	34903-S8(X96)	2
			No. 10-32 Hex. nut	34079-S7(M163)	2
	57	40	No. 10-32 x 1 1/2" Round head screw	27177-S7(U177)	2
<b>26442 LINK - REAR DOOR LOCK REMOTE CONTROL</b>					
	57/58	57, 58		B7A 5826442-A	2
	57/58	73		B7A 7326442-A	2
	57/58	79		B8A 7326442-A	2
	58	73 (Taxi)			2
	59	54A, 57A, 58, 71, 75A		B9A 5826442-A	2
<b>26448-9 BELLCRANK - REAR DOOR LOCK</b>					
	53/56	57, 73, 79		B8E 7926448-A	2
			1/4"-20 x .44" Hex. head shoulder bolt	351716-S8(BB439)	2
			5/16" Special spring washer	356600-S(XX361)	2
	57/58	57, 58	R. H.	B7A 5826448-A	1
			L. H.	B7A 5826449-A	1
	57/58	73, 79		B8E 7926448-A	2
	57/58	57, 58, 73, 79	5/16" Special spring washer	356600-S(XX361)	2
			No. 12-24 x .44" Hex. shoulder bolt	358390-S8(BB438)	2
	59	A(54A, 57A, 58, 71, 75A)		B9A 5826448-A	2
			5/16" Special spring washer	356600-S(XX361)	2
			1/4"-20 x .44" Hex. head shoulder bolt	351716-S8(BB439)	2
<b>26458-9 CLIP - REAR DOOR OR TAIL GATE LOCK CONTROL LINK RETAINING</b>					
	57/58	57, 58, 73, 79	R. H.	B7A 7326458-A	1to3
			L. H.	B7A 7326459-A	1to3
	59	54A, 57A, 58, 71, 75A	R. H.	B7A 7326458-A	1
	59	59, 66C, 71	Tail gate		1
			L. H.	B7A 7326459-A	1
			Tail gate		3
<b>26460-1 ROD - REAR DOOR LOCK PUSH BUTTON</b>					
	57/58	57, 58	R. H.	B7A 5826460-A	1
			L. H.	B7A 5826461-A	1
	57/58	73, 79		B7A 7326460-A	2
	59	54A, 57A, 58, 71, 75A		B9A 5826460-A	2
<b>26482-3 REINFORCEMENT - REAR DOOR LOCK STRIKER ANCHOR</b>					
	57/58	73	R. H.	B7A 7326482-A	1

**BODY  
SECTION 260**
**FORD CAR PARTS**

GROUP NUMBER	YEAR 19	BODY TYPE	DESCRIPTION	PART NUMBER	QTY. PER VEHICLE
<b>26484-5 BRACKET ASSY. - REAR DOOR LOCK CONTROL REAR BELLCRANK PIVOT</b>					
	57/58	57, 58	R. H.	B7A 5826484-A	1
			L. H.	B7A 5826485-A	1
	57/58	73	R. H.	B7A 7326484-A	1
			L. H.	B7A 7326485-A	1
	57/58	79	R. H.	B7A 7926484-A	1
			L. H.	B7A 7926485-A	1
	57/58	57, 58, 73, 79	No. 12-24 x 3/8" Hex.washer head screw	354666-S2(BB568)	2
	59	54A, 57A, 58, 71, 75A	R. H.	B9AB 5826484-A	1
			L. H.	B9AB 5826485-A	1
			5/16" Washer (spring)	356600-S(XX361)	2
			No.12-24 x .44" Bolt (hex. shoulder)	358390-S8(BB438)	2
<b>26488 SPACER - REAR DOOR LOCK STRIKER ANCHOR REINFORCEMENT</b>					
	57/58	73		B7A 7326488-A	2
<b>26490-1 LINK - REAR DOOR LOCK REMOTE CONTROL - REAR</b>					
	57/58	57, 58		B7A 5826490-A	2
	57/58	73		B7A 7326490-A	2
	57/58	79		B7A 7926490-A	2
	59	54A, 57A, 58, 71, 75A		B9A 5826490-A	2
<b>26494-5 BRACKET ASSY. - REAR DOOR LOCK REMOTE CONTROL REAR BELLCRANK PIVOT</b>					
	57/58	73	R. H.	B7A 7326494-A	1
			L. H.	B7A 7326495-A	1
			No. 12-32 x 1/2" Cross recess pan head screw	*51766-S8	4
<b>26498 LINK - REAR DOOR LOCK REMOTE CONTROL - REAR</b>					
	57/58	57, 58		B7A 5826498-A	2
	57/58	73		B7A 7326498-A	2
	57/58	79		B7A 7926498-A	2
	59	54A, 57A, 58, 71, 75A		B9A 5826498-A	2
<b>26600-1 HANDLE ASSY. - REAR DOOR OUTSIDE</b>					
	55/56	57, 73, 79	Refer to Group 22400-1 for Handle Kit		
	57/58	57, 58	R. H.	B7A 5826600-B	1
			L. H.	B7A 5826601-B	1
			No.10-32 x 1" Binding head machine screw	50555-S8(U160)	2
			No. 10 Lockwasher (internal tooth)	34903-S8(X96)	2
	57/58	73, 79	R. H.	B7A 7326600-B	1
			L. H.	B7A 7326601-B	1
			No.10-32 x 1 1/2" Round head screw	27177-S7(U177)	
	59	54A, 57A, 58, 71, 75A	R. H.	B9A 5826600-A	1
			L. H.	B9A 5826601-A	1
			No. 10 Lockwasher (internal tooth)	34903-S8(X96)	2
			No. 10-32 x 2 1/4" Cross recess pan head screw	50599-S8(U162)	2
	59	57A, 58, 71	No.10-32x 3/8" Binding head screw & washer assy.	42802-S8(U33)	2
<b>26638-9 PAD - REAR DOOR OUTSIDE HANDLE - SMALL</b>					
	57/58	57, 58		B7A 5826638-A	2
	59	54A, 57A, 58, 71, 75A		B9A 5826638-A	2
<b>26640-1 PAD - REAR DOOR OUTSIDE HANDLE - LARGE</b>					
	57/58	57, 58		B7A 5826640-A	2
	59	54A, 57A, 58, 71, 75A		B9A 5826640-A	2
<b>26800-1 HINGE ASSY. - REAR DOOR - UPPER</b>					
	53/54	73, 79	L. H. -upper & lower	BA 7326801-A	2
			5/16"-24 x 1 1/8" Hex. washer head screw	353483-S2(BB588)	12
			5/16"-24 x .88" Hex.washer head screw	352628-S2(BB586)	12
	56	57	R. H.	B6A 5726800-A	1
			L. H.	B6A 5726801-A	1
	55/56	73, 79	R. H.	B5A 7326800-B	1
			L. H.	B5A 7326801-B	1
	57/58	57, 58	R. H.	B7A 5826800-A	1
			L. H.	B7A 5826801-A	1
			5/16"-24 x .88" Hex. washer head screw	352628-S2(BB586)	6
			5/16"-24 x 1" Hex. head bolt	20387-S7(B157)	6
			5/16" External tooth lockwasher	*34941-S7	6
	57/58	73, 79	R. H.	B7A 7326800-A	1
			L. H.	B7A 7326801-A	1
			5/16"-24 x 1 1/8" Hex. washer head screw	353483-S2(BB588)	12
	58	73, 79	No.10-32 x 1 1/2" Cross recess pan head screw & washer assy.	*50857-S8	2

# FORD CAR PARTS

## BODY SECTION 270

769

GROUP NUMBER	YEAR	BODY TYPE	DESCRIPTION	PART NUMBER	QTY. PER VEHICLE
<b>26800-1 HINGE ASSY. - REAR DOOR - UPPER - continued</b>					
	59	54A, 57A, 58, 71, 75A	R. H.	B9A 5826800-A	1
			L. H.	B9A 5826801-A	1
			3/8"-24 x 1.29" Screw & washer assy.	372422-S2(BB593)	12
<b>26802-3 HINGE and CHECK ASSY. - REAR DOOR - LOWER</b>					
	59	54A, 57A, 58, 71, 75A	R. H.	B9A 5826802-A	1
			L. H.	B9A 5826803-A	1
			3/8"-24 x 1.29" Screw & washer assy.	372422-S2(BB593)	12
<b>26804-5 LINK ASSY. - REAR DOOR CHECK - ON HINGE</b>					
	57/58	57, 58, 73, 79	R. H.	B7A 7326804-A	1
			L. H.	B7A 7326805-A	1
			5/16" Flat washer (acts as bumper)	358744-S(XX98)	2
			1/4"-28 Nut (castle)-slotted	*33975-S	4
			1/16"-3/4" Cotter pin	72015-S(N40)	4
<b>26810-1 HINGE ASSY. - REAR DOOR - LOWER</b>					
	56	57	R. H.	B6A 5726810-A	1
			L. H.	B6A 5726811-A	1
	55/56	73, 79	R. H.	B5A 7326810-B	1
			L. H.	B5A 7326811-B	1
	57/58	57, 58	R. H.	B7A 5826810-A	1
			L. H.	B7A 5826811-A	1
	57/58	73, 79	R. H.	B7A 7326810-A	1
			L. H.	B7A 7326811-A	1
<b>26812-3 FRAME and STATIONARY WINDOW ASSY. - REAR DOOR GLASS</b>					
	57/58	58	R. H. -Clear glass-Paint frame to match	B7A 5826812-BP	1
			L. H.	B7A 5826813-BP	1
			No.14-10x5/8" Cross recess fillister head screw	*52557-S8	4
			Replace clear glass with tinted when desired- Refer to Group 26870		
<b>26832 PIN - REAR DOOR HINGE</b>					
	53/54	73, 79		BA 7326832-A	4
	55/56	57, 73, 79			4
	57/58	A(57, 58, 73, 79)	2.88" long-Cut from B9A 5943030-A		4
	59	A(54A, 57A, 58, 71, 75A)			4
<b>26833 SPRING - REAR DOOR CHECK - ON LOWER HINGE</b>					
	57/58	A(57, 58, 73, 79)		B7A 7326833-A	2
	59/	A(54A, 57, 58, 71, 75A)			2
	57/59		11/64" x 1/2" Cup washer	358745-S8(XX27)	2
<b>26870 GLASS ASSY. - REAR DOOR VENTILATING</b>					
	53	73B	Laminated glass-Clear	BA 7326870-A	2
	55/56	79	Stationary-Laminated glass-Clear	B5A 7926870-A	2
			-Tinted	B5A 7926870-B	2
	57/58	58	Stationary-Laminated glass-Clear	B7A 5826870-A	2
			-Tinted	B7A 5826870-B	2
<b>26884-5 RUN - REAR DOOR DIVISION BAR GLASS</b>					
	53/54	79		BM 7926884-A	2
	53/54	73, 79	9/64" x 3/16" Flat countersunk hd. tubular rivet	351904-S8(SS22)	16or18
			9/64" x .32" Pan head semi-tubular rivet	351933-S(SS32)	4
	57/58	58	R. H. -With bracket-Stationary Window	B7A 5826884-A	1
			L. H.	B7A 5826885-A	1
<b>26894-5 WEATHERSTRIP - REAR DOOR VENTILATING WINDOW</b>					
	57/58	58	Stationary window	B7A 5826894-A	2
<b>26900-1 BAR ASSY. - REAR DOOR WINDOW DIVISION</b>					
	55/56	73	R. H.	B5A 7326900-B	1
			L. H.	B5A 7326901-B	1

GROUP NUMBER	YEAR 19	BODY TYPE	DESCRIPTION	PART NUMBER	QTY. PER VEHICLE
<b>27000-1 REGULATOR ASSY. - REAR DOOR WINDOW - MANUAL</b>					
	55/56	73, 79	R. H.	B5A 7327000-B	1
			L. H.	B5A 7327001-B	1
	56	57	R. H.	B6A 5727000-A	1
			L. H.	B6A 5727001-A	1
			.65" I.D. x .87" O.D. Flat washer	351513-S8 (XX213)	2
			No. 12-24 x 3/8" Hex. washer head screw	354666-S2(BB568)	8
	57/58	57	R. H.	B7A 5727000-B	1
			L. H.	B7A 5727001-B	1
	57/58	58, 73, 79	R. H.	B7A 7327000-A	1
			L. H.	B7A 7327001-A	1
			No. 12-24 x 3/8" Hex. washer head screw	354666-S2 (BB568)	8
	59	57A, 75A	R. H.	B9A 5727000-A	1
			L. H.	B9A 5727001-A	1
	59	54A, 58, 71	R. H.	B9A 5827000-A	1
			L. H.	B9A 5827001-A	1
			5/16"-24 x .88" Hex. washer head screw	352628-S2(BB586)	8
<b>27008-9 REGULATOR ASSY.</b>					
<b>- REAR DOOR OR QUARTER POWER - LIFT WINDOW - LESS MOTOR, DRIVE, COUPLING and SPRING</b>					
	55/56	73, 79	R. H. -Rear door	B5A 7327008-B	1
			L. H.	B5A 7327009-B	1
	57/58	57, 58	R. H. -Rear door	B7A 5827008-A	1
			L. H.	B7A 5827009-A	1
	57/58	73, 79	R. H. -Rear door	B7A 7327008-A	1
			L. H.	B7A 7327009-A	1
	59	57A, 75A	R. H. -Rear door	B9AB 5727008-B	1
			L. H.	B9AB 5727009-B	1
	59	54A, 58, 71	R. H. -Rear door	B9A 5827008-A	1
			L. H.	B9A 5827009-A	1
			5/16"-24 x .88" Hex washer head screw	352628-S2(BB586)	
<b>27106 ROLLER ASSY. - REAR DOOR WINDOW REAR GUIDE</b>					
	59	57A, 75A		B9AB 5727106-A	2
<b>27200 CHECK ASSY. - REAR DOOR</b>					
	55/56	73, 79		B5A 7327200-B	2
<b>27204 ARM - REAR DOOR CHECK</b>					
	55/56	73, 79		B5A 7327204-A	2
<b>27574 PLATE ASSY. - REAR DOOR ARM REST ANCHOR</b>					
	53/54	79		BM 7927574-A	2
			No. 6 x 3/8" Binding head self-tapping screw	★32914-S8	6
<b>27700-1 PANEL ASSY. - QUARTER - WITH WHEELHOUSE</b>					
	54	59, 78	R. H. -Less 28058, 28200, 27970, 27882	B4A 5927700-B	1
			L. H. -Less 28059, 28201, 27970, 27883	B4A 5927701-B	1
			Bumper (door)	354434-S(CC4)	2
			Bumper (door)	372486-S(CC24)	2
	53/54	79	R. H. -28208 not included	BF 7927700-G	1
			L. H. -28209 not included	BF 7927701-G	1
	53/54	79	L. H. -Less 28059, 28209, 27970, 27883	B3A 7927701-A	1
	55	59, 78, 79	Refer to Group 27846-7		
<b>27738-9 SEAL - QUARTER PANEL TO PACKAGE TRAY PANEL</b>					
	58/	S(76A)	R. H.	B8S 7627738-A	1
			L. H.	B8S 7627739-A	1
<b>27816-7 PANEL ASSY. - QUARTER - UPPER</b>					
	53/54	59	R. H.	BM 5927816-A	1
<b>27840-1 PANEL ASSY. - QUARTER - LESS WHEELHOUSE</b>					
	53/54	59	Refer to Group 27700-1		
	53/54	60, 76	Refer to Group 27846-7		
	53	70	R. H. -Drill holes for moulding -NOTE 1	BF 7027840-E	1
			L. H.	BF 7027841-E	1
	53	72	R. H. -Drill holes for moulding	BA 7227840-D	1
			L. H.	BA 7227841-D	1

NOTE 1 - Drill holes as required

# FORD CAR PARTS

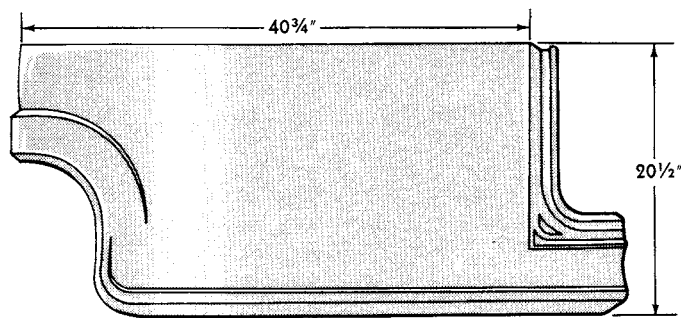
## BODY SECTION 270

771

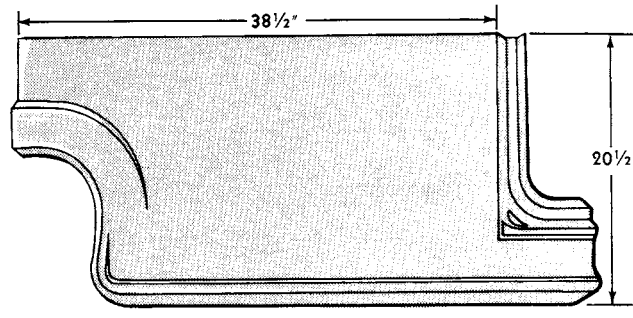
GROUP NUMBER	YEAR 19__	BODY TYPE	DESCRIPTION	PART NUMBER	QTY. PER VEHICLE
<b>27840-1 PANEL ASSY. - QUARTER - LESS WHEELHOUSE - continued</b>					
	53/54	73	R. H. -Drill holes for moulding L. H.	BF 7327840-B BF 7327841-B	1 1
	53/54	60, 70, 72, 76	Bumper (door) Bumper (door)	354434-S (CC4) 372486-S (CC24)	2 2
	53/54	78, 79	Refer to Group 27700-1		
	55	59, 60, 64, 76, 78, 79	Refer to Group 27846-7		
	55/56	S	R. H. L. H.	B6S 4027840-A B6S 4027841-A	1 1
	56	57, 59, 64, 76, 78, 79	Refer to Group 27846-7		
	55/56	70	R. H. -Drill holes as required L. H.	B6A 7027840-A B6A 7027841-A	1 1
	55/56	73	R. H. -Drill holes as required L. H.	B6A 7327840-A B6A 7327841-A	1 1
	57	S	R. H. L. H.	B7S 4027840-A B7S 4027841-A	1 1
<b>27842-3 PANEL - QUARTER LOWER REAR - REPAIR</b>					
	57/58	Fairlane, Fairlane 500 (except 51A)	R. H. L. H.	B7A 5827842-A B7A 5827843-A	1 1
	57/58	Custom, Custom 300	R. H. L. H.	B7A 7027842-A B7A 7027843-A	1 1
<b>27846-7 PANEL - QUARTER - Drill Holes as Required</b>					
	53	60, 76	L. H.	BF 6027847-E	1
	53	70, 72, 73	L. H. -Repair panel	BF 6027847-E	AR
	54	60, 76	R. H. L. H.	BM 6027846-C BM 6027847-C	1 1
	54	70, 72, 73	R. H. -Repair panel L. H.	BM 6027846-C BM 6027847-C	AR AR
	55	59	R. H. L. H.	B6A 5927846-A B6A 5927847-A	1 1
	55	60B	R. H. L. H.	B5A 6027846-C B5A 6027847-C	1 1
	55	64	R. H. L. H.	B6A 6427846-A B6A 6427847-A	1 1
	55	79	R. H. L. H.	B6A 7927846-A B6A 7927847-A	1 1
	56	57	R. H. L. H.	B6A 5727846-A B6A 5727847-A	1 1
	56	59	R. H. L. H.	B6A 5927846-A B6A 5927847-A	1 1
	56	64	R. H. L. H.	B6A 6427846-A B6A 6427847-A	1 1
	55/56	78	R. H. L. H.	B6A 7827846-A B6A 7827847-A	1 1
	56	79	R. H. L. H.	B6A 7927846-A B6A 7927847-A	1 1
	55/56	57, 59, 60, 64, 70, 73, 76, 78, 79	R. H. -Repair panel L. H.	B6A 6427846-A B6A 6427847-A	AR AR
	55/56	76	R. H. L. H.	B6A 7627846-A B6A 7627847-A	1 1
	57/58	51A	R. H. L. H.	B8A 5127846-A B8A 5127847-A	1 1
	57/58	57, 58	R. H. L. H.	B7A 5827846-A B7A 5827847-A	1 1
	57/58	59, 66	R. H. -NOTE 1 L. H.	B7A 5927846-A B7A 5927847-A	1 1
	57/58	63, 64	R. H. L. H.	B7A 6427846-A B7A 6427847-A	1 1
	57/58	70	R. H. L. H.	B7A 7027846-A B7A 7027847-A	1 1
	57/58	73	R. H. L. H.	B7A 7327846-A B7A 7327847-A	1 1
	57/58	76	R. H. L. H.	B7A 7627846-A B7A 7627847-A	1 1

NOTE 1 - When Used on Model 66 Cut to Fit by Removing Window Frame at Top Front and Rear Belt of Panel

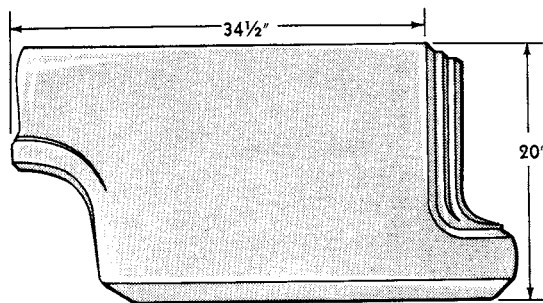
GROUP NUMBER	YEAR 19	BODY TYPE	DESCRIPTION	PART NUMBER	QTY. PER VEHICLE
<b>27846-7</b>	<b>PANEL - QUARTER - continued - Drill Holes as Required</b>				
57/58	78		R. H.	B7A 7827846-A	1
			L. H.	B7A 7827847-A	1
57/58	79		R. H.	B7A 7927846-A	1
			L. H.	B7A 7927847-A	1
57/58	59, 66, 79		3/4" Plug (button)	352291-S (PP3)	2
58/	S(63A)		R. H.	B8S 6327846-A	1
			L. H.	B8S 6327847-A	1
58/	S(76A)		R. H.	B8S 7627846-A	1
			L. H.	B8S 7627847-A	1
59	51A		R. H.	B9A 5127846-A	1
			L. H.	B9A 5127847-A	1
59	54A, 75A		R. H.	B9A 7527846-A	1
			L. H.	B9A 7527847-A	1
59	57A, 58		R. H.	B9A 5827846-A	1
			L. H.	B9A 5827847-A	1
59	59		R. H.	B9A 5927846-A	1
			L. H.	B9A 5927847-A	1
59	63A, 64A, 64B, 64F, 64G		R. H.	B9A 6327846-A	1
			L. H.	B9A 6327847-A	1
59	64H, 65A		R. H.	B9A 6527846-A	1
			L. H.	B9A 6527847-A	1
59	66C		R. H.	B9A 6627846-A	1
			L. H.	B9A 6627847-A	1
59	71		R. H.	B9A 7127846-A	1
			L. H.	B9A 7127847-A	1
59	76B		R. H.	B9A 7627846-A	1
			L. H.	B9A 7627847-A	1



B7AZ 2527846-A



B7AZ 2527846-B



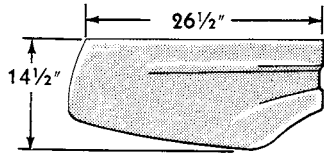
B9AZ 2527846-A

P-4410

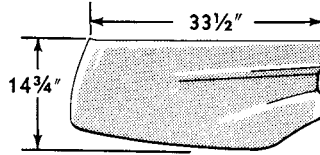
**27846-7 PANEL - QUARTER - LOWER FRONT - REPAIR**

57/58	All Tudor Fairlane	R. H. - Top 40 3/4" x 20 1/2" high	B7AZ 2527846-A	1
		L. H.	B7AZ 2527847-A	1
57/58	All Tudor Custom	R. H. - Top 38 1/2" x 20 1/2" high	B7AZ 2527846-B	1
		L. H.	B7AZ 2527847-B	1
59	All Tudors	R. H. - Top 34 1/4" x 20" high	B9AZ 2527846-A	1
		L. H.	B9AZ 2527847-A	1

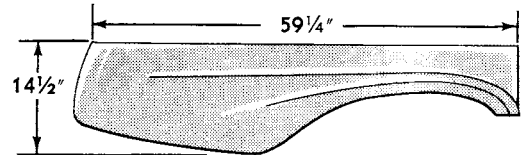




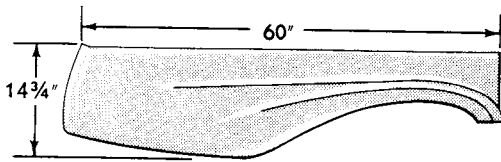
B7AZ 2527850-A



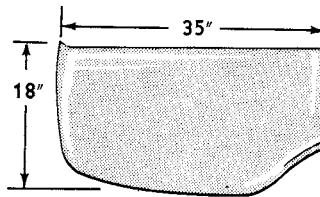
B7AZ 2527850-B



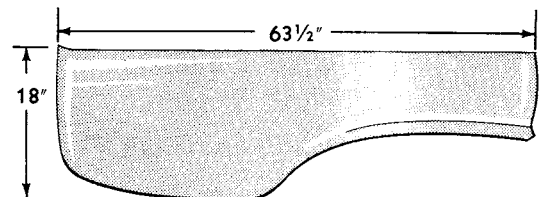
B7AZ 2527850-C



B7AZ 2527850-D



B9AZ 2527850-A



B9AZ 2527850-B

P-4411

GROUP NUMBER	YEAR	BODY TYPE	DESCRIPTION	PART NUMBER	QTY. PER VEHICLE
<b>27850-1 PANEL - QUARTER - REAR LOWER REAR - REPAIR</b>					
57/58	All Tudor & Fordor Custom	R. H. - Top 26 1/2" x 14 1/2" high	B7AZ 2527850-A	1	
		L. H.	B7AZ 2527851-A	1	
57/58	All Tudor & Fordor Custom	R. H. - Top 59 1/4" x 14 1/2" high	B7AZ 2527850-C	1	
		L. H.	B7AZ 2527851-C	1	
57/58	All Tudor & Fordor Fairlane	R. H. - Top 33 1/2" x 14 3/4" high	B7AZ 2527850-B	1	
		L. H.	B7AZ 2527851-B	1	
57/58	All Tudor & Fordor Fairlane	R. H. - Top 60" x 14 3/4" high	B7AZ 2527850-D	1	
		L. H.	B7AZ 2527851-D	1	
59	All Tudor & Fordors	R. H. - Top 35" x 18" high	B9AZ 2527850-A	1	
		L. H.	B9AZ 2527851-A	1	
59	All Tudor & Fordors	R. H. - Top 63 1/2" x 18" high	B9AZ 2527850-B	1	
		L. H.	B9AZ 2527851-B	1	
<b>27852-3 PANEL - BODY SIDE REAR CORNER</b>					
57/58	66	L. H.	B7A 6627853-A	1	
59	66C	R. H.	B9A 6627852-A	1	
		L. H.	B9A 6627853-A	1	
<b>27854-5 PANEL - QUARTER - UPPER</b>					
59	59, 71	R. H.	B9A 7127854-A	1	
		L. H.	B9A 7127855-A	1	
<b>27856-7 PANEL ASSY. - QUARTER PANEL INSIDE TO FLOOR PAN</b>					
55/56	59, 78, 79	R. H.	B5A 5927856-A	1	
		L. H.	B5A 5927857-A	1	
57/58	59, 66, 78, 79	R. H.	B7A 5927856-A	1	
		L. H.	B7A 5927857-A	1	
59	59, 66C, 71	R. H.	B9A 5927856-A	1	
		L. H.	B9A 5927857-A	1	

**BODY  
SECTION 270**
**FORD CAR PARTS**

GROUP NUMBER	YEAR 19	BODY TYPE	DESCRIPTION	PART NUMBER	QTY. PER VEHICLE
<b>27864-5 PANEL - BODY SIDE INNER</b>					
	57/58	66	R. H.	B7A 6627864-A	1
			L. H.	B7A 6627865-A	1
	59	66C	R. H.	B9A 6627864-A	1
			L. H.	B9A 6627865-A	1
<b>27866-9 PANEL - QUARTER OUTSIDE FINISH - Anodized Aluminum</b>					
	58	51A, 63A, 64B, 76	R. H.	B8A 6427866-A	1
			L. H.	B8A 6427867-A	1
	58	57A, 58B	R. H.	B8A 5727866-A	1
			L. H.	B8A 5727867-A	1
	58	59B, 66B	R. H.	B8A 7027866-A	1
			L. H.	B8A 5927867-A	1
	58	63B, 64A "From 4/1/58"	R. H.	B8A 6427866-B	1
			L. H.	B8A 6427867-B	1
	58	70	R. H.	B8A 7027866-A	1
			L. H.	B8A 7027867-A	1
	58	73	R. H.	B8A 7327866-A	1
			L. H.	B8A 7327867-A	1
	58	79C, 79D	R. H.	B8A 7927866-A	1
			L. H.	B8A 7927867-A	1
	59	51A, 54A, 57A, 58B, 63A, 64B, 64H, 65A, 75A, 76B	R. H. - Lower	B9A 6427866-A	1
			L. H.	B9A 6427867-A	1
	59	51A, 59D, 63A, 64B, 64H, 65A, 76B	R. H. - Upper	B9A 6427868-A	1
			L. H.	B9A 6427869-A	1
<b>27870-7 PANEL ASSY. - QUARTER REGULATOR</b>					
	55/56	64	R. H.	B5A 6427870-A	1
	57/58	51A	R. H.	B7A 5127870-A	1
			L. H.	B7A 5127871-A	1
	57/58	63, 64	R. H.	B7A 6427870-A	1
			L. H.	B7A 6427871-A	1
	57/58	70	R. H.	B7A 7027870-A	1
			L. H.	B7A 7027871-A	1
	57/58	76	R. H.	B7A 7627870-A	1
			L. H.	B7A 7627871-A	1
	55/58	60, 63, 64, 70, 76	5/16"-24 x 1" Special shoulder screw	354080-S8(BB691)	2
			.57"/.58" L. D. x 1.05" O. D. Washer	354086-S8(XX201)	2
			.64" L. D. x 1" O. D. Three wave washer	358981-S(XX364)	2
	58/	S	R. H.	C0SB 6327876-A	1
			L. H.	C0SB 6327877-A	1
	59	51A	R. H.	B9A 5127870-A	1
			L. H.	B9A 5127871-A	1
	59	59, 64	R. H.	B9A 6427870-A	1
			L. H.	B9A 6427871-A	1
	59	63A, 65A	R. H.	B9A 6327870-A	1
			L. H.	B9A 6327871-A	1
	59	76B	R. H.	B9A 7627870-A	1
			L. H.	B9A 7627871-A	1
<b>27872-3 MOULDING - BODY SIDE - INNER PANEL TO WHEELHOUSE</b>					
	57/59	66	R. H.	B7A 6627872-A	1
			L. H.	B7A 6627873-A	1
			No. 10-16 x 3/4" Cross recess oval head screw	52360-S13 (U294)	10
<b>27882-3 WHEELHOUSE ASSY. - REAR QUARTER</b>					
	53/54	59	L. H.	BA 5927883-A	1
	53/54	76	R. H.	BA 7627882-A	1
			L. H.	BA 7627883-A	1
	53/54	79	R. H.	BA 7927882-A	1
	55/56	40	R. H.	B6S 4027882-A	1
			L. H.	B6S 4027883-A	1
	55/56	57, 59, 60, 64, 70, 73, 76, 78, 79	R. H.	B5A 7027882-A	1
			L. H.	B5A 7027883-A	1
	57	S	R. H.	B7S 4027882-A	1
			L. H.	B7S 4027883-A	1

# FORD CAR PARTS

## BODY SECTION 270

775

GROUP NUMBER	YEAR 19	BODY TYPE	DESCRIPTION	PART NUMBER	QTY. PER VEHICLE
<b>27882-3 WHEELHOUSE ASSY. - REAR QUARTER - continued</b>					
	57/58	A(except 51A)	R. H. -Refer to Group 27950-1 for extension L. H.	B7A 7027882-A B7A 7027883-A	1 1
	57/58	51A	R. H. L. H.	B7A 5127882-A B7A 5127883-A	1 1
	58/59	S(63A)	R. H. L. H.	COSB 6327882-A COSB 6327883-A	1 1
	58/	S(76A)	R. H. L. H.	B8S 7627882-A B8S 7627883-A	1 1
	59	A(except 51A)	R. H. L. H.	B9AB 6427882-A B9AB 6427883-A	1 1
	59	51A	R. H. L. H.	B9A 5127882-A B9A 5127883-A	1 1
<b>27898-9 COVER - BODY SIDE EXTENSION REAR LAMP ACCESS OPENING</b>					
	57/58	66	R. H. L. H.	B7A 6627898-A B7A 6627899-A	1 1
	59	66C	R. H. L. H.	B9A 6627898-A B9A 6627899-A	1 1
	57/59	66	No. 10 x 7/8" Cross recess oval head screw	52369-S13 (U304)	12
<b>27902-3 PANEL ASSY. - REAR QUARTER - INSIDE</b>					
	57/58	51A	R. H. L. H.	B7A 5127902-A B7A 5127903-A	1 1
	59	51A	R. H. L. H.	B9A 5127902-A B9A 5127903-A	1 1
<b>27915-9 ORNAMENT - QUARTER PANEL - LOWER BACK CORNER</b>					
	59	58E, 64F, 64G	Includes attaching parts	B9AB 6427918-B	8
	59	59C, 71H			6
				Clip (tubular)-3/16"	359298-S32(GG110)
<b>27924-5 PANEL ASSY. - REAR QUARTER - INSIDE</b>					
	58/	S	R. H. L. H.	B8S 6327924-A B8S 6327925-A	1 1
<b>27930-1 COVER - QUARTER WINDOW REGULATOR PANEL ACCESS HOLE</b>					
	57	51A	R. H. L. H.	B7A 5127930-A B7A 5127931-A	1 1
<b>27936 HOUSING ASSY. - FUEL TANK FILLER PIPE</b>					
	57	S		B7S 4027936-A	1
	57/58	51A		B7A 5127936-A	1
	57/58	59, 66, 78, 79		B7A 5927936-A	1
	59	59, 66C, 71		B9A 5927936-A	1
<b>27950-1 EXTENSION - QUARTER WHEELHOUSE - FRONT</b>					
	57/58	57, 58, 63, 64, 76	R. H. L. H.	B7A 6427950-A B7A 6427951-A	1 1
	57/58	59, 66, 70, 73, 78, 79	R. H. L. H.	B7A 7027950-A B7A 7027951-A	1 1
<b>27964 COVER - QUARTER PANEL WHEEL OPENING - KIT - ACCESSORY</b>					
	59	A	Stainless steel covers -Service details	*B9A 6527964-A	1
		Consists of			
		1-B9A 6527974-A Cover assy. -R. H.	6-370034-S8B .184"/.187" dia. x 1" long pin		
		1-B9A 6527975-A Cover assy. -L. H.	6-44716-S8 No. 10 Flat washer		
		1-B9A 6527986-A Seal-R. H.	6-34803-S7 No. 10 Lockwasher		
		1-B9A 6527987-B Seal-L. H.	6-34079-S8 No. 10-32 Hex. nut		
	59	A	Paint covers to match -Service Details	*B9A 6527964-B	1
		Consists of			
		1-B9A 6527974-B Cover assy. -R. H.	6-370034-S8B .184"/.187" dia. x 1" long pin		
		1-B9A 6527975-B Cover assy. -L. H.	6-44716-S8 No. 10 Flat washer		
		1-B9A 6527986-A Seal-R. H.	6-34803-S7 No. 10 Lockwasher		
		1-B9A 6527987-B Seal-L. H.	6-34079-S8 No. 10-32 Hex. nut		

**BODY  
SECTION 270**
**FORD CAR PARTS**

GROUP NUMBER	YEAR 19	BODY TYPE	DESCRIPTION	PART NUMBER	QTY. PER VEHICLE
<b>27966-7 REINFORCEMENT - QUARTER PANEL TAIL LAMP OPENING - UPPER</b>					
	57/58	51A, 57, 58, 63, 64, 76	R. H.	B7A 6427966-A	1
			L. H.	B7A 6427967-A	1
	57/58	59, 66, 70, 73, 78, 79	R. H.	B7A 7027966-A	1
			L. H.	B7A 7027967-A	1
<b>27970-1 REINFORCEMENT - QUARTER PANEL TAIL LAMP OPENING</b>					
	55/56	A		B6A 7027970-A	2
	57	A		B7A 7027970-A	2
	58	51A, 57, 58, 63, 64, 76	R. H. -Outer	B8A 6427970-A	1
			L. H.	B8A 6427971-A	1
	58	59, 70, 73, 79	R. H. -Outer	B8A 7027970-A	1
			L. H.	B8A 7027971-A	1
	58	66, 78	Outer	B7A 7027970-A	2
	59	A		B9A 6427970-A	2
<b>27974-5 PANEL ASSY. - QUARTER PANEL WHEEL OPENING COVER - ACCESSORY</b>					
	55/56	A	R. H. - NOTE 3	B5A 7027974-C	1
			L. H.	B5A 7027975-C	1
	55/57	S	R. H.	B7S 4027974-B	1
			L. H.	B7S 4027975-B	1
	57/58	A	R. H.	B7A 7027974-A	1
			L. H.	B7A 7027975-A	1
	58/	S	R. H.	B8S 6327974-A	1
			L. H.	B8S 6327975-A	1
	59	A	R. H. -Stainless steel	B9A 6527974-A	1
			L. H.	B9A 6527975-A	1
	59	A	R. H. -Paint to match	B9A 6527974-B	1
			L. H.	B9A 6527975-B	1
	59/	A	. 184"/. 187" diameter x 1" Pin	370034-S8B(NN125)	6
			No. 10 Flat washer	44716-S8 (X15)	6
			No. 10 Lockwasher	34803-S7(X60)	6
			No. 10-32 Hex. nut	34079-S7 (M163)	6
<b>27986-7 SEAL - QUARTER PANEL WHEEL OPENING COVER - ACCESSORY</b>					
	53/54	A	R. H.	BA 7027986-A	1
	55/56	57, 59, 60, 64, 70, 73, 76, 78, 79		B5A 7327986-A	2
	55/57	S		B7S 4027986-A	2
	57/58	A	R. H.	B7A 7027986-A	1
			L. H.	B7A 7027987-A	1
	58/	S		B8S 6327986-A	2
	59	A	R. H.	B9A 6527986-A	1
			L. H.	B9A 6527987-B	1
<b>28010-1 EXTENSION ASSY. - QUARTER PANEL - REAR</b>					
	57	57, 58, 63, 64, 70, 73, 76	R. H.	B7A 6428010-A	1
			L. H.	B7A 6428011-A	1
	58	57, 58, 63, 64, 70, 73, 76B	R. H.	B8A 6428010-A	1
			L. H.	B8A 6428011-A	1
	59	54A, 57A, 58, 63A, 64, 65A, 75A, 76B	R. H.	B9A 6428010-A	1
			L. H.	B9A 6428011-A	1
<b>28016-7 MOULDING - QUARTER PANEL OUTSIDE FINISH PANEL - REAR - Used with Anodized Panel</b>					
	58	59B, 66B, 70, 73, 79C, 79D	R. H. - Includes attaching parts	B8A 7028016-A	1
			L. H.	B8A 7028017-A	1
			Clip Kit	B8A 300-A	2
			Clip assy. (moulding)	358560-S100(RR45)	AR
			No. 10-24 Nut	354397-S100(MM291)	AR
<b>28028-9 EXTENSION - QUARTER PANEL - FRONT</b>					
	57/58	66	R. H.	B7A 6628028-A	1
			L. H.	B7A 6628029-A	1

NOTE 3 - For Chrome Stone Guard Refer to Group 29212-3

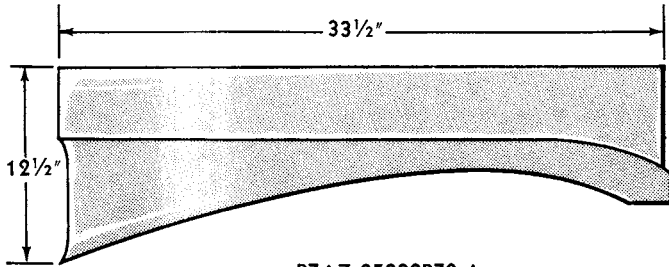
# FORD CAR PARTS

## BODY SECTION 280

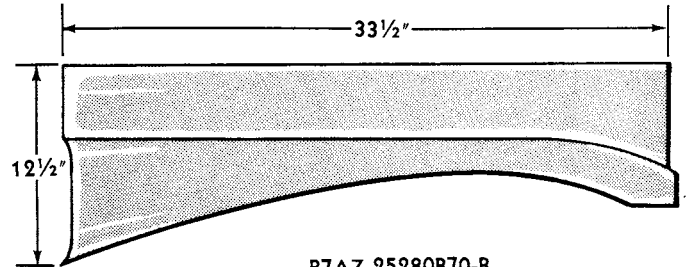
777

GROUP NUMBER	YEAR 19	BODY TYPE	DESCRIPTION	PART NUMBER	QTY. PER VEHICLE
<b>28044-5 MOULDING - QUARTER PANEL OUTSIDE FINISH PANEL - LOWER - Used with Anodized Panel</b>					
58	51A		R. H.	B8A 5128044-A	1
			L. H.	B8A 5128045-A	1
			Clip Kit	B8A 110-A	2
			No. 6-32 x 3/8" Cross recess fillister head screw	*51554-S8	2
58	57A, 58B		R. H.	B8A 5728044-A	1
			L. H.	B8A 5728045-A	1
			Clip Kit	B8A 110-A	2
58	63A, 64B, 76		R. H.	B8A 6428044-A	1
			L. H.	B8A 6428045-A	1
			Clip Kit	B8A 110-A	2
58	63B, 64A	"From 3/3/58"	R. H. -Lower	B8A 6428044-B	1
			L. H. -Upper		1
			Retainer	B8A 6429318-A	2
			Retainer assy.	B8A 5728506-A	1
58	59B, 66B, 70		R. H.	B8A 7028044-A	1
			L. H.	B8A 7028045-A	1
			Clip Kit	B8A 303-A	2
58	73		R. H.	B8A 7328044-A	1
			L. H.	B8A 7328045-A	1
58	79C, 79D		R. H.	B8A 7928044-A	1
			L. H.	B8A 7928045-A	1
<b>28046-7 MOULDING - QUARTER PANEL OUTSIDE FINISH PANEL - UPPER - Used with Anodized Panel</b>					
58	51A, 63A, 64B, 76		R. H.	B8A 6428046-A	1
			L. H.	B8A 6428047-A	1
			Clip Kit	B8A 302-A	2
58	57A, 58B		R. H.	B8A 5728046-A	1
			L. H.	B8A 5728047-A	1
			Clip Kit	B8A 110-A	2
58	59B, 66B		R. H.	B8A 7028046-A	1
			L. H.	B8A 5928047-A	1
			Clip Kit	B8A 303-A	2
58	63B, 64A	"From 3/3/58"	R. H. -Upper	B8A 6428046-B	1
			L. H. -Lower		1
			Retainer	B8A 6429318-A	2
			Retainer assy.	B8A 5728506-A	1
58	70		No. 10-24 Nut & washer assy.	354397-S100(MM291)	1
			R. H.	B8A 7028046-A	1
			L. H.	B8A 7028047-A	1
58	73		Clip Kit	B8A 303-A	2
			R. H.	B8A 7328046-A	1
			L. H.	B8A 7328047-A	1
58	79C, 79D		R. H.	B8A 7928046-A	1
			R. H. -Retainer	B8A 7028506-A	6
			L. H.	B8A 7928047-A	1
			L. H. -Clip Kit	B8A 304-A	1
<b>28056-7 EXTENSION - QUARTER PANEL - UPPER FRONT</b>					
57/58	79		R. H.	B7A 7928056-A	1
			L. H.	B7A 7928057-A	1
<b>28058-9 EXTENSION - QUARTER PANEL - LOWER REAR</b>					
53/54	78		L. H.	BA 7828059-D	1
55/56	59, 78, 79		R. H.	B5A 5928058-A	1
			L. H.	B5A 5928059-A	1
57	S		R. H.	B7S 4028058-A	1
			L. H.	B7S 4028059-A	1
57	59, 78, 79		R. H.	B7A 5928058-A	1
			L. H.	B7A 5928059-A	1
57/58	66		R. H. -Replaced by B7A 5928058-A & Cut to fit	*B7A 6628058-A	1
			L. H.	B7A 6628059-A	1
58/	S		R. H.	B8S 6328058-A	1
			L. H.	B8S 6328059-A	1

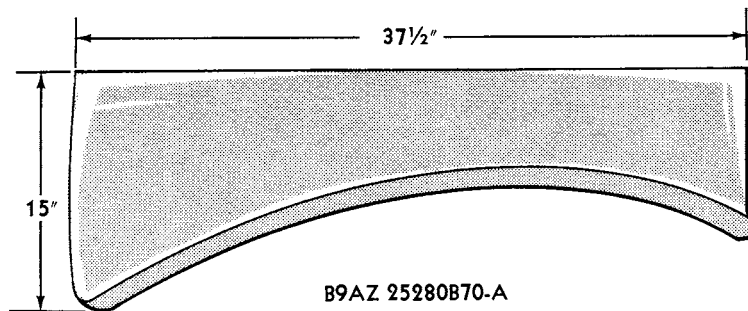
GROUP NUMBER	YEAR 19	BODY TYPE	DESCRIPTION	PART NUMBER	QTY. PER VEHICLE
<b>28058-9 EXTENSION - QUARTER PANEL - LOWER REAR - continued</b>					
	58	59, 79	Refer to Group 41024-5		
	58	78	R. H.	B7A 5928058-A	1
			L. H.	B7A 5928059-A	1
	59	59, 66C, 71	R. H.	B9A 7128058-A	1
			L. H.	B9A 7128059-A	1
<b>28060-1 FILLER - QUARTER PANEL - UPPER FRONT</b>					
	56	64C	R. H.	B5A 6028060-A	1
			L. H.	B5A 6028061-A	1
	57/58	51A, 63, 76	R. H.	B7A 7628060-A	1
			L. H.	B7A 7628061-A	1



B7AZ 25280B70-A



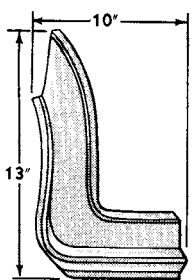
B7AZ 25280B70-B



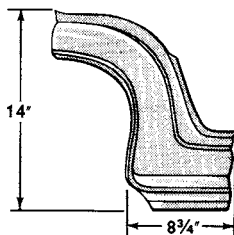
B9AZ 25280B70-A

P-4412

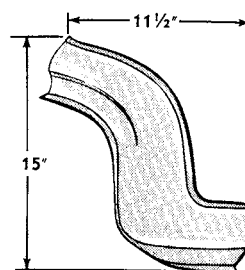
<b>280B70-1 PANEL - QUARTER - LOWER CENTER - REPAIR</b>					
	57/58	All Tudor & Fordor Custom	R. H. - Top 33 1/2" x 12 1/2" high	B7AZ 25280B70-B	1
			L. H.	B7AZ 25280B71-B	1
	57/58	All Tudor & Fordor Fairlane	R. H. - Top 33 1/2" x 12 1/2" high	B7AZ 25280B70-A	1
			L. H.	B7AZ 25280B71-A	1
	59	All Tudor & Fordors	R. H. - Top 37 1/2" x 15" high	B9AZ 25280B70-A	1
			L. H.	B9AZ 25280B71-A	1
<b>28072-3 EXTENSION - QUARTER PANEL - UPPER REAR</b>					
	55/56	59, 78, 79	R. H.	B6A 5928072-A	1
			L. H.	B6A 5928073-A	1
	57/58	66	R. H.	B7A 6628072-A	1
			L. H.	B7A 6628073-A	1
	59	59, 71	R. H.	B9AB 5928072-A	1
			L. H.	B9AB 5928073-A	1
	59	66C	R. H.	B9A 6628072-A	1
			L. H.	B9A 6628073-A	1
<b>28076-9 RETAINER - QUARTER TRIM PANEL TO WHEELHOUSE</b>					
	57/58	59, 78	R. H. - Front	B7A 5928076-A	1
	57/58	59, 78, 79	R. H. - Rear	B7A 5928078-A	1
			L. H.	B7A 5928079-A	1
	59	59, 71	R. H.	B9A 5928078-A	1
			L. H.	B9A 5928079-A	1



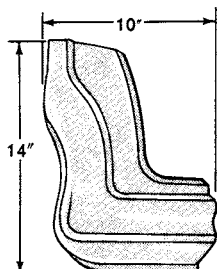
B7AZ 25281A08-A



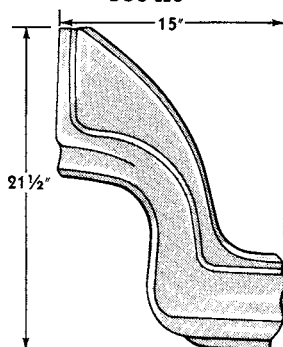
B7AZ 25281A08-C  
DOG LEG



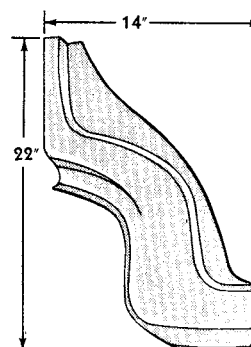
B9AZ 25281A08-A



B7AZ 25281A08-A



B7AZ 25281A08-D  
FULL DOG LEG



B9AZ 25281A08-B

P-4413

GROUP NUMBER	YEAR	BODY TYPE	DESCRIPTION	PART NUMBER	QTY. PER VEHICLE
<b>281A08-9 PANEL - QUARTER LOCK - LOWER - REPAIR</b>					
57/58		All Fordor Custom	R. H. -Dog leg-Base 10" x 13" high	B7AZ 25281A08-A	1
			L. H.	B7AZ 25281A09-A	1
57/58		All Fordor Fairlane	R. H. -Dog leg-Base 8 3/4" x 14" high	B7AZ 25281A08-C	1
			L. H.	B7AZ 25281A09-C	1
59		All Fordors	R. H. -Dog leg-Overall 11 1/2" x 15" high	B9AZ 25281A08-A	1
			L. H.	B9AZ 25281A09-A	1
57/58		All Fordor Custom	R. H. -Full dog leg-Base 10" x 14" high	B7AZ 25281A08-B	1
			L. H.	B7AZ 25281A09-B	1
57/58		All Fordor Fairlane	R. H. -Full dog leg-Overall 15" x 21 1/2" high	B7AZ 25281A08-D	1
			L. H.	B7AZ 25281A09-D	1
59		All Fordors	R. H. -Full dog leg-Overall 14" x 22" high	B9AZ 25281A08-B	1
			L. H.	B9AZ 25281A09-B	1
<b>28158-9 WEATHERSTRIP - QUARTER PANEL TO PACKAGE TRAY TROUGH</b>					
57/59	51A		R. H.	B7A 5128158-A	1
			L. H.	B7A 5128159-A	1
<b>28160-1 PILLAR ASSY. - REAR QUARTER LOCK</b>					
55/57	40		R. H.	B6S 4028160-A	1
			L. H.	B6S 4028161-A	1
57/58	57		R. H.	B7A 5728160-A	1
			L. H.	B7A 5728161-A	1
57/58	58		R. H.	B7A 5828160-A	1
			L. H.	B7A 5828161-A	1
57/58	73		R. H.	B7A 7328160-A	1
			L. H.	B7A 7328161-A	1
57/58	79		R. H.	B7A 7928160-A	1
			L. H.	B7A 7928161-A	1
58/	S		R. H.	B8S 6328160-A	1
			L. H.	B8S 6328161-A	1
59	54A, 58		R. H.	B9A 5828160-A	1
			L. H.	B9A 5828161-A	1
59	57A, 71, 75A		R. H. -Cut as required	B9A 5728160-A	1
			L. H.	B9A 5728161-A	1

GROUP NUMBER	YEAR 19	BODY TYPE	DESCRIPTION	PART NUMBER	QTY. PER VEHICLE
<b>28166-7 MOULDING ASSY. - QUARTER LOCK PILLAR - OUTSIDE</b>					
	55/56	64A, 64B	R. H.	B5A 6428166-B	1
			No. 10 Flat washer	44716-S8(X15)	8
			No. 10 Internal tooth lockwasher	34903-S8 (X96)	
			No. 10-24 Hex. nut	34053-S8 (M156)	8
<b>28178-9 PILLAR - QUARTER LOCK FRONT</b>					
	58/	S	R. H.	B8S 6328178-A	1
			L. H.	B8S 6328179-A	1
	59	51A	R. H.	B9A 5128178-A	1
			L. H.	B9A 5128179-A	1
	59	59, 63A, 64, 65A, 66C, 76B	R. H.	B9A 6328178-A	1
			L. H.	B9A 6328179-A	1
<b>28200-1 REINFORCEMENT ASSY. - QUARTER OUTER PANEL - LOCK SIDE</b>					
	56	70, 78	R. H.	B6A 7028200-B	1
			L. H.	B6A 7028201-B	1
	57/58	51A	R. H.	B7A 5128200-A	1
			L. H.	B7A 5128201-A	1
	57/58	59, 66 - NOTE 1	R. H.	B7A 5928200-A	1
	57/58	70, 78			1
			L. H.	B7A 5928201-A	1
	57/58	63	R. H. -Use B7A 6428200-A and remove extension		1
			L. H. -Use B7A 6428201-A and remove extension		1
	57/58	64	R. H.	B7A 6428200-A	1
			L. H.	B7A 6428201-A	1
	57/58	76	R. H.	B7A 7628200-A	1
			L. H.	B7A 7628201-A	1
	59	51A	R. H.	B9A 5128200-A	1
			L. H.	B9A 5128201-A	1
	59	59, 64	R. H.	B9A 6428200-A	1
			L. H.	B9A 6428201-A	1
	59	63A, 65A	R. H.	B9A 6328200-A	1
			L. H.	B9A 6328201-A	1
	59	66C	R. H.	B9A 6628200-A	1
			L. H.	B9A 6628201-A	1
	59	76B	R. H.	B9A 7628200-A	1
			L. H.	B9A 7628201-A	1
<b>28204-5 EXTENSION ASSY. - QUARTER LOCK PILLAR - UPPER</b>					
	55/57	S	R. H.	B5S 4028204-A	1
			L. H.	B5S 4028205-A	1
<b>28208-9 REINFORCEMENT - QUARTER PANEL LOCK SIDE - UPPER</b>					
	57/58	59	R. H.	B7A 5928208-A	1
			L. H.	B7A 5928209-A	1
	57/58	73	R. H.	B7A 7328208-A	1
			L. H.	B7A 7328209-A	1
	57/58	79	R. H.	B7A 7928208-A	1
			L. H.	B7A 7928209-A	1
<b>28212-3 REINFORCEMENT ASSY. - QUARTER PANEL LOCK SIDE - OUTER</b>					
	57/58	59, 78	R. H.	B7A 7828212-A	1
			L. H.	B7A 7828213-A	1
	57/58	70	R. H. -Remove bracket	B7A 7828212-A	1
			L. H.	B7A 7828213-A	1
	57/58	79	R. H.	B7A 7928212-A	1
			L. H.	B7A 7928213-A	1
<b>28216-7 REINFORCEMENT - QUARTER PANEL LOCK SIDE - LOWER - Also Refer to Group 28200-1</b>					
	57/58	57, 58	R. H.	B7A 5828216-A	1
			L. H.	B7A 5828217-A	1
	57/58	73	R. H.	B7A 7328216-A	1
			L. H.	B7A 7328217-A	1
	57/58	79	R. H.	B7A 7928216-A	1
			L. H.	B7A 7928217-A	1
	59	54A, 57A, 58, 71, 75A	R. H.	B9A 5828216-B	1
			L. H.	B9A 5828217-B	1

NOTE 1 - When Used on Body Type 66 Cut Off Upper Section At Belt



# FORD CAR PARTS

## BODY SECTION 280

781

GROUP NUMBER	YEAR 19	BODY TYPE	DESCRIPTION	PART NUMBER	QTY. PER VEHICLE
<b>28230 STRAINER ASSY. - QUARTER PANEL BELT TO FLOOR</b>					
	57/58	51A, 63, 64, 70, 78		B7A 6428230-A	2
	57/58	59, 76		B7A 7628230-A	2
<b>28260-1 BRACE - QUARTER PANEL LOCK PILLAR TO FLOOR</b>					
	57/58	76	R. H.	B7A 7628260-A	1
	59	63A, 65A	R. H.	B9A 6328260-A	1
			L. H.	B9A 6328261-A	1
	59	76B	R. H.	B9A 7628260-A	1
			L. H.	B9A 7628261-A	1
<b>28264 EXTENSION - QUARTER PANEL BELT TO FLOOR STRAINER</b>					
	57/58	70		B7A 7028264-A	2
<b>28268-9 BRACE - QUARTER LOCK PILLAR</b>					
	58/	S	R. H.	B8S 6328268-A	1
			L. H.	B8S 6328269-A	1
<b>28306-7 WEATHERSTRIP ASSY. - QUARTER LOCK PILLAR - UPPER FRONT OR BELT</b>					
	56	64A, 64B	R. H. -Upper front	B6A 6428306-A	1
			L. H.	B6A 6428307-A	1
			No. 8 x 1/2" Cross recess pan head screw	52726-S13(U381)	6
	58/	S	R. H. -At belt	B8S 6328306-A	1
			L. H.	B8S 6328307-A	1
			No. 6 x 3/8" Binding head self-tapping screw	*32914-S8	4
<b>28324-5 PILLAR - QUARTER LOCK UPPER - OUTER</b>					
	57/58	64	R. H.	B7A 6428324-A	1
			L. H.	B7A 6428325-A	1
	59	59	R. H.	B9A 5928324-A	1
			L. H.	B9A 5928325-A	1
<b>28346-7 SUPPORT ASSY. - QUARTER SIDE ROOF LOCK</b>					
	57/59	51A	R. H.	B8A 5128346-A	1
			L. H.	B8A 5128347-A	1
<b>28506 RETAINER - QUARTER PANEL OUTSIDE FINISH PANEL MOULDING - Used with Anodized Panel</b>					
	58	73, 79C, 79D		B8A 7028506-A	AR
	56	66B			26
	58	57B, 58A, 59B, 63A, 64B, 70, 73, 79C, 79D	Front fender		AR
	58	51A	Quarter	B8A 5728506-A	10
	58	57B, 58A, 59, 63B, 64A, 66, 70, 73, 76, 78, 79C, 79D	Front fender		4or6
	58	59, 63, 64, 66, 70, 76, 78	Quarter		2to12
	58	57, 58, 73, 79	Rear door		2to6
	59	51A, 54A, 57A, 58A, 58B, 59D, 63A, 64A, 64B, 64H, 65A, 66C, 71E, 71F, 75A, 76B	Front fender		2
	59	54A, 57A, 58A, 58B, 71E, 71F, 75A	Rear door		2
	59	51A, 54A, 57A, 58A, 58B, 63A, 64A, 64B, 64H, 65A, 75A, 76B	Quarter		2
<b>28511 REINFORCEMENT - BACK-UP LAMP OPENING - OUTER</b>					
	59	A		B9A 6328511-A	2
<b>28512-3 REINFORCEMENT - BACK-UP LAMP OPENING - INNER</b>					
	59	A	R. H.	B9A 6328512-A	1
			L. H.	B9A 6328513-A	1
<b>28516-7 PANEL - QUARTER PANEL UPPER FRONT</b>					
	59	59, 71	R. H.	B9A 5928516-A	1
			L. H.	B9A 5928517-A	1

**BODY  
SECTION 280**
**FORD CAR PARTS**

GROUP NUMBER	YEAR 19	BODY TYPE	DESCRIPTION	PART NUMBER	QTY. PER VEHICLE
<b>28530-1 RAIL - QUARTER PANEL EXTENSION OUTSIDE FINISH</b>					
	59	71G	R. H.	B9AB 7128530-B	1
			L. H.	B9AB 7128531-B	1
			No. 10-32 x 1 1/4" Pan head screw	*50564-S8	2
			Fastener	B9AB 7150108-E	2
			No. 10-16 x 1 1/4" Cross recess pan head screw	*52879-S8	4
			Retainer	358403-S2(GG54)	6
			Cap (retainer)	358404-S(DD1)	6
<b>28600 RAIL ASSY. - QUARTER PANEL FUEL FILLER LID FINISH</b>					
	59	71G		B9A 7128600-A	1
			3/16" Self threading nut	371105-S7(MM289)	2
<b>28611 LID ASSY. - QUARTER PANEL FUEL TANK FILLER PIPE</b>					
	55/56	59, 78, 79		B5A 5928611-B	1
			Spring	B5S 16377-A	2
	57	S		B7S 4028611-A	1
	57/58	51A		B7A 5128611-A	1
			No. 10 x 1/2" Hex. head screw & washer assy.	*42717-S8	2
			No. 10 Flat washer	44716-S8(X15)	2
	57/58	59, 66, 78, 79		B7A 5928611-A	1
			No. 10 x 5/8" Hex. head self-tapping screw	42014-S8(U240)	2
			No. 10 Flat washer	44716-S8(X15)	2
			Spring	B7A 16377-B	1
	55/58	59, 66, 78, 79	Bumper	357811-S(CC11)	2
	59	51A		B9AB 5128611-A	1
	59	59, 66C, 71		B9A 5928611-A	1
<b>28614 SPRING - QUARTER PANEL FUEL FILLER OPENING LID HINGE</b>					
	57	S		B7S 4028614-B	2
<b>28624 HINGE ASSY. - QUARTER PANEL FUEL FILLER OPENING LID</b>					
	57	S		B7S 4028624-A	1
<b>28635 COLLAR - QUARTER PANEL FUEL FILLER OPENING</b>					
	57/58	59, 66, 78, 79		B7A 5928635-A	1
	59	59, 66C, 71		B9A 5928635-A	1
<b>28641 BRACKET - QUARTER PANEL FUEL FILLER OPENING LID BUMPER</b>					
	57/58	59, 66, 78, 79		B7A 5928641-A	1
			Bumper	354860-S(CC6)	1
			No. 8 x 3/8" Cross recess pan head screw	52720-S8(U380)	2
	59	59, 66C, 71		B7A 5928641-A	1
			Bumper	354860-S(CC6)	1
			No. 8 x 3/8" Cross recess pan head screw	52720-S8(U380)	2
<b>28666-7 PANEL - FUEL FILLER HOUSING - OUTER and INNER</b>					
	57/58	51A	Outer	B7A 5128666-A	1
	59	51A	Outer	B9A 5128666-A	1
			Inner	B9A 5128667-A	2
<b>28680 SHIELD - QUARTER PANEL FUEL OPENING SPLASH</b>					
	57/58	59, 66, 78, 79		B7A 5928680-A	1
<b>28685 MOULDING - QUARTER PANEL OUTSIDE FINISH PANEL - UPPER REAR - L.H.</b>					
	58	59B, 66B, 79C, 79D	Used with Anodize Panel	B8A 5928685-A	1
			Clip Kit	B8A 300-A	2
<b>28694 PANEL - QUARTER PANEL FUEL TANK FILLER PIPE LID FINISH -L.H.</b>					
	58	59B, 66B, 79C, 79D	Anodize panel	B8A 5928694-A	1
<b>28698 MOULDING - QUARTER PANEL FUEL TANK FILLER PIPE LID FINISH PANEL -L.H.</b>					
	58	59B, 66B, 79C, 79D		B8A 5928698-A	1
			Clip Kit	B8A 300-A	2

# FORD CAR PARTS

## BODY SECTION 290

783

GROUP NUMBER	YEAR 19__	BODY TYPE	DESCRIPTION	PART NUMBER	QTY. PER VEHICLE
<b>28710-1 RAIL ASSY. - QUARTER OUTSIDE FINISH - LOWER</b>					
	55	79C	R. H.	B5A 7928710-A	1
			L. H.	B5A 7928711-A	1
	56	79C	R. H.	B6A 7928710-A	1
			L. H.	B6A 7928711-A	1
	58	79E	R. H.	B8A 7928710-A	1
			L. H.	B8A 7928711-A	1
			Fastener	B8A 7750108-B	2
			Fastener assy.	B9AB 7150108-D	14
	53/58	79C, 79E	Retainer (cap)	358403-S2(GG54)	6to16
			Cap	358404-S(DD1)	6to16
			No. 10-32 x 1 1/4" Cross recess pan head screw	*50564-S8	16
<b>28712-3 RAIL - QUARTER OUTSIDE FINISH</b>					
	59	71G	R. H.	B9A 7128712-A	1
			L. H.	B9A 7128713-A	1
			Fastener - lower	B9AB 7150108-D	12
			Fastener - upper	B9AB 7150108-C	6
			Fastener - L. H. upper	B9AB 7150108-B	3
			No. 10-32 x 1 1/2" Round head screw	27177-S7(U177)	21
			Retainer (cap)	358403-S2(GG54)	21
			Cap	358404-S(DD1)	21
<b>28714-5 RAIL - QUARTER BELT - INSIDE</b>					
	57/58	59		B7A 5928714-A	2
	57/58	79		B7A 7928714-A	2
	59	59, 71	R. H.	B9A 7128714-A	1
			L. H.	B9A 7128715-A	1
<b>28782-3 STRAINER - QUARTER BELT RAIL TO WHEELHOUSE - FRONT</b>					
	57/58	59	R. H.	B7A 5928782-A	1
<b>28820 RETAINER ASSY. - QUARTER OUTSIDE REAR MOULDING</b>					
	57	51A, 57A, 58B, 63A, 64B, 76		B7A 6428820-A	4to8
			No. 10-24 Nut	354397-S100(MM291)	4to8
	59	59C, 64F, 64G, 66C	Front door	B9A 6428820-A	2
	59	58E, 71H	Rear door		2
	59	58E, 59C, 64F, 64G, 66C, 71H	No. 8-32 x . 21" Truss head screw	359167-S8(BB658)	2
<b>28826-7 MOULDING ASSY. - QUARTER OUTSIDE - FRONT</b>					
	59	51A, 59D, 63A, 64A, 64B, 64H, 65A, 76B	R. H.	B9A 6328826-A	1
			L. H.	B9A 6328827-A	1
<b>28994-5 MOULDING - QUARTER WINDOW GARNISH</b>					
	55/56	64	Rustless steel	B5A 6428994-A	2
	59	59	R. H. - Cut as required & paint to match	B9A 5928994-A	1
			L. H.	B9A 5928995-A	1
	59	64	R. H. - Cut as required & paint to match	B9A 6428994-A	1
			L. H.	B9A 6428995-A	1
<b>29002-3 MOULDING ASSY. - QUARTER WINDOW GARNISH - Drill Holes As Required. Paint To Match.</b>					
	57/58	51A	R. H.	B7A 5129002-AP	1
			L. H.	B7A 5129003-AP	1
	57/58	59	R. H.	B7A 5929002-AP	1
			L. H.	B7A 5929003-AP	1
	57/58	63	R. H.	B7A 6329002-AP	1
			L. H.	B7A 6329003-AP	1
	57/58	64	R. H.	B7A 6429002-AP	1
			L. H.	B7A 6429003-AP	1
			No. 8 x 3/4" Cross recess oval head screw	52360-S13 (U294)	4
	57/58	70	R. H.	B7A 7029002-AP	1
			L. H.	B7A 7029003-AP	1
	57/58	73	R. H.	B7A 7329002-AP	1
			L. H.	B7A 7329003-AP	1
	57/58	76	R. H.	B7A 7629002-AP	1
			L. H.	B7A 7629003-AP	1

GROUP NUMBER	YEAR 19	BODY TYPE	DESCRIPTION	PART NUMBER	QTY. PER VEHICLE
<b>29002-3 MOULDING ASSY. - QUARTER WINDOW GARNISH - continued</b> - Drill Holes As Required. Paint To Match.					
	57/58	79	R. H. L. H.	B7A 7929002-AP B7A 7929003-AP	1 1
	57/58	64, 73	No. 8 x 3/4" Cross recess oval hd. self-tapping screw	52360-S13(U294)	4
	57/58	59, 70, 73, 79	No. 8 x 1" Cross recess oval head self-tapping screw	52376-S13(U296)	AR
	57/58	59, 79	No. 8 x 1 1/2" Cross recess oval head screw	359572-S13(BB606)	10 or 16
	57/58	63, 64	No. 8 x 3/8" Cross recess pan hd. self-tapping screw	52720-S8(U380)	2 or 4
	57/58	64	No. 8 x 1 1/2" Cross recess oval head screw	359572-S13(BB606)	6
	58/59	S	Refer to Group in Soft Trim Sections		
	59	51A	R. H.	B9A 5129002-A	1
	59	59C, 59D	R. H. L. H.	B9AB 5929002-AP B9AB 5929003-AP	1 1
	59	63A	R. H. L. H.	B9A 6329002-A B9A 6329003-A	1 1
	59	64A, 64B, 64F	R. H. L. H.	B9AB 6429002-BP B9AB 6429003-BP	1 1
	59	64H	R. H. L. H.	B9AB 6429002-AP B9AB 6429003-AP	1 1
	59	65A	R. H. L. H.	B9A 6529002-A B9A 6529003-A	1 1
	59	76B	R. H. L. H.	B9AB 7629002-AP B9AB 7629003-AP	1 1
<b>29004-5 MOULDING - QUARTER WINDOW GARNISH</b>					
	56/57	40B	No. 8-3/4" Cross recess oval head screw	B6S 4029004-A 52360-S13(U294)	2 1
	59	59C, 59D	R. H. - Stationary window-rear-lower L. H.	B9A 5929004-A B9A 5929005-A	1 1
	59	59E	R. H. L. H.	B9AB 5929004-BP B9AB 5929005-BP	1 1
	59	64G	R. H.	B9AB 6429004-CP	1
	59	71	R. H. - Stationary window-rear-lower L. H.	B9A 7129004-A B9A 7129005-A	1 1
<b>29006-7 MOULDING ASSY. - QUARTER WINDOW GARNISH - UPPER</b> - Paint to Match					
	57/58	64	R. H. L. H.	B7A 6429006-AP B7A 6429007-AP	1 1
			No. 8 x 3/8" Cross recess pan head self tapping screw	52720-S8(U380)	2
			No. 8 x 1 1/2" Cross recess oval head screw	359572-S13(BB606)	6
<b>29014-5 MOULDING - QUARTER WINDOW GARNISH - UPPER FRONT</b>					
	59	59	R. H. - Paint to match L. H.	B9A 5929014-A B9A 5929015-A	1 1
	59	64	R. H. - Paint to match L. H.	B9A 6429014-A B9A 6429015-A	1 1
<b>29025 HOOK - QUARTER COAT</b>					
	53/56	A(57, 59B, 60, 64, 70, 72, 73, 79)		B2A 7029025-A	2
	57/58	A(57, 58, 59, 63, 64, 70, 73, 79)			2
	58/	S(63A)			2
	59	A(54A, 57A, 58, 59, 63A, 64A, 65A, 71, 75A)			2
			No. 8 x 7/8" Cross recess oval head screw	52368-S23(U295)	2
	53/56	60, 64	No. 8 x 1 1/2" Cross recess oval head screw	52388-S13(U298)	2
	56	57			2
<b>29028-9 MOULDING ASSY. - QUARTER OUTSIDE - UPPER</b>					
	57	63B, 64A	R. H. - Use with Unique Two-Tone Paint L. H.	B7A 6429028-A B7A 6429029-A	1 1
	57	59A, 78	R. H. L. H. Clip kit	B7A 5929028-A B7A 5929029-A B7A 300-A	1 1 2

# FORD CAR PARTS

## BODY SECTION 290

785

GROUP NUMBER	YEAR 19____	BODY TYPE	DESCRIPTION	PART NUMBER	QTY. PER VEHICLE
<b>29034-5 MOULDING - QUARTER PANEL - OUTSIDE</b>					
53/54	70		R. H. -Belt-rustless steel	BA 7029034-A	1
			L. H.	BA 7029035-A	1
			Clip Kit	B2A 300-A	2
55	59B		R. H. -Belt-rustless steel	B5A 5929034-A	1
			L. H.	B5A 5929035-A	1
55/56	79		R. H. -Belt-rustless steel	B6A 7929034-A	1
			L. H.	B6A 7929035-A	1
55/56	79		Retainer (moulding)	B5A 7021060-A	6to16
			Retainer (moulding)	B5A 7021062-A	4to24
57	70A, 70D, 73A		R. H. - Use with Unique Two-Tone Paint	B7A 7029034-A	1
			L. H.	B7A 7029035-A	1
			Clip (tubular)-3/16"	359298-S32 (GG110)	6
57/58	79E		R. H. -At belt	B7A 7929034-A	1
			L. H.	B7A 7929035-A	1
			Clip	359379-S100 (GG123)	12
57/59	51A		R. H. -At belt	B7A 5129034-A	1
			L. H.	B7A 5129035-A	1
			Retainer	B7A 5129128-A	4
			No. 10 x 3/8" Pan head sheet metal screw	*32917-S7	4
57/59	66		R. H. -Chrome-Paint if desired	B7A 6629034-A	1
			L. H.	B7A 6629035-A	1
			No. 8 x 1 1/2" Cross recess oval head screw	52388-S13(U298)	14
<b>29038-9 MOULDING - QUARTER - OUTSIDE</b>					
53	73B, 79B		R. H. -Lower-rustless steel	BF 7329038-A	1
			L. H.	BF 7329039-A	1
			Clip (moulding)	358398-S8(GG53)	6
			Clip Kit	B3A 308-A	2
			Clip (moulding)	358484-S8 (GG71)	2
			Clip assy. (moulding)	357118-S8 (RR32)	2
			Seal	1A 7029074	2
			No. 10 Internal tooth lockwasher	34903-S8 (X96)	2
			No. 10-24 Hex. nut	34053-S8 (M156)	2
54	59B, 60, 70B, 72B, 76		R. H. -Rustless steel	BM 7029038-B	1
			L. H.	BM 7029039-B	1
54	73B, 73C, 79B		R. H. -Rustless steel	BM 7329038-B	1
			L. H.	BM 7329039-B	1
54	59B, 60, 70B, 72B, 73B, 73C, 76, 79B		Clip Kit	B4A 305-A	2
			Clip (moulding)	BM 7021020-B	6or14
54	59B, 60, 70B, 72B, 73B, 73C, 76, 79B		Retainer assy. (moulding)	BM 7029120-A	2
			Retainer (moulding)	BM 7029144-B	8to12
			Seal-Use M-5397-B		
			No. 10 Internal tooth lockwasher	34903-S8(X96)	2
			No. 10 Flat washer	44716-S8(X15)	2
			No. 10-24 Hex. nut	34053-S8(M156)	2
55	59B, 60B, 64, 70B, 70C, 76		80. 93" long	B5A 7029038-C	2
55	73B, 73C, 79B		48. 87" long	B5A 7329038-C	2
55	59B, 60B, 64, 70B, 70C, 73B, 73C, 76, 79		Clip Kit	B5A 305-A	2
			Retainer (moulding)	B5A 7021066-A	10or16
			Clip ass'y. (moulding)	358566-S100(RR44)	2
56	57A, 73C, 79B		48. 76" long	B6A 7329038-B	2
			Clip Kit	B6A 305-B	2
56	59A, 64D, 70A, 70D		R. H. - Upper 69. 96" long	B6A 7029038-A	1
			L. H.	B6A 7029039-A	1
56	59A, 70A, 70D		R. H. - Lower- 58. 38" long	B6A 7029038-C	1
			L. H.	B6A 7029039-C	1
56	59B, 70B		R. H. -69. 96" long	B6A 7029038-A	1
			L. H.	B6A 7029039-A	1
56	59A, 64D, 70A, 70D, 73A		Retainer	B6A 7021066-C	AR
56	59C, 64A, 64B, 64C, 70C, 76		80. 82" long	B6A 7029038-B	2
			Clip Kit	B6A 305-B	2

**BODY  
SECTION 290**
**FORD CAR PARTS**

GROUP NUMBER	YEAR 19--	BODY TYPE	DESCRIPTION	PART NUMBER	QTY. PER VEHICLE
<b>29038-9 MOULDING - QUARTER - OUTSIDE - continued</b>					
56	73A		R. H. - Upper- 48.76" long	B6A 7329038-A	1
			L. H.	B6A 7329039-A	1
			Lower	B6A 7329038-C	2
56	73B, 79D		R. H. -48.76" long	B6A 7329038-A	1
			L. H.	B6A 7329039-A	1
56	78	"From 6/1/56"	R. H. -69.96" long	B6A 7029038-A	1
			L. H.	B6A 7029039-A	1
			Retainer (moulding)	B6A 7021066-C	12
			Clip Kit	B6A 305-B	2
56	57, 59A, 64A, 64B, 64C, 70C, 73C, 76, 79B		Retainer	B6A 7029144-A	10
56	59A, 59B, 64D, 70A, 70B, 70D, 73A, 78, 79D		Retainer	B6A 7029120-B	2or6
56	57, 59C, 64A, 64B, 64C, 70 C, 73C, 76, 79B		Retainer Ass'y.	B6A 7029120-C	2
56	57, 59, 64, 70, 73, 76, 79		No. 10 Flat washer	44716-S8(X15)	AR
			No. 10- Internal tooth lockwasher	34903-S8 (X96)	AR
			No. 10- Hex. nut	34053-S8 (M156)	AR
57	51A		R. H.	B7A 5129038-A	1
			L. H.	B7A 5129039-A	1
			Clip Kit	B7A 302-A	2
57	57A, 58B		R. H.	B7A 5729038-A	1
			L. H.	B7A 5729039-A	1
			Clip Kit	B7A 303-A	2
57	57B, 58A		R. H. -Use with Unique Two-Tone Paint	B7A 5829038-A	1
			L. H.	B7A 5829039-A	1
			Clip Kit	B7A 304-A	2
			Retainer	B7A 6429144-E	10
			Retainer	B7A 5929120-A	4
57	63A, 64B, 76		R. H.	B7A 6429038-A	1
			L. H.	B7A 6429039-A	1
			Clip Kit	B7A 303-A	2
57	63A, 64B		Retainer	B7A 6429144-E	12
57	51A, 63A, 64B, 76		Retainer	B7A 6429144-D	2or4
57	51A, 58B, 63A, 64B, 76		Retainer	B7A 6429144-A	12to16
57	51A, 57A, 58A, 63A, 64B, 76		Retainer	B7A 6428820-A	4or8
57	63B, 64A		R. H.	B7A 6429038-B	1
			L. H.	B7A 6429039-B	1
			Clip Kit	B7A 305-A	2
			Retainer	B7A 5929120-A	10
57	70A, 70D		R. H.	B7A 7029038-A	1
			L. H.	B7A 7029039-A	1
			Clip Kit	B7A 306-A	2
57	59B, 66B, 70B		R. H.	B7A 7029038-B	1
			L. H.	B7A 7029039-B	1
			Clip Kit	B7A 307-A	2
57	59B, 66B, 70A, 70B		Retainer	B7A 7029120-A	14
57	59B, 66B, 70B		Retainer	B7A 7321096-A	2
57	59, 66B, 70, 78		Rear	B7A 7029038-C	2
			Clip Kit	B7A 308-A	2
			Retainer	B7A 7029144-A	14
			Retainer	B7A 5929120-A	2
57	59A, 78		Retainer	B7A 5929120-B	2
			Retainer	B7A 7029120-A	2
57	59, 70		Retainer	B6A 7029120-A	6
57	66B		Retainer	B7A 6629144-A	4
			Retainer	B7A 6629144-B	2
57	73			B7A 7329038-A	2
57	79C, 79D			B7A 7929038-A	2
57	73, 79C, 79D		Clip Kit	B7A 309-A	2
			Retainer	B7A 7321096-A	2
			Retainer	B7A 7029144-A	12
			Retainer	B6A 7029120-A	4
			Retainer	B7A 7029120-A	4
57	51A, 57, 58, 59, 63, 64, 66, 70, 73, 76, 78		No. 10-24 Nut	354397-S100(MM291)	4to10

# FORD CAR PARTS

## BODY SECTION 290

787

GROUP NUMBER	YEAR	BODY TYPE	DESCRIPTION	PART NUMBER	QTY. PER VEHICLE
<b>29038-9 MOULDING - QUARTER - OUTSIDE - continued</b>					
58		59B, 66B, 70	R. H.	B8A 7029038-B	1
			L. H.	B8A 7029039-B	1
			Clip Kit	B8A 305-A	2
58		59B, 66B, 70	R. H. -Used with Anodize Panel-Includes attaching parts	B8A 7029038-E	1
			L. H.	B8A 7029039-E	1
58		59A, 66A, 70A & 70D(Special), 78	R. H.	B8A 7029038-D	1
			L. H.	B8A 7029039-D	1
58		73	R. H.	B8A 7329038-A	1
			L. H.	B8A 7329039-A	1
			Clip Kit	B8A 112-A	2
58		79C, 79D	R. H.	B8A 7929038-A	1
			L. H.	B8A 7929039-A	1
			Clip Kit	B8A 112-A	2
59		51A, 59C, 59D, 63A, 64, 65A, 66C, 76B	R. H. -Rear belt	B9A 5929038-A	1
			L. H.	B9A 5929039-A	1
			Clip Kit	B9A 305-A	2
59		51A, 54A, 57A, 58B, 63A, 64B, 64H, 65A, 75A, 76B	R. H. - Lower	B9A 6329038-A	1
			L. H.	B9A 6329039-A	1
			Clip Kit	B9A 301-A	2
59		54A, 57A, 58, 71E, 71F, 71H, 75A	R. H.	B9A 5729038-A	1
			L. H.	B9A 5729039-A	1
			Clip Kit	B9A 305-A	2
<b>29068-9 MOULDING - QUARTER OUTSIDE - UPPER</b>					
57		59B, 70B	R. H. -Use with Anodize Panel	B7A 7029068-A	1
			L. H.	B7A 7029069-A	1
			Clip Kit	B7A 215-A	
58		63B, 64A	R. H. -Front	B8A 6429068-A	1
			L. H.	B8A 6429069-A	1
			Clip Kit	B8A 216-A	2
<b>29076-7 MOULDING ASSY. - QUARTER OUTSIDE - LOWER FRONT</b>					
53		60B, 70B, 72B, 76	R. H. -Rustless steel-Includes attaching parts	BF 7029076-A	1
			L. H.	BF 7029077-A	1
53		73B, 79B	R. H. -Rear door-Includes attaching parts	BF 7029076-A	1
			L. H.	BF 7029077-A	1
53		60B, 70B, 72B, 73B, 76, 79B	Clip (moulding)	358549-S8(GG125)	4
			Sealer	M-5397-B	AR
			No. 10 Washer (flat)	44716-S8(X15)	4
			No. 10 Lockwasher	34803-S7(X60)	4
			No. 10-24 Hex. nut	34053-S8 (M156)	4
54		59B, 60B, 60F, 70B, 72B, 76	R. H.	BM 7029076-A	1
			L. H.	BM 7029077-A	1
			Clip Kit	B4A 217-A	2
			Clip ass'y. (moulding)	358552-S100(RR41)	2
			Retainer ass'y. (moulding)	BM 7029120-A	4
			Seal	1A 7029074	6
			No. 10 Flat washer	44713-S8(X13)	6
			No. 10 Lockwasher	34803-S7(X60)	6
			No. 10-24 Hex. nut	34053-S8(M156)	6
57		51A	R. H.	B7A 5129076-A	1
			L. H.	B7A 5129077-A	1
			Clip Kit	B7A 316-A	2
57		63A, 64B, 76	R. H.	B7A 6429076-A	1
			L. H.	B7A 6429077-A	1
			Retainer ass'y.	B6A 7021094-A	2
58		51A, 63A, 64B, 76	Clip Kit	B7A 317-A	2
			R. H.	B8A 6429076-B	1
			L. H.	B8A 6429077-B	1
58		63B, 64A	Clip Kit	B8A 216-A	2
			R. H.	B8A 6429076-A	1
			L. H.	B8A 6429077-A	1
58		63B, 64A	Clip Kit	B8A 216-A	2
			R. H.	B8A 6429076-A	1
			L. H.	B8A 6429077-A	1

**BODY  
SECTION 290**
**FORD CAR PARTS**

GROUP NUMBER	YEAR 19	BODY TYPE	DESCRIPTION	PART NUMBER	QTY. PER VEHICLE
<b>29076-7 MOULDING ASSY. - QUARTER OUTSIDE - LOWER FRONT - continued</b>					
	59	51A, 59D, 63A, 64A, 64B, 64H, 65A, 76B	R. H.	B9A 6329076-A	1
			L. H. -Replaced by B9A 6329077-B	*B9A 6329077-A	1
			Retainer	B9A 5929120-B	2
			No.10-24 Nut & washer assy.	354397-S100(MM291)	2
	59	51A, 59D, 63A, 64A, 64B, 64H, 65A, 76B	R. H. -Includes attaching parts	B9A 6329076-B	1
			L. H.	B9A 6329077-B	1
	59	59C, 64F, 64G, 66C	R. H.	B9A 6429076-A	1
			L. H. -Replaced by B9A 6429077-B	*B9A 6429077-A	1
	59	59C, 64F, 64G, 66C	R. H. -Includes attaching parts	B9A 6429076-B	1
			L. H.	B9A 6429077-B	1
			Retainer	B9AB 6429288-A	2
			No.10-24 Nut & washer assy.	354397-S100 (MM291)	2
<b>29078-9 MOULDING ASSY. - QUARTER PANEL EXTENSION</b>					
	59	59C, 59D, 71E, 71F, 71H	R. H.	B9AB 5929078-A	1
			L. H.	B9AB 5929079-A	1
			Retainer	B9A 5829120-B	4
			No.10-24 Nut & washer assy.	354397-S100(MM291)	4
	59	54A, 57A, 58B, 63A, 64A, 64B, 64H, 65A, 75A, 76B	R. H. -Includes attaching parts	B9A 6329078-B	1
			L. H.	B9A 6329079-B	1
			No.10-24 Nut & washer assy.	354397-S100(MM291)	4
<b>29098 MOULDING - QUARTER PANEL - OUTSIDE - LOWER REAR.</b>					
	53	60B, 70B, 72B, 76	54.61" long	BF 7029098-A	2
			Clip Kit	B3A 310-A	2
			Clip (moulding)	358398-S8 (GG53)	8
			Clip (moulding)	358484-S8 (GG71)	2
			Clip assy. (moulding)	357118-S8(RR32)	2
			No.10 Internal tooth lockwasher	34903-S8 (X96)	2
			No.10-24 Hex. nut	34053-S8 (M156)	2
			Seal	1A 7029074	2
	53	73B, 79B	Refer to Group 29038-9		
	54	73B, 73C, 79B	Refer to Group 29038-9		
<b>29120 RETAINER ASSY. - QUARTER MOULDING - OUTSIDE</b>					
	54	59B, 60, 70B, 72B, 73B, 73C, 76, 79B	Rear hole	BM 7029120-A	2to8
	54	73B, 73C, 79B	Rear door		4
	56	59A, 59B, 70A, 70B, 70D, 73A, 73B	Rear hole	B6A 7029120-B	2to6
	56	64D	Front fender		4
	56	57, 59C, 64, 70C, 73C, 76, 79B	Quarter	B6A 7029120-C	2
	57	51A	Quarter-Front	B7A 5129120-A	2
	57	59, 70	Quarter	B7A 5929120-A	2
	57	73, 79C, 79D	Rear door		2
	57	51A, 57A, 58B, 59B, 63A, 64B, 66B, 70B, 73B, 76, 79C, 79D	Front fender	B7A 7029120-A	4
	57	59, 66B, 70, 78	Quarter	B7A 7029120-A	2or6
	57	73, 79C, 79D,	Quarter		4
	57	57A, 58B	Front door		2
	57	63A, 64B, 76	Front door		4
	57	73A	Rear door		2
	57	73B, 79C, 79D	Rear door		4or6
	57	59, 66B, 70, 78	Quarter	B7A 5929120-A	2
	57	57B, 58A	Quarter		4
	57	63B, 64A	Quarter		10
	57	57B, 58A	Rear door		6
	57/58	73, 79C, 79D	Rear door		2
	57	59A, 78	Quarter	B7A 5929120-B	2
	58	59B, 66B, 70	Quarter	BM 7029120-A	4
	58	66B	Front door		2
	58	73 79C, 79D	Rear door		2
	58	51A, 57A, 58B, 63A, 64B, 76	Front fender	B6A 7029120-A	2



# FORD CAR PARTS

## BODY SECTION 290

789

GROUP NUMBER	YEAR 19	BODY TYPE	DESCRIPTION	PART NUMBER	QTY. PER VEHICLE
<b>29120</b>		<b>RETAINER ASSY. - QUARTER MOULDING - OUTSIDE - continued</b>			
	58	51A, 57A, 58B, 63A, 64B, 76	Front fender	B7A 5929120-A	4
	58	59B, 66B, 70, 73, 79C, 79D	Front door		AR
	58	73B, 79C, 79D	Rear door		4
	58	59B, 66B, 70B	Quarter		6
	58	73, 79C, 79D	Rear door		2
	58	51A, 57A, 58B, 63A, 64B, 76	Front fender	B7A 7029120-A	2
	58	73, 79C, 79D	Quarter		2
	58	73A (Special)	Rear door		2
	58	59A, 66A, 70A & 70D(Special), 78	Quarter		4
	59	A (except 71G)	Quarter	B9A 5829120-A	4
	59	51A, 54A, 57A, 58B, 63A, 64B, 64H, 65A, 75A, 76B	Quarter	B9A 6329120-A	4or6
	59	A(59C, 59D, 71E, 71F, 71H)	Tail gate	B9A 5829120-B	6
	59	A(59C, 59D, 71E, 17F, 71H)	Quarter		2
	59	A(54A, 57A, 58A, 58B, 71E, 71F, 75A)	Rear door		2
	59	A(51A, 54A, 57A, 58A, 58B, 59C, 63A, 64A, 64B, 64H, 65A, 71E, 71F, 75A, 76B)	Front fender		2
<b>29128</b>		<b>RETAINER - QUARTER OUTSIDE FRONT BELT MOULDING</b>			
	57	59, 66B, 79C, 79D		B7A 5929128-A	2
	57/59	51A		B7A 5129128-A	4
<b>29138-9</b>		<b>MOULDING - QUARTER OUTSIDE REAR BELT</b>			
	55	60	R. H.	B5A 6029138-A	1
			L. H.	B5A 6029139-A	1
	55/56	64A, 64B	R. H.	B5A 6429138-A	1
			L. H.	B5A 6429139-A	1
	55	70C	L. H.	B5A 7029139-A	1
	55	73C	R. H.	B5A 7329138-A	1
			L. H.	B5A 7329139-A	1
	55	70C, 73C	Clip Kit	B5A 311-A	2
	55	76	R. H.	B5A 7629138-B	1
			L. H.	B5A 7629139-B	1
	55	60, 64, 70C, 73C,	Retainer ass'y.	B5A 7029176-A	12
	56	64A, 64B			12
	55	70C	Retainer	B5A 7029130-A	2
	55	60	Retainer	B5A 6029180-A	2
	55	76	Retainer	B5A 7629180-A	2
	55	60, 64, 70C, 73C, 76	No. 10 Flat washer	44716-S8 (X15)	4to12
			No. 10 Internal tooth lockwasher	34903-S8 (X96)	4to12
			No. 10-24 Hex. nut	34053-S8 (M156)	4to12
			Seal	1A 6050268	10or12
	56	59B, 59C	R. H.	B6A 5929138-A	1
			L. H.	B6A 5929139-A	1
	57/58	59, 66B, 79C, 79D	R. H. -Use with Unique Two-Tone Paint	B7A 5929138-A	1
			L. H.	B7A 5929139-A	1
			Clip Kit	B7A 318-A	2
			Clip (moulding)	359379-S100 (GG123)	6
			Retainer (moulding)	B7A 5929128-A	2
			No. 10-24 Nut	354397-S100 (MM291)	2
	57	59, 66B, 79C, 79D	Retainer	B7A 7029120-A	2
	57/58	66	R. H. -Rustless steel-paint when desired	B7A 6629138-A	1
			L. H.	B7A 6629139-A	1
			Retainer (moulding)	B7A 6629144-A	4
			Retainer (moulding)	B7A 6629144-B	2
	59	66C	R. H. -Rear	B9A 6629138-A	1
			L. H.	B9A 6629139-A	1
			No. 8 x 1 1/2" Cross recess oval head screw	52388-S13 (U298)	6
<b>29140-1</b>		<b>MOULDING - QUARTER PANEL OUTSIDE - UPPER</b>			
	58	59B, 70	R. H.	B8A 7029140-A	1
			L. H.	B8A 7029141-A	1
			Clip Kit	B8A 214-A	2

**BODY  
SECTION 290**
**FORD CAR PARTS**

GROUP NUMBER	YEAR 19	BODY TYPE	DESCRIPTION	PART NUMBER	QTY. PER VEHICLE
<b>29144</b>	<b>RETAINER - QUARTER and REAR DOOR MOULDING - OUTSIDE</b>				
	54	60, 70B, 72B, 73B, 76, 79B	Quarter	BM 7029144-B	8to12
	54	73B, 73C, 79B	Rear door	BM 7029144-B	6
	56	57, 59A, 70A, 70D, 73A	Quarter	B6A 7029144-B	8or12
	56	57, 59C, 64, 70C, 73C, 76, 79B	Quarter	B6A 7029144-A	10
	56	59B, 70B, 73B, 79D	Quarter-Use B6A 7021066 -C		
	57	51A, 58B, 63A, 63B, 76	Quarter	B7A 6429144-A	12to16
	57	51A, 63A, 64B, 76	Quarter	B7A 6429144-D	4
	57	57B, 58A	Door-Use with Unique Two-Tone Paint Quarter-Use with Unique Two-Tone Paint	B7A 6429144-E	2 10
	57	59, 66B, 70, 78	Quarter	B7A 7029144-A	14
	57	63A, 64B	Quarter-Use with Unique Two-Tone Paint	B7A 6429144-E	12
	57	73, 79C, 79D	Quarter	B7A 7029144-A	12
	57/58	66	Quarter-Use with Unique Two-Tone Paint	B7A 6629144-A	4
	57/58	66	Quarter-Use with Unique Two-Tone Paint	B7A 6629144-B	2
	59	51A, 54A, 57A, 58B, 63B, 64B, 64H, 65A, 75A, 76B	Quarter	B9A 6329144-A	12
	59	54A, 57A, 58B, 63A, 64B, 64H, 65A, 76B	Quarter	B9AB 6429144-A	2
<b>29155</b>	<b>RETAINER - QUARTER OUTSIDE FRONT MOULDING</b>				
	57	51A		B7A 5129155-A	2
<b>29164-5</b>	<b>MOULDING - QUARTER WHEEL OPENING</b>				
	55/56	S	R. H.	B5S 4029164-A	1
			L. H.	B5S 4029165-A	1
	57	S	R. H.	B7S 4029164-B	1
			L. H.	B7S 4029165-B	1
<b>29176</b>	<b>RETAINER ASSY. - QUARTER OUTSIDE REAR BELT MOULDING</b>				
	55	60B, 64, 70C, 73C, 76		B5A 7029176-A	12
	56/57	64A, 64B			12
<b>29211</b>	<b>RETAINER ASSY. - QUARTER OUTSIDE MOULDING - FRONT OR REAR</b>				
	59	51A, 59, 63, 64, 65, 66C, 76B	Quarter	B9A 5829211-A	10
	59	54A, 57A, 58, 71E, 71F, 71H, 75A	Quarter		6
	59	54A, 57A, 58, 71E, 71F, 71H, 75A	Rear door		4
	59	A (except 71G)	Quarter	B9A 5829211-B	4or6
<b>29212-3</b>	<b>GUARD - QUARTER PANEL WHEEL OPENING COVER PANEL STONE</b>				
	55/56	57, 59, 60, 64, 70, 73, 76, 78, 79	R. H.	B5A 7029212-B	1
			L. H.	B5A 7029213-B	1
			No. 6 x 3/4" Oval head sheet metal screw	33000-S13(U330)	4
<b>29222-3</b>	<b>MOULDING ASSY. - REAR WHEEL OPENING</b>				
	59	51A, 54A, 57A, 58B, 63A, 64B, 64H, 65A, 75A, 76B	R. H.	B9AB 6429222-A	1
			L. H.	B9AB 6429223-A	1
<b>29242-3</b>	<b>EXTENSION - QUARTER WINDOW GARNISH MOULDING - REAR</b>				
	57/58	51A	L. H. -Paint to match	B7A 5129243-AP	1
	59	51A	R. H. -Paint to match	B9A 5129242-A	1
			L. H.	B9A 5129243-A	1
<b>29246-7</b>	<b>MOULDING ASSY. - QUARTER PANEL OUTSIDE UPPER REAR END</b>				
	58/	S	R. H.	B8S 6329246-A	1
			L. H.	B8S 6329247-A	1
<b>29250-1</b>	<b>MOULDING - QUARTER BELT - INSIDE</b>				
	57/59	51A	R. H.	B7A 5129250-A	1
			L. H.	B7A 5129251-A	1
			No. 10-24 Nut (spring)	359585-S32(MM276)	4
			No. 10-24 x 5/8" Cross recess oval head screw	★51472-S13	4
<b>29256-7</b>	<b>MOULDING - QUARTER OUTSIDE BELT - CENTER</b>				
	57/58	66	R. H. -Rustless steel-paint when desired	B7A 6629256-A	1
			L. H.	B7A 6629257-A	1
	59	66C	R. H.	B9A 6629256-A	1
			L. H.	B9A 6629257-A	1
	57/59	66	No. 8 x 1 1/2" Cross recess oval head screw	52388-S13(U298)	12
<b>29284-5</b>	<b>BRACKET - QUARTER BELT INSIDE MOULDING MOUNTING</b>				
	59	51A	L. H.	B9A 5129285-A	1

# FORD CAR PARTS

## BODY SECTION 295

791

GROUP NUMBER	YEAR 19__	BODY TYPE	DESCRIPTION	PART NUMBER	QTY. PER VEHICLE
<b>29288 RETAINER - QUARTER and REAR DOOR MOULDING- OUTSIDE</b>					
	59	A (except 71G)	Quarter-front	B9AB 6429288-A	2
	59	54A, 57A, 58, 71E, 71F, 71G, 75A	Rear door		2
<b>29318 RETAINER - BODY SIDE MOULDING</b>					
	58	57B, 58A "From 3/3/58"		B8A 6429318-A	26
	58	63B, 64A "From 3/3/58"			24
<b>29320 RETAINER - QUARTER WINDOW GARNISH MOULDING - FRONT</b>					
	58/59	S		B8S 6329320-A	2
			No. 6 x 3/8" Binding head self-tapping screw	*32914-S8	2
<b>29340 SPACER - QUARTER WINDOW REAR GUIDE TO OUTER RAIL EXTENSION BOLT</b>					
	58/	S		B8S 6329340-A	2
<b>29380-1 MOULDING - QUARTER BELT GARNISH - Paint to Match</b>					
	59	54A	R. H.	B9A 5429380-A	1
			L. H.	B9A 5429381-A	1
	59	57A	R. H.	B9A 5729380-A	1
			L. H.	B9A 5729381-A	1
	59	58	R. H.	B9A 5829380-A	1
			L. H.	B9A 5829381-A	1
	59	75A	R. H.	B9A 7529380-A	1
			L. H.	B9A 7529381-A	1
<b>29398-9 MOULDING - QUARTER STATIONARY WINDOW OUTSIDE - FRONT</b>					
	59	71E, 71F, 71G	R. H.	B9A 7129398-A	1
			L. H.	B9A 7129399-A	1
			No. 6-18 x 3/8" Cross recess flat head screw	52005-S13 (U196)	4
<b>29414-5 MOULDING ASSY. - QUARTER STATIONARY WINDOW REAR GARNISH - REAR - Paint to Match</b>					
	59	59, 71	R. H.	B9AB 5929414-AP	1
			L. H.	B9AB 5929415-AP	1
			No. 6-18 x 3/8" Cross recess flat head screw	52005-S13 (U196)	4
<b>29416-7 MOULDING ASSY. - QUARTER STATIONARY WINDOW REAR GARNISH - FRONT and TOP - Paint to Match</b>					
	59	59, 71	R. H.	B9AB 5929416-AP	1
			L. H.	B9AB 5929417-AP	1
<b>29440-1 REINFORCEMENT ASSY. - QUARTER WINDOW OPENING - UPPER</b>					
	57/58	70	L. H.	B7A 7029441-A	1
<b>29456-7 SUPPORT - QUARTER WINDOW TO REAR ROOF SIDE RAIL REINFORCEMENT</b>					
	57/58	70	R. H.	B7A 7029456-A	1
			L. H.	B7A 7029457-A	1
<b>29458-9 FILLER - QUARTER WINDOW OPENING - REAR CORNER</b>					
	57/58	59, 79	R. H.	B7A 5929458-A	1
			L. H.	B7A 5929459-A	1
<b>29500-1 DEFLECTOR - QUARTER WINDOW CHANNEL WATER</b>					
	58/	S	R. H. -Rubber	B8S 6329500-A	1
			L. H.	B8S 6329501-A	1
<b>29622-3 MOULDING - QUARTER STATIONARY WINDOW OUTSIDE - UPPER FRONT CORNER</b>					
	59	71E, 71F, 71G	R. H.	B9A 7129622-A	1
			L. H.	B9A 7129623-A	1
<b>29624-5 MOULDING - QUARTER STATIONARY WINDOW OUTSIDE - UPPER REAR CORNER</b>					
	59	59D, 71E, 71F, 71G	R. H.	B9A 7129624-A	1
			L. H.	B9A 7129625-A	1
<b>29636-7 MOULDING ASSY. - QUARTER STATIONARY WINDOW OUTSIDE - UPPER FRONT COVER</b>					
	59	59D	R. H.	B9AB 5929636-B	1
			L. H.	B9AB 5929637-B	1
<b>29638-9 MOULDING ASSY. - QUARTER STATIONARY WINDOW OUTSIDE - FRONT</b>					
	59	59D	R. H.	B9AB 5929638-B	1
			L. H.	B9AB 5929639-B	1
<b>29664-5 PLATE - QUARTER WINDOW SLIDING GLASS LATCH STRIKER</b>					
	53/54	59		BA 5929664-A	2
	53/54	79	R. H.	BA 7929664-A	1
			L. H.	BA 7929665-A	1
	53/54	59, 79		No. 10-12 x 1/2" Binding head self-tapping screw	32924-S7(U344)
	55/56	59, 79		B5A 5929664-A	2
	57/58	59	R. H.	B7A 5929664-A	1
			L. H.	B7A 5929665-A	1
	55/58	59, 79		No. 10 x 1/2" Cross recess oval head screw	*50399-S13
					4

GROUP NUMBER	YEAR 19	BODY TYPE	DESCRIPTION	PART NUMBER	QTY. PER VEHICLE
<b>29500-1</b>	<b>DEFLECTOR - QUARTER WINDOW CHANNEL WATER</b>				
	58/	S	R. H. -Rubber	B8S 6329500-A	1
			L. H.	B8S 6329501-A	1
<b>29622-3</b>	<b>MOULDING - QUARTER STATIONARY WINDOW OUTSIDE - UPPER FRONT CORNER</b>				
	59	71E, 71F, 71G	R. H.	B9A 7129622-A	1
			L. H.	B9A 7129623-A	1
<b>29624-5</b>	<b>MOULDING - QUARTER STATIONARY WINDOW OUTSIDE - UPPER REAR CORNER</b>				
	59	59D, 71E, 71F, 71G	R. H.	B9A 7129624-A	1
			L. H.	B9A 7129625-A	1
<b>29636-7</b>	<b>MOULDING ASSY. - QUARTER STATIONARY WINDOW OUTSIDE - UPPER FRONT COVER</b>				
	59	59D	R. H.	B9AB 5929636-B	1
			L. H.	B9AB 5929637-B	1
<b>29638-9</b>	<b>MOULDING ASSY. - QUARTER STATIONARY WINDOW OUTSIDE - FRONT</b>				
	59	59D	R. H.	B9AB 5929638-B	1
			L. H.	B9AB 5929639-B	1
<b>29664-5</b>	<b>PLATE - QUARTER WINDOW SLIDING GLASS LATCH STRIKER</b>				
	53/54	59		BA 5929664-A	2
	53/54	79	R. H.	BA 7929664-A	1
			L. H.	BA 7929665-A	1
	53/54	59, 79	No. 10-12 x 1/2" Binding head self-tapping screw	32924-S7(U344)	2
	55/56	59, 79		B5A 5929664-A	2
	57/58	59	R. H.	B7A 5929664-A	1
			L. H.	B7A 5929665-A	1
	55/58	59, 79	No. 10 x 1/2" Cross recess oval head screw	*50399-S13	4
<b>29668-9</b>	<b>LATCH ASSY. - QUARTER WINDOW SLIDING GLASS - FRONT</b>				
	53/54	59		BA 5929668-A	2
	55/56	59, 79	R. H.	B5A 5929668-B	1
			L. H.	B5A 5929669-B	1
	57/58	59	R. H.	B7A 5929668-A	1
			L. H.	B7A 5929669-A	1
			No. 10 x 1/2" Cross recess pan head screw	*52787-S15	2
<b>29696-7</b>	<b>BRACKET - QUARTER WINDOW FRONT GUIDE STABILIZING</b>				
	59/	S	R. H.	C0SB 6329696-B	1
			L. H.	C0SB 6329697-B	1
<b>29710-1</b>	<b>GLASS - REAR QUARTER WINDOW</b>				
	55/56	59	Laminated glass-Clear	B5A 5929710-A	2
	56	64C, 64D	Laminated glass-Clear	B6A 6429710-A	2
	55/56	70A, 70B, 70C	Laminated glass-Clear	B5A 7029710-A	2
	55/56	79	Sliding-Laminated glass-Clear	B5A 7929710-C	2
	56/57	40B	Laminated glass-Clear	B6S 4029710-C	2
			-Tinted	B6S 4029710-D	2
	57/58	51A	Laminated glass-Clear	B7A 5129710-A	2
			-Tinted	B7A 5129710-B	2
	57/58	59	Sliding-Laminated glass-Clear	B7A 5929710-A	2
			-Tinted	B7A 5929710-B	2
	57/58	63	Laminated glass-Clear	B7A 6329710-A	2
			-Tinted	B7A 6329710-B	2
	57/58	64	Laminated glass-Clear	B7A 6429710-A	2
			-Tinted	B7A 6429710-B	2
	57/58	70A, 70B	Laminated glass-Clear	B7A 7029710-A	2
			-Tinted	B7A 7029710-B	2
	57/58	70D	Stationary-Laminated glass-Clear	B7A 7029710-C	2
			-Tinted	B7A 7029710-D	2
	57/58	73	Laminated glass-Clear	B7A 7329710-A	2
			-Tinted	B7A 7329710-B	2
	57/58	76	Laminated glass-Clear	B7A 7629710-A	2
			-Tinted	B7A 7629710-B	2
	57/58	59, 79	Stationary-Refer to Group 29740		
	59	51A	Laminated glass-Clear	B9A 5129710-A	2
			-Tinted	B9A 5129710-B	2
	59	59E	Stationary-Front-Laminated glass-Clear	B9A 5929710-A	2
	59	59C, 59D	Front-Laminated glass-Clear	B9A 5929710-C	2
			-Tinted	B9A 5929710-D	2
	59	59, 71	Stationary-Rear-Refer to Group 29740		

# FORD CAR PARTS

## BODY SECTION 295

793

GROUP NUMBER	YEAR	BODY TYPE	DESCRIPTION	PART NUMBER	QTY. PER VEHICLE
<b>29710-1 GLASS - REAR QUARTER WINDOW - continued</b>					
	59	63A, 65A	Laminated glass-Clear	B9A 6329710-A	2
			-Tinted	B9A 6329710-B	2
	59	64A, 64B, 64F, 64H	Laminated glass-Clear	B9A 6429710-C	2
			-Tinted	B9A 6429710-D	2
	59	64G	Laminated glass-Clear	B9A 6429710-A	2
			-Tinted	B9A 6429710-B	2
	59	76B	Laminated glass-Clear	B9A 7629710-A	2
			-Tinted	B9A 7629710-B	2
	58/	S	Laminated glass-Clear	B8S 6329710-A	2
			-Tinted	B8S 6329710-B	2
<b>29724 STRIP - QUARTER WINDOW GLASS RETAINING</b>					
	56	64C, 64D	74" long	B6A 6429724-A	2
	55	60	Cut to 65" long		2
	55/56	64A, 64B	Cut to 72" long		2
	55/56	76	Cut to 59" long		2
	57/58	59	Cut as required	B7A 5929724-A	AR
	59/		Use bulk glass tape		
<b>29732-3 WEATHERSTRIP ASSY. - QUARTER WINDOW - OUTER</b>					
	53/54	70	L. H.	BA 7029733-B	1
			Clip	358457-S32 (GG65)	8or12
	55	60		B5A 6029732-A	2
	56	64C, 64D		B6A 6429732-A	2
	55/56	70A, 70B, 70C	R. H.	B5A 7029732-A	1or2
			L. H.	B5A 7029733-A	1or2
	55/56	76	R. H.	B5A 7629732-B	1
			L. H.	B5A 7629733-B	1
	57/58	51A	R. H.	B7A 5129732-A	1
			L. H.	B7A 5129733-A	1
	57/58	63	R. H.	B7A 6329732-A	1
			L. H.	B7A 6329733-A	1
	57/58	64	R. H.	B7A 6429732-A	1
			L. H.	B7A 6429733-A	1
	57/58	70A, 70B, 70D	R. H.	B7A 7029732-A	1
			L. H.	B7A 7029733-A	1
	57/58	73	Refer to Group 29904-5		
	57/58	76	R. H.	B7A 7629732-A	1
			L. H.	B7A 7629733-A	1
	59	51A	R. H.	B9A 5129732-A	1
			L. H.	B9A 5129733-A	1
	59	59C, 59D, 64A, 64B, 64F, 64H	R. H.	B9A 6429732-A	1
			L. H.	B9A 6429733-A	1
	59	63A, 65A	R. H.	B9A 6329732-A	1
			L. H.	B9A 6329733-A	1
	59	76B	R. H.	B9A 7629732-A	1
			L. H.	B9A 7629733-A	1
	58/	S	R. H. -Cut as required	B8S 7629732-A	1
			L. H.	B8S 7629733-A	1
<b>29740-1 GLASS ASSY. - QUARTER WINDOW - REAR</b>					
	53/54	79	Laminated glass-Clear	BA 7929740-A	2
			-Tinted	BC 7929740-B	2
	55/56	59	Stationary-Laminated glass -Clear	B5A 5929740-A	2
	57/58	59	Stationary-Laminated glass -Clear	B7A 5929740-A	2
			-Tinted	B7A 5929740-B	2
	57/58	79	Stationary-Laminated glass -Clear	B7A 7929740-C	2
			-Tinted	B7A 7929740-D	2
	59	59, 71	Stationary-Rear-Laminated glass -Clear	B9A 5929740-A	2
			-Tinted	B9A 5929740-B	2

**BODY  
SECTION 295**
**FORD CAR PARTS**

GROUP NUMBER	YEAR 19	BODY TYPE	DESCRIPTION	PART NUMBER	QTY. PER VEHICLE
<b>29742-3 WEATHERSTRIP ASSY. - QUARTER WINDOW GLASS - OUTER or INNER</b>					
53/54	70		R. H. -With rustless steel bead-inner	BA 7029742-B	1
			L. H.	BA 7029743-B	1
55/56	70A, 70B, 70C		R. H. -Use B5A 7029732-A and remove 6 clips		1
			L. H. -Use B5A 7029733-A and remove 6 clips		1
57/58	70		R. H. -Use B7A 7029732-A and remove clips		1
			L. H. -Use B7A 7029733-A and remove clips		1
59	59C, 59D, 64A, 64B, 64F, 64H		R. H. -Use B9A 6429732-A and remove clips		1
			L. H. -Use B9A 6429733-A and remove clips		1
<b>29744-5 WEATHERSTRIP - QUARTER WINDOW GLASS - INNER</b>					
55	60		Cut to 26.10" long	BY 6029744-A	2
55/56	64A, 64B		33.95" long	B5A 6429744-A	2
55/56	76		23.85"	B5A 7629744-A	2
57/58	51A		R. H. -at belt-cut as required to 17.78" long	B7A 6329744-A	1
			L. H.	B7A 6329745-A	1
57/58	63		R. H. -at belt- 32.65" long	B7A 6329744-A	1
			L. H.	B7A 6329745-A	1
57/58	64		L. H. -at belt-30.98" long	B7A 6429745-A	1
57/58	76		R. H. -at belt - 21.69" long	B7A 7629744-A	1
			L. H.	B7A 7629745-A	1
58/59	S (76A)		R. H.	B8S 7629744-A	1
			L. H.	B8S 7629745-A	1
59	51A		R. H. -at belt	B9A 5129744-A	1
			L. H.	B9A 5129745-A	1
59	63A, 65A		R. H. -at belt	B9A 6329744-A	1
			L. H.	B9A 6329745-A	1
59	76B		R. H. -at belt	B9A 7629744-A	1
			L. H.	B9A 7629745-A	1
58/	S		R. H. -at belt-Cut as required	C0SB 7629744-A	1
			L. H.	C0SB 7629745-A	1
<b>29748-9 WEATHERSTRIP ASSY. - QUARTER WINDOW - FRONT LOWER CORNER</b>					
57/58	51A, 63, 76B		R. H.	B7A 7629748-A	1
			L. H.	B7A 7629749-A	1
59	51A		R. H.	B9A 5129748-A	1
			L. H.	B9A 5129749-A	1
59	63A, 65A, 76B		R. H.	B9A 6329748-A	1
			L. H.	B9A 6329749-A	1
			No. 8 x 3/8" Cross recess pan head screw	52720-S8 (U380)	2
<b>29752-3 GUIDE ASSY. - QUARTER WINDOW - FRONT</b>					
57/58	63		R. H.	B7A 6329752-A	1
			L. H.	B7A 6329753-A	1
57/58	64		R. H.	B7A 6429752-A	1
			L. H.	B7A 6429753-A	1
57/58	70A, 70B		R. H.	B7A 7029752-A	1
			L. H.	B7A 7029753-A	1
57/58	63, 64, 70A, 70B		3/8"-24 x 1.12" Screw (set)	358931-S8 (UU102)	2
			No. 12 x 3/8" Hex. washer head screw	354666-S2 (BB568)	4or8
			3/8" External tooth lockwasher		4or8
			3/8"-24 Hex. check nut	33925-S7(M33)	4or8
59	63A, 65A		R. H.	B9A 6329752-A	1
			L. H.	B9A 6329753-A	1
			5/16"-24 x 1 3/16" Screw (set)	354021-S7 (UU113)	2
			5/16" External tooth lockwasher	*34941-S7	4
			5/16"-24 Hex. nut	33923-S7(M32)	2
			5/16"-24 x 5/8" Hex. head screw	*20327-S8	2
58/	S		R. H. - Includes spacer	B8S 6329752-A	1
			L. H. - Includes spacer	B8S 6329753-A	1
			5/16"- 24 x 1.02" Set screw	370656-S8 (UU112)	4
			5/16"-24 Hex. nut	33923-S7 (M32)	4
<b>29762-3 BRACKET ASSY. - QUARTER WINDOW REAR GUIDE - LOWER</b>					
57/58	51A		R. H.	B7A 5129762-A	1
			L. H.	B7A 5129763-A	1
59	51A		R. H.	B9A 5129762-A	1
			L. H.	B9A 5129763-A	1
			No. 12-24 x 3/8" Hex. washer head screw	354666-S2 (BB568)	4

# FORD CAR PARTS

## BODY SECTION 295

795

GROUP NUMBER	YEAR	BODY TYPE	DESCRIPTION	PART NUMBER	QTY. PER VEHICLE
<b>29764-5 GUIDE ASSY. - QUARTER WINDOW</b>					
	57/58	51A	Rear	B7A 5129764-A	2
	57/58	63	R. H. -Rear L. H.	B7A 6329764-B B7A 6329765-B	1 1
	57/58	64	R. H. -Rear L. H.	B7A 6429764-A B7A 6429765-A	1 1
	57/58	70A, 70B	R. H. -Rear L. H.	B7A 7029764-A B7A 7029765-A	1 1
	57/58	76B	R. H. -Rear L. H.	B7A 7629764-A B7A 7629765-A	1 1
	57/58	63, 64, 70A, 70B, 76B	No. 12 x 3/8" Hex. washer head screw 3/8" Internal tooth lockwasher 3/8"-24 Hex. check nut 3/8"-24 x 1.12 Screw (set)	354666-S2(BB568) ★34907-S7 33925-S7(M33) 358931-S8(UU102)	4 4 4 2
	59	51A		B9A 5129764-A	2
	59	63A, 65A	R. H. L. H. 5/16"-24 x 1 3/16" Screw (set) 5/16" Lockwasher 5/16"-24 Hex. nut 5/16"-24 x 5/8" Hex. head screw	B9A 6329764-A B9A 6329765-A 354021-S7(UU113) 34806-S7(X64) 33923-S7(M32) ★20327-S8	1 1 2 6 2 4
	59	76B	R. H. L. H.	B9A 7629764-A B9A 7629765-A	1 1
	58/	S	R. H. L. H. No. 12 x 3/8" Hex. washer head screw	B8S 6329764-A B8S 6329765-A 354666-S2(BB568)	1 1 2
<b>29778 BRACKET - QUARTER WINDOW FRONT GUIDE - LOWER</b>					
	58/	S		C0SB 6329778-A	2
<b>29796-7 MOULDING - QUARTER WINDOW OUTSIDE UPPER</b>					
	57/58	64	R. H. L. H.	B7A 6429796-A B7A 6429797-A	1 1
	59	59D, 71E, 71F, 71G	Rear window	B9A 7129796-A	2
	59	59D	R. H. -Front window L. H.	B9A 5929796-A B9A 5929797-A	1 1
	59	59D, 71E, 71F, 71G	No. 6-18 x 3/8" Cross recess flat head screw	52005-S13(U196)	4
	59	64A, 64B, 64H	R. H. L. H.	B9A 6429796-A B9A 6429797-A	1 1
<b>29806-7 BRACKET ASSY. - QUARTER WINDOW REAR GUIDE - UPPER</b>					
	57/58	51A	R. H. L. H.	B7A 5129806-A B7A 5129807-A	1 1
	59	51A	R. H. L. H.	B9A 5129806-A B9A 5129807-A	1 1
	57/59	51A	No. 12 x 3/8" Hex. washer head screw	354666-S2(BB568)	4
<b>29820 CHANNEL ASSY. - QUARTER WINDOW FRONT GUIDE</b>					
	57/58	63	No. 12 x 3/8" Hex. washer head screw	B7A 6329820-A 354666-S2(BB568)	2 4
	59	63A, 65A	5/16"-24 x 5/8" Hex. head screw 5/16" Lockwasher (external tooth)	B9A 6329820-A ★20327-S8 ★34941-S7	2 4 4
<b>29822 STOP ASSY. - QUARTER WINDOW REGULATOR ARM</b>					
	55/56	A(60, 64)		B6A 6429822-A	4
	57/58	A(63, 64)			2
	58	A(57)			2
	59	A(63A, 65A)			2
	55/	A(60, 63, 64, 65)	5/16" Flat washer 5/16"-24 Hex. nut (slotted)	44722-S8(X19) 34393-S7(M98)	4 4

**BODY  
SECTION 295**
**FORD CAR PARTS**

GROUP NUMBER	YEAR 19	BODY TYPE	DESCRIPTION	PART NUMBER	QTY. PER VEHICLE
<b>29824</b>	<b>ROLLER - QUARTER WINDOW GUIDE</b>				
	57/58	63, 64, 70A, 70B		B7A 6429824-B	4
			Stud	B7A 6429825-A	4
			Spring	B7A 6030348-A	4
			Washer (cup)	357494-S8(XX42)	4
	59	63A, 65A		B7A 6429824-B	4
			Stud	B7A 6429825-A	4
			Spring	B7A 6030348-A	4
			Washer (cup)	357494-S8 (XX42)	4
<b>29825</b>	<b>STUD - QUARTER WINDOW GUIDE ROLLER</b>				
	57/58	63, 64, 70A, 70B		B7A 6429825-A	4
	59	63A, 65A			4
<b>29834-5</b>	<b>MOULDING - QUARTER LOCK PILLAR OUTSIDE</b>				
	56	59C	L. H.	B6A 5929835-A	1
<b>29856-7</b>	<b>MOULDING - QUARTER WINDOW OUTSIDE FRONT - Also Refer to Group 290A66-7</b>				
	57/58	64	R. H.	B7A 6429856-A	1
			L. H.	B7A 6429857-A	1
			No. 8 x 3/8" Cross recess pan head screw	52720-S8 (U380)	2
	59	59D	R. H.	B9A 5929856-A	1
			L. H.	B9A 5929857-A	1
	59	64A, 64B, 64H	R. H.	B9A 6429856-A	1
			L. H.	B9A 6429857-A	1
<b>29858-9</b>	<b>MOULDING - QUARTER WINDOW OUTSIDE - REAR</b>				
	59	59D, 71E, 71F, 71G	R. H.	B9A 7129858-A	1
			L. H.	B9A 7129859-A	1
<b>29888-9</b>	<b>FILLER ASSY. - QUARTER WINDOW OUTSIDE FRONT MOULDING - LOWER</b>				
	57/58	64	R. H.	B7A 6429888-A	1
			L. H.	B7A 6429889-A	1
	59	54A, 57A, 58, 71, 75A	R. H.	B9A 5829888-A	1
			L. H.	B9A 5829889-A	1
			No. 8 x 1" Cross recess oval head screw	52376-S13 (U296)	2
	59	59, 64	R. H.	B9A 6429888-A	1
			L. H.	B9A 6429889-A	1
<b>29892</b>	<b>ROLLER ASSY. - QUARTER WINDOW FRONT GUIDE - LOWER</b>				
	58/	S		B8S 6329892-A	2
<b>29898</b>	<b>ROLLER - QUARTER WINDOW FRONT GUIDE - UPPER</b>				
	58/	S		B8S 6329898-A	4
<b>29900-1</b>	<b>CHANNEL ASSY. - QUARTER GLASS</b>				
	53/54	72B	R. H.	BA 7229900-A	1
			L. H.	BA 7229901-A	1
	57/58	64	R. H.	B7A 6429900-B	1
			L. H.	B7A 6429901-A	1
	57/58	70A, 70B	R. H.	B7A 7029900-B	1
			L. H.	B7A 7029901-B	1
<b>29902</b>	<b>CHANNEL - QUARTER WINDOW SLIDING GLASS</b>				
	55/56	59, 79		B5A 7929902-A	2
	57/58	59	Stationary window-cut as required	B5A 7929902-A	2
<b>29904-5</b>	<b>WEATHERSTRIP - REAR QUARTER WINDOW</b>				
	53/54	72C	Stationary Window - 56.52" long	BA 7229904-A	2
	55/56	79	47.38" long-Cut from B5A 5929904-A		2
	55/58	59	75.88" long-cut as required	B5A 5929904-A	2
	56/57	40B		B6S 4029904-A	2
	57/58	70D	R. H. -Stationary window	B7A 7029904-A	1
			L. H.	B7A 7029905-A	1
	57/58	73	R. H. -Stationary window	B7A 7329904-A	1
			L. H.	B7A 7329905-A	1



# FORD CAR PARTS

## BODY SECTION 295

797

GROUP NUMBER	YEAR 19__	BODY TYPE	DESCRIPTION	PART NUMBER	QTY. PER VEHICLE
<b>29904-5 WEATHERSTRIP - REAR QUARTER WINDOW - continued</b>					
	57/58	79	Stationary window	B7A 7929904-A	2
	59	59, 71	R. H. -Stationary window-rear	B9A 7129904-A	1
			L. H.	B9A 7129905-A	1
	59	64G	L. H. -Stationary window	B9A 6429905-A	1
<b>29910-1 WEATHERSTRIP ASSY. - QUARTER WINDOW GLASS - CENTER</b>					
	53/56	59	R. H. -vertical-15, 41" long-Cut as required	B5A 5929910-A	1
			L. H.	B5A 5929911-A	1
	57/58	59	R. H. -Vertical-Cut as required	B5A 5929910-A	1
			L. H.	B5A 5929911-A	1
<b>29920-1 WEATHERSTRIP and RETAINER ASSY. - QUARTER WINDOW - OUTER UPPER</b>					
	55	60	R. H. -Repl. by B5A 6029908-A & B5A 6029970-B	*B5A 6029920-C	1
			L. H. -Repl. by B5A 6029909-C & B5A 6029971-B	*B5A 6029921-C	1
	55/56	64A, 64B	R. H.	B6A 6429920-A	1
	56	64C, 64D			1
	55/56	60, 64	No. 8 x 1/2" Cross recess pan head screw	52726-S13(U381)	10or16
	57/58	63	R. H.	B7A 6329920-A	1
			L. H.	B7A 6329921-A	1
			No. 8 x 3/8" Cross recess pan head self tapping screw	52720-S8(U380)	8or10
	57/58	64	Refer to Group 30100; 30124-5; 30126-7		
	59	63A, 65A	R. H.	B9A 6329920-A	1
			L. H.	B9A 6329921-A	1
<b>29932-3 BRACKET - QUARTER WINDOW HINGE</b>					
	57/58	51A	R. H. -On body	B7A 5129932-A	1
			L. H.	B7A 5129933-A	1
			5/16"-24 Set screw	354021-S7(U113)	6
			5/16" Lockwasher	34806-S7 (X64)	6
			5/16"-24 Hex. check nut	33923-S7(M32)	6
	59	51A	Refer to Group 29976-7		
<b>29944-5 CHANNEL - QUARTER WINDOW - LOWER and SIDE</b>					
	55/56	64A, 64B	R. H.	B5A 6429944-A	1
<b>29958-9 CHANNEL ASSY. - QUARTER WINDOW - LOWER</b>					
	55/56	60, 64A, 64B	Refer to Group 29944-5		
	55/56	76	Lower & side	B5A 7629958-A	2
	57/58	51A	R. H.	B7A 5129958-A	1
			L. H.	B7A 5129959-A	1
	57/58	63		B7A 6329958-A	2
			No. 8 x 5/16" Binding head screw		4
			No. 8 x .40" Pan head screw	359444-S8(BB612)	4
	57/58	76	R. H.	B7A 7629958-A	1
			L. H.	B7A 7629959-A	1
			No. 10-32 x 3/8" Set screw (headless)		2
	59	51A	R. H.	B9A 5129958-A	1
			L. H.	B9A 5129959-A	1
	59	59C, 59D, 64A, 64B, 64F, 64H	R. H.	B9A 6429958-A	1
			L. H.	B9A 6429959-A	1
	59	63A, 65A		B9A 6329958-A	2
	59	76B	R. H.	B9A 7629958-A	1
			L. H.	B9A 7629959-A	1
	58/	S	R. H.	B8S 6329958-A	1
			L. H.	B8S 6329959-A	1
<b>29962-3 CHANNEL ASSY. - QUARTER WINDOW - TOP and SIDE</b>					
	55/56	76	R. H. -Upper	B5A 7629962-A	1
	55/56	60, 64, 76	No. 8 x 3/8" Oval head screw		AR
	57/58	51A	Upper	B7A 5129962-A	2
	57/58	63	Upper	B7A 6329962-A	2
	57/58	76	Upper	B7A 7629962-A	2

GROUP NUMBER	YEAR 19	BODY TYPE	DESCRIPTION	PART NUMBER	QTY. PER VEHICLE
<b>29962-3 CHANNEL ASSY. - QUARTER WINDOW - TOP and SIDE - continued</b>					
59		51A	Upper	B9A 5129962-A	2
59		51A, 76B	No. 8-32 x .40" Pan head screw	359444-S8(BB612)	4or8
59		63A, 65A	Upper	B9A 6329962-A	2
			No. 8 Lockwasher	34938-S8(X85)	4
			No. 8-32 x 1/2" Fillister head screw	31061-S8(U50)	4
59		76B	Upper	B9A 7629962-A	2
			No. 8-32 x .31" Binding head screw & washer assy.	355073-S7(BB621)	4
59		63A, 65A, 76B	No. 8-32 x .40" Pan head screw	359444-S8 (BB612)	4
58/		S	Upper	B8S 6329962-A	2
			No. 8-32 x .40" Pan head screw	359444-S8 (BB612)	4
<b>29968 STOP ASSY. - QUARTER WINDOW</b>					
57/58		59	Sliding window	B7A 5929968-A	2
59		63A, 65A	Lower-with power-window regulator	B9A 6329968-A	2
59		59C, 59D, 64A, 64B, 64F, 64H	Lower	B9A 6429968-A	2
59		59C, 59D, 63A, 64A, 64B, 64F, 64H, 65A	5/16"-24 x .62" Hex. head screw & washer assy.	359605-S8(BB590)	4
58/		S	Upper	B8S 6329968-A	2
			1/4" External tooth lockwasher	34940-S8 (X88)	4
			1/4"-20 Hex. nut	33795-S7(M49)	4
<b>29976-7 BRACKET and HINGE ASSY. - QUARTER WINDOW</b>					
57/58		51A	Refer to Group 29932-3		
57/58		76	R. H. -on body	B7A 7629976-A	1
			L. H.	B7A 7629977-A	1
59		51A	R. H. -on body	B9A 5129976-A	1
			L. H.	B9A 5129977-A	1
<b>29976-7 BRACKET and HINGE ASSY. - QUARTER WINDOW - continued</b>					
59		76B	R. H. -on body	B9A 7629976-A	1
			L. H.	B9A 7629977-A	1
			5/16"-24 Set screw	354021-S7(UU113)	6
			5/16" Lockwasher	34806-S7(X64)	6
			5/16"-24 Hex. nut	33923-S8(M32)	6
<b>29986 BUMPER - QUARTER WINDOW STOP</b>					
57/59		76B	Lower	B5A 6029986-A	2
55/59		76B	Folding top side arm stop		2
57/58		A(51A, 76B)	Lower	B7A 7629986-A	2
58/		S	Lower		2
			1/4" Lockwasher	34805-S8(X62)	2
			1/4"-28 Hex. nut	33796-S7(M61)	2
59		A(51A)	Lower	B9A 5129986-A	2
59		A(76B)	Lower-cut .36" from stud		2
<b>29992-3 SUPPORT - QUARTER WINDOW WEATHERSTRIP TO REGULATOR PANEL</b>					
59		59E, 64G	R. H.	B9A 6429992-A	1
			L. H.	B9A 6429993-A	1
			No. 8-18 x 3/8" Cross recess pan head screw	52720-S8 (U380)	16
<b>29994 BUMPER - QUARTER WINDOW STOP - INNER</b>					
57/58		51A, 76B	Upper	B7A 7629994-A	2
59		51A, 76B	Upper	B9A 7629994-A	2
			No. 12 x 3/8" Hex. washer head screw	354666-S2(BB568)	4
<b>29998-9 BRACKET - QUARTER WINDOW STOP</b>					
58/		S	Upper	B8S 6329998-A	2
<b>30008-9 RUN ASSY. - QUARTER WINDOW GLASS - REAR</b>					
59		59C, 59D, 64A, 64B, 64F, 64H "From 1/19/59"	R. H.	B9AB 6430008-A	1
			L. H.	B9AB 6430009-A	1
<b>30010 RUN ASSY. - QUARTER WINDOW GLASS - UPPER</b>					
59		59C, 59D "From 1/19/59"		B9AB 5930010-A	2
59		64A, 64B, 64F, 64H "From 1/19/59"		B9AB 6430010-A	2

# FORD CAR PARTS

## BODY SECTION 300

799

GROUP NUMBER	YEAR	BODY TYPE	DESCRIPTION	PART NUMBER	QTY. PER VEHICLE
<b>30100 WEATHERSTRIP ASSY. - QUARTER WINDOW UPPER</b>					
	57/58	64	With clips	B7A 6430100-A	2
			No. 8 x 3/8" Cross recess pan head screw	52720-S8 (U380)	6
<b>30104-5 RUN ASSY. - QUARTER WINDOW GLASS - UPPER FRONT</b>					
	53/54	70	L. H.	BA 7030105-A	1
			1/4"-20 x 2.12" Special head screw	357516-S8(WW83)	2
			1/4" Internal & external tooth lockwasher	351274-S7 (XX298)	2
			1/4"-20 Hex. nut	33795-S7 (M49)	2
			No. 10-32 x 5/8" Binding head screw & washer assy.	★42804-S8	2
			No. 10 Flat washer	44716-S8 (X15)	2
			No. 10-32 Nut (cage)		2
	57/58	70A, 70B		B7A 7030104-A	2
	59	59C, 59D, 64 (except 64G)	R. H.	B9A 6430104-A	1
			L. H.	B9A 6430105-A	1
<b>30110 -1 RUN - QUARTER WINDOW GLASS</b>					
	53/54	59	Upper	BA 5930110-A	2
	53/54	79	Upper	BA 7930110-A	2
	55/56	59		B5A 5930110-B	2
	55/56	79		B5A 7930110-B	2
	53/56	59, 79	No. 6 x 3/4" Oval head sheet metal screw	33000-S13(U330)	6or8
	57/58	59	R. H.	B7A 5930110-A	1
			L. H.	B7A 5930111-A	1
			No. 6 x 1/2" Cross recess flat head screw	52010-S8(U200)	10
	59	59C, 59D	R. H. - Replaced by 1 each B9AB 6430008-A and B9AB 5930010-A	★B9A 5930110-A	1
			L. H. - Replaced by 1 each B9AB 6430009-A and B9AB 5930010-A	★B9A 5930111-A	1
	59	64A, 64B, 64F, 64H	R. H. - Replaced by 1 each B9AB 6430008-A and B9AB 6430010-A	★B9A 6430110-A	1
			L. H. - Replaced by 1 each B9AB 6430009-A and B9AB 6430010-A	★B9A 6430111-A	1
<b>30116 RUN - QUARTER WINDOW GLASS - LOWER</b>					
	53/54	59	49.94" long	BF 5930116-A	2
	53/54	79	22.80" long	BF 7930116-A	2
	53/54	59, 79	No. 6 x 3/4" Oval head sheet metal screw	33000-S13(U330)	2to8
<b>30124-5 WEATHER STRIP ASSY. - QUARTER WINDOW - FRONT - OUTSIDE</b>					
	55/56	64	R. H.	B5A 6430124-B	1
<b>30146-7 WEATHERSTRIP - QUARTER WINDOW - FRONT</b>					
	55	60	R. H. -15.53" long	B5A 6030146-A	1
	53/54	60, 76	R. H. -Cut to 12.78" long		1
	56	64C, 64D	R. H. -Cut as required		1
	55/56	76	R. H. -Cut to 13.88" long		1
			L. H.	B5A 6030147-A	1
	53/56	60, 64C, 64D, 76	No. 8-32 x 5/16" Pan head screw	353552-S8(BB617)	4
	57/58	51A, 63, 76B	R. H.	B7A 5130146-A	1
			L. H.	B7A 5130147-A	1
	57/58	64	R. H. -With retainer	B7A 6430146-A	1
			L. H.	B7A 6430147-A	1
	59	51A, 63A, 65A, 76B	R. H.	B9A 6330146-A	1
	58/	S	R. H. -Cut to fit		1
			L. H.	B9A 6330147-A	1
<b>30148 INSERT - QUARTER WINDOW FRONT WEATHERSTRIP</b>					
	53/55	60	15" long	B5A 6030148-A	2
	53/55	76	Cut to 13" long		2
	56	57	Cut to 14.50" long-Rear door		2
	56	64C, 64D, 76	Cut to 13" long		2
	57/58	51A, 63, 76	Cut as desired		2

**BODY  
SECTION 300**
**FORD CAR PARTS**

GROUP NUMBER	YEAR 19	BODY TYPE	DESCRIPTION	PART NUMBER	QTY. PER VEHICLE
<b>30150</b>	<b>INSERT - QUARTER OUTSIDE MOULDING JOINT</b>				
	57	51A, 57A, 58B, 63A, 64B, 76		B7A 6430150-A	2
<b>30169</b>	<b>BRACKET ASSY. - QUARTER WINDOW UPPER GLASS RUN SUPPORT</b>				
	59	59C, 59D, 64A, 64B, 64F, 64H		B9A 6430169-A	2
<b>30230</b>	<b>BAR ASSY. - QUARTER WINDOW DIVISION</b>				
	53/54	59		BA 5930230-A	2
<b>30244</b>	<b>BRACKET ASSY. - QUARTER WINDOW REGULATOR STABILIZER ARM</b>				
	58/	S		B8S 6330244-A	2
			1/4" External tooth lockwasher	34940-S7(X88)	4
			1/4"-20 Hex. nut	33795-S8(M49)	4
<b>30276</b>	<b>COVER - QUARTER WINDOW WEATHERSTRIP UPPER RETAINER JOINT</b>				
	57/58	63		B7A 6330276-A	2
<b>30304-5</b>	<b>DRIVE ASSY. - QUARTER WINDOW POWER-LIFT REGULATOR</b>				
	55	60	R. H. -55: 1 ratio-Replaced by B7A 6423394-A	*B5A 6030304-A	1
			L. H. -Replaced by B7A 6423395-A	*B5A 6030305-A	1
	57	51A	R. H. -Replaced by 1 each of COLB 6323394-A, B7A 5130380-B, B7A 7023440-A	*B7A 5130304-A	1
			L. H. -Replaced by 1 each of COLB 6323394-A, B7A 5130381-B, B7A 7023440-A	*B7A 5130305-A	1
	57/58	51A	Replaced by COLB 6323394-A	*B7A 5130304-B	2
	57/58	63, 64, 70A, 70B	R. H.	B5A 6030304-A	1
			L. H.	B5A 6030305-A	1
	58/59	S "Before 4/13/59"	R. H.	B8S 6330304-A	1
			L. H.	B8S 6330305-A	1
	59	A	Front door-Replaced by COLB 6323394-A	*B7A 5130304-B	2
	59	51A, 76B	Quarter		2
	57/59	A, S	No. 10-32 x 1" Cross recess binding head screw	50555-S8 (U160)	6or12
			No. 10 Lockwasher	34803-S7 (X60)	6or12
	59/	S	R. H.	C0SB 6330304-A	1
			L. H.	C0SB 6330305-A	1
<b>30306-7</b>	<b>REGULATOR ASSY. - REAR QUARTER WINDOW - MANUAL</b>				
	55	60	R. H.	B5A 6030306-A	1
			L. H.	B5A 6030307-A	1
			3/8"-24 Set screw	354273-S7(UU109)	2
	55/56	64	R. H.	B5A 6430306-A	1
			L. H.	B5A 6430307-A	1
	55/56	70A, 70B, 70C	R. H.	B5A 7030306-A	1
			L. H.	B5A 7030307-A	1
	55/56	76	R. H.	B5A 7630306-D	1
			L. H.	B5A 7630307-D	1
	55/56	60, 64, 70B, 70C, 70D, 76	Roller ass'y.	BA 7023240-A	2or6
	57/58	51A	R. H.	B7A 5130306-A	1
			L. H.	B7A 5130307-A	1
	57/58	63	R. H.	B7A 6330306-A	1
			L. H.	B7A 6330307-A	1
	57/58	64	R. H.	B7A 6430306-A	1
			L. H.	B7A 6430307-A	1
	57/58	70A, 70B	R. H.	B7A 7030306-A	1
			L. H.	B7A 7030307-A	1
	57/58	76B	R. H.	B7A 7630306-A	1
			L. H.	B7A 7630307-A	1
	57/58	51A, 63, 64, 70A, 70B, 76B, S	Roller assy.	BA 7023240-A	2or6
	53/58	51A, 60, 63, 64, 70, 72B, 76B, S	No. 12-24 x 3/8" Hex. washer head screw	354666-S2(BB568)	8
	58/59	S	R. H.	B8S 6330306-B	1
			L. H.	B8S 6330307-B	1
			5/16"-24 x .88" Hex. washer head screw	352628-S2(BB586)	8
	59	51A	R. H.	B9A 5130306-A	1
			L. H.	B9A 5130307-A	1

# FORD CAR PARTS

## BODY SECTION 300

801

GROUP NUMBER	YEAR	BODY TYPE	DESCRIPTION	PART NUMBER	QTY. PER VEHICLE
<b>30306-7 REGULATOR ASSY. - REAR QUARTER WINDOW - MANUAL - continued</b>					
	59	59C, 59D, 64A, 64B, 64F, 64H	R. H.	B9A 6430306-A	1
			L. H.	B9A 6430307-A	1
			5/16"-24 x .62" Screw & washer assy.	359605-S8(BB590)	8
			Roller assy.	COAB 6423240-A	2or6
	59	63A, 65A	R. H.	B9A 6330306-A	1
			L. H.	B9A 6330307-A	1
	59	76B	R. H.	B9A 7630306-A	1
			L. H.	B9A 7630307-A	1
<b>30322 HANDLE ASSY. - QUARTER WINDOW - INCLUDES SPRING RETAINER</b>					
	53/54	60, 76		1A 7630322	2
			Retainer-spring	357550-S (QQ1)	2
	55/56	76B	Quarter -Refer to Group 23342		
	59	51A, 76B	Refer to Group 23342		
<b>30344-5 PLATE - QUARTER WINDOW HINGE RETAINING</b>					
	57/58	76B	R. H.	B7A 7630344-A	1
			L. H.	B7A 7630345-A	1
<b>30348 SPRING - QUARTER WINDOW REGULATOR GUIDEROLLER</b>					
	57/58	63, 64, 70A, 70B		B7A 6030348-A	4
			59	63A, 65A	4
<b>30351 SPRING - QUARTER POWER - LIFT WINDOW REGULATOR COUNTERBALANCE</b>					
	55/56	A(60, 64, 76B)		B5A 7630351-A	2
			57/59	A(51A, 76B)	2
	55/56	A(70A, 70B, 70C)		B5A 7030351-A	2
			59	A	2
			59	A(57A, 58, 71)	2
			59	A(59C, 62A, 63A, 64A, 64B, 64F, 64H)	2
<b>30363 BUTTON - QUARTER WINDOW HINGE ACCESS HOLE PLUG</b>					
	57/58	51A		B7A 5130363-A	6
<b>30370 RETAINER ASSY. - QUARTER WINDOW GUIDE BUTTON</b>					
	55/	A(76)		B5A 7630370-A	2
			1/4" External tooth lockwasher	34940-S7(X88)	4
			1/4" x 1" Fillister head screw	31128-S(U62)	4
<b>30374-5 BRACE - QUARTER WINDOW GUIDE</b>					
	53/54	60	R. H.	BA 6030374-A	1
			L. H.	BA 6030375-A	1
	53/54	76	R. H.	BA 7630374-A	1
			L. H.	BA 7630375-A	1
			1/4" Flat washer	44719-S8 (X17)	2
			1/4" Internal tooth lockwasher	34905-S7 (X97)	2
			1/4"-20 Hex. nut	33795-S8 (M49)	2
<b>30380-1 REGULATOR ASSY. - QUARTER POWER-LIFT WINDOW - LESS MOTOR, DRIVE, COUPLING and SPRING</b>					
	55/56	76	R. H.	B5A 7630380-C	1
			L. H.	B5A 7630381-C	1
	57/58	51A	R. H.	B7A 5130380-B	1
			L. H.	B7A 5130381-B	1
	57/58	63	R. H.	B7A 6330380-A	1
			L. H.	B7A 6330381-A	1
	57/58	64	R. H.	B7A 6430380-A	1
			L. H.	B7A 6430381-A	1
	57/58	76	R. H.	B7A 7630380-A	1
			L. H.	B7A 7630381-A	1
	58/59	S "Before 4/13/59"	R. H.	B8S 6330380-B	1
			L. H.	B8S 6330381-B	1

**BODY  
SECTION 300**
**FORD CAR PARTS**

GROUP NUMBER	YEAR	BODY TYPE	DESCRIPTION	PART NUMBER	QTY. PER VEHICLE
<b>30380-1 REGULATOR ASSY. - QUARTER POWER-LIFT WINDOW - LESS MOTOR, DRIVE, COUPLING and SPRING- continued</b>					
59	51A		R. H.	B9A 5130380-A	1
			L. H.	B9A 5130381-A	1
59	59C, 59D, 64A, 64B, 64F, 64H		R. H.	B9A 6430380-A	1
			L. H.	B9A 6430381-A	1
59	63A, 65A		R. H.	B9A 6330380-A	1
			L. H.	B9A 6330381-A	1
59	76B		R. H.	B9A 7630380-A	1
			L. H.	B9A 7630381-A	1
59/	S	"From 4/13/59"	R. H.	B9SB 6330380-A	1
			L. H.	B9SB 6330381-A	1
<b>30390 COUPLING - QUARTER WINDOW POWER-LIFT REGULATOR DRIVE</b>					
57	51A		NOTE 1	B7A 5130390-A	2
<b>30416-7 EXTENSION ASSY. - QUARTER WINDOW GUIDE BRACE</b>					
57/58	76		R. H.	B7A 7630416-A	1
			L. H.	B7A 7630417-A	1
59	76B		R. H.	B9A 7630416-A	1
<b>30492 RETAINER - QUARTER WINDOW FRONT GUIDE ROLLER</b>					
58/	S			B8S 6330492-A	2
			No. 8-32 x 1/4" Cross recess round head screw	26457-S7(U167)	4
			1/4"-20 x 3/4" Hex. head bolt	20344-S8(B42)	4
			1/4" External tooth lockwasher	34940-S7(X88)	4
<b>30504-5 FRAME ASSY. - QUARTER WINDOW GLASS</b>					
57/58	64		R. H.	B7A 6430504-A	1
			L. H.	B7A 6430505-A	1
59	59		R. H.	B9A 5930504-A	1
			L. H.	B9A 5930505-A	1
<b>30534-5 FRAME - QUARTER WINDOW GLASS UPPER - OUTER</b>					
56/57	40B		R. H.	B6S 4030534-A	1
			L. H.	B6S 4030535-A	1
<b>30540-1 FRAME and PILLAR ASSY. - QUARTER WINDOW LOCK - UPPER</b>					
59	64		R. H.	B9A 6430540-A	1
			L. H.	B9A 6430541-A	1
<b>30556 PIN - QUARTER WINDOW FRAME HINGE</b>					
57/59	51A			B7A 5130556-A	2
			No. 10-32 x 3/8" Headless set screw	*89423-S8	2
55/	A(76)			B2A 7630556-A	2
53/	A(76)		1/4"-20 Bolt-use to remove pin		
53/59	A(76)		No. 10-32 x 3/8" Headless set screw	*89423-S8	2
55/	A(76)		No. 10-24 x 1/4" Hex. socket set screw	356806-S8(UU29)	2
<b>30702-3 RECEPTACLE ASSY. - QUARTER ASH - INCLUDES COVER</b>					
53/54	60		Refer to Group 04821		
55/56	59B, 70B, 70C		R. H.	B5A 7030702-A	1
			L. H.	B5A 7030703-A	1
55/56	60, 64, 76		Refer to Group 04821		
57/	A(51A, 63, 76)		Refer to Group 04821		
57/58	59B, 63B, 64, 70B		R. H.	B5A 7030702-A	1
			L. H.	B5A 7030703-A	1
59	59C, 59D, 63A, 64A, 64B, 64F		R. H.	B9A 6430702-A	1
			L. H.	B9A 6430703-A	1
59	64H, 65A			B9AB 6530702-A	2

NOTE 1 - Before 6/2/57, For Units From Refer to Group 23440.

# FORD CAR PARTS

## BODY SECTION 300

803

GROUP NUMBER	YEAR	BODY TYPE	DESCRIPTION	PART NUMBER	QTY. PER VEHICLE
<b>30714 RETAINER ASSY. - QUARTER ASH RECEPTACLE</b>					
	53/54	59A, 79	Paint cover to match-Accessory	BA 7230714-AP	1
	54	59B			1
	53/54	72B			2
			No. 8 x 3/4" Cross recess oval-head screw	52360-S13(U294)	4
			No. 12 Nut (speed)	350786-AS7(MM239)	4
	59	51A, 76B	Paint cover to match	B9A 7630714-A	2
	59	65A		B9A 6530714-A	2
	53/54	60	Paint cover to match	B8A 6330714-A	2
	55/56	A(64, 76B)			2
	57/58	A(51A, 63A, 76B)			2
<b>31050 COVER - QUARTER TRIM PANEL JOINT</b>					
	57/58	59, 79	Paint to match	B7A 5931050-AP	2
	59	59C, 59D, 71			2
	59	59E	Paint to match	B9AB 5931050-AP	2
<b>31068 RETAINER - QUARTER TRIM PANEL</b>					
	59	71	L. H. -Front	B9A 7131068-A	1
<b>31090-1 SHIELD - QUARTER TRIM WATER</b>					
	57/58/	A S	Refer to Group 20318		
<b>31140-1 MOULDING and RETAINER ASSY. - QUARTER TRIM - UPPER</b>					
	58	51A		B8A 5131140-A	2
	58	59B, 70B	L. H.	B8A 7031141-A	1
	59	63A, 64B	R. H.	B9A 6431140-A	1
			L. H.	B9A 6431141-A	1
	59	64A	R. H.	B9A 6331140-A	1
			L. H.	B9A 6331141-A	1
	59	64H, 65A	R. H.	B9A 6531140-A	1
			L. H.	B9A 6531141-A	1
			No. 8 x 7/8" Cross recess oval head screw	52368-S23(U295)	2
<b>31214-5 MOULDING ASSY. - QUARTER TRIM - LOWER</b>					
	53	60B	R. H. -6.38" long	BA 6031214-A	1
			L. H.	BA 6031215-A	1
<b>31346-7 RETAINER - QUARTER PILLAR WINDLACE - LOWER</b>					
	53/54	73, 79	R. H.	BA 7331346-C	1
<b>31348 RETAINER - QUARTER PILLAR WINDLACE - UPPER</b>					
	57/58	A(79)		B7A 7931348-A	8
	59	A(54A, 58, 59, 64, 66C, 71)			2or4
<b>31354-5 PANEL - QUARTER PILLAR FINISH - LOWER</b>					
	57/58	66	R. H. -Paint to match	B7A 6631354-AP	1
<b>31402-3 RETAINER - QUARTER ARM REST PANEL TO BRACE - UPPER</b>					
	58/	S	R. H.	B8S 6331402-A	1
			L. H.	B8S 6331403-A	1
			No. 8 x 3/8" Cross recess pan hd. self-tapping screw	52720-S8(U380)	4
<b>31404-5 RETAINER - QUARTER ARM REST TO BRACE - LOWER</b>					
	58/	S	R. H.	B8S 6331404-A	1
			L. H.	B8S 6331405-A	1
			No. 8 x 3/8" Cross recess pan hd. self-tapping screw	52720-S8(U380)	4
<b>31662 CLIP - QUARTER ARM REST</b>					
	55/56	59A, 59B, 70A, 70B, 70C		B5A 7031662-A	2
	57/58	A(59B, 63B, 64, 70A, 70B)			2
	59	A(59, 63A, 64A, 64B, 64F, 64H)			2

**BODY  
SECTION 300**
**FORD CAR PARTS**

GROUP NUMBER	YEAR 19____	BODY TYPE	DESCRIPTION	PART NUMBER	QTY. PER VEHICLE
<b>40010</b>	<b>GATE ASSY. - LIFT</b> - Less Hinges, Paint, Trim and Glass.				
	57/58	59, 79		B7A 5940010-AP	1
			Bumper	358713-S(CC16)	2
	57/58	78		B7A 7840010-AP	1
	59	59, 71		B9AB 5940010-B	1
			Bumper	11A 7023030-B	2
<b>40110</b>	<b>DOOR ASSY. - LUGGAGE COMPARTMENT</b> - Less Lock and Hinges. Drill Holes as Required.				
	55	60, 64, 70, 73, 76		B6A 7040110-A	1
	55/56	S	Less fuel filler pipe door	B5S 4040110-A	1
	56	57, 64, 70, 73, 76		B6A 7040110-A	1
	57	S		B7S 4040110-A	1
	57	57, 58, 63, 64, 76		B7A 6440110-A	1
	57	70, 73		B7A 7040110-A	1
	57/58	51A		B7A 5140110-A	1
	58	57, 58, 63, 64, 76B		B8A 6440110-A	1
	58	70, 73		B8A 7040110-A	1
	58/59	S(63A)	Replaced by (1) ea. COSB 6340110-B, COSB 6343279-A or COSB 3689-A, COSB 6343504-A	*B8S 6340110-A	1
	58/59	S(76A)		B8S 7640110-A	1
	59	51A		B9A 5140110-A	1
	59	54A, 57A, 58A, 58B, 63A, 64A, 64B, 64H, 65A, 75A, 76B		B9A 5840110-A	1
	59	58E, 64F, 64G		B9A 6440110-B	1
<b>40228-9</b>	<b>MOULDING - BACK BELT SIDE</b>				
	59	76B	R. H.	B9A 7640228-A	1
			L. H.	B9A 7640229-A	1
			No. 8-32 Stud fastener	358620-S100(HH33)	19
			No. 8-32 Nut	354917-S8(MM1)	19
<b>40238-9</b>	<b>MOULDING ASSY. - BACK BELT - OUTSIDE</b>				
	57/58	76B	R. H.	B7A 7640238-A	1
			L. H.	B7A 7640239-A	1
			No. 8-32 Stud fastener	358620-S100(HH33)	10
			No. 8-32 Nut	354917-S8(MM1)	10
<b>40240</b>	<b>COVER - BACK BELT MOULDING JOINT</b>				
	59	76B		B9A 7640240-A	1
<b>40242-3</b>	<b>MOULDING - BACK BELT - OUTSIDE</b>				
	53/54	59, 79	R. H. - Tail gate	BA 5940242-A	1
	53/54	60	L. H.	BA 6040243-A	1
			No. 10 Internal tooth lockwasher	34903-S8(X96)	2to14
			No. 10-24 Hex. nut	34053-S8(M156)	2to14
			Special flat washer -use M-5397-B Sealer		
			Retainer assy. (moulding)	357769-S7(RR15)	2or14
	53/54	59, 60, 78, 79	Clip (moulding)	357862-S2(GG36)	4
	55	59B, 79	R. H. - Tail gate	B5A 5940242-A	1
			L. H.	B5A 5940243-A	1
	56	59C, 79	R. H. - Tail gate	B5A 5940242-A	1
			L. H.	B5A 5940243-A	1
	55/56	78	'Before 6/1/56" Back door	B5A 7840242-A	1
	55/56	59, 79	When back door is used	B5A 7840242-A	1
			Retainer-when back door is used	B5A 5940250-A	6
			Clip (moulding)	358560-S100(RR45)	2
			No. 10 Flat washer	44716-S8(X15)	2
			No. 10 Internal tooth lockwasher	34903-S8(X96)	2
			No. 10-24 Hex. nut	34053-S8(M156)	2
	57/58	66	Tail gate	B7A 6640242-A	1
			No. 8 x 1/2" Cross recess oval head screw	52344-S13(U292)	11



# FORD CAR PARTS

## BODY SECTION 400

805

GROUP NUMBER	YEAR 19	BODY TYPE	DESCRIPTION	PART NUMBER	QTY. PER VEHICLE
<b>40242-3 Moulding - BACK BELT - OUTSIDE - continued</b>					
	57/58	76B	Center	B7A 7640242-A	1
			No. 8-32 Stud fastener	358620-S100(HH33)	8
			No. 8-32 Nut	354917-S8(MM1)	8
	57/58	79E	R. H. - Lift gate	B7A 7940242-A	1
			L. H. - Lift gate	B7A 7940243-A	1
			No. 8-32 x 1/4" Truss head screw	359476-S8(BB821)	12
			Retainer (moulding)	B7A 7921060-A	12
	59	66C		B9A 6640242-A	1
			No. 8 x 1 1/2" Cross recess oval head screw	52388-S13(U298)	11
	59	71G		B9A 7140242-A	1
			No. 6 x 3/4" Oval head sheet metal screw	33000-S13(U330)	2
<b>40282 LETTER - GRILLE, LUGGAGE COMPARTMENT DOOR, LOWER BACK PANEL, SPARE WHEEL COVER OR TAIL GATE</b>					
	58	70, 73	"F" - On luggage compartment door	B8A 7040282-A	1
			"O" - On luggage compartment door	B8A 7040282-B	1
			"R" - On luggage compartment door	B8A 7040282-C	1
			"D" - On luggage compartment door	B8A 7040282-D	1
			1/8" Sleeve nut	353577-S2(MM222)	8
	58	59, 66, 70, 73, 78, 79	"F" - On front	B8A 7040282-A	1
			"O" - On front	B8A 7040282-B	1
			"R" - On front	B8A 7040282-C	1
			"D" - On front	B8A 7040282-D	1
			1/8" Sleeve nut	353577-S2(MM222)	8
	59	58E, 59C, 59E, 64F, 64G, 66C, 71H	"F" - On front	B8A 7040282-A	1
			"O"	B8A 7040282-B	1
			"R"	B8A 7040282-C	1
			"D"	B8A 7040282-D	1
			1/8" Sleeve nut	353577-S2(MM222)	8
	59/	A(except 58F, 59, 64H, 66C, 71)	"F" - On outside spare wheel cover	B8A 7040282-A	1
			"O"	B8A 7040282-B	1
			"R"	B8A 7040282-C	1
			"D"	B8A 7040282-D	1
			1/8" Sleeve nut	373528-S32(MM227)	8
<b>40290 PANEL ASSY. - UPPER BACK - INSIDE</b>					
	58/	S(63A)		B8S 6340290-A	1
			1/4"-20 x 2 1/2" Hex. head bolt and washer assy.	358511-S(BB555)	5
<b>40300 PANEL ASSY. - BACK</b>					
	57/58	66		B7A 6640300-B	1
	59	66C		B9A 6640300-A	1
<b>40310 PANEL ASSY. - UPPER BACK</b>					
	55/57	S		B7S 4040310-A	1
	57/58	57, 58, 63, 64		B7A 6440310-A	1
	57/58	70, 73		B7A 7040310-A	1
	57/58	76B		B7A 7640310-A	1
	58/	S(63A)		B8S 6340310-A	1
	59	57A, 58, 63A, 64		B9A 6440310-A	1
	59	76B		B9A 7640310-A	1
	59	54A, 64H, 65A, 75A		B9A 6540310-A	1
<b>40316 ORNAMENT ASSY. - LOWER BACK PANEL</b>					
	58	S	Replaced by (1) each B8S 13434-5-A	*B8S 6340316-A	2
<b>40320 PANEL ASSY. - BODY - LOWER BACK - Also Refer to Group 40324</b>					
	53/54	60, 70, 72, 73, 76		BF 7040320-A	1
	55	S		B5S 4040320-A	1
	56	S		B6S 4040320-A	1
	55/56	57, 60, 64, 70, 73, 76		B5A 7040320-A	1
	57	S		B7S 4040320-A	1
	57	51A		B7A 5140320-B	1
	57	57, 58, 63, 64, 70, 73, 76B		B7A 7040320-A	1
	58	S(63A)		B8S 6340320-A	1
	58	51A		B8A 5140320-A	1

GROUP NUMBER	YEAR	BODY TYPE	DESCRIPTION	PART NUMBER	QTY. PER VEHICLE
<b>40320</b>	<b>PANEL ASSY. - BODY - LOWER BACK - continued - Also Refer to Group 40324</b>				
	58	57, 58, 63, 64, 70, 73, 76B		B8A 7040320-A	1
	58/59	S		B8S 6340320-B	1
	59	51A		B9A 5140320-A	1
<b>40324</b>	<b>PANEL - LOWER BACK - Also Refer to Group 40320</b>				
	53/54	59, 78, 79		BA 5940324-A	1
	55/56	59, 78, 79		B5A 5940324-A	1
	57/58	59, 66, 78, 79	Drill holes as required	B8A 5940324-A	1
	59	54A, 57A, 58, 63A, 64, 65A, 75A, 76B		B9A 5840324-A	1
	59	59, 66C, 71		B9A 7140324-A	1
<b>40332</b>	<b>WEATHERSTRIP - LOWER BACK PANEL TO STONE GUARD</b>				
	57	S		B6S 4040332-A	1
<b>40356</b>	<b>ROD - LICENSE LAMP LEVELING</b>				
	55/56	59, 79		B5A 5940356-A	1
			3/8" -16 Hex. nut	33799-S7(M52)	2
			3/8" Flat washer	44727-S8(X24)	2
<b>40358</b>	<b>MOULDING ASSY. - LOWER BACK PANEL</b>				
	59	51A		B9A 5140358-A	1
			3/16" Nut (self threading)	370792-S7(MM285)	8
<b>40362</b>	<b>SPRING - LICENSE LAMP LEVELING ROD</b>				
	53/56	59, 79		BA 5940362-A	1
<b>40363</b>	<b>CLIP ASSY. - LOWER BACK PANEL MOULDING</b>				
	57	51A		B7A 5140363-A	5
	59	58A, 58E, 64A, 64F, 64G	Side vertical moulding	B9A 6340363-A	4
			No. 10-24 Nut & washer assy.	354397-S100(MM291)	4
<b>40364</b>	<b>GUSSET - REAR CORNER PILLAR TO ROOF RAIL</b>				
	57/58	59, 78, 79	R. H.	B7A 5940364-A	1
<b>40372-3</b>	<b>MOULDING - LOWER BACK PANEL</b>				
	57	51A		B7A 5140372-A	1
			Clip ass'y. (moulding)	B7A 5140363-A	5
			Clip ass'y. (moulding)	358560-S100(RR45)	2
			No. 10-24 Nut & washer ass'y.	354397-S100(MM291)	2
<b>40406</b>	<b>MOULDING - UPPER BACK PANEL GARNISH</b>				
	55/57	S		B5S 4040406-B	1
<b>40408-9</b>	<b>MOULDING - UPPER BACK PANEL GARNISH FINISH</b>				
	55/57	S	R. H.	B5S 4040408-B	1
			L. H.	B5S 4040409-B	1
			Clip ass'y. (moulding)	354780-S100(RR43)	6
			No. 10 Flat washer	44713-S8(X13)	6
			No. 10 Internal tooth lockwasher	34903-S8(X96)	6
			No. 10-24 Hex. nut	34053-S8(M156)	6
<b>40422</b>	<b>PANEL - TAIL GATE INSIDE BELT FINISH</b>				
	57/58	59, 79	Paint to match	B7A 5940422-AP	1
	57/58	78	Cut & drill as required		1
			No. 8 x 1 1/2" Cross recess oval head screw	52388-S13(U298)	5
	59	A(59, 71)	Paint to match	B9A 7140422-A	1
	59/	A(59, 71)	No. 8 x 7/8" Cross recess oval head screw	52368-S23(U295)	5
<b>40426</b>	<b>BUMPER ASSY. - TAIL GATE TO PILLAR</b>				
	57	59, 66, 79		B7A 5940426-A	2
	58	59, 79			2
	59	59, 71	On pillar	B9AB 5940426-A	2
	58/59	A(66)		B8A 6640426-A	2

# FORD CAR PARTS

## BODY SECTION 400

807

GROUP NUMBER	YEAR 19	BODY TYPE	DESCRIPTION	PART NUMBER	QTY. PER VEHICLE	
<b>40434</b>	<b>BUMPER ASSY. - LIFT GATE or TAIL GATE</b>					
	53/54	59, 79	On rear corner pillar	BF 5940434-A	2	
	55/56	59, 79	On lift gate-side		2	
	55/56	59, 79	On tail gate-side		2	
	57/58	78	Back door		2	
			No. 10 x 1/2" Pan head self tapping screw	32924-S7(U344)	4or8	
<b>40447</b>	<b>COVER - UPPER BACK PANEL GARNISH FINISH MOULDING CENTER JOINT</b>					
	55/57	S		B5S 4040447-A	1	
<b>40452</b>	<b>BUMPER ASSY. - LIFT GATE TO HEADER</b>					
	57/58	59, 79		B7A 5940452-A	1	
			No. 8 x 5/8" Binding head sheet metal screw	32930-S7(U340)	1	
<b>40462-3</b>	<b>PANEL - REAR CORNER INNER FINISH - LOWER</b>					
	57/58	59, 78, 79	R. H. -Paint to match	B7A 5940462-AP	1	
			L. H.	B7A 5940463-AP	1	
			No. 10 x 2" Round head screw	354563-S8(UU92)	16	
	59	59, 71	R. H. -Paint to match	B9A 7140462-A	1	
			L. H.	B9A 7140463-A	1	
<b>40466</b>	<b>PLATE - LOWER BACK PANEL NAME</b>					
	58	51A, 57, 58, 59, 63, 64, 76, 79	"Ford Air Suspension"	B8A 6440466-A	1	
			1/8" Nut (sleeve type)	353577-S2(MM222)	3	
<b>40502</b>	<b>PANEL ASSY. - UPPER BACK FINISH</b>					
	58/	S(76A)		B8S 7640502-A	1	
<b>40527</b>	<b>RETAINER - BACK DOOR CHECK ASSIST SPRING - ON BODY</b>					
	57/58	78	"From 3/1/57"	B7A 7840527-A	1	
			1/4"-20 x 1/2" Hex head bolt	20308-S7(B40)	3	
			1/4" Lockwasher	34805-S7(X62)	3	
			1/4"-20 Hex.nut	33795-S7(M49)	3	
<b>40582-3</b>	<b>HINGE ASSY. - UPPER BACK FINISH PANEL</b>					
	58	S(76A)	"Before 9/4/58"	R. H.	B8S 7640582-A	1
				L. H. -Replaced by B8S 7640583-B (8-63)	*B8S 7640583-A	1
	58/59	S(76A)	"From 9/4/58"	R. H.	B8S 7640582-B	1
				L. H.	B8S 7640583-B	1
			1/4"-20 x 5/8" Hex. head bolt	20324-S8(B41)	4	
			5/16"-18 x 1" Hex. head screw & washer assy.	*370385-S7	4	
			1/4"-20 Hex. nut	33795-S7(M49)	4	
			1/4" Flat washer	44719-S8(X17)	4	
			1/4" Lockwasher	34805-S8(X62)	4	
			3/32" x 1" Pin (cotter)	72034-S(N45)	4	
<b>405A86</b>	<b>ORNAMENT ASSY. - FUEL FILLER OPENING LID</b>					
	59/	A(except Fairlane)	On hood	C1AB 64405A86-A	1	
			Use with 89A 16644-A (Bezel - Pg.615)			
<b>40600</b>	<b>SNAP RING - LUGGAGE COMPARTMENT DOOR LIFT</b>					
	57/58	51A		B7A 5140600-A	2	
<b>40610</b>	<b>NUT and HOUSING ASS'Y. - LUGGAGE COMPARTMENT DOOR LOCK</b>					
	57/59	A(51A)		B7A 5140610-A	2	
			3/8"-24 x 1.62" Hex. head bolt	359431-S8(BB505)	2	
			1 3/4" Cup washer	359448-S8(XX29)	2	
			3/8" Flat washer (rubber)	359447-S(XX148)	4	
			3/8"-24 Hex. nut	33925-S7(M33)	2	
<b>40618-9</b>	<b>TRANSMISSION ASS'Y. - LUGGAGE COMPARTMENT DOOR LOCK</b>					
	57/59	51A	R. H. -Less casing and cable	B7A 5140618-A	1	
			L. H.	B7A 5140619-A	1	
			5/16"-24 x 1.625" Round head square shoulder bolt	359458-S8(BB702)	1	
			5/16"-24 x 1 3/4" Carriage bolt	*23499-S8	3	
			5/16" Flat washer	44722-S8(X19)	3	
			5/16"-24 Nut(check)	33923-S7(M32)	4	

GROUP NUMBER	YEAR 19	BODY TYPE	DESCRIPTION	PART NUMBER	QTY. PER VEHICLE
<b>40628</b>	<b>DOOR ASSY. - LUGGAGE COMPARTMENT FUEL FILLER PIPE</b>				
	55	S		B5S 4040628-A	1
	56	S		B6S 4040628-A	1
	55/56	S	Bumper	357170-S-A1(CC9)	2
<b>40628</b>	<b>LID ASSY. - LOWER BACK PANEL FUEL FILLER OPENING - WITH HINGES</b>				
	59	54A, 57A, 58, 63A, 64, 65A, 75A, 76B		B9A 6440628-A	1
			Bumper	B9A 6440639-A	2
<b>40630</b>	<b>REINFORCEMENT - LUGGAGE COMPARTMENT DOOR INSIDE PANEL AT LOCK</b>				
	58	57, 58, 63, 64, 70, 73, 76		B8A 7040630-A	1
<b>40635</b>	<b>HINGE ASS'Y. - LUGGAGE COMPARTMENT FUEL FILLER PIPE DOOR</b>				
	55/56	S		B5S 4040635-A	1
			No. 8 x 3/4" Pan head screw & washer ass'y.	*43243-S8	3
			No. 8-32 Hex. nut	34052-S7(M155)	3
<b>40639</b>	<b>BUMPER - LUGGAGE COMPARTMENT FUEL FILLER PIPE DOOR</b>				
	55/56	S	Replaced by 357170-SA	*B5S 4040639-A	2
<b>40639</b>	<b>BUMPER - FUEL FILLER OPENING LID</b>				
	59	54A, 57A, 58, 63A, 64, 65A, 75A, 76B		B9A 6440639-A	2
<b>40654-5</b>	<b>LIFT ASSY. - LUGGAGE COMPARTMENT DOOR - LESS BRACKET</b>				
	57/59	51A	R. H.	B7A 5140654-A	1
			L. H.	B7A 5140655-A	1
			3/8"-24 x 2.50" Hex. head bolt	351816-S(BB224)	2
			3/8" x .80" Pin	359415-S8(NN51)	2
			Snap ring	B7A 5140600-A	2
			3/8" Lockwasher	34807-S7(X66)	2
			3/8"-24 Hex. nut	33800-S8(M63)	2
<b>40656</b>	<b>BRACKET ASSY. - LUGGAGE COMPARTMENT DOOR ACTUATOR</b>				
	57/59	51A	On body	B7A 5140656-A	2
			5/16" Flat washer	44722-S8(X19)	4
			5/16" External tooth lockwasher	*34941-S7	4
			5/16"-24 x 3/4" Hex. head bolt	20347-S8(B156)	4
<b>40670</b>	<b>CASING and CABLE ASSY. - LUGGAGE COMPARTMENT DOOR LOCK DRIVE</b>				
	57/59	51A		C0SB 7640670-A	2
	59	51A	Rear roof lock drive		2
<b>40674</b>	<b>SPACER - LUGGAGE COMPARTMENT DOOR LOCK TRANSMISSION MOUNTING</b>				
	57/59	A(51A)		B7A 5140674-A	4
<b>40688</b>	<b>PANEL ASSY. - TAIL GATE UPPER FINISH</b>				
	57/58	66		B7A 6640688-A	1
	59	66C		B9A 6640688-A	1
	57/59	66	No. 8 x 1/2" Cross recess pan head screw	52726-S13(U381)	6
<b>40692</b>	<b>CABLE - LUGGAGE COMPARTMENT DOOR LOCK DRIVE</b>				
	57/59	51A		B7A 5140692-A	2
	59	51A	Rear roof lock drive		2
<b>40702</b>	<b>GATE ASSY. - TAIL - Less Paint and Trim</b>				
	55/56	59, 79		B6A 5940702-BP	1
			5/16"-24 x 3/4" Hex. head bolt	20347-S8(B156)	8
			5/16" Lockwasher	34806-S7(X64)	8
			5/16" Flat washer	44722-S8(X19)	8
	56	59, 79	5/16"-24 x .88" Hex. washer head bolt	352628-S2(BB586)	8
	57	59, 66, 79		B7A 5940702-AP	1
	57/58	78	Lower	B7A 7840702-AP	1
	57	59, 79	Lower-when back door is used-less paint & trim	B7A 7840702-AP	1
	57/58	59, 79	Bumper-on bottom of tail gate	358713-S(CC16)	2
	58	59, 79		B8A 5940702-A	1
	58	66		B7A 5940702-AP	1

# FORD CAR PARTS

## BODY SECTION 400

809

GROUP NUMBER	YEAR	BODY TYPE	DESCRIPTION	PART NUMBER	QTY. PER VEHICLE
<b>40709</b>		<b>GATE ASSY. - TAIL- LESS HOLES and HINGES</b> - Less Paint and Trim			
	59	59, 66C, 71		B9A 5940709-A	1
			5/16"-24 x .88" Hex. washer head screw	352628-S2(BB586)	1
	59	59, 71	Bumper-on bottom of tail gate	11A 7023030-B	1
	59	59, 71	Bumper-lift gate		2
<b>40719</b>		<b>MOULDING ASSY. - TAIL GATE OUTSIDE</b>			
	59	59C, 59D, 71E, 71F, 71H		B9AB 5940719-A	1
			No. 10-24 Nut and washer assy.	354397-S100(MM291)	6
<b>40726</b>		<b>PANEL - TAIL GATE INSIDE FINISH</b>			
	56/59		Refer to Soft Trim Sections		
<b>40902</b>		<b>FRAME ASSY. - TAIL GATE FINISH</b>			
	56	79C		B6A 7940902-A	1
	57	79E		B7A 7940902-A	1
	56/57	79C, 79E	5/16"-18 Capped sleeve nut	352353-S23(MM217)	4
			No. 10x 1 1/2" Pan head self-tapping screw	32958-S7(U348)	2
			No. 10A Spring nut	357215-S32(MM267)	2
			5/16"-18 x 1/2" Hex head bolt	20310-S8(B48)	4
			5/16" Lockwasher	34806-S7(X64)	4
			No. 14 x 1/4" Cross recess round head screw	353557-S8(UU58)	2
			No. 14A Nut (spring)	352517-S32(MM238)	2
	58	79E		B8A 7940902-A	1
			Fastener Assy.	B9AB 7150108-D	7
			No.10-32 x 1 1/4" Cross recess pan head screw	*50564-S8	7
			Retainer (cap)	358403-S2 (GG54)	7
			Cap	358404-S(DD1)	7
	59	71G		B9A 7140902-A	1
			Fastener assy.	B8A 5650067-A	4
			No. 10-32 x 1" Cross recess binding head screw	50555-S8(U160)	4
			Retainer (cap)	358403-S2(GG54)	4
			Cap	358404-S(DD1)	4
<b>40930-1</b>		<b>MOULDING - TAIL GATE OPENING - SIDE</b>			
	57/58	66	R. H.	B7A 6640930-A	1
			L. H.	B7A 6640931-A	1
			No. 10 x 7/8" Oval head screw	52369-S13(U304)	6
	59	66C	R. H.	B9A 6640930-A	1
			L. H.	B9A 6640931-A	1
<b>40986</b>		<b>MOULDING - LOWER BACK PANEL SIDE - VERTICAL</b>			
	59	58A, 58E, 64A, 64F, 64G		B9A 5840986-A	2
			Clip assy.	B9A 6340363-A	4
			No. 10-24 Nut & washer assy.	354397-S100(MM291)	4
	59	58A, 58E, 64A, 64F, 64G	Includes attaching parts	B9A 5840986-B	2
<b>41020-1</b>		<b>REINFORCEMENT ASSY. - REAR CORNER PILLAR - UPPER</b>			
	59	59, 71	R. H.	B9A 7141020-A	1
			L. H.	B9A 7141021-A	1
<b>41022-3</b>		<b>PILLAR ASSY. - REAR CORNER - LOWER</b>			
	57	59, 66, 78, 79	R. H. - Fill striker plate holes when necessary	B7A 5941022-A	1
			L. H.	B7A 5941023-A	1
	58	66	R. H.	B7A 5941022-A	1
			L. H.	B7A 5941023-A	1
	59	59, 71	R. H.	B9AB 5941022-A	1
			L. H.	B9AB 5941023-A	1
	59	66C	R. H.	B9AB 6641022-A	1
			L. H.	B9AB 6641023-A	1
<b>41024-5</b>		<b>PILLAR and EXTENSION ASSY. REAR CORNER - LOWER</b>			
	58	59, 79	R. H.	B8A 5941024-A	1
			L. H.	B8A 5941025-A	1

**BODY  
SECTION 400**
**FORD CAR PARTS**

GROUP NUMBER	YEAR 19	BODY TYPE	DESCRIPTION	PART NUMBER	QTY. PER VEHICLE
<b>41032-3 PILLAR ASSY. - REAR CORNER</b>					
	53/54	78	R. H.	BA 7841032-A	1
			L. H.	BA 7841033-A	1
	57/58	59, 78, 79	R. H. -Upper	B7A 5941032-A	1
			L. H.	B7A 5941033-A	1
	59	59, 71	R. H.	B9A 5941032-A	1
			L. H.	B9A 5941033-A	1
	59	66C	R. H.	B9A 6641032-A	1
			L. H.	B9A 6641033-A	1
<b>41054-5 EXTENSION - REAR CORNER LOWER PILLAR</b>					
	57/58	59, 78, 79	R. H.	B7A 5941054-A	1
			L. H.	B7A 5941055-A	1
	59	59, 71	R. H.	B9A 5941054-A	1
			L. H.	B9A 5941055-A	1
<b>41056-7 REINFORCEMENT - REAR CORNER PILLAR</b>					
	55/56	59, 79	R. H.	B5A 5941056-A	1
	57/58	59, 78, 79	R. H. -Upper	B7A 5941056-A	1
			L. H.	B7A 5941057-A	1
<b>41058-9 REINFORCEMENT - REAR CORNER LOWER PILLAR</b>					
	57/58	59, 78, 79	R. H.	B7A 5941058-A	1
			L. H.	B7A 5941059-A	1
	59	59, 71	R. H.	B9A 5941058-A	1
			L. H.	B9A 5941059-A	1
<b>41078 ANTI-SQUEAK - REAR CORNER PILLAR</b>					
	59	A(59, 71)	Rubber-Cut to 37" long	C0AB 5941078-A	2
	57/58	A(59, 78, 79)	Rubber -35.85" long	B7A 5941078-A	2
<b>41302 RAIL ASSY. - LIFT GATE or BACK WINDOW HEADER</b>					
	55/56	59, 78, 79		B5A 5941302-A	1
	57	59, 79	When back door is used	B7A 7841302-A	1
	57/58	59, 79		B7A 5941302-B	1
	57/58	78		B7A 7841302-A	1
	59	59, 71		B9AB 5941302-A	1
<b>41314-5 MOULDING - LIFT GATE HEADER RAIL - INNER</b>					
	57/58	59, 79	R. H. -Paint to match	B7A 5941314-BP	1
			L. H.	B7A 5941315-BP	1
			No. 8 x 1" Cross recess oval head screw	52376-S13(U296)	5
	59	59C, 59D, 71	R. H. -Paint to match	B9A 7141314-A	1
			L. H.	B9A 7141315-A	1
			Clip (joint)	B9A 5943341-A	1
<b>41608 WEATHERSTRIP ASSY. - TAIL GATE</b>					
	53/54	59, 79		BF 5941608-A	1
	55/56	59, 79	Lower	B5A 5941608-D	1
	57	59, 66, 79		B7A 5941608-A	1
	58	59, 79			1
	59	59, 66, 71)		∅ B9AB 5941608-A	1
<b>41614 WEATHERSTRIP ASSY. - TAIL GATE - UPPER</b>					
	55/56	59, 79		B5A 5941614-B	1
<b>41654 WEATHERSTRIP - BACK DOOR CENTER</b>					
	57	59, 79	When back door is used	B7A 7841654-A	1
	57/58	78			1
<b>41736-7 RAIL - QUARTER BELT SIDE</b>					
	55/56	40	R. H.	B5S 4041736-A	1
			L. H.	B5S 4041737-A	1
	57/58	51A	R. H.	B7A 5141736-A	1
			L. H.	B7A 5141737-A	1

# FORD CAR PARTS

## BODY SECTION 400

811

GROUP NUMBER	YEAR	BODY TYPE	DESCRIPTION	PART NUMBER	QTY. PER VEHICLE
<b>41736-7 RAIL - QUARTER BELT SIDE - continued</b>					
	57/58	63, 64	R. H.	B7A 6441736-A	1
			L. H.	B7A 6441737-A	1
	57/58	76B	R. H.	B7A 7641736-A	1
			L. H.	B7A 7641737-A	1
	59	51A	R. H.	B9A 5141736-A	1
			L. H.	B9A 5141737-A	1
	59	63A, 65A	R. H.	B9A 6341736-A	1
			L. H.	B9A 6341737-A	1
	59	76B	R. H.	B9A 7641736-A	1
			L. H.	B9A 7641737-A	1
	58/	S(63A)	R. H.	B8S 6341736-A	1
			L. H.	B8S 6341737-A	1
	58/	S(76A)	R. H.	B8S 7641736-A	1
			L. H.	B8S 7641737-A	1
<b>41745 STRIP ASSY. - BACK BELT RAIL TACKING - CENTER</b>					
	57/58	76B		B7A 7641745-A	1
	59	76B		B9A 7641745-A	1
			No. 10 x 1/2" Cross recess pan head screw	*52787-S15	8
<b>41772-3 STRIP ASSY. - BELT SIDE FRONT TACKING</b>					
	57/58	76B	R. H.	B7A 7641772-A	1
			L. H.	B7A 7641773-A	1
	59	76B	R. H.	B9A 7641772-A	1
			L. H.	B9A 7641773-A	1
<b>41782-3 STRIP ASSY. - BELT SIDE REAR TACKING</b>					
	58/	S(76A)	R. H.	B8S 7641782-A	1
			L. H.	B8S 7641783-A	1
<b>41818 HOUSING ASSY. - LUGGAGE COMPARTMENT DOOR COUNTER BALANCE SPRING</b>					
	58/59	S(76A)		B8S 7641818-A	2
<b>41826 PIN - LUGGAGE COMPARTMENT DOOR COUNTER BALANCE SPRING HOUSING PIVOT</b>					
	58/59	S(76A)		B8S 7641826-A	4
<b>41828 GUIDE ASSY. - LUGGAGE COMPARTMENT DOOR COUNTER BALANCE SPRING</b>					
	58/59	S(76A)		B8S 7641828-A	2
<b>41848 CATCH - LUGGAGE COMPARTMENT DOOR AUXILIARY HOOK</b>					
	58/59	S(76A)		B8S 7641848-A	1
<b>41858 BRACKET - LUGGAGE COMPARTMENT DOOR COUNTER BALANCE SPRING TO FLOOR</b>					
	58/59	S(76A)		B8S 7641858-A	2
<b>41868 BUMPER - LUGGAGE COMPARTMENT DOOR COUNTER BALANCE SPRING ARM STOP</b>					
	58/	S(76A)		B8S 7641868-A	2
<b>42004-6 GLASS ASSY. - BACK WINDOW</b>					
	53/54	59, 78, 79	Tempered glass -Clear	BA 5942006-A	1
	56	57	Tempered glass -Clear	B5A 6042006-A	1
	55/56	59, 78, 79	Tempered glass -Clear	B5A 5942006-A	1
	55/56	70, 73	Tempered glass -Clear	B5A 7042006-A	1
	55/57	40B	Tempered glass -Clear	B5S 4042006-A	1
			-Tinted	B5S 4042006-B	1
	57	59, 79	Tempered glass -Clear-Center-When back door is used	B7A 7842006-A	1
			-Tinted	B7A 7842006-B	1

GROUP NUMBER	YEAR 19	BODY TYPE	DESCRIPTION	PART NUMBER	QTY. PER VEHICLE
<b>42004-6 GLASS ASSY. - BACK WINDOW - continued</b>					
	57/58	57	Tempered glass -Clear	B7A 5742006-A	1
			-Tinted	B7A 5742006-B	1
	57/58	59, 79	Tempered glass -Clear-Lift gate	B7A 5942006-A	1
			-Tinted	B7A 5942006-B	1
	57/58	58, 63, 64	Tempered glass -Clear	B7A 6442006-A	1
			-Tinted	B7A 6442006-B	1
	57/58	70, 73	Tempered glass -Clear	B7A 7042006-A	1
			-Tinted	B7A 7042006-B	1
	57/58	78	Tempered glass -Clear-Back door-Center	B7A 7842006-A	1
			-Tinted	B7A 7842006-B	1
	57/59	51A	Tempered glass -Clear	B7A 5142006-A	1
			-Tinted	B7A 5142006-B	1
	57/59	66	Tempered glass -Clear	B7A 6642006-A	1
			-Tinted	B7A 6642006-B	1
	59	54A, 64H, 65A, 75A	Tempered glass -Clear	B9A 6542006-A	1
			-Tinted	B9A 6542006-B	1
	59	57A, 58, 63A, 64A, 64B, 64F, 64G	Tempered glass -Clear	B9AB 6442006-A	1
			-Tinted	B9AB 6442006-B	1
	59	59, 71	Tempered glass -Clear	B9A 5942006-A	1
			-Tinted	B9A 5942006-B	1
	58/	S(63A)	Tempered glass -Clear	B8S 6342006-A	1
			-Tinted	B8S 6342006-B	1
<b>42026-7 GLASS ASSY. - BACK WINDOW - SIDE</b>					
	57	59, 79	R.H. -Tempered glass-Clear-When back door is used	B7A 7842026-A	1
			L. H.	B7A 7842027-A	1
	57	59, 79	L.H.-Tempered glass-Tinted-When back door is used	B7A 7842027-B	1
	57/58	78	R. H. -Tempered glass-Clear	B7A 7842026-A	1
			L. H.	B7A 7842027-A	1
	57/58	78	L. H. -Tempered glass-Tinted	B7A 7842027-B	1
<b>42052 WEATHERSTRIP ASSY. - BACK DOOR WINDOW SIDE GLASS</b>					
	57/58	78		B7A 7842052-A	2
	57	59, 79	When back door is used		2
<b>42084 WEATHERSTRIP - BACK WINDOW GLASS</b>					
	53/54	70A, 72C, 73A		BA 7042084-E	1
	53/54	70B, 72B, 73B, 73C		BA 7042084-F	1
	53/54	79		BA 7942084-B	1
	54	59B			1
	55/56	59A, 78	Without mouldings-Use on Body Type 78 Before 6/1/56	B5A 5942084-C	1
	56	59A, 78	With mouldings-Use on Body Type 78 From 6/1/56	B5A 5942084-D	1
	55/56	59B, 59C, 79		B5A 5942084-D	1
	55/56	59, 79	When rear door is used	B5A 5942084-C	1
	55/56	64		B5A 6442084-C	1
	56	70A, 70D, 73A	With window mouldings	B5A 7042084-D	1
	55/56	70B, 70C, 73B, 73C		B5A 7042084-D	1
	55/57	40B		B5S 4042084-A	1
	57/58	57		B7A 5742084-A	1
	57/58	58, 63, 64		B7A 6442084-A	1
	57/58	59, 79		B7A 5942084-A	1
	57	59, 79	When rear door is used	B7A 7842084-A	1
	57/58	70, 73		B7A 7042084-A	1
	57/58	78		B7A 7842084-A	1
	57/59	51A		B7A 5142084-A	1
	59	54A, 64H, 65A, 75A		B9AB 5442084-A	1
	59	57A, 58A, 58B, 63A, 64A, 64B		B9AB 6442084-C	1
	59	58A, 58E, 64A, 64F, 64G- "From 10/30/58"		B9AB 6442084-D	1
	59	58E, 64F, 64G-"Before 10/30/58"		B9AB 6442084-B	1
	59	59C, 59D, 71		B9A 5942084-A	1
	59	59E		B9AB 5942084-C	1
	57/59	66		B7A 6642084-B	1
	58/	S(63A)		B8S 6342084-A	1
			Retainer	B8S 6342423-A	2



# FORD CAR PARTS

## BODY SECTION 420

813

GROUP NUMBER	YEAR 19__	BODY TYPE	DESCRIPTION	PART NUMBER	QTY. PER VEHICLE
<b>42208</b>		<b>FRAME ASSY. - BACK WINDOW - UPPER</b>			
	57/58	57		B7A 5742208-A	1
	57/58	58, 63, 64		B7A 6442208-A	1
	57/58	70, 73		B7A 7042208-A	1
<b>42220</b>		<b>FRAME - BACK WINDOW - UPPER</b>			
	59	54A, 64H, 65A, 75A		B9A 6542220-A	1
	59	57A, 58, 63A, 64A, 64B, 64F, 64G		B9A 5842220-A	1
<b>42222-3</b>		<b>FRAME - BACK WINDOW - SIDE</b>			
	59	66C	R. H.	B9A 6642222-A	1
			L. H.	B9A 6642223-A	1
<b>42248-9</b>		<b>FRAME ASSY. - BACK WINDOW - SIDE</b>			
	57/58	66	R. H.	B7A 6642248-A	1
			L. H.	B7A 6642249-A	1
	58/	S(63A)	R. H. - Cut 1" hole for drain hose when needed	C0SB 6342248-A	1
			L. H.	C0SB 6342249-A	1
<b>42256-7</b>		<b>EXTENSION - BACK WINDOW TO QUARTER PANEL</b>			
	57/58	66	R. H.	B7A 6642256-A	1
			L. H.	B7A 6642257-A	1
<b>42404-5</b>		<b>MOULDING - BACK WINDOW OUTSIDE - LOWER</b>			
	55	59B, 79	Lift gate	B5A 5942404-A	1
	55	70B, 70C	R. H.	B5A 7042404-A	1
			L. H.	B5A 7042405-A	1
	55	73B, 73C	L. H.	B5A 7342405-A	1
	56	59C, 79	Lift gate	B5A 5942404-A	1
	55/56	64	R. H.	B5A 6442404-B	1
			L. H.	B5A 6442405-B	1
	57	57, 58B, 63A, 64B		B7A 5742404-A	1
	57	58A, 63B, 64A "Before 11/5/56"	R. H.	B7A 6442404-A	1
			L. H.	B7A 6442405-A	1
	57	58A, 63B, 64A "From 11/5/56"		B7A 5742404-A	1
	57	59, 79	When back door is used	B7A 7842404-A	1
	58	57, 58, 63, 64		B7A 5742404-A	1
			No. 6 x 3/8" Binding head self-tapping screw	*32914-S8	2
	57/58	70, 73	R. H.	B7A 7042404-A	1
			L. H.	B7A 7042405-A	1
	57/58	78		B7A 7842404-A	1
	57/59	51A		B7A 5142404-A	1
	59	57A, 58, 63A, 64A, 64B, 64F, 64G		B9A 5742404-A	1
			No. 6-18 x 1/2" Cross recess flat head screw	52010-S8(U200)	2
	59	59C, 59D, 71E, 71F, 71H		B9A 7142404-A	1
	57/59	66		B7A 6642404-A	1
<b>42406-7</b>		<b>MOULDING - BACK WINDOW OUTSIDE LOWER CORNER</b>			
	56	59C, 79	R. H.	B5A 5942406-B	1
			L. H.	B5A 5942407-B	1
	57/59	66		B7A 6642406-A	2
			Retainer	B7A 6642438-A	2
<b>42413</b>		<b>RETAINER - BACK WINDOW OUTSIDE UPPER MOULDING</b>			
	58	S(63A)	Replaced by 52344-S13	*B8S 6342413-A	5
	57/58	57		B7A 5742413-B	1
<b>42416-7</b>		<b>MOULDING - BACK WINDOW GARNISH - SIDE</b>			
	57/59	51A	R. H. - Paint to match	B7A 5142416-AP	1
			L. H.	B7A 5142417-AP	1
			No. 8 x 7/8" Cross recess oval head screw	52368-S23(U295)	4
	58/	S(63A)	R. H. - Chrome	B8S 6342416-A	1
			L. H.	B8S 6342417-A	1
<b>42423</b>		<b>RETAINER - BACK WINDOW WEATHERSTRIP</b>			
	58/	S(63A)		B8S 6342423-A	2
			No. 8 x 3/8" Cross recess pan head screw	52720-S8(U380)	4

**BODY  
SECTION 420**
**FORD CAR PARTS**

GROUP NUMBER	YEAR	BODY TYPE	DESCRIPTION	PART NUMBER	QTY. PER VEHICLE
<b>42430-1</b>	<b>MOULDING - BACK WINDOW OUTSIDE - TOP</b>				
	55/56	64		B5A 6442430-B	1
	55/56	70B, 70C, 73B, 73C		B5A 7042430-B	1
	56	70A, 70D, 73A			1
	55/57	40B	R. H. L. H.	B5S 4042430-A B5S 4042431-A	1 1
	57/58	57		B7A 5742430-A	1
			Retainer	B7A 5742413-A	1
	57/58	58, 63, 64		B7A 6442430-A	1
	57/58	59, 79	R. H. L. H.	B7A 5942430-A B7A 5942431-A	1 1
	57	59, 79	When back door is used	B7A 7842430-A	1
	57/58	70, 73		B7A 7042430-B	1
	57, 58	58, 63, 64, 70, 73	No. 8 x 3/8" Cross recess pan head screw	52720-S8 (U380)	7
	57/58	78		B7A 7842430-A	1
	59	54A, 64H, 65A, 75A		B9A 6542430-A	1
	59	57A, 58A, 58E, 64A, 64F, 64G		B9A 5742430-A	1
	59	58B, 63A, 64B		B9A 6442430-A	1
	59	59C, 59D, 71		B9A 7142430-A	1
	58/	S(63A)		C0SB 6342430-A	1
			No. 8-15 x 1/2" Oval head screw	52344-S13(U292)	7
<b>42432-3</b>	<b>COVER - BACK WINDOW OUTSIDE MOULDING JOINT</b>				
	57	58A, 63B, 64A - Before 11/5/56"	R. H. L. H.	B7A 6442432-A B7A 6442433-A	1 1
	57/58	70, 73	R. H. L. H.	B7A 7042432-A B7A 7042433-A	1 1
	57/59	51A		B7A 5142432-A	2
<b>42436</b>	<b>COVER - BACK WINDOW OUTSIDE MOULDING JOINT - LOWER</b>				
	55	70B, 70C, 73B, 73C		B5A 7042436-B	1
	55/56	59B, 60, 64, 70B, 70C, 73B, 73C,	Windshield belt moulding		1
		76, 78, 79			
	56	59A, 59C, 70A, 70D, 73A	Windshield belt moulding		1
	57	59, 78	When back door is used	B7A 7842436-A	4
	57/58	78			4
	57/58	79E	Lift gate outside belt moulding	B7A 7942436-A	1
	57/58	59, 66, 70, 73, 78, 79	Windshield moulding - Replaced by C0AB 6442450-A	*B7A 7042436-A	2
	57/58	51A, 57, 58, 63, 64, 76B	Windshield moulding		1
	57	58, 63B, 64A, 70, 73			1
	57/58	59, 79			2
	57/59	66			1
	58	70, 73			1
<b>42438</b>	<b>RETAINER - BACK WINDOW OUTSIDE LOWER CORNER MOULDING</b>				
	57/59	66		B7A 6642438-A	2
<b>42450</b>	<b>COVER - BACK WINDOW OUTSIDE MOULDING JOINT - UPPER</b>				
	53/54	60, 70B, 72B, 73B, 79		B4A 7042450-A	1or2
	53/54	70B, 72B, 73B, 79	Windshield top moulding		1
	54	59B, 73C			2
	54	59B, 73C	Windshield top moulding		1
	55/57	40B			2
	57/59	51A		B7A 5142450-A	1
<b>42456-7</b>	<b>STRIP - BACK WINDOW FINISH - LOWER</b>				
	53/54	60	L. H. - Paint to match	BA 6042457-AP	1
			No. 8 x 1" Oval head sheet metal screw	33013-S13 (U331)	10
	57/59	51A	R. H. - Paint to match	B7A 5142456-AP	1
			L. H.	B7A 5142457-AP	1
			No. 8-15 x 1 1/2" Cross recess oval head screw	359572-S13 (BB606)	5
<b>42458-9</b>	<b>COVER - BACK WINDOW FINISH STRIP CORNER JOINT</b>				
	53/54	60	Paint to match	BA 6042458-BP	2
			No. 8 x 1 1/2" Cross recess oval head screw	52388-S13(U298)	2

# FORD CAR PARTS

## BODY SECTION 420

815

GROUP NUMBER	YEAR 19__	BODY TYPE	DESCRIPTION	PART NUMBER	QTY. PER VEHICLE
<b>42478-9 MOULDING ASSY. - BACK WINDOW OUTSIDE - SIDE</b>					
	55/56	64	R. H.	B6A 6442478-A	1
			L. H.	B6A 6442479-A	1
	59	58A, 58E, 64A, 64F, 64G	R. H.	B9AB 6442478-A	1
			L. H.	B9AB 6442479-A	1
<b>42490 COVER - BACK WINDOW GARNISH MOULDING - CENTER JOINT</b>					
	53/54	60	Paint to match	BA 6042490-AP	1
			No. 8 x 1" Oval head sheet metal screw	33013-S13 (U331)	1
	58/	S(63A)	Chrome	B8S 6342490-A	1
<b>42492-3 MOULDING - BACK WINDOW OUTSIDE - SIDE</b>					
	55	70B, 70C, 73B, 73C	R. H.	B5A 7042492-C	1
			L. H.	B5A 7042493-C	1
	57	58B, 63A, 64B-"Before 11/5/56"	R. H.	B7A 6442492-A	1
			L. H.	B7A 6442493-A	1
	57	58A, 63B, 64A-"From 11/5/56"	R. H. -When B7A 5742404-A is used	B7A 6442492-A	1
			L. H.	B7A 6442493-A	1
	57	59, 79	R. H. -When back door is used	B7A 7842492-A	1
			L. H.	B7A 7842493-A	1
	57/58	57A	R. H.	B7A 5742492-B	1
			L. H.	B7A 5742493-B	1
	57/58	57B	R. H.	B7A 5742492-A	1
			L. H.	B7A 5742493-A	1
	57/58	57, 58	No. 6 x 3/8" Binding head self-tapping screw	★32914-S8	2
			No. 8 Lockwasher	34802-S7 (X59)	2
	58	58, 63, 64	R. H.	B7A 6442492-A	1
			L. H.	B7A 6442493-A	1
	57/58	78	R. H.	B7A 7842492-A	1
			L. H.	B7A 7842493-A	1
	57/59	51A	R. H.	B7A 5142492-A	1
			L. H.	B7A 5142493-A	1
	57/59	66	R. H.	B7A 6642492-A	1
			L. H.	B7A 6642493-A	1
	58/59	S (63A)	R. H.	B8S 6342492-A	1
			L. H.	B8S 6342493-A	1
			No. 8 x 3/4" Cross recess oval head screw	52360-S13 (U294)	2
			No. 8-15 x 1" Cross recess oval head screw	52376-S13 (U296)	2
	59	54A, 64H, 65A, 75A	R. H.	B9A 6542492-A	1
			L. H.	B9A 6542493-A	1
	59	59C, 59D, 71E, 71F, 71H	R. H. -Narrow moulding	B9A 5942492-A	1
			L. H.	B9A 5942493-A	1
	59	71G	R. H. -Wide moulding	B9AB 5942492-C	1
			L. H.	B9AB 5942493-C	1
<b>42509 MOULDING ASSY. - LUGGAGE COMPARTMENT DOOR</b>					
	59	54A, 57A, 58B, 63A, 64B, 64H, 65A, 75A, 76B	Includes attaching parts	B9AB 6442509-C	1
<b>42512 MOULDING - LUGGAGE COMPARTMENT DOOR</b>					
	55	60B, 64, 70C, 73C, 76		B5A 7042512-A	1
			Chp Kit	B5A 330-A	1
			No.10-24 x 1/2" Hex.head screw & washer assy.	357172-S8 (BB574)	7
			No. 10 Flat washer	44716-S8 (X15)	7
	57/59	51A		B7A 5142512-A	1
			Retainer	B7A 5142516-A	9
			No. 8-32 x 3/16" Fillister head screw washer assy.	355047-S7 (BB49)	2
<b>42514 ORNAMENT - LUGGAGE COMPARTMENT DOOR or TAIL GATE</b>					
	53/54	59, 60, 70, 72, 73, 76, 78, 79	Plastic	0A 7042514-B	1
	55	59, 70A, 70B, 70D, 73A, 73B, 78, 79			1
	56	59, 64D, 70A, 70B, 70D, 73A, 73B, 78, 79			1
	55	60B, 64, 70C, 73C, 76		B5A 7042514-A	1
	57	51A, 57A, 58, 63A, 64, 76		B7A 6442514-A	1
	56	57, 64A, 64B, 64C, 70C, 73C, 76		B6A 7042514-B	1
	57	70, 73		B7A 7042514-A	1

**BODY  
SECTION 420**
**FORD CAR PARTS**

GROUP NUMBER	YEAR 19__	BODY TYPE	DESCRIPTION	PART NUMBER	QTY. PER VEHICLE
<b>42516</b>	<b>RETAINER - LUGGAGE COMPARTMENT DOOR MOULDING</b>				
	57/59	51A		B7A 5142516-A	9
<b>42522</b>	<b>RETAINER - LUGGAGE COMPARTMENT DOOR or TAIL GATE ORNAMENT</b>				
	53/54	60, 70, 72, 73, 76		BF 7042522-A	1
	53/54	59, 78, 79B		0A 7042522-B	1
	53/54	A	Pad-rubber	0A 16675	1
			1/4"-Washer (rubber)	352422-S (XX58)	2
			1/4" Washer (flat)	44719-S8 (X17)	2
			1/4" Lockwasher	34805-S7 (X62)	2
			1/4" - 28 Hex. nut	33796-S7 (M61)	2
	53/54	79C	Refer to Group 42622		
	55	60B, 64, 70C, 73C, 76		B5A 7042522-A	1
			Sealer	M 5397-B	AR
			No. 10 Flat washer	44716-S8 (X15)	2
			No. 10 Internal tooth lockwasher	34903-S8 (X96)	2
			No. 10 -24 Hex. nut	34053-S8 (M156)	2
	55/56	59, 78, 79		0A 7042522-B	1
			Pad	★BA 5942620-A	1
			Seal	★BA 5942621-A	1
			1/4" Flat washer	44719-S8 (X17)	2
			1/4" Lockwasher	34940-S7 (X88)	2
			1/4" - 28 Hex. nut	33796-S7 (M61)	2
<b>42528</b>	<b>PLATE - LUGGAGE COMPARTMENT DOOR or TAIL GATE NAME</b>				
	53/55	59, 60, 64, 70, 72, 73, 76, 78, 79	"FORDOMATIC"	BF 7042528-AZ8	1
	53/55	59, 60, 64, 70, 72, 73, 76, 78, 79	"OVERDRIVE"	BF 7042528-BZ8	1
			Seal-Replaced by M-5397-B		AR
			. 23" I. D. x . 56" O. D. Flat washer (rubber)	352422-S (XX58)	3
			1/4"- Lockwasher	34805-S8 (X62)	3
			1/4"-28 Hex. nut	33796-S7 (M61)	3
	55	60B, 64, 70C, 73C, 76	"Fairlane"	B5A 7042528-B	1
	55	60B, 64, 70C, 73, 76	1/8" Sleeve type nut	353577-S2 (MM222)	4
	58	51A, 57, 58, 63, 64, 76B	"Fairlane"	B8A 6442528-A	1
	58	79E	"Country Squire"	B8A 7942528-A	1
			1/8" Sleeve type nut	353577-S2 (MM222)	4
	59	51A, 54A, 57A, 58A, 58B, 63A, 64A, 64B, 64H, 65A, 75A, 76B	"Fairlane"	B9A 5842528-A	1
			1/8" Self threading nut & washer assy.	370713-S100 (MM292)	5
<b>42530</b>	<b>MEDALLION - LUGGAGE COMPARTMENT DOOR HANDLE</b>				
	57	S		B7S 4042530-A	1
			Retainer	B7S 4043564-A	1
<b>42541</b>	<b>SPACER - LUGGAGE COMPARTMENT DOOR ORNAMENT</b>				
	58/59	S	Replaced by C0SB 6342541-A (9-63)	★B8S 6342541-A	1
	59	S "From 2/1/59"	Use Washer 351548-S8		AR
<b>42549</b>	<b>NUMERAL - LOWER BACK PANEL</b>				
	59	51A	"5"	B9A 5142549-A	1
			"0"	B9A 5142549-B	2
	59	54A, 57A, 58B, 63A, 64B, 64H, 65A, 75A, 76B	"5"	B9A 6342549-A	1
			"0"	B9A 6342549-B	1
			3/16" Nut (self threading)	370792-S7 (MM285)	2
			3/16" Nut (self threading)	370792-S7 (MM285)	3
<b>42550</b>	<b>INSIGNIA - HOOD and FUEL FILLER PIPE DOOR</b>				
	55	S		B5S 4042550-A	2
			No. 6 Lockwasher	34937-S7 (X84)	2
			No. 6-32 Hex. nut	34051-S7 (M154)	2
<b>42562</b>	<b>RAIL - LOWER BACK PANEL OUTSIDE FINISH</b>				
	58	79E		B8A 7942562-A	1
			No. 10-32 x 1 1/4" Cross recess pan head screw	★50564-S8	10
			Fastener assy.	B9AB 7150108-C	10
			Fastener assy.	B8A 5650067-A	2
			Fastener assy.	B9AB 7150108-D	2
			Retainer (cap)	358403-S2 (GG54)	10
			Cap	358404-S (DD1)	10

# FORD CAR PARTS

## BODY SECTION 420

817

GROUP NUMBER	YEAR	BODY TYPE	DESCRIPTION	PART NUMBER	QTY. PER VEHICLE	
<b>42564 RAIL - LOWER BACK PANEL OUTSIDE FINISH</b>						
	59	71G	"Before 4/27/59"	45 1/2" long	B9AB 7142564-A	1
			"From 4/27/59"	47" long	B9AB 7142564-B	1
				Fastener assy.	B9AB 7150108-C	4
				No. 10-32 x 1" Cross recess binding head screw	50555-S8(U160)	4
				Retainer (cap)	358403-S2(GG54)	4
				Cap	358404-S(DD1)	4
<b>42620 PAD - TAIL GATE ORNAMENT</b>						
	59	59, 71		B9A 7142620-A	1	
<b>42700-1 HINGE ASSY. - LUGGAGE COMPARTMENT DOOR</b>						
	55/56	57, 60, 64, 70, 73, 76, S	R. H. -Replaced by BV 7042700-A (9-63)	★B5A 7042700-B	1	
			L. H.	B5A 7042701-B	1	
	55/56	A(except 59, 79)	R. H.	BV 7042700-A	1	
			L. H.	BV 7042701-A	1	
				5/16" x 3/4" Hex. head bolt	20346-S8(B50)	4
				5/16" Hex. head self locking bolt	350211-S(BB413)	6
				5/16" External tooth lockwasher	★34941-S8	10
	57	S	R. H.	BV 7042700-A	1	
			L. H.	BV 7042701-A	1	
	55/57	S	5/16"-18 x 3/4" Hex. head bolt	20310-S8(B48)	4	
				5/16" Lockwasher	34806-S7(X64)	4
				11/32" I.D. x 3/4" O.D. Flat washer	353622-S100(XX119)	4
	57/58	51A	R. H. -With spring	B7A 5142700-A	1	
			L. H.	B7A 5142701-A	1	
58/59	S(63A)		Steel stamping	B8S 6342700-A	2	
58/59	S(76A)			B8S 7642700-A	2	
58/59	S		5/16"-18 x .62" Hex. head screw & washer assy.	371007-S8(BB575)	8	
59	51A		R. H. -Less spring	B9A 5142700-A	1	
			L. H.	B9A 5142701-A	1	
				5/8" x 2" long pin- Hinge to door	359267-S7(NN49)	2
				5/16"-24 x 1" Screw & washer assy.	359550-S8(BB592)	2
				5/16"-24 x .62" Screw & washer assy.	359605-S8(BB590)	12
				5/16"-24 Nut retainer assy.	358684-S2(MM209)	14
59	54A, 57A, 58, 63A, 64, 65A, 75A, 76B		R. H.	COMB 6442700-A	1	
			L. H.	COMB 6442701-A	1	
				5/16"-24 x .88" Hex. washer head screw	352628-S2(BB586)	4
				5/16"-24 x 1/2" Hex. washer head screw		6
<b>42702-3 HINGE ASSY. - LUGGAGE COMPARTMENT DOOR - LESS SPRING</b>						
	53/54	60, 70, 72, 73, 76	R. H.	BA 7042702-A	1	
			L. H.	BA 7042703-A	1	
				5/16"-18 x 3/4" Hex. head bolt	20346-S8(B50)	12
				11/32" I.D. x 3/4" O.D. Flat washer	353622-S100(XX119)	12
				5/16" Lockwasher	34806-S7(X64)	12
58	S(63A)		R. H. -Casting	B8S 6342702-A	1	
			L. H.	B8S 6342703-A	1	
				5/16"-18 x .62" Hex. head screw & washer assy.	371007-S8(BB575)	8
57/58	57, 58, 63, 64, 70, 73, 76B		R. H.	B7A 7042702-A	1	
			L. H.	B7A 7042703-A	1	
				5/16"-18 x .62" Hex. head screw & washer assy.	371007-S8(BB575)	6
<b>42706 RETAINER - LUGGAGE COMPARTMENT DOOR HINGE SEAL - ON BODY</b>						
58/59	S(76A)			★B8S 7642706-A	4	
			No. 6-32 x 3/8" Cross recess pan head screw	★51854-S8	4	
<b>427A06 PIN - LUGGAGE COMPARTMENT DOOR HINGE SPRING GUIDE</b>						
58/	S(63A)			C0SB 63427A06-A	4	
<b>42738-9 BRACKET - LUGGAGE COMPARTMENT DOOR HINGE TO WHEELHOUSE</b>						
57/58	57, 58, 63, 64, 70, 73, 76B		R. H. - Upper	B7A 7042738-A	1	
			L. H.	B7A 7042739-A	1	
59	54A, 57A, 58, 63A, 64, 65A, 75A, 76B		R. H.	B9A 5842738-A	1	
			L. H.	B9A 5842739-A	1	

**BODY  
SECTION 420**
**FORD CAR PARTS**

GROUP NUMBER	YEAR 19	BODY TYPE	DESCRIPTION	PART NUMBER	QTY. PER VEHICLE
<b>42744-5 BRACKET - LUGGAGE COMPARTMENT DOOR HINGE TO WHEELHOUSE</b>					
	57/58	57, 58, 63, 64, 70, 73, 76B	R. H.	B7A 7042744-A	1
			L. H.	B7A 7042745-A	1
	59	54A, 57A, 58, 63A, 64, 65A, 75A, 76B	R. H.	B9A 5842744-A	1
			L. H.	B9A 5842745-A	1
<b>42760 SPRING - LUGGAGE COMPARTMENT DOOR HINGE</b>					
	55/56	40, 57, 60, 64, 70, 73, 76		B7S 4042760-A	2
	57	S			2
	57	57, 58, 63, 64, 76B		B7A 6442760-A	2
	58	70, 73			2
	57	70, 73		B7A 7042760-B	2
	58	57, 58, 63, 64, 76B		B8A 6442760-A	2
	58	S(63A)	Use with B8S 6342702-3-A casting hinge-9.65" free length with hooked ends	B8S 6342760-A	2
	57/59	51A		B7A 5142760-A	2
	58/59	S(63A)	Use with B8S 6342700-A steel stamping hinge-17.50" free length with plain ends. -Replaced by COSB 6342700-B	*B8S 6342760-B	2
<b>42786 BRACKET - LUGGAGE COMPARTMENT DOOR HINGE ON DOOR</b>					
	57/59	51A		B7A 5142786-A	2
			5/16"-24 Retainer ass'y. (nut)	359218-S2(MM210)	6
			5/16"-24 x 3/4" Hex.head bolt	20347-S8(B156)	12
			No.12 Lockwasher	34806-S7(X64)	12
<b>42792-3 SUPPORT - LUGGAGE COMPARTMENT DOOR HINGE TO BODY</b>					
	58	S(63A)	R. H. -Use with B8S 6342702-A	B8S 6342792-A	1
			L. H. -Use with B8S 6342703-A	B8S 6342793-A	1
	58/59	S(63A)	Use with B8S 6342700-A	B8S 6342792-B	2
<b>42850-1 ARM ASSY. - LUGGAGE COMPARTMENT DOOR COUNTER BALANCE SPRING</b>					
	58/	S(76A)	R. H.	COSB 7642850-A	1
			L. H.	B9SB 7642851-B	1
<b>42854 BRACKET - LUGGAGE COMPARTMENT DOOR HINGE COUNTER BALANCE SPRING - ARM TO BODY</b>					
	58/59	S(76A)		B8S 7642854-A	2
<b>42858 SPRING - LUGGAGE COMPARTMENT DOOR COUNTER BALANCE</b>					
	58/59	S(76A)		B8S 7642858-A	2
<b>42888 ORNAMENT - SPARE WHEEL COVER - OUTSIDE MOUNT</b>					
	59	51A	Accessory	B9AB 5142888-A	1
<b>42900-1 HINGE ASSY. - BACK DOOR</b>					
	53/54	78	Upper	BA 7842900-A	1
			Lower	BA 7842901-A	1
	55/56	78	Upper	B5A 7842900-A	1
			Lower	B5A 7842901-A	1
	55/56	59, 79	Upper-When back door is used	B5A 7842900-A	1
			Lower-When back door is used	B5A 7842901-A	1
	53/56	59, 78, 79	5/16"-24 x 1 1/4" Cross recess flat head screw & lockwasher ass'y.	354488-S8(BB109)	6
	57	78	"Before 3/1/57"	B7A 7842900-A	2
	57	59, 79	"Before 4/3/61"	B7A 7842900-A	2
	57/58	78	"From 3/1/57"	B7A 7842900-B	2
			5/16"-24 x 3/4" Flat head lock screw	372310-S7-8(BB108A)	8
			5/16"-24 x 1/2" Hex.head bolt	20311-S8(B153)	6
			5/16" External tooth lockwasher	*34941-S7	6
<b>42900-1 HINGE ASSY. - LIFT GATE</b>					
	55/56	59A, 59B, 79	R. H.	B5A 5942900-A	1
			L. H.	B5A 5942901-A	1
			5/16"-24 x 5/8" Flat head screw	50028-S8(U106)	10

# FORD CAR PARTS

## BODY SECTION 430

819

GROUP NUMBER	YEAR 19__	BODY TYPE	DESCRIPTION	PART NUMBER	QTY. PER VEHICLE
<b>42900-1 HINGE ASSY. - LIFT GATE - continued</b>					
	56	59C	R. H. -Bright zinc L. H.	B6A 5942900-A B6A 5942901-A	1 1
	57/58	59, 79		B7A 5942900-B	2
			1/4"-20 x 3/8" Flat head screw	359898-S(BB94)	4
			1/4" Washer (countersunk)	34954-S7 (X81)	4
			1/4"-20 x 1/2" Pan head screw & washer ass'y.	*42817-S8	4
			1/4" Internal tooth lockwasher	34905-S7(X97)	4
			No. 10-24 x 7/16" Hex. head bolt	350002-S(BB529)	8
			No. 10 Lockwasher	34803-S7(X60)	8
	59	59, 71	R. H. L. H.	B9AB 5942900-A B9AB 5942901-A	1 1
<b>42930 BRACKET ASSY. - LIFT GATE HINGE MOUNTING</b>					
	59	59, 71	R. H.	B9A 7142930-A	1
<b>42936 SPRING - LIFT GATE HINGE</b>					
	53/54	59, 79		BA 5942936-A	2
	55/56	59, 79		B5A 5942936-A	2
<b>42986-7 BAR - LIFT GATE COUNTER BALANCE TORQUE</b>					
	57/58	59, 79	R. H. L. H.	B7A 5942986-A B7A 5942987-A	1 1
<b>42990-1 BRACKET - LIFT GATE COUNTER BALANCE TORQUE BAR RETAINER</b>					
	57/58	59, 79		B7A 5942990-A	2
	59	59, 71	R. H. L. H.	B9AB 5942990-A B9AB 5942991-A	1 1
<b>43000-1 HINGE ASSY. - TAIL GATE</b>					
	53/54	59, 79	R. H. L. H.	BF 5943000-A BF 5943001-A	1 1
	55/57	59, 66, 79		B5A 5943000-B	2
	53/57	59, 66, 79	5/16"-24 x 5/8" Hex. head bolt	*20327-S8	8
			5/16" Lockwasher	34806-S7(X64)	8
			3/8" Flat washer	44727-S8(X24)	8
			5/16" x 11/16" Rivet (flat countersunk head solid)		8
	58	66		B5A 5943000-B	2
	58	59, 79		B8A 5943000-A	2
	58	59, 66, 79	5/16"-24 x 3/4" Cross recess flat head lock screw	372310-S7-8(BB108A)	8
			3/8" Flat washer	44727-S8(X24)	8
			5/16"-24 x 3/4" Hex. head bolt	20347-S8(B156)	8
			5/16" External tooth lockwasher	*34941-S7	8
	59	59, 66C, 71		B9A 5943000-A	2
			5/16"-24 x 3/4" Cross recess flat head lock screw	372310-S7-8(BB108A)	8
			5/16"-24 x .88" Hex. washer head screw	352628-S2(BB586)	8
<b>43002-3 SPACER - LIFT GATE HINGE</b>					
	57/58	59, 79	On gate	B7A 5943002-A	AR
	59	59, 71	R. H. -On gate L. H.	B9A 5943002-A B9A 5943003-A	AR AR
<b>43030 PIN - TAIL GATE OR LUGGAGE COMPARTMENT HINGE</b>					
	53/58	59, 66, 79	.374" diameter x 3.56" long	BA 5943030-A	2
	55/56	78	.342" diameter x 3.56" long-Back door	B9A 5943030-A	2
	55/56	59, 79	When back door is used		2
	59	A(59, 66C, 71)			2
<b>43102 LOCK ASSY. - LIFT GATE or BACK DOOR</b>					
	53/54	59, 78, 79		BA 5943102-A	1
	55/56	59, 79		B5A 5943102-C	1
	55/56	59, 79	When back door is used	BA 5943102-A	1
	55/56	78			1

**BODY  
SECTION 430**
**FORD CAR PARTS**

GROUP NUMBER	YEAR 19	BODY TYPE	DESCRIPTION	PART NUMBER	QTY. PER VEHICLE
<b>43114 COVER - TAIL GATE OR BACK DOOR LOCK ACCESS</b>					
	57/58	59, 78, 79	Drill holes as required	B7A 5943114-A	1
			No. 8 x 1" Cross recess oval head screw	52376-S13(U296)	9
	57/58	66		B7A 6643114-A	1
	59	59, 71		B9A 5943114-A	1
	59	66C		B9A 6643114-A	1
			No. 8 x 1" Cross recess oval head screw	52376-S13(U296)	9
			No. 8 x 3/8" Cross recess pan head screw	52720-S8(U380)	6
<b>43118 PLATE - REAR DOOR LOCK STRIKER</b>					
	53/56	59, 78, 79	Refer to Group 43146		
	57	59, 79	When back door is used	B7A 7843118-A	1
	57/58	78			1
<b>43145 KNOB - LIFT GATE LOCK RELEASE LEVER</b>					
	53/56	59, 78, 79		BA 5943145-A	1
<b>43146-7 PLATE - LIFT OR TAIL GATE LOCK STRIKER</b>					
	53/54	59, 79	R. H.	BA 5943146-A	2
			L. H.	BA 5943147-A	1
	53/54	78	R. H. - Back door	BA 5943146-A	1
	55/56	59, 79	R. H.	B5A 5943146-A	2
			L. H.	B5A 5943147-A	1
	55/56	78	R. H. - Back door	B5A 5943146-A	1
	57/58	59, 79	Lift gate	B7A 5943146-A	2
			1/4"-20 x 5/8" Flat head screw & washer ass'y.	354831-S7 (BB115)	4
	57/58	59, 66, 79	R. H. - Tail gate	B5A 5943146-A	1
			L. H.	B5A 5943147-A	1
	53/58	59, 66, 79	5/16"-24 x 1 1/4" Cross recess flat head screw and washer ass'y.	354488-S8(BB109)	2to6
	59	59, 66C, 71	R. H. - Tail gate	B5A 5943146-A	1
			L. H.	B5A 5943147-A	1
			5/16"-24 x 1 1/4" Cross recess flat head screw and washer ass'y.	354488-S8(BB109)	4
	59	59, 71	Lift gate-Refer to Group 43422		
<b>43150-1 LOCK ASSY. - TAIL GATE</b>					
	53/56	59, 79	R. H.	BA 5943150-A	1
			L. H.	BA 5943151-A	1
	57/58	59, 79	R. H.	B7A 5943150-B	1
			L. H.	B7A 5943151-B	1
	57/58	66	R. H.	B7A 6643150-B	1
			L. H.	B7A 6643151-B	1
	53/58	59, 66, 79	No. 12-24 x 1/2" Cross recess flat head screw and washer ass'y.	356782-S8(BB114)	10
	59	59, 66C, 71	R. H.	B9A 5943150-A	1
			L. H.	B9A 5943151-A	1
			No. 12-24 x 44" Cross recess flat head screw & washer ass'y.	353908-S7(BB113)	6
<b>43152 SHIM - TAIL GATE LOCK STRIKER PLATE</b>					
	55/56	59, 78, 79		B9A 7143152-A	1or2
	57/58	59, 66, 79			AR
	59	59, 71			AR
	59/	A(59, 71)	Lift gate	B9A 5943152-A	AR
<b>43170 CONTROL ASSY. - TAIL GATE LOCK REMOTE</b>					
	53/56	59, 79		BA 5943170-A	1
<b>43172-3 LINK - TAIL GATE LOCK REMOTE CONTROL</b>					
	57/58	59, 66, 79		B7A 5943172-A	2
	59	59, 66C, 71	R. H.	B9A 5943172-A	1
			L. H.	B9A 5943173-A	1
	57/59	59, 66, 71, 79	3/16" x 9/16" Pin (clevis)	*73854-S8	2
			No. 9 Flat washer	44711-S8(X12)	2
			.20" I.D. x .38" O.D. Spring washer	*356262-S	2
			1/8" x 49/64" Pin (self-locking)	358883-S7-8 (NN128)	2



# FORD CAR PARTS

## BODY SECTION 430

821

GROUP NUMBER	YEAR 19	BODY TYPE	DESCRIPTION	PART NUMBER	QTY. PER VEHICLE
<b>43185</b>			<b>CLIP - TAIL GATE LOCK REMOTE CONTROL LINK - INNER and OUTER</b>		
	53/56	59, 79		BA 5943185-A	4
<b>43186-7</b>			<b>LATCH ASSY. - TAIL GATE</b>		
	59	59, 71		B9A 5943186-A	2
			1/4"-20 x 1/2" Hex. head bolt	20308-S7(B40)	2
			1/4" Lockwasher	34805-S8(X62)	2
			No. 12-24 x 3/8" Cross recess pan head screw and washer assy.	*50805-S8	4
<b>43200</b>			<b>LOCK ASSY. - LUGGAGE COMPARTMENT or BACK DOOR</b>		
	53/54	60, 70, 72, 73, 76		BF 7043200-A	1
			1/4"-20 x 1/2" Hex. head bolt	20308-S7(B40)	4
			1/4" Lockwasher	34805-S8(X62)	4
	55/56	40		B5S 4043200-B	1
	55/56	57, 60, 64, 70, 73, 76		B5A 7043200-B	1
	57	40		B8E 5843200-A	1
	57/58	57, 58, 63, 64, 70, 73, 76B			1
	57	78		B8A 7843200-A	1
	57	59, 79	When back door is used		1
	58	78			1
	55/58	40, 57, 58, 60, 63, 64, 70, 73, 76, 78	1/4"-20 x 5/8" Hex. head bolt	20324-S8(B41)	4
			1/4" Lockwasher	34805-S8(X62)	4
	58/59	S (76A)		B8S 7643200-A	2
	58/	S (63A)		B5S 4043200-B	1
	58/	S	1/4"-20 x 5/8" Hex. head bolt	20324-S8(B41)	3or4
			1/4" Lockwasher	34805-S8(X62)	3or4
<b>43212-3</b>			<b>ESCUTCHEON - LIFT GATE LATCH</b>		
	57/58	59, 79	R. H.	B7A 5943212-A	1
			L. H.	B7A 5943213-A	1
			No. 6 x 3/8" Cross recess flat head screw	*50005-S13	4
	59/	A(59, 71)	R. H.	B9A 5943212-A	1
			L. H.	B9A 5943213-A	1
			No. 6 x 3/8" Cross recess flat head screw	*50005-S13	4
<b>43226</b>			<b>LINK - LUGGAGE COMPARTMENT DOOR LOCK ACTUATING</b>		
	55/56	70A, 70B, 70D, 73A, 73B		B5A 7043226-D	1
	56	64D			1
	55/56	57, 60B, 64A, 64B, 64C, 70C, 73C, 76			1
	55	57, 60, 64, 70, 73, 76	Fastener (stud)	350786-AS7-8(MM239)	1
	57	S		B7S 4043226-A	1
	57	57, 58, 63, 64, 76		B7A 6443226-A	1
	57	70, 73		B7A 7043226-A	1
	58	57, 58, 63, 64, 70, 73, 76		B8A 7043226-A	1
	58/59	S (76A)		B8S 7643226-A	2
	59	54A, 57A, 58, 63A, 64, 65A, 75A, 76B		B9AB 6443226-A	1
<b>43239</b>			<b>PIN - LUGGAGE COMPARTMENT DOOR LOCK KEY HOLE COVER</b>		
	58/59	S(63A)		B8S 6343239-A	1
<b>43252</b>			<b>PLATE - LUGGAGE COMPARTMENT DOOR LOCK STRIKER</b>		
	53/54	A	4. 07" long - Painted	BA 7043252-D	1
			Plate (tapping)	* BC 7043222-A	1
			5/16"-24 x 1" Hex. head screw	20387-S8(B157)	2
			5/16" Lockwasher	34806-S7(X64)	2
			5/16" Flat washer	44722-S8(X19)	2
	55/56	40, 57, 60, 64, 70, 73, 76B		B5A 7043252-C	1
	57	40, 57, 58, 63, 64, 70, 73, 76B		B7A 7043252-A	1
	58	57, 58, 63, 64, 70, 73, 76B		B7A 7043252-A	1
			5/16"-24 x 3/4" Hex. head bolt	*20327-S8	2
			5/16" Lockwasher	34806-S7(X64)	2
	59	54A, 57A, 58, 63A, 64, 65A, 75A, 76B 'Before 3/15/59'	3. 08" overall length	B9A 6443252-A	1

GROUP NUMBER	YEAR 19__	BODY TYPE	DESCRIPTION	PART NUMBER	QTY. PER VEHICLE
<b>43252</b>	<b>PLATE - LUGGAGE COMPARTMENT DOOR LOCK STRIKER - continued</b>				
	59	54A, 57A, 58, 63, 64, 65A, 75A, 76B "From 3/15/59"	4.50" overall length	B9AB 6443252-A	1
			5/16"-24 x 3/4" Hex. head bolt	★20327-S8	2
			5/16" Lockwasher	34806-S7(X64)	2
	58/59	S(76A)		B8S 7643252-A	2
			1/4"-20 x 5/8" Hex. head screw	20324-S8 (B41)	6
			1/4" Lockwasher	34805-S8 (X62)	6
	58/	S(63A)		B5A 7043252-C	1
			5/16"-24 x .88" Hex. washer head screw	352628-S2 (BB586)	2
<b>43272</b>	<b>LINK ASSY. - BACK DOOR LOCK RELEASE TO LOCK</b>				
	57/58	78		B7A 7843272-B	1
	57	59, 79	When back door is used		1
<b>43341</b>	<b>CLIP - LIFT GATE HEADER RAIL INNER MOULDING JOINT</b>				
	59	59, 71	Paint to match	B9A 5943341-A	1
<b>43400</b>	<b>HANDLE - LIFT GATE and REAR DOOR - OUTSIDE</b>				
	53/54	59, 79	Lift gate	BA 5943400-A	1
	53/54	78	Rear door	BA 7843400-A	1
	53/54	59, 78, 79	No. 12-24 x 5/8" Fillister head machine screw	★31079-S7	2
	55/56	59, 79	Lift gate	B5A 5943400-A	1
	55/56	59, 78, 79	Back door	B5A 7843400-B	1
			No. 12 x 7/8" Cross recess pan head screw	★38271-S2	2
	53/56	59, 78, 79	No. 12 Lockwasher	34804-S8 (X61)	2
<b>43402</b>	<b>GUIDE ASSY. - BACK DOOR PROP</b>				
	57	78		B7A 7843402-A	1
	57	59, 79	When back door is used		1
	57	59, 78, 79	5/16"-24 x 1 3/4" Hex. head bolt	350758-S100(BB211)	1
			5/16"-24 x 3/4" Hex. head bolt	20347-S8 (B156)	2
			5/16" Lockwasher	34806-S7 (X64)	2
			5/16" Flat washer	44722-S8 (X19)	1
<b>43422</b>	<b>PLATE - LIFT GATE LATCH STRIKER</b>				
	53/58		Refer to Group 43146-7		
	59/	A(59, 71)		B9AB 5943422-A	2
			1/4"-20 x 5/8" Flat head screw & washer assy.	354831-S7 (BB115)	4
<b>43431</b>	<b>CYLINDER ASSY. - LIFT GATE or BACK DOOR LOCK - WITH KEYS</b>				
	53/56	59, 78, 79		BA 5943431-A	1
<b>43436</b>	<b>EXTENSION - LIFT GATE or BACK DOOR LOCK CYLINDER</b>				
	53/54	59, 79		BA 5943436-A	1
	55/56	59, 79	Lift gate	B5A 5943436-B	1
	55/56	59, 78, 79	Back door	B5A 7843436-B	1
<b>43438</b>	<b>LEVER - BACK DOOR LOCK CYLINDER EXTENSION</b>				
	53/56	78		BA 7843438-A	1
	55/56	59, 79	When back door is used	BA 7843438-A	1
	53/56	59, 78, 79	No. 8 Lockwasher		1
			No. 8 x 5/16" Pan head screw	★39016-S7	1
<b>43440</b>	<b>KIT - TAIL GATE HANDLE BUTTON</b>				
	59	66C		B9A 6643440-A	1
	Consists of				
	1-Spring	1-Button and pin	1-Seal	1-Retainer	
<b>43442</b>	<b>KIT - TAIL GATE HANDLE BUTTON OR LOCK CYLINDER RETAINING</b>				
	59/	A(59, 71)		B9A 5943442-A	1
	Consists of				
	1-Spring	1-Retainer	1-Seal		
	Refer to Group 43505 for button with lock cylinder and keys				

# FORD CAR PARTS

## BODY SECTION 430

823

GROUP NUMBER	YEAR	BODY TYPE	DESCRIPTION	PART NUMBER	QTY. PER VEHICLE
<b>43446</b>			<b>COVER - LIFT GATE or BACK DOOR LOCK CYLINDER KEY HOLE</b>		
	55/56	59, 78, 79		B5A 5943446-A	1
			Spring (cover)	BA 7022007-A	1
<b>43490</b>			<b>RETAINER - LIFT GATE HINGE TORSION BAR TO BODY</b>		
	59	59, 71		B9AB 5943490-A	2
<b>43500</b>			<b>HANDLE ASSY. - LUGGAGE COMPARTMENT DOOR</b>		
	53	60, 70, 72, 73, 76		BF 7043500-A	1
			Fastener (stud)	352915-S2 (MM263)	1
	54	60, 70, 72, 73, 76		BM 7043500-A	1
	53/54	60, 70, 72, 73, 76	Spacer-Replaced by M5397-B & 2-44719-S8	★BF 7043520-A	2
			No. 10-24 x 3/4" Hex. washer head screw	351194-S8 (UU51)	4
	55	70A, 70B, 70D, 73A, 73B		B5A 7043500-A	1
			1/4" Flat washer	44719-S8 (X17)	2
			1/4" External tooth lockwasher	34940-S8 (X88)	2
			1/4"-28 Hex. nut	33796-S7 (M61)	2
			.84" I. D. x 1.25" O. D. flat washer	351548-S8 (XX245)	1
			13/16"-16 Hex. nut	356164-S8 (MM125)	1
	56	59, 64D, 70A, 70B, 70D, 73A, 73B, 79		B6A 7043500-A	1
	56	57, 64A, 64B, 64C, 70C, 73C, 76		B6A 7043500-C	1
	57	S	Less medallion	B7S 4043500-A	1
	57	51A, 57, 58, 63, 64, 76B		B7A 6443500-A	1
	57	70, 73		B7A 7043500-A	1
	57	51A, 57, 58, 63, 64, 76B	No. 10-24 Nut and washer assy.	354397-S100 (MM291)	6
	57	S	Washer (bevel)	359410-S8 (XX375)	2
	59	58E, 58F, 64F, 64G, 64H		B9AB 6443500-A	1
			1/4" Nut and washer assy. (self threading)	371882-S7 (MM287)	4
			Spacer	B9A 6343565-A	1
			.65" I. D. x .87" O. D. Flat washer	351513-S8 (XX213)	1
			5/8"-18 Hex. nut	351100-S7 (MM54)	1
<b>43504</b>			<b>ORNAMENT ASSY. - LUGGAGE COMPARTMENT DOOR</b>		
	58/59	S (63A)		B8S 6343504-A	1
	58/59	S (76A)		B8S 7643504-A	1
	58/59	S	.84" I. D. x 1.25" O. D. Flat washer	351548-S8 (XX245)	1
			13/16"-16 Hex. nut	356164-S8 (MM125)	1
			Sealer	M-5397-B	AR
			No. 8-32 Hex. nut	34052-S7 (M155)	2
	58/59	S (63A)	Seal ("O" ring)	★87039-S93	1
	59	58A, 64A	With attaching parts	B9AB 6443504-B	1
<b>43505</b>			<b>CYLINDER ASSY. - LUGGAGE COMPARTMENT, TAIL GATE or BACK DOOR LOCK - Refer to Group 3687 Chart</b>		
	59/	A(59, 71)	With 2 keys	B9A 5943505-A	1
			1/4" Nut and washer assy. (self threading)	371882-S7 (MM287)	2
	53/56	40, 57, 60, 64, 70, 72, 73, 76	With 2 keys	B9A 6443505-A	1
	57	A, S	With 2 keys		1
	58	A(except 51A)	With 2 keys		1
	58/59	S(63A)			1
	59	A(54A, 57A, 58, 63A, 64, 65A, 75A, 76B)	With 2 keys		1
<b>43508</b>			<b>ORNAMENT ASSY. - TAIL GATE</b>		
	59	59, 71		B9A 7143508-A	1
<b>43518</b>			<b>COVER - LUGGAGE COMPARTMENT LOCK KEY HOLE</b>		
	53/54	60, 70, 72, 73, 76		BF 7043516-A	1
			Spring	BA 7022006-A	1
	55/56	40, 57, 60B, 70A, 70B, 70D, 73A, 73B		B5A 7043516-A	1
	55/56	64, 70C, 73C, 76		B5A 7343516-A	1
	55/56	40	Spring (cover)	BA 7022007-A	1
	55/56	60, 64, 70, 73, 76	Spring	B5A 7043567-A	1
	57	40, 57, 58, 59, 63, 64, 76, 78, 79		B5A 7343516-A	1
			Spring	B5A 7043567-A	1

**BODY  
SECTION 430**
**FORD CAR PARTS**

GROUP NUMBER	YEAR 19____	BODY TYPE	DESCRIPTION	PART NUMBER	QTY. PER VEHICLE
<b>43516</b>	<b>COVER - LUGGAGE COMPARTMENT LOCK KEY HOLE - continued</b>				
	57	70, 73		B7A 7043516-A	1
			Spring	B7A 7043567-A	1
			.052" x 5/8" Pin		1
	58	A (except 51A, 78)		BA 7043516-D	1
			Spring	BA 7022007-A	1
	58	78		B5A 7343516-A	1
			Spring	B5A 7043567-A	1
	58/59	S(63A)		B8S 6343516-A	1
			Spring	B8S 6343567-A	1
			Pin	B8S 6343239-A	1
	59	54A, 57A, 58B, 63A, 64B, 64H, 65A, 75A, 76B	Includes retaining spring	B9A 6343516-A	1
	59	58A, 64A	Includes attaching parts	B9A 5843516-A	1
	59	58E, 64F, 64G		B9A 6443516-A	1
			Spring	B9A 6443567-A	1
<b>43520</b>	<b>SPACER - LUGGAGE COMPARTMENT DOOR HANDLE</b>				
	53/54	60, 70, 72, 73, 76	Replaced by M-5397-B and 2-44719-S8	★BF 7043520-A	2
<b>43531</b>	<b>PAD - LUGGAGE COMPARTMENT DOOR HANDLE BASE</b>				
	55	70A, 70B, 70D, 73A, 73B		B5A 7043531-A	1
	57	70, 73		B7A 7043531-A	1
	59	58E, 64F, 64G		B9A 6443531-A	1
<b>43537-8</b>	<b>PAD - TAIL GATE HANDLE - END</b>				
	59	59, 66C, 71		B9A 5943537-A	2
<b>43539</b>	<b>PAD - TAIL GATE HANDLE - CENTER</b>				
	59	59, 66C, 71		B9A 5943539-A	1
<b>43544</b>	<b>PAD - LUGGAGE COMPARTMENT DOOR NAME PLATE</b>				
	56	S	Radiator grille	B6S 4043544-A	1
	56/57	S		B6S 4043544-A	1
<b>43545</b>	<b>PAD - LUGGAGE COMPARTMENT DOOR ORNAMENT</b>				
	57	51A, 57, 58, 63, 64, 76		B7A 6443545-A	1
<b>43562</b>	<b>KEY - GLOVE and LUGGAGE COMPARTMENT DOOR CYLINDER LOCK</b>				
	53/58	A, S	Blank	B9A 6443562-A	2
	59/	A			2
	59/	S			2
<b>43564</b>	<b>RETAINER - LUGGAGE COMPARTMENT DOOR HANDLE MEDALLION</b>				
	57	S		B7S 4043564-A	1
<b>43565</b>	<b>SPACER - LUGGAGE COMPARTMENT DOOR HANDLE LOCK CYLINDER SLEEVE</b>				
	55/56	S		B5S 4043565-A	1
	55/56	60, 70A, 70B, 70D, 73A, 73B		B5A 7043565-A	1
	55/56	57, 64, 70C, 73C, 76		B5A 7343565-A	1
	57	S		B7S 4043565-A	1
	57	57, 58, 63, 64, 76B		B7A 6443565-A	1
	57	70, 73		B7A 7043565-A	1
	58	57, 58, 63, 64, 70, 73, 76B		B8A 7043565-A	1
	59	58E, 64F, 64G		B9A 6343565-A	1
	59	54A, 57A, 58B, 63A, 64B, 64H, 65A, 75A, 76B		B9A 6443565-A	1
<b>43567</b>	<b>SPRING - LUGGAGE COMPARTMENT DOOR OR TAIL GATE LOCK KEY HOLE COVER</b>				
	55/56	40, 57, 60, 64, 70, 73, 76		B5A 7043567-A	1
	57	40, 57, 58, 59, 63, 64, 76, 78, 79		B5A 7043567-A	1
	57	70, 73		B7A 7043567-A	1
	58	A(except 51A)	Refer to Group 22006-7		
	58	78	Back door	B5A 7043567-A	1
	59	58A, 64A		B9A 5843567-A	2
	58/59	S(63A)		B8S 6343567-A	1
	59	A(54A, 57A, 58B, 63A, 64B, 64H, 65A, 75A, 76B)		B5A 7043567-A	1
	59	A(58E, 64F, 64G)		B9A 6443567-A	1

# FORD CAR PARTS

## BODY SECTION 430

825

GROUP NUMBER	YEAR	BODY TYPE	DESCRIPTION	PART NUMBER	QTY. PER VEHICLE
<b>43603</b>		<b>SLEEVE ASSY. - LUGGAGE COMPARTMENT DOOR OR TAIL GATE LOCK CYLINDER</b>			
	55/56	S		B5S 4043603-B	1
	55/56	60B, 64, 70C, 73C, 76		B5A 7043603-B	1
	56	57, 64, 70, 73, 76			1
	55/56	40, 57, 60B, 64, 70C, 73C, 76	.84" I. D. x 1.25" O. D. Flat washer	351548-S8(XX245)	1
			1 3/16"-16 Hex. nut	356164-S8(MM125)	1
	57	40, 57, 58, 63, 64, 76B		B5A 7043603-B	1
	57	59, 78, 79		B7A 5943603-A	1
	58	57, 58, 63, 64, 70, 73, 76B		B8A 7043603-A	1
	58	59, 79		B8A 5943603-A	1
	58	78		B7A 5943603-A	1
	59	54A, 57A, 58B, 63A, 64B, 64H, 65A, 75A, 76B		B9AB 6443603-D	1
			Spacer	B9A 6443565-A	1
			.64" I. D. x .880" O. D. x .32" thick Flat washer	351789-S(XX208)	1
			5/8"-18 Hex. nut	351100-S7(MM54)	1
<b>43625</b>		<b>PAD - LUGGAGE COMPARTMENT DOOR LOCK CYLINDER SLEEVE</b>			
	55/56	S	Rubber	B5S 4043625-A	1
	55/56	57, 60B, 64, 70C, 73C, 76	Rubber	B5A 7043625-B	1
	57	57, 58, 63, 64, 70, 73, 76B			1
	57	S	Rubber	B7S 4043625-A	1
	58	57, 58, 63, 64, 70, 73, 76B	Rubber	B8A 7043625-A	1
	59	54A, 57A, 58A, 58B, 63A, 64A, 64B, 64H, 65A, 75A, 76B	Rubber or vinyl	B9A 5843625-A	1
<b>43634</b>		<b>BUMPER - LUGGAGE COMPARTMENT DOOR - INSIDE</b>			
	59	54A, 57A, 58, 63A, 64, 65A, 75A, 76B		B9A 6443634-A	2
<b>43706</b>		<b>WEATHERSTRIP ASSY. - LIFT GATE</b>			
	55/56	59, 79	Around tail and lift gate opening on body	B5A 5943706-C	1
	57/58	59, 79		B7A 5943706-A	1
	59	59, 71		B9AB 5943706-B	1
<b>43720-1</b>		<b>WEATHERSTRIP ASSY. - LUGGAGE COMPARTMENT DOOR</b>			
	57/59	51A	Front	B7A 5143720-A	1
	53/54	60, 70, 72, 73, 76	210" long-Cut to 152" long	COMB 6443720-C	1
	55/56	S	Cut to 156" long		1
	55/56	57, 60, 64, 70, 73, 76	Cut to 160.08" long		1
	57	S	Cut to 171" long		1
	57/58	57, 58, 63, 64, 76B	Cut to 180.13" long		1
	57/58	70, 73	Cut to 170.13" long		1
	58	S	Cut to 203.84" long		1
	57/59	51A	Rear - cut to 146" long		1
	59	54A, 57A, 58, 63A, 64, 65A, 75A, 76B	Cut to 188" long		1
	58/	S	Cut to 197 1/2" long		1
<b>43722</b>		<b>WEATHERSTRIP ASSY. - BACK DOOR</b>			
	55/56	59, 79	When back door is used	B5A 7843722-B	1
	55/56	78			1
	57	59, 79	When back door is used (9-63)	*B7A 7843722-A	1
	57/58	78			1
<b>43726</b>		<b>WEATHERSTRIP - TAIL GATE</b>			
	53/57	59, 66, 79	Outer-46" long	B5A 5943726-A	1
	53/54	59, 79	-Cut to 43.34" long		1
<b>43732</b>		<b>RETAINER - TAIL GATE WEATHERSTRIP - BOTTOM</b>			
	57	59, 66, 79	Paint to match	B7A 5943732-AP	1
<b>43750</b>		<b>SEAL - LUGGAGE COMPARTMENT DOOR HINGE - ON BODY</b>			
	58/	S(76A)		B8S 7643750-A	2

**BODY  
SECTION 430**
**FORD CAR PARTS**

GROUP NUMBER	YEAR 19	BODY TYPE	DESCRIPTION	PART NUMBER	QTY. PER VEHICLE
<b>43800</b>	<b>HANDLE and HOUSING ASSY. - TAIL GATE</b>				
	57	59, 66, 78, 79		B7A 5943800-A	1
	58	66, 78			1
	58	59, 79		B8A 5943800-A	1
<b>43808</b>	<b>RELEASE ASSY. - BACK DOOR LOCK</b>				
	57/58	78		B7A 7843808-B	1
	57	59, 79	When back door is used		1
<b>43814</b>	<b>RELEASE ASSY. - TAIL GATE LOCK</b>				
	57	59, 79		B7A 5943814-B	1
	57/58	66		B7A 6643814-B	1
	58	59, 79		B8A 5943814-A	1
	59	59, 66C, 71		B9A 5943814-A	1
	57/	A(59, 66, 71, 79)	1/4"-20 x 1/2" Hex. head bolt	20308-S7 (B40)	2
			1/4" Lockwasher	34805-S8 (X62)	2
<b>43830</b>	<b>ORNAMENT ASSY. - TAIL GATE LOCK CYLINDER HOLE</b>				
	57/59	66		B7A 6643830-A	1
			Retainer (ornament)	B7A 6643833-A	1
			No. 10-24 Hex. nut	34053-S8(M156)	1
<b>43833</b>	<b>RETAINER - TAIL GATE LOCK CYLINDER HOLE ORNAMENT</b>				
	57/59	66		B7A 6643833-A	1
<b>43836</b>	<b>HANDLE ASSY. - TAIL GATE</b>				
	57/58	59, 66, 78, 79	Replaced by B7A 5943800-A	★B7A 5943836-A	1
	59	59, 66C, 71		B9A 5943836-A	1
<b>43840</b>	<b>SPACER - TAIL GATE LOCK CYLINDER</b>				
	57/58	59, 78, 79		B7A 5943840-A	1
<b>43847</b>	<b>RETAINER - LUGGAGE COMPARTMENT DOOR LOCK EXTENSION</b>				
	58	57, 58, 63, 64, 70, 73, 76B		B8A 7043847-A	1
<b>43848</b>	<b>GASKET - TAIL GATE HANDLE HOUSING</b>				
	57/58	59, 66, 78, 79		B7A 5943848-A	1
<b>43849</b>	<b>PAD - TAIL GATE LOCK CYLINDER</b>				
	57/58	59, 78, 79		B7A 5943849-A	1
<b>43867</b>	<b>SHAFT - TAIL GATE LOCK CYLINDER</b>				
	57	59, 78, 79		B7A 5943867-A	1
	58	78			1
	58	59, 79		B8A 5943867-A	1
<b>43869</b>	<b>SPACER - TAIL GATES LOCK CYLINDER SLAVE</b>				
	58	59, 79		B8A 5943869-A	1
<b>43876</b>	<b>ROD - TAIL GATE LOCK CYLINDER to RELEASE</b>				
	57/58	59, 78, 79		B7A 5943876-A	1
<b>43882</b>	<b>RETAINER - TAIL GATE LOCK LINK TO LOCK</b>				
	57/58	59, 78, 79		B7A 5943882-A	2
<b>43940-1</b>	<b>PROP ASSY. - LIFT GATE or BACK DOOR SUPPORT</b>				
	57	59, 79		B7A 5943940-A	2
	57	78	"Before 3/1/57"	B7A 7343940-A	1
	57	59, 79	When back door is used		1
			5/16"-24 x .62" Hex. head shoulder bolt - Replaced by 359367-S100	★359366-S100	2
			5/16"-24 x 1.12" Hex. head shoulder bolt	359367-S100(BB463)	2
			Spacer - .10" Thick	B7A 5943958-A	2
			Spacer - .34" Thick	B7A 5943958-B	2
			Spacer-.59" thick	B8A 5943958-B	4

# FORD CAR PARTS

## BODY SECTION 440

827

GROUP NUMBER	YEAR	BODY TYPE	DESCRIPTION	PART NUMBER	QTY. PER VEHICLE
<b>43940-1 PROP ASSY. - LIFT GATE or BACK DOOR SUPPORT - continued</b>					
58	59, 79		R. H. -8.46" long when closed Replaced by COAB 59404A10-B	*B8A 5943940-B	1
			L. H. -8.46" long when closed-Replaced by COAB 59404A11-B	*B8A 5943941-B	1
			5/16"-24 x 1.23" Hex.head shoulder bolt	370637-S100 (BB464)	4
			Spacer-.59" thick	B8A 5943958-B	4
			.51" Special spring washer	356468-S13 (XX363)	8
59	59, 71		5/16" Internal tooth lockwasher	34906-S8(X98)	4
			R. H. -8.46" long when closed-Replaced by COAB 59404A10-B	*B8A 5943940-B	1
			L. H. -8.46" long when closed-Replaced by COAB 59404A11-B	*B8A 5943941-B	1
			Spacer-.59" thick	B8A 5943958-B	2
			Spacer-.68" thick	B9A 5943958-A	2
			.51" Special spring washer	356468-S13(XX363)	8
			5/16" Internal tooth lockwasher	34906-S8 (X98)	4
			5/16"-24 x 1.23"Hex.head shoulder bolt	370637-S100 (BB464)	2
			5/16"-24 x 1.71" Hex.head shoulder bolt	359350-S100 (BB508)	2
			<b>43954 KNOB - LIFT GATE PROP SUPPORT LOCKING</b>		
57	59, 79			B7A 5943954-A	1
<b>43958 SPACER - LIFT GATE PROP</b>					
57	59, 79		.10" Thick	B7A 5943958-A	2
57	59, 79		.34" Thick	B7A 5943958-B	2
58/	59, 79		.59" thick	B8A 5943958-B	4
59/	59, 71		On pillar		2
59	59, 71		On lift gate - .68" thick	B9A 5943958-A	2
<b>43970 BRACKET - LIFT GATE PROP SUPPORT MOUNTING</b>					
59	59, 71			B9A 5943970-A	2
<b>44100-1 ARM ASSY. - BACK DOOR CHECK</b>					
53/54	78			BA 7844100-A	1
53/55	78		1/4"-28 x 5/8" Pan head screw	38229-S7-8(U145)	4
53/54	78		1/4" Lockwasher	34940-S7(X88)	4
			5/16"-24 x 1 1/4" Cross recess flat head screw & washer ass'y.	354488-S8 (BB109)	2
			3/32" x 1/2" Cotter pin	72004-S7(N41)	1
			5/16" x 5/8" Clevis pin	*76002-S8	1
55/56	78			B5A 7844100-C	1
55/56	59, 79		When back door is used		1
57/58	78	"From 3/1/57"	L. H.	B7A 7844101-A	1
57	59, 79		L. H. -When back door is used		1
			7/16" I. D. x 11/16" O. D. Flat washer	*356430-S7	1
			13/32" Flat washer	*359896-S	1
			Pin	B7A 7844178-A	1
			1/16" Pin(self-locking cotter)	352358-S(NN127)	1
<b>44175 BRACKET - BACK DOOR PROP MOUNTING</b>					
57/58	78		L. H.	B7A 7834175-A	1
57	59, 79		L. H. -When back door is used		1
<b>44178 PIN - BACK DOOR PROP MOUNTING BRACKET</b>					
57/58	78			B7A 7844178-A	1
57	59, 79		When back door is used		1
<b>44185 SUPPORT ASSY. - BACK DOOR - OUTER</b>					
57/58	78			B7A 7844185-A	1
57	59, 79		When back door is used		1
<b>44189 SPRING - BACK DOOR CHECK ASSIST</b>					
57/58	78			B7A 7844189-A	2
57	59, 79		When back door is used		2

**FORD CAR PARTS****BODY  
SECTION 440**

GROUP NUMBER	YEAR 19	BODY TYPE	DESCRIPTION	PART NUMBER	QTY. PER VEHICLE	
<b>44190</b>	<b>SUPPORT - BACK DOOR CHECK INNER</b>					
	57/58	78		B7A 7844190-A	1	
	57	59, 78, 79	When back door is used		1	
			5/16"-24 x 5/8" Hex. head bolt	★20327-S8	2	
			5/16" Lockwasher	34806-S7(X64)	2	
			5/16"-24 Hex. nut	33798-S8 (M62)	2	
<b>44222</b>	<b>CONTAINER ASSY. - LUGGAGE</b>					
	57/59	51A		B7A 5144222-AP	1	
			5/16"-18 x 1.38" Thumb screw	★371279-S8	2	
			5/16" Flat washer	351370-S2 (XX116)	2	
			5/16"-18 Nut (tee)	★34646-S	2	
<b>44400-1</b>	<b>ROD ASSY. - TAIL GATE SUPPORT</b>					
	53/54	59, 79	R. H.	BA 5944400-A	1	
			L. H.	BA 5944401-A	1	
	55/56	59A, 59B, 79	R. H.	B5A 5944400-A	1	
			L. H.	B5A 5944401-A	1	
	57	59, 66, 79		B7A 5944400-A	2	
	58	59, 79	R. H.	B8A 5944400-A	2	
			L. H.	B8A 5944401-A	1	
	53/58	59, 79	5/16"-24 x 3/4" Hex. head bolt	20347-S8(B156)	8	
			5/16" Lockwasher	34806-S7(X64)	8	
	58	66		B7A 5944400-A	2	
	57/58	59, 66, 79	Bumper	358939-S(CC17)	2	
			No. 8 x 5/8" Binding head sheet metal screw	32930-S7(U340)	2	
	59	59, 66C, 71	R. H.	B9AB 5944400-A	1	
			L. H.	B9AB 5944401-A	1	
			Bumper	358939-S(CC17)	4	
			No. 8 x 5/8" Binding head sheet metal screw	32930-S7(U340)	4	
	59/	A(59, 71)	5/16"-24 x 3/4" Cross recess flat head lock screw	372310-S7-8(BB108A)	8	
<b>44432-3</b>	<b>STRIP - TAIL GATE SKID</b>					
	57/58	59, 79		B7A 5944432-A	4	
			No. 10-12 x 7/8" Cross recess oval head screw	52369-S13(U304)	8	
	59	59, 71		B9A 7144432-A	4	
			No. 10-12 x 7/8" Cross recess oval head screw	52369-S13(U304)	8	
<b>44435</b>	<b>HANDLE - TAIL GATE LATCH</b>					
	53/56	59, 79		BA 5944435-A	1	
			No. 8 x 1/2" Cross recess head screw		1	
<b>44454</b>	<b>ANTI RATTLER ASSY. - TAIL GATE SUPPORT - ON PILLAR</b>					
	59	59, 66C, 71		C0DB 5944454-A	2	
<b>44631</b>	<b>CLIP - LIFT GATE WINDOW OUTSIDE SIDE MOULDING RETAINER</b>					
	59	71G		B9A 7144631-A	8	
			No. 8 x 1/4" Round head screw	26457-S7(U167)	8	
<b>44717</b>	<b>SHIELD - BACK DOOR SUPPORT PROP</b>					
	57/58	78	"From 3/1/57"	Cardboard	B7A 7844717-BAE	1
	57	59, 79	When back door is used		1	
	57/58	78	No. 8-18 x 5/8" Cross recess oval head screw	★52482-S13	10	
			No. 8 Finish washer (countersunk)	★34885-S7	10	
<b>44723</b>	<b>BRACKET - BACK DOOR SUPPORT PROP SHIELD MOUNTING</b>					
	57/58	78	"From 3/1/57"	B7A 7844723-A	1	
	57	59, 79	When back door is used		1	
	57/58	78	No. 8 x 1/2" Oval head screw	32923-S8(U338)	3	
<b>44725</b>	<b>SUPPORT - BACK DOOR SUPPORT PROP SHIELD</b>					
	57/58	78	"From 3/1/57"	B7A 7844725-AP	1	



# FORD CAR PARTS

## BODY SECTION 440

829

GROUP NUMBER	YEAR	BODY TYPE	DESCRIPTION	PART NUMBER	QTY. PER VEHICLE
<b>44890-1 BAR - LUGGAGE COMPARTMENT DOOR OR LIFT GATE HINGE TORSION</b>					
	59	54A, 57A, 58, 63A, 64, 65A, 75A, 76B	R. H.	B9A 5844890-A	1
			L. H.	B9A 5844891-A	1
	59	59, 71	R. H.	B9A 7144890-A	1
			L. H.	B9A 7144891-A	1
<b>45101 TROUGH ASSY. - LUGGAGE COMPARTMENT DOOR OPENING - SIDE DRAIN</b>					
	55/56	57, 60, 64, 70, 73, 76	L. H.	B6A 7045101-A	1
<b>45108-9 TROUGH - LUGGAGE COMPARTMENT DOOR OPENING - LOWER</b>					
	58/	S	R. H.	B8S 7645108-A	1
			L. H.	B8S 7645109-A	1
<b>45114-5 TROUGH - LUGGAGE COMPARTMENT DOOR OPENING - SIDE DRAIN</b>					
	55/56	S	R. H.	B5S 4045114-A	1
			L. H.	B5S 4045115-A	1
	55/56	57, 60, 64, 70, 73, 76	R. H.	B5A 7045114-A	1
			L. H. - Refer to Group 45101		
	57	S	R. H.	B7S 4045114-A	1
			L. H.	B7S 4045115-A	1
	57	57, 58, 63, 64, 76B	R. H.	B7A 6445114-A	1
			L. H.	B7A 6445115-A	1
	57	70, 73	R. H.	B7A 7045114-A	1
			L. H.	B7A 7045115-A	1
	57/58	51A	R. H.	B7A 5145114-A	1
			L. H.	B7A 5145115-A	1
	58	57, 58, 63, 64, 76B	R. H.	B8A 6445114-A	1
			L. H.	B8A 6445115-A	1
	58	70, 73	R. H.	B8A 7045114-A	1
			L. H.	B8A 7045115-A	1
	59	54A, 57A, 58, 63A, 64, 65A, 75A, 76B	R. H.	B9A 6445114-A	1
			L. H.	B9A 6445115-A	1
	58/	S	R. H.	B8S 6345114-A	1
			L. H.	B8S 6345115-A	1
<b>45118-9 TROUGH - LUGGAGE COMPARTMENT DOOR OPENING - LOWER CORNER DRAIN</b>					
	55/56	S	R. H.	B5S 4045118-A	1
			L. H.	B5S 4045119-A	1
	57	S	R. H.	B7S 4045118-A	1
			L. H.	B7S 4045119-A	1
	57/58	51A	R. H. - rear	B7A 5145118-A	1
			L. H.	B7A 5145119-A	1
	58/	S	R. H.	B8S 6345118-A	1
			L. H.	B8S 6345119-A	1
<b>45120-1 TROUGH - LUGGAGE COMPARTMENT DOOR OPENING - FRONT CORNER DRAIN</b>					
	57/58	51A	R. H.	B7A 5145120-B	1
			L. H.	B7A 5145121-B	1
	59	51A	R. H.	B9A 5145120-A	1
			L. H.	B9A 5145121-A	1
	58/	S(63A)	R. H.	B8S 6345120-A	1
			L. H.	B8S 6345121-A	1
	58/	S(76A)	R. H.	B8S 7645120-A	1
			L. H.	B8S 7645121-A	1
<b>45212-3 MOULDING - LOWER BACK FINISH PANEL</b>					
	58/	S	R. H.	B8S 6345212-A	1
			L. H.	B8S 6345213-A	1
<b>45806 PANEL ASSY. - SPARE TIRE WELL - Paint to Match</b>					
	57/58	59, 78, 79	Less cover	B8A 7945806-A	1
	57	59, 79	Bumper-anti-rattle	358713-S(CC16)	2
	59	59, 71F, 71H	Less cover-Replaced by B9AB 5947007-AP	*B9A 5945806-A	1
	59	71E, 71G	Less cover-Replaced by B9AB 7147007-AP	*B9A 7145806-A	1

GROUP NUMBER	YEAR 19	BODY TYPE	DESCRIPTION	PART NUMBER	QTY. PER VEHICLE
<b>45830</b>	<b>COVER - SPARE TIRE WELL PANEL</b>				
	53/54	59A	Linoleum-(Brown)-Replaced by B2A 5911583-AS and cut to fit	★B2A 5945830-AS	1
	54	59B	Linoleum-(Green)-Cut from BM 5911583-AAS	★BM 5945830-AAS	1
			Linoleum-(Blue)-Cut from BM 5911583-AAT	★BM 5945830-AAT	1
			Linoleum-(Red)-Cut from BM 5911583-AAU	★BM 5945830-AAU	1
	54	79	Linoleum-(Blue)	BM 7945830-AAT	1
			Linoleum-(Red)	BM 7945830-AAU	1
	55	59, 79	Linoleum-(Red)-Replaced by B5A 5911583-AAA	★B5A 5945830-AAA	1
			Linoleum-(Dark Turquoise)-Replaced by B5A 5911583-AAL	★B5A 5945830-AAL	1
			Linoleum-(Dark Copper)-Replaced by B6A 5945830-AAZ	★B5A 5945830-AZ	1
<b>45844</b>	<b>CATCH - SPARE TIRE WELL PANEL OR AUXILIARY FRONT FLOOR HOLD DOWN</b>				
	53/56	A(59, 78, 79)		B5A 5945844-A	1to3
	59/	A(59E)	Auxiliary front floor hold down		2or4
			No. 8 x 1/2" Cross recess pan head screw	52726-S13 (U381)	2to6
<b>45849</b>	<b>HANDLE - SPARE TIRE WELL COVER</b>				
	57/58	59, 78, 79		B8A 5945849-A	1
	59	59, 71			1
<b>46420</b>	<b>RETAINER - PACKAGE TRAY BALANCE LINK OPENING SEAL</b>				
	58/	S(76A)		B8S 7646420-A	4
<b>46506</b>	<b>PANEL ASSY. - PACKAGE TRAY</b>				
	57/59	51A	On roof	B7A 5146506-A	1
	57/58	57, 58, 63, 64		B7A 6446506-A	1
	57/59	66		B7A 6646506-A	1
	57/58	70, 73		B7A 7046506-A	1
	59	57A, 58, 63A, 64A, 64B, 64F		B9A 5846506-A	1
	59	54A, 64H, 65A, 75A		B9A 6546506-A	1
	58/59	S(63A)	Refer to Soft Trim Sections		
	58/	S(76A)	Paint to match	C0SB 7646506-AP	1
<b>46510</b>	<b>PANEL - PACKAGE TRAY</b>				
	53/54	72C		BA 7246510-C	1
<b>46522</b>	<b>PANEL ASSY. - PACKAGE TRAY</b>				
	57/58	51A	On body	B7A 5146522-B	1
	59	51A	On body	B9A 5146522-A	1
<b>46530 - 1</b>	<b>MOULDING ASSY. - PACKAGE TRAY ON BODY - REAR</b>				
	57/59	51A		B7A 5146530-A	1
			No. 8 x 3/4" Cross recess oval head screw	52360-S13 (U294)	4
<b>46536-7</b>	<b>MOULDING ASSY. - PACKAGE TRAY ON BODY - OUTER</b>				
	57/59	51A	R. H.	B7A 5146536-A	1
			L. H.	B7A 5146537-A	1
			Retainer	B7A 5146552-A	2
			No. 10 Flat washer	44716-S8(X15)	2
			No. 10-24 Hex. nut	34079-S8(M163)	2
			No. 8 x 3/4" Cross recess oval head screw	52360-S13(U294)	4
<b>46548</b>	<b>LIFT ASSY. - PACKAGE TRAY - LESS MOTOR &amp; COUPLING</b>				
	57/58	51A	Use with square shaft motor	B7A 5146548-A	1
	59	51A	Use with slotted shaft motor	B9A 5146548-A	1
			No. 12-24 x 1 3/4" Hex. head screw & washer assy.	359469-S8(BB552)	1
			No. 12-24 Retainer assy. (nut)	359217-S2(MM203)	6
			No. 12-24 x 5/8" Hex. head screw & washer assy.	★42736-S8	5
	57/59	51A	Coupling-Refer to Group 46593		
<b>46552</b>	<b>RETAINER - PACKAGE TRAY ON BODY - OUTER MOULDING</b>				
	57/59	51A		B7A 5146552-A	2
			No. 10 Flat washer	44716-S8(X15)	2
			No. 10-24 Hex. nut	34079-S8(M163)	2

# FORD CAR PARTS

## BODY SECTION 500

831

GROUP NUMBER	YEAR 19__	BODY TYPE	DESCRIPTION	PART NUMBER	QTY. PER VEHICLE
<b>46566 REINFORCEMENT - PACKAGE TRAY - REAR</b>					
	57/58	51A		B7A 5146566-A	2
			No. 8-32 x 5/16" Fillister head screw & washer assy	355067-S7(BB53)	4
<b>46593 COUPLING - PACKAGE TRAY LIFT ASSY. TO MOTOR</b>					
	57/59	A(51A)		BAD 5146593-A	1
	59/	S(76)			1
<b>46608-9 BRACKET - PACKAGE TRAY STRAINER TO WHEELHOUSE</b>					
	57/58	57, 58, 63, 64	R. H. -Replaced by B9A 6446608-A & cut to fit(9-63) L. H.	*B7A 6446608-A B7A 6446609-A	1 1
	57/58	70, 73	R. H. L. H.	B7A 7046608-A B7A 7046609-A	1 1
	59	54A, 57A, 58, 63A, 64, 65A, 75A	R. H. L. H.	B9A 6446608-A B9A 6446609-A	1 1
<b>46610-1 STRAINER - PACKAGE TRAY TO FLOOR</b>					
	57/58	57, 58, 63, 64	R. H. L. H.	B7A 6446610-A B7A 6446611-A	1 1
	57/58	70, 73	R. H. L. H.	B7A 7046610-A B7A 7046611-A	1 1
	59	54A, 57A, 58, 63A, 64, 65A, 75A	R. H. L. H.	B7A 7046610-A B7A 7046611-A	1 1
<b>46612 BRACKET - PACKAGE TRAY TO FLOOR STRAINER</b>					
	53/54	72		BA 7246612-B	2
<b>46619-20 ARM ASSY. - PACKAGE TRAY LIFT</b>					
	57/59	51A	R. H. L. H.	B9A 5146620-A B9A 5146619-A	1 1
			1/4"-20 x 1" Hex. head bolt	20384-S8(B43)	2
			1/4"-20 Hex. nut	33795-S7(M49)	2
			No. 12-24 x 5/8" Hex. head screw and washer assy.	*42736-S8	4
			No. 12-24 Retainer assy. (nut)		4
			1/4" x 3/4" Flat washer		4
<b>46738 SEAL - PACKAGE TRAY TO BACK WINDOW GARNISH MOULDING</b>					
	58/	S(63A)		B8S 6346738-A	2
<b>47007 PANEL ASSY. - SPARE TIRE WELL - LESS COVER</b>					
	59	59C, 59D, 71E, 71H	Paint to match	B9AB 5947007-AP	1
	59	71E, 71G	Paint to match	B9AB 7147007-AP	1
	59	59C, 59D, 71	Bumper	B9AB 5947009-A	2
<b>47009 BUMPER - SPARE TIRE WELL COVER PANEL</b>					
	59	59C, 59D, 71		B9AB 5947009-A	2
<b>47166 HINGE ASSY. - SPARE TIRE WELL PANEL</b>					
	55/56	79	When full rear seat is used- Paint to match	B5A 5947166-AP	1
	57/59	51A		B7A 5147166-A	1
	57/58	59, 78, 79D	Paint to match	B7A 5947166-AP	1
	59	59, 71F, 71H	Paint to match		1
	55/56	59	When split rear seat is used- Paint to match	B7A 7947166-AP	1
	55/56	79			1
	57/58	79C, 79E			1
	59	71E, 71G			1
	57/59	59, 71, 79	No. 10 x 1/2" Cross recess oval head screw	52345-S6(U302C)	9 or 18
<b>50008-9 MOULDING - REAR ROOF OUTSIDE REAR CORNER</b>					
	57/59	51A	R. H. L. H.	B7A 5150008-A B7A 5150009-A	1 1
			No. 8 Lockwasher	34802-S7(X59)	4
			No. 8-32 Hex. nut	*359531-S8	4
<b>50022 RETAINER - ROOF OUTSIDE SIDE REAR MOULDING - REAR</b>					
	56	64	1. 59" long	B5A 6450022-B	4

**BODY  
SECTION 500**
**FORD CAR PARTS**

GROUP NUMBER	YEAR 19__	BODY TYPE	DESCRIPTION	PART NUMBER	QTY. PER VEHICLE
<b>50024-5 RETAINER - ROOF OUTSIDE FRONT MOULDING</b>					
	55/56	64B	R. H. -Replaced by B5A 6450022-B	*B5A 6450024-A	1
			L. H. -Replaced by B5A 6450022-B	*B5A 6450025-A	1
			No. 10-24 x 3/8" Pan head self-tapping screw	40515-S8(U356)	10
	57	57A		B7A 6450024-A	8or12
	57	58B, 63A, 64B		B7A 6450024-A	10or16
	57	57A		B7A 6450024-B	2
	57	58B, 63A, 64		B7A 6450024-B	4or6
	58	57A, 58B, 63A, 64B		B7A 6450024-A	12
	58	57A, 58, 63, 64		B7A 6450024-B	2to6
			No. 10 x 1/2" Cross recess head self-tapping screw	357456-S13(UU43)	2to6
<b>50030 RETAINER ASSY. - ROOF OUTSIDE REAR MOULDING</b>					
	57/59	51A		B7A 5150030-B	6
<b>50038 RETAINER - ROOF OUTSIDE SIDE REAR MOULDING</b>					
	55/56	64A, 64B, 64C		B5A 6450038-B	8or18
<b>50042 MOULDING - ROOF OUTSIDE - CENTER</b>					
	55/56	64A, 64B	Rustless Steel	B5A 6450042-A	1
<b>50043 RETAINER ASSY. - REAR ROOF OUTSIDE REAR CORNER MOULDING</b>					
	57/59	51A		B7A 5150043-A	2
<b>50044 MOULDING - ROOF OUTSIDE - REAR</b>					
	55/56	57, 60		B5A 6050044-A	1
			No. 10 Flat washer	44716-S8(X15)	14
			Seal	1A 6050268	14
			No. 10-24 Nut & washer ass'y.	354397-S100(MM291)	14
	57/58	57		B7A 5750044-A	1
			No. 8 x 3/8" Cross recess pan head screw	52720-S8(U380)	6
	57/59	51A		B7A 5150044-A	1
			Retainer assy. (moulding)	B7A 5150030-B	6
			No. 8 Lockwasher	34802-S7(X59)	4
			No. 8-32 Hex. nut	*359531-S8	6
	57/59	66	Rustless steel-Paint if desired	B7A 6650044-A	1
			No. 8 x 1 1/2" Cross recess oval head screw	52388-S13(U298)	7
<b>50054 GLASS - ROOF</b>					
	54	60F	Tinted	BM 6050054-B	1
	55/56	64B	Tinted	B5A 6450054-A	1
<b>50062-3 MOULDING - ROOF - OUTSIDE - SIDE</b>					
	54	60F	R. H. -Use with glass roof	B4A 6050062-A	1
			L. H.	B4A 6050063-A	1
			No. 10-32 x 1" Cross recess binding head screw	50555-S8(U160)	4
	55/56	64A, 64B	R. H. -Front	B5A 6450062-A	1
			L. H.	B5A 6450063-A	1
	55/56	64B	R. H. -Retainer-front-Used with glass roof	B5A 6450024-A	1
			L. H.	B5A 6450025-A	1
	56	64C	R. H.	B6A 6450062-A	1
			L. H.	B6A 6450063-A	1
			Retainer	B5A 6450038-B	16
	56	64D	R. H.	B6A 6450062-B	1
			L. H.	B6A 6450063-B	1
			Retainer	B5A 6450022-B	4
			No. 8 x 3/8" Pan head screw	*40514-S7	2or12
			No. 10 Internal tooth lockwasher	34903-S8(X96)	4
	57	57	R. H.	B7A 5750062-A	1
			L. H.	B7A 5750063-A	1
			Retainer	B7A 6450024-A	12
	57	58B, 63A, 64B	R. H.	B7A 6450062-A	1
			L. H.	B7A 6450063-A	1
			Retainer	B7A 6450024-A	8to18

# FORD CAR PARTS

## BODY SECTION 500

833

GROUP NUMBER	YEAR 19__	BODY TYPE	DESCRIPTION	PART NUMBER	QTY. PER VEHICLE
<b>50062-3 MOULDING - ROOF - OUTSIDE - SIDE - continued</b>					
57		58A,63B,64A-"From 11/5/56"	R. H.-When B7A 5742404-A is used	B7A 6450062-B	1
			L. H.	B7A 6450063-B	1
			Retainer	B7A 6450024-B	4or6
			No. 10 x 1/2" Cross recess head screw	357456-S13(UU43)	4or6
58	57A		R. H.	B7A 5750062-A	1
			L. H.	B7A 5750063-A	1
			Retainer	B7A 6450024-A	12
58	58B, 63A, 64B,		R. H.	B7A 6450062-A	1
			L. H.	B7A 6450063-A	1
			Retainer	B7A 6450024-A	12
58	58A, 63B, 64A		R. H.	B7A 6450062-B	1
			L. H.	B7A 6450063-B	1
			Retainer	B7A 6450024-B	2or6
			No. 10 - 24 x 3/8" Pan head screw	40515-S8(U356)	4or6
<b>50067 FASTENER ASSY. - LOWER BACK PANEL OUTSIDE FINISH RAIL</b>					
58	79E			B8A 5650067-A	2
59	71G	Tail gate			4
<b>50070-1 MOULDING - ROOF - OUTSIDE - SIDE - REAR</b>					
55/56	64A, 64B		R. H.	B5A 6450070-A	1
			L. H.	B5A 6450071-A	1
55	64A, 64B	Retainer		B5A 6450022-A	2
56	64A, 64B		Retainer	B5A 6450022-B	4
			Retainer	B6A 6450038-B	8or16
<b>50103 KIT - FOLDING TOP -NOTE 2</b>					
55/57	40A	Black Top		B7S 4050103-AA	1
Consists of					
1-Top Assy. (folding)-less trim & clamps-NOTE 3			1-B7S 4051340-AA Weatherstrip		
1-B7S 4052500-AA Curtain (back)			1-B7S 4051452-AA Weatherstrip		
1-B7S 4052700-AA Top deck and quarter			150 inches-M 1G18-T Wire on binding		
			80 inches-*M 99H30-A Webbing		
55/57	40A	White Top		B7S 4050103-AB	1
Consists of					
1-Top Assy. (folding)-less trim & clamps-NOTE 3			1-B7S 4051340-AB Weatherstrip		
1-B7S 4052500-AB Curtain (back)			1-B7S 4051452-AB Weatherstrip		
1-B7S 4052700-AB Top deck and quarter			150 inches-M 1G18-AC Wire on binding		
			80 inches-*M 99H30-B Webbing		
55/57	40A	Tan Top		B7S 4050103-AC	1
Consists of					
1-Top Assy. (folding)-less trim & clamps -NOTE 3			1-B7S 4051340-AC Weatherstrip		
1-B7S 4052500-AC Curtain (back)			1-B7S 4051452-AC Weatherstrip		
1-B7S 4052700-AC Top deck and quarter			150 inches-M 1G18-FW Wire on binding		
			80 inches-*M 99H30-B Webbing		
55/57	40A	Blue Top		B7S 4050103-AD	1
Consists of					
1-Top Assy. (folding)-less trim & clamps-NOTE 3			1-B7S 4051340-AD Weatherstrip		
1-B7S 4052500-AD Curtain (back)			1-B7S 4051452-AD Weatherstrip		
1-B7S 4052700-AD Top deck and quarter			150 inches-M 1G18-Z Wire on binding		
			80 inches-*M 99H30-FA Webbing		

\* Not Serviced Separately

NOTE 2 - All B7S 4050103 Kits Include Parts As Listed. For Clamps Refer To Groups 50500 and 50508.

NOTE 3 - For Clamps Refer to Groups 50500 & 50508

**BODY  
SECTION 500**
**FORD CAR PARTS**

GROUP NUMBER	YEAR 19	BODY TYPE	DESCRIPTION	PART NUMBER	QTY. PER VEHICLE
<b>50108 FASTENER ASSY. - BODY OUTSIDE FINISH RAIL</b>					
	58/59	79E, 71G	Quarter	B9AB 7150108-D	8or10
	58/59	79E, 71G	Front door		6
	58/59	79E, 71G	Rear door		6or14
	58/59	79E, 71G	Tailgate		4or7
	58	79E	Back panel		2or4
	58/59	79E, 71G	Front fender		2or4
	59	71G	"From 12/1/58" Quarter		12
	59	71G	"From 12/1/58" Front door		6
	59	71G	"From 12/1/58" Rear door		6
	59	71G	Quarter panel extension	B9AB 7150108-E	2
	59	71G	Rear door		2
	59	71G	"From 12/1/58" Quarter panel extension		2
	59	71G	"From 12/1/58" Rear door		2
	58	79E	Front door	B9AB 7150108-B	12
	59	71G	Quarter		3
	59	71G	"From 12/1/58" Quarter - L. H. side only		3
	58	79E	Quarter	B9AB 7150108-C	16
	58	79E	Tail gate		7
	58	79E	Lower back panel rail		10
	59	71G	"Before 12/1/58" Quarter		6
	59	71G	"Before 12/1/58" Front door		8
	59	71G	"Before 12/1/58" Rear door		6
	59	71G	"Before 12/1/58" Front fender		8
	59	71G	"From 1/15/59" Front fender		8
	59	71G	"From 1/15/59" Front door		6
	59	71G	"From 1/15/59" Rear door		6
	59	71G	"From 1/15/59" Quarter		6
	59	71G	"From 1/15/59" Lower back panel		4
	59	71G	"From 12/1/58" Tail gate		4
	59	71G	"From 12/1/58" Front fender		2
	58	79E	Rear door	B9AB 7150108-A	14
	58	79E	Front fender		12
	59	71G	-		2
	59	71G	"From 12/1/58" Front fender		2
<b>50120 SUPPORT - ROOF GLASS REAR GARNISH MOULDING</b>					
	55/56	64B		B5A 6450120-A	1or2
			No. 8 x 1 1/4" Cross recess oval head screw	*51411-S13	4
<b>50128-9 BRACKET ASSY. - FOLDING TOP BALANCE LINK TO BASE PIVOT</b>					
	58/	S(76A)	R. H.	B8S 7650128-A	1
			L. H.	B8S 7650129-A	1
			5/16"-24 x 1" Hex. head bolt	20387-S8(B157)	6
			5/16" Lockwasher	34806-S7(X64)	6
			5/16"-24 Hex. nut	33923-S7(M32)	6
<b>50136-7 EXTENSION - FOLDING TOP BALANCE LINK TO BASE</b>					
	58/	S(76A)		B8S 7650136-A	2
			7/16" x 1.32" Pin	370653-S8(NN35)	2
			.45" I.D. x .75" O.D. Flat washer	356214-S8(XX162)	2
			.45" I.D. x .75" O.D. Spring washer	356383-S7(XX362)	2
			1/16" Pin (self-locking)	352358-S(NN127)	2
<b>50140-1 BASE ASSY. - FOLDING TOP MAIN PIVOT SUPPORT</b>					
	58/	S(76A)	R. H. -Paint to match	B8S 7650140-A	1
			L. H.	B8S 7650141-A	1
			5/16"-24 x 1" Hex. head bolt	20387-S8(B157)	10
			5/16" Flat washer	44722-S8(X19)	10
			5/16" Lockwasher	34806-S7(X64)	10
			5/16"-24 Hex. nut	33923-S7(M32)	10
<b>50150-1 LINK ASSY. - FOLDING TOP BALANCE TO BASE</b>					
	58/	S(76A)	R. H. -Paint to match	B8S 7650150-A	1
			L. H.	B8S 7650151-A	1
			7/16" x 1.56" Pin	370590-S13(NN48)	2

# FORD CAR PARTS

## BODY SECTION 500

835

GROUP NUMBER	YEAR	BODY TYPE	DESCRIPTION	PART NUMBER	QTY. PER VEHICLE
<b>50153 PLATE - FOLDING TOP NO. 1 BOW SCUFF</b>					
	59/	S(76A)	"From 6/1/59"	B9SB 7650153-A	2
			No. 6 x 3/8" Binding head screw	*32914-S8	2
<b>50156 RETAINER - FOLDING TOP BOW LISTING</b>					
	57/59	A(76B)	43 1/2" long-Cut to 38 15/16" long	C0AB 7650156-B	2
	58/	S(76A)			2
<b>50195 KIT - HARD TOP ATTACHING</b>					
	55/56	40B	"Before 5/1/56"	B5S 4050195-A	1
Consists of					
	2-B7S	4050500-A	Clamp assy. -side	2-B6S 4050590-B	Fastener assy. -rear
	2-B6S	4050508-B	Clamp ass'y. -front	2-B6S 4050595-A	Stud ass'y. -rear
	1-B6S	4050552-B	Plate ass'y. -rear-R. H.	1-B5S 4050608-A	Plate ass'y. -rear-R. H.
	1-B6S	4050553-B	Plate ass'y. -rear-L. H.	1-B5S 4050609-A	Plate ass'y. -rear-L. H.
	1-B6S	4050558-A	Lever-rear-R. H.	12-34952-S7	Lockwasher
	1-B6S	4059559-A	Lever-rear-L. H.	4-50051-S13	Screw
	1-B6S	4050584-A	Spring-rear-R. H.	4-350056-S13	Screw & washer ass'y.
	1-B6S	4050585-A	Spring (rear		
			2-353925-S	Pin	
	56/57	40B	"From 5/1/56"	B6S 4050195-A	1
Consists of					
	2-B7S	4050500-A	Clamp ass'y. -side	2-B6S 4050595-B	Stud-rear
	2-B6S	4050508-B	Clamp ass'y. -front	1-B5S 4050608-A	Plate ass'y. -rear-R. H.
	1-B6S	4050558-A	Lever-rear-R. H.	1-B5S 4050609-A	Plate ass'y. -rear-L. H.
	1-B6S	4050559-A	Lever-rear-L. H.	12-34952-S7	Lockwasher
	1-B6S	4050584-A	Spring-rear-R. H.	4-50051-S13	Screw
	1-B6S	4050585-A	Spring-rear-L. H.	4-350056-S13	Screw & washer ass'v.
	2-B6S	4050590-A	Fastener ass'y. -rear	8-350078-S13	Screw
			2-353925-S	Pin	
<b>50196 ROOF ASSY. - HARD TOP - TRIMMED - INCLUDING CLEAR GLASS</b>					
	55/57	40	With port holes less paint and clamps	B7S 4050196-A	1
<b>50199 KIT - RANCHERO CANOPY</b>					
	59	66C	Accessory	B9AB 6650199-A	1
<b>50200-2 PANEL ASSY. - ROOF</b>					
	57/58	57	Less silencer	B8A 5750200-A	1
	57/58	58, 63, 64	Less silencer	B8A 6450200-A	1
	57/58	59, 78, 79	Less silencer	B8A 5950200-A	1
	57/58	66	Less silencer	B7A 6650200-A	1
	57/58	70, 73	Less silencer	B8A 7050200-A	1
	57/59	51A	Rear-less silencer	B9A 5150200-A	1
	59	59, 71	NOTE 4	B9A 5950200-A	1
	59	57A, 58, 63A, 64A, 64B, 64F, 64G	NOTE 4	B9AB 6450202-B	1
	59	66C	NOTE 4	B9A 6650200-A	1
	59	64A, 64H, 65A, 75A	NOTE 4	B9A 6550200-A	1
	58/	S(63A)	Without sliding roof panel - NOTE 4	C0SB 6350200-E	1
<b>50209 PANEL ASSY. - ROOF - FRONT</b>					
	57/58	51A		B7A 5150209-A	1
	59	51A		B9A 5150209-A	1
	58/59	51A	1/4"-20 x 1 1/4" Hex. head bolt-acts as stop	370386-S7(BB126)	2
			1/4"-20 Hex. nut	33795-S7(M49)	2
<b>50212-3 PANEL - ROOF SIDE</b>					
	59	66C	R. H.	B9A 6650212-A	1
			L. H.	B9A 6650213-A	1
<b>50214-5 FILLER - ROOF SIDE PANEL</b>					
	59	66C	R. H.	B9A 6650214-A	1
			L. H.	B9A 6650215-A	1

NOTE 4 - Less Silencer and Ornamentation Holes

**BODY  
SECTION 500**
**FORD CAR PARTS**

GROUP NUMBER	YEAR 19	BODY TYPE	DESCRIPTION	PART NUMBER	QTY. PER VEHICLE
<b>50217 REINFORCEMENT ASSY. - ROOF PANEL - REAR</b>					
	58	S(63A)	Refer to Group 50291		
	59/	S(63A)		B9SB 6350217-A	1
<b>50220-1 WEATHERSTRIP ASSY.- ROOF TO UPPER BACK PANEL - INNER SIDE</b>					
	55/56	40B	R. H. -NOTE 1 L. H.		
	55/57	40B	R. H. L. H.	B6S 4050220-A B6S 4050221-A	1 1
			No. 10 x 1/2" Pan head self-tapping screw	350754-S8(UU86)	10
<b>50222 REINFORCEMENT ASSY. - ROOF PANEL - FRONT</b>					
	58	S(63A)	Refer to Group 50263		
	59/	S(63A)		B9SB 6350222-A	1
<b>50244 REINFORCEMENT ASSY. - ROOF PANEL - CENTER - Also Refer to Group 50290</b>					
	57/58	59, 78, 79	Remove dome lamp mounting bracket	B7A 5950244-B	1
	57/58	57, 58, 63, 64		B7A 6450244-A	1
	57/58	70, 73		B7A 7050244-A	1
	59	54A, 57A, 58, 63A, 64, 65A, 75A		B9A 5850244-A	1
	59	59, 71		B9AB 5950244-A	1
<b>50250-1 ORNAMENT ASSEMBLY - ROOF SIDE</b>					
	57/58	57	R. H. L. H.	B7A 5750250-A B7A 5750251-A	1 1
			No. 8 x 3/8" Cross recess pan. head screw	52720-S8 (U380)	4
	59	58A, 58E, 64A, 64F, 64G	R. H. L. H.	B9AB 6450250-A B9AB 6450251-A	1 1
			No. 10-24 Nut & washer assy.	354397-S100(MM291)	2
	59	54A, 64H, 65A, 75A		B9AB 5450250-D	2
			3/16" Nut (self threading)	370792-S7(MM285)	4
<b>50254-5 PANEL - ROOF SIDE ORNAMENT</b>					
	54	70, 73	R. H. -Rustless steel L. H.	BM 7050254-A BM 7050255-A	1 1
	59	57A	R. H. L. H.	B9AB 5750254-A B9AB 5750255-A	1 1
	59	58B, 63A, 64B	R. H. L. H.	B9AB 6450254-A B9AB 6450255-A	1 1
	59	57A, 58B, 63A, 64B	No. 10-24 Nut & washer assy.	354397-S100(MM291)	2
<b>50263 REINFORCEMENT - ROOF PANEL - FRONT</b>					
	57	59, 78, 79	Repl. by B7A 5950244-B & remove dome lamp mounting bracket	*B7A 5950263-A	1
	58	S(63A)	Replaced by B9SB 6350222-A	*B8S 6350263-A	1
	57/58	57, 58, 63, 64		B7A 6450263-A	1
	57/58	70, 73		B7A 7050263-A	1
	59	S(63A)	Refer to Group 50222		
	59	54A, 57A, 58, 63A, 64, 65A, 75A		B9A 5850263-A	1
	59	59, 71	Center	B9A 5950263-A	2
<b>50264-5 ORNAMENT ASSY. - ROOF SIDE</b>					
	57/58	51A	R. H. -less medallion & name plate-drill holes as required L. H.	B7A 5150264-A B7A 5150265-A	1 1
			No. 6-18 x 3/8" Cross recess flat head screw	52005-S13(U196)	4
			No. 10 Internal & external tooth lockwasher	*356256-S7	4
			No. 10-24 x .81" Stud	*353937-S100	4
	59	51A	R. H. L. H.	B9A 5150264-A B9A 5150265-A	1 1
			No. 10-24 Nut & washer assy.	354397-S100(MM291)	4
<b>50268 SEAL - ROOF SIDE ORNAMENT</b>					
	53	60		*1A 6050268	14

NOTE 1 - Before 3/15/55 Refer to Groups 50298 and 51372-2



# FORD CAR PARTS

## BODY SECTION 500

837

GROUP NUMBER	YEAR 19__	BODY TYPE	DESCRIPTION	PART NUMBER	QTY. PER VEHICLE
<b>50270-1 MEDALLION - ROOF SIDE</b>					
	57	40B		B7S 4050270-A	2
			Retainer	B7S 4050292-A	2
			1/8" Nut (spring)	359464-S7(MM271)	6
	58	S(63A)	R. H.	B8S 6350270-A	1
			L. H.	B8S 6350271-A	1
	59	S(63A)		B9S 6350270-A	2
			3/16" Nut (self threading)	370792-S7(MM285)	6
<b>50272 RETAINER - ROOF SIDE ORNAMENT PANEL</b>					
	54	70, 72, 73		*BH 7350272-A	2
			No. 8 x 1/2" Cross recess pan head screw	52726-S13(U381)	4
	57/58	57	On body	B7A 5750272-A	2
			No. 8 x 3/8" Cross recess pan head screw	52720-S8(U380)	4
	59	57A		B9AB 5750272-A	2
	59	58, 63A, 64		B9A 5850272-A	2
	59	57A, 58, 63A, 64	No. 8 x 3/8" Cross recess pan head screw	52720-S8(U380)	4
<b>50274-5 ORNAMENT - ROOF SIDE INNER</b>					
	58/	S(63A)	R. H.	B8S 6350274-B	1
			L. H.	B8S 6350275-B	1
<b>50284 PLATE - ROOF SIDE ORNAMENT MEDALLION MOUNTING</b>					
	53/54	60B		BM 6050284-A	2
<b>50291 REINFORCEMENT ASSY. - ROOF PANEL - REAR</b>					
	57/58	59, 78, 79	Repl. by B7A 5950244-B & remove dome lamp mounting bracket	*B7A 5950291-A	1
	57/58	57, 58, 63, 64		B7A 6450291-A	1
	57/58	70, 73		B7A 7050291-A	1
	58	S(63A)	Replaced by B9SB 6350217-A	*B8S 6350291-A	
	59	S(63A)	Refer to Group 50217		
	59	54A, 57A, 58, 63A, 64, 65A, 75A		B9A 5850291-A	1
	57/59	66		B7A 6650291-A	1
<b>50292 RETAINER - ROOF SIDE MEDALLION</b>					
	57	40B		B7S 4050292-A	2
			1/8" Nut (spring)	359464-S7(MM271)	6
	57/58	51A		B7A 5150292-A	2
			No. 6 Lockwasher	34937-S7(X84)	4
			No. 6-32 Hex. nut	34051-S7(M154)	4
<b>50294-5 MOULDING - ROOF SIDE - REAR</b>					
	57/59	66	R. H. -Chrome-Paint if desired	B7A 6650294-B	1
			L. H.	B7A 6650295-B	1
			No. 8-15 x 1 1/2" Cross recess oval head screw	52388-S13(U298)	AR
<b>50298 WEATHERSTRIP - ROOF TO UPPER BACK PANEL - INNER</b>					
	55/57	40B	Center	B6S 4050298-A	1
			No. 10 x 1/2" Pan head self-tapping screw	350754-S8(UU86)	7
<b>50302-3 PANEL ASSY. - ROOF SIDE ORNAMENT</b>					
	59	54A, 64H, 65A, 75A	R. H.	B9AB 6550302-A	1
			L. H.	B9AB 6550303-A	1
			No. 10-24 Nut & washer assy.	354397-S100(MM291)	10
<b>50316-7 LINK ASSY. - FOLDING TOP CONTROL - Paint to Match</b>					
	55/56	76B	R. H.	B5A 7650316-AP	1
			L. H.	B5A 7650317-AP	1
			.433/.430" x 1.130" Oval head pin	357412-S13(NN23)	2
	57/59	76B	R. H.	B7A 7650316-AP	1
			L. H.	B7A 7650317-AP	1
	56/59	76B	Pin	B6A 7650345-A	2
	55/59	76B	.45" I.D. x .75" O.D. Flat washer	356214-S8(XX162)	2
			.51 I.D. x .56" O.D. Special spring washer	8M 7653213	2
			3/32" x 1" Cotter pin	72034-S(N45)	2

**BODY  
SECTION 500**
**FORD CAR PARTS**

GROUP NUMBER	YEAR 16	BODY TYPE	DESCRIPTION	PART NUMBER	QTY. PER VEHICLE
<b>50316-7 LINK ASSY. - FOLDING TOP CONTROL - Paint to Match - continued</b>					
	58/	S(76A)	R. H.	B8S 7650316-A	1
			L. H.	B8S 7650317-A	1
			3/8" x 1.22" Pin	370642-S13(NN42)	2
			1/8" x 1" Pin	354547-S(NN100)	2
<b>50318 RETAINER - ROOF TO UPPER BACK PANEL INNER WEATHERSTRIP - CENTER</b>					
	55/56	40B "Before 3/1/56"		B5S 4050318-A	1
			No. 10-16 x 1/2" Pan head self-tapping screw	350754-S8(UU86)	9
<b>50320-1 LINK ASSY. - FOLDING TOP NO. 2 BOW - Paint to Match</b>					
	55/57	40A	R. H.	B6S 4050320-BP	1
			L. H.	B6S 4050321-BP	1
			3/32" x 1.12" Pin	354276-S(NN91)	2
			5/16 x 3/4" Oval head pin	354169-S13(NN150)	4
			3/32" x 3/4" Pin	354262-S(NN87)	2
			No. -10 x 3/4" Cross recess flat head screw	*50033-S13	4
			Spring wave washer	8M 7653210	2
			5/16" Spring washer	356600-S(XX361)	4
<b>50326-7 SLAT and LINK ASSY. - FOLDING TOP NO. 3 BOW</b>					
	55/57	40A "From 1/3/55"	R. H.	B5S 4050326-B	1
			L. H.	B5S 4050327-B	1
<b>50336 WEATHERSTRIP ASSY. - ROOF TO UPPER BACK PANEL - OUTER</b>					
	55/57	40B		B5S 4050336-B	1
<b>50340-1 IRON - FOLDING TOP BOW SLAT - REAR - Paint to Match</b>					
	57/58	76B	R. H.	B7A 7650340-AP	1
			L. H.	B7A 7650341-AP	1
			1/4"-20 x 3/8" Cross recess pan head screw and washer assy.	*50806-S13	4
	59	76B	R. H.	B9A 7650340-A	1
			L. H.	B9A 7650341-A	1
	59/	A(76)	1/4"-20 x 3/8" Cross recess pan head screw and washer assy.	*50806-S13	4
<b>50345 PIN - FOLDING TOP CONTROL LINK</b>					
	56	A(76)		B6A 7650345-A	4
	57/	A(76)			6
	58/	S(76) "Before 9/4/62"			6
<b>50346 REINFORCEMENT ASSY. - ROOF PANEL - NO. 4</b>					
	57	59, 78, 79	Repl. by B7A 5950244-B & remove dome lamp mounting bracket	*B7A 5950346-A	1
<b>50352-3 LINK ASSY. - FOLDING TOP POWER</b>					
	53/54	76B	R. H.	BA 7650352-B	1
			L. H.	*BA 7650353-B	1
			.433"/.430" x .998" Pin	357411-S13(NN20)	2
			.433"/.430" x 1.130" Pin	357412-S13(NN23)	2
			.45" I. D. x .75" O. D. Flat washer	356214-S8(XX162)	2
			.39" I. D. x .63" O. D Special spring washer	8M 7653210	2
			.39" I. D. x .745" O. D. Plain washer	356403-S8(XX126)	2
			3/32" x 1" Cotter pin	72034-S(N45)	2
	57/59	76B	R. H. -Paint to match	B7A 7650352-A	1
			L. H.	B7A 7650353-A	1
			.433"/.430" x 2.127" Pin	357540-S13(NN30)	2

# FORD CAR PARTS

## BODY SECTION 500

839

GROUP NUMBER	YEAR	BODY TYPE	DESCRIPTION	PART NUMBER	QTY. PER VEHICLE
<b>50356-7 LINK ASSY. - FOLDING TOP POWER - LOWER - <i>Paint to Match</i></b>					
	55/56	76	R. H.	B5A 7650356-AP	1
			L. H. (9-63)	*B5A 7650357-AP	1
			.370"/.367" x 1.74" Pin (oval head)	354318-S13(NN18)	2
			.433"/.430" x 2.095" Pin (oval head)	357429-S13(NN29)	2
			.45" I.D. x .75" O.D. Flat washer	356214-S8 (XX162)	2
			.39" I.D. x .745" O.D. Plain washer	356403-S8 (XX126)	2
			3/32" x 1" Cotter pin	72034-S (N45)	4
	58/59	S(76A) "Before 2/12/59"	R. H. -Welded steel	B8S 7650356-A	1
			L. H.	B8S 7650357-A	1
	59/	S(76A) "From 2/12/59"	R. H. -Casting	B9S 7650356-A	1
			L. H.	B9S 7650357-A	1
			7/16" Flat washer	*356420-S	2
			7/16" x 1.71" Pin	370588-S8 (NN33)	2
			7/16" x 2.44" Pin	370961-S8 (NN38)	2
			1/16" Self-locking pin	352358-S (NN127)	2
<b>50363 RETAINER ASSY. - FOLDING TOP HEADER OUTSIDE MOULDING</b>					
	55/56	76B		B5A 7650363-A	10
	57/58	76B		B7A 7650363-A	8
	59	76B		B9A 7650363-A	10
	58/	S(76A)		B8S 7650363-A	10
<b>50365 RETAINER - FOLDING TOP HEADER OUTSIDE MOULDING - INTERMEDIATE</b>					
	55	40A	Replaced by 358560-S100	*B5S 4050365-A	8
	55/57	40A "From 2/28/55"		B5S 4050365-B	8
<b>50370-1 LINK - FOLDING TOP POWER - <i>Paint to Match</i></b>					
	58/59	S(76A) "Before 2/12/59"		B8S 7650370-A	2
			7/16" x 1.09" Pin	370641-S8(NN32)	2
	59/	S(76A) "From 2/12/59"		B9S 7650370-A	2
			7/16" Pin (oval head)	354735-S13(NN31)	2
			7/16" x 1.71" Pin	370588-S8(NN33)	2
			.45" I.D. x .75" O.D. Flat washer	356214-S8(XX162)	4
			1/16" Self locking pin	352358-S(NN127)	4
<b>50374-5 RETAINER - FOLDING TOP HEADER OUTSIDE MOULDING - END</b>					
	55/57	40A	R. H.	B5S 4050374-B	1
			L. H.	B5S 4050375-B	1
<b>50390 COVER - ROOF TO UPPER BACK PANEL OUTER WEATHERSTRIP RETAINER JOINT</b>					
	55/57	40B		B5S 4050390-A	1
<b>50396-7 RETAINER - ROOF TO UPPER BACK PANEL OUTER WEATHERSTRIP</b>					
	55/57	40B	R. H.	B5S 4050396-B	1
			L. H.	B5S 4050397-B	1
<b>50399 PLATE - ROOF SIDE NAME</b>					
	57/59	51A	"Skyliner"	B7A 5150399-A	2
			No. 6 External tooth lockwasher	34937-S7 (X84)	4
			No. 6-32 Hex. nut	34051-S7 (M154)	4
<b>50402-3 MOULDING - ROOF OUTSIDE BELT - REAR</b>					
	58/59	S(63A)	R. H.	B8S 6350402-A	1
			L. H.	B8S 6350403-A	1
<b>50429 BRACKET - FOLDING TOP PIVOT LINK ADJUSTING</b>					
	55/57	40A		B5S 4050429-A	2
<b>50430-1 TROUGH - ROOF REAR CORNER DRAIN</b>					
	59	59, 71	R. H.	B9A 5950430-A	1
			L. H.	B9A 5950431-A	1
<b>50444-5 BRACKET ASSY. - FOLDING TOP BALANCE LINK ADJUSTING</b>					
	58/	S(76A)	R. H.	B8S 7650444-A	1
			L. H.	B8S 7650445-A	1
			5/16"-18 x 1" Hex. head bolt	20386-S8 (B53)	4

**BODY  
SECTION 500**
**FORD CAR PARTS**

GROUP NUMBER	YEAR 19	BODY TYPE	DESCRIPTION	PART NUMBER	QTY. PER VEHICLE
<b>50450-1 BRACKET ASSY. - FOLDING TOP BALANCE LINK LOWER PIVOT</b>					
	53/56	76	R. H.	*BD 7650450-B	1
			L. H.	*BD 7650451-B	1
	58/	S(76A)	R. H.	B8S 7650450-A	1
			L. H.	B8S 7650451-A	1
	57/	A(76)		B7A 7650450-A	2
<b>50452 PIN - FOLDING TOP UPPER POWER LINK TO REAR SIDE RAIL</b>					
	57/59	76B		B7A 7650452-A	2
<b>50453 BUSHING - FOLDING TOP LOWER POWER LINK</b>					
	58/	S(76A)		C0SB 7650453-A	4
<b>50454-5 LINK - FOLDING TOP BALANCE - Paint to Match</b>					
	57/59	76B	R. H.	B7A 7650454-AP	1
			L. H.	B7A 7650455-AP	1
	58/	S(76A)	R. H.	B8S 7650454-A	1
			L. H.	B8S 7650455-A	1
	57/59	76B	7/16" x 21/32" Oval head pin	354744-S13(NN44)	2
	58/	S(76A)			
			1/8" x 7/8" Pin	354873-S (NN137)	2
<b>50472 BUSHING - FOLDING TOP POWER LINK TO SIDE RAIL</b>					
	55/59	76B	Nylon	B5A 7650472-A	4
<b>50473 BUSHING - FOLDING TOP MAIN PIVOT BRACKET</b>					
	57/	A(76)		B7A 7650473-A	4
	58/	S(76)	Side rail-rear	C0SB 7650473-A	8or10
	58/	S(76)	Side rail-rear	B7A 7650473-A	2
	58/	S(76)	Side rail	B8S 7650473-B	2
<b>50474 BUSHING - FOLDING TOP CONTROL LINK TO SIDE RAIL</b>					
	55/56	76	Nylon	B5A 7650474-A	8
	57/	A(76)	Nylon	B7A 7650474-A	12
	58/	S(76)	"Before 9/4/62"		12
	58/59	S(76A)	Luggage compartment door spring guide assy.		4
<b>50478-9 BRACKET - FOLDING TOP BALANCE LINK ADJUSTING</b>					
	57/	A(76)	R. H.	B7A 7650478-A	1
			L. H.	B7A 7650479-A	1
<b>50487 BUSHING - FOLDING TOP MAIN CONTROL - REAR</b>					
	58/	S(76A)		B8S 7650487-A	4
<b>50491 SCREW - FOLDING TOP BALANCE LINK ADJUSTING</b>					
	57/	A(76)	Vertical-2.16" long	B7A 7650491-A	2
<b>50492 PIN - FOLDING TOP CENTER SIDE RAIL - FRONT</b>					
	58/	S(76)		B8S 7650492-A	2
	59/	A(76)			2
<b>50500 CLAMP ASSY. - FOLDING TOP or ROOF HOLD DOWN - SIDE</b>					
	55/56	40		B5S 4050500-B	2
	56/57	40		B7S 4050500-A	2
	55/57	40A	No. 10-24 x 1/2" Oval head screw & washer assy.	354304-S13(BB610)	4
	55/57	40B	No. 10 External tooth countersunk lockwasher	34952-S8(X79)	
<b>50502-3 PLATE ASSY. - FOLDING TOP or ROOF HOLD DOWN SIDE CLAMP LATCH</b>					
	55/56	40	R. H.	B5S 4050502-B	1
			L. H.	B5S 4050503-B	1
			1/4"-20 x 5/8" Hex. head bolt	20324-S8(B41)	6
			1/4" External tooth lockwasher	34940-S8(X88)	6
	57	40	R. H.	B7S 4050502-A	1
			L. H.	B7S 4050503-A	1

# FORD CAR PARTS

## BODY SECTION 500

841

GROUP NUMBER	YEAR 19	BODY TYPE	DESCRIPTION	PART NUMBER	QTY. PER VEHICLE
<b>50507 BUSHING - FOLDING TOP UPPER TO LOWER POWER LINK PIVOT</b>					
	58/59	S(76A)	Outer-Replaced by COSB 76506A64-A	★B8S 7650507-A	2
	59/	S(76A)	Inner		
	59/	S(76A)	Outer-Replaced by COSB 76506A66-A	★B9S 7650507-A	2
<b>50508 CLAMP ASSY. - FOLDING TOP or ROOF HOLD DOWN - FRONT</b>					
	55/56	40A	"Before 5/1/56" Folding top	★B5S 4050508-A	2
	55/56	40B	"Before 5/1/56" Roof	B5S 4050508-B	2
	56/57	40A	"From 5/1/56" Folding top	B6S 4050508-A	2
	56/57	40B	"From 5/1/56" Roof	B6S 4050508-B	2
	55/57	40	No. 10-24 x 1/2" Oval head screw & washer assy.	354304-S13(BB610)	4or8
			No. 10-32 x 3/4" Cross recess oval head screw	★30495-S13	4
			No. 10 Lockwasher (external tooth countersunk)	34952-S7(X79)	4
	55/56	76		B5A 7650508-A	2
			No. 8 - 32 x 3/8" Cross recess oval head screw & washer assy.		4
			No. 8 - 32 x 1/2" Cross recess oval head screw & washer assy.		2
	57/58	76B		B7A 7650508-A	2
	59	76B		B9A 7650508-A	2
	58/	S(76A)		B8S 7650508-A	2
	57/59	A(76B)	No. 10-32 x 3/8" Binding head screw and washer assy.	42802-S8(U33)	2
	58/	S(76A)			2
<b>50512 BRACKET ASSY. - ROOF HOLD DOWN SIDE CLAMP MOUNTING</b>					
	55/56	40B		B5S 4050512-B	2
			No. 10 Flat washer	44716-S8(X15)	4
			No. 8 x 3/8" Flat head self-tapping screw	★350040-S8	4
<b>50524 BUMPER ASSY. - FOLDING TOP HOLD DOWN CLAMP LEVER</b>					
	59	76B		B9A 7650524-A	2
<b>50528 LATCH - ROOF HOLD DOWN SIDE CLAMP</b>					
	55/57	40		B5S 4050528-B	2
			No. 6 x 1/8" Screw (set)	354293-S8(UU27)	2
<b>50530-1 PLATE - FOLDING TOP or ROOF HOLD DOWN CLAMP LATCH - FRONT</b>					
	55/57	40		B5S 4050530-A	2
	57/58	76B		B7A 7650530-A	2
	59	76B		B9A 7650530-A	2
	58/	S(76A)		B8S 7650530-A	2
	57/59	76B	No. 10-32 x 1/2" Cross recess flat head screw & washer assy.	350056-S13(BB107)	4
<b>50552-3 PLATE ASSY. - FOLDING TOP or ROOF HOLD DOWN REAR CLAMP FINISH</b>					
	55	40	R. H.	B5S 4050552-B	1
			L. H.	B5S 4050553-B	1
	56	40	"Before 5/1/56" R. H.	B6S 4050552-A	1
			L. H.	B6S 4050553-A	1
	56/57	40	"From 5/1/56" R. H.	B6S 4050552-B	1
			L. H.	B6S 4050553-B	1
	55/57	40	11/32" I.D. x 3/4" O.D. x 1/8" Flat washer	353622-S100(XX119)	4
			1/4" Lockwasher	34805-S8(X62)	4
			1/4"-28 Hex. nut	33796-S7(M61)	4
<b>50558-9 LEVER - ROOF HOLD DOWN REAR CLAMP</b>					
	55/56	40	"Before 5/1/56" R. H.	B5S 4050558-B	1
			L. H.	B5S 4050559-B	1
			3/32" x 3/4" Pin	354262-S(NN87)	2
	56/57	40	"From 5/1/56" R. H.	B6S 4050558-A	1
			L. H.	B6S 4050559-A	1
			1/8" x 3/4" Pin	353925-S(NN98)	2
<b>50562 DOWEL - ROOF HOLD DOWN SIDE CLAMP BRACKET</b>					
	55/57	40A	Serviced in B6S 4051278-BP	★B5S 4050562-A	2

GROUP NUMBER	YEAR 19	BODY TYPE	DESCRIPTION	PART NUMBER	QTY. PER VEHICLE
<b>50564-5 BRACKET ASSY. - FOLDING TOP LIFT TO FLOOR</b>					
53/54	76		R. H.	BF 7650564-A	1
			L. H.	BF 7650565-A	1
			5/16" -24 x 5/8" Hex. head bolt	★20327-S7	
			5/16" Lockwasher	34806-S7(X64)	8
			5/16" Flat washer	44722-S8(X19)	4
58/59	S(76A)		R. H. -Replaced by B9SB 7650564-A(9-63)	★B8S 7650564-A	1
			L. H.	B8S 7650565-A	1
			3/8" x 3.37" Clevis pin	370611-S8(NN8)	2
			3/8" Flat washer	44727-S8(X24)	4
			1/16" Pin (self-locking)	352358-S(NN127)	2
<b>50569 SEAL - ROOF SIDE MOUNTING HOLD DOWN CLAMP</b>					
56/57	40B	"From 3/1/56"		B6S 4050569-A	2
<b>50578 ESCUTCHEON - TOP CONTROL</b>					
53/54	76		Refer to Group 15677		
<b>50584-5 SPRING - ROOF HOLD DOWN REAR CLAMP</b>					
55/56	40	"Before 5/1/56"	R. H.	B5S 4050584-A	1
			L. H.	B5S 4050585-A	1
56/57	40	"From 5/1/56"	R. H.	B6S 4050584-A	1
			L. H.	B6S 4050585-A	1
<b>50590 FASTENER ASSY. - FOLDING TOP or ROOF HOLD DOWN CLAMP - REAR</b>					
55	40			B5S 4050590-A	1or2
56	40	"Before 5/1/56"		B6S 4050590-A	2
55/56	40	"Before 5/1/56"	No. 6 x 1/8" Set screw	354293-S8(UU27)	1or2
56/57	40	"From 5/1/56"		B6S 4050590-B	2
			No. 8 x 1/4" Set screw	358685-S8(UU28)	2
<b>50595 STUD - ROOF HOLD DOWN REAR CLAMP</b>					
55/56	40	"Before 5/1/56"		B5S 4050595-C	2
56/57	40	"From 5/1/56"		B6S 4050595-A	2
<b>50600-1 LIFT ASSY. - FOLDING TOP</b>					
55/56	76		For hydraulic type	B5A 7650600-A	2
			21/64" I.D. x .81" O.D. Grommet		4
			25/64" I.D. x .81" O.D. Grommet		4
			.370"/.367" x 1.39" Pin	358426-S13(NN17)	2
			3/32" x 1" Cotter pin	72034-S(N45)	4
58/59	S(76A)		R. H. -2 1/32" diameter cylinder	B9SB 7650600-A	1
			L. H.	B9SB 7650601-A	1
			3/8" x 3.37" Clevis pin	370611-S8(NN8)	2
			3/8" Flat washer	44727-S8(X24)	4or6
			.39" I.D. x .63" O.D. Special spring washer	8M 7653210	2
			1/16" Pin (self-locking)	352358-S(NN127)	4
			Bushing	C0SB 7650453-A	2
			.51" I.D. x .57" O.D. Special spring washer	8M 7653213	2
			7/16" Flat washer	★356420-S	2
			7/16" x 1.71" Pin	370588-S8(NN33)	2
			No. 10-12 x 1/2" Cross recess pan head screw	32924-S7(U344)	6
			1/4" Flat washer	44720-S8(X18)	2
			57/	76B	
.370"/.367" x 1.008" Pin	359140-S13(NN14)	2			
55/	76		.39" I.D. x .63" O.D. Special spring washer	8M 7653210	4
			3/8" x 1 13/16" Clevis pin	★76073-S8	2
			3/8" Flat washer	356403-S8(XX126)	2
			1/16" Pin (self-locking)	352358-S(NN127)	2or4

# FORD CAR PARTS

## BODY SECTION 500

843

GROUP NUMBER	YEAR 19---	BODY TYPE	DESCRIPTION	PART NUMBER	QTY. PER VEHICLE
<b>50608-9 PLATE ASSY. - ROOF HOLD DOWN REAR CLAMP RETAINING</b>					
	55/57	40	R. H.	B5S 4050608-A	1
			L. H.	B5S 4050609-A	1
	55/57	40A	No. 10 x 1/2" Oval head screw & washer assy.	354304-S13(BB610)	8
	55/57	40B	No. 10 x 5/8" Flat head screw	350078-S13(UU48)	8
	55/57	40	No. 10 External tooth countersunk lockwasher	34952-S7(X79)	8
<b>50612-3 SHAFT ASSY. - FOLDING TOP LIFT DRIVE</b>					
	53	76	R. H. -11.63" Overall length	BA 7650612-A	1
			L. H. -34.25" Overall length	BA 7650613-A	1
<b>50614 BUSHING - FOLDING TOP BALANCE LINK TO BASE EXTENSION</b>					
	58/	S(76)		C0SB 7650614-A	4
<b>50687 SPACER - FOLDING TOP No. 1 BOW REAR WEATHERSTRIP</b>					
	59	76B		B9A 7650687-A	AR
<b>50696 ELBOW - FOLDING TOP INVERTED FLARED TUBE</b>					
	53/	76B	Used with hydraulic top lift	BF 7650696-A	2or3
<b>50719 CONNECTOR - FOLDING TOP INVERTED MALE</b>					
	53/	76B	Used with hydraulic top lift	BF 7650719-A	3
<b>50804-5 BRACKET - TOP LIFT TO FLOOR</b>					
	57/58	76B	R. H.	B7A 7650804-A	1
			L. H.	B7A 7650805-A	1
	59	76B	R. H.	B9A 7650804-A	1
			L. H.	B9A 7650805-A	1
<b>50816 RETAINER ASSY. - FOLDING TOP LIFT TO FLOOR BRACKET</b>					
	55/56	76		B5A 7650816-A	4
	57/	A	Attach front fender to cowl side		2
<b>50842 INSERT - ROOF SIDE ORNAMENT</b>					
	59	54A, 64H, 65A, 75A		B9AB 5450842-C	2
<b>50900 STRIP - ROOF HEADLINING SIDE RETAINING - REAR LOWER</b>					
	59	A(54A, 64H, 65A, 75A)		B9AB 6550900-A	2
			No. 8 x 3/8" Cross recess pan head screw	52720-S8 (U380)	6
<b>50935 STRIP - ROOF HEADLINING SIDE RETAINING - FRONT CORNER</b>					
	57/58	59, 66, 70, 73, 78, 79	L. H.	B7A 7050935-A	1
<b>50952-3 STRIP - ROOF HEADLINING RETAINING</b>					
	57/58	58, 64	R. H.	B7A 6450952-A	1
			L. H.	B7A 6450953-A	1
	57/58	59, 66, 70, 73, 78, 79	R. H.	B7A 7050952-A	1
			L. H.	B7A 7050953-A	1
	57/58	A(except 51A, 76)	No. 8-15 x 3/8" Cross recess pan. head screw	52720-S8 (U380)	2to6
	59	54A, 58, 64	R. H.	B9A 6450952-A	1
			L. H.	B9A 6450953-A	1
	59	57A, 63A, 65A, 75A	R. H.	B9A 5750952-A	1
			L. H.	B9A 5750953-A	1
<b>50954-5 STRIP - ROOF HEADLINING RETAINING - CENTER</b>					
	57/58	58	R. H.	B7A 5850954-A	1
			L. H.	B7A 5850955-A	1
			No. 8 x 3/8" Cross recess pan. head screw	52720-S8(U380)	6
	59	54A, 58	R. H.	B9A 5850956-A	1
			L. H.	B9A 5850957-A	1
	59	57A, 63A, 65A, 75A	R. H.	B9A 5750956-A	1
			L. H.	B9A 5750957-A	1
	59	54A, 57A, 58, 63A, 65A, 75A	No. 8-15 x 3/8" Cross recess pan head screw	52720-S8 (U380)	2or4

**BODY  
SECTION 500**
**FORD CAR PARTS**

GROUP NUMBER	YEAR 19	BODY TYPE	DESCRIPTION	PART NUMBER	QTY. PER VEHICLE
<b>50974</b>	<b>STRIP - ROOF HEADLINING RETAINER - LIFT GATE OPENING</b>				
	53/54	59, 78, 79		BA 5950974-A	1
<b>50980</b>	<b>RETAINER - ROOF TRIM PANEL - FRONT</b>				
	57/58	51A	Headlining	B7A 5150980-A	2
	59	51A	Headlining	B9A 5150980-A	2
	57/59	51A	No. 6 x 3/8" Cross recess pan head screw	*32914-S8	18
<b>50992</b>	<b>RETAINER - FRONT DOOR OUTSIDE UPPER MOULDING RETAINER</b>				
	57	51A, 57A, 58B, 59B, 63A, 64B, 70B, 73B, 76, 79C, 79D		B7A 7350992-A	8 to 12
	57	59B, 70B	Quarter		2
	57	73B, 79C, 79D	Rear door		4
<b>51142-3</b>	<b>RAIL ASSY. - ROOF SIDE INNER</b>				
	55	70	R. H. -Repl. by B5A 7051180-B & B5A 7051212-A L. H. -Repl. by B5A 7051181-B & B5A 7051213-A	*B5A 7051142-B *B5A 7051143-B	1 1
	55	73	R. H. -Repl. by B5A 7351180-B & B5A 7351212-A L. H. -Repl. by B5A 7351181-B & B5A 7351213-A	*B5A 7351142-B *B5A 7351143-B	1 1
<b>51154-5</b>	<b>RAIL ASSY. - FOLDING TOP CENTER SIDE</b>				
	55/56	76	R. H. L. H.	B5A 7651154-AP B5A 7651155-AP	1 1
	55	76	3/32" x 1" Pin	354206-S (NN134)	2
			3/32" x 1" Cotter pin	72034-S(N45)	2
	55/56	76	5/16" x 1.42" Oval head pin	354270-S13(NN151)	2
			.45" I.D. x .75" O.D. Flat washer	356214-S8 (XX162)	2
			.433"/.430" x 2.127" Oval head pin	357540-S13(NN30)	2
	55/57	40A	"From 1/3/55" R. H. L. H.	B6S 4051154-BP B6S 4051155-BP	1 1
			7/16" x 1.125" Oval head pin	354170-S13(NN155)	2
			.45" I.D. x .75" O.D. Special spring washer	356383-S7(XX362)	2
			3/32" x 1.12" Pin	354276-S (NN91)	2
			.433"/.430" x 1.130" Oval head pin	357412-S13 (NN23)	2
			.51" I.D. x .75" O.D. Flat washer	356214-S8(XX162)	2
			.51" I.D. x .56" O.D. Special spring washer	8M 7653213	2
			3/32" x 1" Cotter pin	72034-S(N45)	2
			No. 12-24 x 1.25" Screw (set)-acts as stop	354641-S8(UU31)	2
	57	40A	No. 12-24 Crown nut	*34161-S13	2
	57/59	76B	R. H. L. H. Pin	B7A 7651154-AP B7A 7651155-AP B8S 7650492-A	1 1 2
			.39" I.D. x 1.18" O.D. wave washer	356445-S8(XX341)	2
	55/	76	.131"/.134" x 1.50" Roll pin	357883-S8(NN105)	2
	58/	S(76A)	R. H.-Paint to match L. H. Pin	B8S 7651154-A B8S 7651155-A B8S 7650492-A	1 1 2
			.383"/.381" x 1.17" Oval head pin	357545-S13(NN153)	2
			.39" I.D. x 1.18" O.D. wave washer	356445-S8(XX341)	2
			1/8" x 1" Pin (roll)	354547-S (NN100)	2
<b>51180-1</b>	<b>RAIL ASSY. - ROOF SIDE FRONT INNER</b>				
	57/58	57, 63	R. H. L. H.	B7A 5751180-A B7A 5751181-A	1 1
	57/58	58	R. H. L. H.	B7A 5851180-A B7A 5851181-A	1 1
	57/58	59, 66	R. H. L. H.	B7A 5951180-A B7A 5951181-A	1 1
	57/58	64	R. H. L. H.	B7A 6451180-A B7A 6451181-A	1 1
	57/58	70	L. H.	B7A 7051181-A	1
	57/58	73	R. H. L. H.	B7A 7351180-A B7A 7351181-A	1 1
	57/58	79	R. H.	B7A 7951180-A	1



# FORD CAR PARTS

## BODY SECTION 510

845

GROUP NUMBER	YEAR 19__	BODY TYPE	DESCRIPTION	PART NUMBER	QTY. PER VEHICLE
<b>51180-1 RAIL ASSY. - ROOF SIDE FRONT INNER - continued</b>					
59	54A, 58		R. H.	B9A 5851180-A	1
			L. H.	B9A 5851181-A	1
59	57A, 63A, 65A, 75A		R. H.	B9A 5751180-A	1
			L. H.	B9A 5751181-A	1
59	59		R. H.	B9A 5951180-A	1
			L. H.	B9A 5951181-A	1
59	64		R. H.	B9A 6451180-A	1
			L. H.	B9A 6451181-A	1
59	71		R. H.	B9A 7151180-A	1
			L. H.	B9A 7151181-A	1
58/	S(63A)		R. H.	B8S 6351180-A	1
			L. H.	B8S 6351181-A	1
<b>51184-5 RAIL - ROOF SIDE</b>					
59	59, 71		R. H. -inner center-lower	B9A 5951184-A	1
			L. H.	B9A 5951185-A	1
59	66C		R. H. -inner	B9A 6651184-A	1
			L. H.	B9A 6651185-A	1
<b>51186-7 RAIL - ROOF SIDE - OUTER - FRONT</b>					
57/58	57, 63		R. H.	B7A 5751186-A	1
			L. H.	B7A 5751187-A	1
57/58	58		R. H.	B7A 5851186-A	1
			L. H.	B7A 5851187-A	1
57/58	59, 66, 70, 78		R. H.	B7A 7051186-A	1
			L. H.	B7A 7051187-A	1
57/58	64		R. H.	B7A 6451186-A	1
			L. H.	B7A 6451187-A	1
57/58	73		R. H.	B7A 7351186-A	1
			L. H.	B7A 7351187-A	1
57/58	79		R. H.	B7A 7951186-A	1
			L. H.	B7A 7951187-A	1
59	57A, 63A, 65A, 75A		R. H.	B9A 5751186-A	1
			L. H.	B9A 5751187-A	1
59	59		R. H.	B9A 5951186-A	1
			L. H. - Replaced by B9A 7151187-A(9-63)	★B9A 5951187-A	1
59	54A, 58, 64		R. H.	B9A 6451186-A	1
			L. H.	B9A 6451187-A	1
59	66C		R. H.	B9A 6651186-A	1
			L. H.	B9A 6651187-A	1
59	71		R. H.	B9A 7151186-A	1
			L. H.	B9A 7151187-A	1
58/	S(63A)		R. H.	B8S 6351186-A	1
			L. H.	B8S 6351187-A	1
<b>51204 WEATHERSTRIP ASSY. - FOLDING TOP or ROOF HEADER TO SIDE RAIL</b>					
55	40A	"Before 1/3/55"	Folding top	B5S 4051204-A	1
55	40B	"From 1/3/55"	Roof	B5S 4051204-B	1
55/56	40A		Folding top-After 1/3/55 refer to Groups 51330 & 51562-3		
55/56	40B		Roof-After 3/15/55 refer to Groups 20518-9 & 51330		
<b>51206-7 EXTENSION - ROOF SIDE OUTER REAR RAIL</b>					
59	54A, 64H, 65A, 75A		R. H.	B9A 6551206-A	1
			L. H.	B9A 6551207-A	1
<b>51212-3 RAIL ASSY. - ROOF SIDE - INNER</b>					
57/58	57		R. H.	B7A 5751212-A	1
			L. H.	B7A 5751213-A	1
57/58	58		R. H.	B7A 5851212-A	1
			L. H.	B7A 5851213-A	1
57/58	59, 78, 79			B7A 5951212-A	2
57/58	63		R. H.	B7A 6351212-A	1
			L. H.	B7A 6351213-A	1

**BODY  
SECTION 510**
**FORD CAR PARTS**

GROUP NUMBER	YEAR 19	BODY TYPE	DESCRIPTION	PART NUMBER	QTY. PER VEHICLE
<b>51212-3 RAIL ASSY. - ROOF SIDE - INNER - continued</b>					
57/58	64	R. H.		B7A 6451212-A	1
		L. H.		B7A 6451213-A	1
59	54A, 64H	R. H.		B9A 5451212-A	1
		L. H.		B9A 5451213-A	1
59	57A	R. H. -rear		B9A 5751212-A	1
		L. H.		B9A 5751213-A	1
59	58, 64 (except 64H)	R. H. -rear		B9A 6451212-A	1
		L. H.		B9A 6451213-A	1
59	65A	R. H.		B9A 6551212-A	1
		L. H.		B9A 6551213-A	1
59	75A	R. H.		B9A 7551212-A	1
		L. H.		B9A 7551213-A	1
<b>51214-5 RAIL - ROOF SIDE - REAR</b>					
59	57A	R. H. -inner-rear-Replaced by B9A 5751212-A		★B9A 5751214-A	1
		L. H. -Replaced by B9A 5751213-A		★B9A 5751215-A	1
59	59, 71	R. H. -inner		B9A 5951214-A	1
		L. H.		B9A 5951215-A	1
59	63A	R. H. -inner-rear-Replaced by B9A 6351212-A		★B9A 6351214-A	1
		L. H. -Replaced by B9A 6351213-A		★B9A 6351215-A	1
<b>51216-7 RAIL - ROOF SIDE - OUTER - REAR</b>					
57/58	57	R. H.		B7A 5751216-A	1
		L. H.		B7A 5751217-A	1
57/58	58, 64	R. H.		B7A 6451216-A	1
		L. H.		B7A 6451217-A	1
57/58	63	R. H.		B7A 6351216-A	1
		L. H.		B7A 6351217-A	1
57/58	73	R. H.		B7A 7351216-A	1
		L. H.		B7A 7351217-A	1
59	54A, 64H	R. H.		B9A 5451216-A	1
		L. H.		B9A 5451217-A	1
59	57A, 63A	R. H.		B9A 5751216-A	1
		L. H.		B9A 5751217-A	1
59	58, 64 (except 64H)	R. H.		B9A 6451216-A	1
		L. H.		B9A 6451217-A	1
59	65A, 75A	R. H.		B9A 6551216-A	1
		L. H.		B9A 6551217-A	1
<b>51220-1 EXTENSION - ROOF SIDE INNER REAR RAIL</b>					
59	59, 71	R. H.		B9A 5951220-A	1
		L. H.		B9A 5951221-A	1
<b>51222-3 WEATHERSTRIP ASSY. - ROOF SIDE RAIL</b>					
53/54	60	R. H.		BF 6051222-B	1
		L. H.		BF 6051223-B	1
		No. 6-18 x 3/8" Pan head screw		★32914-S8	6
		No. 8-32 x 3/4" Cross recess oval head screw		52360-S13(U294)	14
55	60	R. H. -cut from lower section of B3A 5943706-A		★B5A 6051222-C	1
		L. H.		★B5A 6051223-C	1
55	64	R. H. -Improvise top section from B3A 5943706-A		B5A 6451222-D	1
		L. H.		B5A 6451223-D	1
56	57	R. H. -Used with (1) B6A 5751650-A (9-63)		★B6A 5751222-C	1
		L. H. -Used with (1) B6A 5751651-A		B6A 5751223-C	1
56	64A, 64B	R. H.		B6A 6451222-A	1
		L. H.		B6A 6451223-A	1
56	64C	R. H.		B6A 6451222-B	1
		L. H.		B6A 6451223-B	1
56	64	No. 8 x 1/2" Cross recess pan head screw		52726-S13(U381)	14or16
56/57	40B	"From 3/1/56" R. H.		B6S 4051222-A	1
		L. H.		B6S 4051223-A	1
57/58	51A	R. H.		B7A 5151222-A	1
		L. H.		B7A 5151223-A	1

# FORD CAR PARTS

## BODY SECTION 510

847

GROUP NUMBER	YEAR 10	BODY TYPE	DESCRIPTION	PART NUMBER	QTY. PER VEHICLE
<b>51222-3 WEATHERSTRIP ASSY. - ROOF SIDE RAIL - continued</b>					
57/58	57		R. H.	B7A 5751222-B	1
			L. H.	B7A 5751223-B	1
			Spacer	B7A 5751328-A	14
			No. 8 x 1/2" Cross recess pan head screw	52726-S13(U381)	34
57/58	63		R. H.	B7A 6351222-A	1
			L. H.	B7A 6351223-A	1
			No. 8 x 5/8" Binding head screw	32930-S7(U340)	24
59	51A	"Before 3/23/59"	R. H. -Replaced by B9AB 5151222-A	*B9A 5151222-A	1
			L. H.	B9A 5151223-A	1
59	51A	"From 3/23/59"	R. H.	B9AB 5151222-A	1
			L. H.	B9AB 5151223-A	1
59	57A, 75A		R. H.	B9A 5751222-A	1
			L. H.	B9A 5751223-A	1
59	63A, 65A		R. H.	B9A 6351222-A	1
			L. H.	B9A 6351223-A	1
58/	S(63A)		R. H.	COSB 6351222-A	1
			L. H.	COSB 6351223-A	1
			No. 6 x 3/8" Pan head screw	*32914-S8	2
			No. 8 x 3/8" Cross recess pan head screw	52720-S8(U380)	24
<b>51226-7 RAIL - ROOF SIDE INNER CENTER</b>					
59	57A, 63A		R. H.	B9A 6351226-A	1
			L. H.	B9A 6351227-A	1
59	58, 64 (except 64H)		R. H.	B9A 5851226-A	1
			L. H.	B9A 5851227-A	1
59	59, 71		R. H.	B9A 5951226-A	1
			L. H.	B9A 5951227-A	1
<b>51249 REINFORCEMENT - ROOF SIDE INNER REAR RAIL</b>					
57/58	70		L. H.	B7A 7051249-A	1
<b>51269 BOW ASSY. - FOLDING TOP - NO. 3 - Paint to Match</b>					
55/57	40A			B5S 4051269-A	1
			No. 14 x 3/4" Oval head screw	*52432-S15	4
57/59	76B			B7A 7651269-AP	1
58/	S(76A)			B8S 7651269-A	1
57/	76B, S(76)		1/4"-28 x 5/8" Cross recess oval head screw	52931-S13(U329)	4
			1/4" External tooth countersunk lockwasher	34954-S7(X81)	4
<b>51274 BOW ASSY. - FOLDING TOP - NO. 2 - Paint to Match</b>					
55/56	76			B5A 7651274-AP	1
57/59	76B			B7A 7651274-AP	1
58/	S(76A)			B8S 7651274-A	1
55/	76B, S(76)		1/4"-28 x 5/8" Cross recess oval head screw	52931-S13(U329)	4
			1/4" External tooth countersunk lockwasher	34954-S7-8(X81)	4
<b>51276 BOW - FOLDING TOP - NO. 2</b>					
55/57	40A			B5S 4051276-A	1
<b>51278 BOW ASSY. - FOLDING TOP - REAR - NO. 4 - Paint to Match</b>					
56/57	40A		Without clamps	B6S 4051278-BP	1
			No. 8 x 1/4" Stud-attach back curtain strap	358937-S13(HH23)	2
55/57	40A		No. 12-24 x 1.25" Screw (set) Acts as stop	354641-S8(UU31)	2
57	40A		No. 12-24 Crown nut	*34161-S13	2
57/58	76B			B7A 7651278-AP	1
59	76B		Less slats	B9A 7651278-A	1
58/	S(76A)		With slats	B8S 7651278-A	1
<b>51306 WEATHERSTRIP ASSY. - FRONT ROOF - CENTER</b>					
57/58	51A			B7A 5151306-A	1
59	51A			B9A 5151306-A	1
57/59	51A		No. 6-32 x 3/8" Cross recess pan head screw	*51854-S8	11or17

GROUP NUMBER	YEAR 19	BODY TYPE	DESCRIPTION	PART NUMBER	QTY. PER VEHICLE	
<b>51308-9 WEATHERSTRIP ASSY. - FRONT ROOF - SIDE</b>						
57/58	51A	R. H.		B7A 5151308-A	1	
		L. H.		B7A 5151309-A	1	
		No. 8-15 x 3/4" Cross recess pan. head screw		52720-S8 (U380)	6	
59	51A	R. H.		B9A 5151308-A	1	
		L. H.		B9A 5151309-A	1	
<b>51322 WEATHERSTRIP - REAR ROOF - FRONT</b>						
57/58	51A			B7A 5151322-A	1	
59	51A			B9A 5151322-A	1	
<b>51328 SPACER - ROOF SIDE RAIL WEATHERSTRIP</b>						
57/58	57			B7A 5751328-A	AR	
<b>51330 WEATHERSTRIP ASSY. - FOLDING TOP NO. 1 BOW or HARD TOP HEADER - INNER</b>						
55	40A	"Before 1/3/55"	Refer to Group 51204			
55/57	40A	"From 1/3/55"		B5S 4051330-A	1	
55/56	40B	"From 3/15/55"		B5S 4051330-A	1	
56/57	40B	"From 3/1/56"		B6S 4051330-A	1	
			No. 8 x 1/2" Cross recess oval head screw	52344-S13 (U292)	16	
55/56	76			B6A 7651330-B	1	
57/58	76B			B7A 7651330-C	1	
59	76B			B9A 7651330-A	1	
58/	S(76A)			B8S 7651330-A	1	
		No. 8 x 1" Cross recess oval head	52376-S13 (U296)	11		
<b>51338 WEATHERSTRIP - FOLDING TOP NO. 1 BOW - FRONT</b>						
55/56	76			B5A 7651338-A	1	
57/58	76B			B7A 7651338-A	1	
59	76B			B9A 7651338-A	1	
58/	S(76A)			B8S 7651338-A	1	
<b>51340 WEATHERSTRIP ASSY. - FOLDING TOP NO. 1 BOW - OUTER</b>						
56	40A	Black		B5S 4051340-CA	1	
		White		B5S 4051340-AB	1	
57	40A	Black		B7S 4051340-AA	1	
		White		B7S 4051340-AB	1	
		Tan		B7S 4051340-AC	1	
<b>51348-9 WEATHERSTRIP - REAR ROOF SIDE - AT BELT - REAR</b>						
57/59	51A	R. H.		B7A 5151348-A	1	
		L. H.		B7A 5151349-A	1	
<b>51356-7 RETAINER - FOLDING TOP or ROOF HEADER WEATHERSTRIP - END</b>						
55	40A	"Before 1/3/55"	R. H.	B5S 4051356-A	1	
			L. H.	B5S 4051357-A	1	
55/56	40B	"From 1/3/55"	R. H.	B5S 4051356-A	1	
			L. H.	B5S 4051357-A	1	
			No. 10 Lockwasher		34803-S7 (X60)	8
			No. 10 x 1/2" Pan head self-tapping screw.		350754-S8 (UU86)	8
<b>51360 BAR ASSY. - FOLDING TOP STORAGE LINK TIE</b>						
55/57	40A			B5S 4051360-B	1	
<b>51372-3 RETAINER - ROOF SIDE AT BELT INNER WEATHERSTRIP</b>						
55	40B	"Before 3/15/55"	R. H.	B5S 4051372-A	1	
			L. H.	B5S 4051373-A	1	
			No. 10 x 1/2" Pan head self-tapping screw		350754-S8 (UU86)	10
<b>51376 WEATHERSTRIP - FRONT ROOF - FRONT OUTER</b>						
57/58	51A			B7A 5151376-A	1	
<b>51378 RETAINER - FRONT ROOF FRONT WEATHERSTRIP</b>						
57/58	51A			B7A 5151378-A	1	
		No. 6-32 x 3/8" Cross recess pan head screw		*51854-S8	11	

# FORD CAR PARTS

## BODY SECTION 510

849

GROUP NUMBER	YEAR 19____	BODY TYPE	DESCRIPTION	PART NUMBER	QTY. PER VEHICLE
<b>51380-1 RETAINER - REAR ROOF SIDE AT BELT WEATHERSTRIP</b>					
	57/59	51A	R. H.	B7A 5151380-A	1
			L. H.	B7A 5151381-A	1
			No. 8 x 5/8" Binding head sheet metal screw	32930-S7 (U340)	4
<b>51384 MOULDING ASSY. - FOLDING TOP HEADER - OUTSIDE</b>					
	55/56	76B		B5A 7651384-B	1
			Retainer	B5A 7650363-A	10
	57/58	76B		B7A 7651384-A	1
			Retainer	B7A 7650363-A	8
	58/	S(76A)		B9SB 7651384-A	1
			Retainer	B8S 7650363-A	10
			No. 10-24 Nut & washer assy.	354397-S100 (MM291)	12
<b>51390-1 MOULDING - FOLDING TOP NO. 1 BOW - OUTSIDE</b>					
	55/57	40A		B5S 4051390-B	1
			Retainer-center	*B5S 4050363-A	1
			Retainer-intermediate	B5S 4050365-B	8
			Retainer-R. H. end	B5S 4050374-B	1
			Retainer-L. H. end	B5S 4050375-B	1
			No. 8 Lockwasher	34802-S7 (X59)	11
			No. 8 x 1/2" Fillister head screw	31061-S8 (U50)	11
	59	76B		B9A 7651390-A	1
			Retainer	B9A 7650363-A	10
<b>51396 BOLT - FOLDING TOP STORAGE LINK EYE</b>					
	55/57	40A	5/16"-24 x 3" Special eye bolt	B5S 4051396-A	2
<b>514A00-1 TIP - FOLDING TOP REAR BOW OR BELT RAIL BINDING</b>					
	55/57	40A	R. H.	C0AB 76514A00-B	2
	53/	A(76)			1 or 2
	58/	S(76)			1 or 2
			L. H.	C0AB 76514A01-B	2
	53/	40A, A(76), S(76)	No. 6-18 x .88" Cross recess oval head screw	357556-S15(UU53)	2or4
<b>514A02-3 RAIL - FOLDING TOP REAR SIDE INTERMEDIATE - Paint to Match</b>					
	58/	S(76A)	R. H.	C0SB 76514A02-AP	1
			L. H.	C0SB 76514A03-AP	1
			7/16" x 1.88" Pin	370644-S13(NN45)	2
			. 131"/. 134" x 1.25" Roll pin	357880-S8(NN104)	2
<b>51442 WEATHERSTRIP ASSY. - FOLDING TOP AT BELT - CENTER</b>					
	55/57	40A	"From 1/3/55"	B5S 4051442-A	1
<b>51444-5 WEATHERSTRIP ASSY. - FOLDING TOP AT BELT - SIDE</b>					
	55/57	40A	"From 1/3/55"	B5S 4051444-A	1
			L. H.	B5S 4051445-A	1
<b>51452 WEATHERSTRIP ASSY. - FOLDING TOP AT BELT</b>					
	55	40A	"Before 1/3/55"	B5S 4051452-AA	1
	55/56	40A		B5S 4051452-AB	1
	57	40A	Use with Black Tops	B7S 4051452-AA	1
			Use with White Tops	B7S 4051452-AB	1
			Use with Tan Tops	B7S 4051452-AC	1
<b>51454 WEATHERSTRIP - FOLDING TOP NO. 4 BOW AT BELT</b>					
	55	40A	"Before 1/3/55"	Replaced by 1 each B5S 4051442-A; B5S 4051444-A & B5S 4051445-A	*B5S 4051454-A
					1
<b>51542-3 RETAINER ASSY. - FOLDING TOP FRONT SIDE RAIL WEATHERSTRIP</b>					
	55	40A	"Before 1/3/55"	B5S 4051542-A	1
			L. H.	B5S 4051543-A	1
			No. 8 x 3/8" Round head screw		2

GROUP NUMBER	YEAR 19__	BODY TYPE	DESCRIPTION	PART NUMBER	QTY. PER VEHICLE
<b>51552-3 WEATHERSTRIP ASSY. - CENTER SIDE RAIL - OUTER</b>					
	53/54	76	R. H.	★ BA 7651552-A	1
			L. H.	★ BA 7651553-A	1
	55/56	76	R. H.	B5A 7651552-A	1
			L. H.	★ B5A 7651553-A	1
<b>51554-5 RETAINER ASSY. - FOLDING TOP REAR SIDE RAIL WEATHERSTRIP</b>					
	55	40A	"Before 1/3/55"	R. H.	B5S 4051554-A
				L. H.	B5S 4051555-A
<b>51558-9 WEATHERSTRIP ASSY. - REAR SIDE RAIL - OUTER</b>					
	53/54	76	R. H.	BA 7651558-A	1
			L. H.	BA 7651559-A	1
	55/56	76	R. H.	B5A 7651558-A	1
			L. H.	B5A 7651559-A	1
<b>51560-1 RETAINER ASSY. - FOLDING TOP CENTER SIDE RAIL WEATHERSTRIP</b>					
	55	40A	"Before 1/3/55"	R. H.	B5S 4051560-A
				L. H.	B5S 4051561-A
			No. 8-32 x 3/8" Pan head screw		2
			No. 8 Internal tooth lockwasher		11
			No. 8-32 Hex. nut	34052-S8 (M155)	9
<b>51562-3 WEATHERSTRIP ASSY. - FOLDING TOP SIDE RAIL - FRONT</b>					
	53/54	76	R. H.	BA 7651562-B	1
			L. H.	BA 7651563-B	1
	55	40A	"Before 1/3/55"	Refer to Group 51204	
	55	76	R. H.	B5A 7651562-A	1
			L. H. -Replaced by 1 each B6A 7651563-A & B6A 7651565-A	★B5A 7651563-A	1
	56	76	R. H.	B6A 7651562-A	1
			L. H.	B6A 7651563-A	1
	55/56	76	No. 8 x 1/2" Cross recess pan head screw	52726-S13(U381)	8
			No. 8 External tooth lockwasher	34938-S7(X85)	8
	55/57	40A	"From 1/3/55"	R. H.	B5S 4051562-B
				L. H.	B5S 4051563-B
			No. 10-32 x .44" Special head moulding bolt	353014-S8 (BB806)	4
			No. 10 Flat washer	44713-S8(X13)	4
			No. 10 Lockwasher	34803-S7(X60)	4
			No. 10 Hex. nut	34079-S8(M163)	4
	57/58	76B	R. H.	B7A 7651562-A	1
			L. H.	B7A 7651563-A	1
	59	76B	R. H.	B9AB 7651562-B	1
			L. H.	B9AB 7651563-B	1
	53/59	76	No. 10-32 x .44" Special head moulding bolt	353014-S8(BB806)	4to8
			No. 10 Flat washer	44716-S8(X15)	4to8
			No. 10 Lockwasher	34803-S7(X60)	4to8
			No. 10-32 Hex. nut	34079-S8 (M163)	4to8
			No. 8 x 1/2" Cross recess pan head screw	52726-S13(U381)	2or4
<b>51564-5 WEATHERSTRIP ASSY. - FOLDING TOP SIDE RAIL - CENTER</b>					
	53/54	76	R. H.	BA 7651564-A	1
			L. H.	BA 7651565-A	1
	55	40A	"Before 1/3/55"	R. H.	B5S 4051564-A
				L. H.	B5S 4051565-A
	55	76	R. H. -inner-Repl. by 1 each B6A 7651562-A & B6A 7651564-A	★B5A 7651564-A	1
			L. H. -inner-Repl. by 1 each B6A 7651563-A & B6A 7651565-A	★B5A 7651565-A	1
	56	76	R. H. -inner	B6A 7651564-A	1
			L. H.	B6A 7651565-A	1

# FORD CAR PARTS

## BODY SECTION 510

851

GROUP NUMBER	YEAR 19	BODY TYPE	DESCRIPTION	PART NUMBER	QTY. PER VEHICLE	
<b>51564-5 WEATHERSTRIP ASSY. - FOLDING TOP SIDE RAIL - CENTER - continued</b>						
	55/57	40A	"From 1/3/55"	R. H.	B5S 4051564-B	1
				L. H.	B5S 4051565-B	1
				No. 10-32 x .44" Special head moulding bolt	353014-S8 (BB806)	4
	57/58	76B		R. H. -inner	B7A 7651564-A	1
				L. H.	B7A 7651565-A	1
	59	76B		R. H. -inner	B9AB 7651564-B	1
				L. H.	B9AB 7651565-B	1
	53/	76		No. 10-32 x .44" Special head moulding bolt	353014-S8(BB806)	6or8
				No. 10 Flat washer	44716-S8(X15)	6or8
				No. 10 Lockwasher	34803-S7 (X60)	6or8
				No. 10-32 Hex. nut	34079-S7(M163)	6or8
<b>51566-7 WEATHERSTRIP ASSY. - FOLDING TOP SIDE RAIL - REAR</b>						
	53/54	76		R. H.	BA 7651566-A	1
				L. H.	BA 7651567-A	1
	55	40A	"Before 1/3/55"	R. H.	B5S 4051566-A	1
				L. H.	B5S 4051567-A	1
	55/56	76		R. H. -inner	B5A 7651566-A	1
				L. H.	B5A 7651567-A	1
	55/57	40A	"From 1/3/55"	R. H.	B5S 4051566-C	1
				L. H.	B5S 4051567-C	1
				No. 10-32 x .44" Special head moulding bolt	353014-S8 (BB806)	4
				R. H. -inner	B7A 7651566-A	1
	57/58	76B		L. H.	B7A 7651567-A	1
				R. H. -inner	B9AB 7651566-B	1
	59	76B		L. H.	B9AB 7651567-B	1
				No. 10-32 x .44" Special head moulding bolt	353014-S8(BB806)	8
	53/	76		No. 10 Flat washer	44716-S8(X15)	8
				No. 10 Lockwasher	34803-S7(X60)	8
				No. 10-32 Hex. nut	34079-S8 (M163)	8
				R. H.	B8S 7651566-A	1
	58/	S(76A)		L. H.	B8S 7651567-A	1
				No. 10 x 1/2" Cross recess pan head screw	*52787-S15	8
				No. 10 Flat washer	44716-S8 (X15)	8
<b>51576-7 WEATHERSTRIP - FOLDING TOP REAR SIDE RAIL LOWER</b>						
	55	40A	"Before 1/3/55"	R. H.	B5S 4051576-A	1
				L. H.	B5S 4051577-A	1
				Retainer-R. H.	(8-63) *B5S 4051584-A	1
				Retainer-L. H.	*B5S 4051585-A	1
<b>51584-5 RETAINER - FOLDING TOP REAR SIDE RAIL LOWER WEATHERSTRIP</b>						
	55	40A	"Before 1/3/55"	R. H.	(8-63) * B5S 4051584-A	1
				L. H.	* B5S 4051585-A	1
	55/56	40A	"From 1/3/55"	R. H. -Serviced in B5S 4051566-C		
				L. H. -Serviced in B5S 4051567-C		
<b>51618-9 RAIL - ROOF SIDE INNER REAR - UPPER</b>						
	59	54A, 64H		R. H.	B9A 5451618-A	1
				L. H.	B9A 5451619-A	1
	59	65A, 75A		R. H.	B9A 6551618-A	1
				L. H.	B9A 6551619-A	1
<b>51650-1 SEAL - ROOF SIDE RAIL WEATHERSTRIP</b>						
	56	57		R. H.	B6A 5751650-A	1
				L. H.	B6A 5751651-A	1
	56	64		Cut as desired	B6A 6451650-B	2
	57/58	63		R. H.	B7A 6351650-A	1
				L. H.	B7A 6351651-A	1
				No. 8 x 5/8" Binding head sheet metal screw	32930-S7(U340)	4
<b>51676-7 WEATHERSTRIP ASSY. - ROOF SIDE RAIL - FRONT CORNER</b>						
	56	64		R. H.	B6A 6451676-A	1
				L. H.	B6A 6451677-A	1
				No. 8 x 1/2" Cross recess pan head screw	52726-S13 (U381)	4
	57/58	63		R. H.	B7A 6051676-A	1
				L. H.	B7A 6051677-A	1
				No. 8 x 5/8" Binding head sheet metal screw	32930-S7(U340)	4

**BODY  
SECTION 510**
**FORD CAR PARTS**

GROUP NUMBER	YEAR 19	BODY TYPE	DESCRIPTION	PART NUMBER	QTY. PER VEHICLE
<b>51678-9 WEATHERSTRIP ASSY. - ROOF SIDE RAIL - CENTER</b>					
56	64C	R. H.	B6A 6451678-A	1	
		L. H.	B6A 6451679-A	1	
		No. 8 x 1/2" Cross recess pan head screw	52726-S13(U381)	4	
57/58	63	R. H.	B7A 6351678-A	1	
		L. H.	B7A 6351679-A	1	
		No. 8 x 5/8" Binding head sheet metal screw	32930-S7(U340)	4	
<b>51692-3 MOULDING ASSY. - REAR ROOF DRIP - SIDE</b>					
57/59	51A	R. H.	B7A 5151692-A	1	
		L. H.	B7A 5151693-A	1	
<b>51696-7 MOULDING - FRONT ROOF OUTSIDE FRONT CORNER</b>					
57/58	51A	R. H.	B7A 5151696-A	1	
		L. H.	B7A 5151697-A	1	
59	51A	R. H.	B9A 5151696-A	1	
		L. H.	B9A 5151697-A	1	
<b>51700-1 MOULDING - ROOF DRIP - SIDE</b>					
55	40B	"Before 4/13/55" R. H.	B5S 4051700-A	1	
		L. H.	B5S 4051701-A	1	
55	60	R. H.	B6A 5751700-A	1	
		L. H.	B6A 5751701-A	1	
55/56	64	L. H.	B5A 6451701-B	1	
55/56	70, 73	R. H.	B5A 7051700-B	1	
55/57	40B	"From 4/13/55" R. H.	B5S 4051700-B	1	
		L. H.	B5S 4051701-B	1	
57/58	57A	R. H.	B7A 5751700-B	1	
		L. H.	B7A 5751701-B	1	
57/58	57B	R. H.	B7A 5751700-A	1	
		L. H.	B7A 5751701-A	1	
57/58	58A, 64A	R. H.	B7A 6451700-A	1	
		L. H.	B7A 6451701-A	1	
57/58	58B, 64B	R. H.	B7A 6451700-B	1	
		L. H.	B7A 6451701-B	1	
57/58	59, 78	R. H.	B7A 5951700-A	1	
		L. H.	B7A 5951701-A	1	
57/58	63B	R. H.	B7A 6351700-A	1	
		L. H.	B7A 6351701-A	1	
57/58	63A	R. H.	B7A 6351700-B	1	
		L. H.	B7A 6351701-B	1	
57/58	66	R. H.	B7A 6651700-A	1	
		L. H.	B7A 6651701-A	1	
57/58	70	R. H.	B7A 7051700-A	1	
		L. H.	B7A 7051701-A	1	
57/58	73	R. H.	B7A 7351700-A	1	
		L. H.	B7A 7351701-A	1	
57/58	79	R. H.	B7A 7951700-A	1	
		L. H.	B7A 7951701-A	1	
59	54A, 58, 64	R. H.	B9A 6451700-A	1	
		L. H.	B9A 6451701-A	1	
59	57A, 63A, 65A, 75A	R. H.	B9A 5751700-A	1	
		L. H.	B9A 5751701-A	1	
59	59, 71	R. H.	B9A 5951700-A	1	
		L. H.	B9A 5951701-A	1	
59	66C	R. H.	B9A 6651700-A	1	
		L. H.	B9A 6651701-A	1	
58/	S(63)	R. H. -Cut as required	C0SB 6351700-A	1	
		L. H.	C0SB 6351701-A	1	
<b>51704 MOULDING - ROOF DRIP - REAR</b>					
57/58	59, 78, 79		B7A 5951704-A	1	



# FORD CAR PARTS

## BODY SECTION 510

853

GROUP NUMBER	YEAR	BODY TYPE	DESCRIPTION	PART NUMBER	QTY. PER VEHICLE
<b>51716 MOULDING - FRONT ROOF OUTSIDE FRONT</b>					
	57/58	51A		B7A 5151716-A	1
	59	51A		B9A 5151716-A	1
<b>51718-9 MOULDING - ROOF DRIP FINISH - FRONT</b>					
	56	57	R. H.	B5A 6051718-A	1
	55/56	70C, 73C	R. H.	B6A 7051718-A	1
			L. H.	B6A 7051719-A	1
<b>51724 MOULDING - ROOF DRIP - FRONT</b>					
	55/56	59, 70, 73, 78, 79		B5A 7051724-B	1
	55/57	40B		B5S 4051724-B	1
	57/58	57, 58, 63, 64		B7A 6451724-A	1
	57/58	59, 66, 70, 73, 78, 79		B7A 7051724-A	1
	59	A(except 51A, 76B)		B9A 5851724-A	1
<b>51726-7 MOULDING - ROOF DRIP SIDE FINISH</b>					
	55	60B	R. H. -Rustless steel	B6A 5751726-A	1
			L. H.	B6A 5751727-A	1
	56	57	R. H.	B6A 5751726-A	1
			L. H.	B6A 5751727-A	1
	55/56	70C, 73C	R. H. -Rustless steel	B5A 7051726-A	1
			L. H.	B5A 7051727-A	1
	56	64C	R. H.	B6A 6451726-A	1
			L. H.	B6A 6451727-A	1
	57/58	51A	R. H. -Front roof	B7A 5151726-A	1
			L. H.	B7A 5151727-A	1
	57/58	57A	R. H.	B7A 5751726-A	1
			L. H.	B7A 5751727-A	1
	57/58	58B, 63A, 64B	R. H.	B7A 6451726-A	1
			L. H.	B7A 6451727-A	1
	59	51A	R. H. -Front roof	B9A 5151726-A	1
			L. H.	B9A 5151727-A	1
	59	54A, 57A, 58B, 63A, 64B, 65A, 75A	R. H.	B9A 6451726-A	1
			L. H.	B9A 6451727-A	1
	59	59D, 71E, 71F, 71G	R. H.	B9A 7151726-A	1
			L. H.	B9A 7151727-A	1
	58/	S(63A)	R. H. -Cut as required	C0SB 6351726-A	1
			L. H.	C0SB 6351727-A	1
<b>51728-9 MOULDING - ROOF DRIP SIDE FINISH</b>					
	57/59	51A	R. H. -Rear roof	B7A 5151728-A	1
			L. H.	B7A 5151729-A	1
<b>51732-3 MOULDING - ROOF DRIP SIDE - LOWER CORNER</b>					
	55/57	40B "From 4/13/55"	R. H.	B5S 4051732-A	1
			L. H.	B5S 4051733-A	1
			No. 6 x 3/4" Oval head sheet metal screw	33000-S13(U330)	2
<b>51744 COVER - ROOF SIDE INNER MOULDING JOINT</b>					
	58/	S(63A)	Chrome	B8S 6351744-A	2
			No. 8 x 3/4" Cross recess oval head screw	52360-S13(U294)	2
<b>51752-3 MOULDING - ROOF SIDE - INNER FRONT</b>					
	57/59	51A	R. H. -Paint to match	B7A 5151752-AP	1
			L. H.	B7A 5151753-AP	1
	58/	S(63A)	R. H -Chrome	B8S 6351752-A	1
			L. H.	B8S 6351753-A	1
			No. 8 x 3/4" Cross recess oval head screw	52360-S13(U294)	6
<b>51754-5 MOULDING - ROOF SIDE - INNER REAR</b>					
	57/59	51A	R. H. -Paint to match	B7A 5151754-AP	1
			L. H.	*B7A 5151755-AP	1
			No. 8 x 5/8" Pan head self-tapping screw	*41580-S8	6

GROUP NUMBER	YEAR 19	BODY TYPE	DESCRIPTION	PART NUMBER	QTY. PER VEHICLE
<b>51754-5 MOULDING - ROOF SIDE - INNER REAR - continued</b>					
	58/59	S(63A)	R. H. -Chrome	B8S 6351754-A	1
			L. H.	B8S 6351755-A	1
			No. 8 x 3/4" Cross recess oval head screw	52360-S13(U294)	4
<b>51758-9 MOULDING - ROOF DRIP SIDE FINISH - LOWER REAR</b>					
	58/59	S(63A)	R. H.	B8S 6351758-A	1
			L. H.	B8S 6351759-A	1
			No. 6 x 3/8" Binding head screw	*32914-S8	4
<b>51762 COVER - ROOF DRIP MOULDING JOINT</b>					
	55/56	A(59, 60, 70A, 70B, 70D, 73A, 73B, 78, 79)	Front corner	B5A 7051762-A	2
	57/58	57B, 58A, 59, 63A, 64A, 66, 70, 73, 78, 79		B7A 7051762-A	1
<b>51768-9 MOULDING - FRONT ROOF INSIDE - END</b>					
	57/58	51A	R. H. -Paint to match	B7A 5151768-AP	1
			L. H.	B7A 5151769-AP	1
	59	51A	R. H. -Paint to match	B9A 5151768-A	1
			L. H.	B9A 5151769-A	1
<b>51776 MOULDING - ROOF SIDE TRIM - REAR</b>					
	57/59	51A		B7A 5151776-A	2
			No. 8 x 3/8" Cross recess pan head screw	52720-S8(U380)	4
<b>51785 MOULDING - FRONT ROOF INNER - CENTER</b>					
	57/58	51A	Paint to match	B7A 5151785-AP	1
	59	51A	Paint to match	B9A 5151785-A	1
	57/59	51A	No. 8 x 7/8" Cross recess oval head screw	52368-S23 (U295)	4
<b>51798-9 COVER - ROOF DRIP MOULDING JOINT</b>					
	57/58	59, 78, 79	Rear corner	B7A 5951798-A	2
<b>51814-5 MOULDING - ROOF OUTSIDE BELT FRONT</b>					
	59	58B, 63A, 64B	R. H.	B9A 5851814-A	1
			L. H.	B9A 5851815-A	1
			Retainer	B9A 6351842-A	2
			No. 8 x 3/8" Cross recess pan head screw	52720-S8 (U380)	2
	58/59	S(63A)	R. H.	B8S 6351814-A	1
			L. H.	B8S 6351815-A	1
			3/16" Self-threading nut	370792-S8(MM285)	8
<b>51816 MOULDING - ROOF INSIDE - REAR CENTER - Paint to Match</b>					
	57/58	66		B7A 6651816-AP	1
			No. 6-18 x 1/2" Cross recess oval head screw		4
	59	66C		B9A 6651816-A	1
<b>51842 RETAINER - ROOF OUTSIDE BELT MOULDING</b>					
	59	58B, 63A, 64B		B9A 6351842-A	2
<b>51928 COVER - ROOF HEADLINING BINDING END</b>					
	55/57	40B	Replaced by 354996-S	*B5S 4051928-A	2
			No. 6 x 3/4" Oval head sheet metal screw	33000-S13(U330)	2
<b>51930 COVER - ROOF HEADLINING BINDING JOINT</b>					
	55/57	40B		B5S 4051930-A	4
			No. 6 x 3/4" Oval head sheet metal screw	33000-S13(U330)	4
<b>51982-3 PANEL - ROOF SIDE - INSIDE REAR</b>					
	57/58	66	R. H. - Paint to match	B7A 6651982-AP	1
			L. H.	B7A 6651983-AP	1
			No. 8-15 x 1 1/2" Cross recess oval head screw	52388-S13(U298)	6
	57/59	51A	R. H. -Aluminum	B7A 5151982-A	1
			L. H.	B7A 5151983-A	1
			No. 8 x 3/8" Cross recess pan head self-tapping screw	52720-S8 (U380)	2

# FORD CAR PARTS

## BODY SECTION 520

855

GROUP NUMBER	YEAR 19__	BODY TYPE	DESCRIPTION	PART NUMBER	QTY. PER VEHICLE
<b>51982-3 PANEL - ROOF SIDE - INSIDE REAR - continued</b>					
	59	54A	R. H.	B9A 5451982-A	1
			L. H.	B9A 5451983-A	1
	59	64H	R. H.	B9AB 6451982-A	1
			L. H.	B9AB 6451983-A	1
	59	65A, 75A	R. H.	B9A 6551982-A	1
			L. H.	B9A 6551983-A	1
	59	66C	R. H. -Paint to match	B9A 6651982-A	1
			L. H.	B9A 6651983-A	1
<b>52101-10 SUPPORT - ROOF HEADLINING</b>					
	55/57	40B	No. 1-One end painted aluminum other green	B5S 4052101-B	1
			No. 2-One end painted aluminum other white	B5S 4052102-B	1
			No. 3-One end painted aluminum other blue	B5S 4052103-B	1
			No. 4-One end painted aluminum other yellow	B7S 4052104-A	1
	57	57, 63	No. 1 & 2-One end painted purple other black	B7A 5752101-A	2
	57/58	51A	No. 1-One end painted pink other black	*B7A 5152101-A	1
			No. 2-One end painted pink other white	B7A 5152102-A	1
	58	57, 63	No. 1 & 2-One end painted purple other black	B8A 5752101-A	2
			No. 3-One end painted purple other blue	B8A 5752103-A	1
			No. 4-One end painted purple other yellow	B8A 5752104-A	1
			No. 5-One end painted purple other red	B8A 5752105-A	1
			No. 6-One end painted purple other green	B8A 5752106-A	1
	58	57	No. 7-One end painted purple other aluminum	B8A 5752107-A	1
	58	58, 64	No. 1-One end painted white other orange	B8A 6452101-A	1
			No. 2-Both ends painted white	B8A 6452102-A	1
			No. 3-One end painted white other blue	B8A 6452103-A	1
			No. 4-One end painted white other yellow	B8A 6452104-A	1
			No. 5-One end painted white other red	B8A 6452105-A	1
			No. 6-One end painted white other green	B8A 6452106-A	1
	58	58, 63, 64	No. 7-One end painted white other aluminum	B8A 6452107-A	1
	57/58	59, 78, 79	No. 1-One end painted black	B7A 5952101-A	1
			No. 2-One end painted white	B7A 5952102-A	1
			No. 3-One end painted blue	B7A 5952103-A	1
			No. 4, 5 & 6-One end painted yellow	B7A 5952104-A	3
	57/58	66	No. 1-One end painted black other blue	B7A 7052103-A	1
			No. 2-One end painted black other yellow	B7A 7052104-A	1
			No. 3-One end painted gold other blue	B7A 6652103-A	1
	57/58	70, 73	No. 1-Both ends painted black	B7A 7052101-A	1
			No. 2-One end painted black other white	B7A 7052102-A	1
			No. 3-One end painted black other blue	B7A 7052103-A	1
			No. 4-One end painted black other yellow	B7A 7052104-A	1
			No. 5-One end painted black other red	B7A 7052105-A	1
			No. 6-One end painted black other green	B7A 7052106-A	1
			No. 7-One end painted black other aluminum	B7A 7052107-A	1
	59	51A	No. 1-One end painted pink other red	B9A 5152101-A	1
			No. 2-One end painted pink other blue	B9A 5152102-A	1
	59	54A, 57A, 58, 63A, 64, 65A, 75A	No. 1-Both ends painted black	B9A 5752101-A	1
			No. 2-One end painted black other white	B9A 5752102-A	1
			No. 3-One end painted black other blue	B9A 5752103-A	1
			No. 4-One end painted black other yellow	B9A 5752104-A	1
	59	54A, 64H, 65A, 75A	No. 5 -Neither end painted	B9AB 5452105-A	1
	59	57A, 58, 63A, 64A, 64B, 64F, 64G	No. 5-One end painted black other red	B9A 5752105-A	1
	59	59, 66C, 71	No. 1-Cut to 56 3/4" from B9A 5952104-A		1
	59	59, 71	No. 2-Cut to 57 13/16" from B9A 5952104-A		1
	59	59, 71	No. 3-Cut to 58 15/16" from B9A 5952104-A		1
	59	59, 71	No. 4 & 5-59 1/4" long -Cut as required	B9A 5952104-A	2
			No. 8 x 1/2" Cross recess pan head screw	52726-S13(U381)	10
	58/	S(63A)-Without sliding roof panel	No. 1-One end painted aluminum other green	B8S 6352101-A	1
			No. 2 and 3-One end painted aluminum other white	B8S 6352102-A	2
			No. 4-One end painted aluminum other blue	B8S 6352104-A	1
			No. 5-One end painted aluminum other yellow	B8S 6352105-A	1
			No. 6-Both ends painted aluminum	B8S 6352106-A	1
	53/	A, S	Retainer (rear)-wire-Refer to Group 52180 or 82		

GROUP NUMBER	YEAR 16	BODY TYPE	DESCRIPTION	PART NUMBER	QTY. PER VEHICLE
<b>52114-5 RETAINER ASSY. - ROOF HEADLINING - REAR CORNER</b>					
	57/58	59, 78, 79	R. H.	B7A 5952114-A	1
			L. H.	B7A 5952115-A	1
<b>52126-7 CAP - ROOF HEADLINING SUPPORT</b>					
	59	51A	R. H. -Rear-Chrome	B9A 5152126-A	1
			L. H.	B9A 5152127-A	1
	59	51A	Center -Chrome	B9A 5152126-B	2
	59	59, 66C, 71	'Before 5/18/59' .765" wide	B9A 5952126-A	2or10
	59/	A(59, 66C, 71)-'From 5/18/59'	.975" wide	B9AB 5952126-A	2or10
<b>52133 EXTENSION - ROOF HEADLINING SUPPORT</b>					
	59	A(57A, 58, 63A, 64)		B9A 5752133-A	2
<b>52136-9 RETAINER - ROOF HEADLINING - SIDE</b>					
	59	59, 71	R. H. -Front	B9A 5952136-A	1
	59	59	R. H. -Center	B9A 5952138-A	1
			L. H.	B9A 5952139-A	1
	59	66C	R. H.	B9A 6652136-A	1
			L. H.	B9A 6652137-A	1
<b>52148 RETAINER - ROOF HEADLINING SIDE - REAR</b>					
	59	A(59, 71)		B9AB 5952148-A	2
<b>52146-7 RETAINER - ROOF HEADLINING</b>					
	59	51A	No. 1-Cut to 49 1/2" from B9A 5952147-B25		1
			No. 2-Cut to 53 1/2" from B9A 5952147-B25		1
	59	59, 66C, 71	'-Before 5/18/59" No. 1-Cut to 54.34" from B9A 5952147-B25		1
	59	59, 71	'-Before 5/18/59" No. 2-Cut to 56.12" from B9A 5952147-B25		1
			No. 3-Cut to 57" from B9A 5952147-B25		1
			No. 4 & 5-.74" wide & 57.25" long-White	B9A 5952147-B25	2
	59	59, 66C, 71	'-From 5/18/59" No. 1-Cut to 54.88" from B9A 5952147-C25		1
	59	59, 71	'-From 5/18/59" No. 2-Cut to 56.75" from B9A 5952147-C25		1
			No. 3-Cut to 57.38" from B9A 5952147-C25		1
			No. 4 & 5-.96" wide & 57.75" long - White	B9A 5952147-C25	2
<b>52180 RETAINER - ROOF HEADLINING SUPPORT - REAR</b>					
	53/54	70, 72, 73		BA 7052180-B	2
	59	57A, 58, 63A, 64(except 64H)		B9A 5752180-A	2
<b>52182 RETAINER - ROOF HEADLINING SUPPORT</b>					
	55/56	59, 60, 64, 70, 73, 79		B5A 6452182-A	AR
	57/58	A (except 51A, 76)			AR
	55/57	40B		B5S 4052182-A	6or8
	58/	S(63)			4or6
<b>53000 TOP ASSY. - FOLDING - LESS TRIM, MOTOR and LIFTS</b>					
	55/57	40A	Paint to match-less clamps	B6S 4053000-AP	1
	57/58	76B	Paint to match	B7A 7653000-BP	1
	58/	S(76A)	Paint to match	C0SB 7653000-AP	1
	59	76B	Paint to match	B9A 7653000-A	1

# FORD CAR PARTS

## BODY SECTION 530

857

GROUP NUMBER	YEAR 19	BODY TYPE	DESCRIPTION	PART NUMBER	QTY. PER VEHICLE
<b>53001</b>			<b>KIT - FOLDING TOP SIDE - LESS TRIM &amp; CLAMPS</b>		
	55/57	40	Service Details	★B7S 4053001-A	1
	Consists of				
	2-99A 16789	Spring (main pivot)	1-B6S 4053118-AP	Bracket (main pivot body)-R. H.	
	8-B5S 4050365-B	Retainer (moulding)	1-B6S 4053119-AP	Bracket (main pivot body)-L. H.	
	1-B5S 4050374-B	Retainer (moulding)	8-34053-S7	Nut & washer	
	1-B5S 4050375-B	Retainer (moulding)	12-34079-S8	Nut	
	1-B5S 4051330-A	Weatherstrip (No. 1 bow)	12-34803-S7	Washer	
	1-B5S 4051360-B	Bar (storage link)	8-34903-S8	Nut & washer	
	1-B5S 4051390-B	Moulding (No. 1 bow outside)	6-34938-S7	Screw	
	1-B5S 4051562-B	Weatherstrip (front side rail)-R. H.	22-41580-S8	Screw	
	1-B5S 4051563-B	Weatherstrip (front side rail)-L. H.	12-44716-S8	Washer	
	1-B5S 4051564-B	Weatherstrip (center side rail)-R. H.	12-353014-S8	Bolt	
	1-B5S 4051565-B	Weatherstrip (center side rail)-L. H.	2-354996-S	Tip	
	1-B5S 4051566-C	Weatherstrip (rear side rail)-R. H.	2-354997-S	Tip	
	1-B5S 4051567-C	Weatherstrip (rear side rail)-L. H.	2-355073-S7	Screw & washer	
	1-B6S 4053000-AP	Top assy. (folding)-less trim	6-357556-S15	Screw	

Refer to Groups 50500 & 50508 for Clamps

<b>53038 HEADER ASSY. - FOLDING TOP</b>					
	55/57	40A	Less clamps	B6S 4053038-AP	1
	57/58	76B		B7A 7653038-BP	1
	55/58	76B	1/4"-20 x 1.08" Flat head screw	354522-S8(BB96)	4
	55/58	76B	1/4" Flat washer	44719-S8(X17)	4
	55/58	76B	1/4" External tooth lockwasher	34805-S8 (X62)	4
	59	76B	Less clamp -Paint to match	B9A 7653038-A	1
			5/16"-24 x 1.125" Flat head screw	★370132-S8	
	58/	S(76A)	Less clamps	B8S 7653038-A	1
			1/4"-20 x 1.08" Flat head screw	354522-S8(BB96)	4
			1/4" Flat washer	44719-S8(X17)	4
			1/4" Lockwasher	34805-S8 (X62)	4
			1/4"-20 Nut (crown)	34162-S7	4
			5/16" Flat washer	44722-S8(X19)	4
			5/16" Lockwasher	34806-S7(X64)	4
			5/16-24 Crown nut	34179-S13(M5)	4
<b>53044-5 FASTENER - FOLDING TOP RAIL DECK</b>					
	55/57	40A	R. H.	B5S 4053044-A	1
			L. H.	B5S 4053045-A	1
<b>53066-7 RETAINER - FOLDING TOP SIDE RAIL BUMPER</b>					
	55/59	76B		B5A 7653066-A	2
			No. 8-15 x 3/8" Cross recess pan head screw	52338-S13(U300)	4
			Bumper ass'y. refer to Group 29986		
<b>53084-5 PLATE ASSY. - FOLDING TOP MAIN PIVOT BRACKET SUPPORT</b>					
	57/59	76B	R. H.	B7A 7653084-A	1
			L. H.	B7A 7653085-A	1
			5/16" x 3/4" Hex. head bolt	20347-S8(B156)	6
			5/16" Lockwasher	34806-S7(X64)	6or8
			1/4" x 5/8" Hex. washer head self-tapping screw	★40940-S8	2
<b>53086-7 SUPPORT ASSY. - FOLDING TOP MAIN PIVOT BRACKET TO WHEELHOUSE</b>					
	57/59	76B	R. H.	B7A 7653086-A	1
			L. H.	B7A 7653087-A	1
			5/16"-24 x 1" Hex. head bolt	20387-S8(B157)	6
			5/16" Flat washer	44722-S8 (X19)	6
			5/16" Lockwasher	34806-S7(X64)	6
			5/16"-24 Hex. check nut	33923-S7 (M32)	6

**BODY  
SECTION 530**
**FORD CAR PARTS**

GROUP NUMBER	YEAR	BODY TYPE	DESCRIPTION	PART NUMBER	QTY. PER VEHICLE	
<b>53104-5 RAIL - FOLDING TOP FRONT SIDE</b>						
53/54	76B	R. H.		BA 7653104-B	1	
		.433"/.430" x 2.127" Pin		357540-S13(NN30)	2	
		.51" I. D. x .56" O. D. Special spring washer		8M 7653213	2	
		.45" I. D. x .75" O. D. Flat washer		356214-S8 (XX162)	2	
		3/32" x 1" Cotter pin		72034-S(N45)	2	
55	40A	R. H.		B5S 4053104-A	1	
		L. H.		B5A 7653105-AP	1	
		3/32" x 1" Pin		354206-S(NN134)	2	
		5/16" x 1.42" Oval head pin		354270-S13(NN151)	2	
		5/16" Flat washer		44722-S8(X19)	2	
		5/16" x 15/16" Clevis pin		*73896-S7	2	
		3/32" x 1" Cotter pin		72034-S(N45)	2	
56/57	40A	R. H. -Paint to match		B6S 4053104-BP	1	
		L. H.		B6S 4053105-BP	1	
55/57	40A	1/4"-28 x 5/8" Cross recess flat head screw			4	
		.45" I. D. x .75" O. D. Flat washer		356214-S8 (XX162)	2	
		.433"/.430" x 1.13" Pin		357412-S13(NN23)	2	
		.51" I. D. x .56" O. D. Special spring washer		8M 7653213	2	
		1/4" Flat washer		44719-S8 (X17)	4	
		1/4" Lockwasher		34805-S8 (X62)	4	
		1/4"-29 Hex. nut		33796-S7(M61)	4	
		3/32" x 1" Cotter pin		72034-S (N45)	2	
57/58	76B	R. H. -Paint to match		B7A 7653104-AP	1	
		L. H.		B7A 7653105-AP	1	
59	76B	R. H. -Paint to match		B9A 7653104-A	1	
		L. H.		B9A 7653105-A	1	
57/59	76B	1/8" x 3/4" Pin		353925-S(NN98)	2	
		.45" I. D. x .75" O. D. Flat washer		356214-S8 (XX162)	2	
58/	S(76A)	R. H. -Paint to match		B8S 7653104-A	1	
		L. H.		B8S 7653105-A	1	
<b>53118-9 BRACKET - MAIN PIVOT BODY FOLDING TOP</b>						
55/57	40A	R. H.		B6S 4053118-AP	1	
		L. H.		B6S 4053119-AP	1	
		5/16" Lockwasher (spring)		34806-S7(X64)	8	
		5/16" Flat washer		44722-S8 (X19)	8	
		5/16"-24 Hex. nut		33798-S8(M62)	8	
		No. 12 x .68" Screw-acts as a stop		358696-S8 (UU30)	2	
57/59	76B	R. H. -Paint to match		B7A 7653118-AP	1	
		L. H.		B7A 7653119-AP	1	
		.433"/.430" x 1.375" Pin		357427-S13(NN26)	2or4	
		5/16"-24 x 1" Hex. head bolt		20387-S8(B157)	2or8	
		5/16" Lockwasher (spring)		34806-S7(X64)	2or8	
		5/16" Flat washer		44722-S8 (X19)	2or8	
		5/16"-24 Hex. nut		33798-S8(M62)	2or8	
		.45" I. D. x .75" O. D. Flat washer		356214-S8 (XX162)	2	
		3/32" x 1" Cotter pin		72034-S(N45)	2	
<b>53138-9 RAIL - FOLDING TOP REAR SIDE</b>						
55	40A	"Before 1/3/55"	R. H.	B5S 4053138-A	1	
55	40A	"From 1/3/55"	R. H.	B5S 4053138-B	1	
			L. H. (8-63)	* B5S 4053139-B	1	
			No. 12-24 x .68" Screw (set)-acts as a stop		358696-S8 (UU30)	2
			7/16" x 2.37" Oval head pin		354171-S13 (NN37)	2
			7/16" x 1.125" Oval head pin		354170-S13 (NN155)	2
			.51" I. D. x .56" O. D. Special spring washer		8M 7653213	2
			Spacer		B5S 4051374-A	2
			.45" I. D. x .75" O. D. Flat washer		356214-S8 (XX162)	2
			.45" I. D. x .75" O. D. Spring wave washer		356383-S7 (XX362)	2
			3/32" x 1.12" Pin		354276-S (NN91)	2
			3/32" x 1" Cotter pin		72034-S (N45)	2
56/57	40A		Refer to Group 53196-7			
53/56	76B		Refer to Group 53196-7			

# FORD CAR PARTS

## BODY SECTION 530

859

GROUP NUMBER	YEAR 19__	BODY TYPE	DESCRIPTION	PART NUMBER	QTY. PER VEHICLE
<b>53138-9 RAIL - FOLDING TOP REAR SIDE - continued</b>					
	57/58	76B	R. H. -Paint to match L. H.	B7A 7653138-AP B7A 7653139-AP	1 1
	59	76B	R. H. -Paint to match L. H.	B9A 7653138-A B9A 7653139-A	1 1
			.433" / .430" x 2.095" Pin	357429-S13(NN29)	2
			7/16" x 61/64" Oval head pin	354735-S13(NN31)	2
			.45" I. D. x .75" O. D. Flat washer	356214-S8(XX162)	2or4
	58/	S(76A)	R. H. -Paint to match L. H.	B8S 7653138-A B8S 7653139-A	1 1
			7/16" x 1.93" Pin	370643-S8(NN36)	2
			.45" I. D. x .75" O. D. Spring wave washer	356383-S7(XX362)	2
			.45" I. D. x .75" O. D. Flat washer	356214-S8(XX162)	2
			1/16" Pin (self-locking)	352358-S(NN127)	2
<b>53144-5 BRACKET - FOLDING TOP - NO. 3 BOW</b>					
	53/54	76	L. H.	BA 7653145-A	1
	57/59	76B	R. H. -Paint to match L. H.	B7A 7653144-AP B7A 7653145-AP	1 1
	58/	S(76A)	Paint to match	B8S 7653144-A	2
<b>53156-7 SUPPORT ASSY. - TOP MAIN PIVOT BRACKET</b>					
	57/58	76	R. H. L. H.	B7A 7653156-A B7A 7653157-A	1 1
	58/59	S(76A)	"Before 2/12/59" R. H. -Welded steel L. H.	B8S 7653156-A B8S 7653157-A	1 1
	59	S(76)	"From 2/12/59" Refer to Group 53158-9		1
			5/16"-24 x 1 1/4" Hex. head bolt	20427-S8(B158)	6
			5/16" Lockwasher	34806-S7(X64)	6
			5/16" Flat washer	44722-S8(X19)	6
			.51" I. D. x .56" O. D. -Special spring washer	8M 7653213	4
			5/16"-24 Hex. nut	33923-S7(M32)	6
			1/4"-20 x 3/4" Hex. washer head screw	40953-S8(U263)	2
	59	76B	R. H. L. H.	B9A 7653156-A B9A 7653157-A	1 1
<b>53158-9 SUPPORT - FOLDING TOP MAIN PIVOT BRACKET</b>					
	55/56	76 B	R. H. L. H.	B6A 7653158-A B6A 7653159-A	1 1
	58/59	S(76A)	"From 2/12/59" Refer to Group 53156-7 L. H. -Casting - Before Refer to Group 53156-7	B9S 7653159-A	1
			7/16" x 1.93" Pin	370643-S8(NN36)	2
			.45" I. D. x .75" O. D. Flat washer	356214-S8(XX162)	2
			1/16" Pin (self-locking)	352358-S(NN127)	2
			1/4"-20 x 3/4" Hex. washer head screw	40953-S8(U263)	2
<b>53196-7 RAIL ASSY. - PILLAR - FOLDING TOP - REAR</b>					
	53/54	76B	R. H. -magnesium castings	BA 7653196-B	1
	55/56	76 B	"Before 3/1/56" R. H. -Use with B5A 7653136-AP	B5A 7653196-BP	1
	55	76B	.43" x 1.13" Pin.	353792-S13(NN24)	2
	56/57	40A	R. H. -Paint to match L. H.	B6S 4053196-AP B6S 4053197-AP	1 1
			No. 12-24 x 68" Screw (set) acts to stop	358696-S8(UU30)	2
			No. 12-24 Crown nut	*34161-S13	2
			7/16" x 2.37" Oval head pin	354171-S13(NN37)	2
			7/16" x 1.125"	354170-S13(NN155)	2
			.51" L. D. x .56" O. D. Special spring washer	8M 7653213	2
			.45" I. D. x .75" O. D. Flat washer	356214-S8(XX162)	2
			.45" I. D. x .75" O. D. Special spring washer	356383-S7(XX362)	2
			3/32" x 1.12" Pin	354276-S(NN91)	2
			3/32" x 1" Cotter pin	72034-S(N45)	2
	56	76B	"From 3/1/56" R. H. -Use with B6A 7653144-AP L. H. -Use with B6A 7653145-AP	B6A 7653196-AP B6A 7653197-AP	1 1
			7/16" x 1" Oval head pin	354676-S13(NN157)	2
			.51" I. D. x .56" O. D. Special spring washer	8M 7653213	2
	55/56	76B	5/16" x .625" Pin (oval head)	354326-S13(NN19)	2
			.45" I. D. x .75" O. D. Washer	356214-S8(XX162)	2
			5/16" Flat washer	44722-S8(X19)	2
			3/32" x 1" Cotter pin	72034-S(N45)	4
	57/	A(76)	Refer to Group 53138-9		

GROUP NUMBER	YEAR 19	BODY TYPE	DESCRIPTION	PART NUMBER	QTY. PER VEHICLE
<b>53210-7</b>	<b>WASHER - SPRING - THREE WAVE - CONVERTIBLE SLAT IRONS</b>				
	55/57	40	.39" I.D. x .63" O.D.	8M 7653210	2or12 2to7
	53/	A(76)			4
	58/	S(76)			4
	55/57	40A	.51" I.D. x .56" O.D.	8M 7653213	4
	53/	A(76)			AR
	58/	S(76)			AR
	55/57	40A	.33" I.D. x .56" O.D.	8M 7653217	2
	53/59	76B			8or10
	56/57	40	Cowl side vent.lever		2
<b>533A00</b>	<b>MOTOR and PLATE ASSY. - FOLDING TOP HYDRAULIC LIFT PUMP KIT</b>				
	56/	A(76B)		C0AB 76533A00-A	1
	58/	S(76)		C3SZ 76533A00-A	1
Consists of					
	1-Motor & pump end plate assy.	2-Sleeves	1-"O" ring		
	2-Screws	2-Grommets	2-Plugs		
	2-Lockwashers	1-Bracket	1-Connector adapter		
	2-Grommets	2-Hydraulic packing	1-Inner rotor		
<b>53337</b>	<b>PUMP ASSY. - FOLDING TOP HYDRAULIC LIFT</b>				
	53/55	76B	Square pump	B5A 7653337-A	1
			1/4" Flat washer	44720-S8 (X18)	2
			1/4" Lockwasher	34805-S8 (X62)	2
			1/4"-20 Hex. nut	33795-S7(M49)	2
	55/	A(76B)	Kit for round pumplifts - (Repair)	B5A 7653337-B	1
Consists of					
	1-Plate ass'y.	1-Inner rotor	2-Seals		
	1-"O" ring	1-Outer rotor	2-Ball bearings (1/4" dia.)		
		2-Ball bearings (1/8" dia.)			
	58/	S(76)	Repair Kit -Used with "O" type motor shaft - Replaced by C3SZ 7653337-A (9-63)	*B8S 7653337-A	1
<b>53357</b>	<b>MOTOR and PLATE ASSY. - FOLDING TOP HYDRAULIC LIFT PUMP</b>				
	56/	A(76B)	Refer to Group 533A00		
	58/	S(76)			
<b>53376</b>	<b>RESERVOIR ASSY. - FOLDING TOP HYDRAULIC LIFT</b>				
	53/55	76B	Use with square pump	BF 7653376-A	1
	55/	A(76)	Kit for round pump lifts-(Repair)	B5A 7653376-A	1
	58/	S(76)			1
Consists of					
	1-Plate	1-Bolt	1-"O" ring		
	1-Reservoir	2-Seals	2-Grommets		
<b>53382</b>	<b>CUSHION - FOLDING TOP LIFT MOTOR SUPPORT</b>				
	53	76	Rubber	BA 7653382-A	4
	57/59	51A	Luggage compartment door lock motor		2
			Front roof lock motor		2
			Rear roof lock motor		4
			Top control motor		4
			Luggage compartment door actuation motor		2
<b>53390-2</b>	<b>HOSE ASSY. - FOLDING TOP HYDRAULIC LIFT</b>				
	53/56	76	Upper	BF 7653390-A	1
			Lower - bend to fit		1
	57/59	76B	Upper or lower	B7A 7653390-A	2
	58/59	S(76A)		B8S 7653390-A	2
<b>53395</b>	<b>HOUSING ASSY. - FOLDING TOP HYDRAULIC LIFT PUMP</b>				
	58/	S(76A)		B8S 7653395-A	1
<b>53502-3</b>	<b>HOUSING and WORM GEAR ASSY. - FRONT ROOF LOCK TRANSMISSION</b>				
	57/59	51A	R. H.	B7A 5153502-A	2
			L. H.	B7A 5153503-A	1
<b>53506</b>	<b>CASING and CABLE ASSY. - FRONT ROOF LOCK DRIVE</b>				
	57/59	51A		B7A 5153506-A	2



# FORD CAR PARTS

## BODY SECTION 530

861

GROUP NUMBER	YEAR	BODY TYPE	DESCRIPTION	PART NUMBER	QTY. PER VEHICLE
<b>53510</b>	57/59	51A	<b>NUT ASSY. - FRONT ROOF or LUGGAGE COMPARTMENT DOOR LOCK</b>		
			Front roof	B7A 5153510-A	2
			Luggage compartment door		2
			No. 8-32 x .62" Socket head set screw	371293-S13(UU8)	4
<b>53514</b>	57/58	51A	<b>NUT and HOUSING ASSY. - FRONT ROOF LOCK</b>		
				B7A 5153514-A	2
				B9A 5153514-A	2
	59	51A			
<b>53523</b>	57/59	51A	<b>GEAR - ROOF LOCK DRIVE</b>		
			Front & rear roof lock	B7A 5153523-A	4
			Luggage compartment lock		2
<b>53536</b>	57/59	51A	<b>SCREW - FRONT ROOF LOCK or LUGGAGE COMPARTMENT DOOR LOCK</b>		
				B7A 5153536-A	4
<b>53540-1</b>	57/59	51A	<b>TRANSMISSION ASSY. - FRONT ROOF LOCK</b>		
			R. H.	B7A 5153540-A	1
			L. H.	B7A 5153541-A	1
<b>53600</b>	57/59	51A	<b>ARM ASSY. - REAR ROOF LIFT TO POWER LINK</b>		
				B7A 5153600-A	2
			1/2"-20 Hex. nut	33943-S8(M36)	2
			1/2" External tooth lockwasher	*34944-S2	2
<b>53602</b>	57/59	51A	<b>CASING and CABLE ASSY. - FRONT ROOF or LUGGAGE COMPARTMENT DOOR LIFT DRIVE</b>		
			Front roof	B7A 5153602-A	2
			Luggage compartment door		2
<b>53604-5</b>	57/59	51A	<b>LINK ASSY. - REAR ROOF CONTROL</b>		
			R. H.	B7A 5153604-A	1
			L. H.	B7A 5153605-A	1
			Snap ring	359100-S7(QQ38)	2
			1/2"-20 Hex. nut	33943-S8(M36)	4
			1/2" External tooth lockwasher	*34944-S2	4
<b>53606</b>	57/59	51A	<b>ARM ASSY. - REAR ROOF CONTROL LINK</b>		
				B7A 5153606-A	2
			1/2"-20 Hex. nut	33943-S8(M36)	2
			1/2" External tooth lockwasher	*34944-S2	2
<b>53608</b>	57/59	51A	<b>LINK ASSY. - FRONT ROOF POWER - FRONT</b>		
				B7A 5153608-A	2
<b>53612-3</b>	57/59	51A	<b>LINK ASSY. - REAR ROOF POWER</b>		
			R. H. -Paint to match	B7A 5153612-AP	1
			L. H.	B7A 5153613-AP	1
			1/2"-20 Hex. nut	33943-S8(M36)	4
			1/2" External tooth lockwasher	*34944-S2	4
<b>53620</b>	57/59	51A	<b>BRACKET ASSY. - REAR ROOF POWER LINK PIVOT - ON BODY</b>		
			Paint to match	B7A 5153620-AP	2
			5/16" Flat washer	44722-S8(X19)	8
			5/16" External tooth lockwasher	*34941-S7	8
			5/16"-18 Hex. nut	33797-S7(M50)	8
			5/16"-18 x 3/4" Square head bolt	20346-S8(B50)	8
<b>53622-3</b>	57/59	51A	<b>COVER - REAR ROOF LINK ACCESS HOLE</b>		
			R. H.	B7A 5153622-A	1
			L. H.	*B7A 5153623-A	1
			No. 8 x 3/8" Cross recess pan head screw	52720-S8(U380)	6
<b>53626-7</b>	57/59	51A	<b>LIFT ASSY. - ROOF</b>		
			R. H.	B7A 5153626-A	1
			L. H.	B7A 5153627-A	1
			3/8"-24 x 2 1/2" Hex. head bolt	351816-S(BB224)	4
			3/8" Lockwasher	34807-S8(X66)	4
			3/8"-24 Hex. nut	33800-S8(M63)	
<b>53640</b>	57/59	51A	<b>BRACKET - REAR ROOF LOCK SCREW MOUNTING</b>		
				B7A 5153640-A	2
<b>53646</b>	57/59	51A	<b>SCREW - REAR ROOF LOCK</b>		
			No. 10-24 x 3/8" Screw (Hex. socket set)	B7A 5153646-A	2
				*356753-S8	2

**BODY  
SECTION 530**
**FORD CAR PARTS**

GROUP NUMBER	YEAR 19	BODY TYPE	DESCRIPTION	PART NUMBER	QTY. PER VEHICLE
<b>53648</b>			<b>NUT ASSY. - REAR ROOF LOCK</b>		
	57/59	51A		B7A 5153648-A	2
<b>53650-1</b>			<b>ARM - REAR ROOF LIFT TO BODY</b>		
	57/59	51A	R. H. -Paint to match	B7A 5153650-AP	1
			L. H.	B7A 5153651-AP	1
			.630"/.635" L.D. x 1 1/16" O.D. Flat washer	351503-S(XX204)	2
			1/2"-20 Hex. nut	33943-S8 (M36)	4
			1/2"-External tooth lockwasher	*34944-S2	4
<b>53666</b>			<b>LINK - FRONT ROOF POWER CENTER</b>		
	57/59	51A		B7A 5153666-A	2
			Snap ring	354261-S7 (QQ34)	2
<b>53667</b>			<b>BRACKET ASSY. - FRONT ROOF POWER LINK BELLCRANK PIVOT</b>		
	57/59	51A		B7A 5153667-A	4
			5/16"-24 x 1" Hex. head bolt	20387-S7 (B157)	12
			5/16" External tooth lockwasher	*34941-S7	12
<b>53672</b>			<b>BELLCRANK ASSY. - FRONT ROOF POWER LINK</b>		
	57/59	51A		B7A 5153672-A	2
			Snap ring	354261-S7(QQ34)	2
			1/2"-20 Hex. nut	33943-S8 (M36)	2
			1/2" External tooth lockwasher	*34944-S2	2
<b>53682-3</b>			<b>GUIDE - REAR ROOF CONTROL LINK</b>		
	57/59	51A	R. H.	B7A 5153682-A	1
			L. H.	B7A 5153683-A	1
			5/16"-24 x 5/8" Hex. head bolt	*20327-S8	6
			5/16" Flatwasher	44725-S8(X22)	6
			5/16" External tooth lockwasher	*34941-S7	6
<b>53704-5</b>			<b>HINGE ASSY. - FRONT ROOF</b>		
	57/59	51A	R. H.	B7A 5153704-A	1
			L. H.	B7A 5153705-A	1
			5/16"-24 x 1/2" Hex. head bolt	20311-S8 (B153)	12
			5/16"-Flat washer	44722-S8 (X19)	6
			5/16" External tooth lockwasher	*34941-S7	12
			Snap ring	354261-S7 (QQ34)	2
<b>53706-7</b>			<b>LINK ASSY. - FRONT ROOF POWER - REAR</b>		
	57/59	51A	R. H.	B7A 5153706-A	1
			L. H.	B7A 5153707-A	1
			Snap ring	354261-S7 (QQ34)	2
<b>53710</b>			<b>GUIDE ASSY. - REAR ROOF LOCK SCREW</b>		
	57/59	51A		B7A 5153710-A	2
<b>53742-3</b>			<b>SUPPORT ASSY. - REAR ROOF CONTROL LINK GUIDE</b>		
	57/59	51A	R. H.	B7A 5153742-A	1
			L. H.	B7A 5153743-A	1
<b>53746</b>			<b>SPRING ASSY. - REAR ROOF CONTROL LINK ASSIST</b>		
	57/59	51A	Paint to match	B7A 5153746-A	2
			5/16"-24 Retainer ass'y. (nut)	359218-S2 (MM210)	4
<b>53753</b>			<b>PIN - REAR ROOF CONTROL LINK ARM TO ASSISTSPRING</b>		
	57/59	51A		B7A 5153753-A	2
<b>53760-1</b>			<b>BRACKET - REAR ROOF CONTROL LINK PIVOT ON ROOF - OUTER</b>		
	57/59	51A	R. H.	B7A 5153760-AP	1
			L. H.	B7A 5153761-AP	1
			5/16"-24 x 1" Hex. head bolt	20387-S7 (B157)	6
			5/16" External tooth lockwasher	*34941-S7	6
<b>53770</b>			<b>BOLT - REAR ROOF POWER LINK PIVOT BRACKET - ON BODY</b>		
	57/59	51A		B7A 5153770-A	6
<b>53790</b>			<b>BOLT - REAR ROOF LIFT ARM TO BODY PIVOT BRACKET</b>		
	57/59	51A		B7A 5153790-A	2
<b>53792</b>			<b>BOLT - REAR ROOF LIFT TO LIFT ARM</b>		
	57/59	51A		B7A 5153792-A	2

# FORD CAR PARTS

**BODY  
SECTION 530**

863

GROUP NUMBER	YEAR	BODY TYPE	DESCRIPTION	PART NUMBER	QTY. PER VEHICLE
<b>53816</b>			<b>SCREW ASSY. - ROOF LIFT DRIVE</b>		
	57/59	51A		B7A 5153816-A	2
			.55" I.D. x .88" O.D. Flat washer-nylon	354704-S (XX194)	2
			.55" I.D. x .88" O.D. Flat washer-steel	354705-S (XX195)	2
			7/16"-20 Hex. locknut	34372-S8 (M100)	2
<b>53818-9</b>			<b>HOUSING ASSY. - ROOF LIFT DRIVE GEAR</b>		
	57/59	51A	R. H.	B7A 5153818-A	1
			L. H.	B7A 5153819-A	1
<b>53820</b>			<b>SLEEVE ASSY. - ROOF LIFT DRIVE SCREW</b>		
	57/59	51A		B7A 5153820-A	2
<b>53822</b>			<b>COVER ASSY. - ROOF LIFT DRIVE GEAR HOUSING</b>		
	57/59	51A		B7A 5153822-A	2
<b>53824</b>			<b>YOKE ASSY. - ROOF LIFT DRIVE SCREW</b>		
	57/59	51A		B7A 5153824-A	2
			15/16"-16 Hex. nut	359398-S (MM126)	2
			Lockwasher (special)	B7A 5153902-A	2
<b>53826</b>			<b>SCREW ASSY. - LUGGAGE COMPARTMENT DOOR LIFT DRIVE</b>		
	57/59	51A		B7A 5153826-A	2
<b>53834</b>			<b>CLAMP - ROOF LIFT DRIVE SCREW SLEEVE</b>		
	57/59	51A		B7A 5153834-A	2
<b>53852</b>			<b>PIN - FRONT ROOF POWER CENTER LINK</b>		
	57/59	51A		B7A 5153852-A	8
<b>53854</b>			<b>ADAPTER - ROOF LIFT</b>		
	57/59	51A		B7A 5153854-A	2
<b>53860</b>			<b>PIN - CONTROL LINK PIVOT ON ROOF</b>		
	57/59	51A		B7A 5153860-A	2
<b>53862</b>			<b>CASING and CABLE ASSY. - REAR ROOF LOCK DRIVE</b>		
	57/58	51A		B7A 5153862-A	2
	59	51A	Refer to Group 40670		
<b>53872-3</b>			<b>TRANSMISSION ASSY. - REAR ROOF LOCK - LESS CABLE and CASING</b>		
	57/59	51A	R. H.	B7A 5153872-A	1
			L. H.	B7A 5153873-A	1
			5/16"-18 x 1.62" Hex. head screw & washer ass'y.	359530-S8 (BB576)	4
<b>53878-9</b>			<b>COVER - REAR ROOF POWER LINK ACCESS HOLE</b>		
	57/59	51A	R. H.	B7A 5153878-A	1
			L. H. (9-63)	*B7A 5153879-A	1
			No. 8 x 3/8" Cross recess pan. head screw	52720-S8 (U380)	8
<b>53880</b>			<b>PLATE ASSY. - REAR ROOF LOCK SCREW MOUNTING</b>		
	57/59	51A		B7A 5153880-A	2
<b>53884-5</b>			<b>RETAINER ASSY. - REAR ROOF HEADLINING SIDE REAR TACKING - UPPER</b>		
	59	51A	R. H.	*B9A 5153884-A	1
			L. H.	B9A 5153885-A	1
			No. 8 x 3/8" Cross recess pan. head screw	52720-S8 (U380)	8
<b>53900-1</b>			<b>WEATHERSTRIP ASSY. - FOLDING TOP SIDE INTERMEDIATE REAR RAIL</b>		
	58/	S(76A)	R. H.	C0SB 7653900-B	1
			L. H.	C0SB 7653901-B	1
			No. 10-32 x .75" Special head moulding screw	352222-S8 (BB807)	8
			No. 10 Flat washer	44716-S8 (X15)	8
			No. 10 Lockwasher	34803-S7 (X60)	8
			No. 10-32 Hex. nut	34079-S8 (M163)	8
<b>53910</b>			<b>CABLE - FOLDING ROOF or LUGGAGE COMPARTMENT DOOR LIFT DRIVE</b>		
	57/59	51A		B7A 5153910-A	4
<b>53916</b>			<b>BUSHING - REAR ROOF or LUGGAGE COMPARTMENT DOOR LOCK MOUNTING BOLT</b>		
	57/59	51A	Rear roof lock	B7A 5153916-A	16
			Luggage compartment door lock		8

**BODY  
SECTION 530**
**FORD CAR PARTS**

GROUP NUMBER	YEAR	BODY TYPE	DESCRIPTION	PART NUMBER	QTY. PER VEHICLE
<b>53917</b>	<b>SLEEVE - REAR ROOF or LUGGAGE COMPARTMENT DOOR LOCK MOUNTING BOLT BUSHING</b>				
	57/59	51A	Rear roof lock	B7A 5153917-A	8
			Luggage compartment door lock		4
<b>53919</b>	<b>SPACER - REAR ROOF ASSIST SPRING GUIDE MOUNTING</b>				
	57/59	51A		B7A 5153919-A	2
<b>53922</b>	<b>CABLE - REAR ROOF DRIVE</b>				
	57/59	51A		B7A 5153922-A	2
<b>53926</b>	<b>CABLE - FOLDING ROOF LOCK DRIVE</b>				
	57/59	51A		B7A 5153926-A	2
<b>53928-9</b>	<b>WEATHERSTRIP ASSY. - FOLDING TOP INTERMEDIATE FRONT RAIL</b>				
	58/	S(76A)	R. H.	C0SB 7653928-A	1
			L. H.	C0SB 7653929-A	1
			No. 10-32 x .75" Special head moulding screw	352222-S8(BB807)	6
			No. 10 Flat washer	44716-S8(X15)	6
			No. 10 Lockwasher	34803-S7(X60)	6
			No. 10-32 Hex. nut	34079-S8 (M163)	6
<b>53938</b>	<b>BUSHING - ROOF and LUGGAGE COMPARTMENT DOOR LIFT MOUNTING BOLT</b>				
	57/59	51A	Luggage compartment door lift	B7A 5153938-A	4
			Folding roof lift		8
<b>53939</b>	<b>SLEEVE - ROOF LIFT MOUNTING BOLT BUSHING</b>				
	57/59	51A		B7A 5153939-A	6
<b>53940</b>	<b>BAR ASSY. - REAR ROOF LIFT TO BODY ARM TIE</b>				
	57/59	51A		B7A 5153940-A	1
<b>53942</b>	<b>BUMPER - FRONT ROOF TO REAR ROOF</b>				
	57/58	51A		B7A 5153942-A	2
	59	51		B9A 5153942-A	2
<b>53986-7</b>	<b>WEATHERSTRIP ASSY. - FOLDING TOP SIDE FRONT RAIL</b>				
	58/	S(76A)	R. H.	C0SB 7653986-A	1
			L. H.	C0SB 7653987-A	1
			No. 10-32 x .75" Special head moulding screw	352222-S8(BB807)	4or6
			No. 10 Flat washer	44716-S8(X15)	4or6
			No. 10 Lockwasher	34803-S7(X60)	4or6
			No. 10-32 Hex. nut	34079-S8 (M163)	4or6
<b>54330</b>	<b>ABSORBER - ROOF PANEL SOUND</b>				
	57/	A	30" x 48" Cut as required	C0AB 6454330-A	AR
<b>54624-5</b>	<b>RETAINER - FOLDING TOP COMPARTMENT TRIM - FRONT</b>				
	59	76B	R. H.	B9A 7654624-A	1
			L. H.	B9A 7654625-A	1
<b>54646-7</b>	<b>SUPPORT - FOLDING TOP COMPARTMENT SIDE TRIM RETAINER</b>				
	59	76B	R. H.	B9A 7654646-A	1
			L. H.	B9A 7654647-A	1
			No. 8 x 3/8" Cross recess pan head self-tapping screw	52720-S8 (U380)	6
<b>54674-5</b>	<b>RETAINER - FOLDING TOP COMPARTMENT TRIM - REAR</b>				
	57/58	76	R. H.	B7A 7654674-A	1
			L. H.	B7A 7654675-A	1
	59	76B	R. H.	B9A 7654674-A	1
			L. H.	B9A 7654675-A	1
<b>54732</b>	<b>WEATHERSTRIP - FRONT ROOF - REAR</b>				
	59	51A		B9AB 5154732-A	1
<b>54810</b>	<b>LOOP - FOOTMAN</b>				
	53/56	59A, 59B, 79	Chrome plate	B6A 5954810-B	2
			No. 10 x 7/16" Oval head screw	*28923-S7	4
			No. 10 Internal tooth lockwasher	34903-S8 (X96)	4
	56	59C	Chrome plate	B6A 5954810-B	6

# FORD CAR PARTS

## BODY SECTION 600

865

GROUP NUMBER	YEAR 19	BODY TYPE	DESCRIPTION	PART NUMBER	QTY. PER VEHICLE
<b>60100</b>			<b>REINFORCEMENT ASSY. - REAR SEAT BELT ANCHOR TO FLOOR PAN</b>		
	58/	S	Use with B8S 18621-A Safety belt kit	B8S 6360100-A	2
<b>60402-3</b>			<b>HOUSING ASSY. - 4-WAY POWER SEAT REGULATOR</b>		
	55	S	Horizontal-slot in end of shaft	B5S 4060402-A	1
	55/56	57, 59, 60, 64, 70, 73, 76, 79	Horizontal-slot in end of shaft	B5A 7060402-A	1
			Vertical-slot in end of shaft	B5A 7060403-A	1
	56/57	S	Horizontal-slot in end of shaft	B5A 7060402-A	1
			Vertical-slot in end of shaft	B5S 4060403-A	1
	57/58	A (except 78)	Step in end of shaft	B7A 7060403-A	1
	59	A(except 66C)			1
	58/	S	Horizontal-slot in end of shaft	B5A 7060403-A	2
		S	Vertical-slot in end of shaft	B5S 4060403-A	2
<b>60408</b>			<b>COUPLING - POWER SEAT ADJUSTING SCREW</b>		
	57/58	A (except 78)		B7A 7060408-A	1
	59	A(except 66C)			1
<b>60419</b>			<b>GEAR - 4-WAY POWER SEAT REGULATOR</b>		
	55/56	57, 59, 60, 70, 73, 76, 79		B5A 7060419-A	2
	55/	S			2
	57/58	A (except 78)			1
	59	A(except 66C)			1
<b>60428</b>			<b>SCREW ASSY. - POWER SEAT ADJUSTING HORIZONTAL REGULATOR</b>		
	57	51A, 57, 58, 63, 64, 76		B7A 6460428-A	1
	57	59, 66, 70, 73, 79		B7A 7060428-A	1
	58/59	A (except 78)		B7A 7060428-A	1
	57/59	A (except 78)	Pin-straight-3/16" dia. x 3/4" long	354347-S2(NN143)	1
<b>60437</b>			<b>WASHER - 4-WAY POWER SEAT REGULATOR SHAFT</b>		
	55/56	57, 59, 60, 64, 70, 73, 76, 79		B5A 7060437-A	2
	55/	S			2
<b>60440-1</b>			<b>SUPPORT ASSY. - 4-WAY SEAT REGULATOR</b>		
	55/57	S	Vertical	B5S 4060440-A	1
			Horizontal	B5S 4060441-A	1
			Bolt-hex, head-3/8"-24 x 3/4"	20349-S7-8(B170)	2
			Washer-lock, internal tooth-3/8"	354704-S(XX194)	1
<b>60449</b>			<b>SCREW ASSY. - POWER SEAT ADJUSTING VERTICAL REGULATOR</b>		
	57/58	A (except 78)		B7A 7060449-A	1
	59	A (except 66C)			1
<b>60467</b>			<b>GASKET - 4-WAY POWER SEAT REGULATOR COVER</b>		
	55/56	57, 59, 60, 64, 70, 73, 76, 79		B5A 7060467-A	2
	55/	S			2
	57/58	A (except 78)			1
	59	A (except 66C)			1
<b>60471</b>			<b>GEAR ASSY. - 4-WAY POWER SEAT REGULATOR</b>		
	54	59, 60, 70, 72, 73, 76, 79		BH 7360471-A	2
<b>60477</b>			<b>SHAFT ASSY. - 4-WAY POWER SEAT REGULATOR</b>		
	54	59, 60, 70, 72, 73, 76, 79	Horizontal	BH 7360477-B	1
			Vertical	BH 7360477-C	1
			Washer-lock, external tooth-1/2"	★352482-S	2
			Nut-hex, -7/16"-20	34671-S8(M67)	2
	55/56	57, 59, 60, 64, 70, 73, 76, 79	Horizontal	B5A 7060477-A	1
			Washer	B5A 7060437-A	2
			Nut-hex, -7/16"-20	34372-S7(M100)	2
			Washer-flat-9/16" (nylon)	354704-S(XX194)	1
			Washer-flat-9/16" (steel)	354705-S(XX195)	1
			Pin-clevis-5/16" x 1 1/2"	354403-S7(NN119)	2
	55/57	S	Horizontal	B5S 4060477-A	1
	58/	S	Horizontal-refer to Group 617A02		
<b>60480</b>			<b>SHAFT ASSY. - 4-WAY POWER SEAT REGULATOR - VERTICAL</b>		
	55/57	S		B5A 4060480-A	1
	58/		Refer to Group 617A06		

GROUP NUMBER	YEAR 19	BODY TYPE	DESCRIPTION	PART NUMBER	QTY. PER VEHICLE
<b>60481</b>	<b>COVER ASSY. - 4-WAY POWER SEAT REGULATOR</b>				
	54		No Longer Supplied		
	55/56	57, 59, 60, 64, 70, 73, 76, 79		B8S 6360481-A	2
	56/	S			4
	55/56	40, 57, 59, 60, 64, 70, 73, 76, 79	Screw-oval head, cross recess-No. 10-32 x 1"	★373946-S100	5
	55/56	40, 57, 59, 60, 64, 70, 73, 76, 79	Washer-lock, external tooth, countersunk-No. 10	34952-S7(X79)	5
	56/	S	Screw & washer assy. -flat head, cross recess-No. 10-32 x 1/2"	350056-S13(BB107)	10
	57/58	A (except 78)		B7A 7060481-A	1
	59	A (except 66C)			1
	57/58	A (except 78)	Screw-oval head, cross recess-No. 10-32 x 5/8"	50409-S13(U126)	4
	59	A(except 66C)			4
<b>60487</b>	<b>COUPLING - 4-WAY POWER SEAT ADJUSTER MOTOR TO SHAFT</b>				
	57/58	A(except 78)		B7A 7060487-A	1
	59	A(except 66C)			1
<b>60490</b>	<b>KEY - 4-WAY POWER SEAT REGULATOR GEAR</b>				
	56/	S		B5A 7060490-A	1or2
	55/58	A (except 78)			1or2
	59	A (except 66C)			1
<b>60493</b>	<b>BEARING - POWER SEAT ADJUSTING VERTICAL REGULATOR SCREW</b>				
	57/58	A (except 78)		B7A 7060493-A	1
	59	A(except 66C)			1
<b>60508-9</b>	<b>PANEL ASSY. - REAR SEAT BACK - <i>Paint to Match</i></b>				
	53/56		No Longer Supplied		
	57/58	59, 79D	Less cover	E7A 5960508-AP	1
	57/58	79C, 79E	R. H. -Less cover	B7A 7960508-AP	1
			L. H.	B7A 7960509-AP	1
	59	59, 71F, 71H	Less cover	B7A 5960508-AP	1
	59	71E, 71G	R. H. - Less cover	B7A 7960508-AP	1
			L. H.	B7A 7960509-AP	1
<b>60510</b>	<b>YOKE ASSY. - POWER SEAT ADJUSTING REGULATOR CLUTCH</b>				
	57/59	A (except 78)		B7A 7060510-A	2
<b>60512-3</b>	<b>PANEL ASSY. - REAR SEAT CUSHION <i>Paint to Match</i></b>				
	53/56		No Longer Supplied		
	57/58	59, 79D	Less linoleum	B7A 5960512-AP	1
	57/58	79C, 79E	R. H. -Less linoleum	B7A 7960512-AP	1
			L. H.	B7A 7960513-AP	1
	59	59, 71F, 71H	Less cover	B7A 5960512-AP	1
	59	71E, 71G	R. H. - Less cover	B7A 7960512-AP	1
			L. H.	B7A 7960513-AP	1
<b>60552-3</b>	<b>SUPPORT ASSY. - REAR SEAT CUSHIONS - <i>Paint to Match</i></b>				
	57/58	59, 79D		B7A 5960552-AP	1
	57/58	79C, 79E	R. H.	B7A 7960552-AP	1
			L. H.	B7A 7960553-AP	1
<b>60578</b>	<b>BUMPER ASSY. - REAR SEAT CUSHION PANEL</b>				
	57/58	A(59, 79)		B7A 5960578-A	2or3
	59	A(59, 71)			2or3
			Screw & washer assy. -pan head, cross recess-No. 12-24 x 3/8"	★50805-S8	2or4
<b>60582</b>	<b>BEARING - POWER SEAT ADJUSTING HORIZONTAL REGULATOR SCREW</b>				
	57/58	A (except 78)		B7A 7060582-A	1
	59	A(except 66C)			1
<b>60638</b>	<b>RETAINER - REAR SEAT CUSHION PANEL SUPPORT - TO FLOOR</b>				
	53/56	79		BA 7960638-A	2
			Screw-oval head, cross recess-No. 8-15 x 1/2"	52344-S13(U292)	4
<b>60700</b>	<b>PANEL ASSY. - REAR SEAT BACK SPRING SUPPORT</b>				
	58/	S(63A)		B8S 6360700-A	1
	58/	S(76A)		B8S 7660700-A	1
<b>60708</b>	<b>SUPPORT ASSY. - RIGHT REAR SEAT</b>				
	55/56	59, 79	Used with split rear seat-refer to Group 63160		

# FORD CAR PARTS

## BODY SECTION 600

867

GROUP NUMBER	YEAR	BODY TYPE	DESCRIPTION	PART NUMBER	QTY. PER VEHICLE
<b>60718-9 PANEL ASSY. - LEFT REAR SEAT SUPPORT - <i>Paint to Match</i></b>					
	53/56		No Longer Supplied		
	57/58	59, 79C, 79E	R. H. -used with split rear seat	B7A 7960718-AP	1
	59	71E, 71F	L. H.	B7A 7960719-AP	1
					1
<b>60724-5 PANEL ASSY. - REAR SEAT SUPPORT - <i>Paint to Match</i></b>					
	57/58	59, 79D	R. H.	B9AB 5960724-AP	1
	59	59, 71F, 71H	L. H.	B9AB 5960725-AP	1
			Bolt-hex. head-3/8"-16 x 12"	20522-S8(B89)	4
			Washer-lock, spring-3/8"	34847-S8(X74)	4
			Bolt-hex. head-5/16"-24 x 3/4"	20347-S8(B156)	2
			Washer-lock, spring-5/16"	34807-S8(X66)	2
<b>60728 FOOT - REAR SEAT CUSHION SUPPORT</b>					
	53/56	79		BA 7960728-A	4
			Nut-hex. -3/8"-24	33925-S7(M33)	4
<b>60796 SEAL - REAR SEAT BACK FINISH PANEL TO PACKAGE TRAY</b>					
	58/	S		C1SB 7660796-A	1
<b>60864 BUSHING - POWER SEAT REGULATOR TO REGULATOR SUPPORT</b>					
	57/58	A (except 78)		B7A 7060864-A	2
	59	A(except 66C)			1
<b>60922 BUMPER - AUXILIARY SEAT BACK FLOOR STOP</b>					
	55/58	59	Rubber-used with split rear seat	B5A 7960922-A	2or3
	55/58	79			2or3
	59	71E, 71G			3
<b>60925 COVER SET - CARGO FLOOR COMPLETE -<i>Refer to Group 11488 in Soft Trim Sections</i></b>					
<b>60928 HINGE ASSY. - AUXILIARY SEAT BACK FLOOR BOARD PANEL</b>					
	55/56	59, 79	Paint to match-used with split rear seat	B7A 7960928-AP	1
	57/58	79C, 79E			1
			Screw-flat head, cross recedd-No. 10-12 x 3/4"	52023-S8(U210)	14
	59	71E, 71G	Paint to match	B9A 7160928-A	1
<b>60930 PROP ASSY. - AUXILIARY SEAT BACK</b>					
	53/54	79		BA 7960930-A	2
			Nut-square-1/4"-20	34129-S7-8(M148)	4
			Washer-lock, external tooth, countersunk-1/4"	34954-S7(X81)	4
			Screw-flat head, cross recess-1/4"-20 x 3/4"	★50035-S13	4
<b>60936 PROP ASSY. - AUXILIARY SEAT BACK - OUTER</b>					
	55/56	79		B5A 7960936-B	2
			Bolt-pan head, shoulder-1/4"-20 x 15/32"	354445-S8(BB684)	2
			Washer-wave-5/16"	356600-S(XX361)	2
	57/58	79C, 79E		B7A 7960936-A	2
			Screw & washer assy.-flat head, cross recess-No. 12-24 x 7/16"	353908-S7(BB113)	4
	59	71E, 71G		B7A 7960936-A	2
			Screw & washer assy.-flat head, cross recess-No. 12-24 x 7/16"	353908-S7(BB113)	4
			Washer-lock, internal & external tooth-1/4"	351274-S7(XX298)	4
<b>60940 PANEL ASSY. - AUXILIARY SEAT BACK - FLOOR BOARD - FRONT</b>					
	53/56		No Longer Supplied		
	57/58	59, 79C, 79E	Less linoleum-used with split rear seat	B7A 7960940-AP	1
	59	71E, 71G	Less cover	B9A 7160940-A	1
<b>60942 PANEL ASSY. - AUXILIARY SEAT BACK - FLOOR BOARD - REAR - <i>Paint to Match</i></b>					
	57/58	59, 79C, 79E	Less linoleum-used with split rear seat	B7A 7960942-AP	1
	59	71E, 71G	Less cover	B9AB 7160942-AP	1
<b>60947 PROP - AUXILIARY SEAT BACK - INNER</b>					
	55/56	79		B5A 7960947-A	2
			Bolt-pan head, shoulder-1/4"-20 x 11/16"	354444-S8(BB685)	2
			Washer-flat-5/16"	44722-S8(X19)	2
	57	79	Refer to Group 60998		

GROUP NUMBER	YEAR 19	BODY TYPE	DESCRIPTION	PART NUMBER	QTY. PER VEHICLE			
60955	CLIP - AUXILIARY SEAT BACK STOP			B5A 7960955-B	2			
	55/58	79						
	59	71E, 71G			2			
60958	CLIP - AUXILIARY SEAT BACK SPRING RETAINER			B7A 7960958-A	2			
	57/58	79C, 79E						
60966-7	COVER - REAR SEAT CUSHION FLOOR BOARD PANEL - Refer to Group 11488 in Soft Trim Sections							
60968	COVER - AUXILIARY SEAT BACK PANEL - FRONT FLOOR - Refer to Group 11488 in Soft Trim Sections							
60970	COVER - AUXILIARY SEAT BACK PANEL - REAR FLOOR BOARD - Refer to Group 11488 in Soft Trim Sections							
60998	PROP ASSY. - AUXILIARY SEAT BACK - INNER			B7A 7960998-A	2			
	55/56	79	Refer to Group 60947					
	57/58	79C, 79E						
	59	71E, 71G			2			
61022-3	FRAME - REAR SEAT BACK PANEL - UPPER			B7A 5961022-A B7A 7961022-A B7A 7961023-A 52338-S13(U300) B7A 5961022-A B7A 7961022-A B7A 7961023-A B7A 7961023-A 52338-S13(U300)	1 1 1 9 1 1 1 1 9			
	53/56	No Longer Supplied						
	57/58	59, 79D						
	57/58	79C, 79E	R. H. L. H.					
	57/58	59, 79	Screw-pan head, cross recess-No. 8-15 x 3/8"					
	59	59, 71F, 71H						
	59	71E, 71G	R. H. L. H.					
	59	59, 71	Screw-pan head, cross recess-No. 8-15 x 3/8"					
	61062-3	STOP ASSY. - REAR SEAT BACK - ON WHEELHOUSE				BA 5961062-BP BA 5961062-BP B7A 5961063-A 354860-S(CC6) 370374-S(CC20) 26483-S7(U172) 34940-S7(X88) 31064-S(U66) 44722-S8(X19) 33798-S8(M62) B9A 5961063-A B7A 5961063-A 354860-S(CC6) 370374-S(CC20)	2 1 1 1 2 2or4 2 2 3or6 3or6 1 1 1 2	
		53/57	59, 79					"Before 7/15/57"
		57/58	59, 79					R. H. -refer to Group 62426-7 L. H. -with full seat "From 7/15/57" L. H. -with split seat "From 7/15/57"
57/58		59, 79D	"From 7/15/57"					
58		79C, 79E	Bumper-5/8" dia. x 15/16" long Bumper					
53/58		59, 79	Screw-round head, slotted-1/4"-20 x 3/8"					
53/58		59, 79	Washer-lock, external tooth-1/4"					
58		59, 79	Screw-fillister head, slotted-1/4"-20 x 1/2"					
58		59, 79	Washer-flat-5/16"					
58		59, 79	Nut-hex. -5/16"-24					
59		59, 71	R. H. -refer to Group 62426-7 L. H. -with full seat L. H. -with split seat					
59		59, 71F, 71H	Bumper-5/8" dia. x 15/16" long					
59		71E, 71G	Bumper					
61064		STOP - FRONT SEAT BACK			B5A 7061064-A			2 2 2
		53/56	57, 59, 60, 64, 70, 72, 76, 78					
	57/58	51A, 59, 63, 64, 66, 70, 76, 78						
	59	51A, 59, 63A, 64, 65A, 66C, 76B						
61099	HANDLE - REAR SEAT BACK STOP LOOP			B5A 5961099-A B7A 5961099-A ★50857-S8	2 2 2 4or8			
	55/56	59, 79						
	57/58	A(59, 79)						
	59	A(59, 71)						
	53/	A(59, 71, 79)	Screw & washer assy. -pan head, cross recess-No. 10-32 x 1 1/8"					
61102	MOULDING- REAR SEAT BACK			B7A 6461102-A	1 1 1			
	55/56	No Longer Supplied						
	57	51A, 57A, 58B, 63A, 64B, 76B	Center					
	58	51A, 57A, 63A, 76 B						
	59	51A, 76B						
611A06	RETRACTOR KIT - FRONT SEAT BELT			Rotunda Sales No. R51-AJ C4AZ 62611A06-A	1			
	53/	A, S						
Consists of								
2-Retractors		2-Stops	1-Instruction Sheet No.1206					



# FORD CAR PARTS

## BODY SECTION 610

869

GROUP NUMBER	YEAR	BODY TYPE	DESCRIPTION	PART NUMBER	QTY. PER VEHICLE
<b>61182</b>		<b>PLATE - FRONT SEAT BACK FRAME SCUFF - INNER</b>			
	53/54	59, 60, 70, 72, 76		8A 7061182	2
			Screw-oval head, cross recess-No. 8-15 x 3/4"	52360-S13(U294)	2
	55/56	59, 60, 64, 70, 76, 78		8A 7061182	2
			Screw-oval head, cross recess-No. 8-15 x 3/4"	52360-S13(U294)	2
	57/58	A(51A, 59, 63, 64, 66, 70, 76, 78)		8A 7061182	2
	59	A(51A, 59, 63A, 64, 65A, 66C, 76B)			2
	58/	S			
	57/58	A(51A, 59, 63, 64, 66, 70, 76, 78)	Screw-oval head, cross recess-No. 8-15 x 3/4"	52360-S13(U294)	4
					2
<b>61200</b>		<b>BELT KIT - FRONT OR REAR SEAT SAFETY</b>			
	53/58	A, S	Black	*B6AZ 7061200-A	AR
		Consists of			
			1-Belt and buckle assy.		
			1-Belt and loop assy.		
	53/	A, S	Black - replaced by C3RZ 6261200-A (6-63)	*COAZ 6461200-A	AR
			Blue (dark)-repl. by C3RZ 6261200-B (11-63)	*COAZ 6461200-F	AR
			Blue (light)-repl. by C3RZ 6261200-C (11-63)	*COAZ 6461200-E	AR
			Brown-repl. by C3RZ 6261200-D (11-63)	*COAZ 6461200-D	AR
			Gray-repl. by C3RZ 6261200-A (11-63)	*COAZ 6461200-B	AR
			Green-repl. by C3RZ 6261200-A (11-63)	*COAZ 6461200-C	AR
			Red-repl. by C3RZ 6261200-E (11-63)	*COAZ 6461200-J	AR
			Tan-repl. by C3RZ 6261200-F (6-63)	*COAZ 6461200-H	AR
			White-repl. by C3RZ 6261200-N (6-63)	*COAZ 6461200-G	AR
		Consists of			
		1-C1AZ 7061202	Belt and buckle assy.	3-34878-S13 or 34970-S	Washer-lock-No. 10
		1-C1AZ 7061206	Belt assy.	2-44729-S13	Washer-flat-3/8"
		2-BACAA 9161212-A	Eye bolt	3-52361-S13	Screw-No. 10-12 x 3/4"
		2-COAB 6461216-A	Reinforcement-floor	2-72000-S8	Pin-cotter-1/16" x 3/8"
		1-C1AZ 7061222	Loop-retainer	2-359343-S8B	Nut-hex, -3/8"-24
		2-COAB 6461280-B	Hook assy. -belt	8-Instruction sheets No. 237B, 279A, 320B, 411A, 532, 533, 558 & 618	
		<i>(For 1958/60 Thunderbird rear seat add Reinforcements B8S 6360100-A)</i>			
<b>61280</b>		<b>HOOK ASSY. - SEAT BELT</b>			
	55/59	S		B9TZ 9161280-A	AR
	55/59	A			AR
<b>61328-9</b>		<b>PLATE ASSY. - REAR SEAT BACK STOP ANCHOR</b>			
	55/57	59, 79	"Before 7/15/57"	BA 5961328-A	2
	57/58	59, 79D	"From 7/15/57"	*B7A 7961328-A	1
			R. H. -used with full seat	BA 5961328-A	1
			L. H.		
<b>61333</b>		<b>BUMPER - REAR SEAT BACK</b>			
	55/56	A(59)	3/4" dia. -used with split seat	0A 7961333	4
	53/56	A(79)			2or4
	57/58	A(79C, 79E)			2
	59/	A(71E, 71G)			2
<b>61422</b>		<b>ROD ASSY. - FRONT SEAT TRACK VERTICAL LIFT RELEASE CONTROL</b>			
	58/59	A(except 66C, 78)	Manual 4 way tilt seat	B9A 6461422-A	1
			Washer-C-5/16"	370381-S2 (XX11)	1
<b>61440</b>		<b>SPRING - FRONT SEAT TRACK VERTICAL LIFT GEAR LATCH - UPPER</b>			
	58/59	A (except 66C, 78)	Manual 4 way tilt seat	B8A 7061440-A	1
<b>61444</b>		<b>SPRING - FRONT SEAT TRACK VERTICAL ASSIST</b>			
	58/59	A (except 66C, 78)	Manual 4 way tilt seat	B8A 7061444-A	2
<b>61446</b>		<b>SPRING - FRONT SEAT TRACK VERTICAL LIFT LATCH RELEASE ARM</b>			
	58/59	A (except 66C, 78)	Manual 4-way Tilt seat	B8A 7061446-A	1
<b>61452</b>		<b>SPRING - FRONT SEAT TRACK VERTICAL LIFT LATCH - LOWER</b>			
	58/59	A (except 66C, 78)	Manual 4-way Tilt seat	B8A 7061452-A	1
<b>61642-3</b>		<b>PLATE - FRONT SEAT BACK SCUFF</b>			
	58/	S		B8S 6361642-A	4
<b>61700</b>		<b>TRACK KIT - 4-WAY MANUAL TILT SEAT</b>			
	57/59	A	No longer supplied-refer to Body Illustration Section 600 for Details		

**BODY  
SECTION 610**
**FORD CAR PARTS**

GROUP NUMBER	YEAR 19	BODY TYPE	DESCRIPTION	PART NUMBER	QTY. PER VEHICLE
<b>617A02</b>	<b>SCREW ASSY. - POWER SEAT ADJUSTING HORIZONTAL REGULATOR</b>				
57/59	A		Refer to Group 60428		
58/59	S		Refer to Group 60477		
58/	S			C0SB 63617A02-A	2
<b>61704-5</b>	<b>TRACK ASSY. - FRONT SEAT</b>				
53/54			No longer supplied		
55/56	57, 59, 60, 70, 73, 78, 79		R. H. -Manual full width seat L. H.	B6A 7061704-A B6A 7061705-A	1 1
55/56	64, 76		R. H. - Manual seat L. H.	B5A 6461704-C B5A 6461705-C	1 1
55/56	70A, 70D, 78		R. H. -Driver seat L. H.	★B5A 7861704-B B5A 6461705-C	1 1
55/56	A		Stud-3/8"-16 x 1" & 3/8"-16 x 1/2" Washer-flat-7/16" Bolt-hex, head, shoulder-5/16"-24 x 3/4" Washer-flat-5/16" Nut-hex, -5/16"-24 Stud-3/8"-16 x 1 1/4" & 3/8"-16 x 1/2" Washer-flat-7/16" Nut-hex, -3/8"-16	354554-S8(WW80) 44730-S8(X26) 350756-S8(BB697) 44722-S8(X19) 34393-S8(M98) 352736-S8(WW79) 351428-S7(XX166) 33924-S8(M28)	2 2 2 4 4 4 2 4
55/56	S		R. H. - Manual seat L. H. R. H. -Power seat L. H. Bolt-hex, head -5/16"-24 x 3/4" Washer-lock-spring-5/16" Washer-flat-5/16" Nut-hex, -5/16"-24	B6S 4061704-A B6S 4061705-A B6S 4061704-B B6S 4061705-B 20347-S8(B156) 34806-S7(X64) 44722-S8(X19) 34393-S7(M98)	1 1 1 1 2 2 2 2
57/58	A		R. H. -Manual full width seat L. H.	B9A 7061704-C B7A 7061705-D	1 1
57/58	70A, 70D, 78		R. H. -Driver seat L. H.	B7A 7861704-A B7A 7861705-B	1 1
57/58	A(except 78) "Before 2/14/58"		R. H. - Power seat L. H.	B7A 7061704-B B7A 7061705-B	1 1
58	A(except 78) "From 2/14/58"		R. H. -Power seat L. H.	B8A 7061704-B B8A 7061705-B	1 1
58	A(except 78)		R. H. -Manual 4 way tilt seat L. H.	B9A 6461704-B B9A 6461705-B	1 1
57/58	A		Stud-3/8"-16 x 1" & 3/8"-16 x 1/2" Washer-flat-7/16" Bolt-hex, head, shoulder-5/16"-24 x 3/4" Washer-flat-5/16" Nut-hex, -5/16"-24 Stud-3/8"-16 x 1 1/4" & 3/8"-16 x 1/2" Washer-flat-7/16" Nut-hex, -3/8"-24	354554-S8(WW80) 44730-S8(X26) 350756-S8(BB697) 44722-S8(X19) 34393-S7(M98) 352736-S8(WW79) 351428-S7(XX166) 33924-S8(M28)	2 2 2 4 4 4 2 4
57	S		R. H. -Manual seat L. H. R. H. -Power seat L. H. Bolt-hex, head-5/16"-24 x 3/4" Lockwasher-spring-5/16" Washer-flat-5/16" Nut-hex, -5/16"-24	B6S 4061704-A B6S 4061705-A B6S 4061704-B B6S 4061705-B 20347-S8(B156) 34806-S7(X64) 44722-S8(X22) 34393-S8(M98)	1 1 1 1 2 2 2 2
58	S		R. H. -Manual seat L. H. R. H. -Power seat L. H. Stud-3/8"-16 x 5/8" & 3/8"-24 x 3/4" Washer-flat-3/8" Screw & washer assy. -fill, head-5/16"-18 x 1 1/4" Washer-flat-5/16"	B8S 6361704-A B8S 6361705-A B8S 6361704-B B8S 6361705-B 88512-S7(W19) 352981-S(XX143) ★50794-S 44725-S8(X22)	1or2 1or2 1or2 1or2 2or4 2or4 2or4 2or4

# FORD CAR PARTS

**BODY  
SECTION 610**

871

GROUP NUMBER	YEAR	BODY TYPE	DESCRIPTION	PART NUMBER	QTY. PER VEHICLE
<b>61704-5 TRACK ASSY. - FRONT SEAT - continued</b>					
	59	A	R. H. -Manual full width seat L. H.	B9A 7061704-C B9A 7061705-C	1 1
	59	A (except 66C)	R. H. -Manual 4 way tilt seat L. H.	B9A 6461704-B B9A 6461705-B	1 1
	59	A (except 66C)	R. H. -Power seat L. H.	B9A 7061704-B B9A 7061705-B	1 1
	59	59E	R. H. -Driver seat L. H.	B9A 6461704-A B9A 6461705-A	1 1
	59	A	Stud-3/8"-16 x 1" & 3/8"-16 x 1/2"	354554-S8(WW80)	2
			Washer-flat-7/16"	44730-S8(X26)	2
			Washer-flat-5/16"	44722-S8(X19)	4
			Nut-hex. -5/16"-24	34393-S8(M98)	4
			Stud-3/8"-16 x 1 1/4" & 3/8"-16 x 1/2"	352736-S8(WW79)	4
			Washer-flat-3/8"	351428-S7(XX166)	2
			Nut-hex. -3/8"-16	33924-S8(M28)	4
			Bolt-hex, head, shoulder-5/16"-24 x 3/4"	350756-S8(BB697)	2
	59	S	R. H. -Manual seat L. H.	B8S 6361704-A B8S 6361705-A	1or2 1or2
			R. H. -Power seat L. H.	B8S 6361704-B B8S 6361705-B	1or2 1or2
			Stud-3/8"-16 x 5/8" & 3/8"-24 x 3/4"	88512-S7(W19)	4
			Washer-flat-3/8"	352981-S(XX143)	4
			Screw & washer assy. -fill, head-5/16"-18 x 1 1/4"	★50794-S	4
			Washer-flat-5/16"	44725-S(X22)	4
<b>617A06 SCREW ASSY. - POWER SEAT ADJUSTING VERTICAL REGULATOR</b>					
	57/59	A	Refer to Group 60449		
	58/59	S	Refer to Group 60480		
	58/	S		C0SB 63617A06-A	2
<b>617A15 GEAR - POWER SEAT ADJUSTING REGULATOR</b>					
	55/59	A	Refer to group 60419		
<b>61716-7 ARM - FRONT SEAT TRACK ACTUATING - REAR</b>					
	55/57	S	R. H. -Power seat L. H.	B5S 4061716-A B5S 4061717-A	1 1
			Bolt-hex, head, shoulder-3/8"-24 x 5/8"	353903-S8(BB466)	2
			Pin-straight-1/4" x 1"	★353901-S	2
<b>61726-7 BAR - FRONT SEAT TRACK TIE</b>					
	53/56		No Longer Supplied		
	57/59	A	Manual full width seat	B7A 7061726-A	1
	58/59	A (except 66C, 78)	Manual 4-way tilt seat	B8A 7061726-A	1
			Bolt-eye-No. 8-32 x 3 1/2"	BA 7061730-A	1
<b>61730 BOLT - FRONT SEAT TRACK TIE ROD EYE</b>					
	53/54	59, 60, 70, 72, 73, 76, 79	Manual seat	BA 7061730-A	1
	58/59	A (except 66C, 78)	Manual 4-way tilt seat		1
	55/	A	Manual seat		1
	55/58	78	Manual full width seat		1
			Washer-lock, external tooth-No. 10	34938-S8(X85)	1
			Nut-hex. -No. 8-32	34052-S7(M155)	1
<b>617A30 HOUSING ASSY. - POWER SEAT ADJUSTING REGULATOR</b>					
	55/59	A	Refer to group 60402-3		
<b>61744 LINK - FRONT SEAT TRACK TIE ROD</b>					
	53/58	A	Manual full width seat	BA 7061744-A	1
	59	A(except 66C)			1
<b>61745 LEVER - FRONT SEAT TRACK ADJUSTING</b>					
	58/	S		B8S 6361745-A	2
<b>61753 HANDLE ASSY. - SEAT TRACK ADJUSTING</b>					
	53/54	A	Manual full width seat	BA 7061753-A	1
			Screw-round head, slotted-No. 10-32 x 1/2"	27081-S8(U175)	1
	57	A "Before 11/30/56"	Refer to Group 61755		
	57/58	A "From 11/30/56"		B7A 7061753-A	1
	59	A		B9A 7061753-A	1
	58/59	A(except 66C)	Manual 4-way tilt seat	B7A 7061753-A	1

**BODY  
SECTION 610**
**FORD CAR PARTS**

GROUP NUMBER	YEAR 19	BODY TYPE	DESCRIPTION	PART NUMBER	QTY. PER VEHICLE
<b>61754</b>	<b>HANDLE ASSY. - SEAT TRACK VERTICAL ADJUSTING</b>				
	58/59	A(except 66C, 78)	Manual 4-Way tilt seat	B8A 7061754-A	1
			Screw-socket head, set-No. 8-32 x 1/4"	358685-S8(UU28)	1
<b>61755</b>	<b>HANDLE - FRONT SEAT TRACK ADJUSTING</b>				
	55/56	A, S	Manual seat	B5A 7061755-A	1
	57	S	Manual seat		1
	57	A "Before 11/30/56"	Manual seat	B7A 7061755-B	1
	58/	S	Manual seat		2
	57	A "From 11/30/56"	Refer to Group 61753		
			Pin-roll-3/32" x 9/16"	353882-S7(NN89)	2
<b>617A76</b>	<b>YOKE and ROLLER ASSY. - POWER SEAT ADJUSTING REGULATOR</b>				
	57/59	A (except 78)	Refer to Group 60510		
<b>61780</b>	<b>LINK ASSY. - 4-WAY POWER SEAT REGULATOR TO FRAME</b>				
	57/58	A(except 78)"Before 2/14/58"		B7A 6461780-A	1
			Bolt-hex, head-5/16"-24 x 2"	20521-S8(B162)	1
			Nut-hex, -5/16"-24	33798-S8(M62)	1
	58	A(except 78) "From 2/14/58"	Refer to Group 62003		
<b>61782</b>	<b>SPACER - SEAT TRACK TO CUSHION FRAME SUPPORT</b>				
	58/59	A (except 66C, 78)	Manual 4 way tilt seat	B8A 7061782-A	2
	59	51A, 76B	Front		2
<b>61789</b>	<b>ESCUTCHEON - SEAT ADJUSTING LEVER</b>				
	56/57	S		B6S 4061789-A	1
<b>61796-7</b>	<b>SUPPORT - SEAT TRACK - REAR</b>				
	55/57	S	R. H.	B5S 4061796-B	1
			L. H.	B5S 4061797-B	1
<b>61802</b>	<b>ROD ASSY. - SEAT TRACK TIE</b>				
	56/57	S		B6S 4061802-B	1
<b>61828</b>	<b>SPRING - FRONT SEAT TRACK ASSIST</b>				
	53/54		No Longer Supplied		
	55/56	57, 59, 60, 64, 70, 73, 76, 78, 79	Manual	B5A 7061828-A	2
	56/57	S	Manual	B6S 4061828-A	2
	57/59	A	Manual seat	B7A 7061828-A	1or2
	58/59	A (except 66C, 78)	Manual 4 way tilt seat	B8A 7061828-A	1
	58/	S	Manual seat	B8S 6361828-A	2
<b>61832</b>	<b>BAR ASSY. - FRONT SEAT TRACK VERTICAL EQUALIZING</b>				
	55/56		No Longer Supplied		
	55/57	S	Power seat	B5S 4061832-A	1
	57/58	A (except 66C, 78)	Power seat	B7A 7061832-B	1
			Bolt-hex, head, shoulder-3/8"-24 x 1/2"	359425-S8(BB511)	4
			Pin-roll-3/8"-1 1/4"	359347-S7(NN122)	2
	57/58	A (except 66C, 78)	Lockwasher-internal & external tooth-3/8"	356200-S7(XX301)	2
	58/59	A (except 66C, 78)	Manual 4 way tilt seat	B8A 7061832-A	1
			Washer-flat-3/8"	44727-S8(X24)	4
			Pin-cotter-3/32" x 3/4"	72016-S8(N44)	4
	59	A(except 66C)	Power seat	B7A 7061832-B	1
			Bolt-hex, head, shoulder-3/8"-24 x 1/2"	359425-S8(BB511)	4
			Pin-roll-3/8" x 1 1/4"	359347-S7(NN122)	2
			Lockwasher-spring-3/8"	34847-S8(X74)	2
	58/	S	Power seat	B8S 6361832-A	2
<b>61842</b>	<b>BAR ASSY. - FRONT SEAT TRACK HORIZONTAL EQUALIZING</b>				
	54		No Longer Supplied		
	57/58	A(except 78) "Before 2/14/58"	Power seat	B7A 7061842-B	1
	58	A (except 78)"From 2/14/58"	Power seat	B8A 7061842-A	1
	59	A(except 66C)	Power seat		1
<b>61853</b>	<b>SHAFT - POWER SEAT TRACK PIVOT - REAR</b>				
	58	A (except 78)	Serviced in 61704-5 assy.		
<b>61857</b>	<b>SHAFT - POWER SEAT TRACK PIVOT - FRONT</b>				
	57/58	A(except 78)		B7A 7061857-A	2
	59	A(except 66C)			2
			Pin-roll-5/32" x 1"	370121-S7(NN107)	2



GROUP NUMBER	YEAR '59	BODY TYPE	DESCRIPTION	PART NUMBER	QTY. PER VEHICLE
<b>62332</b>	<b>SUPPORT ASSY. - REAR SEAT BACK</b>				
	57/59	51A		B7A 5162332-A	1
	57/59	76B		B7A 7662332-A	1
<b>62426-7</b>	<b>STOP ASSY. - REAR SEAT BACK - PAINT TO MATCH</b>				
	53/59	59, 71, 79	Refer to Group 61062-3		
	57/58	59, 79D	R. H.	C0AB 5962426-CP	1
	59	59, 71			1
			L. H. - refer to Group 61062-3		
			Bumper - 5/8" dia. x 15/16" long	354860-S(CC6)	1
			Bumper	★370734-S	2
			Screw-round head, slotted-1/4"-20 x 1/2"	26483-S7(U172)	2or4
			Lockwasher-external tooth-1/4"	34940-S7-8(X88)	2or4
			Screw-fillister head, slotted-1/4"-20 x 1/2"	31064-S(U66)	2
			Washer-flat-5/16"	44722-S8(X19)	3or6
			Nut-hex. -5/16"-24	33798-S8(M62)	3or6
<b>62541</b>	<b>SUPPORT - PASSENGER SEAT - REAR</b>				
	59	59E, 64F, 64G, 71E, 71F, 71H		B9A 5962541-A	1
<b>62543</b>	<b>CABLE ASSY. - PASSENGER SEAT STOP</b>				
	53/58		No Longer Supplied		
	59	A(59E, 64F, 64G, 71E, 71F, 71G)		B9A 5962543-A	1
			Bolt-hex. head-1/4"-20 x 3/4"	20344-S7(B42)	1
			Bolt-carriage-1/4"-20 x 1 3/4"	★23496-S2	1
			Lockwasher-spring-1/4"	34805-S8(X62)	1
			Nut-hex. -1/4"-20	33795-S7(M49)	1
<b>62554-5</b>	<b>SUPPORT - PASSENGER SEAT - FRONT</b>				
	53/56		No Longer Supplied		
	57/58	78	R. H.	B7A 7862554-A	1
			L. H.	B7A 7862555-A	1
			Bolt-hex. head-3/8"-16 x 3/4"	20348-S7(B77)	4
			Lockwasher-spring-3/8"	34807-S8(X66)	4
			Nut-hex. -3/8"-16	33799-S7(M52)	4
	59	59E, 64F, 64G, 71E, 71F, 71G	R. H.	B9A 5962554-A	1
			L. H.	B9A 5962555-A	1
<b>62806</b>	<b>COVER - FRONT SEAT BACK ROBE CORD END</b>				
	53	60B, 73B, 76, 79	Chrome-outer	BF 7362806-A	2
	53	60B, 76	Chrome-inner		2
	54	60B, 76	Chrome-inner		2
	54	60B, 60F, 73C, 76, 79C	Chrome-outer		2
			Screw-oval head, cross recess-1/4"-20 x 1 3/8"	351697-S13(BB605)	2or4
<b>62868</b>	<b>RETAINER ASSY. - BACK OF FRONT SEAT ASH RECEPTACLE</b>				
	55/56	A(57, 73B, 73C)		C0AB 5862868-A	1
	57/58	A(57, 58, 73B, 79C, 79E)			1
	59	A(54A, 57A, 58, 71, 75A)			1
	57/58	57, 58, 73B, 79C, 79E	Screw-oval head, cross recess-No. 8-15 x 3/4"	52360-S13(U294)	2
	59	54A, 57A, 58, 71, 75A			2
<b>62876</b>	<b>RECEPTACLE ASSY - FRONT SEAT BACK ASH - PAINT TO MATCH</b>				
	53/56	A(57, 73B, 73C, 79)		C0AB 5862876-BP	1
	57/58	A(57, 58, 73, 79)			1
	59	A(54A, 57A, 58, 71, 75A)			1
<b>63018-9</b>	<b>BRACKET - AUXILIARY SEAT BACK HINGE</b>				
	57/58	79C, 79E	R. H.	B7A 7963018-A	1
			L. H.	B7A 7963019-A	1
	59	59, 71E, 71G	R. H.	B9A 7163018-A	1
			L. H.	B9A 7163019-A	1
<b>63036</b>	<b>PIN - REAR SEAT CUSHION PIVOT</b>				
	53/54	A(79)	R. H. - seat	BA 7963036-A	1
	53/58	A(59, 79)	Back & cushion		4or10
	59	A(59, 71E, 71G)	R. H. - used with split seat		1
<b>63160</b>	<b>FRAME ASSY. - RIGHT REAR SEAT CUSHION TUBULAR - PAINT TO MATCH</b>				
	57/58	79C, 79E		B7A 7963160-AP	1
	59	71E, 71G			1
	57/59	59	Use with split rear seat		1
<b>63474-5</b>	<b>PANEL ASSY. - REAR SEAT FOOT REST</b>				
	58/	S	R. H.	B8S 6363474-A	1
			L. H.	B8S 6363475-A	1

**THE SOFT TRIM SECTION INCLUDES ONLY THOSE ITEMS WHICH WERE AVAILABLE FOR SERVICE AT THE TIME OF PRINTING. ITEMS NOT SHOWN IN THE CATALOG MUST BE IMPROVISED OR PROCURED LOCALLY.**

**INDEX**

PART NAME	GROUP NUMBER	PART NAME	GROUP NUMBER
<b>CONSOLE</b>		<b>FLOOR - continued</b>	
Carpet (console front panel)	044C34	Mat (rear floor)	13054-5
Cover & retainer assy. (console panel ash receptacle)	04826	Mat (rear floor two piece) accessory	13106
Panel (front console)	04706	Pad (rear floor) all purpose accessory	13051
Panel (rear console)	04708	<b>LUGGAGE COMPARTMENT</b>	
<b>COWL</b>		Container (luggage cover)	42844
Door (cowl trim panel fuse access)	020A78	Cover assy. (luggage compartment floor)	45456
Panel assy. (cowl trim)	02340-9	Cover assy. (luggage compartment floor front side)	45454-5
<b>DOOR - FRONT</b>		Cover assy. (luggage compartment floor rear center)	45564
Button & strap assy. (front door trim panel)	23734	Cover assy. (luggage compartment floor side)	45406-7
Cover (front door garnish moulding trim)	21076	Cover assy. (luggage compartment side)	45422-3
Moulding assy. (front door window garnish)	20904-5	Cover assy. (luggage compartment upper front)	45518
Panel assy. (front door trim)	23942-3	Cover kit (luggage)-accessory	45441
Panel (front door trim)	23890-1	Cover (luggage compartment)	42810
Pocket kit (door storage)	20130	Cover (luggage compartment floor rear)	45476
Rest assy. (front door arm)	24140-1	Cover (luggage compartment floor rear corner)	45462
Windlace assy. (door opening)	02600	Cover (luggage compartment fuel filler housing)	45489
<b>DOOR - REAR</b>		Cover (luggage compartment fuel filler pipe)	45568
Button & strap assy. (rear door trim panel)	23734	Cover (luggage compartment rear)	45500
Panel assy. (rear door trim)	27406-7	Cover (luggage compartment side outer)	45474-96
Rest assy. (rear door arm)	24140-1 or 27540-1	Insert (lugg. compartment door lift arm shield)	42718-9
<b>FLOOR</b>		Lining board (luggage compartment front)	45443
Carpet assy. (floor riser side)	13152-3	Lining board (luggage compartment rear)	40448
Carpet assy. (floor tunnel rear)	13196	Lining board (luggage compartment rear)	45024-5
Carpet assy. (floor tunnel side front)	13160-1	Lining board (luggage compartment rear)	45520-3
Carpet assy. (front floor)	13000-1	Lining board (luggage compartment rear inner)	45506-7
Carpet assy. (front floor riser rear)	13146	Lining board (luggage compartment rear outer)	45504-5
Carpet assy. (front floor side)	13164-7	Lining board (luggage compartment rear outer)	45524-5
Carpet assy. (rear floor)	13046	Lining board (luggage compartment side)	45407 or 45416-7
Carpet assy. (rear floor side)	13150-1	Lining board (luggage compartment side front)	45546
Carpet (auxiliary floor)	11582	Mat (luggage compartment floor)	45455-6
Carpet (auxiliary floor panel extension)	13114-15	Pad & cover assy. (luggage compartment floor rear)	45540-1
Carpet (front floor extension)	13108-9	<b>PACKAGE TRAY</b>	
Carpet (rear floor spare tire well)	45826	Cover (package tray)	46673-716
Cover assy. (floor riser side)	13188-9	Lining board (package tray to floor)	46650
Cover assy. (front floor riser)	13184	Panel (package tray trim)	46650
Cover assy. (rear floor tunnel)	13028	Panel (package tray trim)	46656
Cover set (rear & auxiliary floor)	60925	Panel (package tray trim)	46668
Cover (auxiliary floor)	11583	Seal (package tray balance link opening)	46418-9
Cover (floor, seat & back panels & tail gate)	11148 & 11583	<b>PANEL - INSTRUMENT</b>	
Cover (rear floor pan rear corner extension)	112A52-3	Attaching kit (instrument panel safety pad)	04200
Cover (rear floor riser)	12040	Cover assy. (instrument panel trim)	04290
Cover (rear floor tunnel)	13048	Filler (instrument panel lower finish panel)	04632
Cover (rear floor spare wheel well panel)	47022	Pad assy. (instrument panel safety)	04290
Cover (rear floor spare tire well)	45830	Pad & retainer assy. (instrument panel passenger assist bar)	045B19
Cover (front floor upper)	45518-9	Pad & retainer assy. (instrument panel lower)	045A58-9
Mat assy. (auxiliary floor)	13040	Panel (instrument panel end)	04334-5
Mat assy. (center floor front)	13046	Welt (instrument panel finish end)	044B76-7
Mat assy. (center floor rear)	13040	<b>CENTER PILLAR</b>	
Mat assy. (front floor)	13000	Cap (center body pillar finish)	24452-3
Mat assy. (rear floor)	13046 or 13054	Panel (center body pillar finish)	24346-7
Mat assy. (rear floor center)	13198	Welt (center body pillar)	243A00
Mat assy. (rear floor rear)	13176	Windlace assy. (center body pillar)	24454
Mat (rear floor cargo)-accessory	60579	Windlace (center body pillar)	24400
Mat (front floor)	13010		
Mat (front floor full width contour) accessory	13086		
Mat (front floor two piece contour) accessory	13086		

## INDEX

PART NAME	GROUP NUMBER	PART NAME	GROUP NUMBER
<b>QUARTER</b>		<b>SEAT - REAR</b>	
Button & strap assy. (quarter trim panel)	23734	Back assy. (rear seat)-includes cover	60032
Cover assy. (quarter wheelhouse)-in luggage compartment	31750-1	Back kit (rear seat)	60032-3
Cover (quarter trim panel lower front)	31286-7	Carpet assy. (rear seat cushion riser)	63358-9
Cover (quarter wheelhouse)	45466-7	Cover assy. (rear seat back)	66600-1
Cover (quarter wheelhouse front)	45466-7	Cover assy. (rear seat back center arm rest)	67354
Cover assy. (spare wheel well)	47042	Cover assy. (rear seat cushion)	63804-5
Moulding assy. (quarter window garnish)	29002-3	Cover assy. (rear seat cushion heelboard)	67516-7
Panel assy. (quarter trim)	31012-3	Cover (rear seat back floor)	60570-1
Panel assy. (quarter trim front)	31004-5	Cover (rear seat back floor extension)	60673
Panel assy. (quarter trim rear)	31010-1	Cover (rear seat back frame)	66656
Panel (quarter panel rear lamp access opening cover)	310A55	Cover (rear seat cushion panel floor)	60966-7
Panel (quarter trim front)	31136-7	Cover (rear seat heelboard)	66356
Panel (quarter trim lower front)	31222-3		
Panel (quarter trim rear)	31112-3	Cushion kit (rear seat)	60080-1
Rest assy. (quarter arm)	31600-1	Flap assy. (rear seat back center arm rest)	67286
Strip assy. (quarter wheelhouse cover)	310A24-5	Ornament & strap assy. (rear seat back)	63501
Welt (quarter wheelhouse flange cover)	31466	Ornament (rear seat back)	64824
Windlace assy. (quarter pillar)	02600	Panel (rear seat back side)	64556-7
	or 31290	Panel (rear seat back to package tray finish)	60706
	or 31448-9	Rest (rear seat back center arm)	67240-86
<b>ROOF</b>		<b>TONNEAU</b>	
Cover assy. (roof outside)	53700	Cover assy. (tonneau) less head rests	501A34
Cover assy. (roof side rear trim)	52018-9	Cover Kit (tonneau) cloth type	501A42
Filler (roof rear trim panel)	52534	Pad assy. (tonneau cover)	501A66
Headlining assy. (roof)	51916	Rest assy. (tonneau cover head)	501A02-3
Pad (roof outside cover center)	53738		
Pad (roof outside cover side)	53740	<b>TOP - FOLDING</b>	
Trim kit (roof panel)	52016	Binding (folding top no. 4 bow & belt rail)	52300
Welt (roof headlining trim)	51972-3	Case assy. (folding top back stay pad)	54212-3
Welt (roof trim rear)	52012	Case assy. (folding top side quarter)	52874-5
Welt (roof sliding panel)	52190	Container assy. (top dust hood)	54486
<b>SEAT - AUXILIARY</b>		Cover assy. (folding top compartment upper front)	54640-1
Back (auxiliary seat)	60096	Cover assy. (top dust & tonneau)	64104
Back kit (auxiliary seat)	60090	Curtain (folding top back)	52516
Cover & pad assy. (auxiliary seat back)	60103		
Cover & pad assy. (auxiliary seat cushion)	60107	Hood assy. (top dust)	54400
Cover & pad kit (auxiliary seat cushion & back)	64466	Moulding (folding top no. 4 bow outside)	51416
Cover (auxiliary seat back)	66640	Pad (folding top back stay rear)	53708
Cover (auxiliary seat back panel floor rear)	60970	Pad (folding top no. 1 bow)	52515
Cover (auxiliary seat back panel front floor)	60968	Pad (folding top side quarter upper)	52852
Cover (auxiliary seat cushion)	63822	Padding (folding top side quarter rear)	52851
Cushion kit (auxiliary seat)	60096		
<b>SEAT - FRONT</b>		Strap assy. (folding top back curtain)	52504
Back assy. (front seat)-includes cover	60136-7	Top assy. (folding) less back curtain & bows	52700
Back kit (front seat)	60136-7	Top & back curtain assy.	52703
Cover assy. (front seat back)	64416-7	Top kit (folding)-includes bows	50103
Cover assy. (front seat cushion)	62900	Trim assy. (folding top compartment rear)	54600
Cover assy. (passenger reclining seat back inside upper shield)	610A70		
Cover assy. (passenger reclining seat head rest)	610A62	Weatherstrip (folding top No. 1 bow)	51338
Cover (front seat back side shield)	66404-5	Window assy. (folding top back curtain)	52500
Cover (front seat back pivot side)	61634-5	Window & extension assy. (folding top back curtain)	52516
Cushion assy. (front seat)-includes cover	60050	Window (top back curtain)	53200
Cushion kit (front seat)	60050	Zipper assy. (folding top back curtain upper)	53278
Ornament & strap assy. (front seat back)	63501	Zipper & cover assy. (folding top back curtain)	53302
Panel (front seat back rear side)	64556-7	Zipper (back curtain)	53250-302
Shield (driver's seat cushion side inner rear)	62140	Zipper (dust & tonneau cover)	64134
Shield (front seat cushion side)	62186-7		
Shield (driver's seat cushion side inner front)	62254	<b>VISOR</b>	
Shield (passenger seat cushion side inner front)	62255	Escutcheon (visor arm & bracket)	04146-7
Shield (passenger seat cushion side inner rear)	62141	Visor assy. (less arm & bracket)	04104-5



THE SOFT TRIM SECTION INCLUDES ONLY THOSE ITEMS WHICH WERE AVAILABLE FOR SERVICE AT THE TIME OF PRINTING. ITEMS NOT SHOWN IN THE CATALOG MUST BE IMPROVISED OR PROCURED LOCALLY.

**1956 TRIM SCHEME CODES**

AS LISTED ON PATENT PLATE

CODE	TRIM SCHEME
<b>FORD</b>	
B	Light blue vinyl and medium blue cloth
C	Light green vinyl and medium green cloth
E	Dark gray vinyl and light gray cloth
H	Light blue cloth and medium blue cloth
J	Dark green cloth and medium green cloth
L	Dark gray cloth and medium gray cloth
T	Medium green vinyl and light green vinyl
V	Red vinyl and white vinyl
AD	White vinyl and black cloth
AE	Black vinyl and red cloth
AJ	Dark brown all vinyl
AN	White vinyl and dark peacock cloth
AS	Light green vinyl and medium green woven plastic
AT	White vinyl and red woven plastic
AV	Light blue vinyl and medium blue vinyl
AX	Medium brown vinyl and dark brown vinyl
AY	White vinyl and black vinyl
AZ	Medium brown vinyl and medium brown woven plastic
BA	Medium brown vinyl and dark brown vinyl
BB	Medium blue vinyl and light blue woven plastic
BC	Medium green vinyl and light green woven plastic
BD	White vinyl and medium brown woven plastic
BE	Light gray vinyl and dark gray cloth
BF	Dark gray cloth and red cloth
BG	White vinyl and orange vinyl
BH	White vinyl and medium blue woven plastic
BJ	Medium brown vinyl and medium brown cloth
BL	White vinyl and red cloth
BM	Medium blue vinyl and white vinyl
BN	Black vinyl and white vinyl
BR	White vinyl and medium blue woven plastic
BS	White vinyl and medium blue cloth
BU	White vinyl and red vinyl
BV	White vinyl and dark peacock vinyl
BX	White vinyl and pink cloth
BZ	Medium blue vinyl and medium blue cloth
CA	Medium green vinyl and medium green cloth
<b>THUNDERBIRD</b>	
XA	Black vinyl and white vinyl
XB	Red vinyl and white vinyl
XC	Dark peacock vinyl and white vinyl
XF	Green vinyl and white vinyl
XG	Brown vinyl and white vinyl

BODY TYPE	PART NUMBER LESS SUFFIX	COLORS AND APPLICABLE PART NUMBER SUFFIXES												NO. REQ.															
		COLORS																											
													BLACK	BLACK & WHITE	BLUE	BLUE & WHITE	BROWN	COPPER	GRAY	GREEN	PEACOCK	RED	RED & WHITE	WHITE					
<b>02340-9 PANEL ASSY. - COWL TRIM</b>																													
A	R	B6A 7002340											AB															1	
	L	B6A 7002341											AB															1	
	R	B6A 5902340																								AAT		1	
	L	B6A 5902341																								AAT		1	
S	R	B6S 4002348																								CA		1	
	L	B6S 4002349																								CA		1	
<b>02600 WINDLACE ASSY. - DOOR OPENING and QUARTER PILLAR</b>																													
A, S		B6A 7002600																										AR	
		B8A 7002600												AC														AR	
		B6A 5902600																								AAT		AR	
<b>04104 VISOR ASSY. - LESS ARM and BRACKET - STANDARD</b>																													
A(59C,70C,73C,76B)		B6A 7004104																										2	
		B6A 7604104											ABN		ABM											AV		2	
A(57A,59A,59B,70A,70B,70D,73A,73B,78A,79)		B6A 7004104																										2	
		B6A 5904104																									AAT	2	
A(64C)		B6A 6404104																										2	
S		B6S 4004104																								BE		2	
<b>04104 VISOR ASSY. - LESS ARM and BRACKET - SAFETY</b>																													
A(64A,64C)		B6A 6404104																									DAD		2
A(59,70,73,78A,79)		B6A 7004104																									ABH		2
S		B7S 4004104																									BA		2
BODY TYPE	PART NUMBER	DESCRIPTION												NO. REQ.															
<b>04200 ATTACHING KIT - INSTRUMENT PANEL SAFETY PAD</b>																													
A	B6A 7004200-A																												
Consists of																													
	1-★B6A 7004332-A	Moulding-R. H.	1-★B6A 7004810-BP	Receptacle																									
	1-★B6A 7004333-A	Moulding-L. H.	1-★B6A 7004882-A	Shield																									
	8-B6A 7004439-A	Retainer	1-★B6A 10987-A	Moulding-cluster																									
	1-★B6A 7004472-A	Moulding-center	1-C2AZ 19C525-A	Cement (tube)																									
		9-★52776-S13	Screw																										
BODY TYPE	PART NUMBER	DESCRIPTION												NO. REQ.															
<b>04290 COVER ASSY. - INSTRUMENT PANEL TRIM</b>																													
S	B5S 4004290	AA												1															
<b>04290 PAD ASSY. INSTRUMENT PANEL - SAFETY</b>																													
A	B6A 7004290	AA	AB	AD	AC	AF									1														
S	B6S 4004290	AA		BG	BF	BC	BB									1													
A, S	C2AZ 19C525-A	Cement (tube)											AR																
<b>13000 CARPET ASSY. - FRONT FLOOR</b>																													
S	B6S 4013000	AA												1															
	B7S 4013000		AC	AD	AM									1															
<b>13000 MAT ASSY. - FRONT FLOOR</b>																													
A (ARROW HEAD PATTERN)	B5A 7013000	CA												1															
A (CARPET WEAVE PATTERN)	B5A 7013000	A												1															
<b>13040 MAT ASSY. - CENTER FLOOR REAR</b>																													
A(79B,79C,79D)	B5A 7913040	AAA												1															
<b>13046 MAT ASSY. - CENTER FLOOR FRONT</b>																													
A(59A,59B,79D)	B5A 5913046	CZ												1															
A(79B,79C)	B5A 7913046	BAA												1															

# FORD CAR PARTS

**1956**  
**SOFT TRIM**

879

BODY TYPE	PART NUMBER LESS SUFFIX	COLORS AND APPLICABLE PART NUMBER SUFFIXES										NO. REQ.
COLORS		BLACK						PEACOCK	RED			
<b>13054 MAT ASSY. - REAR FLOOR</b>												
A(64D, 76)	B5A 6413054	AL										1
A(70, 73, 78A)	B5A 7313054	AA										1
<b>21076 COVER - FRONT DOOR GARNISH MOULDING TRIM</b>												
S	B7S 4021076	AA										2
	B6S 4021076							AC	AB			2
BODY TYPE	PART NUMBER LESS SUFFIX	TRIM CODES AND APPLICABLE PART NUMBER SUFFIXES										NO. REQ.
<b>23942-3 PANEL ASSY. - FRONT DOOR TRIM</b>												
TRIM CODES		All										
S	R B6S 4023942	BA										1
	L B6S 4023943	BA										1
	52368-S23(U295)	Screw-oval head, cross recess-No. 8-15 x 7/8"										4
	*34885-S7	Washer-countersunk-No. 8										4
	*358470-S3	Clip-trim										20
BODY TYPE	PART NUMBER LESS SUFFIX	COLORS AND APPLICABLE PART NUMBER SUFFIXES										NO. REQ.
COLORS		BLACK	BLUE			GRAY	GREEN	PEACOCK	RED			
<b>24140-1 REST ASSY. - FRONT DOOR ARM</b>												
A(except 59C, 64A, ⊕ 64B, 76B)	R B6A 6424140	BAD								BAN		▲
	L B6A 6424141	BAD								BAN		▲
	R B6A 7024140		BB					BE	BC			▲
	L B6A 7024141		BB					BE	BC			▲
	R B6A 5924140											▲
	L B6A 5924141									BAT		▲
	BA 7024146-A	Clip								BAT		▲
S	R B7S 4024140	AA										AR
	L B7S 4024141	AA										1
	R B6S 4024140									AC	AB	1
	L B6S 4024141									AC	AB	1
<b>24544 WINDLACE ASSY. - CENTER BODY PILLAR - Refer to Group 02600</b>												
<b>31290 WINDLACE ASSY. - QUARTER PILLAR - Refer to Group 02600</b>												
<b>31600-1 REST ASSY. - QUARTER ARM</b>												
A(59A, 59B, 70)	R B8A 6431600	AR										1
	L B8A 6431601	AR										1
	R B8A 5931600									AY		1
	L B8A 5931601									AY		1
BODY TYPE	PART NUMBER	DESCRIPTION										NO. REQ.
<b>45417 LINING BOARD - LUGGAGE COMPARTMENT SIDE</b>												
A(57, 64, 70, 73, 76)	L B6A 7045417-A											1
<b>45443 LINING BOARD - LUGGAGE COMPARTMENT FRONT</b>												
S	B6S 4045443-A	Gray burtex										1
<b>45455-6 MAT - LUGGAGE COMPARTMENT FLOOR</b>												
A(57, 64, 70, 73, 76)	B5A 7045455-AA	Gray burtex										1
	B5A 7045456-AA	Black rubber										1
S	B6S 4045455-A	Gray burtex										1
BODY TYPE	PART NUMBER LESS SUFFIX	COLORS AND APPLICABLE PART NUMBER SUFFIXES										NO. REQ.
COLORS		BLACK	BLUE	BROWN						WHITE		
<b>50103 TOP KIT - FOLDING - INCLUDES BOWS</b>												
S	B7S 4050103	AA	AD	AC							AB	1
Consists of												
1-Top assy. -less trim and clamps			1-Window assy. -folding top back curtain									
1-Weatherstrip-folding top No. 1 bow			1-Top assy. -folding-less back curtain and bows									
1-Weatherstrip-folding top at belt			1-Wire on binding (150" long)									
1-Webbing (80" long)												
<b>51916 HEADLINING ASSY. - ROOF</b>												
A(70, 73)	B6A 7051916		AH									1
S	B6S 4051916									AA		1

▲ 1 or 2

⊕ Used on front and rear doors

BODY TYPE	PART NUMBER	DESCRIPTION	NO. REQ.					
<b>52300 BINDING - FOLDING TOP NO. 4 BOW and BELT RAIL</b>								
A(76B), S	M-1G18-T	Black - order by yard	AR					
	C2SZ 7652300-A02	White - 108" long	AR					
	R C0AB 76514A00-B	End tip	▲					
	L C0AB 76514A01-B	End tip	▲					
	52358-S6(U291A)	Screw-oval head, cross recess-No. 6-18 x 3/4"	AR					
<b>BODY TYPE</b> <b>PART NUMBER LESS SUFFIX</b> <b>COLORS AND APPLICABLE PART NUMBER SUFFIXES</b> <b>NO. REQ.</b>								
<table border="0"> <tr> <td><b>COLORS</b> →</td> <td>BLACK</td> <td>BLUE</td> <td>BROWN</td> <td>WHITE</td> </tr> </table>				<b>COLORS</b> →	BLACK	BLUE	BROWN	WHITE
<b>COLORS</b> →	BLACK	BLUE	BROWN	WHITE				
<b>52500 WINDOW ASSY. - FOLDING TOP BACK CURTAIN</b>								
S	B7S 4052500	AA      AD      AC	AB      1					
<b>52516 WINDOW and EXTENSION ASSY. FOLDING TOP BACK CURTAIN</b>								
A(76B)	B5A 7652516		AF      1					
<b>52700 TOP ASSY. - FOLDING - LESS BACK CURTAIN and BOWS</b>								
A(76B)	B5A 7652700	DA	DF      1					
S	B7S 4052700	AA      AD      AC	AB      1					
<b>BODY TYPE</b> <b>PART NUMBER LESS SUFFIX</b> <b>TRIM CODES AND APPLICABLE PART NUMBER SUFFIXES</b> <b>NO. REQ.</b>								
<b>60032 BACK ASSY. - REAR SEAT - INCLUDES COVER</b>								
TRIM CODES → BS								
A(64C)	B6A 6460032	ABS	1					
<b>60050 CUSHION ASSY. FRONT SEAT - INCLUDES COVER</b>								
TRIM CODES → XG								
S	B6S 4060050	AG	1					
<b>60136-7 BACK ASSY. - FRONT SEAT - INCLUDES COVER</b>								
TRIM CODES → XG								
S	B6S 4060136	AG	1					
<b>62900 COVER ASSY. - FRONT SEAT CUSHION</b>								
TRIM CODES → BG								
A(76B)	B6A 7662900	ABG	1					
TRIM CODES → XA    XB    XC								
S	B6S 4062900	CA    CB    CC	1					
<b>64416-7 COVER ASSY. - FRONT SEAT BACK</b>								
TRIM CODES → BG								
A(76B)	R B6A 7664416	ABG	1					
	L B6A 7664417	ABG	1					
TRIM CODES → XA    XB    XC								
S	B6S 4064416	CA    CB    CC	1					
<b>64556-7 PANEL ASSY. - FRONT SEAT BACK REAR SIDE</b>								
TRIM CODES → XA								
S	R B5S 4064556	AA	1					
	L B5S 4064557	AA	1					
<b>M-1G18 BINDING - FOLDING TOP NO. 4 BOW and BELT RAIL -Refer to Group 52300</b>								

**THE SOFT TRIM SECTION INCLUDES ONLY THOSE ITEMS WHICH WERE AVAILABLE FOR SERVICE AT THE TIME OF PRINTING. ITEMS NOT SHOWN IN THE CATALOG MUST BE IMPROVISED OR PROCURED LOCALLY.**

**1957 TRIM SCHEME CODES**

AS LISTED ON PATENT PLATE

CODE	TRIM SCHEME
<b>FORD</b>	
A	Silver gray vinyl and medium gray random block pattern cloth
E	Light blue chain vinyl and medium blue silver dash pattern cloth
E	Light blue chain vinyl and medium blue flying dart pattern cloth
F	Light gray chain vinyl and medium gray silver dash pattern cloth
F	Light gray chain vinyl and medium gray flying dart pattern cloth
G	Light brown chain vinyl and dark brown silver dash pattern cloth
H	White vinyl and medium blue silver shadow pattern cloth
H	White vinyl and medium blue tropical leaf pattern cloth
J	White vinyl and medium green silver shadow pattern cloth
J	White vinyl and medium green tropical leaf pattern cloth
K	White vinyl and dark gray tropical leaf pattern cloth
L	White vinyl and dark brown silver shadow pattern cloth
L	White vinyl and dark brown tropical leaf pattern cloth
R	Light gray basket weave vinyl and dark gray sculptured pattern cloth
S	Light brown basket weave vinyl and dark brown sculptured pattern cloth
T	Gold basket weave vinyl and black sculptured pattern cloth
U	White vinyl and black silver shadow cloth
X	White vinyl and medium blue silver tweed woven plastic
X	White vinyl and medium blue silver tweed puff woven plastic
AA	White vinyl and black embossed vinyl
AB	White vinyl and medium blue embossed vinyl
AB	White vinyl and medium blue stitch pattern vinyl
AC	White vinyl and medium green embossed vinyl
AC	White vinyl and medium green vinyl
AE	Dark brown all vinyl
AJ	White vinyl and red silver shadow pattern cloth
AM	White vinyl and light brown embossed vinyl
AN	Light green chain vinyl and medium green silver dash pattern cloth
AN	Light green chain vinyl and medium green flying dart pattern cloth
AR	Dark blue chain vinyl and medium blue sculptured pattern cloth
AS	Dark green chain vinyl and medium green sculptured pattern cloth
AT	Black vinyl and gold ripple pattern cloth
AU	White vinyl and red embossed vinyl
AU	White vinyl and red vinyl
AX	Light brown vinyl and light brown woven plastic
AZ	White vinyl and light brown silver tweed woven plastic
AZ	White vinyl and light brown silver tweed puff woven plastic
BC	Light blue vinyl and medium blue deposit vinyl
BD	Light green vinyl and medium green deposit vinyl
BE	White vinyl and black deposit vinyl
BF	White vinyl and red deposit vinyl
BG	White vinyl and dark brown deposit vinyl
<b>THUNDERBIRD</b>	
XA	Black vinyl and white vinyl
XH	Red all vinyl
XJ	Copper all vinyl
XK	White all vinyl
XL	Medium blue vinyl and light blue vinyl
XM	Medium green vinyl and light green vinyl



# FORD CAR PARTS

# 1957

# 883

## SOFT TRIM

BODY TYPE	PART NUMBER LESS SUFFIX	COLORS AND APPLICABLE PART NUMBER SUFFIXES										NO. REQ.
COLORS		BLACK	BLUE	BROWN	COPPER	GRAY	GREEN	RED	WHITE			

### 13000 CARPET ASSY. - FRONT FLOOR

A(57, 58, 63, 64)	B8A 6313000	AG	AC					AS				1
	B8A 6413000			AF								1
	B7A 5813000						BAS					1
S	B6S 4013000	AA										1
	B7S 4013000		AC		AD		AM	AB				1

### 13000 MAT ASSY. - FRONT FLOOR

*(Mats listed are Black, Flecked with color shown)*

A(57, 58, 63, 64)	B7A 6313000	AU										1
A(59, 66, 70, 73, 78, 79)	B7A 7013000	AA										1
A(76)	B7A 7613000		AAB				AAC					1

### 13040 MAT ASSY. - AUXILIARY FLOOR

A(79C, 79E)	B7A 7913040	DX										1
-------------	-------------	----	--	--	--	--	--	--	--	--	--	---

### 13046 CARPET ASSY. - REAR FLOOR

A(57, 58)	B8A 5813046				BF							1
-----------	-------------	--	--	--	----	--	--	--	--	--	--	---

### 13046 MAT ASSY. - REAR FLOOR (Cut to Fit)

*(Mats Listed are Black, Flecked with Color Shown)*

A(57, 58, 63, 64, 76)	B7A 5813046	AD	AA	AC								1
	B8A 5813046					AD						1
	B8A 7613046						AY					1
A(59, 78, 79)	B7A 5913046	BAX										1
A(70, 73)	B7A 7313046	AA										1
A(70, 73)-H/D	B7A 7313046	AAE										1

### 21076 COVER - FRONT DOOR GARNISH MOULDING TRIM

S	B7S 4021076	AA	AG					AB	AJ			2
---	-------------	----	----	--	--	--	--	----	----	--	--	---

BODY TYPE	PART NUMBER LESS SUFFIX	TRIM CODES AND APPLICABLE PART NUMBER SUFFIXES										NO. REQ.
-----------	----------------------------	--	--	--	--	--	--	--	--	--	--	-------------

### 23942-3 PANEL ASSY. - DOOR TRIM

TRIM CODES		XA	XH	XJ	XK	XL	XM						
S	R B7S 4023942	AA	AH	AJ	AA	AL	AM						1
	L B7S 4023943	AA	AH		AA		AM						1
	52368-S23(U295)	Screw-oval head, cross recess-No. 8-15 x 7/8"											4
	★34885-S7	Washer-countersunk-No. 8											4
	★358470-S3	Clip-trim											20

BODY TYPE	PART NUMBER LESS SUFFIX	COLORS AND APPLICABLE PART NUMBER SUFFIXES										NO. REQ.
-----------	----------------------------	--	--	--	--	--	--	--	--	--	--	-------------

COLORS		BLACK	BLUE	BROWN	COPPER	GRAY	GREEN	RED	WHITE			
--------	--	-------	------	-------	--------	------	-------	-----	-------	--	--	--

### 24140-1 REST ASSY. - FRONT DOOR ARM

A	⊕ R B7A 6424140	AT			AG							▲	
	L B7A 6424141	AT			AG							▲	
	R B7A 7024140		AE			AF	AAN					▲	
	L B7A 7024141		AE			AF	AAN					▲	
	R B7A 6324140							AAJ				▲	
	L B7A 6324141							AAJ				▲	
	BA 7024146-A	Clip-front door											4
	B7A 7024146-A	Clip-rear door											2
	52767-S8(U394)	Screw-pan head, cross recess-No. 14-10 x 1 3/4"											4
	359029-S8(UU85)	Screw-pan head, cross recess-No. 14-10 x 1 3/4"											4
S	R B7S 4024140	AA			AD			AB	AK			1	
	L B7S 4024141	AA	AL		AD			AB	AK			1	

BODY TYPE	PART NUMBER LESS SUFFIX	TRIM CODES AND APPLICABLE PART NUMBER SUFFIXES										NO. REQ.
-----------	----------------------------	--	--	--	--	--	--	--	--	--	--	-------------

### 31012-3 PANEL ASSY. - QUARTER TRIM

TRIM CODES		XA	XL										
S	R B7S 4031012	AA	AL										1
	L B7S 4031013	AA											1

⊕ Used on front and rear doors      ▲ 1 of 2

SOFT TRIM

BODY TYPE	PART NUMBER LESS SUFFIX	COLORS AND APPLICABLE PART NUMBER SUFFIXES										NO. REQ.
COLORS		BLACK	BLUE	BROWN	COPPER	GRAY	GREEN	RED	WHITE			

31290 WINDLACE ASSY. - QUARTER LOCK PILLAR - Refer to Group 02600

31600-1 REST ASSY. - QUARTER ARM

A(59,63,64,70)	R B8A 7031600			AC									1
	L B8A 7031601			AC									1
	R B7A 6431600				AG								1
	R B7A 7031600							AAN					1
	L B7A 7031601							AAN					1
	R B8A 5931600								AY				1
	L B8A 5931601								AY				1
	52767-S8(U394)	Screw - pan head, cross recess-No. 14-10 x 1 3/4"										2	
	354113-S7(HH40)	Screw - washer head, cross recess-No. 14-10 x 1 1/4"										2	
BODY TYPE	PART NUMBER	DESCRIPTION										NO. REQ.	

31750-1 COVER - QUARTER WHEELHOUSE

S	R B7S 4031750-AA	Gray	burtex										1
	L B7S 4031751-AA	Gray	burtex										1

40726 COVER - TAIL GATE INSIDE FINISH

A(59,79)	B7A 5940726-BX	Blue	- cut to fit										1
----------	----------------	------	--------------	--	--	--	--	--	--	--	--	--	---

45417 LINING BOARD ASSY. - LUGGAGE COMPARTMENT SIDE

A(57,58,63,64,76)	B7A 6445417-A	Gray											1
S	B7S 4045417-A	Gray											1

45455 MAT - LUGGAGE COMPARTMENT FLOOR

A(57,58,63,64,76)	B7A 6445455-AE	Burtex											1
A(70,73)	B7A 7045455-AA	Burtex											1
S	B7S 4045455-AA	Burtex											1

BODY TYPE	PART NUMBER LESS SUFFIX	COLORS AND APPLICABLE PART NUMBER SUFFIXES										NO. REQ.
COLORS		BLACK	BLUE	BROWN	COPPER	GRAY	GREEN	RED	WHITE			

50103 TOP KIT - FOLDING - INCLUDES BOWS

S	B7S 4050103	AA		AD		AC						AB	1
---	-------------	----	--	----	--	----	--	--	--	--	--	----	---

Consists of

- 1-Top assy. -less trim and clamps
- 1-Weatherstrip-folding top No. 1 bow
- 1-Weatherstrip-folding top at belt
- 1-Window assy. -folding top back curtain
- 1-Top assy. -folding-less back curtain and bows
- 1-Wire on binding (150" long)
- 1-Webbing (80" long)

BODY TYPE	PART NUMBER LESS SUFFIX	TRIM CODES AND APPLICABLE PART NUMBER SUFFIXES										NO. REQ.
-----------	----------------------------	--	--	--	--	--	--	--	--	--	--	-------------

51916 HEADLINING ASSY. - ROOF

TRIM CODES		All											
A(70,73)	B8A 7051916	AA - Gray cloth											1
S	B7S 4051916	BA - White printed vinyl											1

BODY TYPE	PART NUMBER	DESCRIPTION										NO. REQ.
-----------	-------------	-------------	--	--	--	--	--	--	--	--	--	-------------

52300 BINDING - FOLDING TOP NO. 4 BOW and BELT RAIL

A(76B), S	M-1G18-T	Black - order by yard										AR
	C2SZ 7652300-A02	White - 108" long										AR
	R C0AB 76514A00-B	End tip										▲
	L C0AB 76514A01-B	End tip										▲
	52358-S6(U291A)	Screw - oval head, cross recess-No. 6-18 x 3/4"										AR

BODY TYPE	PART NUMBER LESS SUFFIX	COLORS AND APPLICABLE PART NUMBER SUFFIXES										NO. REQ.
COLORS		BLACK	BLUE	BROWN	COPPER	GRAY	GREEN	RED	WHITE			

52500 WINDOW ASSY. - FOLDING TOP BACK CURTAIN

A(76B)	B7A 7652500	AA		AC		AB						AD	1
S	B7S 4052500	AA		AD		AC						AB	1



BODY TYPE	PART NUMBER LESS SUFFIX	COLORS AND APPLICABLE PART NUMBER SUFFIXES										NO. REQ.
COLORS →		BLACK	BLUE	BROWN	COPPER	GRAY	GREEN	RED	WHITE			
<b>52700</b>	<b>TOP ASSY. - FOLDING - LESS BACK CURTAIN and BOWS</b>											
A(76B)	B7A 7652700	AA		AC		AB					AD	1
S	B7S 4052700	AA		AD		AC					AB	1

**53278 ZIPPER ASSY. - FOLDING TOP BACK CURTAIN**

A(76B)	B7A 7653278	AA										1
--------	-------------	----	--	--	--	--	--	--	--	--	--	---

### IMPORTANT

When a complete Back Assembly is required order BOTH a basic 60032 or 6033 Kit plus a basic 66600 or 66601 Cover with applicable suffix for desired trim code.

BODY TYPE	KIT PART NUMBER LESS COVER	COVER PART NUMBER LESS SUFFIX	TRIM CODES AND APPLICABLE PART NUMBER SUFFIXES									
<b>60032 - 3</b>	<b>BACK KIT - REAR SEAT - CONSISTS of SPRING, PADS, WIRE and INSTRUCTION SHEET - SHIPPED K.D.</b>											
A(57A, 58B)	B8A 5760032-A											
A(57B, 58A)	B8A 5860032-A											
<b>TRIM CODES →</b>												
A(59A)	B9A 5960032-A	B7A 5966600										
<b>TRIM CODES →</b>												
A(59B, 79D)	B9A 5960032-A	B7A 5966600										
A(63A, 64B)	B8A 6360032-A											
A(63B, 64A)	B8A 6460032-A											
A(70, 73)	B8A 7060032-A											
<b>TRIM CODES →</b>												
A(76B)	B8A 7660032-A	B7A 7666600										
<b>TRIM CODES →</b>												
A(79C, 79E)	R B8A 7960032-A	B7A 7966600										
	L B8A 7960033-A	B7A 7966601										

### IMPORTANT

When a complete Cushion Assembly is required order BOTH a basic 60050 Kit plus a basic 62900 Cover with applicable suffix for desired trim code.

BODY TYPE	KIT PART NUMBER LESS COVER	COVER PART NUMBER LESS SUFFIX	TRIM CODES AND APPLICABLE PART NUMBER SUFFIXES									
<b>60050</b>	<b>CUSHION KIT-FRONT SEAT - CONSISTS of SPRING, PADS , WIRE and INSTRUCTION SHEET - SHIPPED K.D.</b>											
<b>TRIM CODES →</b>												
A(51A)	B8A 7660050-A	B7A 5162900										
A(57, 58A, 73B)	B7A 5760050-A											
A(58B)	B8A 5860050-A											
<b>TRIM CODES →</b>												
A(59A, 66A)	B7A 5960050-A	B7A 5962900										
<b>TRIM CODES →</b>												
A(59B, 66B)	B8A 7660050-A	B7A 5962900										
<b>TRIM CODES →</b>												
A(63A)	B8A 7660050-A	B7A 6362900										
A(63B, 64A, 70B)	B8A 7660050-A											
A(64B, 70A, 73A, 78A)	B7A 5960050-A											
<b>TRIM CODES →</b>												
A(76B)	B8A 7660050-A	B7A 7662900										
<b>TRIM CODES →</b>												
A(79C, 79E)	B7A 5760050-A	B7A 7962900										
<b>TRIM CODES →</b>												
A(79D)	B7A 5760050-A	B7A 7962900										
<b>TRIM CODES →</b>												
S	B7S 4060050-A	B7S 4062900										
			XA	XH	XJ	XK	XL	XM				
			AA	AH	AJ	AK	AL	AM				

**IMPORTANT**

When a complete Cushion Assembly is required order BOTH a basic 60080 or 60081 Kit plus a basic 63804 or 63805 Cover with applicable suffix for desired trim code.

BODY TYPE	KIT PART NUMBER LESS COVER	COVER PART NUMBER LESS SUFFIX	TRIM CODES AND APPLICABLE PART NUMBER SUFFIXES					
<b>60080-1 CUSHION KIT - REAR SEAT - CONSISTS of SPRING, PADS , WIRE and INSTRUCTION SHEET - SHIPPED K.D</b>								
A(57, 58)	B8A 5860080-A							
	<b>TRIM CODES</b> →		AU	AZ				
A(59B, 79D)	B8A 5960080-A	B7A 5963804	AAU	AAZ				
A(63A)	B8A 6360080-A							
A(63B, 64)	B8A 6460080-A							
A(70)	B8A 7060080-A							
A(73)	B8A 7360080-A							
<b>60090 CUSHION KIT - AUXILIARY SEAT - CONSISTS of SPRING, PADS , WIRE and INSTRUCTION SHEET - SHIPPED K.D.</b>								
A(79C, 79E)	B8A 7960090-A							
<b>60096 BACK KIT - AUXILIARY SEAT - CONSISTS of SPRING, PADS,WIRE and INSTRUCTION SHEET - SHIPPED K.D.</b>								
A(79C, 79E)	B8A 7960096-A							

**IMPORTANT**

When a complete Back Assembly is required order BOTH a basic 60136 or 60137 Kit plus a basic 64416 or 64417 Cover with applicable suffix for desired trim code.

BODY TYPE	KIT PART NUMBER LESS COVER	COVER PART NUMBER LESS SUFFIX	TRIM CODES AND APPLICABLE PART NUMBER SUFFIXES					
<b>60136-7 BACK KIT - FRONT SEAT - CONSISTS of SPRING, PADS,WIRE and INSTRUCTION SHEET - SHIPPED K.D.</b>								
	<b>TRIM CODES</b> →		BF					
A(51A)	R B8A 6360136-A	B7A 5164416	BBF					
	L B8A 6360137-A	B7A 5164417	BBF					
A(57A, 58B)	B8A 5760136-B							
A(57B, 58A, 73)	B8A 5760136-A							
	<b>TRIM CODES</b> →		AB					
A(59A, 66A)	R B8A 6460136-A	B7A 5964416	AAB					
	L B8A 6460137-A	B7A 5964417	AAB					
	<b>TRIM CODES</b> →		AU					
A(59B, 66B)	R B8A 6460136-A	B7A 5964416	AAU					
	L B8A 6460137-A	B7A 5964417	AAU					
	<b>TRIM CODES</b> →		U	AJ				
A(63A)	R B8A 6360136-A	B7A 6364416	BU	BAJ				
	L B8A 6360137-A	B7A 6364417	BU	BAJ				
A(63B, 64A, 70)	R B8A 6460136-A							
	L B8A 6460137-A							
A(64B)	R B8A 6360136-A							
	L B8A 6360137-A							
	<b>TRIM CODES</b> →		AU					
A(76B)	R B8A 6360136-A	B7A 7664416	AAU					
	L B8A 6360137-A	B7A 7664417	AAU					
	<b>TRIM CODES</b> →		AU					
A(79C, 79E)	B8A 5760136-A	B7A 7964416	BAU					
	<b>TRIM CODES</b> →		AZ					
A(79D)	B8A 5760136-A	B7A 7964416	AAZ					
	<b>TRIM CODES</b> →		XA	XH	XJ	XK	XL	
S	B7S 4060136-A	B7S 4064416	AA	AH	AJ	AK	AL	
			AM					

BODY TYPE	PART NUMBER LESS SUFFIX	TRIM CODES AND APPLICABLE PART NUMBER SUFFIXES						NO. REQ.
<b>60762 PANEL ASSY. - FRONT SEAT BACK REAR TRIM</b>								
	<b>TRIM CODES</b> →		XA	XH				
S	B7S 4060762		AA	AB			1	



THE SOFT TRIM SECTION INCLUDES ONLY THOSE ITEMS WHICH WERE AVAILABLE FOR SERVICE AT THE TIME OF PRINTING. ITEMS NOT SHOWN IN THE CATALOG MUST BE IMPROVISED OR PROCURED LOCALLY.

**1958 TRIM SCHEME CODES**

AS LISTED ON PATENT PLATE

CODE	TRIM SCHEME
<b>FORD</b>	
A	Silver gray vinyl and medium gray lattice pattern cloth
C	Light blue vinyl and medium blue box striped pattern cloth
C	Light blue vinyl and medium blue random block pattern cloth
C	Light blue vinyl and medium blue tweed cloth
D	Light green vinyl and medium green box striped pattern cloth
D	Light green vinyl and medium green random block pattern cloth
D	Light green vinyl and medium green tweed cloth
E	Light gray vinyl and medium gray box striped pattern cloth
E	Light gray vinyl and medium gray random block pattern cloth
F	Light brown vinyl and medium brown random block pattern cloth
F	Light brown vinyl and medium brown tweed cloth
G	White vinyl and black random block pattern cloth
G	White vinyl and black tweed cloth
H	White vinyl and palomino tweed cloth
J	Dark blue damask cloth and medium blue shadow block pattern cloth
K	Dark green damask cloth and medium green shadow block pattern cloth
L	Dark brown damask cloth and medium brown shadow block pattern cloth
R	Black damask cloth and gold shadow block pattern cloth
S	White vinyl and red tweed cloth
U	Light blue vinyl and medium blue whip cord pattern vinyl
U	Light blue vinyl and medium blue stitch pattern vinyl
V	Light green vinyl and medium green whip cord pattern vinyl
V	Light green vinyl and medium green stitch pattern vinyl
X	White vinyl and palomino whip cord pattern vinyl
Y	White vinyl and red whip cord pattern vinyl
Y	White vinyl and red vinyl
Z	White vinyl and black whip cord pattern vinyl
AB	Light brown vinyl and medium brown shadow pattern woven plastic
AB	Light brown vinyl and medium brown basket weave woven plastic
AB	Light brown vinyl and medium brown thong pattern woven plastic
AC	Light blue vinyl and medium blue basket weave woven plastic
AC	Light blue vinyl and medium blue thong pattern woven plastic
AH	Dark brown vinyl and light brown woven plastic
AJ	Light gray damask cloth and medium gray shadow block pattern cloth
AK	White vinyl and medium turquoise tweed cloth
AL	White vinyl and medium turquoise whip cord pattern vinyl
AM	Gold vinyl and black tweed cloth
CZ	Light blue vinyl and medium blue block pattern cloth
DZ	Light green vinyl and medium green block pattern cloth
EZ	Light gray vinyl and medium gray block pattern cloth
<b>THUNDERBIRD</b>	
XA	Medium blue vinyl and light blue tweed cloth
XB	Medium green vinyl and light green tweed cloth
XC	Black vinyl and black tweed cloth
XE	Medium blue vinyl and white vinyl
XF	Medium green vinyl and white vinyl
XG	Red vinyl and white vinyl
XH	Black vinyl and white vinyl
XK	Medium turquoise vinyl and light turquoise tweed cloth
XL	Medium palomino vinyl and white vinyl
XM	Medium turquoise vinyl and white vinyl

# FORD CAR PARTS

# 1958

889

## SOFT TRIM

BODY TYPE	PART NUMBER LESS SUFFIX	COLORS AND APPLICABLE PART NUMBER SUFFIXES												NO. REQ.
		COLORS												
		BEIGE	BLACK	BLUE	BROWN	GOLD	GRAY	GREEN	RED	TURQUOISE	WHITE			
<b>02340-9 PANEL ASSY. - COWL TRIM</b>														
A	R B8A 7002340						AA	AD					1	
	L B8A 7002341						AA	AD					1	
	R B8A 5702340								AS				1	
	L B8A 5702341								AS				1	
S	R B8S 6302348										DA		1	
	L B8S 6302349										DA		1	
<b>02600 WINDLACE ASSY. - DOOR OPENING and QUARTER PILLAR</b>														
A	B9A 6402600		B12							B28			AR	
	B8A 7002600			AC			AA	AD					AR	
	B8A 5902600				AAB								AR	
S	B8S 6302600		AC										AR	
	B9S 6302600								A09				AR	
<b>04104 VISOR ASSY. - LESS ARM and BRACKET - STANDARD</b>														
A(57,58,63,64)	△ B8A 6404104			AC		AR	AE	AD					▲	
	△ B8A 5704104										AH		▲	
A(59,66,70,73,78,79)	△ B8A 7004104			AC			AA	AD					▲	
	△ B8A 5904104				AAB				AX				▲	
A(76B)	△ B8A 7604104			AU							AX		▲	
<b>04104 VISOR ASSY. - LESS ARM and BRACKET - SAFETY</b>														
A(57,58,63,64)	△ B8A 6404104			AJ			BE				DC		▲	
A(59,66,70,73,78,79)	△ B8A 7004104			BC	BAB		BA	BD					▲	
	△ B8A 5904104										BX		▲	
A(76B)	△ B8A 7604104			BU							CX		▲	
S	△ C0SB 6304104										B01		▲	
BODY TYPE	PART NUMBER	DESCRIPTION											NO. REQ.	
<b>04200 ATTACHING KIT - INSTRUMENT PANEL SAFETY PAD</b>														
A	B7A 7004200-A												1	
		Consists of												
		2-B7A	7003127-E	Welt	16-B6A	7004439-A	Retainer							
		1-B7A	7004264-B	Moulding-R. H.	2-B7A	7004492-A	Retainer							
		1-B7A	7004265-B	Moulding-L. H.	1-★B7A	7004565-A	Filler							
		1-B7A	7004296-A	Moulding-R. H.	2-52360-S13		Screw							
		1-B7A	7004297-A	Moulding-L. H.	2-357293-S13		Clip							
				1-C2AZ 19C525-A	Cement (tube)									
BODY TYPE	PART NUMBER	DESCRIPTION											NO. REQ.	
<b>04290 COVER ASSY. - INSTRUMENT PANEL - SAFETY</b>														
A	B8A 6304290	AB	AD		AA			AC		AE			1	
	B8A 7004290				AA		AC	AB					1	
S	B8S 6304290	AL								AK			1	
	C0SB 6304290		B05	B01			B02	B11					1	
	B9SB 6304259-A	Retainer - lower											1	
	B9SB 6304280-A	Retainer - upper											2	
	52376-S13(U296)	Screw - oval head, cross recess-No. 8-15 x 1"											7	
<b>04334-5 PANEL - INSTRUMENT PANEL END</b>														
S	R B9S 6304334	A10						A09					1	
	L B9S 6304335	A10						A09					1	
	R C0SB 6304334		A05										1	
	L C0SB 6304335		A05										1	
	R B8S 6304334			AA				AB			AK		1	
	L B8S 6304335			AA				AB			AK		1	

△ R.H. or L.H.

▲ 1 or 2

BODY TYPE	PART NUMBER LESS SUFFIX	COLORS AND APPLICABLE PART NUMBER SUFFIXES											NO. REQ.
		COLORS											
		BEIGE	BLACK	BLUE	BROWN	GOLD	GRAY	GREEN	RED	TURQUOISE	WHITE		

**04706 PANEL ASSY - CONSOLE FRONT**

S	B9S 6304708	A10							A09				1
	B8S 6304708		AC	AA				AB		AK			1

**04708 PANEL ASSY. - CONSOLE REAR**

S	B9S 6304708	A10							A09				1
	B8S 6304708		AC	AA				AB		AK			1

**04738 BRACKET - CONSOLE FRONT PANEL HEATER CONTROL MOUNTING -** Refer to Group in Body Section

**04826 COVER and RETAINER ASSY - CONSOLE PANEL ASH RECEPTACLE**

S	B8S 6304826	AL	AC	AA				AB	AG		AK		1
---	-------------	----	----	----	--	--	--	----	----	--	----	--	---

**11148 COVER - SEAT BACK and FLOOR**

(Parts shown are approximately 30" x 50"- cut to fit seat backs, seat cushions and floor)

A(59, 79)	B8A 5911148				AAB			AV					AR
	C0AB 7111488							A09					AR

**13000 CARPET ASSY. - FRONT FLOOR**

A(51,57,58,63,64)	B8A 6313000		AG	AC				AS		CAK			1
	B8A 6413000				AF								1

**13000 MAT ASSY. - FRONT FLOOR**

(Mats listed are Black, flecked with the color shown)

A(57,58,63,64)	B7A 6313000		AU										1
	B8A 5713000				AF								1
A(59,66,70,73,78,79)	B7A 7013000		AA										1
	B7A 7613000				AAB								1
A(76)	B8A 7613000							AV					1
	B8A 7613000												1

**13040 MAT ASSY. - AUXILIARY FLOOR**

A(79C, 79E)	B7A 7913040		DX										1
-------------	-------------	--	----	--	--	--	--	--	--	--	--	--	---

**13046 CARPET ASSY - REAR FLOOR**

A(57, 58)	B8A 5813046				BF								1
-----------	-------------	--	--	--	----	--	--	--	--	--	--	--	---

**13046 MAT ASSY. - REAR FLOOR**

(Mats listed are Black, flecked with color shown)

A(57, 58)	B8A 5813046		AU	AH				AD					1
A(59, 78, 79)	B7A 5913046		BAX										1
A(63, 64)	B8A 6313046		AU	AH									1
A(66, 70, 73)	B7A 7313046		AA										1
A(70, 73)-H/D	B7A 7313046		AAE										1
A(76B)	B7A 5813046		AD	AA									1
	B8A 7613046							AY					1

**13150-1 CARPET ASSY. - REAR FLOOR SIDE**

S	R C0SB 6313150		A05										1
	L C0SB 6313151		A05										1
	R B8S 6313150			AA				AB	AG		AK		1
	L B8S 6313151			AA				AB	AG				1

**13152-3 CARPET ASSY - FRONT FLOOR SIDE RISER**

S	R C0SB 6313152		A05										1
	L C0SB 6313153		A05										1
	R B8S 6313152			AA				AB	AG				1
	L B8S 6313153			AA				AB	AG		AK		1

**13160-3 CARPET ASSY. - FLOOR TUNNEL SIDE**

S	R C0SB 6313160		A05										1
	L C0SB 6313163		A05										1
	R B8S 6313160			AA					AG				1
	L B8S 6313163			AA				AB	AG				1

‡ Cut to fit

# FORD CAR PARTS

## 1958 SOFT TRIM

891

BODY TYPE	PART NUMBER LESS SUFFIX	COLORS AND APPLICABLE PART NUMBER SUFFIXES												NO. REQ.	
<b>COLORS</b>		BEIGE	BLACK	BLUE	BROWN	GOLD	GRAY	GREEN	RED	TURQUOISE	WHITE				

**13164-7 CARPET ASSY. - FRONT FLOOR SIDE**

S	R	C0SB 6313164	A05													1
	L	C0SB 6313167	A05													1
	R	B8S 6313164		AA	AL			AB	AG		AK					1
	L	B8S 6313167		AA	AL			AB	AG		AK					1

**20904-5 MOULDING ASSY - FRONT DOOR WINDOW GARNISH**

S	R	B9S 6320904	A10						A09							1
	L	B9S 6320905	A10						A09							1
	R	B8S 6320904		AC	AA			AB			AK					1
	L	B8S 6320905		AC	AA			AB			AK					1

BODY TYPE	PART NUMBER LESS SUFFIX	TRIM CODES AND APPLICABLE PART NUMBER SUFFIXES												NO. REQ.
-----------	----------------------------	--	--	--	--	--	--	--	--	--	--	--	--	-------------

**23942-3 PANEL ASSY - FRONT DOOR TRIM**

<b>TRIM CODES</b>		U														
A(59A, 66A)	R	B8A 5923942	AU													1
<b>TRIM CODES</b>		XA XB XC XE XF XG XH XK XL XM														
S	R	B8S 6323942	AA	AB		AA	AB	AG		AK	AL	AK				1
	L	B8S 6323943	AA	AB		AA	AB	AG		AK	AL	AK				1
	R	B9S 6323942			A04				A04							1
	L	B9S 6323943			A04				A04							1

BODY TYPE	PART NUMBER LESS SUFFIX	COLORS AND APPLICABLE PART NUMBER SUFFIXES												NO. REQ.	
<b>COLORS</b>		BEIGE	BLACK	BLUE	BROWN	GOLD	GRAY	GREEN	RED	TURQUOISE	WHITE				

**24140-1 REST ASSY. - FRONT DOOR ARM**

A	R	B8A 6324140	AH							AS		AAK				▲
	L	B8A 6324141	AH							AS		AAK				▲
	R	B8A 6424140		AR		AF										▲
	L	B8A 6424141		AR		AF										▲
	R	B8A 7024140			CC			CE	CD							▲
	L	B8A 7024141			CC			CE	CD							▲
		BA 7024146-A	Clip - front door												4	
		B7A 7024146-A	Clip - rear door												2	
		52767-S8(U394)	Screw - pan head, cross recess-No. 14-10 x 1 3/4"												2	
		359029-S8(UU85)	Screw - pan head, cross recess-No. 14-10 x 1 3/4"												2	
		352458-S8(UU84)	Screw - pan head, cross recess-No. 14-10 x 2"												4	

**29002-3 MOULDING ASSY - QUARTER WINDOW GARNISH**

S(63A)	R	B8S 6329002	AC	AA				AB								1
	L	B8S 6329003	AC	AA				AB			AK					1
	R	B9S 6329002							A09							1
	L	B9S 6329003							A09							1
S(76A)	R	B8S 7629002	AC	AA												1
	L	B8S 7629003	AL	AC	AA			AB								1
	R	B9S 7629002							A09		A03					1
S	L	B9S 7629003	A09						A09		A03					1
		B8S 6329320-A	Retainer - front												2	

BODY TYPE	PART NUMBER LESS SUFFIX	TRIM CODES AND APPLICABLE PART NUMBER SUFFIXES												NO. REQ.
-----------	----------------------------	--	--	--	--	--	--	--	--	--	--	--	--	-------------

**31012-3 PANEL ASSY - QUARTER TRIM.**

<b>TRIM CODES</b>		All														
S	R	B8S 6331012	BA													1
	L	B8S 6331013	BA													1

**31290 WINDLACE ASSY. - QUARTER LOCK PILLAR** - Refer to Group 02600

◆ Includes arm rest      ⊕ Used on front and rear doors      ▲ 1 or 2

BODY TYPE	PART NUMBER LESS SUFFIX	COLORS AND APPLICABLE PART NUMBER SUFFIXES												NO. REQ.
COLORS		BEIGE	BLACK	BLUE	BROWN	GOLD	GRAY	GREEN	RED	TURQUOISE	WHITE			

**31600-1 REST ASSY. - QUARTER ARM**

A(59,63,64,70,79)	R B8A 6431600		AR		AF										1
	L B8A 6431601		AR		AF										1
	R B8A 7031600			AC			AE	AD							1
	L B8A 7031601			AC			AE	AD							1
	R B8A 5931600								AY						1
S	R B8S 6331600		CC	CA					CG						1
	L B8S 6331601		CC					CB	CG						1

BODY TYPE	PART NUMBER	DESCRIPTION												NO. REQ.
-----------	-------------	-------------	--	--	--	--	--	--	--	--	--	--	--	-------------

**31750-1 COVER ASSY - QUARTER WHEELHOUSE - IN LUGGAGE COMPARTMENT**

S(63A)	R B8S 6331750-BA	Gray	burtex												1
	L B8S 6331751-BA	Gray	burtex												1

**40726 PANEL - TAIL GATE INSIDE FINISH - Refer to Group 11148**

**45024-5 LINING BOARD ASSY. - LUGGAGE COMPARTMENT - REAR**

S(63A)	R B8S 6345024-AA	Gray													1
	L B8S 6345025-AA	Gray													1

**45416-7 LINING BOARD - LUGGAGE COMPARTMENT SIDE**

A(57,58,63,64,76)	B7A 6445417-A														1
	31498-S8(U253B)	Screw - hex. washer head, slotted-No. 14-10 x 5/8"													3
S(63A)	R B8S 6345416-CA														1
	L B8S 6345417-CA														1
S(76A)	R B8S 7645416-AA														1
	L B8S 7645417-AA														1

**45444 LINING BOARD - LUGGAGE COMPARTMENT FRONT**

S	B8S 6345444-BA	Gray													1
---	----------------	------	--	--	--	--	--	--	--	--	--	--	--	--	---

**45455 MAT - LUGGAGE COMPARTMENT FLOOR**

A(57,58,63,64,76)	B8A 6445455-CC	Gray	burtex												1
A(70,73)	B8A 7045455-CA	Gray	burtex												1
S(63A)	B8S 6345455-BA	Gray	burtex												1
S(76A)	B8S 7645455-BA	Gray	burtex												1

**45489 COVER - LUGGAGE COMPARTMENT FUEL FILLER HOUSING**

S(63A)	B8S 6345489-BA														1
S(76A)	C0SB 7645489-D01														1

**45830 COVER - SPARE WHEEL WELL PANEL - Refer to Group 11148**

BODY TYPE	PART NUMBER LESS SUFFIX	COLORS AND APPLICABLE PART NUMBER SUFFIXES												NO. REQ.
COLORS		BEIGE	BLACK	BLUE	BROWN	GOLD	GRAY	GREEN	RED	TURQUOISE	WHITE			

**46506 PANEL ASSY. - PACKAGE TRAY**

S(63A)	B8S 6346506										AK				1
--------	-------------	--	--	--	--	--	--	--	--	--	----	--	--	--	---

**51916 HEADLINING ASSY. - ROOF**

BODY TYPE	PART NUMBER LESS SUFFIX	TRIM CODES AND APPLICABLE PART NUMBER SUFFIXES												NO. REQ.
TRIM CODES		All												

A(70,73)	B8A 7051916	AA - Gray cloth													1
S(63A)	B8S 6351916	CA - White vinyl													1

BODY TYPE	PART NUMBER	DESCRIPTION												NO. REQ.
-----------	-------------	-------------	--	--	--	--	--	--	--	--	--	--	--	-------------

**52300 BINDING - FOLDING TOP NO. 4 BOW and BELT RAIL**

A(76B),S(76A)	M-1G18-T	Black - order by yard													AR
	C2SZ 7652300-A02	White - 108" long													AR
	R COAB 76514A00-B	End tip													▲
	L COAB 76514A01-B	End tip													▲
	357556-S15(UU53)	Screw - oval head, cross recess-No. 6-18 x 3/4"													AR





SOFT TRIM

BODY TYPE	KIT PART NUMBER LESS COVER	COVER PART NUMBER LESS SUFFIX	TRIM CODES AND APPLICABLE PART NUMBER SUFFIXES																				
<b>60050 CUSHION KIT - FRONT SEAT-CONSISTS OF SPRING, PADS, WIRE and INSTRUCTION SHEET-SHIPED K.D. - continued</b>																							
	TRIM CODES →		Y																				
A(76B)	B8A 7660050-A	B8A 7662900	AY																				
A(78) <i>Full width cushion</i>	B7A 5960050-A																						
A(78) <i>Individual seats</i>	R B8A 7860052-A																						
	L B8A 7860053-A																						
	TRIM CODES →		U																				
A(79A)	B8A 5860050-A	B8A 7962900	AU																				
	TRIM CODES →		Y																				
A(79D)	B8A 5860050-A	B8A 7962900	BY																				
	TRIM CODES →		XA	XB	XC	XE	XF	XG	XH	XK	XL	XM											
S	Δ B9S 6360050-A	B8S 6362900	CA	CB	CC	CE	CF	CG	CH	BK	BL	BM											

IMPORTANT

When a complete Cushion Assembly is required order BOTH a basic 60080 or 60081 Kit plus a basic 63804 or 63805 Cover with applicable suffix for desired trim code

BODY TYPE	KIT PART NUMBER LESS COVER	COVER PART NUMBER LESS SUFFIX	TRIM CODES AND APPLICABLE PART NUMBER SUFFIXES																				
<b>60080-1 CUSHION KIT-REAR SEAT- CONSISTS OF SPRING,PADS, WIRE and INSTRUCTION SHEET- SHIPPED K.D.</b>																							
A(51A)	B8A 5160080-A																						
A(57, 58)	B8A 5860080-A																						
A(59, 79A, 79D)	B8A 5960080-A																						
A(63A)	B8A 6360080-A																						
A(63B, 64)	B8A 6460080-A																						
A(70)	B8A 7060080-A																						
A(73)	B8A 7360080-A																						
A(76B)	B8A 7660080-A																						
A(79C, 79E)	R B8A 7960080-A																						
	L B8A 7960081-A																						
	TRIM CODES →		XA	XB	XC	XE	XF	XG	XH	XM													
S	B9S 6360080-A	B8S 6363804	CA	CB	CC	CE	CF	CG	CH	BM													

**60090 CUSHION KIT-AUXILIARY SEAT - CONSISTS OF SPRING, PADS, WIRE and INSTRUCTION SHEET - SHIPPED K.D.**

A(79C, 79E)	B8A 7960090-A											
-------------	---------------	--	--	--	--	--	--	--	--	--	--	--

**60096 BACK KIT - AUXILIARY SEAT - CONSISTS OF SPRING,PADS, WIRE and INSTRUCTION SHEET- SHIPPED K.D.**

A(79C, 79E)	B8A 7960096-A											
-------------	---------------	--	--	--	--	--	--	--	--	--	--	--

IMPORTANT

When a complete Back Assembly is required order BOTH a basic 60136 or 60137 Kit plus a basic 64416 or 64417 Cover with applicable suffix for desired trim code.

**60136-7 BACK KIT - FRONT SEAT -CONSISTS OF SPRING,PADS, WIRE and INSTRUCTION SHEET- SHIPPED K.D.**

BODY TYPE	KIT PART NUMBER LESS COVER	COVER PART NUMBER LESS SUFFIX	TRIM CODES AND APPLICABLE PART NUMBER SUFFIXES																				
<b>60136-7 BACK KIT - FRONT SEAT -CONSISTS OF SPRING,PADS, WIRE and INSTRUCTION SHEET- SHIPPED K.D.</b>																							
	TRIM CODES →		S																				
A(51A, 63A)	R B8A 6360136-A	B8A 6364416	AS																				
	L B8A 6360137-A																						
A(57A)	B8A 5760136-B																						
A(57B, 58, 73, 79A, 79D)	B8A 5760136-A																						
	TRIM CODES →		U																				
A(59A, 66A)	R B8A 6460136-A	B8A 5964416	AU																				
	L B8A 6460137-A																						
A(59B, 63B, 64, 70)	R B8A 6460136-A																						
	L B8A 6460137-A																						

Δ R.H. or L.H.

# FORD CAR PARTS

# 1958

895

## SOFT TRIM

BODY TYPE	KIT PART NUMBER LESS COVER	COVER PART NUMBER LESS SUFFIX	TRIM CODES AND APPLICABLE PART NUMBER SUFFIXES												
-----------	-------------------------------	----------------------------------	--	--	--	--	--	--	--	--	--	--	--	--	--

**60136-7 BACK KIT - FRONT SEAT - CONSISTS OF SPRING, PADS, WIRE and INSTRUCTION SHEET-SHIPED K.D.- continued**

TRIM CODES			Y																	
A(76B)	R	B8A 6360136-A	B8A 7664416	AY																
	L	B8A 6360137-A	B8A 7664417	AY																
A(78) Full width cushion	R	B8A 6460136-A																		
	L	B8A 6460137-A																		
A(78) Individual seats	Δ	B8C 7860136-A																		
TRIM CODES			Y																	
A(79C, 79E)		B8A 5760136-A	B8A 7964416	BY																
TRIM CODES			XA	XB	XC	XE	XF	XG	XH	XK	XL	XM								
S	Δ	B9S 6360136-A	B8S 6364416	CA	CB	CC	CE	CF	CG	CH	BK	BL	BM							

**60570-1 COVER - REAR SEAT BACK PANEL FLOOR - Refer to Group 11148**

BODY TYPE	PART NUMBER LESS SUFFIX	COLORS AND APPLICABLE PART NUMBER SUFFIXES													NO. REQ.
COLORS		BELTGE	BLACK	BLUE	BROWN	GOLD	GRAY	GREEN	RED	TURQUOISE	WHITE				

**60706 PANEL - REAR SEAT BACK TO PACKAGE TRAY FINISH**

S(63A)	C0SB 6360706	A05																		1
	B9S 6360706								A09											1
	B8S 6360706											AK								1

BODY TYPE	PART NUMBER LESS SUFFIX	TRIM CODES AND APPLICABLE PART NUMBER SUFFIXES													NO. REQ.
-----------	----------------------------	--	--	--	--	--	--	--	--	--	--	--	--	--	-------------

**60762 PANEL ASSY - FRONT SEAT BACK REAR TRIM**

TRIM CODES			All																		
S	Δ	B8S 6360762	BA																		▲

**60966-7 COVER - REAR SEAT CUSHION PANEL FLOOR - Refer to Group 11148**

**60968 COVER - AUXILIARY SEAT BACK PANEL - FRONT FLOOR - Refer to Group 11148**

**60970 COVER - AUXILIARY SEAT BACK PANEL REAR FLOOR - Refer to Group 11148**

BODY TYPE	PART NUMBER LESS SUFFIX	COLORS AND APPLICABLE PART NUMBER SUFFIXES													NO. REQ.
COLORS		BELTGE	BLACK	BLUE	BROWN	GOLD	GRAY	GREEN	RED	TURQUOISE	WHITE				

**61634-5 COVER ASSY. - FRONT SEAT BACK PIVOT SIDE**

S	R	C0SB 6361634	C05																	2
	L	C0SB 6361635	C05																	2
	R	B9S 6361634				A10				A09										2
	L	B9S 6361635				A10				A09										2
	R	B8S 6361634								AB				AK						2
	L	B8S 6361635								AB				AK						2

**62140 SHIELD - DRIVERS SEAT CUSHION SIDE - INNER REAR**

S	R	C0SB 6362140	A05																	1
	R	B9S 6362140				A10				A09										1
	R	B8S 6362140											BK							1
		★52847-S8	Screw - pan head, cross recess-No. 10-16 x 1/2"																	2

**62141 SHIELD - PASSENGERS SEAT CUSHION SIDE - INNER REAR**

S	L	C0SB 6362141	A05																	1
	L	B9S 6362141				A10				A09										1
	L	B8S 6362141											BK							1
		★52847-S8	Screw - pan head, cross recess-No. 10-16 x 1/2"																	2

**62186 SHIELD - PASSENGERS SEAT CUSHION SIDE**

S	R	C0SB 6362186	A05																	1
	R	B9S 6362186				A10				A09										1
	R	B8S 6362186											BK							1

Δ R.H. or L.H.

▲ 1 or 2

BODY TYPE	PART NUMBER LESS SUFFIX	COLORS AND APPLICABLE PART NUMBER SUFFIXES										NO. REQ.	
COLORS		BEIGE	BLACK	BLUE	BROWN	GOLD	GRAY	GREEN	RED	TURQUOISE	RED		

**62187 SHIELD - DRIVERS SEAT CUSHION SIDE**

S	L C0SB 6362187		A05										1
	L B8S 6362187			BA						BK			1
	L B9S 6362187				A10				A09				1

**62254 SHIELD - PASSENGERS SEAT CUSHION SIDE - INNER FRONT**

S	R C0SB 6362254		A05										1
	R B9S 6362254				A10				A09				1

**62255 SHIELD - DRIVERS SEAT CUSHION SIDE - INNER FRONT**

S	L C0SB 6362255		A05										1
	L B8S 6362255			AA									1
	L B9S 6362255				A10				A09				1

BODY TYPE	PART NUMBER LESS SUFFIX	TRIM CODES AND APPLICABLE PART NUMBER SUFFIXES										NO. REQ.
-----------	----------------------------	--	--	--	--	--	--	--	--	--	--	-------------

**62900 COVER ASSY. - FRONT SEAT CUSHION**

TRIM CODES		U											
A(59A, 66A)	B8A 5962900	AU											1

TRIM CODES		U											
A(79A)	B8A 7962900	AU											1

TRIM CODES		XA	XB	XC	XE	XF	XG	XH	XK	XL	XM		
S	Δ B8S 6362900	CA	CB	CC	CE	CF	CG	CH	BK	BL	BM		▲

BODY TYPE	PART NUMBER LESS SUFFIX	COLORS AND APPLICABLE PART NUMBER SUFFIXES										NO. REQ.	
COLORS		BEIGE	BLACK	BLUE	BROWN	GOLD	GRAY	GREEN	RED	TURQUOISE	WHITE		

**63358-9 CARPET ASSY. - REAR SEAT RISER**

S	R B8S 6363358			AA					AG				1
	L B8S 6363359		AC	AA				AB	AG				1

BODY TYPE	PART NUMBER LESS SUFFIX	TRIM CODES AND APPLICABLE PART NUMBER SUFFIXES										NO. REQ.
-----------	----------------------------	--	--	--	--	--	--	--	--	--	--	-------------

**63804 COVER ASSY. - REAR SEAT CUSHION**

TRIM CODES		XA	XB	XC	XE	XF	XG	XH	XM				
S	B8S 6363804	CA	CB	CC	CE	CF	CG	CH	BM				1

**64416 COVER ASSY. - FRONT SEAT BACK**

TRIM CODES		S											
A(51A, 63A)	R B8A 6364416	AS											1

TRIM CODES		Y											
A(79C, 79E)	B8A 7964416	BY											1

TRIM CODES		XA	XB	XC	XE	XF	XG	XH	XK	XL	XM		
S	Δ B8S 6364416	CA	CB	CC	CE	CF	CG	CH	BK	BL	BM		▲

**66600 COVER ASSY. - REAR SEAT BACK**

TRIM CODES		U											
A(59A, 79A)	B8A 5966600	AU											1

TRIM CODES		Y											
A(76B)	B8A 7666600	AY											1

TRIM CODES		Y											
A(79C, 79E)	R B8A 7966600	AY											1

TRIM CODES		XA	XB	XC	XE	XF	XG	XH	XK	XL	XM		
S	B8S 6366600	CA	CB	CC	CE	CF	CG	CH	BK	BL	BM		1

**THE SOFT TRIM SECTION INCLUDES ONLY THOSE ITEMS WHICH WERE AVAILABLE FOR SERVICE AT THE TIME OF PRINTING. ITEMS NOT SHOWN IN THE CATALOG MUST BE IMPROVISED OR PROCURED LOCALLY.**

**1959 TRIM SCHEME CODES**

AS LISTED ON PATENT PLATE

CODE	TRIM SCHEME
<b>FORD</b>	
02	Light blue ribbed vinyl and medium blue random block pattern cloth
02-4	Light blue vinyl and medium blue shadow weave pattern cloth
03	Light green ribbed vinyl and medium green random block pattern cloth
03-2	Light green vinyl and medium green shadow weave pattern cloth
07	Dark blue tweed cloth and medium blue linen pattern cloth
08	Dark green tweed cloth and medium green linen pattern cloth
09	Dark brown tweed cloth and medium brown linen pattern cloth
10	Dark gray tweed cloth and medium gray linen pattern cloth
11	Dark turquoise tweed cloth and medium turquoise linen pattern cloth
11-1	Dark turquoise tweed cloth and medium turquoise linen pattern cloth
12	Dark gray tweed cloth and gold linen pattern cloth
12-1	Dark gray vinyl and gold linen pattern cloth
25	Light blue vinyl and medium blue lattice pattern woven plastic
26	Light brown vinyl and light brown bamboo pattern vinyl
29	Light gray vinyl and medium gray random block pattern cloth
29-6	Silver gray vinyl and dark gray shadow weave pattern cloth
30	Light blue vinyl and medium blue shadow weave pattern cloth
30	Light blue vinyl and medium blue striped nub weave pattern cloth
30-1	Dark blue tweed cloth and medium blue linen pattern cloth
30-2	Light blue vinyl and medium blue striped nub weave pattern cloth
31	Light green vinyl and medium green shadow weave pattern cloth
31	Light green vinyl and medium green striped nub weave pattern cloth
31-1	Dark green tweed cloth and medium green linen pattern cloth
31-2	Light green vinyl and medium green striped nub weave pattern cloth
32	Silver gray vinyl and dark gray shadow weave pattern cloth
32-3	Dark gray tweed cloth and medium gray linen pattern cloth
33	Light brown vinyl and medium brown shadow weave pattern cloth
33	Light brown vinyl and medium brown striped nub weave pattern cloth
33-1	Dark brown tweed cloth and medium brown linen pattern cloth
33-1	Light brown vinyl and medium brown shadow weave pattern cloth
33-2	Light brown vinyl and medium brown striped nub weave pattern cloth
34	Light turquoise vinyl and medium turquoise striped nub weave pattern cloth
34-1	Light turquoise vinyl and medium turquoise striped nub weave pattern cloth
37	White vinyl and geranium striped nub weave pattern cloth
37-1	White vinyl and geranium striped nub weave pattern cloth
38	Gold vinyl and black striped nub weave pattern cloth
38-1	Gold vinyl and black striped nub weave pattern cloth
39	Light blue vinyl and medium blue shantung pattern vinyl
40	Light green vinyl and medium green shantung pattern vinyl
45	Light green vinyl and medium green thong pattern woven plastic
46	White vinyl and red thong pattern woven plastic
47	Light brown vinyl and medium brown shantung pattern vinyl
48	Geranium vinyl and black striped nub weave pattern cloth
49	Light blue vinyl and medium blue vinyl
51	Light turquoise vinyl and medium turquoise vinyl
52	Yellow vinyl and black vinyl
53	Geranium vinyl and black vinyl

**1959 TRIM SCHEME CODES - continued**

AS LISTED ON PATENT PLATE

CODE	TRIM SCHEME
<b>FORD - CONTINUED</b>	
55	Red vinyl and black vinyl
56	Red vinyl and black striped nub weave pattern cloth
57	White vinyl and red striped nub weave pattern cloth
57-1	White vinyl and red striped nub weave pattern cloth
58	White vinyl and red shantung pattern vinyl
59	Medium blue vinyl and dark blue vinyl
60	Medium brown vinyl and dark brown vinyl

**THUNDERBIRD**

1X	Dark blue vinyl and medium blue check pattern cloth
2X	Dark green vinyl and medium green check pattern cloth
3X	Medium turquoise vinyl and medium turquoise check pattern cloth
4X	Black vinyl and white check pattern cloth
5X	Dark blue vinyl and light blue vinyl
6X	Dark green vinyl and white vinyl
7X	Medium turquoise vinyl and white vinyl
8X	Black vinyl and white vinyl
9X	Red vinyl and white vinyl
1Y	Black all leather
2Y	Tan all leather
3Y	Medium turquoise all leather
4Y	Red all leather
5Y	Tan vinyl and white vinyl

**SOFT TRIM PARTS FOR POLICE AND TAXI UNITS**

BODY TYPE	R.H. OR L.H.	PART NUMBER LESS SUFFIX	TRIM SCHEMES			PART NAME	NO. REQ.
			BROWN ALL VINYL	GREEN ALL VINYL	RED & BLACK VINYL		
			APPLICABLE PART NUMBER SUFFIX				
A(58, 64)	R	B9A 6402340	B05	B03	B14	Panel - cowl trim	1
	L	B9A 6402341	B05	B03	B14	Panel - cowl trim	1
A(58, 64)		B9A 6402600			B12	Windlace - door opening	AR
A(58, 64)	RorL	B9A 6404104	A05	A03		Visor assy. - standard	1or2
	RorL	B9A 6304104			B13	Visor assy. - standard	1or2
	RorL	B9A 6404104	B05	B03		Visor assy. - safety	1or2
	RorL	B9A 6304104			A13	Visor assy. - safety	1or2
A(58)		B9A 5813046	B20	B20	B20	Mat assy. - rear floor (black)	1
A(58)	R	B9A 5823942		B03		Panel assy. - front door trim	1
	L	B9A 5823943		B03		Panel assy. - front door trim	1
A(64)	R	B9A 5923942	C05			Panel assy. - front door trim	1
	L	B9A 5923943	C05			Panel assy. - front door trim	1
A(58, 64) ⊕	R	B9A 6424140	E05	E03		Rest assy. - door arm	1or2
	L	B9A 6424141	E05	E03	A29	Rest assy. - door arm	1or2
A(58)	R	B9A 5827406		B03		Panel assy. - rear door trim	1
	L	B9A 5827407		B03		Panel assy. - rear door trim	1
A(64)	L	B9A 6431601			A29	Rest assy. - quarter arm	1
A(58, 64)		B9A 5751916			D02	Headlining assy. - roof	1

⊕ Used on front and rear doors

BODY TYPE	PART NUMBER LESS SUFFIX	COLORS AND APPLICABLE PART NUMBER SUFFIXES												NO. REQ.
COLORS		BLACK	BLUE	BROWN	SERANIUM	GRAY	GREEN	RED	TAN	TURQUOISE	WHITE			
<b>02340-9 PANEL ASSY. - COWL TRIM</b>														
A	R B9A 6402340	B14	B02	B05		B01	B03			B11				1
	L B9A 6402341	B14	B02	B05		B01	B03							1
S	R B9S 6302348		B01											1
	L B9S 6302349		B01											1
	R B8S 6302348									DA				1
	L B8S 6302349									DA				1
<b>02600 WINDLACE ASSY.- DOOR OPENING and QUARTER PILLAR</b>														
A	B9A 6402600	B12	B02	B05		B01	B03	B28		B11				AR
S	B8S 6302600	AC												AR
	B9S 6302600							A09						AR
<b>04104 VISOR ASSY. - LESS ARM and BRACKET - STANDARD</b>														
A(51A, 76B)	Δ B9A 7604104									B23				▲
A(except 51A, 76B)	Δ B9A 6404104		A02	A05		A01	A03							▲
	Δ B9A 6304104									B13				▲
<b>04104 VISOR ASSY. - LESS ARM and BRACKET - SAFETY</b>														
A(51A, 76B)	Δ B9A 7604104									A23				▲
A(except 51A, 76B)	Δ B9A 6404104		B02	B05		B01	B03							▲
	Δ B9A 6304104									A13				▲
S	Δ COSB 6304104									B01				▲
<b>04146-7 ESCUTCHEON - VISOR ARM and BRACKET</b>														
A(59, 66, 71)	R B9A 7104146		A39											1
<b>04200 ATTACHING KIT - INSTRUMENT PANEL SAFETY PAD</b>														
A	B9A 6404200-A													1
Consists of														
	1-B9A 6404264-A	Moulding - R. H.	4-34052-S7	Nut										
	1-B9A 6404265-A	Moulding - L. H.	2-34938-S8	Washer										
	1-B9A 6404296-A	Moulding - R. H.	2-44719-S8	Washer										
	1-B9A 6404297-A	Moulding - L. H.	2-52360-S13	Screw										
	11-B6A 7004439-A	Retainer	2-357849-S100	Clip										
	2-★B7A 7004492-A	Retainer	1-C2AZ 19C525-A	Cement (tube)										
<b>04290 PAD ASSY.- INSTRUMENT PANEL - SAFETY</b>														
A	B9A 6304290	B06		B08										1
	B9A 6404290		B01	B03		B04	B02	B07		B05				1
S	B8S 6304290	●AC												1
	COSB 6304290	*B05	B01					B11						1
	B9S 6304290						B02		B10	B03				1
	B9SB 6304259-A	Retainer												1
	B9SB 6304280-A	Retainer												2
	52376-S13(U296)	Screw - oval head, cross recess-No. 8-15 x 1"												
<b>04334-5 PANEL - INSTRUMENT PANEL END</b>														
S	R COSB 6304334	A05												1
	L COSB 6304335	A05												1
	R B9S 6304334		A01				A02	A09	A10	A03				1
	L B9S 6304335		A01				A02	A09	A10	A03				1
	52388-S13(U298)	Screw - oval head, cross recess-No. 8-15 x 1 1/2"												4
<b>04706 PANEL ASSY - CONSOLE FRONT</b>														
S	B8S 6304706	AC												1
	B9S 6304706		A01				A02	A09	A10	A03				1
<b>04708 PANEL ASSY - CONSOLE REAR</b>														
S	B8S 6304708	AC												1
	B9S 6304708		A01				A02	A09	A10	A03				1
<b>04738 BRACKET - CONSOLE FRONT PANEL HEATER CONTROL MOUNTING - Refer to Group in Body Section</b>														
<b>04826 COVER and RETAINER ASSY. - CONSOLE ASH RECEPTACLE</b>														
S	B8S 6304826	AC												1
	B9S 6304826		A01				A02	A09	A10	A03				1

Δ R.H. or L.H.

▲ 1 or 2

● Before 6/15/59

\* From 6/15/59

SOFT TRIM

BODY TYPE		PART NUMBER LESS SUFFIX		COLORS AND APPLICABLE PART NUMBER SUFFIXES												NO. REQ.
COLORS				BLACK	BLUE	BROWN	GERANIUM	GRAY	GREEN	RED	TAN	TURQUOISE	WHITE			
<b>11148 COVER - SEAT BACK and FLOOR</b> <i>(Parts shown are 33" x 50" - cut to fit panels on seat backs, seat cushions and floor)</i>																
A(59, 71)	B9A	5911148								A45					AR	
	C0AB	7111488								A09					AR	
<b>13000 CARPET ASSY. - FRONT FLOOR</b>																
A	B9A	6313000		B12	B07	B09	B16			B08			B11		1	
<b>13000 MAT ASSY. - FRONT FLOOR</b> <i>(Mats listed are Black, flecked with the color shown)</i>																
A	B9A	5813000		C32	C30	C33				C31					1	
(H/D)	B9A	6413000		C29											1	
(Economy)	B9AB	6413000		K											1	
<b>13040 MAT ASSY. - AUXILIARY FLOOR</b>																
A(71E, 71G)	B9A	7113040		C45											1	
<b>13046 CARPET ASSY. - REAR FLOOR</b>																
A(54A, 58)	B9A	5813046		B12	C07	C09							C11		1	
A(57A, 75A)	B9A	5713046			A30										1	
A(63A, 65A)	B9A	6313046		A38	A30										1	
<b>13046 MAT ASSY. - REAR FLOOR - VINYL COATED</b> <i>(Mats listed are Black, flecked with color shown)</i>																
A(58)	B9A	5813046		B29	B30	B33				B31					1	
A(59E)	B9A	5913046		A59											1	
<i>Individual seats</i>																
A(64)	B9A	6413046		B29	B30										1	
A(71F, 71H)	B9A	7113046		B25											1	
BODY TYPE		PART NUMBER		DESCRIPTION												NO. REQ.
<b>13051 PAD - REAR FLOOR - ALL PURPOSE - ACCESSORY</b>																
A(59, 71)	C3AZ	7113051-C		Blue and Gray (reversible)												1
		<i>Rotunda No. R68-C</i>														
	C3AZ	7113051-A		Brown and Green (reversible)												1
		<i>Rotunda No. R68-A</i>														
	C3AZ	7113051-B		Red and Yellow (reversible)												1
		<i>Rotunda No. R68-B</i>														
BODY TYPE		PART NUMBER		COLORS AND APPLICABLE PART NUMBER SUFFIXES												NO. REQ.
COLORS				BLACK	BLUE	BROWN	GERANIUM	GRAY	GREEN	RED	TAN	TURQUOISE	WHITE			
<b>13150-1 CARPET ASSY. - REAR FLOOR SIDE</b>																
S	R	C0SB	6313150	A05											1	
	L	C0SB	6313151	A05											1	
	R	B9S	6313150		B01					B09	B10	B03			1	
	L	B9S	6313151		B01					B09	B10	B03			1	
<b>13152-3 CARPET ASSY. - FRONT SIDERISER</b>																
S	R	C0SB	6313152	A05											1	
	L	C0SB	6313153	A05											1	
	R	B9S	6313152		B01					B09	B10	B03			1	
	L	B9S	6313153		B01					B09	B10	B03			1	
<b>13160-3 CARPET ASSY. - FLOOR TUNNEL SIDE</b>																
S	R	C0SB	6313160	A05											1	
	L	C0SB	6313163	A05											1	
	R	B9S	6313160		A01					A09	A10	A03			1	
	L	B9S	6313163		A01					A09	A10	A03			1	
<b>13164-7 CARPET ASSY. - FRONT FLOOR SIDE</b>																
S	R	C0SB	6313164	A05											1	
	L	C0SB	6313167	A05											1	
	R	B9S	6313164		B01					B09	B10	B03			1	
	L	B9S	6313167		B01					B09	B10	B03			1	
<b>20904-5 MOULDING ASSY - FRONT DOOR WINDOW GARNISH</b>																
S	RB8S	6320904		AC											1	
	LB8S	6320905		AC											1	
	RB9S	6320904		A01					A02	A09	A10	A03			1	
	LB9S	6320905		A01					A02	A09	A10	A03			1	



# FORD CAR PARTS

## 1959 SOFT TRIM

901

BODY TYPE	PART NUMBER LESS SUFFIX	TRIM CODES AND APPLICABLE PART NUMBER SUFFIXES															NO. REQ.
<b>23942-3 PANEL ASSY.- FRONT DOOR TRIM</b>																	
<b>TRIM CODES</b> →		30	34	56													
A(51A, 64H, 65A) ♦	R B9A 5123942	A30	A34	A56												1	
	L B9A 5123943	A30	A34	A56												1	
	R B9A 5123942			B56												1	
	L B9A 5123943			B56												1	
<b>TRIM CODES</b> →		30	34	56													
A(54A, 75A) ♦	R B9A 5423942	A30	A34	A56												1	
	L B9A 5423943	A30	A34	A56												1	
<b>TRIM CODES</b> →		02	03	29													
A(58E)	R B9A 5823942	B02	B03	B29												1	
	L B9A 5823943	B02	B03	B29												1	
<b>TRIM CODES</b> →		25															
A(59C)	R B9A 5923942	B02														1	
	L B9A 5923943	B02														1	
<b>TRIM CODES</b> →		02	29														
A(64F, 64G)	R B9A 5923942	B02														1	
	L B9A 5923943	B02														1	
	R B9A 6423942		B29													1	
	L B9A 6423943		B29													1	
<b>TRIM CODES</b> →		25															
A(71H)	R B9A 5823942	B02														1	
	L B9A 5823943	B02														1	
<b>TRIM CODES</b> →		58															
A(71G)	R B9A 7123942	B46														1	
	L B9A 7123943	B46														1	
<b>TRIM CODES</b> →		49	51	55													
A(76B) ♦	R B9A 5123942	A30	A34	A56												1	
	L B9A 5123943	A30	A34	A56												1	
	R B9A 5123942		B34	B56												1	
	L B9A 5123943		B34	B56												1	
<b>TRIM CODES</b> →		1X	2X	3X	4X	5X	6X	7X	8X	9X	1Y	2Y	3Y	4Y	5Y		
S	R B9S 6323942	A01	A02	A03	A04	A01	A02	A03	A04	A09	A11	B10	A13	A14	A15	1	
	L B9S 6323943	A01	A02	A03	A04	A01	A02	A03	A04	A09	A11	B10	A13	A14	A15	1	
<b>BODY TYPE</b>		<b>COLORS AND APPLICABLE PART NUMBER SUFFIXES</b>															<b>NO. REQ.</b>
<b>COLORS</b> →		BLACK	BLUE	BROWN	GERANIUM	GRAY	GREEN	RED	TAN	TURQUOISE	WHITE						
<b>24140-1 REST ASSY. - FRONT DOOR ARM</b>																	
A(except 51A, 54A, 64H, 65A, 75A, 76B)	R B9A 6424140		A29	E02	E05		C04	E03								▲	
	L B9A 6424141		A29	E02	E05		C04	E03								▲	
	R C2DZ 6424140								ABA							▲	
	L C2DZ 6424141								ABA							▲	
		52764-S8(U393)	Screw - pan head, cross recess-No. 14-10 x 1 1/2"														4
		*52745-S8	Screw - pan head, cross recess-No. 14-10 x 3/4"														4
		*52751-S8	Screw - pan head, cross recess-No. 14-10 x 7/8" - rear door														2
A(51A, 54A, 64H, 65A, 75A, 76B)		Serviced in assy. - refer to Group 23942-3 or 27406-7															
<b>BODY TYPE</b>		<b>TRIM CODES AND APPLICABLE PART NUMBER SUFFIXES</b>															<b>NO. REQ.</b>
<b>27406-7 PANEL ASSY - REAR DOOR TRIM</b>																	
<b>TRIM CODES</b> →		30	34	56													
A(54A, 75A) ♦	R B9A 5427406	A30	A34	A56												1	
	L B9A 5427407	A30	A34	A56													
<b>TRIM CODES</b> →		02	03	29													
A(58E)	R B9A 5827406	B02	B03	B29												1	
	L B9A 5827407		B03	B29												1	
<b>TRIM CODES</b> →		25															
A(71H)	R B9A 5827406	B02														1	

♦ Includes arm rest and bright mylar insert  
 ⌀ Includes arm rest

◇ Includes arm rest and colored insert  
 ⊕ Use on front and rear doors

▲ 1 or 2

SOFT TRIM

BODY TYPE		PART NUMBER LESS SUFFIX		COLORS AND APPLICABLE PART NUMBER SUFFIXES											NO. REQ.	
COLORS				BLACK	BLUE	BROWN	GERANIUM	GRAY	GREEN	RED	TAN	TURQUOISE	WHITE			
<b>29002-3 MOULDING ASSY. - QUARTER WINDOW GARNISH</b>																
S(63A)	R	B8S	6329002													1
	L	B8S	6329003													1
	R	B9S	6329002						A01		A02	A09				1
	L	B9S	6329003						A01		A02	A09		A03		1
S(76A)	R	B8S	7629002													1
	L	B8S	7629003													1
	R	B9S	7629002						A01		A02	A09	A10	A03		1
	L	B9S	7629003						A01		A02	A09	A10	A03		1

BODY TYPE		PART NUMBER LESS SUFFIX		TRIM CODES AND APPLICABLE PART NUMBER SUFFIXES											NO. REQ.	
TRIM CODES				29												
A(64F)	R	B9A	6431012	B29												1
	L	B9A	6431013	B29												1
A(51A)	TRIM CODES			34	56											
	R	B9A	5131012	A34												1
	L	B9A	5131013		A56											1
A(71G)	TRIM CODES			58												
	R	B9A	7131012	B46												1
S	TRIM CODES			2X	3X	4X	6X	7X	8X	9X	1Y	2Y	3Y	4Y	5Y	
	R	B8S	6331012	BA	BA	BA	BA	BA	BA	BA	BA				BA	1
	L	B8S	6331013	BA	BA	BA	BA	BA	BA	BA	BA				BA	1
	R	B9S	6331012										A13	A14		1
L	B9S	6331013									A10	A13	A14		1	

**31290 WINDLACE ASSY. - QUARTER LOCK PILLAR** - Refer to Group 02600

BODY TYPE		PART NUMBER LESS SUFFIX		COLORS AND APPLICABLE PART NUMBER SUFFIXES											NO. REQ.	
COLORS				BLACK	BLUE	BROWN	GERANIUM	GRAY	GREEN	RED	TAN	TURQUOISE	WHITE			
<b>31600-1 REST ASSY. - QUARTER ARM</b>																
A(59, 64)	L	B9A	6431601													1
S	R	B9S	6331600							A01	A02	A09	A10	A03		1
	L	B9S	6331601							A01	A02	A09	A10	A03		1
			52376-S(U296)	Screw - oval head, cross recess-No. 8-15 x 1"												6

BODY TYPE		PART NUMBER		DESCRIPTION											NO. REQ.	
<b>31750-1 COVER ASSY. - QUARTER WHEELHOUSE - IN LUGGAGE COMPARTMENT</b>																
S(63A)	R	B8S	6331750-BA	Gray											1	
	L	B8S	6331751-BA	Gray											1	

**40726 COVER - TAIL GATE INSIDE FINISH** - Refer to Group 11148

<b>45024-5 LINING BOARD ASSY. - LUGGAGE COMPARTMENT REAR</b>																
S(63A)	R	B8S	6345024-AA	Gray											1	
	L	B8S	6345025-AA	Gray											1	

<b>45416-7 LINING BOARD - LUGGAGE COMPARTMENT SIDE</b>																
S(63A)	R	B8S	6345416-CA	Gray											1	
	L	B8S	6345417-CA	Gray											1	
S(76A)	R	B8S	7645416-AA	Gray											1	
	L	B8S	7645417-AA	Gray											1	

<b>45441 COVER KIT - LUGGAGE ACCESSORY</b>																
A(71E, 71G)		B9AB	7145441-A												1	

<b>45444 LINING BOARD - LUGGAGE COMPARTMENT FRONT</b>																
A(54, 57, 58, 63, 64, 65, 75)		B9AB	6445444-A	Gray											1	
S		B8S	6345444-A	Gray											1	

<b>45455 MAT - LUGGAGE COMPARTMENT FLOOR</b>																
A(except 51, 59, 66, 71)		B9A	6445455-A29	Light gray check (burtex)											1	
		B9A	6445455-A02	Dark gray check (burtex)											1	
S(63A)		B8S	6345455-BA	Gray (burtex)											1	
S(76A)		B8S	7645455-BA	Gray (burtex)											1	

⊙ Includes bright mylar insert

⊙ Includes colored insert

# FORD CAR PARTS

## 1959 SOFT TRIM

903

BODY TYPE	PART NUMBER	DESCRIPTION	NO. REQ.
<b>45462 COVER - LUGGAGE COMPARTMENT FLOOR REAR CORNER</b>			
A(except 51, 59, 66, 71)	R B9A 6445462-A29	Light gray check (burtex)	1
	R B9A 6445462-A02	Dark gray check (burtex)	1
<b>45489 COVER - LUGGAGE COMPARTMENT FUEL FILLER HOUSING</b>			
S(63A)	B8S 6345489-BA	Gray	1
S(76A)	C0SB 7645489-D01	Gray	1
<b>45830 COVER - SPARE TIRE WELL PANEL - Refer to Group 11148</b>			
BODY TYPE	PART NUMBER LESS SUFFIX	COLORS AND APPLICABLE PART NUMBER SUFFIXES	NO. REQ.
<b>COLORS</b>			
BLACK    BLUE    BROWN    GERANIUM    GRAY    GREEN    RED    TAN    TURQUOISE    WHITE			
<b>46418-9 SEAL - PACKAGE TRAY BALANCE LINK OPENING</b>			
S(76A)	R C0SB 7646418	A01	1
	L C0SB 7646419	A01	1
	R B9S 7646418	A09	1
	L B9S 7646419	A09	1
<b>46506 PANEL ASSY. - PACKAGE TRAY</b>			
S(63A)	C0SB 6346506	A05	1
	B9S 6346506	A01	1
BODY TYPE	PART NUMBER LESS SUFFIX	TRIM CODES AND APPLICABLE PART NUMBER SUFFIXES	NO. REQ.
<b>51916 HEADLINING ASSY. - ROOF</b>			
<b>TRIM CODES</b>			
A(57A, 63A)	B9A 5751916	All D02	1
<b>TRIM CODES</b>			
A(58A, 64A)	B9A 6451916	30    31    32 C07    C08    C10	1
<b>TRIM CODES</b>			
A(58B, 64B)	B9A 6451916	07    08    10    12 C07    C08    C10	1
	B9A 5751916	D02	1
<b>TRIM CODES</b>			
A(58E, 64F, 64G)	B9A 6451916	02    03    29 C07    C08    C10	1
<b>TRIM CODES</b>			
A(54A, 64H, 65A, 75A)	B9A 7551916	All A30	1
<b>TRIM CODES</b>			
S	B8S 6351916	All CA	1
BODY TYPE	PART NUMBER	DESCRIPTION	NO. REQ.
<b>52016 TRIM KIT - ROOF PANEL</b>			
A(59, 71)	B9A 7152016-B25	Blue - Use 1 for each section	AR
	B9A 7152016-B26	Brown - Use 1 for each section	AR
	B9A 7152016-B45	Green - Use 1 for each section	AR
	B9A 7152016-B46	Red - Use 1 for each section	AR
<b>52300 BINDING - FOLDING TOP NO.4 BOW and BELT RAIL</b>			
A(76B)	M-1G18-T	Black - order by yard	AR
	B9A 18-FAW	Turquoise - order by yard	AR
	C2SZ 7652300-A02	White - 108" long	AR
S(76A)	B9S 18-FAS	Black - order by yard	AR
	B9S 18-FAT	Blue - order by yard	AR
	B9A 18-FAW	Turquoise - order by yard	AR
	C2SZ 7652300-A02	White - 108" long	AR
A(76B,S(76A)	R C0AB 76514A00-B	End tip	1
	L C0AB 76514A01-B	End tip	1
	★354556-S15	Screw - oval head, cross recess-No. 6-18 x 7/8"	2
<b>52500 WINDOW ASSY. - FOLDING TOP BACK CURTAIN</b>			
A(76B)	B9A 7652500-A05	Used with Black cloth tops with tan lining	1
	B9A 7652500-A09	Used with Black vinyl tops with tan lining	1
	B9A 7652500-B12	Used with Black cloth tops with black lining	1
	B9A 7652500-B13	Used with Blue cloth tops with blue lining	1
	B9A 7652500-B06	Used with Blue cloth tops with tan lining	1
	B9A 7652500-A07	Used with Tan cloth tops with tan lining	1
	B9A 7652500-A08	Used with White vinyl tops with tan lining	1

BODY TYPE	PART NUMBER	DESCRIPTION	NO. REQ.	
<b>52500 WINDOW ASSY. - FOLDING TOP BACK CURTAIN - continued</b>				
S(76A)	B9S 7652500-A12	Used with Black cloth tops with black lining	1	
	B9S 7652500-A14	Used with Blue vinyl tops with blue lining	1	
	B9S 7652500-A13	Used with Turquoise vinyl top with turquoise lining	1	
	B9S 7652500-A08	Used with White vinyl tops with black lining	1	
	B9S 7652500-A10	Used with White vinyl tops with blue lining	1	
	B9S 7652500-A11	Used with White vinyl tops with tan lining	1	
	B9S 7652500-A09	Used with White vinyl tops with turquoise lining	1	
<b>52504 STRAP ASSY. - FOLDING TOP BACK CURTAIN</b>				
S(76A)	B9S 7652504-A08	Used with White vinyl tops with black lining	2	
	95460-S8(H10)	Fastener - socket	2	
	353504-S(HH4)	Fastener - button	2	
	370464-S100(HH34)	Fastener - stud-No. 8-15 x 3/4"	2	
	358432-S13(HH29)	Fastener - stud-No. 6-32 x 1/2"	2	
<b>52700 TOP ASSY - FOLDING - LESS BACK CURTAIN and BOWS</b>				
A(76B)	B9A 7652700-B12	Black cloth with black lining	1	
	B9A 7652700-B09	Black vinyl with tan lining	1	
	B9A 7652700-A05	Black cloth with tan lining	1	
	B9A 7652700-B13	Blue cloth with blue lining	1	
	B9A 7652700-B06	Blue cloth with tan lining	1	
	B9A 7652700-B08	White vinyl with tan lining	1	
	S(76A)	B9S 7652700-A12	Black cloth with black lining	1
		B9S 7652700-A14	Blue vinyl with blue lining	1
B9S 7652700-A13		Turquoise vinyl with turquoise lining	1	
B9S 7652700-A08		White vinyl with black lining	1	
B9S 7652700-A10		White vinyl with blue lining	1	
B9S 7652700-A11		White vinyl with tan lining	1	
B9S 7652700-A09	White vinyl with turquoise lining	1		
<b>52851 PADDING - FOLDING TOP SIDE QUARTER REAR</b>				
S(76A)	B8S 7652851-AE		2	
<b>52874-5 CASE ASSY - FOLDING TOP SIDE QUARTER</b>				
A(76B)	R B9A 7652874-A05	Used with Black, Blue, Tan, Turquoise or White tops with tan lining	1	
	R B9A 7652874-A12	Used with Black cloth tops with black lining	1	
S(76A)	L B9A 7652875-A12	Used with Black cloth tops with black lining	1	
	R B9S 7652874-A12	Used with Black cloth tops with black lining	1	
	L B9S 7652875-A12	Used with Black cloth tops with black lining	1	
	R B9S 7652874-A14	Used with Blue vinyl tops with blue lining	1	
	L B9S 7652875-A14	Used with Blue vinyl tops with blue lining	1	
	R B9S 7652874-A08	Used with White vinyl tops with black lining	1	
	L B9S 7652875-A08	Used with White vinyl tops with black lining	1	
	R B9S 7652874-A10	Used with White vinyl tops with blue lining	1	
	L B9S 7652875-A10	Used with White vinyl tops with blue lining	1	
	R B9S 7652874-A11	Used with White vinyl tops with tan lining	1	
	L B9S 7652875-A11	Used with White vinyl tops with tan lining	1	
	R B9S 7652874-A09	Used with White vinyl tops with turquoise lining	1	
	L B9S 7652875-A09	Used with White vinyl tops with turquoise lining	1	
	<b>53278 ZIPPER ASSY. - FOLDING TOP BACK CURTAIN</b>			
A(76B)	B9A 7653278-A01	Used with Black, Blue, Tan, Turquoise or White tops with tan lining	1	
<b>53278 COVER and ZIPPER ASSY. - FOLDING TOP BACK CURTAIN</b>				
S(76A)	B9S 7653278-A12	Used with Black cloth tops with black lining	1	
	B9S 7653278-A13	Used with Turquoise vinyl top with turquoise lining	1	
	B9S 7653278-A08	Used with White vinyl tops with black lining	1	
	B9S 7653278-A09	Used with White vinyl tops with turquoise lining	1	
<b>54400 HOOD ASSY. - FOLDING TOP DUST</b>				
A(76B)	B9A 7654400-A23	Red	1	
	353504-S(HH4)	Fastener - button	AR	
	95460-S6(H10)	Fastener - socket	AR	
	95472-S13(H7)	Fastener - stud	AR	

## IMPORTANT

When a complete Back Assembly is required order BOTH a basic 60032 or 60033 Kit plus a basic 66600 or 66601 Cover with applicable suffix for desired trim code.

BODY TYPE	KIT PART NUMBER LESS COVER	COVER PART NUMBER LESS SUFFIX	TRIM CODES AND APPLICABLE PART NUMBER SUFFIXES																				
<b>60032-3 BACK KIT-REAR SEAT CONSISTS OF SPRING, PADS, WIRE and INSTRUCTION SHEET - SHIPPED K.D.</b>																							
	TRIM CODES →		56																				
A(51A)	B9A 5160032-A	B9A 5166600	A56																				
	TRIM CODES →		56																				
A(54A, 75A)	B9A 5460032-A	B9A 6566600	A56																				
A(57A, 58A, 58B, 64A, 64B)	B9A 5760032-A																						
	TRIM CODES →		02	03																			
A(58E, 64F)	B9A 5760032-A	B9A 6466600	B02	B03																			
A(59, 71F, 71H)	B9A 5960032-A																						
	TRIM CODES →		56																				
A(64H, 65A)	B9A 6560032-A	B9A 6566600	A56																				
A(71E, 71G)	R B8A 7960032-A																						
	L B8A 7960033-A																						
A(76B)	B9A 7660032-A																						
	TRIM CODES →		1X	3X	4X	5X	6X	7X	8X	9X	1Y	2Y											
S	B9S 6360032-A	B9S 6366600	A01	A03	A04	B05	B06	B07	B08	B09	A11	A12											
	TRIM CODES →		3Y	4Y	5Y																		
S	B9S 6360032-A	B9S 6366600	A13	A14	A15																		

## IMPORTANT

When a complete Cushion Assembly is required order BOTH a basic 60050 Kit plus a basic 62900 Cover with applicable suffix for desired trim code.

BODY TYPE	KIT PART NUMBER LESS COVER	COVER PART NUMBER LESS SUFFIX	TRIM CODES AND APPLICABLE PART NUMBER SUFFIXES																				
<b>60050-3 KIT - FRONT SEAT CUSHION ASSY. CONSISTS OF SPRING, PADS, WIRE and INSTRUCTION SHEET - SHIPPED K.D.</b>																							
	TRIM CODES →		56																				
A(51A)	B9A 5160050-A	B9A 5162900	A56																				
	TRIM CODES →		56																				
A(54A, 75A)	B9A 5460050-A	B9A 5162900	A56																				
A(57A, 58A, 58B, 71)	B9A 5760050-A																						
	TRIM CODES →		02	03																			
A(58E)	B9A 5760050-A	B9A 5862900	A02																				
		B9A 6462900	A03																				
A(59, 63, 64A, 64B, 64G, 66)	B9A 6360050-A																						
<i>Full width cushion</i>																							
A(59E)	R B8A 7860052-A																						
<i>Individual seats</i>	L B8A 7860053-A																						
	TRIM CODES →		02	03																			
A(64F)	B9A 6360050-A	B9A 6462900	A02	A03																			
	TRIM CODES →		56																				
A(64H, 65A)	B9A 5160050-A	B9A 5162900	A56																				
A(76B)																							
	TRIM CODES →		1X	2X	3X	4X	5X	6X	7X	8X	9X	1Y											
S	B9S 6360050-A	B9S 6362900	A01	A02	A03	A04	B05	B06	B07	B08	B09	A11											
	TRIM CODES →		2Y	3Y	4Y	5Y																	
S	B9S 6360050-A	B9S 6362900	A12	A13	A14	A15																	

**IMPORTANT**

When a complete Cushion Assembly is required order BOTH a basic 60080 or 60081 Kit plus a basic 63804 or 63805 Cover with applicable suffix for desired trim code.

BODY TYPE	KIT PART NUMBER LESS COVER	COVER PART NUMBER LESS SUFFIX	TRIM CODES AND APPLICABLE PART NUMBER SUFFIXES									
<b>60080-1 KIT - CUSHION ASSY. - REAR SEAT CONSISTS OF SPRING, PADS, WIRE and INSTRUCTION SHEET - SHIPPED K.D.</b>												
TRIM CODES →			56									
A(51A)	B9A 5160080-A	B9A 5163804	A56									
A(54A, 75A)	B9A 5460080-A											
A(57A, 58A)	B9A 5760080-A											
TRIM CODES →			02									
A(58E)	B9A 5760080-A	B9A 5863804	A02									
A(58B)	B9A 5860080-A											
A(59C, 59D, 71F, 71H)	B8A 5960080-A											
A(63A)	B9A 6360080-A											
A(64B)	B9A 6460080-B											
TRIM CODES →			02	03								
A(64A, 64F)	B9A 6460080-A	B9A 6463804	A02	A03								
A(64H)	B9A 6460080-C											
A(65A)	B9A 6560080-A											
A(71E, 71G)	R B8A 7160080-A											
	L B8A 7160081-A											
A(76B)	B9A 7660080-A											
TRIM CODES →			1X	2X	3X	4X	5X	6X	7X	8X	9X	1Y
S	B9S 6360080-A	B9S 6363804	A01	A02	A03	A04	B05	B06	B07	B08	B09	A11
TRIM CODES →			2Y	3Y	4Y	5Y						
S	B9S 6360080-A	B9S 6363804	A12	A13	A14	A15						

**IMPORTANT**

When a complete Back Assembly is required order BOTH a basic 60136 or 60137 Kit plus a basic 64416 or 64417 Cover with applicable suffix for desired trim code.

BODY TYPE	KIT PART NUMBER LESS COVER	COVER PART NUMBER LESS SUFFIX	TRIM CODES AND APPLICABLE PART NUMBER SUFFIXES									
<b>60136-7 BACK KIT - FRONT SEAT - CONSISTS OF SPRING, PADS, WIRE and INSTRUCTION SHEET - SHIPPED K.D.</b>												
TRIM CODES →			56									
A(51A, 64H, 65A)	R B9A 5160136-A	B9A 5164416	A56									
	L B9A 5160137-A	B9A 5164417	A56									
A(57A, 58A, 58B, 71)	B9A 5760136-A											
TRIM CODES →			02	03								
A(58E)	B9A 5760136-A	B9A 5864416	A02	A03								
A(59, 63, 64A, 64B, 64G, 66) <i>Full width cushion</i>	R B9A 5960136-A											
	L B9A 5960137-A											
A(59E) <i>Individual seats</i>	R B8C 7860136-A											
	L B8C 7860137-A											
TRIM CODES →			02	03								
A(64F)	R B9A 5960136-A	B9A 6464416	A02	A03								
	L B9A 5960137-A	B9A 6464417	A02	A03								
A(76B)	R B9A 5160136-A											
	L B9A 5160137-A											
TRIM CODES →			1X	2X	3X	4X	5X	6X	7X	8X	9X	1Y
S	Δ B9S 6360136-A	B9S 6364416	A01	A02	A03	A04	B05	B06	B07	B08	B09	A11
TRIM CODES →			2Y	3Y	4Y	5Y						
S	Δ B9S 6360136-A	B9S 6364416	A12	A13	A14	A15						

Δ R.H. or L.H.



BODY TYPE	PART NUMBER LESS SUFFIX	TRIM CODES AND APPLICABLE PART NUMBER SUFFIXES														NO. REQ.
<b>62900 COVER ASSY. - FRONT SEAT CUSHION</b>																
TRIM CODES →		56														1
A(51A, 54A, 64H, 65A, 75A)	B9A 5162900	A56														1
TRIM CODES →		02	03													1
A(58E)	B9A 5862900	A02														1
	B9A 6462900	A03														1
TRIM CODES →		02	03													1
A(64F)	B9A 6462900	A02	A03													1
TRIM CODES →		1X	2X	3X	4X	5X	6X	7X	8X	9X	1Y	2Y	3Y	4Y	5Y	▲
S	Δ B9S 6362900	A01	A02	A03	A04	B05	B06	B07	B08	B09	A11	A12	A13	A14	A15	▲
<b>63358-9 CARPET ASSY. - REAR SEAT RISER</b>																
TRIM CODES →			BLACK	BLUE	BROWN		GRAY	GREEN	RED	TAN	TURQUOISE	WHITE				1
S	R B9S 6363358		A04	A01					A09	A10	A03					1
	L B9S 6363359		A04	A01					A09	A10	A03					1
<b>63804-5 COVER ASSY. - REAR SEAT CUSHION</b>																
TRIM CODES →		56														1
A(51A)	B9A 5163804	A56														1
TRIM CODES →		02														1
A(58E)	B9A 5863804	A02														1
TRIM CODES →		1X	2X	3X	4X	5X	6X	7X	8X	9X	1Y	2Y	3Y	4Y	5Y	1
S	B9S 6363804	A01	A02	A03	A04	B05	B06	B07	B08	B09	A11	A12	A13	A14	A15	1
<b>64416-7 COVER ASSY. - FRONT SEAT BACK</b>																
TRIM CODES →		56														1
A(51A, 64H, 65A)	R B9A 5164416	A56														1
	L B9A 5164417	A56														1
TRIM CODES →		02	03													1
A(58E)	B9A 5864416	A02	A03													1
TRIM CODES →		02	03													1
A(64F)	R B9A 6464416	A02	A03													1
	L B9A 6464417	A02	A03													1
TRIM CODES →		1X	2X	3X	4X	5X	6X	7X	8X	9X	1Y	2Y	3Y	4Y	5Y	▲
S	Δ B9S 6364416	A01	A02	A03	A04	B05	B06	B07	B08	B09	A11	A12	A13	A14	A15	▲
<b>66600 COVER ASSY. - REAR SEAT BACK</b>																
TRIM CODES →		56														1
A(51A)	B9A 5166600	A56														1
TRIM CODES →		56														1
A(54A, 64H, 65A, 75A)	B9A 6566600	A56														1
TRIM CODES →		30														1
A(58A, 64A)	B9A 6466600	A30														1
TRIM CODES →		02	03													1
A(58E, 64F)	B9A 6466600	B02	B03													1
TRIM CODES →		1X	3X	4X	5X	6X	7X	8X	9X	1Y	2Y	3Y	4Y	5Y		1
S	B9S 6366600	A01	A03	A04	B05	B06	B07	B08	B09	A11	A12	A13	A14	A15		1
<b>M-1G18 BINDING - FOLDING TOP NO.4 BOW and BELT RAIL - Refer to Group 52300</b>																

Δ R.H. or L.H.

▲ 1 or 2