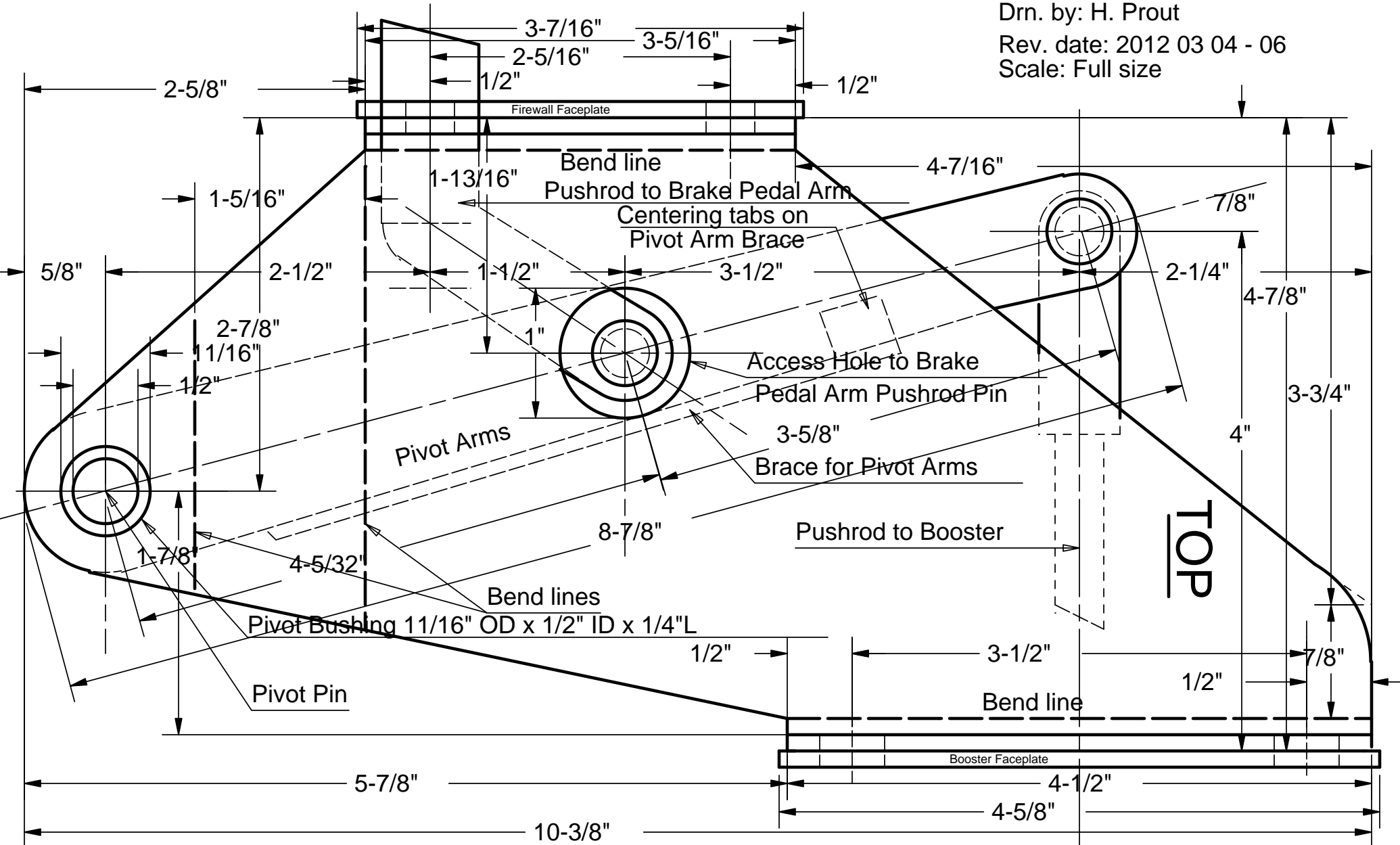


# Squarebird Booster Offset Bracket ver. 1a - 06 - Side Elevation

Drn. by: H. Prout

Rev. date: 2012 03 04 - 06

Scale: Full size



## Notes:

- Two Bracket Pieces req'd. - one left and one right
- Weld pivot bushings to bracket plates
- Material: 1/8" mild steel plate