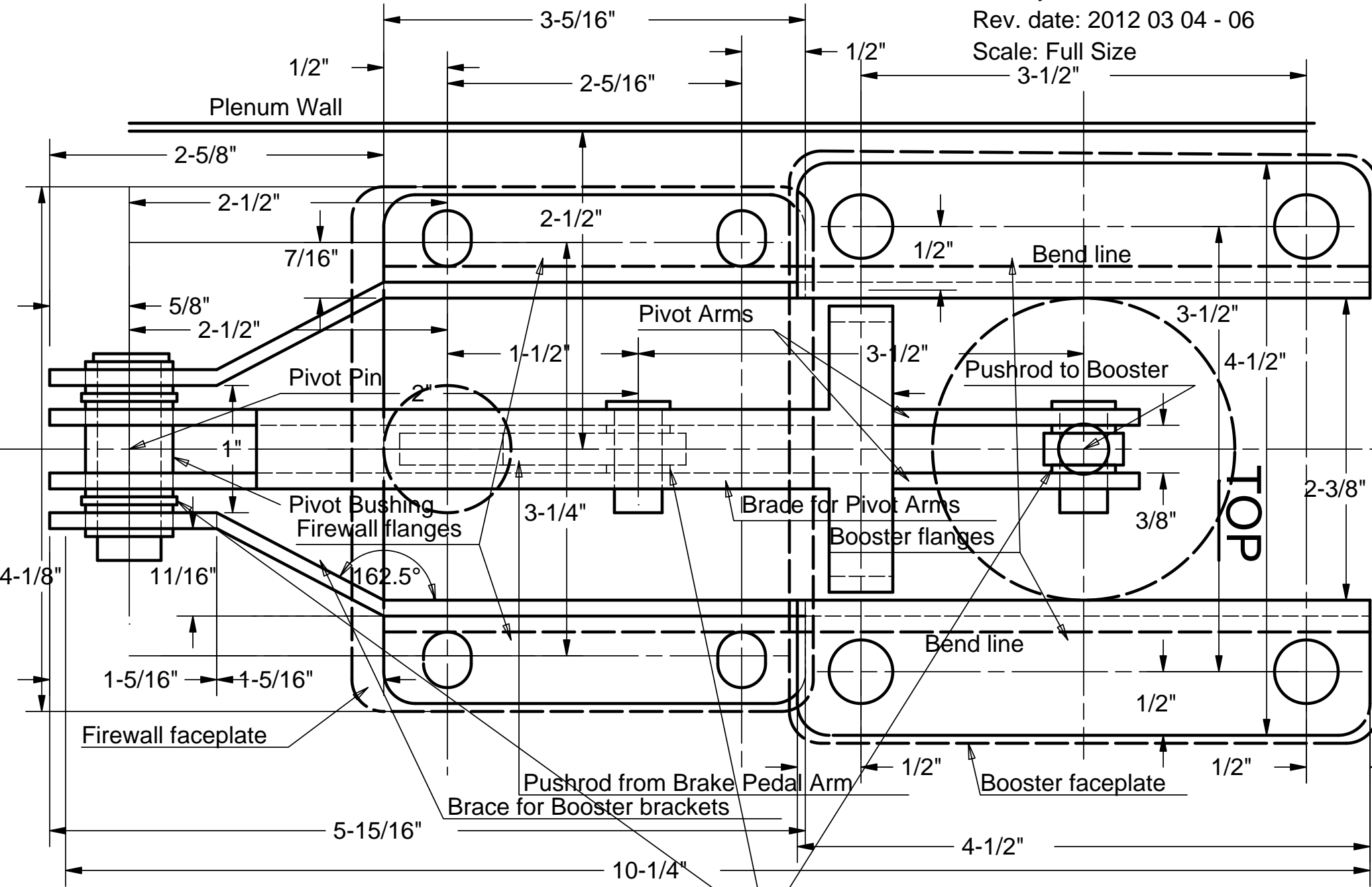


Squarebird Booster Offset Bracket ver 1a - 06 - End Elevation

Drn. by: H. Prout

Rev. date: 2012 03 04 - 06

Scale: Full Size



Note: Insert fibre washers between all mating surfaces
 - i.e. at pivot pin, brake pushrod pin and booster pushrod pin