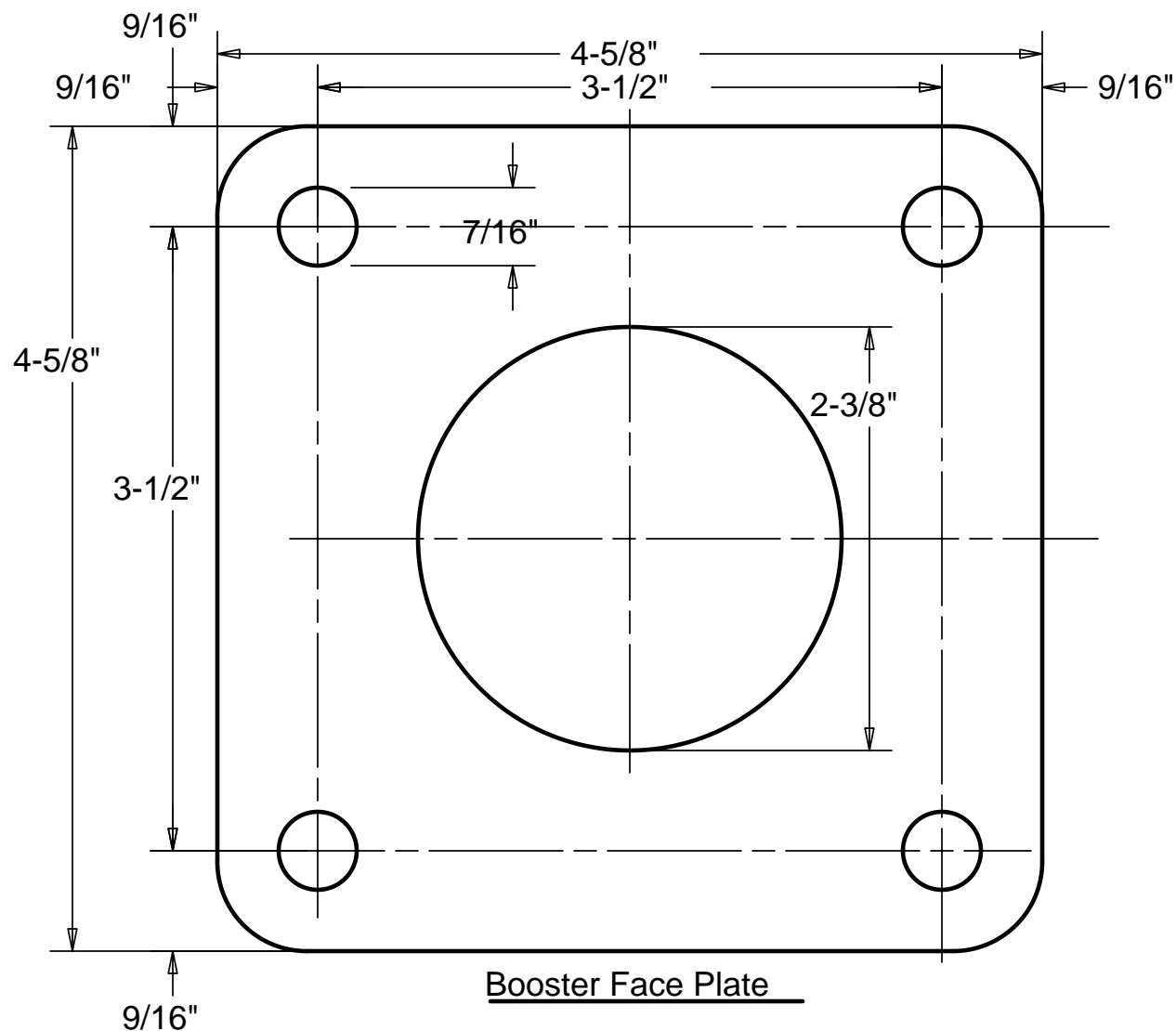


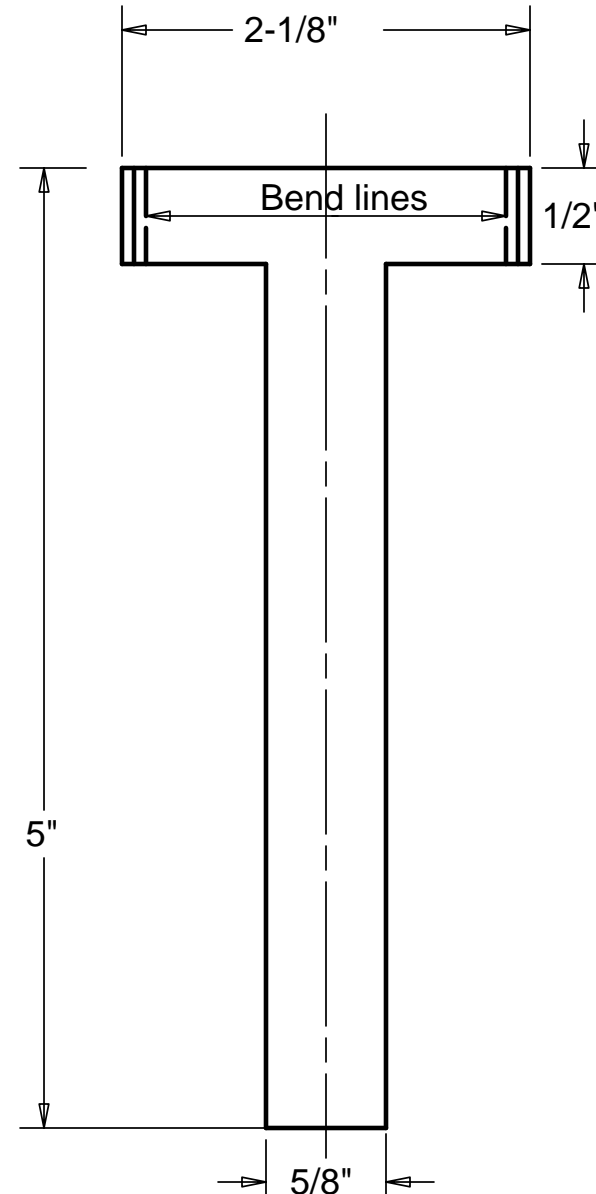
Booster Face Plate and Pivot Arm Brace

Drn. by: H. Prout
Rev. date: 2010 03 20 - 04
Scale: Full size



Booster Face Plate

Material: 1/8" mild steel



Note: Returns on centering arm 1/2"
Pivot Arm Brace