

FORD CAR PARTS

**BODY
SECTION 000**

925

| GROUP NUMBER | YEAR | BODY TYPE | DESCRIPTION | PART NUMBER | QTY. |
|----------------|--|---------------|--|---------------------------------|---------------------------------|
| 00012 | KIT - LIGHT WEIGHT BODY COMPONENTS | | | | |
| | 62 | A(76) | | C2AZ 7600012-A | 1 |
| | Consists of | | | | |
| | 1-C2AB | 16005-S | Fender assy. -R. H. | 1-C1AB 17A820-A | Brace-front bumper outer-R. H. |
| | 1-C2AB | 16006-S | Fender assy. -L. H. | 1-C1AB 17A821-A | Brace-front bumper outer-L. H. |
| | 1-C2AB | 16610-F | Hood assy. | 1-C2AB 17757-A | Bar-front bumper impact |
| | 1-C2AB | 17A867-C | Arm-rear bumper outer-R. H. | 1-C2AB 17A971-A | Arm-front bumper inner-R. H. |
| | 1-C2AB | 17A868-C | Arm-rear bumper outer-L. H. | 1-C2AB 17A972-A | Arm-front bumper inner-L. H. |
| | 1-C2AB | 17787-A | Arm-rear bumper inner-R. H. | 1-C2AB 7620200-A | Panel assy. -door outside-R. H. |
| | 1-C2AB | 17788-A | Arm-rear bumper inner-L. H. | 1-C2AB 7620201-A | Panel assy. -door outside-L. H. |
| | | 1-C2AB | 6240110-D | Door assy. -luggage compartment | |
| 00154-5 | INSULATOR - BODY BOLT - Also Refer to Body Bolt Chart at end of this Section | | | | |
| | 60 | A(except 76) | Upper-rubber | ★B8A 6400154-A | 8 |
| | 60/62 | A(except 76) | Lower-rubber | B8A 6400155-A | 8 |
| | 63 | A (except 76) | Upper-butyl | C3AZ 6200154-C | 2 |
| | 64 | | Upper-butyl | C4AZ 6200155-A | 2 |
| | 63/64 | | Lower-butyl | C3AZ 6200155-E | 2 |
| | 64 | A(76) | Upper-butyl | C4AZ 6200154-A | 4 |
| | | | Lower-butyl | C4AZ 6200155-B | 4 |
| | 63/ | A(except 76) | Upper-rubber | C3AZ 6200154-A | 10to16 |
| | | | Lower-rubber | C3AZ 6200155-A | 10to16 |
| 00157 | RETAINER - BODY BOLT INSULATOR - LOWER - Also Refer to Body Bolt Chart at end of this Section | | | | |
| | 63 | A(except 76) | Steel | C3AZ 6200157-B | 2to6 |
| | 63 | A(except 76) | Steel | C3AZ 6200157-A | 10 |
| | 64 | A(except 76) | Steel | C4AZ 6200157-A | 4 |
| | 63/ | A(except 76) | Steel | C3AZ 6200157-D | 6to12 |
| | 63/ | A(71) | Steel | C3AZ 6200157-C | 2 |
| 00163 | RETAINER - BODY BOLT INSULATOR - UPPER - Also Refer to Body Bolt Chart at end of this Section | | | | |
| | 63/ | A(except 76) | Steel | C3AZ 6200163-A | 4to16 |
| | 64 | A(except 76) | | C4AZ 6200163-A | 4 |
| 01408 | GASKET - VENTILATOR AIR REGISTER | | | | |
| | 64/ | S(63) | Uniflow system | C4SZ 6301408-A | 2 |
| 01420-1 | BRACKET - WINDSHIELD DEFROSTER MOUNTING | | | | |
| | 61/ | A | R. H. | C1AB 6201420-A | 1 |
| | | | L. H. | C1AB 6201421-A | 1 |
| 01508 | SUPPORT ASSY. - BRAKE PEDAL | | | | |
| | - A - | | | | |
| | 60/63 | A | | C3AZ 6201508-C | 1 |
| | 64 | A | Without movable steering column | C4AZ 6201508-A | 1 |
| | | | With movable steering column | C4AZ 6201508-B | 1 |
| | - B - | | | | |
| | 62/64 | B | | C2OZ 6201508-A | 1 |
| | - S - | | | | |
| | 60 | S | | ★C0SB 6301508-A | 1 |
| | 61/63 | S | | C1SZ 6301508-B | 1 |
| | 64 | S | | C4SZ 6301508-A | 1 |
| | - X - | | | | |
| | 60/64 | X | | C3DZ 6201508-A | 1 |
| | 63 | A | 5/16"-24 x 1 1/8" Hex. head washer screw | 353483-S2(BB588) | 2 |
| | 60/64 | A, B, S, X | 5/16" Lockwasher | 34806-S7(X64) | 3 |
| | | | 5/16"-24 x 3/4" Hex. head bolt | 20347-S8(B156) | 2 |
| | | | 5/16" Flat washer | 44722-S8(X19) | 4 |
| | | | 5/16"-24 Hex. nut | 33798-S8(M62) | 2 |
| | | | 5/16"-24 x 1.12" Bolt and retainer assy. | 371468-S2(RR26) | 5 |
| | | | No. 14-10 x 5/8" Hex. washer head screw | 31498-S8(U253B) | 2or5 |
| | 60/64 | A, S, X | 5/16"-24 x 1" Hex. head bolt | 20387-S8(B157) | 1 |

| GROUP NUMBER | YEAR | BODY TYPE | DESCRIPTION | PART NUMBER | QTY. |
|---|-------------------------|------------------|---|------------------|------|
| 015A08 BRACE - BRAKE PEDAL SUPPORT TO INSTRUMENT PANEL | | | | | |
| 63/64 | A(except 76) | | With movable steering column less A/C | C3AZ 76015A08-A | 1 |
| 63/64 | A(76) | | With or w/out movable steering column less A/C | | 1 |
| 63/ | A | | 1/4"-20 x 5/8" Hex. head screw & washer assy. | 43263-S8(U3) | 1 |
| | | | 1/4" Flat washer | 44719-S8(X17) | 1 |
| | | | 1/4"-20 Hex. nut | 33795-S7(M49) | 1 |
| | | | 1/4"-20 x 1" Pan head screw & washer assy. | *51022-S7 | 1 |
| | | | 1/4"-20 Nut & retainer assy. | 354394-S2(MM187) | 1 |
| | | | 5/16"-18 Hex. nut | 34392-S7-8(M93) | 1 |
| 01524 BRACE - BRAKE PEDAL SUPPORT | | | | | |
| 63 | A | | With movable steering column | C3AZ 6201524-A | 1 |
| | | | 3/8"-16 x 3/4" Hex. head screw & washer assy. | 43265-S8(U16) | 1 |
| 64 | A | | Use with movable steering column | C4AZ 6201524-A | 1 |
| 62/64 | B | | | C3OZ 6201524-B | 1 |
| 64 | S | "Before 2/10/64" | | C4SZ 6301524-A | 1 |
| 64/ | S | "From 2/10/64" | | C4SZ 6301524-B | 1 |
| 60/63 | X | | | C3DZ 6201524-A | 1 |
| 64 | X | | | C4DZ 6201524-A | 1 |
| 01570 RETAINER ASSY. - BRAKE PEDAL BRACE TO COWL TOP INNER PANEL | | | | | |
| 64 | S | "Before 2/10/64" | | C4SZ 6301570-A | 1 |
| 64/ | S | "From 2/10/64" | | C4SZ 6301570-B | 1 |
| 016A02-3 GUSSET - DASH PANEL REINFORCEMENT | | | | | |
| 64/ | S | | R. H. | C4SZ 63016A02-A | 1 |
| 64 | S | | L. H. | C4SZ 63016A03-A | 1 |
| 016B04 SEAL - DASH PANEL AT WINDSHIELD WIPER HOSE OPENING | | | | | |
| 63 | S | | Intake | C3SZ 63016B04-A | 1 |
| 63 | S | | Outlet | C3SZ 63016B04-B | 1 |
| 64/ | S | | | C4SZ 63016B04-A | 1 |
| 01605 PANEL ASSY. - DASH - Also Refer to Group 01610 | | | | | |
| 63 | S | | | C3SZ 6301605-A | 1 |
| 016B06 RETAINER - DASH PANEL AT WINDSHIELD WIPER HOSE OPENING SEAL | | | | | |
| 63 | S | | Intake | C3SZ 63016B06-A | 1 |
| 63 | S | | Outlet | C3SZ 63016B06-B | 1 |
| 64/ | S | | | C4SZ 63016B06-A | 1 |
| 63/ | S | | No. 8-18 x 3/8" Cross recess pan head screw | 52720-S8(U380) | 1to3 |
| 01610-1 PANEL ASSY. - DASH - Also Refer to Group 01605 | | | | | |
| - A - | | | | | |
| 60/63 | A | | | C1AZ 6201610-B | 1 |
| | | | Grommet-windshield wiper & washer hose | 373114-S(KK41) | 1 |
| 62 | A | | Plug(button)-1 1/8" dia. -use w/o heater or A/C | *376570-S | 2 |
| 64 | A | | | C4AZ 6201610-A | 1 |
| - B - | | | | | |
| 63/ | B | | | C3OZ 6201610-A | 1 |
| - S - | | | | | |
| 64 | S | | | C4SZ 6301610-A | 1 |
| - X - | | | | | |
| 60/63 | X(except 63, 76)-6 cyl. | | | C3DZ 6201610-B | 1 |
| 63 | X(except 76)-8 cyl. | | | C3DZ 6201610-A | 1 |
| 63 | X(63)-6 cyl. | | | | 1 |
| 63 | X(76)-6 cyl. | | | C3DZ 7601610-A | 1 |
| 63 | X(76)-8 cyl. | | | C3DZ 7601610-B | 1 |
| 64 | X(76) | | | C4DZ 7601610-A | 1 |
| 64 | X(except 76) | | | C4DZ 6201610-C | 1 |
| 016A12-3 REINFORCEMENT - DASH TO FRAME BRACE TO FLOOR SIDE MEMBER | | | | | |
| 64 | A(76) | | R. H. | C4AZ 76016A12-A | 1 |
| | | | L. H. | C4AZ 76016A13-A | 1 |
| 016B13 BRACKET ASSY. - DASH AT STEERING COLUMN SUPPORT REINFORCEMENT | | | | | |
| 63 | S | | | C3SZ 63016B13-A | 1 |
| 64 | S | | | C3SZ 63016B13-B | 1 |
| 016A14-5 GUSSET ASSY. - DASH PANEL REINFORCEMENT | | | | | |
| 61/63 | S | | R. H. | *C2SZ 63016A14-B | 1 |
| | | | L. H. | C2SZ 63016A15-B | 1 |

FORD CAR PARTS

**BODY
SECTION 000**

927

| GROUP NUMBER | YEAR | BODY TYPE | DESCRIPTION | PART NUMBER | QTY. |
|---|-------|---------------------|---|------------------|------|
| 016A22-3 REINFORCEMENT - DASH PANEL TO FRONT FLOOR PAN | | | | | |
| | 63/ | X(except 76)-8 cyl. | R. H. | C3DZ 62016A22-A | 1 |
| | | | L. H. | C3DZ 62016A23-A | 1 |
| | 63/ | X(76) | R. H. | C3DZ 76016A22-B | 1 |
| | | | L. H. | C3DZ 76016A23-B | 1 |
| 016A32-3 REINFORCEMENT ASSY. - DASH PANEL - LOWER | | | | | |
| | 61/63 | S | Refer to Group 017A24-5 | | |
| | 64/ | S | R. H. | C4SZ 63016A32-A | 1 |
| | 64/ | S | L. H. | C6SZ 63016A33-A | 1 |
| 01670-1 INSULATOR ASSY. - DASH - Also Refer to Group 01708 | | | | | |
| - A - | | | | | |
| | 61/62 | A | R. H. | C2AZ 6201670-A | 1 |
| | | | L. H. | ★C1AB 6201671-B | 1 |
| | 63 | A | R. H. - with heater-not used on units w/A/C | C3AZ 6201670-A | 1 |
| | | | R. H. - w/o heater-used on units with A/C | C3AZ 6201670-B | 1 |
| | | | L. H. | C3AZ 6201671-A | 1 |
| | 64 | A | R. H. - w/heater-not used on units w/A/C | C4AZ 6201670-A | 1 |
| | | | R. H. - w/o heater-used on units w/A/C | C4AZ 6201670-B | 1 |
| | | | L. H. | C4AZ 6201671-A | 1 |
| | 63/ | A | Clip | 374252-S32(HH8D) | 6to9 |
| | | | Clip | ★372710-S32 | 1 |
| - B - | | | | | |
| | 62/ | B | R. H. - with heater | C2OZ 6201670-A | 1 |
| | | | R. H. - without heater | C2OZ 6201670-B | 1 |
| | | | L. H. | C2OZ 6201671-A | 1 |
| - S - | | | | | |
| | 61/63 | S | R. H. -Cut as required for units with A/C | C3SZ 6301670-A | 1 |
| | | | L. H. | C3SZ 6301671-A | 1 |
| | 64/ | S | R. H. | C6SZ 6301670-A | 1 |
| | 64/ | S | L. H. | C4SZ 6301671-A | 1 |
| | | | Clip | ★357061-S32 | AR |
| - X - | | | | | |
| | 60/64 | X | R. H. -Cut as required | C3DZ 6201670-A | 1 |
| | | | L. H. | C0DZ 6401671-A | 1 |
| 01694 GROMMET - DASH PANEL OVERDRIVE CABLE | | | | | |
| | 60/ | S | With automatic transmission | B7S 4001694-A | 1 |
| 01698-9 PLATE - STEERING COLUMN OPENING COVER | | | | | |
| - A - | | | | | |
| | 63 | A | R. H. | C3AZ 6201698-A | 1 |
| | | | L. H. | C3AZ 6201699-A | 1 |
| | 64 | A | R. H. | C4AZ 6201698-A | 1 |
| | | | L. H. | C4AZ 6201699-A | 1 |
| - B - | | | | | |
| | 62/ | B | R. H. | C2OZ 6201698-A | 1 |
| | | | L. H. | C2OZ 6201699-A | 1 |
| | | | No. 14-10 x 5/8" Hex. washer head screw | 31498-S8(U253B) | 2 |
| - X - | | | | | |
| | 60/ | X | R. H. | C4DZ 6201698-A | 1 |
| | | | L. H. | C4DZ 6201699-A | 1 |
| | 60/ | A, X | No. 10 x 5/8"Hex. head self-tapping screw | 42014-S8(U240) | 9 |
| 017A00-1 REINFORCEMENT - DASH PANEL OUTER | | | | | |
| | 64/ | S(76) | R. H. | C6SZ 76017A00-A | 1 |
| | | | L. H. | C6SZ 76017A01-A | 1 |
| 017A06 PLATE ASSY. - TRADE MARK | | | | | |
| | 62 | A, B, S, X | Includes attaching parts | C2DZ 64017A06-A | 1 |
| 01708 INSULATOR ASSY. - DASH PANEL STEERING COLUMN OPENING COVER SOUND - Also refer to Group 01670 | | | | | |
| | 63 | A | | C3AZ 6201708-A | 1 |
| | 64 | A | | C4AZ 6201708-A | 1 |
| | | | Clip | ★372710-S32 | 1 |
| | | | Clip | 374252-S32(HH8D) | 1 |
| | 62/ | B | R. H. | C2OZ 6201708-B | 1 |
| | 64/ | S | | C4SZ 6301708-A | 1 |
| | 60/ | X | | C0DZ 6401708-B | 1 |

| GROUP NUMBER | YEAR | BODY TYPE | DESCRIPTION | PART NUMBER | QTY. |
|-----------------|---|-----------|--|-------------------|--------|
| 01709 | INSULATOR ASSY. - DASH END | | | | |
| 61 | S | | Refer to Group 01670 | | |
| 01714-5 | BRACE ASSY. - DASH TO FRAME | | | | |
| 60/63 | A | R. H. | | C0AZ 6401714-A | 1 |
| 63 | A | L. H. | | C3AZ 6201715-A | 1 |
| 64 | A | R. H. | | C4AZ 6201714-A | 1 |
| | | L. H. | | C4AZ 6201715-A | 1 |
| 017A22-3 | GUSSET ASSY. - DASH PANEL LOWER REINFORCEMENT | | | | |
| 62/63 | S | R. H. | | C2SZ 63017A22-A | 1 |
| | | L. H. | | C2SZ 63017A23-A | 1 |
| 64 | S | R. H. | | C4SZ 63017A22-A | 1 |
| | | L. H. | | C4SZ 63017A23-A | 1 |
| 017A24-5 | GUSSET - DASH PANEL LOWER REINFORCEMENT TO FRONT SIDE MEMBER | | | | |
| 62/ | S | R. H. | | C2SZ 63017A24-A | 1 |
| 64 | S | L. H. | | C2SZ 63017A25-A | 1 |
| 017A30 | SPRING ASSY. - STEERING COLUMN OPENING COVER RETAINING | | | | |
| 63/ | A | | | C3AZ 62017A30-A | 1 |
| 017A36-7 | REINFORCEMENT - DASH PANEL LOWER INNER | | | | |
| 64/ | S | R. H. | | C4SZ 63017A36-A | 1 |
| | | L. H. | | C4SZ 63017A37-A | 1 |
| 01738 | SEAL - STEERING COLUMN OPENING COVER PLATE | | | | |
| 64 | A | | Use with Automatic Transmission Can also be used with Standard Transmission by cutting a 1.625" diameter hole for shift tube | C4AZ 6201738-A | 1 |
| 017A64 | BRACE - GLOVE COMPARTMENT DOOR LOCK STRIKER | | | | |
| 64/ | X | | | C4DZ 62017A64-B | 2 |
| 018B00 | BEZEL - VENTILATOR AIR REGISTER DAMPER CONTROL | | | | |
| 64/ | S | | | C4SZ 63018B00-A | 1 |
| 01810 | SEAL - DASH PANEL HEATER OPENING COVER | | | | |
| 64/ | S | | Used without heater | C4SZ 6301810-A | 1 |
| | | | No. 10-12 x 1/2" Hex. washer head screw | 42127-S8(U248C) | 5 |
| 01814-5 | REGISTER ASSY. - VENTILATION AIR | | | | |
| 64 | S(63) | R. H. | | C4SZ 6301815-B | 1 |
| | | L. H. | | *C4SZ 6301815-A | 1 |
| 64/ | A(57) | | No. 8-15 x 1/2" Cross recess flat head screw | 52012-S8(U202) | 26 |
| 64/ | S(63) | | No. 8-32 x 1/2" Hex. washer screw | 40917-S8(U257) | 4 |
| | | | .265" I. D. x 1/2" O. D. x .050" wave thickness - Washer (wave)-use as shim for damper | 379188-S2(XX360C) | 4 |
| | | | .265" I. D. x 1/2" O. D. x .071" wave thickness - Washer (wave)-use as shim for damper | 379189-S2(XX360D) | 4 |
| 018B14 | TEE - VENTILATOR AIR REGISTER | | | | |
| 64/ | S | | Vacuum door lock | C5AZ 57018B14-A | 1 |
| 01820-1 | REGISTER - VENTILATION | | | | |
| 60/ | A | | | C0AZ 6401820-A | 1 or 2 |
| 62/ | B | | | | 1 or 2 |
| 61/63 | S | L. H. | | C1SZ 6301821-C | 1 |
| 64/ | S | L. H. | | C4SZ 6301821-A | 1 |
| 61/ | S | | No. 8-18 x .38" Truss head screw | 376378-S101(UU97) | 6 |
| 01846 | PLATE - HEATER OPENING COVER | | | | |
| 62/ | B | | | C2OB 6201846-A | 1 |
| 64/ | S | | | C4SZ 6301846-A | 1 |
| | | | No. 10-12 x 1/2" Hex. washer head screw | 42127-S8(U248C) | 5 |
| 60/ | X | | | C0DB 6401846-A | 1 |
| 62/ | A, B, X | | No. 10 x 5/8" Hex. head self-tapping screw | 42014-S8(U240) | 4 or 5 |
| 01850 | VALVE ASSY. - VENTILATOR AIR | | | | |
| 60/ | A | | Refer to Group 01934-5 or Chassis Group 19A563 | | |
| 64/ | S(63) | | | C4SZ 6301850-A | 1 |
| 018A56 | SUPPORT - VENTILATOR AIR OUTLET DUCT | | | | |
| 60/ | X | | | C0DB 64018A56-A | 2 or 4 |
| | | | No. 10-24 Hex. nut | 359606-S8(MM291A) | 2 or 4 |

FORD CAR PARTS

**BODY
SECTION 000**

929

| GROUP NUMBER | YEAR | BODY TYPE | DESCRIPTION | PART NUMBER | QTY. |
|--|-------|--|--|----------------------------------|--------|
| 01862-3 DAMPER ASSY. - VENTILATOR AIR VALVE | | | | | |
| - A - | | | | | |
| | 60/64 | A | | C3AZ 6201862-A | 2 |
| - B - | | | | | |
| | 62/ | B | | C3AZ 6201862-A | 2 |
| - X - | | | | | |
| | 64/ | X | | C3AZ 6201862-A | 1 |
| 01870 BRACKET - AIR CONTROL MOUNTING | | | | | |
| | 64/ | S | | C4SZ 6301870-B | 1 |
| 01880-1 SEAL - WINDSHIELD DEFROSTER OPENING | | | | | |
| | 63/ | B | R. H. L. H. | C3OZ 6201880-A C3OZ 6201881-A | 1 1 |
| 01890-1 CONTROL ASSY. -AIR | | | | | |
| - A - | | | | | |
| 60 | | A(54A,58A, E, F, 59C, E, 62A, 63A, 64A, F, G, H, 71E, F, G, H, 75A, 76B) | R. H. or L. H. -Cut to length | C0AF 6401890-B | 1 |
| 61 | | A(54A,58A, E, F, 59C, 62A, 63A, 64A, F, H, 65A, 71E, F, 71G, H, J, 75A, 76B) | | | 1 |
| 62 | | A | R. H. - With fresh air heater-55.52" long | C2AZ 6201890-B | 1 |
| 62 | | A(except 65B, 71D, 76B) | Without fresh air heater | C2AB 6201890-A | 2 |
| 63 | | A | R. H. - With or without heater-less knob | C3AZ 6201890-A | 1 |
| | | | L. H. - With fixed steering column- Includes 1.18" diameter knob | C3AZ 6201891-C | 1 |
| | | | L. H. -With movable steering column- Includes 1.01" diameter knob | C3AZ 6201891-D | 1 |
| | | | 7/16"-20 Nut (stamped) | 45219-S(M173) | 2 |
| | | | Clip | 378897-S7-8(GG162A) | 1 |
| | | | No.10 x 1/2" Pan head self-tapping screw | 32924-S7-8(U344) | 1 |
| 64 | A | R. H. -With or without heater-less knob | C3AZ 6201890-A | 1 | |
| | | L. H. - With fixed steering column | C4AZ 6201891-A | 1 | |
| 64 | A | L. H. -With movable steering column | C4AZ 6201891-B | 1 | |
| | | Clip | 356628-S (GG175) | 1 | |
| | | No.10-24 x 7/16" Hex. head bolt | 350002-S(BB529) | 1 | |
| | | No.10-Lockwasher (external tooth) | 34939-S8 (X86) | 1 | |
| | | No.10-24 Hex. nut | 34053-S8 (M156) | 1 | |
| | | | | | |
| - B - | | | | | |
| 62 | | B (with 6 cyl.) | R. H. -Without fresh air heater or automatic choke | C2OZ 6201890-C | 1 |
| 63/ | | B (with 6 cyl.) | R. H. -Without heater | | 1 |
| 62 | | B (with 8 cyl.) | R. H. -With or without fresh air heater, defroster and automatic choke-Cut as required | C2AZ 6201890-B | 1 |
| 63/ | | B (with 8 cyl.) | R. H. -With or without heater-cut as required | | 1 |
| 62 | | B | L. H. -With or without fresh air heater or automatic choke & cut to length | C2OZ 6201890-C | 1 |
| 63/ | | B | Cut as required | | 1 |
| 62/ | | B (with 6 cyl.) | R. H. - With fresh air heater and manual choke | C2OZ 6201890-E | 1 |
| - S - | | | | | |
| 61/63 | S | R. H. -Cut as required-Fuse box located on R. H. cowl side | C3SZ 6301890-B | 1 | |
| | | L. H. -Cut as required | C1SB 6301891-A | 1 | |
| | | 7/16"-20 Hex. nut | 34690-S8(M34) | 1 | |
| | | 7/16" Flat washer | 44730-S8(X30) | 1 | |
| 64/ | S | R. H. | C4SZ 6301890-C | 1 | |
| | | L. H. | C4SZ 6301891-C | 1 | |
| 64/ | S | Clip | 378897-S7-8(GG162A) | 2 | |
| - X - | | | | | |
| 64 | X | | L. H. -With fresh air heater and manual choke | C2OZ 6201890-E | 1 |
| 019A10 NUT - VENTILATOR AIR CONTROL BEZEL | | | | | |
| | 63/64 | A | | C4AZ 62019A10-A | 1 |

| GROUP NUMBER | YEAR | BODY TYPE | DESCRIPTION | PART NUMBER | QTY. |
|-----------------|---|-----------|--|----------------------------------|--------|
| 01918 | BRACKET - VENTILATOR AIR REGISTER DAMPER | | | | |
| | 64/ | S(63) | | C4SZ 6301918-A | 1 |
| 01934-5 | DUCT ASSY. - VENTILATOR AIR - OUTLET | | | | |
| | - A - | | | | |
| | 60/63 | A | "Before 7/8/63" R. H. - NOTE 2 L. H. | C1AZ 6201934-A C3AZ 6201935-A | 1 1 |
| | 63/64 | A | "From 7/8/63" R. H. - NOTE 2 L. H. | C3AZ 6201934-A C3AZ 6201935-A | 1 1 |
| | - B - | | | | |
| | 62/ | B | R. H. - NOTE 2 L. H. | C2OZ 6201934-A C3OZ 6201935-A | 1 1 |
| | - S - | | | | |
| | 61/63 | S | R. H. | C1SB 6301934-A | 1 |
| | 61/64 | S | L. H. | C1SZ 6301935-C | 1 |
| | 60/ | S | No. 10 - 12 x 5/8" Hex. washer head screw | 42134-S8 (U249) | 8or12 |
| | - X - | | | | |
| | 60 | X | L. H. | C3DZ 6401935-A | 1 |
| | 60/63 | X | R. H. | C0DZ 6401934-E | 1 |
| | 60/63 | X | L. H. | C3DZ 6401935-A | 1 |
| | 64/ | X | R. H. | C0DZ 6401934-E | 1 |
| | | | L. H. | C3OZ 6201935-A | 1 |
| | 60/ | X | Support | C0DB 64018A56-A | 4 |
| | 50/64 | A, X | No. 10 Flat washer | 44716-S8(X15) | 8 |
| | | | No. 10-12 x 5/8" Cross recess pan head screw | *52735-S8 | 8 |
| 01970 | SEAL - VENTILATOR AIR DUCT - OUTER | | | | |
| | 60/ | A | R. H. or L. H. -Improvise from caulking sealer | | |
| | 61/ | S | R. H. or L. H. -Improvise from caulking sealer | | |
| 019A84 | MOTOR and BRACKET ASSY. - VENTILATOR AIR REGISTER DAMPER | | | | |
| | 64 | S (63) | | C4SZ 63019A84-B | 2 |
| 019A86 | CONNECTOR - VENTILATOR AIR REGISTER DAMPER MOTOR HOSE | | | | |
| | 64/ | S | | C4SZ 63019A86-A | 1 |
| 019A88 | HOSE - VENTILATOR AIR REGISTER DAMPER MOTOR-Refer to Groups 17543 & 7B086 in Chassis Section | | | | |
| | 64/ | S(63) | . 100" I. D. x . 220" O. D. x approx. 17" long Cut to 5 1/4" long | C4SZ 63019A88-A | 1 1 |
| 01999 | GASKET - VENTILATOR AIR INLET DUCT TO COWL TOP INNER PANEL | | | | |
| | 62/ | B | | C2OZ 6201999-A | 2 |
| | 64/ | X | | | 1 |
| 02006 | CONTROL ASSY. - VENTILATOR AIR REGISTER DAMPER | | | | |
| | 64/ | S(63) | | C4SZ 6302006-A | 1 |
| | | | 1/2"-28 Hex. nut | *356098-S8 | 1 |
| 020A06-7 | FILLER - COWL SIDETRIM - LOWER - Paint to Match | | | | |
| | 60/ | X | R. H. | C0DB 64020A06-CP | 1 |
| | | | L. H. | C0DB 64020A07-CP | 1 |
| | | | No. 8 x 3/4" Cross recess oval head screw | 52360-S13(U294) | 4 |
| 02010 | PANEL ASSY. - COWL TOP | | | | |
| | 63/64 | A | | C3AZ 6202010-B | 1 |
| | 62/64 | B | | C3OZ 6202010-A | 1 |
| | 61/62 | S | | C1SZ 6302010-F | 1 |
| | 63 | S | | C3SZ 6302010-A | 1 |
| | 64/ | S | | C4SZ 6302010-A | 1 |
| | | | Plug (button)-1" diameter | 377678-S(PP 3E) | 2 |
| | | | Plug (button)-3/8" diameter | *379286-S | 2 |
| | 60/63 | X | | C0DZ 6402010-J | 1 |
| | 64/ | X | | C5DZ 6202010-A | 1 |

NOTE 2 - Refer to Group 01862 for Damper

FORD CAR PARTS

**BODY
SECTION 000**

931

| GROUP NUMBER | YEAR | BODY TYPE | DESCRIPTION | PART NUMBER | QTY. |
|--|-------|------------------|-------------------------------------|-----------------|------|
| 02012 PANEL ASSY. - COWL TOP - OUTER | | | | | |
| | 60/63 | X | | C0DZ 6402012-A | 1 |
| | 64 | X | | C4DZ 6202012-A | 1 |
| 02038-9 PANEL ASSY. - COWL SIDE | | | | | |
| | 61/63 | S | R. H. | C1SZ 6302038-C | 1 |
| | | | L. H. | C3SZ 6302039-A | 1 |
| | 64/ | S | R. H. | C6SZ 6302038-A | 1 |
| | | | L. H. | C6SZ 6302039-A | 1 |
| 02042-3 PANEL ASSY. - FRONT PILLAR and COWL SIDE | | | | | |
| - A - | | | | | |
| | 63 | A | R. H. | C3AZ 6202042-A | 1 |
| | | | L. H. | C3AZ 6202043-A | 1 |
| | 64 | A | R. H. | C4AZ 6202042-A | 1 |
| | | | L. H. | C4AZ 6202043-A | 1 |
| | 60/ | A | Plug (hinge access) 1 1/2" diameter | 352285-S(PP5) | 2 |
| - B - | | | | | |
| | 62/64 | B | R. H. | C3OZ 6202042-A | 1 |
| | | | L. H. | C3OZ 6202043-A | 1 |
| - X - | | | | | |
| | 60/63 | X(except 63, 76) | R. H. | C3DZ 6202042-A | 1 |
| | | | L. H. | C3DZ 6202043-A | 1 |
| | 63 | X(63, 76) | R. H. | C3DZ 7602042-A | 1 |
| | | | L. H. | C3DZ 7602043-A | 1 |
| | 64/ | X | R. H. | C4DZ 6302042-B | 1 |
| | | | L. H. | C4DZ 6302043-B | 1 |
| | 63/ | X | Plug-when courtesy lamp is not used | 352291-S(PP3) | 2 |
| 02062-3 EXTENSION - COWL SIDE PANEL | | | | | |
| | 63/ | X(76) | R. H. | C3DZ 7602062-A | 1 |
| | | | L. H. | C3DZ 7602063-A | 1 |
| 020A62-3 BRACE - COWL SIDE PANEL - OUTER | | | | | |
| | 64/ | S(76) | R. H. | C4SZ 76020A62-A | 1 |
| | | | L. H. | C4SZ 76020A63-A | 1 |
| 021A14-5 GUSSET - DASH PANEL TO FLOOR SIDE MEMBER | | | | | |
| | 64 | A(76) | R. H. | C4AZ 76021A14-A | 1 |
| | | | L. H. | C4AZ 76021A15-A | 1 |
| 02145 KNOB - COWL SIDE VENTILATOR OR AIR DOOR CONTROL LEVER | | | | | |
| | 60 | S | | B8S 6302145-A | 2 |
| 02204 ANTI-SQUEAK - COWL TOP VENTILATOR GRILLE | | | | | |
| | 60/ | S | Cut off 1 3/4" | B7C 8102204-A | AR |
| 02207 TUBE - COWL TOP INNER PANEL DRAIN | | | | | |
| | 61/ | S | Clamp | C1SZ 6302207-A | 2 |
| | | | | B7AZ 8287-D | 2 |

**BODY
SECTION 000**
FORD CAR PARTS

| GROUP NUMBER | YEAR | BODY TYPE | DESCRIPTION | PART NUMBER | | QTY. |
|---|-------|-----------|--|------------------|----------------|---------|
| | | | | RIGHT HAND | LEFT HAND | |
| 02218 BRACKET - COWL TOP VENTILATOR GRILLE SUPPORT | | | | | | |
| | 61/63 | S | | C1SB 6302218-A | | 3 |
| | | | No. 8-15 x 1" Cross recess oval head screw | 52376-S13(U296) | | 3 |
| 02222 GRILLE ASSY. - COWL TOP VENTILATOR | | | | | | |
| | 61/63 | S | | C1SB 6302222-B | | 1 |
| | | | No. 8-15 x 1/2" Cross recess pan head screw | 52726-S13(U381) | | 4 |
| | | | No. 8-15 x 5/8" Hex. washer head screw | *42133-S8 | | 8 |
| | | | No. 8-18 x 1/2" Cross recess oval head screw | 52413-S13(U316) | | 3 |
| 02228 GRILLE - COWL TOP VENTILATOR | | | | | | |
| | 61/62 | A | | C1AB 6202228-B | | 1 |
| | 63/64 | A | | C4AZ 6202228-A | | 1 |
| | 60 | S | | B8S 6302228-A | | 1 |
| | | | No. 10 x 3/8" Binding head sheet metal screw | *32917-S7 | | 6or9 |
| | | | Bumper assy. | 358939-S(CC17) | | 2 |
| | | | No. 10 Flat washer | 44716-S8(X15) | | 2 |
| | | | No. 8 x 5/8" Binding head sheet metal screw | 32930-S7-8(U340) | | 2 |
| | 64/ | S | | C4SZ 6302228-A | | 1 |
| | 61/ | A,S | | *42133-S8 | | 8 to 12 |
| | | | No. 8-15 x 5/8" Hex. washer head screw | 52726-S13(U381) | | 2 |
| | | | No. 8-15 x 1/2" Cross recess pan head screw | | | |
| 02246 SUPPORT ASSY. - PARKING BRAKE BRACKET TO COWL SIDE | | | | | | |
| | 64/ | S | | C4SZ 6302246-B | | 1 |
| 02254 COLLAR - COWL TOP INNER PANEL | | | | | | |
| | 60/ | A | | C1AB 6202254-A | | 1 |
| 02294-5 BRACKET - COWL TOP PANEL TO FRONT FENDER APRON | | | | | | |
| - B - | | | | | | |
| | 62/64 | B | R. H. | C2OZ 6202294-A | | 1 |
| | | | L. H. | C2OZ 6202295-A | | 1 |
| - X - | | | | | | |
| | 60/63 | X | R. H. | C0DZ 6402294-A | | 1 |
| | | | L. H. | C0DZ 6402295-A | | 1 |
| | 64/ | X | R. H. | C4DZ 6202294-A | | 1 |
| | | | L. H. | C4DZ 6202295-A | | 1 |
| 02298 ANTI-RATTLER - COWL VENTILATOR SCREEN | | | | | | |
| | 60 | S | Cut from A9A 17543-A | | | AR |
| 02316 RETAINER - COWL TOP VENTILATOR GRILLE | | | | | | |
| | 64/ | S | | C4SZ 6302316-A | | 7 |
| | | | No. 10-16 x 3/8" Hex. washer head screw | 42120-S8(U248) | | 7 |
| GROUP NUMBER | YEAR | BODY TYPE | DESCRIPTION | PART NUMBER | | QTY. |
| | | | | RIGHT HAND | LEFT HAND | |
| 02420 RETAINER - COWL TOP VENTILATOR GRILLE - OUTER | | | | | | |
| | 64/ | S | | C4SZ 6302420-A | C4SZ 6302420-A | 2 |
| | | | No. 10-16 x 3/8" Hex. washer head screw | 42120-S8(U248) | 42120-S8(U248) | 2 |
| 02426-7 GUSSET - COWL SIDE TO FRONT PILLAR - LOWER | | | | | | |
| | 63/ | X(63,76) | | C3DZ 7602426-A | C3DZ 7602427-A | 1 |
| 02500-1 PILLAR ASSY. - FRONT BODY | | | | | | |
| | 63 | S | Lower | C3SZ 6302500-A | C3SZ 6302501-A | 1 |
| | 64/ | S | | C4SZ 6302500-A | C4SZ 6302501-A | 1 |

FORD CAR PARTS

**BODY
SECTION 000**

933

| GROUP NUMBER | YEAR | BODY TYPE | DESCRIPTION | PART NUMBER | | QTY. |
|--|--------|-------------------------------|---|-----------------|-----------------|------|
| | | | | RIGHT HAND | LEFT HAND | |
| 02508-9 PILLAR - FRONT BODY - UPPER INNER | | | | | | |
| | 64/ | S | | C4SZ 6302508-A | C4SZ 6302509-A | 1 |
| 025A10-1 TROUGH ASSY. - FRONT BODY UPPER PILLAR | | | | | | |
| | 60/ | X | | C0DB 64025A10-B | C0DB 64025A11-B | 1 |
| | | | No. 8 x 1/2" Cross recess pan head screw | 52726-S13(U381) | 52726-S13(U381) | 4 |
| 02516-7 PILLAR - FRONT BODY - UPPER OUTER - Also Refer to Group 02536-7 | | | | | | |
| - B - | | | | | | |
| | 62/64 | B(except 65) | | C2OZ 6202516-A | C2OZ 6202517-A | 1 |
| | 63/64 | B(65) | | C3OZ 6502516-A | C3OZ 6502517-A | 1 |
| - S - | | | | | | |
| | 61/63 | S | Cut as required for S(76) | C1SZ 6302516-A | C1SZ 6302517-A | 1 |
| | 64/ | S(63) | | C4SZ 6302516-A | C4SZ 6302517-A | 1 |
| | 64/ | S(76) | | C4SZ 7602516-A | C4SZ 7602517-A | 1 |
| 025A20-1 MOULDING - FRONT PILLAR DRIP | | | | | | |
| | 62 | B | Includes attaching parts | C2OZ 62025A20-A | C2OZ 62025A21-A | 1 |
| | 63 | B(54, 62, 71) | | | | 1 |
| | 62, 63 | S(76) | Includes attaching parts | C2SZ 76025A20-A | C2SZ 76025A21-A | 1 |
| | 63/ | S(76) | Refer to Group 517A54 | | | |
| 02522-3 PILLAR ASSY. - FRONT BODY - UPPER INNER | | | | | | |
| - A - | | | | | | |
| | 62 | A(except 65, 75, 76) | | C3AZ 6202522-A | C3AZ 6202523-A | 1 |
| | 63/64 | A(54, 62, 71) | | | | 1 |
| | 62, 63 | A(65, 75) | | C3AZ 6502522-A | C3AZ 6502523-A | 1 |
| | 63 | A(63) | | C3AZ 6302522-A | C3AZ 6302523-A | 1 |
| | 64 | A(57, 63) | | | | 1 |
| | 63/64 | A(76) | | C3AZ 7602522-A | C3AZ 7602523-A | 1 |
| - B - | | | | | | |
| | 62, 63 | B(except 65) "Before 7/13/63" | | C2OZ 6202522-B | C2OZ 6202523-A | 1 |
| | 63 | B(except 65) "From 7/13/63" | | C2OZ 6202522-B | C2OZ 6202523-B | 1 |
| | 63/64 | B(65) "Before 3/2/64" | | C3OZ 6502522-A | C3OZ 6502523-A | 1 |
| | 64/ | B(65) "From 3/2/64" | | C3OZ 6502522-B | C3OZ 6502523-B | 1 |
| - S - | | | | | | |
| | 61/63 | S | | C1SZ 6302522-A | C1SZ 6302523-A | 1 |
| - X - | | | | | | |
| | 60 | X(except 63, 76) | | C0DZ 6402522-B | C0DZ 6402523-C | 1 |
| | 63 | X(63) | | C3DZ 6302522-A | C4DZ 6302523-A | 1 |
| | 64/ | X(63) | | C4DZ 6302522-A | C4DZ 6302523-A | 1 |
| | 63 | X(76) | | C4DZ 7602522-A | C4DZ 7602523-A | 1 |
| 02536-7 PILLAR ASSY. - FRONT BODY - UPPER OUTER - Also refer to Group 02516-7 and 02508-9 | | | | | | |
| - A - | | | | | | |
| | 62/63 | A(except 63, 65, 75, 76) | | C3AZ 6202535-A | C3AZ 6202537-A | 1 |
| | 64 | A(except 57, 63, 76) | | | | 1 |
| | 62/63 | A(65, 75) | | C3AZ 6502536-A | C3AZ 6502537-A | 1 |
| | 63 | A(63) | | C3AZ 6302536-A | C3AZ 6302537-A | 1 |
| | 64 | A(57, 63) | | | | 1 |
| | 63/64 | A(76) | | C3AZ 7602536-A | C3AZ 7602537-A | 1 |
| - X - | | | | | | |
| | 63 | X(except 63, 76) | | C3DZ 6402536-A | C3DZ 6402537-A | 1 |
| | 63 | X(63) | | C3DZ 6302536-A | C3DZ 6302537-A | 1 |
| | 63 | X(76) | | C3DZ 7602536-A | C3DZ 7602537-A | 1 |
| | 64 | X(63, 76) | | C4DZ 6302536-A | C4DZ 6302537-A | 1 |
| 025A42-3 FILLER - FRONT BODY PILLAR TO FENDER - CENTER | | | | | | |
| | 64/ | S | | C4SZ 63025A42-A | C4SZ 63025A43-A | 1 |

| GROUP NUMBER | YEAR | BODY TYPE | DESCRIPTION | PART NUMBER | QTY. |
|---|-------|-----------|---|------------------|------|
| 025A46 COVER - FRONT BODY PILLAR OUTER REINFORCEMENT WELD ACCESS | | | | | |
| | 64/ | S(76) | | C4SZ 76025A46-A | 2 |
| 02560-1 REINFORCEMENT - FRONT BODY PILLAR OUTER LOWER | | | | | |
| | 64/ | S(76) | | C4SZ 7602560-A | 1 |
| | | | | C4SZ 7602561-A | 1 |
| 02594-5 RETAINER - FRONT BODY PILLAR UPPER WEATHERSTRIP | | | | | |
| | 64 | S(76) | | C4SZ 7602594-B | 1 |
| | | | | C4SZ 7602595-A | 1 |
| 02614 RETAINER - DOOR OPENING WINDLACE | | | | | |
| | 60/ | A, S | | B7A 7002614-A | AR |
| | 60/ | X | | | AR |
| | 62/ | B | | | AR |
| 02616-7 PILLAR - FRONT BODY UPPER OUTER CORNER | | | | | |
| | 64/ | S(76) | | C4SZ 7602616-A | 1 |
| | | | | C4SZ 7602617-A | 1 |
| 02622-3 PILLAR - FRONT BODY UPPER INNER CORNER | | | | | |
| | 64/ | S(63) | | C4SZ 6302622-A | 1 |
| | 64/ | S(76) | | C4SZ 7602622-A | 1 |
| | | | | C4SZ 6302623-A | 1 |
| | | | | C4SZ 7602623-A | 1 |
| 02626-7 WEATHERSTRIP - FRONT BODY PILLAR - UPPER - Also refer to Group 03198-9 | | | | | |
| | 60 | S(63A) | | B8S 6302626-A | 1 |
| | 64/ | S(76) | | C4SZ 7602626-B | 1 |
| | 64/ | S(76) | No. 8-15 x 1/2" Cross recess flat head screw | 377948-S2(UU48G) | 10 |
| | | | | B8S 6302627-A | 1 |
| | | | | C4SZ 7602627-B | 1 |
| | | | | 377948-S2(UU48G) | 10 |
| 02654-5 FILLER - FRONT BODY PILLAR TO FENDER - UPPER | | | | | |
| | 64/ | S | R. H. | C4SZ 6302654-A | 1 |
| | | | L. H. | C4SZ 6302655-A | 1 |
| 02670-1 FILLER - FRONT BODY TO FENDER - LOWER | | | | | |
| | 64/ | S | R. H. | C4SZ 6302670-A | 1 |
| | | | L. H. | C4SZ 6302671-A | 1 |
| | | | Bumper | 380369-S(CC44) | 6 |
| 02694 REINFORCEMENT - FRONT BODY UPPER INNER PILLAR - UPPER | | | | | |
| | 63/ | X(63) | R. H. | C3DZ 6302694-A | 1 |
| 02884-5 REINFORCEMENT ASSY. - COWL SIDE PANEL | | | | | |
| | 61/63 | S | R. H. | C2SZ 6302884-A | 1 |
| | | | L. H. | C2SZ 6302885-A | 1 |
| 02916-7 REINFORCEMENT - COWL SIDE PANEL TO FLOOR | | | | | |
| | 64 | A(76) | R. H. | C4AZ 7602916-A | 1 |
| | | | L. H. | C4AZ 7602917-A | 1 |

BODY BOLT CHART

HOW TO FIND BODY BOLTS and RELATED PARTS

- 1) To determine Body Bolts and Related Parts you must know:
 - a) YEAR
 - b) CAR LINE
 - c) BODY TYPE
 - d) BODY BOLT LOCATION
 - e) NAME OF PART
- 2) Using this information and the typical illustration shown below, refer to the listing beginning on page 936.
- 3) Locate the appropriate Code Number for Bolts, Nuts, Retainers etc.
- 4) Translate the Code Number into a Service Part Number by referring to the Cross Reference listing on page 940.

Read down to locate Code Number.

Read across to locate Service Part Number.

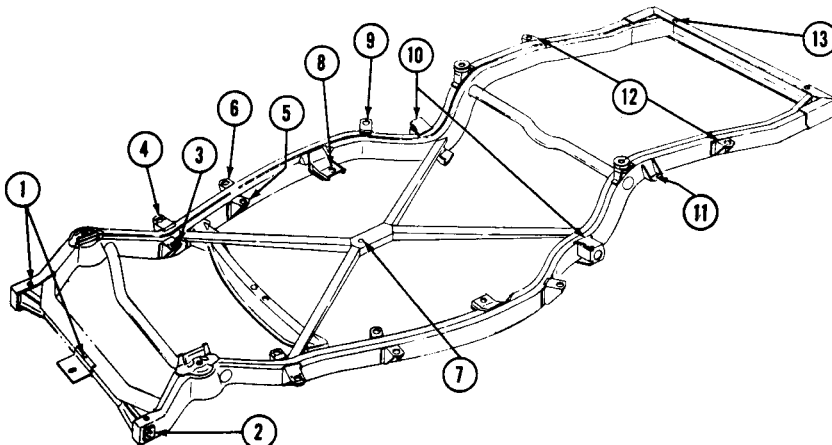
EXAMPLE:

- | | |
|-----------------------|--|
| a) Year | 1964 |
| b) Car Line | FORD |
| c) Body Type | 71 |
| d) Body Bolt Location | Number 3 |
| e) Name of Part | Absorber, Bolt, Flat washer, Lockwasher, Retainer, Shim and Spacer |

Code Numbers listed are:

Part numbers shown for these Codes are:

| | |
|------------------|----------------|
| Absorber ---74 | C4AZ 6200154-A |
| Bolt ---64 | C1AE 6A527-C |
| Flat washer---86 | 44735-S8(X32) |
| Lockwasher---90 | 34808-S8(X67) |
| Retainer ---98 | C4AZ 6200163-A |
| Shim ---67 | C3AZ 8126-A |
| Spacer ---★ | Not serviced |



BODY BOLT CHART - continued

| BODY TYPE | PART NAME | BODY BOLT LOCATION | | | | | | | | | | | | | |
|------------------------------|------------|--------------------|---|----|----|----|----|----|----|----|----|----|----|----|----|
| | | 1 | 2 | 3 | 4 | 5 | 6 | 7 | 8 | 9 | 10 | 11 | 12 | 13 | 14 |
| | | PART CODE NUMBER | | | | | | | | | | | | | |
| 1961 FORD - continued | | | | | | | | | | | | | | | |
| 76 | Bolt | | | 19 | 19 | | | | | | | | | 25 | |
| 75 | Bolt | | | | | | | | 25 | 31 | | | | | |
| Except 75 | Bolt | | | | | | | | 31 | | | | | | |
| 59, 71 | Bolt | | | | | | | | | | | | 31 | 19 | |
| Except 59, 71 | Bolt | | | | | | | | | | | | 25 | | |
| 54, 58, 62, 63, 64, 65, 75 | Bolt | | | | | | | | | | | | 26 | | |
| All | Lockwasher | | | 10 | 10 | | 12 | | | | 12 | 28 | 12 | | |
| All | Lockwasher | | | 28 | 28 | | | | | | | | | | |
| 75 | Lockwasher | | | | | | | | 9 | 12 | | | | | |
| Except 75 | Lockwasher | | | | | | | | 12 | | | | | | |
| 76 | Lockwasher | | | | | | | | | | | | | 12 | |
| 59, 71 | Lockwasher | | | | | | | | | | | | | 13 | |
| 54, 58, 62, 63, 64, 65, 75 | Lockwasher | | | | | | | | | | | | | 28 | |
| All | Nut | 20 | | 7 | 7 | | | | | | | | | | |
| All | Nut | 6 | | | | | | | | | | | | | |
| 76 | Nut | | | | | 2 | | 2 | | 2 | | 2 | 2 | 2 | |
| 76 | Nut | | | | | 8 | | 8 | | 8 | | 8 | 8 | 8 | |
| Except 76 | Nut | | | | | | | | | | 7 | | | | |
| 75 | Nut | | | | | | | | | 38 | | | | | |
| 54, 58, 62, 63, 64, 65, 75 | Nut | | | | | | | | | | | | | 2 | |
| 54, 58, 62, 63, 64, 65, 75 | Nut | | | | | | | | | | | | | 8 | |
| 59, 71 | Nut | | | | | | | | | | | | | 7 | |
| All | Pad | 113 | | | | | | | | | | | | | |
| All | Retainer | ★ | | | | | | | | | | | | | |
| Except 76 | Retainer | | | | | ★ | | ★ | | ★ | | ★ | | | |
| Except 76 | Retainer | | | | | ★ | | ★ | | ★ | | ★ | | | |
| All | Shim | 69 | | | | | | | | | | | | | |
| All | Shim | | | ★ | ★ | | | | | | | | | | |
| All | Spacer | | | ★ | ★ | | | | | | | | | | |
| 76 | Spacer | | | | | ★ | | ★ | | ★ | ★ | ★ | ★ | ★ | |
| 75 | Spacer | | | | | | | | | ★ | | | | | |
| Except 76 | Spacer | | | | | | | | | | | ★ | | | |
| Except 76 | Washer | | | | | | | | | | | 15 | | | |
| 59, 71 | Washer | | | | | | | | | | | | | 15 | |
| 75 | Washer | | | | | | | | 34 | | | | | | |
| All | Washer | 30 | | 16 | 16 | | | | | | | | | | |
| 1962 FORD | | | | | | | | | | | | | | | |
| Except 76 | Absorber | | | ★ | ★ | | | ★ | | ★ | | ★ | | ★ | |
| Except 76 | Absorber | | | | | 88 | | 88 | | 88 | ★ | 88 | | | |
| 76 | Absorber | | | | | | | ★ | | | | | | | |
| Except 71, 76 | Absorber | | | | | | | | | | | | | ★ | |
| All | Bolt | 41 | | | | | | 31 | | | 31 | 19 | | | |
| Except 76 | Bolt | | | 32 | 32 | | | | | | | | 31 | | |
| 76 | Bolt | | | 19 | 19 | | | | | | | | | 25 | |
| 54, 62, 65, 71 | Bolt | | | | | | | | | 31 | | | | | |
| 75 | Bolt | | | | | | | | 25 | 31 | | | | | |
| Except 71 | Bolt | | | | | | | | | | | | 25 | 26 | |
| 71 | Bolt | | | | | | | | | | | | | 19 | |
| Except 71, 76 | Bolt | | | | | | | | | | | | | 26 | |
| All | Lockwasher | | | 34 | 34 | | | | | | | 28 | | | |
| All | Lockwasher | | | 10 | 10 | | 12 | | | | 12 | | 12 | | |
| 54, 62, 65, 71 | Lockwasher | | | | | | | | 12 | | | | | | |

BODY BOLT CHART - continued

| BODY TYPE | PART NAME | BODY BOLT LOCATION | | | | | | | | | | | | | |
|------------------------------|------------|--------------------|---|----|----|----|----|---|----|----|----|----|----|----|----|
| | | 1 | 2 | 3 | 4 | 5 | 6 | 7 | 8 | 9 | 10 | 11 | 12 | 13 | 14 |
| | | PART CODE NUMBER | | | | | | | | | | | | | |
| 1962 FORD - continued | | | | | | | | | | | | | | | |
| 75 | Lockwasher | | | | | | | | 9 | 12 | | | | | |
| 76 | Lockwasher | | | | | | | | | | | | | 12 | |
| 71 | Lockwasher | | | | | | | | | | | | | 13 | |
| Except 71, 76 | Lockwasher | | | | | | | | | | | | | 28 | |
| 71 | Lockwasher | | | | | | | | | | | | | 10 | |
| Except 76 | Lockwasher | | | | | | | | | | | 10 | | | |
| Except 76 | Nut | | | | | | | | | | | 7 | | | |
| 71 | Nut | | | | | | | | | | | | | 7 | |
| All | Nut | 6 | | | | | | | | | | | | | |
| All | Nut | 20 | | | | | | | | | | | | | |
| All | Pad | * | | | | | | | | | | | | | |
| 76 | Retainer | | | | | | 2 | | | | 2 | | 2 | | |
| 76 | Retainer | | | | | | 8 | | | | 8 | | 8 | | |
| Except 76 | Retainer | | | | | | 76 | | 76 | | 76 | | 76 | | |
| Except 76 | Retainer | | | | | | * | | * | | * | | * | | |
| Except 71, 76 | Retainer | | | | | | | | | | | | | 2 | |
| 76 | Retainer | | | | | | | | | | | | | 2 | |
| Except 71, 76 | Retainer | | | | | | | | | | | | | 8 | |
| 76 | Retainer | | | | | | | | | | | | | 8 | |
| All | Shim | 69 | | * | * | | | | | | | | | | |
| All | Spacer | | | * | * | | * | | | | | | | | |
| 76 | Spacer | | | | | | | | | | * | * | | * | |
| 54, 62, 65, 75 | Spacer | | | | | | | | | | | * | | | |
| 71 | Spacer | | | | | | | | | | | | | 76 | |
| Except 76 | Washer | | | | | | | | | | | | 15 | | |
| 71 | Washer | | | | | | | | | | | | | 15 | |
| 75 | Washer | | | | | | | | 34 | | | | | | |
| All | Washer | 30 | | 16 | 16 | | | | | | | | | | |
| 1963 FORD | | | | | | | | | | | | | | | |
| Except 76 | Absorber | | | 73 | 73 | 73 | 73 | | 73 | | 73 | | 73 | | |
| Except 76 | Absorber | | | 82 | 82 | 82 | 82 | | 82 | | 82 | | 82 | | |
| Except 76 | Bolt | | | 64 | 64 | 37 | 37 | | 37 | | 37 | | 35 | | |
| All | Bolt | 41 | | | | | | | | | | 46 | | | |
| 76 | Bolt | | | 47 | 47 | 47 | 47 | | 47 | | 47 | | 64 | | |
| 75 | Bolt | | | | | | | | 35 | | | | | | |
| 71 | Bolt | | | | | | | | | | | | | 47 | |
| Except 71, 76 | Bolt | | | | | | | | | | | | | 36 | |
| 71 | Bolt | | | | | | | | | | | | | 24 | |
| All | Lockwasher | | | | | | | | | | | | | 10 | |
| 71 | Lockwasher | | | | | | | | | | | | | 10 | |
| All | Lockwasher | | | 10 | 10 | | | | | | | | 28 | | 13 |
| Except 76 | Lockwasher | | | | | 12 | 12 | | 12 | | 12 | | 12 | | |
| 76 | Lockwasher | | | | | | | | 13 | | 13 | | 13 | | |
| 75 | Lockwasher | | | | | | | | 9 | | | | | | |
| 71 | Lockwasher | | | | | | | | | | | | | 12 | |
| 71, 76 | Lockwasher | | | | | | | | | | | | | 10 | |
| 76 | Lockwasher | 10 | | | | 10 | 10 | | 10 | | 10 | | | 10 | |

FORD CAR PARTS

**BODY
SECTION 030**

941

| GROUP NUMBER | YEAR | BODY TYPE | DESCRIPTION | PART NUMBER | QTY. | |
|--|--------|------------------------------|---|-----------------|----------------|---|
| 03045 SEAL - FOLDING TOP HEADER WINDSHIELD - Refer to Group 51338 | | | | | | |
| 03080-1 Moulding - Windshield Outside Upper Corner Joint | | | | | | |
| | 62/ | X(62C) | R. H. -Includes attaching parts | C3DZ 6203080-A | 1 | |
| | | | L. H. | C3DZ 6203081-A | 1 | |
| | | | No. 6-18 x 5/8" Cross recess pan head screw | 52732-S13(U383) | 2 | |
| 03086 COVER - WINDSHIELD GARNISH LOWER Moulding Joint | | | | | | |
| | 63/ | A | Paint to match | C3AZ 6203086-A | 1 | |
| | | | No. 8 x 1" Cross recess oval head screw | 52376-S13(U296) | 1 | |
| 03100 GLASS - WINDSHIELD | | | | | | |
| - A - | | | | | | |
| | 60/61 | A(except 63, 76) | W599 | C1AB 6203100-A | 1 | |
| | 60/61 | A(63) | W598 | C1AB 6303100-A | 1 | |
| | 60/62 | A(76) | W615 | C1AB 7603100-A | 1 | |
| | 62/63 | A(except 63, 76) | W618 | C2AZ 6203100-A | 1 | |
| | 64 | A(except 57, 63, 76) | | †C2AZ 6203100-B | 1 | |
| | 63 | A(63, 76) | Δ | W633 | C3AZ 7603100-E | 1 |
| | 64 | A(57, 63) | | | 1 | |
| | 64 | A(76) | | | 1 | |
| - B - | | | | | | |
| | 62/ | B(except 65) | W619 | C2OZ 6203100-A | 1 | |
| | 63/ | B(65) | Δ | W634 | C3OZ 6503100-C | 1 |
| - S - | | | | | | |
| | 60 | S | W540 | B8S 6303100-A | 1 | |
| | 61/63 | S | Δ | W600 | C1SB 6303100-A | 1 |
| | 64/ | S | Δ | W651 | C4SZ 6303100-A | 1 |
| - X - | | | | | | |
| | 60/ | X(except 63, 76) | W584 | C0DB 6403100-E | 1 | |
| | 63/ | X(63, 76) | Δ | W635 | C3DZ 7603100-C | 1 |
| 03110 WEATHERSTRIP ASSY. - WINDSHIELD | | | | | | |
| - A - | | | | | | |
| | 60 | A(except 63, 76) | With mouldings | C1AB 6203110-B | 1 | |
| | C1 | A(except 58F, 63A, 64H, 76B) | | | 1 | |
| | 62 | A(except 76A) | With grooves for upper & lower moulding | †C2AZ 6203110-B | 1 | |
| | 63 | A(75) | | | 1 | |
| | 60/62 | A(76) | | C1AB 7603110-A | 1 | |
| | 63/64 | A(57, 63, 76) | | C3AZ 6303110-C | 1 | |
| | 63/64 | A(except 57, 63, 76) | With grooves for upper moulding | †C2AZ 6203110-A | 1 | |
| - B - | | | | | | |
| | 62/ | B(except 65) | | †C2OZ 6203110-A | 1 | |
| | 63/ | B(65) | | †C3OZ 6503110-A | 1 | |
| - S - | | | | | | |
| | 60 | S | | B8S 6303110-A | 1 | |
| | 61/ 63 | S(63) | | C1SB 6303110-C | 1 | |
| | 61/ 63 | S(76) | | C1SB 7603110-C | 1 | |
| | 64/ | S(63) | | C4SZ 6303110-A | 1 | |
| | 64/ | S(76) | | †C4SZ 7603110-A | 1 | |
| - X - | | | | | | |
| | 60/ | X(except 63, 76) | | C0DB 6403110-C | 1 | |
| | 63/ | X(63) | | C3DZ 6303110-A | 1 | |
| | 63/ | X(76) | | C3DZ 7603110-A | 1 | |
| 03127 WELT ASSY. - WINDSHIELD FINISH STRIP | | | | | | |
| | 60/64 | A | Cut as required | C0AZ 6403127-A | 2 | |

† Shaded Tinted

Δ Includes mirror bracket

**BODY
SECTION 030**
FORD CAR PARTS

| GROUP NUMBER | YEAR | BODY TYPE | DESCRIPTION | PART NUMBER | | QTY. |
|--|-------|---------------------------|--|--------------------|--------------------|------|
| | | | | RIGHT HAND | LEFT HAND | |
| 03136-7 MOULDING - WINDSHIELD - OUTSIDE - SIDE - Includes Attaching Parts | | | | | | |
| - A - | | | | | | |
| | 60/62 | A(except 76) | Less attaching parts | C0AB 6403136-B | C0AB 6403137-B | 1 |
| | | | No. 6-18 x 1/2" pan head self-tapping screw | 32921-S7-8(U334) | 32921-S7-8(U334) | 4or8 |
| | 60/62 | A(76) | Less attaching parts | ★C0AB 7603136-B | C0AB 7603137-B | 1 |
| | | | No. 6 x 1/2" Cross recess flat head screw | 52010-S8(U200) | 52010-S8(U200) | 4 |
| | 63/64 | A(63) | | C3AZ 6303136-C | C3AZ 6303137-C | 1 |
| | 63/64 | A(except 57, 63, 76) | | C3AZ 6203136-A | C3AZ 6203137-A | 1 |
| | 64 | A(57) | | C4AZ 5703136-A | C4AZ 5703137-A | 1 |
| | 63/64 | A(76) | | C3AZ 7603136-A | C3AZ 7603137-A | 1 |
| - B - | | | | | | |
| | 62/ | B(except 65) | | C2OZ 6203136-A | C2OZ 6203137-A | 1 |
| | 63/ | B(65) | | C3OZ 6503136-A | C3OZ 6503137-A | 1 |
| - S - | | | | | | |
| | 61 | S | | C1SZ 6303136-B | C1SZ 6303137-B | 1 |
| | 62/63 | S(63) | | | | 1 |
| | 62/63 | S(76) | | C2SZ 7603136-A | C2SZ 7603137-A | 1 |
| | 64/ | S(63) | | C4SZ 6303136-A | C4SZ 6303137-A | 1 |
| | 64/ | S(76) | | C4SZ 7603136-A | C4SZ 7603137-A | 1 |
| - X - | | | | | | |
| | 63/ | X(63, 76) | | C3DZ 7603136-A | C3DZ 7603137-A | 1 |
| | 60/ | X(except 63, 76) | Less attaching parts | C1DB 6403136-A | C1DB 6403137-A | 1 |
| | | | No. 8-15 x 3/4" Cross recess oval head screw | 359872-S100(UU54B) | 359872-S100(UU54B) | 2 |
| GROUP NUMBER | YEAR | BODY TYPE | DESCRIPTION | PART NUMBER | | QTY. |
| 03144-5 MOULDING - WINDSHIELD - OUTSIDE - TOP - Includes attaching parts | | | | | | |
| - A - | | | | | | |
| | 60/61 | A(54, 58, 62, 64, 65, 75) | Less attaching parts | C1AB 6203144-A | | 1 |
| | 60/61 | A(59, 71) | Less attaching parts | C0AB 5903144-A | | 1 |
| | 60/61 | A(63) | Less attaching parts | C0AB 6303144-E | | 1 |
| | | | No. 6 x 1/2" Cross recess flat head screw | 52010-S8(U200) | | 2 |
| | 62/64 | A(except 57, 63, 76) | Less attaching parts | C2AZ 6203144-A | | 1 |
| | 63/64 | A(63) | Used on units with or without vinyl roof cover | C3AZ 6303144-C | | 1 |
| | 64 | A(57) | | C4AZ 5703144-A | | 1 |
| | 63/64 | A(76) | | C3AZ 7603144-A | | 1 |
| - B - | | | | | | |
| | 62/ | B(except 65) | | C2OZ 6203144-A | | 1 |
| | 63/ | B(65) | | C3OZ 6503144-A | | 1 |
| - S - | | | | | | |
| | 61/63 | S(63) | | C1SZ 6303144-A | | 1 |
| | 64/ | S(63) | | C4SZ 6303144-B | | 1 |
| | 64/ | S(63) | No. 6 x 1/2" Cross recess pan head screw | 375557-S7-8(UU82) | | 2 |
| | 64/ | S(76) | | C4SZ 7603144-C | | 1 |
| | 64/ | S(76) | No. 8 x 7/8" Cross recess oval head screw | 53049-S13(U281) | | 3 |
| - X - | | | | | | |
| | 60/ | X(except 63, 76) | | C0DB 6403144-A | | 1 |
| | 63/ | X(63) | | C3DZ 6303144-A | | 1 |
| | 63/ | X(76) | | C3DZ 7603144-A | | 1 |
| | | | No. 6-18 x 5/8" Cross recess pan head screw | 52732-S13(U383) | | 2 |

FORD CAR PARTS

BODY SECTION 030

943

| GROUP NUMBER | YEAR | BODY TYPE | DESCRIPTION | PART NUMBER | | QTY. |
|--|-------|----------------------|---|------------------|-------------------|---------|
| | | | | RIGHT HAND | LEFT HAND | |
| 03148-9 MOULDING - WINDSHIELD - OUTSIDE - BELT - Includes Attaching Parts | | | | | | |
| - A - | | | | | | |
| | 60/62 | A | Less attaching parts | C0AB | 6403148-A | 1 |
| | 63/64 | A(except 57, 63, 76) | R. H. | C3AZ | 6203148-A | 1 |
| | | | L. H. | C3AZ | 6203149-A | 1 |
| | 63/64 | A(57, 63, 76) | R. H. | C3AZ | 7603148-A | 1 |
| | | | L. H. | C3AZ | 7603149-A | 1 |
| | 60/ | A | No. 6 x 1/2" Cross recess flat head screw | | 52010-S8(U200) | 2 |
| - B - | | | | | | |
| | 62/ | B(except 65) | | C2OB | 6203148-A | 1 |
| | 63/ | B(65) | | C3OZ | 6503148-A | 1 |
| | 62/ | B | No. 6 x 1/2" Cross recess flat head screw | | 52010-S8(U200) | 2 |
| - S - | | | | | | |
| | 64/ | S | R. H. | C4SZ | 6303148-A | 1 |
| | | | L. H. | C4SZ | 6303149-A | 1 |
| - X - | | | | | | |
| | 60/ | X | | C0DB | 6403148-A | 1 |
| | 60/ | X | No. 6 x 1/2" Cross recess flat head screw | | 52010-S8(U200) | 2 |
| 03152-3 COVER - WINDSHIELD OUTSIDE TOP | | | | | | |
| | 60/ | X(except 63, 76) | R. H. | C0DB | 6403152-C | 1 |
| | | | L. H. | C0DB | 6403153-C | 1 |
| 03154 WEATHERSTRIP - WINDSHIELD - OUTSIDE - SIDE MOULDING | | | | | | |
| | | | Refer to Paint Section Group 19562 | | | |
| 03178 RETAINER - WINDSHIELD OUTSIDE TOP MOULDING | | | | | | |
| | 64 | A(57) | | C4AZ | 5703178-A | 5 |
| | 63/64 | A(63) | | C4AZ | 6303178-A | 6 |
| | 64/ | S(63) | | C4SZ | 6303178-A | 7 |
| | 63/ | X(63) | | C3DZ | 6303178-A | 5 |
| | | | No. 8-18 x .38" Cross recess truss head screw | | 376378-S101(UU97) | 8 or 22 |
| 03192-3 MOULDING - WINDSHIELD OUTSIDE SIDE - UPPER - Also refer to Group 03220-1 | | | | | | |
| | 60/62 | A(76) | R. H. | ★C0AB | 7603192-A | 1 |
| | | | L. H. | C0AB | 7603193-A | 1 |
| | | | No. 6 x 1/2" Cross recess flat head screw | | 52010-S8(U200) | 2 |
| | | | No. 8 x 3/4" Cross recess oval head screw | | 52360-S13(U294) | 2 |
| | 64 | S(76) | R. H. | C4SZ | 7603192-B | 1 |
| | | | L. H. | C4SZ | 7603193-C | 1 |
| | 64/ | S(76) | No. 8-15 x 3/4" Cross recess pan head screw | | 371828-S100(UU81) | 2 |
| | | | No. 8-18 x 1/2" Cross recess oval head screw | | 52413-S13(U316) | 2 |
| 03198-9 WEATHERSTRIP - WINDSHIELD UPPER GARNISH MOULDING OR FRONT BODY PILLAR - Also refer to Group 02626-7 | | | | | | |
| | 60/62 | A(76) | R. H. | ★C0AB | 7603198-A | 1 |
| | | | L. H. | C0AB | 7603199-A | 1 |
| | 63/64 | A(76) | R. H. | C3AZ | 7603198-B | 1 |
| | | | L. H. | C3AZ | 7603199-B | 1 |
| | | | No. 8-15 x 1/2" Cross recess pan head screw | | 52726-S13(U381) | 2 or 8 |
| | 61/63 | S(76) | R. H. | C2SZ | 7603198-A | 1 |
| | | | L. H. | C2SZ | 7603199-A | 1 |
| | | | Retainer-R. H. | ★C1SZ | 63513A28-A | 1 |
| | | | Retainer-L. H. | C1SZ | 63513A29-A | 1 |
| | | | No. 8 x 1/2" Cross recess pan head screw | | 52726-S13(U381) | |
| | 63/ | X(63, 76) | R. H. | C3DZ | 7603198-A | 1 |
| | | | L. H. | C3DZ | 7603199-A | 1 |
| | | | No. 8-15 x 1/2" Cross recess pan head screw | | 52726-S13(U381) | 12 |
| GROUP NUMBER | YEAR | BODY TYPE | DESCRIPTION | PART NUMBER | | QTY. |
| 03220-1 MOULDING - WINDSHIELD OUTSIDE UPPER CORNER - Includes Attaching Parts | | | | | | |
| | 60/61 | A(54, 62, 65, 75) | Less attaching parts | C1AB | 6203220-B | 1 |
| | 60/61 | A(58, 64) | Less attaching parts | C1AB | 6403220-A | 1 |
| | 60/61 | A(59, 71) | Less attaching parts | ★C1AB | 5903220-A | 1 |
| | 60/61 | A(63) | Less attaching parts | C1AB | 6303220-A | 1 |
| | 60/61 | A | No. 6-18 x 1/2" pan head self-tapping screw | 32921-S7-8(U334) | 32921-S7-8(U334) | 4 |

| GROUP NUMBER | YEAR | BODY TYPE | DESCRIPTION | PART NUMBER | | QTY. |
|--|-------|----------------------|--|------------------|------------------|------|
| | | | | RIGHT HAND | LEFT HAND | |
| 03220-1 MOULDING - WINDSHIELD OUTSIDE UPPER CORNER - continued - Includes Attaching Parts | | | | | | |
| - A - | | | | | | |
| | 62 | A(except 76) | | C2AZ 6203220-A | C2AZ 6203221-A | 1 |
| | 63/64 | A(76) | | C3AZ 7603220-A | C3AZ 7603221-A | 1 |
| - B - | | | | | | |
| | 62 | B(54, 62) | Less attaching parts | C2OZ 6203220-B | C2OZ 6203221-B | 1 |
| | 63/ | B(except 65) | | | | 1 |
| | 63/ | B(65) | | C3OZ 6503220-A | C3OZ 6503221-A | 1 |
| - S - | | | | | | |
| | 61/63 | S(63) | Less attaching parts | C1SZ 6303220-A | C1SZ 6303221-A | 1 |
| | | | No. 6-18 x 1/2" pan head self-tapping screw | 32921-S7-8(U334) | 32921-S7-8(U334) | 2 |
| | 61/63 | S(76) | | C1SZ 7603220-A | C1SZ 7603221-A | 1 |
| | 64 | S(76) | Refer to Group 03192-3 | | | |
| - X - | | | | | | |
| | 60/ | X(except 63, 76) | Refer to Group 03152-3 | | | |
| | 63/ | X(63) | | C3DZ 6303220-A | C3DZ 6303221-A | 1 |
| | 63/ | X(76) | | C3DZ 7603220-A | C3DZ 7603221-A | 1 |
| 03262 RETAINER - WINDSHIELD | | | | | | |
| | 61/64 | S | R. H. | C1SB 6303262-A | | 1 |
| | | | No. 8-15 x 1" Cross recess oval head screw | 52376-S13(U296) | | 6 |
| 03266 SEAL - WINDSHIELD GARNISH SIDE MOULDING | | | | | | |
| | 64/ | S(76) | Cut to 23" from C4SZ 63517B30-A | | | 2 |
| 03408 PANEL ASSY. - WINDSHIELD HEADER | | | | | | |
| - A - | | | | | | |
| | 62/64 | A(except 57, 63, 76) | | C3AZ 6203408-A | | 1 |
| | 63/64 | A(57, 63) | | C3AZ 6303408-B | | 1 |
| | 63/64 | A(76) | | C3AZ 7603408-A | | 1 |
| - B - | | | | | | |
| | 62/ | B(except 65) | | C2OZ 6203408-A | | 1 |
| | 63/ | B(65) | | C3OZ 6503408-A | | 1 |
| - S - | | | | | | |
| | 64/ | S(76) | | C4SZ 7603408-A | | 1 |
| | 64/ | S(63) | Use with C4SZ 6351016-A | | | 1 |
| - X - | | | | | | |
| | 63/64 | X(63, 76) | Drill 5 holes .10" dia. for model 63 headlining retainer | C3DZ 7603408-A | | 1 |
| | 60/ | X(except 63, 76) | Remove dome lamp bracket as required | C0DZ 6403408-D | | 1 |
| 03458 DOWEL - WINDSHIELD HEADER - SIDE | | | | | | |
| | 61/64 | S(76) | Refer to Group 514A38 | | | |
| 03474 PLATE - WINDSHIELD HEADER DOWEL STRIKER | | | | | | |
| | 64 | S(76) | "Before 10/1/63" | C4SZ 7603474-A | | 2 |
| | 64 | S(76) | "From 10/1/63" | C4SZ 7603474-B | | 2 |
| 03512-3 MOULDING ASSY. - WINDSHIELD GARNISH SIDE - Paint to Match | | | | | | |
| | 62/ | B(except 65) | R. H. | C2OB 6203512-AP | | 1 |
| | | | L. H. | C2OB 6203513-AP | | 1 |
| | | | No. 10-12 x 7/8" Cross recess oval head screw | 52369-S13(U304) | | 6 |
| | 63/ | B(65), X(63, 76) | Refer to Group 03598-9 | | | |
| | 64/ | S | | | | |
| | 60/ | X(except 63, 76) | R. H. | C0DZ 6403512-A | | 1 |
| | | | L. H. | C0DZ 6403513-A | | 1 |
| | | | No. 8-15 x 3/4" Cross recess oval head screw | 52360-S13(U294) | | 6 |

FORD CAR PARTS

**BODY
SECTION 030**

945

| GROUP NUMBER | YEAR | BODY TYPE | DESCRIPTION | PART NUMBER | | QTY. |
|--|-------|-------------------|---|------------------|-----------------|------|
| | | | | RIGHT HAND | LEFT HAND | |
| 03598-9 MOULDING - WINDSHIELD GARNISH - SIDE - Includes Attaching Parts | | | | | | |
| - A - | | | | | | |
| | 60/61 | A(76) | Paint to match | ★C0AB 7603598-BP | C0AB 7603599-BP | 1 |
| | 60/62 | A(except 63) | No. 8 x 3/4" Cross recess oval head screw | 52360-S13(U294) | 52360-S13(U294) | 4 |
| | 60/62 | A(except 76) | No. 8 x 1 1/2" Cross recess oval head screw | 52388-S13(U298) | 52388-S13(U298) | 2 |
| | 63 | A(54, 62, 71) | | ◇C3AZ 6203598-B | ◇C3AZ 6203599-B | 1 |
| | 63 | A(54, 62, 71) | | +C3AZ 6203598-A | +C3AZ 6203599-A | 1 |
| | 63 | A(63) | | +C3AZ 6303598-B | +C3AZ 6303599-B | 1 |
| | 63 | A(65, 75) | | +C3AZ 6503598-A | +C3AZ 6503599-A | 1 |
| | 63 | A(65, 75) | | ◇C3AZ 6503598-B | ◇C3AZ 6503599-B | 1 |
| | 63 | A(76) | | +C3AZ 7603598-A | +C3AZ 7603599-A | 1 |
| | 63 | A(76) | | ◇C3AZ 7603598-B | ◇C3AZ 7603599-B | 1 |
| | | | No. 8-15 x 5/8" Cross recess oval head screw | 53027-S13(U278) | 53027-S13(U278) | 4 |
| | | | No. 8-15 x 1 1/2" Cross recess oval head screw | 52388-S13(U298) | 52388-S13(U298) | 2 |
| | 63 | A(63) | | ◇C3AZ 6303598-B | ◇C3AZ 6303599-B | 1 |
| | 64 | A(57, 63) | | | | 1 |
| | 64 | A(54, 62, 71) | Paint to match | C4AZ 6203598-A | C4AZ 6203599-A | 1 |
| | 64 | A(57, 63) | | +C4AZ 6303598-A | +C4AZ 6303599-A | 1 |
| | 64 | A(76) | | C4AZ 7603598-A | C4AZ 7603599-A | 1 |
| | | | No. 8-15 x 5/8" Cross recess oval head screw | 53027-S13(U278) | 53027-S13(U278) | 4 |
| - B - | | | | | | |
| | 63/64 | B(65) | "Before 10/15/63" | C3OZ 6503598-B | C3OZ 6503599-A | 1 |
| | 64/ | B(65) | "From 10/15/63" | C3OZ 6503598-B | C3OZ 6503599-B | 1 |
| | | | No. 8-15 x 5/8" Cross recess oval head screw | 53027 S13(U278) | 53027-S13(U278) | 6 |
| | 62/ | B(except 65) | Refer to Group 03512-3 | | | |
| - S - | | | | | | |
| | 61 | S | "Before 1/16/61" | C1SB 6303598-A | ★C1SB 6303599-A | 1 |
| | 61/63 | S | "From 1/16/61" | C1SB 6303598-D | C1SB 6303599-D | 1 |
| | | | No. 8 x 7/8" Cross recess oval head screw | 52368-S23(U295) | 52368-S23(U295) | 4 |
| | 64/ | S(63) | | C4SZ 6303598-B | C4SZ 6303599-C | 1 |
| | 64/ | S(76) | | C4SZ 7603598-C | C4SZ 7603599-C | 1 |
| - X - | | | | | | |
| | 60/ | X(except 63, 76) | Refer to Group 03512-3 | | | |
| | 63/ | X(63) | | C3DZ 6303598-C | C3DZ 6303599-C | 1 |
| | 64/ | X(76) | | C3DZ 7603598-C | C3DZ 7603599-C | 1 |
| GROUP NUMBER YEAR BODY TYPE DESCRIPTION PART NUMBER QTY. | | | | | | |
| 03606-7 MOULDING - WINDSHIELD GARNISH - UPPER- Includes attaching parts | | | | | | |
| - A - | | | | | | |
| | 62/63 | A(65, 75) | R. H. -Chrome-less attaching parts L. H. | C2MB 5403606-A | | 1 |
| | | | | C2MB 5403607-A | | 1 |
| | 63 | A(76) | | C3AZ 7603606-A | | 1 |
| | 62/64 | A(54, 62, 71, 75) | R. H. -Paint to match-less attaching parts L. H. | C2AB 6203606-AP | | 1 |
| | | | | C2AB 6203607-AP | | 1 |
| | 63 | A(57, 63) | Cut & slot for (4) hole visor-less attaching parts | C4AZ 6303606-A | | 1 |
| | 64 | A(76) | | C4AZ 7603606-A | | 1 |
| - S - | | | | | | |
| | 61/63 | S(63) | "From 1/16/61" | C1SB 6303606-C | | 1 |
| | 64/ | S(63) | | C4SZ 6303606-A | | 1 |
| | 61/ | S | No. 8 x 7/8" Cross recess oval head screw | 52368-S23(U295) | | 3 |
| - X - | | | | | | |
| | 63/ | X(63) | | C3DZ 6303606-C | | 1 |
| | 63/ | X(76) | | C3DZ 7603606-C | | 1 |

† Used on units with fixed steering column

◇ Used on units with moveable steering column

| GROUP NUMBER | YEAR | BODY TYPE | DESCRIPTION | PART NUMBER | QTY. |
|--|-------|----------------------|--|-------------------|------|
| 03626-7 MOULDING - WINDSHIELD GARNISH - LOWER | | | | | |
| | 60/62 | A | | * | |
| | 60 | S | | | |
| | 63/64 | A | R. H. -Paint to match | C3AZ 6203626-A | 1 |
| | | | L. H. | C3AZ 6203627-A | 1 |
| | | | No. 8-15 x 1 1/2" Cross recess oval head screw | 52388-S13 (U298) | 6 |
| | | | No. 8-15 x 2 1/2" Cross recess oval head screw | 371847-S13 (UU56) | 2 |
| 03638 SUPPORT - WINDSHIELD LOWER GARNISH MOULDING | | | | | |
| | 63/64 | A | | C3AZ 6203638-A | 7 |
| 03642 FILLER - WINDSHIELD GARNISH MOULDING - LOWER CORNER | | | | | |
| | 60/62 | A | Rubber | C0AB 6403642-A | 2 |
| | 63/64 | A | Rubber | C3AZ 6203642-A | 2 |
| | 64/ | X(63, 76) | | | 2 |
| 04110 ARM - VISOR | | | | | |
| | 64/ | S | | C4SZ 6304110-A | 2 |
| | | | No. 10-32 x 3/16" set screw | 374985-S8 (UU33K) | 2 |
| 04114 PIN - VISOR ANCHOR | | | | | |
| | 60 | A | | B8A 7004114-A | 2 |
| | 60 | X | | | 2 |
| | 61/ | A | Includes rubber tip-refer to Group 04115 | | 2 |
| | 62/ | B | | C3DZ 7604114-B | 2 |
| | 61/63 | S | | | 2 |
| | 63/ | X(63, 76) | | | 2 |
| | 64/ | S | | | 2 |
| 04115 SLEEVE - INSIDE VISOR ANCHOR PIN | | | | | |
| | 61/ | All | Rubber tip - Used with basic 04114 | C5AZ 6204115-A | 2 |
| 04131 BRACKET ASSY. - VISOR CLIP MOUNTING | | | | | |
| | 63/ | A(76) | Chrome-Includes spring | C3AZ 7604131-B | 1 |
| | | | No. 6-32 x 3/8" Cross recess pan head screw | *51754-S8 | 1 |
| | | | No. 8-15 x 5/8" Cross recess oval head screw | 53027-S13 (U278) | 1 |
| 04131-2 CLIP ASSY. - VISOR ARM | | | | | |
| - A - | | | | | |
| | 60 | A(76) | Gray Plastic-Pin type | B8A 7604132-A | 2 |
| | | | No. 10-12 x 5/8" Cross recess oval head screw | *52735-S8 | 2 |
| | 60/61 | A(except 76) | Gray Nylon-Pin type | C0AB 6404132-A | 1 |
| | | | No. 8 x 3/4" Cross recess oval head screw | 52360-S13 (U294) | 1 |
| | 61 | A(except 76) | With safety visor - Chrome | C1AB 6204131-C | 1 |
| | | | No. 8-15 x 7/8" Cross recess oval head screw | 52368-S23 (U295) | 1 |
| | 61/62 | A(76) | Chrome | C1AB 7604131-A | 2 |
| | 63/64 | A(57, 63) | Chrome-Includes spring | C3AZ 6304131-B | 1 |
| | 63/64 | A(76) | Chrome-Includes spring | C3AZ 7604131-B | 1 |
| | 63 | A(76) | No. 6-32 x 7/16" Cross recess pan head screw | *371052-S8 | 1 |
| | 63/64 | A(57, 63, 76) | No. 8-15 x 5/8" Cross recess oval head screw | 53027-S13 (U278) | 1 |
| | 63/64 | A(57, 63) | No. 6-32 x 5/8" Pan head screw | 51785-S13 (U363) | 1 |
| | 64 | A(76) | No. 6-32 x 3/8" Cross recess pan head screw | *51754-S8 | 1 |
| - B - | | | | | |
| | 63/ | B(65) | | C3OZ 6504131-A | 1 |
| | | | No. 8-15 x 3/4" Cross recess oval head screw | 52360-S13 (U294) | 1 |
| - S - | | | | | |
| | 61/63 | S | Chrome | C3SZ 6304131-A | 1 |
| | 64/ | S | Chrome | C4SZ 6304131-A | 1 |
| | | | No. 8-15 x 7/8" Cross recess oval head screw | 53049-S13 (U281) | 2 |
| | | | No. 8-15 Nut (spring) | 350881-S (MM233) | 1 |
| - X - | | | | | |
| | 60 | X | Gray Plastic-Pin type | B8A 7604132-A | 2 |
| | 63/ | X(76) | Chrome-bracket mounting | C3DZ 7604132-A | 1 |
| | | | No. 8-15 x 3/4" Cross recess oval head screw | 52360-S13 (U294) | 1 |
| 04134 SPRING - VISOR ARM CLIP | | | | | |
| | 62/64 | A(except 57, 63, 76) | | C2AZ 6204134-A | 1 |
| | 62/ | B(except 65) | | C3DZ 6204134-A | 1 |
| | 61/ | X(except 76) | | | 1 |
| | 61/ | X(except 76) | No. 6-32 x 1/4" Pan head screw | 41540-S8 (U353) | 2 |
| | 62/63 | A(except 63, 76) | | | 2 |

FORD CAR PARTS

BODY SECTION 042

947

| GROUP NUMBER | YEAR | BODY TYPE | DESCRIPTION | PART NUMBER | | QTY. |
|--|-------------|--------------------------------|---|-----------------|-----------------|-------------------|
| | | | | RIGHT HAND | LEFT HAND | |
| 04144-5 ARM and BRACKET ASSY. - VISOR - LESS VISOR | | | | | | |
| - A - | | | | | | |
| | 60/61 | A(except 76) | Paint to match | C0AB 6404144-AP | C0AB 6404145-AP | 1 |
| | | | No. 8 x 5/8" Cross recess oval head screw | *52482-S13 | *52482-S13 | 6 |
| | 62 | A(54B, 62B, C, D) | Paint to match | C2AZ 6204144-C | C2AZ 6204144-C | 2 |
| | 63/64 | A(54B, E, 62B, E, 71B, C) | | | | 2 |
| | 62 | A(54B, 62B, 71B, C, D) | Chrome bracket | C2AZ 6204144-D | C2AZ 6204144-D | 2 |
| | 63 | A(54A, 62A, 65, 71A, E, 75) | | | | 2 |
| | 64 | A(54A, 62A, 71A, E) | | | | 2 |
| | 62/64 | A(except 57, 63, 76) | No. 8-15 x 5/8" Cross recess oval head screw | 53027-S13(U278) | 53027-S13(U278) | 6 |
| | 62 | A(76) | Chrome bracket | *C1AZ 7604144-A | C1AZ 7604145-A | 1 |
| | 63 | A(76) | Chrome bracket-4 screw holes | C3AZ 7604144-A | C3AZ 7604145-A | 1 |
| | 63/64 | A(57, 63) "Before 1/2/64" | 4 Screw holes | C3AZ 6304144-A | C3AZ 6304145-A | 1 |
| | 64 | A(57, 63) "From 1/2/64" | 3 Screw holes | C4AZ 6304144-A | C4AZ 6304145-A | 1 |
| | 64 | A(76) | 3 screw holes | C3AZ 7604144-B | C3AZ 7604145-B | 1 |
| | 63/64 | A(63, 76) | No. 8-15 x 1 1/2" Cross recess oval head screw | 52388-S13(U298) | 52388-S13(U298) | 6or8 |
| - B - | | | | | | |
| | 62/ | B(except 65) | Paint to match | C0DZ 6404144-A | C0DZ 6404145-A | 1 |
| | 63/ | B(65) | Paint to match | C3OZ 6504144-A | C3OZ 6504145-A | 1 |
| - S - | | | | | | |
| | 60 | S | | B8S 6304144-A | B8S 6304145-A | 1 |
| | | | No. 8 x 1 1/2" Cross recess oval head screw | 52388-S13(U298) | 52388-S13(U298) | 8 |
| | 61/63 | S | Rolled lip-Chrome brkt. | C1SB 6304144-B | C1SB 6304145-B | 1 |
| | | | No. 8 x 1 1/2" Cross recess oval head screw | 52388-S13(U298) | 52388-S13(U298) | 8 |
| | 64/ | S(63) | | C4SZ 6304144-B | C4SZ 6304145-B | 1 |
| | 64/ | S(76) | Chrome bracket | C4SZ 7604144-A | C4SZ 7604145-A | 1 |
| | 64/ | S(76) | No. 8-15 x 5/8" Cross recess oval head screw | 53027-S13(U278) | 53027-S13(U278) | 4 |
| | 64/ | S(63) | No. 8-32 x 1/2" Cross recess oval head screw and washer assy. | *50696-S13 | *50696-S13 | 2 |
| | 64/ | S | No. 8-15 x 1 1/4" Cross recess oval head screw | 53066-S13(U284) | 53066-S13(U284) | 4 |
| - X - | | | | | | |
| | 60/ | X(except 63, 76) | Paint to match | C0DZ 6404144-A | C0DZ 6404145-A | 1 |
| | 63/ | X(63) | 4 screw holes | C3DZ 6304144-A | C3DZ 6304145-A | 1 |
| | 63/ | X(76) | Chrome bracket-4 screw holes | C3DZ 7604144-A | C3DZ 7604145-A | 1 |
| | 60/ | X(except 63, 76), B(except 65) | No. 8-15 x 3/4" Cross recess oval head screw | 52360-S13(U294) | 52360-S13(U294) | 6 |
| | 63/ | X(63, 76) | No. 8-15 x 1 1/2" Cross recess oval head screw | 52388-S13(U298) | 52388-S13(U298) | 4 |
| GROUP NUMBER | YEAR | BODY TYPE | DESCRIPTION | PART NUMBER | | QTY. |
| 04200 KIT - INSTRUMENT PANEL SAFETY PAD ATTACHING - *Includes Attaching Parts | | | | | | |
| - A - | | | | | | |
| | 60/62 | A | | C0AZ 6404200-A | | 1 |
| | Consists of | | | | | |
| | 1-C0AB | 6404264-A | *Moulding-end-RH | 1-C0AB | 6404590-A | Retainer-cover-RH |
| | 1-C0AB | 6404296-A | *Moulding-center | 1-C0AB | 6404591-A | Retainer-cover-LH |
| | 1-C0AB | 6404287-A | *Moulding-end-LH | 4-52720-S13 | | Screw |
| | 1-C0AB | 6404454-BP | Grille-radio | 1-C2AZ | 19C525-A | Cement (pint) |

| GROUP NUMBER | YEAR | BODY TYPE | DESCRIPTION | PART NUMBER | QTY. |
|--------------------|--|---------------------------|--------------------|---------------------------|------|
| 04200 | KIT - INSTRUMENT PANEL SAFETY PAD ATTACHING - continued - *Includes Attaching Parts | | | | |
| - A - | | | | | |
| 63 | A | | | C3AZ 6204200-A | 1 |
| Consists of | | | | | |
| 8-C3AZ 6204278-A | | Clip | *2-C3AB 62045B64-B | Spacer | |
| 2-C3AZ 62045B53-A | | Cover | 4-53038-S13 | Screw | |
| | | | 1-C0AZ 19552-A | Cement (tube) | |
| 64 | A | | | C4AZ 5404200-A | 1 |
| Consists of | | | | | |
| 8-C3AZ 6204278-A | | Clip | 4-53038-S13 | Screw | |
| 2-C4AZ 54045B52-A | | Cover (defroster opening) | 1-C0AZ 19552-A | Cement (tube) | |
| - B - | | | | | |
| 62/63 | B(54A, 62A, 71D) | | | C2OZ 6204200-A | 1 |
| Consists of | | | | | |
| 1-C2OZ 6204296-A | | *Moulding-RH | 1-C2OZ 6204522-A | *Moulding-RH | |
| 1-C2OZ 6204297-A | | *Moulding-LH | 1-C2OZ 6204523-A | *Moulding-LH | |
| 1-C2OZ 6204518-A | | *Moulding-RH | 1-C0AZ 19552-A | Cement (tube) | |
| 1-C2OZ 6204519-A | | *Moulding-LH | | | |
| 62/63 | B(except 54A, 62A, 71D) | | | C2OZ 6204200-B | 1 |
| Consists of | | | | | |
| 1-C2OZ 6204296-B | | *Moulding-RH | 1-C2OZ 6204518-A | *Moulding-RH | |
| 1-C2OZ 6204297-A | | *Moulding-LH | 1-C2OZ 6204519-A | *Moulding-LH | |
| | | | 1-C0AZ 19552-A | Cement (tube) | |
| 64 | B(54A, 62A, 71D) | | | C4OZ 5404200-A | 1 |
| Consists of | | | | | |
| 1-C2OZ 6204518-A | | *Moulding (end)-R. H. | 1-C4OZ 6204296-A | *Moulding (upper)-R. H. | |
| 1-C2OZ 6204519-A | | *Moulding (end)-L. H. | 1-C4OZ 6204297-B | *Moulding (upper)-L. H. | |
| | | | 1-C0AZ 19552-A | Cement (tube) | |
| 64 | B(54B, 62B, 65, 71B) | | | C4OZ 5404200-B | 1 |
| Consists of | | | | | |
| 1-C2OZ 6204518-A | | *Moulding (end)-R. H. | 1-C4OZ 6204296-B | *Moulding (upper)-R. H. | |
| 1-C2OZ 6204519-A | | *Moulding (end)-L. H. | 1-C4OZ 6204297-A | *Moulding (upper)-L. H. | |
| | | | 1-C0AZ 19552-A | Cement (tube) | |
| - X - | | | | | |
| 60/63 | X(except 63, 76) | | Service details | * | |
| Consists of | | | | | |
| 1-C0DB 6404518-BP | | *Moulding-end-RH | 1-C0DB 6404296-B | Moulding-upper pad-RH | |
| 1-C0DB 6404519-BP | | *Moulding-end-LH | 1-C0DB 6404297-B | Moulding-upper pad-LH | |
| 1-C1DB 6404522-AP | | Moulding-pad-RH | 1-C0DB 6404772-C | Moulding-upper pad center | |
| 1-C1DB 6404523-AP | | Moulding-pad-LH | 13-C0DB 6404561-C | Clip-moulding | |
| 1-C1DB 64044B40-AP | | Moulding-pad-center | 9-53072-S13 | Screw | |
| | | | 1-C2AZ 19C525-A | Cement (pint) | |
| 63 | X(63, 76) | | | C3DZ 7604200-A | 1 |
| Consists of | | | | | |
| 1-C0DB 6404296-B | | Moulding-RH | 1-C3DZ 7604522-A | Moulding-RH | |
| 1-C0DB 6404297-B | | Moulding-LH | 1-C3DZ 7604523-A | Moulding-LH | |
| 1-C1DB 64044B40-AP | | Moulding-center | 13-C0DB 6404561-C | Retainer | |
| 1-C0DB 6404518-BP | | *Moulding-RH | 1-C0DB 6404772-C | Moulding-center | |
| 1-C0DB 6404519-BP | | *Moulding-LH | 9-53072-S13 | Screw | |
| | | | 1-C2AZ 19C525-A | Cement (pint) | |
| 64 | X | | | C4DZ 5404200-B | 1 |
| Consists of | | | | | |
| 1-C4DZ 6204296-A | | *Moulding - upper | 1-C4DZ 6204518-B | *Moulding (end)-R. H. | |
| 10-C4GY 54044B96-C | | Clip | 1-C4DZ 6204519-B | *Moulding (end)-L. H. | |
| | | | 1-C0AZ 19552-A | Cement (tube) | |
| 042A60 | REINFORCEMENT ASSY. - INSTRUMENT PANEL LOWER FLANGE END | | | | |
| 64/ | S | | | C4SZ 63042A80-A | 1 |

FORD CAR PARTS

**BODY
SECTION 042**

949

| GROUP NUMBER | YEAR | BODY TYPE | DESCRIPTION | PART NUMBER | QTY. |
|---|-------|-----------------------------|---|------------------|------|
| 04278 CLIP - INSTRUMENT PANEL SAFETY PAD RETAINER | | | | | |
| | 63/64 | A | | C3AZ 6204278-A | 8 |
| 04296-7 MOULDING - INSTRUMENT PANEL UPPER COVER RETAINING - Includes Attaching Parts | | | | | |
| - B - | | | | | |
| | 62/63 | B | R. H. -Use w/o finish panel 04338 | C2OZ 6204296-A | 1 |
| | 62/63 | B | R. H. -Use with finish panel 04338 | C2OZ 6204296-B | 1 |
| | 62/63 | B | L. H. | C2OZ 6204297-A | 1 |
| | 64 | B(54A, 62A, 71D) | R. H. | C4OZ 6204296-A | 1 |
| | | | L. H. | C4OZ 6204297-B | 1 |
| | 64 | B(54B, 62B, 65, 71B) | R. H. | C4OZ 6204296-B | 1 |
| | | | L. H. | C4OZ 6204297-A | 1 |
| - X - | | | | | |
| | 60/63 | X | R. H. | C0DB 6404296-B | 1 |
| | | | L. H. | C0DB 6404297-B | 1 |
| | 64/ | X | | C4DZ 6204296-A | 1 |
| 04300 REINFORCEMENT - CONSOLE PANEL - REAR | | | | | |
| - A - | | | | | |
| | 62 | A(65, 76) | | C2AZ 6504300-A | 1 |
| | 63 | A(63C, 65B, 71G, H, 75, 76) | | | 1 |
| | 64 | A(57C, 63C, 76B) | | | 1 |
| - B - | | | | | |
| | 62 | B(62C) | | C1DB 6404300-A | 1 |
| | 63/ | B(65B) | | C2AZ 6504300-A | 1 |
| - X - | | | | | |
| | 61 | X("Futura") | | C1DB 6404300-A | 1 |
| | 62 | X(62C, 64C, +71B) | | | 1 |
| | 63 | X(62C, 63C, 71D, 76B) | | | 1 |
| 04320 PANEL ASSY. - INSTRUMENT | | | | | |
| - A - | | | | | |
| | 63 | A | Without movable steering column | C3AZ 6204320-A | 1 |
| | 63 | A | With movable steering column | C3AZ 6204320-B | 1 |
| | 64 | A | Without movable steering column | C4AZ 6204320-A | 1 |
| | 64 | A | With movable steering column | C4AZ 6204320-B | 1 |
| | 60/ | A | 5/16" - 24 x 1" Hex. head bolt | 20387-S8(B157) | 2 |
| | | | 5/16" Lockwasher | 34806-S7(X64) | 2 |
| | | | 5/16" Flat washer | 44722-S8(X19) | 2 |
| | | | 5/16"-24 Hex, nut | 33798-S8(M62) | 2 |
| | | | No. 8 Flat washer | 44710-S8(X10) | 8 |
| | | | No. 8 x 1/2" Hex. head screw | *42006-S8 | 8 |
| - B - | | | | | |
| | 62/63 | B | Also refer to Group 06050 | C3OZ 6204320-B | 1 |
| | 64 | B | "Before 11/18/63" | C4OZ 6204320-A | 1 |
| | 64 | B | "From 11/18/63" | C4OZ 6204320-B | 1 |
| - S - | | | | | |
| | 61/63 | S | For cover refer to Soft Trim Section Group 04290 Also refer to Group 04334-5 | C2SZ 6304320-A | 1 |
| | 61/63 | S | 5/16"-24 x 1 3/4" Stud (shoulder)-to center support | 376463-S8(WW119) | 1 |
| | | | 5/16" External tooth lockwasher | 357789-S7(XX343) | 1 |
| | | | 5/16"-24 Hex. nut | 33923-S8(M32) | 1 |
| | 64/ | S | For cover refer to Soft Trim Section Group 04290 | C4SZ 6304320-B | 1 |
| | 60/ | S | 5/16"-24 x 1" Hex head bolt | 20387-S8(B157) | 2 |
| | | | 5/16"-Lockwasher | 34806-S7(X64) | 2 |
| | | | 5/16" Flat washer | 44722-S8(X19) | 2 |
| | | | 5/16"-24 Hex, nut | 33798-S8(M62) | 2 |
| | | | No. 8 Flat washer | 44710-S8(X10) | 8 |
| | | | No. 8 x 1/2" Hex. head screw | *42006-S8 | 8 |
| - X - | | | | | |
| | 60/63 | X | For cover refer to Soft Trim Section Group 04290 | C0DZ 6404320-D | 1 |
| | 64 | X | | C4DZ 6204320-A | 1 |

‡ With bucket seats

**BODY
SECTION 042**
FORD CAR PARTS

| GROUP NUMBER | YEAR | BODY TYPE | DESCRIPTION | PART NUMBER | QTY. |
|----------------|---|-------------------------------------|--|---------------------|------|
| 04338 | PANEL - INSTRUMENT PANEL FINISH - continued | | | | |
| | - B - | | | | |
| | 62/63 | B | Includes attaching parts | C2OZ 6204338-A | 1 |
| | 64 | B(54B, 62B, 65, 71B) | | C4OZ 6204338-A | 1 |
| | | | No. 10-12 x 1/2" Cross recess pan head screw | 52013-S8(U209) | 1 |
| | | | No. 10-12 x 1/2" Cross recess pan head screw | 52727-S8(U382) | 2 |
| | | | No. 10-12 x 7/8" Cross recess oval head screw | 52369-S13(U304) | 4 |
| | - S - | | | | |
| | 64 | S(63A, 76) | Without A/C | C4SZ 6304338-A | 1 |
| | | | With A/C | C4SZ 6304338-B | 1 |
| | 64 | S(63B) | Without A/C | C4SZ 6304338-C | 1 |
| | | | With A/C | C4SZ 6304338-D | 1 |
| | | | No. 8-15 x 1/2" Cross recess oval head screw | 52344-S13(U292) | AR |
| 04360 | COVER - INSTRUMENT PANEL RADIO OPENING ACCESS - BOTTOM | | | | |
| | 61/63 | S | Black | C3SZ 6304360-E | 1 |
| | | | Red | C3SZ 6304360-F | 1 |
| | | | No. 8-18 x 3/8" Cross recess oval head screw | 53008-S13(U275) | 2 |
| | 62/63 | S | Pearl Beige | C2SZ 6304360-AAF | 1 |
| | | | Medium Chestnut | C2SZ 6304360-ABG | 1 |
| | | | Light Blue | C2SZ 6304360-AAB | 1 |
| | 63 | S | Light Gold Metallic | C3SZ 6304360-C | 1 |
| | | | Light Rose Beige Metallic | C3SZ 6304360-D | 1 |
| 04366-7 | BRACKET - INSTRUMENT PANEL TO PILLAR | | | | |
| | - A - | | | | |
| | 60/64 | A | | C0AB 6404366-A | 2 |
| | 60/ | A | 5/16"-24 x 1 1/8" Hex. washer head bolt | 353483-S2(BB588) | 4 |
| | | | 5/16"-24 Hex. nut | 33798-S8(M62) | 4 |
| | | | 5/16"-18 x 1/2" Hex. lock nut | 34392-S7(M93) | 1 |
| | | | 5/16"-18 x 3/4" Hex. head screw and washer assy. | 359662-S7-8(BB575A) | 3 |
| | - S - | | | | |
| | 61/63 | S | R. H. | C2SZ 6304366-B | 1 |
| | | | L. H. | C2SZ 6304367-B | 1 |
| | 61/63 | S | Upper | C2SZ 6304366-A | 2 |
| | 61/63 | S | 5/16"-24 x 1 1/8" Hex. washer head bolt | 353483-S2(BB588) | 6 |
| | | | 5/16"-24 Hex. nut | 33798-S8(M62) | 4 |
| | | | 1/4"-20 x 5/8" Hex. washer head screw | ★373108-S2 | 2 |
| | | | 1/4"-20 Hex. lock nut | 34390-S7-8(M92) | 2 |
| | 64/ | S | | C4SZ 6304366-A | 2 |
| | | | 5/16"-18 x .88" Hex. shoulder head stud | 378734-S2(WW122) | 1 |
| | | | 5/16"-18 x 3/4" Hex. head screw and washer assy. | 359662-S7-8(BB575A) | 5 |
| | | | 5/16"-18 Square nut | 34130-S8(M149) | 6 |
| | - X - | | | | |
| | 64/ | X | R. H. | C4DZ 6204366-A | 1 |
| | | | L. H. | C4DZ 6204367-A | 1 |
| 04371 | PLATE - INSTRUMENT PANEL RADIO DIAL HOLE - Includes Attaching Parts (When Radio is not used) | | | | |
| | - A - | | | | |
| | 60/62 | A(except 65, 76) | Paint to match-without attaching parts | C0AZ 6204371-A | 1 |
| | 60/62 | A | 1/4" Nut (self threading) | 371024-S7(MM286) | 2 |
| | 62 | A(65, 76) | Refer to Group 04360 | | |
| | 63 | A(54A, 62A, 63, 65, 71A, E, 75, 76) | Without attaching parts | C3AZ 6204371-B | 1 |
| | 63 | A | Nut (speed) | 357041-S32(MM242) | 2 |
| | 63/64 | A(54B, E, 62B, E, 71B, C) | Paint to match-without moveable steering column | C3AZ 6204371-A | 1 |
| | 64 | A | Bright finish-without attaching parts | C4AZ 6204371-A | 1 |
| | | | 1/4" Nut (self threading) | 371024-S7(MM286) | 2 |
| | - B - | | | | |
| | 62 | B(54A, 62A) | Paint to match-without attaching parts | C2OZ 6204371-A | 1 |
| | 63 | B(54A, 62A, 71D) | | | 1 |
| | 62 | B(54B, 62B) | Bright finish | C2OZ 6204371-B | 1 |
| | 63 | B(54B, 62B, 65, 71B) | | | 1 |
| | 64 | B | Paint to match-without attaching parts | C4OZ 6204371-B | 1 |
| | | | 3/8"-24 Nut (stamped) | 376642-S35(MM292A) | 2 |

FORD CAR PARTS

BODY SECTION 042

951

| GROUP NUMBER | YEAR | BODY TYPE | DESCRIPTION | PART NUMBER | QTY. |
|-----------------|---|-----------------------------------|---|--------------------------------------|--------|
| 04371 | PLATE - INSTRUMENT PANEL RADIO DIAL HOLE - continued - Includes Attaching Parts (When Radio is not used) | | | | |
| | 61/64 | S | - S - | C1SZ 6304371-A | 1 |
| | | | - X - | | |
| | 60 | X | Beige | C0DF 6404371-C160 | 1 |
| | | | Blue | C0DF 6404371-C206 | 1 |
| | 60/62 | X | Black | C0DF 6404371-C211 | 1 |
| | 63 | X(except 54B,62B,C, 63, 76) | | | 1 |
| | | | Green | C0DF 6404371-C217 | 1 |
| | | | Red | C0DF 6404371-C266 | 1 |
| | 61/62 | X | Blue | C0DF 6404371-C215 | 1 |
| | 63 | X(except 54B,62B,C, 63, 76) | | | 1 |
| | | | Brown | C0DF 6404371-C216 | 1 |
| | | | Turquoise | C0DF 6404371-C218 | 1 |
| | 63 | X(54B, 62B, C, 63, 76) | Paint to match-without attaching parts | C3DZ 6204371-A | 1 |
| | 64/ | X(54A, D, 59, 62, 66, 71A, B, 78) | 3/8"-24 Nut (stamped) | C4DZ 6204371-B 376642-S35(MM292A) | 1 2 |
| 04392-3 | PANEL - INSTRUMENT PANEL - FINISH END | | | | |
| | 63 | X(54B, 62B, C, 63, 76) | R. H. -Includes attaching parts | C3DZ 6204392-A | 1 |
| | | | L. H. | C3DZ 6204393-A | 1 |
| | 64 | X(54B,62B, C, 63, 65H, 71C, 76) | R. H. -Includes attaching parts | C4DZ 6204392-A | 1 |
| 04396 | BRACKET - INSTRUMENT PANEL CLOCK OPENING COVER MOUNTING | | | | |
| | 63 | A(54B, 62B, 71B, 71C) | | C3AZ 6204396-A | 1 |
| | 64 | A(54B, 54E, 62B, 62E, 71B, 71C) | | | 1 |
| 044500-1 | MOULDING - INSTRUMENT PANEL EXTENSION - UPPER | | | | |
| | 61/63 | S | R. H. -Includes attaching parts | C1SZ 63044B00-A | 1 |
| | | | L. H. | C1SB 63044B01-A | 1 |
| | | | Retainer | C1SB 63044B10-A | 4 |
| 044502-3 | MOULDING - INSTRUMENT PANEL EXTENSION - LOWER | | | | |
| | 61/63 | S | R. H. - Includes attaching parts | C1SZ 63044B02-A | 1 |
| | | | L. H. | C1SZ 63044B03-A | 1 |
| | | | Clip | C1SB 63044B26-A | 8or10 |
| 044504 | MOULDING - INSTRUMENT PANEL EXTENSION - UPPER CENTER | | | | |
| | 61/63 | S | Includes attaching parts | C1SB 63044B04-A | 1 |
| | | | No. 8 x 1/2" Cross recess oval head screw | 52344-S13(U292) | 2 |
| 04405 | GRILLE ASSY. - INSTRUMENT OR CONSOLE PANEL RADIO - Paint to match | | | | |
| | 62/63 | A(76B) | Rear seat back | C2AZ 7604405-A | 1 |
| | | | No. 6-32 x 1/2" Fastener (stud) | 358432-S13(HH29) | 3 |
| | | | No. 8-15 x 3/4" Cross recess washer head screw | 52376-S13(U296) | 2 |
| | | | No. 8-15 Nut (spring) | 45177-S32(M136) | 2 |
| | 64 | A(76) | Rear seat back - Refer to Group 601A40 | | |
| | 64/ | S | No. 10-Lockwasher (internal tooth) | C4SZ 6304405-A 34903-S8(X96) | 1 6 |
| | | | No. 10-24 Hex. nut | 34053-S8(M156) | 6 |
| 044506-7 | PANEL - INSTRUMENT PANEL EXTENSION FINISH | | | | |
| | 61 | S | L. H. -Aluminum | C1SB 63044B07-B280 | 1 |
| | | | No. 8 x 1/2" Cross recess oval head screw | 52344-S13(U292) | 2 |
| | 62 | S | R. H. -Aluminum-use with movable steering column | C1SB 63044B06-A280 | 1 |
| | 63 | S(63A, 76) | | | 1 |
| | | | R. H. -Aluminum-use with A/C | C1SZ 63044B06-A | 1 |
| | | | R. H. -Beige-use with movable steering column | C2SZ 63044B06-K | 1 |
| | | | R. H. -Blue-use with movable steering column | C2SZ 63044B06-A | 1 |
| | | | R. H. -Blue-use with A/C | C2SZ 63044B06-C | 1 |
| | | | R. H. -Turquoise-use with movable steering column | C2SZ 63044B06-G | 1 |
| | | | R. H. -Turquoise-use with A/C | C2SZ 63044B06-J | 1 |
| | | | L. H. -Aluminum | C1SB 63044B07-B280 | 1 |
| | | | L. H. -Beige | C2SZ 63044B07-D | 1 |
| | | | L. H. -Blue | C2SZ 63044B07-A | 1 |
| | | | L. H. -Turquoise | C2SZ 63044B07-C | 1 |

| GROUP NUMBER | YEAR | BODY TYPE | DESCRIPTION | PART NUMBER | QTY. |
|--|-------|------------|---|--------------------|----------------|
| 044B06-7 PANEL - INSTRUMENT PANEL EXTENSION FINISH - continued | | | | | |
| | 63 | S(63B) | R. H. -Use without A/C-Wood grain | C3SZ 63044B06-C | 1 |
| | | | R. H. -Use with A/C-Wood grain | C3SZ 63044B06-D | 1 |
| | | | L. H. -Use with or without A/C-Wood grain | C3SZ 63044B07-C | 1 |
| | | | R. H. -Use without A/C-Rosewood Beige grain | C3SZ 63044B06-E | 1 |
| | | | R. H. -Use with A/C-Rosewood Beige grain | C3SZ 63044B06-F | 1 |
| | | | L. H. -Use with or without A/C-Rosewood Beige grain | C3SZ 63044B07-D | 1 |
| | 64 | S | Black | C4SZ 63044B07-AAB | 1 |
| | | | Light Beige | C4SZ 63044B07-AAC | 1 |
| | | | Light Blue | C4SZ 63044B07-AAE | 1 |
| | | | Light Silver Blue | C4SZ 63044B07-AAD | 1 |
| | | | Light Gold | C4SZ 63044B07-AAK | 1 |
| | | | Light Rose Beige | C4SZ 63044B07-AAH | 1 |
| | | | Light Turquoise | C4SZ 63044B07-AAJ | 1 |
| | | | Medium Palomino | C4SZ 63044B07-AAG | 1 |
| | | | Red | C4SZ 63044B07-AAF | 1 |
| | | | White Pearl | C4SZ 63044B07-ABA | 1 |
| | 62/ | S | No. 8-15 x 1/2" Cross recess oval head screw | 52344-S13(U292) | 2 |
| | 64/ | S | No. 8-15 x 1/2" Cross recess pan head screw | 52726-S13(U381) | 1 |
| 044B08 PANEL - INSTRUMENT EXTENSION FINISH - CENTER | | | | | |
| | 61/62 | S | Aluminum | C1SZ 63044B08-A | 1 |
| | 63 | S(63A, 76) | Blue- NOTE 4 | C2SZ 63044B08-A | 1 |
| | | | Turquoise- NOTE 4 | C2SZ 63044B08-C | 1 |
| | 63 | S(63B) | Use with A/C-Wood grain finish | C3SZ 63044B08-B | 1 |
| | | | Use with A/C-Rosewood Beige grain finish | C3SZ 63044B08-C | 1 |
| 044A10-1 PANEL ASSY. - INSTRUMENT PANEL FINISH - LOWER | | | | | |
| | 64 | S | Black | C4SZ 63044A10-AAB | 1 |
| | | | Light Beige | C4SZ 63044A10-AAC | 1 |
| | | | Light Blue | C4SZ 63044A10-AAE | 1 |
| | | | Light Silver Blue | C4SZ 63044A10-AAD | 1 |
| | | | Light Gold | C4SZ 63044A10-AAK | 1 |
| | | | Light Rose Beige | C4SZ 63044A10-AAH | 1 |
| | | | Light Turquoise | C4SZ 63044A10-AAJ | 1 |
| | | | Red | C4SZ 63044A10-AAF | 1 |
| | | | White Pearl | C4SZ 63044A10-CBA | 1 |
| | 64/ | S | 1/4"-20 x 1/2" Pan head screw and washer assy. | 373460-S7(BB629) | 1 |
| | | | No. 6-18 x 1/2" Binding head sheet metal screw | 32921-S7-8(U334) | 3 |
| 044B10 RETAINER - INSTRUMENT PANEL EXTENSION UPPER MOULDING | | | | | |
| | 61/63 | S | Attach to moulding 044B00 | C1SB 63044B10-A | 3 or 4 |
| 044B26 CLIP - CONSOLE PANEL UPPER MOULDING | | | | | |
| | 61/ | S | Instrument panel extension lower moulding | C1SB 63044B26-A | 8to27 8or12 |
| 044C26 MOULDING - INSTRUMENT PANEL - UPPER - Includes Attaching Parts | | | | | |
| | 64/ | S | Paint to match | C4SZ 63044C26-C | 1 |
| 04428 COVER - CLOCK OPENING - When Clock is not installed | | | | | |
| | 63/64 | A | Paint to match | C3AZ 6204428-A | 1 |
| | | | 3/8"-24 Nut (stamped) | 376642-S35(MM292A) | 2 |
| | 64 | A | Bright finish | C4AZ 6204428-A | 1 |
| 044A36-7 MOULDING - INSTRUMENT PANEL PAD RETAINING-LOWER - Includes Attaching Parts | | | | | |
| | 64/ | S | Clip | C4SZ 63044A36-B | 1 |
| | | | | C4SZ 6304561-A | 10 |
| 044A38-9 EXTENSION ASSY. - INSTRUMENT PANEL - LOWER - Paint to match | | | | | |
| | 61/63 | S | R. H. | C1SZ 63044A38-A | 1 |
| | 61/63 | S | "Before 12/24/62" L. H. | C3SZ 63044A39-B | 1 |
| | 63 | S | "From 12/24/62" L. H. | C3SZ 63044A39-C | 1 |
| | 61/63 | S | 1/4"-20 x 1/2" Pan head screw & washer assy. | 373460-S7(BB629) | 5 |

NOTE 4 - Used on units with moveable steering column and air conditioning

FORD CAR PARTS

BODY SECTION 042

953

| GROUP NUMBER | YEAR | BODY TYPE | DESCRIPTION | PART NUMBER | | QTY. | |
|--|-------|------------|---|-------------------|-------------------|-------------------|---|
| | | | | RIGHT HAND | LEFT HAND | | |
| 04439 RETAINER - INSTRUMENT PANEL MOULDING | | | | | | | |
| | 60/62 | A | Used with padded instrument panel | C0AB 6404439-F | | 6 | |
| | 62/64 | B S(63) | Luggage compartment door to filler shield | C2OZ 6204439-A | | 5 to 9 16 | |
| | 64/ | X | Also refer to Group 044B96 | | | | |
| 044B40 MOULDING - INSTRUMENT PANEL PAD RETAINING - TOP CENTER | | | | | | | |
| | 61/63 | X | Paint to match | C1DB 64044B40-AP | | 1 | |
| | | | No. 8 x 1 1/2" Cross recess oval head screw | 52388-S13(U298) | | 3 | |
| | | | For R. & L. Moulding Refer to Group 04522-3 | | | | |
| 04446 MOULDING - INSTRUMENT PANEL - INTERMEDIATE | | | | | | | |
| | 61/63 | S | Refer to Group 044B58 | | | | |
| 044C48-9 RETAINER - CONSOLE PANEL MOULDING | | | | | | | |
| | 64 | S | Lower edge | C4SZ 63044C48-A | C4SZ 63044C49-A | 1 | |
| | | | No. 8-15 x 1/2" Cross recess pan head screw | 52726-S8(U381) | 52726-S8(U381) | 14 | |
| 044C50-1 PANEL - CONSOLE PANEL RADIO ACCESS | | | | | | | |
| | 64 | S | "Before 9/23/63" | Light Beige | C4SZ 63044C50-AAC | C4SZ 63044C51-AAC | 1 |
| | | | | Light Blue | C4SZ 63044C50-AAE | C4SZ 63044C51-RAE | 1 |
| | | | | Light Silver Blue | C4SZ 63044C50-AAD | C4SZ 63044C51-AAD | 1 |
| | | | | Medium Palomino | C4SZ 63044C50-AAG | C4SZ 63044C51-AAG | 1 |
| | | | | Red | C4SZ 63044C50-AAF | C4SZ 63044C51-RAF | 1 |
| | 64 | S | "Before 9/23/63" | Light Rose Beige | C4SZ 63044C50-AAH | C4SZ 63044C51-AAH | 1 |
| | | | | Light Turquoise | C4SZ 63044C50-AAJ | C4SZ 63044C51-AAJ | 1 |
| | | | | Light Gold | C4SZ 63044C50-AAK | C4SZ 63044C51-AAK | 1 |
| | | | | White Pearl | C4SZ 63044C50-CBA | C4SZ 63044C51-DBA | 1 |
| | 64 | S | | Black | C4SZ 63044C50-HAB | C4SZ 63044C51-RAB | 1 |
| | 64 | S | "From 9/23/63" | Light Beige | C4SZ 63044C50-HAC | C4SZ 63044C51-RAC | 1 |
| | | | | Light Blue | C4SZ 63044C50-HAE | C4SZ 63044C51-RAE | 1 |
| | | | | Light Gold | C4SZ 63044C50-HAK | C4SZ 63044C51-RAK | 1 |
| | | | | Light Rose Beige | C4SZ 63044C50-HAH | C4SZ 63044C51-RAH | 1 |
| | | | | Light Silver Blue | C4SZ 63044C50-HAD | C4SZ 63044C51-RAD | 1 |
| | | | | Light Turquoise | C4SZ 63044C50-HAJ | C4SZ 63044C51-RAJ | 1 |
| | | | | Medium Palomino | C4SZ 63044C50-HAG | C4SZ 63044C51-RAG | 1 |
| | | | | Red | C4SZ 63044C50-HAF | C4SZ 63044C51-RAF | 1 |
| | | | | White Pearl | C4SZ 63044C50-HBA | C4SZ 63044C51-RBA | 1 |
| | 64/ | S | No. 8-15 x 1/2" Cross recess pan head screw | 52726-S13(U381) | 52726-S13(U381) | 1 | |
| | | | Bumper | 378399-S(CC40) | 378399-S(CC40) | 1 | |
| 04454 GRILLE - INSTRUMENT PANEL RADIO | | | | | | | |
| | 60/62 | A | Without safety pad | | C0AB 6404454-AP | 1 | |
| | | | Clip assy. | | 357849-S100(RR40) | 2 | |
| | | | 1/4" Flat washer | | 44719-S8(X17) | 2 | |
| | | | No. 8 - 32 Hex. nut | | 34052-S7(M155) | 2 | |
| | | | Clip | | C0AB 6404484-A | 2 | |
| | 63/64 | A | Paint to match | | C3AZ 6204454-B | 1 | |
| | 63 | A | Clip | | 357849-S100(RR40) | 2 | |
| | 64 | A | Clip | | C4AZ 6204484-A | 2 | |
| | | | No. 6-32 x 1/2" Fastener (stud) | | 358432-S13(HH29) | 3 | |
| | 62/ | B | Paint to match | | C2OB 6204454-AP | 1 | |
| | | | No. 8-15 x 1" Cross recess oval head self tapping screw | | 52376-S13(U296) | 2 | |
| | 61/63 | S | Paint to match | | C1SZ 6304454-A | 1 | |
| | | | Clip-rear | | C1SB 6304484-B | 2 | |
| | | | Clip-front | | C0AB 6404484-A | 2 | |

**BODY
SECTION 042**
FORD CAR PARTS

| GROUP NUMBER | YEAR | BODY TYPE | DESCRIPTION | PART NUMBER | QTY. |
|---|-------|-------------------------------------|---|--------------------|------|
| 04454 GRILLE - INSTRUMENT PANEL RADIO - continued | | | | | |
| | 60/63 | X | Paint to match | C0DB 6404454-BP | 1 |
| | | | No. 8 x 1 1/2" Cross recess oval head screw | 52388-S13(U298) | 4 |
| | 64/ | X | Paint to match | C4DZ 6204454-A | 1 |
| | | | No. 8-15 x 1 1/4" Cross recess oval head screw | 53066-S13(U284) | |
| | 64/ | A, B, X | Bumper | 376892-S(CC35) | 2 |
| 044C54 CAP - CONSOLE PANEL FINISH MOULDING | | | | | |
| | 64/ | S | | C4SZ 63044C54-A | 1 |
| | | | No. 8-15 x 1/2" Cross recess oval head screw | 52344-S13(U292) | 1 |
| 044B58 MOULDING ASSY. - INSTRUMENT PANEL - INTERMEDIATE | | | | | |
| | 61/63 | S | R. H. - Includes attaching parts | C1SB 63044B58-A | 1 |
| | 62/63 | S | L. H. -Includes attaching parts | ★C1SZ 63044B58-B | 1 |
| | 61/63 | S | No. 8 x 1/2" Cross recess oval head screw | 52344-S13(U292) | 1 |
| 04460 PLATE - INSTRUMENT PANEL NAME - Includes Attaching Parts | | | | | |
| - A - | | | | | |
| | 61/62 | A(76) | "Sunliner" | C1AB 7604460-A | 1 |
| | 62 | A(65, 76) | "500 XL" | C2AZ 7604460-B | 1 |
| | 61/ | A | 3/32" Nut (sleeve) | 370030-S2(MM221C) | 2 |
| | 63 | A(54A, 62A, 63B, 65A, 75A, C, 76A) | "500" | C3AZ 6204460-B | 1 |
| | 63 | A(63C, 65B, 75C, 76B) | "500 XL" | C3AZ 6504460-A | 1 |
| | 64 | A(57C, 63C, 76B) | | | 1 |
| | 63/64 | A(54A, 57, 62A, 63, 75, 76) | "Galaxie" | C3AZ 6204460-C | 1 |
| | 64 | A(54B, 62B) | "Custom 500" | C4AZ 6204460-A | 1 |
| | 63 | A(71G, H) | "Country Squire" | C3AZ 7104460-D | 1 |
| | 63/64 | A(71A, E) | | | 1 |
| | 63/64 | A(71B, C) | "Country Sedan" | C3AZ 7104460-C | 1 |
| - S - | | | | | |
| | 60 | S | "Thunderbird" | B8S 6304460-A | 1 |
| | 61/63 | S | "Thunderbird" | C1SB 6304460-A | 1 |
| | 64/ | S | "Thunderbird" | C4SZ 6304460-A | 1 |
| | 61/ | S | 1/8" Nut (spring) | 359464-S7(MM271) | 4 |
| 04468 SPACER - INSTRUMENT PANEL PAD DEFROSTER OPENING | | | | | |
| | 61/63 | S | | C1SB 6304468-A | 4 |
| 04484 CLIP - INSTRUMENT PANEL RADIO GRILLE RETAINING | | | | | |
| | 64 | A | Refer to Group 04454 | C4AZ 6204484-A | 2 |
| | 60/62 | A | | C0AB 6404484-A | 2 |
| | 61/63 | S | Front | | 2 |
| | 61/63 | S | Rear | C1SB 6304484-B | 2 |
| 044B90 REINFORCEMENT - CONSOLE PANEL - FRONT | | | | | |
| | 61/ | X(Futura, 62C, 64C, 71B) | Use with Die Cast Console -drill holes as required | C2DZ 64044B90-A | 1 |
| | 62 | B(62C) | | | 1 |
| | 63 | B(71G) | | | 1 |
| | 63 | X(62C, 63C, 71D, 76B) | | | 1 |
| | | | No. 10-24 x 21/32" Cross recess fill. head screw and washer assy. | 378148-S(BB29) | 2or4 |
| | | | No. 10-24 Nut & washer assy. | 354397-S100(MM291) | 2or4 |
| 04496 COVER - INSTRUMENT PANEL HEATER CONTROL OPENING | | | | | |
| | 63 | A(54A, 62A, 63, 65, 71A, E, 75, 76) | | C3AZ 6204496-B | 1 |
| | 64 | A | With movable steering -with heater | C4AZ 6204496-A | 1 |
| | 63/64 | A(54B, E, 62B, E, 71B, C) | Without movable strg. -w/heater-paint to match | C3AZ 6204496-A | 1 |
| | 63/64 | A | 3/8"- 24 Nut (stamped) | 376642-S35(MM292A) | 2 |
| | 62 | B(54B, 62B) | Bright finish | C2OZ 6204496-B | 1 |
| | 63 | B(54B, 62B, 65, 71B) | | | 1 |
| | 64 | B(54, 62, 65, 71B, 71D) | | C4OZ 6204496-B | 1 |
| | 61/62 | S | Beige | C2SZ 6304496-D | 1 |
| | 63 | S(63, 76) | | | 1 |
| | | | Turquoise | C2SZ 6304496-C | 1 |
| | 64/ | X | Paint to match | C4DZ 6204496-A | 1 |

FORD CAR PARTS

**BODY
SECTION 042**

955

| GROUP NUMBER | YEAR | BODY TYPE | DESCRIPTION | PART NUMBER | QTY. |
|-----------------------------------|---|-----------|--|----------------------------------|--------|
| 044B96 | CLIP - INSTRUMENT PANEL PAD RETAINING-UPPER | | | | |
| 64/ | X | | | C4GY 54044B96-C | 10 |
| 045A12 | PANEL ASSY. - CONSOLE - REAR | | | | |
| - A - | | | | | |
| 62 | A | | Kit - Use with manual 4 speed transmission | C2AZ 76045A12-C | 1 |
| Consists of | | | | | |
| 1-C3AZ 65045A12-A Panel (console) | | | 1-C3AZ 7262-A Retainer (gear shift boot) | | |
| 1-C4AZ 7277-B | | | Boot assy. (gear shift lever) | | |
| 63 | A | | Used with manual 4 speed transmission | C3AZ 65045A12-A | 1 |
| 64 | A | | Without movable steering | | 1 |
| 64 | A | | With movable steering column | C4AZ 63045A12-A | 1 |
| 62/64 | A | | No. 8-15 x 5/8" Cross recess oval head screw | 53027-S13(U278) | 4 |
| 62/63 | A | | Used with automatic transmission | C2AZ 76045A12-B | 1 |
| 64 | A | | Without movable steering column | | 1 |
| - B - | | | | | |
| 63/ | B | | Used with manual 4/S/T | C3AZ 65045A12-A | 1 |
| 63/ | B | | Without manual 4/S/T-includes attaching parts | C3OZ 65045A12-A | 1 |
| 63/64 | B | | No. 8-15 x 5/8" Cross recess oval head screw | 53027-S13(U278) | 4 |
| - X - | | | | | |
| 61/62 | X | | Use with Aluminum Console | C1DB 64045A12-A | 1 |
| 62 | X | | Use with Die Cast Console | C2DZ 64045A12-A | 1 |
| 63 | X(62C, 63C, 76B) | | | C3DZ 62045A12-A | 1 |
| 63 | X(71D) | | | C3DZ 71045A12-A | 1 |
| 62/63 | X(62C, 63C, 64C, 71B, D, 76B) | | No. 10-24 Nut and washer assy. | 354397-S100(MM291) | 4 |
| | | | No. 10-24 x 3/8" Hex. washer head screw | 40905-S8(U258) | 4 |
| 04516-7 | BRACKET - INSTRUMENT PANEL VENTILATOR AIR CONTROL MOUNTING | | | | |
| 62/ | B | | R. H. | C3OZ 6204516-A | 1 |
| | | | L. H. | C3OZ 6204517-A | 1 |
| 62/ | B | | 1/4"-20 x 5/8" Fillister head screw | 31080-S8(U60) | 2 |
| | | | 1/4" Lockwasher (external tooth) | 34940-S7-8(X88) | 2 |
| | | | 1/4"-20 Hex. nut | 34055-S8(M158) | 2 |
| 64 | X | | 1/4"-20 x 1/2" Pan head screw & washer assy. | C4DZ 6204516-B 50992-S7(U154) | 1 1 |
| 045B16-7 | RETAINER - PASSENGER ASSIST BAR | | | | |
| 62/63 | S(76B) | | R. H. | C2SZ 76045B16-A | 1 |
| | | | L. H. | C2SZ 76045B17-A | 1 |
| 04518-9 | MOULDING - INSTRUMENT PANEL COVER RETAINING END - Includes Attaching Parts | | | | |
| 62/ | B | | R. H. - Paint to match | C2OZ 6204518-A | 1 |
| | | | L. H. | C2OZ 6204519-A | 1 |
| 64 | S | | R. H. | C4SZ 6304518-A | 1 |
| | | | L. H. | C4SZ 6304519-A | 1 |
| 60/63 | X-with Safety pad | | R. H. - Paint to match | C0DB 6404518-BP | 1 |
| | | | L. H. | C0DB 6404519-BP | 1 |
| 64 | X | | R. H. | C4DZ 6204518-B | 1 |
| | | | L. H. | C4DZ 6204519-B | 1 |
| 045A20-1 | MOULDING - CONSOLE PANEL - UPPER - Includes Attaching Parts | | | | |
| 61/63 | S | | R. H. | C1SZ 63045A20-A | 1 |
| | | | L. H. | C1SZ 63045A21-A | 1 |
| | | | Clip | C1SB 63044B26-A | 8or10 |
| 04522-3 | MOULDING - INSTRUMENT PANEL PAD RETAINING UPPER | | | | |
| 62/63 | B | | R. H. - Paint to match | C2OZ 6204522-A | 1 |
| | | | L. H. | C2OZ 6204523-A | 1 |
| | | | No. 8-15 x 1 1/2" Self tapping oval head screw | 53072-S13(U285) | 1 |
| 64 | B | | R. H. -Includes attaching parts-Paint to match | C4OZ 6204522-A | 1 |
| | | | L. H. | C4OZ 6204523-A | 1 |
| 64/ | S | | Rustless steel | C4SZ 6304522-A | 2 |
| 61/63 | X(except 63, 76) | | R. H. - Paint to match | C1DB 6404522-AP | 1 |
| | | | L. H. | ★ C1DB 6404523-AP | 1 |
| 61/63 | X | | For center moulding refer to Group 044B40 | | |
| 63 | X(63, 76) | | R. H. - Paint to match | C3DZ 7604522-A | 1 |
| | | | L. H. | C3DZ 7604523-A | 1 |
| 61/63 | X | | No. 8-15 x 1 1/2" Cross recess oval head screw | 52388-S13(U298) | 6or8 |

| GROUP NUMBER | YEAR | BODY TYPE | DESCRIPTION | PART NUMBER | QTY. |
|-----------------|---|-----------------------|--|-------------------|------|
| 045B22 | BAR ASSY. - PASSENGER ASSIST - LESS PAD and RETAINER ASSY. | | | | |
| | 62/63 | S(76B) | | C2SZ 76045B22-A | 1 |
| | | | R. H. - Retainer | C2SZ 76045B16-A | 1 |
| | | | L. H. - Retainer | C2SZ 76045B17-A | 1 |
| | | | 1/4" - 20 Hex. nut | 33795-S7(M49) | 4 |
| | | | 1/4" Lockwasher | 34940-S7-8(X88) | 4 |
| 045B24-5 | MOULDING - CONSOLE PANEL - FRONT | | | | |
| | 62/63 | A -with A/C | R. H. -Includes attaching parts | C2AZ 76045B24-B | 1 |
| | | | L. H. | C2AZ 76045B25-B | 1 |
| | | | No. 8-15 x 1/2" Cross recess oval head screw | 52344-S13(U292) | 2 |
| | 62/84 | A -without A/C | R.H. - Includes attaching parts | C2AZ 76045B24-A | 1 |
| | 63/ | B | | | 1 |
| | | | L. H. | C2AZ 76045B25-A | 1 |
| | | | No. 8-15 x 1/2" Cross recess oval head screw | 52344-S13(U292) | 2or4 |
| | 64/ | S | R. H. | C4SZ 63045B24-A | 1 |
| | | | L. H. | C4SZ 63045B25-A | 1 |
| | | | No. 8-15 x 5/8" Cross recess oval head screw | 53027-S13(U278) | 4 |
| 045C26-7 | MOULDING - CONSOLE PANEL SIDE - Includes Attaching Parts | | | | |
| | 64/ | X | R. H. -Less attaching parts | C4DZ 63045C26-A | 1 |
| | | | L. H. | C4DZ 62045C27-A | 1 |
| | | | No. 8-18 x 3/8" Truss head screw | 376378-S101(UU97) | 6 |
| 045B28-9 | SUPPORT - CONSOLE PANEL FRONT | | | | |
| | 64 | S | R. H. | C4SZ 63045B28-A | 1 |
| | | | L. H. | C4SZ 63045B29-A | 1 |
| 045C30-1 | MOULDING ASSY. - CONSOLE PANEL SIDE - Includes Attaching Parts | | | | |
| | 64/ | S | R. H. | C4SZ 63045C30-A | 1 |
| | 64 | S | L. H. | C4SZ 63045C31-A | 1 |
| 045C32 | COVER - INSTRUMENT PANEL FINISH PANEL MOULDING JOINT | | | | |
| | 64/ | S | | C4SZ 63045C32-B | 1 |
| 045B34 | BRACKET - CONSOLE MOUNTING-REAR | | | | |
| | 64 | X(63C, 63D, 76B, 76D) | | C4DZ 62045B34-A | 1 |
| 045A36 | PANEL - CONSOLE | | | | |
| | - A - | | | | |
| | 62 | A. | Black - NOTE 2 | C3AZ 65045A36-E | 1 |
| | | | Red | C3AZ 65045A36-D | 1 |
| | | | Gold | C3AZ 65045A36-F | 1 |
| | 63 | A | Blue | C3AZ 65045A36-A | 1 |
| | | | Red | C3AZ 65045A36-D | 1 |
| | | | Turquoise | C3AZ 65045A36-C | 1 |
| | | | Black | C3AZ 65045A36-E | 1 |
| | | | Gold | C3AZ 65045A36-F | 1 |
| | | | Rose Beige | C3AZ 65045A36-G | 1 |
| | | | White | C3AZ 65045A36-H | 1 |
| | | | Pearl Beige | C3MY 65045A36-CBB | 1 |
| | 64 | A | Light Blue | C3AZ 65045A36-A | 1 |
| | | | Red | C3AZ 65045A36-D | 1 |
| | | | Black | C3AZ 65045A36-E | 1 |
| | | | White | C3AZ 65045A36-H | 1 |
| | | | Pearl Beige | C4AZ 65045A36-CFF | 1 |
| | | | Light Turquoise | C4AZ 65045A36-CFG | 1 |
| | | | Light Silver Blue | C4AZ 65045A36-CFH | 1 |
| | | | Medium Palomino | C4AZ 65045A36-CFJ | 1 |
| | | | No.10-16 x 3/8" Cross recess screw | 52721-S8(U382B) | AR |
| | - B - | | | | |
| | 63 | B(65B) | Blue | C3AZ 65045A36-A | 1 |
| | | | Red | C3AZ 65045A36-D | 1 |
| | | | Black | C3AZ 65045A36-E | 1 |
| | | | Gold | C3AZ 65045A36-F | 1 |
| | | | Rose Beige | C3AZ 65045A36-G | 1 |

NOTE 2 - Cut approximately 2" from front end to fit A/C

FORD CAR PARTS

BODY SECTION 042

957

| GROUP NUMBER | YEAR | BODY TYPE | DESCRIPTION | PART NUMBER | | QTY. |
|---|------------------------|---|-------------------|-----------------|-----------|------|
| | | | | RIGHT HAND | LEFT HAND | |
| 045A36 PANEL - CONSOLE - continued | | | | | | |
| - B - | | | | | | |
| 64 | B(65B) | Light Blue | C3AZ 65045A36-A | | 1 | |
| | | Red | C3AZ 65045A36-D | | 1 | |
| | | Black | C3AZ 65045A36-E | | 1 | |
| | | White | C3AZ 65045A36-H | | 1 | |
| | | Pearl Beige | C4AZ 65045A36-CFF | | | |
| | | Light Turquoise | C4AZ 65045A36-CFG | | 1 | |
| | | Light Silver Blue | C4AZ 65045A36-CFH | | 1 | |
| | | Medium Palomino | C4AZ 65045A36-CFJ | | 1 | |
| | | No. 10-16 x 3/8" Cross recess screw | 52721-S8(U382B) | | AR | |
| - S - | | | | | | |
| 64 | S | Black | C4SZ 63045A36-HAB | | 1 | |
| | | Light Beige | C4SZ 63045A36-HAC | | 1 | |
| | | Light Silver Blue | C4SZ 63045A36-HAD | | 1 | |
| | | Light Blue | C4SZ 63045A36-HAE | | 1 | |
| | | Red | C4SZ 63045A36-HAF | | 1 | |
| | | Medium Palomino | C4SZ 63045A36-HAG | | 1 | |
| | | Light Rose Beige | C4SZ 63045A36-HAH | | 1 | |
| | | Light Turquoise | C4SZ 63045A36-HAJ | | 1 | |
| | | Light Aztec Gold | C4SZ 63045A36-HAK | | 1 | |
| | | White Pearl | C4SZ 63045A36-HBA | | 1 | |
| | | No. 10-16 x 3/8" Hex. washer head screw | 42120-S8(U248) | | 1 | |
| | | No. 8-15 x 1/2" Pan head self tapping screw | 52726-S13(U381) | | 6 | |
| | | No. 8-15 Nut (spring) | 45174-S8(M138) | | 4 | |
| - X - | | | | | | |
| 64 | X(62C, 63C, D, 66B, H) | Black | C4DZ 63045A36-BAB | | 1 | |
| | | Red | C4DZ 63045A36-BAC | | 1 | |
| | | Light Blue | C4DZ 63045A36-BAD | | 1 | |
| | | Light Turquoise | C4DZ 63045A36-BAE | | 1 | |
| | | Palomino | C4DZ 63045A36-BAF | | 1 | |
| | | Beige | C4DZ 63045A36-BAG | | 1 | |
| | | No. 10-24 Hex. nut | 34053-S8(M156) | | 1 | |
| | | No. 10-24 Round head screw | *54498-S | | 1 | |
| No. 10-3/8" Lockwasher | 34903-S8(X96) | | 1 | | | |
| - X - | | | | | | |
| 64 | X(76B, D) | Black | C4DZ 76045A36-DAB | | 1 | |
| | | Red | C4DZ 76045A36-DAC | | 1 | |
| | | Light Blue | C4DZ 76045A36-DAD | | 1 | |
| | | Light Turquoise | C4DZ 76045A36-DAE | | 1 | |
| | | Palomino | C4DZ 76045A36-DAF | | 1 | |
| GROUP NUMBER | YEAR | BODY TYPE | DESCRIPTION | PART NUMBER | | QTY. |
| 045A36-7 PANEL - CONSOLE SIDE | | | | | | |
| 62 | B(62C) | Red | C3DZ 71045A36-B | C3DZ 71045A37-B | | 1 |
| | | Blue | C3OZ 71045A36-A | C3OZ 71045A37-A | | 1 |
| | | Beige | C3OZ 71045A36-B | C3OZ 71045A37-B | | 1 |
| | | Red | C3OZ 71045A36-C | C3OZ 71045A37-C | | 1 |
| 62 | X | Red | C3DZ 71045A36-B | C3DZ 71045A37-B | | 1 |
| | | Black | C3DZ 71045A36-C | C3DZ 71045A37-C | | 1 |
| 63 | X(62C, 63C, 71D) | Blue | C3DZ 71045A36-A | C3DZ 71045A37-A | | 1 |
| | | Black | C3DZ 71045A36-C | C3DZ 71045A37-C | | 1 |
| | | Turquoise | C3DZ 62045A36-B | C3DZ 62045A37-B | | 1 |
| | | Gold | C3DZ 62045A36-C | C3DZ 62045A37-C | | 1 |
| | | Red | C3DZ 71045A36-B | C3DZ 71045A37-B | | 1 |
| 63 | X(76B) | Blue | C3DZ 76045A36-A | C3DZ 76045A37-A | | 1 |
| | | Black | C3DZ 76045A36-D | C3DZ 76045A37-D | | 1 |
| | | Gold | C3DZ 76045A36-E | C3DZ 76045A37-E | | 1 |
| | | Turquoise | C3DZ 76045A36-B | C3DZ 76045A37-B | | 1 |
| | | Red | C3DZ 76045A36-C | C3DZ 76045A37-C | | 1 |

| GROUP NUMBER | YEAR | BODY TYPE | DESCRIPTION | PART NUMBER | | QTY. |
|--|-------|---------------------------------|--|-----------------|-----------------|------|
| | | | | RIGHT HAND | LEFT HAND | |
| 045A46 PANEL ASSY. - CONSOLE PANEL CENTER REAR | | | | | | |
| | 61/63 | S | Black | C1SB | 63045A46-A05 | 1 |
| | | | Red | C1SB | 63045A46-A10 | 1 |
| | 62/63 | S | Light Blue | C2SB | 63045A46-A01 | 1 |
| | | | Light Turquoise | C2SB | 63045A46-A03 | 1 |
| | | | Light Silver Blue | C2SB | 63045A46-A20 | 1 |
| | 63 | S | Pearl Beige | C3SZ | 63045A46-A | 1 |
| | | | Medium Chestnut Metallic | C3SZ | 63045A46-B | 1 |
| | | | Light Gold Metallic | C3SZ | 63045A46-C | 1 |
| | | | Light Rose Beige Metallic | C3SZ | 63045A46-D | 1 |
| | 63 | S(63B) | White Pearl | C3SZ | 63045A46-E | 1 |
| 045B52-3 COVER - INSTRUMENT PANEL SAFETY PAD DEFROSTER OPENING FLANGE | | | | | | |
| | 63 | A | Paint to match | C3AZ | 62045B53-A | 2 |
| | 64 | A | Paint to match | C4AZ | 54045B52-A | 2 |
| 045B56 SUPPORT ASSY. - CONSOLE | | | | | | |
| | 62/63 | A(63C, 65B, 71G, 71H, 75C) | | C2AZ | 65045B56-A | 1 |
| | 62/63 | A(63C, 65B, 71G, 71H, 75C, 76B) | No. 14-14 x 1/2" Hex. washer head screw | 31497-S8(U254) | | 10 |
| | 64 | A(57C, 63C) | | C4AZ | 63045B56-A | 1 |
| | 64 | A(76) | | C4AZ | 76045B56-A | 1 |
| | | | No. 14-14 x 1/2" Hex. washer head screw | 31497-S8(U254) | | 10 |
| | 63/ | B(65B) | | C3OZ | 65045B56-D | 1 |
| | | | No. 14-14 x 1/2" Hex. washer head screw | 31497-S8(U254) | | 8 |
| 04561 CLIP - INSTRUMENT PANEL COVER RETAINING UPPER MOULDING | | | | | | |
| | 64 | A(54, 57B, 62, 63B) | | C4DZ | 6404561-A | 3 |
| | 63 | B | | C0DB | 6404561-C | 3 |
| | 64/ | B(54, 62, 65) | | C4DZ | 6404561-A | 3 |
| | 64/ | S | | C4SZ | 6304561-A | 10 |
| | 60/63 | X | | C0DB | 6404561-C | AR |
| | 64/ | X(54, 62, 63B) | | C4DZ | 6404561-A | 3or7 |
| GROUP NUMBER | YEAR | BODY TYPE | DESCRIPTION | PART NUMBER | | QTY. |
| | | | | RIGHT HAND | LEFT HAND | |
| 045A64-5 PLATE - INSTRUMENT PANEL END COVER | | | | | | |
| | 62/63 | S | Black | C2SZ | 63045A64-AAG | 1 |
| | | | Blue (medium) | C2SZ | 63045A64-BAB | 1 |
| | | | Blue (dark) | C2SZ | 63045A65-CCA | 1 |
| | | | Red | C2SZ | 63045A64-ABD | 1 |
| | | | Turquoise | C2SZ | 63045A65-ABD | 1 |
| | 63 | S | | C2SZ | 63045A65-CAD | 1 |
| | | | Beige (light) | C3SZ | 63045A64-A | 1 |
| | | | Beige (medium rose) | C3SZ | 63045A65-A | 1 |
| | | | Chestnut | C3SZ | 63045A64-D | 1 |
| | | | Gold | C3SZ | 63045A65-B | 1 |
| | 62/63 | S | No. 8 x 1/2" Cross recess oval head screw | C3SZ | 63045A64-B | 1 |
| | | | | C3SZ | 63045A65-C | 1 |
| | | | | 52344-S13(U292) | 52344-S13(U292) | 4 |
| GROUP NUMBER | YEAR | BODY TYPE | DESCRIPTION | PART NUMBER | | QTY. |
| | | | | RIGHT HAND | LEFT HAND | |
| 04567 PANEL - FRONT CONSOLE PANEL FINISH | | | | | | |
| - A - | | | | | | |
| | 63 | A(63C, 65B, 71G, 71H, 75C, 76B) | Used with A/C-Includes attaching parts | C3AZ | 6504567-A | 1 |
| | 63 | A(63C, 65B, 71G, 71H, 75C, 76B) | Used without A/C | C3AZ | 6504567-B | 1 |
| | 64 | A(57C, 63C, 76B) | | | | 1 |
| | 64 | A(57C, 63C, 76B) | Used with A/C-Paint to match | C4AZ | 6304567-A | 1 |
| - B - | | | | | | |
| | 63 | B(65B) | Used with A/C-includes attaching parts | C3AZ | 6504567-A | 1 |
| | 64 | B(65B) | "Before 2/3/64" Used with A/C-paint to match | C4AZ | 6304567-A | 1 |
| | 64 | B(65B) | "From 2/3/64" Used with Hang-on A/C-Paint to match | C4OZ | 6504567-A | 1 |

FORD CAR PARTS

BODY SECTION 042

959

| GROUP NUMBER | YEAR | BODY TYPE | DESCRIPTION | PART NUMBER | | QTY. | | |
|---|-------------------------------|------------------|--|-------------|--------------------|-------|--------------|---|
| | | | | RIGHT HAND | LEFT HAND | | | |
| 04567 PANEL - FRONT CONSOLE PANEL FINISH - continued | | | | | | | | |
| - S - | | | | | | | | |
| 61/63 | S | | Aluminum - | C2SZ | 6304567-E | 1 | | |
| | | | Cut holes as required when power equipment is used | | | 1 | | |
| | | | Blue - | C3SZ | 6304567-D | 1 | | |
| | | | Cut holes as required when power equipment is used | | | 1 | | |
| | | | Honey Beige - | C3SZ | 6304567-F | 1 | | |
| 63 | S(63B) | | Cut holes as required when power equipment is used | | | 1 | | |
| | | | Turquoise - | C3SZ | 6304567-E | 1 | | |
| | | | Cut holes as required when power equipment is used | | | 1 | | |
| | | | Wood grain - | C3SZ | 6304567-B | 1 | | |
| | | | Cut holes as required when power equipment is used | | | 1 | | |
| 64 | S(63A, 76) | | Rosewood Beige grain - | C3SZ | 6304567-G | 1 | | |
| | | | Cut holes as required when power equipment is used | | | 1 | | |
| | | | Without power lift windows-Brushed Aluminum | C4SZ | 6304567-N | 1 | | |
| | | | With power lift windows | C4SZ | 6304567-P | 1 | | |
| | | | With seat belt warning switch | C4SZ | 6304567-Q | 1 | | |
| 64 | S(63B) | "Before 9/23/63" | With power lift windows & seat belt warning switch | C4SZ | 6304567-R | 1 | | |
| | | | Without power lift windows-Wood Grain | C4SZ | 6304567-A | 1 | | |
| 64 | S(63B) | "From 9/23/63" | Without power lift windows-Wood Grain | C4SZ | 6304567-J | 1 | | |
| | | | With power lift windows | C4SZ | 6304567-K | 1 | | |
| | | | With seat belt warning switch | C4SZ | 6304567-L | 1 | | |
| | | | With power lift windows & seat belt warning switch | C4SZ | 6304567-M | 1 | | |
| | | | | | | | | |
| 045B70-1 MOULDING - CONSOLE PANEL SIDE - REAR - Includes Attaching Parts | | | | | | | | |
| 62/64 | A | | R. H. -Less attaching parts | C2AZ | 76045B70-A | 1 | | |
| | | | L. H. | C2AZ | 76045B71-A | 1 | | |
| | | | 1/4"-20 x 1/2" Pan head screw & washer assy. | | 373460-S7(BB629) | 2 | | |
| 63/ | B | | R. H. | C3OZ | 65045B70-A | 1 | | |
| | | | L. H. | C3OZ | 65045B71-A | 1 | | |
| 045A74-6 PANEL ASSY. - CONSOLE | | | | | | | | |
| 63 | S | | Center | C3SZ | 63045A76-A | 1 | | |
| 61/62 | X | | Front-Use with aluminum console | C1DB | 64045A74-A | 1 | | |
| 62 | X | | Front-Use with die cast console | C2DZ | 64045A74-A | 1 | | |
| 63 | X(62C, 63C, 71D) | | | C3DZ | 62045A74-A | 1 | | |
| 63 | X(76B) | | | C3DZ | 76045A74-A | 1 | | |
| 62/63 | X(62C, 63C, 64C, 71B, D, 76B) | | No. 10-24 x 3/8" Hex. washer head screw | | 40905-S7(U258) | 8 | | |
| | | | No. 10 - 24 Nut and washer assy. | | 354397-S100(MM291) | 8 | | |
| 04578-9 MOULDING - CONSOLE PANEL LOWER EDGE | | | | | | | | |
| 62/64 | A | | R. H. -Includes attaching parts | C2AZ | 7604578-A | 1 | | |
| | | | L. H. | C2AZ | 7604579-A | 1 | | |
| | | | No. 8-15 x 1/2" Cross recess oval head screw | | 52344-S13(U292) | 4 | | |
| 63/ | B | | R. H. -Includes attaching parts | C3OZ | 6504578-A | 1 | | |
| | | | L. H. | C3OZ | 6504579-A | 1 | | |
| 61/63 | S | | R. H. - Includes attaching parts | C1SZ | 6304578-A | 1 | | |
| | | | L. H. | ★C1SZ | 6304579-A | 1 | | |
| 60/63 | S | | No. 8 x 1/2" Cross recess pan head screw | | 52726-S13(U381) | 6or12 | | |
| | | | No. 8-15 Nut (spring) | | 353464-S8(MM248) | 6or12 | | |
| 64/ | S | | R. H. | C4SZ | 6304578-A | 1 | | |
| | | | L. H. | C4SZ | 6304579-A | 1 | | |
| | | | No. 8-15 x 5/8" Oval head tapping screw | | 53027-S13(U278) | 1 | | |
| 045B80 BRACKET ASSY. - AUTOMATIC TRANSMISSION SHIFT MOUNTING PLATE | | | | | | | | |
| 62/63 | A(63C, 65B, 71G, H, 75C, 76B) | | | C2AZ | 76045B80-A | 1 | | |
| 64 | A(57C, 63C, 76B) | | Without movable steering column | | | 1 | | |
| 045A86-7 PANEL ASSY. - CONSOLE PANEL SIDE | | | | | | | | |
| 61/63 | S | | Black | C1SZ | 63045A86-CAF | C1SZ | 63045A87-CAF | 1 |
| | | | Red | C1SZ | 63045A86-CBA | C1SZ | 63045A87-CBA | 1 |
| | | | Blue | C2SZ | 63045A86-BAB | C2SZ | 63045A87-BAB | 1 |
| | | | Turquoise | C2SZ | 63045A86-BAD | C2SZ | 63045A87-BAD | 1 |
| | | | Blue | C2SZ | 63045A86-BCA | C2SZ | 63045A87-BCA | 1 |

| GROUP NUMBER | YEAR | BODY TYPE | DESCRIPTION | PART NUMBER | | QTY. |
|---|---------------------|-------------------|---|------------------|------------------|------|
| | | | | RIGHT HAND | LEFT HAND | |
| 045A86-7 PANEL ASSY. - CONSOLE PANEL SIDE - continued | | | | | | |
| 63 | S | | Beige | C3SZ 63045A86-A | C3SZ 63045A87-A | 1 |
| | | | Beige (Light Rose) | C3SZ 63045A86-D | C3SZ 63045A87-D | 1 |
| | | | Chestnut | C3SZ 63045A86-E | C3SZ 63045A87-B | 1 |
| | | | Gold | C3SZ 63045A86-C | C3SZ 63045A87-C | 1 |
| | | | White Pearl | ★C3SZ 63045A86-E | C3SZ 63045A87-E | 1 |
| 61/63 | S | | No. 8 x 3/4" Cross recess oval head screw | 52360-S13(U294) | 52360-S13(U294) | 8 |
| | | | No. 8-15 Nut (spring) | | 353464-S8(MM248) | 8 |
| GROUP NUMBER YEAR BODY TYPE DESCRIPTION PART NUMBER QTY. | | | | | | |
| 045B88 STRIP - CONSOLE PANEL SIDE FLANGE BREAKER | | | | | | |
| 63 | X(76B) | | Plastic | | C3DZ 76045B88-A | 2 |
| 045A96 RETAINER - CONSOLE PANEL REAR MOULDING | | | | | | |
| 62/64 | A | | | | C2AZ 76045A96-A | 6 |
| 63/ | B | | No. 8-15 x 3/8" Cross recess pan head screw | | 52720-S8 (U380) | 6 |
| 64/ | X(63C, D, 76B, D) | | | | C4DZ 62045A96-A | 1 |
| 04652 MOULDING - INSTRUMENT PANEL LOWER CENTER | | | | | | |
| 64 | S | "Before 11/11/63" | | | C4SZ 6304652-A | 1 |
| 64 | S | "From 11/11/63" | | | C4SZ 6304652-B | 1 |
| 64/ | S | | No. 8-32 x 1/2" Cross recess pan head screw | | 51764-S8(U366) | 1 |
| 04684-5 RETAINER - CONSOLE PANEL LOWER EDGE | | | | | | |
| 64 | S | | R. H. | | C4SZ 6304684-A | 1 |
| 64 | S | | L. H. | | C4SZ 6304685-A | 1 |
| 61/62 | X | | | | C1DB 6404684-A | 2 |
| 63 | X(62C, 63C, 71D) | 6 cyl. | | | | 2 |
| 63 | X(62C, 63C, 71D) | 8 cyl. | R. H. | | C3DZ 6204684-A | 1 |
| | | | L. H. | | C3DZ 6204685-A | 1 |
| 63 | X(76B) | | R. H. | | C3DZ 7604684-A | 1 |
| | | | L. H. | | C3DZ 7604685-A | 1 |
| 04736 MOULDING - CONSOLE PANEL - REAR - INCLUDES ATTACHING PARTS | | | | | | |
| 62/63 | A(63C, 65B, 71G, H) | | | | C2AZ 6504736-A | 1 |
| 63 | A(75C) | "Before 12/3/62" | | | | 1 |
| 63 | A(71G, H, 75C) | "From 12/3/62" | | | C3AZ 7504736-A | 1 |
| 64 | A(57C, 63C) | | | | | 1 |
| 62/ | A(76) | | | | C2AZ 7604736-A | 1 |
| 63/ | B(65B) | | | | C3OZ 6504736-A | 1 |
| 64/ | S | | | | C4SZ 6304736-A | 1 |
| 64/ | X(63C, D, 76B, D) | | | | C4DZ 6204736-A | 1 |
| 04772 MOULDING - INSTRUMENT PANEL COVER RETAINING - CENTER LOWER | | | | | | |
| 60/63 | X | | | | C0DB 6404772-C | 1 |
| 04774-5 PANEL - INSTRUMENT PANEL AT CLUSTER FINISH - LOWER | | | | | | |
| - A - | | | | | | |
| 61/62 | A | | R. H. | | C0KZ 6404774-A | 1 |
| 61 | A | | L. H. | | C1AB 6204775-B | 1 |
| 62 | A | | R. H. - Inner-used with COKZ-6404774-A | | C2AZ 6204774-A | 1 |
| | | | Outer Panel | | | |
| 63 | A | | L. H. | ★ | C2AZ 6204775-A | 1 |
| | | | R. H. -with or without movable steering column-Includes attaching parts | | C3AZ 6204774-A | 1 |
| 63 | A | | L. H. -with movable steering column | | C3AZ 6204775-B | 1 |
| | | | L. H. -without movable steering column | | C3AZ 6204775-A | 1 |
| 64 | A | | R. H. -with or without movable steering column | | C4AZ 6204774-A | 1 |
| 64 | A | | L. H. -without movable steering column | | C4AZ 6204775-A | 1 |
| 64 | A | | L. H. -with movable steering column | | C4AZ 6204775-B | 1 |

FORD CAR PARTS

**BODY
SECTION 047**

961

| GROUP NUMBER | YEAR | BODY TYPE | DESCRIPTION | PART NUMBER | QTY. |
|---|-------|-------------------------------|---|---|-------------------|
| 04774-5 PANEL - INSTRUMENT PANEL AT CLUSTER FINISH - LOWER - continued | | | | | |
| - X - | | | | | |
| | 63 | X(54B, 62B, C, 63, 76) | Center-Includes attaching parts-with radio | C3DZ 6204774-A | 1 |
| | 64 | X(54B, 62B, 63, 66H, 71C, 76) | Center-Without radio Center- With radio | C4DZ 6204774-A C4DZ 6204774-B | 1 1 |
| 04788 RECEPTACLE ASSY. - CONSOLE PANEL ASH | | | | | |
| | 64/ | S | | C4SZ 6304788-B | 1 |
| | 64/ | S | Bumper | 375838-S(CC32) | 2 |
| | | | Bumper-5/16" | 374212-S(CC26) | 3 |
| | | | No. 8-32 x 1/2" Cross recess pan head screw | 51764-S8(U366) | 4 |
| | | | No. 8 Flat washer | 44710-S8(X10) | 4 |
| 04810 RECEPTACLE ASSY. - INSTRUMENT PANEL ASH - Paint to match - also refer to Group 04821 | | | | | |
| - A - | | | | | |
| | 60/62 | A | | C0AZ 6404810-C | 1 |
| | 63/64 | A | 4 7/8" wide | C3AZ 6204810-C | 1 |
| | 60/64 | A | 1/4"-20 x 1/2" -Hex. head bolt | 20308-S8(B40) | 2 |
| | | | 1/4"-20 Hex. nut | 34055-S8(M158) | 2 |
| | 60/63 | A | Bumper | 380369-S(CC44) | 2 |
| | 64/ | A | Bumper | 377880-S(CC39) | 2 |
| - B - | | | | | |
| | 62/63 | B | | C3OZ 6204810-A | 1 |
| | 64/ | B | | C4OZ 6204810-A | 1 |
| - X - | | | | | |
| | 60/63 | X | | C3DZ 6204810-A | 1 |
| | 64/ | X | 3 3/4" wide | C4DZ 6204810-A | 1 |
| | 62/64 | B, X | Bumper | 380369-S(CC44) | 2 |
| 048A14 DOOR and RETAINER ASSY. - CONSOLE PANEL ASH RECEPTACLE | | | | | |
| | 61/62 | S | Aluminum | C1SZ 63048A14-D | 1 |
| | 63 | S(63A, 76) | | | 1 |
| | 62 | S | Blue | C2SZ 63048A14-A | 1 |
| | 63 | S(63A, 76) | | | 1 |
| | | | Honey Beige | C2SZ 63048A14-D | 1 |
| | 63 | S(63B) | Wood grain | C3SZ 63048A14-B | 1 |
| | | | Rosewood Beige grain | C3SZ 63048A14-C | 1 |
| | 61/63 | S | Bumper | 352000-S(CC29) | 2 |
| 04821 BOX & SNUFFER ASSY. - CONSOLE OR INSTRUMENT PANEL ASH RECEPTACLE | | | | | |
| - A - | | | | | |
| | 63 | A(75C) | "Before 12/3/62" | Console-Hang-on type | C3AZ 7504821-B |
| | | | | No. 8 x 3/8" Cross recess pan head screw | 52720-S8(U380) |
| | 63 | A(71G, H, 75C) | "From 12/3/62" | Console | C3AZ 7504821-A |
| | 64 | A(57C, 63C) | | | 1 |
| | 64/ | X(63C, D, 66H, 76B, D) | | Console tray | C4DZ 6204821-A |
| | | | | 3/16" Self tapping nut | 373503-S7(MM285A) |
| - B - | | | | | |
| | 63 | B(71G), X(71D) | | Console | C3DZ 7104821-A |
| - S - | | | | | |
| | 60 | S | | Console | B8S 6304821-A |
| | 61/63 | S | | Console | C1SB 6304821-A |
| | 64/ | S | | Console - Front | C4SZ 6304821-A |
| | | | | Also refer to Group 04788 | |
| | 64/ | S | | Console - Rear | C4SZ 6304821-B |
| 04826 RETAINER ASSY. - INSTRUMENT PANEL, CONSOLE ASH RECEPTACLE | | | | | |
| - A - | | | | | |
| | 63/64 | A | | C3AZ 6204826-A | 1 |
| | 63 | A(71G, H, 75C)"From 12/3/62" | Console | C3AZ 7504826-A | 1 |
| | 64 | A(57C, 63C) | | | 1 |
| - B - | | | | | |
| | 62/64 | B | "Before 11/18/63" | Console | C2OZ 6204826-A |
| | 63 | B(71G), X(71D) | | Console | C3DZ 7104826-A |
| | | | | No. 8-18 x 3/8" Cross recess pan head screw | 52720-S8(U380) |
| | 64/ | B | "From 11/18/63" | | C2OZ 6204826-B |

| GROUP NUMBER | YEAR | BODY TYPE | DESCRIPTION | PART NUMBER | QTY. |
|---------------|--|------------------|--|-------------------|------|
| 04826 | RETAINER ASSY. - INSTRUMENT PANEL, CONSOLE ASH RECEPTACLE - continued | | | | |
| 60/ | A, B, X | | No. 8 x 3/8" Cross recess binding head screw | 52720-S8(U380) | 3or4 |
| | | | No. 10 External tooth lockwasher | 34903-S8(X96) | 3or4 |
| | | | No. 8-15 x 1/2" Cross recess pan head screw | 52726-S13(U381) | 4 |
| | | | - X - | | |
| 60/63 | X | | | C0DB 6404826-A | 1 |
| 64/ | X | | | C4DZ 6204826-A | 1 |
| 04830 | HANDLE - CONSOLE PANEL ASH RECEPTACLE | | | | |
| 61/63 | S | | | C3SZ 6304830-A | 1 |
| | | | No. 6-32 x 1/4" Cross recess round head screw & washer assy. | *50625-S8 | 2 |
| 048A60 | DOOR and PLATE ASSY. - CONSOLE PANEL REAR ASH RECEPTACLE | | | | |
| 64 | S | | Black | C4SZ 63048A60-BAB | 1 |
| | | | Light Aztec Gold | C4SZ 63048A60-BBA | 1 |
| | | | Light Beige | C4SZ 63048A60-BAC | 1 |
| | | | Light Blue | C4SZ 63048A60-BAG | 1 |
| | | | Light Rose Beige | C4SZ 63048A60-BAJ | 1 |
| | | | Light Silver Blue | C4SZ 63048A60-BAE | 1 |
| | | | Light Turquoise | C4SZ 63048A60-BAK | 1 |
| | | | Medium Palomino | C4SZ 63048A60-BAF | 1 |
| | | | Red | C4SZ 63048A60-BAD | 1 |
| | | | White Pearl | C4SZ 63048A60-BAH | 1 |
| 060A08 | CABLE ASSY. - GLOVE COMPARTMENT DOOR CHECK | | | | |
| 61/63 | S | | | C1SB 63060A08-A | 1 |
| | | | No. 10-24 x 1/2" Pan head cross recess screw | 51765-S8(U370) | 4 |
| 64/ | S | | | C4SZ 63060A08-A | 1 |
| 64/ | X | | | C4DZ 62060A08-A | 2 |
| 64/ | X | | No. 8-18 x 1/2" Pan head shoulder screw | 379203-S2(UU81M) | 2 |
| 06010 | COMPARTMENT - INSTRUMENT PANEL GLOVE | | | | |
| | | | - A - | | |
| 60/62 | A | | | C0AB 6406010-A | 1 |
| 63/64 | A | | | C3AZ 6206010-A | 1 |
| | | | - B - | | |
| 62/ | B | | | C2OZ 6206010-A | 1 |
| | | | - S - | | |
| 60 | S | | | C0SB 6306010-A | 1 |
| 61/63 | S(except 63B) | | | C2SZ 6306010-A | 1 |
| 63 | S(63B) | | | C3SZ 6306010-A | 1 |
| | | | - X - | | |
| 60/62 | X | | | C0DZ 6406010-A | 1 |
| 63 | X(except 76B) | | | | 1 |
| | | | No. 8 x 1" Cross recess oval head screw | 52376-S13(U296) | 6 |
| 63 | X(76B) | | | C3DZ 7606010-A | 1 |
| 64/ | X | | | C4DZ 6206010-A | 1 |
| 60/ | A, B, S, X | | No. 8 x 1" Cross recess oval head screw | 52376-S13(U296) | 6or7 |
| 06010 | COMPARTMENT ASSY. - CONSOLE GLOVE | | | | |
| | | | - A - | | |
| 62/64 | A | | | C2AZ 7606010-A | 1 |
| | | | No. 8-15 x 3/4" Cross recess washer head screw | 350075-S13(UU88) | 9 |
| | | | - B - | | |
| 62 | B(62C) | | | C1DZ 6406010-A | 1 |
| 63 | B(71G) | | | C1DZ 6406010-A | 1 |
| 63/ | B(65B) | | | C3OZ 6506010-A | 1 |
| | | | No. 8-15 x 1" Cross recess oval head screw | 52376-S13(U296) | 9 |
| | | | - S - | | |
| 64 | S | "Before 1/23/64" | | C4SZ 6306010-A | 1 |
| 64/ | S | "From 1/23/64" | Without remote control lock release | C4SZ 6306010-B | 1 |
| | | | No. 8-15 x 1" Cross recess oval head screw | 52376-S13(U296) | 4 |
| | | | - X - | | |
| 61/63 | X("Futura", 71B) | | | C1DZ 6406010-A | 1 |
| 62 | X(62C, 64C) | | | | 1 |
| 63 | X(62C, 63C, 71D) | | | | 1 |

FORD CAR PARTS

**BODY
SECTION 047**

963

| GROUP NUMBER | YEAR | BODY TYPE | DESCRIPTION | PART NUMBER | QTY. |
|---|-------|-----------------------------|--|-------------------|------|
| 060A10 BRACKET - CONSOLE GLOVE COMPARTMENT DOOR CHECK ARM | | | | | |
| | 64 | X(62C, 63C, D, 66H, 76B, D) | | C4DZ 62060A10-A | 1 |
| | | | No. 8-18 x .38" Truss head screw | 376378-S101(UU97) | 1 |
| 060A12 BEZEL - GLOVE COMPARTMENT DOOR LOCK -Includes attaching parts | | | | | |
| | 61/63 | S | | C1SB 63060A12-B | 1 |
| 06024 DOOR ASSY. - INSTRUMENT PANEL GLOVE COMPARTMENT | | | | | |
| - A - | | | | | |
| | 63 | A | | C3AZ 6206024-A | 1 |
| | 64 | A | | C4AZ 6206024-A | 1 |
| | 63/64 | | Bumper | 376892-S(CC35) | 2 |
| - B - | | | | | |
| | 62/ | B | Use with C3OZ 6206050-A | C3OZ 6206024-A | 1 |
| | | | Bumper | 377781-S(CC34) | 2 |
| - S - | | | | | |
| | 61/62 | S | Beige | C1SB 6306024-C04 | 1 |
| | 61/63 | S | Black | C3SZ 6306024-G | 1 |
| | | | Red | C3SZ 6306024-J | 1 |
| | 62/63 | S | Light Blue Metallic | C3SZ 6306024-E | 1 |
| | | | Light Silver Blue Metallic | C3SZ 6306024-H | 1 |
| | | | Light Turquoise Metallic | C3SZ 6306024-F | 1 |
| | 63 | S | Pearl Beige | C3SZ 6306024-A | 1 |
| | | | Medium Chestnut Metallic | C3SZ 6306024-B | 1 |
| | | | Light Gold Metallic | C3SZ 6306024-C | 1 |
| | | | Light Rose Beige Metallic | C3SZ 6306024-D | 1 |
| | 63 | S(63B) | White Pearl | C3SZ 6306024-K | 1 |
| | 61/63 | S | Bumper | 375838-S(CC32) | 2 |
| | 64 | S | Black | C4SZ 6306024-EAB | 1 |
| | | | Light Beige | C4SZ 6306024-EAC | 1 |
| | | | Light Silver Blue | C4SZ 6306024-EAD | 1 |
| | | | Light Blue | C4SZ 6306024-EAE | 1 |
| | | | Red | C4SZ 6306024-BAF | 1 |
| | | | Red | C4SZ 6306024-EAF | 1 |
| | | | Medium Palomino | C4SZ 6306024-EAG | 1 |
| | | | Light Rose Beige | C4SZ 6306024-EAH | 1 |
| | | | Light Turquoise | C4SZ 6306024-EAJ | 1 |
| | | | Aztec Gold | C4SZ 6306024-EAK | 1 |
| | | | White Pearl | C4SZ 6306024-EBA | 1 |
| | | | Bumper | 380369-S(CC44) | 4 |
| - X - | | | | | |
| | 60/63 | X | | C0DZ 6406024-B | 1 |
| | | | No. 10 x 5/8" Hex. head self tapping screw | 42014-S8(U240) | 2 |
| | | | Bumper | 375838-S(CC32) | 1 |
| | 63 | X(62C, 63C, 71D, 76B) | | C3DZ 6206024-A | 1 |
| | 64/ | X | Use without safety pad | C4DZ 6206024-B | 1 |
| 06024 DOOR ASSY. - CONSOLE GLOVE COMPARTMENT | | | | | |
| - A - | | | | | |
| | 62 | A | Turquoise | C2AZ 7606024-ABA | 1 |
| | | | Chestnut | C2AZ 7606024-ABB | 1 |
| | | | Beige | C2AZ 7606024-ABC | 1 |
| | | | Black | C2AZ 7606024-ABD | 1 |
| | | | Red | C2AZ 7606024-ABF | 1 |
| | | | Gold | C2AZ 7606024-AEG | 1 |
| | 63 | A | Chestnut | C2AZ 7606024-ABB | 1 |
| | | | Black | C2AZ 7606024-ABD | 1 |
| | | | Red | C2AZ 7606024-ABF | 1 |
| | | | Gold | C2AZ 7606024-AEG | 1 |
| | | | Blue | C3AZ 7606024-A | 1 |
| | | | Pearl Beige | C3MY 7606024-BBB | 1 |
| | | | Turquoise | C3AZ 7606024-B | 1 |
| | | | Rose Beige | C3AZ 7606024-C | 1 |
| | | | White | C3AZ 7606024-D | 1 |
| | 62/63 | A | Bumper | 377781-S(CC34) | 2 |

| GROUP NUMBER | YEAR | BODY TYPE | DESCRIPTION | PART NUMBER | QTY. |
|--------------|--|--|---|-------------------|------|
| 06024 | DOOR ASSY. - CONSOLE GLOVE COMPARTMENT - continued | | | | |
| | 64 | A | Black | C2AZ 7606024-ABD | 1 |
| | | | Blue | C3AZ 7606024-A | 1 |
| | | | Light Turquoise | C4AZ 7606024-CFG | 1 |
| | | | Light Silver Blue | C4AZ 7606024-CFH | 1 |
| | | | Medium Palomino | C4AZ 7606024-CFJ | 1 |
| | | | Pearl Beige | C4AZ 7606024-CFF | 1 |
| | | | Red | C2AZ 7606024-ABF | 1 |
| | | | White | C3AZ 7606024-D | 1 |
| | | | Bumper | 377781-S(CC34) | 2 |
| - B - | | | | | |
| | 62/63 | B | Use with Die Cast Console | C2DZ 6406024-A | 1 |
| | | | Bumper | 370677-S(CC22) | 2 |
| | 63 | B | Chestnut | C2AZ 7606024-ABB | 1 |
| | | | Black | C2AZ 7606024-ABD | 1 |
| | | | Red | C2AZ 7606024-ABF | 1 |
| | | | Gold | C2AZ 7606024-AEG | 1 |
| | | | Blue | C3AZ 7606024-A | 1 |
| | 64 | B | Black | C2AZ 7606024-ABD | 1 |
| | | | Blue | C3AZ 7606024-A | 1 |
| | | | Light Turquoise | C4AZ 7606024-CFG | 1 |
| | | | Light Silver Blue | C4AZ 7606024-CFH | 1 |
| | | | Medium Palomino | C4AZ 7606024-CFJ | 1 |
| | | | Pearl Beige | C4AZ 7606024-CFF | 1 |
| | | | Red | C2AZ 7606024-ABF | 1 |
| | | | White | C3AZ 7606024-D | 1 |
| | | | Bumper | 377781-S(CC34) | 2 |
| - X - | | | | | |
| | 61/62 | X | With Aluminum Console | C1DZ 6406024-A | 1 |
| | 62 | X | With Die Cast Console | C2DZ 6406024-A | 1 |
| | 64 | X | Black | C4DZ 6206024-CAB | 1 |
| | | | Beige | C4DZ 6206024-CAG | 1 |
| | | | Light Blue | C4DZ 6206024-CAD | 1 |
| | | | Light Turquoise | C4DZ 6206024-CAE | 1 |
| | | | Palomino | C4DZ 6206024-CAF | 1 |
| | | | Red | C4DZ 6206024-CAC | 1 |
| | | | Bumper-1/2" long | 358953-S(CC18) | 2 |
| 06036 | PANEL - INSTRUMENT PANEL GLOVE COMPARTMENT DOOR FINISH - Includes attaching parts | | | | |
| - A - | | | | | |
| | 63 | A(54A, B, 62A, B, 63, 65, 71, 75, 76) | | C3AZ 6206036-A | 1 |
| | 64 | A | | C4AZ 6206036-A | 1 |
| - S - | | | | | |
| | 60 | S | Refer to Group 04460 | | |
| - X - | | | | | |
| | 63 | X(54B, 62B, C, 63C, 76B)- (except "Sprint") | | C3DZ 6206036-A | 1 |
| | 63 | X("Sprint") | | C3DZ 6306036-A | 1 |
| | 64 | X(54B, 62B, 66B, H, 71C, 76) | | C4DZ 6206036-A | 1 |
| 06050 | HINGE ASSY. - INSTRUMENT PANEL GLOVE COMPARTMENT DOOR | | | | |
| - A - | | | | | |
| | 63/64 | A | | C2OB 6206050-A | 1 |
| - B - | | | | | |
| | 62/63 | B | "Before 12/19/62" | C2OB 6206050-A | 1 |
| | 63/ | B | "From 12/19/62" Use with C3OZ 6206024-A | C3OZ 6206050-A | 1 |
| - S - | | | | | |
| | 61/63 | S | Paint to match | C3SZ 6306050-A | 1 |
| | | | No. 10 - 24 x 3/8" Pan head screw | *40515-S8 | 2 |
| - X - | | | | | |
| | 60/63 | X | | C0DB 6406050-A | 2 |
| | 64/ | X | 11" long | C4DZ 6206050-A | 1 |
| | 64/ | X | No. 10-24 x 7/16" Hex. head bolt | 350002-S(BB529) | 3 |
| | | | No. 10 Lockwasher (external tooth) | 34939-S8(X86) | 3 |
| | | | No. 10-24 Nut and retainer assy. | 375874-S7(MM206E) | 3 |

FORD CAR PARTS

**BODY
SECTION 047**

965

| GROUP NUMBER | YEAR | BODY TYPE | DESCRIPTION | PART NUMBER | QTY. |
|--|-------|-------------------------------|--|---------------------|------|
| 06050 HINGE ASSY. - INSTRUMENT PANEL GLOVE COMPARTMENT DOOR - continued | | | | | |
| - X - | | | | | |
| | 60/ | A, B | No. 10-24 x 5/8" Slotted hex. head bolt | 352879-S8(BB528) | 3 |
| | | | No. 10 Flat washer | 374576-S36(XX55A) | 3 |
| | | | No. 10-24 Hex. nut | 34053-S8(M156) | 3 |
| | | | No. 10-24 x 7/16" Hex. head bolt | 350002-S(BB529) | 3 |
| | | | No. 10 Lockwasher (external tooth) | 34939-S8(X86) | 3 |
| | | | No. 10 Lockwasher (internal tooth) | 34903-S8(X96) | 3 |
| 06050 HINGE ASSY. - CONSOLE GLOVE COMPARTMENT DOOR | | | | | |
| - A - | | | | | |
| | 62/64 | A | | C2AZ 7606050-A | 1 |
| - B - | | | | | |
| | 62/63 | B | With Die Cast Console | C2DZ 6406050-A | 1 |
| | 63/ | B | | C2AZ 7606050-A | 1 |
| | | | No. 10-24 x 7/16" Hex. head screw & washer assy. | 375921-S13(BB551-C) | 3 |
| | | | No. 10-24 Nut & retainer assy. | 375874-S7(MM206E) | 3 |
| - S - | | | | | |
| | 64/ | S | | C4SZ 6306050-A | 1 |
| | | | No. 10-24 x 7/16" Hex. head screw & washer assy. | 375921-S13(BB551C) | 1 |
| - X - | | | | | |
| | 62/63 | X | With Die Cast Console | C2DZ 6406050-A | 1 |
| | 64 | X | "Before 1/6/64" | C4DZ 6206050-B | 1 |
| | 64/ | X | "From 1/6/64" | C4DZ 6306050-A | 1 |
| 06064 CATCH - INSTRUMENT PANEL GLOVE COMPARTMENT DOOR LATCH STRIKER PLATE | | | | | |
| - A - | | | | | |
| | 60/62 | A | | C2DZ 6406064-A | 1 |
| | 63/64 | A | | C3AZ 6206064-A | 1 |
| - B - | | | | | |
| | 62/ | B (except 65B) | | C2OZ 6206064-A | 1 |
| | 63/ | B(65B) | | C2AZ 7606064-A | 1 |
| - S - | | | | | |
| | 60 | S | | B7A 7006064-A | 1 |
| | 61/63 | S | Includes anchor plate and attaching parts | C2SZ 6306064-A | 1 |
| - X - | | | | | |
| | 63 | X | | C2SZ 6306064-A | 1 |
| | 64/ | X | | C4DZ 6206064-C | 1 |
| | 60/ | A, B, S, X | No. 8 x 3/8" Cross recess pan head screw | 52720-S8(U380) | 2 |
| | | | No. 8 External tooth lockwasher | 34938-S8(X85) | 2 |
| | 63/ | A | No. 8-32 x 5/16" Fill. hd screw & lockwasher | 355067-S7(BB53) | 2 |
| 06064 CATCH - CONSOLE GLOVE COMPARTMENT DOOR LATCH STRIKER PLATE | | | | | |
| - A - | | | | | |
| | 62/64 | A | | C2AZ 7606064-A | 1 |
| | | | No. 10-32 Nut (hex.) | 34079-S7(M163) | 1 |
| - B - | | | | | |
| | 62/63 | B(62C, 71G) | | C2DZ 6406064-A | 1 |
| - S - | | | | | |
| | 64/ | S | | C4SZ 6306064-B | 1 |
| - X - | | | | | |
| | 60/63 | X(62C, 64C, 71B) | | C2DZ 6406064-A | 1 |
| | 61/62 | X("Futura") | Use with C2DZ 6406072-A | C2DZ 6406064-A | 1 |
| | 64/ | X(62C, 63C, 64D, 66H, 76B, D) | | C4DZ 6306064-A | 1 |
| 06069 SPRING - GLOVE COMPARTMENT DOOR | | | | | |
| | 62/64 | A, B(65) | On console | C2AZ 7606069-A | 1 |
| | 61/62 | X("Futura", 71B) | On console - with aluminum console | C1DZ 6406069-A | 1 |
| | 62 | X(62C, 63C, 64C, 71B, D, 76B) | On console - with die cast console | C2DZ 6406069-A | 1 |
| | 62 | B(62C, 71G) | | | 1 |

| GROUP NUMBER | YEAR | BODY TYPE | DESCRIPTION | PART NUMBER | QTY. |
|----------------|--|---------------------------------|--|-----------------|------|
| 06072 | LATCH ASSY. - GLOVE COMPARTMENT OR CONSOLE DOOR - NON LOCKING | | | | |
| - B - | | | | | |
| 62 | | B(62C) | Instrument panel | C2DZ 6406072-A | 1or2 |
| 63 | | B(71G) | Instrument panel | C2DZ 6406072-A | 1or2 |
| 60/63 | | B(62C, 63C, 71G) | No. 8-32 x 1/2" Cross recess pan head screw | 51764-S8(U366) | 2or4 |
| 61/63 | | B(62C, 63C, 71G) | No. 8 x 3/8" Cross recess pan head screw | 52720-S8(U380) | 2 |
| - X - | | | | | |
| 60, 63 | | X | Instrument panel | C2DZ 6406072-A | 1or2 |
| 60/63 | | X | No. 8-32 x 1/2" Cross recess pan head screw | 51764-S8(U366) | 2or4 |
| 61/62 | | X("Futura") | Console door | C2DZ 6406072-A | 1or2 |
| 61/63 | | X | No. 8 x 3/8" Cross recess pan head screw | 52720-S8(U380) | 2 |
| 62/63 | | X(62C, 63C, 64C, 71D, 76B) | Console door-use with C2DZ 6406064-A | C2DZ 6406072-A | 1or2 |
| 64/ | | X(54B, 62B, 63B, 66B, 71C, 76A) | Instrument panel-Includes attaching parts | C4DZ 6206072-B | 1 |
| 06081 | LOCK ASSY. - GLOVE COMPARTMENT DOOR - WITH LOCK CYLINDER and 2 KEYS - | | | | |
| - A - | | | | | |
| 60/64 | | A | | B9A 6406081-A | 1 |
| | | | Grommet | 370647-S(KK22) | 1 |
| - B - | | | | | |
| 62/64 | | B | | C2OZ 6206081-A | 1 |
| - S - | | | | | |
| 60 | | S | | C0SB 7606081-A | 1 |
| 61/63 | | S | | C1SB 7606081-A | 1 |
| 64 | | S | | C4SZ 6306081-A | 1 |
| - X - | | | | | |
| 60/63 | | X | Includes attaching parts | C1DZ 6406081-A | 1 |
| 64/ | | X | | C4DZ 6206081-A | 1 |
| 60 | | A, S | No. 8 x 3/8" Cross recess binding head screw | 52720-S8(U380) | 2 |
| 61/ | | A, B, S, X | No. 8-32 x 1/2" Cross recess pan head screw | 51764-S8(U366) | 2 |
| 06095 | ESCUTCHEON - GLOVE COMPARTMENT DOOR LOCK | | | | |
| 60/ | | A | | C0AB 6406095-A | 1 |
| 62/ | | B | | | 1 |
| 60/63 | | X | | | 1 |
| 06114 | SPRING - CONSOLE GLOVE COMPARTMENT DOOR CHECK ARM | | | | |
| 64 | | X | | C4DZ 6206114-A | 1 |
| 06115 | BUMPER - GLOVE COMPARTMENT DOOR ARM | | | | |
| 60/ | | A | | B6A 7006115-A | 1 |
| 62/63 | | B | | | 1 |
| 60/63 | | X | | | 1 |
| 06116 | PLATE - CONSOLE GLOVE COMPARTMENT DOOR HINGE ANCHOR | | | | |
| 64 | | X | | C4DZ 6206116-A | 1 |
| 06117-8 | STOP - GLOVE COMPARTMENT DOOR | | | | |
| 60 | | S | R. H. | B8S 6306117-A | 1 |
| | | | L. H. | B8S 6306118-A | 1 |
| 60 | | A, S | No. 10-32 x 3/8" Cross recess binding head screw | 42802-S8(U33) | 2or4 |
| | | | No. 10 Lockwasher | 34903-S8(X96) | 2or4 |
| 63/64 | | A | Paint to match | C3AZ 6206117-A | 1 |
| 60/ | | A | No. 10-24 x 7/16" Hex. head bolt | 350002-S(BB529) | 2 |
| 60/63 | | B | | | 2 |
| | | | No. 10 Lockwasher | 34939-S8(X86) | 2 |
| 62/63 | | B | Paint to match | C2OB 6206117-AP | 1 |
| 60/63 | | X | Paint to match | C0DB 6406117-EP | 1 |
| | | | No. 10-32 x 3/8" Cross recess binding head screw | 42802-S8(U33) | 2 |
| | | | No. 10 Lockwasher | 34903-S8(X96) | 2 |
| | | | No. 10 Flat washer | 44716-S8(X15) | 2 |
| 64 | | X(62C, 63C, 63D, 66H, 76B, 76D) | Console | C4DZ 6206117-A | 1 |
| 06122 | GROMMET - GLOVE COMPARTMENT DOOR CHECK ARM | | | | |
| 60/62 | | A | | C0AB 6406122-A | 1 |
| 60/63 | | X | | | 1 |
| 63/ | | A | | C3AZ 6206122-A | 1 |
| 63/ | | B | | | 1 |
| 06150 | PLATE - GLOVE COMPARTMENT DOOR LOCK CATCH ANCHOR | | | | |
| 64/ | | X | | C4DZ 6206150-A | 1 |

FORD CAR PARTS

BODY SECTION 100

967

| GROUP NUMBER | YEAR | BODY TYPE | DESCRIPTION | PART NUMBER | | QTY. | |
|---|---------|---------------------------------------|--|-------------|--------------------|-----------------|---|
| | | | | RIGHT HAND | LEFT HAND | | |
| 06152 SUPPORT - CONSOLE GLOVE COMPARTMENT DOOR LOCK | | | | | | | |
| | 61 | X | | C1DB | 6406152-A | 1 | |
| | 62/63 | X | | | | 1 | |
| | | | No. 10 - 24 Nut and washer assy. | | 354397-S100(MM291) | 3 | |
| 06157 STRIKER - CONSOLE GLOVE COMPARTMENT DOOR | | | | | | | |
| | 62/ | A | Steel | C2AZ | 7606157-B | 1 | |
| | 63/ | B | | | | 1 | |
| | 64 | X | | | | 1 | |
| | 62/ | A, B | No. 8 x 3/8" Cross recess pan head screw | | 52720-S8(U380) | 2 | |
| 06158 BRACKET ASSY. - GLOVE COMPARTMENT DOOR LOCK CATCH STRIKER | | | | | | | |
| | 64/ | S | | C4SZ | 6306158-B | 1 | |
| | | | No. 8-32 x 1/2" Screw & lockwasher assy. | | 40917-S8(U257) | 2 | |
| | | | No. 8 Flat washer | | 44710-S8(X1C) | 2 | |
| 06196 PANEL ASSY. - GLOVE COMPARTMENT DOOR FINISH - INCLUDES ATTACHING PARTS | | | | | | | |
| | 61/ 62/ | A | Refer to Group 04460 | | | | |
| | 63 | A(54A, 62A, 63, 65, 71A, 71E, 75, 76) | Refer to Group 06036 | | | | |
| 10010 MEMBER ASSY. - FRONT SUSPENSION NO.2 CROSS | | | | | | | |
| | 61/ | S | | C2SZ | 6310010-B | 1 | |
| 10018 MEMBER - FRONT SUSPENSION NO.1 CROSS - Also Refer to Group 10852 | | | | | | | |
| | 60/ | X | | C3DZ | 6210018-B | 1 | |
| 10026-7 MEMBER - FLOOR SIDE LOWER | | | | | | | |
| | 63 | S | R. H. | C3SZ | 6310026-A | 1 | |
| | | | L. H. | C3SZ | 6310027-A | 1 | |
| | | | Plug (button)-1/2" x 1" hole | | *377994-S | 4 | |
| 10034 PLUG - FLOOR PAN SEAT BELT ANCHOR OPENING | | | | | | | |
| | 62/ | A, B, S, X | When seat belts are not installed | C2AZ | 6210034-A | 4 | |
| 10050-1 BRACKET - CROSS MEMBER TO ENGINE SUPPORT | | | | | | | |
| | 61/ | S | R. H. | C1SZ | 6310050-A | 1 | |
| | | | L. H. | C1SZ | 6310051-A | 1 | |
| 10062-3 EXTENSION - FRONT SIDE MEMBER | | | | | | | |
| | 60/62 | X(58A, 64) | | C0DZ | 6410062-C | 2 | |
| | 61/62 | X(59A, 66A, 71, 78A) | "From 5/1/61" | | | 2 | |
| | 63/ | X(except 63, 76) -6 cyl. | | | | 2 | |
| | 63/ | X(except 63, 76) | Plug (button)-3/4" diameter hole | | 352291-S (PP3) | 2 | |
| | 63/ | X | R. H. | C3DZ | 6210062-A | 1 | |
| | 63/ | X(except 63, 76) | L. H. | C3DZ | 6210063-A | 1 | |
| | 64/ | X(63, 76) | L. H. | | | 1 | |
| | 63 | X(63, 76) | L. H. | C3DZ | 7610063-A | 1 | |
| GROUP NUMBER | YEAR | BODY TYPE | DESCRIPTION | PART NUMBER | | QTY. | |
| | | | | RIGHT HAND | LEFT HAND | | |
| 10066-7 EXTENSION - FLOOR SIDE INNER MEMBER - FRONT | | | | | | | |
| | 62/ | B | | C2OB | 6210066-A | C2OB 6210067-A | 1 |
| | 61/63 | S | | C1SB | 6310066-B | *C1SB 6310067-B | 1 |
| 10100-1 MEMBER ASSY. - FLOOR SIDE - OUTER | | | | | | | |
| | 61/62 | S | | C1SZ | 7610100-C | C3SZ 7610101-B | 1 |
| | 63 | S | | C3SZ | 7610100-B | C3SZ 7610101-B | 1 |
| | | | Plug(button)-1/2"x1"hole | *377994-S | | *377994-S | 6 |
| 10104-5 MOULDING ASSY.- BODY ROCKER PANEL - REAR -INCLUDES ATTACHING PARTS | | | | | | | |
| | 62 | A(54A, 62A, 65, 75A, 76) | | C2AZ | 62101A04-A | C2AZ 62101A05-A | 1 |
| 10108-9 EXTENSION - BODY ROCKER PANEL - FRONT | | | | | | | |
| | 60/62 | X(except 76) | | C0DB | 6410108-A | C0DB 6410109-A | 1 |
| | 63 | X(except 63, 76)-6 cyl. | | | | | 1 |
| | 63 | X(63, 76)-6 cyl. | | C3DZ | 7610108-B | C3DZ 7610109-B | 1 |
| | 63 | X(8 cyl.) | | | | | 1 |
| | 64/ | X(except 63, 76)-6 cyl. | | C4DZ | 6210108-A | C4DZ 6210109-A | 1 |
| | 64/ | X(63, 76)-6 cyl. | | C4DZ | 6210108-B | C4DZ 6210109-B | 1 |
| | | X(8 cyl.) | | | | | 1 |

**BODY
SECTION 100**
FORD CAR PARTS

| GROUP NUMBER | YEAR | BODY TYPE | DESCRIPTION | PART NUMBER | | QTY. |
|---|-------|---------------------------------------|--|-----------------|-----------------|--------|
| | | | | RIGHT HAND | LEFT HAND | |
| 10116-7 MEMBER - FLOOR SIDE - INNER | | | | | | |
| | 62/ | B | | C5OZ 6510116-A | C5OZ 6510117-A | 1 |
| | | | Plug (button)-3/4" dia. hole | 352291-S(PP3) | 352291-S(PP3) | 2 |
| | | | Plug (button)-5/8" dia. hole | 357042-S(PP2) | 357042-S(PP2) | 2 |
| | 61/63 | S | | ★C1SB 7610116-B | C1SZ 7610117-B | 1 |
| | 64/ | S | | C4SZ 6310116-A | C4SZ 6310117-A | 1 |
| | 63/64 | X | | C3DZ 6210116-A | C3DZ 6210117-A | 1 |
| 10120-1 MEMBER - FLOOR SIDE - OUTER | | | | | | |
| - B - | | | | | | |
| | 62/64 | B | NOTE 2 | C3OZ 5410120-A | C3OZ 5410121-A | 1 |
| - X - | | | | | | |
| | 60/62 | X | | ★C0DZ 6210120-A | C0DZ 6210121-A | 1 |
| | 60/62 | X | Plug (button)-1 1/2" diam hole-front fender bolt | 352285-S(PP5) | 352285-S(PP5) | 2 |
| 10122-3 EXTENSION ASSY. - SIDE MEMBER FRONT - Refer to Group 10062-3 | | | | | | |
| 10124-5 MEMBER ASSY. - FLOOR SIDE - REAR | | | | | | |
| - B - | | | | | | |
| | 62/ | B(except 71) | | C2OZ 6210124-A | C2OZ 6210125-A | 1 |
| | 63/64 | B(71) "Before 11/18/63" | | C3OZ 7110124-A | C3OZ 7110125-A | 1 |
| | 64 | B(71) "From 11/18/63" | | C4OZ 7110124-A | C4OZ 7110125-A | 1 |
| | 63/ | B | Plug (button)-rubber-3/4" diameter hole | 352291-S(PP3) | 352291-S(PP3) | 6 |
| | | | Plug (button)-rubber-5/8" diameter hole | 357042-S(PP2) | 357042-S(PP2) | 8 |
| | | | Plug (button)-rubber-1/2" diameter hole | 377935-S(PP2D) | 377935-S(PP2D) | 2 |
| - S - | | | | | | |
| | 62/63 | S | | ★C2SZ 7610124-A | C2SZ 7610125-A | 1 |
| | 64/ | S | | C4SZ 6310124-A | C4SZ 6310125-A | 1 |
| - X - | | | | | | |
| | 60/62 | X(58, 62, 64) | Includes extension & brackets | C3DZ 6210124-B | C3DZ 6210125-B | 1 |
| | 63 | X(54, 62, 63) | | | | 1 |
| | 60/63 | X(59, 66, 71, 78) | | C3DZ 5910124-B | C3DZ 5910125-B | 1 |
| | 63 | X(66)-6cyl. | | C3DZ 6610124-A | C3DZ 6610125-A | 1 |
| | 63 | X(76) | | C3DZ 7610124-B | C3DZ 7610125-B | 1 |
| | 64 | X(54, 62, 63) | | C4DZ 6210124-A | C4DZ 6210125-A | 1 |
| | 64 | X(59, 66, 71, 78) | | C4DZ 5910124-A | C4DZ 5910125-A | 1 |
| | 64 | X(76) | | C4DZ 7610124-A | C4DZ 7610125-B | 1 |
| 10128-9 PANEL ASSY. - BODY ROCKER | | | | | | |
| - A - | | | | | | |
| | 60 | A(54A, 58A, E, F, 71, 75A) | | C0AB 5710128-B | C0AB 5710129-B | 1 |
| | 61/63 | A(54, 58, 71, 75) | | C3AZ 7510128-B | C3AZ 7510129-B | 1 |
| | 61 | A(59C, 62A, 63A, 64A, F, H, 65A, 76B) | | C3AZ 6210128-A | C3AZ 6210129-A | 1 |
| | 62 | A(62, 65, 76) | | | | 1 |
| | 63 | A(62, 63, 65, 76) | | | | 1 |
| | 64 | A(54, 57, 71) | | C4AZ 5710128-A | C4AZ 5710129-A | 1 |
| | 64 | A(62, 63, 76) | | C4AZ 6210128-A | C4AZ 6210129-A | 1 |
| | | | Valve (drain) | C4AZ 62103A58-B | C4AZ 62103A58-B | 2 or 4 |
| - S - | | | | | | |
| | 60 | S | | B8S 6310128-A | B8S 6310129-A | 1 |
| | 64/ | S | Less outer side member - Repair | C4SZ 6310128-A | C4SZ 6310129-A | 1 |
| | 64/ | S | Includes outer side member | C6SZ 7610128-A | C6SZ 7610129-A | 1 |
| - X - | | | | | | |
| | 60/62 | X(66) | | C3DZ 6210128-A | C3DZ 6210129-A | 1 |
| | 61/62 | X("Futura") | | | | 1 |
| | 62 | X(62C) | | | | 1 |
| | 63 | X | | | | 1 |
| | 64/ | X | | C4DZ 6210128-A | C4DZ 6210129-A | 1 |

NOTE 2 - When used for Model B(62, 65) drill (2) elongated drain holes 1/2" x 2" long. Also drill holes for scuff plate screws

FORD CAR PARTS

BODY SECTION 100

969

| GROUP NUMBER | YEAR | BODY TYPE | DESCRIPTION | PART NUMBER | | QTY. |
|--|------|---------------------------|---------------------------------------|--------------------|--------------------|--------|
| | | | | RIGHT HAND | LEFT HAND | |
| 10128-9 PANEL ASSY. - BODY ROCKER - REPAIR | | | | | | |
| 60 | | A(59, 62, 63, 64, 65, 76) | | C0AZ 7610128-A | C0AZ 7610129-A | 1 |
| 60 | | A(54, 58, 71, 75) | | C0AZ 5710128-A | C0AZ 5710129-A | 1 |
| 61 | | A(59, 62, 63, 64, 65, 76) | 48 1/4" x 6 1/2" | C1AZ 2510128-A | C1AZ 2510129-A | 1 |
| 61 | | A(54, 58, 71, 75) | 75 3/4" x 6 1/2" | C1AZ 2510128-B | C1AZ 2510129-B | 1 |
| 62 | | B(62, 65) | 70" x 7" | *C2OZ 2510128-A | C2OZ 2510129-A | 1 |
| 62 | | B(54, 71) | 70" x 7" | C2OZ 2510128-B | C2OZ 2510129-B | 1 |
| 10130-1 PANEL - BODY ROCKER | | | | | | |
| 60 | | A(59, 62, 63, 64, 76) | | *C0AB 6410130-B | C0AB 6410131-B | 1 |
| 60/61 | | X(except "Futura", 66) | Drill holes as required | C0DB 5810130-A | C0DB 5810131-A | 1 |
| 62 | | X(except 62C, 64C, 66) | | | | 1 |
| 60/62 | | X(62C, 64C, 66, "Futura") | Refer to Group 10128-9 | | | |
| 63/ | | X | Refer to Group 10128-9 | | | |
| 10132 REINFORCEMENT - FLOOR SIDE OUTER MEMBER | | | | | | |
| 63 | | X(63) | | C3DZ 6310132-A | C3DZ 6310132-A | 2 |
| 64/ | | X(63) | | C4DZ 6310132-A | C4DZ 6310132-A | 2 |
| 10154-5 MOULDING ASSY. - BODY ROCKER PANEL | | | | | | |
| 60/61 | | A | Includes attaching parts | C0AB 6410154-A | C0AB 6410155-A | 1 |
| | | | No. 10-24 x .98" Bolt and clip assy. | 372719-S100(BB643) | 372719-S100(BB643) | 2 |
| 62/ | | A, B, X | Refer to Group 10176-7 | | | |
| 10156-7 REINFORCEMENT - FLOOR SIDE MEMBER TO FRONT SIDE MEMBER - REAR | | | | | | |
| 62/ | | B | | C2OZ 6210156-A | C2OZ 6210157-A | 1 |
| 10170-1 FILLER - FLOOR SIDE OUTER MEMBER - FRONT END | | | | | | |
| 62/64 | | B | | C2OB 6210170-A | C2OB 6210171-A | 1 |
| | | | 3/8"-16 x 1/2" Hex. washer head screw | 39885-S7-8(U263E) | 39885-S7-8(U263E) | 3 |
| 10176-7 MOULDING - BODY ROCKER PANEL - INCLUDES ATTACHING PARTS | | | | | | |
| - A - | | | | | | |
| 60/61 | | A | Refer to Group 10154-5 | | | |
| 62 | | A(54A, 62A, 65, 75, 76) | NOTE 1 | C1MB 5410176-A | C1MB 5410177-A | 1 |
| 63 | | A | | C3AZ 6210176-A | C3AZ 6210177-A | 1 |
| 64 | | A | | C4AZ 6210176-A | C4AZ 6210177-A | 1 |
| - B - | | | | | | |
| 63/64 | | B | | C3OZ 6210176-A | C3OZ 6210177-A | 1 |
| - X - | | | | | | |
| 63/64 | | X | | C3DZ 6210176-B | C3DZ 6210177-B | 1 |
| 10182 RETAINER - BODY ROCKER PANEL MOULDING | | | | | | |
| - A - | | | | | | |
| 60/61 | | A | | C0AB 6410182-A | C0AB 6410182-A | 12 |
| 62 | | A(54A, 62A, 65, 75, 76) | | C2AZ 5410182-A | C2AZ 5410182-A | 12 |
| 33 | | A | | | | 12 |
| 64 | | A | | C4AZ 6210182-B | C4AZ 6210182-B | 12 |
| - B - | | | | | | |
| 63 | | B | | C2YY 6210182-A | C2YY 6210182-A | 10or12 |
| 64 | | B | | | | 10or12 |
| - X - | | | | | | |
| 63 | | X | | C2YY 6210182-A | C2YY 6210182-A | 10or12 |
| 64/ | | X(66) | | | | 12 |
| 10196-7 GUSSET - FLOOR SIDE MEMBER TO REAR SIDE MEMBER | | | | | | |
| 62/ | | B | | C2OZ 6210196-A | C2OZ 6210197-A | 1 |
| 64/ | | S | | C4SZ 6310196-A | C4SZ 6310197-A | 1 |
| 10200-1 REINFORCEMENT ASSY. - FLOOR SIDE MEMBER TO REAR SIDE MEMBER | | | | | | |
| 64/ | | S | | C4SZ 6310200-A | C4SZ 6310201-A | 1 |
| 10218-9 MEMBER ASSY. - FRONT SIDE OUTER | | | | | | |
| 62/64 | | B | "Before 3/2/64" | C2OZ 6210218-A | C2OZ 6210219-A | 1 |
| 64/ | | B | "From 3/2/64" | C2OZ 6210218-B | C2OZ 6210219-B | 1 |
| 60/ | | X | | C3DZ 6210218-B | C3DZ 6210219-A | 1 |
| 102A44 BRACE - REAR FLOOR SIDE MEMBER TO REAR FLOOR CROSS MEMBER | | | | | | |
| 61 | | S | Serviced in basic Group 11215 | | | |
| 102A46 PLATE - REAR FLOOR MEMBER BRAKE ANCHOR | | | | | | |
| 64/ | | S | | C4SZ 63102A46-A | C4SZ 63102A46-A | 2 |

NOTE 1 - Refer to Group 101A04-5 for Rear Extension

| GROUP NUMBER | YEAR | BODY TYPE | DESCRIPTION | PART NUMBER | | QTY. |
|------------------|---|-----------|---|----------------------------------|----------------------------------|--------|
| | | | | RIGHT HAND | LEFT HAND | |
| 10262-3 | REINFORCEMENT - FLOOR SIDE MEMBER TO FRONT SIDE MEMBER - FRONT | | | | | |
| 62 | B | | | C2OZ 6210262-A | C2OZ 6210263-A | 1 |
| 10280-1 | PLATE - FRONT SIDE MEMBER TO FRONT SUSPENSION HOUSING COVER | | | | | |
| 60 | X | | No. 10-12 x 5/8" Hex. head self tapping screw | C0DB 6410280-A 42014-S8(U240) | C0DB 6410281-A 42014-S8(U240) | 1 6 |
| 102A91 | REINFORCEMENT - FLOOR SIDE REAR OUTER MEMBER-REAR | | | | | |
| 64 | S | | | C4SZ 63102A91-A | C4SZ 63102A91-A | 1 |
| 103A18-23 | GUSSET - FLOOR SIDE MEMBER TO WHEELHOUSE | | | | | |
| 63 | X(76) | | Upper | C3DZ 76103A18-A | C3DZ 76103A19-A | 1 |
| 63 | X(76) | | Inner rear | C3DZ 76103A20-A | C3DZ 76103A21-A | 1 |
| 63 | X(76) | | Inner front | C3DZ 76103A22-A | C3DZ 76103A23-A | 1 |
| 103A28-9 | EXTENSION - FLOOR SIDE MEMBER TO FRONT SIDE MEMBER - FRONT | | | | | |
| 63 | X(except 76) | | | C3DZ 62103A28-A | C3DZ 62103A29-A | 1 |
| 64 | X(except 76) | | | C4DZ 62103A28-A | C4DZ 62103A29-A | 1 |
| 63 | X(76) | | | C3DZ 76103A28-B | C3DZ 76103A29-B | 1 |
| | | | Cover for L. H. side only | | 377865-S7-8(PP14Q) | 1 |
| 103A32-3 | BRACKET - FRONT SIDE MEMBER EXTENSION | | | | | |
| 63 | X(except 76)-8 cyl. | | | C3DZ 62103A32-A | C3DZ 62103A32-A | 2 |
| 63 | X(76) | | | C3DZ 76103A32-A | C3DZ 76103A33-A | 1 |
| 103A44-5 | GUSSET - REAR SIDE MEMBER TO FLOOR SIDE MEMBER-OUTER | | | | | |
| 64 | S | | | C4SZ 63103A44-A | C4SZ 63103A45-A | 1 |
| 103A54 | COVER - FRONT SIDE MEMBER FRONT EXTENSION OPENING | | | | | |
| 63 | X(62B, C, 76)-8 cyl. | | | C3DZ 62103A54-A | C3DZ 62103A54-A | 1 |
| 34 | X-8 cyl. | | | | | 1 |
| GROUP NUMBER | YEAR | BODY TYPE | DESCRIPTION | PART NUMBER | | QTY. |
| 103A58 | VALVE - BODY ROCKER PANEL DRAIN | | | | | |
| 64 | A | | Rubber | C4AZ 62103A58-B | | 2 or 4 |
| 64 | S | | | C4SZ 63103A58-B | | 4 |
| 10376-7 | BRACE - FRONT SUPPORT TO SIDE MEMBER | | | | | |
| 62/63 | S | | R. H. | C3SZ 6310376-A | | 1 |
| 64 | S(76) | | | | | 1 |
| 63 | S | | L. H. | C3SZ 6310377-A | | 1 |
| 62 | S | | 7/16"-14 x 2 1/2" Hex. head bolt | 376275-S7(BB181) | | 4 |
| | | | 7/16"-14 x 1 31/32" Hex. head bolt | *374962-S8 | | 2 |
| | | | 7/16" I. D. x 1 1/4" O. D. x 1/8" thick washer (flat) | *356428-S | | 2 |
| | | | 7/16" Lockwasher | 34808-S8(X67) | | 4 |
| 10414 | MEMBER - FRONT END CROSS - AT DASH | | | | | |
| 62 | S | | | C2SZ 6310414-A | | 1 |
| GROUP NUMBER | YEAR | BODY TYPE | DESCRIPTION | PART NUMBER | | QTY. |
| 10418-9 | REINFORCEMENT ASSY. - FLOOR SIDE INNER MEMBER | | | | | |
| | | | - S - | | | |
| 64 | S(76) | | | C4SZ 7610418-A | C4SZ 7610418-A | 2 |
| | | | - X - | | | |
| 63 | X(76) | | | C3DZ 7610418-C | C3DZ 7610419-A | 1 |
| 64 | X(76) | | | C3DZ 7610418-C | C3DZ 7610419-C | 1 |
| GROUP NUMBER | YEAR | BODY TYPE | DESCRIPTION | PART NUMBER | | QTY. |
| 104A24 | COVER - FLOOR SIDE MEMBER REINFORCEMENT | | | | | |
| 64 | S | | | C4SZ 63104A24-A | | 2 |
| 10432-3 | FILLER - FLOOR SIDE INNER MEMBER REINFORCEMENT | | | | | |
| 63 | X(76) | | R. H. | C3DZ 7610432-A | | 1 |
| | | | L. H. | C3DZ 7610433-A | | 1 |
| 104A38-9 | GUSSET - REAR SIDE MEMBER TO FLOOR SIDE MEMBER-INNER | | | | | |
| 64 | S | | R. H. | C4SZ 63104A38-A | | 1 |
| | | | L. H. | C4SZ 63104A39-A | | 1 |

FORD CAR PARTS

971

BODY SECTION 100

| GROUP NUMBER | YEAR | BODY TYPE | DESCRIPTION | PART NUMBER | QTY. |
|---|-------|-------------------|-----------------------------------|------------------|------|
| 10462-3 MEMBER ASSY. - FRONT SIDE | | | | | |
| | 62/ | B | R. H. | C2OZ 6210462-A | 1 |
| | | | L. H. | C2OZ 6210463-A | 1 |
| | 61/63 | S | R. H. | C3SZ 6310462-B | 1 |
| | | | L. H. - NOTE 1 | C3SZ 6310463-B | 1 |
| | | | 1/2"-13 x 2 7/8" Hex, head bolt | 350699-S (BB339) | 6 |
| | 64 | S | R. H. | C4SZ 6310462-A | 1 |
| | | | L. H. | C4SZ 6310463-A | 1 |
| | 60/63 | X | R. H. | C3DZ 6210462-A | 1 |
| | | | L. H. | C3DZ 6210463-A | 1 |
| | 64/ | X | R. H. | C4DZ 6210462-A | 1 |
| | | | L. H. | C4DZ 6210463-A | 1 |
| 10492-3 EXTENSION - FLOOR SIDE OUTER MEMBER | | | | | |
| | 61/63 | S | R. H. | C1SZ 7610492-B | 1 |
| | | | L. H. | ★ C1SB 7610493-B | 1 |
| 10496-7 REINFORCEMENT - FLOOR SIDE REAR OUTER MEMBER | | | | | |
| | 64/ | S | R. H. | C4SZ 6310496-A | 1 |
| | | | L. H. | C4SZ 6310497-A | 1 |
| 10518-9 MEMBER ASSY. - FLOOR SIDE REAR INNER | | | | | |
| | 62/63 | S | R. H. | C3SZ 6310518-A | 1 |
| | | | L. H. | C3SZ 6310519-A | 1 |
| | 64/ | S | R. H. | C4SZ 6310518-A | 1 |
| | | | L. H. | C4SZ 6310519-A | 1 |
| 10530 REINFORCEMENT - REAR SIDE MEMBER | | | | | |
| | 64/ | S | | C4SZ 6310530-A | 2 |
| 10556-7 EXTENSION ASSY. - FRONT SIDE INNER MEMBER | | | | | |
| | 62/ | B | R. H. | C2OB 6210556-A | 1 |
| | | | L. H. | C2OB 6210557-A | 1 |
| 10662 MEMBER ASSY. - FRONT FLOOR CROSS NO. 2 OUTER | | | | | |
| | 61/63 | S | Refer to Group 10691 | | |
| 10672-3 MEMBER ASSY. - FRONT FLOOR CROSS - UPPER | | | | | |
| | 63/ | X(76) | | C3DZ 7610672-A | 1 |
| 10691 MEMBER ASSY. - FLOOR CROSS NO. 2 | | | | | |
| | 61/63 | S | | C1SZ 7310691-B | 1 |
| 10692-3 MEMBER ASSY. - FRONT FLOOR CROSS NO. 1 | | | | | |
| | 62/ | B | R. H. | C2OZ 6210692-A | 1 |
| | | | L. H. | C2OZ 6210693-A | 1 |
| | 61/63 | S | | C1SB 6310692-A | 1 |
| | 64/ | S | | C4SZ 6310692-A | 1 |
| | | | Plug (button) -5/8" diameter hole | 357042-S(PP2) | 2 |
| | 60/62 | X(58, 64) | | C0DZ 6410692-C | 1 |
| | 61/62 | X(59, 66, 71, 78) | | | 1 |
| | 63/ | X | | | 1 |
| 10698 MEMBER ASSY. - FLOOR CROSS NO.3 - LOWER | | | | | |
| | 64/ | S | | C4SZ 6310698-A | 1 |
| 10700 MEMBER - REAR FLOOR CROSS REAR FRONT | | | | | |
| | 64 | S | | C4SZ 6310700-A | 1 |
| 10728 MEMBER - FRONT FLOOR CROSS NO. 2 | | | | | |
| | 60/62 | X(54, 64) | | C3DZ 6210728-A | 2 |
| | 60/62 | X(59, 66, 71, 78) | | | 2 |
| | 62 | X(62C) | | | 2 |
| | 63/ | X(except 76) | | | 2 |
| 10734-5 MEMBER - FLOOR CROSS NO.3 - UPPER | | | | | |
| | 63/ | X(76) | R. H. | C3DZ 7610734-A | 1 |
| | | | L. H. | C3DZ 7610735-A | 1 |
| | 64/ | S | | C6SZ 6310734-A | 1 |
| 10746 MEMBER ASSY. - REAR FLOOR CROSS - REAR | | | | | |
| | 62/ | B(except 71) | | C2OZ 6210746-A | 1 |
| | 61/63 | S | | C1SB 6310746-E | 1 |
| 10760 REINFORCEMENT - REAR FLOOR REAR CROSS MEMBER | | | | | |
| | 63 | X(76) | | C3DZ 7610760-A | 1 |
| 10776 GUSSET - REAR FLOOR REAR CROSS MEMBER | | | | | |
| | 64 | X(76) | | C4DZ 7610776-A | 2 |

NOTE 1 - Use 1/2" shim when mounting steering column housing

**BODY
SECTION 100**
FORD CAR PARTS

| GROUP NUMBER | YEAR | BODY TYPE | DESCRIPTION | PART NUMBER | QTY. |
|-----------------|---|----------------------------|--|--------------------|------|
| 10780 | MEMBER - FLOOR CROSS - REAR | | | | |
| | 61 | S | Refer to Group 10746 | | |
| | 64/ | S | | C4SZ 6310780-A | 1 |
| | 60/63 | X(59A, 71, 78A) | | C0DB 5910780-B | 1 |
| | 60/63 | X(66) | | C0DB 6610780-B | 1 |
| | 60/ | X(54, 58A, 62, 63, 64, 76) | | C4DZ 7610780-A | 1 |
| | 64/ | X(59, 66, 71, 78) | | C4DZ 5910780-A | 1 |
| 10785 | EXTENSION - REAR SIDE MEMBER TO FLOOR SIDE MEMBER | | | | |
| | 64/ | S | | C4SZ 6310785-A | 1 |
| 10786 | MEMBER - REAR FLOOR CROSS - FRONT | | | | |
| | 60/ | X(59, 66, 71, 78) | | C4DZ 5910786-A | 1 |
| 10796-7 | EXTENSION - REAR FLOOR CROSS SILL TO INNER QUARTER PANEL - Also Refer to Group 10838-9 | | | | |
| | 63 | X(59, 71, 78) | R. H. | C3DZ 5910796-A | 1 |
| | 60/63 | X(59, 66, 71, 78) | L. H. | C0DB 5910797-B | 1 |
| | 60/63 | X(66) | R. H. | C0DB 6610796-B | 1 |
| | 64 | X(66) | R. H. | C4DZ 6610796-A | 1 |
| | 60/ | X(59, 71, 78) | R. H. | C4DZ 5910796-A | 1 |
| | 64/ | X(59, 66, 71, 78) | L. H. | C4DZ 5910797-A | 1 |
| 10812-3 | MEMBER ASSY. - FRONT FLOOR CROSS - LOWER | | | | |
| | 63/ | X(76) | R. H. | C3DZ 7610812-A | 1 |
| | | | L. H. | C3DZ 7610813-A | 1 |
| | | | Plug (button)-1 1/2" diameter hole | 377901-S(PP14N) | 4 |
| | | | Plug (button)-3" diameter hole-for L. H. side only | 377865-S7-8(PP14Q) | 1 |
| 10816 | REINFORCEMENT - REAR FLOOR REAR SILL PANEL | | | | |
| | 60/ | X(66) | Used with Group 11318 | C0DZ 6610816-A | 1 |
| 10852 | MEMBER - FRONT CROSS - Also Refer to Group 10018 | | | | |
| | 62/64 | B | | C3OZ 6210852-A | 1 |
| 10889 | COVER - FLOOR CROSS MEMBER NO. 3 UPPER ACCESS HOLE | | | | |
| | 64/ | S | | C4SZ 6310889-A | 2 |
| | | | Plug (button)-1 1/4" diameter hole | 352284-S(PP4) | 4 |
| 10896-7 | MEMBER - FRONT FLOOR TO DASH | | | | |
| | 61/63 | S | R. H. | C1SZ 6310896-B | 1 |
| | | | L. H. | C1SZ 6310897-B | 1 |
| | 64/ | S | R. H. | C6SZ 6310896-A | 1 |
| | | | L. H. | C6SZ 6310897-A | 1 |
| 10950-1 | REINFORCEMENT - REAR FLOOR CROSS MEMBER TO FLOOR PAN | | | | |
| | 63/ | X(76) | R. H. | C3DZ 7610950-A | 1 |
| | | | L. H. | C3DZ 7610951-A | 1 |
| 10960-1 | EXTENSION - FRONT FLOOR TO DASH PANEL MEMBER | | | | |
| | 61/63 | S | R. H. | C1SZ 6310960-A | 1 |
| | | | L. H. | C1SZ 6310961-A | 1 |
| 10962 | PLATE ASSY. - FRONT FLOOR LOWER CROSS MEMBER | | | | |
| | 63 | X(76) | "Before 2/25/63" | C3DZ 7610962-A | 1 |
| | 63/ | X(76) | "From 2/25/63" | C3DZ 7610962-B | 1 |
| 10968-9 | GUSSET ASSY. - FRONT FLOOR UPPER CROSS MEMBER | | | | |
| | 63/ | X(76) | R. H. | C3DZ 7610968-A | 1 |
| | | | L. H. | C3DZ 7610969-A | 1 |
| | | | Plug (button)-1 1/2" diameter hole | 377901-S(PP14N) | 4 |
| | | | Plug (button)-3" diameter hole | 377865-S7-8(PP14Q) | 1 |
| 109A76-7 | GUSSET - FRONT FLOOR LOWER CROSS MEMBER | | | | |
| | 63/ | X(76) | R. H. | C3DZ 76109A76-A | 1 |
| | | | L. H. | C3DZ 76109A77-A | 1 |
| | | | Plug (button)-13/16" diameter hole | 352285-S(PP5) | 2 |
| 11008 | BRACKET - FRONT SUSPENSION NO. 2 CROSS MEMBER | | | | |
| | 64 | S(76) | | C4SZ 7611008-A | 1 |
| 11032-3 | DAMPER and ARM ASSY. - FRONT VIBRATION | | | | |
| | 62/63 | S(76) | R. H. | C2SZ 7611032-A | 1 |
| | | | L. H. | ★ C2SZ 7611033-A | 1 |
| 11034-5 | ARM ASSY. - FRONT VIBRATION DAMPER RESTRAINER | | | | |
| | 62/63 | S(76) | R. H. | C2SZ 7611034-A | 1 |
| | | | L. H. | ★ C2SZ 7611035-A | 1 |

FORD CAR PARTS

BODY SECTION 100

973

| GROUP NUMBER | YEAR | BODY TYPE | DESCRIPTION | PART NUMBER | QTY. |
|--|-------|-------------------|---|------------------|------|
| 11062-3 GUSSET - FRONT SIDE MEMBER TO LOWER DASH PANEL REINFORCEMENT | | | | | |
| | 64/ | S | R. H. | C4SZ 6311062-A | 1 |
| | 64 | S | L. H. | C4SZ 6311063-A | 1 |
| 11064-5 GUSSET - FRONT SIDE MEMBER TO FRONT SUSPENSION MOUNTING BRACKET-FRONT | | | | | |
| | 64/ | S | R. H. | C4SZ 6311064-A | 1 |
| | | | L. H. | C4SZ 6311065-A | 1 |
| 11072-3 GUSSET - FRONT SIDE MEMBER TO FRONT SUSPENSION MOUNTING BRACKET-REAR | | | | | |
| | 64/ | S | R. H. | C4SZ 6311072-A | 1 |
| | | | L. H. -Cut approx. 3/4" off edge for 1964 | C4SZ 6311073-A | 1 |
| 11A00-1 BRACKET - AUXILIARY FLOOR SUPPORT | | | | | |
| | 60/61 | A(59, 71F, G, H) | R. H. | C0AB 59111A00-C | 1 |
| | 62/64 | A(71B, D, E) | | | 1 |
| | | | L. H. | C0AB 59111A01-C | 1 |
| | | | No. 8 x 3/8" Cross recess pan head screw | 52720-S8 (U380) | 4 |
| 11103 FILLER - REAR FLOOR PAN | | | | | |
| | 60/62 | X(58, 64) | | C4DZ 6211103-A | 1 |
| | 62 | X(62C) | | | 1 |
| | 63/ | X(54, 62, 63, 76) | | | 1 |
| 11A06 PLATE - TAIL GATE SPRING ACCESS HOLE COVER | | | | | |
| | 60/64 | X(59, 71, 78) | Paint to match | C0DZ 59111A06-A | 2 |
| | | | No. 10-16 x 1/2" Cross recess oval head screw | 52345-S6 (U302C) | 4 |
| 11108 REINFORCEMENT - CENTER FLOOR PAN - | | | | | |
| | 61/63 | S(76) | | C1SZ 6311108-A | 1 |
| | 60/ | X(54, 62, 63) | | C4DZ 6211108-A | 1 |
| 11A08-9 MOULDING - REAR FLOOR PAN - SIDE | | | | | |
| | 63/ | B(71) | R. H. | C3OZ 71111A08-A | 1 |
| | | | L. H. | C3OZ 71111A09-A | 1 |
| | | | No. 8 x 1" Cross recess oval head screw | 52376-S13(R296) | 4 |
| | 60/ | X(59, 71, 78) | R. H. | C1DZ 59111A08-A | 1 |
| | | | L. H. | C0DB 59111A09-B | 1 |
| | | | No. 8 x 3/8" Cross recess pan head screw | 52720-S8 (U380) | 7 |
| 11108 REINFORCEMENT - FRONT FLOOR PAN CROSS | | | | | |
| | 62/ | B | | C2OZ 62111B08-A | 1 |
| 11117 PLATE - FRONT FLOOR PAN DRAIN HOLE COVER | | | | | |
| | 64/ | A, S, X | Drill holes as required | C7AZ 6211117-A | AR |
| | 64/ | B | | | AR |
| 111B24-5 COVER - REAR FLOOR ACCESS HOLE | | | | | |
| | 64/ | S | R. H. | C4SZ 76111B24-A | 1 |
| | | | L. H. | C4SZ 76111B25-A | 1 |
| 11A34-5 SUPPORT - REAR FLOOR PAN TO REAR SIDE MEMBER | | | | | |
| | 63/ | B(71) | R. H. | C3OZ 71111A34-A | 1 |
| | | | L. H. | C3OZ 71111A35-A | 1 |
| 11135 PAN ASSY. - FRONT FLOOR | | | | | |
| - A - | | | | | |
| | 60/63 | A(except 76) | | C2AZ 7511135-A | 1 |
| | 60/63 | A(76) | | C2AZ 7611135-A | 1 |
| | 64 | A(except 76) | | C4AZ 5711135-A | 1 |
| | 64 | A(76) | | C4AZ 7611135-A | 1 |
| - B - | | | | | |
| | 63/ | B(except 71) | | C3OZ 6211135-A | 1 |
| | 63/ | B(71) | | C3OZ 7111135-B | 1 |
| | | | Plug (button)-2 1/4" diameter hole | 378133-S(PP14S) | 2 |
| - S - | | | | | |
| | 61/63 | S | | C1SZ 6311135-A | 1 |
| | | | Plug (button)-1 1/4" diameter hole | 352284-S(PP4) | 4 |
| | 64/ | S | | C6SZ 6311135-A | 1 |
| - X - | | | | | |
| | 60 | X(59, 66, 71) | | C2DZ 5911135-A | 1 |
| | 61 | X | | | 1 |
| | 62/64 | X(except 76) | | | 1 |
| | 63/ | X(76) | | C3DZ 7611135-B | 1 |

| GROUP NUMBER | YEAR | BODY TYPE | DESCRIPTION | PART NUMBER | QTY. |
|-----------------|---|-----------|--|--------------------|------|
| 11135 | PAN ASSY. - FLOOR - continued | | | | |
| 60/ | A | | Plug (button)-1 1/2" diameter hole | 352285-S (PP5) | 4 |
| | | | Plug (button)-3 1/16" diameter hole | 372443-S (PP12) | 2 |
| 60/ | A | | Plug (button)-3/4" diameter hole-body bolt hole | 352291-S (PP3) | 2or4 |
| 63/ | X | | | | 4 |
| 61/ | A | | Plug (button)-1 1/4" diameter hole | 352284-S (PP4) | 4 |
| 61/ | A, S, X | | Plug (button)-2 7/16" diameter hole-transmission band adjustment access hole | 374732-S (PP14) | 1 |
| 63/ | A, B, S, X | | Plug (button)-7/8" diameter hole | 377949-S (PP3F) | 2 |
| 63/ | A, B, S | | Plug (button)-1 1/2" diameter hole | 377901-S (PP14N) | 6or8 |
| 63/ | B(66, 71) | | Plug (button)-1" diameter hole | 377678-S (PP3E) | 2 |
| 11144-5 | REINFORCEMENT - FRONT FLOOR PAN REAR | | | | |
| 63/ | B(71) | | R. H. | C3OZ 7111144-A | 1 |
| | | | L. H. | C3OZ 7111145-A | 1 |
| 111A44-5 | REINFORCEMENT - FRONT FLOOR PAN | | | | |
| 60/ | X(59, 63, 71, 78) | | R. H.-Cut 4 1/2" from rear edge when required | C3DZ 59111A44-A | 1 |
| | | | L. H. | C3DZ 59111A45-A | 1 |
| 63/ | X(76) | | R. H. - Cut off 4 1/2" | C3DZ 76111A44-A | 1 |
| 11160 | PAN - CENTER FLOOR | | | | |
| 62/ | B(except 71) | | | C2OZ 6211160-A | 1 |
| 63/ | B(71) | | | C3OZ 7111160-A | 1 |
| 62/ | B | | Plug(button)-Hole size 3 1/2" x 1 3/4" wide | 374291-S7-8(PP14D) | 2 |
| | | | Plug (button)-5/8" diameter hole | 357042-S (PP2) | 4 |
| 64/ | S | | | C4SZ 6311160-A | 1 |
| 60/62 | X(58, 64) | | | C0DZ 6411160-A | 1 |
| 63/ | X(54, 62, 63, 76) | | | | 1 |
| 111A62-3 | EXTENSION ASSY. - REAR FLOOR PAN TO WHEELHOUSE | | | | |
| 61/63 | S(76) | | R. H. | C1SB 76111A62-A | 1 |
| | | | L. H. | C1SZ 76111A63-A | 1 |
| 64 | S(63) | | R. H. | C8SZ 76111A62-A | 1 |
| | | | L. H. | C4SZ 63111A63-A | 1 |
| 64/ | S(76) | | R. H. | C6SZ 76111A62-A | 1 |
| | | | L. H. | C6SZ 76111A63-A | 1 |
| 111A76-7 | REINFORCEMENT ASSY. - REAR FLOOR PAN TO WHEELHOUSE EXTENSION | | | | |
| 64/ | S(76) | | R. H. | C4SZ 76111A76-A | 1 |
| | | | L. H. | C4SZ 76111A77-A | 1 |
| 111A82-3 | FILLER - AUXILIARY FLOOR TO QUARTER WHEELHOUSE - INNER | | | | |
| 60/ | X(66) | | R. H. | C0DB 66111A82-A | 1 |
| | | | L. H. | C0DB 66111A83-A | 1 |
| | | | No. 10-12 x 1/2" Round washer head screw | 350754-S8(UU86) | 8 |
| 11192 | REINFORCEMENT - CENTER FLOOR PAN TO SEAT BACK STRAINER | | | | |
| 63/ | X(76) | | | C3DZ 7611192-A | 1 |
| 11201 | COVER - FUEL TANK FILLER PIPE | | | | |
| 64/ | S(63) | | | C4SZ 6311201-A | 1 |
| 64/ | S(76) | | | C4SZ 7611201-A | 1 |
| | | | No. 8-15 x 1" Cross recess oval hd. self tapping screw | 52376-S13(U296) | 4 |
| 11202 | SEAL ASSY. - REAR FLOOR PAN EXTENSION DRAIN | | | | |
| 63 | A, B(71), S | | | C3AZ 6211202-A | 1or2 |
| 64/ | A, B, S, X(59, 71, 78) | | | | 1or2 |
| 112A10-1 | REINFORCEMENT - REAR FLOOR REAR EXTENSION | | | | |
| 61/63 | S | | R. H. | C1SB 63112A10-A | 1 |
| | | | L. H. | ★ C1SB 63112A11-A | 1 |
| 11212-3 | EXTENSION - CENTER FLOOR PAN TO WHEELHOUSE | | | | |
| 64/ | S | | R. H. | C4SZ 6311212-A | 1 |
| | | | L. H. | C4SZ 6311213-A | 1 |

FORD CAR PARTS

BODY SECTION 100

975

| GROUP NUMBER | YEAR | BODY TYPE | DESCRIPTION | PART NUMBER | QTY. |
|--|-------|---------------------------|--|------------------|-------|
| 11215 PAN ASSY. - FLOOR - REAR | | | | | |
| | 61 | A(except 59, 71) | | C3AZ 6211215-A | 1 |
| | 63 | A(except 71) | | | 1 |
| | 61 | A(59, 71) | | C2AZ 7111215-A | 1 |
| | 62/63 | A(71) | | | 1 |
| | 62/63 | A(except 71) | Plug - 1.87" diameter hole | 357216-S(PP7) | 2 |
| | 64 | A(except 71) | | C4AZ 6211215-A | 1 |
| | 64 | A(71) | | C4AZ 7111215-A | 1 |
| | 64 | A | Plug (button)-1 1/2" diameter hole | 377901-S(PP14N) | 2 |
| | 62/ | A | Plug - 3/4" diameter hole | 352291-S(PP3) | 2 |
| | 61/63 | S | | C3SZ 7611215-A | 1 |
| 11218-9 PAN - REAR FLOOR | | | | | |
| - B - | | | | | |
| | 62/ | B(except 71) | | C2OZ 6211218-B | 1 |
| | | | Plug (button)-5/8" diameter hole | 357042-S(PP2) | 7to10 |
| | | | Plug (button)-3/4" diameter hole | 352291-S(PP3) | 2 |
| | | | Plug (button)-1 1/2" diameter hole | 377901-S(PP14N) | 2 |
| | 63/ | B(71) | | C3OZ 7111218-A | 1 |
| - S - | | | | | |
| | 64/ | S | | C4SZ 6311218-B | 1 |
| - X - | | | | | |
| | 60/62 | X(58A, 62C, 64) | R. H. | C1DZ 6411218-A | 1 |
| | 63 | X(54, 62, 63, 76) | L. H. | C1DB 6411219-A | 1 |
| | 60/63 | X | Cover (shock absorber mounting access hole) | BAE 6412129-A | 2 |
| | 60/ | X(66) | | C1DB 6611218-A | 1 |
| | 60/ | X(59, 71, 78) | | C1DZ 5911218-A | 1 |
| | 64/ | X(54, 62, 63, 76) | R. H. | C4DZ 6211218-A | 1 |
| | | | L. H. | C4DZ 6211219-A | 1 |
| 11228-9 FILLER - REAR FLOOR TO QUARTER PANEL | | | | | |
| | 60 | A(except 59, 71) | L. H. - Refer to Group 45416-23 in Soft Trim Section | | |
| | 63 | A(54B, 62B) | R. H. - Cardboard | C3AZ 6211228-A | 1 |
| | | | L. H. | C3AZ 6211229-A | 1 |
| | 64 | A(54B, E, 62B, E) | R. H. | C4AZ 6211228-A | 1 |
| | | | L. H. | C4AZ 6211229-A | 1 |
| | 63 | A(54B, 62B) | No. 14-10 x 1" Hex. washer head screw | 42154-S8 (U256) | 8 |
| | 64 | A(54B, E, 62B, E) | | | 8 |
| | | | 1/4" Flat washer | 44720-S8 (X18) | 8 |
| | 62/63 | B(except 71) | | C2OZ 6211228-A | 2 |
| | | | 1/4" Flat washer | 44720-S8 (X18) | 6 |
| | | | No. 14-10 x 5/8" Hex. washer head screw | 31498-S8 (U253B) | 6 |
| | 64 | B(except 71) | Panel board | C4OZ 6211228-A | 2 |
| | | | No. 14-10 x 3/4" -Truss head screw | 32946-S7 (U352) | 6 |
| | 64/ | B, X | No. 14-10 x 3/4" Truss head screw | *359653-S8 | 3or6 |
| | 60/62 | X(58, 64) | | C0DB 6411228-B | 2 |
| | 62 | X(62C) | | | 2 |
| | 63 | X(54, 62, 63, 76) | | | 2 |
| | 60/63 | X(54, 58, 62, 63, 64, 76) | 1/4" Flat washer | 44720-S8 (X18) | 6 |
| | | | No. 14 - 10 x 5/8" Hex. washer head screw | 31498-S8 (U253B) | 6 |
| | 64 | X(54, 62, 63, 76) | Panel board | C4DZ 6211228-A | 1or2 |
| 11238-9 EXTENSION ASSY. - REAR FLOOR PAN TO QUARTER PANEL | | | | | |
| | 61 | A(59, 71) | R. H. | C1AZ 5911238-A | 1 |
| | | | L. H. | C3AZ 7111239-A | 1 |
| | 63 | A(71) | R. H. | C1AZ 5911238-A | 1 |
| | | | L. H. | C3AZ 7111239-A | 1 |
| | 64 | A(71) | R. H. | C4AZ 7111238-A | 1 |
| | | | L. H. | C4AZ 7111239-A | 1 |
| | 63/64 | B(71) | L. H. | C3OZ 7111239-A | 1 |
| | 63/ | B(71) | Plug (button)-1" dia. hole -Improvise | *377678-S | 1 |

| GROUP NUMBER | YEAR | BODY TYPE | DESCRIPTION | PART NUMBER | | QTY. |
|---|-------|--------------------------|--|----------------------------------|---------------------------------|----------------|
| | | | | RIGHT HAND | LEFT HAND | |
| 11248 REINFORCEMENT ASSY. - FRONT FLOOR PAN SEAT TRACK | | | | | | |
| | 62/63 | A(63C,65B,71G,H,75C,76B) | Use with either manual or power seat regulator With Bostrom seat | C2AZ 7611248-A | C2AZ 7611248-A | 2 |
| | 63 | A(54B,62B)-Police Cars | | | | 2 |
| | 64 | A(57C,63C,76B) | With 4 way power seat regulator | C4AZ 6311248-A | C4AZ 6311248-A | 2 |
| | 63/ | X(76B) | | C3DZ 7611248-A | C3DZ 7611248-A | 2 |
| 11250-1 EXTENSION - REAR FLOOR PAN TO QUARTER PANEL | | | | | | |
| | 60 | A(except 59,71) | Plug (button) - 3/4" dia. hole | C0AB 6411250-B 352291-S(PP3) | C0AB 6411251-B 352291-S(PP3) | 1 2 |
| | 61 | A(except 59,71) | | | C3AZ 6211250-A | C3AZ 6211251-A |
| | 62 | A(except 71) | | C2AZ 6211250-A | C2AZ 6211251-A | 1 |
| | 63 | A(except 71) | | C3AZ 6211250-A | C3AZ 6211251-A | 1 |
| | 64 | A(except 71) | | C4AZ 6211250-A | C4AZ 6211251-A | 1 |
| | 62/64 | B(except 71) | Plug(button)-3/4" dia. hole | C2OZ 6211250-A 352291-S(PP3) | C2OZ 6211251-A 352291-S(PP3) | 1 2 |
| | 60 | S | | | B8S 6311250-A | *B8S 6311251-A |
| | 61/63 | S | | C3SZ 6311250-A | C3SZ 6311251-A | 1 |
| | 64/ | S | | C4SZ 6311250-A | C4SZ 6311251-A | 1 |
| | 63/ | A,S | Plug (button)-1" dia. hole | 377678-S(PP3E) | 377678-S(PP3E) | 2 |
| 11252-3 EXTENSION - REAR FLOOR PAN REAR CORNER | | | | | | |
| | 63/64 | B(71) | | C3OZ 7111252-A | C3OZ 7111253-A | 1 |
| | 61/63 | S | | C1SB 6311252-A | C1SB 6311253-A | 1 |
| | 64/ | S | | C4SZ 6311252-A | C4SZ 6311253-A | 1 |
| 112A54-5 RETAINER - REAR FLOOR PAN REAR CORNER COVER | | | | | | |
| | 63/64 | B(71) | Paint to match | C3OZ 71112A54-A | C3OZ 71112A55-A | 1 |
| | | | No.8-15 x 1" Cross recess oval head screw | 52376-S13(U296) | 52376-S13(U296) | 18 |
| 112A78-9 REINFORCEMENT - REAR FLOOR PAN AT LUGGAGE COMPARTMENT DOOR LIFT BRACKET | | | | | | |
| | 64/ | S(76) | | C4SZ 76112A78-A | C4SZ 76112A79-A | 1 |
| 11290 COVER - REAR FLOOR PAN FUEL GAUGE | | | | | | |
| | 61/63 | S | No. 10 x 3/8" Binding head sheet metal screw | C1SZ 6311290-A *32917-S7 | C1SZ 6311290-A *32917-S7 | 1 1 |
| | | | | | | |
| GROUP NUMBER | YEAR | BODY TYPE | DESCRIPTION | PART NUMBER | | QTY. |
| 11309 HOUSING - FUEL TANK FILLER PIPE | | | | | | |
| | 61/63 | S | | C1SB 6311309-A | | 1 |
| 11310 HOUSING ASSY. - FUEL TANK FILLER PIPE | | | | | | |
| | 62 | A(except 71) | | C2AB 6211310-A | | 1 |
| | 63 | A(except 71) | | C3AZ 6211310-A | | 1 |
| | 64 | A(except 71) | | C4AZ 6211310-A | | 1 |
| | 62/63 | B(except 71) | | C2OZ 6211310-A | | 1 |
| | 64 | B(except 71) | | C4OZ 6211310-A | | 1 |
| 11318 PANEL - REAR FLOOR SILL - REAR | | | | | | |
| | 60/ | X(59,66,71,76) | Also refer to Group 10816 | C1DZ 6611318-A | | 1 |
| 11323 PANEL ASSY. - REAR FLOOR SILL - REAR | | | | | | |
| | 61 | A(59,71) | Cut out for counter balance springs | | C1AZ 5911323-A | 1 |
| | 62 | A(71) | | | | 1 |
| | 63 | A(71) | | Plug (button)-3/4" diameter hole | 352291-S(PP3) | |
| | 64 | A(71) | | C4AZ 7111323-A | | 1 |
| | 63/ | B(71) | | C3OZ 7111323-A | | 1 |
| | 64/ | X(59,66,71,78) | Refer to Group 11318 | | | 1 |
| 11360 PAN - REAR FLOOR - REAR | | | | | | |
| | 63/ | B(71) | | C3OZ 7111360-A | | 1 |
| | 64/ | S | Plug (button)-2 1/4" diameter hole | C6SZ 6311360-A | | 1 |
| | | | | | 357216-S(PP7) | |
| 11368 MEMBER ASSY. - REAR FLOOR CROSS - FUEL TANK FRONT SUPPORT | | | | | | |
| | 62/ | B(except 71) | | C2OB 6211368-A | | 1 |

FORD CAR PARTS

**BODY
SECTION 100**

977

| GROUP NUMBER | YEAR | BODY TYPE | DESCRIPTION | PART NUMBER | | QTY. |
|---|-------|---|---|-------------------|------------|------|
| | | | | RIGHT HAND | LEFT HAND | |
| 11456 BRACKET - FLOOR PAN TO REAR SEAT BACK STRAINER | | | | | | |
| | 64 | A(57) | | C4AZ | 5711456-A | 2 |
| | 63/64 | A(63) | | C3AZ | 6311456-A | 2 |
| | 63/ | B(65) | | C3OZ | 6511456-A | 2 |
| 11510 SUPPORT - STOWAGE COMPARTMENT LOCK STRIKER | | | | | | |
| | 63/64 | B(71) | | C3OZ | 7111510-A | 1 |
| | | | 1/4"-20 x 5/8" Hex. head screw & washer assy. | 43263-S8(U3) | | 2 |
| | 63/ | B(71) | 1/4" Flat washer | 44719-S8(X17) | | 2 |
| 115A32 CYLINDER ASSY. - STOWAGE COMPARTMENT LOCK - WITH KEYS - Also Refer to Group 43505 | | | | | | |
| | 63/64 | B(71) | Includes retainer | C3OZ | 71115A32-B | 1 |
| 11550 CATCH - STOWAGE COMPARTMENT LOCK | | | | | | |
| | 63/64 | B(71) | | C3OZ | 7111550-A | 1 |
| | | | 5/16"-24 Hex. nut | 33923-S7(M32) | | 1 |
| 11564 PANEL ASSY. - AUXILIARY FLOOR | | | | | | |
| | 62 | A(71B, 71D, 71E) | Paint to match & refer to Group 11583 in Soft | C2AZ | 7111564-A | 1 |
| | 63/64 | A(71B, 71E) | Trim Sections for desired cover | | | 1 |
| 11580 PAN - AUXILIARY FLOOR | | | | | | |
| | 60/ | X(66) | | C0DB | 6611580-A | 1 |
| | 60/ | X(66) | 5/16"-18 x 5/8" Hex. head bolt | 20326-S7(B49) | | AR |
| | | | 5/16" Lockwasher | 34806-S7(X64) | | AR |
| | | | 5/16"-18 Nut & retainer assy. | 379484-S2(MM207A) | | AR |
| | | | 5/16"-18 x 1" Screw & washer assy. | *380758-S8 | | 4 |
| 11583 COVER - AUXILIARY FLOOR BOARD | | | | | | |
| | 60/61 | | Refer to Group 11488 in Soft Trim Sections | | | |
| | 62/64 | | Refer to Group 11583 in Soft Trim Sections | | | |
| 11598 COVER ASSY. - STOWAGE COMPARTMENT DOOR LOCK | | | | | | |
| | 63/ | B(71) | | C3OZ | 7111598-A | 1 |
| | | | 1/4"-20 x 5/8" Hex. head screw & washer assy. | 43263-S8(U3) | | 2 |
| | | | 1/4" Flat washer | 44719-S8(X17) | | 2 |
| 12000 REINFORCEMENT - REAR FLOOR FRONT RISER | | | | | | |
| | 63/ | B(71) | | C3OZ | 7112000-A | 2 |
| 12004 RISER - REAR FLOOR FRONT - Paint to Match | | | | | | |
| | 63/64 | B(71) | | C3OZ | 7112004-A | 1 |
| | 60/ | X(59, 71, 78) | NOTE 1 | C0DZ | 5912004-BP | 1 |
| | | | No. 10-12 x 1/2" Cross recess pan head screw | 52727-S8(U382) | | 14 |
| 12110 PLATE - FLOOR TRANSMISSION COVER | | | | | | |
| | 63/ | B(except 71) | With 4 speed transmission | C3OZ | 6512110-A | 1 |
| | | | 1/4"-20 x 5/8" Hex. head bolt | 20324-S8(B41) | | 10 |
| | | | 1/4"-20" Nut retainer | *358222-S2 | | 10 |
| | | | 1/4"-20 Square nut | 34129-S8(M148) | | 10 |
| | 63/ | X | With 4 speed transmission | C3DZ | 6212110-A | 1 |
| 12118-9 REINFORCEMENT ASSY. - FLOOR TRANSMISSION COVER PLATE | | | | | | |
| | 63 | B | With manual transmission | C3OZ | 6512118-A | 1 |
| | 64/ | B | With manual transmission | C3OZ | 6512118-B | 1 |
| 12120 PLATE - FLOOR TRANSMISSION COVER ADAPTER | | | | | | |
| | 63/ | X | With 4 speed transmission | C3DZ | 6212120-A | 1 |
| 12128 COVER ASSY. - TRANSMISSION BAND ADJUSTING ACCESS | | | | | | |
| | 60/ | A, S | Plug (button)-2.41" diameter hole | 374732-S(PP14) | | 1 |
| 12129 COVER - REAR SHOCK ABSORBER MOUNTING ACCESS HOLE | | | | | | |
| | 60/63 | X | | BAE | 6412129-A | 2 |
| GROUP NUMBER | YEAR | BODY TYPE | DESCRIPTION | PART NUMBER | | QTY. |
| | | | | RIGHT HAND | LEFT HAND | |
| 13190 RETAINER - FRONT FLOOR MAT TO SEAT TRACK | | | | | | |
| | 62 | B(except 62C) | 3.86" long | C2OZ | 6213190-A | 4 |
| | 63 | B(except 65B, 71G) | | | | 4 |
| | 60/63 | X(except Futura, 62C, 63C, 64C, *71B, 71D, 76B) | Cut as required | | | 4 |
| | 64 | X(except 62C, 63C-D, 76B-D) | | | | 2or4 |

NOTE 1 - Drill holes and add wood cleats as required when used on X(78A)

* Bucket seats

**BODY
SECTION 100**
FORD CAR PARTS

| GROUP NUMBER | YEAR | BODY TYPE | DESCRIPTION | PART NUMBER | | QTY. |
|--|-------|------------------------------------|--|--------------------|--------------------|---------|
| | | | | RIGHT HAND | LEFT HAND | |
| 13208-9 PLATE - DOOR SCUFF | | | | | | |
| - A - | | | | | | |
| | 60 | A(54A, 58A-E-F, 71, 75A) | | C0AB 5813208-A | C0AB 5813209-A | 1 |
| | 60 | A(59C-E, 62A, 63A, 64A-F-G-H, 76B) | | C0AB 6413208-A | C0AB 6413209-A | 1 |
| | 61 | A(54A, 58, 71, 75A) | | C1AZ 5413208-A | C1AZ 5413209-A | 1 |
| | 62 | A(54, 71, 75A) | | | | 1 |
| | 61 | A(59, 62A, 63A, 64, 65A, 76B) | | C1AZ 6213208-A | C1AZ 6213209-A | 1 |
| | 62 | A(62, 65, 76) | | | | 1 |
| | 63 | A(54, 71, 75) | | C3AZ 5413208-A | C3AZ 5413209-A | 1 |
| | 64 | A(54, 57, 71) | | | | 1 |
| | 63 | A(62, 63, 65, 76) | | C3AZ 6213208-A | C3AZ 6213209-A | 1 |
| | 64 | A(62, 63, 76) | | | | 1 |
| - B - | | | | | | |
| | 62/ | B(54, 71) | | C3OZ 5413208-B | C3OZ 5413209-B | 1 |
| | 62/ | B(62, 65) | | C3OZ 6213208-B | C3OZ 6213209-B | 1 |
| - S - | | | | | | |
| | 60 | S | | B8S 6313208-A | B8S 6313208-A | 2 |
| | 61/62 | S | No.8 x 3/4" Cross recess oval head screw | 52360-S13(U294) | 52360-S13(U294) | 18 |
| | 61/63 | S | | C3SZ 6313208-A | C3SZ 6313208-A | 2 |
| | 33 | S | No. 8-18 x 3/8" Truss head screw | 376378-S101(U97) | 376378-S101(U97) | 18 |
| | 64/ | S | Inner or upper | C4SZ 6313208-D | C4SZ 6313209-D | 1 |
| | 64/ | S | Outer or lower | C4SZ 6313208-C | C4SZ 6313208-C | 2 |
| | | | No. 10-24 x 5/8" Oval head tapping screw | 376490-S101(UU56B) | 376490-S101(UU56B) | 4 |
| | | | No. 10-24 x 1" Oval head tapping screw | *376359-S101 | *376359-S101 | 8 |
| - X - | | | | | | |
| | 60/62 | X(58A, 71) | | C0DZ 5813208-C | C0DZ 5813209-C | 1 |
| | 60/62 | X(59A, 64, 66A, 78A) | | C0DZ 6413208-C | C0DZ 6413209-C | 1 |
| | 62 | X(62C) | | | | |
| | 60/61 | A, X | No.8 x 3/4" Cross recess oval head screw | 52360-S13(U294) | 52360-S13(U294) | 8 to 16 |
| | 62 | X | | | | |
| | 63/ | X(except 54, 71, 76) | | C3DZ 6213208-A | C3DZ 6213209-A | 1 |
| | 63/ | X(54, 71) | | C3DZ 5413208-A | C3DZ 5413209-A | 1 |
| | 63/ | X(76) | | C3DZ 7613208-A | C3DZ 7613209-A | 1 |
| | | | No.8-18 x 1" Oval head self tapping screw | 52445-S101(U317) | 52445-S101(U317) | 14 |
| | 62/ | A, B | No. 8-18 x 3/4" Cross recess pan hd. screw | 376389-S101(UU82D) | 376389-S101(UU82D) | 8 or 12 |
| | 63/ | X | | | | 12 |
| 13210-1 STRIP - REAR FLOOR FINISH - WHEELHOUSE - PAINT TO MATCH | | | | | | |
| | 60/61 | A(59C, 71) | | C0AB 5913210-AP | C0AB 5913211-AP | 1 |
| | 62/64 | A(71) | No. 6 x 1/2" Binding hd. sheet metal screw | 32921-S8(U334) | 32921-S8(U334) | 12 |
| | 63/ | B(71) | | C3OZ 7113210-A | C3OZ 7113211-A | 1 |
| | | | No. 8-15 x 1" Cross recess oval hd. self | 52376-S13(U296) | 52376-S13(U296) | 11 |
| 13218 SUPPORT OR SHIELD - WIRING - DOOR SCUFF PLATE - Cut as Required | | | | | | |
| | 62 | B(62) | Front door-34.30 long | C3OZ 6213218-A | C3OZ 6213218-A | 2 |
| | 62 | B(54) | Front & rear door | | | 4 |
| | 63 | B | Front or rear door | | | 2or4 |
| | 64/ | B(54, 71) | Front door-25.88" long | | | 2 |
| | 64/ | S | | C4SZ 6313218-A | C4SZ 6313218-A | 2 |
| 13228-9 PLATE - DOOR SCUFF - REAR | | | | | | |
| | 60 | A(54, 58, 71, 75) | No. 8 x 3/4" Cross recess oval hd. screw | C0AB 5813228-B | C0AB 5813229-B | 1 |
| | | | | 52360-S13(U294) | 52360-S13(U294) | 10 |
| | 61/62 | A(54, 58, 71, 75) | | C1AZ 5413228-A | C1AZ 5413229-A | 1 |
| | 61 | A(54, 58, 71, 75), X(58, 71) | No. 8 x 3/4" Cross recess oval hd. screw | 52360-S13(U294) | 52360-S13(U294) | 6 |
| | 62 | X(58, 71) | | | | 6 |
| | 63/64 | A(54, 57, 71, 75) | | C3AZ 5413228-A | C3AZ 5413229-A | 1 |