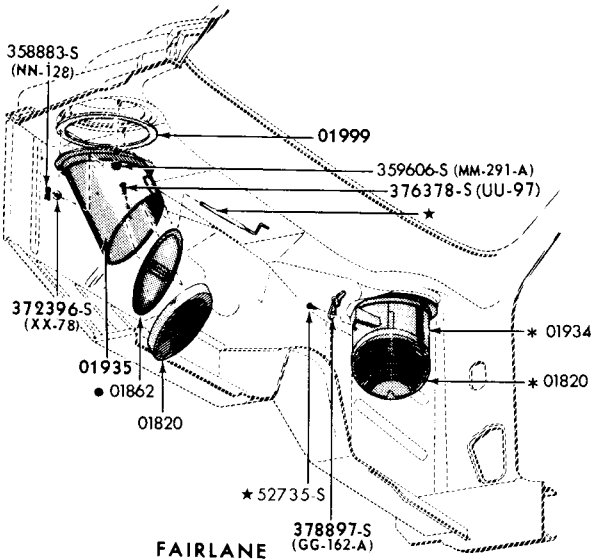


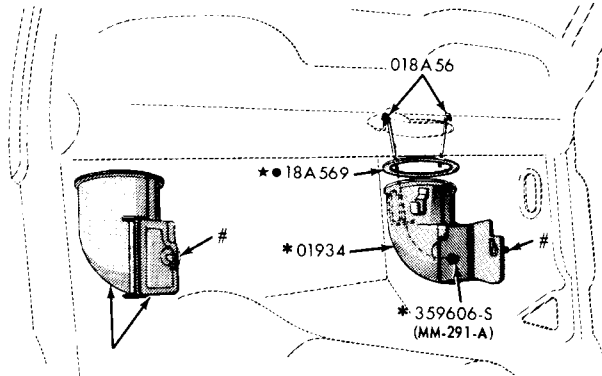
**INDEX**

INCLUDED IN THIS INDEX ARE THE FOLLOWING MAJOR GROUPS IN THE ORDER SHOWN BELOW -

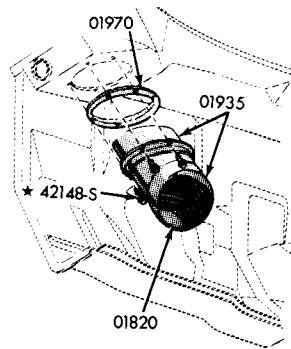
VENTILATING SYSTEM		WINDSHIELD		CONSOLE	
YEAR	TITLE	ILLUS. NO.	SECTION	PAGE	
<b>VENTILATING SYSTEM</b>					
1963/	Cowl Air Ducts-Ford-Fairlane-Falcon - Typical	P-4020	000	592	
1964/	Thunderbird Vacuum Ventilating System - Body Type 63	P-4406	000	593	
<b>WINDSHIELD</b>					
<b>FAIRLANE</b>					
1962/	Windshield and Related Parts - Body Types 54,62,71	P-3759	030	596	
1963/	Windshield and Related Parts - Body Type 65	P-4018	030	600	
<b>FALCON</b>					
1960/	Windshield and Related Parts - except Body Types 63,76	P-3156	030	596	
1963/	Windshield and Related Parts - Body Type 76	P-4019	030	600	
1963/	Windshield and Related Parts - Body Type 63	P-4092	030	599	
<b>FORD</b>					
1960/62	Windshield and Related Parts - except Body Type 76	P-3013	030	594	
1960/62	Windshield and Related Parts - Body Type 76	P-3014	030	594	
1963/64	Windshield and Related Parts - except Body Types 57,63,76	P-4021	030	598	
1963/64	Windshield and Related Parts - Body Types 57,63	P-4090	030	599	
1963/64	Windshield and Related Parts - Body Type 76	P-4022	030	598	
<b>THUNDERBIRD</b>					
1960	Windshield and Related Parts - Body Type 63	P-2614	030	595	
1960	Windshield and Related Parts - Body Type 76	P-2664	030	595	
1961/63	Windshield and Related Parts - Body Type 63	P-3340	030	597	
1961/63	Windshield and Related Parts - Body Type 76	P-3341	030	597	
1964/	Windshield and Related Parts - Body Type 63	P-4336	030	601	
1964/	Windshield and Related Parts - Body Type 76	P-4337	030	601	
<b>CONSOLE</b>					
<b>FAIRLANE</b>					
1962/	Console and Related Parts - except Body Type 65B	P-3618	042	603	
1963/	Console and Related Parts - Body Type 65B	P-3971	042	603	
<b>FALCON</b>					
1961/	Console and Related Parts - except Sprint	P-3618	042	603	
1964/	Console and Related Parts - Body Types 63C,D,66H,76B,D	P-4497	042	606	
<b>FORD</b>					
1962/64	Console and Related Parts	P-3856	042	604	
<b>THUNDERBIRD</b>					
1961/63	Console and Related Parts	P-3359	042	602	
1964/	Console and Related Parts	P-4355	042	605	



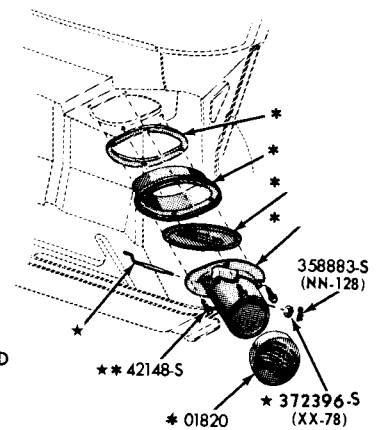
FAIRLANE



FALCON

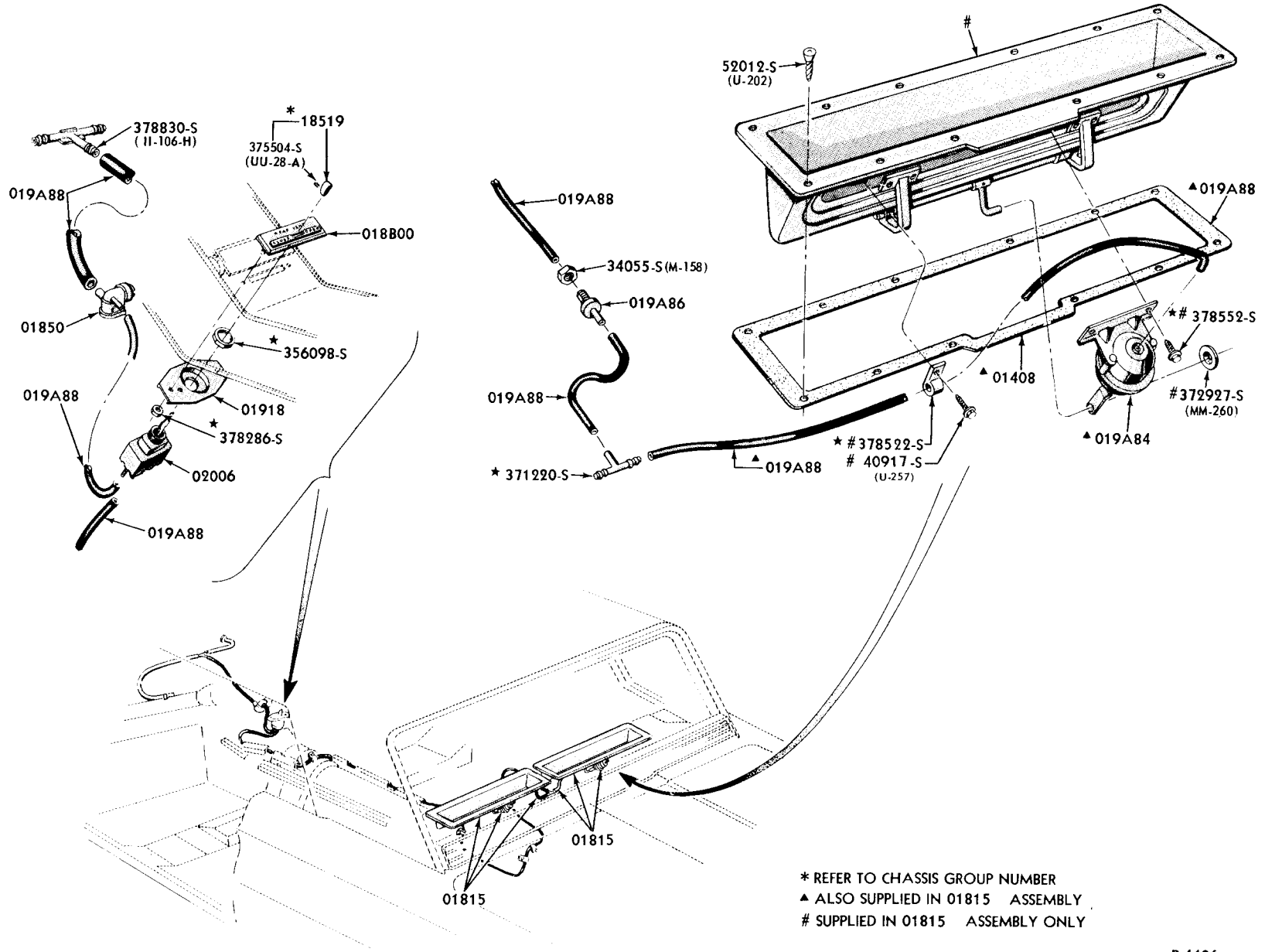


1963/64 FORD

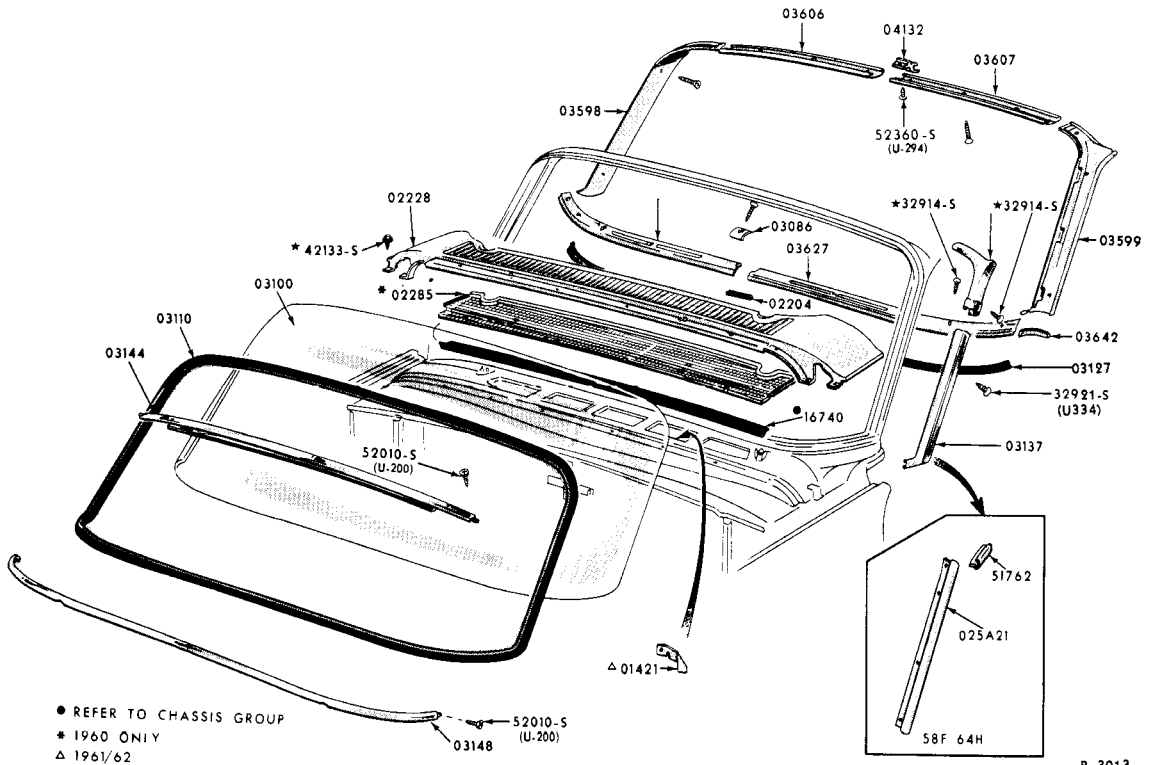


- # HANDLE ALSO SUPPLIED IN 18B578 KIT CHASSIS GROUP
- \* NOT USED WHEN HEATER IS INSTALLED
- INCLUDED WITH 01934-5

P4020

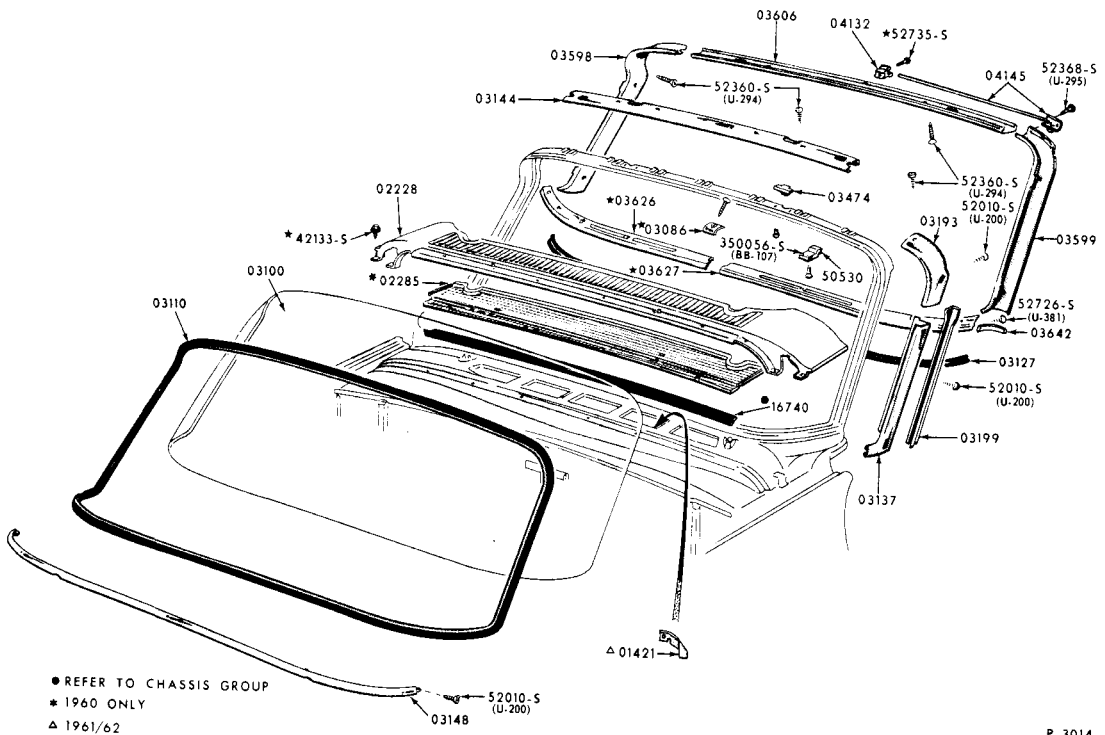


\* REFER TO CHASSIS GROUP NUMBER  
 ▲ ALSO SUPPLIED IN 01815 ASSEMBLY  
 # SUPPLIED IN 01815 ASSEMBLY ONLY



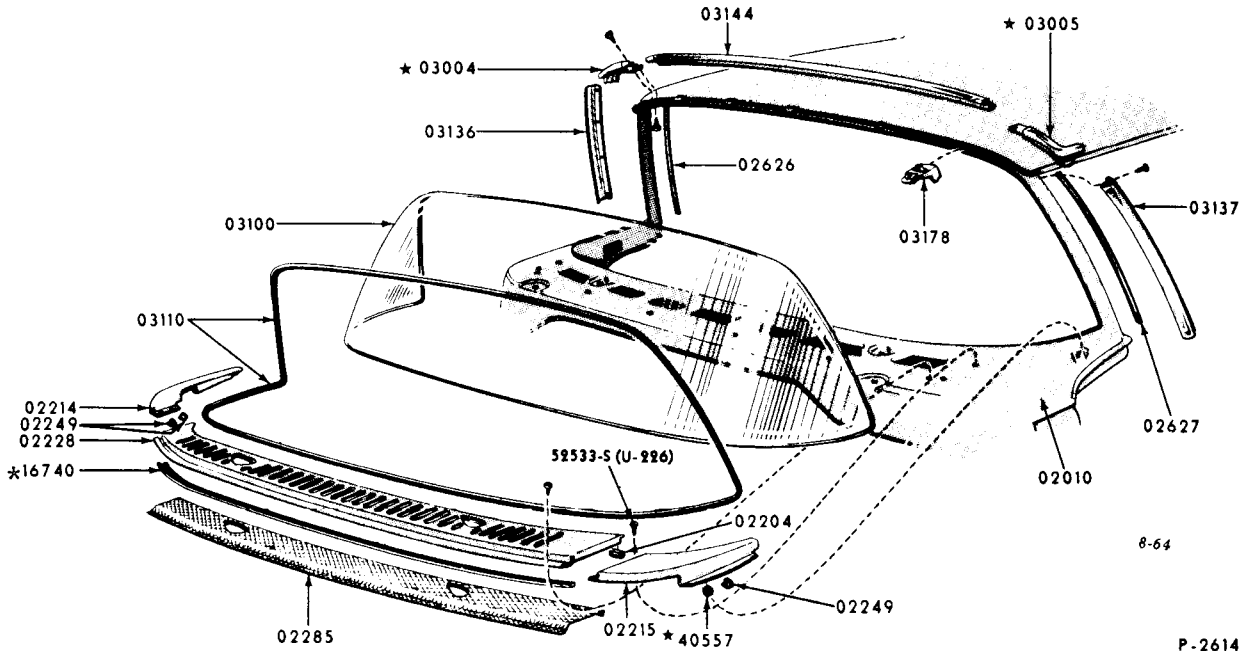
P-3013

1960/62 FORD WINDSHIELD PARTS-BODY TYPE A(EXCEPT 76)



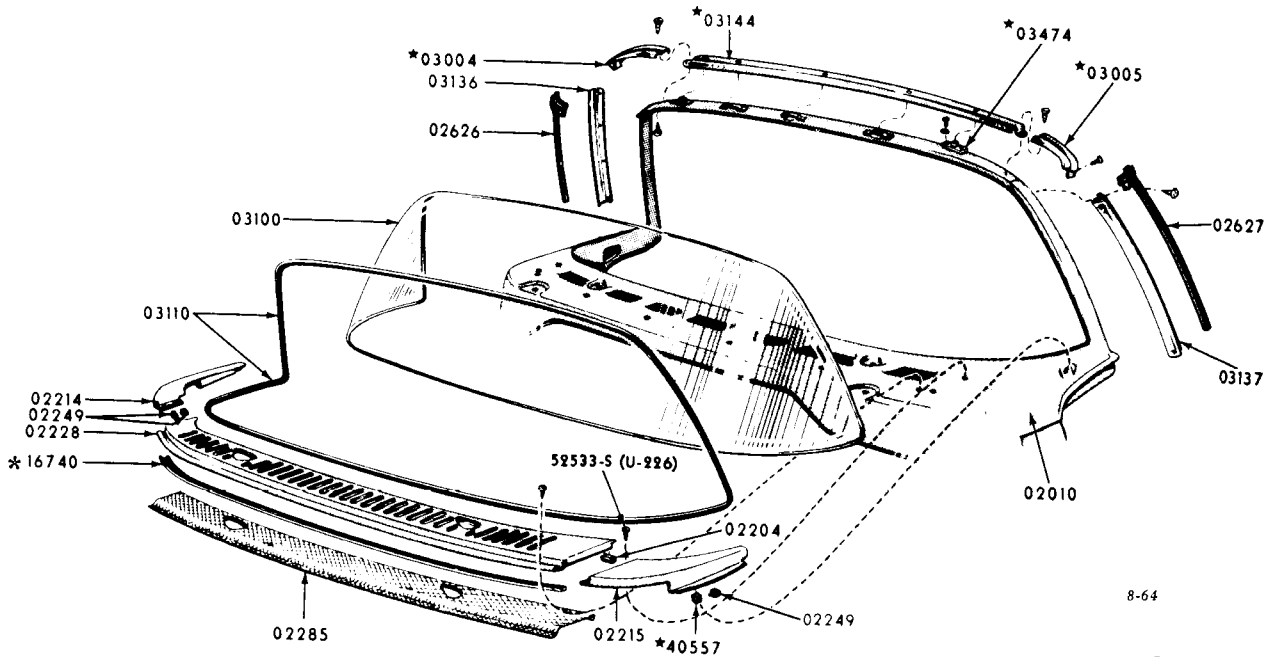
P-3014

1960/62 FORD WINDSHIELD PARTS -BODY TYPE A(76)



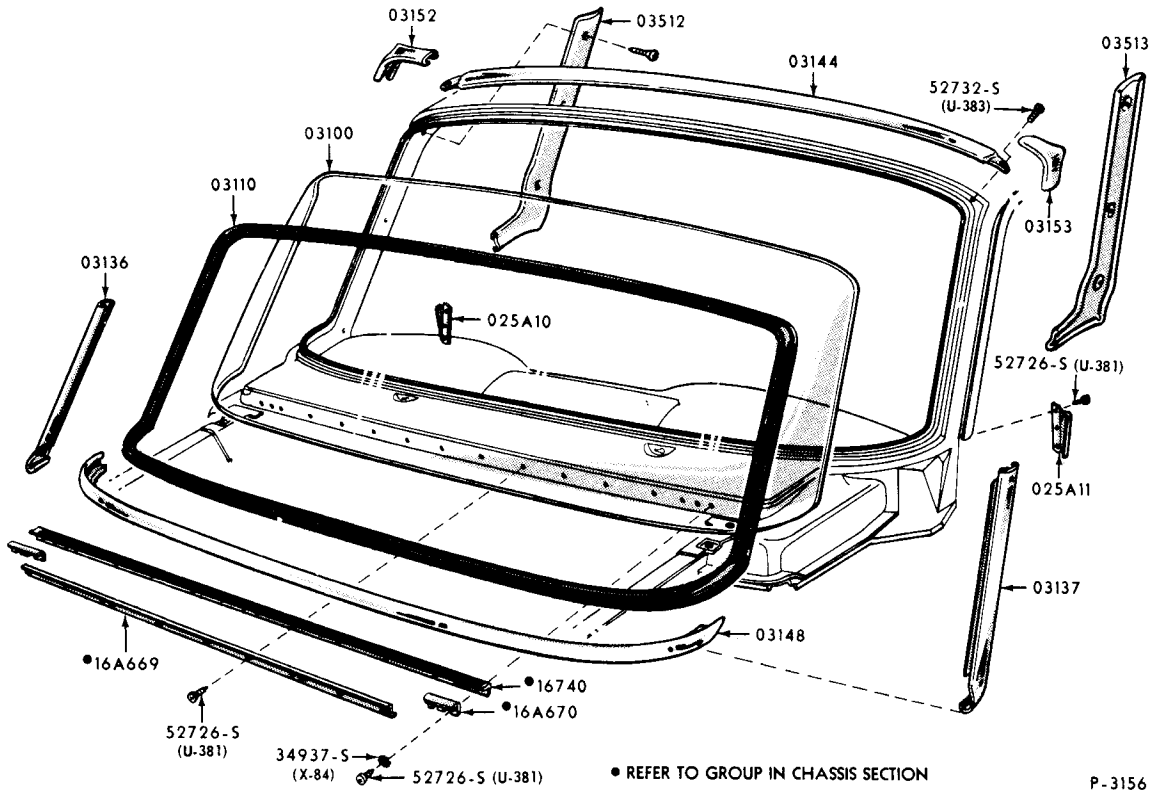
\* REFER TO GROUP IN CHASSIS SECTION

1960 THUNDERBIRD WINDSHIELD PARTS - BODY TYPE S(63A)

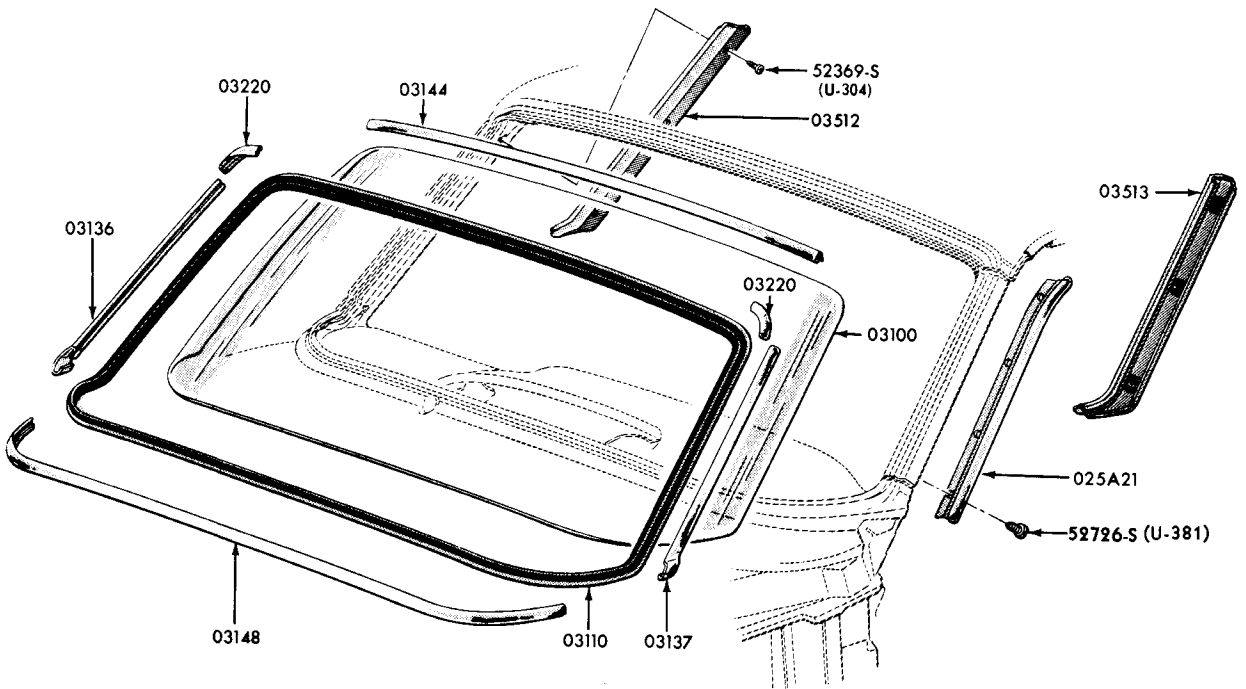


\* REFER TO GROUP IN CHASSIS SECTION

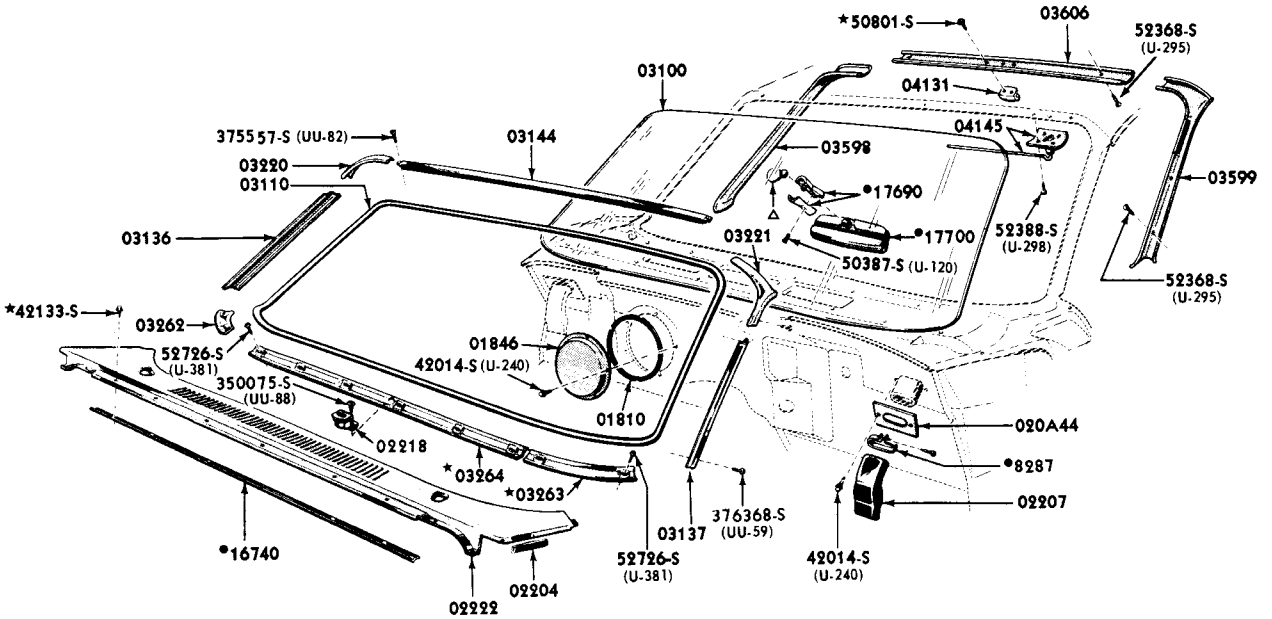
1960 THUNDERBIRD CONVERTIBLE WINDSHIELD & RELATED PARTS - BODY TYPE S(76A)



1960/ FALCON WINDSHIELD PARTS - BODY TYPES X (except 63, 76)



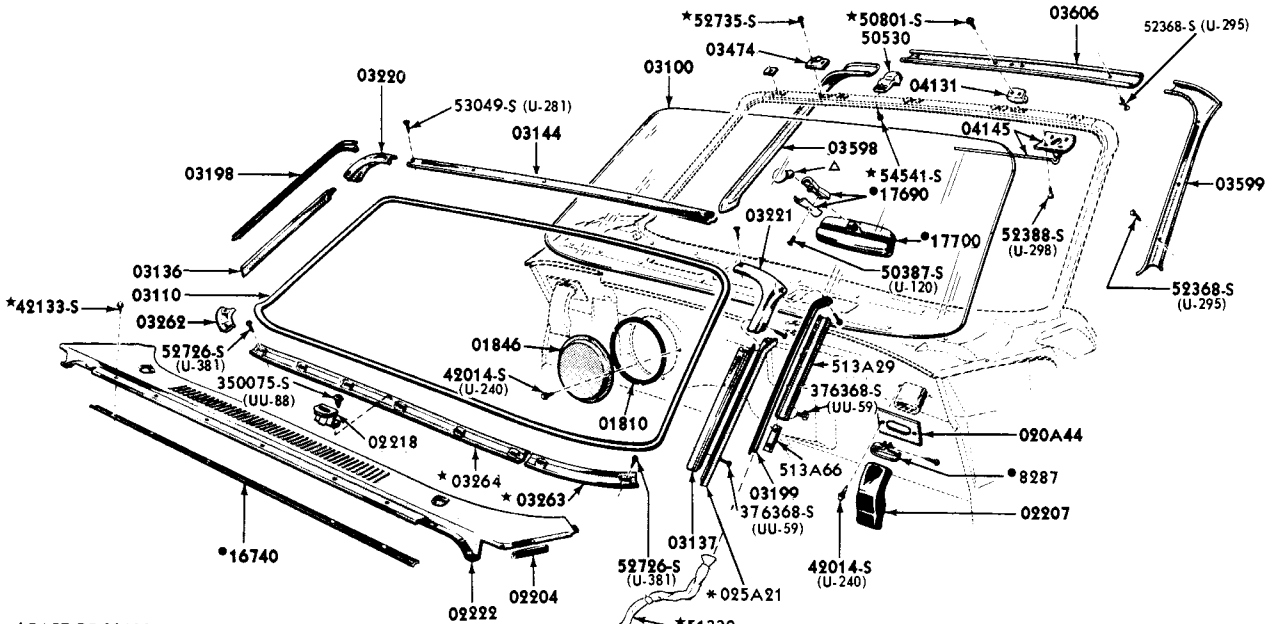
1962/ FAIRLANE WINDSHIELD PARTS-BODY TYPE B (54, 62, 71)



△ PART OF 03100  
 ● REFER TO GROUP IN CHASSIS SECTION

P-3340

1961/63 THUNDERBIRD WINDSHIELD PARTS - BODY TYPE S (63)

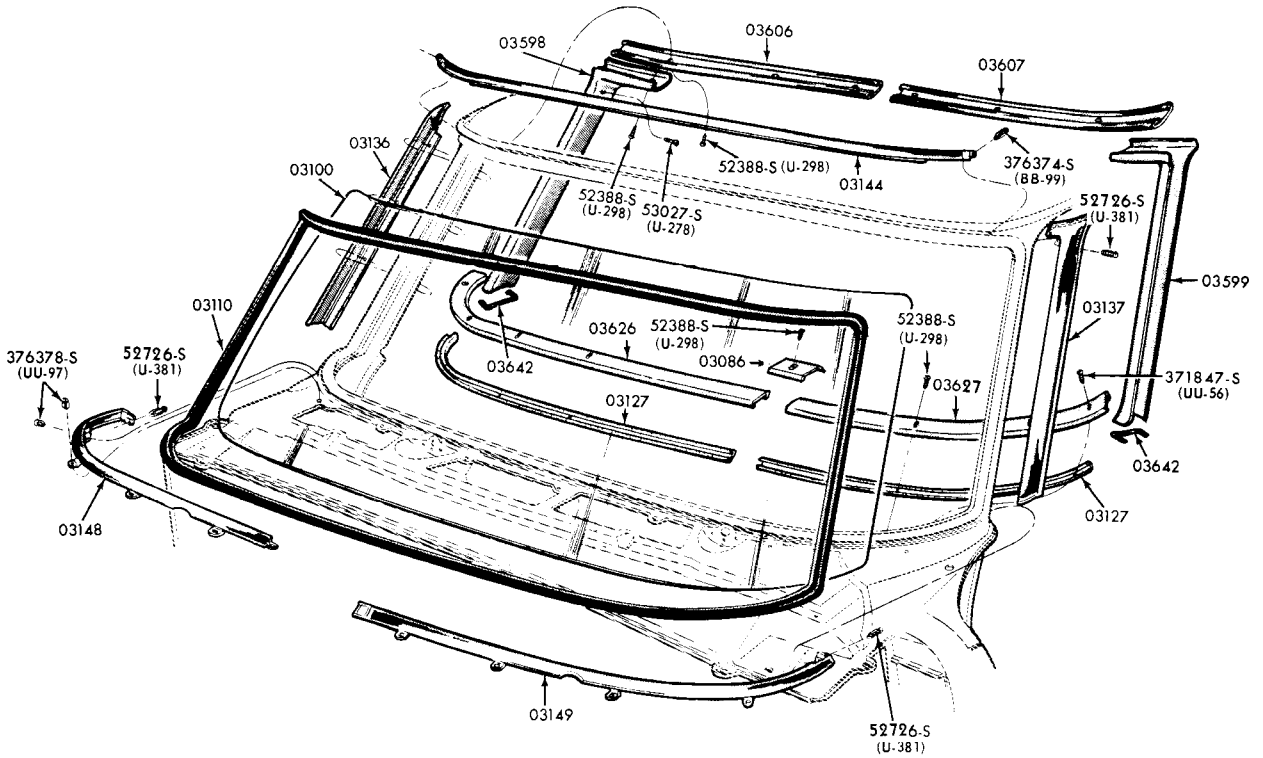


△ PART OF 03100  
 ● REFER TO GROUP IN CHASSIS SECTION  
 \* 1962 UNITS

P-3341

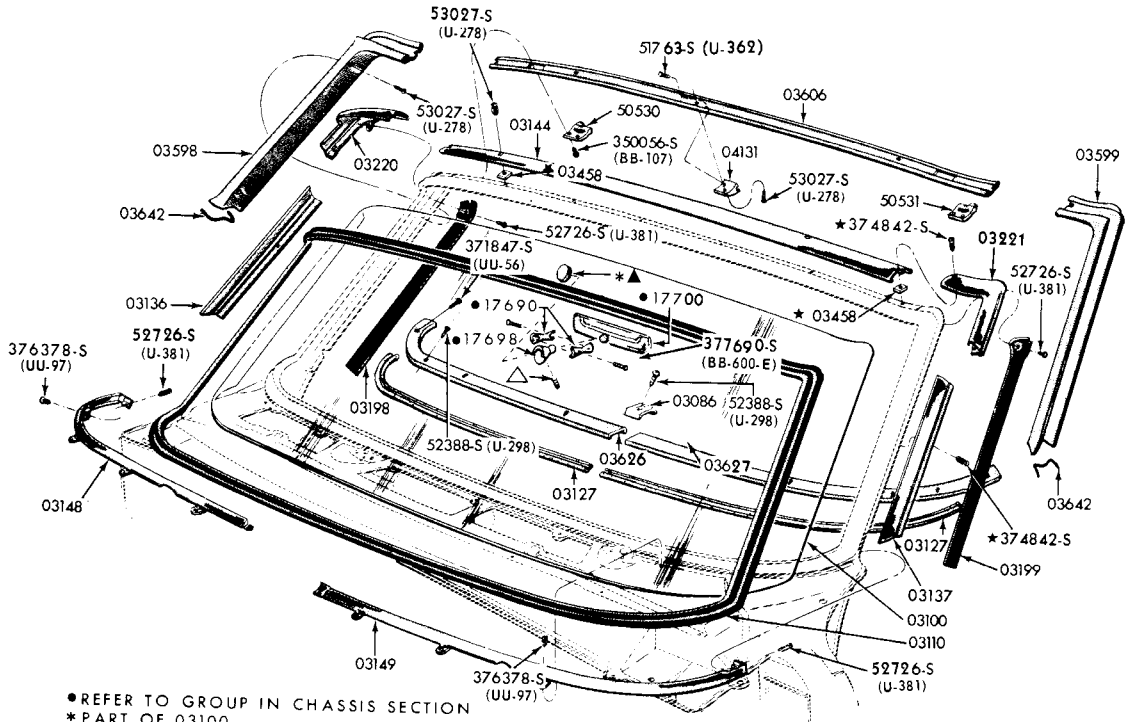
1961/63 THUNDERBIRD CONVERTIBLE WINDSHIELD & RELATED PARTS-BODY TYPE S (76)

**FORD CAR PARTS**



P-4021

1963/64 FORD WINDSHIELD PARTS - BODY TYPES A(except 57,63,76)

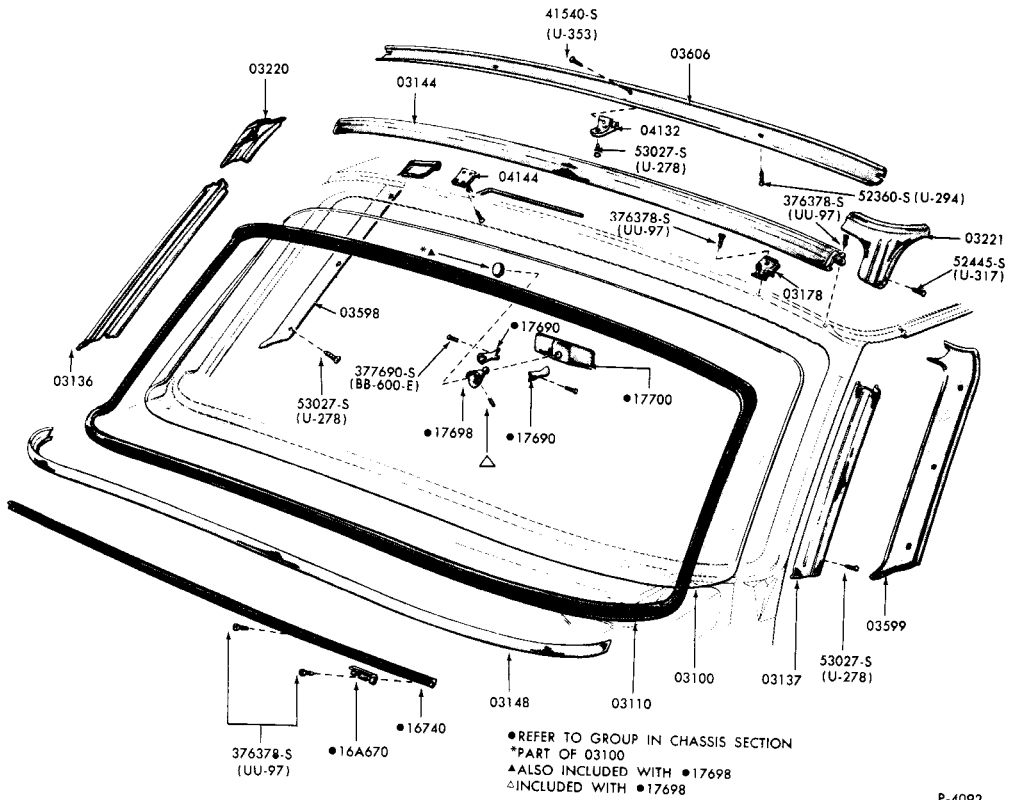


- REFER TO GROUP IN CHASSIS SECTION
- \* PART OF 03100
- ▲ ALSO INCLUDED WITH ●17698
- △ INCLUDED WITH ●17698

P-4022

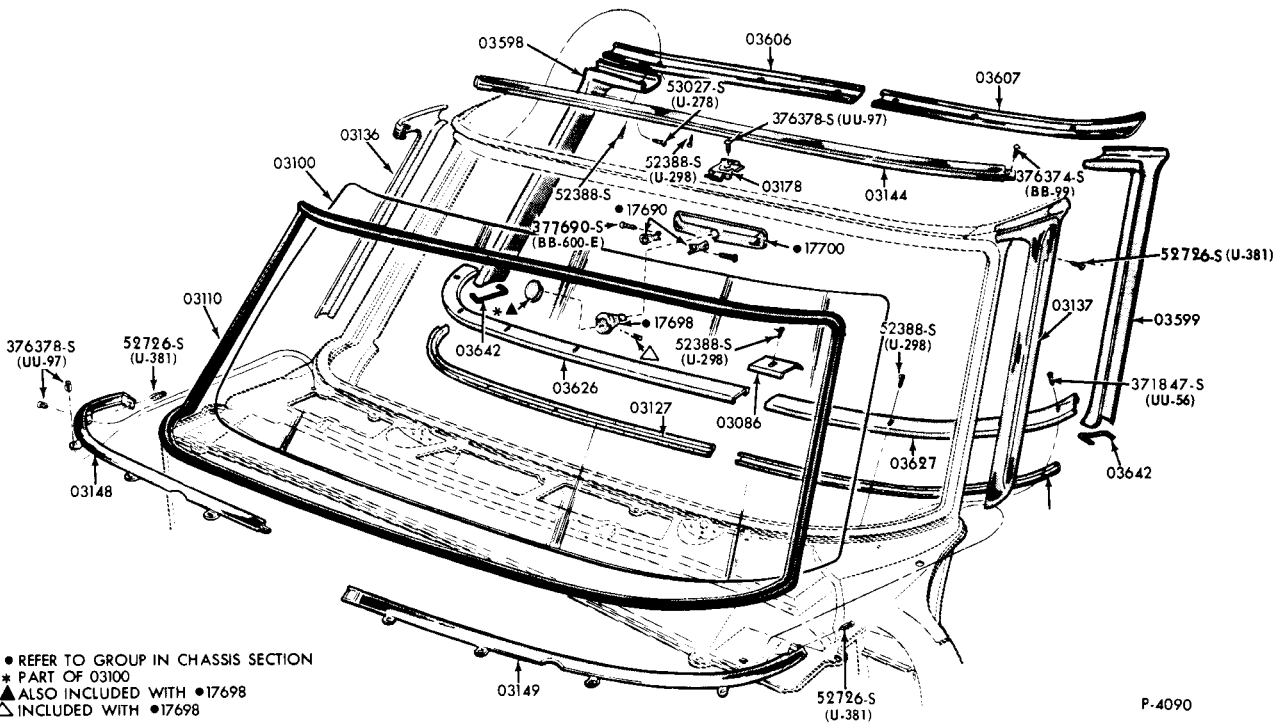
1963/64 FORD WINDSHIELD PARTS - BODY TYPE A(76)





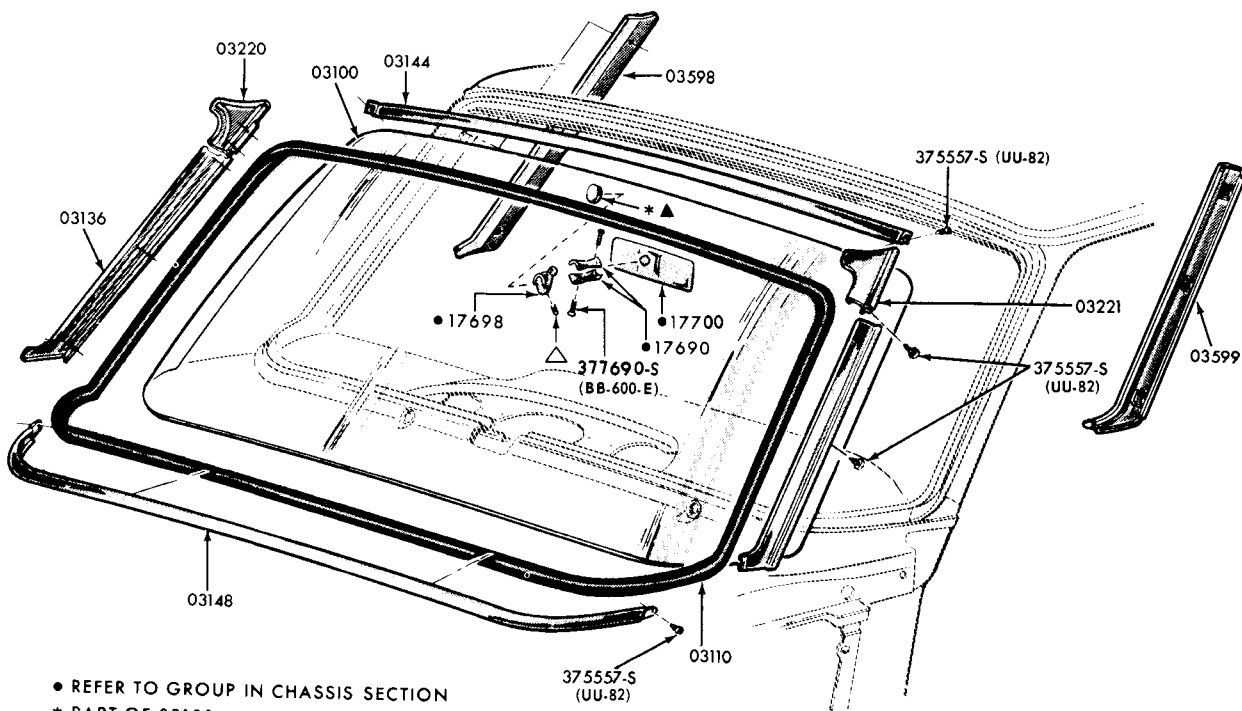
P-4092

1963/ FALCON WINDSHIELD PARTS - BODY TYPE X(63)



P-4090

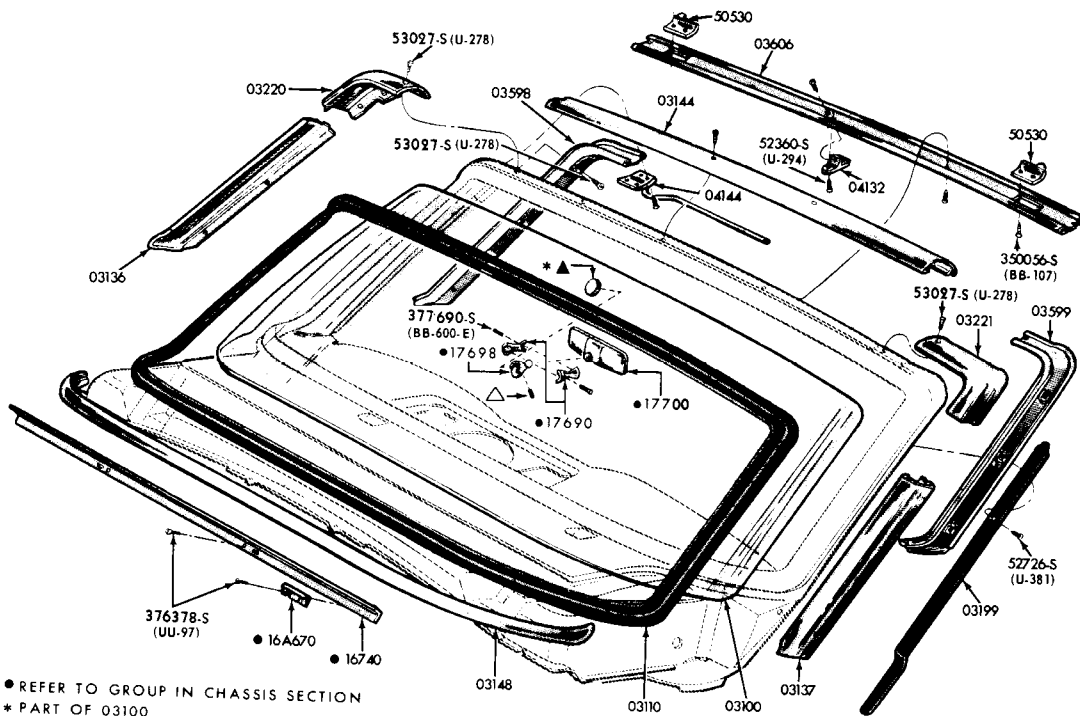
1963/64 FORD WINDSHIELD PARTS - BODY TYPES A(57, 63)



- REFER TO GROUP IN CHASSIS SECTION
- \* PART OF 03100
- ▲ ALSO INCLUDED WITH ●17698
- △ INCLUDED WITH ●17698

P-4018

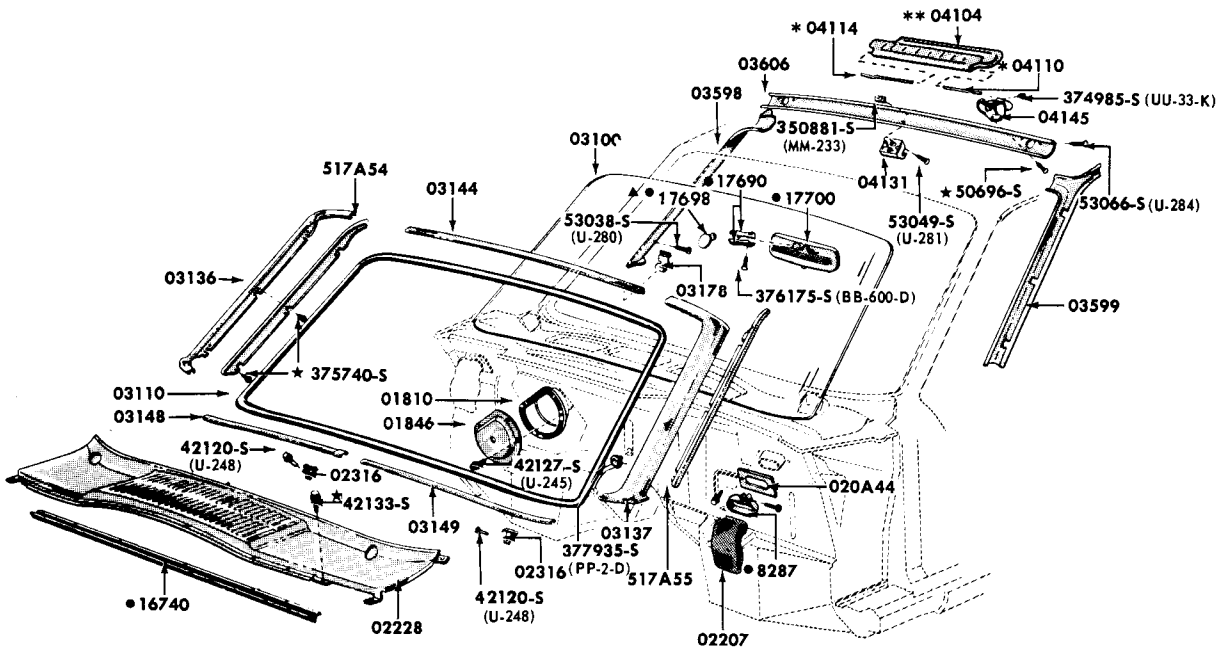
1963/ FAIRLANE WINDSHIELD PARTS - BODY TYPE B(65)



- REFER TO GROUP IN CHASSIS SECTION
- \* PART OF 03100
- ▲ ALSO INCLUDED WITH ●17698
- △ INCLUDED WITH ●17698

P-4019

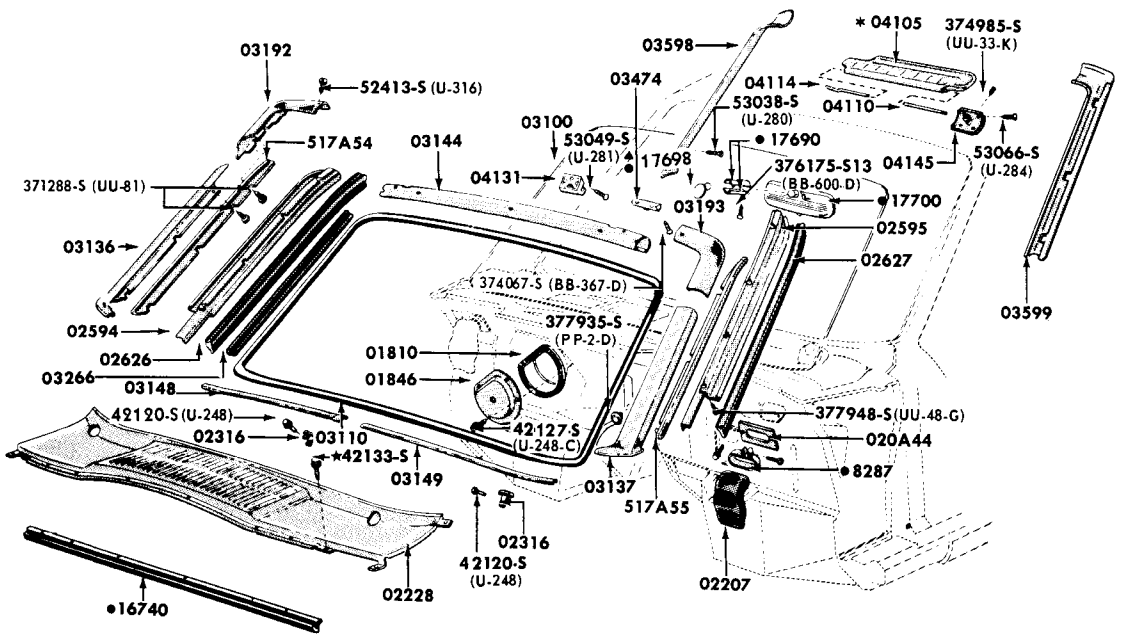
1963/ FALCON WINDSHIELD PARTS - BODY TYPE X(76)



- ▲ ALSO INCLUDED IN 03100
- REFER TO GROUP IN CHASSIS SECTION
- \* ALSO INCLUDED WITH 04104
- \*\* REFER TO SOFT TRIM SECTION

P-4336

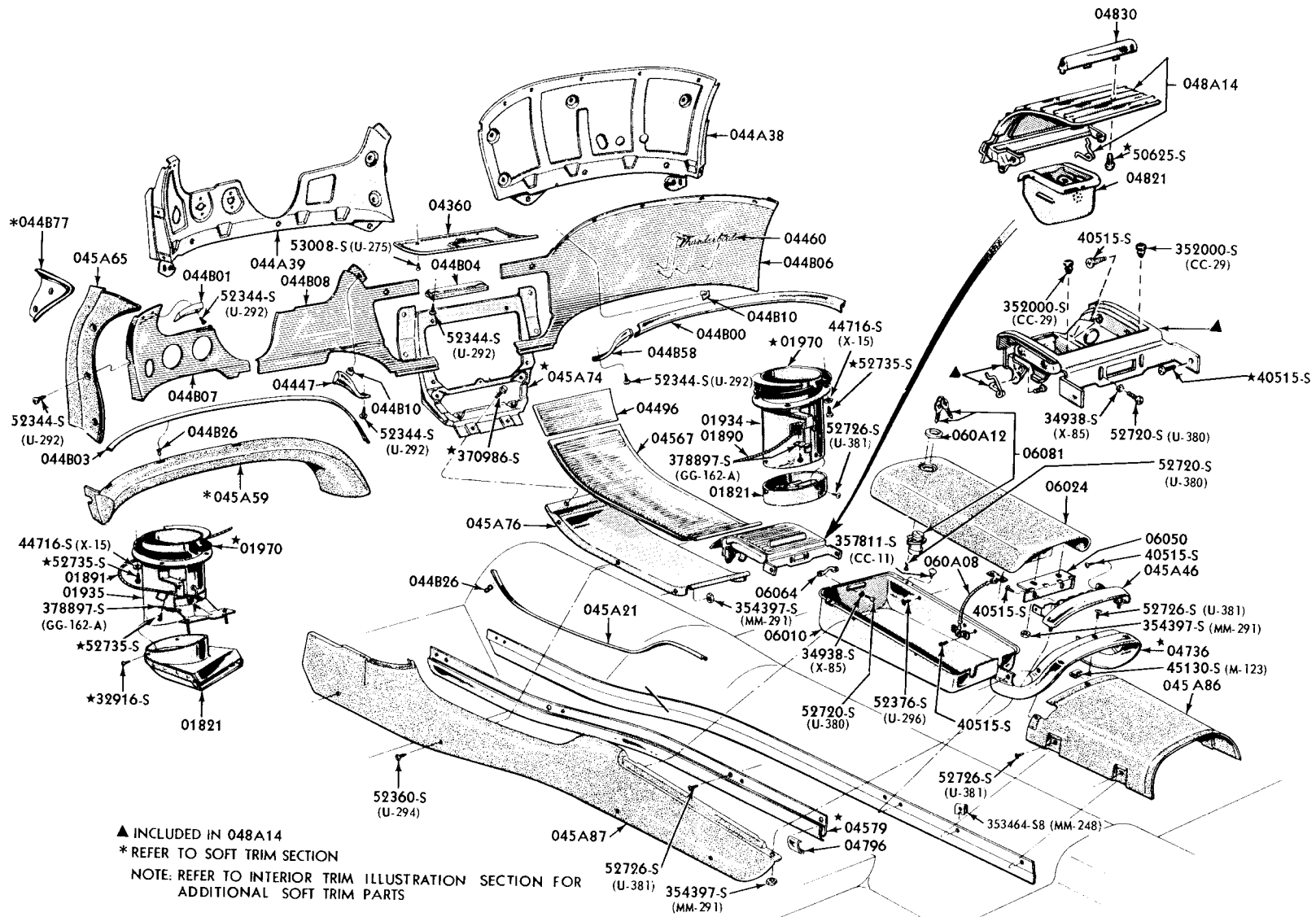
1964/ THUNDERBIRD WINDSHIELD PARTS - BODY TYPES S(63)



- ▲ ALSO INCLUDED IN 03100
- REFER TO GROUP IN CHASSIS SECTION
- \* REFER TO GROUP IN SOFT TRIM SECTION

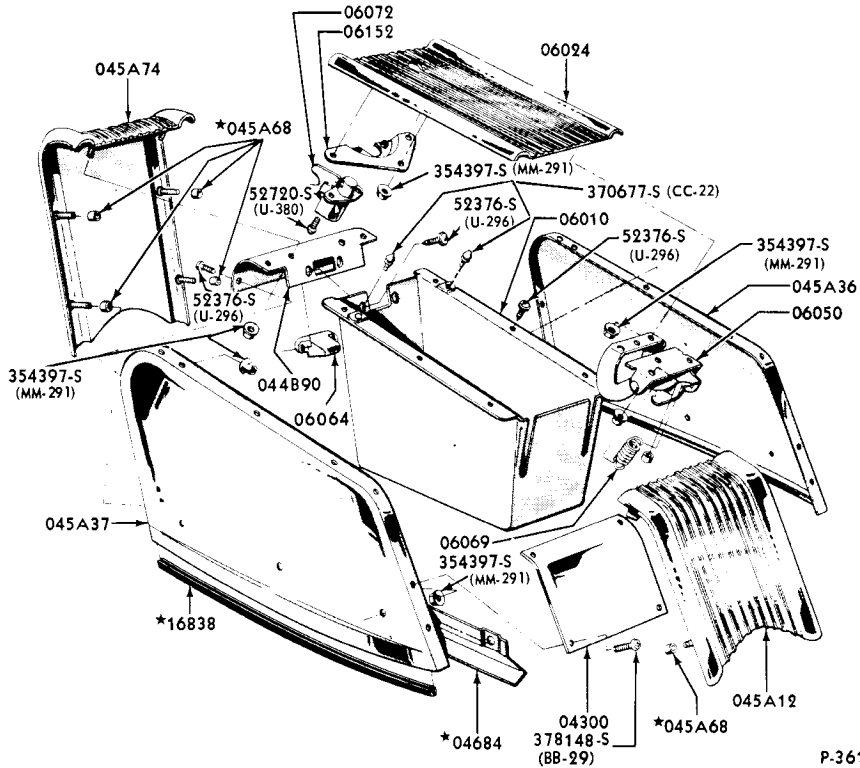
P-4337

1964/ THUNDERBIRD CONVERTIBLE WINDSHIELD & RELATED PARTS - BODY TYPE S(76)



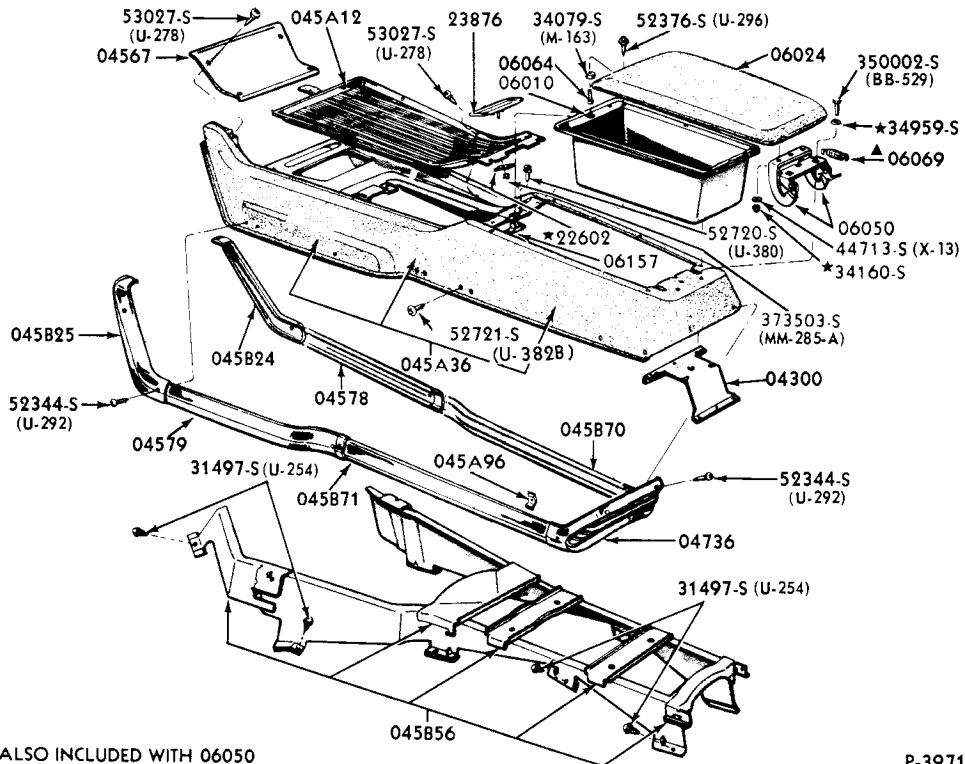
▲ INCLUDED IN 048A14  
 \* REFER TO SOFT TRIM SECTION  
 NOTE: REFER TO INTERIOR TRIM ILLUSTRATION SECTION FOR  
 ADDITIONAL SOFT TRIM PARTS

1961/63 THUNDERBIRD CONSOLE PANELS, MOULDINGS and RELATED PARTS. BODY TYPES S-TYPICAL



P-3618

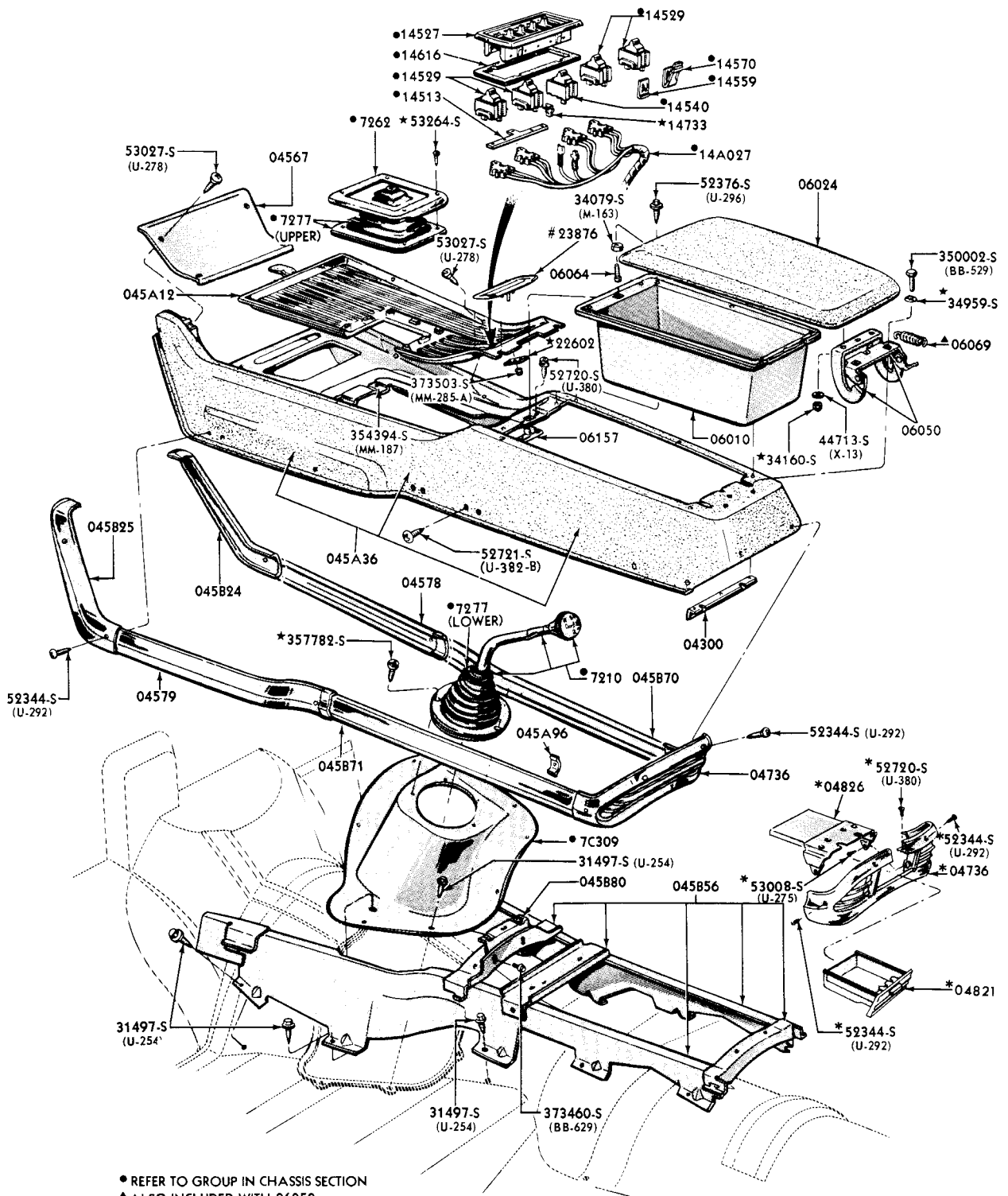
1961/ FALCON CONSOLE-BODY TYPE X (EXCEPT SPRINT)-TYPICAL  
1962/ FAIRLANE CONSOLE-BODY TYPE B (EXCEPT 65B)



▲ ALSO INCLUDED WITH 06050

P-3971

1963/ FAIRLANE CONSOLE - BODY TYPE B (65B)



• REFER TO GROUP IN CHASSIS SECTION

▲ ALSO INCLUDED WITH 06050

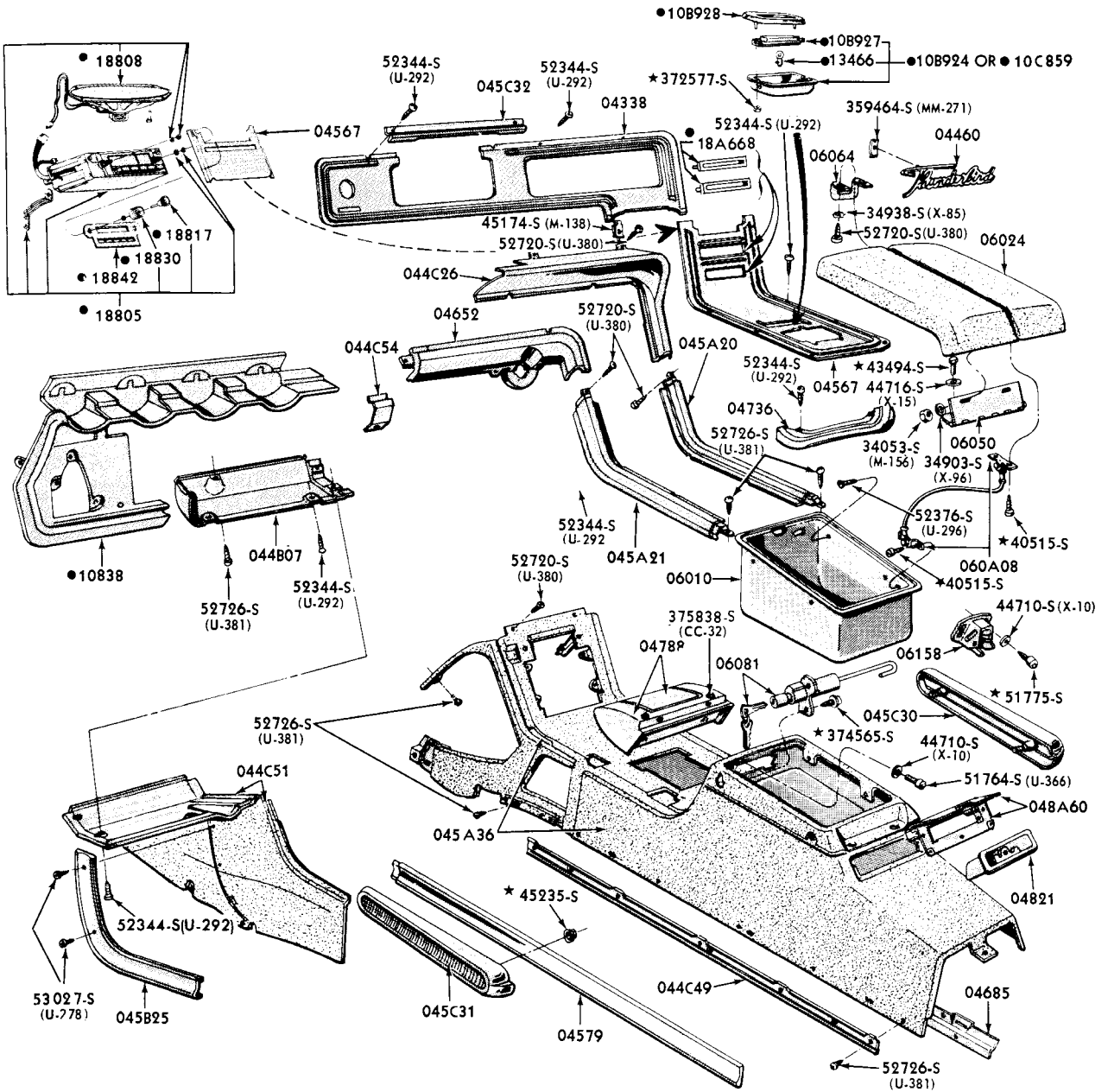
# USED ON UNITS WITHOUT POWER WINDOW

\* USED ON 1963 BODY TYPE A (75C) AND 1964 BODY TYPE A (57C, 63C)

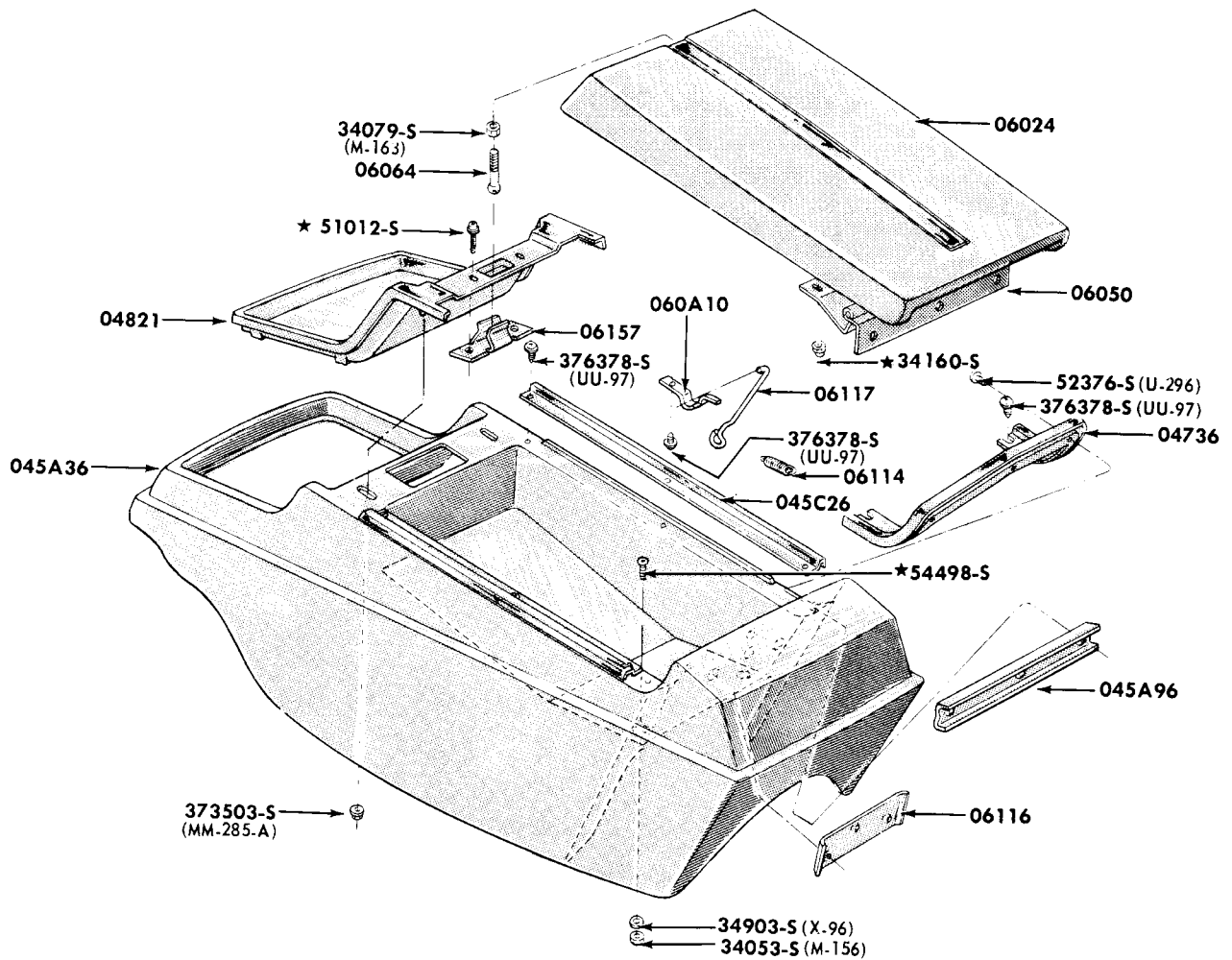
P-3856

CONSOLE and RELATED PARTS

1962/64 FORD



• REFER TO GROUP IN CHASSIS SECTION



P-4497

1964/ FALCON SPRINT CONSOLE PARTS-BODY TYPES X(63C,63D,66H,76B,76D)-TYPICAL