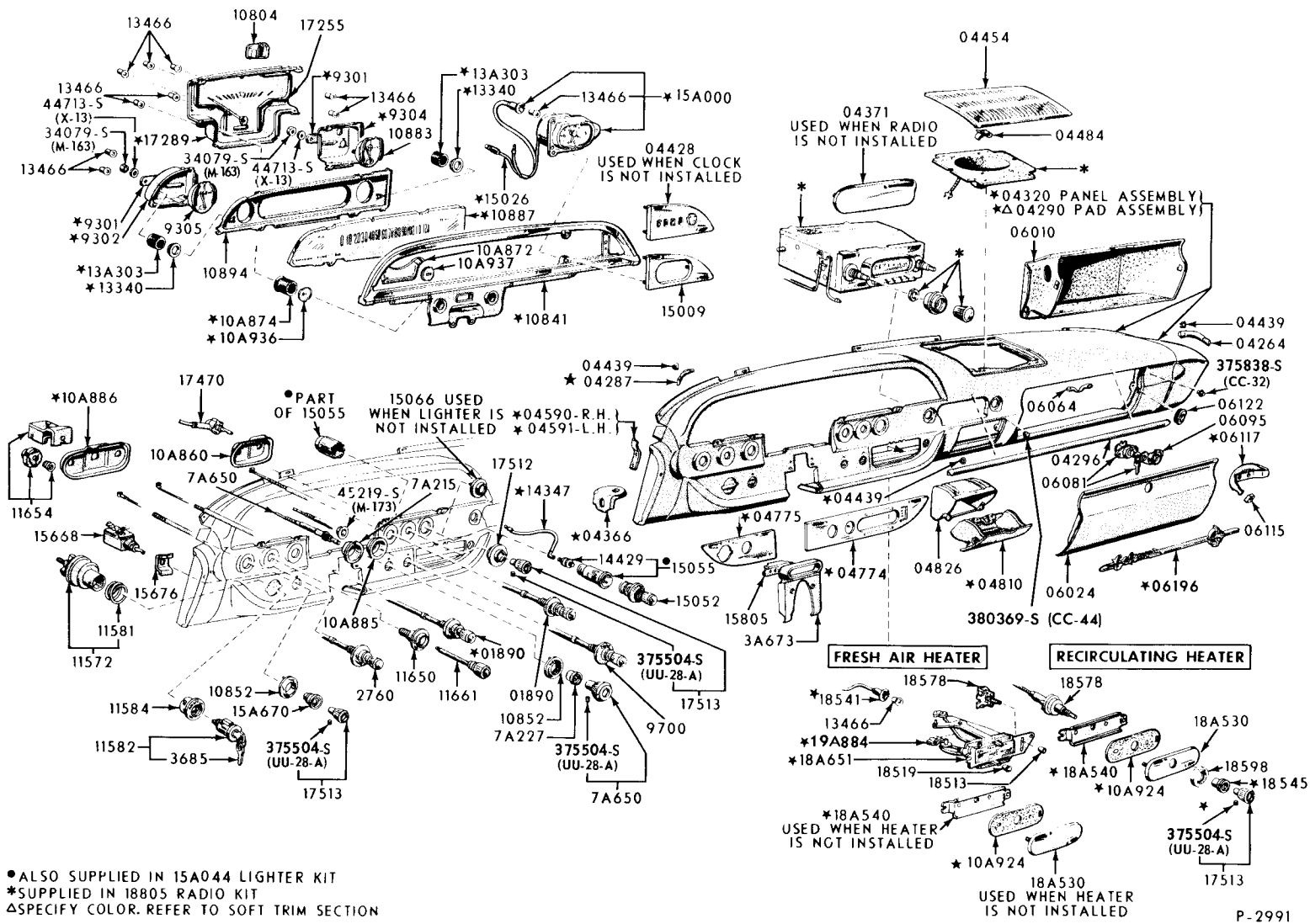


1960 FORD INSTRUMENT PANEL AND RELATED PARTS



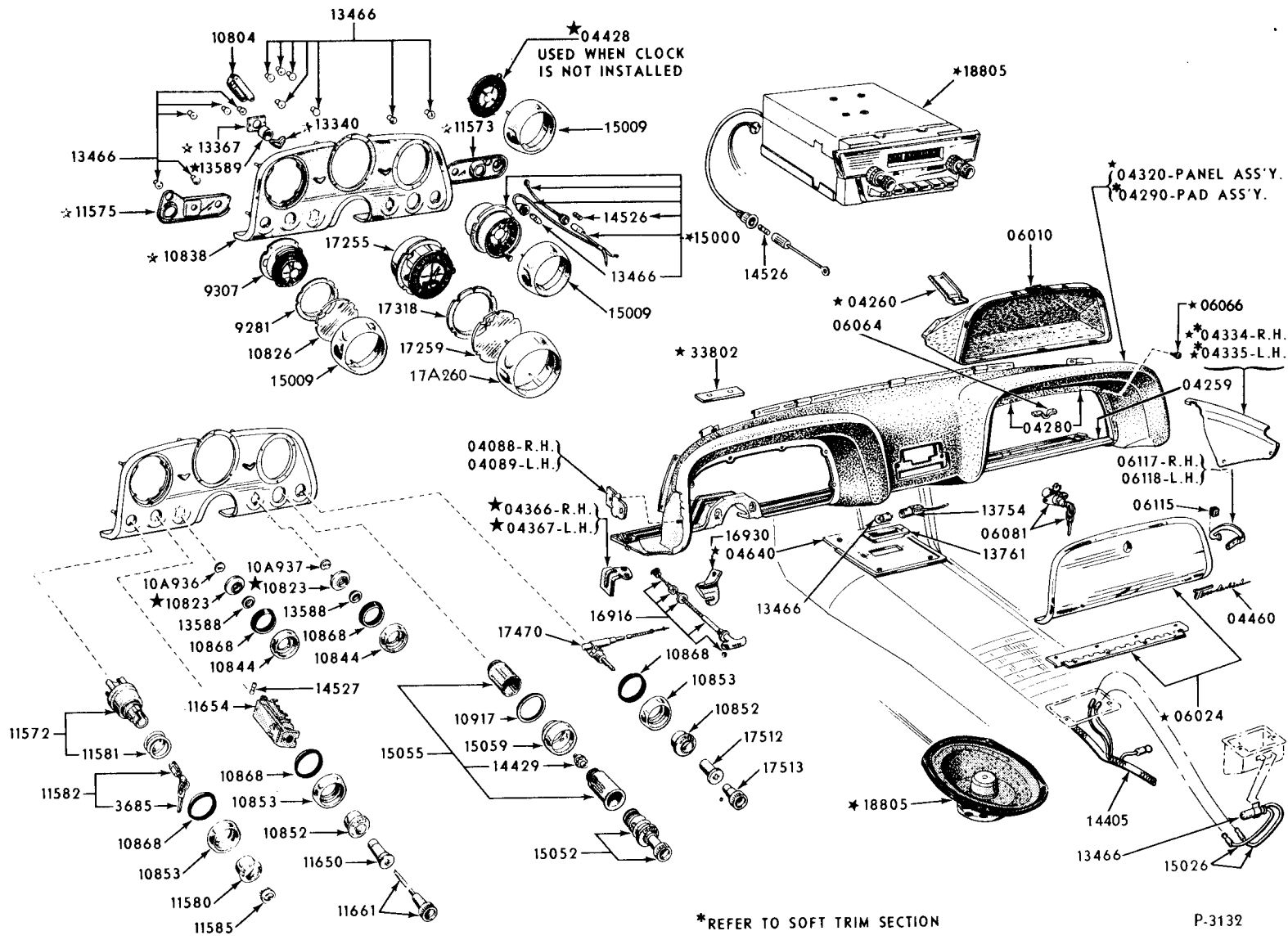
● ALSO SUPPLIED IN 15A044 LIGHTER KIT
 * SUPPLIED IN 18805 RADIO KIT
 △ SPECIFY COLOR. REFER TO SOFT TRIM SECTION

1960 FORD INSTRUMENT PANEL & RELATED PARTS

Group	Part Number	Part Name	Group	Part Number	Part Name
2760	C0AF 2760-C C0AF 2760-D	Handle (parking brake release)	10841	*C0AF 10841-DP	Housing (instr. cluster)
3A673	C1AF 3A673-AP	Cover (steering column bracket)	10852	C0AF 10852-A	Bezel (top control)
3A673	C1AF 3A673-BP	Cover (steering column bracket)	10852	C0AF 10852-C	Bezel (overdrive control)
3685	B9A 3685-A	Key (ignition & door lock)	10A860	*C0AF 10A860-A	Plate (instr. controls mtg.)-R H
7A215	C0AF 7A215-A	Bracket (o/drive manual control)	10A872	*C1AF 10A872-A	Cover (instr. cluster odometer)
7A227	C0AF 7A227-A	Nut (overdrive manual control)	10883	C0AZ 10883-A	Gauge (temp.)-less back plate
7A650	C0AA 7A650-A	Cable Assy. (overdrive manual control)	10A885	CJAF 10A885-A	Plate (instr. control mth. choke)
7A650	C0AZ 7A650-A	Knob (overdrive manual control)	10A886	*C0AF 10A886-A	Plate (instr. controls mtg.)-L H
9302	*C2AZ 9302-A	Plate (fuel gauge back)	10887	*C0AF 10887-A	Dial (instr. cluster main)
9304	*C0AF 9304-A	Plate (temperature gauge back)	10894	*C0AF 10894-B	Mask (instr. cluster)
9305	C0AF 9305-C	Gauge (fuel) (less back plate)	10A936	*C0AZ 10A936-A	Lens (oil pressure indicator warning lamp)
9700	C3OZ 9700-A	Control (carb. choke)	10A937	*C0AZ 10A937-A	Lens (generator indicator warning lamp)
01890	*C0AF 6401890-A	Control assy. (air)-R. H. or L. H.			
04264	C0AB 6404264-A	Moulding assy. (instr. panel end upper cover retaining)	11572	C3AZ 11572-A	Switch (ignition)
04287	*C0AB 6404287-A	Moulding (instr. panel end upper cover retaining)	11581	1A 11581-B	Spring (ign. switch ret.)
Δ 04290		Pad (instr. panel safety)	11582	C3AZ 11582-A	Cylinder & Keys (ignition)
04296	C0AB 6404296-A	Moulding (instr. panel upper cover retaining)	11584	C0AF 11584-A	Bezel (ignition switch)
04320	*C1AB 6204320-B	Panel (instrument)	11650	C1AF 11650-A	Nut (light switch)
04366	C0AB 6404366-A	Bracket (instr. panel to pillar)	11654	C0AF 11654-C	Switch (light control)
04371	C0AZ 6204371-A	Plate (instr. panel radio dial hole)	11661	C1AF 11661-A	Knob assy. (light switch)-except Fairlane
04428	C0AF 6404428-A	Cover (clock opening)	11661	*C0AF 11661-B	Knob assy. (light switch)-Fairlane only
04439	*C0AB 6404439-E	Retainer (instr. panel moulding)			
04439	C0AB 6404439-F	Retainer (instr. panel moulding)	13340	*C0AF 13340-A	Lens (turn indicator lamp)
04454	C0AB 6404454-AP	Grille (instr. panel radio)-without safety pad	13466	B6A 13466-A	Bulb (instr. panel lighting)
04454	C0AB 6404454-BP	Grille (instr. panel radio)-with safety pad	14429	FEW 14429-A	Fuse (cigar lighter)
04484	C0AB 6404484-A	Clip (instr. panel radio grille retaining)	15A000	*C0AZ 15A000-A	Clock Kit (electric)
04590	*C0AB 6404590-A	Retainer (instr. panel cover side)-R. H.	15009	*C0AF 15009-B	Bezel (clock)
04591	*C0AB 6404591-A	Retainer (instr. panel cover side)-L. H.	15026	*C0AF 15026-A	Wire & Socket (clock)
04774	*C0AZ 6404774-A	Cover & Back Plate Assy. (lower instr. panel)	15A044	*C0AF 15A044-A	Cigar Lighter Kit
04775	*C0AB 6404775-A	Panel (instr. panel cluster finish) lower-L. H.	15052	C0AF 15052-A	Knob & Element (cigar lighter)
04810	*C0AB 6404810-C 380369-S(CC44)	Receptacle (instr. panel ash) Bumper (ash receptacle)	15055	C2AB 15055-A	Socket & Retainer (cigar lighter)
04826	C1AZ 6204826-A	Retainer (ash receptacle)	15668	C0AF 15668-A	Switch Assy. (top control)
06010	C0AB 6406010-A	Compartment assy. (glove)	15A670	C0AF 15A670-A	Nut (top control bezel)
06024	*C2AZ 6206024-A 375838-S(CC32)	Door assy. (glove comp) Bumper (glove compartment door)	15676	C0AF 15676-A	Bracket (top control switch mtg.)
06064	C2DZ 6406064-A	Catch (glove comp. door lock striker plate)	15805	C0AF 15805-A	Dial (F/M trans. gear shift lever indicator)
06081	B9A 6406081-A	Lock assy. (glove comp. door)	15805	C0AF 15805-B	Dial (C/M trans. gear shift lever indicator)
06095	C0AB 6406095-A	Escutcheon (glove comp. door lock)			
06115	B6A 7006115-A	Bumper (glove comp. door arm)	17255	C0AZ 17255-#	Speedometer Assy.
06122	C0AB 6406122-A	Grommet (glove comp. door)	17289	*C2AZ 17289-A	Case (speedometer mounting)
06117	*C2AB 6206117-AP	Stop (glove comp. door) check arm)	17470	C0AF 17470-H	Control Assy. (windshield wiper)
06196	*C0AB 6306196-A	Panel (glove compart. door finish) "Starliner"	17512	C0AF 17512-A	Nut (windshield wiper control)
06196	*C0AB 7506196-A	Panel (glove compart. door finish) "Galaxie"	17513	C0AF 17513-A	Knob
06196	*C0AB 7606196-A	Panel (glove compart. door finish) "Sunliner"	18513	C0AF 18513-A	Knob (heater blower switch)
10804	B9MZ 10804-C	Regulator (instr. cluster voltage)	18519	C1AF 18519-A	Knob (heater or Select Aire conditioner control)
			18A540	*C0AF 18A540-B	Bracket (heater control opening cover)
			18545	*C0AF 18545-A	Nut (recirculating heater blower switch)
			18578	C1AZ 18578-A	Switch Assy. (fresh air heater or Select Aire conditioner)
			18578	C1AA 18578-A	Switch assy. (recirculating heater)
			18A651	*C0AF 18A651-B	Panel & Retainer assy. (heater or Select Aire conditioner control)
			18805	*C0AF 18805-#	Radio Kit
			19A884	*C1AF 19A884-C	Bracket assy. (heater control mtg)

Δ Specify Color. Refer to Soft Trim Section.

* Refer to Basic Group for proper Suffix required

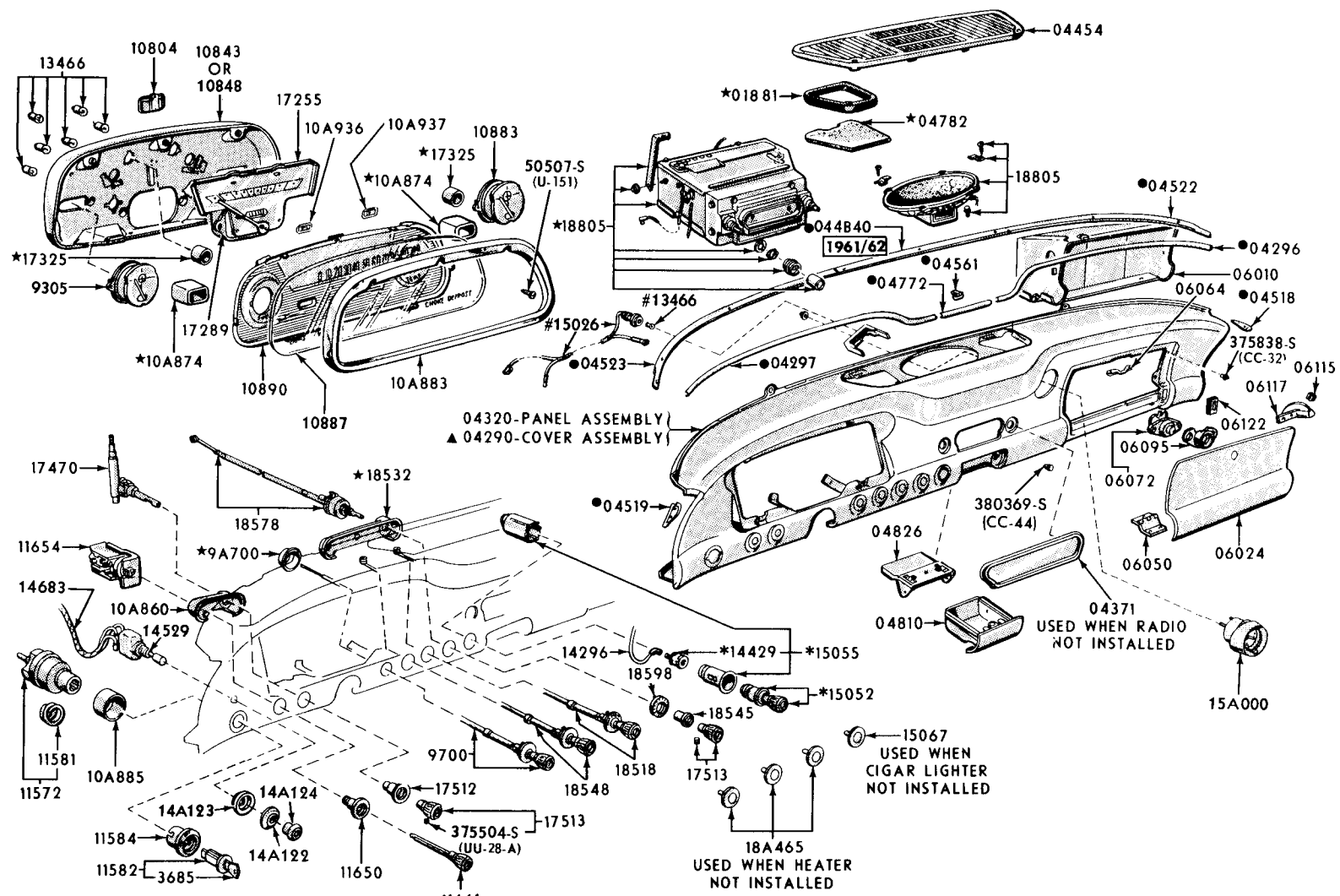


1960 THUNDERBIRD INSTRUMENT PANEL & RELATED PARTS

Group	Part Number	Part Name	Group	Part Number	Part Name
3685	B9A 3685-A	Key(ignition & door lock)	11573	★B8S 11573-A	Plate (instr. cluster controls mounting)-R. H.
9281	★B9S 9281-A	Mask (fuel & temp. gauge)	11575	★B8S 11575-A	Plate (instr. cluster controls mounting)-L. H.
9307	C0SF 9307-A	Gauge (fuel & temp.)	11580	★C0SF 11580-B	Bezel (ignition switch)-inner
04088	★B8S 6304088-S	Bracket (instr. panel pad to pillar)-R. H.	11581	1A 11581-B	Spring (ignition switch ret.)
04089	★B8S 6304089-A	Bracket (instr. panel pad to pillar)-L. H.	11582	B9A 11582-A	Cylinder & keys (ignition)
04259	★B9SB 6304259-A	Retainer (instr. panel pad at glove comp.)-lower	11585	B6A 11585-A	Retainer (ign. switch bezel)
04280	★B9SB 6304280-A	Retainer (instr. panel pad at glove comp.)-upper	11650	★B7S 11650-A	Nut (light switch)
*04290		Pad (instr. panel safety)	11654	B9AF 11654-A	Switch (light control)-63
04320	★C0SB 6304320-B	Panel (instrument)	B9SF	11654-C	Switch (light control)-76
*04334	★C0SB 6304334	Panel (instr. panel end)-R. H.	11661	C0SF 11661-A	Knob & insert (light switch)
*04335	★C0SB 6304335	Panel (instr. panel end)-L. H.	13340	★B8S 13340-A	Lens (turn indicator lamp)
04460	B8S 6304460-A	Plate (instrument panel name)	13367	★B8S 13367-A	Plate (turn indicator lamp mtg.)
04640	★B8S 6304640-A	Cover (instr. panel radio access)	13466	B6A 13466-A	Bulb (instr. cluster speedometer, etc.)
04640	★B8S 7604640-A	Cover (instr. panel radio access)	13466	B5AZ 13466-A	Bulb (map lamp)
06010	C0SB 6306010-A	Compartment assy. (glove)	13466	B6A 13466-A	Bulb (clock)
06024	★C0SB 6306024-B	Door assy. (glove compt.)	13588	B8S 13588-A	Retainer (instr. cluster signal lamp jewel)
06064	B7A 7006064-A	Catch (glove compt. door lock)	13754	B8S 13754-A	Bracket & socket (map lamp)
06066	★B9SB 6306066-A	Bumper (glove compt. door)	13761	B8S 13761-A	Lens (map lamp)
06081	C0SB 7606081-A	Lockassy. (glove compt. door)	14429	FEW 14429-A	Fuse assy. (cigar lighter)
06115	★B8S 6306115-A	Bumper (glove compt. door arm)	14526	B6AZ 14526-A	Fuse (radio)-7 1/2 amp.
06117	B8S 6306117-A	Arm (glove compt. door check) -R. H.	14526	B6AZ 14526-D	Fuse (clock)-1 amp.
06118	B8S 6306118-A	Arm (glove compt. door check) -L. H.	15000	★C0SF 15000-B	Clock (electric)
10804	B9MZ 10804-C	Regulator (instr. cluster voltage)	15009	★C0SF 15009-A	Bezel (clock, fuel & temp. gauge)
10826	★B8S 10826-A	Cover (fuel & temp. indicator)	15026	B8S 15026-A	Lamp assy. (ash receptacle)
10838	★B8S 10838-A	Housing (instr. cluster)	15052	C0SF 15052-B	Knob & element (cigar lighter)
10844	B8S 10844-A	Bezel (instr. cluster)	15055	C2AB 15055-A	Socket & retainer (cigar lighter)
10852	★C0SF 10852-C	Bezel (lights)-inner	15059	★FAB 15059-A	Bezel (cigar lighter)-outer
10852	★C0SF 10852-D	Bezel (wipers)-inner	16916	BAK 16916-A	Cable assy. (hood catch control)
10853	FAA 10853-A	Bezel (wipers, lights & ignition switch)-outer	16930	B8S 16930-A	Bracket (hood lock control cable)
10868	FAA 10868-B	Seal (bezel)	17255	C0SF 17255-D	Speedometer assy.
10917	★B7S 10917-A	Seal (cigar lighter outer bezel)	17259	★B8S 17259-A	Cover (speedometer)
10A936	C0SZ 10A936-A	Lens (oil pressure indicator warning lamp)	17A260	★C0SF 17A260-A	Bezel (speedometer)
10A937	★C0SZ 10A937-A	Lens (generator indicator warning lamp)	17318	★C0SF 17318-A	Mask (speedometer)
11572	C3AZ 11572-A	Switch (ignition)	17470	B8S 17470-A	Control assy. (w/shield wiper)
			17512	★B8S 17512-A	Nut (w/shield wiper control)
			17513	B9A 17513-A	Knob assy. (w/shield wiper)
			18805	★C0SF 18805-F	Radio (push button)

* Specify color. Refer to Soft Trim Section

1960/62 FALCON INSTRUMENT PANEL & RELATED PARTS



#ALSO SUPPLIED IN 15A000 CLOCK KIT
 *ALSO SUPPLIED IN 15A044 CIGAR LIGHTER KIT
 ●USED ONLY WHEN SAFETY COVER IS INSTALLED
 ▲SPECIFY COLOR. REFER TO SOFT TRIM SECTIONS

1960/62 FALCON INSTRUMENT PANEL AND RELATED PARTS

Group	Part Number	Part Name	Group	Part Number	Part Name
3685	B9A 3685-A	Key (ignition & door lock)	10A937	★C0DZ 10A937-A	Lens (generator indicator warning lamp)
9305	C2DZ 9305-A	Gauge (fuel)	11572	C3AZ 11572-A	Switch (ignition)
9700	C0DZ 9700-B	Control (carb. choke)-1960-61	11581	1A 11581-B	Spring (ign. switch retaining)
9700	C3DZ 9700-A	Control (carburetor choke)-1962	11582	C3AZ 11582-A	Cylinder & keys (ignition)
01881	★C0DB 6401881-A	Seal (w/s defroster opening)	11584	COAF 11584-A	Bezel (ignition switch)- 1960
△04290	C0DB 6404290	Pad (instr. panel safety)	C3AZ	11584-A	1961-62
●04296	C0DB 6404296-B	Moulding (instrument panel)-R.H.	11650	C1DF 11650-A	Nut (light, switch)
●04297	C0DB 6404297-B	Moulding (instr. panel)-L. H.	11654	C1DF 11654-A	Switch (light control)-1960-61
04320	C0DZ 6404320-D	Panel assy. (instrument)	C2DZ	11654-A	1962
⊕04371	C0DF 6404371	Plate (instr. panel radio dial hole)	11661	↓	Knob & insert (lighting switch)
●044B40	C1DB 64044B40-AP	Moulding (instr. panel)-upper center-1961-62	13466	B6A 13466-A	Bulb (instrument cluster)
04454	C0DB 6404454-BP	Grille (instr. panel radio)	14A122	C0DF 14A122-B	Bezel (rear window regulator control switch)
●04518	C0DB 6404518-BP	Moulding (instr. panel end)-R. H.	14A123	C0DF 14A123-B	Spacer (rear window regulator control switch)
●04519	C0DB 6404519-BP	Moulding (instr. panel end)-L. H.	14A124	C0DF 14A124-A	Nut (rear window regulator control switch)
●04522	★C0DB 6404522-CP	Moulding (instr. panel)-upper-R. H.- 1960	14429	FEW 14429-A	Fuse (cigar lighter)
●04523	★C1DB 6404522-AP	1961-2	14529	C0DF 14529-A	Switch (rear window regulator control)
●04523	★C0DB 6404523-CP	Moulding (instr. panel)-upper-L. H.- 1960	14683	★C0DF 14683-A	Wiring (rear window regulator control)
●04523	★C1DB 6404523-AP	1961-2	15A000	★C2DZ 15A000-A	Clock (electric)-1962
●04561	C0DB 6404561-C	Clip (instr. panel moulding)	15A044	★C2DZ 15A044-A	Cigar lighter (kit)
●04772	C0DB 6404772-C	Moulding (instr. panel)-center	15052	C2DZ 15052-A	Knob & element assv. (cigar lighter)
04782	★C0DB 6404782-A	Cover (instr. panel radio grille)	15055	C0DZ 15055-A	Socket & retainer assy. (cigar lighter)-1960-61
04810	C3DZ 6204810-A	Receptacle assy. (instr. panel ash)	15055	C2AB 15055-A	Socket & retainer assv. (cigar lighter)-1962
04826	C0DB 6404826-A	Retainer (instr. panel ash receptacle)	15067	C0DF 15067-B	Cover (instr. panel cigar lighter opening)
06010	C0DZ 6406010-A	Compartment assy. (glove)	17255	C0DZ 17255-A	Speedometer assy.
06024	C0DZ 6406024-B	Door assy. (glove compartment)	17289	C0DZ 17289-A	Case (speedometer mounting)
06050	C0DB 6406050-A	Hinge assv. (glove compartment door)	17470	B9A 17470-A	Control assy. (windshield wiper)
06064	C2DZ 6406064-A	Catch (glove compartment door latch striker plate)	17512	B7A 17512-B	Nut (windshield wiper control)
06072	C2DZ 6406072-A	Latch assy. (glove compartment door-non-locking)	17513	C0DF 17513-A	Knob (windshield wiper or heater control)-except 1962 "Futura"
06095	C0AB 6406095-A	Escutcheon (glove compartment door latch)	17513	C2OB 17513-A	Knob (windshield wiper or heater control)-1962 "Futura"
06115	B6A 7006115-A	Bumper (glove compartment door arm)	18A465	C0DF 18A465-B	Cover (heater temperature regulator control opening)
06117	C0DB 6406117-EP	Stop (glove compartment door)	18518	↓	Control assy. (heater temperature)
06122	C0AB 6406122-A	Grommet (glove compartment door check arm)	18545	C0DF 18545-A	Nut (heater blower switch)
10804	B9MZ 10804-C	Regulator (instr. cluster voltage)	18548	↓	Control assy. (heater defroster)
10843	★C0DF 10843-D	Plate (instr. cluster back)-1960-61	18578	C2DZ 18578-A	Switch assy. (heater)
10848	★C2DZ 10848-A	Plate (instru. cluster back)-1962	18598	C0DF 18598-A	Bezel (heater switch)
10883	C2DZ 10883-A	Gauge (temperature)	18805	★C3DZ 18805-A	Radio (push button tuning)-1961/62
10A883	★C0DF 10A883-B	Bezel (instr. cluster) - Repl. by C3DZ 10A883-A			
10A885	C0DF 10A885-A	Plate (instr. cluster control mounting)-ignition			
10A886	C0DF 10A886-A	Plate (instr. cluster control mounting)-L. H.			
10887	C0DF 10887-A	Dial (instr. cluster main)			
10890	★C0DF 10890-C	Mask (instr. cluster)-1960-61			
10A936	★C2DZ 10890-A	1962			
	★C0DZ 10A936-A	Lens (oil pressure indicator warning lamp)			

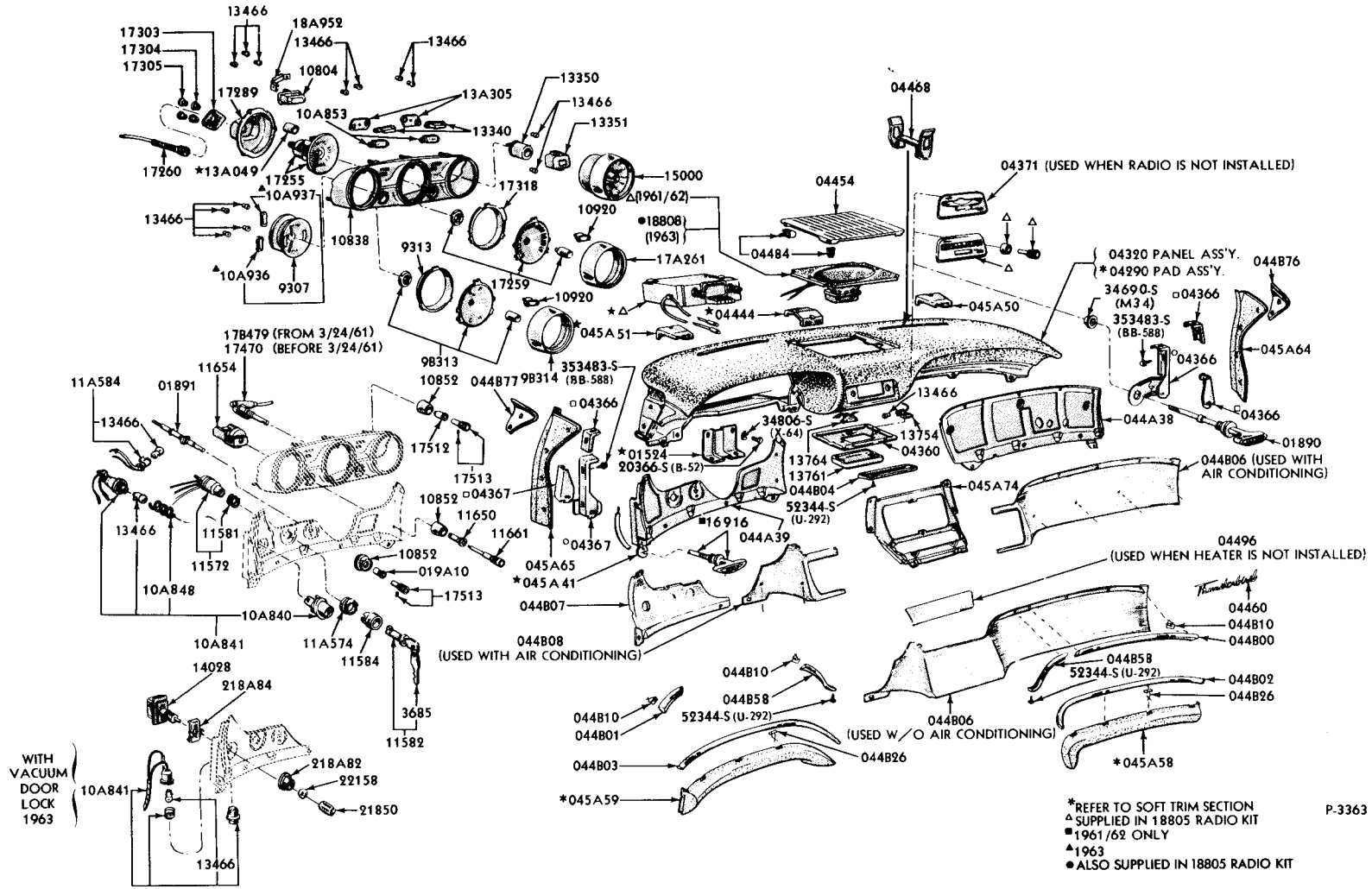
△ Specify color. Refer to Soft Trim Section

⊕ Specify color. Refer to Group for suffix

● Only used when Safety Cover is installed

↓ Refer to Basic Group for complete part number

1961/63 THUNDERBIRD INSTRUMENT PANEL & RELATED PARTS

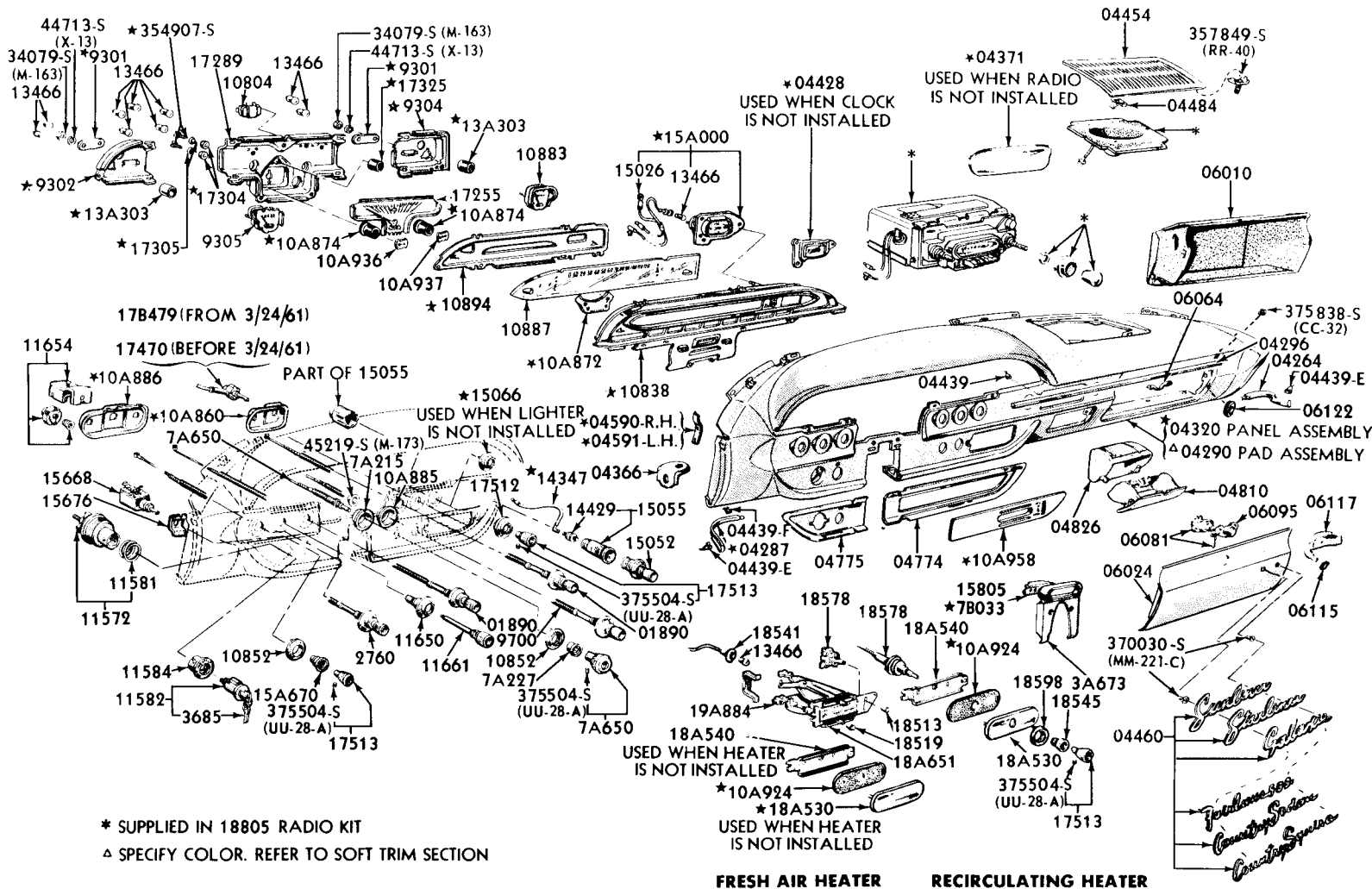


1961 / 63 THUNDERBIRD INSTRUMENT PANEL & RELATED PARTS

Group	Part Number	Part Name	Group	Part Number	Part Name
3685	B9A 3685-A	Key (ignition & door lock)	10A840	•	Bezel (parking brake warning lamp)-1963
9307	C3SZ 9307-A	Gauge (fuel & temp.)	10A841	•	Lamp & wiring assy. -(parking brake warning)-1963
9313	C2SZ 9313-A	Mask (fuel & temp.gauge)-1962/63	10A848	B9FM 10A848-A	Spring (parking brake warning lamp)
9B313	★CISF 9B313-C	Lens (fuel & temp.gauge)-1961	10852	CISF 10852-A	Bezel (instr.cluster control)-air
	C2SZ 9B313-A	1962-63		C1SF 10852-B	Lights & wipers
9B314	C2SZ 9B314-A	Bezel (fuel & temp.gauge)-1962/63		C3SZ 10852-A	Top
01524	C3DZ 6201524-A	Brace (brake pedal support)	10A853	CISF 10A853-C	Lens (instr.cluster controls identification)-lights
01890	C3SZ 6301890-B	Control assy. (air)-R. H.		C1SF 10A853-D	Wipers
01891	C1SF 6301891-A	Control assy. (air)-L. H.	10920	CISF 10920-A	Clip (instr. cluster bezel)
019A10	★CISF 63019A10-A	Nut (ventilator air control bezel)	10A936	C3SZ 10A936-A	Lens(oil pressure indicator warning lamp)-1963
*04290		Pad (instr. panel safety)	10A937	C3SZ 10A937-A	Lens(generator indicator warning lamp)-1963
04320	C2SZ 6304320-A	Panel assy. (instrument)	11572	C3AZ 11572-A	Switch (ignition)
•04360		Cover (radio opening)	11A574	C1SF 11A574-A	Spacer (ign.switch bezel)-1961-62
04366	★CISB 6304366-A	Bracket (instr. panel to pillar)-R. H. - 1961-62		C3SZ 11A574-A	1963
	C2SZ 6304366-B	R. H. -Lower- 1962-63	11581	1A 11581-B	Spring (ignition switch retaining)
	C2SZ 6304366-A	Upper-1962-63	11582	C3AZ 11582-A	Cylinder&keys(ign.switch)
04367	★CISB 6304367-A	Bracket (instr. panel to pillar)-L. H. -1961-62	11584	★CISF 11584-A	Bezel (ignition switch)-1961-62
	C2SZ 6304367-B	L. H. -Lower- 1962-63		C3SZ 11584-A	1963
04371	C1SZ 6304371-A	Cover (instr. panel radio opening)	11A584	C3SZ 11A584-A	Socket & wiring assy. (ignition switch lamp)-1963
044B00	C1SZ 63044B00-A	Moulding (extension upper)-R. H.	11650	C1SZ 11650-A	Nut (light switch)
044B01	C1SB 63044B01-A	Moulding (extension upper)-L. H.	11654	C3SZ 11654-A	Switch (light control)
044B02	C1SZ 63044B02-A	Moulding (extension lower)-R. H.	11661	C1SF 11661-C	Knob & insert (light switch)
044B03	C1SZ 63044B03-A	Moulding (extension lower)-L. H.	13A305	C1SF 13A305-A	Retainer(turn ind. signal lamp)
044B04	C1SB 63044B04-A	Moulding (extension upper center)	13340	C1SF 13340-B	Lens (turn indicator signal)
•044B06		Panel (extension finish)-R. H.	13466	•	Bulb (instrument lighting)
•044B07		Panel(instr. panel ext. finish)-L. H.	13754	B8S 13754-A	Bracket & socket assy (map lamp)
•044B08		Panel(instr. panel ext. finish)-center	13761	B8S 13761-A	Lens (map lamp)
044B10	CISB 63044B10-A	Retainer (instr. panel moulding)	13764	C1SF 13764-A	Switch (map lamp)
044B26	C1SB 63044B26-A	Clip (extension lower moulding)	14028	C1VY 14028-A	Control(vacuum door lock)-1963
044A38	C1SZ 63044A38-A	Extension (panel lower)-R. H.	15000	C2SZ 15000-A	Clock assy (electric)
044A39	★CISZ 63044A39-A	Extension assy. (instrument panel lower)-L. H.-1961-62	16916	C1SB 16916-E	Cable assy. (hood catch control)-1961/62)
	or B		17255	C2SZ 17255-A	Speedometer assy.
	C3SZ 63044A39-B	1963	17259	C1SF 17259-A	Cover (speedometer)
04444	★CISB 6304444-B	Support (instr. panel)-center	17260	C2SZ 17260-A	Cable assy. (speedometer)
04454	C1SZ 6304454-A	Grille (instr. panel radio)	17A261	C1SF 17A261-B	Bezel (speedometer)
044B58	C1SB 63044B58-A	Moulding (instr. panel inter.)-R.H.	17289	C1SZ 17289-A	Case (speedometer)
	★C1SZ 63044B58-B	Moulding (instr. panel inter.)-L.H.	17303	C2SZ 17303-A	Gasket(speedometer case)
04460	C1SB 6304460-A	Plate (instr. panel name)	17304	FDR 17304-A	Grommet (speedometer case)-1962/63
04468	C1SB 6304468-A	Spacer (instr. panel pad defroster opening)	17305	FDR 17305-A	Retainer(speedometer grommet)-1962/63
*044B76		Welt (end)-R. H.	17318	C2SZ 17318-A	Mask (speedometer)-1962/63
*044B77		Welt (end)-L. H.	17470	◊C1SF 17470-B	Control assy. (w/s wiper)-1961
04484	COAB 6404484-A	Clip (instr. panel radio grille retaining)-front	17B479	•	Switch & control assy. (wiper) -1961/62
	C1SB 6304484-B	Rear	17512	C1SZ 17512-A	Nut (windshield wiper control)
•04496		Cover (instr. panel heater control opening)	17513	C1SF 17513-B	Knob (windshield wiper control)
045A50	★CISZ 63045A50-A	Support (instr. panel)-outer-R.H.	18805	★C1SZ 18805-B	Radio assy. (less antenna)-1961-62
045A51	★CISZ 63045A51-A	Support (instr. panel)-outer-L.H.	18808	C5AZ 18808-C	Speaker (radio receiver)-1963
*045A58		Pad & retainer assy (instr. panel lower)-R. H.	18A952	C1VV 18A952-A	Resistor(radio suppression choke)
*045A59		Pad & retainer assy (instr. panel lower)-L. H.	21850	C3SZ 6321850-A	Knob (door lock control)
•045A64		Plate(instr. panel end cover)-R. H	218A82	C3SZ 63218A82-A	Bezel (door lock control switch)
•045A65		Plate(instr. panel end cover)-L.H.	218A84	C3SZ 63218A84-A	Adapter (door lock control switch mounting)
045A74	•	Panel assy (console center front)	22158	C3SZ 6322158-A	Nut (door lock control mounting)
10804	B9MZ 10804-C	Regulator (instr. cluster voltage)			
10838	C2SZ 10838-AP	Housing (instr. cluster)-1962/63			

* Specify Color. Refer to Soft Trim Section
 • Refer to Basic Group for prefix and suffix.

• Specify Color. Refer to Group for prefix and suffix
 ◊ Before March 24, 1961 ◊ From March 24, 1961



1961 FORD INSTRUMENT PANEL & RELATED PARTS

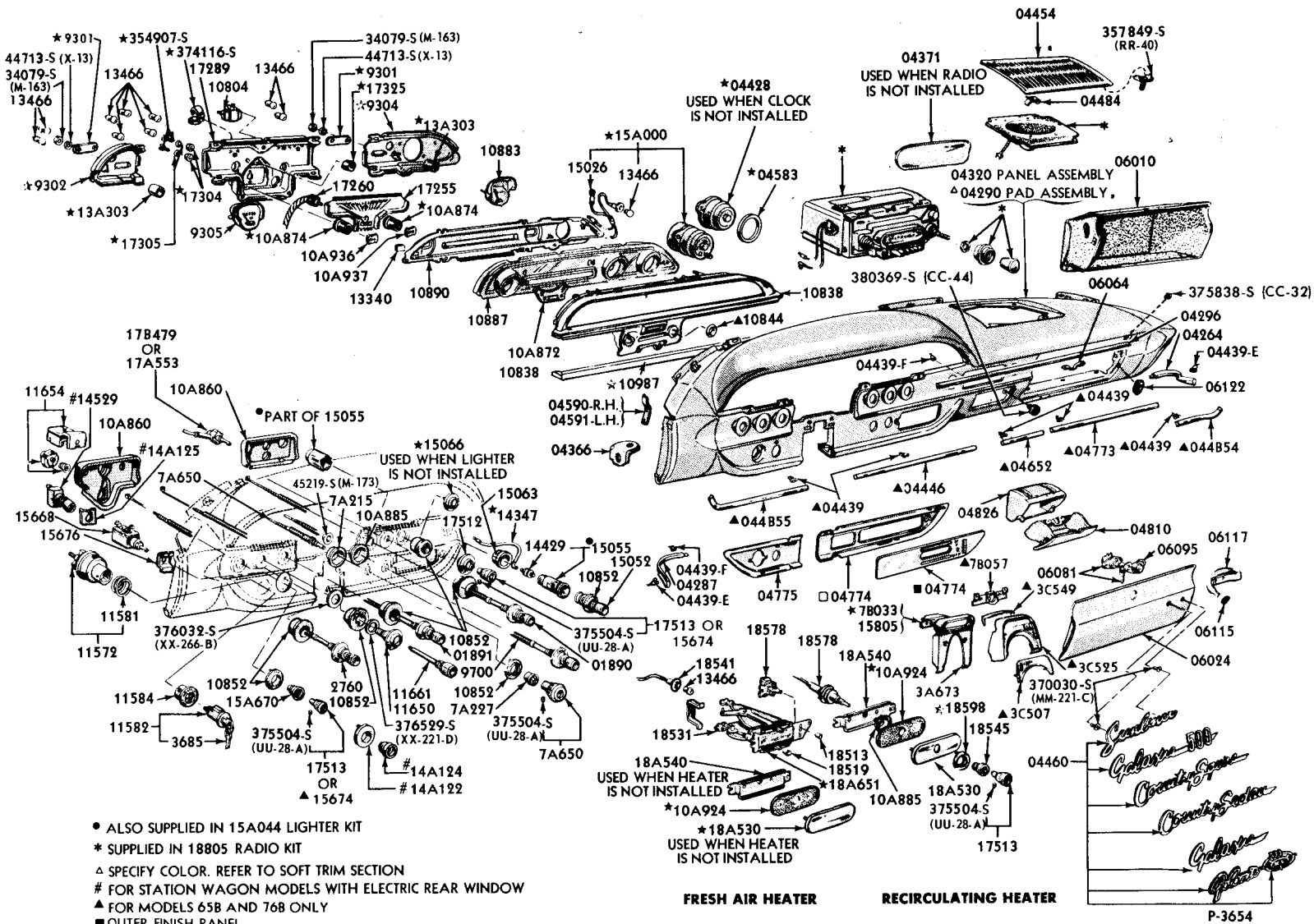
Group	Part Number	Part Name	Group	Part Number	Part Name
2760	C0AF 2760-C C0AF 2760-D	Handle (parking brake release)	06095	C0AB 6406095-A	Escutcheon (glove compt. door lock)
3A673	C1AF 3A673-AP C1AF 3A673-BP C2AZ 3A673-A	Cover (steering column bracket)	06115	B6A 7006115-A	Bumper (glove compt. door arm)
3685	B9A 3685-A	Key (ignition & door lock)	06117	C2AB 6206117-AP	Stop (glove compt. door)
7B033	★C1AF 7B033-A	Dial (C/M trans. gear shift lever indicator)	06122	C0AB 6406122-A	Grommet (glove compt. door check arm)
7A215	C0AF 7A215-A	Bracket (O/drive manual control)	10804	B9MZ 10804-C	Regulator (instr. cluster voltage)
7A227	C0AF 7A227-A	Nut (overdrive manual control)	10838	★C1AF 10838-E	Housing (instr. cluster)
7A650	C0AA 7A650-A	Cable assy. (O/D manual control)	10852	C0AF 10852-A	Bezel (top control)
7A650	C0AZ 7A650-A	Knob (overdrive manual control)	10852	C0AF 10852-C	Bezel (overdrive control)
9305	C1AF 9305-A	Gauge (fuel)-less back plate	10A860	★C0AF 10A860-A	Plate (instr. controls mtg.)-R.H.
9700	C3OZ 9700-A	Control (carb. choke)-6 cyl. only	10A872	★C1AF 10A872-A	Cover (instr. cluster odometer)
01890	C0AF 6401890-B	Control assy. (air)-R. H. or L. H.	10883	C1AZ 10883-A	Gauge (temp.)-less back plate
04264	C0AB 6404264-A	Moulding assy. (instrument panel end upper cover retaining)	10A885	C0AF 10A885-A	Plate (instr. control mtg. choke)
04287	★C0AB 6404287-A	Moulding (instrument panel end upper cover retaining)	10A886	★C0AF 10A886-A	Plate (instr. controls mtg.)-L.H.
△04290		Pad (instrument panel safety)	10887	C1AF 10887-A	Dial (instr. cluster main)
04296	C0AB 6404296-A	Moulding (instrument panel upper cover retaining)	10894	★C1AF 10894-A	Mask (instr. cluster)
04320	★C1AB 6204320-B	Panel (instrument)	10A936	C1AZ 10A936-A	Lens (oil pressure ind. warning lamp)
04366	C0AB 6404366-A	Bracket (instr. panel to pillar)	10A937	C1AZ 10A937-A	Lens (gen. ind. warning lamp)
04371	★C0AZ 6404371-A	Plate (instr. panel radio dial hole)	10A958	★C1AF 10A958-A	Cover (lower instr. panel)-R.H.
04428	★C1AF 6204428-A	Cover (clock opening)	11572	C3AZ 11572-A	Switch (ignition)
04439	C0AB 6404439-F	Retainer (instr. panel moulding)	11581	1A 11581-B	Spring (ignition switch retainer)
04454	C0AB 6404454-AP	Grille (instr. panel radio)-without safety pad	11582	C3AZ 11582-A	Cylinder & keys (ignition)
04454	C0AB 6404454-BP	Grille (instr. panel radio)-with safety pad	11584	C3AZ 11584-A	Bezel (ignition switch)
04460	★C1AB 6204460-A	Plate (instr. panel name)"Galaxie"	11650	C1AF 11650-A	Nut (light switch)
04460	C1AB 7604460-A	Plate (instr. panel name)"Sunliner"	11654	C2AB 11654-A	Switch (light control)
04460	★C1AB 6304460-A	Plate (instr. panel name)"Starliner"	11661	C1AF 11661-A	Knob assy. (light switch)-except Fairlane & Custom "300"
04460	★C1AB 6404460-A	Plate (instr. panel name)"Fairlane 500"	11661	★C1AF 11661-B	Knob assy. (light switch)-Fairlane & Custom "300" only- Repl. by C1AF 11661-A
04460	★C1AB 7104460-A	Plate (instr. panel name)"Country Sedan"	13340	★C1AF 13340-A	Lens (turn indicator lamp)
04460	★C1AB 7104460-B	Plate (instr. panel name)"Country Squire"	13466	B6A 13466-A	Bulb (instr. panel lighting)
	370030-S2 (MM221C)	Nut (sleeve)	14429	FEW 14429-A	Fuse (cigar lighter)
04484	C0AB 6404484-A	Clip (instr. panel radio grille ret.)	15A000	★C1AF 15A000-A	Clock kit (electric)
04590	★C0AB 6404590-A	Retainer (instr. panel cover side)-R. H.	15026	★C0AF 15026-A	Wire & socket (clock)
04591	★C0AB 6404591-A	Retainer (instr. panel cover side)-L. H.	15A044	★C0AF 15A044-A	Cigar lighter kit
04774	C0KZ 6404774-A	Panel (instr. panel cluster finish)-lower-R. H.	15052	C0AF 15052-A	Knob & element (cigar lighter)
04775	C1AB 6204775-B	Panel (instr. panel cluster finish)-lower-L. H.	15055	C2AB 15055-A	Socket & retainer (cigar lighter)
04810	C0AZ 6404810-C	Receptacle (instr. panel ash)	15668	C0AF 15668-A	Switch assy. (top control relay)
04826	C1AZ 6204826-A	Retainer (ash receptacle)	15A670	C0AF 15A670-A	Nut (top control bezel)
06010	C0AB 6406010-A	Compartment assy. (glove)	15676	C0AF 15676-A	Bracket (top control switch mtg.)
06024	★C2AZ 6206024-A	Door assy. (glove compartment)	15805	C0AF 15805-A	Dial (F/M trans. gear shift lever indicator)
06064	C2DZ 6406064-A	Catch (glove compt. door lock striker plate)	17255	C1AZ 17255-#	Speedometer assy.
06081	B9A 6406081-A	Lock assy. (glove compt. door)	17289	★C2AZ 17289-A	Case (speedometer mounting)
			17470	C0AF 17470-H	Control assy. (windshield wiper)
			17B479	★C1AB 17B479-A	Control assy. (windshield wiper)
			17512	C0AF 17512-A	Nut (windshield wiper control)
			17513	C0AF 17513-A	Knob
			18513	C0AF 18513-A	Knob (heater blower switch)
			18519	C1AF 18519-A	Knob (htr. or Select Aire cond. cont.)
			18A530	★C1AF 18A530-A	Cover & plate (htr. cont. opening)
			18A540	★C0AF 18A540-B	Bracket (htr. cont. opening cover)
			18545	★C0AF 18545-A	Nut (recirculating heater blower switch)
			18578	C1AZ 18578-A	Switch assy. (fresh air heater or Select Aire conditioner)
			18578	C1AA 18578-A	Switch assy. (recirculating htr.)
			18598	★C0AF 18598-A	Bezel (recirculating htr. control)
			18A651	C1AF 18A651-B	Panel & retainer assy. (heater or Select Aire conditioner control)
			18805	★C1AF 18805-#	Radio kit
			19A884	★C1AF 19A884-C	Bracket assy. (heater control mtg.)

△ Specify Color. Refer to Soft Trim Section.

◇ Before 3/24/61

★ Refer to Basic Group for proper Suffix required.

▲ From 3/24/61



1962 FORD INSTRUMENT PANEL & RELATED PARTS

Group	Part Number	Part Name	Group	Part Number	Part Name
2760	C2AZ 2760-#	Handle (parking brake release)	06122	C0AB 6406122-A	Grommet (door check arm)
3A673	C1AF 3A673-#	Cover (steering column bracket)	10804	B9MZ 10804-C	Regulator (instr. cluster voltage)
▲3C507	★C1MF3C507-AP	Trim assy. (steering column opening cover)	10838	★C2AZ 10838-A	Housing (instr. cluster)
▲3C525	★C2AZ 3C525-C	Cover assy. (moveable steering column opening)	▲10844	★C2AZ 10844-A	Bezel (Instrument Cluster)
▲3C549	★C1MF3C549-AP	Spacer (steering column cover)	10852	#	Bezel
3685	B9A 3685-A	Key (ignition & door lock)		376032-S	Washer (seal light around bezel)
7B033	★C1AF 7B033-A	Dial (C/M gear shift lever)		376529-S	Washer (seal light around bezel)
▲7B057	★C1MF7B057-C	Bracket (gear shift indicator)	10A860	#	Plate (controls mounting)
7A215	C0AF 7A215-A	Bracket (o/drive manual control)	10A872	★C2AF 10A872-A	Cover (instr. cluster odometer)
7A227	C0AF 7A227-A	Nut (overdrive manual control)	10883	C2AZ 10883-A	Gauge (temp.)-less back plate
7A650	C0AA 7A650-A	Cable assy. (O/D manual control)	10A885	C0AF 10A885-A	Plate (instr. control mtg. choke)
7A650	C0AZ 7A650-A	Knob (overdrive manual control)			Plate (instr. control mtg. heater)
9305	C2AZ 9305-A	Gauge (fuel)-less back plate	10887	★C2AF 10887-A	Dial (instrument cluster main)
9700	C3OZ 9700-A	Control (carb.choke)-6 cyl. only	10890	★C2AZ 10890-A	Mask (instrument cluster)
01890	#	Control assy. (air)-R.H.	10A936	★C0AZ 10A936-A	Lens (oil press. ind. warning lamp)
01891	★C2AZ 6201891-A	Control assy. (air)-L. H.	10A937	★C0AZ 10A937-A	Lens (gen. indicator warning lamp)
04264	C0AB 6404264-A	Moulding assv. (instrument panel end upper cover retaining)	10987	★C2AF 10987-A	Moulding (instr. cluster trim)-(with padded instr. panel only)
04287	★C0AB 6404287-A	Moulding (instrument panel end upper cover retaining)	11572	C3AZ 11572-A	Switch (ignition)
▲04290		Pad (instrument panel safety)	11581	1A 11581-B	Spring (ignition switch retainer)
04296	C0AB 6404296-A	Moulding (instrument panel upper cover retaining)	11582	C3AZ 11582-A	Cylinder & keys (ignition)
04320	★C2AZ 6204320-A	Panel (instrument)	11584	C3AZ 11584-A	Bezel (ignition switch)
04366	C0AB 6404366-A	Bracket (instr. panel to pillar)	11650	C2AB 11650-A	Nut (light switch)
04371	C0AZ 6204371-A	Plate (instr. panel radio dial hole)	11654	C2AB 11654-A	Switch (light control)
04428	★C2AZ 6204428-A	Cover (clock opening)	11661	#	Knob (light switch)
04439	C0AB 6404439-#	Retainer (instr. panel moulding)	13340	C2AZ 13340-A	Lens (turn indicator lamp)
▲04439	★C1MB 6404439-A		13466	B6A 13466-A	Bulb (instrument panel lighting)
▲04446	★C1MB 6404446-A	Moulding (instr. panel inter.)	14A122	C1AF 14A122-A	Bezel (rr. window control switch)
04454	C0AB 6404454-#	Grille (radio)	14A124	C1AZ 14A124-A	Nut (rr. window control switch)
▲044B54	★C1MB 64044B54-A	Moulding (instr. panel end) lower-R. H.	14A125	C1AF 14A125-A	Bracket (rear window regulator control switch mounting)
▲044B55	★C1MB 64044B55-A	Moulding (instr. panel end) lower	14429	FEW 14429-A	Fuse (cigar lighter)
04460	★C1AB 6204460-A	Plate (name)-"Galaxie"	14529	C1AZ 14529-B	Switch (rr. window control)
04460	★C1AB 7104460-A	Plate (name)-"Country Sedan"	15A000	★C2AZ 15A000-A	Clock kit (electric)
04460	★C1AB 7104460-B	Plate (name)-"Country Squire"	15026	★C2AB 15026-A	Wire & socket (clock)
04460	C1AB 7604460-A	Plate (name)-"Sunliner"	15A044	★C0AF 15A044-A	Cigar lighter kit
04460	★C2AB 6204460-A	Plate (name)-"Galaxie 500"	15052	15052-#	Knob & element (cigar lighter)
▲04460	★C2AZ 7604460-A	Plate (name)-"Galaxie"	15055	C2AB 15055-A	Socket & retainer (cigar lighter)
▲04460	C2AZ 7604460-B	Plate (name)-"500 XL"	15063	★C2AZ 15063-A	Adapter (cigar, lighter socket) - Repl. by C3AZ 15063-A
	370030-S2 (MM221C)	Nut (sleeve)	15668	C2AB 15668-A	Switch assy. (top control relay)
04484	C0AB 6404484-A 357849-S100(RR40)	Clip (instr. panel radio grille ret.)	15A670	C0AF 15A670-A	Nut (top control bezel)
★04583	C2AF 6204583-A	Gasket (clock opening cover)	▲15674	C2MY 15674-A	Knob (top, heater air & windshield wiper control)
04590	★C0AB 6404590-A	Retainer (cover side)-R. H.	15676	C0AF 15676-A	Bracket (top control switch mtg.)
04591	★C0AB 6404591-A	Retainer (cover side)-L. H.	15805	C0AF 15805-A	Dial (F/M gear shift lever)
▲04652	★C1MB6404652-A	Moulding (instr. panel lower center)	17255	C2AZ 17255-#	Speedometer assy.
▲04773	★C1MB6404773-A	Moulding (glove compt. door)	17260	17260-#	Speedometer cable assy.
■04774	C2AZ 6204774-A	Panel (outer finish)-lower-R. H.	17289	★C2AZ 17289-A	Case (speedometer mounting)
□04774	CKZ 6404774-A	Panel (inner finish)-lower-R. H.	17B479	C1AB 17B479-A	Switch & control (windshield wiper & washer)-2 speed motor
04775	C2AZ 6204775-A	Panel (instr. finish)-lower-L.H.	17512	C2AB 17512-A	Nut (windshield wiper control)
04810	C0AZ 6404810-C	Receptacle (instr. panel ash)	17513	C0AF 17513-A	Knob
	380369-S(CC44)	Bumper (ash receptacle)	17A553	C2AZ 17A553-#	Switch (windshield wiper control)
04826	C1AZ 6204826-A	Retainer (ash receptacle)	18513	18513-#	Knob (heater blower switch)
06010	C0AB 6406010-A	Compartment assy. (glove)	18519	18519-#	Knob (heater or Select Aire conditioner control)
06024	★C2AZ 6206024-A	Door assv. (glove compartment)	18A530	★C2AB 18A530-A	Cover (heater control opening)
06064	C2DZ 6406064-A	Catch (door lock striker plate)	18531	★C2AZ 18531-A	Bracket assy. (heater control mtg.)
06081	B9A 6406081-A	Lock assy. (glove compt. door)	18A540	★C0AF 18A540-B	Bracket (htr. contr. opening cover)
06095	C0AB 6406095-A	Escutcheon (glove compt. door lock)	18545	★C0AF 18545-A	Nut (heater blower switch)
06115	B6A 7006115-A	Bumper (glove compt. door arm)	18578	C1AZ 18578-A	Switch assv. (fresh air heater or Select Aire conditioner)
06117	C2AB 6206117-AP	Stop (glove compartment door)	18578	C1AA 18578-A	Switch assy. (recirculating heater)
			18A651	★C2AZ 18A651-A	Panel & retainer assy. (heater or Select Aire conditioner control)
			18805	★C2AZ 18805-A	Radio kit

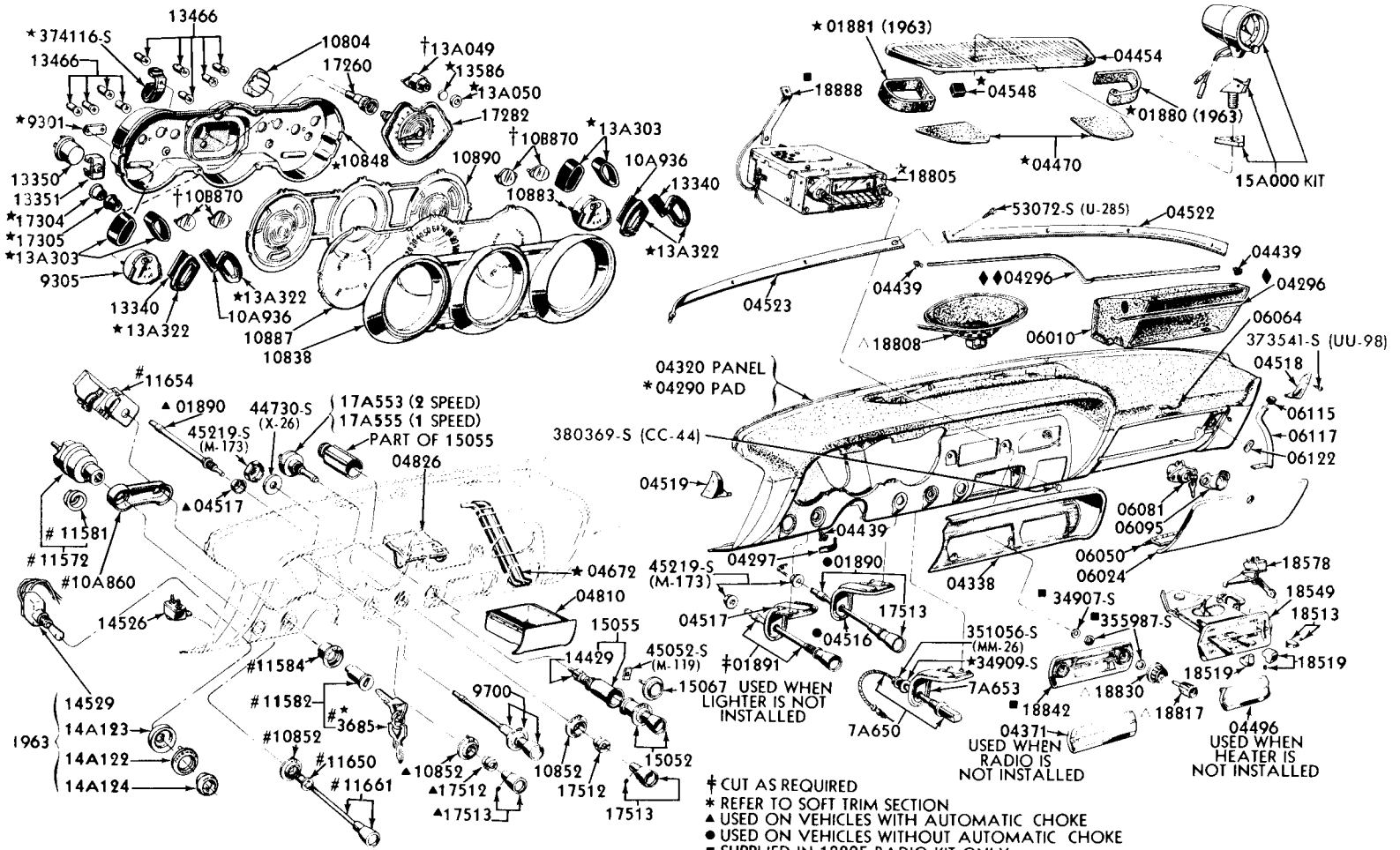
▲ Specify Color. Refer to Soft Trim Section. ♣ Refer to Basic Group for proper Prefix and/or Suffix required.

▲ For Models 65B, 76B only

■ Outer Finish Panel

□ Inner Finish Panel

1962/63 FAIRLANE INSTRUMENT PANEL AND RELATED PARTS



IGNITION SWITCH AND LIGHT SWITCH POSITIONS REVERSED (1963)

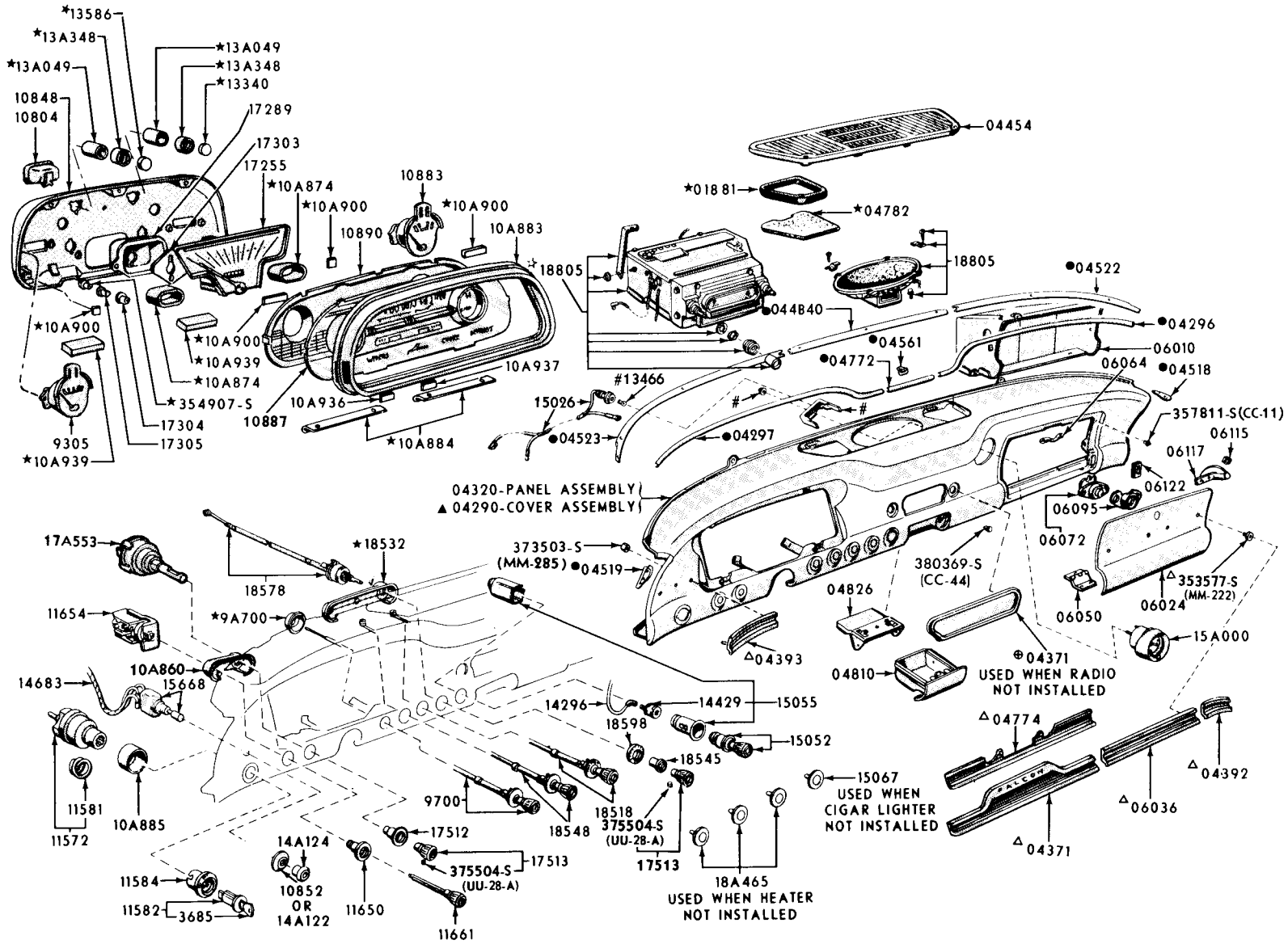
- † CUT AS REQUIRED
- * REFER TO SOFT TRIM SECTION
- ▲ USED ON VEHICLES WITH AUTOMATIC CHOKE
- USED ON VEHICLES WITHOUT AUTOMATIC CHOKE
- SUPPLIED IN 18805 RADIO KIT ONLY
- ◆ USED WITH PANEL 04338
- ◆◆ USED WITHOUT PANEL 04338
- † SUPPLIED IN 10848 PLATE & FILTER ASS'Y.
- △ ALSO SUPPLIED IN 18805 RADIO KIT

1962/63 FAIRLANE INSTRUMENT PANEL & RELATED PARTS

Group	Part Number	Part Name	Group	Part Number	Part Name
3685	B9A 3685-A	Key (ignition & door lock)	10852	C1TF 10852-D	Bezel (wiper)
7A650	C2OZ 7A650-A	Cable assy. (transmission over-drive manual control)	10852	C2OZ 10852-A	Bezel (air)
7A653	C2OZ 7A653-B	Bracket (trans. o/drive control)-	10A860	★C2OZ 10A860-A	Plate (controls mtg.)-L.H.- 1962
9305	C2OZ 9305-A	Gauge(fuel)-less back plate-1962	10A860	C3OZ 10A860-A	Plate (controls mtg.)-L.H.- 1963
9305	C3OZ 9305-A	Gauge(fuel)-less back plate-1963	10879	★FDM 10879-AP	Bracket (alternator ammeter) - Repl. by B6AZ 10847-A
9700	C2OZ 9700-B	Control (carb. choke)-6 cyl. only (1962)	10883	C2OZ 10883-A	Gauge(temp.)-less back plate-1962
9700	C3OZ 9700-A	Control(carb.choke)-6 cyl.only (1963)	10883	C3OZ 10883-A	Gauge(temp)-less backplate-1963
01890	C2AZ 6201890-B	Control assy. (air)-R. H.	10887	C2OZ 10887-A	Dial (instrument cluster main)-1962
●01890	C2OZ 6201890-C	Control assy. (air)-R. H.	10887	C3OZ 10887-A	Dial (instr. cluster main)- 1963
†01891	C2OZ 6201890-C	Control assy. (air)-L. H.	10890	★C2OZ 10890-A	Mask (instrument cluster)-1962
★04290		Pad (instrument panel safety)	10890	C3OZ 10890-A	Mask (instrument cluster)- 1963
04296	C2OZ 6204296-B	Moulding (pad retaining)-R. H.	10A936	C2OZ 10A936-A	Lens (oil pressure indicator & generator warning lamp)
04296	C2OZ 6204296-A	Moulding (pad retaining)-R. H.	11572	C3AZ 11572-A	Switch (ignition)
04297	C2OZ 6204297-A	Moulding (pad retaining)-L. H.	11581	1A 11581-B	Spring (ignition switch retaining)
04320	C3OZ 6204320-B	Panel (instrument)	11582	C3AZ 11582-A	Cylinder & keys (ignition)
04338	C2OZ 6204338-A	Panel assy. (finish)	11584	C3AZ 11584-A	Bezel (ignition switch)- 1963
04371	#	Plate (radio opening)	11650	★C2OB 11650-A	Nut (light switch)- 1962
04439	C2OZ 6204439-A	Retainer (moulding)	11650	C3OZ 11650-A	Nut (light switch)- 1963
04454	C2OB 6204454-AP	Grille (radio)	11654	C2OB 11654-A	Switch (light control)
04470	★	Cover (defroster opening)	11661	C2OB 11661-B	Knob (light switch)- 1962
04496	#	Cover (heater control opening)	11661	C3OZ 11661-A	Knob & insert (light switch)- 1963
●04516	#	Bracket (ventilator air control mounting)-R. H.	13340	C2OZ 13340-A	Lens (instrument panel turn indicator lamp)
04517	#	Bracket (ventilator air control mounting)-L. H.	13350	#	Flasher assy. (turn indicator)
04517	#	Bracket (vent. air control mtg.)	13351	B5A 13351-A	Bracket (turn indicator flasher mounting)
04518	C2OZ 6204518-A	Moulding (pad retaining)-R. H.	13466	#	Bulb (instrument panel lighting)
04519	C2OZ 6204519-A	Moulding (pad retaining)-L. H.	14A122	C0DF 14A122-B	Bezel (rear window control switch)-(1963)
04522	C2OZ 6204522-A	Moulding (pad retaining top)-R.H.	14A123	C3OZ 14A123-A	Spacer (rear window control switch)-(1963)
04523	C2OZ 6204523-A	Moulding (pad retaining top)-L.H.	14A124	C1AZ 14A124-A	Nut (rear window control switch) (1963)
04548	★	Support (radio grille)	14429	FEW 14429-A	Fuse assy. (cigar lighter)
04672	★C2OZ 6204672-A	Brace (lower flange to cowl inner panel)	14526	#	Circuit breaker assy. (electric windshield wiper)
04810	C3OZ 6204810-A	Receptacle assy. (ash)	14529	C3OZ 14529-A	Switch (rear window regulator control)-(1963)
04826	380369-S(CC44)	Bumper (ash receptacle)	15A000	C3OZ 15A000-A	Clock kit (electric) - Repl. by C7DZ 15A000-A
06010	C2OZ 6204826-A	Retainer assy. (ash receptacle)	15052	#	Knob & element assy. (cigar lighter)
06024	C2OZ 6206010-A	Compartment assy. (glove)	15055	C2AB 15055-A	Socket & retainer assy. (cigar lighter)
	#	Door assy. (glove compartment)	15067	C2OB 15067-A	Cover (instr. panel cigar lighter opening)
	377781-S(CC34)	Bumper (glove compartment door)	17255	#	Speedometer assy.
06050	#	Hinge assy. (glove compt. door)	17260	#	Speedometer cable assy.
06064	C2OZ 6206064-A	Catch (glove compartment door lock striker plate)	17304	FDR 17304-A	Grommet (speedometer case)
06081	C2OZ 6206081-A	Lock (glove compartment door)	17305	FDR 17305-A	Retainer (speedometer case grommet)
06095	C0AB 6406095-A	Escutcheon (glove compartment door lock)	17512	C3OZ 17512-A	Nut (windshield wiper control)
06115	B6A 7006115-A	Bumper (glove compt. door arm)	17513	#	Knob assy. (windshield wiper or air control)
06117	C2OB 6206117-AP	Stop (glove compartment door)	17A553	C2OZ 17A553-A	Switch (2 speed w/s wiper)
06122	#	Grommet (glove compartment door check arm)	17A555	#	Switch assy. (single speed w/s wiper)
10804	B9MZ 10804-C	Regulator (instr. cluster voltage)	18513	C2OZ 18513-A	Knob assy. (heater blower switch)
10838	C3OZ 10838-A	Housing (instrument cluster)	18519	C4OZ 18519-A	Knob (heater control)
10847	C2AZ 10847-A	Bracket (alternator ammeter mtg.)	18549	C2OZ 18549-A(62)	Panel assy. (heater control)- less switch, knob and screws
10848	★C2OZ 10848-A	Plate & filter assy. (instrument cluster back)- 1962		C3OZ 18549-A(63)	
10848	C3OZ 10848-A	Plate & filter assy. (instrument cluster back)- 1963	18578	C2OZ 18578-A	Switch assy. (heater)
10850	B9A 10850-A	Ammeter	18805	★C3OZ 18805-A	Radio kit (push button)-(1963)
10852	C1TF 10852-C	Bezel (lights)			

Δ Used on units w/ automatic choke ● Used on units w/o automatic choke * Refer to Soft Trim Section
 † Cut as required ◇ Used with panel 04338 ◇◇ Used without panel 04338
 ‡ Refer to Basic Group for complete part number

1963 FALCON INSTRUMENT PANEL & RELATED PARTS



- USED ONLY WHEN SAFETY COVER IS INSTALLED
- ▲ SPECIFY COLOR REFER TO SOFT TRIM SECTIONS
- △ FOR MODELS 54B, 62B, 62C, 63, 76 ONLY
- EXCEPT MODELS 54B, 62B, 62C, 63, 76.

1963 FALCON INSTRUMENT PANEL & RELATED PARTS

Group	Part Number	Part Name	Group	Part Number	Part Name
	3685 B9A 3685-A	Key (ignition & door lock)		10883 C3DZ 10883-A	Gauge (temperature)
	9305 C3DZ 9305-A	Gauge (fuel)		10A883 C3DZ 10A883-A	Bezel (instrument cluster)
	9700 C3DZ 9700-A	Control (carburetor choke)		10A885 C0DF 10A885-A	Plate (instrument cluster control mounting)-ignition
	01881 ★C0DB6401881-A	Seal (windshield defroster opening)		10887 C3DZ 10887-A	Dial (instrument cluster)
	▲04290	Pad (instrument panel safety)		10890 C3DZ 10890-C	Mask (instrument cluster)
	●04296 C0DB 6404296-B	Moulding (instrument panel)-R.H.		10A936 C3DZ 10A936-A	Lens (oil pressure indicator warning lamp)
	●04297 C0DB 6404297-B	Moulding (instrument panel)-L.H.		10A937 C3DZ 10A937-A	Lens (generator indicator warning lamp)
	04320 C0DZ 6404320-D	Panel assy. (instrument)		11572 C3AZ 11572-A	Switch (ignition)
	⊕04371 C0DF 6404371	Plate (instrument panel radio dial hole)		11581 1A 11581-B	Spring (ignition switch retaining)
	△04371 C3DZ 6204371-A	Panel (instrument panel finish end)-R. H.		11582 C3AZ 11582-A	Cylinder & keys (ignition)
	△04392 C3DZ 6204392-A	Panel (instrument panel finish end)-L. H.		11584 C3AZ 11584-A	Bezel (ignition switch)
	△04393 C3DZ 6204393-A	Panel (instrument panel finish end)-L. H.		11650 C1DF 11650-A	Nut (light switch)
	●044B40 C1DB 64044B40-AP	Moulding (instrument panel top center)		11654 C2DZ 11654-A	Switch (light control)
	04454 C0DB 6404454-BP	Grille (instrument panel radio)		11661 C1DF 11661-A	Knob & insert (lighting switch)- (except "Futura")
	●04518 C0DB 6404518-BP	Moulding (instrument panel end)-R. H.		11661 C2DZ 11661-A	Knob & insert (lighting switch)- "Futura" only
	●04519 C0DB 6404519-BP	Moulding (instrument panel end)-L. H.		13466	⌚ Bulb (instrument lighting)
	●04522 ★C1DB6404522-AP	Moulding (instrument panel upper)-R. H. -(except 63, 76)		14A122 C3DZ 14A122-A	Bezel (tailgate window switch)
	●04522 C3DZ 7604522-A	(63, 76 only)		14A124 C0DF 14A124-A	Nut (top or tailgate window control switch)
	●04523 ★C1DB6404523-AP	Moulding (instrument panel upper)-L. H. -(except 63, 76)		14429 FEW 14429-A	Fuse (cigar lighter)
	●04523 C3DZ 7604523-A	(63, 76 only)		14683	⌚ Wiring (tailgate window regulator feed)
	●04561 C0DB 6404561-C	Clip (instrument panel moulding)		15A000 ★C2DZ 15A000-A	Clock (electric)
	●04772 C0DB 6404772-C	Moulding (instrument panel center)		15026 ★C2DB15026-A	Wiring (electric clock)
	△04774 C3DZ 6204774-A	Panel (instrument panel finish center)		15A044 ★C2DZ 15A044-A	Cigar lighter kit
	04782 ★C0DB6404782-A	Cover (instrument panel radio grille)		15052	⌚ Knob & element (cigar lighter)
	04810 C3DZ 6204810-A	Receptacle assy. (instrument panel ash)		15055 C0DZ 15055-A	Socket & retainer (cigar lighter)
	04826 C0DB 6404826-A	Retainer (instrument panel ash receptacle)		15067 C0DF 15067-B	Cover (instrument panel cigar lighter opening)
	06010 C0DZ 6406010-A	Compartment assy. (glove)		15668 C3DZ 15668-A	Switch (top or tailgate window control)
	06024 C0DZ 6406024-B	Door assy. (glove compartment)		17255 C2GY 17255-A	Speedometer
	△06036 C3DZ 6206036-A	Panel (glove compartment door finish)		17289 C0DZ 17289-A	Case (speedometer mounting)
	06050 C0DB 6406050-A	Hinge assy. (glove compartment door)		17303 C2SZ 17303-A	Gasket (speedometer case)
	06064 C2DZ 6406064-A	Catch (glove compartment door latch)		17304 FDR 17304-A	Grommet (speedometer case)
	06072 C2DZ 6406072-A	Latch assy. (glove compartment door)-non-locking		17305 FDR 17305-A	Retainer (speedometer case grommet)
	06095 C0AB 6406095-A	Escutcheon (glove compartment door latch)		17512 B7A 17512-B	Nut (windshield wiper control)
	06115 B6A 7006115-A	Bumper (glove compartment door arm)		17513 C0DF 17513-A	Knob (windshield wiper or air control)-except 62C, 63, 76
	06117 C0DB 6406117-EP	Stop (glove compartment door)		17513 C2OB 17513-A	Knob (windshield wiper or air control)-62C, 63, 76
	06122 C0AB 6406122-A	Grommet (glove compartment door check arm)		17A553	⌚ Switch (windshield wiper control)
	10804 B9MZ 10804-C	Regulator (instrument cluster voltage)		18A465 C0DF 18A465-B	Cover (instrument panel heater control opening)
	10848 C3DZ 10848-A	Plate (instrument cluster back)		18518	⌚ Control (heater temperature)
	10852 C3DZ 10852-A	Bezel (top control)		18545 C0DF 18545-A	Nut (heater blower switch)
	10A860 C3DZ 10A860-A	Plate (instrument cluster control mounting)-L. H.		18548	⌚ Control (heater defroster & air)
				18578 C2DZ 18578-A	Switch (heater blower)
				18598 C0DF 18598-A	Bezel (heater switch)
				18805 ★C3DZ 18805-A	Radio kit (push button)
				18808 ★C4DZ 18808-A	Speaker (radio receiver)

⌚ Refer basic group for proper prefix and suffix

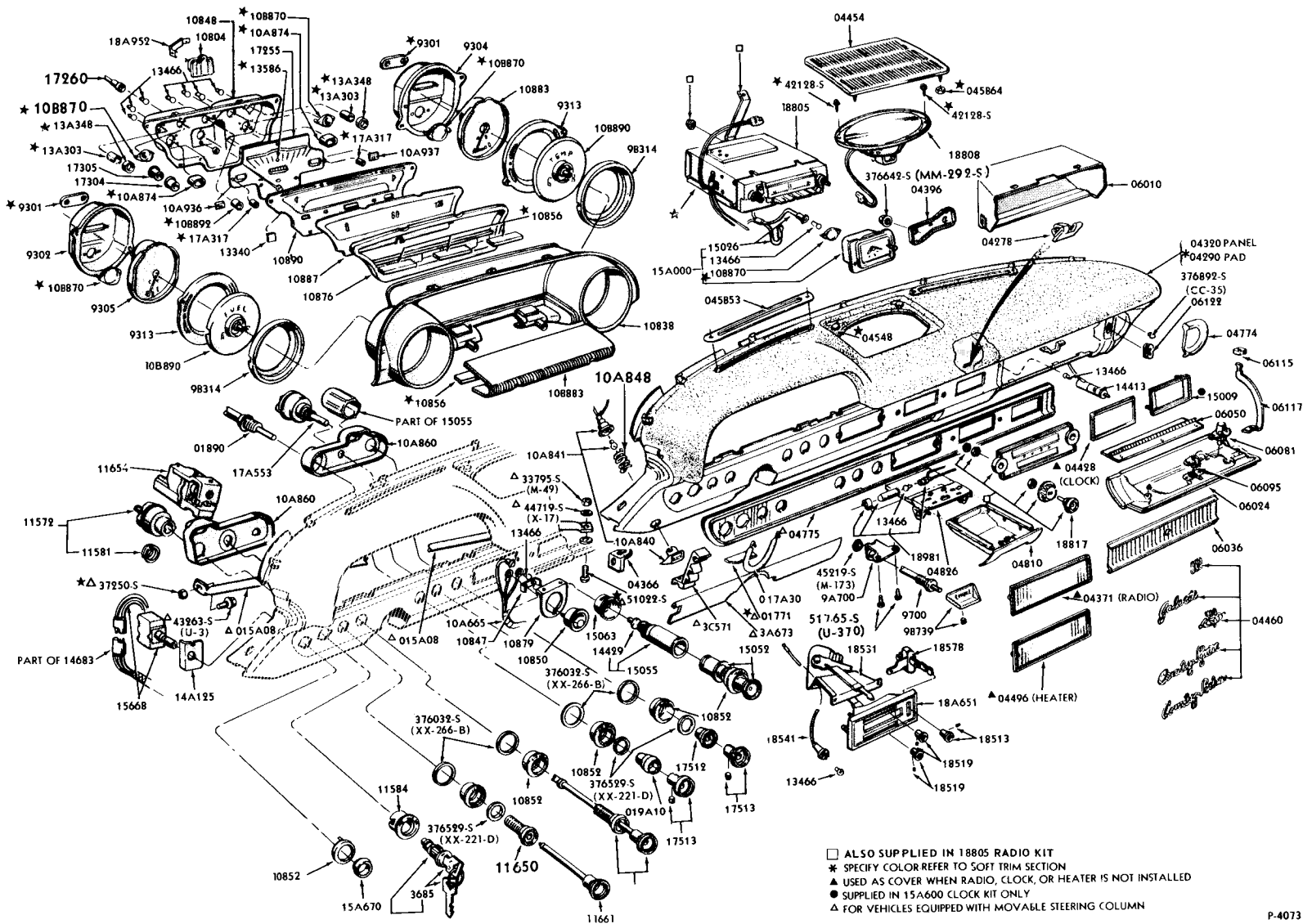
▲ Refer to Soft Trim Section

△ For Models 54B, 62B, 62C, 63, 76 only

● Used only when Safety Cover is installed.

⊕ Except Models 54E, 62B, 62C, 63, 76. Refer to group for proper suffix.

1963 FORD-CUSTOM & GALAXIE INSTRUMENT PANEL & RELATED PARTS



10848 * 108870
 18A952 10804 * 10A874
 17260 13466 17255 * 13586
 * 108870 * 13A348 * 13A303 * 9301 9304 * 108870
 * 13A348 10883 9313 * 108890
 * 13A303 17305 * 17A317 * 10A937 * 98314
 17304 * 10A874 * 10A936 * 108892 * 10856 * 108890
 * 9301 * 108870 * 17A317 13340 10890 * 9302 * 9305
 * 108870 10887 10876 * 10856 * 108883
 9313 10B890 98314 * 10856 10A848
 PART OF 15055 10A841
 01890 10A860 10A840 * 10852
 11654 17A553 10A860 10A840 * 10852
 11578 11581 13466 10A840 * 10852
 * 37250-S 43263-S (U-3) * 015A08 10A665 10847 10879 15063 * 10852
 PART OF 14683 15668 14A125 015A08 10847 10879 15063 * 10852
 376032-S (XX-266-B) 15055 10852 * 10852
 11584 10852 10852 376529-S (XX-221-D) * 10852 * 10852
 15A670 3685 11650 17512 17513 17513 17513
 11661

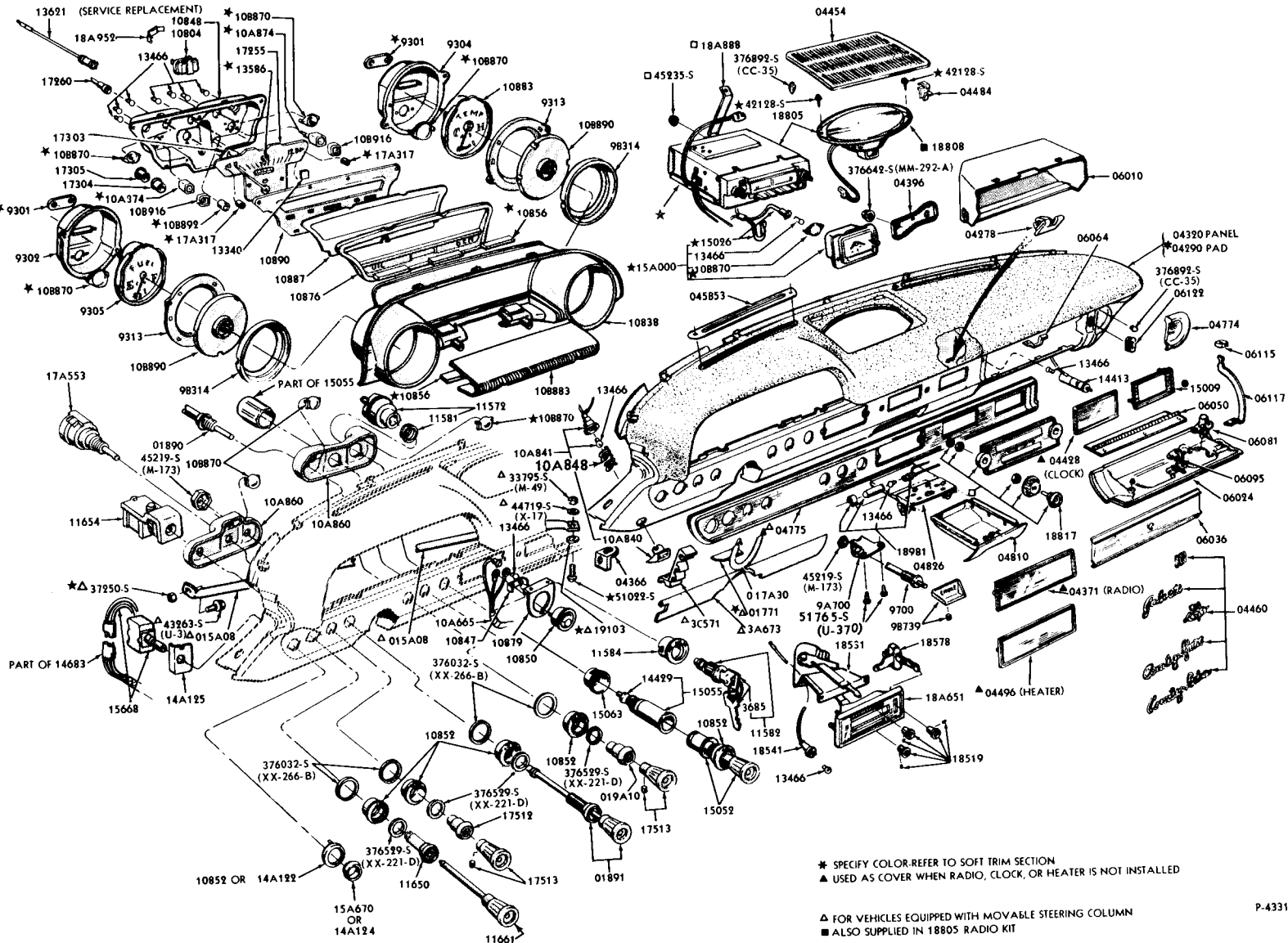
04454
 * 42128-S 18805 * 045864 * 42128-S
 376642-S (MM-29 2-S) 18808 * 04396 * 06010
 15026 13466 * 108870 * 04278 * 04390 PANEL * 04290 PAD * 376892-S (CC-3S) * 06122
 045853 04548 04774 * 06115
 13466 14413 * 15009 * 06117
 * 04428 (CLOCK) * 06050 * 06081 * 06095 * 06024 * 0636
 04775 13466 18981 04826 04810 18817 * 04371 (RADIO) * 04460
 45219-S (M-173) 9A700 * 017A30 * 517.65-S (U-370) * 9700 * 98739 * 18531 * 18578 * 18A651 * 04496 (HEATER)
 * 3C571 * 3A673 * 18541 * 18519 * 18519 * 18519

1963 FORD-CUSTOM & GALAXIE INSTRUMENT PANEL & RELATED PARTS

Group	Part Number	Part Name	Group	Part Number	Part Name
3C571	C3AZ 3C571-C	Guide (instr. panel movable steering column opening)	10A841	C4AZ 10A841-A	Lamp & wiring assy. (parking brake warning)
3A673	C3AZ 3A673-B	Cover assy. (movable steering column opening)	10847	C2AZ 10847-A	Bracket assy. (alt. ammeter mtg.)
3685	B9A 3685-A	Key (ignition & door lock)	10848	C3AZ 10848-A	Plate & filter (instr. panel back)
9302	C3AZ 9302-A	Plate (fuel gauge back)	10A848	B9FM 10A848-A	Spring (parking brake warning lamp)
9304	C3AZ 9304-A	Plate (temperature gauge back)	10850	B9A 10850-A	Ammeter (use with 60 amp. alt.)
9305	C3AZ 9305-A	Gauge (fuel)-less back plate	10852	#	Bezel
9313	C3AZ 9313-A	Mask (fuel gauge)		376032-S	Washer (seal light around bezel)
9313	C3AZ 9313-B	Mask (temperature gauge)		376529-S	Washer (seal light around bezel)
9B314	C3AZ 9B314-A	Bezel (fuel gauge)	10A860-	C3AZ 10A860-A	Plate (instr. cluster control mounting)-R. H.
		Bezel (temperature gauge)	10A860	C3AZ 10A860-B	Plate (instr. cluster control mounting)-L. H.
9700	C3AZ 9700-B	Control (carb. choke)6 cyl. only	10876	C3AZ 10876-A	Bezel (instrument cluster)
9A700	C3AZ 9A700-A	Bracket (choke control mtg.)-except with A/C-(6 cyl. only)	10879	★FDM 10879-AP	Brkt. assy. (alternator ammeter)-Repl. by B6AZ 10847-A
9A700	C3AZ 9A700-B	Bracket (choke control mtg.)-with "Select Aire" A/C-(6 cyl.)	10883	C3AZ 10883-A	Gauge (temp.)less back plate
9A700	C3AZ 9A700-C	Bracket (choke control mtg.)-with "Ford Aire" A/C (6 cyl. only)	10B883	C3AZ 10B883-A	Cover (instr. cluster trim)
9B739	C3AZ 9B739-A	Knob (choke control)-6 cyl. only	10887	C3AZ 10887-A	Dial (instr. cluster main)
015A08	C3AZ 76015A08-A	Brace (brake pedal support to instrument panel)	10890	C3AZ 10890-A	Mask (instrument cluster)
017A30	C3AZ 62017A30-A	Spring assy. (steering column cover retaining)	10B890	C3AZ 10B890-A	Lens assy. (temperature gauge)
01890	C3AZ 6201890-#	Control assy. (air)-R. H.	10B890	C3AZ 10B890-B	Lens assy. (fuel gauge)
01891	C3AZ 6201891-#	Control assy. (air)-L. H.	10A936	C3AZ 10A936-A	Lens(oil press. ind. warning lamp)
019A10	C3AZ 62019A10-A	Nut (air control bezel)	10A937	C3AZ 10A937-A	Lens (gen. ind. warning lamp)
04278	C3AZ 6204278-A	Clip (safety cover retainer)	11572	C3AZ 11572-A	Switch (ignition)
*04290	#	Pad (instrument panel safety)	11581	1A 11581-B	Spring (ignition switch retainer)
04320	#	Panel assy. (instrument)	11582	C3AZ 11582-A	Cylinder and keys (ignition)
04366	C0AB 6404366-A	Bracket (instr. panel to pillar)	11584	C3AZ 11584-A	Bezel (ignition switch)
04371	#	Plate (instr. panel radio dial hole)	11650	C2AB 11650-A	Nut (light switch)
04396	C3AZ 6204396-A	Bracket (instr. panel clock opening cover mounting)	11654	C3AZ 11654-D	Switch (light control)
04428	C3AZ 6204428-A	Cover (clock opening)	11661	C3AZ 11661-A	Knob & insert (light switch)
04454	C3AZ 6204454-B	Grille (instrument panel radio)	13340	C2AZ 13340-A	Jewel (turn indicator lamp)
04460	#	Plate (name)	13466	#	Bulb (instr. panel lighting)
04496	#	Cover (heater control opening)	14A122	C1AF 14A122-A	Bezel(rear window reg. switch)
04548	★	Support (instr. panel radio grille)	14A125	C1AF 14A125-A	Bracket(rear window regulator switch mounting)
045B53	C3AZ 62045B53-A	Cover (instr. panel defroster opening flange)	14413	C3AZ 14413-A	Switch & wire (luggage compartment lamp)
045B64	★	Spacer (instr. panel radio grille)-rear	14429	FEW 14429-A	Fuse (cigar lighter)
04774	C3AZ 6204774-A	Panel(instr. panel finish)-R. H.	14683	#	Wiring(rear window reg. feed)
04775	#	Panel (instr. panel finish)-L. H.	15A000	★C3AZ 15A000-A	Clock kit (electric)
04810	C3AZ 6204810-C	Receptacle assy. (instr. panel ash)	15026	C3MY 15026-A	Wire & socket (electric clock)
04826	C3AZ 6204826-A	Retainer assy. (instr. panel ash receptacle)	15052	C3AZ 15052-A	Knob & element (cigar lighter)
06010	C3AZ 6206010-A	Compartment assy. (glove)	15055	C2AB 15055-A	Socket & retainer (cigar lighter)
06024	C3AZ 6206024-A	Door assy. (glove compartment)	15063	C3AZ 15063-A	Adapter (cigar lighter socket)
06036	C3AZ 6206036-A	Panel (glove compt. door finish)	15668	C3DZ 15668-A	Switch (top control or rear window regulator)
06050	C2OB 6206050-A	Hinge assy. (glove compt. door)	15A670	C3AZ 15A670-A	Nut (top control or rear window switch bezel)
06064	C3AZ 6206064-A	Catch (glove compartment door lock striker plate)	17255	#	Speedometer assy.
06081	B9A 6406081-A	Lock assy. (glove compt. door)	17260	#	Speedometer cable assy.
06095	C0AB 6406095-A	Escutcheon (glove compt. door lock)	17304	FDR 17304-A	Grommet (speedometer case)
06115	B6A 7006115-A	Bumper (glove compt. door arm)	17305	FDR 17305-A	Retainer (speedo. case grommet)
06117	C3AZ 6206117-A	Stop (glove compt. door)	17512	#	Nut (w/s wiper control)
06122	C3AZ 6206122-A	Grommet (glove compt. door check arm)	17513	#	Knob assy.
10A665	#	Wiring assy. (ammeter)-use with 60 amp. alternator	17A553	#	Switch (w/s wiper)
10804	B9MZ 10804-C	Regulator (instr. cluster voltage)	18513	C3AZ 18513-A	Knob (heater blower switch)
10838	C3AZ 10838-A	Housing (instr. cluster)	18519	#	Knob (heater control)
10A840	C3AZ 10A840-A	Bezel (park. brake warning lamp)	18531	C3AZ 18531-A	Bracket (heater control mounting)
			18541	C1AF 18541-A	Socket & wire (htr. control panel)
			18578	C3AZ 18578-A	Switch (heater blower)
			18A651	C3AZ 18A651-B	Panel & retainer (heater control)
			18805	★C3AZ 18805-A	Radio kit (AM)
			18808	★C3MY 18808-A	Speaker (radio receiver)
			18A952	C3MY 18A952-A	Resistor (radio suppression choke)
			18981	FEK 18981-A	Wire & socket (ash receptacle lamp)

* Refer to Soft Trim Section

‡ Refer to Basic Group for proper Prefix and/or Suffix required



* SPECIFY COLOR-REFER TO SOFT TRIM SECTION
 ▲ USED AS COVER WHEN RADIO, CLOCK, OR HEATER IS NOT INSTALLED
 ▲ FOR VEHICLES EQUIPPED WITH MOVABLE STEERING COLUMN
 ■ ALSO SUPPLIED IN 18805 RADIO KIT

1964 FORD-CUSTOM & GALAXIE INSTRUMENT PANEL & RELATED PARTS

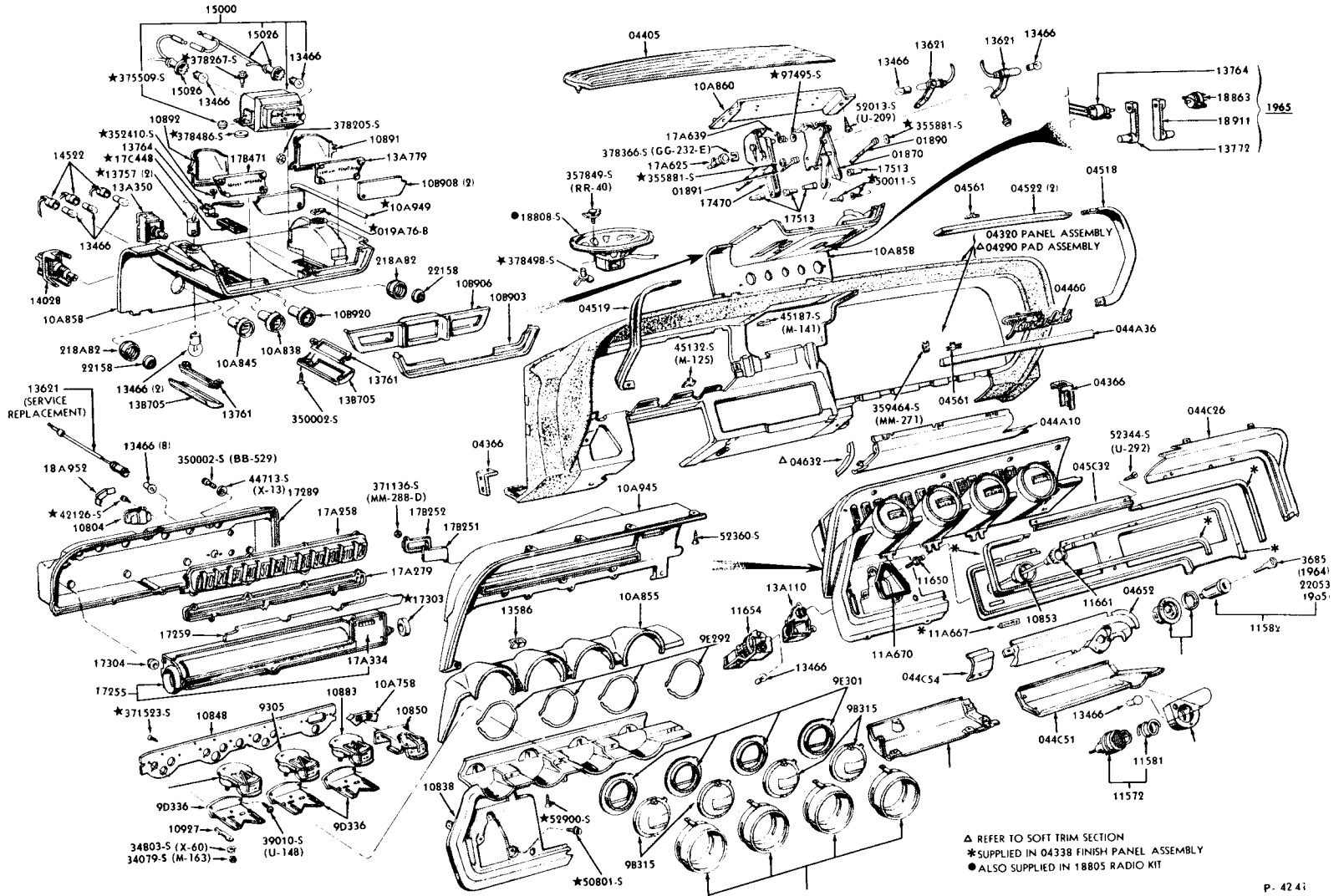
Group	Part Number	Part Name	Group	Part Number	Part Name
3C571	C4AZ 3C571-A	Track (movable steering column)	10850	B9A 10850-A	Ammeter assy.
3A673	C4AZ 3A673-A	Cover (movable steering column opening)	10852	#	Bezel
3685	B9A 3685-A	Key (ignition & door lock)		376032-S	Washer (seal light around bezel)
9302	C3AZ 9302-A	Plate (fuel gauge back)		376529-S	Washer (seal light around bezel)
9304	C3AZ 9304-A	Plate (temperature gauge back)	10A860	C4AZ 10A860-D	Plate (mounting)-R, H.
9305	C4AZ 9305-A	Gauge (fuel)-less back plate		C4AZ 10A860-A	Plate (mounting)-L, H.
9313	C4AZ 9313-A	Mask (fuel & temperature gauge)	10B870	C4MY 10B870-A	Filter (instr. cluster light)-R, H.
9B314	C3AZ 9B314-A	Bezel (fuel gauge)		C4MY 10B870-B	Filter (instr. cluster light)-L, H.
		Bezel (temperature gauge)	10876	C4AZ 10876-A	Bezel (instrument cluster)
9700	C3AZ 9700-B	Control (carb. choke)-6 cyl. only	10879	★B6AZ 10879-A	Brkt. assy. (alternator ammeter) -Repl. by B6AZ 10847-A
9A700	C3AZ 9A700-A	Bracket (choke control mtg.)- except with A/C- 6 cyl. only	10883	C4AZ 10883-A	Gauge (temp.)less back plate
9A700	C3AZ 9A700-C	Bracket (choke control mtg.)- with A/C- 6 cyl. only	10B883	C3AZ 10B883-A	Cover (instr. cluster trim)
9B739	C3AZ 9B739-A	Knob (choke control)-6 cyl. only	10887	C4AZ 10887-A	Dial (instr. cluster main)
Δ015A08	C3AZ 76015A08-A	Brace (brake pedal support to instrument panel)	10890	C4AZ 10890-A	Mask (instrument cluster)
017A30	C3AZ 62017A30-A	Spring assy. (steering column cover retaining)	10B890	C4AZ 10B890-A	Lens assy. (temperature gauge)
Δ01771	★	Pad (stng. col. opening cover plate)	10B890	C4AZ 10B890-B	Lens assy. (fuel gauge)
01890	C3AZ 6201890-A	Control assy. (air)-R, H.	11572	C3AZ 11572-A	Switch (ignition)
01891	#	Control assy. (air)-L, H.	11581	1A 11581-B	Spring (ignition switch retainer)
019A10	C4AZ 62019A10-A	Nut (air control bezel)	11582	C3AZ 11582-A	Cylinder and keys (ignition)
04278	C3AZ 6204278-A	Clip (safety cover retainer)	11584	C3AZ 11584-A	Bezel (ignition switch)
*04290	#	Pad (instrument panel safety)	11650	C4AZ 11650-A	Nut (light switch)
04320	#	Panel assy. (instrument)	11654	#	Switch (light control)
04366	C0AB 6404366-A	Bracket (instr. panel to pillar)	11661	C4AZ 11661-A	Knob & insert (light switch)
04371	C4AZ 6204371-A	Plate (instr. panel radio dial hole)	13340	C2AZ 13340-A	Jewel (turn indicator lamp)
04396	C3AZ 6204396-A	Bracket (instr. panel clock opening cover mounting)	13466	#	Bulb (instr. panel lighting)
	# 04428	Cover (clock opening)	13621	C4AZ 13621-A	Socket & wire (instrument panel)
04454	C3AZ 6204454-B	Grille (instrument panel radio)	14A122	C1AF 14A122-A	Bezel (rear window reg. switch)
04460	#	Plate (name)	14A124	C1AZ 14A124-A	Nut (rear window control switch Bezel)
04484	C4AZ 6204484-A	Clip (instr. panel radio grille ret.)	14A125	C1AF 14A125-A	Bracket (top control or rear window reg. switch mounting)
04496	# 04496	Cover (heater control opening)	14413	C3AZ 14413-A	Switch & wire (glove cmpt. lamp)
04548	★	Support (instr. panel radio grille)	14429	FEW 14429-A	Fuse (cigar lighter)
045B52	C4AZ 54045B52-A	Cover (instr. panel defroster opening flange)	14683	C4AZ 14683-E	Wiring (rear window reg. feed)
04774	C4AZ 6204774-A	Panel (instr. panel finish)-R, H.			
04775	#	Panel (instr. panel finish)-L, H.	15A000	★C4AZ 15A000-A	Clock kit (electric)
04810	C3AZ 6204810-C	Receptacle assy. (instr. panel ash)	15009	C4AZ 15009-A	Bezel (electric clock)
04826	C3AZ 6204826-A	Ret. assy. (instr. panel ash recept.)	15026	★COMF 15026-A	Wire & socket (electric clock)
06010	C3AZ 6206010-A	Compartment assy. (glove)	15052	C4AZ 15052-A	Knob & element (cigar lighter)
06024	C4AZ 6206024-A	Door assy. (glove compartment)	15055	#	Socket & retainer (cigar lighter)
06036	C4AZ 6206036-A	Panel (glove compt. door finish)	15063	C3AZ 15063-A	Adapter (cigar lighter socket)
06050	C2OB 6206050-A	Hinge assy. (glove compt. door)	15668	C3DZ 15668-A	Switch (top control or rear window regulator)
06064	C3AZ 6206064-A	Catch (glove compartment door lock striker plate)	15A670	C3SZ 15A670-A	Nut (top control switch bezel)
06081	B9A 6406081-A	Lock assy. (glove compt. door)	17255	#	Speedometer assy.
06095	C0AB 6406095-A	Esc. (glove compt. door lock)	17260	#	Speedometer cable assy.
06115	B6A 7006115-A	Bumper (glove compt. door arm)	17303	C2SZ 17303-A	Gasket (speedometer case)
06117	C3AZ 6206117-A	Stop (glove compt. door)	17304	FDR 17304-A	Grommet (speedometer case)
06122	C3AZ 6206122-A	Grommet (glove compt. door check arm)	17305	FDR 17305-A	Ret. (speedometer case grommet)
10A665	#	Wiring assy. (ammeter)	17A317	★C4AF 17A317-A	Spacer (rubber-speedometer dial)
10804	B9MZ 10804-C	Regulator (instr. cluster voltage)	17512	#	Nut (w/s wiper control)
10838	C3AZ 10838-A	Housing (instr. cluster)	17513	#	Knob assy.
10A840	C3AZ 10A840-A	Bezel (park. brake warning lamp)	17A553	#	Switch (w/s wiper)
10A841	C4AZ 10A841-A	Lamp & wiring assy. (parking brake warning)	18519	C4AZ 18519-A	Knob (heater control)
10847	C2AZ 10847-A	Bracket assy. (ammeter mtg.)	18531	C3AZ 18531-A	Bracket (heater control mounting)
10848	C3AZ 10848-A	Plate assy. (instr. cluster back)	18541	FEG 18541-A	Socket & wire (htr. control panel)
10A848	B9FM 10A848-A	Spring (parking brake warning lamp retaining)	18578	C3AZ 18578-A	Switch (heater blower)
			18A651	C4AZ 18A651-A	Panel & retainer (heater control)
			18805	#	Radio kit
			18808	C5AZ 18808-C	Speaker (radio-dash panel mtd.)
			18817	C4AZ 18817-A	Knob (radio volume control)
			18A952	C3MY 18A952-A	Resistor (radio suppression choke)
			18981	FEK 18981-A	Wire & socket (ash receptacle lamp)

* Refer to Soft Trim Section

★ Refer to Basic Group for proper Prefix and/or Suffix required

Δ For vehicles equipped with Movable Steering Column

1964 THUNDERBIRD INSTRUMENT PANEL & RELATED PARTS



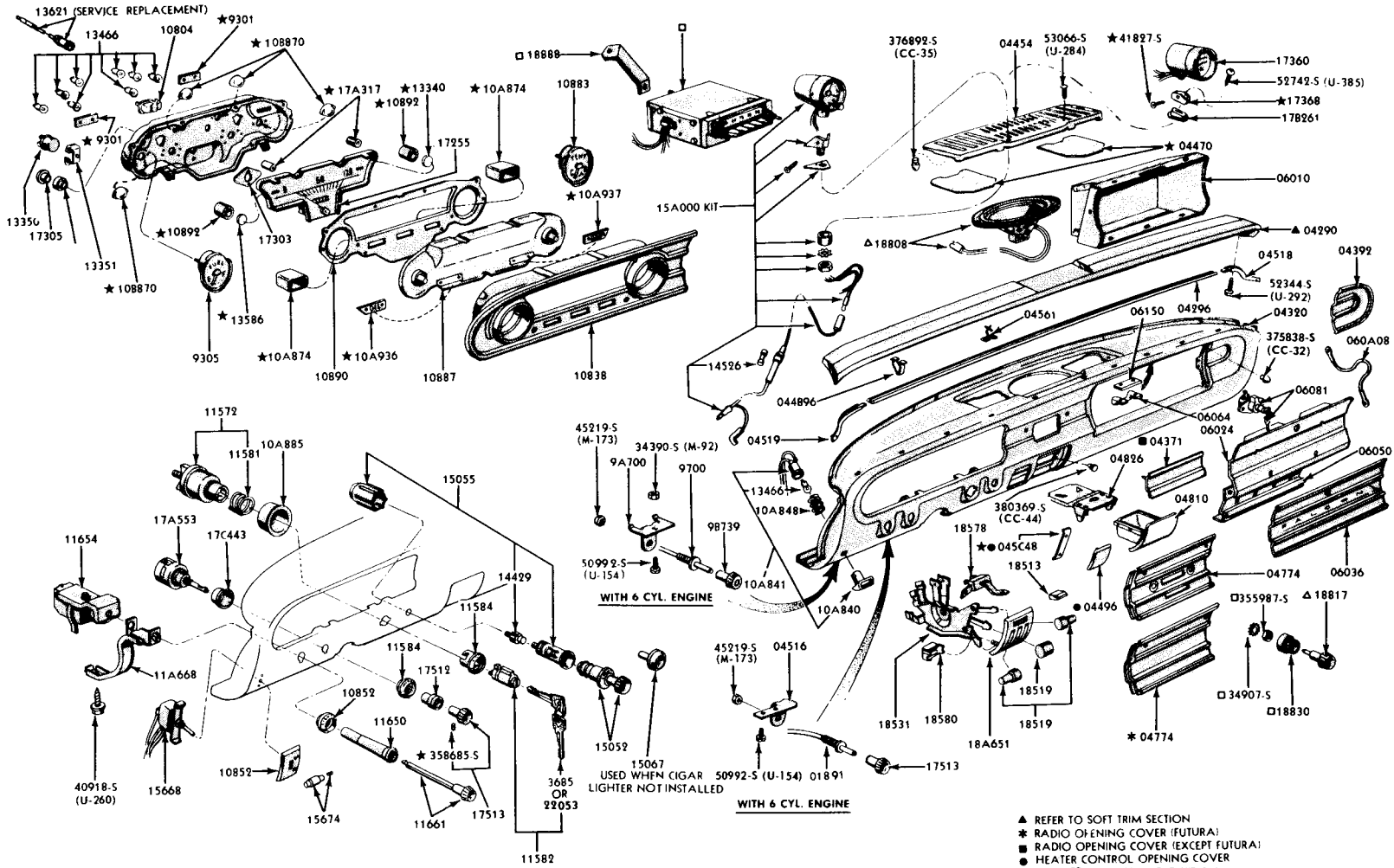
▲ REFER TO SOFT TRIM SECTION
 * SUPPLIED IN 04338 FINISH PANEL ASSEMBLY
 ● ALSO SUPPLIED IN 18805 RADIO KIT

1964 / THUNDERBIRD INSTRUMENT PANEL and RELATED PARTS

Group	Part Number	Part Name	Group	Part Number	Part Name
3685	B9A 3685-A	Key (ignition & door lock)-blank (1964)	10A855	C4SZ 10A855-A	Lens (instr. panel controls ident.)
9A283	C4SZ 9A283-A	Bezel (fuel gauge)-4 reqd. - (1) fuel gauge, (1) oil gauge (1) temperature gauge (1) ammeter assy.	10A858	#	Housing (instr. cluster control)
9E292	C4SZ 9E292-A	Spring (fuel indicator lens ret.)-4 required	10A860	C4SZ 10A860-A	Plate (instrument cluster ignition switch mounting)
9E301	C4SZ 9E301-A	Filter (fuel level indicator light) 4 reqd.-(1) fuel gauge (1) oil gauge, (1) temp. gauge, (1) ammeter	10A860	C4SZ 10A860-C	Plate (instr. cluster control mtg.)
9305	C4SZ 9305-A	Gauge assy. (fuel)	10883	C4SZ 10883-A	Gauge (temperature)
9B308	C4SZ 9B308-A	Gauge assy. (oil pressure)	10B903	C4SZ 10B903-A	Bezel (instrument cluster control housing)
9B315	C4SZ 9B315-B	Lens (fuel level gauge)-4 reqd. - (1) fuel gauge, (1) oil gauge, (1) temperature gauge, (1) ammeter assy.	10B906	C4SZ 10B906-A	Escutcheon (instrument cluster control housing)
9D336	C4SZ 9D336-A	Bracket (fuel gauge mounting) - 3 reqd. -(1) fuel gauge, (1) oil pressure gauge, (1) temp. gauge	10B908	C4SZ 10B908-A	Lens (instr. cluster control hsg.)
01870	C4SZ 6301870-B	Bracket (air control mounting)	10B920	C4SZ 10B920-A	Bezel (emergency warning indicator lamp)
01890	C4SZ 6301890-C	Control assy. (air)-R. H.	10927	C4SZ 10927-A	Terminal (instr. cluster gauge)
01891	C4SZ 6301891-C	Control assy. (air)-L. H.	10A945	C4SZ 10A945-A	Housing (speedometer)
019A76	★C4SB 63019A76-B	Bumper (air control arm)	11572	C3AZ 11572-A	Switch (ignition)-1964
04290	#	Pad (instrument panel safety)	11580	C4SZ 11580-B	Bezel (ignition switch)-1964
04320	C4SZ 6304320-B	Panel assy. (instrument)	11581	1A 11581-B	Spring (ign. switch ret.) -1964/65
04338	#	Panel (instrument panel finish)	11582	C3AZ 11582-A	Cyl. & keys (ign. switch lock)-1964
04366	C4SZ 6304366-A	Bracket (instr. panel to pillar)	11650	C4SZ 11650-A	Nut (light switch)
044B07	#	Panel (instrument panel extension finish)	11654	C4VY 11654-A	Switch (head lamp)-1964
044A10	#	Panel assy. (instrument panel finish)-lower	11661	C4SZ 11661-A	Knob & shaft (light switch)
044C26	#	Moulding (instr. panel)-upper	11A667	C4SZ 11A667-A	Lens (light switch)
044A36	★C4SZ 63044A36-A	Moulding (instrument panel pad retaining)-lower	11A670	C4SZ 11A670-A	Seal (head lamp switch)
044C50	#	Panel (console panel radio access)-R. H.	13A110	C4SZ 13A110-A	Housing (head lamp switch)
044C51	#	Panel (console panel radio access)-L. H.	13A350	#	Switch (emergency warning)
044C54	C4SZ 63044C54-A	Cap (console panel finish mldg.)	13466	#	Bulb (instrument panel lighting)
04460	C4SZ 6304460-A	Plate (instrument panel name)	13586	C4SZ 13586-A	Jewel (high beam indicator)
04518	C4SZ 6304518-A	Moulding (instrument panel cover retaining end)-R. H.	13621	#	Socket & wire (instr. panel lamp)
04519	C4SZ 6304519-A	Moulding (instrument panel cover retaining end)-L. H.	13B705	#	Bezel (map lamp lens)
04522	C4SZ 6304522-A	Moulding (instrument panel pad retaining)-upper	13761	#	Lens (map lamp)
045C32	C4SZ 63045C32-B	Cover (instrument panel finish panel moulding joint)	13764	#	Switch (map lamp)
04561	C4SZ 6304561-A	Clip (instrument panel cover retaining upper moulding)	13772	#	Knob (map lamp control)
04632	#	Filler (instrument panel lower finish panel)	13A779	C4SZ 13A779-B	Lens (air control indicator lamp)
04652	#	Moulding (instr. panel lower ctr.)	14028	C4SZ 14028-B	Control (door lock-vacuum)
10A758	C4SZ 10A758-B	Insulator (instrument cluster ammeter)-1964/65	14522	C4SZ 14522-A	Socket & wiring (fuel level, emergency warning, open door warning)
10804	B9MZ 10804-C	Regulator (instr. cluster voltage)	15000	C4SZ 15000-A	Electric clock
10838	C4SZ 10838-A	Housing (instrument cluster)	15026	#	Wire & socket (electric clock)
10A838	C4SZ 10A838-A	Bezel (low fuel level warning lamp)	17B251	C4SZ 17B251-A	Lens (odometer)
10A845	C4SZ 10A845-A	Bezel (door opening warning lamp)	17B252	C4SZ 17B252-A	Retainer (odometer lens)
10848	C4SZ 10848-A	Plate (instrument cluster back)	17255	C4SZ 17255-A	Speedometer assy.
10850	C4SZ 10850-A	Ammeter-1964/65	17A258	#	Dial assy. (speedometer front)
10853	C4SZ 10853-A	Bezel (light switch)	17259	C4SZ 17259-A	Lens (speedometer dial opening)
			17A279	C4SZ 17A279-A	Retainer (speedometer dial lens)
			17289	C4SZ 17289-A	Case assy. (speedometer)
			17303	★C4SF 17303-A	Gasket (speedometer case)
			17304	★C4SF 17304-A	Grommet (speedometer case)
			17A334	C4SZ 17A334-A	Dial & mask assy's (speedometer)
			17C448	★C4SB 17C448-B	Gasket (wiper control)
			17470	#	Control assy. (w/s wiper)
			17B471	#	Lens (wiper control ind. lamp)
			17513	#	Knob assy.
			17A625	C4SZ 17A625-A	Switch (washer control)
			17A639	C4SZ 17A639-A	Spring (washer control arm return)
			18808	#	Speaker (radio-dash panel mtd.)
			18863	C5SZ 18863-A	Switch (electric antenna)
			18911	C5SZ 18911-B	Knob (electric antenna control)
			18A952	C3MY 18A952-A	Resistor (radio suppression choke)
			218A82	C4SZ 63218A82-A	Bezel (door lock control switch)
			22158	C4SZ 6322158-A	Nut (door lock control mounting)

Δ Refer to Soft Trim Section

♣ Refer to Basic Group for Complete Part Number



- ▲ REFER TO SOFT TRIM SECTION
- * RADIO OPENING COVER (FUTURA)
- RADIO OPENING COVER (EXCEPT FUTURA)
- HEATER CONTROL OPENING COVER
- SUPPLIED IN 1880S RADIO KIT ONLY
- ▲ ALSO SUPPLIED IN 1880S RADIO KIT

1964/ FALCON INSTRUMENT PANEL & RELATED PARTS

Group	Part Number	Part Name	Group	Part Number	Part Name
3C571	C4AZ 3C571-A	Guide (instr. panel moveable steering column opening)	10848	C4DZ 10848-A	Plate (instr. cluster back)
3A673	C4AZ 3A673-A	Cover assy. (moveable steering column opening)	10A848	B9FM 10A848-A	Spring (parking brake warning lamp)
3685	B9A 3685-A	Key (ignition & side door)-1964	10852	C4DZ 10852-B	Bezel (instr. cluster control)- "Lights"
9305	C5DZ 9305-A	Gauge (fuel)		C4DZ 10852-A	"Wiper"
9700	C4DZ 9700-A	Control (carburetor choke)-1964		C4DZ 10852-D	"Up-on"
9A700	C4DZ 9A700-B	Bracket (choke control mtg.)-1964	10883	C5DZ 10883-A	Gauge (instr. cluster temp.)
9B739	C4DZ 9B739-A	Knob (carb. choke control)-1964	10A885	C4DZ 10A885-A	Plate (instr. cluster control mtg.)
01891	#	Control assy. (air)-L, H.	10887	C4DZ 10887-A	Dial (instr. cluster main)-1964
▲04290		Pad (instrument panel safety)	10890	C4DZ 10890-A	Mask assy. (instrument cluster)
04296	C4DZ 6204296-A	Moulding (instrument panel upper cover retaining)	11572	C3AZ 11572-A	Switch assy. (ignition)
04320	#	Panel assy. (instrument)	11581	1A 11581-B	Spring (ignition switch retaining)
■04371	#	Plate (instrument panel radio dial hole)	11582	C3AZ 11582-A	Cvl. & kevs(ign. switch lock)-1964
04392	#	Panel (instrument panel finish end)-R, H.	11584	C3AZ 11584-A	Bezel (ignition switch)
04454	C4DZ 6204454-A	Grille (instrument panel radio)	11650	C4DZ 11650-A	Nut (head lamp switch)-1964
	376892-S(CC35)	Bumper	11654	C4DZ 11654-A	Switch (head lamp)-1964
04470	*	Cover (instrument panel defroster opening)	11661	#	Knob & shaft (head lamp switch)
●04496	C4DZ 6204496-A	Cover (instrument panel heater control opening)	11A668	C4DZ 11A668-A	Bracket (instrument panel head lamp switch)-1964
044B96	#	Clip (instrument panel pad retaining)-upper	13350	C5AZ 13350-B	Flasher (turn indicator)
04516	C4DZ 6204516-B	Bracket (instrument panel ventilator air control mounting)	13351	B5A 13351-A	Bracket (turn indicator flasher)
04518	#	Moulding (instrument panel) cover retaining end)-R, H.	13466	#	Bulb (instrument lighting)
04519	#	L, H.	13621	C4AZ 13621-A	Socket & wire (instrument panel)
●045C48	*	Retainer (instrument panel heater control opening cover)	14429	FEW 14429-A	Fuse (cigar lighter)
04561	C4DZ 6404561-A	Clip (instrument panel cover retaining upper moulding)	14526	#	Circuit breaker
04774	#	Panel (instrument panel at cluster finish)-units with radio	15A000	★C3OZ 15A000-A	Electric clock kit - Repl. by C7DZ 15A000-A
*04774	#	Panel (instrument panel at cluster finish)-units w/o radio	15052	#	Knob & element (cigar lighter)
04810	C4DZ 6204810-A	Receptacle assy. (instr. panel ash)	15055	#	Socket & retainer (cigar lighter)
	380369-S(CC44)	Bumper	15067	C4DZ 15067-A	Cover (instrument panel cigar lighter opening)
04826	C4DZ 6204826-A	Retainer assy. (instrument panel ash receptacle)	15668	#	Switch (top control or tailgate window)
060A08	C4DZ 62060A08-A	Cable assy. (glove compartment door check)	15674	C4DZ 15674-A	Knob (top control or tailgate window)
06010	C4DZ 6206010-A	Compartment assy. (glove)	17255	#	Speedometer
06024	#	Door assy. (glove compartment)	17B261	C4DZ 17B261-A	Plate (tachometer mounting)-1964
	380369-S(CC44)	Bumper	17303	C2SZ 17303-A	Gasket (speedometer case)
06036	#	Panel (glove compt. door finish)	17304	FDR 17304-A	Grommet (speedometer case)
06050	#	Hinge assy. (glove compt. door)	17305	FDR 17305-A	Retainer (speedometer case grommet)
06064	C4DZ 6206064-C	Catch (glove compartment door lock striker plate)	17A317	★C3AF 17A317-A	Spacer (speedometer dial)
06081	C4DZ 6206081-A	Lock assy. (glove compartment door)-with keys	17360	C4DZ 17360-A	Tachometer assy. (1964)
06150	C4DZ 6206150-A	Plate (glove compartment door lock catch anchor)	17368	C3RZ 17368-A	Bracket (tachometer mounting) (1964)
10804	B9MZ 10804-C	Regulator (instr. cluster voltage)	17C443	C4DZ 17C443-A	Bracket (w/s wiper control)
10838	#	Housing (instrument cluster)	17512	C4DZ 17512-A	Nut (w/s wiper control)
10A840	C3AZ 10A840-A	Bezel (parking brake warning lamp)	17513	#	Knob
10A841	C4DZ 10A841-A	Lamp & wiring assy. (parking brake warning)	17A553	#	Switch (w/s wiper)
			18513	C4DZ 18513-A	Knob (heater blower switch)
			18519	#	Knob (heater control)
			18531	C4DZ 18531-A	Bracket (heater control mounting)
			18578	C4DZ 18578-A	Switch (heater blower)
			18580	C4DZ 18580-A	Clamp (heater control mounting)
			18A651	C4DZ 18A651-A	Panel & retainer (heater control)
			18805	*	Radio kit (1964)
			18808	C5AZ 18808-B	Speaker (radio receiver dash mtd.)
			18817	# 18817	Knob (radio receiver)

‡ Refer to Basic Group for proper Prefix and Suffix

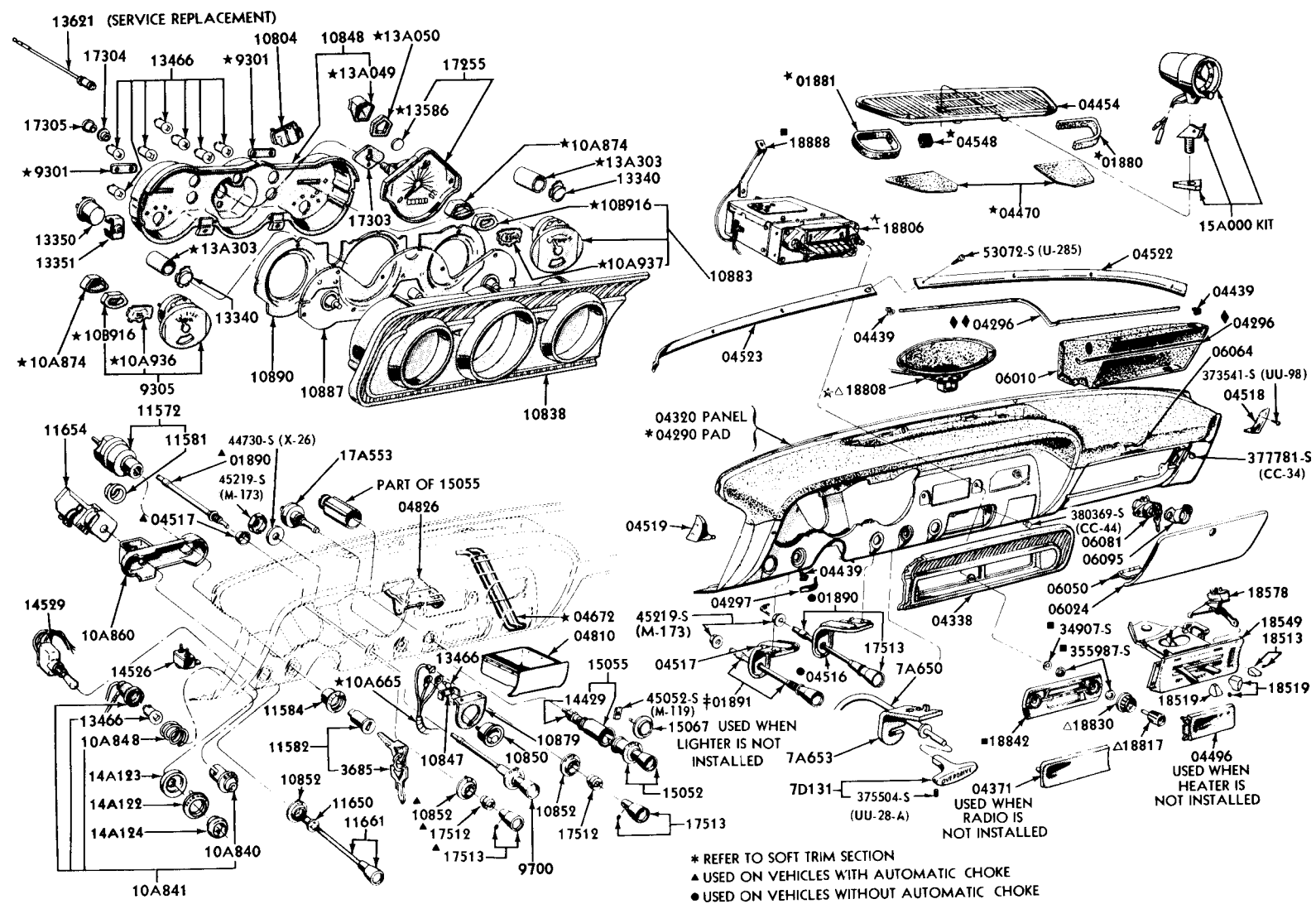
■ Radio Opening Cover (except Futura)

* Radio Opening Cover (Futura)

▲ Refer to Soft Trim Section

● Heater Control Opening Cover

1964 FAIRLAINE INSTRUMENT PANEL & RELATED PARTS



- * REFER TO SOFT TRIM SECTION
- ▲ USED ON VEHICLES WITH AUTOMATIC CHOKE
- USED ON VEHICLES WITHOUT AUTOMATIC CHOKE
- ◆ USED WITH PANEL 04338
- ◆◆ USED WITHOUT PANEL 04338
- △ ALSO SUPPLIED IN 18805 RADIO KIT
- ‡ CUT AS REQUIRED

1964 FAIRLANE INSTRUMENT PANEL & RELATED PARTS

Group	Part Number	Part Name	Group	Part Number	Part Name
3685	B9A 3685-A	Key (ignition & door lock)	10A848	B9FM 10A848-A	Spring (parking brake warning lamp)
7D131	C2OZ 7D131-A	Handle (trans, overdrive cable)	10850	B9A 10850-A	Ammeter
7A650	C2OZ 7A650-A	Cable assy. (trans, overdrive)	10852	C2OZ 10852-A	Bezel (instr. cluster control)-air
7A653	C2OZ 7A653-B	Bracket (trans, overdrive control)	10852	C4OZ 10852-B	Bezel (instrument panel control) - lights & wipers
9305	C4OZ 9305-A	Gauge (fuel)-less back plate	10A860	C3OZ 10A860-A	Plate (instr. cluster control mtg.)
9700	C3OZ 9700-A	Control (carb, choke)	10879	★FDM 10879-AP	Bracket assy. (ammeter) - Repl. by B6AZ 10847-A
01880	★	Sill (w/s defroster opening)-R, H.	10883	C4OZ 10883-A	Gauge assy. (temperature)
01881	★	Sill (w/s defroster opening)-L, H.	10887	C4OZ 10887-A	Dial (instrument cluster main)
▲01890	#	Control assy. -R, H.	10890	C4OZ 10890-A	Mask assy. (instrument cluster)
●01890	#	Control assy. -R, H.	11572	C3AZ 11572-A	Switch assy. (ignition)
‡01891	#	Control assy. -L, H.	11581	1A 11581-B	Spring (ignition switch retaining)
*04290		Pad (instrument panel safety)	11582	C3AZ 11582-A	Cylinder & keys(ign, switch lock)
◆04296	C4OZ 6204296-B	Moulding assy. (instrument panel pad retaining)-R, H.	11584	C3AZ 11584-A	Bezel (ignition switch)
◆◆04296	C4OZ 6204296-A	Moulding assy. (instrument panel pad retaining)-R, H.	11650	C4OZ 11650-A	Nut assy. (ignition switch)
04297	#	Moulding assy. (instrument panel pad retaining)-L, H.	11654	C2OB 11654-A	Switch assy. (light control)
04320	C4OZ 6204320-#	Panel assy. (instrument)	11661	C3OZ 11661-A	Knob & shaft assy. (light control switch)
04338	C4OZ 6204338-A	Panel (instrument panel finish)	13A050	C4OZ 13A050-A	Gasket (headlamp high beam indicator)
04371	#	Plate (instrument panel radio dial hole)	13340	C4OZ 13340-A	Lens (instrument panel turn indicator lamp)
04439	C2OZ 6204439-A	Retainer (instr. panel moulding)	13350	★C3AZ 13350-A	Flasher assy. (turn indicator)- Repl. by C5AZ 13350-B
04454	C2OB 6204454-AP	Grille (instrument panel radio)	13351	B5A 13351-A	Bracket (turn indicator flasher mounting)
04470	★	Cover (instrument panel defroster opening)	13466	#	Bulb (instrument panel lighting)
04496	C4OZ 6204496-B	Cover (instrument panel heater control opening)	13621	C4AZ 13621-A	Socket & wire (instrument panel)
●04516	C3OZ 6204516-A	Bracket (instrument panel ventilator air control opening)-R, H.	13751	C3OZ 13751-A	Lamp assy. (door open warning)
04517	C3OZ 6204517-A	Bracket (instrument panel ventilator air control opening)-L, H.	14A122	C0DF 14A122-B	Bezel (rear window control switch)
04518	C2OZ 6204518-A	Moulding (instrument panel cover retaining end)-R, H.	14A123	C3OZ 14A123-A	Spacer (rear window control switch)
04519	C2OZ 6204519-A	L, H.	14A124	C1AZ 14A124-A	Nut (rear window control switch)
04522	C4OZ 6204522-A	Moulding (instrument panel pad retaining upper)-R, H.	14429	FEW 14429-A	Fuse assy. (cigar lighter)
04523	C4OZ 6204523-A	L, H.	14526	#	Circuit breaker assv. (electric windshield wiper)
04548	★	Support (instr. panel radiogrille)	14529	C3OZ 14529-A	Switch (rear window regulator control)
04672	★C2OZ 6204672-A	Brace (instrument panel lower flange to cowl inner panel)	15A000	★C3OZ 15A000-A	Clock kit (electric) - Repl. by C7DZ 15A000-A
04810	C4OZ 6204810-A	Receptacle assy. (instrument panel ash)	15052	C3OZ 15052-A	Knob & element assy. (cigar lighter)
04826	#	Bumper	15055	C2AB 15055-A	Socket & retainer assy. (cigar lighter)
06010	C2OZ 6206010-A	Retainer assy. (instrument panel ash receptacle)	15067	C2OB 15067-A	Cover (instrument panel cigar lighter opening)
06024	C3OZ 6206024-A	Compartment assy. (glove)	17255	#	Speedometer assy.
06050	C3OZ 6206050-A	Door assy. (glove compartment)	17260	#	Speedometer cable assy.
06064	C2OZ 6206064-A	Bumper	17303	C2SZ 17303-A	Gasket (speedometer case)
06081	C2OZ 6206081-A	Hinge assy. (glove compartment door)	17304	FDR 17304-A	Grommet (speedometer case)
06095	C0AB 6406095-A	Catch (glove compartment door lock striker plate)	17305	FDR 17305-A	Retainer (speedometer case grommet)
10804	B9MZ 10804-C	Lock assy. (glove compartment door) -with 2 keys	17512	C3OZ 17512-A	Nut (windshield wiper control)
10838	C4OZ 10838-A	Escutcheon (glove compartment door lock)	17513	C0AF 17513-A	Knob assy. (windshield wiper or air control)
10A840	B9FM 10A840-A	Regulator (instr. cluster voltage)	17A553	#	Switch (windshield wiper)
10A841	C4OZ 10A841-A	Housing (instrument cluster)	18513	C4OZ 18513-A	Knob assy. (heater blower switch)
10847	C2AZ 10847-A	B(54B, 62B, 65, 71B)	18519	C4OZ 18519-A	Knob (heater control)
10848	C4OZ 10848-A	B(54A, 62A, 71D)	18578	C2OZ 18578-A	Switch assy. (heater)
18805	C4OZ 18805-AA	Bezel (parking brake warning lamp)	18805	C4OZ 18805-AA	Radio kit (push button)
18808	C5AZ 18808-B	Lamp & wiring assy. (parking brake warning)	18808	C5AZ 18808-B	Speaker (radio receiver-dash mounted)
18817	C3OZ 18817-A	Bracket assy. (ammeter mtg.)			Knob (radio receiver)
		Plate (instrument cluster back)			

▲ Used on vehicles w/ automatic choke

● Used on vehicles w/o automatic choke

‡ Cut as required

◆ Used with panel 04338

◆◆ Used without panel 04338

* Refer to Soft Trim Section

◆◆◆ Refer to Basic Group for Complete Part Number